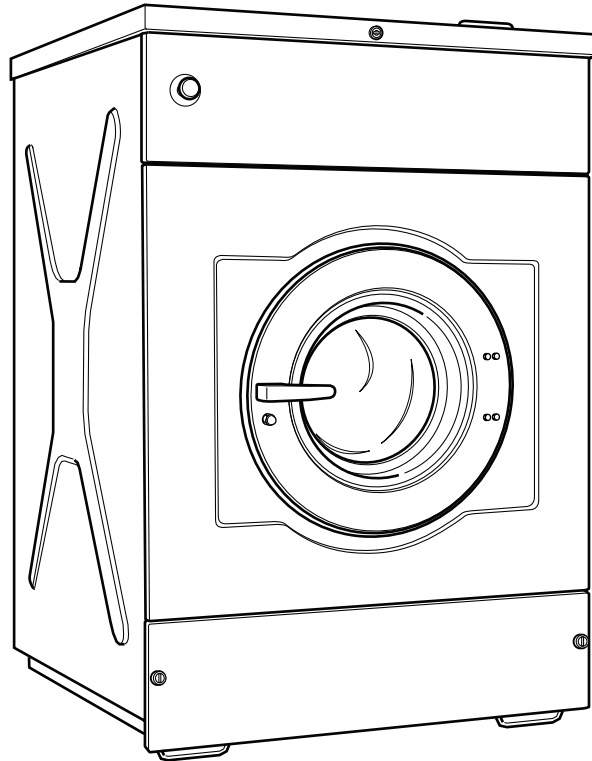


# Washer-Extractor

Cabinet Hardmount

Refer to Page 3 for Model Numbers



CFD651N\_D1362



# Table of Contents

Title	Page
Parts Ordering Information.....	2
Serial Plate Location .....	2
Model Identification .....	3
Cabinet Hardmount Washer-Extractor Product Overview.....	4
Frame.....	6
Bearing Housing .....	8
Basket, Pulley and Belt .....	10
Shell and Basket.....	12
Motor and Belt.....	14
Drain Plumbing .....	16
Door Lock.....	18
Door .....	20
Control Panel - Cygnus Professional .....	22
Control Panel - Cygnus Ultra Pro.....	24
Control Panel - Cygnus Premium OPL and Ultra.....	26
Control Panel - Cygnus Premium Coin .....	28
Control Panel - Cygnus Standard/Commercial OPL and Select.....	30
Control Panel - Cygnus Standard/Commercial Coin and Vended .....	32
Coin Drop - Mechanical Coin Meter.....	34
Coin Drop - Electronic Coin Meter .....	36
Left Side, Lower Front and Upper Rear Panels .....	38
Right Side, Front, Lower Rear and Top Panels .....	40
Inverter Drive .....	42
Printboard Support Panel and Soap Injection Printboards .....	44
Electrical Component Mounting Plate.....	46
Fill Plumbing Assembly .....	48
Steam and Electric Heating Options .....	50
Parts Index.....	53

© Copyright 2017, Alliance Laundry Systems LLC

All rights reserved. No part of the contents of this book may be reproduced or transmitted in any form or by any means without the expressed written consent of the publisher.

## Parts Ordering Information

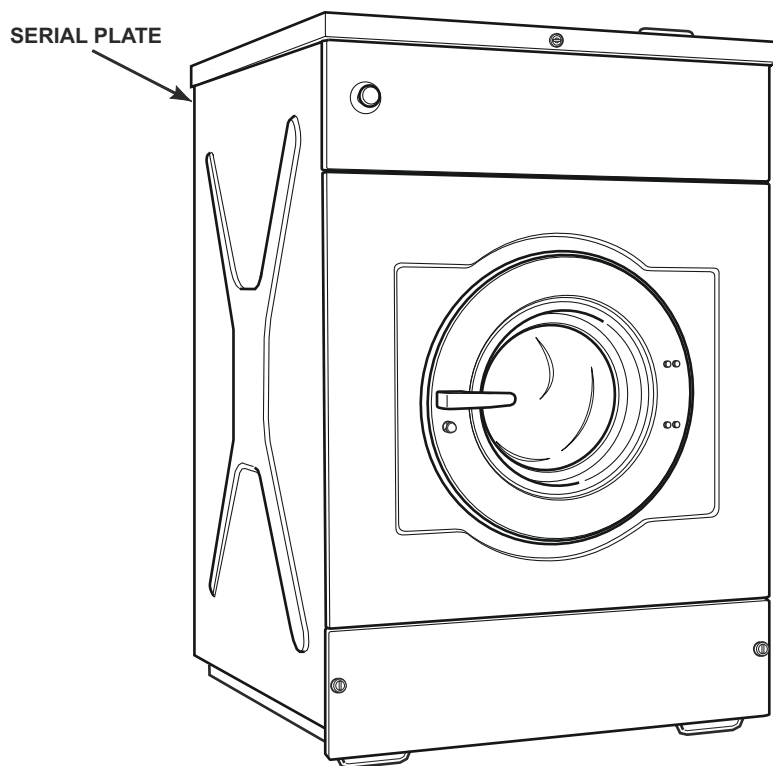
If literature or replacement parts are required, contact the source from whom the machine was purchased or contact Alliance Laundry Systems at (920) 748-3950 for the name and address of the nearest authorized parts distributor.

For technical assistance, call the number listed below:

(920) 748-3121 Ripon, Wisconsin

## Serial Plate Location

When calling or writing about your product, be sure to mention model and serial numbers. Model and serial numbers are located on serial plate(s) as shown.



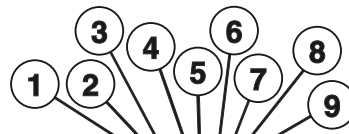
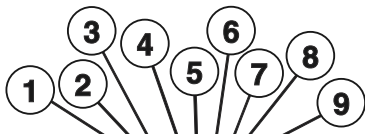
CFD651NA\_D1362


## Model Identification


Information in this manual is applicable to these washer-extractor models:

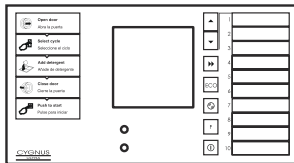
CHE030X	IHA135C	IHW135C	PHU135Y
CHE030Z	IHA135X	IHW135X	PHU165Y
CHE035X	IHA135Y	IHW135Y	YHG135C
CHE035Z	IHA135Z	IHW135Z	YHG165C
CHG135X	IHA165C	IHW165C	WHU135C
CHG165X	IHA165X	IHW165X	WHU165C
CHN135X	IHA165Y	IHW165Y	IH030_CYGNUS-VENDED
CHN135Z	IHA165Z	IHW165Z	IH030_CYGNUS-SELECT
CHN165X	IHG135C	IHY030C	IH030_CYGNUS-ULTRA
CHN165Z	IHG135X	IHY030X	IH030_ULTRA-PRO
CHR030X	IHG135Y	IHY030Y	WD135_CYGNUS-COMM
CHR030Z	IHG135Z	IHY030Z	WD135_CYGNUS-PREM
CHR035X	IHG165C	IHY035C	WD135_CYGNUS-PRO
CHR035Z	IHG165X	IHY035X	WD135_CYGNUS-STANDARD
CHU135X	IHG165Y	IHY035Y	WD165_CYGNUS-COMM
CHU135Z	IHG165Z	IHY035Z	WD165_CYGNUS-PREM
CHU165X	IHN135C	IHZ135C	WD165_CYGNUS-PRO
CHU165Z	IHN135S	IHZ135X	WD165_CYGNUS-STANDARD
CHW135X	IHN135U	IHZ135Y	
CHW135Z	IHN135V	IHZ135Z	
CHW165X	IHN135X	IHZ165C	
CHW165Z	IHN135Y	IHZ165X	
CHZ135X	IHN135Z	IHZ165Y	
CHZ135Z	IHN165C	IHZ165Z	
CHZ165X	IHN165X	JHG135Z	
CHZ165Z	IHN165Y	JHG165Z	
DHU135X	IHN165Z	JHW135C	
DHU165X	IHR030R	JHW135Y	
EHU135X	IHR030S	JHW135Z	
EHU165X	IHR030U	JHW165C	
	IHR030V	JHW165Y	
	IHU135C	JHW165Z	
	IHU135X		
	IHU135Y		
	IHU135Z		
	IHU165C		
	IHU165X		
	IHU165Y		
	IHU165Z		

# Cabinet Hardmount Washer-Extractor Product Overview

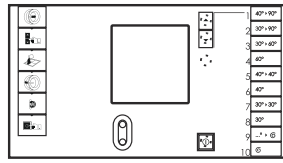


Model No: <b>IXU135XNCUQE</b>	Serial No: 12090AE0036
Volts: 380-415V	Type: <b>HD135</b>
Hertz: 50(60)Hz	<b>1</b> <b>3</b>
Phase: 3+N	Capacity: 30/13.2 lbs/kg
Amps: 24.3 amps	Water 28-85 psi
Recommended Circuit Breaker: 25 amps	Pressure: 2 - 6 bar
Electrical Heating: 12-14. kW	Max Speed: 1000 rpm
Steam: N/A psi	Net 788 lbs
Heat: N/A bar	Weight: 358 kg
Sound Level: 62/73 dBA	IPX4
sfc 807393	
<b>Alliance International BVBA</b> Nieuwstraat 146 8560 Wevelgem Belgium Tel: +32 56 41 20 54 Fax: +32 56 41 86 74 www.ipso.be Country of origin: Belgium	
	

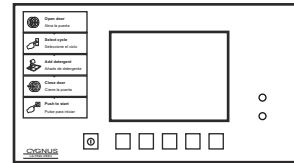
Model No: <b>IHM185SNLXUOP</b>	Serial No: 1209BG0043
Volts: 200-240V	Type: <b>WD185</b>
Hertz: 60(50)Hz	<b>1</b> <b>3</b>
Phase: 1	Capacity: 40/18.2 lbs/kg
Amps: 3.5 amps	Water 28-85 psi
Recommended Circuit Breaker: 15 amps	Pressure: 2 - 6 bar
Electrical Heating: N/A kW	Max Speed: 470 rpm
Steam: N/A psi	Net 618 lbs
Heat: N/A bar	Weight: 281 kg
Sound Level: 62/73 dBA	IPX4
sfc 807410	
<b>Alliance International BVBA</b> Nieuwstraat 146 8560 Wevelgem Belgium Tel: +32 56 41 20 54 Fax: +32 56 41 86 74 www.ipso.be Country of origin: Belgium	
	



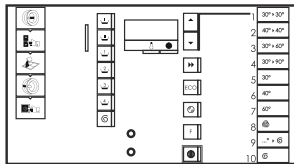
Cygnus Ultra



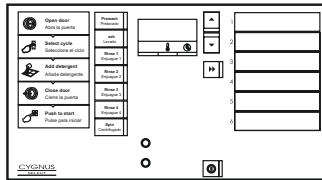
Cygnus Premium Coin



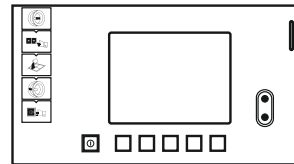
Cygnus Ultra Pro



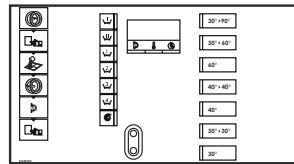
Cygnus Commercial



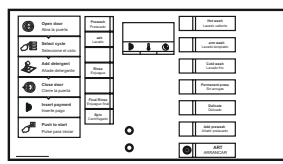
Cygnus Select



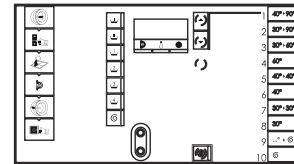
Cygnus Professional



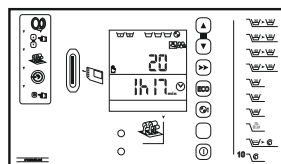
Cygnus Standard Vended



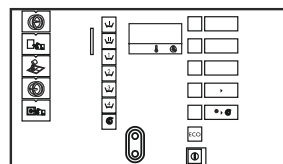
Cygnus Vended



Cygnus Commercial Vended



Cygnus Premium OPL



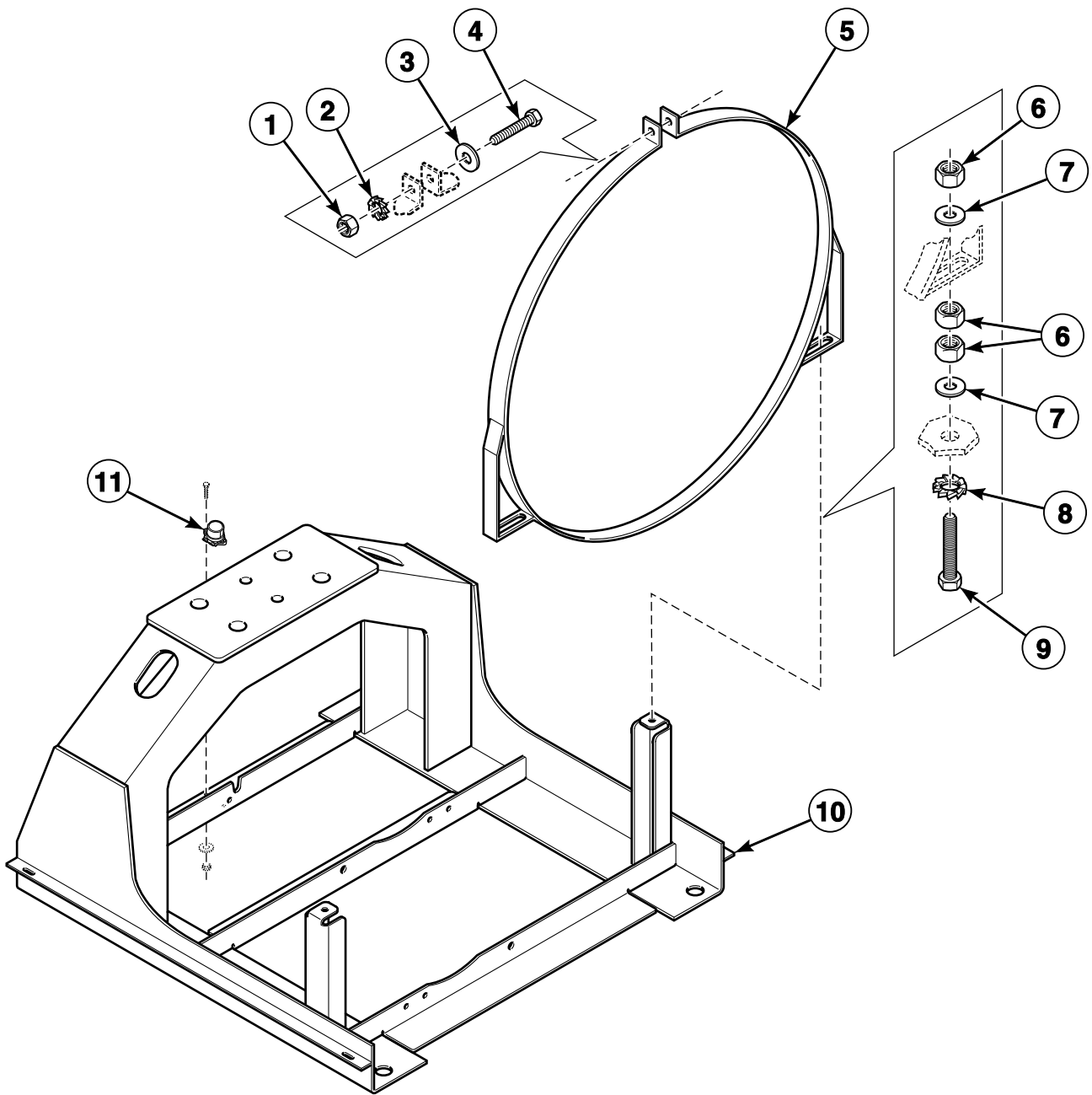
Cygnus Standard OPL

CHM3357P\_D1362

# Cabinet Hardmount Washer-Extractor Product Overview

REF	PART NO.	DESCRIPTION	COMMENTS
1	-	Product Family	CH DH EH IH JH PH WD WH YH
2	-	Market	E (EU [CE] Pounds) G (GOS) N (US ETL/ETL [C]) R (US ETL/ETL [C]) U (EU [CE]) W (EU [CE] WRAS) Z (No Agency Int.)
3	-	Capacity	030 035 135 165
4	-	Control	C (Cygnus Standard) R (Cygnus Ultra Pro) S (Cygnus Select) U (Cygnus Ultra) V (Cygnus Vended) X (Cygnus Commercial) Y (Cygnus Premium) Z (Cygnus Professional)
5	-	Actuation	C (Single Coin Drop) D (Dual Coin Drop) E (Electronic Coin Drop) L (Central Pay Pulses) N (OPL) S (Central Pay Serial Comm)
6	-	Speed	L (Normal Speed) M (High Speed)
7	-	Voltage	C (380-415V/50/60 Hertz/3Ph-4W [L1, L2, L3, N]) N (440-480V/50/60 Hertz/3Ph-3W [L1, L2, L3]) P (380-415V/50/60 Hertz/3Ph-3W[L1, L2, L3]) Q (200-208/220-240V/50/60 Hertz/3Ph-3W [L1, L2, L3]) X (200-208/220-240V/50/60 Hertz/1Ph-2W [L1, N] or 2W [L1, L2])
8	-	Cabinet	U (Standard) 1 (Stainless Steel Side Panels)
9	-	Design	1

# Frame



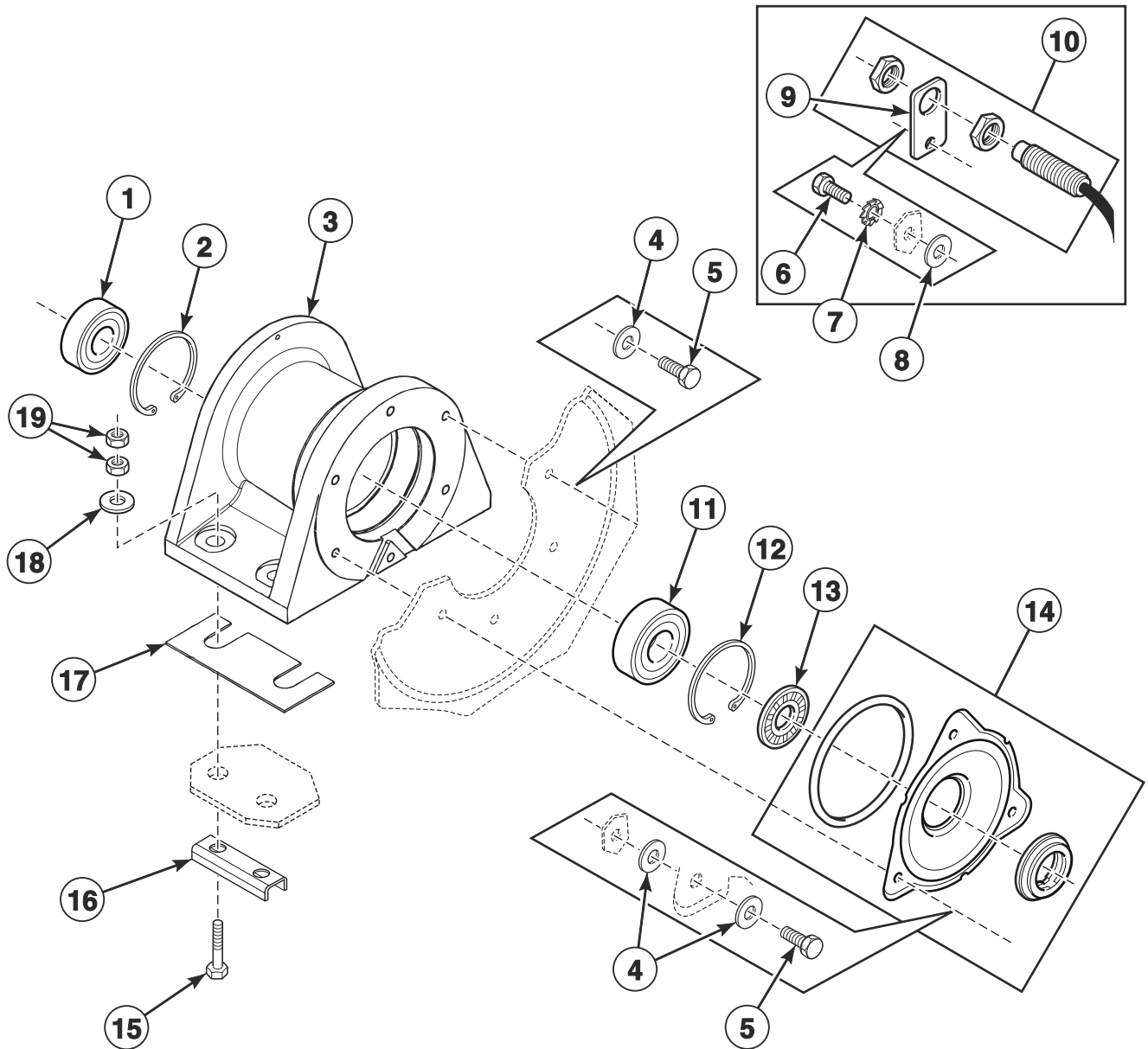
CHM3206P\_D1362



# Frame

REF	PART NO.	DESCRIPTION	COMMENTS
	B12349903	Vibration Switch Wiring Harness	Models with M in the 9th position of the model number
	B12349904	Out-of-Balance Bypass Harness	
1	204/00003/00	Nut	
2	203/00002/00	Washer	
3	201/00010/00	Washer	
4	206/00052/00	Bolt	
5	212/00114/00	Tub Fastening Ring	
6	204/00002/00	Nut	
7	201/00005/00	Washer	
8	203/00001/00	Washer	
9	206/00079/00	Bolt	
10	B12400301	Frame	*30 and *135 models
	B12399301	Frame	*35 and *165 models
11	F8204001	Vibration Switch	Models with M in the 9th position of the model number

# Bearing Housing

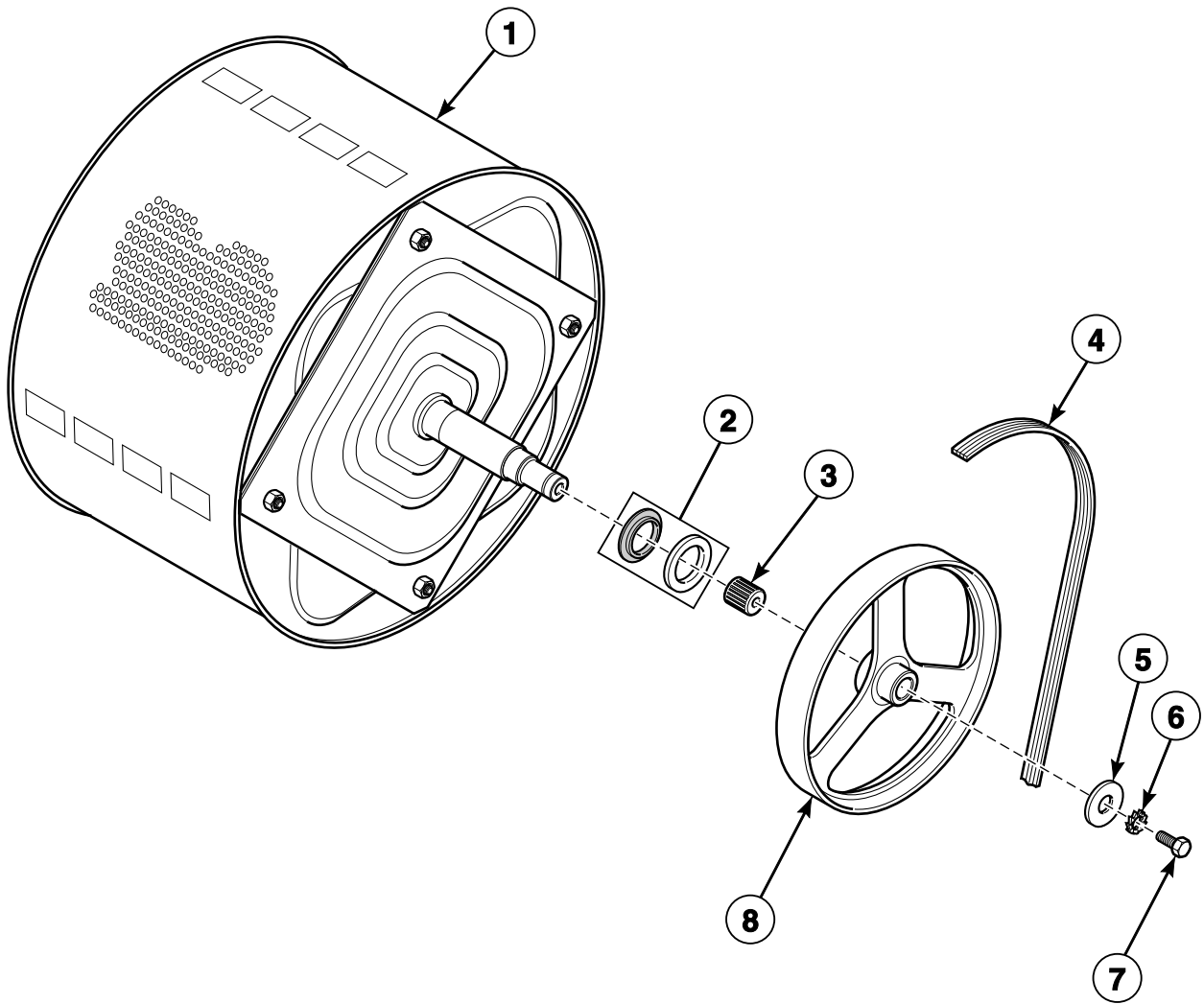


CHM3210P\_D1362

# Bearing Housing

REF	PART NO.	DESCRIPTION	COMMENTS
	381P3P	Bearing Replacement Tool Kit	Purchase
	381P3-1	Bearing Replacement Tool Kit	Rental; Requires F407P4 Hardware Kit
	F407P4	Hardware Kit	
	3882P	Bearing Kit	Includes items 1, 4, 5, 11, 13, 14, 219/00004/00 Counter Ring and 223/00242/20 Tub Gasket
<b>1</b>	F100134	Bearing	
<b>2</b>	212/00037/00	Retainer Ring	
<b>3</b>	212/00101/00	Bearing Housing Assembly	Includes items 1-3, 11 and 12
	212/00101/01	Bearing Housing Assembly	
<b>4</b>	201/00201/00	Washer	
<b>5</b>	205/00102/00	Bolt	
<b>6</b>	206/00014/00	Bolt	
<b>7</b>	203/00004/00	Washer	
<b>8</b>	202/00003/00	Washer	
<b>9</b>	152/00055/00	Speed Detector Bracket	
<b>10</b>	210/00074/00	Speed Detector	Includes item 9
<b>11</b>	212/00004/00	Ball Bearing	
<b>12</b>	212/00006/00	Retainer Ring	
<b>13</b>	B12332301	Lip Seal	
<b>14</b>	B12333701	Seal Plate Assembly	
<b>15</b>	206/00093/00	Bolt	
<b>16</b>	113/00067/00	U-Piece Assembly	
<b>17</b>	113/00019/01	Bearing Housing Plate	1 mm
	113/00019/02	Bearing Housing Plate	2 mm
<b>18</b>	201/00001/00	Washer	
<b>19</b>	206/00094/00	Nut	

# Basket, Pulley and Belt

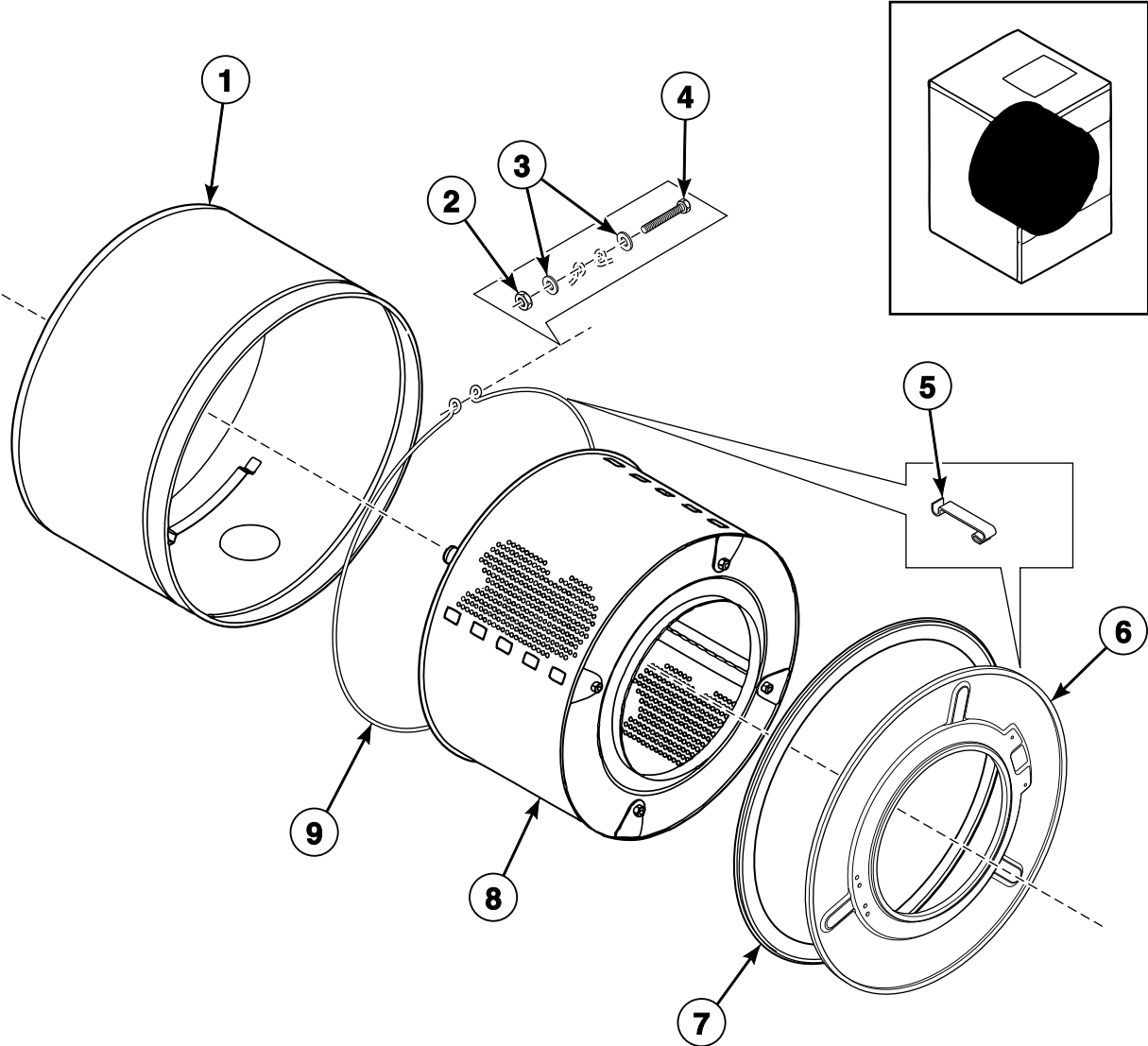


BE000791AP\_D1362

## Basket, Pulley and Belt

REF	PART NO.	DESCRIPTION	COMMENTS
1	B12539501	Basket and Shaft Assembly	*30 and *135 models; 3 mm
	B12539502	Basket and Shaft Assembly	*30 and *135 models; 9 mm; L speed models only
	B12539701	Basket and Shaft Assembly	*35 and *165 models; 3 mm
	B12539702	Basket and Shaft Assembly	*35 and *165 models; 9 mm; L speed models only
2	219/00004/00	Counter Ring	
3	215/00004/00	Tolerance Ring	
4	226/00124/00	Belt	
5	201/00003/00	Washer	
6	203/00001/00	Washer	
7	206/00004/00	Bolt	
8	226/00126/00	Pulley	

# Shell and Basket

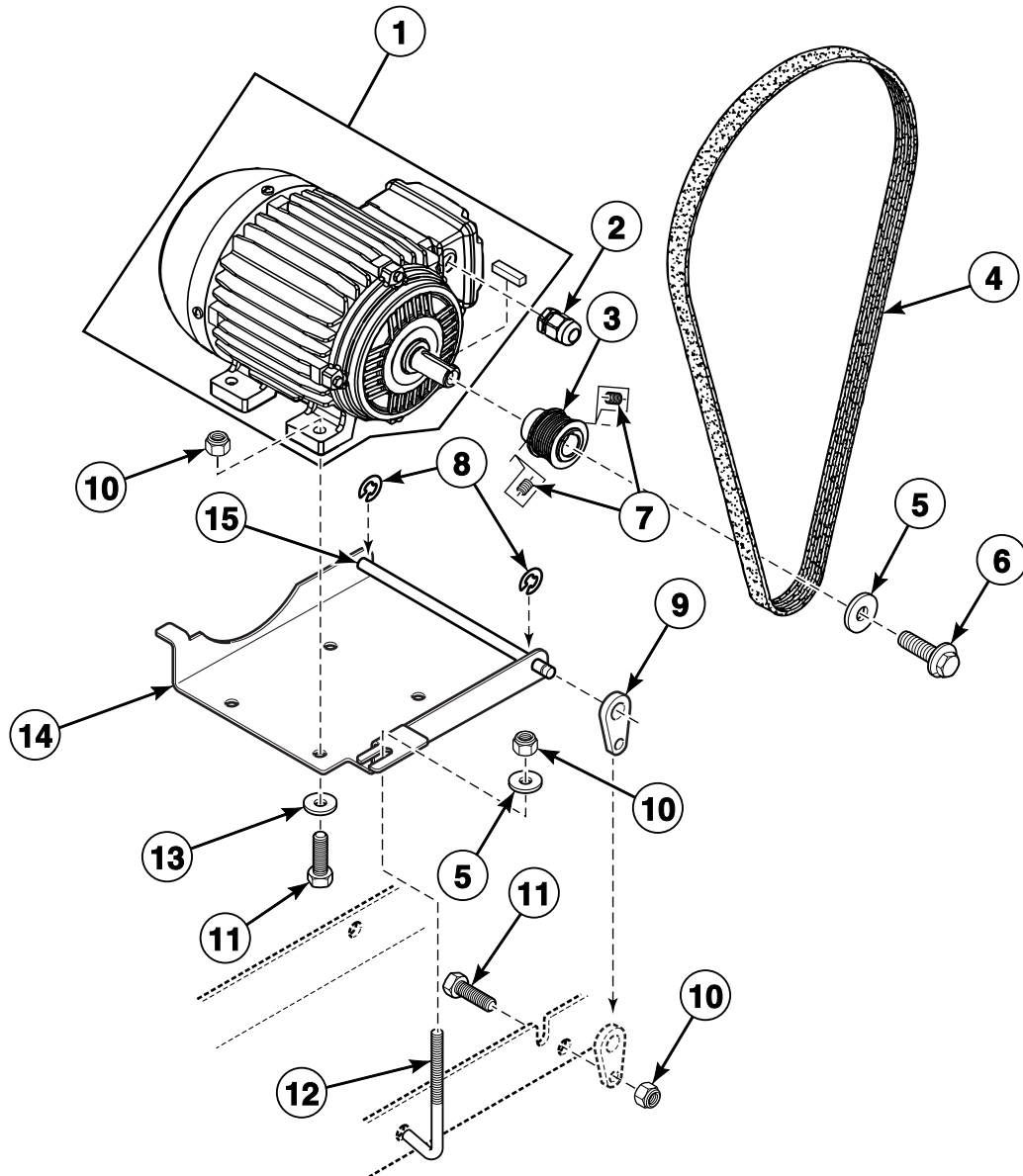


CHM3207P\_D1362

## Shell and Basket

REF	PART NO.	DESCRIPTION	COMMENTS
1	B12300902	Tub	Standard
	B12300901	Tub	Electric heat
2	204/00009/00	Nut	
3	201/00007/00	Washer	
4	206/00032/00	Bolt	
5	217/00008/00	Tub Front Panel Clip	
6	B12320601	Tub Front Panel	
7	B12351601	Tub Front Gasket	
8	B12380101	Basket and Shaft Assembly	*30 and *135 models; 3 mm
	B12380201	Basket and Shaft Assembly	*30 and *135 models; 9 mm; L speed models only
	B12380501	Basket and Shaft Assembly	*35 and *165 models; 3 mm
	B12380601	Basket and Shaft Assembly	*35 and *165 models; 9 mm; L speed models only
9	219/00007/00	Tub Front Ring Clamp	

# Motor and Belt



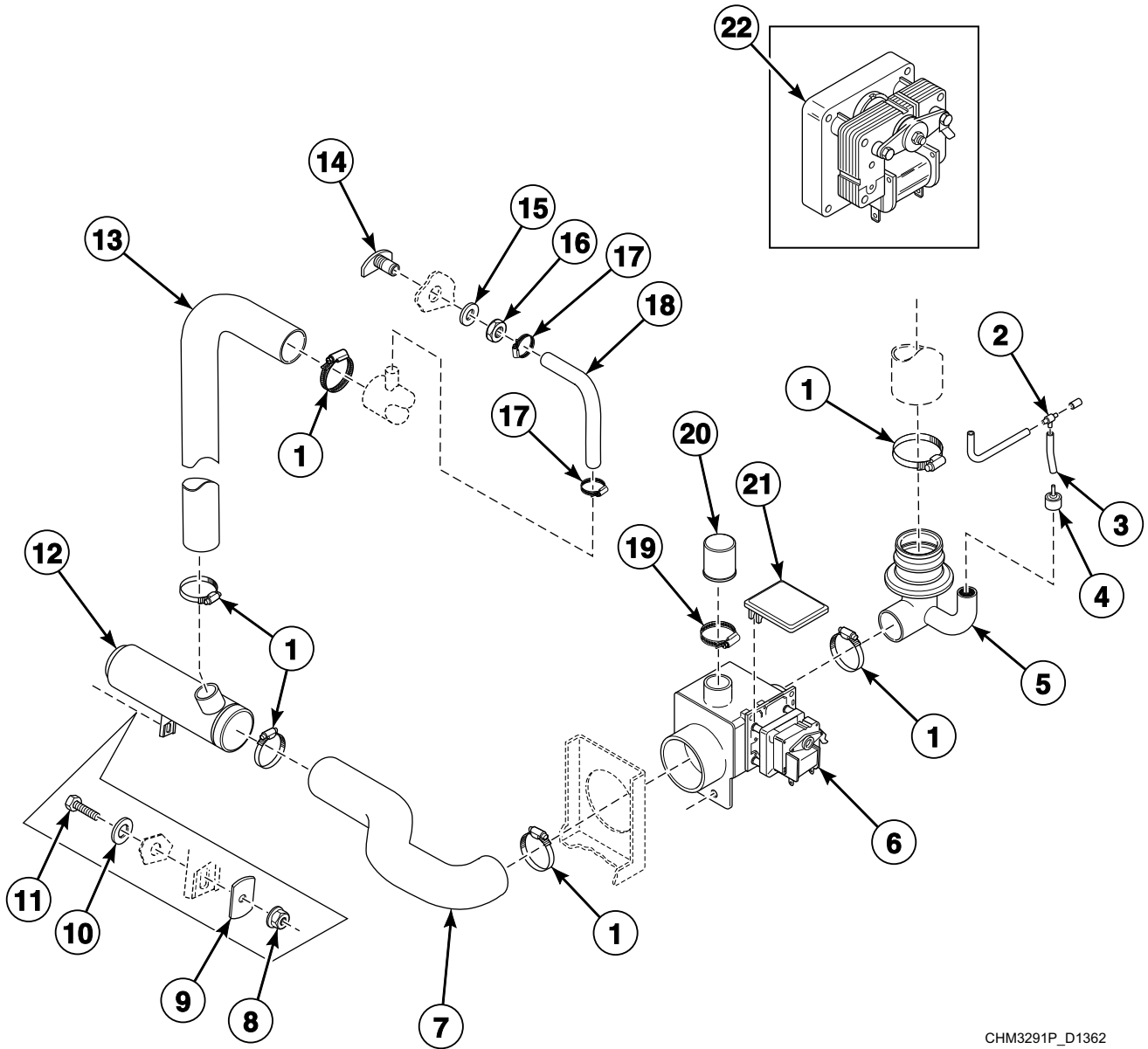
CHM3242P\_D1362



## Motor and Belt

REF	PART NO.	DESCRIPTION	COMMENTS
	B12382102	Motor Harness	
	B12381301	Heating Harness	Electric heat; Q-voltage
<b>1</b>	B12510601	Motor	
<b>2</b>	211/00181/00	Strain Relief Connector	
<b>3</b>	B12700018	Motor Pulley	
<b>4</b>	226/00124/00	Belt	
<b>5</b>	201/00015/00	Washer	
<b>6</b>	206/00006/00	Bolt	
<b>7</b>	206/00058/00	Screw	
<b>8</b>	B12463401	Spacer	
<b>9</b>	B12371401	Motor Clip	
<b>10</b>	204/00110/00	Nut	
<b>11</b>	206/00119/00	Bolt	
<b>12</b>	B12444801	Bolt	
<b>13</b>	202/00002/00	Washer	
<b>14</b>	B12439801	Motor Plate	
<b>15</b>	B12363003	Motor Mounting Rod	

# Drain Plumbing

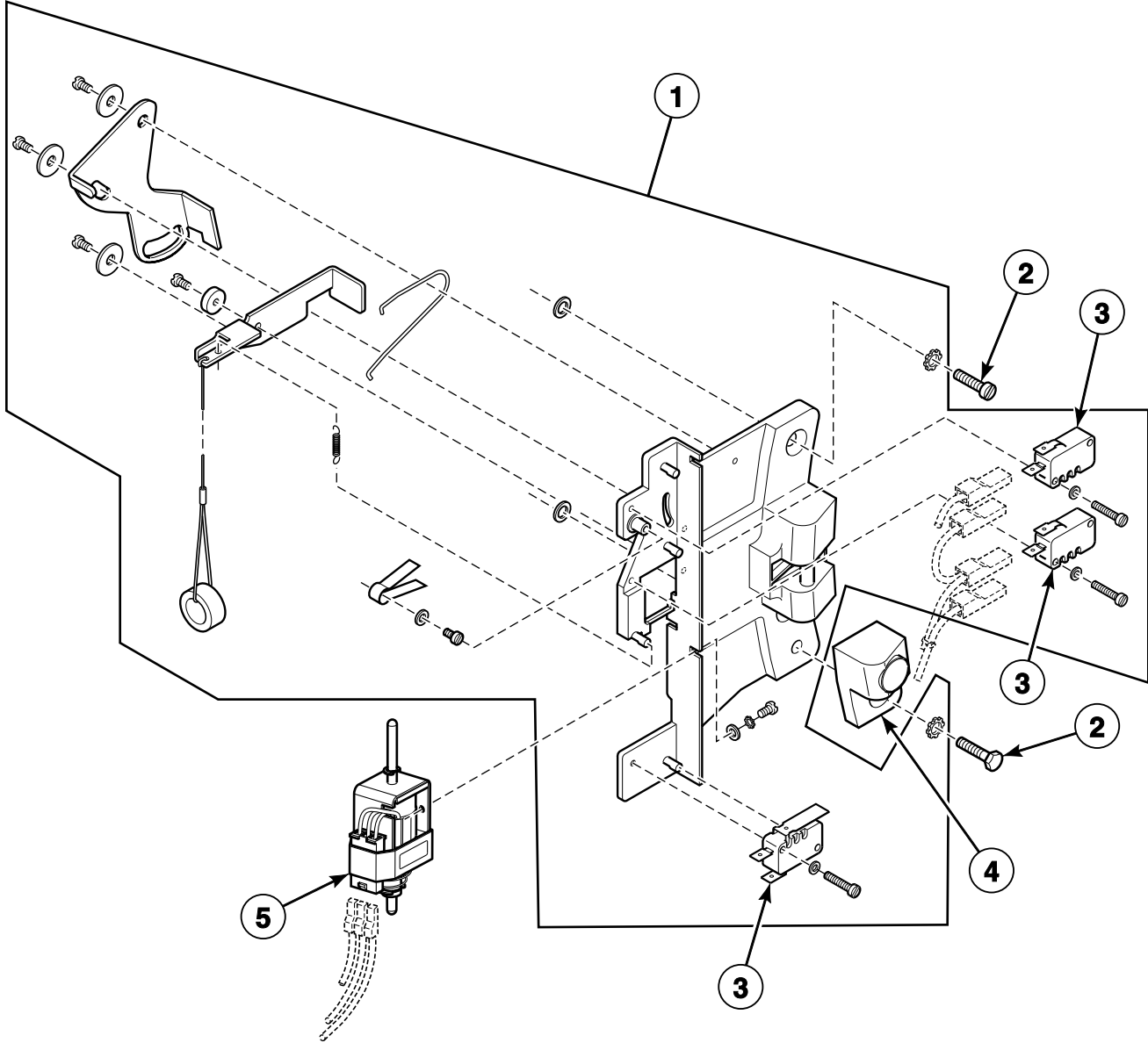


CHM3291P\_D1362

# Drain Plumbing

REF	PART NO.	DESCRIPTION	COMMENTS
	B12349401	Drain Valve Harness	
	B12428201	Dual Drain Kit	
1	223/00013/00	Hose Clamp	
2	223/00173/10	Pressure Switch Hose Tee	
3	223/00333/00	Pressure Hose	
4	223/00035/02	Pressure Switch Cap	
5	B12403101	Drain Tub to Drain Valve Hose	
6	B12630701	Drain Valve Kit	
7	223/00328/00	Drain Valve to Drain Tube Hose	
8	206/00105/00	Nut	
9	101/00007/00	Outlet Pipe Plate Assembly	
10	201/00007/00	Washer	
11	206/00033/00	Bolt	
12	223/00106/00	Drain Pipe	
13	223/00100/00	Overflow Hose	
14	223/00001/04	Prewash and Mainwash Nozzle	
15	201/00002/00	Washer	
16	204/00201/00	Nut	
17	223/00010/00	Hose Clamp	
18	223/00044/00	Water Hose	
19	229/00012/00	Hose Clamp	
20	223/00086/00	Drain Valve Overflow Plug	
21	223/00225/00	Drain Valve Cover	
22	209/00051/11	Drain Valve Motor	

# Door Lock

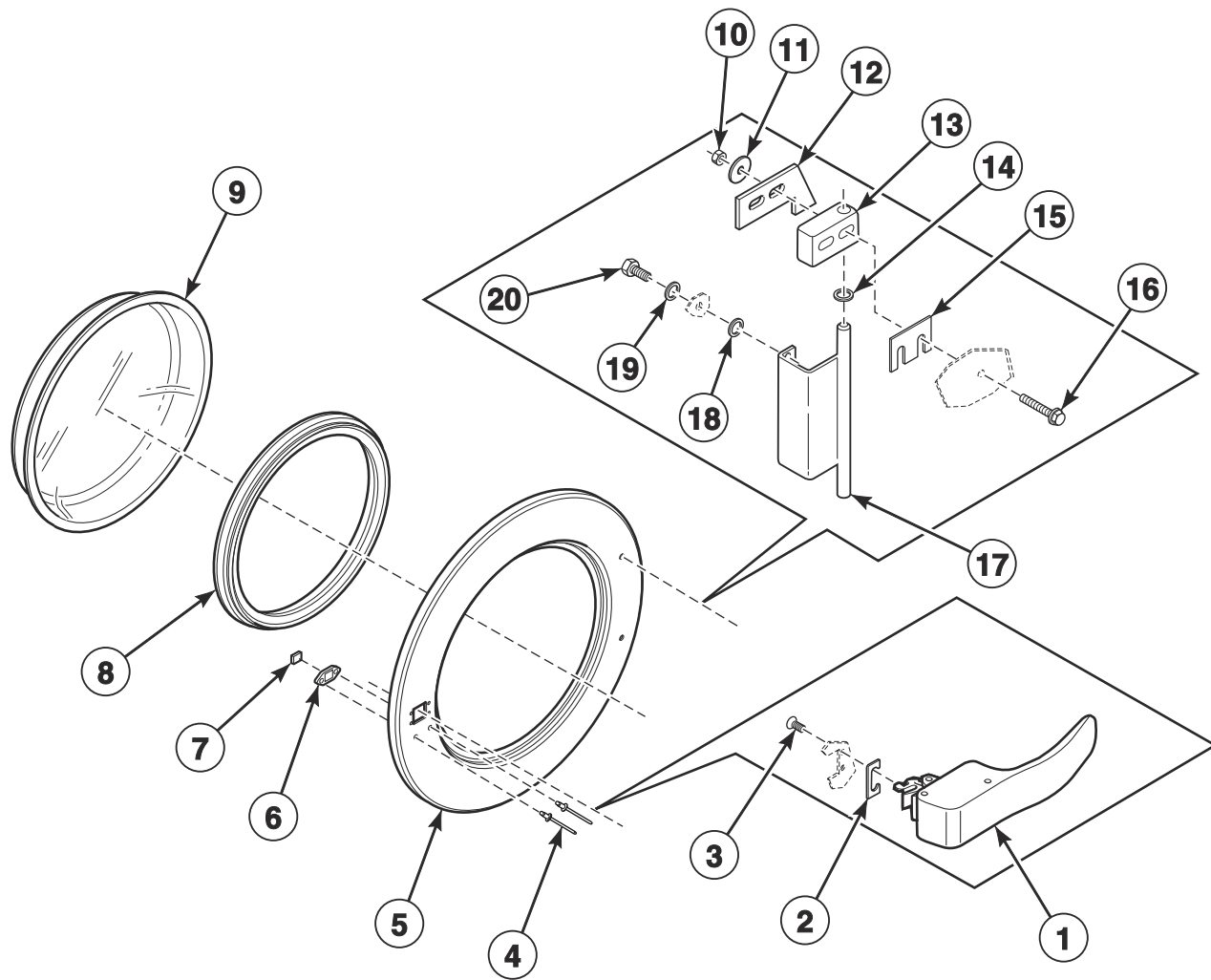


CHM3240P\_D1362

# Door Lock

REF	PART NO.	DESCRIPTION	COMMENTS
	B12495001	Door Lock Harness	
1	B12517701	Door Lock Assembly	Includes item 3
2	207/00102/00	Screw	
3	B12625101	Microswitch	
4	B12517601	Reed Switch Holder	Includes F8080405 Reed Switch Harness and B12502001 Reed Switch
5	B12518101	Door Solenoid Assembly	

# Door

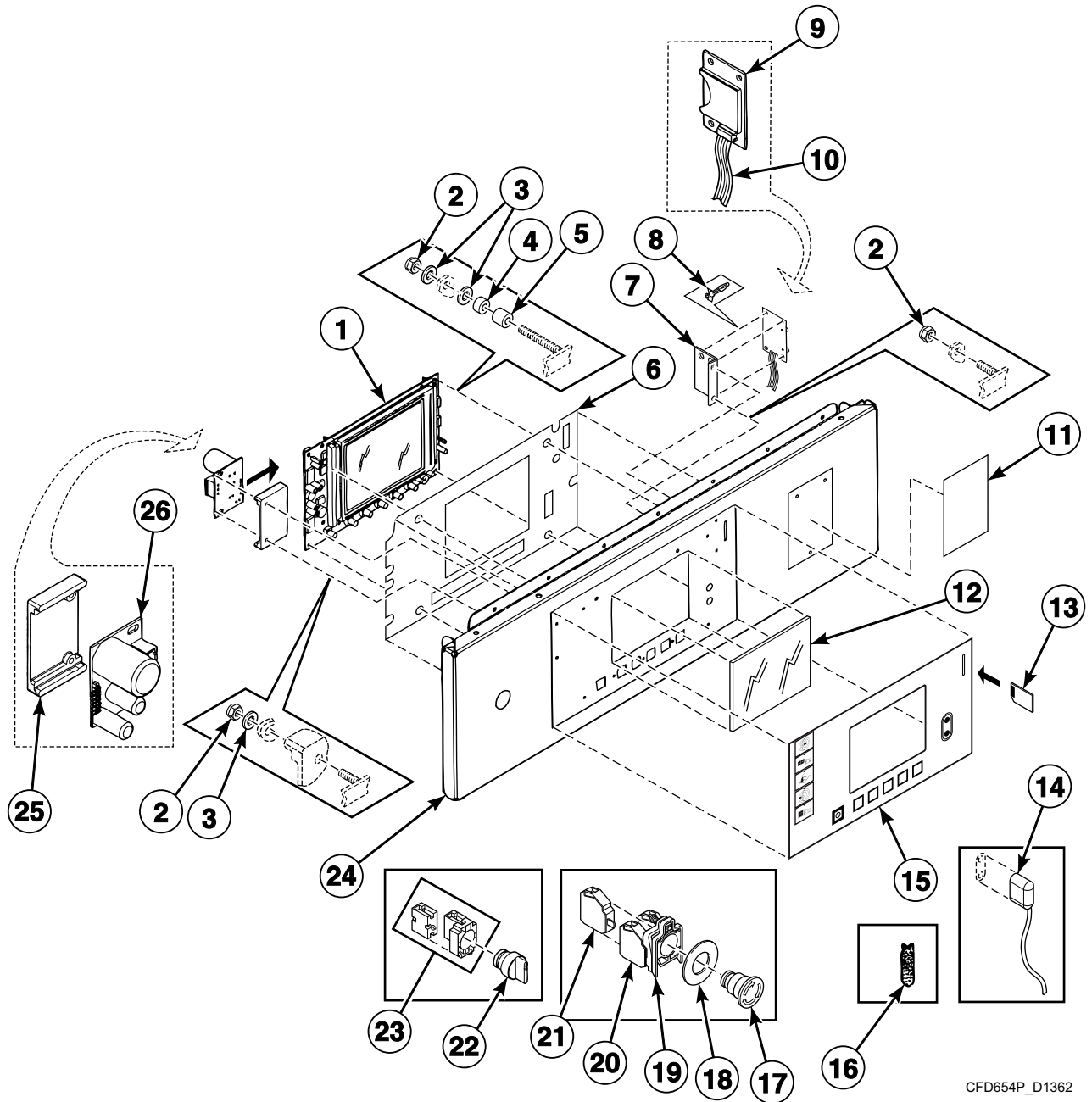


CFD3215P\_D1362

# Door

REF	PART NO.	DESCRIPTION	COMMENTS
1	B12336301	Door Handle	Black
2	217/00016/00	Door Handle Stop	
3	B12500801	Screw	
4	B12500301	Rivet	
5	B12337201	Door Frame	
6	B12389701	Magnet Holder	
7	B12363301	Magnet	
8	223/00068/00	Door Glass Seal	
9	B12449801	Door Glass	
10	204/00106/00	Nut	
11	202/00110/00	Washer	
12	B12565001	Door Hinge Blocking Plate	
13	253/00022/00	Door Hinge Block	
14	202/00104/00	Washer	
15	118/00124/00	Door Hinge Spacer	
16	207/00126/00	Screw	
17	221/00004/00	Hinge	
18	217/00021/00	O-Ring	
19	202/00101/00	Washer	
20	205/00106/00	Bolt	

# Control Panel - Cygnus Professional



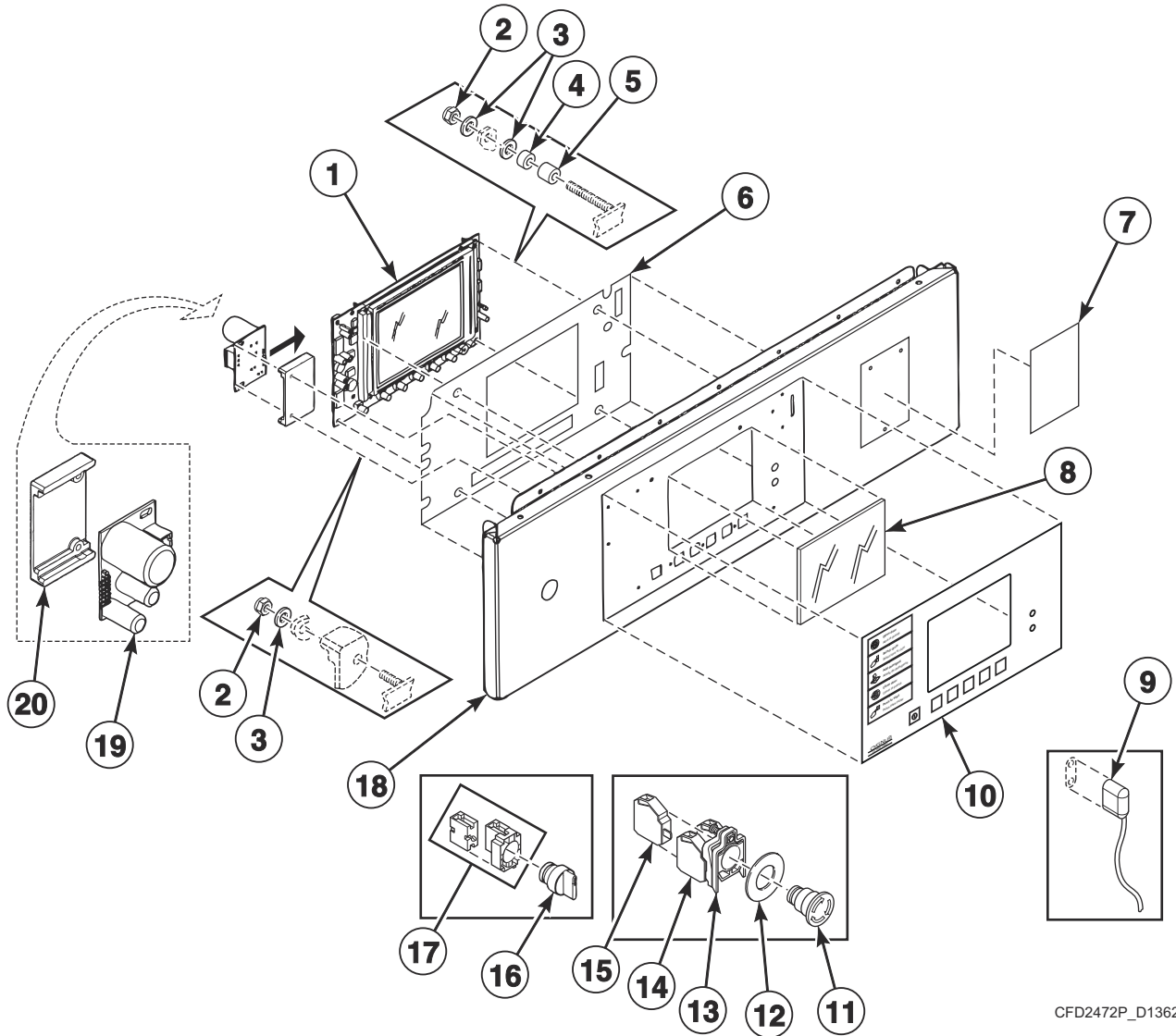
CFD654P\_D1362



## Control Panel - Cygnus Professional

REF	PART NO.	DESCRIPTION	COMMENTS
	B12348901	E-Stop Harness	
1	209/02002/ZB2	Display PC-Board	
2	204/00116/00	Nut	
3	223/00123/00	Washer	
4	211/00128/00	Printboard Separator	
5	211/00122/00	Standoff	
6	229/00268/00	Insulating Sticker	
7	111/01893/00	Printboard Support Card	Optional
8	211/00145/00	Standoff	
9	B12305201	Memory Card PC-Board	Optional
10	B12538301	Data Card Ribbon Assembly	Optional
11	B12389801	Nameplate	Models IHA135Z, IHA165Z, IHG135Z, IHG165Z, IHN135Z, IHN165Z, IHU135Z, IHU165Z, IHW135Z, IHW165Z, IHY030Z, IHY035Z, IHZ135Z, IHZ165Z, WD135_CYGNUS-PRO and WD165_CYGNUS-PRO
	B12389802	Nameplate	Models CHE030Z, CHE035Z, CHN135Z, CHN165Z, CHR030Z, CHR035Z, CHU135Z, CHU165Z, CHW135Z, CHW165Z, CHZ135Z and CHZ165Z
	B12530803	Nameplate	Model JHW135Z
	B12530804	Nameplate	Model JHW165Z
12	225/00321/00	Plexi Frame	
13	209/02024/00	Datacard	
14	210/00902/00P	Infrared Cable Kit	
15	B12583501	Operating Sticker	
	B12383601	Operating Sticker	Models IHA135Z, IHA165Z, IHG135Z, IHG165Z, IHN135Z, IHN165Z, IHU135Z, IHU165Z, IHW135Z, IHW165Z, IHY030Z, IHY035Z, IHZ135Z, IHZ165Z, WD135_CYGNUS-PRO and WD165_CYGNUS-PRO; Without datacard opening
	B12383701	Operating Sticker	Models IHA135Z, IHA165Z, IHG135Z, IHG165Z, IHN135Z, IHN165Z, IHU135Z, IHU165Z, IHW135Z, IHW165Z, IHY030Z, IHY035Z, IHZ135Z, IHZ165Z, WD135_CYGNUS-PRO and WD165_CYGNUS-PRO; With datacard opening
	B12532001	Operating Sticker	Models JHG135Z, JHG165Z, JHW135Z and JHW165Z
16	223/00348/00	Datacard Cover	
17	209/00248/20	Mushroom Pushbutton	
18	209/00520/00	Telem Sticker	
19	B12491801	Contact Harness	
20	209/00029/26	Contact Switch	NC
21	209/00099/26	Contact Switch	NO
22	209/00099/29	Switch Knob	Dual heat
	B12523901	Dual Heat Sticker	Dual heat
23	B12491701	Contact Harness	Dual heat
24	B12385301	Operating Panel	
25	223/00374/00	Mounting Plate	
26	B12388201	Door Lock PC-Board	

# Control Panel - Cygnus Ultra Pro



CFD2472P\_D1362

## Control Panel - Cygnus Ultra Pro

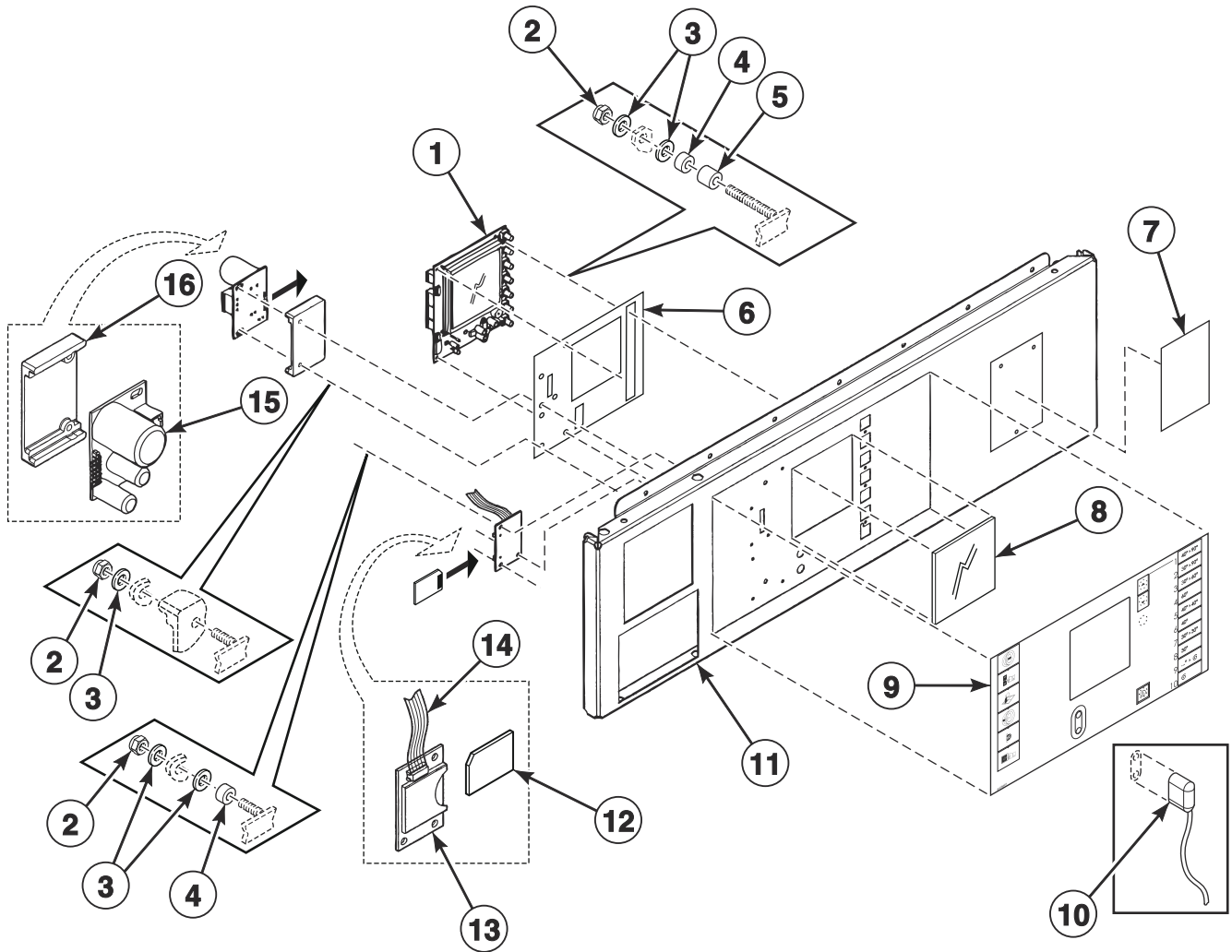
REF	PART NO.	DESCRIPTION	COMMENTS
	B12348901	E-Stop Harness	
1	209/02002/ZB2	Display PC-Board	
2	204/00116/00	Nut	
3	223/00123/00	Washer	
4	211/00128/00	Printboard Separator	
5	211/00122/00	Standoff	
6	229/00268/00	Insulating Sticker	
7	B12389801	Nameplate	
8	225/00321/00	Plexi Frame	
9	210/00902/00P	Infrared Cable Kit	
10	B12583801	Overlay	
11	209/00248/20	Mushroom Pushbutton	
12	209/00520/00	Telem Sticker	
13	B12491801	Contact Harness	
14	209/00029/26	Contact Switch	NC
15	209/00099/26	Contact Switch	NO
16	209/00099/29	Switch Knob	Dual heat
	B12523901	Dual Heat Sticker	Dual heat
17	B12491701	Contact Harness	Dual heat
18	B12385301	Operating Panel	
19	B12388201	Door Lock PC-Board	
20	223/00374/00	Mounting Plate	



## Control Panel - Cygnus Premium OPL and Ultra

REF	PART NO.	DESCRIPTION	COMMENTS
	B12348901	E-Stop Harness	
1	209/02015/02	Printboard	
2	204/00116/00	Nut	
3	223/00123/00	Washer	
4	211/00128/00	Printboard Separator	
5	211/00122/00	Standoff	
6	229/00291/00	Insulating Sticker	
7	111/01893/00	Printboard Support Card	Optional
8	211/00145/00	Standoff	
9	B12305201	Memory Card PC-Board	Optional
10	B12538301	Data Card Ribbon Assembly	Optional
11	B12389801	Nameplate	Models IHA135Y, IHA165Y, IHG135Y, IHG165Y, IHN135U, IHN135Y, IHN165Y, IHR030U, IHU135Y, IHU165Y, IHW135Y, IHW165Y, IHY030Y, IHY035Y, IHZ135Y, IHZ165Y, IH030_CYGNUS-ULTRA, WD135_CYGNUS-PREM and WD165_CYGNUS-PREM
	B12530803	Nameplate	Model JHW135Y
	B12530804	Nameplate	Model JHW165Y
	B12389805	Nameplate	Models PHU135Y and PHU165Y
12	225/00323/00	Plexi Frame	
13	B12456701	Operating Sticker	Cygnus Ultra models
	B12383401	Operating Sticker	Cygnus Premium OPL models with datacard opening
	B12383301	Operating Sticker	Cygnus Premium OPL models without datacard opening
	B12531901	Operating Sticker	Models JHW135Y and JHW165Y; Non-ozone
	B12531801	Operating Sticker	Models JHW135Y and JHW165Y; Ozone
14	210/00902/00P	Infrared Cable Kit	
15	223/00348/00	Datacard Cover	Cygnus Premium OPL models
16	209/02024/00	Datacard	Cygnus Premium OPL models
17	209/00248/20	Mushroom Pushbutton	
18	209/00520/00	Telem Sticker	
19	B12491801	Contact Harness	
20	209/00029/26	Contact Switch	NC
21	209/00099/26	Contact Switch	NO
22	209/00099/29	Switch Knob	Dual heat
	B12523901	Dual Heat Sticker	Dual heat
23	B12491701	Contact Harness	Dual heat
24	B12385401	Operating Panel	
25	223/00374/00	Mounting Plate	
26	B12388201	Door Lock PC-Board	

# Control Panel - Cygnus Premium Coin

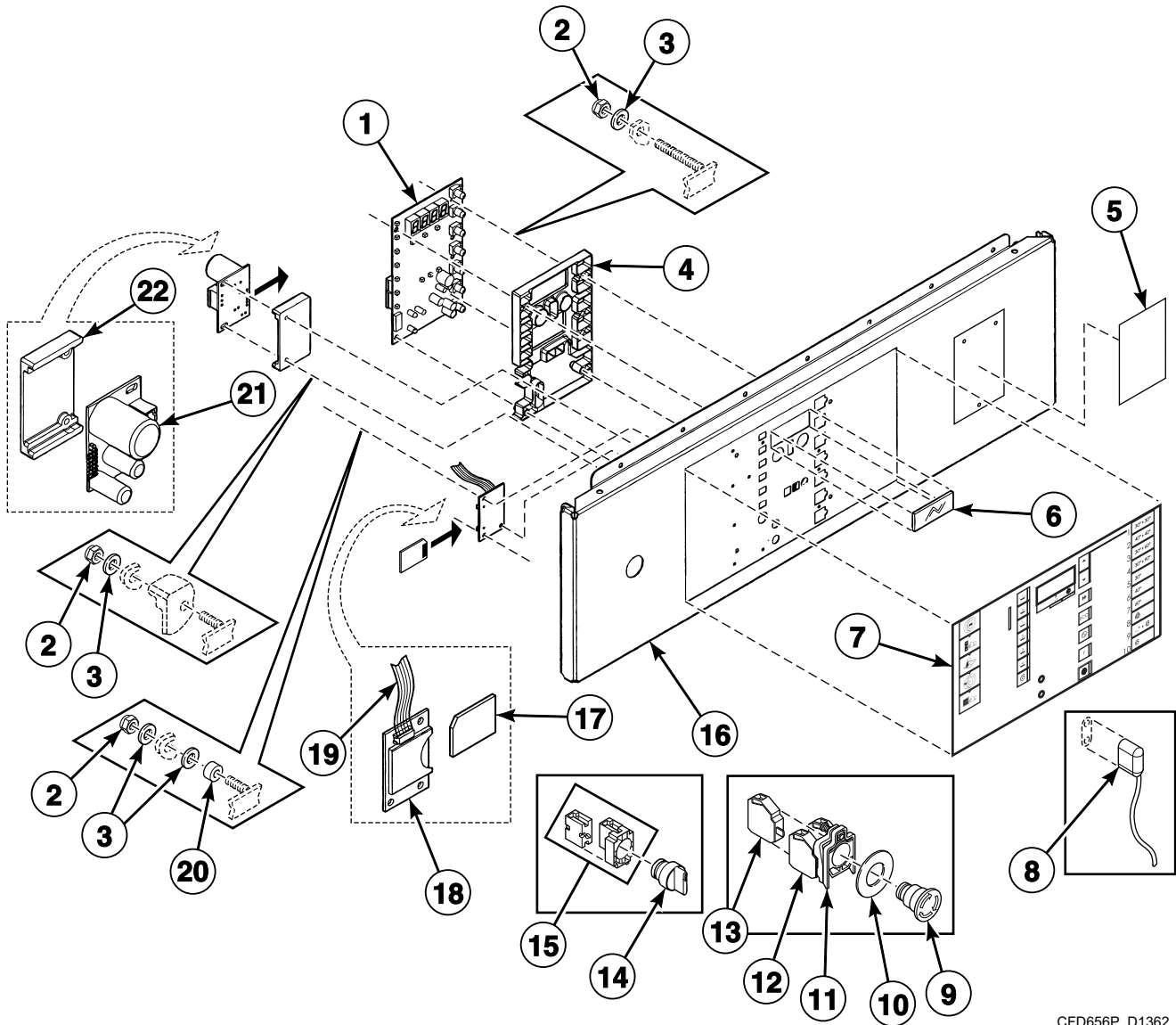


CFD621P\_D1362

## Control Panel - Cygnus Premium Coin

REF	PART NO.	DESCRIPTION	COMMENTS
	B12349001	E-Stop Bypass Harness	
1	209/02015/02	Printboard	
2	204/00116/00	Nut	
3	223/00123/00	Washer	
4	211/00128/00	Printboard Separator	
5	211/00122/00	Standoff	
6	229/00291/00	Insulating Sticker	
7	B12389801	Nameplate	Models IHA135Y, IHA165Y, IHG135Y, IHG165Y, IHN135Y, IHN165Y, IHU135Y, IHU165Y, IHW135Y, IHW165Y, IHY030Y, IHY035Y, IHZ135Y, IHZ165Y, WD135_CYGNUS-PREM and WD165_CYGNUS-PREM
	B12530803	Nameplate	Model JHW135Y
	B12530804	Nameplate	Model JHW165Y
	B12389805	Nameplate	Models PHU135Y and PHU165Y
8	225/00323/00	Plexi Frame	
9	B12383501	Operating Sticker	
10	210/00902/00P	Infrared Cable Kit	
11	B12385201	Operating Panel	
12	209/02024/00	Datacard	
13	B12305201	Memory Card PC-Board	
14	B12538301	Data Card Ribbon Assembly	
15	B12388201	Door Lock PC-Board	
16	223/00374/00	Mounting Plate	

# Control Panel - Cygnus Standard/Commercial OPL and Select



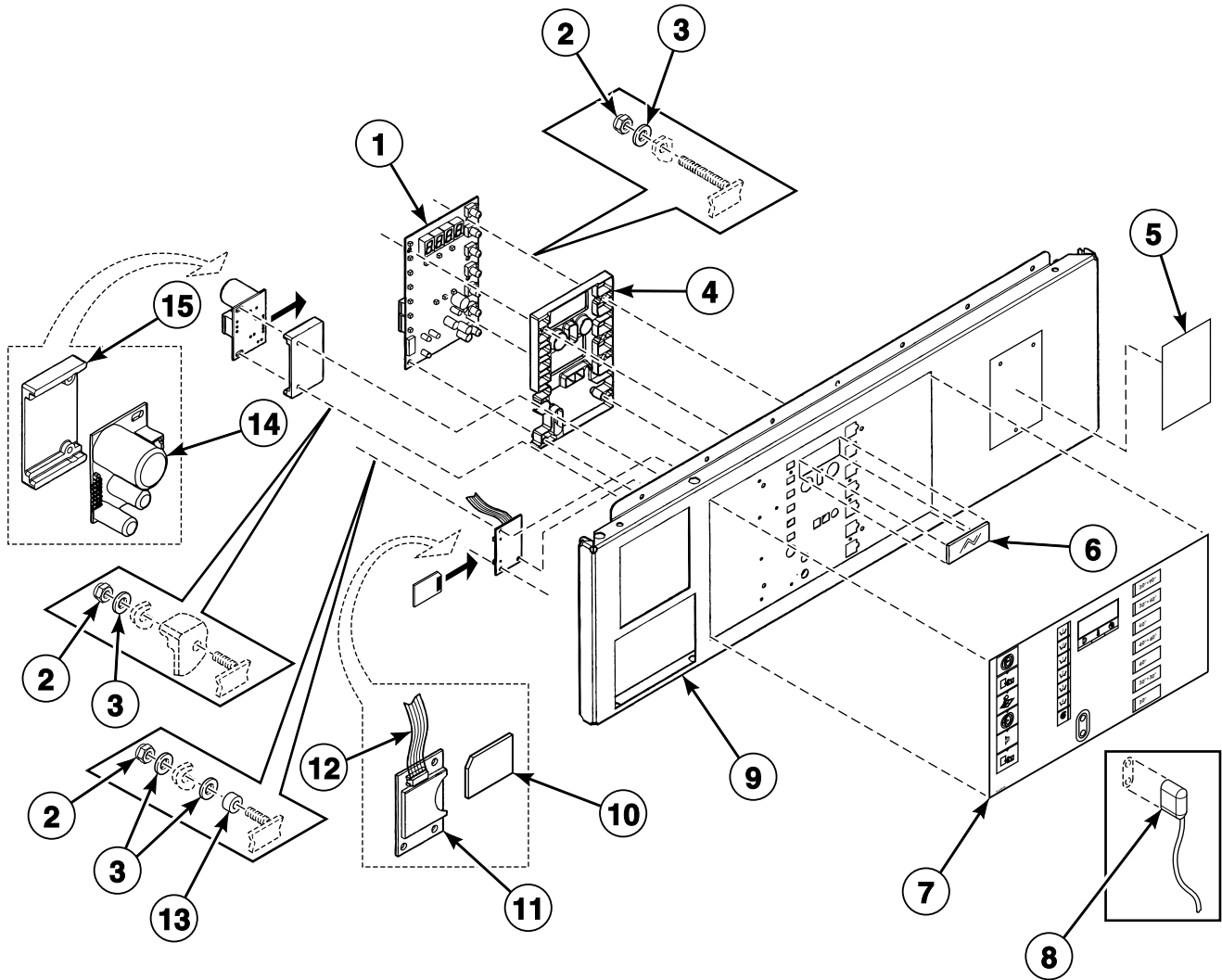
CFD656P\_D1362



# Control Panel - Cygnus Standard/Commercial OPL and Select

REF	PART NO.	DESCRIPTION	COMMENTS
	B12348901	E-Stop Harness	
1	209/02001/02	Printboard	
2	204/00116/00	Nut	
3	223/00123/00	Washer	
4	223/00330/00	Protection LED	
5	B12389801	Nameplate	Models IHA135C, IHA135X, IHA165C, IHA165X, IHG135C, IHG135X, IHG165C, IHG165X, IHN135C, IHN135S, IHN135X, IHN165C, IHN165X, IHR030S, IHU135C, IHU135X, IHU165C, IHU165X, IHW135C, IHW135X, IHW165C, IHW165X, IHY030C, IHY030X, IHY035C, IHY035X, IHZ135C, IHZ135X, IHZ165C, IHZ165X, YHG135C, YHG165C, IH030_CYGNUS-SELECT, WD135_CYGNUS-COMM, WD135_CYGNUS-STANDARD, WD165_CYGNUS-COMM and WD165_CYGNUS-STANDARD
	B12389802	Nameplate	Models CHE030X, CHE035X, CHG135X, CHG165X, CHN135X, CHN165X, CHR030X, CHR035X, CHU135X, CHU165X, CHW135X, CHW165X, CHZ135X and CHZ165X
	B12389803	Nameplate	Models DHU135X and DHU165X
	B12389809	Nameplate	Models EHU135X and EHU165X
	B12530803	Nameplate	Model JHW135C
	B12530804	Nameplate	Model JHW165C
	B12389810	Nameplate	Models WHU135C and WHU165C
6	225/00322/00	Plexi Frame	
7	B12382701	Operating Sticker	Cygnus Standard OPL models without datacard opening
	B12382801	Operating Sticker	Cygnus Standard OPL models with datacard opening
	B12383001	Operating Sticker	Cygnus Commercial OPL models without datacard opening
	B12383101	Operating Sticker	Cygnus Commercial OPL models with datacard opening
	B12456601	Operating Sticker	Cygnus Select models
	B12531801	Operating Sticker	Models JHW135C and JHW165C
8	210/00902/00P	Infrared Cable Kit	
9	209/00248/20	Mushroom Pushbutton	
10	209/00520/00	Telem Sticker	
11	B12491801	Contact Harness	
12	209/00029/26	Contact Switch	NC
13	209/00099/26	Contact Switch	NO
14	209/00099/29	Switch Knob	Dual heat
	B12523901	Dual Heat Sticker	Dual heat
15	B12491701	Contact Harness	Dual heat
16	B12385103	Operating Panel	
17	209/02024/00	Datacard	Optional
18	B12305201	Memory Card PC-Board	Optional
19	B12538301	Data Card Ribbon Assembly	Optional
20	211/00128/00	Printboard Separator	
21	B12388201	Door Lock PC-Board	
22	223/00374/00	Mounting Plate	

# Control Panel - Cygnus Standard/Commercial Coin and Vended



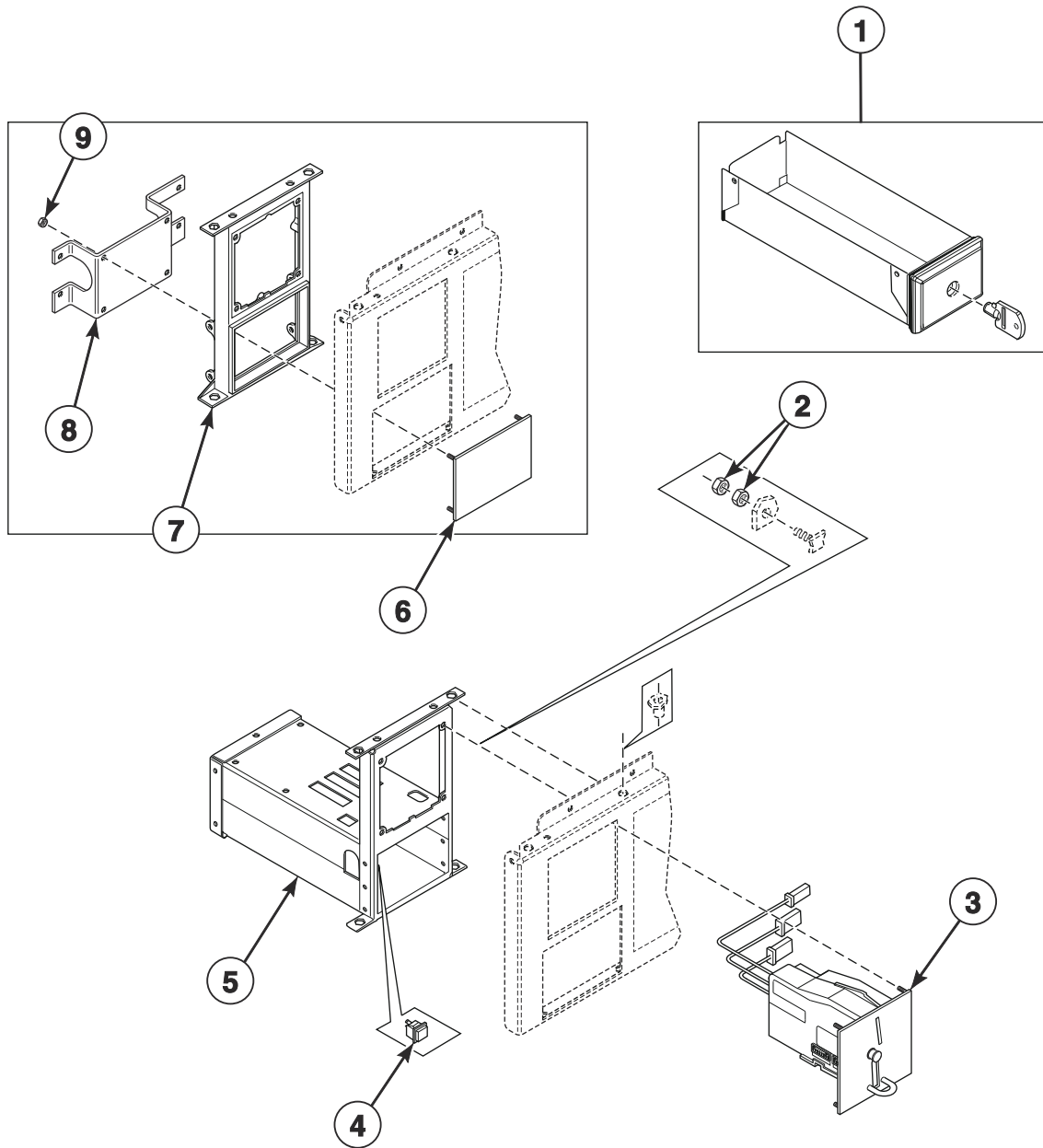
CFD611P\_D1362

# Control Panel - Cygnus Standard/Commercial Coin and Vended

REF	PART NO.	DESCRIPTION	COMMENTS
	B12349001	E-Stop Bypass Harness	
1	209/02001/02	Printboard	
2	204/00116/00	Nut	
3	223/00123/00	Washer	
4	223/00330/00	Protection LED	
5	B12389801	Nameplate	Models IHA135C, IHA135X, IHA165C, IHA165X, IHG135C, IHG135X, IHG165C, IHG165X, IHN135C, IHN135V, IHN135X, IHN165C, IHN165X, IHR030V, IHU135C, IHU135X, IHU165C, IHU165X, IHW135C, IHW135X, IHW165C, IHW165X, IHY030C, IHY030X, IHY035C, IHY035X, IHZ135C, IHZ135X, IHZ165C, IHZ165X, YHG135C, YHG165C, IH030_CYGNUS-VENDED, WD135_CYGNUS-COMM, WD135_CYGNUS-STANDARD, WD165_CYGNUS-COMM and WD165_CYGNUS-STANDARD
	B12389802	Nameplate	Models CHE030X, CHE035X, CHG135X, CHG165X, CHN135X, CHN165X, CHR030X, CHR035X, CHU135X, CHU165X, CHW135X, CHW165X, CHZ135X and CHZ165X
	B12389803	Nameplate	Models DHU135X and DHU165X
	B12389809	Nameplate	Models EHU135X and EHU165X
	B12530803	Nameplate	Model JHW135C
	B12530804	Nameplate	Model JHW165C
	B12389810	Nameplate	Models WHU135C and WHU165C
6	225/00322/00	Plexi Frame	
7	B12382901	Operating Sticker	Cygnus Standard coin models
	B12383201	Operating Sticker	Cygnus Commercial coin models
	B12456501	Operating Sticker	Cygnus Vended models
	B12531701	Operating Sticker	Models JHW135C and JHW165C
8	210/00902/00P	Infrared Cable Kit	
9	B12385501	Operating Panel	
10	209/02024/00	Datacard	Cygnus Standard/Commercial coin models
11	B12305201	Memory Card PC-Board	Cygnus Standard/Commercial coin models
12	B12538301	Data Card Ribbon Assembly	Cygnus Standard/Commercial coin models
13	211/00128/00	Printboard Separator	
14	B12388201	Door Lock PC-Board	
15	223/00374/00	Mounting Plate	

# Coin Drop - Mechanical Coin Meter

Cygnus Commercial, Premium, Standard and Vended Models



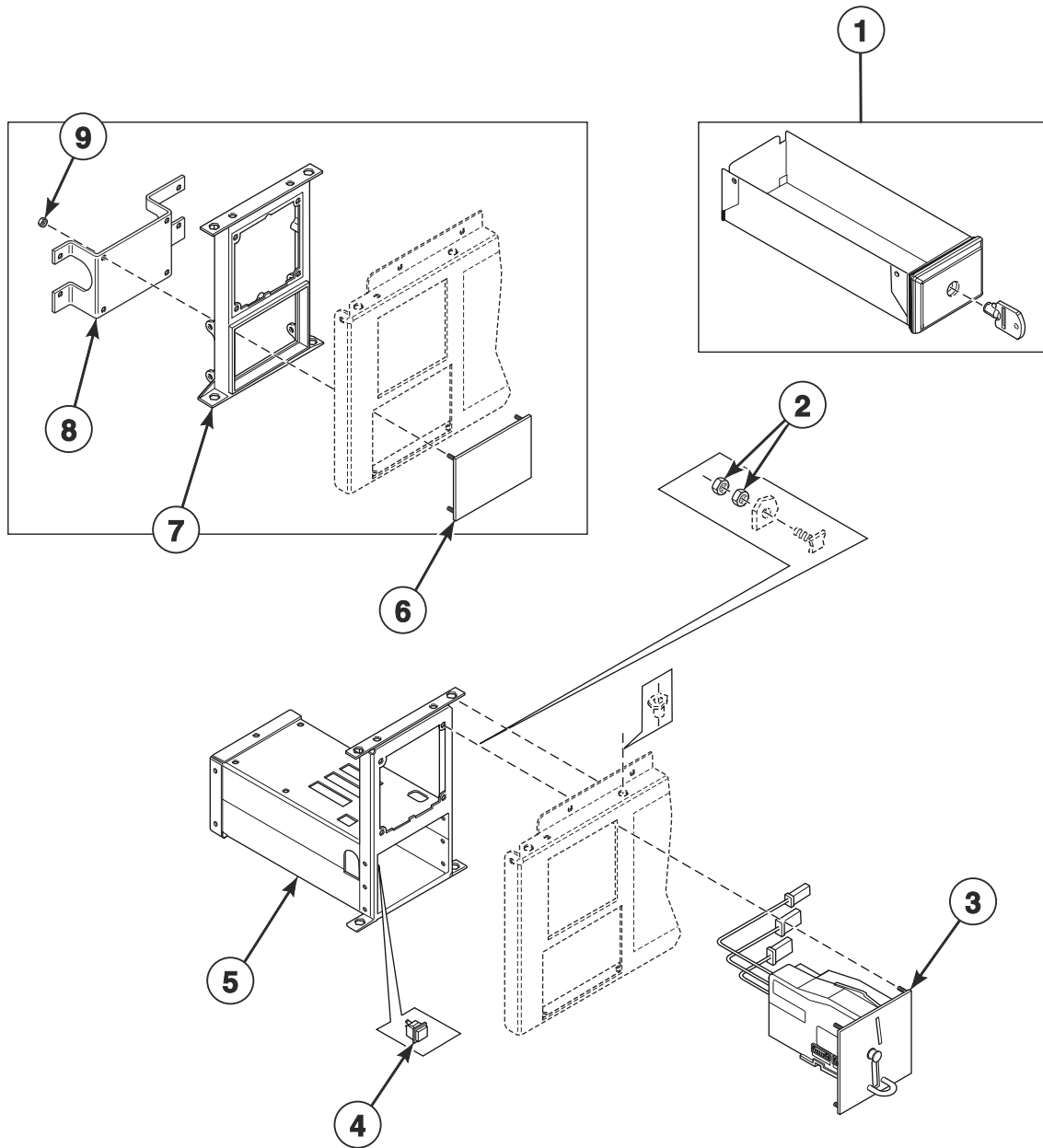
CFD617P\_D1362

## Coin Drop - Mechanical Coin Meter

REF	PART NO.	DESCRIPTION	COMMENTS
	B12309901	Wire Harness Assembly	Single/dual drop
	B12310001	Wire Harness Assembly	Dual drop
<b>1</b>	254/00077/00	Coin Box	
	254/00077/02	Key	
<b>2</b>	204/00116/00	Nut	
<b>3</b>	B12311224	Coin Drop	Jeton 5K
	B12311206	Coin Drop	Jeton 7K
	B12311201	Coin Drop	Jeton 10K
	B12311210	Coin Drop	Jeton 12K
	B12311252	Coin Drop	Jeton 10K and .5 euro
	B12311211	Coin Drop	Jeton 7K and 1 euro
	B12323901	Coin Drop	Jeton 15K and 7K
	B12311204	Coin Drop	Jeton gettone
	B12311234	Coin Drop	Jeton crouzet
	B12311247	Coin Drop	Jeton 118-1
	B12311248	Coin Drop	Jeton 118-5
	B12311222	Coin Drop	1 euro
	B12311214	Coin Drop	.5 euro
	B12311202	Coin Drop	.5 and 1 euro
	B12311239	Coin Drop	.5 and 2 euro
	B12311205	Coin Drop	.2 and 1 euro
	B11211209	Coin Drop	.2 and .5 euro
	B12311218	Coin Drop	1 and 1 euro
	B12311219	Coin Drop	1 and 2 euro
	B12311203	Coin Drop	1 and 2 frank
	B12311207	Coin Drop	1 Deense kroon
	B12311225	Coin Drop	10 Deense kronen
	B12311235	Coin Drop	10 Tsjechische kronen
	B12311244	Coin Drop	10 Noorse kronen
	B12311208	Coin Drop	100 and 500 yen
	B12311212	Coin Drop	15K
	B12311215	Coin Drop	1 kro
	B12311226	Coin Drop	Australia 1.00
	B12311216	Coin Drop	Australia .2 and 1.00
	B12311220	Coin Drop	New Zeland 1.00
	B12311221	Coin Drop	.5 and 2 zwitsers
	B12311241	Coin Drop	Hong Kong 1.00
	B12311249	Coin Drop	Hong Kong 5.00
	B12311301	Coin Drop	U.S. \$ .25
	B12311302	Coin Drop	U.S. \$ .25 and 1.00
	B12311304	Coin Drop	Canada .25 and 1.00
	B12323401	Coin Drop	Singapore 1.00
	209/00781/00	Optical Switch	
<b>4</b>	209/00396/00	Pushbutton	
<b>5</b>	152/00112/00	Mechanical Coin Meter Housing	
<b>6</b>	111/01003/00	Top Panel	Black; Central pay option
<b>7</b>	217/00060/00	Fastening Piece	Central pay option
<b>8</b>	111/01005/00	Backplate	Central pay option
<b>9</b>	204/00116/00	Nut	Central pay option

# Coin Drop - Electronic Coin Meter

Cygnus Commercial, Premium, Standard and Vended Models

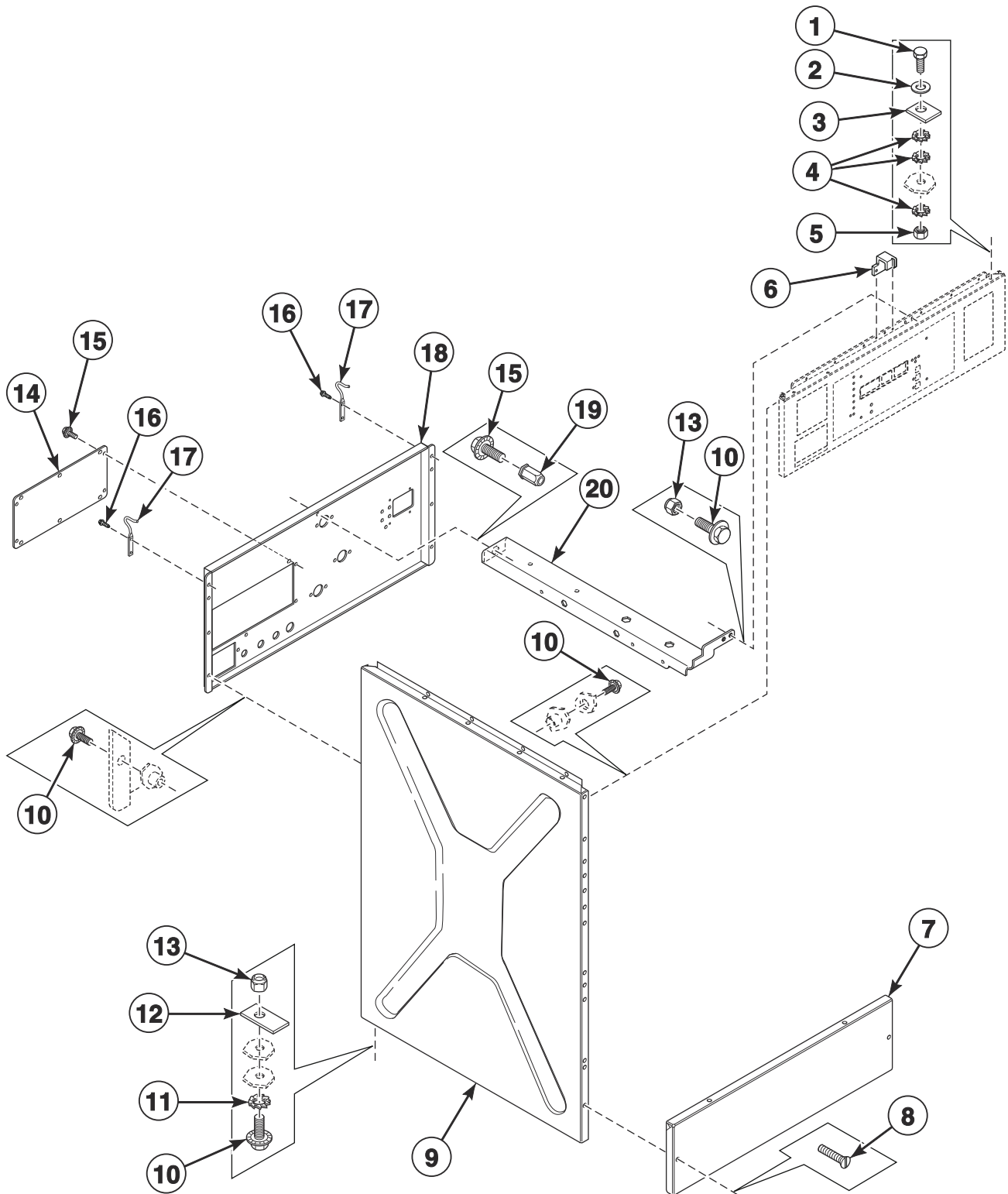


CFD617P\_D1362

## Coin Drop - Electronic Coin Meter

REF	PART NO.	DESCRIPTION	COMMENTS
	B12309901	Wire Harness Assembly	Single/dual drop
	B12310001	Wire Harness Assembly	Dual drop
1	254/00077/00	Coin Box	
	254/00077/02	Key	
2	204/00116/00	Nut	
3	B12311401	Coin Drop	
4	209/00396/00	Pushbutton	
5	152/00112/50	Electronic Coin Meter Housing	
6	111/01003/00	Top Panel	Black; Central pay option
7	217/00060/00	Fastening Piece	Central pay option
8	111/01005/00	Backplate	Central pay option
9	204/00116/00	Nut	Central pay option

# Left Side, Lower Front and Upper Rear Panels



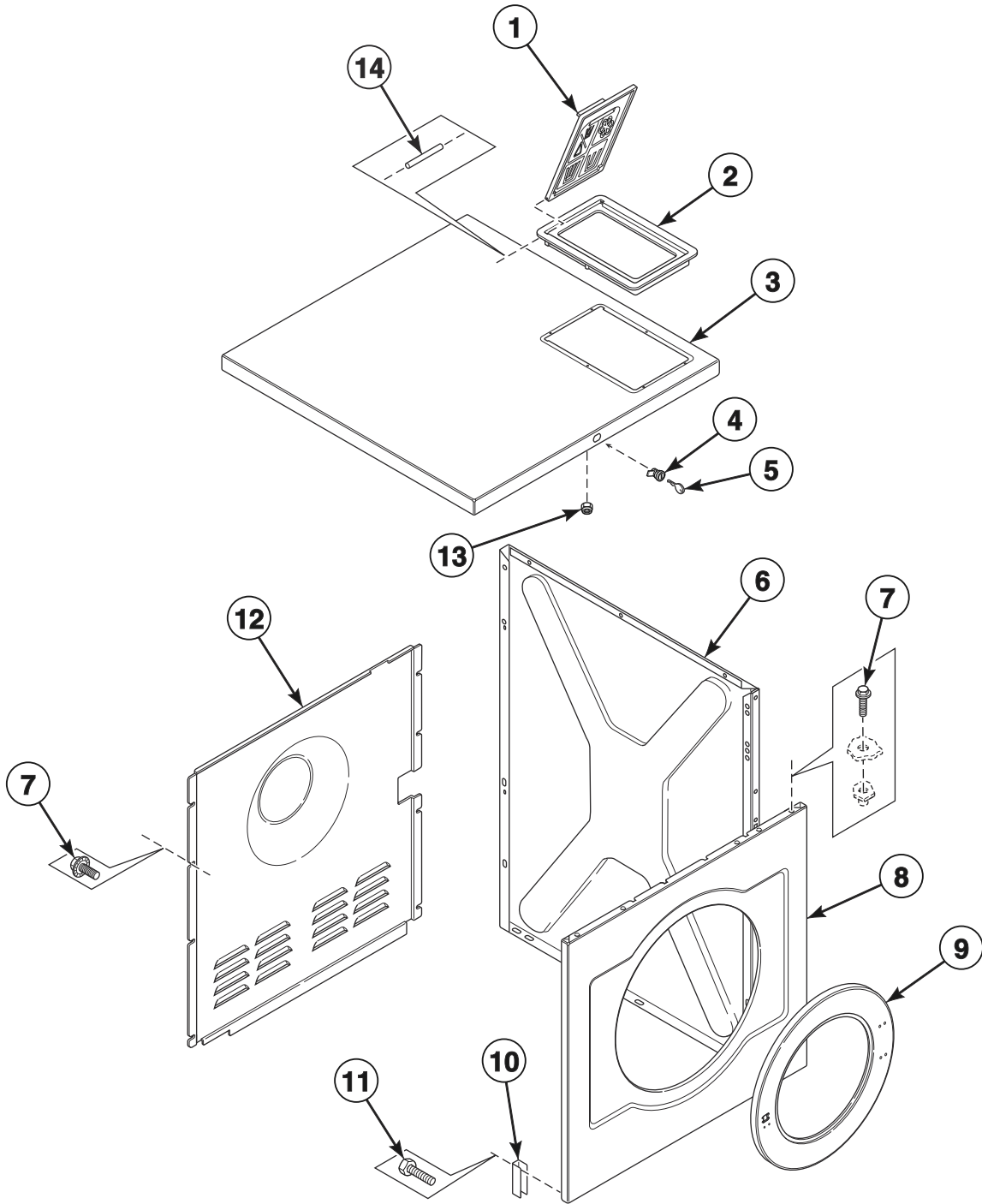
CHM3209P\_D1362



## Left Side, Lower Front and Upper Rear Panels

REF	PART NO.	DESCRIPTION	COMMENTS
1	205/00106/00	Bolt	
2	202/00003/00	Washer	
3	117/00042/00	Retaining Ring	
4	203/00005/00	Washer	
5	204/00107/00	Nut	
6	F8201001	Top Cover Latch	
7	111/01803/00	Lower Front Panel	
8	B12500601	Screw	
9	111/22723/10	Side Panel	*30 and *135 models; Stainless steel
	111/22728/10	Side Panel	*35 and *165 models; Stainless steel
	111/60035/00	Side Panel	*30 and *135 models; Black
	111/60036/00	Side Panel	*35 and *165 models; Black
10	205/00105/00	Bolt	
11	203/00004/00	Washer	
12	101/00007/00	Outlet Pipe Plate Assembly	
13	204/00009/00	Nut	
14	B12312501	Main Switch Cover	
15	206/00104/00	Screw	
16	B12462901	Screw	
17	F8258601	Top Cover Hinge	
18	B12332801	Backbridge	
19	204/00011/00	Nut	
20	B12333301	Supply Dispenser Crossbar	*30 and *135 models
	B12333401	Supply Dispenser Crossbar	*35 and *165 models

# Right Side, Front, Lower Rear and Top Panels

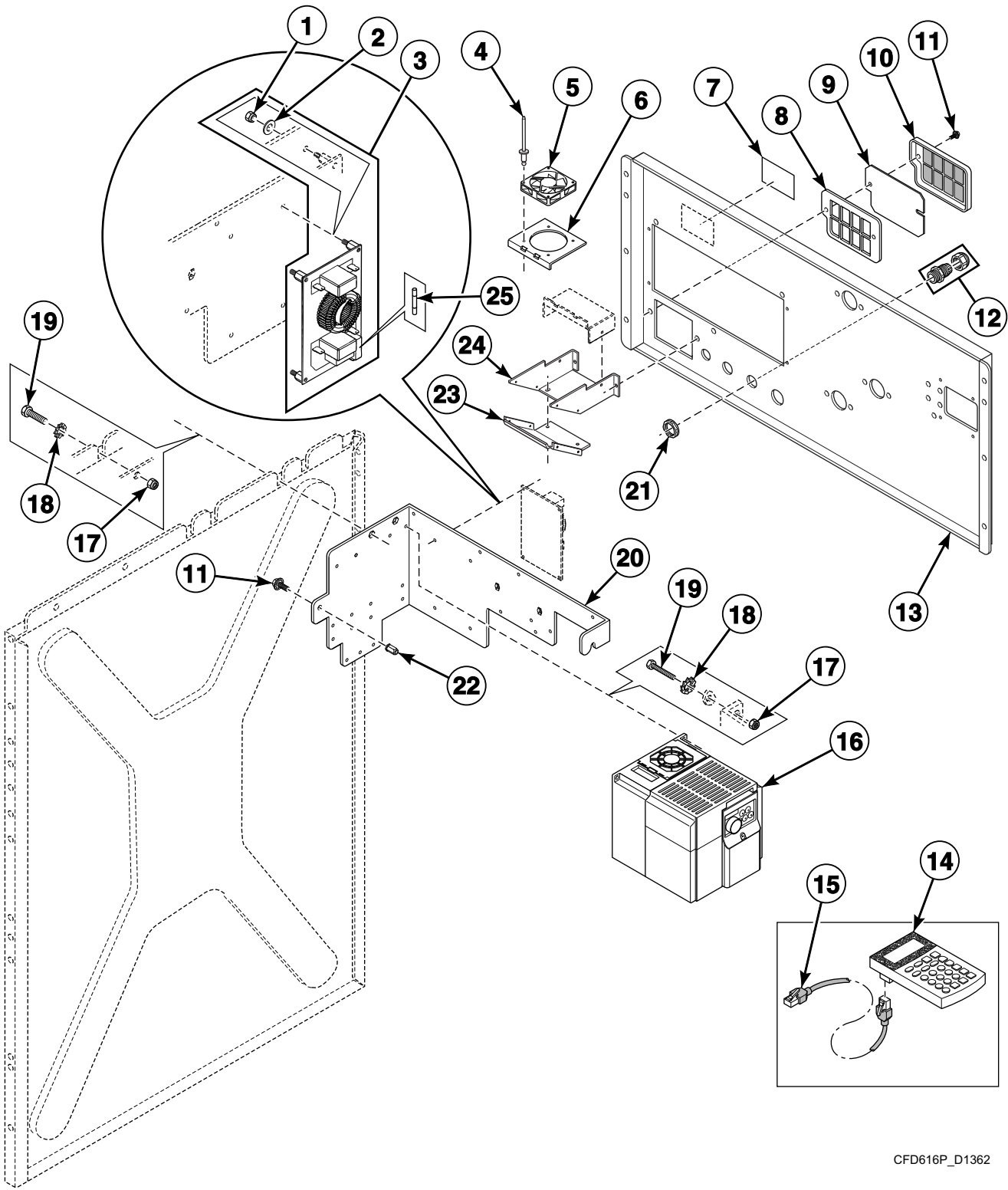


CHM3356P\_D1362

## Right Side, Front, Lower Rear and Top Panels

REF	PART NO.	DESCRIPTION	COMMENTS
1	B12319101	Supply Dispenser Cover	U.S. models
	B12356701	Supply Dispenser Cover	International models
2	B12597501	Supply Dispenser Cover Frame	
3	B12333001	Top Panel	*30 and *135 models
	B12333101	Top Panel	*35 and *165 models
4	44089303P	Panel Lock	Includes item 5
5	70155603	Key	
6	111/22723/10	Side Panel	*30 and *135 models; Stainless steel
	111/22728/10	Side Panel	*35 and *165 models; Stainless steel
	111/60035/00	Side Panel	*30 and *135 models; Black
	111/60036/00	Side Panel	*35 and *165 models; Black
7	206/00104/00	Screw	
8	B12506601	Front Panel	
9	B12337201	Door Frame	
10	111/10089/01	Reinforcement Plate	
11	206/00114/00	Bolt	
12	B12332901	Lower Rear Panel	
13	B12509101	Nut	
14	223/00103/04	Soap Dispenser Cover Hinge Rod	

# Inverter Drive

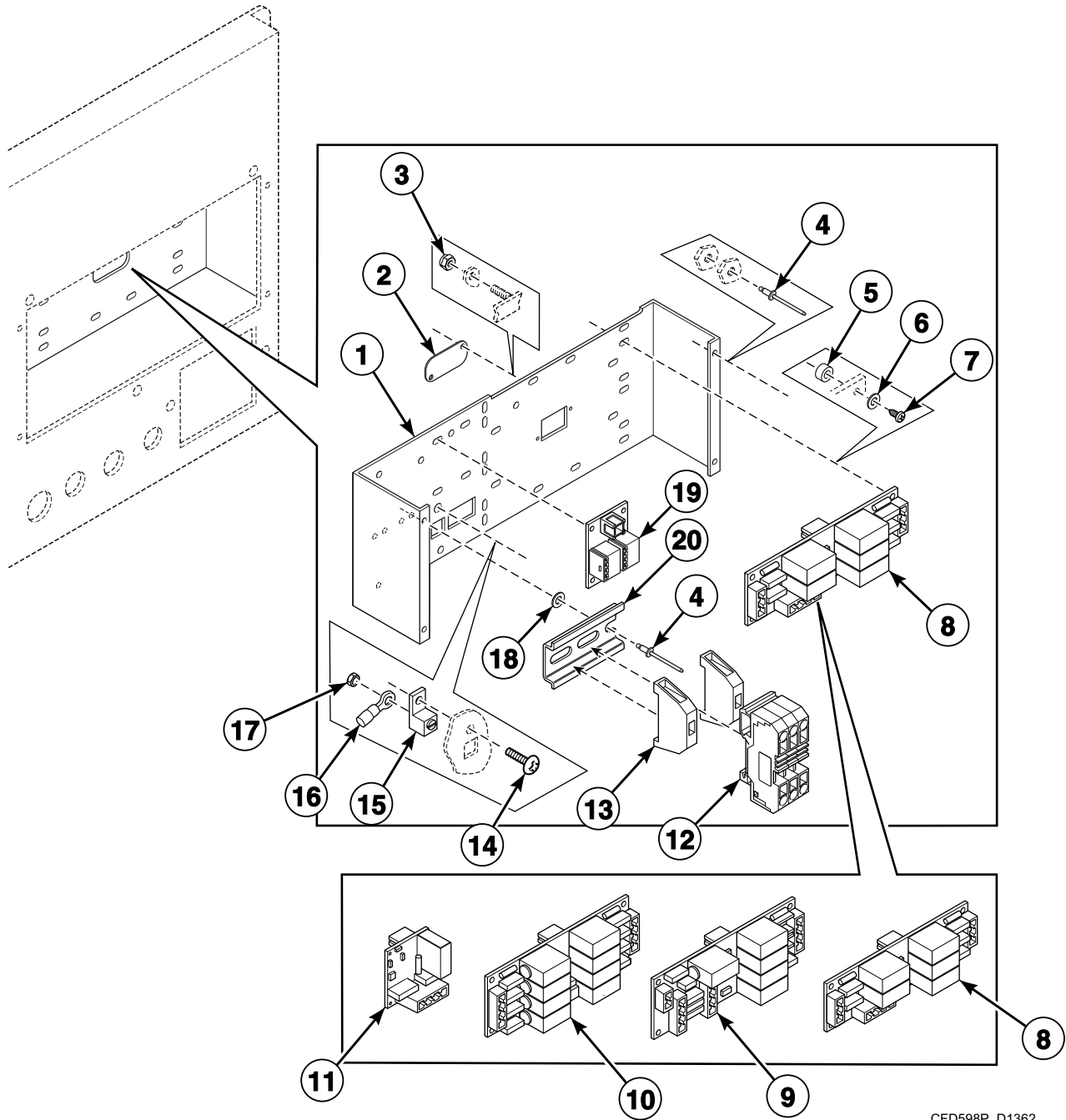


CFD616P\_D1362

# Inverter Drive

REF	PART NO.	DESCRIPTION	COMMENTS
	B12501501	E-Stop Drive Fan Harness	
	B12350101	Ethernet Cable	
1	204/00014/00	Nut	
2	202/00004/00	Washer	
3	B12339401	Noise Filter	30A1; 1x230 Volt; C, Q and X-voltage
	227/00242/00	Noise Filter	8A3; 3x400 Volt; N and P-voltage
4	208/00017/00	Rivet	
5	209/00465/00	Fan	
6	B12357201	Fan Mounting Plate	
7	B12355001	Voltage Discharge Decal	
8	B12551301	Air Duct	Inside
9	B12382401	Inverter Air Inlet Filter Grill	
10	B12346701	Inverter Air Inlet Filter Frame	Outside
11	206/00104/00	Screw	
12	211/00181/00	Strain Relief Connector	
13	B12332801	Backbridge	
14	227/00171/00	Parameter Unit Assembly	Hand held
	F8410901	Parameter Unit Assembly	Inverter mounted; Used with 500 series inverter drives
15	227/00171/10	Parameter Unit Program Cable	
16	F8645101P	Inverter Drive	FR-D7205-070-NA series; 1x230 Volt; C, Q and X-voltage
	F8645201P	Inverter Drive	FR-D740-036-NA series; 3x400 Volt; N and P-voltage
17	204/00114/00	Nut	
18	203/00006/00	Washer	
19	206/00088/00	Bolt	
20	B12333201	Inverter Drive Box	
21	211/00170/00	Nut	
22	204/00011/00	Nut	
23	B12342701	Air Inlet Bottom	
24	B12342501	Air Inlet	
25	B12389501	Fuse	3.15 A; 500 Volt; Used with 227/00242/00 Filter; N and P-voltage
	209/00468/00	Fuse	3.15 A; Used with B12339401 Noise Filter; C, Q and X-voltage

# Printboard Support Panel and Soap Injection Printboards

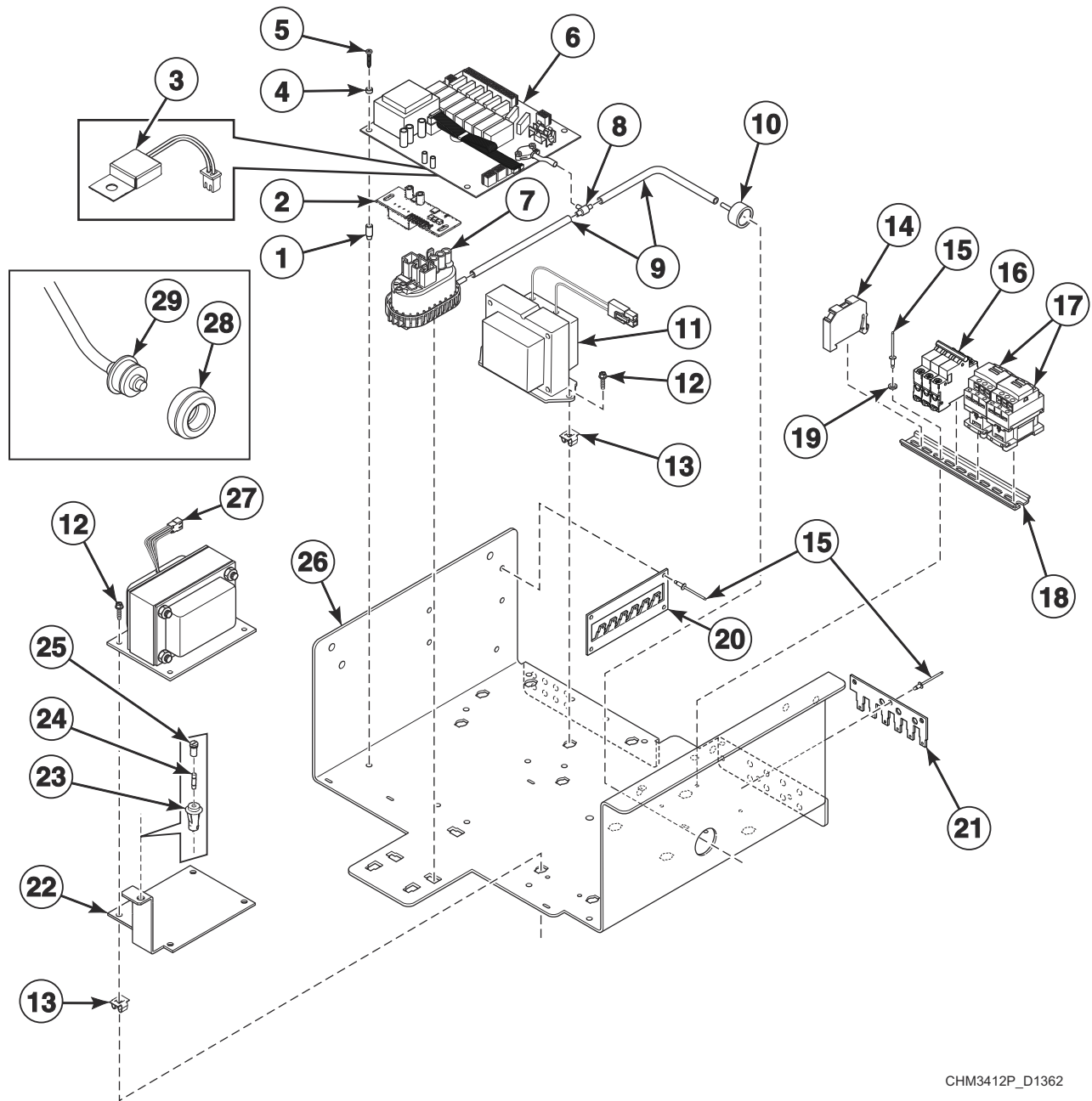


CFD598P\_D1362

# Printboard Support Panel and Soap Injection Printboards

REF	PART NO.	DESCRIPTION	COMMENTS
	B12388301	Ribbon Assembly	Used with items 8-11
	B12529201	Extension Board Kit	Used with items 8-11; Includes items 2-7, 18, B12381402 Control Supply Harness, B12388301 Ribbon Assembly, 201616 Transformer, 70030501 Expansion Clip, B12462901 Screw and B12319608 Diagram; Does not include extension board
	B12529301	Network Kit	Includes items 3, 5-7, 19, 211/00128/00 Printboard Separator, B12341801 Printboard and B12390201 Network Connection Wiring
<b>1</b>	B12312401	Printboard Support	
<b>2</b>	B12382501	Flat Cable Plate	
<b>3</b>	204/00116/00	Nut	
<b>4</b>	208/00017/00	Rivet	
<b>5</b>	B12390301	Standoff	
<b>6</b>	223/00123/00	Washer	
<b>7</b>	B12393801	Screw	
<b>8</b>	209/02005/00	Detergent PC-Board	1-5
<b>9</b>	209/02014/00	Relay PC-Board	5-5
<b>10</b>	209/02008/00	Detergent PC-Board	1-8
<b>11</b>	209/02016/00	Relay PC-Board	1-1
<b>12</b>	209/01625/00	Terminal Block	Grey; 3 on C, N, P and Q-voltage; 1 on X-voltage
	209/01624/00	Terminal Block	Blue; 1 on C and X-voltage
	209/01625/01	Terminal End	
<b>13</b>	209/00633/02	End Stop	
<b>14</b>	206/00104/00	Screw	
<b>15</b>	M411283	Ground Lug Connector	
<b>16</b>	B12456001	Wiring Earth for Inverter	
<b>17</b>	206/00101/00	Nut	
<b>18</b>	202/00004/00	Washer	
<b>19</b>	B12344201	Network Board	Network models
<b>20</b>	B12315401	DIN Rail	60 mm

# Electrical Component Mounting Plate



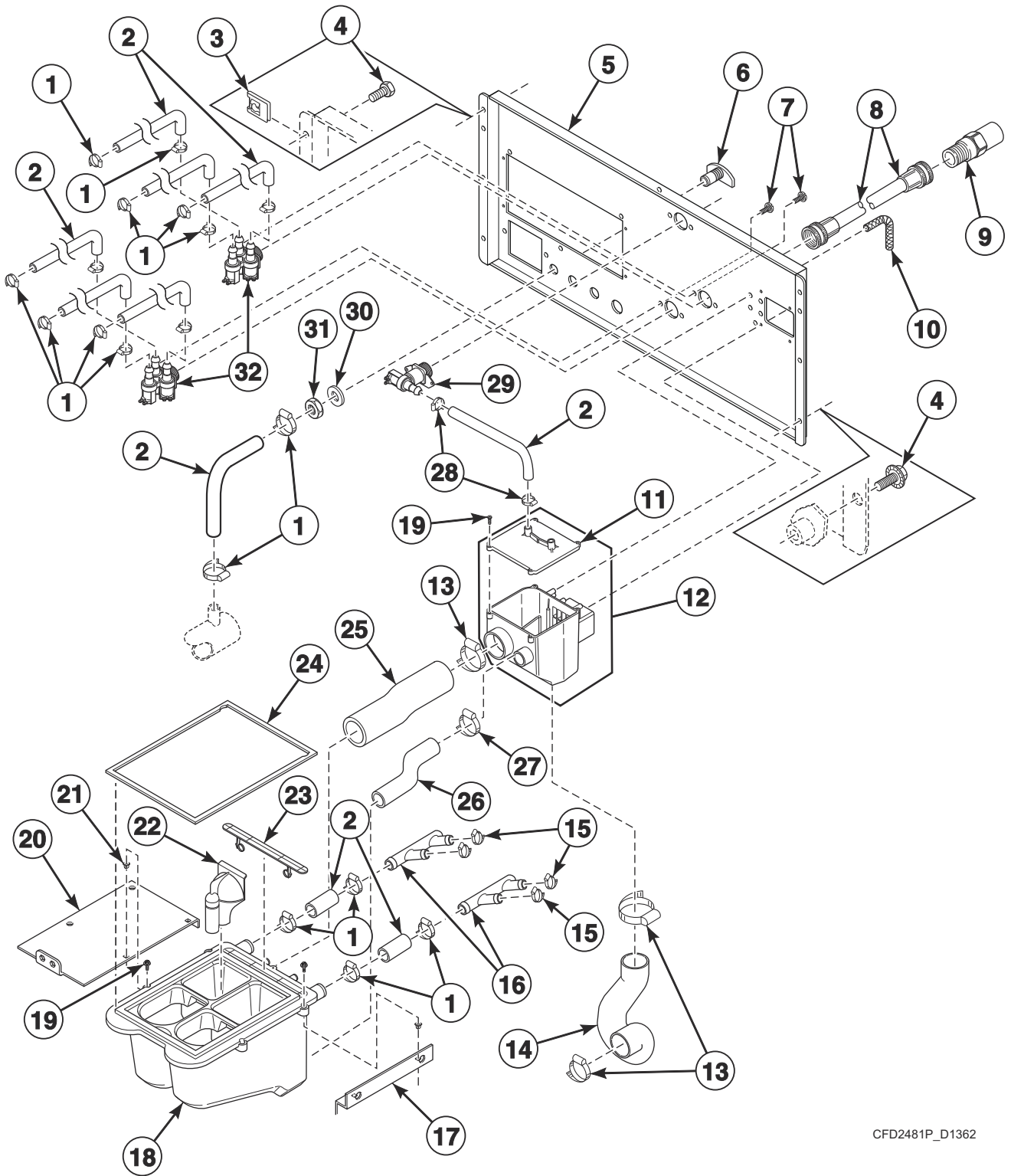
CHM3412P\_D1362



# Electrical Component Mounting Plate

REF	PART NO.	DESCRIPTION	COMMENTS
	B12392701	Direct Fill Harness	
	B12381101	Main Control Tray Harness	
	B12348801	Control Communication Harness	
	B12348301	Control Supply Harness	N and P-voltage
	B12348101	Control Supply Harness	C, Q and X-voltage
	B12381402	Control Supply Harness	24 VAC; Direct fill
	B12390201	Network Connection Wiring	
<b>1</b>	B12390301	Standoff	
<b>2</b>	B12341801	Printboard	Network models
<b>3</b>	209/02020/00	ID Chip	
<b>4</b>	223/00123/00	Washer	
<b>5</b>	B12393801	Screw	
<b>6</b>	B12355701	Control Board	
	B12360001	Fuse	1.25A
<b>7</b>	B12548301	Pressure Switch	Single lever; 230/195; Electric, steam and dual heat
<b>8</b>	223/00173/10	Pressure Switch Hose Tee	
<b>9</b>	B12700018	Pressure Hose	
<b>10</b>	223/00035/02	Pressure Switch Cap	
<b>11</b>	201616P	Transformer	Models with extension boards
<b>12</b>	B12462901	Screw	
<b>13</b>	70030501	Expansion Clip	N and P-voltage
<b>14</b>	209/00633/02	End Stop	Electric, steam or dual heat
<b>15</b>	208/00017/00	Rivet	
<b>16</b>	B12487101	Circuit Breaker	C and Q-voltage; Electric heat
	B12474601	Circuit Breaker	N and P-voltage; Electric heat
<b>17</b>	209/06148/02	Heating Contactor	1 on C, P and N-voltage; 2 on Q-voltage; Electric heat
<b>18</b>	B12315301	DIN Rail	200 mm
<b>19</b>	202/00004/00	Washer	
<b>20</b>	B12395201	Earth Plate Side	
<b>21</b>	B12395301	Earth Plate Bottom	
<b>22</b>	B12439601	Transformer Fuse Mounting Plate	N and P-voltage
<b>23</b>	70329401P	Fuse Holder Body	N and P-voltage
<b>24</b>	802492	Fuse	N and P-voltage
<b>25</b>	70329501	Fuse Holder Cap	N and P-voltage
<b>26</b>	B12313001	Electrical Component Mounting Plate	
<b>27</b>	F8401301	Transformer	N and P-voltage
<b>28</b>	225/10004/00	Thermostat Grommet	
<b>29</b>	210/01064/16	Thermostat	

# Fill Plumbing Assembly

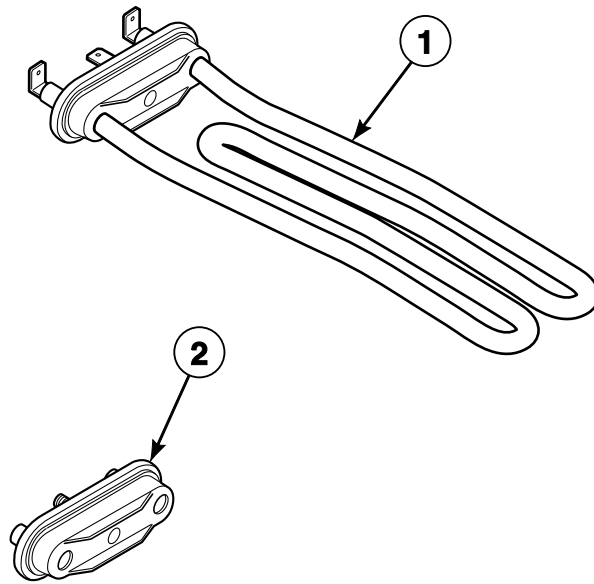


CFD2481P\_D1362

## Fill Plumbing Assembly

REF	PART NO.	DESCRIPTION	COMMENTS
	B12349201	Inlet Valve Harness	
	G582P3	Diaphragm and Guide Kit	Use with F8286401 3-Way Valve
1	223/00010/00	Hose Clamp	
2	223/00044/00	Water Hose	
3	B12469601	Clip	
4	B12462901	Screw	
5	B12332801	Backbridge	
6	223/00001/04	Prewash and Mainwash Nozzle	
7	206/00027/00	Bolt	
8	B8498901	Fill Hose	A and Y market models
	F200164	Water Hose	All models except A and Y market models; Standard thread
	F200166	Water Hose	All models except A and Y market models; Metric thread
9	203386	Check Valve Kit	A and Y market models
10	B12687401	Pressure Hose	
11	F8048601	Vacuum Breaker Assembly	
12	F8048601	Vacuum Breaker Assembly	Includes item 10
13	223/00014/00	Hose Clamp	
14	B12324506	Siphon Break Hose	
15	223/00011/00	Hose Clamp	
16	F8333201	Manifold	
17	B12316401	Supply Dispenser Support	
18	F8047401	Dispenser Assembly	
19	B12462801	Screw	
20	B12335101	Supply Dispenser Mounting Plate	
21	B12463001	Insert	
22	F8047901	Siphon Cover	
23	F8047801	Access Cover	
24	B12568601	Dispenser Gasket	
25	B12390004	Vacuum Supply Hose	*30 and *135 models
	B12390005	Vacuum Supply Hose	*35 and *165 models
26	B12313303	Dispenser Overflow Hose	*30 and *135 models
	B12313304	Dispenser Overflow Hose	*35 and *165 models
27	223/00223/00	Hose Clamp	
28	223/00013/00	Hose Clamp	
29	209/00276/00	Inlet Valve	1-way; Hard water rinse optional; Metric thread
	223/00050/01	Water Valve Adapter	Standard thread
30	201/00002/00	Washer	
31	204/00201/00	Nut	
32	F8286401P	3-Way Valve	Standard thread
	F8286402P	3-Way Valve	Metric thread

# Steam and Electric Heating Options



CFD588P\_D1362

## Steam and Electric Heating Options

REF	PART NO.	DESCRIPTION	COMMENTS
	G582P3	Diaphragm and Guide Kit	Use with F8586401 3-Way Valve
	B12308001	Relay	Steam heat
	209/06148/02	Heating Contactor	Steam heat
	B12348502	Branch Harness	Electric heat; C-voltage
	B12348506	Branch Harness	Q-voltage
	B12349603	Electric Heat Harness	
	B12349703	Steam Heat Harness	
	B12349803	Dual Heat Harness	
	B12348501	Branch Harness	Electric heat; N and P-voltage
	B12381202	Power Jumper Harness	Electric heat; Q-voltage
	B12381204	Power Jumper Harness	Electric heat; Q-voltage
	B12382302	Steam Valve Harness	
	B12455802	Heat Harness	1; Electric heat; Q-voltage
	B12455803	Heat Harness	2; Electric heat; Q-voltage
	B12455902	Heat Harness	1; Electric heat; C, N and P-voltage
	B12455903	Heat Harness	2; Electric heat; C, N and P-voltage
<b>1</b>	209/00563/20	Heating Element	2 kW; 240 Volt; *30 and *135 models; C, P and Q-voltage
	209/00562/20	Heating Element	3 kW; 240 Volt; *35 and *165 models; C, P and Q-voltage
	209/00564/20	Heating Element	3 kW; 275 Volt; N-voltage
<b>2</b>	209/00196/00	Heating Element Plug	



# Parts Index

## A

Access Cover	
F8047801 .....	49
Air Duct	
B12551301 .....	43
Air Inlet	
B12342501 .....	43
Air Inlet Bottom	
B12342701 .....	43

## B

Backbridge	
B12332801 .....	39, 43, 49
Backplate	
111/01005/00 .....	35, 37
Ball Bearing	
212/00004/00 .....	9
Basket and Shaft Assembly	
B12380101 .....	13
B12380201 .....	13
B12380501 .....	13
B12380601 .....	13
B12539501 .....	11
B12539502 .....	11
B12539701 .....	11
B12539702 .....	11
Bearing	
F100134 .....	9
Bearing Housing Assembly	
212/00101/00 .....	9
212/00101/01 .....	9
Bearing Housing Plate	
113/00019/01 .....	9
113/00019/02 .....	9
Bearing Kit	
3882P .....	9
Bearing Replacement Tool Kit	
381P3P .....	9
381P3-1 .....	9
Belt	
226/00124/00 .....	11, 15
Bolt	
B12444801 .....	15
205/00102/00 .....	9
205/00105/00 .....	39
205/00106/00 .....	21, 39
206/00004/00 .....	11
206/00006/00 .....	15
206/00014/00 .....	9
206/00027/00 .....	49
206/00032/00 .....	13
206/00033/00 .....	17
206/00052/00 .....	7
206/00079/00 .....	7
206/00088/00 .....	43
206/00093/00 .....	9
206/00114/00 .....	41
206/00119/00 .....	15

Branch Harness	
B12348501 .....	51
B12348502 .....	51
B12348506 .....	51

## C

Check Valve Kit	
203386 .....	49
Circuit Breaker	
B12474601 .....	47
B12487101 .....	47
Clip	
B12469601 .....	49
Coin Box	
254/00077/00 .....	35, 37
Coin Drop	
B11211209 .....	35
B12311201 .....	35
B12311202 .....	35
B12311203 .....	35
B12311204 .....	35
B12311205 .....	35
B12311206 .....	35
B12311207 .....	35
B12311208 .....	35
B12311210 .....	35
B12311211 .....	35
B12311212 .....	35
B12311214 .....	35
B12311215 .....	35
B12311216 .....	35
B12311218 .....	35
B12311219 .....	35
B12311220 .....	35
B12311221 .....	35
B12311222 .....	35
B12311224 .....	35
B12311225 .....	35
B12311226 .....	35
B12311234 .....	35
B12311235 .....	35
B12311239 .....	35
B12311241 .....	35
B12311244 .....	35
B12311247 .....	35
B12311248 .....	35
B12311249 .....	35
B12311252 .....	35
B12311301 .....	35
B12311302 .....	35
B12311304 .....	35
B12311401 .....	37
B12323401 .....	35
B12323901 .....	35
Contact Harness	
B12491701 .....	23, 25, 27, 31
B12491801 .....	23, 25, 27, 31
Contact Switch	
209/00029/26 .....	23, 25, 27, 31
209/00099/26 .....	23, 25, 27, 31
Control Board	
B12355701 .....	47

N/A items do not appear in index.

Control Communication Harness B12348801 .....	47
Control Supply Harness B12348101 .....	47
B12348301 .....	47
B12381402 .....	47
Counter Ring 219/00004/00 .....	11

## D

Data Card Ribbon Assembly B12538301 .....	23, 27, 29, 31, 33
Datocard 209/02024/00 .....	23, 27, 29, 31, 33
Datocard Cover 223/00348/00 .....	23, 27
Detergent PC-Board 209/02005/00 .....	45
209/02008/00 .....	45
Diaphragm and Guide Kit G582P3 .....	49, 51
DIN Rail B12315301 .....	47
B12315401 .....	45
Direct Fill Harness B12392701 .....	47
Dispenser Assembly F8047401 .....	49
Dispenser Gasket B12568601 .....	49
Dispenser Overflow Hose B12313303 .....	49
B12313304 .....	49
Display PC-Board 209/02002/ZB2 .....	23, 25
Door Frame B12337201 .....	21, 41
Door Glass B12449801 .....	21
Door Glass Seal 223/00068/00 .....	21
Door Handle B12336301 .....	21
Door Handle Stop 217/00016/00 .....	21
Door Hinge Block 253/00022/00 .....	21
Door Hinge Blocking Plate B12565001 .....	21
Door Hinge Spacer 118/00124/00 .....	21
Door Lock Assembly B12517701 .....	19
Door Lock Harness B12495001 .....	19
Door Lock PC-Board B12388201 .....	23, 25, 27, 29, 31, 33
Door Solenoid Assembly B12518101 .....	19
Drain Pipe 223/00106/00 .....	17

Drain Tub to Drain Valve Hose B12403101 .....	17
Drain Valve Cover 223/00225/00 .....	17
Drain Valve Harness B12349401 .....	17
Drain Valve Kit B12630701 .....	17
Drain Valve Motor 209/00051/11 .....	17
Drain Valve Overflow Plug 223/00086/00 .....	17
Drain Valve to Drain Tube Hose 223/00328/00 .....	17
Dual Drain Kit B12428201 .....	17
Dual Heat Harness B12349803 .....	51
Dual Heat Sticker B12523901 .....	23, 25, 27, 31

## E

Earth Plate Bottom B12395301 .....	47
Earth Plate Side B12395201 .....	47
Electric Heat Harness B12349603 .....	51
Electrical Component Mounting Plate B12313001 .....	47
Electronic Coin Meter Housing 152/00112/50 .....	37
End Stop 209/00633/02 .....	45, 47
E-Stop Bypass Harness B12349001 .....	29, 33
E-Stop Drive Fan Harness B12501501 .....	43
E-Stop Harness B12348901 .....	23, 25, 27, 31
Ethernet Cable B12350101 .....	43
Expansion Clip 70030501 .....	47
Extension Board Kit B12529201 .....	45

## F

Fan 209/00465/00 .....	43
Fan Mounting Plate B12357201 .....	43
Fastening Piece 217/00060/00 .....	35, 37
Fill Hose B8498901 .....	49
Flat Cable Plate B12382501 .....	45

N/A items do not appear in index.



Frame	
B12399301.....	7
B12400301.....	7
Front Panel	
B12506601.....	41
Fuse	
B12360001.....	47
B12389501.....	43
209/00468/00.....	43
802492.....	47
Fuse Holder Body	
70329401P.....	47
Fuse Holder Cap	
70329501.....	47

## G

Ground Lug Connector	
M411283.....	45

## H

Hardware Kit	
F407P4.....	9
Heat Harness	
B12455802.....	51
B12455803.....	51
B12455902.....	51
B12455903.....	51
Heating Contactor	
209/06148/02.....	47, 51
Heating Element	
209/00562/20.....	51
209/00563/20.....	51
209/00564/20.....	51
Heating Element Plug	
209/00196/00.....	51
Heating Harness	
B12381301.....	15
Hinge	
221/00004/00.....	21
Hose Clamp	
223/00010/00.....	17, 49
223/00011/00.....	49
223/00013/00.....	17, 49
223/00014/00.....	49
223/00223/00.....	49
229/00012/00.....	17

## I

ID Chip	
209/02020/00.....	47
Infrared Cable Kit	
210/00902/00P.....	23, 25, 27, 29, 31, 33
Inlet Valve	
209/00276/00.....	49
Inlet Valve Harness	
B12349201.....	49
Insert	
B12463001.....	49

Insulating Sticker	
229/00268/00.....	23, 25
229/00291/00.....	27, 29
Inverter Air Inlet Filter Frame	
B12346701.....	43
Inverter Air Inlet Filter Grill	
B12382401.....	43
Inverter Drive	
F8645101P.....	43
F8645201P.....	43
Inverter Drive Box	
B12333201.....	43

## K

Key	
254/00077/02.....	35, 37
70155603.....	41

## L

Lip Seal	
B12332301.....	9
Lower Front Panel	
111/01803/00.....	39
Lower Rear Panel	
B12332901.....	41

## M

Magnet	
B12363301.....	21
Magnet Holder	
B12389701.....	21
Main Control Tray Harness	
B12381101.....	47
Main Switch Cover	
B12312501.....	39
Manifold	
F8333201.....	49
Mechanical Coin Meter Housing	
152/00112/00.....	35
Memory Card PC Board	
B12305201.....	29
Memory Card PC-Board	
B12305201.....	23, 27, 31, 33
Microswitch	
B12625101.....	19
Motor	
B12510601.....	15
Motor Clip	
B12371401.....	15
Motor Harness	
B12382102.....	15
Motor Mounting Rod	
B12363003.....	15
Motor Plate	
B12439801.....	15
Motor Pulley	
B12700018.....	15

N/A items do not appear in index.

Mounting Plate	
223/00374/00 .....	23, 25, 27, 29, 31, 33
Mushroom Pushbutton	
209/00248/20 .....	23, 25, 27, 31

## N

Nameplate	
B12389801 .....	23, 25, 27, 29, 31, 33
B12389802 .....	23, 31, 33
B12389803 .....	31, 33
B12389805 .....	27, 29
B12389809 .....	31, 33
B12389810 .....	31, 33
B12530803 .....	23, 27, 29, 31, 33
B12530804 .....	23, 27, 29, 31, 33
Network Board	
B12344201 .....	45
Network Connection Wiring	
B12390201 .....	47
Network Kit	
B12529301 .....	45
Noise Filter	
B12339401 .....	43
227/00242/00 .....	43
Nut	
B12509101 .....	41
204/00002/00 .....	7
204/00003/00 .....	7
204/00009/00 .....	13, 39
204/00011/00 .....	39, 43
204/00014/00 .....	43
204/00106/00 .....	21
204/00107/00 .....	39
204/00110/00 .....	15
204/00114/00 .....	43
204/00116/00 .....	23, 25, 27, 29, 31, 33, 35, 37, 45
204/00201/00 .....	17, 49
206/00094/00 .....	9
206/00101/00 .....	45
206/00105/00 .....	17
211/00170/00 .....	43

## O

Operating Panel	
B12385103 .....	31
B12385201 .....	29
B12385301 .....	23, 25
B12385401 .....	27
B12385501 .....	33
Operating Sticker	
B12382701 .....	31
B12382801 .....	31
B12382901 .....	33
B12383001 .....	31
B12383101 .....	31
B12383201 .....	33
B12383301 .....	27
B12383401 .....	27
B12383501 .....	29
B12383601 .....	23
B12383701 .....	23
B12456501 .....	33
B12456601 .....	31

B12456701 .....	27
B12531701 .....	33
B12531801 .....	27, 31
B12531901 .....	27
B12532001 .....	23
B12583501 .....	23

Optical Switch	
209/00781/00 .....	35
O-Ring	
217/00021/00 .....	21
Outlet Pipe Plate Assembly	
101/00007/00 .....	17, 39
Out-of-Balance Bypass Harness	
B12349904 .....	7
Overflow Hose	
223/00100/00 .....	17
Overlay	
B12583801 .....	25

## P

Panel Lock	
44089303P .....	41
Parameter Unit Assembly	
F8410901 .....	43
227/00171/00 .....	43
Parameter Unit Program Cable	
227/00171/10 .....	43
Plexi Frame	
225/00321/00 .....	23, 25
225/00322/00 .....	31, 33
225/00323/00 .....	27, 29
Power Jumper Harness	
B12381202 .....	51
B12381204 .....	51
Pressure Hose	
B12687401 .....	49
B12700018 .....	47
223/00333/00 .....	17
Pressure Switch	
B12548301 .....	47
Pressure Switch Cap	
223/00035/02 .....	17, 47
Pressure Switch Hose Tee	
223/00173/10 .....	17, 47
Prewash and Mainwash Nozzle	
223/00001/04 .....	17, 49
Printboard	
B12341801 .....	47
209/02001/02 .....	31, 33
209/02015/02 .....	27, 29
Printboard Separator	
211/00128/00 .....	23, 25, 27, 29, 31, 33
Printboard Support	
B12312401 .....	45
Printboard Support Card	
111/01893/00 .....	23, 27
Protection LED	
223/00330/00 .....	31, 33
Pulley	
226/00126/00 .....	11
Pushbutton	
209/00396/00 .....	35, 37

N/A items do not appear in index.

---

**R**

Reed Switch Holder	
B12517601 .....	19
Reinforcement Plate	
111/10089/01 .....	41
Relay	
B12308001 .....	51
Relay PC-Board	
209/02014/00 .....	45
209/02016/00 .....	45
Retainer Ring	
212/00006/00 .....	9
212/00037/00 .....	9
Retaining Ring	
117/00042/00 .....	39
Ribbon Assembly	
B12388301 .....	45
Rivet	
B12500301 .....	21
208/00017/00 .....	43, 45, 47

---

**S**

Screw	
B12393801 .....	45, 47
B12462801 .....	49
B12462901 .....	39, 47, 49
B12500601 .....	39
B12500801 .....	21
206/00058/00 .....	15
206/00104/00 .....	39, 41, 43, 45
207/00102/00 .....	19
207/00126/00 .....	21
Seal Plate Assembly	
B12333701 .....	9
Side Panel	
111/22723/10 .....	39, 41
111/22728/10 .....	39, 41
111/60035/00 .....	39, 41
111/60036/00 .....	39, 41
Siphon Break Hose	
B12324506 .....	49
Siphon Cover	
F8047901 .....	49
Soap Dispenser Cover Hinge Rod	
223/00103/04 .....	41
Spacer	
B12463401 .....	15
Speed Detector	
210/00074/00 .....	9
Speed Detector Bracket	
152/00055/00 .....	9
Standoff	
B12390301 .....	45, 47
211/00122/00 .....	23, 25, 27, 29
211/00145/00 .....	23, 27
Steam Heat Harness	
B12349703 .....	51
Steam Valve Harness	
B12382302 .....	51

Strain Relief Connector	
211/00181/00 .....	15, 43
Supply Dispenser Cover	
B12319101 .....	41
B12356701 .....	41
Supply Dispenser Cover Frame	
B12597501 .....	41
Supply Dispenser Crossbar	
B12333301 .....	39
B12333401 .....	39
Supply Dispenser Mounting Plate	
B12335101 .....	49
Supply Dispenser Support	
B12316401 .....	49
Switch Knob	
209/00099/29 .....	23, 25, 27, 31

---

**T**

Telem Sticker	
209/00520/00 .....	23, 25, 27, 31
Terminal Block	
209/01624/00 .....	45
209/01625/00 .....	45
Terminal End	
209/01625/01 .....	45
Thermostat	
210/01064/16 .....	47
Thermostat Grommet	
225/10004/00 .....	47
Tolerance Ring	
215/00004/00 .....	11
Top Cover Hinge	
F8258601 .....	39
Top Cover Latch	
F8201001 .....	39
Top Panel	
B12333001 .....	41
B12333101 .....	41
111/01003/00 .....	35, 37
Transformer	
F8401301 .....	47
201616P .....	47
Transformer Fuse Mounting Plate	
B12439601 .....	47
Tub	
B12300901 .....	13
B12300902 .....	13
Tub Fastening Ring	
212/00114/00 .....	7
Tub Front Gasket	
B12351601 .....	13
Tub Front Panel	
B12320601 .....	13
Tub Front Panel Clip	
217/00008/00 .....	13
Tub Front Ring Clamp	
219/00007/00 .....	13

N/A items do not appear in index.

---

## U

U-Piece Assembly	
113/00067/00 .....	9

---

## V

Vacuum Breaker Assembly	
F8048601 .....	49
Vacuum Supply Hose	
B12390004 .....	49
B12390005 .....	49
Valve, 3-Way	
F8286401P .....	49
F8286402P .....	49
Vibration Switch	
F8204001 .....	7
Vibration Switch Wiring Harness	
B12349903 .....	7
Voltage Discharge Decal	
B12355001 .....	43

---

## W

Washer	
201/00001/00 .....	9
201/00002/00 .....	17, 49
201/00003/00 .....	11
201/00005/00 .....	7
201/00007/00 .....	13, 17
201/00010/00 .....	7
201/00015/00 .....	15
201/00201/00 .....	9
202/00002/00 .....	15
202/00003/00 .....	9, 39
202/00004/00 .....	43, 45, 47
202/00101/00 .....	21
202/00104/00 .....	21
202/00110/00 .....	21
203/00001/00 .....	7, 11
203/00002/00 .....	7
203/00004/00 .....	9, 39
203/00005/00 .....	39
203/00006/00 .....	43
223/00123/00 .....	23, 25, 27, 29, 31, 33, 45, 47
Water Hose	
F200164 .....	49
F200166 .....	49
223/00044/00 .....	17, 49
Water Valve Adapter	
223/00050/01 .....	49
Wire Harness Assembly	
B12309901 .....	35, 37
B12310001 .....	35, 37
Wiring Earth for Inverter	
B12456001 .....	45

---