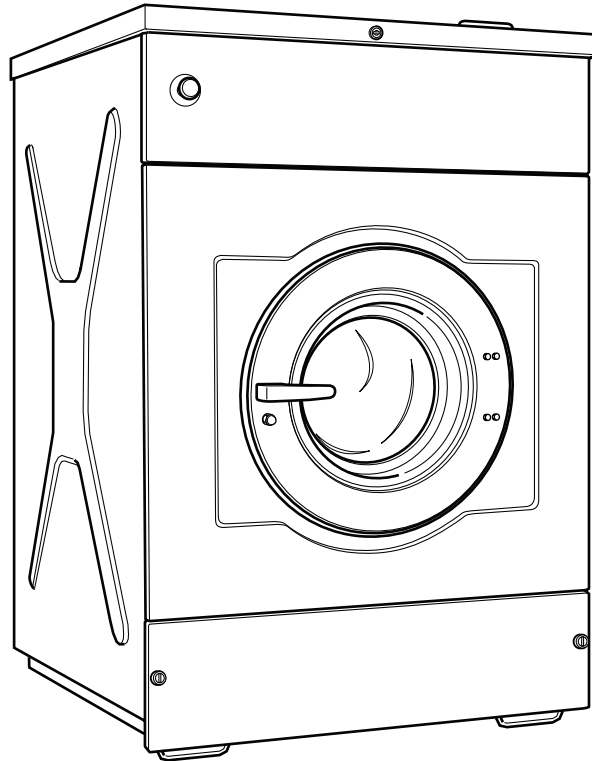


Washer-Extractor

Cabinet Hardmount

Refer to Page 3 for Model Numbers



CFD651N_D1364

Table of Contents

Title	Page
Parts Ordering Information.....	2
Serial Plate Location	2
Model Identification	3
Cabinet Hardmount Washer-Extractor Product Overview.....	4
Frame.....	6
Bearing Housing - *55 and *235 Models.....	8
Bearing Housing - *75, *90, *305 and *400 Models	10
Basket, Pulley and Belt - *55 and *235	12
Basket, Pulley and Belt - *75, *90, *305 and *400 Models.....	14
Shell and Basket.....	16
Motor and Belt.....	18
Drain Plumbing	20
Door Lock.....	22
Door	24
Control Panel - Cygnus Professional	26
Control Panel - Cygnus Ultra Pro.....	28
Control Panel - Cygnus Premium OPL and Ultra.....	30
Control Panel - Cygnus Premium Coin	32
Control Panel - Cygnus Standard/Commercial OPL and Select.....	34
Control Panel - Cygnus Standard/Commercial Coin and Vended	36
Coin Drop - Mechanical Coin Meter.....	38
Coin Drop - Electronic Coin Meter	40
Left Side, Lower Front and Upper Rear Panels	42
Right Side, Front, Lower Rear and Top Panels	44
Inverter Drive	46
Printboard Support Panel and Soap Injection Printboards	48
Electrical Component Mounting Plate.....	50
Fill Plumbing Assembly.....	52
Steam and Electric Heating Options	54
Parts Index.....	57

© Copyright 2018, Alliance Laundry Systems LLC

All rights reserved. No part of the contents of this book may be reproduced or transmitted in any form or by any means without the expressed written consent of the publisher.

Parts Ordering Information

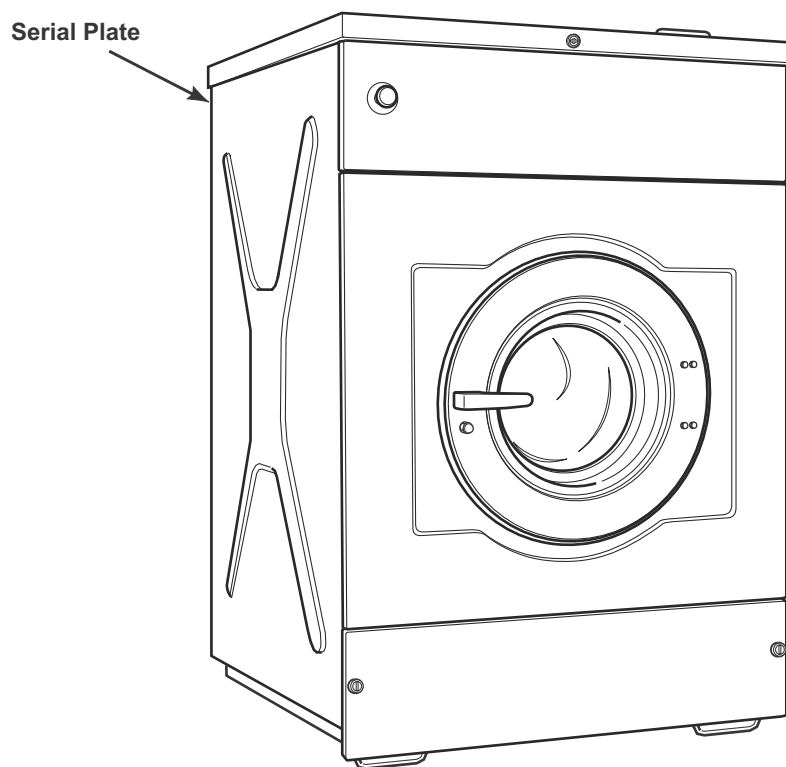
If literature or replacement parts are required, contact the source from whom the machine was purchased or contact Alliance Laundry Systems at (920) 748-3950 for the name and address of the nearest authorized parts distributor.

For technical assistance, call the number listed below:

(920) 748-3121 Ripon, Wisconsin

Serial Plate Location

When calling or writing about your product, be sure to mention model and serial numbers. Model and serial numbers are located on serial plate(s) as shown.



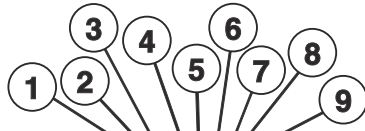
CFD651NA_D1364

Model Identification

Information in this manual is applicable to these washer-extractor models:

CH055_CYGNUS-SELECT	CHN235S	CHZ235X	IHN400C	IHY055C
CH055_CYGNUS-ULTRA	CHN235U	CHZ235Z	IHN400S	IHY055X
CH055_ULTRA-PRO	CHN235X	CHZ305X	IHN400U	IHY055Y
CH075_CYGNUS-SELECT	CHN235Z	CHZ305Z	IHN400V	IHY055Z
CH075_CYGNUS-ULTRA	CHN305S	CHZ400X	IHN400X	IHY075C
CH075_ULTRA-PRO	CHN305U	CHZ400Z	IHN400Y	IHY075X
CH090_CYGNUS-SELECT	CHN305X	DHU235X	IHN400Z	IHY075Y
CH090_CYGNUS-ULTRA	CHN305Z	DHU305X	IHR055R	IHY075Z
CH090_ULTRA-PRO	CHN400S	DHU400X	IHR055S	IHY090C
IH055_CYGNUS-SELECT	CHN400U	IHA235C	IHR055U	IHY090X
IH055_CYGNUS-ULTRA	CHN400X	IHA235X	IHR055V	IHY090Y
IH055_CYGNUS-VENDED	CHN400Z	IHA235Y	IHR075R	IHY090Z
IH055_ULTRA-PRO	CHR055R	IHA235Z	IHR075S	IHZ235C
IH075_CYGNUS-SELECT	CHR055S	IHA305C	IHR075U	IHZ235X
IH075_CYGNUS-ULTRA	CHR055U	IHA305X	IHR075V	IHZ235Y
IH075_CYGNUS-VENDED	CHR055X	IHA305Y	IHR090R	IHZ235Z
IH075_ULTRA-PRO	CHR055Z	IHA305Z	IHR090S	IHZ305C
IH090_CYGNUS-SELECT	CHR075R	IHA400C	IHR090U	IHZ305X
IH090_CYGNUS-ULTRA	CHR075S	IHA400X	IHR090V	IHZ305Y
IH090_CYGNUS-VENDED	CHR075U	IHA400Y	IHU235C	IHZ305Z
IH090_ULTRA-PRO	CHR075X	IHA400Z	IHU235X	IHZ400C
WD235_CYGNUS-COMM	CHR075Z	IHG235C	IHU235Y	IHZ400X
WD235_CYGNUS-PREM	CHR090R	IHG235X	IHU235Z	IHZ400Y
WD235_CYGNUS-PRO	CHR090S	IHG235Y	IHU305C	IHZ400Z
WD235_CYGNUS-STANDARD	CHR090U	IHG235Z	IHU305X	JHW235C
WD305_CYGNUS-COMM	CHR090X	IHG305C	IHU305Y	JHW235Y
WD305_CYGNUS-PREM	CHR090Z	IHG305X	IHU305Z	JHW235Z
WD305_CYGNUS-PRO	CHU235X	IHG305Y	IHU400C	JHW305C
WD305_CYGNUS-STANDARD	CHU235Z	IHG305Z	IHU400X	JHW305Y
WD400_CYGNUS-COMM	CHU305X	IHG400C	IHU400Y	JHW305Z
WD400_CYGNUS-PREM	CHU305Z	IHG400X	IHU400Z	JHW400C
WD400_CYGNUS-PRO	CHU400X	IHG400Y	IHW235C	JHW400Y
WD400_CYGNUS-STANDARD	CHU400Z	IHG400Z	IHW235X	JHW400Z
CHE055X	CHW235X	IHN235C	IHW235Y	PHU235Y
CHE055Z	CHW235Z	IHN235S	IHW235Z	PHU305Y
CHE075X	CHW305X	IHN235U	IHW305C	PHU400Y
CHE075Z	CHW305Z	IHN235V	IHW305X	WHU235C
CHE090X	CHW400X	IHN235X	IHW305Y	WHU305C
CHE090Z	CHW400Z	IHN235Y	IHW305Z	WHU400C
CHG235X	CHY055X	IHN235Z	IHW400C	YHG235C
CHG235Z	CHY055Z	IHN305C	IHW400X	YHG305C
CHG305X	CHY075X	IHN305S	IHW400Y	YHG400C
CHG305Z	CHY075Z	IHN305U	IHW400Z	
CHG400X	CHY090X	IHN305V		
CHG400Z	CHY090Z	IHN305X		
		IHN305Y		
		IHN305Z		

Cabinet Hardmount Washer-Extractor Product Overview



Model No: **IXU135XNCU0E** Serial No: 12090AE0036

Volts: 380-415V Type: **HD135**

Hertz: 50(60)Hz

Phase: 3+N Capacity: 30/13.2 lbs/kg

Amps: 24.3 amps

Recommended Water 28-85 psi

Circuit Breaker: 25 amps Pressure: 2 - 6 bar

Electrical Heating: 12-14. kW Max Speed: 1000 rpm

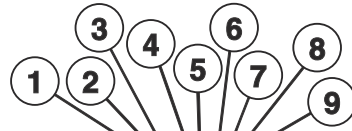
Steam N/A psi Net 788 lbs

Heat: N/A bar Weight: 358 kg

Sound Level: 62/73 dBA IPX4

sfc 807393

Alliance International BVBA
 Nieuwstraat 146
 8560 Wevelgem
 Belgium
 Tel: +32 56 41 20 54
 Fax: +32 56 41 86 74
 www.ipso.be
 Country of origin: Belgium



Model No: **IHN185SNLXUOP** Serial No: 1209BG0043

Volts: 200-240V Type: **WD185**

Hertz: 60(50)Hz

Phase: 1 Capacity: 40/18.2 lbs/kg

Amps: 3.5 amps

Recommended Water 28-85 psi

Circuit Breaker: 15 amps Pressure: 2 - 6 bar

Electrical Heating: N/A kW Max Speed: 470 rpm

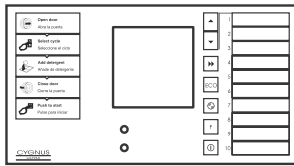
Steam N/A psi Net 618 lbs

Heat: N/A bar Weight: 281 kg

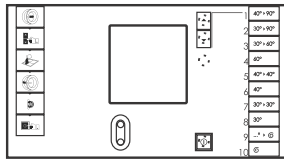
Sound Level: 62/73 dBA IPX4

sfc 807410

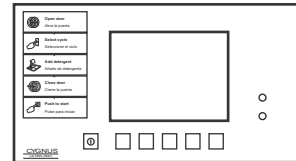
Alliance International BVBA
 Nieuwstraat 146
 8560 Wevelgem
 Belgium
 Tel: +32 56 41 20 54
 Fax: +32 56 41 86 74
 www.ipso.be
 Country of origin: Belgium



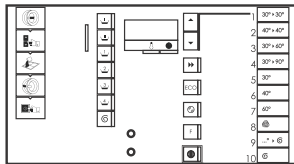
Cygnus Ultra



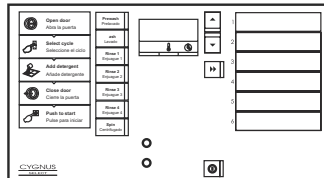
Cygnus Premium Coin



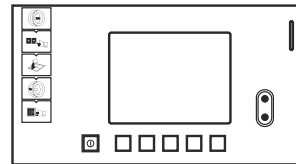
Cygnus Ultra Pro



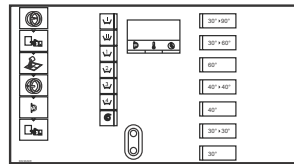
Cygnus Commercial



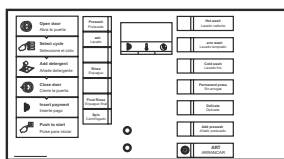
Cygnus Select



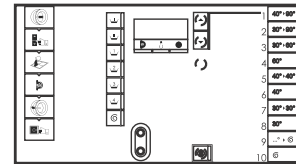
Cygnus Professional



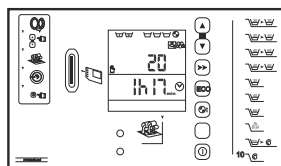
Cygnus Standard Vended



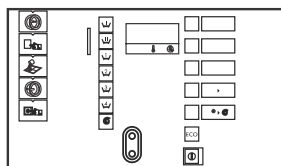
Cygnus Vended



Cygnus Commercial Vended



Cygnus Premium OPL



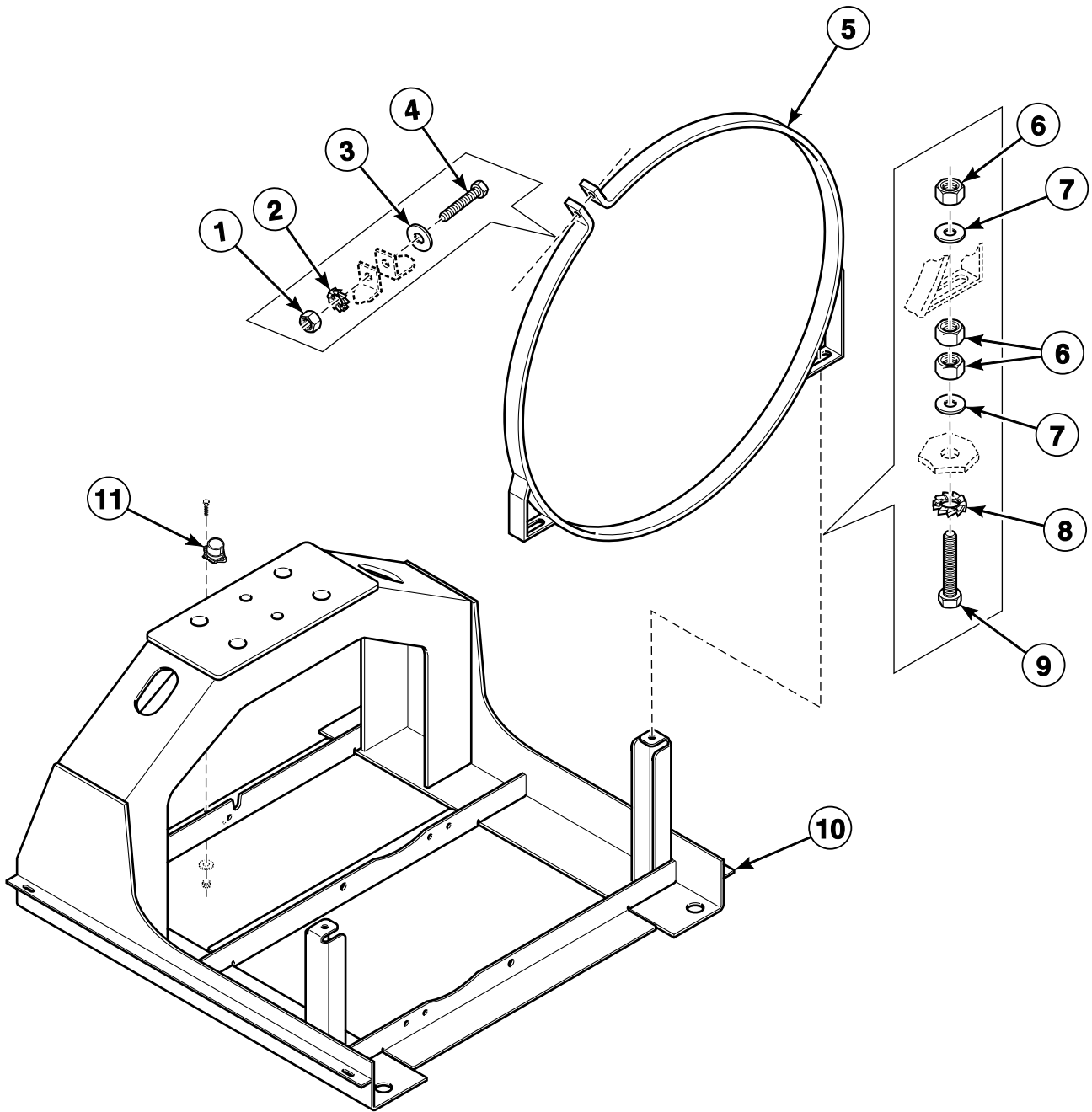
Cygnus Standard OPL

CHM3357P_D1364

Cabinet Hardmount Washer-Extractor Product Overview

REF	PART NO.	DESCRIPTION	COMMENTS
1	-	Product Family	CH DH IH JH PH WD WH YH
2	-	Market	E (EU [CE] Pounds) G (GOS) N (US ETL/ETL [C]) R (US ETL/ETL [C]) U (EU [CE]) W (EU [CE] WRAS) Z (No Agency Int.)
3	-	Capacity	055 075 090 235 305 400
4	-	Control	C (Cygnus Standard) R (Cygnus Ultra Pro) S (Cygnus Select) U (Cygnus Ultra) V (Cygnus Vended) X (Cygnus Commercial) Y (Cygnus Premium) Z (Cygnus Professional)
5	-	Actuation	C (Single Coin Drop) D (Dual Coin Drop) E (Electronic Coin Drop) L (Central Pay Pulses) N (OPL) S (Central Pay Serial Comm)
6	-	Speed	L (Normal Speed) M (High Speed)
7	-	Voltage	C (380-415V/50/60Hz/3Ph-4W [L1,L2, L3,N]) N (440-480V/50/60Hz/3Ph-3W [L1,L2,L3]) P (380-415V/50/60Hz/3Ph-3W [L1,L2,L3]) Q (200-208/220-240V/50/60Hz/3Ph-3W [L1,L2,L3]) X (200-208/220-240V/50/60Hz/1Ph-2W [L1,N] or 2W [L1,L2])
8	-	Cabinet	U (Standard) 1 (Stainless Steel Side Panels)
9	-	Design	1

Frame

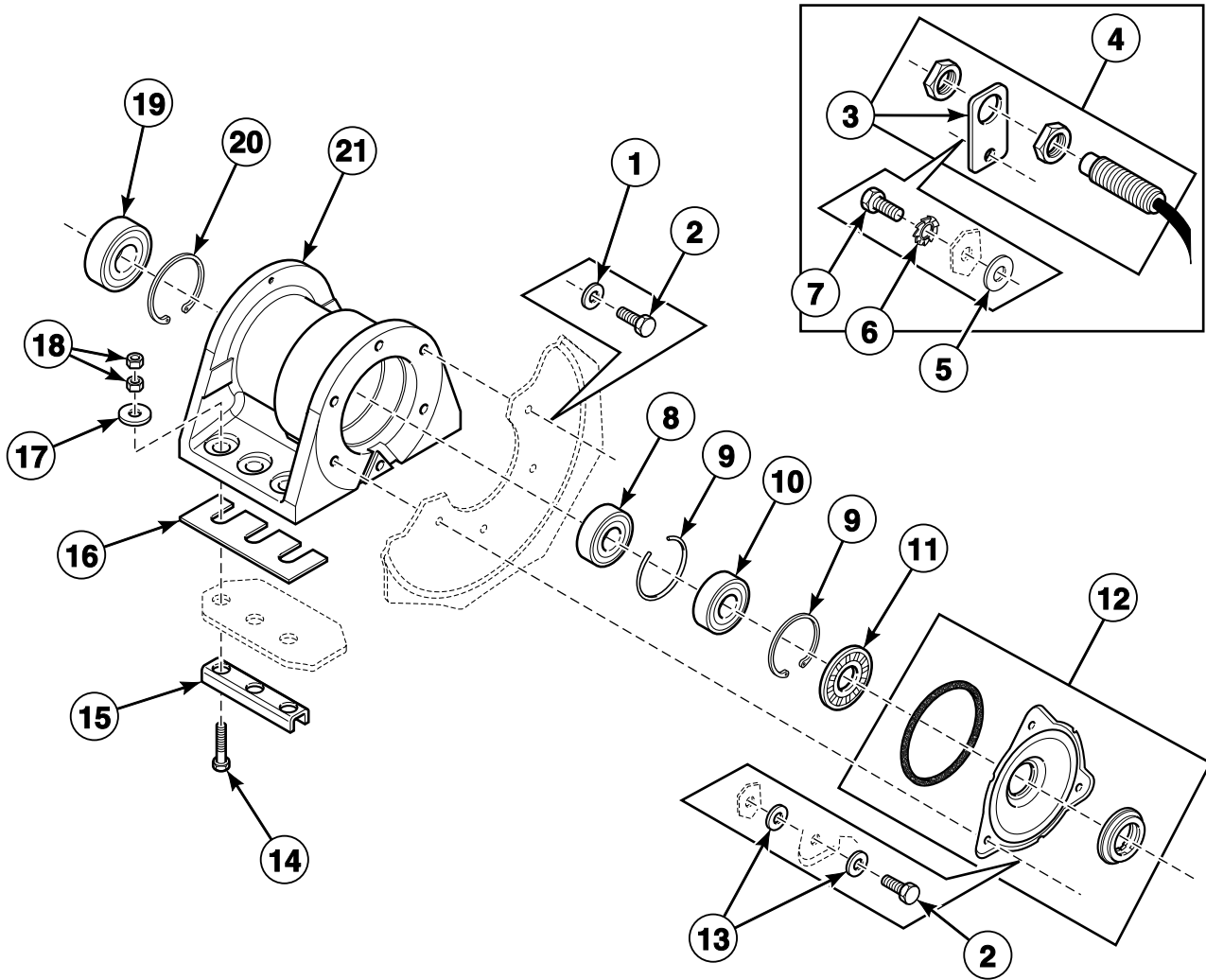


CHM3268P_D1364

Frame

REF	PART NO.	DESCRIPTION	COMMENTS
	B12349903	Vibration Switch Wiring Harness	Models with M in the 9th position of the model number
	B12349904	Out-of-Balance Bypass Harness	
1	204/00003/00	Nut	
2	203/00002/00	Washer	
3	201/00005/00	Washer	
4	206/00052/00	Bolt	
5	212/00116/00	Tub Fastening Ring	*55 and *235 models
	212/00117/00	Tub Fastening Ring	All other models
6	204/00002/00	Nut	
7	201/00005/00	Washer	
8	203/00001/00	Washer	
9	206/00079/00	Bolt	
10	B12518608	Frame	*55 and *235 models
	B12400501	Frame	*75 and *305 models
	B12401301	Frame	*90 and *400 models
11	F8204001	Vibration Switch	Models with M in the 9th position of the model number

Bearing Housing - *55 and *235 Models

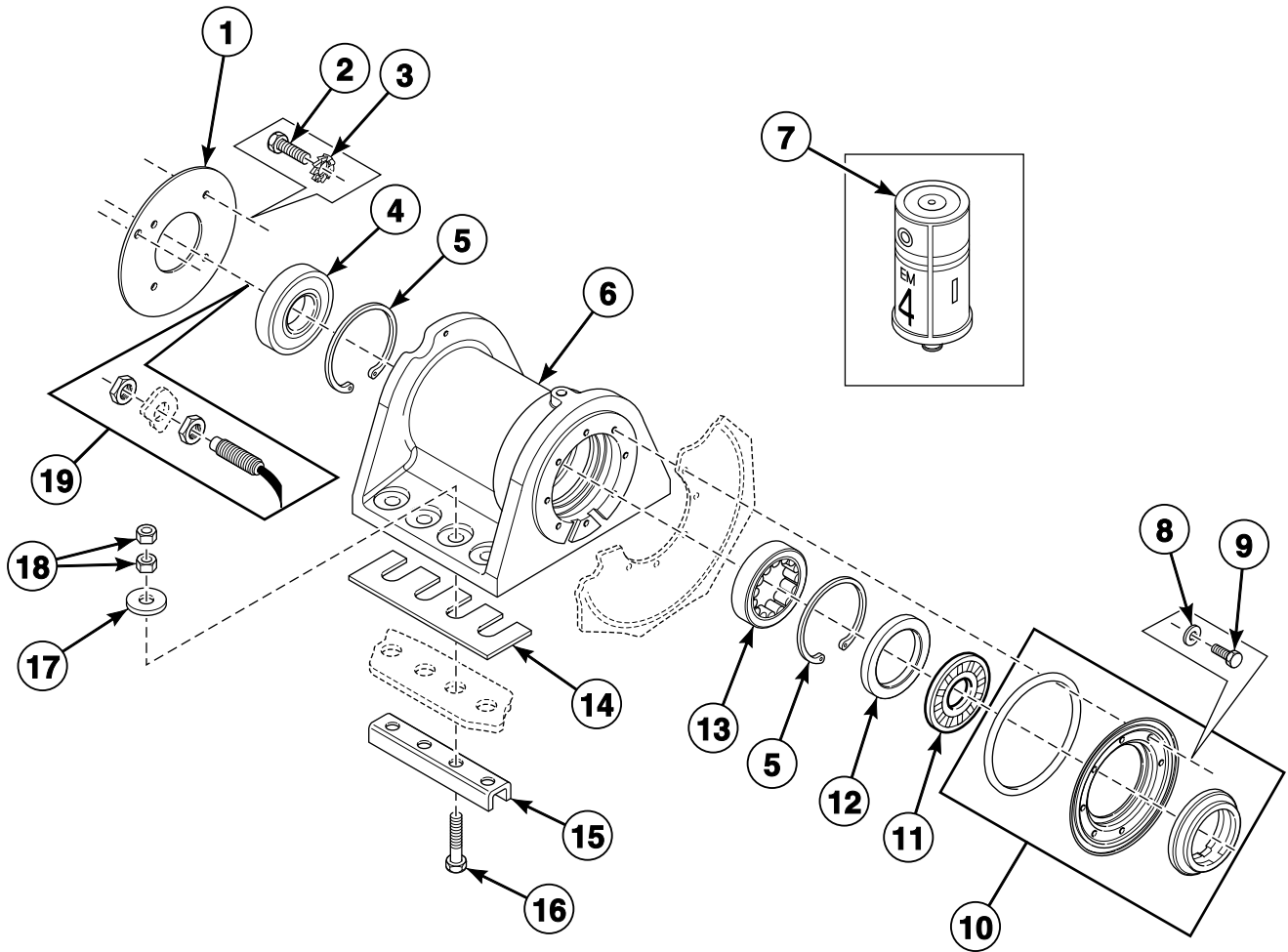


CHM3271P_D1364

Bearing Housing - *55 and *235 Models

REF	PART NO.	DESCRIPTION	COMMENTS
	381P3P	Bearing Replacement Tool Kit	Purchase
	381P3-1	Bearing Replacement Tool Kit	Rental; Requires F407P4 Hardware Kit
	F407P4	Hardware Kit	
	3884P	Bearing and Seal Kit	Includes items 1, 2, 8, 10-12, 223/00242/10 Tub Gasket and 219/00004/00 Counter Ring
1	201/00201/00	Washer	
2	205/00102/00	Bolt	
3	152/00055/00	Speed Detector Bracket	
4	210/00074/00	Speed Detector	Includes item 3
5	202/00003/00	Washer	
6	203/00004/00	Washer	
7	206/00014/00	Bolt	
8	212/00004/00	Ball Bearing	
9	212/00006/00	Retainer Ring	
10	F100134	Bearing	
11	B12332301	Lip Seal	
12	B12333701	Seal Plate Assembly	
13	201/00201/00	Washer	
14	206/00093/00	Bolt	
15	113/00067/00	U-Piece Assembly	
16	113/00017/01	Bearing Housing Plate	1 mm
	113/00017/02	Bearing Housing Plate	2 mm
17	201/00001/00	Washer	
18	206/00094/00	Nut	
19	212/00024/01	Ball Bearing	
20	212/00037/00	Retainer Ring	
21	212/00104/01	Bearing Housing Assembly	

Bearing Housing - *75, *90, *305 and *400 Models

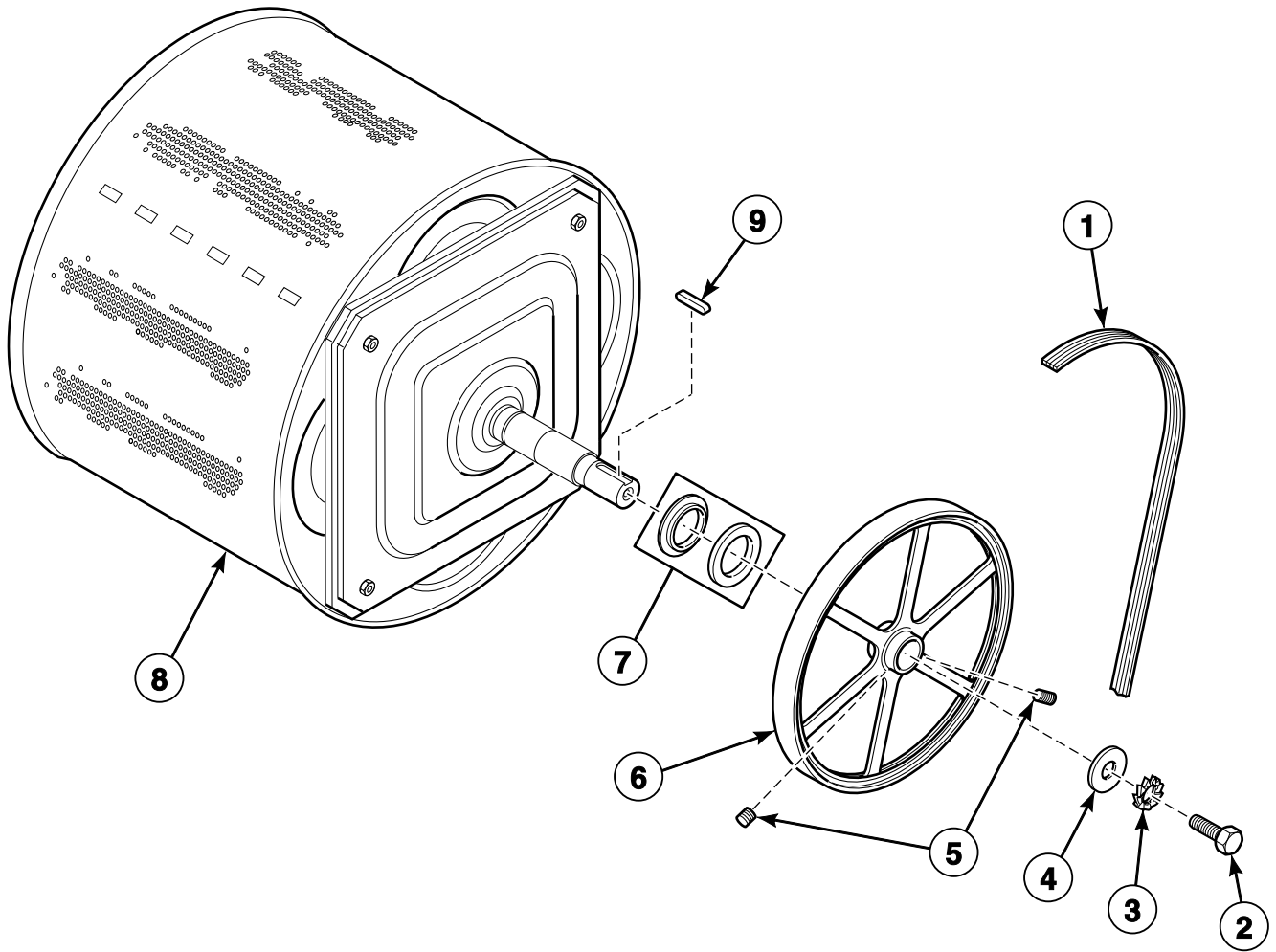


CHM3283P_D1364

Bearing Housing - *75, *90, *305 and *400 Models

REF	PART NO.	DESCRIPTION	COMMENTS
	892P3	Bearing Replacement Kit	
	382P3P	Bearing Replacement Tool Kit	Purchase
	382P3-1	Bearing Replacement Tool Kit	Rental; Requires F407P4 Hardware Kit
	F407P4	Hardware Kit	
1	112/00003/00	Bearing Cover	
2	206/00010/00	Bolt	
3	203/00003/00	Washer	
4	212/00004/00	Ball Bearing	
5	212/00006/00	Retainer Ring	
6	212/00103/01	Bearing Housing	
	212/00103/00	Bearing Housing Assembly	Includes items 4 and 13
7	212/00002/00	Lubricator	
8	201/00202/00	Washer	
9	205/00104/00	Bolt	
10	131/00035/01	Seal Holder Assembly	
11	B12332301	Lip Seal	
12	212/00007/00	Grease Ring	
13	212/00005/00	Roller Bearing	
14	113/00018/01	Bearing Housing Plate	1 mm
	113/00018/02	Bearing Housing Plate	2 mm
15	113/00068/00	U-Piece Assembly	
16	206/00093/00	Bolt	
17	201/00001/00	Washer	
18	204/00010/00	Nut	
19	210/00075/00	Speed Detector	

Basket, Pulley and Belt - *55 and *235

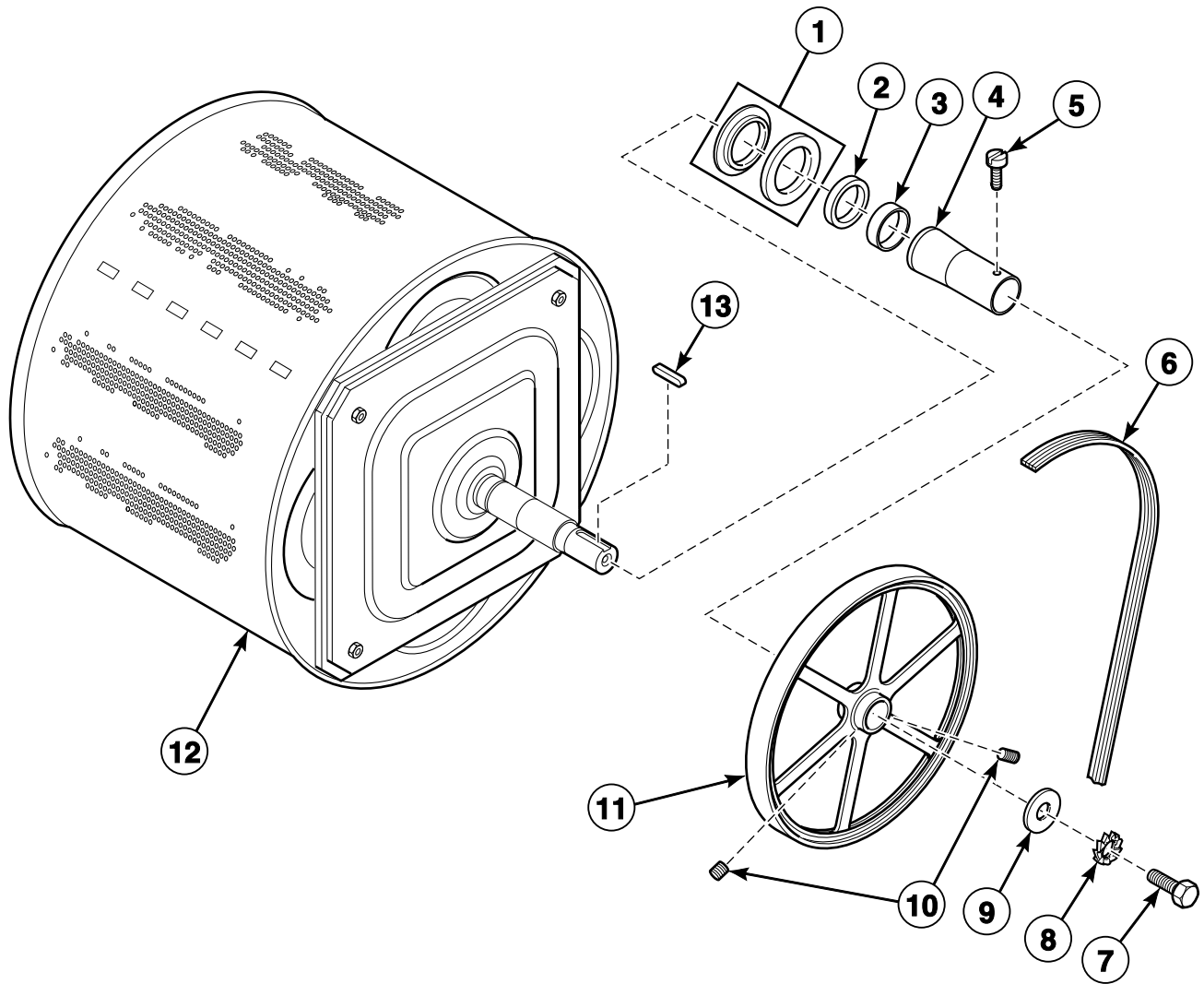


BE000848P_D1364

Basket, Pulley and Belt - *55 and *235

REF	PART NO.	DESCRIPTION	COMMENTS
1	B12430502	Belt	
2	206/00004/00	Bolt	
3	203/00001/00	Washer	
4	201/00011/00	Washer	
5	206/00056/00	Screw	
6	226/00142/00	Drum Pulley	
7	219/00004/00	Counter Ring	
8	B12543201	Basket Kit	3 mm
	B12381001	Basket	9 mm
9	212/00026/00	Key	

Basket, Pulley and Belt - *75, *90, *305 and *400 Models

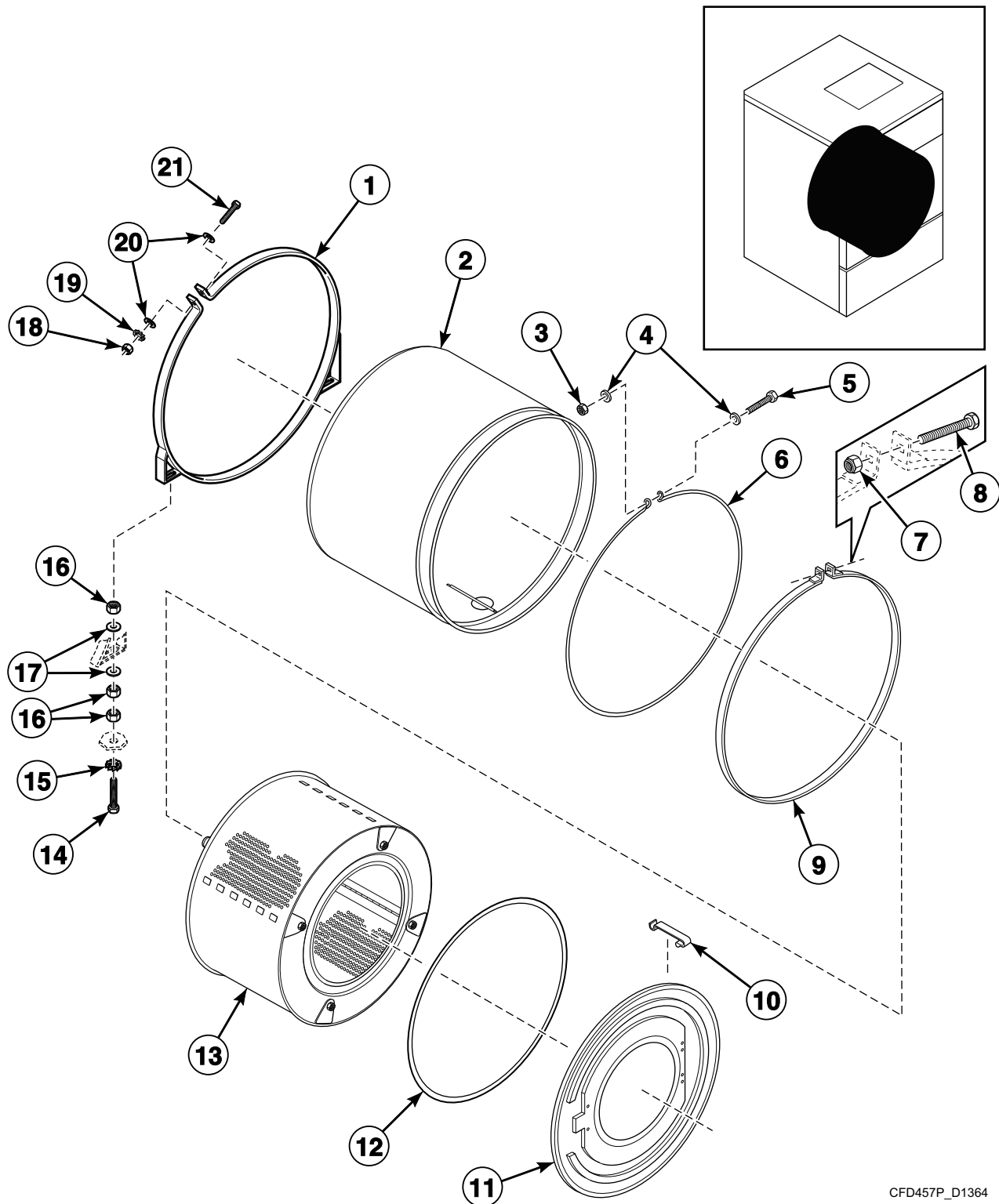


BE000850P_D1364

Basket, Pulley and Belt - *75, *90, *305 and *400 Models

REF	PART NO.	DESCRIPTION	COMMENTS
1	232/00008/00	Counter Ring	
2	132/00009/00	Shaft Seal	
3	212/00005/00	Roller Bearing	
4	232/00020/00	Bearing Spacer	
5	207/00004/00	Screw	
6	B12541601	Belt	*75 and *305 models
	B12544901	Belt	*90 and *400 models
7	206/00004/00	Bolt	
8	203/00001/00	Washer	
9	201/00011/00	Washer	
10	206/00056/00	Screw	
11	226/00727/00	Drum Pulley	*75 and *305 models
	226/00142/00	Drum Pulley	*90 and *400 models
12	B12327301	Drum	*75 and *305 models
	132/10009/00	Drum	*90 and *400 models
13	212/00026/00	Key	

Shell and Basket

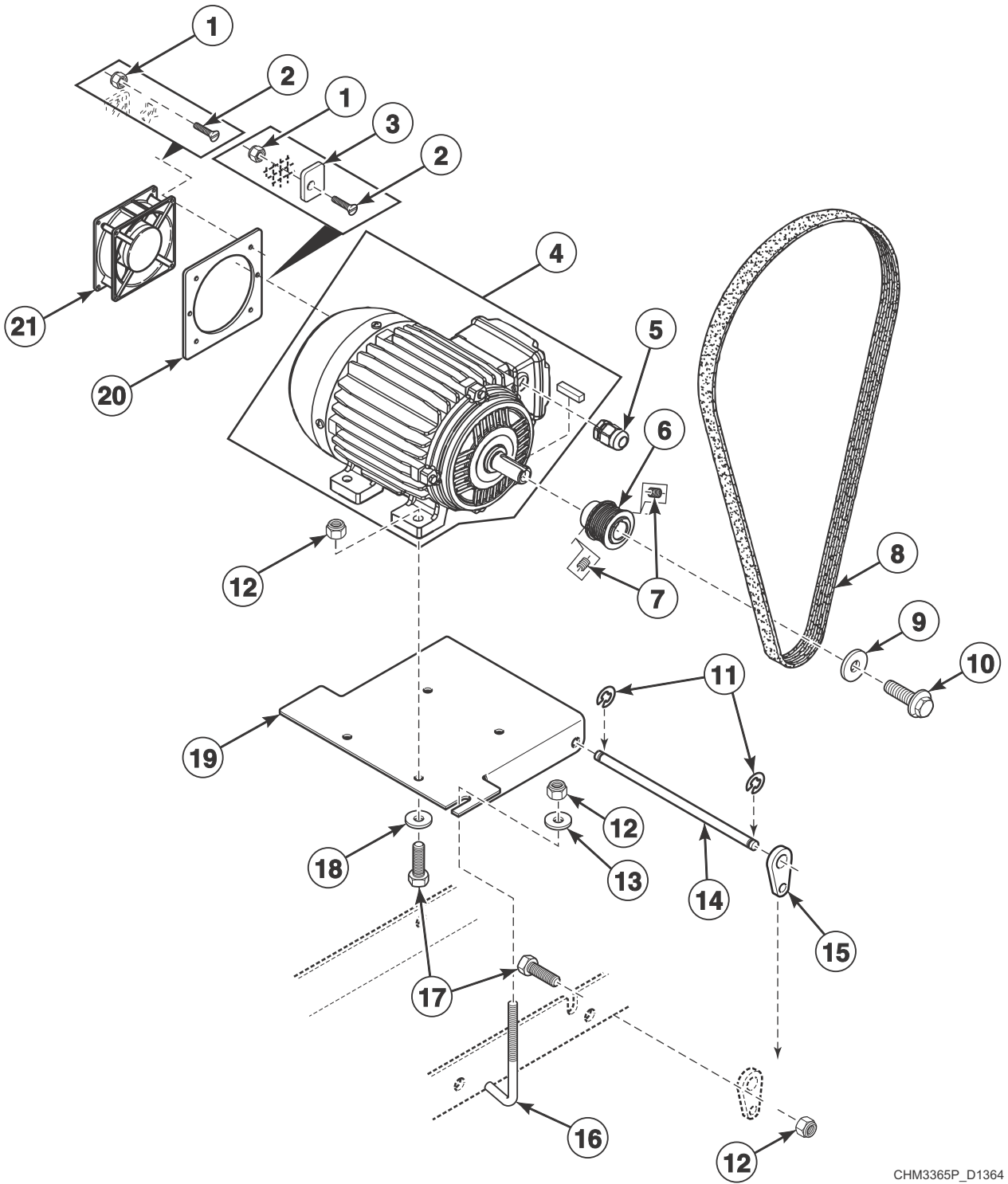


CFD457P_D1364

Shell and Basket

REF	PART NO.	DESCRIPTION	COMMENTS
1	212/00116/00	Tub Fastening Ring	*55 and *235 models
	212/00117/00	Tub Fastening Ring	All other models
2	B12391901	Tub	*55 and *235 models; Electric heat
	B12391903	Tub	*55 and *235 models; Boiler fed
	B12391906	Tub	*55 and *235 models; Steam heat
	B12391905	Tub	*55 and *235 models; Electric heat and steam heat
	B12331401	Tub	*75 and *305 models; Electric heat
	B12331501	Tub	*75 and *305 models; Boiler fed
	B12331601	Tub	*75 and *305 models; Steam heat
	131/00059/00	Tub	*90 and *400 models; Electric heat
	131/00059/50	Drum	*90 and *400 models; Boiler fed
	131/00059/60	Tub	*90 and *400 models; Steam heat
3	204/00009/00	Nut	
4	201/00007/00	Washer	
5	206/00032/00	Bolt	
6	238/00011/00	Tub Clamp Ring	*55 and *235 models
	231/00010/00	Tub Front Ring Clamp	All other models
7	204/00111/00	Nut	
8	206/00066/00	Bolt	
9	137/00008/00	Tub Mounting Strap	*55 and *235 models
	131/00010/00	Tub Strap	All other models
10	217/00008/00	Tub Front Panel Clip	
11	138/00001/00	Tub Front	*55 and *235 models
	131/00002/00	Front Panel	All other models
12	B12351601	Tub Front Gasket	*55 and *235 models
	223/00242/00	Tub Front Gasket	All other models
13	B12543201	Basket Kit	*55 and *235 models; 3 mm; Includes B12380901 Basket and 3884P Bearing and Seal Kit
	B12381001	Basket	*55 and *235 models; 9 mm
	B12327301	Drum	*75 and *305 models
	132/10009/00	Drum	*90 and *400 models
14	206/00029/00	Bolt	
15	203/00001/00	Washer	
16	204/00002/00	Nut	
17	201/00009/00	Washer	
18	204/00003/00	Nut	
19	203/00002/00	Washer	
20	201/00005/00	Washer	
21	206/00052/00	Bolt	

Motor and Belt

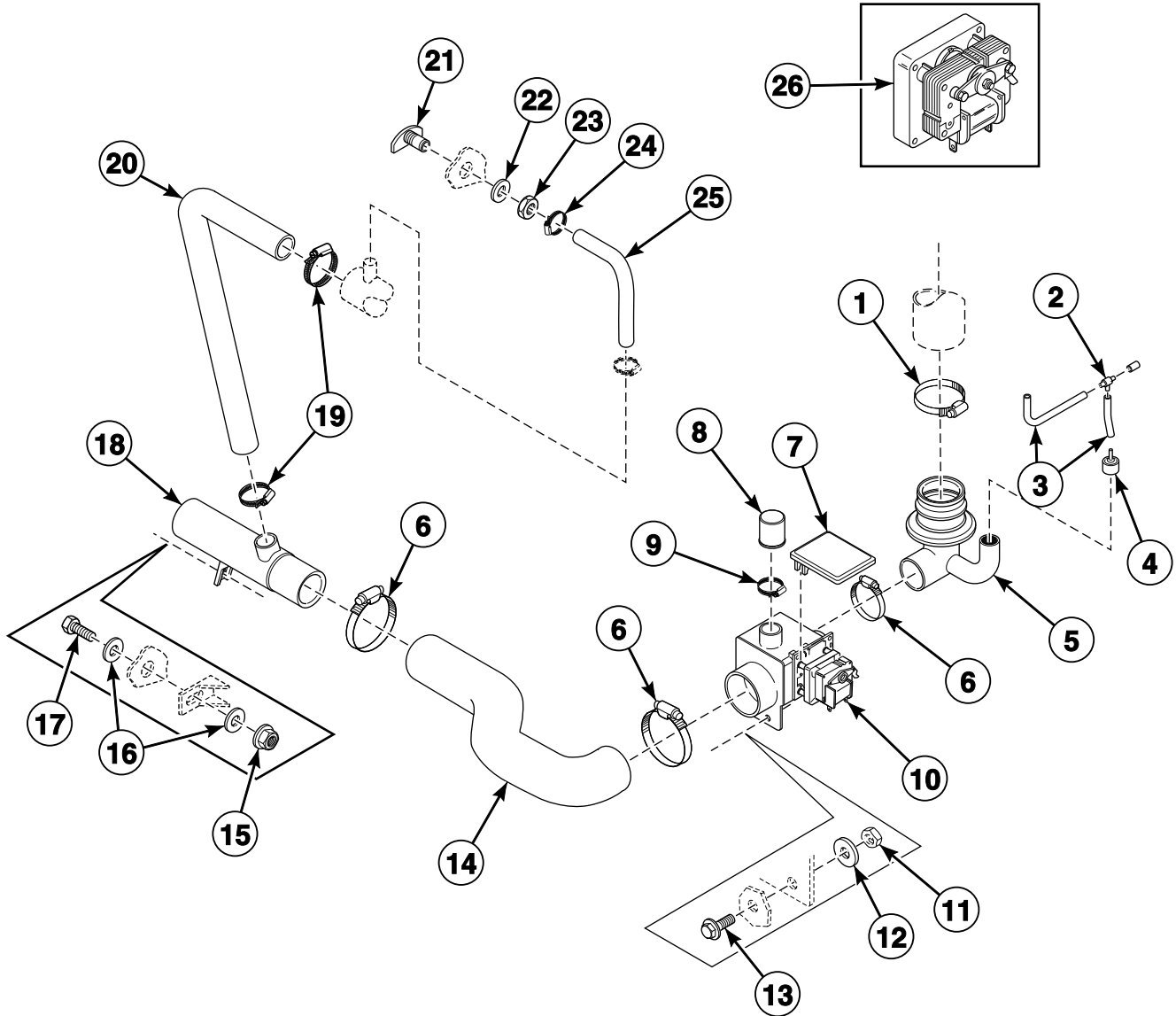


CHM3365P_D1364

Motor and Belt

REF	PART NO.	DESCRIPTION	COMMENTS
	B12382102	Motor Harness	
1	204/00115/00	Nut	*75, *90, *305 and *400 models
2	207/00002/00	Screw	*75, *90, *305 and *400 models
3	117/00042/00	Retaining Ring	*75, *90, *305 and *400 models
4	B12527701	Motor	*55 and *235 models
	B12527801	Motor	All other models
5	211/00181/00	Strain Relief Connector	
6	226/00145/00	Motor Pulley	*55 and *235 models
	226/00146/00	Pulley	All other models
7	206/00049/00	Screw	
8	B12430502	Belt	*55 and *235 models
	B12541601	Belt	All other models
9	201/00004/00	Washer	
10	206/00005/00	Bolt	
11	B12463401	Spacer	
12	204/00110/00	Nut	
13	201/00015/00	Washer	
14	B12363001	Motor Mounting Rod	
15	B12371401	Motor Clip	
16	B12444801	Bolt	
17	206/00119/00	Bolt	
18	202/00002/00	Washer	
19	B12362901	Motor Plate	
20	111/00243/00	Intermediate Fan Motor Plate	*75, *90, *305 and *400 models
21	209/00287/00	Cooling Fan	*75, *90, *305 and *400 models

Drain Plumbing

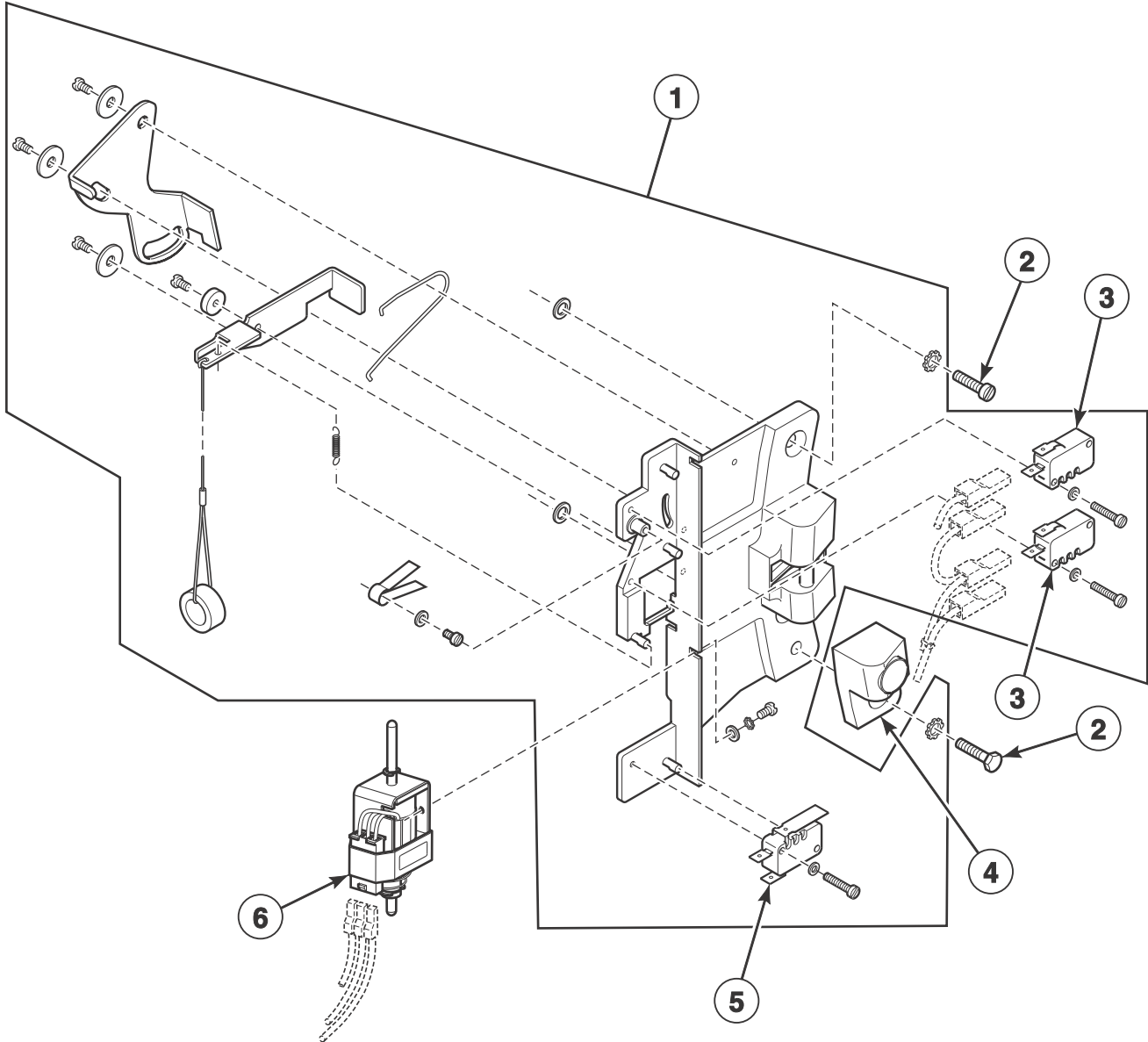


CHM3293P_D1364

Drain Plumbing

REF	PART NO.	DESCRIPTION	COMMENTS
	B12428201	Dual Drain Kit	
1	223/00011/00	Hose Clamp	
2	223/00173/10	Pressure Switch Hose Tee	
3	B12700018	Pressure Hose	
4	223/00035/02	Pressure Switch Cap	
5	B12403101	Drain Tub to Drain Valve Hose	
6	223/00071/00	Hose Clamp	
7	223/00225/00	Drain Valve Cover	
8	223/00012/00	Hose Clamp	
9	223/00086/00	Drain Valve Overflow Plug	
10	B12630701	Drain Valve Kit	
11	204/00009/00	Nut	*55 and *235 models
12	202/00002/00	Washer	*55 and *235 models
13	206/00099/00	Bolt	*55 and *235 models
14	223/00328/00	Drain Valve to Drain Tube Hose	
15	206/00101/00	Nut	
16	201/00007/00	Washer	
17	206/00033/00	Bolt	
18	223/00106/00	Drain Pipe	
19	223/00013/00	Hose Clamp	
20	223/00131/00	Overflow Hose	
21	223/00001/04	Prewash and Mainwash Nozzle	
22	201/00002/00	Washer	
23	204/00201/00	Nut	
24	223/00010/00	Hose Clamp	
25	223/00044/00	Water Hose	
26	209/00051/11	Drain Valve Motor	

Door Lock

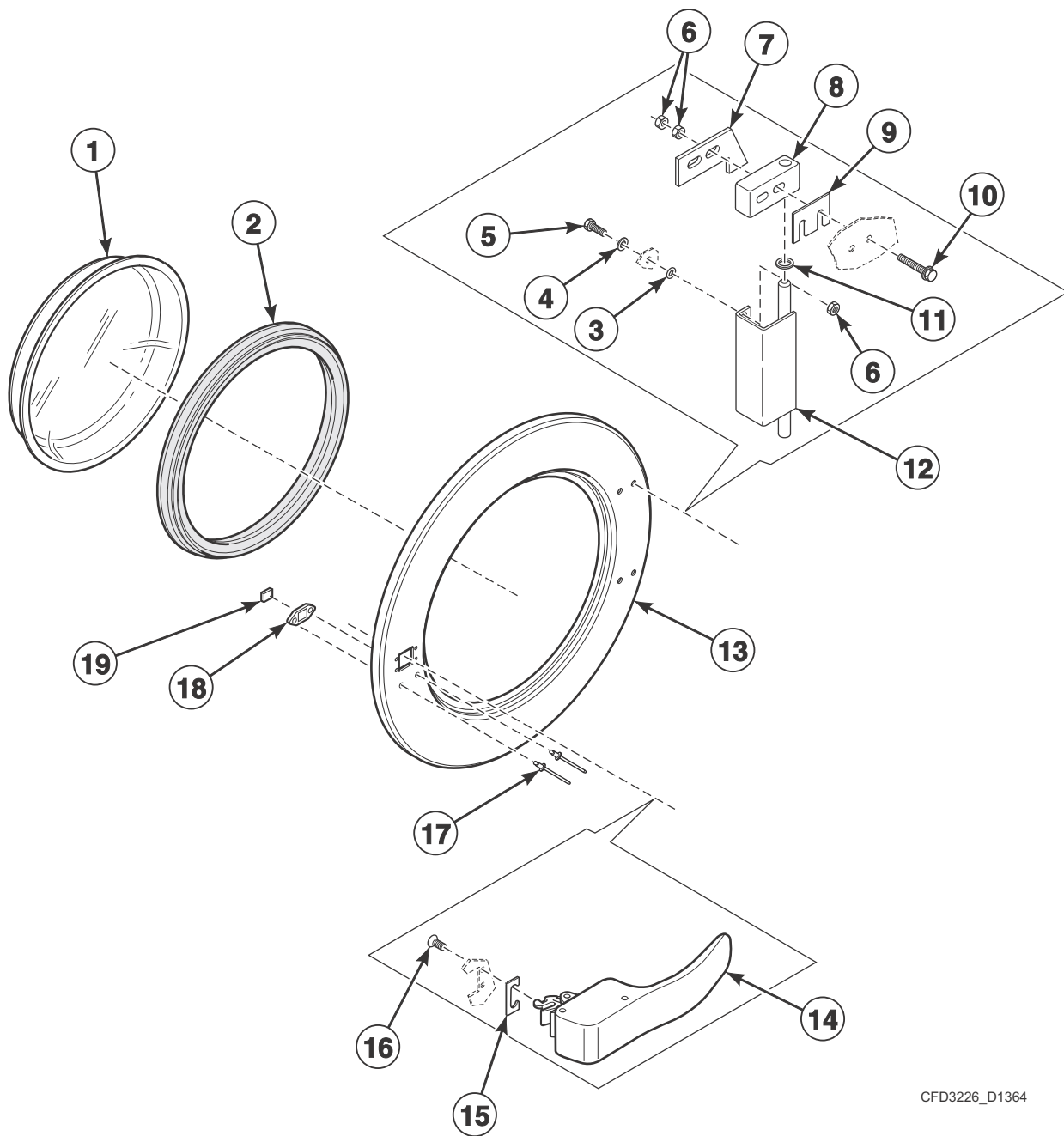


CHM3240P_D1364

Door Lock

REF	PART NO.	DESCRIPTION	COMMENTS
	B12495001	Door Lock Harness	
1	B12517701	Door Lock Assembly	Includes item 3
2	207/00102/00	Screw	
3	209/00272/00	Door Lock Microswitch	
4	B12517601	Reed Switch Holder	Includes F8080405 Reed Switch Harness and B12502001 Reed Switch
5	B12625101	Microswitch	
6	B12518101	Door Solenoid Assembly	

Door

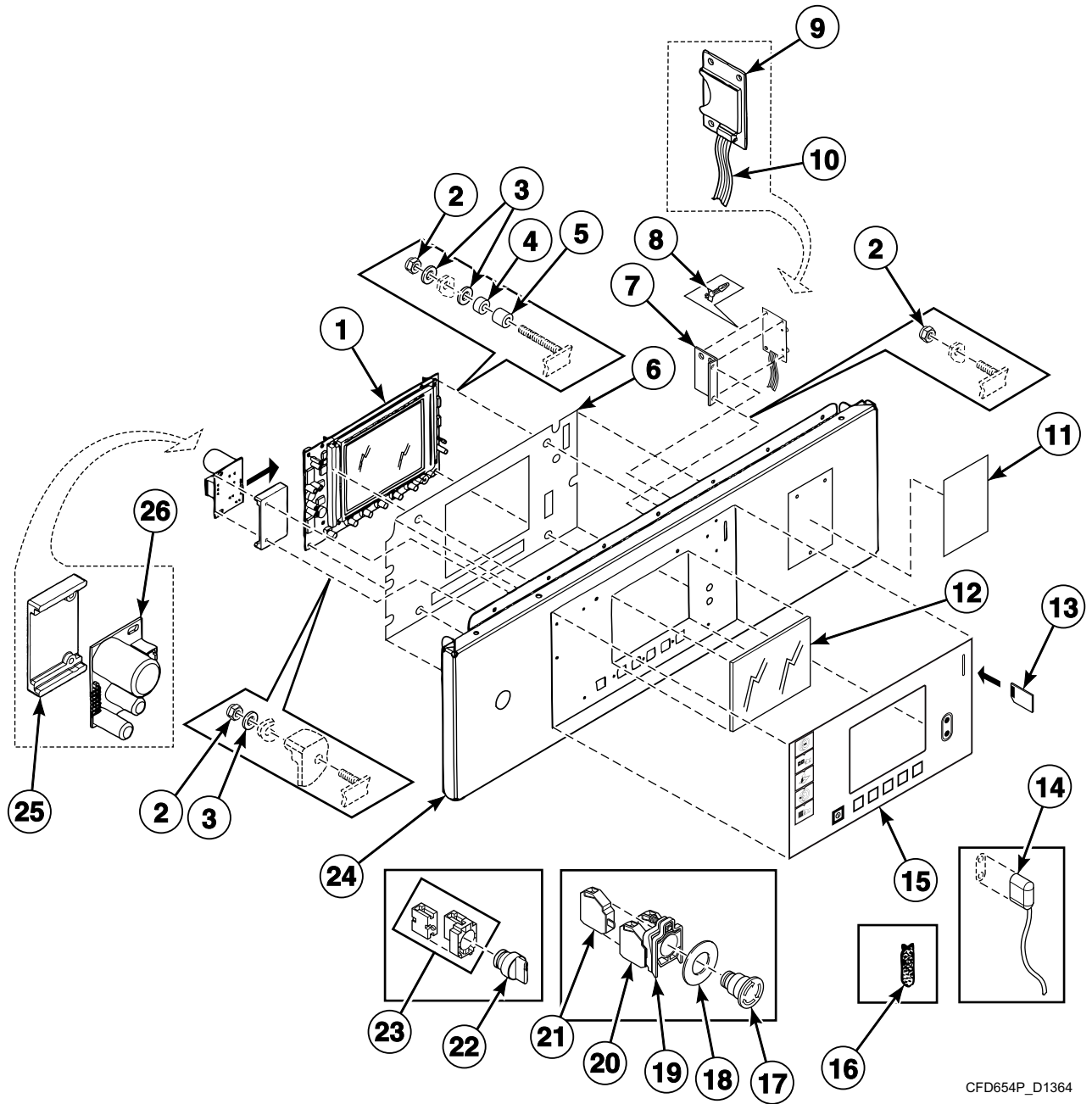


CFD3226_D1364

Door

REF	PART NO.	DESCRIPTION	COMMENTS
1	B12449801	Door Glass	
2	223/00068/00	Door Glass Seal	
3	217/00021/00	O-Ring	
4	202/00101/00	Washer	
5	205/00106/00	Bolt	
6	204/00106/00	Nut	
7	B12565001	Door Hinge Blocking Plate	
8	253/00022/00	Door Hinge Block	
9	118/00124/00	Door Hinge Spacer	2 mm
10	207/00126/00	Screw	
11	202/00104/00	Washer	
12	221/00004/00	Hinge	
13	B12337201	Door Frame	
14	B12336301	Door Handle	Black
15	217/00016/00	Door Handle Stop	
16	B12500801	Screw	
17	B12500301	Rivet	
18	B12389701	Magnet Holder	
19	B12363301	Magnet	

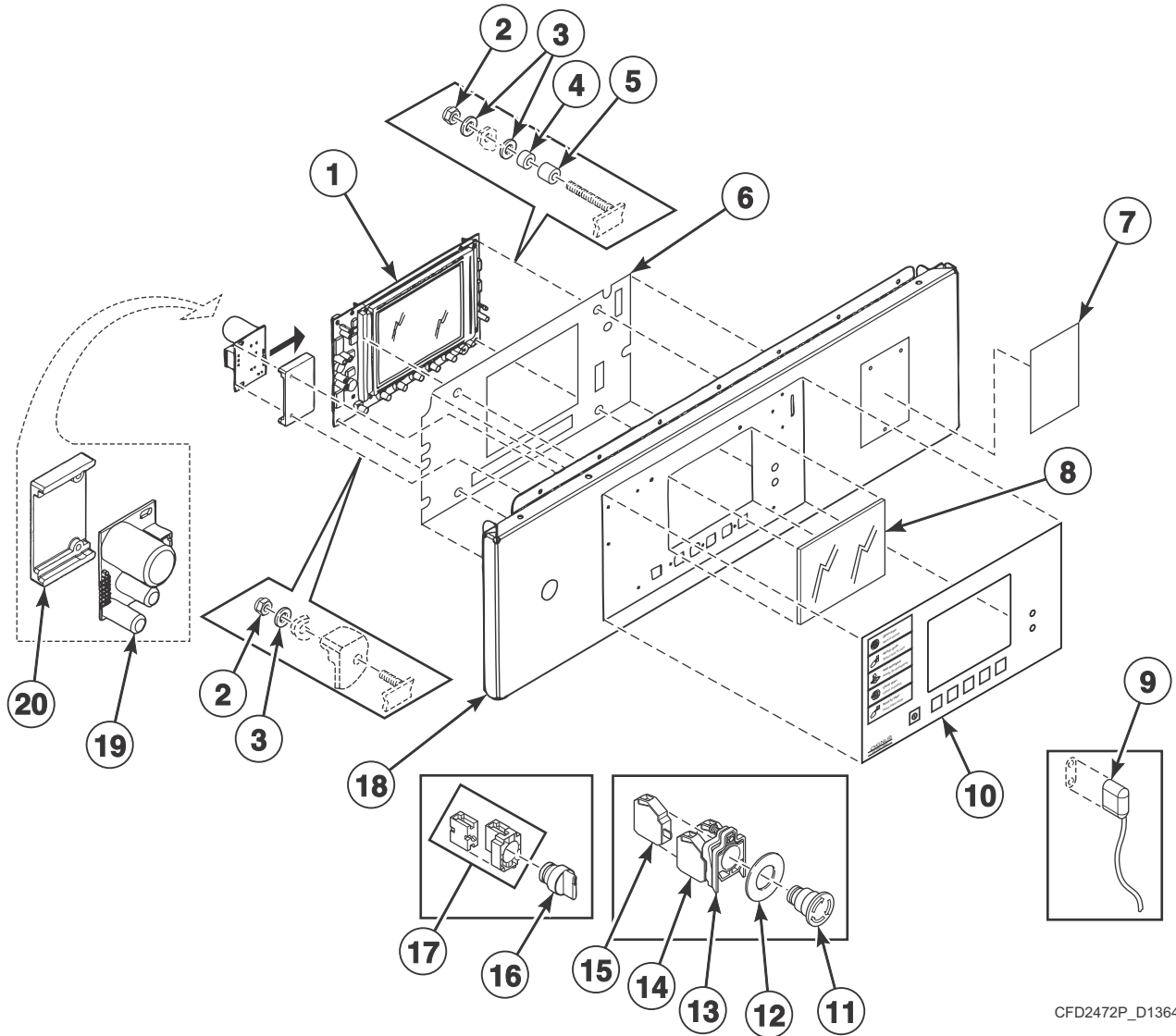
Control Panel - Cygnus Professional



Control Panel - Cygnus Professional

REF	PART NO.	DESCRIPTION	COMMENTS
	B12348901	E-Stop Harness	
1	209/02002/ZB2	Display PC-Board	
2	204/00116/00	Nut	
3	223/00123/00	Washer	
4	211/00128/00	Printboard Separator	
5	211/00122/00	Standoff	
6	229/00268/00	Insulating Sticker	
7	111/01893/00	Printboard Support Card	Optional
8	211/00145/00	Standoff	
9	B12305201	Memory Card PC-Board	Optional
10	B12538301	Data Card Ribbon Assembly	Optional
11	B12389801	Nameplate	Models WD235_CYGNUS-PRO, WD305_CYGNUS-PRO, WD400_CYGNUS-PRO, IHA235Z, IHA305Z, IHA400Z, IHG235Z, IHG305Z, IHG400Z, IHN235Z, IHN305Z, IHN400Z, IHU235Z, IHU305Z, IHU400Z, IHW235Z, IHW305Z, IHW400Z, IHY055Z, IHY075Z, IHY090Z, IHZ235Z, IHZ305Z and IHZ400Z
	B12389802	Nameplate	Models CHE055Z, CHE075Z, CHE090Z, CHG235Z, CHG305Z, CHG400Z, CHN235Z, CHN305Z, CHN400Z, CHR055Z, CHR075Z, CHR090Z, CHU235Z, CHU305Z, CHU400Z, CHW235Z, CHW305Z, CHW400Z, CHY055Z, CHY075Z, CHY090Z, CHZ235Z, CHZ305Z and CHZ400Z
	B12530806	Nameplate	Model JHW235Z
	B12530807	Nameplate	Model JHW305Z
12	225/00321/00	Plexi Frame	
13	209/02024/00	Datacard	
14	210/00902/00	Infrared Cable	
15	B12583501	Operating Sticker	
	B12383601	Operating Sticker	Without datacard opening
	B12383701	Operating Sticker	With datacard opening
	B12532001	Operating Sticker	Models JHW235Z, JHW305Z and JHW400Z
16	223/00348/00	Datacard Cover	
17	209/00248/20	Mushroom Pushbutton	
18	209/00520/00	Telem Sticker	
19	B12491801	Contact Harness	
20	209/00029/26	Contact Switch	NC
21	209/00099/26	Contact Switch	NO
22	209/00099/29	Switch Knob	Dual heat
	B12523901	Dual Heat Sticker	Dual heat
23	B12491701	Contact Harness	Dual heat
24	B12385801	Operating Panel	*55 and *235 models
	B12386301	Operating Panel	All other models
25	223/00374/00	Mounting Plate	
26	B12388201	Door Lock PC-Board	

Control Panel - Cygnus Ultra Pro

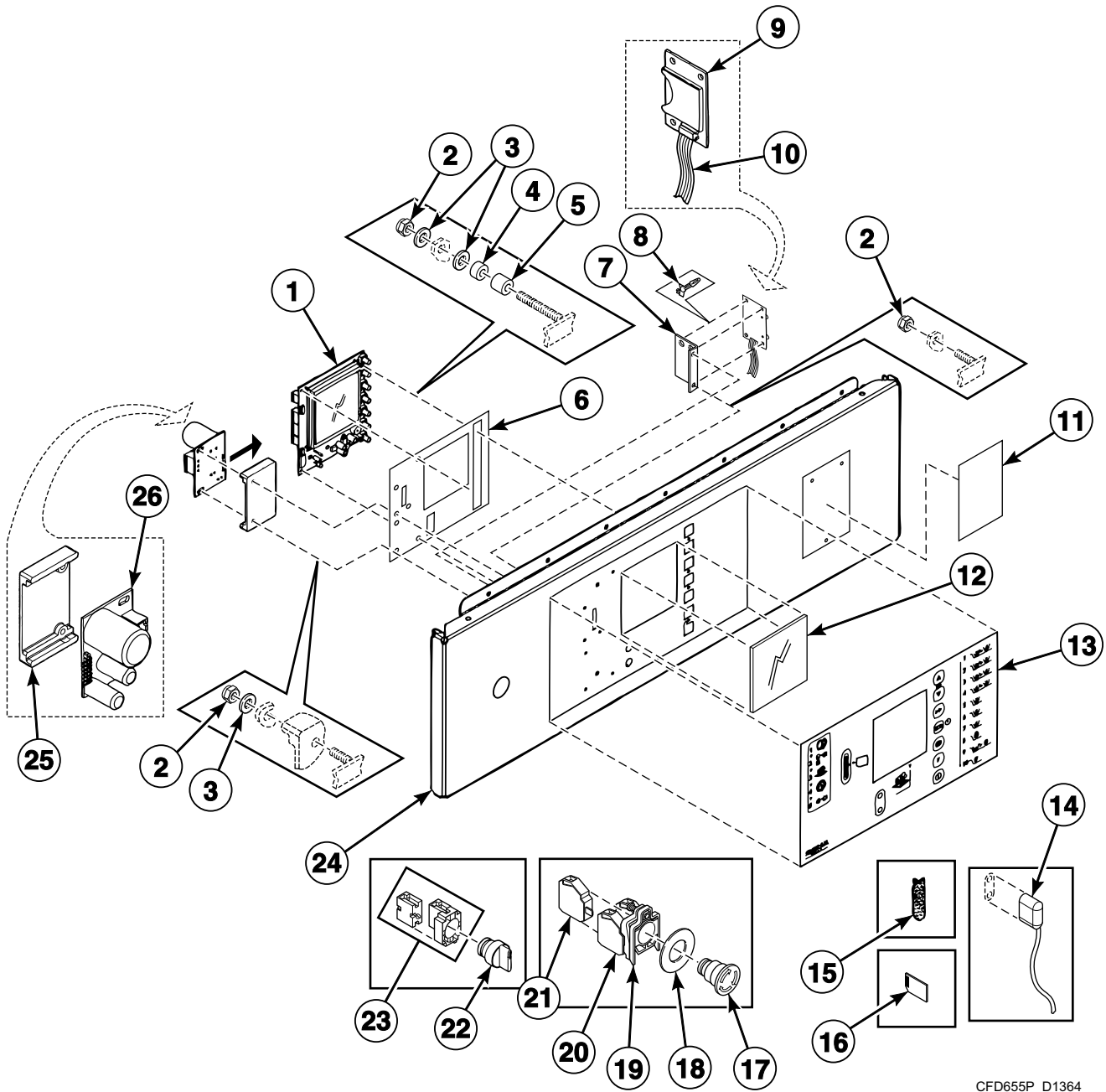


CFD2472P_D1364

Control Panel - Cygnus Ultra Pro

REF	PART NO.	DESCRIPTION	COMMENTS
	B12348901	E-Stop Harness	
1	209/02002/ZB2	Display PC-Board	
2	204/00116/00	Nut	
3	223/00123/00	Washer	
4	211/00128/00	Printboard Separator	
5	211/00122/00	Standoff	
6	229/00268/00	Insulating Sticker	
7	B12389801	Nameplate	Models IH055_ULTRA-PRO, IH075_ULTRA-PRO, IH090_ULTRA-PRO, IHR055R, IHR075R and IHR090R
	B12389802	Nameplate	Models CH055_ULTRA-PRO, CH075_ULTRA-PRO, CH090_ULTRA-PRO, CHR055R, CHR075R and CHR090R
8	225/00321/00	Plexi Frame	
9	210/00902/00	Infrared Cable	
10	B12583501	Operating Sticker	
11	209/00248/20	Mushroom Pushbutton	
12	209/00520/00	Telem Sticker	
13	B12491801	Contact Harness	
14	209/00029/26	Contact Switch	NC
15	209/00099/26	Contact Switch	NO
16	209/00099/29	Switch Knob	Dual heat
	B12523901	Dual Heat Sticker	Dual heat
17	B12491701	Contact Harness	Dual heat
18	B12385801	Operating Panel	Models CH055_ULTRA-PRO, IH055_ULTRA-PRO, CHR055R and IHR055R
	B12386301	Operating Panel	Models CH075_ULTRA-PRO, CH090_ULTRA-PRO, IH075_ULTRA-PRO, IH090_ULTRA-PRO, CHR075R, CHR090R, IHR075R and IHR090R
19	223/00374/00	Mounting Plate	
20	B12388201	Door Lock PC-Board	

Control Panel - Cygnus Premium OPL and Ultra

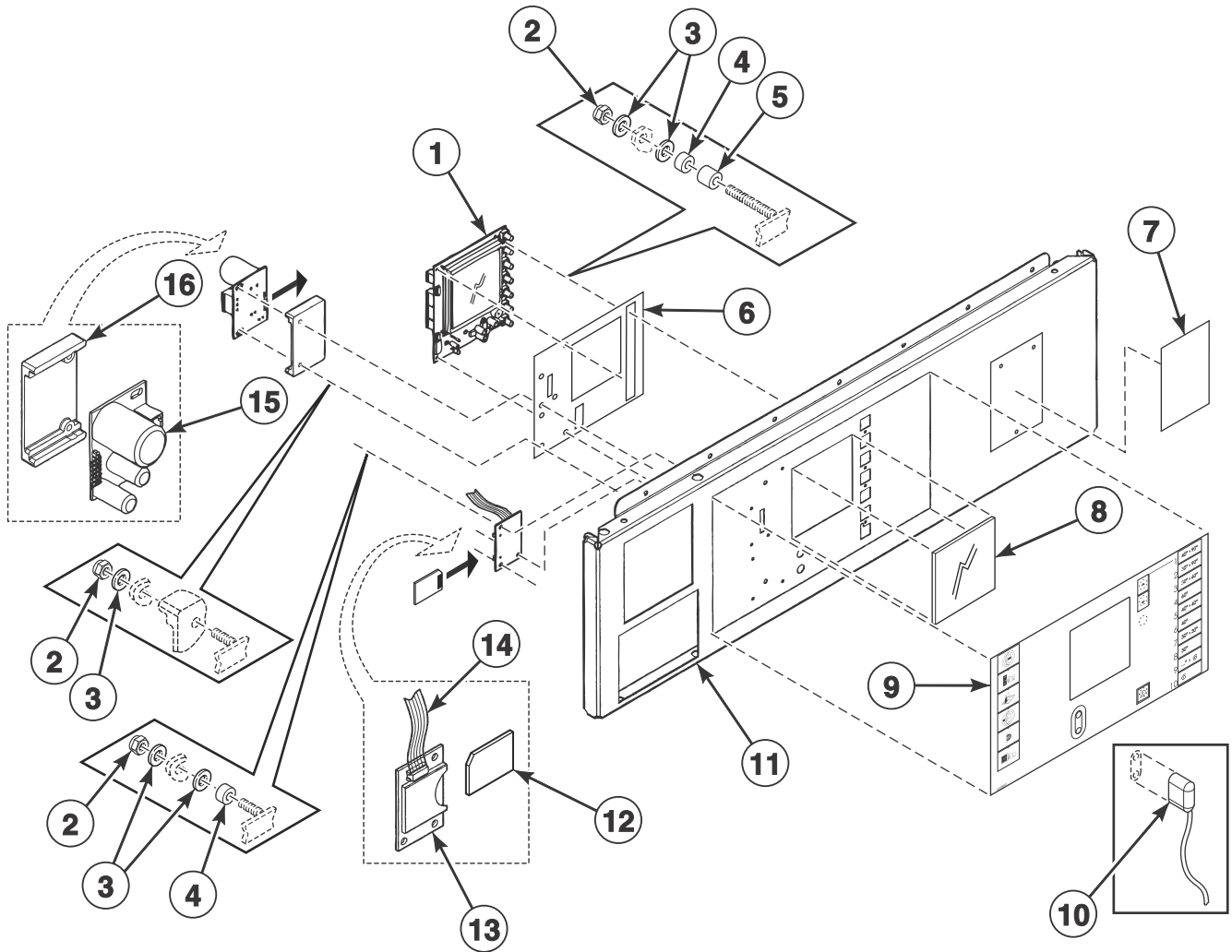


CFD655P_D1364

Control Panel - Cygnus Premium OPL and Ultra

REF	PART NO.	DESCRIPTION	COMMENTS
	B12348901	E-Stop Harness	
1	209/02015/02	Printboard	
2	204/00116/00	Nut	
3	223/00123/00	Washer	
4	211/00128/00	Printboard Separator	
5	211/00122/00	Standoff	
6	229/00291/00	Insulating Sticker	
7	111/01893/00	Printboard Support Card	Optional
8	211/00145/00	Standoff	
9	B12305201	Memory Card PC-Board	Optional
10	B12538301	Data Card Ribbon Assembly	Optional
11	B12389801	Nameplate	Models IH055_CYGNUS-ULTRA, IH075_CYGNUS-ULTRA, IH090_CYGNUS-ULTRA, WD235_CYGNUS-PREM, WD305_CYGNUS-PREM, WD400_CYGNUS-PREM, IHA235Y, IHA305Y, IHA400Y, IHG235Y, IHG305Y, IHG400Y, IHN235U, IHN235Y, IHN305U, IHN305Y, IHN400U, IHN400Y, IHR055U, IHR075U, IHR090U, IHU235Y, IHU305Y, IHU400Y, IHW235Y, IHW305Y, IHW400Y, IHY055Y, IHY090Y, IHZ235Y and IHZ400Y
	B12389802	Nameplate	Models CH055_CYGNUS-ULTRA, CH075_CYGNUS-ULTRA, CH090_CYGNUS-ULTRA, CHN235U, CHN305U, CHN400U, CHR055U, CHR075U and CHR090U
	B12389806	Nameplate	Model JHW235Y
	B12530807	Nameplate	Models JHW305Y and JHW400Y
12	225/00323/00	Plexi Frame	
13	B12456701	Operating Sticker	Cygnus Ultra models
	B12383401	Operating Sticker	Cygnus Premium OPL models with datacard opening
	B12383301	Operating Sticker	Cygnus Premium OPL models without datacard opening
	B12531901	Operating Sticker	Models JHW235Y, JHW305Y and JHW400Y; Non-ozone
	B12534801	Operating Sticker	Models JHW235Y, JHW305Y and JHW400Y; Ozone
14	210/00902/00	Infrared Cable	
15	223/00348/00	Datacard Cover	Cygnus Premium OPL models
16	209/02024/00	Datacard	Cygnus Premium OPL models
17	209/00248/20	Mushroom Pushbutton	
18	209/00520/00	Telem Sticker	
19	B12491801	Contact Harness	
20	209/00029/26	Contact Switch	NC
21	209/00099/26	Contact Switch	NO
22	209/00099/29	Switch Knob	Dual heat
	B12523901	Dual Heat Sticker	Dual heat
23	B12491701	Contact Harness	Dual heat
24	B12385901	Operating Panel	*55 and *235 models
	B12386401	Operating Panel	All other models
25	223/00374/00	Mounting Plate	
26	B12388201	Door Lock PC-Board	

Control Panel - Cygnus Premium Coin

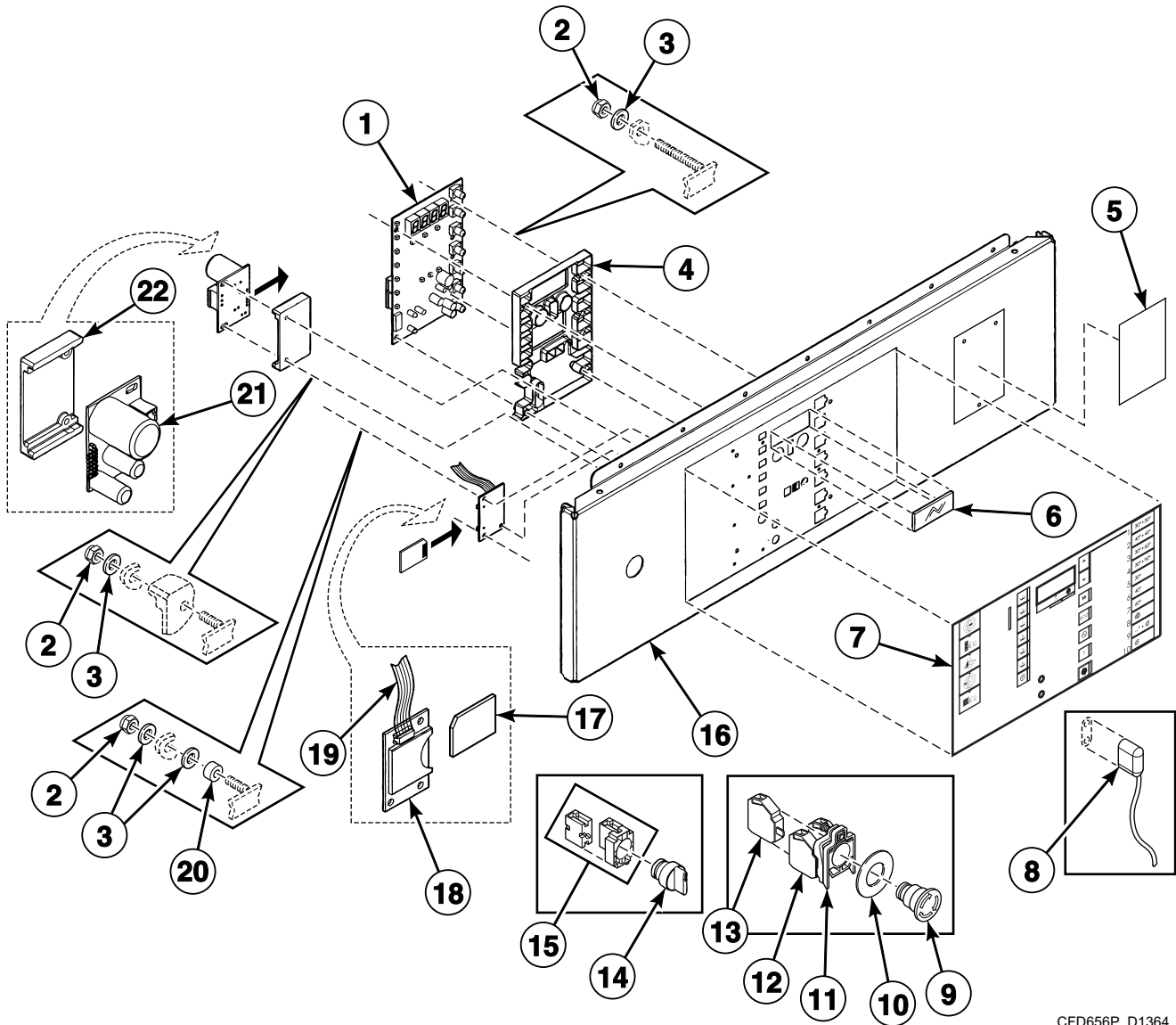


CFD621P_D1364

Control Panel - Cygnus Premium Coin

REF	PART NO.	DESCRIPTION	COMMENTS
	B12349001	E-Stop Bypass Harness	
1	209/02015/02	Printboard	
2	204/00116/00	Nut	
3	223/00123/00	Washer	
4	211/00128/00	Printboard Separator	
5	211/00122/00	Standoff	
6	229/00291/00	Insulating Sticker	
7	B12389801	Nameplate	Models WD235_CYGNUS-PREM, WD305_CYGNUS-PREM, WD400_CYGNUS-PREM, IHA235Y, IHA305Y, IHA400Y, IHG235Y, IHG305Y, IHG400Y, IHN235Y, IHN305Y, IHN400Y, IHU235Y, IHU305Y, IHU400Y, IHW235Y, IHW305Y, IHW400Y, IHY055Y, IHY075Y, IHY090Y, IHZ235Y, IHZ305Y and IHZ400Y
	B12389806	Nameplate	Model JHW235Y
	B12530807	Nameplate	Models JHW305Y and JHW400Y
	B12389805	Nameplate	Models PHU235Y, PHU305Y and PHU400Y
8	225/00323/00	Plexi Frame	
9	B12383501	Operating Sticker	
10	210/00902/00	Infrared Cable	
11	B12386001	Operating Panel	*235 models
	B12386501	Operating Panel	All other models
12	209/02024/00	Datacard	
13	B12305201	Memory Card PC-Board	
14	B12538301	Data Card Ribbon Assembly	
15	B12388201	Door Lock PC-Board	
16	223/00374/00	Mounting Plate	

Control Panel - Cygnus Standard/Commercial OPL and Select

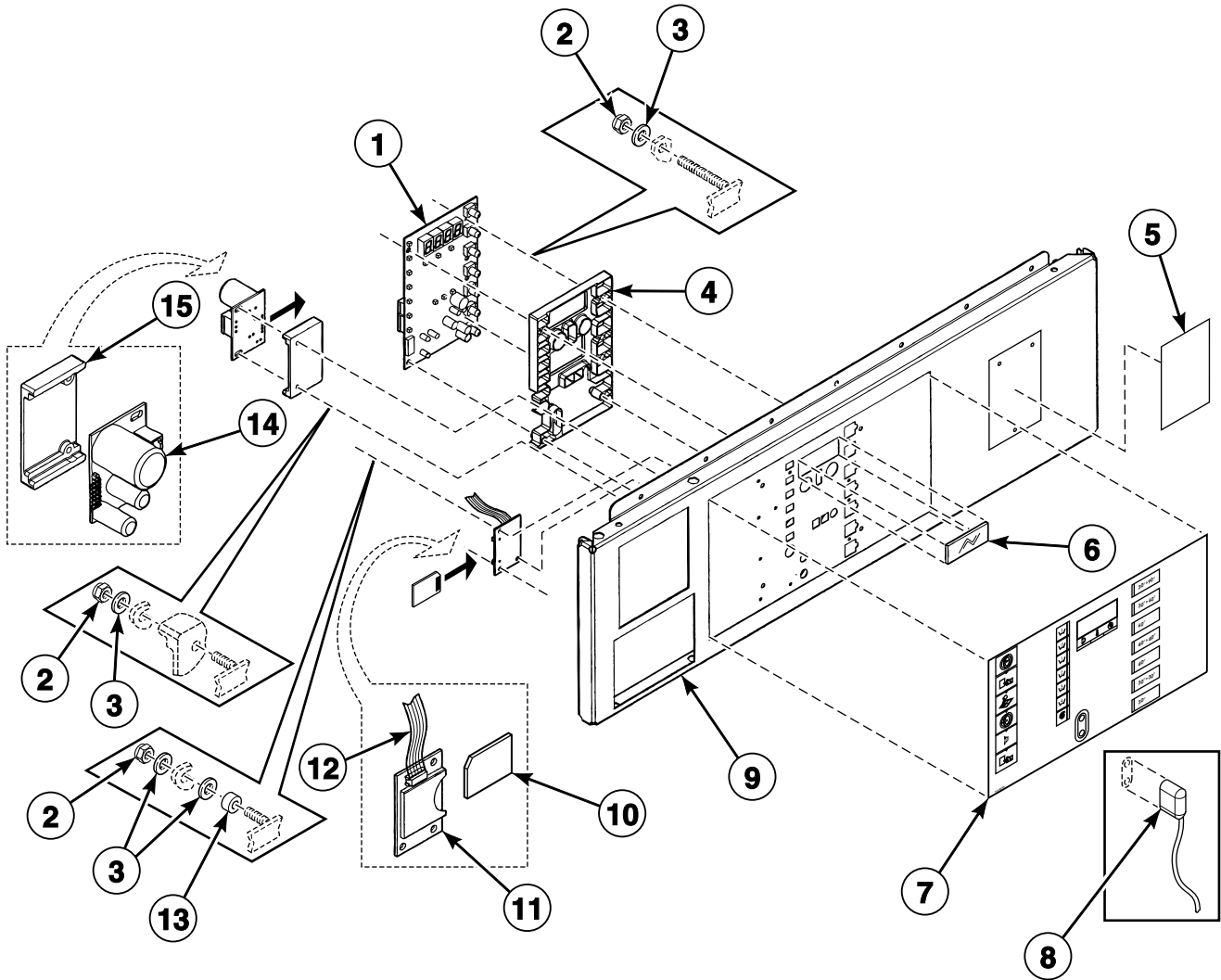


CFD656P_D1364

Control Panel - Cygnus Standard/Commercial OPL and Select

REF	PART NO.	DESCRIPTION	COMMENTS
	B12348901	E-Stop Harness	
1	209/02001/02	Printboard	
2	204/00116/00	Nut	
3	223/00123/00	Washer	
4	223/00330/00	Protection LED	
5	B12389801	Nameplate	Models IH055_CYGNUS-SELECT, IH075_CYGNUS-SELECT, IH090_CYGNUS-SELECT, WD235_CYGNUS-COMM, WD235_CYGNUS-STANDARD, WD305_CYGNUS-COMM, WD305_CYGNUS-STANDARD, WD400_CYGNUS-COMM, WD400_CYGNUS-STANDARD, IHA235C, IHA235X, IHA305C, IHA305X, IHA400C, IHA400X, IHG235C, IHG235X, IHG305C, IHG305X, IHG400C, IHG400X, IHN235C, IHN235S, IHN235X, IHN305C, IHN305S, IHN305X, IHN400C, IHN400S, IHN400X, IHR055S, IHR075S, IHR090S, IHU235C, IHU235X, IHU305C, IHU305X, IHU400C, IHU400X, IHW235C, IHW235X, IHW305C, IHW305X, IHW400C, IHW400X, IHY055C, IHY055X, IHY075C, IHY075X, IHY090C, IHY090X, IHZ235C, IHZ235X, IHZ305C, IHZ305X, IHZ400C, IHZ400X, YHG235C, YHG305C and YHG400C
	B12389802	Nameplate	Models CH055_CYGNUS-SELECT, CH075_CYGNUS-SELECT, CH090_CYGNUS-SELECT, CHE055X, CHE075X, CHE090X, CHG235X, CHG305X, CHG400X, CHN235S, CHN235X, CHN305S, CHN305X, CHN400S, CHN400X, CHR055S, CHR055X, CHR075S, CHR075X, CHR090S, CHR090X, CHU235X, CHU305X, CHU400X, CHW235X, CHW305X, CHW400X, CHY055X, CHY075X, CHY090X, CHZ235X, CHZ305X and CHZ400X
	B12389803	Nameplate	Models DHU235X, DHU305X and DHU400X
	B12389806	Nameplate	Model JHW235C
	B12530807	Nameplate	Model JHW305C
	B12389810	Nameplate	Models WHU235C, WHU305C and WHU400C
6	225/00322/00	Plexi Frame	
7	B12382701	Operating Sticker	Cygnus Standard OPL models without datacard opening
	B12382801	Operating Sticker	Cygnus Standard OPL models with datacard opening
	B12383001	Operating Sticker	Cygnus Commercial OPL models without datacard opening
	B12383101	Operating Sticker	Cygnus Commercial OPL models with datacard opening
	B12456601	Operating Sticker	Cygnus Select models
	B12531801	Operating Sticker	Models JHW235C, JHW305C and JHW400C
8	210/00902/00	Infrared Cable	
9	209/00248/20	Mushroom Pushbutton	
10	209/00520/00	Telem Sticker	
11	B12491801	Contact Harness	
12	209/00029/26	Contact Switch	NC
13	209/00099/26	Contact Switch	NO
14	209/00099/29	Switch Knob	Dual heat
	B12523901	Dual Heat Sticker	Dual heat
15	B12491701	Contact Harness	Dual heat
16	B12385601	Operating Panel	*55 and *235 models
	B12386101	Operating Panel	All other models
17	209/02024/00	Datacard	Optional
18	B12305201	Memory Card PC-Board	Optional
19	B12538301	Data Card Ribbon Assembly	Optional
20	211/00128/00	Printboard Separator	
21	B12388201	Door Lock PC-Board	
22	223/00374/00	Mounting Plate	

Control Panel - Cygnus Standard/Commercial Coin and Vended



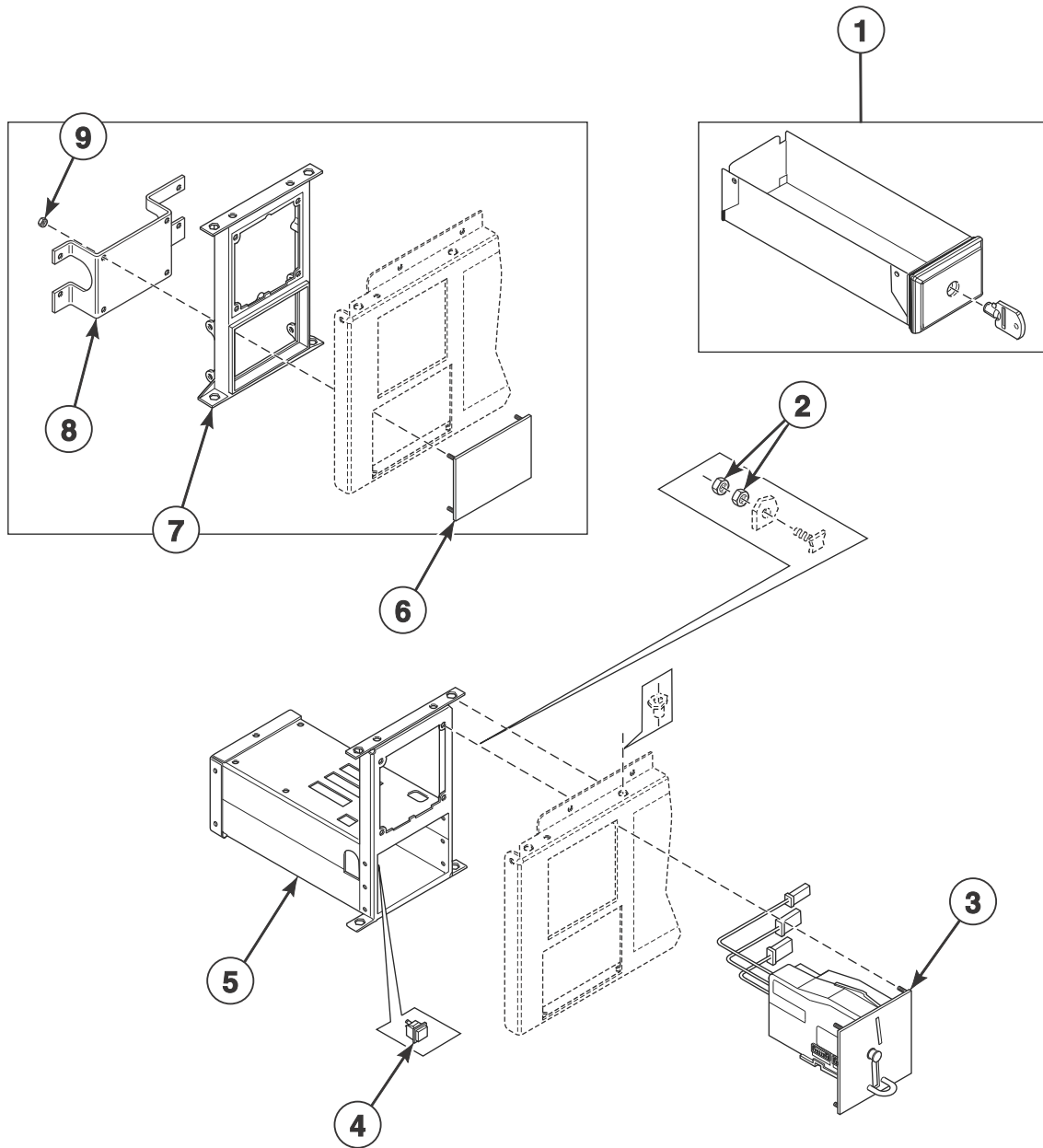
CFD611P_D1364

Control Panel - Cygnus Standard/Commercial Coin and Vended

REF	PART NO.	DESCRIPTION	COMMENTS
	B12349001	E-Stop Bypass Harness	
1	209/02001/02	Printboard	
2	204/00116/00	Nut	
3	223/00123/00	Washer	
4	223/00330/00	Protection LED	
5	B12389801	Nameplate	Models IH055_CYGNUS-VENDED, IH075_CYGNUS-VENDED, IH090_CYGNUS-VENDED, WD235_CYGNUS-COMM, WD235_CYGNUS-STANDARD, WD305_CYGNUS-COMM, WD305_CYGNUS-STANDARD, WD400_CYGNUS-COMM, WD400_CYGNUS-STANDARD, IHA235C, IHA235X, IHA305C, IHA305X, IHA400C, IHA400X, IHG235C, IHG235X, IHG305C, IHG305X, IHG400C, IHG400X, IHN235C, IHN235V, IHN235X, IHN305C, IHN305V, IHN305X, IHN400C, IHN400V, IHN400X, IHR055V, IHR075V, IHR090V, IHU235C, IHU235X, IHU305C, IHU305X, IHU400C, IHU400X, IHW235C, IHW235X, IHW305C, IHW305X, IHW400C, IHW400X, IHY055C, IHY055X, IHY075C, IHY075X, IHY090C, IHY090X, IHZ235C, IHZ235X, IHZ305C, IHZ305X, IHZ400C and IHZ400X
	B12389802	Nameplate	Models CHE055X, CHE075X, CHE090X, CHG235X, CHG305X, CHG400X, CHN235X, CHN305X, CHN400X, CHR055X, CHR075X, CHR090X, CHU235X, CHU305X, CHU400X, CHW235X, CHW305X, CHW400X, CHY055X, CHY075X, CHY090X, CHZ235X, CHZ305X and CHZ400X
	B12389803	Nameplate	Models DHU235X, DHU305X and DHU400X
	B12389806	Nameplate	Model JHW235C
	B12530807	Nameplate	Model JHW305C
	B12389810	Nameplate	Models WHU235C, WHU305C and WHU400C
6	225/00322/00	Plexi Frame	
7	B12382901	Operating Sticker	Cygnus Standard coin models
	B12383201	Operating Sticker	Cygnus Commercial coin models
	B12456501	Operating Sticker	Cygnus Vended models
	B12531801	Operating Sticker	Models JHW235C, JHW305C and JHW400C
8	210/00902/00	Infrared Cable	
9	B12385701	Operating Panel	*55 and *235 models
	B12386201	Operating Panel	All other models
10	209/02024/00	Datacard	Cygnus Standard/Commercial coin models
11	B12305201	Memory Card PC-Board	Cygnus Standard/Commercial coin models
12	B12538301	Data Card Ribbon Assembly	Cygnus Standard/Commercial coin models
13	211/00128/00	Printboard Separator	
14	B12388201	Door Lock PC-Board	
15	223/00374/00	Mounting Plate	

Coin Drop - Mechanical Coin Meter

Cygnus Commercial, Premium, Standard and Vended Models



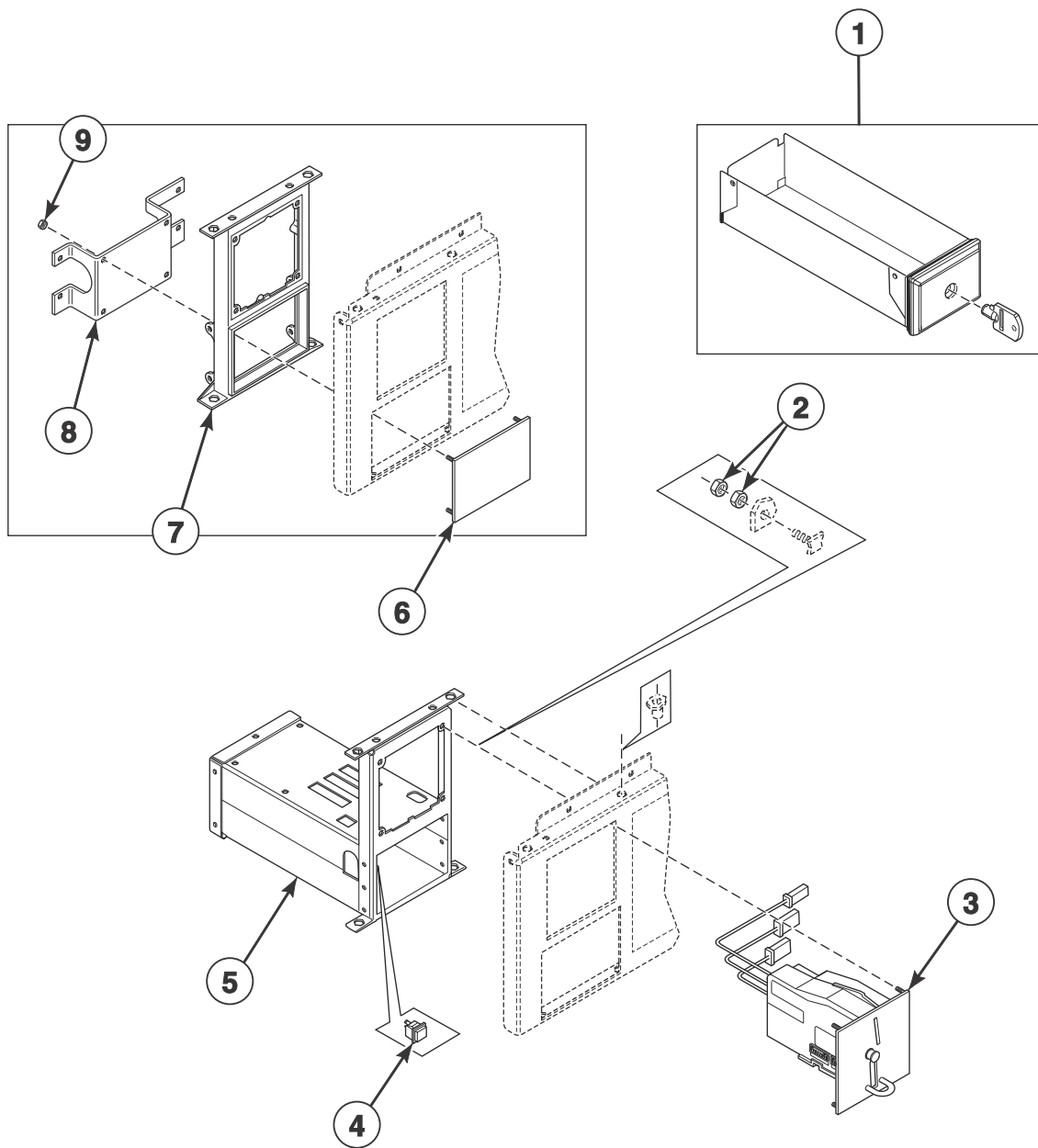
CFD617P_D1364

Coin Drop - Mechanical Coin Meter

REF	PART NO.	DESCRIPTION	COMMENTS
	B12309901	Wire Harness Assembly	Single/dual drop
	B12310001	Wire Harness Assembly	Dual drop
1	254/00077/00	Coin Box	
	254/00077/02	Key	
2	204/00116/00	Nut	
3	B12311224	Coin Drop	Jeton 5K
	B12311206	Coin Drop	Jeton 7K
	B12311201	Coin Drop	Jeton 10K
	B12311210	Coin Drop	Jeton 12K
	B12311252	Coin Drop	Jeton10K and .5 euro
	B12311211	Coin Drop	Jeton 7K and 1 euro
	B12323901	Coin Drop	Jeton 15K and 7K
	B12311204	Coin Drop	Jeton gettone
	B12311234	Coin Drop	Jeton crouzet
	B12311247	Coin Drop	Jeton 118-1
	B12311248	Coin Drop	Jeton 118-5
	B12311222	Coin Drop	1 euro
	B12311214	Coin Drop	.5 euro
	B12311202	Coin Drop	.5 and 1 euro
	B12311239	Coin Drop	.5 and 2 euro
	B12311205	Coin Drop	.2 and 1 euro
	B11211209	Coin Drop	2 and .5 euro
	B12311218	Coin Drop	1 and 1 euro
	B12311219	Coin Drop	1 and 2 euro
	B12311203	Coin Drop	1 and 2 frank
	B12311207	Coin Drop	1 Deense kroon
	B12311225	Coin Drop	10 Deense kronen
	B12311235	Coin Drop	10 Tsjechische kronen
	B12311244	Coin Drop	10 Noorse kronen
	B12311208	Coin Drop	100 and 500 yen
	B12311212	Coin Drop	15K
	B12311215	Coin Drop	1 kro
	B12311226	Coin Drop	Australia 1.00
	B12311216	Coin Drop	Australia .2 and 1.00
	B12311220	Coin Drop	New Zeland 1.00
	B12311221	Coin Drop	.5 and 2 zwitsers
	B12311241	Coin Drop	Hong Kong 1.00
	B12311249	Coin Drop	Hong Kong 5.00
	B12311301	Coin Drop	U.S. \$.25
	B12311302	Coin Drop	U.S. \$.25 and 1.00
	B12311304	Coin Drop	Canada .25 and 1.00
	B12323401	Coin Drop	Singapore 1.00
	209/00781/00	Optical Switch	
4	209/00396/00	Pushbutton	
5	152/00112/00	Mechanical Coin Meter Housing	
6	111/01003/00	Top Panel	Black; Central pay option
7	217/00060/00	Fastening Piece	Central pay option
8	111/01005/00	Backplate	Central pay option
9	204/00116/00	Nut	Central pay option

Coin Drop - Electronic Coin Meter

Cygnus Commercial, Premium, Standard and Vended Models

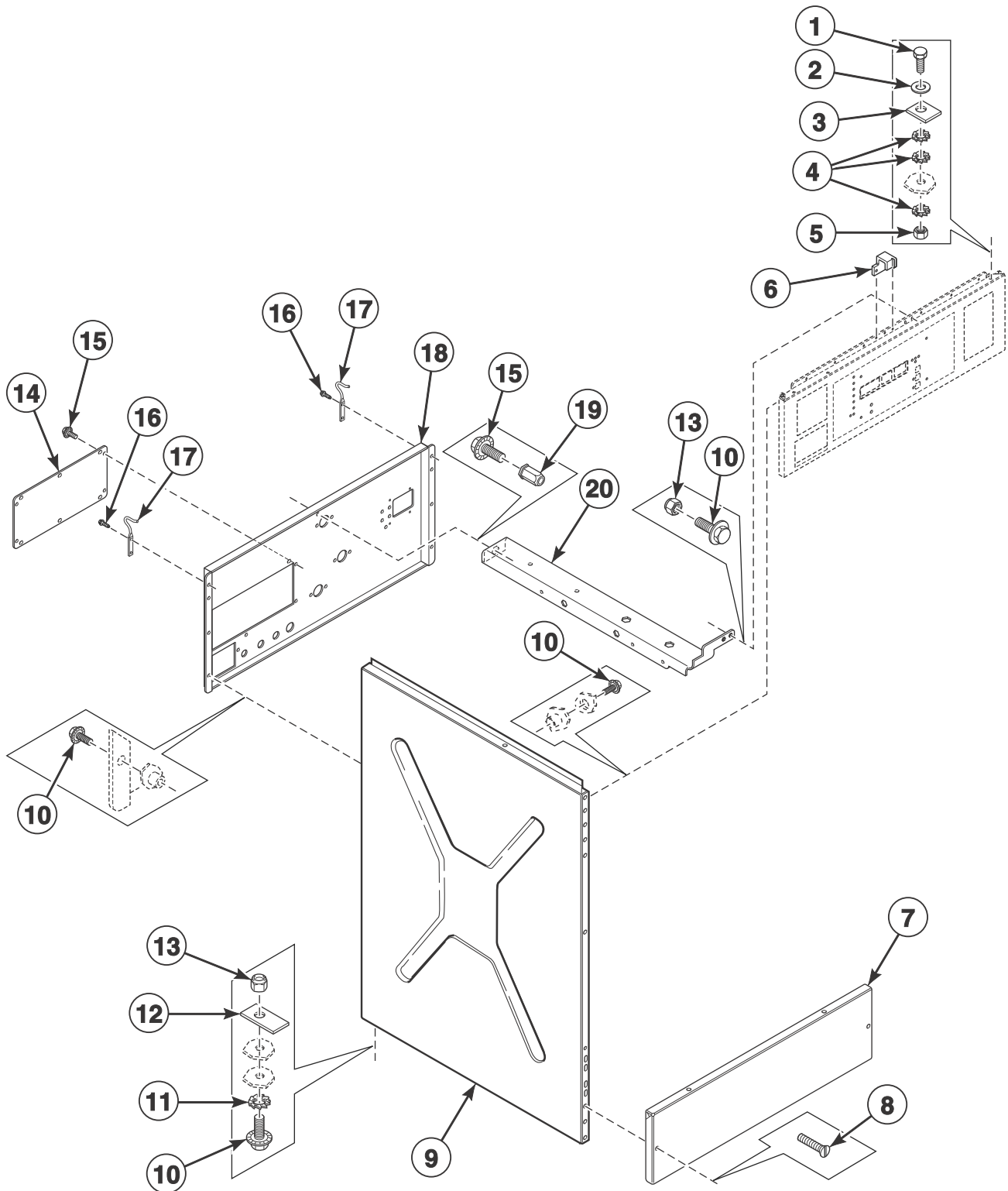


CFD617P_D1364

Coin Drop - Electronic Coin Meter

REF	PART NO.	DESCRIPTION	COMMENTS
	B12309901	Wire Harness Assembly	Single/dual drop
	B12310001	Wire Harness Assembly	Dual drop
1	254/00077/00	Coin Box	
	254/00077/02	Key	
2	204/00116/00	Nut	
3	B12311401	Coin Drop	
4	209/00396/00	Pushbutton	
5	152/00112/50	Electronic Coin Meter Housing	
6	111/01003/00	Top Panel	Black; Central pay option
7	217/00060/00	Fastening Piece	Central pay option
8	111/01005/00	Backplate	Central pay option
9	204/00116/00	Nut	Central pay option

Left Side, Lower Front and Upper Rear Panels

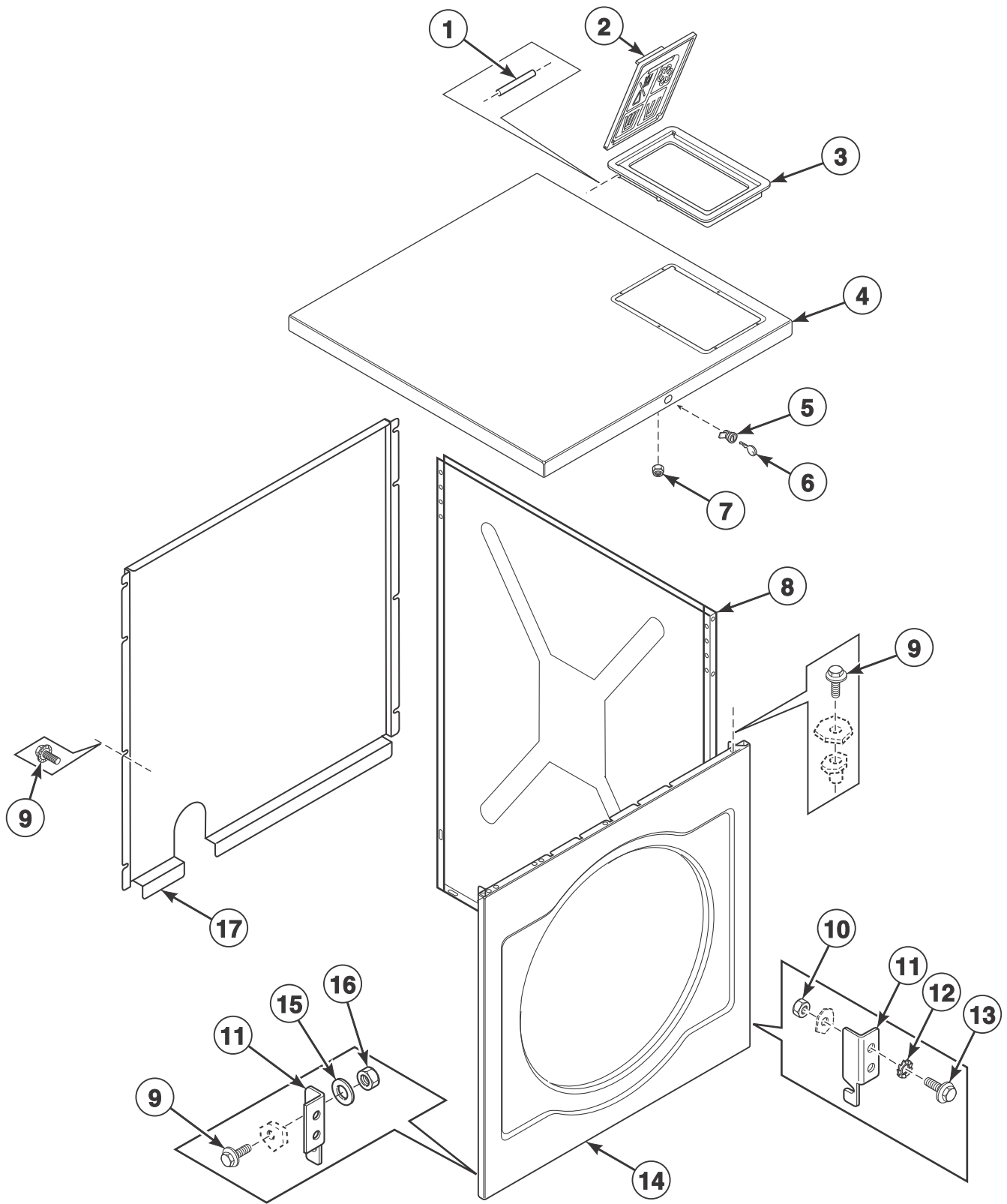


CHM3277P_D1364

Left Side, Lower Front and Upper Rear Panels

REF	PART NO.	DESCRIPTION	COMMENTS
1	205/00106/00	Bolt	
2	202/00003/00	Washer	
3	117/00042/00	Retaining Ring	
4	203/00005/00	Washer	
5	204/00107/00	Nut	
6	F8201001	Top Cover Latch	
7	111/00300/00	Kickplate	*55 and *235 models
	111/00333/00	Kickplate	All other models
8	B12500601	Screw	
9	140/60027/00	Side Panel	*55 and *235 models
	111/60038/00	Side Panel	*75 and *305 models
	133/60127/00	Side Panel	*90 and *400 models
10	205/00105/00	Bolt	
11	203/00004/00	Washer	
12	101/00007/00	Outlet Pipe Plate Assembly	
13	204/00009/00	Nut	
14	B12312501	Main Switch Cover	
15	206/00104/00	Screw	
16	B12462901	Screw	
17	B8258601	Top Cover Hinge	
18	B12336701	Backbridge	*55 and *235 models
	B12337801	Backbridge	All other models
19	204/00011/00	Nut	
20	B12337001	Supply Dispenser Crossbar	*55 and *235 models
	B12338101	Supply Dispenser Crossbar	*75 and *305 models
	B12357101	Supply Dispenser Crossbar	*90 and *400 models

Right Side, Front, Lower Rear and Top Panels

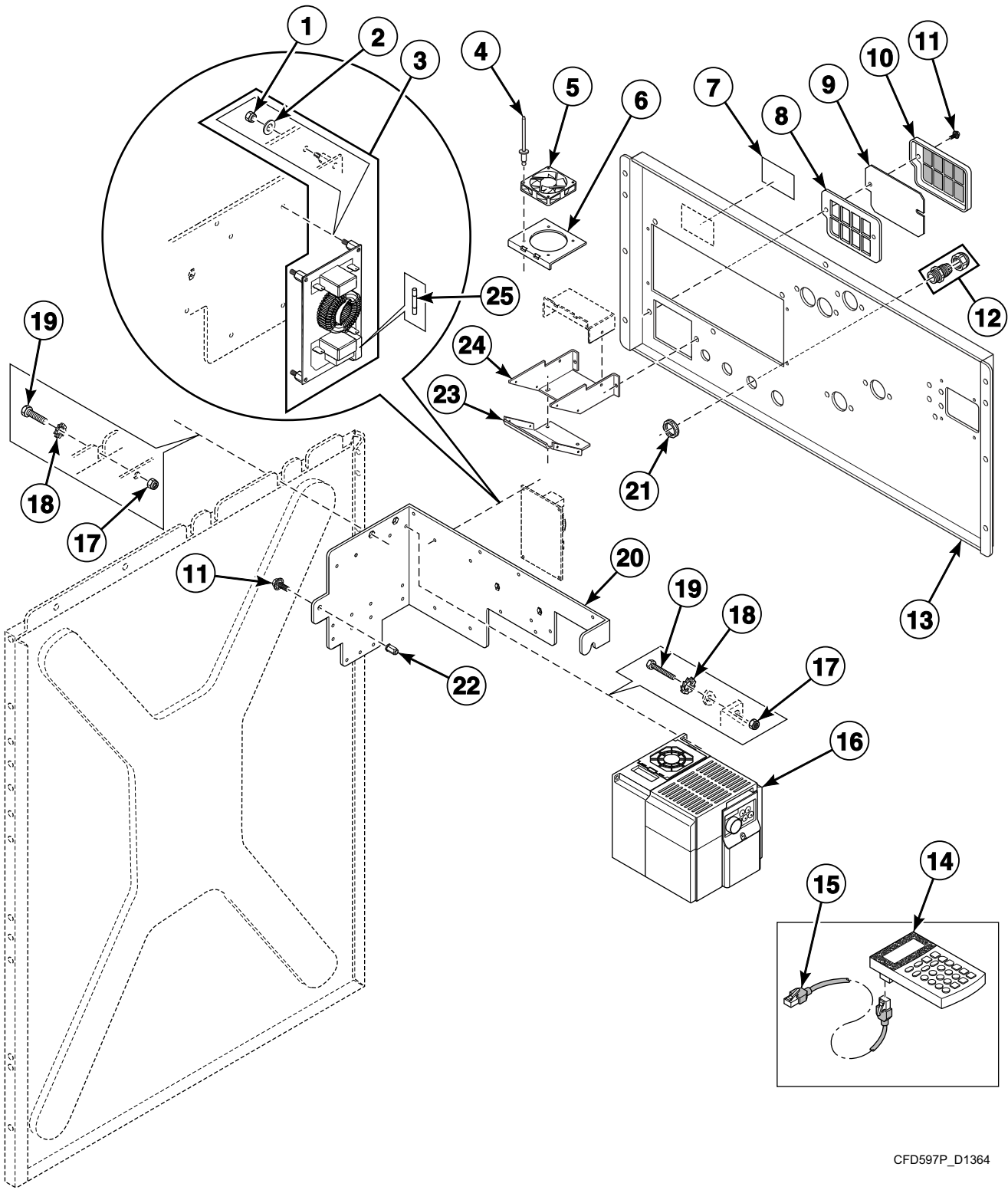


CHM3364P_D1364

Right Side, Front, Lower Rear and Top Panels

REF	PART NO.	DESCRIPTION	COMMENTS
1	223/00103/04	Soap Dispenser Cover Hinge Rod	2 used
2	B12319101	Supply Dispenser Cover	U.S.
	B12356701	Supply Dispenser Cover	International
3	B12597501	Supply Dispenser Cover Frame	
4	B12336901	Top Panel	*55 and *235 models
	B12338001	Top Panel	*75 and *305 models
	B12357001	Top Panel	*90 and *400 models
5	44089303P	Panel Lock	Includes item 5
6	70155603	Key	
7	B12509101	Nut	
8	140/60028/00	Side Panel	*55 and *235 models
	111/60038/50	Side Panel	*75 and *305 models
	133/60128/00	Side Panel	*90 and *400 models
9	206/00104/00	Screw	
10	204/00107/00	Nut	
11	111/10089/01	Reinforcement Plate	
12	203/00005/00	Washer	
13	206/00016/00	Bolt	
14	111/00293/00	Front Panel	*55 and *235 models
	111/00332/00	Front Panel	All other models
15	201/00007/00	Washer	
16	204/00106/00	Nut	
17	B12336801	Lower Rear Panel	*55 and *235 models
	B12337901	Lower Rear Panel	All other models

Inverter Drive

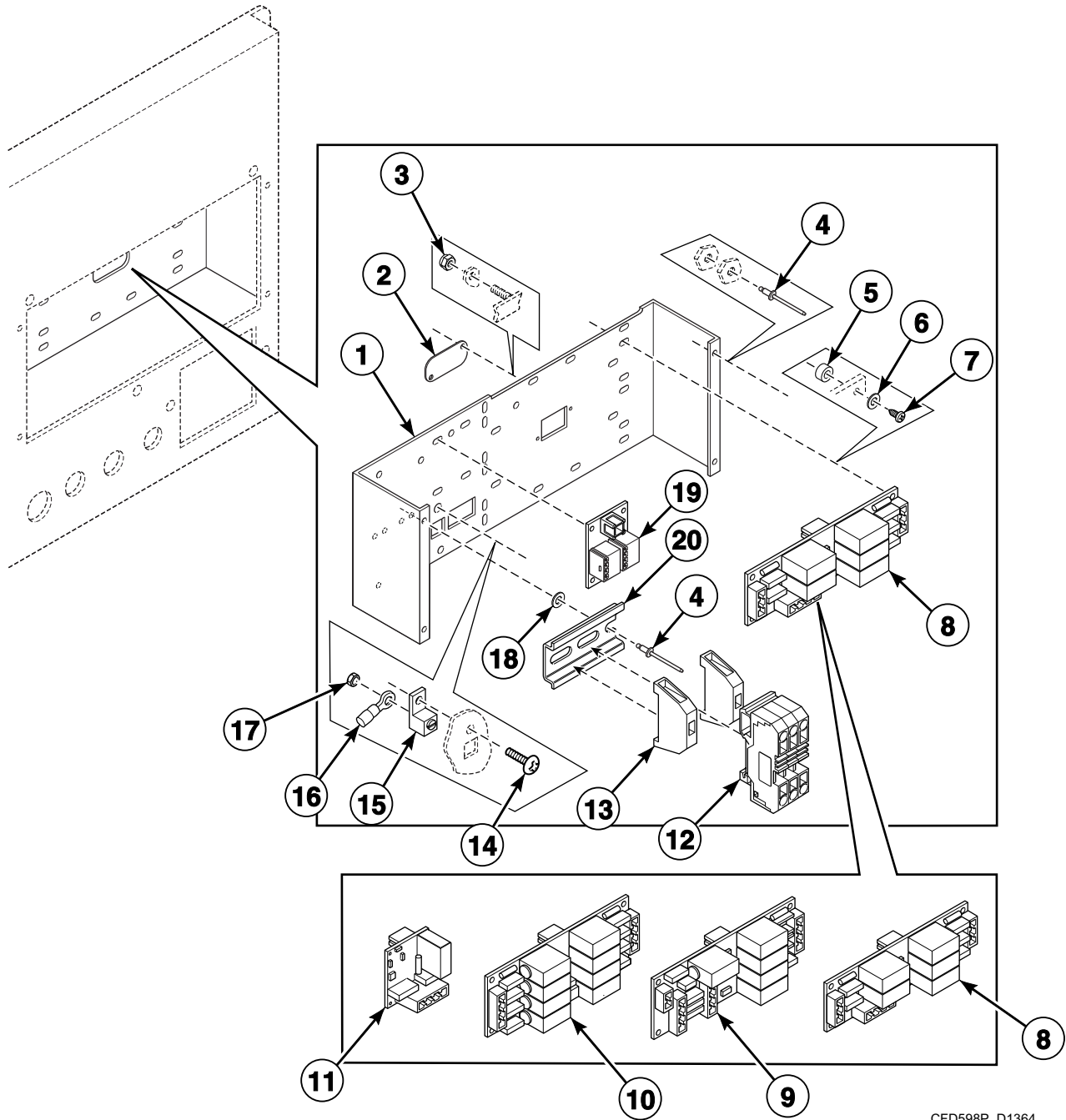


CFD597P_D1364

Inverter Drive

REF	PART NO.	DESCRIPTION	COMMENTS
	B12501501	E-Stop Drive Fan Harness	
	B12350101	Ethernet Cable	
1	204/00014/00	Nut	
2	202/00004/00	Washer	
3	B12339401	Noise Filter	30A1; 1x230 Volt; C, Q and X-voltage
	227/00242/00	Noise Filter	8A3; 3x400 Volt; N and P-voltage
4	208/00017/00	Rivet	
5	209/00465/00	Fan	
6	B12357201	Fan Mounting Plate	
7	B12355001	Voltage Discharge Decal	
8	B12551301	Air Duct	Inside
9	B12382401	Inverter Air Inlet Filter Grill	
10	B12346701	Inverter Air Inlet Filter Frame	Outside
11	206/00104/00	Screw	
12	211/00181/00	Strain Relief Connector	
13	B12336701	Backbridge	*55 and *235 models
	B12337801	Backbridge	All other models
14	227/00171/00	Parameter Unit Assembly	Hand held
15	227/00171/10	Parameter Unit Program Cable	
16	F8645301P	Inverter Drive	FR-D740-036-NA series; 1x230 Volt; C, Q and X-voltage
	F8645401P	Inverter	FR-D740-050-NA series; 3x400 Volt; N and P-voltage
17	204/00114/00	Nut	
18	203/00006/00	Washer	
19	206/00088/00	Bolt	
20	B12333201	Inverter Drive Box	
21	211/00170/00	Nut	
22	204/00011/00	Nut	
23	B12342701	Air Inlet Bottom	
24	B12342501	Air Inlet	
25	B12389501	Fuse	3.15 A; 500 Volt; Used with 227/00242/00 Filter; N and P-voltage
	209/00468/00	Fuse	3.15 A; Used with B12339401 Noise Filter; C, Q and X-voltage

Printboard Support Panel and Soap Injection Printboards

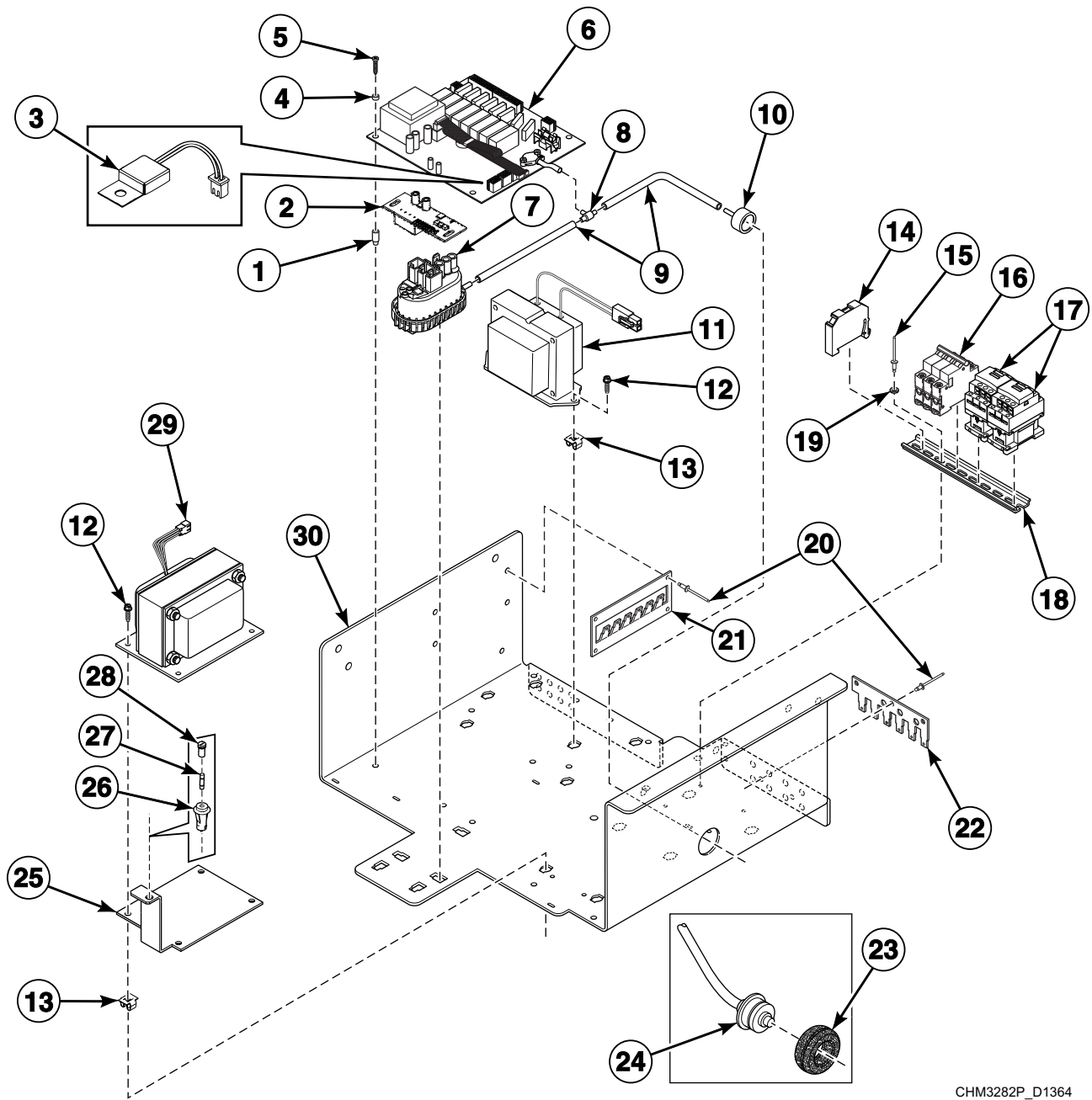


CFD598P_D1364

Printboard Support Panel and Soap Injection Printboards

REF	PART NO.	DESCRIPTION	COMMENTS
	B12388301	Ribbon Assembly	Used with items 8-11
	B12529201	Extension Board Kit	Used with items 8-11; Includes items 2-7, 18, B12381402 Control Supply Harness, B12388301 Ribbon Assembly, 201616 Transformer, 70030501 Expansion Clip, B12462901 Screw and B12319608 Diagram; Does not include extension board
	B12529301	Network Kit	Includes items 3, 5-7, 19, 211/00128/00 Printboard Separator, B12341801 Printboard and B12390201 Network Connection Wiring
1	B12312401	Printboard Support	
2	B12382501	Flat Cable Plate	
3	204/00116/00	Nut	
4	208/00017/00	Rivet	
5	B12390301	Standoff	
6	223/00123/00	Washer	
7	B12393801	Screw	
8	209/02005/00	Detergent PC-Board	1-5
9	209/02014/00	Relay PC-Board	5-5
10	209/02008/00	Detergent PC-Board	1-8
11	209/02016/00	Relay PC-Board	1-1
12	209/01625/00	Terminal Block	Gray; 3 on C, N, P and Q-voltage; 1 on X-voltage
	209/01624/00	Terminal Block	Blue; 1 on C and X-voltage
	209/01625/01	Terminal End	
13	209/00633/02	End Stop	
14	206/00104/00	Screw	
15	M411283	Ground Lug Connector	
16	B12456001	Wiring Earth for Inverter	
17	206/00101/00	Nut	
18	202/00004/00	Washer	
19	B12344201	Network Board	Network models
20	B12315401	DIN Rail	60 mm

Electrical Component Mounting Plate

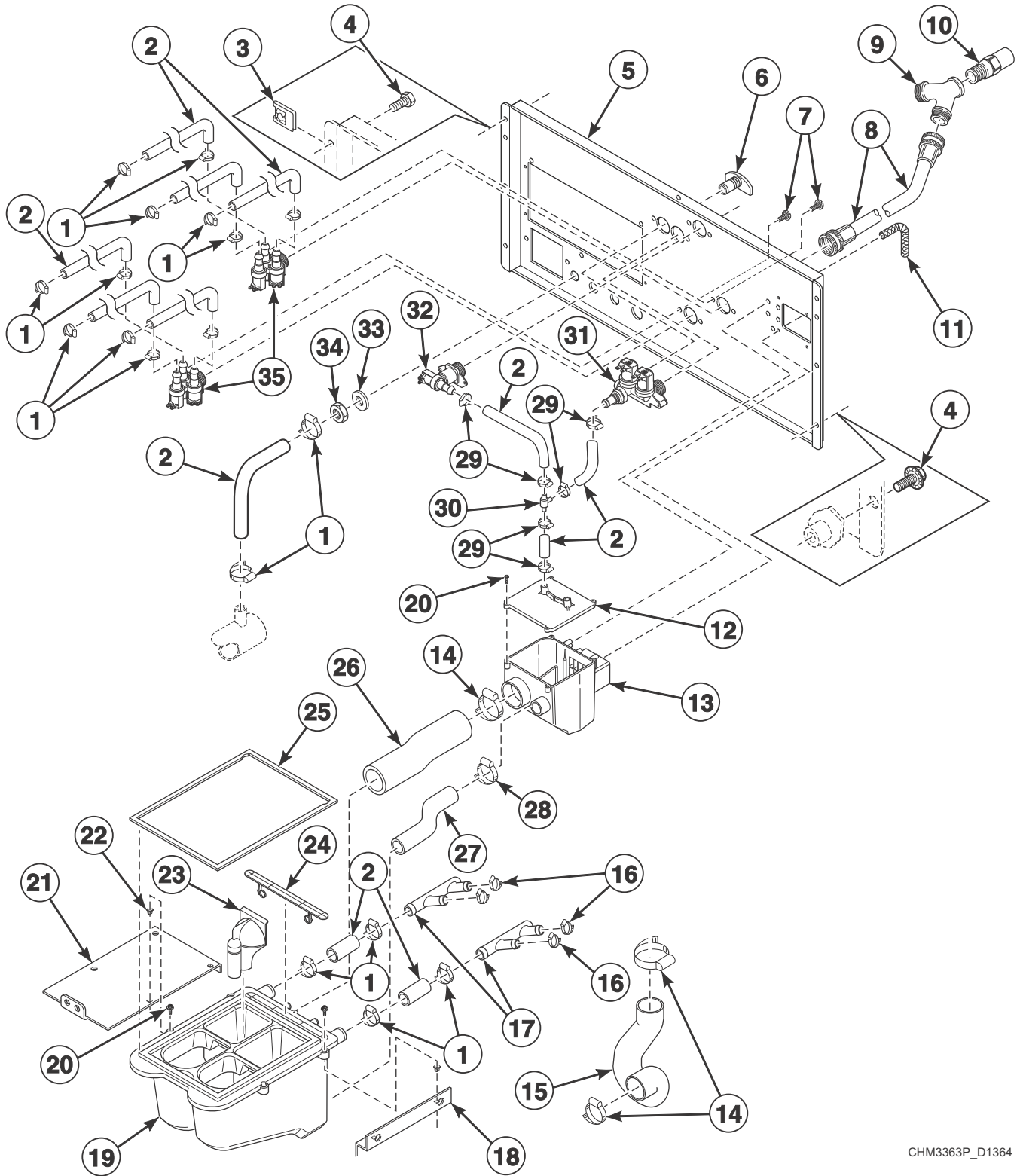


CHM3282P_D1364

Electrical Component Mounting Plate

REF	PART NO.	DESCRIPTION	COMMENTS
	B12392701	Direct Fill Harness	
	B12381101	Main Control Tray Harness	
	B12348801	Control Communication Harness	
	B12348301	Control Supply Harness	N and P-voltage
	B12348101	Control Supply Harness	C, Q and X-voltage
	B12381402	Control Supply Harness	24 VAC
	B12390201	Network Connection Wiring	
1	B12390301	Standoff	
2	B12341801	Printboard	Network models
3	209/02020/00	ID Chip	
4	223/00123/00	Washer	
5	B12393801	Screw	
6	B12355701	Control Board	
	B12360001	Fuse	1.25A
7	B12548301	Pressure Switch	Single lever; 230/195; Electric, steam and dual heat
8	223/00173/10	Pressure Switch Hose Tee	
9	B12700018	Pressure Hose	
10	223/00035/02	Pressure Switch Cap	
11	201616P	Transformer	Models with extension boards
12	B12462901	Screw	
13	70030501	Expansion Clip	N and P-voltage
14	209/00633/02	End Stop	Electric, steam and dual heat
15	208/00017/00	Rivet	
16	B12487101	Circuit Breaker	C and Q-voltage; Electric heat
	B12474601	Circuit Breaker	N and P-voltage; Electric heat
17	209/06148/02	Heating Contactor	1 on C, P and N-voltage; 2 on Q-voltage; Electric heat
18	B12315301	DIN Rail	200 mm
19	202/00004/00	Washer	
20	208/00017/00	Rivet	
21	B12395201	Earth Plate Side	
22	B12395301	Earth Plate Bottom	
23	225/10004/00	Thermostat Grommet	
24	210/01064/16	Thermostat	
25	B12439601	Transformer Fuse Mounting Plate	N and P-voltage
26	70329401P	Fuse Holder Body	N and P-voltage
27	802492	Fuse	N and P-voltage
28	70329501	Fuse Holder Cap	N and P-voltage
29	F8401301	Transformer	N and P-voltage
30	B12313001	Electrical Component Mounting Plate	

Fill Plumbing Assembly

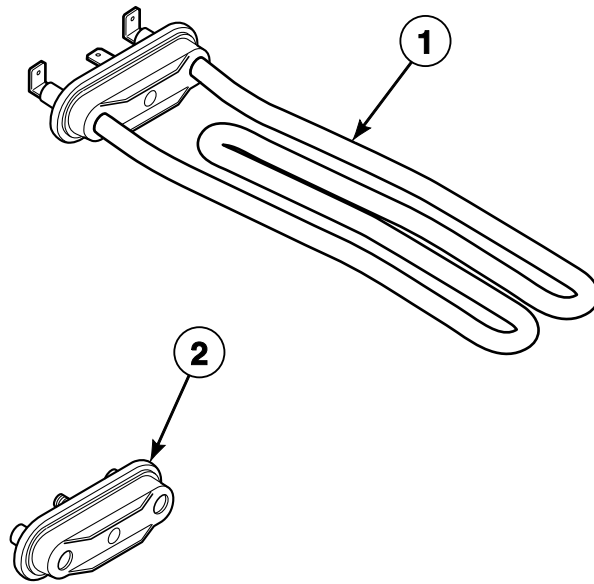


CHM3363P_D1364

Fill Plumbing Assembly

REF	PART NO.	DESCRIPTION	COMMENTS
	B12349201	Inlet Valve Harness	*55 and *235 models
	B12349203	Inlet Valve Harness	All other models
1	223/00010/00	Hose Clamp	
2	223/00044/00	Water Hose	
3	70030501	Expansion Clip	
4	B12462901	Screw	
5	B12336701	Backbridge	*55 and *235 models
	B12337801	Backbridge	All other models
6	223/00001/04	Prewash and Mainwash Nozzle	
7	206/00027/00	Bolt	
8	B8498901	Fill Hose	A and Y market models
	F200164	Water Hose	All other models; Standard thread
	F200166	Water Hose	All other models; Metric thread
9	44069101	Hose Fitting	*75, *90, *305 and *400 models; Standard thread
	223/00243/00	Y-Connector	*75, *90, *305 and *400 models; Metric thread
10	203386	Check Valve Kit	A and Y market models
11	B12687401	Pressure Hose	
12	F8048601	Vacuum Breaker Assembly	
13	F8048601	Vacuum Breaker Assembly	Includes item 12
14	223/00014/00	Hose Clamp	
15	B12324403	Siphon Break Hose	*55 and *235 models
	B12324402	Siphon Break Hose	*75 and *305 models
	B12324404	Siphon Break Hose	*90 and *400 models
16	223/00011/00	Hose Clamp	
17	F8333201	Manifold	
18	B12316401	Supply Dispenser Support	
19	F8047401	Dispenser Assembly	
20	B12462801	Screw	
21	B12337301	Supply Dispenser Mounting Plate	
22	B12463001	Insert	
23	F8047901	Siphon Cover	
24	F8047801	Access Cover	
25	F8308301	Dispenser Gasket	
26	B12390005	Vacuum Supply Hose	
27	B12313304	Dispenser Overflow Hose	
28	223/00223/00	Hose Clamp	
29	223/00013/00	Hose Clamp	
30	223/00041/00	Water Inlet Tee	
31	F8434001	Mixing Valve	Standard thread
	F8434002	Mixing Valve	Metric thread
32	223/00050/01	Water Valve Adapter	Standard thread
	209/00276/00	Inlet Valve	1-way; Metric thread; Hard water rinse; Optional
33	201/00002/00	Washer	
34	204/00201/00	Nut	
35	F8286401P	3-Way Valve	Standard thread
	G582P3	Diaphragm and Guide Kit	Use with F8286401 3-Way Valve
	F8286402P	3-Way Valve	Metric thread

Steam and Electric Heating Options



CFD588P_D1364

Steam and Electric Heating Options

REF	PART NO.	DESCRIPTION	COMMENTS
	B12308001	Relay	Steam heat
	209/06148/02	Heating Contactor	Steam heat
	B12381301	Heating Harness	Electric heat; Q-voltage; *75, *90, *305 and *400 models with C and P-voltage
	B12382302	Steam Valve Harness	
	B12348501	Branch Harness	Electric heat; N-voltage; *55 and *235 models with P-voltage
	B12348502	Branch Harness	Electric heat; C-voltage; *55 and *235 models
	B12348506	Branch Harness	Electric heat; Q-voltage; *75 and *305 models with C and P-voltage
	B12348507	Branch Harness	Electric heat; C-voltage; *75, *90, *305 and *400 models
	B12349603	Electric Heat Harness	
	B12349703	Steam Heat Harness	
	B12349803	Dual Heat Harness	
	B12381204	Power Jumper Harness	Electric heat; Q-voltage
	B12381203	Power Jumper Harness	Electric heat; P-voltage; *75, *90, *305 and *400 models
	B12381205	Power Jumper Harness	Electric heat; C-voltage; *75, *90, *305 and *400 models
	B12455803	Heat Harness	Electric heat; 1; C, P and Q-voltage; *55 and *235 models
	B12455804	Heat Harness	*75, *90, *305 and *400 models electric heat; 1; C, P and Q-voltage; *55 and *235 models 2; Q-voltage
	B12455805	Heat Harness	Electric heat; 2; C, P and Q-voltage; *75, *90, *305 and *400 models
	B12455904	Heat Harness	*75, *90, *305 and *400 models electric heat; 2; N-voltage; *55 and *235 models 1; C, N and P-voltage
	B12455903	Heat Harness	Electric heat; 1; C, N and P-voltage; *55 and *235 models
	B12455905	Heat Harness	Electric heat; 2; N-voltage; *75, *90, *305 and *400 models
1	209/00581/10	Heating Element	4 kW; 380 Volt; C and P-voltage; *75, *90, *305 and *400 models
	209/00562/20	Heating Element	3 kW; 240 Volt; Q-voltage; *55 and *235 models with C and P-voltage
	209/00564/20	Heating Element	3 kW; 275 Volt; N-voltage
2	F360202	Heating Element Plug	

Parts Index

A

Access Cover	
F8047801	53
Air Duct	
B12551301	47
Air Inlet	
B12342501	47
Air Inlet Bottom	
B12342701	47

B

Backbridge	
B12336701	43, 47, 53
B12337801	43, 47, 53
Backplate	
111/01005/00	39, 41
Ball Bearing	
212/00004/00	9, 11
212/00024/01	9
Basket	
B12381001	13, 17
Basket Kit	
B12543201	13, 17
Bearing	
F100134	9
Bearing and Seal Kit	
3884P	9
Bearing Cover	
112/00003/00	11
Bearing Housing	
212/00103/01	11
Bearing Housing Assembly	
212/00103/00	11
212/00104/01	9
Bearing Housing Plate	
113/00017/01	9
113/00017/02	9
113/00018/01	11
113/00018/02	11
Bearing Replacement Kit	
892P3	11
Bearing Replacement Tool Kit	
381P3P	9
381P3-1	9
382P3P	11
382P3-1	11
Bearing Spacer	
232/00020/00	15
Belt	
B12430502	13, 19
B12541601	15, 19
B12544901	15
Bolt	
B12444801	19
205/00102/00	9
205/00104/00	11
205/00105/00	43

205/00106/00	25, 43
206/00004/00	13, 15
206/00005/00	19
206/00010/00	11
206/00014/00	9
206/00016/00	45
206/00027/00	53
206/00029/00	17
206/00032/00	17
206/00033/00	21
206/00052/00	7, 17
206/00066/00	17
206/00079/00	7
206/00088/00	47
206/00093/00	9, 11
206/00099/00	21
206/00119/00	19

Branch Harness	
B12348501	55
B12348502	55
B12348506	55
B12348507	55

C

Check Valve Kit	
203386	53
Circuit Breaker	
B12474601	51
B12487101	51
Coin Box	
254/00077/00	39, 41
Coin Drop	
B11211209	39
B12311201	39
B12311202	39
B12311203	39
B12311204	39
B12311205	39
B12311206	39
B12311207	39
B12311208	39
B12311210	39
B12311211	39
B12311212	39
B12311214	39
B12311215	39
B12311216	39
B12311218	39
B12311219	39
B12311220	39
B12311221	39
B12311222	39
B12311224	39
B12311225	39
B12311226	39
B12311234	39
B12311235	39
B12311239	39
B12311241	39
B12311244	39
B12311247	39
B12311248	39

N/A items do not appear in index.

B12311249	39
B12311252	39
B12311301	39
B12311302	39
B12311304	39
B12311401	41
B12323401	39
B12323901	39
Contact Harness	
B12491701	27, 29, 31, 35
B12491801	27, 29, 31, 35
Contact Switch	
209/00029/26	27, 29, 31, 35
209/00099/26	27, 29, 31, 35
Control Board	
B12355701	51
Control Communication Harness	
B12348801	51
Control Supply Harness	
B12348101	51
B12348301	51
B12381402	51
Cooling Fan	
209/00287/00	19
Counter Ring	
219/00004/00	13
232/00008/00	15

D

Data Card Ribbon Assembly	
B12538301	27, 31, 33, 35, 37
Datcard	
209/02024/00	27, 31, 33, 35, 37
Datcard Cover	
223/00348/00	27, 31
Detergent PC-Board	
209/02005/00	49
209/02008/00	49
Diaphragm and Guide Kit	
G582P3	53
DIN Rail	
B12315301	51
B12315401	49
Direct Fill Harness	
B12392701	51
Dispenser Assembly	
F8047401	53
Dispenser Gasket	
F8308301	53
Dispenser Overflow Hose	
B12313304	53
Display PC-Board	
209/02002/ZB2	27, 29
Door Frame	
B12337201	25
Door Glass	
B12449801	25
Door Glass Seal	
223/00068/00	25
Door Handle	
B12336301	25

Door Handle Stop	
217/00016/00	25
Door Hinge Block	
253/00022/00	25
Door Hinge Blocking Plate	
B12565001	25
Door Hinge Spacer	
118/00124/00	25
Door Lock Assembly	
B12517701	23
Door Lock Harness	
B12495001	23
Door Lock Microswitch	
209/00273/00	23
Door Lock PC-Board	
B12388201	27, 29, 31, 33, 35, 37
Door Solenoid Assembly	
B12518101	23
Drain Pipe	
223/00106/00	21
Drain Tub to Drain Valve Hose	
B12403101	21
Drain Valve Cover	
223/00225/00	21
Drain Valve Kit	
B12630701	21
Drain Valve Motor	
209/00051/11	21
Drain Valve to Drain Tube Hose	
223/00328/00	21
Drain Valve Overflow Plug	
223/00086/00	21
Drum	
B12327301	15, 17
131/00059/50	17
132/10009/00	15, 17
Drum Pulley	
226/00142/00	13, 15
226/00727/00	15
Dual Drian Kit	
B12428201	21
Dual Heat Harness	
B12349803	55
Dual Heat Sticker	
B12523901	27, 29, 31, 35

E

Earth Plate Bottom	
B12395301	51
Earth Plate Side	
B12395201	51
Electric Heat Harness	
B12349603	55
Electrical Component Mounting Plate	
B12313001	51
Electronic Coin Meter Housing	
152/00112/50	41
End Stop	
209/00633/02	49, 51
E-Stop Bypass Harness	
B12349001	33, 37

N/A items do not appear in index.

E-Stop Drive Fan Harness	
B12501501	47
E-Stop Harness	
B12348901	27, 29, 31, 35
Ethernet Cable	
B12350101	47
Expansion Clip	
70030501	51, 53
Extension Board Kit	
B12529201	49

F

Fan	
209/00465/00	47
Fan Mounting Plate	
B12357201	47
Fastening Piece	
217/00060/00	39, 41
Fill Hose	
B8498901	53
Flat Cable Plate	
B12382501	49
Frame	
B12400501	7
B12401301	7
B12518608	7
Front Panel	
111/00293/00	45
111/00332/00	45
131/00002/00	17
Fuse	
B12360001	51
B12389501	47
209/00468/00	47
802492	51
Fuse Holder Body	
70329401P	51
Fuse Holder Cap	
70329501	51

G

Grease Ring	
212/00007/00	11
Ground Lug Connector	
M411283	49

H

Hardware Kit	
F407P4	9, 11
Heat Harness	
B12455803	55
B12455804	55
B12455805	55
B12455903	55
B12455904	55
B12455905	55
Heating Contactor	
209/06148/02	51, 55

Heating Element	
209/00562/20	55
209/00564/20	55
209/00581/10	55
Heating Element Plug	
F360202	55
Heating Harness	
B12381301	55
Hinge	
221/00004/00	25
Hose Clamp	
223/00010/00	21, 53
223/00011/00	21, 53
223/00012/00	21
223/00013/00	21, 53
223/00014/00	53
223/00071/00	21
223/00223/00	53
Hose Fitting	
44069101	53

I

ID Chip	
209/02020/00	51
Infrared Cable	
210/00902/00	27, 29, 31, 33, 35, 37
Inlet Valve	
209/00276/00	53
Inlet Valve Harness	
B12349201	53
B12349203	53
Insert	
B12463001	53
Insulating Sticker	
229/00268/00	27, 29
229/00291/00	31, 33
Intermediate Fan Motor Plate	
111/00243/00	19
Inverter	
F8645401P	47
Inverter Air Inlet Filter Frame	
B12346701	47
Inverter Air Inlet Filter Grill	
B12382401	47
Inverter Drive	
F8645301P	47
Inverter Drive Box	
B12333201	47

K

Key	
212/00026/00	13, 15
254/00077/02	39, 41
70155603	45
Kickplate	
111/00300/00	43
111/00333/00	43

N/A items do not appear in index.

L

Lip Seal	
B12332301	9, 11
Lower Rear Panel	
B12336801	45
B12337901	45
Lubricator	
212/00002/00	11

M

Magnet	
B12363301	25
Magnet Holder	
B12389701	25
Main Control Tray Harness	
B12381101	51
Main Switch Cover	
B12312501	43
Manifold	
F8333201	53
Mechanical Coin Meter Housing	
152/00112/00	39
Memory Card PC Board	
B12305201	33
Memory Card PC-Board	
B12305201	27, 31, 35, 37
Microswitch	
B12625101	23
Mixing Valve	
F8434001	53
F8434002	53
Motor	
B12527701	19
B12527801	19
Motor Clip	
B12371401	19
Motor Harness	
B12382102	19
Motor Mounting Rod	
B12363001	19
Motor Plate	
B12362901	19
Motor Pulley	
226/00145/00	19
Mounting Plate	
223/00374/00	27, 29, 31, 33, 35, 37
Mushroom Pushbutton	
209/00248/20	27, 29, 31, 35

N

Nameplate	
B12389801	27, 29, 31, 33, 35, 37
B12389802	27, 29, 31, 35, 37
B12389803	35, 37
B12389805	33
B12389806	31, 33, 35, 37
B12389810	35, 37
B12530806	27

B12530807	27, 31, 33, 35, 37
Network Board	
B12344201	49
Network Connection Wiring	
B12390201	51
Network Kit	
B12529301	49
Noise Filter	
B12339401	47
227/00242/00	47
Nut	
B12509101	45
204/00002/00	7, 17
204/00003/00	7, 17
204/00009/00	17, 21, 43
204/00010/00	11
204/00011/00	43, 47
204/00014/00	47
204/00106/00	25, 45
204/00107/00	43, 45
204/00110/00	19
204/00111/00	17
204/00114/00	47
204/00115/00	19
204/00116/00	27, 29, 31, 33, 35, 37, 39, 41, 49
204/00201/00	21, 53
206/00094/00	9
206/00101/00	21, 49
211/00170/00	47

O

Operating Panel	
B12385601	35
B12385701	37
B12385801	27, 29
B12385901	31
B12386001	33
B12386101	35
B12386201	37
B12386301	27, 29
B12386401	31
B12386501	33
Operating Sticker	
B12382701	35
B12382801	35
B12382901	37
B12383001	35
B12383101	35
B12383201	37
B12383301	31
B12383401	31
B12383501	33
B12383601	27
B12383701	27
B12456501	37
B12456601	35
B12456701	31
B12531801	35, 37
B12531901	31
B12532001	27
B12534801	31
B12583501	27, 29
Optical Switch	
209/00781/00	39

N/A items do not appear in index.

O-Ring	217/00021/00	25
Outlet Pipe Plate Assembly	101/00007/00	43
Out-of-Balance Bypass Harness	B12349904	7
Overflow Hose	223/00131/00	21

P

Panel Lock	44089303P	45
Parameter Unit Assembly	227/00171/00	47
Parameter Unit Program Cable	227/00171/10	47
Plexi Frame	225/00321/00	27, 29
	225/00322/00	35, 37
	225/00323/00	31, 33
Power Jumper Harness	B12381203	55
	B12381204	55
	B12381205	55
Pressure Hose	B12687401	53
	B12700018	21, 51
Pressure Switch	B12548301	51
Pressure Switch Cap	223/00035/02	21, 51
Pressure Switch Hose Tee	223/00173/10	21, 51
Prewash and Mainwash Nozzle	223/00001/04	21, 53
Printboard	B12341801	51
	209/02001/02	35, 37
	209/02015/02	31, 33
Printboard Separator	211/00128/00	27, 29, 31, 33, 35, 37
Printboard Support	B12312401	49
Printboard Support Card	111/01893/00	27, 31
Protection LED	223/00330/00	35, 37
Pulley	226/00146/00	19
Pushbutton	209/00396/00	39, 41

R

Reed Switch Holder	B12517601	23
Reinforcement Plate	111/10089/01	45
Relay	B12308001	55

Relay PC-Board	209/02014/00	49
	209/02016/00	49
Retainer Ring	212/00006/00	9, 11
	212/00037/00	9
Retaining Ring	117/00042/00	19, 43
Ribbon Assembly	B12388301	49
Rivet	B12500301	25
	208/00017/00	47, 49, 51
Roller Bearing	212/00005/00	11, 15

S

Screw	B12393801	49, 51
	B12462801	53
	B12462901	43, 51, 53
	B12500601	43
	B12500801	25
	206/00049/00	19
	206/00056/00	13, 15
	206/00104/00	43, 45, 47, 49
	207/00002/00	19
	207/00004/00	15
	207/00102/00	23
	207/00126/00	25
Seal Holder Assembly	131/00035/01	11
Seal Plate Assembly	B12333701	9
Shaft Seal	132/00009/00	15
Side Panel	111/60038/00	43
	111/60038/50	45
	133/60127/00	43
	133/60128/00	45
	140/60027/00	43
	140/60028/00	45
Siphon Break Hose	B12324402	53
	B12324403	53
	B12324404	53
Siphon Cover	F8047901	53
Soap Dispenser Cover Hinge Rod	223/00103/04	45
Spacer	B12463401	19
Speed Detector	210/00074/00	9
	210/00075/00	11
Speed Detector Bracket	152/00055/00	9
Standoff	B12390301	49, 51
	211/00122/00	27, 29, 31, 33
	211/00145/00	27, 31

N/A items do not appear in index.

Steam Heat Harness B12349701	55
Steam Valve Harness B12382302	55
Strain Relief Connector 211/00181/00	19, 47
Supply Dispenser Cover B12319101	45
B12356701	45
Supply Dispenser Cover Frame B12597501	45
Supply Dispenser Crossbar B12337001	43
B12338101	43
B12357101	43
Supply Dispenser Mounting Plate B12337301	53
Supply Dispenser Support B12316401	53
Switch Knob 209/00099/29	27, 29, 31, 35

T

Telem Sticker 209/00520/00	27, 29, 31, 35
Terminal Block 209/01624/00	49
209/01625/00	49
Terminal End 209/01625/01	49
Thermostat 210/01064/16	51
Thermostat Grommet 225/10004/00	51
Top Cover Hinge B8258601	43
Top Cover Latch F8201001	43
Top Panel B12336901	45
B12338001	45
B12357001	45
111/01003/00	39, 41
Transformer F8401301	51
201616P	51
Transformer Fuse Mounting Plate B12439601	51
Tub B12331401	17
B12331501	17
B12331601	17
B12391901	17
B12391903	17
B12391905	17
B12391906	17
131/00059/00	17
131/00059/60	17
Tub Clamp Ring 238/00011/00	17
Tub Fastening Ring 212/00116/00	7, 17
212/00117/00	7, 17

N/A items do not appear in index.

Tub Front 138/00001/00	17
Tub Front Gasket B12351601	17
223/00242/00	17
Tub Front Panel Clip 217/00008/00	17
Tub Front Ring Clamp 231/00010/00	17
Tub Mounting Strap 137/00008/00	17
Tub Strap 131/00010/00	17

U

U-Piece Assembly 113/00067/00	9
113/00068/00	11

V

Vacuum Breaker Assembly F8048601	53
Vacuum Supply Hose B12390005	53
Valve, 3-Way F8286401P	53
F8286402P	53
Vibration Switch F8204001	7
Vibration Switch Wiring Harness B12349903	7
Voltage Discharge Decal B12355001	47

W

Washer 201/00001/00	9, 11
201/00002/00	21, 53
201/00004/00	19
201/00005/00	7, 17
201/00007/00	17, 21, 45
201/00009/00	17
201/00011/00	13, 15
201/00015/00	19
201/00201/00	9
201/00202/00	11
202/00002/00	19, 21
202/00003/00	9, 43
202/00004/00	47, 49, 51
202/00101/00	25
202/00104/00	25
203/00001/00	7, 13, 15, 17
203/00002/00	7, 17
203/00003/00	11
203/00004/00	9, 43
203/00005/00	43, 45
203/00006/00	47
223/00123/00	27, 29, 31, 33, 35, 37, 49, 51

Water Hose	
F200164	53
F200166	53
223/00044/00	21, 53
Water Inlet Tee	
223/00041/00	53
Water Valve Adapter	
223/00050/01	53
Wire Harness Assembly	
B12309901	39, 41
B12310001	39, 41
Wiring Earth for Inverter	
B12456001	49

Y

Y-Connector	
223/00243/00	53
