

# Washer-Extractor

Cabinet Freestanding  
Refer to Page 5 for Model Numbers





# Table of Contents

Title	Page
Parts Ordering Information.....	3
Serial Plate Location .....	3
Model Identification .....	5
Front Frame .....	6
Front Frame .....	8
Rear Frame.....	10
Cabinet.....	12
Cabinet.....	14
Vibration Switch .....	16
Frame and Suspension .....	18
Frame and Suspension.....	20
Suspension Springs .....	22
Front Plate .....	24
Tub.....	26
Drum and Trunnion (Drawing 1 of 2) .....	28
Drum and Trunnion (Drawing 2 of 2) .....	30
Speed Sensor .....	32
Drive.....	34
Door .....	36
Door .....	38
Door Lock (Drawing 1 of 2).....	40
Door Lock (Drawing 2 of 2).....	42
Soap Hopper (Drawing 1 of 2) .....	44
Soap Hopper (Drawing 2 of 2) .....	46
Soap Hopper .....	48
Filling Valves - 175, 180 and 800 Models .....	50
Filling Valves - 10, 12, 220, 225, 230, 260, 265, 275, 1000, 1200 and 1250 Models .....	52
Drum Ventilation .....	54
Control Panel .....	56
Control Panel .....	58
Steam and Electric Heating .....	60
Drain System .....	62
Drain Valves.....	64
Wash Bath Sample .....	66
Pneumatic Components.....	68
Main Switch.....	70
Frequency Inverter.....	72
Electrical Component Box.....	74
Electrical Component Box.....	76
Weighing System - Models Without Tilting System.....	78
Tilting System Door Fastener .....	80

© Copyright 2022, Alliance Laundry Systems LLC

All rights reserved. No part of the contents of this book may be reproduced or transmitted in any form or by any means without the expressed written consent of the publisher.

Tilting and Weighing System - Models With Forward Tilting (Drawing 1 of 2) .....	82
Tilting and Weighing System - Models With Forward Tilting (Drawing 2 of 2) .....	84
Forward Tilting System .....	86
Forward Tilting Pneumatic Components .....	88
Forward Tilting Cabinet .....	90
2-Way Tilting System (Drawing 1 of 3).....	92
2-Way Tilting System (Drawing 2 of 3).....	94
2-Way Tilting System (Drawing 3 of 3).....	96
2-Way Tilting Pneumatic Components.....	98
2-Way Tilting Cabinet.....	100
Tilting System Control and Door Security .....	102
End of Cycle Light.....	104
Liquid Soap Supply System (Pumps) .....	106
Parts Index.....	109



## **Parts Ordering Information**

If literature or replacement parts are required, contact the source from whom the machine was purchased or contact Alliance Laundry Systems at (920) 748-3950 for the name and address of the nearest authorized parts distributor.

For technical assistance, call the number listed below:

(920) 748-3121 Ripon, Wisconsin

## **Serial Plate Location**

When calling or writing about your product, be sure to mention model and serial numbers. Model and serial numbers are located on serial plate(s).

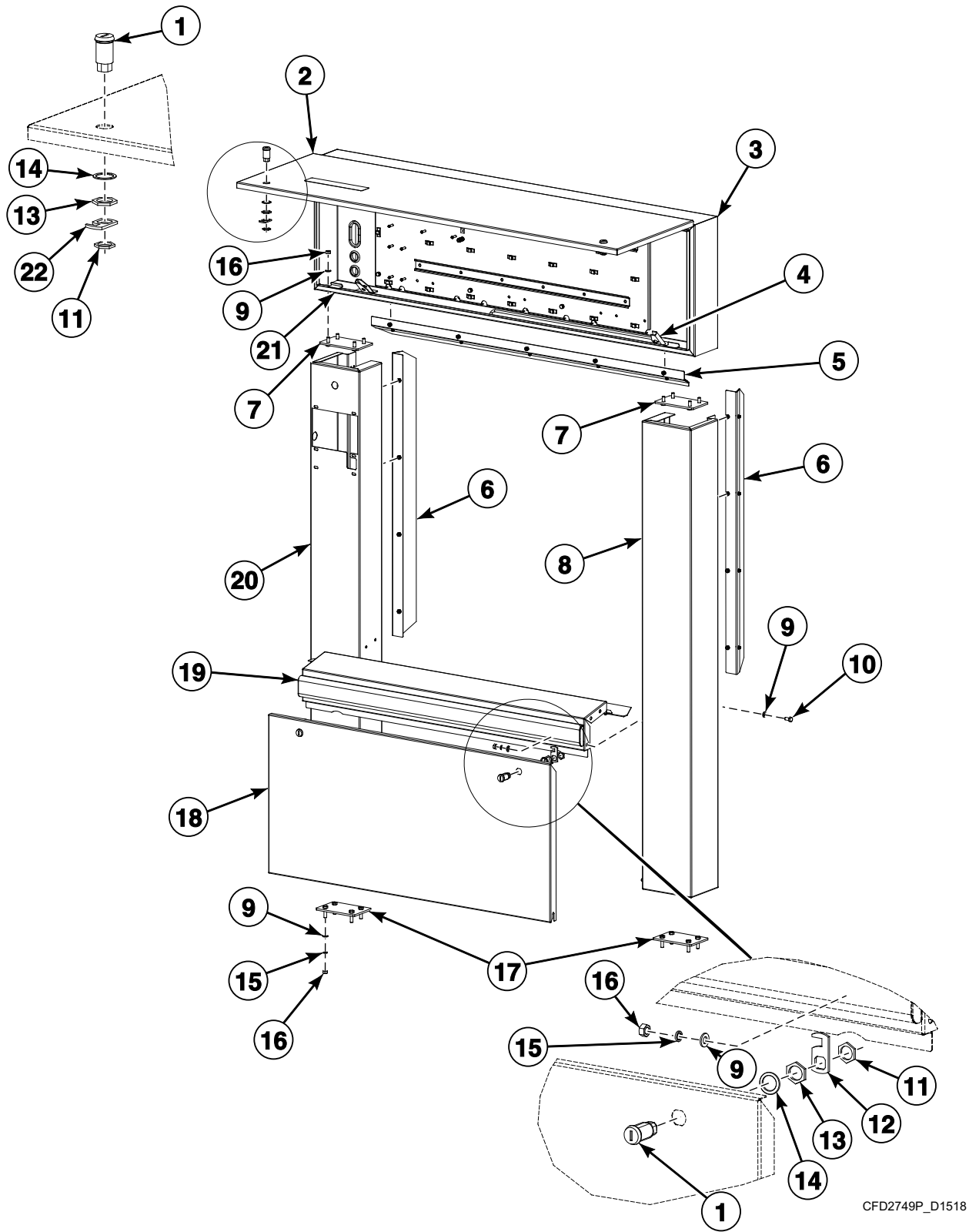


## Model Identification

Information in this manual is applicable to these washer-extractor models:

FS1000_X_CONTROL_PLUS	IYC12XR	PYH12XT	UYU12XI	IY800_EVOLIS_ELITE
FS1200_X_CONTROL_PLUS	IYC800R	PYH800T	UYU800I	IY1000_EVOLIS_ELITE
FS800_X_CONTROL_PLUS	IYG10XR	PYN180T	UYX10XI	IY1200_EVOLIS_ELITE
HF1200_MICRO	IYG12XR	PYN230T	UYX12XI	SY800_QUANTUM_TOUCH
IS275_MICRO	IYG800R	PYN275T	UYX800I	SY1000_QUANTUM_TOUCH
IX180_MICRO	IYH12XR	PYU10XT	IYC800V	SY1200_QUANTUM_TOUCH
IX230_MICRO	IYH800R	PYU12XT	IYC10XV	UY800_PROFORM_TOUCH
IX275_MICRO	IYN180R	PYU800T	IYC12XV	UY1000_PROFORM_TOUCH
IY1000_ARIES-ELITE	IYN230R	PYX10XT	IYU800V	UY1200_PROFORM_TOUCH
IY1200_ARIES-ELITE	IYN275R	PYX12XT	IYU10XV	FS800_XCONTROL_FLEX_PLUS
IY180_MICRO	IYU10XR	PYX800T	IYU12XV	FS1000_XCONTROL_FLEX_PLUS
IY180_POUNDS_ARIES-ELITE	IYU12XR	SXR275W	IYM800V	FS1200_XCONTROL_FLEX_PLUS
IY230_ARIES-ELITE	IYU800R	SYC10XD	IYM10XV	LH800_GRAPHITRONIC_TOUCH
IY230_MICRO	IYX10XR	SYC12XD	IYM12XV	LH1000_GRAPHITRONIC_TOUCH
IY275_ARIES-ELITE	IYX12XR	SYC800D	SYC800V	LH1250_GRAPHITRONIC_TOUCH
IY275_MICRO	IYX800R	SYG10XD	SYC10XV	
IY800_ARIES-ELITE	LYC10XT	SYG12XD	SYC12XV	
JLA175_ARIES-ELITE	LYC12XT	SYG800D	SYU800V	
JLA220_ARIES-ELITE	LYC800T	SYH10XD	SYU10XV	
JLA265_ARIES-ELITE	LYH10XT	SYH12XD	SYU12XV	
LH1000_PROFESSIONAL	LYH12XT	SYH800D	SYM800V	
LH1000_X_CONTROL_PLUS	LYH800T	SYN180D	SYM10XV	
LH1250_PROFESSIONAL	LYU10XT	SYN230D	SYM12XV	
LH1250_X_CONTROL_PLUS	LYU12XT	SYN275D	UYC800V	
LH800_PROFESSIONAL	LYU800T	SYU10XD	UYC10XV	
LH800_X_CONTROL_PLUS	LYX10XT	SYU12XD	UYC12XV	
PY180_X_CONTROL_PLUS	LYX12XT	SYU800D	UYU800V	
PY230_X_CONTROL_PLUS	LYX800T	SYX10XD	UYU10XV	
PY275_X_CONTROL_PLUS	MWFS175	SYX12XD	UYU12XV	
SX275_MICRO	MWFS225	SYX800D	UYM800V	
SY1000_QED-SELECT	MWFS260	UXE275W	UYM10XV	
SY1200_QED-SELECT	NYC10XT	UXR180W	UYM12XV	
SY800_QED-SELECT	NYC12XT	UXR230W	PYC800V	
UX180_MICRO	NYC800T	UXR275W	PYC10XV	
UX230_MICRO	NYH10XT	UYC10XI	PYC12XV	
UX275_MICRO	NYH12XT	UYC12XI	PYU800V	
UY1000_PROFORM	NYH800T	UYC800I	PYU10XV	
UY1200_PROFORM	NYU10XT	UYG10XI	PYU12XV	
UY180_MICRO	NYU12XT	UYG12XI	PYM800V	
UY180_POUNDS_PROFORM	NYU800T	UYG800I	PYM10XV	
UY230_MICRO	NYX10XT	UYH10XI	PYM12XV	
UY230_PROFORM	NYX12XT	UYH12XI	NYC800V	
UY275_MICRO	NYX800T	UYH800I	NYC10XV	
UY275_PROFORM	PYC10XT	UYN180I	NYC12XV	
UY800_PROFORM	PYC12XT	UYN180W	NYU800V	
IXE275W	PYC800T	UYN230I	NYU10XV	
IXR180W	PYG10XT	UYN230W	NYU12XV	
IXR230W	PYG12XT	UYN275I	NYM800V	
IXR275W	PYG800T	UYN275W	NYM10XV	
IYC10XR	PYH10XT	UYU10XI	NYM12XV	

# Front Frame



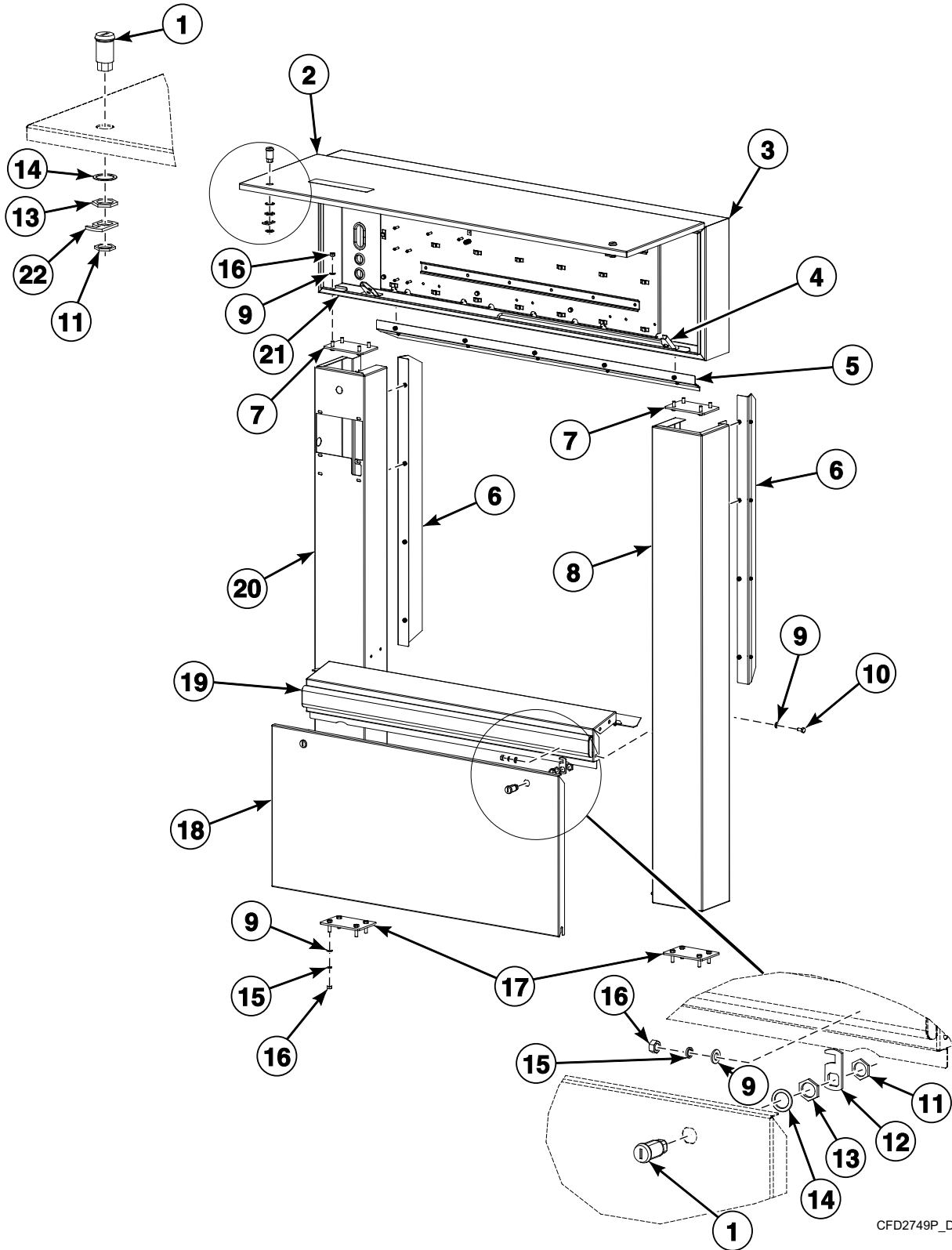
CFD2749P\_D1518

# Front Frame

REF	PART NO.	DESCRIPTION	COMMENTS
1	SPPRI610000007	Lock	Small
2	SP555083	Component Box Cover	175, 180 and 800 models
	SP555082	Component Box Cover	10, 220, 225, 230 and 1000 models
	SP555081	Component Box Cover	12, 260, 265, 275, 1200 and 1250 models
3	SP220469	Component Box	175, 180 and 800 models
	SP220407	Component Box	10, 220, 225, 230 and 1000 models
	SP220436	Component Box	12, 260, 265, 275, 1200 and 1250 models
4	SP236061	Cover Support	Right
5	SP553217	Upper Protection	175, 180 and 800 models
	SP236986	Upper Protection	10, 220, 225, 230 and 1000 models
	SP236985	Upper Protection	12, 260, 265, 275, 1200 and 1250 models
6	SP238810	Side Protection	175, 180 and 800 models
	SP238809	Side Protection	10, 220, 225, 230 and 1000 models
	SP238808	Side Protection	12, 260, 265, 275, 1200 and 1250 models
7	SP220464	Upper Pressure Plate	175, 180 and 800 models
	SP220389	Upper Pressure Plate	10, 220, 225, 230 and 1000 models
	SP220430	Upper Pressure Plate	12, 260, 265, 275, 1200 and 1250 models
8	SP553830	Front Cover	Right; 175, 180 and 800 models
	SP2235434	Front Cover	Right; 10, 220, 225, 230 and 1000 models
	SP220435	Front Cover	Right; 12, 260, 265, 275, 1200 and 1250 models
9	SP210015	Washer	8.4
10	SP210072	Bolt	M8x16
11	SPPRI610006007	Nut	Small
12	SPPRI610001007	Lock Hook	Large
13	SPPRI610005007	Nut	Large
14	SPPRI522000012	Washer	
15	SP210003	Washer	8
16	SP210039	Nut	M8
17	SP220461	Lower Pressure Plate	175, 180 and 800 models
	SP220387	Lower Pressure Plate	10, 220, 225, 230 and 1000 models
	SP220427	Lower Pressure Plate	12, 260, 265, 275, 1200 and 1250 models
18	SP553835	Front Cover	175, 180 and 800 models
	SP235436	Front Cover	10, 220, 225, 230 and 1000 models
	SP220428	Front Cover	12, 260, 265, 275, 1200 and 1250 models
19	SP553215	Front Cover	Middle; 175, 180 and 800 models; Includes bumper
	SP238800	Front Cover	Middle; 10, 220, 225, 230 and 1000 models; Includes bumper
	SP238799	Front Cover	Middle; 12, 260, 265, 275, 1200 and 1250 models; Includes bumper
20	SP553832	Front Cover	Left; 175, 180 and 800 models
	SP235432	Front Cover	Left; 10, 220, 225, 230 and 1000 models
	SP554840	Front Cover	Left; 12, 260, 265, 275, 1200 and 1250 models
21	SP238907	Support Cover	Left
22	SPPRI610002007	Hook Lock	Small

# Front Frame

Models with "V" in model numbers 7th position

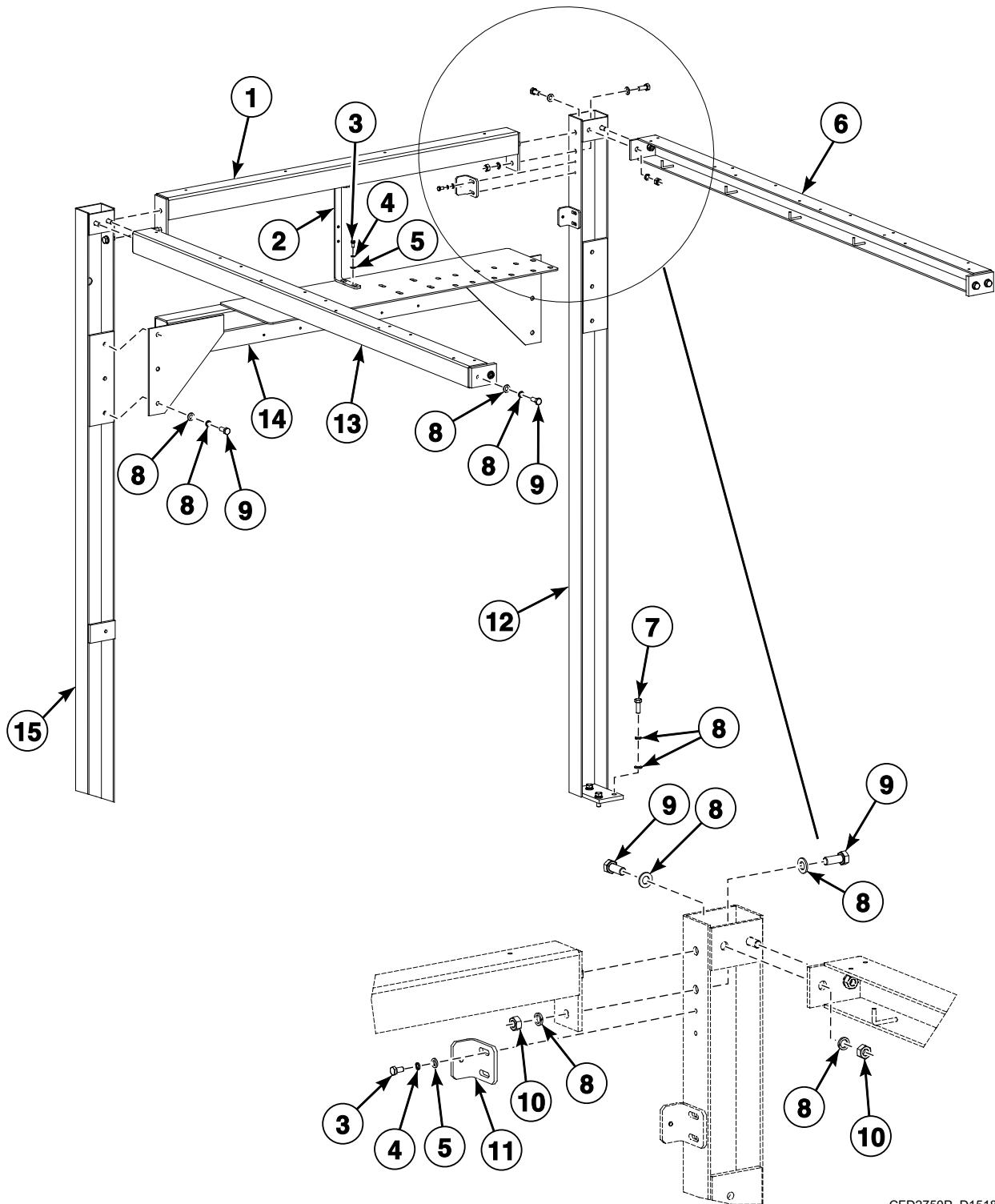


CFD2749P\_D1518

# Front Frame

REF	PART NO.	DESCRIPTION	COMMENTS
1	SPPRI610000007	Lock	Small
2	SP232254	Component Box Cover	175, 180 and 800 models
	SP232251	Component Box Cover	10, 220, 225, 230 and 1000 models
	SP232248	Component Box Cover	12, 260, 265, 275, 1200 and 1250 models
3	SP232245	Component Box	175, 180 and 800 models
	SP232242	Component Box	10, 220, 225, 230 and 1000 models
	SP232239	Component Box	12, 260, 265, 275, 1200 and 1250 models
4	SP236061	Cover Support	Right
5	SP232158	Upper Protection	175, 180 and 800 models
	SP232157	Upper Protection	10, 220, 225, 230 and 1000 models
	SP232156	Upper Protection	12, 260, 265, 275, 1200 and 1250 models
6	SP238810	Side Protection	175, 180 and 800 models
	SP238809	Side Protection	10, 220, 225, 230 and 1000 models
	SP238808	Side Protection	12, 260, 265, 275, 1200 and 1250 models
7	SP232127	Upper Pressure Plate	175, 180 and 800 models
	SP232110	Upper Pressure Plate	10, 220, 225, 230 and 1000 models
	SP232115	Upper Pressure Plate	12, 260, 265, 275, 1200 and 1250 models
8	SP232131	Front Cover	Right; 175, 180 and 800 models
	SP232129	Front Cover	Right; 10, 220, 225, 230 and 1000 models
	SP232128	Front Cover	Right; 12, 260, 265, 275, 1200 and 1250 models
9	SP210015	Washer	8.4
10	SP210072	Bolt	M8x16
11	SPPRI610006007	Nut	Small
12	SPPRI610001007	Lock Hook	Large
13	SPPRI610005007	Nut	Large
14	SPPRI522000012	Washer	
15	SP210003	Washer	8
16	SP210039	Nut	M8
17	SP232148	Lower Pressure Plate	175, 180 and 800 models
	SP232111	Lower Pressure Plate	10, 220, 225, 230 and 1000 models
	SP232159	Lower Pressure Plate	12, 260, 265, 275, 1200 and 1250 models
18	SP232208	Front Cover	175, 180 and 800 models
	SP232207	Front Cover	10, 220, 225, 230 and 1000 models
	SP232206	Front Cover	12, 260, 265, 275, 1200 and 1250 models
19	SP232136	Front Cover	Middle; 175, 180 and 800 models
	SP232137	Front Cover	Middle; 10, 220, 225, 230 and 1000 models
	SP232136	Front Cover	Middle; 12, 260, 265, 275, 1200 and 1250 models
20	SP232122	Front Cover	Left; 175, 180 and 800 models
	SP232120	Front Cover	Left; 10, 220, 225, 230 and 1000 models
	SP232119	Front Cover	Left; 12, 260, 265, 275, 1200 and 1250 models
21	SP238907	Support Cover	Left
22	SPPRI610002007	Hook Lock	Small

# Rear Frame



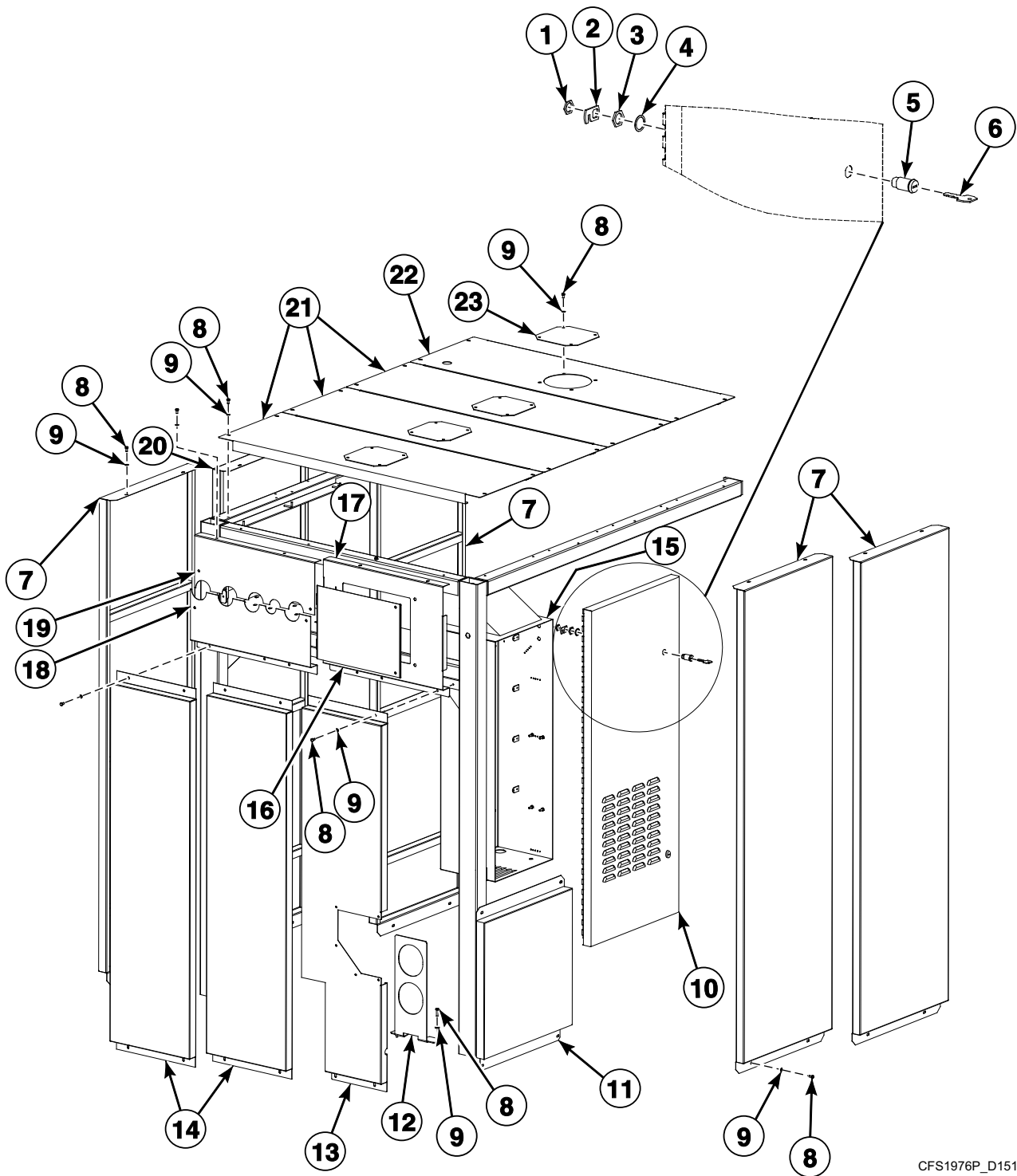
CFD2750P\_D1518



## Rear Frame

REF	PART NO.	DESCRIPTION	COMMENTS
1	SP220458	Upper Rear Beam	175, 180 and 800 models
	SP220385	Upper Rear Beam	10, 220, 225, 230 and 1000 models
	SP220424	Upper Rear Beam	12, 260, 265, 275, 1200 and 1250 models
2	SP220405	Support	
3	SP210061	Bolt	M6x16
4	SP210002	Washer	6
5	SP210013	Washer	6.4
6	SP220460	Side Beam	Right; 175, 180 and 800 models, except models with "V" in model numbers 7th position
	SP220386	Side Beam	Right; 10, 220, 225, 230 and 1000 models, except models with "V" in model numbers 7th position
	SP220426	Side Beam	Right; 12, 260, 265, 275, 1200 and 1250 models, except models with "V" in model numbers 7th position
	SP232114	Side Beam	Right; 175, 180 and 800 models, models with "V" in model numbers 7th position
	SP232113	Side Beam	Right; 10, 220, 225, 230 and 1000 models, models with "V" in model numbers 7th position
	SP232112	Side Beam	Right; 12, 260, 265, 275, 1200 and 1250 models, models with "V" in model numbers 7th position
7	SP309933001030	Bolt	M10x30
8	SP311127000010	Washer	
9	SP210088	Bolt	M10x25
10	SP210041	Nut	M10
11	SP220467	Support	
12	SP220473	Rear Leg	Right; 175, 180 and 800 models, except models with "V" in model numbers 7th position
	SP220398	Rear Leg	Right; 10, 220, 225, 230 and 1000 models, except models with "V" in model numbers 7th position
	SP220439	Rear Leg	Right; 12, 260, 265, 275, 1200 and 1250 models, except models with "V" in model numbers 7th position
	SP235584	Rear Leg	Right; 175, 180 and 800 models, models with "V" in model numbers 7th position
	SP235582	Rear Leg	Right; 10, 220, 225, 230 and 1000 models, models with "V" in model numbers 7th position
	SP235580	Rear Leg	Right; 12, 260, 265, 275, 1200 and 1250 models, models with "V" in model numbers 7th position
13	SP220452	Side Beam	Left; 175, 180 and 800 models
	SP220381	Side Beam	Left; 10, 220, 225, 230 and 1000 models
	SP220420	Side Beam	Left; 12, 260, 265, 275, 1200 and 1250 models
14	SP220457	Rear Beam	175, 180 and 800 models
	SP220384	Rear Beam	10, 220, 225, 230 and 1000 models
	SP220423	Rear Beam	12, 260, 265, 275, 1200 and 1250 models
15	SP220454	Rear Leg	Left; 175, 180 and 800 models
	SP220382	Rear Leg	Left; 10, 220, 225, 230 and 1000 models
	SP220421	Rear Leg	Left; 12, 260, 265, 275, 1200 and 1250 models

# Cabinet



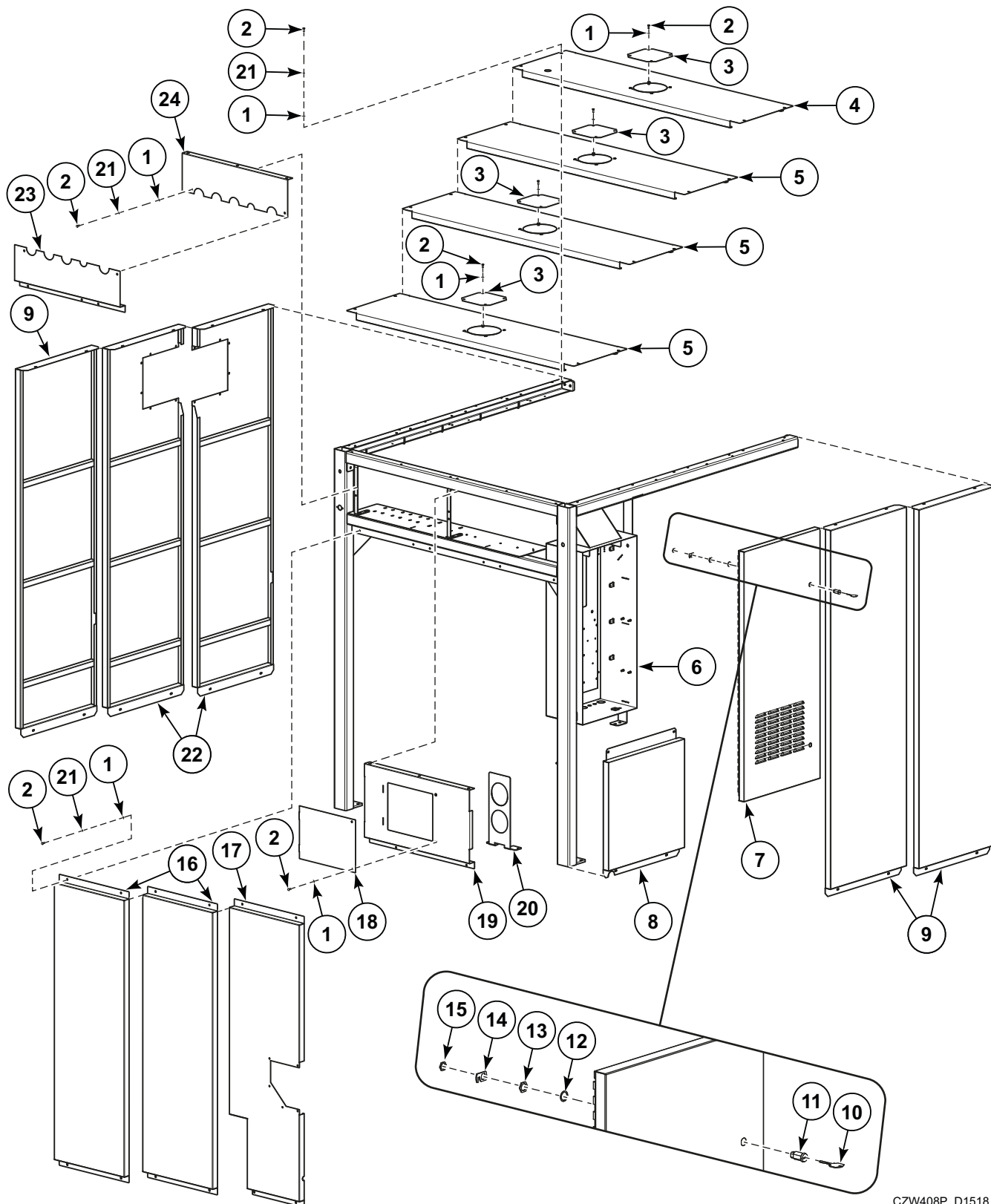
CFS1976P\_D1518

# Cabinet

REF	PART NO.	DESCRIPTION	COMMENTS
1	SPPRI610006007	Nut	Small
2	SPPRI610002007	Hook Lock	Small
3	SPPRI610005007	Nut	Big
4	SPPRI522000012	Washer	21x27x1
5	SPPRI610000007	Lock	Short
6	SPPRI610003923	Key	
7	SP220472	Side Panel	175, 180 and 800 models
	SP220409	Side Panel	10, 220, 225, 230 and 1000 models
	SP220442	Side Panel	12, 260, 265, 275, 1200 and 1250 models
8	SP210061	Bolt	M6x16
9	SP210013	Washer	6.4
10	SP238340	Inverter Box Cover	175, 180 and 800 models
	SP238240	Inverter Box Cover	10, 220, 225, 230 and 1000 models
	SP238241	Inverter Box Cover	12, 260, 265, 275, 1200 and 1250 models
11	SP553227	Side Cover	Small; 175, 180 and 800 models
	SP553226	Side Cover	Small; 10, 220, 225, 230 and 1000 models
	SP553225	Side Cover	Small; 12, 260, 265, 275, 1200 and 1250 models
12	SP551490	Drain Hose Holder Cover	175, 180 and 800 models
	SP551491	Drain Hose Holder Cover	10, 220, 225, 230 and 1000 models
	SP551492	Drain Hose Holder Cover	12, 260, 265, 275, 1200 and 1250 models
13	SP551500	Drain System Rear Cover	175, 180 and 800 models
	SP551469	Drain System Rear Cover	10, 220, 225, 230 and 1000 models
	SP551449	Drain System Rear Cover	12, 260, 265, 275, 1200 and 1250 models
14	SP220474	Rear Cover	175, 180 and 800 models
	SP220399	Rear Cover	10, 220, 225, 230 and 1000 models
	SP220440	Rear Cover	12, 260, 265, 275, 1200 and 1250 models
15	SP238242	Inverter Box	175, 180 and 800 models
	SP238243	Inverter Box	10, 12, 220, 225, 230, 260, 265, 275, 1000, 1200 and 1250 models
16	SP553241	Pneumatic Components Box Cover	
17	SP553243	Pneumatic Components Box	175, 180 and 800 models
	SP553232	Pneumatic Components Box	10, 220, 225, 230 and 1000 models
	SP553231	Pneumatic Components Box	12, 260, 265, 275, 1200 and 1250 models
18	SP220466	Lower Valve and Vent Cover	175, 180 and 800 models
	SP220404	Lower Valve and Vent Cover	10, 220, 225, 230 and 1000 models
	SP220432	Lower Valve and Vent Cover	12, 260, 265, 275, 1200 and 1250 models
19	SP220465	Upper Valve and Vent Cover	175, 180 and 800 models
	SP220403	Upper Valve and Vent Cover	10, 220, 225, 230 and 1000 models
	SP220431	Upper Valve and Vent Cover	12, 260, 265, 275, 1200 and 1250 models
20	SP220572	Side Panel	Left; 175, 180 and 800 models; With soap hopper
	SP220459	Side Panel	Right; 175, 180 and 800 models; With soap hopper
	SP220114	Side Panel	10, 220, 225, 230 and 1000 models; With soap hopper
	SP220425	Side Panel	12, 260, 265, 275, 1200 and 1250 models; With soap hopper
21	SP220462	Top Cover	175, 180 and 800 models
	SP220388	Top Cover	10, 220, 225, 230 and 1000 models
	SP220429	Top Cover	12, 260, 265, 275, 1200 and 1250 models
22	SP238244	Top Cover	175, 180 and 800 models
	SP238247	Top Cover	10, 220, 225, 230 and 1000 models
	SP238249	Top Cover	12, 260, 265, 275, 1200 and 1250 models
23	SP551474	Cover	

# Cabinet

Models with "V" in model numbers 7th position

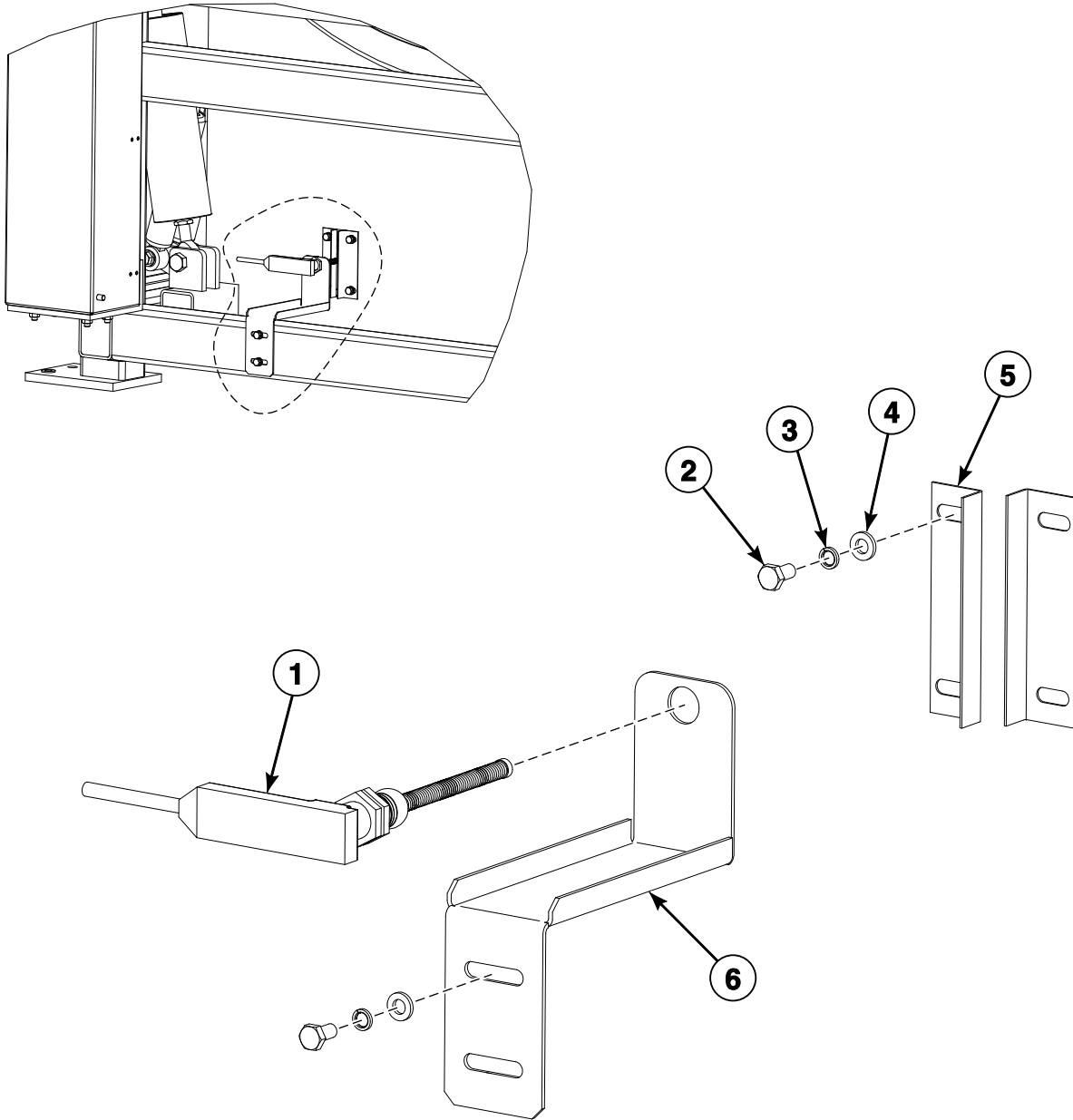


CZW408P\_D1518

# Cabinet

REF	PART NO.	DESCRIPTION	COMMENTS
1	SP210013	Washer	6.4
2	SP210061	Bolt	M6x16
3	SP551474	Cover	
4	SP238244	Top Cover	175, 180 and 800 models
	SP238247	Top Cover	10, 220, 225, 230 and 1000 models
	SP238249	Top Cover	12, 260, 265, 275, 1200 and 1250 models
5	SP220462	Top Cover	175, 180 and 800 models
	SP220388	Top Cover	10, 220, 225, 230 and 1000 models
	SP220429	Top Cover	12, 260, 265, 275, 1200 and 1250 models
6	SP238242	Inverter Box	175, 180 and 800 models
	SP238243	Inverter Box	10, 12, 220, 225, 230, 260, 265, 275, 1000, 1200 and 1250 models
7	SP238340	Inverter Box Cover	175, 180 and 800 models
	SP238240	Inverter Box Cover	10, 220, 225, 230 and 1000 models
	SP238241	Inverter Box Cover	12, 260, 265, 275, 1200 and 1250 models
8	SP553227	Side Cover	Small; 175, 180 and 800 models
	SP553226	Side Cover	Small; 10, 220, 225, 230 and 1000 models
	SP553225	Side Cover	Small; 12, 260, 265, 275, 1200 and 1250 models
9	SP220472	Side Panel	175, 180 and 800 models
	SP220409	Side Panel	10, 220, 225, 230 and 1000 models
	SP220442	Side Panel	12, 260, 265, 275, 1200 and 1250 models
10	SPPRI610003923	Key	
11	SPPRI610000007	Lock	Short
12	SPPRI522000012	Washer	21x27x1
13	SPPRI610005007	Nut	Big
14	SPPRI610002007	Hook Lock	Small
15	SPPRI610006007	Nut	Small
16	SP220474	Rear Cover	175, 180 and 800 models
	SP220399	Rear Cover	10, 220, 225, 230 and 1000 models
	SP220440	Rear Cover	12, 260, 265, 275, 1200 and 1250 models
17	SP551500	Drain System Rear Cover	175, 180 and 800 models
	SP551469	Drain System Rear Cover	10, 220, 225, 230 and 1000 models
	SP551449	Drain System Rear Cover	12, 260, 265, 275, 1200 and 1250 models
18	SP553241	Pneumatic Components Box Cover	
19	SP553243	Pneumatic Components Box	175, 180 and 800 models
	SP553232	Pneumatic Components Box	10, 220, 225, 230 and 1000 models
	SP553231	Pneumatic Components Box	12, 260, 265, 275, 1200 and 1250 models
20	SP551490	Drain Hose Holder Cover	175, 180 and 800 models
	SP551491	Drain Hose Holder Cover	10, 220, 225, 230 and 1000 models
	SP551492	Drain Hose Holder Cover	12, 260, 265, 275, 1200 and 1250 models
21	SP311127000006	Washer	
22	SP232152	Side Panel With soap hopper	Left; 175, 180 and 800 models
	SP232147	Side Panel With soap hopper	Right; 175, 180 and 800 models
	SP232151	Side Panel With soap hopper	Left; 10, 220, 225, 230 and 1000 models
	SP232146	Side Panel With soap hopper	Right; 10, 220, 225, 230 and 1000 models
	SP232150	Side Panel With soap hopper	Left; 12, 260, 265, 275, 1200 and 1250 models
	SP232145	Side Panel With soap hopper	Right; 12, 260, 265, 275, 1200 and 1250 models
23	SP220466	Lower Valve and Vent Cover	175, 180 and 800 models
	SP220404	Lower Valve and Vent Cover	10, 220, 225, 230 and 1000 models
	SP220432	Lower Valve and Vent Cover	12, 260, 265, 275, 1200 and 1250 models
24	SP220465	Upper Valve and Vent Cover	175, 180 and 800 models
	SP220403	Upper Valve and Vent Cover	10, 220, 225, 230 and 1000 models
	SP220431	Upper Valve and Vent Cover	12, 260, 265, 275, 1200 and 1250 models

# Vibration Switch

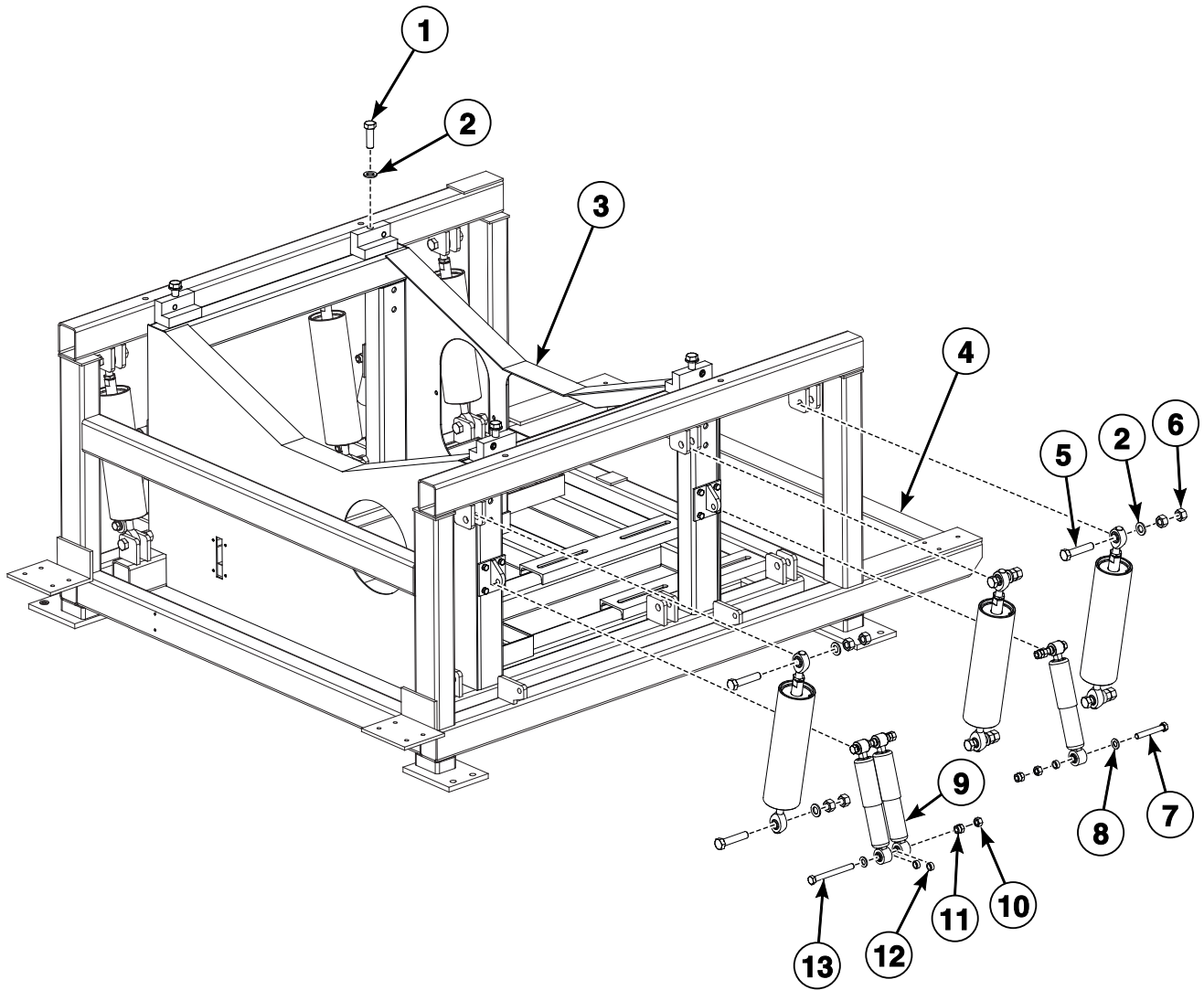


CFD2752P\_D1518

# Vibration Switch

REF	PART NO.	DESCRIPTION	COMMENTS
1	SPPRI345000068	Vibration Switch	
2	SP309933000612	Bolt	M6x12
3	SP311127000006	Washer	6
4	SP311125000006	Washer	6.4
5	SP531268	Vibration Switch Limiter	
6	SP531229	Vibration Switch Holder	175, 180 and 800 models
	SP540466	Vibration Switch Holder	10, 12, 220, 225, 230, 260, 265, 275, 1000, 1200 and 1250 models

# Frame and Suspension



CFD2753P\_D1518

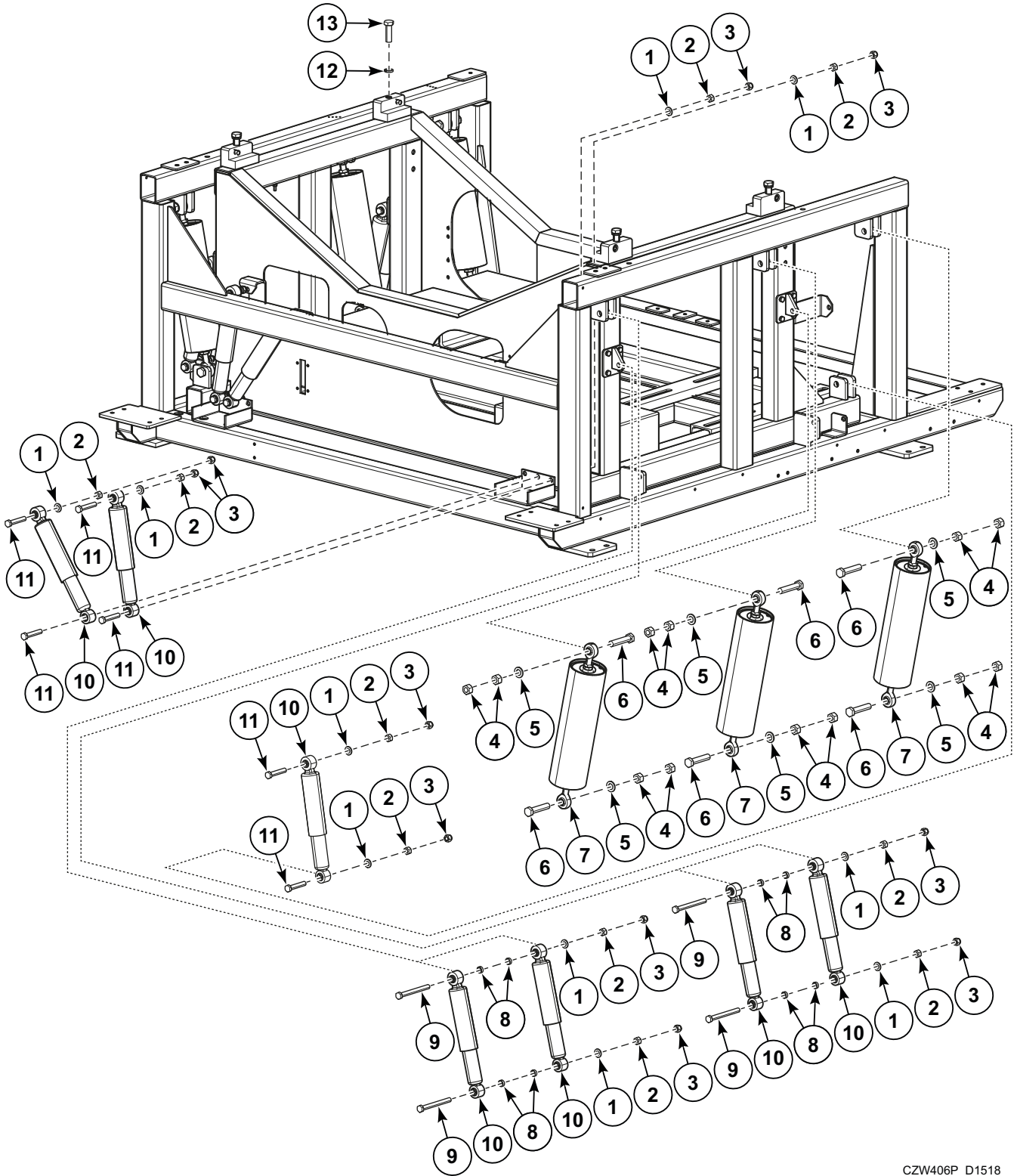


## Frame and Suspension

REF	PART NO.	DESCRIPTION	COMMENTS
1	SP210130	Bolt	M16x50
2	SP210021	Washer	17
3	SP238554	Upper Frame	175, 180 and 800 models
	SP238553	Upper Frame	10, 220, 225, 230 and 1000 models
	SP238552	Upper Frame	12, 260, 265, 275, 1200 and 1250 models
4	SP238502	Lower Frame	175, 180 and 800 models
	SP238501	Lower Frame	10, 220, 225, 230 and 1000 models
	SP238500	Lower Frame	12, 260, 265, 275, 1200 and 1250 models
5	SP210138	Bolt	M16x75
6	SP210046	Nut	M16
7	SP210113	Bolt	M12x85
8	SP210018	Washer	13
9	SP221390	Damper	
10	SP310934000012	Nut	M12
11	SP310985000012	Nut	M12
12	SP220357	Washer	
13	SP210116	Bolt	M12x120

# Frame and Suspension

Models with "V" in model numbers 7th position



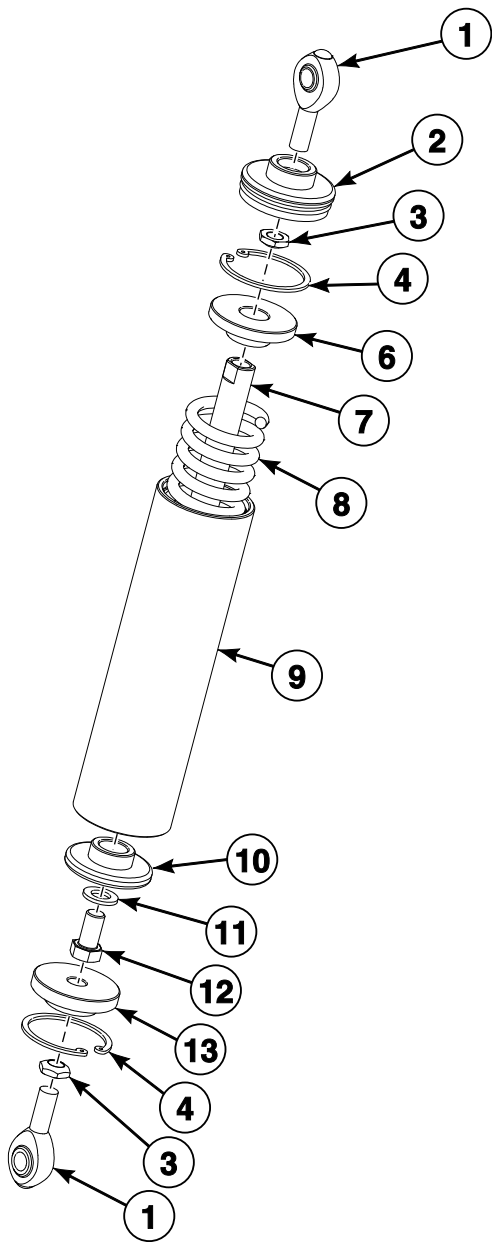
CZW406P\_D1518

## Frame and Suspension

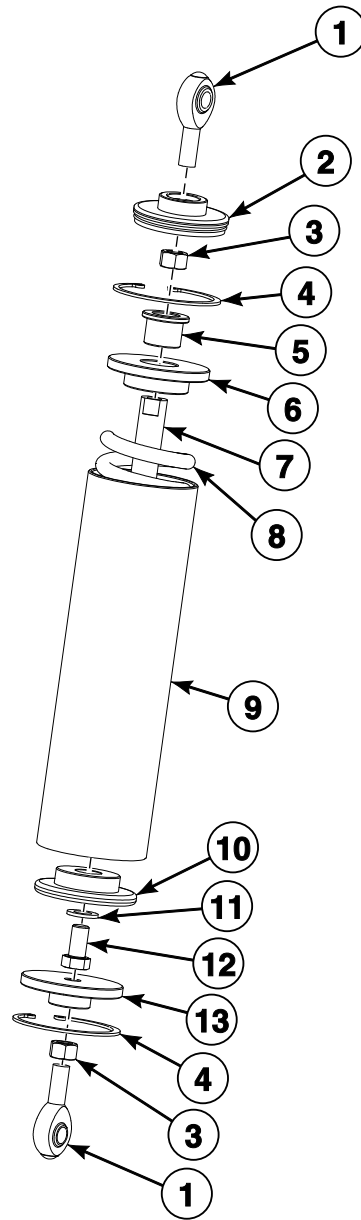
REF	PART NO.	DESCRIPTION	COMMENTS
1	SP210018	Washer	13
2	SP210043	Nut	M12
3	SP210027	Nut	M12
4	SP210046	Nut	M16
5	SP210021	Washer	17
6	SP210138	Bolt	M16x75
7	SP238060	Suspension Spring Assembly	1000 and 1200 models
	SP238768	Suspension Spring Assembly	175, 180 and 800 models
8	SP220357	Washer	
9	SP210116	Bolt	M12x120
10	221390	Damper	
11	SP210113	Bolt	M12x85; 800 models
	210111	Bolt	1200 and 1250 models
12	SP210021	Washer	17
13	SP210130	Bolt	M16x50

# Suspension Springs

175, 180 and 800 Models



10, 12, 220, 225, 230, 260,  
265, 275, 1000, 1200 and  
1250 Models

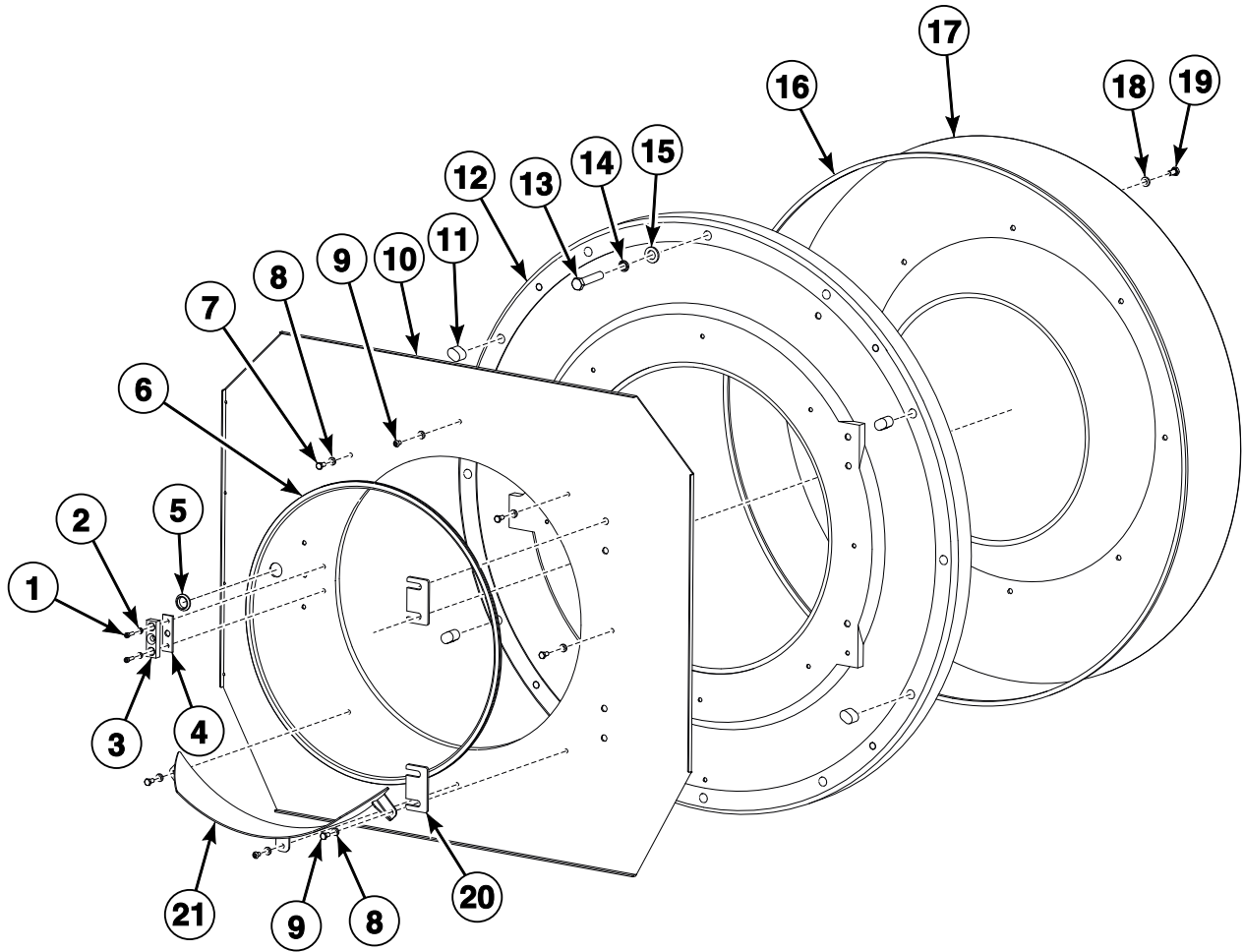


CFD3265PA\_D1518

# Suspension Springs

REF	PART NO.	DESCRIPTION	COMMENTS
	SP238768	Suspension Spring Assembly	175, 180 and 800 models; Includes items 1-4 and 6-13
	SP238060	Suspension Spring Assembly	10, 12, 220, 225, 230, 260, 265, 275, 1000, 1200 and 1250 models; Includes items 1-13
<b>1</b>	SP231312019	Step Pipe Joint Bearings	
<b>2</b>	SP236882	Spring Cover	175, 180 and 800 models
	SP236244	Spring Cover	10, 12, 220, 225, 230, 260, 265, 275, 1000, 1200 and 1250 models
<b>3</b>	SP210030	Nut	M16
<b>4</b>	SP210255	Retaining Ring	175, 180 and 800 models; 75
	SP210256	Retaining Ring	10, 12, 220, 225, 230, 260, 265, 275, 1000, 1200 and 1250 models; 98
<b>5</b>	SP220153	Guide Brush	10, 12, 220, 225, 230, 260, 265, 275, 1000, 1200 and 1250 models
<b>6</b>	SP220309	Cover	175, 180 and 800 models
	SP220154	Cover	10, 12, 220, 225, 230, 260, 265, 275, 1000, 1200 and 1250 models
<b>7</b>	SP220308	Shaft	175, 180 and 800 models
	SP220156	Shaft	10, 12, 220, 225, 230, 260, 265, 275, 1000, 1200 and 1250 models
<b>8</b>	SP210603	Spring	175, 180 and 800 models
	SP220000030	Spring	10, 12, 220, 225, 230, 260, 265, 275, 1000, 1200 and 1250 models
<b>9</b>	SP220307	Cylinder	175, 180 and 800 models
	SP220155	Cylinder	10, 12, 220, 225, 230, 260, 265, 275, 1000, 1200 and 1250 models
<b>10</b>	SP220306	Spring Holder	175, 180 and 800 models
	SP220157	Spring Holder	10, 12, 220, 225, 230, 260, 265, 275, 1000, 1200 and 1250 models
<b>11</b>	SP210832	Washer	17
<b>12</b>	SP210124	Bolt	M16x30
<b>13</b>	SP220305	Cover	175, 180 and 800 models
	SP220158	Cover	10, 12, 220, 225, 230, 260, 265, 275, 1000, 1200 and 1250 models

# Front Plate

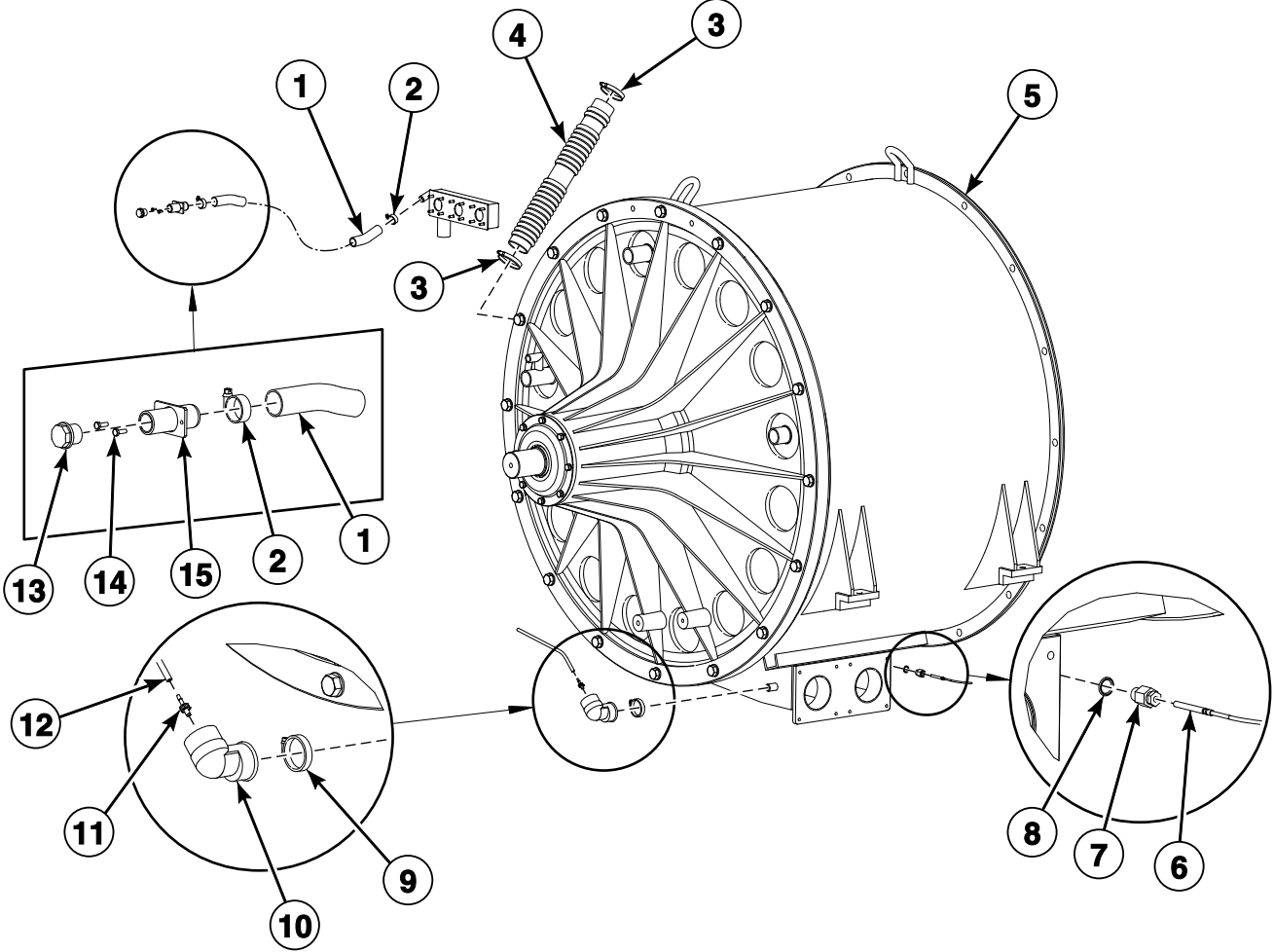


CFD2755P\_D1518

## Front Plate

REF	PART NO.	DESCRIPTION	COMMENTS
1	SP528549	Bolt	175, 180 and 800 models; M6x20
	SP238255	Bolt	10, 12, 220, 225, 230, 260, 265, 275, 1000, 1200 and 1250 models; M6x30
2	SP210013	Washer	6.4
3	SPF02100020114	Centering Block	
4	SP531237	Washer	10, 175, 180, 220, 225, 230, 800 and 1000 models; Use with centering block
	SP545379	Washer	12, 260, 265, 275, 1200 and 1250 models; Use with centering block
5	SPPRI501000071	Cable Bushing	
6	SP802123095	Front Plate Sealing	
7	SP210072	Bolt	M8x16
8	SP210015	Washer	8.4
9	SP526791	Bolt	M8x12
10	SP238682	Front Plate	175, 180 and 800 models
	SP235446	Front Plate	10, 220, 225, 230 and 1000 models
	SP220447	Front Plate	12, 260, 265, 275, 1200 and 1250 models
	232288	Front Plate	175, 180 and 800 models; models with "V" in model numbers 7th position
11	SP802123100	Bolt Cover	175, 180 and 800 models
	SP802123112	Bolt Cover	10, 12, 220, 225, 230, 260, 265, 275, 1000, 1200 and 1250 models
12	SP238679	Front Plate	175, 180 and 800 models
	SP238678	Front Plate	10, 220, 225, 230 and 1000 models
	SP238677	Front Plate	12, 260, 265, 275, 1200 and 1250 models
13	SP210139	Bolt	175, 180 and 800 models; M16x85
	SP210149	Bolt	10, 12, 220, 225, 230, 260, 265, 275, 1000, 1200 and 1250 models; M20x80
14	SP210007	Washer	175, 180 and 800 models; 16
	SP210009	Washer	10, 12, 220, 225, 230, 260, 265, 275, 1000, 1200 and 1250 models; 20
15	SP210022	Washer	10, 12, 220, 225, 230, 260, 265, 275, 1000, 1200 and 1250 models; 20
	SP210021	Washer	10, 175, 180, 220, 225, 230, 800 and 1000 models; 16
16	SP802123260	Seal	175, 180 and 800 models
	SP802123475	Seal	10, 220, 225, 230 and 1000 models
	SP802123265	Profiled Sealing	12, 260, 265, 275, 1200 and 1250 models
17	SP230100	Cover	175, 180 and 800 models
	SP230015	Cover	10, 220, 225, 230 and 1000 models
	SP230152	Cover	12, 260, 265, 275, 1200 and 1250 models
18	SP220177	Washer	10.5
19	SP210087	Bolt	M10x20
20	SP535554	Distance Sheet	
21	SP230022	Manger	10, 175, 180, 220, 225, 230, 800 and 1000 models
	SP230160	Manger	12, 260, 265, 275, 1200 and 1250 models

# Tub



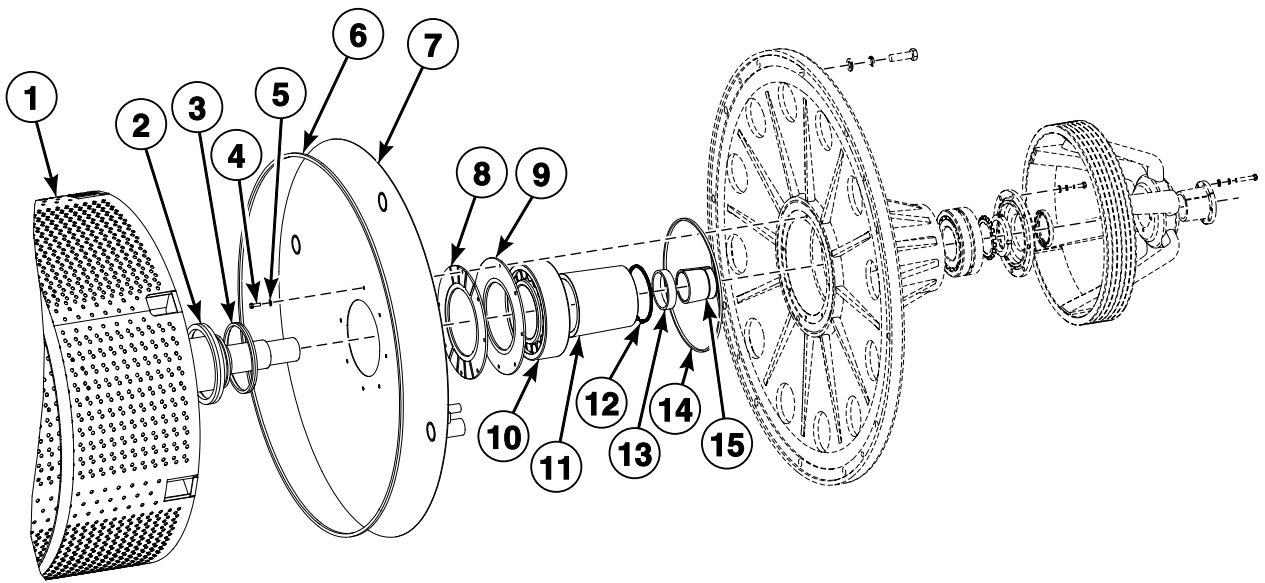
CFD2756P\_D1518



# Tub

REF	PART NO.	DESCRIPTION	COMMENTS
	SP516981	Sealing Ring	
1	SPPRI540001019	Hose	19x27
2	SPPRI240000003	Hose Clamp	20-32
3	SPPRI240000021	Hose Clamp	60-80; With soap hopper
4	F02104001213	Hose	
5	SP230277	External Tub	175, 180 and 800 models
	SP230127	External Tub	10, 220, 225, 230 and 1000 models
	SP230141	External Tub	12, 260, 265, 275, 1200 and 1250 models
6	SP503839	Temperature Sensor	
7	SPPRI614000047	Thermostat Sensor Holder	Includes SP516981 Sealing Ring
8	SPPRI524000001	Sealing Ring	
9	SP210416	Hose Clamp	
10	SP220771	Water Level Elbow	
11	SP220364	Elbow Adapter	
12	SPPRI540001003	Water Level Switch Hose	
13	SP510940	Plug	1/2 inch
14	SP309933240412	Bolt	M4x12
15	SP541126	Pump Input	

# Drum and Trunnion (Drawing 1 of 2)

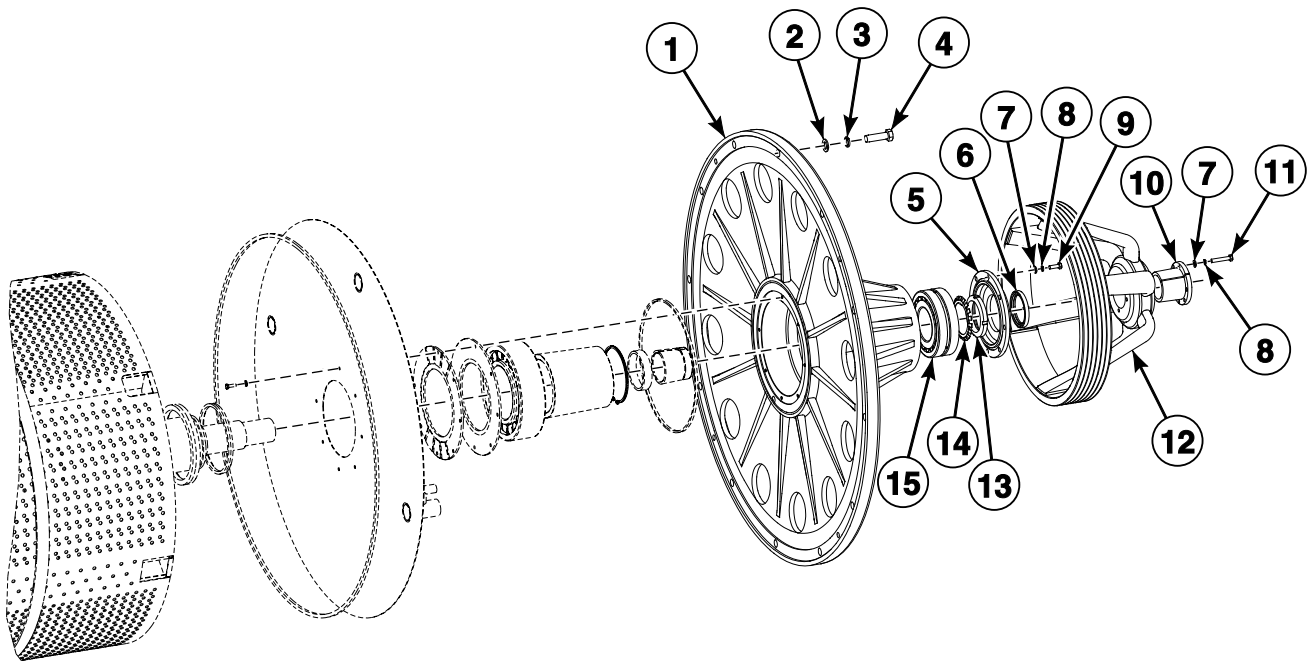


CFD2856P\_D1518

## Drum and Trunnion (Drawing 1 of 2)

REF	PART NO.	DESCRIPTION	COMMENTS
	SP534030	Bearing Replacement Toolset	
	SP534040	Bearing Replacement Toolset	175, 180 and 800 models
	SP534050	Bearing Replacement Toolset	10, 220, 225, 230 and 1000 models
	SP534060	Bearing Replacement Toolset	12, 260, 265, 275, 1200 and 1250 models
1	SP230099	Drum	175, 180 and 800 models
	SP230014	Drum	10, 220, 225, 230 and 1000 models
	SP230164	Drum	12, 260, 265, 275, 1200 and 1250 models
2	SP809522198	Sealing	V-220A
3	SP809522199	Sealing	V-199A
4	SP210076	Bolt	10, 175, 180, 220, 225, 230, 800 and 1000 models; M8x25
	SP309933240830	Bolt	12, 260, 265, 275, 1200 and 1250 models; M8x30
5	SP220184	Washer	8.4
6	SP802123260	Seal	175, 180 and 800 models
	SP802123475	Seal	10, 220, 225, 230 and 1000 models
	SP802123265	Profiled Sealing	12, 260, 265, 275, 1200 and 1250 models
7	SP230102	Rear Plate	175, 180 and 800 models
	SP230392	Rear Plate	10, 220, 225, 230 and 1000 models
	SP230159	Rear Plate	12, 260, 265, 275, 1200 and 1250 models
8	SP220342	Sealing Ring	10, 175, 180, 220, 225, 230, 800 and 1000 models; A
	SP220172	Sealing Ring	12, 260, 265, 275, 1200 and 1250 models; A
9	SP220173	Sealing Ring	12, 260, 265, 275, 1200 and 1250 models; B
10	SP231000700	Bearing	NV2232
11	SP220338	Distance Sleeve	10, 175, 180, 220, 225, 230, 800 and 1000 models; A
	SP220170	Distance Sleeve	12, 260, 265, 275, 1200 and 1250 models; A
12	SP210248	Shaft Retaining Ring	
13	SP220339	Distance Sleeve	10, 175, 180, 220, 225, 230, 800 and 1000 models; B
	SP220174	Distance Sleeve	12, 260, 265, 275, 1200 and 1250 models; B
14	SP221012	Sealing Ring	
15	SP220341	Distance Sleeve	10, 175, 180, 220, 225, 230, 800 and 1000 models; C
	SP220176	Distance Sleeve	12, 260, 265, 275, 1200 and 1250 models; C

## Drum and Trunnion (Drawing 2 of 2)

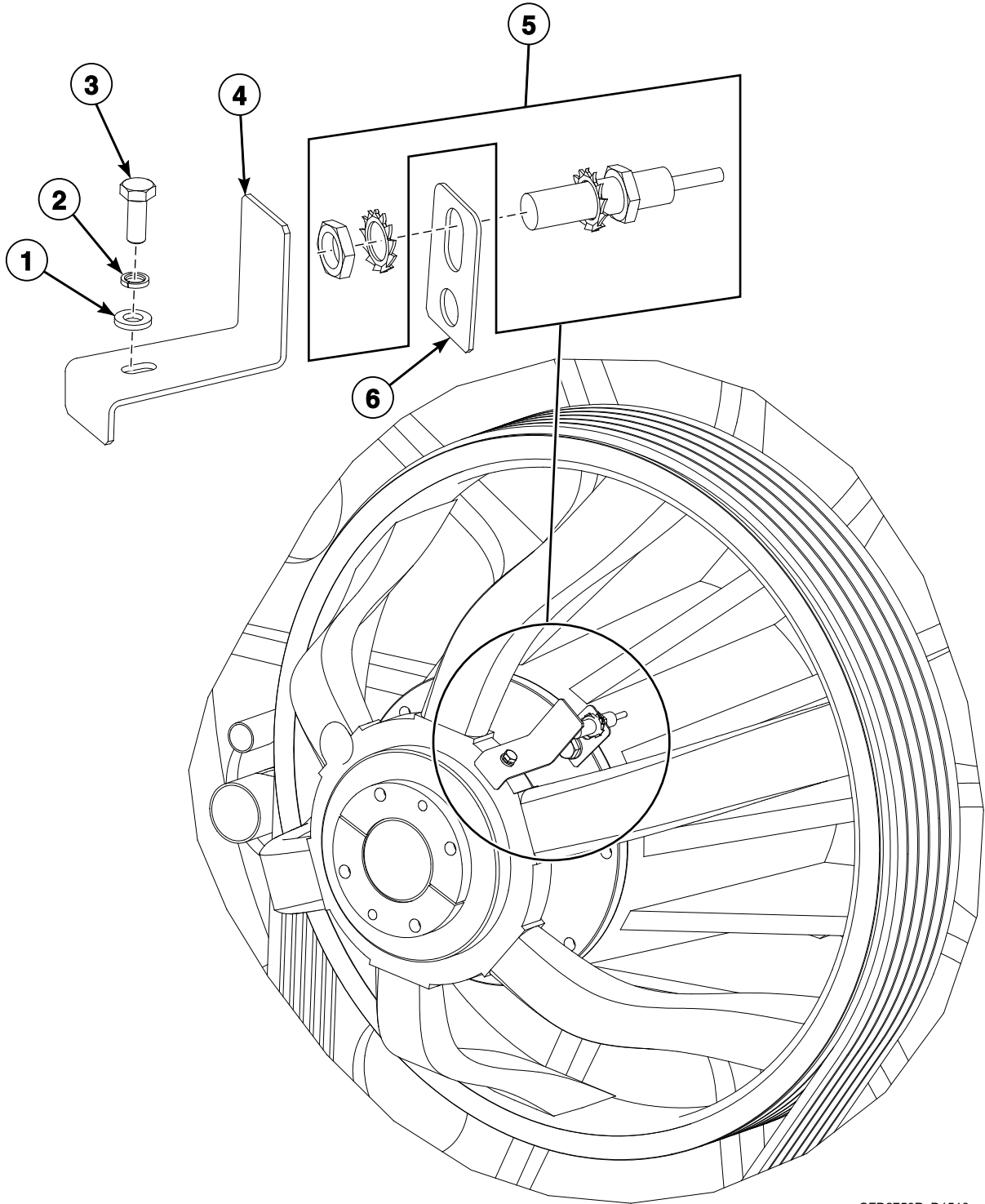


CFD2857P\_D1518

## Drum and Trunnion (Drawing 2 of 2)

REF	PART NO.	DESCRIPTION	COMMENTS
1	SP230115	Bearing Housing	175, 180 and 800 models
	SP230063	Bearing Housing	10, 220, 225, 230 and 1000 models
	SP230149	Bearing Housing	12, 260, 265, 275, 1200 and 1250 models
2	SP210021	Washer	175, 180 and 800 models; 16
	SP210022	Washer	10, 12, 220, 225, 230, 260, 265, 275, 1000, 1200 and 1250 models; 20
3	SP210009	Washer	10, 12, 220, 225, 230, 260, 265, 275, 1000, 1200 and 1250 models; 20
	SP210007	Washer	175, 180 and 800 models; 16
4	SP210137	Bolt	175, 180 and 800 models; M16x70
	SP210148	Bolt	10, 12, 220, 225, 230, 260, 265, 275, 1000, 1200 and 1250 models; M20x70
5	SP230121	Cover	175, 180 and 800 models; Includes SP801901920 Seal Ring
	SP230065	Cover	10, 220, 225, 230 and 1000 models; Includes SP801901920 Seal Ring
	SP230139	Cover	12, 260, 265, 275, 1200 and 1250 models; Includes SP801901920 Seal Ring
6	SP210309	Sealing Ring	10, 175, 180, 220, 225, 230, 800 and 1000 models
	SP210308	Sealing Ring	12, 260, 265, 275, 1200 and 1250 models
7	SP311127000010	Washer	10, 175, 180, 220, 225, 230, 800 and 1000 models; 10
	SP210018	Washer	12, 260, 265, 275, 1200 and 1250 models; 12
8	SP210005	Washer	12, 260, 265, 275, 1200 and 1250 models; 12
	SP311127000010	Washer	10, 175, 180, 220, 225, 230, 800 and 1000 models; 10
9	SP309933001030	Bolt	10, 175, 180, 220, 225, 230, 800 and 1000 models; M10x30
	SP309933001230	Bolt	12, 260, 265, 275, 1200 and 1250 models; M12x30
10	SP220318	Clamping Sleeve	175, 180 and 800 models
	SP220098	Clamping Sleeve	10, 12, 220, 225, 230, 260, 265, 275, 1000, 1200 and 1250 models
11	SP506432	Bolt	M10x60
12	SP230118	Drum Pulley	175, 180 and 800 models
	SP230076	Drum Pulley	10, 12, 220, 225, 230, 260, 265, 275, 1000, 1200 and 1250 models
13	SP220099	Nut	10, 175, 180, 220, 225, 230, 800 and 1000 models; Clamping; M95x2
	SP220148	Nut	12, 260, 265, 275, 1200 and 1250 models; Clamping; M100x2
14	SP210258	Washer	10, 175, 180, 220, 225, 230, 800 and 1000 models; Retaining; 95
	SP210259	Washer	12, 260, 265, 275, 1200 and 1250 models; Retaining; 100
15	SP231001030	Bearing	10, 175, 180, 220, 225, 230, 800 and 1000 models; 22319
	SP231001040	Bearing	12, 260, 265, 275, 1200 and 1250 models; 22320

# Speed Sensor

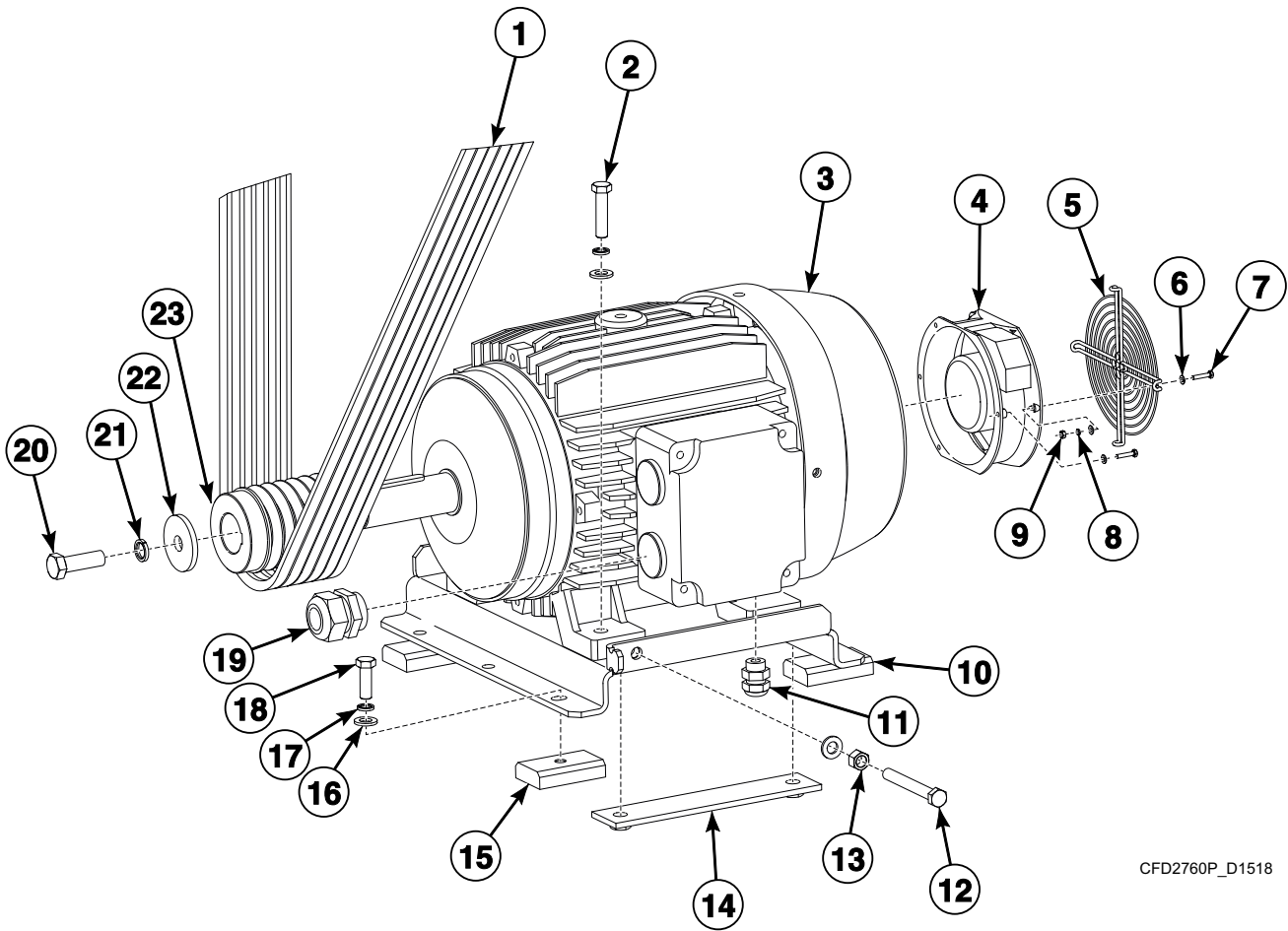


CFD2759P\_D1518

# Speed Sensor

REF	PART NO.	DESCRIPTION	COMMENTS
	SP559094	Speed Sensor Complete	
1	SP311125000006	Washer	6.4
2	SP311127000006	Washer	6
3	SP309933000616	Bolt	M6x16
4	SP559096	Sensor Board	
5	SP557701	Speed Sensor	
6	SP559095	Speed Sensor Holder	

# Drive



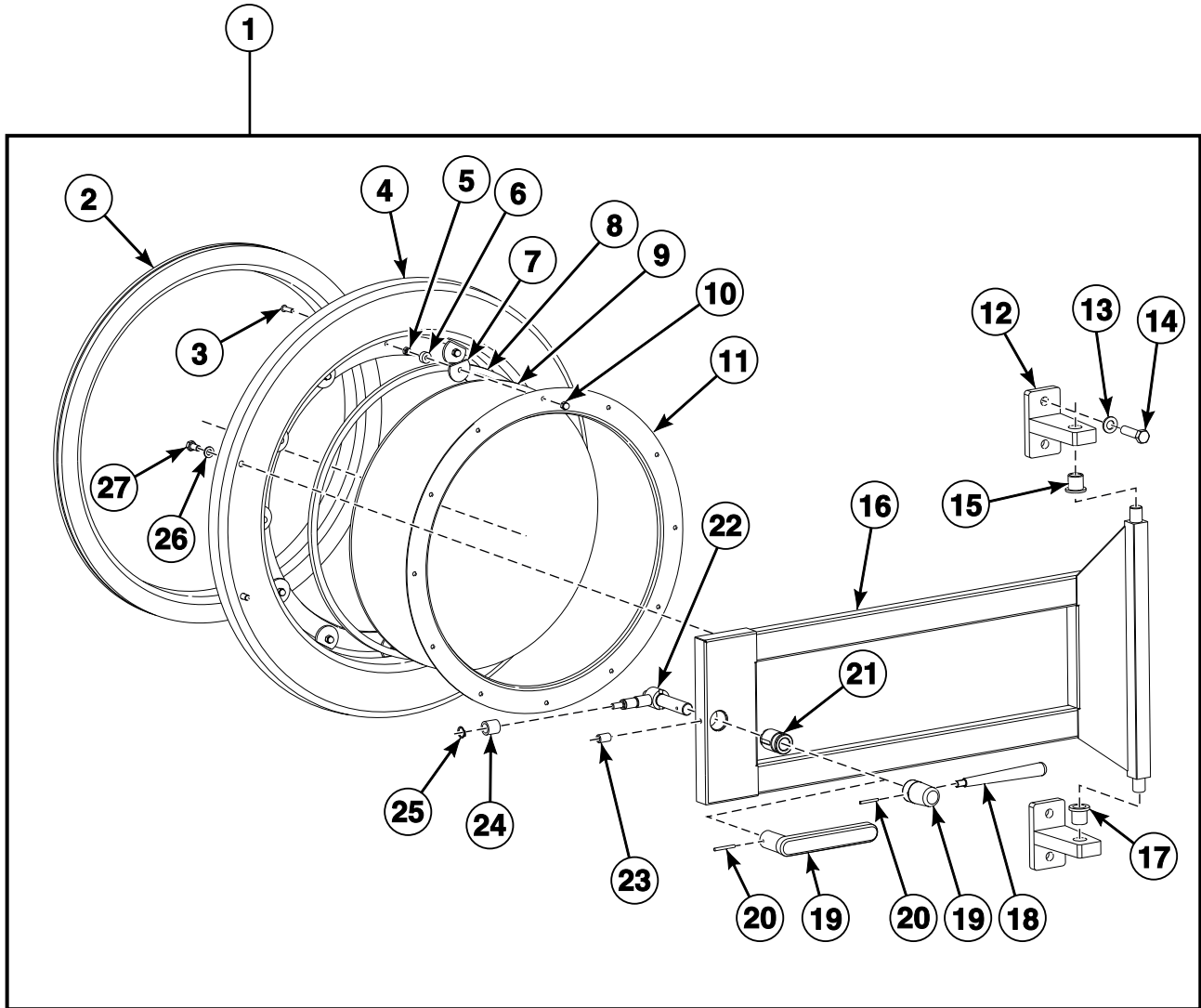
CFD2760P\_D1518



# Drive

REF	PART NO.	DESCRIPTION	COMMENTS
1	SP531249	V-Belt	175, 180 and 800 models
	SP545380	V-Belt	10, 12, 220, 225, 230, 260, 265, 275, 1000, 1200 and 1250 models
2	SP309933001250	Bolt	10, 12, 220, 225, 230, 260, 265, 275, 1000, 1200 and 1250 models; M12x50
	SP309933001270	Bolt	12, 260, 265, 275, 1200 and 1250 models; M12x70
3	SP102261	Motor	175, 180 and 800 models; 230/240V; 11kW
	SP530894	Motor	10, 220, 225, 230 and 1000 models; 230/400V; 15kW
	SP506037	Motor	12, 260, 265, 275, 1200 and 1250 models; 230/400V; 18.5kW
4	SP528481	Fan	
5	SP528482	Ventilator Grate	
6	SP311125000004	Washer	4.3
7	SP309084000420	Bolt	M4x20
8	SP311127000004	Washer	4
9	SP310934000004	Nut	M4
10	SP526478	Motor Board	175, 180 and 800 models
	SP547306	Motor Board	10, 220, 225, 230 and 1000 models
	SP540493	Motor Board	12, 260, 265, 275, 1200 and 1250 models
11	SP101407	Bushing	M20
12	SP548070	Bolt	M12x150
13	SP310934000012	Nut	M12
14	SP531219	Motor Support	175, 180 and 800 models
	SP547305	Motor Support	10, 220, 225, 230 and 1000 models
	SP540495	Motor Support	12, 260, 265, 275, 1200 and 1250 models
15	SP220311	Nut	
16	SP311125000013	Washer	13
17	SP311127000012	Washer	12
18	SP309933001235	Bolt	M12x35
19	SP101410	Cable Bushing	M40
20	SP552885	Bolt	M16x40
21	SP311127000016	Washer	16
22	SP511924	Washer	Use with motor pulley
23	SP531190	Motor Pulley	175, 180 and 800 models
	SP547308	Motor Pulley	10, 220, 225, 230 and 1000 models
	SP540498	Motor Pulley	12, 260, 265, 275, 1200 and 1250 models

# Door



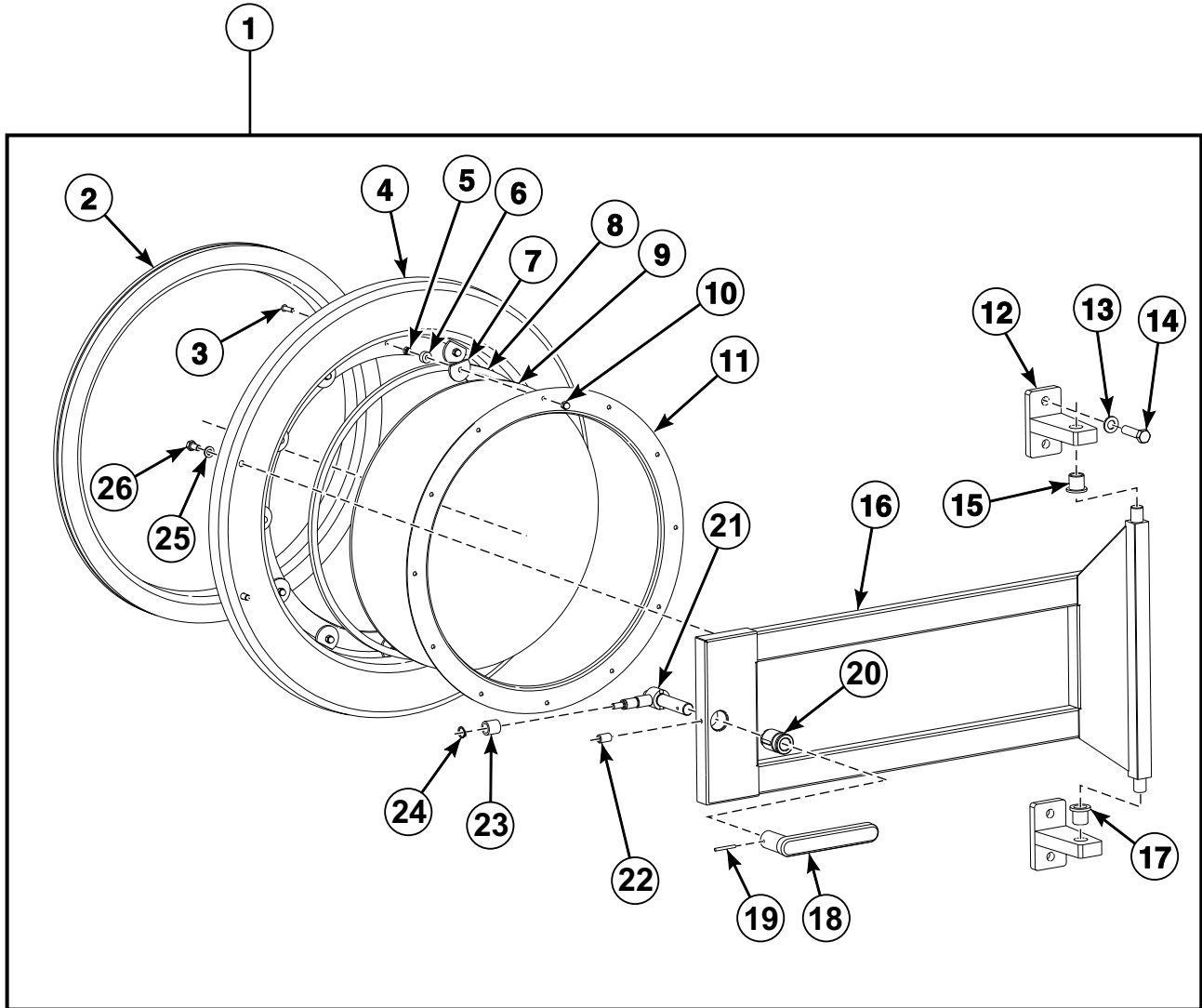
CZW61P\_D1518

# Door

REF	PART NO.	DESCRIPTION	COMMENTS
1	SP238022	Door	F, H, J, L, M, N and P 10, 175, 180, 220, 225, 230, 800 and 1000 models
	SP238773	Door	F, H, J, L, M, N and P 12, 260, 265, 275, 1200 and 1250 models
	SP553270	Door	I, S and U 180 and 230 models
	SP553269	Door	I, S and U 275 models
	SP553281	Door	I, S and U 10, 800 and 1000 models
	SP553280	Door	I, S and U 12 and 1200 models
2	SP802123115	Door Seal	10, 175, 180, 220, 225, 230, 800 and 1000 models
	SP802123119	Door Seal	12, 260, 265, 275, 1200 and 1250 models
3	SP220323	Bolt	M6
4	SP230016	Door Frame	10, 175, 180, 220, 225, 230, 800 and 1000 models
	SP230155	Door Frame	12, 260, 265, 275, 1200 and 1250 models
5	SP210038	Nut	M6
6	SP220321	Insertion Piece	
7	SP220322	Washer	10, 175, 180, 220, 225, 230, 800 and 1000 models
	SP220159	Washer	12, 260, 265, 275, 1200 and 1250 models
8	SP802123026	Glass Seal	10, 175, 180, 220, 225, 230, 800 and 1000 models
	SP802123036	Glass Seal	12, 260, 265, 275, 1200 and 1250 models
9	SP941001031	Door Glass	10, 175, 180, 220, 225, 230, 800 and 1000 models
	SP941001046	Door Glass	12, 260, 265, 275, 1200 and 1250 models
10	SP210028	Nut	M6
11	SP230017	Door Glass Holder	10, 175, 180, 220, 225, 230, 800 and 1000 models
	SP230154	Door Glass Holder	12, 260, 265, 275, 1200 and 1250 models
12	SP220448	Hinge	
13	SP220372	Washer	
14	SP515594	Bolt	M12x40
15	SP220301	Sleeve	
16	SP555119	Door	I, S and U 180 and 230 models
	SP555141	Door	I, S and U 275 models
	SP230112	Door	All other 10, 175, 180, 220, 225, 230, 800 and 1000 models
	SP230140	Door	All other 12, 260, 265, 275, 1200 and 1250 models
17	SP553204	Bracket Sleeve	
18	SP553220	Handle	F, H, J, L, M, N and P models
19	SP553219	Handle Body	F, H, J, L, M, N and P models
	SPF8435501	Handle Body	I, S and U models
20	SP313515004035	Pin	F, H, J, L, M, N and P models; 4x35
	SP554970	Pin	I, S and U models; 4x30
21	SPF02107002315	Nut	
22	SPF02107500014	Door Lever	F, H, J, L, M, N and P models
	569031	Door Lever	I, S and U models
23	SP309913000610	Bolt	M6x10
24	SP323622641243	Sleeve	
25	SP307732030014	Retaining Ring	14
26	SP210015	Washer	8.4
27	SP210072	Bolt	M8x16

# Door

Models with "V" in model numbers 7th position

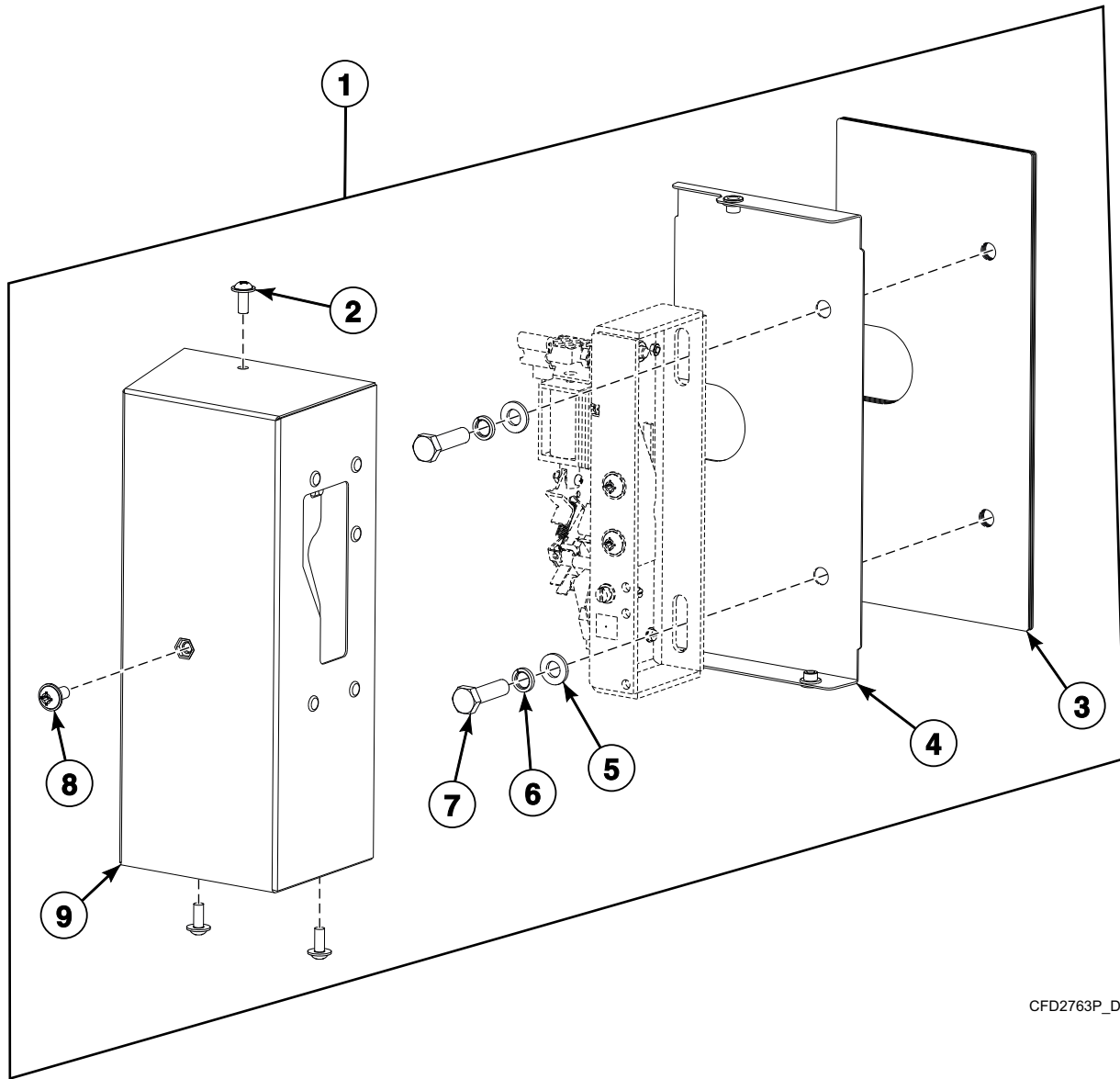


CZW471P\_D1518

# Door

REF	PART NO.	DESCRIPTION	COMMENTS
1	SP232646	Door	10, 175, 180, 220, 225, 230, 800 and 1000 no tilting models
	SP232645	Door	12, 260, 265, 275, 1200 and 1250 no tilting models
	SP232501	Door	10, 175, 180, 220, 225, 230, 800 and 1000 tilting models
	SP232500	Door	12, 260, 265, 275, 1200 and 1250 tilting models
2	SP802123115	Door Seal	10, 175, 180, 220, 225, 230, 800 and 1000 models
	SP802123119	Door Seal	12, 260, 265, 275, 1200 and 1250 models
3	SP220323	Bolt	M6
4	SP230016	Door Frame	10, 175, 180, 220, 225, 230, 800 and 1000 models
	SP230155	Door Frame	12, 260, 265, 275, 1200 and 1250 models
5	SP210038	Nut	M6
6	SP220321	Insertion Piece	
7	SP220322	Washer	10, 175, 180, 220, 225, 230, 800 and 1000 models
	SP220159	Washer	12, 260, 265, 275, 1200 and 1250 models
8	SP802123026	Glass Seal	10, 175, 180, 220, 225, 230, 800 and 1000 models
	SP802123036	Glass Seal	12, 260, 265, 275, 1200 and 1250 models
9	SP941001031	Door Glass	10, 175, 180, 220, 225, 230, 800 and 1000 models
	SP941001046	Door Glass	12, 260, 265, 275, 1200 and 1250 models
10	SP210028	Nut	M6
11	SP230017	Door Glass Holder	10, 175, 180, 220, 225, 230, 800 and 1000 models
	SP230154	Door Glass Holder	12, 260, 265, 275, 1200 and 1250 models
12	SP220448	Hinge	
13	SP220372	Washer	
14	SP515594	Bolt	M12x40
15	SP220301	Sleeve	
16	SP230112	Door weldment	10, 175, 180, 220, 225, 230, 800 and 1000 no tilting models
	SP230140	Door weldment	12, 260, 265, 275, 1200 and 1250 models
	SP232503	Door weldment	10, 175, 180, 220, 225, 230, 800 and 1000 tilting models
	SP232502	Door weldment	12, 260, 265, 275, 1200 and 1250 models
17	SP553204	Bracket Sleeve	
18	SP563298	Handle	
19	SP554970	Pin	
20	SPF02107002315	Nut	
21	SP555115	Door Lever	
22	SP309913000610	Bolt	M6x10
23	SP323622641243	Sleeve	
24	SP307732030014	Retaining Ring	14
25	SP210015	Washer	8.4
26	SP210072	Bolt	M8x16

# Door Lock (Drawing 1 of 2)

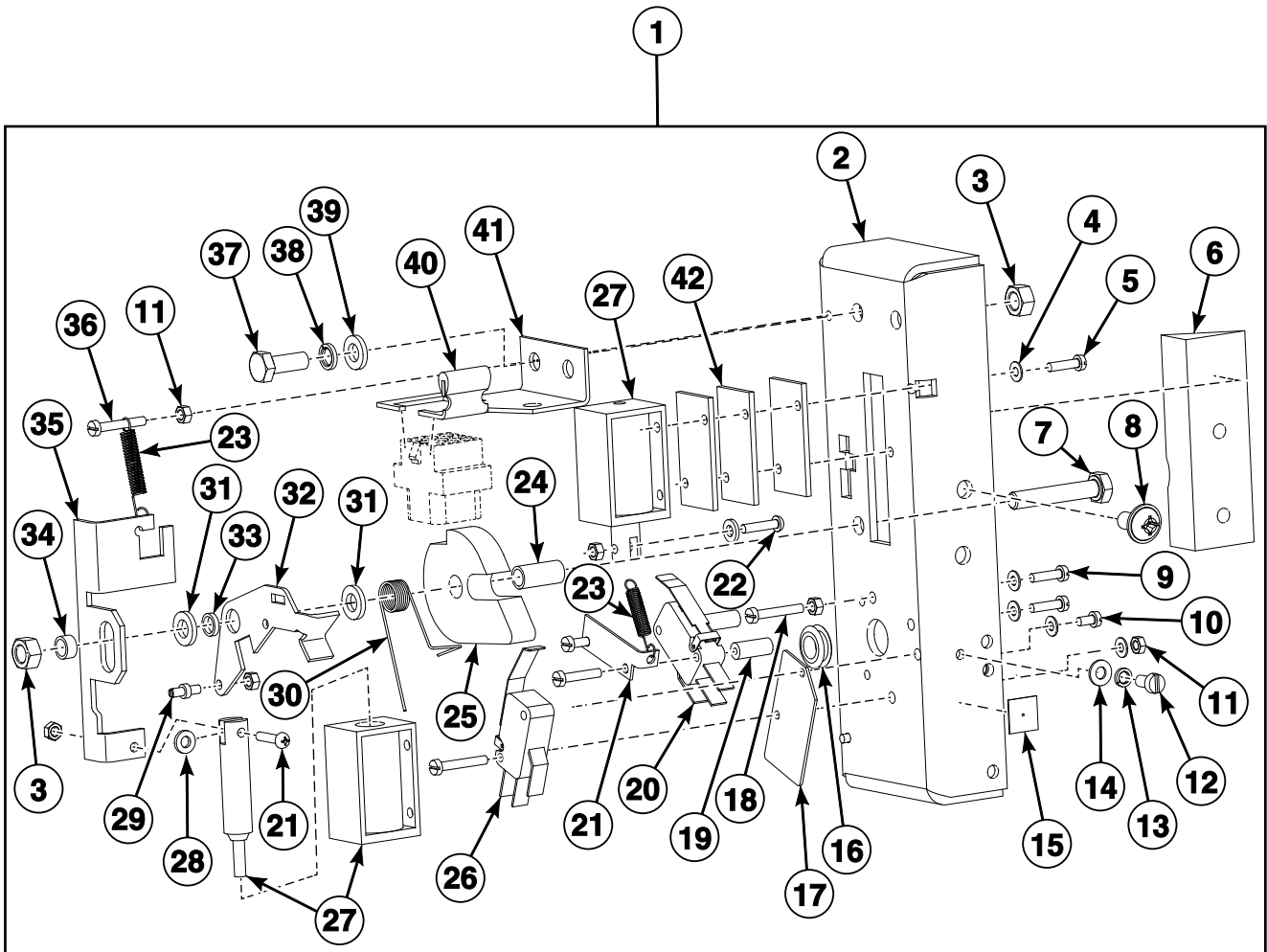


CFD2763P\_D1518

## Door Lock (Drawing 1 of 2)

REF	PART NO.	DESCRIPTION	COMMENTS
1	SP553228	Door Lock	MC6; 175, 180 and 800 models through Serial No. 800F000156DB; 10, 220, 225, 230 and 1000 models through Serial No. 1000F0000776DB
	SP540482	Door Lock	MC6; 12, 260, 265, 275, 1200 and 1250 models through Serial No. 1200F000204BZ
	232223	Door Lock	175, 180 and 800 models with "V" in model numbers 7th position
	SP553283	Door Lock	175, 180 and 800 models through Serial No. 800F000157DB; 10, 220, 225, 230 and 1000 models through Serial No. 1000F000077DB
	SP232310	Door Lock	12, 260, 265, 275, 1200 models
2	SP503572	Bolt	M5x12
3	SP232225	Washer	175, 180 and 800 models with "V" in model numbers 7th position
	SP547349	Washer	10, 175, 180, 220, 225, 230, 800 and 1000 models
	SP232309	Washer	12, 260, 265, 275, 1200 models
4	SP547348	Door Lock Holder	10, 175, 180, 220, 225, 230, 800 and 1000 models
	SP232224	Door Lock Holder	175, 180 and 800 models with "V" in model numbers 7th position
	SP232311	Door Lock Holder	12, 260, 265, 275, 1200 models
5	SP311125240008	Washer	8.4
6	SP311127240008	Washer	8
7	SP309933240830	Bolt	M8x30
8	SP309595240612	Bolt	M6x12
9	SP232226	Door Lock Cover	175, 180 and 800 models with "V" in model numbers 7th position
	SP554974	Door Lock Cover	10, 175, 180, 220, 225, 230, 800 and 1000 models
	SP232307	Door Lock Cover	12, 260, 265, 275, 1200 and 1250 models

# Door Lock (Drawing 2 of 2)



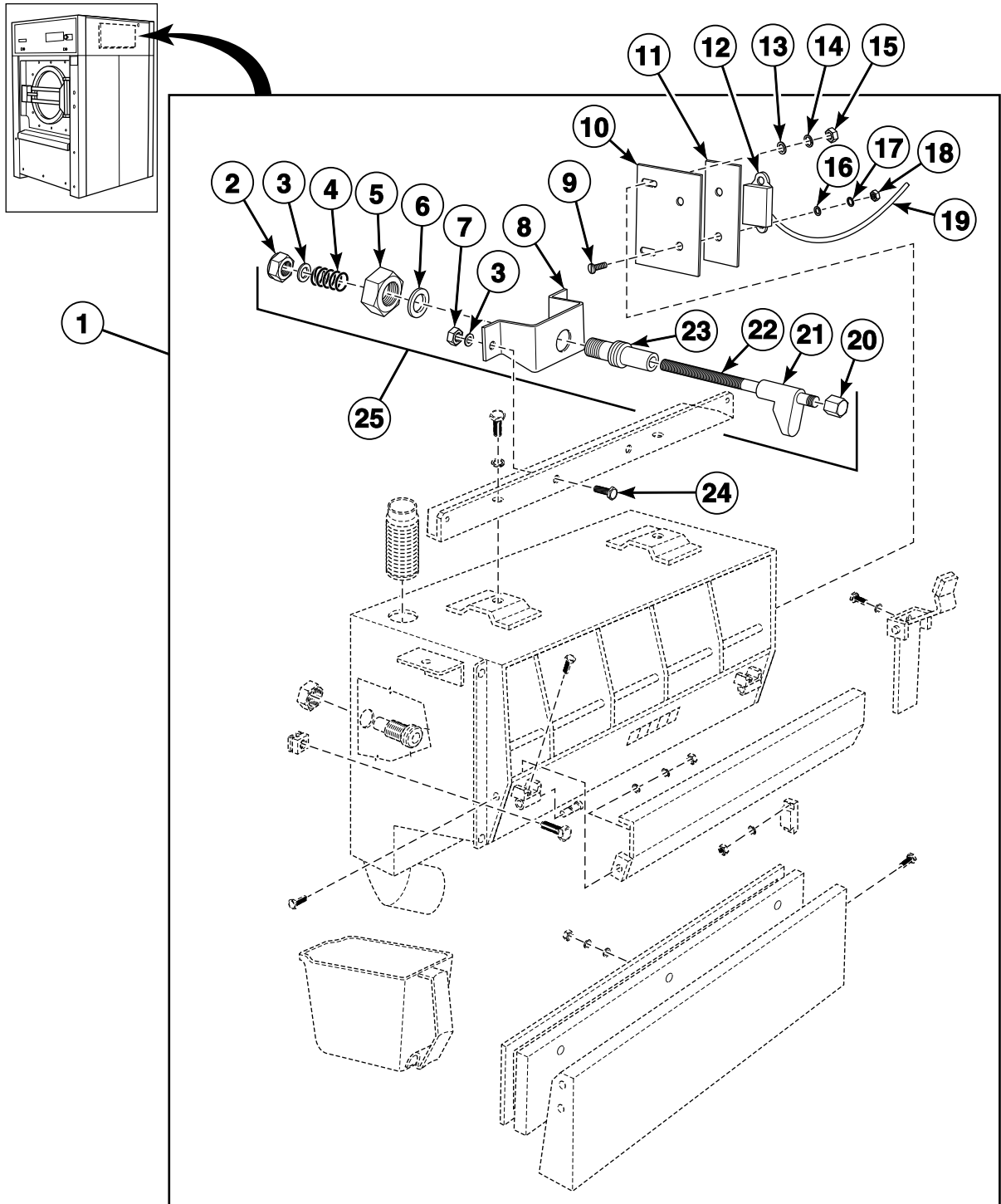
CFD2764P\_D1518



## Door Lock (Drawing 2 of 2)

REF	PART NO.	DESCRIPTION	COMMENTS
	SP557808	Door Lock Wiring	
1	SP553284	Door Lock	
2	SP511241	Element	
3	SP310934000006	Nut	M6
4	SP311125000003	Washer	3.2
5	SP309084240312	Bolt	M3x12
6	SPF02117001314	Rising Section	
7	SP518556	Bolt	M6x35
8	SP309595240612	Bolt	M6x12
9	SP309084000310	Bolt	M3x10
10	SP309084000306	Bolt	M3x6
11	SP310934000003	Nut	M3
12	SP309084100408	Bolt	M4x8
13	SP311127000004	Washer	4
14	SP311125100004	Washer	4.3
15	SPPRI551000001	Earthing Index Plate	
16	SP273121008002	Cable Bushing	
17	SP101154	Isolation Plate	
18	SP309084000320	Bolt	M3x20
19	SPF02117001424	Column	
20	SPF02117002224	Microswitch	
21	SPF02117002614	Coil Holder	
22	SP309798500314	Bolt	M3x14
23	SPPRI611000007	Spring	
24	SP518680	Tube	
25	SPF02117001214	Cam	
26	SPF02117002114	Microswitch	
27	SPF02117001814	Coil Modification	
28	SP555746	Washer	
29	SPF02117002514	Pin	
30	SP315002015014	Spring	
31	SP311125100006	Washer	6.4
32	SP515453	Link	
33	SPF02117001714	Ring	
34	SP533712	Tube	
35	SP533710	Gate	
36	SP309084000316	Bolt	M3x16
37	SP309933000616	Bolt	M6x16
38	SP311127000006	Washer	6
39	SP311125000006	Washer	6.4
40	SPPRI505000058	Profiled Sealing	
41	SP232228	Connector Holder	175, 180 and 800 models
	SP530709	Connector Holder	10, 220, 225, 230 and 1000 models, 12, 260, 265, 275, 1200 models
42	SPF02117002414	Washer	

# Soap Hopper (Drawing 1 of 2)

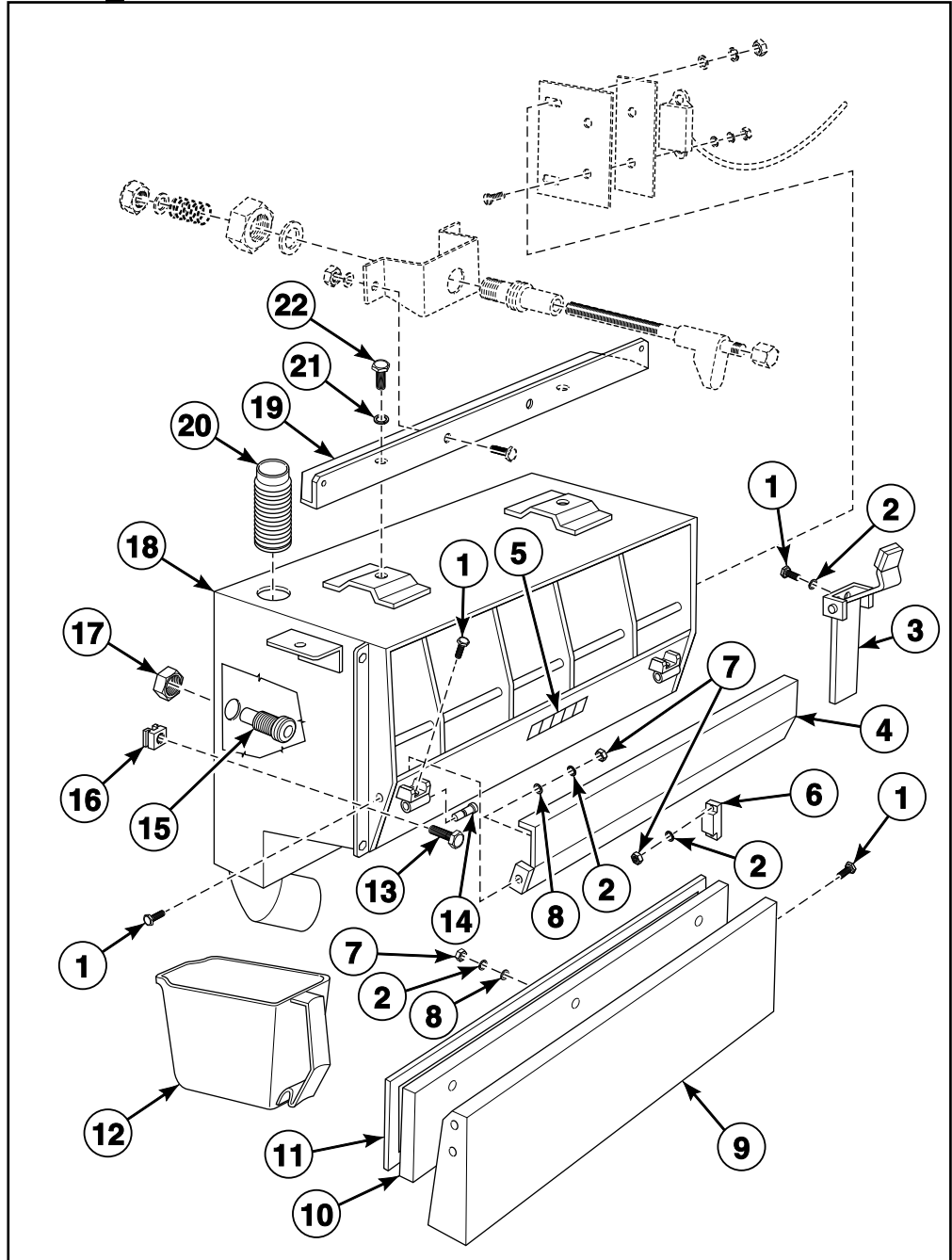
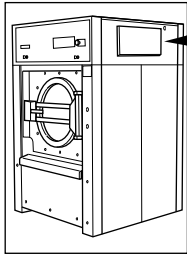


CFD3266P\_D1518

## Soap Hopper (Drawing 1 of 2)

REF	PART NO.	DESCRIPTION	COMMENTS
1	SP555020	Soap Hopper	Includes items 2-24 and items 1-22 in <i>Soap Hopper (Drawing 2 of 2)</i> page
2	SP310985000006	Nut	M6
3	SP311125000006	Washer	6.4
4	SP120102302325	Spring	
5	SP310934000012	Nut	M12
6	SP311127000012	Washer	12
7	SP310934000006	Nut	M6
8	SP535518	Bracket	
9	SP309084000310	Bolt	M3x10
10	SPF02110001214	Holder	
11	SPF02110001314	Insulation	
12	SPPRI346000032	Magnetic Switch	
13	SP311125000004	Washer	4.3
14	SP311127000004	Washer	4
15	SP310934000004	Nut	M4
16	SP283362004915	Insulation Tube	
17	SP310934000003	Nut	M3
18	SP311127000003	Washer	3
19	SP311125000003	Washer	3.2
20	SP310917240006	Nut	M6
21	SP321848480023	Safety Lever	
22	SP223110200415	Bolt	
23	SP223110200115	Pin	
24	SP309933000616	Bolt	M6x16
25	SP535519	Soap Hopper Lock	Includes items 2-24

# Soap Hopper (Drawing 2 of 2)



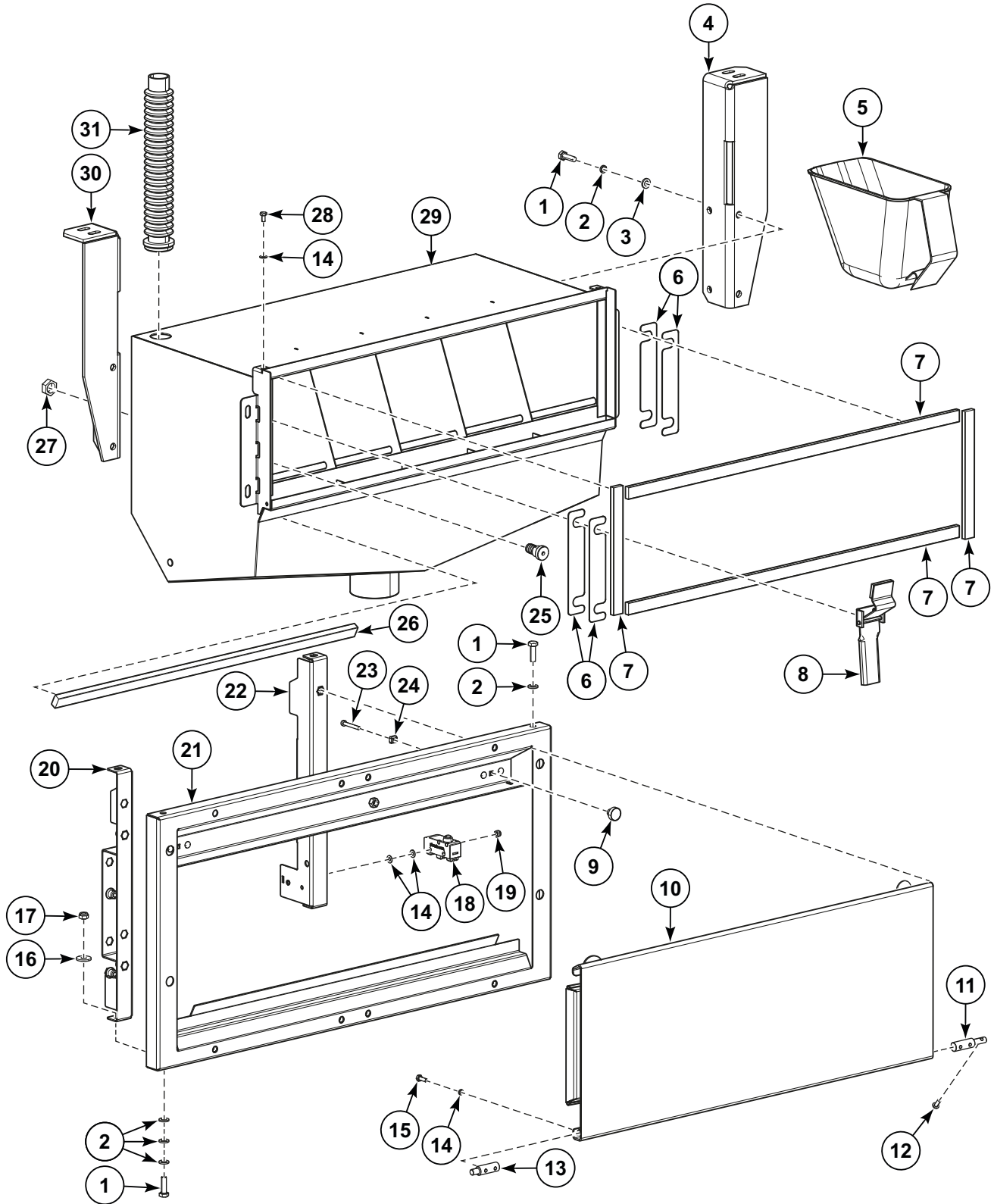
CFD3267P\_D1518

## Soap Hopper (Drawing 2 of 2)

REF	PART NO.	DESCRIPTION	COMMENTS
1	SP309933240408	Bolt	M4x8
2	SP311127240004	Washer	4
3	SP235110200014	Soap Hopper Level	
4	SP235110001413	Cover	
5	SP548000091014	Label	
6	SPPRI346000031	Magnetic Switch Magnet	
7	SP310934240004	Nut	M4
8	SP311125240004	Washer	4.3
9	SP223110600013	Soap Hopper Cover	
	SP223110700013	Complete Soap Hopper Cover	
10	SP235111200013	Cover Insert	
11	SP273442021020	Seal	
12	SP321848223000	Vessel	
13	SP537864	Bolt	M6x16
14	SP235110001215	Door Pin	
15	570375	Nozzle	
16	SP313251000006	Nut	M6
17	570374	Nut	
18	SP555021	Soap Hopper	
19	SP547347	Soap Hopper Holder	10, 220, 225, 230 and 1000 models
	SP545327	Soap Hopper Holder	12, 260, 265, 275, 1200 and 1250 models
20	SPPRI504000069	Elbow	
21	SP311127000006	Washer	10, 12, 220, 225, 230, 260, 265, 275, 1000, 1200 and 1250 models; 6
22	SP309933000610	Bolt	10, 12, 220, 225, 230, 260, 265, 275, 1000, 1200 and 1250 models; M6x10

# Soap Hopper

Models with "V" in model numbers 7th position

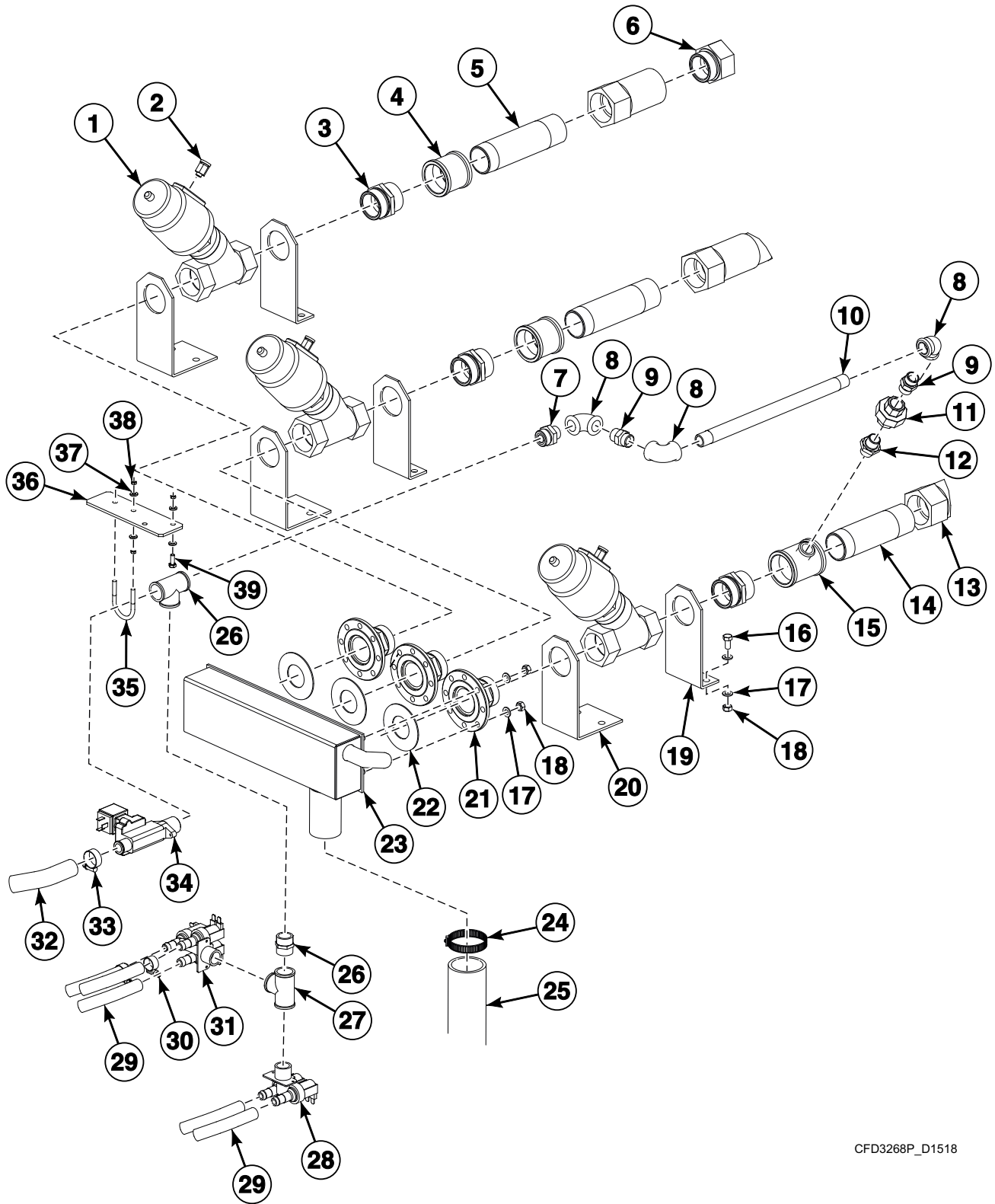


CZW409P\_D1518

# Soap Hopper

REF	PART NO.	DESCRIPTION	COMMENTS
1	SP210061	Bolt	M6
2	SP311127240006	Washer	
3	SP311125240006	Washer	
4	232276	Soap hopper holder	Right; 175, 180 and 800 models
	232275	Soap hopper holder	Right; 10, 220, 225, 230, and 1000 models, 12, 260, 265, 275, 1200 models
5	223110002122	Vessel	
6	564171	Distance Washer	
7	564202	Sealing Rubber	15x6
8	SP235110200014	Soap Hopper Level	
9	564203	Magnetic Holder	PM-16
10	561664	Soap Hopper Door	
11	564286	Hinge Pin	
12	SP515075	Bolt	M4x10
13	561663	Hinge Pin	
14	SP311125240004	Washer	M4
15	SP309933240408	Bolt	M4
16	SP311902100006	Washer	
17	SP310985000006	Nut	M6
18	564511	Microswitch	
19	SP514193	Nut	M4
20	232277	Reinforcement	Left
21	232279	Soap Hopper Cover	Weldment
22	232278	Reinforcement	Right
23	SP506011	Bolt	M4x25
24	564204	Nut in Cage	M4
25	SP235110001614	Nozzle	
26	564237	Sealing	8x15
27	SP235110001715	Nut	
28	SP309933240408	Bolt	M4x8
29	561658	Soap hopper weldment	
30	232274	Soap hopper holder	Left; 175, 180 and 800 models
	232273	Soap hopper holder	Left; 10, 220, 225, 230 and 1000 models, 12, 260, 265, 275, 1200 models
31	SP526509	Vent Hose	

# Filling Valves - 175, 180 and 800 Models



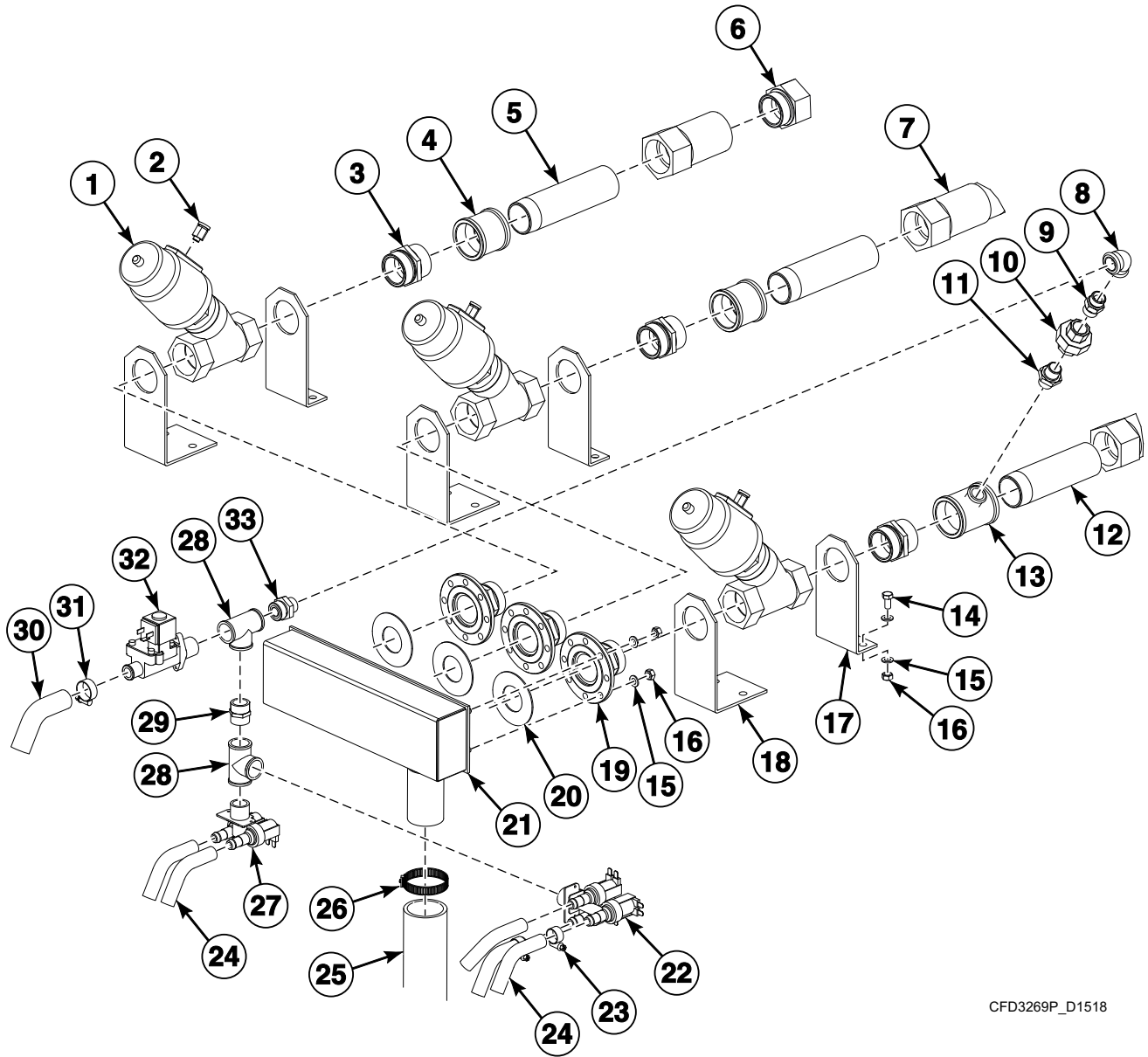
CFD3268P\_D1518



## Filling Valves - 175, 180 and 800 Models

REF	PART NO.	DESCRIPTION	COMMENTS
	SP557233	Hose Seal	
	SP210408	Plug	Without soap hopper; DN15
1	SP250204035	Pneumatic Valve	1 1/2 inch; DN40
2	SP210354	Pipe Nipple	G 1/8 inch; 6mm
3	SP220349	Reducing Nipple	DN40
4	SP210387	Outer Joint	DN40
5	SP220347	Inlet Tube	1
6	SP552881	Adapter	CSA models
7	SP531256	Pipe Nipple	3/4 inch x 1/2 inch
8	SP210858	Elbow	1/2 inch
9	SPR22112000114	Pipe Nipple	DN15
10	SP553212	Tube	1/2 inch
11	SP265108131	Pipe Nipple	DN15
12	SP210400	Pipe Nipple	DN15
13	SP520252	Hose	Without tilting system; 3 pieces; 40mm diameter; 1500mm length; Includes SP557233 Hose Seal
	SP548066	Filling Hose	With tilting system; 3 pieces; 40mm diameter; 2500mm length; Includes SP557233 Hose Seal
14	SP220489	Inlet Tube	2
15	SP210392	T-Part	DN40; DN15
16	SP210073	Bolt	M8x20
17	SP311125240008	Washer	8.4
18	SP310934240008	Nut	M8
19	SP230108	Inlet Valve Holder	Short
20	SP230107	Inlet Valve Holder	Long
21	SP220490	Washer	
22	SP191005115	Seal	
23	SP553221	Header Tank	
24	SP210416	Hose Clamp	
25	SP800907090	Hose	Header tank to tub
26	SPPRI426001217	Pipe Nipple	3/4 inch
27	SPPRI426001107	Tee	3/4 inch
28	SPPRI340020035	2-Way Valve	With soap hopper
29	SPPRI540000014	Hose	D13x19
30	SPPRI240000002	Hose Clamp	12-22
31	SPPRI340030038	3-Way Valve	With soap hopper
32	SPPRI540001019	Hose	D19x27
33	SPPRI240000003	Hose Clamp	20-32
34	SP567064	1-Way Valve	With soap hopper; 3/4 inch; Uses SP525821 Valve Repair Kit
35	SP508310	Clip	R18
36	SP552897	Pipe Holder	
37	SP311125000006	Washer	6.4
38	SP310934000006	Nut	M6
39	SP309933240612	Bolt	M6x12

# Filling Valves - 10, 12, 220, 225, 230, 260, 265, 275, 1000, 1200 and 1250 Models



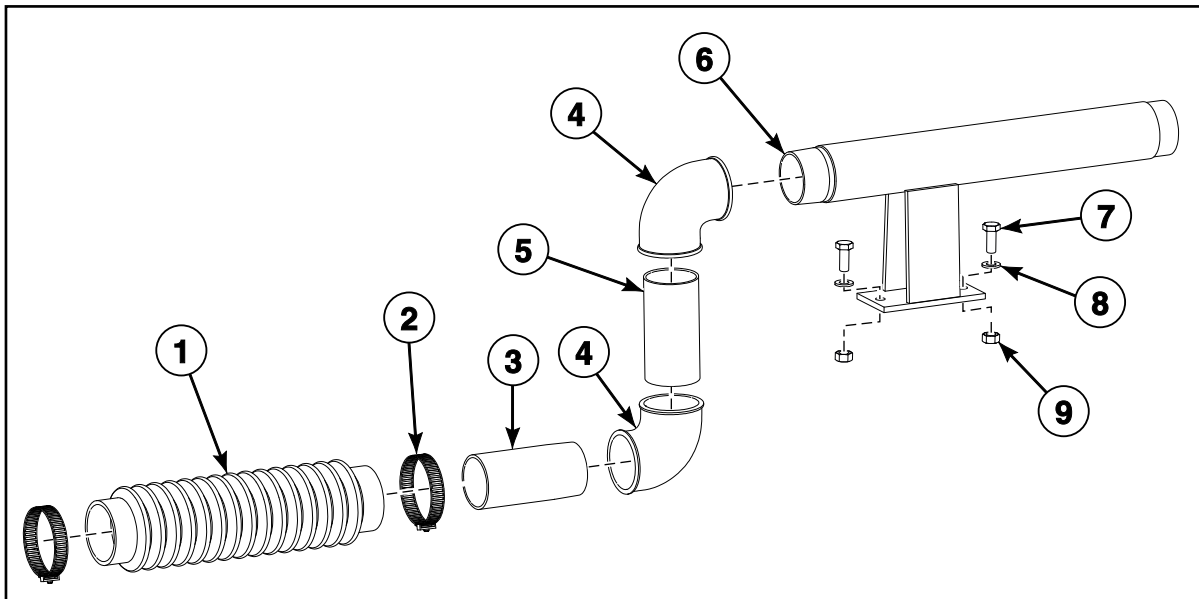
CFD3269P\_D1518

## Filling Valves - 10, 12, 220, 225, 230, 260, 265, 275, 1000, 1200 and 1250 Models

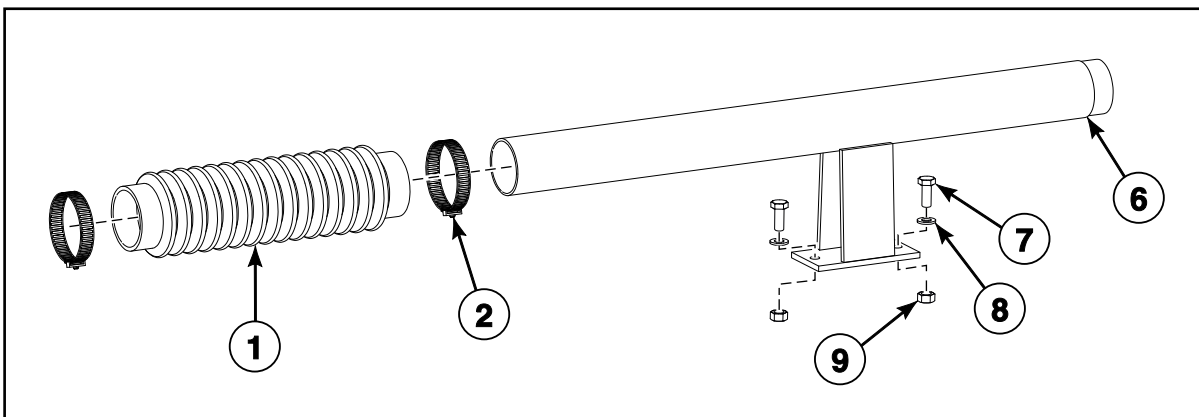
REF	PART NO.	DESCRIPTION	COMMENTS
	SP557233	Hose Seal	
	SP210408	Plug	Without soap hopper; DN15
1	SP250204035	Pneumatic Valve	1 1/2 inch; DN40
2	SP210354	Pipe Nipple	G 1/8 inch; 6mm
3	SP220349	Reducing Nipple	DN40
4	SP210387	Outer Joint	DN40
5	SP220347	Inlet Tube	1
6	SP552881	Adapter	CSA models
7	SP520252	Hose	Without tilting system; 3 pieces; 40mm diameter; 1500mm length; Includes SP557233 Hose Seal
	SP548066	Filling Hose	With tilting system; 3 pieces; 40mm diameter; 2500mm length; Includes SP557233 Hose Seal
8	SP210858	Elbow	1/2 inch
9	SPR22112000114	Pipe Nipple	DN15
10	SP265108131	Pipe Nipple	DN15
11	SP210400	Pipe Nipple	DN15
12	SP220489	Inlet Tube	2
13	SP210392	T-Part	DN40; DN15
14	SP210073	Bolt	M8x20
15	SP311125240008	Washer	8.4
16	SP310934240008	Nut	M8
17	SP230108	Inlet Valve Holder	Short
18	SP230107	Inlet Valve Holder	Long
19	SP220490	Washer	
20	SP191005115	Seal	
21	SP553221	Header Tank	
22	SPPRI340030038	3-Way Valve	With soap hopper
23	SPPRI240000002	Hose Clamp	12-22
24	SPPRI540000014	Hose	D13x19
25	SP800907090	Hose	Header tank to tub
26	SP210416	Hose Clamp	
27	SPPRI340020035	2-Way Valve	With soap hopper
28	SPPRI426001107	Tee	3/4 inch
29	SPPRI426001217	Pipe Nipple	3/4 inch
30	SPPRI540001019	Hose	D19x27
31	SPPRI240000003	Hose Clamp	20-32
32	SP567064	1-Way Valve	With soap hopper; 3/4 inch; Uses SP525821 Valve Repair Kit
33	SP531256	Pipe Nipple	3/4 inch x 1/2 inch

# Drum Ventilation

10, 175, 180, 220, 225, 230, 800 and 1000 Models



12, 260, 265, 275, 1200 and 1250 Models

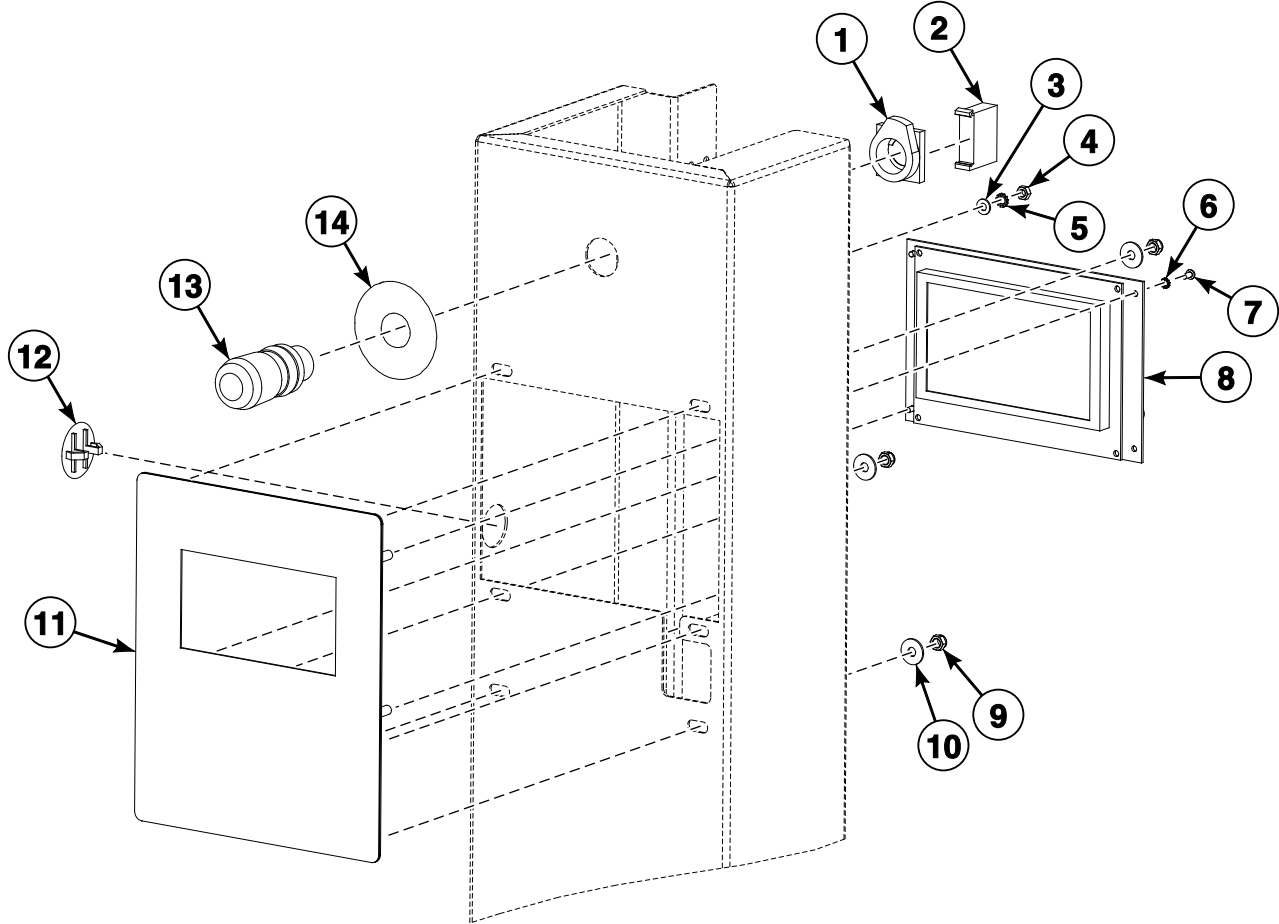


CFD3495P\_D1518

## Drum Ventilation

REF	PART NO.	DESCRIPTION	COMMENTS
1	SP802123114	Hose	
2	SP210416	Hose Clamp	44-64
3	SP220411	Tube	10, 175, 180, 220, 225, 230, 800 and 1000 models
4	SP210398	Elbow	10, 175, 180, 220, 225, 230, 800 and 1000 models; DN40
5	SP220412	Tube	10, 175, 180, 220, 225, 230, 800 and 1000 models; DN40
6	SP220410	Tube	10, 175, 180, 220, 225, 230, 800 and 1000 models
	SP220450	Tube	12, 260, 265, 275, 1200 and 1250 models
7	SP210073	Bolt	M8x20
8	SP311125240008	Washer	8.4
9	SP310934240008	Nut	M8

# Control Panel



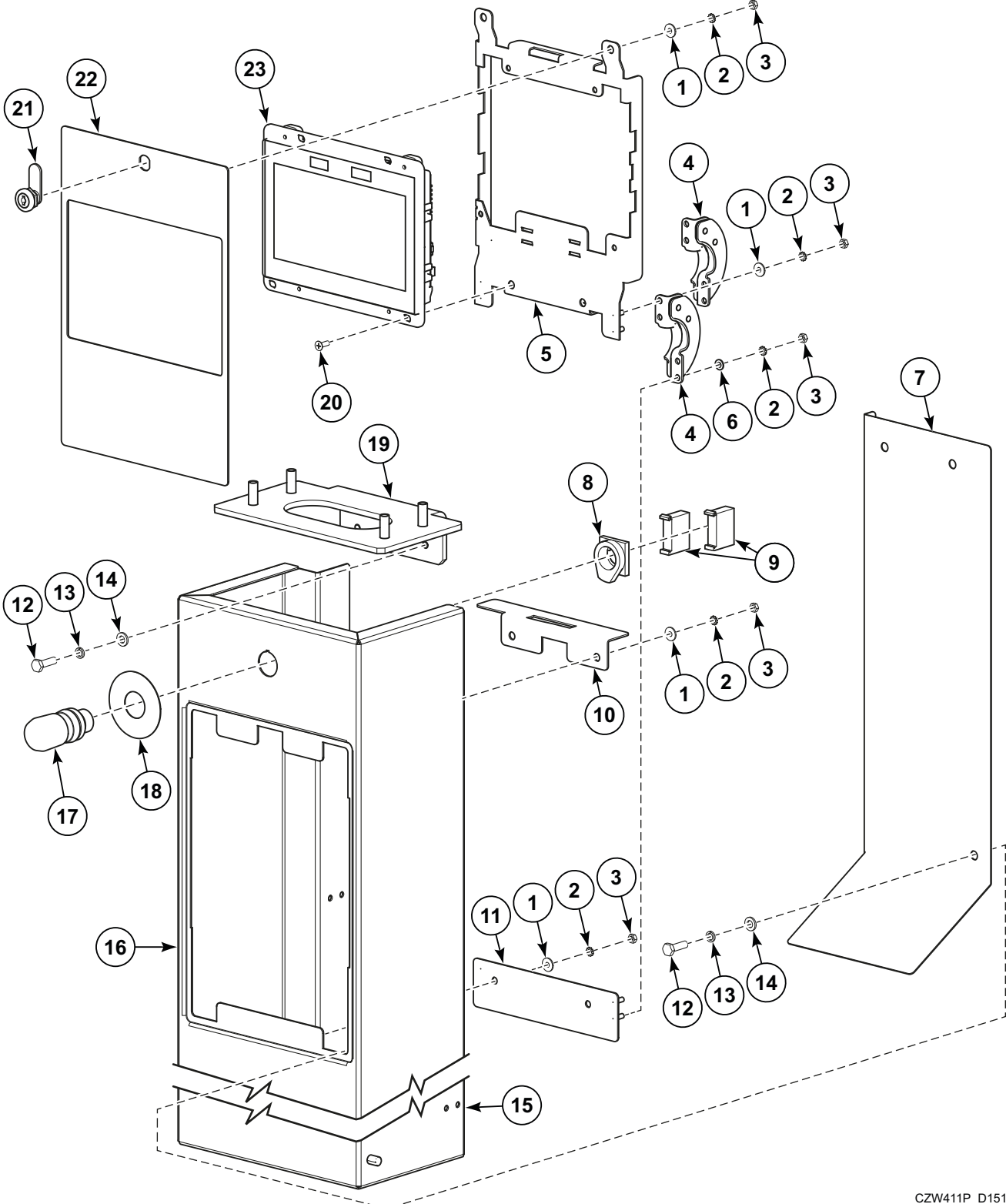
CFD3270P\_D1518

# Control Panel

REF	PART NO.	DESCRIPTION	COMMENTS
	F8600501	Programming Cable	
1	SP528311	Emergency Stop Connector	
2	SP528312	Switching Unit	
3	SP311125240004	Washer	4.3
4	SP310934240004	Nut	M4
5	SP311679824004	Washer	4.3
6	SP311679800003	Washer	M3
7	SP309798500306	Bolt	M3x6
8	SP547001	Control Board	Models through Serial Nos. 800F000156BZ, 1000F000076DB and 1200F000204BZ; MC6 (green color)
	SP553411	Control Board	F, H, J, L, M, N and P models starting Serial Nos. 800F000157DB, 1000F000077DB and 1200F000205DB; MC7 (blue color)
	SP553419	Control Board	I models starting Serial Nos. 800F000157DB, 1000F000077DB and 1200F000205DB; MC7 (blue color)
	SP553412	Control Board	S and U models starting Serial Nos. 800F000157DB, 1000F000077DB and 1200F000205DB; MC7 (blue color)
9	SP310985000005	Nut	M5
10	SP505430	Washer	M5
11	SP559858	Keyboard	F, H, J, L, M, N and P models
	SP559861	Keyboard	I models
	SP553402	Keyboard	L models
	SP559860	Keyboard	S models
	SP559859	Keyboard	U models
12	SP345900032132	Plug	
13	SP528310	Emergency Stop Knob	
14	SPPRI551005248	Emergency Stop Label	CSA models

# Control Panel

Models with "V" in model numbers 7th position



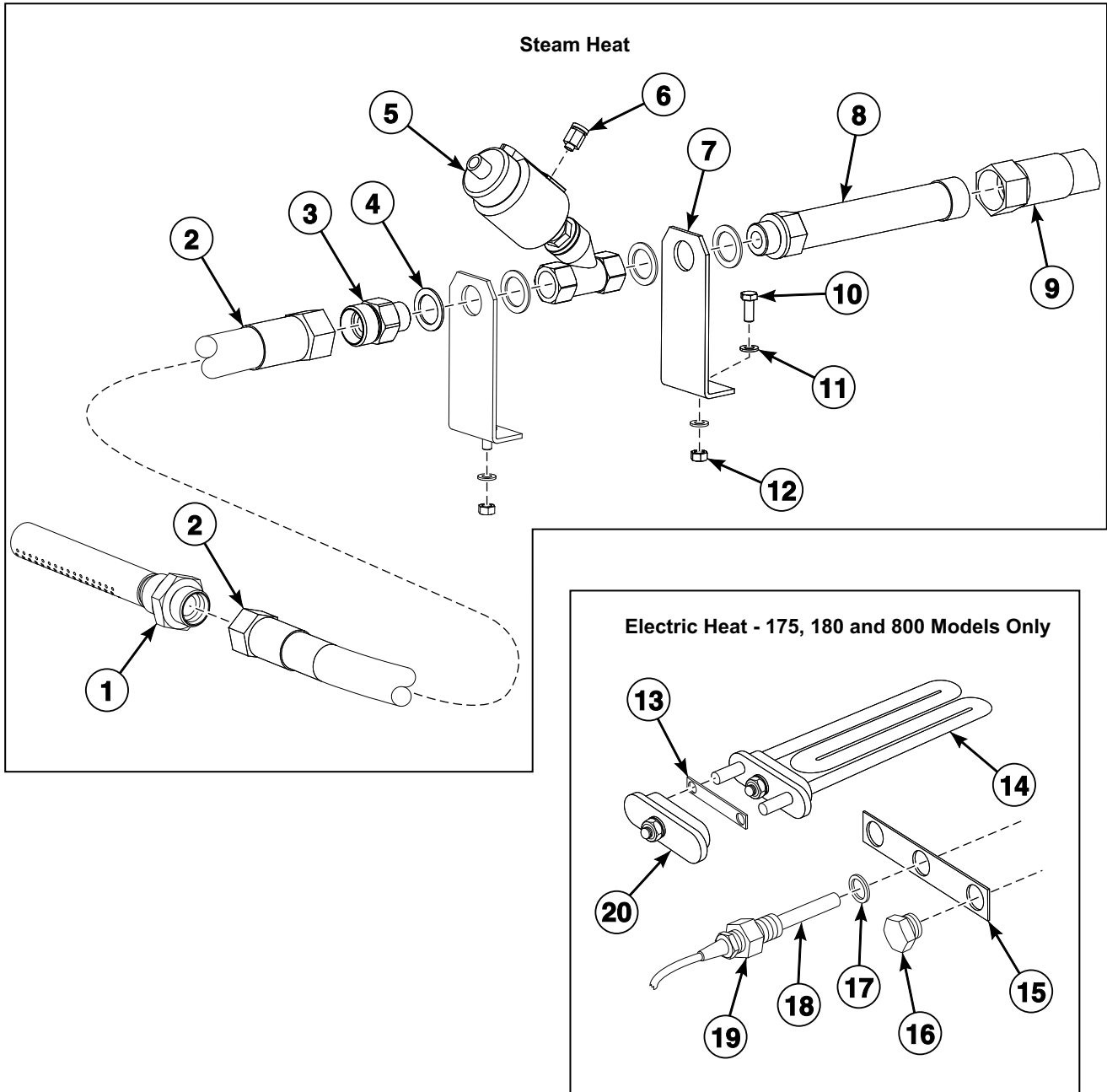
CZW411P\_D1518



# Control Panel

REF	PART NO.	DESCRIPTION	COMMENTS
1	SP311902100004	Washer	
2	SP311679800004	Washer	
3	SP310934240004	Nut	M4
4	567931	Hinge	
5	577184	Cover Plate Reinforcement	
6	SP311125240004	Washer	4.3
7	235577	Cover	12, 260, 265, 275, 1200 models
	235588	Cover	10, 220, 225, 230 and 1000 models
	235587	Cover	175, 180 and 800 models
8	SP528311	Emergency Stop Connector	
9	SP528312	Switching Unit	
10	235579	Holder	Top
11	235586	Holder	Bottom
12	SP210061	Bolt	M6x20
13	SP311127000006	Washer	M6
14	SP210002	Washer	M6
15	232119	Front Cover	Complete
16	577190	Sealant Tape	
17	SP528310	Emergency Stop Knob	
18	SPPRI551005248	Emergency Stop Label	
19	232115	Plate	Top; complete
20	SP210158	Bolt	M4x12
21	567818	Lock	
22	577180	Plate	
23	572505	Control	

# Steam and Electric Heating

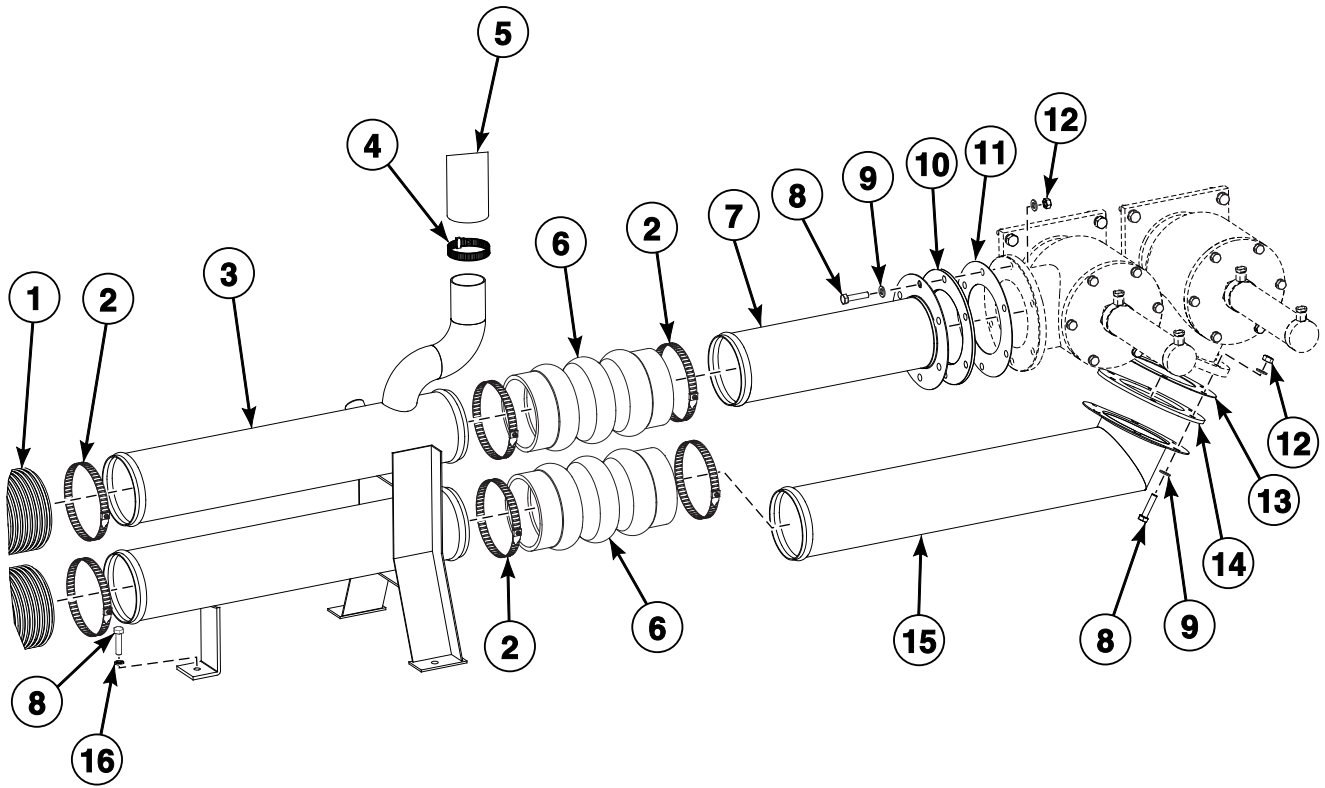


CFD3496P\_D1518

## Steam and Electric Heating

REF	PART NO.	DESCRIPTION	COMMENTS
	SP550513	Steam Kit	175, 180 and 800 models
	SP550514	Steam Kit	10, 12, 220, 225, 230, 260, 265, 275, 1000, 1200 and 1250 models
	SP550510	Steam and Electric Heating Kit	800 models
<b>1</b>	SP220360	Steam Injector	
<b>2</b>	SP555090	Steam Hose	
<b>3</b>	SP220376	Pipe Nipple	DN20
<b>4</b>	SP220375	Washer	
<b>5</b>	SP250007143	Steam Valve	1 inch; DN20
<b>6</b>	SP210354	Pipe Nipple	G 1/8 inch; 6mm
<b>7</b>	SP230109	Holder	
<b>8</b>	SP220500	Steam Tube	
<b>9</b>	SP273454900001	Hose	Without tilting system; 1 inch diameter; 900mm length
	SP548065	Steam Hose	With tilting system; 1 inch diameter; 1900mm length
<b>10</b>	SP210073	Bolt	M8x20
<b>11</b>	SP210014	Washer	8.4
<b>12</b>	SP210039	Nut	M8
<b>13</b>	SPB01100025014	Heating Element Interconnection	175, 180 and 800 models; 1
<b>14</b>	SP531227	Heating Element	175, 180 and 800 models; 2x2; 5kW
<b>15</b>	SPB01100025114	Heating Element Interconnection	175, 180 and 800 models; 2
<b>16</b>	SP531282	Electric Heating Plug	175, 180 and 800 models; M39x2
<b>17</b>	SPPRI524000001	Sealing Ring	175, 180 and 800 models
<b>18</b>	SP503839	Temperature Sensor	175, 180 and 800 models
<b>19</b>	SPPRI614000047	Thermostat Sensor Holder	175, 180 and 800 models; Includes SP516981 Sealing Ring
<b>20</b>	SPPRI342001016	Heating Element Hole Plug	175, 180 and 800 models

# Drain System

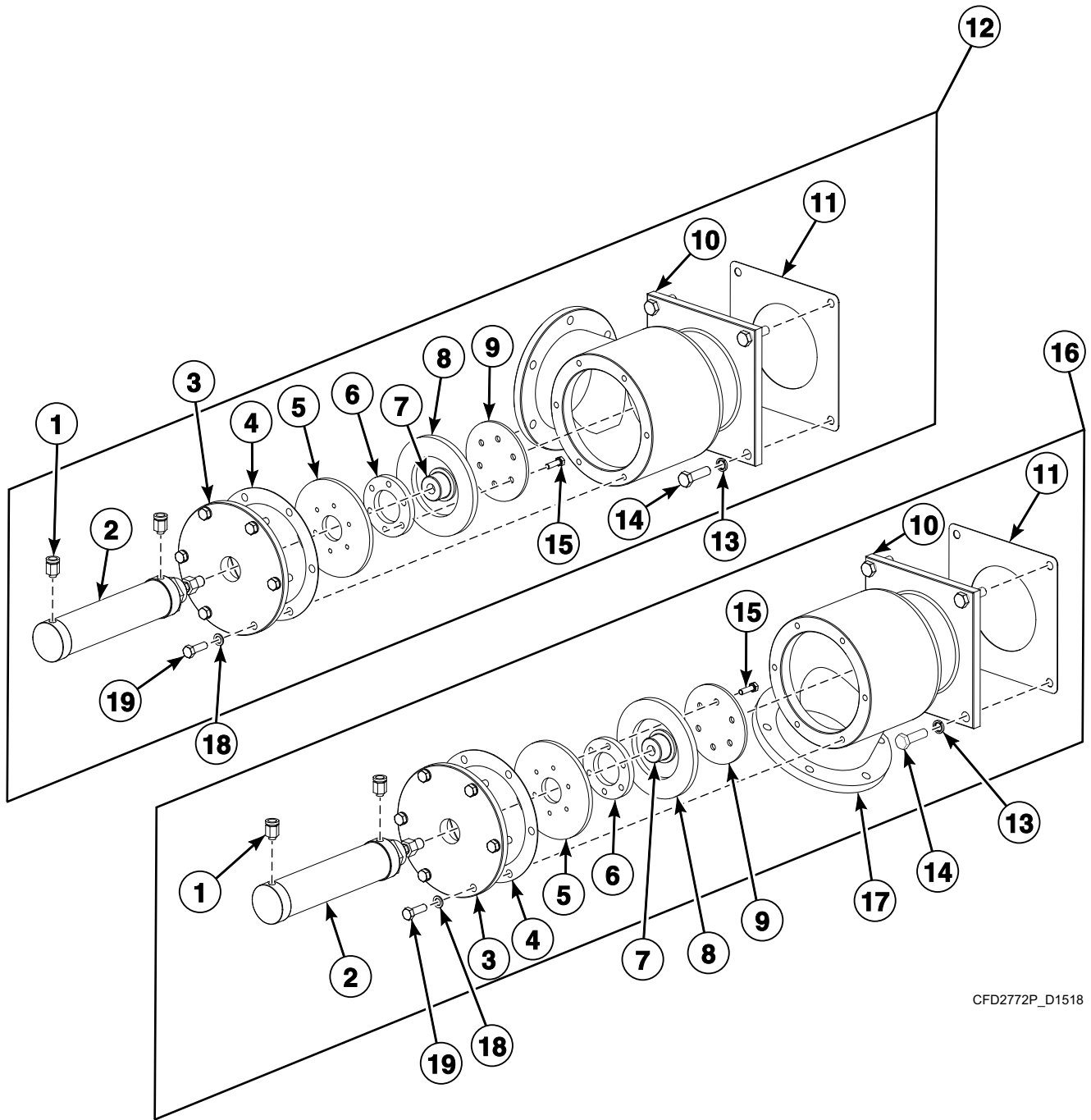


CFD2771P\_D1518

# Drain System

REF	PART NO.	DESCRIPTION	COMMENTS
1	SP523770	Drain Hose	Without tilting system; 110mm diameter; 750mm length required; With tilting system; 110mm diameter; 1250mm length required
2	567314	Hose Clamp	105-115 mm
3	SP230104	Drain Hose Holder	175, 180 and 800 models
	SP230128	Drain Hose Holder	10, 220, 225, 230 and 1000 models
	SP230162	Drain Hose Holder	12, 260, 265, 275, 1200 and 1250 models
4	SP210416	Hose Clamp	44-64
5	SP800907090	Hose	12, 260, 265, 275, 1200 and 1250 models
	SP802124010	Hose	10, 175, 180, 220, 225, 230, 800 and 1000 models
6	SP802123123	Hose	
7	SP230103	Straight Drain Pipe	175, 180 and 800 models
	SP230129	Straight Drain Pipe	10, 12, 220, 225, 230, 260, 265, 275, 1000, 1200 and 1250 models
8	SP210079	Bolt	M8x35
9	SP210014	Washer	8.4
10	SP220492	Flange	
11	SP238018	Seal	B
12	SP210039	Nut	M8
13	SP238019	Seal	A
14	SP220493	Flange	
15	SP230110	Slanted Drain Pipe	175, 180 and 800 models
	SP230130	Slanted Drain Pipe	10, 12, 220, 225, 230, 260, 265, 275, 1000, 1200 and 1250 models
16	SP210003	Washer	8

# Drain Valves

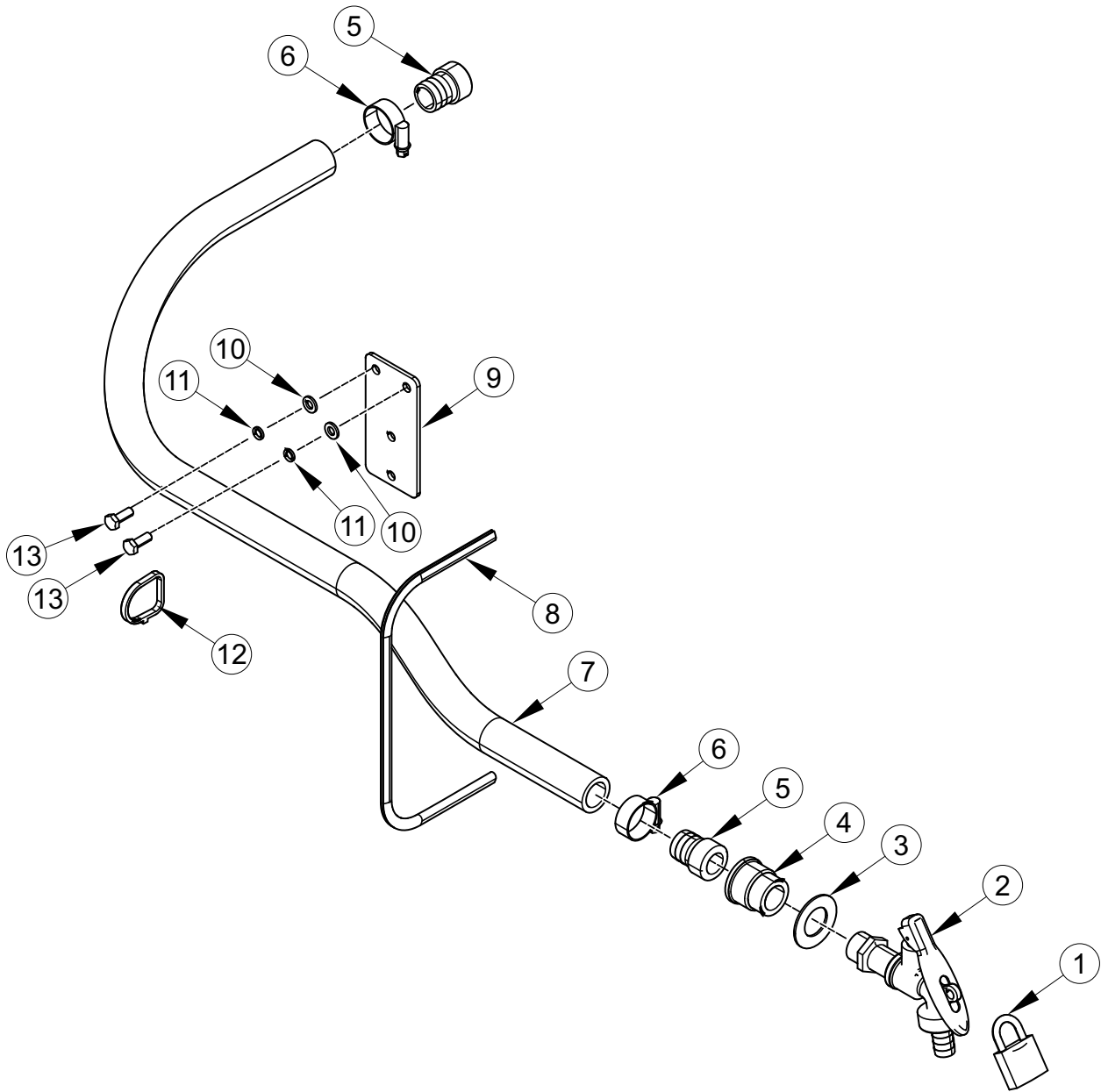


CFD2772P\_D1518

## Drain Valves

REF	PART NO.	DESCRIPTION	COMMENTS
1	SP210354	Pipe Nipple	6-G 1/8 inch
2	SP254410320	Pneumatic Valve	
3	SP220494	Drain Valve Cover	
4	SP220775	Drain Valve Cover Seal	
5	SP220496	Pressure Plate	
6	SP220498	Flange	
7	SP220370	Sleeve	
8	SP800701051	Seal	
9	SP220497	Pressure Plate	
10	SP230120	Straight Drain Valve Body	
11	SP238017	Drain Valve Sealing	
12	SP238020	Straight Drain Valve	DN100
13	SP311127000010	Washer	10
14	SP210092	Bolt	M10x35
15	SP210062	Bolt	M6x20
16	SP238021	Slanted Drain Valve	DN100
17	SP230119	Slanted Drain Valve Body	
18	SP220371	Washer	8
19	SP210076	Bolt	M8x25

# Wash Bath Sample



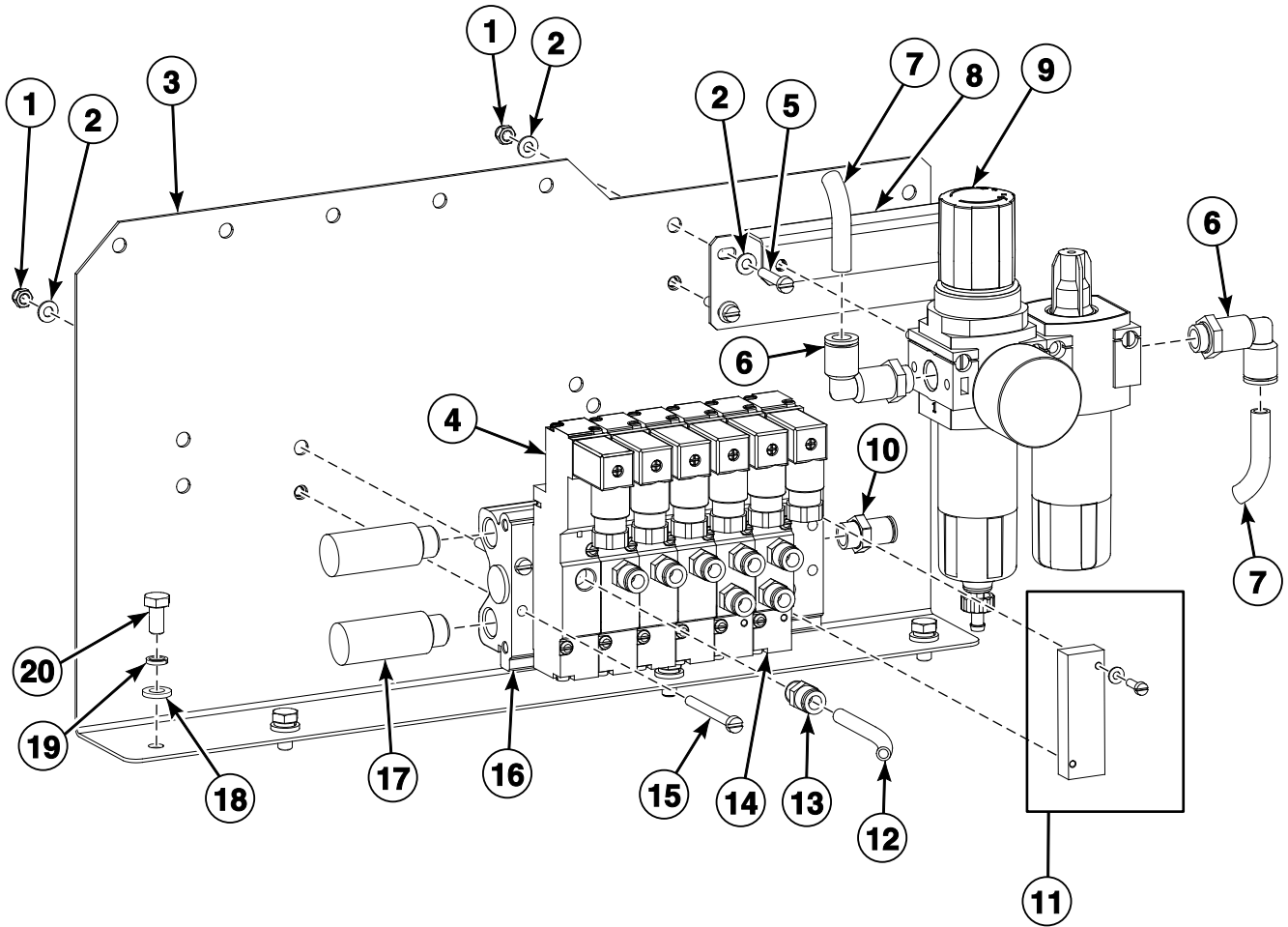
C-CZW11P\_D1518



# Wash Bath Sample

REF	PART NO.	DESCRIPTION	COMMENTS
	567224	Wash Bath Sample Assembly	
	245704000577	Adhesive	577
1	SP523167	Padlock	
2	SP523728	Valve	
3	557211	Washer	
4	SP523729	Pipe Coupling	
5	SP235134107315	Pipe Coupling	
6	SPPRI240000003	Hose Clamp	
7	SPPRI540001019	Hose	1.5m
8	SPPRI505000058	Profiled Sealing	
9	557326	Holder	
10	SP311125000006	Washer	M6 - 6.4/12/1.6
11	SP311127000006	Washer	M6 - 6.1/6.5/11.8/1.6
12	SP503817	Binding Strip	
13	SP309933000620	Bolt	M6x20

# Pneumatic Components

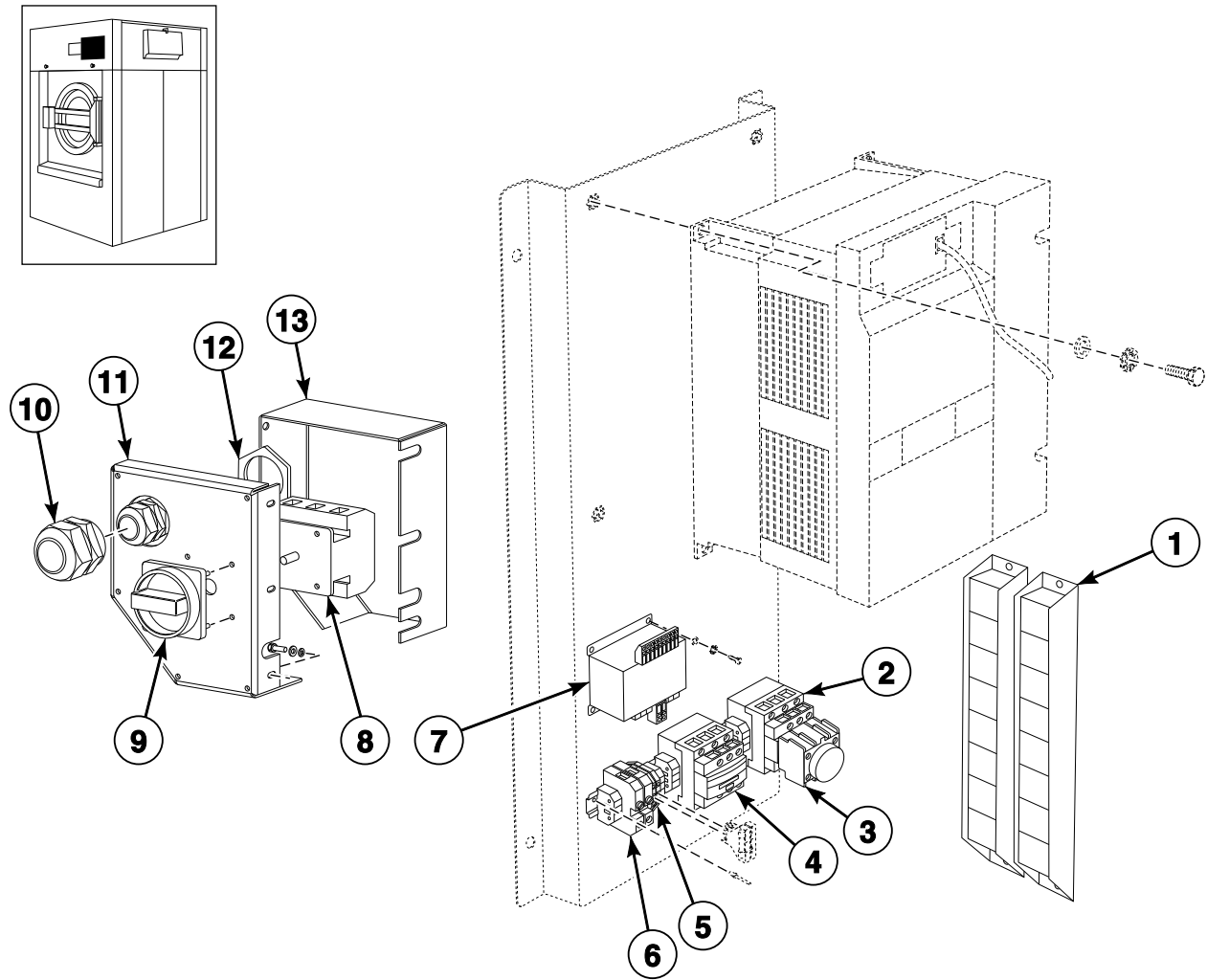


CFD2773P\_D1518

# Pneumatic Components

REF	PART NO.	DESCRIPTION	COMMENTS
1	SP514193	Nut	M4
2	SP311125000004	Washer	4.3
3	SP553238	Pneumatic Components Plate	
4	SP536502	Electromagnetic Valve	MEBH-3/2; G 1/8 inch-P-B; 230V AC; Includes SP536509 Electromagnetic Coil, except models with "V" in model numbers 7th position
	SP221466	Electromagnetic Valve	VUVS-L20-M32C-AD-G18-F7, models with "V" in model numbers 7th position
5	SP309084000420	Bolt	M4x20
6	SP319428330800	Pipe Nipple	L8-G 1/4 inch
7	SP319300008125	Hose	8x1.25
8	SP548952	Regulator Holder	
9	SP548953	Filter, Regulator and Lubricator	G 1/4 inch
10	SP319428330008	Pipe Nipple	8-G 1/4 inch, except models with "V" in model numbers 7th position
	SP570822	Pipe Nipple	8-G3/8", models with "V" in model numbers 7th position
11	SP536508	Topper	except models with "V" in model numbers 7th position
	SP570811	Topper	models with "V" in model numbers 7th position
12	SP319300006001	Hose	6x1
13	SP319428330006	Pipe Nipple	6-G 1/8 inch
14	SP536503	Electromagnetic Valve	MEBH-5/2; G 1/8 inch-P-B; 230V AC; Includes SP536509 Electromagnetic Coil, except models with "V" in model numbers 7th position
	SP566598	Electromagnetic Valve	VUVS-L20-M52-AD-G18-F7, models with "V" in model numbers 7th position
	SP536509	Electromagnetic Coil	except models with "V" in model numbers 7th position
	SP570808	Electromagnetic Coil	models with "V" in model numbers 7th position
	SP536505	Valve Connector	
15	SP512134	Bolt	M4x40
16	SP536507	Connecting Block	except models with "V" in model numbers 7th position
	SP570809	Connecting Block	models with "V" in model numbers 7th position
17	SP326346000407	Sound Damper	G 1/4 inch, except models with "V" in model numbers 7th position
	SP570823	Sound Damper	G 3/8, models with "V" in model numbers 7th position
18	SP311125000006	Washer	6.4
19	SP311127000006	Washer	6
20	SP210062	Bolt	M6x12

# Main Switch

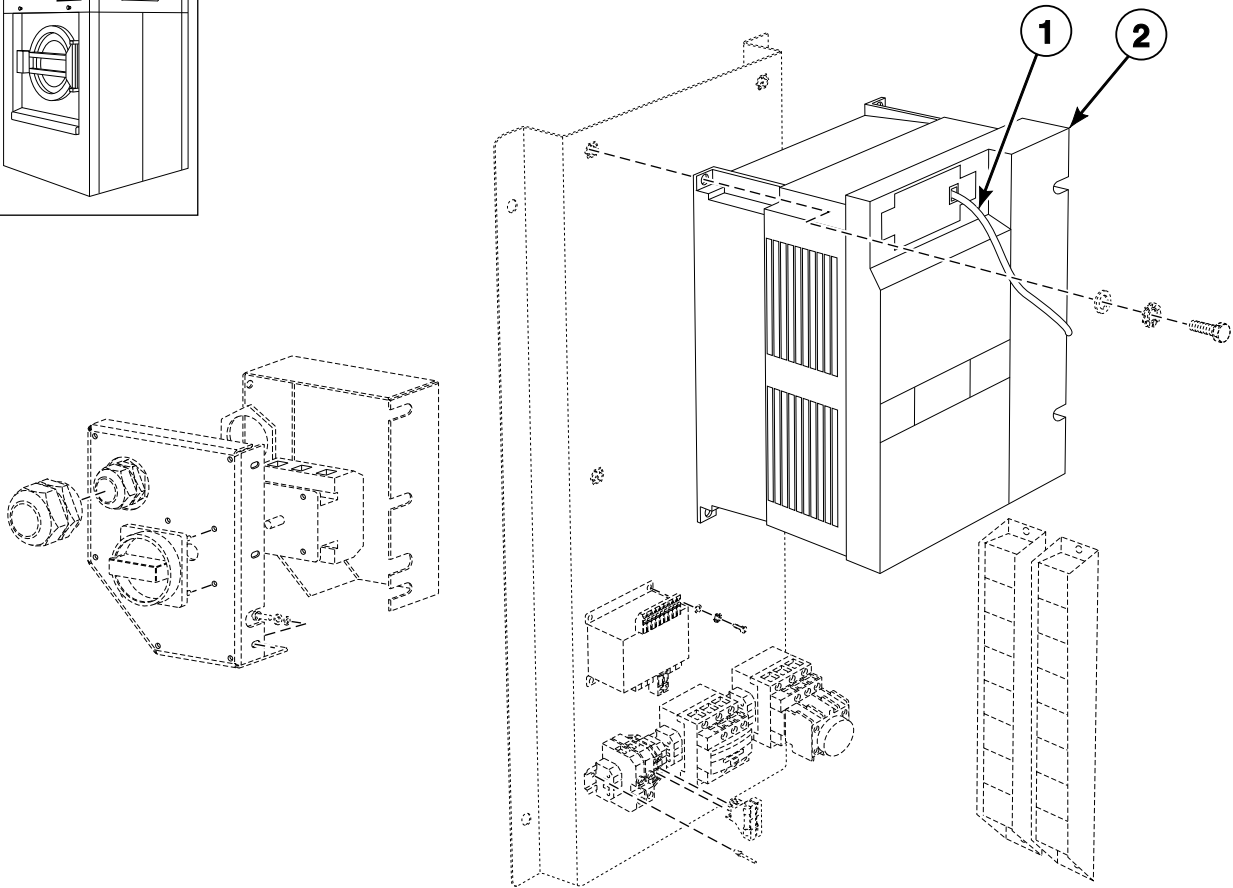
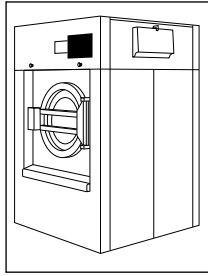


CFD2774P\_D1518

# Main Switch

REF	PART NO.	DESCRIPTION	COMMENTS
	SP345805363032	Fuse	6.3x32 mm; T2, 5A/250V
	SP345805163032	Fuse	6.3x32 mm; T1, 5A/500V
	SPPRI401020021	Fuse	5x20 mm; F1, 6A/250V
	SP344000010000	Fuse	5x20 mm; T1A/250V
<b>1</b>	SP516746	Brake Resistor	
<b>2</b>	SPPRI345001019	Contactora	LC1-D40M7; With tilting system
	SPPRI345002019	Contactora	LC1-D32M7; Without tilting system
	SP514044	Contactora	10, 12, 220, 225, 230, 260, 265, 275, 1000, 1200 and 1250 models; LC1-D65M7; 230V; With tilting system
<b>3</b>	SPPRI345006045	Timer	With tilting system
<b>4</b>	SPPRI345002019	Contactora	LC1-D40M7
	SPPRI345001019	Contactora	LC1-D32M7
<b>5</b>	SP524653	Fuse Clip	
	SP524654	Fuse Plug	
	SP524655	Cover	
<b>6</b>	SP346000004010	Fuse Case	
	SP346000014010	Cover	
<b>7</b>	SP101643	Transformer	
<b>8</b>	SPPRI404000098	Main Switch	175, 180 and 800 models; Steam heat; 32 Amp; 400 Volt
	SPPRI404000099	Main Switch	175, 180 and 800 models with steam heat, 63 Amp and 230 Volt; 10, 12, 220, 225, 230, 260, 265, 275, 1000, 1200 and 1250 models models with 63 Amp and 400 Volt
	SP347700125175	Main Switch	175, 180 and 800 models; Electric heat; 125 Amp; 400 Volt
	SPPRI404000100	Main Switch	10, 12, 220, 225, 230, 260, 265, 275, 1000, 1200 and 1250 models; 80 Amp; 230 Volt
	SP504589	Main Switch	175, 180 and 800 models; Electric heat; 250 Amp; 230 Volt
<b>9</b>	SPPRI404000095	Main Switch Knob	Steam heat
<b>10</b>	SP101410	Cable Bushing	M40
	SP516175	Cable Bushing	175, 180 and 800 models; Electric heat; M63
	SP101409	Bushing	M32; Steam heat
	SP552258	Cable Bushing Reduction	M40/M32; Steam heat
<b>11</b>	SP552883	Main Switch Holder	Use with SPPRI404000098 Main Switch
	SP552882	Main Switch Holder	Use with SPPRI404000099 Main Switch
	SP547365	Main Switch Holder	Use with SP347700125175 Main Switch; 175, 180 and 800 models; Electric heat
<b>12</b>	SP101420	Nut	10, 12, 220, 225, 230, 260, 265, 275, 1000, 1200 and 1250 models; M40; Use with SP101410 Cable Bushing
	SP516176	Nut	175, 180 and 800 models; M63; Use with SP516175 Cable Bushing
<b>13</b>	SP547366	Main Switch Cover Weldment	

# Frequency Inverter

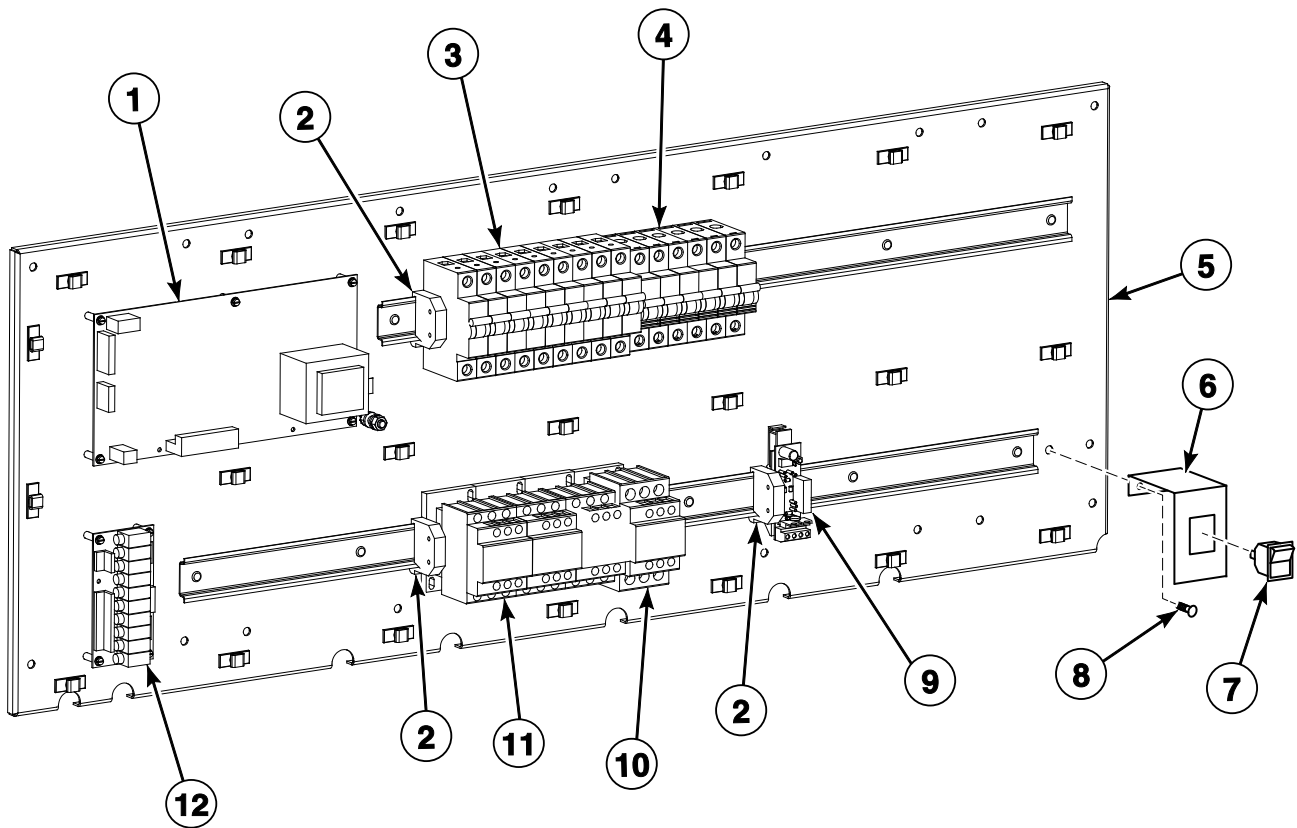


CFD2774PA\_D1518

# Frequency Inverter

REF	PART NO.	DESCRIPTION	COMMENTS
1	SP520051	Communication Cable	CSA models through 12/31/15
	SP528325	Communication Cable	Non-CSA models starting 5/28/13; CSA models starting 1/1/16
2	569724	Frequency Inverter Kit	175, 180 and 800 models; 400 Volt; Includes SP557966 Frequency Inverter FR-A840, SP557995 Fan, SP526001 Memory and instructions; Used to replace SP525906 Frequency Inverter FR-A740 on models through Serial No. 800F001387FS
	569733	Frequency Inverter Kit	175, 180 and 800 models; 230 Volt; Includes SP557967 Frequency Inverter FR-A820, SP557995 Fan, SP526001 Memory and instructions; Used to replace SP528173 Frequency Inverter FR-A720 on models through Serial No. 800F001296DZ
	SP557966	Frequency Inverter	175, 180 and 800 models starting Serial No. 800F001388FU; 400 Volt; FR-A840-00310-2-60; Includes SP557995 Fan
	SP557967	Frequency Inverter	175, 180 and 800 models starting Serial No. 800F001297DZ; 230 Volt; FR-A820-00630-2-60; Includes SP557995 Fan
	569734	Frequency Inverter Kit	10, 12, 220, 225, 230, 260, 265, 275, 1000, 1200 and 1250 models; 230 Volt; Includes SP557969 Frequency Inverter FR-A820, SP557996 Fan, SP526001 Memory and instructions; Used to replace SP528295 Frequency Inverter FR-A720 on models through Serial Nos. 1000F000102DY and 1200F001249DZ
	569731	Frequency Inverter Kit	10, 12, 220, 225, 230, 260, 265, 275, 1000, 1200 and 1250 models; 400 Volt; Includes SP557968 Frequency Inverter FR-A840, SP557996 Fan, SP526001 Memory and instructions; Used to replace SP525907 Frequency Inverter FR-A740 on models through Serial Nos. 1000F000135FQ and 1200F001299FQ
	SP557969	Frequency Inverter	10, 12, 220, 225, 230, 260, 265, 275, 1000, 1200 and 1250 models models starting Serial Nos. 1000F000103FB and 1200F001250DZ; 230 Volt; FR-A820-00930-2-60; Includes SP557996 Fan
	SP557968	Frequency Inverter	10, 12, 220, 225, 230, 260, 265, 275, 1000, 1200 and 1250 models models starting Serial Nos. 1000F000136FQ and 1200F001300FQ ; 400 Volt; FR-A840-00470-2-60; Includes SP557996 Fan

# Electrical Component Box



CFS1975P\_D1518

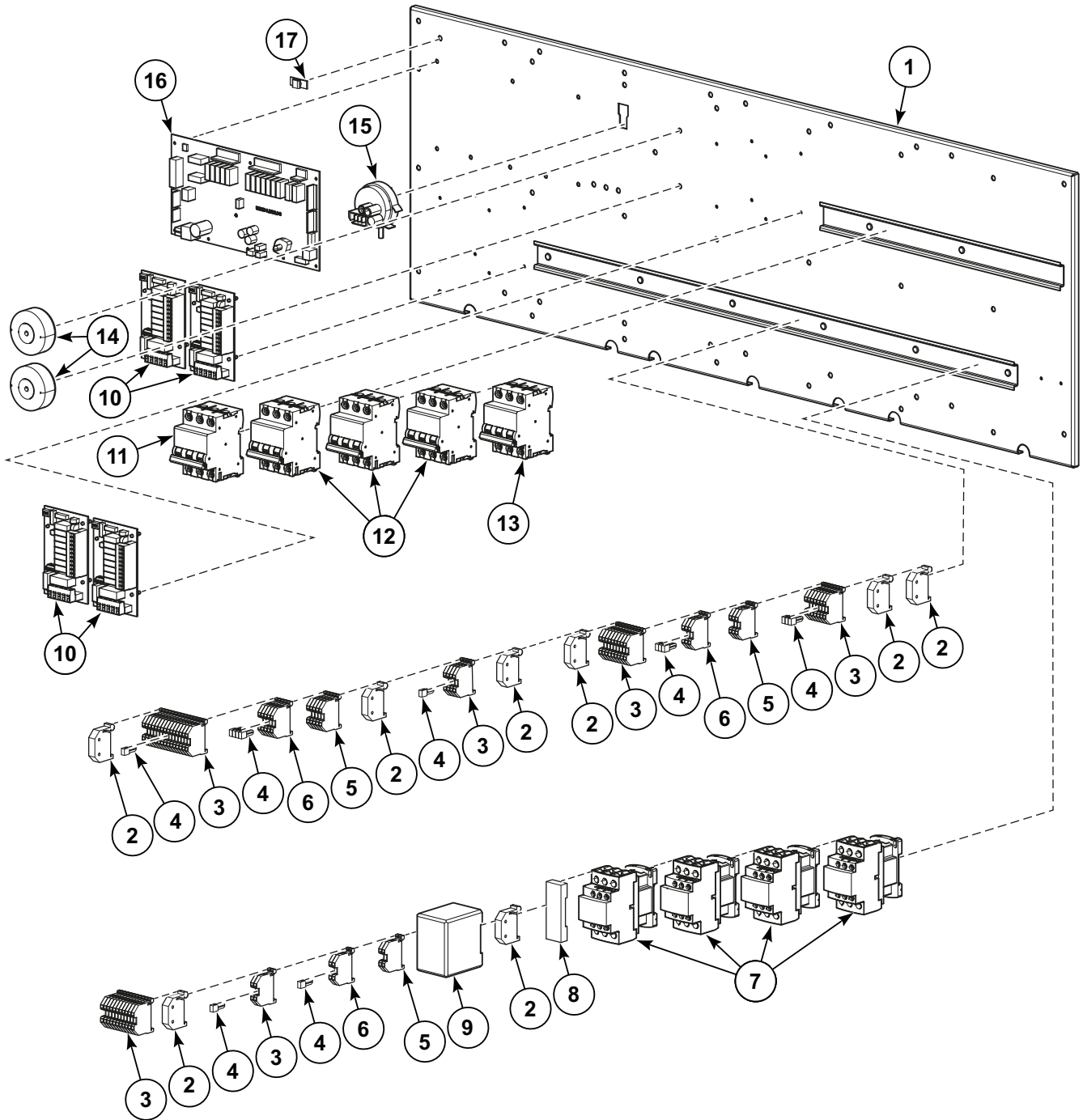


## Electrical Component Box

REF	PART NO.	DESCRIPTION	COMMENTS
	SP553403	Board Interconnection Cable	
	SP547062	Relay Extension Board Cable	
	SP557948	External Block Signal Cable	4.3m
	SP557944	Soap Link Kit	
1	SP547002	Control Board Power	MC6; Models through Serial Nos. 800F000156BZ, 1000F000076DB and 1200F000204BZ
	SP553405	Control Board Power	MC7; Models starting Serial Nos. 800F000157DB, 1000F000077DB and 1200F000205DB
2	SP346000209101	End Stop	
3	SPPRI401013021	Circuit Breaker	175, 180 and 800 models; Electric heat; 25 Amp
	SP528171	Circuit Breaker	175, 180 and 800 models; Electric heat; 40 Amp
4	SPPRI401014021	Circuit Breaker	175, 180 and 800 models; Electric heat; 32 Amp
	SP524785	Circuit Breaker	175, 180 and 800 models; Electric heat; 50 Amp
5	SP554845	Switchboard Plate	
6	SP358126300000	Electrical Time Switch	175, 180 and 800 models; Electric heat
7	SPPRI345002019	Contactor	175, 180 and 800 models; Electric heat; LC1-D32M7
8	SP514042	Contactor	175, 180 and 800 models; Electric heat; LC1-D18M7
9	SP547003	Relay Extension Board	

# Electrical Component Box

Models with "V" in model numbers 7th position

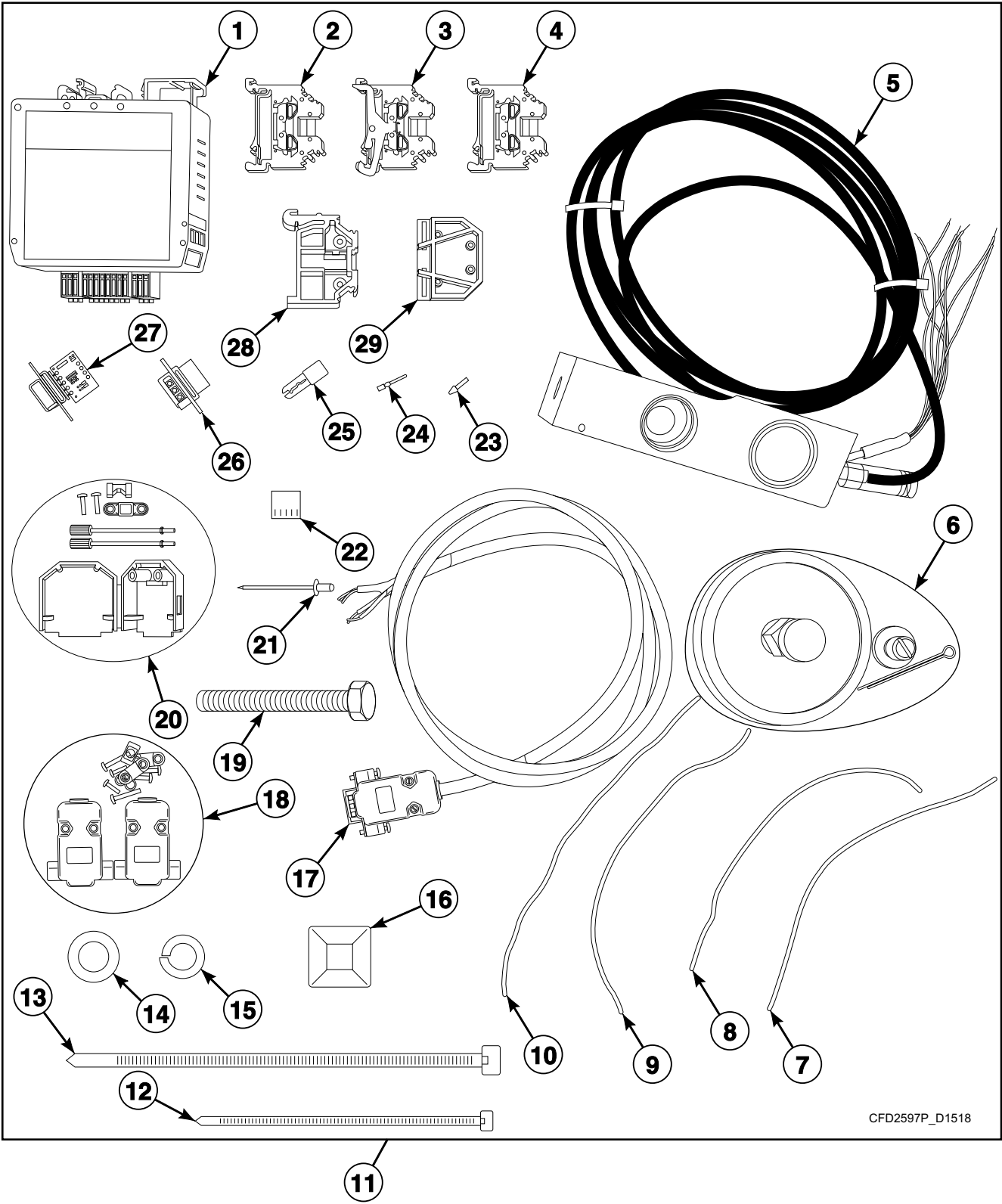


CZW412P\_D1518

# Electrical Component Box

REF	PART NO.	DESCRIPTION	COMMENTS
	SP569737	CPU-power board flat cable	
	SP547089	Interconnection flat cable	
	569754	Main Wiring	
	571459	Electrical box wiring	
	569753	Door lock wiring	
	571461	Safety stop cable	
	PRI503000028	Y-piece	
1	SP232297	Switchboard Plate	
2	SP346000209101	End Stop	
3	SP346000280101	Clamp	
4	SP346000280402	Interconnection	
5	SP346000280107	Clamp	
6	SP346000280104	Clamp	
7	SP514042	Contactor	175, 180 and 800 models; Electric heat; LC1-D18M7
8	SP358126300000	Electrical Time Switch	175, 180 and 800 models; Electric heat
9	SP516968	Amplifier	
10	SP553187	Extension Board	
11	SP528171	Circuit Breaker	175, 180 and 800 models; Electric heat; 40 Amp
12	SPPRI401013021	Circuit Breaker	175, 180 and 800 models; Electric heat; 25 Amp
13	SPPRI401014021	Circuit Breaker	175, 180 and 800 models; Electric heat; 32 Amp
14	564561	Transformer	230V 24V
15	570315	Water Level Switch	TYPE 760 RAST 5 mm
16	SP553184	I/O Control Board	
17	SP528313	Cable Holder	

# Weighing System - Models Without Tilting System

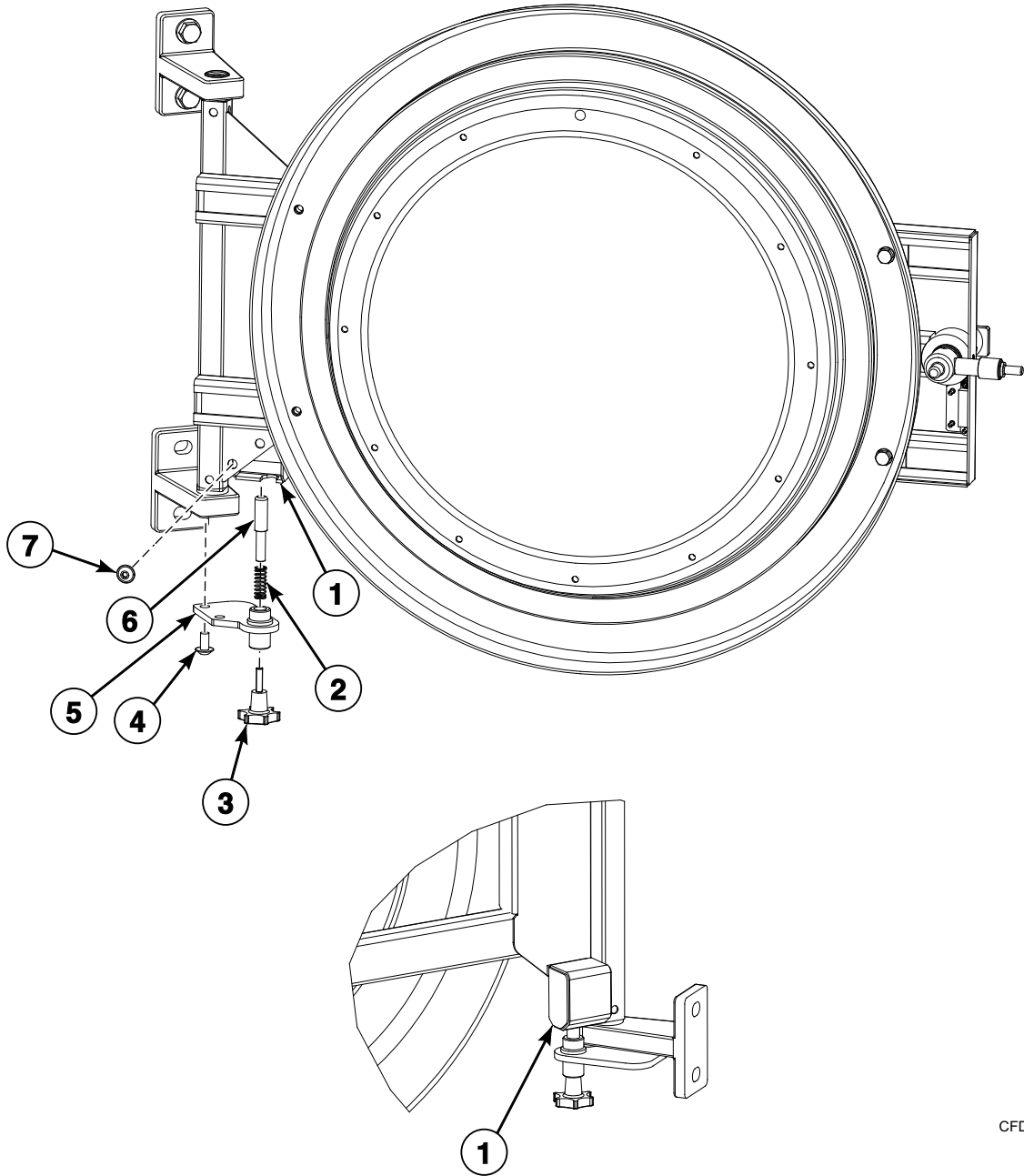


CFD2597P\_D1518

## Weighing System - Models Without Tilting System

REF	PART NO.	DESCRIPTION	COMMENTS
	SP346000210113	Rail	
1	SP516968	Amplifier	
2	SP346000280107	Clamp	280-107; Green-Yellow
3	SP346000280104	Clamp	280-104; Blue
4	SP346000280101	Clamp	280-101; Gray
5	SP529101	Load Sensor	
6	SP516956	Adjustable Foot	Clamp not included
7	SP505444	Conductor	0.35mm <sup>2</sup> ; Green; l=0.6m
8	SP341413007001	Conductor	0.35mm <sup>2</sup> ; Red; l=1.8m
9	SP341413007002	Conductor	0.35mm <sup>2</sup> ; Orange; l=0.4m
10	SP505446	Conductor	0.35mm <sup>2</sup> ; Blue; l=2m
11	SP547361	Weighing System Kit	Without tilting system
12	SP345000160971	Binding Strip	140x3.6
13	SP503817	Binding Strip	178x4.8
14	SP311125000013	Washer	13
15	SP311127000012	Washer	12
16	SPPRI350003050	Adhesive Fixing Index Plate	
17	SP341414000205	Shield Cable	Used with items 18 and 26; 2x0.5; Connector not included
18	SP347100306009	Connector Box	Used with item 26
19	SP309933001250	Bolt	M12x50
20	SP516997	Converter Box	Used with item 27
21	SP313250004063	Rivet	4x6.3; Crank included
22	SP516090	Connector	5 poles
23	SPPRI350002018	Contact	
24	SP345001662931	Contact Pin	
25	SP346000280402	Interconnection	280-402
26	SP520082	Connector	9 poles
27	SP516964	Converter	
28	SP346000209101	End Stop	
29	SP346000280301	Cover	

# Tilting System Door Fastener

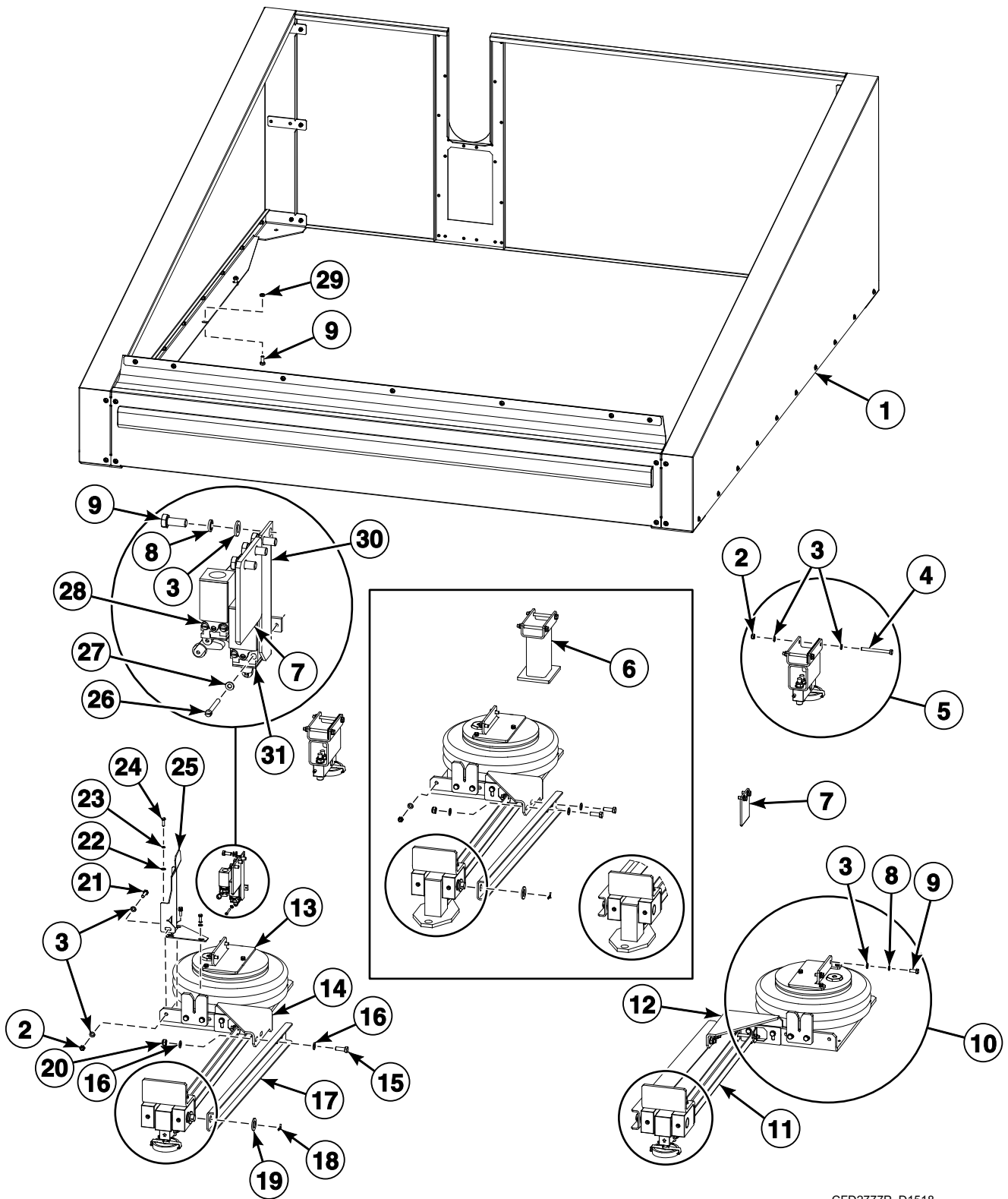


CFD2776P\_D1518

# Tilting System Door Fastener

REF	PART NO.	DESCRIPTION	COMMENTS
1	SP541296	Finger Cover	
2	SP120102302325	Spring	
3	SP321848000006	Bolt	M6
4	SP309159324816	Bolt	M8x16
5	SP541293	Finger Holder	
6	SP548056	Latch Pin	
7	SP526791	Bolt	M8x12

# Tilting and Weighing System - Models With Forward Tilting (Drawing 1 of 2)



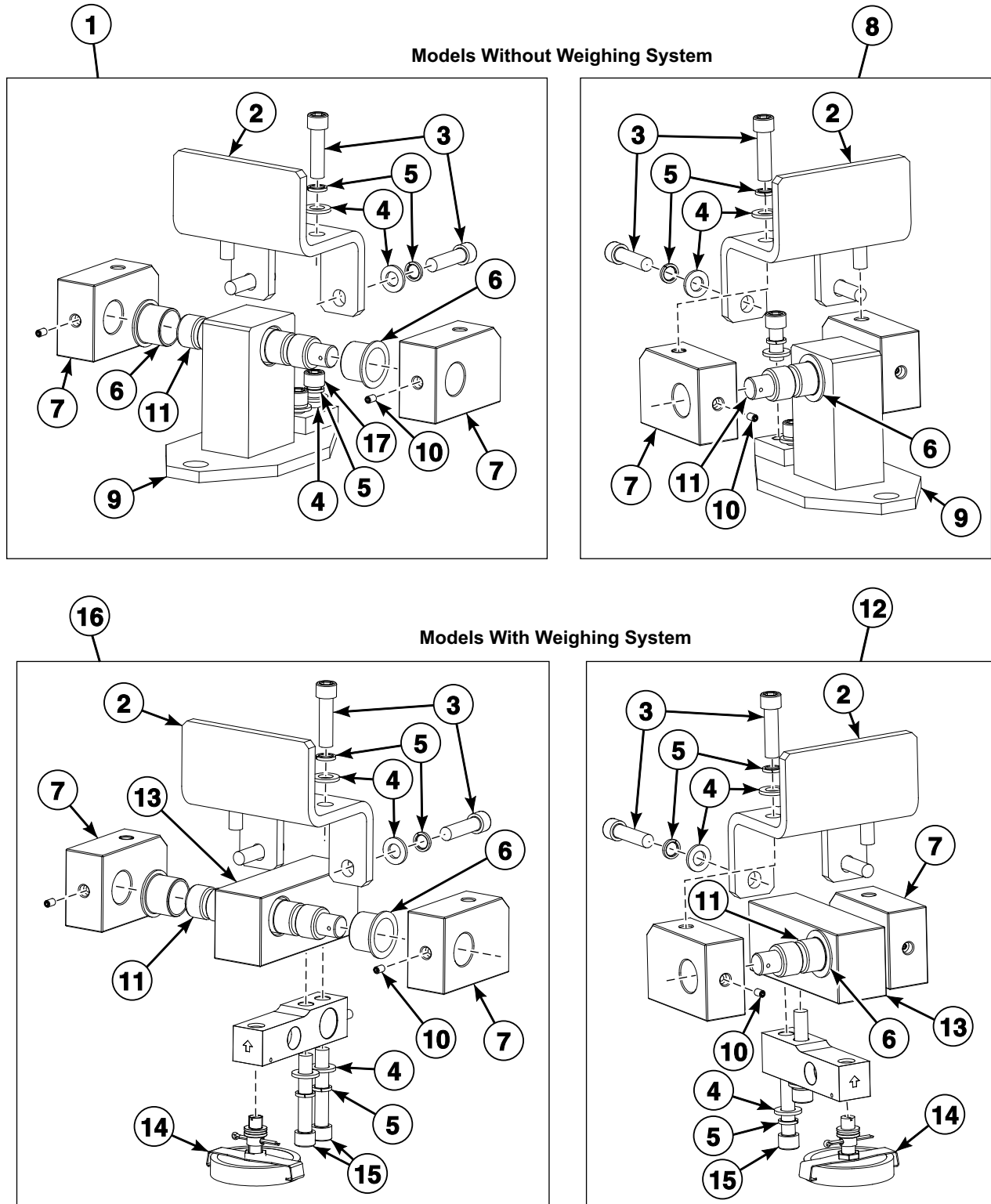
CFD2777P\_D1518



## Tilting and Weighing System - Models With Forward Tilting (Drawing 1 of 2)

REF	PART NO.	DESCRIPTION	COMMENTS
1	SP552714	Tilting System Cabinet	175, 180 and 800 models
	SP553704	Tilting System Cabinet	10, 220, 225, 230 and 1000 models
	SP553749	Tilting System Cabinet	12, 260, 265, 275, 1200 and 1250 models
2	SP310985000008	Nut	M8
3	SP311125000008	Washer	8.4
4	SP309933000890	Bolt	M8x90
5	SP551435	Rear Foot	With weighing system
6	SP552150	Rear Foot	Without weighing system
7	SP552715	Lower Stop	
8	SP311127000008	Washer	8
9	SP309933000820	Bolt	M8x20
10	SP552747	Lift	Right
11	SP552719	Arm	175, 180 and 800 models
	SP553703	Arm	10, 220, 225, 230 and 1000 models
	SP553752	Arm	12, 260, 265, 275, 1200 and 1250 models
12	SP554973	Arm	Right
13	SP552712	Lift	Left
14	SP554972	Arm	Left
15	SP309933001030	Bolt	M10x30
16	SP311125000010	Washer	10.5
17	SP554971	Hinge Arm	175, 180 and 800 models
	SP554979	Hinge Arm	10, 220, 225, 230 and 1000 models
	SP554980	Hinge Arm	12, 260, 265, 275, 1200 and 1250 models
18	SP314178032022	Split Pin	3.2x22
19	SP311125000020	Washer	21
20	SP310985000010	Nut	M10
21	SP309933000830	Bolt	M8x30
22	SP311125000006	Washer	6.4
23	SP311127000006	Washer	6
24	SP309933000618	Bolt	M6x18
25	SP552126	Upper Switch Guide	175, 180 and 800 models
	SP553723	Upper Switch Guide	10, 220, 225, 230 and 1000 models
	SP553750	Upper Switch Guide	12, 260, 265, 275, 1200 and 1250 models
26	SP512134	Bolt	M4x40
27	SP311125000004	Washer	4.3
28	SPPRI345000070	Position Switch	
29	SP537518	Nut	M8
30	SP552125	Switch Holder	
31	SP506572	Position Switch	

# Tilting and Weighing System - Models With Forward Tilting (Drawing 2 of 2)

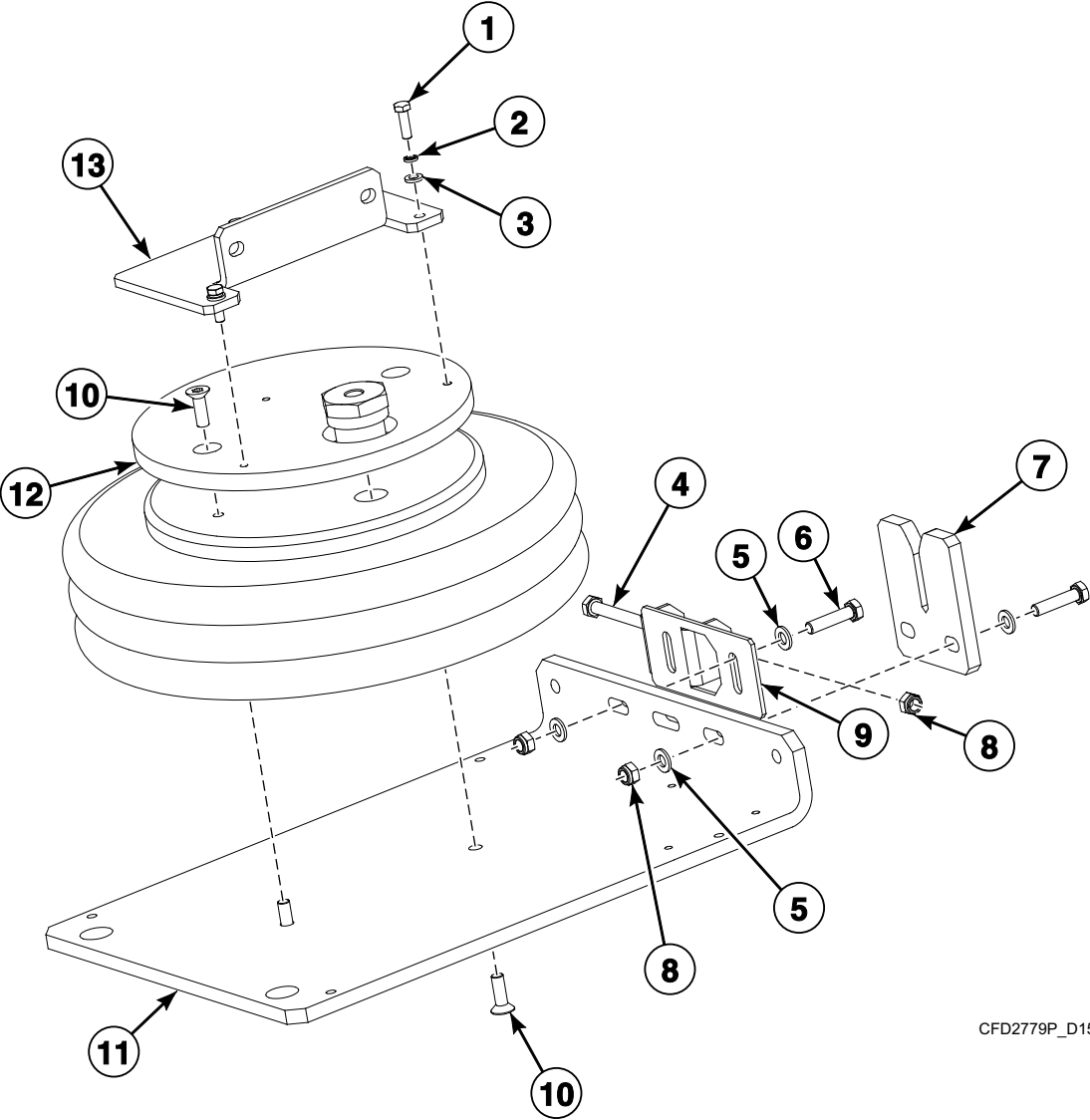


CFD2778P\_D1518

## Tilting and Weighing System - Models With Forward Tilting (Drawing 2 of 2)

REF	PART NO.	DESCRIPTION	COMMENTS
	SP347100460720	Relay	4 poles
	SP347100787384	Relay Cap	4 poles
	SP347100728801	Clip Relay	4 poles
	SP346000280101	Clamp	280-101
	SP346000280107	Clamp	280-107
	SP346000280301	Cover	280-301
	SP346000209101	End Stop	
	SP506585	Relay	2 poles
<b>1</b>	SP554986	Tilting System Hinge	Left; Without weighing system
<b>2</b>	SP552716	Upper Hinge	
<b>3</b>	SP514714	Bolt	M12x45
<b>4</b>	SP311125000013	Washer	13
<b>5</b>	SP311127000012	Washer	12
<b>6</b>	SP552721	Sleeve	
<b>7</b>	SP552717	Upper Hinge	
<b>8</b>	SP554987	Tilting System Hinge	Right; Without weighing system
<b>9</b>	SP554990	Front Foot	
<b>10</b>	SP309913000610	Bolt	M6x10
<b>11</b>	SP554981	Tilting System Pin	
<b>12</b>	SP554989	Tilting System Hinge	Right; With weighing system
<b>13</b>	SP552718	Lower Hinge	With weighing system
<b>14</b>	SP552123	Clamp	With weighing system
<b>15</b>	SP551431	Bolt	M12x70
<b>16</b>	SP554988	Tilting System Hinge	Left; With weighing system
<b>17</b>	SP309912101230	Bolt	M12x30

# Forward Tilting System

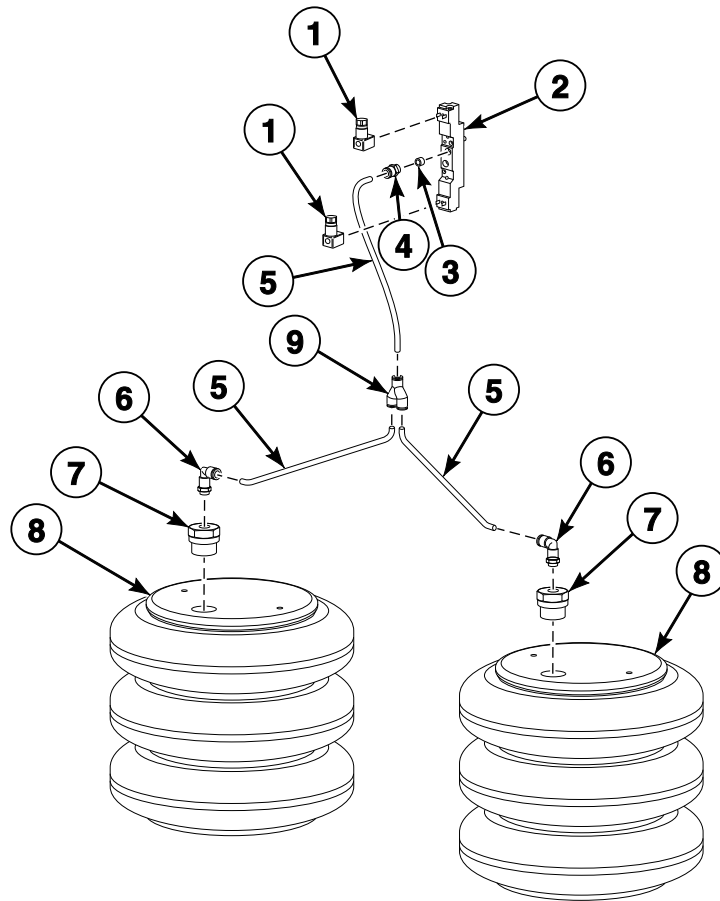


CFD2779P\_D1518

## Forward Tilting System

REF	PART NO.	DESCRIPTION	COMMENTS
1	SP309933000618	Bolt	M6x18
2	SP311127000006	Washer	6
3	SP311125000006	Washer	6.4
4	SP309933000870	Bolt	M8x70
5	SP311127000008	Washer	8.4
6	SP309933000835	Bolt	M8x35
7	SP552725	Stop	Lower
8	SP310985000008	Nut	M8
9	SP552724	Arm Holder	
10	SP551432	Bolt	M8x25
11	SP554857	Air Spring Plate	
12	SP551174	Washer	
13	SP551176	Air Spring Support	

# Forward Tilting Pneumatic Components

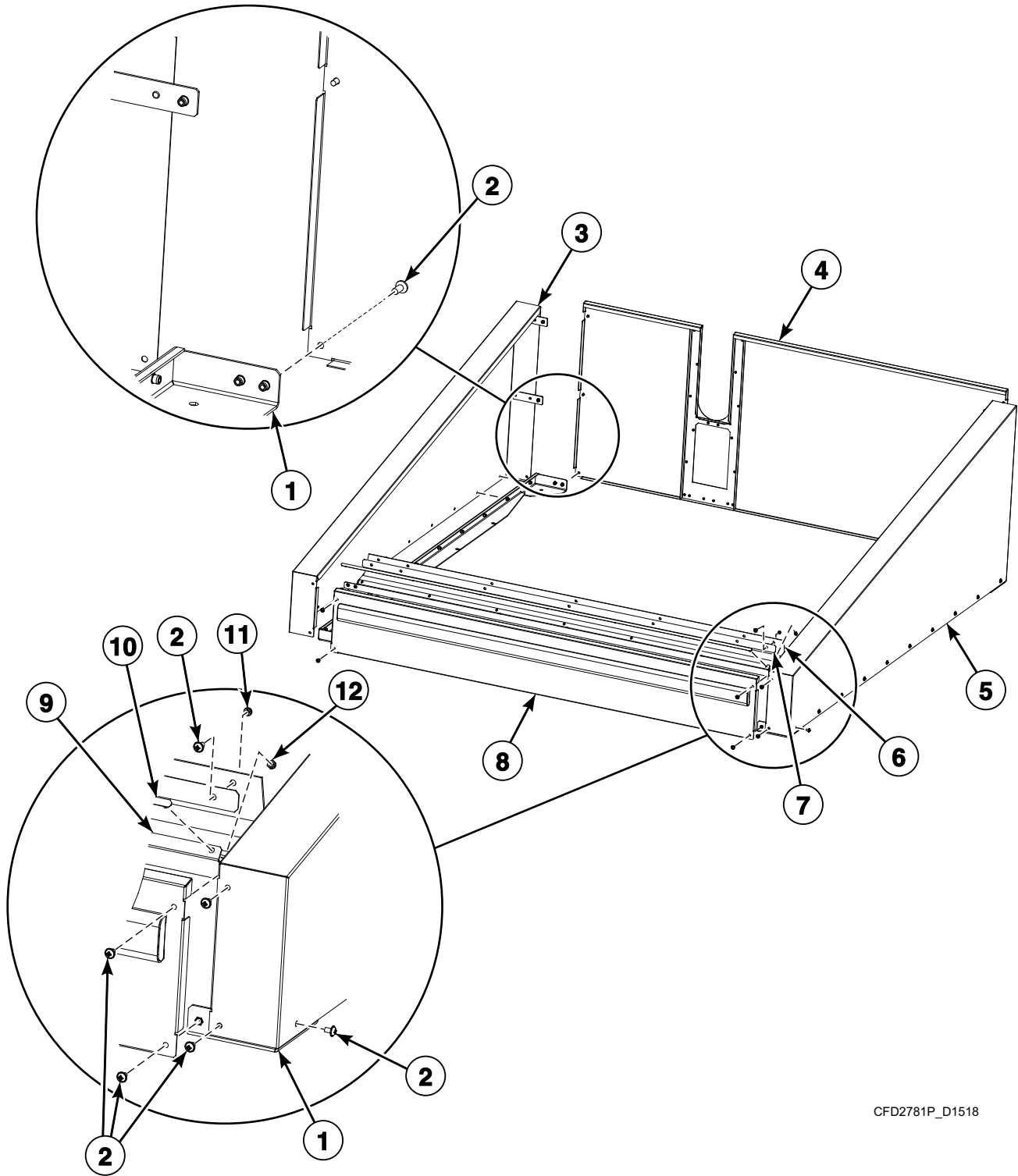


CFD2780P\_D1518

## Forward Tilting Pneumatic Components

REF	PART NO.	DESCRIPTION	COMMENTS
1	SP536505	Valve Connector	
2	SP548061	Electromagnetic Valve	MEBH-5/3; G 1/8 inch-P-B; 230V AC; Includes SP536509 Electromagnetic Coil
	SP570815	Electromagnetic Valve	VUVS-L20-P53C-MD-G18-F7
3	SP510898	Plug	G 1/8 inch
	SP570808	Electromagnetic Coil	VACS-C-C1-3W
4	SP504564	Pipe Nipple	8-G 1/8 inch
5	SP319300008125	Hose	8x1.25
6	SP319428330800	Pipe Nipple	8-1/4 inch
7	SP548001	Reduction	G 1 inch - G 1/4 inch x 25
8	SP510853	Air Spring	G 1 inch
9	SP405113000008	Coupling	8

# Forward Tilting Cabinet



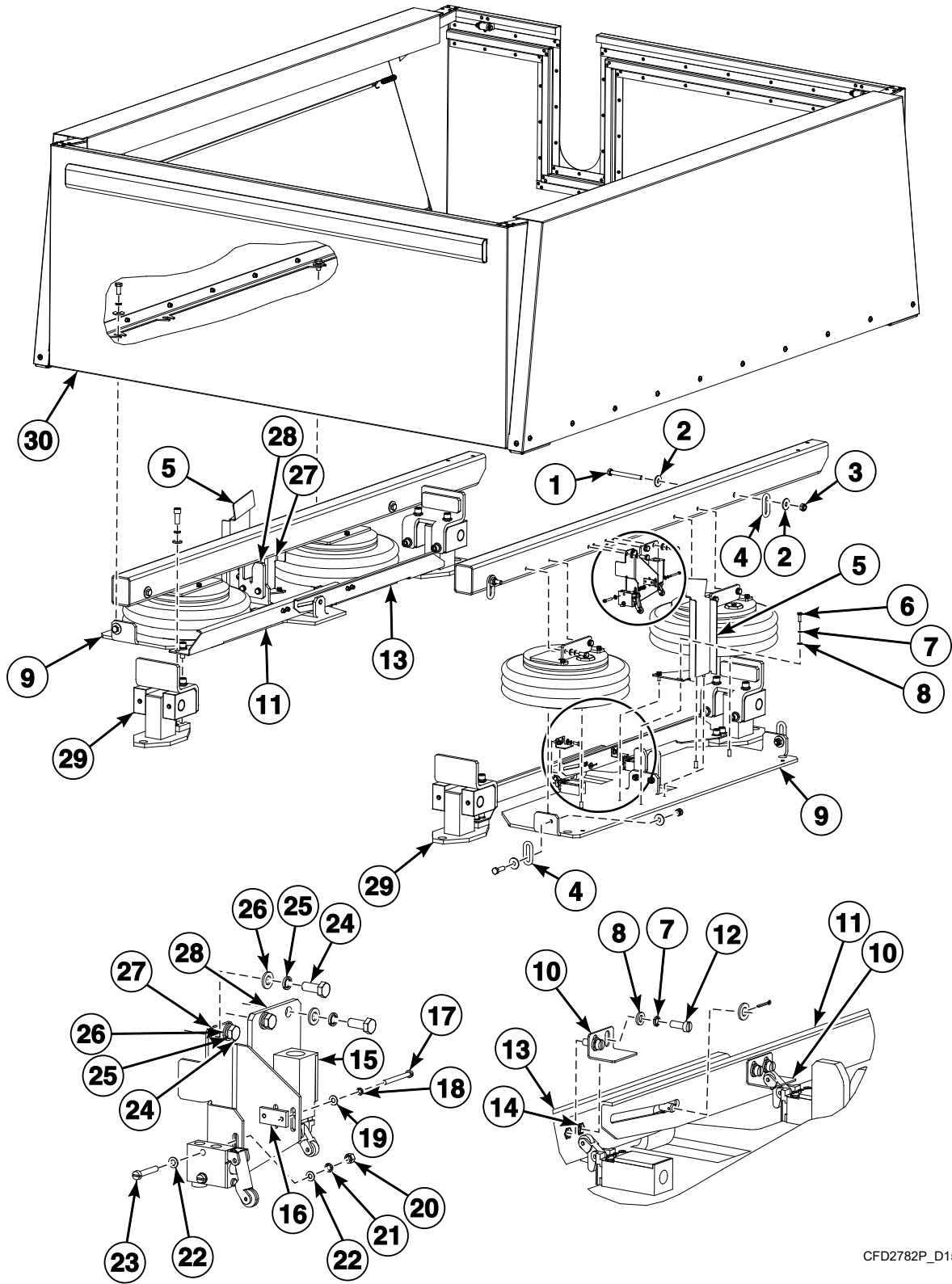
CFD2781P\_D1518



## Forward Tilting Cabinet

REF	PART NO.	DESCRIPTION	COMMENTS
	SP552714	Tilting System Cabinet	175, 180 and 800 models
	SP553704	Tilting System Cabinet	10, 220, 225, 230 and 1000 models
	SP553749	Tilting System Cabinet	12, 260, 265, 275, 1200 and 1250 models
<b>1</b>	SP552728	Frame	175, 180 and 800 models
	SP553705	Frame	10, 220, 225, 230 and 1000 models
	SP553753	Frame	12, 260, 265, 275, 1200 and 1250 models
<b>2</b>	SP537854	Bolt	M6x14
<b>3</b>	SP552730	Cover	Left; 175, 180 and 800 models
	SP553707	Cover	Left; 10, 220, 225, 230 and 1000 models
	SP553754	Cover	Left; 12, 260, 265, 275, 1200 and 1250 models
<b>4</b>	SP554992	Rear Cover	175, 180 and 800 models
	SP554993	Rear Cover	10, 220, 225, 230 and 1000 models
	SP555000	Rear Cover	12, 260, 265, 275, 1200 and 1250 models
<b>5</b>	SP552731	Cover	Right; 175, 180 and 800 models
	SP553709	Cover	Right; 10, 220, 225, 230 and 1000 models
	SP553755	Cover	Right; 12, 260, 265, 275, 1200 and 1250 models
<b>6</b>	SP552815	Protective Rim	175, 180 and 800 models
	SP553714	Protective Rim	10, 220, 225, 230 and 1000 models
	SP553759	Protective Rim	12, 260, 265, 275, 1200 and 1250 models
<b>7</b>	SP538451	Protective Rim Lath	175, 180 and 800 models
	SP553719	Protective Rim Lath	10, 220, 225, 230 and 1000 models
	SP553762	Protective Rim Lath	12, 260, 265, 275, 1200 and 1250 models
<b>8</b>	SP554995	Front Cover	175, 180 and 800 models
	SP554996	Front Cover	10, 220, 225, 230 and 1000 models
	SP554997	Front Cover	12, 260, 265, 275, 1200 and 1250 models
<b>9</b>	SP552735	Rim Reinforcement	175, 180 and 800 models
	SP553715	Rim Reinforcement	10, 220, 225, 230 and 1000 models
	SP553760	Rim Reinforcement	12, 260, 265, 275, 1200 and 1250 models
<b>10</b>	SP552813	Complete Protective Rim Lath	175, 180 and 800 models
	SP553717	Complete Protective Rim Lath	10, 220, 225, 230 and 1000 models
	SP553761	Complete Protective Rim Lath	12, 260, 265, 275, 1200 and 1250 models
<b>11</b>	SP537560	Nut	M6; Riveting
<b>12</b>	SP310985000006	Nut	M6

## 2-Way Tilting System (Drawing 1 of 3)

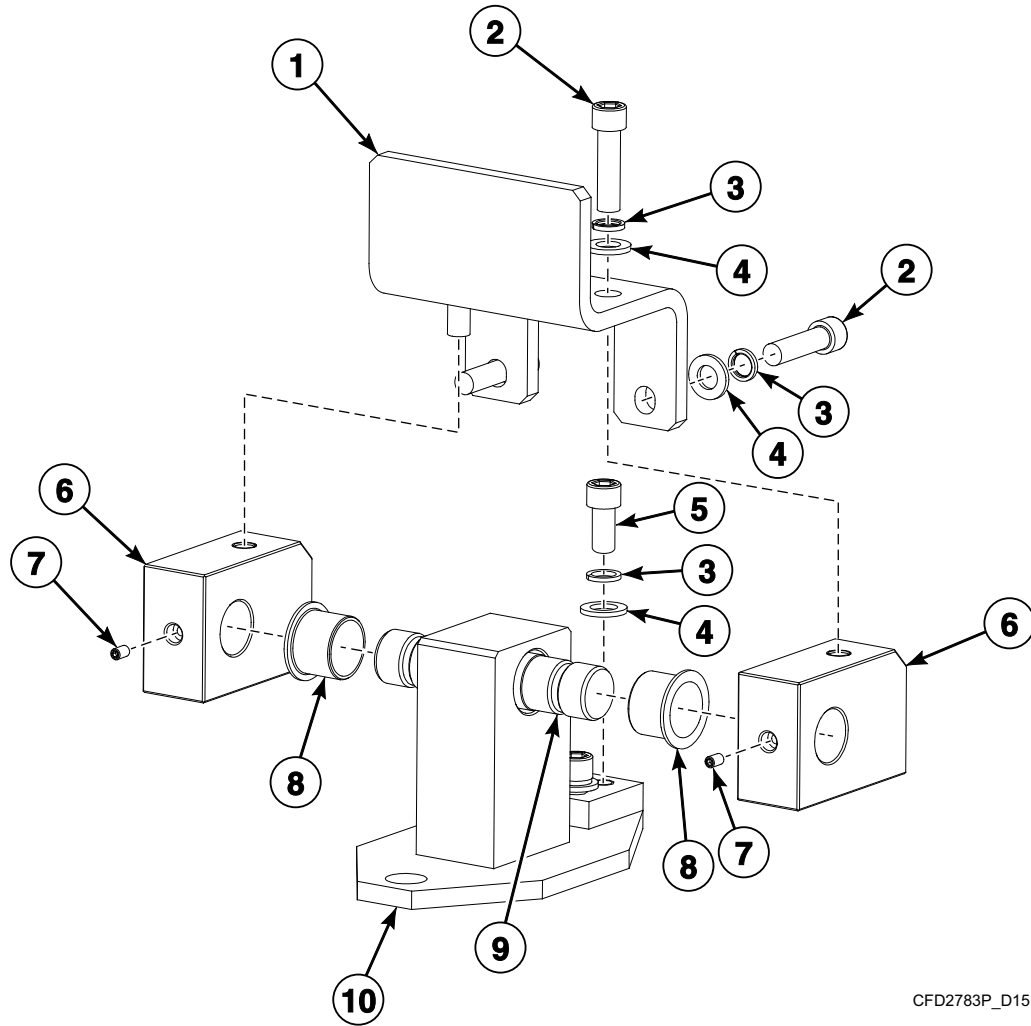


CFD2782P\_D1518

## 2-Way Tilting System (Drawing 1 of 3)

REF	PART NO.	DESCRIPTION	COMMENTS
1	SP505429	Bolt	M10x10
2	SP311902100010	Washer	10
3	SP310985000010	Nut	M10
4	SP554957	Chain Block	7x49
5	SP554901	Upper Switch Guide	
6	SP309933000618	Bolt	M6x18
7	SP311127000006	Washer	6
8	SP311125000006	Washer	6.4
9	SP554877	Lift	Left
10	SP554886	Stop	
11	SP554868	Draw Bar	175, 180 and 800 models; L
	SP554915	Draw Bar	10, 220, 225, 230 and 1000 models; L
	SP554895	Draw Bar	12, 260, 265, 275, 1200 and 1250 models; L
12	SP309933000616	Bolt	M6x16
13	SP554869	Draw Bar	175, 180 and 800 models; P
	SP554916	Draw Bar	10, 220, 225, 230 and 1000 models; P
	SP554896	Draw Bar	12, 260, 265, 275, 1200 and 1250 models; P
14	SP313251000006	Nut	M6; Riveting
15	SPPRI345000070	Position Switch	
16	SP529323	T-Square	
17	SP512134	Bolt	M4x40
18	SP311127000004	Washer	4
19	SP311125000004	Washer	4.3
20	SP310934240005	Nut	M5
21	SP311127000005	Washer	5
22	SP311125000005	Washer	5.3
23	SP309084000530	Bolt	M5x30
24	SP309933000820	Bolt	M8x20
25	SP311127000008	Washer	8
26	SP311125000008	Washer	8.4
27	SP554902	Switch Holder	
28	SP552715	Lower Stop	
29	SP553702	Tilting System Hinge	
30	SP554860	Cabinet	175, 180 and 800 models
	SP554907	Cabinet	10, 220, 225, 230 and 1000 models
	SP554887	Cabinet	12, 260, 265, 275, 1200 and 1250 models

## 2-Way Tilting System (Drawing 2 of 3)

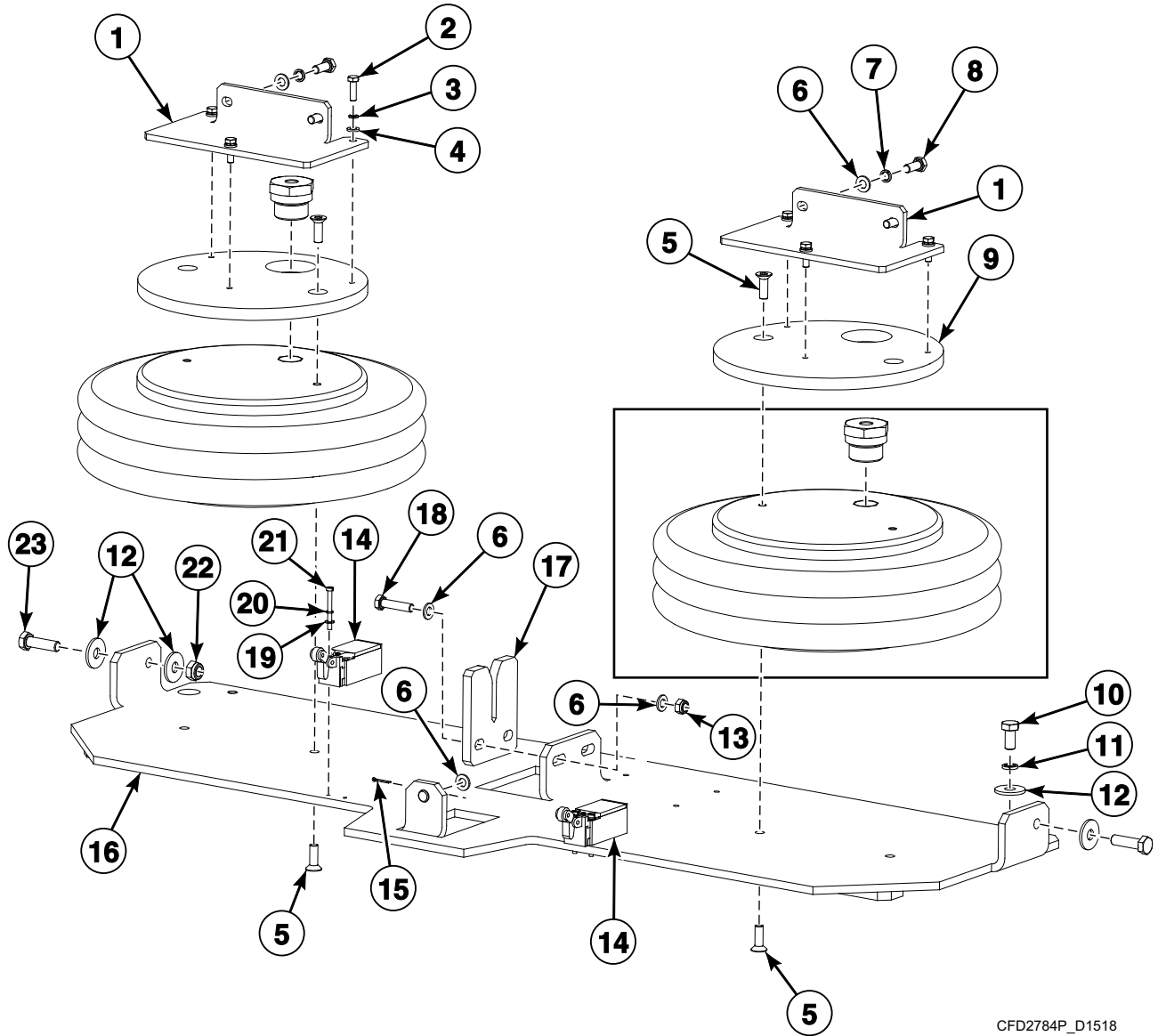


CFD2783P\_D1518

## 2-Way Tilting System (Drawing 2 of 3)

REF	PART NO.	DESCRIPTION	COMMENTS
	SP553702	Tilting System Hinge	
1	SP552716	Upper Hinge	
2	SP514714	Bolt	M12x45
3	SP311127000012	Washer	12
4	SP311125000013	Washer	13
5	SP309912101230	Bolt	M12x30
6	SP552717	Upper Hinge	
7	SP309913000610	Bolt	M6x10
8	SP552721	Sleeve	
9	SP552748	Tilting System Pin	
10	SP554990	Front Foot	

## 2-Way Tilting System (Drawing 3 of 3)

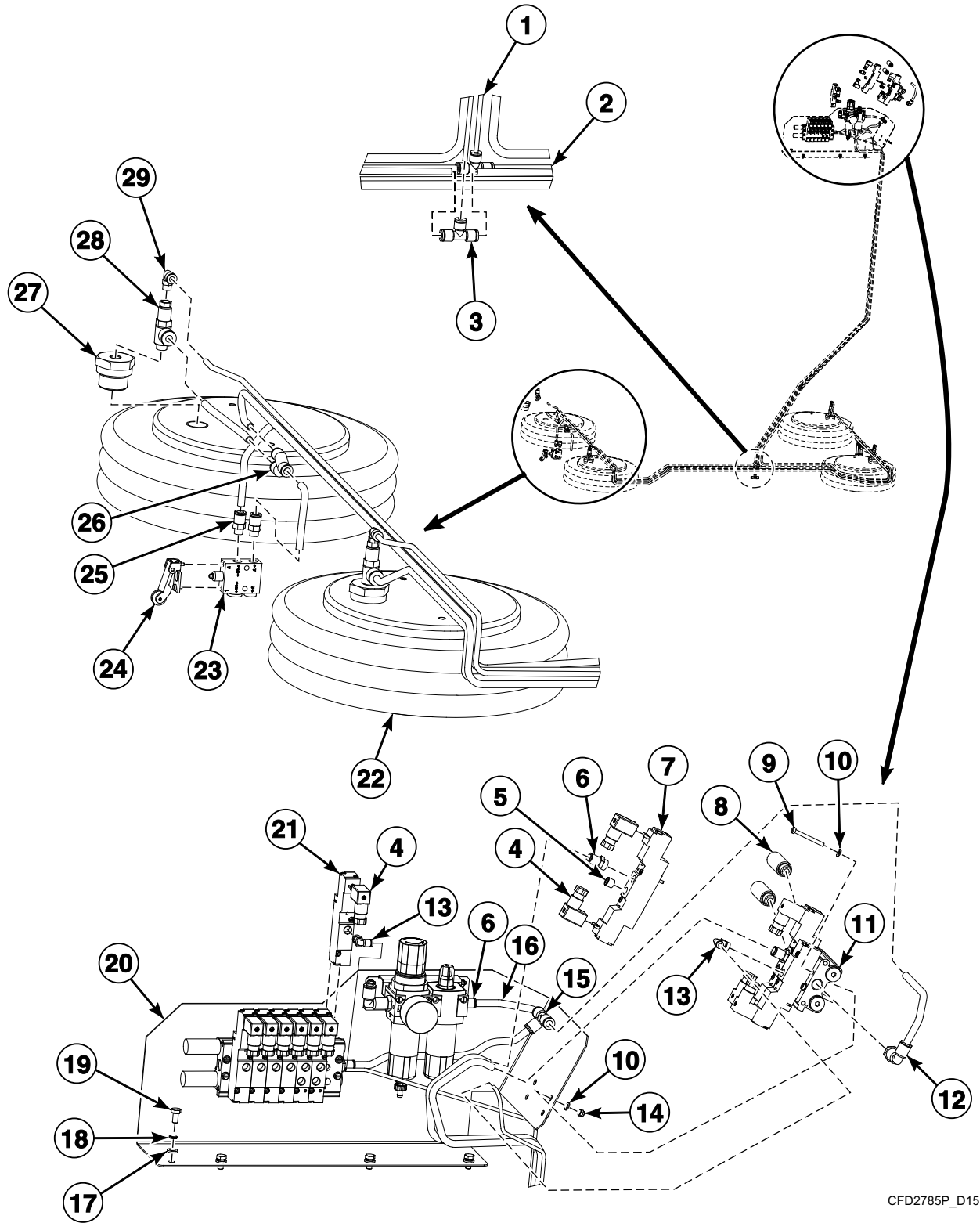


CFD2784P\_D1518

## 2-Way Tilting System (Drawing 3 of 3)

REF	PART NO.	DESCRIPTION	COMMENTS
1	SP551176	Air Spring Support	
2	SP309933000618	Bolt	M6x18
3	SP311127000006	Washer	6
4	SP311125000006	Washer	6.4
5	SP551432	Bolt	M8x25
6	SP311125000008	Washer	8.4
7	SP311127000008	Washer	8
8	SP309933000820	Bolt	M8x20
9	SP551174	Washer	
10	SP309933001020	Bolt	M10x20
11	SP311127000010	Washer	10
12	SP311902100010	Washer	10
13	SP310985000008	Nut	M8
14	SPPRI345000070	Position Switch	
15	SP554921	Split Pin	2x16
16	SP554878	Air Spring Plate	
17	SP552725	Stop	Lower
18	SP309933000835	Bolt	M8x35
19	SP311125000004	Washer	4.3
20	SP311127000004	Washer	4
21	SP512134	Bolt	M4x40
22	SP310985000010	Nut	M10
23	SP309933001035	Bolt	M10x35

# 2-Way Tilting Pneumatic Components



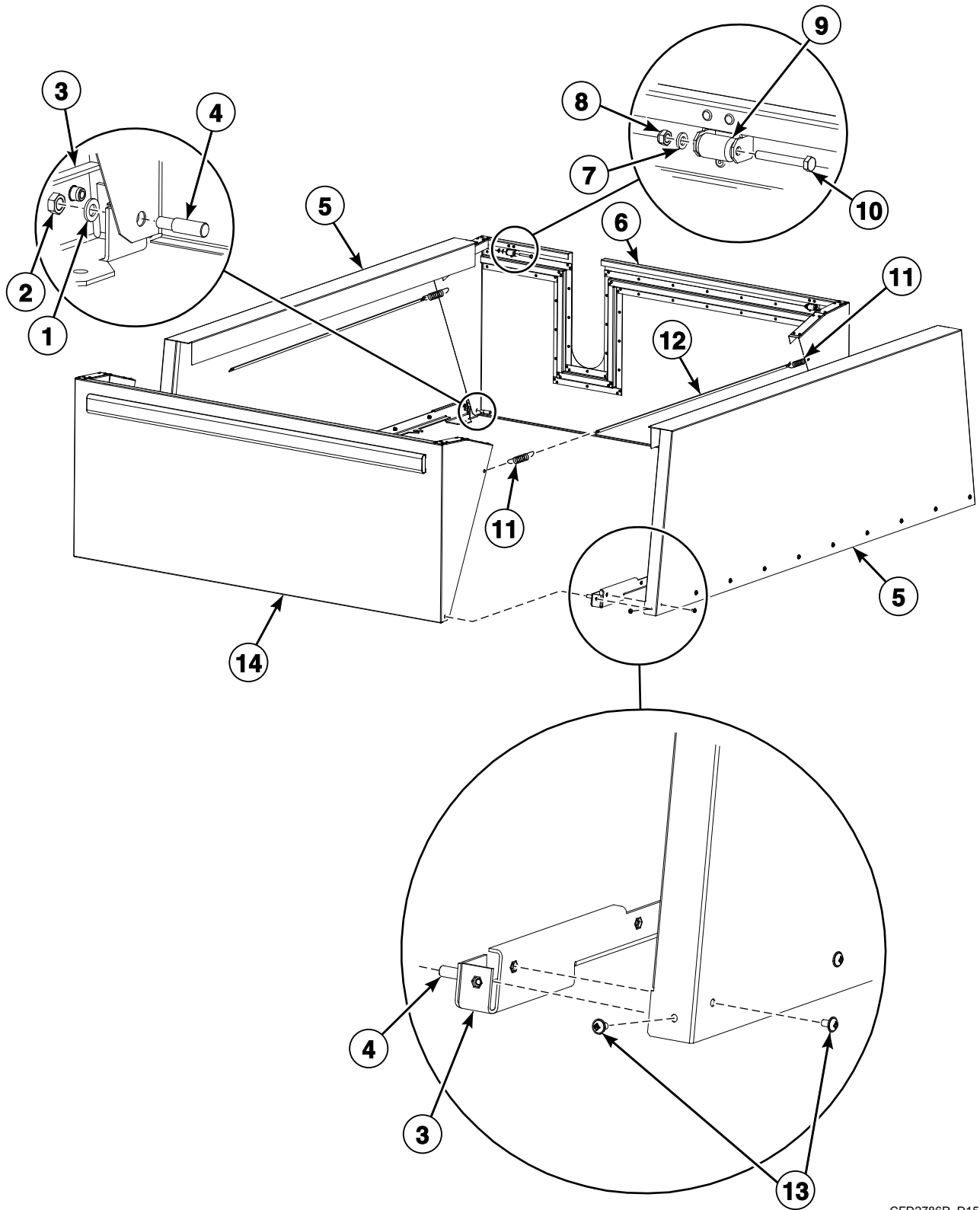
CFD2785P\_D1518



## 2-Way Tilting Pneumatic Components

REF	PART NO.	DESCRIPTION	COMMENTS
1	SP510807	Hose	4x0.75
2	SP319300006001	Hose	6x1
3	SP554949	Coupling	T 4-6-6
4	SP536505	Valve Connector	
5	SP510898	Plug	G 1/8 inch
6	SP319428330008	Pipe Nipple	8-G 1/4 inch, except models with "V" in model numbers 7th position
	SP570822	Pipe Nipple	8-G3/8", models with "V" in model numbers 7th position
7	SP548061	Electromagnetic Valve	MEBH-5/3; G 1/8 inch-P-B; 230V AC; Includes SP536509 Electromagnetic Coil
	SP570815	Electromagnetic Valve	VUVS-L20-P53C-MD-G18-F7
8	SP326346000407	Sound Damper	G 1/4 inch, except models with "V" in model numbers 7th position
	SP570823	Sound Damper	G 3/8, models with "V" in model numbers 7th position
9	SP512134	Bolt	M4x40
10	SP311127000004	Washer	4
11	SP536506	Connecting Block	
12	SP319428330800	Pipe Nipple	L8-G 1/4 inch
13	SP554947	Pipe Nipple	L4-G 1/8 inch
14	SP514193	Nut	M4
15	SP506053	Coupling	T 8-8
16	SP319300008125	Hose	8x1.25
17	SP311125000006	Washer	6.4
18	SP311127000006	Washer	6
19	SP309933000612	Bolt	M6x12
20	SP554904	Pneumatic Components Plate	
21	SP536502	Electromagnetic Valve	MEBH-3/2; G 1/8 inch-P-B; 230V AC; Includes SP536509 Electromagnetic Coil, except models with "V" in model numbers 7th position
	SP221466	Electromagnetic Valve	VUVS-L20-M32C-AD-G18-F7, models with "V" in model numbers 7th position
	SP536509	Electromagnetic Coil	except models with "V" in model numbers 7th position
	SP570808	Electromagnetic Coil	models with "V" in model numbers 7th position
22	SP510853	Air Spring	G 1 inch
23	SP554923	Steam Valve	V/O-3-G 1/8 inch
24	SP554924	Roller Lever	
25	SP504564	Pipe Nipple	8-G 1/8 inch
26	SP405113000008	Coupling	Y8
27	SP548001	Reduction	G 1 inch - G 1/4 inch x 25
28	SP554948	Non-Return Valve	HGL-G 1/4 inch-QS-8
29	SP319428330060	Pipe Nipple	6-G 1/8 inch

# 2-Way Tilting Cabinet

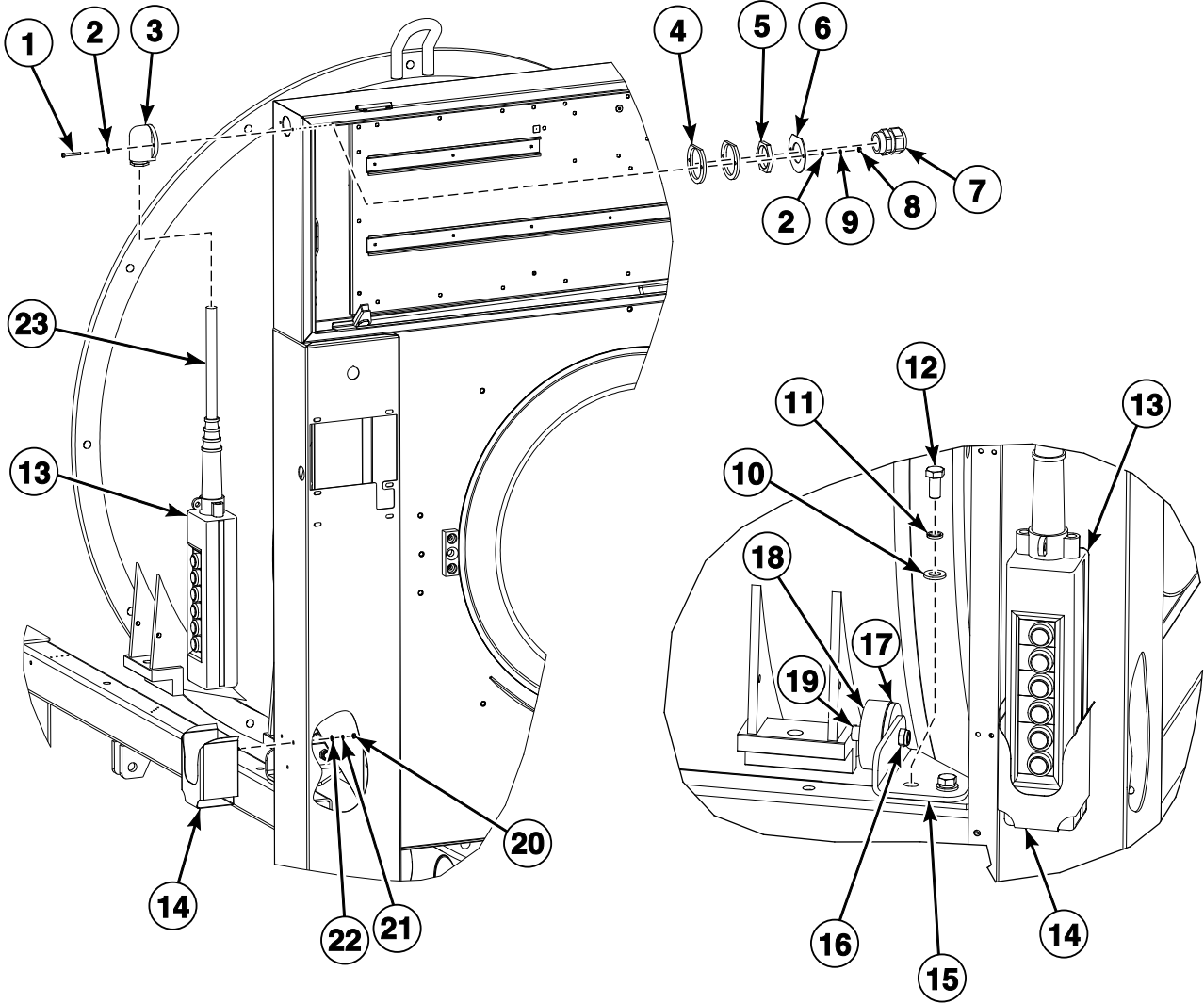


CFD2786P\_D1518

## 2-Way Tilting Cabinet

REF	PART NO.	DESCRIPTION	COMMENTS
	SP554860	Cabinet	175, 180 and 800 models
	SP554907	Cabinet	10, 220, 225, 230 and 1000 models
	SP554887	Cabinet	12, 260, 265, 275, 1200 and 1250 models
<b>1</b>	SP311125000008	Washer	8.4
<b>2</b>	SP310985000008	Nut	M8
<b>3</b>	SP554855	Frame	175, 180 and 800 models
	SP554908	Frame	10, 220, 225, 230 and 1000 models
	SP554888	Frame	12, 260, 265, 275, 1200 and 1250 models
<b>4</b>	SP554859	Rotation Pin	
<b>5</b>	SP554852	Side Cover	175, 180 and 800 models
	SP554912	Side Cover	10, 220, 225, 230 and 1000 models
	SP554892	Side Cover	12, 260, 265, 275, 1200 and 1250 models
<b>6</b>	SP550503	Rear Cover	175, 180 and 800 models
	SP550505	Rear Cover	10, 220, 225, 230 and 1000 models
	SP550507	Rear Cover	12, 260, 265, 275, 1200 and 1250 models
<b>7</b>	SP311125000006	Washer	6.4
<b>8</b>	SP310985000006	Nut	M6
<b>9</b>	SP500816	Roller	
<b>10</b>	SP506014	Bolt	M6x45
<b>11</b>	SP505372	Spring	
<b>12</b>	SP554863	Spring Draw Bar	175, 180 and 800 models
	SP554914	Spring Draw Bar	10, 220, 225, 230 and 1000 models
	SP554894	Spring Draw Bar	12, 260, 265, 275, 1200 and 1250 models
<b>13</b>	SP537854	Bolt	M6x14
<b>14</b>	SP550502	Front Cover	175, 180 and 800 models
	SP550504	Front Cover	10, 220, 225, 230 and 1000 models
	SP550506	Front Cover	12, 260, 265, 275, 1200 and 1250 models

# Tilting System Control and Door Security



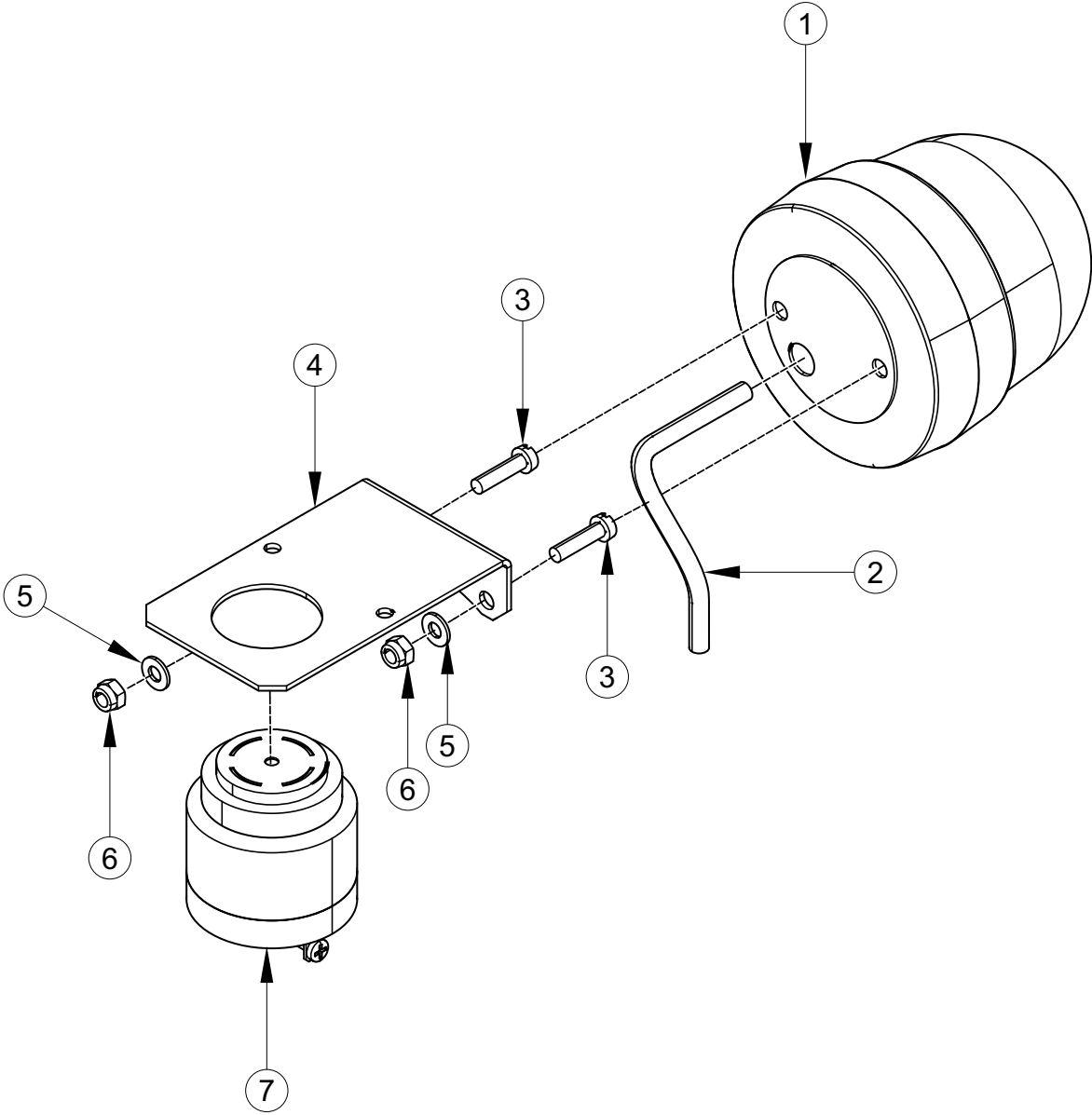
CFD2787P\_D1518

## Tilting System Control and Door Security

REF	PART NO.	DESCRIPTION	COMMENTS
	SP514134	Relay	2 poles
	SP506586	Relay Case	2 poles
	SP514135	Relay Clamp	2 poles
	SP510816	Cable	
1	SP506440	Screw	M4x30
2	SP311125000004	Washer	4.3
3	SP510819	Flange Angle Bushing	
4	SP551472	Washer	
5	SP101419	Nut	M32; Use with cable bushing
6	SP551476	Washer	
7	SP101409	Bushing	M32
8	SP514193	Nut	M4
9	SP311127000004	Washer	4
10	SP311125000010	Washer	11
11	SP311127000010	Washer	10
12	SP309933001025	Bolt	M10x25
13	SP510818	Control	
14	SP541219	Remove Box	
15	SP538491	Console Block	Left
	SP538550	Console Block	Right
16	SP310985000010	Nut	M10
17	SP511930	Washer	
18	SP511929	Stopper	
19	SP309912001030	Bolt	M10x30
20	SP310934240004	Nut	M4
21	SP311127240004	Washer	4
22	SP311125240004	Washer	4.3
23	SP528387	Cable	12x0.75

# End of Cycle Light

Models Starting November, 2016

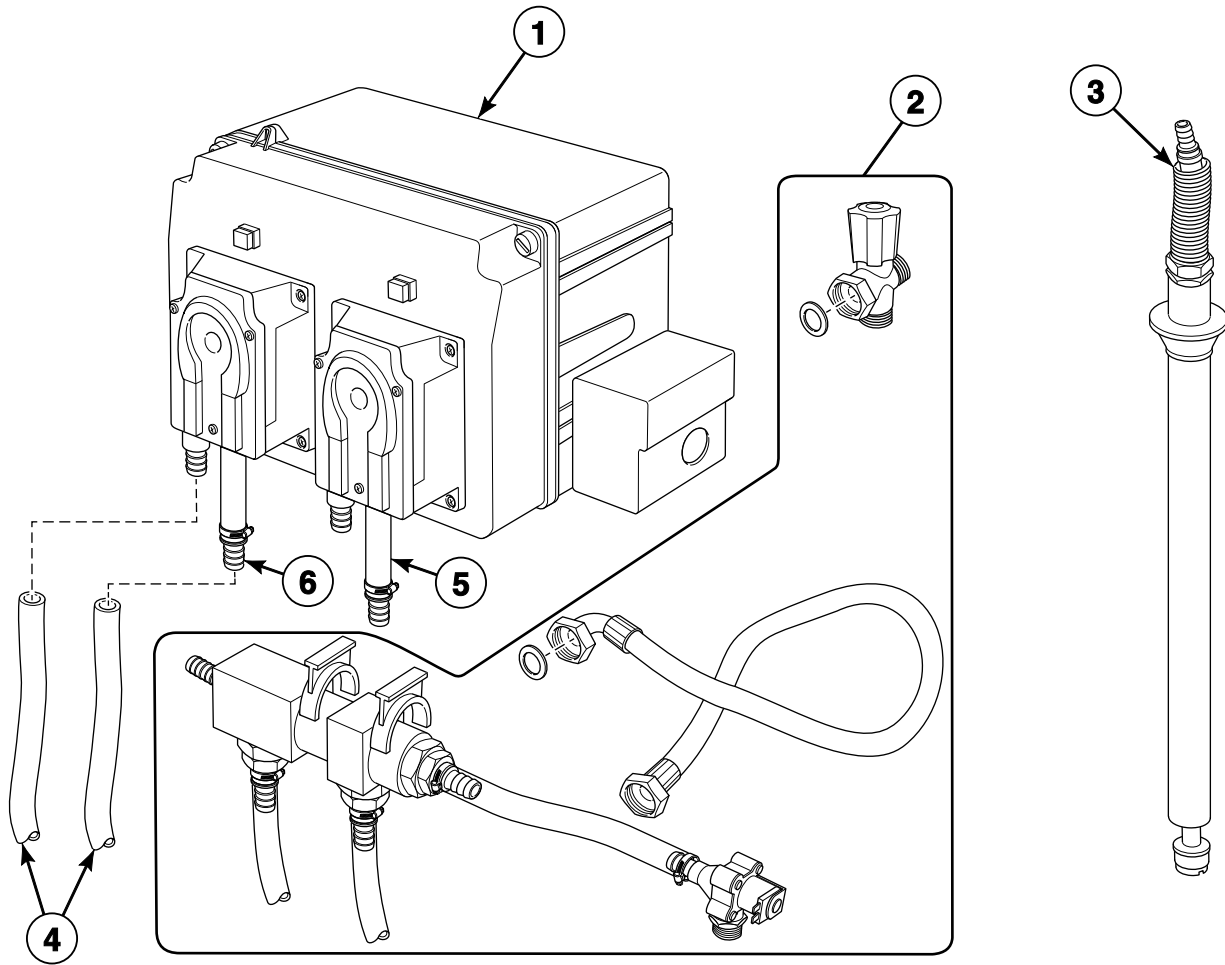


C-CZW6P1\_D1518

## End of Cycle Light

REF	PART NO.	DESCRIPTION	COMMENTS
	569003	End of Cycle Light	
1	564690	End of Cycle Beacon	Includes SP514132 Bulb
2	528389	Cable	1.5 m; 5 x 0.75
3	SP309084000416	Bolt	M4x16
4	569002	Buzzer Holder	
5	SP311125000004	Washer	4.3
6	SP514193	Nut	M4
7	SP516844	Buzzer	All except CSA models

# Liquid Soap Supply System (Pumps)



CZW45P\_D1518



## Liquid Soap Supply System (Pumps)

REF	PART NO.	DESCRIPTION	COMMENTS
	MB90-Z40	Supply Pump Kit	For two pumps
	MB90-Z41	Supply Pump Kit	For three pumps
	MB90-Z42	Supply Pump Kit	For four pumps
	MB90-Z43	Supply Pump Kit	For five pumps
	MB90-Z44	Supply Pump Kit	For six pumps
<b>1</b>	529742	Pump	Two
	529743	Pump	Three
	529744	Pump	Four
	529745	Pump	Five
	529746	Pump	Six
<b>2</b>	529789	Manifold Flush Kit	For two pumps
	529797	Manifold Flush Kit	For three pumps
	529798	Manifold Flush Kit	For four pumps
	529799	Manifold Flush Kit	For five pumps
	529800	Manifold Flush Kit	For six pumps
<b>3</b>	529787	Suction Tube	
<b>4</b>	SPPRI540020005	Hose	d10/14
<b>5</b>	529747	Hose	Spare hose for pump
<b>6</b>	547808	Connection	



# Parts Index

## A

Adapter	
SP552881 .....	51, 53
Adhesive	
245704000577 .....	67
Adhesive Fixing Index Plate	
SPPRI350003050 .....	79
Adjustable Foot	
SP516956 .....	79
Air Spring	
SP510853 .....	89, 99
Air Spring Plate	
SP554857 .....	87
SP554878 .....	97
Air Spring Support	
SP551176 .....	97
Air Spring Support	
SP551176 .....	87
Amplifier	
SP516968 .....	77, 79
Arm	
SP552719 .....	83
SP553703 .....	83
SP553752 .....	83
SP554972 .....	83
SP554973 .....	83
Arm Holder	
SP552724 .....	87

## B

Bearing	
SP231000700 .....	29
SP231001030 .....	31
SP231001040 .....	31
Bearing Housing	
SP230063 .....	31
SP230115 .....	31
SP230149 .....	31
Bearing Replacement Toolset	
SP534030 .....	29
SP534040 .....	29
SP534050 .....	29
SP534060 .....	29
Binding Strip	
SP345000160971 .....	79
SP503817 .....	67, 79
Board Interconnection Cable	
SP553403 .....	75
Bolt	
SP210061 .....	11, 13, 15, 49, 59
SP210062 .....	65, 69
SP210072 .....	7, 9, 25, 37, 39
SP210073 .....	51, 53, 55, 61
SP210076 .....	29, 65
SP210079 .....	63
SP210087 .....	25
SP210088 .....	11
SP210092 .....	65

SP210113 .....	19, 21
SP210116 .....	19, 21
SP210124 .....	23
SP210130 .....	19, 21
SP210137 .....	31
SP210138 .....	19, 21
SP210139 .....	25
SP210148 .....	31
SP210149 .....	25
SP210158 .....	59
SP220323 .....	37, 39
SP223110200415 .....	45
SP238255 .....	25
SP309084000306 .....	43
SP309084000310 .....	43, 45
SP309084000316 .....	43
SP309084000320 .....	43
SP309084000416 .....	105
SP309084000420 .....	35, 69
SP309084000530 .....	93
SP309084100408 .....	43
SP309084240312 .....	43
SP309159324816 .....	81
SP309595240612 .....	41, 43
SP309798500306 .....	57
SP309798500314 .....	43
SP309912001030 .....	103
SP309912101230 .....	85, 95
SP309913000610 .....	37, 39, 85, 95
SP309933000610 .....	47
SP309933000612 .....	17, 99
SP309933000616 .....	33, 43, 45, 93
SP309933000618 .....	83, 87, 93, 97
SP309933000620 .....	67
SP309933000820 .....	83, 93, 97
SP309933000830 .....	83
SP309933000835 .....	87, 97
SP309933000870 .....	87
SP309933000890 .....	83
SP309933001020 .....	97
SP309933001025 .....	103
SP309933001030 .....	11, 31, 83
SP309933001035 .....	97
SP309933001230 .....	31
SP309933001235 .....	35
SP309933001250 .....	35, 79
SP309933001270 .....	35
SP309933240408 .....	47, 49
SP309933240412 .....	27
SP309933240612 .....	51
SP309933240830 .....	29, 41
SP321848000006 .....	81
SP503572 .....	41
SP505429 .....	93
SP506011 .....	49
SP506014 .....	101
SP506432 .....	31
SP512134 .....	69, 83, 93, 97, 99
SP514714 .....	85, 95
SP515075 .....	49
SP515594 .....	37, 39
SP518556 .....	43
SP526791 .....	25, 81
SP528549 .....	25
SP537854 .....	91, 101
SP537864 .....	47

N/A items do not appear in index.

SP548070 .....	35
SP551431 .....	85
SP551432 .....	87, 97
SP552885 .....	35
210111 .....	21
Bolt Cover	
SP802123100 .....	25
SP802123112 .....	25
Bracket	
SP535518 .....	45
Bracket Sleeve	
SP553204 .....	37, 39
Brake Resistor	
SP516746 .....	71
Bushing	
SP101407 .....	35
SP101409 .....	71, 103
Buzzer	
SP516844 .....	105
Buzzer Holder	
569002 .....	105

## C

Cabinet	
SP554860 .....	93, 101
SP554887 .....	93, 101
SP554907 .....	93, 101
Cable	
SP510816 .....	103
SP528387 .....	103
528389 .....	105
Cable Bushing	
SPPRI501000071 .....	25
SP101410 .....	35, 71
SP273121008002 .....	43
SP516175 .....	71
Cable Bushing Reduction	
SP552258 .....	71
Cable Holder	
SP528313 .....	77
Cam	
SPF02117001214 .....	43
Centering Block	
SPF02100020114 .....	25
Chain Block	
SP554957 .....	93
Circuit Breaker	
SPPRI401013021 .....	75, 77
SPPRI401014021 .....	75, 77
SP524785 .....	75
SP528171 .....	75, 77
Clamp	
SP346000280101 .....	77, 79, 85
SP346000280104 .....	77, 79
SP346000280107 .....	77, 79, 85
SP552123 .....	85
Clamping Sleeve	
SP220098 .....	31
SP220318 .....	31
Clip	
SP508310 .....	51
Clip Relay	
SP347100728801 .....	85

N/A items do not appear in index.

Coil Holder	
SPF02117002614 .....	43
Coil Modification	
SPF02117001814 .....	43
Column	
SPF02117001424 .....	43
Communication Cable	
SP520051 .....	73
SP528325 .....	73
Complete Protective Rim Lath	
SP552813 .....	91
SP553717 .....	91
SP553761 .....	91
Complete Soap Hopper Cover	
SP223110700013 .....	47
Component Box	
SP220407 .....	7
SP220436 .....	7
SP220469 .....	7
SP232239 .....	9
SP232242 .....	9
SP232245 .....	9
Component Box Cover	
SP232248 .....	9
SP232251 .....	9
SP232254 .....	9
SP555081 .....	7
SP555082 .....	7
SP555083 .....	7
Conductor	
SP341413007001 .....	79
SP341413007002 .....	79
SP505444 .....	79
SP505446 .....	79
Connecting Block	
SP536506 .....	99
SP536507 .....	69
SP570809 .....	69
Connection	
547808 .....	107
Connector	
SP516090 .....	79
SP520082 .....	79
Connector Box	
SP347100306009 .....	79
Connector Holder	
SP232228 .....	43
SP530709 .....	43
Console Block	
SP538491 .....	103
SP538550 .....	103
Contact	
SPPRI350002018 .....	79
Contact Pin	
SP345001662931 .....	79
Contacting	
SPPRI345001019 .....	71
SPPRI345002019 .....	71, 75
SP514042 .....	75, 77
SP514044 .....	71
Control	
SP510818 .....	103
572505 .....	59
Control Board	
SP547001 .....	57

SP553411.....	57
SP553412.....	57
SP553419.....	57
Control Board Power	
SP547002.....	75
SP553405.....	75
Converter	
SP516964.....	79
Converter Box	
SP516997.....	79
Coupling	
SP405113000008.....	89, 99
SP506053.....	99
SP554949.....	99
Cover	
SP220154.....	23
SP220158.....	23
SP220305.....	23
SP220309.....	23
SP230015.....	25
SP230065.....	31
SP230100.....	25
SP230121.....	31
SP230139.....	31
SP230152.....	25
SP235110001413.....	47
SP346000014010.....	71
SP346000280301.....	79, 85
SP524655.....	71
SP551474.....	13, 15
SP552730.....	91
SP552731.....	91
SP553707.....	91
SP553709.....	91
SP553754.....	91
SP553755.....	91
235577.....	59
235587.....	59
235588.....	59
Cover Insert	
SP235111200013.....	47
Cover Plate Reinforcement	
577184.....	59
Cover Support	
SP236061.....	7, 9
CPU-power board flat cable	
SP569737.....	77
Cylinder	
SP220155.....	23
SP220307.....	23

## D

Damper	
SP221390.....	19
221390.....	21
Distance Sheet	
SP535554.....	25
Distance Sleeve	
SP220170.....	29
SP220174.....	29
SP220176.....	29
SP220338.....	29
SP220339.....	29
SP220341.....	29

Distance Washer	
564171.....	49
Door	
SP230112.....	37
SP230140.....	37
SP232500.....	39
SP232501.....	39
SP232645.....	39
SP232646.....	39
SP238022.....	37
SP238773.....	37
SP553269.....	37
SP553270.....	37
SP553280.....	37
SP553281.....	37
SP555119.....	37
SP555141.....	37
Door Frame	
SP230016.....	37, 39
SP230155.....	37, 39
Door Glass	
SP941001031.....	37, 39
SP941001046.....	37, 39
Door Glass Holder	
SP230017.....	37, 39
SP230154.....	37, 39
Door Lever	
SPF02107500014.....	37
SP555115.....	39
569031.....	37
Door Lock	
SP232310.....	41
SP540482.....	41
SP553228.....	41
SP553283.....	41
SP553284.....	43
232223.....	41
Door Lock Cover	
SP232226.....	41
SP232307.....	41
SP554974.....	41
Door Lock Holder	
SP232224.....	41
SP232311.....	41
SP547348.....	41
Door Lock Wiring	
SP557808.....	43
Door lock wiring	
569753.....	77
Door Pin	
SP235110001215.....	47
Door Seal	
SP802123115.....	37, 39
SP802123119.....	37, 39
Door weldment	
SP230112.....	39
SP230140.....	39
SP232502.....	39
SP232503.....	39
Drain Hose	
SP523770.....	63
Drain Hose Holder	
SP230104.....	63
SP230128.....	63
SP230162.....	63

N/A items do not appear in index.

Drain Hose Holder Cover	
SP551490 .....	13, 15
SP551491 .....	13, 15
SP551492 .....	13, 15
Drain System Rear Cover	
SP551449 .....	13, 15
SP551469 .....	13, 15
SP551500 .....	13, 15
Drain Valve Cover	
SP220494 .....	65
Drain Valve Cover Seal	
SP220775 .....	65
Drain Valve Sealing	
SP238017 .....	65
Draw Bar	
SP554868 .....	93
SP554869 .....	93
SP554895 .....	93
SP554896 .....	93
SP554915 .....	93
SP554916 .....	93
Drum	
SP230014 .....	29
SP230099 .....	29
SP230164 .....	29
Drum Pulley	
SP230076 .....	31
SP230118 .....	31

## E

Earthing Index Plate	
SPPRI551000001 .....	43
Elbow	
SPPRI504000069 .....	47
SP210398 .....	55
SP210858 .....	51, 53
Elbow Adapter	
SP220364 .....	27
Electric Heating Plug	
SP531282 .....	61
Electrical box wiring	
571459 .....	77
Electrical Time Switch	
SP358126300000 .....	75, 77
Electromagnetic Coil	
SP536509 .....	69, 99
SP570808 .....	69, 89, 99
Electromagnetic Valve	
SP221466 .....	69, 99
SP536502 .....	69, 99
SP536503 .....	69
SP548061 .....	89, 99
SP566598 .....	69
SP570815 .....	89, 99
Element	
SP511241 .....	43
Emergency Stop Connector	
SP528311 .....	57, 59
Emergency Stop Knob	
SP528310 .....	57, 59
Emergency Stop Label	
SPPRI551005248 .....	57, 59

End of Cycle Beacon	
564690 .....	105
End of Cycle Light	
569003 .....	105
End Stop	
SP346000209101 .....	75, 77, 79, 85
Extension Board	
SP553187 .....	77
External Block Signal Cable	
SP557948 .....	75
External Tub	
SP230127 .....	27
SP230141 .....	27
SP230277 .....	27

## F

Fan	
SP528481 .....	35
Filling Hose	
SP548066 .....	51, 53
Filter, Regulator and Lubricator	
SP548953 .....	69
Finger Cover	
SP541296 .....	81
Finger Holder	
SP541293 .....	81
Flange	
SP220492 .....	63
SP220493 .....	63
SP220498 .....	65
Flange Angle Bushing	
SP510819 .....	103
Frame	
SP552728 .....	91
SP553705 .....	91
SP553753 .....	91
SP554855 .....	101
SP554888 .....	101
SP554908 .....	101
Frequency Inverter	
SP557966 .....	73
SP557967 .....	73
SP557968 .....	73
SP557969 .....	73
Frequency Inverter Kit	
SP569731 .....	73
569724 .....	73
569733 .....	73
569734 .....	73
Front Cover	
SP220428 .....	7
SP220435 .....	7
SP2235434 .....	7
SP232119 .....	9
SP232120 .....	9
SP232122 .....	9
SP232128 .....	9
SP232129 .....	9
SP232131 .....	9
SP232136 .....	9
SP232137 .....	9
SP232206 .....	9
SP232207 .....	9
SP232208 .....	9

N/A items do not appear in index.

SP235432	7
SP235436	7
SP238799	7
SP238800	7
SP550502	101
SP550504	101
SP550506	101
SP553215	7
SP553830	7
SP553832	7
SP553835	7
SP554840	7
SP554995	91
SP554996	91
SP554997	91
232119	59

Front Foot	
SP554990	85, 95

Front Plate	
SP220447	25
SP235446	25
SP238677	25
SP238678	25
SP238679	25
SP238682	25
232288	25

Front Plate Sealing	
SP802123095	25

Fuse	
SPPRI401020021	71
SP344000010000	71
SP345805163032	71
SP345805363032	71

Fuse Case	
SP346000004010	71

Fuse Clip	
SP524653	71

Fuse Plug	
SP524654	71

## G

Gate	
SP533710	43

Glass Seal	
SP802123026	37, 39
SP802123036	37, 39

Guide Brush	
SP220153	23

## H

Handle	
SP553220	37
SP563298	39

Handle Body	
SPF8435501	37
SP553219	37

Header Tank	
SP553221	51, 53

Heating Element	
SP531227	61

Heating Element Hole Plug	
SPPRI342001016	61

Heating Element Interconnection	
SPB01100025014	61
SPB01100025114	61

Hinge	
SP220448	37, 39
567931	59

Hinge Arm	
SP554971	83
SP554979	83
SP554980	83

Hinge Pin	
561663	49
564286	49

Holder	
SPF02110001214	45
SP230109	61
235579	59
235586	59
557326	67

Hook Lock	
SPPRI610002007	13, 15

Hose	
F02104001213	27
SPPRI540000014	51, 53
SPPRI540001019	27, 51, 53, 67
SPPRI540020005	107
SP273454900001	61
SP319300006001	69, 99
SP319300008125	69, 89, 99
SP510807	99
SP520252	51, 53
SP800907090	51, 53, 63
SP802123114	55
SP802123123	63
SP802124010	63
529747	107

Hose Clamp	
SPPRI240000002	51, 53
SPPRI240000003	27, 51, 53, 67
SPPRI240000021	27
SP210416	27, 51, 53, 55, 63
567314	63

Hose Seal	
SP557233	51, 53

## I

Inlet Tube	
SP220347	51, 53
SP220489	51, 53

Inlet Valve Holder	
SP230107	51, 53
SP230108	51, 53

Insertion Piece	
SP220321	37, 39

Insulation	
SPF02110001314	45

Insulation Tube	
SP283362004915	45

Interconnection	
SP346000280402	77, 79

Interconnection flat cable	
SP547089	77

N/A items do not appear in index.

Inverter Box	
SP238242 .....	13, 15
SP238243 .....	13, 15
Inverter Box Cover	
SP238240 .....	13, 15
SP238241 .....	13, 15
SP238340 .....	13
Isolation Plate	
SP101154 .....	43
I/O Control Board	
SP553184 .....	77

## K

Key	
SPPRI610003923 .....	13, 15
Keyboard	
SP553402 .....	57
SP559858 .....	57
SP559859 .....	57
SP559860 .....	57
SP559861 .....	57

## L

Label	
SP548000091014 .....	47
Latch Pin	
SP548056 .....	81
Lift	
SP552712 .....	83
SP552747 .....	83
SP554877 .....	93
Link	
SP515453 .....	43
Load Sensor	
SP529101 .....	79
Lock	
SPPRI610000007 .....	7, 9, 13, 15
567818 .....	59
Lock Hook	
SPPRI610001007 .....	7, 9
Lower Frame	
SP238500 .....	19
SP238501 .....	19
SP238502 .....	19
Lower Hinge	
SP552718 .....	85
Lower Pressure Plate	
SP220387 .....	7
SP220427 .....	7
SP220461 .....	7
SP232111 .....	9
SP232148 .....	9
SP232159 .....	9
Lower Stop	
SP552715 .....	83, 93
Lower Valve and Vent Cover	
SP220404 .....	13, 15
SP220432 .....	13, 15
SP220466 .....	13, 15

## M

Magnetic Holder	
564203 .....	49
Magnetic Switch	
SPPRI346000032 .....	45
Magnetic Switch Magnet	
SPPRI346000031 .....	47
Main Switch	
SPPRI404000098 .....	71
SPPRI404000099 .....	71
SPPRI404000100 .....	71
SP347700125175 .....	71
SP504589 .....	71
Main Switch Cove Weldment	
SP547366 .....	71
Main Switch Holder	
SP547365 .....	71
SP552882 .....	71
SP552883 .....	71
Main Switch Knob	
SPPRI404000095 .....	71
Main Wiring	
569754 .....	77
Manger	
SP230022 .....	25
SP230160 .....	25
Manifold Flush Kit	
529789 .....	107
529797 .....	107
529798 .....	107
529799 .....	107
529800 .....	107
Microswitch	
SPF02117002114 .....	43
SPF02117002224 .....	43
564511 .....	49
Motor	
SP102261 .....	35
SP506037 .....	35
SP530894 .....	35
Motor Board	
SP526478 .....	35
SP540493 .....	35
SP547306 .....	35
Motor Pulley	
SP531190 .....	35
SP540498 .....	35
SP547308 .....	35
Motor Support	
SP531219 .....	35
SP540495 .....	35
SP547305 .....	35

## N

Non-Return Valve	
SP554948 .....	99
Nozzle	
SP235110001614 .....	49
570375 .....	47
Nut	
SPF02107002315 .....	37, 39

N/A items do not appear in index.



SPPRI610005007	7, 9, 13, 15
SPPRI610006007	7, 9, 13, 15
SP101419	103
SP101420	71
SP210027	21
SP210028	37, 39
SP210030	23
SP210038	37, 39
SP210039	7, 9, 61, 63
SP210041	11
SP210043	21
SP210046	19, 21
SP220099	31
SP220148	31
SP220311	35
SP235110001715	49
SP310917240006	45
SP310934000003	43, 45
SP310934000004	35, 45
SP310934000006	43, 45, 51
SP310934000012	19, 35, 45
SP310934240004	47, 57, 59, 103
SP310934240005	93
SP310934240008	51, 53, 55
SP310985000005	57
SP310985000006	45, 49, 91, 101
SP310985000008	83, 87, 97, 101
SP310985000010	83, 93, 97, 103
SP310985000012	19
SP313251000006	47, 93
SP514193	49, 69, 99, 103, 105
SP516176	71
SP537518	83
SP537560	91
570374	47
Nut in Cage	
564204	49

## O

Outer Joint	
SP210387	51, 53

## P

Padlock	
SP523167	67
Pin	
SPF02117002514	43
SP223110200115	45
SP313515004035	37
SP554970	37, 39
Pipe Coupling	
SP235134107315	67
SP523729	67
Pipe Holder	
SP552897	51
Pipe Nipple	
SPPRI426001217	51, 53
SPR22112000114	51, 53
SP210354	51, 53, 61, 65
SP210400	51, 53
SP220376	61
SP265108131	51, 53
SP319428330006	69

SP319428330008	69, 99
SP319428330060	99
SP319428330800	69, 89, 99
SP504564	89, 99
SP531256	51, 53
SP554947	99
SP570822	69, 99

### Plate

232115	59
577180	59

### Plug

SP210408	51, 53
SP345900032132	57
SP510898	89, 99
SP510940	27

### Pneumatic Components Box

SP553231	13, 15
SP553232	13, 15
SP553243	13

### Pneumatic Components Box Cover

SP553241	13, 15
SP553243	15

### Pneumatic Components Plate

SP553238	69
SP554904	99

### Pneumatic Valve

SP250204035	51, 53
SP254410320	65

### Position Switch

SPPRI345000070	83, 93, 97
SP506572	83

### Pressure Plate

SP220496	65
SP220497	65

### Profiled Sealing

SPPRI505000058	43, 67
SP802123265	25, 29

### Programming Cable

F8600501	57
----------	----

### Protective Rim

SP552815	91
SP553714	91
SP553759	91

### Protective Rim Lath

SP538451	91
SP553719	91
SP553762	91

### Pump

529742	107
529743	107
529744	107
529745	107
529746	107

### Pump Input

SP541126	27
----------	----

## R

### Rail

SP346000210113	79
----------------	----

### Rear Beam

SP220384	11
SP220423	11
SP220457	11

N/A items do not appear in index.

Rear Cover	
SP220399	13, 15
SP220440	13, 15
SP220474	13, 15
SP550503	101
SP550505	101
SP550507	101
SP554992	91
SP554993	91
SP555000	91
Rear Foot	
SP551435	83
SP552150	83
Rear Leg	
SP220382	11
SP220398	11
SP220421	11
SP220439	11
SP220454	11
SP220473	11
SP235580	11
SP235582	11
SP235584	11
Rear Plate	
SP230102	29
SP230159	29
SP230392	29
Reducing Nipple	
SP220349	51, 53
Reduction	
SP548001	89, 99
Regulator Holder	
SP548952	69
Reinforcement	
232277	49
232278	49
Relay	
SP347100460720	85
SP506585	85
SP514134	103
Relay Cap	
SP347100787384	85
Relay Case	
SP506586	103
Relay Clamp	
SP514135	103
Relay Extension Board	
SP547003	75
Relay Extension Board Cable	
SP547062	75
Remove Box	
SP541219	103
Retaining Ring	
SP210255	23
SP210256	23
SP307732030014	37, 39
Right Front Cover	
SP553830	7, 9
Right Side Panel	
SP220459	13
Rim Reinforcement	
SP552735	91
SP553715	91
SP553760	91

Ring	
SPF02117001714	43
Rising Section	
SPF02117001314	43
Rivet	
SP313250004063	79
Roller	
SP500816	101
Roller Lever	
SP554924	99
Rotation Pin	
SP554859	101

---

## S

Safety Lever	
SP321848480023	45
Safety stop cable	
571461	77
Screw	
SP506440	103
Seal	
SP191005115	51, 53
SP238018	63
SP238019	63
SP273442021020	47
SP800701051	65
SP802123260	25, 29
SP802123475	25, 29
Sealant Tape	
577190	59
Sealing	
SP809522198	29
SP809522199	29
564237	49
Sealing Ring	
SPPRI524000001	27, 61
SP210308	31
SP210309	31
SP220172	29
SP220173	29
SP220342	29
SP221012	29
SP516981	27
Sealing Rubber	
564202	49
Sensor Board	
SP559096	33
Shaft	
SP220156	23
SP220308	23
Shaft Retaining Ring	
SP210248	29
Shield Cable	
SP341414000205	79
Side Beam	
SP220381	11
SP220386	11
SP220420	11
SP220426	11
SP220452	11
SP220460	11
SP232112	11
SP232113	11

N/A items do not appear in index.

SP232114.....	11	Sound Damper	
Side Cover		SP326346000407.....	69, 99
SP553225 .....	13, 15	SP570823.....	69, 99
SP553226 .....	13, 15	Speed Sensor	
SP553227 .....	13, 15	SP557701.....	33
SP554852 .....	101	Speed Sensor Complete	
SP554892 .....	101	SP559094.....	33
SP554912 .....	101	Speed Sensor Holder	
Side Panel		SP559095.....	33
SP220114.....	13	Split Pin	
SP220409 .....	13, 15	SP314178032022.....	83
SP220425 .....	13	SP554921.....	97
SP220442 .....	13, 15	Spring	
SP220472 .....	13, 15	SPPRI611000007.....	43
SP220572 .....	13	SP120102302325.....	45, 81
SP238340 .....	15	SP210603.....	23
Side Panel With soap hopper		SP220000030.....	23
SP232145 .....	15	SP315002015014.....	43
SP232146 .....	15	SP505372.....	101
SP232147 .....	15	Spring Cover	
SP232150 .....	15	SP236244.....	23
SP232151 .....	15	SP236882.....	23
SP232152 .....	15	Spring Draw Bar	
Side Protection		SP554863.....	101
SP238808 .....	7, 9	SP554894.....	101
SP238809 .....	7, 9	SP554914.....	101
SP238810 .....	7, 9	Spring Holder	
Slanted Drain Pipe		SP220157.....	23
SP230110.....	63	SP220306.....	23
SP230130 .....	63	Steam and Electric Heating Kit	
Slanted Drain Valve		SP550510.....	61
SP238021 .....	65	Steam Hose	
Slanted Drain Valve Body		SP548065.....	61
SP230119.....	65	SP555090.....	61
Sleeve		Steam Injector	
SP220301 .....	37, 39	SP220360.....	61
SP220370 .....	65	Steam Kit	
SP323622641243 .....	37, 39	SP550513.....	61
SP552721 .....	85, 95	SP550514.....	61
Small Hook Lock		Steam Tube	
SPPRI610002007 .....	7, 9	SP220500.....	61
Soap Hopper		Steam Valve	
SP555020 .....	45	SP250007143.....	61
SP555021 .....	47	SP554923.....	99
Soap Hopper Cover		Step Pipe Joint Bearings	
SP223110600013.....	47	SP231312019.....	23
232279 .....	49	Stop	
Soap Hopper Door		SP552725.....	87, 97
561664 .....	49	SP554886.....	93
Soap Hopper Holder		Stopper	
SP545327 .....	47	SP511929 .....	103
SP547347 .....	47	Straight Drain Pipe	
Soap hopper holder		SP230103.....	63
232273 .....	49	SP230129.....	63
232274 .....	49	Straight Drain Valve	
232275 .....	49	SP238020.....	65
232276 .....	49	Straight Drain Valve Body	
Soap Hopper Level		SP230120.....	65
SP235110200014.....	47, 49	Suction Tube	
Soap Hopper Lock		529787 .....	107
SP535519 .....	45	Supply Pump Kit	
Soap hopper weldment		MB90-Z40.....	107
561658 .....	49	MB90-Z41.....	107
Soap Link Kit		MB90-Z42.....	107
SP557944 .....	75	MB90-Z43.....	107

N/A items do not appear in index.

MB90-Z44 .....	107
Support	
SP220405 .....	11
SP220467 .....	11
Suspension Spring Assembly	
SP238060 .....	21, 23
SP238768 .....	21, 23
Switch Holder	
SP552125 .....	83
SP554902v .....	93
Switchboard Plate	
SP232297 .....	77
SP554845 .....	75
Switching Unit	
SP528312 .....	57, 59

## T

Tee	
SPPRI426001107 .....	51, 53
Temperature Sensor	
SP503839 .....	27, 61
Thermostat Sensor Holder	
SPPRI614000047 .....	27, 61
Tilting System Cabinet	
SP552714 .....	83, 91
SP553704 .....	83, 91
SP553749 .....	83, 91
Tilting System Hinge	
SP553702 .....	93, 95
SP554986 .....	85
SP554987 .....	85
SP554988 .....	85
SP554989 .....	85
Tilting System Pin	
SP552748 .....	95
SP554981 .....	85
Timer	
SPPRI345006045 .....	71
Top Cover	
SP220388 .....	13, 15
SP220429 .....	13, 15
SP220462 .....	13, 15
SP238244 .....	13, 15
SP238247 .....	13, 15
SP238249 .....	13, 15
Topper	
SP536508 .....	69
SP570811 .....	69
T-Part	
SP210392 .....	51, 53
Transformer	
SP101643 .....	71
564561 .....	77
T-Square	
SP529323 .....	93
Tube	
SP220410 .....	55
SP220411 .....	55
SP220412 .....	55
SP220450 .....	55
SP518680 .....	43
SP533712 .....	43
SP553212 .....	51

N/A items do not appear in index.

## U

Upper Frame	
SP238552 .....	19
SP238553 .....	19
SP238554 .....	19
Upper Hinge	
SP552716 .....	85, 95
SP552717 .....	85, 95
Upper Pressure Plate	
SP220389 .....	7
SP220430 .....	7
SP220464 .....	7
SP232110 .....	9
SP232115 .....	9
SP232127 .....	9
Upper Protection	
SP232156 .....	9
SP232157 .....	9
SP232158 .....	9
SP236985 .....	7
SP236986 .....	7
SP553217 .....	7
Upper Rear Beam	
SP220385 .....	11
SP220424 .....	11
SP220458 .....	11
Upper Switch Guide	
SP552126 .....	83
SP553723 .....	83
SP553750 .....	83
SP554901 .....	93
Upper Valve and Vent Cover	
SP220403 .....	13, 15
SP220431 .....	13, 15
SP220465 .....	13, 15

## V

Valve	
SP523728 .....	67
Valve Connector	
SP536505 .....	69, 89, 99
Valve, 1-Way	
SP567064 .....	51, 53
Valve, 2-Way	
SPPRI340020035 .....	51, 53
Valve, 3-Way	
SPPRI340030038 .....	51, 53
V-Belt	
SP531249 .....	35
SP545380 .....	35
Vent Hose	
SP526509 .....	49
Ventilator Grate	
SP528482 .....	35
Vessel	
SP321848223000 .....	47
223110002122 .....	49
Vibration Switch	
SPPRI345000068 .....	17
Vibration Switch Holder	
SP531229 .....	17

SP540466 .....	17
Vibration Switch Limiter	
SP531268 .....	17

---

## W

Wash Bath Sample Assembly	
567224 .....	67
Washer	
SPF02117002414 .....	43
SPPRI522000012 .....	7, 9, 13, 15
SP210002 .....	11, 59
SP210003 .....	7, 9, 63
SP210005 .....	31
SP210007 .....	25, 31
SP210009 .....	25, 31
SP210013 .....	11, 13, 15, 25
SP210014 .....	61, 63
SP210015 .....	7, 9, 25, 37, 39
SP210018 .....	19, 21, 31
SP210021 .....	19, 21, 25, 31
SP210022 .....	25, 31
SP210258 .....	31
SP210259 .....	31
SP210832 .....	23
SP220159 .....	37, 39
SP220177 .....	25
SP220184 .....	29
SP220322 .....	37, 39
SP220357 .....	19, 21
SP220371 .....	65
SP220372 .....	37, 39
SP220375 .....	61
SP220490 .....	51, 53
SP232225 .....	41
SP232309 .....	41
SP311125000003 .....	43, 45
SP311125000004 .....	35, 45, 69, 83, 93, 97, 103, 105
SP311125000005 .....	93
SP311125000006 .....	17, 33, 43, 45, 51, 67, 69, 83, 87, 93, 97, 99, 101
SP311125000008 .....	83, 93, 97, 101
SP311125000010 .....	83, 103
SP311125000013 .....	35, 79, 85, 95
SP311125000020 .....	83
SP311125100004 .....	43
SP311125100006 .....	43
SP311125240004 .....	47, 49, 57, 59, 103
SP311125240006 .....	49
SP311125240008 .....	41, 51, 53, 55
SP311127000003 .....	45
SP311127000004 .....	35, 43, 45, 93, 97, 99, 103
SP311127000005 .....	93
SP311127000006 .....	15, 17, 33, 43, 47, 59, 67, 69, 83, 87, 93, 97, 99
SP311127000008 .....	83, 87, 93, 97
SP311127000010 .....	11, 31, 65, 97, 103
SP311127000012 .....	35, 45, 79, 85, 95
SP311127000016 .....	35
SP311127240004 .....	47, 103
SP311127240006 .....	49
SP311127240008 .....	41
SP311679800003 .....	57
SP311679800004 .....	59
SP311679824004 .....	57
SP311902100004 .....	59
SP311902100006 .....	49

SP311902100010 .....	93, 97
SP505430 .....	57
SP511924 .....	35
SP511930 .....	103
SP531237 .....	25
SP545379 .....	25
SP547349 .....	41
SP551174 .....	87, 97
SP551472 .....	103
SP551476 .....	103
SP555746 .....	43
557211 .....	67

Water Level Elbow	
SP220771 .....	27
Water Level Switch	
570315 .....	77
Water Level Switch Hose	
SPPRI540001003 .....	27
Weighing System Kit	
SP547361 .....	79

---

## Y

Y-piece	
PRI503000028 .....	77

---

N/A items do not appear in index.