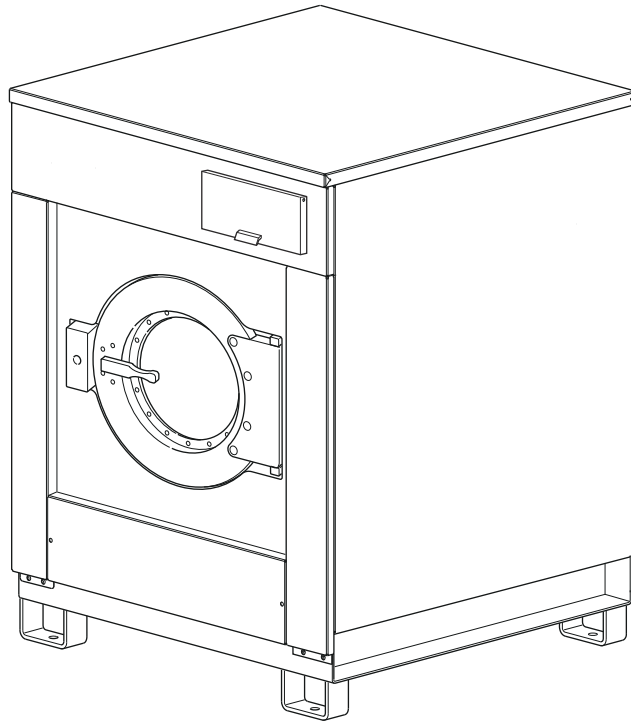


Washer-Extractor

Cabinet Freestanding
Refer to Page 3 for Model Numbers



CFD18C_D1574

Table of Contents

Title	Page
Parts Ordering Information.....	2
Serial Plate Location	2
Model Identification	3
Cabinet Freestanding Washer-Extractor Product Overview - *X Models.....	4
Cabinet Freestanding Washer-Extractor Product Overview - *HF Models	6
Frame.....	8
Shock and Spring Assembly	10
Shell and Front Panel	12
Motor.....	14
Drain Assembly.....	16
Drain Valve - Normally Open	18
Drain Valve - Normally Closed.....	20
Door Lock.....	22
Door	24
Control Panel - Cygnus Professional	26
Control Panel - Cygnus Premium	28
Control Panel - Cygnus Ultra Pro.....	30
Control Panel - Cygnus PRO.....	32
Control Panel - WE-8.....	34
Control Module.....	36
Top, Left Side and Front Panels	38
Back and Right Side Panels	40
Upper Back Panel (Drawing 1 of 5)	42
Upper Back Panel (Drawing 2 of 5)	44
Upper Back Panel (Drawing 3 of 5)	46
Upper Back Panel (Drawing 4 of 5)	48
Upper Back Panel (Drawing 5 of 5)	50
Plumbing (Drawing 1 of 3)	52
Plumbing (Drawing 2 of 3)	54
Plumbing (Drawing 3 of 3)	56
Balance Switch	58
Soap Pumps	60
Spray Pump	62
Electric Heating Option	64
Steam Heating Option - *HF730 Models.....	66
Steam Heating Option - *HF900 Models.....	68
Parts Index.....	71

© Copyright 2014, Alliance Laundry Systems LLC

All rights reserved. No part of the contents of this book may be reproduced or transmitted in any form or by any means without the expressed written consent of the publisher.

Parts Ordering Information

If literature or replacement parts are required, contact the source from whom the machine was purchased or contact Alliance Laundry Systems at (920) 748-3950 for the name and address of the nearest authorized parts distributor.

For technical assistance, call either of the numbers listed below:

(920) 748-3121 Ripon, Wisconsin

+32 56 41 20 54 Wevelgem, Belgium

Serial Plate Location

When calling or writing about your product, be sure to mention model and serial numbers. Model and serial numbers are located on serial plate(s).

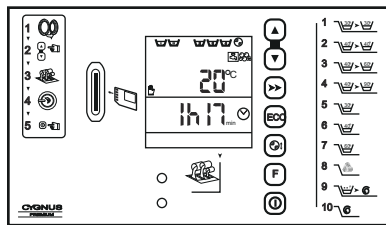
Model Identification

Information in this manual is applicable to these washer-extractor models:

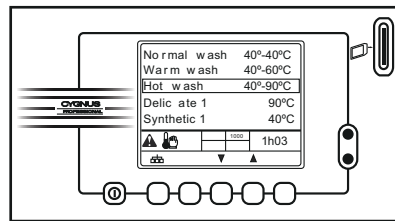
CS165_PRO	IXG730Y	SXU730P
CS165_ULTRA-PRO	IXG730Z	SXU730Z
CS200_PRO	IXG900Y	SXU900P
CXE165Z	IXG900Z	SXU900Z
CXE200Z	IXN730Y	SXW730P
CXG730Z	IXN730Z	SXW730Z
CXG900Z	IXN900Y	SXW900P
CXN730Z	IXN900Z	SXW900Z
CXN900Z	IXR165R	SXZ730P
CXR165R	IXR165Y	SXZ730Z
CXR165Z	IXR165Z	SXZ900P
CXR200Z	IXR200Y	SXZ900Z
CXU730Z	IXR200Z	UX165_PRO
CXU900Z	IXU730Y	UX165_WE-8
CXW730Z	IXU730Z	UX200_PRO
CXW900Z	IXU900Y	UX200_WE-8
CXZ730Z	IXU900Z	UXE165P
CXZ900Z	IXW730Y	UXE165Z
DXU730Y	IXW730Z	UXE200P
DXU900Y	IXW900Y	UXE200Z
HF730_CYGNUS-PREM_OPL_STARTING-MARCH-31-2014	IXW900Z	UXG730P
HF730_CYGNUS-PRO_STARTING-MARCH-31-2014	IXZ730Y	UXG730Z
HF900_CYGNUS-PREM_OPL_STARTING-MARCH-31-2014	IXZ730Z	UXG900P
HF900_CYGNUS-PRO_STARTING-MARCH-31-2014	IXZ900Y	UXG900Z
HX165_WE-8	IXZ900Z	UXN730P
HX200_WE-8	JXW730Y	UXN730Z
HXE165P	JXW730Z	UXN900P
HXE200P	JXW900Y	UXN900Z
HXG730P	JXW900Z	UXR165P
HXG900P	SX165_PRO	UXR165Z
HXN730P	SX165_WE-8	UXR200P
HXN900P	SX200_PRO	UXR200Z
HXR165P	SX200_WE-8	UXU730P
HXR200P	SXE165P	UXU730Z
HXU730P	SXE165Z	UXU900P
HXU900P	SXE200P	UXU900Z
HXW730P	SXE200Z	UXW730P
HXW900P	SXG730P	UXW730Z
HXZ730P	SXG730Z	UXW900P
HXZ900P	SXG900P	UXW900Z
IS165_PREM	SXG900Z	UXZ730P
IS165_PRO	SXN730P	UXZ730Z
IS165_ULTRA-PRO	SXN730Z	UXZ900P
IS200_PREM	SXN900P	UXZ900Z
IS200_PRO	SXN900Z	
IXE165Y	SXR165P	
IXE165Z	SXR165Z	
IXE200Y	SXR200P	
IXE200Z	SXR200Z	

Cabinet Freestanding Washer-Extractor Product Overview - *X Models

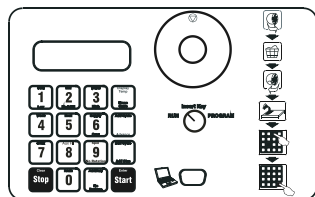
Model No. *X55PVXM60001
 Serial No. 0000000000
 Voltage 200-240/50-60/1-3 Amps 12
 Required Circuit Breaker Amps 15
 Hz 50-60 Wire 2/3+PE Phase 1/3
 Max. Load 55 LB 25 KG Max. Speed 1000 RPM
 Elec. Heating KW Steam Press. PSI BAR



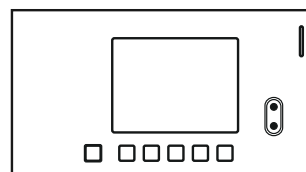
Cygnus Premium



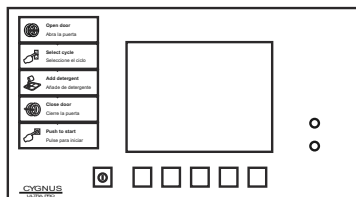
Cygnus Professional



WE-8



Pro



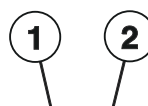
Ultra Pro



CFD985N_D1574

Cabinet Freestanding Washer-Extractor Product Overview - *X Models

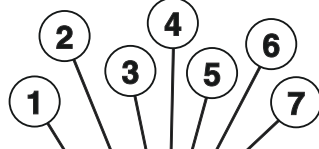
REF	PART NO.	DESCRIPTION	COMMENTS
1	-	Product Family	CS CX DX HX IS IX JX SX UX
2	-	Capacity	165 200 730 900
3	-	Control	P (WE-8) R (Ultra PRO) Y (Premium) Z (Professional and PRO)
4	-	Speed	V (Variable)
5	-	Voltage	N (440-480/50-60/3/3) P (380-415/50-60/3/3) Q (200-240/50-60/3/3) X (200-240/50-60/1/3)
6	-	OEM	A F M U
7	-	Design	6 and 7



Cabinet Freestanding Washer-Extractor Product Overview - *HF Models



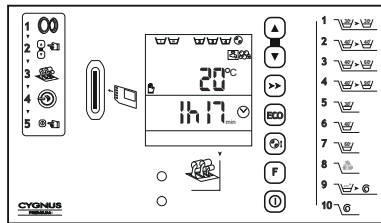
Type:	HF575P	Nr:	07110580147
Voltage:	3 ~ 380V 50Hz	Weight:	1787 kg
Motor:	7.5 kW 20 A	Capacity:	575 L
Heating:	36 kW 60 A	Dry Load:	57 kg
Total:	43.50 kW	Drum:	980 mm
Kinetic energy:	23257N/M	Speed:	800 rpm
Manufactured in:	2007		
Water Pressure: min. 2.07 max. 5.86 Kg/cm ² IPX4 min. 20.7 max. 58.6 N/cm ²			
sfc 741295			
 Alliance International BVBA Nieuwstraat 146 8560 Wevelgem Belgium Tel: +32 56 41 20 54 Fax: +32 56 41 86 74 www.ipso.be			

Label 1

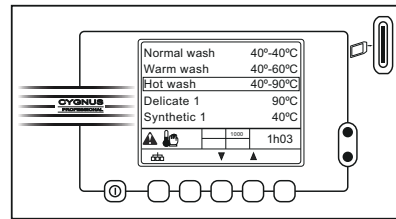


Model No:	IHF165MNHX10U01	Serial No:	0710740113
Volts Hertz:	208-240 50/60	Type:	HF730P
Phase:	3		
Amps:	20 amps	Capacity:	165/73 lbs/kg
Recommended Circuit Breaker:	25 amps	Water Pressure:	30-85 psi
Interrupt Current:	10 kA	Max Speed:	2.07-5.86 bar
Motor:	15 hp 11 kW	Net Weight:	750 rpm 3520 lbs 5070 kg
Elec Heat:	N/A kW		IPX4
Steam heat:	N/A psi N/A bar		
 Alliance International BVBA Made in Belgium TEL 1-920-748-3121 www.comlaundry.com		 INTERTEK LISTED 180749 CONFORMS TO ANSIIUL STD 2157 CERTIFIED TO CAN/CSA STD C22.2 NO.169	

Label 2



Cygnus Premium



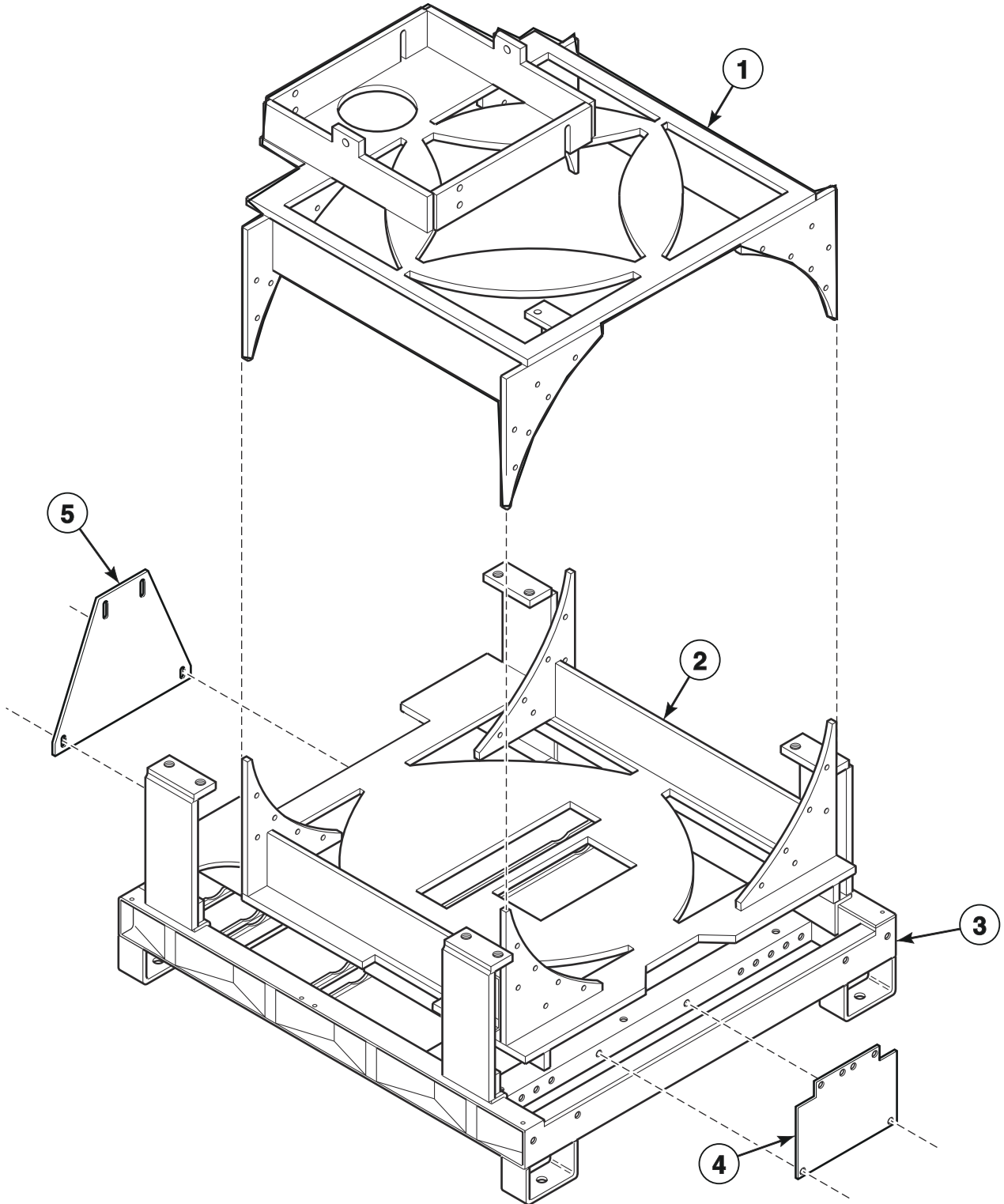
Cygnus Professional

CFD986N_D1574

Cabinet Freestanding Washer-Extractor Product Overview - *HF Models

REF	PART NO.	DESCRIPTION	COMMENTS
1	-	Product Family	HF
2	-	Capacity (Pounds)	165 200 730 900
3	-	Control	Cygnus Premium Cygnus Professional
4	-	Actuation	N (Non-Coin)
5	-	Speed	H (High Speed)
6	-	Voltage	N (440-480/50-60/3/3) P (380-415/50-60/3/3) Q (208-240/50-60/3/3) X (200-240/50-60/1/3)
7	-	Design	1

Frame

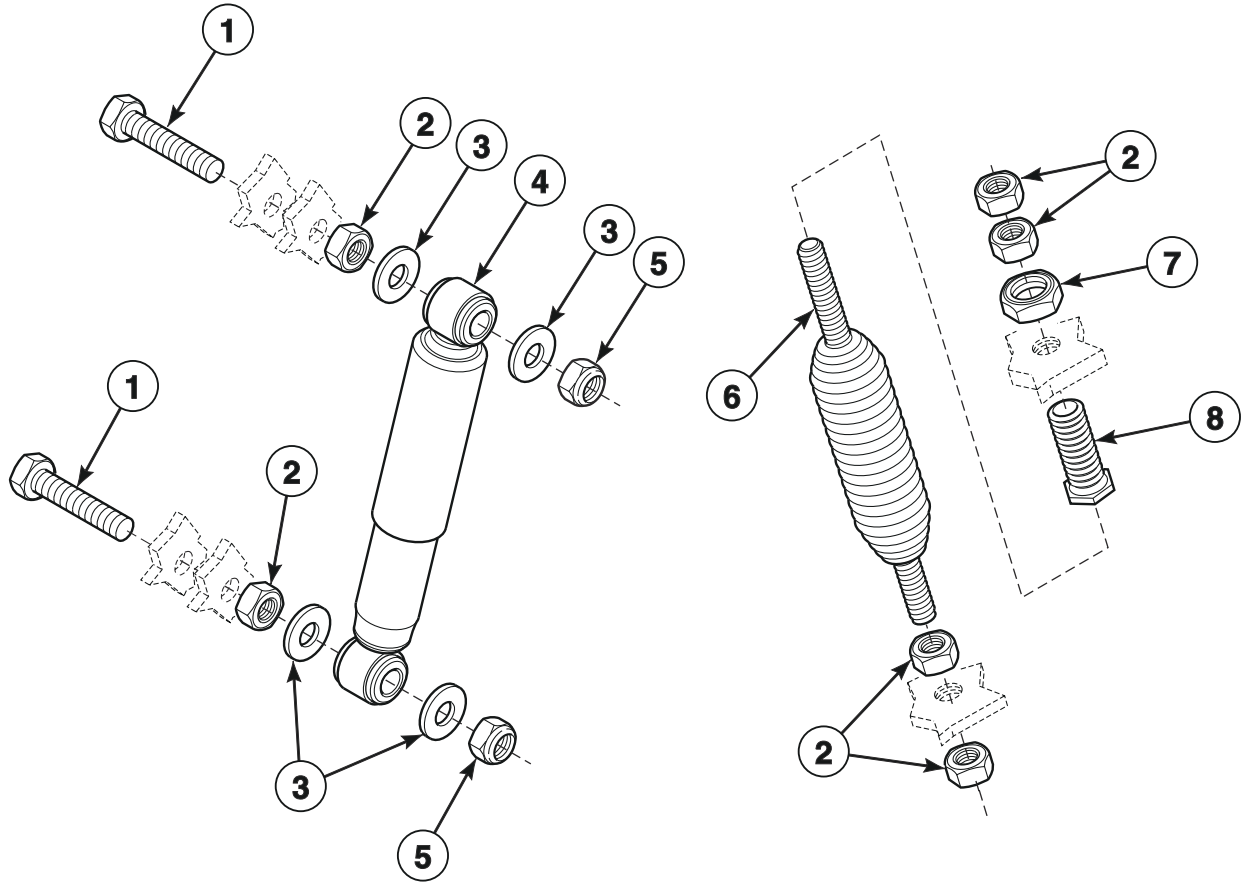


CFD264P_1574

Frame

REF	PART NO.	DESCRIPTION	COMMENTS
1	253/10503/00	Upper Support	*HF730 models
	290/10503/00	Upper Support	*HF900 models
2	253/10502/00	Lower Support	*HF730 models
	290/10502/00	Lower Support	*HF900 models
3	253/10501/00	Frame	*HF730 models
	290/10501/00	Frame	*HF900 models
4	173/00015/00	Shipping Bracket	Front
5	173/00054/00	Shipping Bracket	Rear

Shock and Spring Assembly

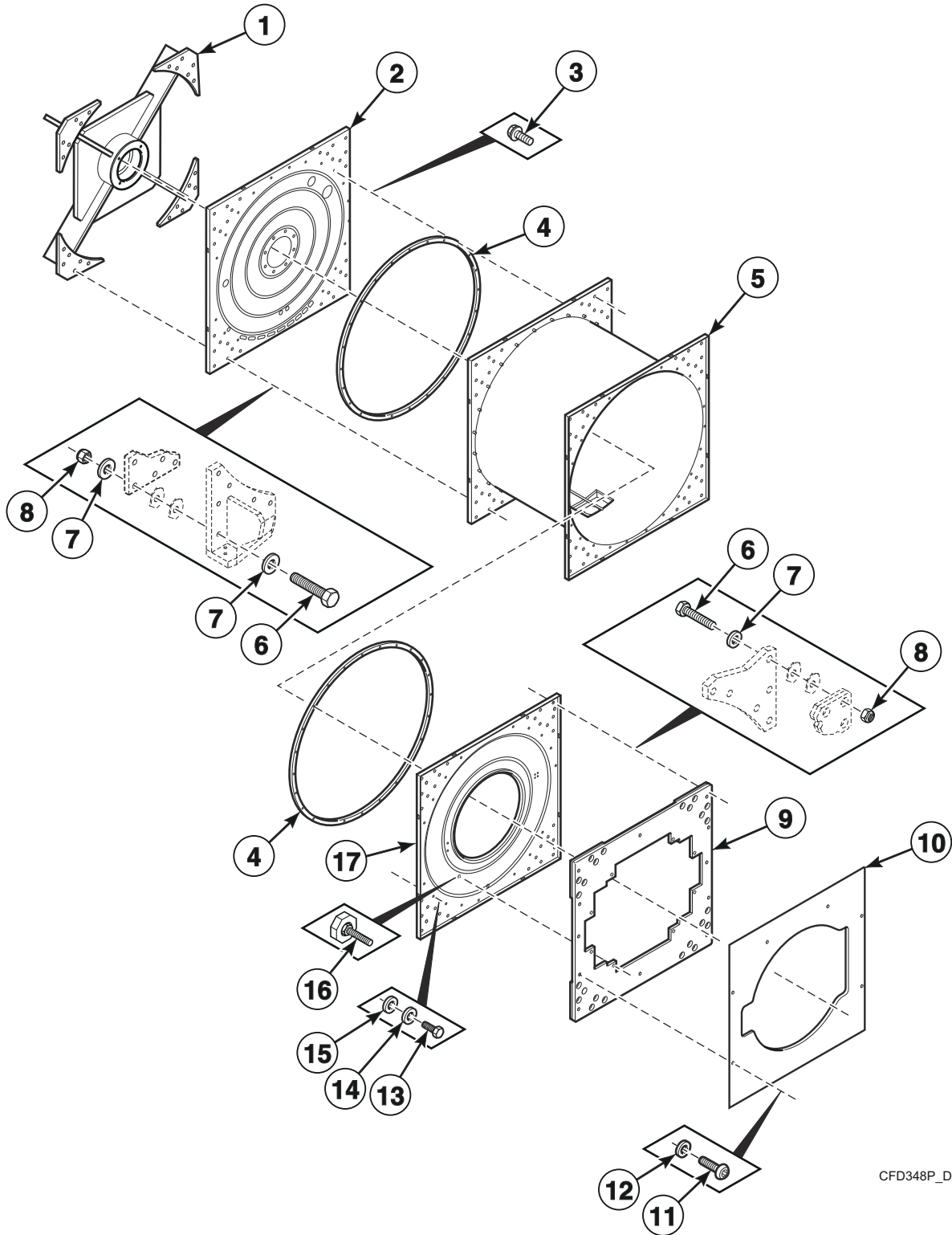


CFD58P_D1574

Shock and Spring Assembly

REF	PART NO.	DESCRIPTION	COMMENTS
1	206/00071/00	Bolt	
2	204/00012/00	Nut	
3	B12522101	Washer	
4	247/00008/00	Shock Absorber	
	211/00137/10	Shock Absorber Bushing	
5	204/00113/00	Nut	
6	B12440101	Suspension Spring	
7	204/00016/00	Nut	
8	224/00046/00	Bolt	

Shell and Front Panel

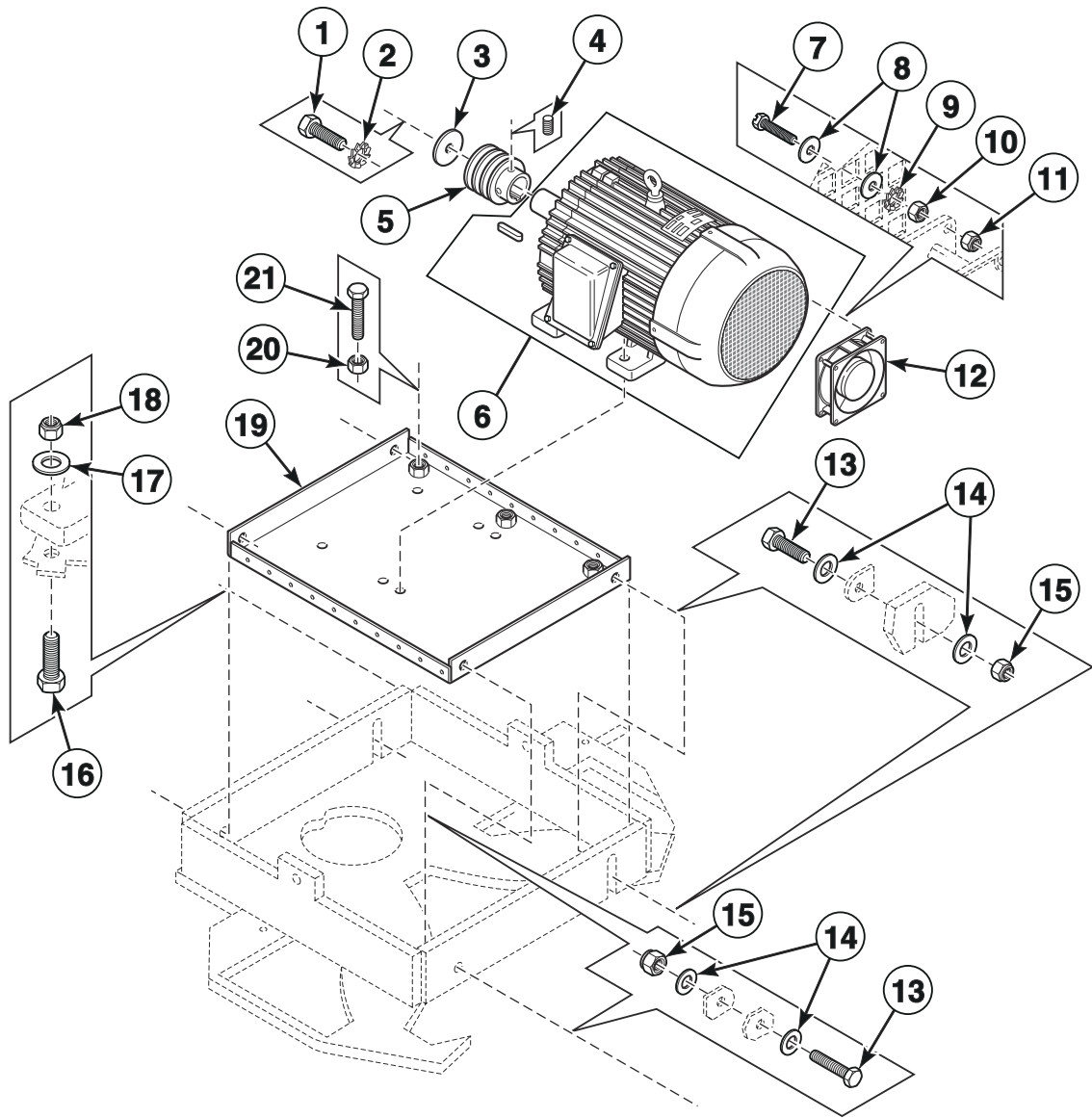


CFD348P_D1574

Shell and Front Panel

REF	PART NO.	DESCRIPTION	COMMENTS
1	253/10505/00	Bearing Housing	
2	173/00020/10	Tub Back Plate	Standard and steam heat
	173/00019/10	Tub Back Plate	Electric and steam heat
3	206/00099/00	Bolt	
4	255/00001/00	Tub Gasket	
5	190/00020/00	Tub	*HF900 models; Standard and steam heat
	173/00020/00	Tub	All other models; Standard and steam heat
	190/00019/00	Tub	*HF900 models; Electric and steam heat
	173/00019/00	Tub	All other models; Electric and steam heat
6	206/00122/00	Bolt	
7	201/00001/00	Washer	
8	204/00113/00	Nut	
9	253/10504/00	Counterweight	
10	173/00010/00	Tub Front	
11	205/00102/00	Bolt	
12	202/00105/00	Washer	
13	205/00105/00	Bolt	
14	B12300701	Washer	
15	B12300601	Washer	
16	252/00006/00	Leveling Leg	
17	173/00022/00	Tub Front	

Motor

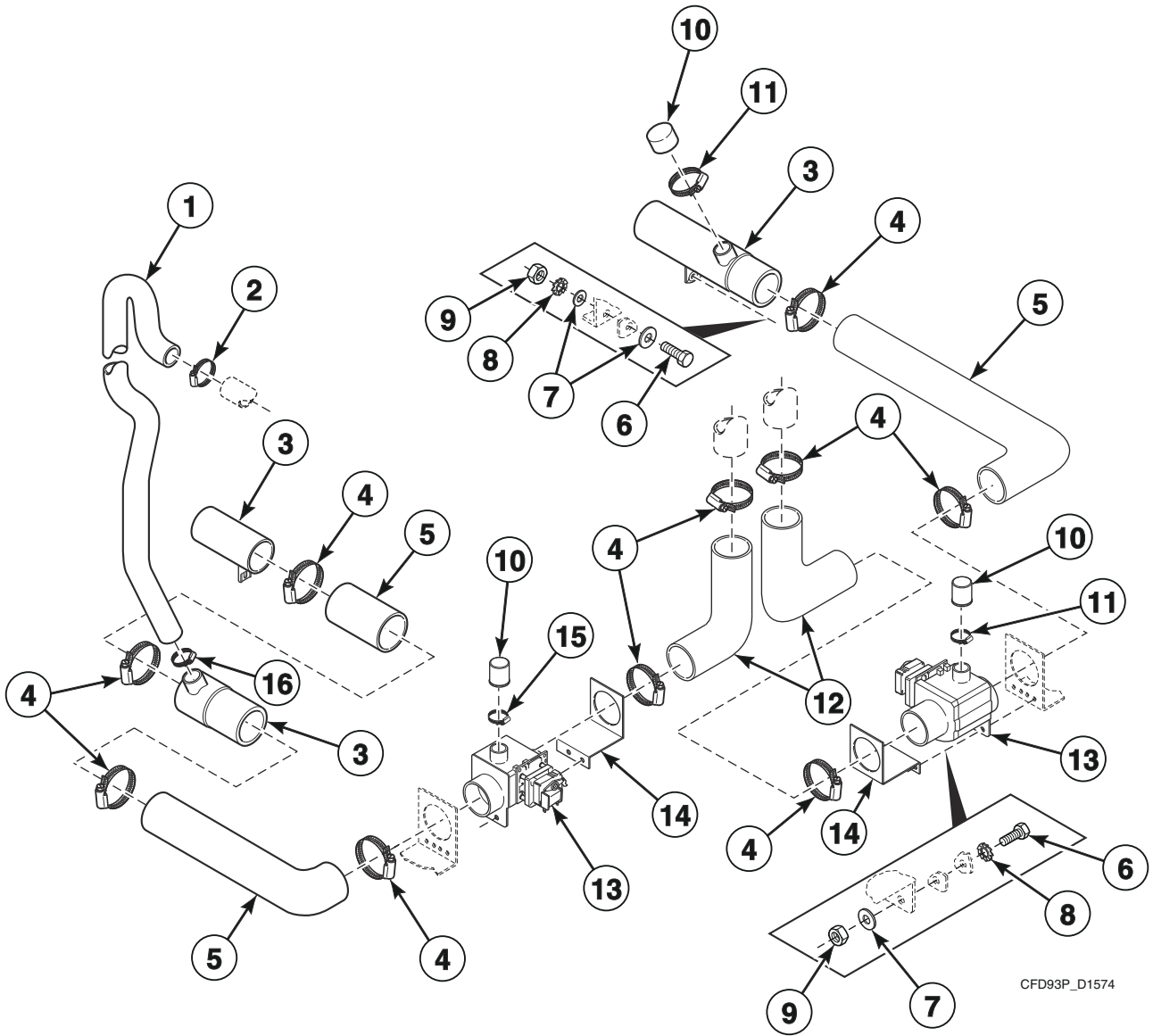


CFD56P_D1574

Motor

REF	PART NO.	DESCRIPTION	COMMENTS
1	206/00004/00	Bolt	
2	203/00001/00	Washer	
3	201/00011/00	Washer	
4	206/00031/00	Screw	
5	253/10519/00	Motor Pulley	
6	227/00246/00	Motor	15 kW; *HF900 models; Used when replacing 11 kW motor with 15 kW motor; When replacing either the 11 kW motor or inverter drive with a 15 kW motor or inverter drive, both the 11 kW motor and inverter drive must be replaced with a 15 kW motor and inverter drive
	B12511301	Motor	15 kW; *HF900 models
	227/00174/00	Motor	11 kW; *HF900 models; Contact customer service for replacement information
	B12511001	Motor	*HF730 models
7	207/00003/00	Screw	
8	201/00008/00	Washer	
9	203/00006/00	Washer	
10	204/00007/00	Nut	
11	204/00114/00	Nut	
12	209/00287/00	Cooling Fan	
13	248/00114/00	Bolt	
14	201/00001/00	Washer	
15	204/00113/00	Nut	
16	206/00003/00	Bolt	
17	201/00004/00	Washer	
18	204/00111/00	Nut	
19	153/00025/00	Motor Plate	
20	204/00012/00	Nut	
21	206/00125/00	Screw	

Drain Assembly

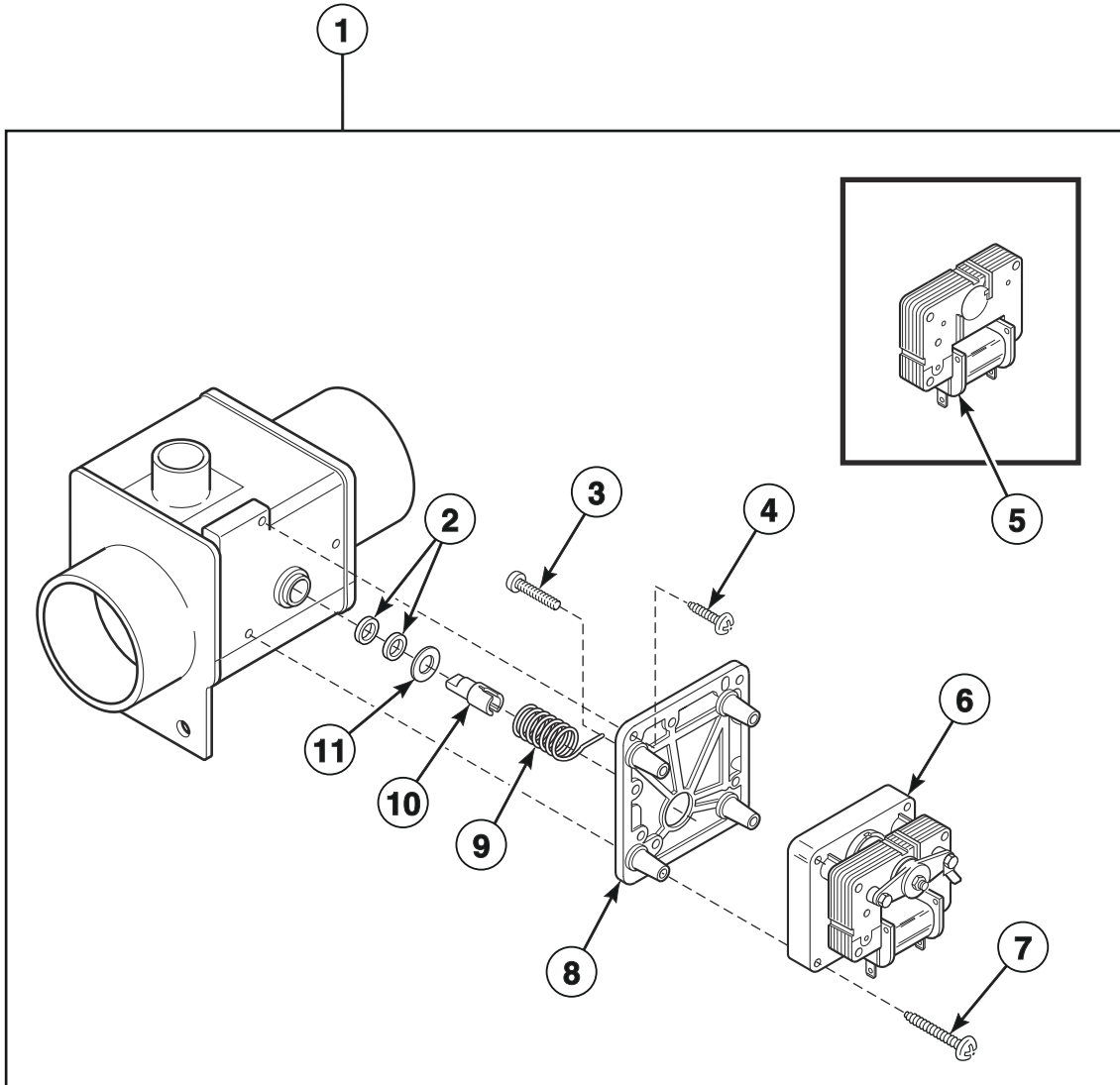


CFD93P_D1574

Drain Assembly

REF	PART NO.	DESCRIPTION	COMMENTS
	210/01575/18	Drain Valve Harness	
	210/01575/17	Wire Harness	Connects drain 1 to drain 2
1	223/00184/00	Overflow Hose	
2	223/00013/00	Hose Clamp	
3	223/00106/00	Drain Pipe	
4	223/00071/00	Hose Clamp	
5	223/00141/00	Drain Valve to Drain Pipe Hose	
6	206/00009/00	Bolt	
7	202/00002/00	Washer	
8	203/00003/00	Washer	
9	204/00004/00	Nut	
10	223/00086/00	Drain Valve Overflow Plug	
11	223/00012/00	Hose Clamp	
12	223/00133/00	Drain Tub to Drain Valve Hose	
13	209/00075/00	Drain Valve	
14	114/00010/00	Drain Valve Plate Assembly	
15	223/00223/00	Hose Clamp	
16	223/00013/00	Hose Clamp	

Drain Valve - Normally Open

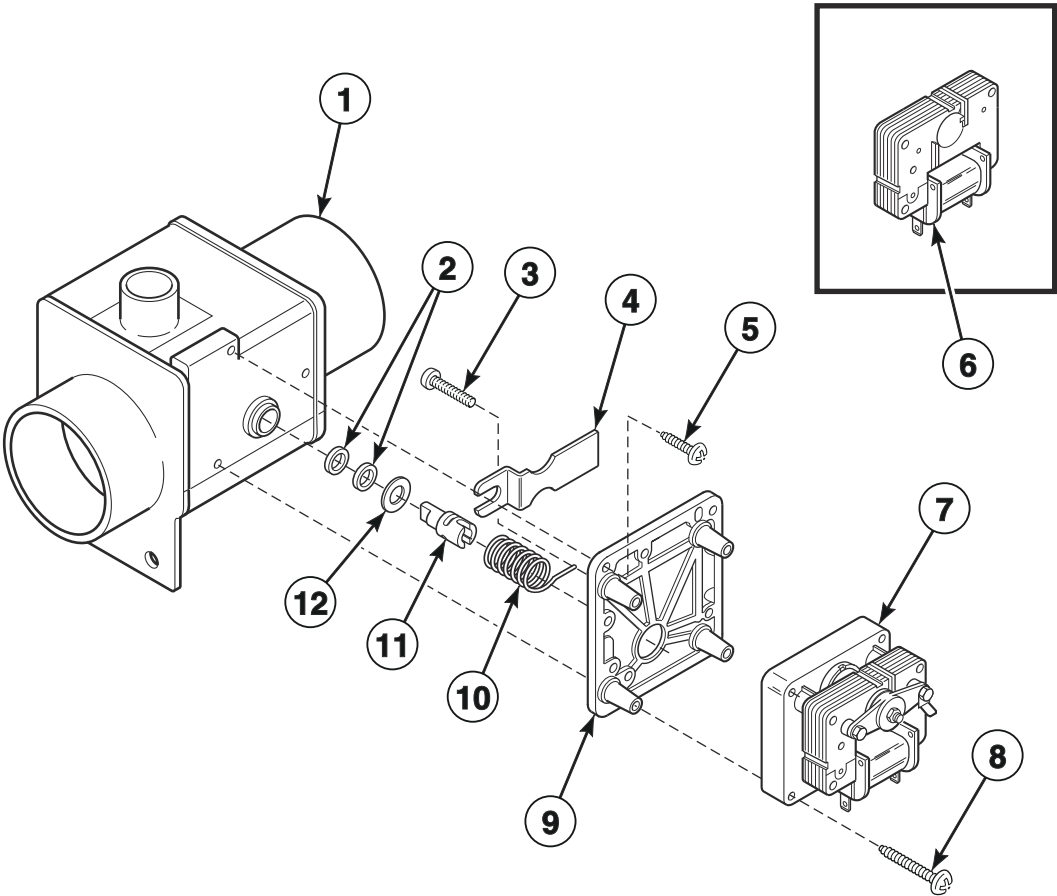


CFD98P_D1574

Drain Valve - Normally Open

REF	PART NO.	DESCRIPTION	COMMENTS
	210/01575/18	Drain Valve Harness	
	210/01575/17	Wire Harness	Connects drain 1 to drain 2
1	209/00075/00	Drain Valve	
2	209/00025/10	Drain Valve Shaft Seal	
3	209/00025/08	Screw	
4	209/00170/05	Screw	
5	209/00203/21	Coil	24 Volt
	209/00052/21	Coil	115 Volt
	209/00051/21	Coil	220 Volt
6	209/00203/11	Drain Valve Motor	24 Volt
	209/00052/11	Drain Valve Motor	110 Volt
	209/00051/11	Drain Valve Motor	220 Volt
7	209/00170/07	Screw	
8	209/00025/07	Drain Valve Motor Mounting Plate	
9	209/00025/13	Drain Valve Spring	
10	209/00170/10	Drain Valve Shaft	
11	209/00025/12	Washer	

Drain Valve - Normally Closed

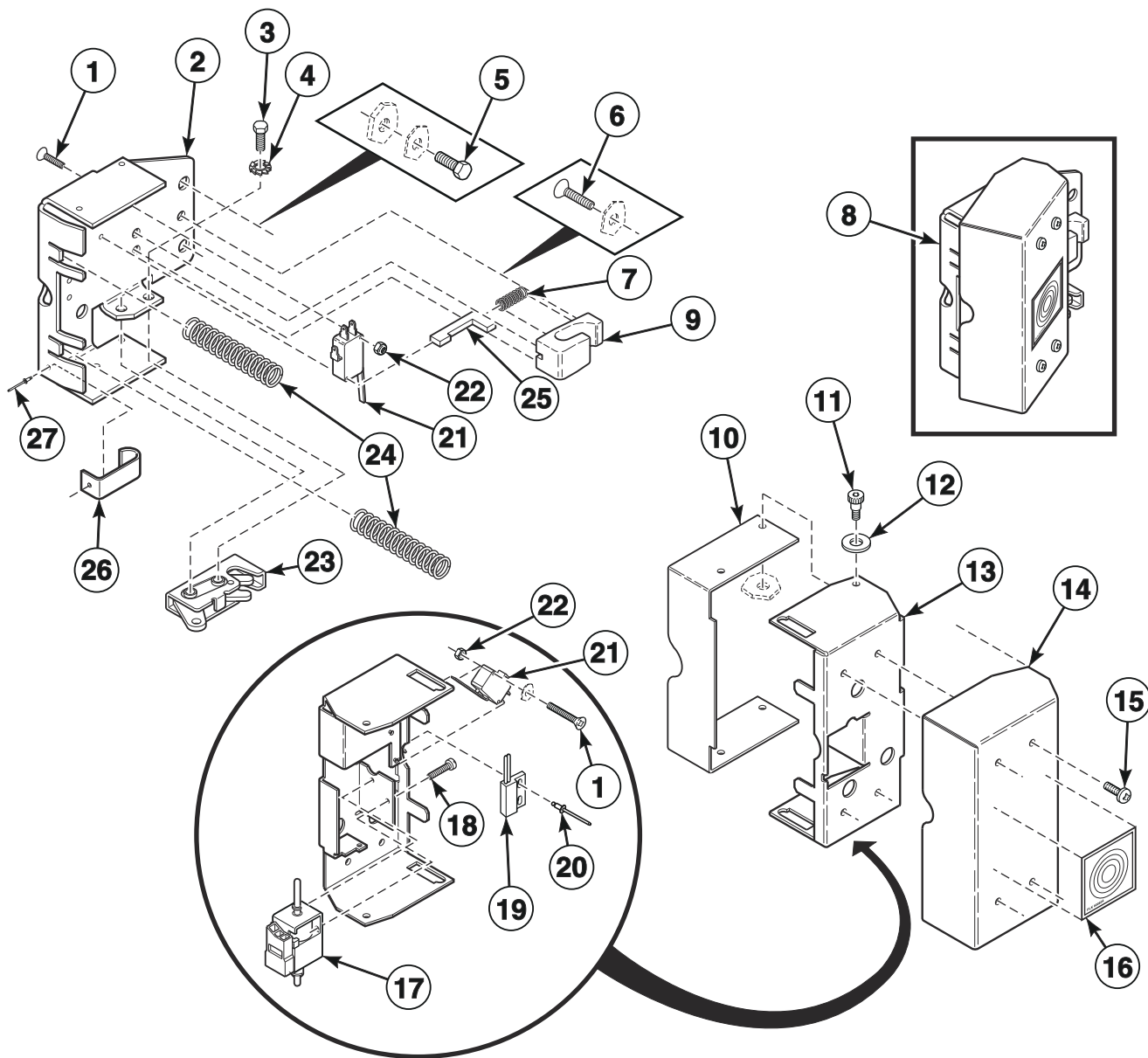


CFD99P_D1574

Drain Valve - Normally Closed

REF	PART NO.	DESCRIPTION	COMMENTS
1	209/00075/05	Drain Valve	
2	209/00025/10	Drain Valve Shaft Seal	
3	209/00025/08	Screw	
4	209/00115/11	Drain Valve Handle	
5	209/00170/05	Screw	
6	209/00212/11	Coil	24 Volt
	209/00052/21	Coil	115 Volt
	209/00051/21	Coil	220 Volt
7	209/00203/12	Drain Valve Motor	24 Volt
	209/00052/12	Drain Valve Motor	110 Volt
	209/00170/06	Drain Valve Motor Assembly	220 Volt
8	209/00170/07	Screw	
9	209/00115/04	Drain Valve Motor Mounting Plate	
10	209/00170/02	Drain Valve Spring	
11	209/00170/10	Drain Valve Shaft	
12	209/00025/12	Washer	

Door Lock

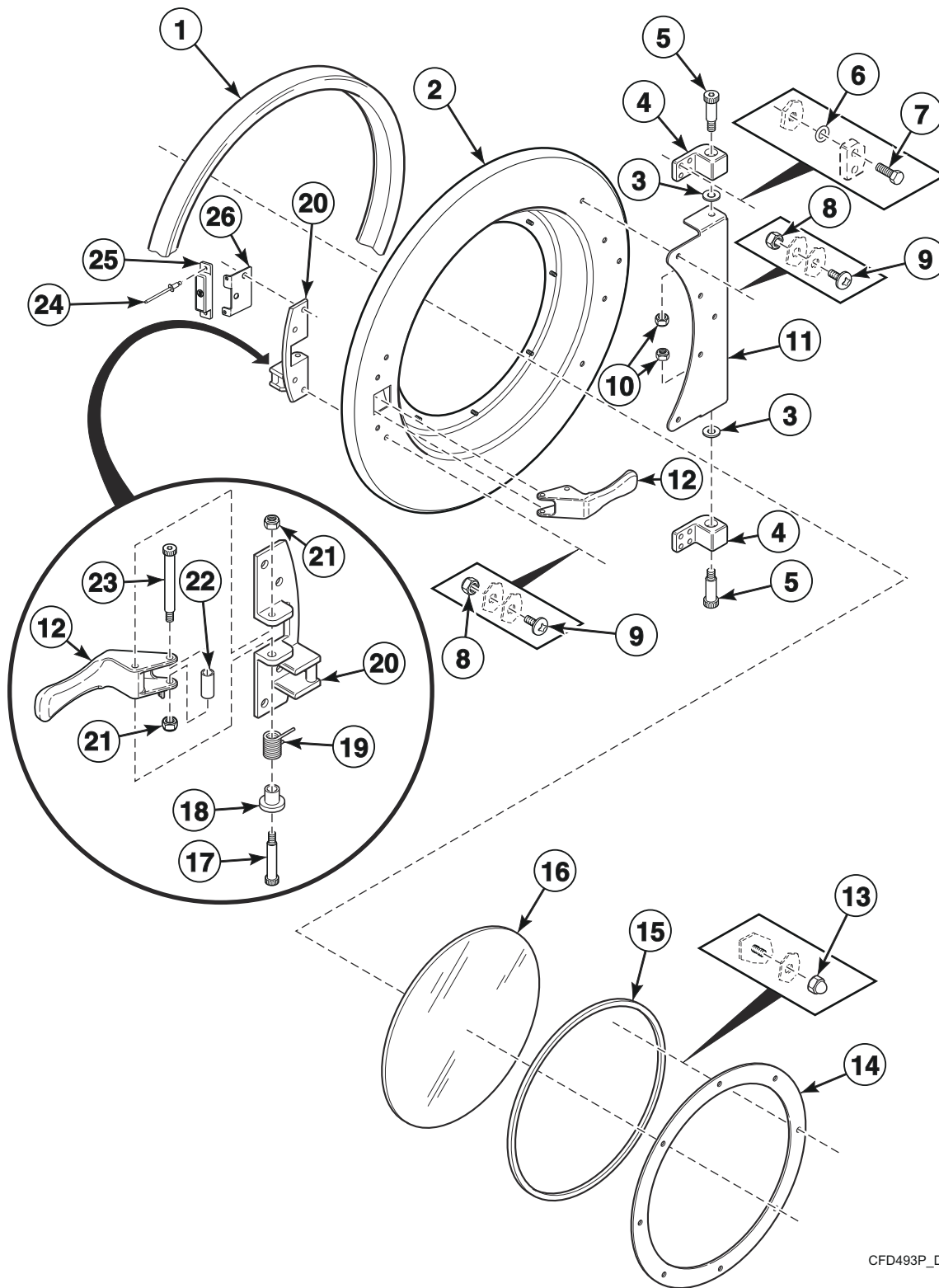


CFD498P_D1574

Door Lock

REF	PART NO.	DESCRIPTION	COMMENTS
	C000867	Door Lock Harness	
	C001036	Door Lock Assembly	Includes items 1-27 and C000867 Door Lock Harness
	C001036M	Door Lock Kit	Includes C001036 Door Lock Assembly, F8390801 Magnet, C002994 Door Magnet Mounting Bracket and F431223 Pop Rivet
1	253/00158/614	Screw	
2	253/00158/684	Door Lock Plate	
3	253/00158/567	Screw	
4	253/00158/571	Washer	
5	205/00123/00	Bolt	
6	253/00158/612	Screw	
7	253/00158/276	Door Lock Spring	
8	253/00159/1036	Door Latch Assembly	
9	253/00158/185	Door Lock Catch	
10	253/00158/687	Door Lock Spring Cover	
11	253/00158/430	Bolt	
12	201/00007/00	Washer	
13	253/00158/686	Door Lock Solenoid Bracket	
14	253/00158/688	Door Lock Cover	
15	253/00158/1047	Screw	
16	253/00158/694	Door Release Decal	
17	209/00274/00	Door Lock Solenoid	
18	B12322501	Screw	
19	C003000	Reed Switch Assembly	
20	F8245101	Blind Rivet	
21	253/00158/278	Door Lock Microswitch	
22	253/00158/578	Nut	
23	253/00158/1244	Door Latch	
24	253/00158/431	Spring	
25	253/00158/271	Door Lock Switch Actuator	
26	211/00072/00	Lock Spring Leaf	
27	B12336401	Rivet	

Door

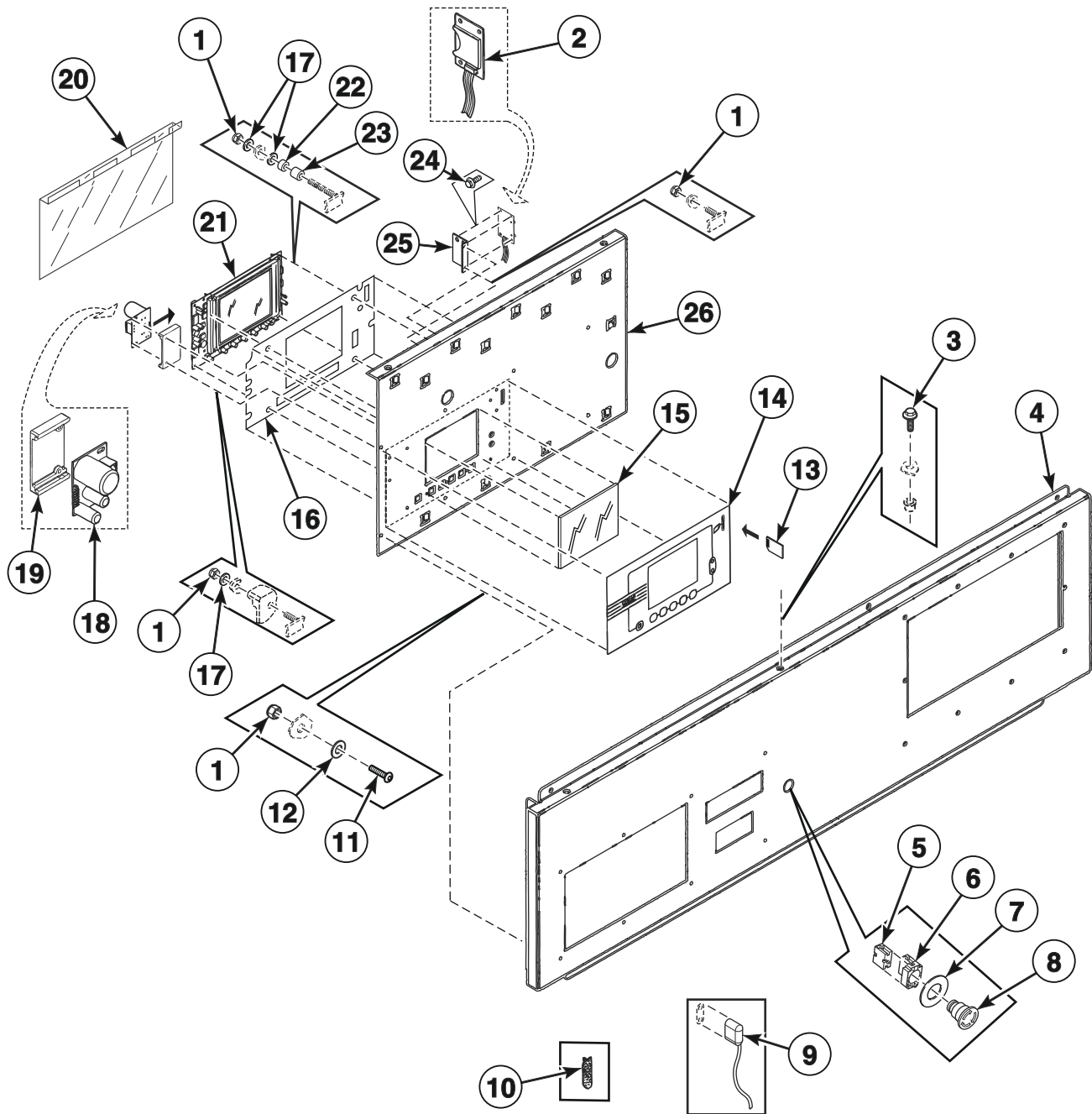


CFD493P_D1574

Door

REF	PART NO.	DESCRIPTION	COMMENTS
1	253/00162/02	Door Seal	
2	173/00040/00	Door	
3	253/00158/177	Washer	
4	253/00158/175	Door Hinge Block	
5	253/00158/178	Bolt	
6	223/00244/00	O-Ring	
7	205/00122/00	Bolt	
8	204/00127/00	Nut	
9	208/00132/00	Bolt	
10	253/00158/558	Nut	
11	253/00515/752	Door Hinge	
12	253/00515/28	Door Handle	
13	253/00158/562	Nut	
14	173/00041/00	Door Glass Seal Retaining Ring	
15	223/00346/00	Door Glass Seal	
16	253/00515/754	Door Glass	
17	253/00158/182	Bolt	
18	253/00158/192	Door Handle Spring Bushing	
19	253/00158/187	Door Handle Torsion Spring	
20	253/00158/179	Door Handle Hinge Weldment	
21	253/00158/560	Nut	
22	253/00158/181	Door Handle Bushing	
23	253/00158/180	Bolt	
24	F431223	Pop Rivet	
25	F8390801	Magnet	
26	B12509001	Door Magnet Mounting Bracket	

Control Panel - Cygnus Professional

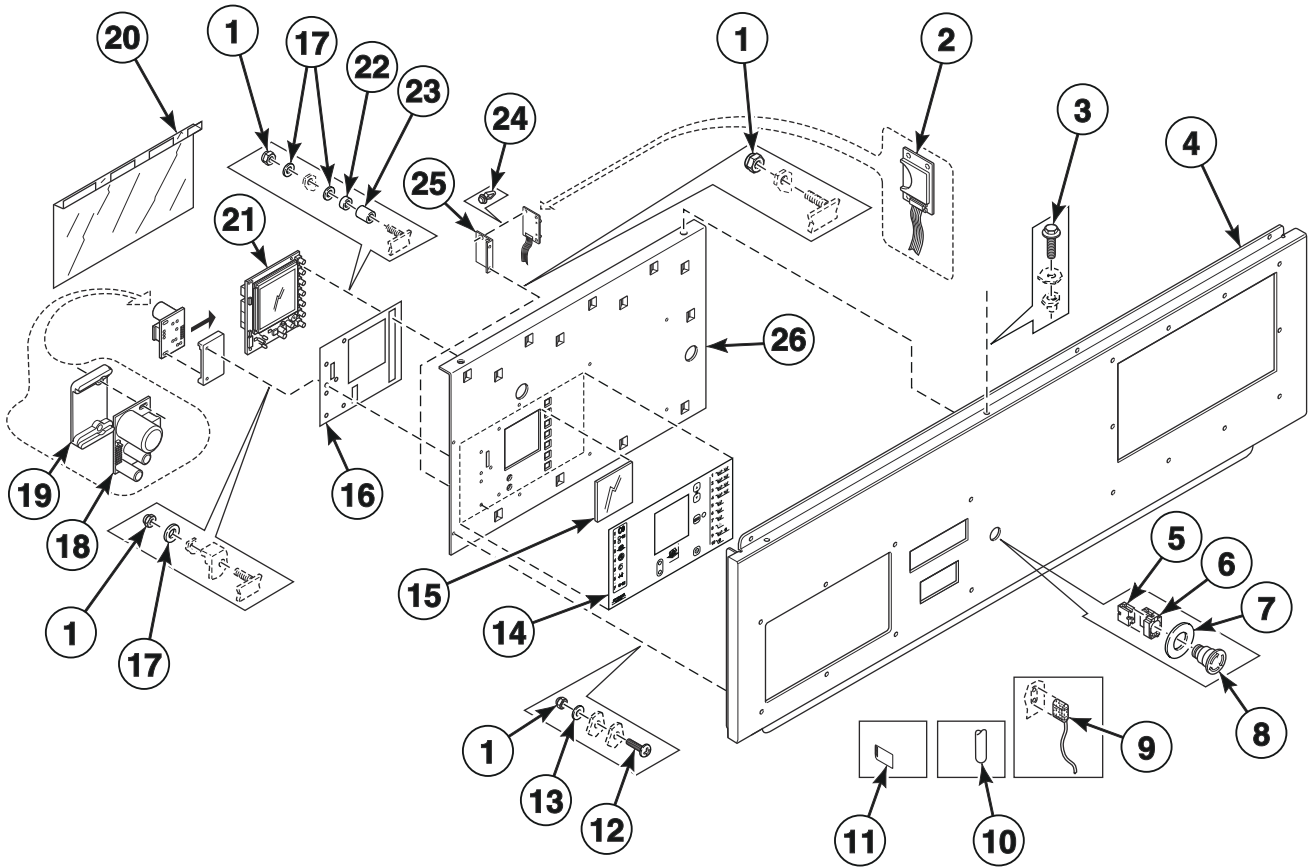


BE000890P_D1574

Control Panel - Cygnus Professional

REF	PART NO.	DESCRIPTION	COMMENTS
1	204/00116/00	Nut	
2	B12305201	Memory Card PC-Board	
3	206/00099/00	Bolt	
4	173/00042/00	Front Panel	
5	209/00099/26	Contact Switch	
6	209/00099/20	Emergency Switch Pushbutton	
7	209/00520/00	Telem Sticker	
8	209/00248/20	Mushroom Pushbutton	
9	210/00902/00	Infrared Cable	
10	223/00348/00	Datacard Cover	
11	207/00113/00	Screw	
12	202/00004/00	Washer	
13	209/02022/00	Datacard	
14	225/10313/00	Operating Sticker	
15	225/00321/00	Plexi Frame	
16	229/00268/00	Insulating Sticker	
17	223/00123/00	Washer	
18	209/02010/00	Door Lock PC-Board	
19	223/00374/00	Mounting Plate	
20	229/00289/00	Circuit Board Cover	
21	209/02002/Z02	Display and Printboard	
22	211/00128/00	Printboard Separator	
23	211/00122/00	Standoff	
24	211/00145/00	Standoff	
25	111/01893/00	Printboard Support Card	
26	173/00013/20	Printboard Display Plate Assembly	

Control Panel - Cygnus Premium

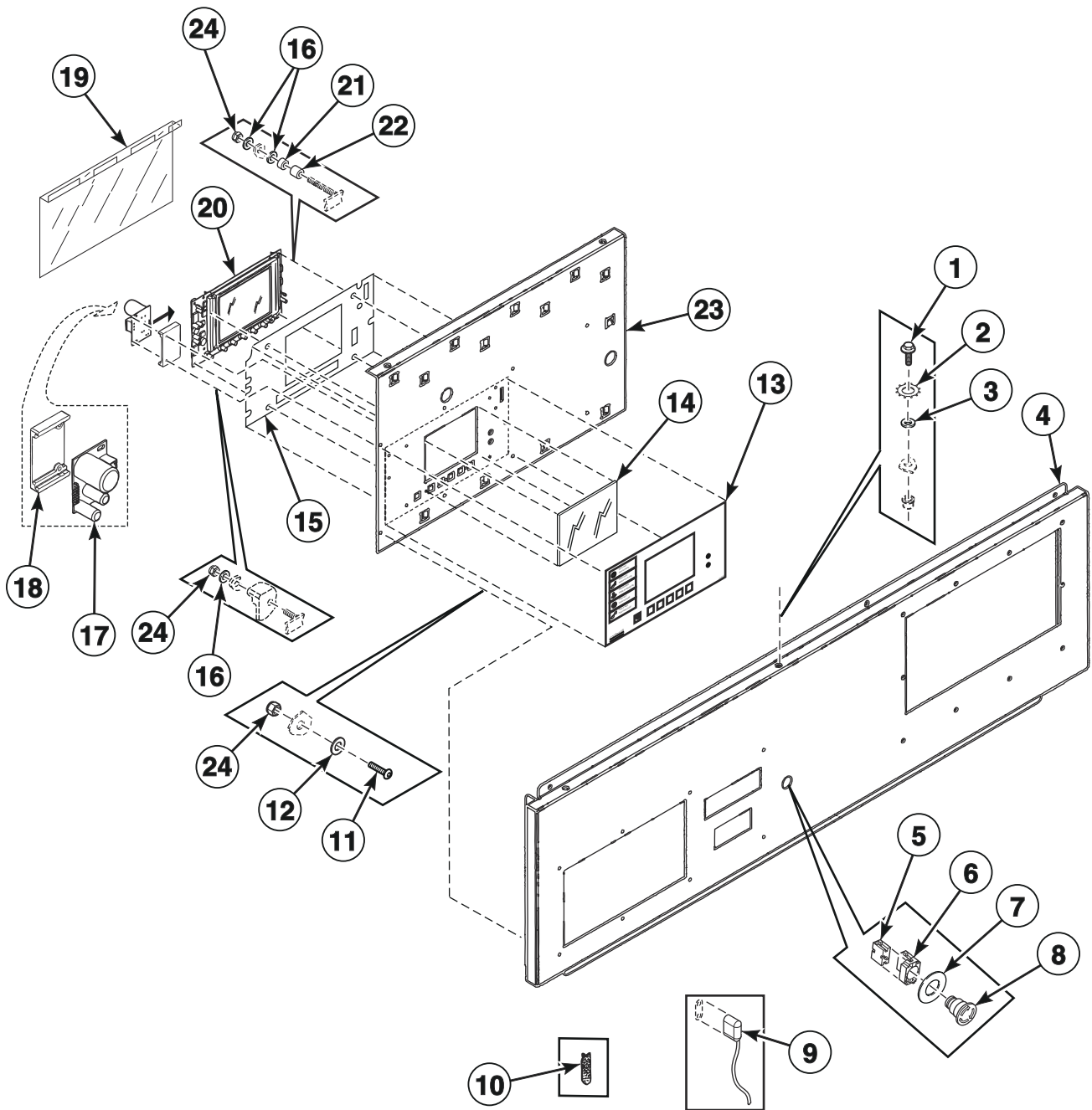


BE000891P_D1574

Control Panel - Cygnus Premium

REF	PART NO.	DESCRIPTION	COMMENTS
1	204/00116/00	Nut	
2	B12305201	Memory Card PC-Board	
3	206/00099/00	Bolt	
4	173/00042/00	Front Panel	
5	209/00099/26	Contact Switch	
6	209/00099/20	Emergency Switch Pushbutton	
7	209/00520/00	Telem Sticker	
8	209/00248/20	Mushroom Pushbutton	
9	210/00902/00	Infrared Cable	
10	223/00348/00	Datacard Cover	
12	207/00113/00	Screw	
13	202/00004/00	Washer	
11	209/02022/00	Datacard	
14	225/10427/00	Operating Sticker	*HF models; Models without datacard opening
	255/10404/00	Operating Sticker	*HF models; Models with datacard opening
	B12456701	Operating Sticker	All other models
15	225/00323/00	Plexi Frame	
16	229/00268/00	Insulating Sticker	
17	223/00123/00	Washer	
18	209/02010/00	Door Lock PC-Board	
19	223/00374/00	Mounting Plate	
20	229/00289/00	Circuit Board Cover	
21	209/02015/02	Printboard	
22	211/00128/00	Printboard Separator	
23	211/00122/00	Standoff	
24	211/00145/00	Standoff	
25	111/01893/00	Printboard Support Card	
26	173/00013/30	Printboard Display Plate Assembly	

Control Panel - Cygnus Ultra Pro

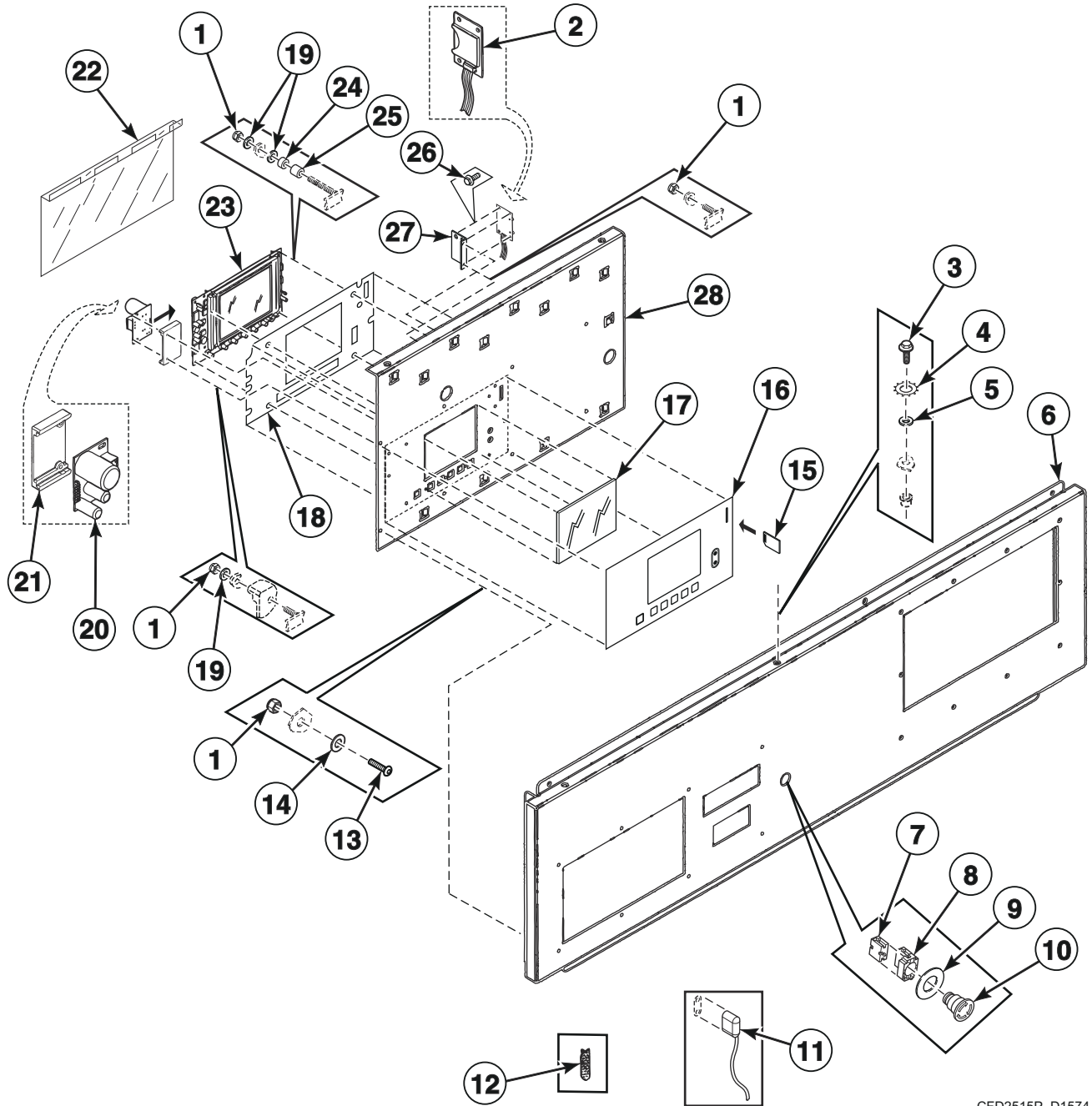


CFD2519P_D1574

Control Panel - Cygnus Ultra Pro

REF	PART NO.	DESCRIPTION	COMMENTS
1	205/00105/00	Bolt	
2	B12300701	Washer	
3	B12300601	Washer	
4	B12601501	Upper Front Panel	
5	209/00099/26	Contact Switch	
6	209/00099/20	Emergency Switch Pushbutton	
7	209/00520/00	Telem Sticker	
8	209/00248/20	Mushroom Pushbutton	
9	210/00902/00	Infrared Cable	
10	223/00348/00	Datacard Cover	
11	207/00113/00	Screw	
12	202/00004/00	Washer	
13	B12583801	Overlay	
14	225/00321/00	Plexi Frame	
15	229/00268/00	Insulating Sticker	
16	223/00123/00	Washer	
17	209/02010/00	Door Lock PC-Board	
18	223/00374/00	Mounting Plate	
19	229/00289/00	Circuit Board Cover	
20	209/02002/Z02	Display and Printboard	
21	211/00128/00	Printboard Separator	
22	211/00122/00	Standoff	
23	173/00013/20	Printboard Display Plate Assembly	
24	204/00116/00	Nut	

Control Panel - Cygnus PRO

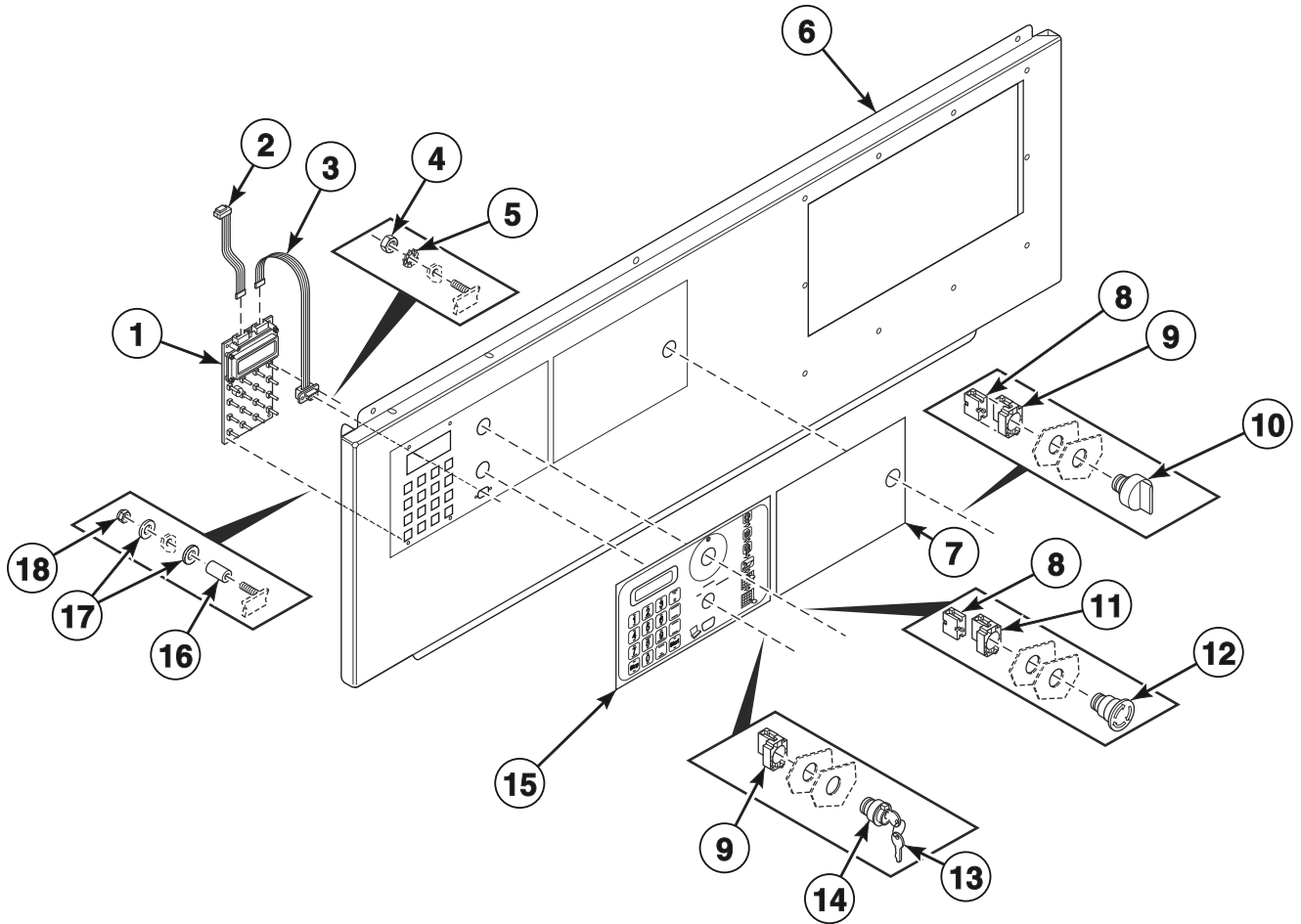


CFD2515P_D1574

Control Panel - Cygnus PRO

REF	PART NO.	DESCRIPTION	COMMENTS
1	204/00116/00	Nut	
2	B12305201	Memory Card PC-Board	
3	205/00105/00	Bolt	
4	B12300701	Washer	
5	B12300601	Washer	
6	B12570401	Control Panel	SX models
	B12570301	Control Panel	UX models
7	209/00099/26	Contact Switch	
8	209/00099/20	Emergency Switch Pushbutton	
9	209/00520/00	Telem Sticker	
10	209/00248/20	Mushroom Pushbutton	
11	210/00902/00	Infrared Cable	
12	223/00348/00	Datacard Cover	
13	207/00113/00	Screw	
14	202/00004/00	Washer	
15	209/02022/00	Datacard	
16	B12568901	Overlay	SX models
	B12568801	Overlay	UX models
17	225/00321/00	Plexi Frame	
18	229/00268/00	Insulating Sticker	
19	223/00123/00	Washer	
20	209/02010/00	Door Lock PC-Board	
21	223/00374/00	Mounting Plate	
22	229/00289/00	Circuit Board Cover	
23	209/02002/Z02	Display and Printboard	
24	211/00128/00	Printboard Separator	
25	211/00122/00	Standoff	
26	211/00145/00	Standoff	
27	111/01893/00	Printboard Support Card	
28	173/00013/20	Printboard Display Plate Assembly	

Control Panel - WE-8

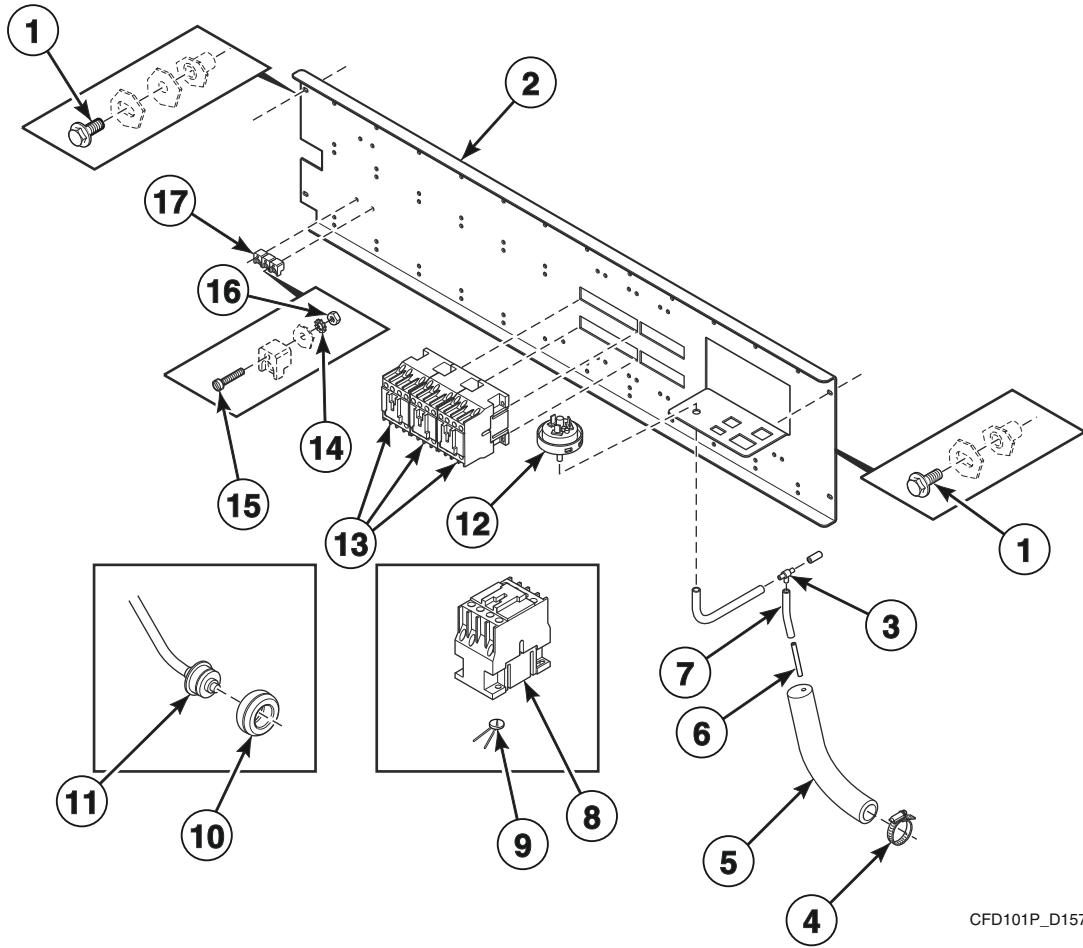


CFD190P_D1574

Control Panel - WE-8

REF	PART NO.	DESCRIPTION	COMMENTS
1	209/00580/03	Display	
2	210/00204/00	Flat Cable	
3	B12388303	Programming Cable	
4	204/00008/00	Nut	
5	203/00007/00	Washer	
6	WW455/57	Control Panel	
7	9001890	Logo Decal	HX models
	225/00392/00	Overlay	SX models
	F8435601	Overlay	UX models
8	44018901	Contact Block	
9	209/00099/25	Switch Base	
10	209/00099/29	Switch Knob	Steam and electric heat models
11	44018701	Contact Block	
12	44018801	Pushbutton	
13	209/00326/21	Programming Key	Key code 455
14	209/00326/20	Programming Key Contact Switch	
15	F9001561	Overlay	
16	211/00140/00	Spacer	
17	223/00123/00	Washer	
18	204/00116/00	Nut	

Control Module

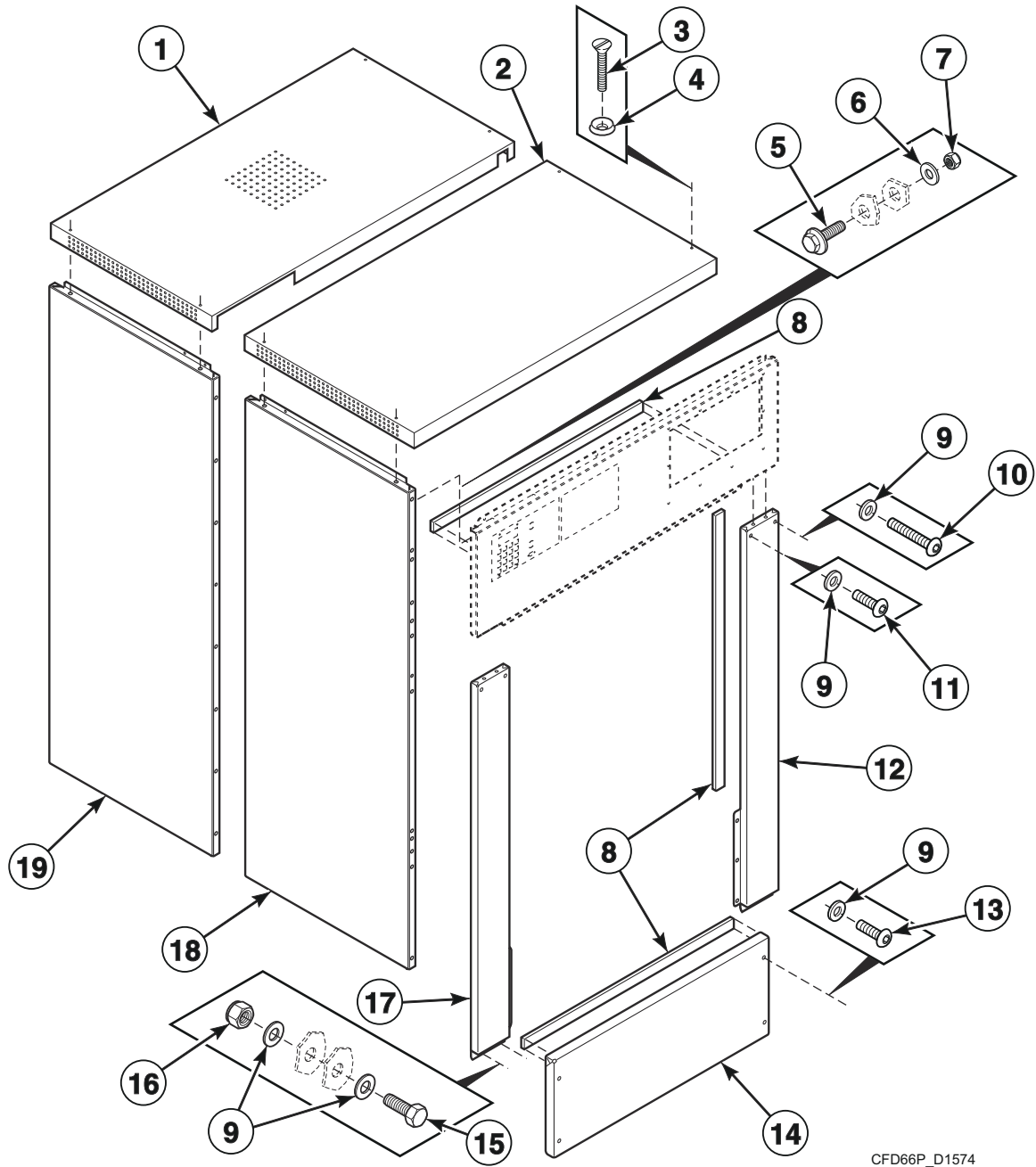


CFD101P_D1574

Control Module

REF	PART NO.	DESCRIPTION	COMMENTS
1	206/00099/00	Bolt	
2	229/00262/20	Electrical Components Plate	
3	223/00173/10	Pressure Switch Hose Tee	
4	223/00223/00	Hose Clamp	
5	223/00210/00	Pressure Switch Elbow	
6	223/00016/00	Hose Barb	
7	223/00333/00	Pressure Hose	
8	209/00041/04	Contactactor	
9	209/00356/00	Noise Suppressor	
10	225/10004/00	Thermostat Seal	
11	210/01064/16	Thermostat	Cygnus control models
	210/01304/16	Thermostat	All other models
12	209/00007/50	Pressure Switch	
	209/00029/00	Water Level Switch	
13	209/00148/02	Contactactor	
14	203/00006/00	Washer	
15	207/00008/00	Screw	
16	204/00007/00	Nut	
17	209/00005/00	Terminal Block	

Top, Left Side and Front Panels

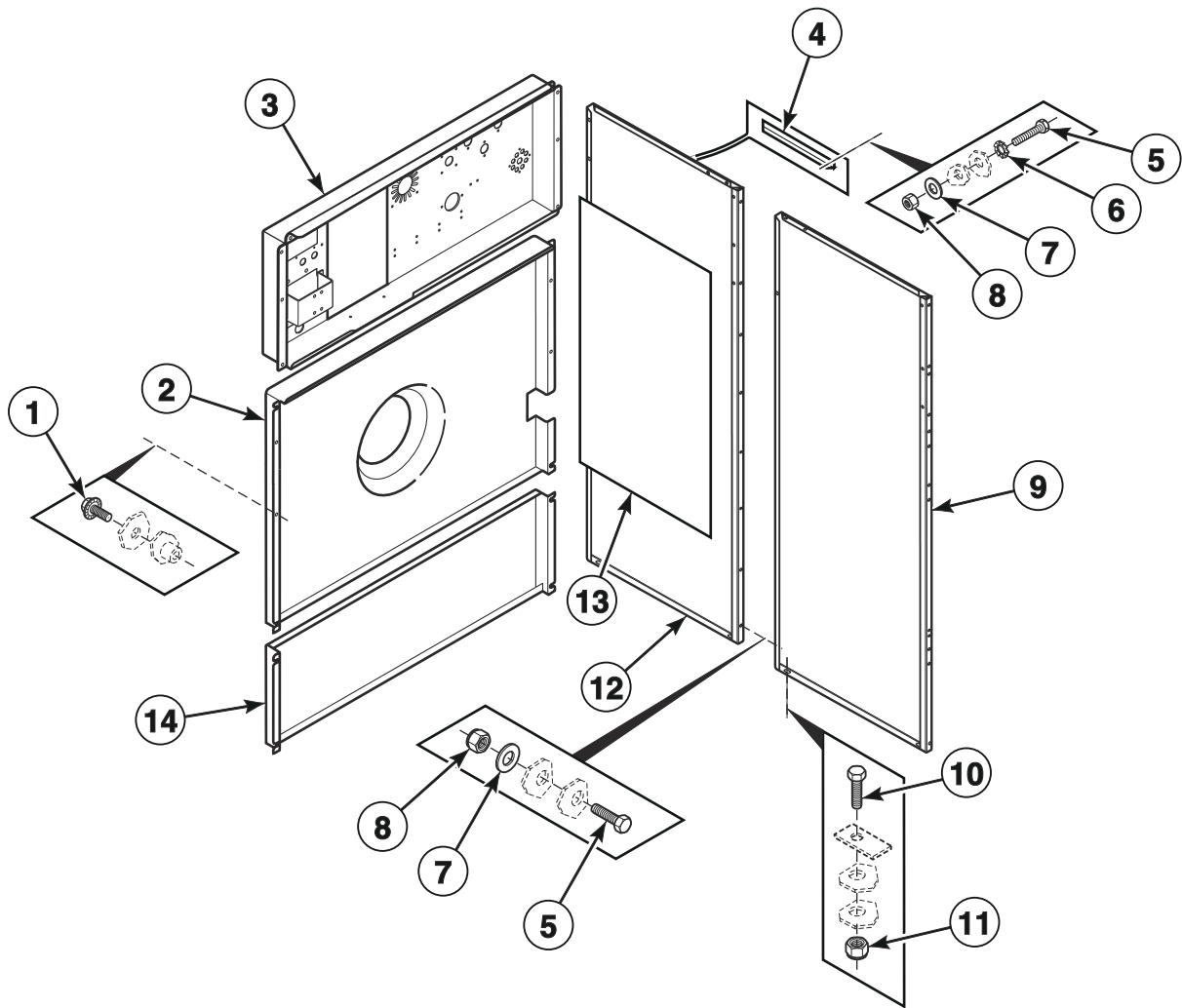


CFD66P_D1574

Top, Left Side and Front Panels

REF	PART NO.	DESCRIPTION	COMMENTS
1	173/00001/01	Rear Cabinet Top	*HF730 models
	190/00001/01	Rear Cabinet Top	All other models
2	173/00001/02	Front Cabinet Top	*HF730 models
	190/00001/02	Front Cabinet Top	All other models
3	207/00123/00	Screw	
4	208/00009/00	Washer	
5	206/00099/00	Bolt	
6	202/00106/00	Washer	
7	204/00106/00	Nut	
8	246/00149/00	Gasket	
9	202/00110/00	Washer	*HF models
10	208/00121/00	Screw	
11	208/00125/00	Screw	
12	173/00003/10	Front Right Panel	
13	207/00123/00	Screw	*HF models
14	173/00004/00	Lower Front Panel	
15	206/00042/00	Bolt	
16	204/00109/00	Nut	
17	173/00003/20	Front Left Panel	
18	173/00005/00	Side Panel	*HF730 models; Left front
	190/00005/00	Side Panel	All other models; Left front
19	173/00006/00	Side Panel	*HF730 models; Left rear
	190/00006/00	Side Panel	All other models; Left rear

Back and Right Side Panels

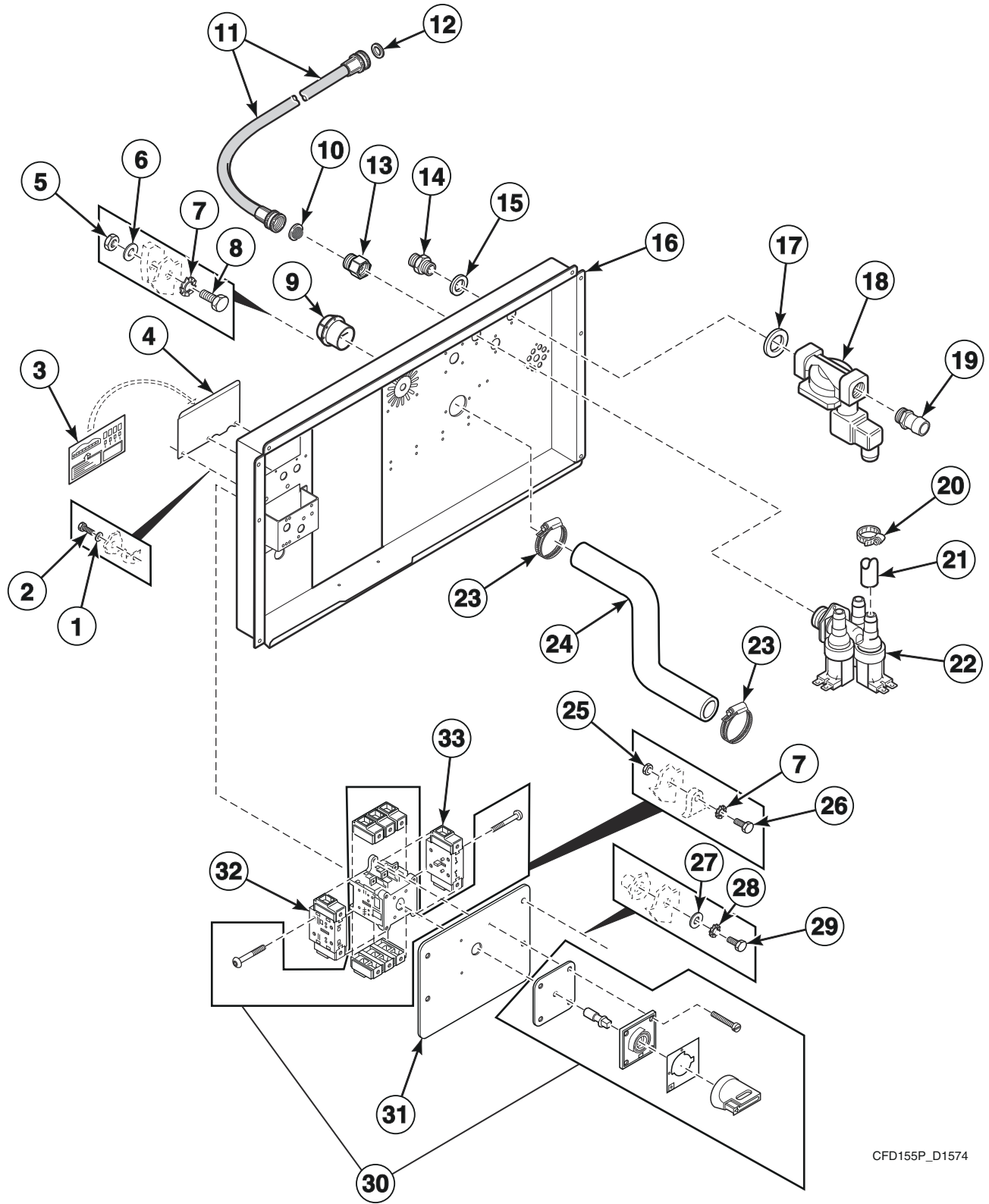


CFD89P_D1574

Back and Right Side Panels

REF	PART NO.	DESCRIPTION	COMMENTS
1	206/00099/00	Bolt	
2	173/00007/02	Lower Rear Panel	
3	173/00008/00	Upper Rear Panel	
4	153/00103/01	Side Panel Support Assembly	
5	205/00104/00	Bolt	
6	203/00004/00	Washer	
7	202/00110/00	Washer	
8	204/00106/00	Nut	
9	173/00006/00	Side Panel	*HF730 models; Right front
	190/00006/00	Side Panel	All other models; Right front
10	205/00105/00	Bolt	
11	204/00009/00	Nut	
12	173/00005/00	Side Panel	*HF730 models; Right rear
	190/00005/00	Side Panel	All other models; Right rear
13	246/00079/00	Side Panel Gasket	
14	173/00007/01	Lower Rear Panel	

Upper Back Panel (Drawing 1 of 5)

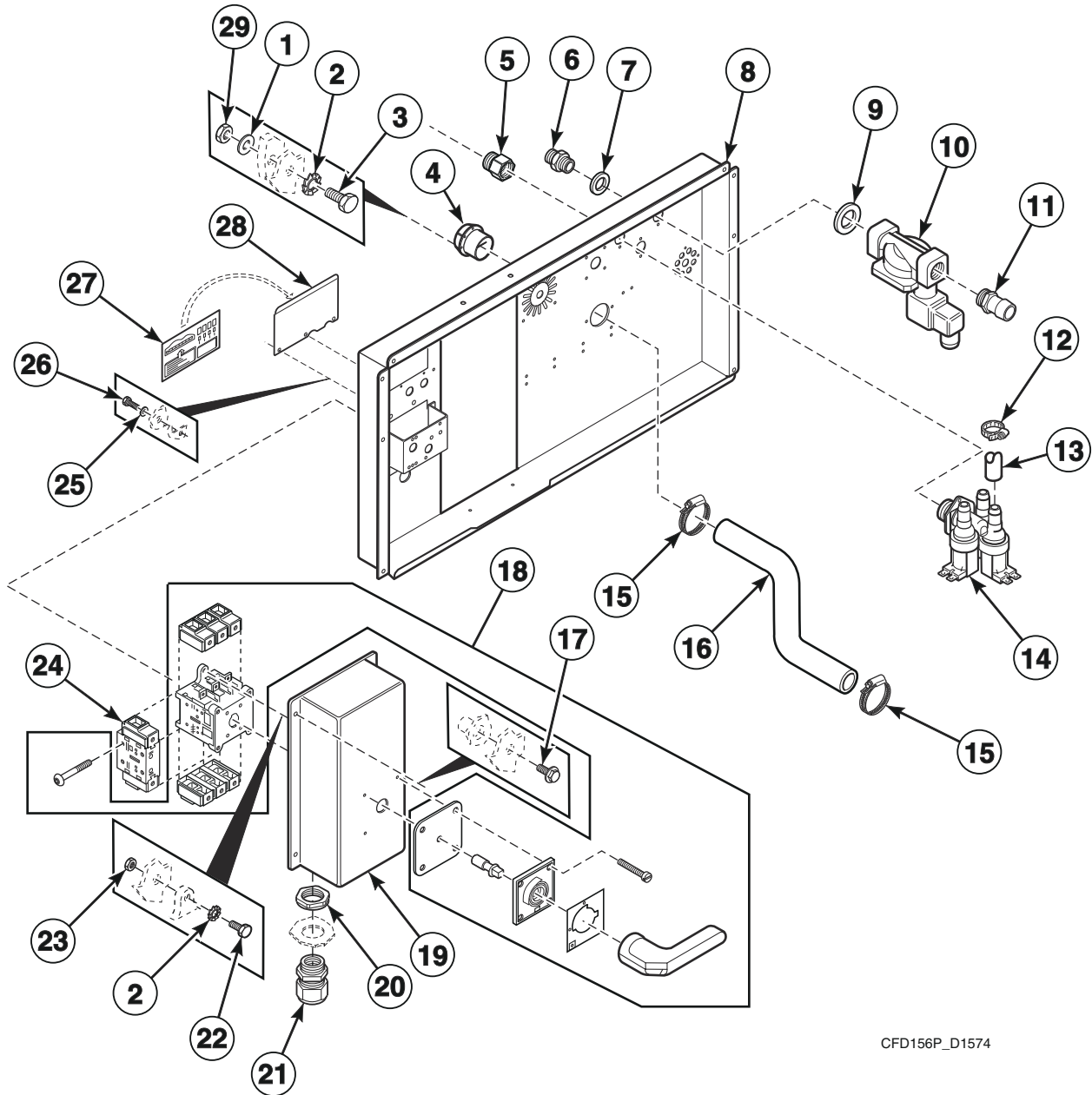


CFD155P_D1574

Upper Back Panel (Drawing 1 of 5)

REF	PART NO.	DESCRIPTION	COMMENTS
1	202/00102/00	Washer	
2	207/00110/00	Screw	
3	229/00068/02	Electrical Connection Sticker	
4	140/00010/01	Electrical Connection Cover	
5	204/00007/00	Nut	
6	202/00004/00	Washer	
7	203/00006/00	Washer	
8	206/00027/00	Bolt	
9	223/00102/07	Hose Vent	
10	803615	Washer	Filter
11	F200185	Water Hose	
12	20290	Washer	
13	223/00050/01	Water Valve Adapter	Converts valve from metric to standard thread
14	223/00255/00	Coupling Sleeve	
15	202/00121/00	Washer	
16	173/00008/00	Upper Rear Panel	
17	223/00272/00	Washer	
18	253/10521/00	Inlet Valve	Metric thread
	253/10526/00	Inlet Valve	Standard thread; F380997P Water Valve Repair Kit
19	223/00254/00	Nipple	
20	223/00010/00	Hose Clamp	No. 10
21	223/00044/00	Water Hose	
22	209/00277/00	3-Way Inlet Valve	Metric thread; Item 13 is required to convert from metric to standard thread
23	223/00014/00	Hose Clamp	
24	223/00211/00	Vent Hose	
25	204/00105/00	Nut	
26	205/00116/00	Bolt	
27	202/00101/00	Washer	
28	203/00004/00	Washer	
29	205/00104/00	Bolt	
30	209/00526/00	Main Switch	
31	153/00027/22	Switch Bracket	
32	209/00528/00	Terminal Block	Ground
33	209/00527/00	Terminal Block	Neutral

Upper Back Panel (Drawing 2 of 5)

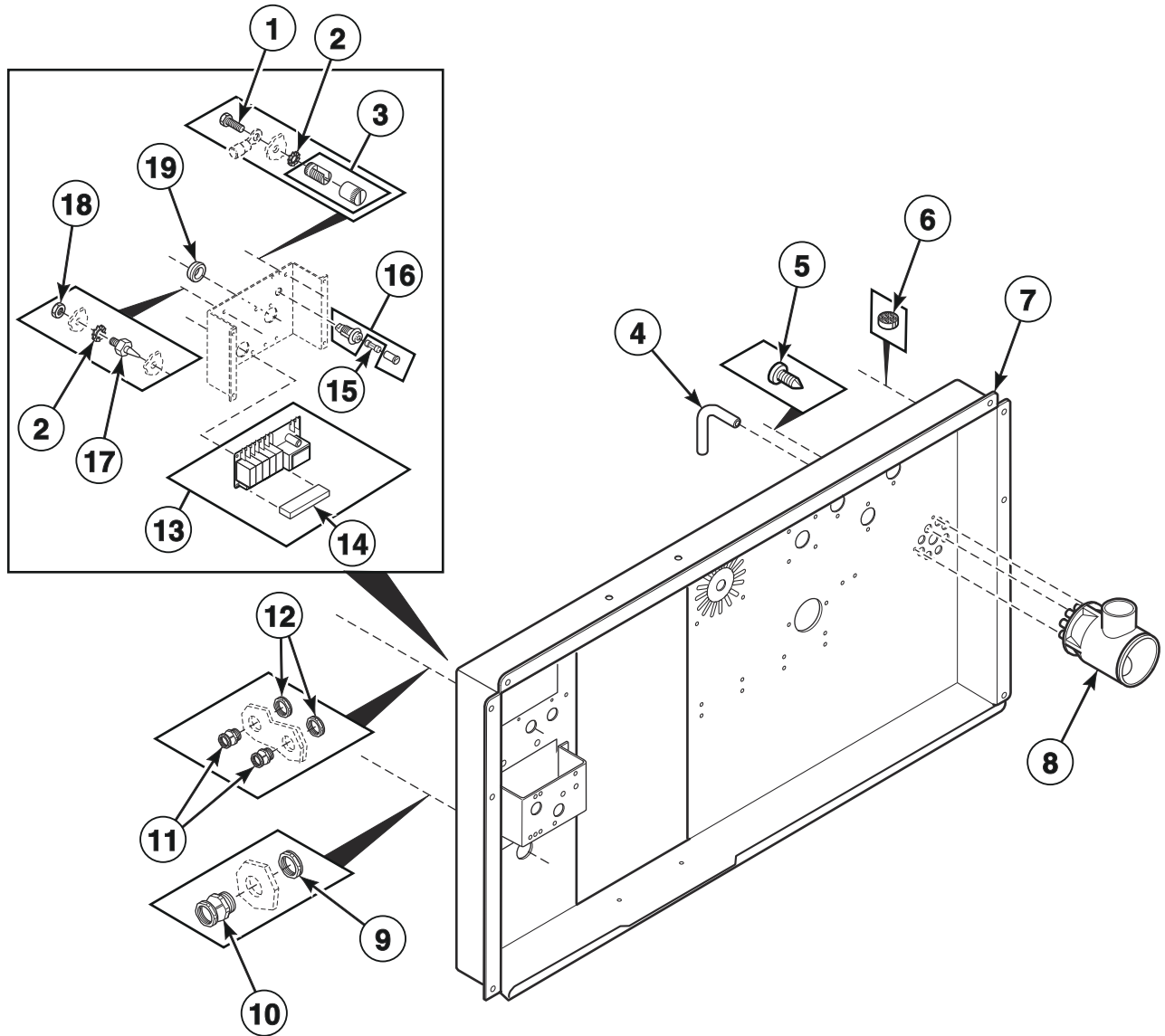


CFD156P_D1574

Upper Back Panel (Drawing 2 of 5)

REF	PART NO.	DESCRIPTION	COMMENTS
1	202/00004/00	Washer	
2	203/00006/00	Washer	
3	206/00027/00	Bolt	
4	223/00102/07	Hose Vent	
5	223/00050/01	Water Valve Adapter	Converts valve from metric to standard thread
6	223/00255/00	Coupling Sleeve	
7	202/00121/00	Washer	
8	173/00008/00	Upper Rear Panel	
9	223/00272/00	Washer	
10	253/10521/00	Inlet Valve	Metric thread
	253/10526/00	Inlet Valve	Standard thread
11	223/00254/00	Nipple	
12	223/00010/00	Hose Clamp	No. 10
13	223/00044/00	Water Hose	
14	209/00277/00	3-Way Inlet Valve	Metric thread; Item 5 is required to convert from metric to standard thread
15	223/00014/00	Hose Clamp	
16	223/00211/00	Vent Hose	
17	206/00099/00	Bolt	
18	209/00532/00	Main Switch	
19	173/00017/00	Main Switch Box	
20	211/00172/00	Nut	
21	211/00169/00	Strain Relief	
22	205/00116/00	Bolt	
23	204/00105/00	Nut	
24	209/00533/00	Terminal Block	Ground
25	202/00139/00	Washer	
26	207/00110/00	Screw	
27	229/00068/02	Electrical Connection Sticker	
28	140/00010/01	Electrical Connection Cover	
29	204/00007/00	Nut	

Upper Back Panel (Drawing 3 of 5)

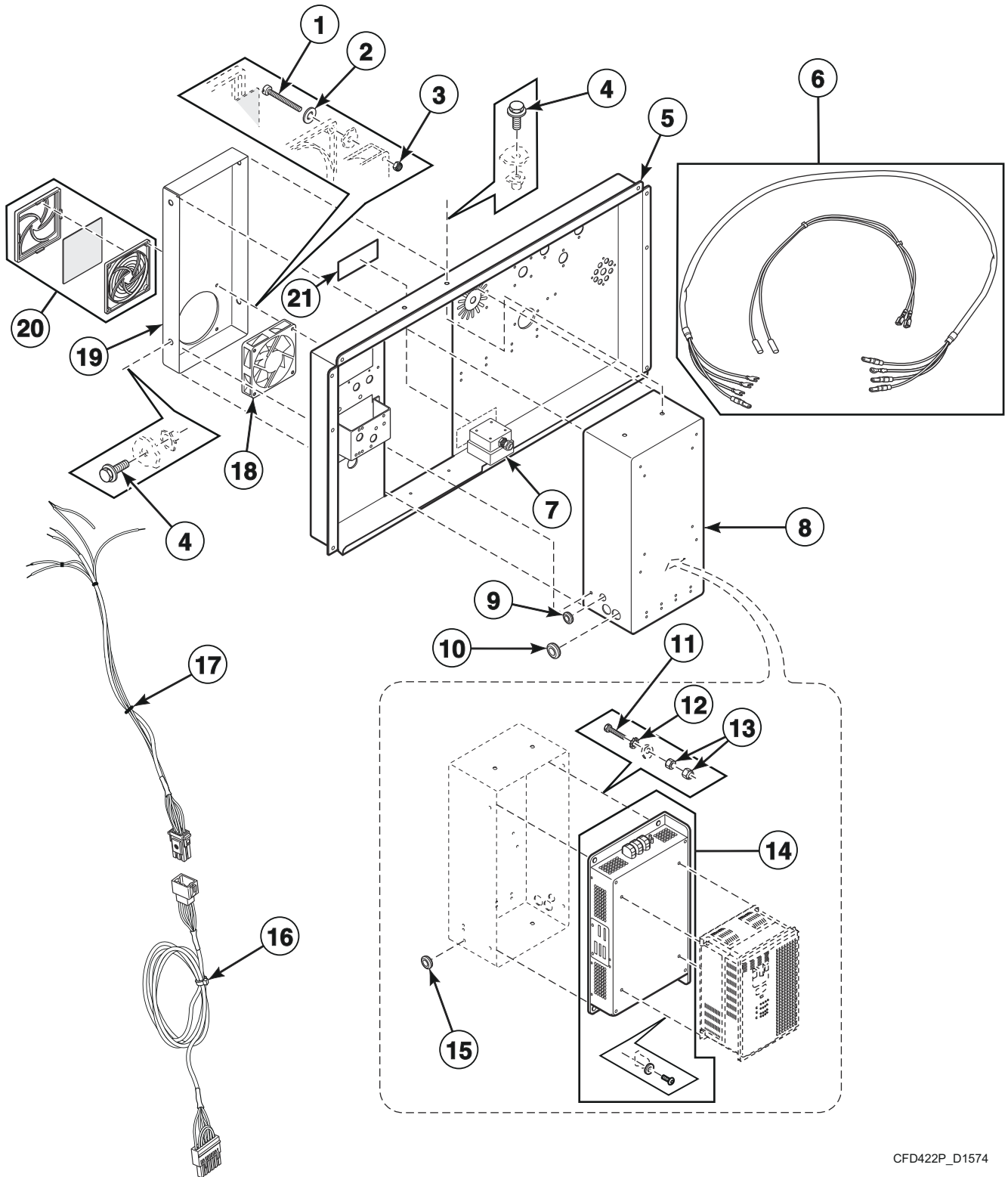


CFD126P_D1574

Upper Back Panel (Drawing 3 of 5)

REF	PART NO.	DESCRIPTION	COMMENTS
1	206/00088/00	Bolt	
2	203/00006/00	Washer	
3	209/00006/01	Ground Terminal	
4	223/00179/10	Pressure Hose	
5	B12347501	Screw	
6	211/00091/00	Plug	M20
	211/00087/00	Plug	30 mm
7	173/00008/00	Upper Rear Panel	
8	223/00249/00	Liquid Soap Manifold	
9	211/00172/00	Nut	
10	211/00169/00	Strain Relief	
11	211/00167/00	Cordlock	
12	211/00170/00	Nut	
13	209/00218/13	Soap Injection PCB with Fuse	Includes item 14
14	209/00996/00	Connector	
15	209/00468/00	Fuse	
16	209/00202/00	Fuse Holder	
17	211/00120/00	Standoff	
18	204/00007/00	Nut	
19	223/00198/00	Grommet	

Upper Back Panel (Drawing 4 of 5)

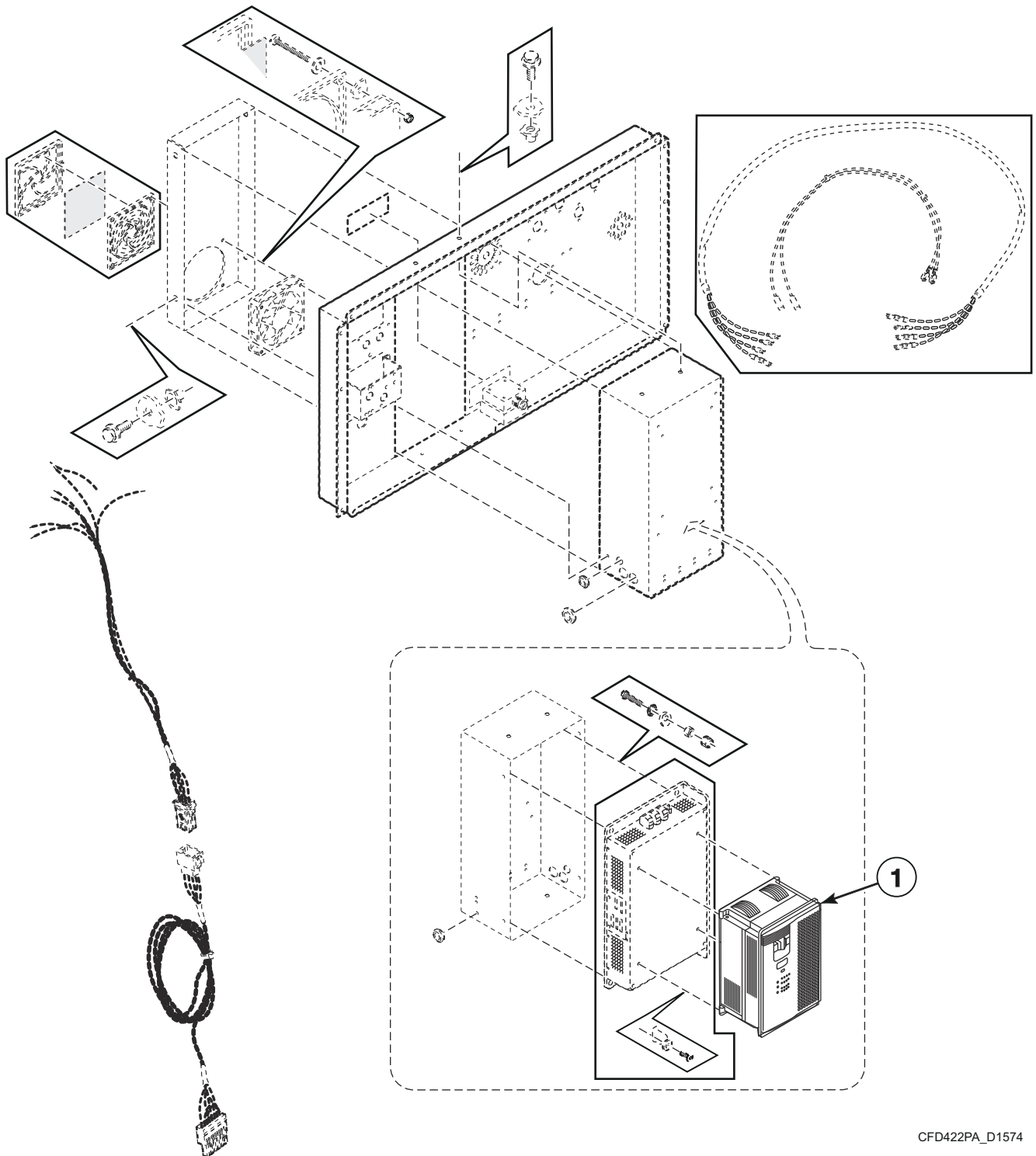


CFD422P_D1574

Upper Back Panel (Drawing 4 of 5)

REF	PART NO.	DESCRIPTION	COMMENTS
	227/00171/00	Parameter Unit Assembly	
	9001895	Parameter Unit Program Cable	
1	207/00031/00	Screw	
2	202/00004/00	Washer	
3	204/00114/00	Nut	
4	206/00099/00	Bolt	
5	173/00008/00	Upper Rear Panel	
6	210/30570/20	Inverter to Motor Harness	
7	209/00406/00	Transformer	480 to 240 Volt
	209/00311/00	Transformer	380 or 440 Volt to 220 Volt
8	173/00009/00	Inverter Box	
9	223/00174/00	Grommet	
10	223/00198/00	Grommet	
11	205/00108/00	Bolt	
12	203/00005/00	Washer	
13	204/00107/00	Nut	
14	227/00176/00	Inverter Drive Filter	380-480 Volt; *HF models
	227/00182/00	Inverter Drive Filter	200-240 Volt; *HF models
15	223/00213/00	Grommet	
16	B12371101	Micro to Connector Harness	From the main control to the inverter drive; 200 Volt; Requires that the inverter jumper be in the 'sink' position
	210/01304/15	Micro to Connector Harness	From the main control to the inverter drive; 400 Volt; Requires that the inverter jumper be in the 'source' position
17	210/01064/14	Connector to Inverter Harness	From the main control to the inverter drive
18	209/00287/00	Cooling Fan	
19	173/00009/04	Inverter Box Top	
20	209/00465/01	Fan Grill	
	209/00287/11	AC Drive Filter	
21	B12355001	Voltage Discharge Decal	

Upper Back Panel (Drawing 5 of 5)

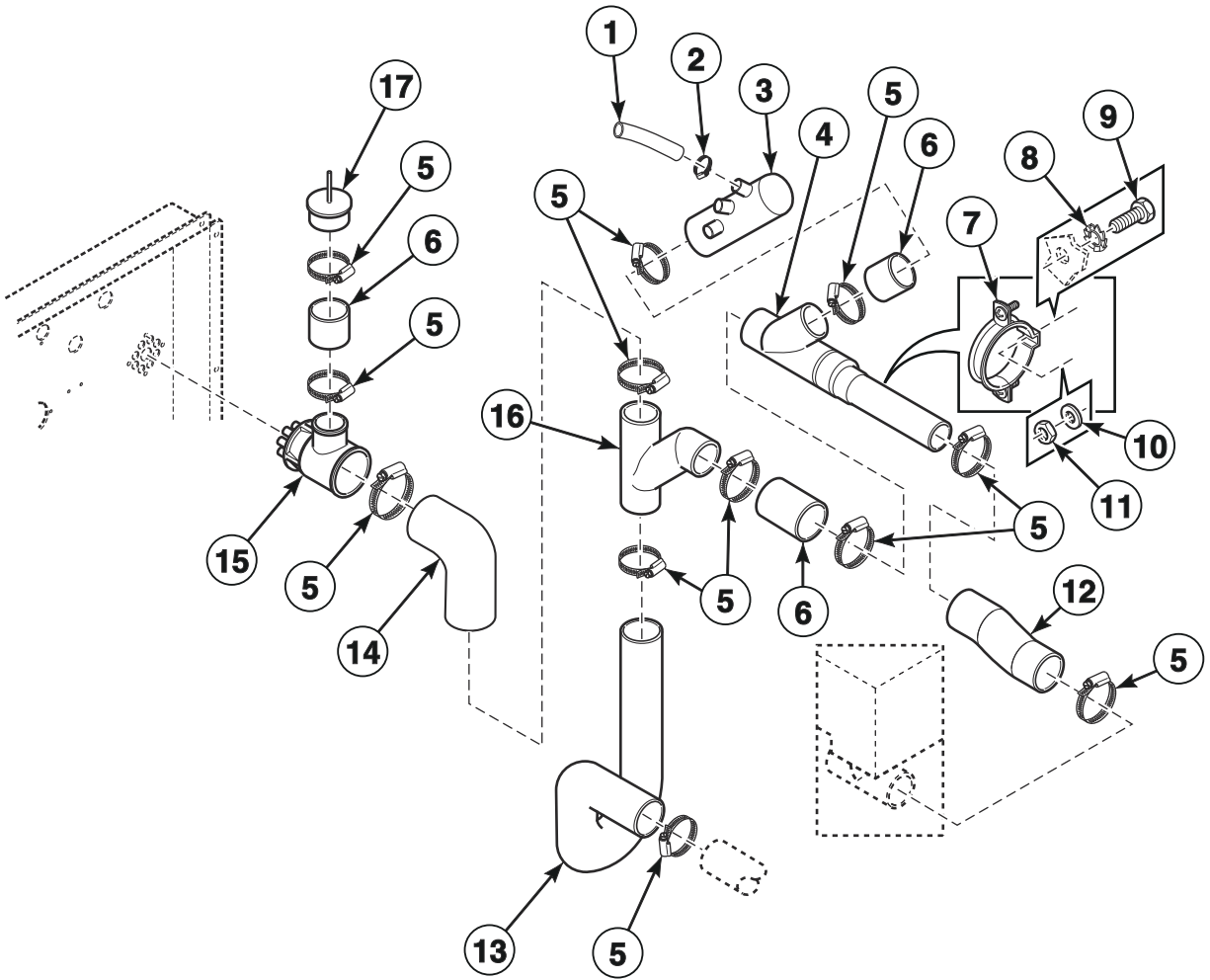


CFD422PA_D1574

Upper Back Panel (Drawing 5 of 5)

REF	PART NO.	DESCRIPTION	COMMENTS
1	227/00219/00	Inverter	15 kW; 200 Volt; A700-series; *HF900 models; When replacing either the 11 kW motor or inverter drive with a 15 kW motor or inverter drive, both the 11 kW motor and inverter drive must be replaced with a 15 kW motor and inverter drive
	227/00213/00	Inverter	15 kW; 400 Volt; A700-series; *HF900 models; When replacing either the 11 kW motor or inverter drive with a 15 kW motor or inverter drive, both the 11 kW motor and inverter drive must be replaced with a 15 kW motor and inverter drive
	227/00207/00	Inverter	11 kW; 240 Volt; A700-series; *HF730 models
	227/00208/00	Inverter	11 kW; 400 Volt; A700-series; *HF730 models
	F8421021	Inverter Drive Kit	Used to convert from 500 to 700-series inverter drive; *730 models; 200 Volt/3 phase; 11 kW motor
	F8421121	Drive	700-series; *730 models; 200 Volt/3 phase; 11 kW motor
	F8421022	Inverter Drive Kit	Used to convert from 500 to 700-series inverter drive; *730 models; 400 Volt/3 phase; 11 kW motor
	F8421122	Drive	700-series; *730 models; 400 Volt/3 phase; 11 kW motor
	F8421023	Inverter Drive Kit	Used to convert from 500 to 700-series inverter drive; *900 models; 200 Volt/3 phase; 15 kW motor
	F8421123	Drive	700-series; *900 models; 200 Volt/3 phase; Used with 11 kW motor
	F8421125	Drive	700-series; *900 models; 200 Volt/3 phase; Used with 15 kW motor
	F8421024	Inverter Drive Kit	Used to convert from 500 to 700-series inverter drive; *900 models; 400 Volt/3 phase; 15 kW motor
	F8421124	Drive	700-series; *900 models; 400 Volt/3 phase; Used with 11 kW motor
	F8421126	Drive	700-series; *900 models; 400 Volt/3 phase; Used with 15 kW motor

Plumbing (Drawing 1 of 3)

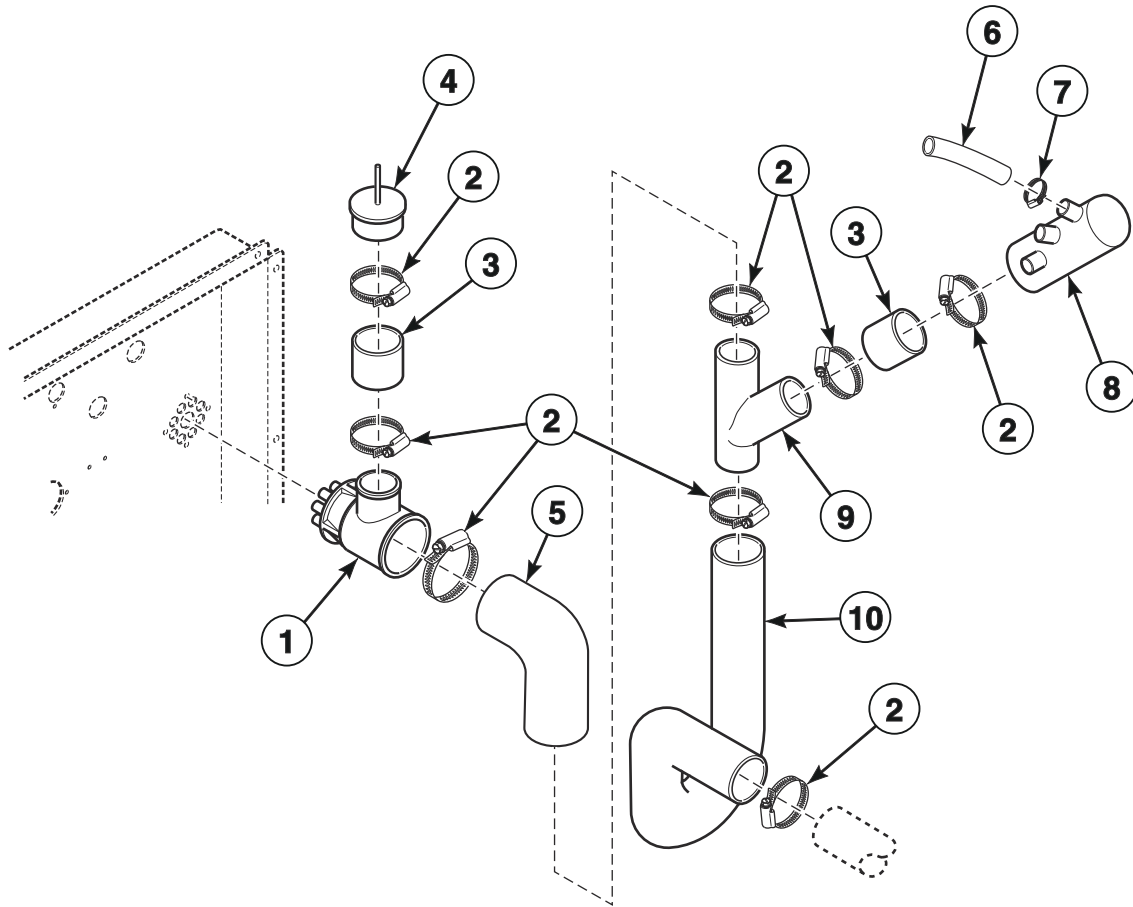


BE000572CP_D1574

Plumbing (Drawing 1 of 3)

REF	PART NO.	DESCRIPTION	COMMENTS
1	223/00269/00	Water Hose	
2	223/00223/00	Hose Clamp	
3	153/00116/00	Manifold	
4	253/00021/00	Reducing Tee	
5	223/00071/00	Hose Clamp	
6	223/00141/00	Drain Valve to Drain Pipe Hose	
7	253/00019/00	Clamp	
8	203/00004/00	Washer	
9	205/00105/00	Bolt	
10	202/00110/00	Washer	
11	204/00106/00	Nut	
12	223/00107/02	Vent Hose	
13	223/00187/00	Soap Dispenser to Tub Hose	
14	223/00302/00	Elbow	
15	223/00249/00	Liquid Soap Manifold	
16	253/00030/00	Y Pipe	
17	253/00035/00	Y Pipe	

Plumbing (Drawing 2 of 3)



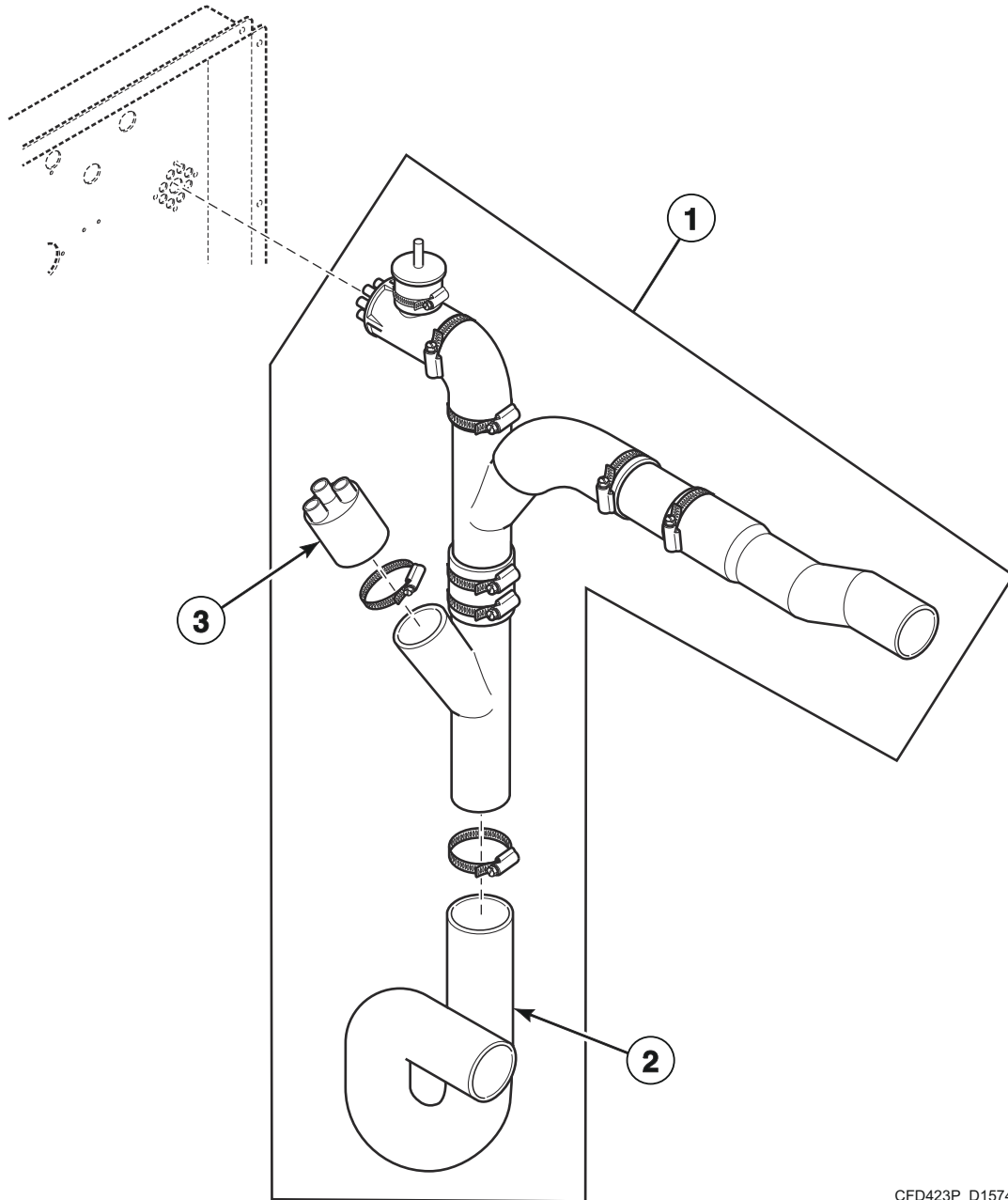
BE000571CP_D1574

Plumbing (Drawing 2 of 3)

REF	PART NO.	DESCRIPTION	COMMENTS
1	223/00249/00	Liquid Soap Manifold	
2	223/00071/00	Hose Clamp	
3	223/00141/00	Drain Valve to Drain Pipe Hose	
4	253/00035/00	Y Pipe	
5	223/00302/00	Elbow	
6	223/00269/00	Water Hose	
7	223/00223/00	Hose Clamp	
8	173/00026/00	Manifold	
9	253/00017/00	Y Pipe	
10	223/00187/00	Soap Dispenser to Tub Hose	

Plumbing (Drawing 3 of 3)

*HF Models

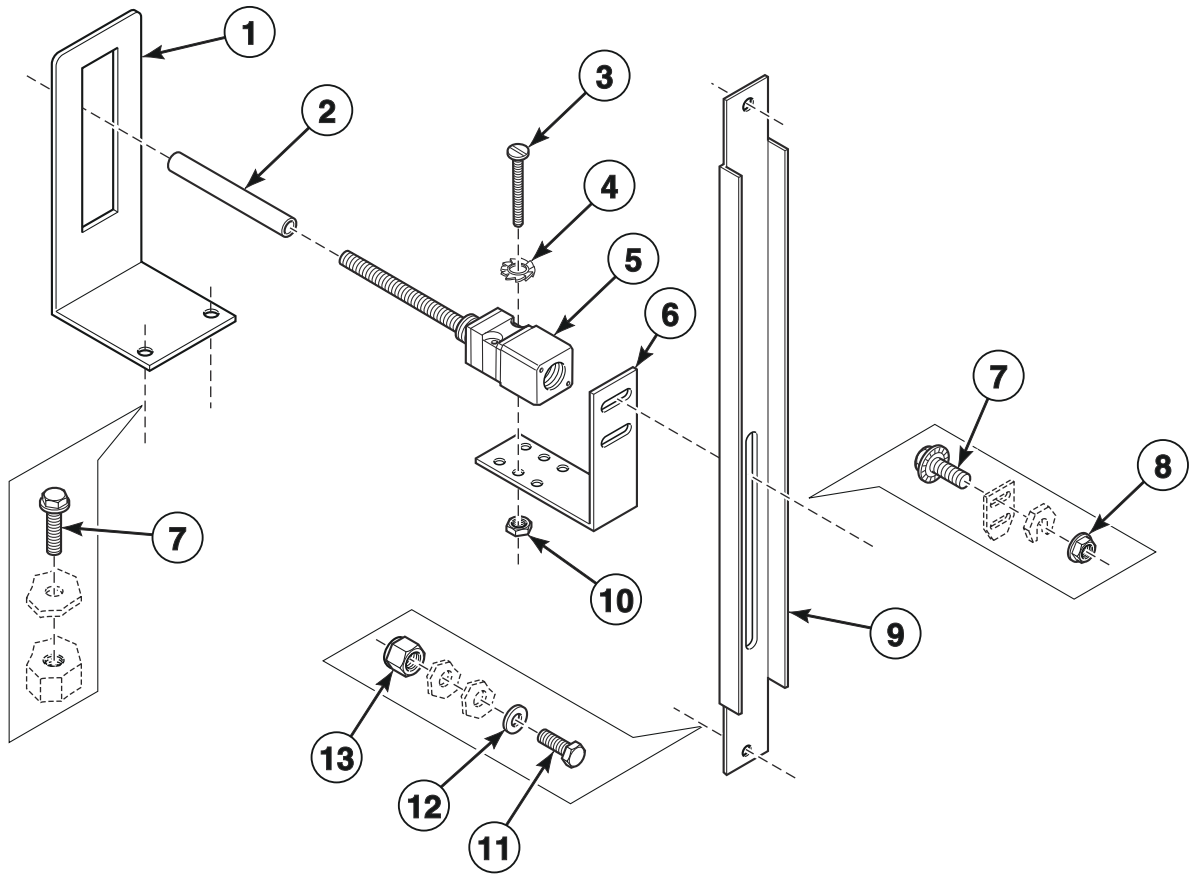


CFD423P_D1574

Plumbing (Drawing 3 of 3)

REF	PART NO.	DESCRIPTION	COMMENTS
1	B12374201	Plumbing Assembly	*HF730 models
	B12374301	Plumbing Assembly	*HF900 models
2	223/00187/00	Soap Dispenser to Tub Hose	
3	173/00056/00	Liquid Soap Manifold	

Balance Switch

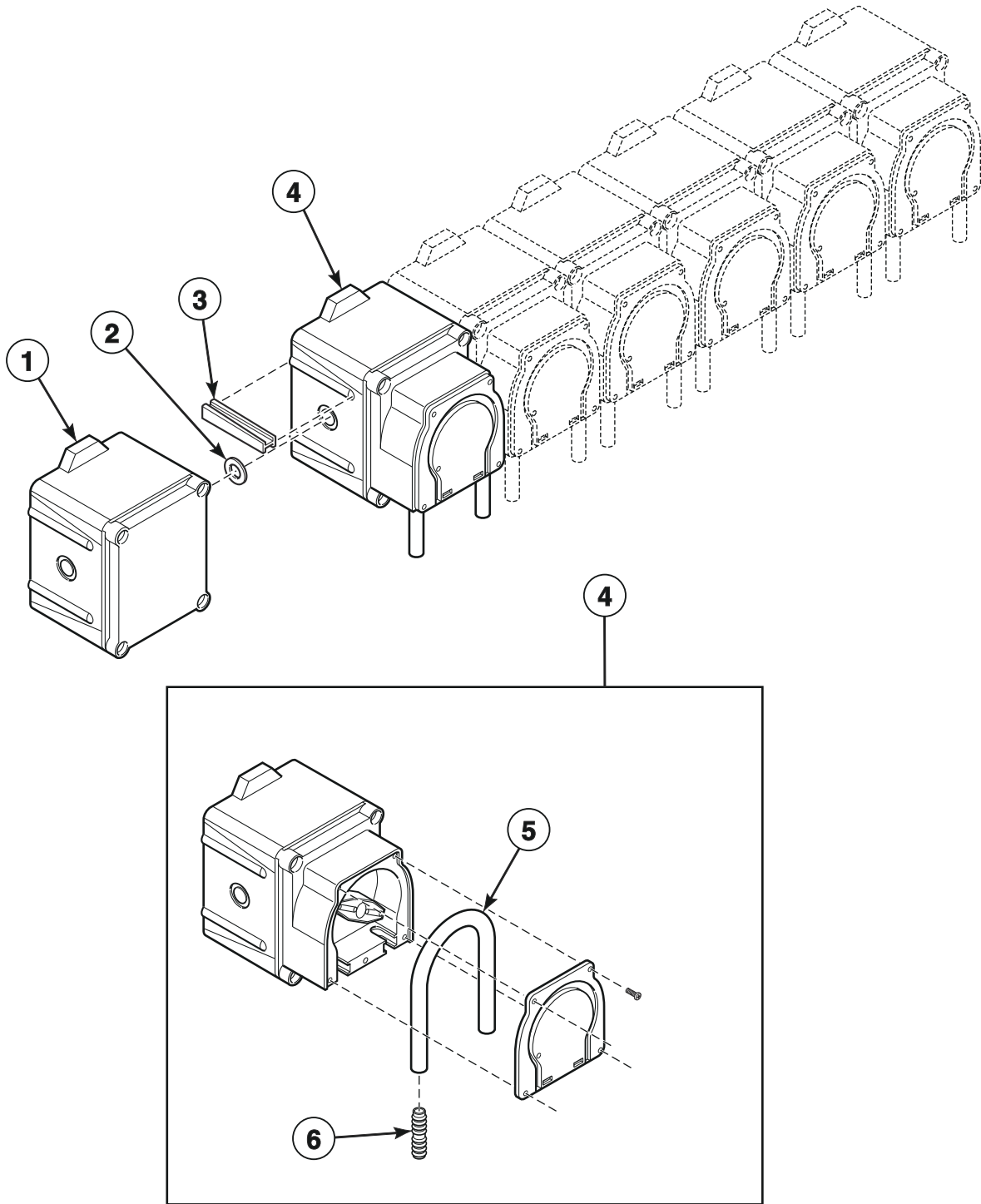


CFD64P_D1574

Balance Switch

REF	PART NO.	DESCRIPTION	COMMENTS
1	153/00046/00	Out-of-Balance Detector Plate	
2	223/00246/00	Out-of-Balance Switch Boot	
3	207/00018/00	Screw	
4	203/00006/00	Washer	
5	209/00255/00	Out-of-Balance Switch	
6	111/00107/00	Tilt Switch Bracket	
7	206/00099/00	Bolt	
8	206/00101/00	Nut	
9	153/00045/00	Out-of-Balance Switch Plate	
10	204/00007/00	Nut	
11	205/00107/00	Bolt	
12	202/00101/00	Washer	
13	204/00009/00	Nut	

Soap Pumps

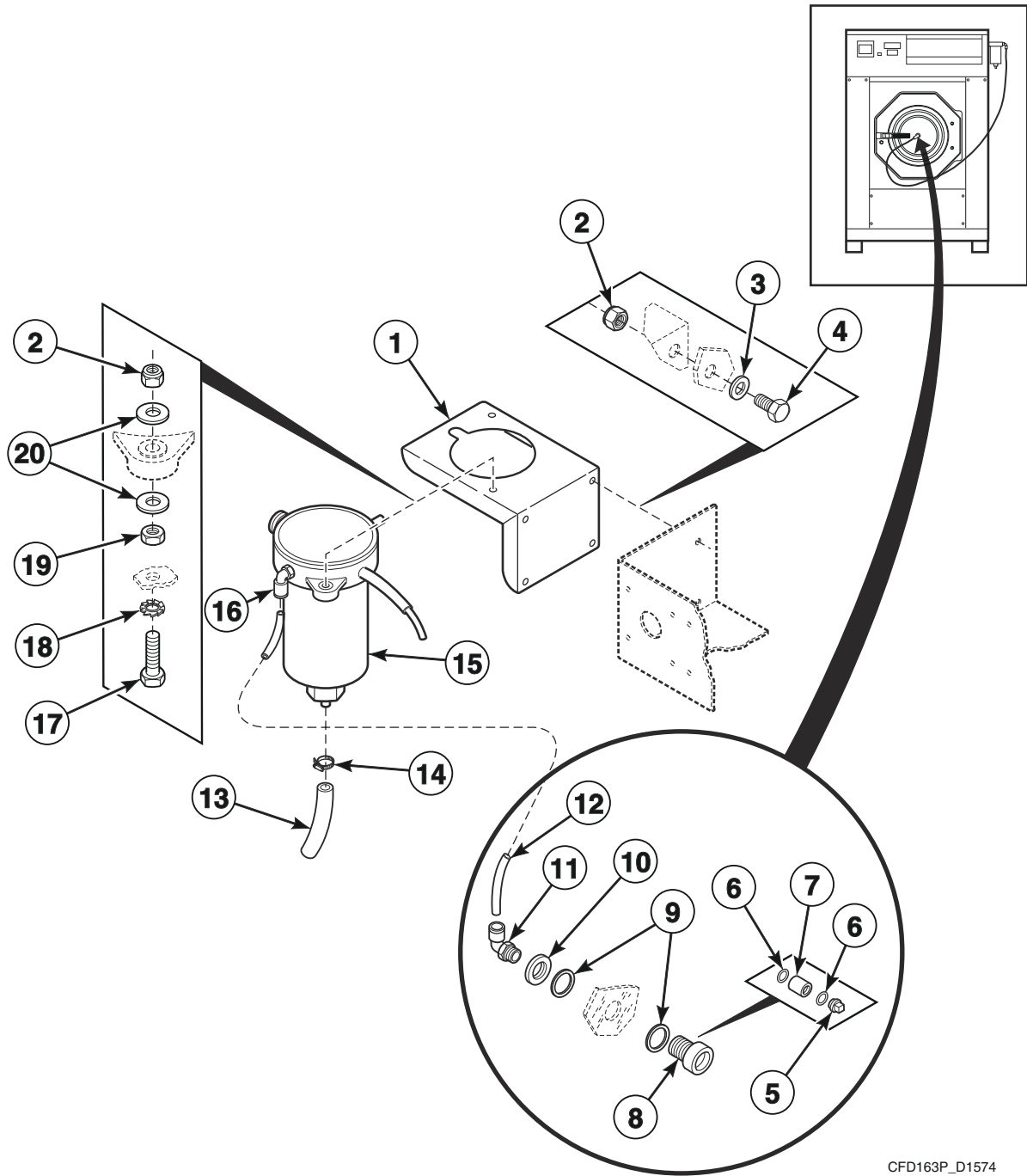


BE000499AP_D1574

Soap Pumps

REF	PART NO.	DESCRIPTION	COMMENTS
1	209/00555/01	Soap Pump Assembly	Feeding and 1 pump
	209/00555/02	Soap Pump Assembly	Feeding and 2 pumps
	209/00555/03	Soap Pump Assembly	Feeding and 3 pumps
	209/00555/04	Soap Pump Assembly	Feeding and 4 pumps
	209/00555/05	Soap Pump Assembly	Feeding and 5 pumps
	209/00555/06	Soap Pump Assembly	Feeding and 6 pumps
	209/00554/51	Feeding Liquid Soap Dosing Pump	
2	209/00554/52	Liquid Soap Dosing Pump O-Ring	
3	209/00554/53	Liquid Soap Dosing Pump Connection Piece	
4	209/00555/50	Liquid Soap Dosing Pump	
5	209/00555/98	Dosing Pump Hose	
6	209/00555/99	Dosing Pump Hose Connector	

Spray Pump

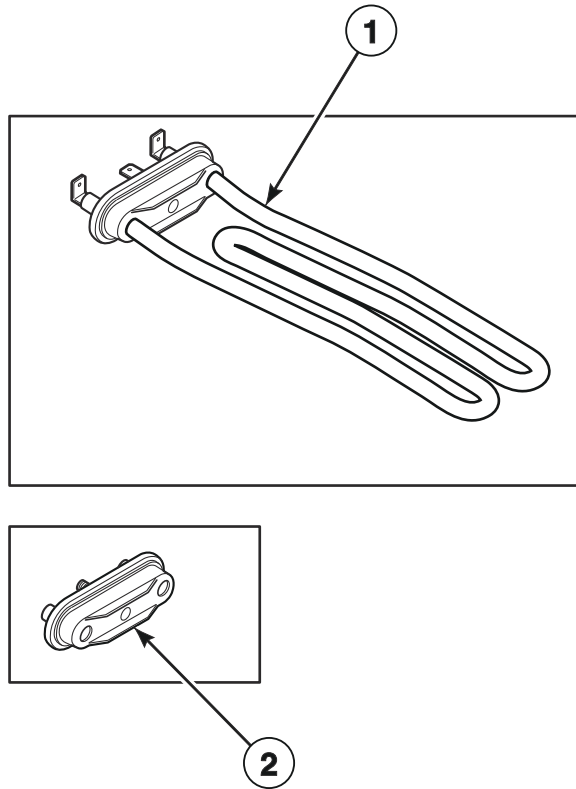


CFD163P_D1574

Spray Pump

REF	PART NO.	DESCRIPTION	COMMENTS
1	111/10179/00	Spray Pump Mounting Plate	
2	204/00009/00	Nut	
3	201/00007/00	Washer	
4	205/00107/00	Bolt	
5	223/00178/00	Soap Injector Orifice	
6	223/00177/00	O-Ring	
7	211/00126/00	Soap Injector Orifice Nipple	
8	211/00127/00	Soap Injector Connector	
9	223/00176/00	O-Ring	
10	211/10106/00	Nut	
11	223/00182/00	Soap Injector Coupling	
12	223/00180/00	Soap Injector Hose	
13	223/00179/10	Pressure Hose	
14	211/00088/00	Cable Tie	
15	209/00369/00	Liquid Soap Spray Pump	
16	223/00181/00	Soap Injector Elbow Coupling	
17	205/00103/00	Bolt	
18	203/00004/00	Washer	
19	204/00106/00	Nut	
20	202/00101/00	Washer	

Electric Heating Option

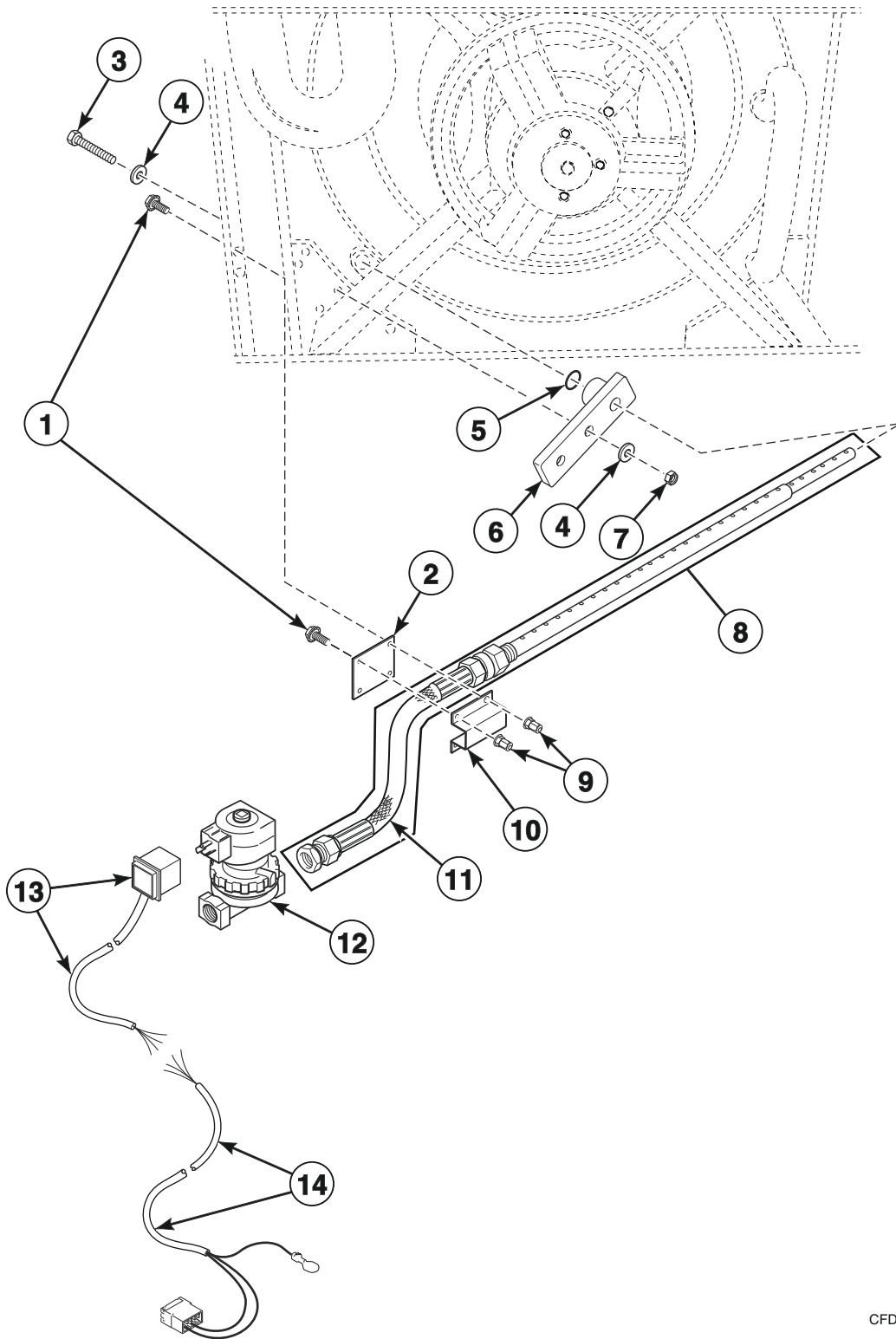


CFD84P_D1574

Electric Heating Option

REF	PART NO.	DESCRIPTION	COMMENTS
1	209/00562/20	Heating Element	3000W, 220/240 Volt
	209/00581/10	Heating Element	4000W, 380 Volt
2	209/00196/00	Heating Element Plug	

Steam Heating Option - *HF730 Models

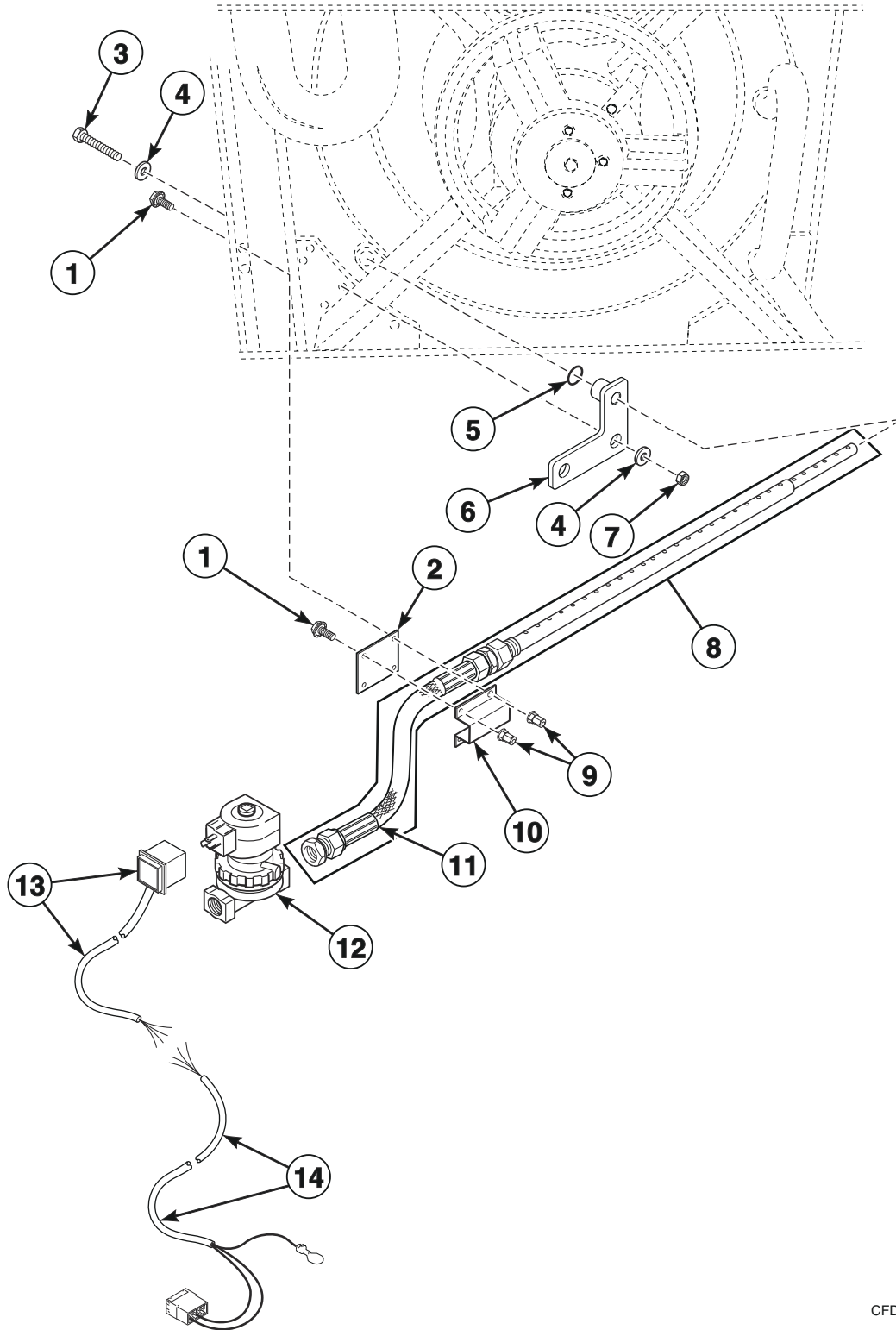


CFD208P_D1574

Steam Heating Option - *HF730 Models

REF	PART NO.	DESCRIPTION	COMMENTS
	861P3	Steam Heat Kit	Includes items 1, 2 and 8-13
1	206/00099/00	Bolt	
2	173/00018/10	Steam Injector Pipe Clamp Plate	
3	206/00091/00	Screw	
4	201/00027/00	Washer	
5	223/00350/00	O-Ring	
6	173/00032/00	Steam Injector Bracket	
7	204/00118/00	Nut	
8	119/00086/00	Steam Injector	Includes item 11
9	206/00101/00	Nut	
10	173/00018/00	Steam Injector Pipe Clamp	
11	217/00033/00	Steam Hose	
12	253/10520/00	Steam Valve	
13	F605220	Steam Valve Harness	
14	210/01304/03	Main Control Heat Harness	

Steam Heating Option - *HF900 Models



CFD353P_D1574

Steam Heating Option - *HF900 Models

REF	PART NO.	DESCRIPTION	COMMENTS
	861P3	Steam Heat Kit	Includes items 1, 2 and 8-13
1	206/00099/00	Bolt	
2	173/00018/10	Steam Injector Pipe Clamp Plate	
3	206/00091/00	Screw	
4	201/00027/00	Washer	
5	223/00350/00	O-Ring	
6	190/00032/00	Steam Injector Bracket	
7	204/00118/00	Nut	
8	119/00086/00	Steam Injector	Includes item 11
9	206/00101/00	Nut	
10	173/00018/00	Steam Injector Pipe Clamp	
11	217/00033/00	Steam Hose	
12	253/10520/00	Steam Valve	
13	F605220	Steam Valve Harness	
14	210/01304/03	Main Control Heat Harness	

Parts Index

A

AC Drive Filter	
209/00287/11	49

B

Bearing Housing	
253/10505/00	13
Blind Rivet	
F8245101	23
Bolt	
205/00102/00	13
205/00103/00	63
205/00104/00	41, 43
205/00105/00	13, 31, 33, 41, 53
205/00107/00	59, 63
205/00108/00	49
205/00116/00	43, 45
205/00122/00	25
205/00123/00	23
206/00003/00	15
206/00004/00	15
206/00009/00	17
206/00027/00	43, 45
206/00042/00	39
206/00071/00	11
206/00088/00	47
206/00099/00	13, 27, 29, 37, 39, 41, 45, 49, 59, 67, 69
206/00122/00	13
208/00132/00	25
224/00046/00	11
248/00114/00	15
253/00158/178	25
253/00158/180	25
253/00158/182	25
253/00158/430	23

C

Cable Tie	
211/00088/00	63
Circuit Board Cover	
229/00289/00	27, 29, 31, 33
Clamp	
253/00019/00	53
Coil	
209/00051/21	19, 21
209/00052/21	19, 21
209/00203/21	19
209/00212/11	21
Connector	
209/00996/00	47
Connector to Inverter Harness	
210/01064/14	49
Contact Block	
44018701	35
44018901	35

Contact Switch	
209/00099/26	27, 29, 31, 33
Contactor	
209/00041/04	37
209/00148/02	37
Control Panel	
B12570301	33
B12570401	33
WW455/57	35
Cooling Fan	
209/00287/00	15, 49
Cordlock	
211/00167/00	47
Counterweight	
253/10504/00	13
Coupling Sleeve	
223/00255/00	43, 45

D

Datacard	
209/02022/00	27, 29, 33
Datacard Cover	
223/00348/00	27, 29, 31, 33
Display	
209/00580/03	35
Display and Printboard	
209/02002/Z02	27, 31, 33
Door	
173/00040/00	25
Door Glass	
253/00515/754	25
Door Glass Seal	
223/00346/00	25
Door Glass Seal Retaining Ring	
173/00041/00	25
Door Handle	
253/00515/28	25
Door Handle Bushing	
253/00158/181	25
Door Handle Hinge Weldment	
253/00158/179	25
Door Handle Spring Bushing	
253/00158/192	25
Door Handle Torsion Spring	
253/00158/187	25
Door Hinge	
253/00515/752	25
Door Hinge Block	
253/00158/175	25
Door Latch	
253/00158/1244	23
Door Latch Assembly	
253/00159/1036	23
Door Lock Assembly	
C001036	23
Door Lock Catch	
253/00158/185	23

N/A items do not appear in index.

Door Lock Cover 253/00158/688	23
Door Lock Harness C000867	23
Door Lock Kit C001036M	23
Door Lock Microswitch 253/00158/278	23
Door Lock PC-Board 209/02010/00	27, 29, 31, 33
Door Lock Plate 253/00158/684	23
Door Lock Solenoid 209/00274/00	23
Door Lock Solenoid Bracket 253/00158/686	23
Door Lock Spring 253/00158/276	23
Door Lock Spring Cover 253/00158/687	23
Door Lock Switch Actuator 253/00158/271	23
Door Magnet Mounting Bracket B12509001	25
Door Release Decal 253/00158/694	23
Door Seal 253/00162/02	25
Dosing Pump Hose 209/00555/98	61
Dosing Pump Hose Connector 209/00555/99	61
Drain Pipe 223/00106/00	17
Drain Tub to Drain Valve Hose 223/00133/00	17
Drain Valve 209/00075/00	17, 19
209/00075/05	21
Drain Valve Handle 209/00115/11	21
Drain Valve Harness 210/01575/18	17, 19
Drain Valve Motor 209/00051/11	19
209/00052/11	19
209/00052/12	21
209/00203/11	19
209/00203/12	21
Drain Valve Motor Assembly 209/00170/06	21
Drain Valve Motor Mounting Plate 209/00025/07	19
209/00115/04	21
Drain Valve Overflow Plug 223/00086/00	17
Drain Valve Plate Assembly 114/00010/00	17
Drain Valve Shaft 209/00170/10	19, 21
Drain Valve Shaft Seal 209/00025/10	19, 21
Drain Valve Spring 209/00025/13	19

N/A items do not appear in index.

209/00170/02	21
Drain Valve to Drain Pipe Hose 223/00141/00	17, 53, 55
Drive F8421121	51
F8421122	51
F8421123	51
F8421124	51
F8421125	51
F8421126	51

E

Elbow 223/00302/00	53, 55
Electrical Components Plate 229/00262/20	37
Electrical Connection Cover 140/00010/01	43, 45
Electrical Connection Sticker 229/00068/02	43, 45
Emergency Switch Pushbutton 209/00099/20	27, 29, 31, 33

F

Fan Grill 209/00465/01	49
Feeding Liquid Soap Dosing Pump 209/00554/51	61
Flat Cable 210/00204/00	35
Frame 253/10501/00	9
290/10501/00	9
Front Cabinet Top 173/00001/02	39
190/00001/02	39
Front Left Panel 173/00003/20	39
Front Panel 173/00042/00	27, 29
Front Right Panel 173/00003/10	39
Fuse 209/00468/00	47
Fuse Holder 209/00202/00	47

G

Gasket 246/00149/00	39
Grommet 223/00174/00	49
223/00198/00	47, 49
223/00213/00	49
Ground Terminal 209/00006/01	47

H

Heating Element	
209/00562/20	65
209/00581/10	65
Heating Element Plug	
209/00196/00	65
Hose Barb	
223/00016/00	37
Hose Clamp	
223/00010/00	43, 45
223/00012/00	17
223/00013/00	17
223/00014/00	43, 45
223/00071/00	17, 53, 55
223/00223/00	17, 37, 53, 55
Hose Vent	
223/00102/07	43, 45

I

Infrared Cable	
210/00902/00	27, 29, 31, 33
Inlet Valve	
253/10521/00	43, 45
253/10526/00	43, 45
Inlet Valve, 3-Way	
209/00277/00	43, 45
Insulating Sticker	
229/00268/00	27, 29, 31, 33
Inverter	
227/00207/00	51
227/00208/00	51
227/00213/00	51
227/00219/00	51
Inverter Box	
173/00009/00	49
Inverter Box Top	
173/00009/04	49
Inverter Drive Filter	
227/00176/00	49
227/00182/00	49
Inverter Drive Kit	
F8421021	51
F8421022	51
F8421023	51
F8421024	51
Inverter to Motor Harness	
210/30570/20	49

L

Leveling Leg	
252/00006/00	13
Liquid Soap Dosing Pump	
209/00555/50	61
Liquid Soap Dosing Pump Connection Piece	
209/00554/53	61
Liquid Soap Dosing Pump O-Ring	
209/00554/52	61

Liquid Soap Manifold	
173/00056/00	57
223/00249/00	47, 53, 55
Liquid Soap Spray Pump	
209/00369/00	63
Lock Spring Leaf	
211/00072/00	23
Logo Decal	
9001890	35
Lower Front Panel	
173/00004/00	39
Lower Rear Panel	
173/00007/01	41
173/00007/02	41
Lower Support	
253/10502/00	9
290/10502/00	9

M

Magnet	
F8390801	25
Main Control Heat Harness	
210/01304/03	67, 69
Main Switch	
209/00526/00	43
209/00532/00	45
Main Switch Box	
173/00017/00	45
Manifold	
153/00116/00	53
173/00026/00	55
Memory Card PC-Board	
B12305201	27, 29, 33
Micro to Connector Harness	
B12371101	49
210/01304/15	49
Motor	
B12511001	15
B12511301	15
227/00174/00	15
227/00246/00	15
Motor Plate	
153/00025/00	15
Motor Pulley	
253/10519/00	15
Mounting Plate	
223/00374/00	27, 29, 31, 33
Mushroom Pushbutton	
209/00248/20	27, 29, 31, 33

N

Nipple	
223/00254/00	43, 45
Noise Suppressor	
209/00356/00	37
Nut	
204/00004/00	17
204/00007/00	15, 37, 43, 45, 47, 59
204/00008/00	35
204/00009/00	41, 59, 63

N/A items do not appear in index.

204/00012/00	11, 15
204/00016/00	11
204/00105/00	43, 45
204/00106/00	39, 41, 53, 63
204/00107/00	49
204/00109/00	39
204/00111/00	15
204/00113/00	11, 13, 15
204/00114/00	15, 49
204/00116/00	27, 29, 31, 33, 35
204/00118/00	67, 69
204/00127/00	25
206/00101/00	59, 67, 69
211/00170/00	47
211/00172/00	45, 47
211/10106/00	63
253/00158/558	25
253/00158/560	25
253/00158/562	25
253/00158/578	23

O

Operating Sticker	
B12456701	29
225/10313/00	27
225/10427/00	29
255/10404/00	29
O-Ring	
223/00176/00	63
223/00177/00	63
223/00244/00	25
223/00350/00	67, 69
Out-of-Balance Detector Plate	
153/00046/00	59
Out-of-Balance Switch	
209/00255/00	59
Out-of-Balance Switch Boot	
223/00246/00	59
Out-of-Balance Switch Plate	
153/00045/00	59
Overflow Hose	
223/00184/00	17
Overlay	
B12568801	33
B12568901	33
B12583801	31
F8435601	35
F9001561	35
225/00392/00	35

P

Parameter Unit Assembly	
227/00171/00	49
Parameter Unit Program Cable	
9001895	49
Plexi Frame	
225/00321/00	27, 31, 33
225/00323/00	29
Plug	
211/00087/00	47
211/00091/00	47

Plumbing Assembly	
B12374201	57
B12374301	57
Pop Rivet	
F431223	25
Pressure Hose	
223/00179/10	47, 63
223/00333/00	37
Pressure Switch	
209/00007/50	37
Pressure Switch Elbow	
223/00210/00	37
Pressure Switch Hose Tee	
223/00173/10	37
Printboard	
209/02015/02	29
Printboard Display Plate Assembly	
173/00013/20	27, 31, 33
173/00013/30	29
Printboard Separator	
211/00128/00	27, 29, 31, 33
Printboard Support Card	
111/01893/00	27, 29, 33
Programming Cable	
B12388303	35
Programming Key	
209/00326/21	35
Programming Key Contact Switch	
209/00326/20	35
Pushbutton	
44018801	35

R

Rear Cabinet Top	
173/00001/01	39
190/00001/01	39
Reducing Tee	
253/00021/00	53
Reed Switch Assembly	
C003000	23
Rivet	
B12336401	23

S

Screw	
B12322501	23
B12347501	47
206/00031/00	15
206/00091/00	67, 69
206/00125/00	15
207/00003/00	15
207/00008/00	37
207/00018/00	59
207/00031/00	49
207/00110/00	43, 45
207/00113/00	27, 29, 31, 33
207/00123/00	39
208/00121/00	39
208/00125/00	39
209/00025/08	19, 21
209/00170/05	19, 21

N/A items do not appear in index.

209/00170/07	19, 21
253/00158/1047	23
253/00158/567	23
253/00158/612	23
253/00158/614	23
Shipping Bracket	
173/00015/00	9
173/00054/00	9
Shock Absorber	
247/00008/00	11
Shock Absorber Bushing	
211/00137/10	11
Side Panel	
173/00005/00	39, 41
173/00006/00	39, 41
190/00005/00	39, 41
190/00006/00	39, 41
Side Panel Gasket	
246/00079/00	41
Side Panel Support Assembly	
153/00103/01	41
Soap Dispenser to Tub Hose	
223/00187/00	53, 55, 57
Soap Injection PCB with Fuse	
209/00218/13	47
Soap Injector Connector	
211/00127/00	63
Soap Injector Coupling	
223/00182/00	63
Soap Injector Elbow Coupling	
223/00181/00	63
Soap Injector Hose	
223/00180/00	63
Soap Injector Orifice	
223/00178/00	63
Soap Injector Orifice Nipple	
211/00126/00	63
Soap Pump Assembly	
209/00555/01	61
209/00555/02	61
209/00555/03	61
209/00555/04	61
209/00555/05	61
209/00555/06	61
Spacer	
211/00140/00	35
Spray Pump Mounting Plate	
111/10179/00	63
Spring	
253/00158/431	23
Standoff	
211/00120/00	47
211/00122/00	27, 29, 31, 33
211/00145/00	27, 29, 33
Steam Heat Kit	
861P3	67, 69
Steam Hose	
217/00033/00	67, 69
Steam Injector	
119/00086/00	67, 69
Steam Injector Bracket	
173/00032/00	67
190/00032/00	69

Steam Injector Pipe Clamp	
173/00018/00	67, 69
Steam Injector Pipe Clamp Plate	
173/00018/10	67, 69
Steam Valve	
253/10520/00	67, 69
Steam Valve Harness	
F605220	67, 69
Strain Relief	
211/00169/00	45, 47
Suspension Spring	
B12440101	11
Switch Base	
209/00099/25	35
Switch Bracket	
153/00027/22	43
Switch Knob	
209/00099/29	35

T

Telem Sticker	
209/00520/00	27, 29, 31, 33
Terminal Block	
209/00005/00	37
209/00527/00	43
209/00528/00	43
209/00533/00	45
Thermostat	
210/01064/16	37
210/01304/16	37
Thermostat Seal	
225/10004/00	37
Tilt Switch Bracket	
111/00107/00	59
Transformer	
209/00311/00	49
209/00406/00	49
Tub	
173/00019/00	13
173/00020/00	13
190/00019/00	13
190/00020/00	13
Tub Back Plate	
173/00019/10	13
173/00020/10	13
Tub Front	
173/00010/00	13
173/00022/00	13
Tub Gasket	
255/00001/00	13

U

Upper Front Panel	
B12601501	31
Upper Rear Panel	
173/00008/00	41, 43, 45, 47, 49
Upper Support	
253/10503/00	9
290/10503/00	9

N/A items do not appear in index.

V

Vent Hose	
223/00107/02	53
223/00211/00	43, 45
Voltage Discharge Decal	
B12355001	49

W

Washer	
B12300601	13, 31, 33
B12300701	13, 31, 33
B12522101	11
201/00001/00	13, 15
201/00004/00	15
201/00007/00	23, 63
201/00008/00	15
201/00011/00	15
201/00027/00	67, 69
20290	43
202/00002/00	17
202/00004/00	27, 29, 31, 33, 43, 45, 49
202/00101/00	43, 59, 63
202/00102/00	43
202/00105/00	13
202/00106/00	39
202/00110/00	39, 41, 53
202/00121/00	43, 45
202/00139/00	45
203/00001/00	15
203/00003/00	17
203/00004/00	41, 43, 53, 63
203/00005/00	49
203/00006/00	15, 37, 43, 45, 47, 59
203/00007/00	35
208/00009/00	39
209/00025/12	19, 21
223/00123/00	27, 29, 31, 33, 35
223/00272/00	43, 45
253/00158/177	25
253/00158/571	23
803615	43
Water Hose	
F200185	43
223/00044/00	43, 45
223/00269/00	53, 55
Water Level Switch	
209/00029/00	37
Water Valve Adapter	
223/00050/01	43, 45
Wire Harness	
210/01575/17	17, 19

Y

Y Pipe	
253/00017/00	55
253/00030/00	53
253/00035/00	53, 55
