

Washer-Extractor

Barrier Washer

Refer to Page 5 for Model Numbers



Table of Contents

Title	Page
Parts Ordering Information.....	3
Serial Plate Location	3
Model Identification	5
Upper Frame	6
Lower Frame	8
External Frame	10
Cabinet (Drawing 1 of 5).....	12
Cabinet (Drawing 2 of 5).....	14
Cabinet (Drawing 3 of 5).....	16
Cabinet (Drawing 4 of 5).....	18
Cabinet (Drawing 5 of 5).....	20
Loading Side Control Panel (Drawing 1 of 2).....	22
Loading Side Control Panel (Drawing 2 of 2).....	24
Loading Side Control Panel MC10.....	26
Unloading Side Control Panel.....	28
Loading and Unloading Side Control Panel.....	30
Outer Door (Drawing 1 of 3).....	32
Outer Door (Drawing 2 of 3).....	34
Outer Door (Drawing 3 of 3).....	36
Water Inlet System - Standard.....	38
Water Inlet System - Large Valves (On Request).....	40
Soap Hopper.....	42
Drain System	44
Steam Heating	46
Tub (Drawing 1 of 10).....	48
Tub (Drawing 2 of 10).....	50
Tub (Drawing 3 of 10).....	52
Tub (Drawing 4 of 10).....	54
Tub (Drawing 5 of 10).....	56
Tub (Drawing 6 of 10).....	58
Tub (Drawing 7 of 10).....	60
Tub (Drawing 8 of 10).....	62
Tub (Drawing 9 of 10).....	64
Tub (Drawing 10 of 10).....	66
Drum (Drawing 1 of 5).....	68
Drum (Drawing 2 of 5).....	70
Drum (Drawing 3 of 5).....	72
Drum (Drawing 4 of 5).....	74
Drum (Drawing 5 of 5).....	76
Trunnion - 280 Models.....	78
Drive (Drawing 1 of 2).....	80

© Copyright 2022, Alliance Laundry Systems LLC

All rights reserved. No part of the contents of this book may be reproduced or transmitted in any form or by any means without the expressed written consent of the publisher.

Drive (Drawing 2 of 2)	82
Blocking Mechanism	84
Electrical Component Box (Drawing 1 of 4)	86
Electrical Component Box (Drawing 2 of 4)	88
Electrical Component Box (Drawing 3 of 4)	90
Electrical Component Box (Drawing 4 of 4)	92
Wash Bath Sample	94
Weighing System (Drawing 1 of 2)	96
Weighing System (Drawing 2 of 2)	98
Base	100
Side Drain	102
Hygienic Barrier Seal	104
Liquid Soap Supply System - Pumps	106
External Lubrication System	108
Additional Liquid Soap Inlet	110
End of Cycle Light	112
End of Cycle Buzzer	114
End of Cycle Light and Buzzer	116
Interior Lighting	118
Wire Harnesses	120
Decals	122
Parts Index	125

Parts Ordering Information

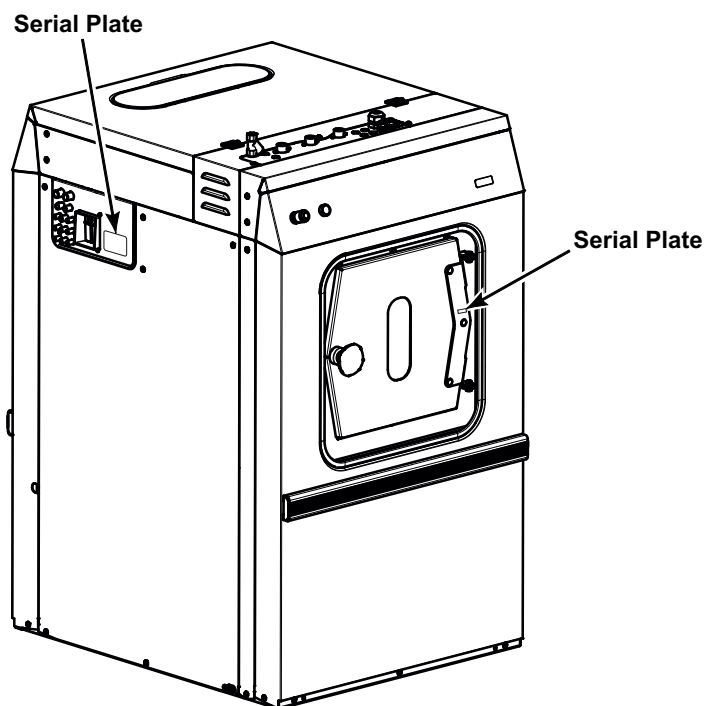
If literature or replacement parts are required, contact the source from whom the machine was purchased or contact Alliance Laundry Systems at (920) 748-3950 for the name and address of the nearest authorized parts distributor.

For technical assistance, call the number listed below:

(920) 748-3121 Ripon, Wisconsin

Serial Plate Location

When calling or writing about your product, be sure to mention model and serial numbers. Model and serial numbers are located on serial plate(s).



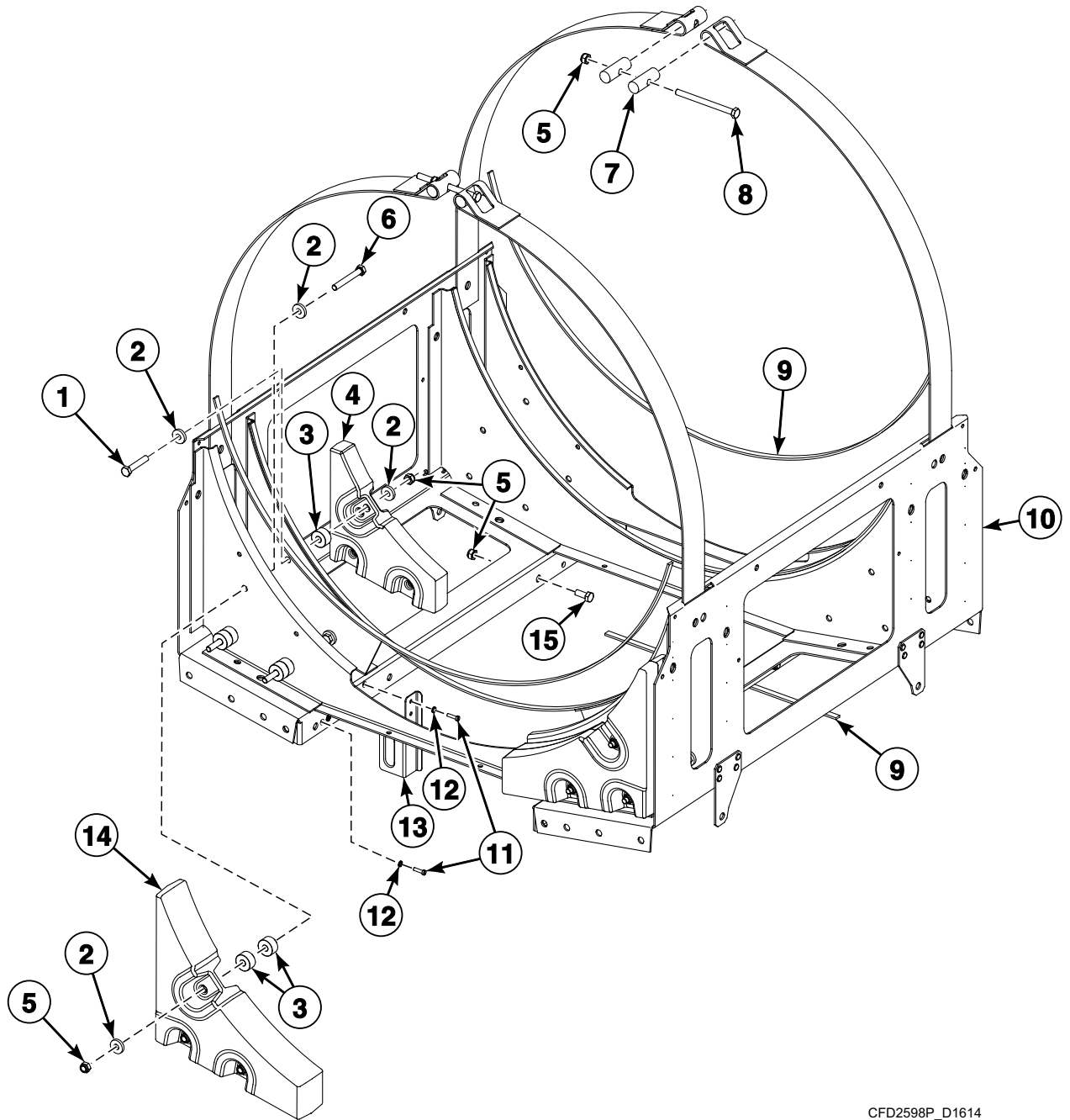
CZB143N_D1614

Model Identification

Information in this manual is applicable to these washer-extractor models:

AFB180_PROFESSIONAL	NHC180T	SHB0180D	UHC180I	IHY280R
AFB180_X_CONTROL_PLUS	NHC240T	SHC180D	UHC240I	IHB0180R
AFB240_PROFESSIONAL	NHC280T	SHC240D	UHC280I	IHC180R
AFB240_X_CONTROL_PLUS	NHH180T	SHC280D	UHG0180I	IHC240R
AFB280_PROFESSIONAL	NHH240T	SHG0180D	UHG0240I	IHC280R
AFB280_X_CONTROL_PLUS	NHH280T	SHG0240D	UHG0280I	IHG0180R
AFB180_GRAPHITRONIC_TOUCH	NHU180T	SHG0280D	UHH180I	IHG0240R
AFB240_GRAPHITRONIC_TOUCH	NHU240T	SHH180D	UHH240I	IHG0280R
AFB280_GRAPHITRONIC_TOUCH	NHU280T	SHH240D	UHH280I	IHH180R
FXB180_X_CONTROL_PLUS	NHX180T	SHH280D	UHU0180I	IHH240R
FXB240_X_CONTROL_PLUS	NHX240T	SHU0180D	UHU0240I	IHH280R
FXB280_X_CONTROL_PLUS	NHX280T	SHU0240D	UHU0280I	IHU0180R
FXB180_X_CONTROL_FLEX_PLUS	NHY180T	SHU0280D	UHU180I	IHU0240R
FXB240_X_CONTROL_FLEX_PLUS	NHY240T	SHU180D	UHU240I	IHU0280R
FXB280_X_CONTROL_FLEX_PLUS	NHY280T	SHU240D	UHU280I	IHU180R
IH180_ARIES-ELITE	PHB0180T	SHU280D	UHX180I	IHU240R
IH240_ARIES-ELITE	PHC180T	SHX180D	UHX240I	IHU280R
IH280_ARIES-ELITE	PHC240T	SHX240D	UHX280I	IHX180R
SH180_QED-SELECT	PHC280T	SHX280D	UHY180I	IHX240R
SH240_QED-SELECT	PHG0180T	SHY180D	UHY240I	IHX280R
SH280_QED-SELECT	PHG0240T	SHY240D	UHY280I	IHY180R
UH180_PROFORM	PHG0280T	SHY280D	UHB0180I	IHY240R
UH240_PROFORM	PHH180T	SHC180V	UHC180V	IHC180V
UH280_PROFORM	PHH240T	SHC240V	UHC240V	IHC240V
LPRFRAFB180E	PHH280T	SHC280V	UHC280V	IHC280V
LPRFRAFB240E	PHU0180T	SHU180V	UHU180V	IHU180V
LPRFRAFB280E	PHU0240T	SHU240V	UHU240V	IHU240V
IH180_EVOLIS_ELITE	PHU0280T	SHU280V	UHU280V	IHU280V
IH240_EVOLIS_ELITE	PHU180T	SHY180V	UHY180V	IHY180V
IH280_EVOLIS_ELITE	PHU240T	SHY240V	UHY240V	IHY240V
SH180_QUANTUM_TOUCH	PHU280T	SHY280V	UHY280V	IHY280V
SH240_QUANTUM_TOUCH	PHX180T	SHM180V	UHM180V	IHM180V
SH280_QUANTUM_TOUCH	PHX240T	SHM240V	UHM240V	IHM240V
UH180_PROFORM_TOUCH	PHX280T	SHM280V	UHM280V	IHM280V
UH240_PROFORM_TOUCH	PHY180T	SHM180D	LHC180T	IHM180R
UH280_PROFORM_TOUCH	PHY240T	SHM240D	LHC240T	IHM240R
NHC180V	PHY280T	SHM280D	LHC280T	IHM280R
NHC240V	PHC180V	NHM180T	LHH180T	
NHC280V	PHC240V	NHM240T	LHH240T	
NHU180V	PHC280V	NHM280T	LHH280T	
NHU240V	PHU180V	PHM180T	LHU180T	
NHU280V	PHU240V	PHM240T	LHU240T	
NHY180V	PHU280V	PHM280T	LHU280T	
NHY240V	PHY180V	UHM180I	LHX180T	
NHY280V	PHY240V	UHM240I	LHX240T	
NHM180V	PHY280V	UHM280I	LHX280T	
NHM240V	PHM180V			
NHM280V	PHM240V			
	PHM280V			

Upper Frame

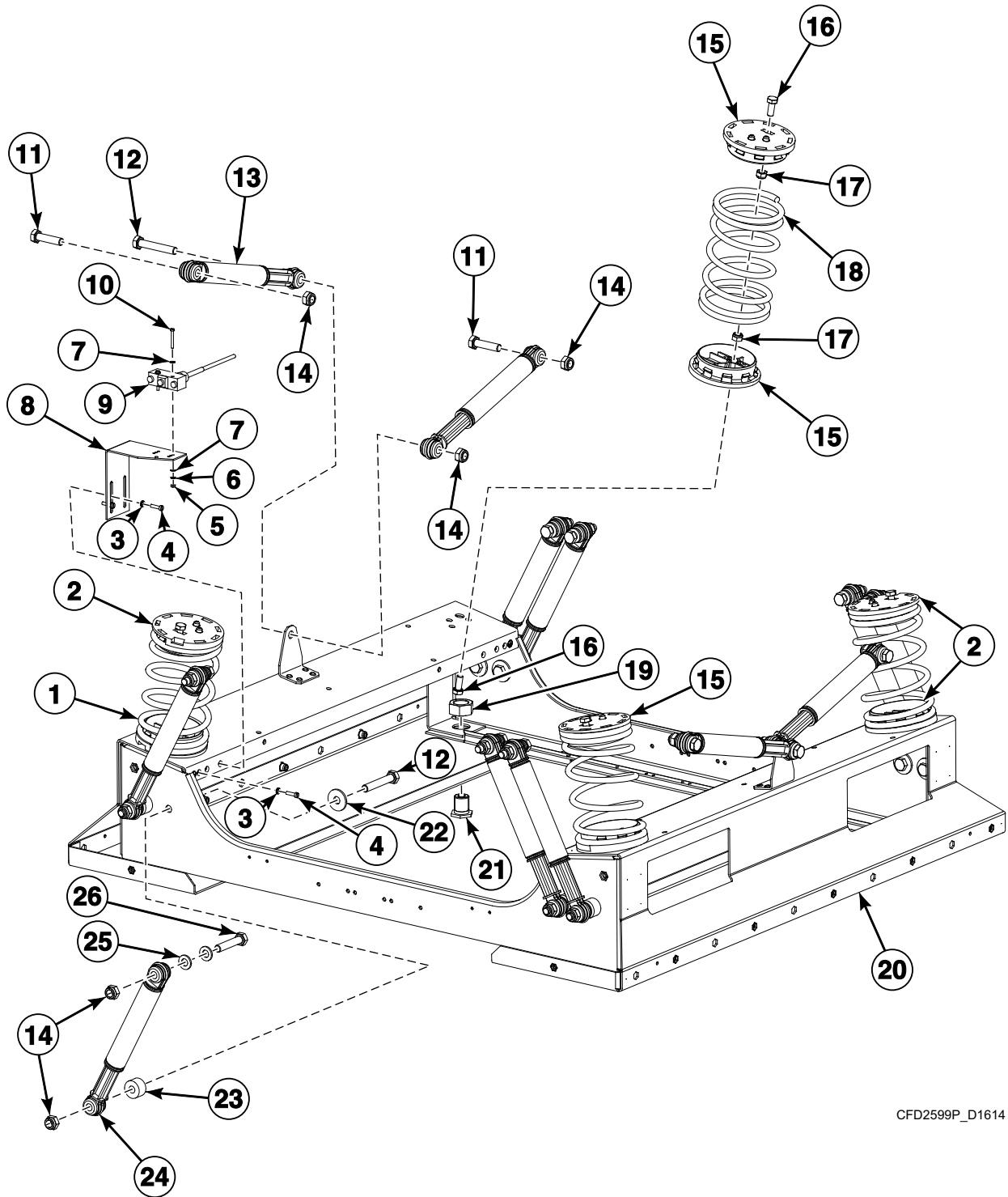


CFD2598P_D1614

Upper Frame

REF	PART NO.	DESCRIPTION	COMMENTS
1	SP309933000845	Bolt	240 and 280 models; M8x45
2	SP525284	Washer	M8
3	SP515274	Distance Case	
4	SP533784	Lower Weight	240 and 280 models
5	SP310985000008	Nut	M8
6	SP509976	Bolt	M8x60
7	SP533738	Cover Strip Pin	
8	SP527093	Bolt	M8x100
9	SP517232	Seal	
10	SP549971	Upper Frame	180 models
	SP549721	Upper Frame	240 models
	SP556807	Upper Frame	280 models
11	SP309084000416	Bolt	M4x16
12	SP311679800004	Washer	M4
13	SP533388	Oscillation Limiter	
14	SP533814	Lower Weight	
15	SP309933000820	Bolt	M8x20

Lower Frame

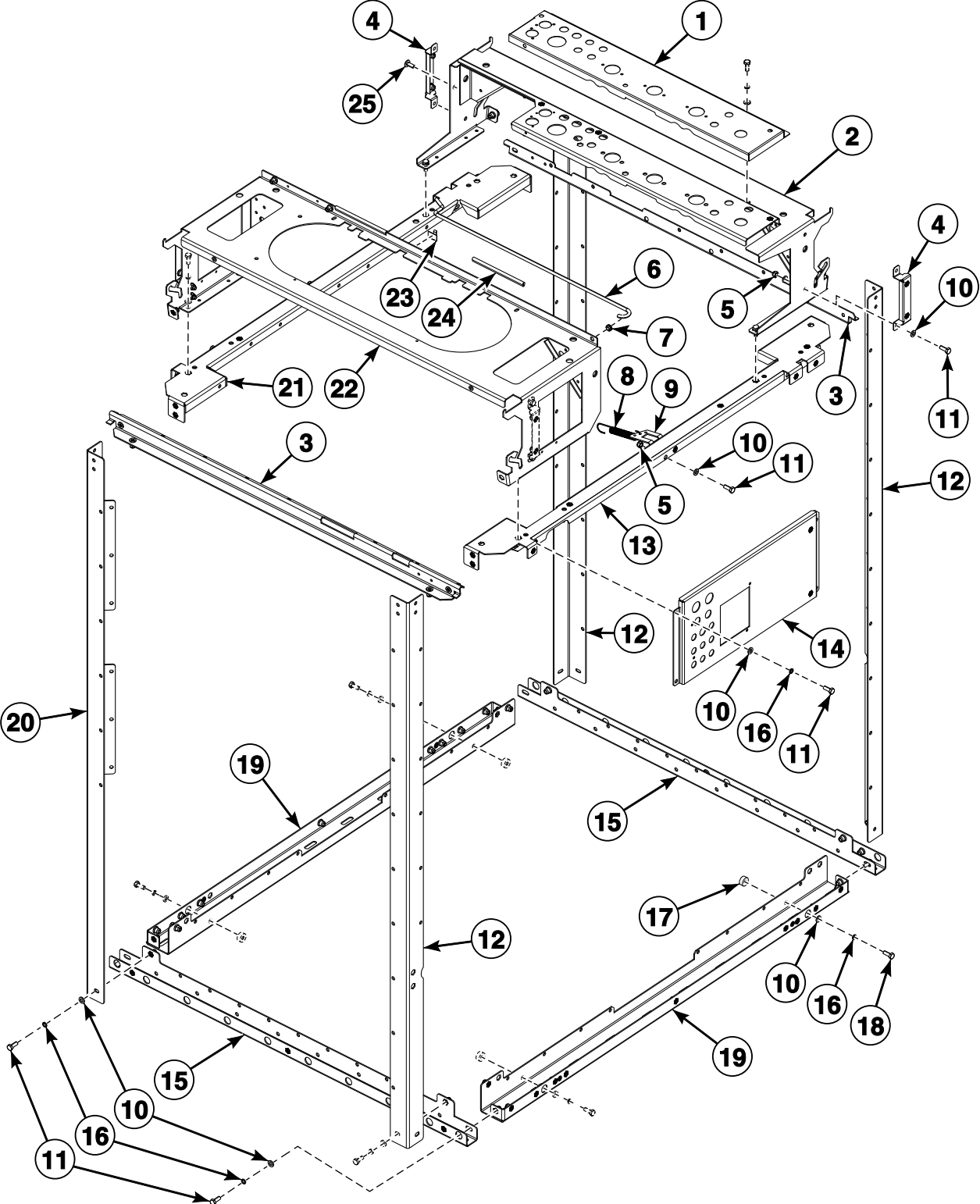


CFD2599P_D1614

Lower Frame

REF	PART NO.	DESCRIPTION	COMMENTS
	SP547758	Vibration Switch Assembly	
1	SP533868	Spring	180 models; Right
	SP533870	Spring	240 models; 280 models through Serial No. 280FXB000206KM; Right
	566157	Spring	280 models starting Serial No. 280FXB000207KQ; Right
2	SP533872	Spring Holder	Right
3	SP311679800004	Washer	M4
4	SP309084000416	Bolt	M4x16
5	SP310934000003	Nut	M3
6	SP311679800003	Washer	M3
7	SP311125000003	Washer	3.2
8	SP547759	Vibration Switch Holder	
9	SP528309	Microswitch	
10	SP309084240325	Bolt	M3x25
11	SP527420	Bolt	M10x40
12	SP506432	Bolt	M10x60
13	F250500	Shock Absorber	
14	SP310985000010	Nut	M10
15	SP533873	Spring Holder	Left
16	SP309933000820	Bolt	M8x20
	SP309931001050	Bolt	M10x50
17	SP310985000008	Nut	M8
18	SP533869	Spring	180 models; Left
	SP533871	Spring	240 models; 280 models through Serial No. 280FXB000206KM; Left
	566158	Spring	280 models starting Serial No. 280FXB000207KQ; Left
19	SP310934000020	Nut	M20
20	SP533164	Lower Frame	180 models
	SP533801	Lower Frame	240 models
	SP533951	Lower Frame	280 models
21	SP533726	Bolt	
22	SP311902100010	Washer	10
23	SP533727	Roller	
24	SP533716	Damper	
25	SP311125000010	Washer	10.5

External Frame



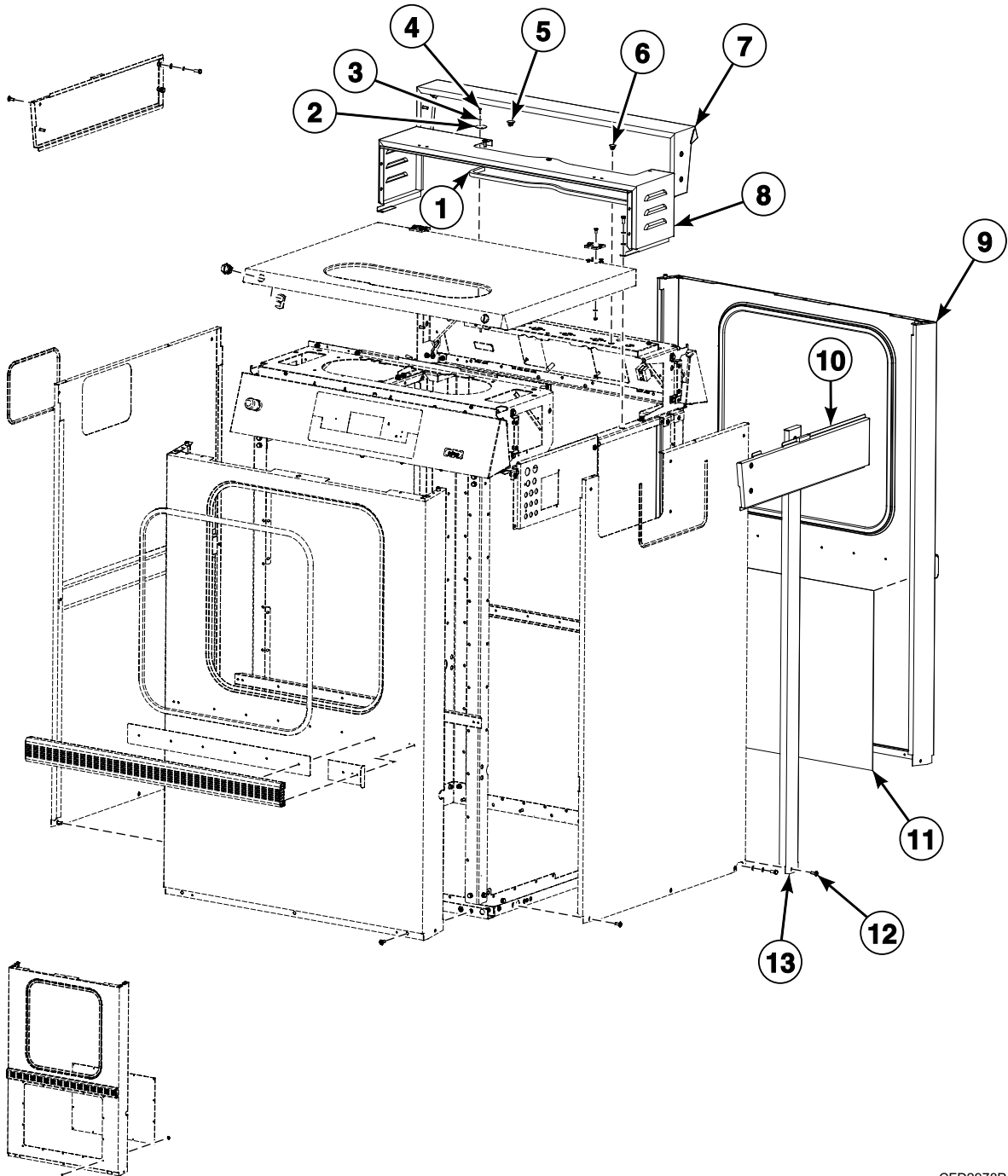
CZB38P_D1614

External Frame

REF	PART NO.	DESCRIPTION	COMMENTS
	SP549900	External Frame Assembly	180 models
	SP549650	External Frame Assembly	240 models
	SP556823	External Frame Assembly	280 models
	566839	Spring Holder Assembly	Includes items 5 and 8-11; 180 models
1	SP549029	Entry Cover	180 models
	SP549030	Entry Cover	240 models
	SP556847	Entry Cover	280 models
2	SP549902	Panel Holder	180 models
	SP549652	Panel Holder	240 models
	SP556840	Panel Holder	280 models
3	SP549894	Front Panel Brace	180 models
	SP549644	Front Panel Brace	240 models
	SP556841	Front Panel Brace	280 models
4	SP549657	Cover Holder	
5	SP310985000006	Nut	M6
6	SP533341	Upper Lid Prop	
7	SP273121005052	Cable Passage	5x2
8	SP505372	Spring	180 models
9	566838	Spring Holder	180 models
10	SP311125000006	Washer	6.4
11	SP309933000616	Bolt	M6x16
12	SP549634	Frame Section	
13	SP549075	Frame Section	180 and 280 models
	SP549076	Frame Section	240 models
14	SP549641	Mixer Holder	
15	SP549882	Frame Section	180 models
	SP549632	Frame Section	240 models
	SP556838	Frame Section	280 models
16	SP311127000006	Washer	6
17	SP556865	Spacer	280 models
18	SP309933000630	Bolt	M6x30
19	SP549883	Frame Section	180 and 280 models
	SP549633	Frame Section	240 models
20	SP549649	Frame Section	
21	SP549077	Frame Section	180 and 280 models
	SP549078	Frame Section	240 models
22	SP549892	Panel Holder	180 models
	SP549642	Panel Holder	240 models
	SP556839	Panel Holder	280 models
23	SPPRI551016250	Hook	
24	SPPRI505000058	Profiled Sealing	
25	SP537864	Bolt	M6x16

Cabinet (Drawing 1 of 5)

180 Models through Serial No. 180FXB000602KQ, 240 Models through Serial No. 240FXB000426KQ and
280 Models through Serial No. 280FXB000206KM



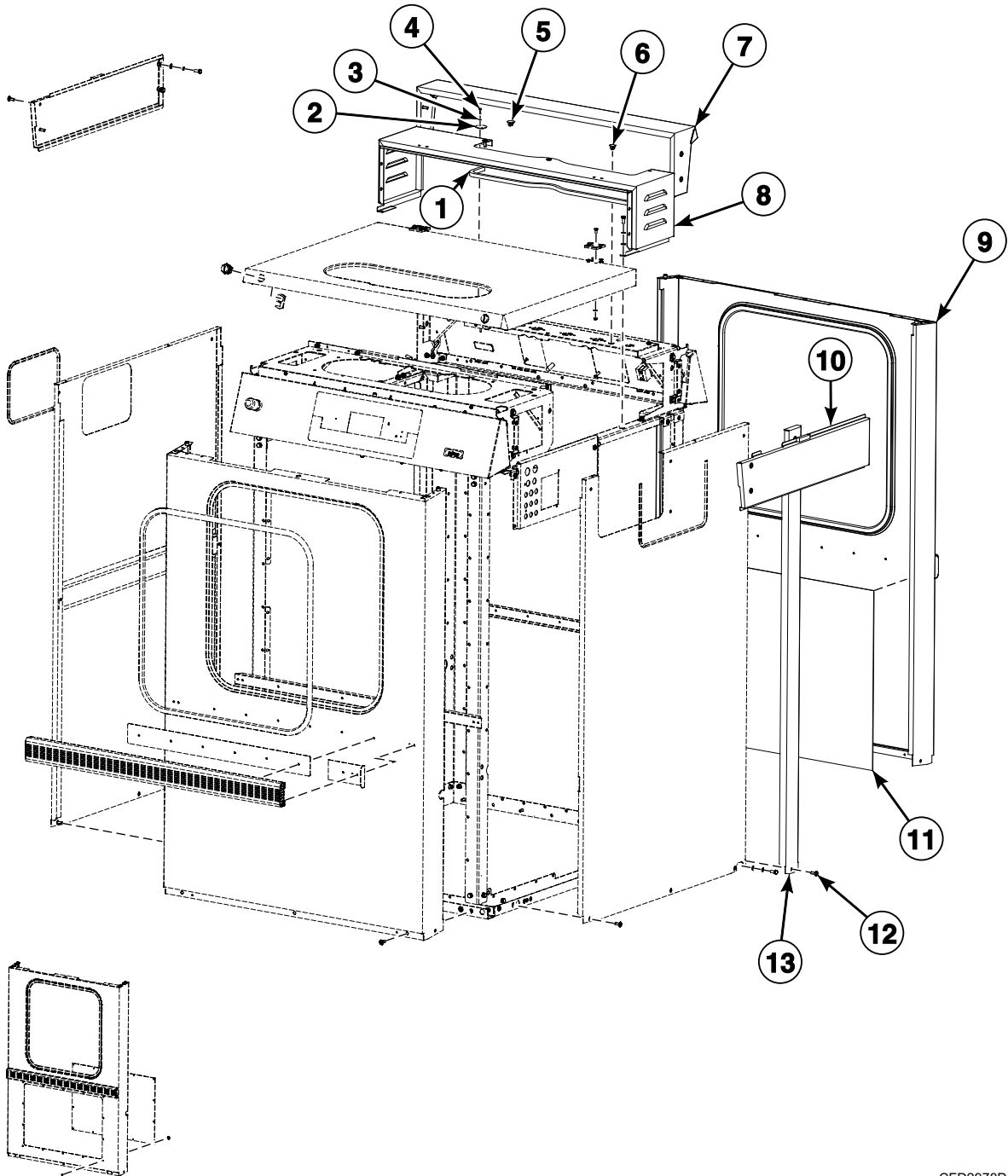
CFD2978P_D1614

Cabinet (Drawing 1 of 5)

REF	PART NO.	DESCRIPTION	COMMENTS
1	SP552665	Seal	
2	SP556722	Tap	
3	SP311125240003	Washer	3
4	SP309084240312	Bolt	M3x12
5	SP345900215120	Plug	
6	SP505472	Plug	
7	SP549881	Unloading Side Top Cover	180 models
	SP549631	Unloading Side Top Cover	240 models
	SP556837	Unloading Side Top Cover	280 models
8	SP556716	Top Middle Cover	180 models
	SP556717	Top Middle Cover	240 models
	SP556836	Top Middle Cover	280 models
9	570191	Front Panel	180 models; With bumper
	570175	Front Panel	180 models; Without bumper
	570171	Front Panel	240 models; With bumper
	570179	Front Panel	240 models; Without bumper
	570151	Front Panel	280 models; With bumper
	570155	Front Panel	280 models; Without bumper
	570169	Panel Window	180 models; With bumper
	570177	Panel Window	180 models; Without bumper
	570173	Panel Window	240 models; With bumper
	570181	Panel Window	240 models; Without bumper
	570153	Panel Window	280 models; With bumper
570157	Panel Window	280 models; Without bumper	
10	SP549055	Top Panel	Right
11	SP100179	Antivibration Insulation	
12	SP549640	Side Cover	
13	SP537864	Bolt	M6x16

Cabinet (Drawing 2 of 5)

180 Models starting Serial No. 180FXB000603KQ, 240 Models starting Serial No. 240FXB000427KQ and
280 Models starting Serial No. 280FXB000207KQ



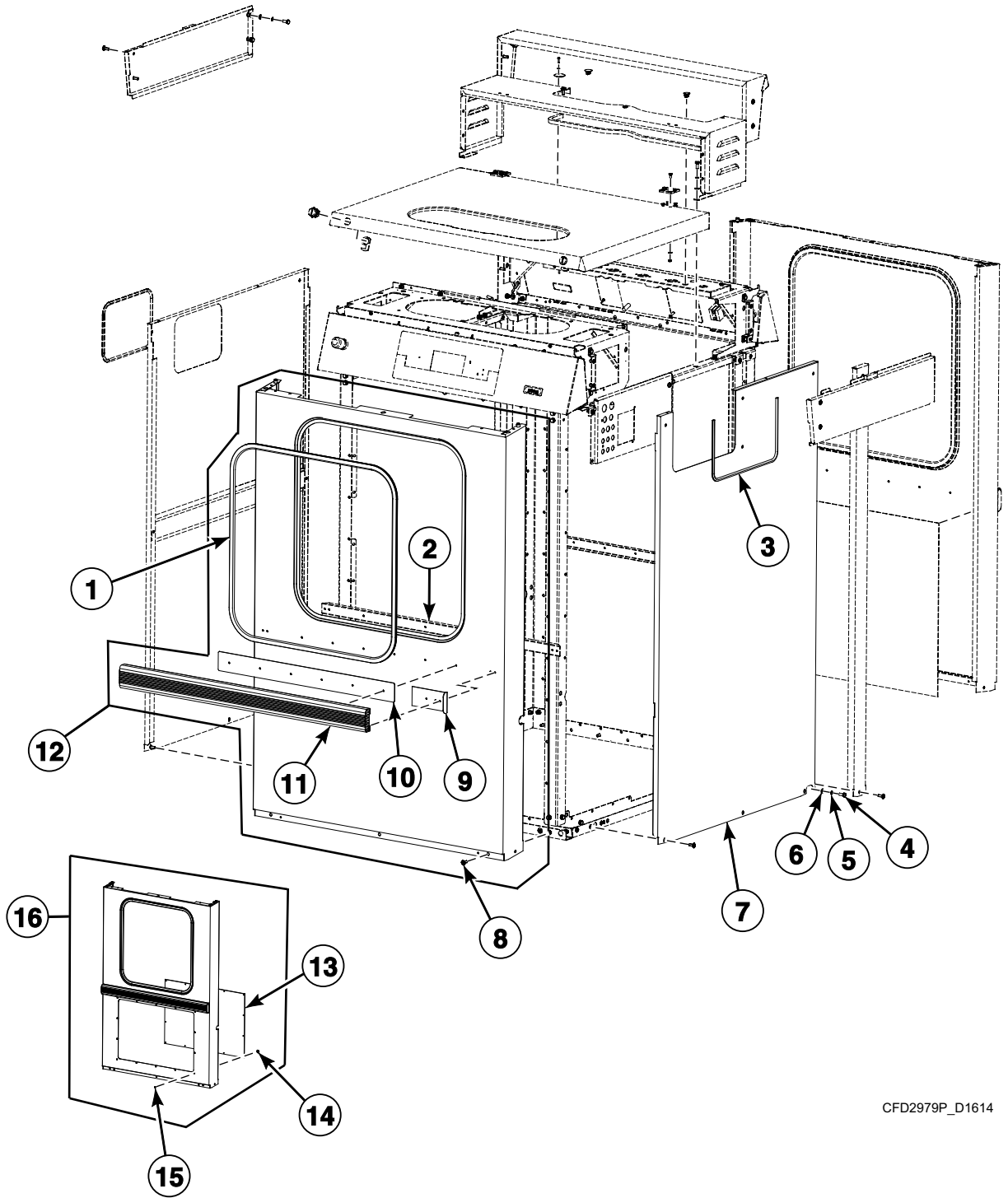
CFD2978P_D1614

Cabinet (Drawing 2 of 5)

REF	PART NO.	DESCRIPTION	COMMENTS
1	SP552665	Seal	
2	SP556722	Tap	
3	SP311125240003	Washer	3
4	SP309084240312	Bolt	M3x12
5	SP345900215120	Plug	
6	SP505472	Plug	
7	SP549881	Unloading Side Top Cover	180 models
	SP549631	Unloading Side Top Cover	240 models
	SP556837	Unloading Side Top Cover	280 models
8	SP556716	Top Middle Cover	180 models
	SP556717	Top Middle Cover	240 models
	SP556836	Top Middle Cover	280 models
9	570191	Front Panel	180 models; With bumper
	570175	Front Panel	180 models; Without bumper
	570171	Front Panel	240 models; With bumper
	570179	Front Panel	240 models; Without bumper
	570151	Front Panel	280 models; With bumper
	570155	Front Panel	280 models; Without bumper
	570169	Panel Window	180 models; With bumper
	570177	Panel Window	180 models; Without bumper
	570173	Panel Window	240 models; With bumper
	570181	Panel Window	240 models; Without bumper
	570153	Panel Window	280 models; With bumper
570157	Panel Window	280 models; Without bumper	
10	SP549055	Top Panel	Right
11	SP100179	Antivibration Insulation	
12	SP549640	Side Cover	
13	SP537864	Bolt	M6x16

Cabinet (Drawing 3 of 5)

180 Models through Serial No. 180FXB000602KQ, 240 Models through Serial No. 240FXB000426KQ and
280 Models through Serial No. 280FXB000206KM



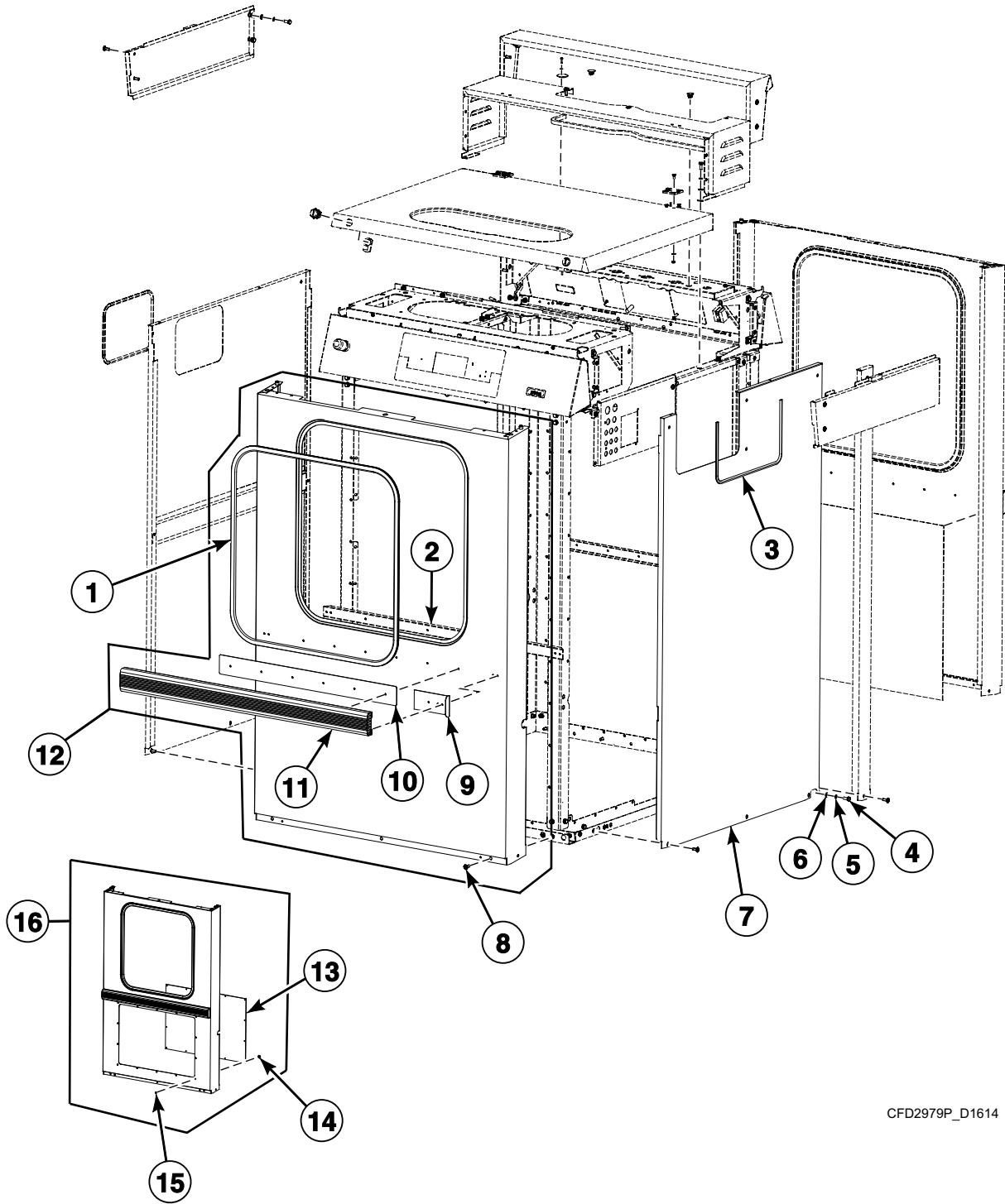
CFD2979P_D1614

Cabinet (Drawing 3 of 5)

REF	PART NO.	DESCRIPTION	COMMENTS
1	SP529068	Edge Protection	
2	SP556707	Front Panel Reinforcement	180 models
	SP556708	Front Panel Reinforcement	240 models
	SP556833	Front Panel Reinforcement	280 models
3	SPPRI505000058	Profiled Sealing	
4	SP309933240616	Bolt	M6x16
5	SP311127240006	Washer	6
6	SP311125240006	Washer	6.4
7	SP549065	Side Panel	Right
8	SP537864	Bolt	M6x16
9	SPF02113200614	Side Bar	
10	SP549888	Bumper Reinforcement	180 models
	SP549638	Bumper Reinforcement	240 models
	SP556832	Bumper Reinforcement	280 models
11	SP321000135460	Bumper Profile	180 models, L = 0.85m; 240 models, L = 0.97m; 280 models, L = 1.07m
12	SP549871	Front Panel	180 models; With bumper
	SP559601	Front Panel	180 models; Without bumper
	SP549621	Front Panel	240 models; With bumper
	SP559605	Front Panel	240 models; Without bumper
	SP556824	Front Panel	280 models; With bumper
	SP559609	Front Panel	280 models; Without bumper
	SP549914	Front Panel	180 models; With wash bath sample opening and with bumper
	SP559602	Front Panel	180 models; With wash bath sample opening and without bumper
	SP549664	Front Panel	240 models; With wash bath sample opening and with bumper
	SP559606	Front Panel	240 models; With wash bath sample opening and without bumper
	SP556825	Front Panel	280 models; With wash bath sample opening and with bumper
SP559610	Front Panel	280 models; With wash bath sample opening and without bumper	
13	SP549004	Glass	
14	SP311902100004	Washer	4.3
15	SP313250004125	Rivet	4x12.5
16	SP549010	Panel Window	180 models; With bumper
	SP559603	Panel Window	180 models; Without bumper
	SP549011	Panel Window	240 models; With bumper
	SP559607	Panel Window	240 models; Without bumper
	SP556826	Panel Window	280 models; With bumper
	SP559611	Panel Window	280 models; Without bumper
	SP549012	Panel Window	180 models; For wash bath sample and with bumper
	SP559604	Panel Window	180 models; For wash bath sample and without bumper
	SP549013	Panel Window	240 models; For wash bath sample and with bumper
	SP559608	Panel Window	240 models; For wash bath sample and without bumper
	SP556827	Panel Window	280 models; For wash bath sample and with bumper
	SP559612	Panel Window	280 models; For wash bath sample and without bumper

Cabinet (Drawing 4 of 5)

180 Models starting Serial No. 180FXB000603KQ, 240 Models starting Serial No. 240FXB000427KQ and
280 Models starting Serial No. 280FXB000207KQ

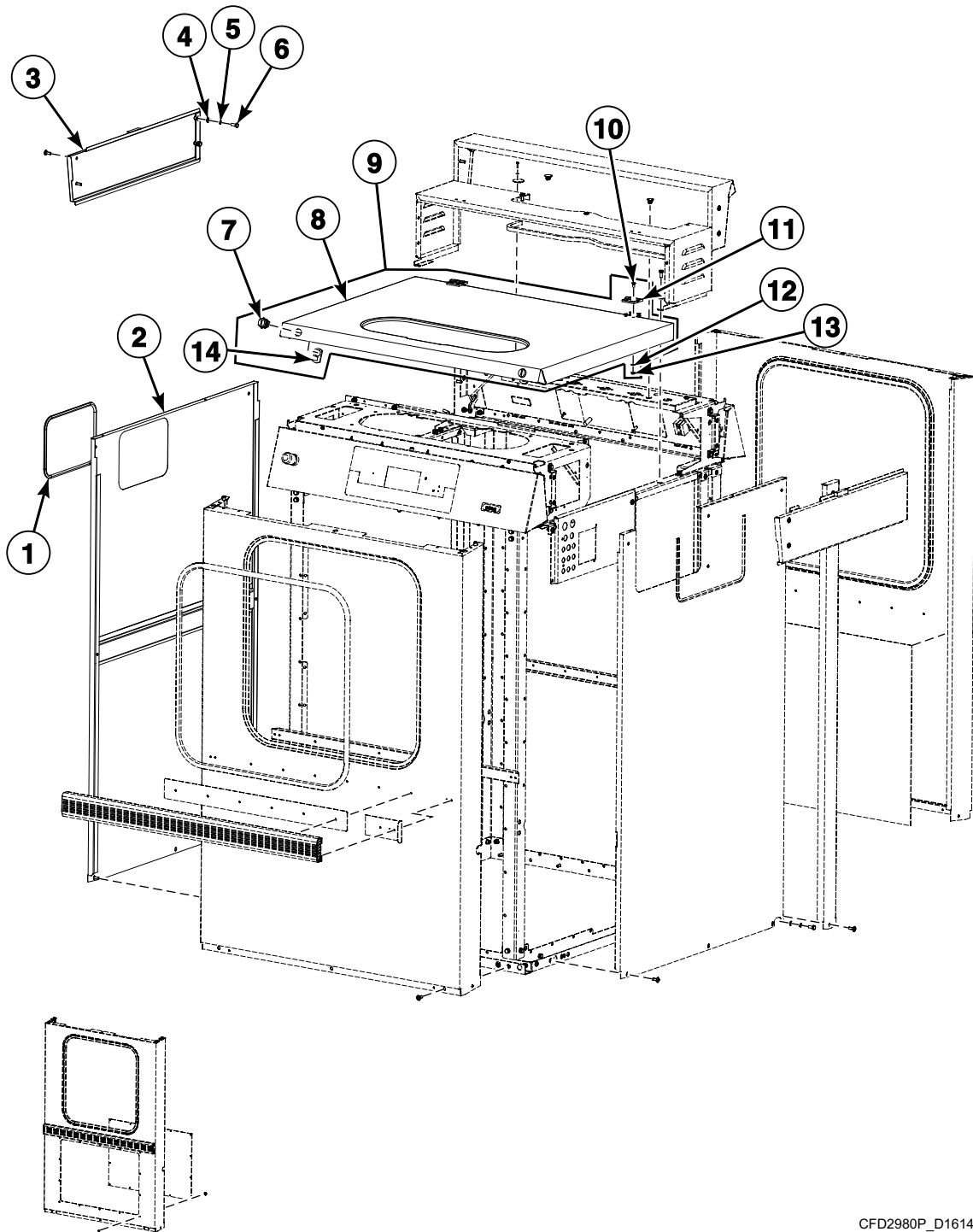


CFD2979P_D1614

Cabinet (Drawing 4 of 5)

REF	PART NO.	DESCRIPTION	COMMENTS
1	SP529068	Edge Protection	
2	SP556707	Front Panel Reinforcement	180 models
	SP556708	Front Panel Reinforcement	240 models
	SP556833	Front Panel Reinforcement	280 models
3	SPPRI505000058	Profiled Sealing	
4	SP309933240616	Bolt	M6x16
5	SP311127240006	Washer	6
6	SP311125240006	Washer	6.4
7	SP549065	Side Panel	Right
8	SP537864	Bolt	M6x16
9	SPF02113200614	Side Bar	
10	SP549888	Bumper Reinforcement	180 models
	SP549638	Bumper Reinforcement	240 models
	SP556832	Bumper Reinforcement	280 models
11	SP321000135460	Bumper Profile	180 models, L = 0.85m; 240 models, L = 0.97m; 280 models, L = 1.07m
12	570191	Front Panel	180 models; With bumper
	570175	Front Panel	180 models; Without bumper
	570171	Front Panel	240 models; With bumper
	570179	Front Panel	240 models; Without bumper
	570151	Front Panel	280 models; With bumper
	570155	Front Panel	280 models; Without bumper
	570168	Front Panel	180 models; With wash bath sample opening and with bumper
	570176	Front Panel	180 models; With wash bath sample opening and without bumper
	570172	Front Panel	240 models; With wash bath sample opening and with bumper
	570180	Front Panel	240 models; With wash bath sample opening and without bumper
	570152	Front Panel	280 models; With wash bath sample opening and with bumper
	570156	Front Panel	280 models; With wash bath sample opening and without bumper
13	SP549004	Glass	
14	SP311902100004	Washer	4.3
15	SP313250004125	Rivet	4x12.5
16	570169	Panel Window	180 models; With bumper
	570177	Panel Window	180 models; Without bumper
	570173	Panel Window	240 models; With bumper
	570181	Panel Window	240 models; Without bumper
	570153	Panel Window	280 models; With bumper
	570157	Panel Window	280 models; Without bumper
	570170	Panel Window	180 models; For wash bath sample and with bumper
	570178	Panel Window	180 models; For wash bath sample and without bumper
	570174	Panel Window	240 models; For wash bath sample and with bumper
	570182	Panel Window	240 models; For wash bath sample and without bumper
	570154	Panel Window	280 models; For wash bath sample and with bumper
	570158	Panel Window	280 models; For wash bath sample and without bumper

Cabinet (Drawing 5 of 5)



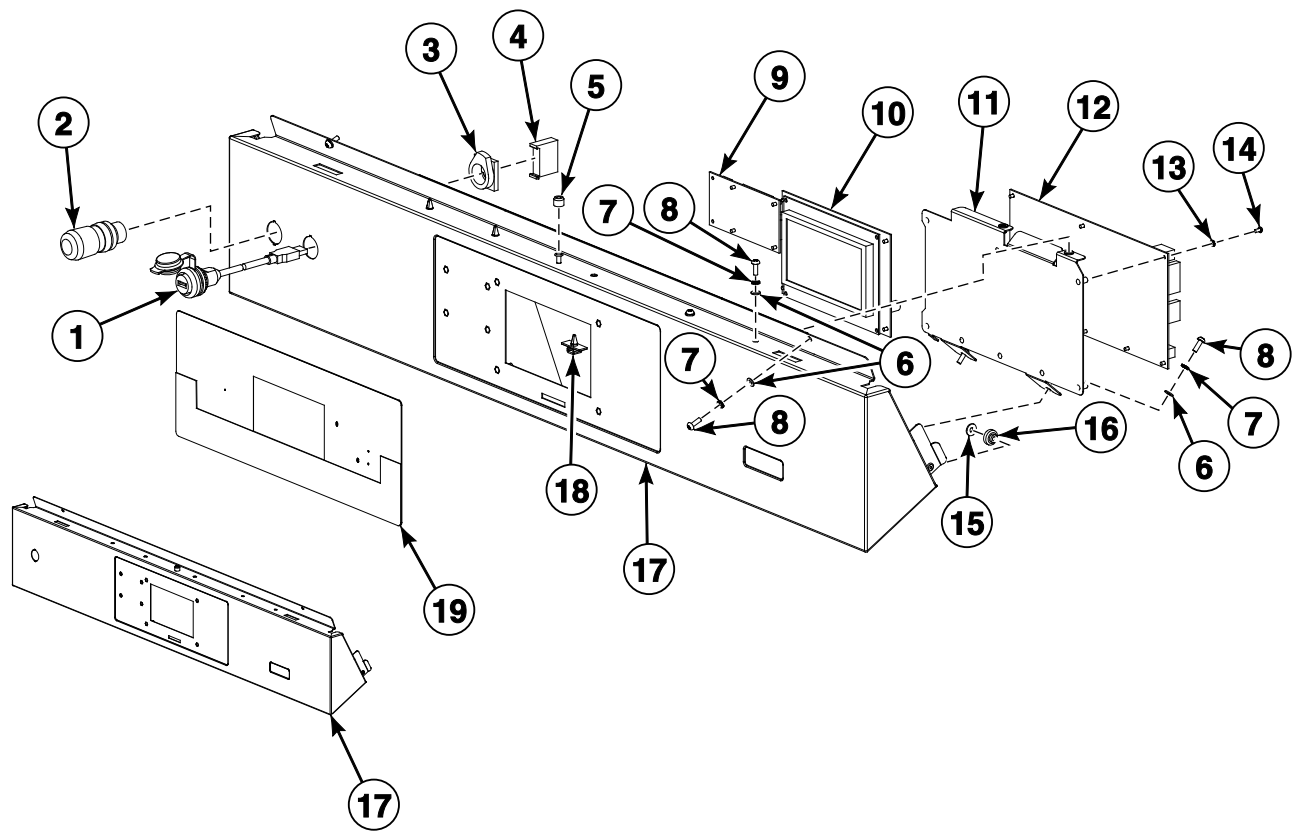
CFD2980P_D1614

Cabinet (Drawing 5 of 5)

REF	PART NO.	DESCRIPTION	COMMENTS
1	SPPRI505000058	Profiled Sealing	
2	SP549064	Side Panel	Left
3	SP549054	Top Panel	Left
4	SP311125000006	Washer	6.4
5	SP311127000006	Washer	6
6	SP309933000616	Bolt	M6x16
7	SP547527	Lock	
8	SP549046	Top Cover	180 models; With soap hopper opening
	SP549047	Top Cover	240 models; With soap hopper opening
	SP556845	Top Cover	280 models; With soap hopper opening
	SP556727	Top Cover	180 models; Without soap hopper opening
	SP556728	Top Cover	240 models; Without soap hopper opening
	SP556846	Top Cover	280 models; Without soap hopper opening
9	SP549044	Top Cover	180 models; With soap hopper opening
	SP549045	Top Cover	240 models; With soap hopper opening
	SP556834	Top Cover	280 models; With soap hopper opening
	SP556725	Top Cover	180 models; Without soap hopper opening
	SP556726	Top Cover	240 models; Without soap hopper opening
	SP556835	Top Cover	280 models; Without soap hopper opening
10	SP309963240512	Bolt	M5x12
11	SP549056	Hinge	
12	SP311125240005	Washer	5.3
13	SP310985000005	Nut	M5
14	SPPRI610002007	Hook Lock	Small

Loading Side Control Panel (Drawing 1 of 2)

180 Models through Serial No. 180FXB000297DW, 240 Models through Serial No. 240FXB000242DW and
280 Models through Serial No. 280FXB000117DW



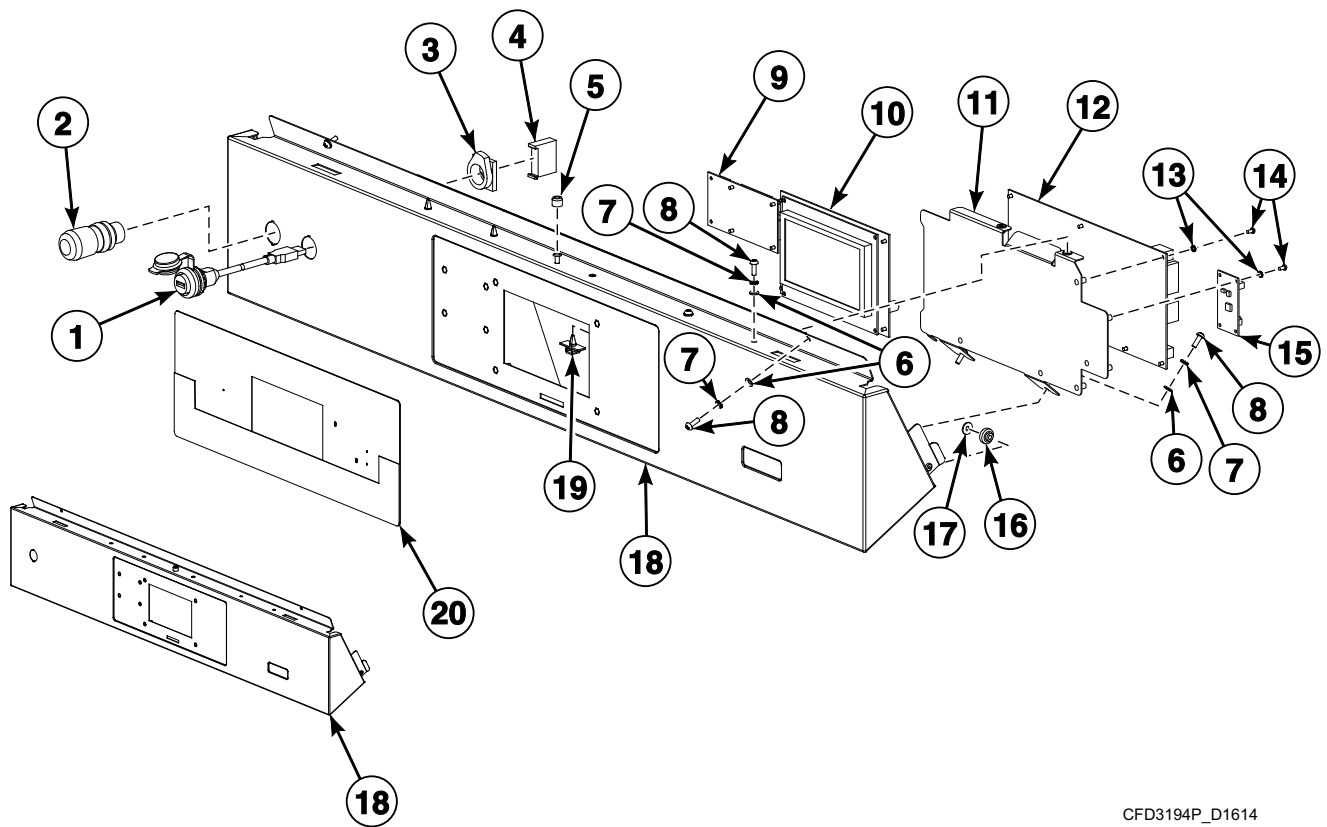
CFD2602P_D1614

Loading Side Control Panel (Drawing 1 of 2)

REF	PART NO.	DESCRIPTION	COMMENTS
	SP547005	Board Interconnection Cable	
1	SP557744	USB Connection	
2	SP528310	Emergency Stop Knob	
3	SP528311	Emergency Stop Connector	
4	SP528312	Switching Unit	
5	SP520408	Pin Insertion	
6	SP311125000004	Washer	M4
7	SP311679800004	Washer	M4
8	SP309798524412	Bolt	M4x12
9	SP547003	Relay Extension Board	
	SP547062	Relay Extension Board Cable	
10	SP553411	Control Board	180 models starting Serial No. 180FXB000207DB; 240 models starting Serial No. 240FXB000193DB; AF, AF Non-Brand, FXB, LH, LP, NH and PH 280 models; MC7; Blue display
	SP553412	Control Board	SH and UH models; MC7; Green display
	SP553419	Control Board	IH models; MC7; Red display
	SP547001	Control Board	AF and FXB models; 180 models through Serial No. 180FXB000206BZ; 240 models through Serial No. 240FXB000192BZ; MC6; Green display
11	SP550117	Control Board Holder	
12	SP553405	Control Board Power	180 models starting Serial No. 180FXB000207DB; 240 models starting Serial No. 240FXB000193DB; 280 models
	SP547002	Control Board Power	AF and FXB models; 180 models through Serial No. 180FXB000206BZ; 240 models through Serial No. 240FXB000192BZ; MC6
13	SP311679800003	Washer	M3
14	SP309798500306	Bolt	M3x6
15	SP311902100004	Washer	M4
16	SP550113	Leading Pin	
17	SP559545	Control Panel	AF Non-Brand, IH, NH, SH and UH 180 models
	SP559546	Control Panel	AF Non-Brand, IH, NH, SH and UH 240 models
	SP559547	Control Panel	AF Non-Brand, IH, NH, SH and UH 280 models
	SP549896	Control Panel	AF, FXB, LH, LP and PH 180 models
	SP556784	Control Panel	AF, FXB, LH, LP and PH 180 models; USB cable
	SP549646	Control Panel	AF, FXB, LH, LP and PH 240 models
	SP556785	Control Panel	AF, FXB, LH, LP and PH 240 models; USB cable
	SP556851	Control Panel	AF, FXB, LH, LP and PH 280 models
18	SP528313	Cable Holder	
19	SP557565	Keyboard	IH models
	SP559862	Keyboard	UH models
	SP557130	Keyboard	SH models
	SP547085	Keyboard	FXB and PH models
	SP547087	Keyboard	AF, AF Non-Brand, LH, LP and NH models

Loading Side Control Panel (Drawing 2 of 2)

180 Models through Serial No. 180FXB000977UQ, 240 Models through Serial No. 240FXB000724UQ and
280 Models through Serial No. 280FXB000462UQ



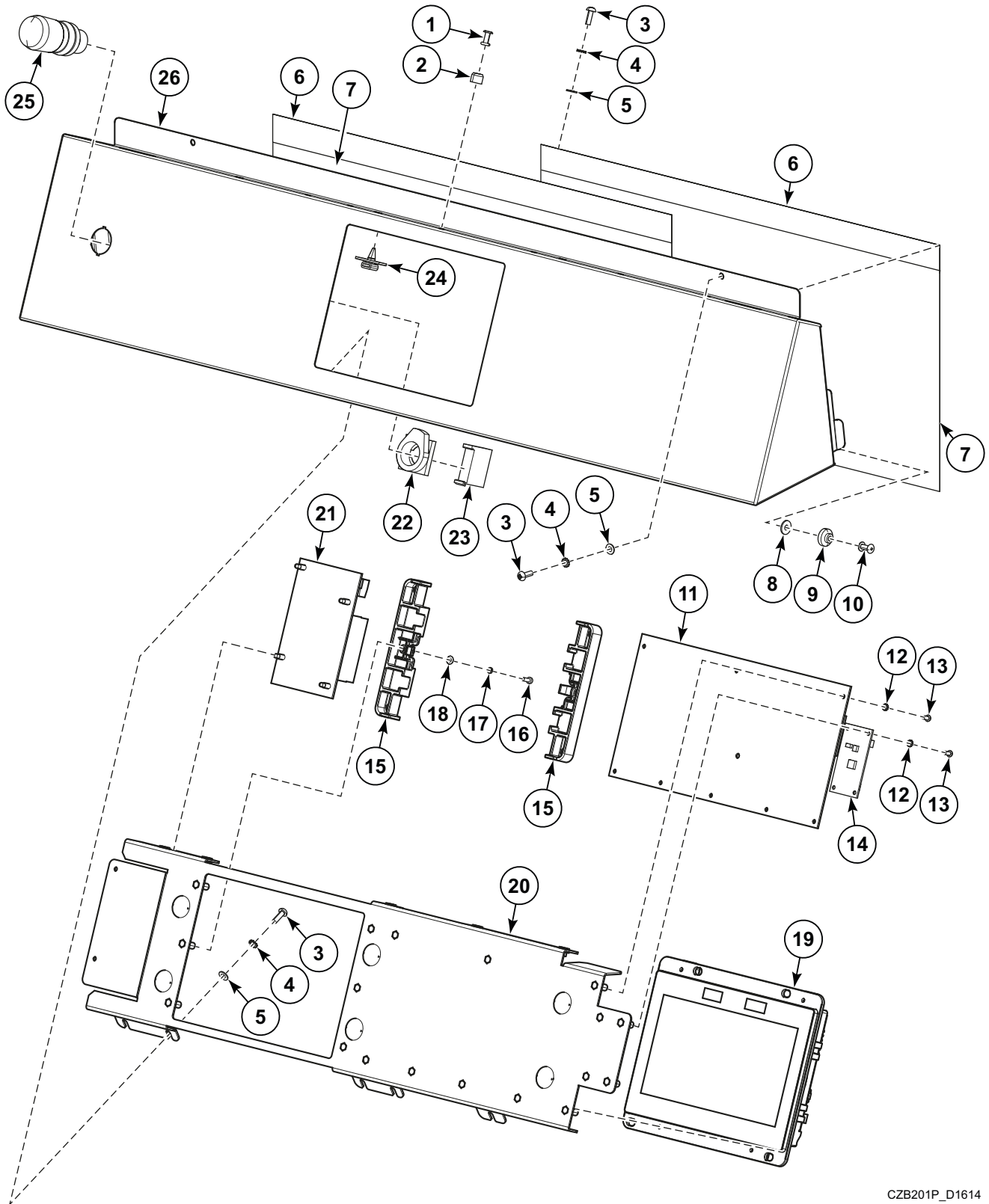
CFD3194P_D1614

Loading Side Control Panel (Drawing 2 of 2)

REF	PART NO.	DESCRIPTION	COMMENTS
	SP547005	Board Interconnection Cable	
1	SP557744	USB Connection	
2	SP528310	Emergency Stop Knob	
3	SP528311	Emergency Stop Connector	
4	SP528312	Switching Unit	
5	SP520408	Pin Insertion	
6	SP311125000004	Washer	M4
7	SP311679800004	Washer	M4
8	SP309798524412	Bolt	M4x12
9	SP547003	Relay Extension Board	
10	SP553411	Control Board	AF, AF Non-Brand, FXB, LH, LP, NH and PH models; MC7; Blue display
	SP553412	Control Board	SH and UH models; MC7; Green display
	SP553419	Control Board	IH models; MC7; Red display
11	SP558123	Control Board Holder	
12	SP553405	Control Board Power	
13	SP311679800003	Washer	M3
14	SP309798500306	Bolt	M3x6
15	SP558099	Module IDLC	
	SP557964	Module IDLC Cable	
16	SP550113	Leading Pin	
17	SP311902100004	Washer	M4
18	SP559545	Control Panel	AF Non-Brand, IH, NH, SH and UH 180 models
	SP559546	Control Panel	AF Non-Brand, IH, NH, SH and UH 240 models
	SP559547	Control Panel	AF Non-Brand, IH, NH, SH and UH 280 models
	SP549896	Control Panel	AF, FXB, LH, LP and PH 180 models
	SP556784	Control Panel	AF, FXB, LH, LP and PH 180 models; USB cable
	SP549646	Control Panel	AF, FXB, LH, LP and PH 240 models
	SP556785	Control Panel	AF, FXB, LH, LP and PH 240 models; USB cable
	SP556851	Control Panel	AF, FXB, LH, LP and PH 280 models
19	SP528313	Cable Holder	
20	SP557565	Keyboard	IH models
	SP559862	Keyboard	UH models
	SP557130	Keyboard	SH models
	SP547085	Keyboard	FXB and PH models
	SP547087	Keyboard	AF, AF Non-Brand, LH, LP and NH models

Loading Side Control Panel MC10

180 Models starting Serial No. 180FXB000978UQ, 240 Models starting Serial No. 240FXB000725UQ and
280 Models starting Serial No. 280FXB000463UQ

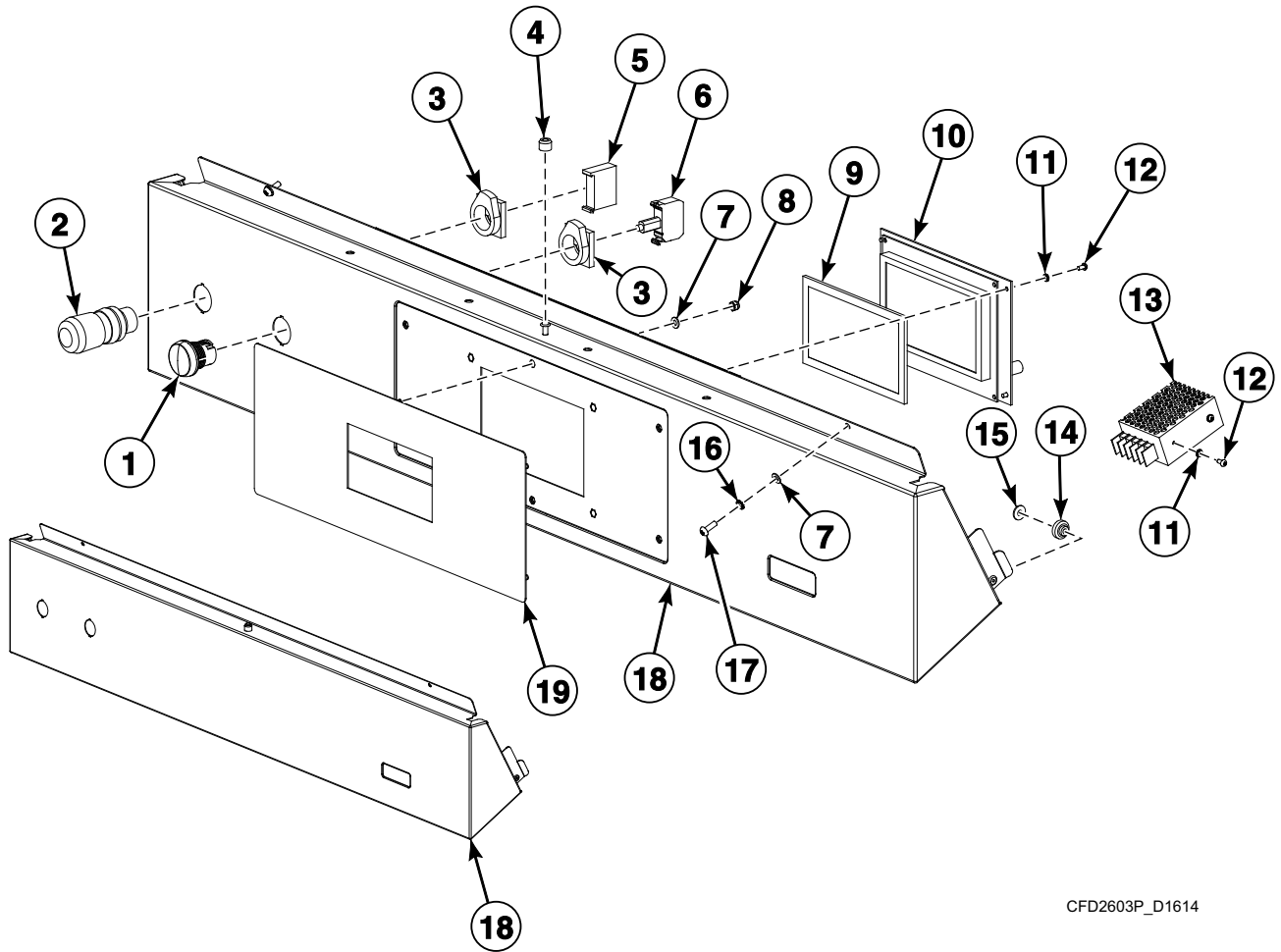


CZB201P_D1614

Loading Side Control Panel MC10

REF	PART NO.	DESCRIPTION	COMMENTS
1	SP547779	Rivet	
2	SP520408	Pin Insertion	
3	SP309798524412	Bolt	M4x12
4	SP311679800004	Washer	M4
5	SP311125000004	Washer	M4
6	SP510846	Tape	
7	SPPRI543000004	Cover	
8	SP311902100004	Washer	M4
9	SP550113	Leading pin	
10	SP547779	Rivet	
11	553184	Control Board Power	
12	SP311679800003	Washer	M3
13	SP309798500306	Bolt	M3x6
14	SP558099	Module IDLC	
	575789	Module IDLC Cable	MC10 Models
15	573929	Display Adapter	
16	SP309084000308	Bolt	M3x8
17	SP311127000003	Washer	M3
18	SP311125000003	Washer	M3
19	572505	Control Board	MC10 Models
20	579216	Control Board Holder	
21	553187	Soap Relay Board	
22	SP528311	Emergency Stop Connector	
23	SP528312	Switching Unit	
24	SP528313	Cable Holder	
25	SP528310	Emergency Stop Knob	
26	579210	Control Panel	MC10 Models

Unloading Side Control Panel

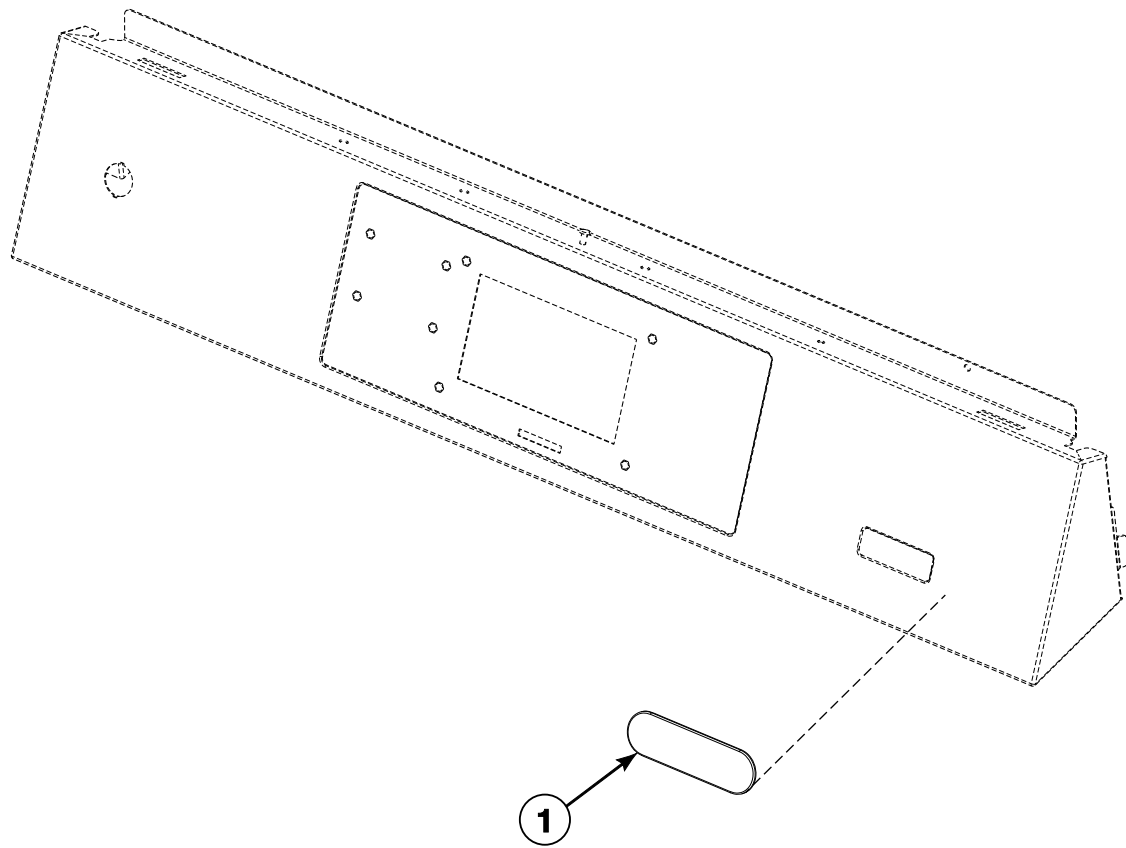


CFD2603P_D1614

Unloading Side Control Panel

REF	PART NO.	DESCRIPTION	COMMENTS
	SP559613	Second Display Kit	IH 180 models
	SP559614	Second Display Kit	IH 240 models
	SP559615	Second Display Kit	IH 280 models
	SP559616	Second Display Kit	SH and UH 180 models
	SP559617	Second Display Kit	SH and UH 240 models
	SP559618	Second Display Kit	SH and UH 280 models
	SP555319	Second Display Kit	AF, AF Non-Brand, FXB, LH, LP, NH and PH 180 models
	SP555320	Second Display Kit	AF, AF Non-Brand, FXB, LH, LP, NH and PH 240 models
	SP559507	Second Display Kit	AF, AF Non-Brand, FXB, LH, LP, NH and PH 280 models
1	SP552240	LED Signal	Green
2	SP528310	Emergency Stop Knob	
3	SP528311	Emergency Stop Connector	
4	SP520408	Pin Insertion	
5	SP528312	Switching Unit	
6	SP552241	LED Module	
7	SP311125000004	Washer	M4
8	SP514193	Nut	M4
9	SP549889	Display Protection	
10	SP553421	Second Display Board	IH models; Red
	SP553420	Second Display Board	SH and UH models; Green
	SP547063	Second Display Board	AF, FXB, LH, LP and PH models; Blue
11	SP311679800003	Washer	M3
12	SP309798500306	Bolt	M3x6
13	SP547067	Power Supply	24V
14	SP550113	Leading Pin	
15	SP311902100004	Washer	M4
16	SP311679800004	Washer	M4
17	SP309798524412	Bolt	M4x12
	SP559571	Control Panel	AF Non-Brand, IH, NH, SH and UH 180 models; Non-Brand; MC10 All Brands
	SP559572	Control Panel	AF Non-Brand, IH, NH, SH and UH 240 models; Non-Brand; MC10 All Brands
	SP559573	Control Panel	AF Non-Brand, IH, NH, SH and UH 280 models; Non-Brand; MC10 All Brands
	SP549905	Control Panel	AF, FXB, LH, LP and PH 180 models
	SP549655	Control Panel	AF, FXB, LH, LP and PH 240 models
	SP556855	Control Panel	AF, FXB, LH, LP and PH 280 models
	SP559583	Second Display Control Panel	IH, SH and UH 180 models; MC10 All Brands
	SP559584	Second Display Control Panel	IH, SH and UH 240 models; MC10 All Brands
	SP559585	Second Display Control Panel	IH, SH and UH 280 models; MC10 All Brands
	SP549911	Second Display Control Panel	AF, FXB, LH, LP and PH 180 models
SP549756	Second Display Control Panel	AF, FXB, LH, LP and PH 240 models	
SP556857	Second Display Control Panel	AF, FXB, LH, LP and PH 280 models	
19	SP549890	Cover	

Loading and Unloading Side Control Panel



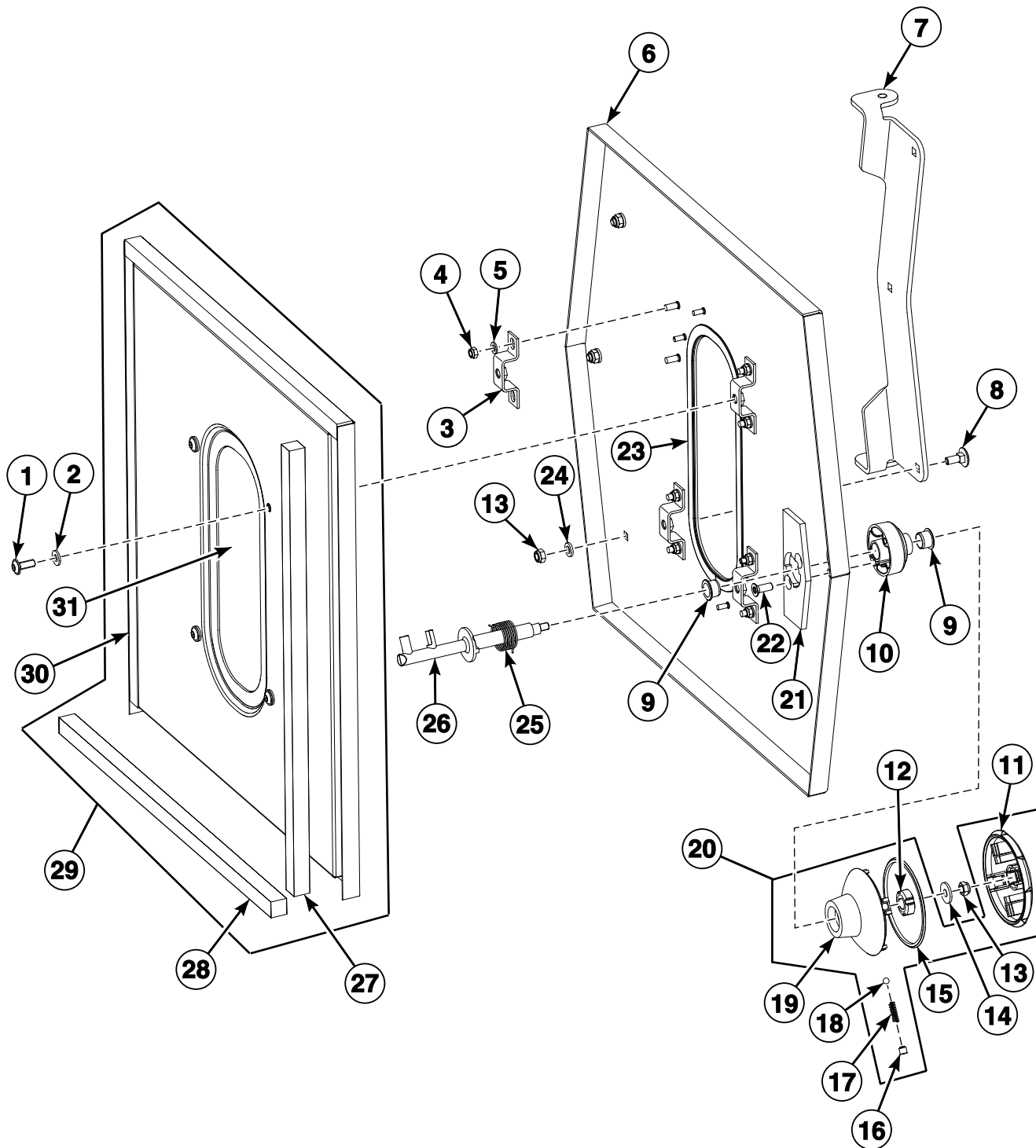
CZB39P_D1614

Loading and Unloading Side Control Panel

REF	PART NO.	DESCRIPTION	COMMENTS
1	SP547043	Logo Label	AF and LH models
	SP547046	Logo Label	FXB and PH models; Nortec
	547049	Logo Label	FXB and PH models; Ken
	547055	Logo Label	FXB and PH models; Maxi Wash
	547056	Logo Label	LP models
	SP547057	Logo Label	FXB and PH models; 180 models through Serial No. 180FXB000491HK; 240 models through Serial No. 240FXB000344HK; 280 models through Serial No. 280FXB000165HK
	567887	Logo Label	FXB and PH models; 180 models starting Serial No. 180FXB000492HK; 240 models starting Serial No. 240FXB000345HK; 280 models starting Serial No. 280FXB000166HK
	547059	Logo Label	AF and LH models; Tecnitramo
	553404	Logo Label	FXB and PH models; IFB
	567888	Logo Label	FXB and PH models; Metos
	SP552928	Logo Label	FXB and PH models; PODAB

Outer Door (Drawing 1 of 3)

180 Models through Serial No. 180FXB000602KQ, 240 Models through Serial No. 240FXB000426KQ and 280 Models through Serial No. 280FXB000206KM



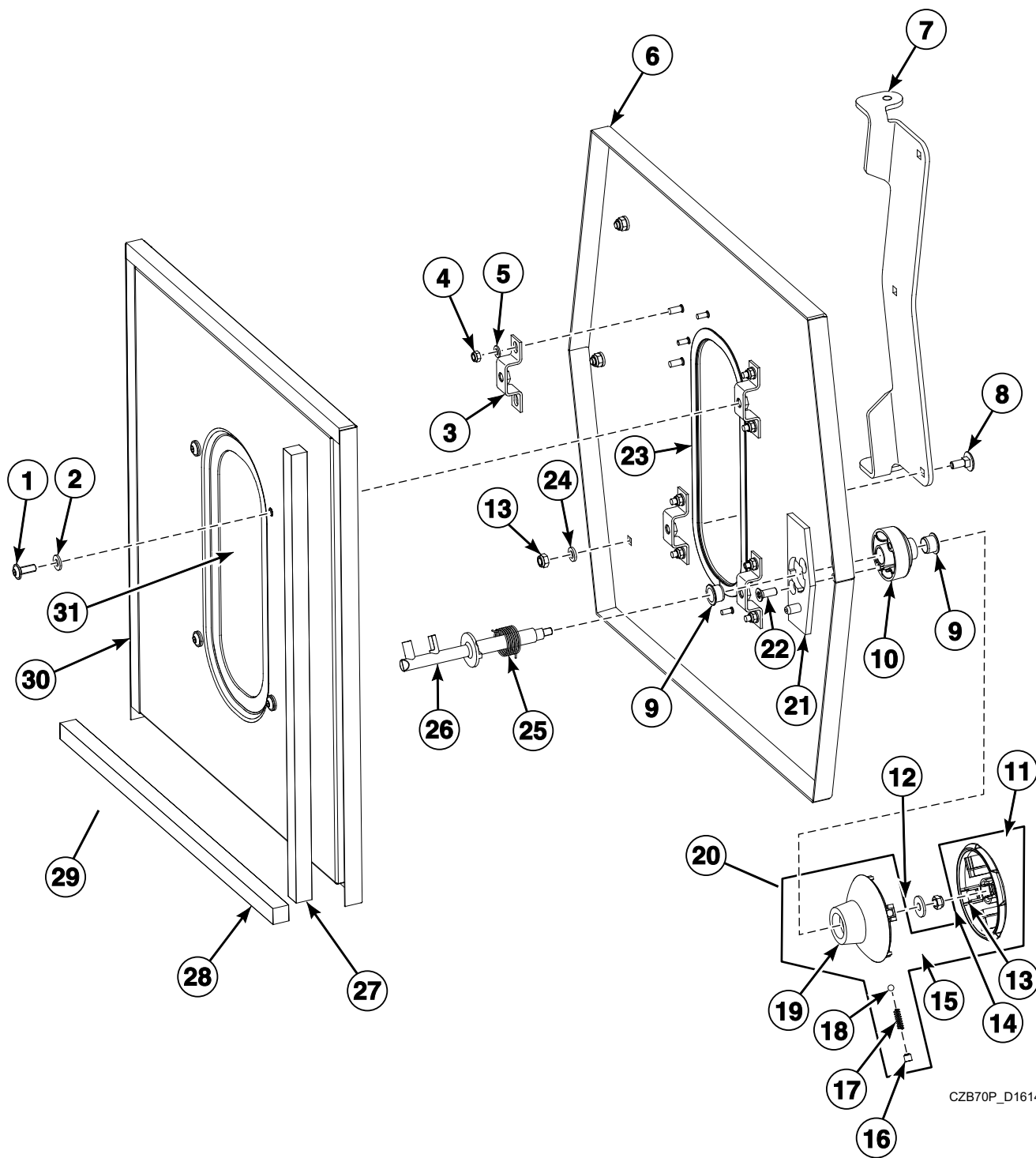
CFD2604P_D1614

Outer Door (Drawing 1 of 3)

REF	PART NO.	DESCRIPTION	COMMENTS
	SP559541	Outer Door	AF, AF Non-Brand, IH, LH, LP and NH 180 models
	SP559542	Outer Door	AF, AF Non-Brand, IH, LH, LP and NH 240 and 280 models
	SP559543	Outer Door	SH and UH 180 models
	SP559544	Outer Door	SH and UH 240 and 280 models
	SP558025	Outer Door	FXB and PH 180 models
	SP558026	Outer Door	FXB and PH 240 and 280 models
1	SP537864	Bolt	M6x16
2	580002	Washer	
3	SP549058	Holder	
4	SP310985000005	Nut	M5
5	SP311125240005	Washer	5.3
6	SP549041	Outer Casting	180 models
	SP549060	Outer Casting	240 and 280 models
7	SP549039	Hinge	
8	SP516876	Bolt	M6x16
9	SP529739	Casing	
10	SP549048	Handle Lower Part	
11	SP535438	Holder Cover	AF, LH, LP 280 and IH models; AF, LH and LP 180 models starting Serial No. 180FXB000214DD; AF, LH and LP 240 models starting Serial No. 240FXB000203DD; AF Non-Brand and NH models
	SP556278	Holder Cover	SH and UH models
	SP535430	Holder Cover	FXB models; AF, LH and LP 180 models through Serial No. 180FXB000204BZ; AF, LH and LP 240 models through Serial No. 240FXB000191BZ
12	SP529710	Locating Segment	
13	SP310985000006	Nut	M6
14	SP311902100006	Washer	M6
15	SP535411	Distinguishing Ring	Blue
	SP535437	Distinguishing Ring	Red
16	SP553524	Bolt	M6x16
17	SP535406	Compression Spring	
18	SP535407	Handle Ball	
19	SP535429	Handle Lower Part	
20	SP552909	Handle	AF, AF Non-Brand, IH, LH, LP and NH models
	SP556277	Handle	SH and UH models
	SP552908	Handle	FXB and PH models
21	SP549033	Washer	
22	SP549072	Bolt	M6x16
23	SP517232	Seal	
24	SP311125240006	Washer	6.4
25	SP535402	Handle Torsion Spring	
26	SP558020	Lock Pin	
27	SP549053	Vertical Seal	
28	SP549052	Horizontal Seal	180 models
	SP549067	Horizontal Seal	240 and 280 models
29	SP549085	Inside Plate	180 models
	SP549097	Inside Plate	240 and 280 models
30	SP549038	Inside Plate	180 models
	SP549062	Inside Plate	240 and 280 models
31	SP549690	Door Glass	One glass for 180 models; Two glasses for 240 and 280 models

Outer Door (Drawing 2 of 3)

Models within Serial No. ranges 180FXB000603KQ - 180FXB000646MB, 240FXB000427KQ - 240FXB000473MB and 280FXB000207KQ - 280FXB000226KZ

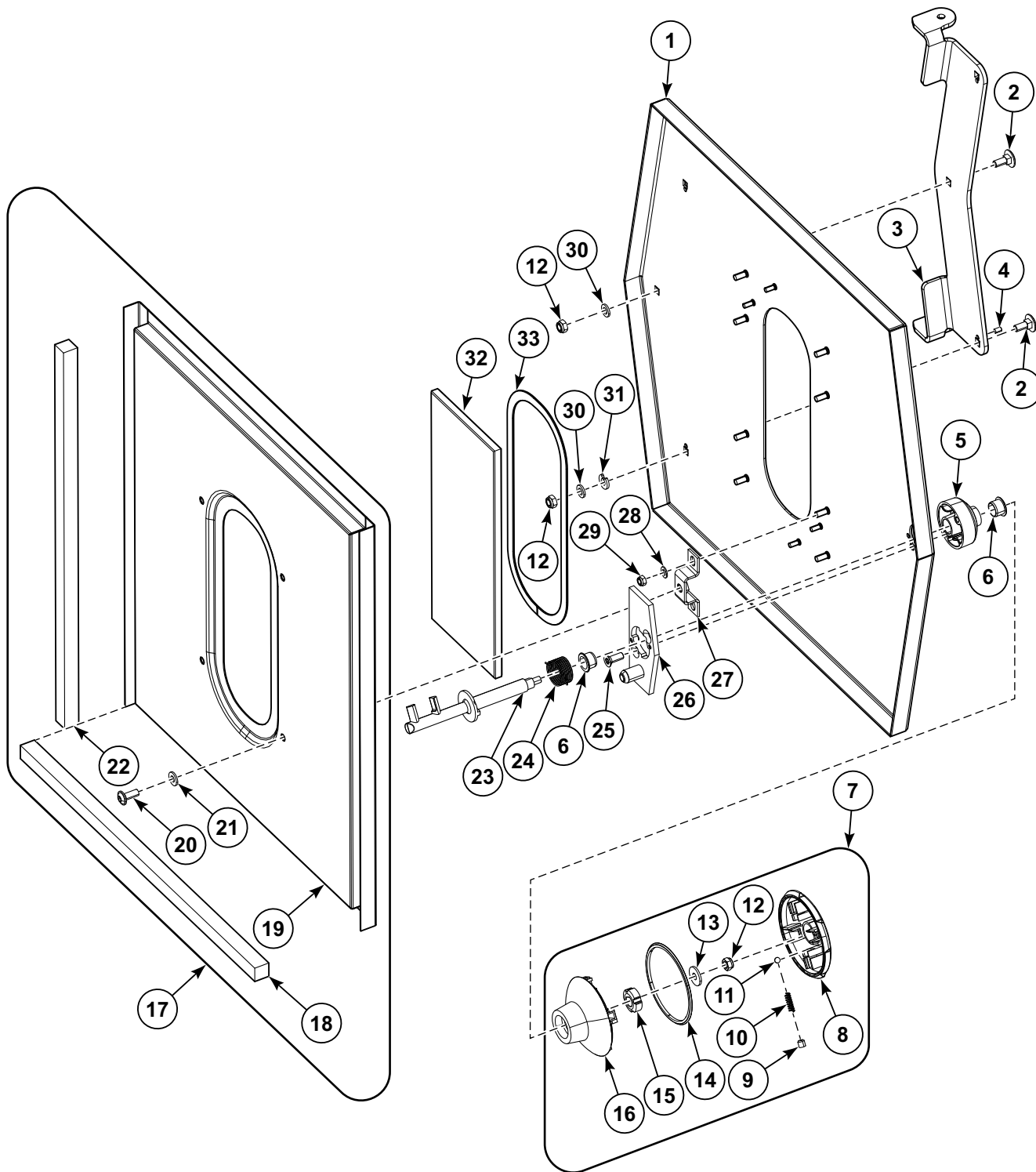


Outer Door (Drawing 2 of 3)

REF	PART NO.	DESCRIPTION	COMMENTS
	566169	Outer Door	AF, AF Non-Brand, IH, LH, LP and NH 180 models
	566180	Outer Door	AF, AF Non-Brand, IH, LH, LP and NH 240 and 280 models
	566182	Outer Door	SH and UH 180 models
	566181	Outer Door	SH and UH 240 and 280 models
	566167	Outer Door	FXB and PH 180 models
	566168	Outer Door	FXB and PH 240 and 280 models
1	SP537864	Bolt	M6x16
2	580002	Washer	
3	SP549058	Holder	
4	SP310985000005	Nut	M5
5	SP311125240005	Washer	5.3
6	SP549041	Outer Casting	180 models
	SP549060	Outer Casting	240 and 280 models
7	SP549039	Hinge	
8	SP516876	Bolt	M6x16
9	SP529739	Casing	
10	SP549048	Handle Lower Part	
11	SP535438	Holder Cover	AF, LH, LP 280 and IH models; AF, LH and LP 180 models starting Serial No. 180FXB000214DD; AF, LH and LP 240 models starting Serial No. 240FXB000203DD; AF Non-Brand and NH models
	SP556278	Holder Cover	SH and UH models
	SP535430	Holder Cover	FXB models; AF, LH and LP 180 models through Serial No. 180FXB000204BZ; AF, LH and LP 240 models through Serial No. 240FXB000191BZ
12	SP529710	Locating Segment	
13	SP310985000006	Nut	M6
14	SP311902100006	Washer	M6
15	SP535411	Distinguishing Ring	Blue
	SP535437	Distinguishing Ring	Red
16	SP553524	Bolt	M6x16
17	SP535406	Compression Spring	
18	SP535407	Handle Ball	
19	SP535429	Handle Lower Part	
20	SP552909	Handle	AF, AF Non-Brand, IH, LH, LP and NH models
	SP556297	Handle	SH and UH models
	SP552908	Handle	FXB and PH models
21	566165	Washer	
22	SP549072	Bolt	M6x16
23	SP517232	Seal	
24	SP311125240006	Washer	6.4
25	SP535402	Handle Torsion Spring	
26	SP558020	Lock Pin	
27	SP549053	Vertical Seal	
28	SP549052	Horizontal Seal	180 models
	SP549067	Horizontal Seal	240 and 280 models
29	SP549085	Inside Plate	180 models
	SP549097	Inside Plate	240 and 280 models
30	SP549038	Inside Plate	180 models
	SP549062	Inside Plate	240 and 280 models
31	SP549690	Door Glass	One glass for 180 models; Two glasses for 240 and 280 models

Outer Door (Drawing 3 of 3)

180 Models starting Serial No. 180FXB000647MB, 240 Models starting Serial No. 240FXB000474MB and
280 Models starting Serial No. 280FXB000227MB

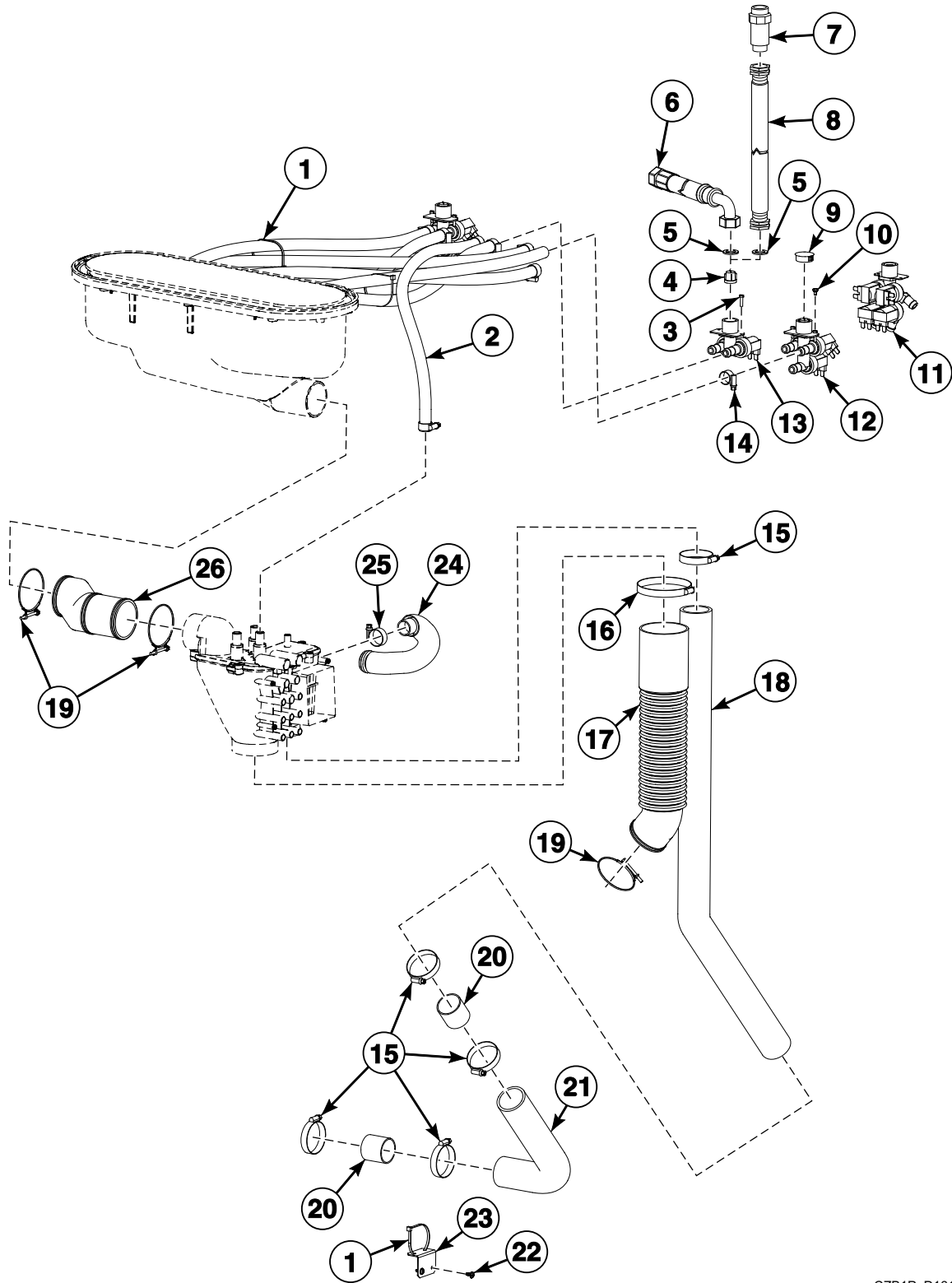


CZB130P_D1614

Outer Door (Drawing 3 of 3)

REF	PART NO.	DESCRIPTION	COMMENTS
	566169	Outer Door	AF, AF Non-Brand, IH, LH, LP and NH 180 models
	566180	Outer Door	AF, AF Non-Brand, IH, LH, LP and NH 240 and 280 models
	566182	Outer Door	SH and UH 180 models
	566181	Outer Door	SH and UH 240 and 280 models
	566167	Outer Door	FXB and PH 180 models
	566168	Outer Door	FXB and PH 240 and 280 models
1	SP549041	Outer Casting	180 models
	SP549060	Outer Casting	240 and 280 models
2	SP516876	Bolt	M6x16
3	SP549039	Hinge	
4	566192	Pin	M6x16
5	SP549048	Handle Lower Part	
6	SP529739	Casing	
7	SP552909	Handle	AF, AF Non-Brand, IH, LH, LP and NH models
	SP556297	Handle	SH and UH models
	SP552908	Handle	FXB and PH models
8	SP535438	Holder Cover	AF, LH, LP 280 and IH models; AF, LH and LP 180 models starting Serial No. 180FXB000214DD; AF, LH and LP 240 models starting Serial No. 240FXB000203DD; AF Non-Brand and NH models
	SP556278	Holder Cover	SH and UH models
	SP535430	Holder Cover	FXB models; AF, LH and LP 180 models through Serial No. 180FXB000204BZ; AF, LH and LP 240 models through Serial No. 240FXB000191BZ
9	SP553524	Bolt	M6x16
10	SP535406	Compression Spring	
11	SP535407	Handle Ball	
12	SP310985000006	Nut	M6
13	SP311902100006	Washer	M6
14	SP535411	Distinguishing Ring	Blue
	SP535437	Distinguishing Ring	Red
15	SP529710	Locating Segment	
16	SP535429	Handle Lower Part	
17	SP549085	Inside Plate	180 models
	SP549097	Inside Plate	240 and 280 models
18	SP549052	Horizontal Seal	180 models
	SP549067	Horizontal Seal	240 and 280 models
19	SP549038	Inside Plate	180 models
	SP549062	Inside Plate	240 and 280 models
20	SP537864	Bolt	M6x16
21	580002	Washer	
22	SP549053	Vertical Seal	
23	SP558020	Lock Pin	
24	SP535402	Handle Torsion Spring	
25	SP549072	Bolt	M6x16
26	566197	Washer	
27	SP549058	Holder	
28	SP311125240005	Washer	5.3
29	SP310985000005	Nut	M5
30	SP311125240006	Washer	6.4
31	566196	Washer	
32	SP549690	Door Glass	One glass for 180 models; Two glasses for 240 and 280 models
33	SP517232	Seal	

Water Inlet System - Standard

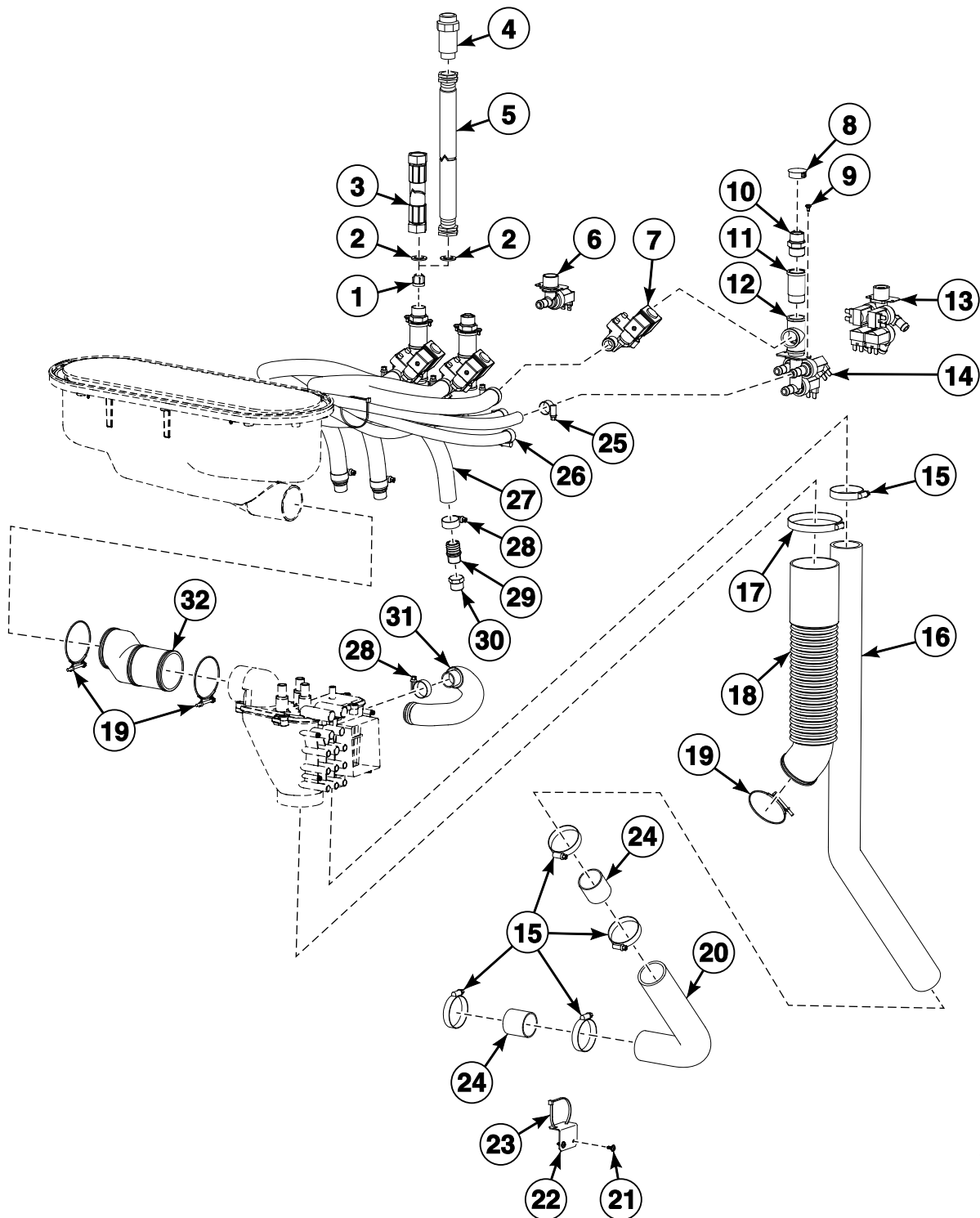


CZB1P_D1614

Water Inlet System - Standard

REF	PART NO.	DESCRIPTION	COMMENTS
1	39037	Cable Tie	
2	SPPRI540000014	Hose	
3	SP309084000416	Bolt	M4x16
4	SPPRI340004030	Filter	
5	SPPRI520001009	Seal	
6	SPPRI505000054	Filling Hose Pipe	Used with cold water
	SP547980	Filling Hose Pipe	Used with hot water
7	RSPB12543901	Double Reverse Valve	IHY, NHY, PHY, SHY and UHY models
8	RSPF200166	Filling Hose Pipe	IHY, NHY, PHY, SHY and UHY models
9	SPPRI505000064	Plug	
10	SP537856	Connector	
11	SP548933	4-Way Valve	3/4 inch
12	SP548932	3-Way Valve	3/4 inch
13	SP548931	2-Way Valve	3/4 inch
14	SPPRI240000002	Hose Clamp	12-22
15	SPPRI240000017	Hose Clamp	40-60
16	SPPRI240000007	Hose Clamp	70-90
17	SP526484	Filling Elbow Pipe	
18	SP549612	Overflow Tube	
19	SP526491	Hose Clamp	62-70
20	SP549615	Connection Tube	
21	SP549614	Overflow Elbow	
22	SP529206	Screw	4x11
23	SP549867	Hose Support	
24	SP526509	Vent Hose	
25	SPPRI240000003	Hose Clamp	20-32
26	SP549866	Fill Hose Pipe	180 models
	SP549616	Fill Hose Pipe	240 models
	SP556870	Fill Hose Pipe	280 models

Water Inlet System - Large Valves (On Request)

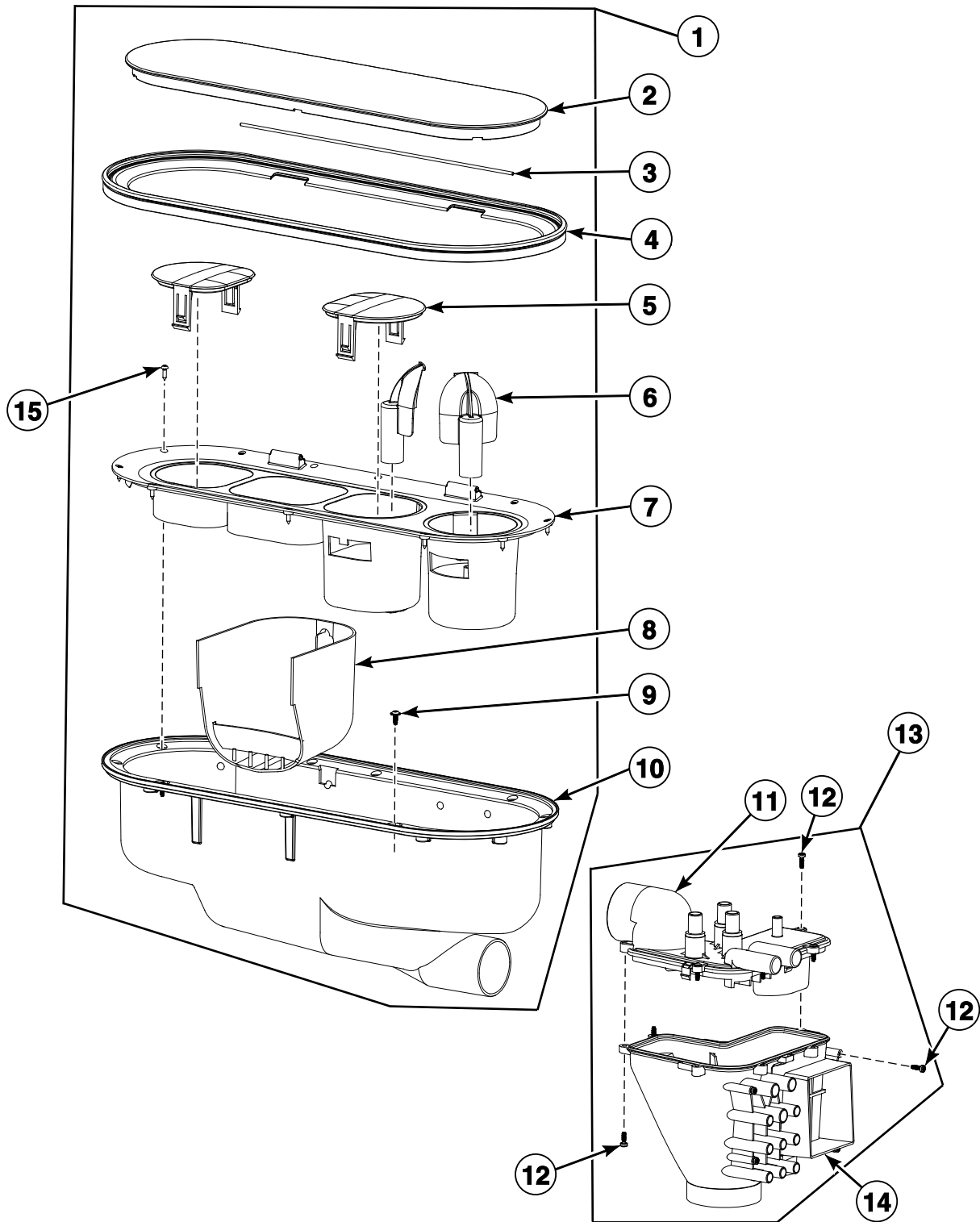


CZB2P_D1614

Water Inlet System - Large Valves (On Request)

REF	PART NO.	DESCRIPTION	COMMENTS
1	SPPRI340004030	Filter	
2	SPPRI520001009	Seal	
3	SP533036	Filling Hose Pipe	
4	RSPB12543901	Double Reverse Valve	IHY, NHY, PHY, SHY and UHY models
5	RSPF200166	Filling Hose Pipe	IHY, NHY, PHY, SHY and UHY models
6	SP554211	1-Way Valve	3/4 inch
7	SP567064	1-Way Valve	3/4 inch; Use SP525821 Valve Repair Kit
8	SPPRI505000064	Plug	
9	SP537856	Connector	
10	SP510120	Pipe Nipple	3/4 inch
11	SPPRI426003217	Extension	3/4 inch x 40
12	SPPRI426001107	Tee	3/4 inch
13	SP548933	4-Way Valve	3/4 inch
14	SP548932	3-Way Valve	3/4 inch
15	SPPRI240000017	Hose Clamp	40-60
16	SP549612	Overflow Tube	
17	SPPRI240000007	Hose Clamp	70-90
18	SP526484	Filling Elbow Pipe	
19	SP526491	Hose Clamp	62-70
20	SP549614	Overflow Elbow	
21	SP529206	Screw	4x11
22	SP549867	Hose Support	
23	39037	Cable Tie	
24	SP549615	Connection Tube	
25	SPPRI240000002	Hose Clamp	12-22
26	SPPRI540000014	Hose	
27	SPPRI540001019	Hose	
28	SPPRI240000003	Hose Clamp	20-32
29	SP531226	Threaded Joint	180 models through Serial No. 180FXB000973UM; 240 models through Serial No. 240FXB000722UM; 280 models through Serial No. 280FXB000460UM
30	SPPRI426001268	Plug	1/2 inch; 180 models through Serial No. 180FXB000973UM; 240 models through Serial No. 240FXB000722UM; 280 models through Serial No. 280FXB000460UM
31	SP526509	Vent Hose	
32	SP549866	Fill Hose Pipe	180 models
	SP549616	Fill Hose Pipe	240 models
	SP556870	Fill Hose Pipe	280 models

Soap Hopper

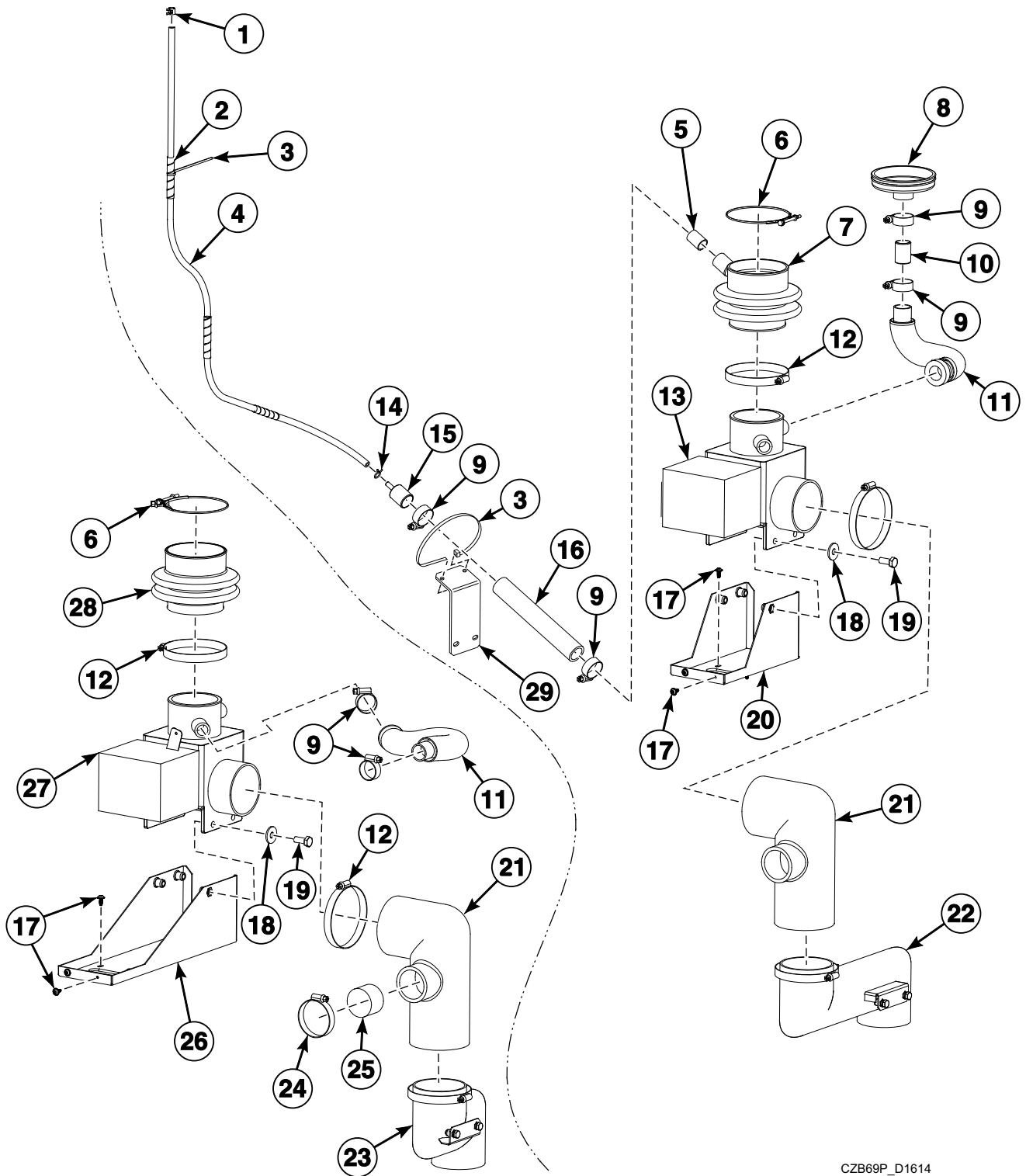


CFD2607P_D1614

Soap Hopper

REF	PART NO.	DESCRIPTION	COMMENTS
1	SP540164	Soap Hopper	AF, AF Non-Brand, FXB, IH, LH, LP, NH and PH models
	SP554214	Soap Hopper	SH and UH models
2	SP526461	Dispenser Lid	AF, AF Non-Brand, FXB, IH, LH, LP, NH and PH models
	SP551695	Dispenser Lid	SH and UH models
3	SP540117	Pin	
4	SP540158	Dispenser Seal	
5	SP526468	Soap Hopper Plug	
6	SP540113	Flap	
7	SP540112	Soap Hopper Upper Cover	
8	SP540116	Internal Vessel	
9	SP529206	Screw	4x11
10	SP540115	Main Vessel	
11	SP526557	Mixer Lid	
12	SP526497	Screw	M4x12
13	SP556803	Mixer	
14	SP526565	Mixer Body	
15	SP309798124313	Screw	ST3.5x13

Drain System

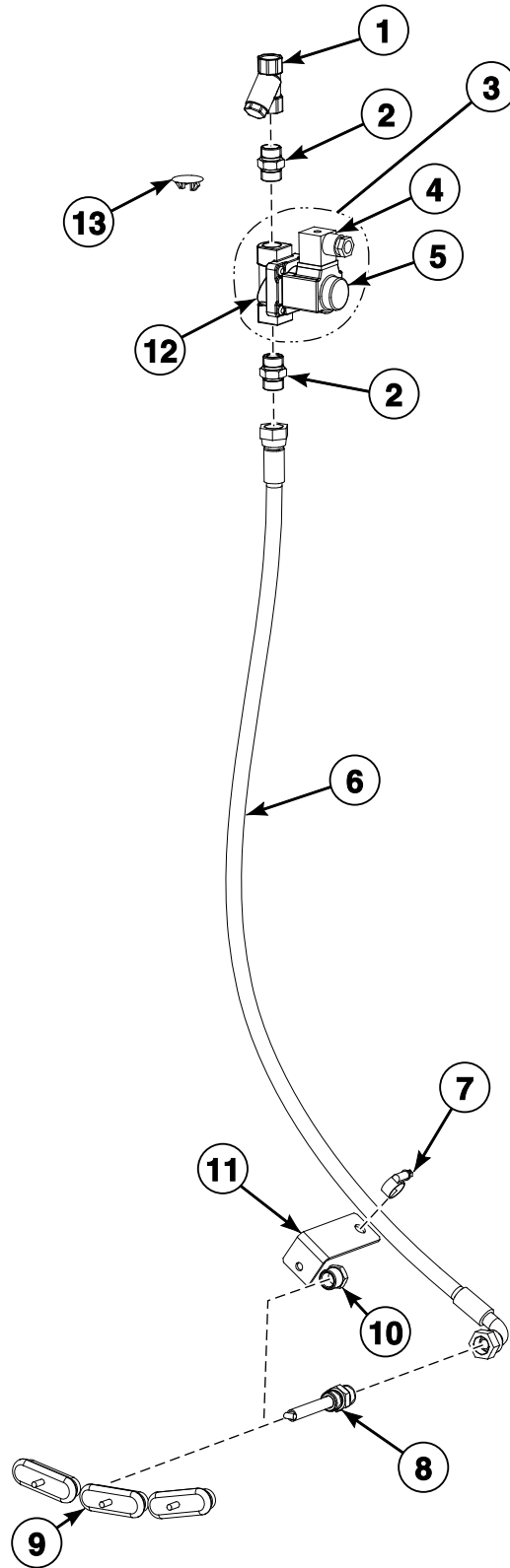


CZB69P_D1614

Drain System

REF	PART NO.	DESCRIPTION	COMMENTS
1	SP540183	Spring Clamp	
2	SP283449080200	Spiral	
3	SP345000626088	Binding Strip	
4	SPPRI540001003	Water Level Switch Hose	
5	SP500125	Reinforcement Tube	
6	SP526532	Hose Clamp	82-90
7	SP526492	Drain Hose Pipe	
8	SP549538	Drain Bowl	
9	SPPRI240000003	Hose Clamp	20-32
10	SP549539	Connection Tube	
11	SP526509	Vent Hose	
12	SPPRI240000007	Hose Clamp	70-90
13	SPPRI340055051	Drain Valve	Includes SPPRI340054051 Drain Valve Chamber and SPPRI340002051 Drain Valve Motor
14	SPPRI241000017	Hose Clamp	A5.5
15	SPPRI503000027	Air Trap Reduction	
16	SPPRI503002049	Hose	Air trap
17	SP529206	Screw	4x11
18	SP311902100008	Washer	8
19	SP309933000820	Bolt	M8x20
20	SP549531	Drain Valve Holder	
21	SP549613	Drain Elbow	
22	SP549019	Drain Elbow	180 models
	SP549020	Drain Elbow	240 models
	SP559501	Drain Elbow	280 models
23	SP556800	Drain Elbow	180 models; Recycle valve
	SP549021	Drain Elbow	240 models; Recycle valve
	SP559502	Drain Elbow	280 models; Recycle valve
24	SPPRI240000017	Hose Clamp	40-60
25	SPR35100016714	Cap	
26	SP549533	Drain Valve Holder	180 models
	SP549535	Drain Valve Holder	240 and 280 models
27	SPPRI340072051	Recycle Drain Valve	
28	SP273124080161	Tub to Drain Valve Hose	
29	570120	Pipe Holder	180 models starting Serial No. 180FXB000603KQ; 240 models starting Serial No. 240FXB000427KQ; 280 models starting Serial No. 280FXB000207KQ

Steam Heating



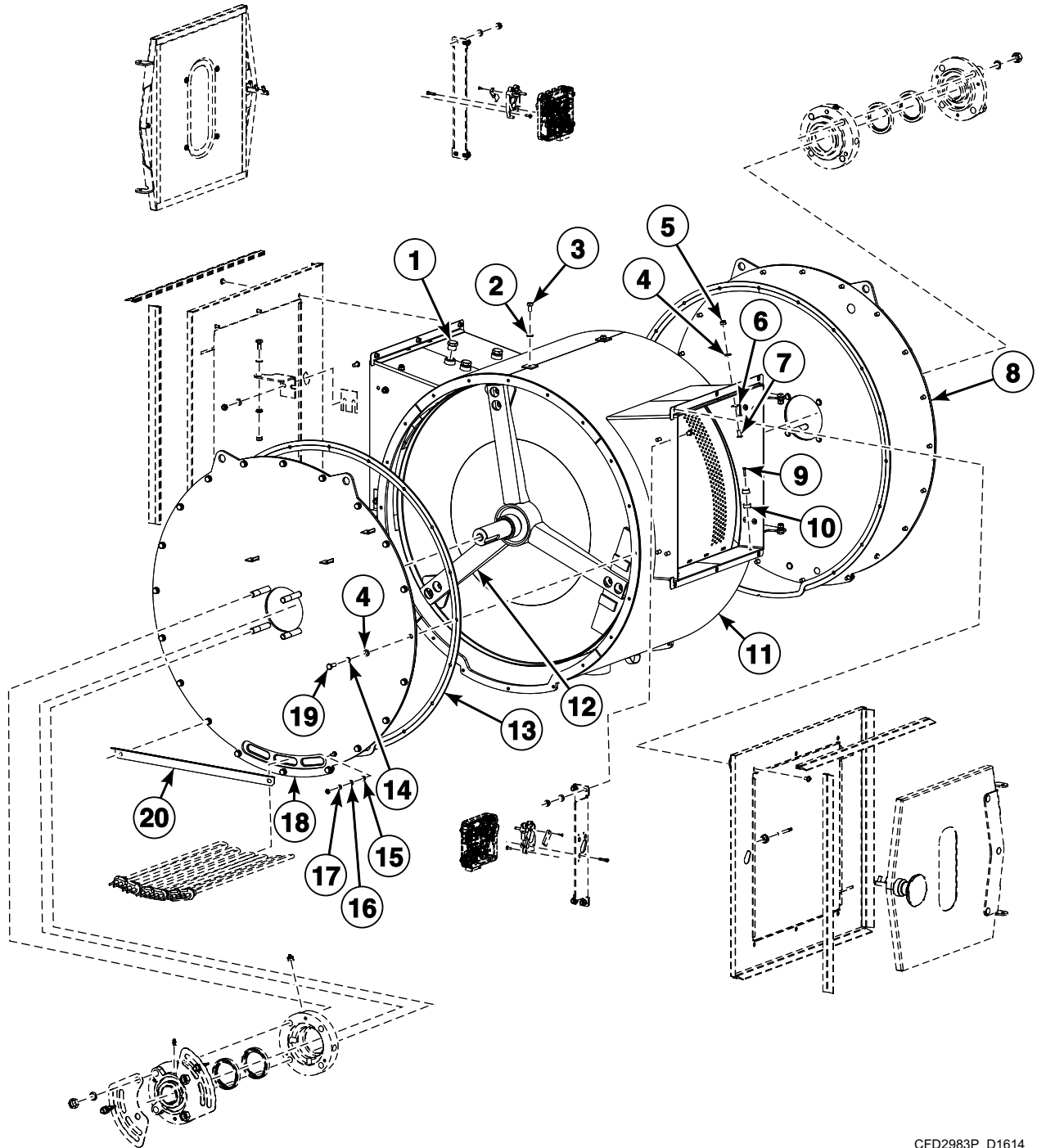
CFD2609P_D1614

Steam Heating

REF	PART NO.	DESCRIPTION	COMMENTS
1	SP405054120215	Steam Filter	
2	SPR22112000114	Pipe Nipple	1/2 inch
3	SP514164	Steam Valve	1/2 inch
4	SP554156	Connector	
5	SP554110	Coil	50/60Hz
6	SP549525	Steam Hose	1/2 inch, l=1090mm
7	SPPRI240000002	Hose Clamp	12-22
8	SP526525	Steam Injector	
9	SPPRI342001016	Heating Element Hole Plug	
10	SPPRI426001268	Plug	1/2 inch
11	SP549541	Steam Hose Holder	
12	SP514165	Steam Valve Body	Does not include coil
13	SP345900032132	Plug	Electric heating

Tub (Drawing 1 of 10)

180 Models through Serial No. 180FXB000297DW, 240 Models through Serial No. 240FXB000242DW and
280 Models through Serial No. 280FXB000117DW



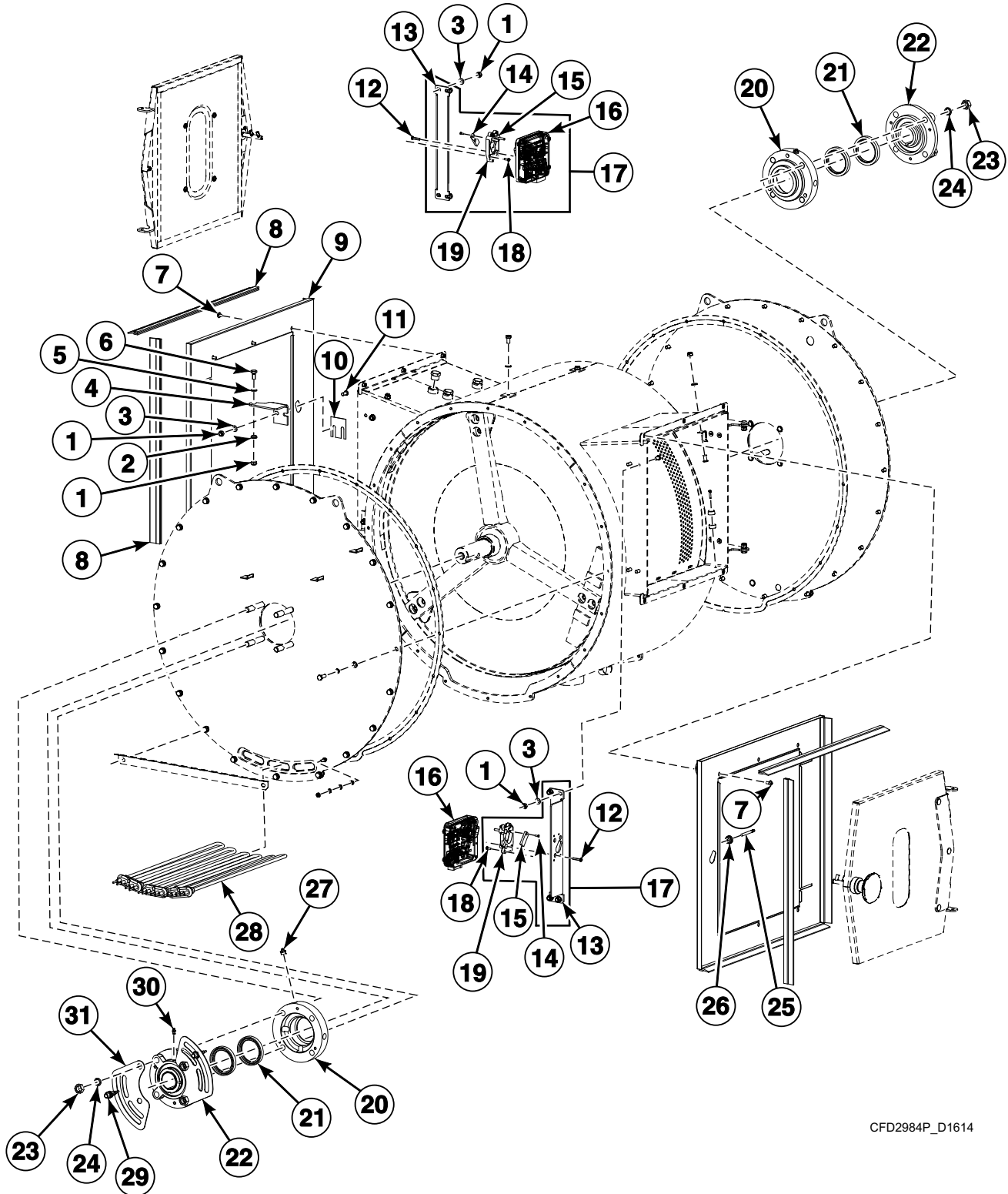
CFD2983P_D1614

Tub (Drawing 1 of 10)

REF	PART NO.	DESCRIPTION	COMMENTS
1	SPPRI426001268	Plug	1/2 inch
2	SP311125200008	Washer	M8
3	SP309933240815	Bolt	M8x16
4	SP311125240008	Washer	M8
5	SP310985000008	Nut	M8
6	SP549829	Door Stop	
7	SP549838	Bolt	M8x16
8	SP549585	Side Weldment	Left
9	SP520983	Bolt	M4x20
10	SP273141307068	End Stop	
11	SP549821	External Tub	180 models
	SP549571	External Tub	240 models
	SP556810	External Tub	280 models
12	SP548925	Washing Drum	180 models
	SP548920	Washing Drum	240 models
	SP556812	Washing Drum	280 models
13	SP510986	Seal	
14	SP311127240008	Washer	8
15	SP310934240006	Nut	M6
16	SP311125240006	Washer	6.4
17	SP311679824006	Washer	M6
18	SP549572	Side Weldment	Right
19	SP309933240822	Bolt	M8x22
20	SP549584	Gutter	

Tub (Drawing 2 of 10)

180 Models through Serial No. 180FXB000297DW, 240 Models through Serial No. 240FXB000242DW and
280 Models through Serial No. 280FXB000117DW



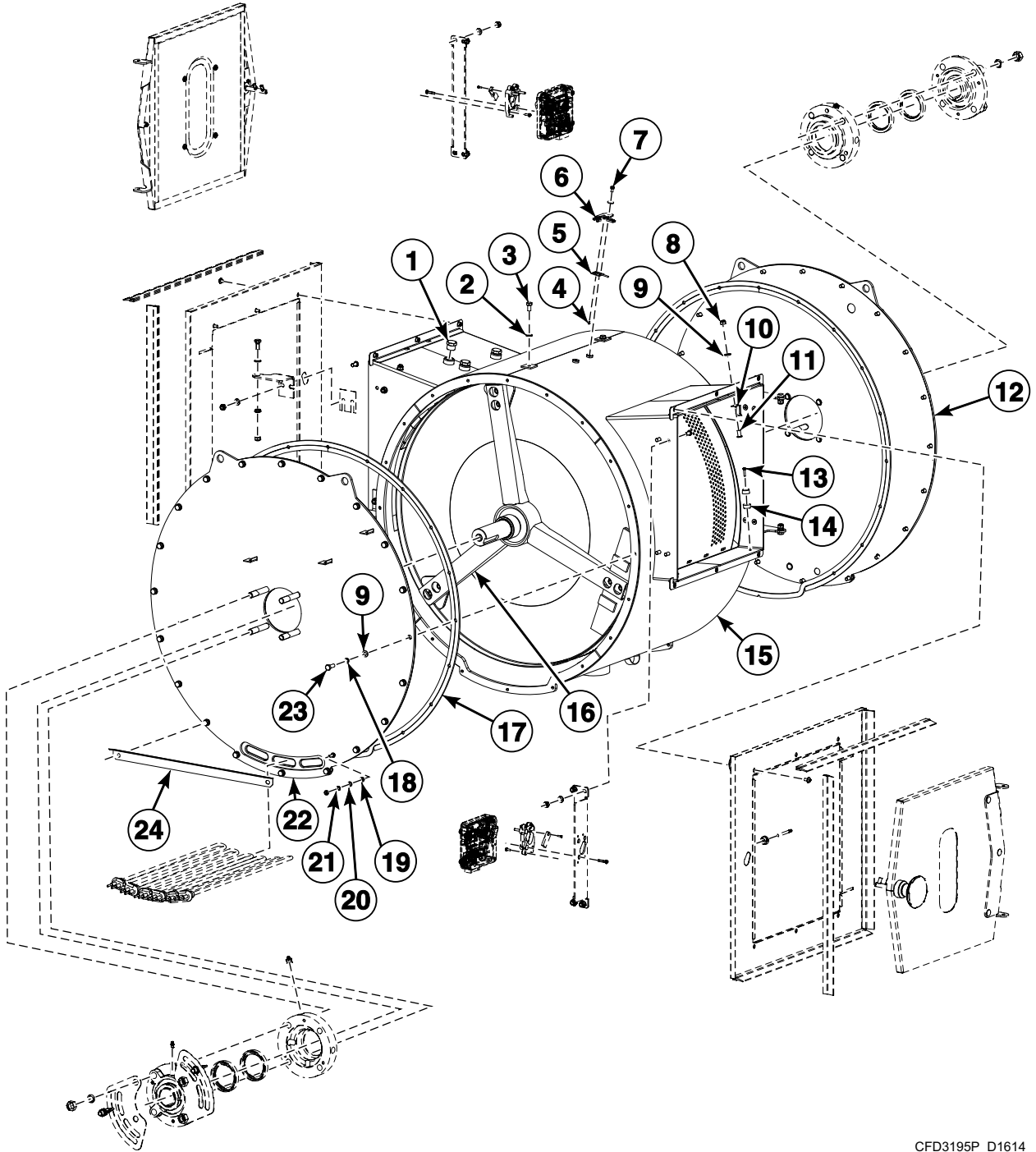
CFD2984P_D1614

Tub (Drawing 2 of 10)

REF	PART NO.	DESCRIPTION	COMMENTS
	540555	Bearing Replacement Tool Kit	
1	SP310985000008	Nut	M8
2	SP549032	Sliding Bearing	
3	SP311125240008	Washer	M8
4	SP549036	Upper Hinge	Without stop
	SP556736	Upper Hinge	With stop
	SP549037	Lower Hinge	Without stop
	SP556737	Lower Hinge	With stop
5	SP311125100008	Washer	8
6	SP549031	Bolt	
7	SP309595240612	Bolt	M6x12
8	SP549713	Protective Rubber	180 models 1 piece included, 4 pieces needed; 240 and 280 models 1 piece included, 2 pieces needed for vertical
	SP549714	Protective Rubber	240 and 280 models 1 piece included, 2 pieces needed for horizontal
9	SP549073	Protective Cover	180 models
	SP549074	Protective Cover	240 and 280 models
10	SP549696	Washer	
11	SP549838	Bolt	M8x16
12	SP537855	Bolt	M5x25
13	SP558019	Locker Holder	
14	SP309963000312	Bolt	M3x12
15	SP558022	Sliding Bearing	
16	SP537760	Lock	
17	SP558024	Door Lock Holder	
18	SP555504	Bolt	M4x12
19	SP558021	Rest Body	
20	SP549589	Location Insert	
21	SP549594	Seal	
22	SP549842	Bearing Flange	180 and 240 models
23	SP310934000014	Nut	M14
24	SP311127000014	Washer	14
25	SPPRI340015019	Temperature Sensor	
26	SP526439	Temperature Sensor Seal	
27	SP536591	Grease Nipple	
28	SP540127	Heating Element	180 models; 2 x 2000W, l=470mm
	SP540132	Heating Element	240 and 280 models; 2 x 3000W, l=470mm
	SP554152	Heating Element	240 and 280 models; 2 x 3650W, l=470mm
29	SP374415083131	Inductive Sensor	
30	SP548936	Grease Nipple	
31	SP549602	Sensor Bearer	

Tub (Drawing 3 of 10)

Models within Serial No. ranges 180FXB000298DW - 180FXB000602KQ, 240FXB000243DW - 240FXB000426KQ and 280FXB000118DY - 280FXB000206KM



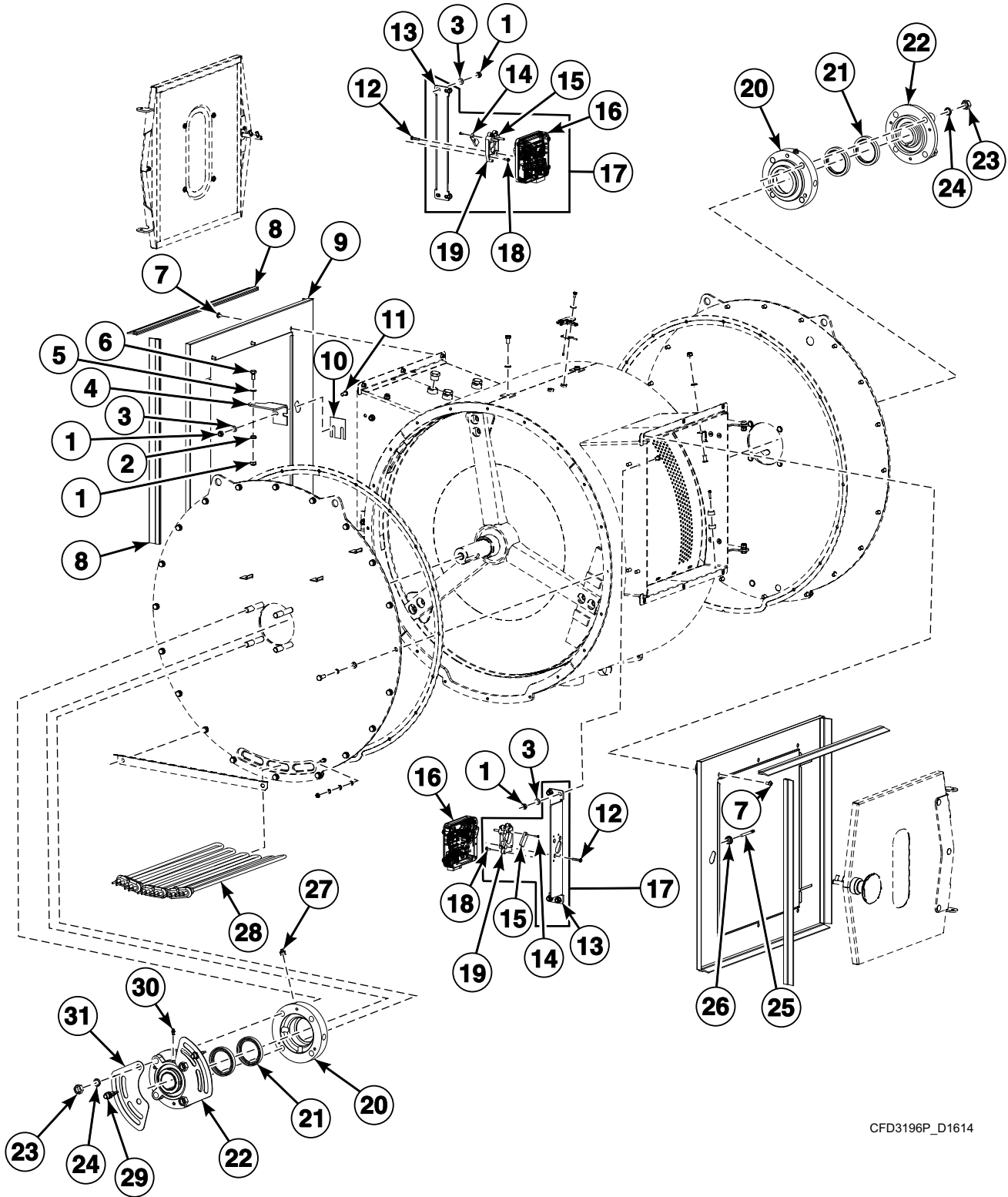
CFD3195P_D1614

Tub (Drawing 3 of 10)

REF	PART NO.	DESCRIPTION	COMMENTS
1	SPPRI426001268	Plug	1/2 inch
2	SP311125200008	Washer	M8
3	SP515048	Bolt	M8x10
4	SP309798500306	Bolt	M3x6
5	SP558098	Magnetic Field Sensor	
6	SP558113	Sensor Base	
7	SP309933240612	Bolt	M6x12
8	SP310985000008	Nut	M8
9	SP311125240008	Washer	M8
10	SP549829	Door Stop	
11	SP549838	Bolt	M8x16
12	SP549585	Side Weldment	Left
13	SP520983	Bolt	M4x20
14	SP273141307068	End Stop	
15	SP558065	External Tub	180 models
	SP558066	External Tub	240 models
	SP558103	External Tub	280 models
16	SP558069	Washing Drum	180 models
	SP558070	Washing Drum	240 models
	SP558140	Washing Drum	280 models
17	SP510986	Seal	
18	SP311127240008	Washer	8
19	SP310934240006	Nut	M6
20	SP311125240006	Washer	6.4
21	SP311679824006	Washer	M6
22	SP549572	Side Weldment	Right
23	SP309933240822	Bolt	M8x22
24	SP549584	Gutter	

Tub (Drawing 4 of 10)

Models within Serial No. ranges 180FXB000298DW - 180FXB000602KQ, 240FXB000243DW - 240FXB000426KQ and 280FXB000118DY - 280FXB000206KM



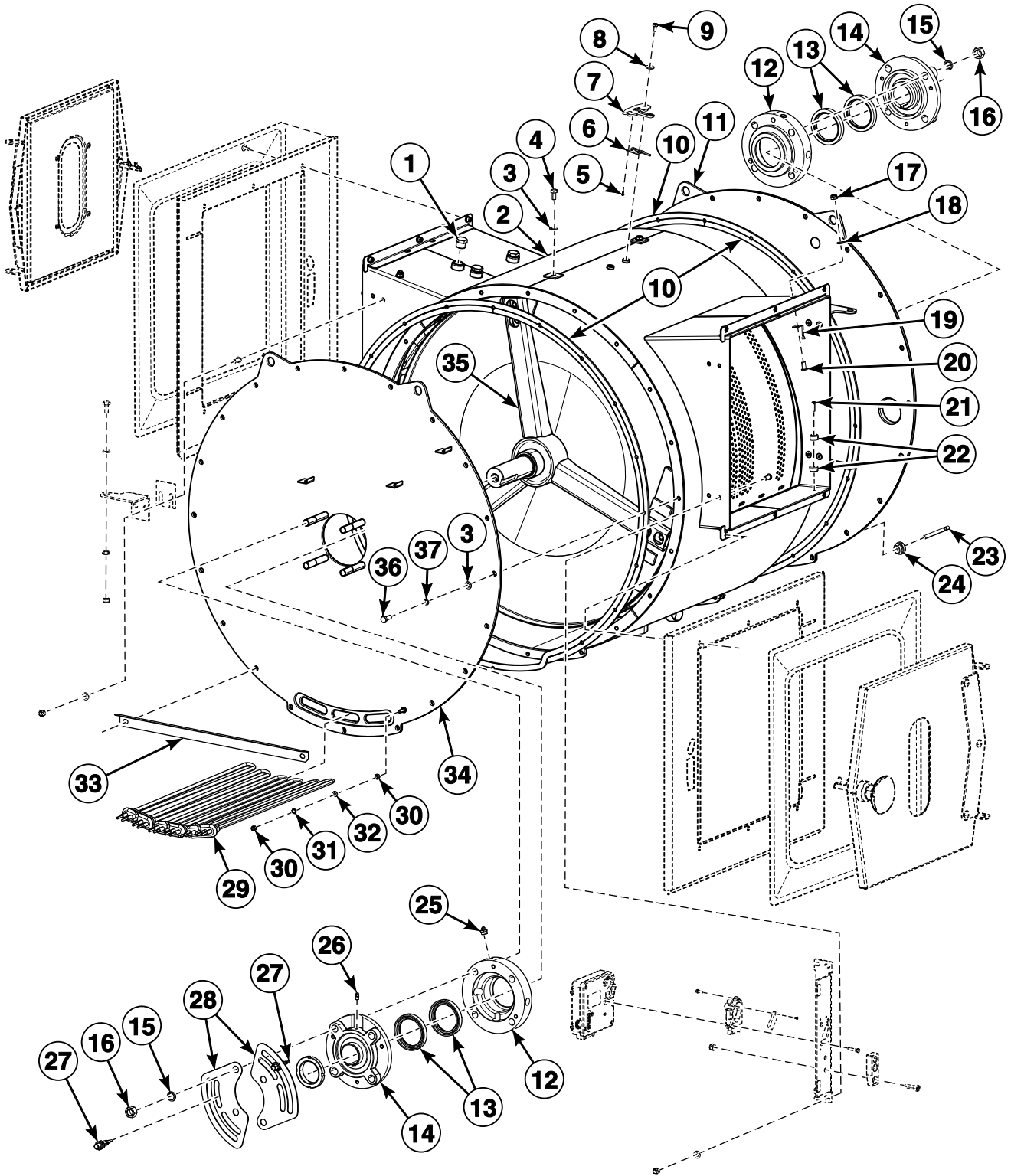
CFD3196P_D1614

Tub (Drawing 4 of 10)

REF	PART NO.	DESCRIPTION	COMMENTS
	540555	Bearing Replacement Tool Kit	
1	SP310985000008	Nut	M8
2	SP549032	Sliding Bearing	
3	SP311125240008	Washer	M8
4	SP549036	Upper Hinge	Without stop
	SP556736	Upper Hinge	With stop
	SP549037	Lower Hinge	Without stop
	SP556737	Lower Hinge	With stop
5	SP311125100008	Washer	8
6	SP549031	Bolt	
7	SP309595240612	Bolt	M6x12
8	SP549713	Protective Rubber	180 models 1 piece included, 4 pieces needed; 240 and 280 models 1 piece included, 2 pieces needed for vertical
	SP549714	Protective Rubber	240 and 280 models 1 piece included, 2 pieces needed for horizontal
9	SP549073	Protective Cover	180 models
	SP549074	Protective Cover	240 and 280 models
10	SP549696	Washer	
11	SP549838	Bolt	M8x16
12	SP537855	Bolt	M5x25
13	SP558019	Locker Holder	
14	SP309963000312	Bolt	M3x12
15	SP558022	Sliding Bearing	
16	SP537760	Lock	
17	SP558024	Door Lock Holder	
18	SP555504	Bolt	M4x12
19	SP558021	Rest Body	
20	SP549589	Location Insert	
21	SP549594	Seal	
22	SP549842	Bearing Flange	180 and 240 models
23	SP310934000014	Nut	M14
24	SP311127000014	Washer	14
25	SPPRI340015019	Temperature Sensor	
26	SP526439	Temperature Sensor Seal	
27	SP536591	Grease Nipple	
28	SP540127	Heating Element	180 models; 2 x 2000W, l=470mm
	SP540132	Heating Element	240 and 280 models; 2 x 3000W, l=470mm
	SP554152	Heating Element	240 and 280 models; 2 x 3650W, l=470mm
29	SP374415083131	Inductive Sensor	
30	SP548936	Grease Nipple	
31	SP549602	Sensor Bearer	

Tub (Drawing 5 of 10)

Models within Serial No. ranges 180FXB000603KQ - 180FXB000646MB, 240FXB000427KQ - 240FXB000473MB and 280FXB000207KQ - 280FXB000226KZ



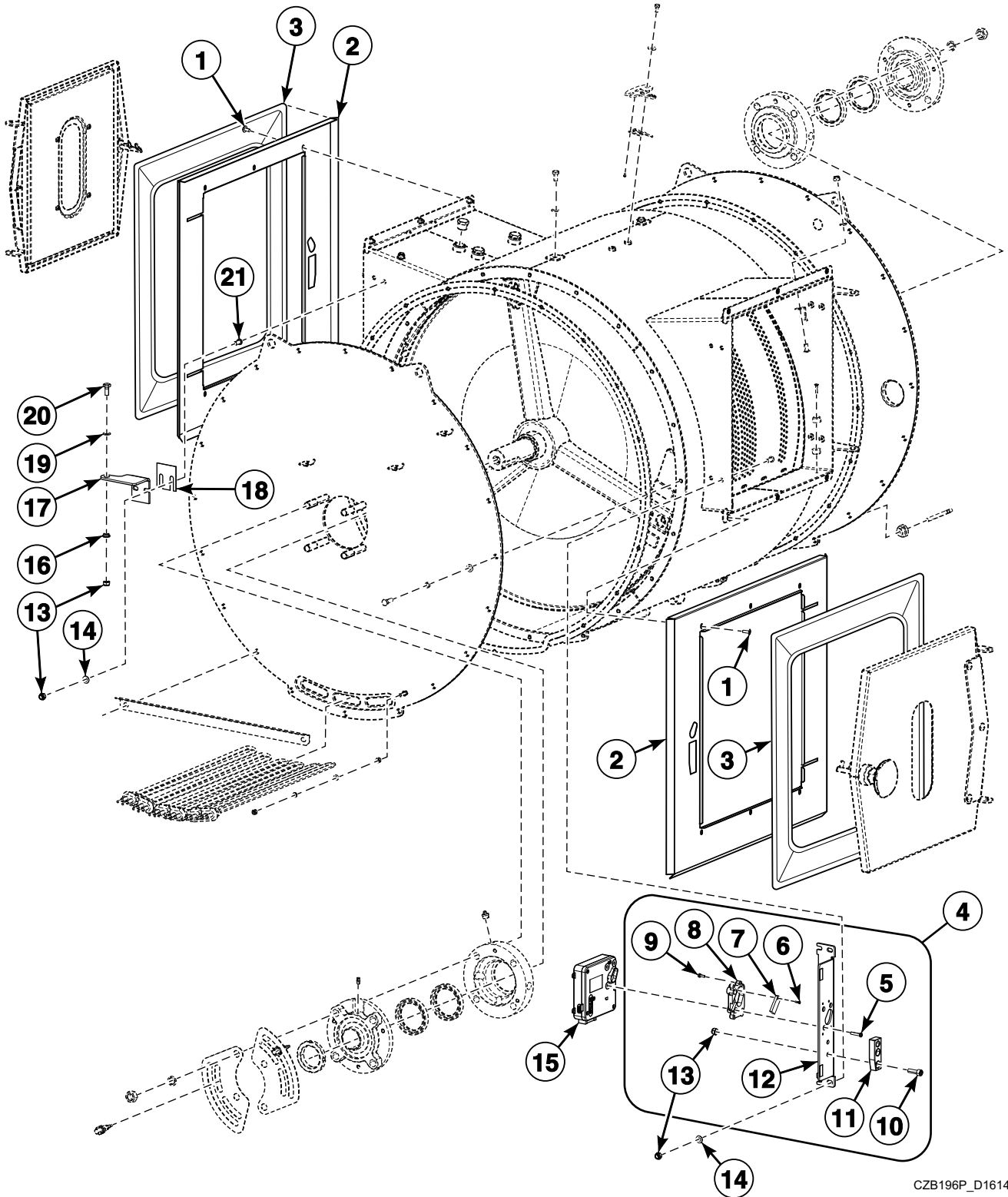
CZB71P_D1614

Tub (Drawing 5 of 10)

REF	PART NO.	DESCRIPTION	COMMENTS
	540555	Bearing Replacement Tool Kit	
1	SPPRI426001268	Plug	1/2 inch
2	SP558065	External Tub	180 models
	SP558066	External Tub	240 models
	SP558103	External Tub	280 models
3	SP311125200008	Washer	M8
4	SP515048	Bolt	M8x10
5	SP309798500306	Bolt	M3x6
6	SP558098	Magnetic Field Sensor	
7	SP558113	Sensor Base	
8	SP311902100006	Washer	6
9	SP309933240612	Bolt	M6x12
10	SP510986	Seal	
11	SP549585	Side Weldment	Left
12	SP549589	Location Insert	
13	SP549594	Seal	
14	SP549842	Bearing Flange	180 and 240 models
15	SP311127000014	Washer	14
16	SP310934000014	Nut	M14
17	SP310985000008	Nut	M8
18	SP311125240008	Washer	M8
19	SP549829	Door Stop	
20	SP549838	Bolt	M8x16
21	SP520983	Bolt	M4x20
22	SP273141307068	End Stop	
23	SPPRI340015019	Temperature Sensor	
24	SP526439	Temperature Sensor Seal	
25	SP536591	Grease Nipple	
26	SP548936	Grease Nipple	
27	SP374415083131	Inductive Sensor	
28	SP549602	Sensor Bearer	
29	SP540127	Heating Element	180 models; 2x2000W, l=470mm
	SP540132	Heating Element	240 and 280 models; 2x3000W, l=470mm
	SP554152	Heating Element	240 and 280 models; 2x3650W, l=470mm
30	SP310934240006	Nut	M6
31	SP311679824006	Washer	M6
32	SP311125240006	Washer	6.4
33	SP549584	Gutter	
34	SP549572	Side Weldment	Right
35	SP558069	Washing Drum	180 models
	SP558070	Washing Drum	240 models
	SP558140	Washing Drum	280 models
36	SP309933240822	Bolt	M8x22
37	SP311127240008	Washer	8

Tub (Drawing 6 of 10)

Models within Serial No. ranges 180FXB000603KQ - 180FXB000646MB, 240FXB000427KQ - 240FXB000473MB and 280FXB000207KQ - 280FXB000226KZ



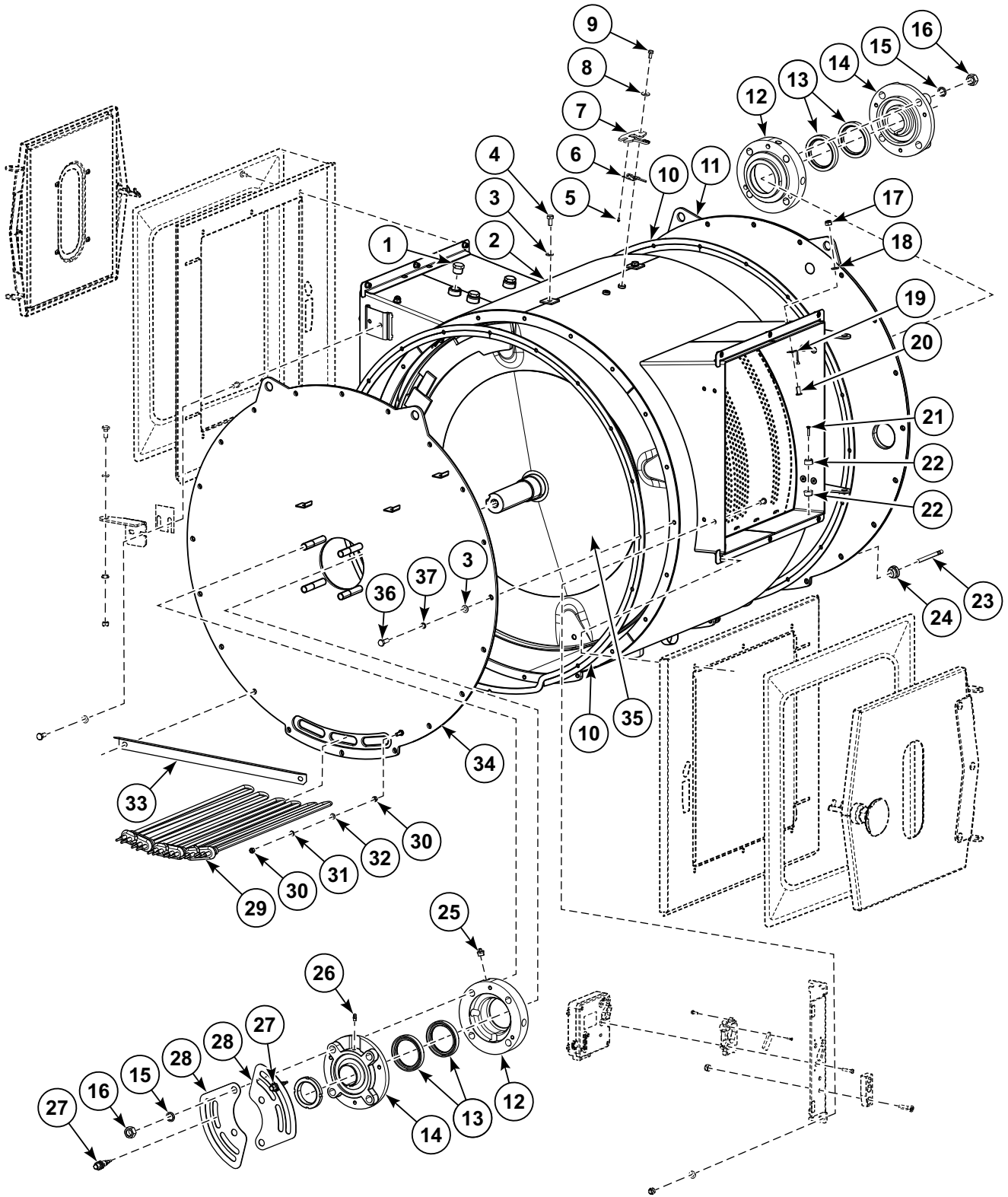
CZB196P_D1614

Tub (Drawing 6 of 10)

REF	PART NO.	DESCRIPTION	COMMENTS
	566170	Finger Protection Update Kit	180 models
	566171	Finger Protection Update Kit	240 models
	566172	Finger Protection Update Kit	280 models; With bumper
	566173	Finger Protection Update Kit	280 models; Without bumper
	566174	Finger Protection Update Kit	280 models; With wash bath sample opening and with bumper
	566175	Finger Protection Update Kit	280 models; With wash bath sample opening and without bumper
	566176	Finger Protection Update Kit	280 models; With window and with bumper
	566177	Finger Protection Update Kit	280 models; With window and without bumper
	566178	Finger Protection Update Kit	280 models; With wash bath sample opening, window and with bumper
	566179	Finger Protection Update Kit	280 models; With wash bath sample opening, window and without bumper
1	SP309595240612	Bolt	M6x12
2	570146	Ornament Plate	180 models
	570150	Ornament Plate	240 models
	570139	Ornament Plate	280 models
3	570140	Finger Protection	180 models
	570163	Finger Protection	240 and 280 models
4	566166	Door Lock Holder	
5	SP537855	Bolt	M5x25
6	SP309963000312	Bolt	M3x12
7	SP558022	Sliding Bearing	
8	SP558021	Rest Body	
9	SP555504	Bolt	M4x12
10	SP525282	Bolt	M8x25
11	566164	Block	Plastic
12	SP558019	Locker Holder	
13	SP310985000008	Nut	M8
14	SP311125240008	Washer	M8
15	SP537760	Lock	
16	SP549032	Sliding Bearing	
17	SP549036	Upper Hinge	Without stop
	SP556736	Upper Hinge	With stop
	SP549037	Lower Hinge	Without stop
	SP556737	Lower Hinge	With stop
18	SP549696	Washer	
19	SP311125100008	Washer	8
20	SP549031	Bolt	
21	SP549838	Bolt	M8x16

Tub (Drawing 7 of 10)

Models within Serial No. ranges 180FXB000647MB - 180FXB000967UM, 240FXB000474MB - 240FXB000716UM and 280FXB000227MB - 280FXB000459UM



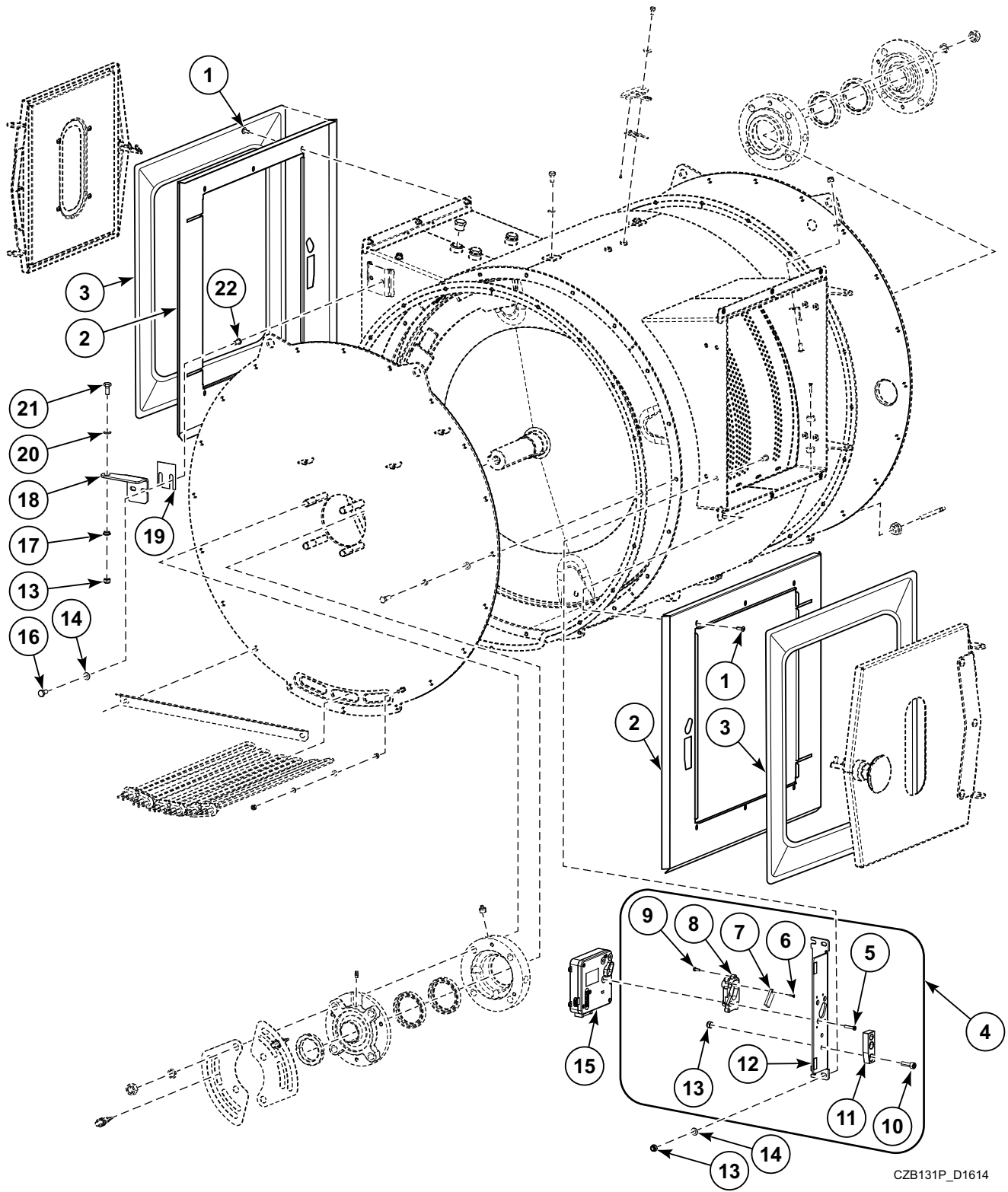
CZB132P_D1614

Tub (Drawing 7 of 10)

REF	PART NO.	DESCRIPTION	COMMENTS
	540555	Bearing Replacement Tool Kit	
1	SPPRI426001268	Plug	1/2 inch, 180 models through Serial No. 180FXB000968UM; 240 models through Serial No. 240FXB000717UM; 280 models through Serial No. 280FXB000460UM
2	572224	External Tub	180 models
	572610	External Tub	240 models
	566195	External Tub	280 models
3	SP311125200008	Washer	M8
4	SP515048	Bolt	M8x10
5	SP309798500306	Bolt	M3x6
6	SP558098	Magnetic Field Sensor	
7	SP558113	Sensor Base	
8	SP311902100006	Washer	6
9	SP309933240612	Bolt	M6x12
10	SP510986	Seal	
11	SP549585	Side Weldment	Left
12	SP549589	Location Insert	
13	SP549594	Seal	
14	SP549842	Bearing Flange	180 and 240 models
15	SP311127000014	Washer	14
16	SP310934000014	Nut	M14
17	SP310985000008	Nut	M8
18	SP311125240008	Washer	M8
19	SP549829	Door Stop	
20	SP549838	Bolt	M8x16
21	SP520983	Bolt	M4x20
22	SP273141307068	End Stop	
23	SPPRI340015019	Temperature Sensor	
24	SP526439	Temperature Sensor Seal	
25	SP536591	Grease Nipple	
26	SP548936	Grease Nipple	
27	SP374415083131	Inductive Sensor	
28	SP549602	Sensor Bearer	
29	SP540127	Heating Element	180 models; 2x2000W, l=470mm
	SP540132	Heating Element	240 and 280 models; 2x3000W, l=470mm
	SP554152	Heating Element	240 and 280 models; 2x3650W, l=470mm
30	SP310934240006	Nut	M6
31	SP311679824006	Washer	M6
32	SP311125240006	Washer	6.4
33	SP549584	Gutter	
34	SP549572	Side Weldment	Right
35	566104	Washing Drum	180 models
	566105	Washing Drum	240 models
	566106	Washing Drum	280 models
36	SP309933240822	Bolt	M8x22
37	SP311127240008	Washer	8

Tub (Drawing 8 of 10)

Models within Serial No. ranges 180FXB000647MB - 180FXB000967UM, 240FXB000474MB - 240FXB000716UM and 280FXB000227MB - 280FXB000459UM



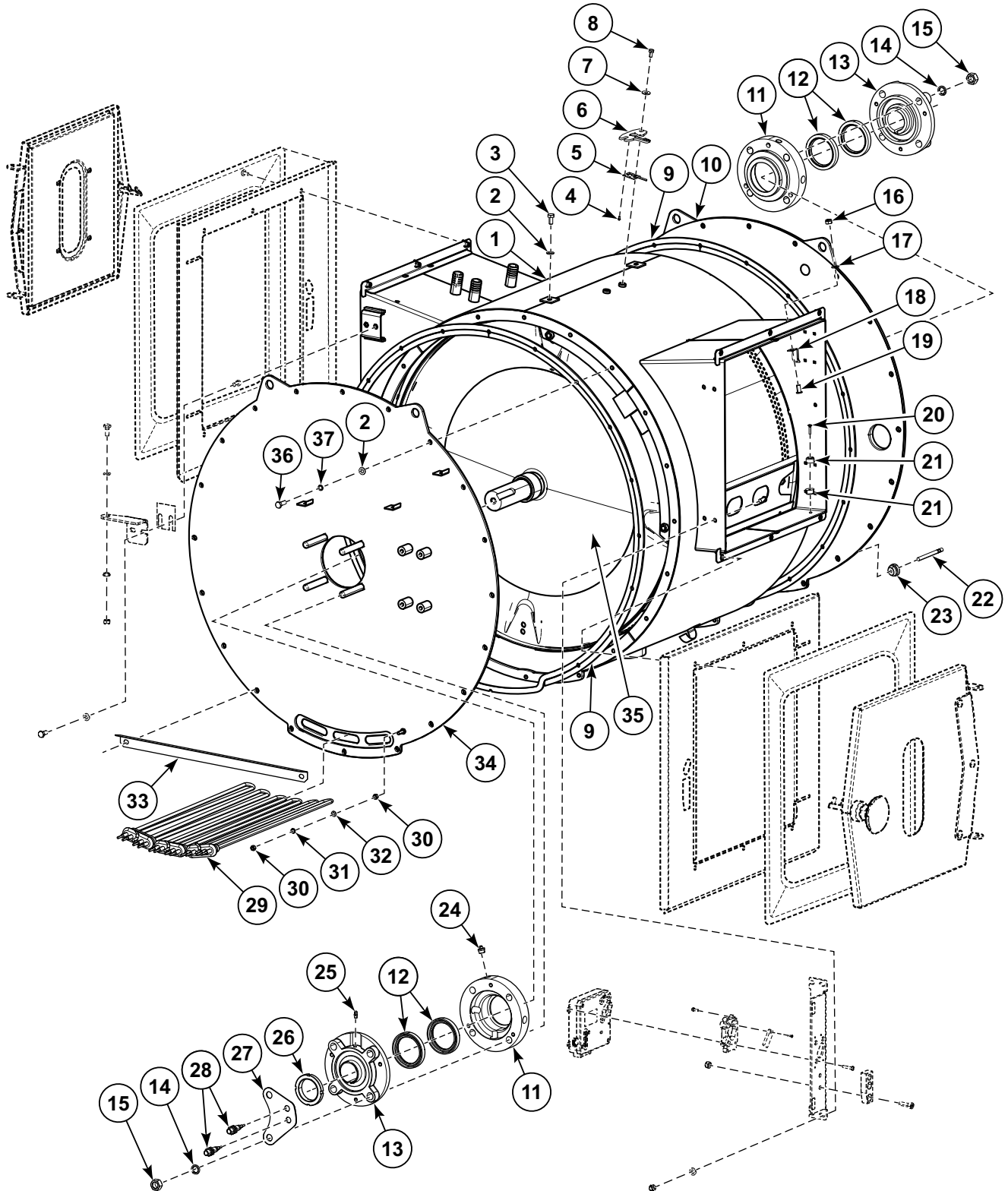
CZB131P_D1614

Tub (Drawing 8 of 10)

REF	PART NO.	DESCRIPTION	COMMENTS
	566170	Finger Protection Update Kit	180 models
	566171	Finger Protection Update Kit	240 models
	566172	Finger Protection Update Kit	280 models; With bumper
	566173	Finger Protection Update Kit	280 models; Without bumper
	566174	Finger Protection Update Kit	280 models; With wash bath sample opening and with bumper
	566175	Finger Protection Update Kit	280 models; With wash bath sample opening and without bumper
	566176	Finger Protection Update Kit	280 models; With window and with bumper
	566177	Finger Protection Update Kit	280 models; With window and without bumper
	566178	Finger Protection Update Kit	280 models; With wash bath sample opening, window and with bumper
	566179	Finger Protection Update Kit	280 models; With wash bath sample opening, window and without bumper
1	SP309595240612	Bolt	M6x12
2	570146	Ornament Plate	180 models
	570150	Ornament Plate	240 models
	570139	Ornament Plate	280 models
3	570140	Finger Protection	180 models
	570163	Finger Protection	240 and 280 models
4	566166	Door Lock Holder	
5	SP537855	Bolt	M5x25
6	SP309963000312	Bolt	M3x12
7	SP558022	Sliding Bearing	
8	SP558021	Rest Body	
9	SP555504	Bolt	M4x12
10	SP525282	Bolt	M8x25
11	566164	Block	Plastic
12	SP558019	Locker Holder	
13	SP310985000008	Nut	M8
14	SP311125240008	Washer	M8
15	SP537760	Lock	
16	SP506433	Bolt	M8x16
17	SP549032	Sliding Bearing	
18	572604	Upper Hinge	Without stop
	572612	Upper Hinge	With stop
	572603	Lower Hinge	Without stop
	572611	Lower Hinge	With stop
19	558126	Washer	
20	SP311125100008	Washer	8
21	SP549031	Bolt	
22	SP549838	Bolt	M8x16

Tub (Drawing 9 of 10)

180 Models starting Serial No. 180FXB000968UM, 240 Models starting Serial No. 240FXB000717UM and
280 Models starting Serial No. 280FXB000460UM



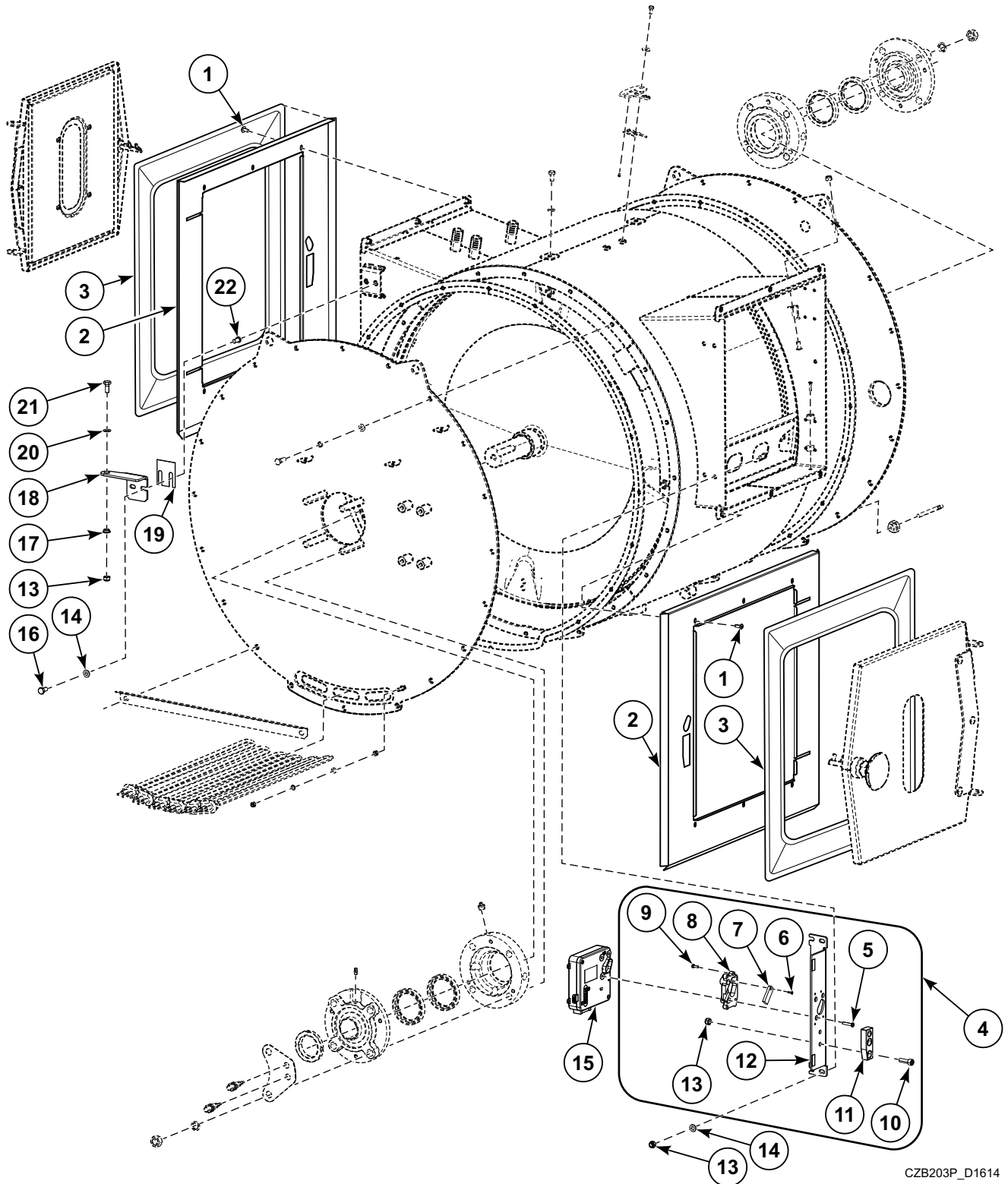
CZB204P_D1614

Tub (Drawing 9 of 10)

REF	PART NO.	DESCRIPTION	COMMENTS
	540555	Bearing Replacement Tool Kit	
1	SP558065	External Tub	180 models
	SP558066	External Tub	240 models
	SP558103	External Tub	280 models
2	SP311125200008	Washer	M8
3	SP515048	Bolt	M8x10
4	SP309798500306	Bolt	M3x6
5	SP558098	Magnetic Field Sensor	
6	SP558113	Sensor Base	
7	SP311902100006	Washer	M6
8	SP309933240612	Bolt	M6x12
9	SP510986	Seal	
10	SP549585	Side Weldment	Left
11	SP549589	Location Insert	
12	SP549594	Seal	
13	SP549842	Bearing Flange	180 and 240 models
14	SP311127000014	Washer	14
15	SP310934000014	Nut	M14
16	SP310985000008	Nut	M8
17	SP311125240008	Washer	M8
18	SP549829	Door Stop	
19	SP549838	Bolt	M8x16
20	SP520983	Bolt	M4x20
21	SP273141307068	End Stop	
22	SPPRI340015019	Temperature Sensor	
23	SP526439	Temperature Sensor Seal	
24	SP536591	Grease Nipple	
25	SP548936	Grease Nipple	
26	SP559624	Clamp Sleeve	
27	SP549602	Sensor Bearer	MC7 Models
	572796	Sensor Bearer	MC10 Models
28	SP374415083131	Inductive Sensor	
29	SP540127	Heating Element	180 models; 2x2000W, l=470mm
	SP540132	Heating Element	240 and 280 models; 2x3000W, l=470mm
	SP554152	Heating Element	240 and 280 models; 2x3650W, l=470mm
30	SP310934240006	Nut	M6
31	SP311679824006	Washer	M6
32	SP311125240006	Washer	6.4
33	SP549584	Gutter	
34	SP549572	Side Weldment	Right
35	SP558069	Washing Drum	180 models
	SP558070	Washing Drum	240 models
	SP558140	Washing Drum	280 models
36	SP309933240822	Bolt	M8x22
37	SP311127240008	Washer	8

Tub (Drawing 10 of 10)

180 Models starting Serial No. 180FXB000968UM, 240 Models starting Serial No. 240FXB000717UM and
280 Models starting Serial No. 280FXB000460UM



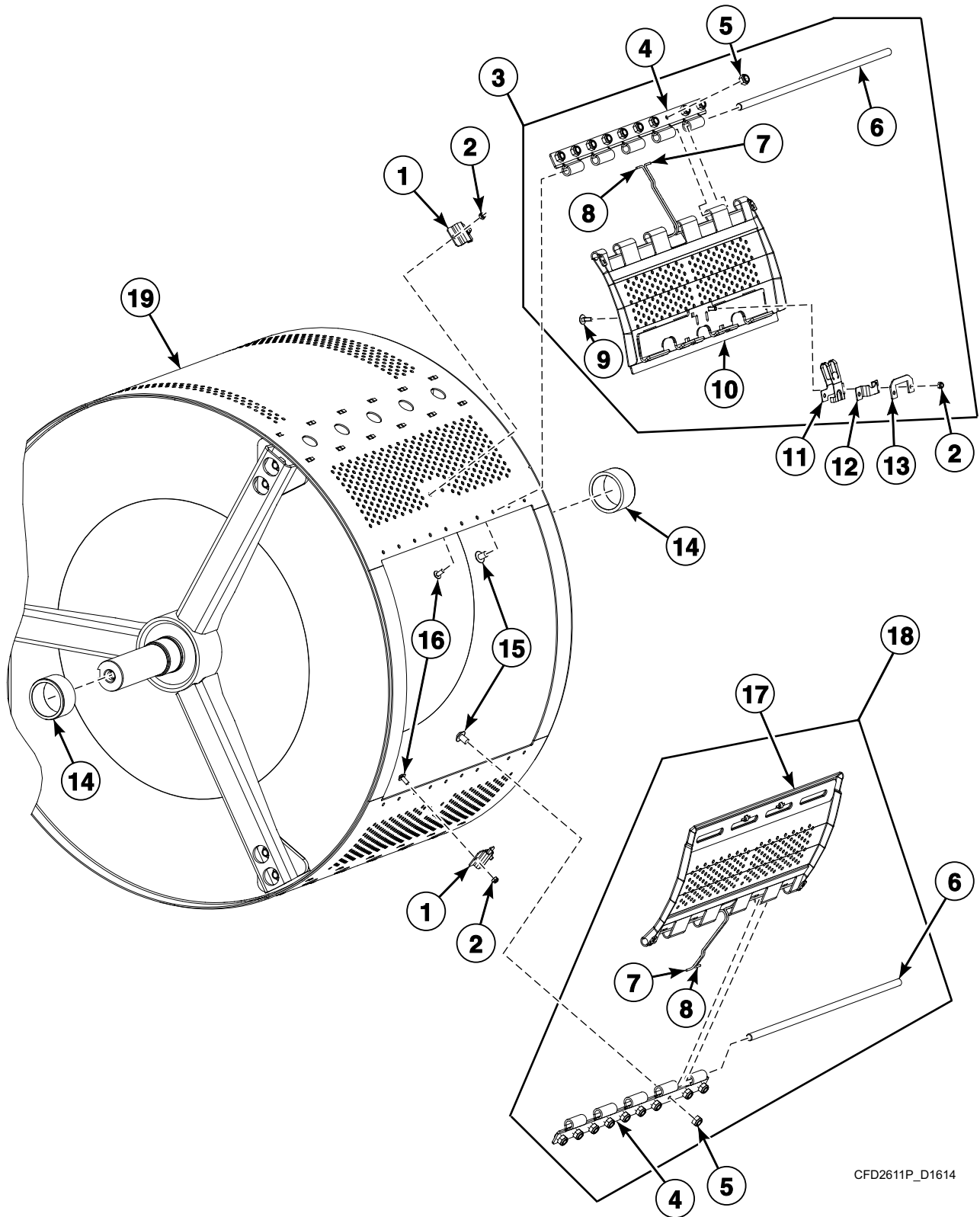
CZB203P_D1614

Tub (Drawing 10 of 10)

REF	PART NO.	DESCRIPTION	COMMENTS
	566170	Finger Protection Update Kit	180 models
	566171	Finger Protection Update Kit	240 models
	566172	Finger Protection Update Kit	280 models; With bumper
	566173	Finger Protection Update Kit	280 models; Without bumper
	566174	Finger Protection Update Kit	280 models; With wash bath sample opening and with bumper
	566175	Finger Protection Update Kit	280 models; With wash bath sample opening and without bumper
	566176	Finger Protection Update Kit	280 models; With window and with bumper
	566177	Finger Protection Update Kit	280 models; With window and without bumper
	566178	Finger Protection Update Kit	280 models; With wash bath sample opening, window and with bumper
	566179	Finger Protection Update Kit	280 models; With wash bath sample opening, window and without bumper
1	SP309595240612	Bolt	M6x12
2	570146	Ornament Plate	180 models
	570150	Ornament Plate	240 models
	570139	Ornament Plate	280 models
3	570140	Finger Protection	180 models
	570163	Finger Protection	240 and 280 models
4	566166	Door Lock Holder	
5	SP537855	Bolt	M5x25
6	SP309963000312	Bolt	M3x12
7	SP558022	Sliding Bearing	
8	SP558021	Rest Body	
9	SP555504	Bolt	M4x12
10	SP525282	Bolt	M8x25
11	566164	Block	Plastic
12	SP558019	Locker Holder	
13	SP310985000008	Nut	M8
14	SP311125240008	Washer	M8
15	SP537760	Lock	
16	SP506433	Bolt	M8x16
17	SP549032	Sliding Bearing	
18	572604	Upper Hinge	Without stop
	572612	Upper Hinge	With stop
	572603	Lower Hinge	Without stop
	572611	Lower Hinge	With stop
19	558126	Washer	
20	SP311125100008	Washer	8
21	SP549031	Bolt	
22	SP549838	Bolt	M8x16

Drum (Drawing 1 of 5)

180 Models through Serial No. 180FXB000297DW, 240 Models through Serial No. 240FXB000242DW and
280 Models through Serial No. 280FXB000117DW



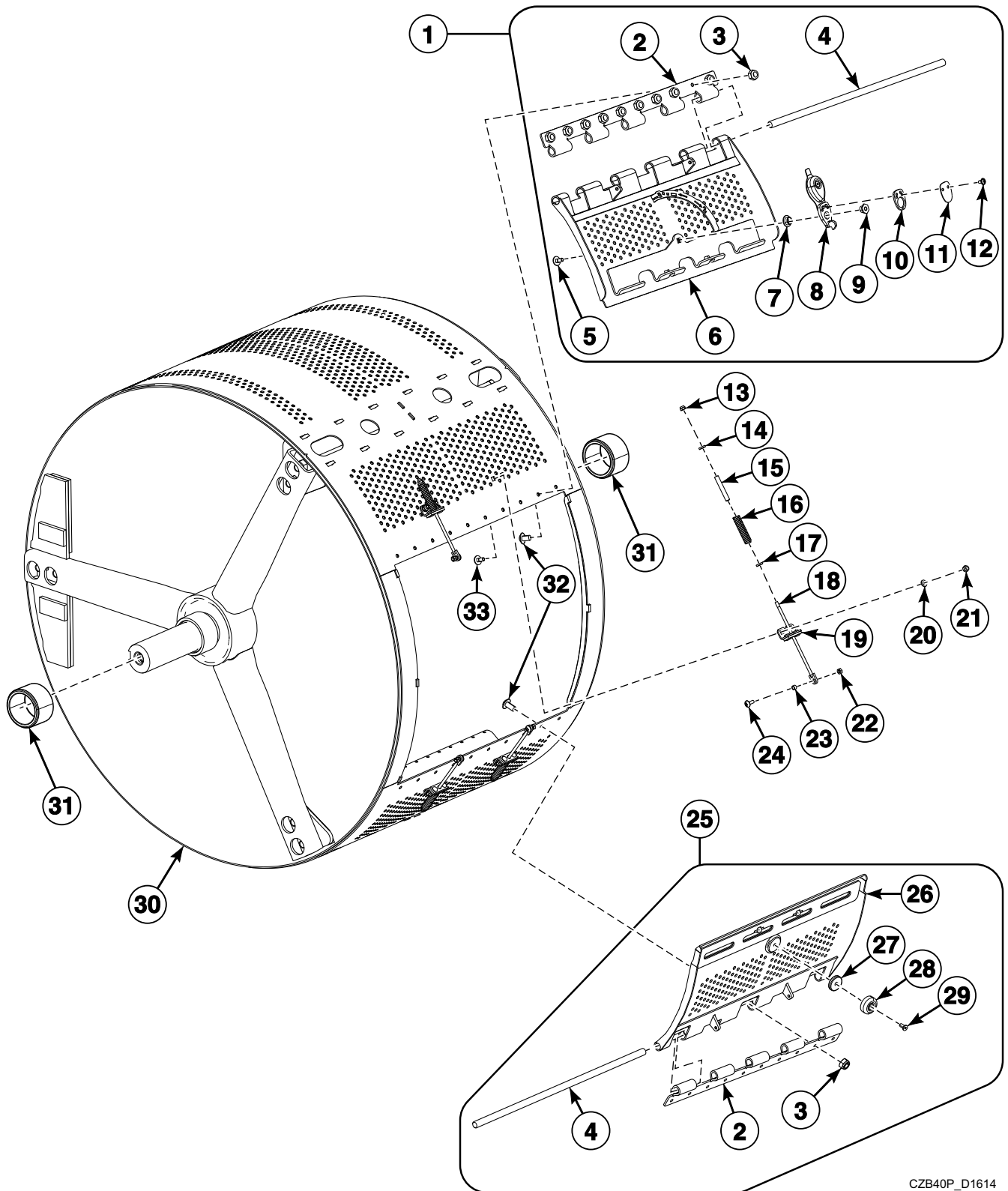
CFD2611P_D1614

Drum (Drawing 1 of 5)

REF	PART NO.	DESCRIPTION	COMMENTS
	SP245704003021	Adhesive	Loctite 243
1	SP510359	Spring Yoke	
2	SPPRI228000006	Nut	M5
3	SP549981	Door	180 models
	SP549731	Door	240 and 280 models
4	SP549986	Drum Hinge	180 models
	SP549736	Drum Hinge	240 and 280 models
5	SP526792	Nut	M8
6	SP549987	Hinge Pin	180 models
	SP549737	Hinge Pin	240 and 280 models
7	SP549991	Torsional Spring	180 models; Left
	SP549741	Torsional Spring	240 and 280 models; Left
8	SP549990	Torsional Spring	180 models; Right
	SP549740	Torsional Spring	240 and 280 models; Right
9	SP516885	Bolt	M5x16
10	SP549983	Door Weldment	180 models
	SP549733	Door Weldment	240 and 280 models
11	SP549742	Safety Lock Spring	
12	SP523037	Guide	
13	SP523040	Support	
14	SP549565	Slide Casing	
15	SP526791	Bolt	M8x12
16	SP503572	Bolt	M5x12
17	SP549982	Door Weldment	180 models
	SP549732	Door Weldment	240 and 280 models
18	SP549980	Door	180 models
	SP549730	Door	240 and 280 models
19	558091	Washing Drum	180 models; Weldment
	558092	Washing Drum	240 models; Weldment
	558141	Washing Drum	280 models; Weldment

Drum (Drawing 2 of 5)

Models within Serial No. ranges 180FXB000298DY - 180FXB000665MH, 240FXB000243DY - 240FXB000487MH and 280FXB000118DY - 280FXB000239MF



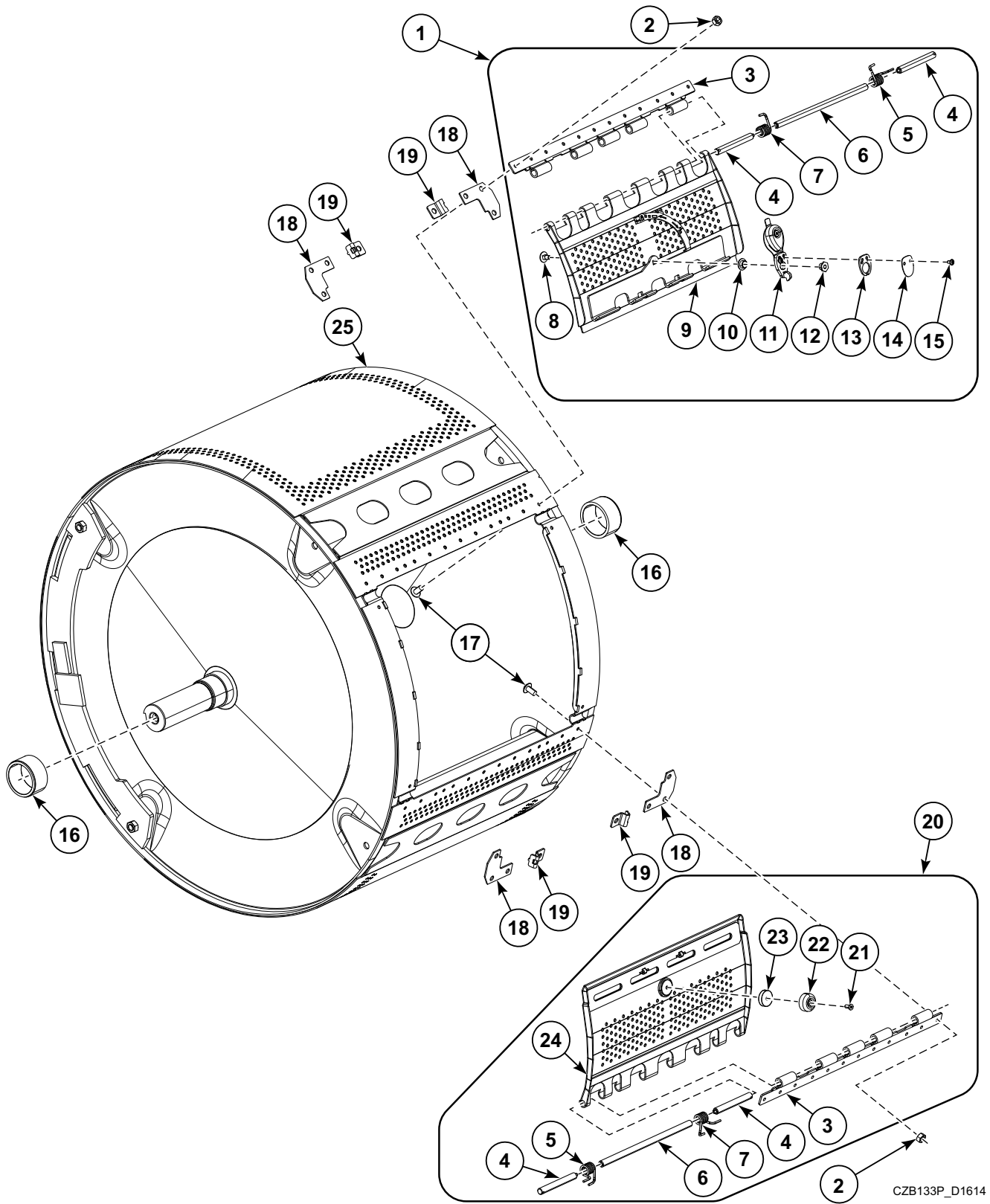
CZB40P_D1614

Drum (Drawing 2 of 5)

REF	PART NO.	DESCRIPTION	COMMENTS
	SP245704003021	Adhesive	Loctite 243
1	SP558073	Door	180 models
	SP558074	Door	240 and 280 models
2	SP549986	Drum Hinge	180 models
	SP549736	Drum Hinge	240 and 280 models
3	SP526792	Nut	M8
4	SP549987	Hinge Pin	180 models
	SP549737	Hinge Pin	240 and 280 models
5	566073	Bolt	M6x12
6	SP558089	Door Weldment	180 models
	SP558057	Door Weldment	240 and 280 models
7	SP558049	Sliding Bearing	
8	566120	Golden Lock Handle	Includes SP558049 Sliding Bearing
9	SP558050	Insertion	
10	SP558134	Distance Plate	
11	SP558136	Cover Plate	
12	SP558044	Screw	M4x8
13	SP514193	Nut	M4
14	SP558083	Washer	
15	SP558084	Spacer Tube	
16	SP558085	Spring	
17	SP311125240004	Washer	4.3
18	SP558082	Rod	
19	SP558097	Rod Basement	
20	SP311125240005	Washer	5.3
21	SP310985000005	Nut	M5
22	SP310934240004	Nut	M4
23	SP558081	Axis	
24	566070	Screw	M4x12
25	SP558071	Door	180 models
	SP558072	Door	240 and 280 models
26	SP558047	Door Weldment	180 models
	SP558048	Door Weldment	240 and 280 models
27	566161	Magnet	Stainless 316L
28	566160	Magnet Cover	Stainless 316L
29	566163	Screw	M5x12
30	558091	Washing Drum	180 models; Weldment
	558092	Washing Drum	240 models; Weldment
	558141	Washing Drum	280 models; Weldment
31	SP549565	Slide Casing	
32	SP526791	Bolt	M8x12
33	566072	Screw	M5x12

Drum (Drawing 3 of 5)

180 Models through Serial No. 180FXB000837QZ, 240 Models through Serial No. 240FXB000589QZ and
280 Models through Serial No. 280FXB000366QZ



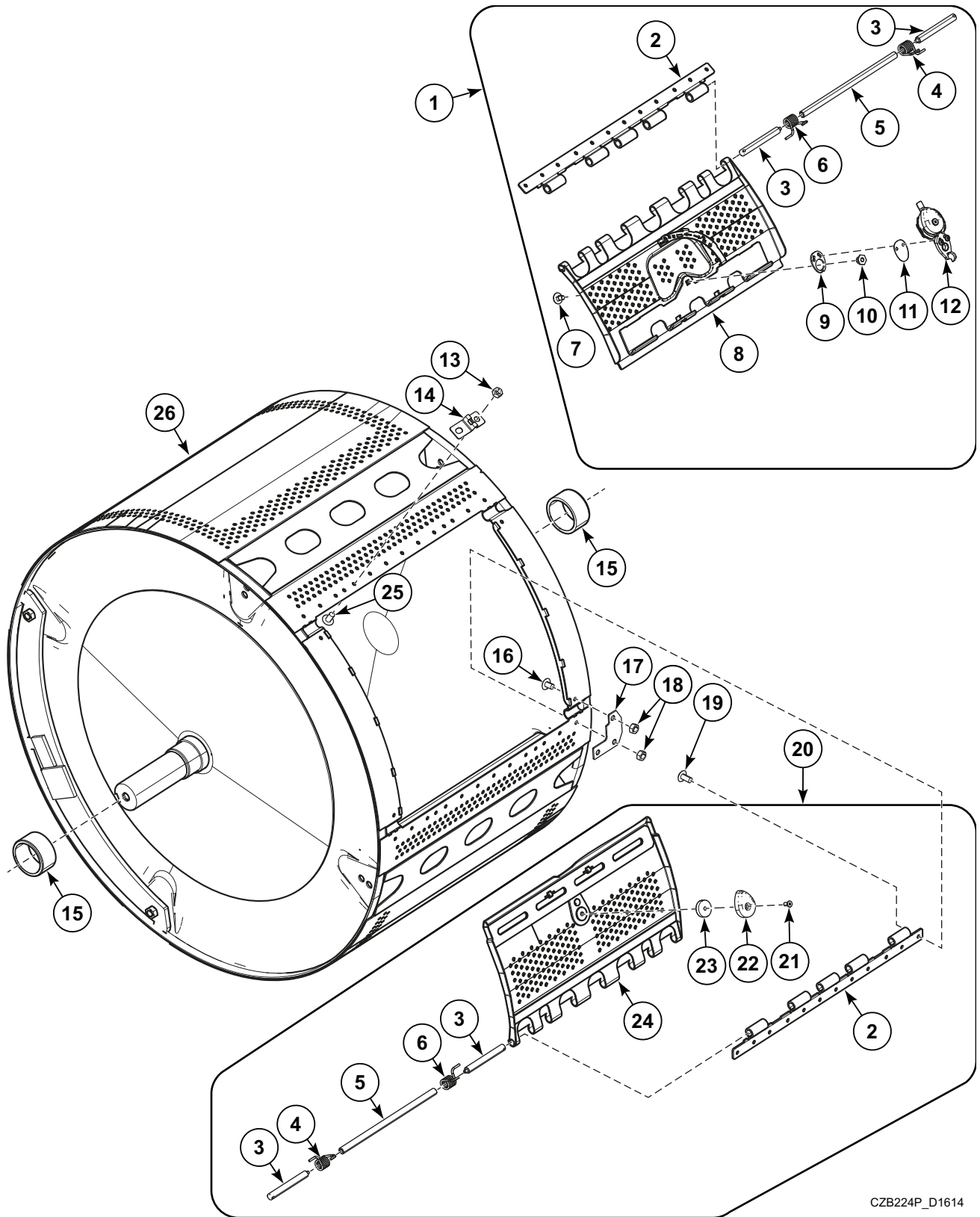
CZB133P_D1614

Drum (Drawing 3 of 5)

REF	PART NO.	DESCRIPTION	COMMENTS
	SP245704003021	Adhesive	Loctite 243
1	566111	Door	180 models
	566113	Door	240 and 280 models
2	566055	Nut	M8
3	566088	Drum Hinge	180 models
	566133	Drum Hinge	240 and 280 models
4	566136	Hinge Pin	
5	566090	Spring	
6	572615	Hinge Pin	180 models
	566137	Hinge Pin	240 and 280 models
7	566089	Spring	
8	566073	Bolt	M6x12
9	566115	Door Weldment	180 models
	566117	Door Weldment	240 and 280 models
10	SP558049	Sliding Bearing	
11	566120	Golden Lock Handle	Includes item 10
12	SP558050	Insertion	
13	SP558134	Distance Plate	
14	SP558136	Cover Plate	
15	566078	Screw	M4x8
16	SP549565	Slide Casing	
17	SP526791	Bolt	M8x12
18	566134	Reinforcement	
19	566135	Spring Holder	
20	566110	Door	180 models
	566112	Door	240 and 280 models
21	566163	Screw	M5x12
22	566160	Magnet Cover	Stainless 316L
23	566161	Magnet	
24	566114	Door Weldment	180 models
	566116	Door Weldment	240 and 280 models
25	566107	Washing Drum	180 models; Weldment
	566108	Washing Drum	240 models; Weldment
	566109	Washing Drum	280 models; Weldment

Drum (Drawing 4 of 5)

180 Models through Serial No. 180FXB000967UM, 240 Models through Serial No. 240FXB000716UM and
280 Models through Serial No. 280FXB000459UM



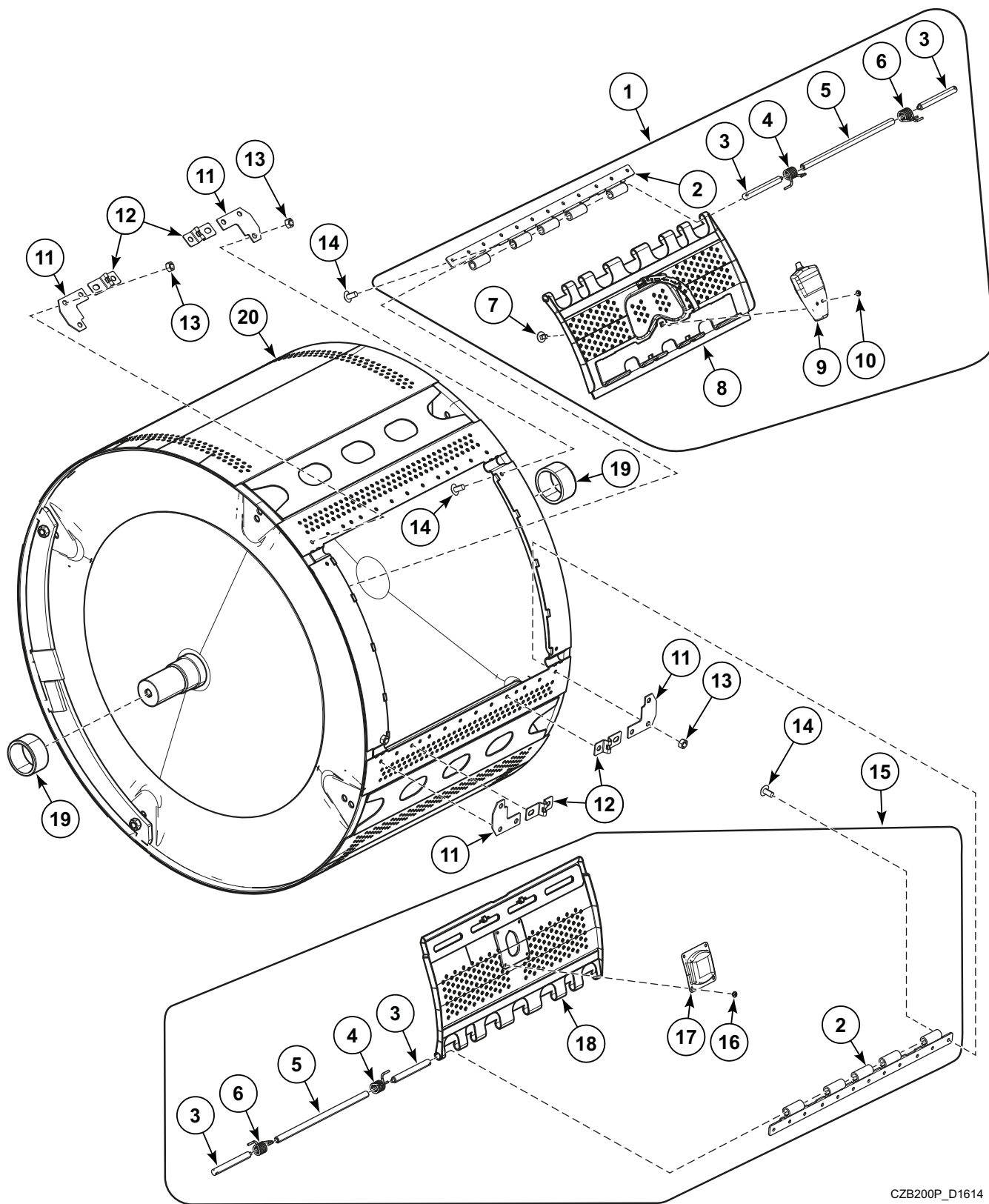
CZB224P_D1614

Drum (Drawing 4 of 5)

REF	PART NO.	DESCRIPTION	COMMENTS
	SP245704003021	Adhesive	Loctite 243
1	572293	Door	180 models
	572294	Door	240 and 280 models
2	566088	Drum Hinge	180 models
	566133	Drum Hinge	240 and 280 models
3	566136	Hinge Pin	
4	566090	Spring	Left
5	572615	Hinge Pin	180 models
	566137	Hinge Pin	240 and 280 models
6	566089	Spring	Right
7	566073	Bolt	M6x12
8	572297	Door Weldment	180 models
	572298	Door Weldment	240 and 280 models
9	572249	Distance Plate	
10	SP558050	Insertion	
11	572250	Cover Plate	
12	566120	Golden Lock Handle	Includes SP558049 Sliding Bearing
13	566055	Nut	M8
14	566135	Spring Holder	
15	SP549565	Slide Casing	
16	SP526791	Bolt	M8x12
17	566134	Reinforcement	
18	566055	Nut	M8
19	SP309159324816	Bolt	M8x16
20	572291	Door	180 models
	572292	Door	240 and 280 models
21	566163	Screw	M5x12
22	572274	Magnet Cover	Stainless 316L
23	566161	Magnet	
24	572295	Door Weldment	180 models
	572296	Door Weldment	240 and 280 models
25	SP309159324816	Bolt	M8x16
26	566107	Washing Drum	180 models; Weldment
	566108	Washing Drum	240 models; Weldment
	566109	Washing Drum	280 models; Weldment

Drum (Drawing 5 of 5)

180 Models starting Serial No. 180FXB000968UM, 240 Models starting Serial No. 240FXB000717UM and
280 Models starting Serial No. 280FXB000460UM

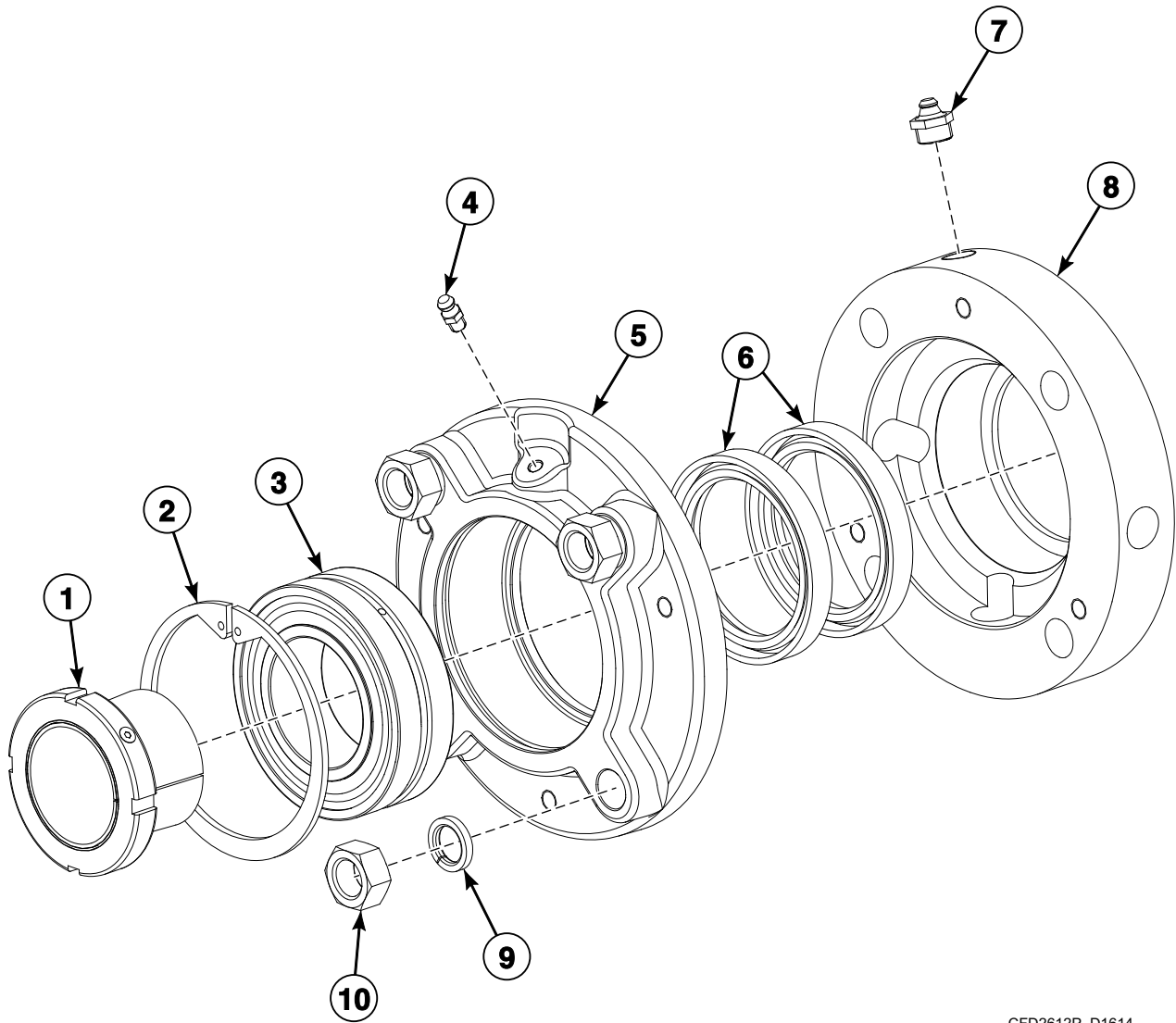


CZB200P_D1614

Drum (Drawing 5 of 5)

REF	PART NO.	DESCRIPTION	COMMENTS
	SP245704003021	Adhesive	Loctite 243
1	572293	Door	180 models
	572294	Door	240 and 280 models
2	566088	Drum Hinge	180 models
	566133	Drum Hinge	240 and 280 models
3	566136	Hinge Pin	
4	566090	Spring	Left
5	572615	Hinge Pin	180 models
	566137	Hinge Pin	240 and 280 models
6	566089	Spring	Right
7	566073	Bolt	M6x12
8	572297	Door Weldment	180 models
	572298	Door Weldment	240 and 280 models
9	572760	Black Lock Handle Complete	
10	580022	Bolt	M4x4
11	566134	Reinforcement	
12	566135	Spring Holder	
13	566055	Nut	M8
14	SP309159324816	Bolt	M8x16
15	572291	Door	180 models
	572292	Door	240 and 280 models
16	580022	Bolt	M4x4
17	580025	Black Lock 2 Complete	
18	572295	Door Weldment	180 models
	572296	Door Weldment	240 and 280 models
19	SP549565	Slide Casing	
20	566107	Washing Drum	180 models; Weldment
	566108	Washing Drum	240 models; Weldment
	566109	Washing Drum	280 models; Weldment

Trunnion - 280 Models



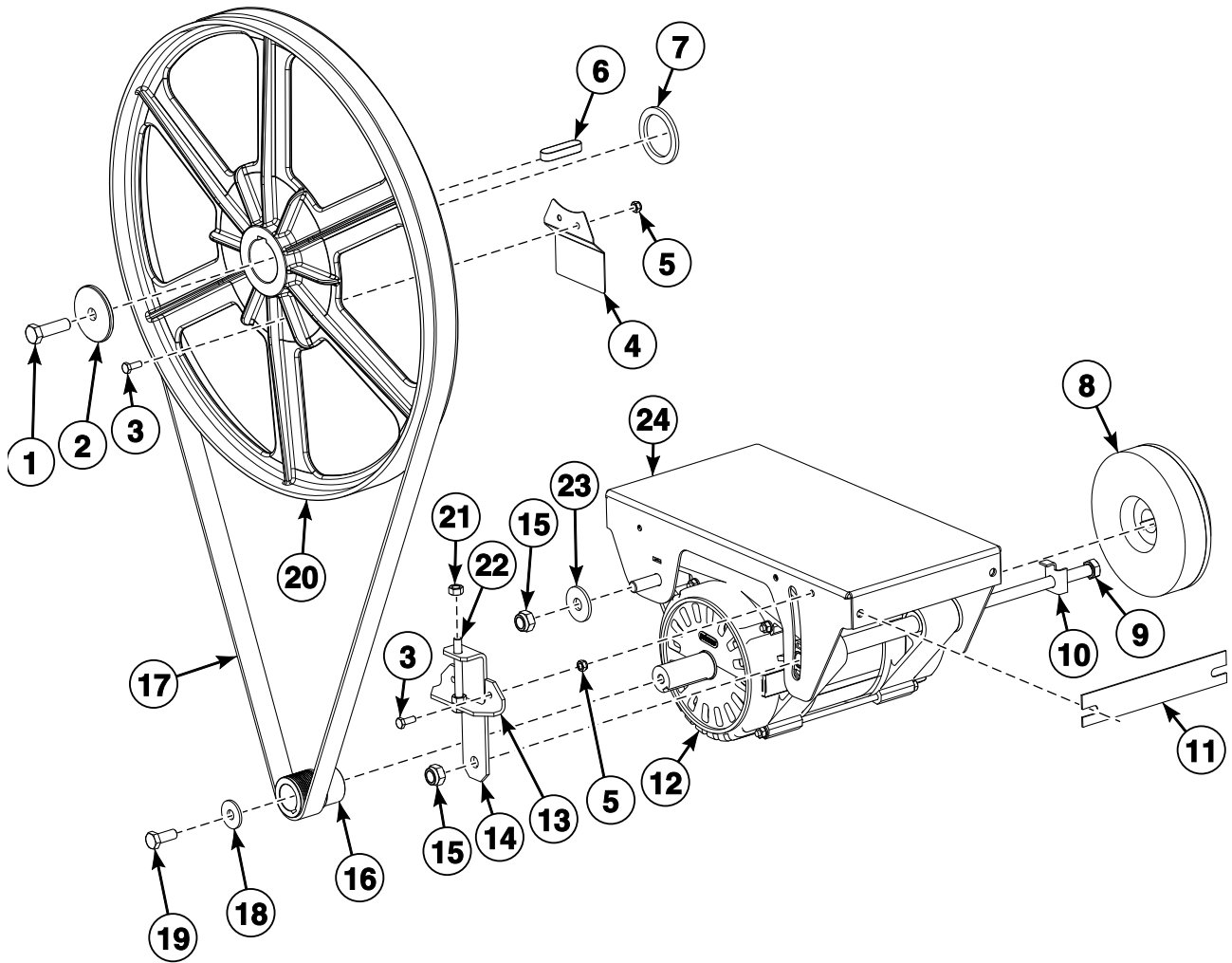
CFD2612P_D1614

Trunnion - 280 Models

REF	PART NO.	DESCRIPTION	COMMENTS
	SP559625	Trunnion	
1	SP559624	Clamp Sleeve	
2	SP532956	Retaining Ring	
3	SP559623	Bearing	
4	SP548936	Grease Nipple	M6x1
5	SP558120	Trunnion	
6	SP549594	Seal	
7	SP536591	Grease Nipple	
8	SP549589	Location Insert	
9	SP311127000014	Washer	14
10	SP310934000014	Nut	M14

Drive (Drawing 1 of 2)

180 Models through Serial No. 180FXB000977UQ, 240 Models through Serial No. 240FXB000724UQ and
280 Models through Serial No. 280FXB000462UQ



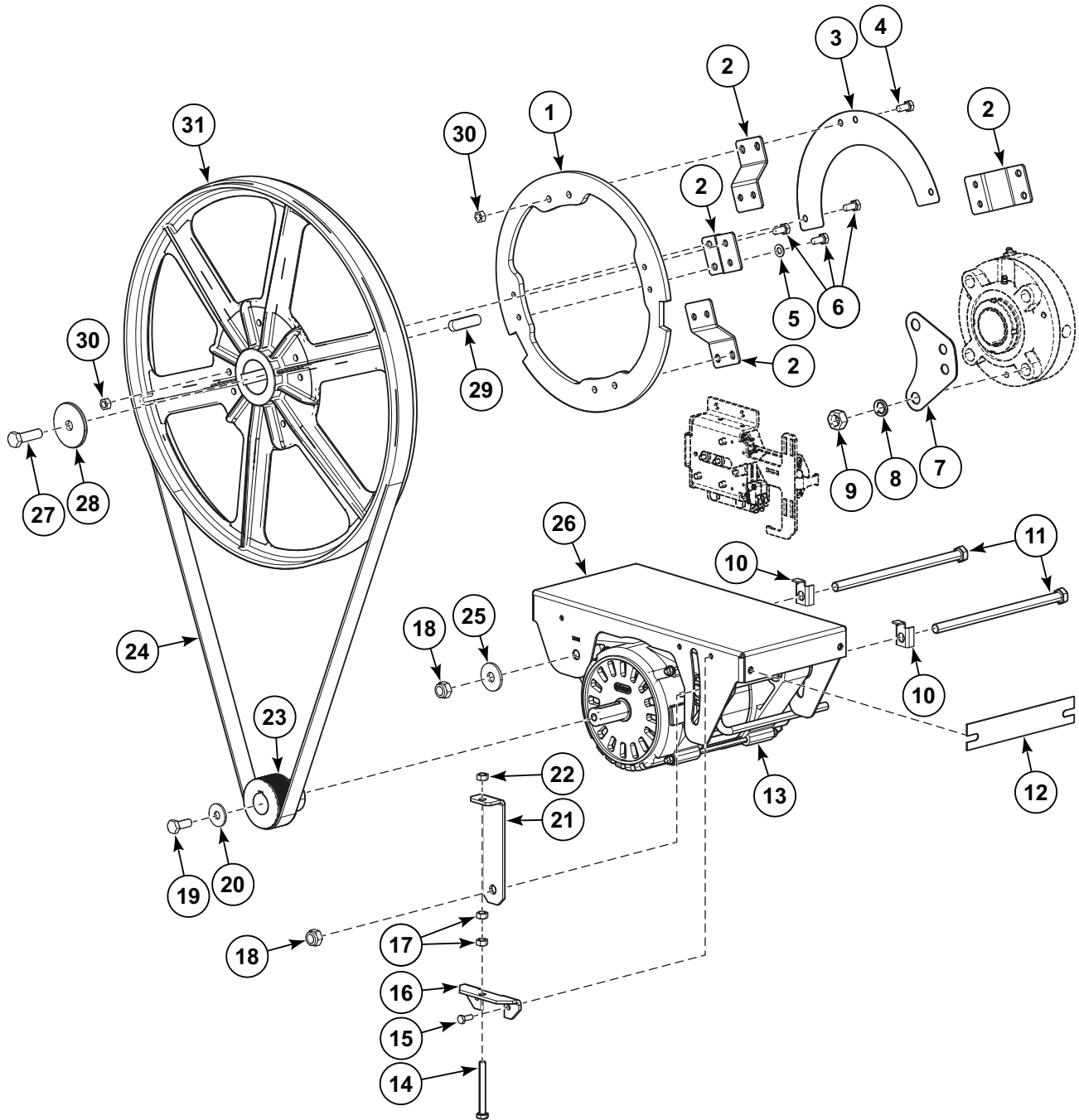
CZB43P_D1614

Drive (Drawing 1 of 2)

REF	PART NO.	DESCRIPTION	COMMENTS
1	SP309933001240	Bolt	M12x40
2	SP517528	Ring	
3	SP309933000616	Bolt	M6x16
4	SP549603	Sensor Indicator	
5	SP310985000006	Nut	M6
6	SP308726014050	Feather	
7	SP559646	Washer	280 models
8	567661	Brake	Electromagnetic
9	SP533394	Bolt	180 models; M12x220
	SP547780	Bolt	240 and 280 models; M12x240
10	SP533742	Cage	1
11	SP550033	Shim	
12	SP556718	Motor with Pulley	180 models; 2,2kW, 230V, 400V+N / 75 Hertz; Includes SP528407 Motor and 567661 Brake
	SP556719	Motor with Pulley	180 models; 2,2kW, 400V, 440V / 76 Hertz; Includes SP528417 Motor and 567661 Brake
	SP556720	Motor with Pulley	240 models; 3kW, 230V, 440V+N / 75 Hertz; Includes SP528408 Motor and 567661 Brake
	SP556721	Motor with Pulley	240 models; 3kW, 400V, 440V / 76 Hertz; Includes SP528418 Motor and 567661 Brake
	SP559508	Motor with Pulley	280 models; 3kW, 230V, 440V+N / 75 Hertz; Includes SP528408 Motor and 567661 Brake
	SP559509	Motor with Pulley	280 models; 3kW, 400V, 440V / 76 Hertz; Includes SP528418 Motor and 567661 Brake
13	SP533326	Tensioning Angle Piece	Fixed
14	SP547705	Tensioning Angle Piece	Movable
15	SP310985000012	Nut	M12
16	SP547782	Motor V-Pulley	180 models
	SP547582	Motor V-Pulley	240 models
	SP556895	Motor V-Pulley	280 models
17	SP547781	Belt	
18	SP311902100010	Washer	10
19	SP309933001025	Bolt	M10x25
20	SP549596	Drum V-Pulley	
21	SP310934000008	Nut	M8
22	SP309933000880	Bolt	M8x80
23	SP311902100012	Washer	12
24	SP533794	Motor Holder	180 models
	SP533811	Motor Holder	240 and 280 models

Drive (Drawing 2 of 2)

180 Models starting Serial No. 180FXB000978UQ, 240 Models starting Serial No. 240FXB000725UQ and
280 Models starting Serial No. 280FXB000463UQ

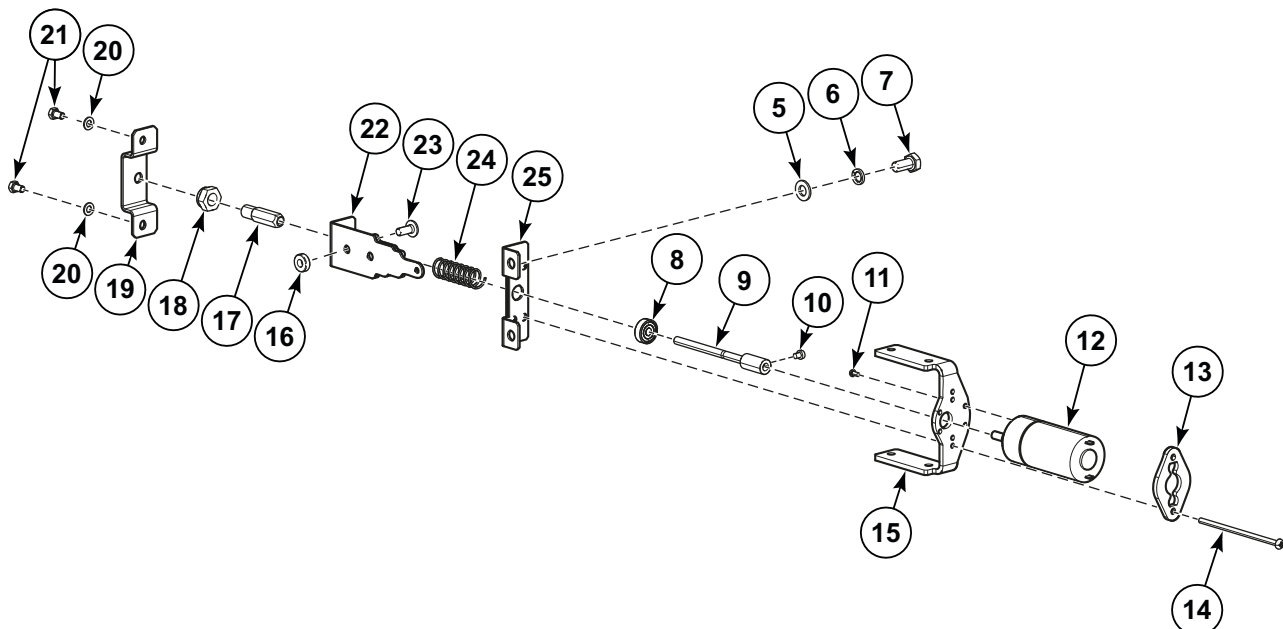
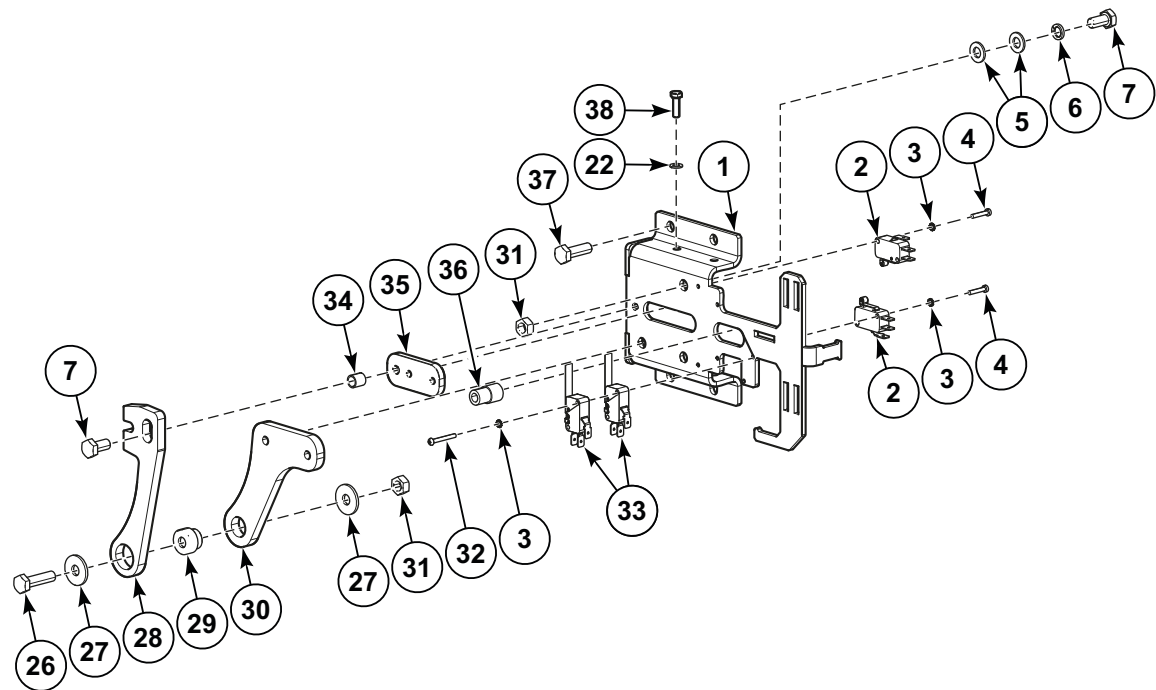


CZB202P_D1614

Drive (Drawing 2 of 2)

REF	PART NO.	DESCRIPTION	COMMENTS
1	572800	Blocking disc	
2	572668	Blocking disc holder	
3	572792	Positioning plate	
4	SP549838	Bolt	M8x20
5	SP311125000008	Washer	
6	506433	Bolt	M8x16
7	572796	Indicator holder	MC10 Models
	549602	Indicator holder	MC7 Models
8	SP311127000014	Washer	
9	SP310934000014	Nut	M14
10	SP533742	Cage	
11	SP533394	Bolt	180 models; M12x220
	SP547780	Bolt	240 and 280 models; M12x240
12	SP550033	Shim	
13	SP556718	Motor with Pulley	180 models; 2,2kW, 230V, 400V+N / 75 Hertz; Includes SP528407 Motor and 567661 Brake
	SP556719	Motor with Pulley	180 models; 2,2kW, 400V, 440V / 76 Hertz; Includes SP528417 Motor and 567661 Brake
	SP556720	Motor with Pulley	240 models; 3kW, 230V, 440V+N / 75 Hertz; Includes 575877 Motor and 567661 Brake
	SP556721	Motor with Pulley	240 models; 3kW, 400V, 440V / 76 Hertz; Includes 575878 Motor and 567661 Brake
	SP559508	Motor with Pulley	280 models; 3kW, 230V, 440V+N / 75 Hertz; Includes 575877 Motor and 567661 Brake
	SP559509	Motor with Pulley	280 models; 3kW, 400V, 440V / 76 Hertz; Includes 575878 Motor and 567661 Brake
14	SP309933000880	Bolt	M8x80
15	SP309933000616	Bolt	M6x16
16	SP533326	Tensioning Angle Piece	Fixed
17	SP310934000008	Nut	M8
18	SP310985000012	Nut	M12
19	SP309933001025	Bolt	M10x25
20	SP311902100010	Washer	10
21	SP547705	Tensioning Angle Piece	Moving
22	SP310934000008	Nut	M8
23	SP547782	Motor V-Pulley	180 models
	SP547582	Motor V-Pulley	240 models
	SP556895	Motor V-Pulley	280 models
24	SP547781	Belt	
25	SP311902100012	Washer	12
26	SP533794	Motor Holder	180 models
	SP533811	Motor Holder	240 and 280 models
27	SP309933001230	Bolt	M12x30
28	SP517528	Ring	
29	SP308726014050	Feather	
30	566055	Nut	M8
31	572793	Drum V-Pulley	

Blocking Mechanism



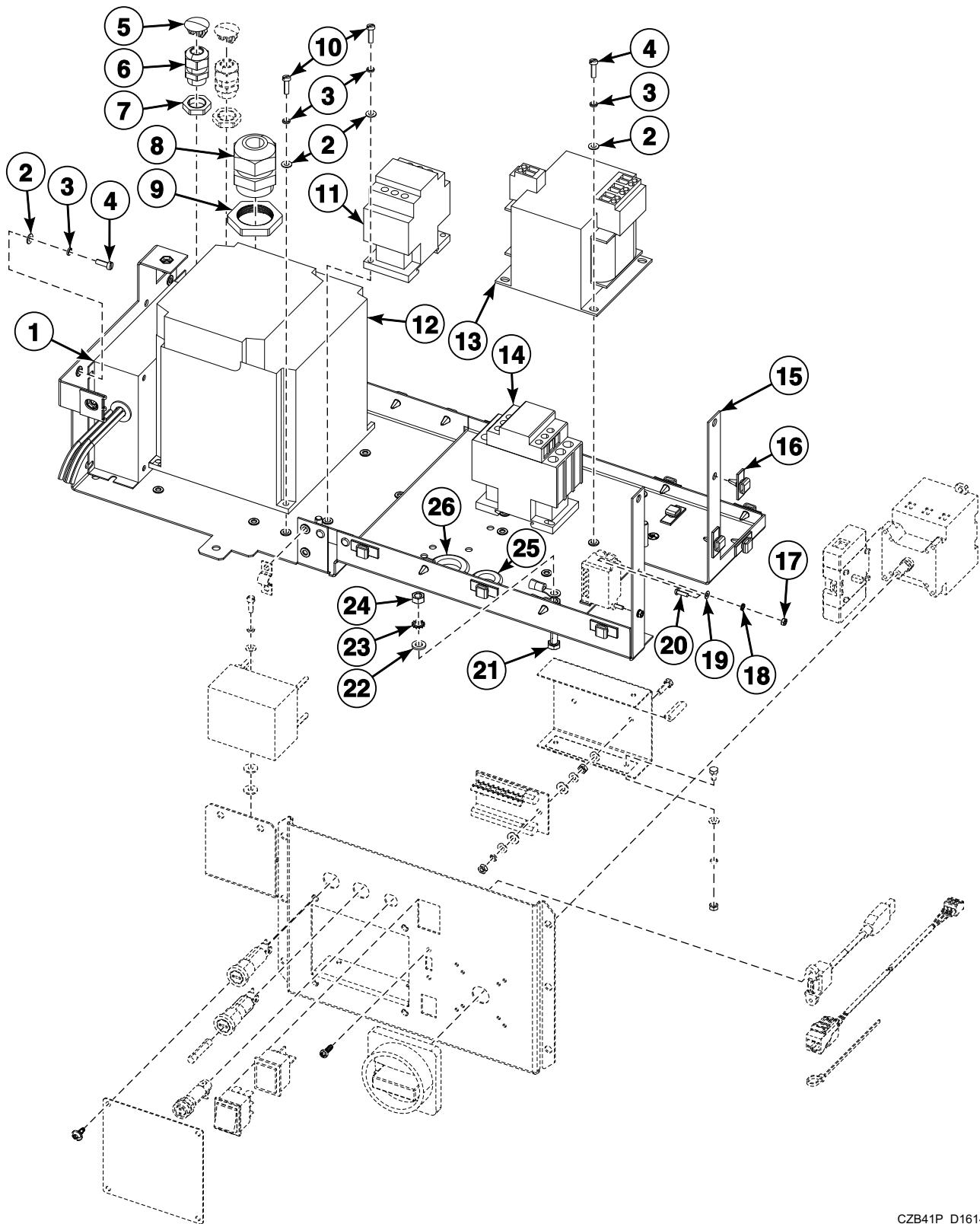
CZB198P_D1614

Blocking Mechanism

REF	PART NO.	DESCRIPTION	COMMENTS
	572705	Blockig Mechanism	
1	572709	Basement of Mechanism	
2	566044	Microswitch	
3	SP311679800003	Washer	M3
4	SP309084000316	Bolt	M3x16
5	SP311125000008	Washer	8.4
6	SP311127000008	Washer	
7	SP309933000825	Bolt	M8x25
8	566019	Bearing	
9	566021	Sliding bolt	
10	309084240405	Bolt	M4x5
11	309798500306	Bolt	M3x6
12	558200	Motor	
13	566066	Plate	
14	566067	Bolt	M4x90
15	566020	Motor Holder	
16	566005	Sliding Washer	
17	566017	Sliding Nut	
18	SP310985000010	Nut	M10
19	580069	Safety Bridge	
20	SP311125000005	Washer	5.3
21	SP521260	Bolt	M5x8
22	572789	Slide Bar	
23	SP537854	Bolt	M6x14
24	580001	Spring	
25	566008	Spring Base	
26	SP309933000830	Bolt	M8x30
27	SP311902100008	Washer	M8
28	572706	Blocking Element	
29	572764	Blocking Element Pad	
30	572669	Blocking Mechanism Arm	
31	566055	Nut	M8
32	SP309798500325	Bolt	M3x25
33	SPPRI610011077	Microswitch	
34	572787	Distance Tube	
35	572786	Moving Element	
36	566183	Switch Pin	
37	SP309933000825	Bolt	M8x25
38	SPPRI202001001	Bolt	M5x12

Electrical Component Box (Drawing 1 of 4)

180 Models through Serial No. 180FXB000977UQ, 240 Models through Serial No. 240FXB000724UQ and
280 Models through Serial No. 280FXB000462UQ



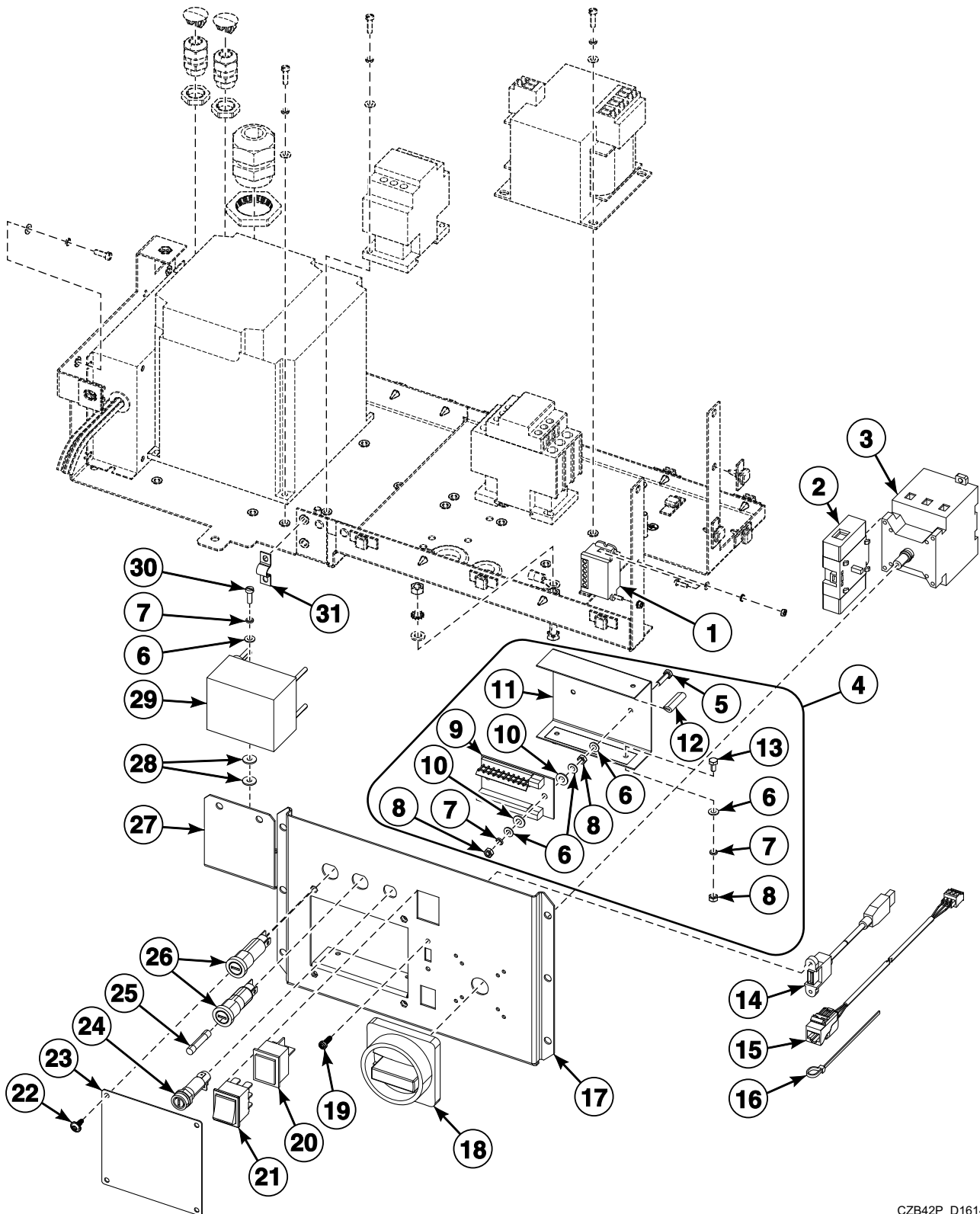
CZB41P_D1614

Electrical Component Box (Drawing 1 of 4)

REF	PART NO.	DESCRIPTION	COMMENTS
	SP528487	Main Wiring	
	SP557805	Control Panel Door Lock Wiring	MC7
	SP520032	Emergency Stop Wiring	
	SP528150	Pump Relay Board to LED Terminal Cable	
	SP557944	Soap Link Kit	
	SP557947	External Block Signal Cable	2.8m
	SP528324	Communication Cable	
	528461	Door Lock Wiring	MC6
	SP557948	External Block Signal Cable	4.3m
	569760	Uninterrupted Power Supply Kit	
1	SP525935	Filter	FR-D740-xxx
2	SP311125000004	Washer	4.3
3	SP311127000004	Washer	4
4	SP309084000412	Bolt	M4x12
5	SP345900215120	Plug	
6	SP101406	Bushing	M16
7	SP101416	Nut	M16
8	SP101409	Bushing	M32x1.5
9	SP101419	Nut	M32x1.5
10	SP309084000416	Bolt	M4x16
11	SP514038	Contactor	LC1-D09M7
	SP514042	Contactor	LC1D18M7
	SPPRI345002019	Contactor	LC1D32M7
12	571473	Frequency Inverter	FR-D720S-100-E8
	571475	Frequency Inverter	FR-D740-080-E8
	SP528235	Frequency Inverter Fan	
13	SP101643	Transformer	
14	SP514043	Contactor	LC1D50M7
15	SP549661	Component Box	
16	SP528313	Cable Holder	
17	SP310934000003	Nut	M3
18	SP311679800003	Washer	M3
19	SP311125000003	Washer	3.2
20	SP518719	Bolt	M3x10
21	SP309933100625	Bolt	M6x25
22	SP311125100006	Washer	6.4
23	SP311679824006	Washer	M6
24	SP310934240006	Nut	M6
25	SP273121015002	Cable Passage	15x2
26	SP273121022002	Cable Passage	22x2

Electrical Component Box (Drawing 2 of 4)

180 Models through Serial No. 180FXB000977UQ, 240 Models through Serial No. 240FXB000724UQ and
280 Models through Serial No. 280FXB000462UQ



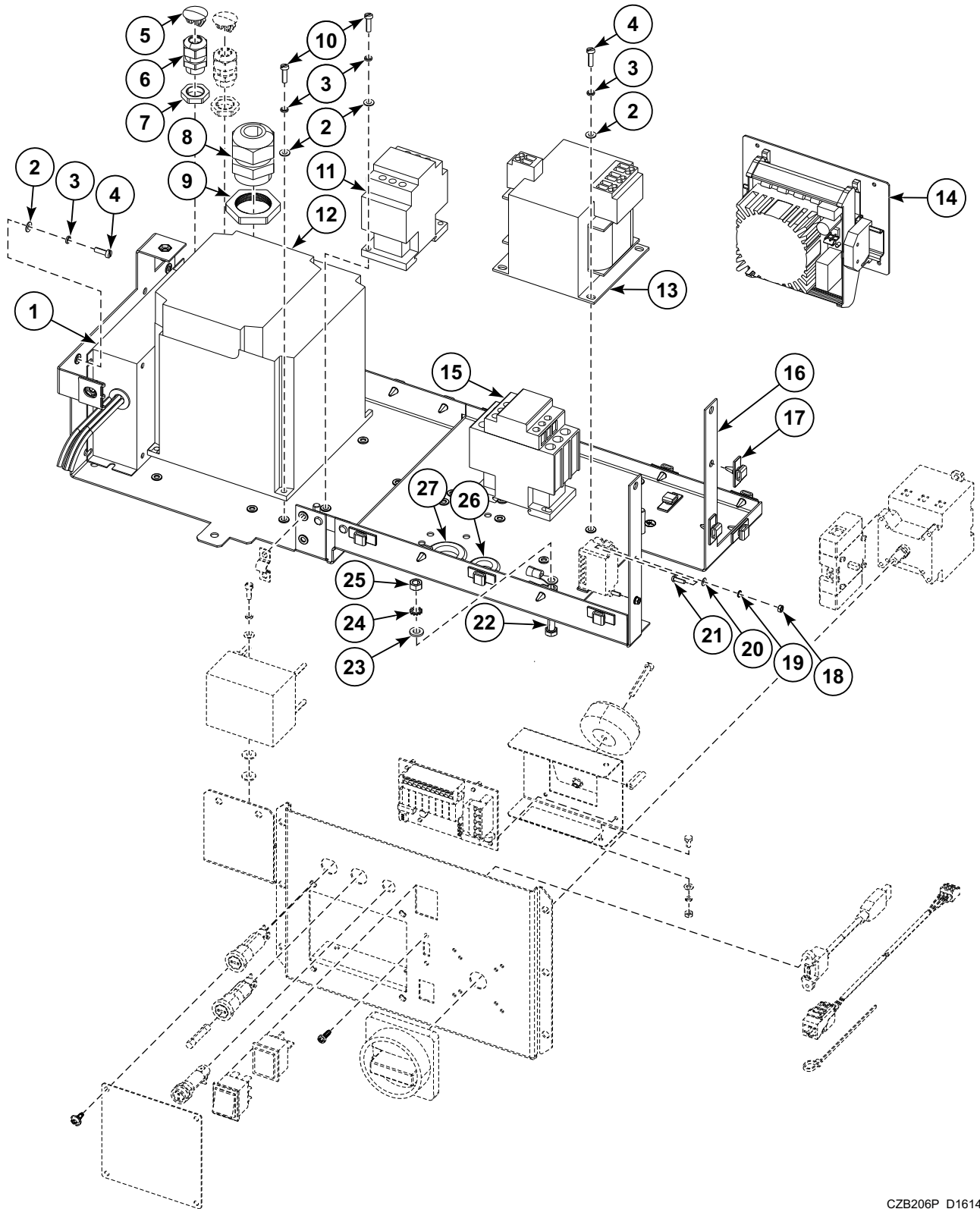
CZB42P_D1614

Electrical Component Box (Drawing 2 of 4)

REF	PART NO.	DESCRIPTION	COMMENTS
1	SP552239	Brake Rectifier	
2	SP506407	Main Switch	25A; Fourth pole
	SPPRI404001098	Main Switch	32A; Fourth pole
	SPPRI404001099	Main Switch	63A; Fourth pole
3	SPPRI404000097	Main Switch	25A
	SPPRI404000098	Main Switch	32A
	SPPRI404000099	Main Switch	63A
4	SP540180	Liquid Soap Supply Connection Kit	
5	SP309933000416	Bolt	M4x16
6	SP311125000004	Washer	4.3
7	SP311127000004	Washer	4
8	SP310934000004	Nut	M4
9	SP524714	Soap Relay Board	
10	PRI523000007	Washer	
11	SP540123	Liquid Detergent Box	
12	SPPRI505000058	Profiled Sealing	
13	SP309933240408	Bolt	M4x8
14	SP547006	USB Cable	
15	SP545234	Cable	With RS485 connector
16	SP345000626088	Binding Strip	
17	SP549068	Component Holder	Not applicable for interior lighting
	SP556729	Component Holder	Applicable for interior lighting
18	SPPRI404000095	Main Switch Knob	
19	SP526497	Screw	M4x12
20	SPPRI348001096	Plug	
21	SP100388	Switch	
22	SP529206	Screw	4x11
23	SP549663	Cover	
24	SPPRI401001020	Fuse Holder	5x20mm
25	SP345805163032	Fuse	6.3x32mm, T1A/500V
	SP345805363032	Fuse	6.3x32mm, T2.5A/250V
	SPPRI401020021	Fuse	5x20mm, F1.6A/250V
26	SPPRI401003020	Fuse Housing	6.3x32mm
27	SP559626	Filter Holder	
28	SP311902100004	Washer	4
29	SP552251	Filter	FR-D720S-xxx
30	SP309084000412	Bolt	M4x12
31	SPPRI407000091	Cable Sleeve	

Electrical Component Box (Drawing 3 of 4)

180 Models starting Serial No. 180FXB000978UQ, 240 Models starting Serial No. 240FXB000725UQ and
280 Models starting Serial No. 280FXB000463UQ



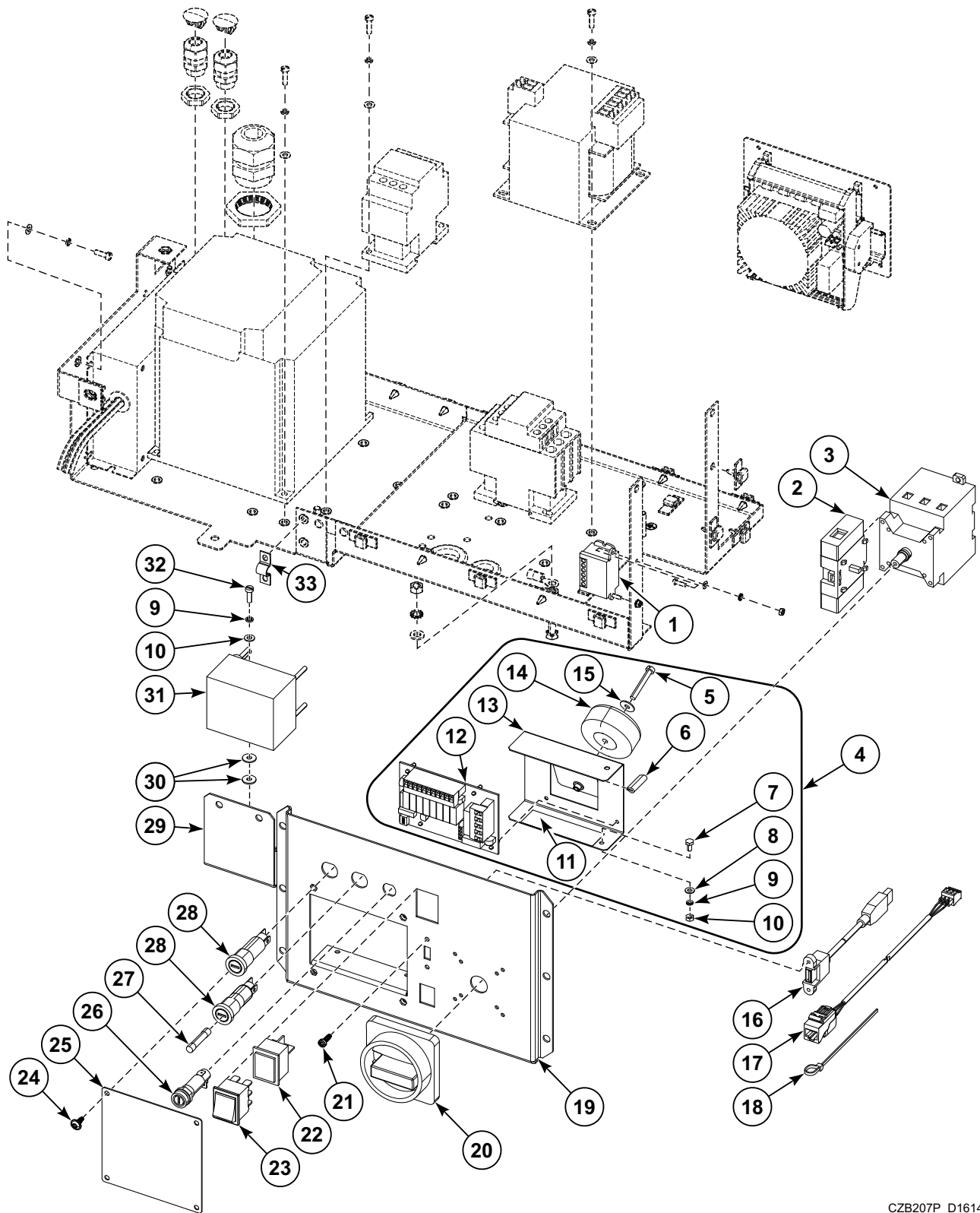
CZB206P D1614

Electrical Component Box (Drawing 3 of 4)

REF	PART NO.	DESCRIPTION	COMMENTS
	575783	Main Wiring	MC10 Models only
	575784	Control Panel Door Lock Wiring	MC10 Models only
	571460	Emergency Stop Cable	MC10 Models only
	564638	Drum Blocking Motor Cable	
	569701	Liquid Soap Connection Cable	
	SP528150	Pump Relay Board to LED Terminal Cable	
	SP557944	Soap Link Kit	
	SP557947	External Block Signal Cable	2.8m
	SP528324	Communication Cable	
	SP557948	External Block Signal Cable	4.3m
	569760	Uninterrupted Power Supply Kit	
1	SP525935	Filter	FR-D740-xxx
2	SP311125000004	Washer	4.3
3	SP311127000004	Washer	4
4	SP309084000412	Bolt	M4x12
5	SP345900215120	Plug	
6	SP101406	Bushing	M16
7	SP101416	Nut	M16
8	SP101409	Bushing	M32x1.5
9	SP101419	Nut	M32x1.5
10	SP309084000416	Bolt	M4x16
11	SP514038	Contactor	LC1-D09M7
	SP514042	Contactor	LC1D18M7
	SPPRI345002019	Contactor	LC1D32M7
12	571473	Frequency Inverter	FR-D720S-100-E8
	571475	Frequency Inverter	FR-D740-080-E8
	SP528235	Frequency Inverter Fan	
13	SP101643	Transformer	
14	564640	Reverse Rectifier	
15	SP514043	Contactor	LC1D50M7
16	SP549661	Component Box	
17	SP528313	Cable Holder	
18	SP310934000003	Nut	M3
19	SP311679800003	Washer	M3
20	SP311125000003	Washer	3.2
21	SP518719	Bolt	M3x10
22	SP309933100625	Bolt	M6x25
23	SP311125100006	Washer	6.4
24	SP311679824006	Washer	M6
25	SP310934240006	Nut	M6
26	SP273121015002	Cable Passage	15x2
27	SP273121022002	Cable Passage	22x2

Electrical Component Box (Drawing 4 of 4)

180 Models starting Serial No. 180FXB000978UQ, 240 Models starting Serial No. 240FXB000725UQ and
280 Models starting Serial No. 280FXB000463UQ

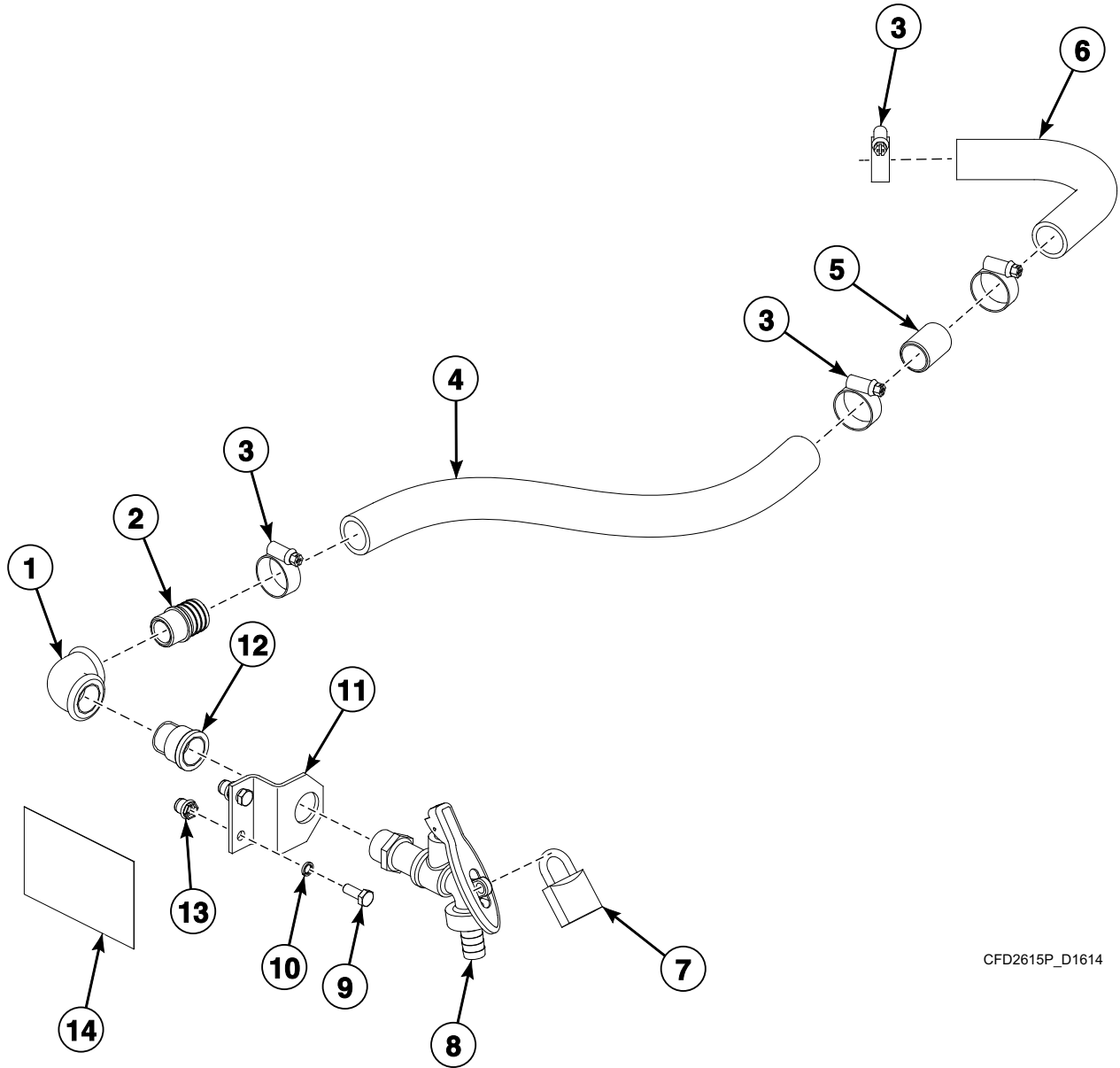


CZB207P_D1614

Electrical Component Box (Drawing 4 of 4)

REF	PART NO.	DESCRIPTION	COMMENTS
1	SP552239	Brake Rectifier	
2	SP506407	Main Switch	25A; Fourth pole
	SPPRI404001098	Main Switch	32A; Fourth pole
	SPPRI404001099	Main Switch	63A; Fourth pole
3	SPPRI404000097	Main Switch	25A
	SPPRI404000098	Main Switch	32A
	SPPRI404000099	Main Switch	63A
4	579220	Liquid Detergent with Transformer	MC10 Models only
	579240	Liquid Detergent without Transformer	MC10 Models only
5	SP309084000535	Bolt	M5x35
6	SPPRI505000058	Profiled Sealing	
7	SP309933240408	Bolt	M4x8
8	SP311125000004	Washer	4.3
9	SP311127000004	Washer	M4
10	SP310934000004	Nut	M4
11	570371	Label	Only for 579220
	579019	Label	Only for 579240
12	553187	Soap Relay Board	
13	579219	Liquid Detergent Box	MC10 Models only
14	564561	Transformer	
15	SP505430	Washer	M5
16	SP547006	USB Cable	
17	SP545234	Cable	With RS485 connector
18	SP345000626088	Binding Strip	
19	SP549068	Component Holder	Not applicable for interior lighting
	SP556729	Component Holder	Applicable for interior lighting
20	SPPRI404000095	Main Switch Knob	
21	SP526497	Screw	M4x12
22	SPPRI348001096	Plug	
23	SP100388	Switch	
24	SP529206	Screw	4x11
25	SP549663	Cover	
26	SPPRI401001020	Fuse Holder	5x20mm
27	SP345805163032	Fuse	6.3x32mm, T1A/500V
	SP345805363032	Fuse	6.3x32mm, T2.5A/250V
	SPPRI401020021	Fuse	5x20mm, F1.6A/250V
28	SPPRI401003020	Fuse Housing	6.3x32mm
29	SP559626	Filter Holder	
30	SP311902100004	Washer	4
31	SP552251	Filter	FR-D720S-xxx
32	SP309084000412	Bolt	M4x12
33	SPPRI407000091	Cable Sleeve	

Wash Bath Sample



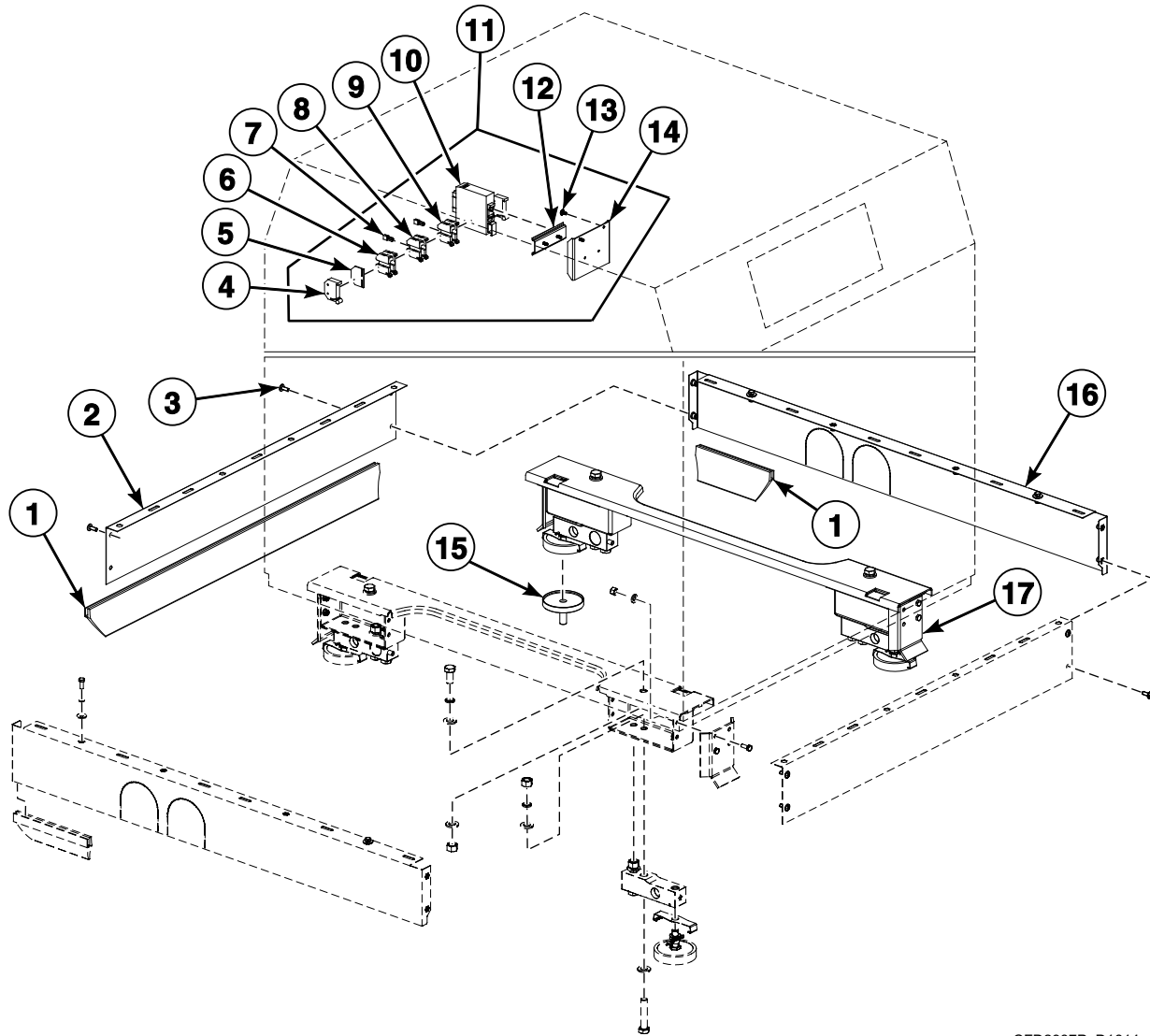
CFD2615P_D1614

Wash Bath Sample

REF	PART NO.	DESCRIPTION	COMMENTS
1	SP319428320504	Elbow	1/2 inch
2	SP531226	Threaded Joint	
3	SPPRI240000003	Hose Clamp	20-32
4	SPPRI503002049	Hose	Air trap
5	SP549539	Connection Tube	
6	SP511269	Hose	
7	SP523167	Padlock	
8	SP523728	Valve	1/2 inch; Lockable
9	SP309933000616	Bolt	M6x16
10	SP311127000006	Washer	6
11	SP549528	Valve Holder	
12	SP319413102015	Extension Tube	1/2 inch
13	SP313251000006	Nut	M6
14	N/A	Label	Wash bath sample

N/A = Part no longer available

Weighing System (Drawing 1 of 2)

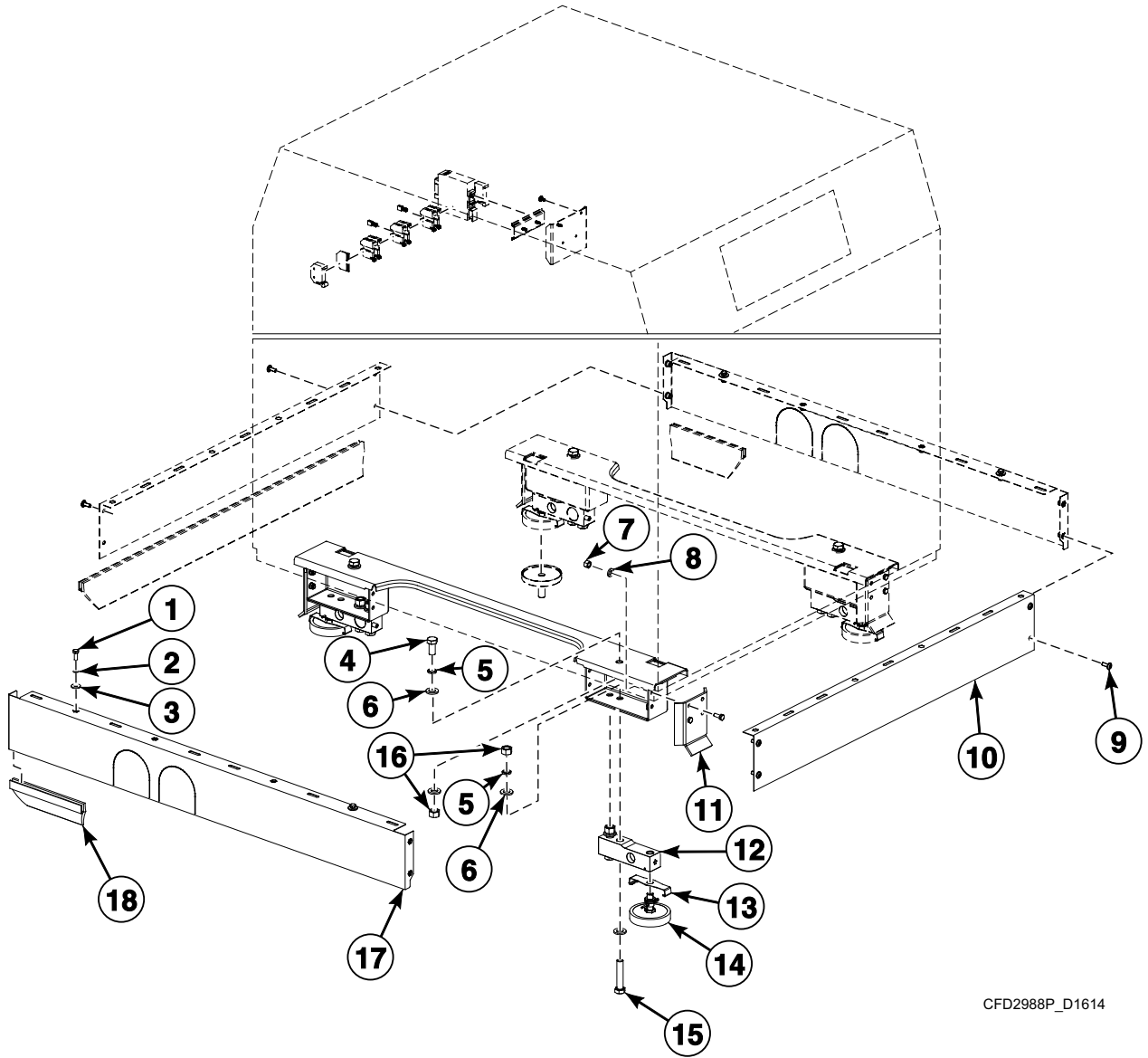


CFD2987P_D1614

Weighing System (Drawing 1 of 2)

REF	PART NO.	DESCRIPTION	COMMENTS
	SP516964	Converter	
	SP520082	Connector	9 poles
	SP345001662931	Contact Pin	
	SPPRI350002018	Contact	
	SP516997	Converter Box	Used with SP516964 Converter
	SP516090	Connector	5 poles
	SP347100306009	Connector Box	Used with SP520082 Connector
	SP341414000205	Shield Cable	2x0.5; Without connector, Used with SP520082 Connector and SP347100306009 Connector Box
	SP345000160971	Binding Strip	140x3.6
	SP505446	Conductor	0.35mm ² ; Blue; l=2m
	SP341413007002	Conductor	0.35mm ² ; Orange; l=0.5m
	SP341413007001	Conductor	0.35mm ² ; Red; l=1.8m
	SP505444	Conductor	0.35mm ² ; Green; l=0.7m
	SP510918	Connector	8 poles
	SP528313	Cable Holder	
	SP549759	Weighing System Kit	180 models
	SP549760	Weighing System Kit	240 models
	SP556871	Weighing System Kit	280 models
1	SP534338	Sealing Profile	
2	SP549793	Front Cover	180 models
	SP549788	Front Cover	240 models
	SP556873	Front Cover	280 models
	SP556743	Front Cover	180 models; With bumper
	SP556744	Front Cover	240 models; With bumper
3	SP537864	Bolt	M6x16
4	SP346000209101	End Stop	
5	SP346000280301	Cover	
6	SP346000280104	Clamp	280-104; Blue
7	SP346000280402	Interconnection	280-402
8	SP346000280107	Clamp	280-107; Green-yellow
9	SP346000280101	Clamp	280-101; Gray
10	SP516968	Amplifier	
11	SP549790	Amplifier Unit	
12	SP541442	Support Rail	
13	SP529206	Screw	4x11
14	SP549791	Amplifier Unit Holder	
15	SP526848	Anchor Pad	
16	SP549758	Right Cover	
17	SP549752	Weighing System Stand	

Weighing System (Drawing 2 of 2)

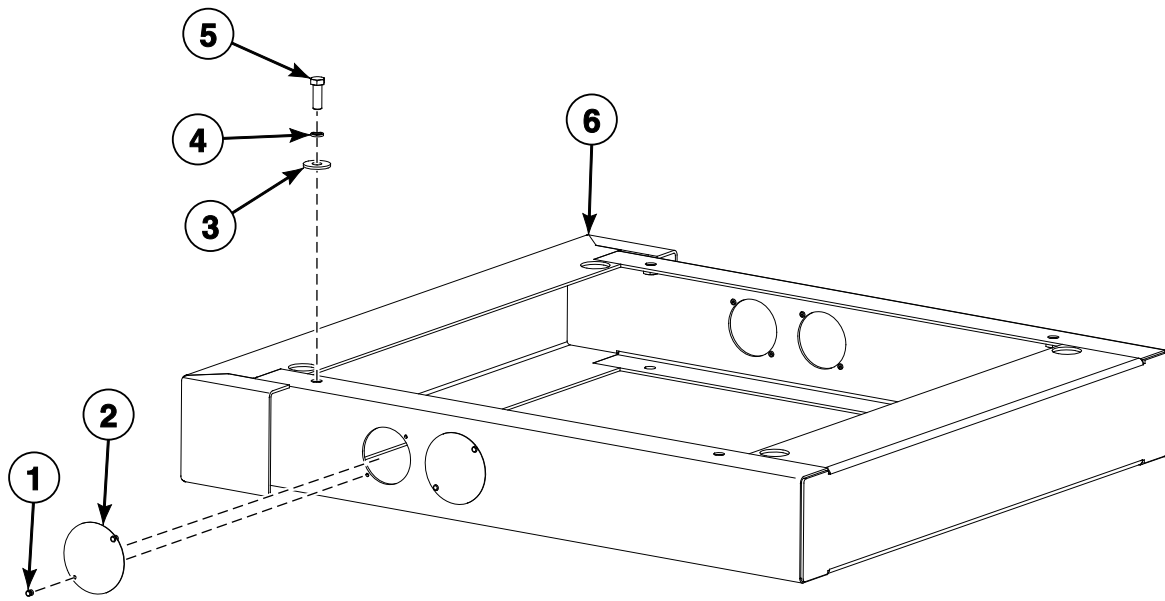


CFD2988P_D1614

Weighing System (Drawing 2 of 2)

REF	PART NO.	DESCRIPTION	COMMENTS
1	SP309933000616	Bolt	M6x16
2	SP311127000006	Washer	M6
3	SP311902100006	Washer	6
4	SP309933001225	Bolt	M12x25
5	SP311127000012	Washer	12
6	SP311125000013	Washer	13
7	SP310985000006	Nut	M6
8	SP311125000006	Washer	6.4
9	SP537864	Bolt	M6x16
10	SP549793	Front Cover	180 models
	SP549788	Front Cover	240 models
	SP556873	Front Cover	280 models
	SP556743	Front Cover	180 models; With bumper
	SP556744	Front Cover	240 models; With bumper
11	SP549084	Load Sensor Guard	
12	SP529101	Load Sensor	
13	SP552123	Clamp	
14	SP516956	Adjustable Foot	
15	SP309933001260	Bolt	M12x60
16	SP310934000012	Nut	M12
17	SP549765	Left Cover	
18	SP534338	Sealing Profile	

Base

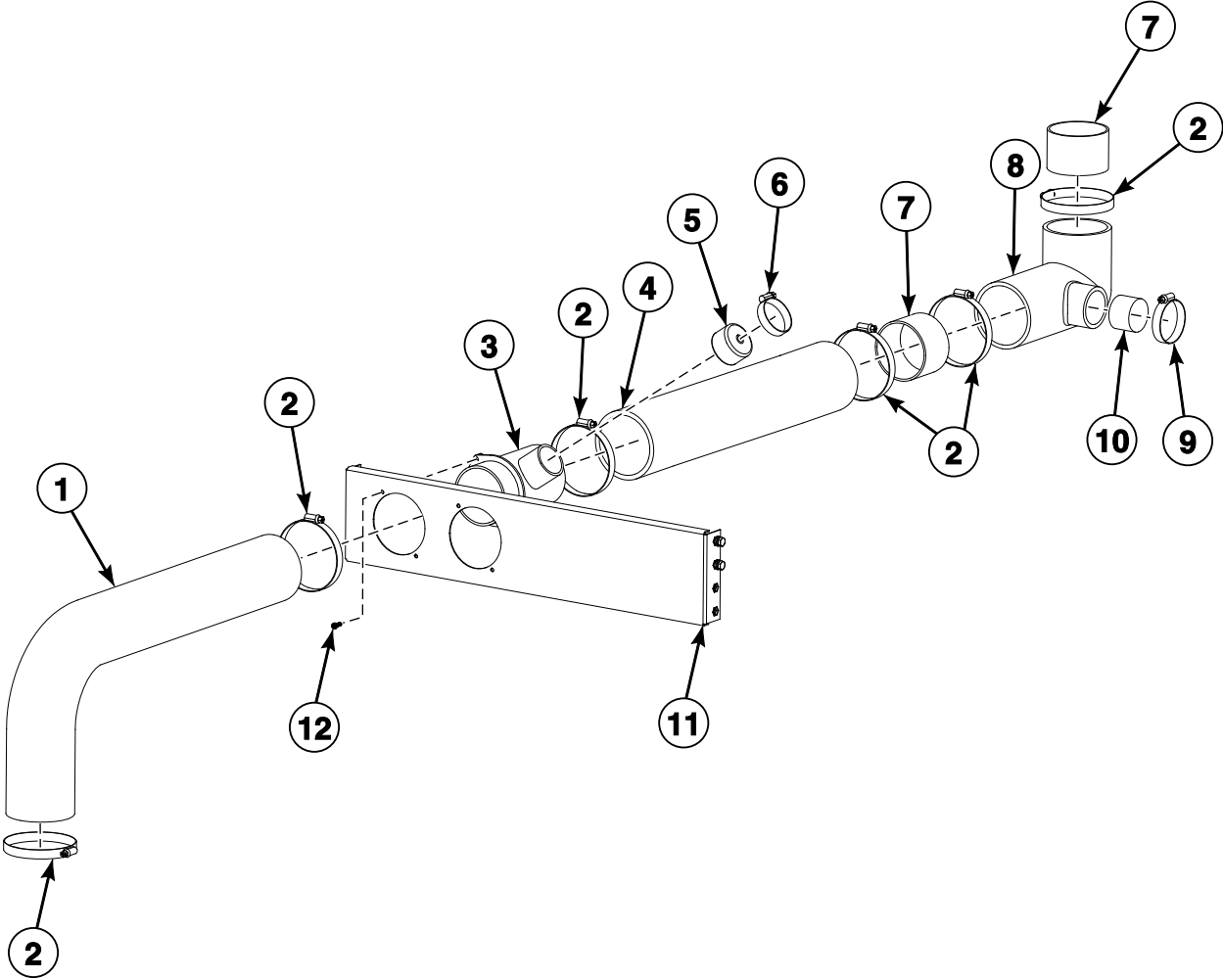


CFD2617P_D1614

Base

REF	PART NO.	DESCRIPTION	COMMENTS
1	SP313250004125	Rivet	4x12.5
2	SP548943	Plug	
3	SP311902100012	Washer	12
4	SP311127000012	Washer	12
5	SP309933001235	Bolt	M12x35
5	SP311127000012	Washer	12
6	SP548944	Elevated Base	180 models
	SP548941	Elevated Base	240 models
	SP556896	Elevated Base	280 models

Side Drain

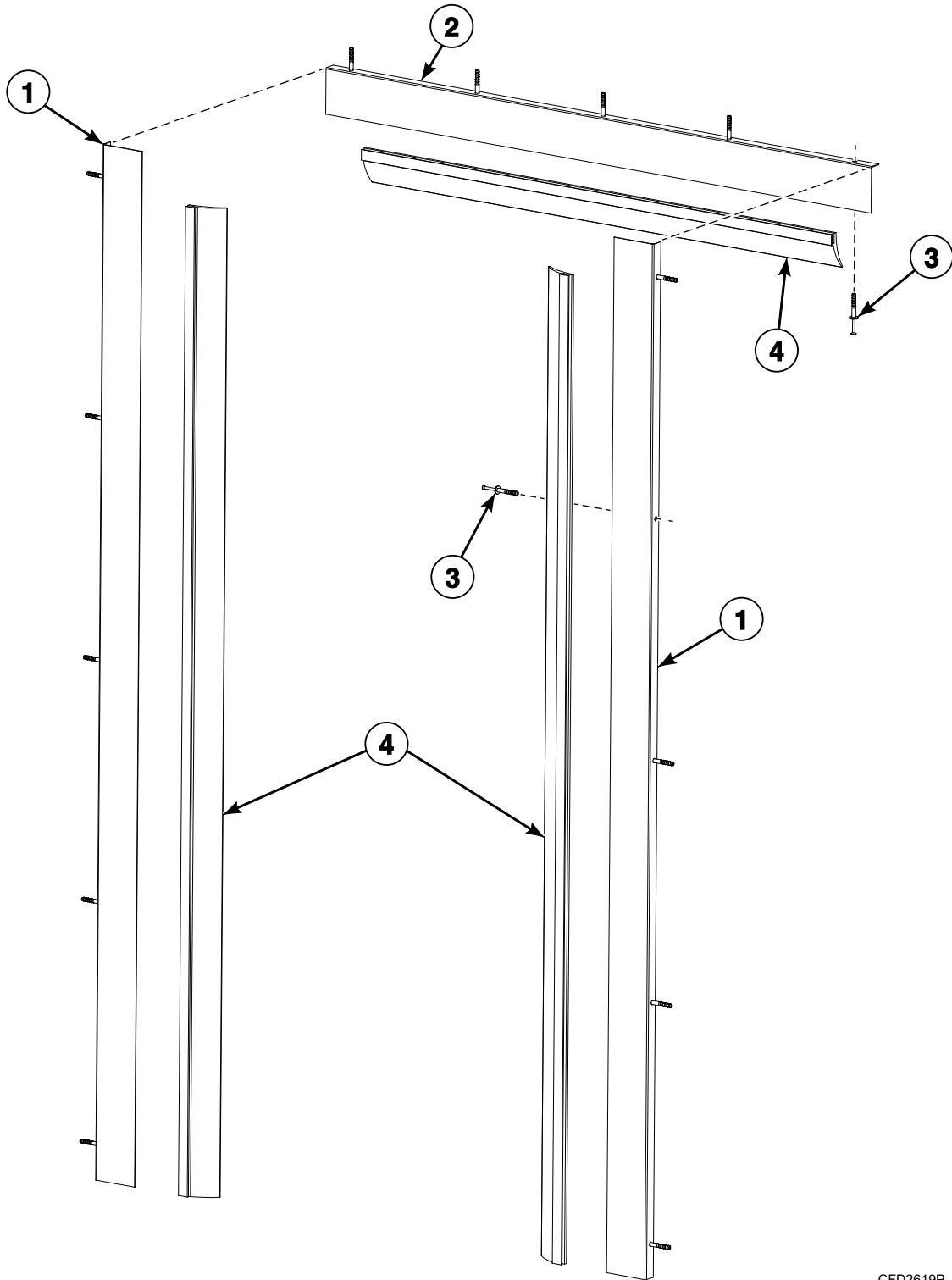


CFD2618P_D1614

Side Drain

REF	PART NO.	DESCRIPTION	COMMENTS
	SP548942	Side Drain	Includes items 1-10 and 12
1	SP519463	Drain Elbow	
2	SPPRI240000007	Hose Clamp	70-90
3	SP526454	Tee	
4	SPPRI505000087	Drain Hose Pipe	
5	SP526568	Cylinder Cap	
6	SPPRI240000008	Hose Clamp	32-50
7	SP527134	Tube	
8	SP549613	Drain Elbow	
9	SPPRI240000017	Hose Clamp	40-60
10	SPR35100016714	Cap	
11	SP549797	Drain Holder	With weighing system
12	SP526497	Screw	M4x12

Hygienic Barrier Seal

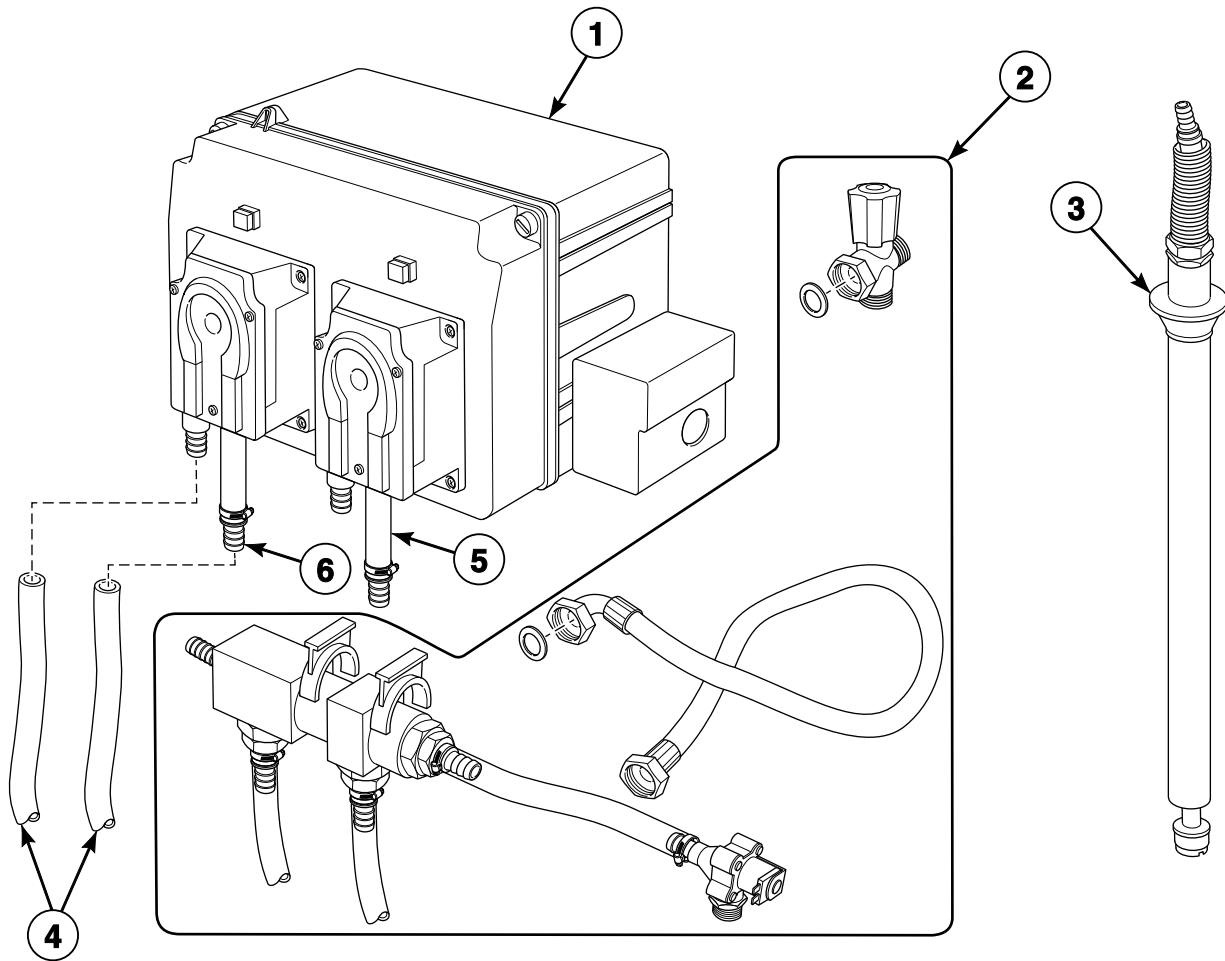


CFD2619P_D1614

Hygienic Barrier Seal

REF	PART NO.	DESCRIPTION	COMMENTS
	549751	Hygienic Barrier Seal	180 and 240 models; Includes items 1-4
	559510	Hygienic Barrier Seal	280 models; Includes items 1-4
1	SP549795	Lath	Side
2	SP549796	Lath	180 and 240 models; Upper
	SP559511	Lath	280 models; Upper
3	SP534350	Dowel	
4	SP534338	Sealing Profile	

Liquid Soap Supply System - Pumps

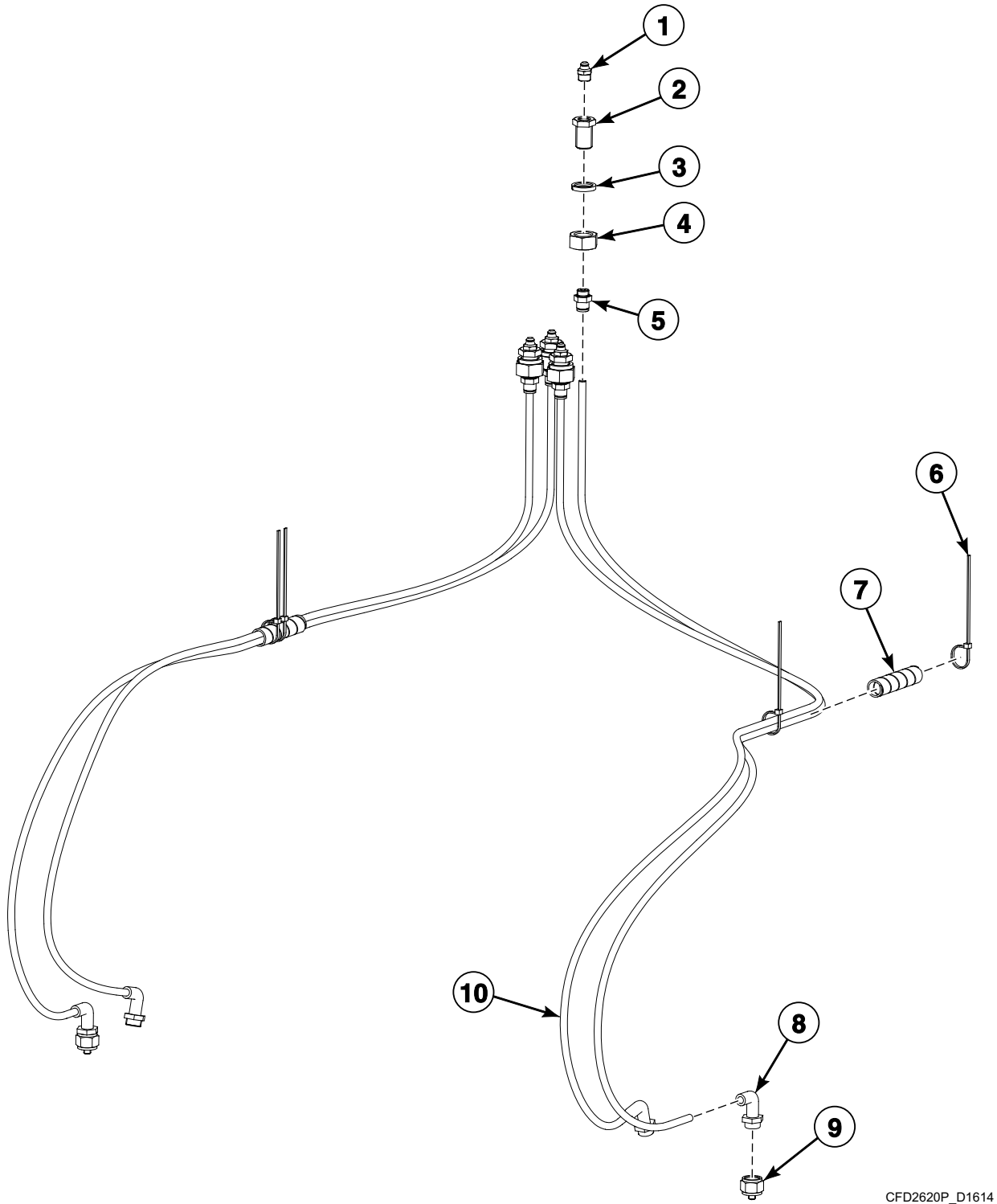


CZW45P_D1614

Liquid Soap Supply System - Pumps

REF	PART NO.	DESCRIPTION	COMMENTS
	MB90-Z40	Supply Pump Kit	For two pumps
	MB90-Z41	Supply Pump Kit	For three pumps
	MB90-Z42	Supply Pump Kit	For four pumps
	MB90-Z43	Supply Pump Kit	For five pumps
	MB90-Z44	Supply Pump Kit	For six pumps
1	529742	Pump	Two
	529743	Pump	Three
	529744	Pump	Four
	529745	Pump	Five
	529746	Pump	Six
2	529789	Manifold Flush Kit	For two pumps
	529797	Manifold Flush Kit	For three pumps
	529798	Manifold Flush Kit	For four pumps
	529799	Manifold Flush Kit	For five pumps
	529800	Manifold Flush Kit	For six pumps
3	529787	Suction Tube	
4	SPPRI540020005	Hose	d10/14
5	529747	Hose	Spare hose for pump
6	547808	Connection	

External Lubrication System

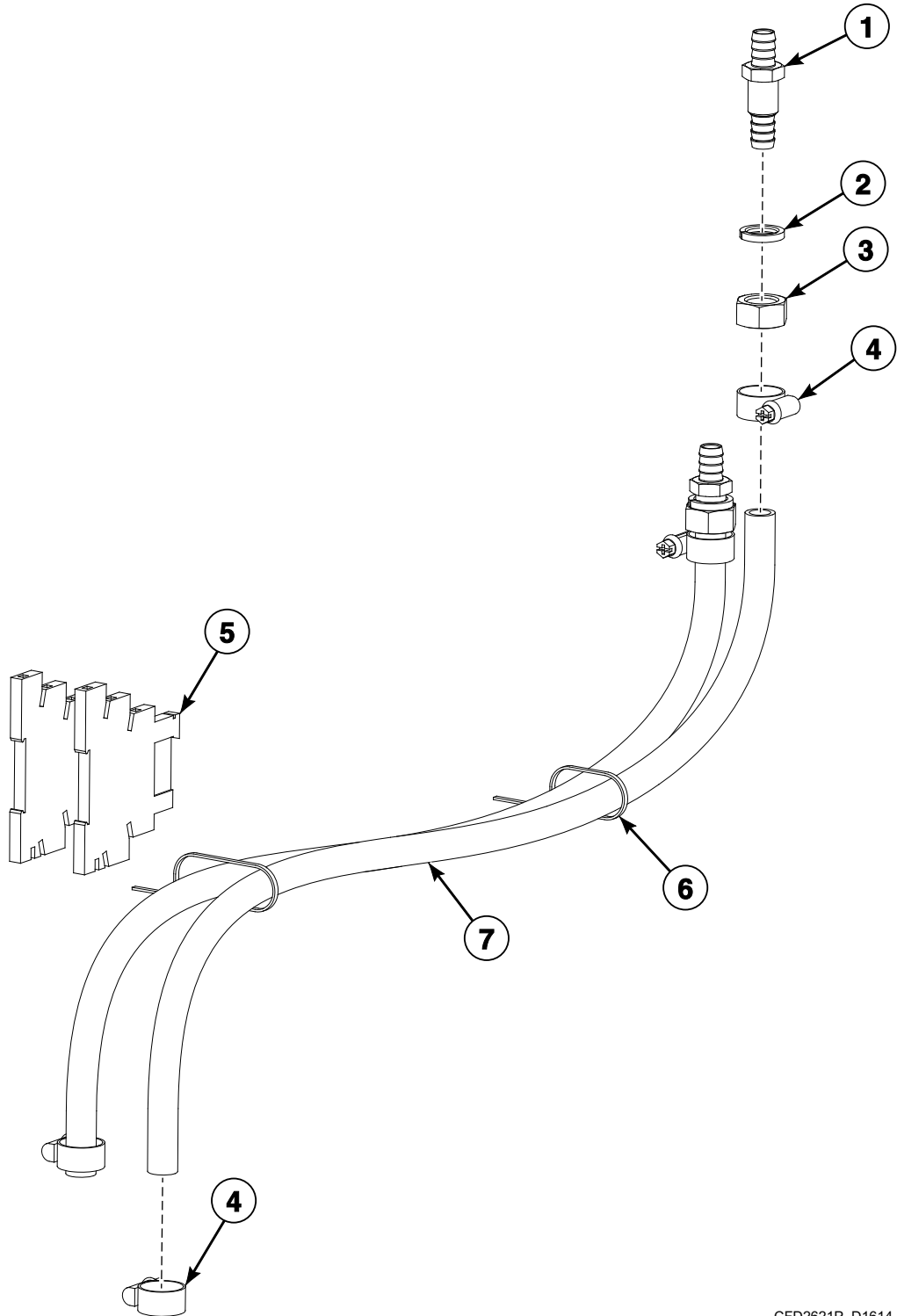


CFD2620P_D1614

External Lubrication System

REF	PART NO.	DESCRIPTION	COMMENTS
	SP549080	External Lubrication System	
1	SP425111211043	Greasing Head	
2	SP230131300715	Reducing Sleeve	
3	SP311127000014	Washer	14
4	SP310936000014	Nut	M14x1.5
5	SP560729	Fitting	6 - M10x1
6	SP345000626088	Binding Strip	
7	SP283449080200	Spiral	
8	SP503883	Pipe Nipple	
9	SP530869	Fitting Adapter	M6 / G 1/4 inch
10	SP283351220111	Hose	6x1

Additional Liquid Soap Inlet

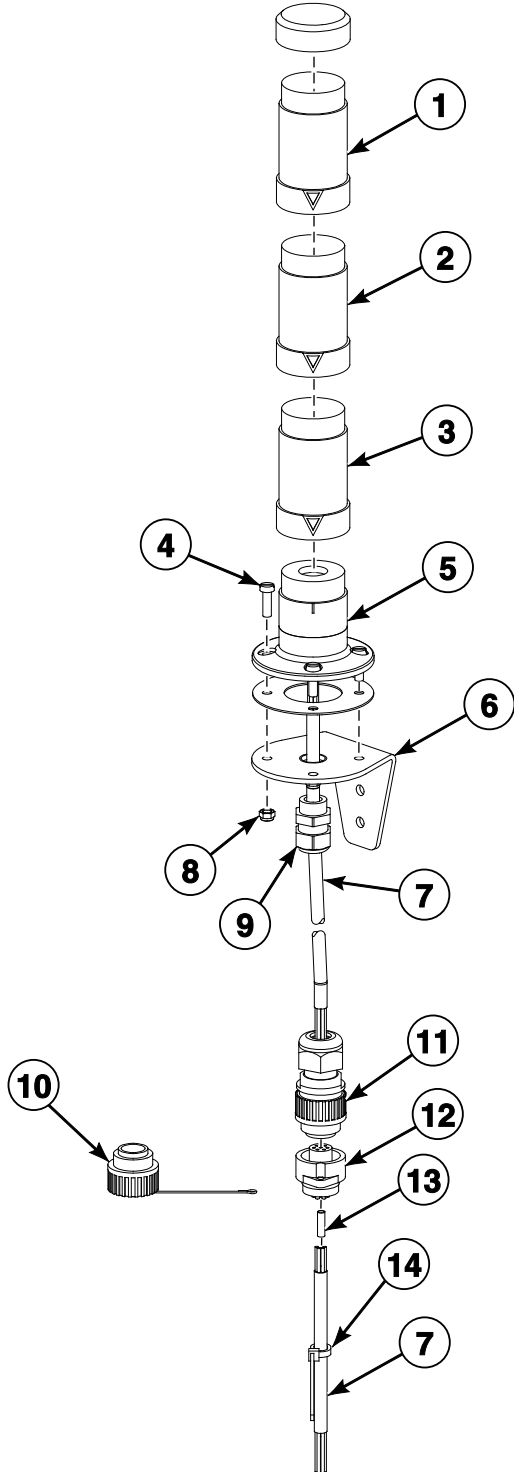


CFD2621P_D1614

Additional Liquid Soap Inlet

REF	PART NO.	DESCRIPTION	COMMENTS
	SP556703	Additional Inlet	
1	SP548956	Screw	
2	SP311127000014	Washer	14
3	SP310936000014	Nut	M14x1.5
4	SPPRI240000002	Hose Clamp	12-22
5	SP552468	Relay	1-pole; 230V
6	SP345000626088	Binding Strip	
7	SPPRI540020005	Hose	D 10/14

End of Cycle Light

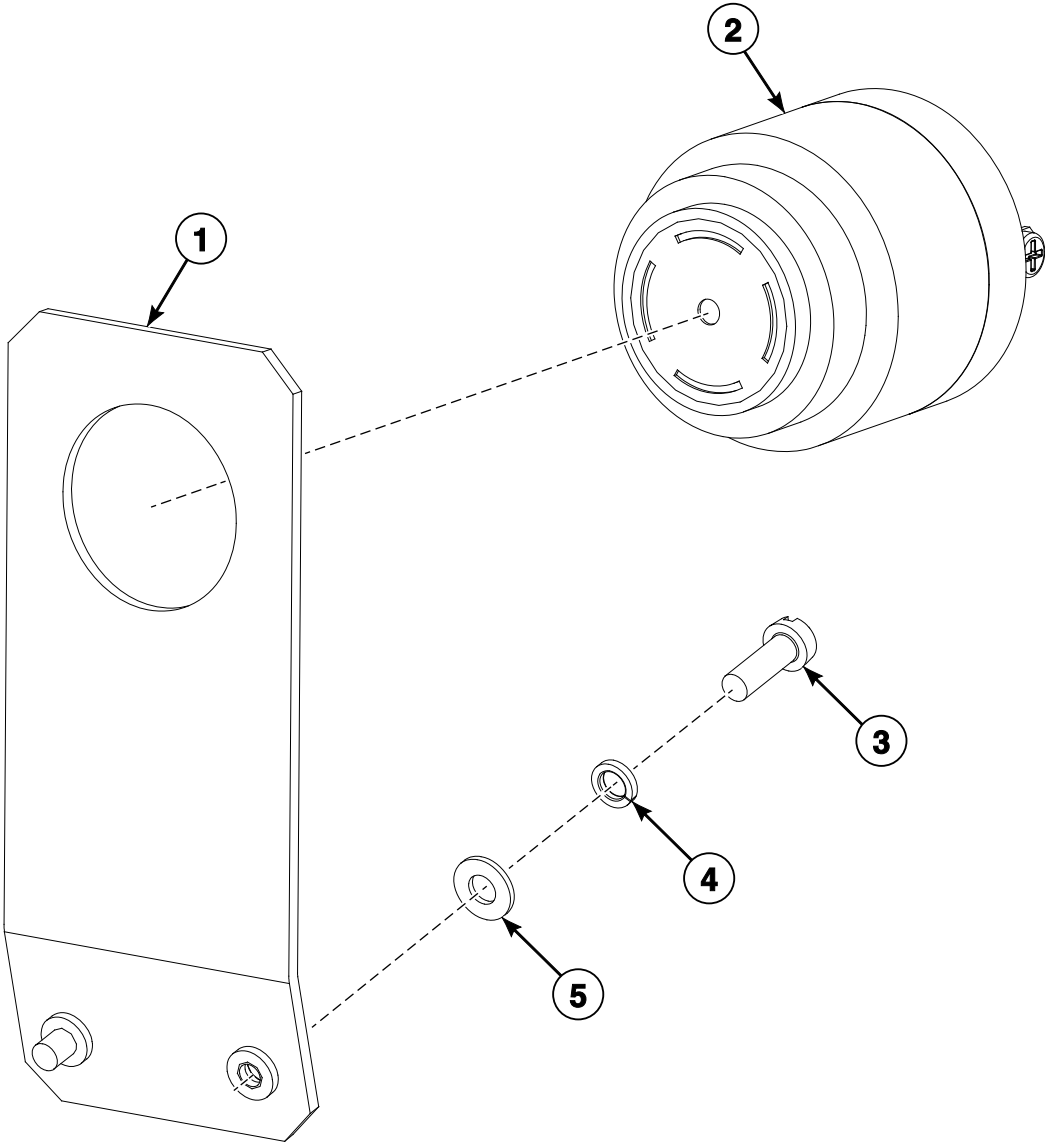


CFD2622P_D1614

End of Cycle Light

REF	PART NO.	DESCRIPTION	COMMENTS
	SP556714	End of Cycle LED	
	SP556723	End of Cycle Bulb	
	SP514132	Bulb	
1	SP552463	Light Module	Red; LED
	SP552479	Light Module	Red; Bulb
2	SP552464	Light	Amber; LED
	SP552480	Light	Amber; Bulb
3	SP552462	Light	Green; LED
	SP552478	Light	Green; Bulb
4	SP309084000516	Bolt	Used with LED
	SP506440	Screw	Used with bulb
5	SP552465	Base	Used with LED
	SP552481	Base	Used with bulb
6	SP556715	Holder	Used with LED
	SP556724	Holder	Used with bulb
7	SP508496	Cable	7x0.75
8	SP310985000005	Nut	M5; Used with LED
9	SP101406	Bushing	M16
10	SP552470	Connector Cover	
11	SP552461	Connector	
12	SP552469	Connector	
13	SP552471	Shrink Insulating	
14	SP345000160971	Binding Strip	

End of Cycle Buzzer

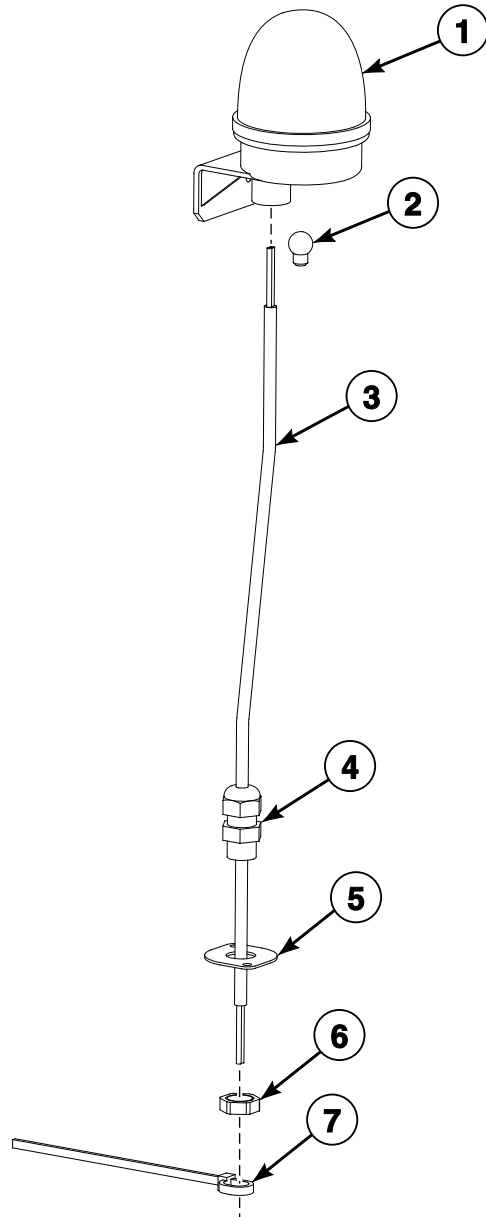


CFD2623P_D1614

End of Cycle Buzzer

REF	PART NO.	DESCRIPTION	COMMENTS
	SP556706	End of Cycle Buzzer	
1	SP548955	Holder	
2	SP516844	Buzzer	
3	SP309084000412	Bolt	M4x12
4	SP311127000004	Washer	4
5	SP311125000004	Washer	M4

End of Cycle Light and Buzzer

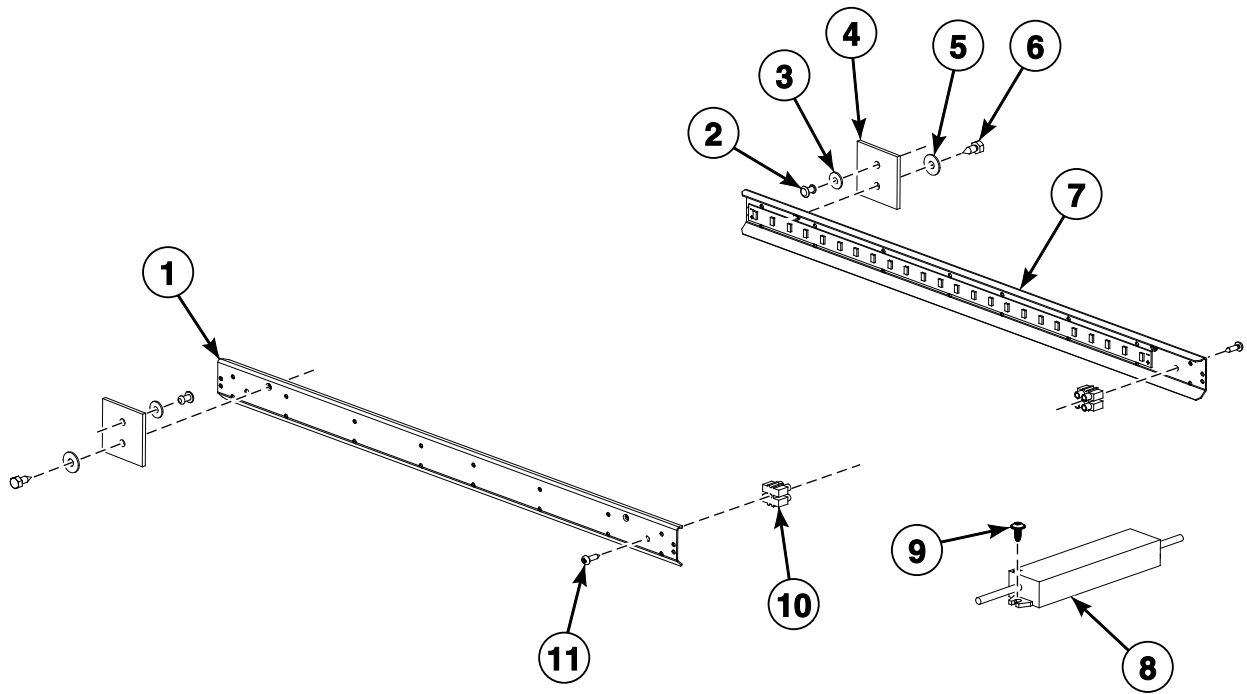


CFD2949P_D1614

End of Cycle Light and Buzzer

REF	PART NO.	DESCRIPTION	COMMENTS
1	SP514131	Beacon	
2	SP514132	Bulb	
3	SP341411102075	Beacon Cable	
4	SP101405	Bushing	M12x1.5
5	SP559628	Cable Bushing Plate	
6	SP101415	Nut	
7	SP345000160971	Binding Strip	

Interior Lighting



CFD2947P_D1614

Interior Lighting

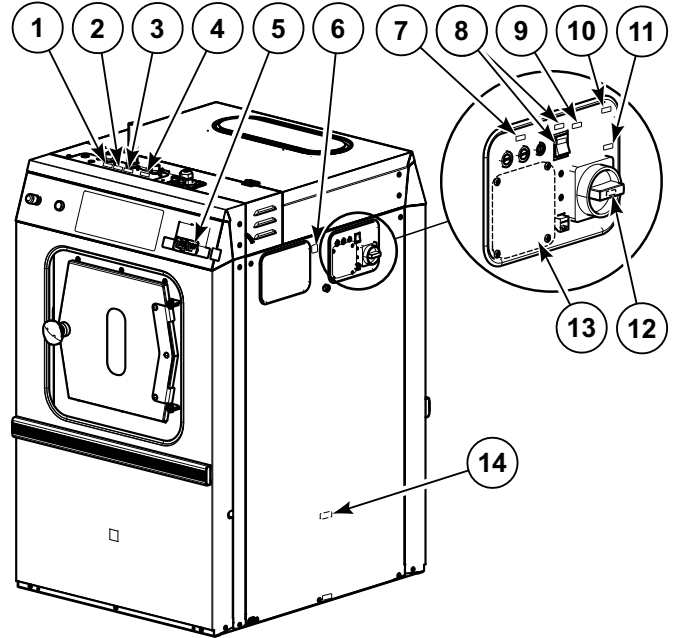
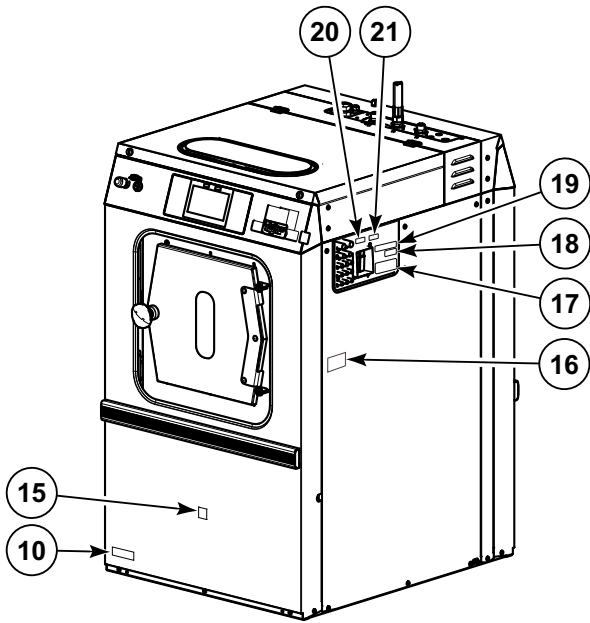
REF	PART NO.	DESCRIPTION	COMMENTS
	SP549034	Interior Lighting	
1	SP549082	Complete Light	2
2	SP313250004125	Rivet	4x12.5
3	SP311902100004	Washer	M4/4.3/12/1
4	SP556818	Light Holder	
5	SP505430	Washer	M5
6	SP100218	Screw	ST4.8x13
7	SP549035	Complete Light	1
8	SP549083	Power Supply	12V
9	SP529206	Screw	4x11
10	SP506575	Terminal Board	
11	SP309798100313	Screw	ST3.5x13

Wire Harnesses

PART NO.	DESCRIPTION	COMMENTS
SPPRI351000161	Steam Valve Cable	Steam heat
SPPRI351107209	Heating Contactor Wiring	l=440mm; For 6kW/230V, 9kW/400V
SPPRI351108209	Heating Contactor Wiring	l=440mm; For 9kW/230V, 12kW/400V
SPPRI351105209	Heating Contactor Wiring	l=440mm; For 12kW/230V, 18kW/400V
100222	Heating Contactor Wiring	l=700mm; For 9kW/230V, 12kW/400V
100223	Heating Contactor Wiring	l=700mm; For 12kW/230V, 18kW/400V
SPPRI351106209	Heating Contactor Wiring	l=700mm; For 18kW/230V, 24kW/400V
SP528335	Heating GND Wiring	
SP528205	Frame GND Interconnection	
528350	Transformer Connection	400-480V, 3AC -N
SP547075	RS485 External Interconnection	For RS485 external interconnection to PC
528393	Wiring Steam - Electrical Heating	Steam - electrical heating modification
552387	Inlet Valve Extension Wiring	High volume water inlets
SP528328	Heating Wiring	180 models; 400V, 440V
528329	Heating Wiring	180 models, 230V; 180 and 240 models 400V, 440V
528440	Heating Wiring	180 and 240 models; 230V
SP552333	Heating Wiring	280 models; 400V, 440V
SP552334	Heating Wiring	280 models; 230V
547061	Second Display Cable	
575799	Second Display Cable	

Decals

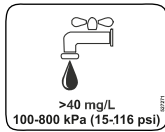
180 Models starting Serial No. 180FXB000978UQ, 240 Models starting Serial No. 240FXB000725UQ and
280 Models starting Serial No. 280FXB000463UQ



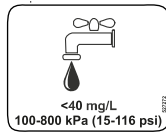
Pos 1



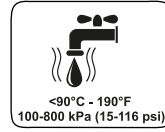
Pos 2



Pos 3



Pos 4



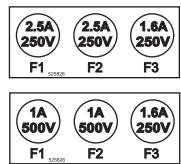
Pos 5

Logo

Pos 6



Pos 7



Pos 8



Pos 9



Pos 10



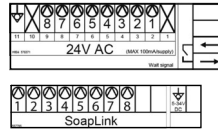
Pos 11



Pos 12



Pos 13



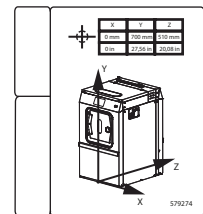
Pos 14



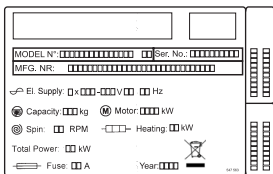
Pos 15



Pos 16



Pos 17



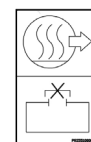
Pos 18



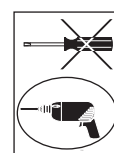
Pos 19



Pos 20



Pos 21



CZB205P_D1614

Decals

REF	PART NO.	DESCRIPTION	COMMENTS
1	548000101014	Label	Steam
2	SP527271	Index Plate	Cold Soft Water
3	SP527272	Index Plate	Cold Hard Water
4	SP527270	Index Plate	Hot Water
5	567887	Logo Label	PM models; Logo
	567293	Name Plate	IM models; Logo
	F8443105	Name Plate	UM models; Logo
	RSP70115601	Name Plate	SM models; Logo
6	SPPRI551006001	Label	PE
7	PRI551004217	Label	
	525826	Label	
8	556731	Label	Light
9	509472	Label	Steam - electricity
10	SP230200007514	Label	Lightning
11	SP530764	Label	Main switch
12	548011075015	Label	U V W PE; inside machine
13	570371	Label	Liquid Soap 24V
	579019	Label	Liquid Soap
	557765	Label	Soap Link; Inside the box
14	SPPRI551000001	Earthing Index Plate	
15	B12535501	Label	
	564873	Label	
16	579274	Center of Gravity Label	
17	547563	Serial Plate	Used with SP516715 Transparent Foil
	SP516715	Transparent Foil	
18	567184	Label	IMY, UMY, PMY and SMY models; Watermark
19	576337	Label	
20	SPPRI551000047	Label	Exhaust
21	SP523382	Label	The holes to be drilled not punched

Parts Index

A

Additional Inlet	
SP556703	111
Adhesive	
SP245704003021	69, 71, 73, 75, 77
Adjustable Foot	
SP516956	99
Air Trap Reduction	
SPPRI503000027	45
Amplifier	
SP516968	97
Amplifier Unit	
SP549790	97
Amplifier Unit Holder	
SP549791	97
Anchor Pad	
SP526848	97
Antivibration Insulation	
SP100179	13, 15
Axis	
SP558081	71

B

Base	
SP552465	113
SP552481	113
Basement of mechanism	
572709	85
Beacon	
SP514131	117
Beacon Cable	
SP341411102075	117
Bearing	
SP559623	79
566019	85
Bearing Flange	
SP549842	51, 55, 57, 61, 65
Bearing Replacement Tool Kit	
540555	51, 55, 57, 61, 65
Belt	
SP547781	81, 83
Binding Strip	
SP345000160971	97, 113, 117
SP345000626088	45, 89, 93, 109, 111
Black Lock Handle Complete	
572760	77
Black Lock 2 Complete	
580025	77
Block	
566164	59, 63, 67
Blocking disc	
572800	83
Blocking disc holder	
572668	83
Blocking Element	
572706	85

Blocking Element Pad	
572764	85
Blocking Mechanism	
572705	85
Blocking Mechanism Arm	
572669	85
Board Interconnection Cable	
SP547005	23, 25
Bolt	
SPPRI202001001	85
SP309084000308	27
SP309084000316	85
SP309084000412	87, 89, 91, 93, 115
SP309084000416	7, 9, 39, 87, 91
SP309084000516	113
SP309084000535	93
SP309084240312	13, 15
SP309084240325	9
SP309159324816	75, 77
SP309595240612	51, 55, 59, 63, 67, 71
SP309798500306	23, 25, 27, 29, 53, 57, 61, 65
SP309798500325	85
SP309798524412	23, 25, 27, 29
SP309931001050	9
SP309933000416	89
SP309933000616	11, 21, 81, 83, 95, 99
SP309933000630	11
SP309933000820	7, 9, 45
SP309933000825	85
SP309933000830	85
SP309933000845	7
SP309933000880	81, 83
SP309933001025	81, 83
SP309933001225	99
SP309933001230	83
SP309933001235	101
SP309933001240	81
SP309933001260	99
SP309933100625	87, 91
SP309933240408	89
SP309933240612	53, 57, 61, 65
SP309933240616	17, 19
SP309933240815	49
SP309933240822	49, 53, 57, 61, 65
SP309963000312	51, 55, 59, 63, 67
SP309963240512	21
SP503572	69
SP506432	9
SP506433	63, 67
SP509976	7
SP515048	53, 57, 61, 65
SP516876	33, 35, 37
SP516885	69
SP518719	87, 91
SP520983	49, 53, 57, 61, 65
SP521260	85
SP525282	59, 63, 67
SP526791	69, 71, 73, 75
SP527093	7
SP527420	9
SP533394	81, 83
SP533726	9
SP537854	85
SP537855	51, 55, 59, 63, 67
SP537864	11, 13, 15, 17, 19, 33, 35, 37, 97, 99

N/A items do not appear in index.

SP547780	81, 83
SP549031	51, 55, 59, 63, 67
SP549072	33, 35, 37
SP549838	49, 51, 53, 55, 57, 59, 61, 63, 65, 67, 83
SP553524	33, 35, 37
SP555504	51, 55, 59, 63, 67
309084240405	85
506433	83
566073	73, 75, 77
580022	77
Brake	
567661	81
Brake Rectifier	
SP552239	89, 93
Bulb	
SP514132	113, 117
Bumper Profile	
SP321000135460	17, 19
Bumper Reinforcement	
SP549638	17, 19
SP549888	17, 19
SP556832	17, 19
Bumper Side Bar	
SPF02113200614	17, 19
Bushing	
SP101405	117
SP101406	87, 91, 113
SP101409	87, 91
Buzzer	
SP516844	115

C

Cable	
SP508496	113
SP545234	89, 93
Cable Bushing Plate	
SP559628	117
Cable Holder	
SP528313	23, 25, 27, 87, 91, 97
Cable Passage	
SP273121005052	11
SP273121015002	87, 91
SP273121022002	87, 91
Cable Sleeve	
SPPRI407000091	89, 93
Cable Tie	
39037	39, 41
Cage	
SP533742	81, 83, 85
Cap	
SPR35100016714	45, 103
Casing	
SP529739	33, 35, 37
Center of Gravity Label	
579274	123
Clamp	
SP346000280101	97
SP346000280104	97
SP346000280107	97
SP552123	99
Clamp Sleeve	
SP559624	65, 79

Coil	
SP554110	47
Communication Cable	
SP528324	87, 91
Complete Light	
SP549035	119
SP549082	119
Component Box	
SP549661	87, 91
Component Holder	
SP549068	89, 93
SP556729	89, 93
Compression Spring	
SP535406	33, 35, 37
Conductor	
SP341413007001	97
SP341413007002	97
SP505444	97
SP505446	97
Connection	
547808	107
Connection Tube	
SP549539	45, 95
SP549615	39, 41
Connector	
SP510918	97
SP516090	97
SP520082	97
SP537856	39, 41
SP552461	113
SP552469	113
SP554156	47
Connector Box	
SP347100306009	97
Connector Cover	
SP552470	113
Contact	
SPPRI350002018	97
Contact Pin	
SP345001662931	97
Contacto	
SPPRI345002019	87, 91
SP514038	87, 91
SP514042	87, 91
SP514043	87, 91
Control Board	
SP547001	23
SP553411	23, 25
SP553412	23, 25
SP553419	23, 25
572505	27
Control Board Holder	
SP550117	23
SP558123	25
579216	27
Control Board Power	
SP547002	23
SP553405	23, 25
553184	27
Control Panel	
SP549646	23, 25
SP549655	29
SP549896	23, 25
SP549905	29
SP556784	23, 25
SP556785	23, 25

N/A items do not appear in index.

SP556851	23, 25
SP556855	29
SP559545	23, 25
SP559546	23, 25
SP559547	23, 25
SP559571	29
SP559572	29
SP559573	29
579210	27
Control Panel Door Lock Wiring	
SP557805	87
575784	91
Converter	
SP516964	97
Converter Box	
SP516997	97
Cover	
SPPRI543000004	27
SP346000280301	97
SP549663	89, 93
SP549890	29
Cover Holder	
SP549657	11
Cover Plate	
SP558136	71, 73
572250	75
Cover Strip Pin	
SP533738	7
Cylinder Cap	
SP526568	103

D

Damper	
SP533716	9
Dispenser Lid	
SP526461	43
SP551695	43
Dispenser Seal	
SP540158	43
Display Adapter	
573929	27
Display Protection	
SP549889	29
Distance Case	
SP515274	7
Distance Plate	
SP558134	71, 73
572249	75
Distance Tube	
572787	85
Distinguishing Ring	
SP535411	33, 35, 37
SP535437	33, 35, 37
Door	
SP549730	69
SP549731	69
SP549980	69
SP549981	69
SP558071	71
SP558072	71
SP558073	71
SP558074	71
566110	73
566111	73
566112	73
566113	73
572291	75, 77
572292	75, 77
572293	75, 77
572294	75, 77
Door Glass	
SP549690	33, 35, 37
Door Lock Holder	
SP558024	51, 55
566166	59, 63, 67
Door Lock Wiring	
528461	87
Door Stop	
SP549829	49, 53, 57, 61, 65
Door Weldment	
SP549732	69
SP549733	69
SP549982	69
SP549983	69
SP558047	71
SP558048	71
SP558057	71
SP558089	71
566114	73
566115	73
566116	73
566117	73
572295	75, 77
572296	75, 77
572297	75, 77
572298	75, 77
Double Reverse Valve	
RSPB12543901	39, 41
Dowel	
SP534350	105
Drain Bowl	
SP549538	45
Drain Elbow	
SP519463	103
SP549019	45
SP549020	45
SP549021	45
SP549613	45, 103
SP556800	45
SP559501	45
SP559502	45
Drain Holder	
SP549797	103
Drain Hose Pipe	
SPPRI505000087	103
SP526492	45
Drain Valve	
SPPRI340055051	45
Drain Valve Holder	
SP549531	45
SP549533	45
SP549535	45
Drum Blocking Motor Cable	
564638	91
Drum Hinge	
SP549736	69, 71
SP549986	69, 71
S566088	73, 75, 77
566133	73, 75, 77

N/A items do not appear in index.

Drum V-Pulley	
SP549596	81
572793	83

E

Earthing Index Plate	
SPPRI55100001	123
Edge Protection	
SP529068	17, 19
Elbow	
SP319428320504	95
Elevated Base	
SP548941	101
SP548944	101
SP556896	101
Emergency Stop Cable	
571460	91
Emergency Stop Connector	
SP528311	23, 25, 27, 29
Emergency Stop Knob	
SP528310	23, 25, 27, 29
Emergency Stop Wiring	
SP520032	87
End of Cycle Bulb	
SP556723	113
End of Cycle Buzzer	
SP556706	115
End of Cycle LED	
SP556714	113
End Stop	
SP273141307068	49, 53, 57, 61, 65
SP346000209101	97
Entry Cover	
SP549029	11
SP549030	11
SP556847	11
Extension	
SPPRI426003217	41
Extension Tube	
SP319413102015	95
External Block Signal Cable	
SP557947	87, 91
SP557948	87, 91
External Frame Assembly	
SP549650	11
SP549900	11
SP556823	11
External Lubrication System	
SP549080	109
External Tub	
SP549571	49
SP549821	49
SP556810	49
SP558065	53, 57, 65
SP558066	53, 57, 65
SP558103	53, 57, 65
566195	61
572224	61
572610	61

F

Feather	
SP308726014050	81, 83
Fill Hose Pipe	
SP549616	39, 41
SP549866	39, 41
SP556870	39, 41
Filling Elbow Pipe	
SP526484	39, 41
Filling Hose Pipe	
RSPF200166	39, 41
SPPRI505000054	39
SP533036	41
SP547980	39
Filter	
SPPRI340004030	39, 41
SP525935	87, 91
SP552251	89, 93
Filter Holder	
SP559626	89, 93
Finger Protection	
570140	59, 63, 67
570163	59, 63, 67
Finger Protection Update Kit	
566170	59, 63, 67
566171	59, 63, 67
566172	59, 63, 67
566173	59, 63, 67
566174	59, 63, 67
566175	59, 63, 67
566176	59, 63, 67
566177	59, 63, 67
566178	59, 63, 67
566179	59, 63, 67
Fitting	
SP560729	109
Fitting Adapter	
SP530869	109
Flap	
SP540113	43
Frame GND Interconnection	
SP528205	120
Frame Section	
SP549075	11
SP549076	11
SP549077	11
SP549078	11
SP549632	11
SP549634	11
SP549649	11
SP549882	11
SP549883	11
SP556838	11
Frame Section 02	
SP549633	11
Frequency Inverter	
571473	87, 91
571475	87, 91
Frequency Inverter Fan	
SP528235	87, 91
Front Cover	
SP549788	97, 99
SP549793	97, 99
SP556743	97, 99

N/A items do not appear in index.

SP556744	97, 99
SP556873	97, 99
Front Panel	
SP549621	17
SP549664	17
SP549871	17
SP549914	17
SP556824	17
SP556825	17
SP559601	17
SP559602	17
SP559605	17
SP559606	17
SP559609	17
SP559610	17
570151	13, 15, 19
570152	19
570155	13, 15, 19
570156	19
570168	19
570171	13, 15, 19
570172	19
570175	13, 15, 19
570176	19
570179	13, 15, 19
570180	19
570191	13, 15, 19
Front Panel Brace	
SP549644	11
SP549894	11
SP556841	11
Front Panel Reinforcement	
SP556707	17, 19
SP556708	17, 19
SP556833	17, 19
Fuse	
SPPRI401020021	89, 93
SP345805163032	89, 93
SP345805363032	89, 93
Fuse Holder	
SPPRI401001020	89, 93
Fuse Housing	
SPPRI401003020	89, 93

G

Glass	
SP549004	17, 19
Golden Lock Handle	
566120	71, 73, 75
Grease Nipple	
SP536591	51, 55, 57, 61, 65, 79
SP548936	51, 55, 57, 61, 65, 79
Greasing Head	
SP425111211043	109
Guide	
SP523037	69
Gutter	
SP549584	49, 53, 57, 61, 65

H

Handle	
SP552908	33, 35, 37

SP552909	33, 35, 37
SP556277	33
SP556297	35, 37
Handle Ball	
SP535407	33, 35, 37
Handle Lower Part	
SP535429	33, 35, 37
SP549048	33, 35, 37
Handle Torsion Spring	
SP535402	33, 35, 37
Heating Contactor Wiring	
SPPRI351105209	120
SPPRI351106209	120
SPPRI351107209	120
SPPRI351108209	120
100222	120
100223	120
Heating Element	
SP540127	51, 55, 57, 61, 65
SP540132	51, 55, 57, 61, 65
SP554152	51, 55, 57, 61, 65
Heating Element Hole Plug	
SPPRI342001016	47
Heating GND Wiring	
SP528335	120
Heating Wiring	
SP528328	120
SP552333	120
SP552334	120
528329	120
528440	120
Hinge	
SP549039	33, 35, 37
SP549056	21
Hinge Pin	
SP549737	69, 71
SP549987	69, 71
566136	73, 75, 77
566137	73, 75, 77
572615	73, 75, 77
Holder	
SP548955	115
SP549058	33, 35, 37
SP556715	113
SP556724	113
Holder Cover	
SP535430	33, 35, 37
SP535438	33, 35, 37
SP556278	33, 35, 37
Hook	
SPPRI551016250	11
Hook Lock	
SPPRI610002007	21
Horizontal Seal	
SP549052	33, 35, 37
SP549067	33, 35, 37
Hose	
SPPRI503002049	45, 95
SPPRI540000014	39, 41
SPPRI540001019	41
SPPRI540020005	107, 111
SP283351220111	109
SP511269	95
529747	107
Hose Clamp	
SPPRI240000002	39, 41, 47, 111

N/A items do not appear in index.

SPPRI240000003	39, 41, 45, 95
SPPRI240000007	39, 41, 45, 103
SPPRI240000008	103
SPPRI240000017	39, 41, 45, 103
SPPRI241000017	45
SP526491	39, 41
SP526532	45
Hose Support	
SP549867	39, 41
Hygienic Barrier Seal	
549751	105
559510	105

I

Index Plate	
SP527270	123
SP527271	123
SP527272	123
Indicator holder	
549602	83
572796	83
Inductive Sensor	
SP374415083131	51, 55, 57, 61, 65
Inlet Valve Extension Wiring	
552387	120
Insertion	
SP558050	71, 73, 75
Inside Plate	
SP549038	33, 35, 37
SP549062	33, 35, 37
SP549085	33, 35, 37
SP549097	33, 35, 37
Interconnection	
SP346000280402	97
Interior Lighting	
SP549034	119
Internal Vessel	
SP540116	43

K

Keyboard	
SP547085	23, 25
SP547087	23, 25
SP557130	23, 25
SP557565	23, 25
SP559862	23, 25

L

Label	
B12535501	123
PRI551004217	123
SPPRI551000047	123
SPPRI551006001	123
SP230200007514	123
SP523382	123
SP530764	123
509472	123
525826	123
548000101014	123

548011075015	123
556731	123
557765	123
567184	123
570371	93, 123
576337	123
579019	93

Lath	
SP549795	105
SP549796	105
SP559511	105
Leading Pin	
SP550113	23, 25, 29
Leading pin	
SP550113	27
LED Module	
SP552241	29
LED Signal	
SP552240	29
Left Cover	
SP549765	99
Light	
SP552462	113
SP552464	113
SP552478	113
SP552480	113
Light Holder	
SP556818	119
Light Module	
SP552463	113
SP552479	113
Liquid Detergent Box	
SP540123	89
579219	93
Liquid Detergent with Transformer	
579220	93
Liquid Detergent without Transformer	
579240	93
Liquid Soap Connection Cable	
569107	91
Liquid Soap Supply Connection Kit	
SP540180	89
Load Sensor	
SP529101	99
Load Sensor Guard	
SP549084	99
Locating Segment	
SP529710	33, 35, 37
Location Insert	
SP549589	51, 55, 57, 61, 65, 79
Lock	
SP537760	51, 55, 59, 63, 67
SP547527	21
Lock Pin	
SP558020	33, 35, 37
Locker Holder	
SP558019	51, 55, 59, 63, 67
Logo Label	
SP547043	31
SP547046	31
SP547057	31
SP552928	31
547049	31
547055	31
547056	31

N/A items do not appear in index.

547059	31
553404	31
567887	31, 123
567888	31
Lower Frame	
SP533164	9
SP533801	9
SP533951	9
Lower Hinge	
SP549037	51, 55, 59
SP556737	51, 55, 59
572603	63, 67
572611	63, 67
Lower Weight	
SP533784	7
SP533814	7

M

Magnet	
566161	71, 73, 75
Magnet Cover	
566160	71, 73
572274	75
Magnetic Field Sensor	
SP558098	53, 57, 61, 65
Main Switch	
SPPRI404000097	89, 93
SPPRI404000098	89, 93
SPPRI404000099	89, 93
SPPRI404001098	89, 93
SPPRI404001099	89, 93
SP506407	89, 93
Main Switch Knob	
SPPRI404000095	89, 93
Main Vessel	
SP540115	43
Main Wiring	
SP528487	87
575783	91
Manifold Flush Kit	
529789	107
529797	107
529798	107
529799	107
529800	107
Microswitch	
SPPRI610011077	85
SP528309	9
566044	85
Mixer	
SP556803	43
Mixer Body	
SP526565	43
Mixer Holder	
SP549641	11
Mixer Lid	
SP526557	43
Module IDLC	
SP558099	25, 27
Module IDLC Cable	
SP557964	25
575789	27

Motor	
558200	85
Motor Holder	
SP533794	81, 83
SP533811	81, 83
566020	85
Motor V-Pulley	
SP547582	81, 83
SP547782	81, 83
SP556895	81, 83
Motor with Pulley	
SP556718	81, 83
SP556719	81, 83
SP556720	81, 83
SP556721	81, 83
SP559508	81, 83
SP559509	81, 83
Moving Element	
572786	85

N

Name Plate	
F8443105	123
RSP70115601	123
567293	123
Nut	
SPPRI228000006	69
SP101415	117
SP101416	87, 91
SP101419	87, 91
SP310934000003	9, 87, 91
SP310934000004	89, 93
SP310934000008	81, 83
SP310934000012	99
SP310934000014	51, 55, 57, 61, 65, 79, 83
SP310934000020	9
SP310934240004	71
SP310934240006	49, 53, 57, 61, 65, 87, 91
SP310936000014	109, 111, 123
SP310985000005	21, 33, 35, 37, 71, 113
SP310985000006	11, 33, 35, 37, 81, 99
SP310985000008	7, 9, 49, 51, 53, 55, 57, 59, 61, 63, 65, 67
SP310985000010	9, 85
SP310985000012	81, 83
SP313251000006	95
SP514193	29, 71
SP526792	69, 71
566055	73, 75, 77, 83, 85

O

Ornament Plate	
570139	59, 63, 67
570146	59, 63, 67
570150	59, 63, 67
Oscillation Limiter	
SP533388	7
Outer Casting	
SP549041	33, 35, 37
SP549060	33, 35, 37
Outer Door	
SP558025	33

N/A items do not appear in index.

SP558026	33
SP559541	33
SP559542	33
SP559543	33
SP559544	33
566167	35, 37
566168	35, 37
566169	35, 37
566180	35, 37
566181	35, 37
566182	35, 37
Overflow Elbow	
SP549614	39, 41
Overflow Tube	
SP549612	39, 41

P

Padlock	
SP523167	95
Panel Holder	
SP549642	11
SP549652	11
SP549892	11
SP549902	11
SP556839	11
SP556840	11
Panel Window	
SP549010	17
SP549011	17
SP549012	17
SP549013	17
SP556826	17
SP556827	17
SP559603	17
SP559604	17
SP559607	17
SP559608	17
SP559611	17
SP559612	17
570153	13, 15, 19
570154	19
570157	13, 15, 19
570158	19
570169	13, 15, 19
570170	19
570173	13, 15, 19
570174	19
570177	13, 15, 19
570178	19
570181	13, 15, 19
570182	19
Pin	
SP540117	43
566192	37
Pin Insertion	
SP520408	23, 25, 27, 29
Pipe Holder	
570120	45
Pipe Nipple	
SPR22112000114	47
SP503883	109
SP510120	41
Plate	
566066	85

Plug	
SPPRI348001096	89, 93
SPPRI426001268	41, 47, 49, 53, 57, 61
SPPRI505000064	39, 41
SP345900032132	47
SP345900215120	13, 15, 87, 91
SP505472	13, 15
SP548943	101
Positioning plate	
572792	83
Power Supply	
SP547067	29
SP549083	119
Profiled Sealing	
SPPRI505000058	11, 17, 19, 21, 89, 93
Protective Cover	
SP549073	51, 55
SP549074	51, 55
Protective Rubber	
SP549713	51, 55
SP549714	51, 55
Pump	
529742	107
529743	107
529744	107
529745	107
529746	107
Pump Relay Board to LED Terminal Cable	
SP528150	87, 91

R

Recycle Drain Valve	
SPPRI340072051	45
Reducing Sleeve	
SP230131300715	109
Reinforcement	
566134	73, 75, 77
Reinforcement Tube	
SP500125	45
Relay	
SP552468	111
Relay Extension Board	
SP547003	23, 25
Relay Extension Board Cable	
SP547062	23
Rest Body	
SP558021	51, 55, 59, 63, 67
Retaining Ring	
SP532956	79
Reverse Rectifier	
564640	91
Right Cover	
SP549758	97
Ring	
SP517528	81, 83
Rivet	
SP313250004125	17, 19, 101, 119
SP547779	27
Rod	
SP558082	71
Rod Basement	
SP558097	71

N/A items do not appear in index.

Roller	
SP533727	9
RS485 External Interconnection	
SP547075	120
<hr/>	
S	
Safety Bridge	
580069	85
Safety Lock Spring	
SP549742	69
Screw	
SP100218	119
SP309798100313	119
SP309798124313	43
SP506440	113
SP526497	43, 89, 93, 103
SP529206	39, 41, 43, 45, 89, 93, 97, 119
SP548956	111
SP558044	71
566070	71
566072	71
566078	73
566163	71, 73, 75
Seal	
SPPRI520001009	39, 41
SP510986	49, 53, 57, 61, 65
SP517232	7, 33, 35, 37
SP549594	51, 55, 57, 61, 65, 79
SP552665	13, 15
Sealing Profile	
SP534338	97, 99, 105
Second Display Board	
SP547063	29
SP553420	29
SP553421	29
Second Display Cable	
547061	120
575799	120
Second Display Control Panel	
SP549756	29
SP549911	29
SP556857	29
SP559583	29
SP559584	29
SP559585	29
Second Display Kit	
SP555319	29
SP555320	29
SP559507	29
SP559613	29
SP559614	29
SP559615	29
SP559616	29
SP559617	29
SP559618	29
Sensor Base	
SP558113	53, 57, 61, 65
Sensor Bearer	
SP549602	51, 55, 57, 61, 65
Sensor Bearer MC10	
5727966	65
Sensor Indicator	
SP549603	81

Serial Plate	
547563	123
Shield Cable	
SP341414000205	97
Shim	
SP550033	81, 83
Shock Absorber	
F250500	9
Shrink Insulating	
SP552471	113
Side Cover	
SP549640	13, 15
Side Drain	
SP548942	103
Side Panel	
SP549064	21
SP549065	17, 19
Side Weldment	
SP549572	49, 53, 57, 61, 65
SP549585	49, 53, 57, 61, 65
Slide bar	
572789	85
Slide Casing	
SP549565	69, 71, 73, 75, 77
Sliding Bearing	
SP549032	51, 55, 59, 63, 67
SP558022	51, 55, 59, 63, 67
SP558049	71, 73
Sliding bolt	
566021	85
Sliding Nut	
566017	85
Sliding Washer	
566005	85
Soap Hopper	
SP540164	43
SP554214	43
Soap Hopper Plug	
SP526468	43
Soap Hopper Upper Cover	
SP540112	43
Soap Link Kit	
SP557944	87, 91
Soap Relay Board	
SP524714	89
553187	27, 93
Spacer	
SP556865	11
Spacer Tube	
SP558084	71
Spiral	
SP283449080200	45, 109
Spring	
SP505372	11
SP533868	9
SP533869	9
SP533870	9
SP533871	9
SP558085	71
566089	73, 75, 77
566090	73, 75, 77
566157	9
566158	9
580001	85

N/A items do not appear in index.

Spring Clamp	
SP540183	45
Spring Holder	
SP533872	9
SP533873	9
566135	73, 75, 77
566838	11
Spring Holder Assembly	
566839	11
Spring Yoke	
SP510359	69
Steam Filter	
SP405054120215	47
Steam Hose	
SP549525	47
Steam Hose Holder	
SP549541	47
Steam Injector	
SP526525	47
Steam Valve	
SP514164	47
Steam Valve Body	
SP514165	47
Steam Valve Cable	
SPPRI351000161	120
Suction Tube	
529787	107
Supply Pump Kit	
MB90-Z40	107
MB90-Z41	107
MB90-Z42	107
MB90-Z43	107
MB90-Z44	107
Support	
SP523040	69
Support Rail	
SP541442	97
Switch	
SP100388	89, 93
Switch Pin	
566183	85
Switching Unit	
SP528312	23, 25, 27, 29

T

Tap	
SP556722	13, 15
Tape	
SP510846	27
Tee	
SPPRI426001107	41
SP526454	103
Temperature Sensor	
SPPRI340015019	51, 55, 57, 61, 65
Temperature Sensor Seal	
SP526439	51, 55, 57, 61, 65
Tensioning Angle Piece	
SP533326	81, 83
SP547705	81, 83
Terminal Board	
SP506575	119

Threaded Joint	
SP531226	41, 95
Top Cover	
SP549044	21
SP549045	21
SP549046	21
SP549047	21
SP556725	21
SP556726	21
SP556727	21
SP556728	21
SP556834	21
SP556835	21
SP556845	21
SP556846	21
Top Middle Cover	
SP556716	13, 15
SP556717	13, 15
SP556836	13, 15
Top Panel	
SP549054	21
SP549055	13, 15
Torsional Spring	
SP549740	69
SP549741	69
SP549990	69
SP549991	69
Transformer	
SP101643	87, 91
564561	93
Transformer Connection	
528350	120
Transparent Foil	
SP516715	123
Trunnion	
SP558120	79
SP559625	79
Tub to Drain Valve Hose	
SP273124080161	45
Tube	
SP527134	103

U

Uninterrupted Power Supply Kit	
569760	87, 91
Unloading Side Top Cover	
SP549631	13, 15
SP549881	13, 15
SP556837	13, 15
Upper Frame	
SP549721	7
SP549971	7
SP556807	7
Upper Hinge	
SP549036	51, 55, 59
SP556736	51, 55, 59
572604	63, 67
572612	63, 67
Upper Lid Prop	
SP533341	11
USB Cable	
SP547006	89, 93

N/A items do not appear in index.

USB Connection	
SP557744	23, 25

V

Valve	
SP523728	95
Valve Holder	
SP549528	95
Valve, 1-Way	
SP554211	41
SP567064	41
Valve, 2-Way	
SP548931	39
Valve, 3-Way	
SP548932	39, 41
Valve, 4-Way	
SP548933	39, 41
Vent Hose	
SP526509	39, 41, 45
Vertical Seal	
SP549053	33, 35, 37
Vibration Switch Assembly	
SP547758	9
Vibration Switch Holder	
SP547759	9

W

Washer	
PRI523000007	89
SP309933240408	93
SP311125000003	9, 27, 87, 91
SP311125000004	23, 25, 27, 29, 87, 89, 91, 93, 115
SP311125000005	85
SP311125000006	11, 21, 99
SP311125000008	83, 85
SP311125000010	9
SP311125000013	99
SP311125100006	87, 91
SP311125100008	51, 55, 59, 63, 67
SP311125200008	49, 53, 57, 61, 65
SP311125240003	13, 15
SP311125240004	71
SP311125240005	21, 33, 35, 37, 71
SP311125240006	17, 19, 33, 35, 37, 49, 53, 57, 61, 65
SP311125240008	49, 51, 53, 55, 57, 59, 61, 63, 65, 67
SP311127000003	27
SP311127000004	87, 89, 91, 93, 115
SP311127000006	11, 21, 95, 99
SP311127000008	85
SP311127000012	99, 101
SP311127000014	51, 55, 57, 61, 65, 79, 83, 109, 111
SP311127240006	17, 19
SP311127240008	49, 53, 57, 61, 65
SP311679800003	9, 23, 25, 27, 29, 85, 87, 91
SP311679800004	7, 9, 23, 25, 27, 29
SP311679824006	49, 53, 57, 61, 65, 87, 91
SP311902100004	17, 19, 23, 25, 27, 29, 89, 93, 119
SP311902100006	33, 35, 37, 57, 61, 65, 99
SP311902100008	45, 85
SP311902100010	9, 81, 83, 85

SP311902100012	81, 83, 101
SP505430	119
SP525284	7
SP549033	33
SP549696	51, 55, 59
SP558083	71
SP559646	81
558126	63, 67
566165	35
566196	37
566197	37
580002	33, 35, 37

Washerr	
SP505430	93

Washing Drum	
SP548920	49
SP548925	49
SP556812	49
SP558069	53, 57, 65
SP558070	53, 57, 65
SP558140	53, 57, 65
558091	69, 71
558092	69, 71
558141	69, 71
566104	61
566105	61
566106	61
566107	73, 75, 77
566108	73, 75, 77
566109	73, 75, 77

Water Level Switch Hose	
SPPRI540001003	45

Weighing System Kit	
SP549759	97
SP549760	97
SP556871	97

Weighing System Stand	
SP549752	97

Wiring Steam - Electrical Heating	
528393	120

N/A items do not appear in index.

