

# Washer-Extractor

Cabinet Hardmount  
9, 20, 73, 80 and 83 Models  
Refer to Page 5 for Model Numbers





# Table of Contents

Title	Page
Parts Ordering Information.....	3
Serial Plate Location .....	3
Model Identification .....	5
Serial Label .....	6
Frame (Drawing 1 of 2) .....	8
Frame (Drawing 2 of 2) .....	10
Cabinet - A, IA and WMA Models (Drawing 1 of 3).....	12
Cabinet - A, IA and WMA Models (Drawing 2 of 3).....	14
Cabinet - A, IA and WMA Models (Drawing 3 of 3).....	16
Cabinet - AR Non-Brand, NA and SA Models (Drawing 1 of 3) .....	18
Cabinet - AR Non-Brand, NA and SA Models (Drawing 2 of 3) .....	20
Cabinet - AR Non-Brand, NA and SA Models (Drawing 3 of 3) .....	22
Cabinet (Drawing 1 of 3) .....	24
Cabinet (Drawing 2 of 3) .....	26
Cabinet (Drawing 3 of 3) .....	28
Cabinet (Drawing 1 of 3) .....	30
Cabinet (Drawing 2 of 3) .....	32
Cabinet (Drawing 3 of 3) .....	34
Control Panel - A, IA and WMA Models .....	36
Coin Meter - A, IA and WMA Models (Drawing 1 of 3).....	38
Coin Meter - A, IA and WMA Models (Drawing 2 of 3).....	40
Coin Meter - A, IA and WMA Models (Drawing 3 of 3).....	42
Control Panel - AR Non-Brand, NA and SA Models .....	44
Coin Meter - AR Non-Brand, NA and SA Models (Drawing 1 of 3).....	46
Coin Meter - AR Non-Brand, NA and SA Models (Drawing 2 of 3).....	48
Coin Meter - AR Non-Brand, NA and SA Models (Drawing 3 of 3).....	50
Control Panel (Drawing 1 of 2).....	52
Control Panel (Drawing 2 of 2).....	54
Control Panel OPL .....	56
Control Panel Vended .....	58
Control Panel for Central Payment System .....	60
Coin Meter Case .....	62
Coin Meter Box .....	64
Coin Meter - AR, IA, LA, LW, MWC, NA, NX, PA, RX and SA Models (Drawing 1 of 4) .....	66
Coin Meter - AR, IA, LA, LW, MWC, NA, NX, PA, RX and SA Models (Drawing 2 of 4) .....	68
Coin Meter - AR, IA, LA, LW, MWC, NA, NX, PA, RX and SA Models (Drawing 3 of 4) .....	70
Coin Meter - AR, IA, LA, LW, MWC, NA, NX, PA, RX and SA Models (Drawing 4 of 4) .....	72
Door (Drawing 1 of 3).....	74
Door (Drawing 2 of 3).....	76
Door (Drawing 3 of 3).....	78
Water Inlet System (Drawing 1 of 2) .....	80

© Copyright 2023, Alliance Laundry Systems LLC

All rights reserved. No part of the contents of this book may be reproduced or transmitted in any form or by any means without the expressed written consent of the publisher.

Water Inlet System (Drawing 2 of 2) .....	82
Drain System With Drain Pump .....	84
Drain System - Drain Pump Option.....	86
Drain System - Drain Pump Option.....	88
Drain System .....	90
Drain System .....	92
Rear Panel (Drawing 1 of 2) .....	94
Rear Panel (Drawing 2 of 2) .....	96
Rear Panel - 230V 1/3AC, 400V with Neutral, CE (Drawing 1 of 2).....	98
Rear Panel - 230V 1/3AC, 400V with Neutral, CE (Drawing 2 of 2).....	100
Rear Panel - 400V 440-480V, CE (Drawing 1 of 2) .....	102
Rear Panel - 400V 440-480V, CE (Drawing 2 of 2) .....	104
Transformer - 120 Volt Models with B in the 11th Position .....	106
Steam Heating .....	108
Steam Heating .....	110
Washing Drum .....	112
Exterior Tub .....	114
Drive (Drawing 1 of 2) .....	116
Drive (Drawing 2 of 2) .....	118
Elevated Base Frame .....	120
Bearing Housing .....	122
Liquid Soap Supply System - Pumps.....	124
Wire Harnesses .....	126
Parts Index.....	127



## Parts Ordering Information

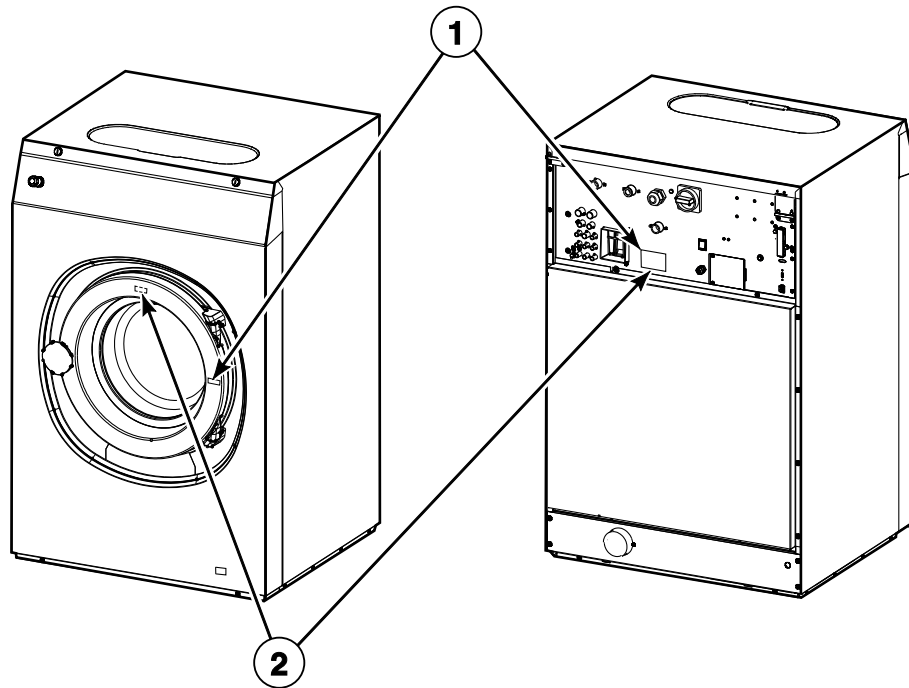
If literature or replacement parts are required, contact the source from whom the machine was purchased or contact Alliance Laundry Systems at (920) 748-3950 for the name and address of the nearest authorized parts distributor.

For technical assistance, call the number listed below:

(920) 748-3121 Ripon, Wisconsin

## Serial Plate Location

When calling or writing about your product, be sure to mention model and serial numbers. Model and serial numbers are located on serial plate(s).



1 - Serial Plate Location: Models Through May 15, 2019

2 - Serial Plate Location: Models Starting May 16, 2019

CFD3575P\_D1645

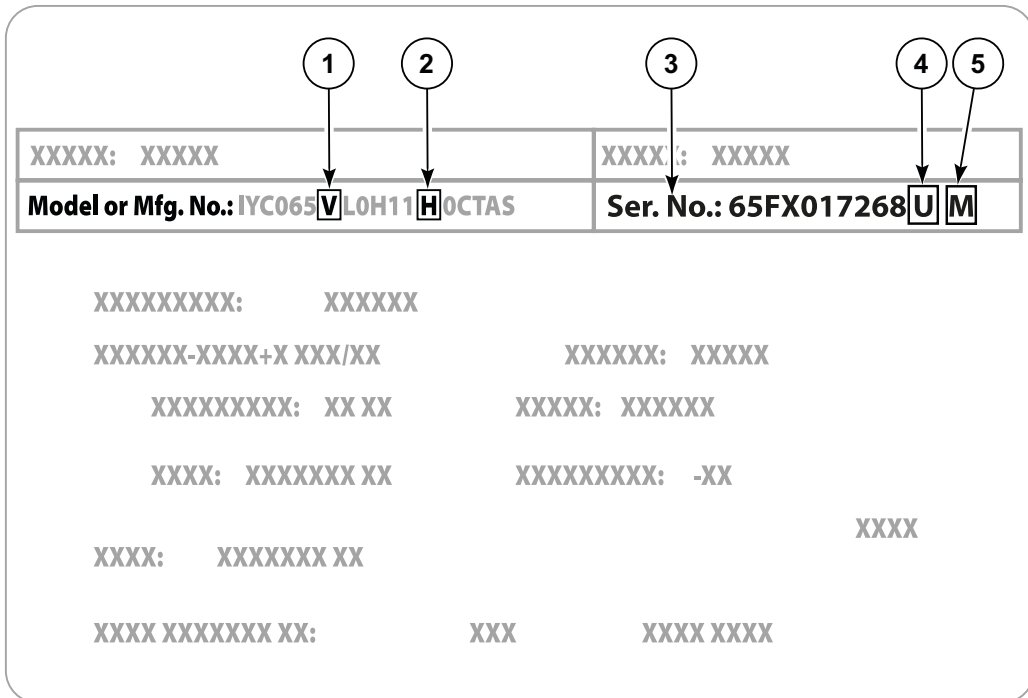


## Model Identification

Information in this manual is applicable to these washer-extractor models:

A80_ARIES	LAC080T	PAC080G	SA80
AR80M_BASIC	LAC080X	PAC080T	SAC080A
AR80M_PROFESSIONAL	LAE080T	PAC080X	SAC080D
AR80M_X_CONTROL	LAE080X	PAE080T	SAC080G
AR80M_X_CONTROL_PLUS	LAH080T	PAE080X	SAE080D
AR80N_BASIC	LAH080X	PAH080T	SAH080A
AR80N_PROFESSIONAL	LAU080T	PAH080X	SAH080D
AR80N_X_CONTROL	LAU080X	PAM080G	SAM080A
AR80N_X_CONTROL_PLUS	LAX080T	PAM080T	SAM080D
IA80_ARIES	LAX080X	PAM080X	SAM080G
IA80_ARIES-ELITE	LAY080T	PAN020T	SAR080D
IA80_JLA_ARIES	LAY080X	PAN020X	SAU080
LW9_X_CONTROL	NAC080G	PAR080T	SAU080A
MWCX20_X_CONTROL	NAC080T	PAR080X	SAU080G
MWCX20_X_CONTROL_PLUS	NAC080X	PAU080G	SAX080A
NX80_X_CONTROL	NAE080T	PAU080T	SAX080D
NX80M_X_CONTROL	NAE080X	PAU080X	SAY080A
NX80M_X_CONTROL_PLUS	NAH080T	PAX080T	SAY080D
PA20_X_CONTROL	NAH080X	PAX080X	UAC080G
PA20_X_CONTROL_PLUS	NAM080G	PAY080T	UAC080I
RX80M_X_CONTROL	NAM080T	PAY080X	UAH080I
RX80M_X_CONTROL_PLUS	NAM080X		UAM080G
RX80N_X_CONTROL	NAR080T		UAM080I
RX80N_X_CONTROL_PLUS	NAR080X		UAR080I
RX80_BUPA_X_CONTROL	NAU080G		UAU080G
RX80_BUPA_X_CONTROL_PLUS	NAU080T		UAU080I
IAC080G	NAU080X		UAX080I
IAC080J	NAX080T		WMA73E
IAC080R	NAX080X		WMA73E_ARIES
IAE080J	NAY080T		WMA83E
IAE080R	NAY080X		WMA83E_ARIES
IAG080J			
IAG080R			
IAH080J			
IAH080R			
IAM080G			
IAM080J			
IAM080R			
IAR080J			
IAR080R			
IAU080G			
IAU080J			
IAU080R			
IAW080J			
IAW080R			
IAX080J			
IAX080R			
IAY080J			
IAY080R			

# Serial Label



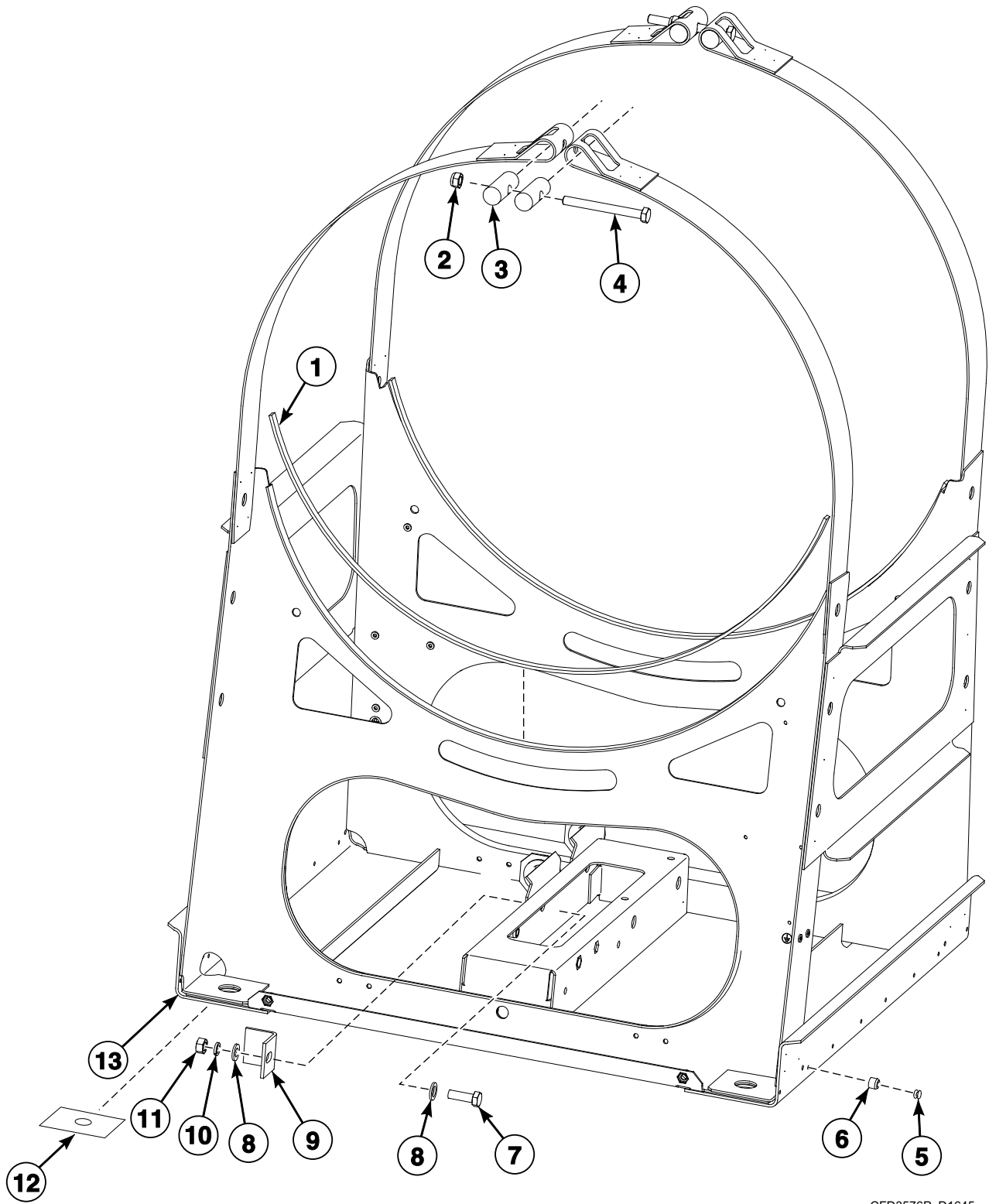
CZW489P

# Serial Label

REF	PART NO.	DESCRIPTION	COMMENTS
1	-	Control	A, D, G, I, J, R, T or X letter in 7th position of the model number
2	-	Design	1, 2, 3, 4, 5, 6, 7, 8, A, B, C, D, L, M, N or P digits or characters in 13th Position
3	-	Serial Number	
4	-	Manufacturing Date - Year	2009: P 2010: R 2011: T 2012: V 2013: X 2014: B 2015: D 2016: F 2017: H 2018: K 2019: M 2020: Q 2021: S 2022: U 2023: W 2024: Y 2025: Z
5	-	Manufacturing Date - Month	January: A or B February: C or D March: E or F April: G or H May: J or K June: L or M July: N or Q August: P or S September: R or U October: T or W November: V or Y December: X or Z

# Frame (Drawing 1 of 2)

Models Through Serial No. 80RX004706KU



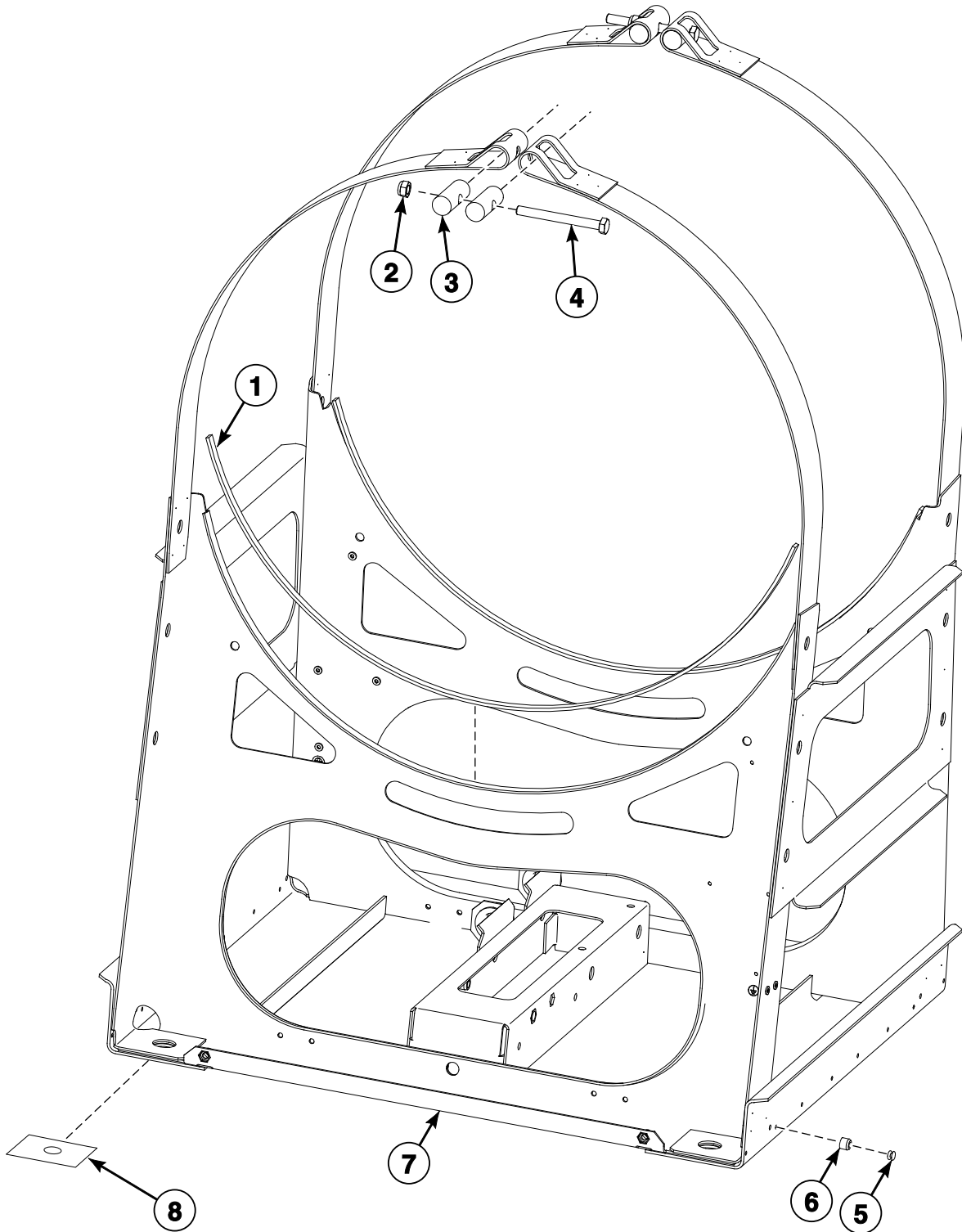
CFD3576P\_D1645

## Frame (Drawing 1 of 2)

REF	PART NO.	DESCRIPTION	COMMENTS
	560076	Mounting Bolt Hole Template	
1	SP517232	Seal	Self-adhesive foam
2	SP310985000008	Nut	M8
3	SP533738	Cover Strip Pin	
4	SP309933000880	Bolt	M8x80
5	SP547779	Rivet	4x16.7 with a crank
6	SP520408	Pin Insertion	
7	SP309933000825	Bolt	M8x25
8	SP311125000008	Washer	8.4
9	SP515254	Motor Stop	
10	SP311127000008	Washer	8
11	SP310934000008	Nut	M8
12	570551	Spacing Washer Set	Includes 10 pieces; Optional, as needed
13	SP533900	Frame	

# Frame (Drawing 2 of 2)

Models Starting Serial No. 80RX004707KU



CFD3579\_D1645

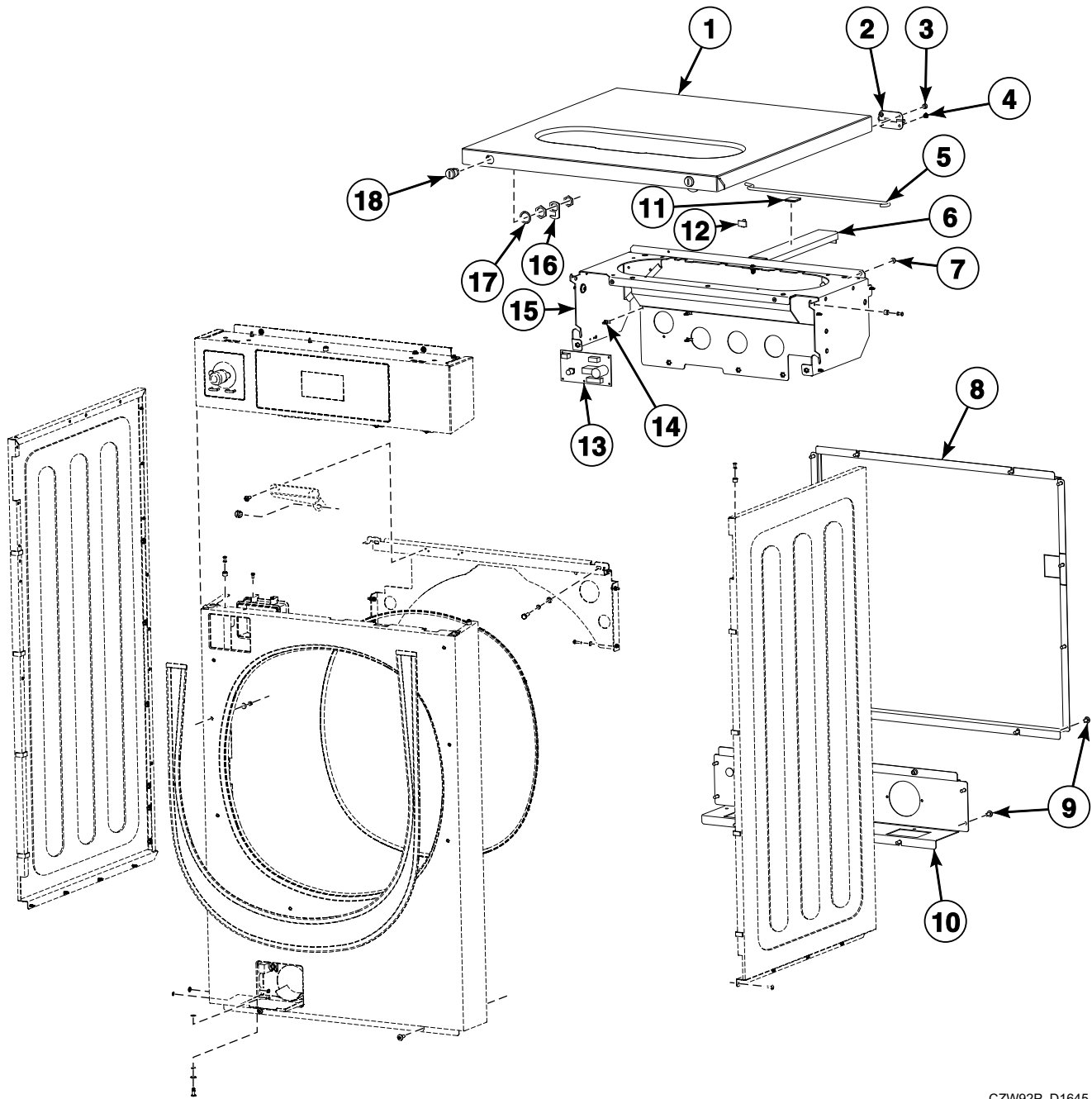


## Frame (Drawing 2 of 2)

REF	PART NO.	DESCRIPTION	COMMENTS
1	SP517232	Seal	Self-adhesive foam
2	SP310985000008	Nut	M8
3	SP533738	Cover Strip Pin	
4	SP309933000880	Bolt	M8x80
5	SP547779	Rivet	4x16.7 with a crank
6	SP520408	Pin Insertion	
7	571620	Frame	
8	570551	Spacing Washer Set	Includes 10 pieces; Optional, as needed

# Cabinet - A, IA and WMA Models (Drawing 1 of 3)

Models Through Serial No. 80RX006599SD



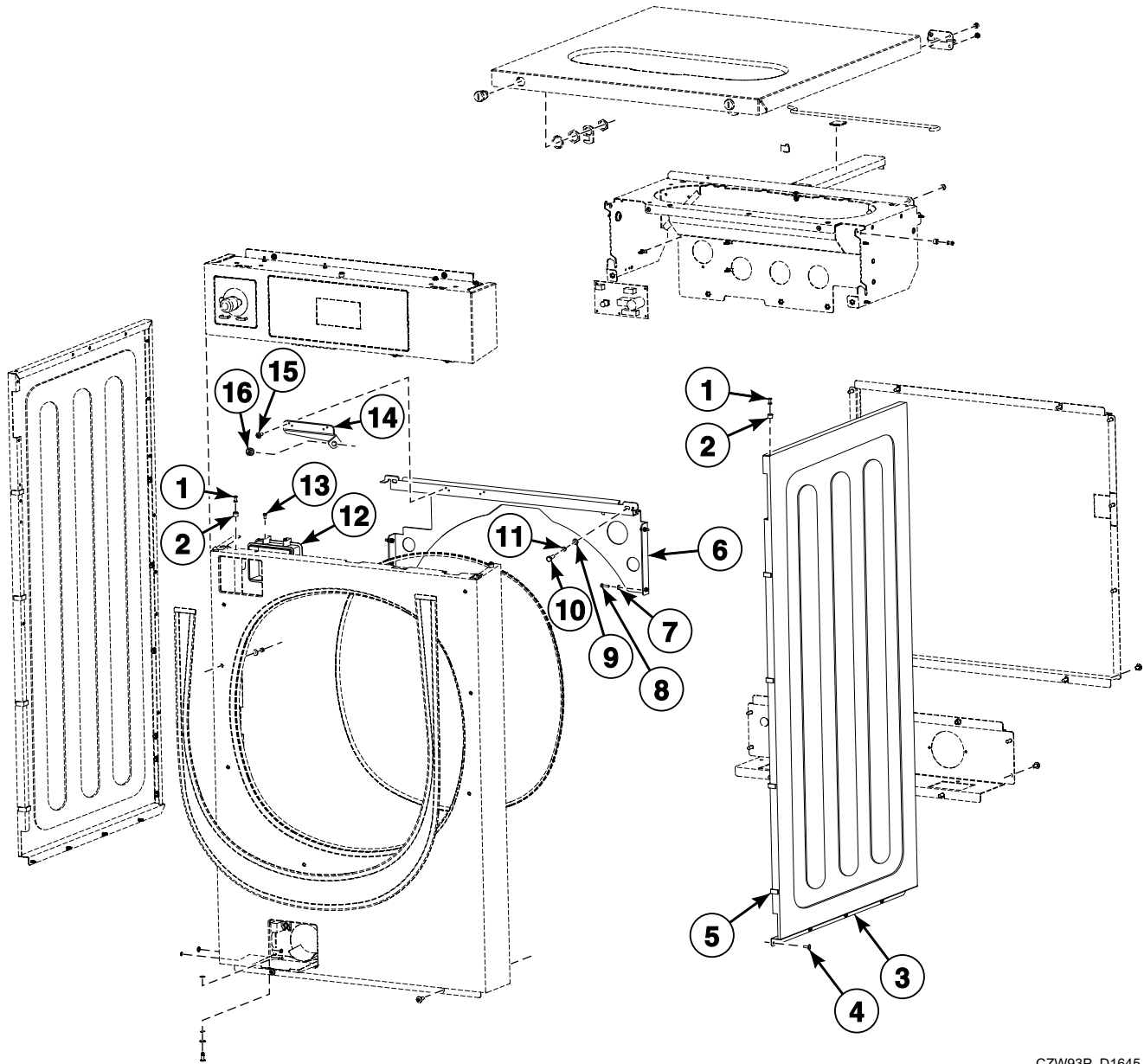
CZW92P\_D1645

## Cabinet - A, IA and WMA Models (Drawing 1 of 3)

REF	PART NO.	DESCRIPTION	COMMENTS
1	SP558817	Top Cover	
2	SP516832	Hinge	
3	SP313250048103	Rivet	4.8x10.3 with a crank
4	SP529206	Screw	M4x11
5	SP550133	Upper Lid Prop	
6	SP547739	Top Cover Reinforcement	
7	SP273121005052	Cable Passage	5.5x2
8	SP550049	Rear Cover	
9	SP555658	Bolt	M6x16
10	SP550042	Lower Rear Cover	
11	SP550115	Fastener	Velcro (hook and loop)
12	SPPRI551016250	Hook	Stick-on
13	SP552489	Automatic Unlocking Module Assembly	MC7; Includes SP553406 Automatic Unlocking Module, SP345000160971 Binding Strip, SP552455 Automatic Unlocking Module Wiring, SPPRI326002004 Holder and SP552381 Power Terminal Protection
14	SPPRI326002004	Holder	
15	SP558815	Panel Holder	
16	SPPRI610002007	Hook Lock	Small
17	SPPRI522000012	Washer	21x27x1
18	SP547527	Lock	

# Cabinet - A, IA and WMA Models (Drawing 2 of 3)

Models Through Serial No. 80RX006599SD



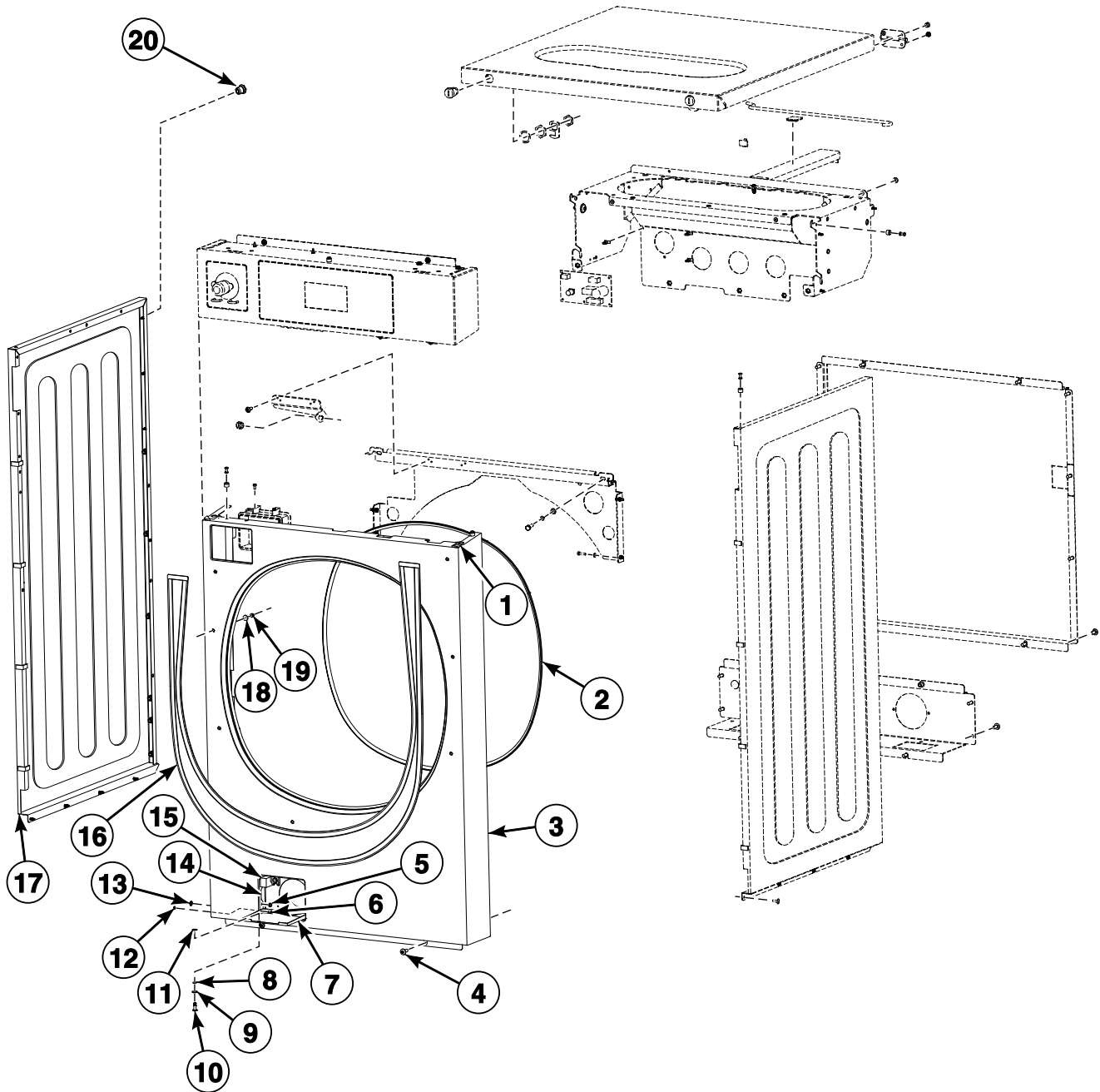
CZW93P\_D1645

## Cabinet - A, IA and WMA Models (Drawing 2 of 3)

REF	PART NO.	DESCRIPTION	COMMENTS
	SP245704003021	Adhesive	Loctite 243; Used with side panel bolts
1	SP547779	Rivet	4x16.7 with a crank
2	SP520408	Pin Insertion	
3	SP557093	Side Panel	Right; Black
	SP557091	Side Panel	Right; Stainless steel
4	SP529206	Screw	4x11; Loctite 243 required for installation
5	SP517232	Seal	Self-adhesive foam
6	SP550497	Cabinet Reinforcement	
7	SP311679800004	Washer	M4
8	SP309084000416	Bolt	M4x16
9	SP311125000006	Washer	6.4
10	SP309933000616	Bolt	M6x16
11	SP311127000006	Washer	6
12	SP533103	Coin Vault Plate	
13	SP309084000408	Bolt	M4x8
14	567932	Cabinet Holder	
15	SP529206	Screw	M4x11
16	SP310934000008	Nut	M8

# Cabinet - A, IA and WMA Models (Drawing 3 of 3)

Models Through Serial No. 80RX006599SD



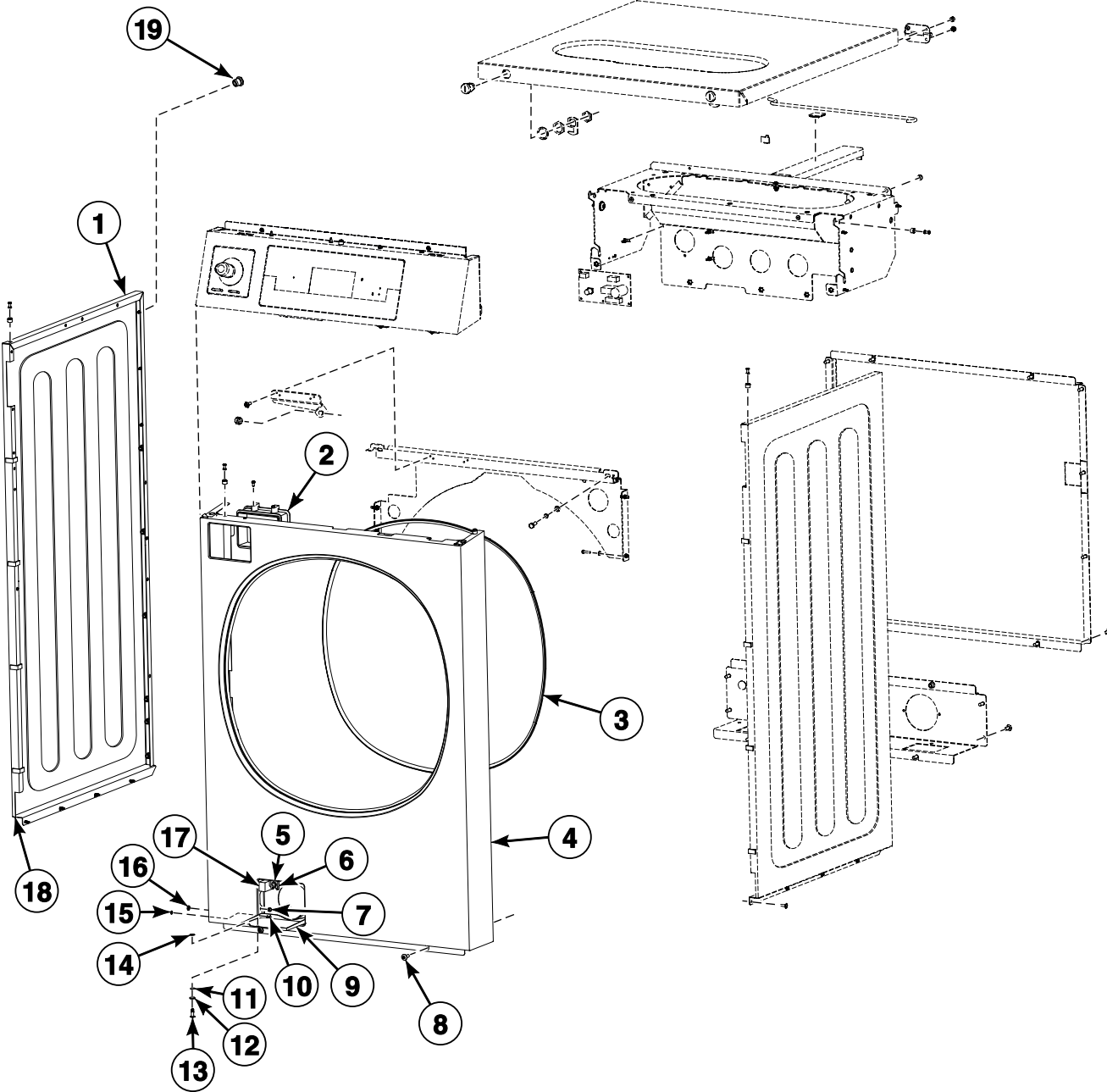
CFD3577P\_D1645

## Cabinet - A, IA and WMA Models (Drawing 3 of 3)

REF	PART NO.	DESCRIPTION	COMMENTS
	SP245704003021	Adhesive	Loctite 243; Used with side panel bolts
1	SP555405	End Stop	
2	SPPRI505000058	Profiled Sealing	
3	SP557060	Front Panel	OPL
	SP557061	Front Panel	Vend
	SP557044	Front Panel	OPL with drain pump
	SP557043	Front Panel	Vend with drain pump
4	SP555658	Bolt	M6x16
5	SP313250004063	Rivet	4x6.3 with a crank
6	SP521706	Rivet	3x8 with half ball head
7	SP554260	Drain Pump Cover	
8	SP527086	Spring	
9	SP527087	Washer	
10	SP527084	Bolt	
11	SP527085	Ring	Securing
12	SP527021	Washer	M3
13	SPPRI247000013	Washer	3
14	SP527088	Profile	15x30; Foam
15	SP527083	Latch	
16	SP556987	U Shape	OPL
	SP556988	U Shape	Vend
17	SP557092	Side Panel	Left; Black
	SP557090	Side Panel	Left; Stainless steel
18	SP311902100004	Washer	4
19	SP514193	Nut	M4
20	SP313251000006	Nut	M6

# Cabinet - AR Non-Brand, NA and SA Models (Drawing 1 of 3)

Models Through Serial No. 80RX006599SD



CFD3578P\_D1645

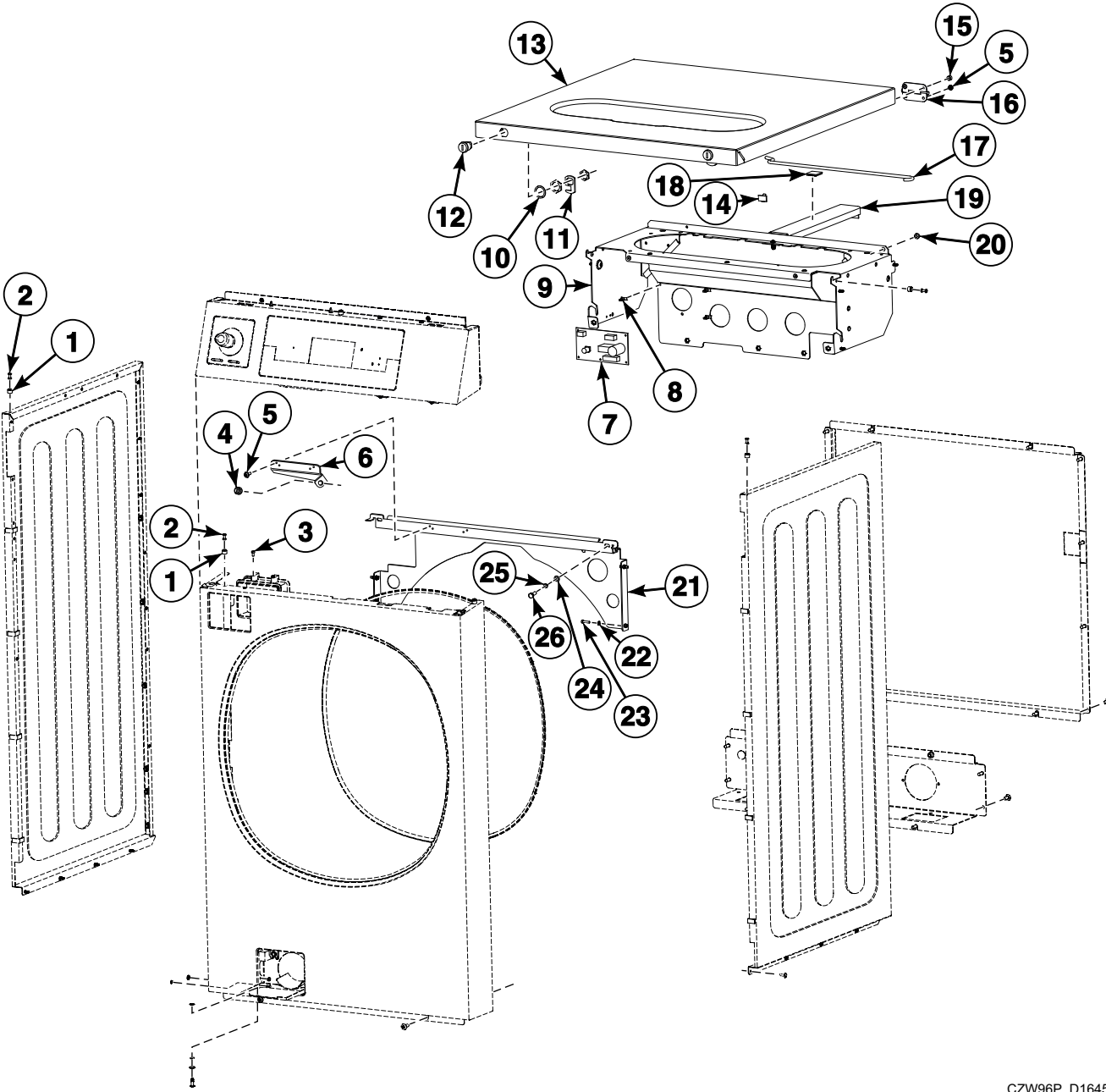


## Cabinet - AR Non-Brand, NA and SA Models (Drawing 1 of 3)

REF	PART NO.	DESCRIPTION	COMMENTS
	SP245704003021	Adhesive	Loctite 243; Used with side panel bolts
1	SP557090	Side Panel	Left; Stainless steel
	SP558802	Side Panel	Left; Painted; Through Serial No. 80RX001808FD
	563564	Side Panel	Left; Painted; Starting Serial No. 80RX001809FD
2	SP533103	Coin Vault Plate	
3	SPPRI505000058	Profiled Sealing	
4	SP550131	Front Panel	Stainless steel
	SP550127	Front Panel	Painted; Through Serial No. 80RX001808FD
	SP550129	Front Panel	Vend; Stainless steel
	SP550040	Front Panel	Vend; Painted; Through Serial No. 80RX001808FD
	SP554249	Front Panel	OPL with drain pump; Stainless steel
	SP554253	Front Panel	OPL with drain pump; Painted; Through Serial No. 80RX001808FD
	SP554247	Front Panel	Vend with drain pump; Stainless steel
	SP554251	Front Panel	Vend with drain pump; Painted; Through Serial No. 80RX001808FD
	563524	Front Panel	OPL; Painted; Starting Serial No. 80RX001809FD
	563526	Front Panel	Vend; Painted; Starting Serial No. 80RX001809FD
	563528	Front Panel	OPL with drain pump; Painted; Starting Serial No. 80RX001809FD
	563530	Front Panel	Vend with drain pump; Painted; Starting Serial No. 80RX001809FD
5	SP527088	Profile	15x30; Foam
6	SP527083	Latch	
7	SP313250004063	Rivet	4x6.3 with a crank
8	SP555658	Bolt	M6x16
9	SP554260	Drain Pump Cover	
10	SP521706	Rivet	3x8 with half ball head
11	SP527086	Spring	
12	SP527087	Washer	
13	SP527084	Bolt	
14	SP527085	Ring	Securing
15	SP527021	Washer	M3
16	SPPRI247000013	Washer	3
17	SP521553	Drain Cover	
18	SP517232	Seal	Self-adhesive foam
19	SP313251000006	Nut	M6

# Cabinet - AR Non-Brand, NA and SA Models (Drawing 2 of 3)

Models Through Serial No. 80RX006599SD



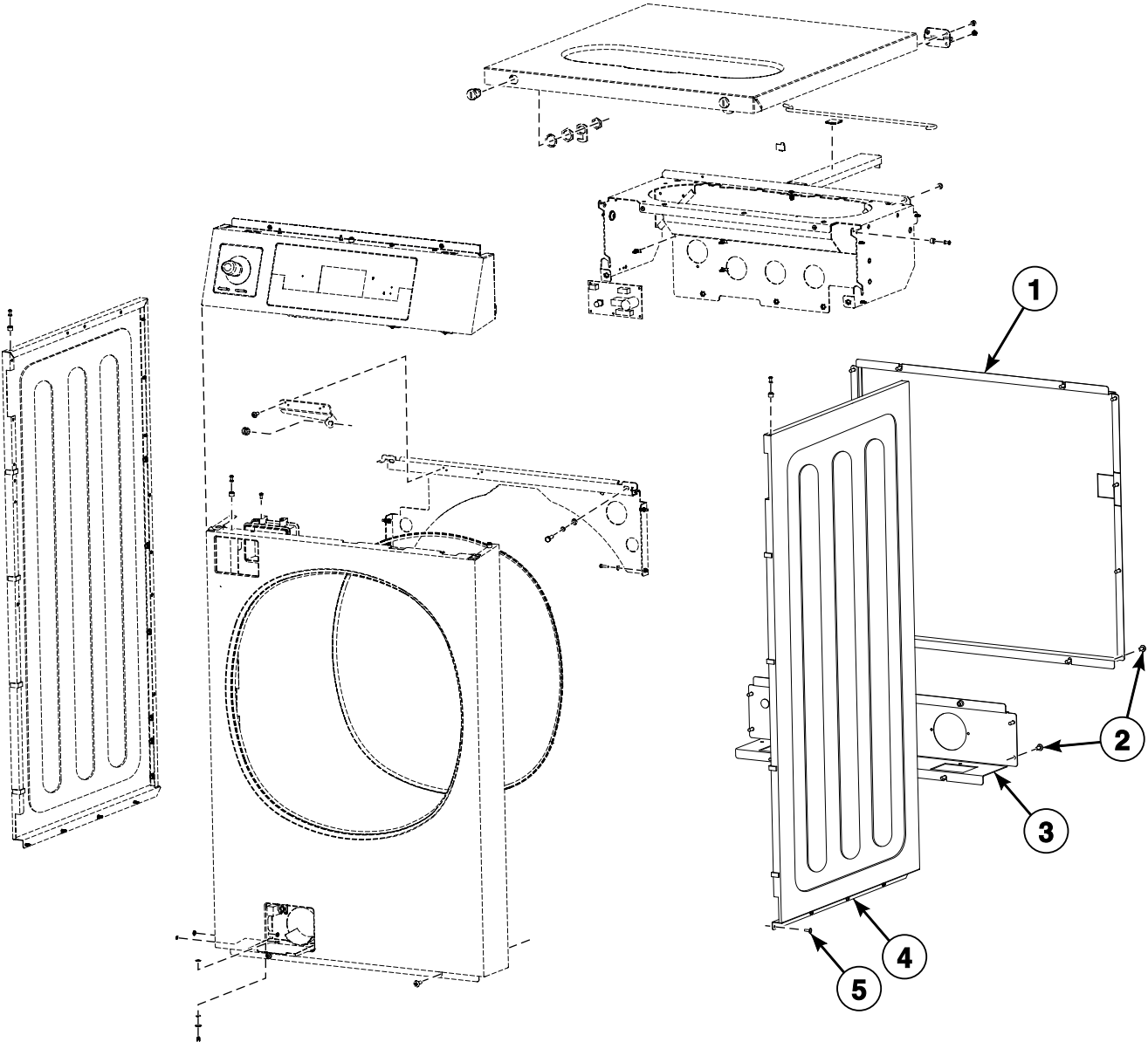
CZW96P\_D1645

## Cabinet - AR Non-Brand, NA and SA Models (Drawing 2 of 3)

REF	PART NO.	DESCRIPTION	COMMENTS
1	SP520408	Pin Insertion	
2	SP547779	Rivet	4x16.7 with a crank
3	SP309084000408	Bolt	M4x8
4	SP310934000008	Nut	M8
5	SP529206	Screw	4x11
6	567932	Cabinet Holder	
7	SP552489	Automatic Unlocking Module Assembly	MC7; SP553406 Automatic Unlocking Module, SP345000160971 Binding Strip, SP552455 Automatic Unlocking Module Wiring, SPPRI326002004 Holder and SP552381 Power Terminal Protection
8	SPPRI326002004	Holder	
9	SP560452	Panel Holder	
10	SPPRI522000012	Washer	21x27x1
11	SPPRI610002007	Hook Lock	Small
12	SP547527	Lock	
13	SP560444	Top Cover	
14	SPPRI551016250	Hook	Stick-on
15	SP313250048103	Rivet	4.8x10.3 with a crank
16	SP516832	Hinge	
17	SP533341	Upper Lid Prop	
18	SP550115	Fastener	Velcro (hook and loop)
19	SP547739	Top Cover Reinforcement	
20	SP273121005052	Cable Passage	5x2
21	SP550497	Cabinet Reinforcement	
22	SP311679800004	Washer	M4
23	SP309084000416	Bolt	M4x16
24	SP311125000006	Washer	6.4
25	SP311127000006	Washer	6
26	SP309933000616	Bolt	M6x16

# Cabinet - AR Non-Brand, NA and SA Models (Drawing 3 of 3)

Models Through Serial No. 80RX006599SD



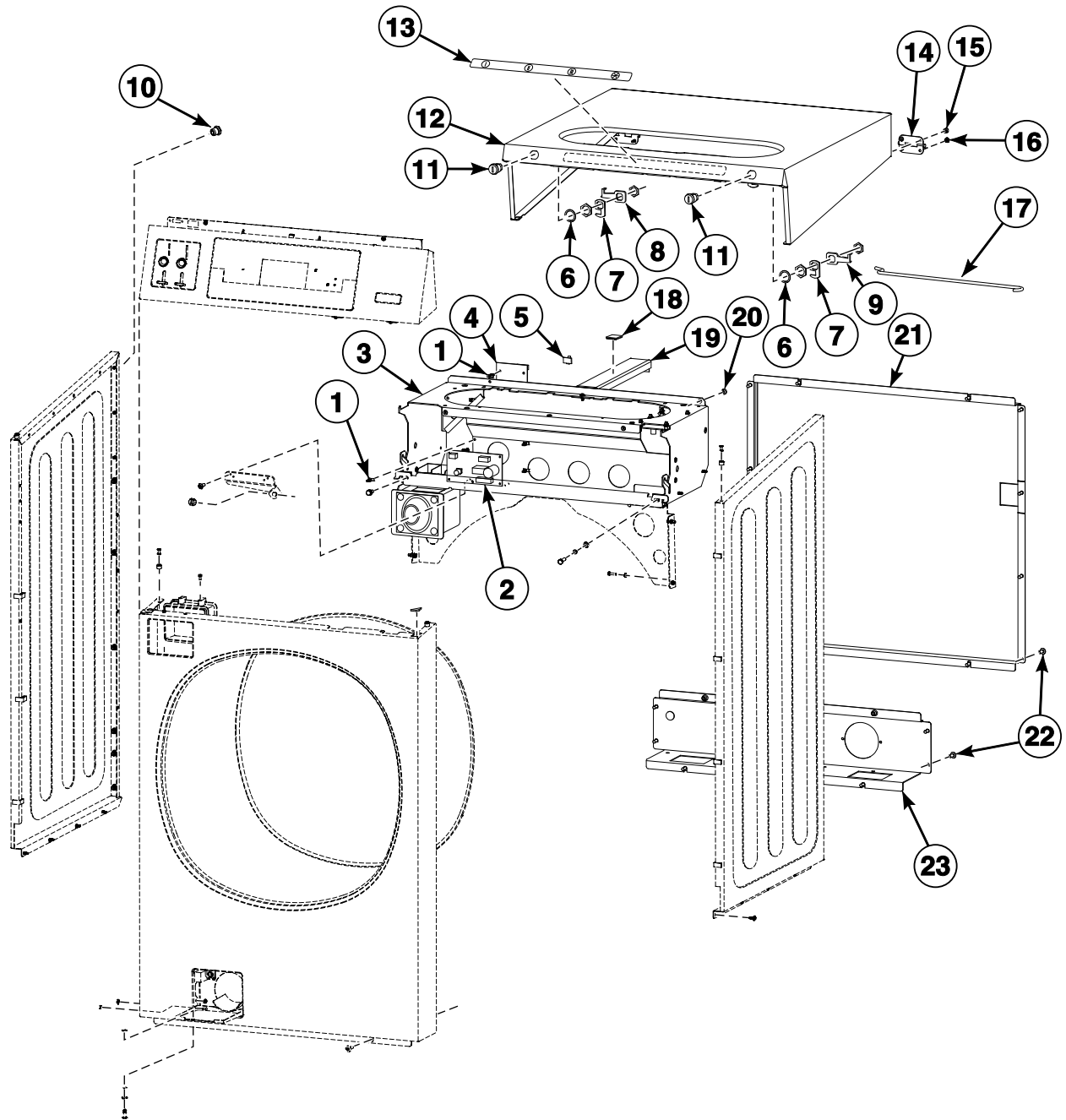
CZW97P\_D1645

## Cabinet - AR Non-Brand, NA and SA Models (Drawing 3 of 3)

REF	PART NO.	DESCRIPTION	COMMENTS
	SP245704003021	Adhesive	Loctite 243; Use with side panel bolts
1	SP550049	Rear Cover	
2	SP555658	Bolt	M6x16
3	SP550042	Lower Rear Cover	
4	SP557091	Side Panel	Right; Stainless steel
	SP558804	Side Panel	Right; Painted; Through Serial No. 80RX001808FD
	563566	Side Panel	Right; Painted; Starting Serial No. 80RX001809FD
5	SP529206	Screw	4x11; Loctite 243 required for installation

# Cabinet (Drawing 1 of 3)

AR, LA, LW, NX, PA and RX Models with T or X in 7th Position;  
IA, NA, SA and UA Models Starting Serial No. 80RX006600SF with A, D, I, J, R, T or X in 7th Position



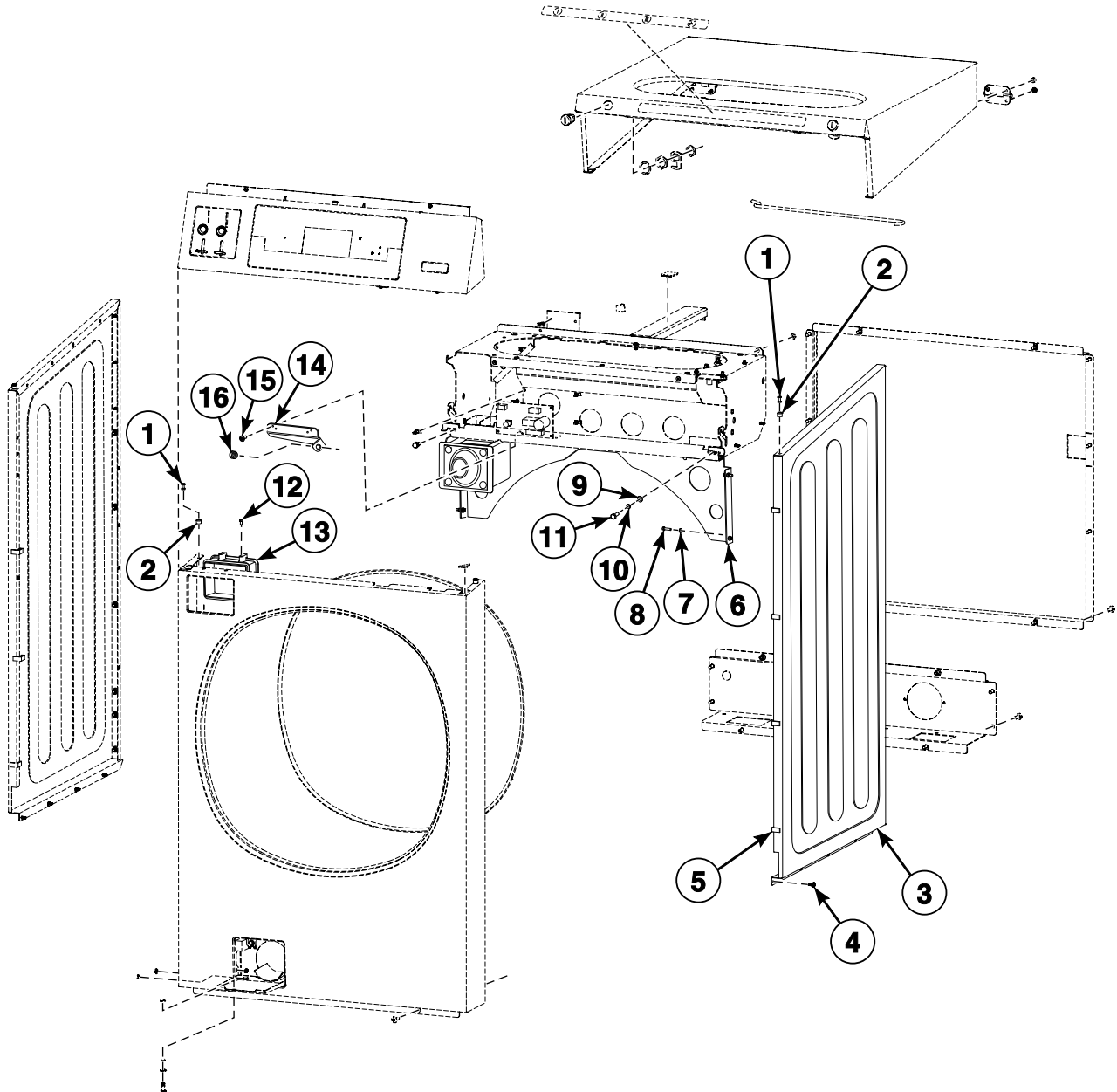
CFD3570P\_D1645

## Cabinet (Drawing 1 of 3)

REF	PART NO.	DESCRIPTION	COMMENTS
1	SPPRI326002004	Holder	
2	SP552489	Automatic Unlocking Module Assembly	MC7; Includes SP553406 Automatic Unlocking Module, SP345000160971 Binding Strip, SP552455 Automatic Unlocking Module Wiring, SPPRI326002004 Holder and SP552381 Power Terminal Protection
3	SP550145	Panel Holder	
4	SP545238	Automatic Unlocking Module Assembly	MC6; Includes SP547004 Automatic Unlocking Module, SP345000160971 Binding Strip, SP545235 Door Timer Wiring and SPPRI326002004 Holder
5	SPPRI551016250	Hook	Stick-on
6	SPPRI522000012	Washer	21x27x1
7	SPPRI610002007	Hook Lock	Small
8	569579	Hook Lock	Left; Models PAN020T and PAN020X; Vended; Starting Serial No. 80RX003437HU
9	569580	Hook Lock	Right; Models PAN020T and PAN020X; Vended; Starting Serial No. 80RX003437HU
10	SP313251000006	Nut	M6
11	SP547527	Lock	Requires SP550616 Key
12	SP550144	Top Cover	
	SP555675	Top Cover	Without soap hopper opening
13	560786	Label	Soap hopper; Vend; CSA
14	SP516832	Hinge	
15	SP313250048103	Rivet	4.8x10.3 with a crank
16	SP529206	Screw	4x11
17	SP550133	Upper Lid Prop	
18	SP550115	Fastener	Velcro (hook and loop)
19	SP547739	Top Cover Reinforcement	
20	SP273121005052	Cable Passage	5.5x2
21	SP550049	Rear Cover	
22	SP555658	Bolt	M6x10
23	SP550042	Lower Rear Cover	

# Cabinet (Drawing 2 of 3)

AR, LA, LW, NX, PA and RX Models with T or X in 7th Position;  
IA, NA, SA and UA Models Starting Serial No. 80RX006600SF with A, D, I, J, R, T or X in 7th Position



CZW99P\_D1645

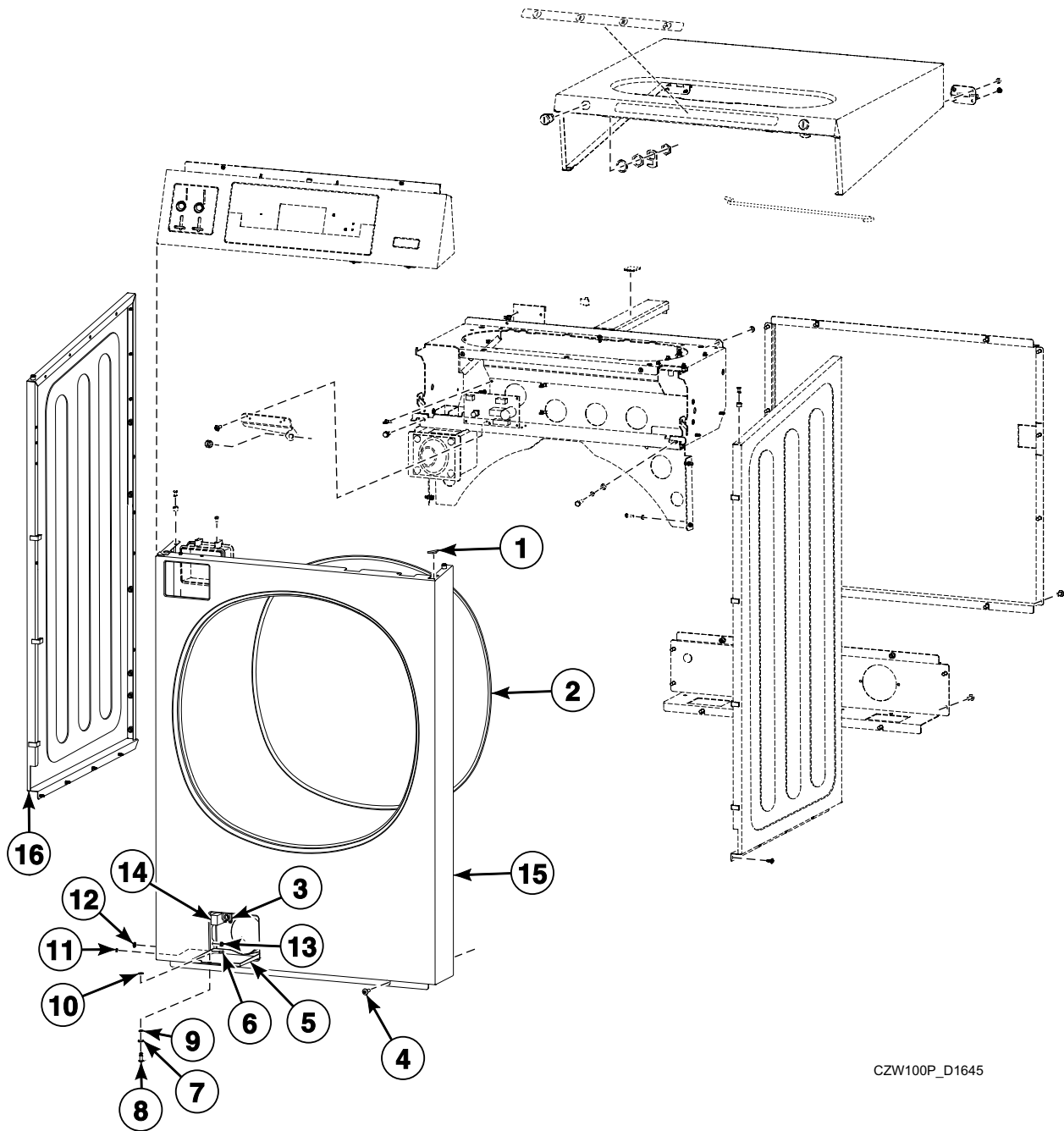


## Cabinet (Drawing 2 of 3)

REF	PART NO.	DESCRIPTION	COMMENTS
1	SP547779	Rivet	4x16.7 with a crank
2	SP520408	Pin Insertion	
3	SP550035	Side Panel	Right; Painted; Through Serial No. 80RX001808FD
	563542	Side Panel	LW, NX, PA and RX models starting Serial No. 80RX001809FD; AR and NA models starting Serial No. 80RX006600SF; Right; Painted
	SP550123	Side Panel	Right; Stainless steel
	577103	Side Panel	IA and SA models starting Serial No. 80RX006600SF; Right; Black
4	SP529206	Screw	4x1; Loctite 240 required for installation
5	SP517232	Seal	Self-adhesive foam
6	SP550497	Cabinet Reinforcement	
7	SP311679800004	Washer	M4
8	SP309084000416	Bolt	M4x16
9	SP311125000006	Washer	6.4
10	SP311127000006	Washer	6
11	SP309933000616	Bolt	M6x16
12	SP309084000408	Bolt	M4x8
13	SP533103	Coin Vault Plate	
14	567932	Cabinet Holder	
15	SP529206	Screw	M4x11
16	SP310934000008	Nut	M8

# Cabinet (Drawing 3 of 3)

AR, LA, LW, NX, PA and RX Models with T or X in 7th Position;  
IA, NA, SA and UA Models Starting Serial No. 80RX006600SF with A, D, I, J, R, T or X in 7th Position



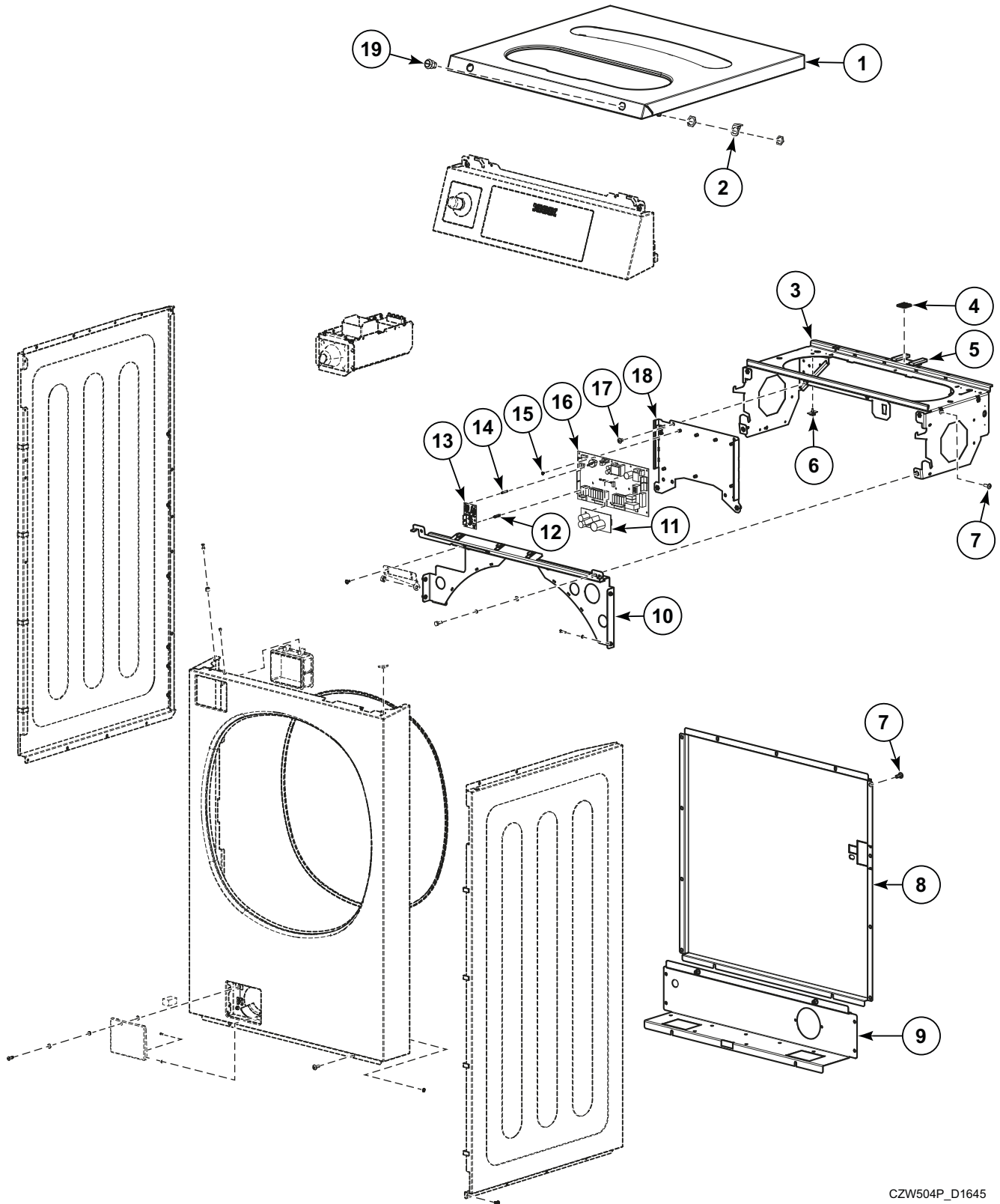
CZW100P\_D1645

## Cabinet (Drawing 3 of 3)

REF	PART NO.	DESCRIPTION	COMMENTS
1	SP555405	End Stop	
2	SPPRI505000058	Profiled Sealing	
3	SP527083	Latch	
4	SP555658	Bolt	M6x10
5	SP554260	Drain Pump Cover	
6	SP521706	Rivet	3x8 with half ball head
7	SP527087	Washer	
8	SP527084	Bolt	
9	SP527086	Spring	
10	SP527085	Ring	Securing
11	SP527021	Washer	M3
12	SPPRI247000013	Washer	
13	SP313250004063	Rivet	4x6.3 with a crank
14	SP527088	Profile	15x3; Foam
15	SP550127	Front Panel	OPL; Painted; Through Serial No. 80RX001808FD
	563524	Front Panel	OPL; Painted; Starting Serial No. 80RX001809FD
	SP550040	Front Panel	Vend; Painted; Through Serial No. 80RX001808FD
	563526	Front Panel	Vended; Painted; Starting Serial No. 80RX001809FD
	SP554253	Front Panel	OPL with drain pump; Painted; Through Serial No. 80RX001808FD
	563528	Front Panel	OPL with drain pump; Painted; Starting Serial No. 80RX001809FD
	SP554251	Front Panel	Vend with drain pump; Painted; Through Serial No. 80RX001808FD
	563530	Front Panel	Vend with drain pump; Painted; Starting Serial No. 80RX001809FD
	SP550131	Front Panel	OPL; Stainless steel
	SP550129	Front Panel	Vend; Stainless steel
	SP554249	Front Panel	OPL with drain pump; Stainless steel
	SP554247	Front Panel	Vend with drain pump; Stainless steel
	16	SP550038	Side Panel
563540		Side Panel	LW, NX, PA and RX models starting Serial No. 80RX001809FD; AR and NA models starting Serial No. 80RX006600SF; Left; Painted
SP550125		Side Panel	Left; Stainless steel
577101		Side Panel	IA and SA models starting Serial No. 80RX006600SF; Left; Black

# Cabinet (Drawing 1 of 3)

Models with G in 7th Position



CZW504P\_D1645

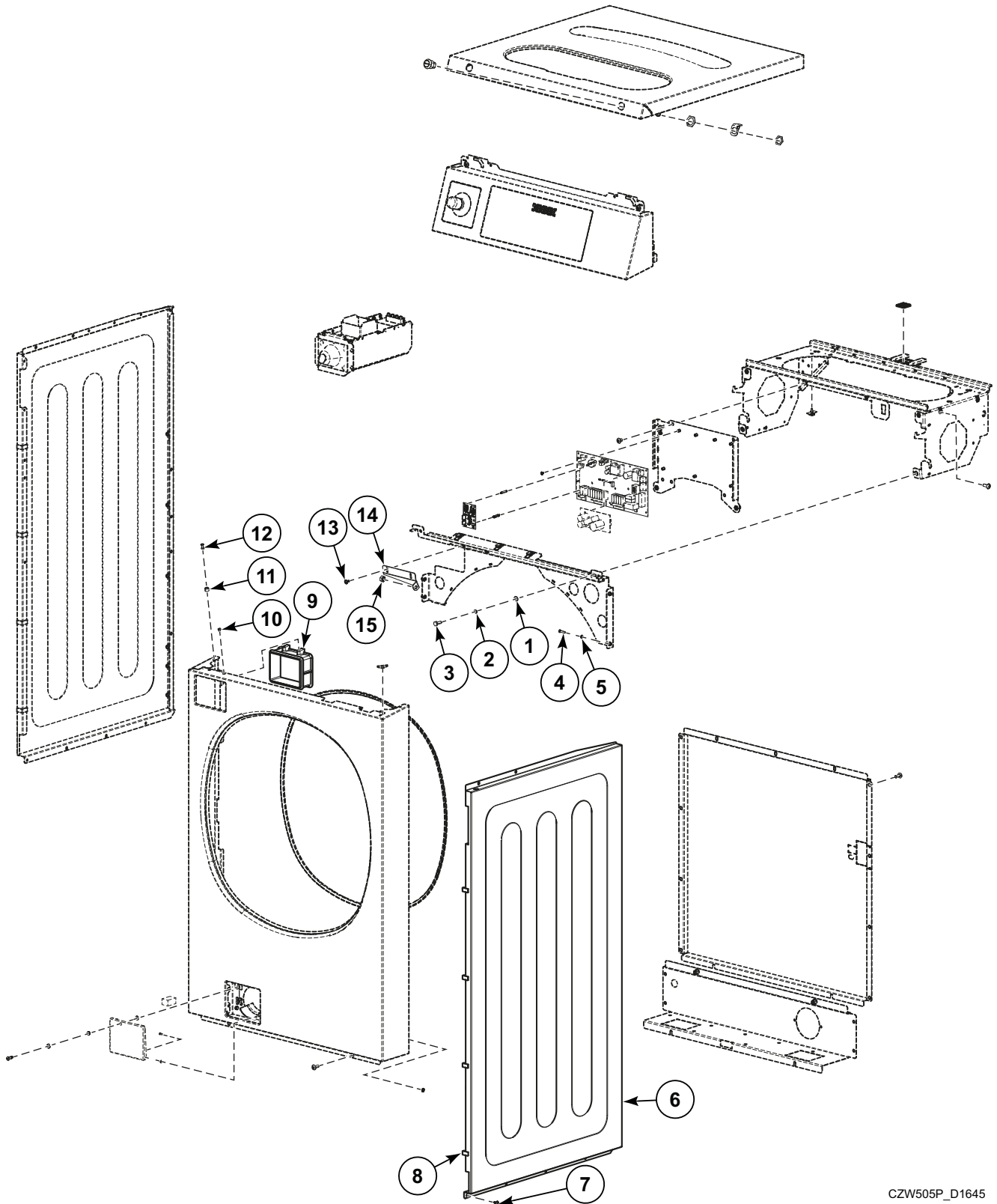
## Cabinet (Drawing 1 of 3)

REF	PART NO.	DESCRIPTION	COMMENTS
1	577675	Top Cover	
	577499	Top Cover	Without soap hopper opening
2	581001	Lock Hook	
3	577665	Panel Holder	
4	SP550115	Fastener	Velcro (hook and loop)
5	564202	Seal	0.1m
6	SP528313	Cable Holder	
7	555658	Bolt	M6x16
8	581013	Rear Cover	
9	550042	Rear Cover	Lower
10	SP550497	Cabinet Reinforcement	
11	553189	Module	Door Lock
12	577693	Plastic Post	
13	553439	Conversion Board	
14	577689	Plastic Post	
15	563123	Bolt	M3x6
16	553444	Control Board I/O	MC10; Power; Used with 569702 Interconnection Flat Cable
17	SP506012	Bolt	M6x10
18	577668	Control Board Holder	
19	SP547527	Lock	Requires SP550616 Key

**N/A = Part no longer available**

# Cabinet (Drawing 2 of 3)

Models with G in 7th Position



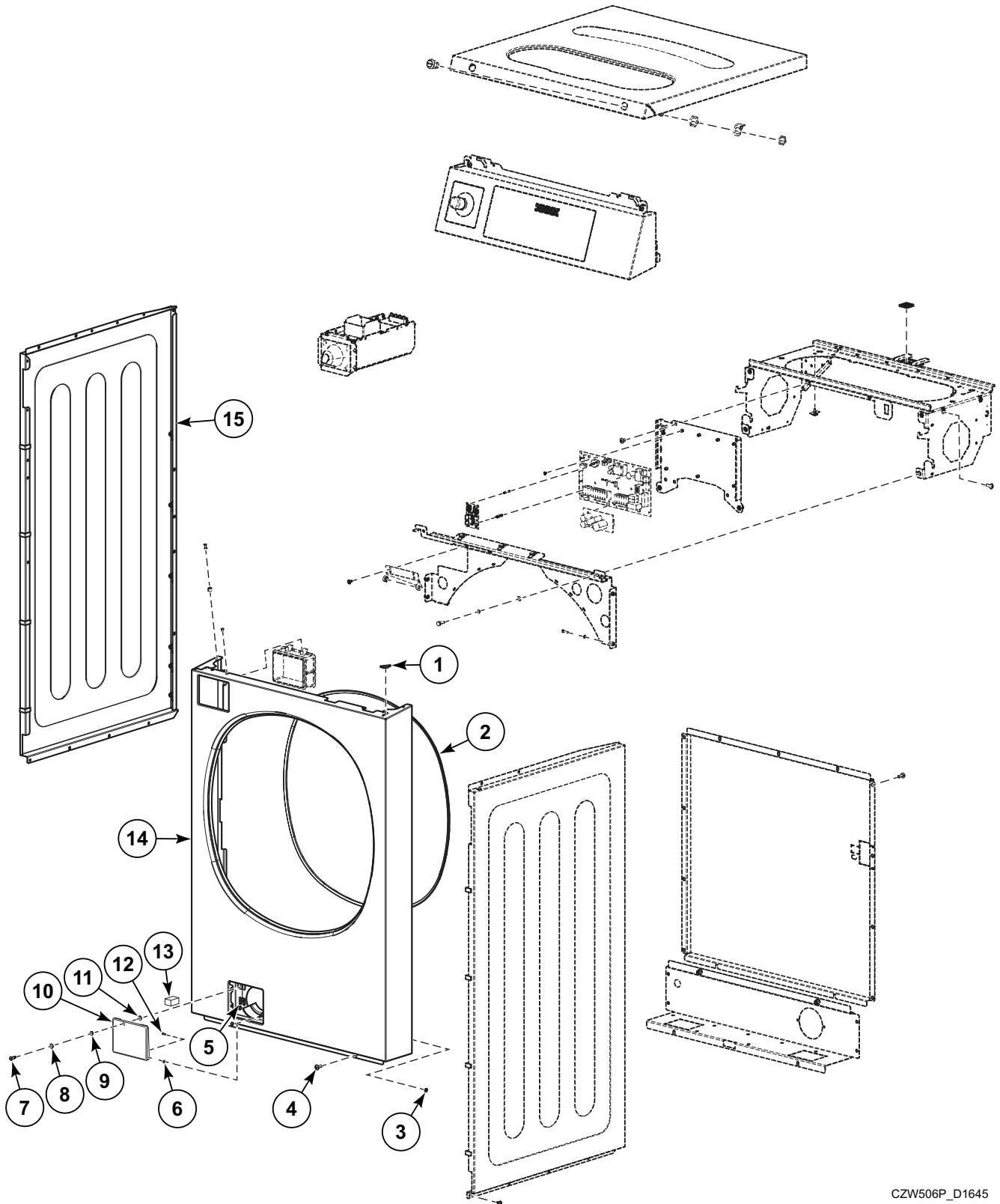
CZW505P\_D1645

## Cabinet (Drawing 2 of 3)

REF	PART NO.	DESCRIPTION	COMMENTS
1	SP311125000006	Washer	6.4
2	SP311127000006	Washer	6
3	SP309933000616	Bolt	M6x16
4	SP555504	Bolt	M4x12
5	SP311679800004	Washer	M4
6	577674	Side Panel	Right; Stainless steel
	577448	Side Panel	IA models; Right; Black
	580847	Side Panel	AR, NA, PA and RX models; Right; Painted
7	555658	Bolt	M6x16
8	SP517232	Seal	Self-adhesive foam
9	SP533103	Coin Vault Plate	
10	SP309084000408	Bolt	M4x8
11	SP520408	Pin Insertion	
12	SP547779	Rivet	4x16.7 with a crank
13	SP529206	Screw	4x11
14	567932	Cabinet Holder	
15	SP310934000008	Nut	M8

# Cabinet (Drawing 3 of 3)

Models with G in 7th Position



CZW506P\_D1645

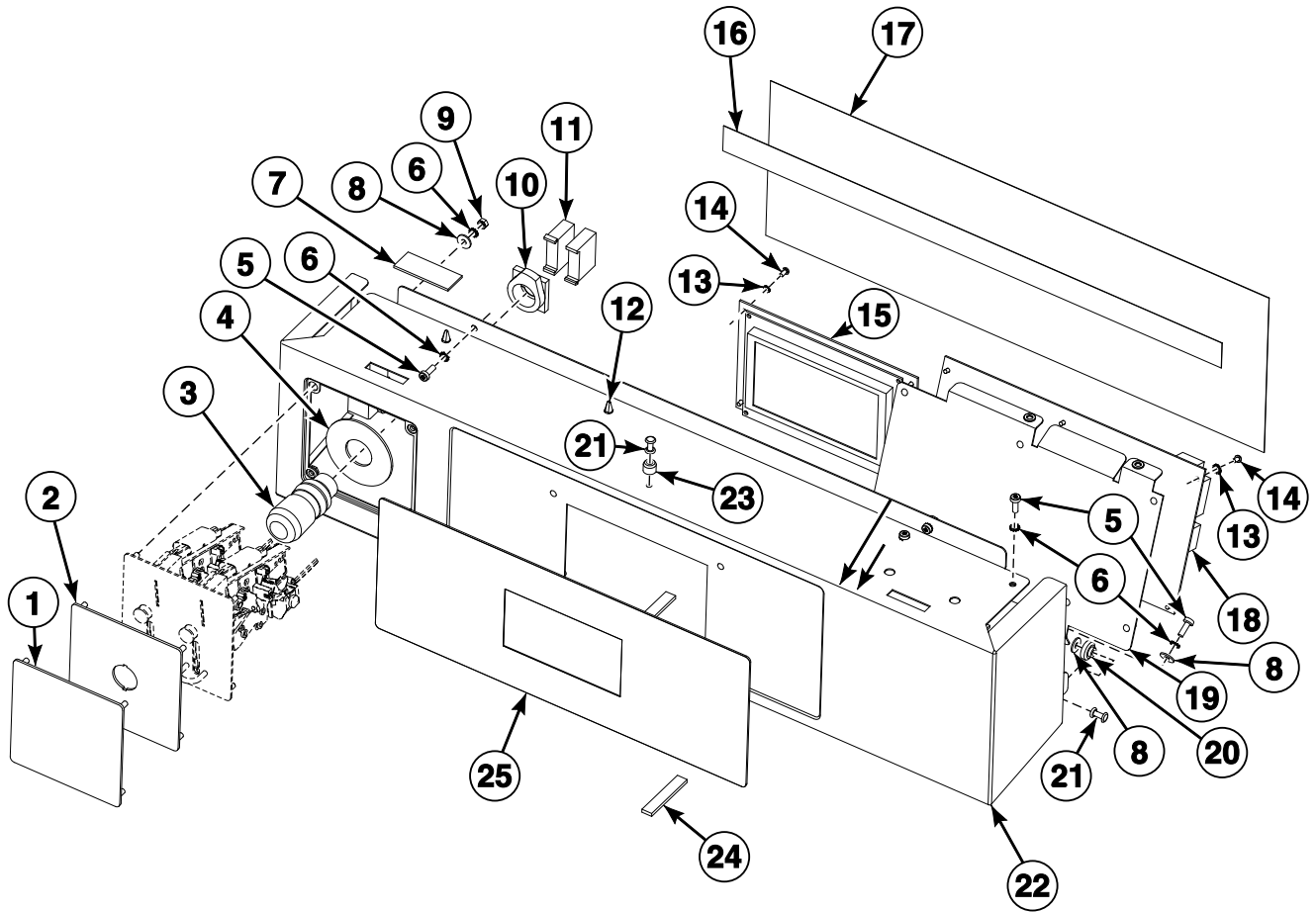


## Cabinet (Drawing 3 of 3)

REF	PART NO.	DESCRIPTION	COMMENTS
1	SP555405	End Stop	
2	SPPRI505000058	Profiled Sealing	
3	SPPRI247000013	Washer	
4	555658	Bolt	M6x16
5	SP527083	Latch	
6	SP527021	Washer	M3
7	SP527084	Bolt	
8	SP527087	Washer	
9	SP527086	Spring	
10	SP554260	Drain Pump Cover	
11	SP527085	Ring	Securing
12	SP521706	Rivet	3x8 with half ball head
13	SP527088	Profile	15x3; Foam
14	SP550131	Front Panel	OPL; Stainless steel
	SP550129	Front Panel	Vend; Stainless steel
	SP554249	Front Panel	OPL with drain pump; Stainless steel
	SP554247	Front Panel	Vend with drain pump; Stainless steel
	563524	Front Panel	OPL; Painted
	563526	Front Panel	Vended; Painted
	563528	Front Panel	OPL with drain pump; Painted
	563530	Front Panel	Vend with drain pump; Painted
15	577672	Side Panel	Left; Stainless steel
	577447	Side Panel	IA models; Left; Black
	580845	Side Panel	AR, NA, PA and RX models; Left; Painted

# Control Panel - A, IA and WMA Models

Models Through Serial No. 80RX006599SD



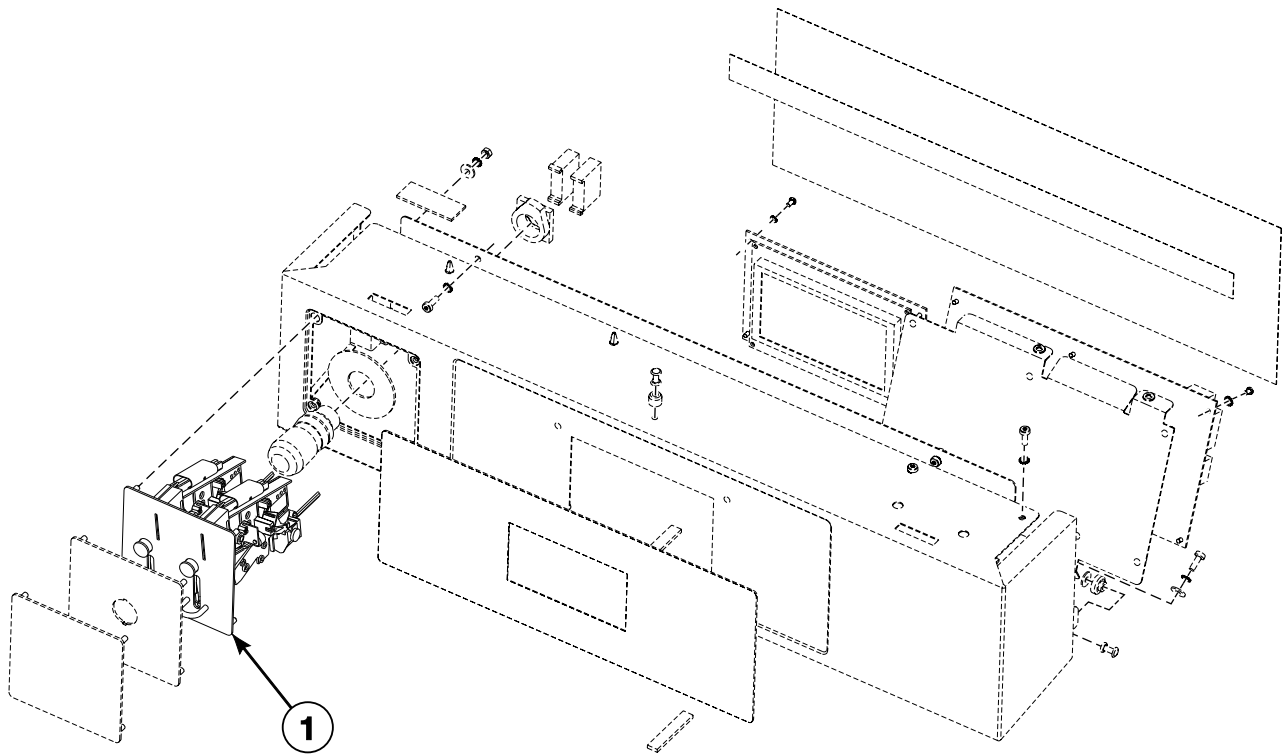
CFD2939P\_D1645

## Control Panel - A, IA and WMA Models

REF	PART NO.	DESCRIPTION	COMMENTS
	SP520033	Emergency Stop Interconnection	Vended
	F8600501	Programming Cable	
	569593	Network Installation Kit	Includes 569595 Holder; 203532 Wireless Network Control Assembly, 568363 Power Supply, 568362 Cable, 568378 Wiring, 568379 Wiring Diagram, SP345000626088 Binding Strip and connection accessories
1	SP550149	Cover Plate	Central payment system
2	SP547565	Coin Meter Cover	
3	SP528310	Emergency Stop Knob	
	SP520032	Emergency Stop Wiring	OPL
4	SPPRI551005248	Emergency Stop Label	Yellow
5	SP555504	Bolt	M4x12
6	SP311679800004	Washer	M4
7	SPMEC001410	Self-Adhesive Pad	
8	SP311902100004	Washer	M4
9	SP310934000004	Nut	M4
10	SP528311	Emergency Stop Connector	
11	SP528312	Switching Unit	
12	SP528313	Cable Holder	
13	SP311679800003	Washer	M3
14	SP309798500306	Bolt	M3x6
15	SP553419	Control Board	MC7
16	SP510846	Tape	Self-adhesive
17	SPPRI543000004	Cover	
18	SP553405	Control Board Power	MC7
	SP547005	Board Interconnection Cable	
19	SP558813	Programmer Holder	
20	SP550113	Leading Pin	
21	SP547779	Rivet	4x16.7 with a crank
22	SP558811	Control Panel	
23	SP520408	Pin Insertion	
24	SP284000012003	Tape	Self-adhesive
25	SP557565	Keyboard	IA models; Aries Elite
	SP557566	Keyboard	IA models; Aries
	SP560747	Keyboard	Without logo and without numeric keypad
	SP560748	Keyboard	Without logo and with numeric keypad

# Coin Meter - A, IA and WMA Models (Drawing 1 of 3)

Models Through Serial No. 80RX006599SD



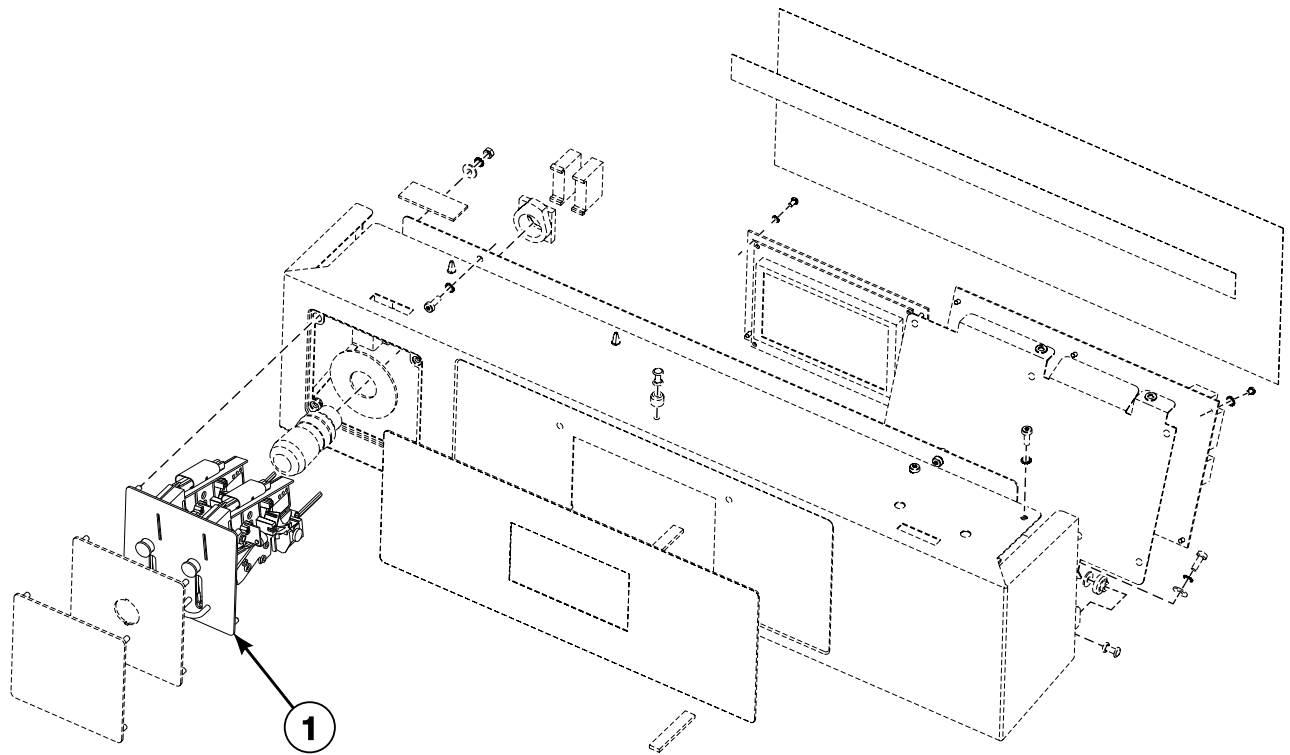
CFD2940P\_D1645

## Coin Meter - A, IA and WMA Models (Drawing 1 of 3)

REF	PART NO.	DESCRIPTION	COMMENTS
1	569922	Coin Meter	0.2GBP, 0.5GBP, 1GBP, 2GBP, 0.1EUR, 0.2EUR, 0.5EUR, 1EUR, 2EUR; Electronic EMPv7
	SP558958	Coin Meter	0.25USD
	SP558959	Coin Meter	0.5EUR and 1EUR
	SP560310	Coin Meter	1EUR
	SP560311	Coin Meter	0.5EUR
	SP560312	Coin Meter	1EUR and 2EUR
	SP559933	Coin Meter	5K Primus jeton
	SP559934	Coin Meter	10K Primus jeton
	569965	Coin Meter	0.2GBP, 0.5GBP, 1GBP, 2GBP, 0.1EUR, 0.2EUR, 0.5EUR, 1EUR, 2EUR, jeton "KWL Aqua", jeton "Gettone"; Electronic EMPv7
	SP559938	Coin Meter	STD 118-1 jeton
	SP560309	Coin Meter	7K Primus jeton
	SP560405	Coin Meter	12K Primus jeton
	SP560406	Coin Meter	15K Primus jeton
	SP560407	Coin Meter	2EUR
	SP560408	Coin Meter	0.2EUR and 0.5EUR
	SP560409	Coin Meter	0.2EUR
	SP560410	Coin Meter	1EUR and 0.2EUR
	SP560411	Coin Meter	2EUR and 0.5EUR
	SP560412	Coin Meter	1AUD and 0.2AUD
	SP560413	Coin Meter	1GBP and 20PC
	SP560414	Coin Meter	1GBP and 50PC
	SP560415	Coin Meter	100JPY
	SP560416	Coin Meter	500JPY and 100 JPY
	SP560417	Coin Meter	1AUD and 2AUD
	SP560418	Coin Meter	1AUD
	SP560419	Coin Meter	20PC
	SP560420	Coin Meter	50 Malaysian cent
	SP560421	Coin Meter	1SGD; New Singaporean dollar
	SP560422	Coin Meter	2MYR and 0.5MYR
	SP560423	Coin Meter	1SGD
	SP560424	Coin Meter	1NZD and 2NZD
	SP560425	Coin Meter	Easy games jeton
	SP560426	Coin Meter	Flat polis jeton
	SP560427	Coin Meter	Butzi wash jeton
	SP560428	Coin Meter	Speedy matic jeton
	SP560429	Coin Meter	Laundromatic Belgium jeton; Diameter 22.3mm
	569940	Coin Meter	0.1SGD, 0.2SGD, 0.5SGD, 1SGD; Electronic EMPv7
	569934	Coin Meter	0.1EUR, 0.2EUR, 0.5EUR, 1EUR, 2EUR; Electronic EMPv7
	SP560432	Coin Meter	500WON
	SP560745	Coin Meter	Dobi ekspres jeton
	SP560751	Coin Meter	Lucky winner jeton
	SP559969	Coin Meter	Gettone jeton
	SP559949	Coin Meter	10 Taiwan dollar
	SP560090	Coin Meter	5K IPSO jeton
	SP560091	Coin Meter	7K IPSO jeton
	SP560092	Coin Meter	10K IPSO jeton
	SP560093	Coin Meter	12K IPSO jeton
	SP560094	Coin Meter	15K IPSO jeton
	SP560100	Coin Meter	Electrolux Asard jeton
	SP560087	Coin Meter	Gettone jeton

# Coin Meter - A, IA and WMA Models (Drawing 2 of 3)

Models Through Serial No. 80RX006599SD



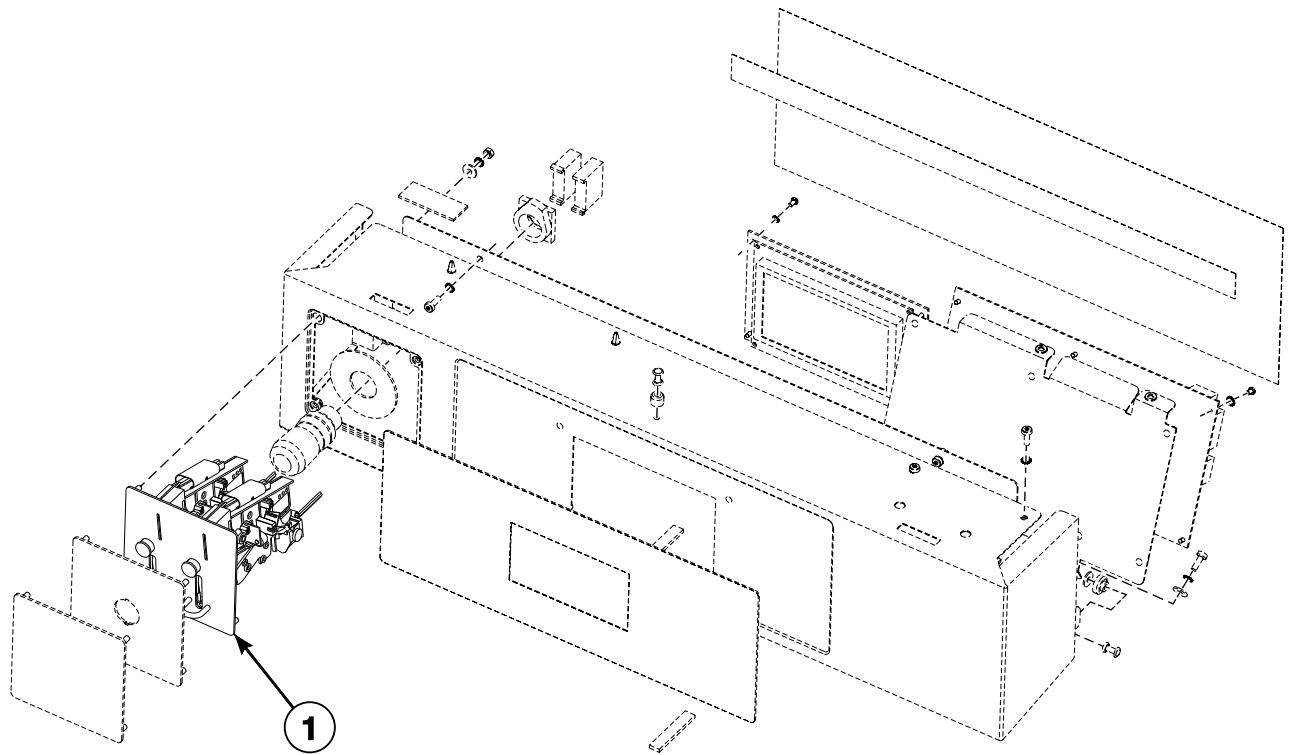
CFD2940P\_D1645

## Coin Meter - A, IA and WMA Models (Drawing 2 of 3)

REF	PART NO.	DESCRIPTION	COMMENTS
1	SP560075	Coin Meter	5+1 Shekel
	SP560071	Coin Meter	1HKD
	569968	Coin Meter	0.1EUR, 0.2EUR, 0.5EUR, 1EUR, 2EUR, jeton G-FIS "LAVOIR BIANCA"; Electronic EMPv7
	569946	Coin Meter	1HRK, 2HRK, 5HRK; Electronic EMPv7
	569974	Coin Meter	1AUD, 2AUD, jeton "No Cash Value"; Electronic EMPv7
	561497	Coin Meter	Jeton Prinz Firbitex
	563405	Coin Meter	Token Ldl Chamberland Washing Machine
	569943	Coin Meter	0.1MYR, 0.2MYR, 0.5MYR, 0.5SGD, 1SGD; Electronic EMPv7
	569925	Coin Meter	1DKK, 2DKK, 5DKK, 10DKK, 20DKK, 1NOK, 5NOK, 10NOK, 20NOK, 0.2EUR, 0.5EUR, 1EUR, 2EUR; Electronic EMPv7
	564485	Coin Meter	Token 118-5
	564487	Coin Meter	Token Barisart (Ldl)
	569971	Coin Meter	0.5MYR, jeton "DOBI PAPA"; Electronic EMPv7
	553156	Coin Meter	Token Rotondi
	569905	Coin Meter	Brass jeton
	569911	Coin Meter	0.5CHF, 2CHF
	569919	Coin Meter	0.25USD, 1USD, 0.25CAD, 1CAD, 2CAD; Electronic EMPv7
	569928	Coin Meter	0.2AUD, 1AUD, 2AUD, 0.2NZD, 1NZD, 2NZD, 5HKD, 10HKD, 500KRW; Electronic EMPv7
	569931	Coin Meter	1CNY, 0.1MYR, 0.2MYR, 0.5MYR; Electronic EMPv7
	569937	Coin Meter	1PHP, 5PHP, 10PHP; Electronic EMPv7
	569949	Coin Meter	5CZK, 10CZK, 20CZK, 50CZK; Electronic EMPv7
	569952	Coin Meter	0.5MAD, 1MAD, 2MAD, 5MAD, 10MAD; Electronic EMPv7
	569955	Coin Meter	1PLN, 2PLN, 5PLN, 0.1EUR, 0.2EUR, 0.5EUR, 1EUR, 2EUR, 10ISK, 50ISK, 100ISK; Electronic EMPv7
	569962	Coin Meter	0.1EUR, 0.2EUR, 0.5EUR, 1EUR, 2EUR, jeton IPRSO 5K; Electronic EMPv7
	569980	Coin Meter	0.5MYR, jeton "BUBBLELAB"; Electronic EMPv7
	569988	Coin Meter	Jeton HAUCK 2018
	569993	Coin Meter	Jeton 08 MS
569995	Coin Meter	Jeton D	

# Coin Meter - A, IA and WMA Models (Drawing 3 of 3)

Models Through Serial No. 80RX006599SD



CFD2940P\_D1645

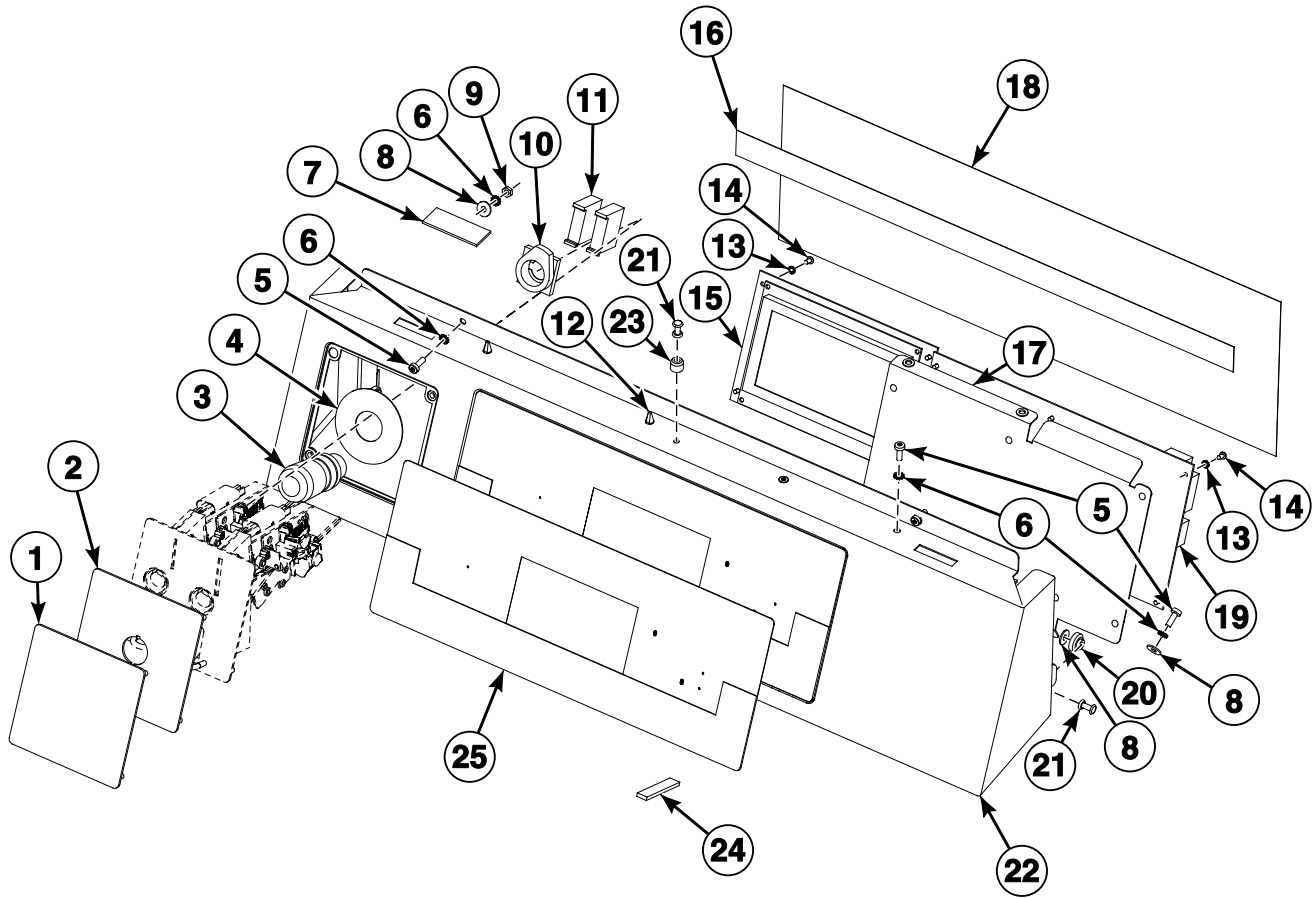


## Coin Meter - A, IA and WMA Models (Drawing 3 of 3)

REF	PART NO.	DESCRIPTION	COMMENTS
1	569999	Coin Meter	10+50 TWD
	570000	Coin Meter	100+500 ISK
	572302	Coin Meter	Token 118-16
	572305	Coin Meter	1ILS, 2ILS, 5ILS, 10ILS; Electronic EMPv7
	572308	Coin Meter	1ZAR, 2ZAR, 5ZAR; Electronic EMPv7
	572311	Coin Meter	5RUB, 10RUB; Electronic EMPv7
	572314	Coin Meter	50CLP, 100CLP, 500CLP; Electronic EMPv7
	572318	Coin Meter	100JPY, 500JPY, 10TWD, 50TWD; Electronic EMPv7
	572321	Coin Meter	0.5GEL, 1GEL, 2GEL; Electronic EMPv7
	572324	Coin Meter	0.2EUR, 0.5EUR, 1EUR, 2EUR, Jeton 7K; Electronic EMPv7
	572327	Coin Meter	20HUF, 50HUF, 100HUF, 200HUF; Electronic EMPv7
	572384	Coin Meter	0.2CHF, 0.5CHF, 1CHF, 2CHF; TK1, TK2; Electronic EMPv7
	572389	Coin Meter	0.25CAD
	575276	Coin Meter	0.25USD + 1USD
	575277	Coin Meter	0.25CAD + 1CAD
	572343	Coin Meter	Token WH121
	572355	Coin Meter	Token Nr. 1699360
	572359	Coin Meter	1THB, 2THB, 5THB, 10THB/TK1+2; Electronic EMPv7

# Control Panel - AR Non-Brand, NA and SA Models

Models Through Serial No. 80RX006599SD



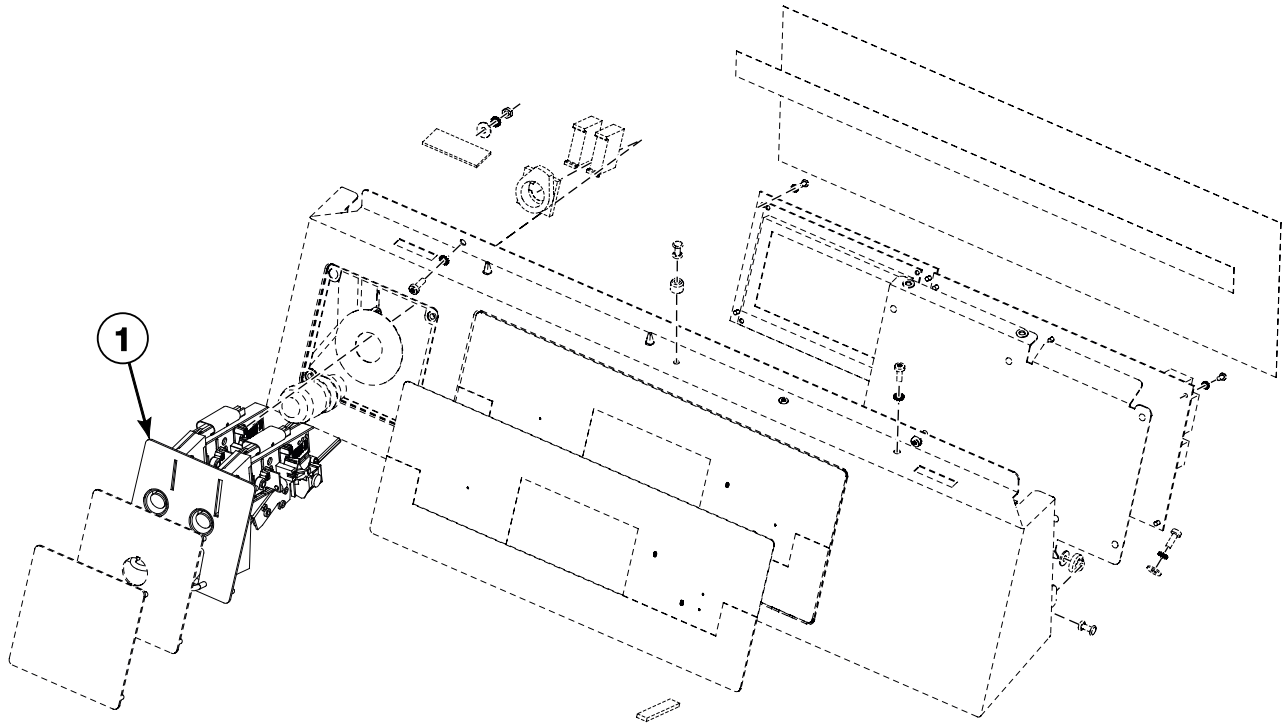
CFD2946P\_D1645

## Control Panel - AR Non-Brand, NA and SA Models

REF	PART NO.	DESCRIPTION	COMMENTS
	F8600501	Programming Cable	
	SP520033	Emergency Stop Interconnection	Vended
	569593	Network Installation Kit	Includes 569595 Holder, 203532 Wireless Network Control Assembly, 568363 Power Supply, 568362 Cable, 568378 Wiring, 568379 Wiring Diagram, SP345000626088 Binding Strip and connection accessories
1	SP550149	Cover Plate	Central payment system
2	SP547565	Coin Meter Cover	AR Non-Brand and NA models
3	SP528310	Emergency Stop Knob	
	SP520032	Emergency Stop Wiring	OPL
4	SPPRI551005248	Emergency Stop Label	Yellow
5	SP555504	Bolt	M4x12
6	SP311679800004	Washer	M4
7	SPMEC001410	Self-Adhesive Pad	
8	SP311902100004	Washer	4
9	SP310934000004	Nut	M4
10	SP528311	Emergency Stop Connector	
11	SP528312	Switching Unit	
12	SP528313	Cable Holder	
13	SP311679800003	Washer	M3
14	SP309798500306	Bolt	M3x6
15	SP553411	Control Board	AR Non-Brand and NA models; Blue display; MC7
	SP553412	Control Board	SA models; Green display; MC7
16	SP510846	Tape	Self-adhesive
17	SP560448	Programmer Holder	
18	SPPRI543000004	Cover	
19	SP553405	Control Board Power	MC7
	SP547005	Board Interconnection Cable	
20	SP550113	Leading Pin	
21	SP547779	Rivet	4x16.7 with a crank
22	SP560450	Control Panel	
23	SP520408	Pin Insertion	
24	SP284000012003	Tape	Self-adhesive
25	SP547087	Keyboard	AR Non-Brand and NA models; Professional; OPL; Black
	SP547088	Keyboard	AR Non-Brand and NA models; Basic; OPL; Black
	SP557130	Keyboard	SA models; OPL

# Coin Meter - AR Non-Brand, NA and SA Models (Drawing 1 of 3)

Models Through Serial No. 80RX006599SD



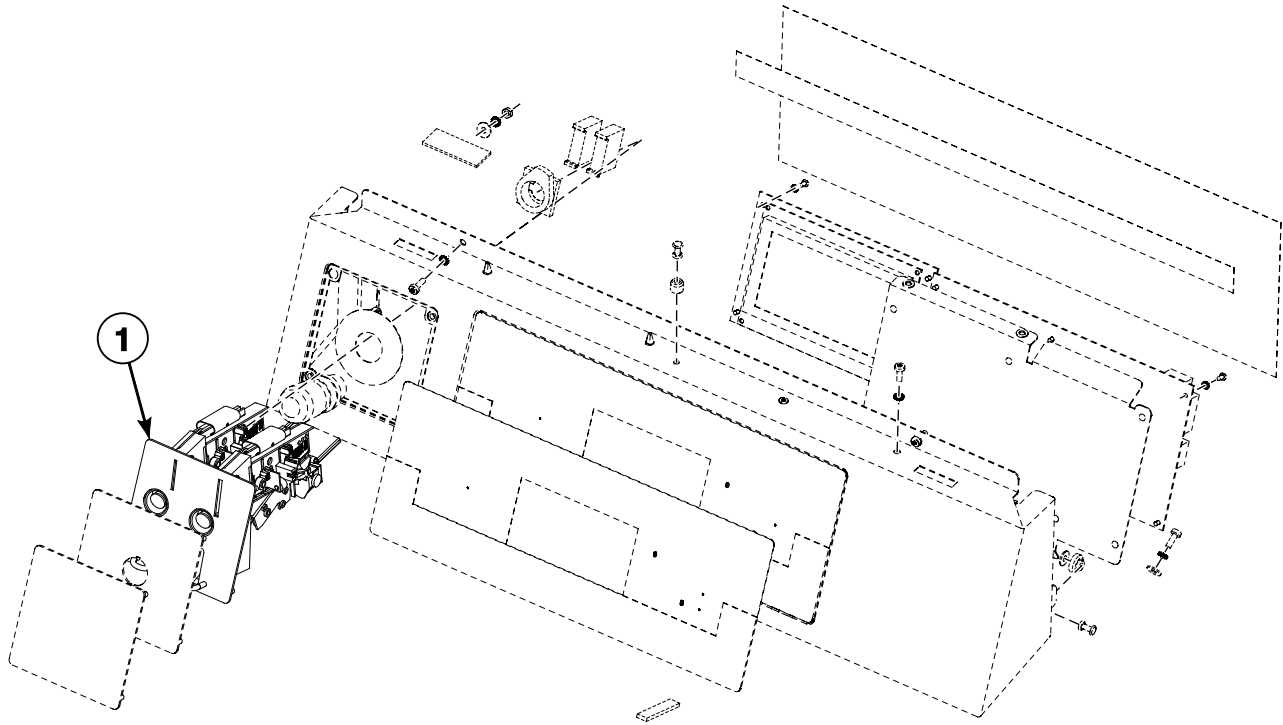
CFD3482P\_D1645

# Coin Meter - AR Non-Brand, NA and SA Models (Drawing 1 of 3)

REF	PART NO.	DESCRIPTION	COMMENTS
1	SP547601	Coin Meter	5K Primus jeton
	SP547602	Coin Meter	7K Primus jeton
	SP547603	Coin Meter	10K Primus jeton
	SP547604	Coin Meter	12K Primus jeton
	SP547605	Coin Meter	15K Primus jeton
	SP547606	Coin Meter	D jeton
	SP547648	Coin Meter	0.05EUR
	SP547638	Coin Meter	0.2EUR
	SP547616	Coin Meter	0.5EUR
	SP547614	Coin Meter	1EUR
	SP547647	Coin Meter	2EUR
	SP547622	Coin Meter	0.2EUR + 0.5EUR
	SP547639	Coin Meter	0.2EUR + 1EUR
	SP547617	Coin Meter	0.5EUR + 1EUR
	SP547656	Coin Meter	0.5EUR + 2EUR
	SP547631	Coin Meter	1EUR + 2EUR
	SP547652	Coin Meter	7K + D jeton
	SP547666	Coin Meter	7K jeton and 2EUR
	SP547665	Coin Meter	D jeton and 2EUR
	SP547600	Coin Meter	1AUD + 20C
	SP547607	Coin Meter	1POND + 20PC
	SP547608	Coin Meter	1POND + 50PC
	SP547609	Coin Meter	100YEN
	SP547610	Coin Meter	500JPY + 100JPY
	SP547611	Coin Meter	5DKK
	SP547612	Coin Meter	20DKK
	SP547613	Coin Meter	5ILS + 1ILS
	SP547615	Coin Meter	1MYR
	SP547618	Coin Meter	1DKK + 5DKK
	SP547619	Coin Meter	10NOK + 20NOK
	SP547620	Coin Meter	2DKK + 5DKK
	SP547621	Coin Meter	5NOK
	SP547623	Coin Meter	1NZD + 2NZD
	SP547624	Coin Meter	10 NOK
	SP547625	Coin Meter	10NT + 50NT
	SP547626	Coin Meter	2DKK
	SP547627	Coin Meter	Lucky Winner jeton
	SP547628	Coin Meter	10TWD
	SP547629	Coin Meter	10CZK + 20CZK
	SP547630	Coin Meter	7K Equipos Par Lavar jeton
	569921	Coin Meter	0.2GBP, 0.5GBP, 1GBP, 2GBP, 0.1EUR, 0.2EUR, 0.5EUR, 1EUR, 2EUR; Electronic EMPv7
	SP547634	Coin Meter	500WON
	SP547635	Coin Meter	0.25USD
	SP547636	Coin Meter	1AUD + 2AUD
	SP547637	Coin Meter	5DK + 10DK
	SP547640	Coin Meter	Sun Wash jeton

# Coin Meter - AR Non-Brand, NA and SA Models (Drawing 2 of 3)

Models Through Serial No. 80RX006599SD



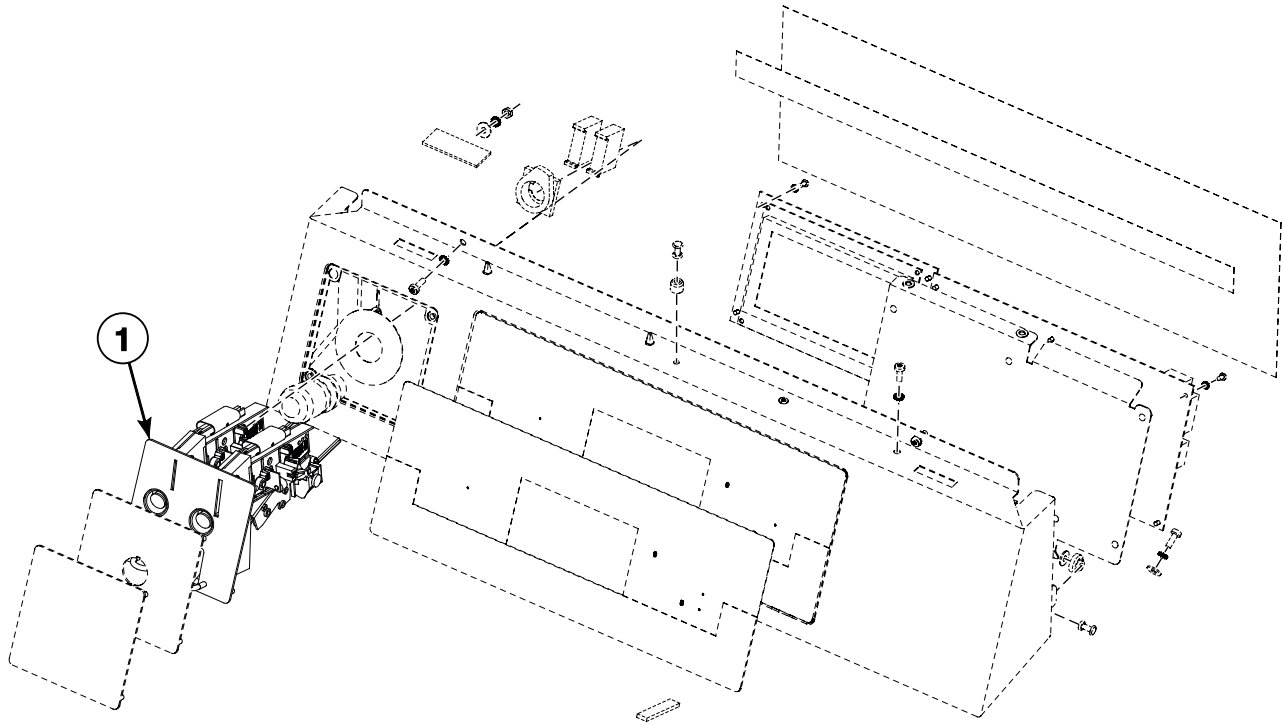
CFD3482P\_D1645

## Coin Meter - AR Non-Brand, NA and SA Models (Drawing 2 of 3)

REF	PART NO.	DESCRIPTION	COMMENTS
1	SP547641	Coin Meter	2DK + 10DK
	SP547642	Coin Meter	1AUD
	SP547643	Coin Meter	1CHF
	SP547644	Coin Meter	5NOK + 10NOK
	SP547645	Coin Meter	1 TopMos jeton + 1LEV jeton
	SP547646	Coin Meter	1 Vendo jeton
	SP547649	Coin Meter	1 jeton
	569951	Coin Meter	0.5MAD, 1MAD, 2MAD, 5MAD, 10MAD; Electronic EMPv7
	SP547651	Coin Meter	20 penny
	SP547653	Coin Meter	1 Wascator jeton, jeton diamater 22.2 mm
	SP547654	Coin Meter	1 Unibel jeton, jeton diamater 18.55 mm
	SP547657	Coin Meter	50HUF + 100HUF
	SP547658	Coin Meter	1 jeton without coining, jeton diamater 20 mm
	SP547659	Coin Meter	1 Volund jeton, jeton diamater 22.5 mm
	SP547660	Coin Meter	1 Wascator jeton, jeton diamater 19 mm
	SP547661	Coin Meter	1 Miele jeton
	SP547662	Coin Meter	1 jeton without coining, jeton diamater 26 mm
	SP547663	Coin Meter	Three-groove jeton; jeton diamater 27 mm
	SP547664	Coin Meter	Three-groove jeton; jeton diamater 24.9 mm
	SP537996	Coin Meter	Top-Mosr jeton
	SP547667	Coin Meter	Milano Italy jeton
	SP547668	Coin Meter	5PLN + 1PLN
	SP547669	Coin Meter	Two-grooves jeton; jeton diamater 27 mm
	SP547670	Coin Meter	A.S.A.R.D. jeton, jeton diamater 25.8 mm
	SP547671	Coin Meter	20CZK
	SP547672	Coin Meter	Jeton ASARD, jeton diamater 22.3 mm
	SP547673	Coin Meter	Jeton Laundromatic Belgium, jeton diamater 22.3 mm
	SP547674	Coin Meter	1SGD
	SP547675	Coin Meter	Jeton Asard Wascator, jeton diamater 19.9 mm
	SP555502	Coin Meter	Easy Games jeton
	SP555543	Coin Meter	Brev.C jeton
	SP555546	Coin Meter	50 Malaysian cent
	SP555549	Coin Meter	Flat Polis jeton
	SP555550	Coin Meter	Butzi Wash jeton
	SP555578	Coin Meter	1 New Singapore Dollar
	SP555558	Coin Meter	Copper without grooves jeton
	569939	Coin Meter	0.1SGD, 0.2SGD, 0.5SGD, 1SGD; Electronic EMPv7
	SP555666	Coin Meter	2x50 Malaysian cent
	569933	Coin Meter	0.1EUR, 0.2EUR, 0.5EUR, 1EUR, 2EUR; Electronic EMPv7
	SP555559	Coin Meter	Speedy Matic jeton
	SP555579	Coin Meter	Was-Salon Lavoir jeton
	569948	Coin Meter	5CZK, 10CZK, 20CZK, 50CZK; Electronic EMPv7
SP560744	Coin Meter	Electronic for Dobi Ekspress jeton	
569964	Coin Meter	0.2GBP, 0.5GBP, 1GBP, 2GBP, 0.1EUR, 0.2EUR, 0.5EUR, 1EUR, 2EUR, jeton "KWL Aqua", jeton "Gettone"; Electronic EMPv7	
SP560089	Coin Meter	STD 118-1 jeton	

# Coin Meter - AR Non-Brand, NA and SA Models (Drawing 3 of 3)

Models Through Serial No. 80RX006599SD



CFD3482P\_D1645

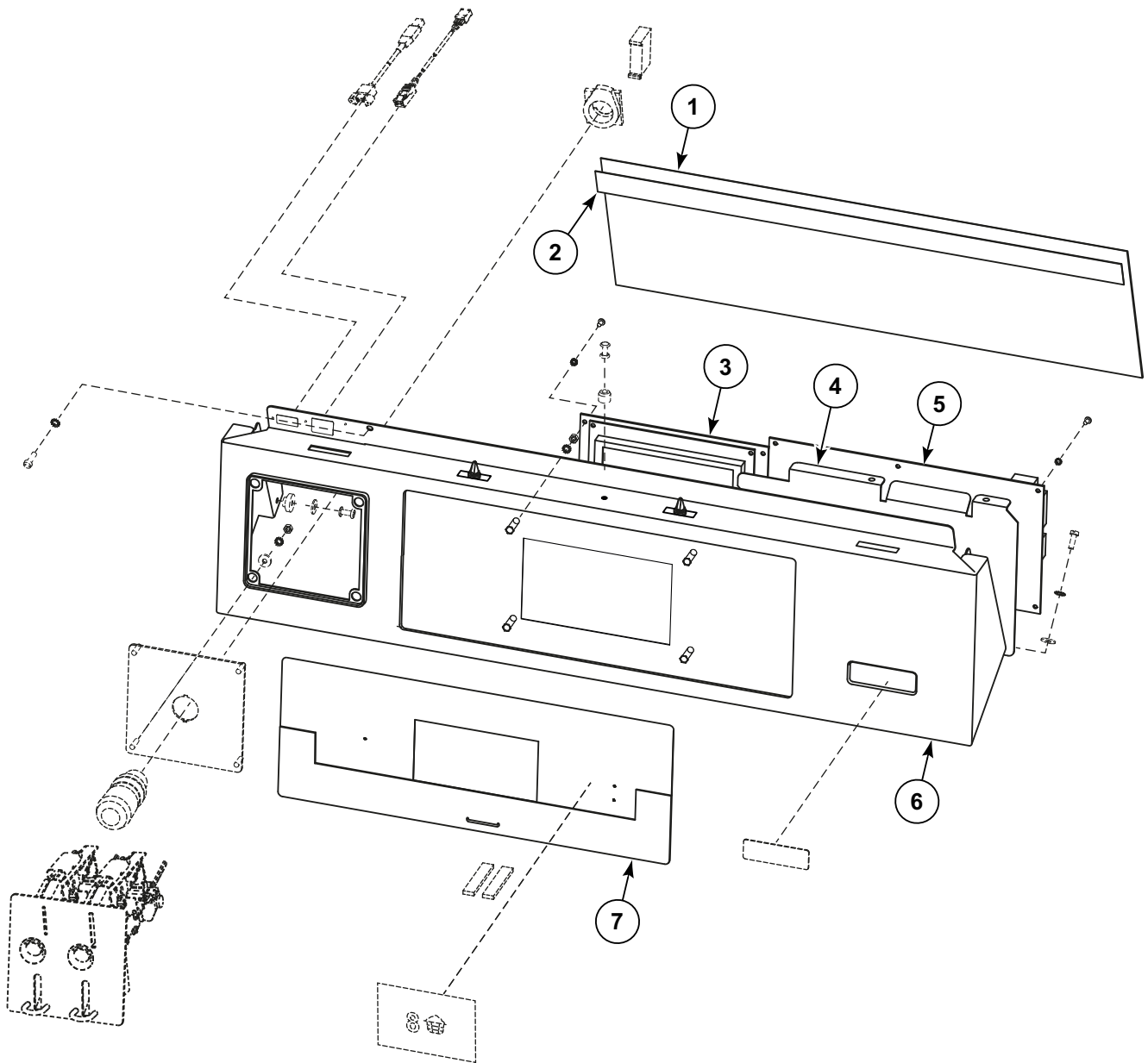


## Coin Meter - AR Non-Brand, NA and SA Models (Drawing 3 of 3)

REF	PART NO.	DESCRIPTION	COMMENTS
1	SP560082	Coin Meter	5k IPSO jeton
	SP560083	Coin Meter	7k IPSO jeton
	SP560084	Coin Meter	10k IPSO jeton
	SP560085	Coin Meter	12k IPSO jeton
	SP560086	Coin Meter	15k IPSO jeton
	561378	Coin Meter	10 Moroccan Dirham
	569918	Coin Meter	0.25USD, 1USD, 0.25CAD, 1CAD, 2CAD; Electronic EMPv7
	560073	Coin Meter	0.25 USD/1 USD
	569930	Coin Meter	1CNY, 0.1MYR, 0.2MYR, 0.5MYR; Electronic EMPv7
	569927	Coin Meter	0.2AUD, 1AUD, 2AUD, 0.2NZD, 1NZD, 2NZD, 5HKD, 10HKD, 500KRW; Electronic EMPv7
	561496	Coin Meter	Jeton Grupo Azkoyen CDS Automaten
	569936	Coin Meter	1PHP, 5PHP, 10PHP; Electronic EMPv7
	569942	Coin Meter	0.1MYR, 0.2MYR, 0.5MYR, 0.5SGD, 1SGD; Electronic EMPv7
	569945	Coin Meter	1HRK, 2HRK, 5HRK; Electronic EMPv7
	569924	Coin Meter	1DKK, 2DKK, 5DKK, 10DKK, 20DKK, 1NOK, 5NOK, 10NOK, 20NOK, 0.2EUR, 0.5EUR, 1EUR, 2EUR; Electronic EMPv7
	SP564484	Coin Meter	Jeton 118-5
	SP564486	Coin Meter	Jeton Barisart (LDL)
	569961	Coin Meter	0.1EUR, 0.2EUR, 0.5EUR, 1EUR, 2EUR, jeton IPSO 5K; Electronic EMPv7
	564489	Coin Meter	Jeton Sporrong
	569970	Coin Meter	0.5MYR, jeton "DOBI PAPA"; Electronic EMPv7
	553150	Coin Meter	Jeton with hole
	553151	Coin Meter	Jeton Deton Wash
	569901	Coin Meter	Brass jeton
	569912	Coin Meter	Jeton Wassalon lavoir
	569954	Coin Meter	1PLN, 2PLN, 5PLN, 0.1EUR, 0.2EUR, 0.5EUR, 1EUR, 2EUR, 10ISK, 50ISK, 100ISK; Electronic EMPv7
	569967	Coin Meter	0.1EUR, 0.2EUR, 0.5EUR, 1EUR, 2EUR, jeton G-FIS "LAVOIR BIANCA"; Electronic EMPv7
	569973	Coin Meter	1AUD, 2AUD, jeton "No Cash Value"; Electronic EMPv7
	569979	Coin Meter	0.5MYR, jeton "BUBBLELAB"; Electronic EMPv7
	569987	Coin Meter	Jeton HAUCK 2018
	569998	Coin Meter	100+500 ISK
	572301	Coin Meter	Token 118-16
	572304	Coin Meter	1ILS, 2ILS, 5ILS, 10ILS; Electronic EMPv7
	572307	Coin Meter	1ZAR, 2ZAR, 5ZAR; Electronic EMPv7
	572310	Coin Meter	5RUB, 10RUB; Electronic EMPv7
	572313	Coin Meter	50CLP, 100CLP, 500CLP; Electronic EMPv7
	572317	Coin Meter	100JPY, 500JPY, 10TWD, 50TWD; Electronic EMPv7
	572320	Coin Meter	0.5GEL, 1GEL, 2GEL; Electronic EMPv7
	572323	Coin Meter	0.2EUR, 0.5EUR, 1EUR, 2EUR, Jeton 7K; Electronic EMPv7
	572326	Coin Meter	20HUF, 50HUF, 100HUF, 200HUF; Electronic EMPv7
	572383	Coin Meter	0.2CHF, 0.5CHF, 1CHF, 2CHF; TK1, TK2; Electronic EMPv7
	572391	Coin Meter	0.25CAD
	572339	Coin Meter	Gettone jeton [26mm diameterx1.7m]
	572342	Coin Meter	Token WH121
	572358	Coin Meter	1THB, 2THB, 5THB, 10THB/TK1+2; Electronic EMPv7

# Control Panel (Drawing 1 of 2)

AR, LA, LW, MWC, NX, PA and RX Models with T or X in 7th Position;  
AR, IA, NA, SA and UA Models Starting Serial No. 80RX006600SF with A, D, I, J, R, T or X in 7th Position



CZW388P\_D1645

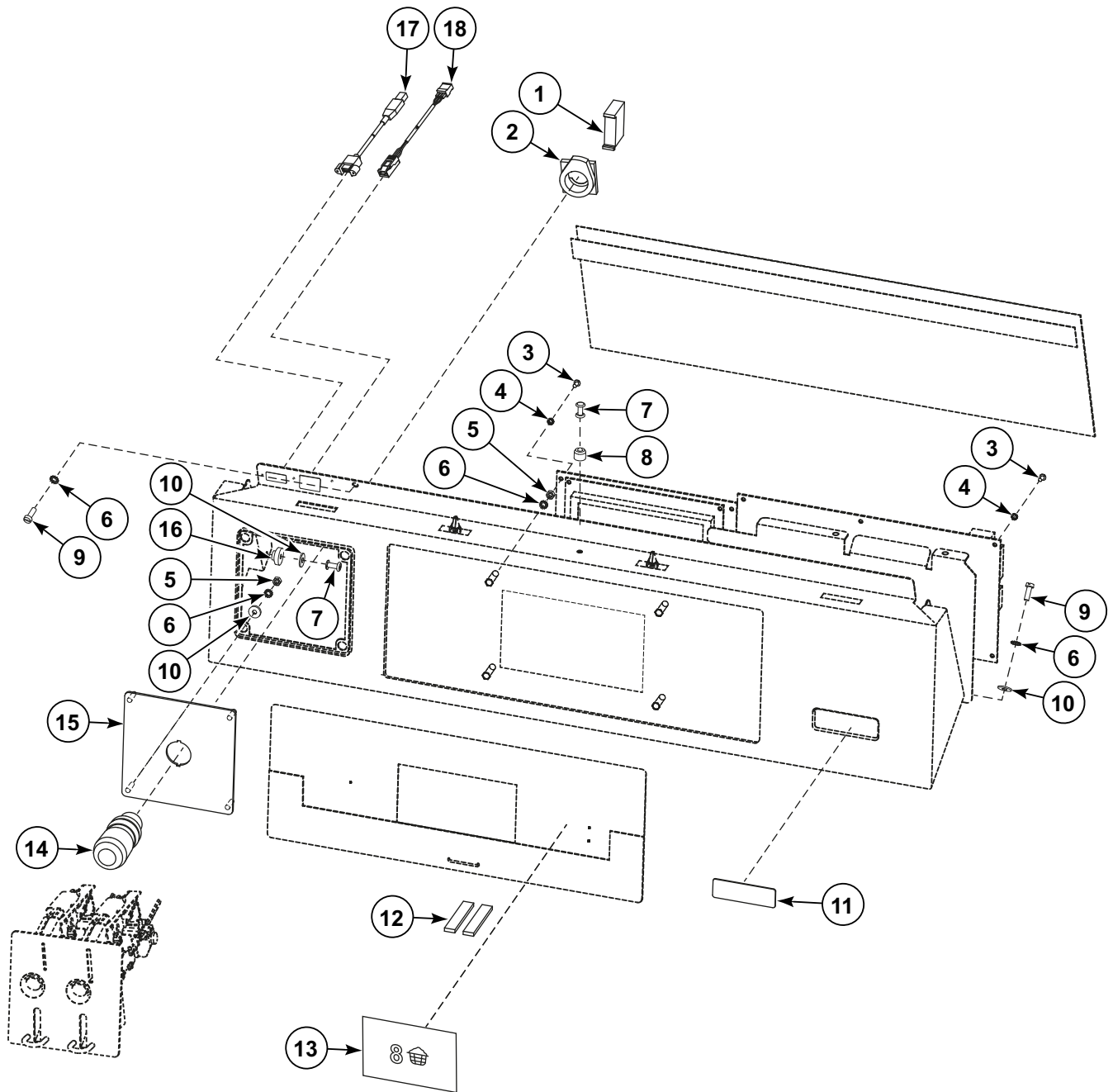
## Control Panel (Drawing 1 of 2)

REF	PART NO.	DESCRIPTION	COMMENTS
1	SPPRI543000004	Cover	
2	SP510846	Tape	Self-adhesive
3	SP547001	Control Board	MC6, Green; Through Serial No. 80RX000647DB; Refer to NOTE*
	SP553411	Control Board	AR, LA, LW, MWC, NA, NX, PA and RX models; MC7; Blue; Starting Serial No. 80RX000796DF; Refer to NOTE*
	SP553419	Control Board	IA models; MC7; Red
	SP553412	Control Board	SA and UA models; MC7; Green
4	SP550117	Control Board Holder	
5	SP553405	Control Board Power	MC7
	SP547002	Control Board Power	MC6
	SP547005	Board Interconnection Cable	
6	SP550031	Control Panel	LA, LW, MWC, NX, PA and RX models
	575942	Control Panel	AR, IA, NA, SA and UA models starting Serial No. 80RX006600SF
7	SP547085	Keyboard	MWC, PA and RX models; X_Control Plus; Gray-black; OPL; (PAN Models Starting Serial No. 80RX004749KW)
	SP547086	Keyboard	MWC, PA and RX models; X_Control; Gray-black
	SP553423	Keyboard	PAN models; X_Control; CSA; Through Serial No. 80RX004748KW
	SP547087	Keyboard	AR, LA, NA and PAN models; X_Control Plus; Black; OPL
	559862	Keyboard	UA models; OPL; PROform
	557130	Keyboard	SA models; OPL; QED Select
	SP547088	Keyboard	AR, LA and NA models; X_Control; Black
	SP557565	Keyboard	IA models; Aries Elite
	SP557566	Keyboard	IA models; Aries
	SP560747	Keyboard	IA models; Without logo and without numeric keypad
	SP560748	Keyboard	IA models; Without logo and with numeric keypad
	SP561588	Keyboard	LW models
	SP552992	Keyboard	NX models

\* NOTE: For machines within the Serial Number range 80RX000648DB - 80RX000795DF, contact the After Sales department.

# Control Panel (Drawing 2 of 2)

AR, LA, LW, MWC, NX, PA and RX Models with T or X in 7th Position;  
AR, IA, NA, SA and UA Models Starting Serial No. 80RX006600SF with A, D, I, J, R, T or X in 7th Position



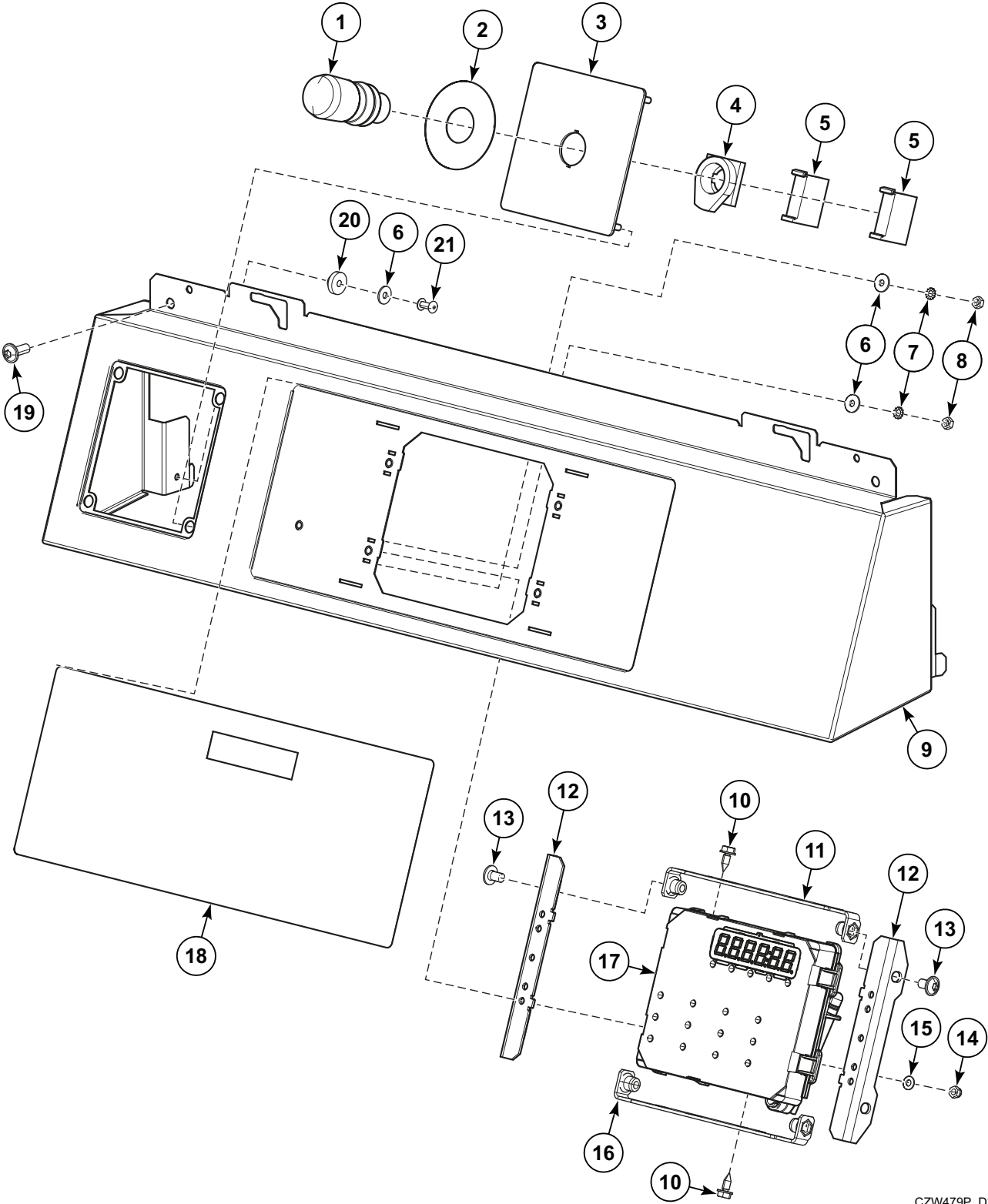
CZW389P\_D1645

## Control Panel (Drawing 2 of 2)

REF	PART NO.	DESCRIPTION	COMMENTS
	SP520033	Emergency Stop Interconnection	Vend
	F8600501	Programming Cable	
<b>1</b>	SP528312	Switching Unit	
<b>2</b>	SP528311	Emergency Stop Connector	
<b>3</b>	SP309798500306	Bolt	M3x6
<b>4</b>	SP311679800003	Washer	M3
<b>5</b>	SP310934000004	Nut	M4
<b>6</b>	SP311679800004	Washer	M4
<b>7</b>	SP547779	Rivet	4x16.7 with a crank
<b>8</b>	SP520408	Pin Insertion	
<b>9</b>	SP555504	Bolt	M4x12
<b>10</b>	SP311902100004	Washer	M4
<b>11</b>	SP552989	Logo Label	Models NX80_X_CONTROL and NX80M_X_CONTROL
	SP547046	Logo Label	LW models
	SP567887	Logo Label	All models except PAN020T and PAN020X; Through Serial No. 80RX004748KW
	SP552928	Logo Label	NX models
	547055	Logo Label	MWC models
<b>12</b>	SP284000012003	Tape	Self-adhesive
<b>13</b>	SP563307	Label	Basket Capacity; 2; Models PAN020T and PAN020X
<b>14</b>	SP528310	Emergency Stop Knob	
	SP520032	Emergency Stop Wiring	OPL
<b>15</b>	SP547565	Coin Meter Cover	
	SP550149	Cover Plate	Central payment system
<b>16</b>	SP550113	Leading Pin	
<b>17</b>	569668	USB Cable	0.61m; Models PAN020T and PAN020X; Vended; Starting Serial No. 80RX003437HU
<b>18</b>	545234	USB Cable	RS485; With connectors; Models PAN020T and PAN020X; Vended; Starting Serial No. 80RX003437HU

# Control Panel OPL

Models with G in 7th Position



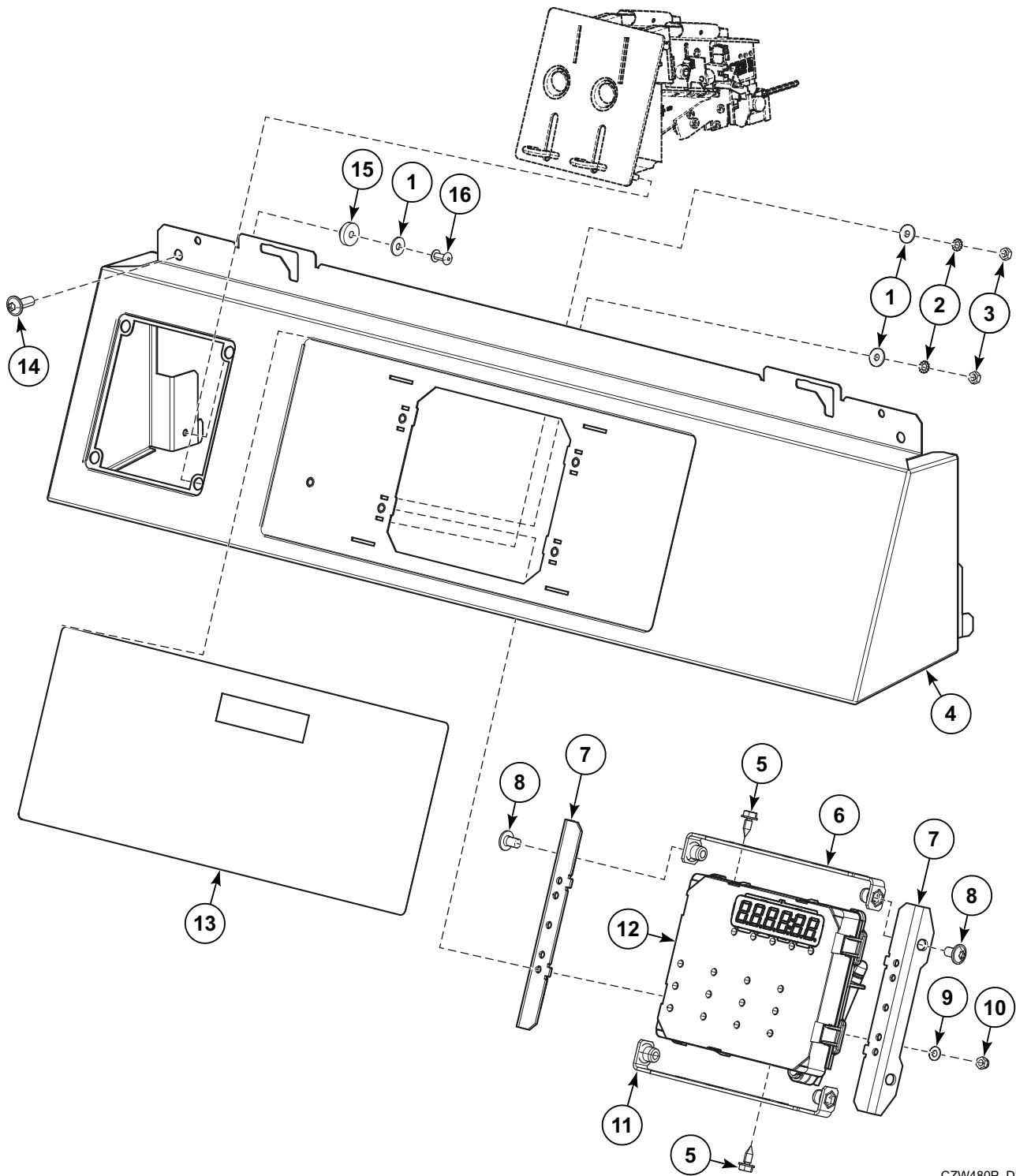
CZW479P\_D2064

# Control Panel OPL

REF	PART NO.	DESCRIPTION	COMMENTS
1	SP528310	Emergency Stop Knob	Used with SP520032 Emergency Stop Wiring
2	SPPRI551005248	Emergency Stop Label	Yellow
3	SP547565	Coin Meter Cover	
4	SP528311	Emergency Stop Connector	
5	SP528312	Switching Unit	
6	SP311902100004	Washer	M4
7	SP311679800004	Washer	M4
8	SP310934000004	Nut	M4
9	577658	Control Panel	
10	SP100218	Screw	
11	581020	Control Holder	upper
12	581009	Control Support	
13	SP506012	Bolt	M6x10
14	SP514193	Nut	M4
15	SP311125000004	Washer	4x3
16	581021	Control Holder	lower
17	204890	Control Board	
	575865	Board Interconnection Cable	15.75 inch (0.4 m)
18	577656	Keyboard	
19	555658	Bolt	M6x16
20	SP550113	Leading Pin	
21	SP313250004125	Rivet	4x12.5

# Control Panel Vended

Models with G in 7th Position



CZW480P\_D2064

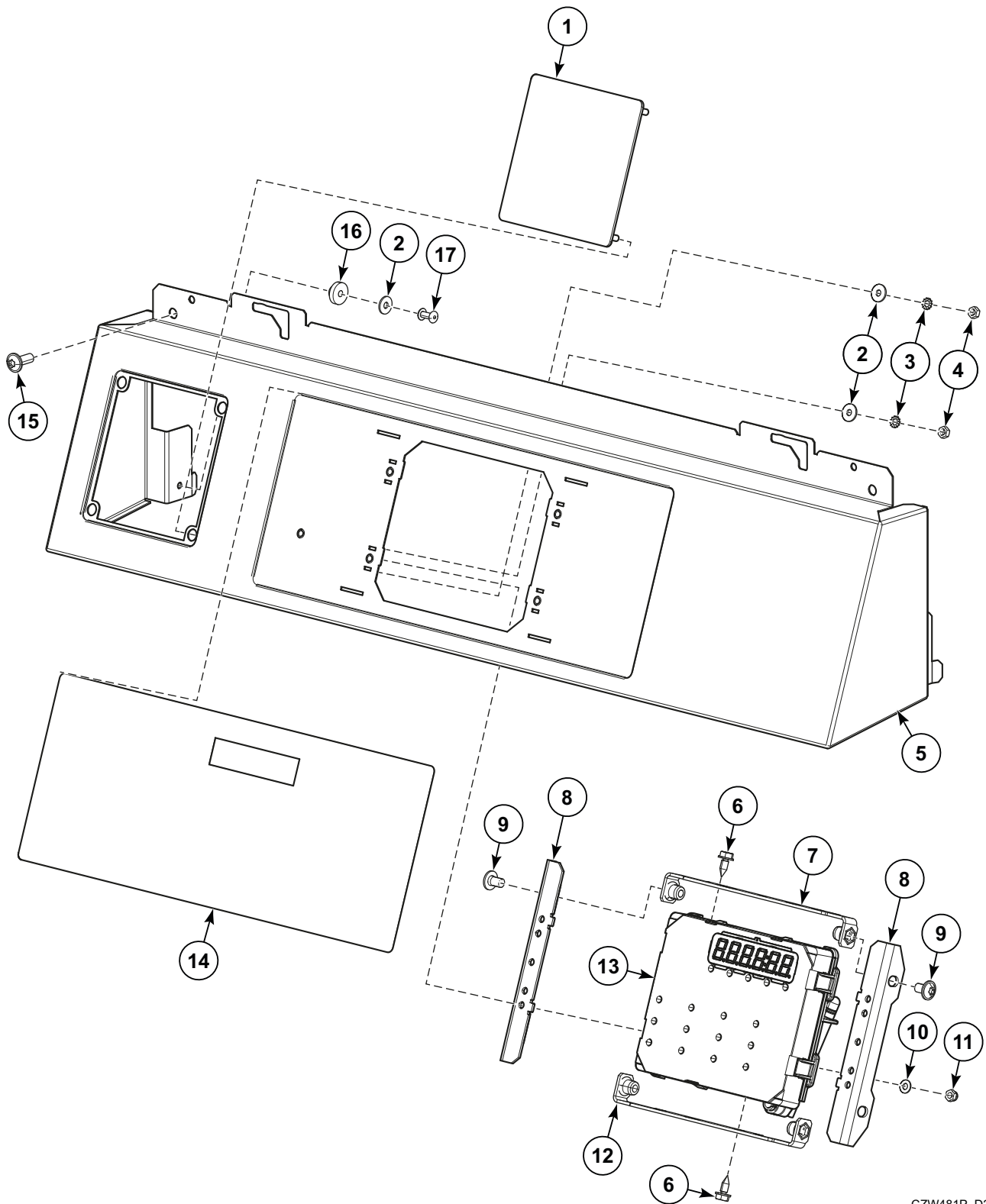


## Control Panel Vended

REF	PART NO.	DESCRIPTION	COMMENTS
	SP520033	Emergency Stop Interconnection	Vend
1	SP311902100004	Washer	M4
2	SP311679800004	Washer	M4
3	SP310934000004	Nut	M4
4	577658	Control Panel	
5	SP100218	Screw	
6	581020	Control Holder	upper
7	581009	Control Support	
8	SP506012	Bolt	M6x10
9	SP311125000004	Washer	4x3
10	SP514193	Nut	M4
11	581021	Control Holder	lower
12	204890	Control Board	
	575865	Board Interconnection Cable	15.75 inch (0.4 m)
13	577656	Keyboard	
14	555658	Bolt	M6x16
15	SP550113	Leading Pin	
16	SP313250004125	Rivet	4x12.5

# Control Panel for Central Payment System

Models with G in 7th Position



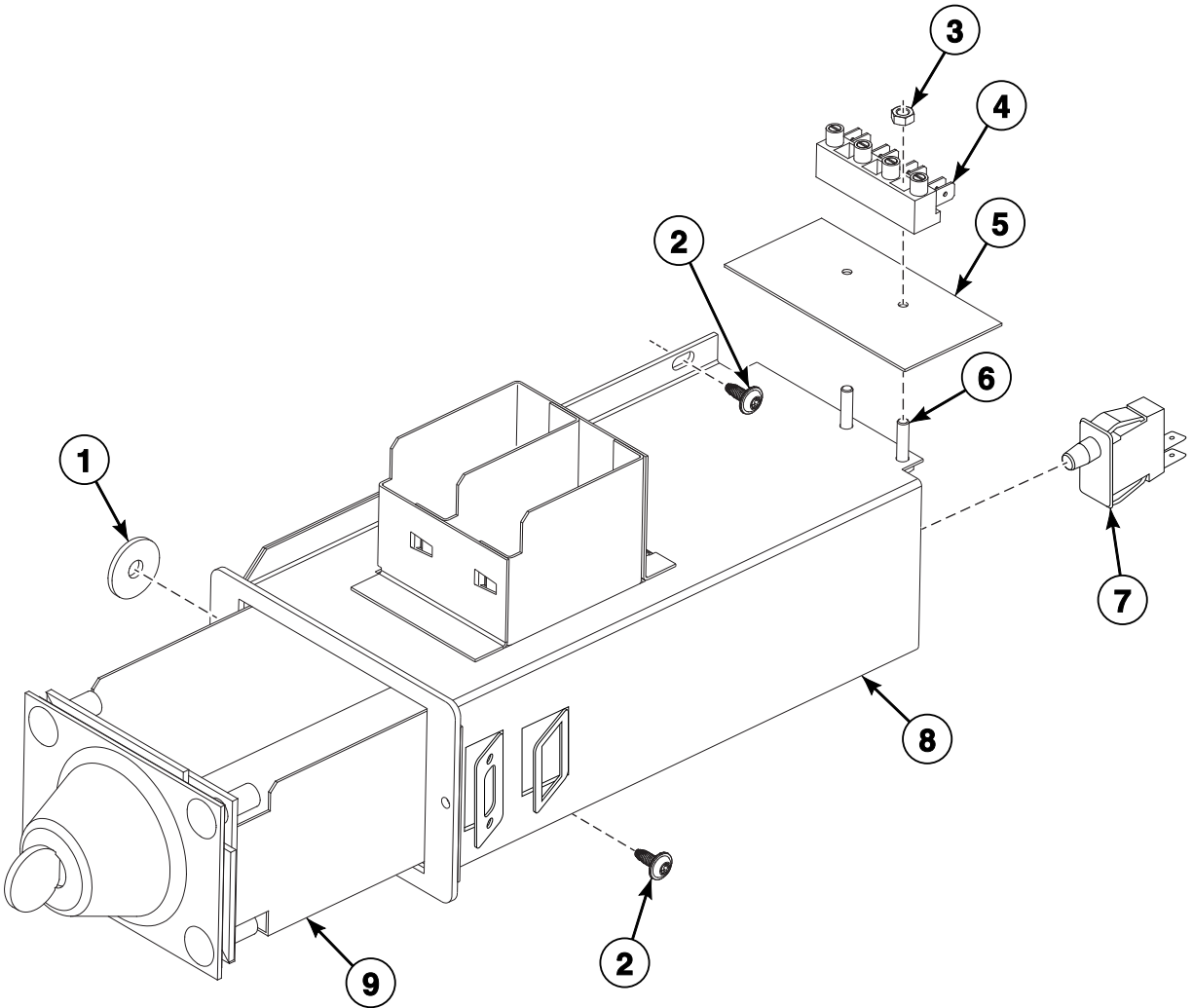
CZW481P\_D2064

## Control Panel for Central Payment System

REF	PART NO.	DESCRIPTION	COMMENTS
	571485	Emergency Stop Interconnection	Central Payment System
1	SP550149	Cover Plate	Central Payment System
2	SP311902100004	Washer	M4
3	SP311679800004	Washer	M4
4	SP310934000004	Nut	M4
5	577658	Control Panel	
6	SP100218	Screw	
7	581020	Control Holder	upper
8	581009	Control Support	
9	SP506012	Bolt	M6x10
10	SP311125000004	Washer	4x3
11	SP514193	Nut	M4
12	581021	Control Holder	lower
13	204890	Control Board	
	575865	Board Interconnection Cable	15.75 inch (0.4 m)
14	577656	Keyboard	
15	555658	Bolt	M6x16
16	SP550113	Leading Pin	
17	SP313250004125	Rivet	4x12.5

# Coin Meter Case

Models Through Serial No. 80RX005157MH



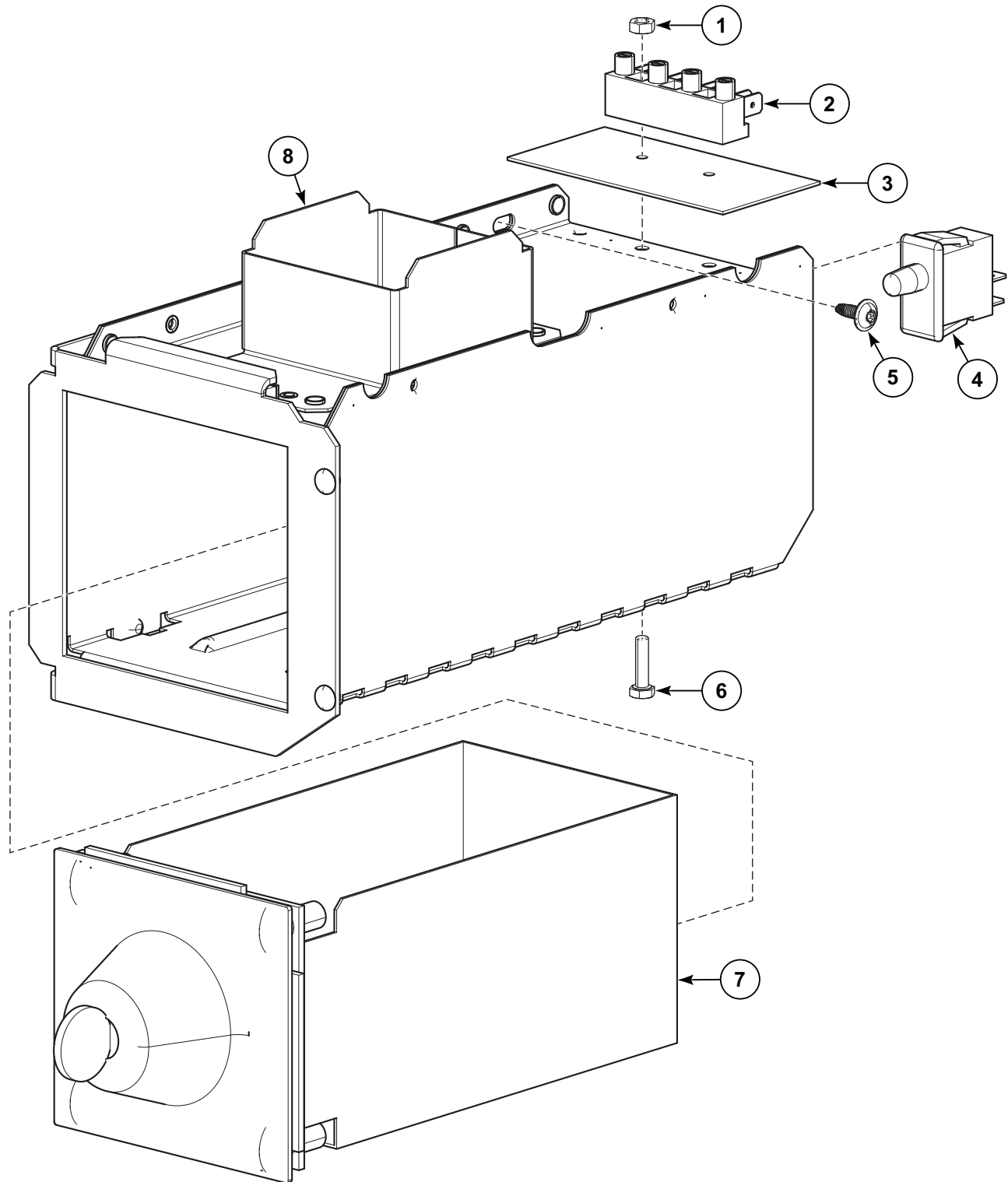
CHM3504P\_D2064

## Coin Meter Case

REF	PART NO.	DESCRIPTION	COMMENTS
1	SP568037	Washer	
2	SP529206	Screw	4x11
3	SP310934000004	Nut	M4
4	SPPRI350000007	Terminal Board	
5	SPPRI350012007	Isolation Paper	
6	SP309933000416	Bolt	M4x16
7	SP506045	Microswitch	PAN models; North America; Vended
8	SP550436	Coin Meter Case	AR, AR Non-Brand, LA, LW, MWC, NA, NX, PA, RX and SA models
	SP547548	Coin Meter Case	A, IA and WMA models
9	SP102532	Coin Meter Box	

# Coin Meter Box

Models Starting Serial No. 80RX005158MH



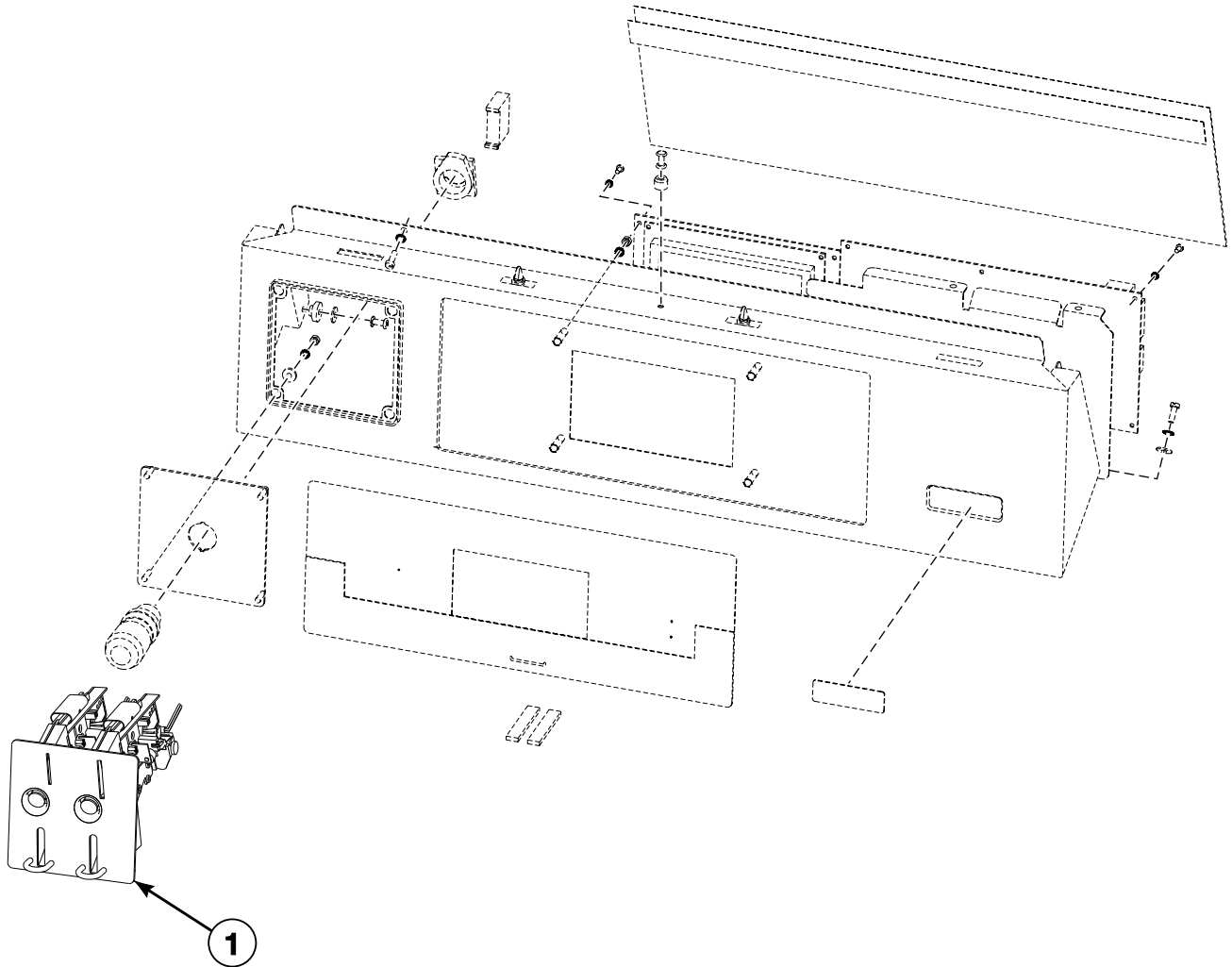
CZW499P\_D2064

# Coin Meter Box

REF	PART NO.	DESCRIPTION	COMMENTS
1	SP310934000004	Nut	M4
2	SPPRI350000007	Terminal Board	
3	SPPRI350012007	Isolation Paper	
4	N/A	Microswitch	
5	SP529206	Screw	4x11
6	SP309933000416	Bolt	M4x16
7	SP102532	Coin Meter Box	
8	572117	Coin Meter Case	

**N/A = Part no longer available**

# Coin Meter - AR, IA, LA, LW, MWC, NA, NX, PA, RX and SA Models (Drawing 1 of 4)



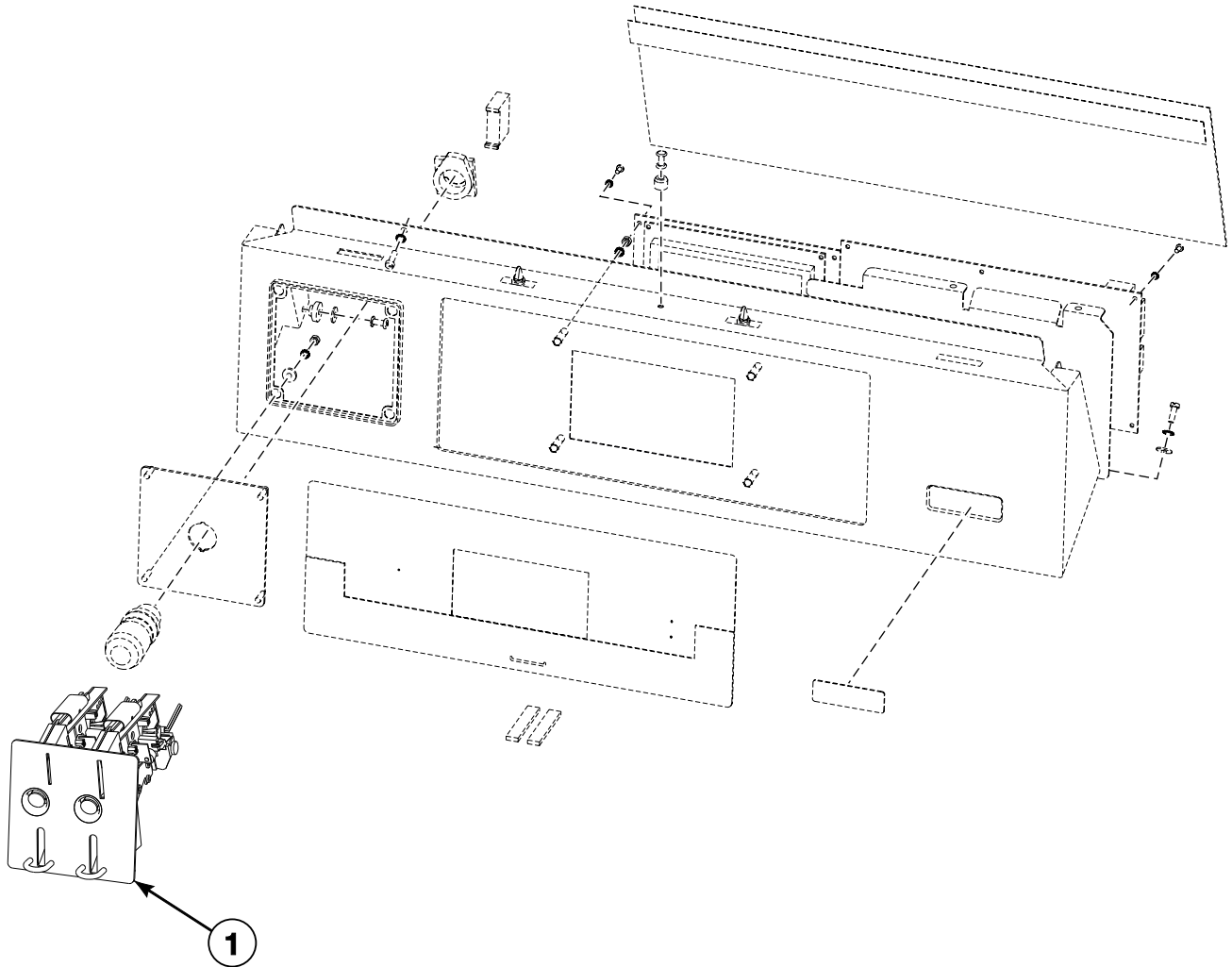
CFD2911P\_D1645



# Coin Meter - AR, IA, LA, LW, MWC, NA, NX, PA, RX and SA Models (Drawing 1 of 4)

REF	PART NO.	DESCRIPTION	COMMENTS
1	SP547601	Coin Meter	5K Primus jeton
	SP547602	Coin Meter	7K Primus jeton
	SP547603	Coin Meter	10K Primus jeton
	SP547604	Coin Meter	12K Primus jeton
	SP547605	Coin Meter	15K Primus jeton
	SP547606	Coin Meter	D jeton
	SP547648	Coin Meter	0.05EUR
	SP547638	Coin Meter	0.2EUR
	SP547616	Coin Meter	0.5EUR
	SP547614	Coin Meter	1EUR
	SP547647	Coin Meter	2EUR
	SP547622	Coin Meter	0.2EUR + 0.5EUR
	SP547639	Coin Meter	0.2EUR + 1EUR
	SP547617	Coin Meter	0.5EUR + 1EUR
	SP547656	Coin Meter	0.5EUR + 2EUR
	SP547631	Coin Meter	1EUR + 2EUR
	SP547652	Coin Meter	7K + D jeton
	SP547666	Coin Meter	7K jeton and 2EUR
	SP547665	Coin Meter	D jeton and 2EUR
	SP547600	Coin Meter	1AUD + 20C
	SP547607	Coin Meter	1POND + 20PC
	SP547608	Coin Meter	1POND + 50PC
	SP547609	Coin Meter	100YEN
	SP547610	Coin Meter	500JPY + 100JPY
	SP547611	Coin Meter	5DKK
	SP547612	Coin Meter	20DKK
	SP547613	Coin Meter	5ILS + 1ILS
	SP547615	Coin Meter	1MYR
	SP547618	Coin Meter	1DKK + 5DKK
	SP547619	Coin Meter	10NOK + 20NOK
	SP547620	Coin Meter	2DKK + 5DKK
	SP547621	Coin Meter	5NOK
	SP547623	Coin Meter	1NZD + 2NZD
	SP547624	Coin Meter	10 NOK
	SP547625	Coin Meter	10NT + 50NT
	SP547626	Coin Meter	2DKK
	SP547627	Coin Meter	Lucky Winner jeton
	SP547628	Coin Meter	10TWD
	SP547629	Coin Meter	10CZK + 20CZK
	SP547630	Coin Meter	7K Equipos Par Lavar jeton
	569921	Coin Meter	0.2GBP, 0.5GBP, 1GBP, 2GBP, 0.1EUR, 0.2EUR, 0.5EUR, 1EUR, 2EUR; Electronic EMPv7
	SP547634	Coin Meter	500WON
	SP547635	Coin Meter	0.25USD
	SP547636	Coin Meter	1AUD + 2AUD
	SP547637	Coin Meter	5DK + 10DK
	SP547640	Coin Meter	Sun Wash jeton

# Coin Meter - AR, IA, LA, LW, MWC, NA, NX, PA, RX and SA Models (Drawing 2 of 4)

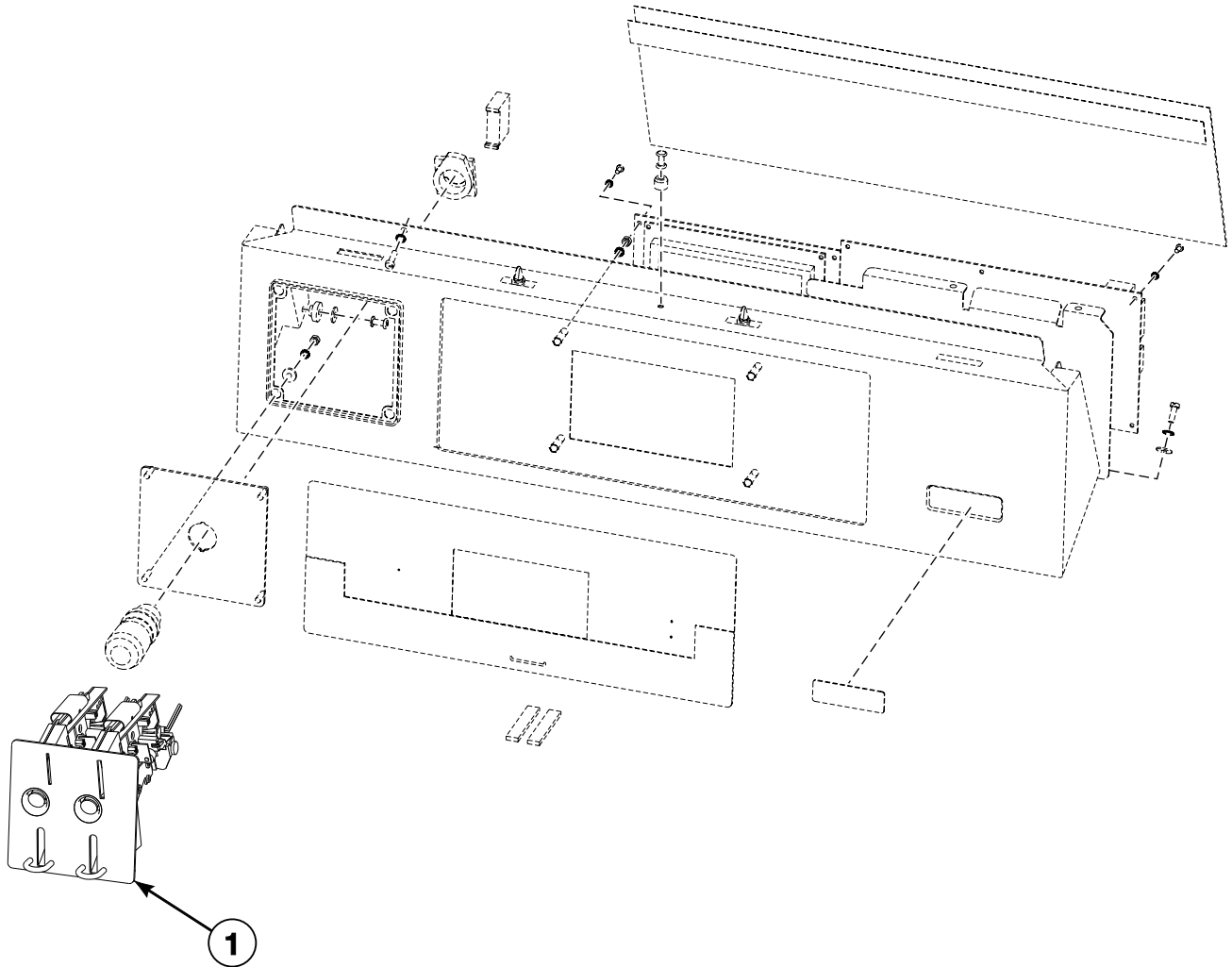


CFD2911P\_D1645

## Coin Meter - AR, IA, LA, LW, MWC, NA, NX, PA, RX and SA Models (Drawing 2 of 4)

REF	PART NO.	DESCRIPTION	COMMENTS
1	SP547641	Coin Meter	2DK + 10DK
	SP547642	Coin Meter	1AUD
	SP547643	Coin Meter	1CHF
	SP547644	Coin Meter	5NOK + 10NOK
	SP547645	Coin Meter	1 TopMos jeton + 1LEV jeton
	SP547646	Coin Meter	1 Vendo jeton
	SP547649	Coin Meter	1 jeton
	569951	Coin Meter	0.5MAD, 1MAD, 2MAD, 5MAD, 10MAD; Electronic EMPv7
	SP547651	Coin Meter	20 penny
	SP547653	Coin Meter	1 Wascator jeton, jeton diamater 22.2 mm
	SP547654	Coin Meter	1 Unibel jeton, jeton diamater 18.55 mm
	SP547657	Coin Meter	50HUF + 100HUF
	SP547658	Coin Meter	1 jeton without coining, jeton diamater 20 mm
	SP547659	Coin Meter	1 Volund jeton, jeton diamater 22.5 mm
	SP547660	Coin Meter	1 Wascator jeton, jeton diamater 19 mm
	SP547661	Coin Meter	1 Miele jeton
	SP547662	Coin Meter	1 jeton without coining, jeton diamater 26 mm
	SP547663	Coin Meter	Three-groove jeton; jeton diamater 27 mm
	SP547664	Coin Meter	Three-groove jeton; jeton diamater 25 mm
	SP537996	Coin Meter	Top-Mosr jeton
	SP547667	Coin Meter	Milano Italy jeton
	SP547668	Coin Meter	5PLN + 1PLN
	SP547669	Coin Meter	Two-grooves jeton; jeton diamater 27 mm
	SP547670	Coin Meter	A.S.A.R.D. jeton, jeton diamater 25.8 mm
	SP547671	Coin Meter	20CZK
	SP547672	Coin Meter	Jeton ASARD, jeton diamater 22.3 mm
	SP547673	Coin Meter	Jeton Laundromatic Belgium, jeton diamater 22.3 mm
	SP547674	Coin Meter	1SGD
	SP547675	Coin Meter	Jeton Asard Wascator, jeton diamater 19.9 mm
	SP555502	Coin Meter	Easy Games jeton
	SP555543	Coin Meter	Brev.C jeton
	SP555546	Coin Meter	50 Malaysian cent
	SP555549	Coin Meter	Flat Polis jeton
	SP555550	Coin Meter	Butzi Wash jeton
	SP555578	Coin Meter	1 New Singapore Dollar
	SP555558	Coin Meter	Copper without grooves jeton
	569939	Coin Meter	0.1SGD, 0.2SGD, 0.5SGD, 1SGD; Electronic EMPv7
	SP555666	Coin Meter	2x50 Malaysian cent
	569933	Coin Meter	0.1EUR, 0.2EUR, 0.5EUR, 1EUR, 2EUR; Electronic EMPv7
	SP555559	Coin Meter	Speedy Matic jeton
	SP555579	Coin Meter	Electronic EMP500.12v5 Was-Salon Lavoir jeton
	569948	Coin Meter	5CZK, 10CZK, 20CZK, 50CZK; Electronic EMPv7
	SP560744	Coin Meter	Electronic for Dobi Ekspres jeton
	569964	Coin Meter	0.2GBP, 0.5GBP, 1GBP, 2GBP, 0.1EUR, 0.2EUR, 0.5EUR, 1EUR, 2EUR, jeton "KWL Aqua", jeton "Gettone"; Electronic EMPv7
	SP560089	Coin Meter	STD 118-1 jeton

# Coin Meter - AR, IA, LA, LW, MWC, NA, NX, PA, RX and SA Models (Drawing 3 of 4)

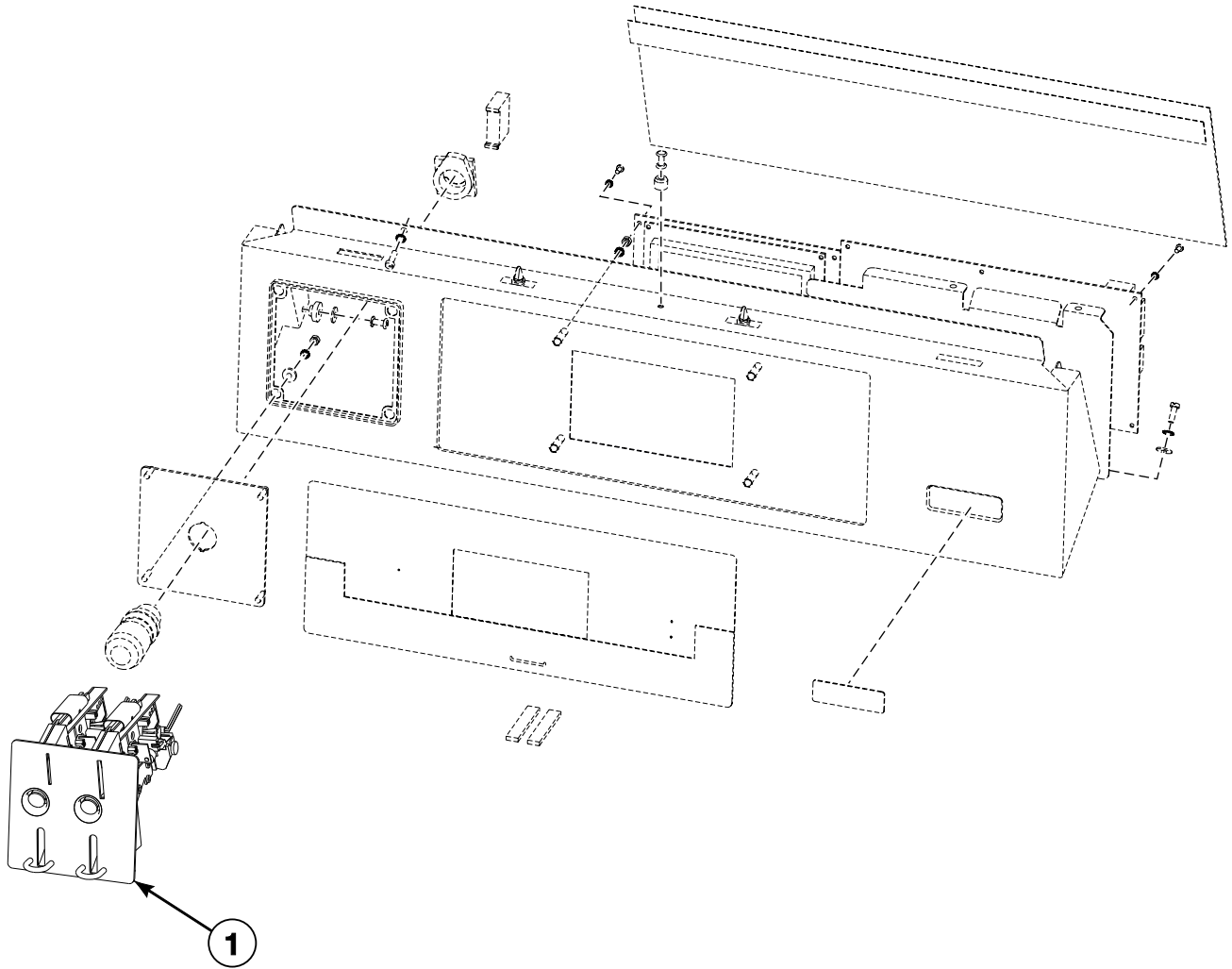


CFD2911P\_D1645

## Coin Meter - AR, IA, LA, LW, MWC, NA, NX, PA, RX and SA Models (Drawing 3 of 4)

REF	PART NO.	DESCRIPTION	COMMENTS
1	SP560082	Coin Meter	5k IPSO jeton
	SP560083	Coin Meter	7k IPSO jeton
	SP560084	Coin Meter	10k IPSO jeton
	SP560085	Coin Meter	12k IPSO jeton
	SP560086	Coin Meter	15k IPSO jeton
	561378	Coin Meter	10 Moroccan Dirham
	569918	Coin Meter	0.25USD, 1USD, 0.25CAD, 1CAD, 2CAD; Electronic EMPv7
	560073	Coin Meter	0.25 USD/1 USD
	569930	Coin Meter	1CNY, 0.1MYR, 0.2MYR, 0.5MYR; Electronic EMPv7
	569927	Coin Meter	0.2AUD, 1AUD, 2AUD, 0.2NZD, 1NZD, 2NZD, 5HKD, 10HKD, 500KRW; Electronic EMPv7
	561496	Coin Meter	Jeton Grupo Azkoyen CDS Automaten
	569936	Coin Meter	1PHP, 5PHP, 10PHP; Electronic EMPv7
	569942	Coin Meter	0.1MYR, 0.2MYR, 0.5MYR, 0.5SGD, 1SGD; Electronic EMPv7
	569945	Coin Meter	1HRK, 2HRK, 5HRK; Electronic EMPv7
	569924	Coin Meter	1DKK, 2DKK, 5DKK, 10DKK, 20DKK, 1NOK, 5NOK, 10NOK, 20NOK, 0.2EUR, 0.5EUR, 1EUR, 2EUR; Electronic EMPv7
	SP564484	Coin Meter	Jeton 118-5
	SP564486	Coin Meter	Jeton Barisart (LDL)
	569961	Coin Meter	0.1EUR, 0.2EUR, 0.5EUR, 1EUR, 2EUR, jeton IPSO 5K; Electronic EMPv7
	564489	Coin Meter	Jeton Sporrong
	569970	Coin Meter	0.5MYR, jeton "DOBI PAPA"; Electronic EMPv7
	553150	Coin Meter	Jeton with hole
	553151	Coin Meter	Jeton Deton Wash
	569901	Coin Meter	Brass jeton
	569912	Coin Meter	Jeton Wassalon lavoir
	569954	Coin Meter	1PLN, 2PLN, 5PLN, 0.1EUR, 0.2EUR, 0.5EUR, 1EUR, 2EUR, 10ISK, 50ISK, 100ISK; Electronic EMPv7
	569967	Coin Meter	0.1EUR, 0.2EUR, 0.5EUR, 1EUR, 2EUR, jeton G-FIS "LAVOIR BIANCA"; Electronic EMPv7
	569973	Coin Meter	1AUD, 2AUD, jeton "No Cash Value"; Electronic EMPv7
	569979	Coin Meter	0.5MYR, jeton "BUBBLELAB"; Electronic EMPv7
	569987	Coin Meter	Jeton HAUCK 2018
	572383	Coin Meter	0.2CHF, 0.5CHF, 1CHF, 2CHF; TK1, TK2; Electronic EMPv7
	572391	Coin Meter	0.25CAD
	572339	Coin Meter	Gettone jeton [26mm diameterx1.7m]
	572342	Coin Meter	Token WH121
	572358	Coin Meter	1THB, 2THB, 5THB, 10THB/TK1+2; Electronic EMPv7
	569998	Coin Meter	100+500 ISK
	572301	Coin Meter	Token 118-16
	572304	Coin Meter	1ILS, 2ILS, 5ILS, 10ILS; Electronic EMPv7

# Coin Meter - AR, IA, LA, LW, MWC, NA, NX, PA, RX and SA Models (Drawing 4 of 4)

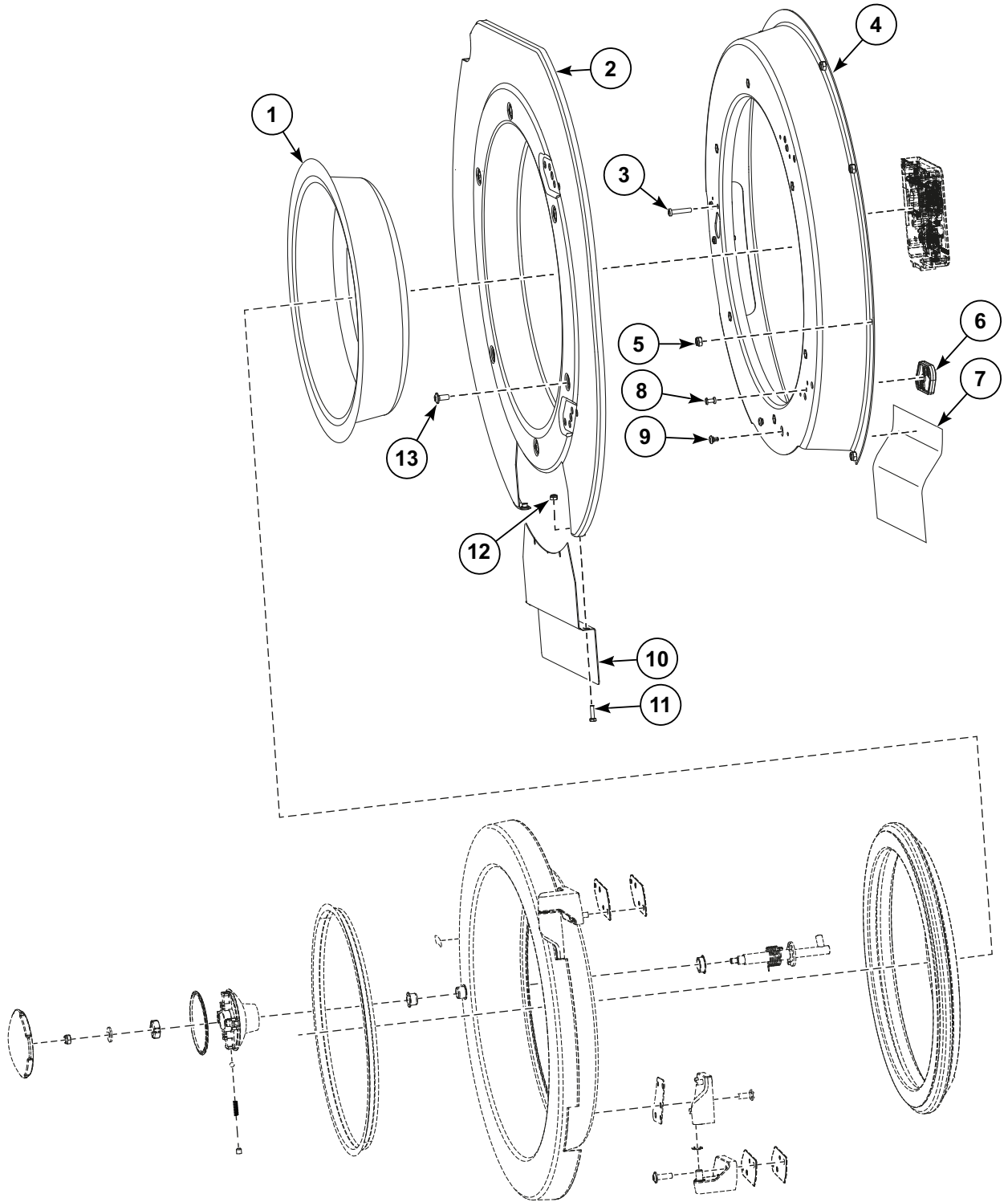


CFD2911P\_D1645

## Coin Meter - AR, IA, LA, LW, MWC, NA, NX, PA, RX and SA Models (Drawing 4 of 4)

REF	PART NO.	DESCRIPTION	COMMENTS
1	572307	Coin Meter	1ZAR, 2ZAR, 5ZAR; Electronic EMPv7
	572310	Coin Meter	5RUB, 10RUB; Electronic EMPv7
	572313	Coin Meter	50CLP, 100CLP, 500CLP; Electronic EMPv7
	572317	Coin Meter	100JPY, 500JPY, 10TWD, 50TWD; Electronic EMPv7
	572320	Coin Meter	0.5GEL, 1GEL, 2GEL; Electronic EMPv7
	572323	Coin Meter	0.2EUR, 0.5EUR, 1EUR, 2EUR, Jeton 7K; Electronic EMPv7
	579808	Coin Meter	1EAD, 1TK, 2TK; Electronic EMPv7
	579812	Coin Meter	20HUF, 50HUF, 100HUF, 200HUF; TK1, TK2; Electronic EMPv7

# Door (Drawing 1 of 3)



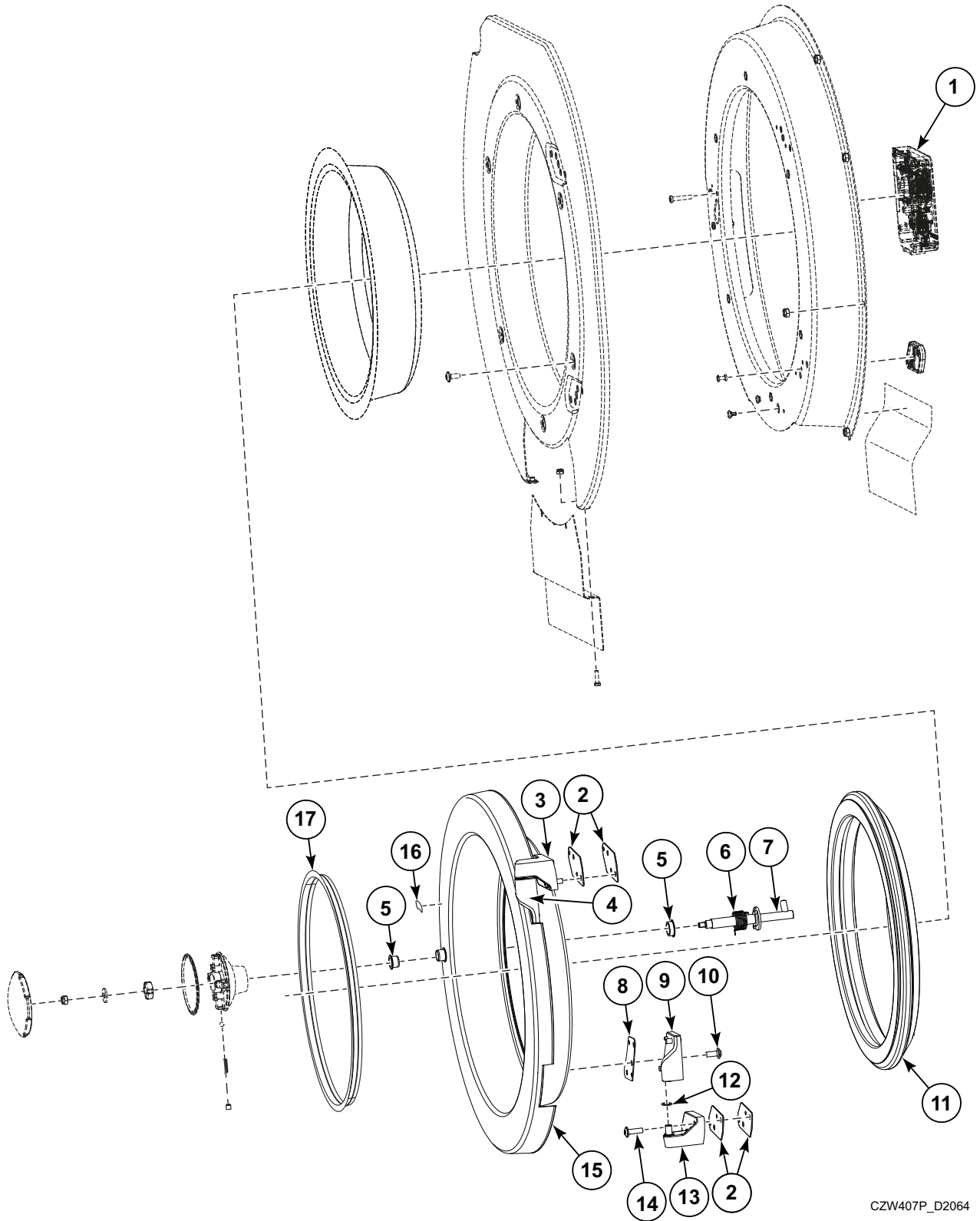
CZW370P\_D2064



## Door (Drawing 1 of 3)

REF	PART NO.	DESCRIPTION	COMMENTS
	582318	Plexiglass Assembly	Models with G in 7th position of the model number; Door-glass Insulation
	553530	Door Assembly	LW, MWC, NX, PA, RX and WMA models; Includes items 1-13 in (Drawing 1 of 3), 2-17 in (Drawing 2 of 3) and 1-10 in (Drawing 3 of 3)
	576071	Door Assembly	IA Models with J or R in 7th position of the model number; Includes items 1-13 in (Drawing 1 of 3), 2-17 in (Drawing 2 of 3) and 1-10 in (Drawing 3 of 3)
	576074	Door Assembly	AR, NA, SA and UA Models; IA Models with G in 7th position of the model number; Includes items 1-13 in (Drawing 1 of 3), 2-17 in (Drawing 2 of 3) and 1-10 in (Drawing 3 of 3)
	SP552454	Door Lock Wiring	PAN models with T or X in 7th position of the model number; CSA; MC7 control board
	SP552453	Door Lock Wiring	Models with A, D, I, J, R, T or X in 7th position of the model number except PAN models; CE; MC7 control board
	SP528270	Door Lock Wiring	Models with A, D, I, J, R, T or X in 7th position of the model number except PAN models; CE; MC6 control board
	569723	Door Lock Wiring	Models with G in 7th position of the model number
	SP245704003021	Adhesive	Loctite 243
	SP537896	Adhesive	Reversible tape
	SP245704000603	Adhesive	Loctite 603; Use with SP537854 Bolt
	SP284000012003	Tape	Self-adhesive
	568990	Service Door Kit	Includes 562528 Door Seal, 568804 Washer, 560069 Washer, PRI722000004 Plastic Protection, SP345000160971 Binding Strip and PRI722000001 Plastic Protection
<b>1</b>	SP556226	Door Glass	IA models with J or R in 7th position of the model number; With logo
	SP535413	Door Glass	A, AR, AR Non-Brand, LA, LW, MWC, NA, NX, PA, RX, SA, UA and WMA models; IA Models with G in 7th position of the model number; Without logo
<b>2</b>	571721	Front Panel	SP563273 must also be ordered; Black
	571724	Front Panel	568985 must also be ordered; Stainless steel
<b>3</b>	SP556137	Bolt	M5x25
<b>4</b>	SP537852	Door and Lock Holder	
<b>5</b>	SP310985000006	Nut	M6
<b>6</b>	SP537849	Hinge Spacer	
<b>7</b>	SPPRI543000004	Cover	
<b>8</b>	SP547779	Rivet	4x16.7 with a crank
<b>9</b>	SP537856	Connector	
<b>10</b>	SP556235	Heating Element Front Cover	Through Serial No. 80RX006599SD; Stainless steel
	SP563273	Heating Element Front Cover	Starting Ser. No. 80RX006600SF; Black
	568985	Heating Element Front Cover	Starting Serial No. 80RX006600SF; Stainless steel
	SP537729	Heating Element Front Cover	Through Serial No. 80RX006599SD; Black
<b>11</b>	SP309084000416	Bolt	M4x16
<b>12</b>	SP313251002104	Nut	M4; Riveting
<b>13</b>	SP537854	Bolt	M6x14

# Door (Drawing 2 of 3)



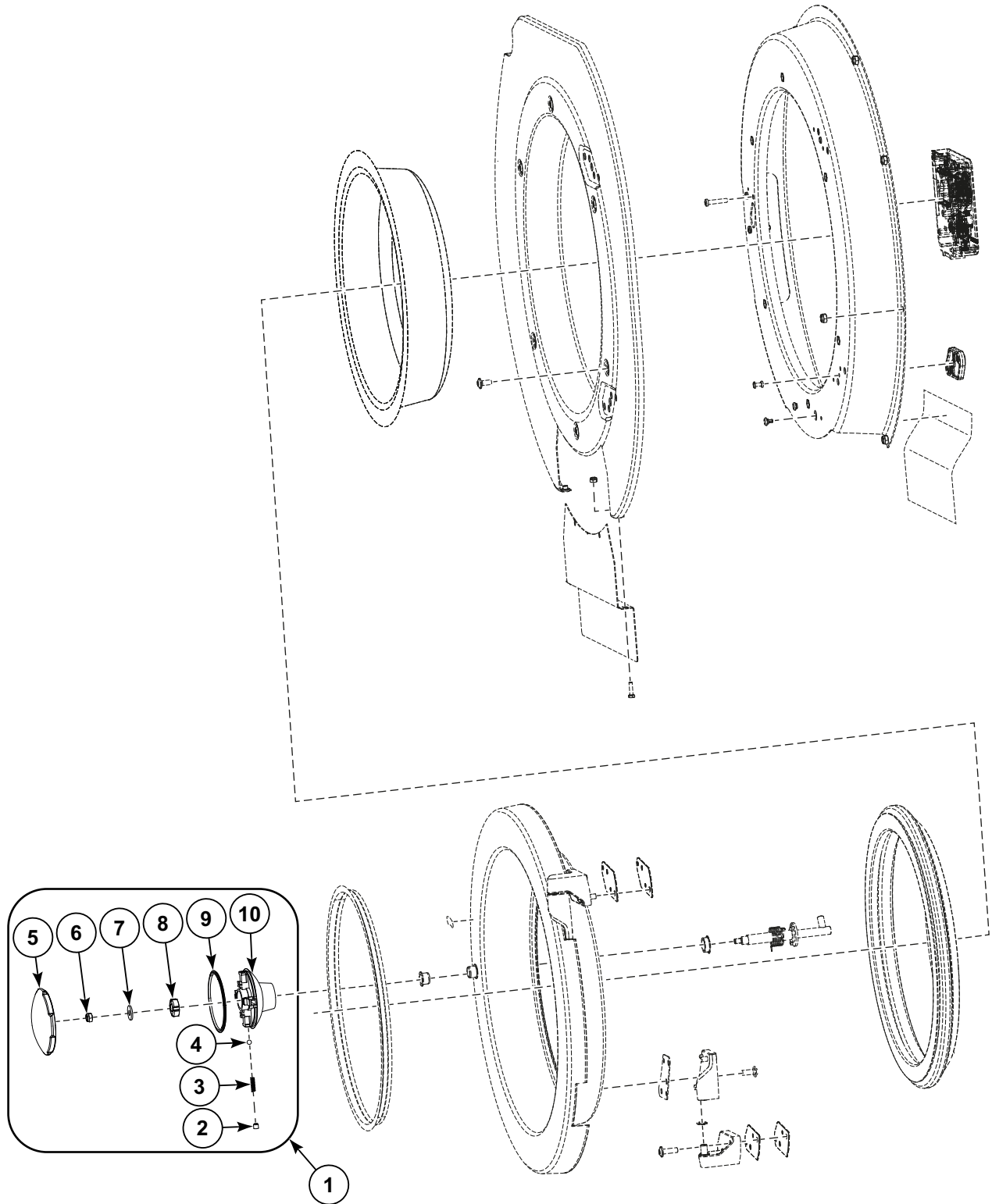
CZW407P\_D2064

## Door (Drawing 2 of 3)

REF	PART NO.	DESCRIPTION	COMMENTS
1	SP537760	Lock	Used with 560069 Shim, not included
2	N/A	Shim	
3	568981	Fixed Upper Hinge	Chrome
	568979	Fixed Upper Hinge	Black
4	575962	Upper Hinge	Chrome; with case
	575960	Upper Hinge	Black; with case
5	SP529739	Casing	
6	SP535402	Handle Torsion Spring	
7	SP537933	Lock Pin	
8	SP535421	Hinge Spacer	
9	575965	Lower Hinge	Chrome; with case
	575963	Lower Hinge	Black; with case
10	SP537864	Bolt	M6x16
11	568990	Service Door Kit	
12	571642	Washer	
13	568984	Fixed Lower Hinge	Chrome
	568982	Fixed Lower Hinge	Black
14	SP535479	Bolt	M6x25
15	SP535425	Door	A, AR, AR Non-Brand, IA, LA, NA and WMA models; Through Serial No. 80RX006599SD; Black
	568836	Door	A, AR, IA, NA and WMA models Starting Serial No. 80RX006600SF; SA and UA models Starting Serial No. 80RX008064WF; Black
	SP553525	Door	LW, MWC; NX, PA and RX models; Gray
	SP535423	Door	SA and UA models Through Serial No. 80RX008063WD; Chrome
16	SP564831	Label	PAN models; North America; Door Lock; Vend
17	SP562545	Rim	IA models with J or R in 7th position of the model number; Starting Serial No. 80RX006600SF

**N/A = Part no longer available**

# Door (Drawing 3 of 3)

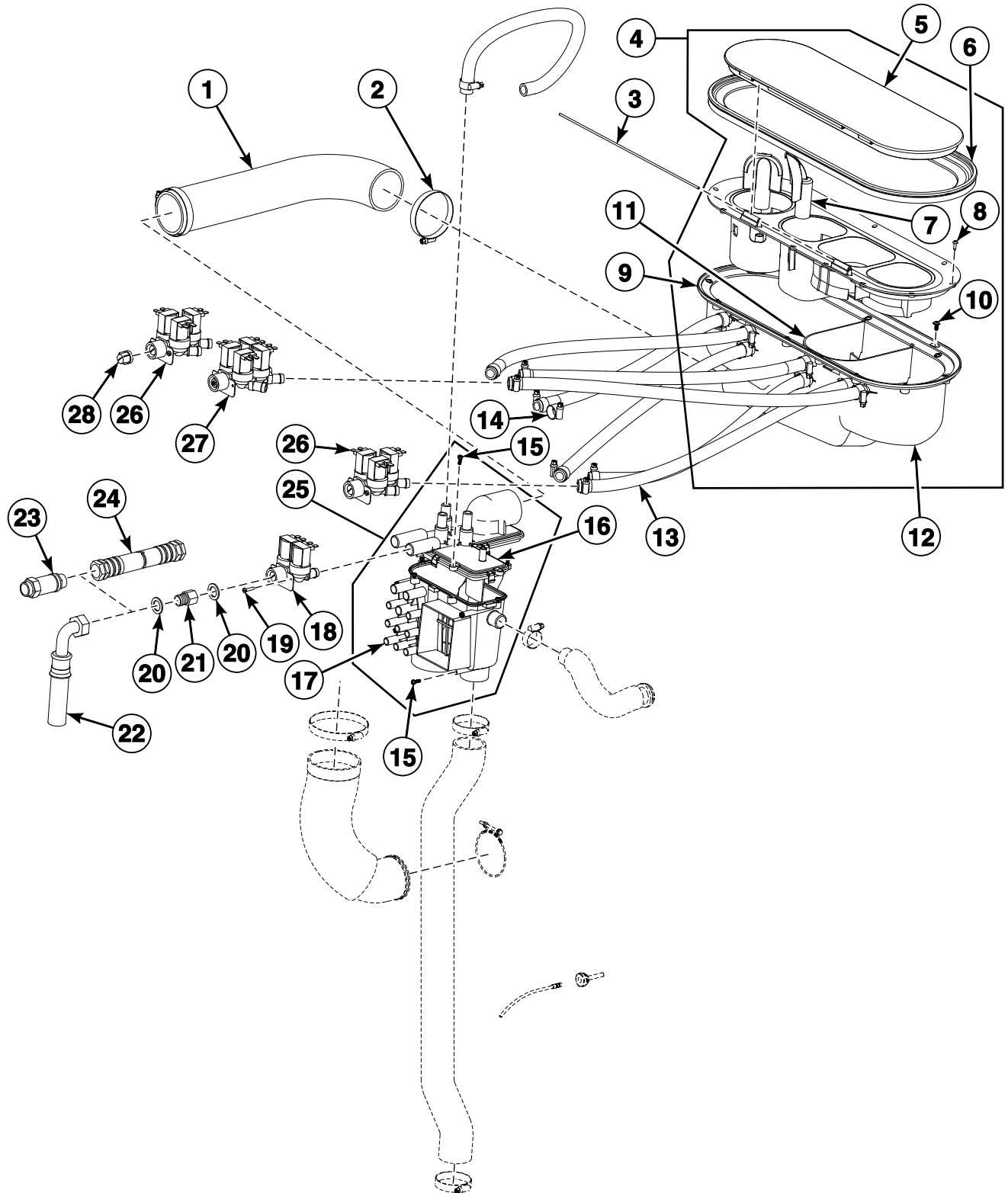


CZW372P\_D2064

## Door (Drawing 3 of 3)

REF	PART NO.	DESCRIPTION	COMMENTS
1	SP552917	Handle	A, AR, AR Non-Brand, IA, LA, NA and WMA models; Through Serial No. 80RX006599SD
	576081	Handle	AR, IA, NA and WMA models Starting Serial No. 80RX006600SF; SA and UA models
	SP552916	Handle	LW, MWC, NX, PA and RX models
2	SP553524	Bolt	M6x6
3	SP535406	Compression Spring	
4	SP535407	Handle Ball	
5	SP535436	Holder Cover	A, AR, AR Non-Brand, IA, LA, NA and WMA models
	SP535412	Holder Cover	LW, MWC, NX, PA and RX models
	SP556278	Holder Cover	SA and UA models
6	SP310985000006	Nut	M6
7	SP311902100006	Washer	M6
8	SP529710	Locating Segment	
9	SP535437	Distinguishing Ring	A, AR, AR Non-Brand, IA, LA, NA and WMA models; Through Serial No. 80RX006599SD; Red
	SP535411	Distinguishing Ring	LW, MWC, NX, PA, RX and SA models; Blue
	571733	Distinguishing Ring	A, AR, IA, NA and WMA models Starting Serial No. 80RX006600SF; SA and UA models
10	SP535429	Handle Lower Part	

# Water Inlet System (Drawing 1 of 2)

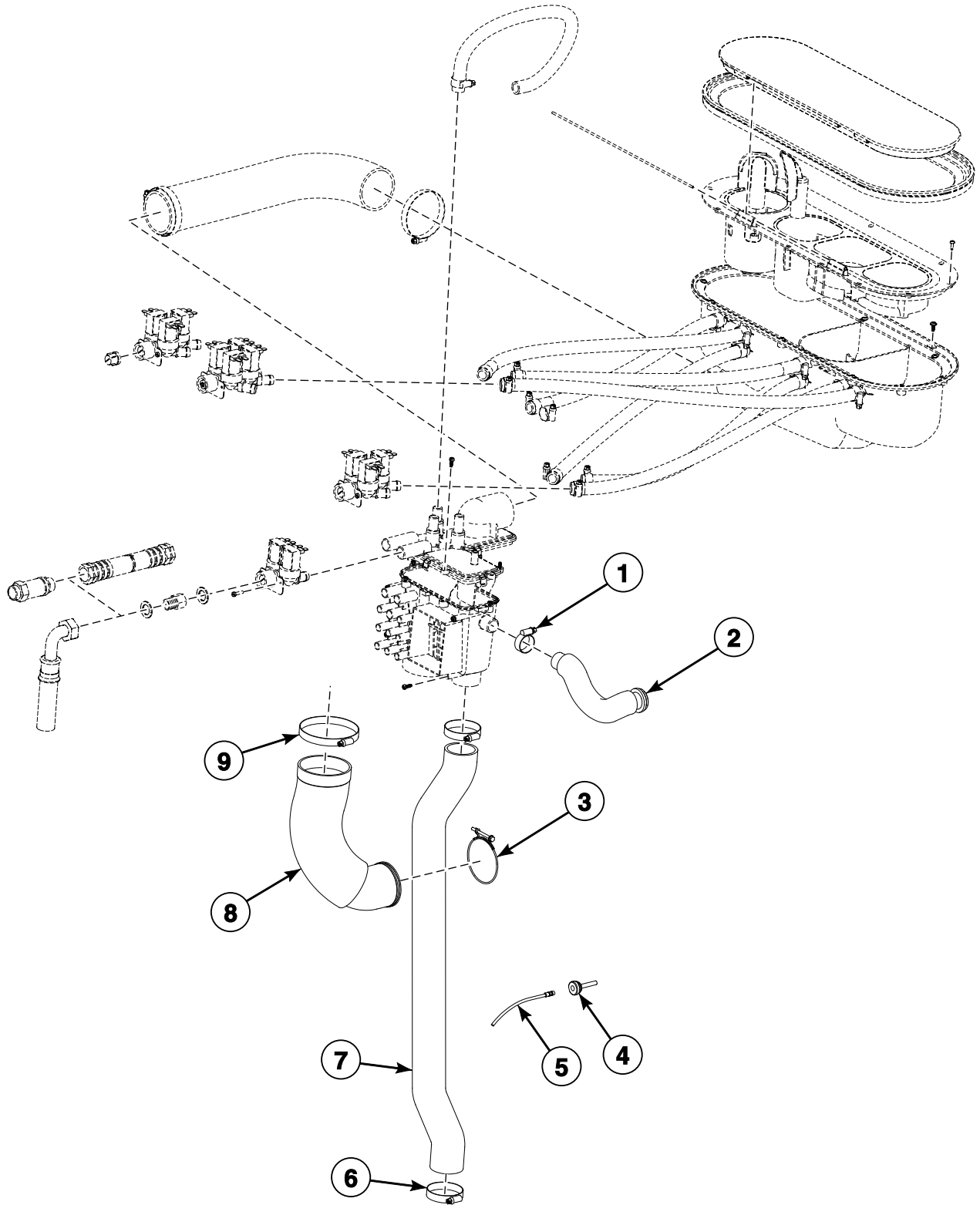


CZW70P\_D1645

## Water Inlet System (Drawing 1 of 2)

REF	PART NO.	DESCRIPTION	COMMENTS
	SP526468	Soap Hopper Plug	Optional
	F8301201	Double Check Valve	Model IA80_JLA_ARIES; Use with SPPRI426001217 Pipe Nipple; CE
	567128	Reduction	Models IA80_JLA_ARIES, RX80_BUPA_X_CONTROL and RX80_BUPA_X_CONTROL_PLUS; CE from 3 inches to 2 inches
<b>1</b>	SP547890	Dispenser Elbow Pipe	
<b>2</b>	SPPRI240000021	Hose Clamp	60-80
<b>3</b>	SP540117	Pin	
<b>4</b>	SP540111	Soap Hopper	
<b>5</b>	SP551695	Dispenser Lid	Gray
	SP526461	Dispenser Lid	Black
<b>6</b>	SP540158	Dispenser Seal	
<b>7</b>	SP540113	Flap	
<b>8</b>	SP309798124313	Screw	ST3.5x13
<b>9</b>	SP540112	Soap Hopper Upper Cover	
<b>10</b>	SP529206	Screw	4x11
<b>11</b>	SP540122	Internal Vessel	Small
<b>12</b>	SP540115	Main Vessel	
<b>13</b>	SPPRI540000014	Hose	13/19
	SP101745	Hose Pipe	For water approval
<b>14</b>	SPPRI240000002	Hose Clamp	12-22
<b>15</b>	SP526497	Screw	4x12
<b>16</b>	SP526557	Mixer Lid	
<b>17</b>	SP526565	Mixer Body	
<b>18</b>	SP547958	2-Way Valve	3/4 inch
<b>19</b>	SP309084000416	Bolt	4x16
<b>20</b>	SPPRI520001009	Seal	
<b>21</b>	567174	Reduction	PAN models; CSA; 3/4 inch; BSP/GHT
<b>22</b>	SPPRI505000054	Filling Hose Pipe	Cold water
	SP547980	Filling Hose Pipe	Hot water
	SP101621	Filling Hose Pipe	For water approval
	F200164	Water Hose	PAN models; CSA
<b>23</b>	RSPB12543901	Check Valve	IAY, LAY, NAY, PAY and SAY models
<b>24</b>	RSPF200166	Filling Hose Pipe	IAY, LAY, NAY, PAY and SAY models
<b>25</b>	SP526558	Mixer	
<b>26</b>	SP547959	3-Way Valve	3/4 inch
<b>27</b>	SP548933	4-Way Valve	3/4 inch
<b>28</b>	SPPRI340004030	Filter	

# Water Inlet System (Drawing 2 of 2)



CZW71P\_D1645

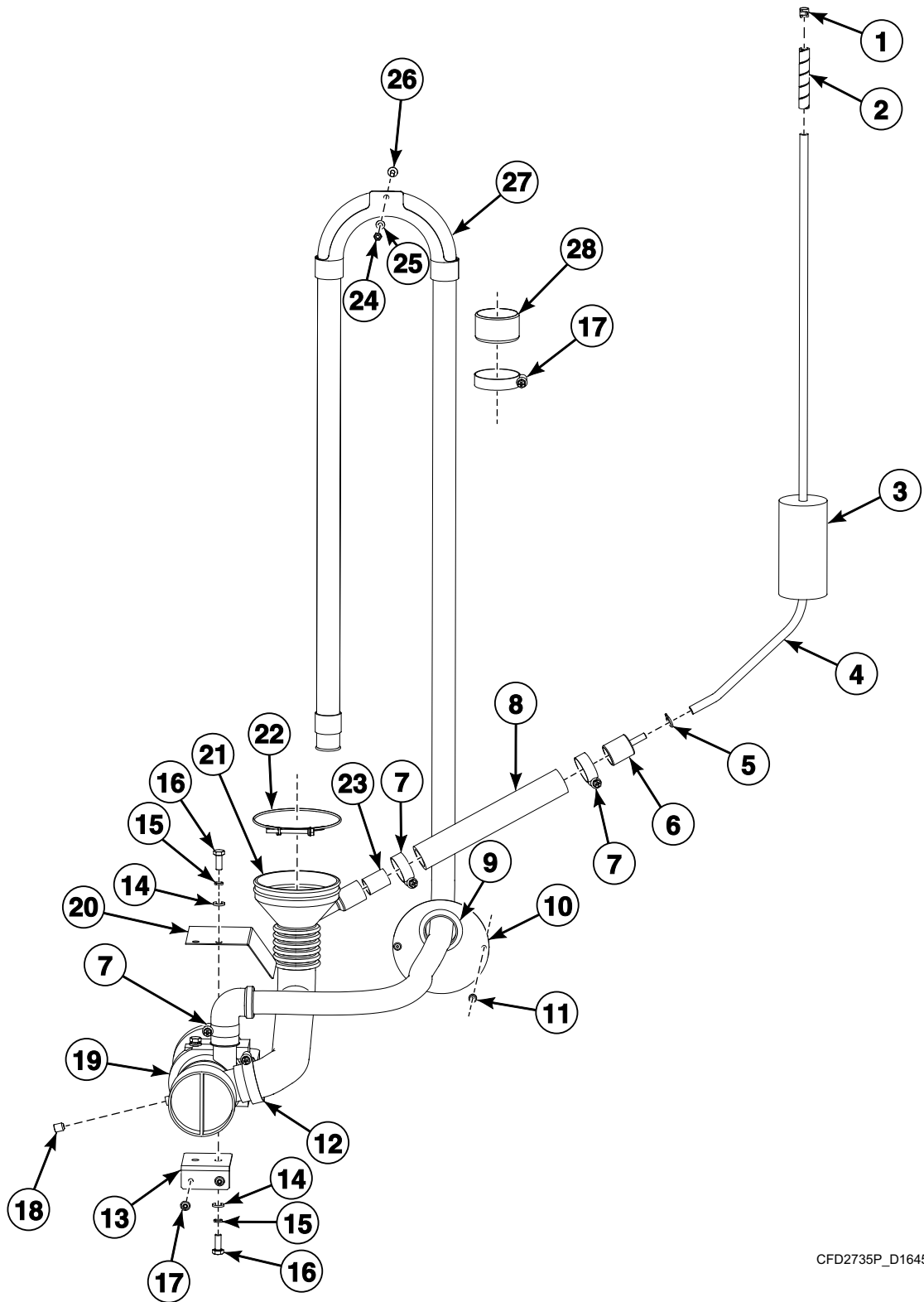


## Water Inlet System (Drawing 2 of 2)

REF	PART NO.	DESCRIPTION	COMMENTS
1	SPPRI240000003	Hose Clamp	20-32
2	SP526509	Vent Hose	
3	SP526491	Hose Clamp	62-70
4	SP526439	Temperature Sensor Seal	
5	503839	Temperature Sensor	
6	SPPRI240000017	Hose Clamp	40-60
7	SP547940	Overflow Tube	
8	SP526456	Filling Elbow Pipe	
9	SPPRI240000007	Hose Clamp	70-90

# Drain System With Drain Pump

Models with A, D, I, J, R, T or X in 7th Position of the model number Through Serial No. 80RX006329



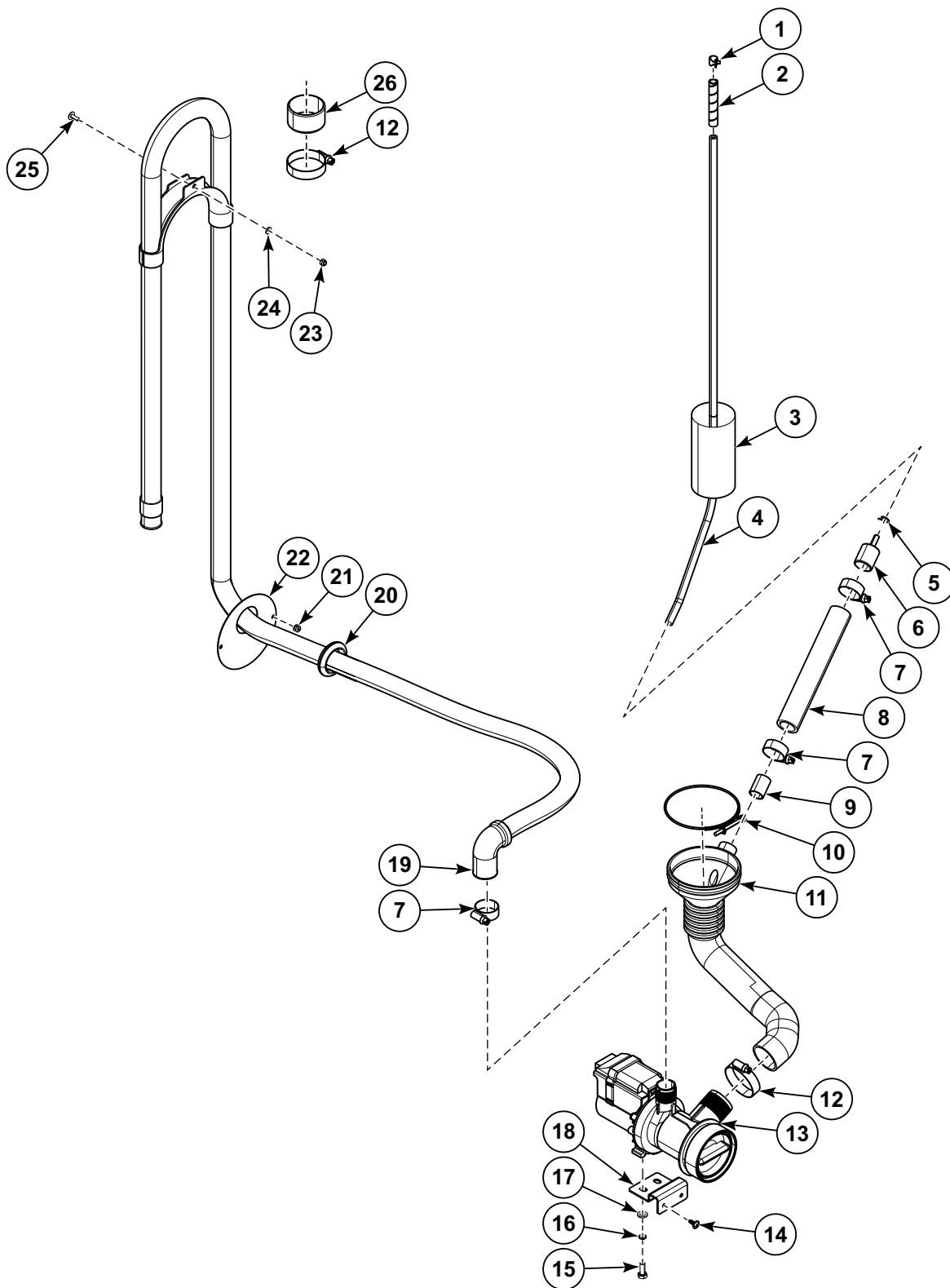
CFD2735P\_D1645

## Drain System With Drain Pump

REF	PART NO.	DESCRIPTION	COMMENTS
	SPPRI704000053	Sealant	Silicone
1	SP540183	Spring Clamp	
2	SP283449080200	Spiral	
3	SP100188	Foam Roller	
4	SPPRI540001003	Water Level Switch Hose	
5	SPPRI241000017	Hose Clamp	A5.5
6	SPPRI503000027	Air Trap Reduction	
7	SPPRI240000003	Hose Clamp	20-32
8	SPPRI503002049	Hose	Air trap
9	SPPRI501001078	Cable Bushing	
10	SP547807	Drain Pump Hose Bushing	
11	SP313250004063	Rivet	4x6.3 with a crank
12	SPPRI240000008	Hose Clamp	32-50
13	SP547889	Pump Holder	50 Hz
	SP567143	Pump Holder	60 Hz
14	SP311125000006	Washer	6.4
15	SP311127000006	Washer	6
16	SP309933000616	Bolt	M6x16
17	SP529206	Screw	4x11
18	SP309916000810	Bolt	M8x10
19	567937	Drain Pump Kit	All models except PAN models; 50 Hz; Includes 570314 Drain Pump, 567127 Holder, SP529206 Screw, SP309933000616 Bolt, M6x6, SP311125000006 Washer M6 and SP311127000006 Washer M6
	567142	Drain Pump	All models except PAN models; 60 Hz
20	SP500140	Pump Cover	
21	SP547803	Drain Elbow	
22	SP526532	Hose Clamp	82-90
23	SP500125	Reinforcement Tube	
24	SP514193	Nut	M4
25	SP311125000004	Washer	4.3
26	SP521957	Bolt	M4x12
27	SP521558	Drain Hose Pipe	
28	SP526568	Cylinder Cap	

# Drain System - Drain Pump Option

Models with A, D, I, J, R, T or X in 7th Position of the model number Starting Serial No. 80RX006330



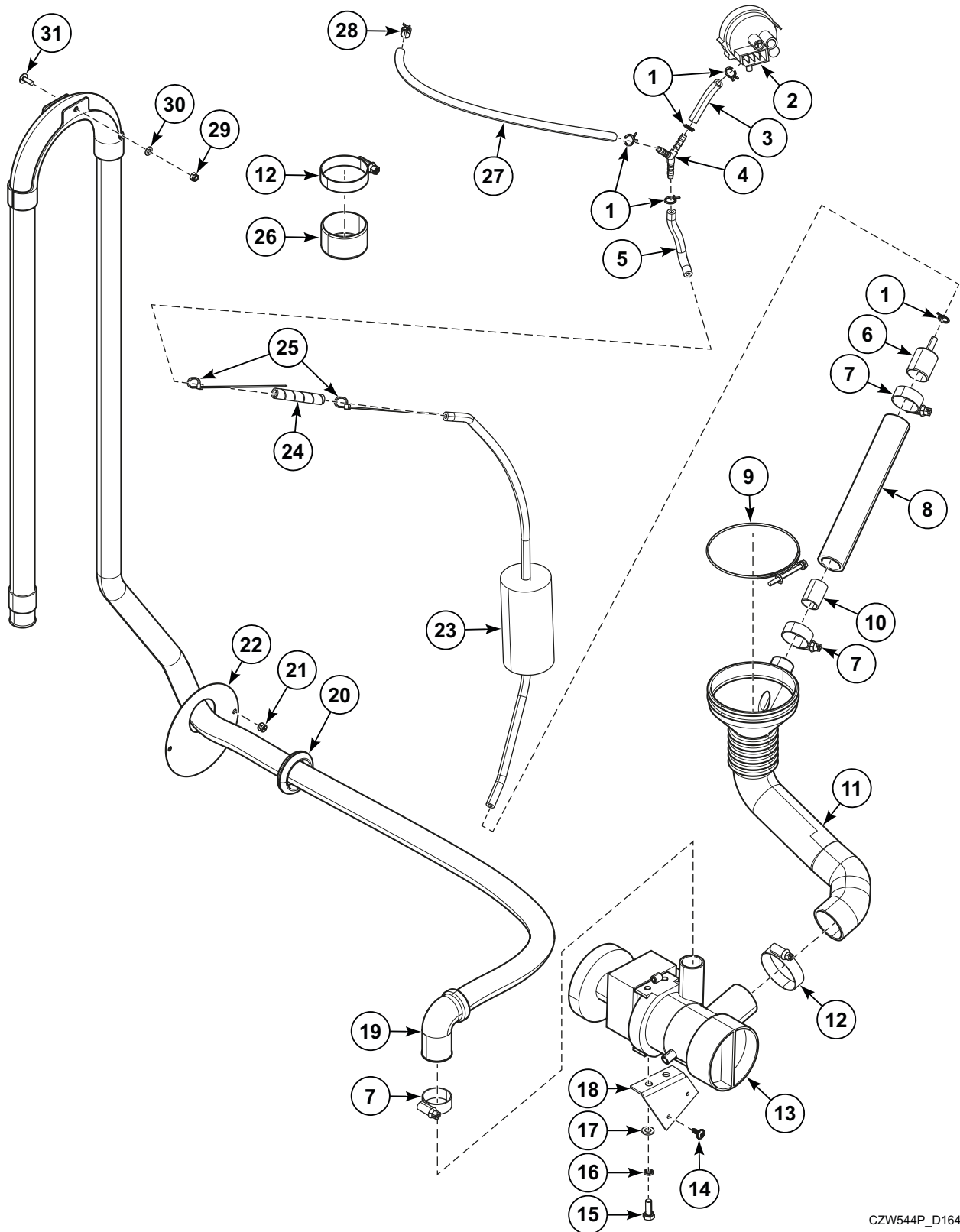
CZW323P\_D1645

## Drain System - Drain Pump Option

REF	PART NO.	DESCRIPTION	COMMENTS
1	SP540183	Spring Clamp	
2	SP283449080200	Spiral	
3	SP100188	Foam Roller	
4	SPPRI540001003	Water Level Switch Hose	
5	SPPRI241000017	Hose Clamp	A5.5
6	SPPRI503000027	Air Trap Reduction	
7	SPPRI240000003	Hose Clamp	20-32
8	SPPRI503002049	Hose	Air trap
9	SP500125	Reinforcement Tube	
10	SP526532	Hose Clamp	82-90
11	SP547803	Drain Elbow	
12	SPPRI240000008	Hose Clamp	32-50
13	570314	Drain Pump	50 Hz
	567142	Drain Pump	All models except PAN models; 60 Hz
14	SP529206	Screw	4x11
15	SP309933000616	Bolt	M6x16
16	SP311127000006	Washer	6
17	SP311125000006	Washer	6.4
18	SP567143	Pump Holder	
19	SP521558	Drain Hose Pipe	
20	SPPRI501001078	Cable Bushing	
21	SP313250004063	Rivet	4x6.3 with a crank
22	SP547807	Drain Pump Hose Bushing	
23	SP514193	Nut	M4
24	SP311125000004	Washer	4.3
25	SP521957	Bolt	M4x12
26	SP526568	Cylinder Cap	

# Drain System - Drain Pump Option

Models with G in 7th Position of the model number



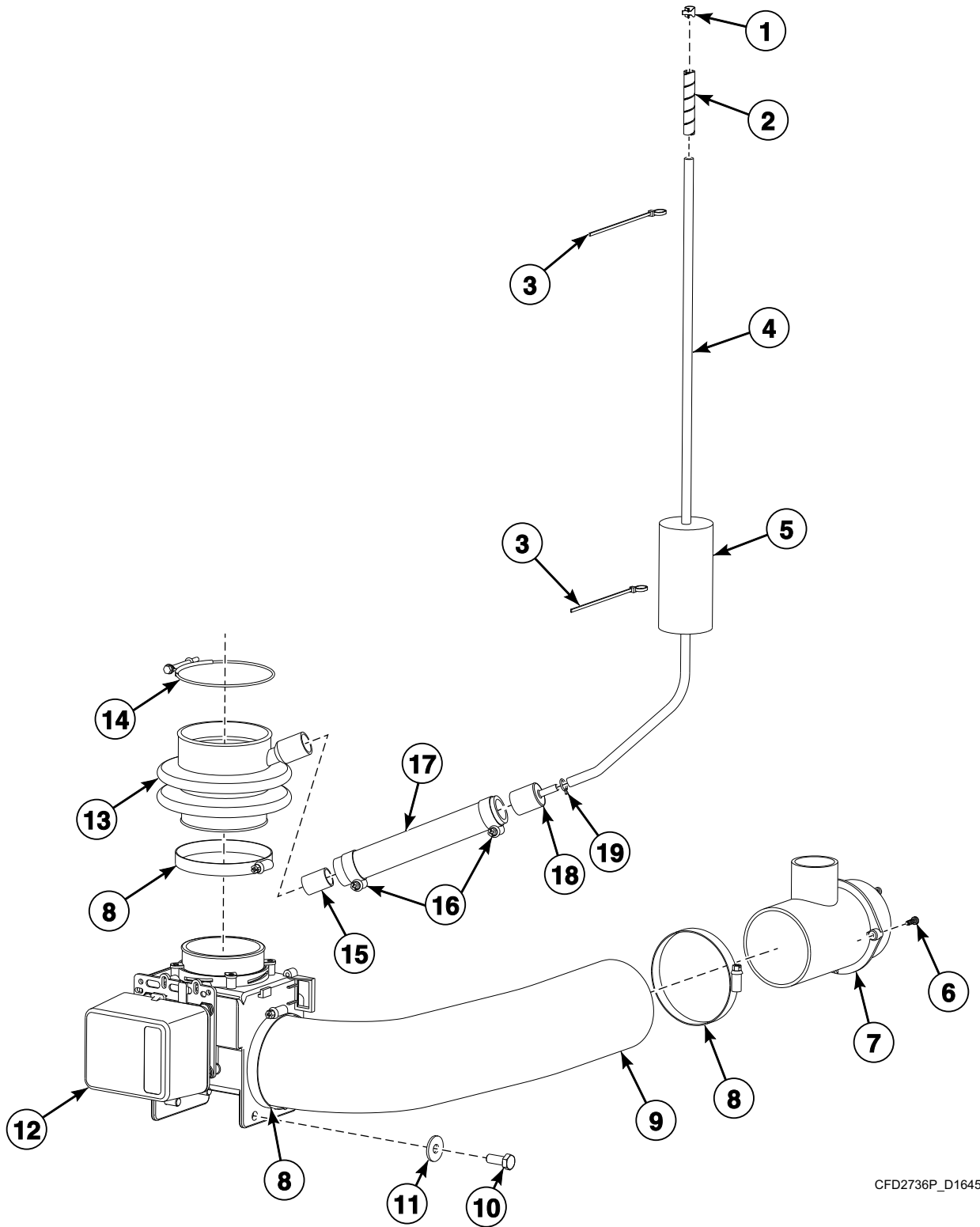
CZW544P\_D1645

## Drain System - Drain Pump Option

REF	PART NO.	DESCRIPTION	COMMENTS
1	SPPRI241000017	Hose Clamp	A5.5
2	570315	Water Level Switch	
3	SPPRI540001003	Water Level Switch Hose	1.77 inch (0.045m)
4	SPPRI503000028	Y-Piece	
5	SPPRI540001003	Water Level Switch Hose	28.74 inch (0.73m)
6	SPPRI503000027	Air Trap Reduction	
7	SPPRI240000003	Hose Clamp	20-32
8	SPPRI503002049	Hose	Air trap
9	SP526532	Hose Clamp	82-90
10	SP500125	Reinforcement Tube	
11	SP547803	Drain Elbow	
12	SPPRI240000008	Hose Clamp	32-50
13	570314	Drain Pump	50 Hz
	567142	Drain Pump	All models except PAN models; 60 Hz
14	SP529206	Screw	4x11
15	SP309933000616	Bolt	M6x16
16	SP311127000006	Washer	6
17	SP311125000006	Washer	6.4
18	SP567143	Pump Holder	
19	SP521558	Drain Hose Pipe	
20	SPPRI501001078	Cable Bushing	
21	SP313250004063	Rivet	4x6.3 with a crank
22	SP547807	Drain Pump Hose Bushing	
23	SP100188	Foam Roller	
24	SP283449080200	Spiral	
25	SP345000626088	Binding Strip	
26	SP526568	Cylinder Cap	
27	SPPRI540001003	Water Level Switch Hose	10.63 inch (0.27m)
28	SP540183	Spring Clamp	
29	SP514193	Nut	M4
30	SP311125000004	Washer	4.3
31	SP521957	Bolt	M4x12

# Drain System

Models with A, D, I, J, R, T or X in 7th Position



CFD2736P\_D1645

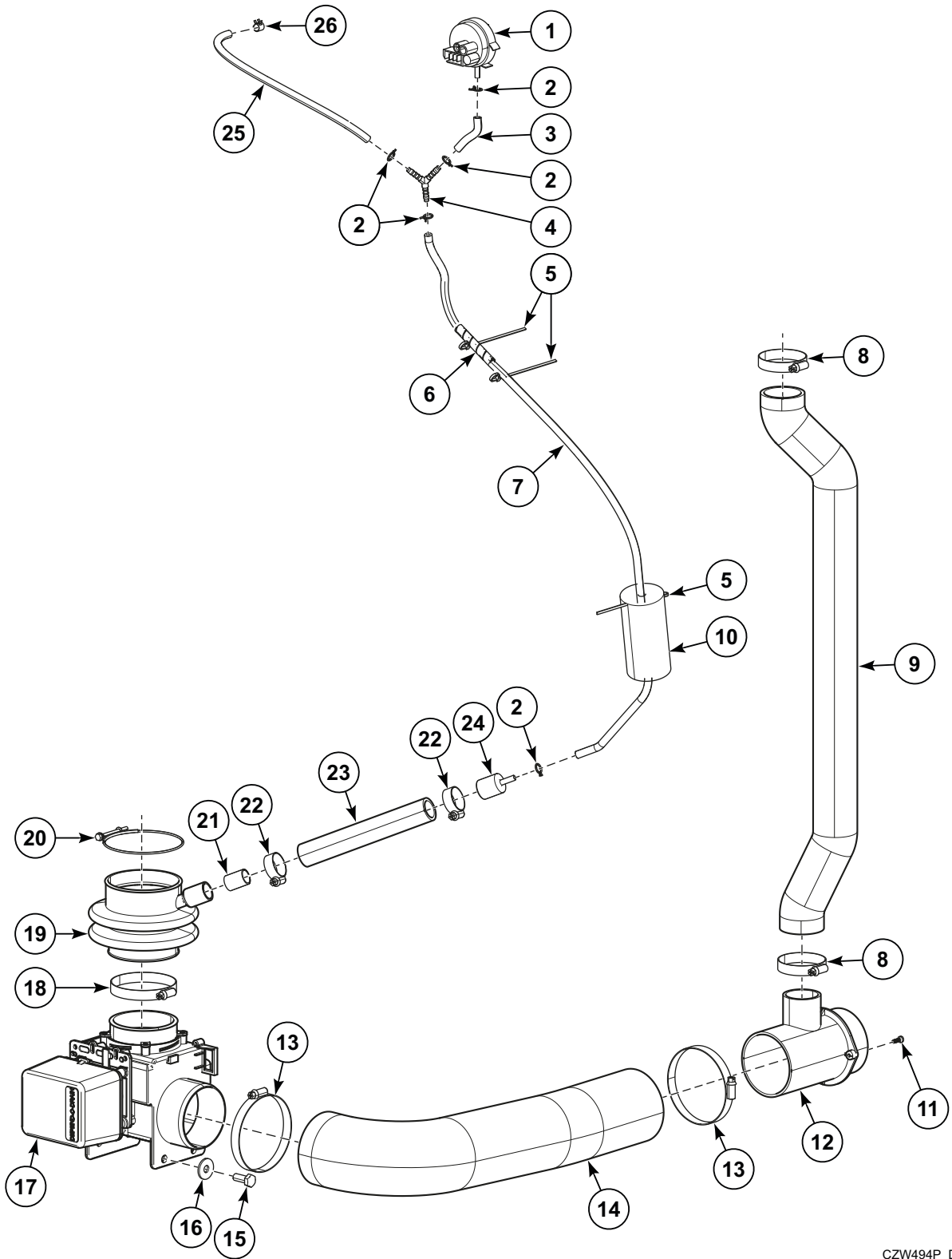


# Drain System

REF	PART NO.	DESCRIPTION	COMMENTS
1	SP540183	Spring Clamp	
2	SP283449080200	Spiral	
3	SP345000626088	Binding Strip	
4	SPPRI540001003	Water Level Switch Hose	
5	SP100188	Foam Roller	
6	SP526497	Screw	4x12
7	SP526454	Tee	
8	SPPRI240000007	Hose Clamp	70-90
9	SP526457	Drain Elbow	
10	SP309933000820	Bolt	M8x20
11	SP311902100008	Washer	8
12	SP526460	Drain Valve	Black; Includes 553195 Drain Valve Chamber, SPPRI340002051 Drain Valve Motor and 554276 Drain Valve Seal
	553195	Drain Valve Chamber	Black
	SPPRI340002051	Drain Valve Motor	Includes gearbox
	SP547821	Reverse Function Drain Valve	CE and Watermark; Black; Includes 553195 Drain Valve Chamber, SPPRI340002051 Drain Valve Motor and 554276 Drain Valve Seal
	554276	Drain Valve Seal	
13	SP526492	Drain Hose Pipe	
14	SP526532	Hose Clamp	82-90
15	SP500125	Reinforcement Tube	
16	SPPRI240000003	Hose Clamp	20-32
17	SPPRI503002049	Hose	Air trap
18	SPPRI503000027	Air Trap Reduction	
19	SPPRI241000017	Hose Clamp	A5.5

# Drain System

Models with G in 7th Position



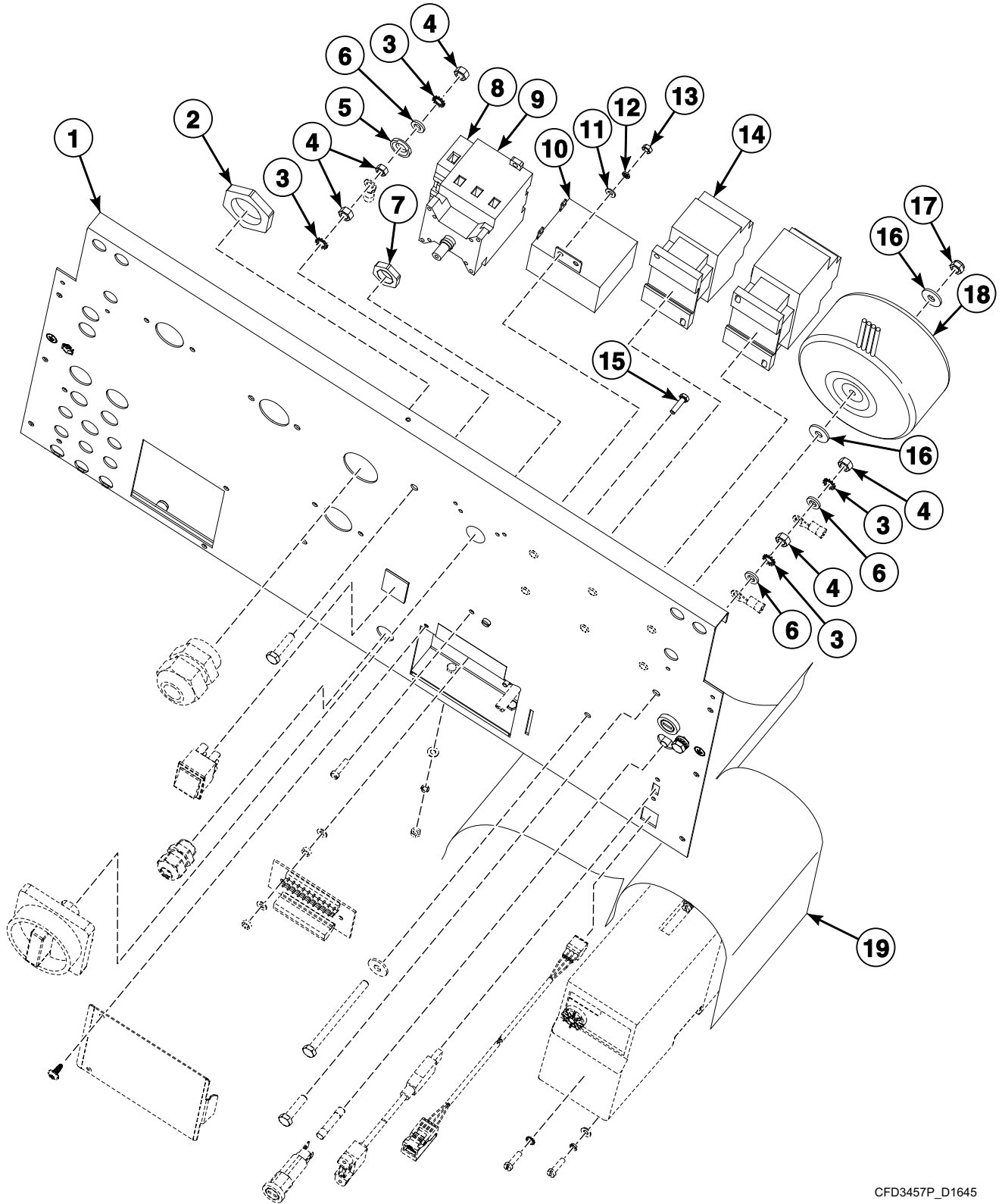
CZW494P\_D2064

# Drain System

REF	PART NO.	DESCRIPTION	COMMENTS
1	570315	Water Level Switch	
2	SPPRI241000017	Hose Clamp	A5.5
3	SPPRI540001003	Water Level Switch Hose	1.77 inch (0.045 m)
4	SPPRI503000028	Y-Piece	
5	SP345000626088	Binding Strip	
6	SP283449080200	Spiral	
7	SPPRI540001003	Water Level Switch Hose	43.31 inch (1.1 m)
8	SPPRI240000017	Hose Clamp	70-90
9	SP547940	Overflow Tube	
10	SP100188	Foam Roller	
11	SP526497	Screw	4x12
12	SP526454	Tee	
13	SPPRI240000007	Hose Clamp	70-90
14	SP526457	Drain Elbow	
15	SP309933000820	Bolt	M8x20
16	SP311902100008	Washer	8
17	SP526460	Drain Valve	Black; Includes SPPRI340002051 Drain Valve Motor and 554276 Drain Valve Seal
	SP547821	Reverse Function Drain Valve	Black; Includes SPPRI340002051 Drain Valve Motor and 554276 Drain Valve Seal
	SPPRI340002051	Drain Valve Motor	Includes gearbox
	554276	Drain Valve Seal	
18	SPPRI240000021	Hose Clamp	60-80
19	SP526492	Drain Hose Pipe	
20	SP526532	Hose Clamp	82-90
21	SP500125	Reinforcement Tube	
22	SPPRI240000003	Hose Clamp	20-32
23	SPPRI503002049	Hose	Air trap
24	SPPRI503000027	Air Trap Reduction	
25	SPPRI540001003	Water Level Switch Hose	10.63 inch (0.27 m)
26	SP540183	Spring Clamp	

# Rear Panel (Drawing 1 of 2)

Models with A, D, I, J, R, T or X in 7th Position



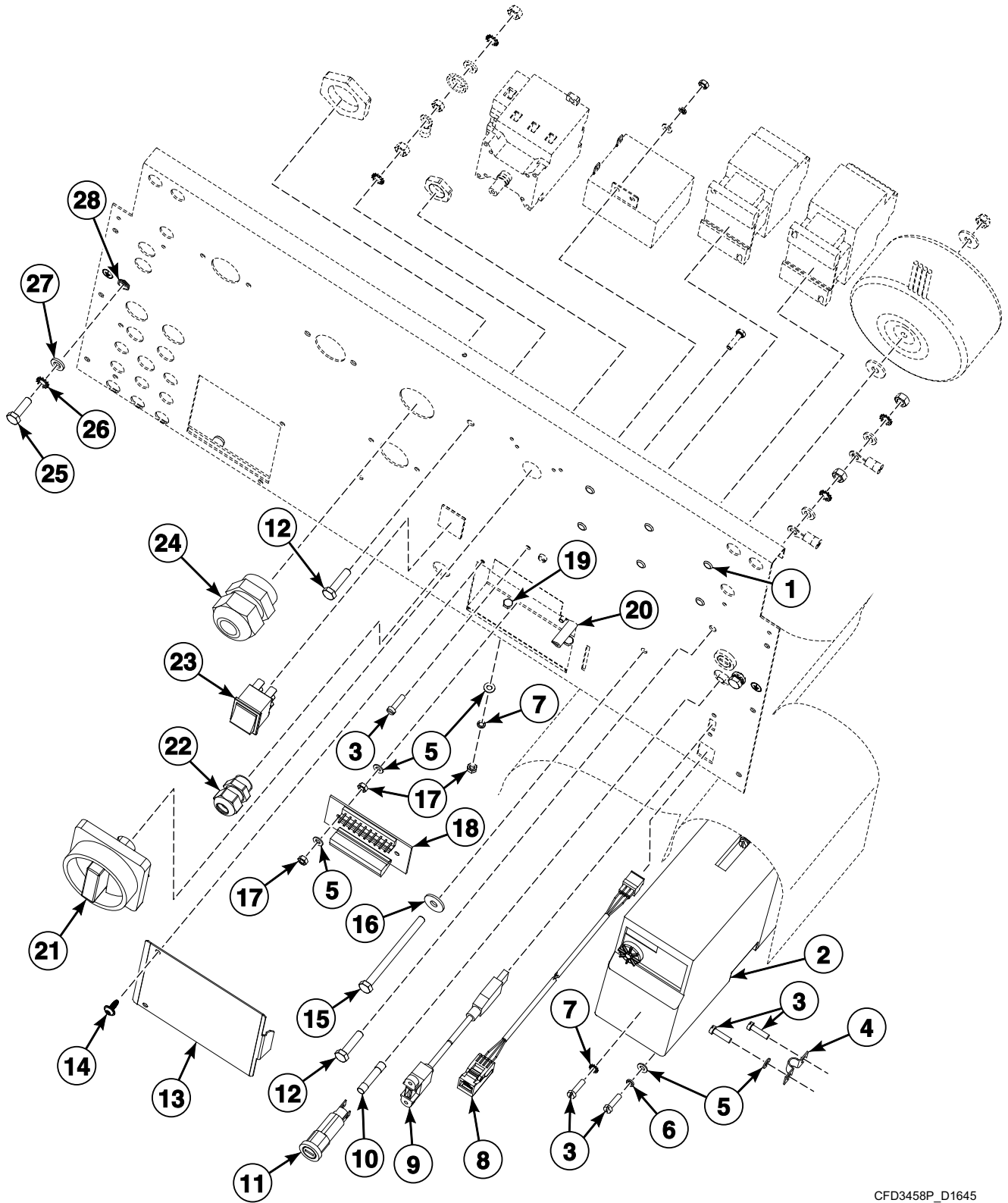
CFD3457P\_D1645

## Rear Panel (Drawing 1 of 2)

REF	PART NO.	DESCRIPTION	COMMENTS
1	SP559232	Rear Panel	A, AR Non-Brand, IA, NA, SA and WMA models; Through Serial No. 80RX006599SD
	SP547884	Rear Panel	
2	SP101419	Nut	Cable bushing; M32x1.5
3	SP311679824006	Washer	M6
4	SP310934100006	Nut	M6
5	563361	Washer	CSA
6	SP311125100006	Washer	6.4
7	SP101416	Nut	Cable bushing; M16
8	SP506407	Main Switch	25A; Fourth pole
	SPPRI404001098	Main Switch	32A; Fourth pole
	SPPRI404001099	Main Switch	63A; Fourth pole
9	SPPRI404000097	Main Switch	25A
	SPPRI404000098	Main Switch	32A
	SPPRI404000099	Main Switch	63A
10	SP514071	Filter	12MSW2T2
11	SP311125000004	Washer	4.3
12	SP311127000004	Washer	4
13	SP310934000004	Nut	M4
14	SP514038	Contactactor	LC1-D09M7
	SP514042	Contactactor	LC1-D18M7
	SPPRI345002019	Contactactor	LC1-D32M7
	SP514043	Contactactor	LC1-D50M7
15	SP309933000416	Bolt	M4x16
16	SP311902100006	Washer	M6
17	SP310985000006	Nut	M6
18	SP552201	Autotransformer	
19	SP547945	Motor and Frequency Inverter Cover	
	SP562874	Motor and Frequency Inverter Cover	Models PAN020T and PAN020X; Starting Serial No. 80RX002065FK

# Rear Panel (Drawing 2 of 2)

Models with A, D, I, J, R, T or X in 7th Position



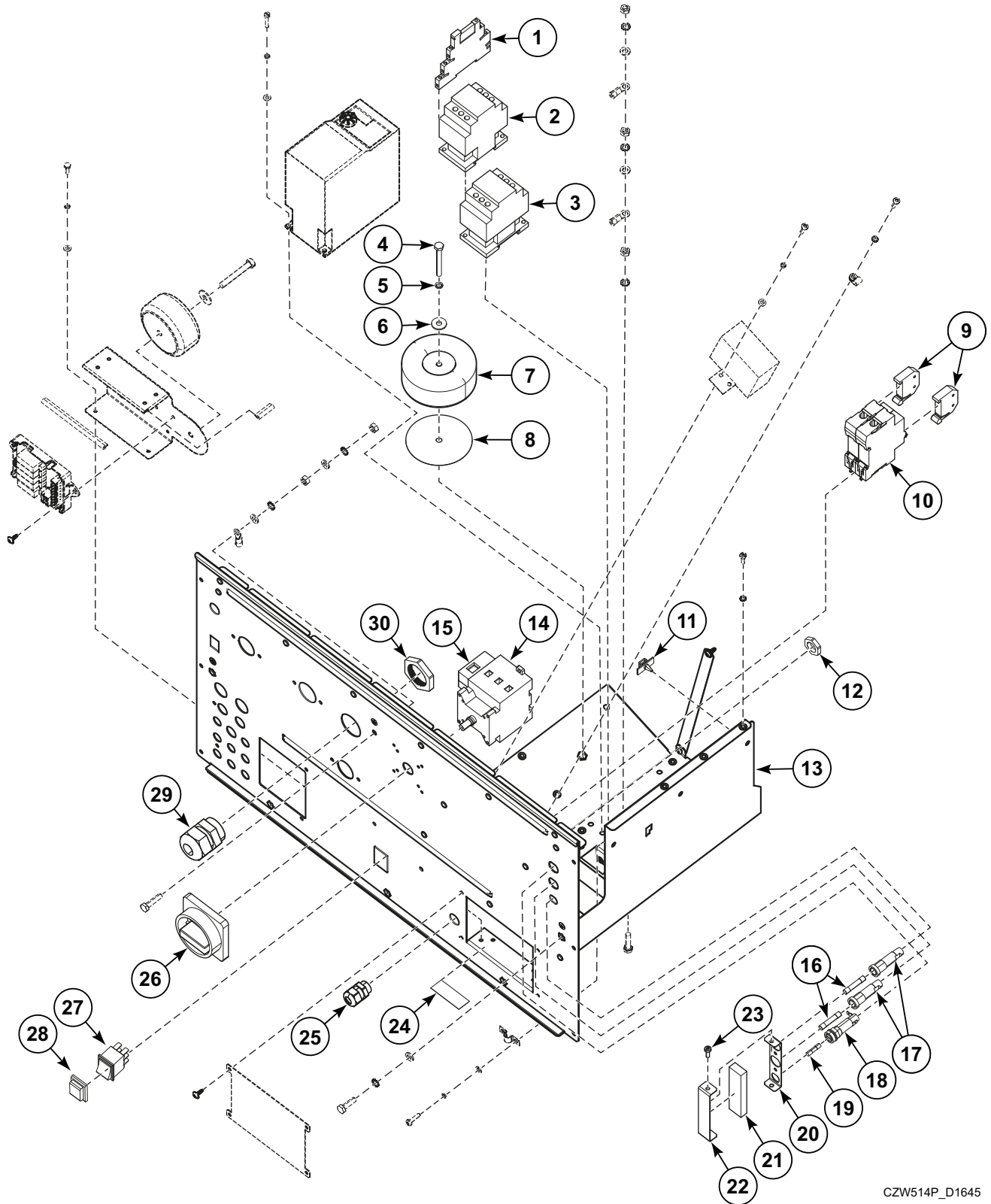
CFD3458P\_D1645

## Rear Panel (Drawing 2 of 2)

REF	PART NO.	DESCRIPTION	COMMENTS
	557982	Cable	Extra price option
	SP506575	Terminal Board	Extra price option
	557981	Label	Extra price option
	SP552473	MC7 Control Board Main Wiring	North America
	SP553124	MC7 Control Board Main Wiring	120 Volt; CSA
	SP557766	MC7 Control Board Main Wiring	CE
	528499	MC6 Control Board Main Wiring	CE
	SP552499	Motor Cable	Through Serial No. 80RX004706KU
	SP540180	Liquid Soap Supply Connection Kit	
<b>1</b>	SP313250004007	Rivet	4x7 with a crank
<b>2</b>	571470	Frequency Inverter	FR-D720-025-SC-E8
	SP528324	Communication Cable	
<b>3</b>	SP309084000416	Bolt	M4x16
<b>4</b>	SP528392	Cable Clamp	
<b>5</b>	SP311125000004	Washer	4.3
<b>6</b>	SP311127000004	Washer	4
<b>7</b>	SP311679800004	Washer	M4
<b>8</b>	SP545234	Cable	RS485; With connectors
<b>9</b>	SP547006	USB Cable	Rear panel
<b>10</b>	SP345805163032	Fuse	6.3x32mm; T1A/500V; 120 Volt; CSA
<b>11</b>	SPPRI401003020	Fuse Housing	6.3x32mm
<b>12</b>	SP309933100625	Bolt	M6x25
<b>13</b>	SP547886	Rear Panel Lid	
<b>14</b>	SP529206	Screw	4x11
<b>15</b>	SP547925	Bolt	M6x80
<b>16</b>	SP311902100006	Washer	M6
<b>17</b>	SP310934000004	Nut	M4
<b>18</b>	SP524714	Soap Relay Board	
	SP528149	Pump Relay Board to LED Terminal Cable	
	SP557944	Soap Link Kit	SP557947 External Block Signal Cable; 2.8m
<b>19</b>	SP309933240408	Bolt	M4x8
<b>20</b>	SPPRI505000058	Profiled Sealing	
<b>21</b>	SPPRI404000095	Main Switch Knob	
<b>22</b>	SP101406	Bushing	M16
<b>23</b>	SP100388	Switch	
<b>24</b>	SP101409	Bushing	M32x1.5
	SP557952	Cable Bushing Insert	M32; Use with small diameter cables
<b>25</b>	SP309933000620	Bolt	M6x20
<b>26</b>	SP311679824006	Washer	M6
<b>27</b>	SP311125240006	Washer	6.4
<b>28</b>	SP313251000006	Nut	M6

# Rear Panel - 230V 1/3AC, 400V with Neutral, CE (Drawing 1 of 2)

Models with G in 7th Position



CZW514P\_D1645



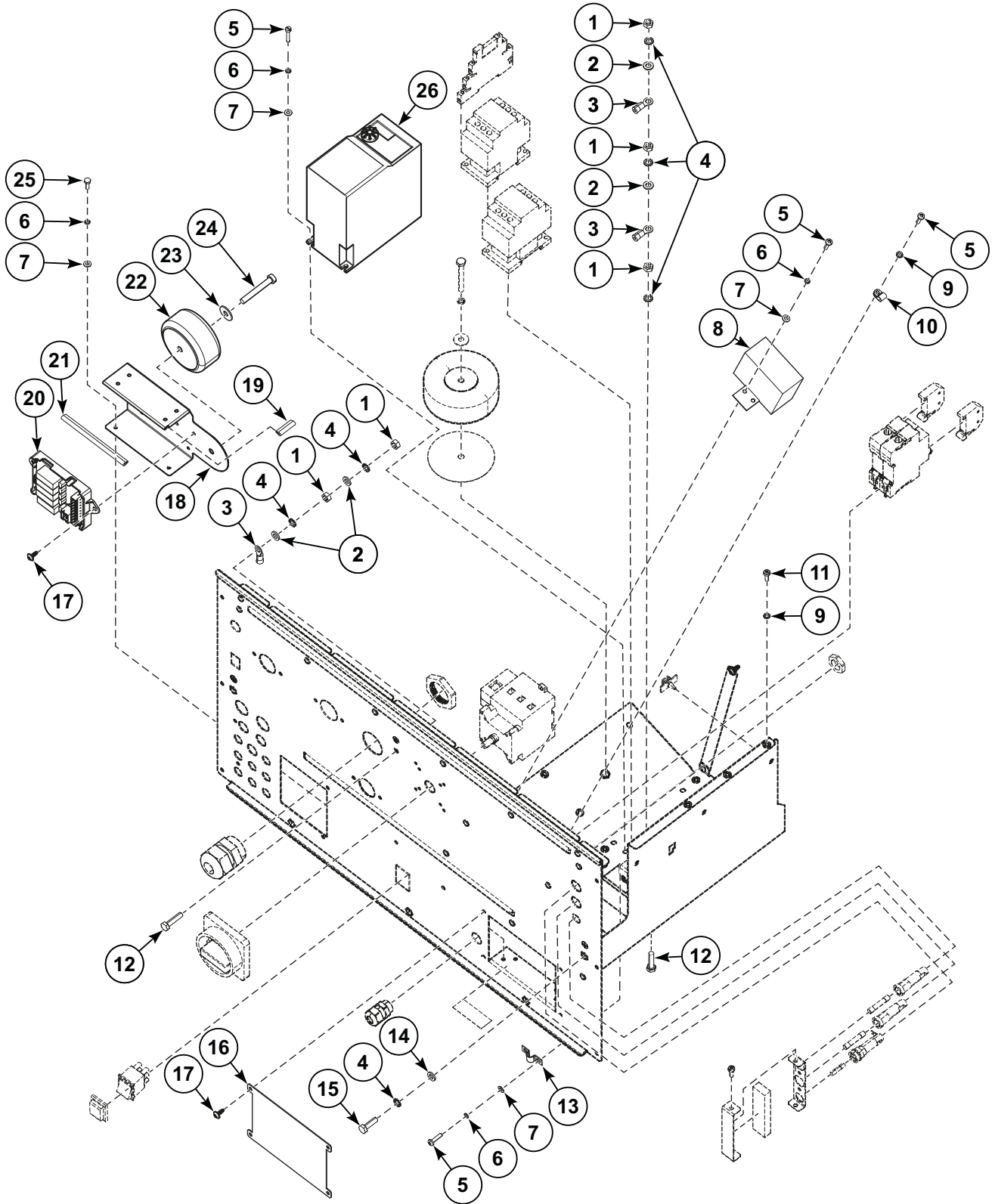
## Rear Panel - 230V 1/3AC, 400V with Neutral, CE (Drawing 1 of 2)

REF	PART NO.	DESCRIPTION	COMMENTS
	568391	Control Board Main Wiring	
1	SP552468	Relay	Used with Central Payment System
2	SP514038	Contactors	LC1D09M7; Used with frequency inverter
3	SP514038	Contactors	LC1D09M7; Electric heating
	SP514042	Contactors	LC1-D18M7; Electric heating
4	SP309933000660	Bolt	M6x60
5	SP311127000006	Washer	6
6	SP311902100006	Washer	6
7	571454	DC Choke	
8	571458	Insulation Washer	
9	SP346000209101	End Stop	
10	571462	Circuit Breaker	10A - 2 poles
11	SP528313	Cable Holder	
12	SP101416	Nut	M16
13	577410	Rear Panel	
14	SPPRI404000097	Main Switch	25A
	SPPRI404000098	Main Switch	32A
	SPPRI404000099	Main Switch	63A
15	SP506407	Main Switch	25A; Fourth Pole
	SPPRI404001098	Main Switch	32A; Fourth Pole
	SPPRI404001099	Main Switch	63A; Fourth Pole
16	SP345805163032	Fuse	6.3x32mm, T1A/500V; 2 pieces
17	SPPRI401003020	Fuse Housing	2 pieces
18	N/A	Fuse Holder	
19	N/A	Fuse	
20	SP554310	Fuse Holder	
21	570387	Self-Adhesive Profile	
22	SP554311	Fuse Cover	
23	SP555504	Bolt	
24	577441	Label	Models with Transformer
	577440	Label	Models without Transformer
25	SP101406	Bushing	M16
26	SPPRI404000095	Main Switch Knob	
27	SP100388	Switch	
28	SPPRI543000003	Push Button Cover	
29	SP101409	Bushing	M35x1.5
30	SP101419	Nut	M32

N/A = Part no longer available

# Rear Panel - 230V 1/3AC, 400V with Neutral, CE (Drawing 2 of 2)

Models with G in 7th Position



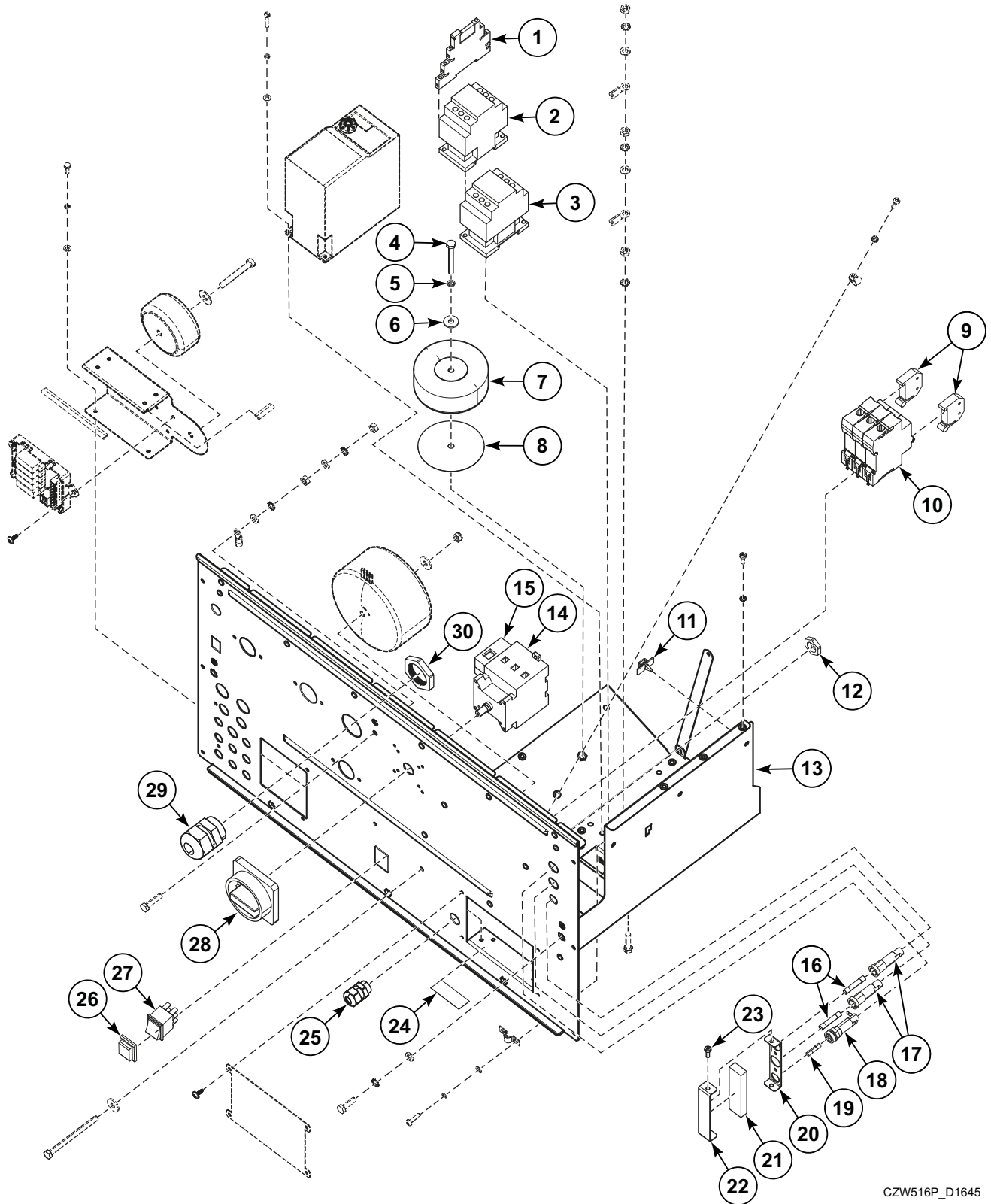
CZW515P\_D1645

## Rear Panel - 230V 1/3AC, 400V with Neutral, CE (Drawing 2 of 2)

REF	PART NO.	DESCRIPTION	COMMENTS
1	SP310934100006	Nut	M6
2	SP311125100006	Washer	6
3	SP345000165034	Cable Eye	
4	SP311679824006	Washer	6
5	SP309084000416	Bolt	M4x16
6	SP311127000004	Washer	4
7	SP311125000004	Washer	4.3
8	568380	Filter	20A 250V
9	SP311679800004	Washer	M4
10	SP502214	Clip	
11	SP555504	Bolt	M4x12
12	SP309933100625	Bolt	M6x25
13	SP528392	Cable Clamp	
14	SP311125240006	Washer	6
15	SP309933000620	Bolt	M6x20
16	566549	Cover	
17	SP529206	Screw	4x11
18	570318	Holder	
19	SPPRI505000058	Profiled Sealing	1 inch (0.025 m)
20	804528	Soap Relay Board	
21	SPPRI505000058	Profiled Sealing	4.1 inch (0.105 m)
22	564561	Transformer	24V
23	SP505430	Washer	5
24	SP309084000535	Bolt	M5x35
25	SP309933240412	Bolt	M4x12
26	571470	Frequency Inverter	FR-D720S-025-SC-E8
	SP528324	Communication Cable	
	557961	Ferrite Core	Used with frequency inverter

# Rear Panel - 400V 440-480V, CE (Drawing 1 of 2)

Models with G in 7th Position



CZW516P\_D1645

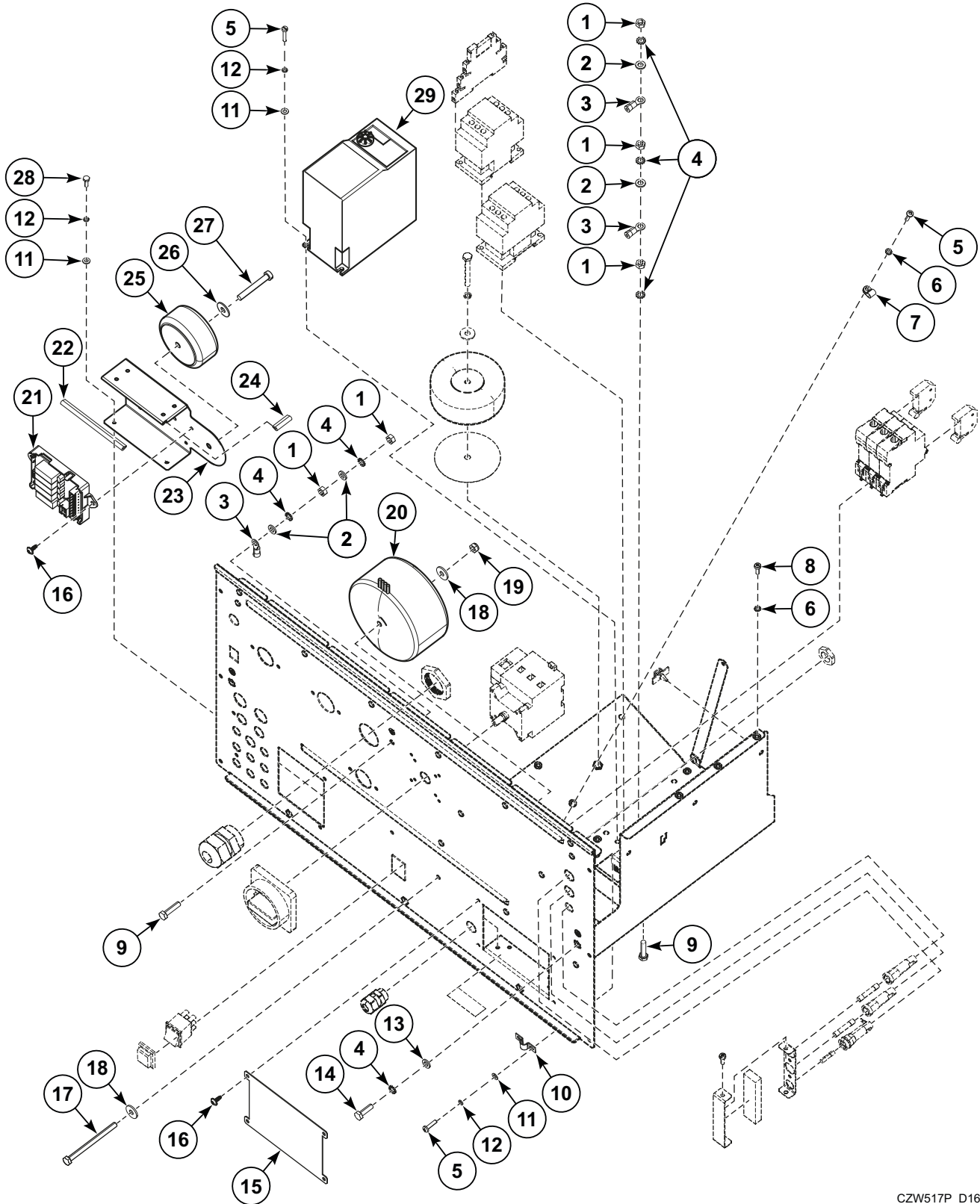
## Rear Panel - 400V 440-480V, CE (Drawing 1 of 2)

REF	PART NO.	DESCRIPTION	COMMENTS
	568391	Control Board Main Wiring	
1	SP552468	Relay	Used with Central Payment System
2	SP514038	Contactora	LC1D09M7; Used with frequency inverter
3	SP514038	Contactora	LC1D09M7; Electric heating
4	SP309933000660	Bolt	M6x60
5	SP311127000006	Washer	6
6	SP311902100006	Washer	6
7	571454	DC Choke	
8	571458	Insulation Washer	
9	SP346000209101	End Stop	
10	571462	Circuit Breaker	10A - 2 poles
11	SP528313	Cable Holder	
12	SP101416	Nut	M16
13	577410	Rear Panel	
14	SPPRI404000097	Main Switch	25A
	SPPRI404000098	Main Switch	32A
	SPPRI404000099	Main Switch	63A
15	N/A	Main Switch	Fourth Pole
16	SP345805163032	Fuse	6.3x32mm, T1A/500V; 2 pieces
17	SPPRI401003020	Fuse Housing	2 pieces
18	N/A	Fuse Holder	
19	N/A	Fuse	
20	SP554310	Fuse Holder	
21	570387	Self-Adhesive Profile	
22	SP554311	Fuse Cover	
23	SP555504	Bolt	
24	577441	Label	Models with Transformer
	577440	Label	Models without Transformer
25	SP101406	Bushing	M16
26	SPPRI543000003	Push Buttom Cover	
27	SP100388	Switch	
28	SPPRI404000095	Main Switch Knob	
29	SP101409	Bushing	M35x1.5
30	SP101419	Nut	M32

N/A = Part no longer available

# Rear Panel - 400V 440-480V, CE (Drawing 2 of 2)

Models with G in 7th Position

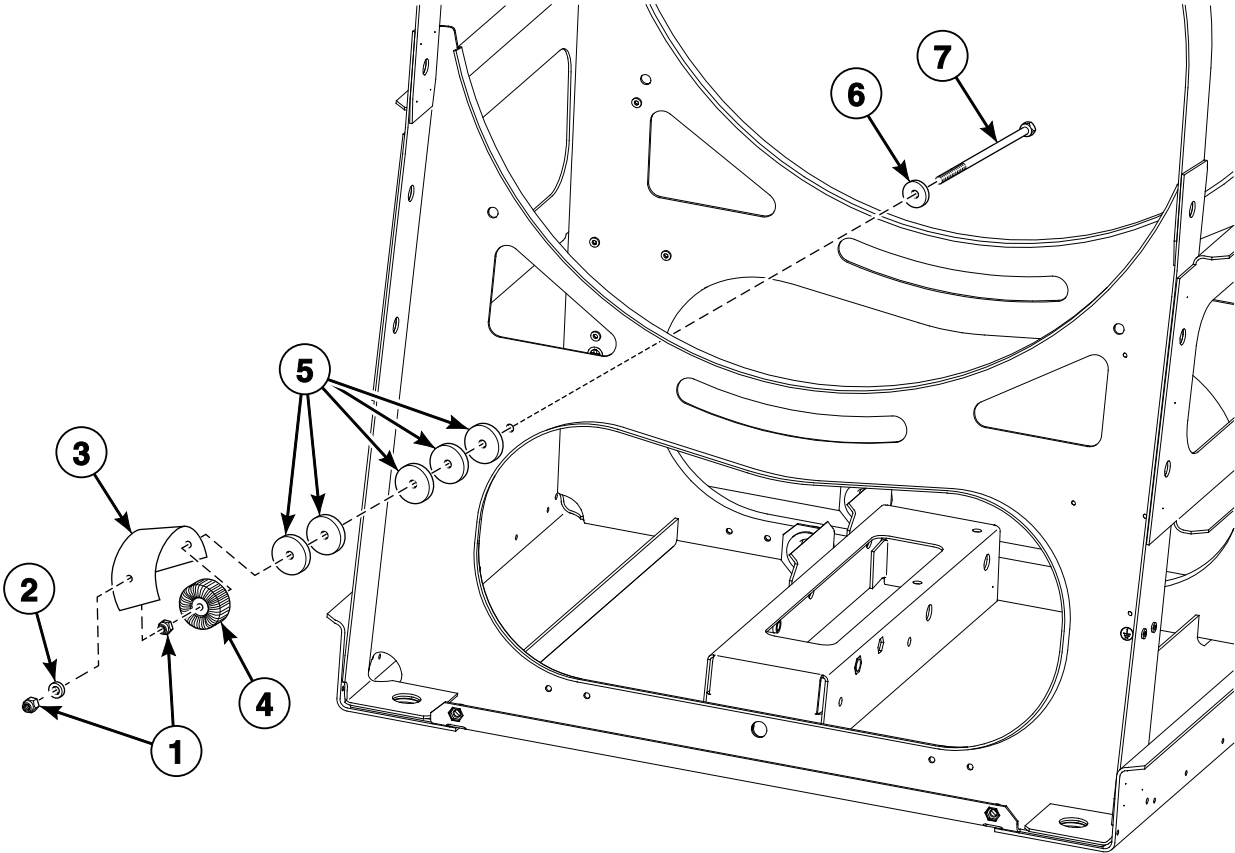


CZW517P\_D1645

## Rear Panel - 400V 440-480V, CE (Drawing 2 of 2)

REF	PART NO.	DESCRIPTION	COMMENTS
1	SP310934100006	Nut	M6
2	SP311125100006	Washer	6
3	SP345000165034	Cable Eye	
4	SP311679824006	Washer	6
5	SP309084000416	Bolt	M4x16
6	SP311679800004	Washer	M4
7	SP502214	Clip	
8	SP555504	Bolt	M4x12
9	SP309933100625	Bolt	M6x25
10	SP528392	Cable Clamp	
11	SP311125000004	Washer	4.3
12	SP311127000004	Washer	4
13	SP311125240006	Washer	6
14	SP309933000620	Bolt	M6x20
15	566549	Cover	
16	SP529206	Screw	4x11
17	SP547925	Bolt	M6x80
18	SP311902100006	Washer	M6
19	SP310985000006	Nut	M6
20	SP552201	Autotransformer	
21	804528	Soap Relay Board	
22	SPPRI505000058	Profiled Sealing	4.1 inch (0.105 m)
23	570318	Holder	
24	SPPRI505000058	Profiled Sealing	1 inch (0.025 m)
25	564561	Transformer	24V
26	SP505430	Washer	5
27	SP309084000535	Bolt	M5x35
28	SP309933240412	Bolt	M4x12
29	571470	Frequency Inverter	FR-D720S-025-SC-E8
	SP528324	Communication Cable	
	557961	Ferrite Core	Used with frequency inverter

# Transformer - 120 Volt Models with B in the 11th Position



CFD3223P\_D1645

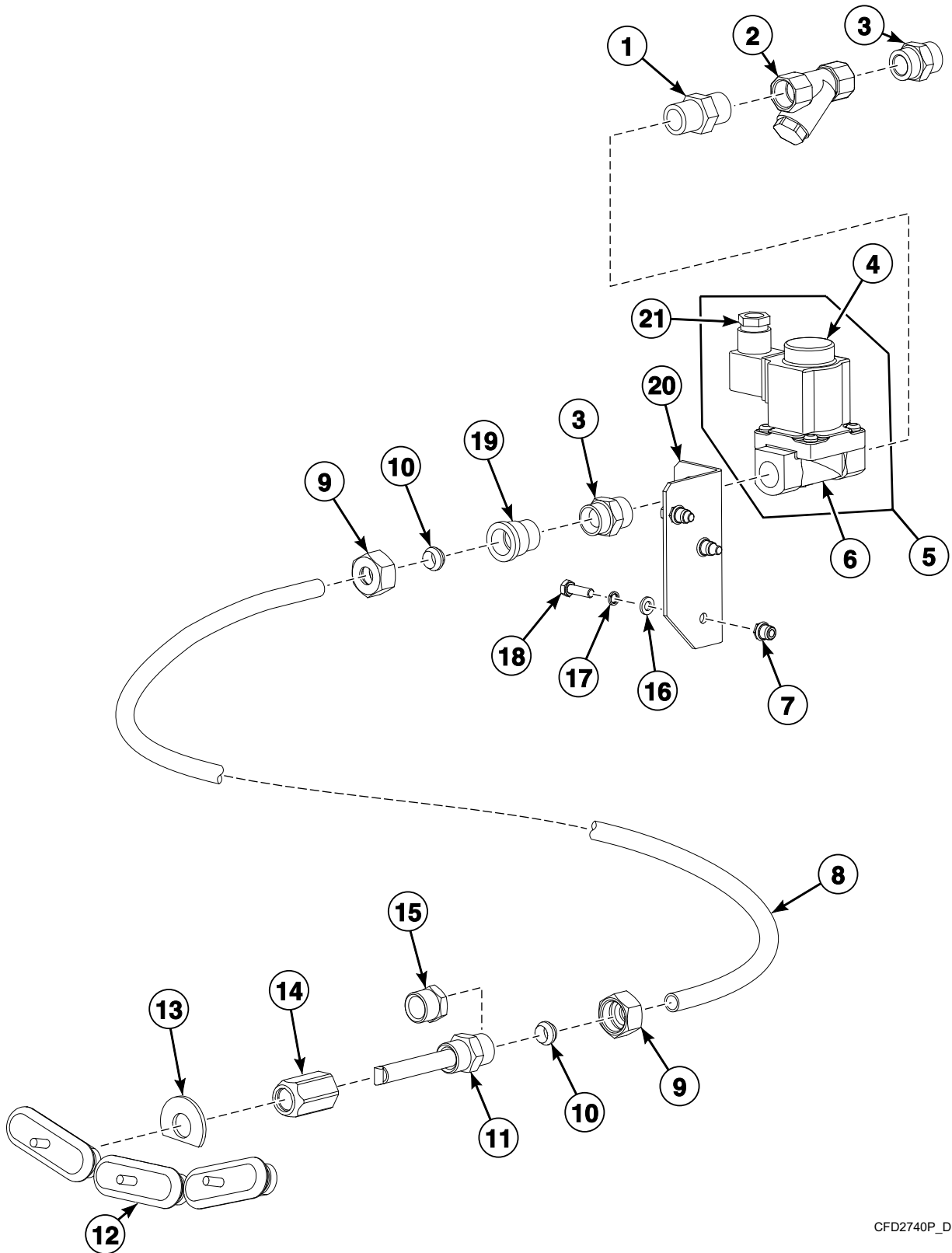


## Transformer - 120 Volt Models with B in the 11th Position

REF	PART NO.	DESCRIPTION	COMMENTS
1	SP310985000008	Nut	
2	SP311125000008	Washer	
3	SP554362	Transformer Cover	
4	SP557743	Transformer	
5	SP517528	Ring	
6	SP311902100009	Washer	
7	SP550140	Bolt	

# Steam Heating

Models with A, D, I, J, R, T or X in 7th Position



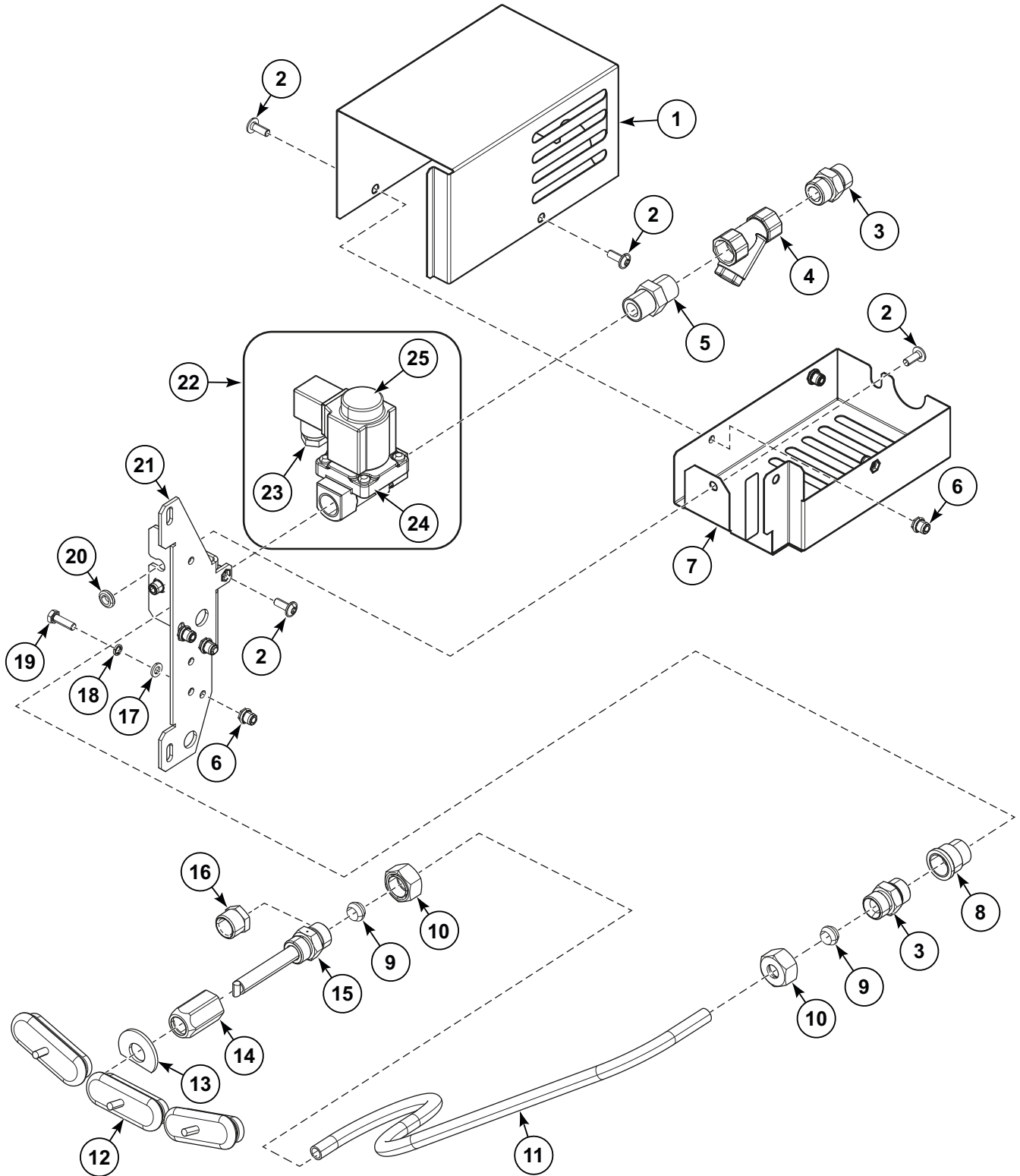
CFD2740P\_D1645

# Steam Heating

REF	PART NO.	DESCRIPTION	COMMENTS
	SP559316	Steam Kit	
	528064	Steam Heat Wiring	Starting Serial No. 80RX002396FS
	SP526564	Seal	
	SP101403	Adhesive	Loctite 5366
	SP245704000603	Adhesive	Loctite 603
1	SP319428324012	Adapter	1/2 inch
2	SP405054120215	Steam Filter	
3	SPR22112000114	Pipe Nipple	1/2 inch
4	SP554110	Coil	50/60 Hertz
5	SP514164	Steam Valve	1/2 inch
6	SP514165	Steam Valve Body	
7	SP313251000006	Nut	M6
8	SP547943	Steam Tube	
9	SP547952	Nut	1/2 inch
10	SP230100007014	Fastening Cone	
11	SP526525	Steam Injector	
12	SPPRI342001016	Heating Element Hole Plug	
13	SP547981	Washer	
14	SP547968	Adapter	G3/8 inch / G1/2 inch
15	SPPRI426001268	Plug	1/2 inch; Electric heat
16	SP311125000006	Washer	6.4
17	SP311127000006	Washer	6
18	SP309933000620	Bolt	M6x20
19	SP319413102015	Extension Tube	1/2 inch x 15
20	SP547944	Steam Valve Support	
21	SP554156	Connector	

# Steam Heating

Models with G in 7th Position

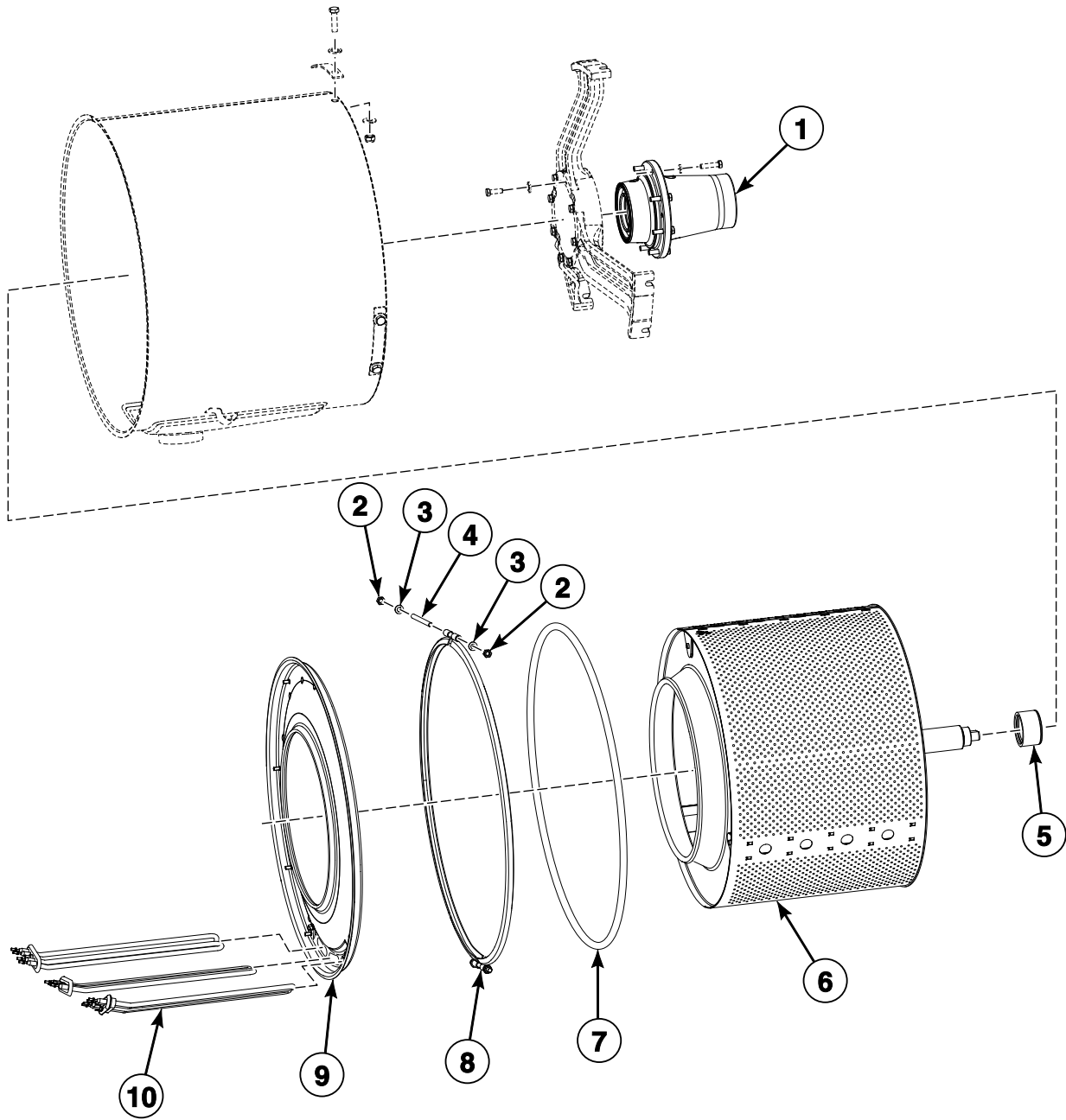


CZW543P\_D1645

# Steam Heating

REF	PART NO.	DESCRIPTION	COMMENTS
	SP526564	Seal	
	SP101403	Adhesive	Loctite 5366
	SP245704000603	Adhesive	Loctite 603
1	581042	Steam Valve Cover	
2	SP555658	Bolt	M6x16
3	SPR22112000114	Pipe Nipple	1/2 inch
4	SP405054120215	Steam Filter	
5	SP319428324012	Adapter	1/2 inch
6	SP313251000006	Nut	M6
7	581043	Steam Cover Base	
8	SP319413102015	Extension Tube	1/2 inch x 15
9	SP230100007014	Fastening Cone	
10	SP547952	Nut	1/2 inch
11	SP547943	Steam Tube	
12	SPPRI342001016	Heating Element Hole Plug	
13	SP547981	Washer	
14	SP547968	Adapter	G3/8 inch / G1/2 inch
15	SP526525	Steam Injector	
16	SPPRI426001268	Plug	1/2 inch; Electric heat
17	SP311125000006	Washer	6.4
18	SP311127000006	Washer	6
19	SP309933000620	Bolt	M6x20
20	SP273121008002	Cable Bushing	
21	581035	Steam Valve Holder	
22	SP514164	Steam Valve	1/2 inch
23	SP554156	Connector	
24	SP514165	Steam Valve Body	
25	SP554110	Coil	50/60 Hertz

# Washing Drum

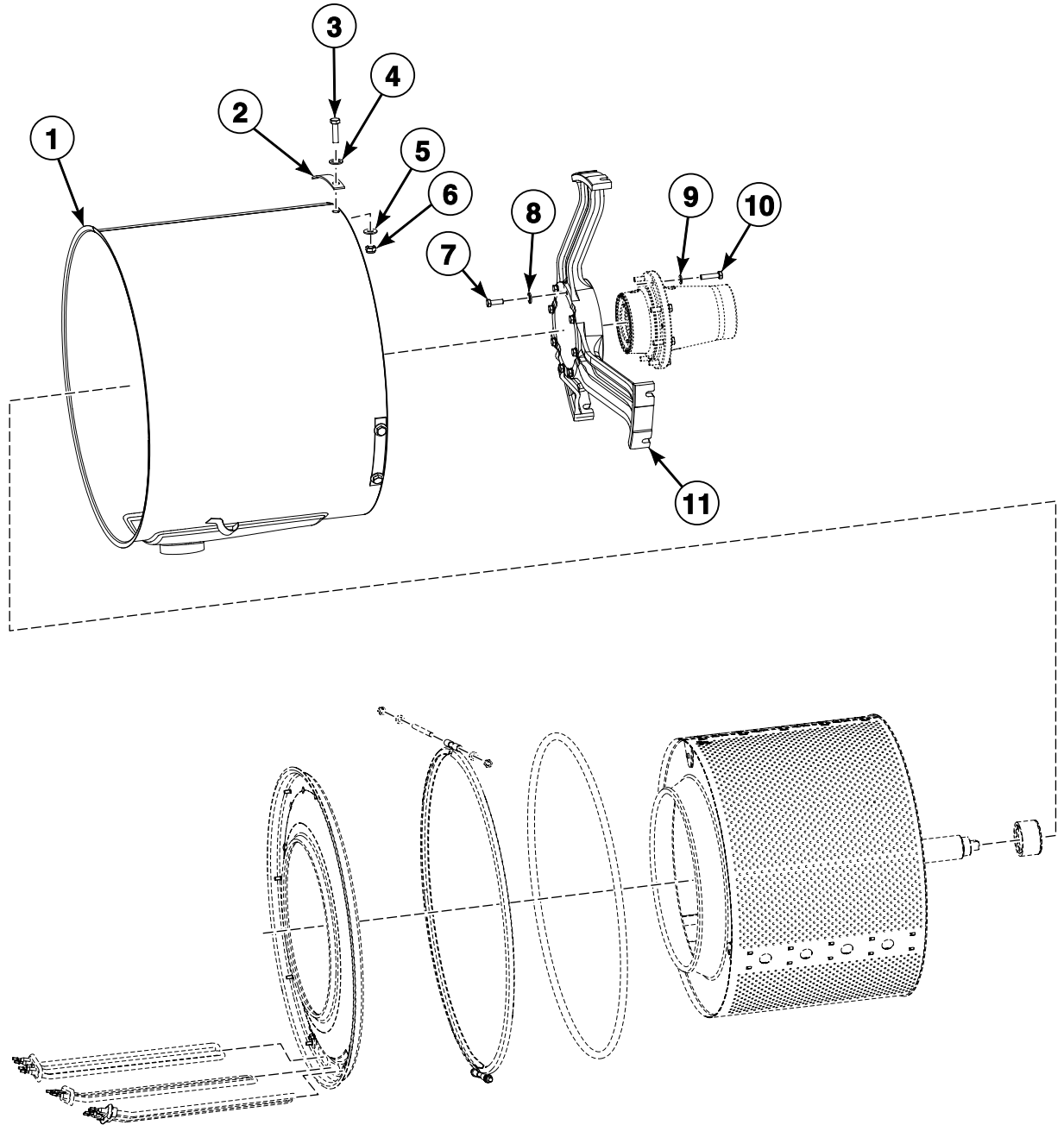


CFD2926P\_D1645

# Washing Drum

REF	PART NO.	DESCRIPTION	COMMENTS
1	SP537973	Bearing Housing Assembly	
2	SP310934240008	Nut	
3	SP311125240008	Washer	
4	SPF02119000415	Bolt	
5	SP537843	Shaft Ring	
6	537971P	Washing Drum	Cascade; Includes SP537843
	563277P	Washing Drum	Models with G in 7th position of the model number; Flat; Includes SP537843
	559905P	Washing Drum	Normal spin; 7mm perforation; Includes SP537843
7	SP537719	Seal	D10-1800mm
8	SP537717	Clamp	
9	571606	External Tub Front Plate	
10	SP540143	Heating Element	2000W; 325mm
	SP540144	Heating Element	3000W; 325mm
	SP540145	Heating Element	2x1500kW; 325mm
	SP540142	Heating Element	2x2300W; 325mm

# Exterior Tub



CFD2927P\_D1645

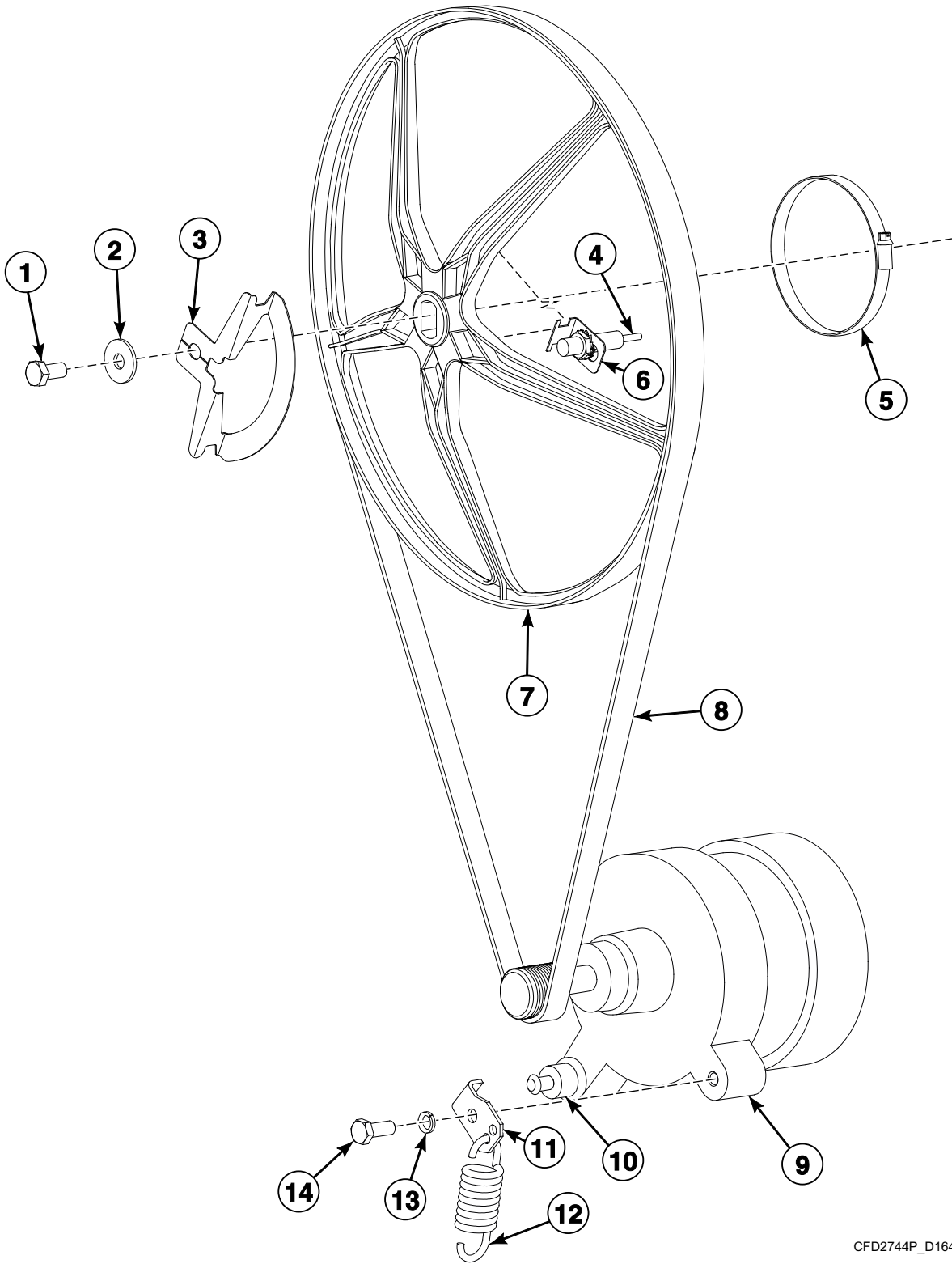


## Exterior Tub

REF	PART NO.	DESCRIPTION	COMMENTS
	SP245704003021	Adhesive	Use with bolt
	SPPRI704000053	Sealant	Silicone
	SP245704000050	Adhesive	
	SP510889	Anticorrosive Agent	
<b>1</b>	SP537714	External Tub	Steam heat
	SP537916	External Tub	Electric heat
<b>2</b>	SP537897	Washer	
<b>3</b>	SP527420	Bolt	M10x40
<b>4</b>	SP311737000010	Washer	M10
<b>5</b>	SP311737000010	Washer	M10
<b>6</b>	SP310985000010	Nut	M10
<b>7</b>	SP309933240825	Bolt	M8x25
<b>8</b>	SP311125240008	Washer	M8
<b>9</b>	SP311125000008	Washer	M8
<b>10</b>	SP309933000835	Bolt	M8x35
<b>11</b>	SP537861	Cross Piece	

# Drive (Drawing 1 of 2)

Models Through Serial No. 80RX004706KU



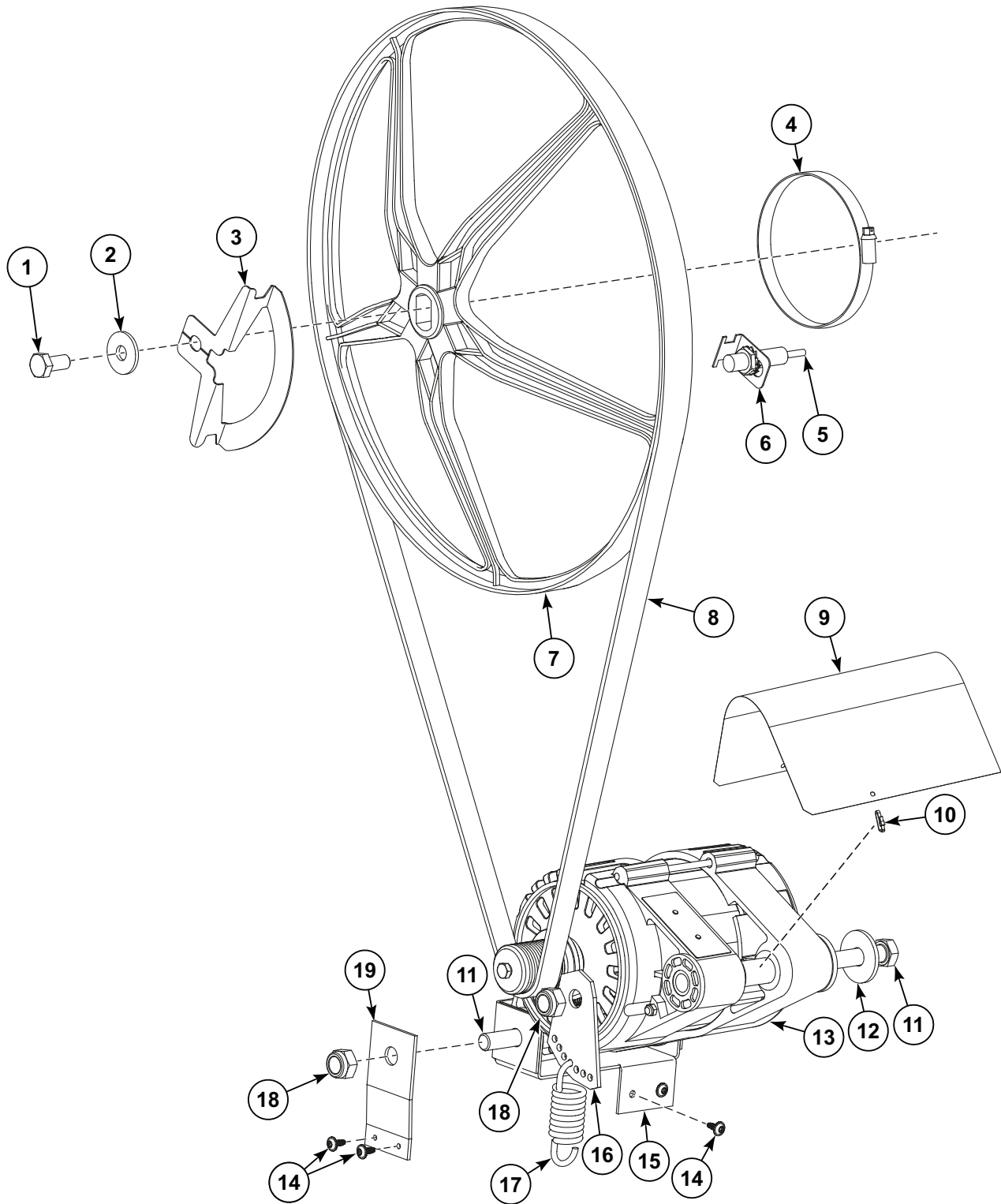
CFD2744P\_D1645

## Drive (Drawing 1 of 2)

REF	PART NO.	DESCRIPTION	COMMENTS
	SP552499	Motor Cable	
1	SP309933001020	Bolt	M10x20
2	SP311902100010	Washer	10
3	SP555545	Speed Sensor Plate	
4	SP557701	Speed Sensor	
5	SPPRI240000005	Hose Clamp	90-110
6	SP555547	Speed Sensor Holder	
7	SP556166	Drum V-Pulley	
8	SP528925	Belt	
9	571619	Motor Kit	Converts machine to motor configuration used starting Serial No. 80RX004707KU
10	SP500088	Motor Sleeve	
11	SP533937	Spring Holder	
12	SP517509	Spring	
13	SP311127000008	Washer	8
14	SP309933003125	Bolt	5/16 inch x 1 1/4 inch

# Drive (Drawing 2 of 2)

Models Starting Serial No. 80RX004707KU

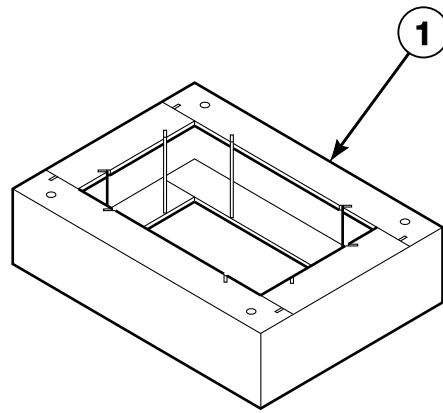


CZW547P\_D1645

## Drive (Drawing 2 of 2)

REF	PART NO.	DESCRIPTION	COMMENTS
1	SP309933001020	Bolt	M10x20
2	SP311902100010	Washer	10
3	SP555545	Speed Sensor Plate	
4	SPPRI240000007	Hose Clamp	70-90
5	SP557701	Speed Sensor	
6	SP555547	Speed Sensor Holder	
7	SP556166	Drum V-Pulley	
8	SP528925	Belt	
9	577444	Cover Motor	Models with G in 7th position of the model number
10	SP345000626088	Binding Strip	Models with G in 7th position of the model number
11	SP533898	Bolt	M12x160
12	SP311902100012	Washer	12
13	SP555592	Motor with Pulley	Models with A, D, I, J, R, T or X in 7th position of the model number; 0.55kW; 230V/75 Hertz; Includes SP528420 Motor; Applicable for power supply 200V-240V, 50/60Hz, 1/3ph; 380-415V+N, 50/60Hz, 3ph; 400V/440-480V, 50/60Hz, 3ph
	577505	Motor with Pulley	Models with G in 7th position of the model number; 0.55kW; 230V/75 Hertz; Includes 568370 Motor; Applicable for power supply 200V-240V, 50/60Hz, 1/3ph; 380-415V+N, 50/60Hz, 3ph; 400V/440-480V, 50/60Hz, 3ph
14	SP529206	Screw	4x11
15	SP533909	Motor Holder	
16	SP533926	Spring Holder	
17	SP517509	Spring	
18	SP310985000012	Nut	M12
19	571626	Holder	

# Elevated Base Frame



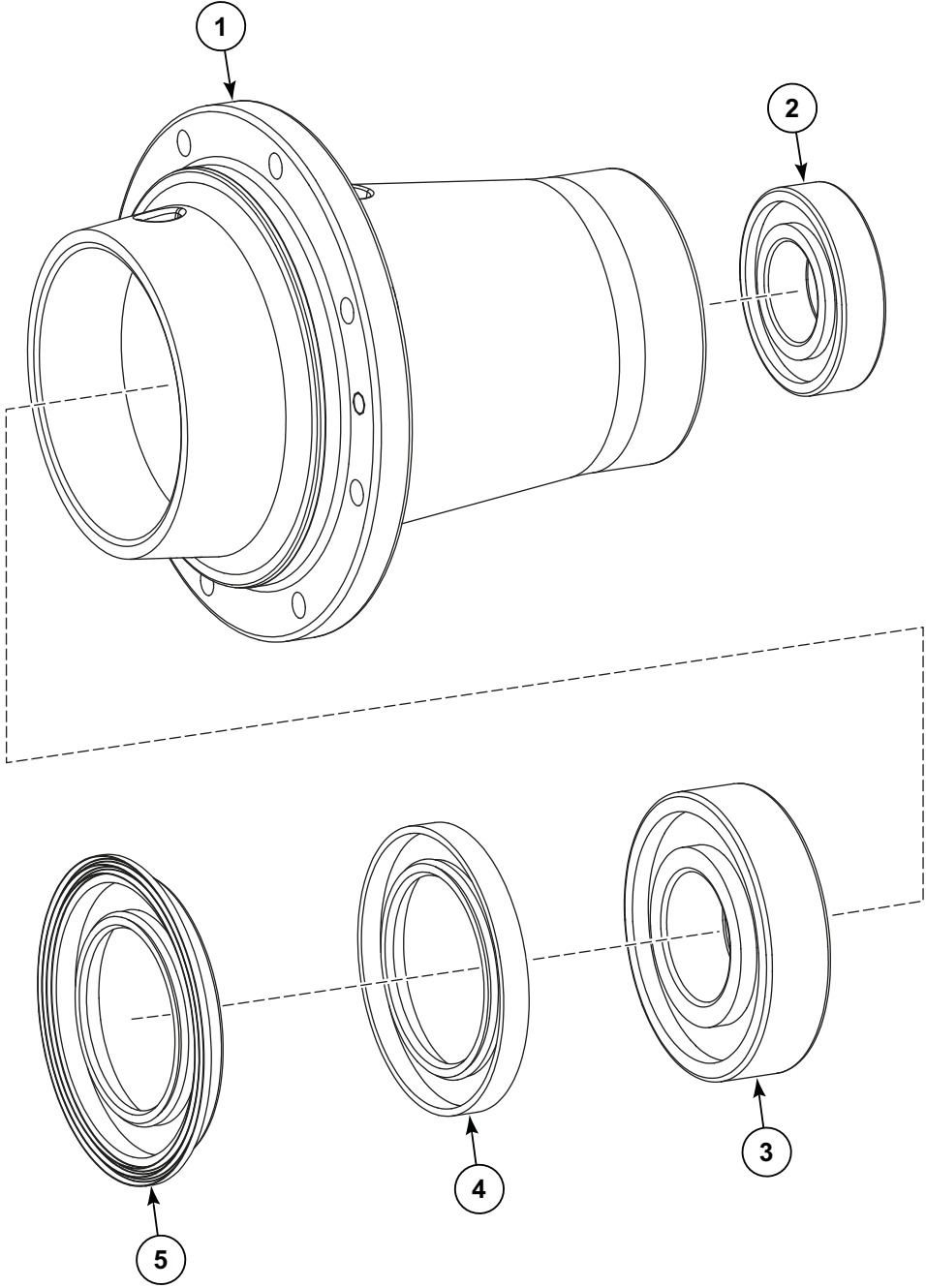
CFD3236P\_D1645

# Elevated Base Frame

REF	PART NO.	DESCRIPTION	COMMENTS
1	SP554170	Elevated Base Frame	135mm tall; Refer to NOTE*
	SP554171	Elevated Base Frame	200mm tall; Refer to NOTE*

\* NOTE: Part can only be ordered through the Equipment Order Desk.

# Bearing Housing



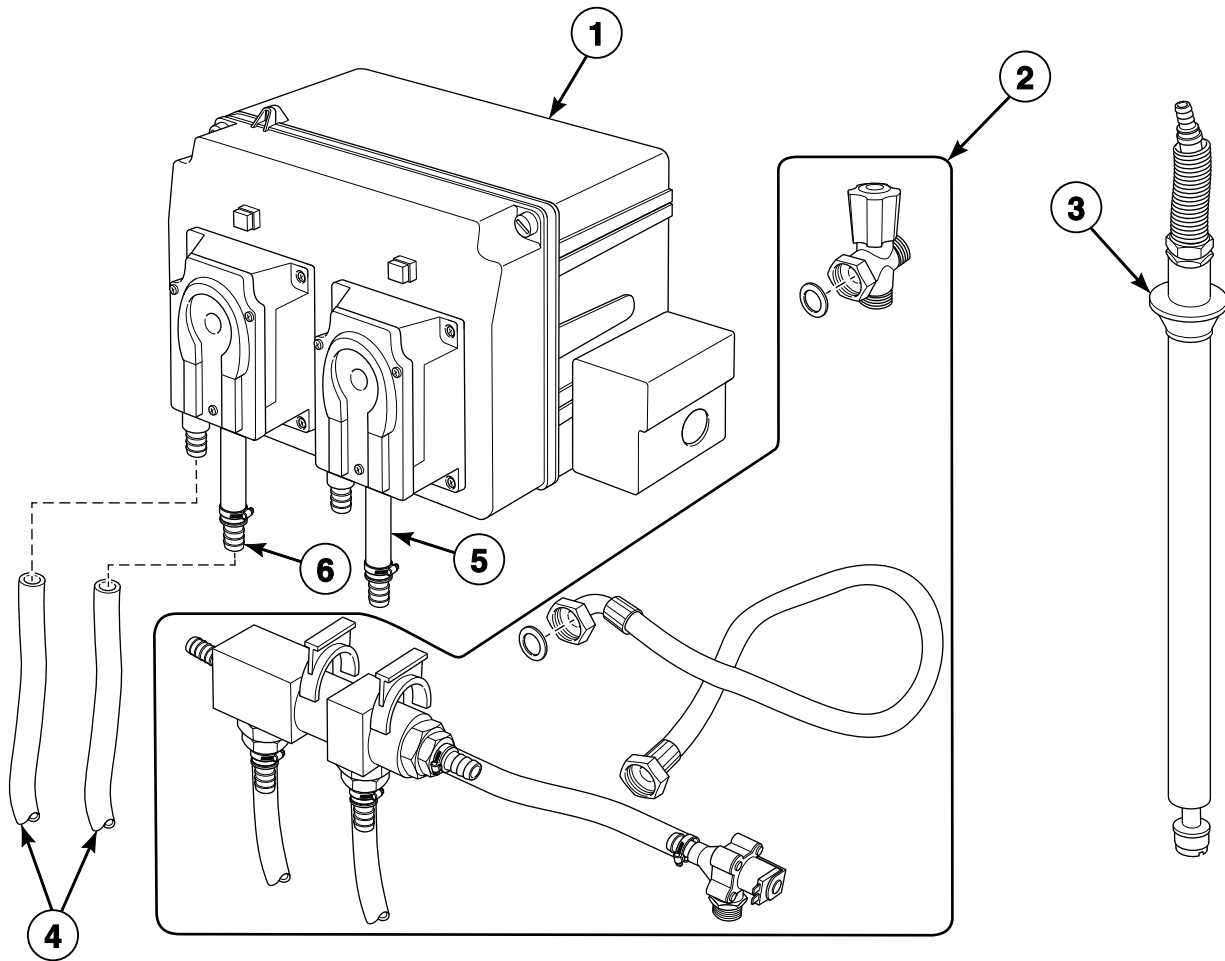
CZW488P\_D2064



# Bearing Housing

REF	PART NO.	DESCRIPTION	COMMENTS
	SP245704000603	Adhesive	Loctite 603
	SP111313000002	Lubrication Grease	
	SP538787	Bearing Replacement Tool Kit	
1	SP537974	Bearing Housing	
2	SPPRI608000002	Bearing	6207
3	SPPRI608000067	Bearing	6209
4	SP525813	Sealing Ring	Normal spin; 65x100x10
5	SP537848	Sealing Ring	Normal spin; 65x100/144x9/12

# Liquid Soap Supply System - Pumps



CZW45P\_D1645

## Liquid Soap Supply System - Pumps

REF	PART NO.	DESCRIPTION	COMMENTS
	MB90-Z40	Supply Pump Kit	For two pumps
	MB90-Z41	Supply Pump Kit	For three pumps
	MB90-Z42	Supply Pump Kit	For four pumps
	MB90-Z43	Supply Pump Kit	For five pumps
	MB90-Z44	Supply Pump Kit	For six pumps
<b>1</b>	529742	Pump	Two
	529743	Pump	Three
	529744	Pump	Four
	529745	Pump	Five
	529746	Pump	Six
<b>2</b>	529789	Manifold Flush Kit	For two pumps
	529797	Manifold Flush Kit	For three pumps
	529798	Manifold Flush Kit	For four pumps
	529799	Manifold Flush Kit	For five pumps
	529800	Manifold Flush Kit	For six pumps
<b>3</b>	529787	Suction Tube	
<b>4</b>	SPPRI540020005	Hose	d10/14
<b>5</b>	529747	Hose	Spare hose for pump
<b>6</b>	547808	Connection	

## Wire Harnesses

PART NO.	DESCRIPTION	COMMENTS
552495	Transformer Connection	PAN models
528064	Steam Heat Wiring	PAN models; Steam heat
552466	Wireless Reader Wiring	PAN models; Vended
SP528335	Heating GND Wiring	CE and Watermark
SP547075	RS485 External Interconnection	For RS485 external interconnection to PC
528393	Wiring Steam - Electrical Heating	Steam - electrical heating modification
SPPRI351107209	Heating Contactor Wiring	2.5mm <sup>2</sup> ; I=540mm, for 4.6kW; 6kW; 9kW for 400-440V; CE
SPPRI351108209	Heating Contactor Wiring	4mm <sup>2</sup> ; I=540mm, 9kW, 230V; CE
552265	Heating Wiring	1.5mm <sup>2</sup> ; CE
552266	Heating Wiring	2.5mm <sup>2</sup> ; CE
F8715501	Extension Board Connection Cable	Models with G in 7th position of the model number; Extension Cable for Pumps; 81.89 inch (2.08 m).
568396	Motor Temperature Protector Cable	Models with G in 7th position of the model number

# Parts Index

## A

Adapter	
SP319428324012 .....	109, 111
SP547968 .....	109, 111
Adhesive	
SP101403 .....	109, 111
SP245704000050 .....	115
SP245704000603 .....	75, 109, 111, 123
SP245704003021 .....	15, 17, 19, 23, 75, 115
SP537896 .....	75
Air Trap Reduction	
SPPRI503000027 .....	85, 87, 89, 91, 93
Anticorrosive Agent	
SP510889 .....	115
Automatic Unlocking Module Assembly	
SP545238 .....	25
SP552489 .....	13, 21, 25
Autotransformer	
SP552201 .....	95, 105

## B

Bearing	
SPPRI608000002 .....	123
SPPRI608000067 .....	123
Bearing Housing	
SP537973 .....	113
SP537974 .....	123
Bearing Replacement Tool Kit	
SP538787 .....	123
Belt	
SP528925 .....	117, 119
Binding Strip	
SP345000626088 .....	89, 91, 93, 119
Board Interconnection Cable	
SP547005 .....	37, 45, 53
575865 .....	57, 59, 61
Bolt	
SPF02119000415 .....	113
SP309084000408 .....	15, 21, 27, 33
SP309084000416 .....	15, 21, 27, 75, 81, 97, 101, 105
SP309084000535 .....	101, 105
SP309798500306 .....	37, 45, 55
SP309916000810 .....	85
SP309933000416 .....	63, 65, 95
SP309933000616 .....	15, 21, 27, 33, 85, 87, 89
SP309933000620 .....	97, 101, 105, 109, 111
SP309933000660 .....	99, 103
SP309933000820 .....	91, 93
SP309933000825 .....	9
SP309933000835 .....	115
SP309933000880 .....	9, 11
SP309933001020 .....	117, 119
SP309933003125 .....	117
SP309933100625 .....	97, 101, 105
SP309933240408 .....	97
SP309933240412 .....	101, 105
SP309933240825 .....	115
SP506012 .....	31, 57, 59, 61
SP521957 .....	85, 87, 89

SP527084 .....	17, 19, 29, 35
SP527420 .....	115
SP533898 .....	119
SP535479 .....	77
SP537854 .....	75
SP537864 .....	77
SP547925 .....	97, 105
SP550140 .....	107
SP553524 .....	79
SP555504 .....	33, 37, 45, 55, 99, 101, 103, 105
SP555658 .....	13, 17, 19, 23, 25, 29, 111
SP556137 .....	75
555658 .....	31, 33, 35, 57, 59, 61
563123 .....	31

Bushing	
SP101406 .....	97, 99, 103
SP101409 .....	97, 99, 103

## C

Cabinet Holder	
567932 .....	15, 21, 27, 33
Cabinet Reinforcement	
SP550497 .....	15, 21, 27, 31
Cable	
F8715501 .....	126
SP545234 .....	97
557982 .....	97
Cable Bushing	
SPPRI501001078 .....	85, 87, 89
SP273121008002 .....	111
Cable Bushing Insert	
SP557952 .....	97
Cable Clamp	
SP528392 .....	97, 101, 105
Cable Eye	
SP345000165034 .....	101, 105
Cable Holder	
SP528313 .....	31, 37, 45, 99, 103
Cable Passage	
SP273121005052 .....	13, 21, 25
Casing	
SP529739 .....	77
Check Valve	
RSPB12543901 .....	81
Circuit Breaker	
571462 .....	99, 103
Clamp	
SP537717 .....	113
Clip	
SP502214 .....	101, 105
Coil	
SP554110 .....	109, 111
Coin Meter	
SP537996 .....	49, 69
SP547600 .....	47, 67
SP547601 .....	47, 67
SP547602 .....	47, 67
SP547603 .....	47, 67
SP547604 .....	47, 67
SP547605 .....	47, 67

N/A items do not appear in index.

SP547606	47, 67	SP555549	49, 69
SP547607	47, 67	SP555550	49, 69
SP547608	47, 67	SP555558	49, 69
SP547609	47, 67	SP555559	49, 69
SP547610	47, 67	SP555578	49, 69
SP547611	47, 67	SP555579	49, 69
SP547612	47, 67	SP555666	49, 69
SP547613	47, 67	SP558958	39
SP547614	47, 67	SP558959	39
SP547615	47, 67	SP559933	39
SP547616	47, 67	SP559934	39
SP547617	47, 67	SP559938	39
SP547618	47, 67	SP559949	39
SP547619	47, 67	SP559969	39
SP547620	47, 67	SP560071	41
SP547621	47, 67	SP560075	41
SP547622	47, 67	SP560082	51, 71
SP547623	47, 67	SP560083	51, 71
SP547624	47, 67	SP560084	51, 71
SP547625	47, 67	SP560085	51, 71
SP547626	47, 67	SP560086	51, 71
SP547627	47, 67	SP560087	39
SP547628	47, 67	SP560089	49, 69
SP547629	47, 67	SP560090	39
SP547630	47, 67	SP560091	39
SP547631	47, 67	SP560092	39
SP547634	47, 67	SP560093	39
SP547635	47, 67	SP560094	39
SP547636	47, 67	SP560100	39
SP547637	47, 67	SP560309	39
SP547638	47, 67	SP560310	39
SP547639	47, 67	SP560311	39
SP547640	47, 67	SP560312	39
SP547641	49, 69	SP560405	39
SP547642	49, 69	SP560406	39
SP547643	49, 69	SP560407	39
SP547644	49, 69	SP560408	39
SP547645	49, 69	SP560409	39
SP547646	49, 69	SP560410	39
SP547647	47, 67	SP560411	39
SP547648	47, 67	SP560412	39
SP547649	49, 69	SP560413	39
SP547651	49, 69	SP560414	39
SP547652	47, 67	SP560415	39
SP547653	49, 69	SP560416	39
SP547654	49, 69	SP560417	39
SP547656	47, 67	SP560418	39
SP547657	49, 69	SP560419	39
SP547658	49, 69	SP560420	39
SP547659	49, 69	SP560421	39
SP547660	49, 69	SP560422	39
SP547661	49, 69	SP560423	39
SP547662	49, 69	SP560424	39
SP547663	49, 69	SP560425	39
SP547664	49, 69	SP560426	39
SP547665	47, 67	SP560427	39
SP547666	47, 67	SP560428	39
SP547667	49, 69	SP560429	39
SP547668	49, 69	SP560432	39
SP547669	49, 69	SP560744	49, 69
SP547670	49, 69	SP560745	39
SP547671	49, 69	SP560751	39
SP547672	49, 69	SP564484	51, 71
SP547673	49, 69	SP564486	51, 71
SP547674	49, 69	553150	51, 71
SP547675	49, 69	553151	51, 71
SP555502	49, 69	553156	41
SP555543	49, 69	560073	51, 71
SP555546	49, 69	561378	51, 71

N/A items do not appear in index.

561496	51, 71	572323	51, 73
561497	41	572324	43
563405	41	572326	51
564485	41	572327	43
564487	41	572339	51, 71
564489	51, 71	572342	51, 71
569901	51, 71	572343	43
569905	41	572355	43
569911	41	572358	51, 71
569912	51, 71	572359	43
569918	51, 71	572383	51, 71
569919	41	572384	43
569921	47, 67	572389	43
569922	39	572391	51, 71
569924	51, 71	575276	43
569925	41	575277	43
569927	51, 71	579808	73
569928	41	579812	73
569930	51, 71	Coin Meter Box	
569931	41	SP102532	63, 65
569933	49, 69	Coin Meter Case	
569934	39	SP547548	63
569936	51, 71	SP550436	63
569937	41	572117	65
569939	49, 69	Coin Meter Cover	
569940	39	SP547565	37, 45, 55, 57
569942	51, 71	Coin Vault Plate	
569943	41	SP533103	15, 19, 27, 33
569945	51, 71	Communication Cable	
569946	41	SP528324	97, 101, 105
569948	49, 69	Compression Spring	
569949	41	SP535406	79
569951	49, 69	Connection	
569952	41	547808	125
569954	51, 71	Connector	
569955	41	SP537856	75
569961	51, 71	SP554156	109, 111
569962	41	Contactactor	
569964	49, 69	SPPRI345002019	95
569965	39	SP514038	95, 99, 103
569967	51, 71	SP514042	95, 99
569968	41	SP514043	95
569970	51, 71	Control Board	
569971	41	SP547001	53
569973	51, 71	SP55312	53
569974	41	SP553411	45, 53
569979	51, 71	SP553412	45
569980	41	SP553419	37, 53
569987	51, 71	204890	57, 59, 61
569988	41	Control Board Holder	
569993	41	SP550117	53
569995	41	577668	31
569998	51, 71	Control Board I/O	
569999	43	553444	31
570000	43	Control Board Main Wiring	
572301	51, 71	568391	99, 103
572302	43	Control Board Power	
572304	51, 71	SP547002	53
572305	43	SP553405	37, 45, 53
572307	51, 73	Control Holder	
572308	43	581020	57, 59, 61
572310	51, 73	581021	57, 59, 61
572311	43	Control Panel	
572313	51, 73	SP550031	53
572314	43	SP558811	37
572317	51, 73	SP560450	45
572318	43		
572320	51, 73		
572321	43		

N/A items do not appear in index.

575942	53
577658	57, 59, 61
Control Support	
581009	57, 59, 61
Conversion Board	
553439	31
Cover	
SPPRI543000004	37, 45, 53, 75
566549	101, 105
Cover Motor	
577444	119
Cover Plate	
SP550149	37, 45, 55, 61
Cover Strip Pin	
SP533738	9, 11
Cross Piece	
SP537861	115
Cylinder Cap	
SP526568	85, 87, 89

## D

DC Choke	
571454	99, 103
Dispenser Elbow Pipe	
SP547890	81
Dispenser Lid	
SP526461	81
SP551695	81
Dispenser Seal	
SP540158	81
Distinguishing Ring	
SP535411	79
SP535437	79
571733	79
Door	
SP535423	77
SP535425	77
SP553525	77
568836	77
Door and Lock Holder	
SP537852	75
Door Assembly	
553530	75
576071	75
576074	75
Door Glass	
SP535413	75
SP556226	75
Door Lock Wiring	
SP528270	75
SP552453	75
SP552454	75
569723	75
Double Check Valve	
F8301201	81
Drain Cover	
SP521553	19
Drain Elbow	
SP526457	91, 93
SP547803	85, 87, 89
Drain Hose Pipe	
SP521558	85, 87, 89

SP526492	91, 93
Drain Pump	
567142	85, 87, 89
570314	87, 89
Drain Pump Cover	
SP554260	17, 19, 29, 35
Drain Pump Hose Bushing	
SP547807	85, 87, 89
Drain Pump Kit	
567937	85
Drain Valve	
SP526460	91, 93
Drain Valve Chamber	
553195	91
Drain Valve Motor	
SPPRI340002051	91, 93
Drain Valve Seal	
554276	91, 93
Drum V-Pulley	
SP556166	117, 119

## E

Elevated Base Frame	
SP554170	121
SP554171	121
Emergency Stop Connector	
SP528311	37, 45, 55, 57
Emergency Stop Interconnection	
SP520033	37, 45, 55, 59
571485	61
Emergency Stop Knob	
SP528310	37, 45, 55, 57
Emergency Stop Label	
SPPRI551005248	37, 45, 57
Emergency Stop Wiring	
SP520032	37, 45, 55
End Stop	
SP346000209101	99, 103
SP555405	17, 29, 35
Extension Tube	
SP319413102015	109, 111
External Tub	
SP537714	115
SP537916	115
External Tub Front Plate	
571606	113

## F

Fastening Cone	
SP230100007014	109, 111
Ferrite Core	
557961	101, 105
Filling Elbow Pipe	
SP526456	83
Filling Hose Pipe	
RSPF200166	81
SPPRI505000054	81
SP101621	81
SP547980	81

N/A items do not appear in index.



Filter	
SPPRI340004030 .....	81
SP514071 .....	95
568380 .....	101
Fixed Hinge	
568982 .....	77
Fixed Lower Hinge	
568984 .....	77
Fixed Upper Hinge	
568979 .....	77
568981 .....	77
Flap	
SP540113 .....	81
Foam Profile	
SP527088 .....	17
Foam Roller	
SP100188 .....	85, 87, 89, 91, 93
Frame	
SP533900 .....	9
571620 .....	11
Frastener	
SP550115 .....	13, 21, 25, 31
Frequency Inverter	
571470 .....	97, 101, 105
Front Panel	
SP550040 .....	19, 29
SP550127 .....	19, 29
SP550129 .....	19, 29, 35
SP550131 .....	19, 29, 35
SP554247 .....	19, 29, 35
SP554249 .....	19, 29, 35
SP554251 .....	19, 29
SP554253 .....	19, 29
SP557043 .....	17
SP557044 .....	17
SP557060 .....	17
SP557061 .....	17
563524 .....	19, 29, 35
563526 .....	19, 29, 35
563528 .....	19, 29, 35
563530 .....	19, 29, 35
571721 .....	75
571724 .....	75
Fuse	
SP345805163032 .....	97, 99, 103
Fuse Cover	
SP554311 .....	99, 103
Fuse Holder	
SP554310 .....	99, 103
Fuse Housing	
SPPRI401003020 .....	97, 99, 103

## H

Handle	
SP552916 .....	79
SP552917 .....	79
576081 .....	79
Handle Ball	
SP535407 .....	79
Handle Lower Part	
SP535429 .....	79
Handle Torsion Spring	
SP535402 .....	77

Heating Contactor Wiring	
SPPRI351107209 .....	126
SPPRI351108209 .....	126
Heating Element	
SP540142 .....	113
SP540143 .....	113
SP540144 .....	113
SP540145 .....	113
Heating Element Front Cover	
SP537729 .....	75
SP556235 .....	75
SP563273 .....	75
568985 .....	75
Heating Element Hole Plug	
SPPRI342001016 .....	109, 111
Heating GND Wiring	
SP528335 .....	126
Heating Wiring	
552265 .....	126
552266 .....	126
Hinge	
SP516832 .....	13, 21, 25
Hinge Spacer	
SP535421 .....	77
SP537849 .....	75
Holder	
SPPRI326002004 .....	13, 21, 25
570318 .....	101, 105
571626 .....	119
Holder Cover	
SP535412 .....	79
SP535436 .....	79
SP556278 .....	79
Hook	
SPPRI551016250 .....	13, 21, 25
Hook Lock	
SPPRI610002007 .....	13, 21, 25
569579 .....	25
569580 .....	25
Hose	
SPPRI503002049 .....	85, 87, 89, 91, 93
SPPRI540000014 .....	81
SPPRI540020005 .....	125
529747 .....	125
Hose Clamp	
SPPRI240000002 .....	81
SPPRI240000003 .....	83, 85, 87, 89, 91, 93
SPPRI240000005 .....	117
SPPRI240000007 .....	83, 91, 93, 119
SPPRI240000008 .....	85, 87, 89
SPPRI240000017 .....	83, 93
SPPRI240000021 .....	81, 93
SPPRI241000017 .....	85, 87, 89, 91, 93
SP526491 .....	83
SP526532 .....	85, 87, 89, 91, 93
Hose Pipe	
SP101745 .....	81

## I

Insulation Washer	
571458 .....	99, 103
Internal Vessel	
SP540122 .....	81

N/A items do not appear in index.

Isolation Paper	
SPPRI350012007 .....	63, 65

## K

Keyboard	
SP547085 .....	53
SP547086 .....	53
SP547087 .....	45, 53
SP547088 .....	45, 53
SP552992 .....	53
SP553423 .....	53
SP557130 .....	45
SP557565 .....	37, 53
SP557566 .....	37, 53
SP560747 .....	37, 53
SP560748 .....	37, 53
SP561588 .....	53
557130 .....	53
559862 .....	53
577656 .....	57, 59, 61

## L

Label	
SP563307 .....	55
SP564831 .....	77
557981 .....	97
560786 .....	25
577440 .....	99, 103
577441 .....	99, 103
Latch	
SP527083 .....	17, 19, 29, 35
Leading Pin	
SP550113 .....	37, 45, 55, 57, 59, 61
Liquid Soap Supply Connection Kit	
SP540180 .....	97
Locating Segment	
SP529710 .....	79
Lock	
SP537760 .....	77
SP547527 .....	13, 21, 25, 31
Lock Hook	
581001 .....	31
Lock Pin	
SP537933 .....	77
Logo Label	
SP547046 .....	55
SP552928 .....	55
SP552989 .....	55
547055 .....	55
567887 .....	55
Lower Hinge	
575963 .....	77
575965 .....	77
Lower Rear Cover	
SP550042 .....	13, 23, 25
Lubrication Grease	
SP111313000002 .....	123

## M

Main Switch	
SPPRI404000097 .....	95, 99, 103
SPPRI404000098 .....	95, 99, 103
SPPRI404000099 .....	95, 99, 103
SPPRI404001098 .....	95, 99
SPPRI404001099 .....	95, 99
SP506407 .....	95, 99
Main Switch Knob	
SPPRI404000095 .....	97, 99, 103
Main Vessel	
SP540115 .....	81
Manifold Flush Kit	
529789 .....	125
529797 .....	125
529798 .....	125
529799 .....	125
529800 .....	125
MC6 Control Board Main Wiring	
528499 .....	97
MC7 Control Board Main Wiring	
SP552473 .....	97
SP553124 .....	97
SP557766 .....	97
Microswitch	
SP506045 .....	63
Mixer	
SP526558 .....	81
Mixer Body	
SP526565 .....	81
Mixer Lid	
SP526557 .....	81
Module	
553189 .....	31
Motor and Frequency Inverter Cover	
SP547945 .....	95
SP562874 .....	95
Motor Cable	
SP552499 .....	97, 117
Motor Holder	
SP533909 .....	119
Motor Kit	
571619 .....	117
Motor Sleeve	
SP500088 .....	117
Motor Stop	
SP515254 .....	9
Motor Temperature Protector Cable	
568396 .....	126
Motor with Pulley	
SP555592 .....	119
577505 .....	119
Mounting Bolt Hole Template	
560076 .....	9

## N

Network Installation Kit	
569593 .....	37, 45
Nut	
SP101416 .....	95, 99, 103

N/A items do not appear in index.

SP101419 .....	95, 99, 103
SP310934000004 ..	37, 45, 55, 57, 59, 61, 63, 65, 95, 97
SP310934000008 .....	9, 15, 21, 27, 33
SP310934100006 .....	95, 101, 105
SP310934240008 .....	113
SP310985000006 .....	75, 79, 95, 105
SP310985000008 .....	9, 11, 107
SP310985000010 .....	115
SP310985000012 .....	119
SP313251000006 .....	17, 19, 25, 97, 109, 111
SP313251002104 .....	75
SP514193 .....	17, 57, 59, 61, 85, 87, 89
SP547952 .....	109, 111

## O

Overflow Tube	
SP547940 .....	83
547940 .....	93

## P

Panel Holder	
SP550145 .....	25
SP558815 .....	13
SP560452 .....	21
577665 .....	31
Pin	
SP540117 .....	81
Pin Insertion	
SP520408 .....	9, 11, 15, 21, 27, 33, 37, 45, 55
Pipe Nipple	
SPR22112000114 .....	109, 111
Plastic Post	
577689 .....	31
577693 .....	31
Plexiglass Assembly	
582318 .....	75
Plug	
SPPRI426001268 .....	109, 111
Profile	
SP527088 .....	19, 29, 35
Profiled Sealing	
SPPRI505000058 .....	17, 19, 29, 35, 97, 101, 105
Programmer Holder	
SP558813 .....	37
SP560448 .....	45
Programming Cable	
F8600501 .....	37, 45, 55
Pump	
529742 .....	125
529743 .....	125
529744 .....	125
529745 .....	125
529746 .....	125
Pump Cover	
SP500140 .....	85
Pump Holder	
SP547889 .....	85
SP567143 .....	85, 87, 89
Pump Relay Board to LED Terminal Cable	
SP528149 .....	97

Push Button Cover	
SPPRI543000003 .....	99, 103

## R

Rear Cover	
SP550049 .....	13, 23, 25
550042 .....	31
581013 .....	31
Rear Panel	
SP547884 .....	95
SP559232 .....	95
577410 .....	99, 103
Rear Panel Lid	
SP547886 .....	97
Reduction	
567128 .....	81
567174 .....	81
Reinforcement Tube	
SP500125 .....	85, 87, 89, 91, 93
Relay	
SP552468 .....	99, 103
Reverse Function Drain Valve	
SP547821 .....	91, 93
Rim	
SP562545 .....	77
Ring	
SP517528 .....	107
SP527085 .....	17, 19, 29, 35
Rivet	
SP313250004007 .....	97
SP313250004063 .....	17, 19, 29, 85, 87, 89
SP313250004125 .....	57, 59, 61
SP313250048103 .....	13, 21, 25
SP521706 .....	17, 19, 29, 35
SP547779 .....	9, 11, 15, 21, 27, 33, 37, 45, 55, 75
RS485 External Interconnection	
SP547075 .....	126

## S

Screw	
SP100218 .....	57, 59, 61
SP309798124313 .....	81
SP526497 .....	81, 91, 93
SP529206 .....	13, 15, 21, 23, 25, 27, 33, 63, 65, 81, 85, 87, 89, 97, 101, 105, 119
Seal	
SPPRI520001009 .....	81
SP517232 .....	9, 11, 15, 19, 27, 33
SP526564 .....	109, 111
SP537719 .....	113
564202 .....	31
Sealant	
SPPRI704000053 .....	85, 115
Sealing Ring	
SP525813 .....	123
SP537848 .....	123
Self-Adhesive Pad	
SPMEC001410 .....	37, 45
Self-Adhesive Profile	
570387 .....	99, 103

N/A items do not appear in index.

Service Door Kit	
568990 .....	75, 77
Shaft Ring	
SP537843 .....	113
Side Panel	
SP550035 .....	27
SP550038 .....	29
SP550123 .....	27
SP550125 .....	29
SP557090 .....	17, 19
SP557091 .....	15, 23
SP557092 .....	17
SP557093 .....	15
SP558802 .....	19
SP558804 .....	23
563540 .....	29
563542 .....	27
563564 .....	19
563566 .....	23
577101 .....	29
577103 .....	27
577447 .....	35
577448 .....	33
577672 .....	35
577674 .....	33
580845 .....	35
580847 .....	33
Soap Hopper	
SP540111 .....	81
Soap Hopper Plug	
SP526468 .....	81
Soap Hopper Upper Cover	
SP540112 .....	81
Soap Link Kit	
SP557944 .....	97
Soap Relay Board	
SP524714 .....	97
804528 .....	101, 105
Spacing Washer Set	
570551 .....	9, 11
Speed Sensor	
SP557701 .....	117, 119
Speed Sensor Holder	
SP555547 .....	117, 119
Speed Sensor Plate	
SP555545 .....	117, 119
Spiral	
SP283449080200 .....	85, 87, 89, 91, 93
Spring	
SP517509 .....	117, 119
SP527086 .....	17, 19, 29, 35
Spring Clamp	
SP540183 .....	85, 87, 89, 91, 93
Spring Holder	
SP533926 .....	119
SP533937 .....	117
Steam Cover Base	
581043 .....	111
Steam Filter	
SP405054120215 .....	109, 111
Steam Heat Wiring	
528064 .....	109, 126
Steam Injector	
SP526525 .....	109, 111

Steam Kit	
SP559316 .....	109
Steam Tube	
SP547943 .....	109, 111
Steam Valve	
SP514164 .....	109, 111
Steam Valve Body	
SP514165 .....	109, 111
Steam Valve Cover	
581042 .....	111
Steam Valve Holder	
581035 .....	111
Steam Valve Support	
SP547944 .....	109
Suction Tube	
529787 .....	125
Supply Pump Kit	
MB90-Z40 .....	125
MB90-Z41 .....	125
MB90-Z42 .....	125
MB90-Z43 .....	125
MB90-Z44 .....	125
Switch	
SP100388 .....	97, 99, 103
Switching Unit	
SP528312 .....	37, 45, 55, 57

## T

Tape	
SP284000012003 .....	37, 45, 55, 75
SP510846 .....	37, 45, 53
Tee	
SP526454 .....	91, 93
Temperature Sensor	
503839 .....	83
Temperature Sensor Seal	
SP526439 .....	83
Terminal Board	
SPPRI350000007 .....	63, 65
SP506575 .....	97
Top Cover	
SP550144 .....	25
SP555675 .....	25
SP558817 .....	13
SP560444 .....	21
577499 .....	31
577675 .....	31
Top Cover Reinforcement	
SP547739 .....	13, 21, 25
Transformer	
SP557743 .....	107
564561 .....	101, 105
Transformer Connection	
552495 .....	126
Transformer Cover	
SP554362 .....	107

## U

U Shape	
SP556987 .....	17

N/A items do not appear in index.

SP556988 .....	17
Upper Hinge	
575960 .....	77
575962 .....	77
Upper Lid Prop	
SP533341 .....	21
SP550133 .....	13, 25
USB Cable	
SP547006 .....	97
545234 .....	55
569668 .....	55

---

## V

Valve, 2-Way	
SP547958 .....	81
Valve, 3-Way	
SP547959 .....	81
Valve, 4-Way	
SP548933 .....	81
Vent Hose	
SP526509 .....	83

---

## W

Washer	
SPPRI247000013 .....	17, 19, 29, 35
SPPRI522000012 .....	13, 21, 25
SP311125000004 .....	57, 59, 61, 85, 87, 89, 95, 97, 101, 105
SP311125000006 .....	15, 21, 27, 33, 85, 87, 89, 109, 111
SP311125000008 .....	9, 107, 115
SP311125100006 .....	95, 101, 105
SP311125240006 .....	97, 101, 105
SP311125240008 .....	113, 115
SP311127000004 .....	95, 97, 101, 105
SP311127000006 .....	15, 21, 27, 33, 85, 87, 89, 99, 103, 109, 111
SP311127000008 .....	9, 117
SP311679800003 .....	37, 45, 55
SP311679800004 .....	15, 21, 27, 33, 37, 45, 55, 57, 59, 61, 97, 101, 105
SP311679824006 .....	95, 97, 101, 105
SP311737000010 .....	115
SP311902100004 .....	17, 37, 45, 55, 57, 59, 61
SP311902100006 .....	79, 95, 97, 99, 103, 105
SP311902100008 .....	91, 93
SP311902100009 .....	107
SP311902100010 .....	117, 119
SP311902100012 .....	119
SP505430 .....	101, 105
SP527021 .....	17, 19, 29, 35
SP527087 .....	17, 19, 29, 35
SP537897 .....	115
SP547981 .....	109, 111
SP568037 .....	63
563361 .....	95
571642 .....	77
Washing Drum	
537971P .....	113
559905P .....	113
563277P .....	113
Water Hose	
F200164 .....	81

Water Level Switch	
570315 .....	89, 93
Water Level Switch Hose	
SPPRI540001003 .....	85, 87, 89, 91, 93
Wireless Reader Wiring	
552466 .....	126
Wiring Steam - Electrical Heating	
528393 .....	126

---

## Y

Y-Piece	
SPPRI503000028 .....	89, 93

---

N/A items do not appear in index.

