

Washer-Extractor

Refer to Page 3 for Model Numbers

Table of Contents

Title	Page
Parts Ordering Information.....	2
Serial Plate Location	2
Model Identification	3
Frame and Tub Support.....	4
Cabinet.....	6
Control Panel	8
Soap Hopper.....	10
Drain Valve	12
Drain Pump.....	14
Rear Panel.....	16
Drive.....	18
Tub and Drum	20
Door	22
Trunnion - LA60 and P6 Models	24
Trunnion - LA75 and P7 Models	26
Parts Index.....	29

© Copyright 2018, Alliance Laundry Systems LLC

All rights reserved. No part of the contents of this book may be reproduced or transmitted in any form or by any means without the expressed written consent of the publisher.

Parts Ordering Information

If literature or replacement parts are required, contact the source from whom the machine was purchased or contact Alliance Laundry Systems at (920) 748-3950 for the name and address of the nearest authorized parts distributor.

For technical assistance, call the number listed below:

(920) 748-3121 Ripon, Wisconsin

Serial Plate Location

When calling or writing about your product, be sure to mention model and serial numbers. Model and serial numbers are located on serial plate(s).

Model Identification

Information in this manual is applicable to these washer-extractor models:

LA60

LA75

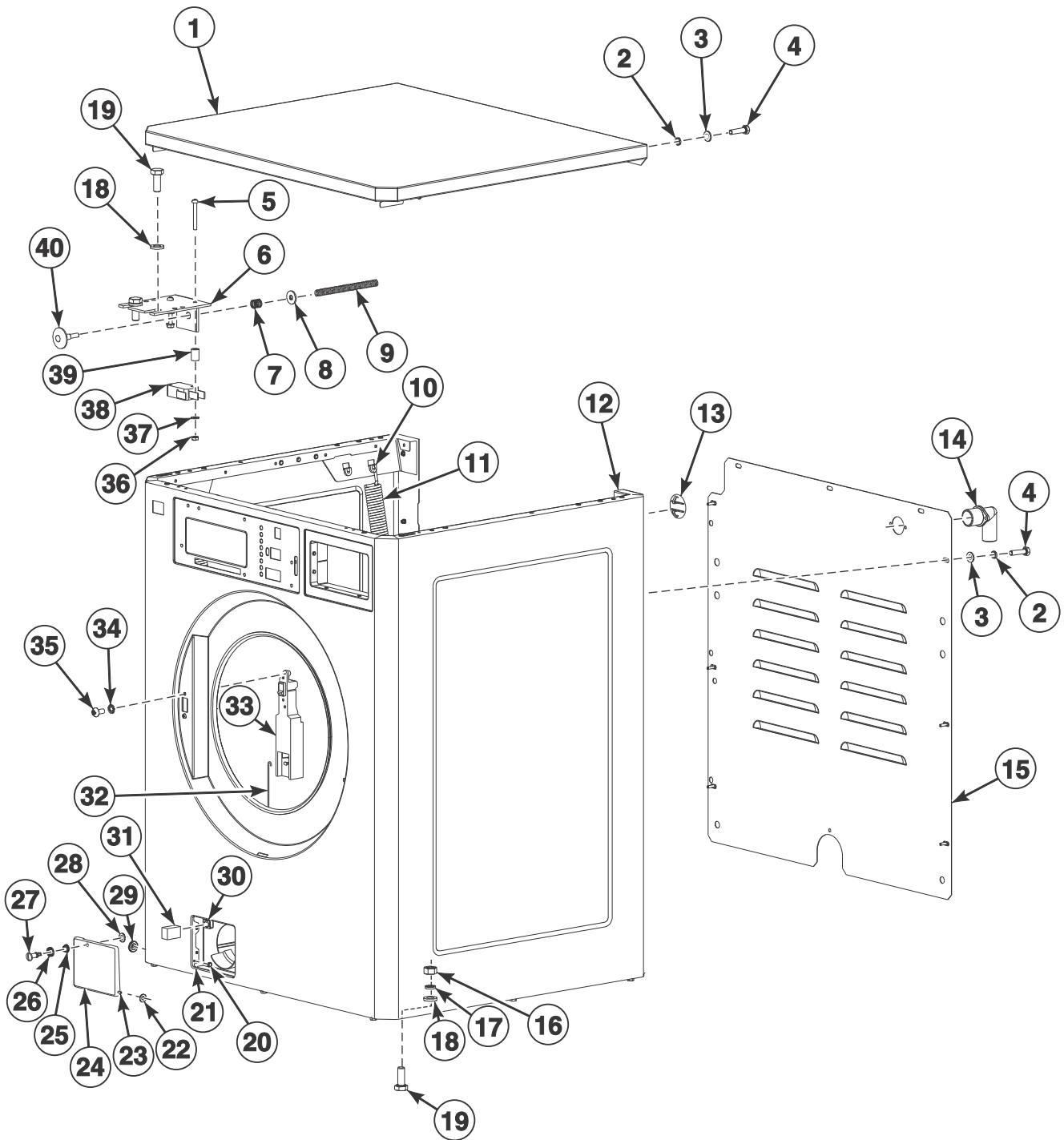
P6

P7

Frame and Tub Support

REF	PART NO.	DESCRIPTION	COMMENTS
1	SP310985000010	Nut	M10
2	SP311125000010	Washer	10.5
3	SP509997	Upper Weight	
4	SP500049	Front Flange	
5	SP553613	Rear Flange	
6	SPPRI501000071	Cable Bushing	
7	SP500104	Vibration Limiter	
8	SP311125000004	Washer	4.3
9	SP309933240412	Bolt	M4x12
10	SPPRI504000024	Spring Sleeve	
11	SP500091	Lower Weight	
12	SP311902100010	Washer	10
13	SP526196	Washer	10.5
14	SP533715	Damper	
15	SP309933001050	Bolt	M10x50
16	SP309933001030	Bolt	M10x30
	SP309933240408	Bolt	M4x8
17	SP310934244020	Nut	M20
18	SP533726	Bolt	
19	SPPRI504000001	Adjustable Foot	
20	SP311127000004	Washer	4
21	SP551080	Pump Holder	
22	SP309931001140	Bolt	M10x140
23	SP547436	Frame	Models LA60 and P6
	SP551026	Frame	Models LA75 and P7
24	SP551082	Bed	Models LA60 and P6
	SP551029	Bed	Models LA75 and P7
25	SP310985000005	Nut	M5
26	SP553632	Air Trap Holder	
27	SPPRI202001001	Bolt	M5x12
28	SP310934000004	Nut	M4

Cabinet

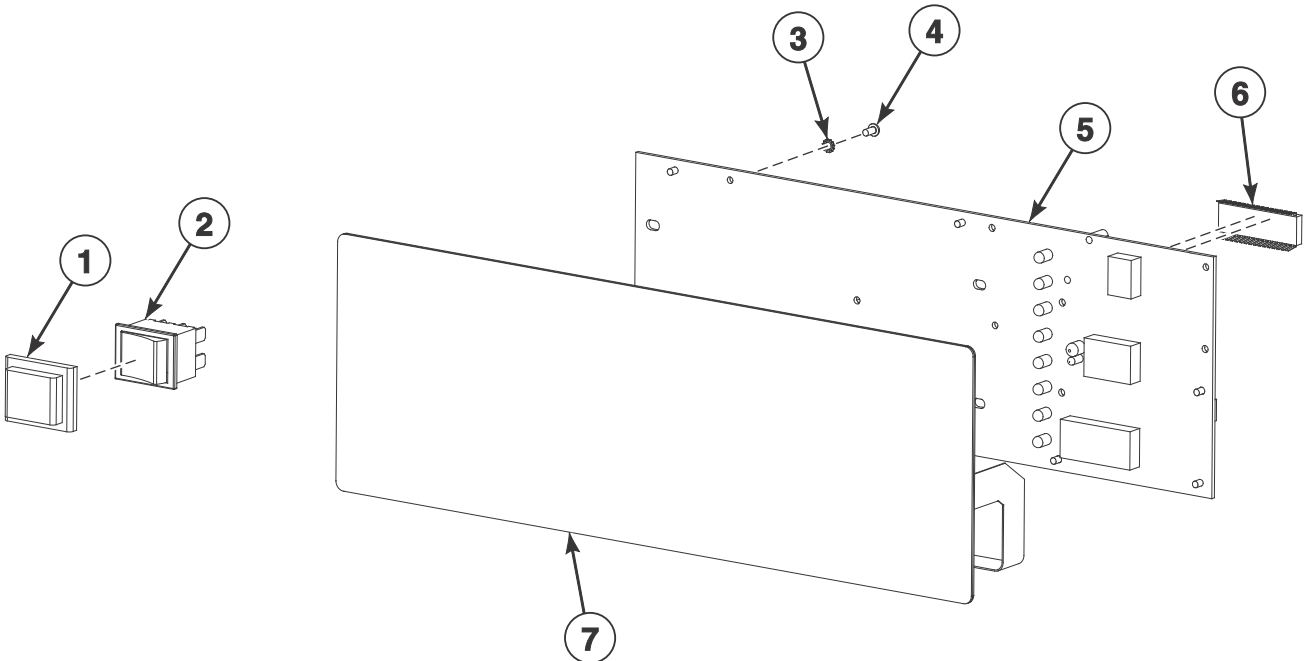


CFD2697P_D1661

Cabinet

REF	PART NO.	DESCRIPTION	COMMENTS
	SP230200007514	Label	Flash
1	SP551401	Top Cover	
2	SP311127000004	Washer	M4
3	SP311125000004	Washer	M4
4	SP309933000416	Bolt	M4x16
5	SP309798500325	Bolt	M3x25
6	SP500103	Vibration Switch Holder	
7	SPPRI611000090	Spring	15mm
8	SP311902100004	Washer	M4
9	SPPRI611000091	Spring	99mm
10	SPPRI504000024	Spring Sleeve	
11	SPPRI611000056	Spring	
12	SP551084	Cabinet Shell	Drain valve models
	SP547450	Cabinet Shell	Drain pump models
13	SP345900043132	Plug	
14	SPPRI504000021	Elbow	
15	SP551079	Rear Panel	Models LA60 and P6
	SP551199	Rear Panel	Models LA75 and P7
16	SP310934000006	Nut	M6
17	SP311127000006	Washer	M6
18	SP311902100006	Washer	M6
19	SP309933000616	Bolt	M6x16
20	SP313250004063	Rivet	4x6,3
21	SP521553	Drain Cover	
22	SP527021	Washer	M3
23	SP521706	Rivet	3x8
24	SP553624	Drain Door	
25	SP527087	Washer	
26	SP527086	Spring	
27	SP527084	Bolt	
28	SP527085	Ring	
29	SPPRI247000013	Washer	
30	SP527083	Latch	
31	SP527088	Profile	
32	SP509941	Emergency Opening Draw Bar	
33	SPPRI610000075	Door Lock	
34	SP311679824004	Washer	M4
35	SP309798524408	Bolt	M4x8
36	SP310934000003	Nut	M3
37	SP311125000003	Washer	M3
38	SPPRI610028017	Microswitch	
39	SP100177	Spacer	7x10
40	SPPRI543000027	Spring Holder	

Control Panel



CFD2698P_D1661

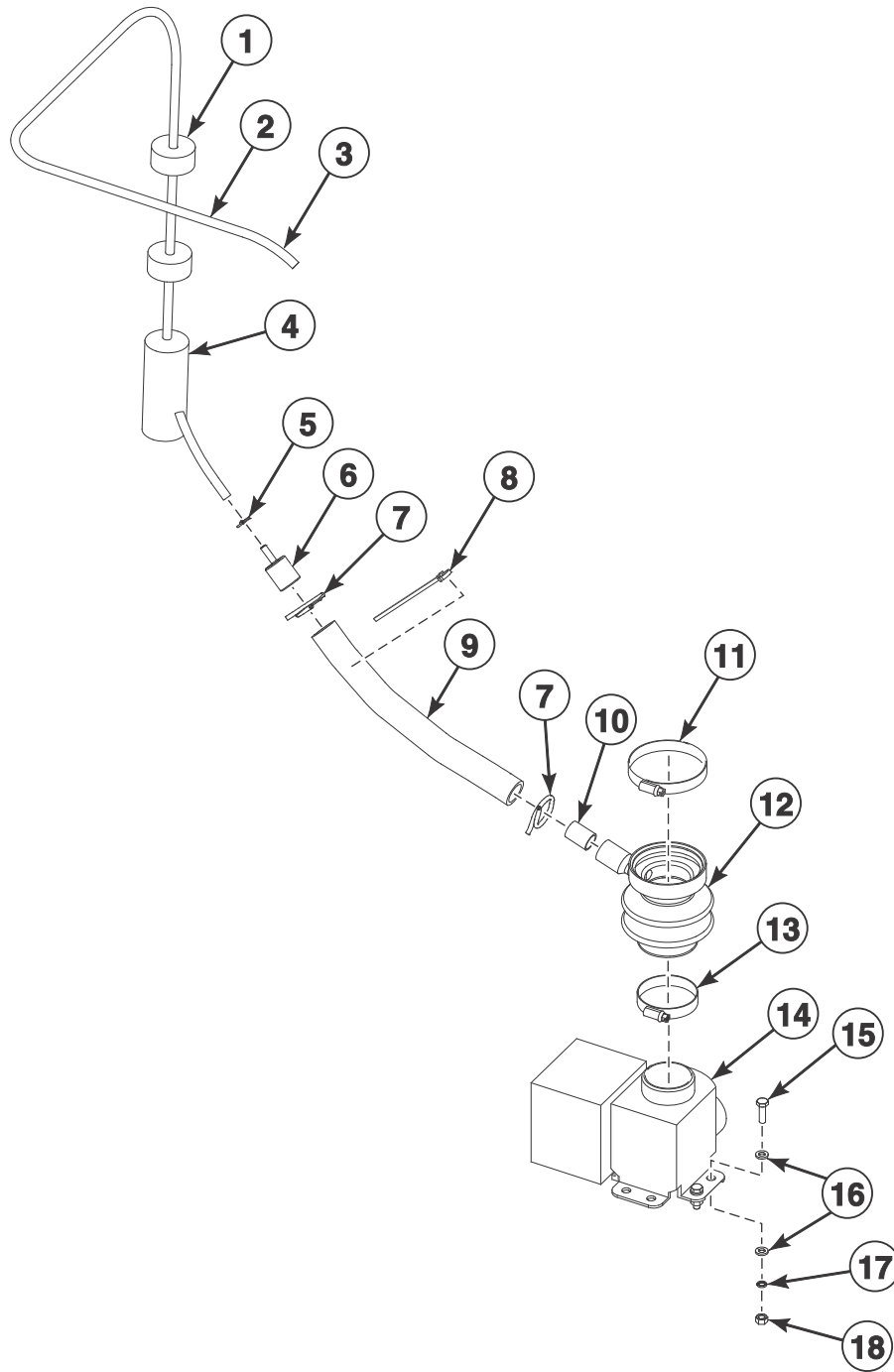
Control Panel

REF	PART NO.	DESCRIPTION	COMMENTS
1	SPPRI543000003	Push Button Cover	
2	SP100195	Button	On/Off
3	SP311679800003	Washer	M3
4	SP309798500306	Bolt	M3x6
5	SP526004	Control Board	
6	SP526001	Memory	
7	SP553623	Keyboard	

Soap Hopper

REF	PART NO.	DESCRIPTION	COMMENTS
	SP553645	Soap Hopper	Includes items 1-7 and 22-25
1	SP553612	Soap Hopper Cover	
2	SP553616	Soap Hopper Lid Holder	
3	SP319300006001	Hose	Pu6x1
4	SP553622	Soap Hopper Inside	Includes items 1-3 and 22-25
5	SP521547	Flap	
6	SP521546	Overflow	
7	SP521543	Soap Hopper Outside	
8	SP309084000416	Bolt	M4x16
9	SP311902100004	Washer	M4
10	SP101836	Hose	
11	SP540240010016	Hose Clamp	10/16
12	SP309963000616	Bolt	M6x16
13	SP500122	Soap Hopper Holder	
14	SP311127000004	Washer	M4
15	SP310934000004	Nut	M4
16	SP527236	Elbow	
17	SPPRI540000014	Hose	
18	SP521519	Tube	
19	SP102341	Siphon	
20	SPPRI240000008	Hose Clamp	32/50
21	SPPRI240000017	Hose Clamp	40/60
22	SP310934240005	Nut	M5
23	SP311127000005	Washer	M5
24	SP311125000006	Washer	6.4
25	SP553644	Bolt	M5

Drain Valve

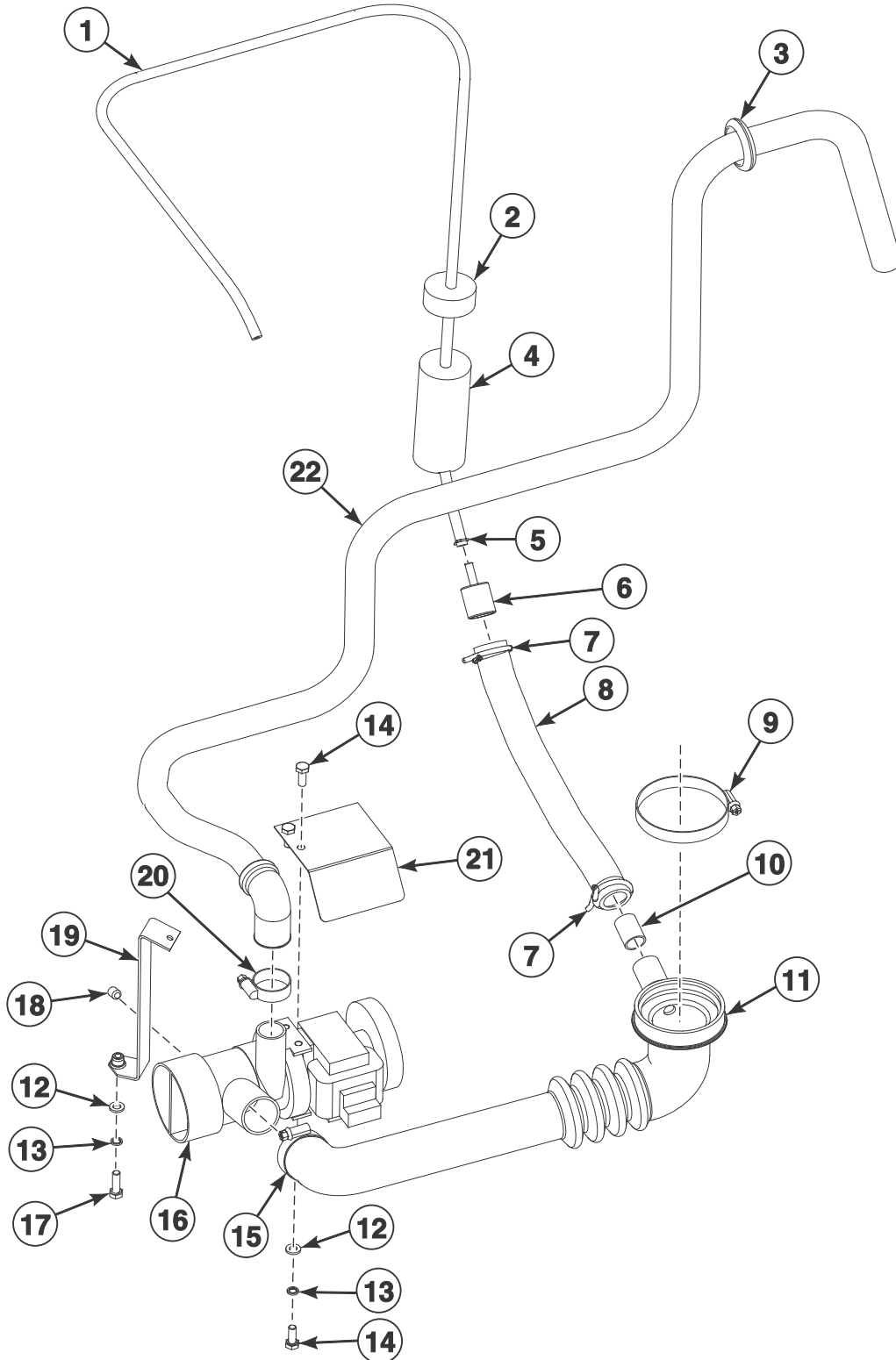


CFD2700P_D1661

Drain Valve

REF	PART NO.	DESCRIPTION	COMMENTS
	SPPRI505000036	Drain Hose	
1	SPPRI503000038	Ring	Foam
2	SPPRI540001003	Water Level Switch Hose	
3	SP345000160966	Binding Strip	
4	SP100188	Foam Roller	
5	SPPRI241000017	Hose Clamp	A5,5
6	SPPRI503000027	Air Trap Reduction	
7	SPPRI241000006	Ring	A17,5
8	SP345000160971	Binding Strip	
9	SPPRI503002049	Air Trap Hose	
10	SP500125	Reinforcement Tube	
11	SPPRI240000021	Hose Clamp	60-80
12	SP101750	Drain Valve Hose	
13	SPPRI240000017	Hose Clamp	40-60
14	SP101783	Drain Valve	2 inch
15	SP309933000620	Bolt	M6x20
16	SP311125000006	Washer	6
17	SP311127000006	Washer	6
18	SP310934000006	Nut	M6

Drain Pump

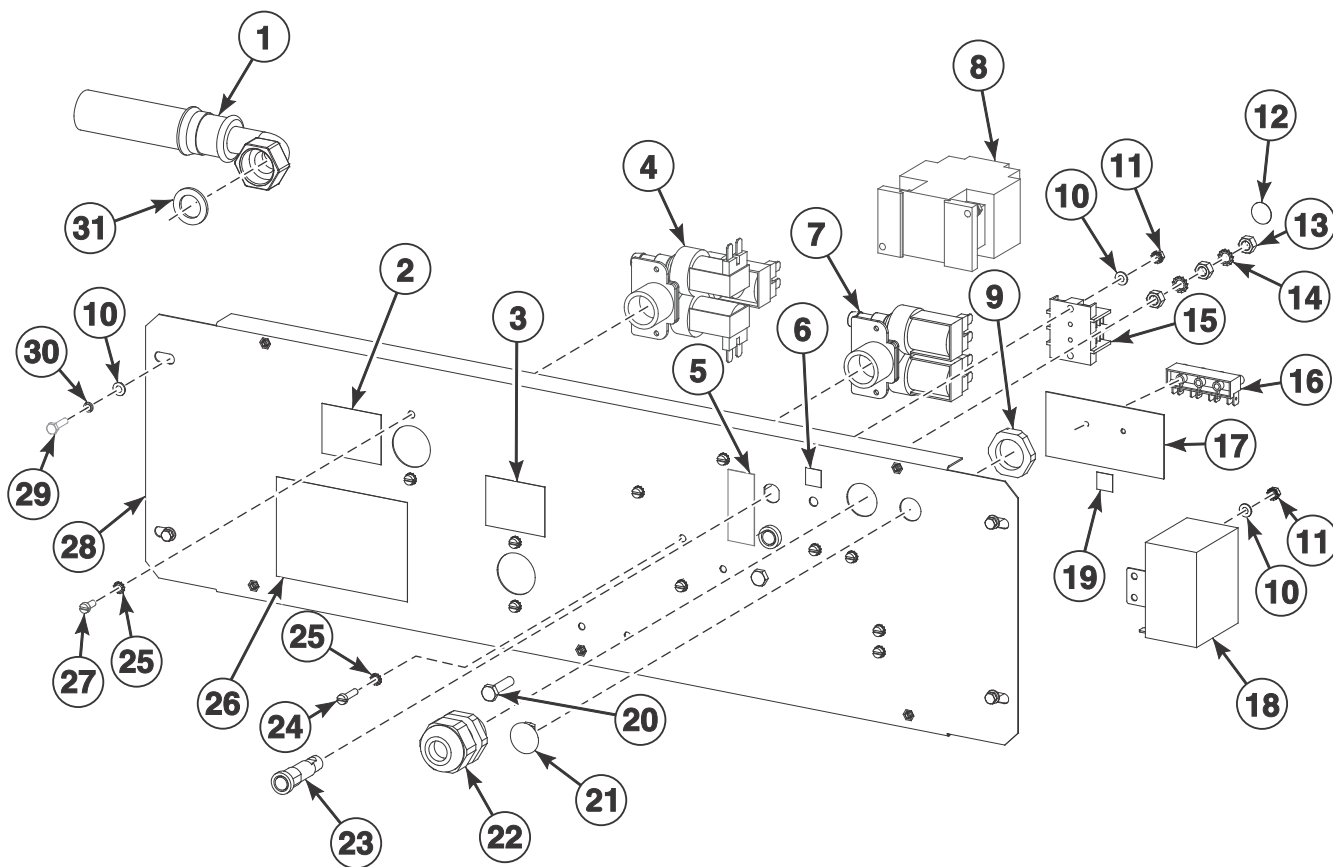


CPD2701P_D1661

Drain Pump

REF	PART NO.	DESCRIPTION	COMMENTS
	SP345000160971	Binding Strip	
	SP502216	Tightening Band Grip	
	SP345000160966	Binding Strip	
1	SPPRI540001003	Water Level Switch Hose	
2	SPPRI503000038	Ring	Foam
3	SPPRI501001078	Bushing	
4	SP100188	Foam Roller	
5	SPPRI241000017	Hose Clamp	A5,5
6	SPPRI503000027	Air Trap Reduction	
7	SPPRI241000006	Ring	A17,5
8	SPPRI503002049	Air Trap Hose	
9	SPPRI240000021	Hose Clamp	60-80
10	SP500125	Reinforcement Tube	
11	SP521550	Drain Hose	
12	SP311125000006	Washer	M6
13	SP311127000006	Washer	M6
14	SP309933000616	Bolt	M6x16
15	SPPRI240000008	Hose Clamp	32-50
16	SPPRI333000017	Drain Pump	
17	SP309933000620	Bolt	M6x20
18	SP309916000810	Bolt	M8x10
19	SP534275	Drain Hose Holder	
20	SPPRI240000003	Hose Clamp	20-32
21	SP500140	Pump Cover	
22	SP521558	Drain Hose Pipe	

Rear Panel

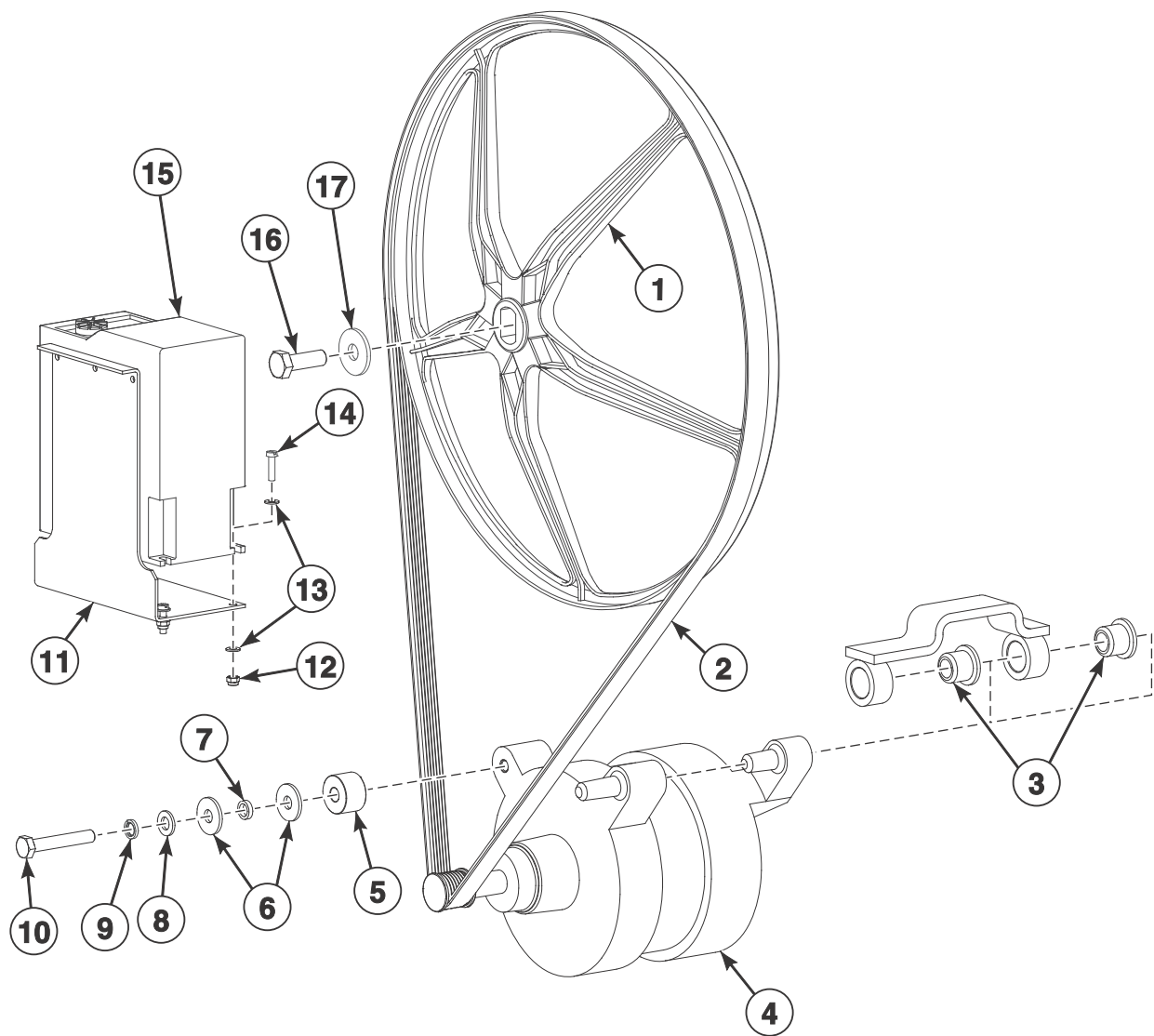


CFD2702P_D1661

Rear Panel

REF	PART NO.	DESCRIPTION	COMMENTS
	SPPRI340004030	Filter	Inlet Valve
1	SP101621	Filling Hose Pipe	
2	SP527271	Index Plate	Cold water soft
3	SP527270	Index Plate	Hot water
4	SP101832	3-Way Valve	
5	SP500129	Sticker	Fuse 6,3A
	SP500162	Sticker	Fuse 4A/500V
6	SPPRI551000001	Earthing Index Plate	10
7	SP101834	2-Way Valve	
8	SP514038	Contacto	
	SP514039	Contacto	9kW/220V
9	SPPRI350001056	Nut	Swivel
10	SP311125000004	Washer	4
11	SP506445	Nut	M4
12	SPPRI551006001	Label	PE
13	SP310934100006	Nut	M6
14	SP311679824006	Washer	6
15	SPPRI350020007	Terminal Board	
16	SPPRI350000007	Terminal Board	4 poles
17	SPPRI350012007	Isolation Paper	
18	SP514071	Filter	
19	SPPRI551001001	Label	L1, L2, L3
20	SP309933100625	Bolt	M6x25
21	SP345900215120	Plug	
22	SPPRI350000056	Cable Bushing	
23	SPPRI401001020	Fuse Holder	
	SPPRI401003020	Fuse Housing	
	SPPRI401002022	Fuse	6,3A
	SP358251632240	Fuse	4A/500V
	SP344000010000	Fuse	T1A/250V
24	SP309084000416	Bolt	M4x16
25	SP311679824004	Washer	4
26	SPPRI551010073	Serial Label	
	SP516715	Transparent Foil	Self adhesive
27	SP309084000410	Bolt	M4x10
28	SP551078	Rear Panel	
29	SP309933000416	Bolt	M4x16
30	SP311127000004	Washer	4
31	SPPRI520001009	Seal	

Drive

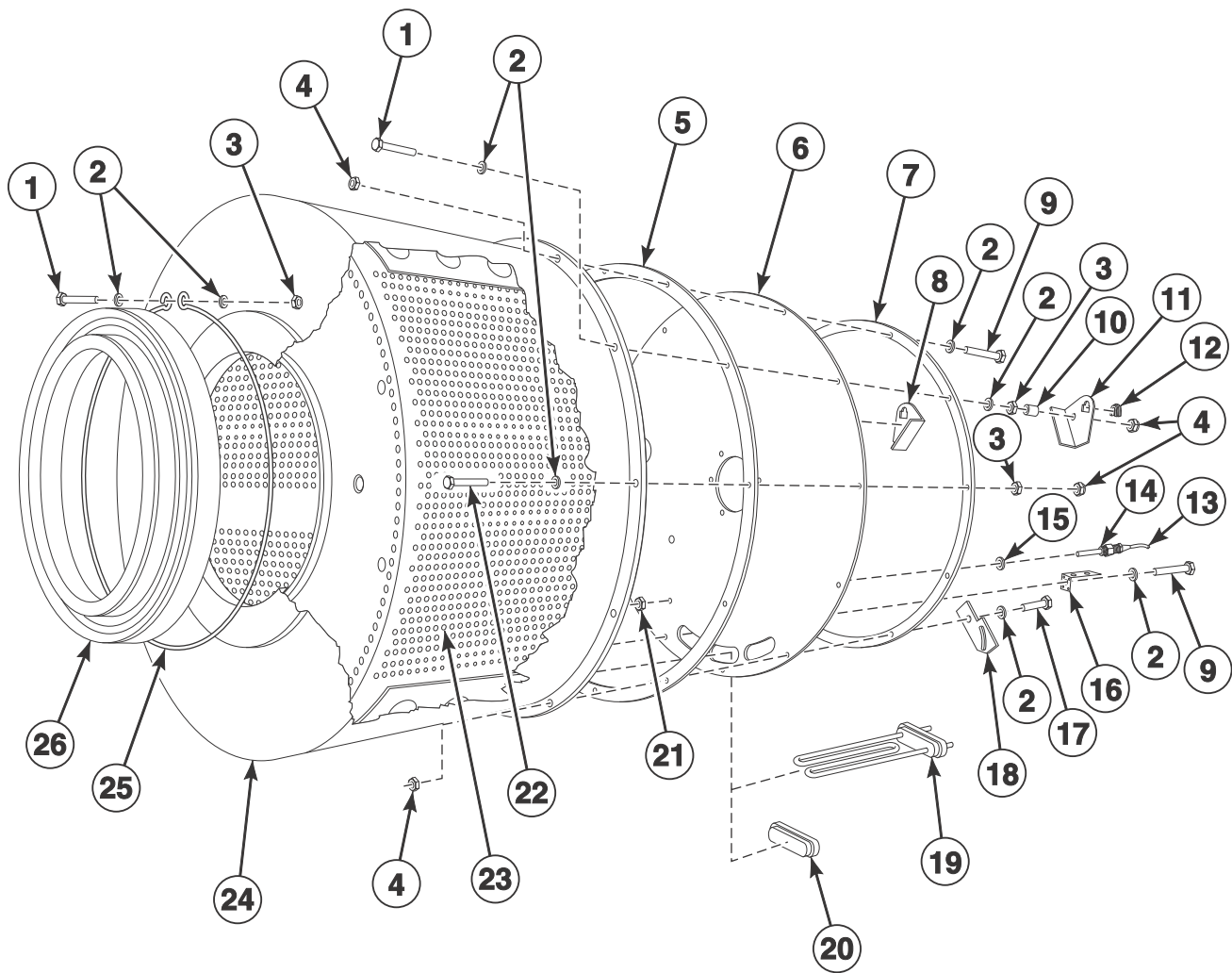
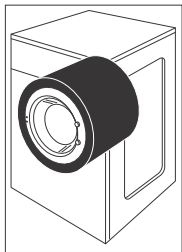


CFD2703P_D1661

Drive

REF	PART NO.	DESCRIPTION	COMMENTS
	SP520046	Communication Cable	
	SP528432	Main Wiring	
	SP528434	Motor Cable	
	SP528488	Frequency Inverter Installation Kit	For replacement of AKO Motor Board with FR-D720S Frequency Inverter; Machines not manufactured with FR-D720S Frequency Inverter
1	SP509819	Drum V-Pulley	
2	SP509940	Belt	
3	SP500088	Motor Sleeve	
4	SP528431	Motor	
5	SP509974	Distance Case	Models LA60 and P6
	SP515274	Distance Case	Models LA75 and P7
6	SP514077	Washer	
7	SP514078	Washer	
8	SP311902100008	Washer	8
9	SP311127000008	Washer	8
10	SP515201	Bolt	5/16 inch x 1 1/4 inch
11	SP540554	Frequency Inverter Holder	
12	SP514193	Nut	M4
13	SP311125000004	Washer	4
14	SP309084000416	Bolt	M4x16
15	SP528430	Frequency Inverter	
16	SP309933001030	Bolt	M10x30
17	SP311902100010	Washer	10

Tub and Drum

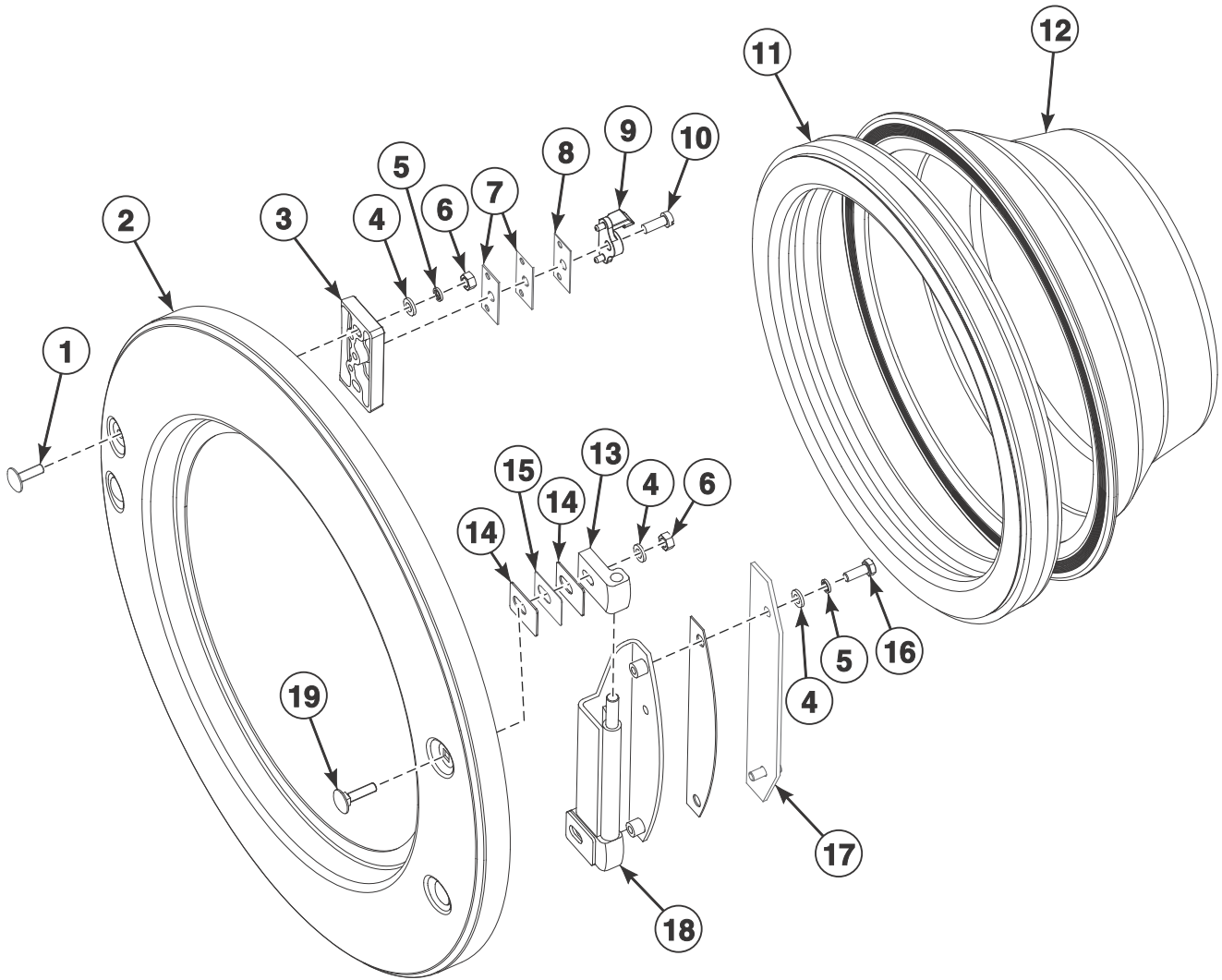


CFD2704P_D1661

Tub and Drum

REF	PART NO.	DESCRIPTION	COMMENTS
1	SP309933000870	Bolt	M8x70
2	SP311125000008	Washer	8
3	SP310934000008	Nut	M8
4	SP310985000008	Nut	M8
5	SPPRI505000001	Tub Seal	Models LA60 and P6
	SPPRI505010001	Tub Seal	Models LA75 and P7
6	SPPRI155000166	Tub Rear Panel	Models LA60 and P6
	SP509938	Tub Rear Panel	Models LA75 and P7
7	SPR07100010513	Ring	12 holes
	SPPRI155007048	Ring	24 holes
8	SP500094	Spring Holder	Right
9	SP309933000835	Bolt	M8x35
10	SP500107	Distance Bushing	
11	SP500093	Spring Holder	Left
12	SPPRI504000024	Spring Sleeve	
13	SPPRI614000047	Thermostat Sensor Holder	
14	SPPRI340015019	Temperature Sensor	
15	SPPRI524000001	Sealing Ring	
16	SP500135	Wiring Holder	
17	SP309933000840	Bolt	M8x40
18	SP509973	Motor Holder	
19	SP540126	Heating Element	2000W
	SP100383	Heating Element	2750W
	SP540128	Heating Element	3000W
20	SPPRI342001016	Heating Element Hole Plug	
21	SPPRI614000048	Nut	
22	SP509976	Bolt	M8x60
23	SP518200	Drum	Models LA60 and P6
	SP518135	Drum	Models LA75 and P7
24	SP553618	Tub	Models LA60 and P6
	SP553635	Tub	Models LA75 and P7
25	SPPRI185000112	Clip	
26	SP526344	Collar	

Door

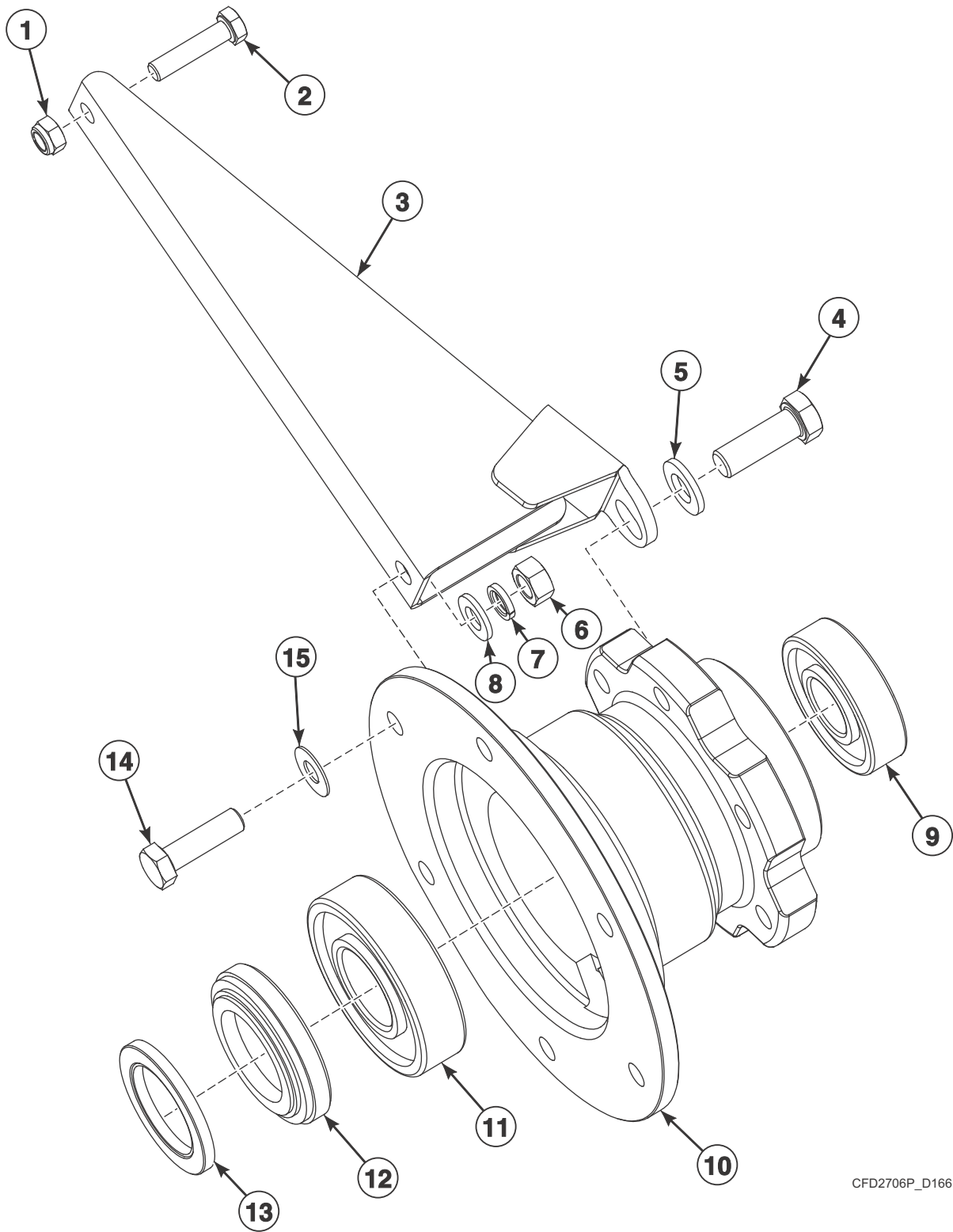


CFD2705P_D1661

Door

REF	PART NO.	DESCRIPTION	COMMENTS
	SP245704003021	Adhesive	Used with items 1, 10 and 16
1	SPPRI212000032	Bolt	M6x20
2	SP553581	Door	
3	SP500084	Washer	
4	SP311125240006	Washer	6
5	SP311127240006	Washer	6
6	SP310934240006	Nut	M6
7	SP500130	Washer	
8	SP554312	Shim	
9	SPPRI610000076	Door Catch	
10	SP309084240616	Bolt	M6x16
11	SPPRI503000004	Door Seal	
12	SPPRI505000044	Door Glass	
13	SPPRI610000126	Door Hinge Block	
14	SPPRI610001122	Washer	
15	SP554313	Washer	
16	SP309933240616	Bolt	M6x16
17	SP500086	Door Reinforcement	
18	SP500080	Door Hinge	
19	SP516877	Bolt	M6x25

Trunnion - LA60 and P6 Models

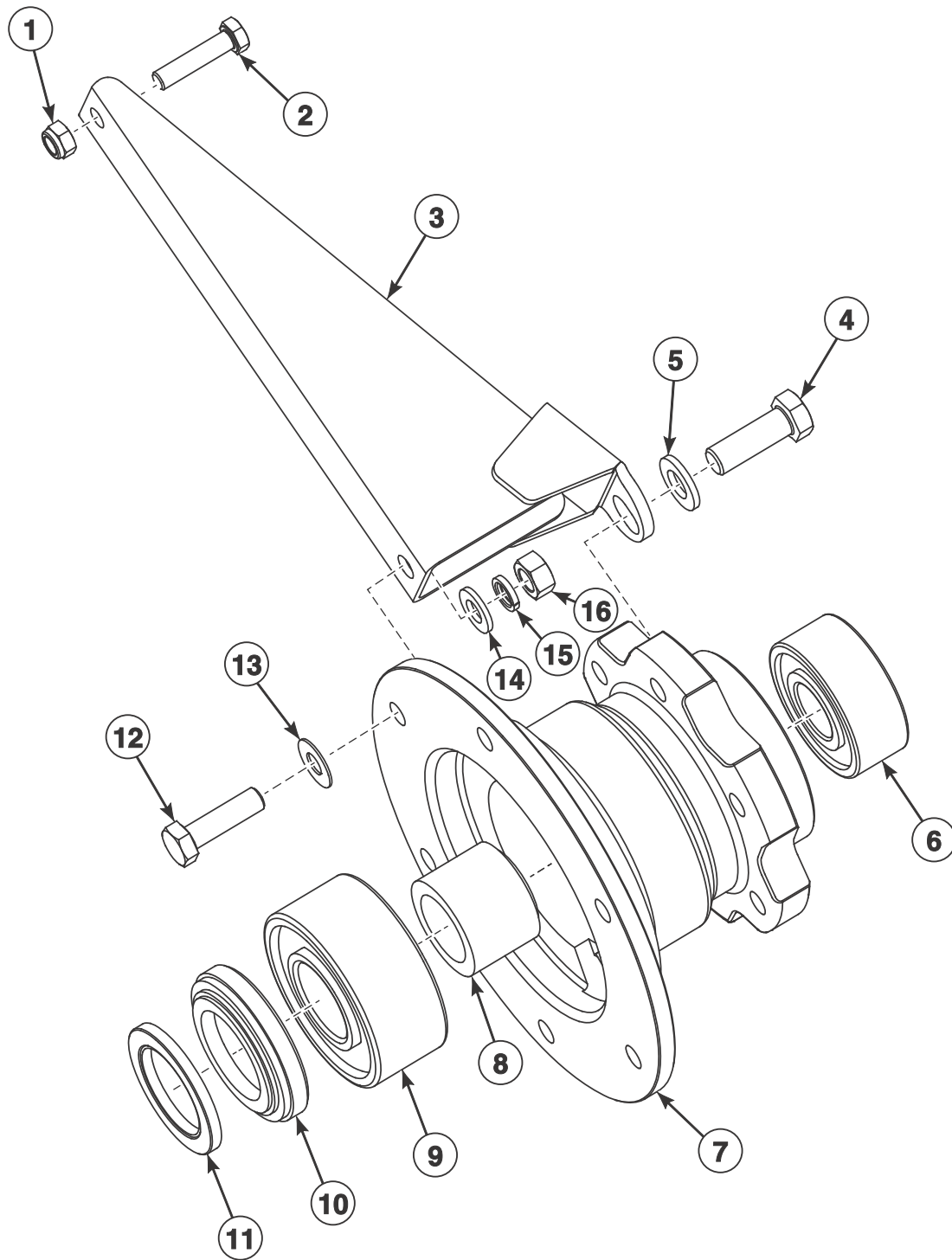


CFD2706P_D1661

Trunnion - LA60 and P6 Models

REF	PART NO.	DESCRIPTION	COMMENTS
	SP527240	Bearing Housing	
	SP245704000603	Adhesive	Used with items 9 and 11; Loctite
1	SP310985000008	Nut	M8
2	SP309933000835	Bolt	M8x35
3	SP509870	Spoke	
4	SP309933001235	Bolt	M12x35
5	SP311125000013	Washer	13
6	SP310934000010	Nut	M10
7	SP311127000010	Washer	M10
8	SP311125000010	Washer	10
9	SPPRI608000041	Bearing	
10	SP526699	Bearing Housing	
11	SPPRI608001048	Bearing	
12	SPPRI530000012	Axial Seal	
13	SPPRI530001013	Counter Ring	
14	SP309933241035	Bolt	M10x35
15	SPPRI230000003	Washer	22x10x1

Trunnion - LA75 and P7 Models



CFD2707P_D1661

Trunnion - LA75 and P7 Models

REF	PART NO.	DESCRIPTION	COMMENTS
	SP509898	Bearing Housing	
	SP245704000603	Adhesive	Used with items 6 and 9; Loctite
1	SP310985000008	Nut	M8
2	SP309933000835	Bolt	M8x35
3	SP509870	Spoke	
4	SP309933001235	Bolt	M12x35
5	SP311125000013	Washer	13
6	SP510904	Bearing	
7	SP509835	Bearing Housing	
8	SP509922	Distance Ring	
9	SP510903	Bearing	
10	SPPRI530000012	Axial Seal	
11	SPPRI530001013	Counter Ring	
12	SP309933241035	Bolt	M10x35
13	SPPRI230000003	Washer	22x11x3
14	SP311125000010	Washer	10
15	SP311127000010	Washer	10
16	SP310934000010	Nut	M10

Parts Index

A

Adhesive	
SP245704000603	25, 27
SP245704003021	23
Adjustable Foot	
SPPRI504000001	5
Air Trap Holder	
SP553632	5
Air Trap Hose	
SPPRI503002049	13, 15
Air Trap Reduction	
SPPRI503000027	13, 15
Axial Seal	
SPPRI530000012	25, 27

B

Bearing	
SPPRI608000041	25
SPPRI608001048	25
SP510903	27
SP510904	27
Bearing Housing	
SP509835	27
SP509898	27
SP526699	25
SP527240	25
Bed	
SP551029	5
SP551082	5
Belt	
SP509940	19
Binding Strip	
SP345000160966	13, 15
SP345000160971	13, 15
Bolt	
SPPRI202001001	5
SPPRI212000032	23
SP309084000410	17
SP309084000416	11, 17, 19
SP309084240616	23
SP309798500306	9
SP309798500325	7
SP309798524408	7
SP309916000810	15
SP309931001140	5
SP309933000416	7, 17
SP309933000616	7, 15
SP309933000620	13, 15
SP309933000835	21, 25, 27
SP309933000840	21
SP309933000870	21
SP309933001030	5, 19
SP309933001050	5
SP309933001235	25, 27
SP309933100625	17
SP309933240408	5
SP309933240412	5
SP309933240616	23
SP309933241035	25, 27

SP309963000616	11
SP509976	21
SP515201	19
SP516877	23
SP527084	7
SP533726	5
SP553644	11
Bushing	
SPPRI501001078	15
Button	
SP100195	9

C

Cabinet Shell	
SP547450	7
SP551084	7
Cable Bushing	
SPPRI350000056	17
SPPRI501000071	5
Clip	
SPPRI185000112	21
Collar	
SP526344	21
Communication Cable	
SP520046	19
Contactora	
SP514038	17
SP514039	17
Control Board	
SP526004	9
Counter Ring	
SPPRI530001013	25, 27

D

Damper	
SP533715	5
Distance Bushing	
SP500107	21
Distance Case	
SP509974	19
SP515274	19
Distance Ring	
SP509922	27
Door	
SP553581	23
Door Catch	
SPPRI610000076	23
Door Glass	
SPPRI505000044	23
Door Hinge	
SP500080	23
Door Hinge Block	
SPPRI610000126	23
Door Lock	
SPPRI610000075	7
Door Reinforcement	
SP500086	23

N/A items do not appear in index.

Door Seal	
SPPRI503000004	23
Drain Cover	
SP521553	7
Drain Door	
SP553624	7
Drain Hose	
SPPRI505000036	13
SP521550	15
Drain Hose Holder	
SP534275	15
Drain Hose Pipe	
SP521558	15
Drain Pump	
SPPRI333000017	15
Drain Valve	
SP101783	13
Drain Valve Hose	
SP101750	13
Drum	
SP518135	21
SP518200	21
Drum V-Pulley	
SP509819	19

E

Earthing Index Plate	
SPPRI551000001	17
Elbow	
SPPRI504000021	7
SP527236	11
Emergency Opening Draw Bar	
SP509941	7

F

Filling Hose Pipe	
SP101621	17
Filter	
SPPRI340004030	17
SP514071	17
Flap	
SP521547	11
Foam Roller	
SP100188	13, 15
Frame	
SP547436	5
SP551026	5
Frequency Inverter	
SP528430	19
Frequency Inverter Holder	
SP540554	19
Frequency Inverter Installation Kit	
SP528488	19
Front Flange	
SP500049	5
Fuse	
SPPRI401002022	17
SP344000010000	17
SP358251632240	17

Fuse Holder	
SPPRI401001020	17
Fuse Housing	
SPPRI401003020	17

H

Heating Element	
SP100383	21
SP540126	21
SP540128	21
Heating Element Hole Plug	
SPPRI342001016	21
Hose	
SPPRI540000014	11
SP101836	11
SP319300006001	11
Hose Clamp	
SPPRI240000003	15
SPPRI240000008	11, 15
SPPRI240000017	11, 13
SPPRI240000021	13, 15
SPPRI241000017	13, 15
SP540240010016	11

I

Index Plate	
SP527270	17
SP527271	17
Isolation Paper	
SPPRI350012007	17

K

Keyboard	
SP553623	9

L

Label	
SPPRI551001001	17
SPPRI551006001	17
SP230200007514	7
Latch	
SP527083	7
Lower Weight	
SP500091	5

M

Main Wiring	
SP528432	19
Memory	
SP526001	9
Microswitch	
SPPRI610028017	7
Motor	
SP528431	19

N/A items do not appear in index.

Motor Cable	
SP528434	19
Motor Holder	
SP509973	21
Motor Sleeve	
SP500088	19

N

Nut	
SPPRI350001056	17
SPPRI614000048	21
SP310934000003	7
SP310934000004	5, 11
SP310934000006	7, 13
SP310934000008	21
SP310934000010	25, 27
SP310934100006	17
SP310934240005	11
SP310934240006	23
SP310934244020	5
SP310985000005	5
SP310985000008	21, 25, 27
SP310985000010	5
SP506445	17
SP514193	19

O

Overflow	
SP521546	11

P

Plug	
SP345900043132	7
SP345900215120	17
Profile	
SP527088	7
Pump Cover	
SP500140	15
Pump Holder	
SP551080	5
Push Button Cover	
SPPRI543000003	9

R

Rear Flange	
SP553613	5
Rear Panel	
SP551078	17
SP551079	7
SP551199	7
Reinforcement Tube	
SP500125	13, 15
Ring	
SPPRI155007048	21
SPPRI241000006	13, 15
SPPRI503000038	13, 15
SPR07100010513	21

SP527085	7
Rivet	
SP313250004063	7
SP521706	7

S

Seal	
SPPRI520001009	17
Sealing Ring	
SPPRI524000001	21
Serial Label	
SPPRI551010073	17
Shim	
SP554312	23
Siphon	
SP102341	11
Soap Hopper	
SP553645	11
Soap Hopper Cover	
SP553612	11
Soap Hopper Holder	
SP500122	11
Soap Hopper Inside	
SP553622	11
Soap Hopper Lid Holder	
SP553616	11
Soap Hopper Outside	
SP521543	11
Spacer	
SP100177	7
Spoke	
SP509870	25, 27
Spring	
SPPRI611000056	7
SPPRI611000090	7
SPPRI611000091	7
SP527086	7
Spring Holder	
SPPRI543000027	7
SP500093	21
SP500094	21
Spring Sleeve	
SPPRI504000024	5, 7, 21
Sticker	
SP500129	17
SP500162	17

T

Temperature Sensor	
SPPRI340015019	21
Terminal Board	
SPPRI350000007	17
SPPRI350020007	17
Thermostat Sensor Holder	
SPPRI614000047	21
Tightening Band Grip	
SP502216	15
Top Cover	
SP551401	7

N/A items do not appear in index.

Transparent Foil	
SP516715	17
Tub	
SP553618	21
SP553635	21
Tub Rear Panel	
SPPRI155000166	21
SP509938	21
Tub Seal	
SPPRI505000001	21
SPPRI505010001	21
Tube	
SP521519	11

SP554313.....	23
Water Level Switch Hose	
SPPRI540001003.....	13, 15
Wiring Holder	
SP500135.....	21

U

Upper Weight	
SP509997	5

V

Valve, 2-Way	
SP101834	17
Valve, 3-Way	
SP101832	17
Vibration Limiter	
SP500104	5
Vibration Switch Holder	
SP500103	7

W

Washer	
SPPRI230000003	25, 27
SPPRI247000013	7
SPPRI610001122.....	23
SP311125000003.....	7
SP311125000004.....	5, 7, 17, 19
SP311125000006.....	11, 13, 15
SP311125000008.....	21
SP311125000010.....	5, 25, 27
SP311125000013.....	25, 27
SP311125240006.....	23
SP311127000004.....	5, 7, 11, 17
SP311127000005.....	11
SP311127000006.....	7, 13, 15
SP311127000008.....	19
SP311127000010.....	25, 27
SP311127240006.....	23
SP311679800003.....	9
SP311679824004.....	7, 17
SP311679824006.....	17
SP311902100004.....	7, 11
SP311902100006.....	7
SP311902100008.....	19
SP311902100010.....	5, 19
SP500084	23
SP500130	23
SP514077	19
SP514078	19
SP526196	5
SP527021	7
SP527087	7

N/A items do not appear in index.