

Washer-Extractor

Refer to Page 3 for Model Numbers



Table of Contents

Title	Page
Parts Ordering Information.....	2
Serial Plate Location	2
Model Identification	3
Frame and Tub Support.....	4
Cabinet.....	6
Control Panel - Vended Models	8
Control Panel - OPL Models	10
Coin Vaults.....	12
Soap Hopper and Top Cover	14
Drain Valve and Pump Drain	16
Rear Panel (Drawing 1 of 2)	18
Rear Panel (Drawing 2 of 2)	20
Drive.....	22
Tub and Drum	24
Door	26
Trunnion - C6 and LAC60 Models	28
Trunnion - C8 and LAC75 Models	30
Parts Index.....	33

© Copyright 2017, Alliance Laundry Systems LLC

All rights reserved. No part of the contents of this book may be reproduced or transmitted in any form or by any means without the expressed written consent of the publisher.

Parts Ordering Information

If literature or replacement parts are required, contact the source from whom the machine was purchased or contact Alliance Laundry Systems at (920) 748-3950 for the name and address of the nearest authorized parts distributor.

For technical assistance, call the number listed below:

(920) 748-3121 Ripon, Wisconsin

Serial Plate Location

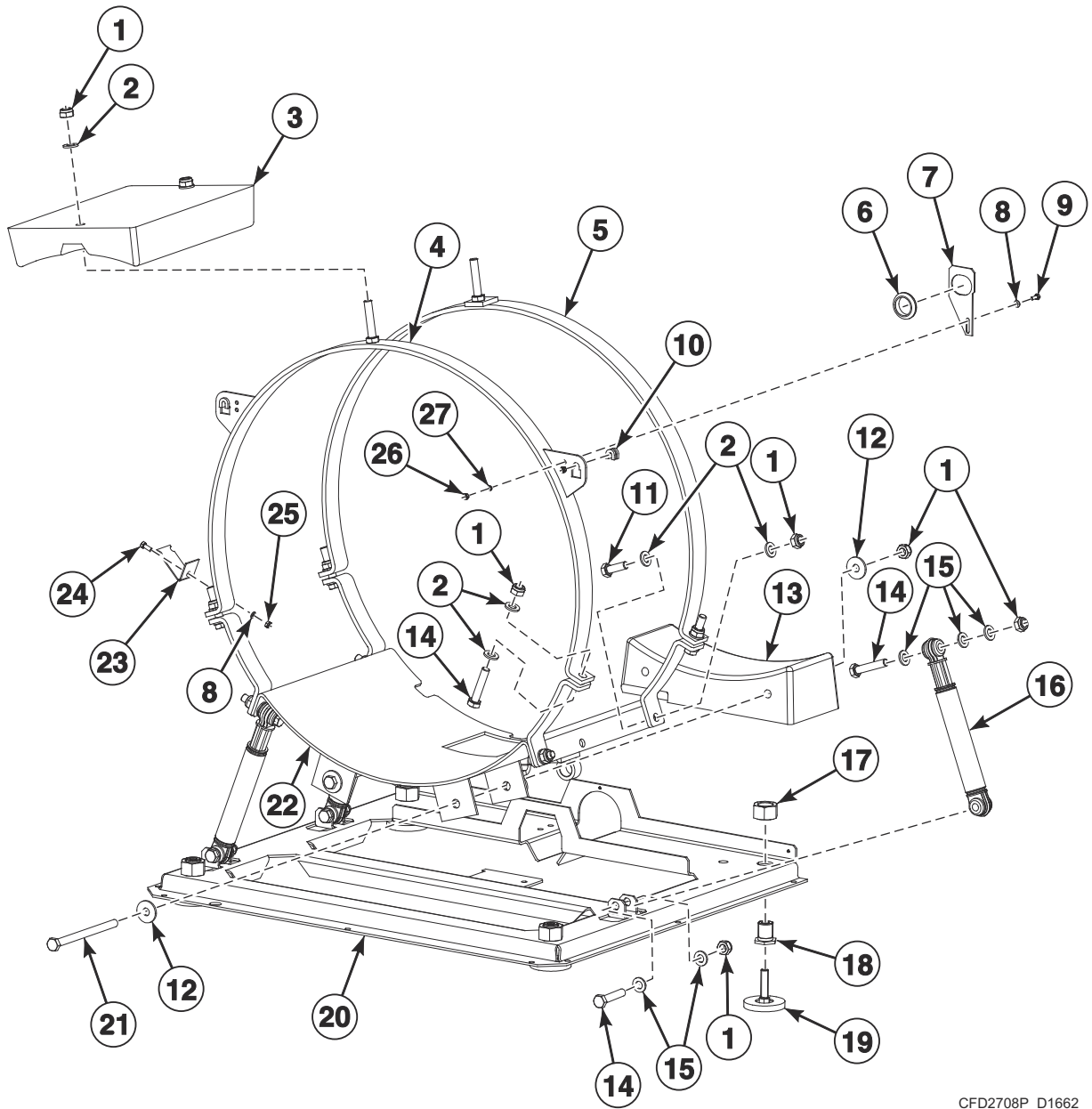
When calling or writing about your product, be sure to mention model and serial numbers. Model and serial numbers are located on serial plate(s).

Model Identification

Information in this manual is applicable to these washer-extractor models:

C6
C8
LAC60
LAC75

Frame and Tub Support

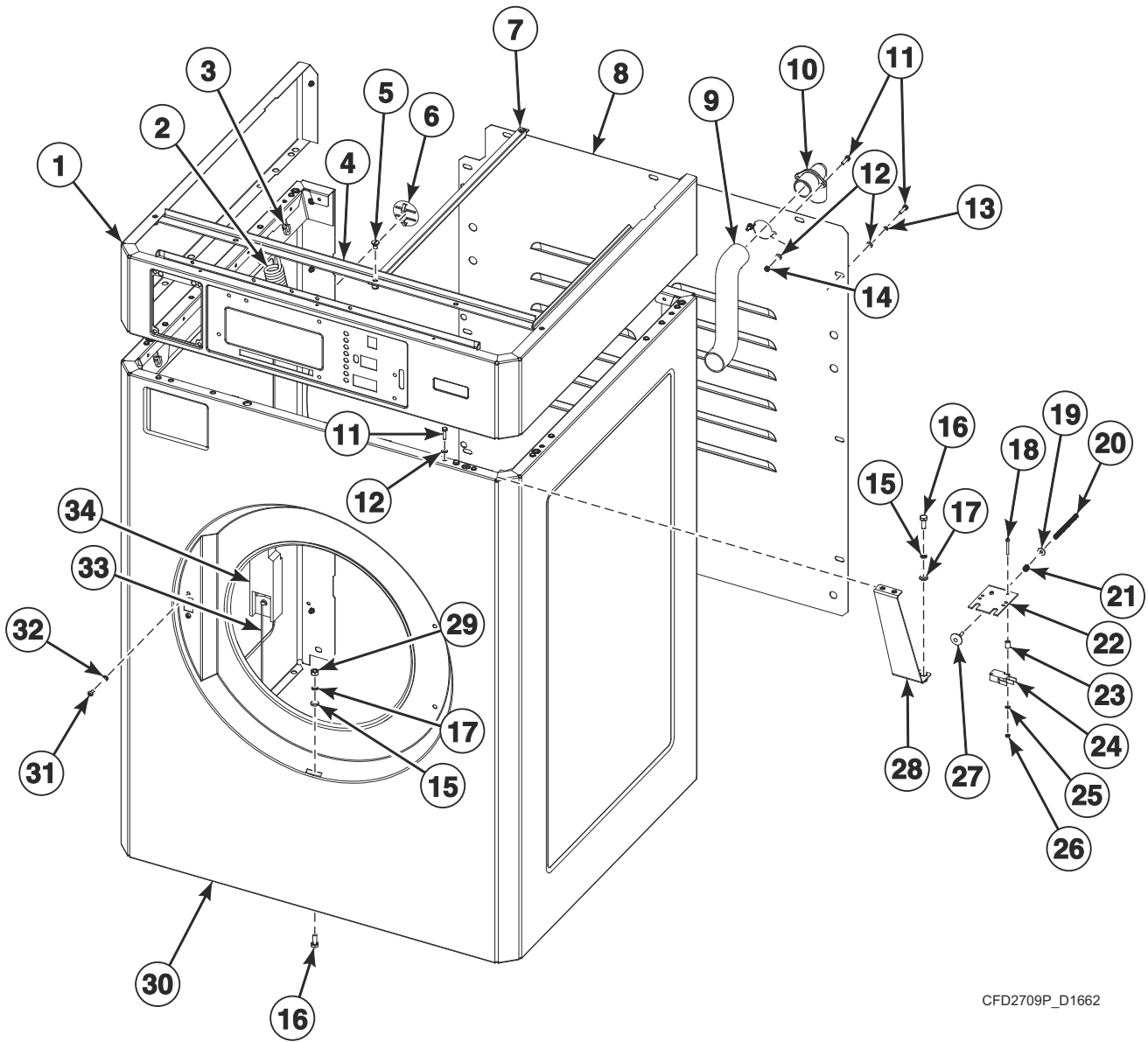


CFD2708P_D1662

Frame and Tub Support

REF	PART NO.	DESCRIPTION	COMMENTS
1	SP310985000010	Nut	M10
2	SP311125000010	Washer	10.5
3	SP509997	Upper Weight	
4	SP500049	Front Flange	
5	SP553613	Rear Flange	
6	SPPRI501000071	Cable Bushing	
7	SP500104	Vibration Limiter	
8	SP311125000004	Washer	4.3
9	SP309933240412	Bolt	M4x12
10	SPPRI504000024	Spring Sleeve	
11	SP309933001030	Bolt	M10x30
12	SP311902100010	Washer	10
13	SP500091	Lower Weight	
14	SP309933001050	Bolt	M10x50
15	SP526196	Washer	10.5
16	SP533715	Damper	
17	SP310934244020	Nut	M20
18	SP533726	Bolt	
19	SPPRI504000001	Adjustable Foot	
20	SP547436	Frame	Models C6 and LAC60
	SP551026	Frame	Models C8 and LAC75
21	SP309931001140	Bolt	M10x140
22	SP551082	Bed	Models C6 and LAC60
	SP551029	Bed	Models C8 and LAC75
23	SP553632	Air Trap Holder	
24	SPPRI202001001	Bolt	M5x12
25	SP310985000005	Nut	M5
26	SP310934000004	Nut	M4
27	SP311127000004	Washer	4

Cabinet

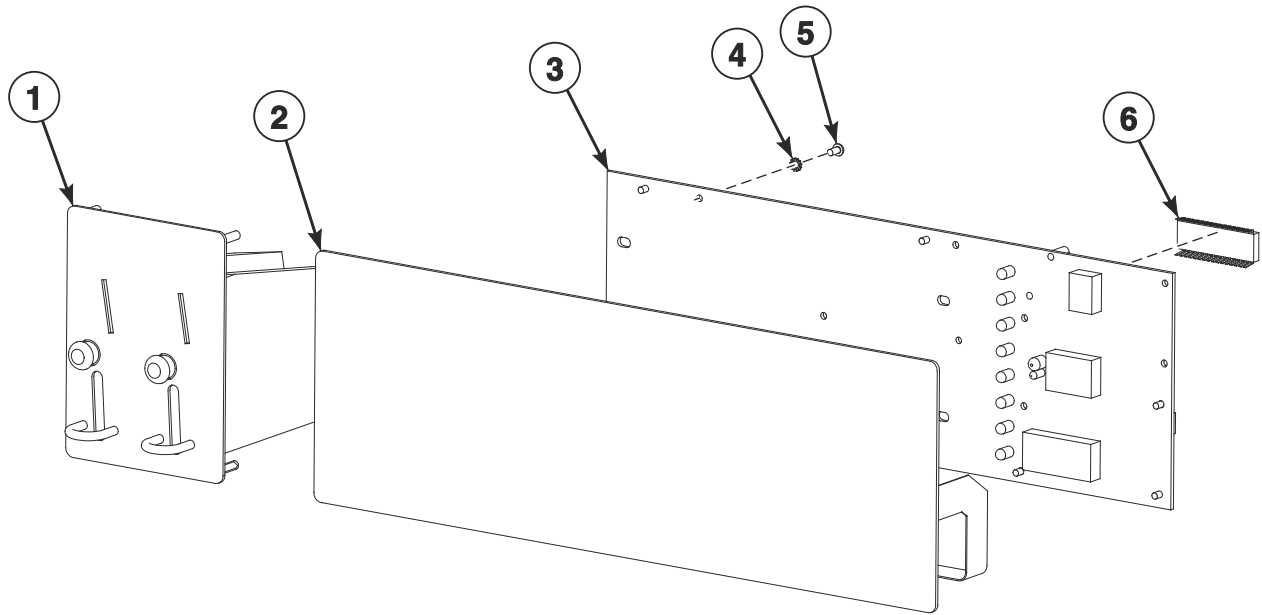


CFD2709P_D1662

Cabinet

REF	PART NO.	DESCRIPTION	COMMENTS
1	SP553606	Cabinet	
2	SPPRI611000056	Spring	
3	SPPRI504000024	Spring Sleeve	
4	SP519533	Complete Angle I	
5	SP309963240610	Bolt	M6x10
6	SP345900043132	Plug	
7	SP519534	Complete Angle II	
8	SP551079	Rear Panel	Models C6 and LAC60
	SP551200	Rear Panel	Models C8 and LAC75
9	SPPRI240000008	Hose Clamp	
	SPPRI504000019	Vent Hose	
10	SPPRI504000021	Elbow	
11	SP309084000416	Bolt	M4x16
12	SP311125000004	Washer	M4
13	SP311127000004	Washer	4
14	SP310934000004	Nut	M4
15	SP311902100006	Washer	6
16	SP309933000616	Bolt	M6x16
17	SP311127000006	Washer	6
18	SP309798500325	Bolt	M3x25
19	SP311902100004	Washer	12x4,33x1
20	SPPRI611000091	Spring	99mm
21	SPPRI611000090	Spring	15mm
22	SP500103	Vibration Switch Holder	
23	SP100177	Spacer	
24	SPPRI610028017	Microswitch	
25	SP311125000003	Washer	3
26	SP310934000003	Nut	M3
27	SPPRI543000027	Spring Holder	
28	SP552767	Microswitch Holder	
29	SP310934000006	Nut	M6
30	SP553642	Cabinet Shell	Vended models
	SP553643	Cabinet Shell	OPL models
31	SP309798524408	Bolt	M4x8
32	SP311679824004	Washer	4
33	SP509941	Emergency Opening Draw Bar	
34	SPPRI610000075	Door Lock	

Control Panel - Vended Models



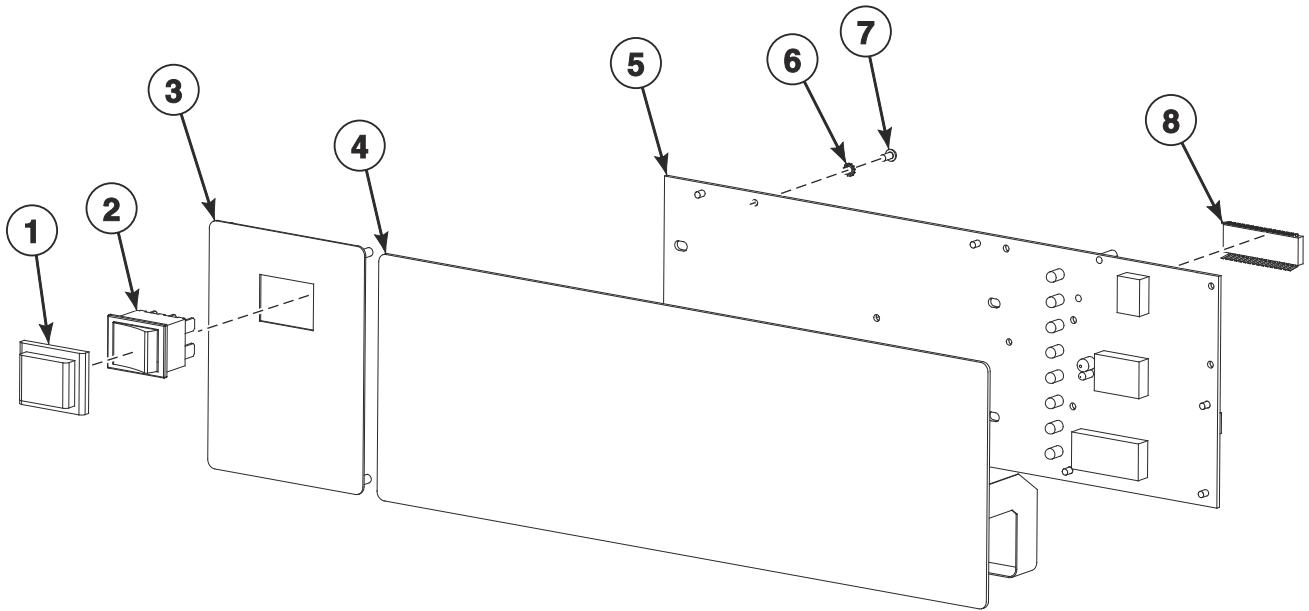
CFD2710P_D1662

Control Panel - Vended Models

REF	PART NO.	DESCRIPTION	COMMENTS
1	N/A	Coin Meter	
2	SP553631	Keyboard	
3	SP526004	Control Board	
4	SP311679800003	Washer	3
5	SP309798500306	Bolt	M3x6
6	SP526001	Memory	

N/A = Part no longer available

Control Panel - OPL Models

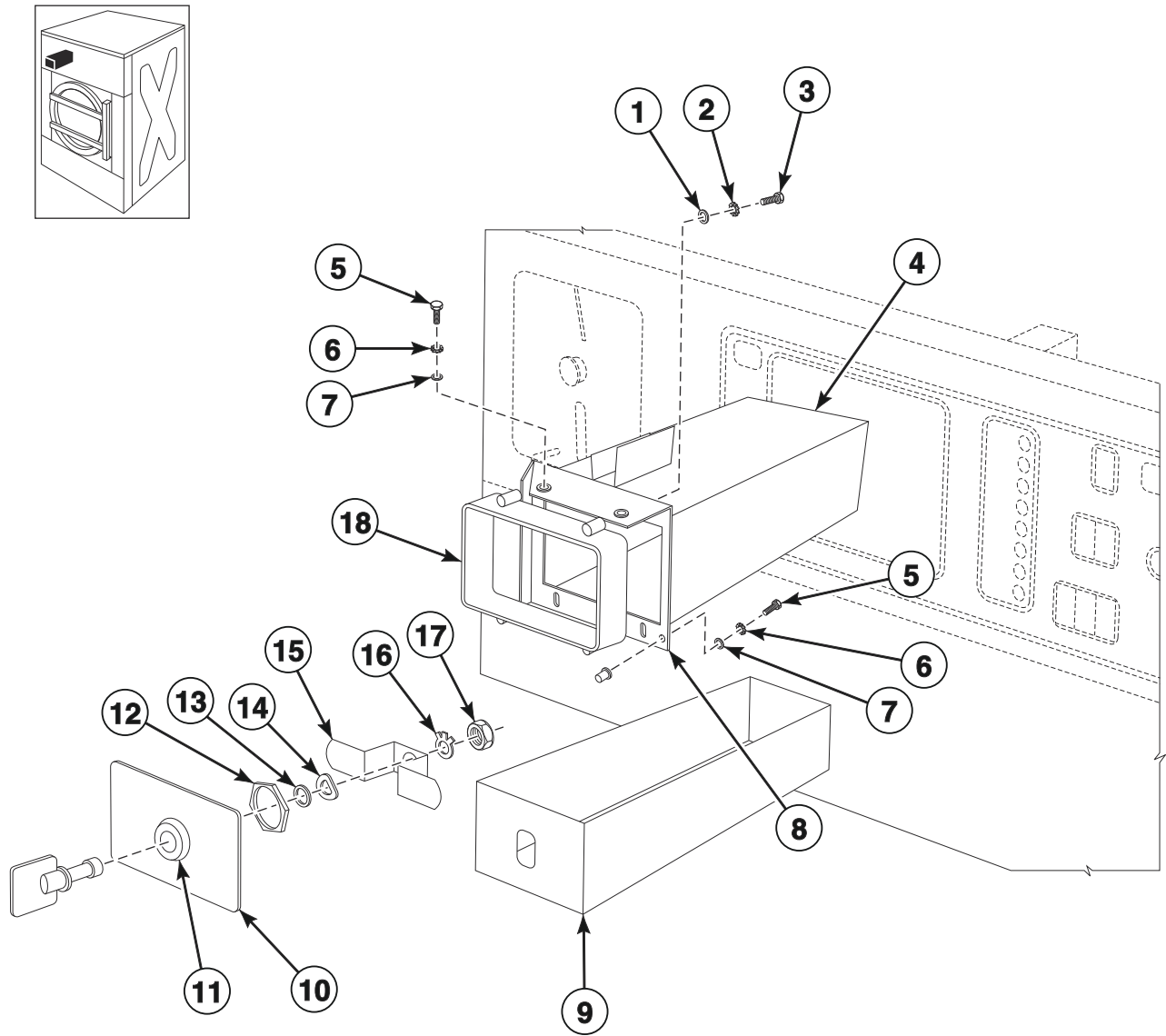


CFD2711P_D1662

Control Panel - OPL Models

REF	PART NO.	DESCRIPTION	COMMENTS
1	SPPRI543000003	Push Button Cover	
2	SP100195	Button	On/Off
3	SP551190	Label	Switcher
4	SP553631	Keyboard	
5	SP526004	Control Board	
6	SP311679800003	Washer	3
7	SP309798500306	Bolt	M3x6
8	SP526001	Memory	

Coin Vaults

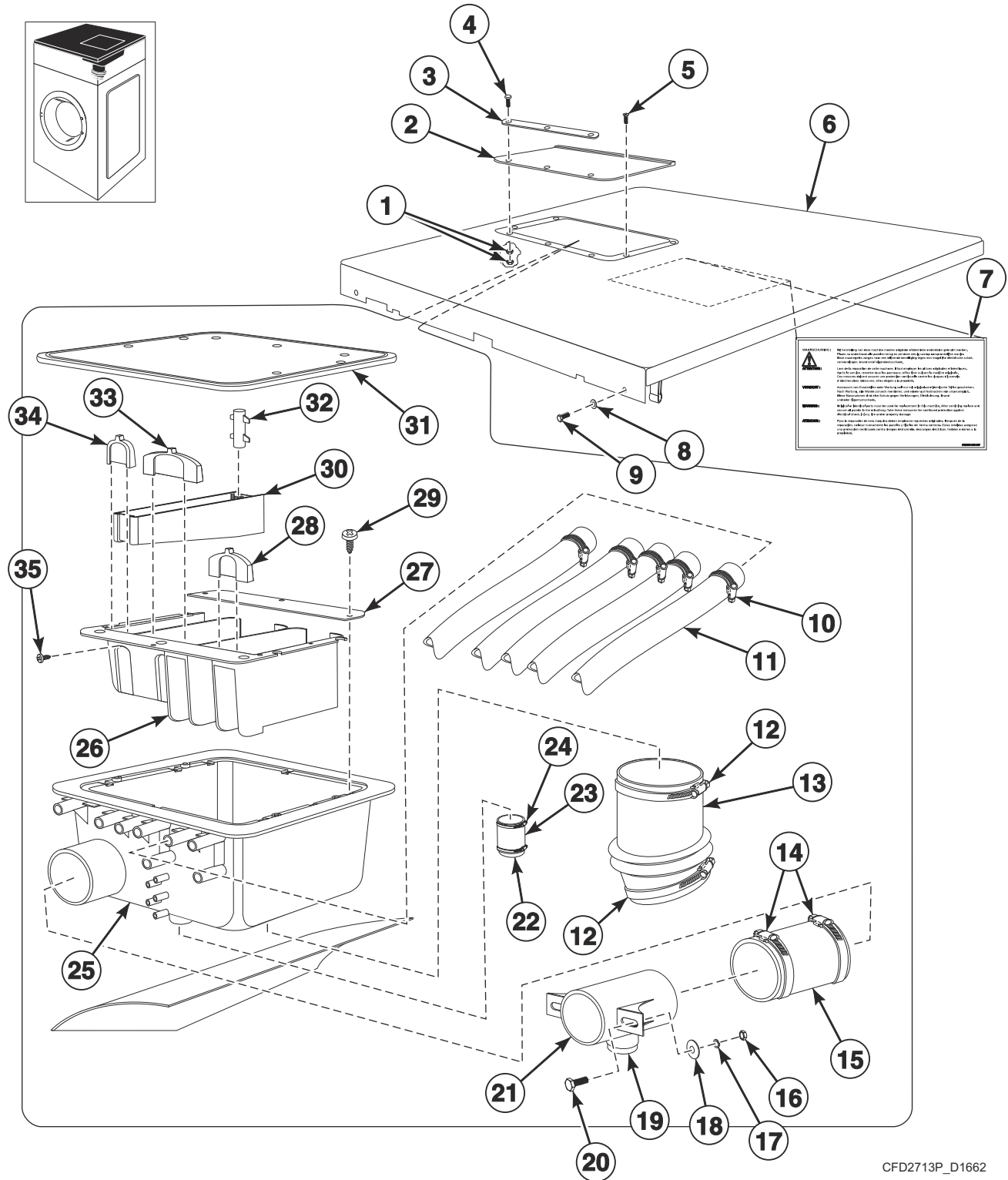


CFD2712P_D1662

Coin Vaults

REF	PART NO.	DESCRIPTION	COMMENTS
1	SP311902100004	Washer	4,3
2	SP311679824004	Washer	M4
3	SP309084000408	Bolt	M4x8
4	SP521472	Coin Vault	
5	SP309933000616	Bolt	M6x16
6	SP311679824006	Washer	M6
7	SP311125240006	Washer	6,4
8	SP517353	Coin Meter Holder	
9	SP321848140028	Coin Vault	
10	SPR07A18100114	Disc Timer Indicator	
11	SPPRI610001028	Coin Vault Lock	
12	SPPRI225000026	Nut	Big
13	SP311734900006	Washer	M6
14	SPPRI231000038	Washer	
15	SPR07A18100214	Coin Box Lock Cam	
16	SPPRI247000009	Washer	
17	SPPRI225000025	Nut	Small
18	SP501514	Coin Vault Frame	

Soap Hopper and Top Cover

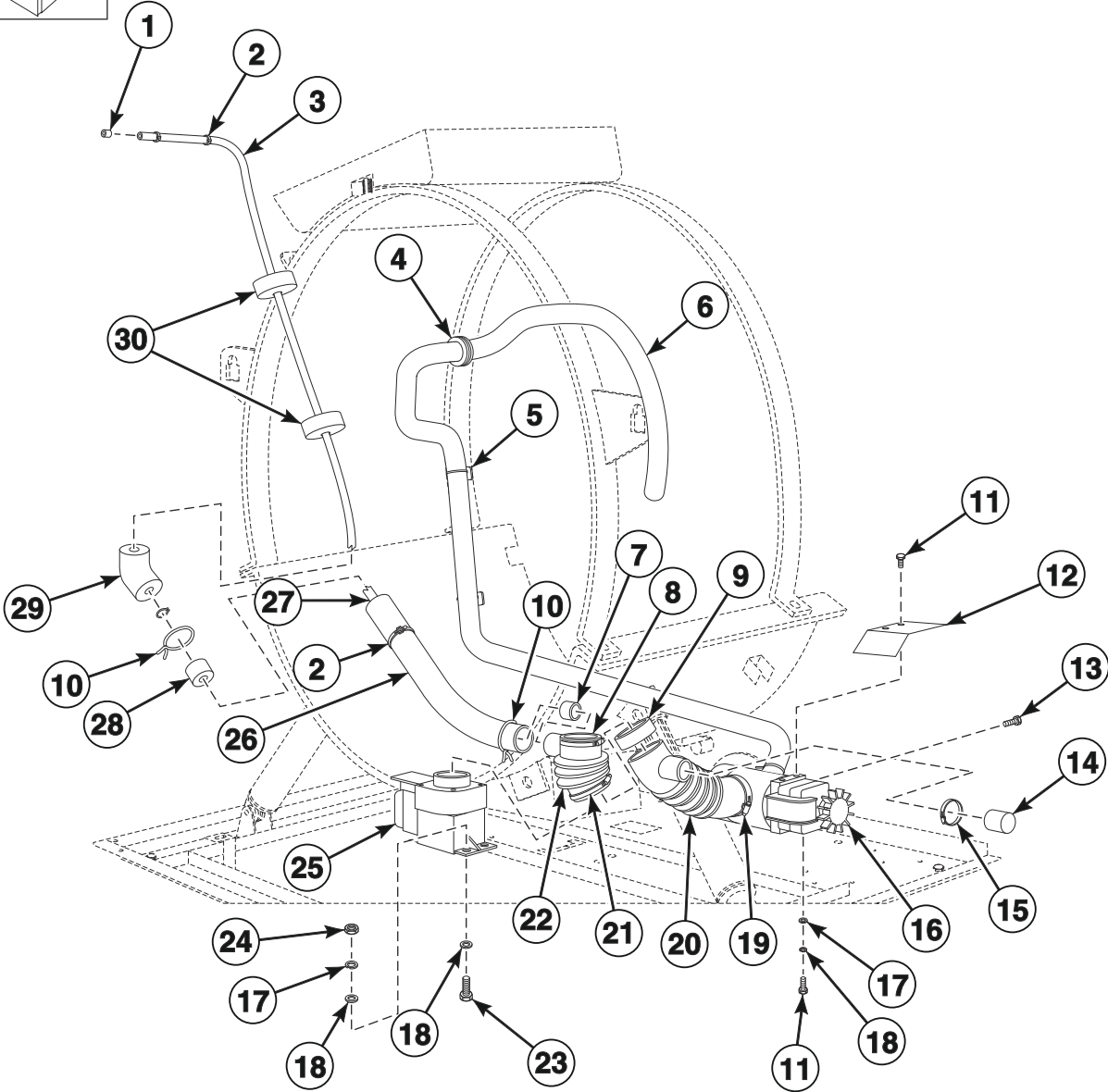
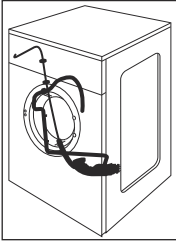


CFD2713P_D1662

Soap Hopper and Top Cover

REF	PART NO.	DESCRIPTION	COMMENTS
1	SP310934240004	Nut	M4
2	SPPRI505038027	Soap Hopper Cover	
3	SPF01121000214	Hopper Cover Lath	
4	SPPRI211000033	Bolt	M4x12
5	SPPRI212002020	Screw	M6x16
6	SP553609	Top Cover	
7	SP500133	Label	Service warning
	SP500134	Label	Transporting braces
8	SP311125000006	Washer	M6
9	SP309933000616	Bolt	M6x16
10	SPPRI240000002	Hose Clamp	
11	SP101745	Hose Pipe	
12	SPPRI240000005	Hose Clamp	
13	SP526331	Soap Hopper to Tub Hose	
14	SPPRI240000007	Hose Clamp	
15	SP518363	Soap Hopper Vent Hose	
16	SP310934240006	Nut	M6
17	SP311127000006	Washer	M6
18	SP311125000006	Washer	M6
19	SP519529	Plug	
20	SP309933000620	Bolt	M6x20
21	SPPRI505000078	T-Part	
22	SP515343	Plug	
23	SPPRI503002049	Air Trap Hose	
24	SPPRI240000003	Hose Clamp	
25	SPPRI505040027	Soap Hopper Outside	
26	SPPRI505041027	Soap Hopper Inside	
27	SPPRI505044027	Protection Plate	
28	SPPRI505045027	Prewash Drawer	
29	SPPRI215000006	Screw	3,2x9,5
30	SPPRI505042027	Last Rinse Box	
31	SPPRI505039027	Soap Hopper Seal	
32	SPPRI505043027	Last Rinse Cylinder	
33	SPPRI505046027	Main Wash Drawer	
34	SPPRI505047027	Last Rinse Slide	
35	SPPRI215000028	Screw	2,2x6,5

Drain Valve and Pump Drain

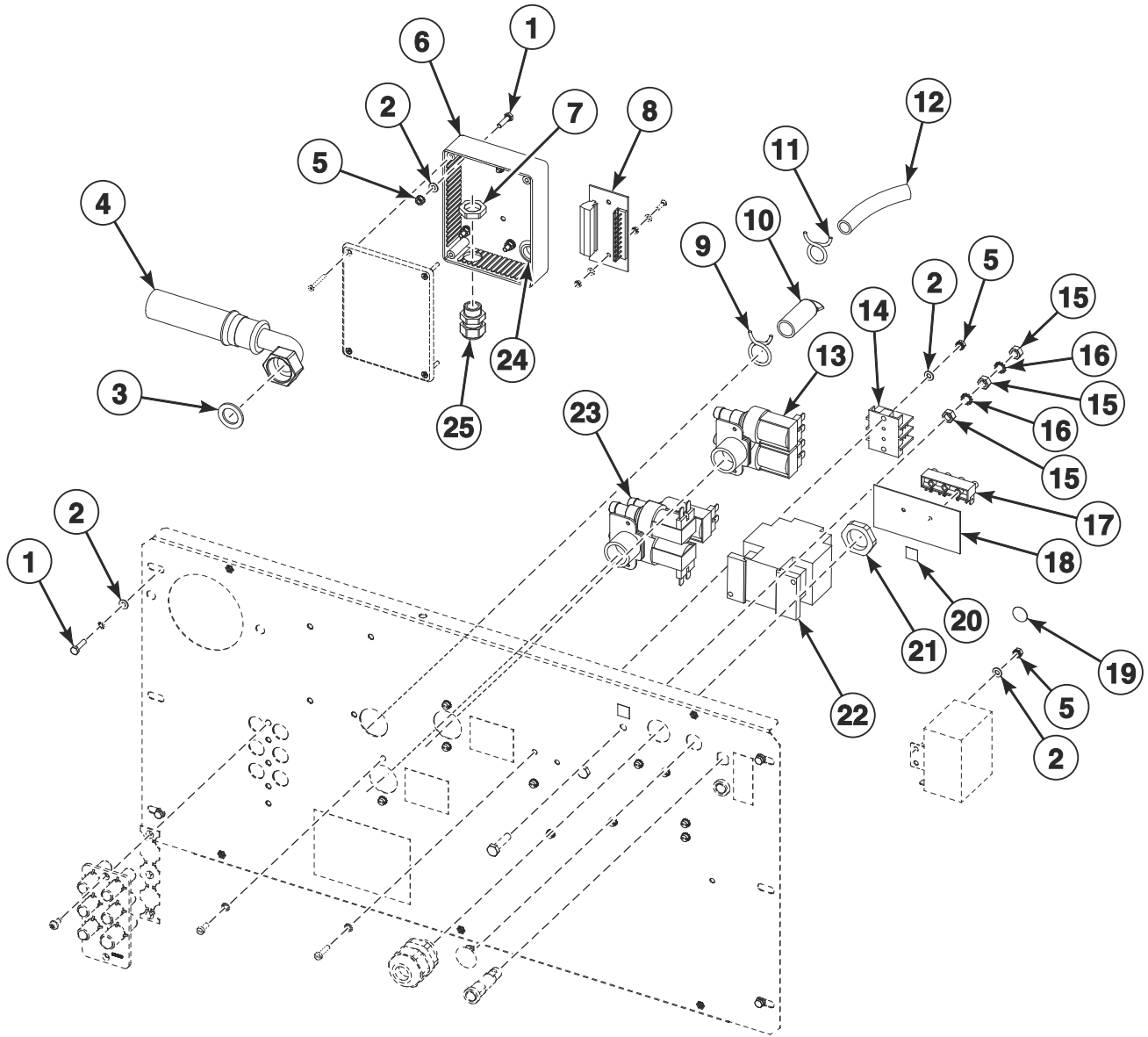


CFD2714P_D1662

Drain Valve and Pump Drain

REF	PART NO.	DESCRIPTION	COMMENTS
	SPPRI505000036	Drain Hose	
1	SP345000160966	Binding Strip	
2	SP345000160971	Binding Strip	
3	SPPRI540001003	Water Level Switch Hose	
4	SPPRI501001078	Bushing	
5	SP502216	Tightening Band Grip	
6	SPPRI504000077	Pump Drain Hose	
7	SP500125	Reinforcement Tube	
8	SPPRI240000021	Hose Clamp	
9	SP509928	Reinforcement Tube	
10	SPPRI241000006	Ring	
11	SP309933000616	Bolt	M6x16
12	SP500140	Pump Cover	
13	SP309916000810	Bolt	M8x10
14	SP509900	Plug	
15	SPPRI240000002	Hose Clamp	
16	SPPRI333000017	Drain Pump	
17	SP311127000006	Washer	6
18	SP311125000006	Washer	6
19	SPPRI240000008	Hose Clamp	
20	SPPRI503000045	Drum to Pump Hose	
21	SPPRI240000017	Hose Clamp	
22	SP101750	Drain Valve Hose	
23	SP309933000620	Bolt	M6x20
24	SP310934000006	Nut	M6
25	SP101783	Drain Valve	2 inch
26	SPPRI503002049	Air Trap Hose	
27	SPPRI241000017	Hose Clamp	
28	SPPRI503000027	Air Trap Reduction	
29	SP100188	Foam Roller	
30	SPPRI503000038	Ring	Foam

Rear Panel (Drawing 1 of 2)

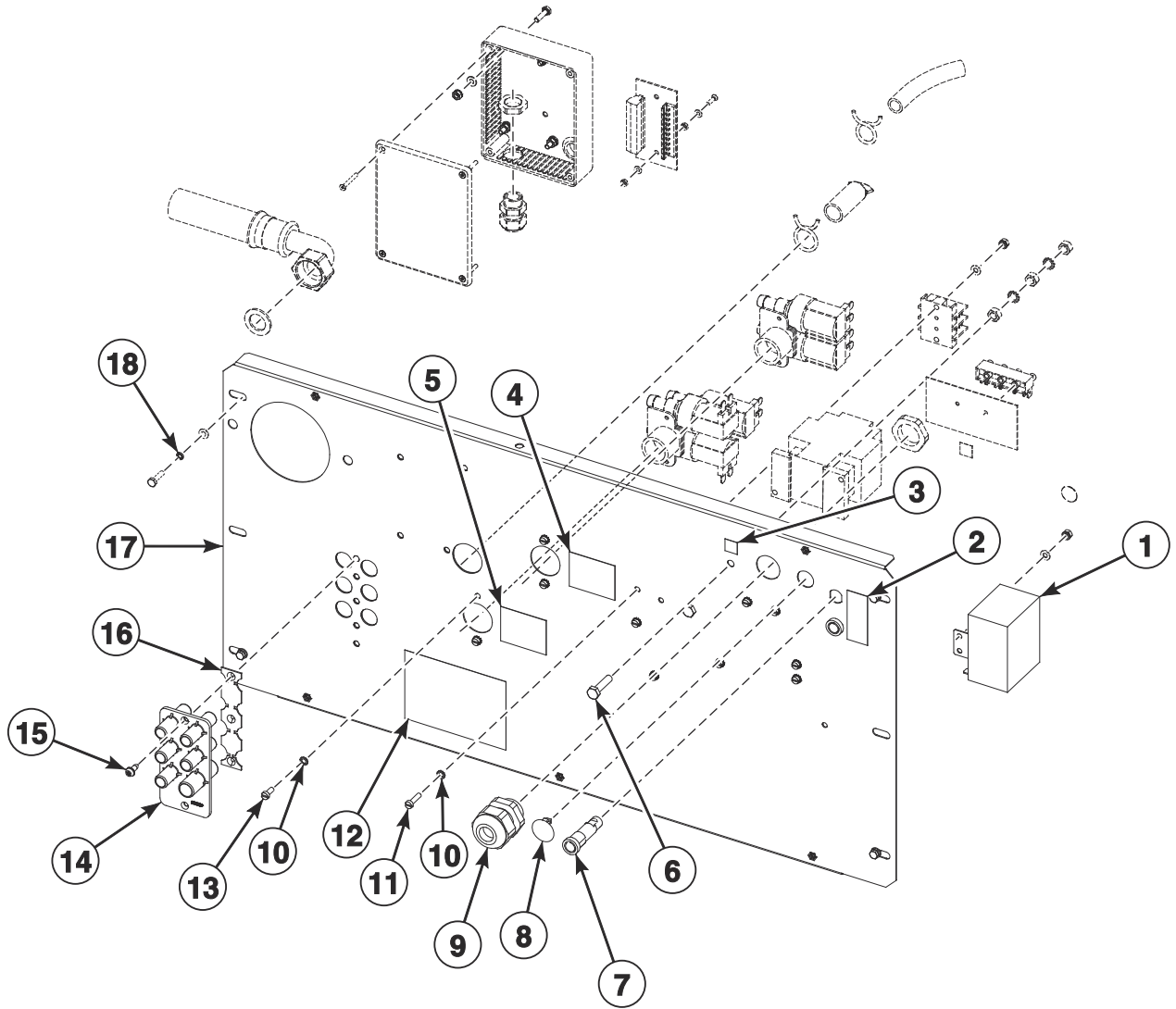


CFD3060P_D1662

Rear Panel (Drawing 1 of 2)

REF	PART NO.	DESCRIPTION	COMMENTS
	SP502216	Tightening Band Grip	
	SPPRI340004030	Filter	Inlet Valve
1	SP309933000416	Bolt	M4x16
2	SP311125000004	Washer	4
3	SPPRI520001009	Seal	
4	SP101621	Filling Hose Pipe	
5	SP506445	Nut	M4
6	SP534273	Box	
7	SP101416	Nut	M16
8	SP524714	Soap Relay Board	
9	SP526134	Clip	D18,5-19,5
10	SP526151	Hose Plug	14
11	SP526133	Clip	D15,5-16
12	SPPRI540020005	Hose	D10/14
13	SPPRI340020035	2-Way Valve	220V
14	SPPRI350020007	Terminal Board	
15	SP310934100006	Nut	M6
16	SP311679824006	Washer	6
17	SPPRI350000007	Terminal Board	4 poles
18	SPPRI350012007	Isolation Paper	
19	SPPRI551006001	Label	PE
20	SPPRI551001001	Label	L1, L2, L3
21	SPPRI350001056	Nut	Swivel
22	SP514038	Contactator	
	SP514039	Contactator	9kW/220V
23	SPPRI340030038	3-Way Valve	220V
24	SP273121013002	Bushing	
25	SP101406	Bushing	M16

Rear Panel (Drawing 2 of 2)

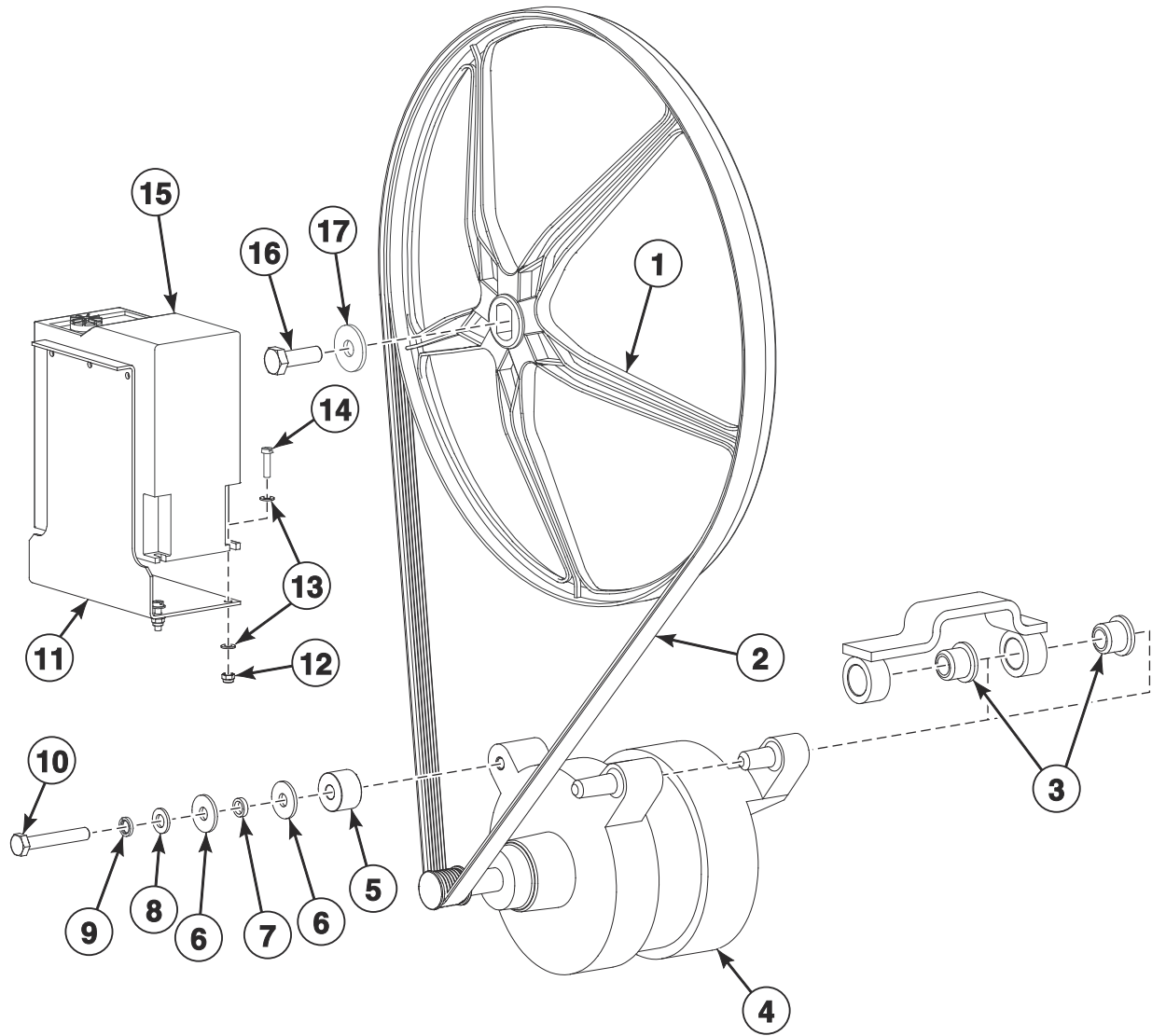


CFD3061P_D1662

Rear Panel (Drawing 2 of 2)

REF	PART NO.	DESCRIPTION	COMMENTS
1	SP514071	Filter	
2	SP500129	Sticker	Fuse 6,3A
	SP500162	Sticker	Fuse 4A/500V
3	SPPRI551000001	Earthing Index Plate	10
4	SP527271	Index Plate	Cold water soft
5	SP527270	Index Plate	Hot water
6	SP309933100625	Bolt	M6x25
7	SPPRI401001020	Fuse Holder	
	SPPRI401003020	Fuse Housing	
	SPPRI401002022	Fuse	6,3A
	SP358251632240	Fuse	4A/500V
	SP344000010000	Fuse	T1A/250V
8	SP345900215120	Plug	
9	SPPRI350000056	Cable Bushing	Swivel
10	SP311679824004	Washer	4
11	SP309084000416	Bolt	M4x16
12	SPPRI551010073	Serial Label	
	SP516715	Transparent Foil	Self adhesive
13	SP309084000410	Bolt	M4x10
14	SP522090	Connection Wall	6 hoses
15	SP510856	Screw	M4x13
16	SP526128	Threaded Plate	
17	SP551194	Rear Panel	
18	SP311127000004	Washer	4

Drive

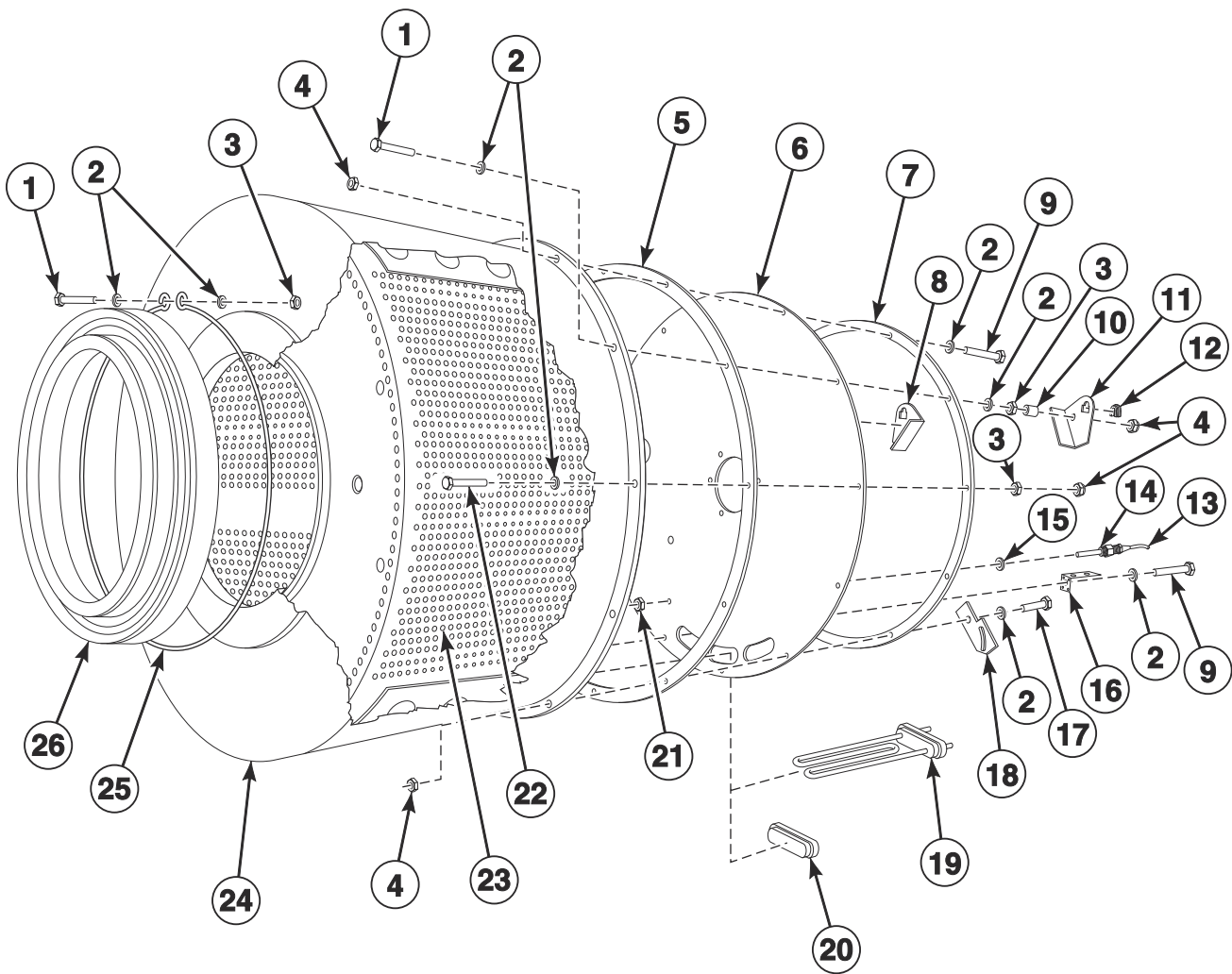
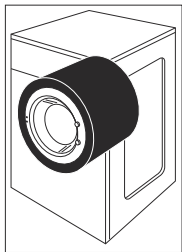


CFD2703P_D1662

Drive

REF	PART NO.	DESCRIPTION	COMMENTS
	SP520046	Communication Cable	
	SP528432	Main Wiring	
	SP528434	Motor Cable	
1	SP509819	Drum V-Pulley	
2	SP509940	Belt	
3	SP500088	Motor Sleeve	
4	SP528431	Motor	
5	SP509974	Distance Case	Models C6 and LAC60
	SP515274	Distance Case	Models C8 and LAC75
6	SP514077	Washer	
7	SP514078	Washer	
8	SP311902100008	Washer	8
9	SP311127000008	Washer	8
10	SP515201	Bolt	5/16 inch x 11/4 inch
11	SP540554	Frequency Inverter Holder	
12	SP514193	Nut	M4
13	SP311125000004	Washer	4
14	SP309084000416	Bolt	M4x16
15	SP528430	Frequency Inverter	
16	SP309933001030	Bolt	M10x30
17	SP311902100010	Washer	10

Tub and Drum

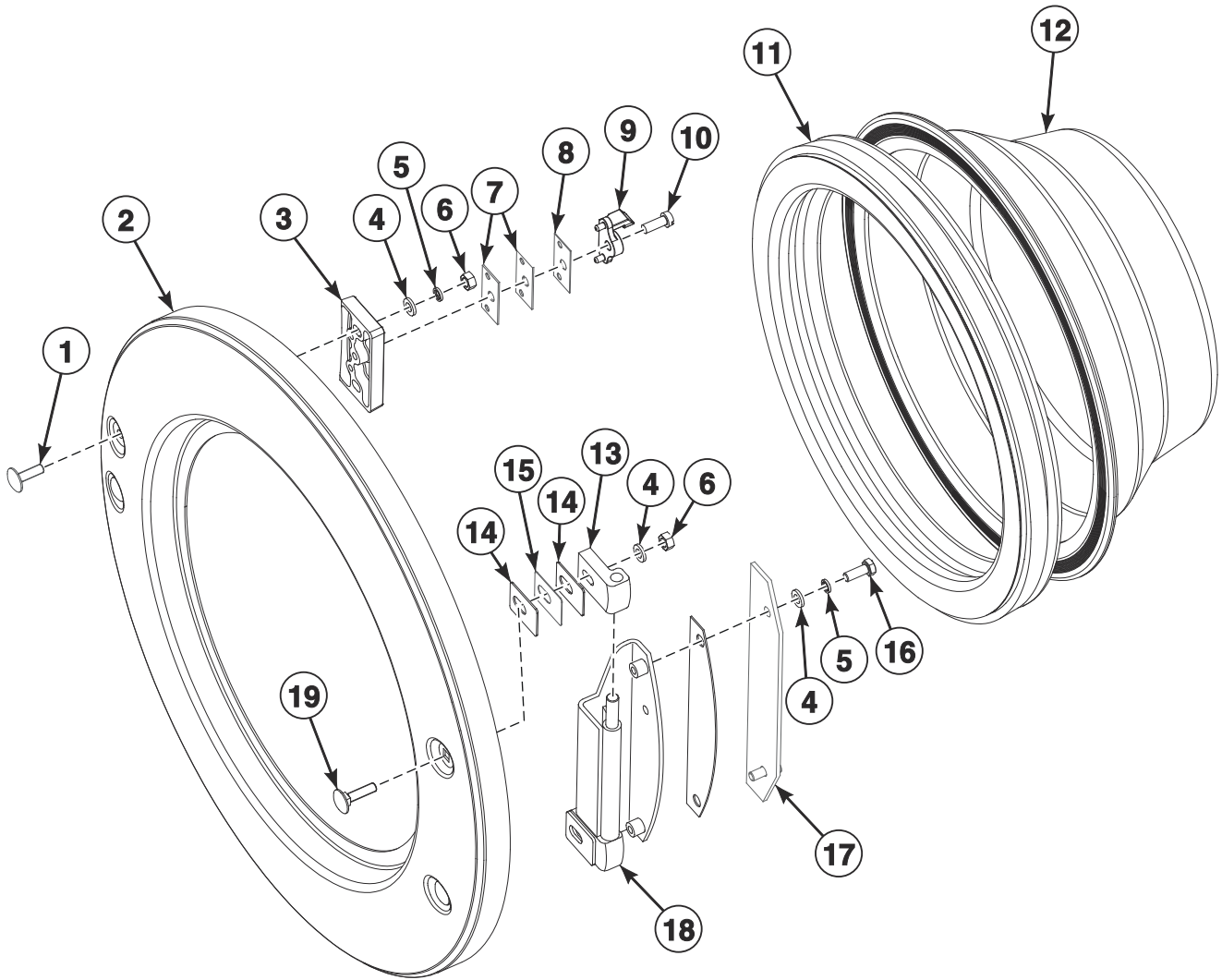


CFD2704P_D1662

Tub and Drum

REF	PART NO.	DESCRIPTION	COMMENTS
1	SP309933000870	Bolt	M8x70
2	SP311125000008	Washer	8
3	SP310934000008	Nut	M8
4	SP310985000008	Nut	M8
5	SPPRI505000001	Tub Seal	Models C6 and LAC60
	SPPRI505010001	Tub Seal	Models C8 and LAC75
6	SPPRI155000166	Tub Rear Panel	Models C6 and LAC60
	SP509938	Tub Rear Panel	Models C8 and LAC75
7	SPR07100010513	Ring	Models C6 and LAC60; 12 holes
	SPPRI155007048	Ring	Models C8 and LAC75; 24 holes
8	SP500094	Spring Holder	Right
9	SP309933000835	Bolt	M8x35
10	SP500107	Distance Bushing	
11	SP500093	Spring Holder	Left
12	SPPRI504000024	Spring Sleeve	
13	SPPRI614000047	Thermostat Sensor Holder	
14	SPPRI340015019	Temperature Sensor	
15	SPPRI524000001	Sealing Ring	
16	SP500135	Wiring Holder	
17	SP309933000840	Bolt	M8x40
18	SP509973	Motor Holder	
19	SP540126	Heating Element	2000W
	SP100383	Heating Element	2750W
	SP540128	Heating Element	3000W; 265mm
20	SPPRI342001016	Heating Element Hole Plug	
21	SPPRI614000048	Nut	
22	SP509976	Bolt	M8x60
23	SP518200	Drum	Models C6 and LAC60
	SP518135	Drum	Models C8 and LAC75
24	SP515393	Tub	Models C6 and LAC60
	SP515394	Tub	Models C8 and LAC75
25	SPPRI185000112	Clip	
26	SP526344	Collar	

Door

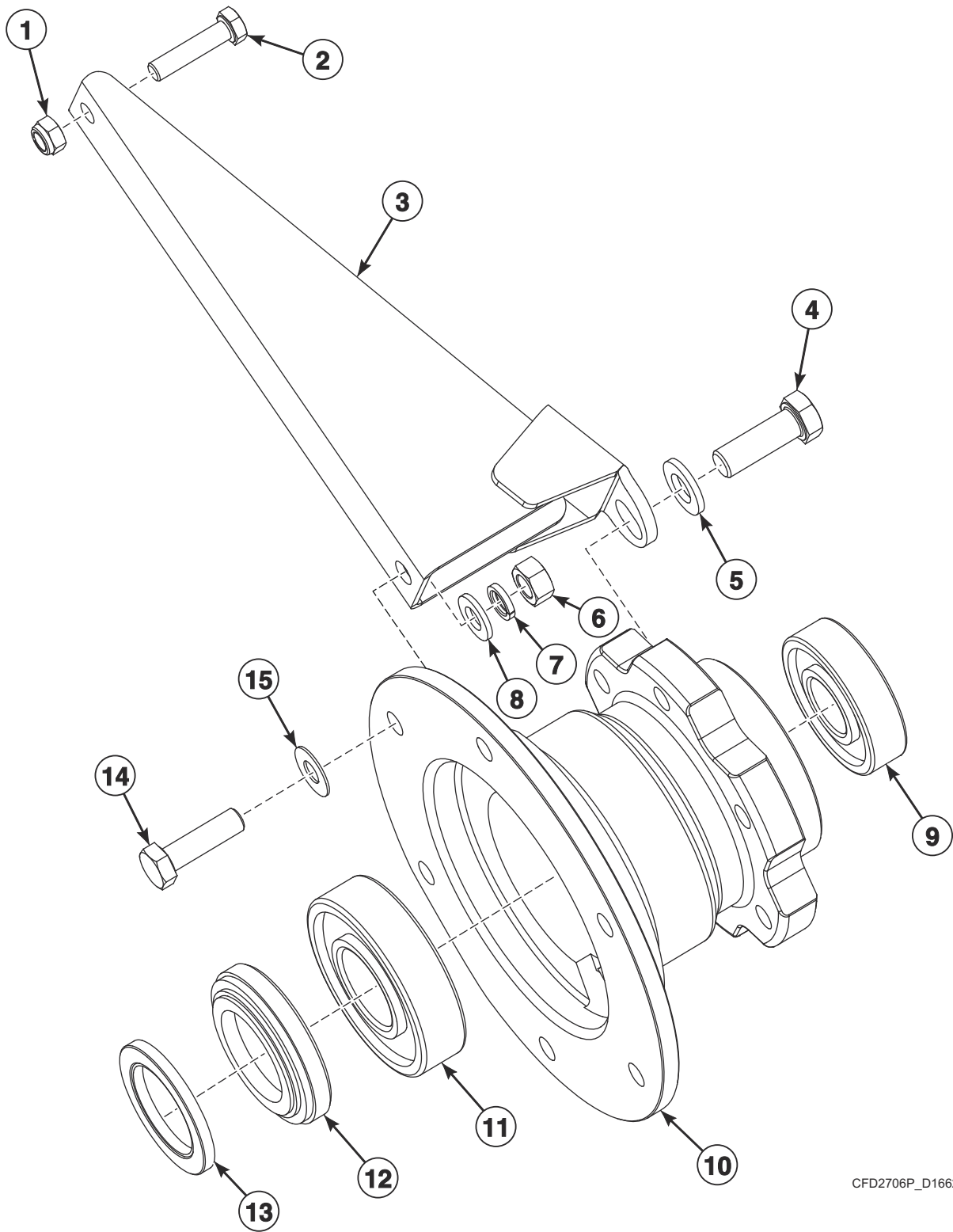


CFD2705P_D1662

Door

REF	PART NO.	DESCRIPTION	COMMENTS
	SP245704003021	Adhesive	Used with items 1, 10 and 16
1	SPPRI212000032	Bolt	M6x20
2	SP553581	Door	
3	SP500084	Washer	
4	SP311125240006	Washer	6
5	SP311127240006	Washer	6
6	SP310934240006	Nut	M6
7	SP500130	Washer	
8	SP554312	Shim	
9	SPPRI610000076	Door Catch	
10	SP309084240616	Bolt	M6x16
11	SPPRI503000004	Door Seal	
12	SPPRI505000044	Door Glass	
13	SPPRI610000126	Door Hinge Block	
14	SPPRI610001122	Washer	
15	SP554313	Washer	
16	SP309933240616	Bolt	M6x16
17	SP500086	Door Reinforcement	
18	SP500080	Door Hinge	
19	SP516877	Bolt	M6x25

Trunnion - C6 and LAC60 Models

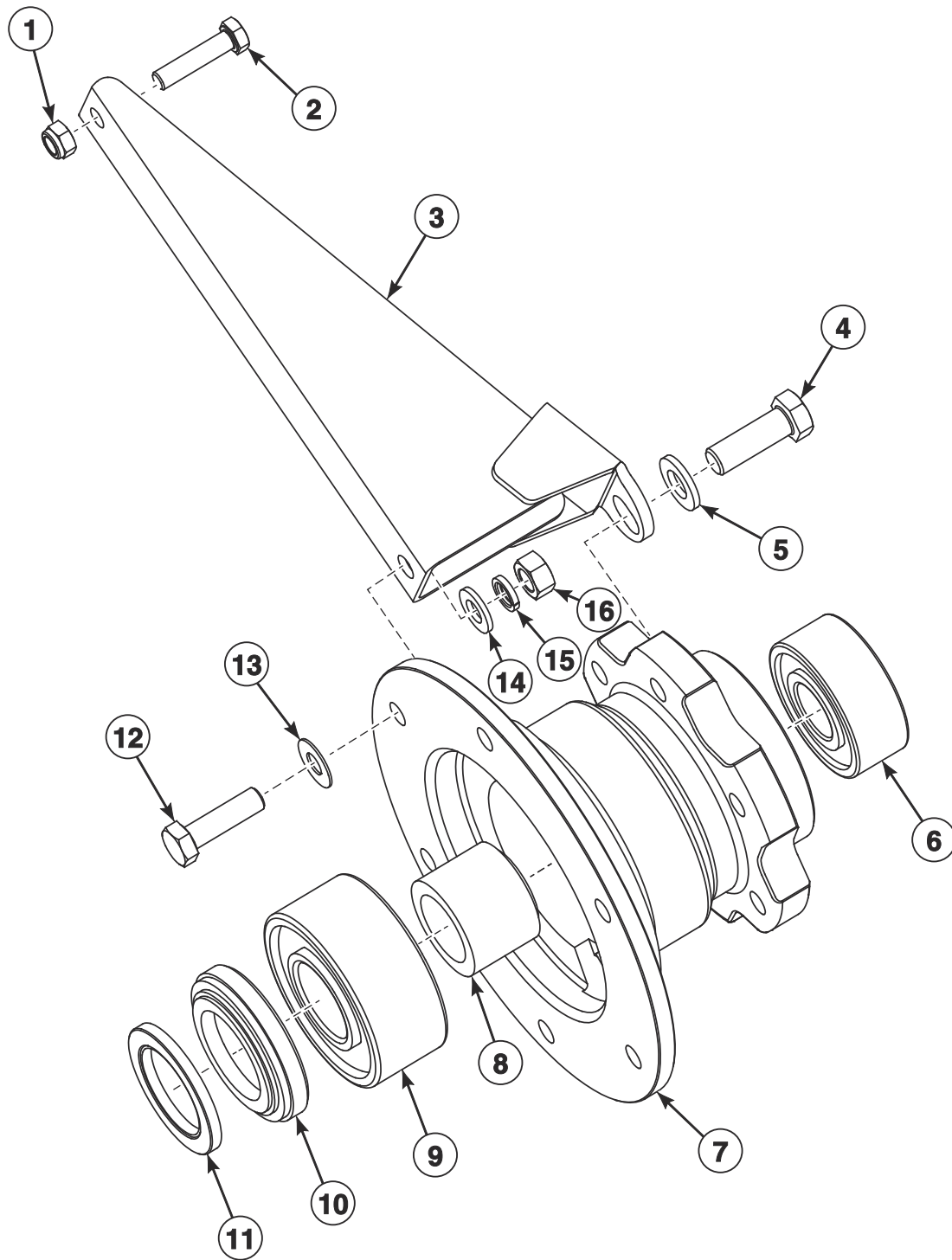


CFD2706P_D1662

Trunnion - C6 and LAC60 Models

REF	PART NO.	DESCRIPTION	COMMENTS
	SP527240	Bearing Housing	
	SP245704000603	Adhesive	Used with items 9 and 11; Loctite
1	SP310985000008	Nut	M8
2	SP309933000835	Bolt	M8x35
3	SP509870	Spoke	
4	SP309933001235	Bolt	M12x35
5	SP311125000013	Washer	13
6	SP310934000010	Nut	M10
7	SP311127000010	Washer	M10
8	SP311125000010	Washer	10
9	SPPRI608000041	Bearing	
10	SP526699	Bearing Housing	
11	SPPRI608001048	Bearing	
12	SPPRI530000012	Axial Seal	
13	SPPRI530001013	Counter Ring	
14	SP309933241035	Bolt	M10x35
15	SPPRI230000003	Washer	22x10x1

Trunnion - C8 and LAC75 Models



CFD2707P_D1662

Trunnion - C8 and LAC75 Models

REF	PART NO.	DESCRIPTION	COMMENTS
	SP509898	Bearing Housing	
	SP245704000603	Adhesive	Used with items 6 and 9; Loctite
1	SP310985000008	Nut	M8
2	SP309933000835	Bolt	M8x35
3	SP509870	Spoke	
4	SP309933001235	Bolt	M12x35
5	SP311125000013	Washer	13
6	SP510904	Bearing	
7	SP509835	Bearing Housing	
8	SP509922	Distance Ring	
9	SP510903	Bearing	
10	SPPRI530000012	Axial Seal	
11	SPPRI530001013	Counter Ring	
12	SP309933241035	Bolt	M10x35
13	SPPRI230000003	Washer	22x11x3
14	SP311125000010	Washer	10
15	SP311127000010	Washer	10
16	SP310934000010	Nut	M10

Parts Index

A

Adhesive	
SP245704000603	29, 31
SP245704003021	27
Adjustable Foot	
SPPRI504000001	5
Air Trap Holder	
SP553632	5
Air Trap Hose	
SPPRI503002049	15, 17
Air Trap Reduction	
SPPRI503000027	17
Axial Seal	
SPPRI530000012	29, 31

B

Bearing	
SPPRI608000041	29
SPPRI608001048	29
SP510903	31
SP510904	31
Bearing Housing	
SP509835	31
SP509898	31
SP526699	29
SP527240	29
Bed	
SP551029	5
SP551082	5
Belt	
SP509940	23
Binding Strip	
SP345000160966	17
SP345000160971	17
Bolt	
SPPRI202001001	5
SPPRI211000033	15
SPPRI212000032	27
SP309084000408	13
SP309084000410	21
SP309084000416	7, 21, 23
SP309084240616	27
SP309798500306	9, 11
SP309798500325	7
SP309798524408	7
SP309916000810	17
SP309931001140	5
SP309933000416	19
SP309933000616	7, 13, 15, 17
SP309933000620	15, 17
SP309933000835	25, 29, 31
SP309933000840	25
SP309933000870	25
SP309933001030	5, 23
SP309933001050	5
SP309933001235	29, 31
SP309933100625	21
SP309933240412	5
SP309933240616	27

SP309933241035	29, 31
SP309963240610	7
SP509976	25
SP515201	23
SP516877	27
SP533726	5
Box	
SP534273	19
Bushing	
SPPRI501001078	17
SP101406	19
SP273121013002	19
Button	
SP100195	11

C

Cabinet	
SP553606	7
Cabinet Shell	
SP553642	7
SP553643	7
Cable Bushing	
SPPRI350000056	21
SPPRI501000071	5
Clip	
SPPRI185000112	25
SP526133	19
SP526134	19
Coin Box Lock Cam	
SPR07A18100214	13
Coin Meter Holder	
SP517353	13
Coin Vault	
SP321848140028	13
SP521472	13
Coin Vault Frame	
SP501514	13
Coin Vault Lock	
SPPRI610001028	13
Collar	
SP526344	25
Communication Cable	
SP520046	23
Complete Angle I	
SP519533	7
Complete Angle II	
SP519534	7
Connection Wall	
SP522090	21
Contacto	
SP514038	19
SP514039	19
Control Board	
SP526004	9, 11
Counter Ring	
SPPRI530001013	29, 31

N/A items do not appear in index.

D

Damper	
SP533715	5
Disc Timer Indicator	
SPR07A18100114	13
Distance Bushing	
SP500107	25
Distance Case	
SP509974	23
SP515274	23
Distance Ring	
SP509922	31
Door	
SP553581	27
Door Catch	
SPPRI610000076	27
Door Glass	
SPPRI505000044	27
Door Hinge	
SP500080	27
Door Hinge Block	
SPPRI610000126	27
Door Lock	
SPPRI610000075	7
Door Reinforcement	
SP500086	27
Door Seal	
SPPRI503000004	27
Drain Hose	
SPPRI505000036	17
Drain Pump	
SPPRI333000017	17
Drain Valve	
SP101783	17
Drain Valve Hose	
SP101750	17
Drum	
SP518135	25
SP518200	25
Drum to Pump Hose	
SPPRI503000045	17
Drum V-Pulley	
SP509819	23

E

Earthing Index Plate	
SPPRI551000001	21
Elbow	
SPPRI504000021	7
Emergency Opening Draw Bar	
SP509941	7

F

Filling Hose Pipe	
SP101621	19
Filter	
SPPRI340004030	19

N/A items do not appear in index.

SP514071	21
Foam Roller	
SP100188	17
Frame	
SP547436	5
SP551026	5
Frequency Inverter	
SP528430	23
Frequency Inverter Holder	
SP540554	23
Front Flange	
SP500049	5
Fuse	
SPPRI401002022	21
SP344000010000	21
SP358251632240	21
Fuse Holder	
SPPRI401001020	21
Fuse Housing	
SPPRI401003020	21

H

Heating Element	
SP100383	25
SP540126	25
SP540128	25
Heating Element Hole Plug	
SPPRI342001016	25
Hopper Cover Lath	
SPF01121000214	15
Hose	
SPPRI540020005	19
Hose Clamp	
SPPRI240000002	15, 17
SPPRI240000003	15
SPPRI240000005	15
SPPRI240000007	15
SPPRI240000008	7, 17
SPPRI240000017	17
SPPRI240000021	17
SPPRI241000017	17
Hose Pipe	
SP101745	15
Hose Plug	
SP526151	19

I

Index Plate	
SP527270	21
SP527271	21
Isolation Paper	
SPPRI350012007	19

K

Keyboard	
SP553631	9, 11

L

Label	
SPPRI551001001	19
SPPRI551006001	19
SP500133	15
SP500134	15
SP551190.....	11
Last Rinse Box	
SPPRI505042027	15
Last Rinse Cylinder	
SPPRI505043027	15
Last Rinse Slide	
SPPRI505047027	15
Lower Weight	
SP500091	5

M

Main Wash Drawer	
SPPRI505046027	15
Main Wiring	
SP528432	23
Memory	
SP526001	9, 11
Microswitch	
SPPRI610028017	7
Microswitch Holder	
SP552767	7
Motor	
SP528431	23
Motor Cable	
SP528434	23
Motor Holder	
SP509973	25
Motor Sleeve	
SP500088	23

N

Nut	
SPPRI225000025	13
SPPRI225000026	13
SPPRI350001056	19
SPPRI614000048	25
SP101416	19
SP310934000003	7
SP310934000004	5, 7
SP310934000006	7, 17
SP310934000008	25
SP310934000010	29, 31
SP310934100006	19
SP310934240004	15
SP310934240006	15, 27
SP310934244020	5
SP310985000005	5
SP310985000008	25, 29, 31
SP310985000010	5
SP506445	19
SP514193	23

P

Plug	
SP345900043132.....	7
SP345900215120.....	21
SP509900.....	17
SP515343.....	15
SP519529.....	15
Prewash Drawer	
SPPRI505045027	15
Protection Plate	
SPPRI505044027	15
Pump Cover	
SP500140.....	17
Pump Drain Hose	
SPPRI504000077	17
Push Button Cover	
SPPRI543000003.....	11

R

Rear Flange	
SP553613.....	5
Rear Panel	
SP551079.....	7
SP551194.....	21
SP551200.....	7
Reinforcement Tube	
SP500125.....	17
SP509928.....	17
Ring	
SPPRI155007048.....	25
SPPRI241000006.....	17
SPPRI503000038.....	17
SPR07100010513.....	25

S

Screw	
SPPRI212002020.....	15
SPPRI215000006.....	15
SPPRI215000028.....	15
SP510856.....	21
Seal	
SPPRI520001009.....	19
Sealing Ring	
SPPRI524000001.....	25
Serial Label	
SPPRI551010073.....	21
Shim	
SP554312.....	27
Soap Hopper Cover	
SPPRI505038027	15
Soap Hopper Inside	
SPPRI505041027	15
Soap Hopper Outside	
SPPRI505040027	15
Soap Hopper Seal	
SPPRI505039027	15
Soap Hopper to Tub Hose	
SP526331.....	15

N/A items do not appear in index.

Soap Hopper Vent Hose SP518363	15
Soap Relay Board SP524714	19
Spacer SP100177	7
Spoke SP509870	29, 31
Spring SPPRI611000056	7
SPPRI611000090	7
SPPRI611000091	7
Spring Holder SPPRI543000027	7
SP500093	25
SP500094	25
Spring Sleeve SPPRI504000024	5, 7, 25
Sticker SP500129	21
SP500162	21

T

Temperature Sensor SPPRI340015019	25
Terminal Board SPPRI350000007	19
SPPRI350020007	19
Thermostat Sensor Holder SPPRI614000047	25
Threaded Plate SP526128	21
Tightening Band Grip SP502216	17, 19
Top Cover SP553609	15
T-Part SPPRI505000078	15
Transparent Foil SP516715	21
Tub SP515393	25
SP515394	25
Tub Rear Panel SPPRI155000166	25
SP509938	25
Tub Seal SPPRI505000001	25
SPPRI505010001	25

U

Upper Weight SP509997	5
--------------------------------	---

V

Valve, 2-Way SPPRI340020035	19
--------------------------------------	----

Valve, 3-Way SPPRI340030038	19
Vent Hose SPPRI504000019	7
Vibration Limiter SP500104	5
Vibration Switch Holder SP500103	7

W

Washer SPPRI230000003	29, 31
SPPRI231000038	13
SPPRI247000009	13
SPPRI610001122	27
SP311125000003	7
SP311125000004	5, 7, 19, 23
SP311125000006	15, 17
SP311125000008	25
SP311125000010	5, 29, 31
SP311125000013	29, 31
SP311125240006	13, 27
SP311127000004	5, 7, 21
SP311127000006	7, 15, 17
SP311127000008	23
SP311127000010	29, 31
SP311127240006	27
SP311679800003	9, 11
SP311679824004	7, 13, 21
SP311679824006	13, 19
SP311734900006	13
SP311902100004	7, 13
SP311902100006	7
SP311902100008	23
SP311902100010	5, 23
SP500084	27
SP500130	27
SP514077	23
SP514078	23
SP526196	5
SP554313	27
Water Level Switch Hose SPPRI540001003	17
Wiring Holder SP500135	25

N/A items do not appear in index.