

# Washer-Extractor

40 and 180 Models

Refer to Page 5 for Model Numbers





# Table of Contents

Title	Page
Parts Ordering Information.....	4
Serial Plate Location .....	4
Model Identification .....	5
Logo Label .....	6
Upper Frame.....	8
Lower Frame.....	10
Stabilizing Springs - H180, HY, IY, J, NY, SY and UY Models.....	12
Stabilizing Springs - AF, FX, HX, L, M, PY and SW Models.....	14
Stabilizing Springs - AF, IY, JY and NY Models.....	16
Stabilizing Springs - FX and PY Models.....	18
Cabinet - HY, NY, SY and UY Models (Drawing 1 of 2).....	20
Cabinet - HY, NY, SY and UY Models (Drawing 2 of 2).....	22
Cabinet - H180, IY and J Models (Drawing 1 of 2).....	24
Cabinet - H180, IY and J Models (Drawing 2 of 2).....	26
Cabinet - AF, FX, HX, L, M, PY and SW Models (Drawing 1 of 2).....	28
Cabinet - AF, FX, HX, L, M, PY and SW Models (Drawing 2 of 2).....	30
Cabinet - AF, IY, JY and NY Models (Drawing 1 of 3).....	32
Cabinet - AF, IY, JY and NY Models (Drawing 2 of 3).....	34
Cabinet - AF, IY, JY and NY Models (Drawing 3 of 3).....	36
Cabinet - FX and PY Models (Drawing 1 of 2).....	38
Cabinet - FX and PY Models (Drawing 2 of 2).....	40
Control Panel - HY, NY, SY and UY Models.....	42
Control Panel - CE and Watermark NY and SY Vended Models (Drawing 1 of 3).....	44
Control Panel - CE and Watermark NY and SY Vended Models (Drawing 2 of 3).....	46
Control Panel - CE and Watermark NY and SY Vended Models (Drawing 3 of 3).....	48
Control Panel - H180, IY and J Models.....	50
Control Panel - CE and Watermark H180, IY and J Vended Models (Drawing 1 of 3).....	52
Control Panel - CE and Watermark H180, IY and J Vended Models (Drawing 2 of 3).....	54
Control Panel - CE and Watermark H180, IY and J Vended Models (Drawing 3 of 3).....	56
Control Panel - AF, FX, HX, L, M, PY and SW Models (Drawing 1 of 2).....	58
Control Panel - AF, FX, HX, L, M, PY and SW Models (Drawing 2 of 2).....	60
Coin Meter - AF, FX, L, M and PY Models (Drawing 1 of 4).....	62
Coin Meter - AF, FX, L, M and PY Models (Drawing 2 of 4).....	64
Coin Meter - AF, FX, L, M and PY Models (Drawing 3 of 4).....	66
Coin Meter - AF, FX, L, M and PY Models (Drawing 4 of 4).....	68
Control Panel OPL - AF, IY and NY Models.....	70
Control Panel Vended - AF, IY and NY Models.....	72
Control Panel for Central Payment System - AF, IY and NY Models.....	74
Control Panel OPL - AF, IY, JY and NY Models.....	76
Control Panel Vended - AF, IY, JY and NY Models.....	78
Control Panel for Central Payment System - AF, IY, JY and NY Models.....	80

© Copyright 2022, Alliance Laundry Systems LLC

All rights reserved. No part of the contents of this book may be reproduced or transmitted in any form or by any means without the expressed written consent of the publisher.

Control Panel OPL - FX and PY Models .....	82
Control Panel OPL - FX and PY Models .....	84
Control Panel Vended - FX and PY Models.....	86
Control Panel Vended - FX and PY Models.....	88
Control Panel for Central Payment System - FX and PY Models .....	90
Control Panel for Central Payment System - FX and PY Models .....	92
Coin Meter Box .....	94
Coin Meter Box - AF, IY and NY Models .....	96
Coin Meter - AF, IY and NY Models (Drawing 1 of 3).....	98
Coin Meter - AF, IY and NY Models (Drawing 2 of 3).....	100
Coin Meter - AF, IY and NY Models (Drawing 3 of 3).....	102
Door (Drawing 1 of 3) .....	104
Door (Drawing 2 of 3).....	106
Door (Drawing 3 of 3).....	108
Door - AF, IY, JY and NY Models .....	110
Door - FX and PY Models .....	112
Door Lock - Models with Serial No. Through 180FX017986SF .....	114
Door Lock - Models with Serial No. Starting 180FX017987SF .....	116
Water Inlet System (Drawing 1 of 2).....	118
Water Inlet System (Drawing 2 of 2).....	120
Water Inlet System - Optional (Drawing 1 of 2).....	122
Water Inlet System - Optional (Drawing 2 of 2).....	124
Two Water Inlet System.....	126
Three Water Inlet System .....	128
Two Water Inlet System - Optional .....	130
Three Water Inlet System - Optional.....	132
Two Water Inlet System without Soap Hopper .....	134
Three Water Inlet System without Soap Hopper.....	136
Cabinet Reinforcement without Soap Hopper.....	138
Drain System .....	140
Drain System .....	142
Drain System - J Models with V in 7th Position.....	144
Rear Panel (Drawing 1 of 3) .....	146
Rear Panel (Drawing 2 of 3) .....	148
Rear Panel (Drawing 3 of 3) .....	150
Rear Panel - 230-400V with Neutral (Drawing 1 of 2).....	152
Rear Panel - 230-400V with Neutral (Drawing 2 of 2).....	154
Rear Panel - 400-440V Models (Drawing 1 of 2).....	156
Rear Panel - 400-440V Models (Drawing 2 of 2).....	158
Rear Panel - 230-400V CE Models with Neutral (Drawing 1 of 2).....	160
Rear Panel 230-400V CE Models with Neutral (Drawing 2 of 2) .....	162
Rear Panel - CE Models 400-440V (Drawing 1 of 2).....	164
Rear Panel - CE Models 400-440V (Drawing 2 of 2).....	166
Rear Panel 230-400V Models with Neutral - FX and PY Models with V in 7th Position.....	168
Rear Panel 230-400V Models with Neutral - FX and PY Models with V in 7th Position.....	170
Rear Panel - 400V / 440V-480V Models (Drawing 1 of 2).....	172
Rear Panel - 400V / 440V-480V Models (Drawing 2 of 2).....	174
Steam Heating - All Models Except Models with V in 7th Position.....	176
Steam Heating - Models with V in 7th Position .....	178
Washing Drum and Tub - All Models Except Models with V in 7th Position .....	180



Washing Drum and Tub - Models with V in 7th Position (Drawing 1 of 2) .....	182
Washing Drum and Tub - Models with V in 7th Position (Drawing 2 of 2) .....	184
Soft Wash - With Built-In Recirculation Pump.....	186
Soft Wash - Without Built-In Recirculation Pump.....	188
Drive.....	190
Bearing Housing .....	192
Weighing System .....	194
Liquid Soap Supply System - Pumps.....	196
Elevated Base Frame .....	198
Base Frame with Built-In Filter .....	200
Filter Tank .....	202
Wire Harnesses .....	204
Parts Index.....	205

## Parts Ordering Information

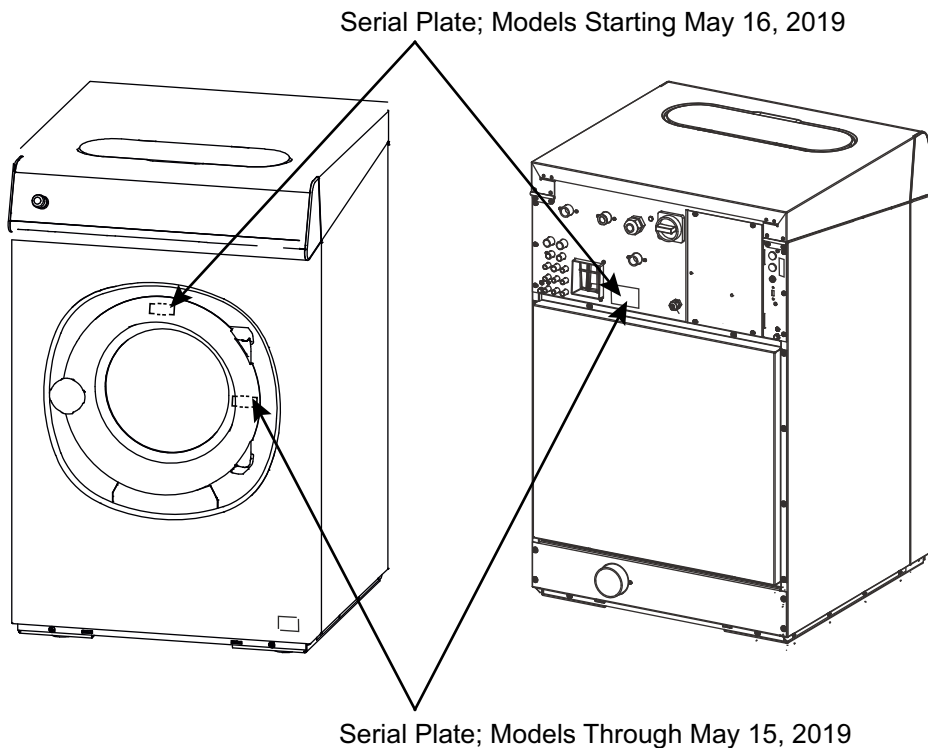
If literature or replacement parts are required, contact the source from whom the machine was purchased or contact Alliance Laundry Systems at (920) 748-3950 for the name and address of the nearest authorized parts distributor.

For technical assistance, call the number listed below:

(920) 748-3121 Ripon, Wisconsin

## Serial Plate Location

When calling or writing about your product, be sure to mention model and serial numbers. Model and serial numbers are located on serial plate(s).



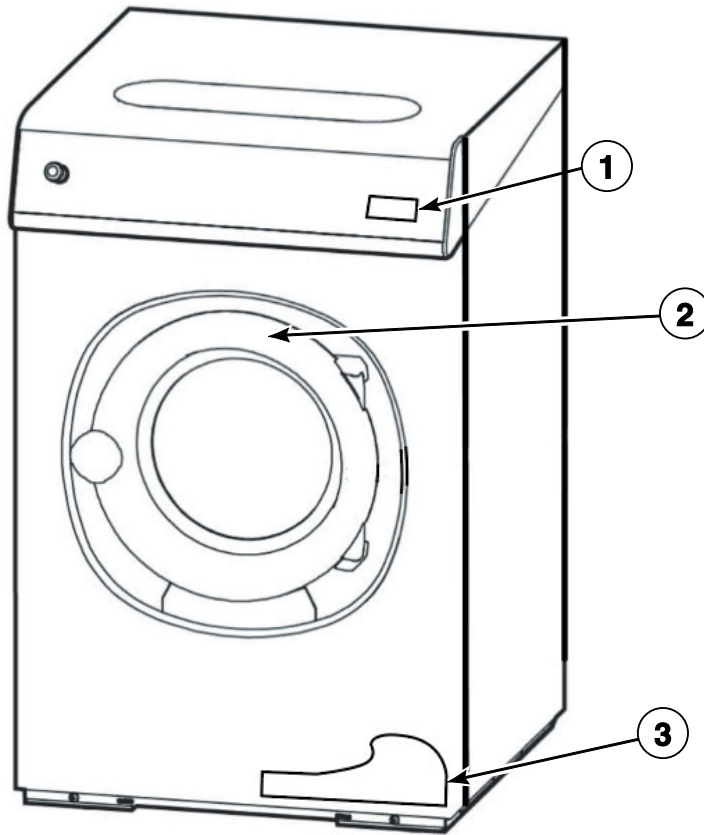
CFS1954P\_D1714

## Model Identification

Information in this manual is applicable to these washer-extractor models:

AF180_X_CONTROL	IYA180V	LYX180T	SW180
AF180_BASIC	IYB180J	LYX180X	SW20
AF180_PROFESSIONAL	IYB180R	LYY180T	SYB180A
FX180_X_CONTROL	IYC180J	LYY180X	SYB180D
FX180_X_CONTROL_PLUS	IYC180R	NYA180V	SYC180A
HX180_X_CONTROL	IYC180V	NYC180T	SYC180D
HX180_X_CONTROL_PLUS	IYE180J	NYC180V	SYE180A
HY180_HC-200	IYE180R	NYC180X	SYE180D
HY40_HC-200	IYE180V	NYE180T	SYG180A
IY180_ARIES	IYG180J	NYE180V	SYG180D
IY180_ARIES-ELITE	IYG180R	NYE180X	SYH180A
IY180_EVOLIS_OPL	IYH180J	NYH180T	SYM180A
IY180_EVOLIS_VEND	IYH180R	NYH180X	SYM180D
IY40_ARIES	IYM180J	NYM180T	SYN040D
IY40_ARIES-ELITE	IYM180R	NYM180X	SYQ180A
JLA40_ARIES	IYN040R	NYR180T	SYQ180D
JLA40_ARIES_ELITE	IYQ180J	NYR180V	SYR180A
JLA40C_ARIES	IYQ180R	NYR180X	SYR180D
JLA40C_ARIES_ELITE	IYR180J	NYU180T	SYU180A
LPRFRAF180E	IYR180R	NYU180V	SYU180D
MWFX40_X_CONTROL	IYR180V	NYU180X	SYW180A
MWFX40_X_CONTROL_PLUS	IYU180J	NYX180T	SYW180D
PY180_X_CONTROL_FLEX	IYU180R	NYX180V	SYX180A
PY40_X_CONTROL	IYU180V	NYX180X	SYX180D
PY40_X_CONTROL_PLUS	IYW180J	NYY180T	SYY180A
SY180_KIS_PHOTO-ME	IYW180R	NYY180X	SYY180D
SY180_QED	IYX180J	PYA180V	UYB180I
SY180_QED-SELECT	IYX180R	PYC180T	UYC180I
SY40_QED-SELECT	IYX180V	PYC180V	UYE180I
UY180_PROFORM	IYY180J	PYC180X	UYG180I
UY40_PROFORM	IYY180R	PYE180T	UYH180I
HYB180F	JYC180J	PYE180V	UYM180I
HYC180F	JYC180R	PYE180X	UYN040I
HYE180F	JYE180J	PYH180T	UYQ180I
HYG180F	JYE180R	PYH180X	UYR180I
HYH180F	JYE180V	PYM180T	UYU180I
HYM180F	JYH180J	PYM180X	UYW180I
HYN040F	JYH180R	PYN040T	UYX180I
HYQ180F	JYX180J	PYN040X	UYZ180I
HYR180F	JYX180R	PYR180T	
HYU180F	LYC180T	PYR180V	
HYW180F	LYC180X	PYR180X	
HYX180F	LYE180T	PYU180T	
	LYE180X	PYU180V	
	LYH180T	PYU180X	
	LYH180X	PYX180T	
	LYU180T	PYX180V	
	LYU180X	PYX180X	
		PYY180T	
		PYY180X	

# Logo Label

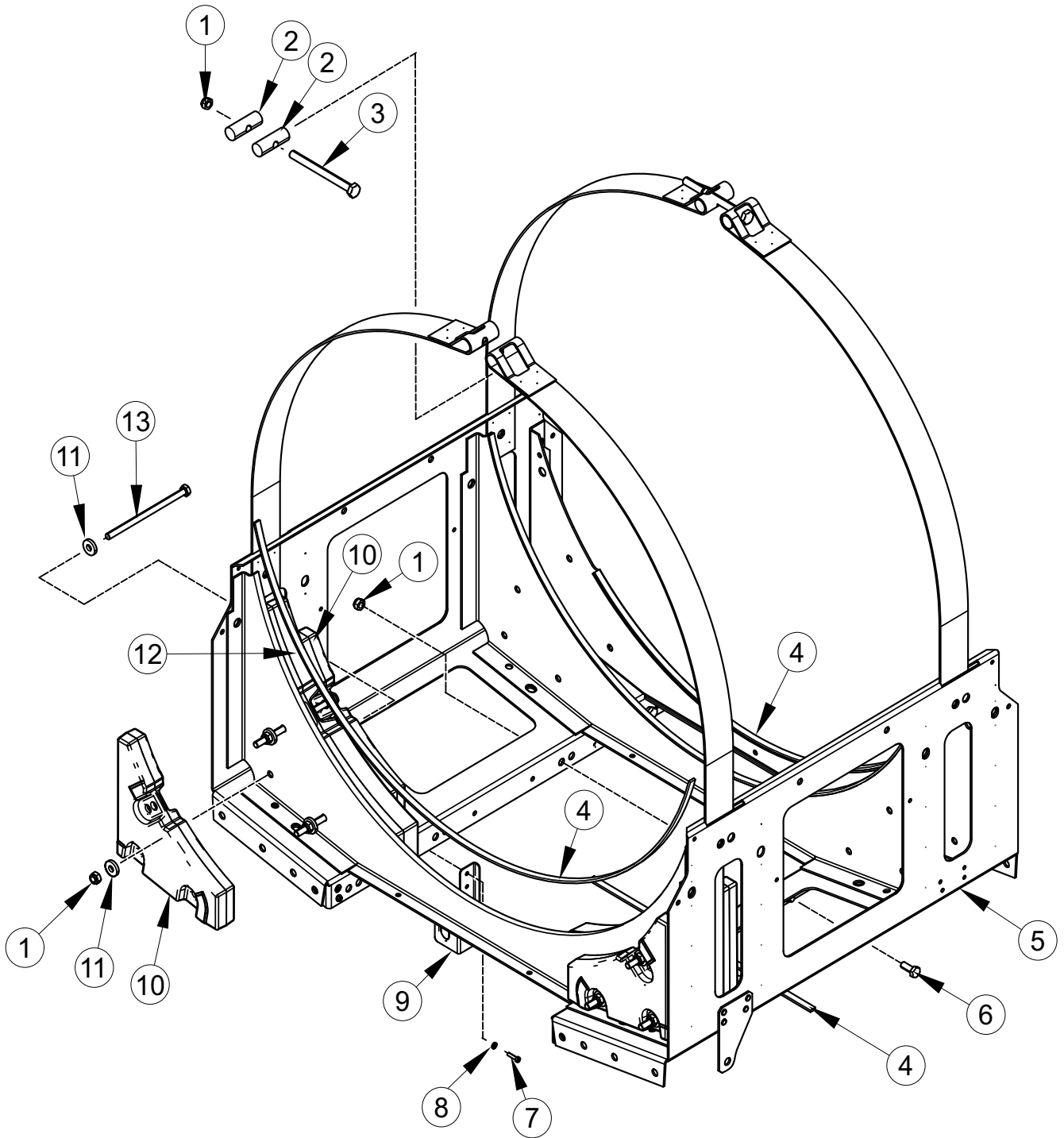


CFD3558P\_D1714

# Logo Label

REF	PART NO.	DESCRIPTION	COMMENTS
1	572486	Label	Lion Logo
2	576337	Label	AF and NY models; Located on top inside of door
3	572487	Label	Softwash

# Upper Frame

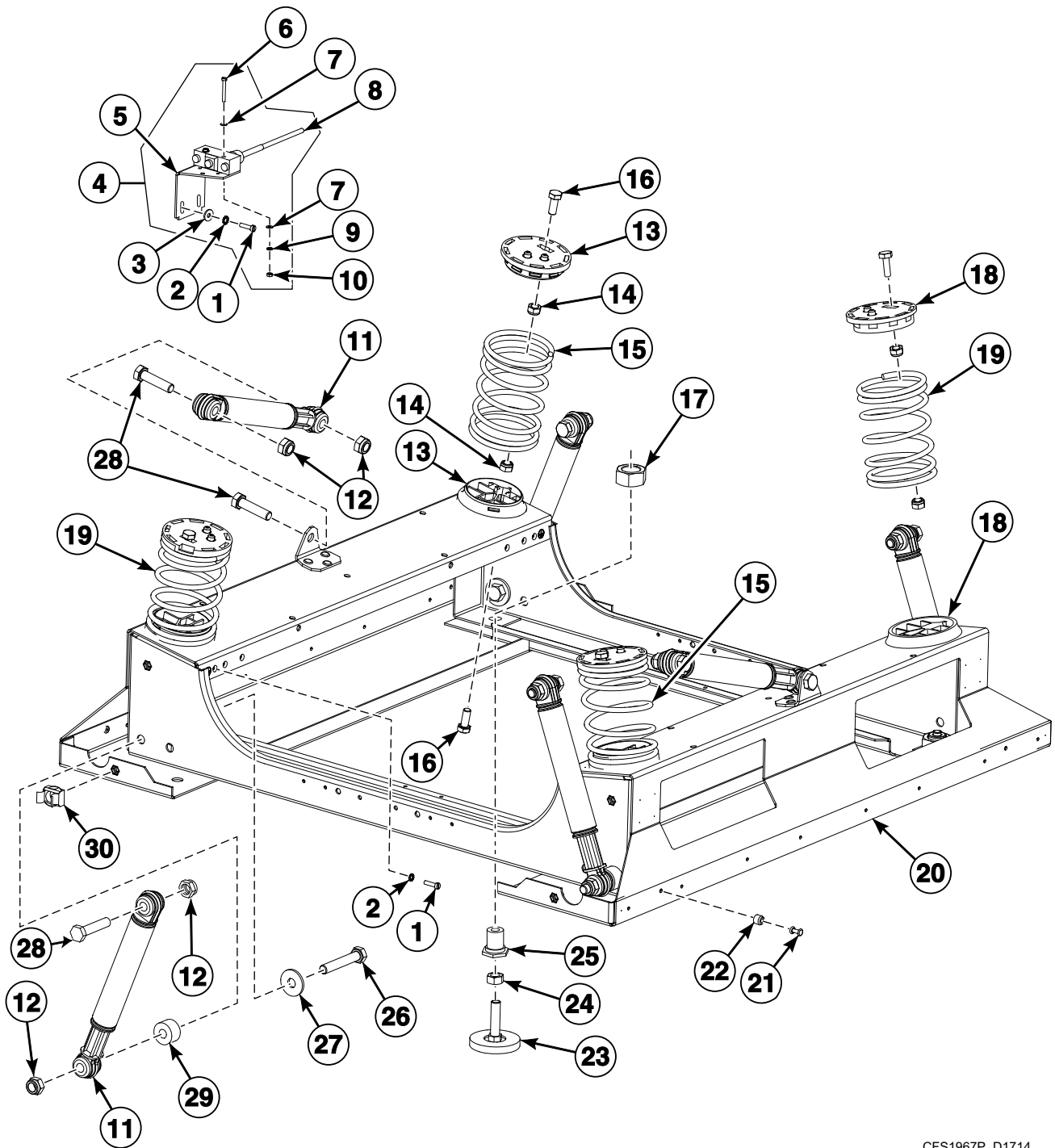


C-CZW54P\_D1714

# Upper Frame

REF	PART NO.	DESCRIPTION	COMMENTS
1	SP310985000008	Nut	M8
2	SP533738	Cover Strip Pin	
3	SP527093	Bolt	M8x100
4	SP517232	Seal	
5	SP533785	Upper Frame	
6	SP309933000820	Bolt	M8x20
7	SP309084000416	Bolt	M4x16
8	SP311679800004	Washer	M4
9	SP533388	Oscillation Limiter	
10	SP533784	Lower Weight	
11	SP525284	Washer	M8
12	SP533814	Lower Weight	
13	SP550140	Bolt	M8x130

# Lower Frame



CFS1967P\_D1714

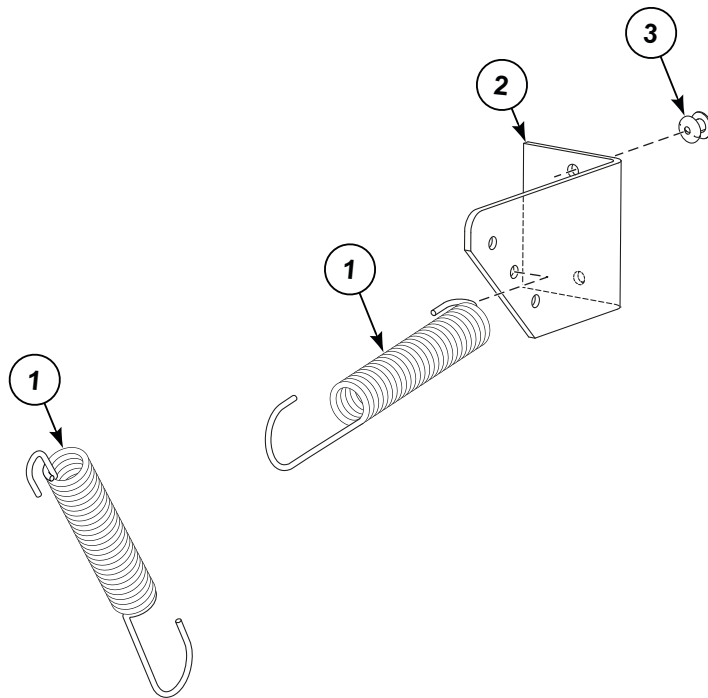


## Lower Frame

REF	PART NO.	DESCRIPTION	COMMENTS
1	SP309084000416	Bolt	M4x16
2	SP311679800004	Washer	M4
3	SP311902100004	Washer	M4 - 4.3/12/1
4	SP547758	Vibration Switch Assembly	Includes items 1-10
5	SP547759	Vibration Switch Holder	
6	SP309084240325	Bolt	M3x25
7	SP311125000003	Washer	3.2
8	SP528309	Microswitch	Includes spring
9	SP311679800003	Washer	M3
10	SP310934000003	Nut	M3
11	SP533716	Damper	10 required
12	SP310985000010	Nut	M10
13	SP533873	Spring Holder	Left
14	SP310985000008	Nut	M8
15	SP533869	Spring	Left
16	SP309933000820	Bolt	M8x20
17	SP310934000020	Nut	M20
18	SP533872	Spring Holder	Right
19	SP533868	Spring	Right
20	SP533164	Lower Frame	
21	SP547779	Rivet	4x16.7
22	SP520408	Pin Insertion	
23	SPPRI504000001	Adjustable Foot	
24	SP310934000010	Nut	M10
25	SP533726	Bolt	
26	SP506432	Bolt	M10x60
27	SP311902100010	Washer	10
28	SP527420	Bolt	M10x40
	SP309931001050	Bolt	M10x50; Used with item 11
29	SP533727	Roller	
30	SP510923	Nut	M6

# Stabilizing Springs - H180, HY, IY, J, NY, SY and UY Models

Except Models with G, H, J or K in 13th Position



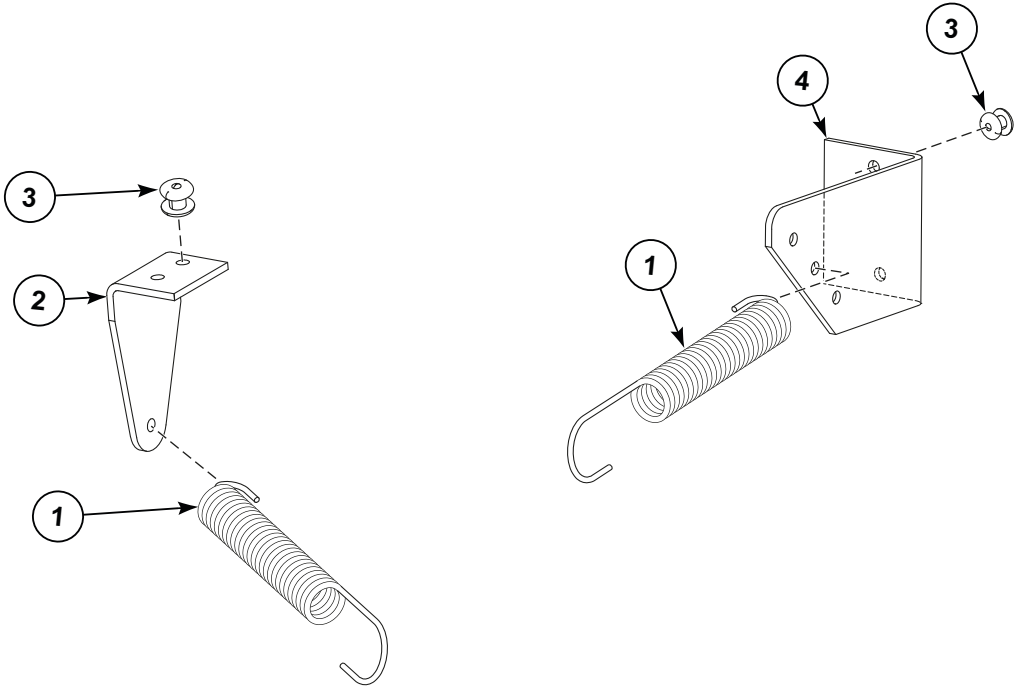
CZW431P\_D1714

## Stabilizing Springs - H180, HY, IY, J, NY, SY and UY Models

REF	PART NO.	DESCRIPTION	COMMENTS
1	SP505372	Spring	
2	SP555495	Rear Spring Holder	
3	505479	Rivet	4x8

# Stabilizing Springs - AF, FX, HX, L, M, PY and SW Models

Except Models with V in 7th Position



CZW432P\_D1714

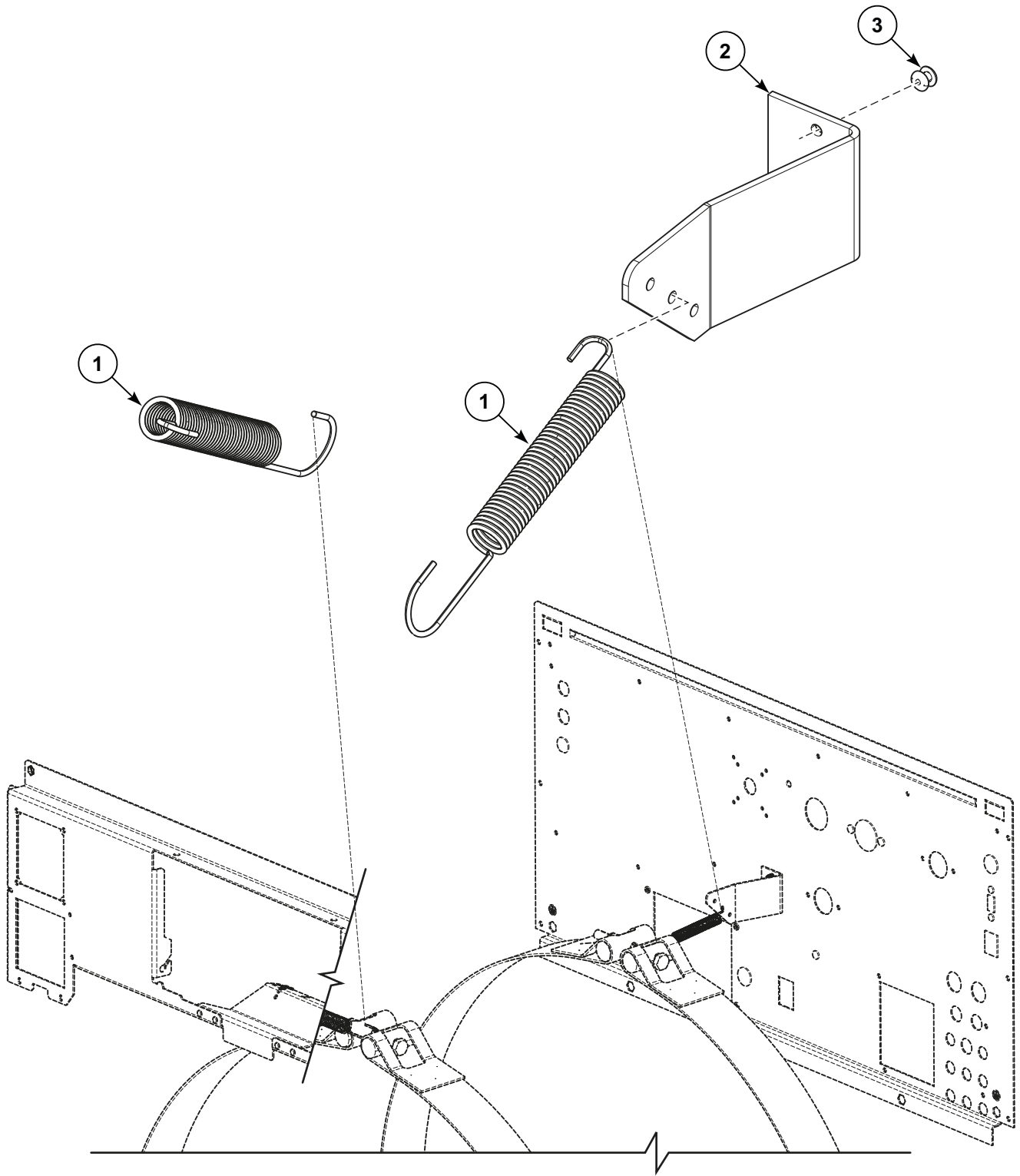
## Stabilizing Springs - AF, FX, HX, L, M, PY and SW Models

REF	PART NO.	DESCRIPTION	COMMENTS
1	SP505372	Spring	
2	N/A	Front Spring Holder	
3	505479	Rivet	4x8
4	SP555495	Rear Spring Holder	

N/A = Part no longer available

# Stabilizing Springs - AF, IY, JY and NY Models

Models with V in 7th Position or G, H, J or K in 13th Position



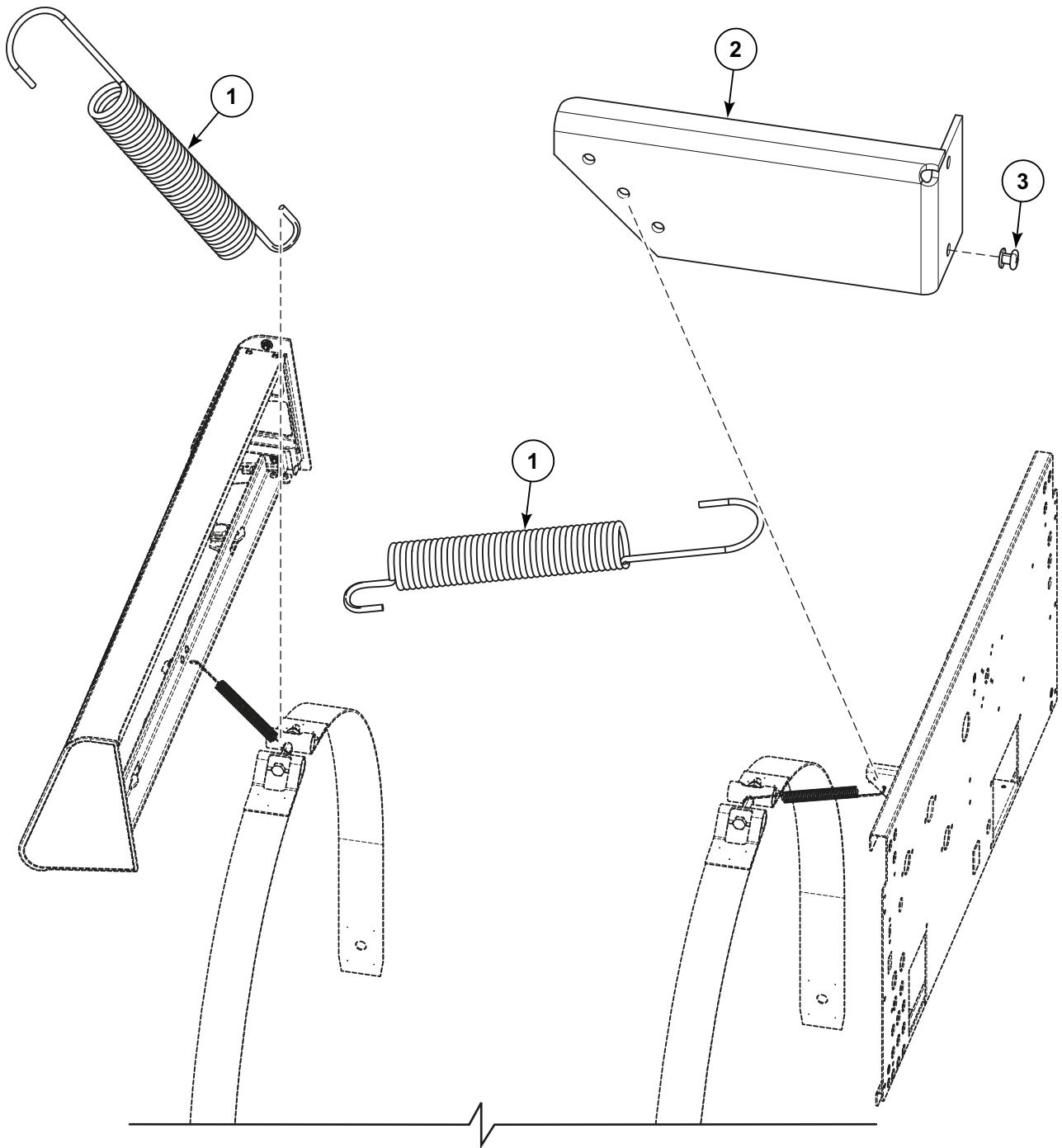
CZW419P\_D1714

## Stabilizing Springs - AF, IY, JY and NY Models

REF	PART NO.	DESCRIPTION	COMMENTS
1	SP505372	Spring	
2	SP555495	Rear Spring Holder	
3	505479	Rivet	4x8

# Stabilizing Springs - FX and PY Models

Models with V in 7th Position



CZW420P\_D1714

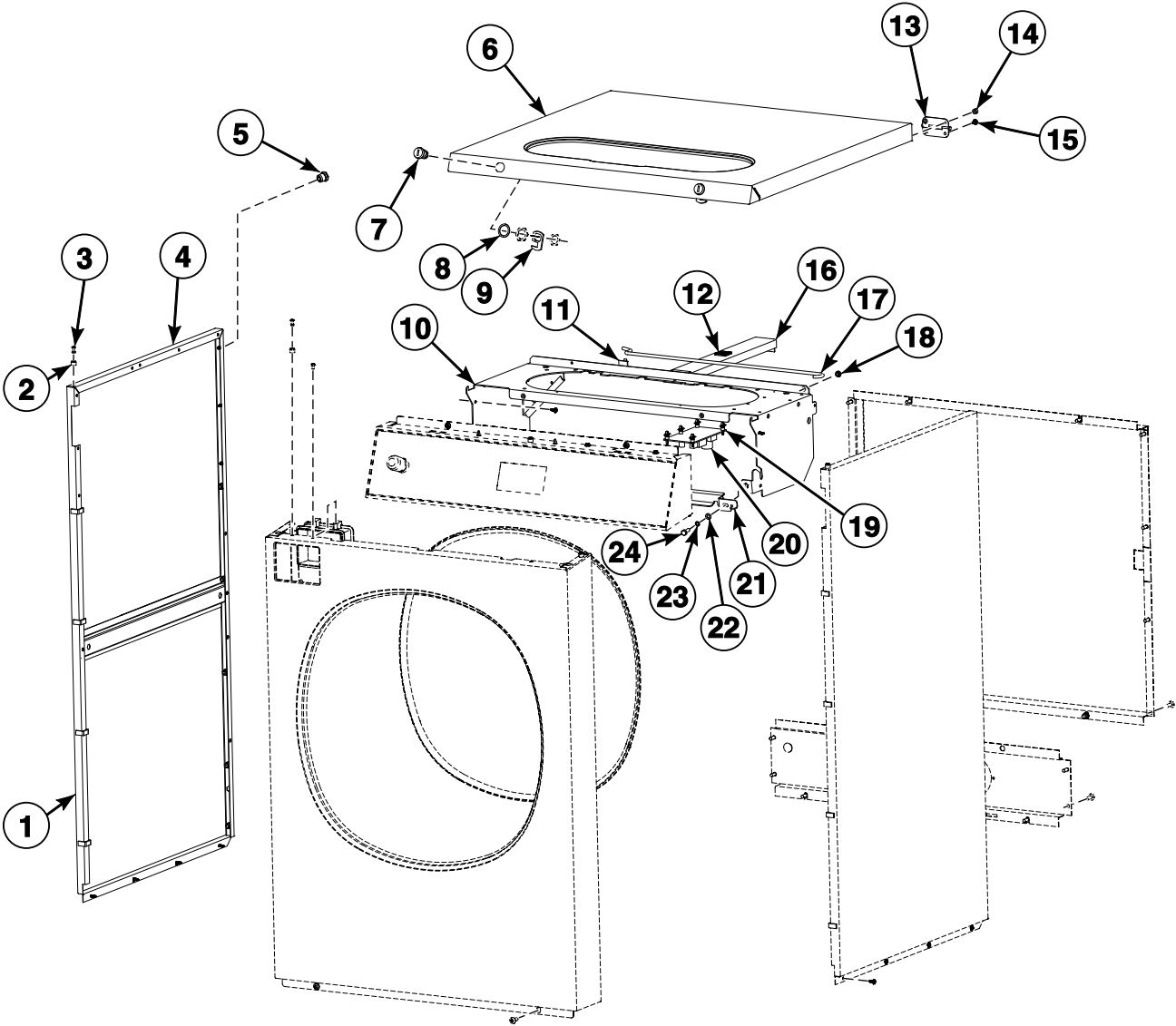


## Stabilizing Springs - FX and PY Models

REF	PART NO.	DESCRIPTION	COMMENTS
1	SP505372	Spring	
2	SP555495	Rear Spring Holder	
3	505479	Rivet	4x8

# Cabinet - HY, NY, SY and UY Models (Drawing 1 of 2)

Except Models with V in 7th Position



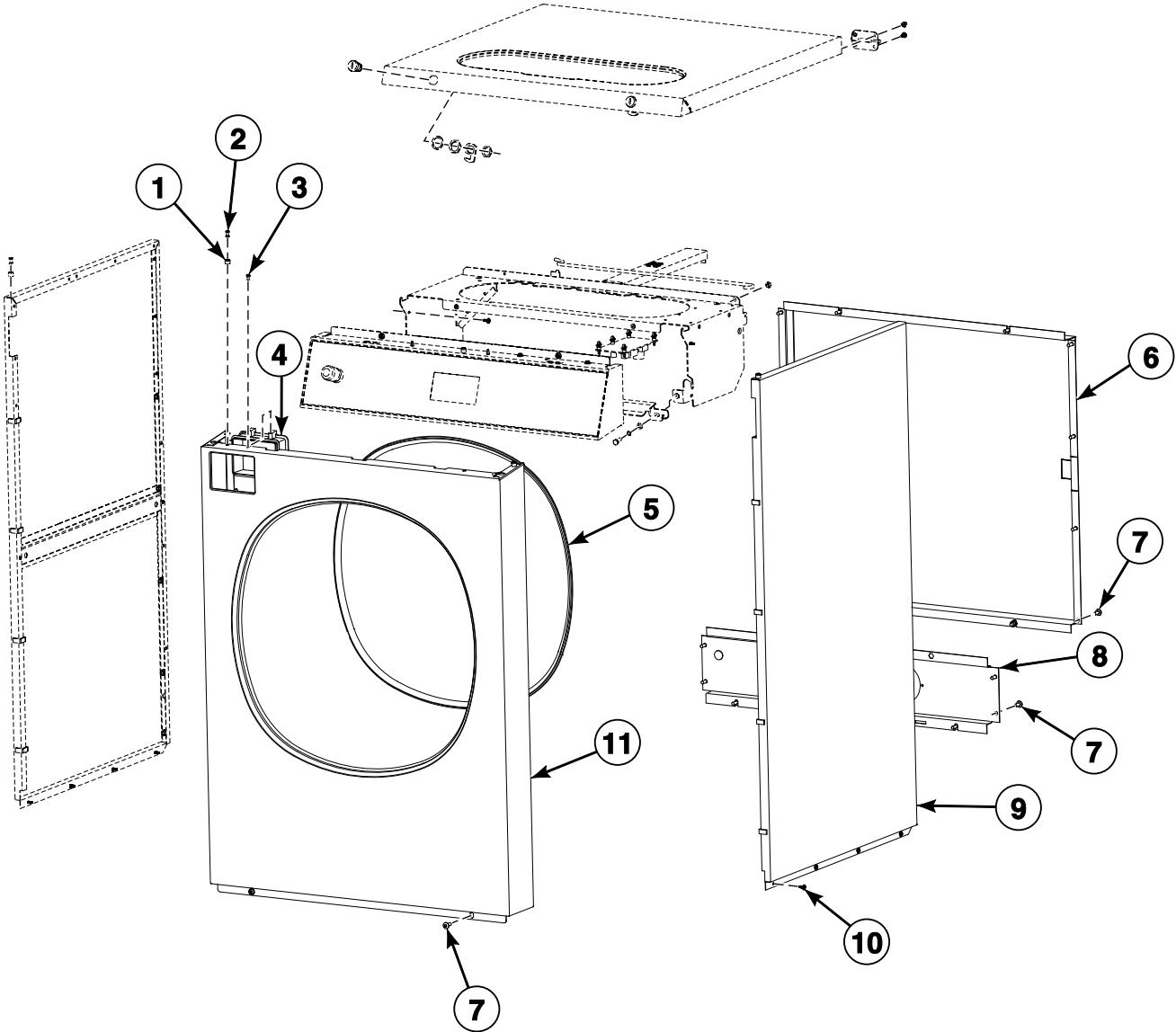
CFS1971P\_D1714

## Cabinet - HY, NY, SY and UY Models (Drawing 1 of 2)

REF	PART NO.	DESCRIPTION	COMMENTS
	SP552455	Automatic Door Opening Module Wiring	Used with SP552381 Power Terminal Protection
	SP537864	Bolt	M6x16; Used with service cover; Model SY180_KIS_PHOTO-ME
	SP245704003021	Adhesive	Loctite 243; Used with bolts
1	SP517232	Seal	
2	SP520408	Pin Insertion	
3	SP547779	Rivet	4x16.7
4	SP557659	Side Panel	Left; Stainless
	563508	Side Panel	NY models starting Serial No. 180FX005352FH; Left; Painted
5	SP313251000006	Nut	M6
6	SP557639	Top Cover	
	559367	Top Cover	Model SY180_KIS_PHOTO-ME
	573314	Top Cover	Model SY180_KIS_PHOTO-ME; without soap hopper opening
	567877	Top Cover	Without soap hopper opening
7	SP547527	Lock	
	SP559362	Lock	Model SY180_KIS_PHOTO-ME
	SP550616	Key	Used with SP547527 Lock
8	SPPRI522000012	Washer	21x27x1
9	SPPRI610002007	Hook Lock	Small
10	SP557623	Panel Holder	
11	SPPRI551016250	Hook	
12	SP550115	Fastener	
13	SP516832	Hinge	
14	SP313250048008	Rivet	4.8x8
15	SP555658	Bolt	6x16
16	SP547702	Top Cover Reinforcement	
17	SP533341	Upper Lid Prop	
18	SP273121005052	Cable Passage	5x2
19	SPPRI326002004	Holder	
20	SP552489	Automatic Unlocking Module Assembly	MC7; Starting Serial No. 180FX003664DS
	SP545238	Automatic Unlocking Module Assembly	MC6; CE HY, SY and UY models through Serial No. 180FX003503DQ
21	SP558881	Reinforcement	
22	SP311125000006	Washer	6.4
23	SP311127000006	Washer	6
24	SP309933000616	Bolt	M6x16

# Cabinet - HY, NY, SY and UY Models (Drawing 2 of 2)

Except Models with V in 7th Position



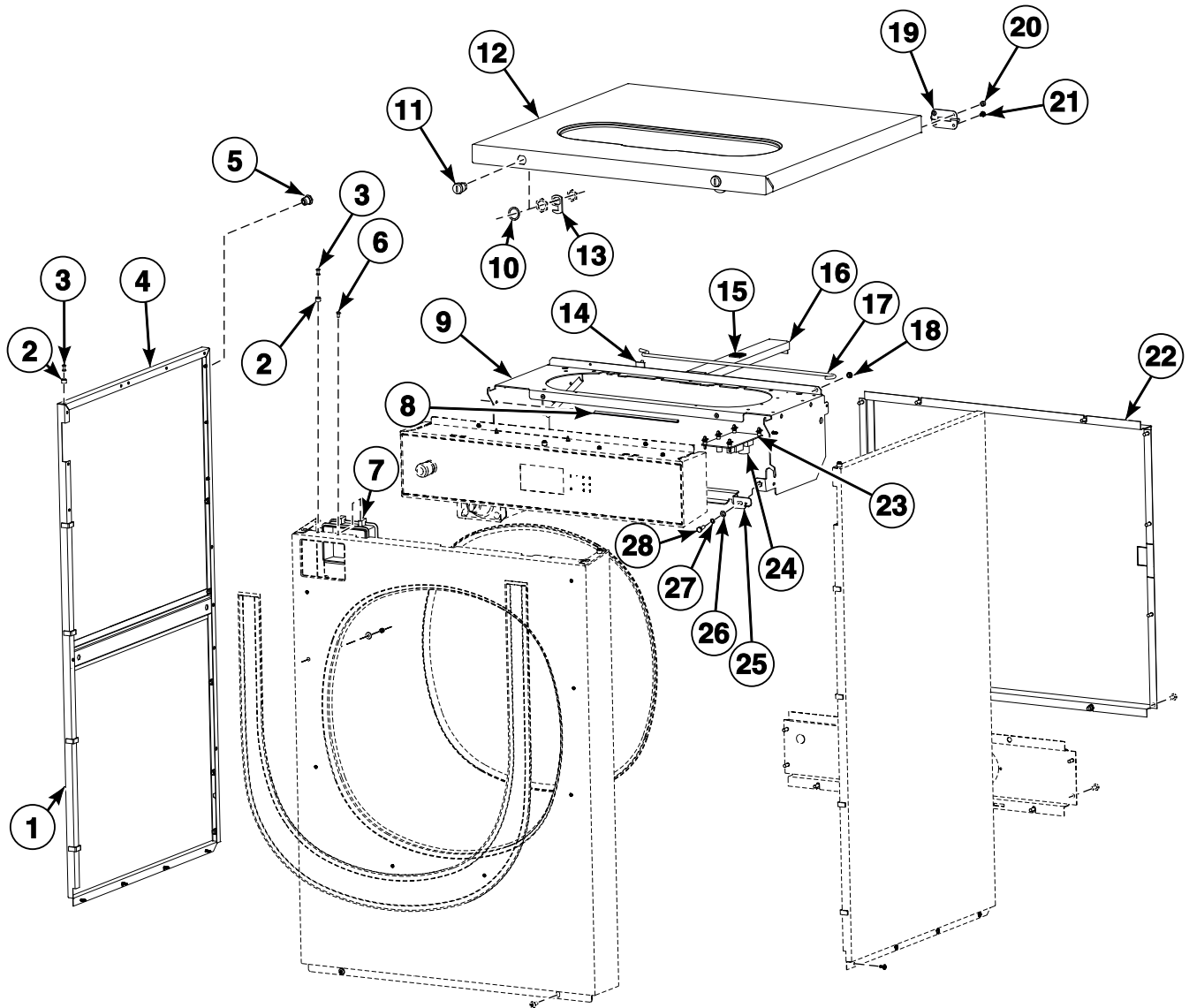
CZW26P\_D1714

## Cabinet - HY, NY, SY and UY Models (Drawing 2 of 2)

REF	PART NO.	DESCRIPTION	COMMENTS
	564844	Label	CE UY models; Soft wash
	550446	Washer	Used with front panel to prevent sliding
<b>1</b>	SP520408	Pin Insertion	
<b>2</b>	SP547779	Rivet	4x16.7
<b>3</b>	SP309084000408	Bolt	M4x8
<b>4</b>	SP533103	Coin Vault Plate	NY and SY models; Vended
	566737	Coin Vault Plate	NY and SY models starting Serial No.180FX008400HM; Vended; Large coin meter
<b>5</b>	SP529068	Edge Protection	
<b>6</b>	SP547882	Rear Cover	
<b>7</b>	SP555658	Bolt	M6x16
<b>8</b>	SP533384	Lower Rear Cover	
<b>9</b>	SP557661	Side Panel	Right; Stainless
	563510	Side Panel	NY models starting Serial No. 180FX005352FH; Right; Painted
<b>10</b>	SP555658	Bolt	6x16
<b>11</b>	SP533280	Front Panel	OPL; Stainless
	563462	Front Panel	NY models starting Serial No. 180FX004869FD; OPL; Painted
	563464	Front Panel	NY models starting Serial No. 180FX004878FD; Vended; Painted
	SP533278	Front Panel	NY and SY models; Vended; Stainless
	568051	Front Panel	NY and SY models starting Serial No. 180FX008400HM; Vended; Stainles; Large coin meter
	559108	Front Panel	Model SY180_KIS_PHOTO-ME; Includes 559110 Service Cover; Stainless steel
	567117	Front Panel	Model SY180_KIS_PHOTO-ME; Includes 567118 Service Cover; Stainless 316L

# Cabinet - H180, IY and J Models (Drawing 1 of 2)

Except Models with G, H, J or K in 13th Position



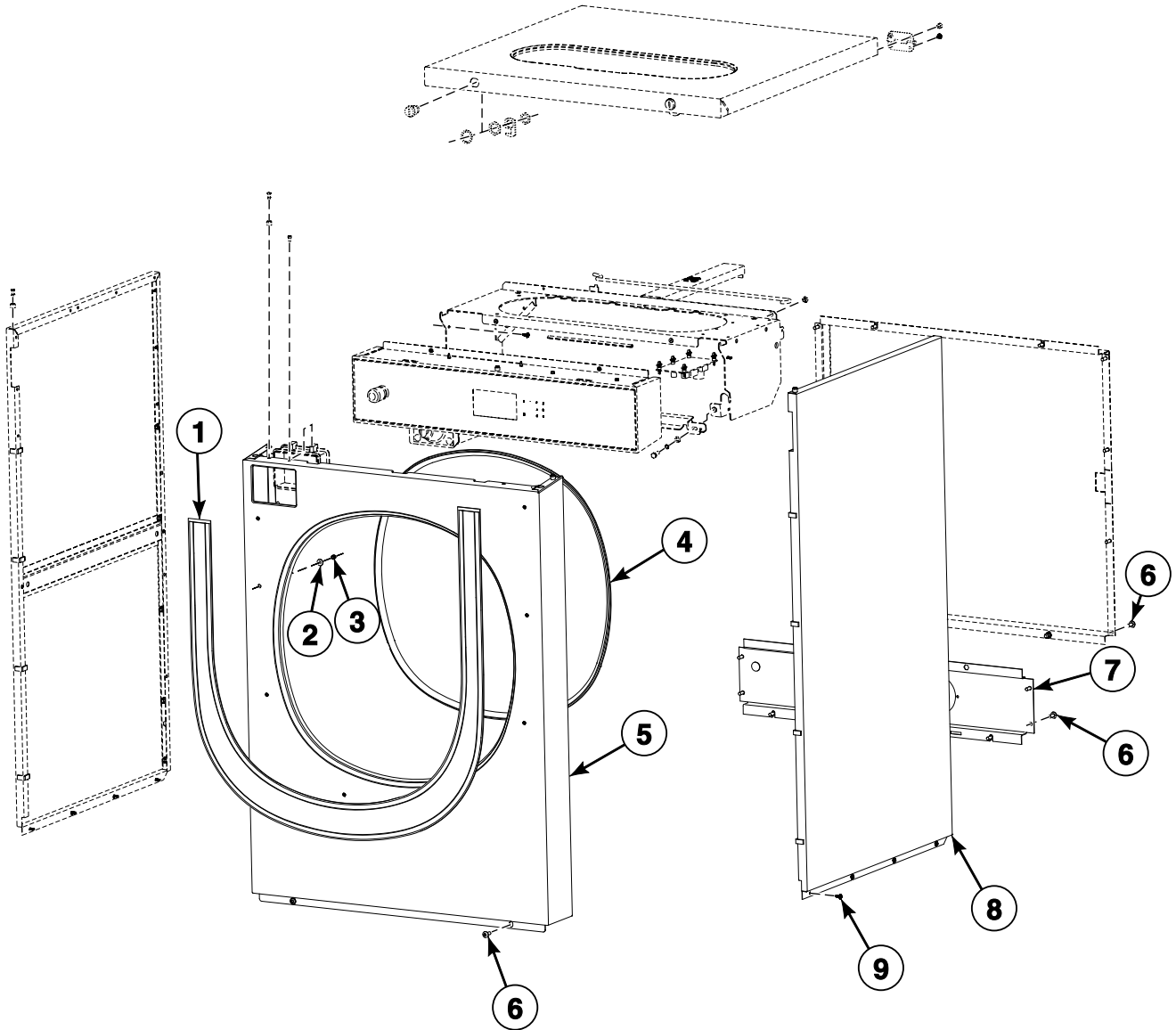
CFS1972P\_D1714

## Cabinet - H180, IY and J Models (Drawing 1 of 2)

REF	PART NO.	DESCRIPTION	COMMENTS
	SP552455	Automatic Door Opening Module Wiring	Used with SP552381 Power Terminal Protection
	SP245704003021	Adhesive	Loctite 243; Used with bolts
1	SP517232	Seal	
2	SP520408	Pin Insertion	
3	SP547779	Rivet	4x16.7
4	SP557659	Side Panel	Stainless; Left
	SP558984	Side Panel	Black; Left
5	SP313251000006	Nut	M6
6	SP309084000408	Bolt	M4x8
7	SP533103	Coin Vault Plate	Vended
	566737	Coin Vault Plate	Large coin meter; Vended; Starting Serial No. 180FX008400HM
8	SPPRI505000058	Profiled Sealing	Through Serial No. 180FX012720KZ
9	SP560303	Panel Holder	
10	SPPRI522000012	Washer	21x27x1
11	SP547527	Lock	
	SP550616	Key	Used with SP547527 Lock
12	SP558909	Top Cover	
13	SPPRI610002007	Hook Lock	Small
14	SPPRI551016250	Hook	
15	SP550115	Fastener	
16	SP547702	Top Cover Reinforcement	
17	SP533341	Upper Lid Prop	
18	SP273121005052	Cable Passage	5x2
19	SP516832	Hinge	
20	SP313250048008	Rivet	4.8x8
21	SP555658	Bolt	
22	SP547882	Rear Cover	
23	SPPRI326002004	Holder	
24	SP552489	Automatic Unlocking Module Assembly	MC7; Starting Serial No. 180FX003664DC
	SP545238	Automatic Unlocking Module Assembly	MC6; CE models through Serial No. 180FX003503DQ
25	SP558945	Reinforcement	
26	SP311125000006	Washer	6.4
27	SP311127000006	Washer	6
28	SP309933000616	Bolt	M6x16

# Cabinet - H180, IY and J Models (Drawing 2 of 2)

Except Models with G, H, J or K in 13th Position



CZW28P\_D1714

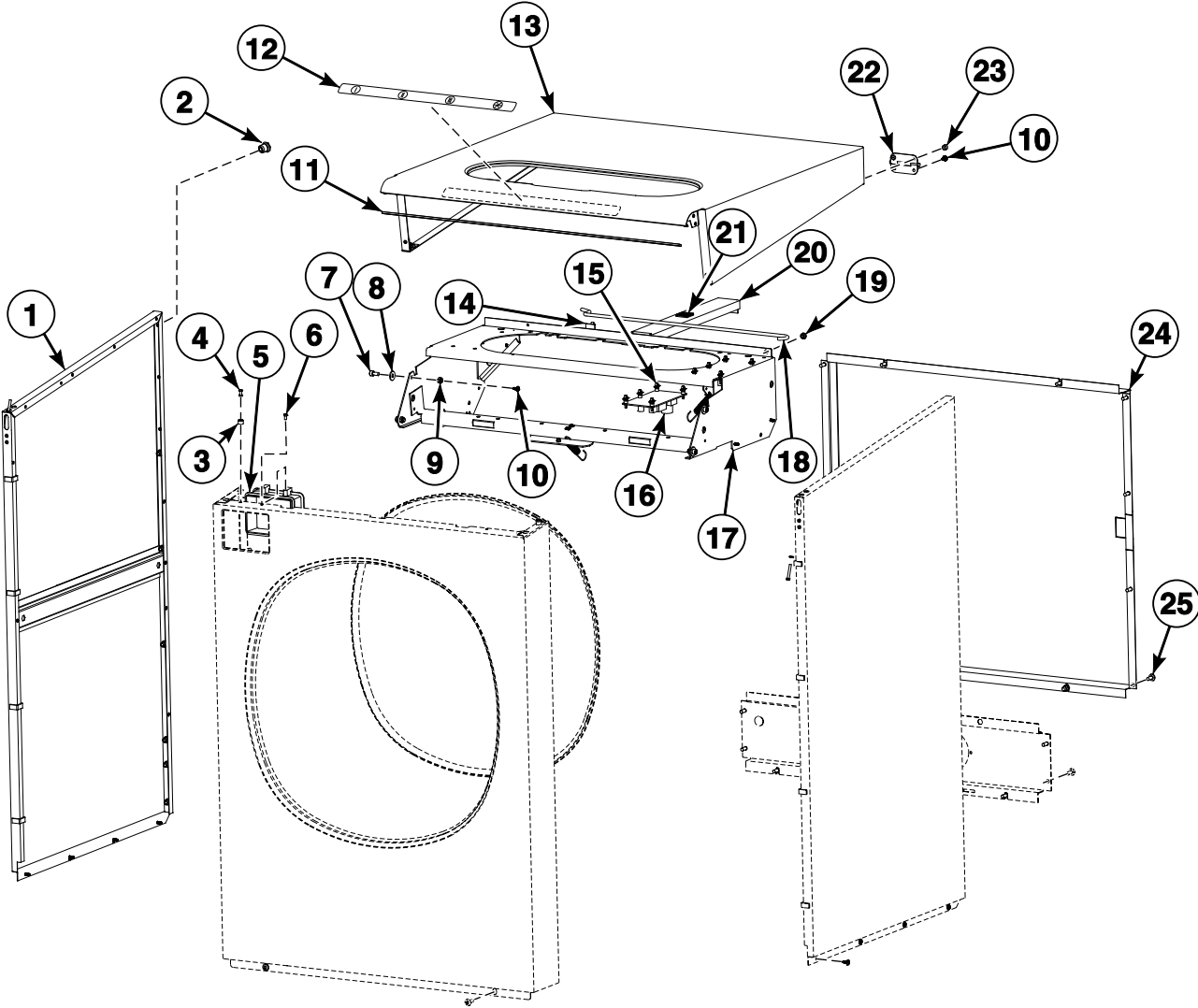


## Cabinet - H180, IY and J Models (Drawing 2 of 2)

REF	PART NO.	DESCRIPTION	COMMENTS
	550446	Washer	Used with front panel to prevent sliding
1	SP556999	U Shape	OPL
	SP557000	U Shape	Vended
	568063	U Shape	Vended; Large coin meter; Starting Serial No. 180FX008400HM
2	SP311902100004	Washer	M4
3	SP514193	Nut	M4
4	SP529068	Edge Protection	
5	SP557058	Front Panel	IY models; OPL; Stainless
	SP557059	Front Panel	IY models; Vended; Stainless
	SP562726	Front Panel	J models; OPL; Stainless
	SP562727	Front Panel	J models; Vended; Stainless
	568061	Front Panel	IY models; Vended; Large coin meter; Starting Serial No. 180FX008400HM
	568065	Front Panel	J models; Vended; Large coin meter; Starting Serial No. 180FX008400HM
6	SP555658	Bolt	M6x16
7	SP533384	Lower Rear Cover	
8	SP557661	Side Panel	Stainless; Right
	SP558986	Side Panel	Black; Right
9	SP555658	Bolt	

# Cabinet - AF, FX, HX, L, M, PY and SW Models (Drawing 1 of 2)

Except FX and PY models with V in 7th Position



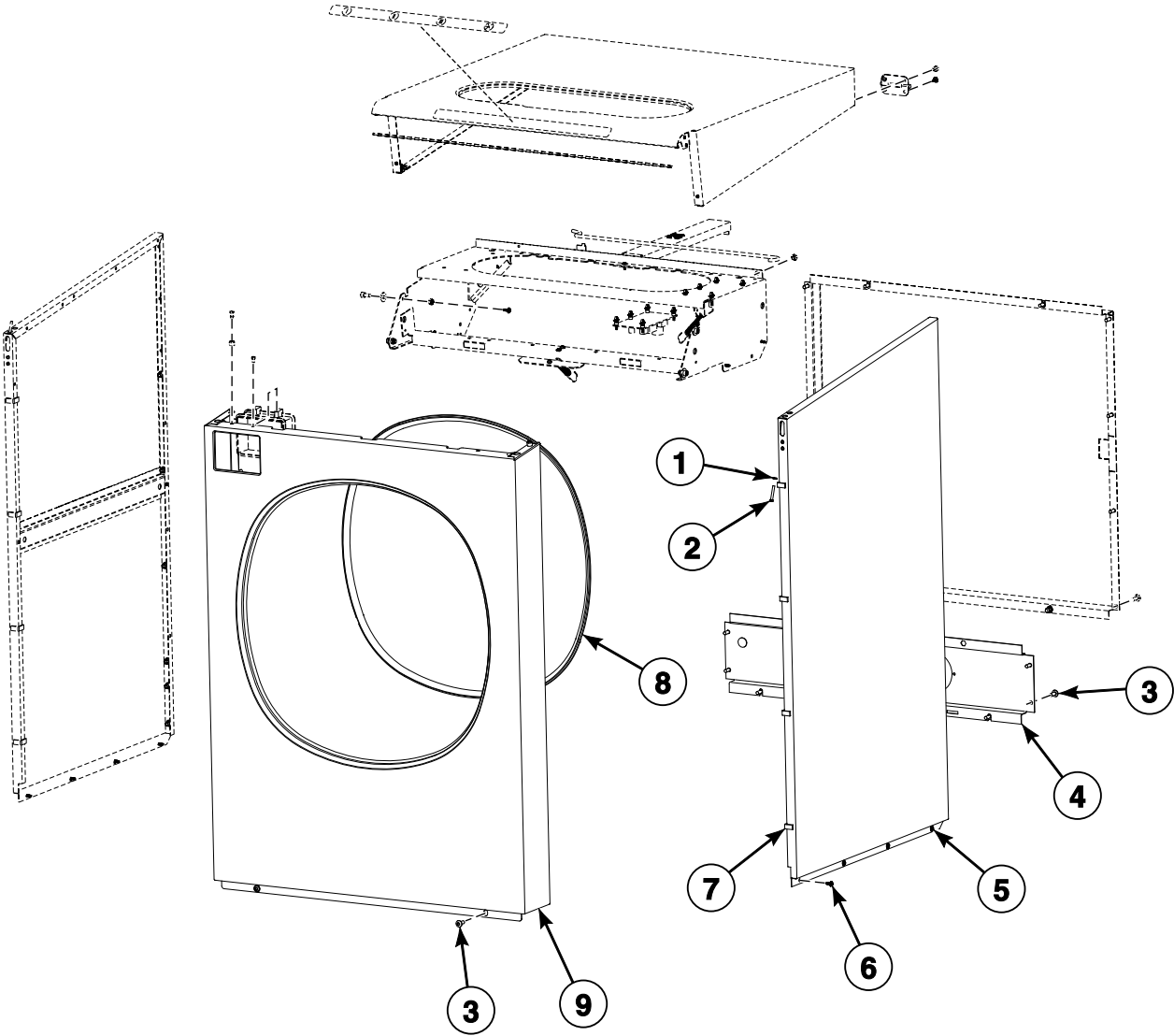
CFS1973P\_D1714

## Cabinet - AF, FX, HX, L, M, PY and SW Models (Drawing 1 of 2)

REF	PART NO.	DESCRIPTION	COMMENTS
	550446	Washer	Used with front panel to prevent sliding
	SP552455	Automatic Door Opening Module Wiring	Used with SP552381 Power Terminal Protection
	SP245704003021	Adhesive	Loctite 243; Used with bolts
1	SP550326	Side Panel	Painted; Left; Through Serial No. 180FX004868FD
	563480	Side Panel	Painted; Left; Starting Serial No. 180FX004869FD
	SP550350	Side Panel	Stainless; Left
2	SP313251000006	Nut	M6
3	SP520408	Pin Insertion	
4	SP547779	Rivet	4x16.7
5	SP533103	Coin Vault Plate	
	566737	Coin Vault Plate	Large coin meter; Vended; Starting Serial No. 180FX008400HM
6	SP309084000408	Bolt	M4x8
7	SP506431	Bolt	M6x12
8	SP311902100006	Washer	6
9	SP310985000006	Nut	M6
10	SP529206	Screw	4x11
11	SP284000012003	Tape	
12	560786	Label	Soap hopper; Models PYN040T and PYN040X; Vended
13	SP550307	Top Cover	AF, FX, HX, L, M, PY 40 and 180 models
	SP555668	Top Cover	Without soap hopper opening
14	SPPRI551016250	Hook	
15	SPPRI326002004	Holder	
16	SP552489	Automatic Unlocking Module Assembly	MC7; Starting Serial No. 180FX003664DS
	SP545238	Automatic Unlocking Module Assembly	MC6; CE models through Serial No. 180FX003503DQ
17	SP533296	Panel Holder	
18	SP533341	Upper Lid Prop	
19	SP273121005052	Cable Passage	5x2
20	SP547702	Top Cover Reinforcement	
21	SP550115	Fastener	
22	SP516832	Hinge	
23	SP555658	Bolt	M6x16
24	SP547882	Rear Cover	
25	SP313250048008	Rivet	4.8x8

# Cabinet - AF, FX, HX, L, M, PY and SW Models (Drawing 2 of 2)

Except FX and PY models with V in 7th Position



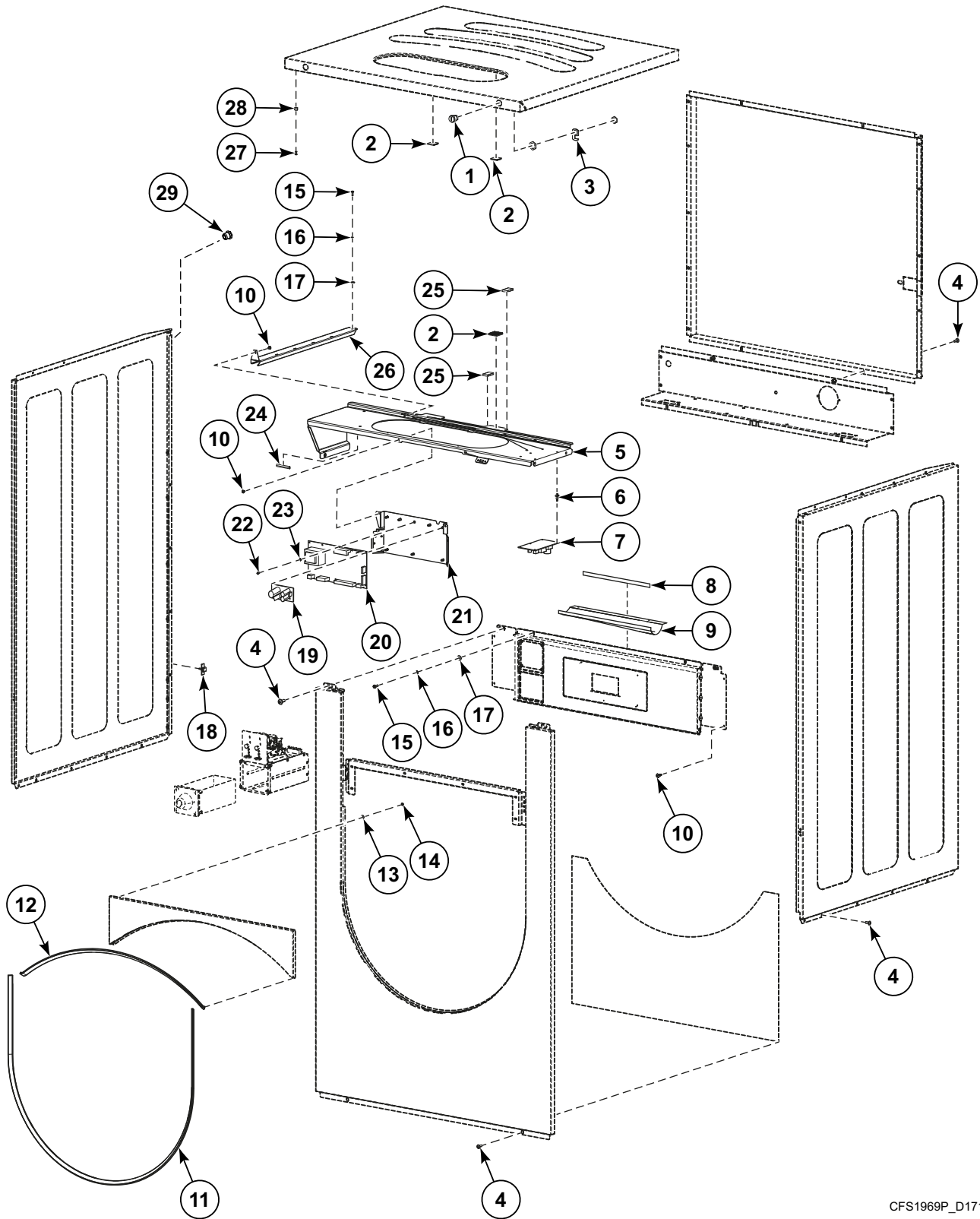
CZW30P\_D1714

## Cabinet - AF, FX, HX, L, M, PY and SW Models (Drawing 2 of 2)

REF	PART NO.	DESCRIPTION	COMMENTS
1	SP311679800004	Washer	M4
2	SP550482	Bolt	M4x25
3	SP555658	Bolt	M6x16
4	SP533384	Lower Rear Cover	
5	SP550328	Side Panel	CE and Watermark models through Serial No. 180FX004868FD; Painted; Right
	563482	Side Panel	CE and Watermark models starting Serial No. 180FX004869FD; Painted; Right
	SP550352	Side Panel	Stainless; Right
6	SP529206	Screw	4x11
7	SP517232	Seal	
8	SP529068	Edge Protection	
9	SP533211	Front Panel	CE and Watermark models through Serial No. 180FX004868FD; OPL; Painted
	563462	Front Panel	CE and Watermark models starting Serial No. 180FX004869FD; OPL; Painted
	SP533213	Front Panel	CE and Watermark models through Serial No. 180FX004877FD; Vended; Painted
	563464	Front Panel	CE and Watermark models starting Serial No. 180FX004878FD; Vended; Painted
	SP533280	Front Panel	OPL; Stainless
	SP533278	Front Panel	Vended; Stainless
	568051	Front Panel	Vended; Stainless steel; Large coin meter; Starting Serial No. 180FX008400HM
	568049	Front Panel	CE and Watermark models starting Serial No. 180FX008542HM; Vended; Painted; Large coin meter

# Cabinet - AF, IY, JY and NY Models (Drawing 1 of 3)

Models with V in 7th Position or G, H, J or K in 13th Position



CFS1969P\_D1714

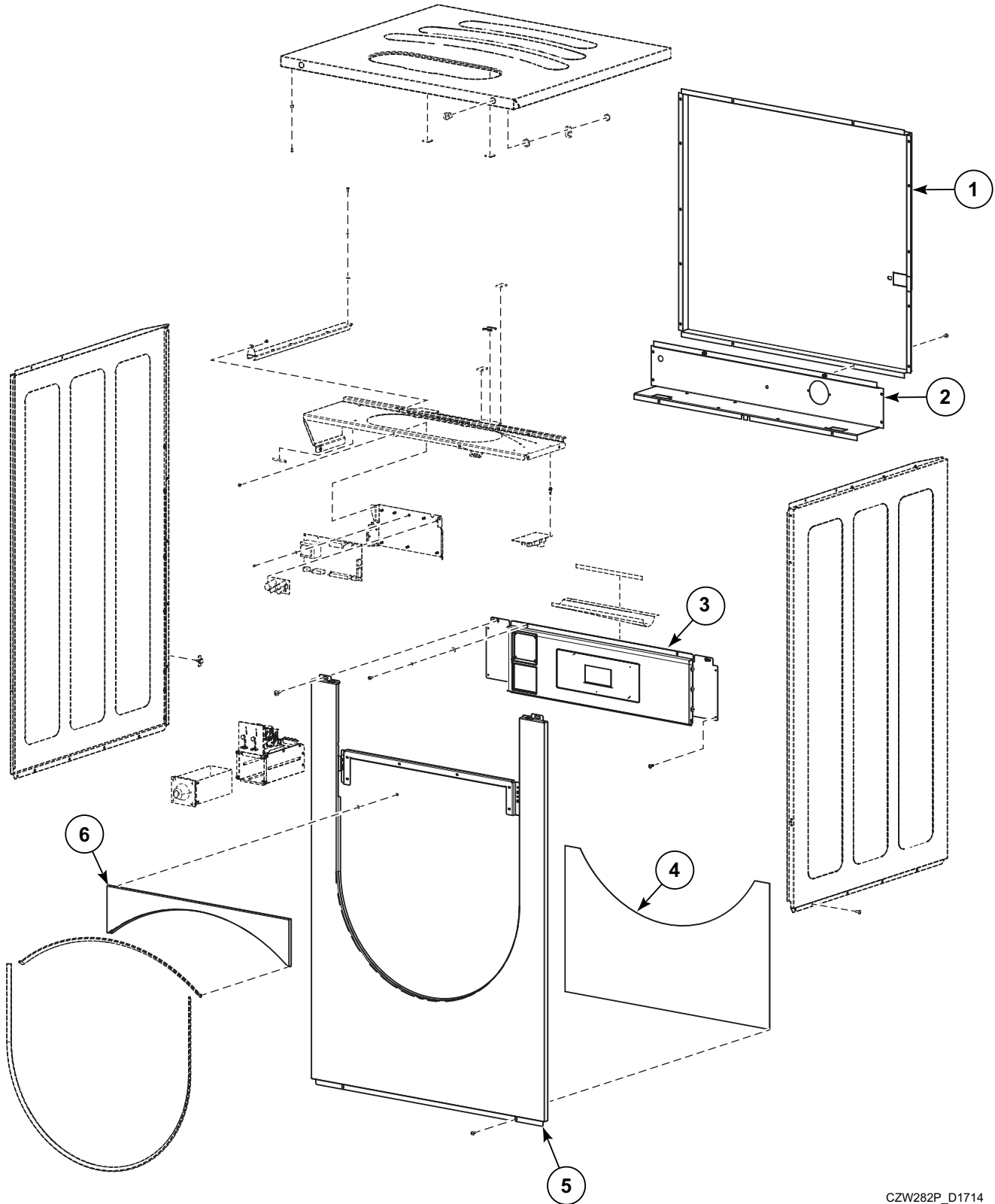
## Cabinet - AF, IY, JY and NY Models (Drawing 1 of 3)

REF	PART NO.	DESCRIPTION	COMMENTS
1	SP547527	Lock	Includes Nuts - 2pieces
2	SP550115	Fastener	
3	SPPRI610002007	Hook Lock	
4	SP555658	Bolt	M6x16
5	567975	Panel Holder	
6	SPPRI326002004	Holder	
7	SP552489	Automatic Unlocking Module Assembly	MC7; Includes item 3, SP553406 Automatic Door Opening Module, SP345000160971 Binding Strip, SP552455 Automatic Door Opening Module Wiring and SP552381 Power Terminal Protection
8	SP537896	Adhesive	Reversible
9	569656	Cover	
10	SP529206	Screw	4x11
11	SP529068	Edge Protection	1.6m
12	SP529068	Edge Protection	0.66m
13	SP311902100004	Washer	4
14	SP514193	Nut	M4
15	SP555504	Bolt	M4x12
16	SP311127000004	Washer	4
17	SP311902100004	Washer	M4
18	SP528313	Cable Holder	
19	N/A	Module	Door Lock
20	SP553405	Control Board Power	MC7; Power
	575630	Control Board I/O	MC10; Power; Models with V in 7th Position; Used with 569701 Interconnection Flat Cable
21	569578	Programmer Holder	Includes SPPRI212000055 Nut
22	SP309798500306	Bolt	M3x6
23	SP311679800003	Washer	M3
24	SPPRI505000058	Profiled Sealing	0.05m
25	564202	Seal	0.1m
26	567825	Top Cover Reinforcement	
27	SP547779	Rivet	
28	SP520408	Pin Insertion	
29	SP313251000006	Nut	M6

N/A = Part no longer available

# Cabinet - AF, IY, JY and NY Models (Drawing 2 of 3)

Models with V in 7th Position or G, H, J or K in 13th Position



CZW282P\_D1714

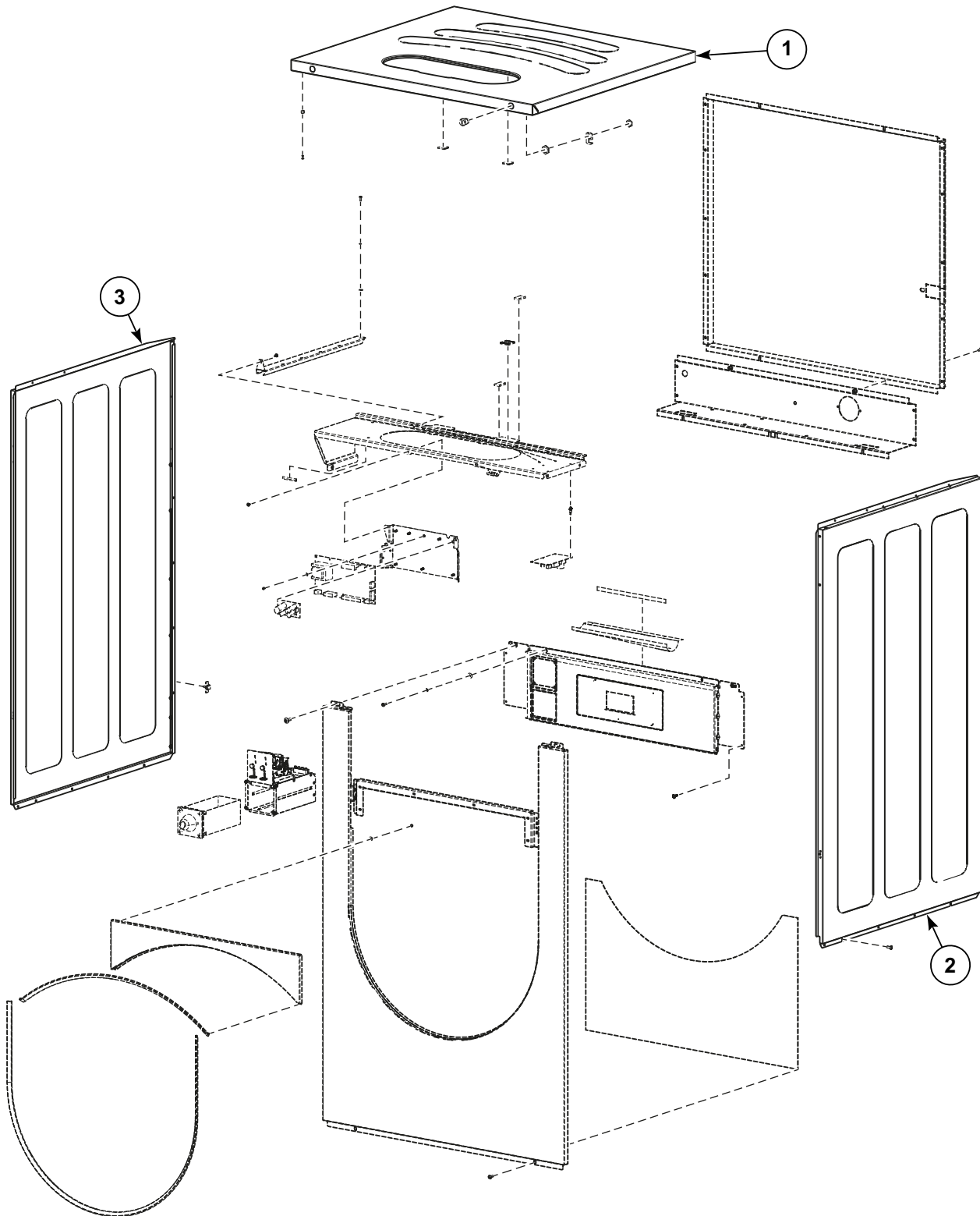


## Cabinet - AF, IY, JY and NY Models (Drawing 2 of 3)

REF	PART NO.	DESCRIPTION	COMMENTS
1	570469	Rear Cover	
2	SP533384	Lower Rear Cover	
3	573028	Control Panel	
4	550112	Antivibration Foil	
5	571101	Front Panel	Stainless
	574092	Front Panel	AF and NY models; Gray
6	573016	Front Panel	Stainless
	SP564375	Front Cover	Black

# Cabinet - AF, IY, JY and NY Models (Drawing 3 of 3)

Models with V in 7th Position or G, H, J or K in 13th Position



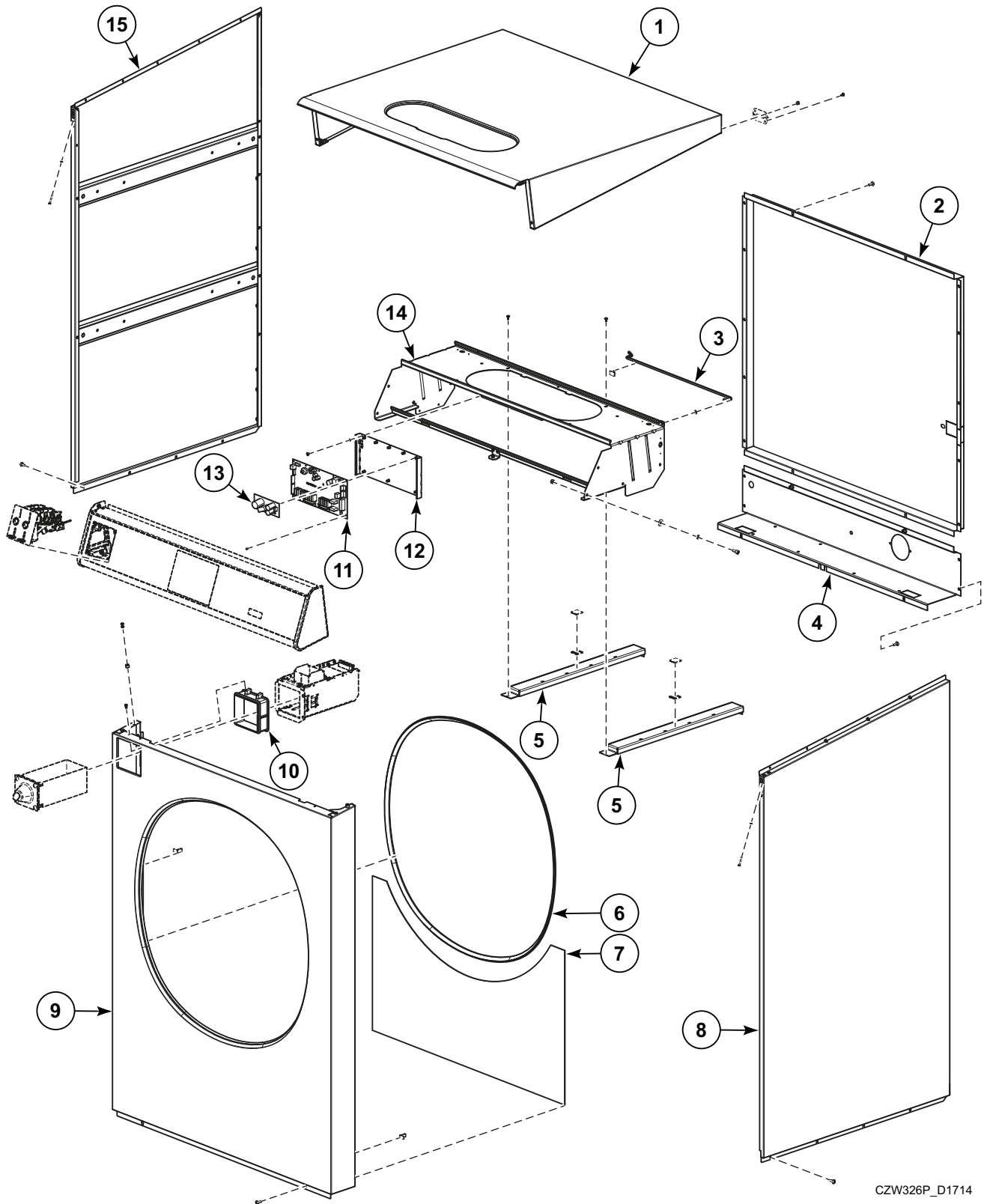
CZW310P\_D1714

## Cabinet - AF, IY, JY and NY Models (Drawing 3 of 3)

REF	PART NO.	DESCRIPTION	COMMENTS
1	567985	Top Cover Assembly	Includes SP547527 Lock, SP550616 Key, SPPRI610002007 Hook Lock, SP520408 Pin Insertion, SP547779 Rivet and SP550115 Fastener
	569649	Top Cover Assembly	Without soap hopper opening, Includes SP547527 Lock, SP550616 Key, SPPRI610002007 Hook Lock, SP520408 Pin Insertion, SP547779 Rivet and SP550115 Fastener
2	572010	Side Panel	Stainless; Right; Includes SP313251000006 Nut
	573052	Side Panel	IY and JY models; Black; Right; Includes SP313251000006 Nut
	574066	Side Panel	AF and NY models; Gray; Right; Includes SP313251000006 Nut
3	572009	Side Panel	Stainless; Left; Includes SP313251000006 Nut
	573050	Side Panel	IY and JY models; Black; Left; Includes SP313251000006 Nut
	574065	Side Panel	AF and NY models; Gray; Left; Includes SP313251000006 Nut

# Cabinet - FX and PY Models (Drawing 1 of 2)

Models with V in 7th Position



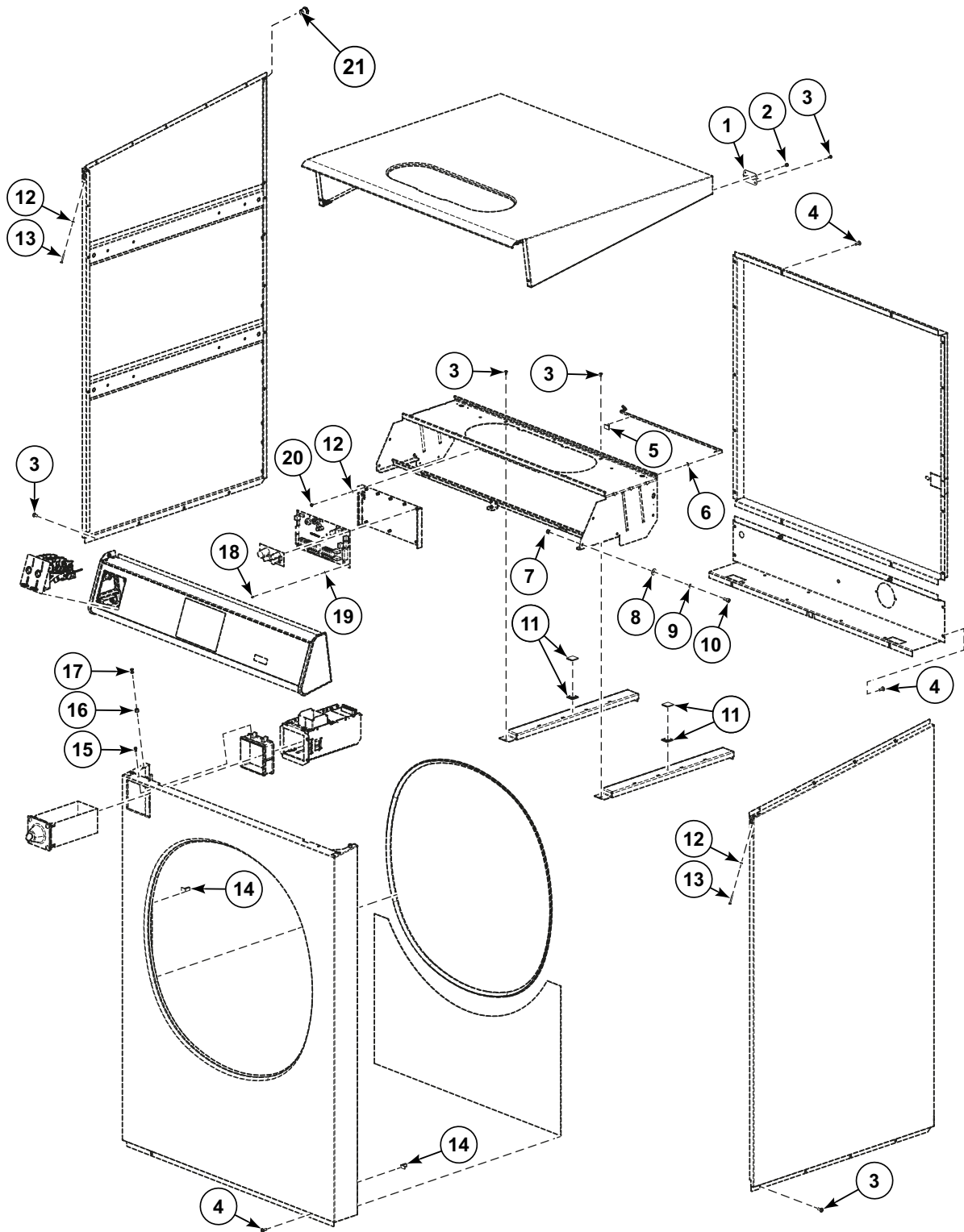
CZW326P\_D1714

## Cabinet - FX and PY Models (Drawing 1 of 2)

REF	PART NO.	DESCRIPTION	COMMENTS
1	574206	Top Cover	
	574254	Top Cover	Without soap hopper opening
2	570469	Rear Cover	
3	SP533341	Upper Lid Prop	
4	SP533384	Lower Rear Cover	
5	SP547702	Top Cover Reinforcement	
6	SP529068	Edge Protection	2.39m
7	550112	Antivibration Foil	
8	574155	Side Panel Assembly	Painted; Right
	574156	Side Panel Assembly	Stainless; Right
9	572543	Front Panel	OPL; Painted
	572544	Front Panel	Vended; Painted
	572541	Front Panel	OPL; Stainless
	572542	Front Panel	Vended; Stainless
10	566737	Coin Vault Plate	
11	575630	Control Board I/O	MC10; Power; Models with V in 7th Position; Used with 569701 Interconnection Flat Cable
12	573934	Programmer Holder	Includes 527279 Nut
13	553189	Module	Door Lock
14	573939	Panel Holder	
15	574159	Side Panel Assembly	Painted; left
	574160	Side Panel Assembly	Stainless; Left

# Cabinet - FX and PY Models (Drawing 2 of 2)

Models with V in 7th Position



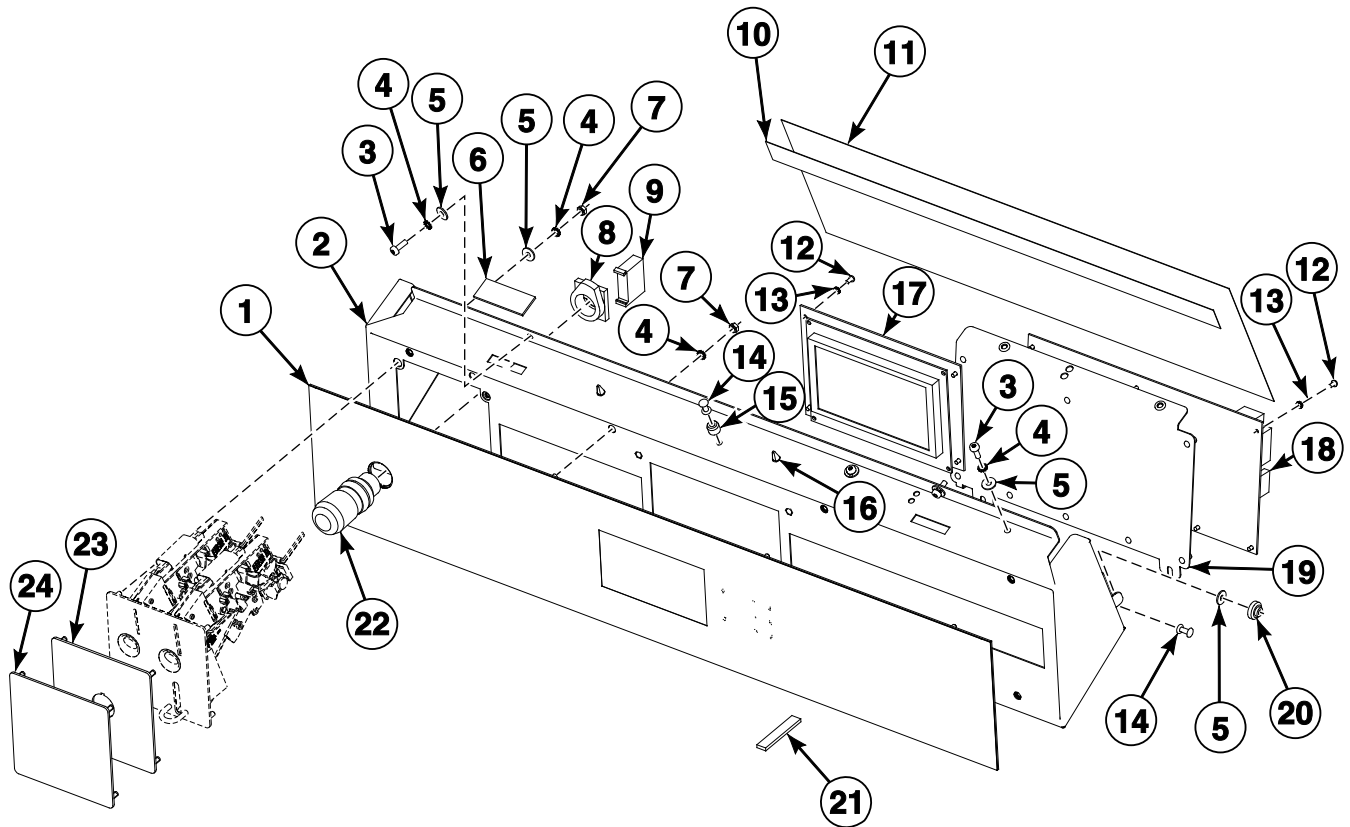
CFS1970P\_D1714

## Cabinet - FX and PY Models (Drawing 2 of 2)

REF	PART NO.	DESCRIPTION	COMMENTS
1	SP516832	Hinge	
2	SP313250048103	Rivet	
3	SP529206	Screw	4x11
4	SP555658	Bolt	M6x16
5	SPPRI551016250	Hook	Stick-on
6	SP273121005052	Cable Passage	5.5x2
7	SP310985000006	Nut	M6
8	SP311902100006	Washer	6
9	576338	Washer	
10	SP506431	Bolt	M6x12
11	SP550115	Fastener	
12	SP311679800004	Washer	M4
13	SP550482	Bolt	M4x25
14	SP517232	Seal	
15	SP309084000408	Bolt	M4x8
16	SP520408	Pin Insertion	
17	SP547779	Rivet	4x16.7
18	SP309798500306	Bolt	M3x6
19	SP311679800003	Washer	M3
20	SP506013	Bolt	M4x8
21	SP313251000006	Nut	M6

# Control Panel - HY, NY, SY and UY Models

Except Models with V in 7th Position



CFD2893P\_D1714

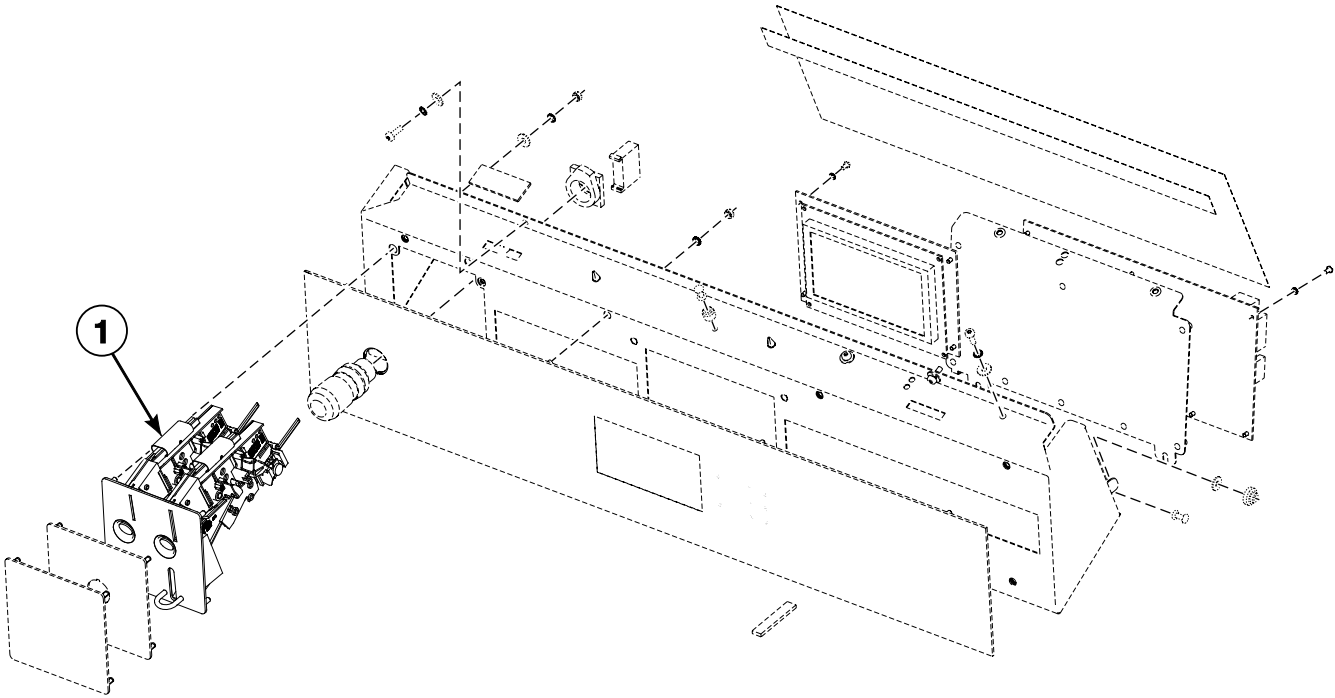


## Control Panel - HY, NY, SY and UY Models

REF	PART NO.	DESCRIPTION	COMMENTS
	F8600501	Programming Cable	
	569593	Network Installation Kit	Includes 569595 Holder, 203532 Wireless Network Control Assembly, 568363 Power Supply, 568362 Cable, 568378 Wiring, 568379 Wiring Diagram, SP345000626008 Binding Strip and connection accessories
	547088	Keyboard	Model SY180_KIS_PHOTO-ME; OPL; Accessories; Used with SP547061 Board Interconnection Cable
1	SP557584	Keyboard	HY models; OPL
	SP547030	Keyboard	NY models; OPL; Professional; Black
	SP547029	Keyboard	NY models; OPL; Basic; Black
	SP547027	Keyboard	NY models; Vended; Basic; Black
	SP547028	Keyboard	SY180_KIS_PHOTO-ME and NY models; CPS; Basic; Black
	SP557577	Keyboard	SY models; OPL
	SP557578	Keyboard	SY models; Vended
	SP557581	Keyboard	UY models; OPL
2	SP557585	Control Panel	
3	SP555504	Bolt	M4x12
4	SP311679800004	Washer	M4
5	SP311902100004	Washer	M4
6	SPMEC001410	Self-Adhesive Pad	
7	SP310934000004	Nut	M4
8	SP528311	Emergency Stop Connector	OPL
9	SP528312	Switching Unit	
10	SP510846	Tape	
11	SPPRI543000004	Cover	
12	SP309798500306	Bolt	M3x6
13	SP311679800003	Washer	M3
14	SP547779	Rivet	4x16.7
15	SP520408	Pin Insertion	
16	SP528313	Cable Holder	
17	SP553412	Control Board	MC7; SY180_KIS_PHOTO-ME, HY, SY and UY models
	SP553411	Control Board	MC7; NY models
18	SP553405	Control Board Power	MC7
	SP547005	Board Interconnection Cable	
19	SP557618	Programmer Holder	
20	SP550113	Leading Pin	
21	SP284000012003	Tape	
22	SP528310	Emergency Stop Knob	OPL
	SP520032	Emergency Stop Wiring	OPL
	SP520033	Emergency Stop Interconnection	NY and SY models; Vended
23	SP558929	Coin Meter Cover Plate	SY models; OPL; Black
24	SP558930	CPS Cover Plate	SY models; Vended; Black

# Control Panel - CE and Watermark NY and SY Vended Models (Drawing 1 of 3)

Except Models with V in 7th Position



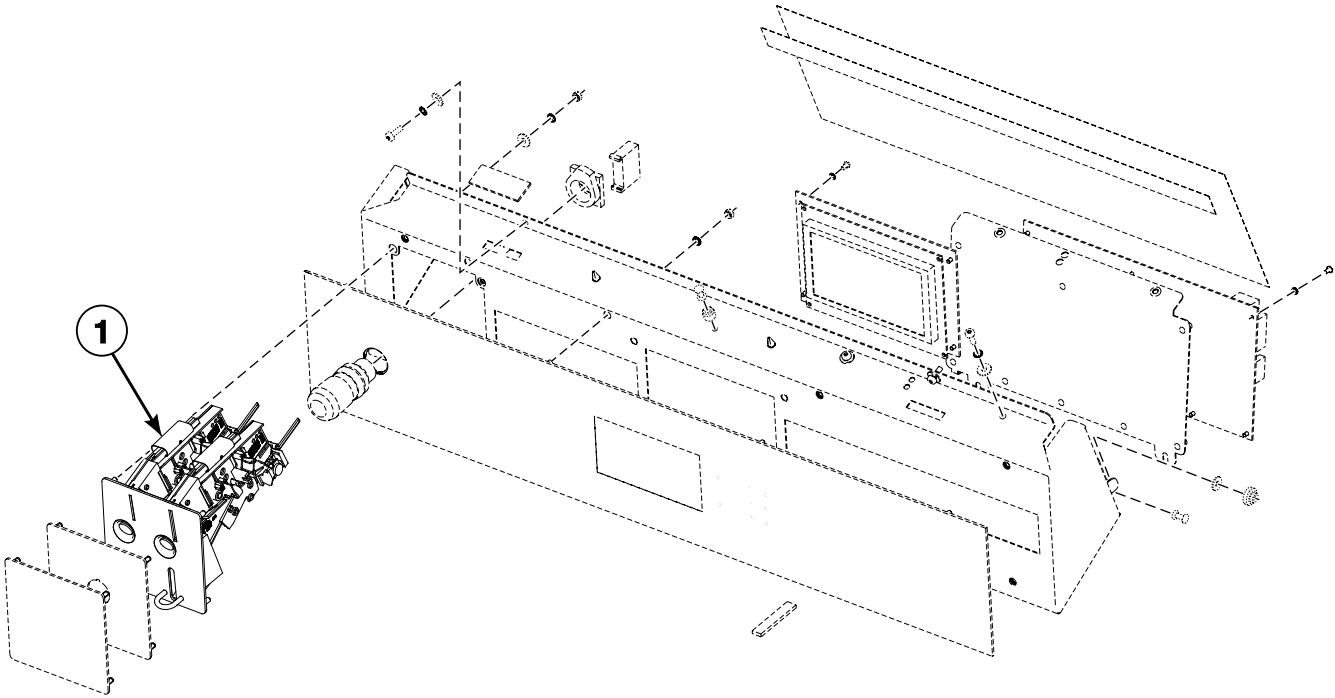
CFD2894P\_D1714

## Control Panel - CE and Watermark NY and SY Vended Models (Drawing 1 of 3)

REF	PART NO.	DESCRIPTION	COMMENTS
1	SP547601	Coin Meter	5K Primus jeton
	SP547602	Coin Meter	7K Primus jeton
	SP547603	Coin Meter	10K Primus jeton
	SP547604	Coin Meter	12K Primus jeton
	SP547605	Coin Meter	15K Primus jeton
	SP547606	Coin Meter	D jeton
	SP547648	Coin Meter	0.05EUR
	SP547638	Coin Meter	0.2EUR
	SP547616	Coin Meter	0.5EUR
	SP547614	Coin Meter	1EUR
	SP547647	Coin Meter	2EUR
	SP547622	Coin Meter	0.2EUR + 0.5EUR
	SP547639	Coin Meter	0.2EUR + 1EUR
	SP547617	Coin Meter	0.5EUR + 1EUR
	SP547656	Coin Meter	0.5EUR + 2EUR
	SP547631	Coin Meter	1EUR + 2EUR
	SP547652	Coin Meter	7K + D jeton
	SP547666	Coin Meter	7K jeton and 2EUR
	SP547665	Coin Meter	D jeton and 2EUR
	SP547600	Coin Meter	1AUD + 20C
	SP547607	Coin Meter	1POND + 20PC
	SP547608	Coin Meter	1POND + 50PC
	SP547609	Coin Meter	100YEN
	SP547610	Coin Meter	500JPY + 100JPY
	SP547611	Coin Meter	5DKK
	SP547612	Coin Meter	20DKK
	SP547613	Coin Meter	5ILS + 1ILS
	SP547615	Coin Meter	1MYR
	SP547618	Coin Meter	1DKK + 5DKK
	SP547619	Coin Meter	10NOK + 20NOK
	SP547620	Coin Meter	2DKK + 5DKK
	SP547621	Coin Meter	5NOK
	SP547623	Coin Meter	1NZD + 2NZD
	SP547624	Coin Meter	10 NOK
	SP547625	Coin Meter	10NT + 50NT
	SP547626	Coin Meter	2DKK
	SP547627	Coin Meter	Lucky Winner jeton
	SP547628	Coin Meter	10TWD
	SP547629	Coin Meter	10CZK + 20CZK
	SP547630	Coin Meter	7K Equipos Par Lavar jeton
	569921	Coin Meter	0.2GBP, 0.5GBP, 1GBP, 2GBP / 0.1EUR, 0.2EUR, 0.5EUR, 1EUR, 2EUR; Electronic EMPv7
	SP547634	Coin Meter	500WON
	SP547635	Coin Meter	0.25USD
	SP547636	Coin Meter	1AUD + 2AUD
	SP547637	Coin Meter	5DK + 10DK
	SP547640	Coin Meter	Sun Wash jeton

# Control Panel - CE and Watermark NY and SY Vended Models (Drawing 2 of 3)

Except Models with V in 7th Position



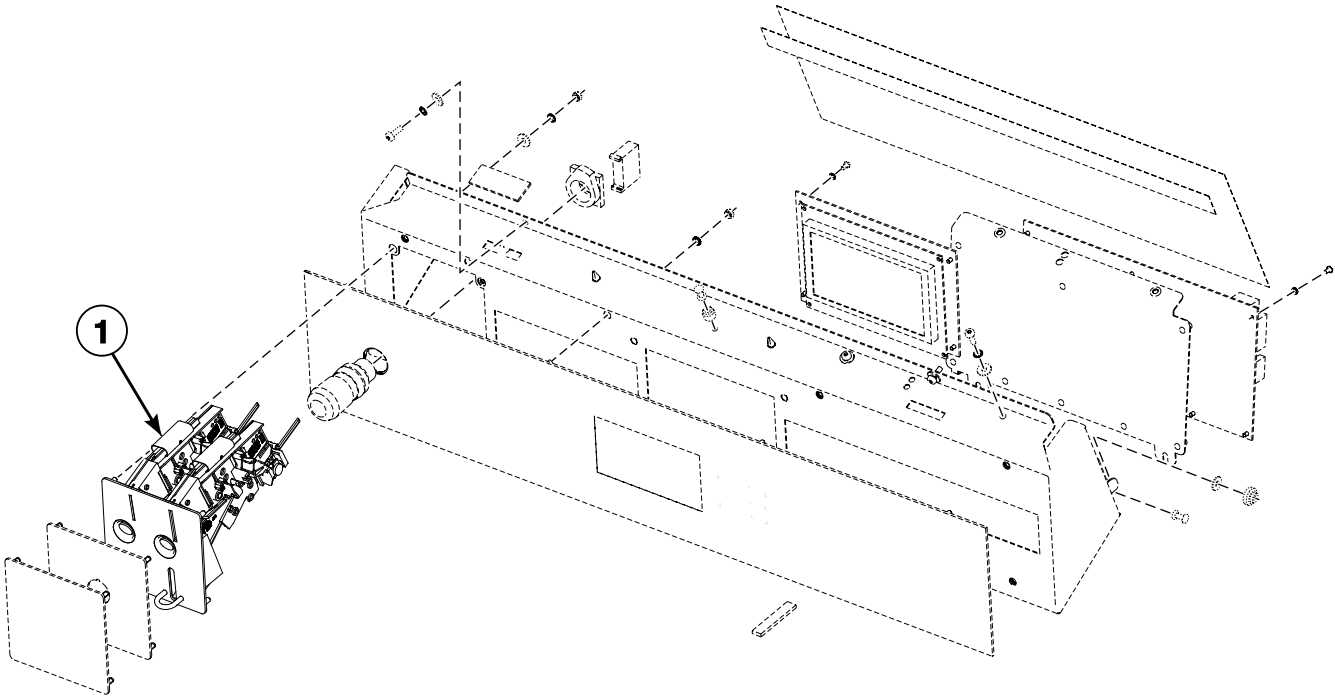
CFD2894P\_D1714

## Control Panel - CE and Watermark NY and SY Vended Models (Drawing 2 of 3)

REF	PART NO.	DESCRIPTION	COMMENTS
1	SP547641	Coin Meter	2DK + 10DK
	SP547642	Coin Meter	1AUD
	SP547643	Coin Meter	1CHF
	SP547644	Coin Meter	5NOK + 10NOK
	SP547645	Coin Meter	1 TopMos jeton + 1"LEV" jeton
	SP547646	Coin Meter	1 Vendo jeton
	SP547649	Coin Meter	1 jeton
	569951	Coin Meter	0.5MAD, 1MAD, 2MAD, 5MAD, 10MAD; Electronic EMPv7
	SP547651	Coin Meter	20 penny
	SP547653	Coin Meter	1 Wascator jeton, jeton diamater 22.2 mm
	SP547654	Coin Meter	1 Unibel jeton, jeton diamater 18.55 mm
	SP547657	Coin Meter	50HUF + 100HUF
	SP547658	Coin Meter	1 jeton without coining, jeton diamater 20 mm
	SP547659	Coin Meter	1 Volund jeton, jeton diamater 22.5 mm
	SP547660	Coin Meter	1 Wascator jeton, jeton diamater 19 mm
	SP547661	Coin Meter	1 Miele jeton
	SP547662	Coin Meter	1 jeton without coining, jeton diamater 26 mm
	SP547663	Coin Meter	Three-groove jeton, jeton diamater 27 mm
	SP547664	Coin Meter	Three-groove jeton, jeton diamater 25 mm
	SP537996	Coin Meter	Top-Mosr jeton
	SP547667	Coin Meter	Milano Italy jeton
	SP547668	Coin Meter	5PLN + 1PLN
	SP547669	Coin Meter	Two-grooves jeton, jeton diamater 27 mm
	SP547670	Coin Meter	A.S.A.R.D. jeton, jeton diamater 25.8 mm
	SP547671	Coin Meter	20CZK
	SP547672	Coin Meter	Jeton ASARD, jeton diamater 22.3 mm
	SP547673	Coin Meter	Jeton Laundromatic Belgium, jeton diamater 22.3 mm
	SP547674	Coin Meter	1SGD
	SP547675	Coin Meter	Jeton Asard Wascator, jeton diamater 19.9 mm
	SP555502	Coin Meter	Easy Games jeton
	SP555543	Coin Meter	Brev.C jeton
	SP555546	Coin Meter	50 Malaysian cent
	SP555549	Coin Meter	Flat Polis jeton
	SP555550	Coin Meter	Butzi Wash jeton
	SP555578	Coin Meter	1SGD, (new Singapore dollar)
	SP555558	Coin Meter	Copper without grooves jeton
	569939	Coin Meter	0.1SGD, 0.2SGD, 0.5SGD, 1SGD; Electronic EMPv7
	SP555666	Coin Meter	2x50 Malaysian cent
	569933	Coin Meter	0.1EUR, 0.2EUR, 0.5EUR, 1EUR, 2EUR, Electronic EMPv7
	SP555559	Coin Meter	Speedy Matic jeton
	SP555579	Coin Meter	Was-Salon Lavoir jeton
	569948	Coin Meter	5CZK, 10CZK, 20CZK, 50CZK; Electronic EMPv7
	SP560744	Coin Meter	Electronic for Dobi Ekspres jeton
	569964	Coin Meter	0.2GBP, 0.5GBP, 1GBP, 2GBP / 0.1EUR, 0.2EUR, 0.5EUR, 1EUR, 2EUR / jeton KWL Auga / jeton Gettone; Electronic EMPv7
	SP560089	Coin Meter	STD 118-1 jeton
	SP560082	Coin Meter	5k IPSO jeton

# Control Panel - CE and Watermark NY and SY Vended Models (Drawing 3 of 3)

Except Models with V in 7th Position



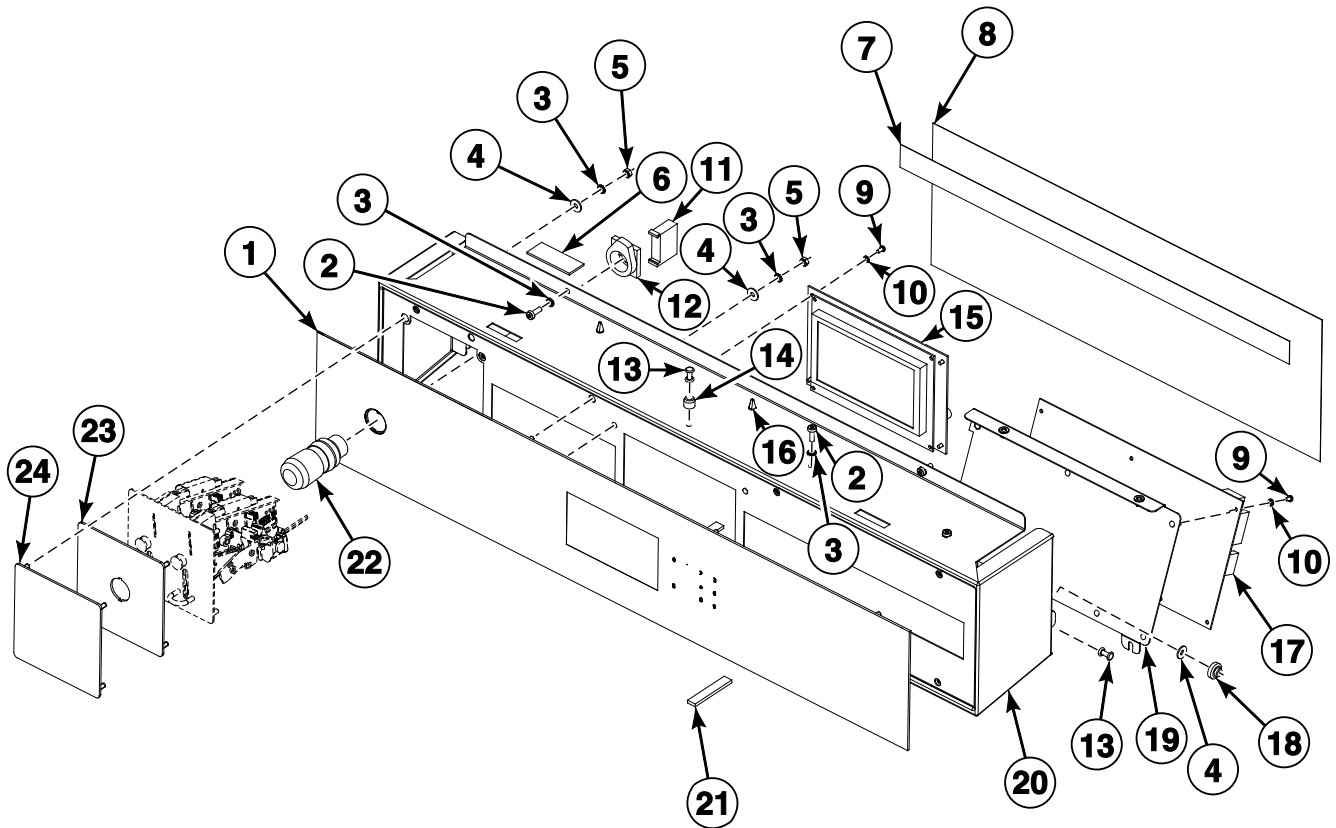
CFD2894P\_D1714

## Control Panel - CE and Watermark NY and SY Vended Models (Drawing 3 of 3)

REF	PART NO.	DESCRIPTION	COMMENTS
1	SP560083	Coin Meter	7k IPSO jeton
	SP560084	Coin Meter	10k IPSO jeton
	SP560085	Coin Meter	12k IPSO jeton
	SP560086	Coin Meter	15k IPSO jeton
	561378	Coin Meter	10 Moroccan Dirham
	569918	Coin Meter	0.25USD, 1USD / 0.25CAD, 1CAD, 2CAD; Electronic EMPv7
	560073	Coin Meter	0.25USD / 1USD
	569930	Coin Meter	1CNY / 0.1MYR, 0.2MYR, 0.5MYR; Electronic EMPv7
	569927	Coin Meter	0.2AUD, 1AUD, 2AUD / 1NZD, 2NZD / 5HKD, 10HKD / 500KRW; Electronic EMPv7
	561496	Coin Meter	Jeton Grupo Azkoyen CDS Automaten
	569936	Coin Meter	1PHP, 5PHP, 10PHP; Electronic EMPv7
	569942	Coin Meter	0.1MYR, 0.2MYR, 0.5MYR / 0.5SGD, 1SGD; Electronic EMPv7
	569945	Coin Meter	1HRK, 2HRK, 5HRK; Electronic EMPv7
	569924	Coin Meter	1DKK, 2DKK, 5DKK, 10DKK, 20DKK / 1NOK, 5NOK, 10NOK, 20NOK / 0.5EUR, 1EUR, 2EUR; Electronic EMPv7
	564484	Coin Meter	Jeton 118-5
	564486	Coin Meter	Jeton Barisart LDL
	569961	Coin Meter	0.1EUR, 0.2EUR, 0.5EUR, 1EUR, 2EUR / 5K IPSO jeton; Electronic EMPv7
	564489	Coin Meter	Jeton Sporrong
	569970	Coin Meter	0.5MYR / jeton DobiPapa 22.5x2; Electronic EMPv7
	553150	Coin Meter	Jeton with hole
	553151	Coin Meter	Jeton Deton Wash
	569967	Coin Meter	0.1EUR, 0.2EUR, 0.5EUR, 1EUR, 2EUR / jeton G-Fis Lavoir Bianca 20x1.8; Electronic EMPv7
	569973	Coin Meter	1AUD, 2AUD / jeton No Cash Value 28.6x1.58; Electronic EMPv7
	569979	Coin Meter	0.5MYR / jeton BUBBLELAB; Electronic EMPv7
	569954	Coin Meter	1PLN, 2PLN, 5PLN / 0.1EUR, 0.2EUR, 0.5EUR, 1EUR, 2EUR, ISK10, ISK50, ISK100; Electronic EMPv7
	569987	Coin Meter	HAUCK 2018
	569901	Coin Meter	Brass jeton
	569912	Coin Meter	Jeton Wassalon Lavoir
	569998	Coin Meter	100+500 ISK
	572301	Coin Meter	Token 118-16
	572304	Coin Meter	1ILS, 2ILS, 5ILS, 10ILS; Electronic EMPv7
	572307	Coin Meter	1ZAR, 2ZAR, 5ZAR; Electronic EMPv7
	572310	Coin Meter	5RUB, 10RUB; Electronic EMPv7
	572313	Coin Meter	50CLP, 100CLP, 500CLP; Electronic EMPv7
	572317	Coin Meter	100JPY, 500JPY, 10TWD, 50TWD; Electronic EMPv7
	572320	Coin Meter	0.5GEL, 1GEL, 2GEL; Electronic EMPv7
	572323	Coin Meter	0.2 EUR, 0.5EUR, 1EUR, 2EUR, Jeton 7K; Electronic EMPv7
	572326	Coin Meter	20HUF, 50HUF, 100HUF, 200HUF; Electronic EMPv7
	572342	Coin Meter	Token WH121
	572339	Coin Meter	Getton Jeton (26mm diameter x 1.7mm)
	579808	Coin Meter	1EAD, 1TK, 2TK; Electronic EMPv7

# Control Panel - H180, IY and J Models

Except Models with G, H, J or K in 13th Position



CFD2895P\_D1714

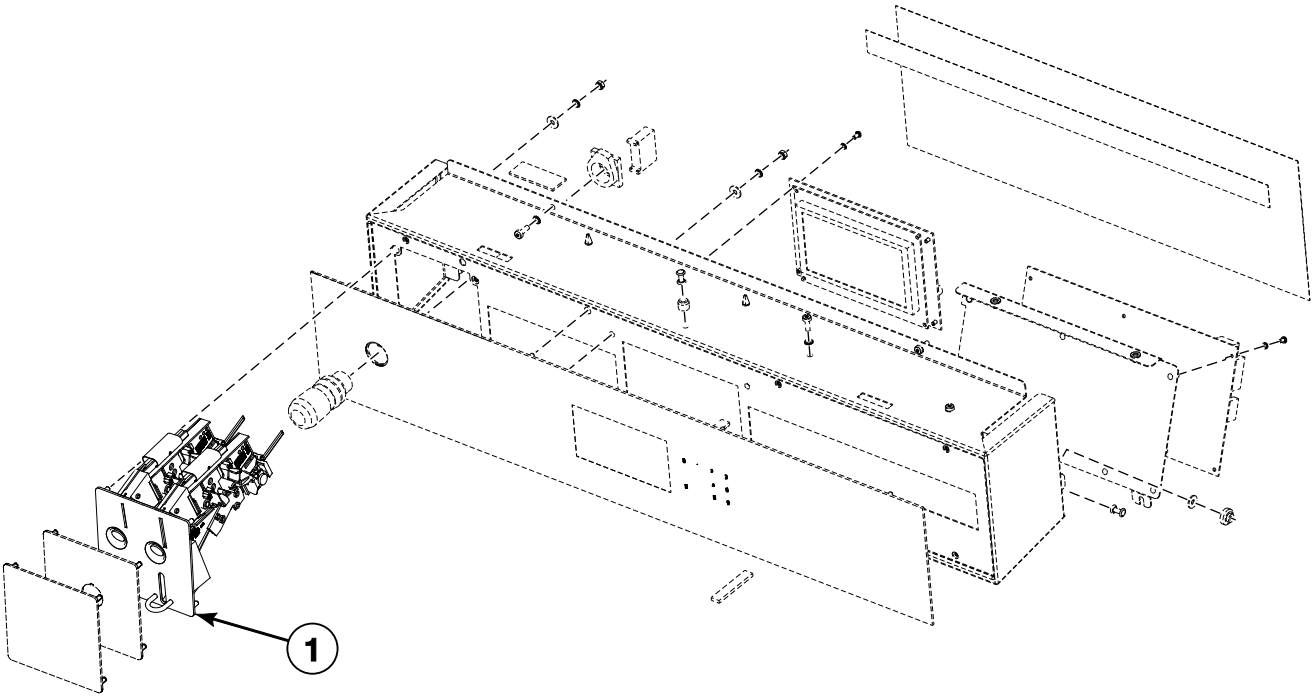


## Control Panel - H180, IY and J Models

REF	PART NO.	DESCRIPTION	COMMENTS
	SP557744	USB Connection	J models
	567186	Label	CE IY models; Sofr wash
1	SP557571	Keyboard	IY models; Aries Elite; OPL
	SP557572	Keyboard	IY models; Aries; Vended
	SP560763	Keyboard	IY models; Without logo; With numeric keypad; OPL
	SP560764	Keyboard	H180 and IY models; Without logo; Without numeric keypad; Vended
	SP559393	Keyboard	J 40 models; OPL
	SP559396	Keyboard	J 40 models; Vended
	F8600501	Programming Cable	
2	SP555504	Bolt	M4x12
3	SP311679800004	Washer	M4
4	SP311902100004	Washer	M4
5	SP310934000004	Nut	M4
6	SPMEC001410	Self-Adhesive Pad	
7	SP510846	Tape	
8	SPPRI543000004	Cover	
9	SP309798500306	Bolt	M3x6
10	SP311679800003	Washer	M3
11	SP528312	Switching Unit	
12	SP528311	Emergency Stop Connector	
13	SP547779	Rivet	4x16.7
14	SP520408	Pin Insertion	
15	SP553419	Control Board	MC7; H180 and IY models
	SP553411	Control Board	MC7; J models
16	SP528313	Cable Holder	
17	SP553405	Control Board Power	MC7
	SP547005	Board Interconnection Cable	
18	SP550113	Leading Pin	
19	SP558896	Programmer Holder	
20	SP558907	Control Panel	
21	SP284000012003	Tape	
22	SP528310	Emergency Stop Knob	OPL
	SP520032	Emergency Stop Wiring	OPL
	SP520033	Emergency Stop Interconnection	Vended
23	SP558929	Coin Meter Cover Plate	OPL
24	SP558930	CPS Cover Plate	Vended

# Control Panel - CE and Watermark H180, IY and J Vended Models (Drawing 1 of 3)

Except Models with G, H, J or K in 13th Position



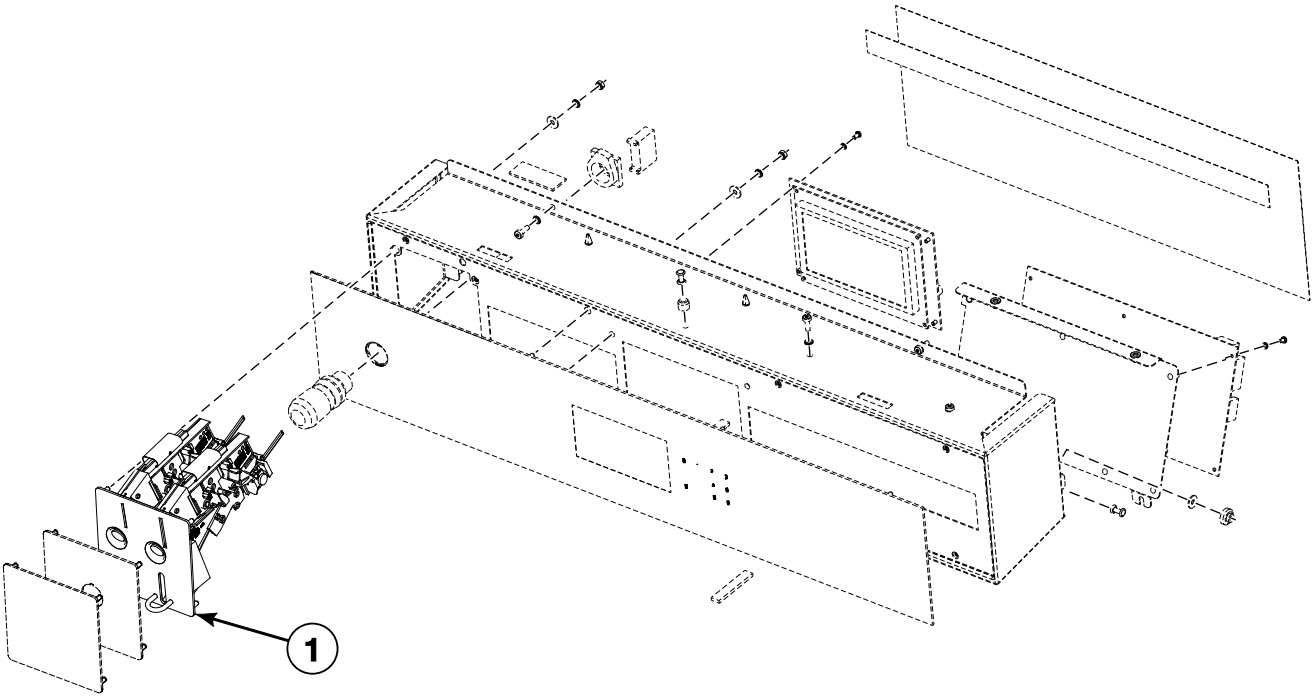
CZW51P\_D1714

# Control Panel - CE and Watermark H180, IY and J Vended Models (Drawing 1 of 3)

REF	PART NO.	DESCRIPTION	COMMENTS
1	569922	Coin Meter	0.2GBP, 0.5GBP, 1GBP, 2GBP / 0.1EUR, 0.2EUR, 0.5EUR, 1EUR, 2EUR; Electronic EMPv7
	SP558958	Coin Meter	0.25USD
	SP558959	Coin Meter	0.5EUR + 1EUR
	SP560310	Coin Meter	1EUR
	SP560311	Coin Meter	0.5EUR
	SP560312	Coin Meter	1EUR + 2EUR
	SP559933	Coin Meter	5K Primus jeton
	SP559934	Coin Meter	10K Primus jeton
	569965	Coin Meter	0.2GBP, 0.5GBP, 1GBP, 2GBP / 0.1EUR, 0.2EUR, 0.5EUR, 1EUR, 2EUR / jeton KWL Aqua / jeton Gettone; Electronic EMPv7
	SP559938	Coin Meter	STD 118-1 jeton
	SP560309	Coin Meter	7K Primus jeton
	SP560405	Coin Meter	12K Primus jeton
	SP560406	Coin Meter	15K Primus jeton
	SP560407	Coin Meter	2EUR
	SP560408	Coin Meter	0.2EUR + 0.5EUR
	SP560409	Coin Meter	0.2EUR
	SP560410	Coin Meter	1EUR + 0.2EUR
	SP560411	Coin Meter	2EUR + 0.5EUR
	SP560412	Coin Meter	1AUD + 0.2AUD
	SP560413	Coin Meter	1 pound + 20PC
	SP560414	Coin Meter	1 pound + 50PC
	SP560415	Coin Meter	100JPY
	SP560416	Coin Meter	500JPY + 100JPY
	SP560417	Coin Meter	1AUD + 2AUD
	SP560418	Coin Meter	1AUD
	SP560419	Coin Meter	20PC
	SP560420	Coin Meter	50 Malaysian cent
	SP560421	Coin Meter	1SGD (new Singaporean dollar)
	SP560422	Coin Meter	2MYR + 0.5MYR
	SP560423	Coin Meter	1SGD
	SP560424	Coin Meter	1NZD + 2NZD
	SP560425	Coin Meter	Easy games jeton
	SP560426	Coin Meter	Flat polis jeton
	SP560427	Coin Meter	Butzi wash jeton
	SP560428	Coin Meter	Speedy matic jeton
	SP560429	Coin Meter	Laundromatic Belgium jeton, (jeton diameter 22.3 mm)
	569940	Coin Meter	0.1SGD, 0.2SGD, 0.5SGD, 1SGD; Electronic EMPv7
	569934	Coin Meter	0.1EUR, 0.2EUR, 0.5EUR, 1EUR, 2EUR; Electronic EMPv7
	SP560432	Coin Meter	500WON
	SP560745	Coin Meter	Dobi ekspres jeton
	SP560751	Coin Meter	Lucky Winner jeton
	SP559969	Coin Meter	Gettone jeton
	SP559949	Coin Meter	10 Taiwan dollar
	SP560090	Coin Meter	5K Ipso jeton
	SP560091	Coin Meter	7K Ipso jeton

# Control Panel - CE and Watermark H180, IY and J Vended Models (Drawing 2 of 3)

Except Models with G, H, J or K in 13th Position



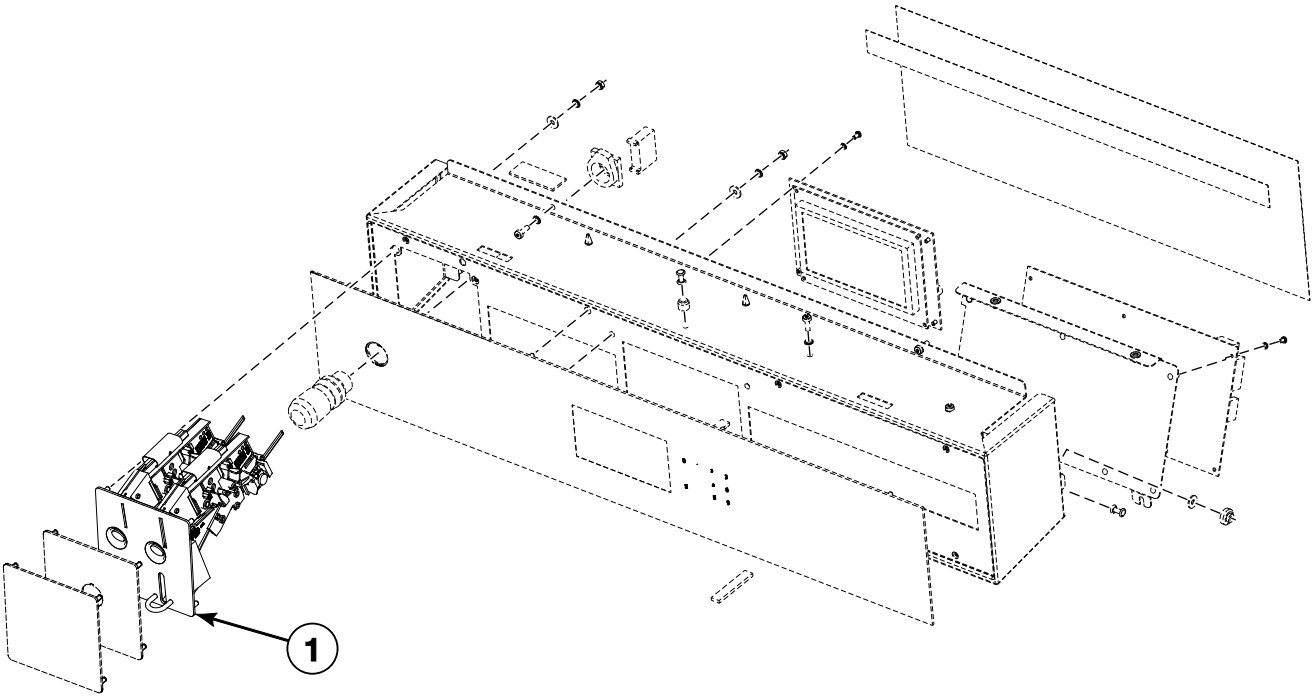
CZW51P\_D1714

## Control Panel - CE and Watermark H180, IY and J Vended Models (Drawing 2 of 3)

REF	PART NO.	DESCRIPTION	COMMENTS
1	SP560092	Coin Meter	10K Ipso jeton
	SP560093	Coin Meter	12K Ipso jeton
	SP560094	Coin Meter	15K Ipso jeton
	SP560100	Coin Meter	Electrolux Asard jeton
	SP560087	Coin Meter	Gettone jeton
	569925	Coin Meter	1DKK, 2DKK, 5DKK, 10DKK, 20DKK / 1NOK, 5NOK, 10NOK, 20NOK / 0.2EUR, 0.5EUR, 1EUR, 2EUR; Electronic EMPv7
	569928	Coin Meter	0.2AUD, 1AUD, 2AUD / 1NZD, 2NZD / 5HKD, 10HKD / 500KRW; Electronic EMPv7
	569931	Coin Meter	1CNY / 0.1MYR, 0.2MYR, 0.5MYR; Electronic EMPv7
	569937	Coin Meter	1PHP, 5PHP, 10PHP; Electronic EMPv7
	569943	Coin Meter	0.1MYR, 0.2MYR, 0.5MYR / 0.5SGD, 1SGD; Electronic EMPv7
	569946	Coin Meter	1HRK, 2HRK, 5HRK; Electronic EMPv7
	569949	Coin Meter	5CZK, 10CZK, 20CZK, 50CZK; Electronic EMPv7
	569952	Coin Meter	0.5MAD, 1MAD, 2MAD, 5MAD, 10MAD; Electronic EMPv7
	569962	Coin Meter	0.1EUR, 0.2EUR, 0.5EUR, 1EUR, 2EUR / 5K IPSO jeton; Electronic EMPv7
	569971	Coin Meter	0.5MYR / jeton DobiPapa 22.5x2; Electronic EMPv7
	569919	Coin Meter	0.25USD, 1USD / 0.25CAD, 1CAD, 2CAD; Electronic EMPv7
	569968	Coin Meter	0.1EUR, 0.2EUR, 0.5EUR, 1EUR, 2EUR / jeton G-Fis Lavoir Bianca 20x1.8; Electronic EMPv7
	569974	Coin Meter	1AUD, 2AUD / jeton No Cash Value 28.6x1.58; Electronic EMPv7
	569980	Coin Meter	0.5MYR / jeton BUBBLELAB; Electronic EMPv7
	569955	Coin Meter	1PLN, 2PLN, 5 PLN / 0.1EUR, 0.2EUR, 0.5EUR, 1EUR, 2EUR / ISK10, ISK50, ISK100; Electronic EMPv7
	SP560075	Coin Meter	5+1 Shekel
	SP560071	Coin Meter	1HKD
	SP561497	Coin Meter	Jeton Prinz Firbitex
	563405	Coin Meter	Token Ldl Chamberland Washing Machine
	SP564485	Coin Meter	Token 118-5
	564487	Coin Meter	Token Barisart (Ldl)
	SP553156	Coin Meter	Token Rotondi
	569905	Coin Meter	Brass Jeton
	569911	Coin Meter	0.5CHF, 2CHF
	569993	Coin Meter	Jeton 08 MS
	569995	Coin Meter	Jeton D
	572343	Coin Meter	Token WH121
	569988	Coin Meter	Jeton D
	572389	Coin Meter	0.25CAD
	572355	Coin Meter	Token Nr. 1699360
	572359	Coin Meter	1THB, 2THB, 5THB, 10THB / TK1+2, Electronic EMPv7

# Control Panel - CE and Watermark H180, IY and J Vended Models (Drawing 3 of 3)

Except Models with G, H, J or K in 13th Position



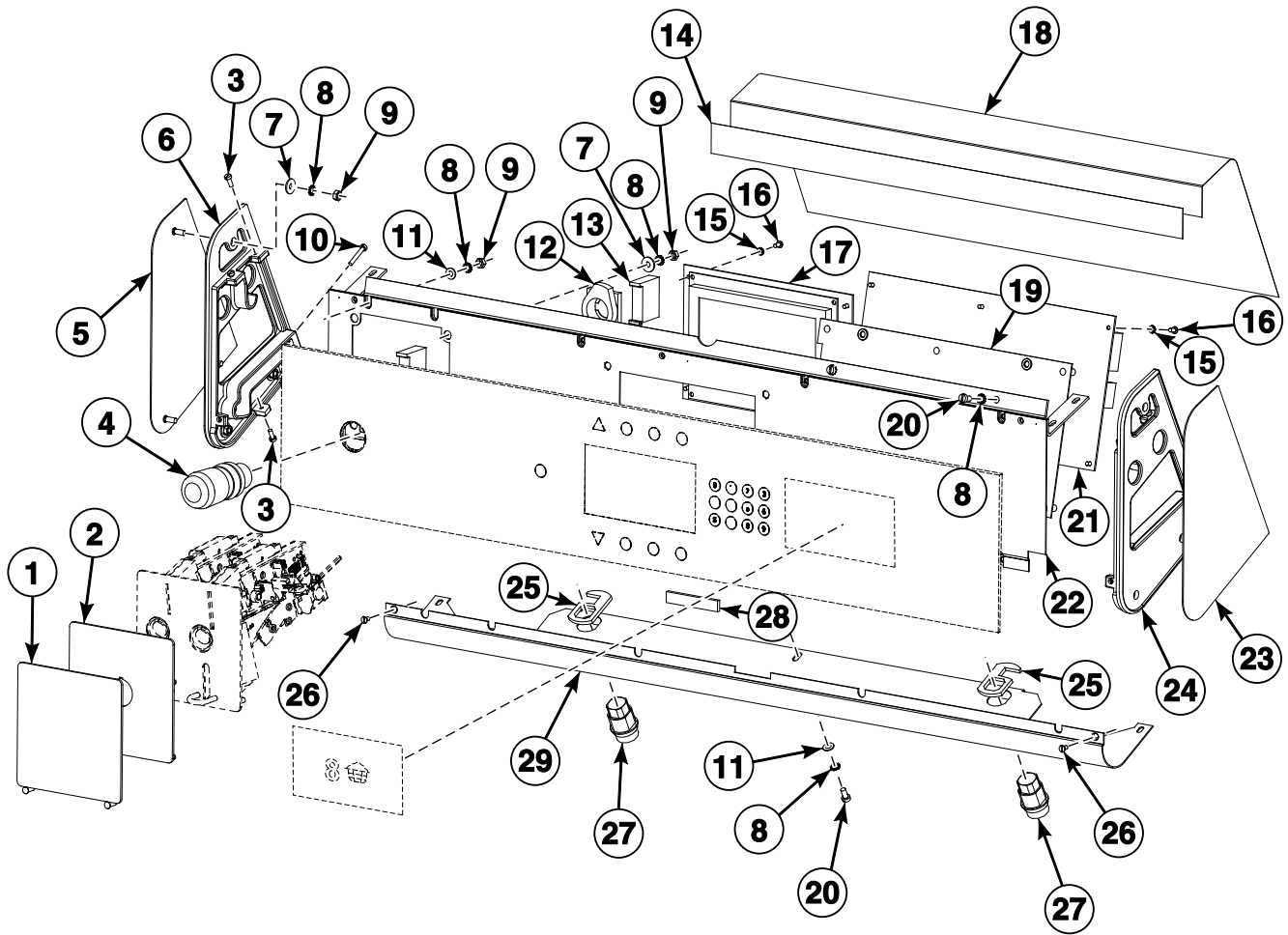
CZW51P\_D1714

## Control Panel - CE and Watermark H180, IY and J Vended Models (Drawing 3 of 3)

REF	PART NO.	DESCRIPTION	COMMENTS
1	569999	Coin Meter	10+50 TWD
	570000	Coin Meter	100+500 ISK
	572302	Coin Meter	Token 118-16
	572305	Coin Meter	1ILS, 2ILS, 5ILS, 10ILS; Electronic EMPv7
	572308	Coin Meter	1ZAR, 2ZAR, 5ZAR; Electronic EMPv7
	572311	Coin Meter	5RUB, 10RUB; Electronic EMPv7
	572314	Coin Meter	50CLP, 100CLP, 500CLP; Electronic EMPv7
	572318	Coin Meter	100JPY, 500JPY, 10TWD, 50TWD; Electronic EMPv7
	572321	Coin Meter	0.5GEL, 1GEL, 2GEL; Electronic EMPv7
	572324	Coin Meter	0.2 EUR, 0.5EUR, 1EUR, 2EUR, Jeton 7K; Electronic EMPv7
	575276	Coin Meter	0.25USD +1USD
	572384	Coin Meter	0.2CHF, 0,5CHF, 1CHF, 2CHF; Electronic EMPv7
	575277	Coin Meter	0.25CAD +1CAD
	579809	Coin Meter	1EAD, 1TK, 2TK; Electronic EMPv7
	572327	Coin Meter	20HUF, 50HUF, 100HUF, 200HUF; Electronic EMPv7

# Control Panel - AF, FX, HX, L, M, PY and SW Models (Drawing 1 of 2)

Except Models with V in 7th Position



CZW52P\_D1714



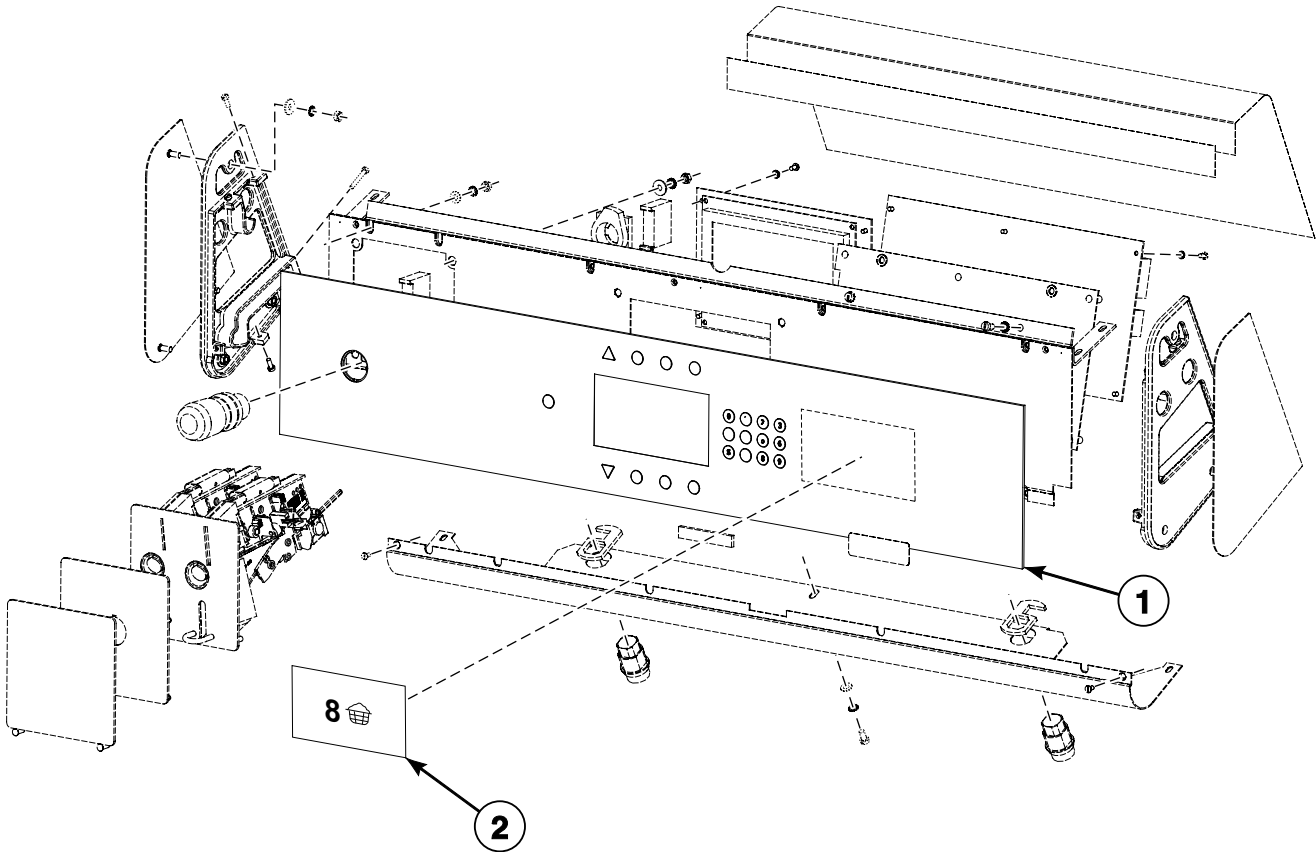
## Control Panel - AF, FX, HX, L, M, PY and SW Models (Drawing 1 of 2)

REF	PART NO.	DESCRIPTION	COMMENTS
	F8600501	Programming Cable	
1	SP550149	Cover Plate	North America PY models
2	SP547565	Coin Meter Cover	
3	577761	Bolt	3x8
4	SP528310	Emergency Stop Knob	OPL
	SP520032	Emergency Stop Wiring	OPL
	SP520033	Emergency Stop Interconnection	Vended
5	SP547507	Side Sheet Metal	Left
6	570391	Side Board	Left
7	SP311902100004	Washer	M4
8	SP311679800004	Washer	M4
9	SP310934000004	Nut	M4
10	577763	Bolt	3x20
11	SP311125000004	Washer	M4
12	SP528311	Emergency Stop Connector	
13	SP528312	Switching Unit	
14	SP510846	Tape	
15	SP311679800003	Washer	M3
16	SP309798500306	Bolt	M3x6
17	SP547001	Control Board	MC6 (green color); Through Serial No. 180FX002325DB; Refer to NOTE*
	SP553411	Control Board	MC7 (blue color); Starting Serial No. 180FX002326DB; Refer to NOTE*
18	SPPRI543000004	Cover	
19	SP550005	Programmer Holder	
20	SP555504	Bolt	M4x12
21	SP547002	Control Board Power	MC6
	SP553405	Control Board Power	MC7
	SP547005	Board Interconnection Cable	AF, FX, HX, L, M and PY models
	SP537995	Board Interconnection Cable	SW models
22	SP547571	Programmer Holder	
23	SP547506	Side Sheet Metal	Right
24	570392	Side Board	Right
25	SPPRI610002007	Hook Lock	Small; MC7; OPL
26	577762	Bolt	3x8
27	SP547527	Lock	
	SP550616	Key	Used with SP547527 Lock
28	SP284000012003	Tape	
29	SP547574	Lath	

\* NOTE: For machines within the Serial No. range 180FX002327DB - 180FX002672DF, contact the After Sales department.

# Control Panel - AF, FX, HX, L, M, PY and SW Models (Drawing 2 of 2)

Except Models with V in 7th Position

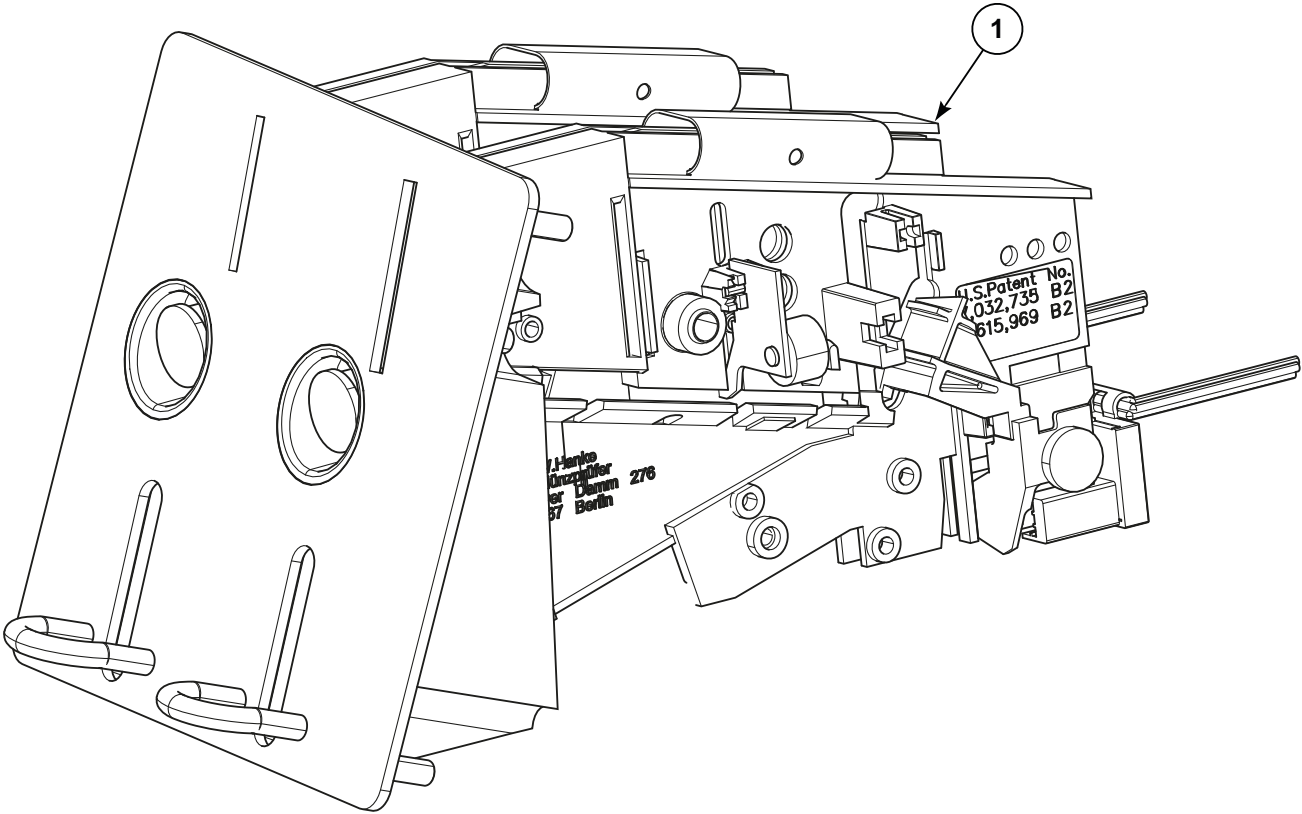


CFD3446P\_D1714

## Control Panel - AF, FX, HX, L, M, PY and SW Models (Drawing 2 of 2)

REF	PART NO.	DESCRIPTION	COMMENTS
	SP562738	Label	CE PY models through 2/21/2019; OPL; Soft wash
1	SP560757	Keyboard	North America PYN models; X Control; Vended
	SP547018	Keyboard	FX, M and PY models; X Control Plus; OPL; Gray-black
	SP547017	Keyboard	CE FX, M and PY models; OPL; X Control; Gray-black
	SP547015	Keyboard	CE FX, M and PY models; Vended; X Control; Gray-black
	SP547016	Keyboard	CE FX, M and PY models; CPS; X Control; Gray-black
	SP547030	Keyboard	CE AF and L models; OPL; X Control Plus; Black
	SP547029	Keyboard	CE AF and L models; OPL; X Control; Black
	SP547027	Keyboard	CE AF and L models; Vended; X Control; Black
	SP547028	Keyboard	CE AF and L models; CPS; X Control; Black
	SP547042	Keyboard	CE FX, M and PY models; OPL; X Control Plus; Gray
	SP547041	Keyboard	CE FX, M and PY models; OPL; X Control; Gray
	SP547039	Keyboard	CE FX, M and PY models; Vended; X Control; Gray
	SP547040	Keyboard	CE FX, M and PY models; CPS; X Control; Gray
	SP552912	Keyboard	CE HX models; X Control
	SP556256	Keyboard	CE SW models
		SP547042	Keyboard
2	SP563292	Label	Model PYN040X; Basket Capacity; 4; Vended
	SP547050	Label	PYN models starting 2/22/2019

# Coin Meter - AF, FX, L, M and PY Models (Drawing 1 of 4)

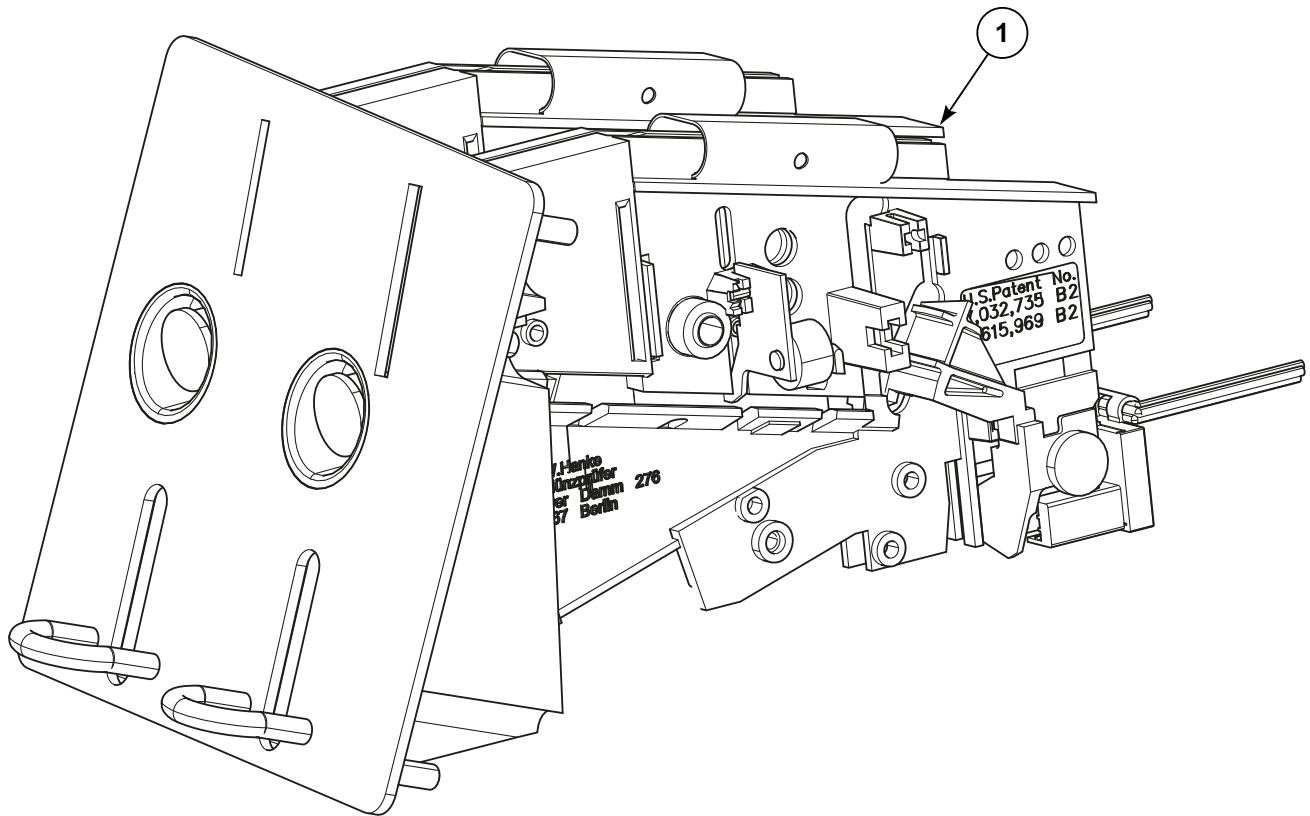


CZT185P\_D1714

## Coin Meter - AF, FX, L, M and PY Models (Drawing 1 of 4)

REF	PART NO.	DESCRIPTION	COMMENTS
1	SP547601	Coin Meter	5K Primus jeton
	SP547602	Coin Meter	7K Primus jeton
	SP547603	Coin Meter	10K Primus jeton
	SP547604	Coin Meter	12K Primus jeton
	SP547605	Coin Meter	15K Primus jeton
	SP547606	Coin Meter	D jeton
	SP547648	Coin Meter	0.05EUR
	SP547638	Coin Meter	0.2EUR
	SP547616	Coin Meter	0.5EUR
	SP547614	Coin Meter	1EUR
	SP547647	Coin Meter	2EUR
	SP547622	Coin Meter	0.2EUR + 0.5EUR
	SP547639	Coin Meter	0.2EUR + 1EUR
	SP547617	Coin Meter	0.5EUR + 1EUR
	SP547656	Coin Meter	0.5EUR + 2EUR
	SP547631	Coin Meter	1EUR + 2EUR
	SP547652	Coin Meter	7K + D jeton
	SP547666	Coin Meter	7K jeton and 2EUR
	SP547665	Coin Meter	D jeton and 2EUR
	SP547600	Coin Meter	1AUD + 20C
	SP547607	Coin Meter	1POND + 20PC
	SP547608	Coin Meter	1POND + 50PC
	SP547609	Coin Meter	100YEN
	SP547610	Coin Meter	500JPY + 100JPY
	SP547611	Coin Meter	5DKK
	SP547612	Coin Meter	20DKK
	SP547613	Coin Meter	5ILS + 1ILS
	SP547615	Coin Meter	1MYR
	SP547618	Coin Meter	1DKK + 5DKK
	SP547619	Coin Meter	10NOK + 20NOK
	SP547620	Coin Meter	2DKK + 5DKK
	SP547621	Coin Meter	5NOK
	SP547623	Coin Meter	1NZD + 2NZD
	SP547624	Coin Meter	10 NOK
	SP547625	Coin Meter	10NT + 50NT
	SP547626	Coin Meter	2DKK
	SP547627	Coin Meter	Lucky Winner jeton
	SP547628	Coin Meter	10TWD
	SP547629	Coin Meter	10CZK + 20CZK
	SP547630	Coin Meter	7K Equipos Par Lavar jeton
	569921	Coin Meter	0.2GBP, 0.5GBP, 1GBP, 2GBP / 0.1EUR, 0.2EUR, 0.5EUR, 1EUR, 2EUR; Electronic EMPv7
	SP547634	Coin Meter	500WON
	SP547635	Coin Meter	0.25USD
	SP547636	Coin Meter	1AUD + 2AUD
	SP547637	Coin Meter	5DK + 10DK
	SP547640	Coin Meter	Sun Wash jeton

# Coin Meter - AF, FX, L, M and PY Models (Drawing 2 of 4)

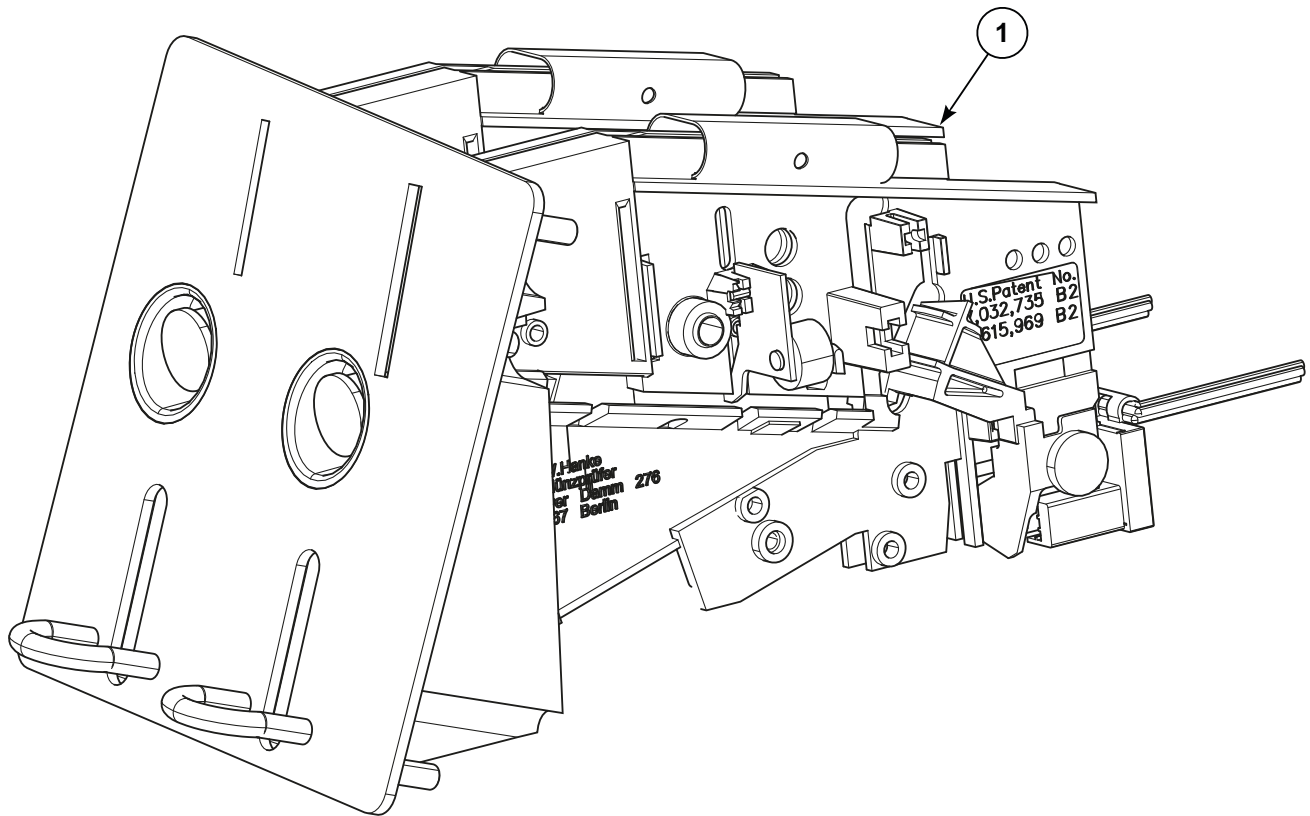


CZT185P\_D1714

## Coin Meter - AF, FX, L, M and PY Models (Drawing 2 of 4)

REF	PART NO.	DESCRIPTION	COMMENTS
1	SP547641	Coin Meter	2DK + 10DK
	SP547642	Coin Meter	1AUD
	SP547643	Coin Meter	1CHF
	SP547644	Coin Meter	5NOK + 10NOK
	SP547645	Coin Meter	1 TopMos jeton + 1"LEV" jeton
	SP547646	Coin Meter	1 Vendo jeton
	SP547649	Coin Meter	1 jeton
	569951	Coin Meter	0.5MAD, 1MAD, 2MAD, 5MAD, 10MAD; Electronic EMPv7
	SP547651	Coin Meter	20 penny
	SP547653	Coin Meter	1 Wascator jeton, jeton diameter 22.2 mm
	SP547654	Coin Meter	1 Unibel jeton, jeton diameter 18.55 mm
	SP547657	Coin Meter	50HUF + 100HUF
	SP547658	Coin Meter	1 jeton without coining, jeton diameter 20 mm
	SP547659	Coin Meter	1 Volund jeton, jeton diameter 22.5 mm
	SP547660	Coin Meter	1 Wascator jeton, jeton diameter 19 mm
	SP547661	Coin Meter	1 Miele jeton
	SP547662	Coin Meter	1 jeton without coining, jeton diameter 26 mm
	SP547663	Coin Meter	Three-groove jeton, jeton diameter 27 mm
	SP547664	Coin Meter	Three-groove jeton, jeton diameter 25 mm
	SP537996	Coin Meter	Top-Mosr jeton
	SP547667	Coin Meter	Milano Italy jeton
	SP547668	Coin Meter	5PLN + 1PLN
	SP547669	Coin Meter	Two-grooves jeton, jeton diameter 27 mm
	SP547670	Coin Meter	A.S.A.R.D. jeton, jeton diameter 25.8 mm
	SP547671	Coin Meter	20CZK
	SP547672	Coin Meter	Jeton ASARD, jeton diameter 22.3 mm
	SP547673	Coin Meter	Jeton Laundromatic Belgium, jeton diameter 22.3 mm
	SP547674	Coin Meter	1SGD
	SP547675	Coin Meter	Jeton Asard Wascator, jeton diameter 19.9 mm
	SP555502	Coin Meter	Easy Games jeton
	SP555543	Coin Meter	Brev.C jeton
	SP555546	Coin Meter	50 Malaysian cent
	SP555549	Coin Meter	Flat Polis jeton
	SP555550	Coin Meter	Butzi Wash jeton
	SP555578	Coin Meter	1SGD, (new Singapore dollar)
	SP555558	Coin Meter	Copper without grooves jeton
	569939	Coin Meter	0.1SGD, 0.2SGD, 0.5SGD, 1SGD; Electronic EMPv7
	SP555666	Coin Meter	2x50 Malaysian cent
	569933	Coin Meter	0.1EUR, 0.2EUR, 0.5EUR, 1EUR, 2EUR, Electronic EMPv7
	SP555559	Coin Meter	Speedy Matic jeton
	SP555579	Coin Meter	Was-Salon Lavoir jeton
	569948	Coin Meter	5CZK, 10CZK, 20CZK, 50CZK; Electronic EMPv7
	SP560744	Coin Meter	Electronic for Dobi Ekspres jeton
	569964	Coin Meter	0.2GBP, 0.5GBP, 1GBP, 2GBP / 0.1EUR, 0.2EUR, 0.5EUR, 1EUR, 2EUR / jeton KWL Auga / jeton Gettone; Electronic EMPv7
	SP560089	Coin Meter	STD 118-1 jeton
	SP560082	Coin Meter	5k IPSO jeton

# Coin Meter - AF, FX, L, M and PY Models (Drawing 3 of 4)



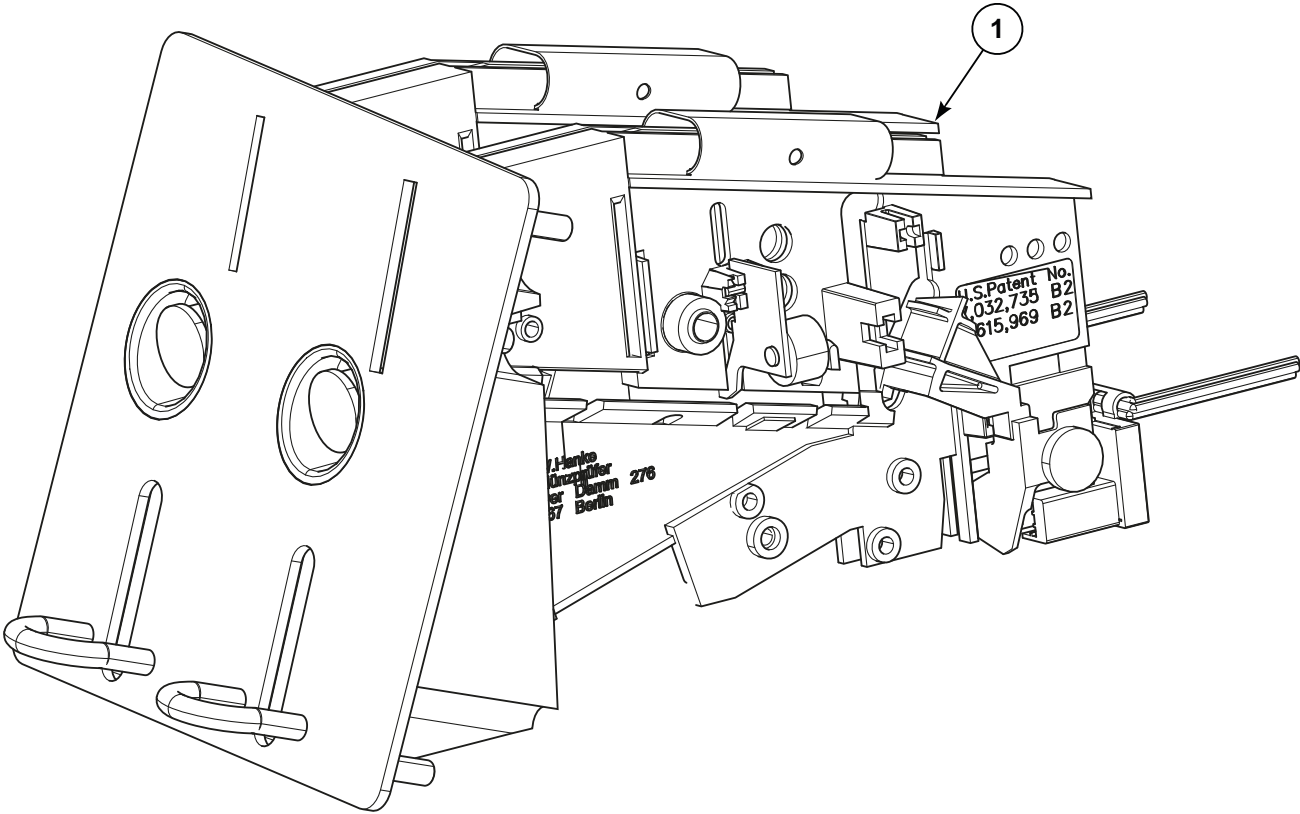
CZT185P\_D1714



## Coin Meter - AF, FX, L, M and PY Models (Drawing 3 of 4)

REF	PART NO.	DESCRIPTION	COMMENTS
1	SP560083	Coin Meter	7k IPSO jeton
	SP560084	Coin Meter	10k IPSO jeton
	SP560085	Coin Meter	12k IPSO jeton
	SP560086	Coin Meter	15k IPSO jeton
	561378	Coin Meter	10 Moroccan Dirham
	569918	Coin Meter	0.25USD, 1USD / 0.25CAD, 1CAD, 2CAD; Electronic EMPv7
	560073	Coin Meter	0.25USD / 1USD
	569930	Coin Meter	1CNY / 0.1MYR, 0.2MYR, 0.5MYR; Electronic EMPv7
	569927	Coin Meter	0.2AUD, 1AUD, 2AUD / 1NZD, 2NZD / 5HKD, 10HKD / 500KRW; Electronic EMPv7
	561496	Coin Meter	Jeton Grupo Azkoyen CDS Automaten
	569936	Coin Meter	1PHP, 5PHP, 10PHP; Electronic EMPv7
	569942	Coin Meter	0.1MYR, 0.2MYR, 0.5MYR / 0.5SGD, 1SGD; Electronic EMPv7
	569945	Coin Meter	1HRK, 2HRK, 5HRK; Electronic EMPv7
	569924	Coin Meter	1DKK, 2DKK, 5DKK, 10DKK, 20DKK / 1NOK, 5NOK, 10NOK, 20NOK / 0.5EUR, 1EUR, 2EUR; Electronic EMPv7
	564484	Coin Meter	Jeton 118-5
	564486	Coin Meter	Jeton Barisart LDL
	569961	Coin Meter	0.1EUR, 0.2EUR, 0.5EUR, 1EUR, 2EUR / 5K IPSO jeton; Electronic EMPv7
	564489	Coin Meter	Jeton Sporrong
	569970	Coin Meter	0.5MYR / jeton DobiPapa 22.5x2; Electronic EMPv7
	553150	Coin Meter	Jeton with hole
	553151	Coin Meter	Jeton Deton Wash
	569967	Coin Meter	0.1EUR, 0.2EUR, 0.5EUR, 1EUR, 2EUR / jeton G-Fis Lavoir Bianca 20x1.8; Electronic EMPv7
	569973	Coin Meter	1AUD, 2AUD / jeton No Cash Value 28.6x1.58; Electronic EMPv7
	569979	Coin Meter	0.5MYR / jeton BUBBLELAB; Electronic EMPv7
	569954	Coin Meter	1PLN, 2PLN, 5PLN / 0.1EUR, 0.2EUR, 0.5EUR, 1EUR, 2EUR, ISK10, ISK50, ISK100; Electronic EMPv7
	569901	Coin Meter	Brass jeton
	569912	Coin Meter	Jeton Wassalon lavoir
	572339	Coin Meter	Gettone jeton (26mm diameter x 1.7mm)
	569987	Coin Meter	HAUCK 2018
	569998	Coin Meter	100+500 ISK
	572301	Coin Meter	Token 118-16
	572304	Coin Meter	1ILS, 2ILS, 5ILS, 10ILS; Electronic EMPv7
	572307	Coin Meter	1ZAR, 2ZAR, 5ZAR; Electronic EMPv7
	572310	Coin Meter	5RUB, 10RUB; Electronic EMPv7
	572313	Coin Meter	50CLP, 100CLP, 500CLP; Electronic EMPv7
	572317	Coin Meter	100JPY, 500JPY, 10TWD, 50TWD; Electronic EMPv7
	572320	Coin Meter	0.5GEL, 1GEL, 2GEL; Electronic EMPv7
	572323	Coin Meter	0.2 EUR, 0.5EUR, 1EUR, 2EUR, Jeton 7K; Electronic EMPv7
	572326	Coin Meter	20HUF, 50HUF, 100HUF, 200HUF; Electronic EMPv7

# Coin Meter - AF, FX, L, M and PY Models (Drawing 4 of 4)



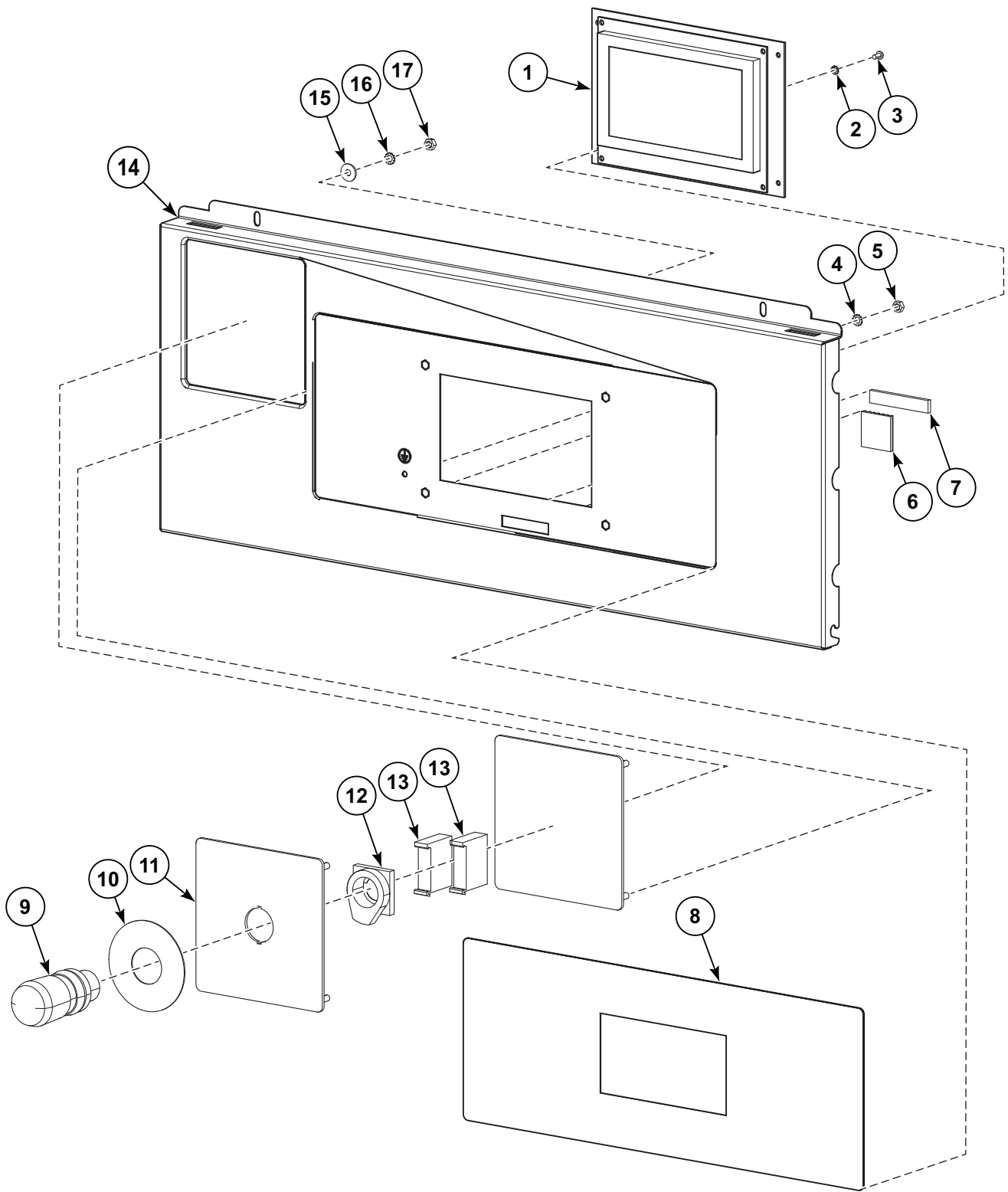
CZT185P\_D1714

## Coin Meter - AF, FX, L, M and PY Models (Drawing 4 of 4)

REF	PART NO.	DESCRIPTION	COMMENTS
1	572342	Coin Meter	Token WH121
	579808	Coin Meter	1EAD, 1TK, 2TK; Electronic EMPv7
	572358	Coin Meter	1THB, 2THB, 5THB, 10THB; 1TK, 2TK Jeton; Electronic EMPv7
	572383	Coin Meter	0.2CHF, 0.5CHF, 1CHF, 2CHF; 1TK, 2TK Jeton; Electronic EMPv7
	572391	Coin Meter	0.25CAD

# Control Panel OPL - AF, IY and NY Models

Models with G, H, J or K in 13th Position except Models with V in 7th Position



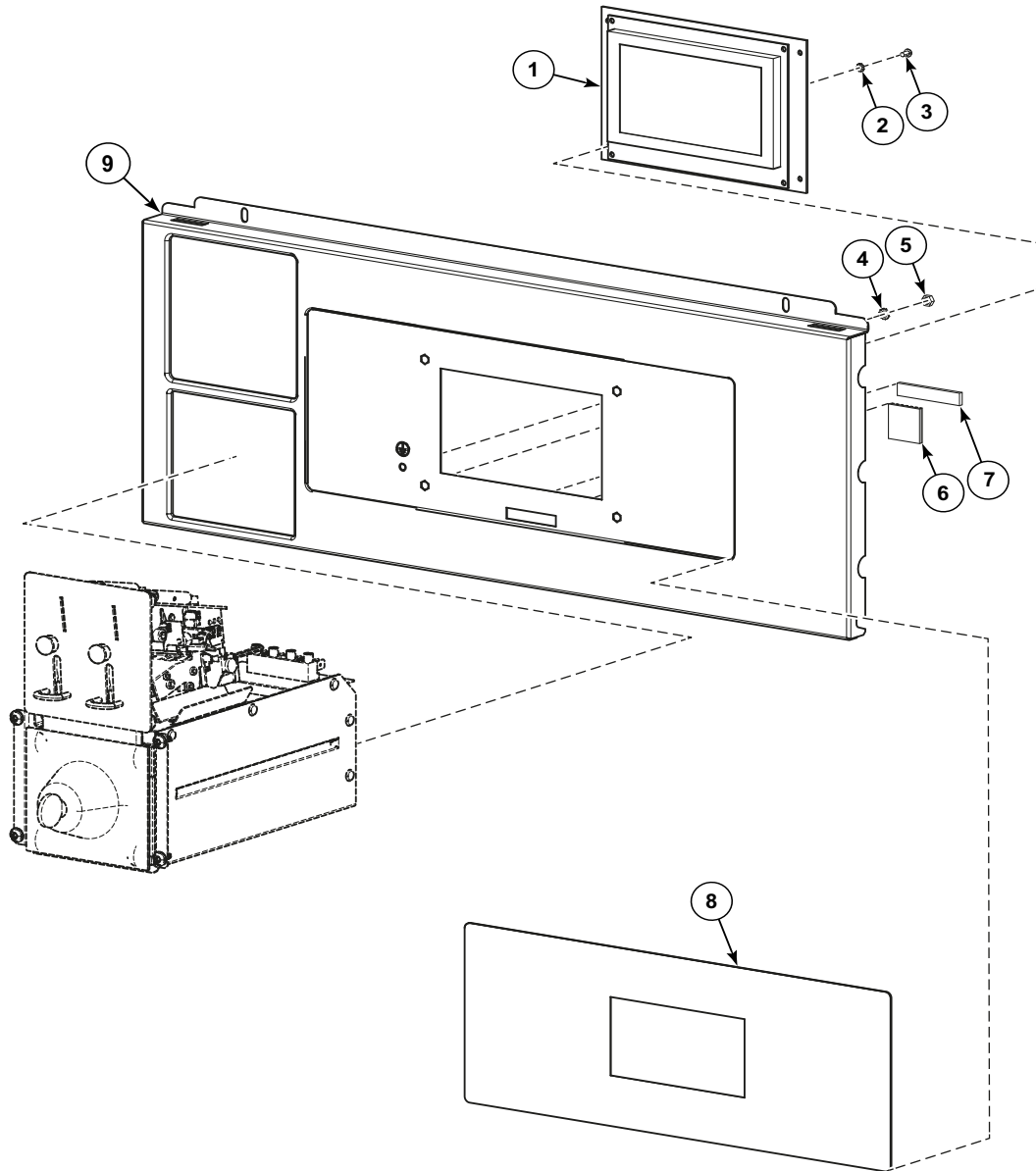
CZW284P\_D1714

## Control Panel OPL - AF, IY and NY Models

REF	PART NO.	DESCRIPTION	COMMENTS
1	SP553419	Control Board	IY models; MC7
	553411	Control Board	AF and NY Models; MC7
2	SP311679800003	Washer	M3
3	SP309798500306	Bolt	M3x6
4	SP311679800004	Washer	M4
5	SP310934000004	Nut	M4
6	SP550115	Fastener	
7	SP284000012003	Tape	
8	SP557565	Keyboard	IY models; Aries Elite
	SP557566	Keyboard	IY models; Aries
	SP560748	Keyboard	Without logo; With numeric keypad
	SP560747	Keyboard	Without logo; Without numeric keypad
	547087	Keyboard	AF and NY Models; Professional; Black
	547088	Keyboard	AF and NY Models; Basic; Black
9	SP528310	Emergency Stop Knob	Used with SP520032 Emergency Stop Wiring
10	SPPRI551005248	Emergency Stop Label	
11	567924	Coin Meter Cover	
12	SP528311	Emergency Stop Connector	
13	SP528312	Switching Unit	
14	573077	Control Panel	MC7; OPL; Card
15	SP311902100004	Washer	M4
16	SP311679800004	Washer	M4
17	SP310934000004	Nut	M4

# Control Panel Vended - AF, IY and NY Models

Models with G, H, J or K in 13th Position except Models with V in 7th Position



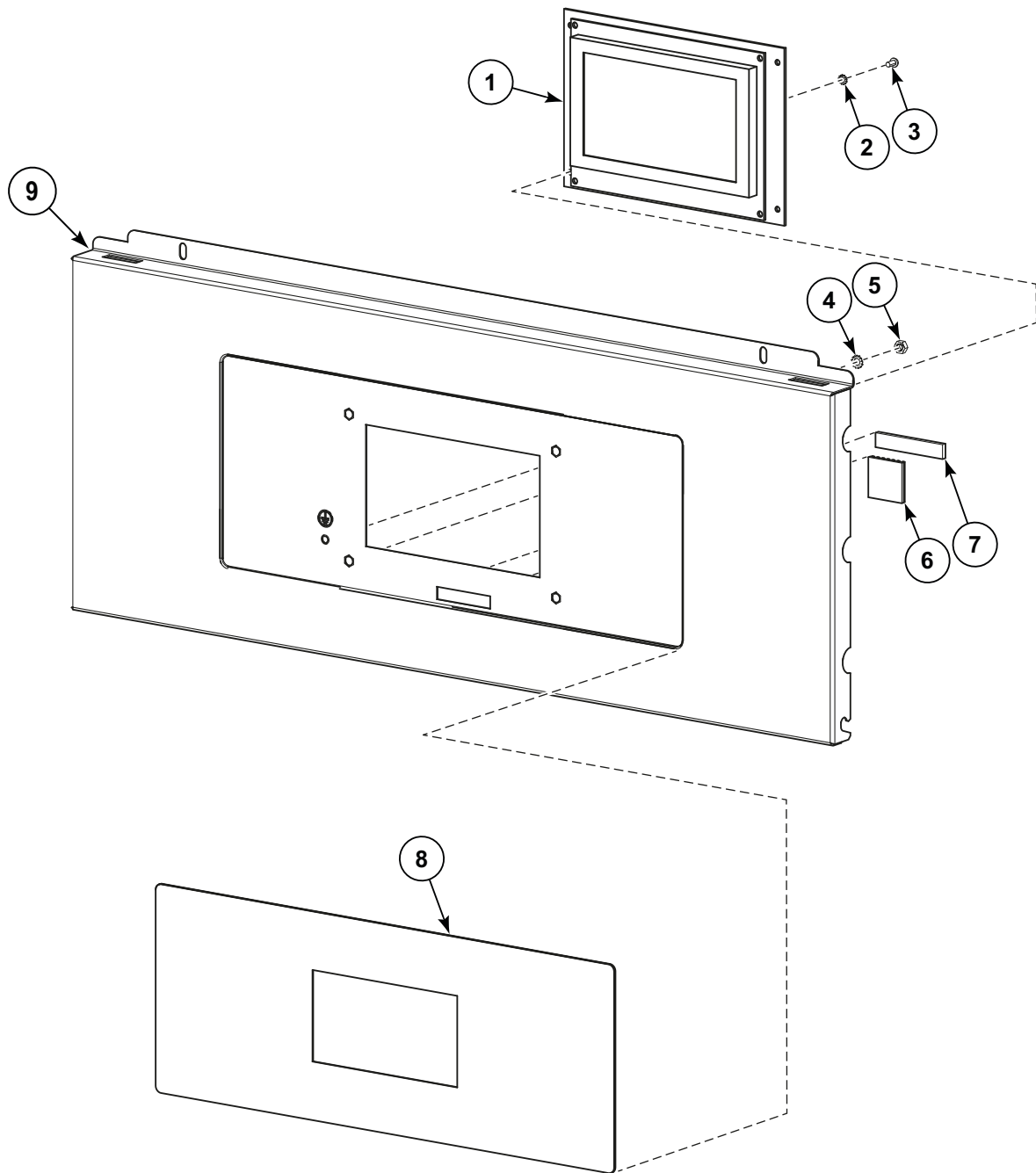
CZW285P\_D1714

## Control Panel Vended - AF, IY and NY Models

REF	PART NO.	DESCRIPTION	COMMENTS
1	SP553419	Control Board	IY models; MC7
	553411	Control Board	AF and NY Models; MC7
2	SP311679800003	Washer	M3
3	SP309798500306	Bolt	M3x6
4	SP311679800004	Washer	M4
5	SP310934000004	Nut	M4
6	SP550115	Fastener	
7	SP284000012003	Tape	
8	SP557566	Keyboard	IY models; Aries
	SP560747	Keyboard	Without logo; Without numeric keypad
	547088	Keyboard	AF and NY Models; Basic; Black
9	573063	Control Panel	

# Control Panel for Central Payment System - AF, IY and NY Models

Models with G, H, J or K in 13th Position except Models with V in 7th Position



CZW286P\_D1714

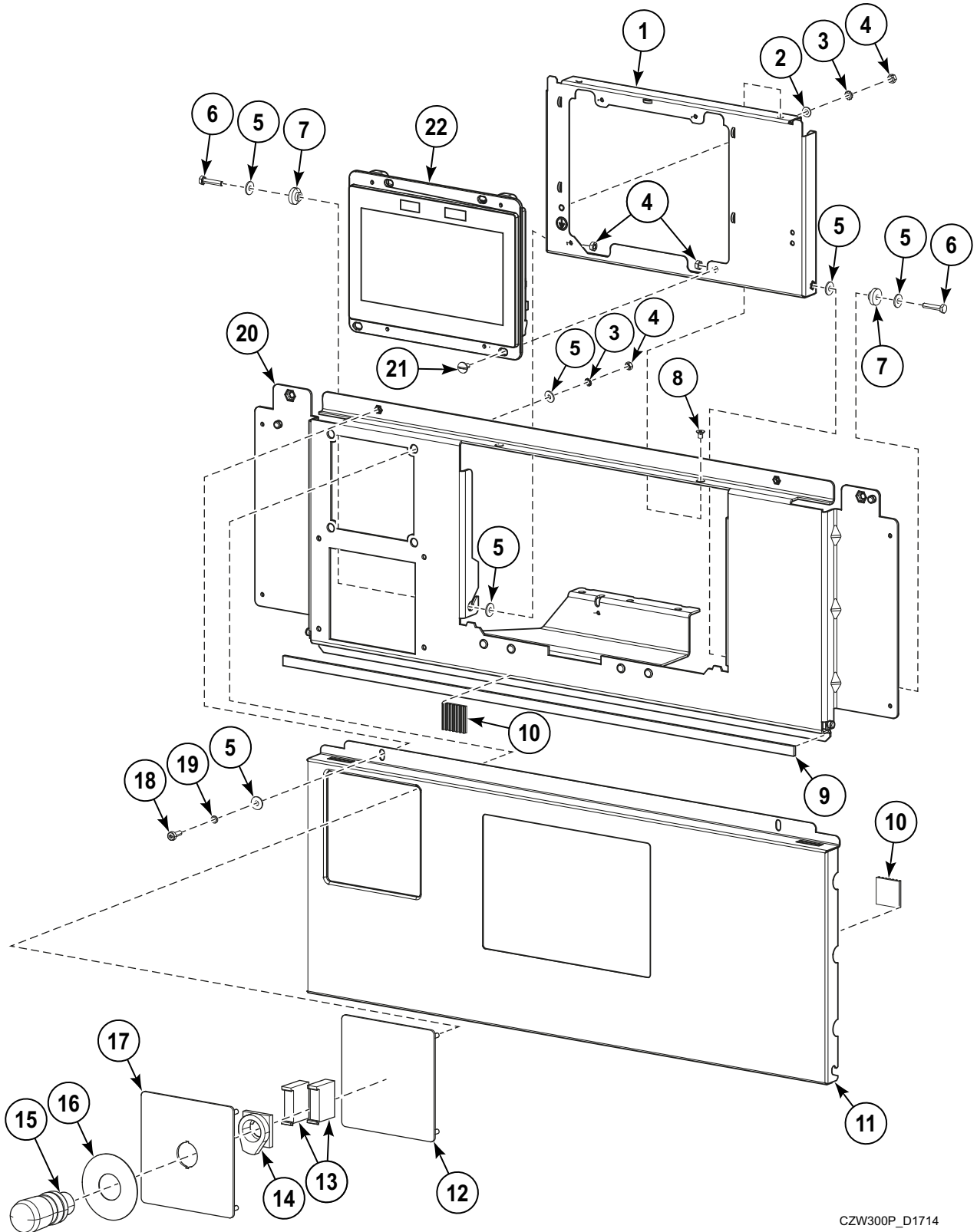


## Control Panel for Central Payment System - AF, IY and NY Models

REF	PART NO.	DESCRIPTION	COMMENTS
1	SP553419	Control Board	IY models; MC7
	553411	Control Board	AF and NY Models; MC7
2	SP311679800003	Washer	M3
3	SP309798500306	Bolt	M3x6
4	SP311679800004	Washer	M4
5	SP310934000004	Nut	M4
6	SP550115	Fastener	
7	SP284000012003	Tape	
8	SP557566	Keyboard	IY models; Aries
	SP560747	Keyboard	Without logo; Without numeric keypad
	547088	Keyboard	AF and NY Models; Basic; Black
9	573079	Control Panel	

# Control Panel OPL - AF, IY, JY and NY Models

Models with V in 7th Position



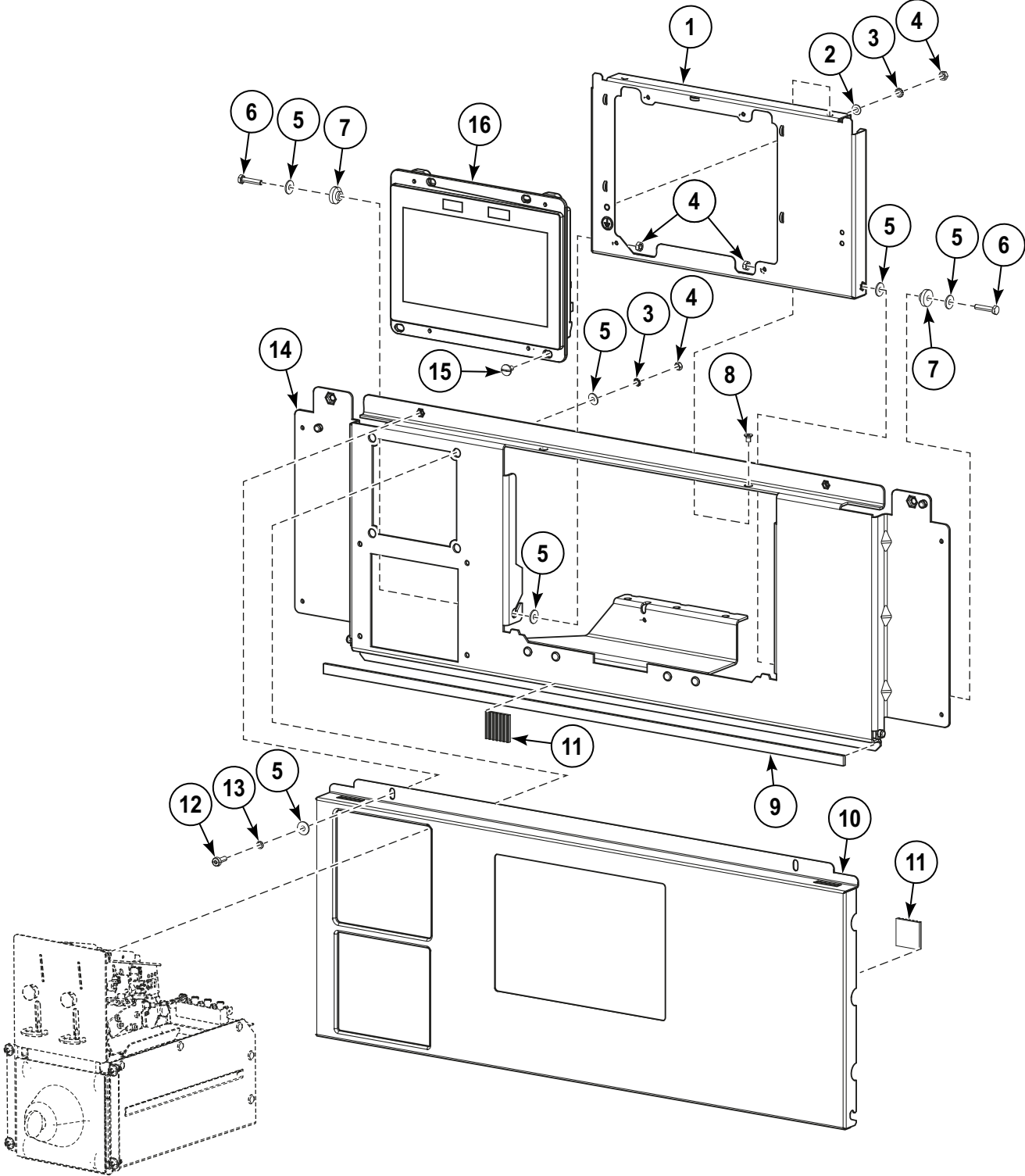
CZW300P\_D1714

## Control Panel OPL - AF, IY, JY and NY Models

REF	PART NO.	DESCRIPTION	COMMENTS
1	571041	Control Holder	
2	SP311125000004	Washer	M4
3	SP311679800004	Washer	M4
4	SP310934000004	Nut	M4
5	SP311902100004	Washer	M4
6	569655	Bolt	M4x25
7	SP550113	Leading Pin	
8	SP309965240408	Bolt	M4x8
9	SP284000012003	Tape	0.558m
10	SP550115	Fastener	
11	573123	Control Panel	
12	567925	Label Covering	
13	SP528312	Switching Unit	
14	SP528311	Emergency Stop Connector	
15	SP528310	Emergency Stop Knob	Used with SP520032 Emergency Stop Wiring
16	SPPRI551005248	Emergency Stop Label	
17	567924	Coin Meter Cover	
18	SP555504	Bolt	M4x12
19	SP311127000004	Washer	4
20	573028	Control Panel	
21	309500240408	Bolt	M4x8
22	572505	Control	7"; MC10; Through Serial No. 180FX017986SF
	575632	Control	7"; MC10; Starting Serial No. 180FX017987SF

# Control Panel Vended - AF, IY, JY and NY Models

Models with V in 7th Position



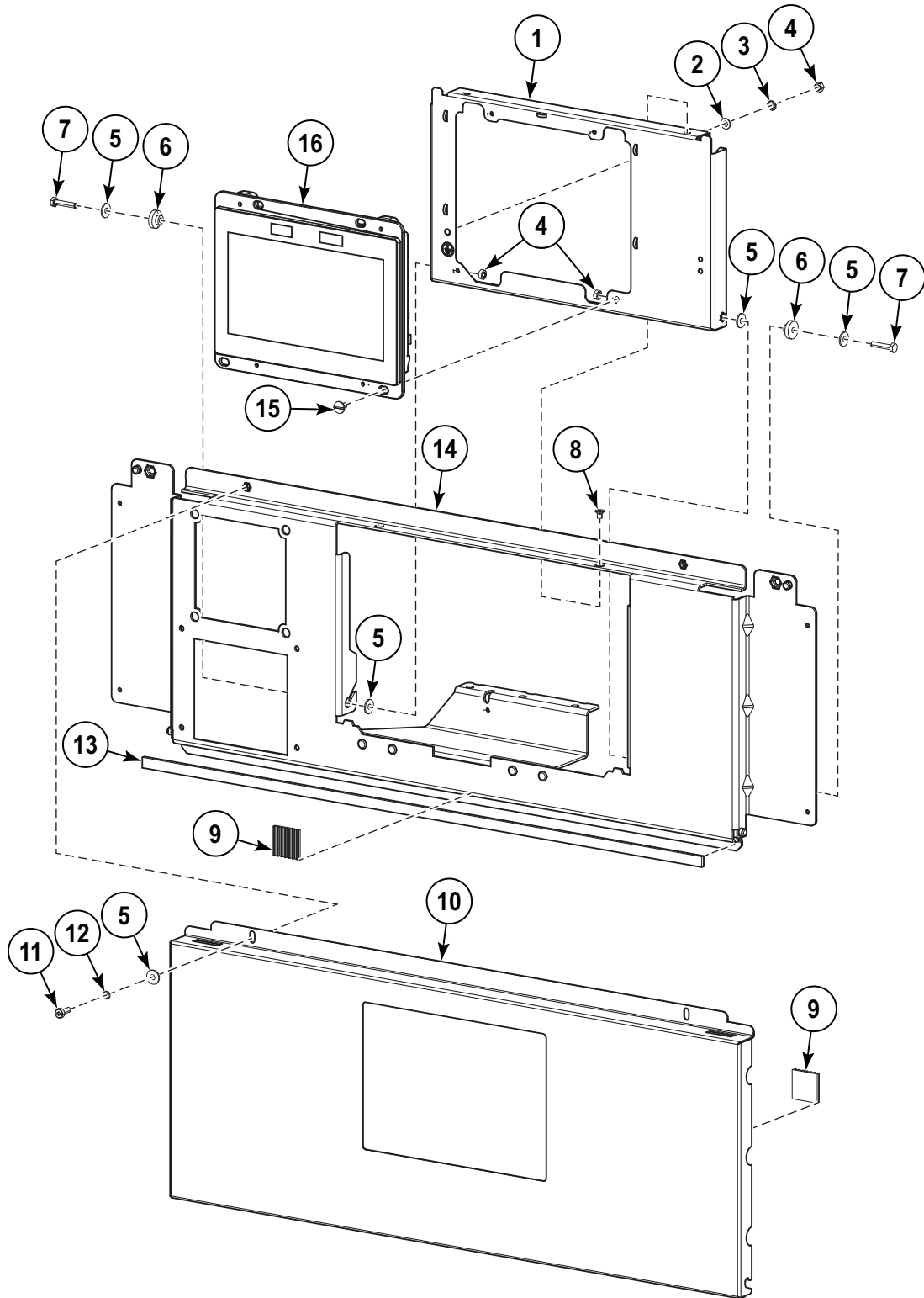
CZW301P\_D1714

# Control Panel Vended - AF, IY, JY and NY Models

REF	PART NO.	DESCRIPTION	COMMENTS
1	571041	Control Holder	
2	SP311125000004	Washer	M4
3	SP311679800004	Washer	M4
4	SP310934000004	Nut	M4
5	SP311902100004	Washer	M4
6	569655	Bolt	M4x25
7	SP550113	Leading Pin	
8	SP309965240408	Bolt	M4x8
9	SP284000012003	Tape	0.558m
10	573121	Control Panel	
11	SP550115	Fastener	
12	SP555504	Bolt	M4x12
13	SP311127000004	Washer	4
14	573028	Control Panel	
15	309500240408	Bolt	M4x8
16	572505	Control	7"; MC10; Through Serial No. 180FX017986SF
	575632	Control	7"; MC10; Starting Serial No. 180FX017987SF

# Control Panel for Central Payment System - AF, IY, JY and NY Models

Models with V in 7th Position



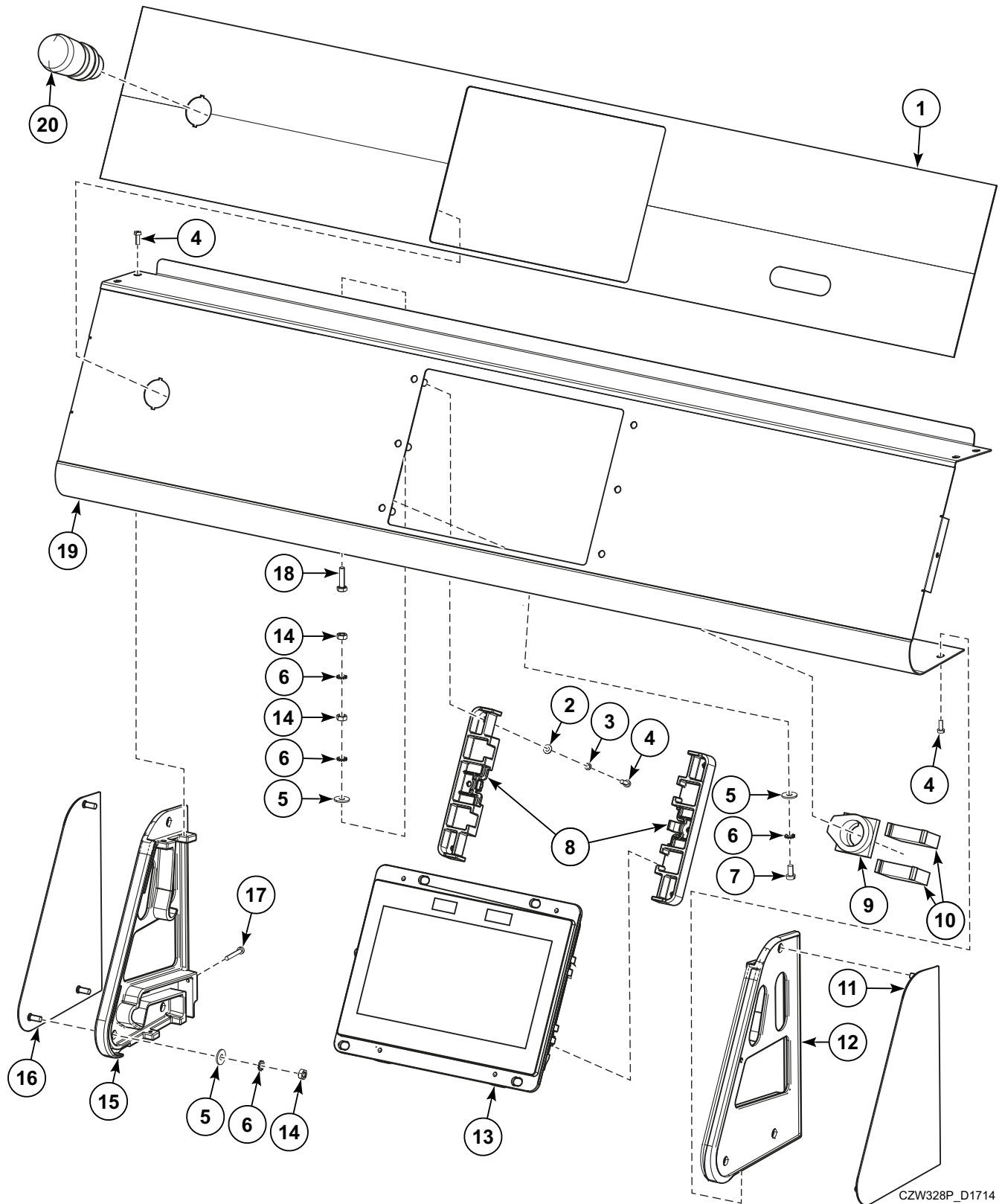
CZW302P\_D1714

## Control Panel for Central Payment System - AF, IY, JY and NY Models

REF	PART NO.	DESCRIPTION	COMMENTS
1	571041	Control Holder	
2	SP311125000004	Washer	M4
3	SP311679800004	Washer	M4
4	SP310934000004	Nut	M4
5	SP311902100004	Washer	M4
6	SP550113	Leading Pin	
7	569655	Bolt	M4x25
8	SP309965240408	Bolt	M4x8
9	SP550115	Fastener	
10	573125	Control Panel	
11	SP555504	Bolt	M4x12
12	SP311127000004	Washer	4
13	SP284000012003	Tape	0.558m
14	573028	Control Panel	
15	309500240408	Bolt	M4x8
16	572505	Control	7"; MC10; Through Serial No. 180FX017986SF
	575632	Control	7"; MC10; Starting Serial No. 180FX017987SF

# Control Panel OPL - FX and PY Models

Models with V in 7th Position Through Serial No. 180FX017894SF



CZW328P\_D1714

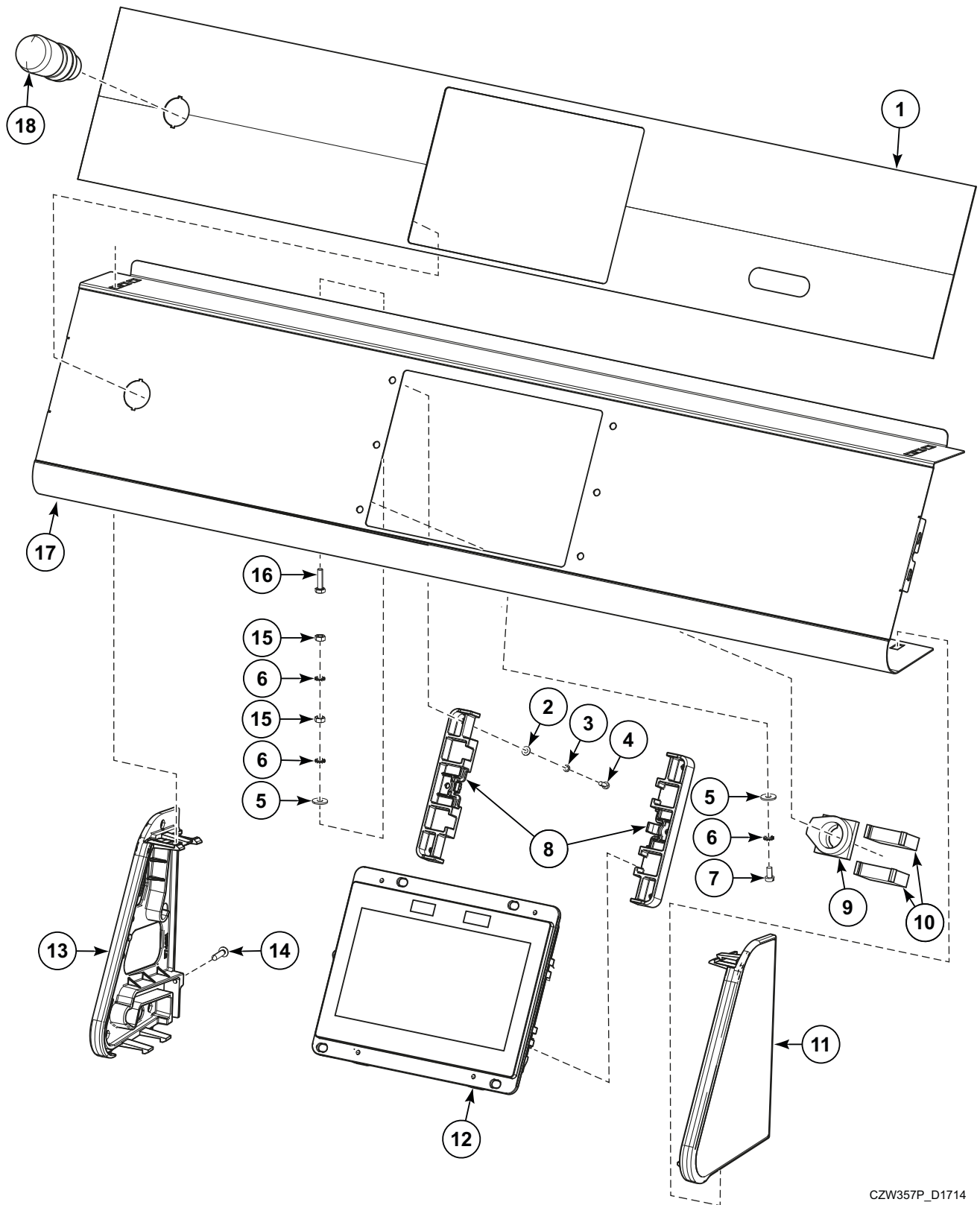


## Control Panel OPL - FX and PY Models

REF	PART NO.	DESCRIPTION	COMMENTS
1	573928	Overlay	
	574218	Overlay	OEM
2	SP311125000003	Washer	M3
3	SP311127000003	Washer	3
4	SP309084000308	Bolt	M3x8
5	SP311902100004	Washer	M4
6	SP311679800004	Washer	M4
7	SP309084000408	Bolt	M4x8
8	573929	Sidewall	
9	SP528311	Emergency Stop Connector	
10	SP528312	Switching Unit	
11	572586	Sidewall	Right
12	572572	Sidewall	Right
13	572505	Control	7"; MC10; Through Serial No. 180FX017986SF
	575632	Control	7"; MC10; Starting Serial No. 180FX017987SF
14	SP310934000004	Nut	M4
15	572571	Sidewall	Left
16	572588	Sidewall	Left
17	SP309084000320	Bolt	M3x20
18	SP309933000416	Bolt	M4x16
19	572584	Nose Assembly	Includes item 1 and 573930 Nut
	574236	Nose Assembly	OEM; Includes item 1 and 573930 Nut
20	SP528310	Emergency Stop Knob	Used with SP520032 Emergency Stop Wiring

# Control Panel OPL - FX and PY Models

Models with V in 7th Position Starting Serial No. 180FX017895SF



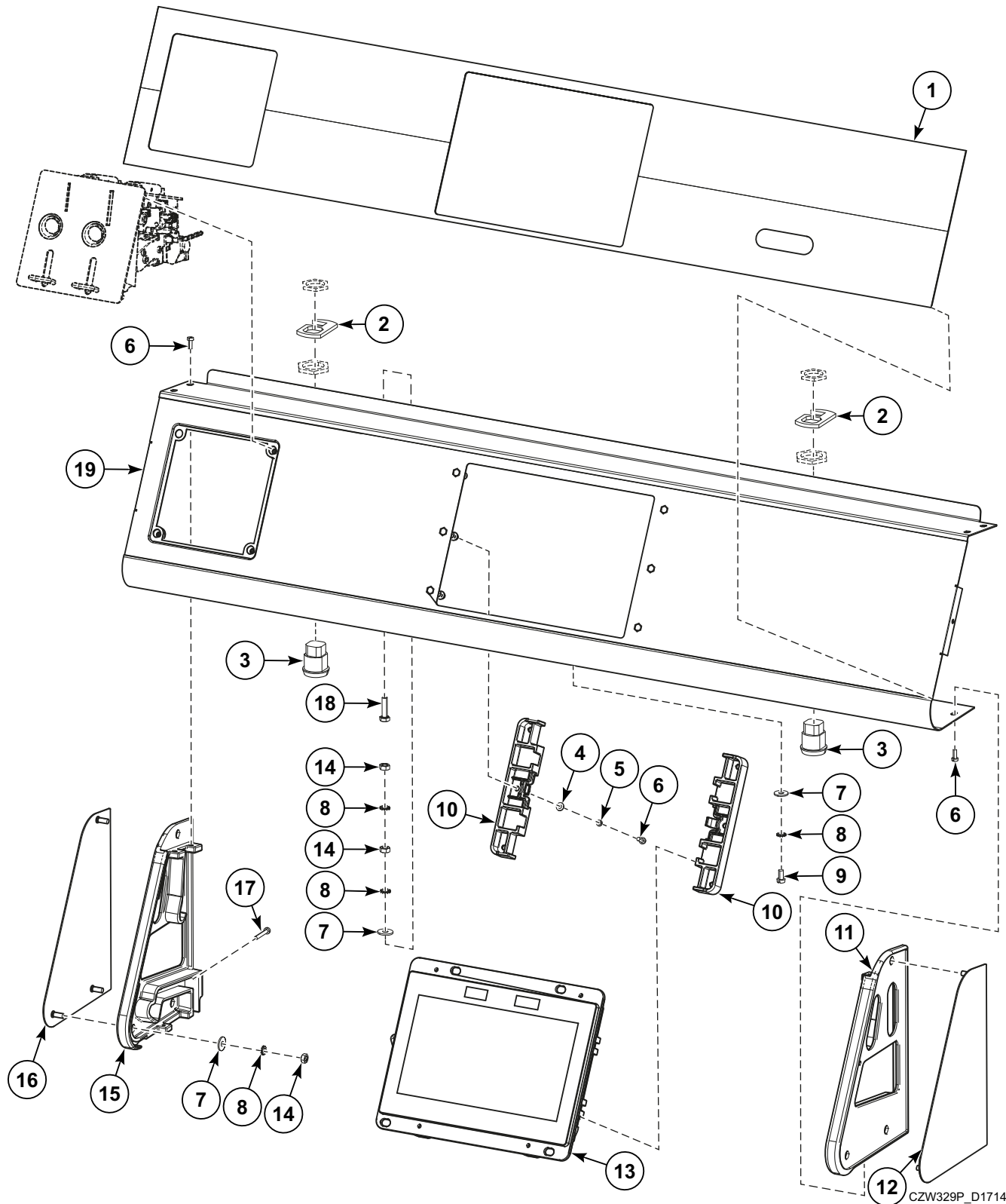
CZW357P\_D1714

## Control Panel OPL - FX and PY Models

REF	PART NO.	DESCRIPTION	COMMENTS
1	573928	Overlay	
	574218	Overlay	OEM
2	SP311125000003	Washer	M3
3	SP311127000003	Washer	3
4	SP309084000308	Bolt	M3x8
5	SP311902100004	Washer	M4
6	SP311679800004	Washer	M4
7	SP309084000408	Bolt	M4x8
8	573929	Sidewall	
9	SP528311	Emergency Stop Connector	
10	SP528312	Switching Unit	
11	576070	Sidewall	Right
12	575632	Control	7", MC10
13	576069	Sidewall	Left
14	SP520407	Screw	
15	SP310934000004	Nut	M4
16	SP309933240412	Bolt	M4x12
17	576035	Nose Assembly	Includes item 1 and 573930 Nut
	576044	Nose Assembly	OEM; Includes item 1 and 573930 Nut
18	SP528310	Emergency Stop Knob	Used with SP520032 Emergency Stop Wiring

# Control Panel Vended - FX and PY Models

Models with V in 7th Position Through Serial No. 180FX017894SF



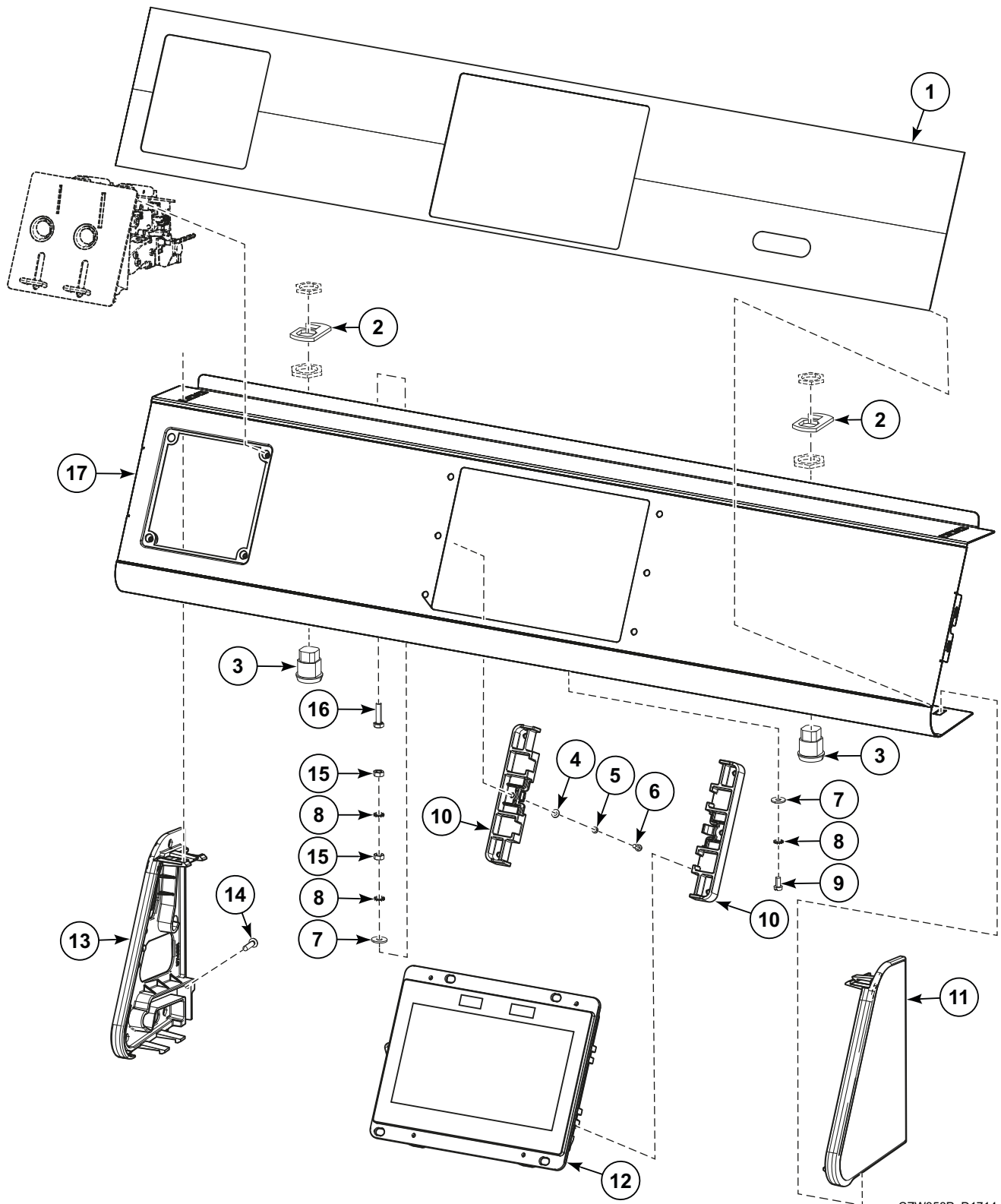
CZW329P\_D1714

## Control Panel Vended - FX and PY Models

REF	PART NO.	DESCRIPTION	COMMENTS
	SP520033	Emergency Stop Interconnection	
1	573937	Overlay	
	574221	Overlay	OEM
2	SPPRI610002007	Hook Lock	
3	SP547527	Lock	Includes Nuts – 2 pieces
	SP550616	Key	Used with SP547527 Lock
4	SP311125000003	Washer	M3
5	SP311127000003	Washer	3
6	SP309084000308	Bolt	M3x8
7	SP311902100004	Washer	M4
8	SP311679800004	Washer	M4
9	SP309084000408	Bolt	M4x8
10	573929	Sidewall	
11	572572	Sidewall	Right
12	572586	Sidewall	Right
13	572505	Control	7"; MC10; Through Serial No. 180FX017986SF
	575632	Control	7"; MC10; Starting Serial No. 180FX017987SF
14	SP310934000004	Nut	M4
15	572571	Sidewall	Left
16	572588	Sidewall	Left
17	SP309084000320	Bolt	M3x20
18	SP309933000416	Bolt	M4x16
19	574129	Nose Assembly	Includes item 1 and 573930 Nut
	574239	Nose Assembly	OEM; Includes item 1 and 573930 Nut

# Control Panel Vended - FX and PY Models

Models with V in 7th Position Starting Serial No. 180FX017895SF



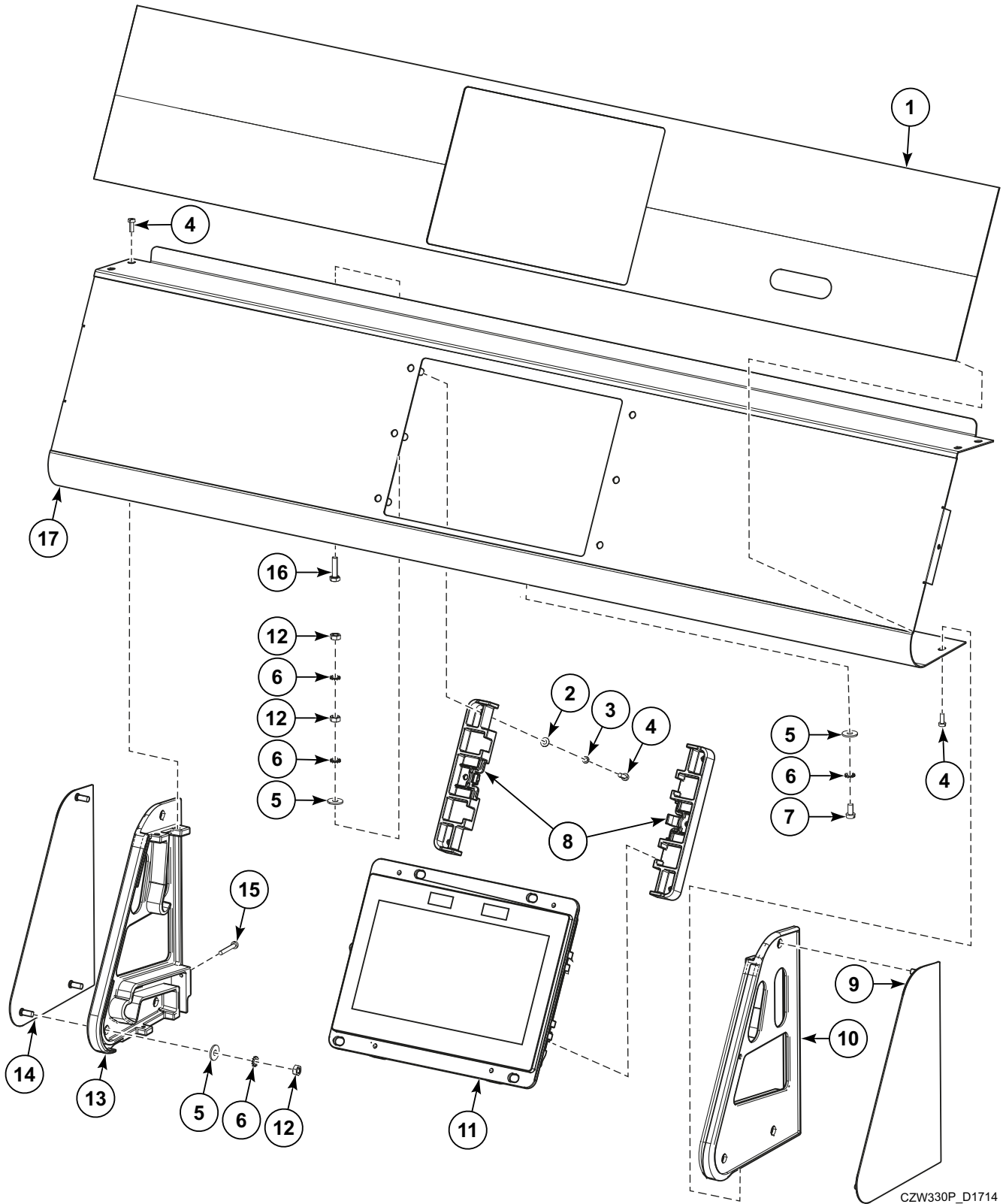
CZW358P\_D1714

## Control Panel Vended - FX and PY Models

REF	PART NO.	DESCRIPTION	COMMENTS
	SP520033	Emergency Stop Interconnection	
1	573937	Overlay	
	574221	Overlay	OEM
2	SPPRI610002007	Hook Lock	
3	SP547527	Lock	Includes Nuts – 2 pieces
	SP550616	Key	Used with SP547527 Lock
4	SP311125000003	Washer	M3
5	SP311127000003	Washer	3
6	SP309084000308	Bolt	M3x8
7	SP311902100004	Washer	M4
8	SP311679800004	Washer	M4
9	SP309084000408	Bolt	M4x8
10	573929	Sidewall	
11	576070	Sidewall	Right
12	575632	Control	7", MC10
13	576069	Sidewall	Left
14	SP520407	Screw	
15	SP310934000004	Nut	M4
16	SP309933240412	Bolt	M4x12
17	576038	Nose Assembly	Includes item 1 and 573930 Nut
	576047	Nose Assembly	OEM; Includes item 1 and 573930 Nut

# Control Panel for Central Payment System - FX and PY Models

Models with V in 7th Position Through Serial No. 180FX017894SF



CZW330P\_D1714

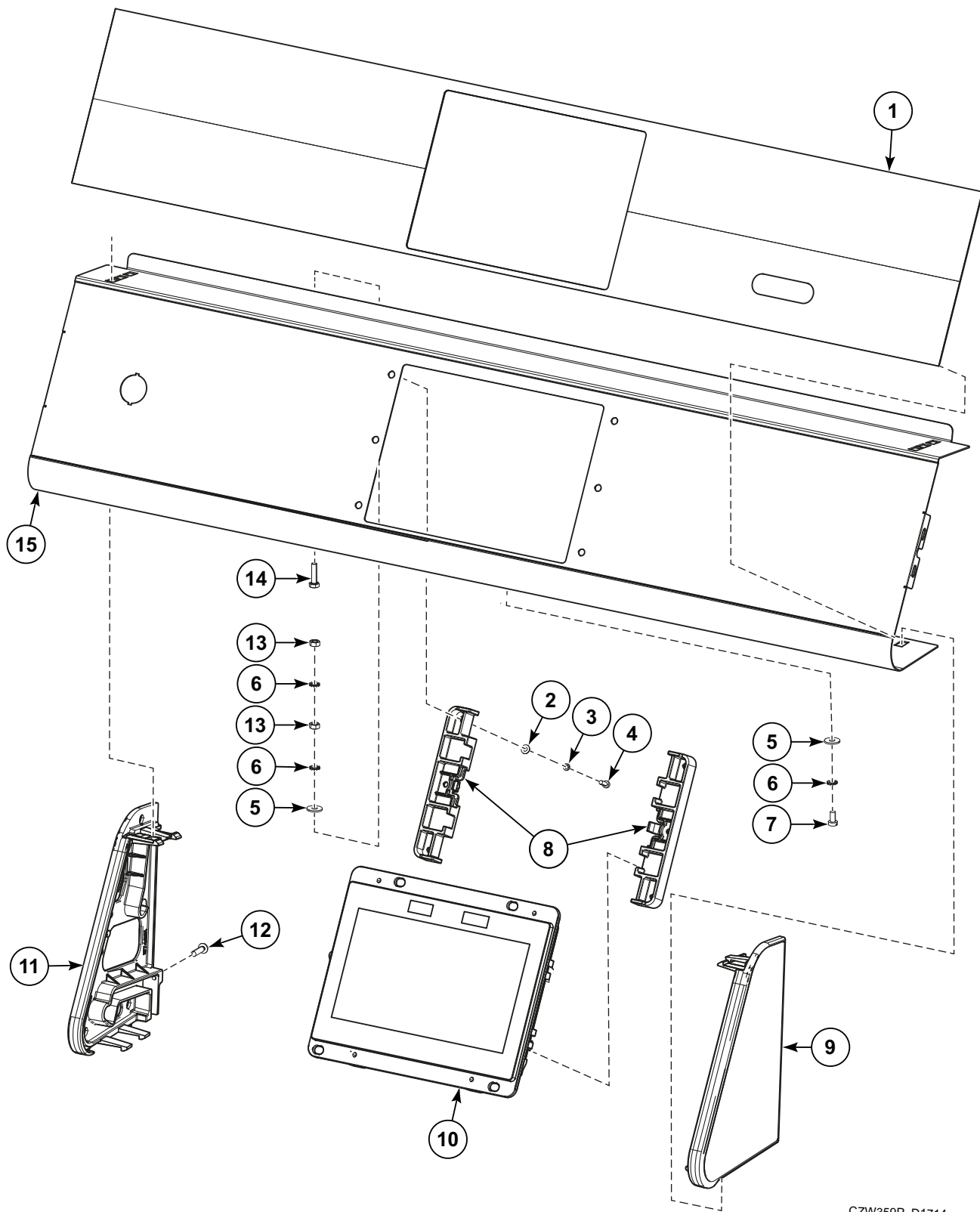


## Control Panel fofr Central Payment System - FX and PY Models

REF	PART NO.	DESCRIPTION	COMMENTS
	571485	Emergency Stop Interconnection	
1	573952	Overlay	
	574224	Overlay	OEM
2	SP311125000003	Washer	M3
3	SP311127000003	Washer	3
4	SP309084000308	Bolt	M3x8
5	SP311902100004	Washer	M4
6	SP311679800004	Washer	M4
7	SP309084000408	Bolt	M4x8
8	573929	Sidewall	
9	572586	Sidewall	Right
10	572572	Sidewall	Right
11	572505	Control	7"; MC10; Through Serial No. 180FX017986SF
	575632	Control	7"; MC10; Starting Serial No. 180FX017987SF
12	SP310934000004	Nut	M4
13	572571	Sidewall	Left
14	572588	Sidewall	Left
15	SP309084000320	Bolt	M3x20
16	SP309933000416	Bolt	M4x16
17	573955	Nose Assembly	Includes item 1 and 573930 Nut
	574242	Nose Assembly	OEM; Includes item 1 and 573930 Nut

# Control Panel for Central Payment System - FX and PY Models

Models with V in 7th Position Starting Serial No. 180FX017895SF



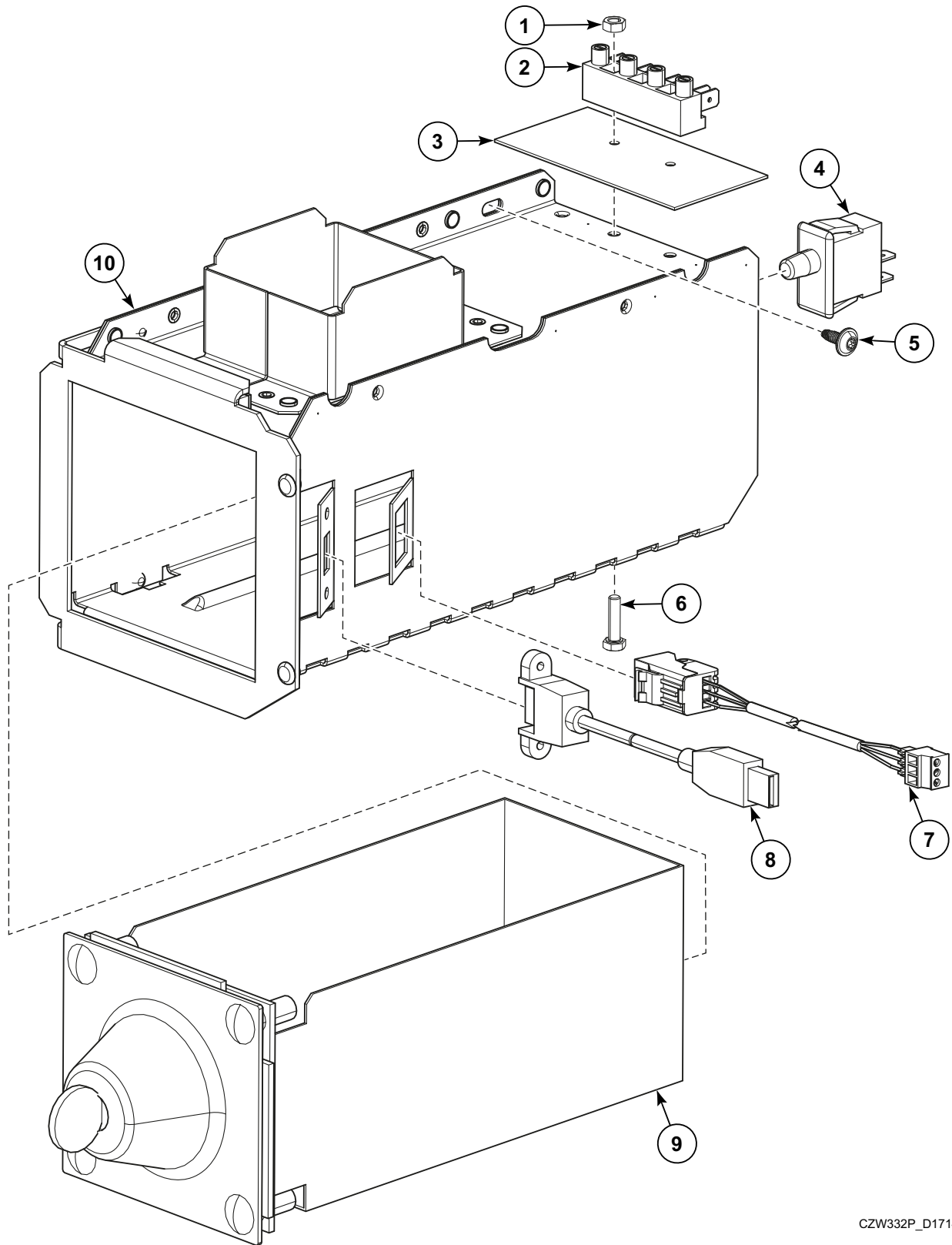
CZW359P\_D1714

## Control Panel for Central Payment System - FX and PY Models

REF	PART NO.	DESCRIPTION	COMMENTS
	571485	Emergency Stop Interconnection	
1	573952	Overlay	
	574224	Overlay	OEM
2	SP311125000003	Washer	M3
3	SP311127000003	Washer	3
4	SP309084000308	Bolt	M3x8
5	SP311902100004	Washer	M4
6	SP311679800004	Washer	M4
7	SP309084000408	Bolt	M4x8
8	573929	Sidewall	
9	576070	Sidewall	Right
10	575632	Control	7"; MC10
11	576069	Sidewall	Left
12	SP520407	Screw	
13	SP310934000004	Nut	M4
14	SP309933240412	Bolt	M4x12
15	576041	Nose Assembly	Includes item 1 and 573930 Nut
	576050	Nose Assembly	OEM; Includes item 1 and 573930 Nut

# Coin Meter Box

All Models Except AF, IY and NY Models with V in 7th Position or G, H, J or K in 13th Position



CZW332P\_D1714

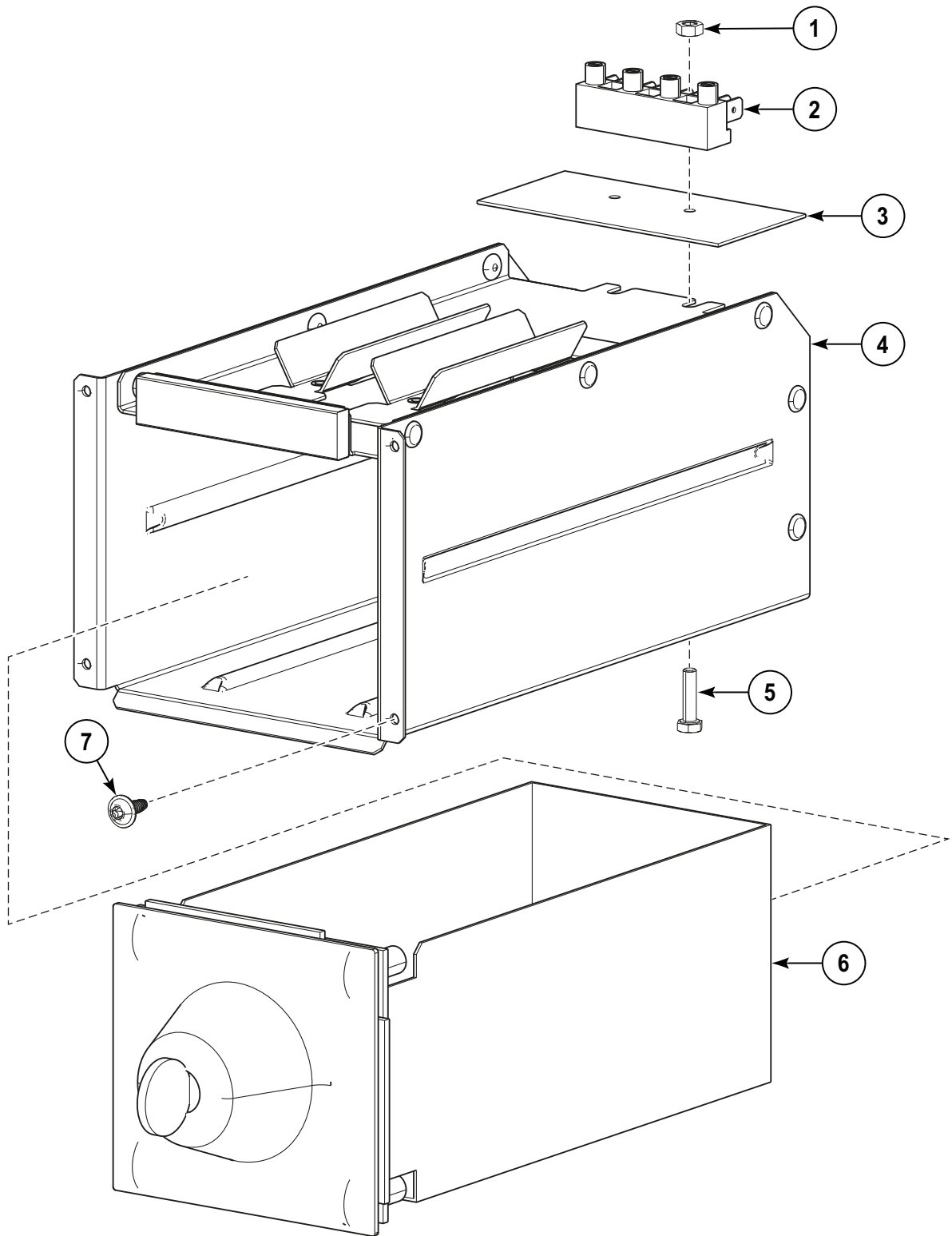
# Coin Meter Box

REF	PART NO.	DESCRIPTION	COMMENTS
1	SP310934000004	Nut	M4
2	SPPRI350000007	Terminal Board	
3	SPPRI350012007	Isolation Paper	
4	N/A	Microswitch	
5	SP529206	Screw	4x11
6	SP309933000416	Bolt	M4x16
7	SP545234	Cable	With connectors; RS485
8	569668	USB Cable	
9	100498	Coin Meter Box	Large
10	571055	Coin Meter Case	Large

N/A = Part no longer available

# Coin Meter Box - AF, IY and NY Models

Models with V in 7th Position or G, H, J or K in 13th Position



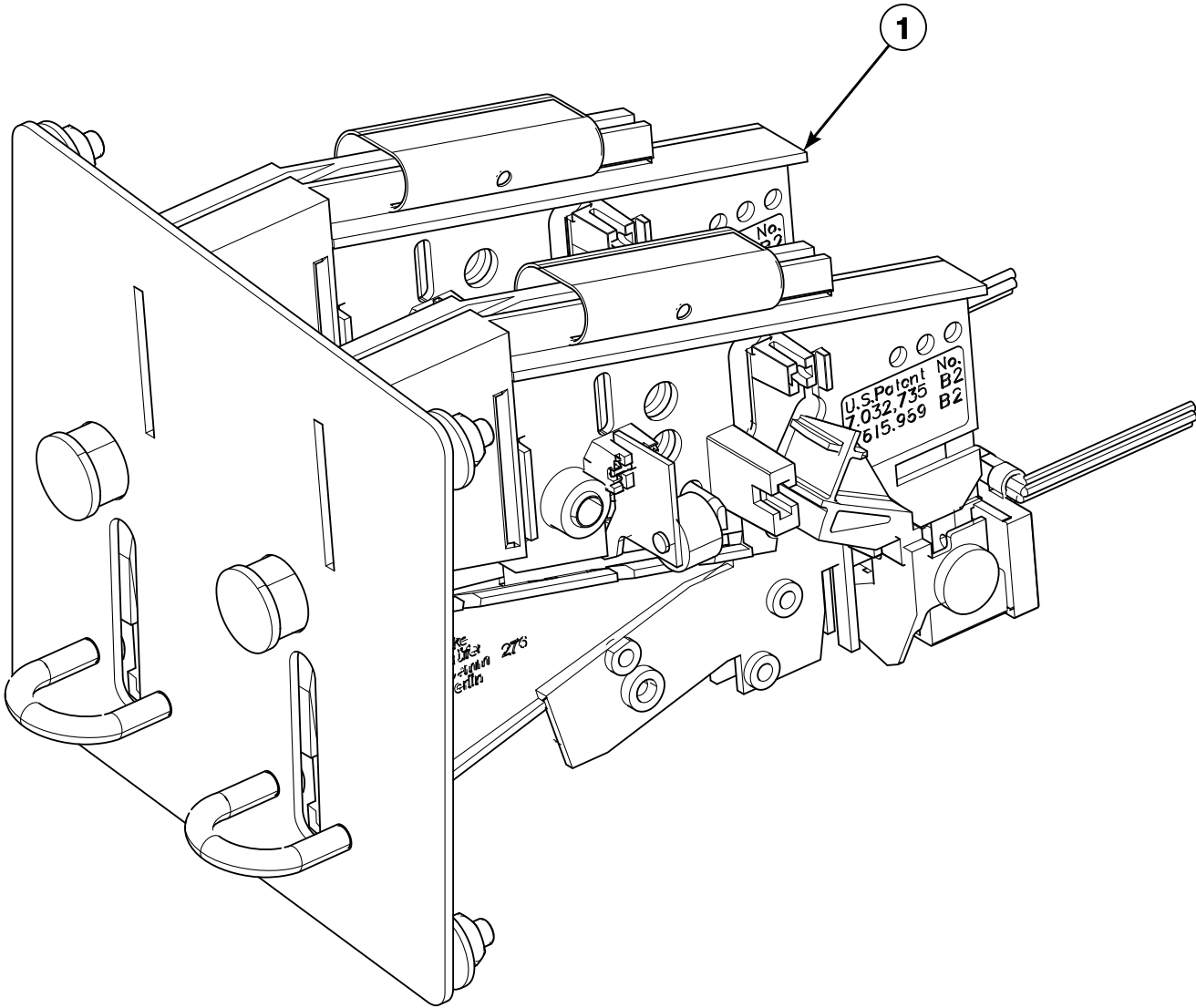
CZW287P\_D1714

## Coin Meter Box - AF, IY and NY Models

REF	PART NO.	DESCRIPTION	COMMENTS
1	SP310934000004	Nut	M4
2	SPPRI350000007	Terminal Board	
3	SPPRI350012007	Isolation Paper	
4	573009	Coin Meter Case	
5	SP309933000416	Bolt	M4x16
6	568036	Coin Meter Box	
7	SP529206	Screw	4x11

# Coin Meter - AF, IY and NY Models (Drawing 1 of 3)

Models with V in 7th Position or G, H, J or K in 13th Position



CZW233P\_D1714

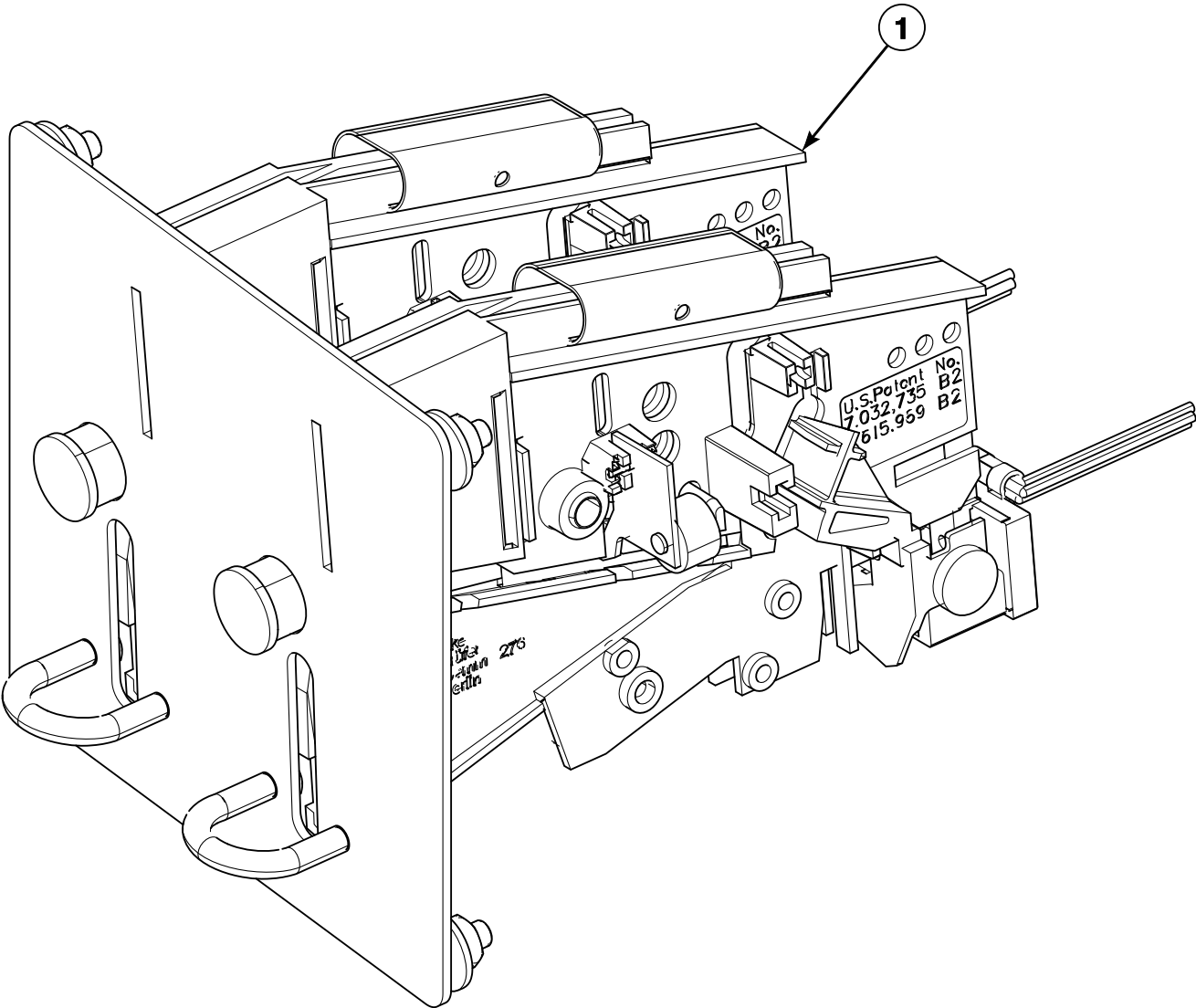


## Coin Meter - AF, IY and NY Models (Drawing 1 of 3)

REF	PART NO.	DESCRIPTION	COMMENTS
1	SP568002	Coin Meter	GBP / EUR; Electronic EMPv7
	SP568003	Coin Meter	5K jeton
	SP568004	Coin Meter	7K jeton
	SP568005	Coin Meter	10K jeton
	SP568006	Coin Meter	12K jeton
	SP568007	Coin Meter	15K jeton
	SP568008	Coin Meter	5K jeton
	SP568009	Coin Meter	1EUR
	SP568010	Coin Meter	0.5EUR
	SP568011	Coin Meter	1EUR + 2EUR
	SP568012	Coin Meter	2EUR
	SP568013	Coin Meter	0.2EUR + 0.5EUR
	SP568014	Coin Meter	0.25EUR
	SP568015	Coin Meter	0.2EUR + 1EUR
	SP568016	Coin Meter	0.5EUR + 2EUR
	SP568017	Coin Meter	0.25EUR
	575218	Coin Meter	1 Singapore dollar
	575219	Coin Meter	1NZD and 2NZD
	575220	Coin Meter	Easy games jeton
	575221	Coin Meter	Flat polis jeton
	575222	Coin Meter	Butzi wash jeton
	575223	Coin Meter	Speedy matic jeton
	575224	Coin Meter	Laundromatic Belgium jeton; Diameter 22.3mm
	575225	Coin Meter	500WON
	575226	Coin Meter	Dobi ekspres jeton
	575227	Coin Meter	Lucky winner jeton
	575228	Coin Meter	Gettone jeton
	575229	Coin Meter	10 Taiwan dollar
	575230	Coin Meter	Electrolux Asard jeton
	575231	Coin Meter	Gettone jeton
	575232	Coin Meter	5+1 Shekel
	575233	Coin Meter	1HKD
	575234	Coin Meter	Jeton Prinz Firbitex
	575235	Coin Meter	Token Ldl Chamberland Washing Machine
	575236	Coin Meter	Token 118-5
	575237	Coin Meter	Token Barisart (Ldl)
	575238	Coin Meter	Token Rotondi
	575239	Coin Meter	Brass jeton
	575240	Coin Meter	0.5CHF + 2CHF
	575241	Coin Meter	Jeton HAUCK 2018
	575242	Coin Meter	Jeton 08 MS, diameter 24.9mm
	575243	Coin Meter	Jeton D
	575244	Coin Meter	10+50 TWD
	575245	Coin Meter	100+500 ISK
	575246	Coin Meter	Token 118-16
	575247	Coin Meter	Token WH121
	575248	Coin Meter	Token Nr. 1699360

# Coin Meter - AF, IY and NY Models (Drawing 2 of 3)

Models with V in 7th Position or G, H, J or K in 13th Position



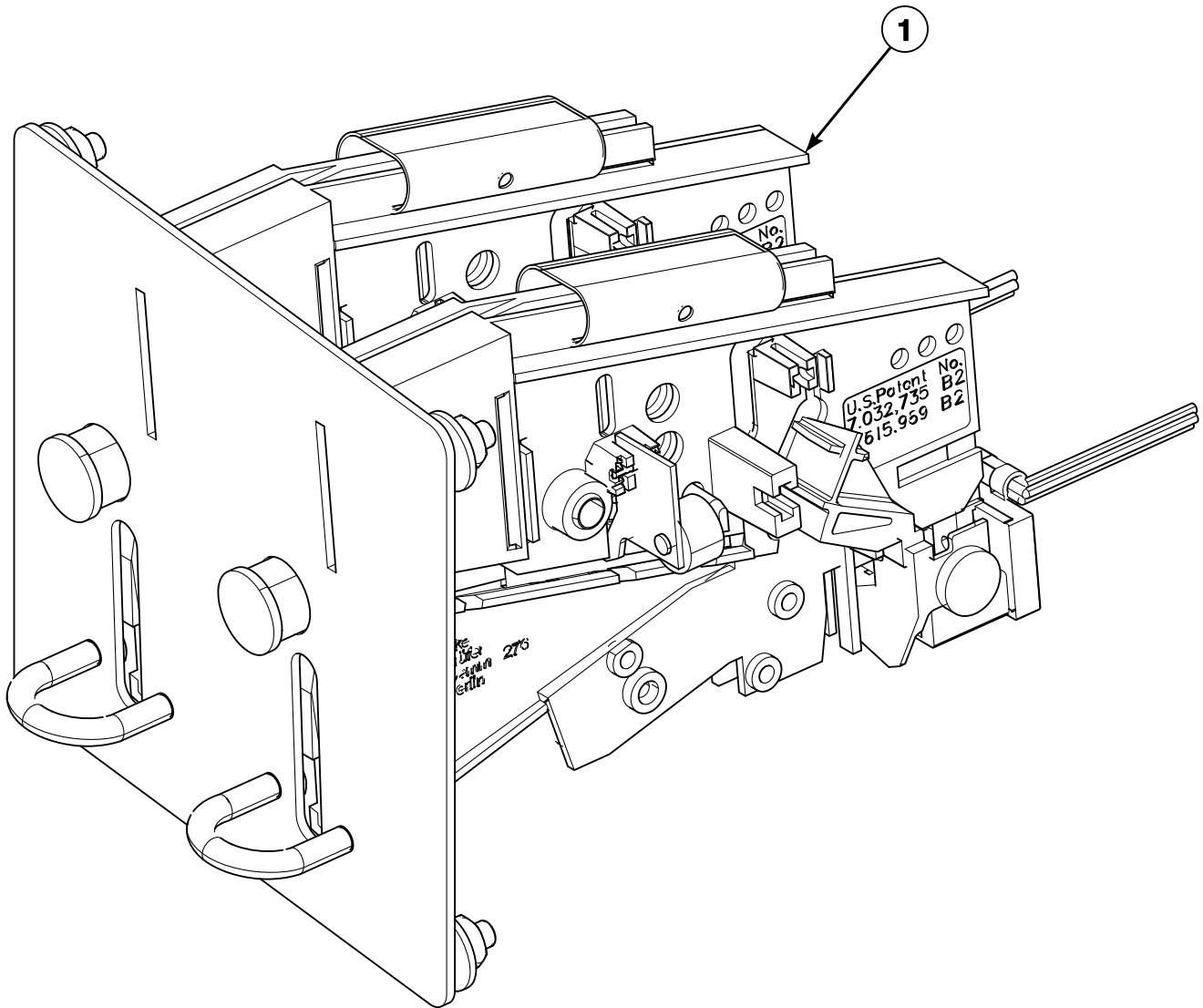
CZW233P\_D1714

## Coin Meter - AF, IY and NY Models (Drawing 2 of 3)

REF	PART NO.	DESCRIPTION	COMMENTS
1	575278	Coin Meter	0.25USD + 1USD
	575279	Coin Meter	0.25CAD + 1CAD
	575249	Coin Meter	0.25USD + 1USD; 0.25CAD + 1CAD + 2CAD; TK1 + TK2; Electronic EMPv7
	568002	Coin Meter	0.2GBP + 0.5GBP + 1GBP + 2GBP; 0.1EUR + 0.2EUR + 0.5EUR + 1EUR + 2EUR; TK1 + TK2; Electronic EMPv7
	575250	Coin Meter	1DKK + 2DKK + 5DKK + 10DKK + 20DKK; 1NOK + 5NOK + 10NOK + 20NOK; 0.2EUR + 0.5EUR + 1EUR + 2EUR; TK1 + TK2; Electronic EMPv7
	575251	Coin Meter	0.2AUD + 1AUD + 2AUD; 0.2NZD + 1NZD + 2NZD; 5HKD + 10HKD; 500KRW; TK1 + TK2; Electronic EMPv7
	575252	Coin Meter	1CNY; 0.1MYR + 0.2MYR + 0.5MYR; TK1 + TK2; Electronic EMPv7
	575253	Coin Meter	0.1EUR + 0.2EUR + 0.5EUR + 1EUR + 2EUR; TK1 + TK2; Electronic EMPv7
	575254	Coin Meter	1PHP + 5PHP + 10PHP; TK1 + TK2; Electronic EMPv7
	575255	Coin Meter	0.1SGD + 0.2SGD + 0.5SGD + 1SGD; TK1 + TK2; Electronic EMPv7
	575256	Coin Meter	0.1MYR + 0.2MYR + 0.5MYR (old/new); 0.5SGD + 1SGD (old/new); TK1 + TK2; Electronic EMPv7
	575257	Coin Meter	1HRK + 2HRK + 5HRK; TK1 + TK2; Electronic EMPv7
	575258	Coin Meter	5CZK + 10CZK + 20CZK + 50CZK; Token Primus 7K; TK1 + TK2; Electronic EMPv7
	575259	Coin Meter	0.5MAD + 1MAD + 2MAD + 5MAD + 10MAD; TK1 + TK2; Electronic EMPv7
	575260	Coin Meter	1PLN + 2PLN + 5PLN; 0.1EUR + 0.2EUR + 0.5EUR + 1EUR + 2EUR; 10ISK + 50ISK + 100ISK; TK1 + TK2; Electronic EMPv7
	575261	Coin Meter	0.1EUR + 0.2EUR + 0.5EUR + 1EUR + 2EUR; jeton IPSO 5K; TK1 + TK2; Electronic EMPv7
	575262	Coin Meter	0.2GBP + 0.5GBP + 1GBP + 2GBP; 0.1EUR + 0.2EUR + 0.5EUR + 1EUR + 2EUR; TK1: jeton Gettone; TK2: jeton "KLW Aqua"; Electronic EMPv7
	575263	Coin Meter	0.1EUR + 0.2EUR + 0.5EUR + 1EUR + 2EUR, jeton G-FIS "LAVOIR BIANCA" (20x1.8); TK1 + TK2; Electronic EMPv7
	575264	Coin Meter	0.5MYR; jeton "DOBI PAPA" (22.5x2); TK1 + TK2; Electronic EMPv7
	575265	Coin Meter	1AUD + 2AUD, jeton "No Cash Value" (28.6x1.58); TK1 + TK2; Electronic EMPv7
	575266	Coin Meter	0.5MYR; jeton "BUBBLELAB"; TK1 + TK2; Electronic EMPv7
	575267	Coin Meter	1ILS + 2ILS + 5ILS + 10ILS; TK1 + TK2; Electronic EMPv7
	575268	Coin Meter	1ZAR + 2ZAR + 5ZAR; TK1 + TK2; Electronic EMPv7
	575269	Coin Meter	5RUB + 10RUB; TK1 + TK2; Electronic EMPv7
	575270	Coin Meter	50CLP + 100CLP + 500CLP; TK1 + TK2; Electronic EMPv7
	575271	Coin Meter	100JPY + 500JPY; 10TWD + 50TWD; TK1 + TK2; Electronic EMPv7
	575272	Coin Meter	0.5GEL + 1GEL + 2GEL; TK1 + TK2; Electronic EMPv7
	575273	Coin Meter	0.1EUR + 0.2 EUR + 0.5EUR + 1EUR + 2EUR; Jeton 7K; TK1 + TK2; Electronic EMPv7
	575274	Coin Meter	20HUF + 50HUF + 100HUF + 200HUF; TK1 + TK2; Electronic EMPv7
	575275	Coin Meter	1THB + 2THB + 5THB + 10THB; TK1 + TK2; Electronic EMPv7
572386	Coin Meter	0.2CHF + 0.5CHF + 1CHF + 2CHF; TK1 + TK2; Electronic EMPv7	

# Coin Meter - AF, IY and NY Models (Drawing 3 of 3)

Models with V in 7th Position or G, H, J or K in 13th Position



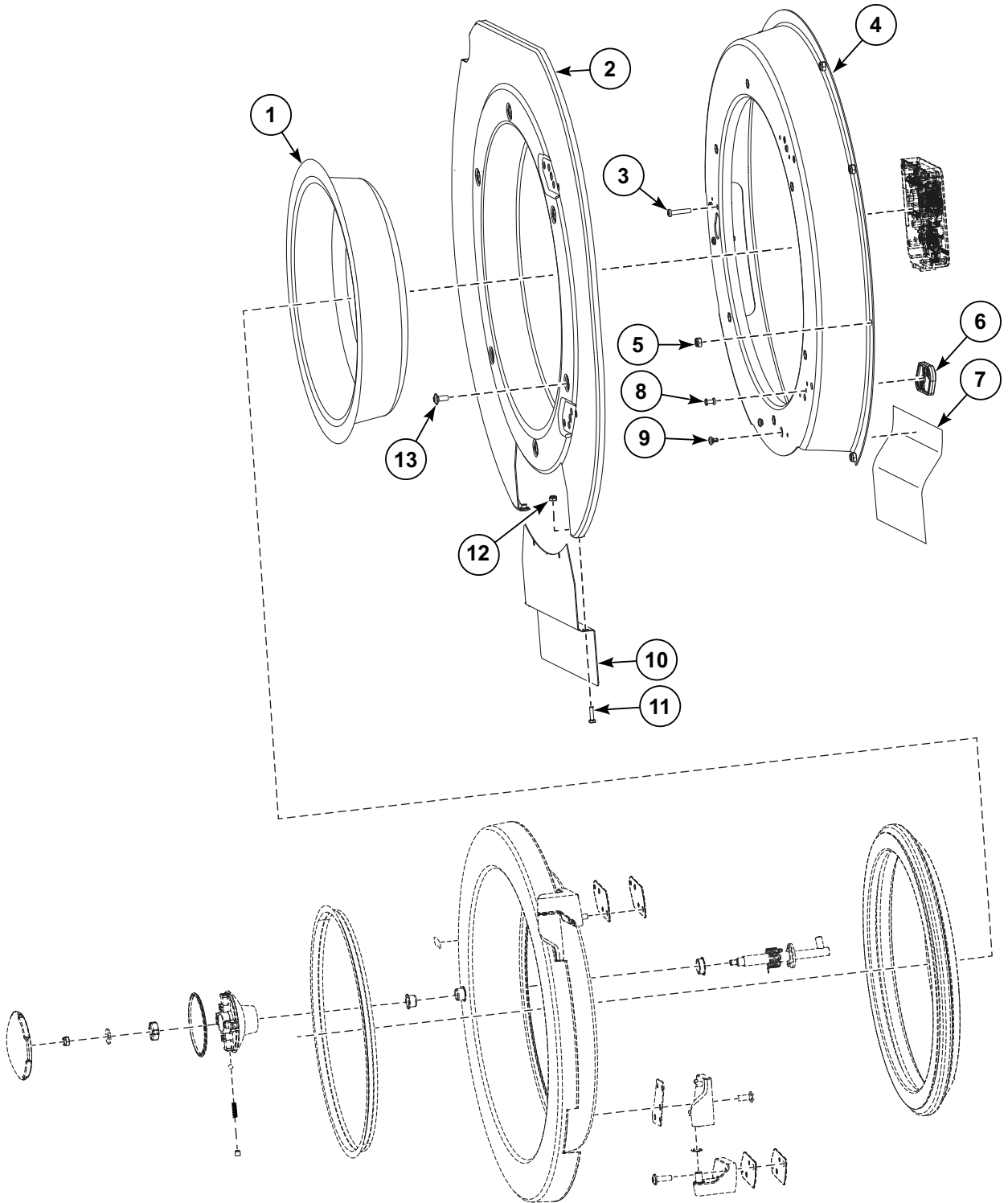
CZW233P\_D1714

## Coin Meter - AF, IY and NY Models (Drawing 3 of 3)

REF	PART NO.	DESCRIPTION	COMMENTS
1	575201	Coin Meter	5K PRIMUS jeton
	575202	Coin Meter	10K PRIMUS jeton
	575203	Coin Meter	STD 118-1 jeton
	575204	Coin Meter	7K PRIMUS jeton
	575205	Coin Meter	12K PRIMUS jeton
	575206	Coin Meter	15K PRIMUS jeton
	575207	Coin Meter	1AUD + 0.2AUD
	575208	Coin Meter	1POND + 20PC
	575209	Coin Meter	1POND + 50PC
	575210	Coin Meter	100YEN
	575211	Coin Meter	100YEN + 500YEN
	575212	Coin Meter	1AUD + 2AUD
	575213	Coin Meter	1AUD
	575214	Coin Meter	20 penny
	575215	Coin Meter	50 New Malaysian cent
	575216	Coin Meter	1 Singapore dollar
	579811	Coin Meter	1EAD; 1TK, 2TK Jeton; Electronic EMPv7
	575217	Coin Meter	2x50 Malaysian cent

# Door (Drawing 1 of 3)

All Models; Models AF, FX, IY, J, NY, PY with V in 7th Position Starting 1 March 2021



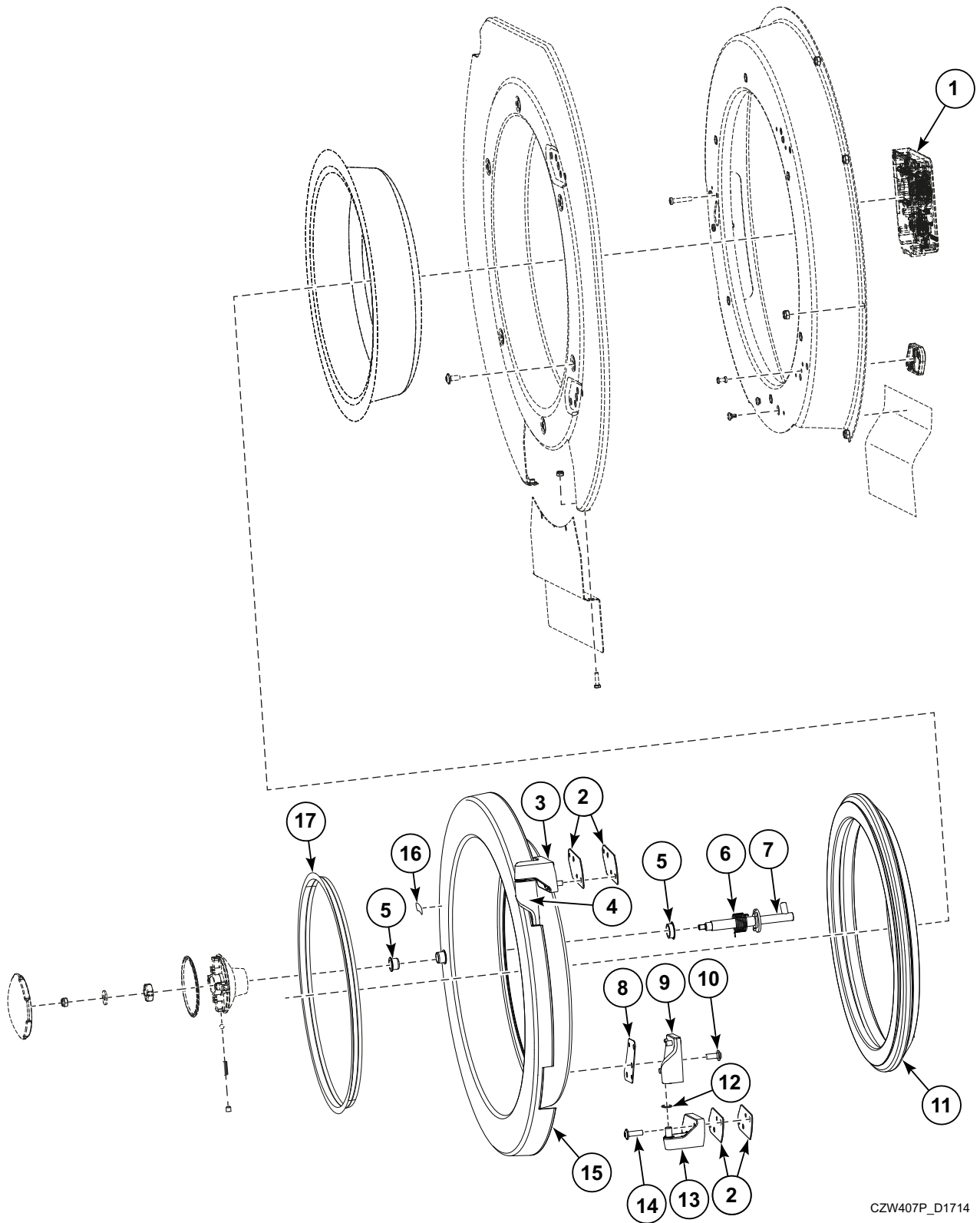
CZW370P\_D1714

## Door (Drawing 1 of 3)

REF	PART NO.	DESCRIPTION	COMMENTS
	SP552454	Door Lock Wiring	CSA models; MC7
	SP552453	Door Lock Wiring	CE models; MC7
	569723	Door Lock Wiring	CE models; MC10
	SP537896	Adhesive	Reversible
	SP245704000603	Adhesive	Loctite 603; Used with SP537854 Bolt
	SP245704003021	Adhesive	Loctite 243
	SP556272	Door Assembly	HY, SY and UY models; Items 1-13 in <i>(Drawing 1 of 3)</i> , 1-17 in <i>(Drawing 2 of 3)</i> and 1-10 in <i>(Drawing 3 of 3)</i>
	537930	Door Assembly	FX, HX, M, PY and SW models; Items 1-13 in <i>(Drawing 1 of 3)</i> , 1-17 <i>(Drawing 2 of 3)</i> and 1-10 <i>(Drawing 3 of 3)</i>
	574099	Door Assembly	AF and NY models with "G", "H", "J" or "K" in 13th Position; Items 1-13 in <i>(Drawing 1 of 3)</i> , 1-17 in <i>(Drawing 2 of 3)</i> and 1-10 in <i>(Drawing 3 of 3)</i>
	537932	Door Assembly	AF, AF Non-Brand, L and NY models; Items 1-13 in <i>(Drawing 1 of 3)</i> , 1-17 in <i>(Drawing 2 of 3)</i> and 1-10 in <i>(Drawing 3 of 3)</i>
	563372	Door Assembly	IY models with "G", "H", "J" or "K" in 13th Position; Items 1-13 in <i>(Drawing 1 of 3)</i> , 1-17 in <i>(Drawing 2 of 3)</i> and 1-10 in <i>(Drawing 3 of 3)</i>
	556254	Door Assembly	IY models; Items 1-13 in <i>(Drawing 1 of 3)</i> , 1-17 in <i>(Drawing 2 of 3)</i> and 1-10 in <i>(Drawing 3 of 3)</i>
	SP559369	Door Assembly	Model SY180_KIS_PHOTO-ME; Items 1-13 in <i>(Drawing 1 of 3)</i> , 1-17 in <i>(Drawing 2 of 3)</i> and 1-10 in <i>(Drawing 3 of 3)</i>
	573186	Door Assembly	J models with V in 7th Position; Items 1-13 in <i>(Drawing 1 of 13)</i> , 1-17 in <i>(Drawing 2 of 3)</i> and 1-10 in <i>(Drawing 3 of 3)</i>
	562706	Door Assembly	J models; Items 1-13 in <i>(Drawing 1 of 13)</i> , 1-17 in <i>(Drawing 2 of 3)</i> and 1-10 in <i>(Drawing 3 of 3)</i>
	568989	Service Door Kit	Includes 569352 Door Seal, 568804 Shim, 560069 Shim, SPPRI722000004 Plastic Protection, SPPRI722000001 Plastic Protection and SP345000160971 Binding Strip
1	SP535439	Door Glass	AF, AF Non-Brand, FX, H, L, MWF, NY, PY, SW, SY and UY models
	SP556228	Door Glass	IY models
	573192	Door Glass	J models with V in 7th Position
	SP562703	Door Glass	J models
2	571723	Front Panel	Black
	571726	Front Panel	Stainless
	579115	Front Panel	Model SY180_KIS_PHOTO-ME; Stainless steel 316L
3	SP556137	Bolt	M5x25
4	SP537883	Door and Lock Holder	
5	SP310985000006	Nut	M6
6	SP537849	Hinge Spacer	
7	SP552972	Cover	
8	SP547779	Rivet	4x16.7
9	SP537856	Connector	
10	SP563275	Heating Element Front Cover	Black
	568987	Heating Element Front Cover	Stainless
	579089	Heating Element Front Cover	Model SY180_KIS_PHOTO-ME; Stainless
11	SP309084000416	Bolt	M4x16
12	SP313251002104	Nut	M4
13	SP537854	Bolt	M6x14

# Door (Drawing 2 of 3)

All Models; Models AF, FX, IY, J, NY, PY with V in 7th Position Starting 1 March 2021



CZW407P\_D1714

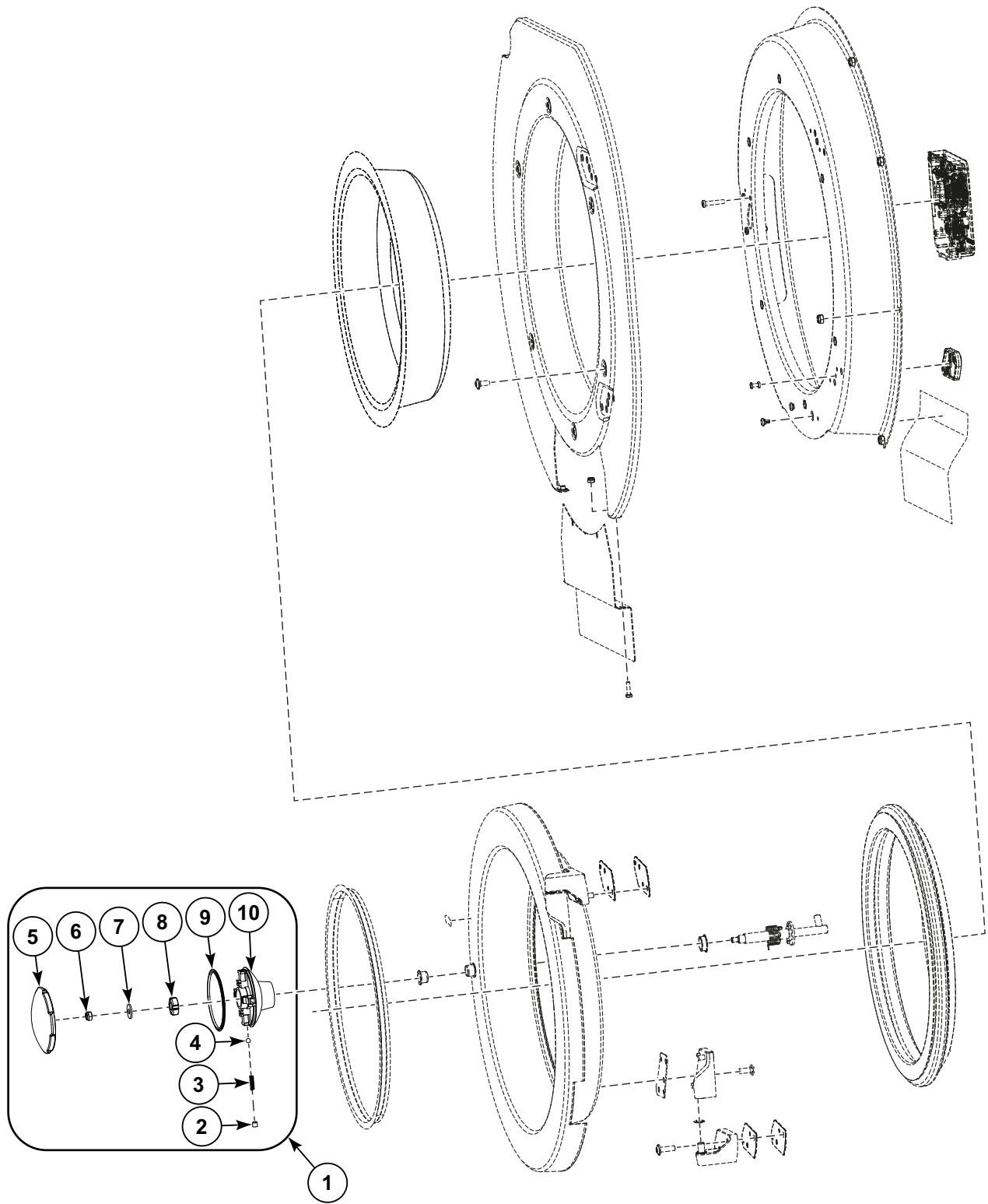


## Door (Drawing 2 of 3)

REF	PART NO.	DESCRIPTION	COMMENTS
	563260	Plasticine	Used with handle
	570554	Kit of Hinges	HY, SY and UY models; includes 568981, 568984, 575962, 575965 and 571642
	570553	Kit of Hinges	All other models; includes 568979, 568982, 575960, 575963 and 571642
<b>1</b>	SP537760	Lock	
<b>2</b>	568804	Shim	
<b>3</b>	568981	Fixed Upper Hinge	HY, SY and UY models; Used with 568804 Shim, not included
	568979	Fixed Upper Hinge	All other models; Used with 568804 Shim, not included
<b>4</b>	575962	Upper Hinge	HY, SY and UY models; with Case
	575960	Upper Hinge	Aother models models; with Case
<b>5</b>	SP529739	Casing	
<b>6</b>	SP535402	Handle Torsion Spring	
<b>7</b>	SP537933	Lock Pin	
<b>8</b>	SP535421	Hinge Spacer	
<b>9</b>	575965	Lower Hinge	HY, SY and UY models; with Case
	575963	Lower Hinge	All other models; with Case
<b>10</b>	SP537864	Bolt	M6x16
<b>11</b>	568989	Service Door Kit	
<b>12</b>	571642	Washer	
<b>13</b>	568984	Fixed Lower Hinge	HY, SY and UY models; Used with 568804 Shim, not included
	568982	Fixed Lower Hinge	All other models; Lower; Used with 568804 Shim, not included
<b>14</b>	SP535479	Bolt	M6x25
<b>15</b>	SP535443	Door	HY, SY and UY models; FX, HX, M, PY and SW models through Serial No. 180FX012841MB; Chrome
	SP553527	Door	FX, HX, PY and SW models starting Serial No. 180FX012842MB; Model SY180_KIS_PHOTO-ME; Grey
	SP535445	Door	AF, H180, IY, J, L and NY models; Black
	568838	Door	AF, IY, JY and NY models with "G", "H", "J" or "K" in 13th Position; Black
<b>16</b>	SP564831	Label	Door Lock; Models PYN040T and PYN040X; Vended
<b>17</b>	SP562547	Rim	IY models with "G", "H", "J" or "K" in 13th Position
	573189	Rim	J models with "V" in 7th Position

# Door (Drawing 3 of 3)

All Models; Models AF, FX, IY, J, NY, PY with V in 7th Position Starting 1 March 2021



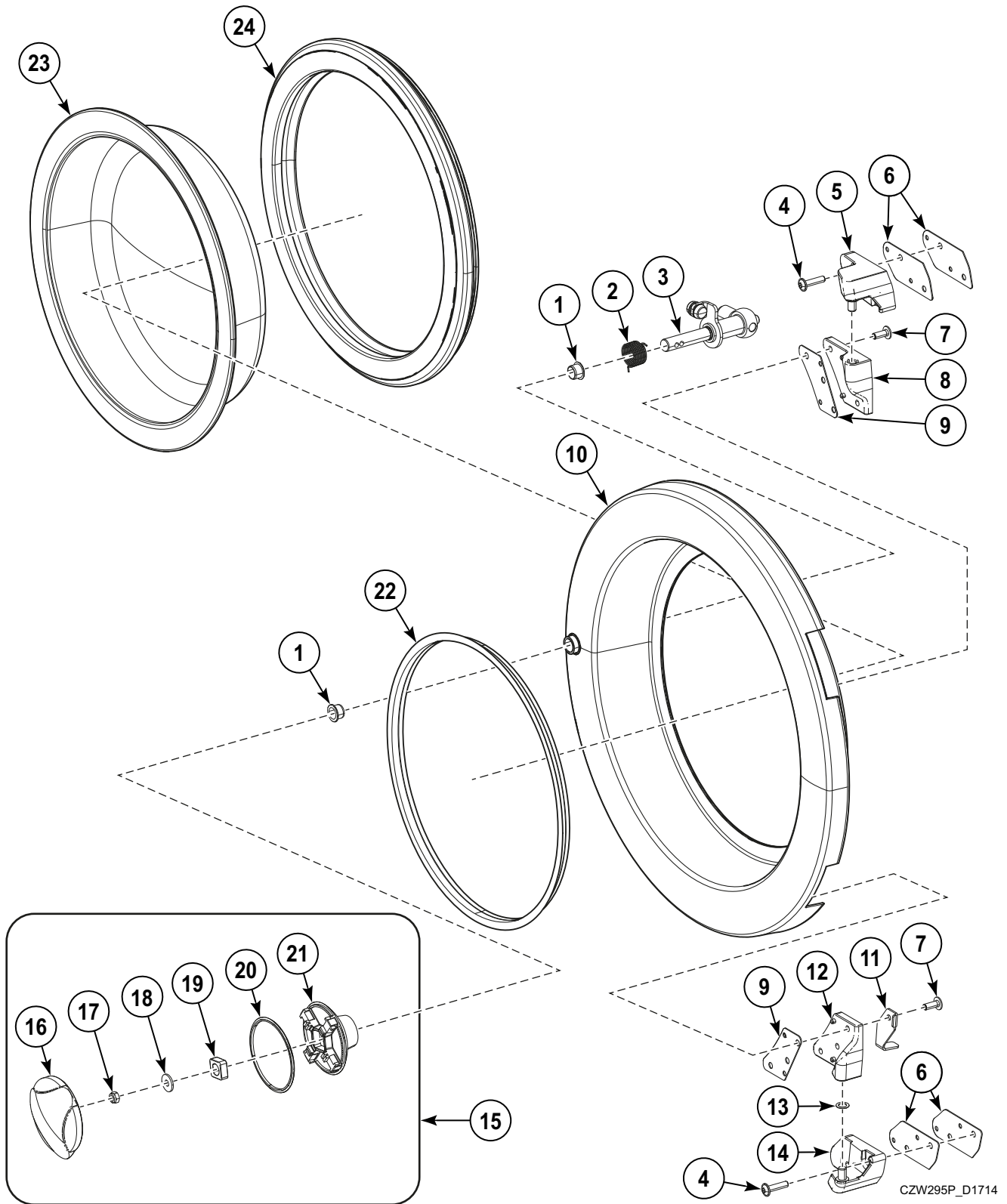
CZW372P\_D1714

## Door (Drawing 3 of 3)

REF	PART NO.	DESCRIPTION	COMMENTS
1	SP556297	Handle	HY, SY and UY models
	SP552909	Handle	AF, H180, IY, L and NY models
	SP552908	Handle	FX, HX, M, PY and SW models
	562898	Handle	J models
	569335	Handle	Model SY180_KIS_PHOTO-ME
	571788	Handle	AF, IY and NY models with "G", "H", "J" or "K" in 13th Position
2	SP553524	Bolt	M6x6
3	SP535406	Compression Spring	
4	SP535407	Handle Ball	
5	SP556278	Holder Cover	HY, SY and UY models
	SP535438	Holder Cover	AF, H180, IY, J, L and NY models
	SP535430	Holder Cover	FX, HX, M, PY, SW models
	569331	Holder Cover	Model SY180_KIS_PHOTO-ME
6	SP310985000006	Nut	M6
7	SP311902100006	Washer	M6
8	SP529710	Locating Segment	
9	SP535411	Distinguishing Ring	FX, HX, HY, J, M, PY, SW, SY and UY models; Blue
	SP535437	Distinguishing Ring	AF, AF Non-Brand, IY, LP, LY and NY models and SY180_KIS_PHOTO-ME ; Red
	571733	Distinguishing Ring	AF, IY and NY models with "G", "H", "J" or "K" in 13th Position; Red
10	SP535429	Handle Lower Part	

# Door - AF, IY, JY and NY Models

AF, IY, JY and NY models with V in 7th Position Through 28 February 2021

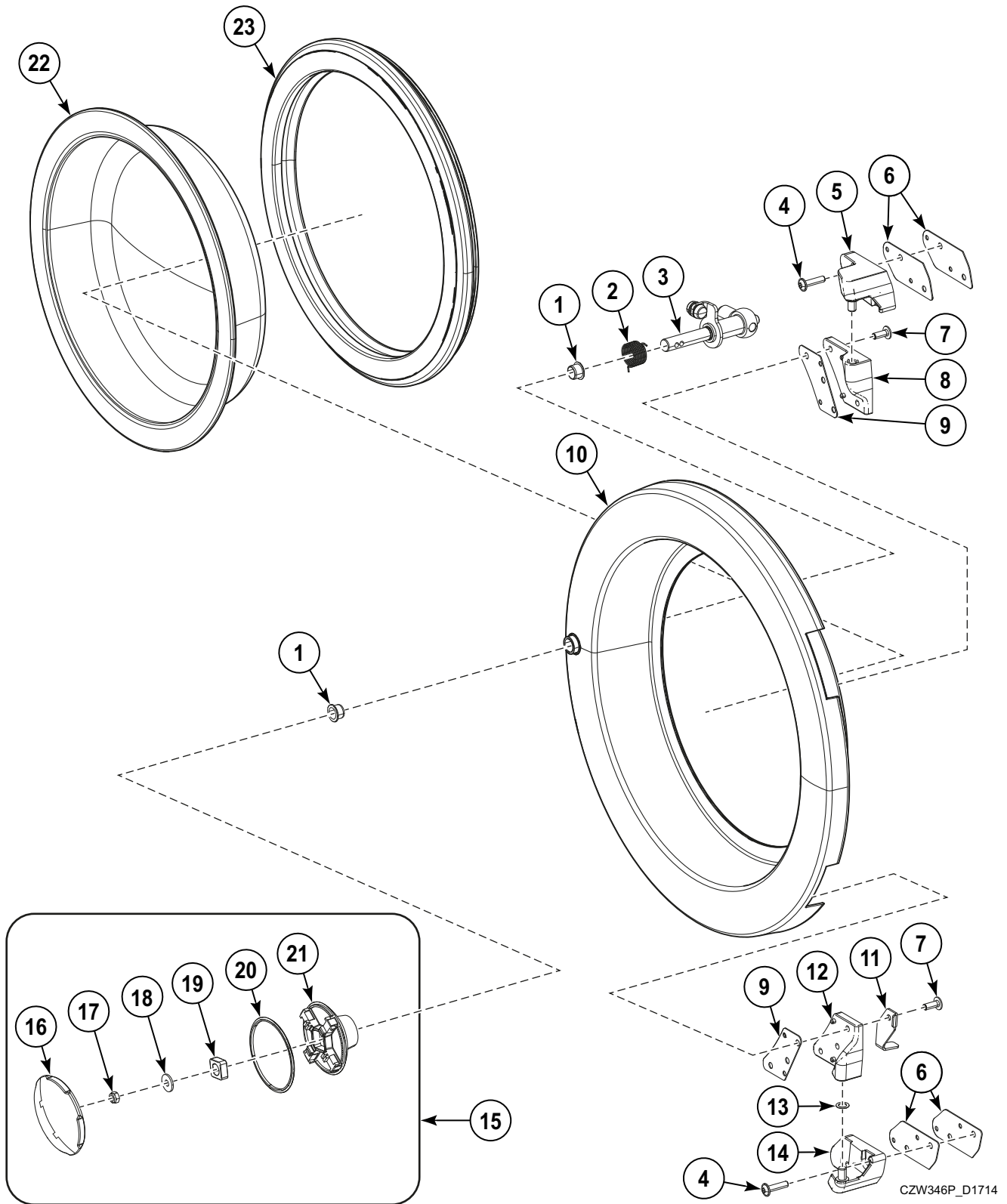


## Door - AF, IY, JY and NY Models

REF	PART NO.	DESCRIPTION	COMMENTS
	571768	Door Assembly	IY models; Black; Includes items 1-24; Through Serial No. 180FX017986SF
	563372	Door Assembly	IY models; Black; Includes items 1-24; Starting Serial No. 180FX017987SF
	574099	Door Assembly	AF and NY models; Black; Includes items 1-24
	573186	Door Assembly	JY models; Black; Includes items 1-24
	570553	Kit of Hinges	Includes 568979, 568982, 575960, 575963 and 571642
<b>1</b>	SP529739	Casing	
<b>2</b>	SP535402	Handle Torsion Spring	
<b>3</b>	571762	Door Level	
<b>4</b>	SP535479	Bolt	M6x25
<b>5</b>	568979	Fixed Upper Hinge	
<b>6</b>	568804	Shim	
<b>7</b>	SP537864	Bolt	M6x16
<b>8</b>	575960	Upper Hinge	with Case
<b>9</b>	SP535421	Hinge Spacer	
<b>10</b>	568838	Door	Black
<b>11</b>	571636	Door Frame Sheet	
<b>12</b>	575963	Lower Hinge	with Case
<b>13</b>	571642	Washer	
<b>14</b>	568982	Fixed Hinge	Lower
<b>15</b>	571781	Handle	
<b>16</b>	SP535438	Holder Cover	
<b>17</b>	SP310985000006	Nut	M6
<b>18</b>	SP311902100006	Washer	M6
<b>19</b>	571773	Locating Segment	
<b>20</b>	571733	Distinguishing Ring	
<b>21</b>	571779	Handle Lower Part	
<b>22</b>	SP562547	Rim	
	573189	Rim	JY models
<b>23</b>	SP556228	Door Glass	IY models; With logo
	573192	Door Glass	JY models
	535439	Door Glass	AF and NY models
<b>24</b>	568989	Service Door Kit	

# Door - FX and PY Models

FX and PY models with V in 7th Position Through 28 February 2021

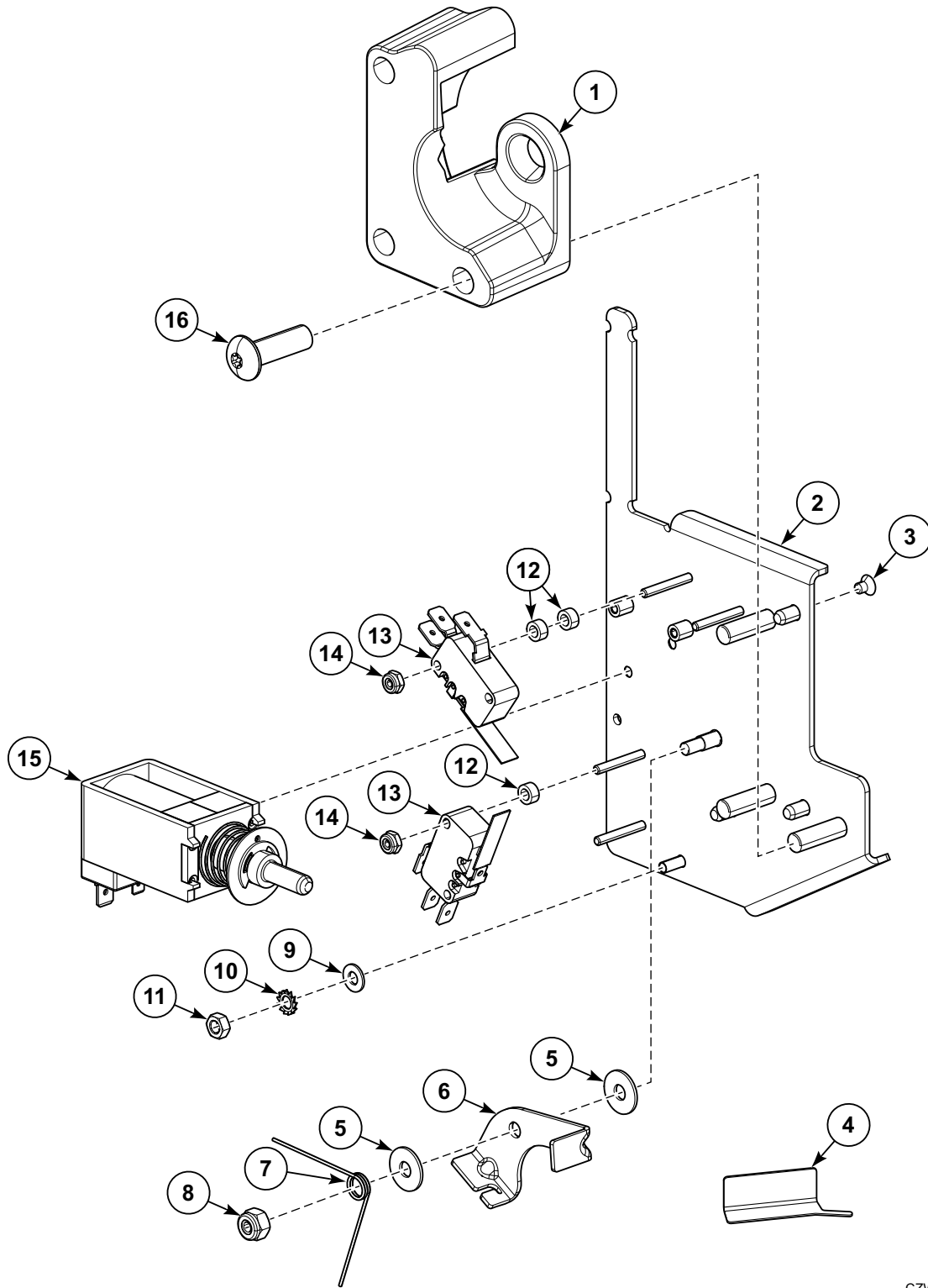


## Door - FX and PY Models

REF	PART NO.	DESCRIPTION	COMMENTS
	571765	Door Assembly	Gray; Includes items 1-23; Through Serial No. 180FX017986SF
	537930	Door Assembly	Gray; Includes items 1-23; Starting Serial No. 180FX017987SF
	570553	Kit of Hinges	Includes 568979, 568982, 575960, 575963 and 571642
<b>1</b>	SP529739	Casing	
<b>2</b>	SP535402	Handle Torsion Spring	
<b>3</b>	571762	Door Level	
<b>4</b>	SP535479	Bolt	M6x25
<b>5</b>	568979	Fixed Upper Hinge	
<b>6</b>	568804	Shim	
<b>7</b>	SP537864	Bolt	M6x16
<b>8</b>	575960	Upper Hinge	with Case
<b>9</b>	SP535421	Hinge Spacer	
<b>10</b>	SP553527	Door	
<b>11</b>	571636	Door Frame Sheet	
<b>12</b>	575963	Lower Hinge	with Case
<b>13</b>	571642	Washer	
<b>14</b>	568982	Fixed Hinge	Lower
<b>15</b>	571780	Handle	
<b>16</b>	SP535430	Holder Cover	
<b>17</b>	SP310985000006	Nut	M6
<b>18</b>	SP311902100006	Washer	M6
<b>19</b>	571773	Locating Segment	
<b>20</b>	SP535411	Distinguishing Ring	
<b>21</b>	571779	Handle Lower Part	
<b>22</b>	SP535439	Door Glass	
<b>24</b>	568989	Service Door Kit	

# Door Lock - Models with Serial No. Through 180FX017986SF

Models with V in 7th Position



CZW347P\_D1714

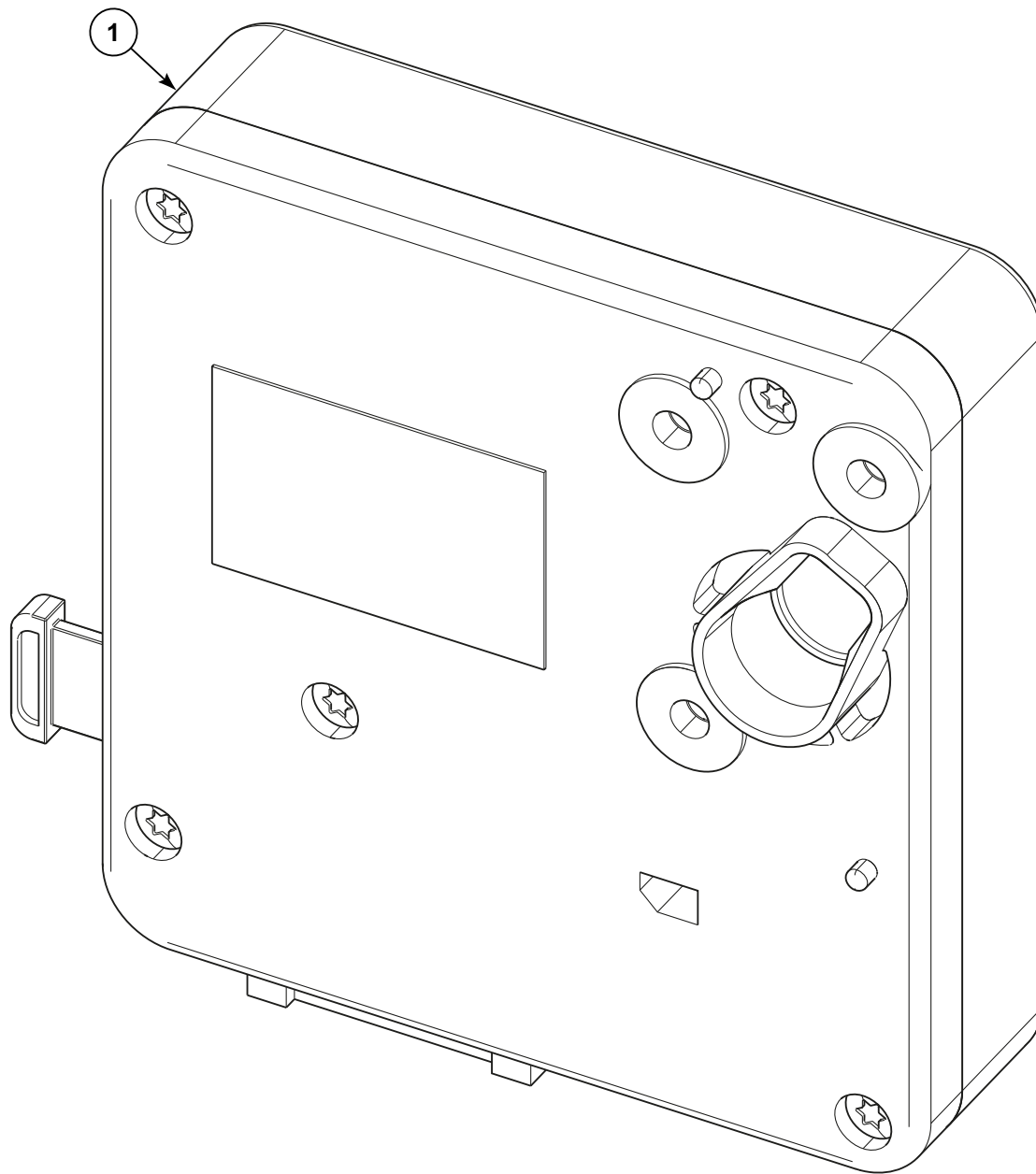


## Door Lock - Models with Serial No. Through 180FX017986SF

REF	PART NO.	DESCRIPTION	COMMENTS
	576085	Door Lock Assembly	Includes item 1-16, 569751 Door Lock Cable, SP345000160996 Binding Strip, 571466 Door Lock Switch Cable
1	576084	Door Lock Catch	
2	568971	Door Lock Plate	
3	F430977	Screw	
4	571615	Emergency Opener	For door lock
5	F8193101	Washer	
6	568941	Closing Plate	
7	571612	Torsion/Door Lock Spring	
8	F430232	Nut	
9	SP311125240004	Washer	4
10	SP311679824004	Washer	4
11	SP310934240004	Nut	M4
12	F431901	Spacer	
13	568978	Microswitch	
14	F430225	Nut	
15	568942	Coil	
16	F8270701	Bolt	Stainless
	568968	Bolt	Black

# Door Lock - Models with Serial No. Starting 180FX017987SF

Models with V in 7th Position



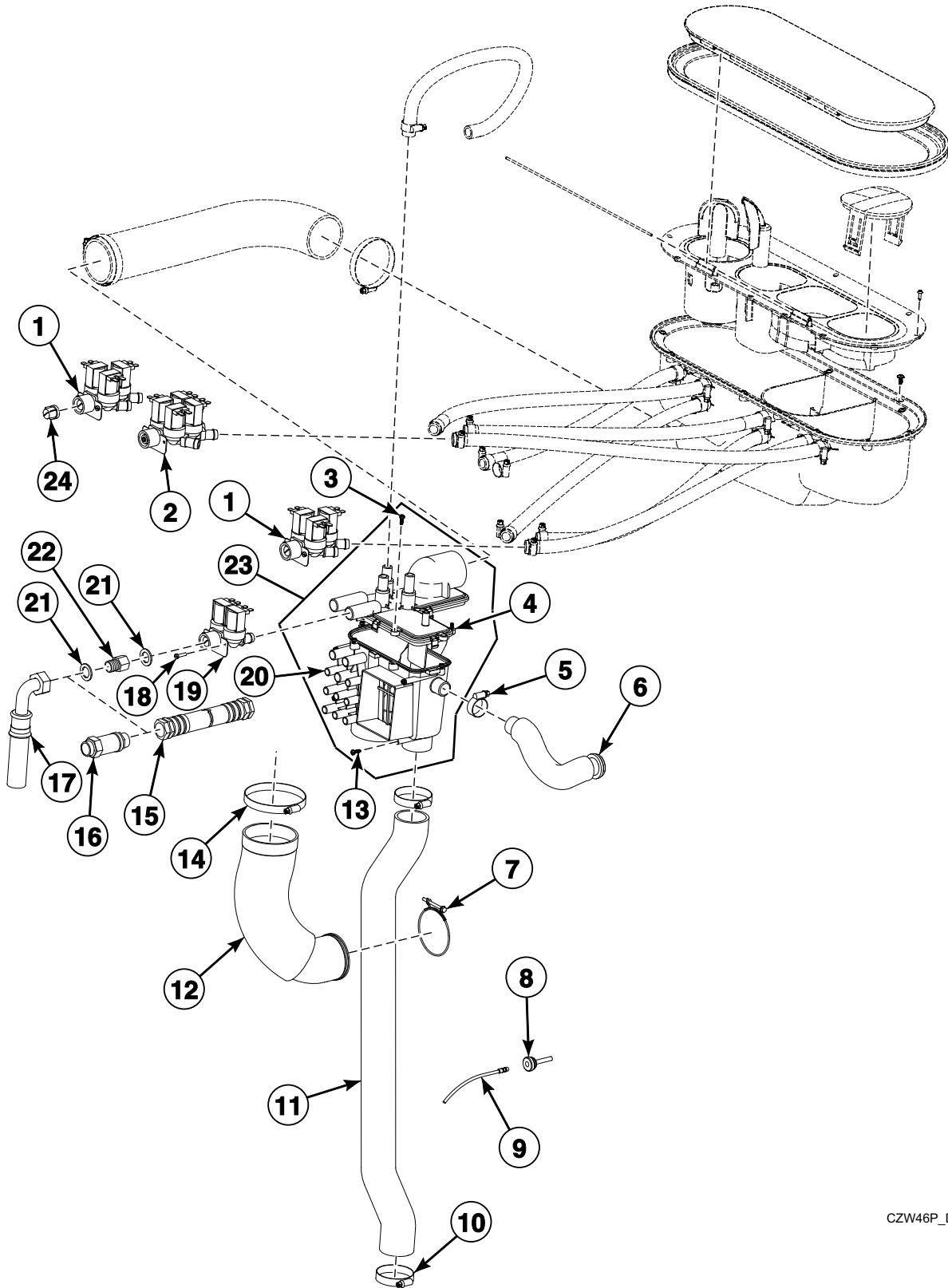
CZW360P\_D1714

# Door Lock - Models with Serial No. Starting 180FX017987SF

REF	PART NO.	DESCRIPTION	COMMENTS
1	SP537760	Lock	

# Water Inlet System (Drawing 1 of 2)

All Models Except Models with V in 7th Position



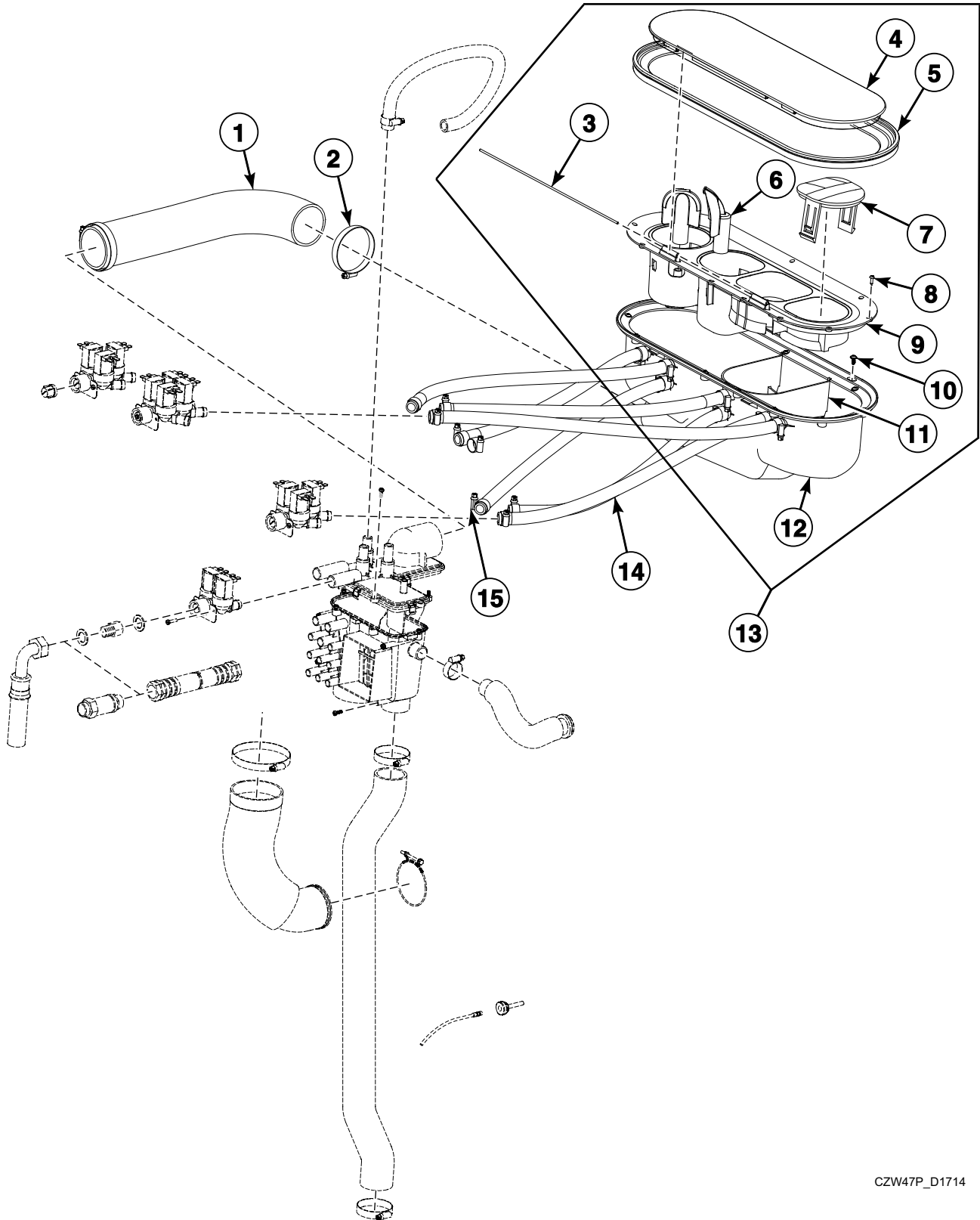
CZW46P\_D1714

## Water Inlet System (Drawing 1 of 2)

REF	PART NO.	DESCRIPTION	COMMENTS
	SPPRI704000053	Sealant	Used with SP540115 Main Vessel
	F8301201	Double Check Valve	CE J models; Used with SPPRI426001217 Pipe Nipple 3/4 inch
	573621	1-Way Valve	Models SY180_KIS_PHOTO-ME; without Flow Regulator
<b>1</b>	SP547959	3-Way Valve	3/4 inch
<b>2</b>	SP548933	4-Way Valve	3/4 inch
<b>3</b>	SP526497	Screw	M4x12
<b>4</b>	SP526557	Mixer Lid	
<b>5</b>	SPPRI240000003	Hose Clamp	20-32
<b>6</b>	SP526510	Vent Hose	
<b>7</b>	SP526491	Hose Clamp	62-70
<b>8</b>	SP526439	Temperature Sensor Seal	
<b>9</b>	503839	Temperature Sensor	
<b>10</b>	SPPRI240000017	Hose Clamp	40-60
<b>11</b>	SP547897	Overflow Tube	
<b>12</b>	SP526506	Filling Elbow Pipe	
<b>13</b>	SP526497	Screw	4x12
<b>14</b>	SPPRI240000007	Hose Clamp	70-90
<b>15</b>	RSPF200166	Filling Hose Pipe	IYY, LYY, NYY, PYY, SY Y and UYY models
<b>16</b>	B12543901	Check Valve	IYY, LYY, NYY, PYY, SY Y and UYY models
<b>17</b>	SPPRI505000054	Filling Hose Pipe	Used with cold water
	SP547980	Filling Hose Pipe	Used with hot water
	SP101621	Filling Hose Pipe	Valid for water approval
	F200164	Water Hose	North America models
<b>18</b>	SP309084000416	Bolt	4x16
<b>19</b>	SP547958	2-Way Valve	3/4 inch
<b>20</b>	SP526565	Mixer Body	
<b>21</b>	SPPRI520001009	Seal	
<b>22</b>	567174	Reduction	North America models; 3/4 inch; BSP/GHT
<b>23</b>	SP526558	Mixer	
<b>24</b>	SPPRI340004030	Filter	

# Water Inlet System (Drawing 2 of 2)

All Models Except Models with V in 7th Position



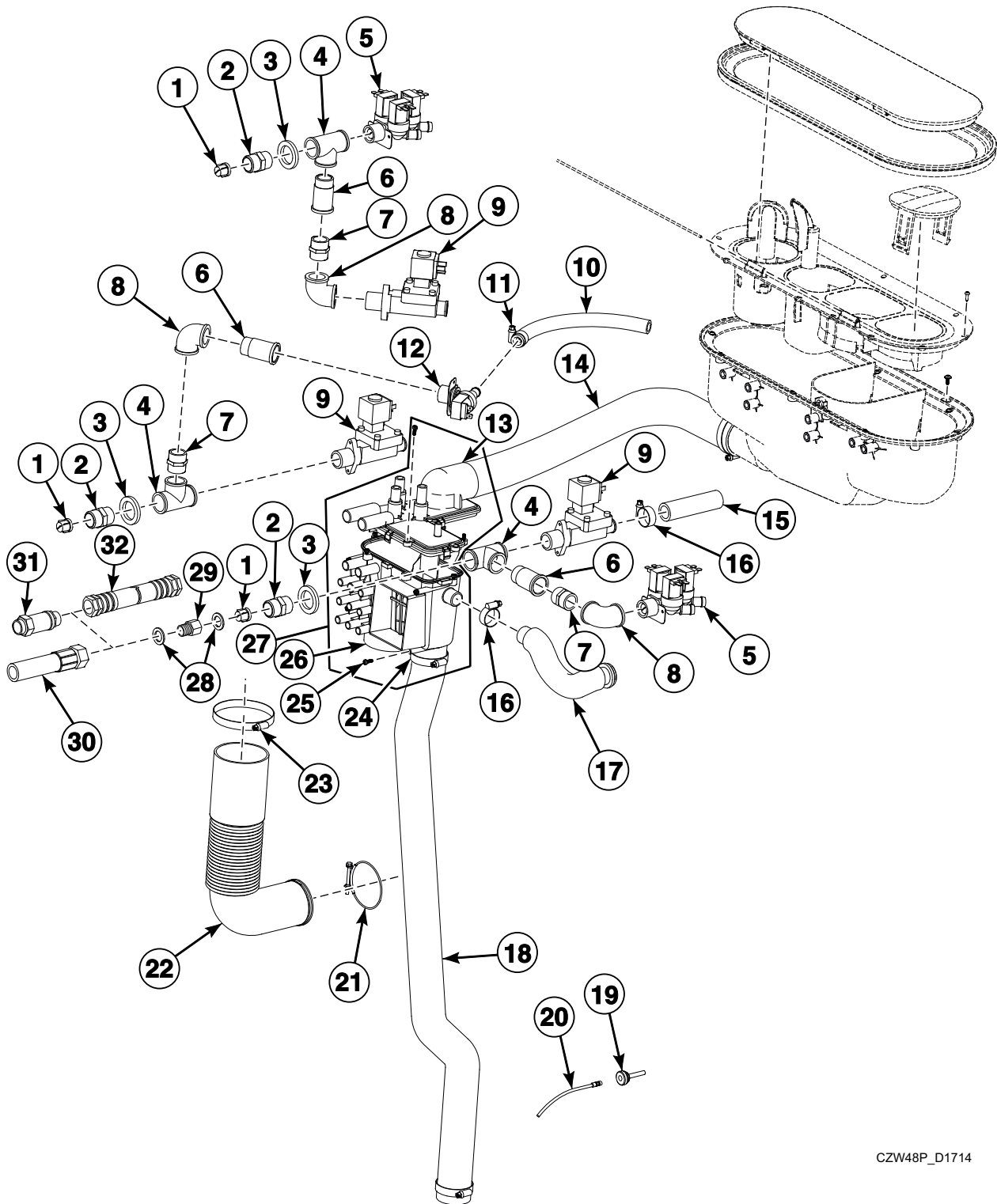
CZW47P\_D1714

## Water Inlet System (Drawing 2 of 2)

REF	PART NO.	DESCRIPTION	COMMENTS
	SPPRI704000053	Sealant	Used with SP540115 Main Vessel
	F8301201	Double Check Valve	JLA models; CE; Used with SPPRI426001217 Pipe Nipple
1	SP526489	Dispenser Pipe	
2	SPPRI240000021	Hose Clamp	60-80
3	SP540117	Pin	
4	SP551695	Dispenser Lid	HY, SY and UY models
	SP526461	Dispenser Lid	AF, FX, H180, HX, IY, J, L, M, PY and SW models
5	SP540158	Dispenser Seal	
6	SP540113	Flap	
7	SP526468	Soap Hopper Plug	
8	SP309798124313	Screw	ST3.5x13
9	SP540112	Soap Hopper Upper Cover	
10	SP529206	Screw	4x11
11	SP540116	Internal Vessel	
12	SP540115	Main Vessel	
13	SP554214	Soap Hopper	HY, SY and UY models
	SP540164	Soap Hopper	AF, FX, H180, HX, IY, J, L, M, PY and SW models
14	SPPRI540000014	Hose	13/19
	SP101745	Hose Pipe	Valid for water approval
15	SPPRI240000002	Hose Clamp	12-22

# Water Inlet System - Optional (Drawing 1 of 2)

All Models Except Models with V in 7th Position



CZW48P\_D1714

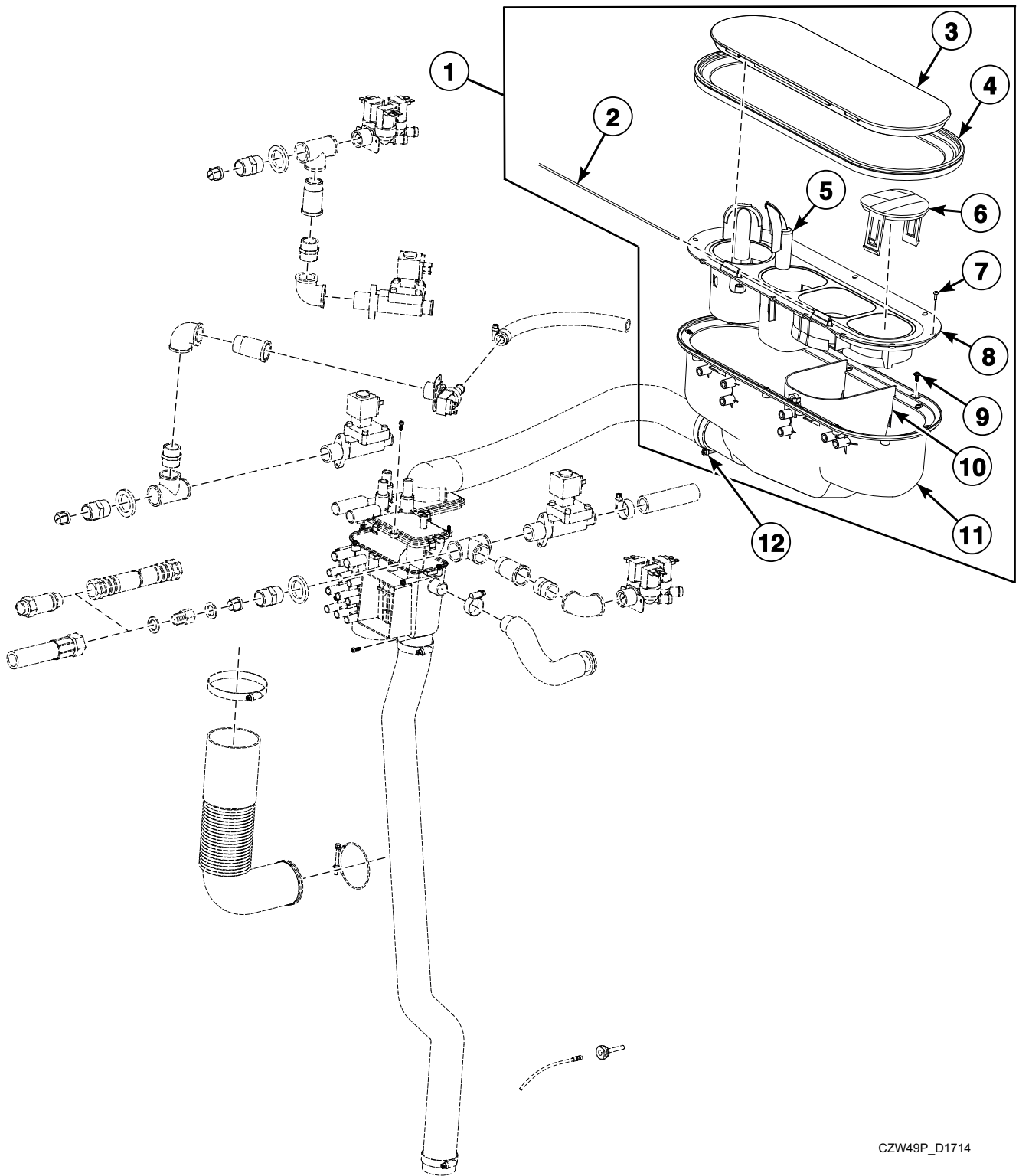


## Water Inlet System - Optional (Drawing 1 of 2)

REF	PART NO.	DESCRIPTION	COMMENTS
	F8301201	Double Check Valve	CE J models; Used with SPPRI426001217 Pipe Nipple 3/4 inch
	573621	1-Way Valve	Models SY180_KIS_PHOTO-ME; without Flow Regulator
<b>1</b>	SPPRI340004030	Filter	
<b>2</b>	SP510120	Pipe Nipple	3/4 inch
<b>3</b>	SPPRI231000062	Washer	28x42x5
<b>4</b>	SPPRI426001107	Tee	3/4 inch
<b>5</b>	SP547959	3-Way Valve	3/4 inch
<b>6</b>	SPPRI426003217	Extension	3/4 inch x 40
<b>7</b>	SPPRI426001217	Pipe Nipple	3/4 inch
<b>8</b>	SPPRI426002072	Elbow	3/4 inch
<b>9</b>	SP567064	1-Way Valve	3/4 inch; Uses SP525821 Valve Repair Kit
<b>10</b>	SPPRI540000014	Hose	13/19
<b>11</b>	SPPRI240000002	Hose Clamp	12-22
<b>12</b>	SP554211	1-Way Valve	3/4 inch
<b>13</b>	SP526557	Mixer Lid	
<b>14</b>	SP526489	Dispenser Pipe	
<b>15</b>	SPPRI540001019	Hose	
<b>16</b>	SPPRI240000003	Hose Clamp	20-32
<b>17</b>	SP526510	Vent Hose	
<b>18</b>	SP547897	Overflow Tube	
<b>19</b>	SP526439	Temperature Sensor Seal	
<b>20</b>	503839	Temperature Sensor	
<b>21</b>	SP526491	Hose Clamp	62-70
<b>22</b>	SP526506	Filling Elbow Pipe	
<b>23</b>	SPPRI240000007	Hose Clamp	70-90
<b>24</b>	SPPRI240000017	Hose Clamp	40-60
<b>25</b>	SP526497	Screw	4x12
<b>26</b>	SP526565	Mixer Body	
<b>27</b>	SP526558	Mixer	
<b>28</b>	SPPRI520001009	Seal	
<b>29</b>	567174	Reduction	North America models; 3/4 inch; BSP/GHT
<b>30</b>	SP533036	Filling Hose Pipe	
	F200164	Water Hose	North America models
	SP101621	Filling Hose Pipe	Valid for water approval
<b>31</b>	RSPB12543901	Double Reverse Valve	IYY, LYY, NYY, PYY, SY Y and UYY models
<b>32</b>	RSPF200166	Filling Hose Pipe	IYY, LYY, NYY, PYY, SY Y and UYY models

# Water Inlet System - Optional (Drawing 2 of 2)

All Models Except Models with V in 7th Position



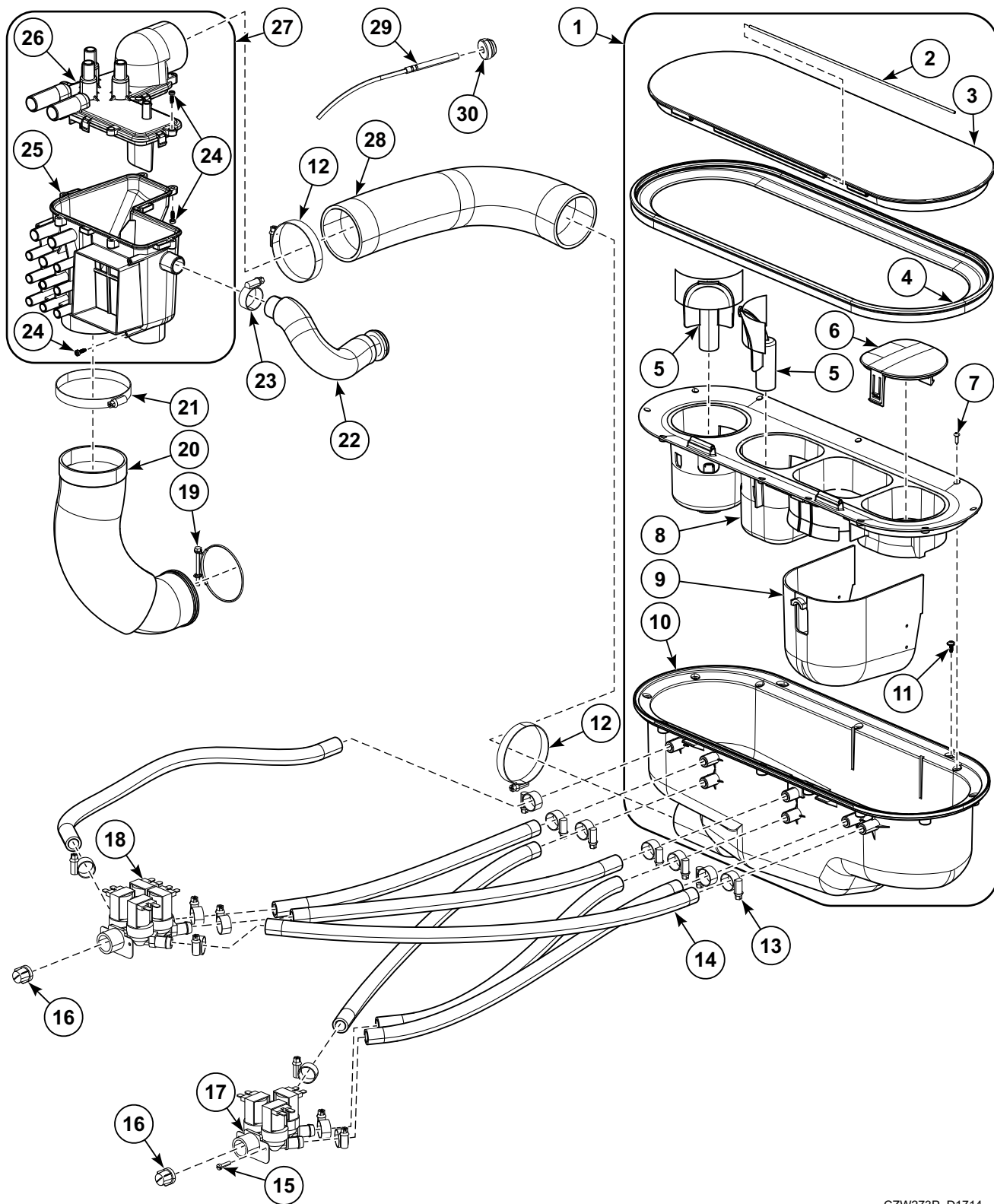
CZW49P\_D1714

## Water Inlet System - Optional (Drawing 2 of 2)

REF	PART NO.	DESCRIPTION	COMMENTS
1	SP554214	Soap Hopper	HY, SY and UY models
	SP540164	Soap Hopper	AF, FX, H180, HX, IY, J, L, M, NY, PY and SW models
2	SP540117	Pin	
3	SP551695	Dispenser Lid	HY, SY and UY models
	SP526461	Dispenser Lid	AF, FX, H180, HX, IY, J, L, M, NY, PY and SW models
4	SP540158	Dispenser Seal	
5	SP540113	Flap	
6	SP526468	Soap Hopper Plug	
7	SP309798124313	Screw	ST3.5x13
8	SP540112	Soap Hopper Upper Cover	
9	SP529206	Screw	4x11
10	SP540116	Internal Vessel	Big
11	SP540115	Main Vessel	Requires SPPRI704000053 Silicon Sealant
12	SPPRI240000021	Hose Clamp	60-80

# Two Water Inlet System

Models with V in 7th Position



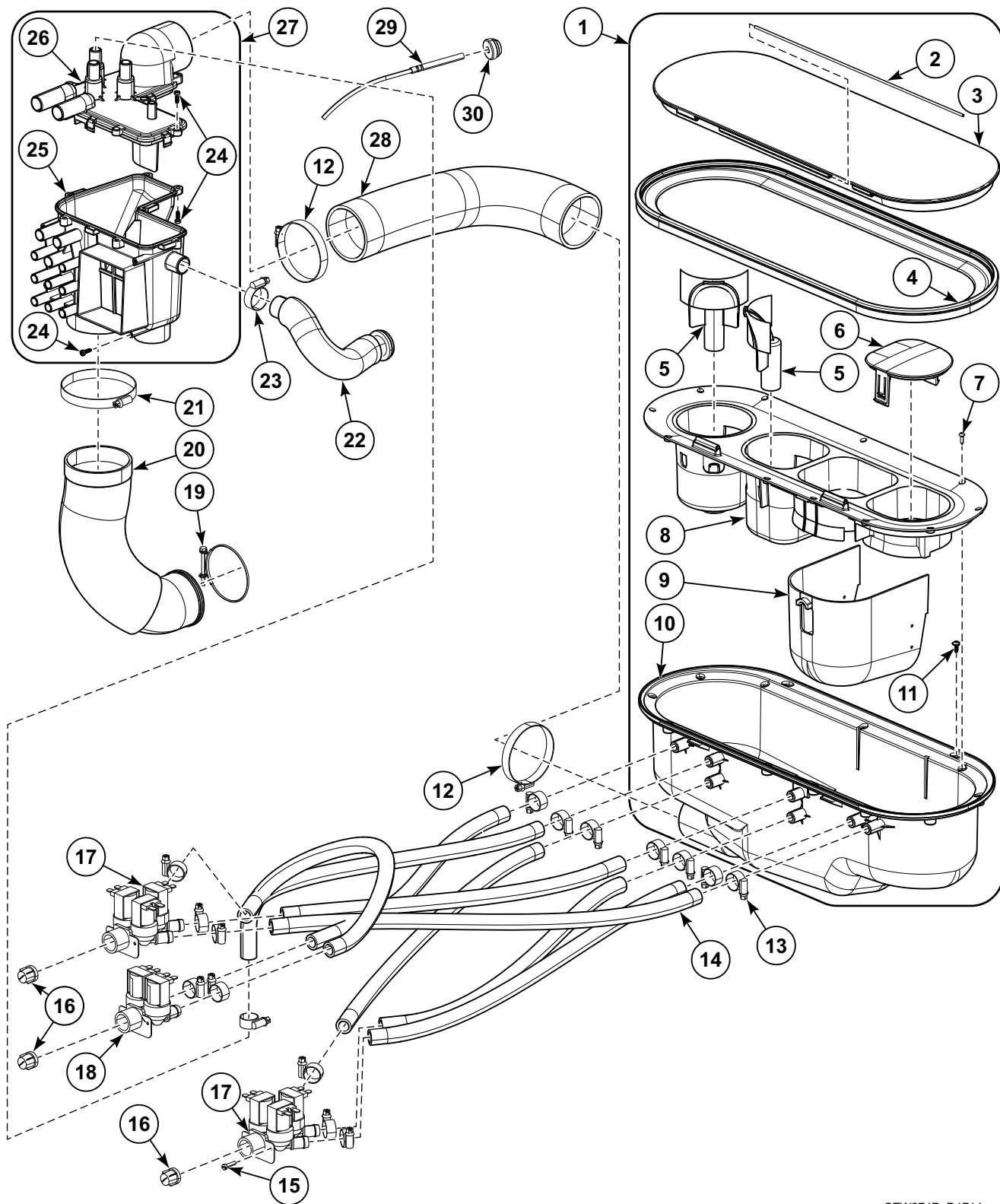
CZW273P\_D1714

## Two Water Inlet System

REF	PART NO.	DESCRIPTION	COMMENTS
	SPPRI505000054	Filling Hose Pipe	Used with cold water; used with SPPRI520001009 Seal
	SP547980	Filling Hose Pipe	Used with hot water; used with SPPRI520001009 Seal
	SP101621	Filling Hose Pipe	Used with water approval WRAS; used with SPPRI520001009 Seal
	F200164	Water Hose	North America, used with SPPRI520001009 Seal and 567174 Reduction
<b>1</b>	SP540164	Soap Hopper	CE models
	570441	Soap Hopper Assembly	North America models
<b>2</b>	SP540117	Pin	
<b>3</b>	SP526461	Dispenser Lid	CE models
	573922	Dispenser Lid	North America models
<b>4</b>	SP540158	Dispenser Seal	
<b>5</b>	SP540113	Flap	
<b>6</b>	SP526468	Soap Hopper Plug	
<b>7</b>	SP309798124313	Screw	ST3.5x13
<b>8</b>	SP540112	Soap Hopper Upper Cover	
<b>9</b>	SP540116	Internal Vessel	
<b>10</b>	SP540115	Main Vessel	
<b>11</b>	SP529206	Screw	
<b>12</b>	SPPRI240000021	Hose Clamp	60-80
<b>13</b>	SPPRI240000002	Hose Clamp	12-22
<b>14</b>	SPPRI540000014	Hose	13-19
	SP101745	Hose Pipe	Used with water approval WRAS
<b>15</b>	SP309084000416	Bolt	M4x16
<b>16</b>	SPPRI340004030	Filter	
<b>17</b>	SP547959	3-Way Valve	3/4 inch
<b>18</b>	SP548933	4-Way Valve	3/4 inch
<b>19</b>	SP526491	Hose Clamp	62-70
<b>20</b>	SP526506	Filling Elbow Pipe	
<b>21</b>	SPPRI240000007	Hose Clamp	70-90
<b>22</b>	SP526510	Vent Hose	
<b>23</b>	SPPRI240000003	Hose Clamp	
<b>24</b>	SP526497	Screw	4x12
<b>25</b>	SP526565	Mixer Body	
<b>26</b>	SP526557	Mixer Lid	
<b>27</b>	SP526558	Mixer	
<b>28</b>	SP526489	Dispenser Pipe	
<b>29</b>	503839	Temperature Sensor	
<b>30</b>	SP526439	Temperature Sensor Seal	

# Three Water Inlet System

Models with V in 7th Position



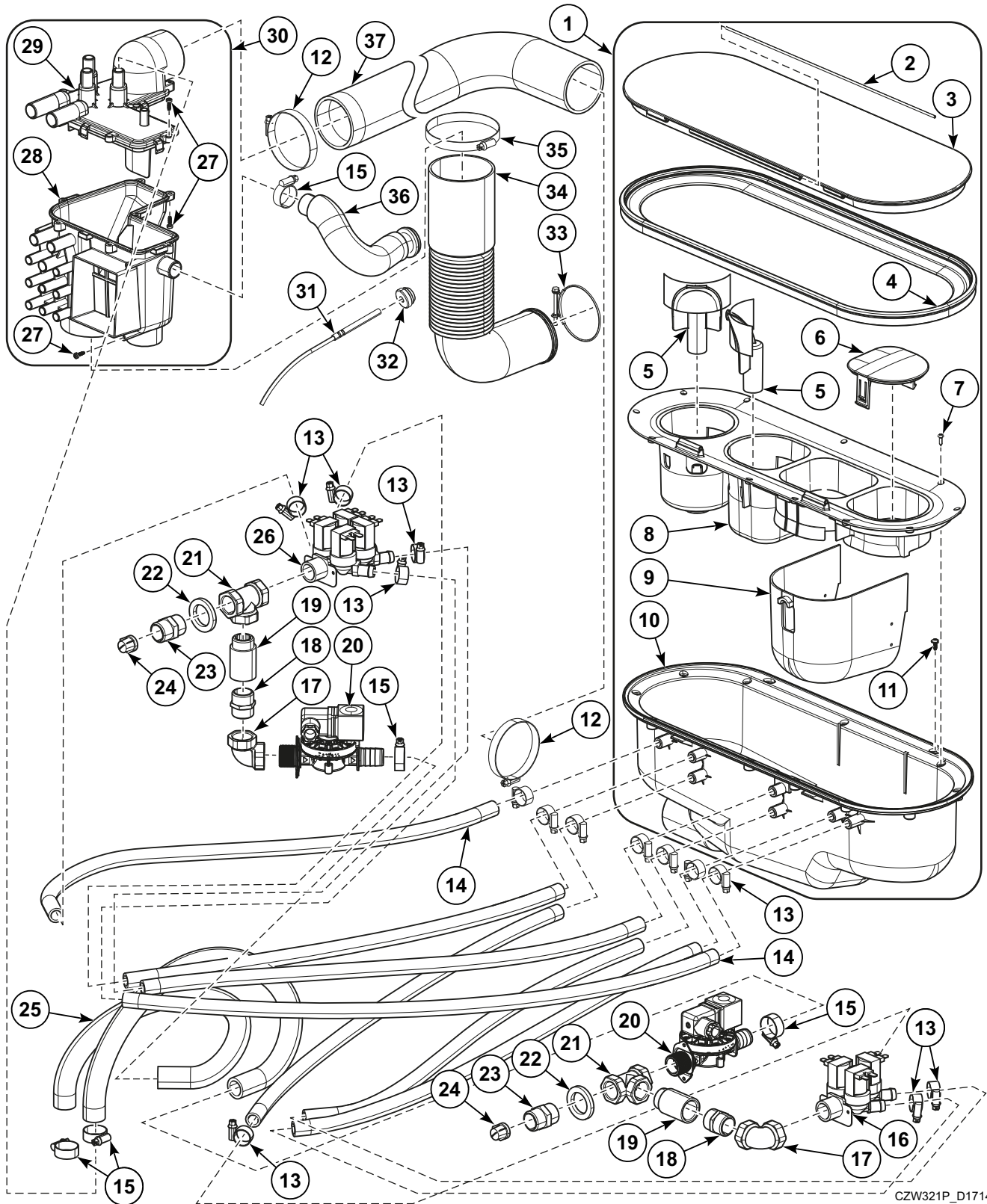
CZW274P\_D1714

## Three Water Inlet System

REF	PART NO.	DESCRIPTION	COMMENTS
	SPPRI505000054	Filling Hose Pipe	Used with cold water; used with SPPRI520001009 Seal
	SP547980	Filling Hose Pipe	Used with hot water; used with SPPRI520001009 Seal
	SP101621	Filling Hose Pipe	Used with water approval WRAS; used with SPPRI520001009 Seal
	F200164	Water Hose	North America, used with SPPRI520001009 Seal and 567174 Reduction
<b>1</b>	SP540164	Soap Hopper	CE models
	570441	Soap Hopper Assembly	North America models
<b>2</b>	SP540117	Pin	
<b>3</b>	SP526461	Dispenser Lid	CE models
	573922	Dispenser Lid	North America models
<b>4</b>	SP540158	Dispenser Seal	
<b>5</b>	SP540113	Flap	
<b>6</b>	SP526468	Soap Hopper Plug	
<b>7</b>	SP309798124313	Screw	ST3.5x13
<b>8</b>	SP540112	Soap Hopper Upper Cover	
<b>9</b>	SP540116	Internal Vessel	
<b>10</b>	SP540115	Main Vessel	
<b>11</b>	SP529206	Screw	
<b>12</b>	SPPRI240000021	Hose Clamp	60-80
<b>13</b>	SPPRI240000002	Hose Clamp	12-22
<b>14</b>	SPPRI540000014	Hose	13-19
	SP101745	Hose Pipe	Used with water approval WRAS
<b>15</b>	SP309084000416	Bolt	M4x16
<b>16</b>	SPPRI340004030	Filter	
<b>17</b>	SP547959	3-Way Valve	3/4 inch
<b>18</b>	SP547958	2-Way Valve	3/4 inch
<b>19</b>	SP526491	Hose Clamp	62-70
<b>20</b>	SP526506	Filling Elbow Pipe	
<b>21</b>	SPPRI240000007	Hose Clamp	70-90
<b>22</b>	SP526510	Vent Hose	
<b>23</b>	SPPRI240000003	Hose Clamp	
<b>24</b>	SP526497	Screw	4x12
<b>25</b>	SP526565	Mixer Body	
<b>26</b>	SP526557	Mixer Lid	
<b>27</b>	SP526558	Mixer	
<b>28</b>	SP526489	Dispenser Pipe	
<b>29</b>	503839	Temperature Sensor	
<b>30</b>	SP526439	Temperature Sensor Seal	

# Two Water Inlet System - Optional

Models with V in 7th Position



CZW321P\_D1714

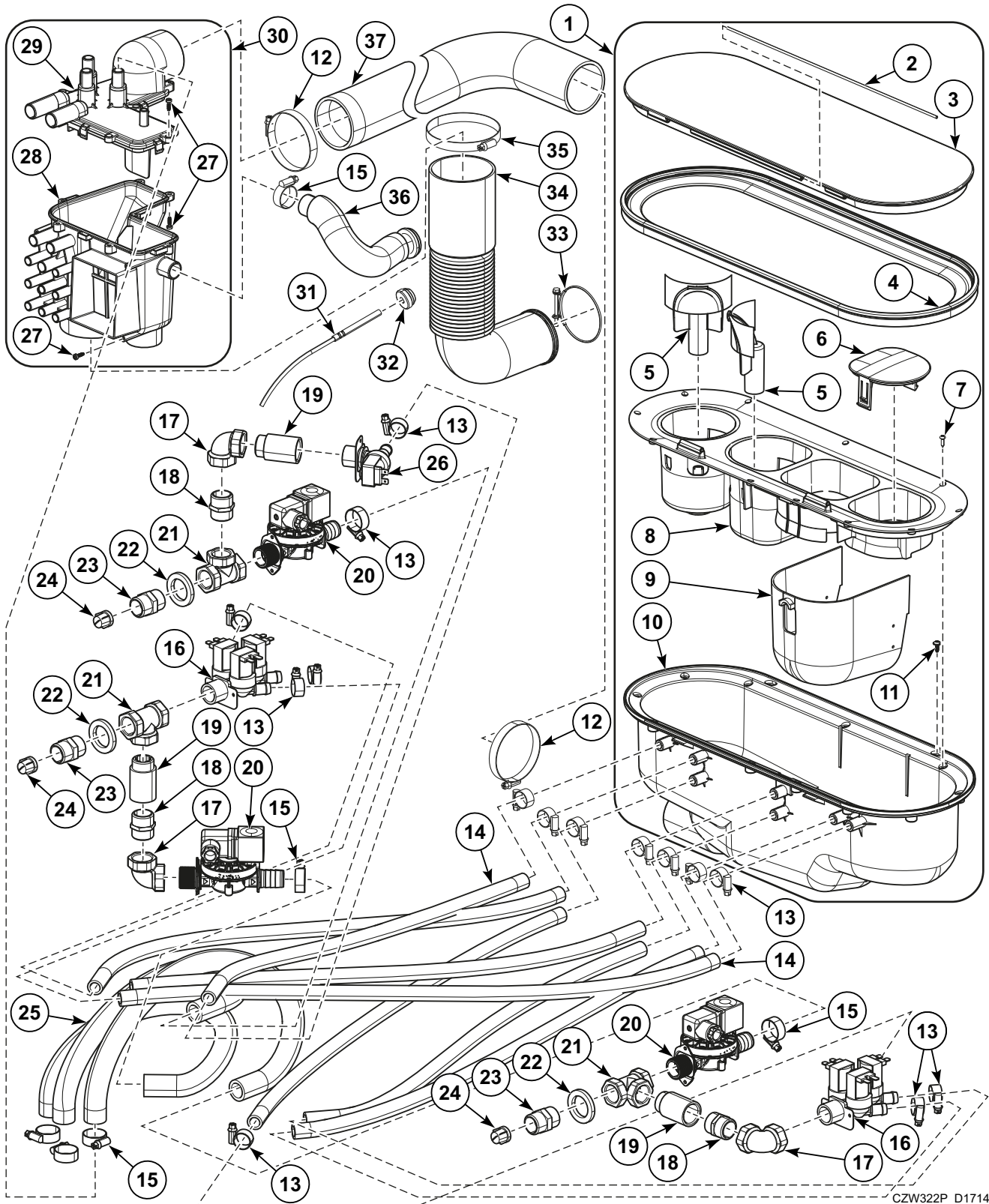


## Two Water Inlet System - Optional

REF	PART NO.	DESCRIPTION	COMMENTS
	SPPRI505000054	Filling Hose Pipe	Used with cold water; used with SPPRI520001009 Seal
	SP547980	Filling Hose Pipe	Used with hot water; used with SPPRI520001009 Seal
	SP101621	Filling Hose Pipe	Used with water approval WRAS; used with SPPRI520001009 Seal
	F200164	Water Hose	North America, used with SPPRI520001009 Seal and 567174 Reduction
1	SP540164	Soap Hopper	CE models
	570441	Soap Hopper Assembly	North America models
2	SP540117	Pin	
3	SP526461	Dispenser Lid	CE models
	573922	Dispenser Lid	North America models
4	SP540158	Dispenser Seal	
5	SP540113	Flap	
6	SP526468	Soap Hopper Plug	
7	SP309798124313	Screw	ST3.5x13
8	SP540112	Soap Hopper Upper Cover	
9	SP540116	Internal Vessel	
10	SP540115	Main Vessel	
11	SP529206	Screw	
12	SPPRI240000021	Hose Clamp	60-80
13	SPPRI240000002	Hose Clamp	12-22
14	SPPRI540000014	Hose	13-19
	SP101745	Hose Pipe	Used with water approval WRAS
15	SPPRI240000003	Hose Clamp	20-32
16	SP547959	3-Way Valve	3/4 inch
17	SPPRI426002072	Elbow	
18	SPPRI426001217	Pipe Nipple	
19	SPPRI426003217	Extension	
20	SP567064	1-Way Valve	3/4 inch; Optional; Uses SP525821 Valve Repair Kit
21	SPPRI426001107	Tee	
22	SPPRI231000062	Washer	8
23	SP510120	Pipe Nipple	
24	SPPRI340004030	Filter	
25	SPPRI540001019	Hose	
26	SP548933	4-Way Valve	3/4 inch
27	SP526497	Screw	4x12
28	SP526565	Mixer Body	
29	SP526557	Mixer Lid	
30	SP526558	Mixer	
31	503839	Temperature Sensor	
32	SP526439	Temperature Sensor Seal	
33	SP526491	Hose Clamp	62-70
34	SP526506	Filling Elbow Pipe	
35	SPPRI240000007	Hose Clamp	70-90
36	SP526510	Vent Hose	
37	SP526489	Dispenser Pipe	

# Three Water Inlet System - Optional

Models with V in 7th Position



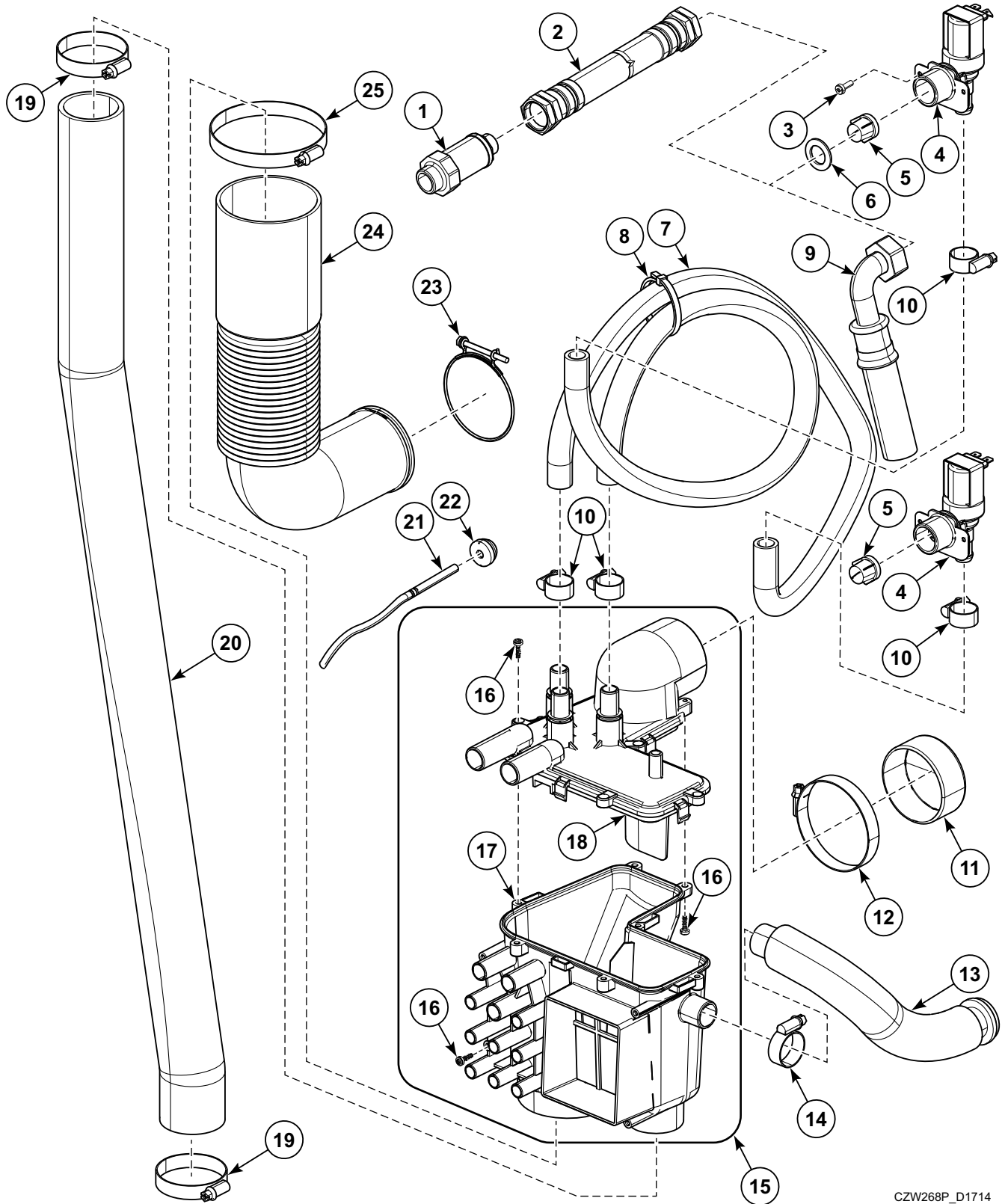
CZW322P\_D1714

## Three Water Inlet System - Optional

REF	PART NO.	DESCRIPTION	COMMENTS
	SPPRI505000054	Filling Hose Pipe	Used with cold water; used with SPPRI520001009 Seal
	SP547980	Filling Hose Pipe	Used with hot water; used with SPPRI520001009 Seal
	SP101621	Filling Hose Pipe	Used with water approval WRAS; used with SPPRI520001009 Seal
	F200164	Water Hose	North America, used with SPPRI520001009 Seal and 567174 Reduction
1	SP540164	Soap Hopper	CE models
	570441	Soap Hopper Assembly	North America models
2	SP540117	Pin	
3	SP526461	Dispenser Lid	CE models
	573922	Dispenser Lid	North America models
4	SP540158	Dispenser Seal	
5	SP540113	Flap	
6	SP526468	Soap Hopper Plug	
7	SP309798124313	Screw	ST3.5x13
8	SP540112	Soap Hopper Upper Cover	
9	SP540116	Internal Vessel	
10	SP540115	Main Vessel	
11	SP529206	Screw	
12	SPPRI240000021	Hose Clamp	60-80
13	SPPRI240000002	Hose Clamp	12-22
14	SPPRI540000014	Hose	13-19
	SP101745	Hose Pipe	Used with water approval WRAS
15	SPPRI240000003	Hose Clamp	20-32
16	SP547959	3-Way Valve	3/4 inch
17	SPPRI426002072	Elbow	
18	SPPRI426001217	Pipe Nipple	
19	SPPRI426003217	Extension	
20	SP567064	1-Way Valve	3/4 inch; Optional; Uses SP525821 Valve Repair Kit
21	SPPRI426001107	Tee	
22	SPPRI231000062	Washer	8
23	SP510120	Pipe Nipple	
24	SPPRI340004030	Filter	
25	SPPRI540001019	Hose	
26	SP554211	1-Way Valve	3/4 inch
27	SP526497	Screw	4x12
28	SP526565	Mixer Body	
29	SP526557	Mixer Lid	
30	SP526558	Mixer	
31	503839	Temperature Sensor	
32	SP526439	Temperature Sensor Seal	
33	SP526491	Hose Clamp	62-70
34	SP526506	Filling Elbow Pipe	
35	SPPRI240000007	Hose Clamp	70-90
36	SP526510	Vent Hose	
37	SP526489	Dispenser Pipe	

# Two Water Inlet System without Soap Hopper

All Models Except Models with V in 7th Position or G, H, J or K in 13th Position



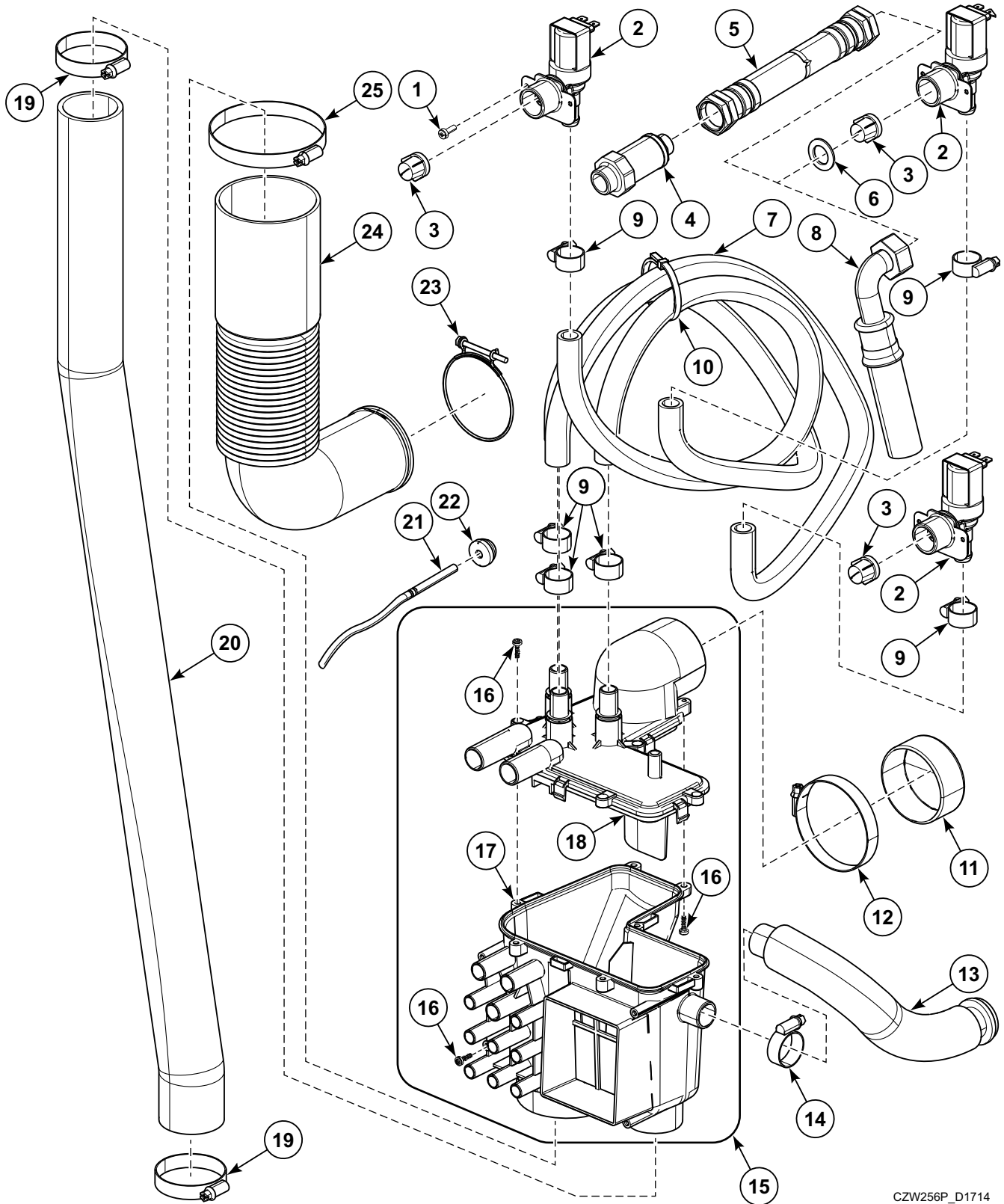
CZW268P\_D1714

## Two Water Inlet System without Soap Hopper

REF	PART NO.	DESCRIPTION	COMMENTS
1	RSPB12543901	Double Reverse Valve	IYY, LYY, NYY, PYY and SY Y models
2	RSPF200166	Filling Hose Pipe	IYY, LYY, NYY, PYY and SY Y models
3	SP555504	Bolt	M4x12
4	570195	1-Way Valve	3/4 inch
5	SPPRI340004030	Filter	
6	SPPRI520001009	Seal	
7	SPPRI540000014	Hose	
8	SP503817	Binding Strip	
9	SPPRI505000054	Filling Hose Pipe	Used with cold water
	SP547980	Filling Hose Pipe	Used with hot water
	SP101621	Filling Hose Pipe	Valid for water approval WRAS
10	SPPRI240000002	Hose Clamp	
11	567053	Plug	
12	SPPRI240000021	Hose Clamp	60-80
13	SP526510	Vent Hose	
14	SPPRI240000003	Hose Clamp	20-32
15	SP526558	Mixer	
16	SP526497	Screw	4x12
17	SP526565	Mixer Body	
18	SP526557	Mixer Lid	
19	SPPRI240000017	Hose Clamp	40-60
20	SP547897	Overflow Tube	
21	503839	Temperature Sensor	
22	SP526439	Temperature Sensor Seal	
23	SP526491	Hose Clamp	62-70
24	SP526506	Filling Elbow Pipe	
25	SPPRI240000007	Hose Clamp	70-90

# Three Water Inlet System without Soap Hopper

All Models Except Models with V in 7th Position or G, H, J or K in 13th Position



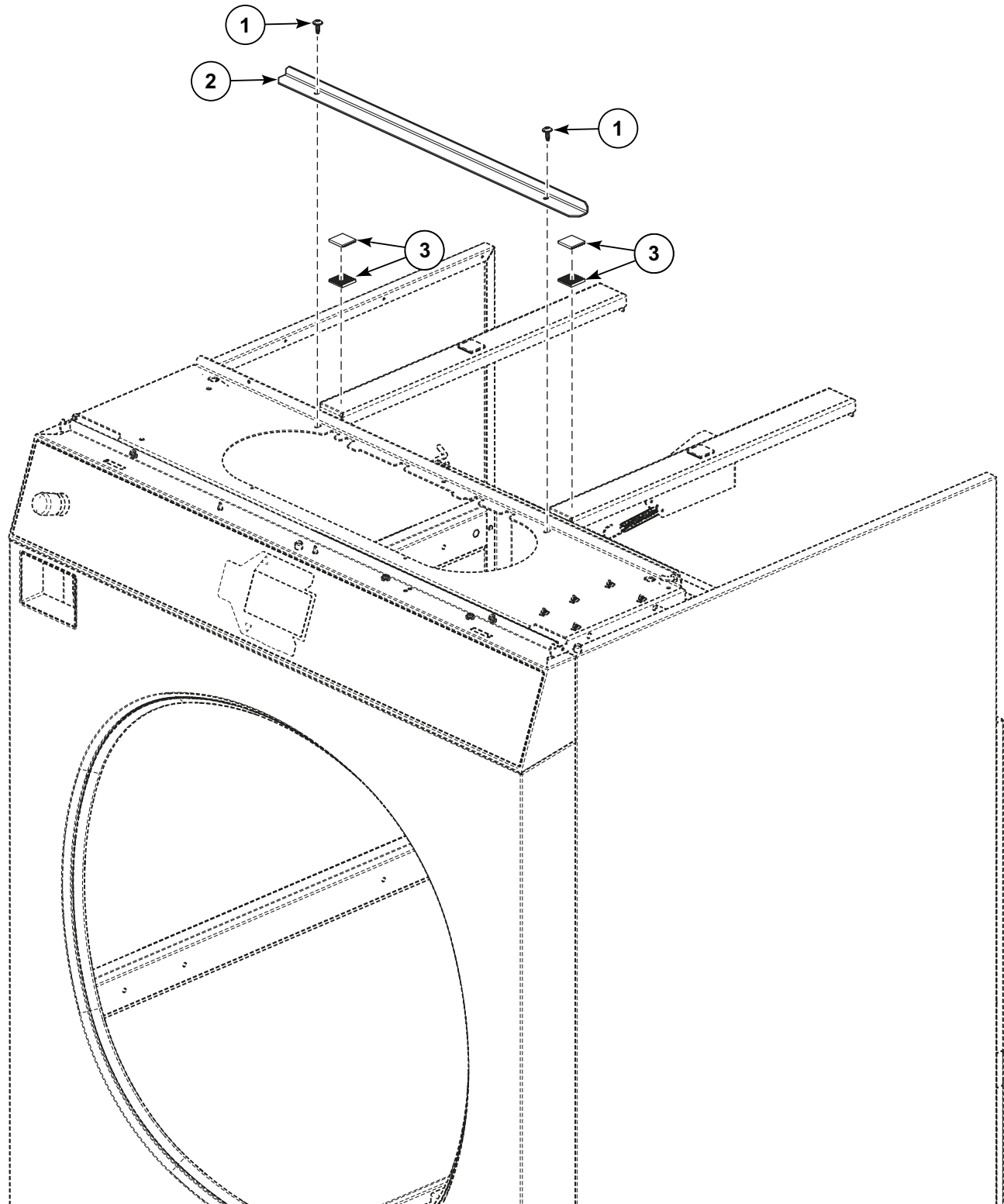
CZW256P\_D1714

## Three Water Inlet System without Soap Hopper

REF	PART NO.	DESCRIPTION	COMMENTS
1	SP555504	Bolt	M4x12
2	570195	1-Way Valve	3/4 inch
3	SPPRI340004030	Filter	
4	RSPB12543901	Double Reverse Valve	IYY, LYY, NYY, PYY and SYY models
5	RSPF200166	Filling Hose Pipe	IYY, LYY, NYY, PYY and SYY models
6	SPPRI520001009	Seal	
7	SPPRI540000014	Hose	
8	SPPRI505000054	Filling Hose Pipe	Used with cold water
	SP547980	Filling Hose Pipe	Used with hot water
	SP101621	Filling Hose Pipe	Valid for water approval WRAS
9	SPPRI240000002	Hose Clamp	
10	SP503817	Binding Strip	
11	567053	Plug	
12	SPPRI240000021	Hose Clamp	60-80
13	SP526510	Vent Hose	
14	SPPRI240000003	Hose Clamp	20-32
15	SP526558	Mixer	
16	SP526497	Screw	4x12
17	SP526565	Mixer Body	
18	SP526557	Mixer Lid	
19	SPPRI240000017	Hose Clamp	40-60
20	SP547897	Overflow Tube	
21	SP503839	Temperature Sensor	
22	SP526439	Temperature Sensor Seal	
23	SP526491	Hose Clamp	62-70
24	SP526506	Filling Elbow Pipe	
25	SPPRI240000007	Hose Clamp	70-90

# Cabinet Reinforcement without Soap Hopper

All Models Except Models with V in 7th Position or G, H, J or K in 13th Position



CZW349P\_D1714

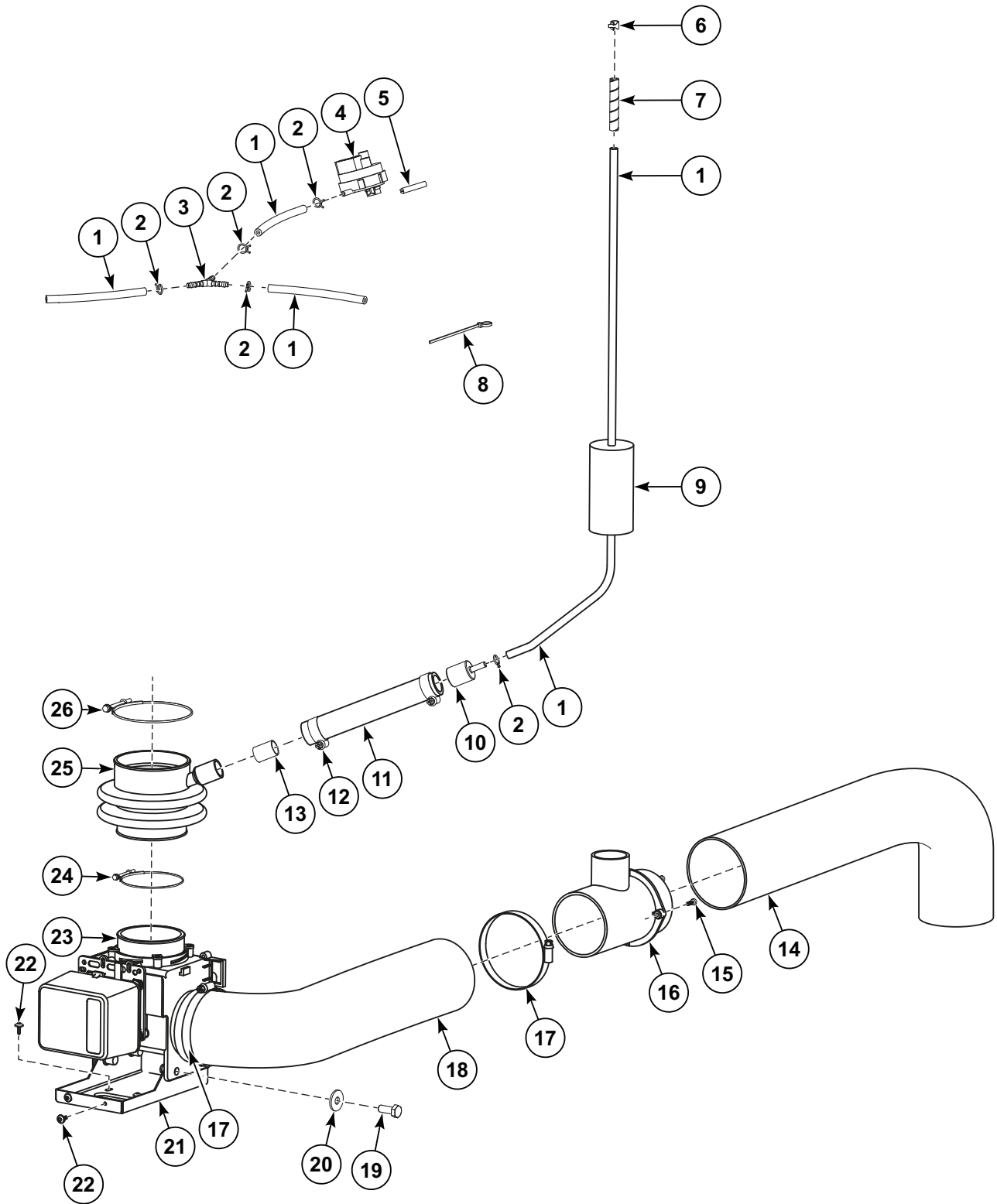


## Cabinet Reinforcement without Soap Hopper

REF	PART NO.	DESCRIPTION	COMMENTS
1	SP529206	Screw	M4x11
2	573228	Reinforcement	
3	SP550115	Fastener	

# Drain System

All Models Except Models with V in 7th Position



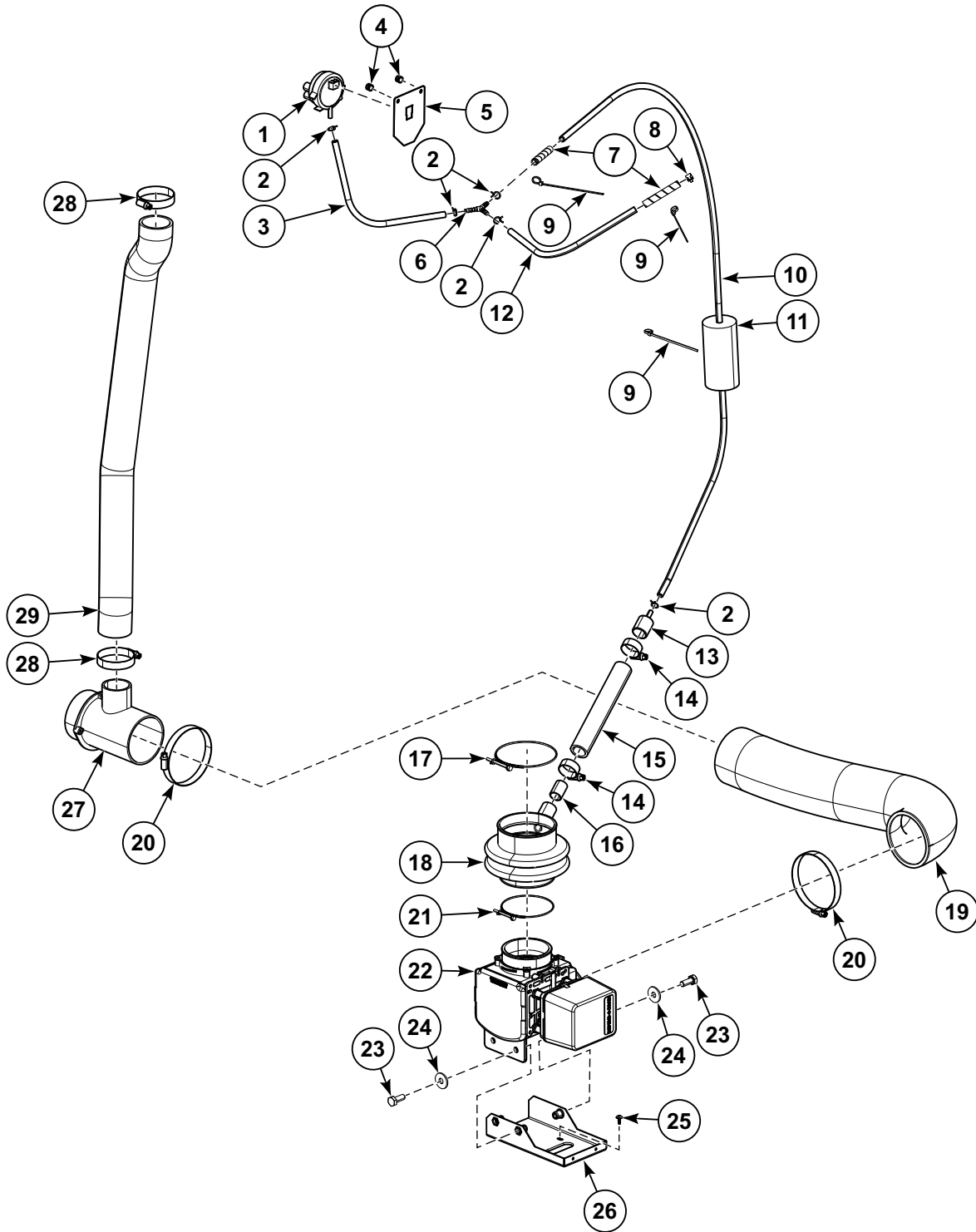
CZW435P\_D1714

# Drain System

REF	PART NO.	DESCRIPTION	COMMENTS
1	SPPRI540001003	Water Level Switch Hose	
2	SPPRI241000017	Hose Clamp	A5.5
3	SPPRI503000028	Y-Piece	J models
4	SP562708	Waters Level Sensor	J models
5	SPPRI505000058	Profiled Sealing	J models
6	SP540183	Spring Clamp	
7	SP283449080200	Spiral	
8	SP345000626088	Binding Strip	
9	SP100188	Foam Roller	
10	SPPRI503000027	Air Trap Reduction	
11	SPPRI503002049	Hose	Air trap
12	SPPRI240000003	Hose Clamp	20-32
13	SP500125	Reinforcement Tube	
14	SP519463	Drain Elbow	North America models
	SP235100018724	Drain Elbow	CE and Watermark models
	SPPRI505000087	Drain Elbow	Model SY180_KIS_PHOTO-ME; I=230mm, Used with SPPRI240000007 Hose Clamp
15	SP526497	Screw	4x12
16	SP526454	Tee	
17	SPPRI240000007	Hose Clamp	70-90
18	SP526499	Drain Elbow	
19	SP309933000820	Bolt	M8x20
20	SP311902100008	Washer	8
21	SP526513	Drain Valve Holder	
22	SP529206	Screw	4x11
23	SP526460	Drain Valve	Black; Includes 553195 Drain Valve Chamber, SPPRI340002051 Drain Valve Motor and 554276 Drain Valve Seal
	553195	Drain Valve Chamber	Black
	SPPRI340002051	Drain Valve Motor	Includes gearbox
	SP547821	Reverse Function Drain Valve	CE and Watermark models; Black; Includes 553195 Drain Valve Chamber, SPPRI340002051 Drain Valve Motor and 554276 Drain Valve Seal
	554276	Drain Valve Seal	
24	576096	Hose Clamp	78-85
25	SP526492	Drain Hose Pipe	
26	SP526532	Hose Clamp	82-90

# Drain System

Models with V in 7th Position

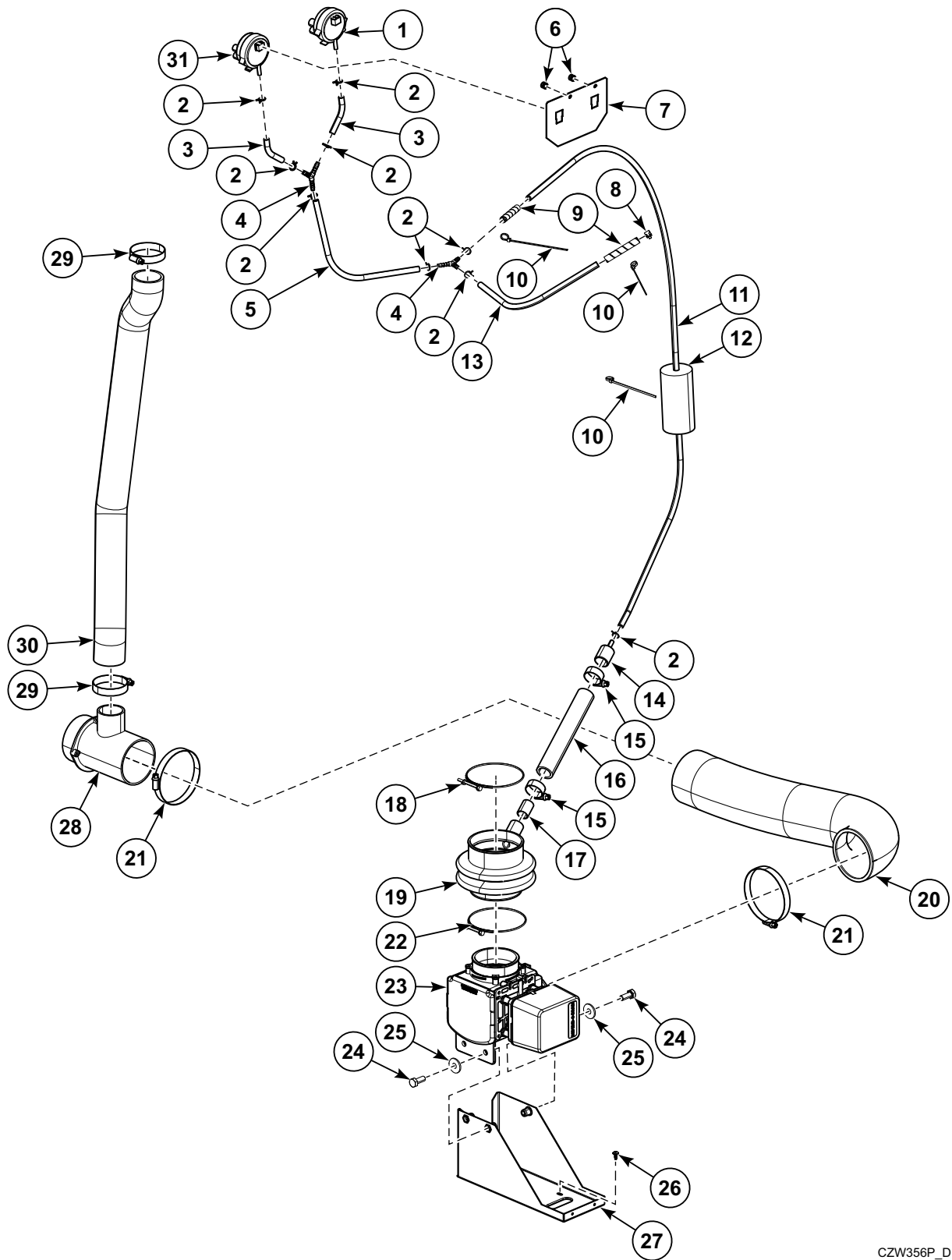


CZW436P\_D1714

# Drain System

REF	PART NO.	DESCRIPTION	COMMENTS
1	570315	Water Level Switch	
2	SPPRI241000017	Hose Clamp	A5.5
3	SPPRI540001003	Water Level Switch Hose	0.31m
4	558054	Rivet	4x9.5
5	570373	Water Level Switch Holder	
6	SPPRI503000028	Y-Piece	
7	SP283449080200	Spiral	
8	SP540183	Spring Clamp	
9	SP345000626088	Binding Strip	
10	SPPRI540001003	Water Level Switch Hose	1.15m
11	SP100188	Foam Roller	
12	SPPRI540001003	Water Level Switch Hose	0.29m
13	SPPRI503000027	Air Trap Reduction	
14	SPPRI240000003	Hose Clamp	20-32
15	SPPRI503002049	Hose	Air trap
16	SP500125	Reinforcement Tube	
17	SP526532	Hose Clamp	82-90
18	SP526492	Drain Hose Pipe	
19	SP526499	Drain Elbow	
20	SPPRI240000007	Hose Clamp	70-90
21	576096	Hose Clamp	78-85
22	SP526460	Drain Valve	Black; Includes SPPRI340002051 Drain Valve Motor and 554276 Drain Valve Seal
	SP547821	Reverse Function Drain Valve	Black; Includes SPPRI340002051 Drain Valve Motor and 554276 Drain Valve Seal
	SPPRI340002051	Drain Valve Motor	Includes gear box
	554276	Drain Valve Seal	
23	SP309933000820	Bolt	M8x20
24	SP311902100008	Washer	8
25	SP529206	Screw	4x11
26	SP526513	Drain Valve Holder	
27	SP526454	Tee	
28	SPPRI240000017	Hose Clamp	40-60
29	SP547897	Overflow Tube	

# Drain System - J Models with V in 7th Position



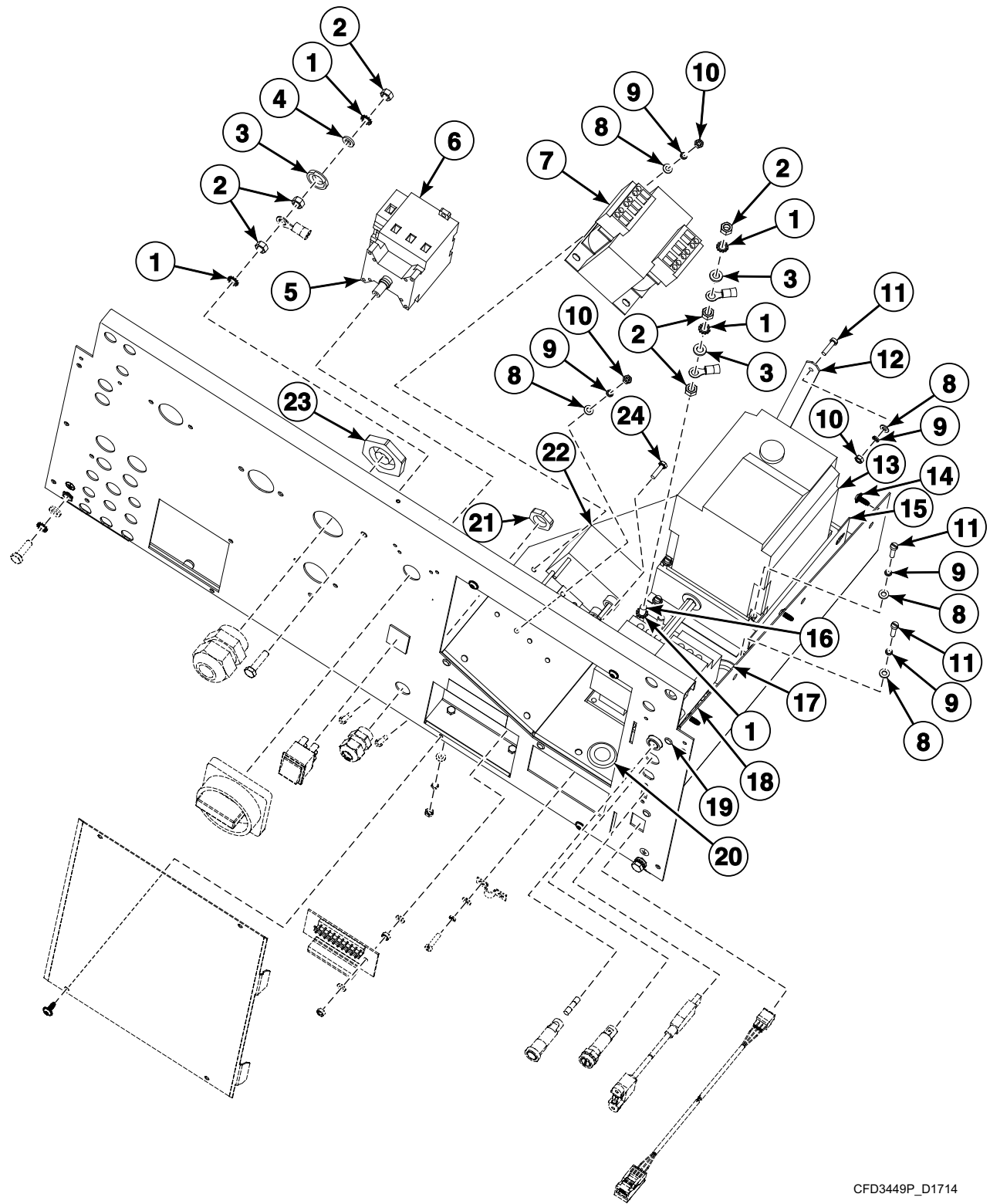
CZW356P\_D1714

## Drain System - J Models with V in 7th Position

REF	PART NO.	DESCRIPTION	COMMENTS
1	570315	Water Level Switch	
2	SPPRI241000017	Hose Clamp	A5.5
3	SPPRI540001003	Water Level Switch Hose	2.76 inch (0.07 m)
4	SPPRI503000028	Y-Piece	
5	SPPRI540001003	Water Level Switch Hose	7.87 inch (0.2 m)
6	558054	Rivet	4x9.5
7	573199	Water Level Switch Holder	
8	SP540183	Spring Clamp	
9	SP283449080200	Spiral	
10	SP345000626088	Binding Strip	
11	SPPRI540001003	Water Level Switch Hose	45.28 inch (1.15m)
12	SP100188	Foam Roller	
13	SPPRI540001003	Water Level Switch Hose	14.17 inch (0.36m)
14	SPPRI503000027	Air Trap Reduction	
15	SPPRI240000003	Hose Clamp	20-32
16	SPPRI503002049	Hose	Air trap
17	SP500125	Reinforcement Tube	
18	SP526532	Hose Clamp	82-90
19	SP526492	Drain Hose Pipe	
20	SP526499	Drain Elbow	
21	SPPRI240000007	Hose Clamp	70-90
22	576096	Hose Clamp	78-85
23	SP526460	Drain Valve	Black; Includes SPPRI340002051 Drain Valve Motor and 554276 Drain Valve Seal
	SP547821	Reverse Function Drain Valve	Black; Includes SPPRI340002051 Drain Valve Motor and 554276 Drain Valve Seal
	SPPRI340002051	Drain Valve Motor	Includes gear box
	554276	Drain Valve Seal	
24	SP309933000820	Bolt	M8x20
25	SP311902100008	Washer	8
26	SP529206	Screw	4x11
27	SP526513	Drain Valve Holder	
28	SP526454	Tee	
29	SPPRI240000017	Hose Clamp	40-60
30	SP547897	Overflow Tube	
31	562708	Water Level Switch	

# Rear Panel (Drawing 1 of 3)

All Models Except Models with V in 7th Position or G, H, J or K in 13th Position



CFD3449P\_D1714

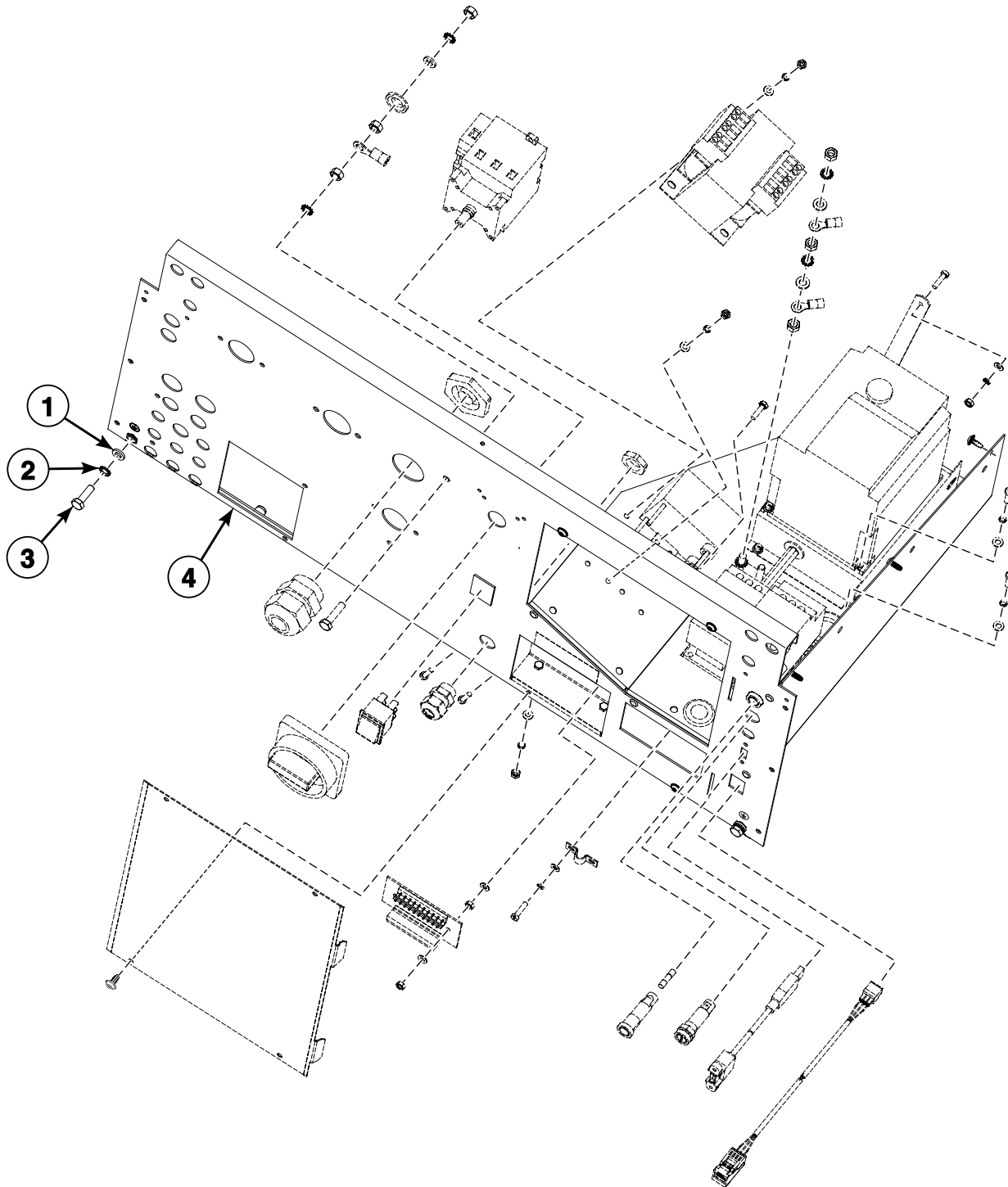


## Rear Panel (Drawing 1 of 3)

REF	PART NO.	DESCRIPTION	COMMENTS
	SP557769	Main Wiring	MC7; CE models
	SP528429	Main Wiring	MC6; CE models
	SP552476	Main Wiring	North America models
	SP528443	Liquid Soap Supply Connection Kit	
	SPPRI407002123	4-Pole Terminal Block	Model SY180_KIS_PHOTO-ME
	SPPRI350012007	Isolation Paper	Model SY180_KIS_PHOTO-ME
1	SP311679824006	Washer	M6
2	SP310934100006	Nut	M6
3	563361	Washer	North America models
4	SP311125100006	Washer	6.4
5	SP506407	Main Switch	25A; Fourth pole
	SPPRI404001098	Main Switch	32A; Fourth pole
	SPPRI404001099	Main Switch	63A; Fourth pole
6	SPPRI404000098	Main Switch	32A
	SPPRI404000097	Main Switch	25A
	SPPRI404000099	Main Switch	63A
7	SP516648	Transformer	
8	SP311125000004	Washer	4.3
9	SP311127000004	Washer	4
10	SP310934000004	Nut	M4
11	SP309084000416	Bolt	M4x16
12	SP540154	Holder Partition	
13	571473	Frequency Inverter	200 Volt; FR-D720S-100-SC-E8
	571475	Frequency Inverter	400 Volt; FR-D740-080-CS-E8
	SP528324	Communication Cable	
	SP528325	Communication Cable	Model SY180_KIS_PHOTO-ME
14	SP529206	Screw	4x11
15	SP525935	Filter	FR-D740-xxx
16	SP309933100625	Bolt	M6x25
17	SPPRI501000071	Cable Bushing	25x1.4; AF, FX, HX, L, M, PY and SW models through Serial No. 180FX013084MD; H180, HY, IY, J, NY, SY and UY models through Serial No. 180FX012781MB
18	SPPRI345002019	Contactors	LC1D32M7
	SP514043	Contactors	LC1D50M7
	SP514038	Contactors	LC1-D09M7
	SP514042	Contactors	LC1D18M7
19	SP313250004007	Rivet	4x7
20	SP273121015002	Cable Passage	15x2; AF, FX, HX, L, M, PY and SW models through Serial No. 180FX013084MD; H180, HY, IY, J, NY, SY and UY models through Serial No. 180FX012781MB
21	SP101416	Nut	M16
22	SP552251	Filter	FR-D720S-xxx
23	SP101419	Nut	M32
24	SP309933000416	Bolt	M4x16

# Rear Panel (Drawing 2 of 3)

All Models Except Models with V in 7th Position or G, H, J or K in 13th Position



CFD3450PA\_D1714

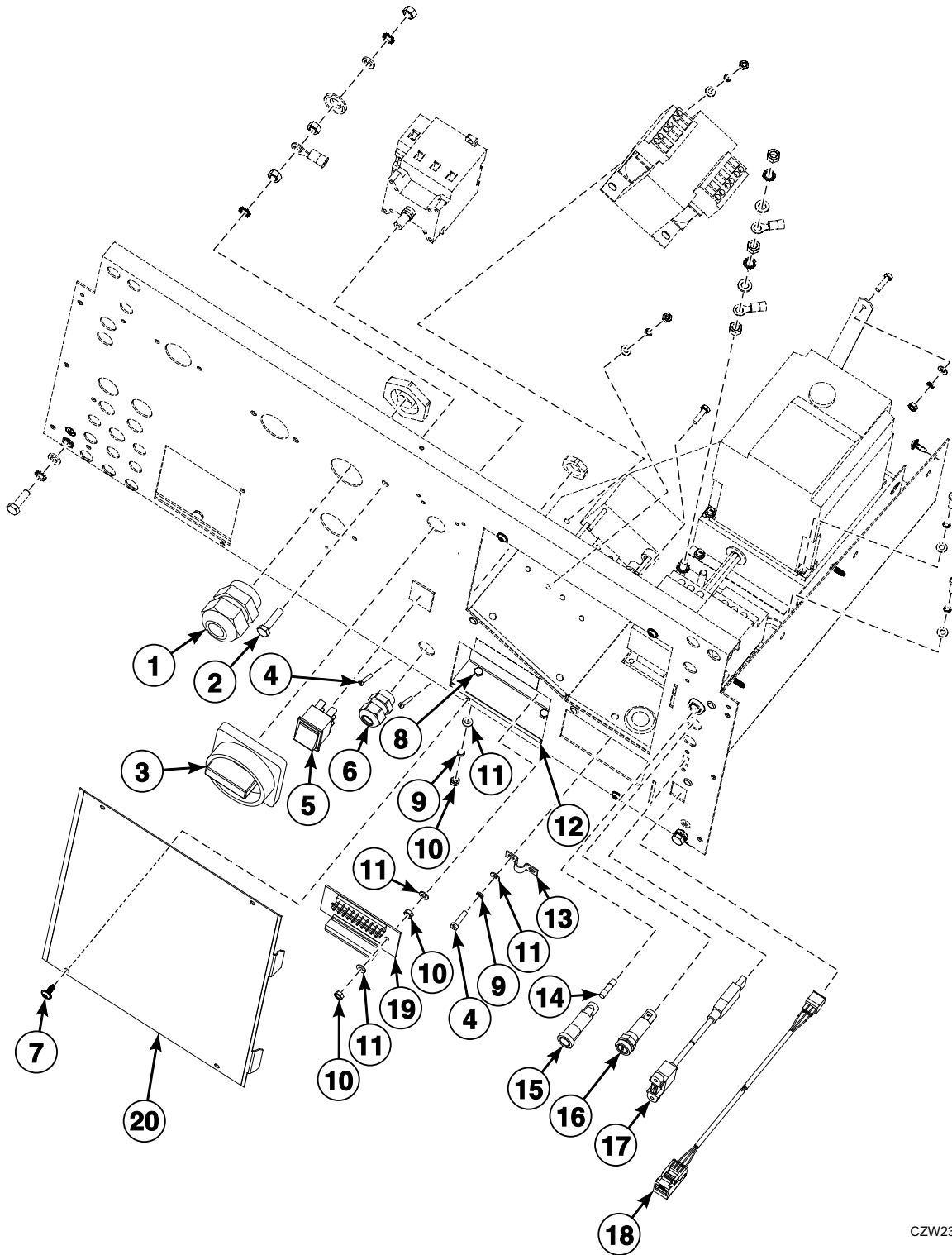
## Rear Panel (Drawing 2 of 3)

REF	PART NO.	DESCRIPTION	COMMENTS
	557982	Cable	Extra price option
	SP506575	Terminal Board	Extra price option
	557981	Label	Extra price option
	SP514057	Relay	CE and Watermark FX, IY, PY and UY models; OPL; Refer to NOTE*
	SP506586	Relay Case	CE and Watermark FX, IY, PY and UY models; OPL; Refer to NOTE*
	SP514135	Relay Clamp	CE and Watermark FX, IY, PY and UY models; OPL; Refer to NOTE*
	552482	Fuse Housing	CE and Watermark FX, IY, PY and UY models; OPL; Refer to NOTE*
	552483	End Cover	CE and Watermark FX, IY, PY and UY models; OPL; Refer to NOTE*
	569725	Fuse Glass	CE and Watermark FX, IY, PY and UY models; OPL; 4A; Refer to NOTE*
	568308	Sticker	CE and Watermark FX, IY, PY and UY models; OPL; Refer to NOTE*
	528169	Interconnection	CE and Watermark FX, IY, PY and UY models; OPL; 1-120V; Refer to NOTE*
	SP545220	Interconnection	CE and Watermark FX, IY, PY and UY models; OPL; 1-160V; Refer to NOTE*
	564682	Interconnection	CE and Watermark FX, IY, PY and UY models; OPL; 1.5-150V; Refer to NOTE*
	505448	Conductor	CE and Watermark FX, IY, PY and UY models; OPL; Refer to NOTE*
	SP505446	Conductor	CE and Watermark FX, IY, PY and UY models; OPL; Refer to NOTE*
	557936	Isolation Cavity	CE and Watermark FX, IY, PY and UY models; OPL; Refer to NOTE*
	345000966067	Isolation Cavity	CE and Watermark FX, IY, PY and UY models; OPL; Refer to NOTE*
	345000034150	Cable Eye	CE and Watermark FX, IY, PY and UY models; OPL; Refer to NOTE*
	SP503817	Binding Strip	CE and Watermark FX, IY, PY and UY models; OPL; Refer to NOTE*
	SP345000626088	Binding Strip	CE and Watermark FX, IY, PY and UY models; OPL; Refer to NOTE*
	SP528313	Cable Holder	CE and Watermark FX, IY, PY and UY models
<b>1</b>	SP311125240006	Washer	6.4
<b>2</b>	SP311679824006	Washer	M6
<b>3</b>	SP309933000620	Bolt	M6x20
<b>4</b>	SP554384	Rear Panel	H180, HY, IY, J, NY, SY and UY models
	SP547878	Rear Panel	AF, FX, HX, L, M, PY and SW models

\* NOTE: Soft Wash with built-in recirculation pumpw

# Rear Panel (Drawing 3 of 3)

All Models Except Models with V in 7th Position or G, H, J or K in 13th Position

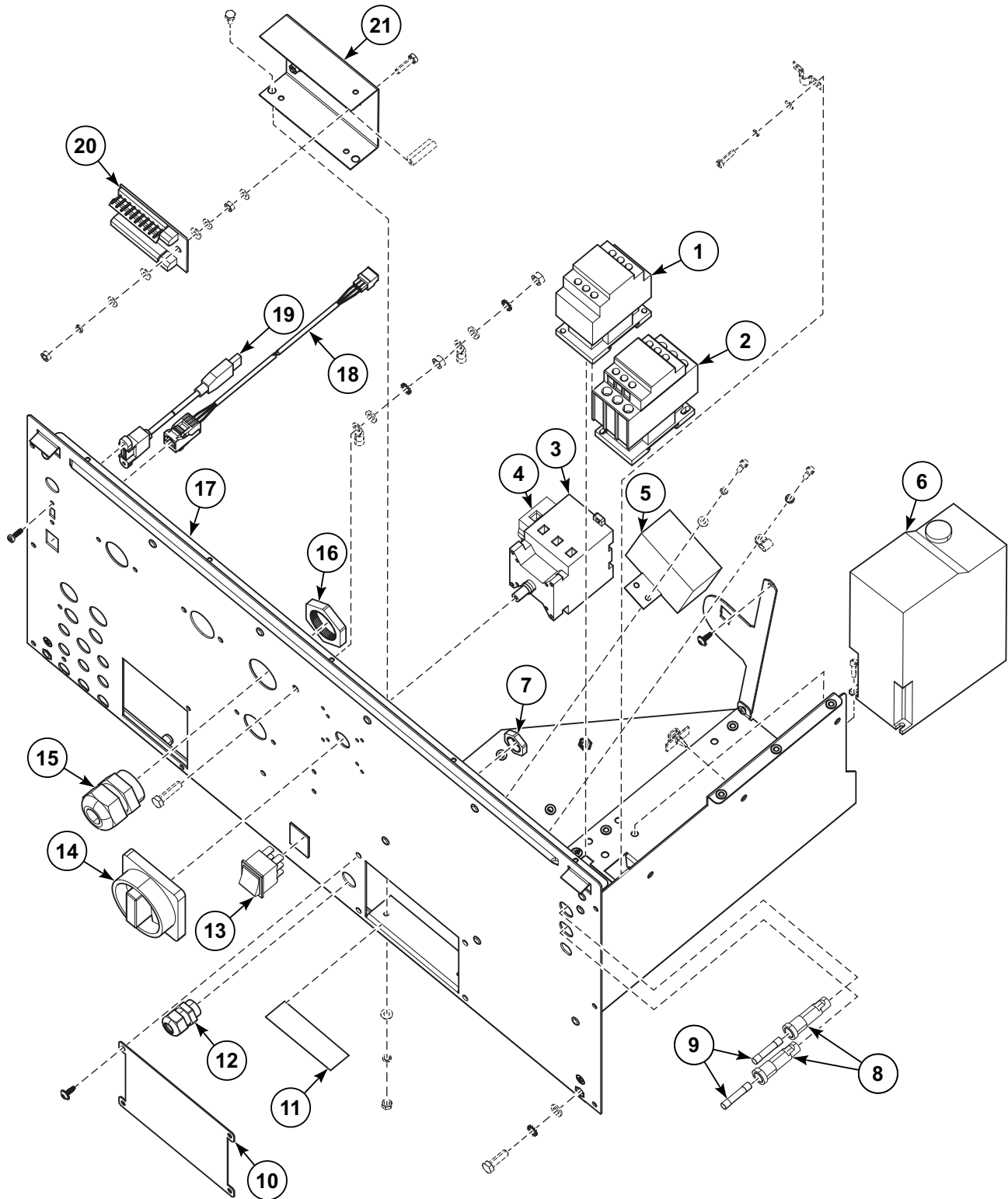


CZW23P\_D1714

## Rear Panel (Drawing 3 of 3)

REF	PART NO.	DESCRIPTION	COMMENTS
	SP557948	External Block Signal Cable	4.3m
1	SP101409	Bushing	M32x1.5
	SP557952	Cable Bushing Insert	M32
2	SP309933100625	Bolt	M6x25
3	SPPRI404000095	Main Switch Knob	
4	SP309084000416	Bolt	M4x16
5	SP100388	Switch	
6	SP101406	Bushing	M16
7	SP529206	Screw	4x11
8	SP309933240408	Bolt	M4x8
9	SP311127000004	Washer	4
10	SP310934000004	Nut	M4
11	SP311125000004	Washer	4.3
12	SP540123	Liquid Detergent Box	
13	SP528392	Cable Clamp	
14	SP345805005020	Fuse	5x20mm, T0.5A/250V
	SP345805163032	Fuse	6.3x32mm, T1A/500V
15	SPPRI401003020	Fuse Housing	6.3x32
16	SPPRI401001020	Fuse Holder	
17	SP547006	USB Cable	Rear panel connection
18	SP545234	Cable	RS485; With connectors
19	SP524714	Soap Relay Board	
	SP528150	Pump Relay Board to LED Terminal Cable	
	SP557944	Soap Link Kit	
	SP557947	External Block Signal Cable	2.8m
20	SP526567	Rear Panel Lid	

# Rear Panel - 230-400V with Neutral - AF, IY and NY Models with G, H, J or K in 13th Position except Models with V in 7th Position (Drawing 1 of 2)

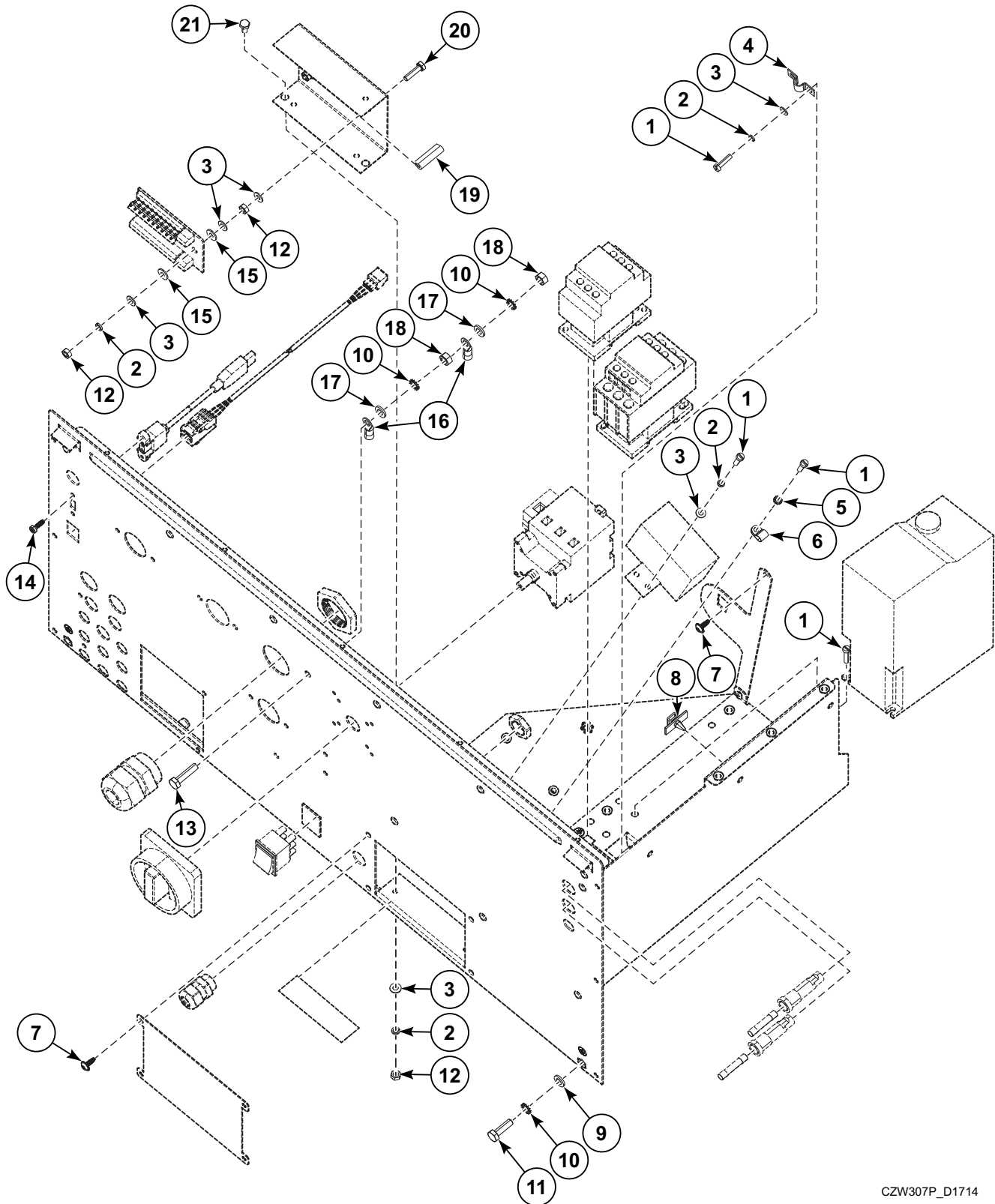


CZW306P\_D1714

## Rear Panel - 230-400V with Neutral - AF, IY and NY Models with G, H, J or K in 13th Position except Models with V in 7th Position (Drawing 1 of 2)

REF	PART NO.	DESCRIPTION	COMMENTS
1	SP514038	Contactator	LC1-D09M7; Used with frequency inverter
2	SP514038	Contactator	LC1-D09M7; Electric heating; 6kW, 9kW, 12kW 400V / 440V
	SP514042	Contactator	LC1D18M7; Electric heating 18kW 400V / 440V
	SPPRI345002019	Contactator	LC1D3201; Electric heating 12kW, 18kW, 22kW, 230V / 400V / 440V
3	SPPRI404000097	Main Switch	25A; used with SP506407 Main Switch Fourth Pole 25A
	SPPRI404000098	Main Switch	32A; used with SPPRI404001098 Main Switch Fourth Pole 32A
	SPPRI404000099	Main Switch	63A; used with SPPRI404001099 Main Switch Fourth Pole 63A
4	SP506407	Main Switch	25A; Fourth pole
	SPPRI404001098	Main Switch	32A; Fourth pole
	SPPRI404001099	Main Switch	63A; Fourth pole
5	SP552251	Filter	16A / 250V
6	571473	Frequency Inverter	FR-D720S; 2.2kW; 230V / 400V+N
	SP571475	Frequency Inverter	FR-D740; 3.7kW, 400V / 440V
	557961	Ferrite Core	Used with frequency inverter
7	SP101416	Nut	M16
8	SPPRI401003020	Fuse Housing	2 pieces
9	SP345805163032	Fuse	6.3x32mm, T1A/500V; 2 pieces
10	566549	Cover	
11	524740	Label	
12	SP101406	Bushing	M16
13	SP100388	Switch	
14	SPPRI404000095	Main Switch Knob	
15	SP101409	Bushing	M32x1.5
16	SP101419	Nut	M32
17	577195	Rear Panel Assembly	Assembly
18	SP545234	Cable	RS485; With connectors
19	SP547006	USB Cable	Rear panel connection; Optional
20	524714	Soap Relay Board	Used with SP528419 Pump Relay Board Flat Cable, 1=1.8m long
	SP557944	Soap Link Kit	
	SP557947	External Block Signal Cable	2.8m
21	540123	Holder	

# Rear Panel - 230-400V with Neutral - AF, IY and NY Models with G, H, J or K in 13th Position except Models with V in 7th Position (Drawing 2 of 2)



CZW307P\_D1714

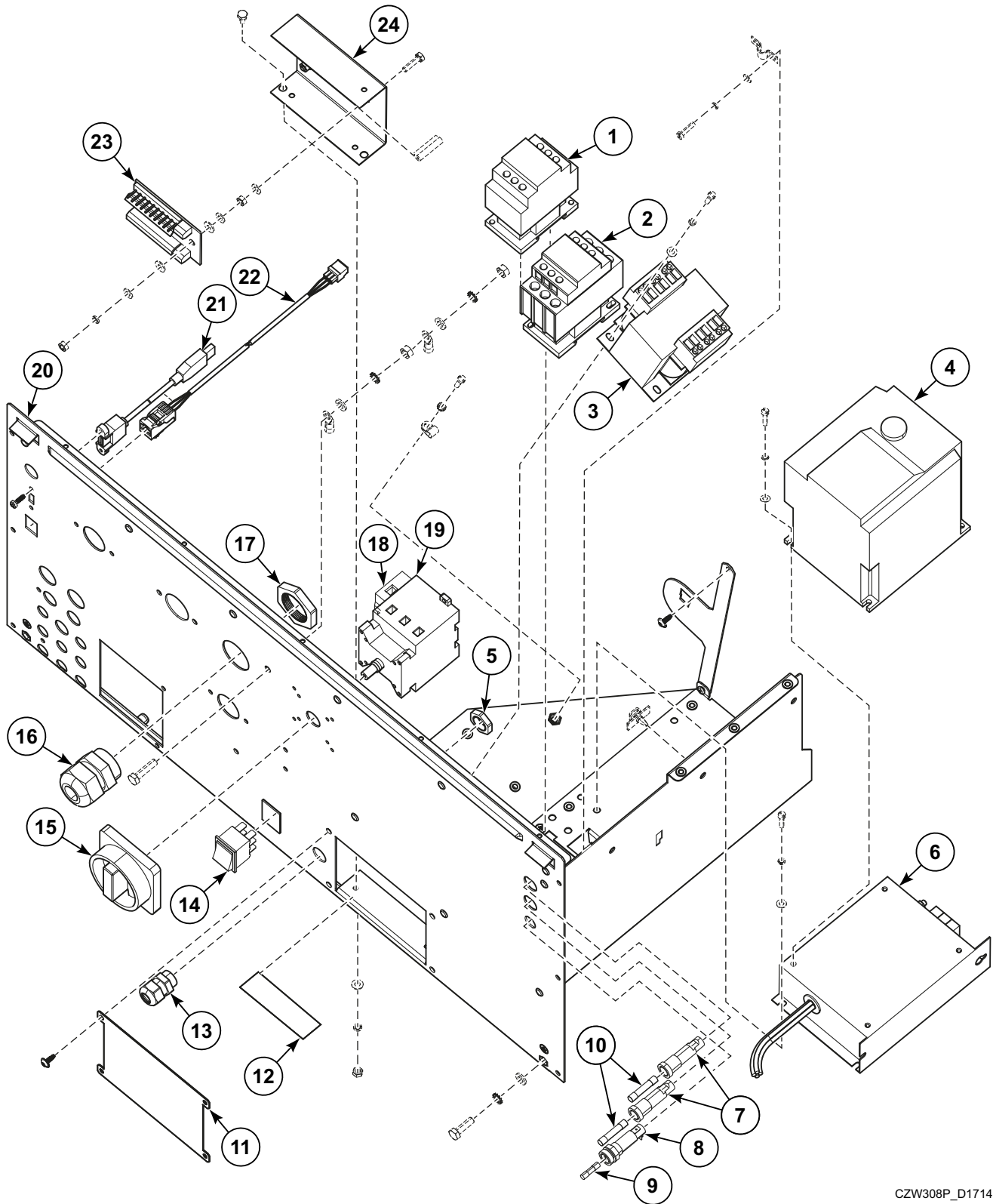


**Rear Panel - 230-400V with Neutral - AF, IY and NY Models with G,  
H, J or K in 13th Position except Models with V in 7th Position  
(Drawing 2 of 2)**

<b>REF</b>	<b>PART NO.</b>	<b>DESCRIPTION</b>	<b>COMMENTS</b>
1	SP309084000416	Bolt	M4x16
2	SP311127000004	Washer	4
3	SP311125000004	Washer	4.3
4	SP528392	Cable Clamp	
5	SP311679800004	Washer	M4
6	SP502214	Clip	
7	SP529206	Screw	4x11
8	SP528313	Cable Holder	
9	SP311125240006	Washer	6
10	SP311679824006	Washer	6
11	SP309933000620	Bolt	M6x20
12	SP310934000004	Nut	M4
13	SP309933100625	Bolt	M6x25
14	SP526497	Screw	4x12
15	SPPRI523000007	Washer	M4
16	SP345000165034	Cable Eye	
17	SP311125100006	Washer	
18	SP310934100006	Nut	M6
19	SPPRI505000058	Profiled Sealing	
20	SP309933000416	Bolt	M4x16
21	SP309933240408	Bolt	M4x8

# Rear Panel - 400-440V Models (Drawing 1 of 2)

AF, IY and NY Models with G, H, J or K in 13th Position except Models with V in 7th Position



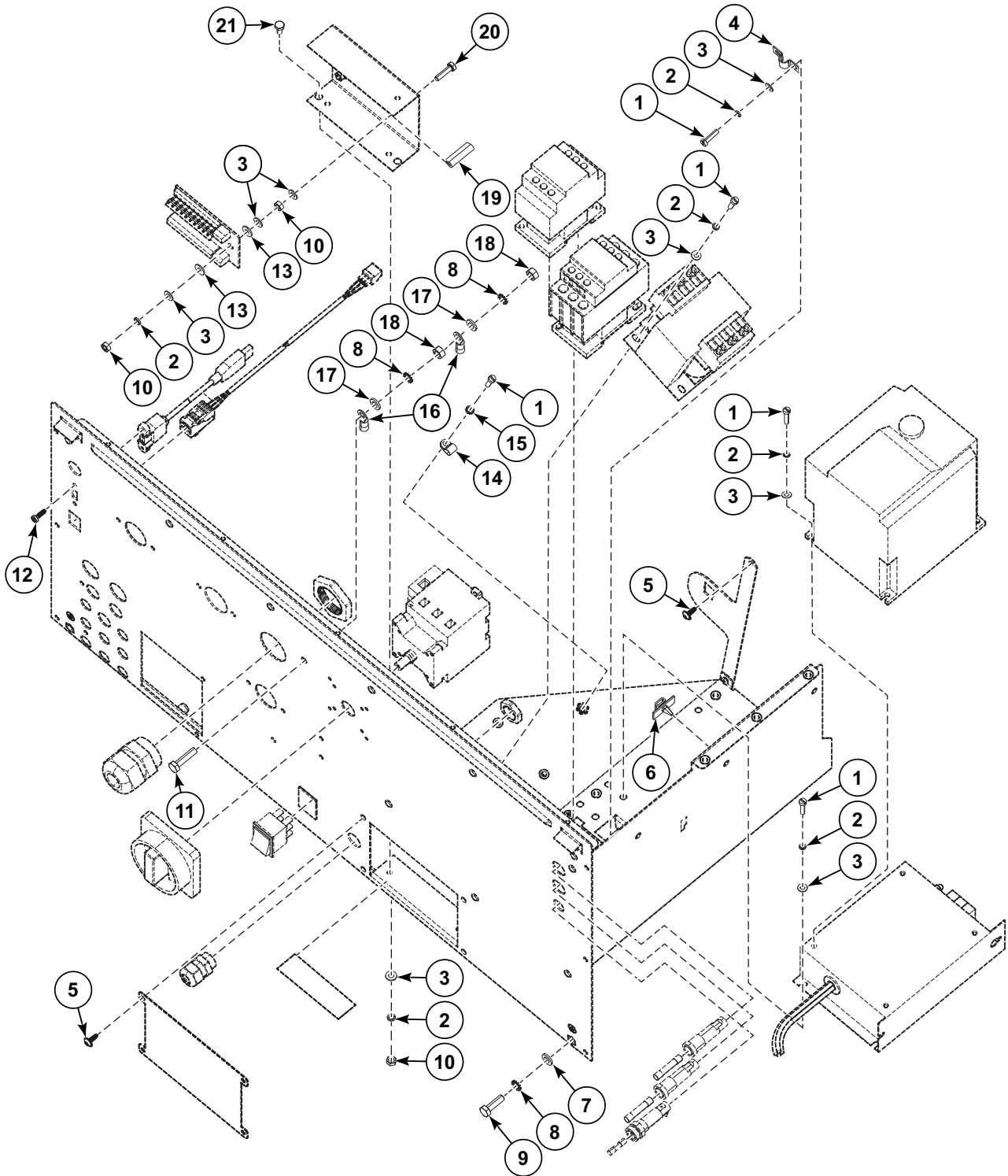
CZW308P\_D1714

## Rear Panel - 400-440V Models (Drawing 1 of 2)

REF	PART NO.	DESCRIPTION	COMMENTS
1	SP514038	Contactator	LC1-D09M7; Used with frequency inverter
2	SP514038	Contactator	LC1-D09M7; Electric heating; 6kW, 9kW, 12kW 400V / 440V
	SP514042	Contactator	LC1D18M7; Electric heating 18kW 400V / 440V
	SPPRI345002019	Contactator	LC1D3201; Electric heating 12kW, 18kW, 22kW, 230V / 400V / 440V
3	SP516648	Transformer	
4	SP571475	Frequency Inverter	440V; FR-D740-080-SC-E8
	557961	Ferrite Core	Used with frequency inverter
5	SP101416	Nut	M16
6	525935	Filter	16A
7	SPPRI401003020	Fuse Housing	2 pieces
8	SPPR401001020	Fuse Holder	
9	SP345805005020	Fuse	5x20mm, T0.5A/250V; 1 piece
10	SP345805163032	Fuse	6.3x32mm, T1A/500V; 2 pieces
11	566549	Cover	
12	524740	Label	
13	SP101406	Bushing	M16
14	SP100388	Switch	
15	SPPRI404000095	Main Switch Knob	
16	SP101409	Bushing	M32x1.5
17	SP101419	Nut	M32
18	SP506407	Main Switch	25A; Fourth pole
	SPPRI404001098	Main Switch	32A; Fourth pole
	SPPRI404001099	Main Switch	63A; Fourth pole
19	SPPRI404000097	Main Switch	25A; used with SP506407 Main Switch Fourth Pole 25A
	SPPRI404000098	Main Switch	32A; used with SPPRI404001098 Main Switch Fourth Pole 32A
	SPPRI404000099	Main Switch	63A; used with SPPRI404001099 Main Switch Fourth Pole 63A
20	577195	Rear Panel Assembly	Assembly
21	SP547006	USB Cable	Rear panel connection; Optional
22	SP545234	Cable	RS485; With connectors
23	524714	Soap Relay Board	Used with SP528419 Pump Relay Board Flat Cable, l=1.8m long
	SP557944	Soap Link Kit	
	SP557947	External Block Signal Cable	2.8m
24	540123	Holder	

# Rear Panel - 400-440V Models (Drawing 2 of 2)

AF, IY and NY Models with G, H, J or K in 13th Position except Models with V in 7th Position



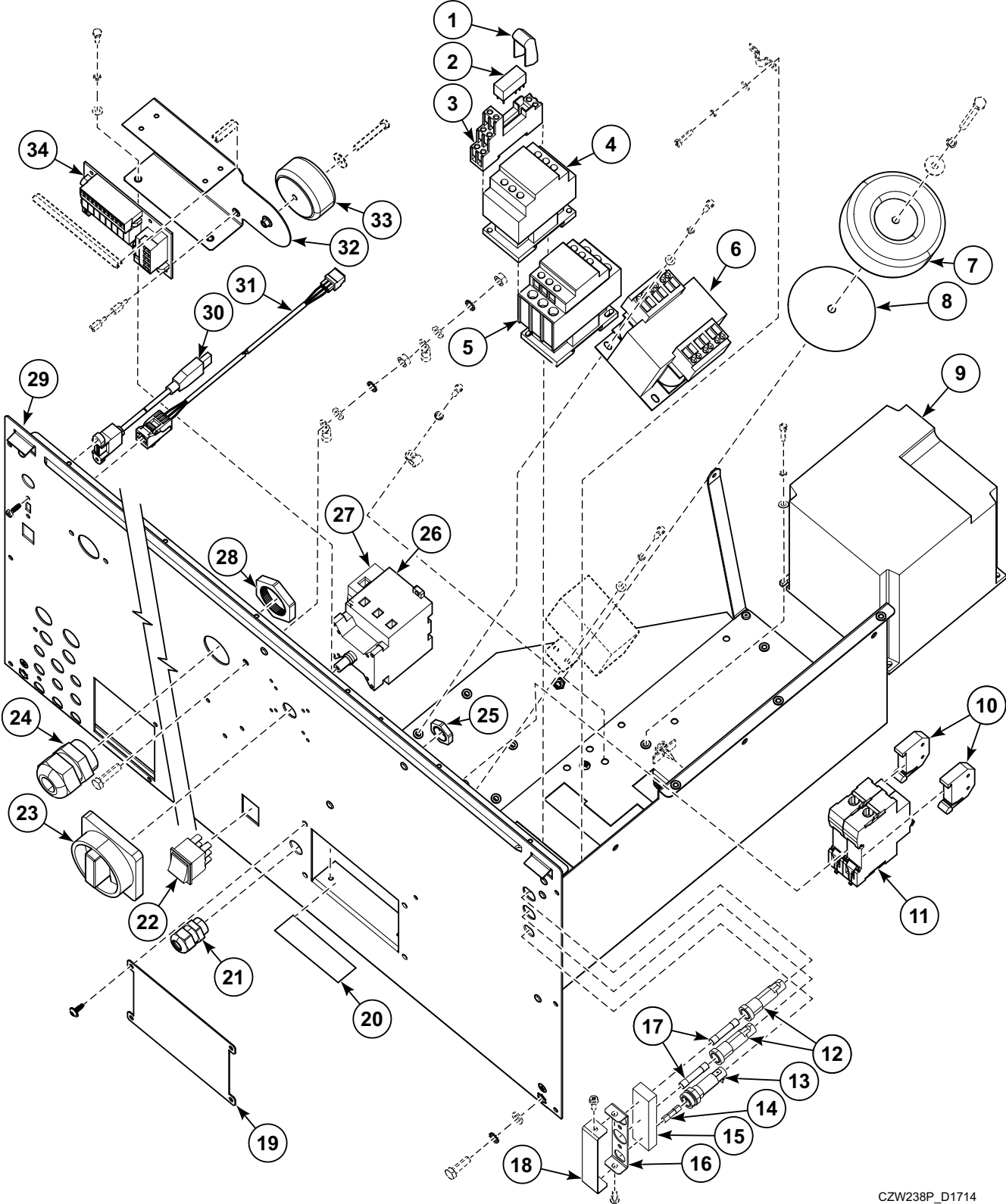
CZW309P\_D1714

## Rear Panel - 400-440V Models (Drawing 2 of 2)

REF	PART NO.	DESCRIPTION	COMMENTS
1	SP309084000416	Bolt	M4x16
2	SP311127000004	Washer	4
3	SP311125000004	Washer	4.3
4	SP528392	Cable Clamp	
5	SP529206	Screw	4x11
6	SP528313	Cable Holder	
7	SP311125240006	Washer	6
8	SP311679824006	Washer	6
9	SP309933000620	Bolt	M6x20
10	SP310934000004	Nut	M4
11	SP309933100625	Bolt	M6x25
12	SP526497	Screw	4x12
13	SPPRI523000007	Washer	M4
14	SP502214	Clip	
15	SP311679800004	Washer	M4
16	SP345000165034	Cable Eye	
17	SP311125100006	Washer	
18	SP310934100006	Nut	M6
19	SPPRI505000058	Profiled Sealing	
20	SP309933000416	Bolt	M4x16
21	SP309933240408	Bolt	M4x8

# Rear Panel - 230-400V CE Models with Neutral (Drawing 1 of 2)

AF, IY, JY and NY Models with V in 7th Position



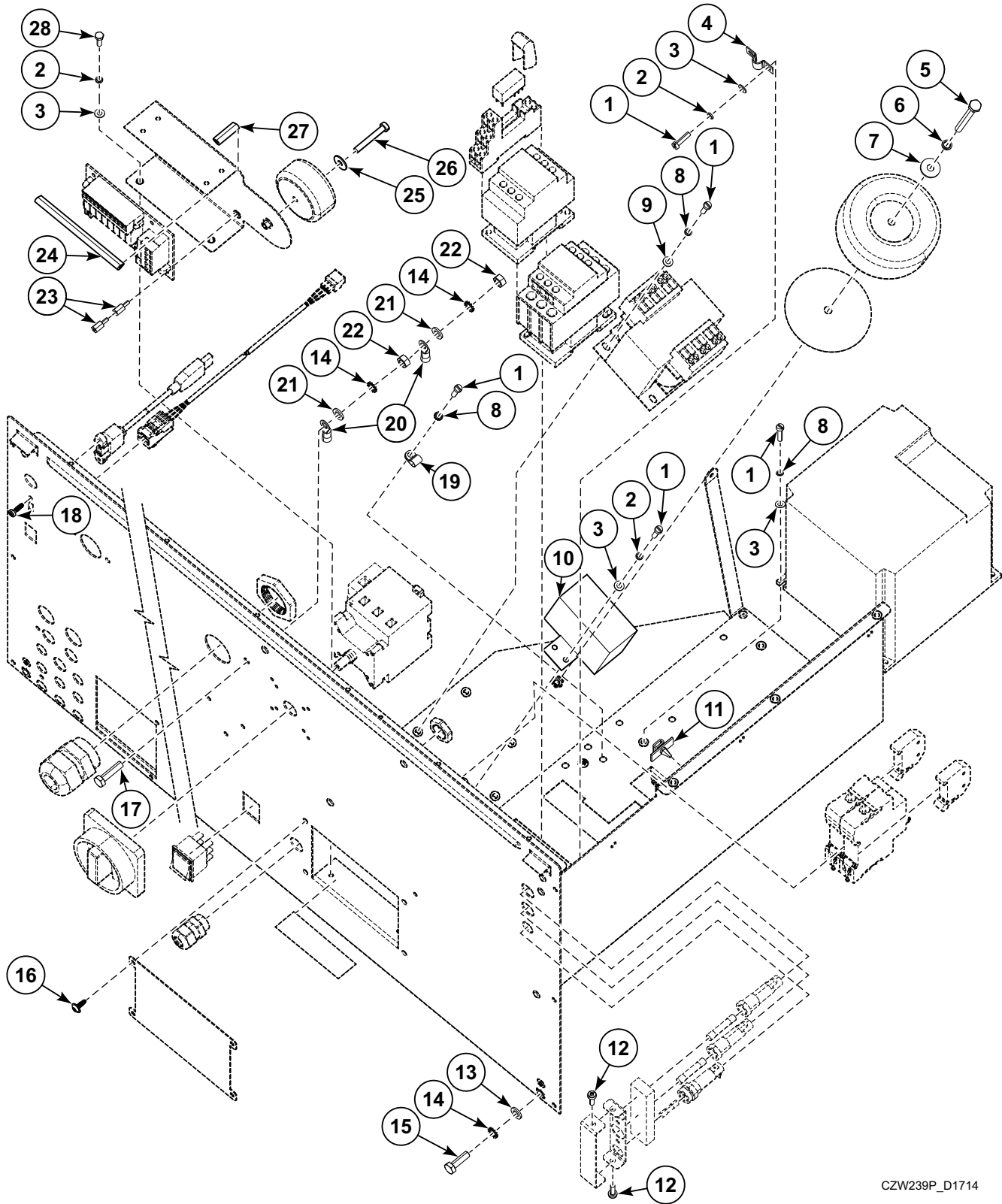
CZW238P\_D1714

## Rear Panel - 230-400V CE Models with Neutral (Drawing 1 of 2)

REF	PART NO.	DESCRIPTION	COMMENTS
1	SP514135	Relay Clamp	2 poles
2	SP514134	Relay	2 poles
3	SP506586	Relay Case	2 poles
4	SP514038	Contactactor	LC1-D09M7; Used with frequency inverter
5	SP514038	Contactactor	LC1-D09M7; Electric heating; 12kW 400V/440V
	SP514042	Contactactor	LC1D18M7; Electric heating; 18kW 400V/440V
	SPPRI345002019	Contactactor	LC1D3201; Electric heating; 21.9kW 230V
	SP514043	Contactactor	LC1D50; Electric heating; 12kW 230V, 18kW/230V, 21.9kW 400V/440V
6	SP516648	Transformer	
7	571456	DC Choke	3.1mH; Supply 230V, 380-415V+N
8	571458	Insulation Washer	
9	SP571473	Frequency Inverter	230V/400V+N; FR-D7205-100SC-E8
	SP571475	Frequency Inverter	400V/440V; FR-D740-080-SC-E8
	557961	Ferrite Core	Used with frequency inverter
10	SP346000209101	End Stop	
11	571463	Circuit Breaker	
12	SPPRI401003020	Fuse Housing	2 pieces
13	SPPRI401001020	Fuse Holder	
14	SP345805005020	Fuse	0.5A/250V
15	570387	Self-Adhesive Profile	
16	SP554310	Fuse Holder	
17	SP345805163032	Fuse	6.3x32mm, T1A/500V; 2 pieces
18	SP554311	Fuse Cover	
19	566549	Cover	
20	570371	Label	Models with Transformer
	579019	Label	Models without Transformer
21	SP101406	Bushing	M16
22	SP100388	Switch	
23	SPPRI404000095	Main Switch Knob	
24	SP101409	Bushing	M32x1.5
25	SP101416	Nut	M16
26	SPPRI404000097	Main Switch	25A; Used with SP506407 Main Switch; Fourth pole 25A
	SPPRI404000098	Main Switch	32A; Used with SPPRI404001098 Main Switch; Fourth pole 32A
	SPPRI404000099	Main Switch	63A; Used with SPPRI404001099 Main Switch; Fourth pole 63A
27	SP506407	Main Switch	Fourth Pole; 25A
	SPPRI404001098	Main Switch	Fourth Pole; 32A
	SPPRI404001099	Main Switch	Fourth Pole; 63A
28	SP101419	Nut	M32
29	567982	Rear Panel Assembly	
30	SP547006	USB Cable	Rear panel connection; Optional
31	SP545234	Cable	RS485; With connectors
32	570382	Holder	
33	564561	Transformer	With transformer
	579014	Transformer Kit	Models without Transformer
34	553187	Soap Relay Board	Used with 569738 Pump Relay Board Flat Cable

# Rear Panel 230-400V CE Models with Neutral (Drawing 2 of 2)

AF, IY, JY and NY Models with V in 7th Position



CZW239P\_D1714

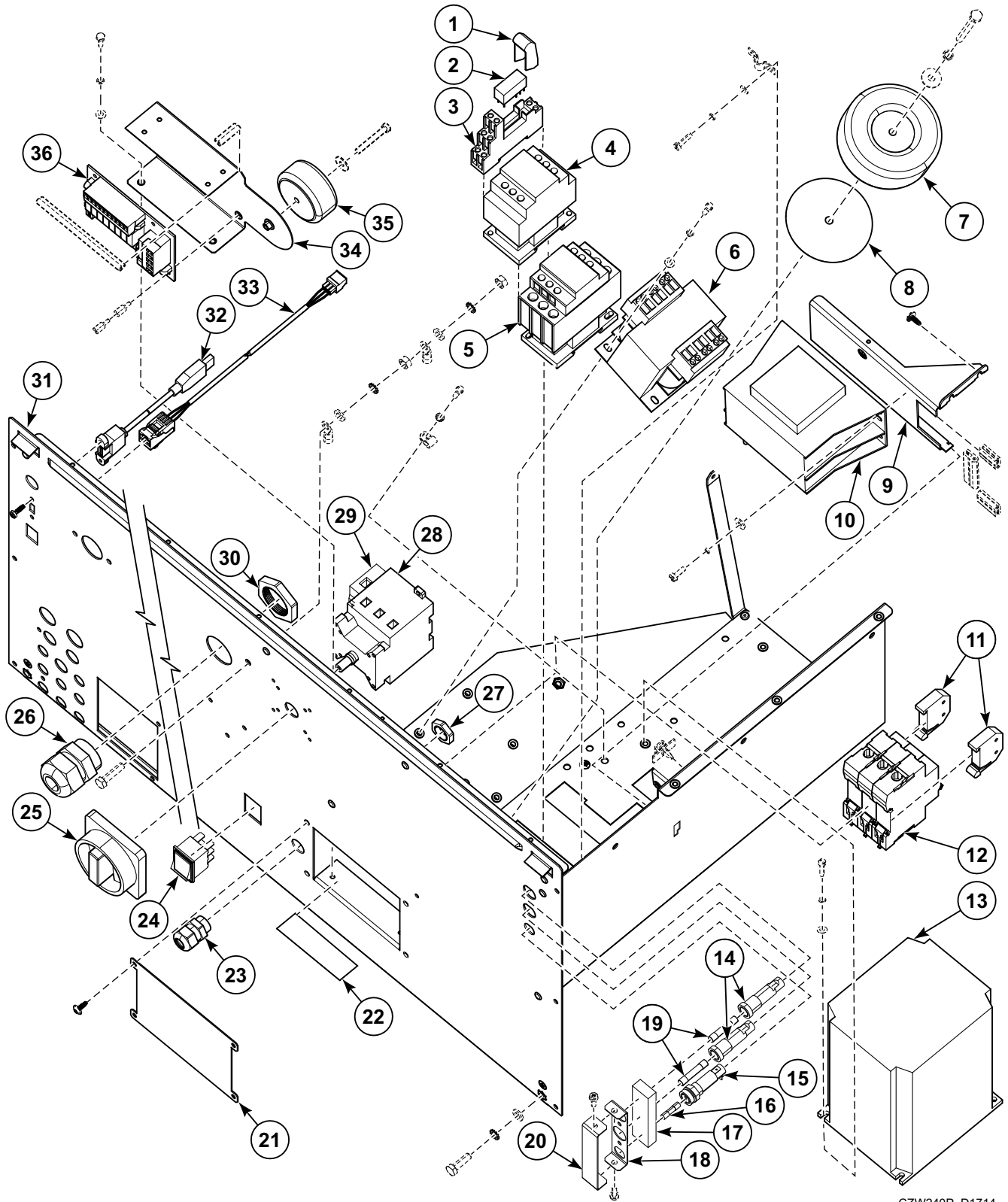


## Rear Panel 230-400V CE Models with Neutral (Drawing 2 of 2)

REF	PART NO.	DESCRIPTION	COMMENTS
1	SP309084000416	Bolt	M4x16
2	SP311127000004	Washer	4
3	SP311125000004	Washer	4.3
4	SPPRI407000091	Cable Sleeve	
5	SP309933000660	Bolt	M6x60
6	SP311127000006	Washer	6
7	SP311902100006	Washer	6
8	SP311679800004	Washer	M4
9	SP311125000004	Washer	4.3
10	568380	Filter	20A/250V
11	SP528313	Cable Holder	
12	SP555504	Bolt	
13	SP311125240006	Washer	6
14	SP311679824006	Washer	6
15	SP309933000620	Bolt	M6x20
16	SP529206	Screw	4x11
17	SP309933100625	Bolt	M6x25
18	SP526497	Screw	4x12
19	SP502214	Clip	
20	SP345000165034	Cable Eye	
21	SP311125100006	Washer	6
22	SP310934100006	Nut	M6
23	570381	Hex Pillar	M3
24	SPPRI505000058	Profiled Sealing	0.105m
25	SP505430	Washer	5
26	SP309084000535	Bolt	M5x35
27	SPPRI505000058	Profiled Sealing	0.025m
28	SP309933240412	Bolt	M4x12

# Rear Panel - CE Models 400-440V (Drawing 1 of 2)

AF, IY, JY and NY Models with V in 7th Position



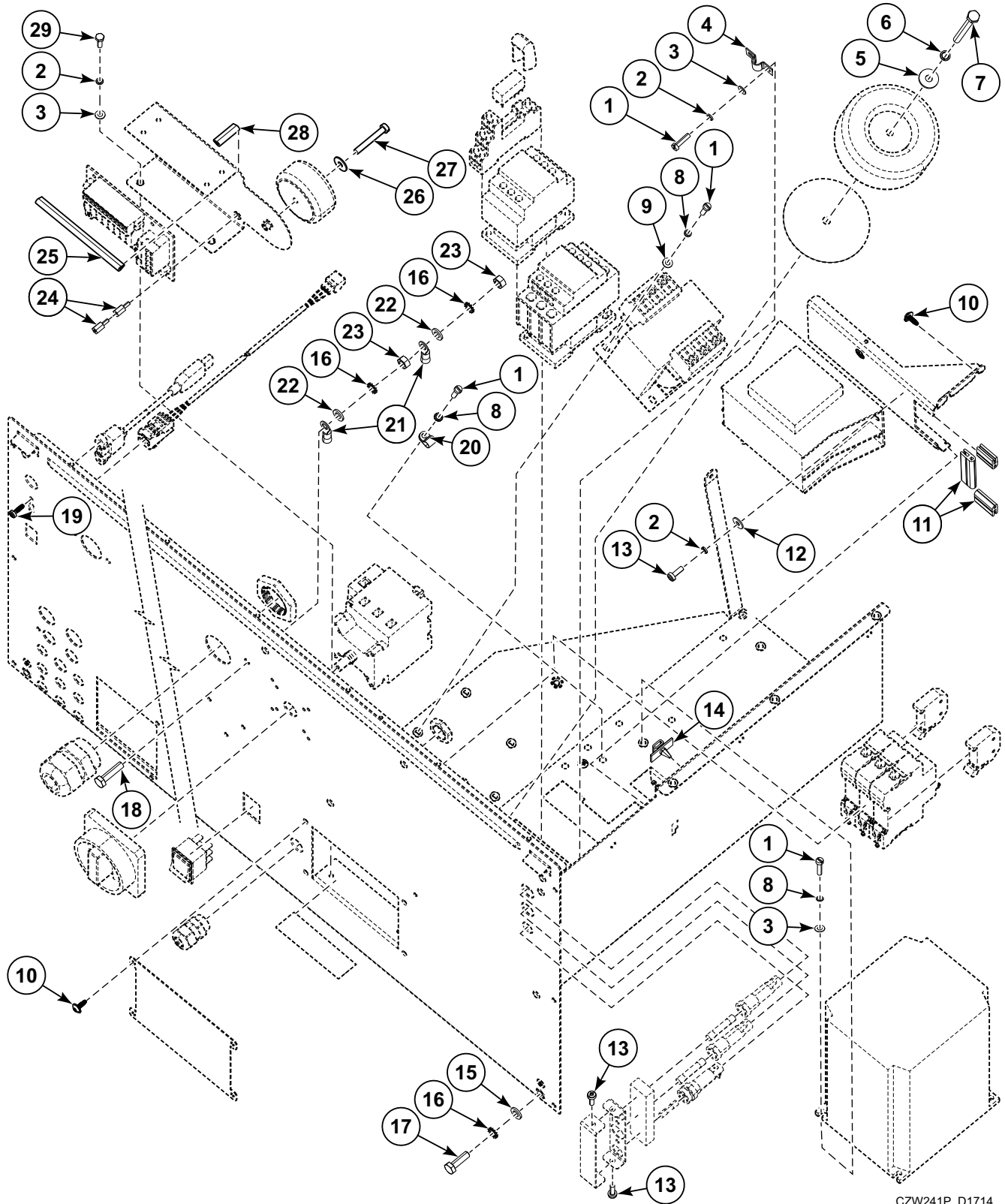
CZW240P\_D1714

## Rear Panel - CE Models 400-440V (Drawing 1 of 2)

REF	PART NO.	DESCRIPTION	COMMENTS
1	SP514135	Relay Clamp	2 poles
2	SP514134	Relay	2 poles
3	SP506586	Relay Case	2 poles
4	SP514038	Contactactor	LC1-D09M7; Used with frequency inverter
5	SP514038	Contactactor	LC1-D09M7; Electric heating; 12kW 400V/440V
	SP514042	Contactactor	LC1D18M7; Electric heating; 18kW 400V/440V
	SPPRI345002019	Contactactor	LC1D3201; Electric heating; 21.9kW 230V
	SP514043	Contactactor	LC1D50; Electric heating; 12kW 230V, 18kW/230V, 21.9kW 400V/440V
6	SP516648	Transformer	
7	SP571457	DC Choke	8.8mH; Supply 400V, 440-480V without N
8	571458	Insulation Washer	
9	572126	Filter Holder	Used with SP313251002104 Nut
10	SP557932	Frequency Inverter Filter	3x400V
11	SP346000209101	End Stop	
12	571464	Circuit Breaker	
	SP571475	Frequency Inverter	440V; FR-D740-080-SC-E8
13	557961	Ferrite Core	Used with frequency inverter
	SPPRI401003020	Fuse Housing	2 pieces
15	SPPRI401001020	Fuse Holder	
16	SP345805005020	Fuse	0.5A/250V
17	570387	Self-Adhesive Profile	
18	SP554310	Fuse Holder	
19	SP345805163032	Fuse	6.3x32mm, T1A/500V; 2 pieces
20	SP554311	Fuse Cover	
21	566549	Cover	
22	570371	Label	Models with Transformer
	579019	Label	Models without Transformer
23	SP101406	Bushing	M16
24	SP100388	Switch	
25	SPPRI404000095	Main Switch Knob	
26	SP101409	Bushing	M32x1.5
27	SP101416	Nut	M16
28	SPPRI404000097	Main Switch	25A; Used with SP506407 Main Switch; Fourth pole 25A
	SPPRI404000098	Main Switch	32A; Used with SPPRI404001098 Main Switch; Fourth pole 32A
	SPPRI404000099	Main Switch	63A; Used with SPPRI404001099 Main Switch; Fourth pole 63A
29	SP506407	Main Switch	Fourth Pole; 25A
	SPPRI404001098	Main Switch	Fourth Pole; 32A
	SPPRI404001099	Main Switch	Fourth Pole; 63A
30	SP101419	Nut	M32
31	567982	Rear Panel Assembly	
32	SP547006	USB Cable	Rear panel connection; Optional
33	SP545234	Cable	RS485; With connectors
34	570382	Holder	
35	564561	Transformer	With transformer
	579014	Transformer Kit	Models without Transformer
36	553187	Soap Relay Board	Used with 569738 Pump Relay Board Flat Cable

# Rear Panel - CE Models 400-440V (Drawing 2 of 2)

AF, IY, JY and NY Models with V in 7th Position

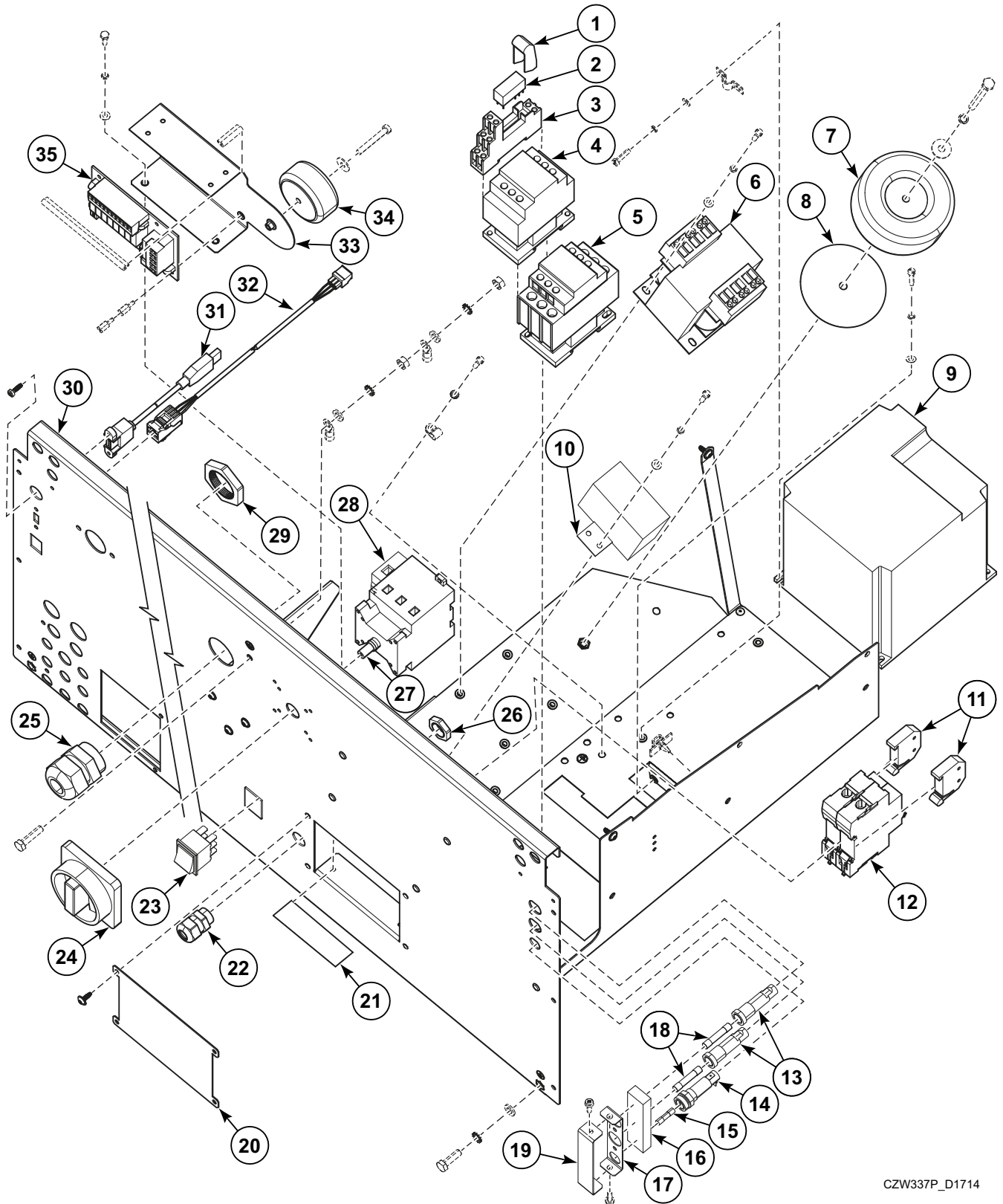


CZW241P\_D1714

## Rear Panel - CE Models 400-440V (Drawing 2 of 2)

REF	PART NO.	DESCRIPTION	COMMENTS
1	SP309084000416	Bolt	M4x16
2	SP311127000004	Washer	4
3	SP311125000004	Washer	4.3
4	SPPRI407000091	Cable Sleeve	
5	SP311902100006	Washer	6
6	SP311127000006	Washer	6
7	SP309933000660	Bolt	M6x60
8	SP311679800004	Washer	M4
9	SP311125000004	Washer	4.3
10	SP529206	Screw	4x11
11	SP529068	Edge Protection	
12	SP311902100004	Washer	4
13	SP555504	Bolt	
14	SP528313	Cable Holder	
15	SP311125240006	Washer	6
16	SP311679824006	Washer	6
17	SP309933000620	Bolt	M6x20
18	SP309933100625	Bolt	M6x25
19	SP526497	Screw	4x12
20	SP502214	Clip	
21	SP345000165034	Cable Eye	
22	SP311125100006	Washer	6
23	SP310934100006	Nut	M6
24	570381	Hex Pillar	M3
25	SPPRI505000058	Profiled Sealing	0.105m
26	SP505430	Washer	5
27	SP309084000535	Bolt	M5x35
28	SPPRI505000058	Profiled Sealing	0.025m
29	SP309933240412	Bolt	M4x12

# Rear Panel 230-400V Models with Neutral - FX and PY Models with V in 7th Position (Drawing 1 of 2)

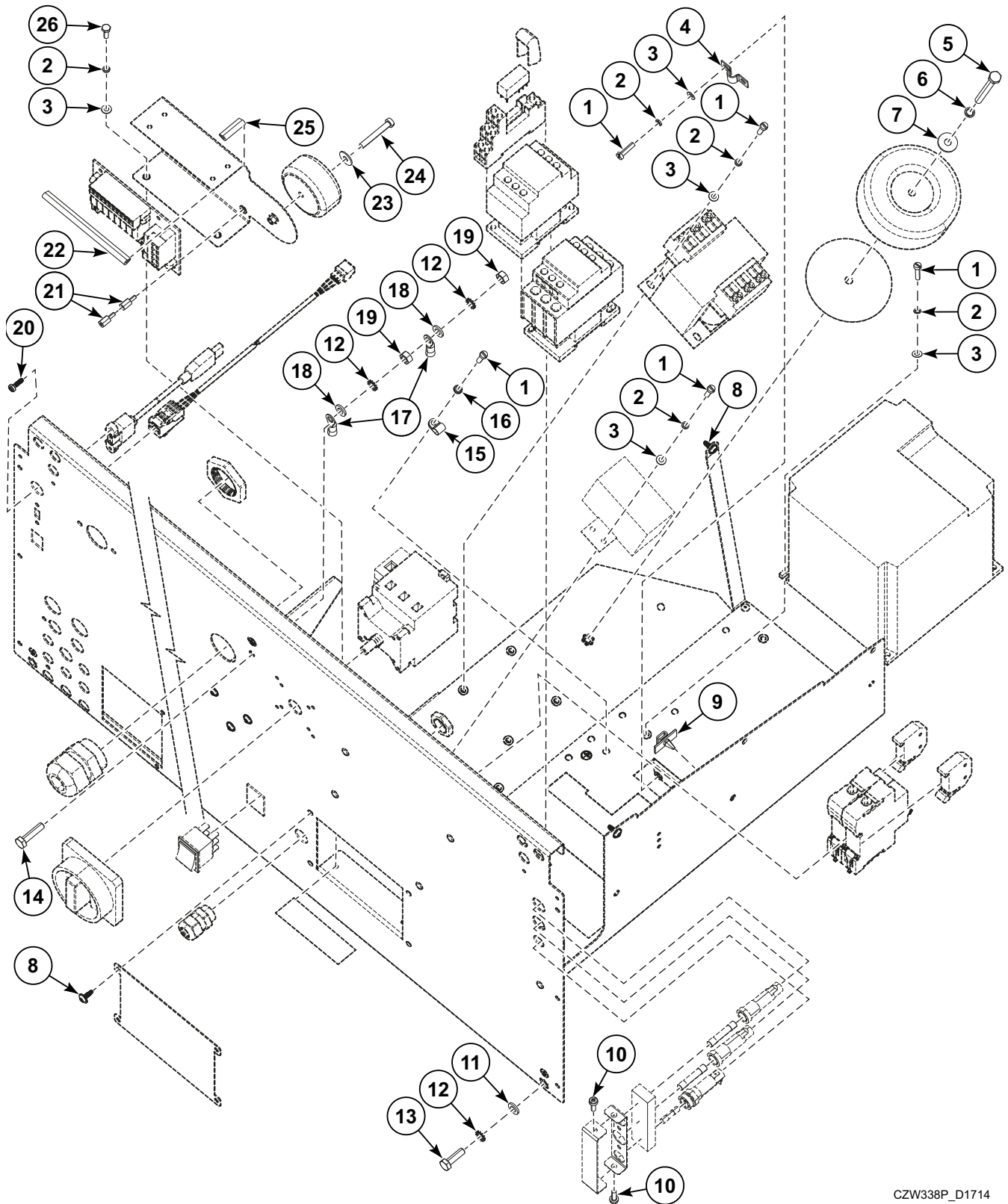


CZW337P\_D1714

## Rear Panel 230-400V Models with Neutral - FX and PY Models with V in 7th Position (Drawing 1 of 2)

REF	PART NO.	DESCRIPTION	COMMENTS
	570317	Liquid Detergents	Assembly includes items from (Drawing 1 of 2) 21, 22, 26, 33-35, 569738 Pump Relay Board Flat Cable and items from (Drawing 2 of 2) 2, 3 and 21 - 26
1	SP514135	Relay Clamp	2 poles
2	SP514134	Relay	2 poles
3	SP506586	Relay Case	2 poles
4	SP514038	Contactactor	LC1-D09M7; Used with frequency inverter
5	SP514038	Contactactor	LC1-D09M7; Electric heating; 12kW 400V/440V
	SP514042	Contactactor	LC1D18M7; Electric heating; 18kW 400V/440V
	SPPRI345002019	Contactactor	LC1D3201; Electric heating; 21.9kW 230V
	SP514043	Contactactor	LC1D50; Electric heating; 12kW 230V, 18kW/230V, 21.9kW 400V/440V
6	SP516648	Transformer	
7	571456	DC Choke	3.1mH; Supply 230V / 400V+N
8	571458	Insulation Washer	
9	SP571473	Frequency Inverter	230V/400V+N; FR-D720S-100SC-E8; 2.2kW
	SP571475	Frequency Inverter	400V/440V; FR-D740-080-SC-E8; 3.7kW
	557961	Ferrite Core	Used with frequency inverter
10	568380	Filter	20A 250V
11	SP346000209101	End Stop	
12	571463	Circuit Breaker	16A
13	SPPRI401003020	Fuse Housing	2 pieces
14	SPPRI401001020	Fuse Holder	
15	SP345805005020	Fuse	0.5A/250V
16	570387	Self-Adhesive Profile	
17	SP554310	Fuse Holder	
18	SP345805163032	Fuse	6.3x32mm, T1A/500V; 2 pieces
19	SP554311	Fuse Cover	
20	566549	Cover	
21	570371	Label	Models with Transformer
	579019	Label	Models without Transformer
22	SP101406	Bushing	M16
23	SP100388	Switch	
24	SPPRI404000095	Main Switch Knob	
25	SP101409	Bushing	M35x1.5
26	SP101416	Nut	M16
27	SPPRI404000097	Main Switch	25A; Used with SP506407 Main Switch; Fourth pole 25A
	SPPRI404000098	Main Switch	32A; Used with SPPRI404001098 Main Switch; Fourth pole 32A
	SPPRI404000099	Main Switch	63A; Used with SPPRI404001099 Main Switch; Fourth pole 63A
28	SP506407	Main Switch	Fourth Pole; 25A
	SPPRI404001098	Main Switch	Fourth Pole; 32A
	SPPRI404001099	Main Switch	Fourth Pole; 63A
29	SP101419	Nut	M32
30	574192	Rear Panel	
31	SP547006	USB Cable	Rear panel connection; Optional
32	SP545234	Cable	RS485; With connectors
33	570382	Holder	
34	564561	Transformer	With transformer
	579014	Transformer Kit	Models without Transformer
35	553187	Soap Relay Board	Used with 569738 Pump Relay Board Flat Cable

# Rear Panel 230-400V Models with Neutral - FX and PY Models with V in 7th Position (Drawing 2 of 2)



CZW338P\_D1714

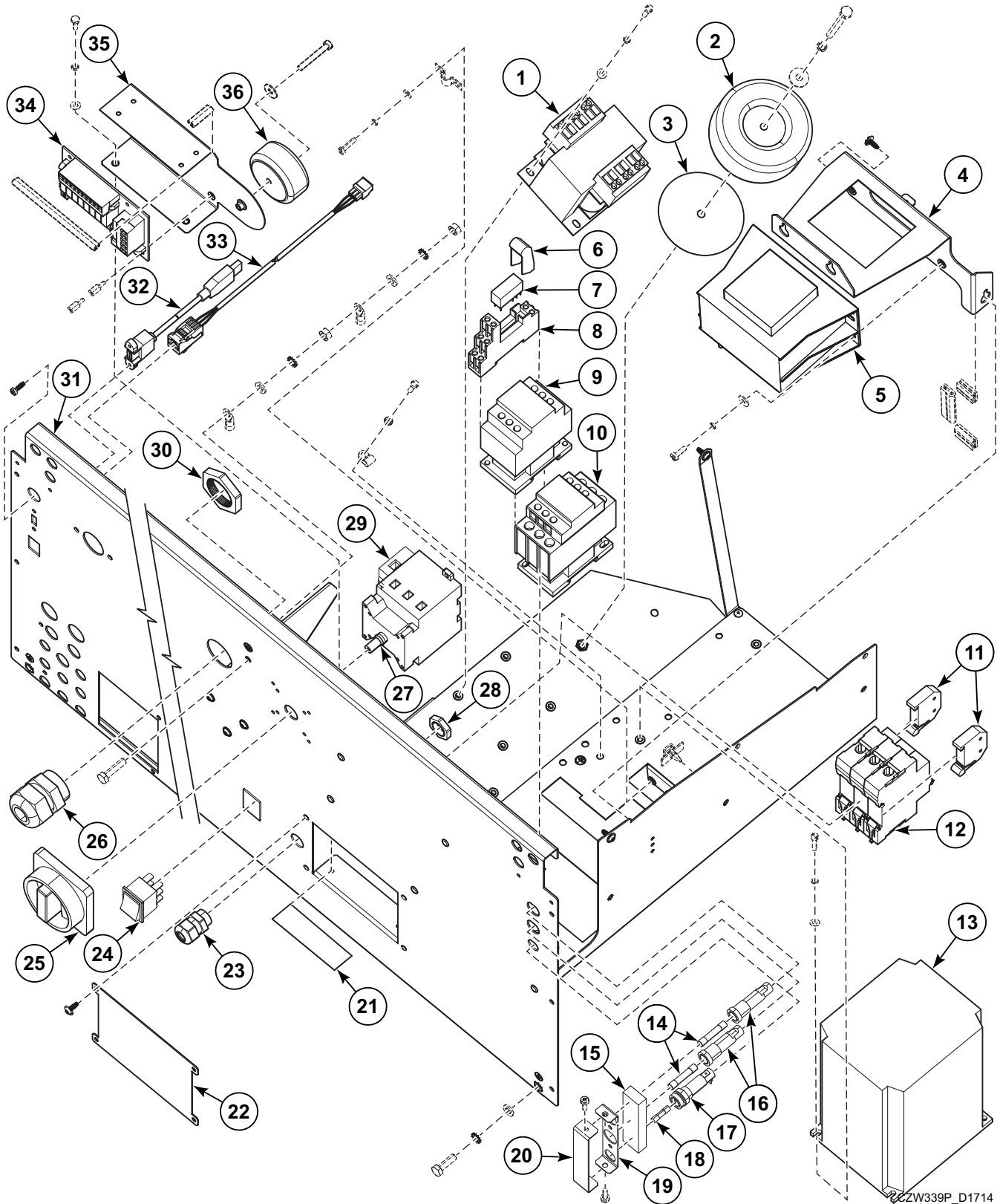


## Rear Panel 230-400V Models with Neutral - FX and PY Models with V in 7th Position (Drawing 2 of 2)

REF	PART NO.	DESCRIPTION	COMMENTS
1	SP309084000416	Bolt	M4x16
2	SP311127000004	Washer	4
3	SP311125000004	Washer	4.3
4	SPPRI407000091	Cable Sleeve	
5	SP309933000660	Bolt	M6x60
6	SP311127000006	Washer	6
7	SP311902100006	Washer	6
8	SP529206	Screw	4x11
9	SP528313	Cable Holder	
10	SP555504	Bolt	
11	SP311125240006	Washer	6
12	SP311679824006	Washer	6
13	SP309933000620	Bolt	M6x20
14	SP309933100625	Bolt	M6x25
15	SP502214	Clip	
16	SP311679800004	Washer	M4
17	SP345000165034	Cable Eye	
18	SP311125100006	Washer	6
19	SP310934100006	Nut	M6
20	SP526497	Screw	4x12
21	570381	Hex Pillar	M3
22	SPPRI505000058	Profiled Sealing	0.105m
23	SP505430	Washer	5
24	SP309084000535	Bolt	M5x35
25	SPPRI505000058	Profiled Sealing	0.025m
26	SP309933240412	Bolt	M4x12

# Rear Panel - 400V / 440V-480V Models (Drawing 1 of 2)

FX and PY Models with V in 7th Position



CZW339P\_D1714

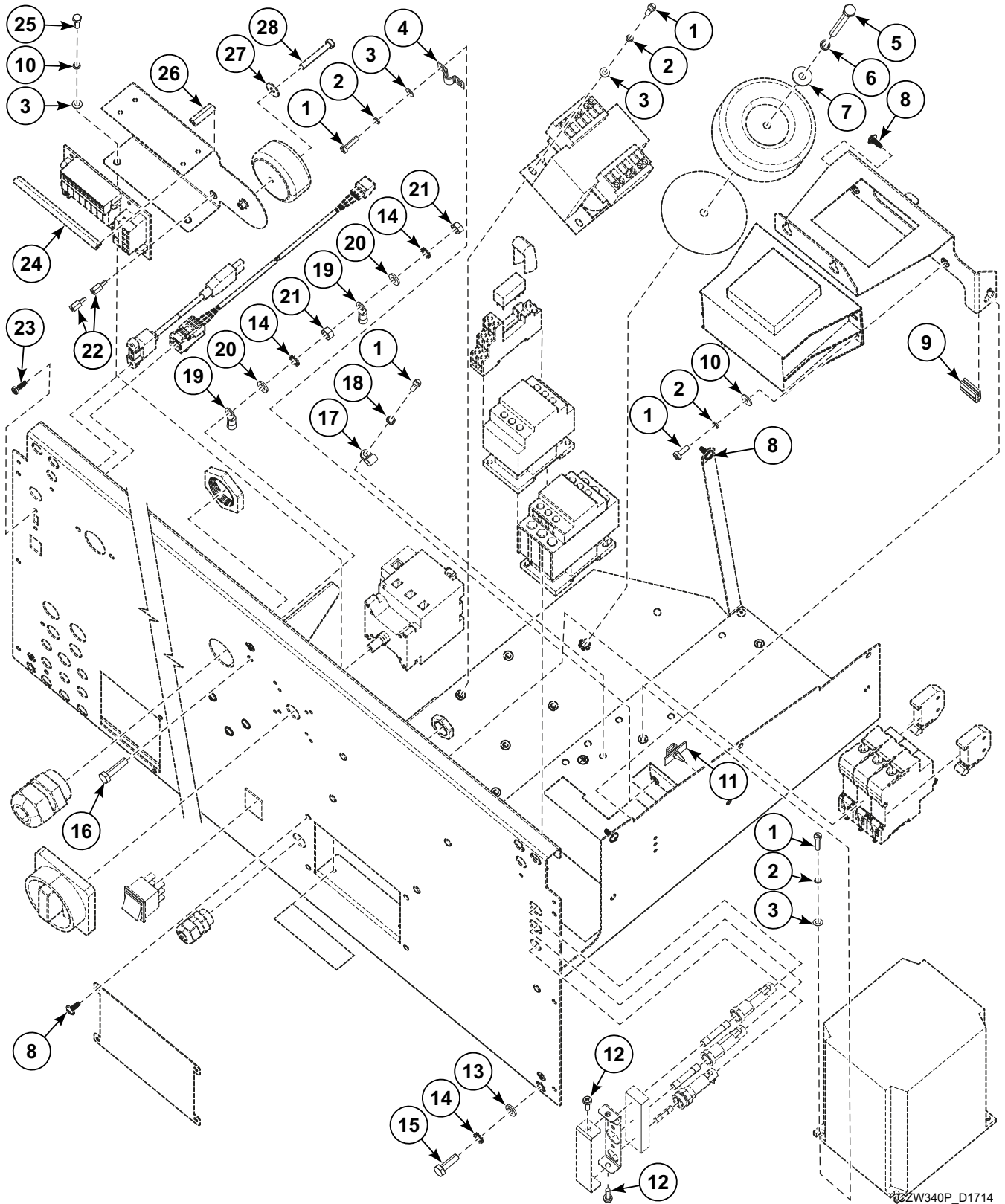
## Rear Panel - 400V / 440V-480V Models (Drawing 1 of 2)

REF	PART NO.	DESCRIPTION	COMMENTS
	570317	Liquid Detergents	Assembly includes items from (Drawing 1 of 2) 21, 23, 28, 34-36, 569738 Pump Relay Board Flat Cable and items from (Drawing 2 of 2) 3, 10, 22 and 24-28
1	SP516648	Transformer	
2	571457	DC Choke	8.8mH; Supply 400V / 440V
3	571458	Insulation Washer	
4	574850	Filter Holder	Used with SP313251002104 Nut
5	SP557932	Frequency Inverter Filter	3x400V
6	SP514135	Relay Clamp	2 poles
7	SP514134	Relay	2 poles
8	SP506586	Relay Case	2 poles
9	SP514038	Contactors	LC1-D09M7
10	SP514038	Contactors	LC1-D09M7; Electric heating; 12kW 400V/440V
	SP514042	Contactors	LC1D18M7; Electric heating; 18kW 400V/440V
	SPPRI345002019	Contactors	LC1D3201; Electric heating; 21.9kW 230V
11	SP346000209101	End Stop	
12	571464	Circuit Breaker	10A
13	SP571475	Frequency Inverter	440V; FR-D740-080-SC-E8
	557961	Ferrite Core	Used with frequency inverter
14	SP345805163032	Fuse	6.3x32mm, T1A/500V; 2 pieces
15	570387	Self-Adhesive Profile	
16	SPPRI401003020	Fuse Housing	2 pieces
17	SPPRI401001020	Fuse Holder	
18	SP345805005020	Fuse	0.5A/250V
19	SP554310	Fuse Holder	
20	SP554311	Fuse Cover	
21	570371	Label	Models with Transformer
	579019	Label	Models without Transformer
22	566549	Cover	
23	SP101406	Bushing	M16
24	SP100388	Switch	
25	SPPRI404000095	Main Switch Knob	
26	SP101409	Bushing	M32x1.5
27	SPPRI404000097	Main Switch	25A; Used with SP506407 Main Switch; Fourth pole 25A
	SPPRI404000098	Main Switch	32A; Used with SPPRI404001098 Main Switch; Fourth pole 32A
	SPPRI404000099	Main Switch	63A; Used with SPPRI404001099 Main Switch; Fourth pole 63A
28	SP101416	Nut	M16
29	NA	Main Switch	Fourth Pole; 25A
	NA	Main Switch	Fourth Pole; 32A
	NA	Main Switch	Fourth Pole; 63A
30	SP101419	Nut	M32
31	574192	Rear Panel	
32	SP547006	USB Cable	Rear panel connection; Optional
33	SP545234	Cable	RS485; With connectors
34	553187	Soap Relay Board	Used with 569738 Pump Relay Board Flat Cable
35	570382	Holder	
36	564561	Transformer	With transformer
	579014	Transformer Kit	Models without Transformer

N/A = Part no longer available

# Rear Panel - 400V / 440V-480V Models (Drawing 2 of 2)

FX and PY Models with V in 7th Position

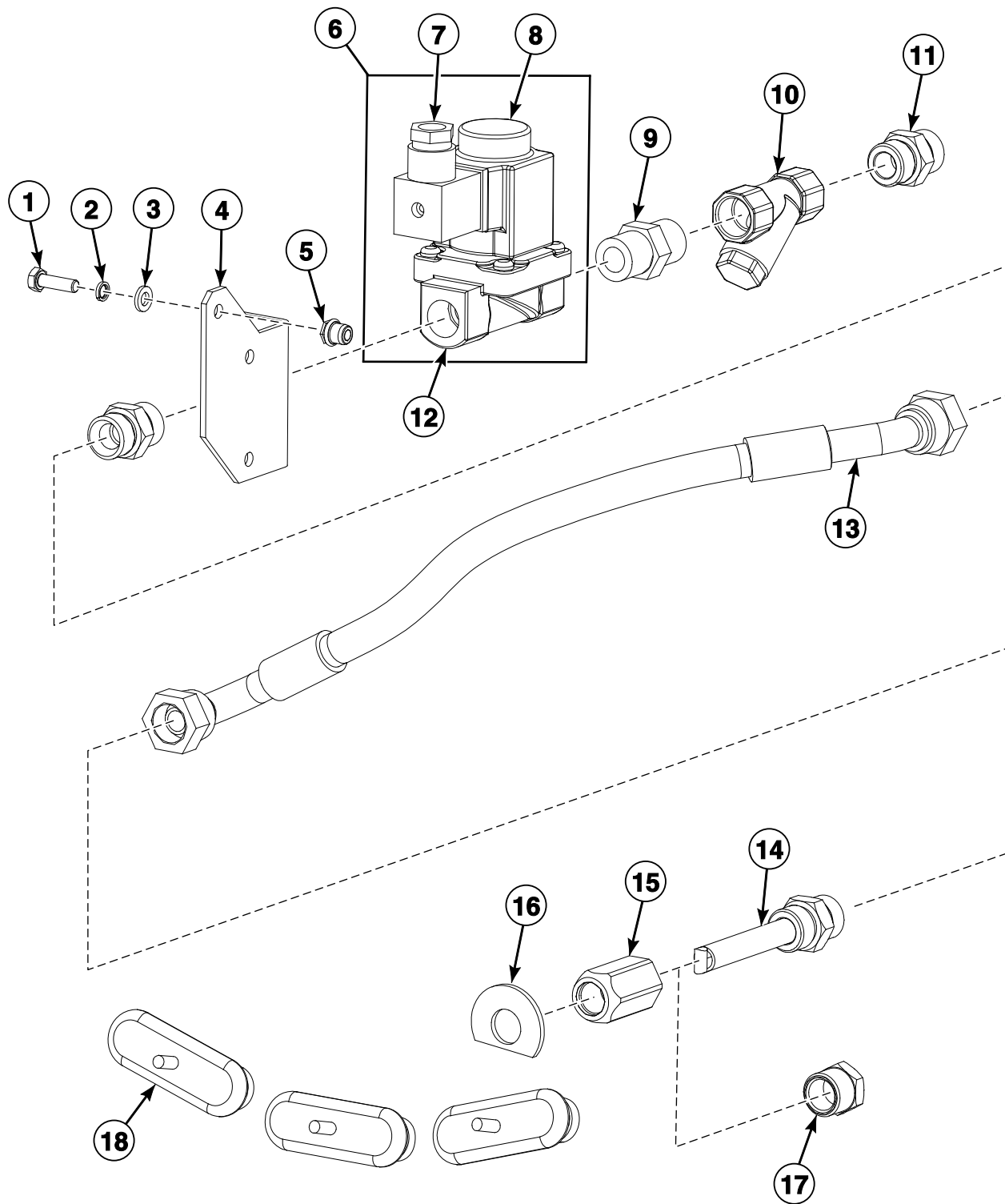


02ZW340P\_D1714

## Rear Panel - 400V / 440V-480V Models (Drawing 2 of 2)

REF	PART NO.	DESCRIPTION	COMMENTS
1	SP309084000416	Bolt	M4x16
2	SP311127000004	Washer	4
3	SP311125000004	Washer	4.3
4	SPPRI407000091	Cable Sleeve	
5	SP309933000660	Bolt	M6x60
6	SP311127000006	Washer	6
7	SP311902100006	Washer	6
8	SP529206	Screw	4x11
9	SP529068	Edge Protection	0.014m
10	SP311902100004	Washer	4
11	SP528313	Cable Holder	
12	SP555504	Bolt	M4x12
13	SP311125240006	Washer	6
14	SP311679824006	Washer	6
15	SP309933000620	Bolt	M6x20
16	SP309933100625	Bolt	M6x25
17	SP502214	Clip	
18	SP311679800004	Washer	M4
19	SP345000165034	Cable Eye	
20	SP311125100006	Washer	6
21	SP310934100006	Nut	M6
22	570381	Hex Pillar	M3
23	SP526497	Screw	4x12
24	SPPRI505000058	Profiled Sealing	0.105m
25	SP309933240412	Bolt	M4x12
26	SPPRI505000058	Profiled Sealing	0.025m
27	SP505430	Washer	5
28	SP309084000535	Bolt	M5x35

# Steam Heating - All Models Except Models with V in 7th Position

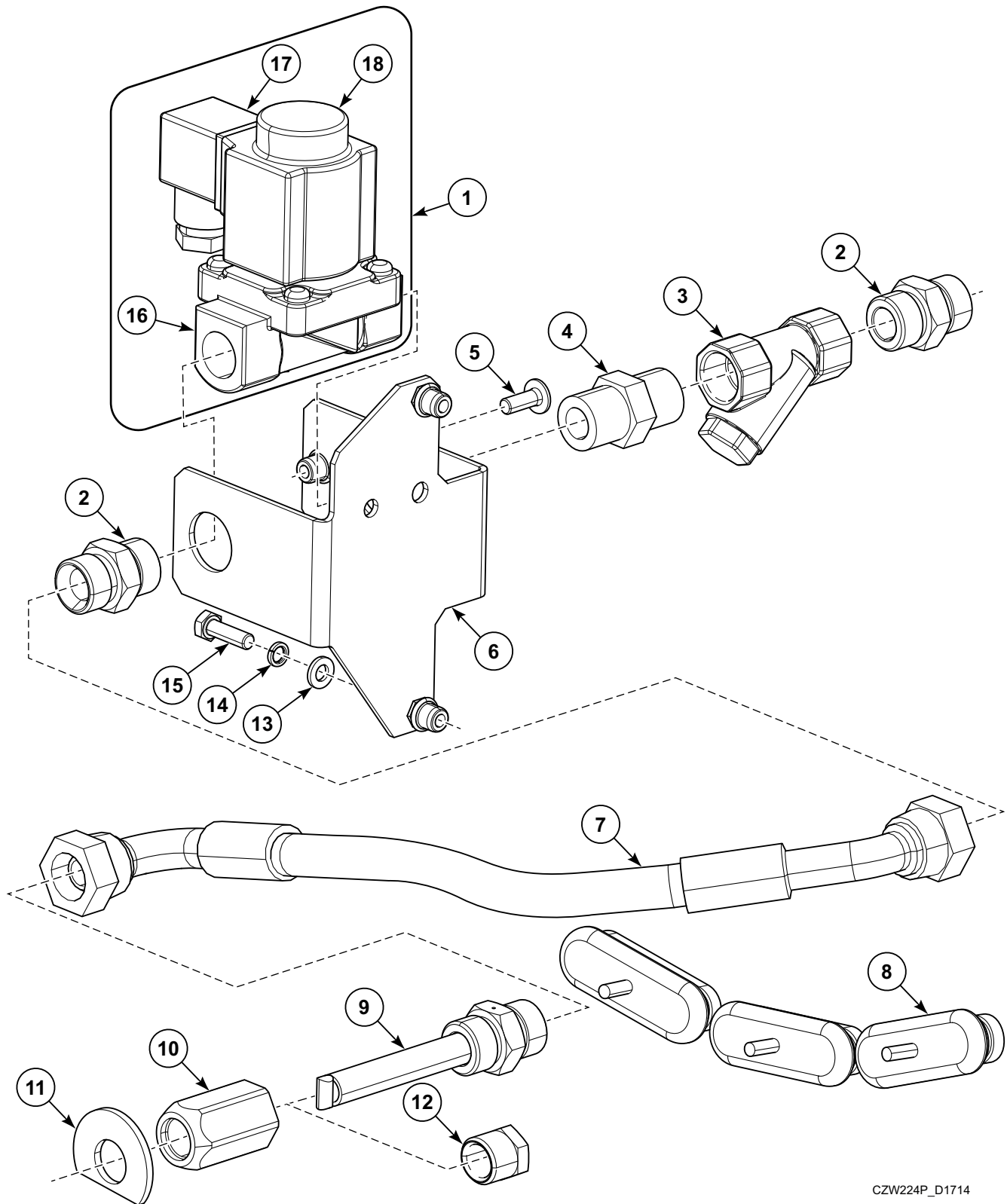


CFD2852P\_D1714

## Steam Heating - All Models Except Models with V in 7th Position

REF	PART NO.	DESCRIPTION	COMMENTS
	SP526564	Seal	
	SP101403	Adhesive	Loctite 5366
	SP245704000603	Adhesive	Loctite 603
	SP554340	Steam Kit	
1	SP309933000620	Bolt	M6x20
2	SP311127000006	Washer	6
3	SP311125000006	Washer	6.4
4	SP547873	Steam Valve Support	
5	SP313251000006	Nut	M6
6	SP514164	Steam Valve	1/2 inch
7	SP554156	Connector	
8	SP554110	Coil	50/60Hz
9	SP319428324012	Adapter	1/2 inch
10	SP405054120215	Steam Filter	1/2 inch
11	SPR22112000114	Pipe Nipple	1/2 inch
12	SP514165	Steam Valve Body	
13	SP526528	Steam Hose	1/2 inch 1/2 inch, l=520mm
14	SP526525	Steam Injector	
15	SP547968	Adapter	G3/8 inch / G1/2 inch
16	SP547981	Washer	
17	SPPRI426001268	Plug	1/2 inch; Prep for electric and steam heat
18	SPPRI342001016	Heating Element Hole Plug	

# Steam Heating - Models with V in 7th Position



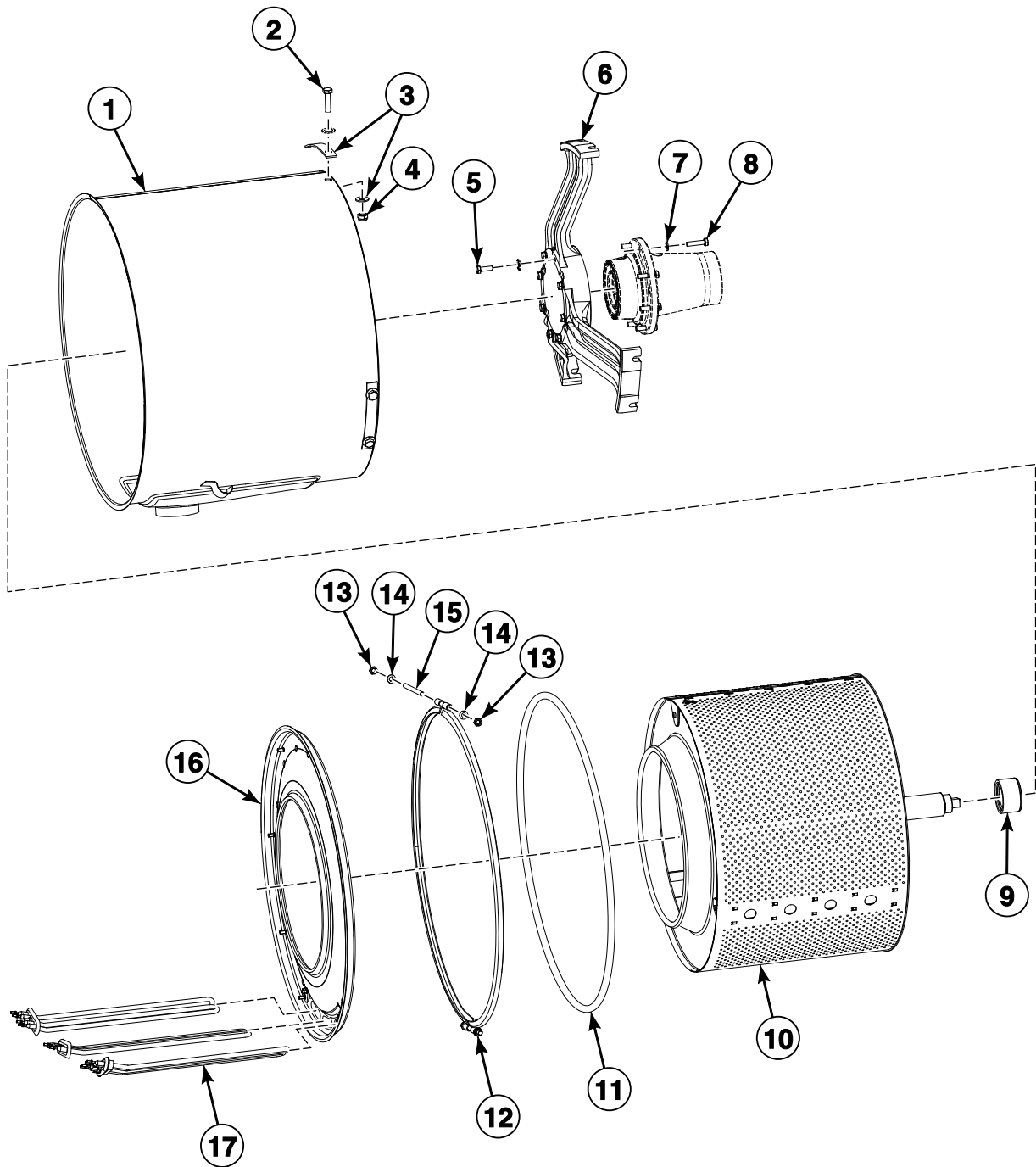
CZW224P\_D1714



## Steam Heating - Models with V in 7th Position

REF	PART NO.	DESCRIPTION	COMMENTS
	555355	Steam Kit	
	SP526564	Seal	
	SP101403	Adhesive	Loctite 5366
	SP245704000603	Adhesive	Loctite 603
1	SP514164	Steam Valve	1/2 inch
2	SPR22112000114	Pipe Nipple	1/2 inch
3	SP405054120215	Steam Filter	1/2 inch
4	SP319428324012	Adapter	1/2 inch
5	SP555658	Bolt	M6x16
6	SP547873	Steam Valve Support	Used with SP313251000006 Nut
7	SP526528	Steam Hose	1/2 inch, l=520mm
8	SPPRI342001016	Heating Element Hole Plug	
9	SP526525	Steam Injector	
10	SP547968	Adapter	G3/8 inch / G1/2 inch
11	SP547981	Washer	
12	SPPRI426001268	Plug	1/2 inch; Prep for electric and steam heat
13	SP311125000006	Washer	6
14	SP311127000006	Washer	6
15	SP309933000620	Bolt	M6x20
16	SP514165	Steam Valve Body	
17	SP554156	Connector	
18	SP554110	Coil	50/60Hz

# Washing Drum and Tub - All Models Except Models with V in 7th Position

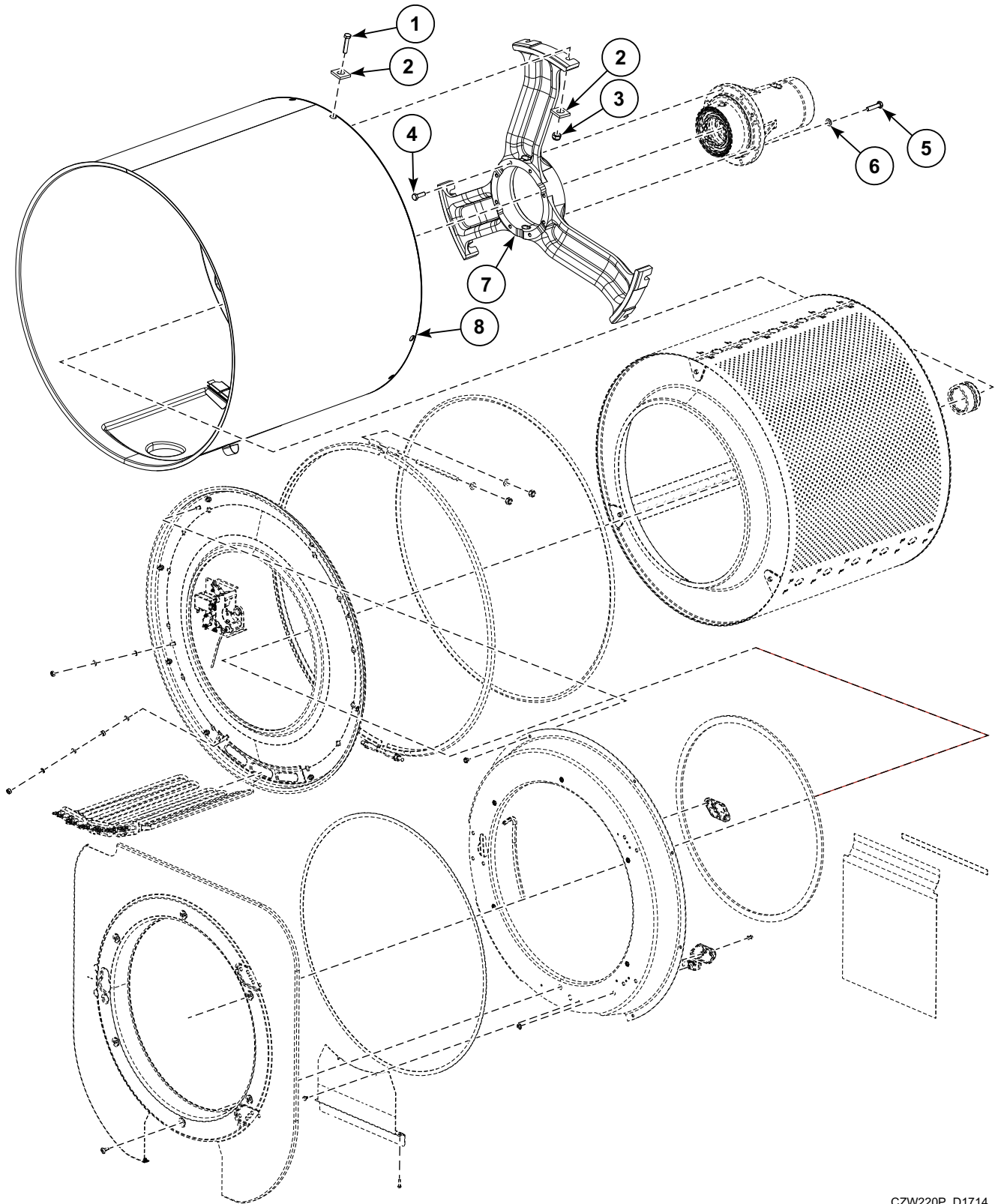


CFD2742P\_D1714

## Washing Drum and Tub - All Models Except Models with V in 7th Position

REF	PART NO.	DESCRIPTION	COMMENTS
	SP245704003021	Adhesive	Loctite 243; Used with bolt
	SPPRI704000053	Sealant	
	SP245704000050	Adhesive	
	SP510889	Anticorrosive Agent	
1	SP537810	External Tub	Steam heating
	SP537921	External Tub	Electric heating
	567159	External Tub	CE and Watermark FX, IY, PY and UY models; Steam heating; Soft wash with built-in recirculation pump
	567199	External Tub	CE and Watermark FX, IY, PY and UY models; Electric heating; Soft wash with built-in recirculation pump
2	SP309933001250	Bolt	M12x50
3	SP537898	Washer	
4	SP310985000012	Nut	M12
5	SP309933241035	Bolt	M10x35
6	SP537824	Cross Piece	
7	SP311125000013	Washer	M12
8	SP309933001235	Bolt	M12x35
9	SP552982	Shaft Ring	
10	SP537800	Washing Drum	Includes item 9; Cascade
	563247	Washing Drum	Includes item 9; Normal spin; 7mm perforation
	SP563267	Washing Drum	AF, IY and NY models with "G", "H", "J" or "K" in 13th Position; Includes item 9; Flat
11	SP537821	Seal	d10-2550mm
12	SP537822	Clamp	
13	SP310934240008	Nut	M8
14	SP311125240008	Washer	M8
15	SPF02119000415	Bolt	M8
16	SP537819	External Tub Front Plate	
17	SP540127	Heating Element	2 x 2000W, l=470mm
	SP540132	Heating Element	2 x 3000W, l=470mm

# Washing Drum and Tub - Models with V in 7th Position (Drawing 1 of 2)

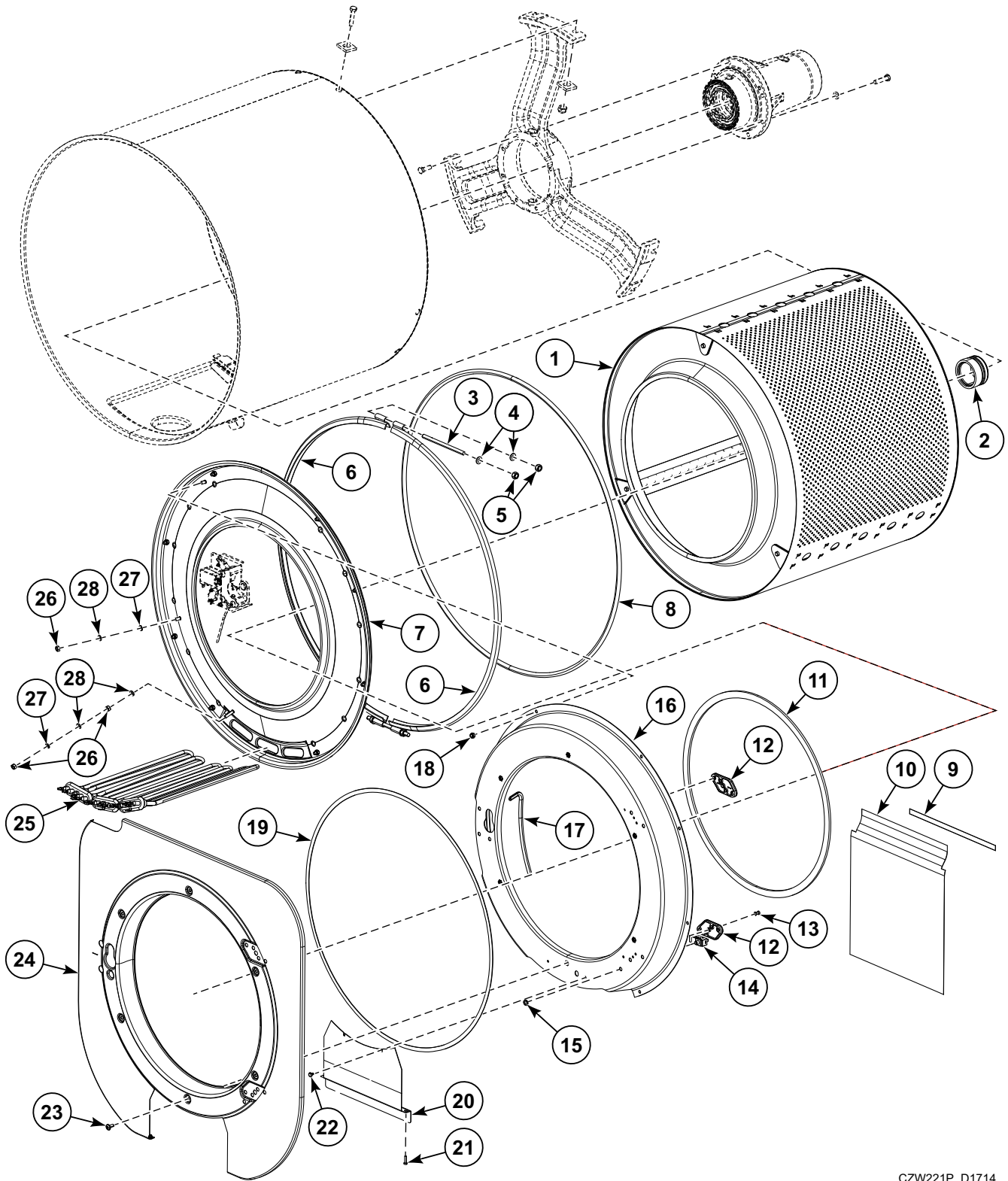


CZW220P\_D1714

## Washing Drum and Tub - Models with V in 7th Position (Drawing 1 of 2)

REF	PART NO.	DESCRIPTION	COMMENTS
1	SP309933001250	Bolt	M12x50
2	SP537898	Washer	
3	SP310985000012	Nut	M12
4	SP309933241035	Bolt	M10x35
5	SP309933001235	Bolt	M12x35
6	SP311125000013	Washer	12
7	SP537824	Cross Piece	
8	SP537810	External Tub	Steam heating
	SP537921	External Tub	Electric heating

# Washing Drum and Tub - Models with V in 7th Position (Drawing 2 of 2)



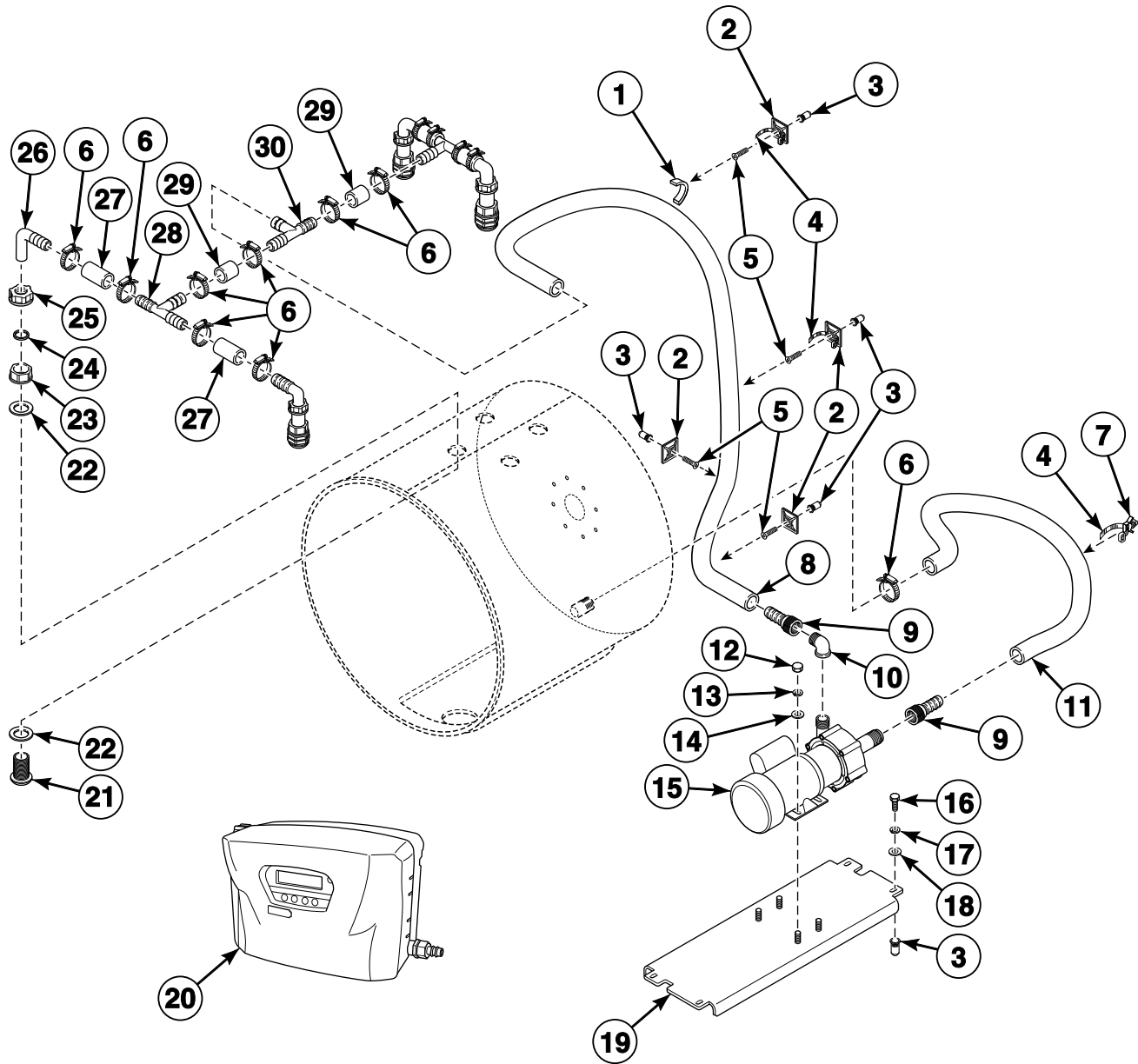
CZW221P\_D1714

## Washing Drum and Tub - Models with V in 7th Position (Drawing 2 of 2)

REF	PART NO.	DESCRIPTION	COMMENTS
1	SP563267	Washing Drum	Includes item 2; Flat
	SP537800	Washing Drum	Includes item 2; Cascade
	563247	Washing Drum	Includes item 2; 7mm perforation
2	SP552982	Shaft Ring	
3	SPF02119000415	Bolt	M8
4	SP311125240008	Washer	M8
5	SP310934240008	Nut	M8
6	SP537822	Clamp	
7	575987	External Tub Front Plate	
8	SP537821	Seal	d10-2550mm
9	SP537896	Adhesive	
10	568937	Heating Element Cover	
11	SP510986	Seal	l=1.5m
12	SP537849	Hinge Spacer	
13	SP547779	Rivet	4x16.7
14	571634	Microswitch	
15	571635	Nut	M10
16	568931	Door and Lock Holder	Models through 28 February 2021
	SP537883	Door and Lock Holder	Models starting 1 March 2021
17	SPPRI505000058	Profiled Sealing	
18	SP310985000006	Nut	M8
19	SP284000012003	Tape	
20	568987	Heating Element Front Cover	Stainless
	SP563275	Heating Element Front Cover	Black
21	SP309084000416	Bolt	M4x16
22	SP537856	Connector	
23	SP537854	Bolt	M6x14
24	571726	Front Panel	Stainless
	571723	Front Panel	Black
25	SP540127	Heating Element	2x2000W, l=470mm
	SP540132	Heating Element	2x3000W, l=470mm
26	SP310934240006	Nut	M6
27	SP311679800006	Washer	6
28	SP311125240006	Washer	6

# Soft Wash - With Built-In Recirculation Pump

All Models Except Models with V in 7th Position



CZW72P\_D1714

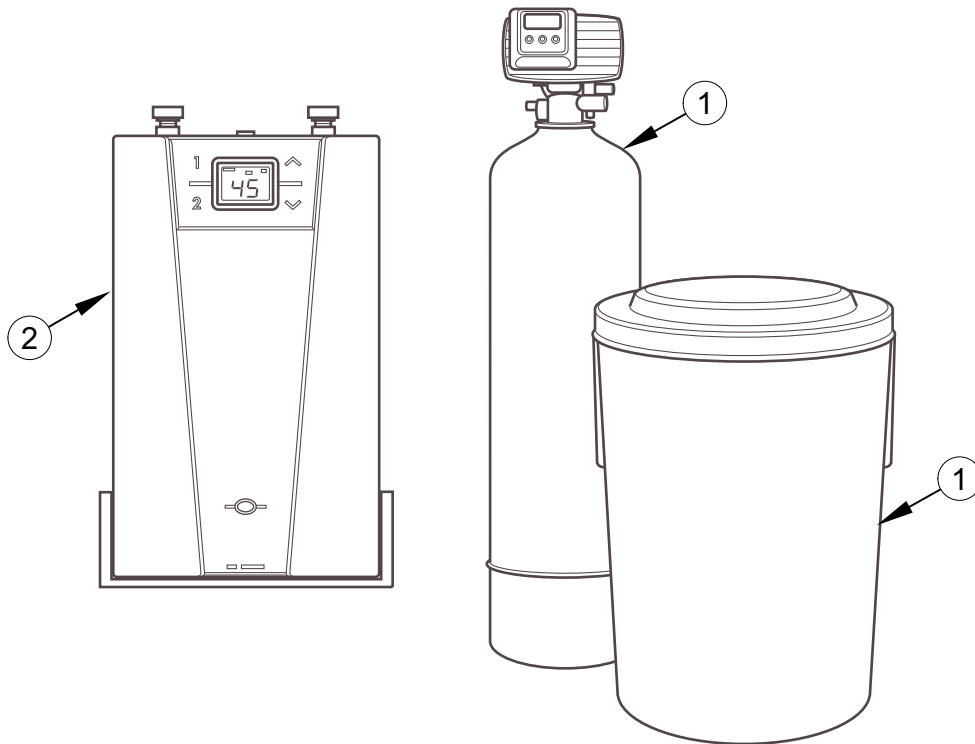


## Soft Wash - With Built-In Recirculation Pump

REF	PART NO.	DESCRIPTION	COMMENTS
	SP562749	Water Heater	6kW; 50/60Hz; 230V; Optional
	SP562736	Water Heater	8.8kW; 50/60Hz; 230V; Optional
	SP562737	Water Softener	AMVE 305; Optional
	SP562750	Water Softener	AMVE 505; Optional
	SP510971	Adhesive	Loctite 55
	SP245704005331	Adhesive	Loctite 5331
1	564202	Seal	6x15mm
2	SPPRI350003050	Adhesive Fixing Index Plate	Models through 11 March 2021
3	SP510929	Nut	M4; Models through 11 March 2021
4	SP503817	Binding Strip	178 x 4.8
5	SP309965240408	Bolt	M4x8; Models through 11 March 2021
6	SPPRI240000003	Hose Clamp	20-32
7	SP528313	Cable Holder	
8	567180	Hose Pharmasteel	25/33; l=1.83m
9	567152	Thorn	25-IG10; Includes sleeve nut
10	567181	Elbow	Inner / external thread G1 inch; 90 degree
11	567180	Hose Pharmasteel	25/33; 0.9m
12	SP310934000006	Nut	M6
13	SP311127000006	Washer	6
14	SP311902100006	Washer	6
15	567076	Pump	NH 200 PS
16	SP309933000416	Bolt	M4x16
17	SP311127000004	Washer	4
18	SP311902100004	Washer	4
19	567115	Pump Board	
20	SP567105	Soap Pump Kit	Four pumps; Includes suction hoses and tubes
	SP567106	Soap Pump Kit	Six pumps; Includes suction hoses and tubes
21	567167	Drain Jet	3/4 inch
22	567168	O-Ring	Flat; 40x27x 2.5
23	567166	Nut	Flat; 3/4 inch; Sleeve
24	567169	O-Ring	Flat; 17x24x2.5
25	567170	Nut	3/4 inch; Sleeve
26	567171	Hose End	90 degree
27	SPPRI540001019	Hose	19/27; l=0.06m
28	567172	T-Part	20; PE coupling
29	SPPRI540001019	Hose	19/27; l=0.05m
30	567173	Hose Coupling	T3/4 x 1 inch

# Soft Wash - Without Built-In Recirculation Pump

All Models Except Models with V in 7th Position

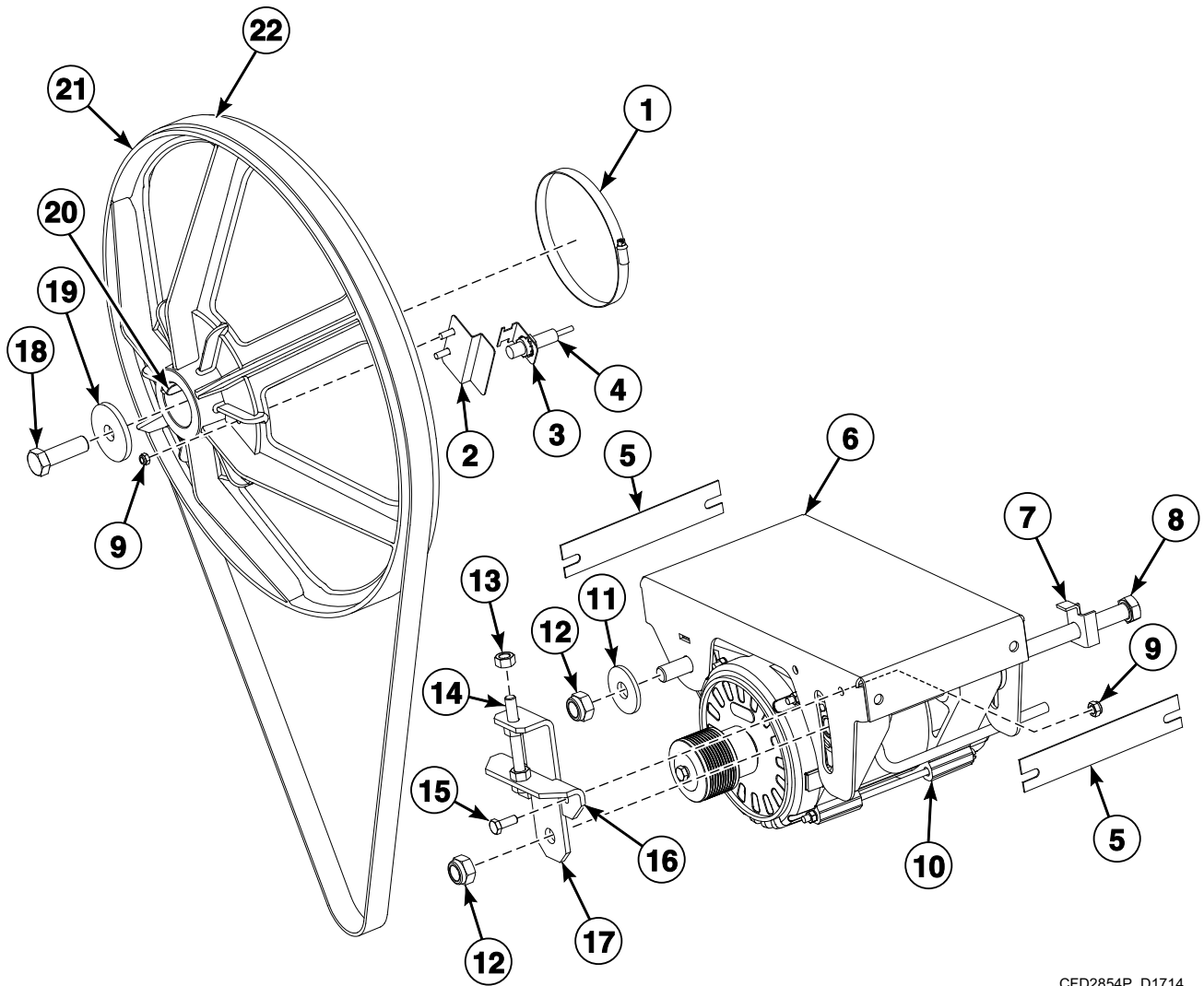


C-CZW57P\_D1714

## Soft Wash - Without Built-In Recirculation Pump

REF	PART NO.	DESCRIPTION	COMMENTS
	SP567105	Soap Pump Kit	CE and Watermark models; Four pumps; Includes suction hoses and tubes
	SP567106	Soap Pump Kit	CE and Watermark models; Six pumps; Includes suction hoses and tubes
<b>1</b>	SP562737	Water Softener	CE and Watermark models; AMVE 305; Optional
	SP562750	Water Softener	CE and Watermark models; AMVE 505; Optional
<b>2</b>	SP562749	Water Heater	CE and Watermark models; 6kW; 50/60Hz; 230V; Optional
	SP562736	Water Heater	CE and Watermark models; 8.8kW; 50/60Hz; 230V; Optional

# Drive

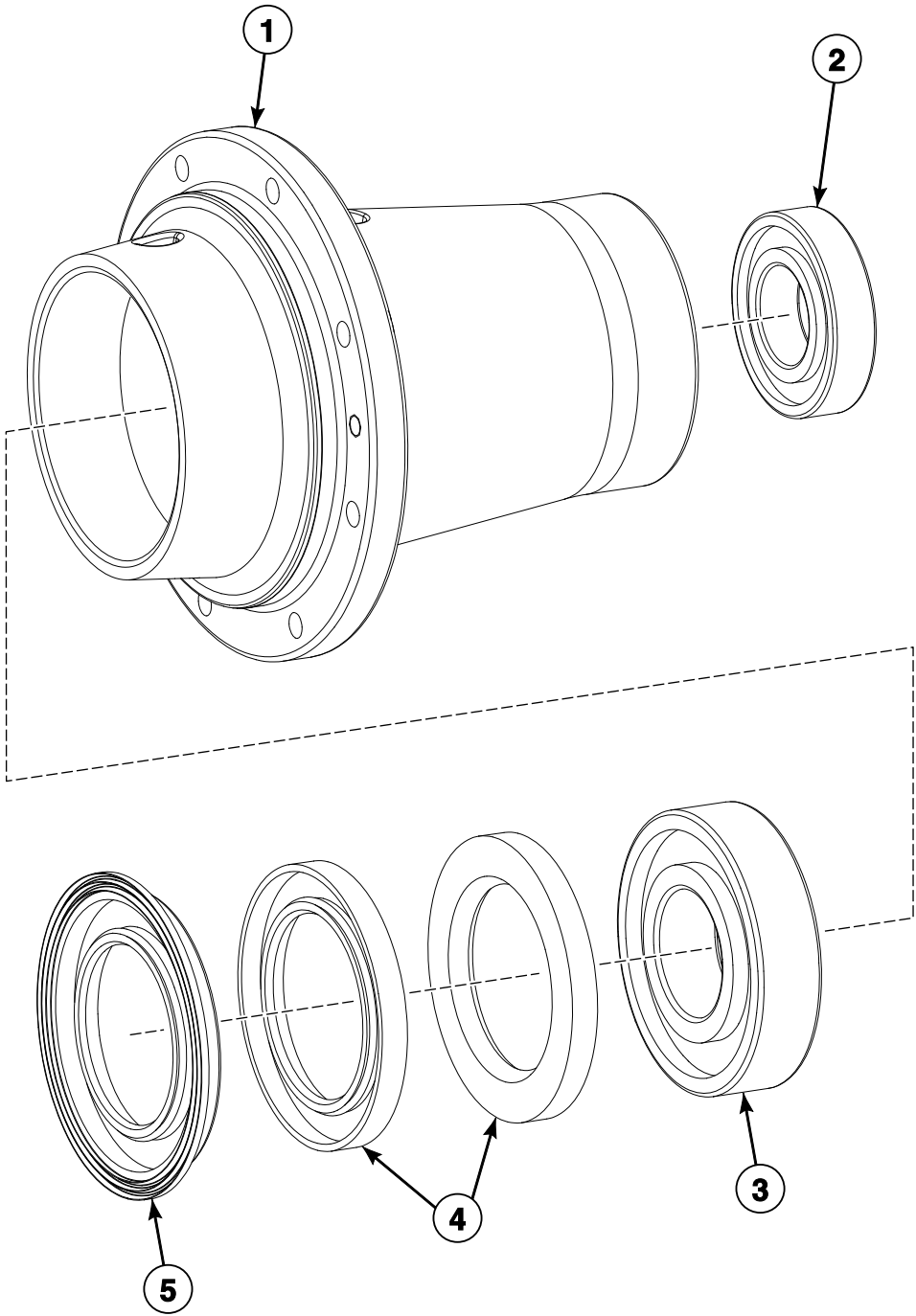


CFD2854P\_D1714

# Drive

REF	PART NO.	DESCRIPTION	COMMENTS
1	540240120240	Clamp	
2	SP555542	Speed Sensor Plate	
3	SP555547	Speed Sensor Holder	
4	SP557701	Speed Sensor	
5	SP550033	Shim	
6	SP533794	Motor Holder	
7	SP533742	Cage	1
8	SP533394	Bolt	M12x220
9	SP310985000006	Nut	M6
10	SP555586	Motor and Pulley	CE 180 models; 2.2kW, 230V/75Hz; Includes 528424 Motor; Applicable for power supply 200V-240V, 50/60Hz, 1/3ph and 380-415V+N, 50/60Hz, 3ph
	SP555587	Motor and Pulley	CE 180 models; 2.2kW, 400V/76Hz; Includes 552414 Motor; Applicable for power supply 400V, 50/60Hz, 3ph without Neutral and 440-480V, 50/60Hz, 3ph
	SP557455	Motor and Pulley	North America 40 models; 2.2kW, 230V/75Hz; Includes 528424 Motor; Applicable for power supply 200V-240V, 50/60Hz, 1/3ph and 380-415V+N, 50/60Hz, 3ph
	SP557456	Motor and Pulley	North America 40 models; 2.2kW, 400V/76Hz; Includes 552414 Motor; Applicable for power supply 400V, 50/60Hz, 3ph without Neutral and 440-480V, 50/60Hz, 3ph
	571449	Motor and Pulley	Models with V in 7th Position; 2.2kW, 230V/75Hz; Includes 568374 Motor; Applicable for power supply 200V-240V, 50/60Hz, 1/3ph and 380-415V+N, 50/60Hz, 3ph
	571450	Motor and Pulley	Models with V in 7th Position; 2.2kW, 400V/76Hz; Includes 568384 Motor; Applicable for power supply 400V, 50/60Hz, 3ph without Neutral and 440-480V, 50/60Hz, 3ph
11	SP311902100012	Washer	12
12	SP310985000012	Nut	M12
13	SP310934000008	Nut	M8
14	SP309933000880	Bolt	M8x80
15	SP309933000616	Bolt	M6x16
16	SP533326	Tensioning Angle Piece	Fixed
17	SP547705	Tensioning Angle Piece	Movable
18	SP309933001630	Bolt	M16x30
19	SP511924	Washer	
20	SP308726014050	Feather	
21	SP547706	V-Pulley Drum	
	PRI702000010	Lubrication Grease	Used with SP547706 V-Pulley Drum
22	SP547781	Belt	

# Bearing Housing

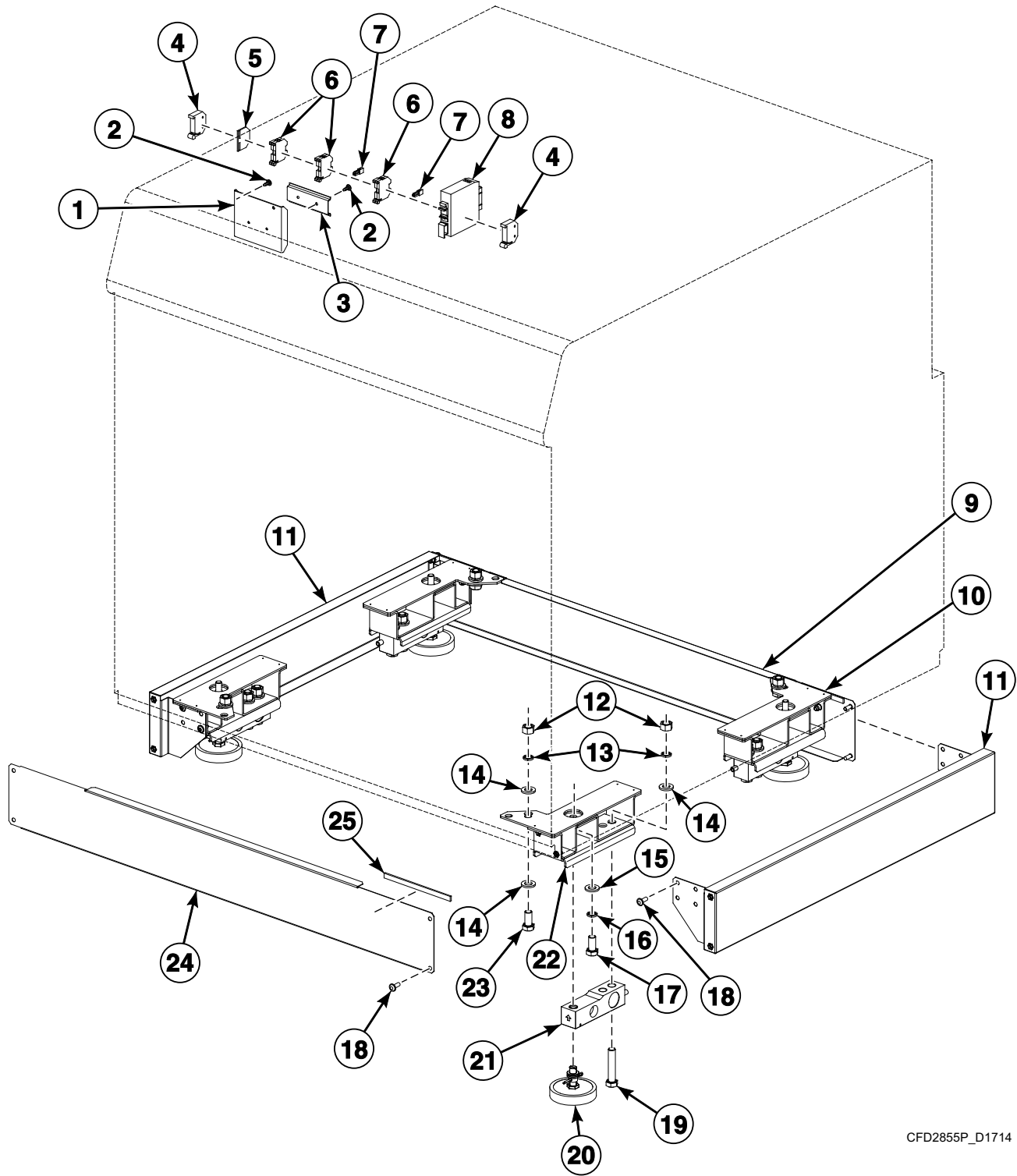


CFD2747P\_D1714

# Bearing Housing

REF	PART NO.	DESCRIPTION	COMMENTS
	SP245704000603	Adhesive	Loctite 603
	SP111313000002	Lubrication Grease	
	SP537814	Bearing Housing	
	SP538787	Bearing Replacement Tool Kit	
<b>1</b>	SP537815	Bearing Housing	
<b>2</b>	SPPRI608002048	Bearing	6310
<b>3</b>	SPPRI608000080	Bearing	6312
<b>4</b>	SP506475	Sealing Ring	100x130x10; Includes only 1 piece, 2 pieces required
<b>5</b>	SP537879	Sealing Ring	100x130/144x9/12

# Weighing System



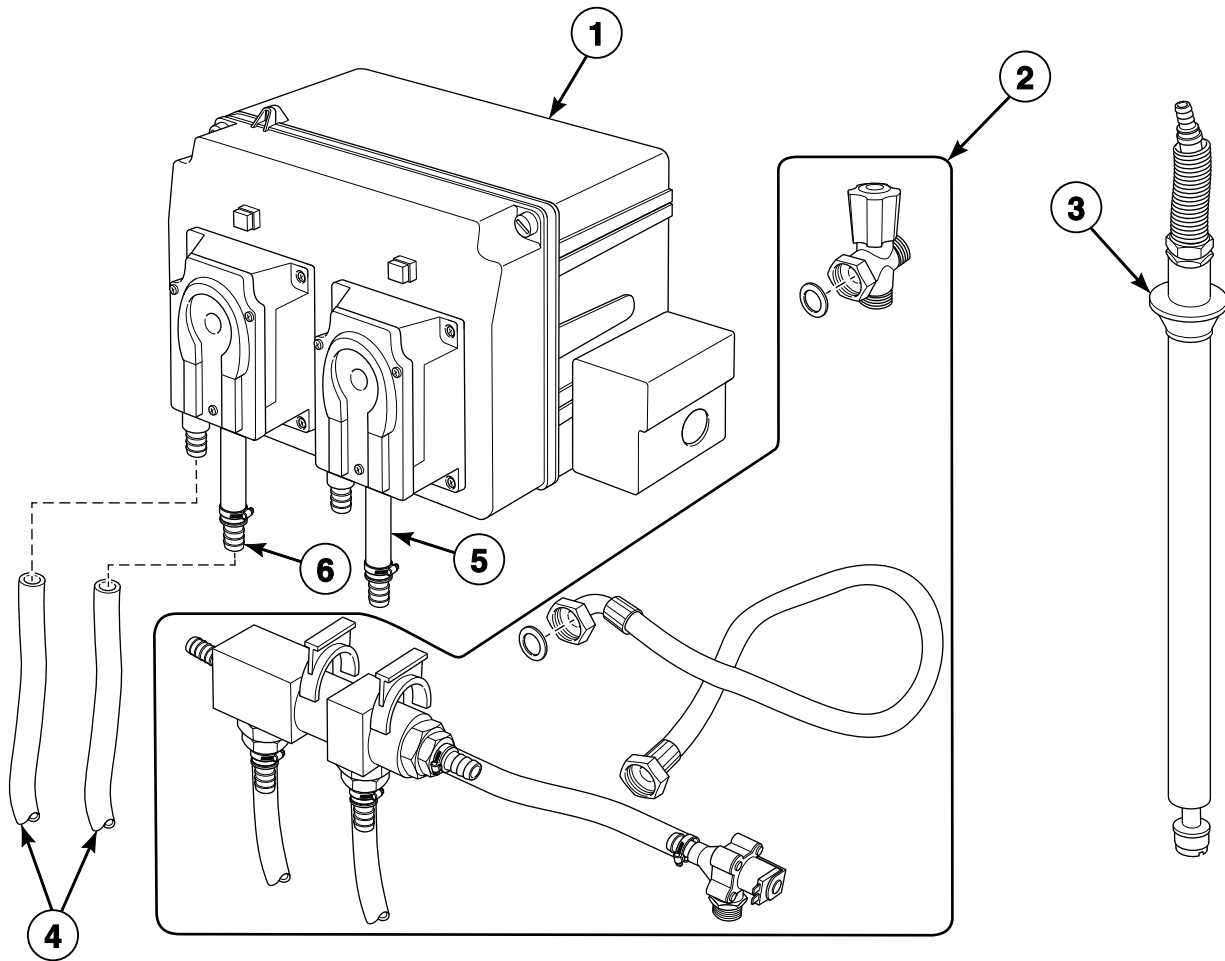
CFD2855P\_D1714



# Weighing System

REF	PART NO.	DESCRIPTION	COMMENTS
	554217	Weighing System Kit	Includes items 1-25
1	SP549791	Amplifier Unit Holder	
2	SP529206	Screw	4x11
3	SP541442	Support Rail	
4	SP346000209101	End Stop	
5	SP346000280301	Cover	
6	SP346000280101	Clamp	280-101; Gray
7	SP346000280402	Interconnection	280-402
8	SP516968	Amplifier	
9	SP554242	Rear Cover	
10	SP554235	Load Sensor Holder	Right
11	SP554221	Side Cover	
12	SP310934000012	Nut	M12
13	SP311127000012	Washer	12
14	SP311125000013	Washer	13
15	SP311902100010	Washer	10
16	SP311127000010	Washer	10
17	SP309933001025	Bolt	M10x25
18	SP537864	Bolt	M6x16
19	SP309933001260	Bolt	M12x60
20	SP516956	Adjustable Foot	
21	SP529101	Load Sensor	
22	SP554232	Load Sensor Holder	Left
23	SP309933001225	Bolt	M12x25
24	SP554220	Front Cover	
25	SP284000012003	Tape	

# Liquid Soap Supply System - Pumps

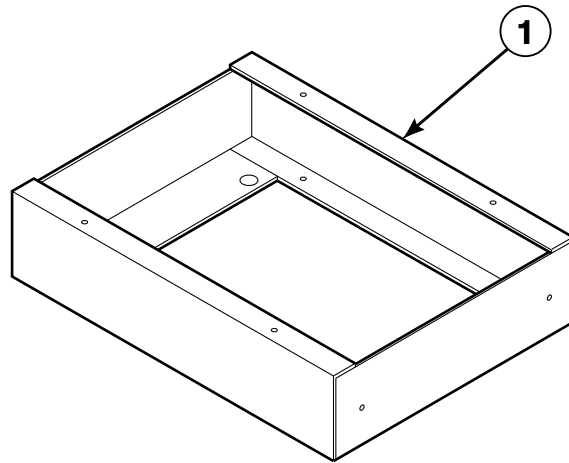


CZW45P\_D1714

## Liquid Soap Supply System - Pumps

REF	PART NO.	DESCRIPTION	COMMENTS
	MB90-Z40	Supply Pump Kit	For two pumps
	MB90-Z41	Supply Pump Kit	For three pumps
	MB90-Z42	Supply Pump Kit	For four pumps
	MB90-Z43	Supply Pump Kit	For five pumps
	MB90-Z44	Supply Pump Kit	For six pumps
<b>1</b>	529742	Pump	Two
	529743	Pump	Three
	529744	Pump	Four
	529745	Pump	Five
	529746	Pump	Six
<b>2</b>	529789	Manifold Flush Kit	For two pumps
	529797	Manifold Flush Kit	For three pumps
	529798	Manifold Flush Kit	For four pumps
	529799	Manifold Flush Kit	For five pumps
	529800	Manifold Flush Kit	For six pumps
<b>3</b>	529787	Suction Tube	
<b>4</b>	SPPRI540020005	Hose	d10/14
<b>5</b>	529747	Hose	Spare hose for pump
<b>6</b>	547808	Connection	

# Elevated Base Frame



CFD3235P\_D1714

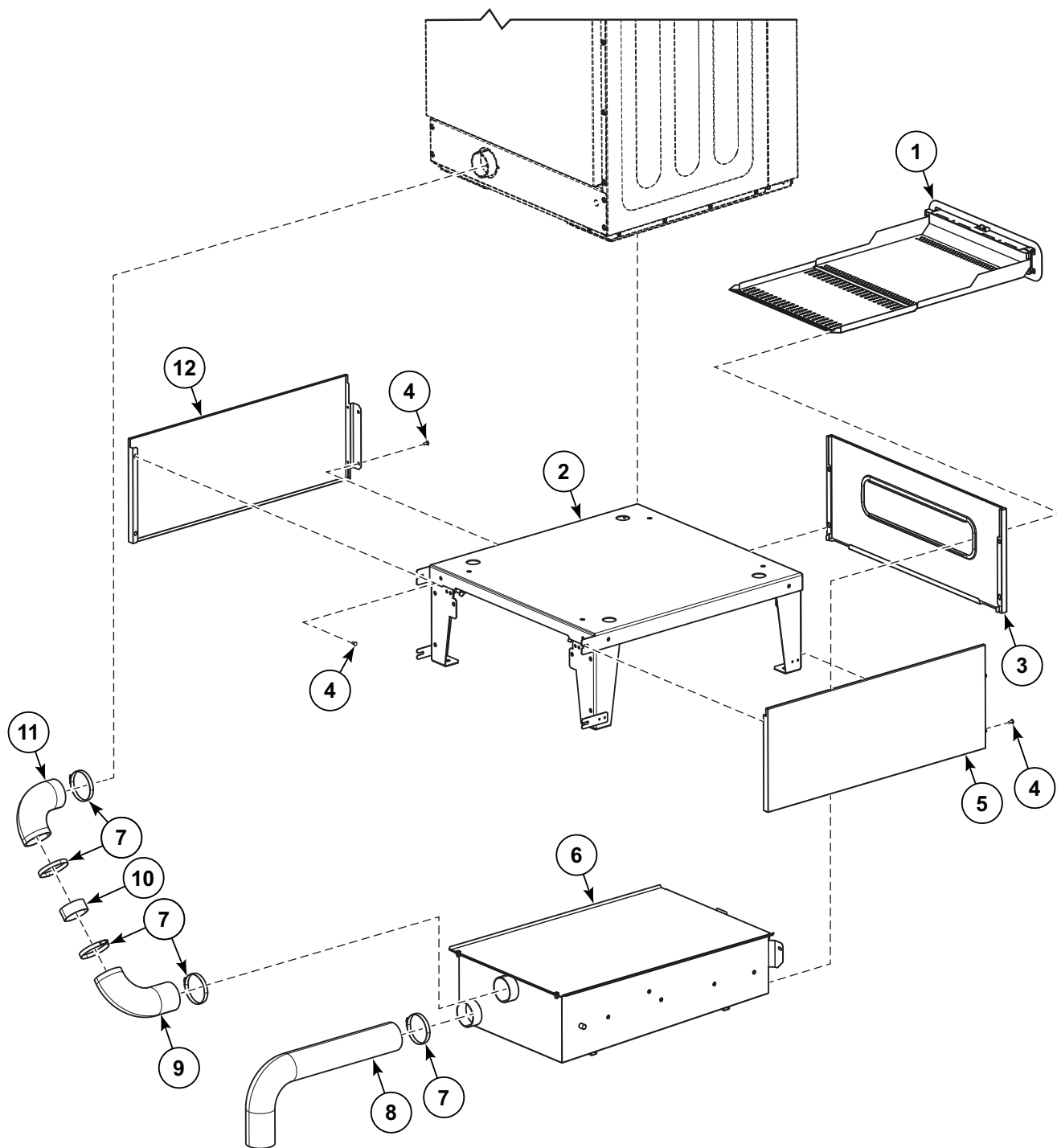
## Elevated Base Frame

REF	PART NO.	DESCRIPTION	COMMENTS
1	551925	Elevated Base Frame	For mounting one machine; Height 135mm; Refer to NOTE*
	551935	Elevated Base Frame	For mounting one machine; Height 200mm; Refer to NOTE*
	551926	Elevated Base Frame	For mounting two machines; Height 135mm; Refer to NOTE*
	551936	Elevated Base Frame	For mounting two machines; Height 200mm; Refer to NOTE*
	551927	Elevated Base Frame	For mounting three machines; Height 135mm; Refer to NOTE*
	551937	Elevated Base Frame	For mounting three machines; Height 200mm; Refer to NOTE*
	551928	Elevated Base Frame	For mounting four machines; Height 135 mm; Refer to NOTE*
	551938	Elevated Base Frame	For mounting four machines; Height 200 mm; Refer to NOTE*
	551929	Elevated Base Frame	For mounting five machines; Height 135 mm; Refer to NOTE*
	551939	Elevated Base Frame	For mounting five machines; Height 200 mm; Refer to NOTE*

\* NOTE: Part can only be ordered through the Equipment Order Desk.

# Base Frame with Built-In Filter

All Models Except Models with V in 7th Position, Models Starting January 1, 2020

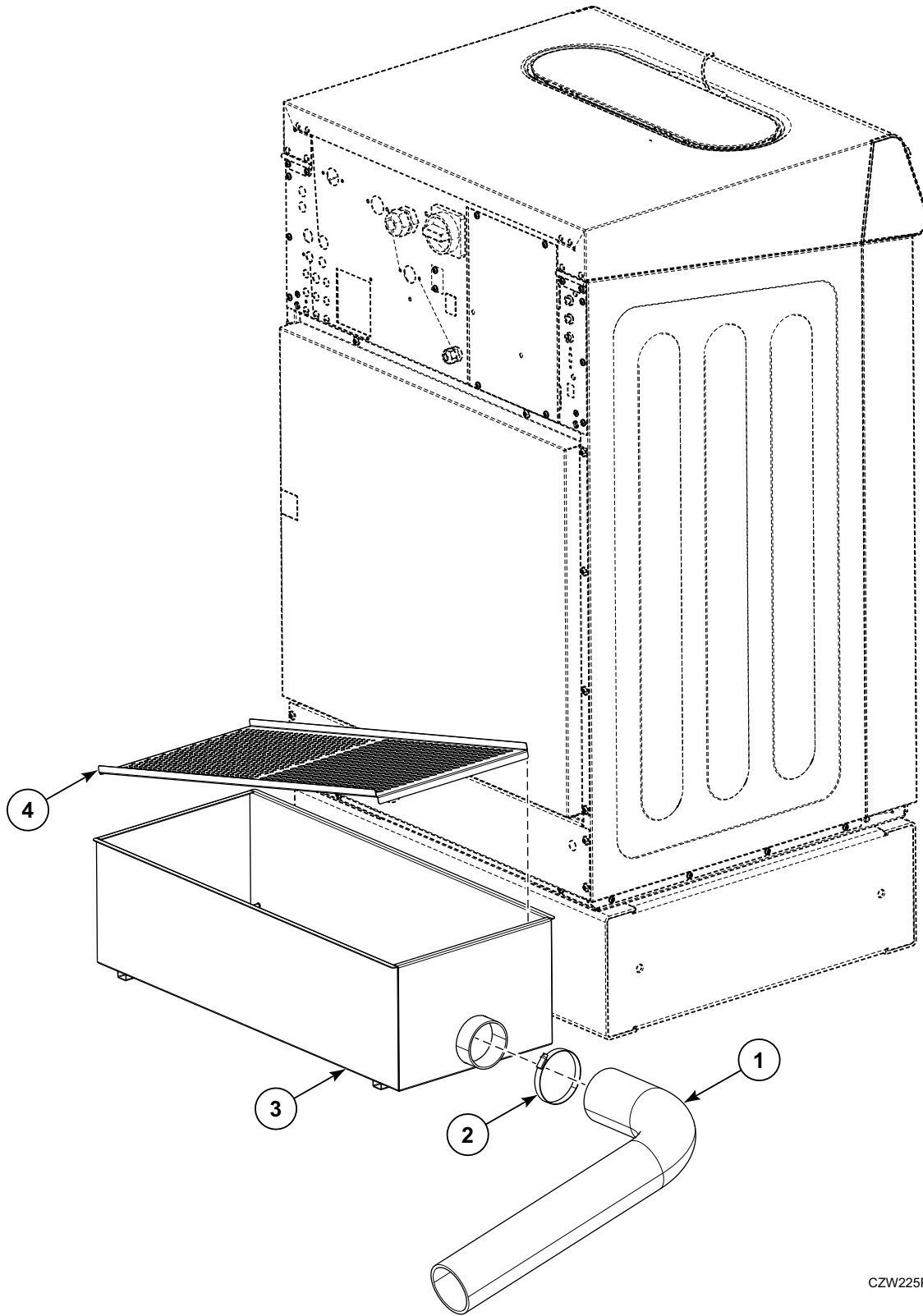


CZW320P\_D1714

## Base Frame with Built-In Filter

REF	PART NO.	DESCRIPTION	COMMENTS
1	574722	Filter	Assembly
2	573819	Base Frame	
3	574769	Front Panel	
4	SP537854	Bolt	M6x14
5	574785	Left Cover	Assembly
6	574703	Box	Assembly
7	SPPRI240000007	Hose Clamp	
8	SP519463	Drain Elbow	
9	574840	Elbow	
10	570807	Pipe	
11	574845	Elbow	
12	574791	Right Cover	Assembly

# Filter Tank



CZW225P\_D1714



# Filter Tank

REF	PART NO.	DESCRIPTION	COMMENTS
	570847	Filter Tank	
1	SP519463	Drain Elbow	
2	SPPRI240000007	Hose Clamp	
3	570841	Collector Weldment	
4	570838	Filter	

## Wire Harnesses

PART NO.	DESCRIPTION	COMMENTS
557734	Interconnection	North America models; CFI - FI
552495	Transformer Connection	North America models
528064	Steam Heat Wiring	North America models; Steam heat
SPPRI351000161	Steam Valve Cable	CE and Watermark models; Steam heat
552477	Inlet Valve Extension Wiring	High volume water inlets
552466	Wireless Reader Wiring	North America models; Vended
557735	Interconnection	North America models; Vended
SP528270	Door Lock Wiring	MC6; CE and Watermark models
SPPRI351107209	Heating Contactor Wiring	CE and Watermark models; l=440mm; For 6kW/230V, 9kW/400V; 2.5mm <sup>2</sup> ; l=540mm
SPPRI351108209	Heating Contactor Wiring	CE and Watermark models; l=440mm; For 9kW/230V, 12kW/400V; 4mm <sup>2</sup> ; l=540mm
SPPRI351105209	Heating Contactor Wiring	CE and Watermark models; l=440mm; For 12kW/230V, 18kW/400V; l=540mm; 6mm <sup>2</sup>
100223	Heating Contactor Wiring	CE and Watermark models; l=700mm; For 12kW/230V, 18kW/400V; 6mm <sup>2</sup>
SPPRI351106209	Heating Contactor Wiring	CE and Watermark models; l=700mm; For 18kW/230V, 24kW/400V
SP528438	Heating Wiring	CE and Watermark models; 12kW / 400V / 440V
SP528335	Heating GND Wiring	CE and Watermark models
SP528205	Frame GND Interconnection	
528350	Transformer Connection	CE and Watermark models; 400-480V, 3AC -N
SP547075	RS485 External Interconnection	For RS485 external interconnection to PC
528393	Wiring Steam - Electrical Heating	Steam - electrical heating modification
SP545235	Door Timer Wiring	Automatic door open execution; MC6
SP552455	Automatic Door Opening Module Wiring	Automatic door open execution; MC7
568393	Main Wiring	Models with V in 7th Position
569749	Door Lock Wiring	l=1.7m; Models with V in 7th Position
569751	Door Lock Cable	l=0.24m; Models with V in 7th Position
SP528324	Communication Cable	
568398	Motor Temperatuer Protect Cable	Models with V in 7th Position
528080	Frame GND Interconnection	Models with V in 7th Position
SP557947	External Block Signal Cable	Length = 110.24 inches (2.8 m)
SP557948	External Block Signal Cable	Length = 169.29 inches (4.3m)
569701	Cable	CPU - I/O board interconnection
574406	Transformer Supply Wiring	
SP528439	Heating Wiring	2.5mm <sup>2</sup> ; l=2.3m; 12kW / 230V, 18kW / 400V / 440V
SP528440	Heating Wiring	6mm <sup>2</sup> ; l=2.3m; 18kW / 230V
520174	Frame GND Interconnection	Models with V in 7th Position
100222	Heating Contactor Wiring	4mm <sup>2</sup> ; For 12kW / 400V / 440V; Length 27.56 inches (700mm)

# Parts Index

## A

<b>Adapter</b>	
SP319428324012 .....	177, 179
SP547968 .....	177, 179
<b>Adhesive</b>	
SP101403 .....	177, 179
SP245704000050 .....	181
SP245704000603 .....	105, 177, 179, 193
SP245704003021 .....	21, 25, 29, 105, 181
SP245704005331 .....	187
SP510971 .....	187
SP537896 .....	33, 105, 185
<b>Adhesive Fixing Index Plate</b>	
SPPRI350003050 .....	187
<b>Adjustable Foot</b>	
SPPRI504000001 .....	11
SP516956 .....	195
<b>Air Trap Reduction</b>	
SPPRI503000027 .....	141, 143, 145
<b>Amplifier</b>	
SP516968 .....	195
<b>Amplifier Unit Holder</b>	
SP549791 .....	195
<b>Anticorrosive Agent</b>	
SP510889 .....	181
<b>Antivibration Foil</b>	
550112 .....	35, 39
<b>Automatic Door Opening Module Wiring</b>	
SP552455 .....	21, 25, 29, 204
<b>Automatic Unlocking Module Assembly</b>	
SP545238 .....	21, 25, 29
SP552489 .....	21, 25, 29, 33

## B

<b>Base Frame</b>	
573819 .....	201
<b>Bearing</b>	
SPPRI608000080 .....	193
SPPRI608002048 .....	193
<b>Bearing Housing</b>	
SP537814 .....	193
SP537815 .....	193
<b>Bearing Replacement Tool Kit</b>	
SP538787 .....	193
<b>Belt</b>	
SP547781 .....	191
<b>Binding Strip</b>	
SP345000626088 .....	141, 143, 145, 149
SP503817 .....	135, 137, 149, 187
<b>Board Interconnection Cable</b>	
SP537995 .....	59
SP547005 .....	43, 51, 59
<b>Bolt</b>	
F8270701 .....	115
SPF02119000415 .....	181, 185
SP309084000320 .....	83, 87, 91
SP309084000408 .....	23, 25, 29, 41, 83, 85, 87, 89, 91, 93

SP3090840004169 .....	11, 105, 119, 127, 129, 147, 151, 155, .....	159, 163, 167, 171, 175, 185
SP309084000535 .....	163, 167, 171, 175	
SP309084240325 .....	11	
SP309798500306 .....	33, 41, 43, 51, 59, 71, 73, 75	
SP309931001050 .....	11	
SP309933000416 .....	83, 87, 91, 95, 97, 147, 155, 159, 187	
SP309933000616 .....	21, 25, 191	
SP309933000620 .....	149, 155, 159, 163, 167, 171, 175, 177, .....	179
SP309933000660 .....	163, 167, 171, 175	
SP309933000820 .....	9, 11, 141, 143, 145	
SP309933000880 .....	191	
SP309933001025 .....	195	
SP309933001225 .....	195	
SP309933001235 .....	181, 183	
SP309933001250 .....	181, 183	
SP309933001260 .....	195	
SP309933001630 .....	191	
SP309933100625 .....	147, 151, 155, 159, 163, 167, 171, 175	
SP309933240408 .....	151, 155, 159	
SP309933240412 .....	85, 89, 93, 163, 167, 171, 175	
SP309933241035 .....	181, 183	
SP309965240408 .....	77, 79, 81, 187	
SP506013 .....	41	
SP506431 .....	29, 41	
SP506432 .....	11	
SP527093 .....	9	
SP527420 .....	11	
SP533394 .....	191	
SP533726 .....	11	
SP535479 .....	107, 111, 113	
SP537854 .....	105, 185, 201	
SP537864 .....	21, 107, 111, 113, 195	
SP550140 .....	9	
SP550482 .....	31, 41	
SP553524 .....	109	
SP555504 .....	33, 43, 51, 59, 77, 79, 81, 135, 137, 163, 167, .....	171, 175
SP555658 .....	21, 23, 25, 27, 29, 31, 33, 41, 179	
SP556137 .....	105	
309500240408 .....	77, 79, 81	
568968 .....	115	
569655 .....	77, 79, 81	
577761 .....	59	
577762 .....	59	
577763 .....	59	

<b>Box</b>	
574703 .....	201
<b>Bushing</b>	
SP101406 .....	151, 153, 157, 161, 165, 169, 173
SP101409 .....	151, 153, 157, 161, 165, 169, 173

## C

<b>Cable</b>	
SP545234 .....	95, 151, 153, 157, 161, 165, 169, 173
557982 .....	149
569701 .....	204
<b>Cable Bushing</b>	
SPPRI501000071 .....	147

N/A items do not appear in index.

Cable Bushing Insert		SP547634.....	45, 63
SP557952 .....	151	SP547635.....	45, 63
Cable Clamp		SP547636.....	45, 63
SP528392 .....	151, 155, 159	SP547637.....	45, 63
Cable Eye		SP547638.....	45, 63
SP345000165034 .....	155, 159, 163, 167, 171, 175	SP547639.....	45, 63
345000034150 .....	149	SP547640.....	45, 63
Cable Holder		SP547641.....	47, 65
SP528313 .. 33, 43, 51, 149, 155, 159, 163, 167, 171,		SP547642.....	47, 65
175, .....	187	SP547643.....	47, 65
Cable Passage		SP547644.....	47, 65
SP273121005052 .....	21, 25, 29, 41	SP547645.....	47, 65
SP273121015002 .....	147	SP547646.....	47, 65
Cable Sleeve		SP547647.....	45, 63
SPPRI407000091 .....	163, 167, 171, 175	SP547648.....	45, 63
Cage		SP547649.....	47, 65
SP533742 .....	191	SP547651.....	47, 65
Casing		SP547652.....	45, 63
SP529739 .....	107, 111, 113	SP547653.....	47, 65
Check Valve		SP547654.....	47, 65
B12543901.....	119	SP547656.....	45, 63
Circuit Breaker		SP547657.....	47, 65
571463 .....	161, 169	SP547658.....	47, 65
571464 .....	165, 173	SP547659.....	47, 65
Clamp		SP547660.....	47, 65
SP346000280101 .....	195	SP547661.....	47, 65
SP537822 .....	181, 185	SP547662.....	47, 65
540240120240 .....	191	SP547663.....	47, 65
Clip		SP547664.....	47, 65
SP502214 .....	155, 159, 163, 167, 171, 175	SP547665.....	45, 63
Coil		SP547666.....	45, 63
SP554110.....	177, 179	SP547667.....	47, 65
568942 .....	115	SP547668.....	47, 65
Coin Meter		SP547669.....	47, 65
SP537996 .....	47, 65	SP547670.....	47, 65
SP547600 .....	45, 63	SP547671.....	47, 65
SP547601 .....	45, 63	SP547672.....	47, 65
SP547602 .....	45, 63	SP547673.....	47, 65
SP547603 .....	45, 63	SP547674.....	47, 65
SP547604 .....	45, 63	SP547675.....	47, 65
SP547605 .....	45, 63	SP553156.....	55
SP547606 .....	45, 63	SP555502.....	47, 65
SP547607 .....	45, 63	SP555543.....	47, 65
SP547608 .....	45, 63	SP555546.....	47, 65
SP547609 .....	45, 63	SP555549.....	47, 65
SP547610 .....	45, 63	SP555550.....	47, 65
SP547611.....	45, 63	SP555558.....	47, 65
SP547612.....	45, 63	SP555559.....	47, 65
SP547613 .....	45, 63	SP555578.....	47, 65
SP547614 .....	45, 63	SP555579.....	47, 65
SP547615 .....	45, 63	SP555666.....	47, 65
SP547616 .....	45, 63	SP558958.....	53
SP547617 .....	45, 63	SP558959.....	53
SP547618 .....	45, 63	SP559933.....	53
SP547619 .....	45, 63	SP559934.....	53
SP547620 .....	45, 63	SP559938.....	53
SP547621 .....	45, 63	SP559949.....	53
SP547622 .....	45, 63	SP559969.....	53
SP547623 .....	45, 63	SP560071.....	55
SP547624 .....	45, 63	SP560075.....	55
SP547625 .....	45, 63	SP560082.....	47, 65
SP547626 .....	45, 63	SP560083.....	49, 67
SP547627 .....	45, 63	SP560084.....	49, 67
SP547628 .....	45, 63	SP560085.....	49, 67
SP547629 .....	45, 63	SP560086.....	49, 67
SP547630 .....	45, 63	SP560087.....	55
SP547631 .....	45, 63	SP560089.....	47, 65
		SP560090.....	53
		SP560091.....	53

N/A items do not appear in index.

SP560092	55	569912	49, 67
SP560093	55	569918	49, 67
SP560094	55	569919	55
SP560100	55	569921	45, 63
SP560309	53	569922	53
SP560310	53	569924	49, 67
SP560311	53	569925	55
SP560312	53	569927	49, 67
SP560405	53	569928	55
SP560406	53	569930	49, 67
SP560407	53	569931	55
SP560408	53	569933	47, 65
SP560409	53	569934	53
SP560410	53	569936	49, 67
SP560411	53	569937	55
SP560412	53	569939	47, 65
SP560413	53	569940	53
SP560414	53	569942	49, 67
SP560415	53	569943	55
SP560416	53	569945	49, 67
SP560417	53	569946	55
SP560418	53	569948	47, 65
SP560419	53	569949	55
SP560420	53	569951	47, 65
SP560421	53	569952	55
SP560422	53	569954	49, 67
SP560423	53	569955	55
SP560424	53	569961	49, 67
SP560425	53	569962	55
SP560426	53	569964	47, 65
SP560427	53	569965	53
SP560428	53	569967	49, 67
SP560429	53	569968	55
SP560432	53	569970	49, 67
SP560744	47, 65	569971	55
SP560745	53	569973	49, 67
SP560751	53	569974	55
SP561497	55	569979	49, 67
SP564485	55	569980	55
SP568002	99	569987	49, 67
SP568003	99	569988	55
SP568004	99	569993	55
SP568005	99	569995	55
SP568006	99	569998	49, 67
SP568007	99	569999	57
SP568008	99	570000	57
SP568009	99	572301	49, 67
SP568010	99	572302	57
SP568011	99	572304	49, 67
SP568012	99	572305	57
SP568013	99	572307	49, 67
SP568014	99	572308	57
SP568015	99	572310	49, 67
SP568016	99	572311	57
SP568017	99	572313	49, 67
553150	49, 67	572314	57
553151	49, 67	572317	49, 67
560073	49, 67	572318	57
561378	49, 67	572320	49, 67
561496	49, 67	572321	57
563405	55	572323	49, 67
564484	49, 67	572324	57
564486	49, 67	572326	49, 67
564487	55	572327	57
564489	49, 67	572339	49, 67
568002	101	572342	49, 69
569901	49, 67	572343	55
569905	55	572355	55
569911	55	572358	69

N/A items do not appear in index.

572359	55	575264	101
572383	69	575265	101
572384	57	575266	101
572386	101	575267	101
572389	55	575268	101
572391	69	575269	101
575201	103	575270	101
575202	103	575271	101
575203	103	575272	101
575204	103	575273	101
575205	103	575274	101
575206	103	575275	101
575207	103	575276	57
575208	103	575277	57
575209	103	575278	101
575210	103	575279	101
575211	103	579808	49, 69
575212	103	579809	57
575213	103	Coin Meter Box	
575214	103	100498	95
575215	103	568036	97
575216	103	Coin Meter Case	
575217	103	571055	95
575218	99	573009	97
575219	99	Coin Meter Cover	
575220	99	567924	71, 77
575221	99	Coin Meter Cover Plate	
575222	99	SP558929	43, 51
575223	99	Coin Meter Covering Plate	
575224	99	SP547565	59
575225	99	Coin Vault Plate	
575226	99	SP533103	23, 25, 29
575227	99	566737	23, 25, 29, 39
575228	99	Collector Weldment	
575229	99	570841	203
575230	99	Communication Cable	
575231	99	SP528324	147, 204
575232	99	SP528325	147
575233	99	Compression Spring	
575234	99	SP535406	109
575235	99	Conductor	
575236	99	SP505446	149
575237	99	505448	149
575238	99	Connection	
575239	99	547808	197
575240	99	Connector	
575241	99	SP537856	105, 185
575242	99	SP554156	177, 179
575243	99	Contactactor	
575244	99	SPPRI345002019	147, 153, 157, 161, 165, 169, 173
575245	99	SP514038	147, 153, 157, 161, 165, 169, 173
575246	99	SP514042	147, 153, 157, 161, 165, 169, 173
575247	99	SP514043	147, 161, 165, 169
575248	99	Control	
575249	101	572505	77, 79, 81, 83, 87, 91
575250	101	575632	77, 79, 81, 83, 85, 87, 89, 91, 93
575251	101	Control Board	
575252	101	SP547001	59
575253	101	SP553411	43, 51, 59
575254	101	SP553412	43
575255	101	SP553419	51, 71, 73, 75
575256	101	553411	71, 73, 75
575257	101	Control Board I/O	
575258	101	575630	33, 39
575259	101	Control Board Power	
575260	101	SP547002	59
575261	101		
575262	101		
575263	101		

N/A items do not appear in index.

SP553405 .....	33, 43, 51, 59
Control Holder	
571041 .....	77, 79, 81
Control Panel	
SP557585 .....	43
SP558907 .....	51
573028 .....	35, 77, 79, 81
573063 .....	73
573077 .....	71
573079 .....	75
573121 .....	79
573123 .....	77
573125 .....	81
Cover	
SPPRI543000004 .....	43, 51, 59
SP346000280301 .....	195
SP552972 .....	105
566549 .....	153, 157, 161, 165, 169, 173
569656 .....	33
Cover Plate	
SP550149 .....	59
Cover Strip Pin	
SP533738 .....	9
CPS Cover Plate	
SP558930 .....	43, 51
Cross Piece	
SP537824 .....	181, 183

## D

Damper	
SP533716 .....	11
DC Choke	
SP571457 .....	165
571456 .....	161, 169
571457 .....	173
Dispenser Lid	
SP526461 .....	121, 125, 127, 129, 131, 133
SP551695 .....	121, 125
573922 .....	127, 129, 131, 133
Dispenser Pipe	
SP526489 .....	121, 123
SP526589 .....	127, 129, 131, 133
Dispenser Seal	
SP540158 .....	121, 125, 127, 129, 131, 133
Distinguishing Ring	
SP535411 .....	109, 113
SP535437 .....	109
571733 .....	109, 111
Door	
SP535443 .....	107
SP535445 .....	107
SP553527 .....	107, 113
568838 .....	107, 111
Door and Lock Holder	
SP537883 .....	105, 185
Door Assembly	
SP556272 .....	105
SP559369 .....	105
537930 .....	105, 113
537932 .....	105
556254 .....	105
562706 .....	105
563372 .....	105, 111

571765 .....	113
571768 .....	111
573186 .....	105, 111
574099 .....	105, 111
Door Frame Sheet	
571636 .....	111, 113
Door Glass	
SP535439 .....	105, 113
SP556228 .....	105, 111
SP562703 .....	105
535439 .....	111
573192 .....	105, 111
Door Level	
573009 .....	111, 113
Door Lock Assembly	
576085 .....	115
Door Lock Cable	
569751 .....	204
Door Lock Catch	
576084 .....	115
Door Lock Holder	
568931 .....	185
Door Lock Plate	
568971 .....	115
Door Lock Wiring	
SP528270 .....	204
SP552453 .....	105
SP552454 .....	105
569723 .....	105
569749 .....	204
Door Timer Wiring	
SP545235 .....	204
Double Check Valve	
F8301201 .....	119, 121, 123
Double Reverse Valve	
RSPB12543901 .....	123, 135, 137
Drain Elbow	
SPPRI505000087 .....	141
SP235100018724 .....	141
SP519463 .....	141, 201, 203
SP526499 .....	141, 143, 145
Drain Hose Pipe	
SP526492 .....	141, 143, 145
Drain Jet	
567167 .....	187
Drain Valve	
SP526460 .....	141, 143, 145
Drain Valve Chamber	
553195 .....	141
Drain Valve Holder	
SP526513 .....	141, 143, 145
Drain Valve Motor	
SPPRI340002051 .....	141, 143, 145
Drain Valve Seal	
554276 .....	141, 143, 145

## E

Edge Protection	
SP529068 .....	23, 27, 31, 33, 39, 167, 175
Elbow	
SPPRI426002072 .....	123, 131, 133
567181 .....	187

N/A items do not appear in index.

574840	201
574845	201
Elevated Base Frame	
551925	199
551926	199
551927	199
551928	199
551929	199
551935	199
551936	199
551937	199
551938	199
551939	199
Emergency Stop Connector	
SP528311	43, 51, 59, 71, 77, 83, 85
Emergency Stop Interconnection	
SP520033	43, 51, 59, 87, 89
571485	91, 93
Emergency Stop Knob	
SP528310	43, 51, 59, 71, 77, 83, 85
Emergency Stop Label	
SPPRI551005248	71, 77
Emergency Stop Wiring	
SP520032	43, 51, 59
End Cover	
552483	149
End Stop	
SP346000209101	161, 165, 169, 173, 195
Extension	
SPPRI426003217	123, 131, 133
External Block Signal Cable	
SP557947	151, 153, 157, 204
SP557948	151, 204
External Tub	
SP537810	181, 183
SP537921	181, 183
567159	181
567199	181
External Tub Front Plate	
SP537819	181
575987	185

## F

Fastener	
SP550115	21, 25, 29, 33, 41, 71, 73, 75, 77, 79, 81, 139
Feather	
SP308726014050	191
Ferrite Core	
557961	153, 157, 161, 165, 169, 173
Filling Elbow Pipe	
SP526506	119, 123, 127, 129, 131, 133, 135, 137
Filling Hose Pipe	
RSPF200166	119, 123
SPPRI505000054	119, 127, 129, 131, 133, 135, 137
SP101621	119, 123, 127, 129, 131, 133, 135, 137
SP533036	123
SP547980	119, 127, 129, 131, 133, 135, 137
Filter	
SPPRI340004030	119, 123, 127, 129, 131, 133, 135, 137
SP525935	147
SP552251	147, 153

525935	157
568380	163, 169
570838	203
574722	201
Filter Holder	
572126	165
574850	173
Filter Tank	
570847	203
Fixed Hinge	
568982	111, 113
Fixed Lower Hinge	
568982	107
568984	107
Fixed Upper Hinge	
568979	107, 111, 113
568981	107
Flap	
SP540113	121, 125, 127, 129, 131, 133
Foam Roller	
SP100188	141, 143, 145
Frame GND Interconnection	
SP528205	204
520174	204
528080	204
Frequency Inverter	
SP571473	161, 169
SP571475	153, 157, 161, 165, 169, 173
571473	147, 153
571475	147
Frequency Inverter Filter	
SP557932	165, 173
Front Cover	
SP554220	195
SP564375	35
Front Panel	
SP533211	31
SP533213	31
SP533278	23, 31
SP533280	23, 31
SP557058	27
SP557059	27
SP562726	27
SP562727	27
559108	23
563462	23, 31
563464	23, 31
567117	23
568049	31
568051	23, 31
568061	27
568065	27
571101	35
571723	105, 185
571726	105, 185
572541	39
572542	39
572543	39
572544	39
573016	35
574092	35
574769	201
579115	105
Fuse	
SP345805005020	151, 157, 161, 165, 169, 173
SP345805163032	151, 153, 157, 161, 165, 169, 173

N/A items do not appear in index.



Fuse Cover	
SP554311.....	161, 165, 169, 173
Fuse Glass	
569725.....	149
Fuse Holder	
SPPRI401001020.....	151, 161, 165, 169, 173
SPPR401001020.....	157
SP554310.....	161, 165, 169, 173
Fuse Housing	
SPPRI401003020.....	151, 153, 157, 161, 165, 169, 173
552482.....	149

## H

Handle	
SP552908.....	109
SP552909.....	109
SP556297.....	109
562898.....	109
569335.....	109
571780.....	113
571781.....	111
571788.....	109
Handle Ball	
SP535407.....	109
Handle Lower Part	
SP535429.....	109
571779.....	111, 113
Handle Torsion Spring	
SP535402.....	107, 111, 113
Heating Contactor Wiring	
SPPRI351105209.....	204
SPPRI351106209.....	204
SPPRI351107209.....	204
SPPRI351108209.....	204
100222.....	204
100223.....	204
Heating Element	
SP540127.....	181, 185
SP540132.....	181, 185
Heating Element Cover	
568937.....	185
Heating Element Front Cover	
SP563275.....	105, 185
568987.....	105, 185
579089.....	105
Heating Element Hole Plug	
SPPRI342001016.....	177, 179
Heating GND Wiring	
SP528335.....	204
Heating Wiring	
SP528438.....	204
SP528439.....	204
SP528440.....	204
Hex Pillar	
570381.....	163, 167, 171, 175
Hinge	
SP516832.....	21, 25, 29, 41
Hinge Spacer	
SP535421.....	107, 111, 113
SP537849.....	105, 185
Hinges	
570553.....	107
570554.....	107

Holder	
SPPRI326002004.....	21, 25, 29, 33
540123.....	153, 157
570382.....	161, 165, 169, 173
Holder Cover	
SP535430.....	109, 113
SP535438.....	109, 111
SP556278.....	109
569331.....	109
Holder Partition	
SP540154.....	147
Hook	
SPPRI551016250.....	21, 25, 29, 41
Hook Lock	
SPPRI610002007.....	21, 25, 33, 59, 87, 89
Hose	
SPPRI503002049.....	141, 143, 145
SPPRI540000014.....	121, 123, 127, 129, 131, 133, 135, 137
SPPRI540001019.....	123, 131, 133, 187
SPPRI540020005.....	197
529747.....	197
Hose Clamp	
SPPRI240000002.....	121, 123, 127, 129, 131, 133, 135, 137
SPPRI240000003.....	119, 123, 127, 129, 131, 133, 135, 137, 141, 143, 145, 187
SPPRI240000007.....	119, 123, 127, 129, 131, 133, 135, 137, 141, 143, 145, 201, 203
SPPRI240000017.....	119, 123, 135, 137, 143, 145
SPPRI240000021.....	121, 125, 127, 129, 131, 133, 135, 137
SPPRI241000017.....	141, 143, 145
SP526491.....	119, 123, 127, 129, 131, 133, 135, 137
SP526532.....	141, 143, 145
576096.....	141, 143, 145
Hose Coupling	
567173.....	187
Hose End	
567171.....	187
Hose Pharmasteel	
567180.....	187
Hose Pipe	
SP101745.....	121, 127, 129, 131, 133

## I

Inlet Valve Extension Wiring	
552477.....	204
Insulation Washer	
571458.....	161, 165, 169, 173
Interconnection	
SP346000280402.....	195
SP545220.....	149
528169.....	149
557734.....	204
557735.....	204
564682.....	149
Internal Vessel	
SP540116.....	121, 125, 127, 129, 131, 133
Isolation	
557936.....	149
Isolation Cavity	
345000966067.....	149

N/A items do not appear in index.

Isolation Paper	
SPPRI350012007 .....	95, 97, 147

## K

Key	
SP550616 .....	21, 25, 59, 87, 89
Keyboard	
SP547007 .....	61
SP547015 .....	61
SP547016 .....	61
SP547017 .....	61
SP547018 .....	61
SP547027 .....	43, 61
SP547028 .....	43, 61
SP547029 .....	43, 61
SP547030 .....	43, 61
SP547039 .....	61
SP547040 .....	61
SP547041 .....	61
SP547042 .....	61
SP552912 .....	61
SP556256 .....	61
SP557566 .....	71, 73, 75
SP557571 .....	51
SP557572 .....	51
SP557577 .....	43
SP557578 .....	43
SP557581 .....	43
SP557584 .....	43
SP559393 .....	51
SP559396 .....	51
SP560747 .....	71, 73, 75
SP560748 .....	71
SP560757 .....	61
SP560763 .....	51
SP560764 .....	51
547087 .....	71
547088 .....	43, 71, 73, 75
Kit of Hinges	
570553 .....	111, 113

## L

Label	
SP547050 .....	61
SP562738 .....	61
SP563292 .....	61
SP564831 .....	107
524740 .....	153, 157
557981 .....	149
560786 .....	29
564844 .....	23
567186 .....	51
570371 .....	161, 165, 169, 173
572486 .....	7
572487 .....	7
576337 .....	7
579019 .....	161, 165, 169, 173
Label Covering	
567925 .....	77
Lath	
SP547574 .....	59
Leading Pin	
SP550113 .....	43, 51, 77, 79, 81

N/A items do not appear in index.

Left Cover	
574785 .....	201
Liquid Detergent	
570317 .....	169, 173
Liquid Detergent Box	
SP540123 .....	151
Liquid Soap Supply Connection Kit	
SP528443 .....	147
Load Sensor	
SP529101 .....	195
Load Sensor Holder	
SP554232 .....	195
SP554235 .....	195
Locating Segment	
SP529710 .....	109
571773 .....	111, 113
Lock	
SP537760 .....	107, 117
SP547527 .....	21, 25, 33, 59, 87, 89
SP559362 .....	21
Lock Pin	
SP537933 .....	107
Lower Frame	
SP533164 .....	11
Lower Hinge	
575963 .....	107, 111, 113
575965 .....	107
Lower Rear Cover	
SP533384 .....	23, 27, 31, 35, 39
Lower Weight	
SP533784 .....	9
SP533814 .....	9
Lubrication Grease	
PRI702000010 .....	191
SP111313000002 .....	193

## M

Main Switch	
SPPRI404000097 ..	147, 153, 157, 161, 165, 169, 173
SPPRI404000098 ..	147, 153, 157, 161, 165, 169, 173
SPPRI404000099 ..	147, 153, 157, 161, 165, 169, 173
SPPRI404001098 ..	147, 153, 157, 161, 165, 169
SPPRI404001099 ..	147, 153, 157, 161, 165, 169
SP506407 .....	147, 153, 157, 161, 165, 169
Main Switch Knob	
SPPRI404000095 ..	151, 153, 157, 161, 165, 169, 173
Main Vessel	
SP540115 .....	121, 125, 127, 129, 131, 133
Main Wiring	
SP528429 .....	147
SP552476 .....	147
SP557769 .....	147
568393 .....	204
Manifold Flush Kit	
529789 .....	197
529797 .....	197
529798 .....	197
529799 .....	197
529800 .....	197
Microswitch	
SP528309 .....	11
568978 .....	115
571634 .....	185

Mixer	567170 .....	187
SP526558 .....	571635 .....	185
Mixer Body		
SP526565 .....		119, 123, 127, 129, 131, 133, 135, 137
Mixer Lid		
SP526557 .....		119, 123, 127, 129, 131, 133, 135, 137
Module		
553189 .....		39
Motor and Pulley		
SP555586 .....		191
SP555587 .....		191
SP557455 .....		191
SP557456 .....		191
571449 .....		191
571450 .....		191
Motor Holder		
SP533794 .....		191
Motor Temperature Protect Cable		
568398 .....		204

## N

Network Installation Kit		
569593 .....		43
Nose Assembly		
572584 .....		83
573955 .....		91
574129 .....		87
574236 .....		83
574239 .....		87
574242 .....		91
576035 .....		85
576038 .....		89
576041 .....		93
576044 .....		85
576047 .....		89
576050 .....		93
Nut		
F430225 .....		115
F430232 .....		115
SP101416 .....		147, 153, 157, 161, 165, 169, 173
SP101419 .....		147, 153, 157, 161, 165, 169, 173
SP309084000308 .....		83, 85, 87, 89, 91, 93
SP310934000003 .....		11
SP310934000004 .....		43, 51, 59, 71, 73, 75, 77, 79, 81, 83, 85, 87, 89, 91, 93, 95, 97, 147, 151, 155, 159
SP310934000006 .....		187
SP310934000008 .....		191
SP310934000010 .....		11
SP310934000012 .....		195
SP310934000020 .....		11
SP310934100006 .....		147, 155, 159, 163, 167, 171, 175
SP310934240004 .....		115
SP310934240006 .....		185
SP310934240008 .....		181, 185
SP310985000006 .....		29, 41, 105, 109, 111, 113, 185, 191
SP310985000008 .....		9, 11
SP310985000010 .....		11
SP310985000012 .....		181, 183, 191
SP313251000006 .....		21, 25, 29, 33, 41, 177
SP313251002104 .....		105
SP510923 .....		11
SP510929 .....		187
SP514193 .....		27, 33
567166 .....		187

## O

O-Ring		
567168 .....		187
567169 .....		187
Oscillation Limiter		
SP533388 .....		9
Overflow Tube		
SP547897 .....		119, 123, 135, 137, 143, 145
Overlay		
573928 .....		83, 85
573937 .....		87, 89
573952 .....		91, 93
574218 .....		83, 85
574221 .....		87, 89
574224 .....		91, 93

## P

Panel Holder		
SP533296 .....		29
SP557623 .....		21
SP560303 .....		25
567975 .....		33
573939 .....		39
Pin		
SP540117 .....		121, 125, 127, 129, 131, 133
Pin Insertion		
SP520408 .....		11, 21, 23, 25, 29, 33, 41, 43, 51
Pipe		
570807 .....		201
Pipe Nipple		
SPPRI426001217 .....		123, 131, 133
SPR22112000114 .....		177, 179
SP510120 .....		123, 131, 133
Plasticine		
563260 .....		107
Plate of Closing		
568941 .....		115
Plug		
SPPRI426001268 .....		177, 179
567053 .....		135, 137
Profiled Sealing		
SPPRI505000058 .....		25, 33, 141, 155, 159, 163, 167, 171, 175, 185
Programmer Holder		
SP547571 .....		59
SP550005 .....		59
SP557618 .....		43
SP558896 .....		51
569578 .....		33
573934 .....		39
Programming Cable		
F8600501 .....		43, 51, 59
Pump		
529742 .....		197
529743 .....		197
529744 .....		197
529745 .....		197
529746 .....		197

N/A items do not appear in index.

567076 .....	187
Pump Board	
567115 .....	187
Pump Relay Board to LED Terminal Cable	
SP528150 .....	151

## R

Rear Cover	
SP547882 .....	23, 25, 29
SP554242 .....	195
570469 .....	35, 39
Rear Panel	
SP547878 .....	149
SP554384 .....	149
574192 .....	169, 173
Rear Panel Assembly	
567982 .....	157, 161, 165
577195 .....	153
Rear Panel Lid	
SP526567 .....	151
Rear Spring Holder	
SP555495 .....	13, 15, 17, 19
Reduction	
567174 .....	119, 123
Reinforcement	
SP558881 .....	21
SP558945 .....	25
573228 .....	139
Reinforcement Tube	
SP500125 .....	141, 143, 145
Relay	
SP514057 .....	149
SP514134 .....	161, 165, 169, 173
Relay Case	
SP506586 .....	149, 161, 165, 169, 173
Relay Clamp	
SP514135 .....	149, 161, 165, 169, 173
Reverse Function Drain Valve	
SP547821 .....	141, 143, 145
Right Cover	
574791 .....	201
Rim	
SP562547 .....	107, 111
573189 .....	107, 111
Rivet	
SP313250004007 .....	147
SP313250048008 .....	21, 25, 29
SP313250048103 .....	41
SP547779 11, 21, 23, 25, 29, 33, 41, 43, 51, 105, 185	
505479 .....	13, 15, 17, 19
558054 .....	143, 145
Roller	
SP533727 .....	11
RS485 External Interconnection	
SP547075 .....	204

## S

Screw	
F430977 .....	115
SP309798124313 .....	121, 125, 127, 129, 131, 133

SP520407 .....	85, 89, 93
SP526497 .....	119, 123, 127, 129, 131, 133, 135, 137, 141, .....
SP529206 29, 31, 33, 41, 95, 97, 121, 125, 127, 129, 131, .....	133, 139, 141, 143, 145, 147, 151, 155, 159, 163, .....
	167, 171, 175, 195

### Seal

SPPRI520001009 .....	119, 123, 135, 137
SP510986 .....	185
SP517232 .....	9, 21, 25, 31, 41
SP526564 .....	177, 179
SP537821 .....	181, 185
564202 .....	33, 187

### Sealant

SPPRI704000053 .....	119, 121, 181
----------------------	---------------

### Sealing Ring

SP506475 .....	193
SP537879 .....	193

### Self-Adhesive Pad

SPMEC001410 .....	43, 51
-------------------	--------

### Self-Adhesive Profile

570387 .....	161, 165, 169, 173
--------------	--------------------

### Service Door Kit

568989 .....	105, 107, 111, 113
--------------	--------------------

### Shaft Ring

SP552982 .....	181, 185
----------------	----------

### Shim

SP550033 .....	191
568804 .....	111, 113

### Side Board

570391 .....	59
570392 .....	59

### Side Cover

SP554221 .....	195
----------------	-----

### Side Panel

SP550326 .....	29
SP550328 .....	31
SP550350 .....	29
SP550352 .....	31
SP557659 .....	21, 25
SP557661 .....	23, 27
SP558984 .....	25
SP558986 .....	27
563480 .....	29
563482 .....	31
563508 .....	21
563510 .....	23
572009 .....	37
572010 .....	37
573050 .....	37
573052 .....	37
574065 .....	37
574066 .....	37

### Side Panel Assembly

574155 .....	39
574156 .....	39
574159 .....	39
574160 .....	39

### Side Sheet Metal

SP547506 .....	59
SP547507 .....	59

### Sidewall

572571 .....	83, 87, 91
572572 .....	83, 87, 91
572586 .....	83, 87, 91
572588 .....	83, 87, 91

N/A items do not appear in index.

573929 .....	83, 85, 87, 89, 91, 93
576069 .....	85, 89, 93
576070 .....	85, 89, 93
Soap Hopper	
SP540164 .....	121, 125, 127, 129, 131, 133
SP554214 .....	121, 125
Soap Hopper Assembly	
570441 .....	127, 129, 131, 133
Soap Hopper Plug	
SP526468 .....	121, 125, 127, 129, 131, 133
Soap Hopper Upper Cover	
SP540112 .....	121, 125, 127, 129, 131, 133
Soap Link Kit	
SP557944 .....	151, 153, 157
Soap Pump Kit	
SP567105 .....	187, 189
SP567106 .....	187, 189
Soap Relay Board	
SP524714 .....	151
524714 .....	153, 157
553187 .....	161, 165, 169, 173
Spacer	
F431901 .....	115
Speed Sensor	
SP557701 .....	191
Speed Sensor Holder	
SP555547 .....	191
Speed Sensor Plate	
SP555542 .....	191
Spiral	
SP283449080200 .....	141, 143, 145
Spring	
SP505372 .....	13, 15, 17, 19
SP533868 .....	11
SP533869 .....	11
Spring Clamp	
SP540183 .....	141, 143, 145
Spring Holder	
SP533872 .....	11
SP533873 .....	11
Steam Filter	
SP405054120215 .....	177, 179
Steam Heat Wiring	
528064 .....	204
Steam Hose	
SP526528 .....	177, 179
Steam Injector	
SP526525 .....	177, 179
Steam Kit	
SP554340 .....	177
555355 .....	179
Steam Valve	
SP514164 .....	177, 179
Steam Valve Body	
SP514165 .....	177, 179
Steam Valve Cable	
SPPRI351000161 .....	204
Steam Valve Support	
SP547873 .....	177, 179
Sticker	
568308 .....	149
Suction Tube	
529787 .....	197

Supply Pump Kit	
MB90-Z40 .....	197
MB90-Z41 .....	197
MB90-Z42 .....	197
MB90-Z43 .....	197
MB90-Z44 .....	197
Support Rail	
SP541442 .....	195
Switch	
SP100388 .....	151, 153, 157, 161, 165, 169, 173
Switching Unit	
SP528312 .....	43, 51, 59, 71, 77, 83, 85

## T

Tape	
SP284000012003 .....	29, 43, 51, 59, 71, 73, 75, 77, 79, 81, 185, 195
SP510846 .....	43, 51, 59
Tee	
SPPRI426001107 .....	123, 131, 133
SP526454 .....	141, 143, 145
Temperature Sensor	
SP503839 .....	135, 137
503839 .....	119, 123, 127, 129, 131, 133
Temperature Sensor Seal	
SP526439 .....	119, 123, 127, 129, 131, 133, 135, 137
Tensioning Angle Piece	
SP533326 .....	191
SP547705 .....	191
Terminal Block, 4-Pole	
SPPRI407002123 .....	147
Terminal Board	
SPPRI350000007 .....	95, 97
SP506575 .....	149
Thorn	
567152 .....	187
Top Cover	
SP550307 .....	29
SP555668 .....	29
SP557639 .....	21
SP558909 .....	25
559367 .....	21
567877 .....	21
573314 .....	21
574206 .....	39
574254 .....	39
Top Cover Assembly	
567985 .....	37
569649 .....	37
Top Cover Reinforcement	
SP547702 .....	21, 25, 29, 39
567825 .....	33
Torsion/Door Lock Spring	
571612 .....	115
T-Part	
567172 .....	187
Transformer	
SP516648 .....	147, 157, 161, 165, 169, 173
564561 .....	161, 165, 169, 173
Transformer Connection	
528350 .....	204
552495 .....	204

N/A items do not appear in index.

Transformer Kit	
579014 .....	161, 165, 169, 173
Transformer Supply Wiring	
574406 .....	204

## U

U Shape	
SP556999 .....	27
SP557000 .....	27
568063 .....	27
Upper Frame	
SP533785 .....	9
Upper Hinge	
575960 .....	107, 111, 113
575962 .....	107
Upper Lid Prop	
SP533341 .....	21, 25, 29, 39
USB Cable	
SP547006 .....	151, 153, 157, 161, 165, 169, 173
569668 .....	95
USB Connection	
SP557744 .....	51

## V

Valve, 1-Way	
SP554211 .....	123
SP567064 .....	123, 131, 133
Valve, 2-Way	
SP547958 .....	119, 129
Valve, 3-Way	
SP547959 .....	119, 123, 127, 129, 131, 133
570195 .....	135, 137
Valve, 4-Way	
SP548933 .....	119, 127, 131, 133
Vent Hose	
SP526510 .....	119, 123, 127, 129, 131, 133, 135, 137
Vibration Switch Assembly	
SP547758 .....	11
Vibration Switch Holder	
SP547759 .....	11
V-Pulley Drum	
SP547706 .....	191

## W

Washer	
F8193101 .....	115
SPPRI231000062 .....	123, 131, 133
SPPRI522000012 .....	21, 25
SPPRI523000007 .....	155, 159
SP311125000003 .....	11, 83, 85, 87, 89, 91, 93
SP311125000004 .....	59, 77, 79, 81, 147, 151, 155, 159, 163, 167, 171, 175
SP311125000006 .....	21, 25, 177, 179
SP311125000013 .....	181, 183, 195
SP311125100006 .....	147, 155, 159, 163, 167, 171, 175
SP311125240004 .....	115
SP311125240006 .....	149, 155, 159, 163, 167, 171, 175, 185
SP311125240008 .....	181, 185

SP311127000003 .....	83, 85, 87, 89, 91, 93
SP311127000004 .....	33, 77, 79, 81, 147, 151, 155, 159, 163, 167, 171, 175, 187
SP311127000006 .....	21, 25, 163, 167, 171, 175, 177, 179, 187
SP311127000010 .....	195
SP311127000012 .....	195
SP311679800003 .....	11, 33, 41, 43, 51, 59, 71, 73, 75
SP3116798000049 .....	11, 31, 41, 43, 51, 59, 71, 73, 75, 77, 79, 81, 83, 85, 87, 89, 91, 93, 155, 159, 163, 167, 171, 175
SP311679800006 .....	185
SP311679824004 .....	115
SP311679824006 .....	147, 149, 155, 159, 163, 167, 171, 175
SP311902100004 .....	11, 27, 33, 43, 51, 59, 71, 77, 79, 81, 83, 85, 87, 89, 91, 93, 167, 175, 187
SP311902100006 .....	29, 41, 109, 111, 113, 163, 167, 171, 175, 187
SP311902100008 .....	141, 143, 145
SP311902100010 .....	11, 195
SP311902100012 .....	191
SP505430 .....	163, 167, 171, 175
SP511924 .....	191
SP525284 .....	9
SP537898 .....	181, 183
SP547981 .....	177, 179
550446 .....	23, 27, 29
563361 .....	147
568804 .....	107
571642 .....	107, 111, 113
576338 .....	41

Washing Drum	
SP537800 .....	181, 185
SP563267 .....	181, 185
563247 .....	181, 185

Water Heater	
SP562736 .....	187, 189
SP562749 .....	187, 189

Water Hose	
F200164 .....	119, 123, 127, 129, 131, 133

Water Level Switch	
562708 .....	145
570315 .....	143, 145

Water Level Switch Holder	
570373 .....	143
573199 .....	145

Water Level Switch Hose	
SPPRI540001003 .....	141, 143, 145

Water Softener	
SP562737 .....	187, 189
SP562750 .....	187, 189

Waters Level Sensor	
SP562708 .....	141

Weighing System Kit	
554217 .....	195

Wireless Reader Wiring	
552466 .....	204

Wiring Steam - Electrical Heating	
528393 .....	204

## Y

Y-Piece	
SPPRI503000028 .....	141, 143, 145

N/A items do not appear in index.

---

## **Numerics**

1-Way Valve  
573621 ..... 119, 123

---

