

Washer-Extractor

Cabinet Hardmount

Refer to Page 5 for Model Numbers



Table of Contents

Title	Page
Parts Ordering Information.....	3
Serial Plate Location	3
Model Identification	5
Serial Label	6
Frame.....	8
Cabinet - IA and WMA Models (Drawing 1 of 3).....	10
Cabinet - IA and WMA Models (Drawing 2 of 3).....	12
Cabinet - IA and WMA Models (Drawing 3 of 3).....	14
Cabinet - AR Non-Brand, NA and SA Models (Drawing 1 of 2).....	16
Cabinet - AR Non-Brand, NA and SA Models (Drawing 2 of 2).....	18
Cabinet (Drawing 1 of 3).....	20
Cabinet (Drawing 2 of 3).....	22
Cabinet (Drawing 3 of 3).....	24
Cabinet (Drawing 1 of 3).....	26
Cabinet (Drawing 2 of 3).....	28
Cabinet (Drawing 3 of 3).....	30
Control Panel - IA and WMA Models	32
Coin Meter - IA and WMA Models (Drawing 1 of 3).....	34
Coin Meter - IA and WMA Models (Drawing 2 of 3).....	36
Coin Meter - IA and WMA Models (Drawing 3 of 3).....	38
Control Panel (Drawing 1 of 2).....	40
Control Panel (Drawing 2 of 2).....	42
Control Panel OPL.....	44
Control Panel Vended.....	46
Control Panel for Central Payment System	48
Coin Meter - AR, AR Non-Brand, IA, LA, MWC, NA, PA, RX and SA Models (Drawing 1 of 4).....	50
Coin Meter - AR, AR Non-Brand, IA, LA, MWC, NA, PA, RX and SA Models (Drawing 2 of 4).....	52
Coin Meter - AR, AR Non-Brand, IA, LA, MWC, NA, PA, RX and SA Models (Drawing 3 of 4).....	54
Coin Meter - AR, AR Non-Brand, IA, LA, MWC, NA, PA, RX and SA Models (Drawing 4 of 4).....	56
Coin Meter Case.....	58
Coin Meter Box	60
Door (Drawing 1 of 3).....	62
Door (Drawing 2 of 3).....	64
Door (Drawing 3 of 3).....	66
Water Inlet System (Drawing 1 of 2).....	68
Water Inlet System (Drawing 2 of 2).....	70
Water Inlet System - 120 and 520 Models (Drawing 1 of 2).....	72
Water Inlet System - 120 and 520 Models (Drawing 2 of 2).....	74
Drain System	76
Drain System	78
Rear Panel (Drawing 1 of 3).....	80

© Copyright 2023, Alliance Laundry Systems LLC

All rights reserved. No part of the contents of this book may be reproduced or transmitted in any form or by any means without the expressed written consent of the publisher.

Rear Panel (Drawing 2 of 3)	82
Rear Panel (Drawing 3 of 3)	84
Rear Panel - 230V 1/3AC, 400V with Neutral, CE (Drawing 1 of 2).....	86
Rear Panel - 230V 1/3AC, 400V with Neutral, CE (Drawing 2 of 2).....	88
Rear Panel - 400V, 440-480V, CE (Drawing 1 of 2)	90
Rear Panel - 400V, 440-480V, CE (Drawing 2 of 2)	92
Rear Panel - 230V 1AC, CE (Drawing 1 of 2).....	94
Rear Panel - 230V 1AC, CE (Drawing 2 of 2).....	96
Rear Panel - 230V 3AC, CE (Drawing 1 of 2).....	98
Rear Panel - 230V 3AC, CE (Drawing 2 of 2).....	100
Rear Panel - 400V, 440-480V, CE (Drawing 1 of 2)	102
Rear Panel - 400V, 440-480V, CE (Drawing 2 of 2)	104
Steam Heating	106
Washing Drum (Drawing 1 of 2).....	108
Washing Drum (Drawing 2 of 2).....	110
Drive (Drawing 1 of 2)	112
Drive (Drawing 2 of 2)	114
Bearing Housing	116
Liquid Soap Supply System - Pumps.....	118
Elevated Base Frame	120
Wire Harnesses	122
Parts Index.....	123

Parts Ordering Information

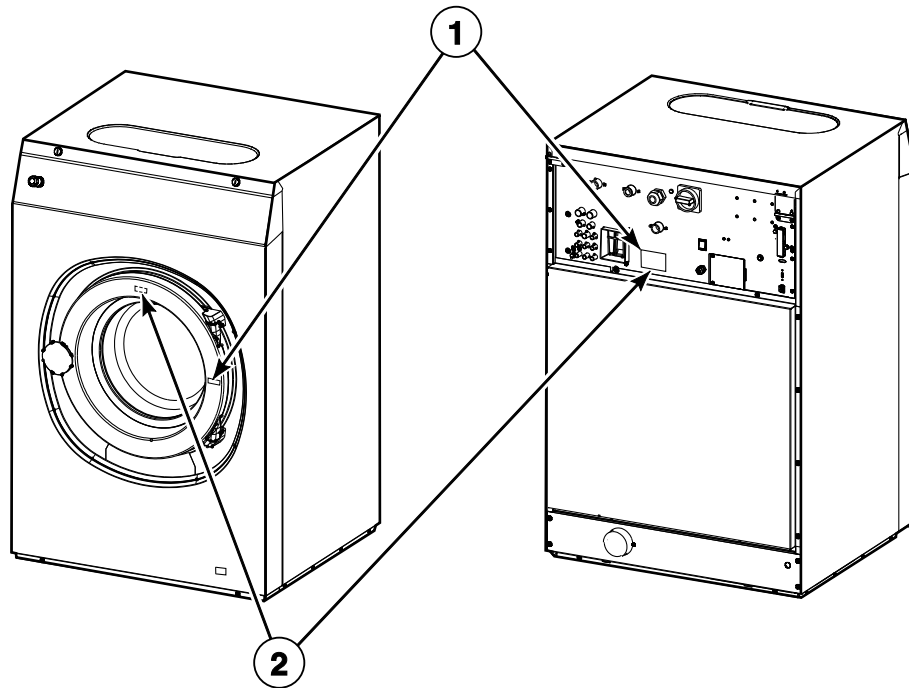
If literature or replacement parts are required, contact the source from whom the machine was purchased or contact Alliance Laundry Systems at (920) 748-3950 for the name and address of the nearest authorized parts distributor.

For technical assistance, call the number listed below:

(920) 748-3121 Ripon, Wisconsin

Serial Plate Location

When calling or writing about your product, be sure to mention model and serial numbers. Model and serial numbers are located on serial plate(s).



1 - Serial Plate Location: Models Through May 15, 2019

2 - Serial Plate Location: Models Starting May 16, 2019

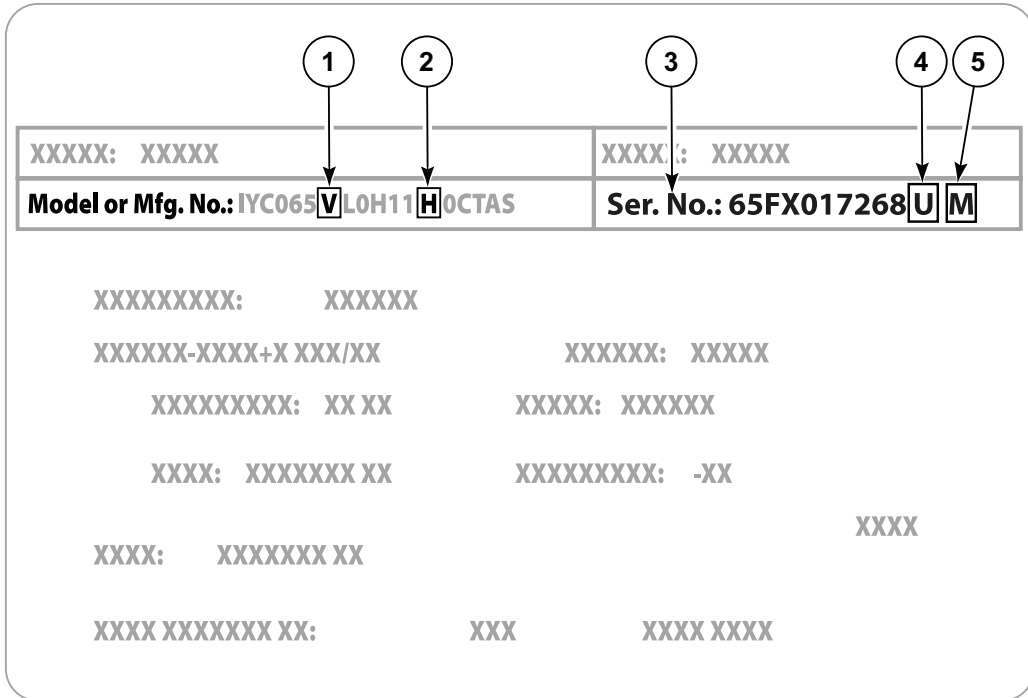
CFD3575P_D1734

Model Identification

Information in this manual is applicable to these washer-extractor models:

AR350_X_CONTROL	IAH520J	NAC332G	PAN080T	SAX332A
AR350_X_CONTROL_PLUS	IAH520R	NAC332T	PAN080X	SAX520A
AR350M_BASIC	IAM332G	NAC332X	PAN120T	SAX332D
AR350M_PROFESSIONAL	IAM332J	NAC520G	PAR332T	SAX520D
AR350N_BASIC	IAM332R	NAC520T	PAR332X	SAY332A
AR350N_PROFESSIONAL	IAM520G	NAC520X	PAR520T	SAY520A
AR520_X_CONTROL	IAM520J	NAH332T	PAR520X	SAY332D
AR520_X_CONTROL_PLUS	IAM520R	NAH332X	PAU332G	SAY520D
AR520N_BASIC	IAR332J	NAH520T	PAU332T	UAC332G
AR520N_PROFESSIONAL	IAR332R	NAH520X	PAU332X	UAC332I
IA332_ARIES	IAR520J	NAM332G	PAU520G	UAC520G
IA332_ARIES-ELITE	IAR520R	NAM332T	PAU520T	UAC520I
IA332_JLA	IAU332G	NAM332X	PAU520X	UAH332I
IA520_ARIES	IAU332J	NAM520G	PAX332T	UAH520I
IA520_ARIES-ELITE	IAU332R	NAM520T	PAX332X	UAM332G
IA520_JLA	IAU520G	NAM520X	PAX520T	UAM332I
MWCX120_X_CONTROL	IAU520J	NAR332T	PAX520X	UAM520G
MWCX120_X_CONTROL_PLUS	IAU520R	NAR332X	PAY332T	UAM520I
MWCX80_X_CONTROL	IAX332J	NAR520T	PAY332X	UAR332I
MWCX80_X_CONTROL_PLUS	IAX332R	NAR520X	PAY520T	UAR520I
PA80_X_CONTROL	IAX520J	NAU332G	PAY520X	UAU332G
PA80_X_CONTROL_PLUS	IAX520R	NAU332T	SAC332A	UAU332I
PA120_X_CONTROL_PLUS	IAY332J	NAU332X	SAC332D	UAU520G
RX350_X_CONTROL	IAY332R	NAU520G	SAC332G	UAU520I
RX350_X_CONTROL_PLUS	IAY520J	NAU520T	SAC520A	UAX332I
RX520_X_CONTROL	IAY520R	NAU520X	SAC520D	UAX520I
RX520_X_CONTROL_PLUS	LAC332T	NAX332T	SAC520G	
SA332_QED	LAC332X	NAX332X	SAH332A	
SA332_QED-SELECT	LAC520T	NAX520T	SAH520A	
SA520_QED	LAC520X	NAX520X	SAH332D	
SA520_QED-SELECT	LAH332T	NAY332T	SAH520D	
UA332_PROFORM	LAH332X	NAY332X	SAM332A	
UA520_PROFORM	LAH520T	NAY520T	SAM332D	
WMA403E_ARIES	LAH520X	NAY520X	SAM332G	
WMA403E	LAU332T	PAC332G	SAM520A	
IAC332G	LAU332X	PAC332T	SAM520D	
IAC332J	LAU520T	PAC332X	SAM520G	
IAC332R	LAU520X	PAC520G	SAR332D	
IAC520G	LAX332T	PAC520T	SAR520D	
IAC520J	LAX332X	PAC520X	SAU332A	
IAC520R	LAX520T	PAH332T	SAU520A	
IAG332J	LAX520X	PAH332X	SAU332D	
IAG332R	LAY332T	PAH520T	SAU332G	
IAG520J	LAY332X	PAH520X	SAU520D	
IAG520R	LAY520T	PAM332G	SAU520G	
IAH332J	LAY520X	PAM332T		
IAH332R		PAM332X		
		PAM520G		
		PAM520T		
		PAM520X		

Serial Label

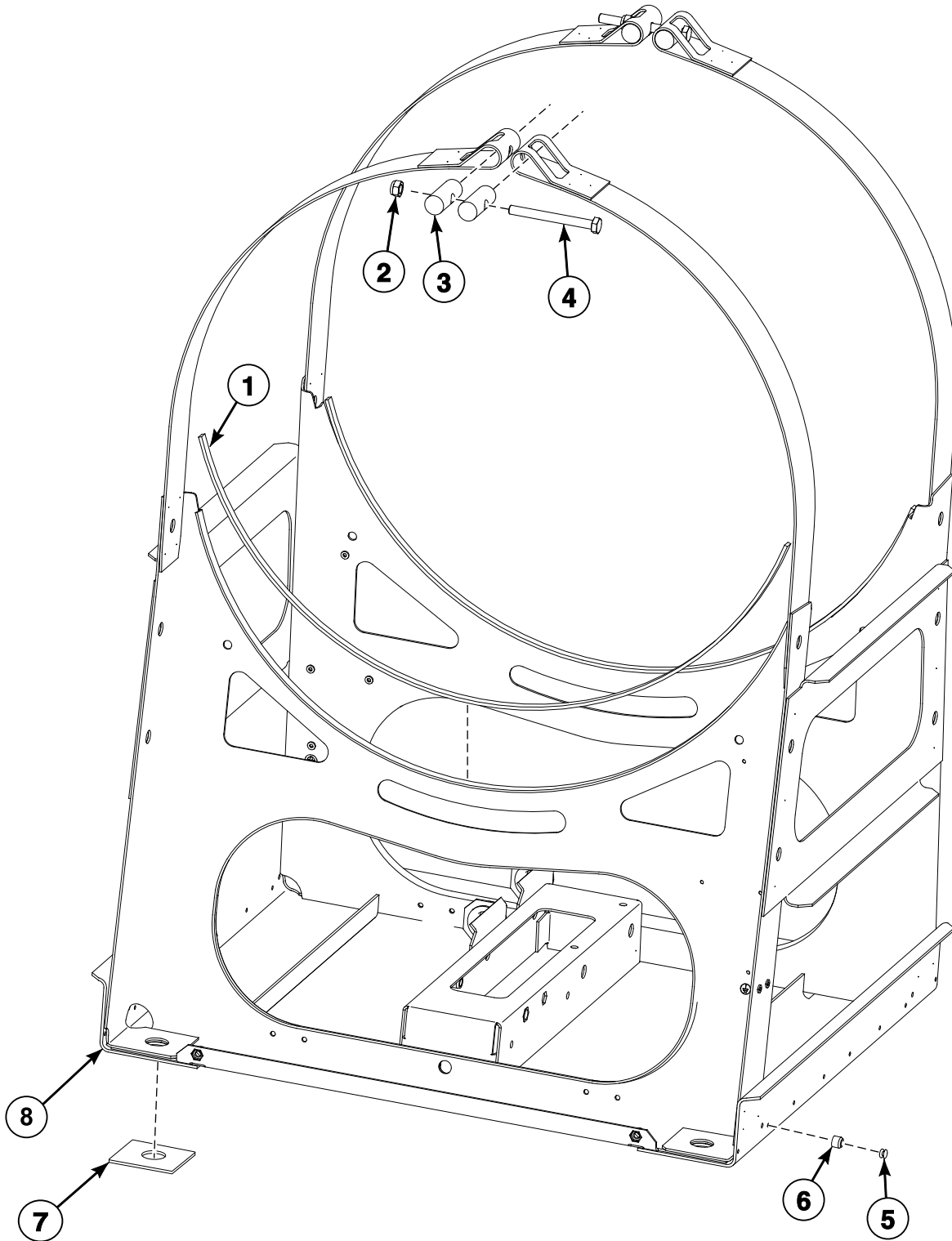


CZW489P

Serial Label

REF	PART NO.	DESCRIPTION	COMMENTS
1	-	Control	A, D, G, I, J, R, T or X letter in 7th position of the model number
2	-	Design	1, 2, 3, 4, 5, 6, 7, 8, A, B, C, D, L, M, N or P digits or characters in 13th Position
3	-	Serial Number	
4	-	Manufacturing Date - Year	2009: P 2010: R 2011: T 2012: V 2013: X 2014: B 2015: D 2016: F 2017: H 2018: K 2019: M 2020: Q 2021: S 2022: U 2023: W 2024: Y 2025: Z
5	-	Manufacturing Date - Month	January: A or B February: C or D March: E or F April: G or H May: J or K June: L or M July: N or Q August: P or S September: R or U October: T or W November: V or Y December: X or Z

Frame



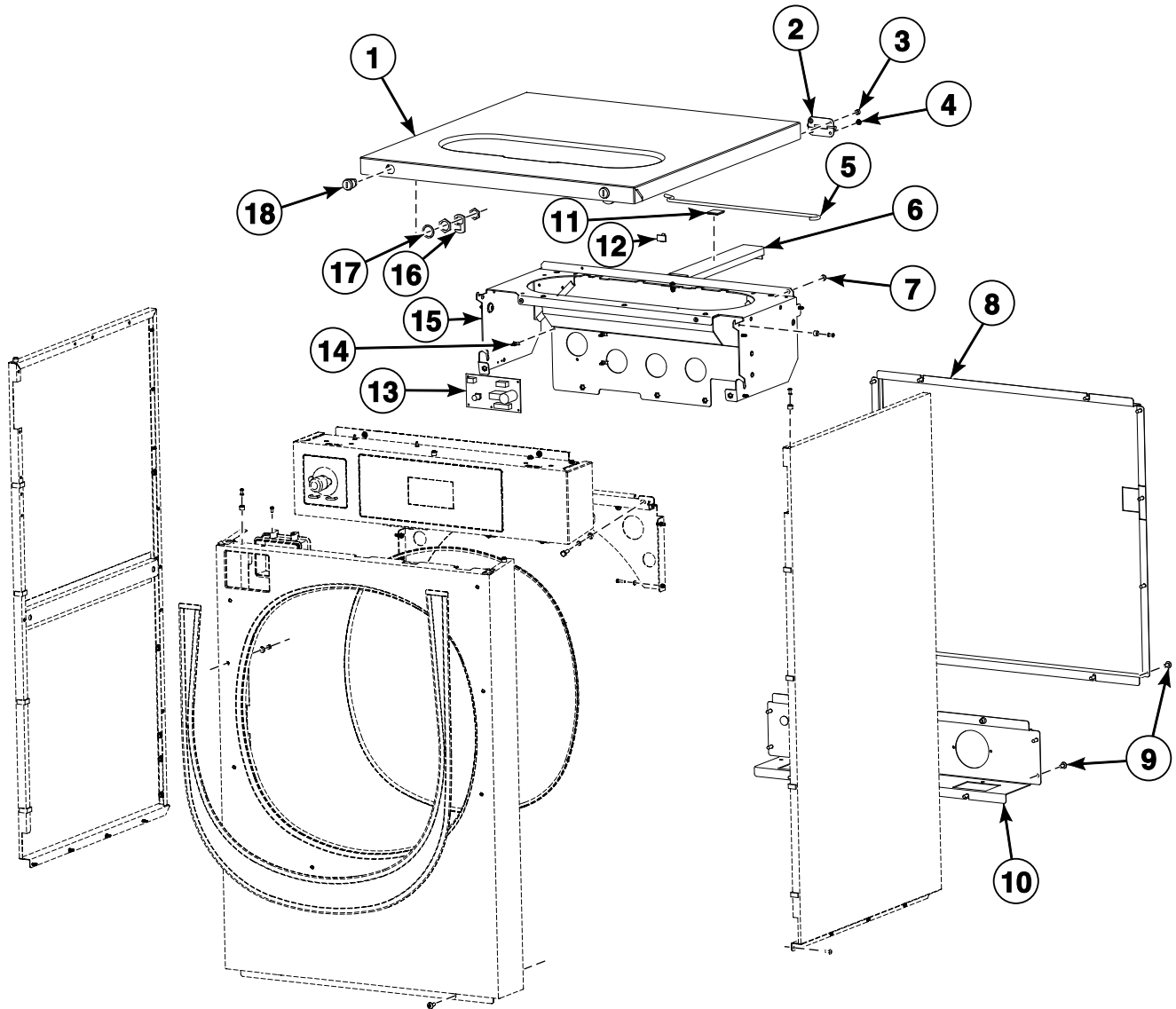
CZW482P_D1734

Frame

REF	PART NO.	DESCRIPTION	COMMENTS
	572491	Mounting Bolt Hole Template	80, 332, 350 and 403 models
	572492	Mounting Bolt Hole Template	120 and 520 models
1	SP517232	Seal	Self-adhesive foam
2	SP310985000008	Nut	M8
3	SP533738	Cover Strip Pin	
4	SP527093	Bolt	M8x100
5	SP547779	Rivet	4x16.7 with a crank
6	SP520408	Pin Insertion	
7	570551	Spacing Washer Set	Includes 10 pieces; Optional, as needed
8	SP556340	Frame	80, 332, 350 and 403 models
	SP556240	Frame	120 and 520 models

Cabinet - IA and WMA Models (Drawing 1 of 3)

Models Through Serial No. 350RX001503SF, 520RX001157SB



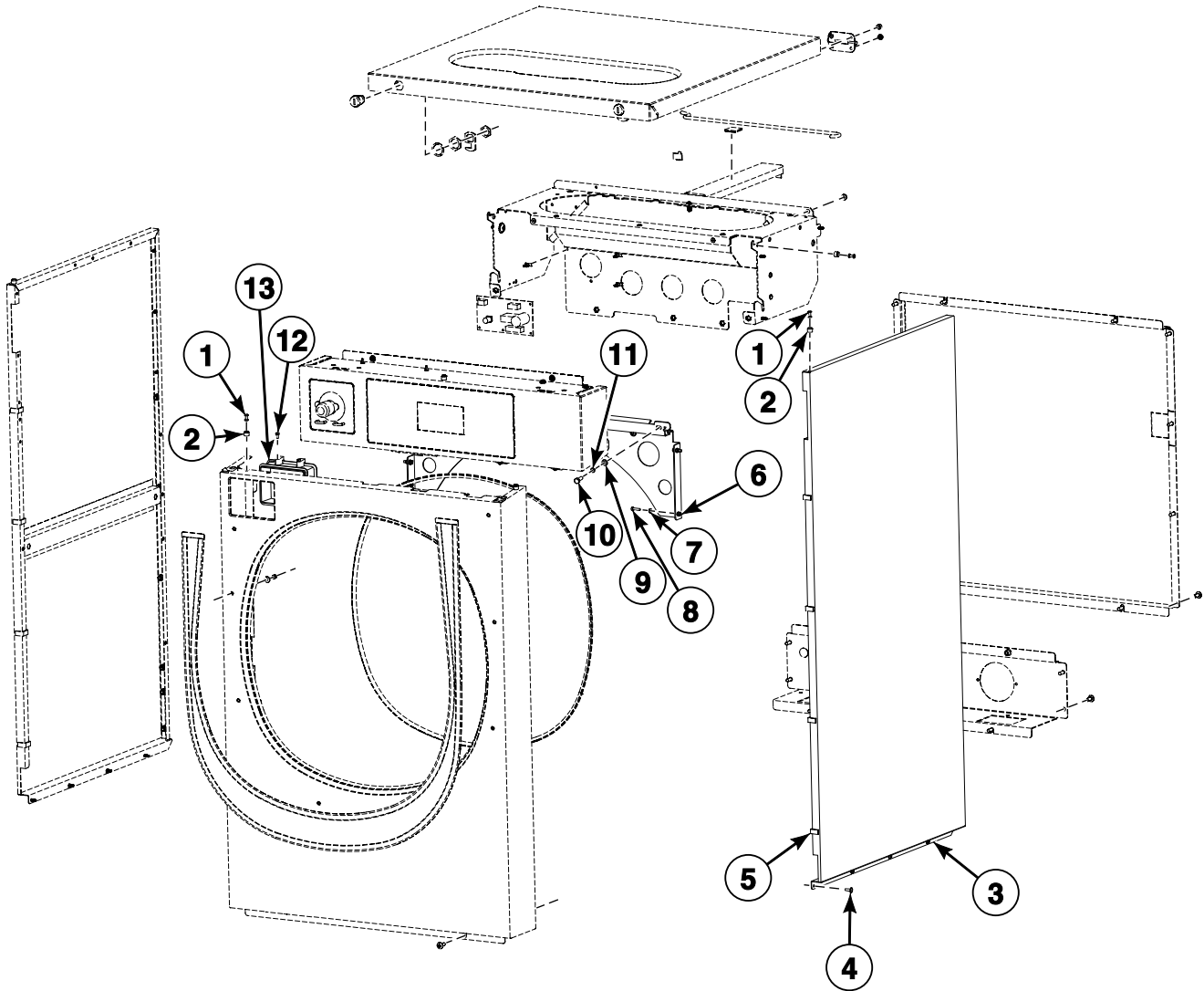
CFD2933P_D1734

Cabinet - IA and WMA Models (Drawing 1 of 3)

REF	PART NO.	DESCRIPTION	COMMENTS
1	SP560344	Top Cover	332 and 403 models
	SP560346	Top Cover	520 models
2	SP516832	Hinge	
3	SP313250048103	Rivet	4.8x10.3 with a crank
4	SP529206	Screw	M4x11
5	SP533341	Upper Lid Prop	
6	SP557678	Top Cover Reinforcement	332 and 403 models
	SP557679	Top Cover Reinforcement	520 models
7	SP273121005052	Cable Passage	5.5x2
8	SP557527	Rear Cover	
9	SP555658	Bolt	M6x16
10	SP557518	Lower Rear Cover	
11	SP550115	Fastener	Velcro (hook and loop)
12	SPPRI551016250	Hook	Stick-on
13	SP552489	Automatic Unlocking Module Assembly	MC7; Includes item 14, SP553406 Automatic Door Opening Module, SP345000160971 Binding Strip, SP552455 Automatic Door Opening Module Wiring and SP552381 Power Terminal Protection
	SP552455	Automatic Door Opening Module Wiring	
14	SPPRI326002004	Holder	
15	SP560318	Panel Holder	
16	SPPRI610002007	Hook Lock	Small
17	SPPRI522000012	Washer	21x27x1
18	SP547527	Lock	

Cabinet - IA and WMA Models (Drawing 2 of 3)

Models Through Serial No. 350RX001503SF, 520RX001157SB



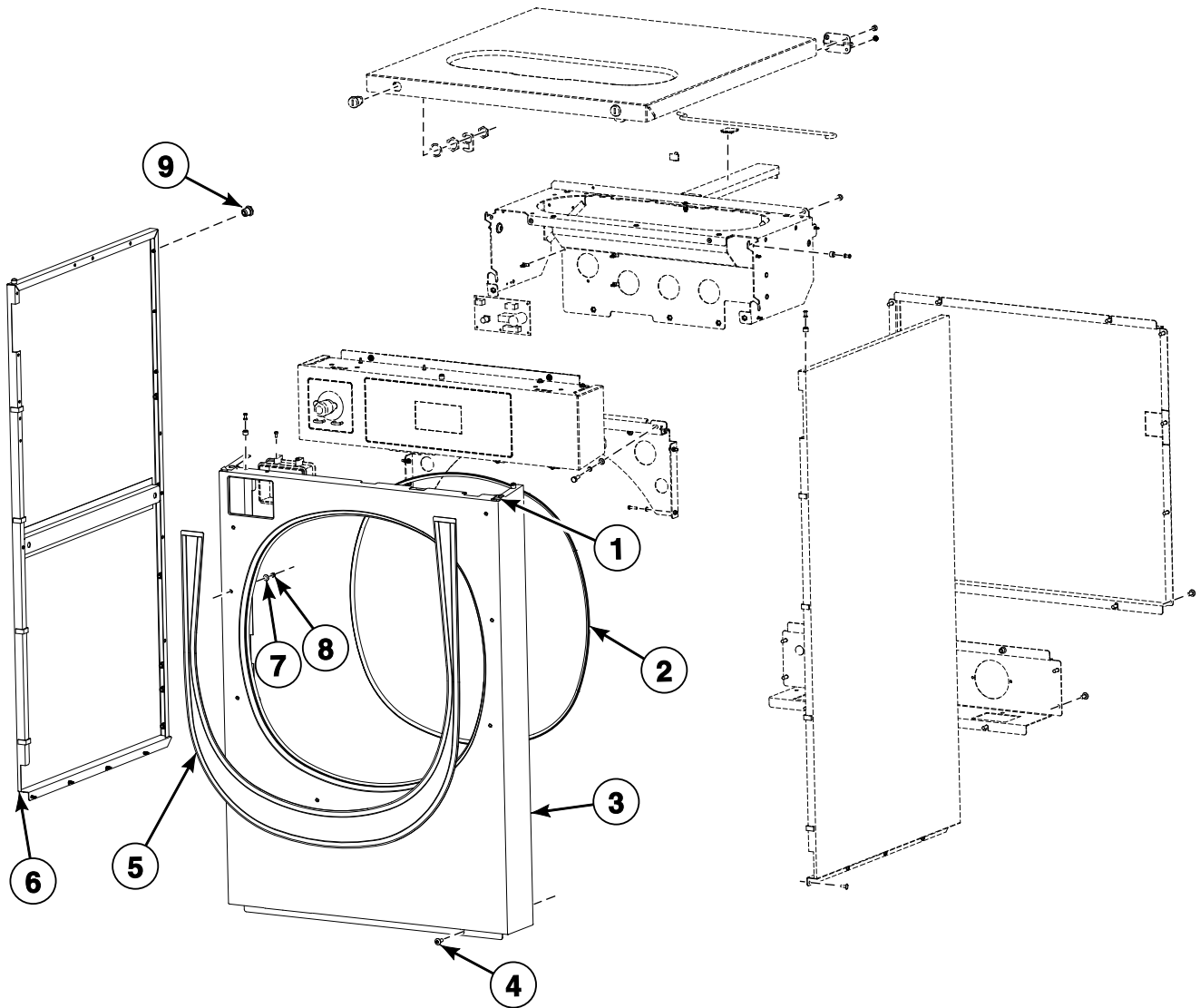
CFD2934P_D1734

Cabinet - IA and WMA Models (Drawing 2 of 3)

REF	PART NO.	DESCRIPTION	COMMENTS
	SP245704003021	Adhesive	Loctite 243; Used with bolts
	SP567935	Holder	Used with 557525 Cabinet Reinforcement
1	SP547779	Rivet	4x16.7 with a crank
2	SP520408	Pin Insertion	
3	SP560330	Side Panel	332 and 403 models; Right; Black
	SP560338	Side Panel	332 and 403 models; Right; Stainless steel
	SP560334	Side Panel	520 models; Right; Black
	SP560342	Side Panel	520 models; Right; Stainless steel
4	SP555658	Bolt	M6x16; Loctite 243 required for installation
5	SP517232	Seal	Self-adhesive foam
6	SP557525	Cabinet Reinforcement	Left
	SP557533	Cabinet Reinforcement	Right
7	SP311679800004	Washer	M4
8	SP309084000416	Bolt	M4x16
9	SP311125000006	Washer	6.4
10	SP309933000616	Bolt	M6x16
11	SP311127000006	Washer	6
12	SP309084000408	Bolt	M4x8
13	SP533103	Coin Vault Plate	
	566737	Coin Vault Plate	Large coin meter; Vended; Starting Serial No. 350RX000750HM

Cabinet - IA and WMA Models (Drawing 3 of 3)

Models Through Serial No. 350RX001503SF, 520RX001157SB



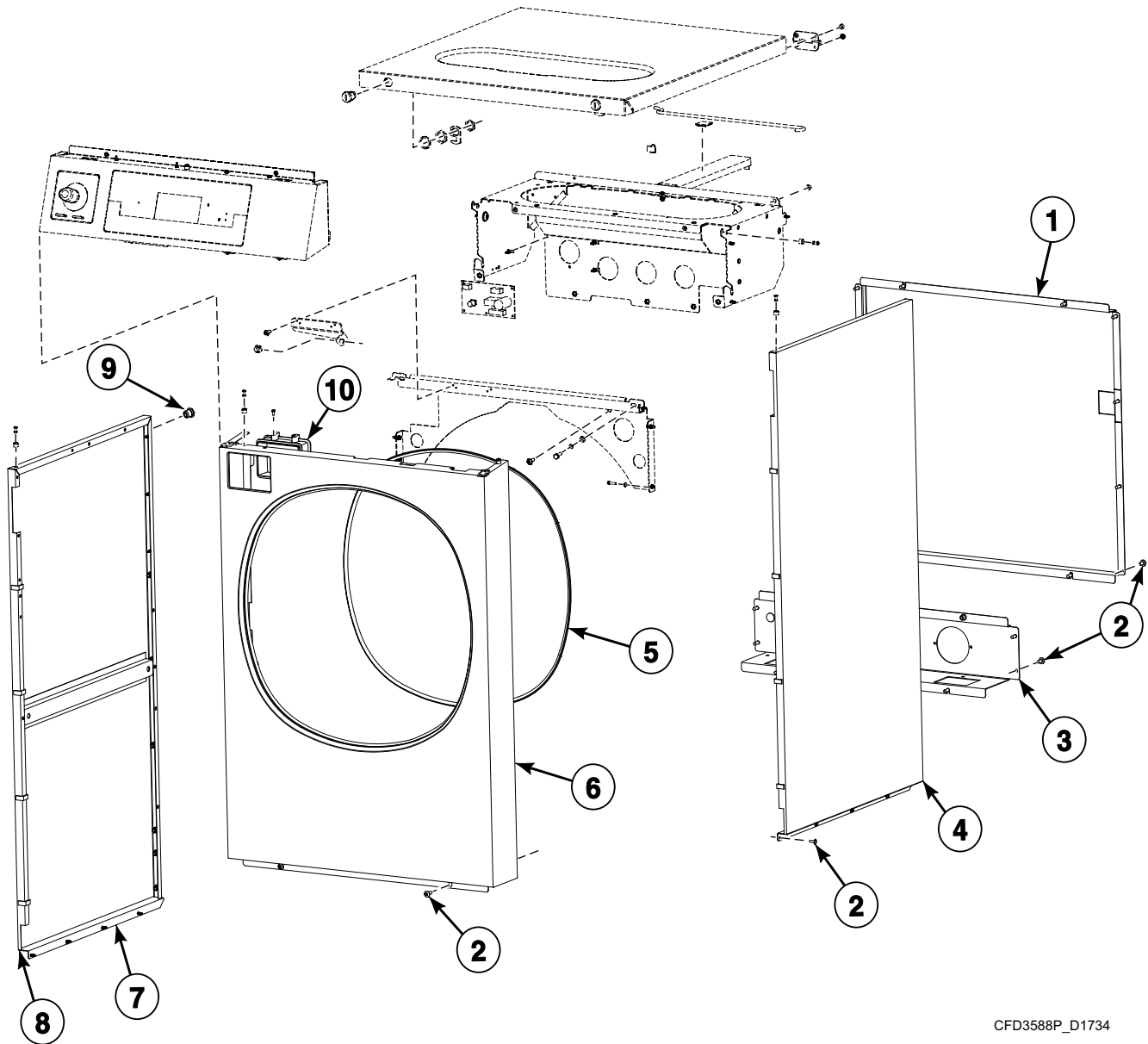
CFD3587P_D1734

Cabinet - IA and WMA Models (Drawing 3 of 3)

REF	PART NO.	DESCRIPTION	COMMENTS
	SP245704003021	Adhesive	Loctite 243; Used with bolts
1	SP555405	End Stop	
2	SPPRI505000058	Profiled Sealing	
3	SP560350	Front Panel	OPL; Stainless steel
	SP560352	Front Panel	Vend; Stainless steel
	SP568071	Front Panel	Vend; Large coin meter; Models starting Serial No. 350RX000750HM; Stainless steel
4	SP555658	Bolt	M6x16
5	SP560354	U Shape	OPL
	SP560356	U Shape	Vend
	SP568073	U Shape	Vend; Large coin meter; Starting Serial No. 350RX000750HM
6	SP560328	Side Panel	332 and 403 models; Left; Black
	SP560336	Side Panel	332 and 403 models; Left; Stainless steel
	SP560332	Side Panel	520 models; Left; Black
	SP560340	Side Panel	520 models; Left; Stainless steel
7	SP311902100004	Washer	4
8	SP514193	Nut	M4
9	SP313251000006	Nut	M6

Cabinet - AR Non-Brand, NA and SA Models (Drawing 1 of 2)

Models Through Serial No. 350RX001503SF, 520RX001157SB



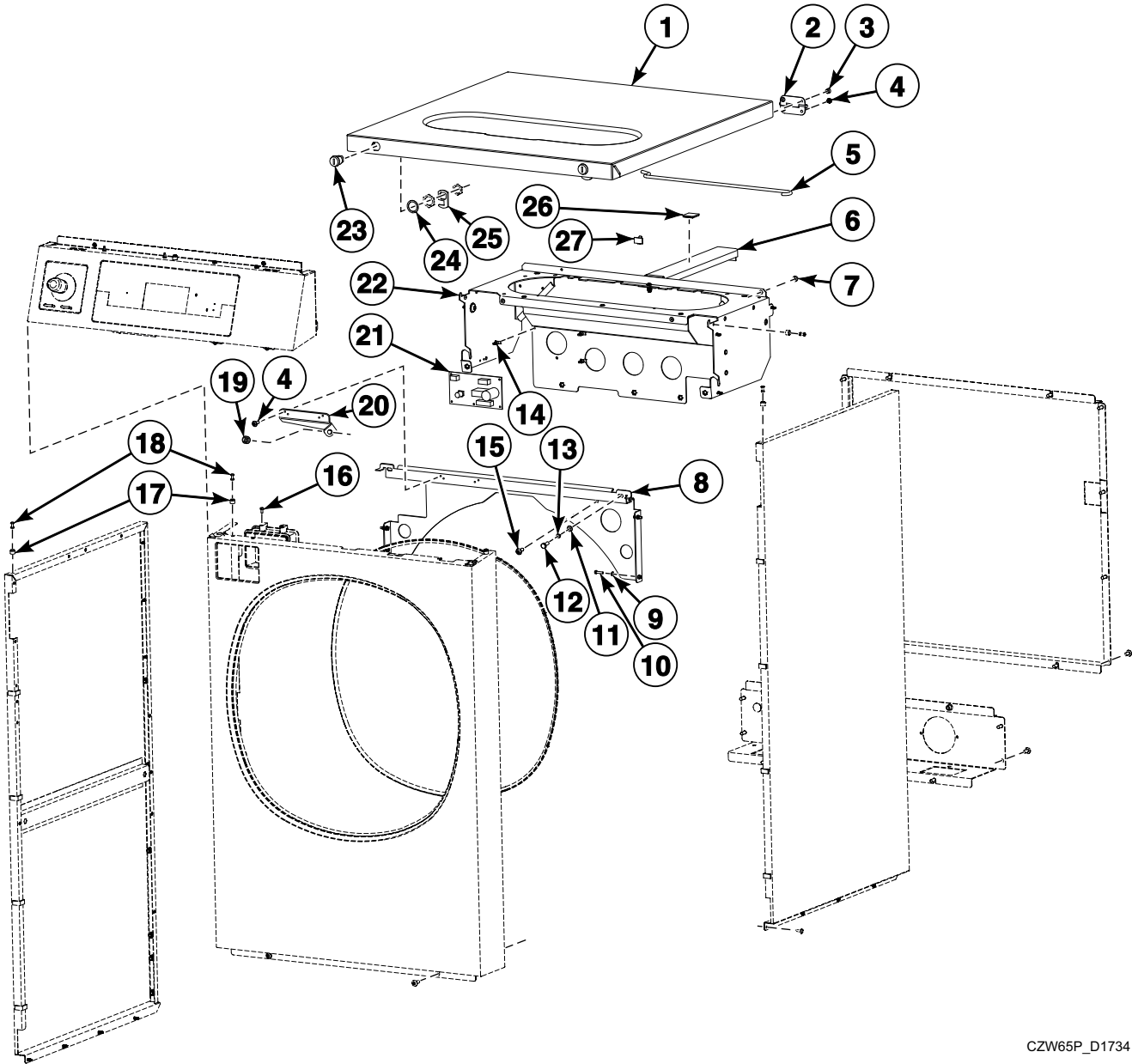
CFD3588P_D1734

Cabinet - AR Non-Brand, NA and SA Models (Drawing 1 of 2)

REF	PART NO.	DESCRIPTION	COMMENTS
1	SP557527	Rear Cover	
2	SP555658	Bolt	M6x16; Loctite 243 required for installation
3	SP557518	Lower Rear Cover	
4	SP560338	Side Panel	332 and 350 models; Right; Stainless steel
	SP561392	Side Panel	AR Non-Brand, NA 332 and 350 models; Right; Painted; Through Serial No. 350RX000320FF
	SP563444	Side Panel	AR Non-Brand, NA 332 and 350 models; Right; Painted; Starting Serial No. 350RX000321FF
	SP560342	Side Panel	520 models; Right; Stainless steel
	561396	Side Panel	520 models; Right; Painted; Through Serial No. 520RX000229FB
	563448	Side Panel	520 models; Right; Painted; Starting Serial No. 520RX000230FD
5	SPPRI505000058	Profiled Sealing	
6	SP558949	Front Panel	OPL; Stainless steel
	SP558946	Front Panel	AR Non-Brand and NA models; OPL; Painted; Through Serial No. 350RX000320FF and 520RX000229FB
	SP558951	Front Panel	Vend; Stainless steel
	SP558947	Front Panel	AR Non-Brand, NA 332 and 350 models; Vend; Painted; Through Serial No. 350RX000320FF and 520RX000229FB
	563588	Front Panel	AR Non-Brand and NA models; OPL; Painted; Starting Serial No. 350RX000321FF and 520RX000230FD
	563590	Front Panel	AR Non-Brand and NA models; Vend; Painted; Starting Serial No. 350RX000321FF and 520RX000230FD
	568057	Front Panel	Vend; Large coin meter; Stainless steel; Starting Serial No. 350RX000750HM and 520RX000803MB
	568059	Front Panel	AR Non-Brand and NA models; Vend; Large coin meter; Painted; Starting Serial No. 350RX000750HM and 520RX000803MB
7	SP560336	Side Panel	332 and 350 models; Left; Stainless steel
	561390	Side Panel	AR Non-Brand, NA 332 and 350 models; Left; Painted; Through Serial No. 350RX000320FF
	563442	Side Panel	AR Non-Brand, NA 332 and 350 models; Left; Painted; Starting Serial No. 350RX000321FF
	SP560340	Side Panel	520 models; Left; Stainless steel
	SP561394	Side Panel	520 models; Left; Painted; Through Serial No. 520RX000229FB
	563446	Side Panel	520 models; Left; Painted; Starting Serial No. 520RX000230FD
8	SP517232	Seal	
9	SP313251000006	Nut	M6
10	SP533103	Coin Vault Plate	
	566737	Coin Vault Plate	Large coin meter

Cabinet - AR Non-Brand, NA and SA Models (Drawing 2 of 2)

Models Through Serial No. 350RX001503SF, 520RX001157SB



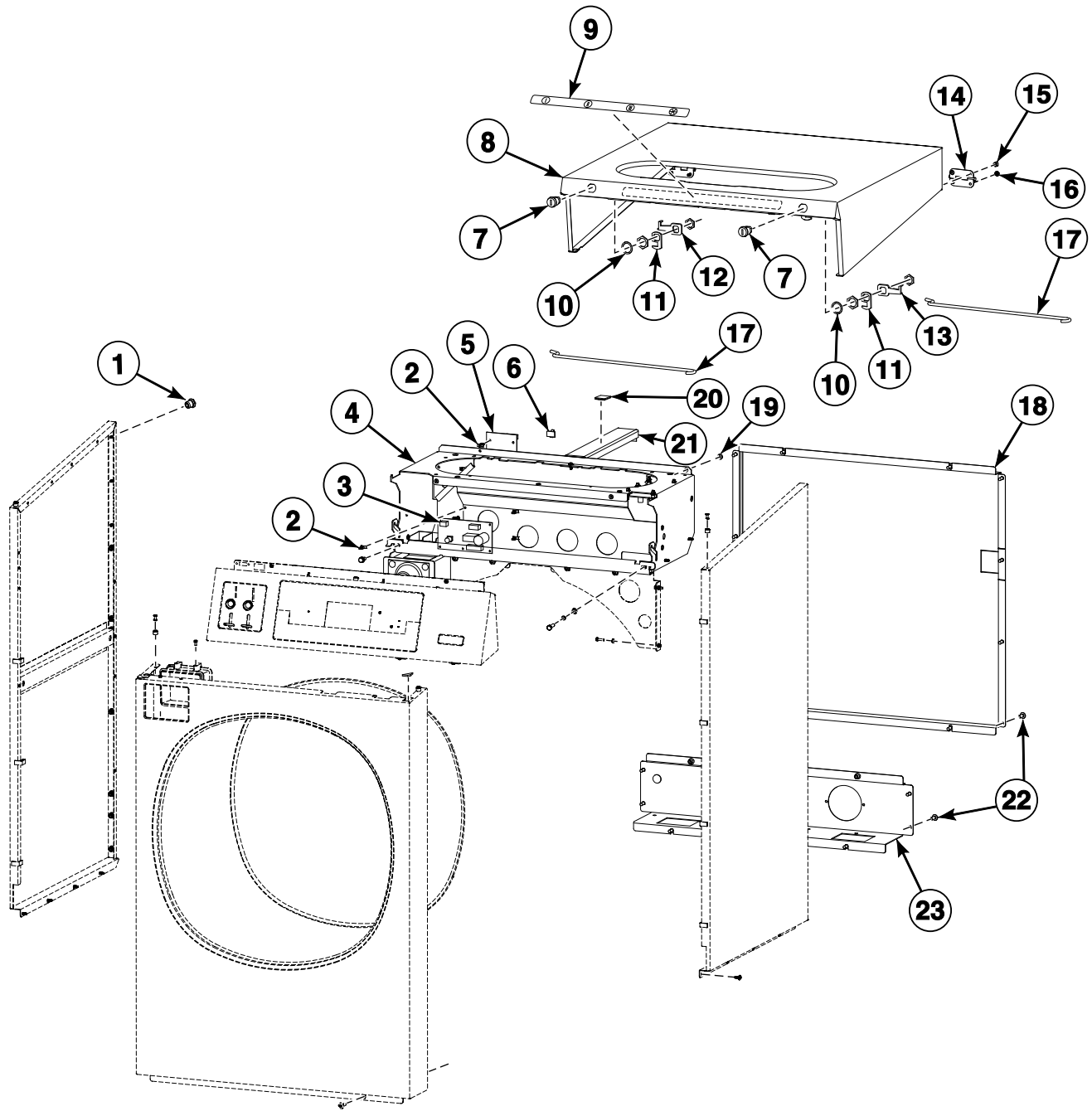
CZW65P_D1734

Cabinet - AR Non-Brand, NA and SA Models (Drawing 2 of 2)

REF	PART NO.	DESCRIPTION	COMMENTS
1	SP560483	Top Cover	332 and 350 models
	SP560493	Top Cover	520 models
2	SP516832	Hinge	
3	SP313250048103	Rivet	4.8x10.3
4	SP529206	Screw	4x11
5	SP533341	Upper Lid Prop	
6	SP557678	Top Cover Reinforcement	332 and 350 models
	SP557679	Top Cover Reinforcement	520 models
7	SP273121005052	Cable Passage	5x2
8	SP557525	Cabinet Reinforcement	Left
	SP557533	Cabinet Reinforcement	Right
9	SP311679800004	Washer	M4
10	SP309084000416	Bolt	M4x16
11	SP311125000006	Washer	6.4
12	SP309933000616	Bolt	M6x16
13	SP311127000006	Washer	6
14	SPPRI326002004	Holder	
15	SP555658	Bolt	M6x16
16	SP309084000408	Bolt	M4x8
17	SP520408	Pin Insertion	
18	SP547779	Rivet	4x16.7
19	SP310934000008	Nut	M8
20	567935	Holder	
21	SP552489	Automatic Unlocking Module Assembly	MC7; Includes item 14, SP553406 Automatic Door Opening Module, SP345000160971 Binding Strip, SP552455 Automatic Door Opening Module Wiring and SP552381 Power Terminal Protection
22	560491	Panel Holder	
23	SP547527	Lock	
24	SPPRI522000012	Washer	21x27x1
25	SPPRI610002007	Hook Lock	Small
26	SP550115	Fastener	Velcro (hook and loop)
27	SPPRI551016250	Hook	

Cabinet (Drawing 1 of 3)

AR, LA, MWC, PA and RX Models with T or X in 7th Position;
IA, NA, SA and UA Models Starting Serial Nos. 350RX001504SF, 520RX001158SB with A, D, I, J, R, T or X in 7th Position



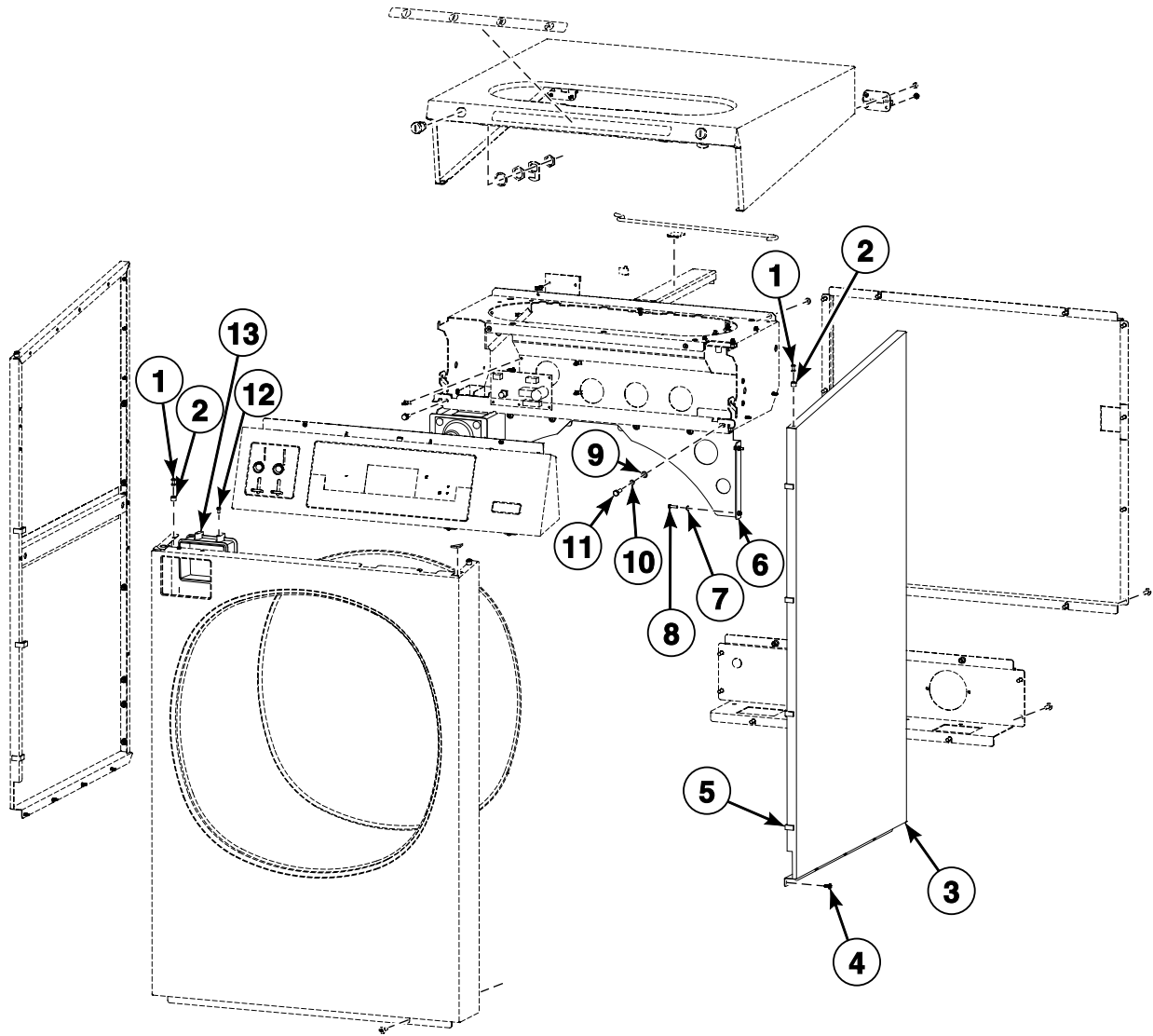
CFD3585P_D1734

Cabinet (Drawing 1 of 3)

REF	PART NO.	DESCRIPTION	COMMENTS
1	SP313251000006	Nut	M6
2	SPPRI326002004	Holder	
3	SP553406	Automatic Door Opening Module	MC7 Control Board
	SP552455	Automatic Door Opening Module Wiring	
4	SP557520	Panel Holder	
5	SP547004	Automatic Door Opening Module	MC6 Control Board
6	SPPRI551016250	Hook	Stick-on
7	SP547527	Lock	
8	SP557523	Top Cover	80, 332 and 350 models
	SP556249	Top Cover	120 and 520 models
9	560786	Label	Soap hopper; Models PAN080T and PAN080X; Vend
10	SPPRI522000012	Washer	21x27x1
11	SPPRI610002007	Hook Lock	Small
12	569579	Door Lock Strut	Left; PAN models; CSA; Vended; Starting 9/1/2017
13	569580	Door Lock Strut	Right; PAN models; CSA; Vended; Starting 9/1/2017
14	SP516832	Hinge	
15	SP313250048103	Rivet	4.8x10.3 with a crank
16	SP529206	Screw	4x11
17	SP533341	Upper Lid Prop	
18	SP557527	Rear Cover	
19	SP273121005052	Cable Passage	5.5x2
20	SP550115	Fastener	Velcro (hook and loop)
21	SP557678	Top Cover Reinforcement	80, 332 and 350 models
	SP557679	Top Cover Reinforcement	120 and 520 models
22	SP555658	Bolt	M6x10
23	SP557518	Lower Rear Cover	

Cabinet (Drawing 2 of 3)

AR, LA, MWC, PA and RX Models with T or X in 7th Position;
IA, NA, SA and UA Models Starting Serial Nos. 350RX001504SF, 520RX001158SB with A, D, I, J, R, T or X in 7th Position



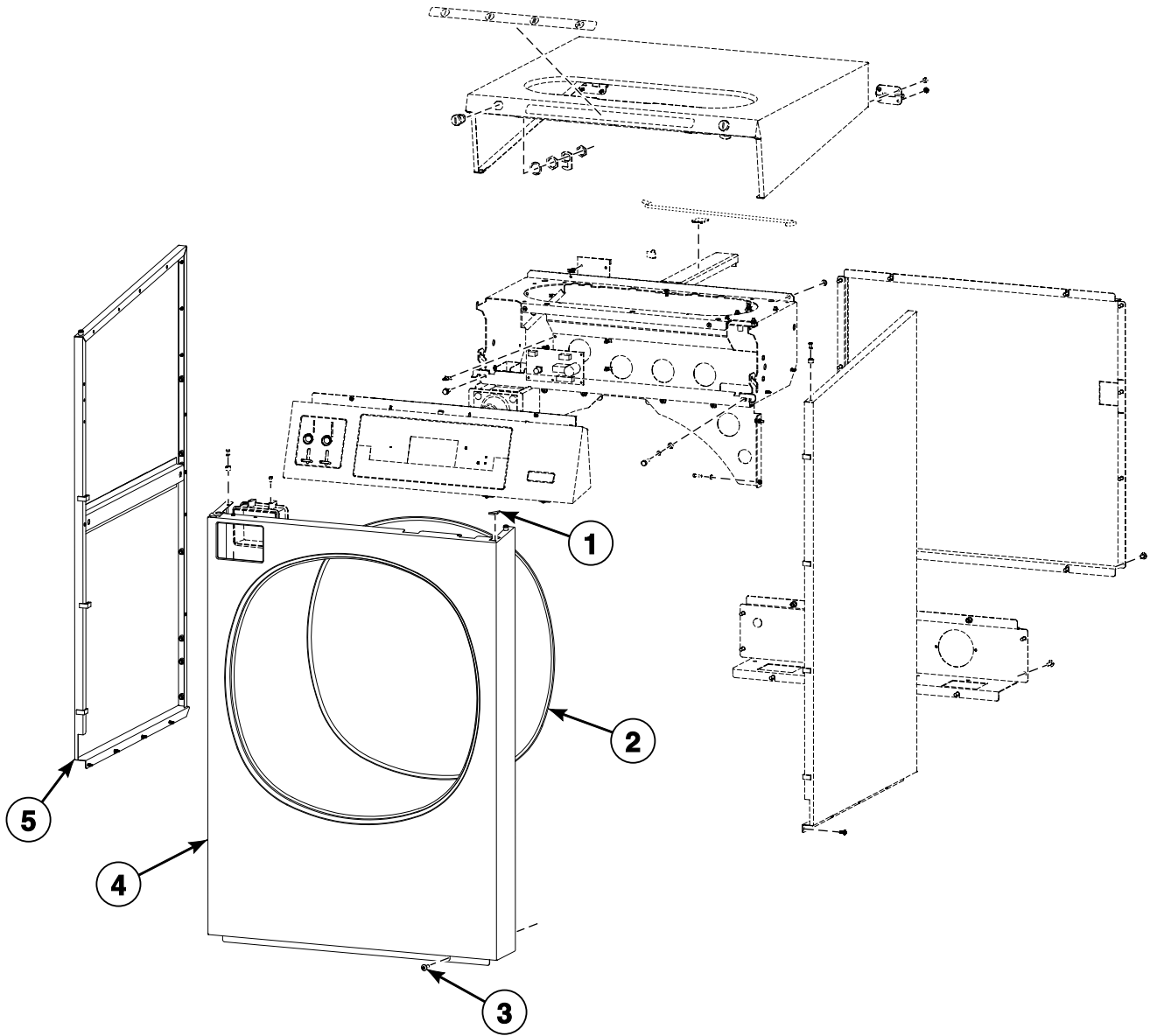
CFD3468P_D1734

Cabinet (Drawing 2 of 3)

REF	PART NO.	DESCRIPTION	COMMENTS
	SP245704003021	Adhesive	Loctite 243; Used with bolts
	SP567935	Holder	Used with SP557525 Cabinet Reinforcement
1	SP547779	Rivet	4x16.7 with a crank
2	SP520408	Pin Insertion	
3	SP557511	Side Panel	332 and 350 models; Right; Painted; Through Serial No. 350RX000320FF
	563595	Side Panel	332 and 350 models; Right; Painted; Starting Serial No. 350RX000321FF; AR, LA, MWC, NA, PA and RX models
	577125	Side Panel	332 and 350 IA and SA models; Right; Black; Starting Serial No. 350RX001504SF
	SP560322	Side Panel	80, 332 and 350 models; Right; Stainless steel
	SP560326	Side Panel	120 and 520 models; Right; Stainless steel
	SP556245	Side Panel	520 models; Right; Painted; Through Serial No. 520RX000229FB
	577129	Side Panel	520 IA and SA models; Right; Black; Starting Serial No. 520RX001158SB
	563599	Side Panel	520 models; Right; Painted; Starting Serial No. 520RX000230FD; AR, LA, MWC, NA, PA and RX models
4	SP555658	Bolt	M6x1; Loctite 243 required for installation
5	SP517232	Seal	Self-adhesive foam
6	SP557525	Cabinet Reinforcement	Left
	SP557533	Cabinet Reinforcement	Right
7	SP311679800004	Washer	M4
8	SP309084000416	Bolt	M4x16
9	SP311125000006	Washer	6.4
10	SP311127000006	Washer	6
11	SP309933000616	Bolt	M6x16
12	SP309084000408	Bolt	M4x8
13	SP533103	Coin Vault Plate	
	SP566737	Coin Vault Plate	Large coin meter

Cabinet (Drawing 3 of 3)

AR, LA, MWC, PA and RX Models with T or X in 7th Position;
IA, NA, SA and UA Models Starting Serial Nos. 350RX001504SF, 520RX001158SB with A, D, I, J, R, T or X in 7th Position



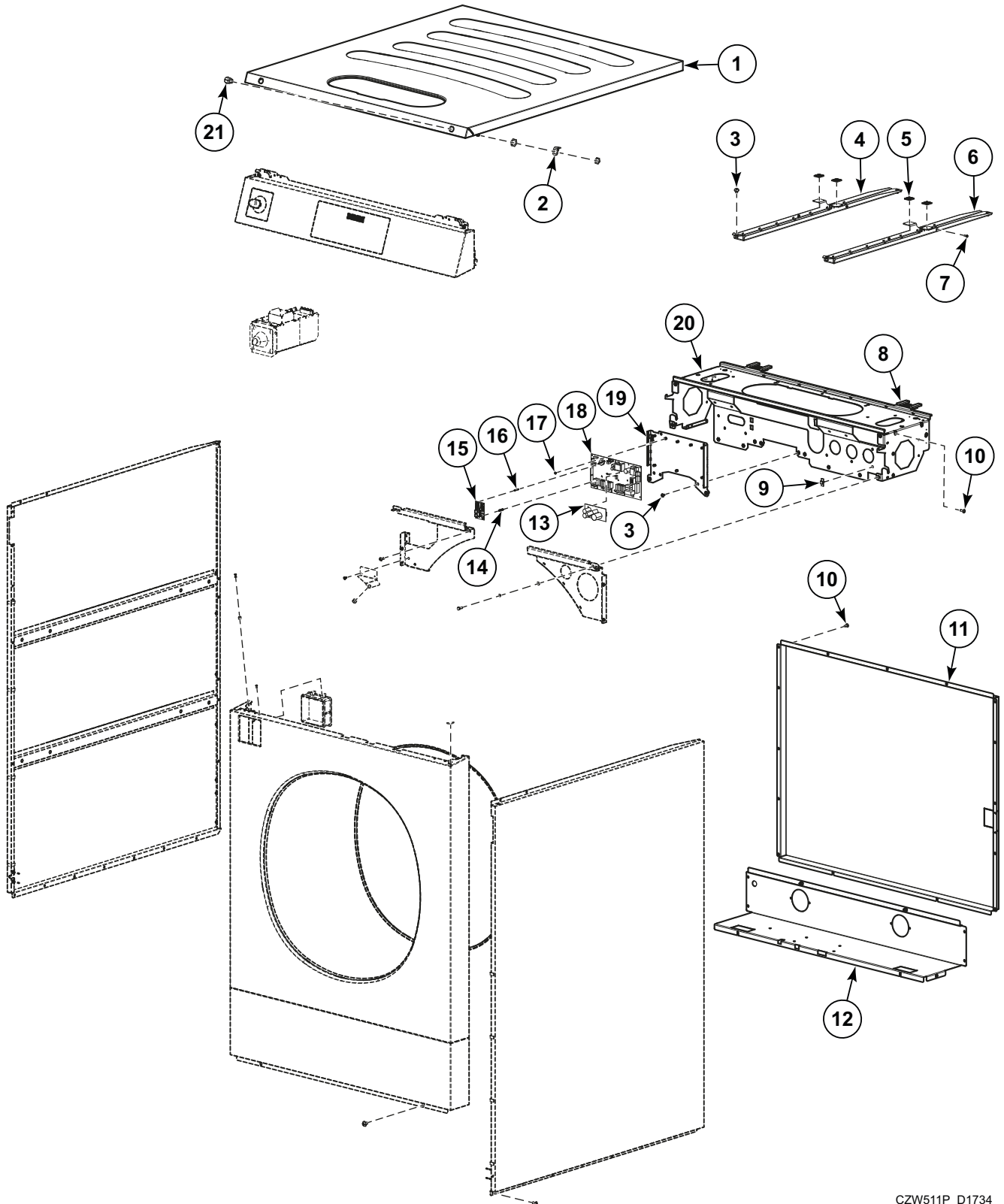
CFD3469P_D1734

Cabinet (Drawing 3 of 3)

REF	PART NO.	DESCRIPTION	COMMENTS
	SP245704003021	Adhesive	Loctite 243; Used with bolts
	564873	Logo Label	IA models; Used with Front Panel
1	SP555405	End Stop	
2	SPPRI505000058	Profiled Sealing	
3	SP555658	Bolt	M6x10
4	SP558946	Front Panel	AR, LA, MWC, NA, PA and RX models; OPL; Painted; Through Serial No. 350RX000320FF and 520RX000229FB
	563588	Front Panel	OPL; Painted; Starting Serial No. 350RX000321FF and 520RX000230FD; AR, LA, MWC, NA, PA and RX models
	SP558949	Front Panel	OPL; Stainless steel
	SP558947	Front Panel	Vend; Painted; Through Serial No. 350RX000320FF
	563590	Front Panel	Vend; Painted; Starting Serial No. 350RX000321FF and 520RX000230FD; AR, LA, MWC, NA, PA and RX models
	568057	Front Panel	Vend; Large coin meter; Stainless steel; Starting Serial No. 350RX000750HM and 520RX000803MB
	568059	Front Panel	AR, LA, MWC, NA, PA and RX models; Vend; Large coin meter; Painted; Starting Serial No. 350RX000750HM and 520RX000803MB
	SP558951	Front Panel	Vend; Stainless steel; AR, LA, MWC, NA, PA and RXmodels
5	SP557513	Side Panel	332 and 350, AR, LA, MWC, NA, PA and RXmodels; Left; Painted; Through Serial No. 350RX000320FF
	563593	Side Panel	332 and 350, AR, LA, MWC, NA, PA and RX models; Left; Painted; Starting Serial No. 350RX000321FF
	577127	Side Panel	332 and 350 IA and SA models; Left; Black; Starting Serial No. 350RX001504SF
	SP560320	Side Panel	80, 332 and 350 models; Left; Stainless steel
	SP556247	Side Panel	520, AR, LA, MWC, NA, PA and RX models; Left; Painted; Through Serial No. 520RX000229FB
	577131	Side Panel	520 IA and SA models; Left; Black; Starting Serial No. 520RX001158SB
	563597	Side Panel	520, AR, LA, MWC, NA, PA and RX models; Left; Painted; Starting Serial No. 520RX000230FD
	SP560324	Side Panel	120 and 520 models; Left; Stainless steel

Cabinet (Drawing 1 of 3)

Models with G in 7th Position



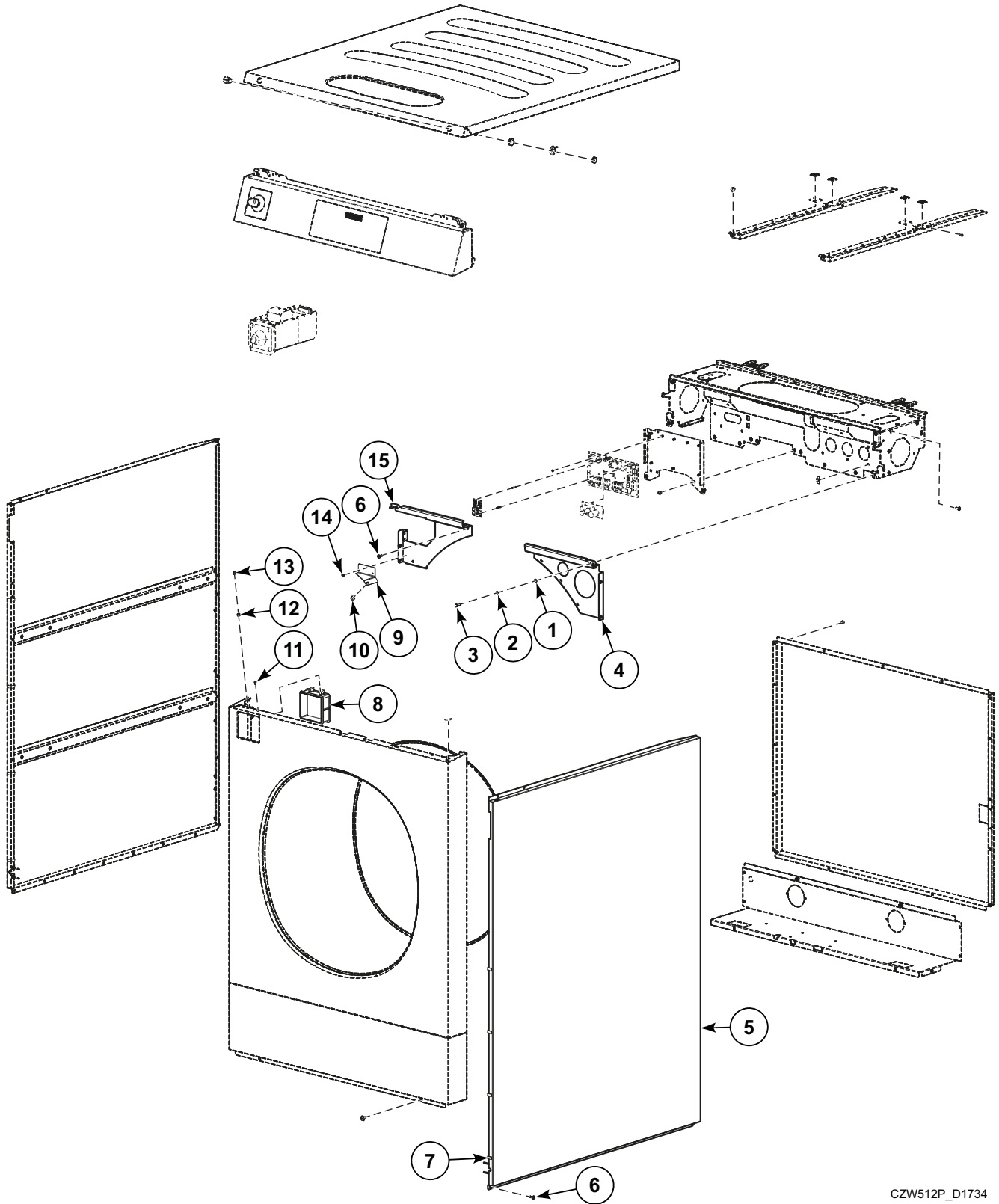
CZW511P_D1734

Cabinet (Drawing 1 of 3)

REF	PART NO.	DESCRIPTION	COMMENTS
1	581002	Top Cover Assembly	80, 332 and 350 models; Stainless steel
	581003	Top Cover Assembly	120 and 520 models; Stainless steel
2	581001	Lock Hook	
3	SP506012	Bolt	M6x10
4	581029	Top Cover Reinforcement	80, 332 and 350 models; Left
5	SP550115	Fastener	Velcro (hook and loop)
6	581030	Top Cover Reinforcement	120 and 520 models; Right
7	SP555504	Bolt	M4x12
8	564202	Seal	0.1m
9	SP528313	Cable Holder	
10	555658	Bolt	M6x16
11	581019	Rear Cover	
12	557518	Rear Cover	Lower
13	553189	Module	Door Lock
14	577693	Plastic Post	
15	553439	Conversion Board	
16	577689	Plastic Post	
17	563123	Bolt	M3x6
18	553444	Control Board I/O	MC10; Power; Used with 569702 Interconnection Flat Cable
19	577668	Control Board Holder	
20	580865	Panel Holder	
21	SP547527	Lock	Requires SP550616 Key

Cabinet (Drawing 2 of 3)

Models with G in 7th Position



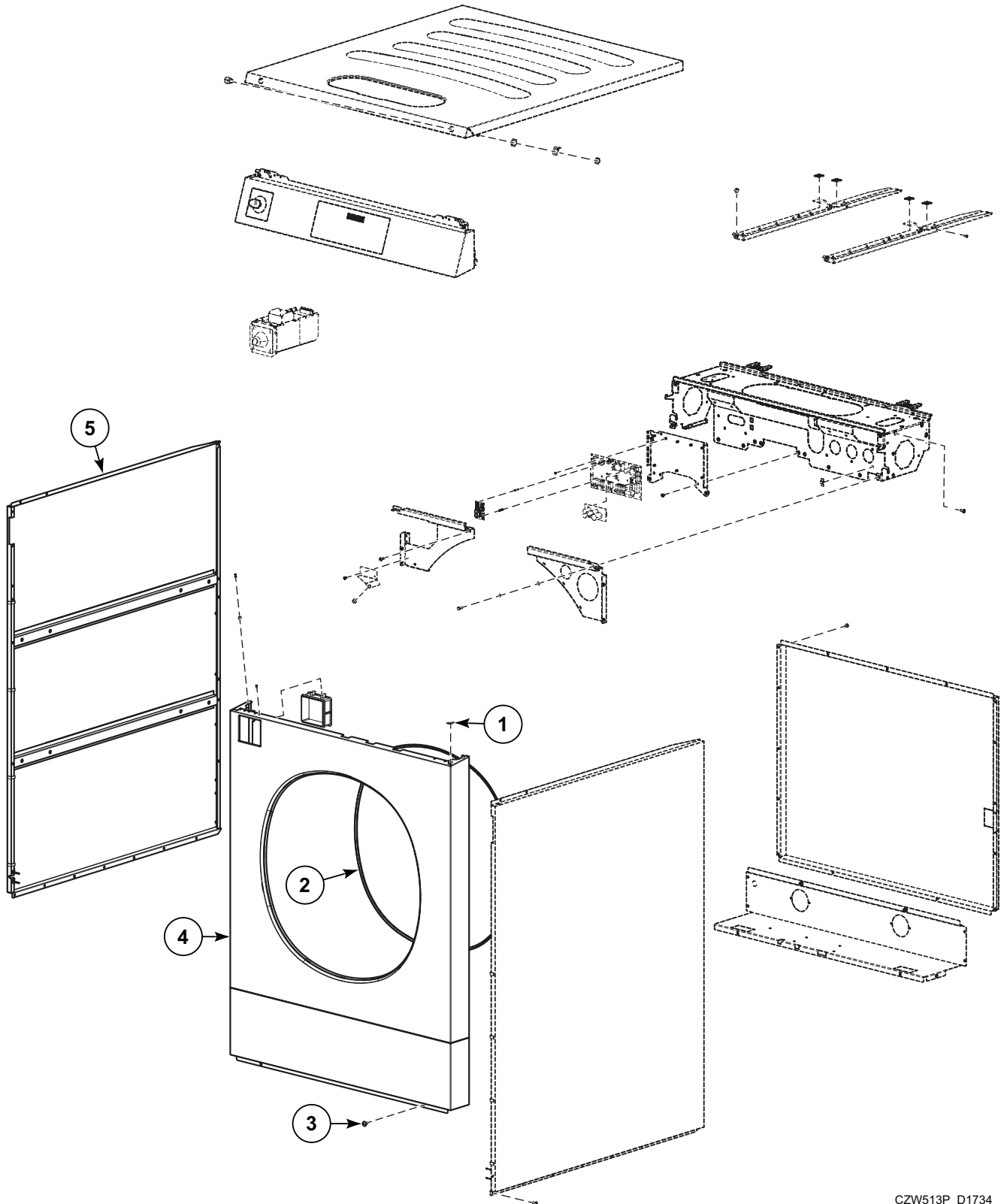
CZW512P_D1734

Cabinet (Drawing 2 of 3)

REF	PART NO.	DESCRIPTION	COMMENTS
	577479	Panel Protection	Used with Side Panel; Adhesive Protective Label
1	SP311125000006	Washer	6.4
2	SP311127000006	Washer	6
3	SP309933000616	Bolt	M6x16
4	557533	Cabinet Reinforcement	Right
5	580828	Side Panel	80, 332 and 350 models; Right; Stainless steel
	580836	Side Panel	120 and 520 models; Right; Stainless steel
	577472	Side Panel	IA and SA 332 models; Right; Black
	577474	Side Panel	IA and SA 520 models; Right; Black
	580832	Side Panel	NA and PA 332 and 350 models; Right; Grey
	580840	Side Panel	NA and PA 520 models; Right; Grey
6	555658	Bolt	M6x16
7	SP517232	Seal	Self-adhesive foam
8	566737	Coin Vault Plate	
9	567935	Cabinet Holder	
10	SP310934000008	Nut	M8
11	SP309084000408	Bolt	M4x8
12	SP520408	Pin Insertion	
13	SP547779	Rivet	4x16.7 with a crank
14	SP529206	Screw	4x11
15	557525	Cabinet Reinforcement	Left

Cabinet (Drawing 3 of 3)

Models with G in 7th Position



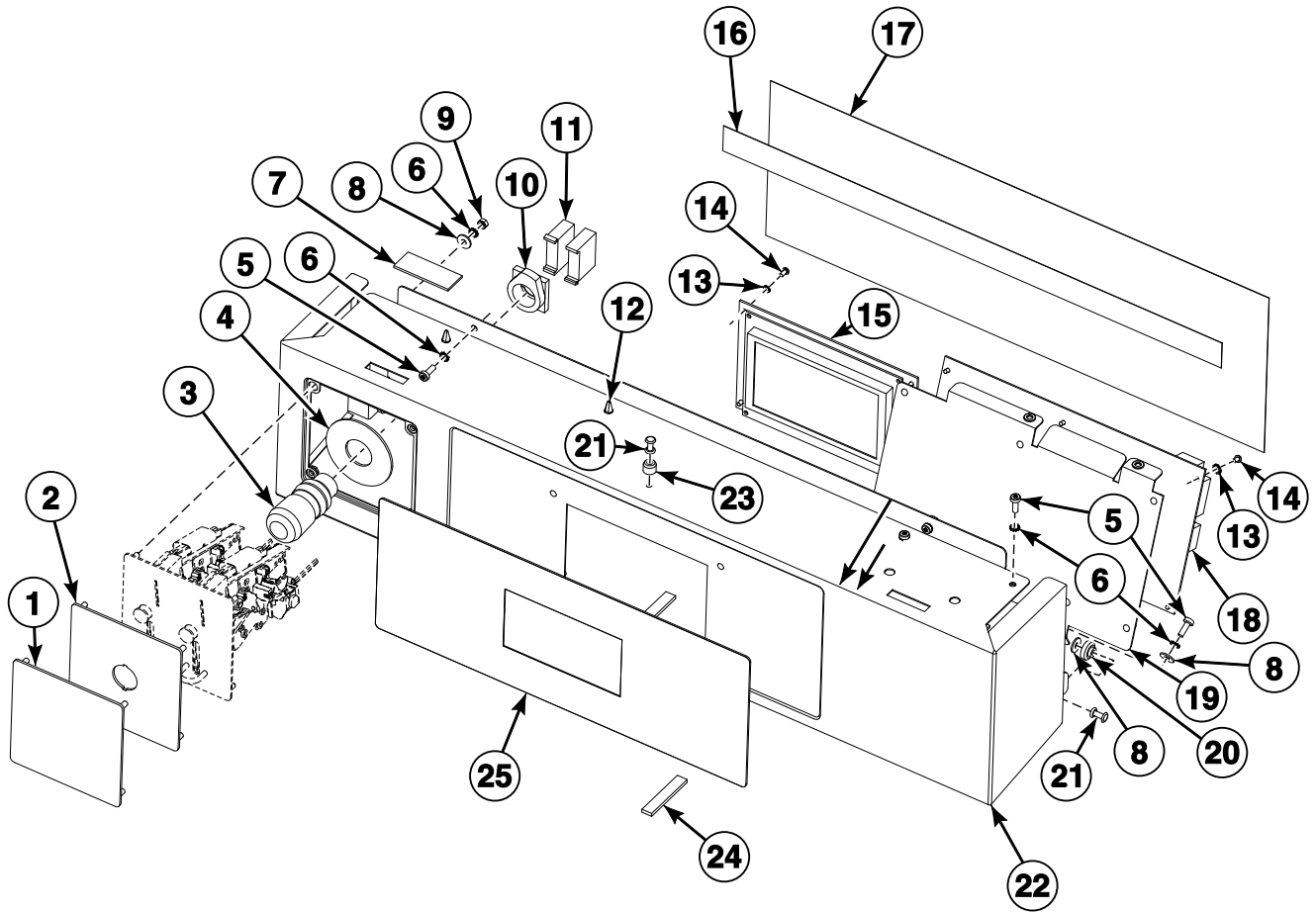
CZW513P_D1734

Cabinet (Drawing 3 of 3)

REF	PART NO.	DESCRIPTION	COMMENTS
	577479	Panel Protection	Used with Side Panel; Protective foil
1	SP555405	End Stop	
2	SPPRI505000058	Profiled Sealing	
3	555658	Bolt	M6x16
4	558949	Front Panel	OPL; Stainless steel
	568057	Front Panel	Vend; Stainless steel
	563588	Front Panel	NA and PA models; OPL; Grey
	568059	Front Panel	NA and PA models; Vend; Grey
5	580826	Side Panel	80, 332 and 350 models; Left; Stainless steel
	580834	Side Panel	120 and 520 models; Left; Stainless steel
	577471	Side Panel	IA and SA 332 models; Left; Black
	577473	Side Panel	IA and SA 520 models; Left; Black
	580830	Side Panel	NA and PA 332 and 350 models; Left; Grey
	580838	Side Panel	NA and PA 520 models; Left; Grey

Control Panel - IA and WMA Models

Models Through Serial Nos. 350RX001503SF, 520RX001157SB



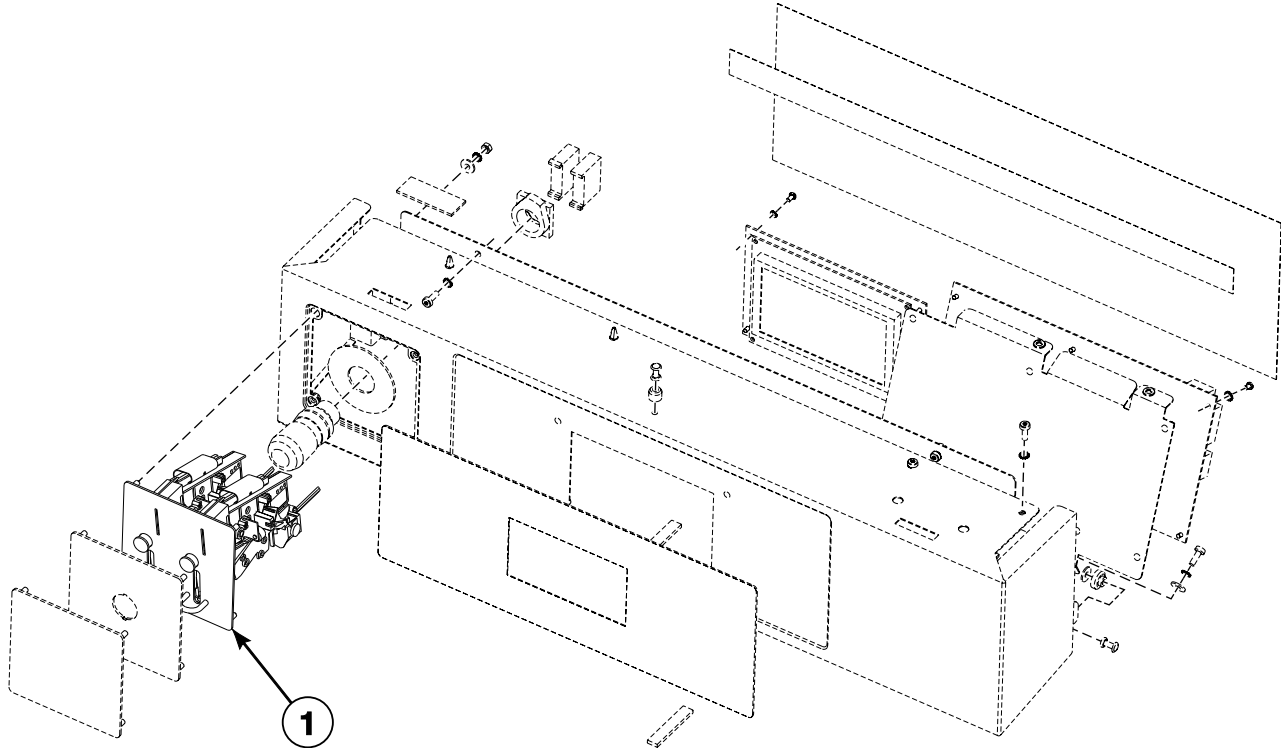
CFD2939P_D1734

Control Panel - IA and WMA Models

REF	PART NO.	DESCRIPTION	COMMENTS
	F8600501	Programming Cable	
	SP520033	Emergency Stop Interconnection	Vend
	569593	Network Installation Kit	Includes 569595 Holder, 203532 Wireless Network Control Assembly, 568363 Power Supply, 568362 Cable, 568378 Wiring, 568379 Wiring Diagram, SP345000626088 Binding Strip and connection accessories
1	SP550149	Cover Plate	Central payment system
2	SP547565	Coin Meter Cover	
3	SP528310	Emergency Stop Knob	
	SP520032	Emergency Stop Wiring	OPL
4	SPPRI551005248	Emergency Stop Label	Yellow
5	SP555504	Bolt	M4x12
6	SP311679800004	Washer	M4
7	SPMEC001410	Self-Adhesive Pad	
8	SP311902100004	Washer	M4
9	SP310934000004	Nut	M4
10	SP528311	Emergency Stop Connector	
11	SP528312	Switching Unit	
12	SP528313	Cable Holder	
13	SP311679800003	Washer	M3
14	SP309798500306	Bolt	M3x6
15	SP553419	Control Board	MC7
16	SP510846	Tape	
17	SPPRI543000004	Cover	
18	SP553405	Control Board I/O	MC7
	SP547005	Board Interconnection Cable	
19	SP558813	Programmer Holder	
20	SP550113	Leading Pin	
21	SP547779	Rivet	4x16.7 with a crank
22	SP560489	Control Panel	
23	SP520408	Pin Insertion	
24	SP284000012003	Tape	
25	SP557565	Keyboard	IA models; Aries Elite
	SP557566	Keyboard	IA models; Aries
	SP560747	Keyboard	WMA models; Vend and OPL models without logo and without numeric keypad
	SP560748	Keyboard	WMA models; OPL models without logo and without numeric keypad

Coin Meter - IA and WMA Models (Drawing 1 of 3)

Models Through Serial Nos. 350RX001503SF, 520RX001157SB



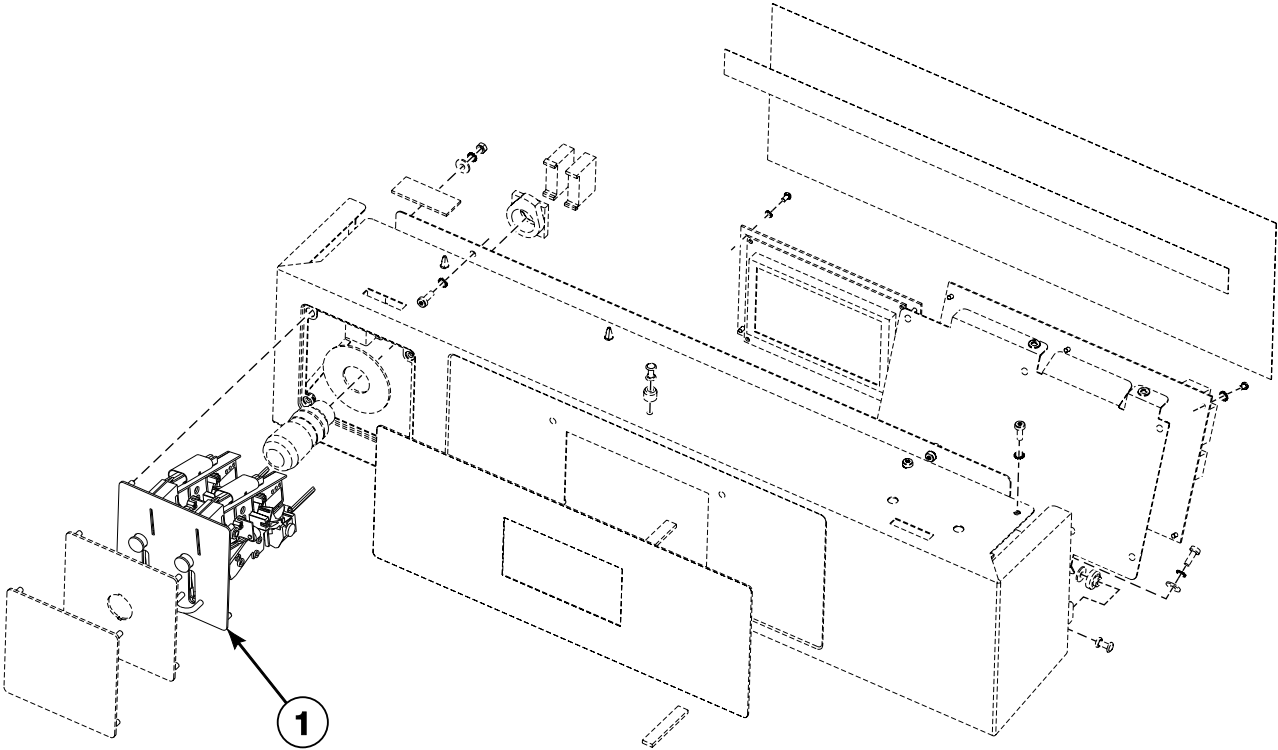
CFD2940P_D1734

Coin Meter - IA and WMA Models (Drawing 1 of 3)

REF	PART NO.	DESCRIPTION	COMMENTS
1	569922	Coin Meter	0.2GBP, 0.5GBP, 1GBP, 2GBP, 0.1EUR, 0.2EUR, 0.5EUR, 1EUR, 2EUR; Electronic EMPv7
	SP558958	Coin Meter	0.25USD
	SP558959	Coin Meter	0.5EUR and 1EUR
	SP560310	Coin Meter	1EUR
	SP560311	Coin Meter	0.5EUR
	SP560312	Coin Meter	1EUR and 2EUR
	SP559933	Coin Meter	5K Primus jeton
	SP559934	Coin Meter	10K Primus jeton
	569965	Coin Meter	0.2GBP, 0.5GBP, 1GBP, 2GBP, 0.1EUR, 0.2EUR, 0.5EUR, 1EUR, 2EUR, jeton "KWL Aqua", jeton "Gettone"; Electronic EMPv7
	SP559938	Coin Meter	STD 118-1 jeton
	SP560309	Coin Meter	7K Primus jeton
	SP560405	Coin Meter	12K Primus jeton
	SP560406	Coin Meter	15K Primus jeton
	SP560407	Coin Meter	2EUR
	SP560408	Coin Meter	0.2EUR and 0.5EUR
	SP560409	Coin Meter	0.2EUR
	SP560410	Coin Meter	1EUR and 0.2EUR
	SP560411	Coin Meter	2EUR and 0.5EUR
	SP560412	Coin Meter	1AUD and 0.2AUD
	SP560413	Coin Meter	1GBP and 20PC
	SP560414	Coin Meter	1GBP and 50PC
	SP560415	Coin Meter	100JPY
	SP560416	Coin Meter	500JPY and 100 JPY
	SP560417	Coin Meter	1AUD and 2AUD
	SP560418	Coin Meter	1AUD
	SP560419	Coin Meter	20PC
	SP560420	Coin Meter	50 Malaysian cent
	SP560421	Coin Meter	1SGD; New Singaporean dollar
	SP560422	Coin Meter	2MYR and 0.5MYR
	SP560423	Coin Meter	1SGD
	SP560424	Coin Meter	1NZD and 2NZD
	SP560425	Coin Meter	Easy games jeton
	SP560426	Coin Meter	Flat polis jeton
	SP560427	Coin Meter	Butzi wash jeton
	SP560428	Coin Meter	Speedy matic jeton
	SP560429	Coin Meter	Laundromatic Belgium jeton; Diameter 22.3mm
	569940	Coin Meter	0.1SGD, 0.2SGD, 0.5SGD, 1SGD; Electronic EMPv7
	569934	Coin Meter	0.1EUR, 0.2EUR, 0.5EUR, 1EUR, 2EUR; Electronic EMPv7
	SP560432	Coin Meter	500WON
	SP560745	Coin Meter	Dobi ekspres jeton
	SP560751	Coin Meter	Lucky winner jeton
	SP559969	Coin Meter	Gettone jeton
	SP559949	Coin Meter	10 Taiwan dollar
	SP560090	Coin Meter	5K IPSO jeton
	SP560091	Coin Meter	7K IPSO jeton
	SP560092	Coin Meter	10K IPSO jeton
	SP560093	Coin Meter	12K IPSO jeton
	SP560094	Coin Meter	15K IPSO jeton
	SP560100	Coin Meter	Electrolux Asard jeton
	SP560087	Coin Meter	Gettone jeton

Coin Meter - IA and WMA Models (Drawing 2 of 3)

Models Through Serial Nos. 350RX001503SF, 520RX001157SB



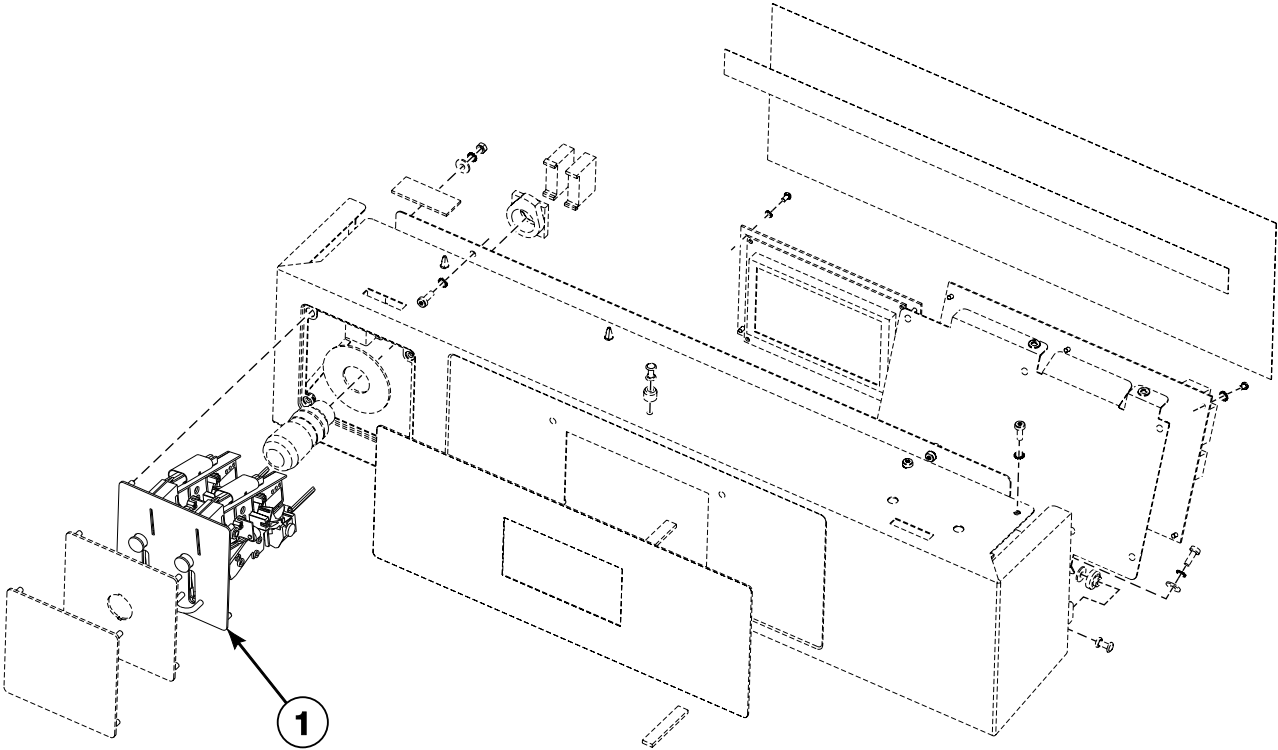
CFD2940P_D1734

Coin Meter - IA and WMA Models (Drawing 2 of 3)

REF	PART NO.	DESCRIPTION	COMMENTS
1	SP560075	Coin Meter	5+1 Shekel
	SP560071	Coin Meter	1HKD
	569968	Coin Meter	0.1EUR, 0.2EUR, 0.5EUR, 1EUR, 2EUR, jeton G-FIS "LAVOIR BIANCA"; Electronic EMPv7
	569946	Coin Meter	1HRK, 2HRK, 5HRK; Electronic EMPv7
	569974	Coin Meter	1AUD, 2AUD, jeton "No Cash Value"; Electronic EMPv7
	561497	Coin Meter	Jeton Prinz Firbitex
	563405	Coin Meter	Token Ldl Chamberland Washing Machine
	569943	Coin Meter	0.1MYR, 0.2MYR, 0.5MYR, 0.5SGD, 1SGD; Electronic EMPv7
	569925	Coin Meter	1DKK, 2DKK, 5DKK, 10DKK, 20DKK, 1NOK, 5NOK, 10NOK, 20NOK, 0.2EUR, 0.5EUR, 1EUR, 2EUR; Electronic EMPv7
	564485	Coin Meter	Token 118-5
	564487	Coin Meter	Token Barisart (Ldl)
	569971	Coin Meter	0.5MYR, jeton "DOBI PAPA"; Electronic EMPv7
	553156	Coin Meter	Token Rotondi
	569905	Coin Meter	Brass jeton
	569911	Coin Meter	0.5CHF, 2CHF
	569919	Coin Meter	0.25USD, 1USD, 0.25CAD, 1CAD, 2CAD; Electronic EMPv7
	569928	Coin Meter	0.2AUD, 1AUD, 2AUD, 0.2NZD, 1NZD, 2NZD, 5HKD, 10HKD, 500KRW; Electronic EMPv7
	569931	Coin Meter	1CNY, 0.1MYR, 0.2MYR, 0.5MYR; Electronic EMPv7
	569937	Coin Meter	1PHP, 5PHP, 10PHP; Electronic EMPv7
	569949	Coin Meter	5CZK, 10CZK, 20CZK, 50CZK; Electronic EMPv7
	569952	Coin Meter	0.5MAD, 1MAD, 2MAD, 5MAD, 10MAD; Electronic EMPv7
	569955	Coin Meter	1PLN, 2PLN, 5PLN, 0.1EUR, 0.2EUR, 0.5EUR, 1EUR, 2EUR, 10ISK, 50ISK, 100ISK; Electronic EMPv7
	569962	Coin Meter	0.1EUR, 0.2EUR, 0.5EUR, 1EUR, 2EUR, jeton IPRSO 5K; Electronic EMPv7
	569980	Coin Meter	0.5MYR, jeton "BUBBLELAB"; Electronic EMPv7
	569988	Coin Meter	Jeton HAUCK 2018
	569993	Coin Meter	Jeton 08 MS
	569995	Coin Meter	Jeton D

Coin Meter - IA and WMA Models (Drawing 3 of 3)

Models Through Serial Nos. 350RX001503SF, 520RX001157SB



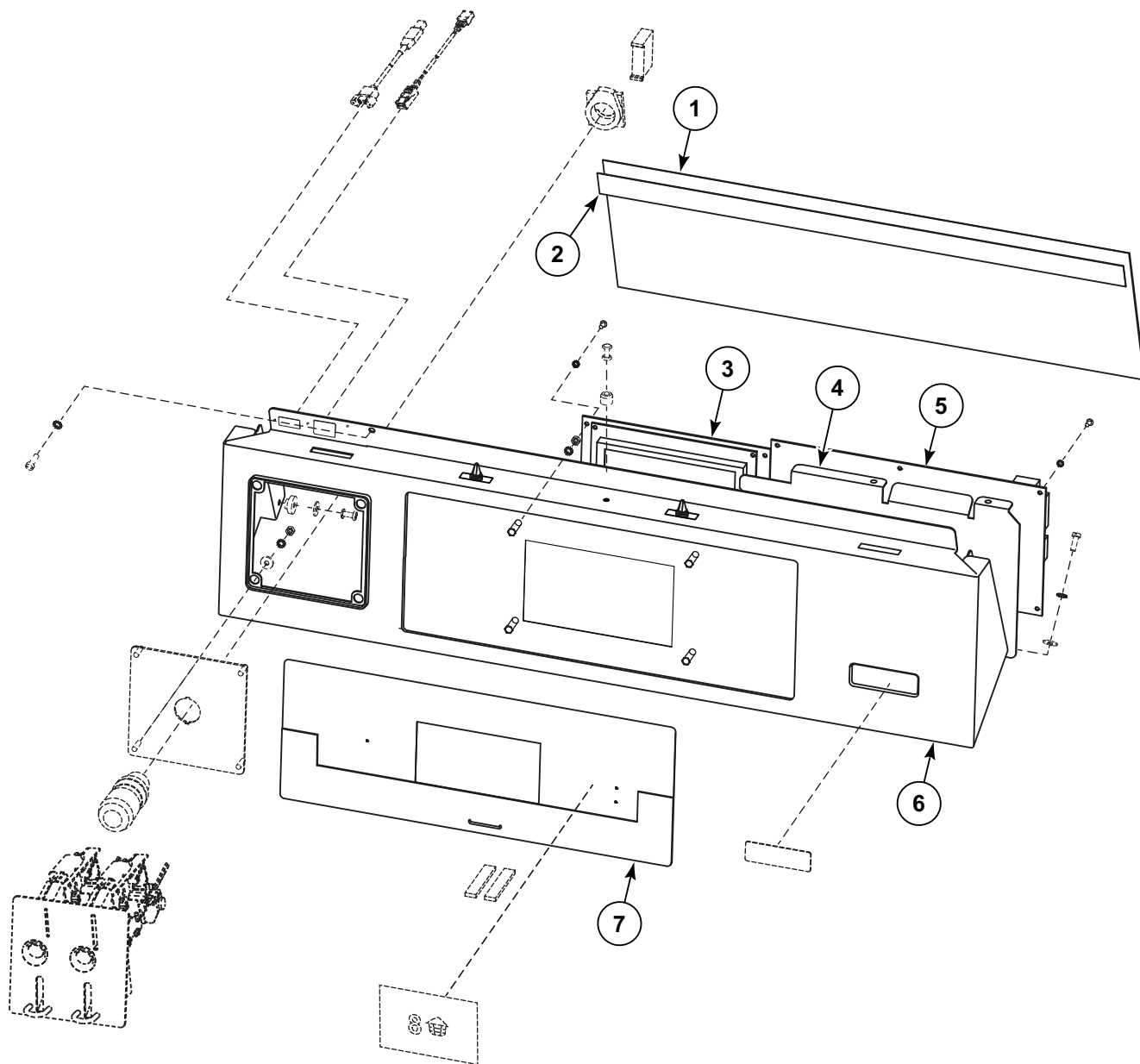
CFD2940P_D1734

Coin Meter - IA and WMA Models (Drawing 3 of 3)

REF	PART NO.	DESCRIPTION	COMMENTS
1	569999	Coin Meter	10+50 TWD
	570000	Coin Meter	100+500 ISK
	572302	Coin Meter	Token 118-16
	572305	Coin Meter	1ILS, 2ILS, 5ILS, 10ILS; Electronic EMPv7
	572308	Coin Meter	1ZAR, 2ZAR, 5ZAR; Electronic EMPv7
	572311	Coin Meter	5RUB, 10RUB; Electronic EMPv7
	572314	Coin Meter	50CLP, 100CLP, 500CLP; Electronic EMPv7
	572318	Coin Meter	100JPY, 500JPY, 10TWD, 50TWD; Electronic EMPv7
	572321	Coin Meter	0.5GEL, 1GEL, 2GEL; Electronic EMPv7
	572324	Coin Meter	0.2EUR, 0.5EUR, 1EUR, 2EUR, Jeton 7K; Electronic EMPv7
	572327	Coin Meter	20HUF, 50HUF, 100HUF, 200HUF; Electronic EMPv7
	572355	Coin Meter	Token Nr. 1699360
	572359	Coin Meter	1THB, 2THB, 5THB, 10THB/TK1+2; Electronic EMPv7
	572384	Coin Meter	0.2CHF, 0.5CHF, 1CHF, 2CHF; TK1, TK2; Electronic EMPv7
	572389	Coin Meter	0.25CAD
	575276	Coin Meter	0.25 USD + 1 USD
	575277	Coin Meter	0.25 CAD+ 1 CAD

Control Panel (Drawing 1 of 2)

AR, LA, MWC, PA and RX Models with T or X in 7th Position;
IA, NA, SA and UA Models Starting Serial Nos. 350RX001504SF, 520RX001158SB with A, D, I, J, R, T or X in 7th Position



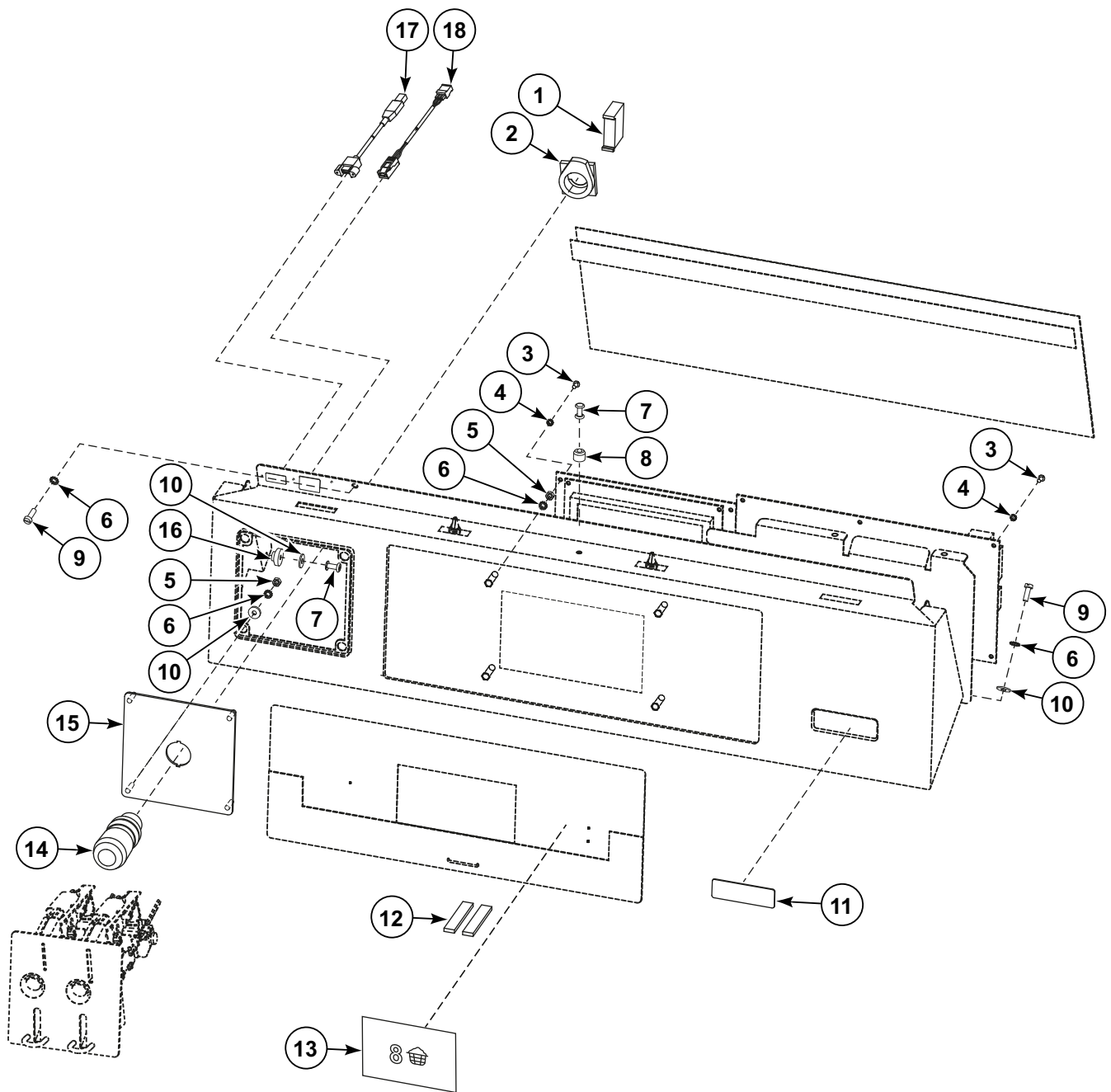
CZW388P_D1734

Control Panel (Drawing 1 of 2)

REF	PART NO.	DESCRIPTION	COMMENTS
1	SPPRI543000004	Cover	
2	SP510846	Tape	
3	SP553411	Control Board	AR, AR Non-Brand, LA, MWC, NA, PA and RX models; MC7; Blue
	SP553419	Control Board	IA models; MC7; Red
	SP553412	Control Board	SA and UA models; MC7; Green
4	SP550117	Control Board Holder	
5	SP553405	Control Board I/O	MC7
	SP547005	Board Interconnection Cable	
6	575948	Control Panel	AR, IA, NA, SA and UA models starting Serial Nos. 350RX001504SF, 520RX001158SB
	SP557528	Control Panel	LA, MWC, PA and RX models
7	SP547085	Keyboard	MWC, PA and RX models; X-Control Plus; Gray-black; PAN080T and PAN120T models Starting Serial Nos. 350RX000936KF, 520RX000431HK
	SP547086	Keyboard	MWC, PA and RX models; X-Control; CE; Gray-black
	SP547087	Keyboard	AR, AR Non-Brand, LA and NA models; X-Control Plus and Professional; Black
	SP547088	Keyboard	AR, AR Non-Brand, LA, NA and SA models; X-Control, Basic and QED; Black
	SP553423	Keyboard	PAN models; X-Control; CSA; Through Serial No. 350RX000935KF, 520RX000430HH
	SP557565	Keyboard	IA models; Aries Elite
	SP557566	Keyboard	IA models; Aries
	SP560747	Keyboard	IA models; Without logo; Without numeric keypad
	SP560748	Keyboard	IA models; Without logo; With numeric keypad
	SP557130	Keyboard	SA models; QED Select
	559862	Keyboard	UA models; OPL; PROform

Control Panel (Drawing 2 of 2)

AR, LA, MWC, PA and RX Models with T or X in 7th Position;
IA, NA, SA and UA Models Starting Serial Nos. 350RX001504SF, 520RX001158SB with A, D, I, J, R, T or X in 7th Position



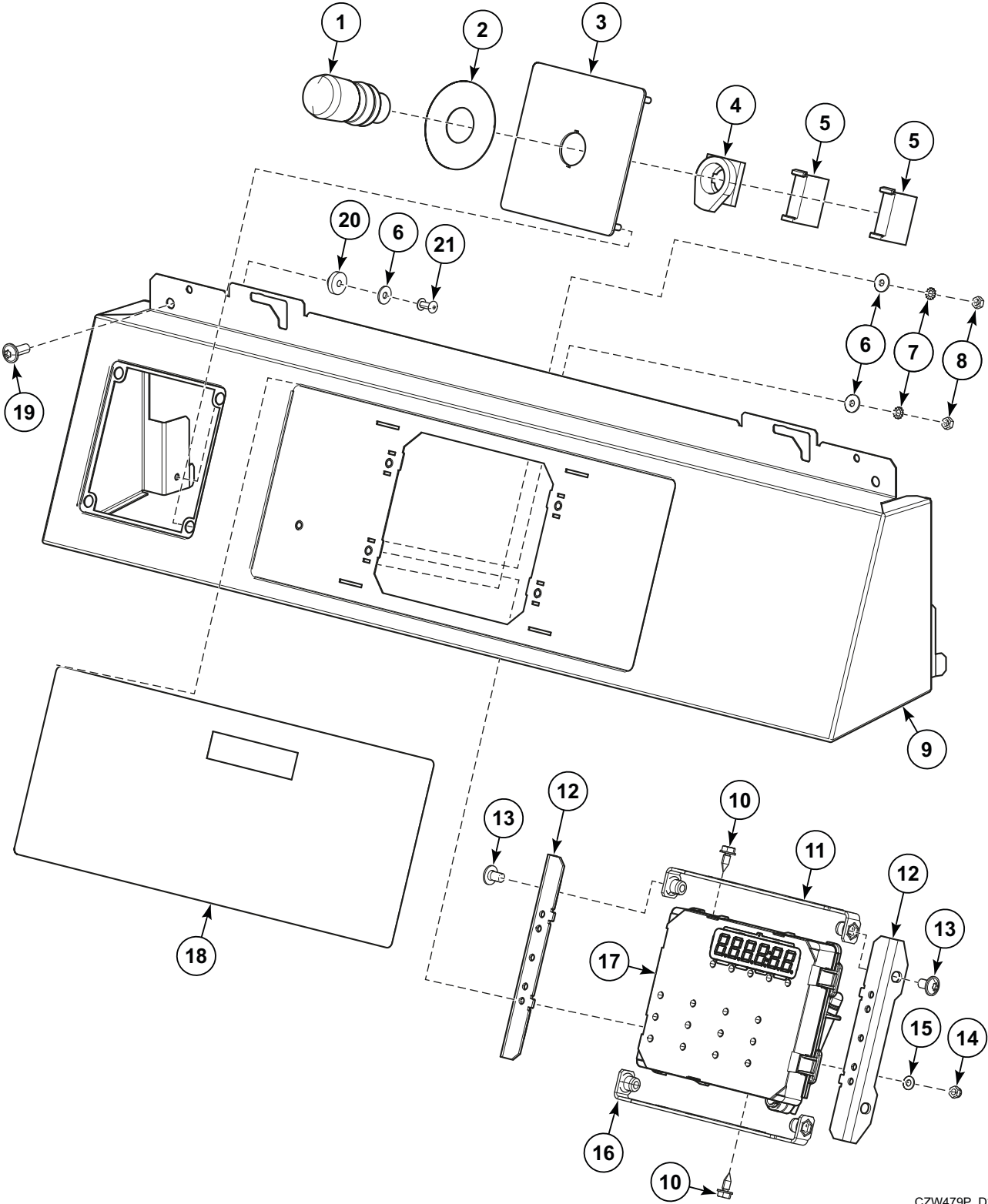
CZW389P_D1734

Control Panel (Drawing 2 of 2)

REF	PART NO.	DESCRIPTION	COMMENTS
	F8600501	Programming Cable	
	SP520033	Emergency Stop Interconnection	Vend
	569593	Network Installation Kit	Includes 569595 Holder, 203532 Wireless Network Control Assembly, 568363 Power Supply, 568362 Cable, 568378 Wiring and 568379 Wiring Diagram
1	SP528312	Switching Unit	
2	SP528311	Emergency Stop Connector	
3	SP309798500306	Bolt	M3x6
4	SP311679800003	Washer	M3
5	SP310934000004	Nut	M4
6	SP311679800004	Washer	M4
7	SP547779	Rivet	4x16.7 with a crank
8	SP520408	Pin Insertion	
9	SP555504	Bolt	M4x12
10	SP311902100004	Washer	M4
11	547050	Logo Label	PAN models starting Serial Nos. 350RX000936KF, 520RX000431HK
	567887	Logo Label	PA and RX models
	575512	Logo Label	SA model; Vended
12	SP284000012003	Tape	
13	SP564830	Label	Basket capacity; 8; Models PAN080T and PAN080X; Vended
14	SP528310	Emergency Stop Knob	
	SP520032	Emergency Stop Wiring	OPL
15	SP547565	Coin Meter Cover	
	SP550149	Cover Plate	Central payment system
16	SP550113	Leading Pin	
17	569668	USB Cable	0.61mm; PA models; Vended; Starting 9/1/2017
18	SP545234	Cable	RS485; With connectors; PA models; CSA; Starting 9/1/2017; option for other models

Control Panel OPL

Models with G in 7th Position



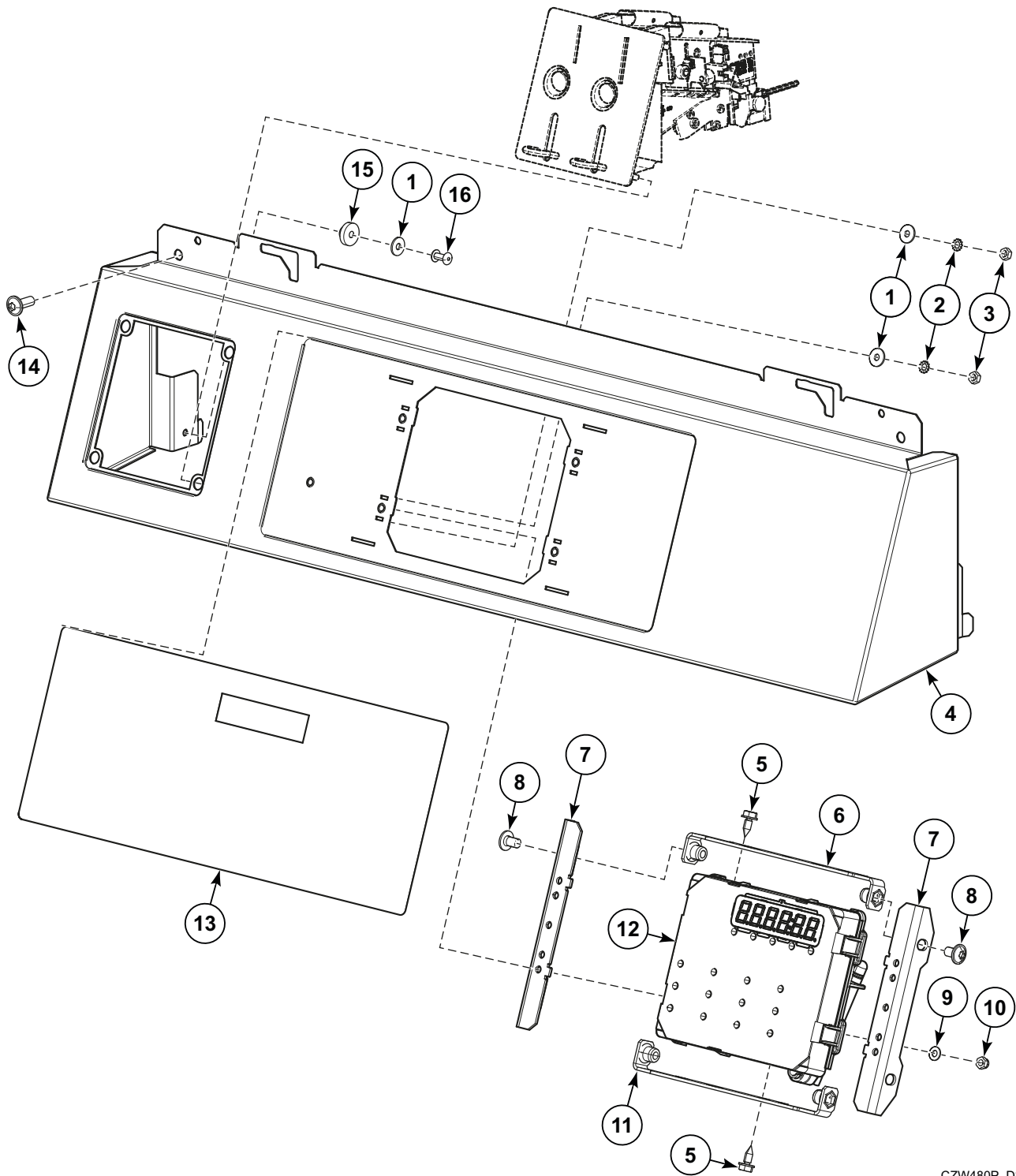
CZW479P_D2064

Control Panel OPL

REF	PART NO.	DESCRIPTION	COMMENTS
1	SP528310	Emergency Stop Knob	Used with SP520032 Emergency Stop Wiring
2	SPPRI551005248	Emergency Stop Label	Yellow
3	SP547565	Coin Meter Cover	
4	SP528311	Emergency Stop Connector	
5	SP528312	Switching Unit	
6	SP311902100004	Washer	M4
7	SP311679800004	Washer	M4
8	SP310934000004	Nut	M4
9	580853	Control Panel	
10	SP100218	Screw	
11	581020	Control Holder	upper
12	581009	Control Support	
13	SP506012	Bolt	M6x10
14	SP514193	Nut	M4
15	SP311125000004	Washer	4x3
16	581021	Control Holder	lower
17	204890	Control Board	
	575865	Board Interconnection Cable	15.75 inch (0.4 m)
18	577656	Keyboard	
19	555658	Bolt	M6x16
20	SP550113	Leading Pin	
21	SP313250004125	Rivet	4x12.5

Control Panel Vended

Models with G in 7th Position



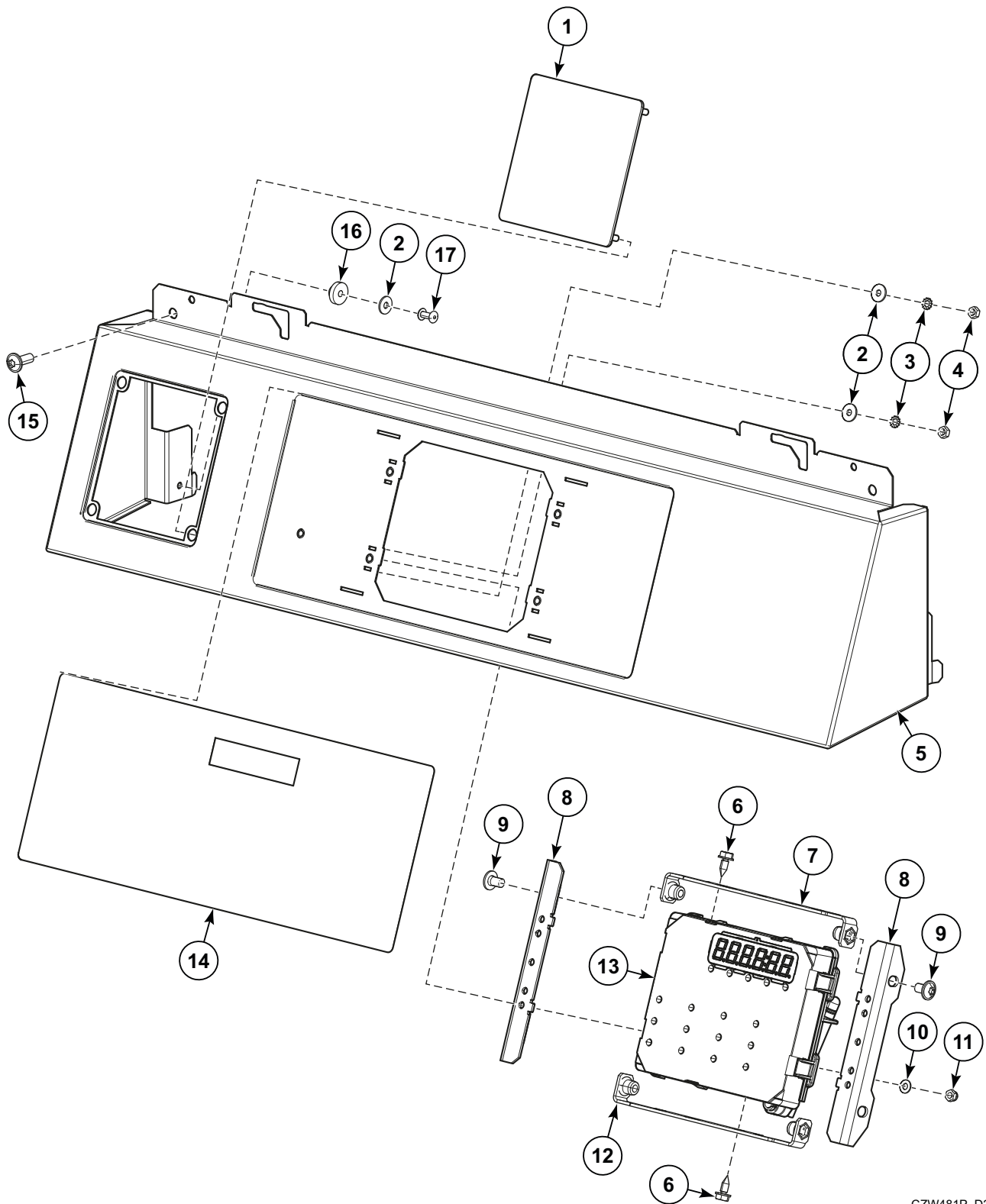
CZW480P_D2064

Control Panel Vended

REF	PART NO.	DESCRIPTION	COMMENTS
	SP520033	Emergency Stop Interconnection	Vend
1	SP311902100004	Washer	M4
2	SP311679800004	Washer	M4
3	SP310934000004	Nut	M4
4	580853	Control Panel	
5	SP100218	Screw	
6	581020	Control Holder	upper
7	581009	Control Support	
8	SP506012	Bolt	M6x10
9	SP311125000004	Washer	4x3
10	SP514193	Nut	M4
11	581021	Control Holder	lower
12	204890	Control Board	
	575865	Board Interconnection Cable	15.75 inch (0.4 m)
13	577656	Keyboard	
14	555658	Bolt	M6x16
15	SP550113	Leading Pin	
16	SP313250004125	Rivet	4x12.5

Control Panel for Central Payment System

Models with G in 7th Position

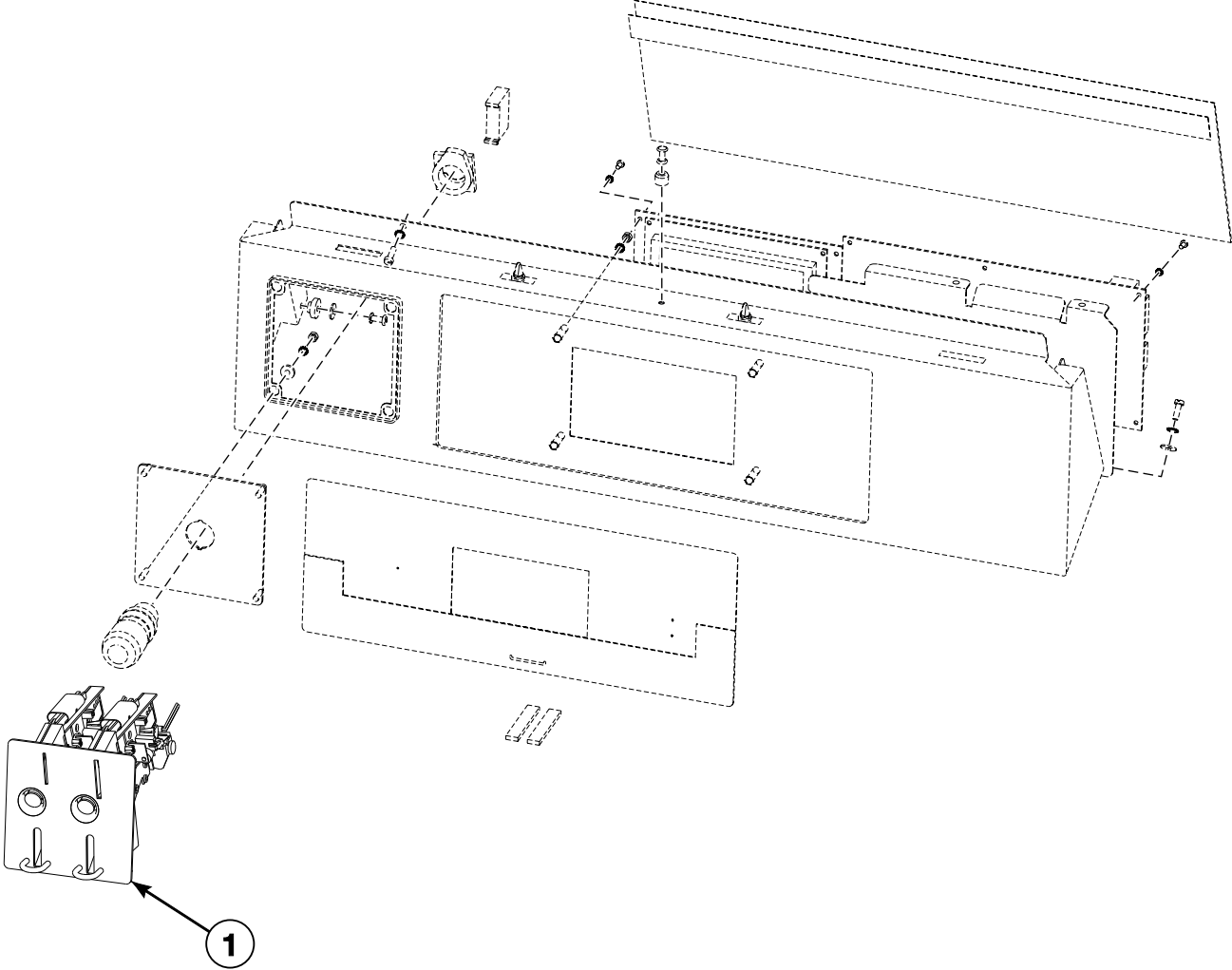


CZW481P_D2064

Control Panel for Central Payment System

REF	PART NO.	DESCRIPTION	COMMENTS
	571485	Emergency Stop Interconnection	Central Payment System
1	SP550149	Cover Plate	Central Payment System
2	SP311902100004	Washer	M4
3	SP311679800004	Washer	M4
4	SP310934000004	Nut	M4
5	580853	Control Panel	
6	SP100218	Screw	
7	581020	Control Holder	upper
8	581009	Control Support	
9	SP506012	Bolt	M6x10
10	SP311125000004	Washer	4x3
11	SP514193	Nut	M4
12	581021	Control Holder	lower
13	204890	Control Board	
	575865	Board Interconnection Cable	15.75 inch (0.4 m)
14	577656	Keyboard	
15	555658	Bolt	M6x16
16	SP550113	Leading Pin	
17	SP313250004125	Rivet	4x12.5

Coin Meter - AR, AR Non-Brand, IA, LA, MWC, NA, PA, RX and SA Models (Drawing 1 of 4)

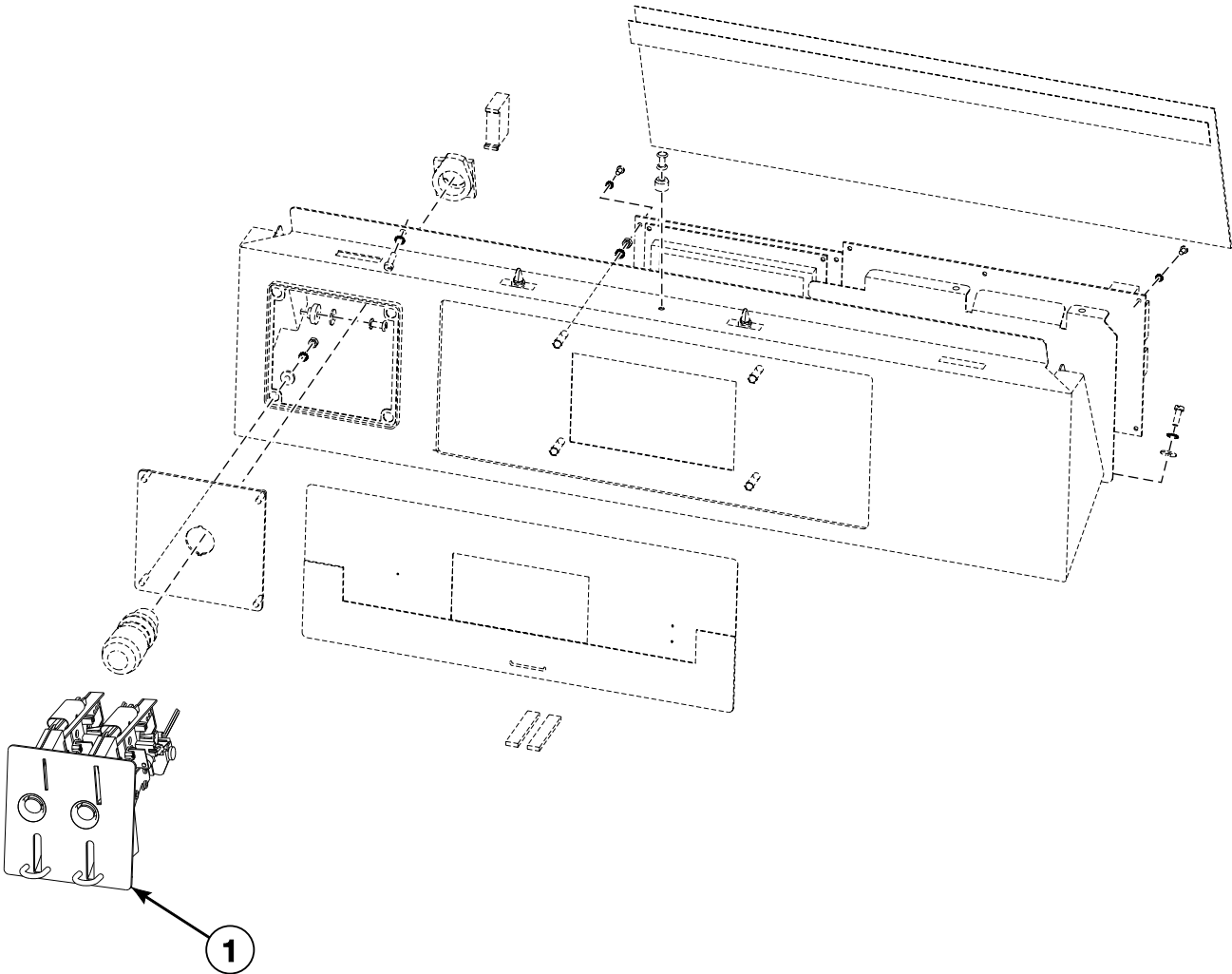


CFD2941P_D1734

Coin Meter - AR, AR Non-Brand, IA, LA, MWC, NA, PA, RX and SA Models (Drawing 1 of 4)

REF	PART NO.	DESCRIPTION	COMMENTS
1	SP547601	Coin Meter	5K Primus jeton
	SP547602	Coin Meter	7K Primus jeton
	SP547603	Coin Meter	10K Primus jeton
	SP547604	Coin Meter	12K Primus jeton
	SP547605	Coin Meter	15K Primus jeton
	SP547606	Coin Meter	D jeton
	SP547648	Coin Meter	0.05EUR
	SP547638	Coin Meter	0.2EUR
	SP547616	Coin Meter	0.5EUR
	SP547614	Coin Meter	1EUR
	SP547647	Coin Meter	2EUR
	SP547622	Coin Meter	0.2EUR + 0.5EUR
	SP547639	Coin Meter	0.2EUR + 1EUR
	SP547617	Coin Meter	0.5EUR + 1EUR
	SP547656	Coin Meter	0.5EUR + 2EUR
	SP547631	Coin Meter	1EUR + 2EUR
	SP547652	Coin Meter	7K + D jeton
	SP547666	Coin Meter	7K jeton and 2EUR
	SP547665	Coin Meter	D jeton and 2EUR
	SP547600	Coin Meter	1AUD + 20C
	SP547607	Coin Meter	1POND + 20PC
	SP547608	Coin Meter	1POND + 50PC
	SP547609	Coin Meter	100YEN
	SP547610	Coin Meter	500JPY + 100JPY
	SP547611	Coin Meter	5DKK
	SP547612	Coin Meter	20DKK
	SP547613	Coin Meter	5ILS + 1ILS
	SP547615	Coin Meter	1MYR
	SP547618	Coin Meter	1DKK + 5DKK
	SP547619	Coin Meter	10NOK + 20NOK
	SP547620	Coin Meter	2DKK + 5DKK
	SP547621	Coin Meter	5NOK
	SP547623	Coin Meter	1NZD + 2NZD
	SP547624	Coin Meter	10 NOK
	SP547625	Coin Meter	10NT + 50NT
	SP547626	Coin Meter	2DKK
	SP547627	Coin Meter	Lucky Winner jeton
	SP547628	Coin Meter	10TWD
	SP547629	Coin Meter	10CZK + 20CZK
	SP547630	Coin Meter	7K Equipos Par Lavar jeton
	569921	Coin Meter	0.2GBP, 0.5GBP, 1GBP, 2GBP, 0.1EUR, 0.2EUR, 0.5EUR, 1EUR, 2EUR; Electronic EMPv7
	SP547634	Coin Meter	500WON
	SP547635	Coin Meter	0.25USD
	SP547636	Coin Meter	1AUD + 2AUD
	SP547637	Coin Meter	5DK + 10DK
	SP547640	Coin Meter	Sun Wash jeton

Coin Meter - AR, AR Non-Brand, IA, LA, MWC, NA, PA, RX and SA Models (Drawing 2 of 4)

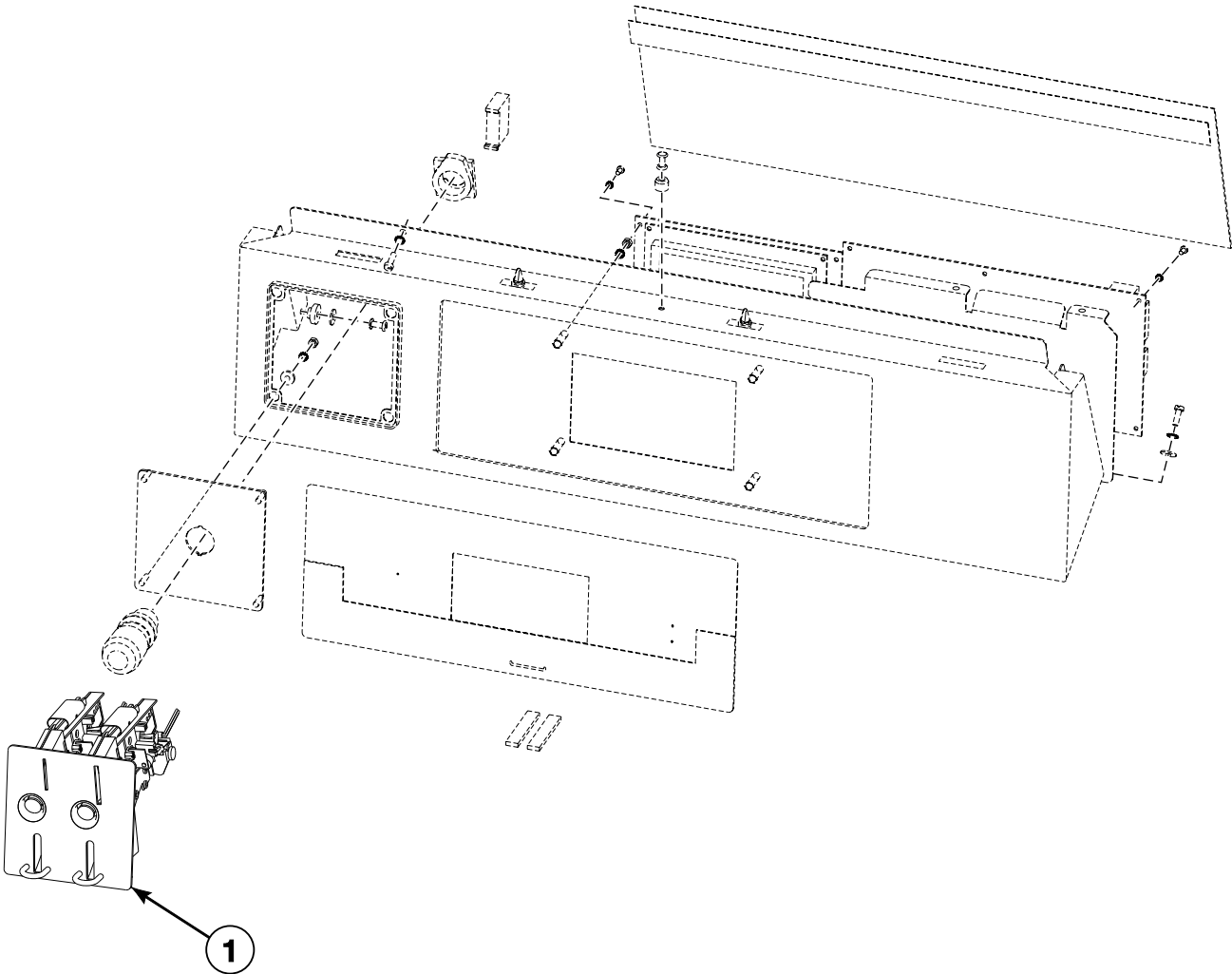


CFD2941P_D1734

Coin Meter - AR, AR Non-Brand, IA, LA, MWC, NA, PA, RX and SA Models (Drawing 2 of 4)

REF	PART NO.	DESCRIPTION	COMMENTS
1	SP547641	Coin Meter	2DK + 10DK
	SP547642	Coin Meter	1AUD
	SP547643	Coin Meter	1CHF
	SP547644	Coin Meter	5NOK + 10NOK
	SP547645	Coin Meter	1 TopMos jeton + 1LEV jeton
	SP547646	Coin Meter	1 Vendo jeton
	SP547649	Coin Meter	1 jeton
	569951	Coin Meter	0.5MAD, 1MAD, 2MAD, 5MAD, 10MAD; Electronic EMPv7
	SP547651	Coin Meter	20 penny
	SP547653	Coin Meter	1 Wascator jeton, jeton diamater 22.2 mm
	SP547654	Coin Meter	1 Unibel jeton, jeton diamater 18.55 mm
	SP547657	Coin Meter	50HUF + 100HUF
	SP547658	Coin Meter	1 jeton without coining, jeton diamater 20 mm
	SP547659	Coin Meter	1 Volund jeton, jeton diamater 22.5 mm
	SP547660	Coin Meter	1 Wascator jeton, jeton diamater 19 mm
	SP547661	Coin Meter	1 Miele jeton
	SP547662	Coin Meter	1 jeton without coining, jeton diamater 26 mm
	SP547663	Coin Meter	Three-groove jeton; jeton diamater 27 mm
	SP547664	Coin Meter	Three-groove jeton; jeton diamater 24.9 mm
	SP537996	Coin Meter	Top-Mosr jeton
	SP547667	Coin Meter	Milano Italy jeton
	SP547668	Coin Meter	5PLN + 1PLN
	SP547669	Coin Meter	Two-grooves jeton; jeton diamater 27 mm
	SP547670	Coin Meter	A.S.A.R.D. jeton, jeton diamater 25.8 mm
	SP547671	Coin Meter	20CZK
	SP547672	Coin Meter	Jeton ASARD, jeton diamater 22.3 mm
	SP547673	Coin Meter	Jeton Laundromatic Belgium, jeton diamater 22.3 mm
	SP547674	Coin Meter	1SGD
	SP547675	Coin Meter	Jeton Asard Wascator, jeton diamater 19.9 mm
	SP555502	Coin Meter	Easy Games jeton
	SP555543	Coin Meter	Brev.C jeton
	SP555546	Coin Meter	50 Malaysian cent
	SP555549	Coin Meter	Flat Polis jeton
	SP555550	Coin Meter	Butzi Wash jeton
	SP555578	Coin Meter	1 New Singapore Dollar
	SP555558	Coin Meter	Copper without grooves jeton
	569939	Coin Meter	0.1SGD, 0.2SGD, 0.5SGD, 1SGD; Electronic EMPv7
	SP555666	Coin Meter	2x50 Malaysian cent
	569933	Coin Meter	0.1EUR, 0.2EUR, 0.5EUR, 1EUR, 2EUR; Electronic EMPv7
	SP555559	Coin Meter	Speedy Matic jeton
	SP555579	Coin Meter	Was-Salon Lavoir jeton
	569948	Coin Meter	5CZK, 10CZK, 20CZK, 50CZK; Electronic EMPv7
	SP560744	Coin Meter	Electronic for Dobi Ekspress jeton
	569964	Coin Meter	0.2GBP, 0.5GBP, 1GBP, 2GBP, 0.1EUR, 0.2EUR, 0.5EUR, 1EUR, 2EUR, jeton "KWL Aqua", jeton "Gettone"; Electronic EMPv7
	SP560089	Coin Meter	STD 118-1 jeton

Coin Meter - AR, AR Non-Brand, IA, LA, MWC, NA, PA, RX and SA Models (Drawing 3 of 4)

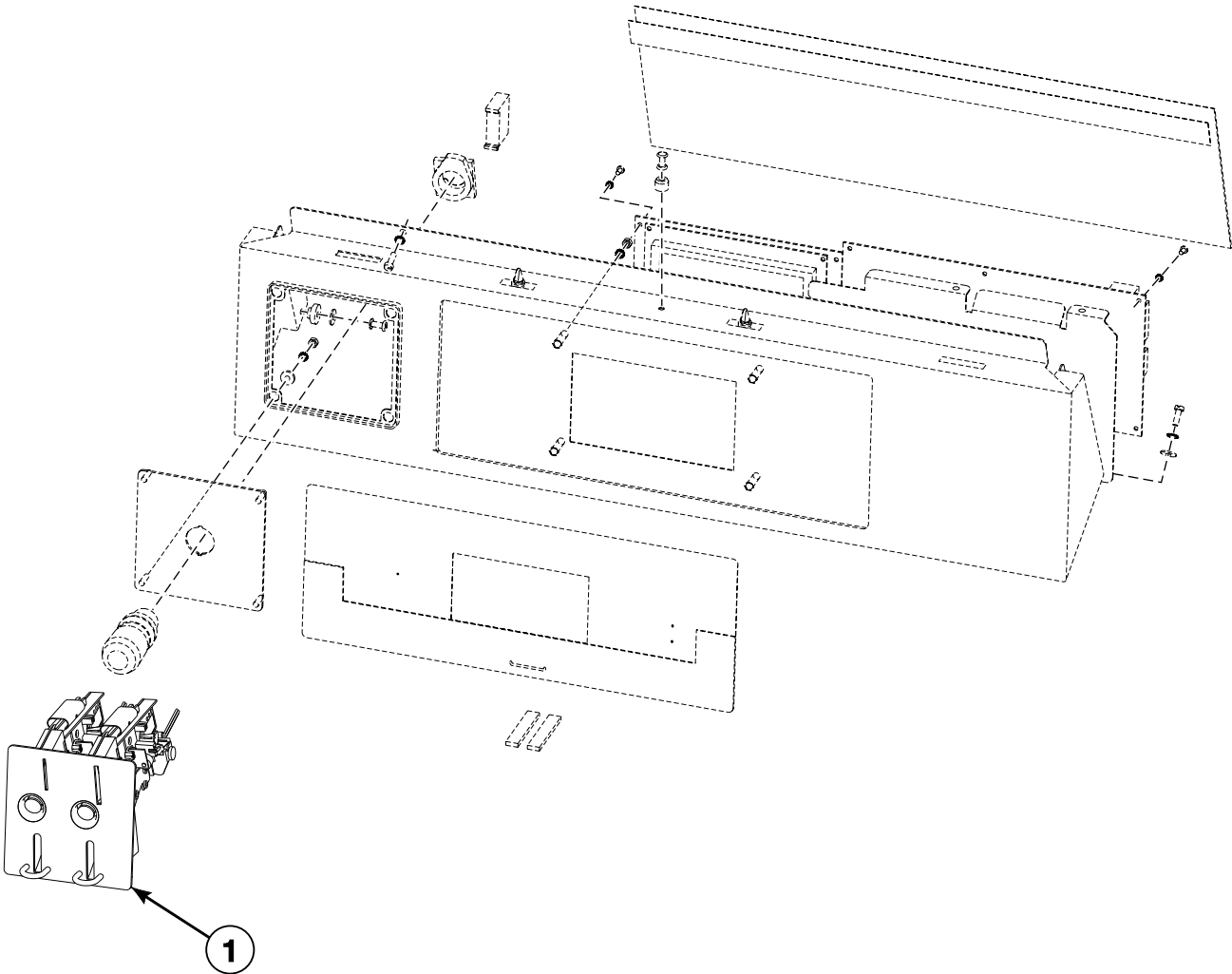


CFD2941P_D1734

Coin Meter - AR, AR Non-Brand, IA, LA, MWC, NA, PA, RX and SA Models (Drawing 3 of 4)

REF	PART NO.	DESCRIPTION	COMMENTS
1	SP560082	Coin Meter	5k IPSO jeton
	SP560083	Coin Meter	7k IPSO jeton
	SP560084	Coin Meter	10k IPSO jeton
	SP560085	Coin Meter	12k IPSO jeton
	SP560086	Coin Meter	15k IPSO jeton
	561378	Coin Meter	10 Moroccan Dirham
	569918	Coin Meter	0.25USD, 1USD, 0.25CAD, 1CAD, 2CAD; Electronic EMPv7
	560073	Coin Meter	0.25 USD/1 USD
	569930	Coin Meter	1CNY, 0.1MYR, 0.2MYR, 0.5MYR; Electronic EMPv7
	569927	Coin Meter	0.2AUD, 1AUD, 2AUD, 0.2NZD, 1NZD, 2NZD, 5HKD, 10HKD, 500KRW; Electronic EMPv7
	561496	Coin Meter	Jeton Grupo Azkoyen CDS Automaten
	569936	Coin Meter	1PHP, 5PHP, 10PHP; Electronic EMPv7
	569942	Coin Meter	0.1MYR, 0.2MYR, 0.5MYR, 0.5SGD, 1SGD; Electronic EMPv7
	569945	Coin Meter	1HRK, 2HRK, 5HRK; Electronic EMPv7
	569924	Coin Meter	1DKK, 2DKK, 5DKK, 10DKK, 20DKK, 1NOK, 5NOK, 10NOK, 20NOK, 0.2EUR, 0.5EUR, 1EUR, 2EUR; Electronic EMPv7
	564484	Coin Meter	Jeton 118-5
	564486	Coin Meter	Jeton Barisart (LDL)
	569961	Coin Meter	0.1EUR, 0.2EUR, 0.5EUR, 1EUR, 2EUR, jeton IPSO 5K; Electronic EMPv7
	564489	Coin Meter	Jeton Sporrong
	569970	Coin Meter	0.5MYR, jeton "DOBI PAPA"; Electronic EMPv7
	553150	Coin Meter	Jeton with hole
	553151	Coin Meter	Jeton Deton Wash
	569901	Coin Meter	Brass jeton
	569912	Coin Meter	Jeton Wassalon lavoir
	569954	Coin Meter	1PLN, 2PLN, 5PLN, 0.1EUR, 0.2EUR, 0.5EUR, 1EUR, 2EUR, 10ISK, 50ISK, 100ISK; Electronic EMPv7
	569967	Coin Meter	0.1EUR, 0.2EUR, 0.5EUR, 1EUR, 2EUR, jeton G-FIS "LAVOIR BIANCA"; Electronic EMPv7
	569973	Coin Meter	1AUD, 2AUD, jeton "No Cash Value"; Electronic EMPv7
	569979	Coin Meter	0.5MYR, jeton "BUBBLELAB"; Electronic EMPv7
	569987	Coin Meter	Jeton HAUCK 2018
	569998	Coin Meter	100+500 ISK
	572301	Coin Meter	Token 118-16
	572304	Coin Meter	1ILS, 2ILS, 5ILS, 10ILS; Electronic EMPv7
	572307	Coin Meter	1ZAR, 2ZAR, 5ZAR; Electronic EMPv7
	572310	Coin Meter	5RUB, 10RUB; Electronic EMPv7
	572313	Coin Meter	50CLP, 100CLP, 500CLP; Electronic EMPv7
	572317	Coin Meter	100JPY, 500JPY, 10TWD, 50TWD; Electronic EMPv7
	572320	Coin Meter	0.5GEL, 1GEL, 2GEL; Electronic EMPv7
	572323	Coin Meter	0.2EUR, 0.5EUR, 1EUR, 2EUR, Jeton 7K; Electronic EMPv7
	579812	Coin Meter	20HUF, 50HUF, 100HUF, 200HUF; TK1, TK2; Electronic EMPv7
	572339	Coin Meter	Gettone Jeton (26mm diameter x 1.7mm)
	572383	Coin Meter	0.2CHF, 0.5CHF, 1CHF, 2CHF; TK1, TK2; Electronic EMPv7
	572391	Coin Meter	0.25CAD

Coin Meter - AR, AR Non-Brand, IA, LA, MWC, NA, PA, RX and SA Models (Drawing 4 of 4)



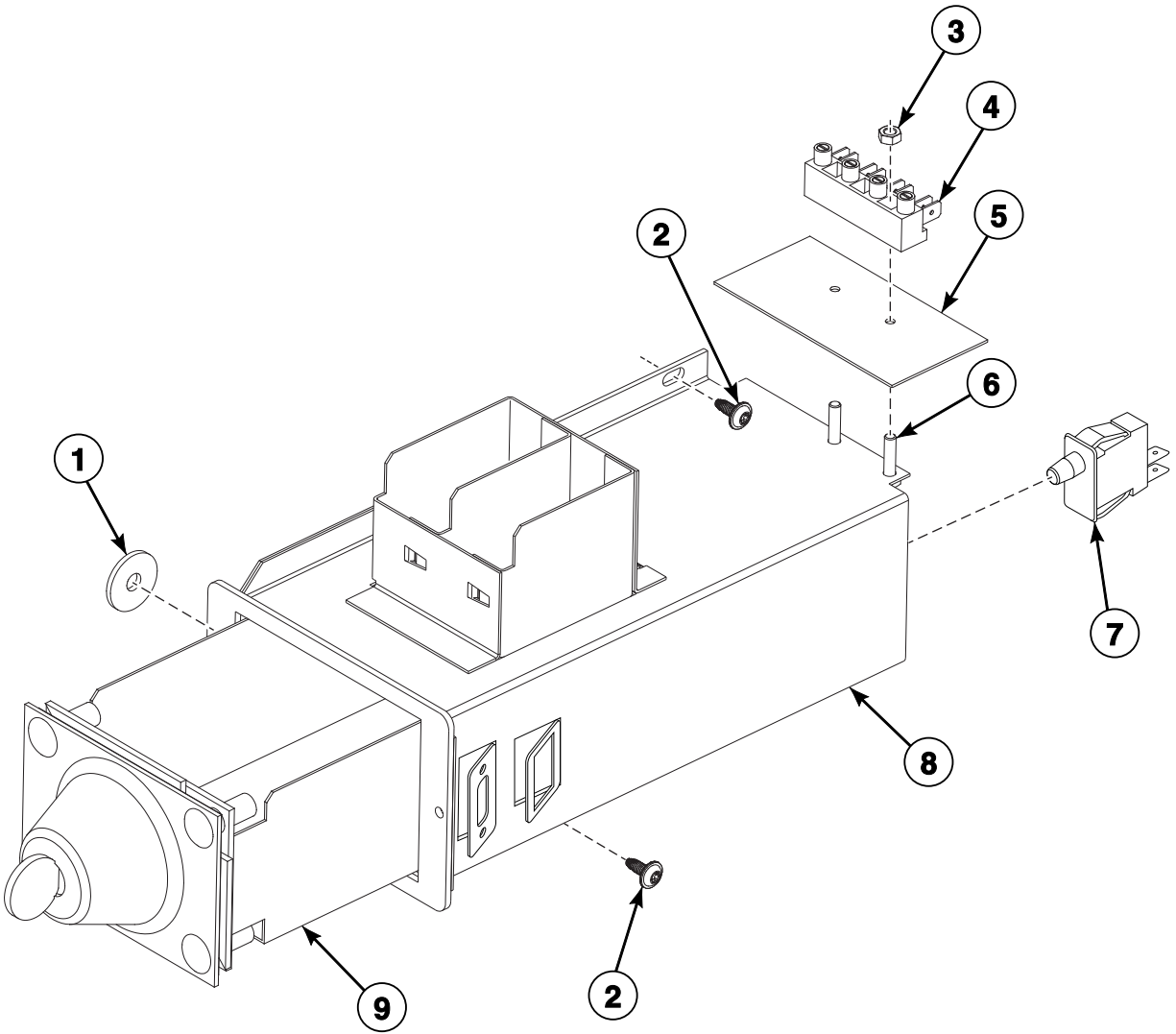
CFD2941P_D1734

Coin Meter - AR, AR Non-Brand, IA, LA, MWC, NA, PA, RX and SA Models (Drawing 4 of 4)

REF	PART NO.	DESCRIPTION	COMMENTS
1	572342	Coin Meter	Token WH121
	572358	Coin Meter	1THB, 2THB, 5THB, 10THB; 1TK, 2TK Jeton; Electronic EMPv7
	579808	Coin Meter	1EAD, 1TK, 2TK; Electronic EMPv7

Coin Meter Case

Models Through Serial Nos. 350RX001376QM, 520RX001142QY



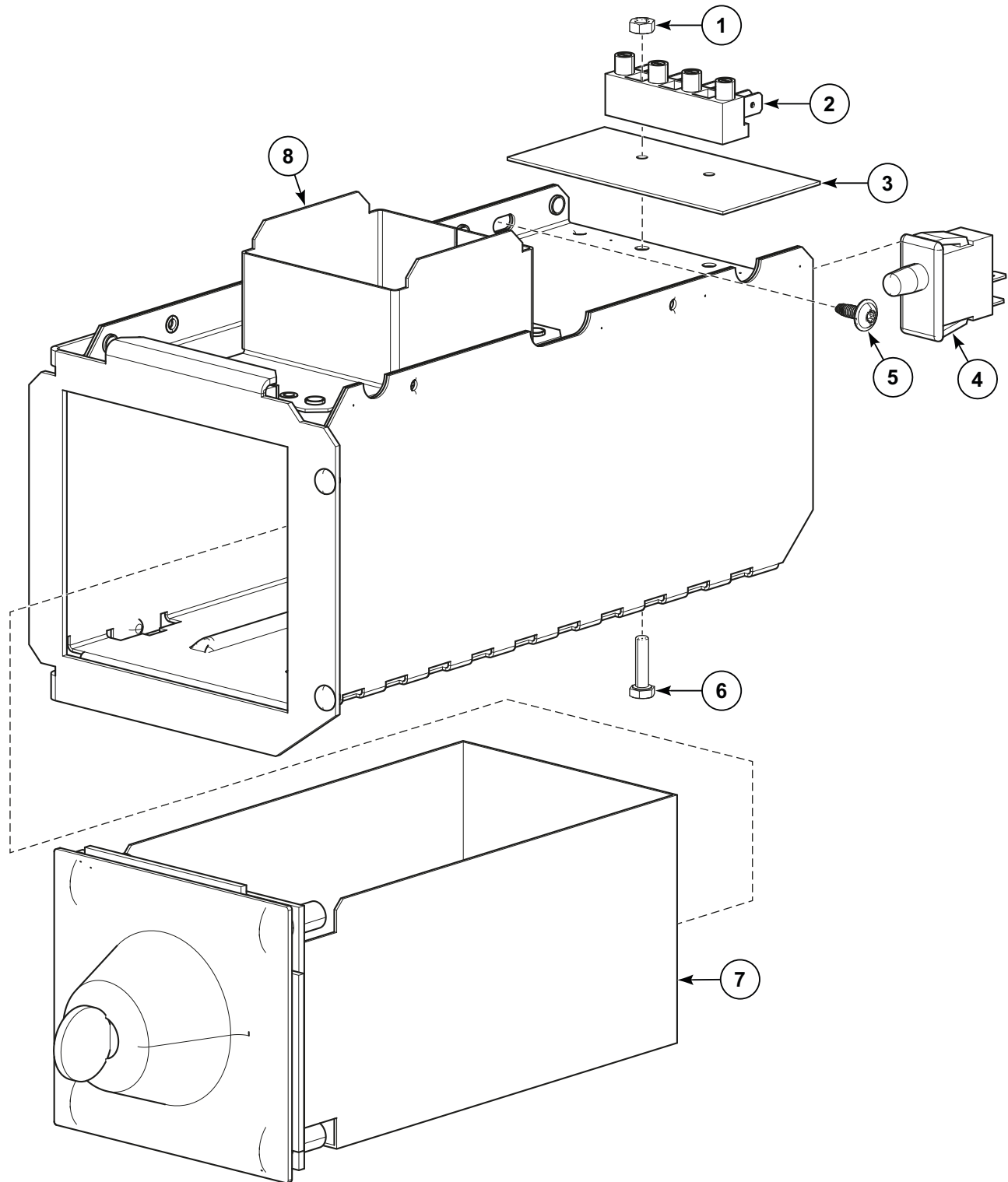
CHM3504P_D1734

Coin Meter Case

REF	PART NO.	DESCRIPTION	COMMENTS
	568095	Large Coin Box Kit	PA models
1	SP568037	Washer	
2	SP529206	Screw	4x11
3	SP310934000004	Nut	M4
4	SPPRI350000007	Terminal Board	
5	SPPRI350012007	Isolation Paper	
6	SP309933000416	Bolt	M4x16
7	SP506045	Microswitch	PA models; Vend; CSA
8	SP550436	Coin Meter Case	AR, AR Non-Brand, LA, MWC, NA, PA, RX and SA models
	568041	Coin Meter Case	AR, AR Non-Brand, LA, MWC, NA, PA, RX and SA models; Vend; Large coin meter;
	SP547548	Coin Meter Case	IA and WMA models
	568039	Coin Meter Case	IA and WMA models; Vend; Large coin meter;
9	SP102532	Coin Meter Box	CE and Watermark
	100498	Coin Meter Box	CE and Watermark; Starting Serial No. 350RX000750HM; Vend; Large coin meter

Coin Meter Box

Models Starting Serial Nos. 350RX001377QM, 520RX001143QZ



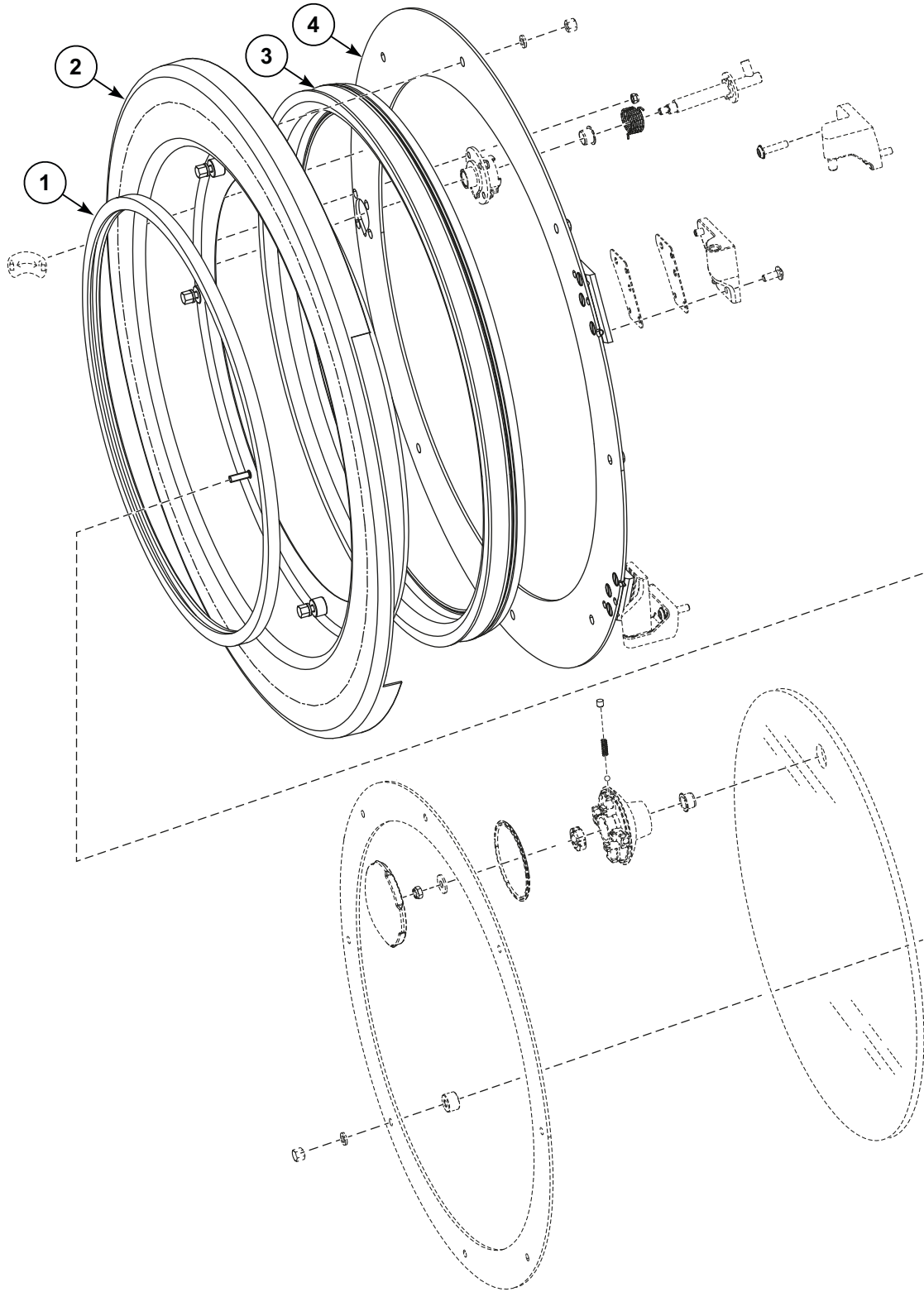
CZW499P_D2064

Coin Meter Box

REF	PART NO.	DESCRIPTION	COMMENTS
1	SP310934000004	Nut	M4
2	SPPRI350000007	Terminal Board	
3	SPPRI350012007	Isolation Paper	
4	N/A	Microswitch	
5	SP529206	Screw	4x11
6	SP309933000416	Bolt	M4x16
7	100498	Coin Meter Box	
8	572120	Coin Meter Case	

N/A = Part no longer available

Door (Drawing 1 of 3)

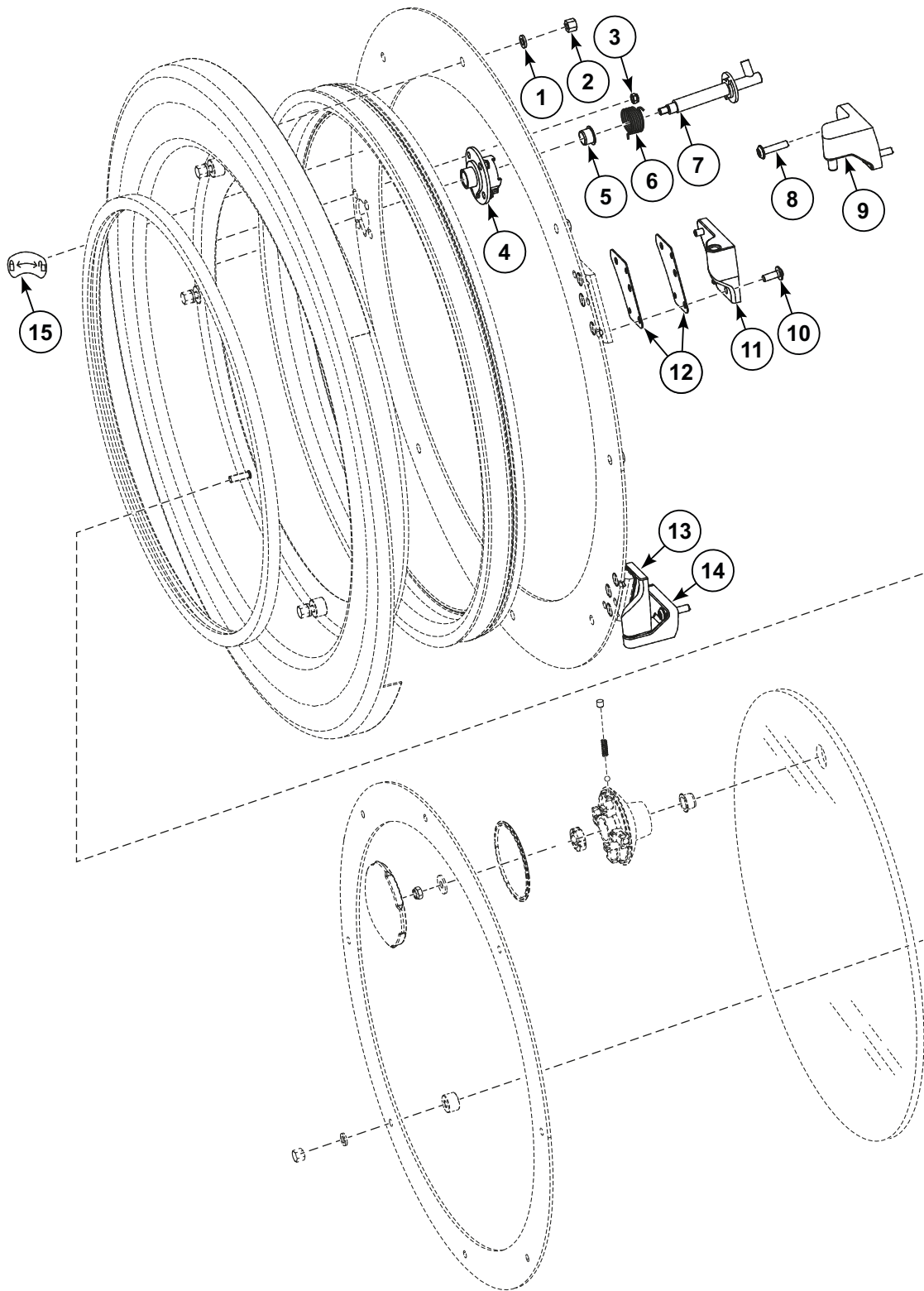


CZW483P_D1734

Door (Drawing 1 of 3)

REF	PART NO.	DESCRIPTION	COMMENTS
	556187	Door Assembly	LA, MWC, PA and RX Models; Includes items 1-4 in (Drawing 1 of 3), 1-15 in (Drawing 2 of 3) and 1-16 in (Drawing 3 of 3)
	559941	Door Assembly	AR and NA Models with T or X in 7th position of the model number; Includes items 1-4 in (Drawing 1 of 3), 1-15 in (Drawing 2 of 3) and 1-16 in (Drawing 3 of 3); Through Serial No. 350RX001503SF or 520RX001157SB
	559945	Door Assembly	IA Models with J or R in 7th position of the model number; Includes items 1-4 in (Drawing 1 of 3), 1-15 in (Drawing 2 of 3) and 1-16 in (Drawing 3 of 3); Through Serial No. 350RX001503SF or 520RX001157SB
	576079	Door Assembly	IA Models with J or R in 7th position of the model number; Includes items 1-4 in (Drawing 1 of 3), 1-15 in (Drawing 2 of 3) and 1-16 in (Drawing 3 of 3); Starting Serial Nos. 350RX001504SF or 520RX001158SB
	576080	Door Assembly	AR, NA, SA and UA Models; IA Models with G in 7th position of the model number; Includes items 1-4 in (Drawing 1 of 3), 1-15 in (Drawing 2 of 3) and 1-16 in (Drawing 3 of 3); Starting Serial Nos. 350RX001504SF or 520RX001158SB
	SP552453	Door Lock Wiring	Models with A, D, I, J, R, T or X in 7th position of the model number; MC7 control board; CE
	569723	Door Lock Wiring	Models with G in 7th position of the model number; CE
	SP552454	Door Lock Wiring	PAN Models with T or X in 7th position of the model number; MC7 control board; CSA
	SP245704003021	Adhesive	Loctite 243
	568859	Service Door Kit	Includes 568860 Door Seal, SP535421 Hinge Spacer, 568871 Bolt, 563259 Door Seal Washer, PRI722000004 Plastic Protection, PRI722000001 Plastic Protection and SP345000160971 Binding Strip
1	SP273115021905	Glass Seal	
2	SP559940	Door	AR, AR Non-Brand, IA, LA and NA models; Through Serial Nos. 350RX001503SF, 520RX001157SB; Black
	568845	Door	(AR, IA and NA models Starting Serial No. 350RX001504SF, 520RX001158SB); (SA and UA models Starting Serial No. 350RX001769US, 520RX001379US); Black
	SP556213	Door	MWC, PA and RX models; Gray
	559962	Door	SA and UA models Through Serial Nos. 350RX001768US, 520RX001378UQ
3	568860	Door Seal	
4	SP559937	Door Reinforcement	AR, AR Non-Brand, IA, LA and NA models; Through Serial Nos. 350RX001503SF, 520RX001157SB; Black
	568843	Door Reinforcement	(AR, IA and NA models Starting Serial No. 350RX001504SF, 520RX001158SB); (SA and UA models Starting Serial No. 350RX001769US, 520RX001379US); Black
	SP559936	Door Reinforcement	MWC, PA and RX models; Gray
	559961	Door Reinforcement	SA and UA models Through Serial No. 350RX001768US, 520RX001378UQ

Door (Drawing 2 of 3)

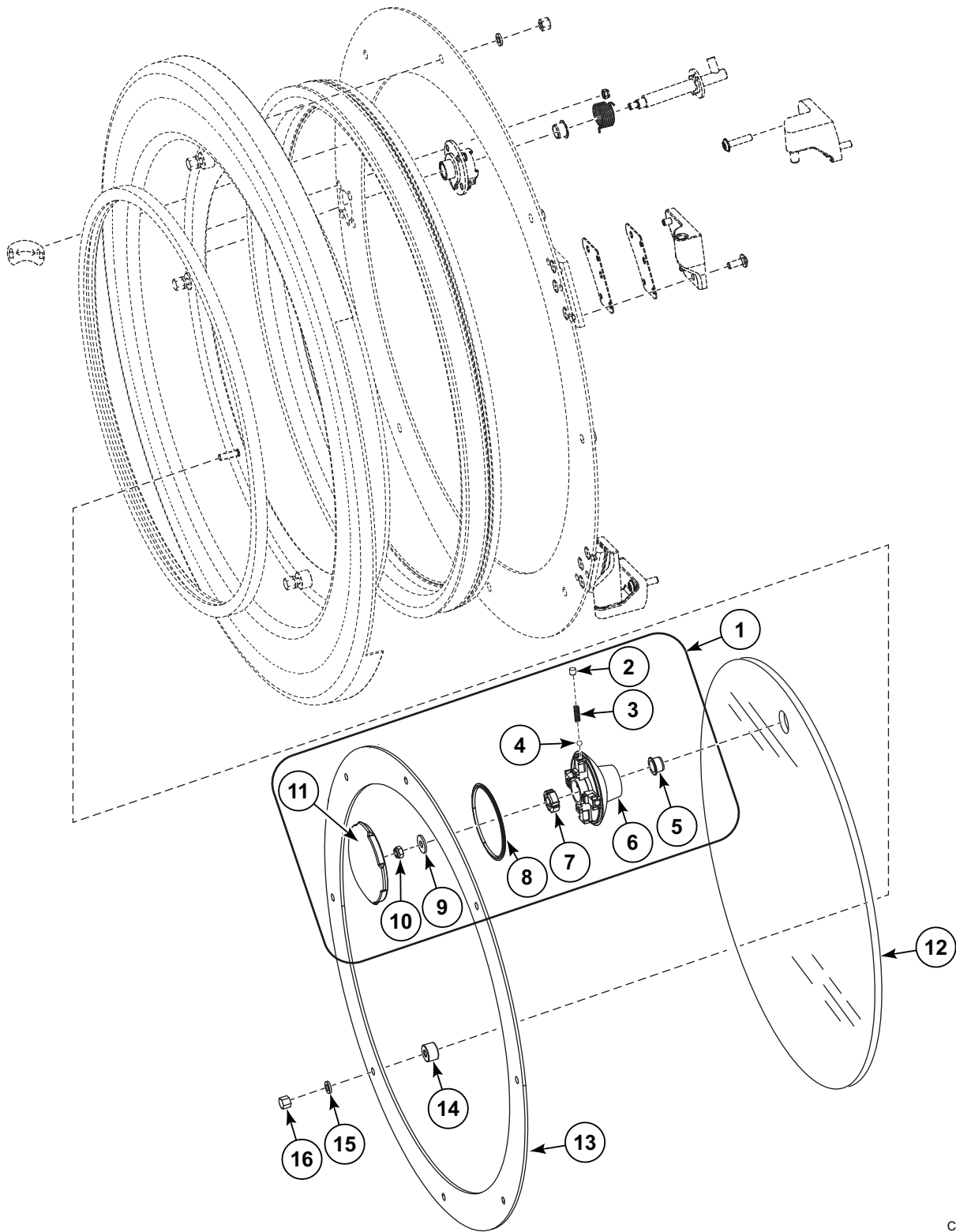


CZW484P_D1734

Door (Drawing 2 of 3)

REF	PART NO.	DESCRIPTION	COMMENTS
	570554	Set of Hinges	SA and UA models; Includes items 568981, 568984, 575962, 575965 and 571642; Through Serial No. 350RX001768US, 520RX001378UQ
	570553	Set of Hinges	(AR, IA, LA, NA, PA, RX and WMA models); (SA and UA models Starting Serial No. 350RX001769US, 520RX001379US); Includes items 568979, 568982, 575960, 575963 and 571642
1	SP311125240006	Washer	M6
2	SP310917240006	Nut	M6
3	SP310985000005	Nut	M5
4	SP556197	Handle Element	
5	SP529739	Casing	
6	SP535402	Handle Torsion Spring	
7	SP556190	Lock Pin	
8	SP535479	Bolt	M6x25
9	568979	Fixed Upper Hinge	(AR, AR Non-Brand, IA, LA, MWC, NA, PA, RX and WMA models); (SA and UA models Starting Serial No. 350RX001769US, 520RX001379US)
	568981	Fixed Upper Hinge	SA and UA models Through Serial No. 350RX001768US, 520RX001378UQ
10	SP555658	Bolt	M6x16
11	575960	Upper Hinge	(AR, AR Non-Brand, IA, LA, MWC, NA, PA, RX and WMA models); (SA and UA models Starting Serial No. 350RX001769US, 520RX001379US); with Case
	575962	Upper Hinge	SA and UA models Through Serial No. 350RX001768US, 520RX001378UQ; with Case
12	SP535421	Hinge Spacer	
13	575963	Lower Hinge	(AR, AR Non-Brand, IA, LA, MWC, NA, PA, RX and WMA models); (SA and UA models Starting Serial No. 350RX001769US, 520RX001379US); with Case
	575965	Lower Hinge	SA and UA models Through Serial No. 350RX001768US, 520RX001378UQ; with Case
14	568982	Fixed Lower Hinge	(AR, AR Non-Brand, IA, LA, MWC, NA, PA, RX and WMA models); (SA and UA models Starting Serial No. 350RX001769US, 520RX001379US); Used with 571642 Washer
	568984	Fixed Lower Hinge	SA and UA models Through Serial No. 350RX001768US, 520RX001378UQ; Used with 571642 Washer
15	SP564831	Label	Door lock; Models PAN080T and PAN080X; Vend

Door (Drawing 3 of 3)



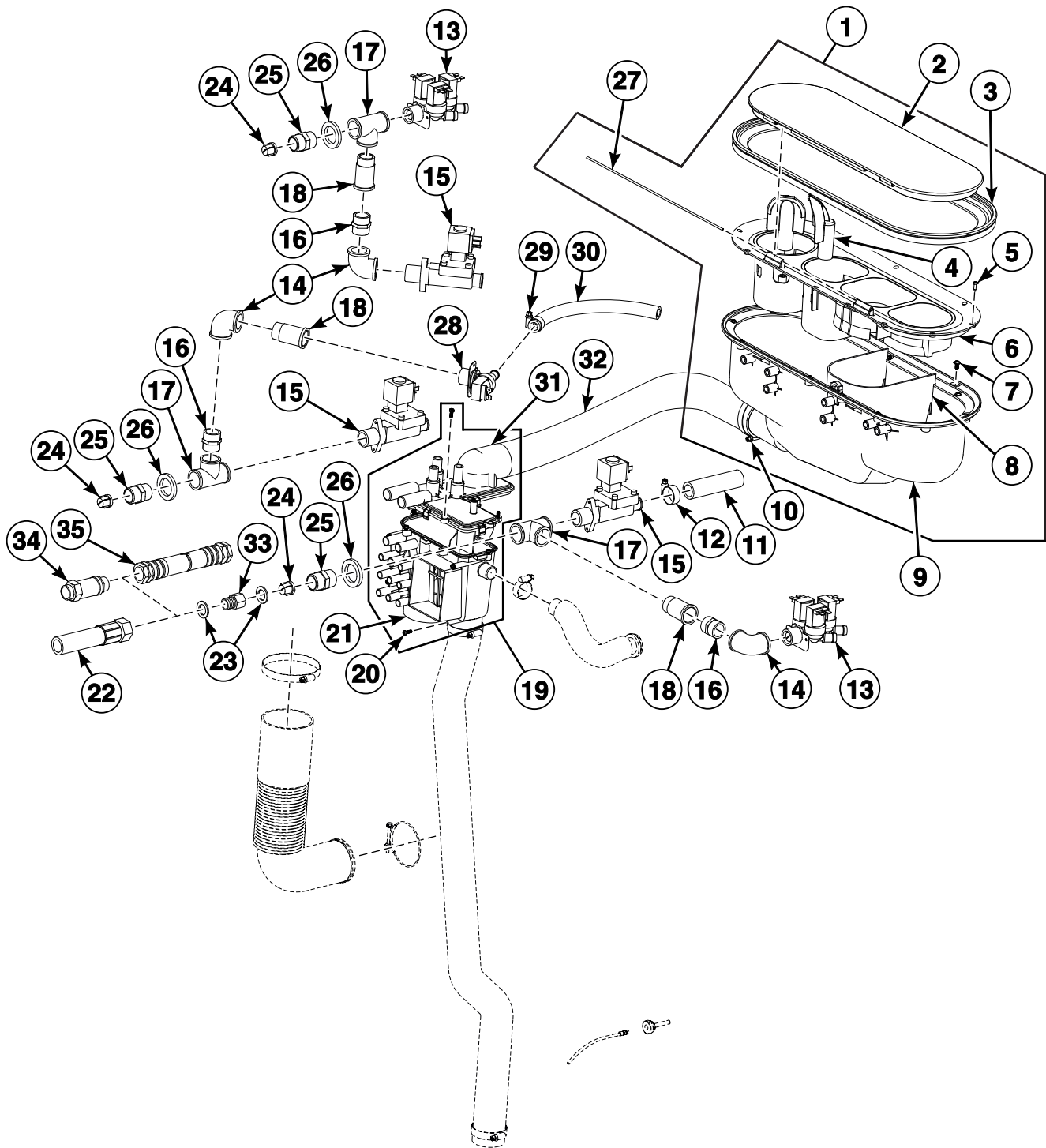
CZW485P_D1734

Door (Drawing 3 of 3)

REF	PART NO.	DESCRIPTION	COMMENTS
1	SP552917	Handle	AR, AR Non-Brand, IA, LA, NA and WMA models; Through Serial Nos. 350RX001503SF, 520RX001157SB
	576081	Handle	IA, AR and NA models Starting Serial Nos. 350RX001504SF, 520RX001158SB; SA and UA Models
	SP552916	Handle	MWC, PA and RX models
2	SP553524	Bolt	M6x6
3	SP535406	Compression Spring	
4	SP535407	Handle Ball	
5	SP529739	Casing	
6	SP535429	Handle Lower Part	
7	SP529710	Locating Segment	
8	SP535437	Distinguishing Ring	AR, AR Non-Brand, IA, LA, NA and WMA models; Through Serial Nos. 350RX001503SF, 520RX001157SB; Red
	571733	Distinguishing Ring	AR, IA, and NA models Starting Serial Nos. 350RX001504SF, 520RX001158SB; SA and UA models; Red
	SP535411	Distinguishing Ring	MWC, PA and RX models; Blue
9	SP311902100006	Washer	M6
10	SP310985000006	Nut	M6
11	SP535436	Holder Cover	AR, AR Non-Brand, IA, LA, NA, SA, UA and WMA models
	SP535412	Holder Cover	MWC, PA and RX models
12	SPF02107003314	Door Glass	AR, AR Non-Brand, LA, MWC, NA, PA, RX, SA, UA and WMA models; IA Models with G in 7th position of the model number Without logo
	SP559967	Door Glass	IA models with J or R in 7th position of the model number; With logo
13	SP559944	Door Cover Plate	AR, AR Non-Brand, IA, LA, NA and WMA models; Through Serial No. 350RX001503SF, 520RX001157SB; Black
	568846	Door Cover Plate	(AR, IA and NA models Starting Serial No. 350RX001504SF, 520RX001158SB); (SA and UA models Starting Serial No. 350RX001769US, 520RX001379US); Black
	SP559943	Door Cover Plate	MWC, PA and RX models; Gray
	559963	Door Cover Plate	SA and UA models Through Serial No. 350RX001768US, 520RX001378UQ
14	SPF02107001815	Insert	
15	SP311125240006	Washer	M6
16	SP310917240006	Nut	M6

Water Inlet System (Drawing 1 of 2)

80, 332, 350 and 403 Models with A, D, G, I, J, R, T or X in 7th position of the model number;
120 and 520 Models with G in 7th position of the model number



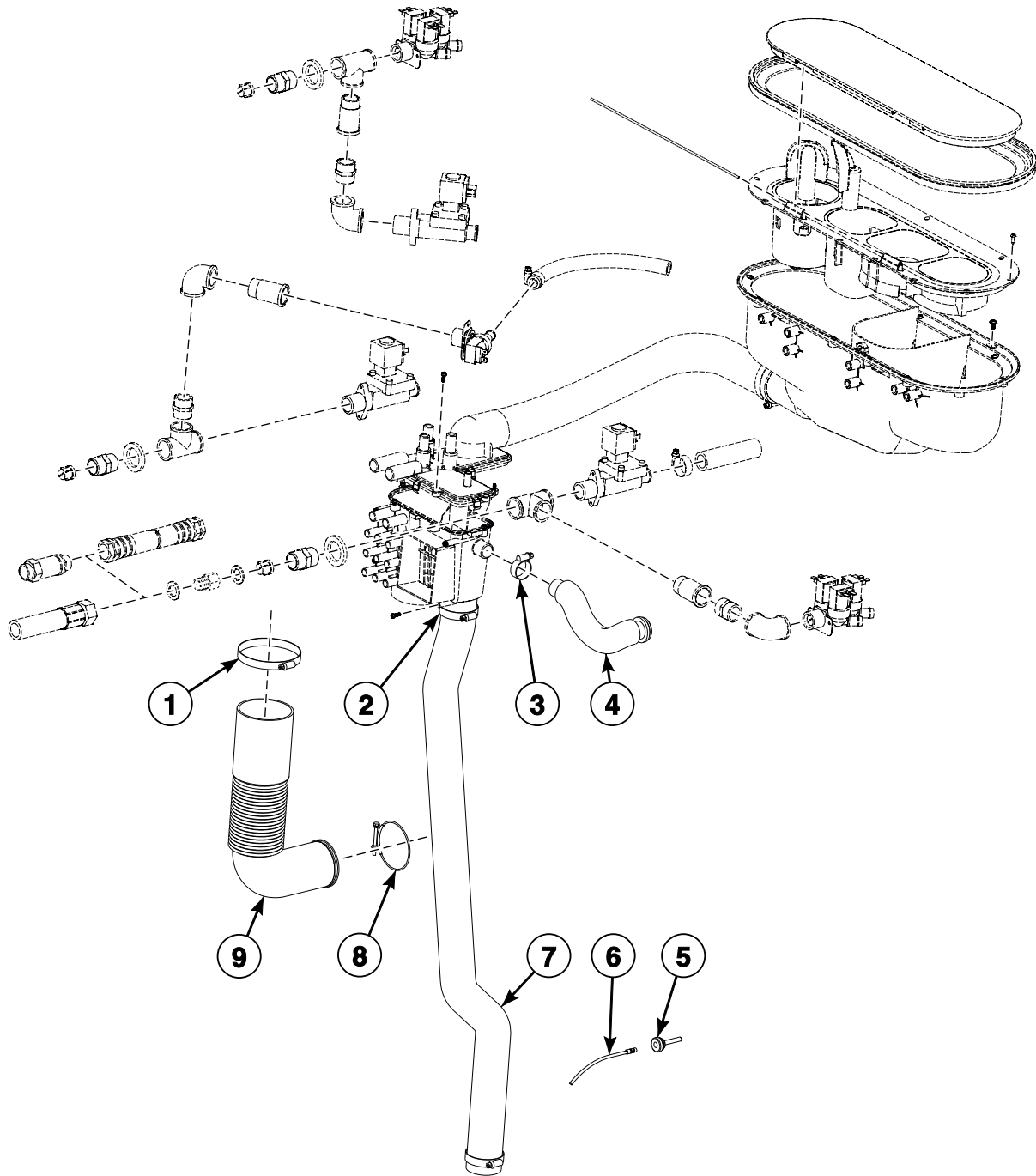
CZW35P_D1734

Water Inlet System (Drawing 1 of 2)

REF	PART NO.	DESCRIPTION	COMMENTS
1	SP548933	4-Way Valve	3/4 inch
	SP526468	Soap Hopper Plug	Optional
	SP540164	Soap Hopper	(AR, AR Non-Brand, IA, LA, MWC, NA, PA, RX and WMA models); (SA and UA Models with G in 7th position of the model number)
	SP554214	Soap Hopper	80, 332, 350 and 403 SA and UA models with A, D or I in 7th position of the model number
2	SP526461	Dispenser Lid	(AR, AR Non-Brand, IA, LA, MWC, NA, PA, RX and WMA models); (SA and UA Models with G in 7th position of the model number); Black
	SP551695	Dispenser Lid	80, 332, 350 and 403 SA and UA models with A, D or I in 7th position of the model number; Grey
3	SP540158	Dispenser Seal	
4	SP540113	Flap	
5	SP309798124313	Screw	ST3.5x13
6	SP540112	Soap Hopper Upper Cover	
7	SP529206	Screw	4x11
8	SP540116	Internal Vessel	Small
9	SP540115	Main Vessel	
10	SPPRI240000021	Hose Clamp	60-80
11	SPPRI540001019	Hose	
12	SPPRI240000003	Hose Clamp	20-32
13	SP547959	3-Way Valve	3/4 inch
14	SPPRI426002072	Elbow	3/4 inch
15	SP567064	1-Way Valve	3/4 inch
16	SPPRI426001217	Pipe Nipple	3/4 inch
17	SPPRI426001107	Tee	3/4 inch
18	SPPRI426003217	Extension	3/4 inch x 40
19	SP526558	Mixer	
20	SP526497	Screw	4x12
21	SP526565	Mixer Body	
22	SP533036	Filling Hose Pipe	Non-CSA
	F200164	Water Hose	CSA
23	SPPRI520001009	Seal	
24	SPPRI340004030	Filter	
25	580950	Pipe Nipple	3/4 inch; used with 580944 Regulator rubber
26	SPPRI231000062	Washer	28x42x5
27	SP540117	Pin	
28	SP554211	1-Way Valve	3/4 inch
29	SPPRI240000002	Hose Clamp	12-22
30	SPPRI540000014	Hose	13/19
31	SP526557	Mixer Lid	
32	SP554346	Dispenser Elbow Pipe	
33	567174	Reduction	3/4 inch; BSP/GHT; CSA
34	RSPF200166	Filling Hose Pipe	IAY, LAY, NAY, PAY and SAY models
35	B12543901	Double Reverse Valve	IAY, LAY, NAY, PAY and SAY models

Water Inlet System (Drawing 2 of 2)

80, 332, 350 and 403 Models with A, D, G, I, J, R, T or X in 7th position of the model number;
120 and 520 Models with G in 7th position of the model number



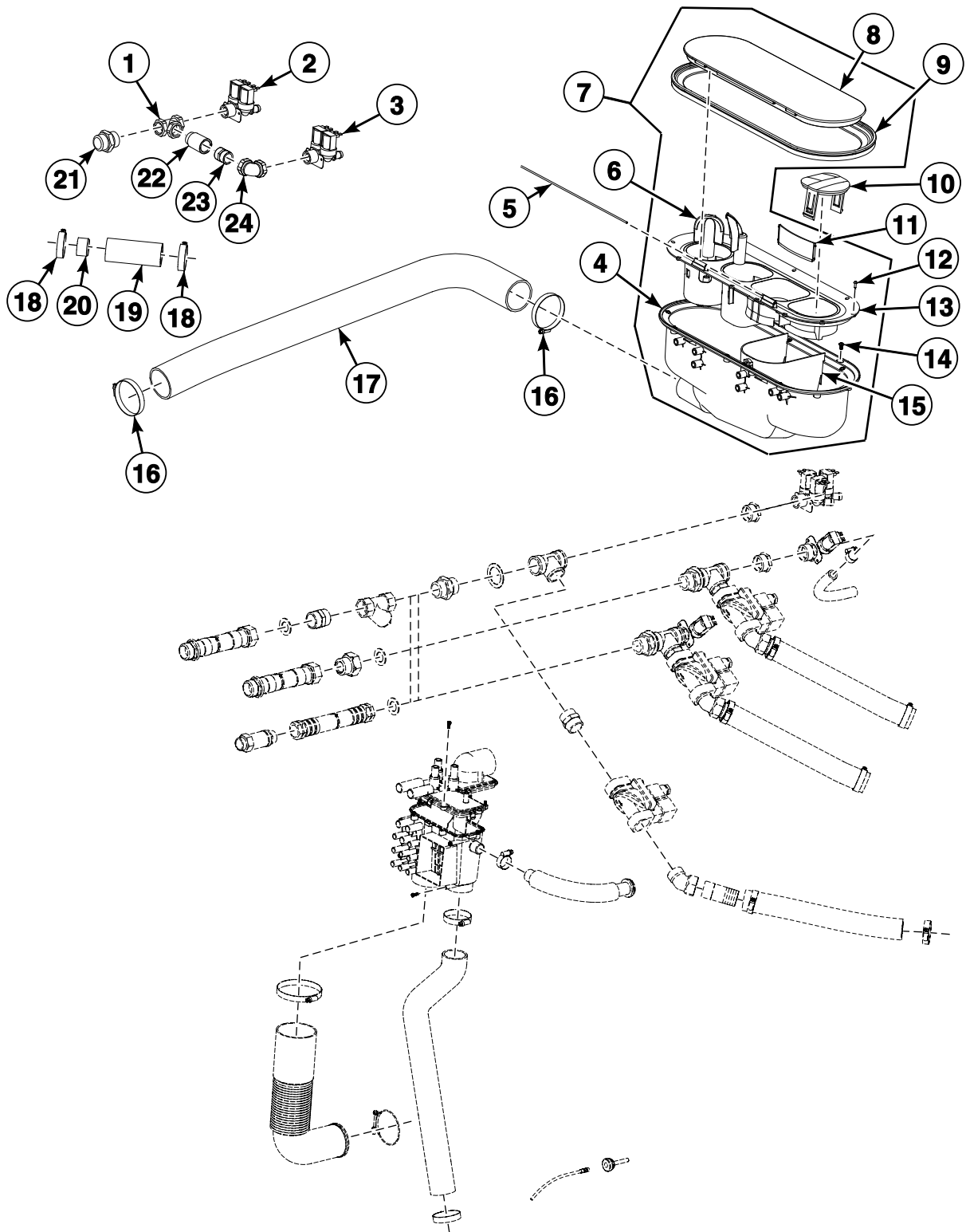
CZW36P_D1734

Water Inlet System (Drawing 2 of 2)

REF	PART NO.	DESCRIPTION	COMMENTS
1	SPPRI240000007	Hose Clamp	70-90
2	SPPRI240000017	Hose Clamp	40-60
3	SPPRI240000003	Hose Clamp	20-32
4	SP526510	Vent Hose	
5	SP526439	Temperature Sensor Seal	
6	SP503839	Temperature Sensor	
7	SP554176	Overflow Tube	
8	SP526491	Hose Clamp	62-70
9	SP526506	Filling Elbow Pipe	

Water Inlet System - 120 and 520 Models (Drawing 1 of 2)

120 and 520 Models with A, D, I, J, R, T or X in 7th position of the model number



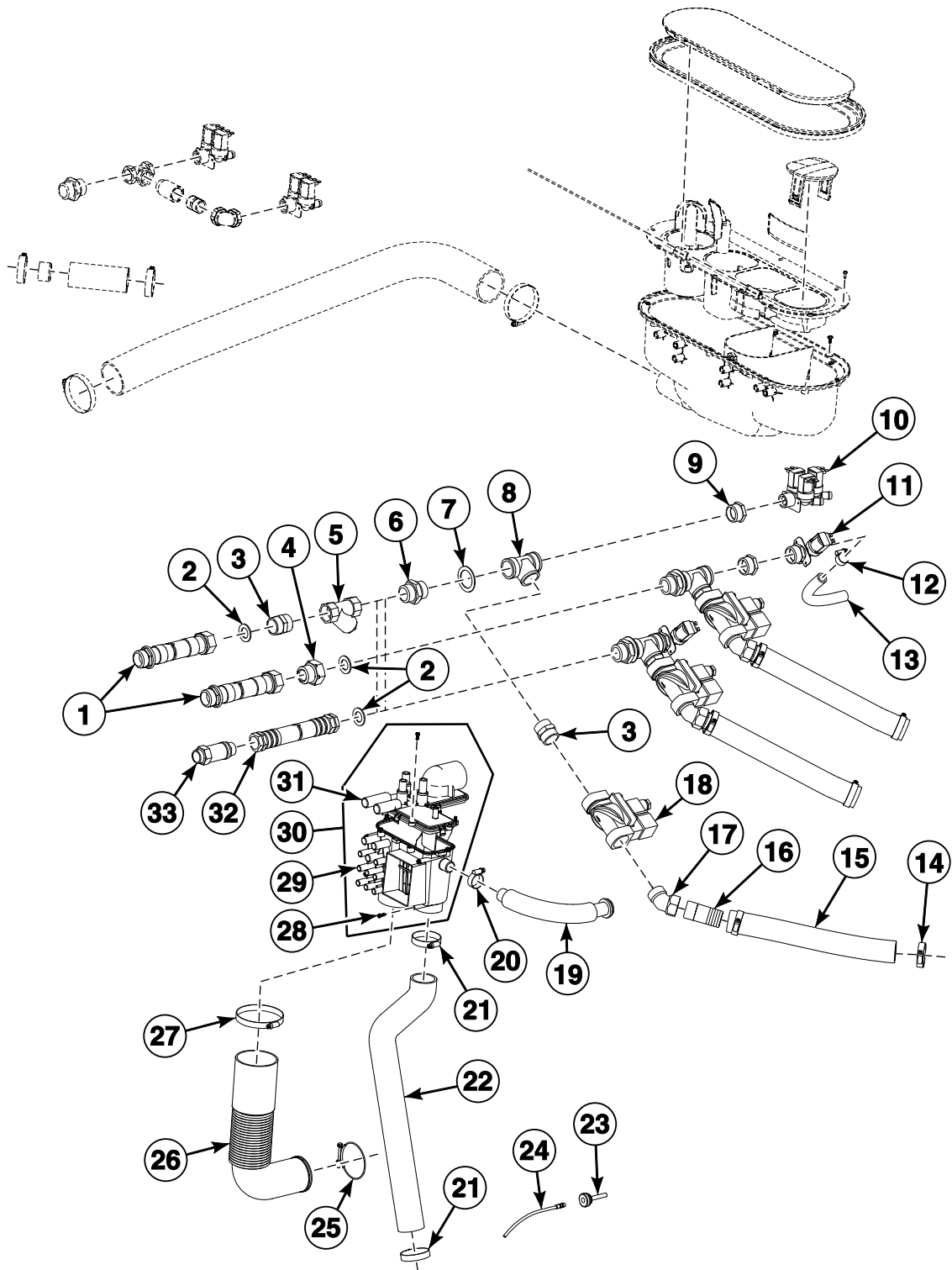
CZW37P_D1734

Water Inlet System - 120 and 520 Models (Drawing 1 of 2)

REF	PART NO.	DESCRIPTION	COMMENTS
1	SPPRI426001107	Tee	3/4 inch
2	SP101344	2-Way Inlet Valve	3/4 inch; For 2 water inlet system
3	562805	2-Way Valve	3/4 inch; For 2 water inlet system
4	SP540115	Main Vessel	
5	SP540117	Pin	
6	SP540113	Flap	
7	SP554365	Soap Hopper	AR, AR, IA, LA, MWC, NA, PA and RX models
	562773	Soap Hopper	SA and UA models with A, D or I in 7th position of the model number
8	SP526461	Dispenser Lid	AR, AR, IA, LA, MWC, NA, PA and RX models; Black
	SP551695	Dispenser Lid	SA and UA models with A, D or I in 7th position of the model number; Grey
9	SP540158	Dispenser Seal	
10	SP526468	Soap Hopper Plug	Optional
11	SP554321	Shade	
12	SP309798124313	Screw	ST3.5x13
13	SP540112	Soap Hopper Upper Cover	
14	SP529206	Screw	4x11
15	SP540116	Internal Vessel	
16	SPPRI240000021	Hose Clamp	60-80
17	SP554391	Dispenser Elbow Pipe	
18	SPPRI240000008	Hose Clamp	32-50
19	SP273238003242	Hose	
20	SP526156	Plug	D32
21	SP235134601314	Reducing Insert	3/4 inch x 1 inch
22	SPPRI426003217	Extension	3/4 inch x 40
23	SPPRI426001217	Pipe Nipple	3/4 inch
24	SPPRI426002072	Elbow	3/4 inch

Water Inlet System - 120 and 520 Models (Drawing 2 of 2)

120 and 520 Models with A, D, I, J, R, T or X in 7th position of the model number



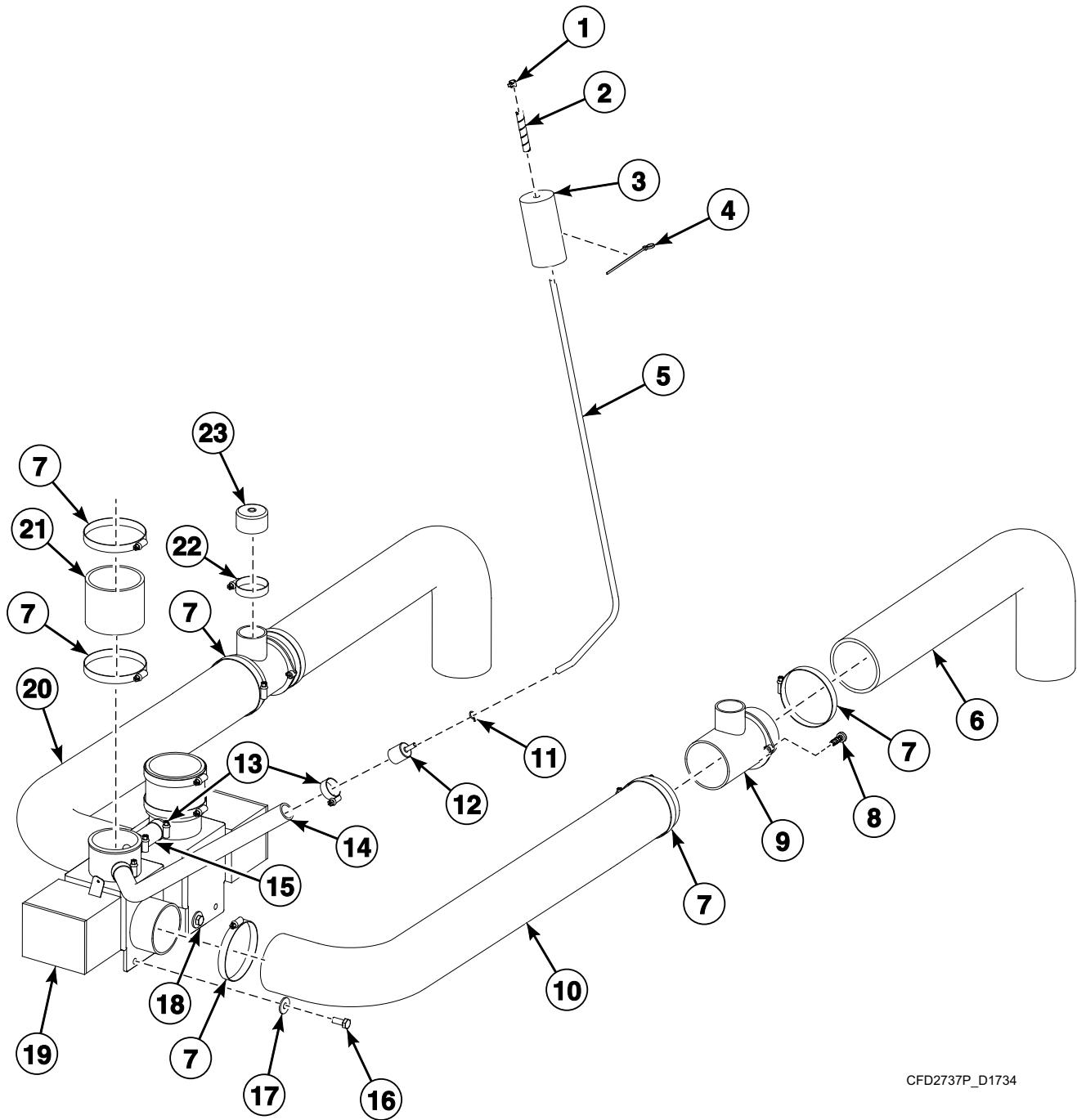
CZW38P_D1734

Water Inlet System - 120 and 520 Models (Drawing 2 of 2)

REF	PART NO.	DESCRIPTION	COMMENTS
1	F200185	Water Hose	CSA
	SP534653	Filling Hose Pipe	Non-CSA
2	SP506708	Seal	
3	SPPRI426001220	Pipe Nipple	1 inch
4	567175	Adapter	1 inch; BSP/NSPH; CSA
5	SP405054057008	Filter	
6	SP235134600414	Pipe Nipple	
7	SPF02111001214	Washer	28x42x5
8	SPPRI426002112	Branch T	1 inch
9	SPPRI426000184	Reduction	
10	SP547959	3-Way Valve	3/4 inch; For 3 water inlet system
11	SP554211	1-Way Valve	3/4 inch
12	SPPRI240000002	Hose Clamp	12-22
13	SPPRI540000014	Hose	13/19
14	SPPRI240000008	Hose Clamp	32-50
15	SP273238003242	Hose	
16	SP235134601115	Insert Tube	
17	SP559327	Elbow	45 degree; 1 inch
18	SP567065	Valve	G1 inch
19	SP526510	Vent Hose	
20	SPPRI240000003	Hose Clamp	20-32
21	SPPRI240000017	Hose Clamp	40-60
22	SP554176	Overflow Tube	
23	SP526439	Temperature Sensor Seal	
24	SP503839	Temperature Sensor	
25	SP526491	Hose Clamp	62-70
26	SP526506	Filling Elbow Pipe	
27	SPPRI240000007	Hose Clamp	70-90
28	SP526497	Screw	4x12
29	SP526565	Mixer Body	
30	SP526558	Mixer	
31	SP526557	Mixer Lid	
32	F200193	Water Hose	IAY, LAY, NAY, PAY and SAY models
33	567179	Check Valve	IAY, LAY, NAY, PAY and SAY models

Drain System

Models with A, D, I, J, R, T or X in 7th Position



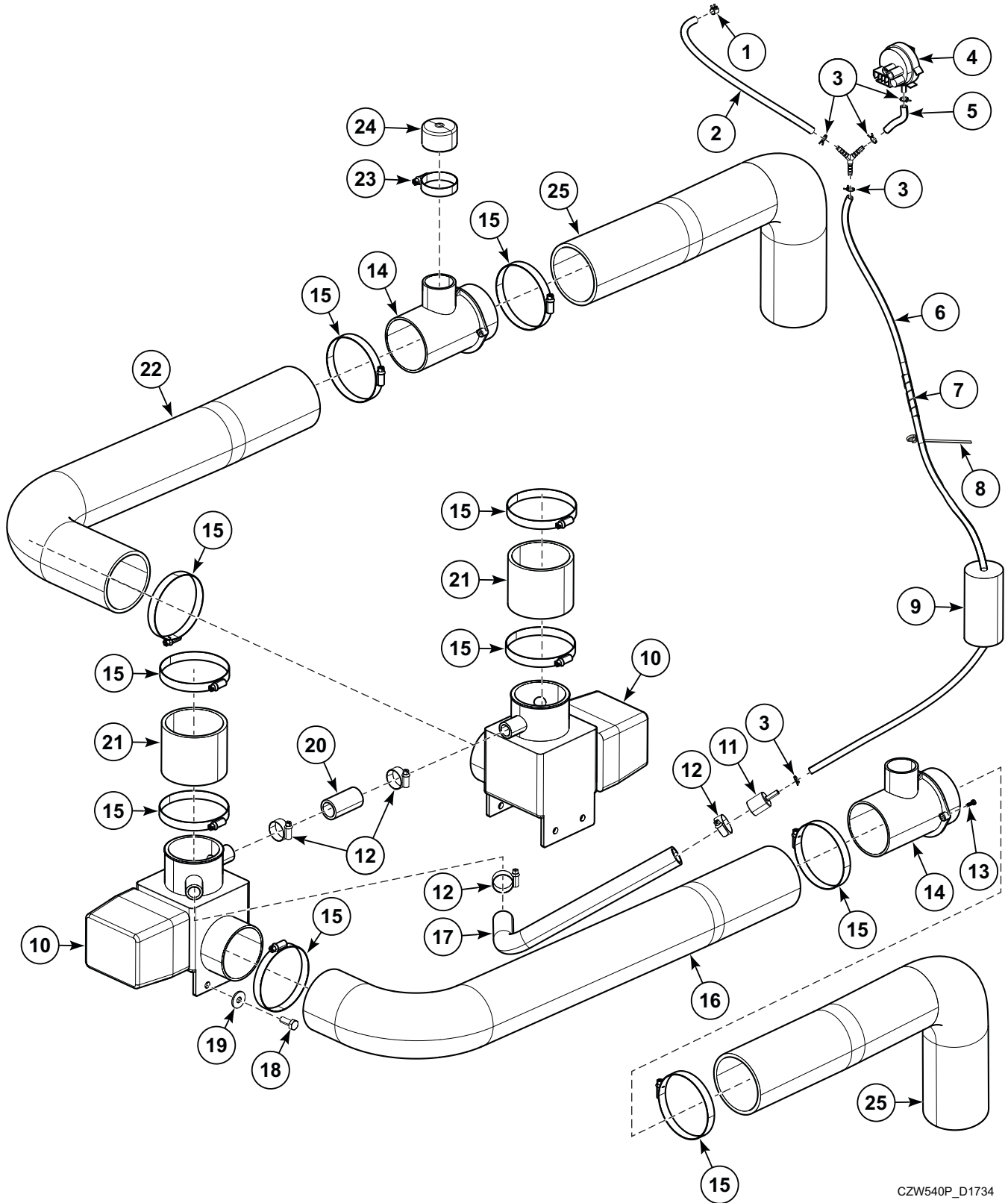
CFD2737P_D1734

Drain System

REF	PART NO.	DESCRIPTION	COMMENTS
1	SP540183	Spring Clamp	
2	SP283449080200	Spiral	
3	SP100188	Foam Roller	
4	SP345000626088	Binding Strip	
5	SPPRI540001003	Water Level Switch Hose	
6	SP519463	Drain Elbow	
7	SPPRI240000007	Hose Clamp	70-90
8	SP526497	Screw	4x12
9	SP526454	Tee	
10	SP526500	Drain Elbow	80, 332, 350 and 403 models
	SP554117	Drain Elbow	120 and 520 models
11	SPPRI241000017	Hose Clamp	A5.5
12	SPPRI503000027	Air Trap Reduction	
13	SPPRI240000003	Hose Clamp	20-32
14	SPR35100017014	Air Trap Elbow	
15	SP559346	Drain Valve Interconnection	80, 332, 350 and 403 models
	SP559347	Drain Valve Interconnection	120 and 520 models
16	SP309933000820	Bolt	M8x20
17	SP311902100008	Washer	8
18	SPPRI340072051	Recycle Drain Valve	
19	SPPRI340055051	Drain Valve	2 pcs used for standard drain system; 1 pc used on request for recycle drain system; Black; Includes 567183 Drain Valve Chamber, SPPRI340002051 Drain Valve Motor and 554276 Drain Valve Seal
	567183	Drain Valve Chamber	Black
	SPPRI340002051	Drain Valve Motor	Includes gearbox
	SPPRI340072051	Recycle Drain Valve	1 pc used on request for recycle drain system; Black; Includes 567183 Drain Valve Chamber, SPPRI340002051 Drain Valve Motor and 554276 Drain Valve Seal
20	SP559337	Drain Elbow	80, 332, 350 and 403 models
	SP559338	Drain Elbow	120 and 520 models
21	SPR35100016214	Tub to Drain Valve Hose	
22	SPPRI240000008	Hose Clamp	32-50
23	SP526568	Cylinder Cap	

Drain System

Models with G in 7th Position



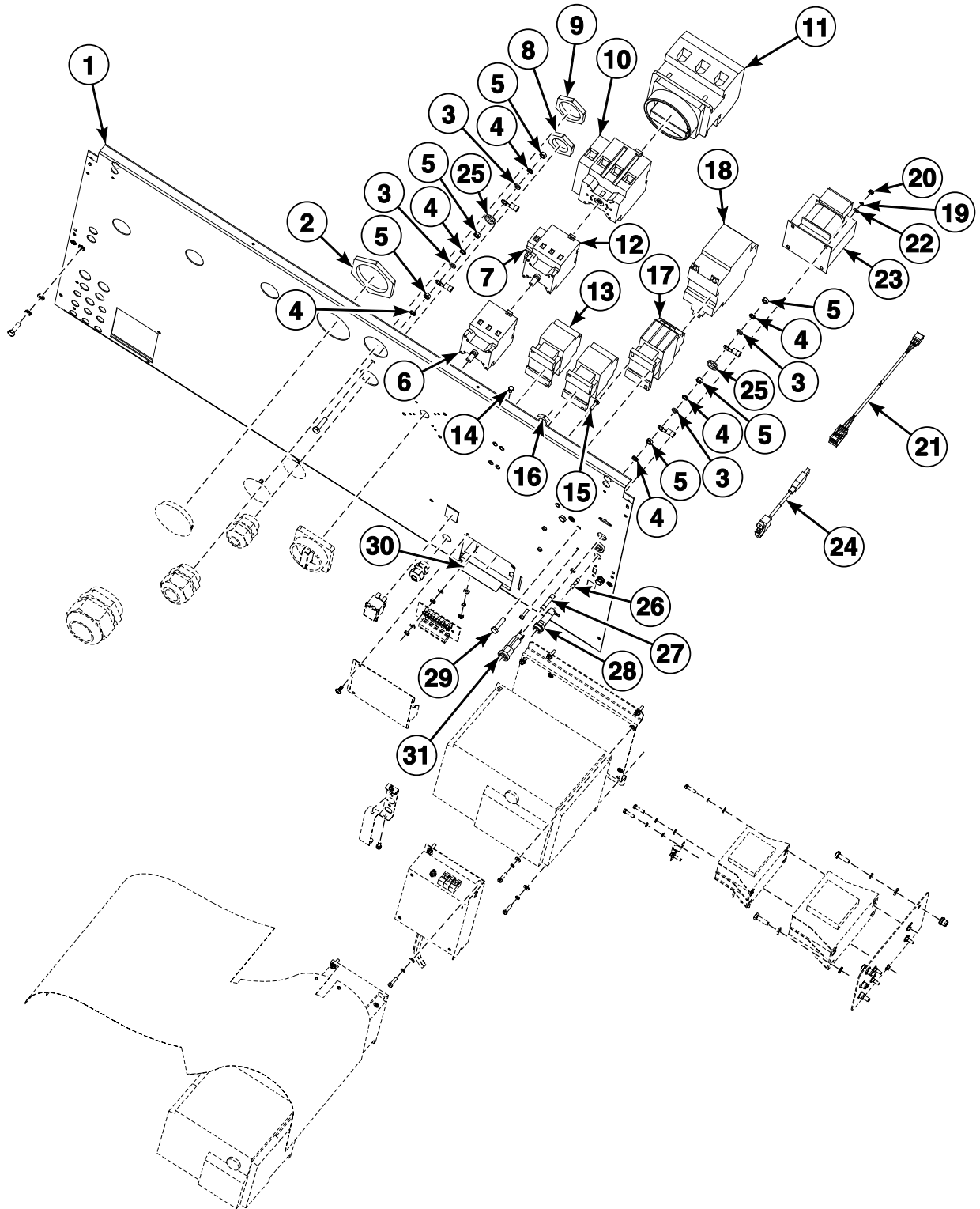
CZW540P_D1734

Drain System

REF	PART NO.	DESCRIPTION	COMMENTS
1	SP540183	Spring Clamp	
2	SPPRI540001003	Water Level Switch Hose	10.63 inch (0.27 m)
3	SPPRI241000017	Hose Clamp	A5.5
4	570315	Water Level Switch	
5	SPPRI540001003	Water Level Switch Hose	1.77 inch (0.045 m)
6	SPPRI540001003	Water Level Switch Hose	80, 332, 350 and 403 models 49.21 inch (1.25 m); 120 and 520 models 47.24 inch (1.2 m)
7	SP283449080200	Spiral	
8	SP345000626088	Binding Strip	
9	SP100188	Foam Roller	
10	SPPRI340055051	Drain Valve	2 pcs used for standard drain system; 1 pc used on request for recycle drain system; Black; Includes 567183 Drain Valve Chamber, SPPRI340002051 Drain Valve Motor and 554276 Drain Valve Seal
	567183	Drain Valve Chamber	Black
	SPPRI340002051	Drain Valve Motor	Includes gearbox
	SPPRI340072051	Recycle Drain Valve	1 pc used on request for recycle drain system; Black; Includes 567183 Drain Valve Chamber, SPPRI340002051 Drain Valve Motor and 554276 Drain Valve Seal
11	SPPRI503000027	Air Trap Reduction	
12	SPPRI240000003	Hose Clamp	20-32
13	SP526497	Screw	4x12
14	SP526454	Tee	
15	SPPRI240000007	Hose Clamp	70-90
16	SP526500	Drain Elbow	80, 332, 350 and 403 models
	SP554117	Drain Elbow	120 and 520 models
17	SPR35100017014	Air Trap Elbow	
18	SP309933000820	Bolt	M8x20
19	SP311902100008	Washer	8
20	SP559346	Drain Valve Interconnection	80, 332, 350 and 403 models
	SP559347	Drain Valve Interconnection	120 and 520 models
21	SPR35100016214	Tub to Drain Valve Hose	
22	SP559337	Drain Elbow	80, 332, 350 and 403 models
	SP559338	Drain Elbow	120 and 520 models
23	SPPRI240000008	Hose Clamp	32-50
24	SP526568	Cylinder Cap	
25	SP519463	Drain Elbow	

Rear Panel (Drawing 1 of 3)

Models with A, D, I, J, R, T or X in 7th Position



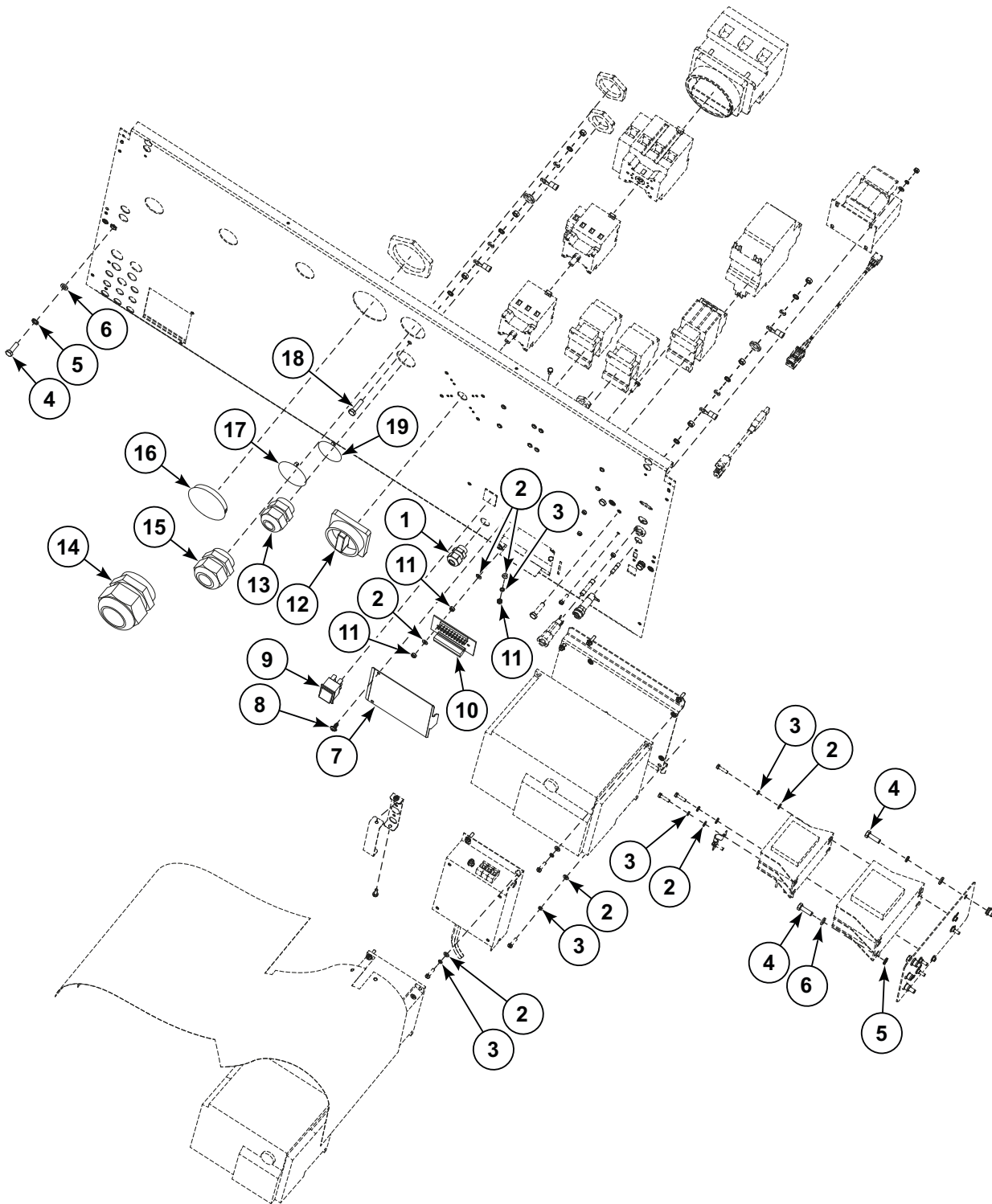
CFD3473P_D1734

Rear Panel (Drawing 1 of 3)

REF	PART NO.	DESCRIPTION	COMMENTS
	SP557821	MC7 Control Board Main Wiring	332, 350 and 403 models; Non-CSA
	SP557794	MC7 Control Board Main Wiring	520 models; Non-CSA
	SP557822	MC7 Control Board Main Wiring	80 models; CSA
	SP557823	MC7 Control Board Main Wiring	120 models; CSA
	552466	Wireless Reader Wiring	Vend; CSA
	SP547075	RS485 External Interconnection	Wiring
	SP557982	Cable	Extra price option
	SP506575	Terminal Board	Extra price option
	SP557981	Label	Extra price option
1	SP559328	Rear Panel	AR Non-Brand, IA, NA, SA, WMA 332, 350 and 403 models; Through Serial Nos. 350RX001503SF, 520RX001157SB
	SP554343	Rear Panel	332, 350 and 403 models
	SP559330	Rear Panel	AR Non-Brand, IA, NA, SA and WMA 520 models; Through Serial Nos. 350RX001503SF, 520RX001157SB
	SP554388	Rear Panel	520 models
2	SP516176	Nut	520 models; Cable bushing; M63; Electric heat
3	SP311125100006	Washer	6.4
4	SP311679824006	Washer	M6
5	SP310934100006	Nut	M6
6	SPPRI404000099	Main Switch	63A
7	SPPRI404001098	Main Switch	32A; Fourth pole
	SPPRI404001099	Main Switch	63A; Fourth pole
8	SP101419	Nut	Cable bushing; M32
9	SP101420	Nut	Cable bushing; M40
10	SPPRI404000100	Main Switch	80A
11	SP347700125175	Main Switch	125A
12	SPPRI404000098	Main Switch	32A
13	SP514038	Contactora	LC1-D09M7
14	SP309933240408	Bolt	M4x8
15	SP309933000416	Bolt	M4x16
16	SP101416	Nut	Cable bushing; M16
17	SPPRI345002019	Contactora	LC1-D32M7
18	SP514043	Contactora	LC1-D50M7
19	SP311127000004	Washer	4
20	SP310934000004	Nut	M4
21	SP545234	Cable	RS485; With connectors
22	SP311125000004	Washer	4.3
23	SP516648	Transformer	
24	SP547006	USB Cable	Rear panel
25	563361	Washer	
26	SP345805005020	Fuse	5x20mm; T0.5A/250V
27	SP345805163032	Fuse	6.3x32mm; T1A/500V
28	SPPRI401001020	Fuse Holder	5x20mm
29	SP309933100625	Bolt	M6x25
30	SP524740	Label	Electrical connection
31	SPPRI401003020	Fuse Housing	6.3x32mm

Rear Panel (Drawing 2 of 3)

Models with A, D, I, J, R, T or X in 7th Position



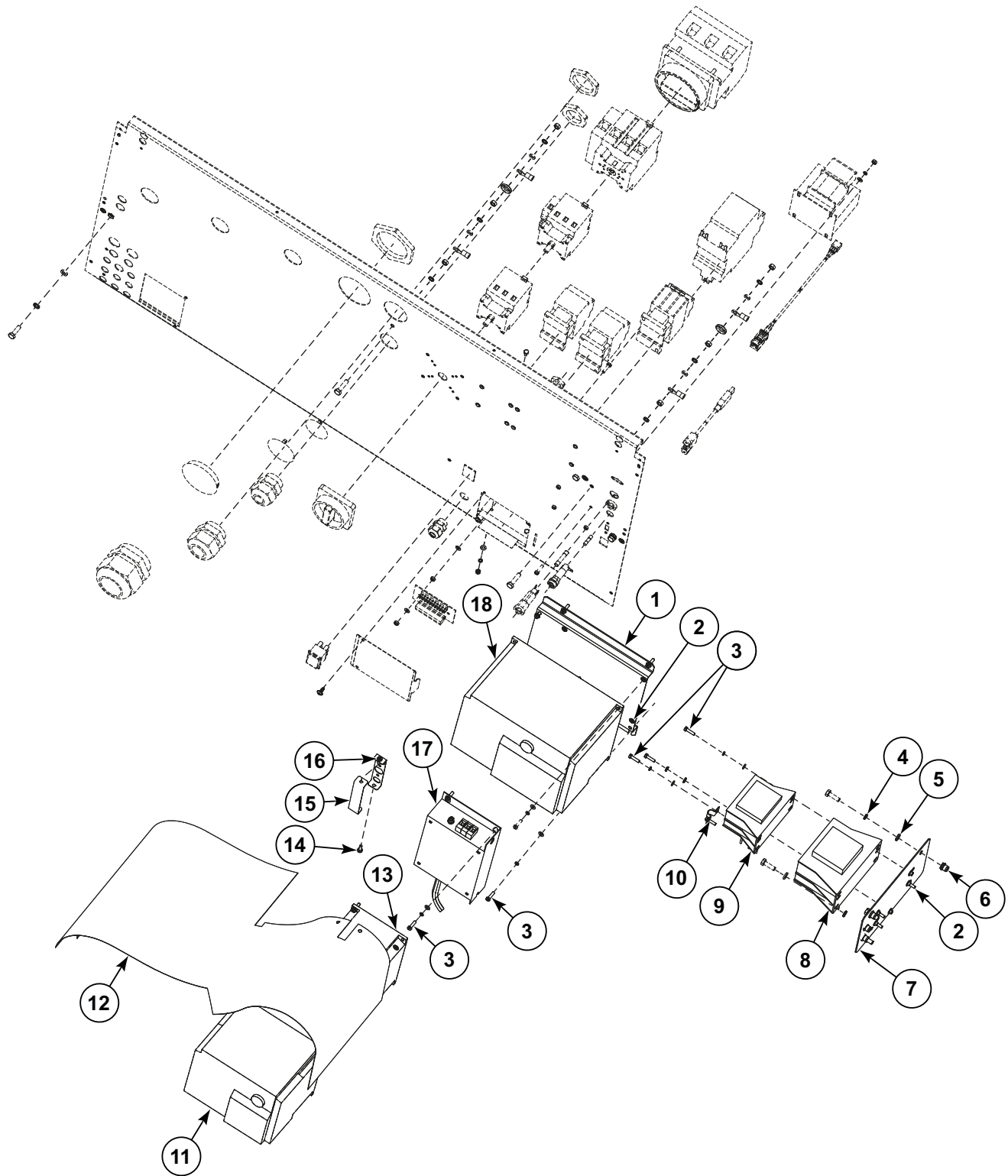
CZW490P_D1734

Rear Panel (Drawing 2 of 3)

REF	PART NO.	DESCRIPTION	COMMENTS
1	SP101406	Bushing	M16
2	SP311125000004	Washer	4.3
3	SP311127000004	Washer	4
4	SP309933000620	Bolt	M6x20
5	SP311679824006	Washer	M6
6	SP311125240006	Washer	6.4
7	SP547886	Rear Panel Lid	
8	SP529206	Screw	4x11
9	SP100388	Switch	
10	SP524714	Soap Relay Board	
	SP528150	Pump Relay Board to LED Terminal Cable	80, 332, 350 and 403 models
	SP528151	Pump Relay Board to LED Terminal Cable	120 and 520 models
	SP557944	Soap Link Kit	
	SP557947	External Block Signal Cable	2.8m
11	SP311125100006	Washer	6.4
12	SPPRI404000095	Main Switch Knob	
13	SP101409	Bushing	M32x1.5; Use with SP557952 Cable Bushing Insert for small diameter cables
14	SP516175	Cable Bushing	520 models; M63x1.5
15	SP101410	Cable Bushing	M40x1.5
16	SP559343	Plug	520 models; M63x1.5
17	SP534913	Plug	M40
18	SP309933000625	Bolt	M6x25
19	SP345900043132	Plug	Without electric or steam heat

Rear Panel (Drawing 3 of 3)

Models with A, D, I, J, R, T or X in 7th Position



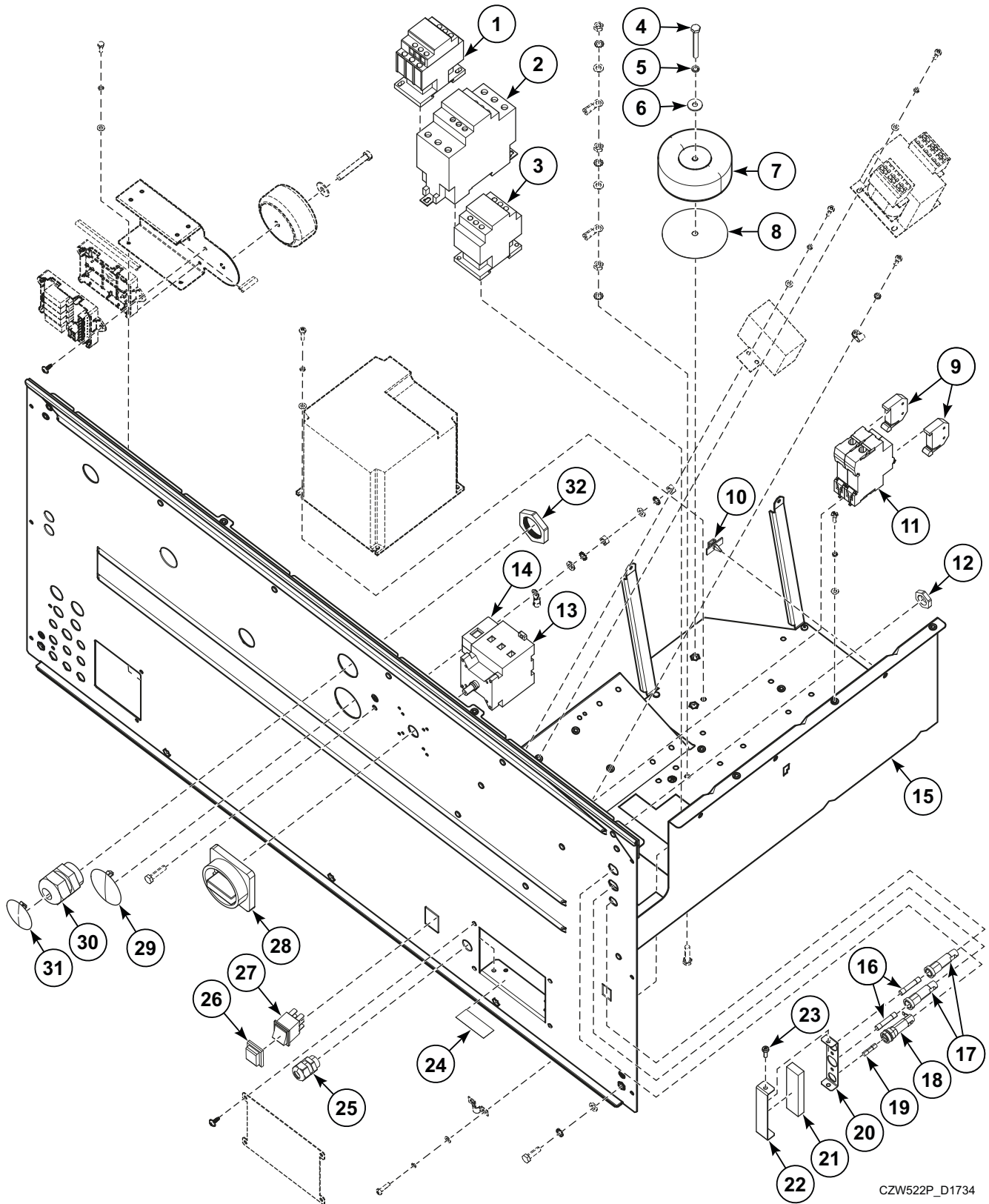
CZW491P_D1734

Rear Panel (Drawing 3 of 3)

REF	PART NO.	DESCRIPTION	COMMENTS
1	SP559326	Frequency Inverter Holder	120 and 520 models
2	SP313251002104	Nut	M4
3	SP309084000416	Bolt	M4x16
4	SP311127000006	Washer	6
5	SP311125000006	Washer	6.4
6	SP313251000006	Nut	M6
7	SP559348	Filter Holder	120 and 520 models
8	SP557932	Frequency Inverter Filter	520 models; Used with 571477 or 571476 Frequency Inverter
9	SP557933	Frequency Inverter Filter	520 models; Used with FR-D720-318-E8
10	SPPRI407000091	Cable Sleeve	
11	571477	Frequency Inverter	120 and 520 models; FR-D720-165-SC-E8
12	SP559320	Motor and Frequency Inverter Cover	332, 350 and 403 models
	SP559345	Motor and Frequency Inverter Cover	520 models
	562871	Motor and Frequency Inverter Cover	PAN080T and PAN080X Models
	562872	Motor and Frequency Inverter Cover	Model PAN120T
13	571475	Frequency Inverter	80, 332, 350 and 403 models; FR-D740-080-SC-E8; SP528326 Communication Cable
	571476	Frequency Inverter	120 and 520 models; FR-D740-160-SC-E8; SP528326 Communication Cable
14	SP555504	Bolt	M4x12
15	SP554311	Fuse Cover	
16	SP554310	Fuse Holder	
17	SP525935	Filter	332, 350 and 403 models; FR-D740-080-SC-E8
	SP552251	Filter	80, 332, 350 and 403 models; FR-D720S-100-SC-E8
18	571473	Frequency Inverter	80, 332, 350 and 403 models; FR-D720S-100-SC-E8
	571478	Frequency Inverter	120 and 520 models; FR-D720-318-SC-E8

Rear Panel - 230V 1/3AC, 400V with Neutral, CE (Drawing 1 of 2)

332, 350 and 403 Models with G in 7th Position



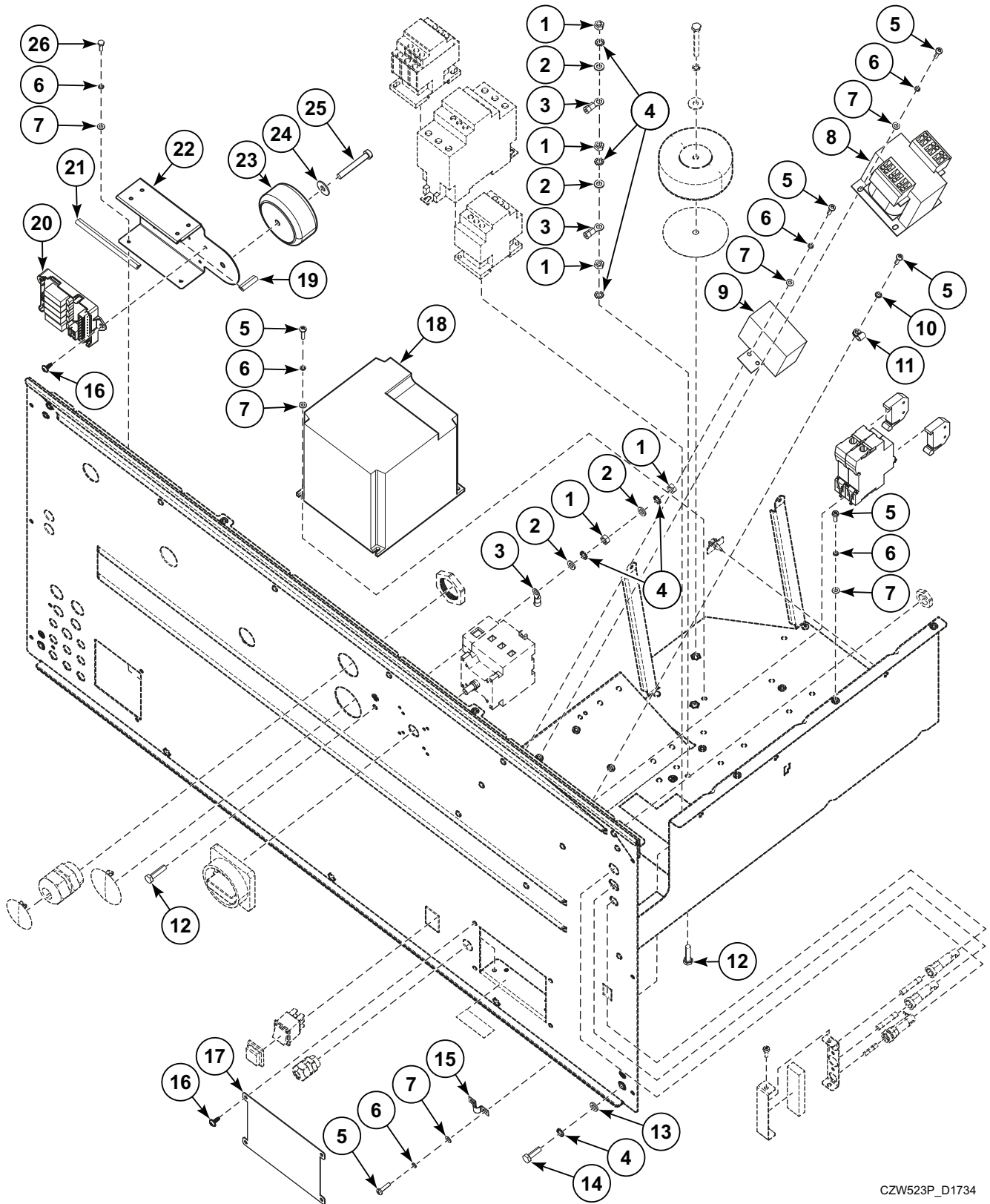
CZW522P_D1734

Rear Panel - 230V 1/3AC, 400V with Neutral, CE (Drawing 1 of 2)

REF	PART NO.	DESCRIPTION	COMMENTS
	568390	Control Board Main Wiring	
1	SP514038	Contactora	LC1-D09M7; Used with frequency inverter
2	SPPRI345001019	Contactora	LC1-D40M7; Electric heating
3	SP514042	Contactora	LC1-D18M7; Electric heating
	SP514038	Contactora	LC1-D09M7; Electric heating
4	SP309933000660	Bolt	M6x60
5	SP311127000006	Washer	6
6	SP311902100006	Washer	6
7	571456	DC Choke	
8	571458	Insulation Washer	
9	SP346000209101	End Stop	
10	SP528313	Cable Holder	
11	571463	Circuit Breaker	16A - 2 poles
12	SP101416	Nut	M16
13	SPPRI404000097	Main Switch	25A
	SPPRI404000099	Main Switch	63A
	SPPRI404000100	Main Switch	80A
14	SPPRI404001099	Main Switch Fourth Pole	
15	566541	Rear Panel	
16	SP345805163032	Fuse	6.3x32mm, T1A/500V; 2 pieces
17	SPPRI401003020	Fuse Housing	2 pieces
18	SPPRI401001020	Fuse Holder	
19	SP345805005020	Fuse	0.5A/250V
20	SP554310	Fuse Holder	
21	570387	Self-Adhesive Profile	
22	SP554311	Fuse Cover	
23	SP555504	Bolt	
24	577441	Label	Models with Transformer
	577440	Label	Models without Transformer
25	SP101406	Bushing	M16
26	SPPRI543000003	Push Button Cover	
27	SP100388	Switch	
28	SPPRI404000095	Main Switch Knob	
29	SP534913	Plug	
30	SP101409	Bushing	M35x1.5
31	SP345900043132	Plug	
32	SP101419	Nut	M32

Rear Panel - 230V 1/3AC, 400V with Neutral, CE (Drawing 2 of 2)

332, 350 and 403 Models with G in 7th Position



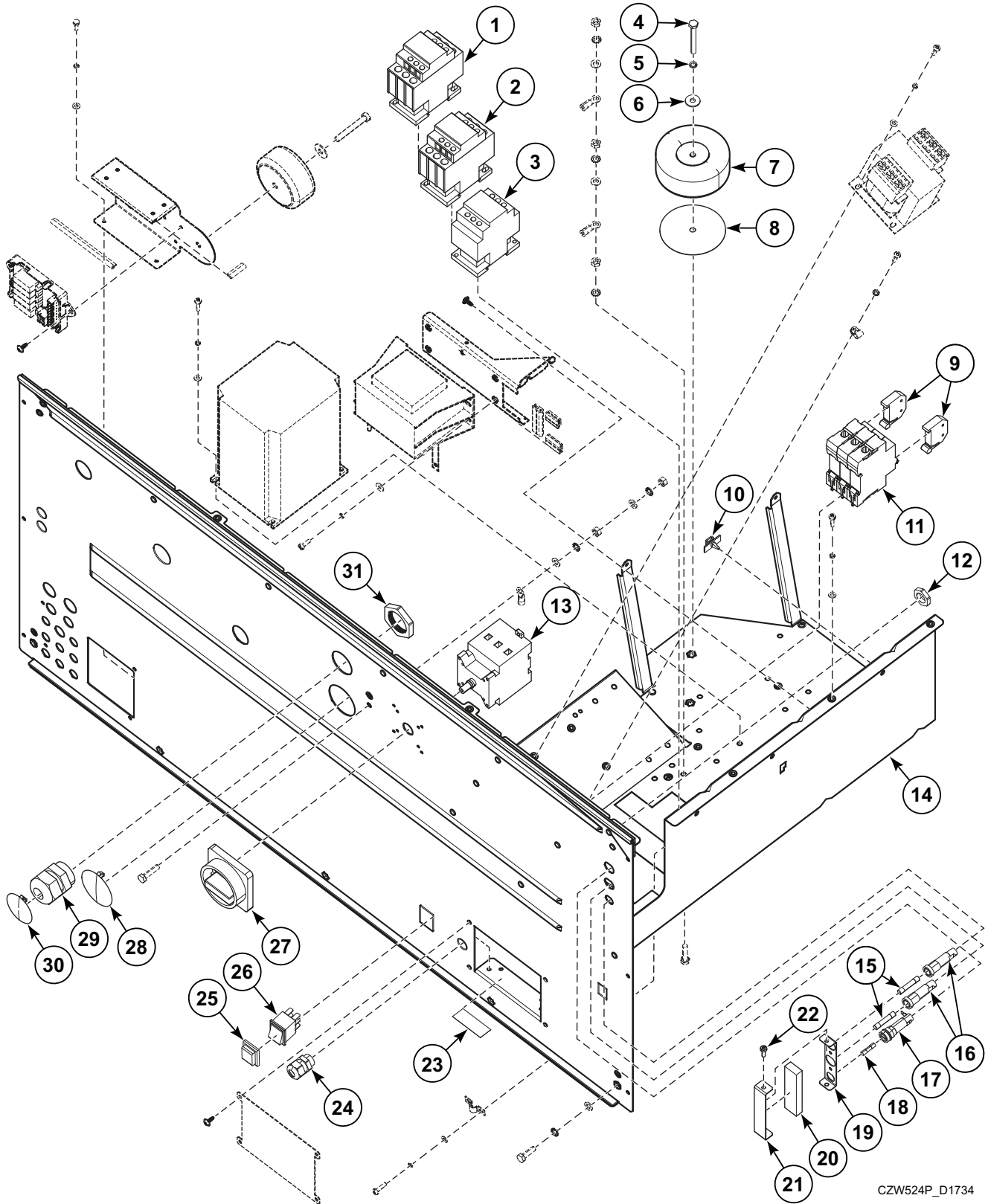
CZW523P_D1734

Rear Panel - 230V 1/3AC, 400V with Neutral, CE (Drawing 2 of 2)

REF	PART NO.	DESCRIPTION	COMMENTS
1	SP310934100006	Nut	M6
2	SP311125100006	Washer	6
3	SP345000165034	Cable Eye	
4	SP311679824006	Washer	6
5	SP309084000416	Bolt	M4x16
6	SP311127000004	Washer	4
7	SP311125000004	Washer	4.3
8	SP516648	Transformer	
9	568380	Filter	20A 250V
10	SP311679800004	Washer	M4
11	SP502214	Clip	
12	SP309933100625	Bolt	M6x25
13	SP311125240006	Washer	6
14	SP309933000620	Bolt	M6x20
15	SP528392	Cable Clamp	
16	SP529206	Screw	4x11
17	566549	Cover	
18	571473	Frequency Inverter	FR-D720S-100-SC-E8
	SP528324	Communication Cable	
	557961	Ferrite Core	Used with frequency inverter
19	SPPRI505000058	Profiled Sealing	1 inch (0.025 m)
20	804528	Soap Relay Board	
21	SPPRI505000058	Profiled Sealing	4.1 inch (0.105 m)
22	570318	Holder	
23	564561	Transformer	24V
24	SP505430	Washer	5
25	SP309084000535	Bolt	M5x35
26	SP309933240412	Bolt	M4x12

Rear Panel - 400V, 440-480V, CE (Drawing 1 of 2)

332, 350 and 403 Models with G in 7th Position



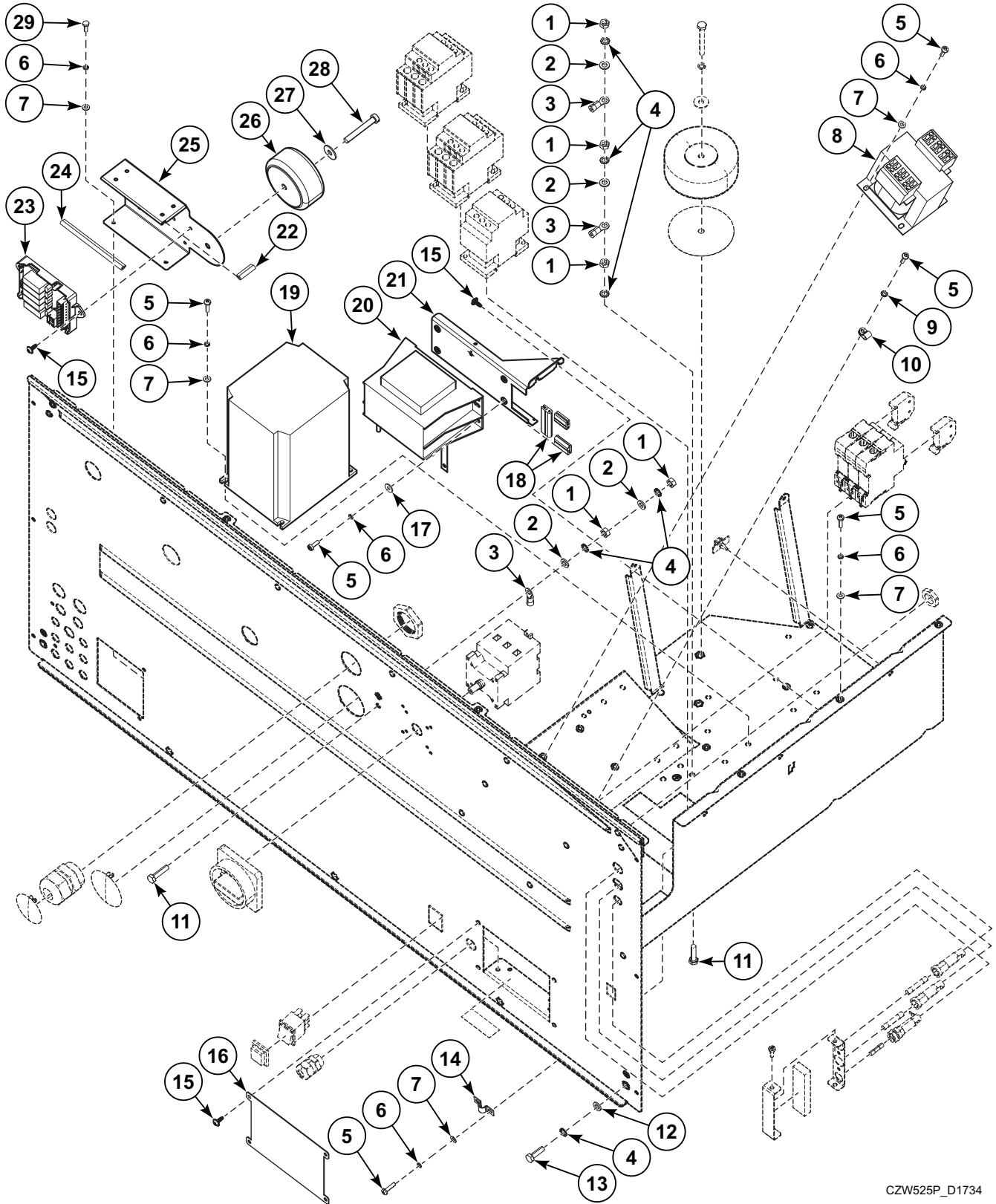
CZW524P_D1734

Rear Panel - 400V, 440-480V, CE (Drawing 1 of 2)

REF	PART NO.	DESCRIPTION	COMMENTS
	568390	Control Board Main Wiring	
1	SP514038	Contactors	LC1-D09M7; Used with frequency inverter
2	SP514038	Contactors	LC1-D09M7; Electric heating
3	SP514042	Contactors	LC1-D18M7; Electric heating
4	SP309933000660	Bolt	M6x60
5	SP311127000006	Washer	6
6	SP311902100006	Washer	6
7	571457	DC Choke	
8	571458	Insulation Washer	
9	SP346000209101	End Stop	
10	SP528313	Cable Holder	
11	571464	Circuit Breaker	10A - 3 poles
12	SP101416	Nut	M16
13	SPPRI404000097	Main Switch	25A
	SPPRI404000099	Main Switch	63A
	SPPRI404000100	Main Switch	80A
14	566541	Rear Panel	
15	SP345805163032	Fuse	6.3x32mm, T1A/500V; 2 pieces
16	SPPRI401003020	Fuse Housing	2 pieces
17	SPPRI401001020	Fuse Holder	
18	SP345805005020	Fuse	0.5A/250V
19	SP554310	Fuse Holder	
20	570387	Self-Adhesive Profile	
21	SP554311	Fuse Cover	
22	SP555504	Bolt	
23	577441	Label	Models with Transformer
	577440	Label	Models without Transformer
24	SP101406	Bushing	M16
25	SPPRI543000003	Push Button Cover	
26	SP100388	Switch	
27	SPPRI404000095	Main Switch Knob	
28	SP534913	Plug	
29	SP101409	Bushing	M35x1.5
30	SP345900043132	Plug	

Rear Panel - 400V, 440-480V, CE (Drawing 2 of 2)

332, 350 and 403 Models with G in 7th Position



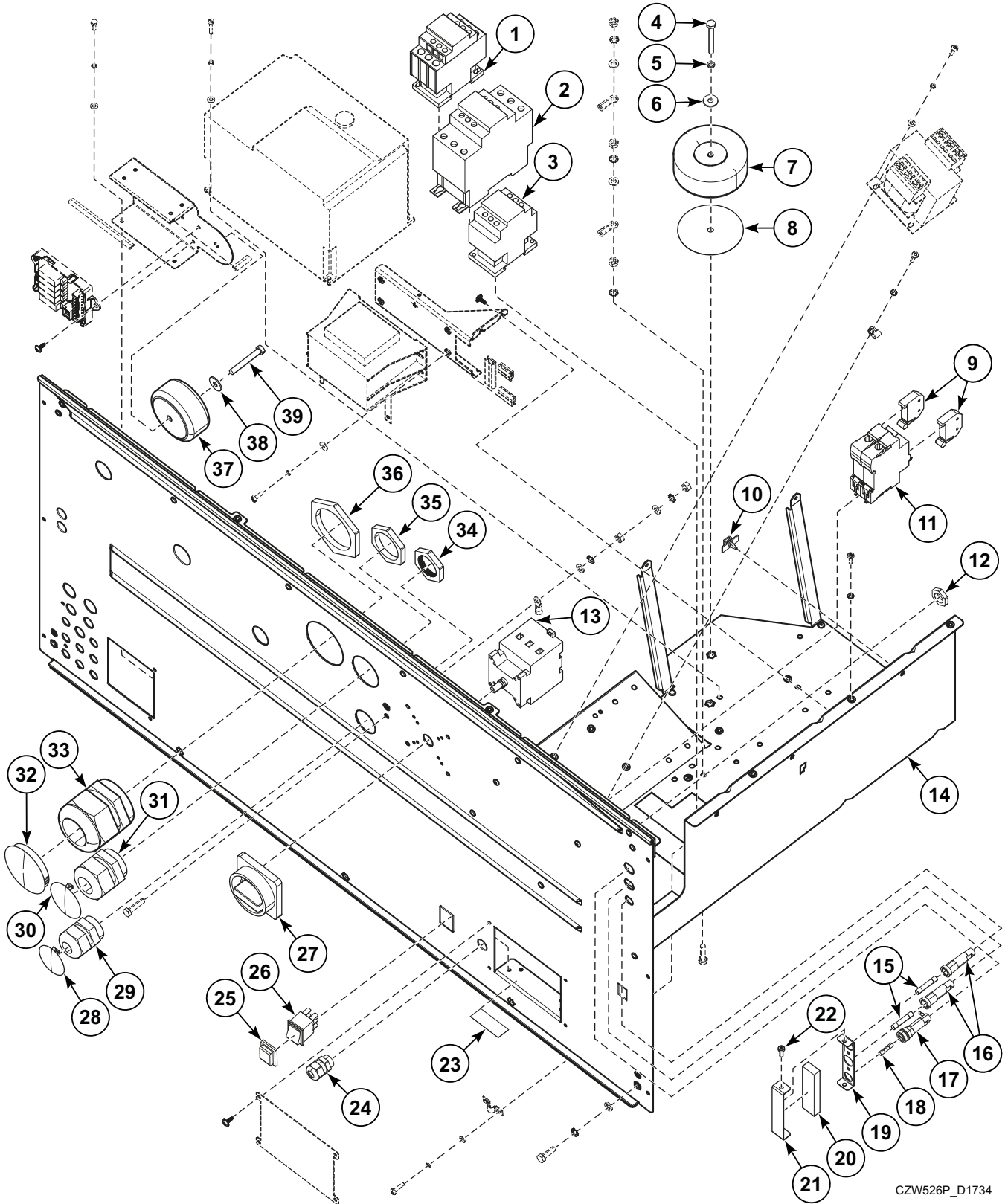
CZW525P_D1734

Rear Panel - 400V, 440-480V, CE (Drawing 2 of 2)

REF	PART NO.	DESCRIPTION	COMMENTS
1	SP310934100006	Nut	M6
2	SP311125100006	Washer	6
3	SP345000165034	Cable Eye	
4	SP311679824006	Washer	6
5	SP309084000416	Bolt	M4x16
6	SP311127000004	Washer	4
7	SP311125000004	Washer	4.3
8	SP516648	Transformer	
9	SP311679800004	Washer	M4
10	SP502214	Clip	
11	SP309933100625	Bolt	M6x25
12	SP311125240006	Washer	6
13	SP309933000620	Bolt	M6x20
14	SP528392	Cable Clamp	
15	SP529206	Screw	4x11
16	566549	Cover	
17	SP311902100004	Washer	4
18	SP529068	Edge Protection	0.014m
19	571475	Frequency Inverter	FR-D740-080-SC-E8
20	SP557932	Frequency Inverter Filter	
21	572126	Filter Holder	Used with SP313251002104 Nut, not included
22	SPPRI505000058	Profiled Sealing	1 inch (0.025 m)
23	804528	Soap Relay Board	
24	SPPRI505000058	Profiled Sealing	4.1 inch (0.105 m)
25	570318	Holder	
26	564561	Transformer	24V
27	SP505430	Washer	5
28	SP309084000535	Bolt	M5x35
29	SP309933240412	Bolt	M4x12

Rear Panel - 230V 1AC, CE (Drawing 1 of 2)

520 Models with G in 7th Position of the model number



CZW526P_D1734

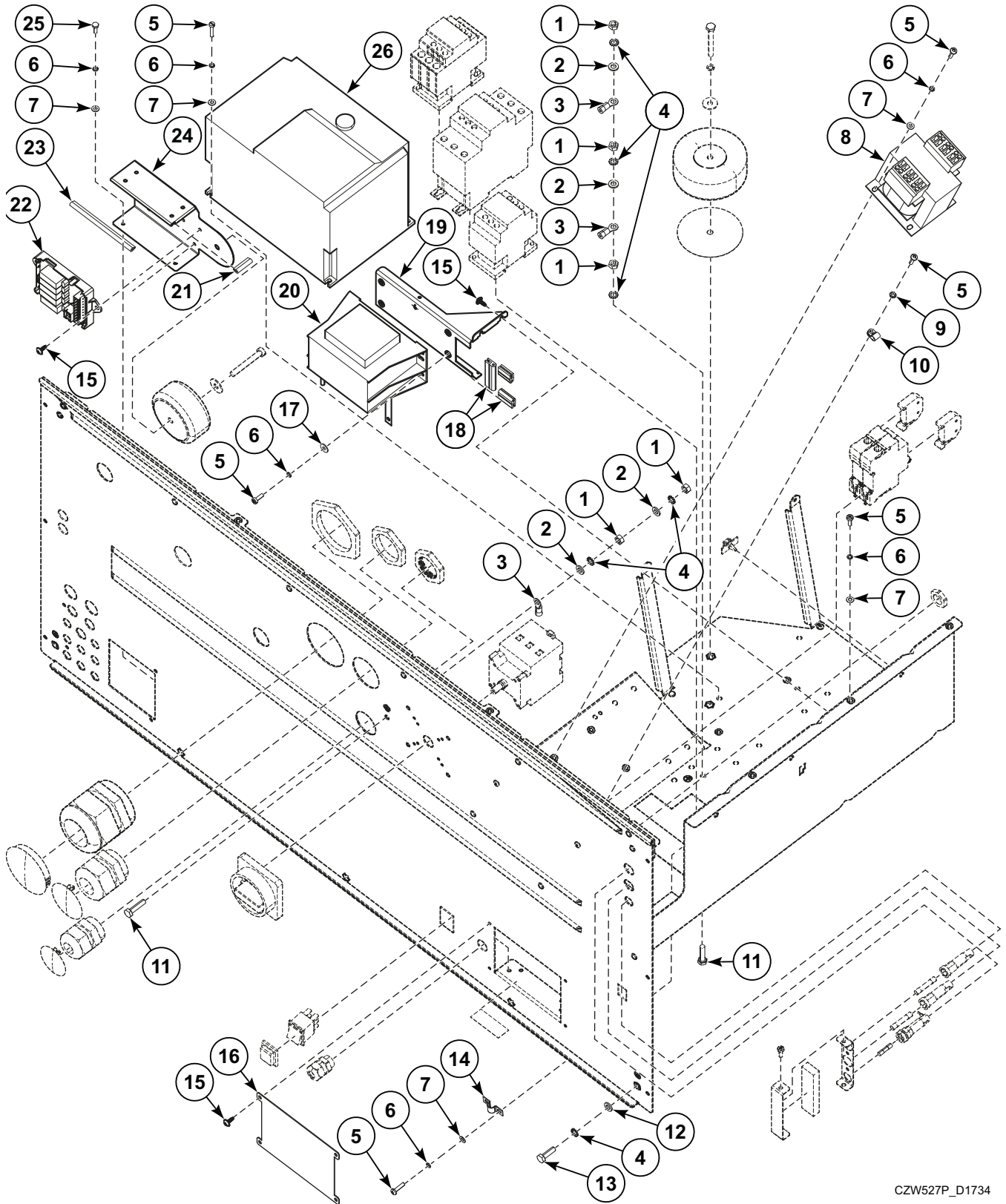
Rear Panel - 230V 1AC, CE (Drawing 1 of 2)

REF	PART NO.	DESCRIPTION	COMMENTS
	568395	Control Board Main Wiring	
1	SP514042	Contactors	LC1-D18M7; Used with frequency inverter
2	N/A	Contactors	LC1-D32M7; Electric heating
3	N/A	Contactors	LC1-D50M7; Electric heating
4	SP309933000660	Bolt	M6x60
5	SP311127000006	Washer	6
6	SP311902100006	Washer	6
7	571456	DC Choke	
8	571458	Insulation Washer	
9	SP346000209101	End Stop	
10	SP528313	Cable Holder	
11	70488102	Circuit Breaker	25A - 2 poles
12	SP101416	Nut	M16
13	SPPRI404000099	Main Switch	63A
14	577437	Rear Panel	
15	SP345805163032	Fuse	6.3x32mm, T1A/500V; 2 pieces
16	SPPRI401003020	Fuse Housing	2 pieces
17	SPPRI401001020	Fuse Holder	
18	SP345805005020	Fuse	0.5A/250V
19	SP554310	Fuse Holder	
20	570387	Self-Adhesive Profile	
21	SP554311	Fuse Cover	
22	SP555504	Bolt	
23	577441	Label	Models with Transformer
	577440	Label	Models without Transformer
24	SP101406	Bushing	M16
25	SPPRI543000003	Push Button Cover	
26	SP100388	Switch	
27	SPPRI404000095	Main Switch Knob	
28	SP345900043132	Plug	M32
29	SP101409	Cable Bushing	M32x1.5
30	SP534913	Plug	M40
31	SP101410	Cable Bushing	M40x1.5
32	SP559343	Plug	M63
33	SP516175	Cable Bushing	M63x1.5
34	SP101419	Nut	M32
35	SP101420	Nut	M40
36	SP516176	Nut	M63
37	564561	Transformer	24V
38	SP505430	Washer	5
39	SP309084000535	Bolt	M5x35

N/A = Part no longer available

Rear Panel - 230V 1AC, CE (Drawing 2 of 2)

520 Models with G in 7th Position of the model number



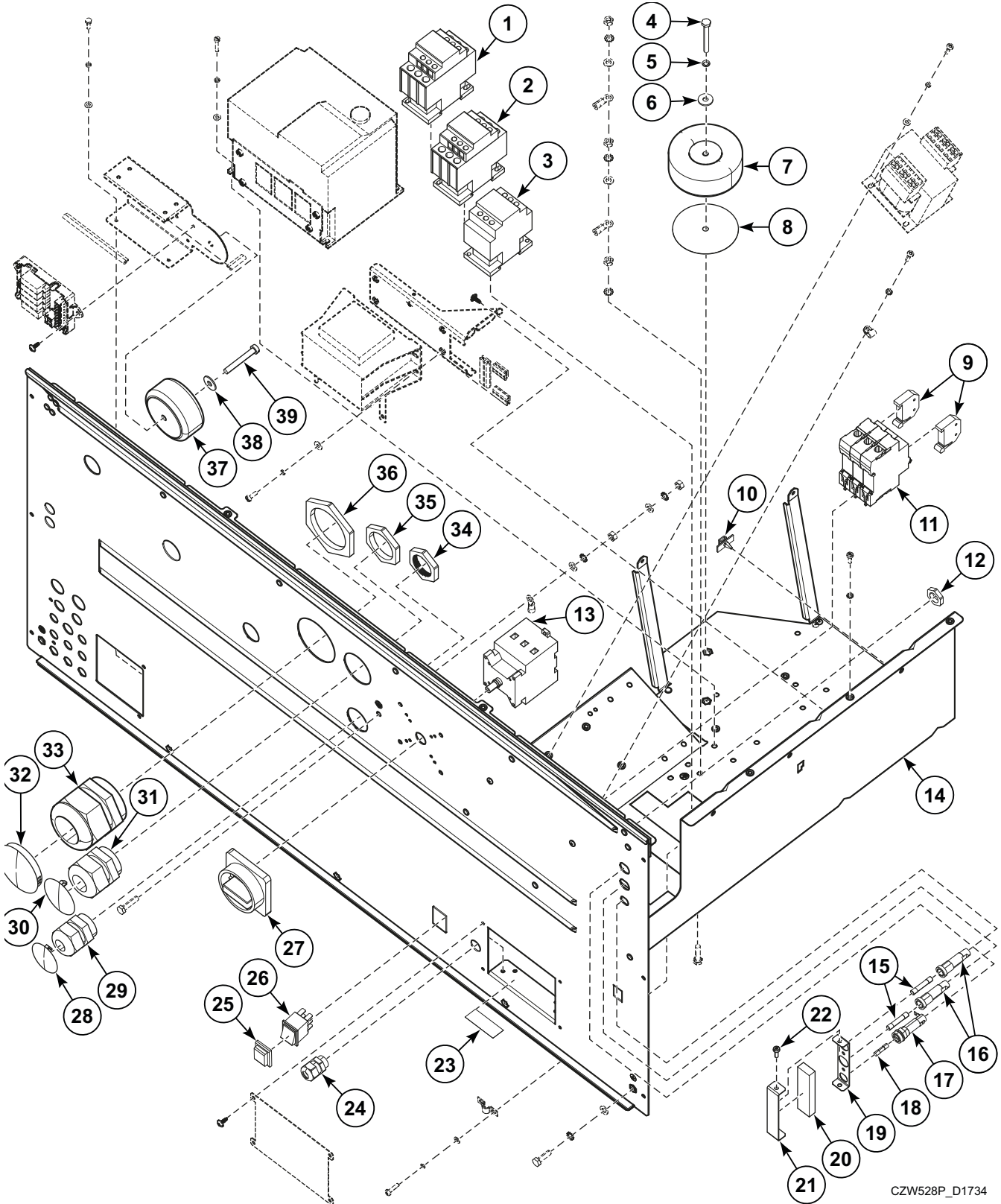
CZW527P_D1734

Rear Panel - 230V 1AC, CE (Drawing 2 of 2)

REF	PART NO.	DESCRIPTION	COMMENTS
1	SP310934100006	Nut	M6
2	SP311125100006	Washer	6
3	SP345000165034	Cable Eye	
4	SP311679824006	Washer	6
5	SP309084000416	Bolt	M4x16
6	SP311127000004	Washer	4
7	SP311125000004	Washer	4.3
8	SP516648	Transformer	
9	SP311679800004	Washer	M4
10	SP502214	Clip	
11	SP309933100625	Bolt	M6x25
12	SP311125240006	Washer	6
13	SP309933000620	Bolt	M6x20
14	SP528392	Cable Clamp	
15	SP529206	Screw	4x11
16	566549	Cover	
17	SP311902100004	Washer	4
18	SP529068	Edge Protection	0.014m
19	572126	Filter Holder	Used with SP313251002104 Nut, not included
20	SP557933	Frequency Inverter Filter	
21	SPPRI505000058	Profiled Sealing	1 inch (0.025 m)
22	804528	Soap Relay Board	
23	SPPRI505000058	Profiled Sealing	4.1 inch (0.105 m)
24	570318	Holder	
25	SP309933240412	Bolt	M4x12
26	571478	Frequency Inverter	FR-D720-318-SC-E8
	SP528325	Communication Cable	
	557961	Ferrite Core	Used with frequency inverter

Rear Panel - 230V 3AC, CE (Drawing 1 of 2)

520 Models with G in 7th Position of the model number



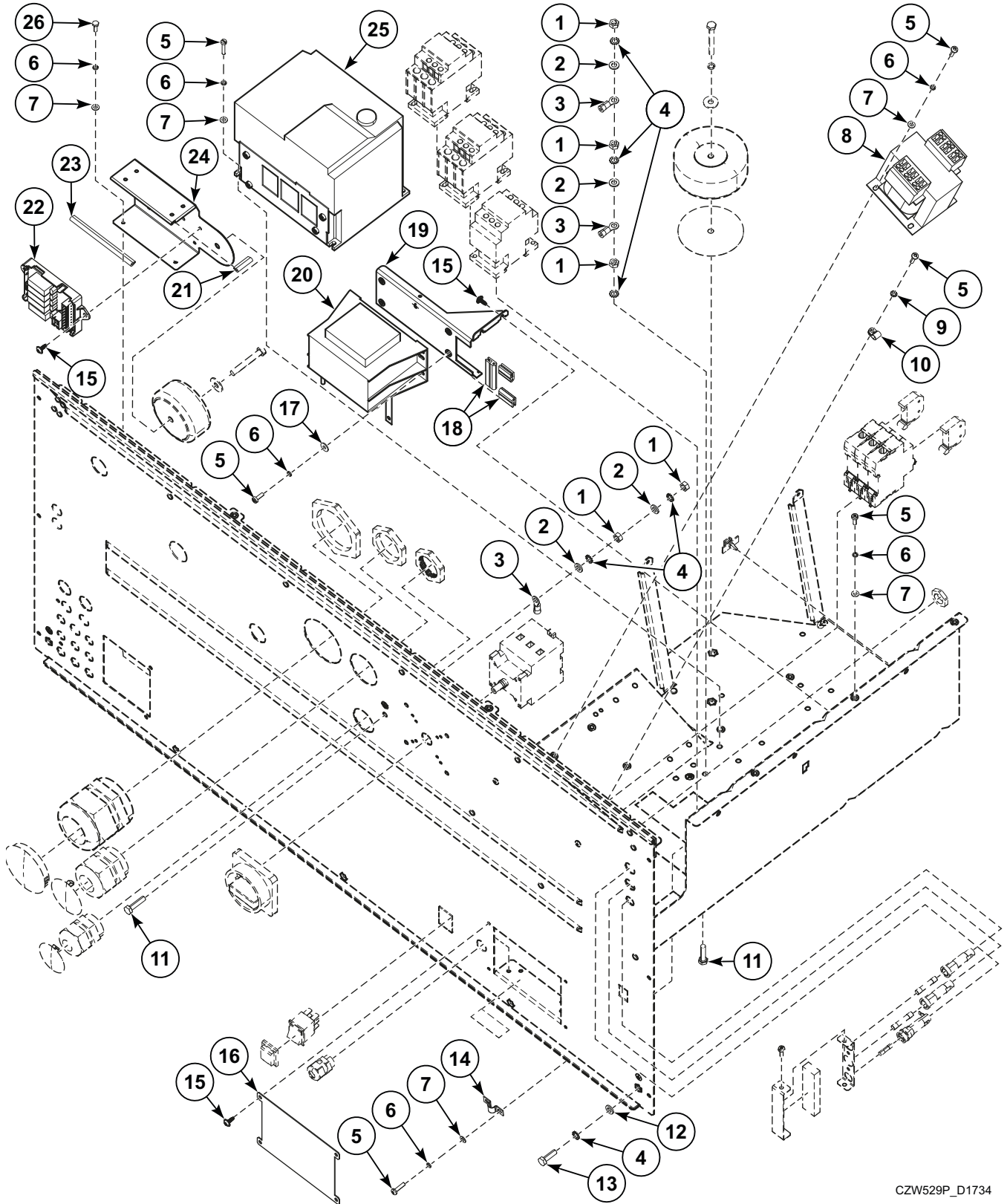
CZW528P_D1734

Rear Panel - 230V 3AC, CE (Drawing 1 of 2)

REF	PART NO.	DESCRIPTION	COMMENTS
	568395	Control Board Main Wiring	
1	SP514038	Contactora	LC1-D09M7; Used with frequency inverter
2	SPPRI345002019	Contactora	LC1-D32M7; Electric heating
3	SP514043	Contactora	LC1-D50M7; Electric heating
4	SP309933000660	Bolt	M6x60
5	SP311127000006	Washer	6
6	SP311902100006	Washer	6
7	571457	DC Choke	
8	571458	Insulation Washer	
9	SP346000209101	End Stop	
10	SP528313	Cable Holder	
11	SP528294	Circuit Breaker	16A - 3 poles
12	SP101416	Nut	M16
13	SPPRI404000097	Main Switch	25A
	SPPRI404000100	Main Switch	80A
	SP347700125175	Main Switch	125A
14	577437	Rear Panel	
15	SP345805163032	Fuse	6.3x32mm, T1A/500V; 2 pieces
16	SPPRI401003020	Fuse Housing	2 pieces
17	SPPRI401001020	Fuse Holder	
18	SP345805005020	Fuse	0.5A/250V
19	SP554310	Fuse Holder	
20	570387	Self-Adhesive Profile	
21	SP554311	Fuse Cover	
22	SP555504	Bolt	
23	577441	Label	Models with Transformer
	577440	Label	Models without Transformer
24	SP101406	Bushing	M16
25	SPPRI543000003	Push Button Cover	
26	SP100388	Switch	
27	SPPRI404000095	Main Switch Knob	
28	SP345900043132	Plug	M32
29	SP101409	Cable Bushing	M32x1.5
30	SP534913	Plug	M40
31	SP101410	Cable Bushing	M40x1.5
32	SP559343	Plug	M63
33	SP516175	Cable Bushing	M63x1.5
34	SP101419	Nut	M32
35	SP101420	Nut	M40
36	SP516176	Nut	M63
37	564561	Transformer	24V
38	SP505430	Washer	5
39	SP309084000535	Bolt	M5x35

Rear Panel - 230V 3AC, CE (Drawing 2 of 2)

520 Models with G in 7th Position of the model number



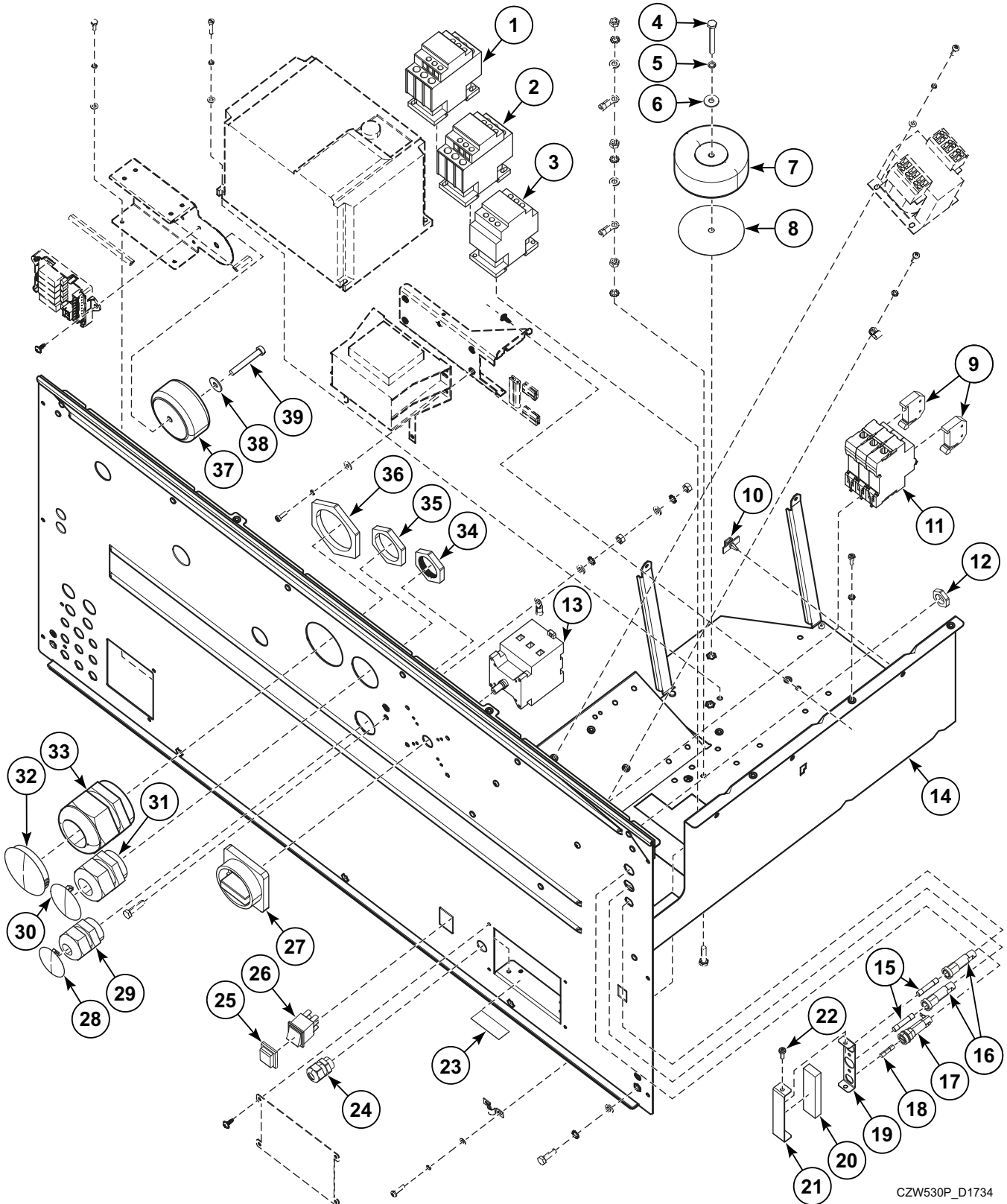
CZW529P_D1734

Rear Panel - 230V 3AC, CE (Drawing 2 of 2)

REF	PART NO.	DESCRIPTION	COMMENTS
1	SP310934100006	Nut	M6
2	SP311125100006	Washer	6
3	SP345000165034	Cable Eye	
4	SP311679824006	Washer	6
5	SP309084000416	Bolt	M4x16
6	SP311127000004	Washer	4
7	SP311125000004	Washer	4.3
8	SP516648	Transformer	
9	SP311679800004	Washer	M4
10	SP502214	Clip	
11	SP309933100625	Bolt	M6x25
12	SP311125240006	Washer	6
13	SP309933000620	Bolt	M6x20
14	SP528392	Cable Clamp	
15	SP529206	Screw	4x11
16	566549	Cover	
17	SP311902100004	Washer	4
18	SP529068	Edge Protection	0.014m
19	572126	Filter Holder	Used with SP313251002104 Nut, not included
20	SP557932	Frequency Inverter Filter	
21	SPPRI505000058	Profiled Sealing	1 inch (0.025 m)
22	804528	Soap Relay Board	
23	SPPRI505000058	Profiled Sealing	4.1 inch (0.105 m)
24	570318	Holder	
25	571477	Frequency Inverter	FR-D720-165-SC-E8
	SP528325	Communication Cable	
	557961	Ferrite Core	Used with frequency inverter
26	SP309933240412	Bolt	M4x12

Rear Panel - 400V, 440-480V, CE (Drawing 1 of 2)

520 Models with G in 7th Position of the model number



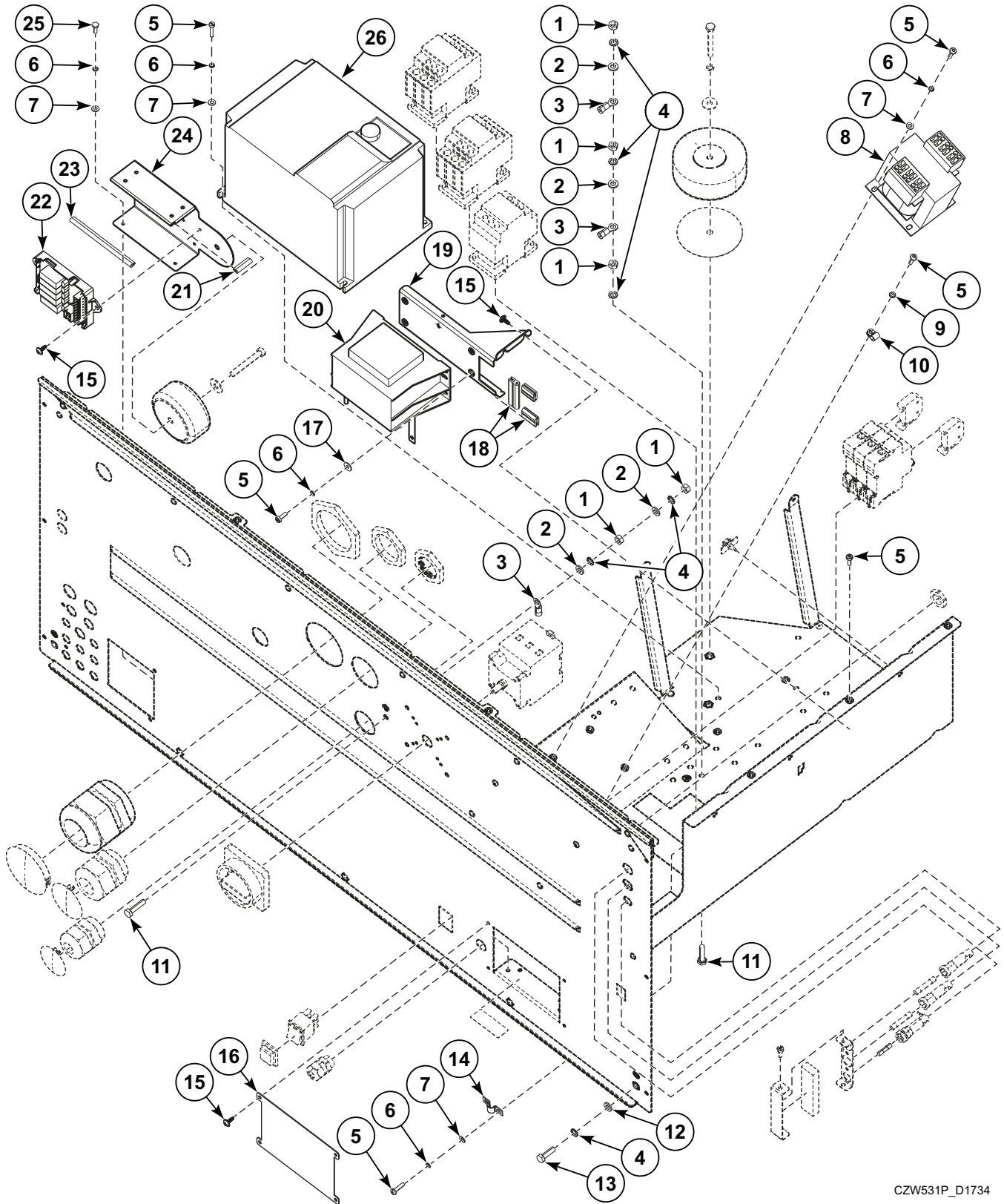
CZW530P_D1734

Rear Panel - 400V, 440-480V, CE (Drawing 1 of 2)

REF	PART NO.	DESCRIPTION	COMMENTS
	568395	Control Board Main Wiring	
1	SP514038	Contactors	LC1-D09M7; Used with frequency inverter
2	SPPRI345002019	Contactors	LC1-D32M7; Electric heating
3	SP514042	Contactors	LC1-D18M7; Electric heating
4	SP309933000660	Bolt	M6x60
5	SP311127000006	Washer	6
6	SP311902100006	Washer	6
7	571456	DC Choke	
8	571458	Insulation Washer	
9	SP346000209101	End Stop	
10	SP528313	Cable Holder	
11	571464	Circuit Breaker	10A - 3 poles
12	SP101416	Nut	M16
13	SPPRI404000097	Main Switch	25A
	SPPRI404000100	Main Switch	80A
	SP347700125175	Main Switch	125A
14	577437	Rear Panel	
15	SP345805163032	Fuse	6.3x32mm, T1A/500V; 2 pieces
16	SPPRI401003020	Fuse Housing	2 pieces
17	SPPRI401001020	Fuse Holder	
18	SP345805005020	Fuse	0.5A/250V
19	SP554310	Fuse Holder	
20	570387	Self-Adhesive Profile	
21	SP554311	Fuse Cover	
22	SP555504	Bolt	
23	577441	Label	Models with Transformer
	577440	Label	Models without Transformer
24	SP101406	Bushing	M16
25	SPPRI543000003	Push Button Cover	
26	SP100388	Switch	
27	SPPRI404000095	Main Switch Knob	
28	SP345900043132	Plug	M32
29	SP101409	Cable Bushing	M32x1.5
30	SP534913	Plug	M40
31	SP101410	Cable Bushing	M40x1.5
32	SP559343	Plug	M63
33	SP516175	Cable Bushing	M63x1.5
34	SP101419	Nut	M32
35	SP101420	Nut	M40
36	SP516176	Nut	M63
37	564561	Transformer	24V
38	SP505430	Washer	5
39	SP309084000535	Bolt	M5x35

Rear Panel - 400V, 440-480V, CE (Drawing 2 of 2)

520 Models with G in 7th Position of the model number

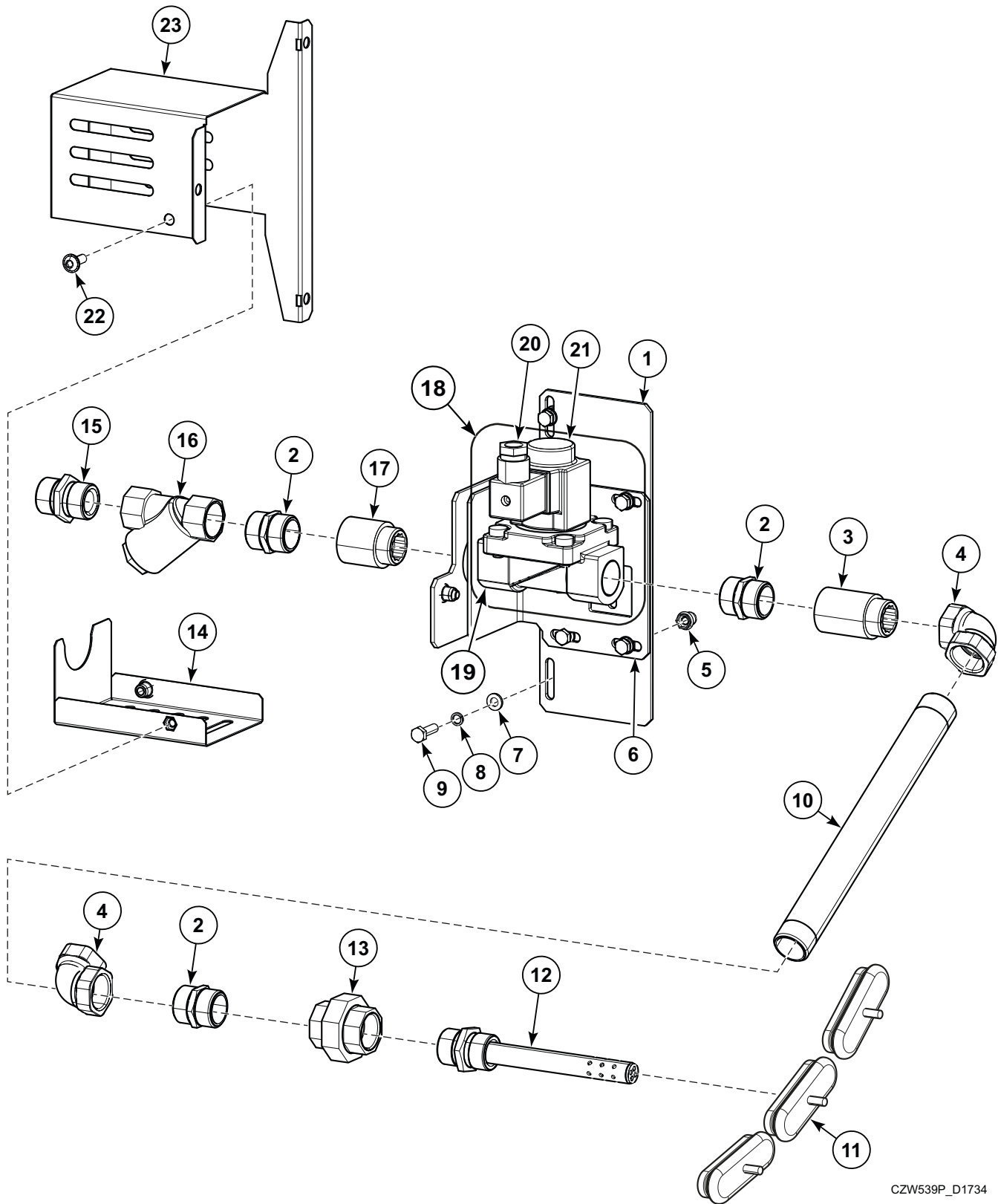


CZW531P_D1734

Rear Panel - 400V, 440-480V, CE (Drawing 2 of 2)

REF	PART NO.	DESCRIPTION	COMMENTS
1	SP310934100006	Nut	M6
2	SP311125100006	Washer	6
3	SP345000165034	Cable Eye	
4	SP311679824006	Washer	6
5	SP309084000416	Bolt	M4x16
6	SP311127000004	Washer	4
7	SP311125000004	Washer	4.3
8	SP516648	Transformer	
9	SP311679800004	Washer	M4
10	SP502214	Clip	
11	SP309933100625	Bolt	M6x25
12	SP311125240006	Washer	6
13	SP309933000620	Bolt	M6x20
14	SP528392	Cable Clamp	
15	SP529206	Screw	4x11
16	566549	Cover	
17	SP311902100004	Washer	4
18	SP529068	Edge Protection	0.014m
19	572126	Filter Holder	Used with SP313251002104 Nut, not included
20	SP557932	Frequency Inverter Filter	
21	SPPRI505000058	Profiled Sealing	1 inch (0.025 m)
22	804528	Soap Relay Board	
23	SPPRI505000058	Profiled Sealing	4.1 inch (0.105 m)
24	570318	Holder	
25	SP309933240412	Bolt	M4x12
26	571476	Frequency Inverter	FR-D740-160-SC-E8
	SP528325	Communication Cable	
	557961	Ferrite Core	Used with frequency inverter

Steam Heating

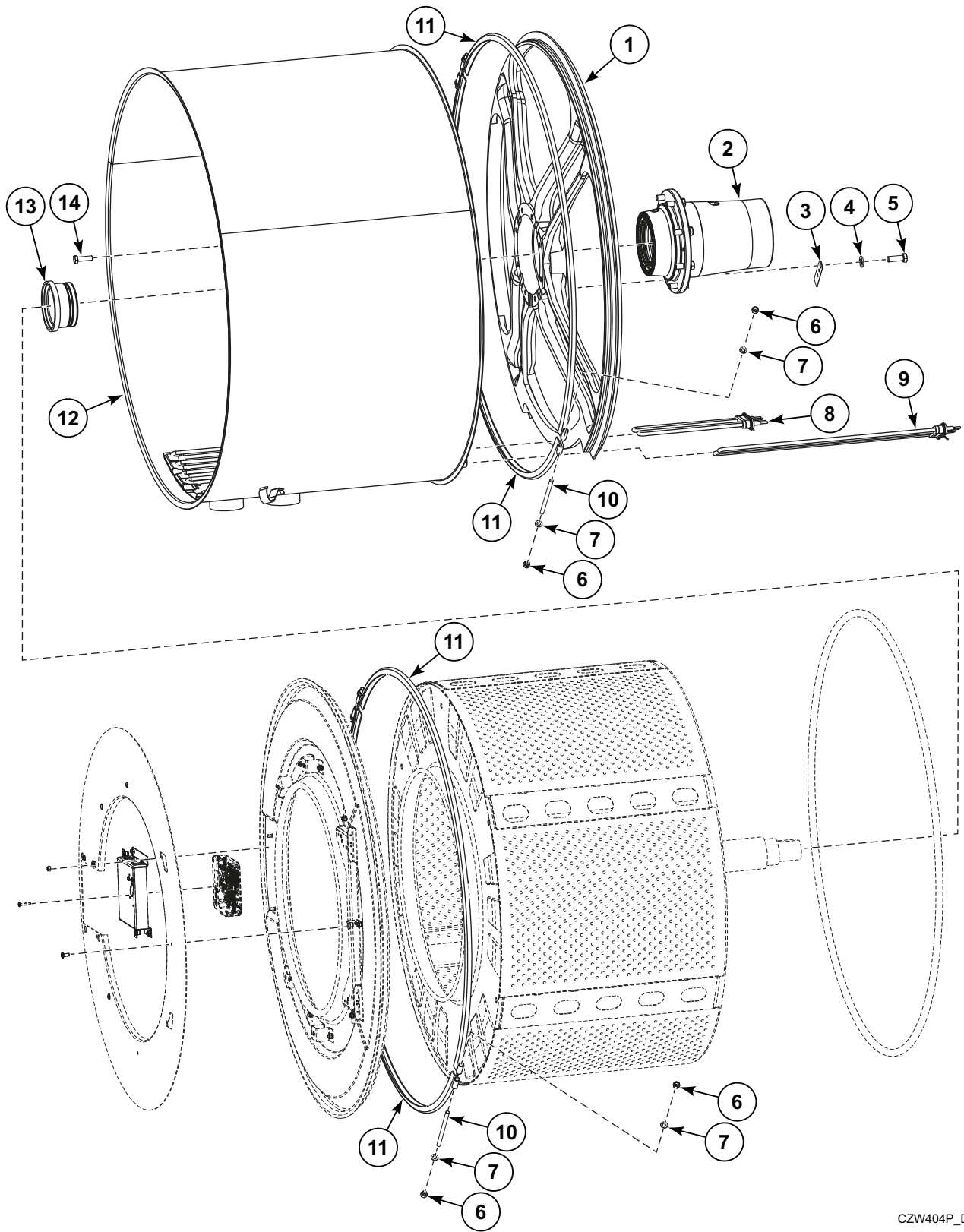


CZW539P_D1734

Steam Heating

REF	PART NO.	DESCRIPTION	COMMENTS
	SP562851	Steam Kit	Models with A, D, I, J, R, T or X in 7th position of the model number
	SP526564	Seal	
	528064	Steam Heat Wiring	
	528393	Wiring Steam - Electrical Heating	Steam - electrical heating modification
1	SP559341	Steam Valve Holder	
2	SPPRI426001217	Pipe Nipple	3/4 inch
3	SPPRI426003217	Extension	3/4 inch x 40
4	SPPRI426002072	Elbow	3/4 inch
5	SP313251000006	Nut	M6
6	SP559333	Steam Valve Holder	
7	SP311125000006	Washer	6.4
8	SP311127000006	Washer	6
9	SP309933000620	Bolt	M6x20
10	SP554351	Steam Tube	
11	SPPRI342001016	Heating Element Hole Plug	
12	SP554357	Steam Injector	
13	SP559344	Pipe Nipple	3/4 inch
14	581047	Bottom of Filter Cover	Models with G in 7th position of the model number
15	SP559310	Adapter	3/4 inch
16	SP405054057006	Steam Filter	3/4 inch
17	SP319413104563	Extension Tube	3/4 inch x 30
18	SP514162	Steam Valve	3/4 inch
19	SP514166	Steam Valve Body	3/4 inch
20	SP554156	Connector	
21	SP554110	Coil	50/60 Hertz
22	SP555658	Bolt	Models with G in 7th position of the model number; M6x16
23	581046	Filter Cover	Models with G in 7th position of the model number

Washing Drum (Drawing 1 of 2)

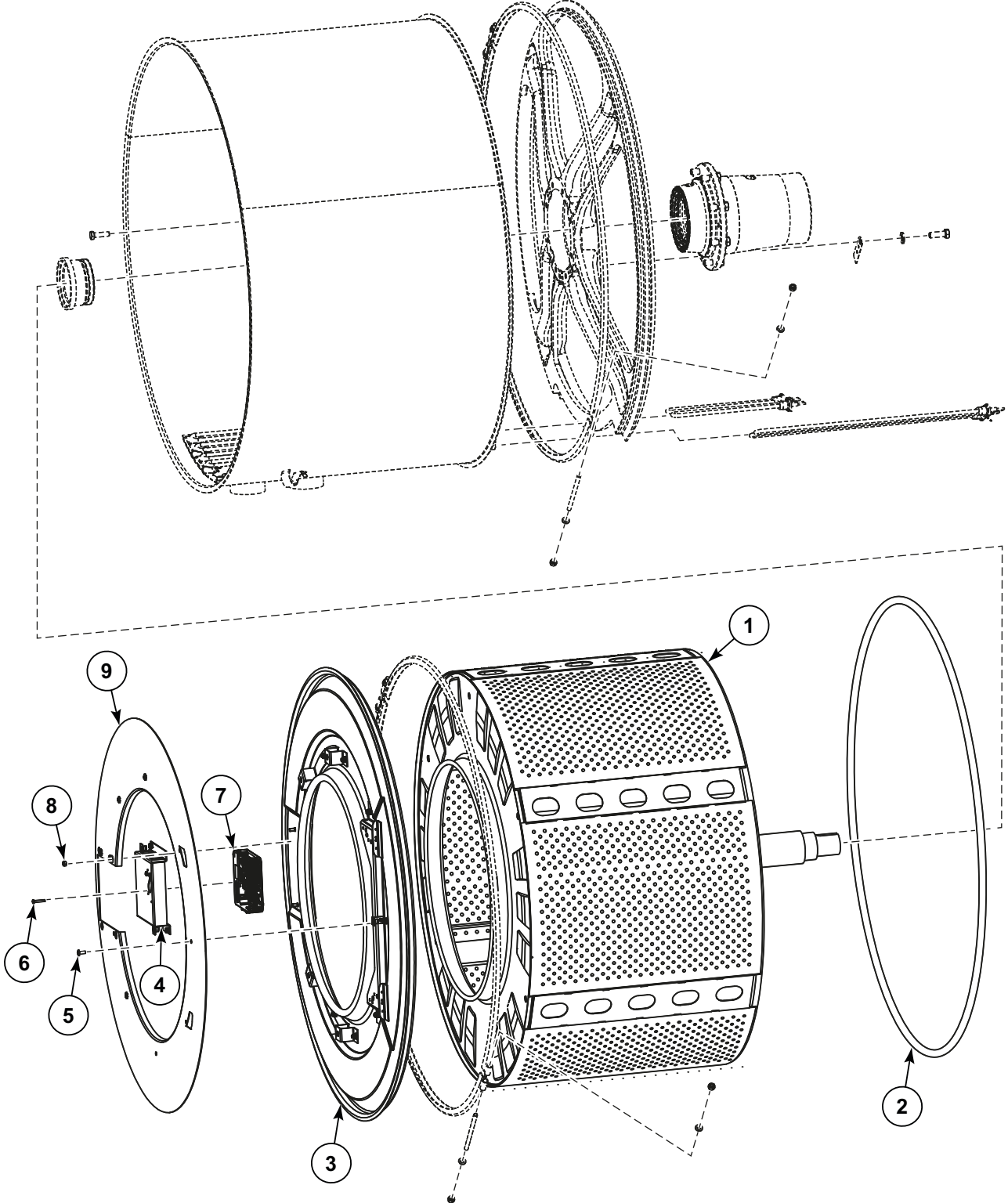


CZW404P_D1734

Washing Drum (Drawing 1 of 2)

REF	PART NO.	DESCRIPTION	COMMENTS
	SP245704003021	Adhesive	Use with bolt
	SPPRI704000053	Sealant	Silicone
	SP245704000050	Adhesive	
	SP510889	Anticorrosive Agent	
1	SP556184	Cross Piece	
2	579161	Bearing Housing Assembly	
3	SP552996	Wiring Holder	
4	SP311125000013	Washer	M12
5	SP309933001235	Bolt	M12x35
6	SP310934240008	Nut	M8
7	SP311125240008	Washer	M8
8	SPPRI342000040	Heating Element	332, 350 and 403 models; 2x1500kW; 265mm
	SP534292	Heating Element	520 models; 2x2300W; 265mm
9	SP554369	Heating Element	332, 350 and 403 models; 2x3000W; 530mm
	SP554370	Heating Element	520 models; 2x4500W; 810mm
10	SPF02119000415	Bolt	M8
11	SPF02119000014	Clip	
12	SP556196	External Tub	80, 332, 350 and 403 models
	SP556202	External Tub	120 and 520 models with A, D, I, J, R, T or X in 7th position of the model number
	580955	External Tub	120 and 520 models with G in 7th position of the model number
13	SP556212	Ring	
14	SP309933241035	Bolt	M10x35

Washing Drum (Drawing 2 of 2)

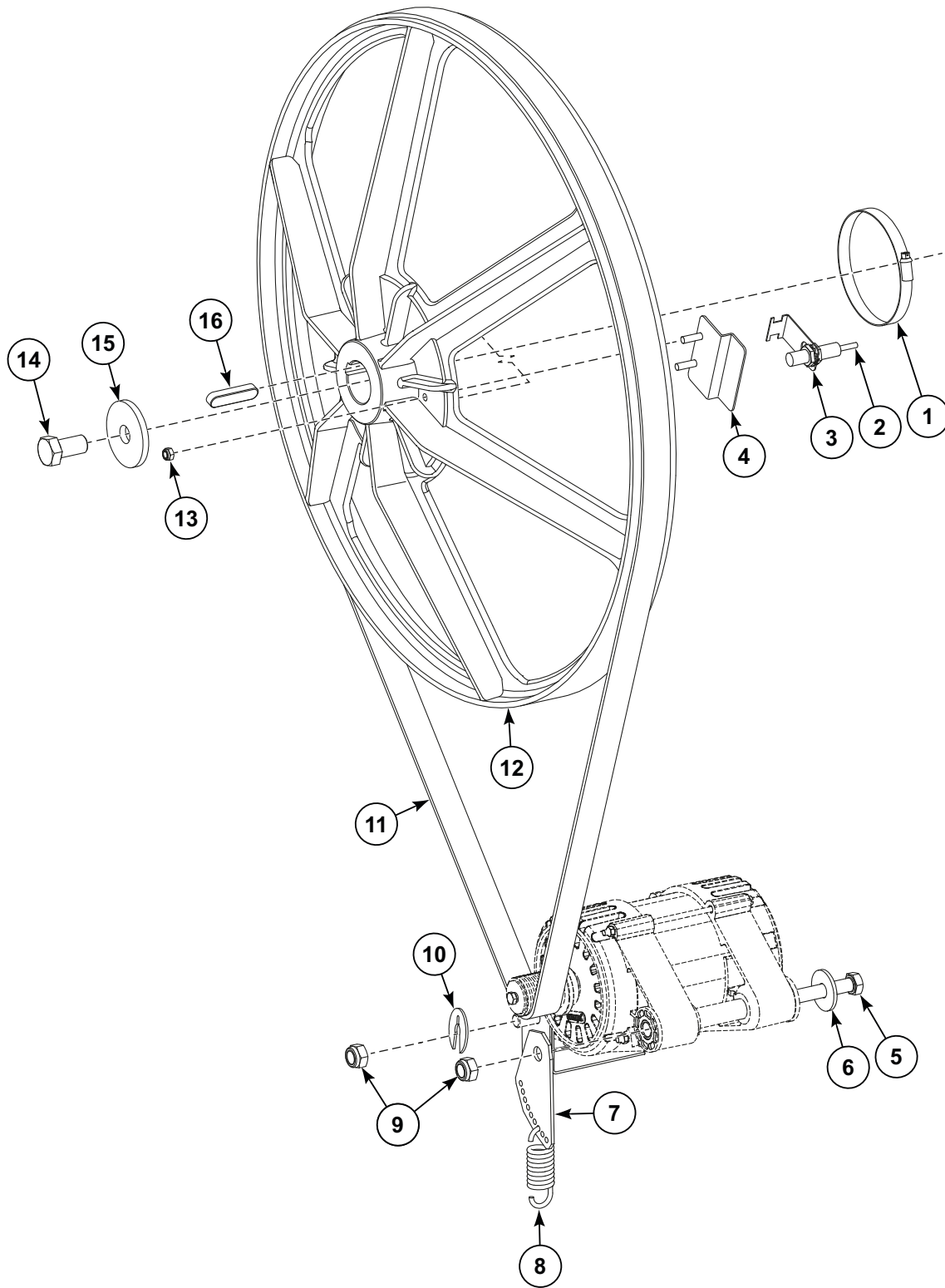


CZW405P_D1734

Washing Drum (Drawing 2 of 2)

REF	PART NO.	DESCRIPTION	COMMENTS
1	SP556195	Washing Drum	80, 332, 350 and 403 models; Cascade; Includes SP556212
	563286	Washing Drum	80, 332, 350 and 403 models; Flat; Includes SP556212
	SP556201	Washing Drum	120 and 520 models; Cascade; Includes SP556212
	563287	Washing Drum	120 and 520 models; Flat; Includes SP556212
2	SP273222012025	Sealing	
3	SP556178	External Tub Front Plate	
4	SP559954	Door Lock Holder	IA models with J, R or G in 7th position of the model number; SA and UA models; Stainless steel
	SP556214	Door Lock Holder	MWC, PA and RX models with T or X in 7th position of the model number; Black
	568848	Door Lock Holder	AR and NA models; PA, RX and IA models with G in 7th position of the model number; Black
5	SP537854	Bolt	M6x14
6	SP556137	Bolt	M5x25
7	SP537760	Lock	
8	SP310985000006	Nut	M6
9	SP556239	Front Panel	IA models with J, R or G in 7th position of the model number; SA and UA models; Stainless steel
	SP556217	Front Panel	MWC, PA and RX models with T or X in 7th position of the model number; Black
	563262	Front Panel	AR and NA models; PA, RX and IA models with G in 7th position of the model number; Black

Drive (Drawing 1 of 2)

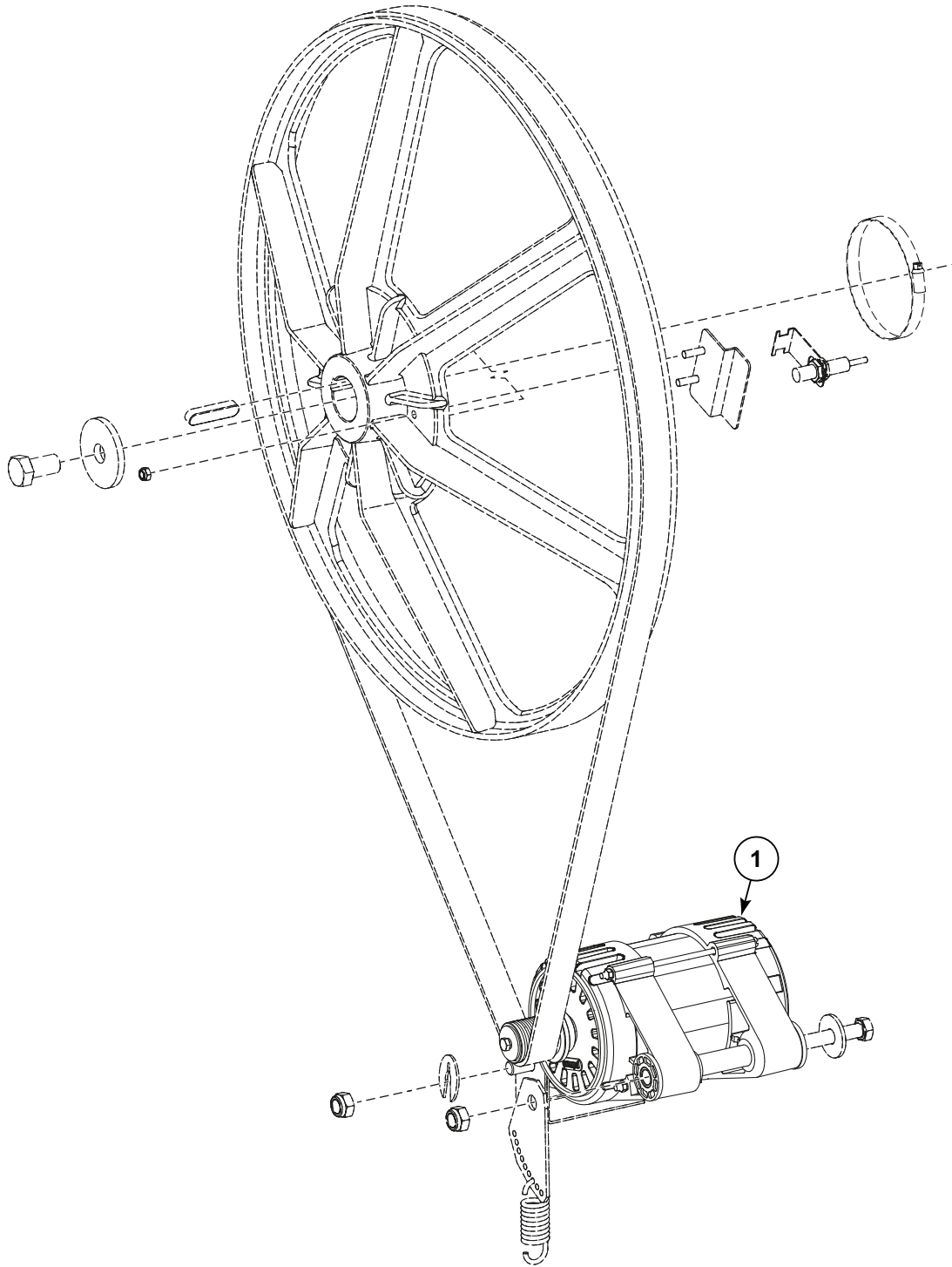


CZW541P_D1734

Drive (Drawing 1 of 2)

REF	PART NO.	DESCRIPTION	COMMENTS
1	SP529013	Clamp	
2	SP557701	Speed Sensor	
3	SP555547	Speed Sensor Holder	
4	SP555542	Speed Sensor Plate	
5	SP533394	Bolt	80, 332, 350 and 403 models; M12x220
	SP560362	Bolt	120 and 520 models; M12x260
6	SP311902100012	Washer	12
7	SP560361	Spring Holder	
8	SP517509	Spring	
9	SP310985000012	Nut	M12
10	SP560403	Washer	
11	SP557509	Belt	
12	SP557535	V-Pulley Drum	
13	SP310985000008	Nut	M8
14	SP309933001630	Bolt	M16x30
15	SP511924	Washer	
16	SP308726014050	Feather	

Drive (Drawing 2 of 2)

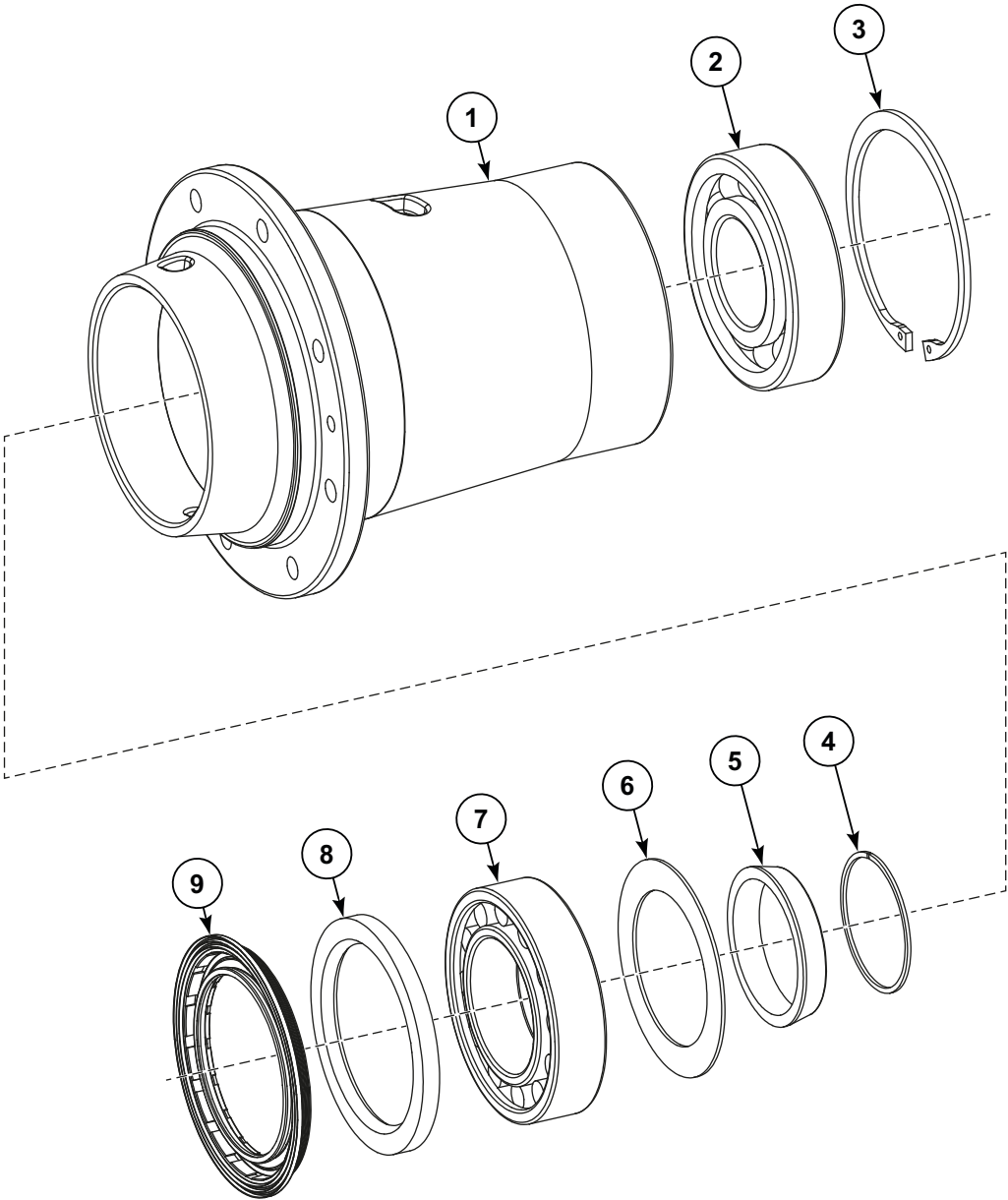


CZW542P_D1734

Drive (Drawing 2 of 2)

REF	PART NO.	DESCRIPTION	COMMENTS
	577445	Cover Motor	Models with G in 7th position of the model number; Protective Foil
1	SP560435	Motor with Pulley	80, 332, 350 and 403 models with A, D, I, J, R, T or X in 7th position of the model number; 2.2kW; 230V/75 Hertz; Includes SP528424 Motor; Applicable for power supply 200V-240V, 50/60Hz, 1/3ph and 380-415V+N, 50/60Hz, 3ph
	SP560436	Motor with Pulley	80, 332, 350 and 403 models with A, D, I, J, R, T or X in 7th position of the model number; 2.2kW; 400V/76 Hertz; Includes SP552414 Motor; Applicable for power supply 400V, 50/60Hz, 3ph without Neutral and 440-480V, 50/60Hz, 3ph
	SP560437	Motor with Pulley	120 and 520 models with A, D, I, J, R, T or X in 7th position of the model number; 4kW; 230V/75 Hertz; Includes SP528426 Motor; Applicable for power supply 200V-240V, 50/60Hz, 1/3ph and 380-415V+N, 50/60Hz, 3ph
	SP560438	Motor with Pulley	120 and 520 models with A, D, I, J, R, T or X in 7th position of the model number; 4kW; 400V/76 Hertz; Includes SP552416 Motor; Applicable for power supply 400V, 50/60Hz, 3ph without Neutral and 440-480V, 50/60Hz
	577516	Motor with Pulley	80, 332, 350 and 403 models with G in 7th position of the model number; 2.2kW; 230V/75 Hertz; Includes 568374 Motor; Applicable for power supply 200V-240V, 50/60Hz, 1/3ph and 380-415V+N, 50/60Hz, 3ph
	577517	Motor with Pulley	80, 332, 350 and 403 models with G in 7th position of the model number; 2.2kW; 400V/76 Hertz; Includes 568384 Motor; Applicable for power supply 400V, 50/60Hz, 3ph without Neutral and 440-480V, 50/60Hz, 3ph
	577518	Motor with Pulley	120 and 520 models with G in 7th position of the model number; 4kW; 230V/75 Hertz; Includes 568376 Motor; Applicable for power supply 200V-240V, 50/60Hz, 1/3ph and 380-415V+N, 50/60Hz, 3ph
	577519	Motor with Pulley	120 and 520 models with G in 7th position of the model number; 4kW; 400V/76 Hertz; Includes 568386 Motor; Applicable for power supply 400V, 50/60Hz, 3ph without Neutral and 440-480V, 50/60Hz

Bearing Housing

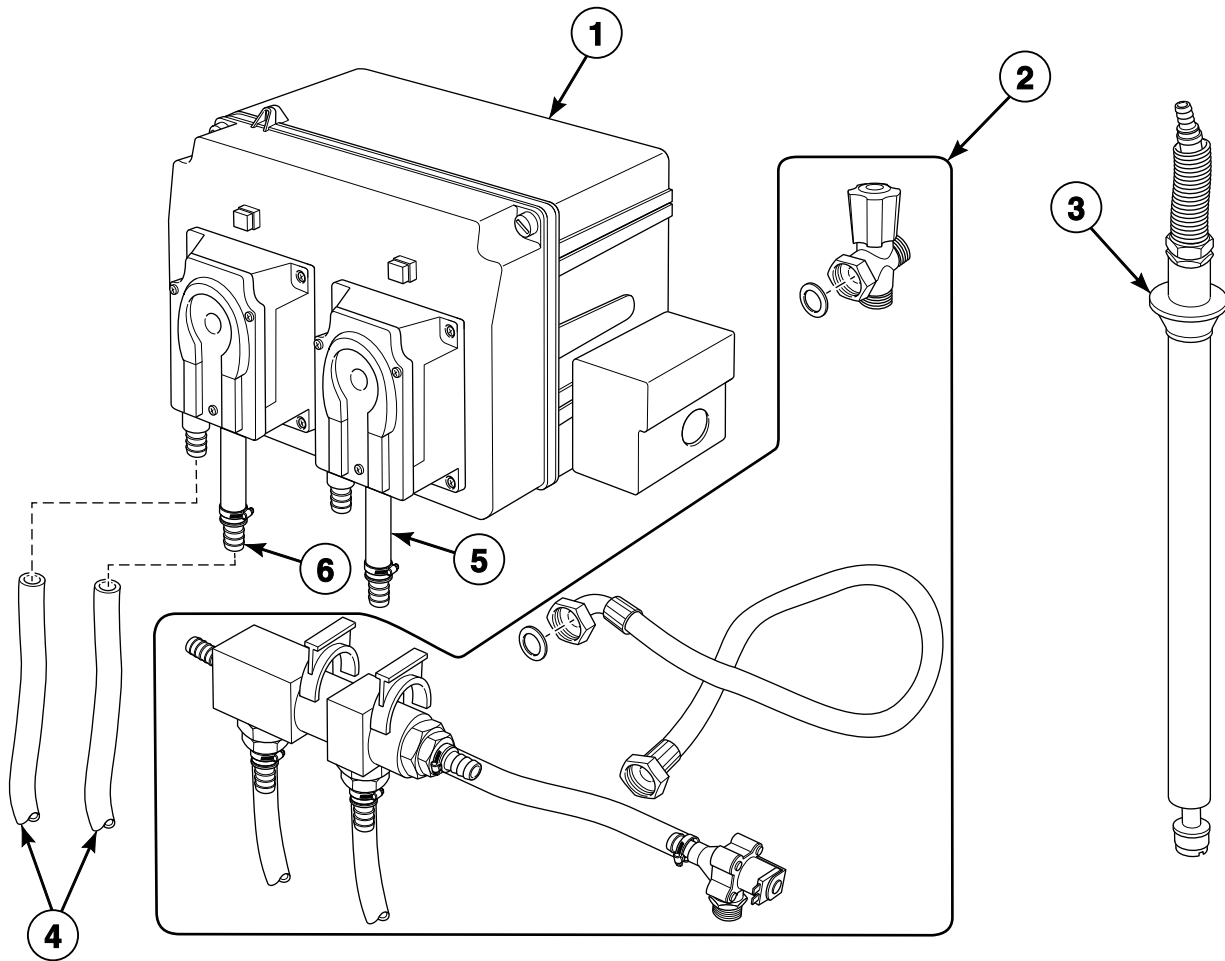


CZW486P_D1734

Bearing Housing

REF	PART NO.	DESCRIPTION	COMMENTS
	SP245704000603	Adhesive	Loctite 603
	SP111313000002	Lubrication Grease	
	579161	Bearing Housing	Includes items 1-9 and SP245704000603
	SP538787	Bearing Replacement Tool Kit	
1	SP537867	Bearing Housing	
2	SPPRI608000080	Bearing	6312
3	SP307732031130	Retaining Ring	
4	SPPRI242000014	Retaining Ring	
5	SP556115	Mounting Cone	
6	SP552973	Grease Holder	
7	SPPRI608000079	Bearing	NU 2215 EC
8	SP506475	Sealing Ring	100x130x10
9	SP537879	Sealing Ring	100x130/144x9/12

Liquid Soap Supply System - Pumps

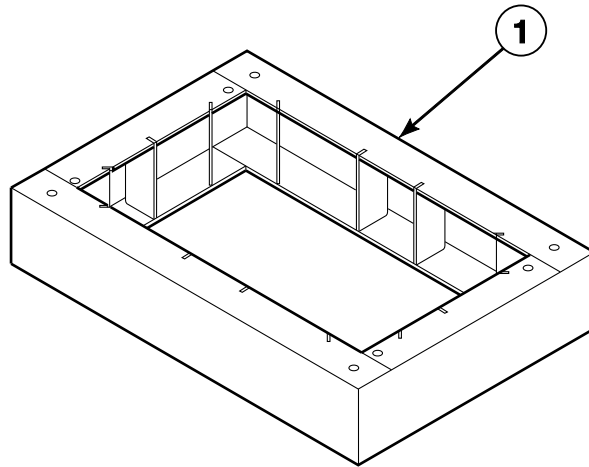


CZW45P_D1734

Liquid Soap Supply System - Pumps

REF	PART NO.	DESCRIPTION	COMMENTS
	MB90-Z40	Supply Pump Kit	For two pumps
	MB90-Z41	Supply Pump Kit	For three pumps
	MB90-Z42	Supply Pump Kit	For four pumps
	MB90-Z43	Supply Pump Kit	For five pumps
	MB90-Z44	Supply Pump Kit	For six pumps
1	529742	Pump	Two
	529743	Pump	Three
	529744	Pump	Four
	529745	Pump	Five
	529746	Pump	Six
2	529789	Manifold Flush Kit	For two pumps
	529797	Manifold Flush Kit	For three pumps
	529798	Manifold Flush Kit	For four pumps
	529799	Manifold Flush Kit	For five pumps
	529800	Manifold Flush Kit	For six pumps
3	529787	Suction Tube	
4	SPPRI540020005	Hose	d10/14
5	529747	Hose	Spare hose for pump
6	547808	Connection	

Elevated Base Frame



CFD3237P_D1734

Elevated Base Frame

REF	PART NO.	DESCRIPTION	COMMENTS
1	SP553699	Elevated Base Frame	80, 332, 350 and 403 models; Height 200mm; Refer to NOTE*
	553698	Elevated Base Frame	80, 332, 350 and 403 models; Height 135mm; Refer to NOTE*
	SP562501	Elevated Base Frame	120 and 520 models; Height 200mm; Refer to NOTE*
	553700	Elevated Base Frame	120 and 520 models; Height 135mm; Refer to NOTE*

* NOTE: Part can only be ordered through the Equipment Order Desk.

Wire Harnesses

PART NO.	DESCRIPTION	COMMENTS
574406	Transformer Supply Wirings	332, 350 and 403 Models with G in 7th position of the model number; supply 230V / 400+N
528064	Steam Heat Wiring	Steam heat CSA models
552466	Wireless Reader Wiring	Models with A, D, I, J, R, T or X in 7th position of the model number; Vend
557735	Interconnection	80 and 120 models; Vend; CSA
100222	Heating Contactor Wiring	80, 332, 350 and 403 models; I = 700mm; 27kW, 380-415Volt/3 Phase
100223	Heating Contactor Wiring	CE and Watermark; I = 700mm; 27kW, 200-240Volt/3 Phase, 380-415Volt/3 Phase, 440Volt/3 Phase, 480Volt/3 Phase
SPPRI351106209	Heating Contactor Wiring	520 models; I = 700mm; 40.6kW, 200-240Volt/3 Phase, 380-415Volt/3 Phase, 440Volt/3 Phase, 480Volt/3 Phase
SP528329	Heating Wiring	80, 332, 350 and 403 models; 2.5mm ² , 27kW; 380-415Volt/3 Phase
SP552333	Heating Wiring	520 models; 4mm ² ; 40.6kW; 380-415Volt/3 Phase
SP528440	Heating Wiring	332, 350 and 403 models; 6mm ² , 27kW; 200-240Volt/3 Phase, 440Volt/3 Phase, 480Volt/3 Phase
SP552334	Heating Wiring	520 models; 10mm ² , 40.6kW; 200-240Volt/3 Phase
SP528335	Heating GND Wiring	
528350	Transformer Connection	332, 350 and 403 models; 380-415Volt/3 Phase, 440Volt/3 Phase, 460-480Volt/3 Phase
SP547075	RS485 External Interconnection	For RS485 external interconnection to PC
528393	Wiring Steam - Electrical Heating	Steam - electrical heating modification
F8715501	Extension Board Connection Cable	Models with G in 7th position of the model number; Extension Cable for Pumps; 81.89 inch (2.08 m)
575880	Extension Cable	Models with G in 7th position of the model number; Used with F8715501; 4 pumps; 47.24 inch (1.2 m).
568398	Motor Temperature Protector Cable	80, 332, 350 and 403 models with G in 7th position of the model number
568399	Motor Temperature Protector Cable	120 and 520 models with G in 7th position of the model number

Parts Index

A

Adapter	
SP559310	107
567175	75
Adhesive	
SP245704000050	109
SP245704000603	117
SP245704003021	13, 15, 23, 25, 63, 109
Air Trap Elbow	
SPR35100017014	77, 79
Air Trap Reduction	
SPPRI503000027	77, 79
Anticorrosive Agent	
SP510889	109
Automatic Door Opening Module	
SP547004	21
SP553406	21
Automatic Door Opening Module Wiring	
SP552455	11, 21
Automatic Unlocking Module Assembly	
SP552489	11, 19

B

Bearing	
SPPRI608000079	117
SPPRI608000080	117
Bearing Housing	
SP537867	117
579161	117
Bearing Housing Assembly	
579161	109
Bearing Replacement Tool Kit	
SP538787	117
Belt	
SP557509	113
Binding Strip	
SP345000626088	77, 79
Board Interconnection Cable	
SP547005	33, 41
575865	45, 47, 49
Bolt	
SPF02119000415	109
SP309084000408	13, 19, 23, 29
SP309084000416	13, 19, 23, 85, 89, 93, 97, 101, 105
SP309084000535	89, 93, 95, 99, 103
SP309798500306	33, 43
SP309933000416	59, 61, 81
SP309933000616	13, 19, 23, 29
SP309933000620	83, 89, 93, 97, 101, 105, 107
SP309933000625	83
SP309933000660	87, 91, 95, 99, 103
SP309933000820	77, 79
SP309933001235	109
SP309933001630	113
SP309933100625	81, 89, 93, 97, 101, 105
SP309933240408	81
SP309933240412	89, 93, 97, 101, 105
SP309933241035	109

SP506012	27, 45, 47, 49
SP527093	9
SP533394	113
SP535479	65
SP537854	111
SP553524	67
SP555504	27, 33, 43, 85, 87, 91, 95, 99, 103
SP555658	11, 13, 15, 17, 19, 21, 23, 25, 65, 107
SP556137	111
SP560362	113
555658	27, 29, 31, 45, 47, 49
563123	27

Bottom of Filter Cover	
581047	107
Branch T	
SPPRI426002112	75
Bushing	
SP101406	83, 87, 91, 95, 99, 103
SP101409	83, 87, 91
SP345900043132	87, 91, 95, 99
SP534913	87, 91

C

Cabinet Holder	
567935	29
Cabinet Reinforcement	
SP557525	13, 19, 23
SP557533	13, 19, 23
557525	29
557533	29
Cable	
F8715501	122
SP545234	43, 81
SP557982	81
Cable Bushing	
SP101409	95, 99, 103
SP101410	83, 95, 99, 103
SP516175	83, 95, 99, 103
Cable Clamp	
SP528392	89, 93, 97, 101, 105
Cable Eye	
SP345000165034	89, 93, 97, 101, 105
Cable Holder	
SP528313	27, 33, 87, 91, 95, 99, 103
Cable Passage	
SP273121005052	11, 19, 21
Cable Sleeve	
SPPRI407000091	85
Casing	
SP529739	65, 67
Check Valve	
567179	75
Circuit Breaker	
SP528294	99
571463	87
571464	91, 103
70488102	95
Clamp	
SP529013	113

N/A items do not appear in index.

Clip	SPF02119000014	109	SP547666.....	51
	SP502214	89, 93, 97, 101, 105	SP547667.....	53
Coil			SP547668.....	53
	SP554110.....	107	SP547669.....	53
Coin Meter			SP547670.....	53
	SP537996	53	SP547671.....	53
	SP547600	51	SP547672.....	53
	SP547601	51	SP547673.....	53
	SP547602	51	SP547674.....	53
	SP547603	51	SP547675.....	53
	SP547604	51	SP555502.....	53
	SP547605	51	SP555543.....	53
	SP547606	51	SP555546.....	53
	SP547607	51	SP555549.....	53
	SP547608	51	SP555550.....	53
	SP547609	51	SP555558.....	53
	SP547610	51	SP555559.....	53
	SP547611	51	SP555578.....	53
	SP547612	51	SP555579.....	53
	SP547613	51	SP555666.....	53
	SP547614	51	SP558958.....	35
	SP547615	51	SP558959.....	35
	SP547616	51	SP559933.....	35
	SP547617	51	SP559934.....	35
	SP547618	51	SP559938.....	35
	SP547619	51	SP559949.....	35
	SP547620	51	SP559969.....	35
	SP547621	51	SP560071.....	37
	SP547622	51	SP560075.....	37
	SP547623	51	SP560082.....	55
	SP547624	51	SP560083.....	55
	SP547625	51	SP560084.....	55, 57
	SP547626	51	SP560085.....	55
	SP547627	51	SP560086.....	55
	SP547628	51	SP560087.....	35
	SP547629	51	SP560089.....	53
	SP547630	51	SP560090.....	35
	SP547631	51	SP560091.....	35
	SP547634	51	SP560092.....	35
	SP547635	51	SP560093.....	35
	SP547636	51	SP560094.....	35
	SP547637	51	SP560100.....	35
	SP547638	51	SP560309.....	35
	SP547639	51	SP560310.....	35
	SP547640	51	SP560311.....	35
	SP547641	53	SP560312.....	35
	SP547642	53	SP560405.....	35
	SP547643	53	SP560406.....	35
	SP547644	53	SP560407.....	35
	SP547645	53	SP560408.....	35
	SP547646	53	SP560409.....	35
	SP547647	51	SP560410.....	35
	SP547648	51	SP560411.....	35
	SP547649	53	SP560412.....	35
	SP547651	53	SP560413.....	35
	SP547652	51	SP560414.....	35
	SP547653	53	SP560415.....	35
	SP547654	53	SP560416.....	35
	SP547656	51	SP560417.....	35
	SP547657	53	SP560418.....	35
	SP547658	53	SP560419.....	35
	SP547659	53	SP560420.....	35
	SP547660	53	SP560421.....	35
	SP547661	53	SP560422.....	35
	SP547662	53	SP560423.....	35
	SP547663	53	SP560424.....	35
	SP547664	53	SP560425.....	35
	SP547665	51	SP560426.....	35
			SP560427.....	35

N/A items do not appear in index.

SP560428	35	572302	39
SP560429	35	572304	55
SP560432	35	572305	39
SP560744	53	572307	55
SP560745	35	572308	39
SP560751	35	572310	55
553150	55	572311	39
553151	55	572313	55
553156	37	572314	39
560073	55	572317	55
561378	55	572318	39
561496	55	572320	55
561497	37	572321	39
563405	37	572323	55
564484	55	572324	39
564485	37	572327	39
564486	55	572339	55
564487	37	572342	57
564489	55	572355	39
569901	55	572358	57
569905	37	572359	39
569911	37	572383	55
569912	55	572384	39
569918	55	572389	39
569919	37	572391	55
569921	51	575276	39
569922	35	575277	39
569924	55	579812	55
569925	37		
569927	55	Coin Meter Box	
569928	37	SP102532	59
569930	55	100498	59, 61
569931	37	Coin Meter Case	
569933	53	SP547548	59
569934	35	SP550436	59
569936	55	568039	59
569937	37	568041	59
569939	53	572120	61
569940	35	Coin Meter Cover	
569942	55	SP547565	33, 43, 45
569943	37	Coin Vault Plate	
569945	55	SP533103	13, 17, 23
569946	37	SP566737	23
569948	53	566737	13, 17, 29
569949	37	Communication Cable	
569951	53	SP528324	89
569952	37	SP528325	97, 101, 105
569954	55	Compression Spring	
569955	37	SP535406	67
569961	55	Connection	
569962	37	547808	119
569964	53	Connector	
569965	35	SP554156	107
569967	55	Contactactor	
569968	37	SPPRI345001019	87
569970	55	SPPRI345002019	81, 99, 103
569971	37	SP514038	81, 87, 91, 99, 103
569973	55	SP514042	87, 91, 95, 103
569974	37	SP514043	81, 99
569979	55	Control Board	
569980	37	SP553411	41
569987	55	SP553412	41
569988	37	SP553419	33, 41
569993	37	204890	45, 47, 49
569995	37	Control Board Holder	
569998	55	SP550117	41
569999	39	553444	27
570000	39	577668	27
572301	55		

N/A items do not appear in index.

Control Board I/O	
SP553405	33, 41
Control Board Main Wiring	
568390	87, 91
568395	95, 99, 103
Control Holder	
581020	45, 47, 49
581021	45, 47, 49
Control Panel	
SP557528	41
SP560489	33
575948	41
580853	45, 47, 49
Control Support	
581009	45, 47, 49
Conversion Board	
553439	27
Cover	
SPPRI543000004	33, 41
566549	89, 93, 97, 101, 105
Cover Motor	
577445	115
Cover Plate	
SP550149	33, 43, 49
Cover Strip Pin	
SP533738	9
Cross Piece	
SP556184	109
Cylinder Cap	
SP526568	77, 79

D

DC Choke	
571456	87, 95, 103
571457	91, 99
Dispenser Elbow Pipe	
SP554346	69
SP554391	73
Dispenser Lid	
SP526461	69, 73
SP551695	69, 73
Dispenser Seal	
SP540158	69, 73
Distinguishing Ring	
SP535411	67
SP535437	67
571733	67
Door	
SP556213	63
SP559940	63
559962	63
568845	63
Door Assembly	
556187	63
559941	63
559945	63
576079	63
576080	63
Door Cover Plate	
SP559943	67
SP559944	67
559963	67
568846	67

Door Glass	
SPF02107003314	67
SP559967	67
Door Lock Holder	
SP556214	111
SP559954	111
568848	111
Door Lock Strut	
569579	21
569580	21
Door Lock Wiring	
SP552453	63
SP552454	63
569723	63
Door Reinforcement	
SP559936	63
SP559937	63
559961	63
568843	63
Door Seal	
568860	63
Double Reverse Valve	
B12543901	69
Drain Elbow	
SP519463	77, 79
SP526500	77, 79
SP554117	77, 79
SP559337	77, 79
SP559338	77, 79
Drain Valve	
SPPRI340055051	77, 79
Drain Valve Chamber	
567183	77, 79
Drain Valve Interconnection	
SP559346	77, 79
SP559347	77, 79
Drain Valve Motor	
SPPRI340002051	77, 79

E

Edge Protection	
SP529068	93, 97, 101, 105
Elbow	
SPPRI426002072	69, 73, 107
SP559327	75
Elevated Base Frame	
SP553699	121
SP562501	121
553698	121
553700	121
Emergency Stop Connector	
SP528311	33, 43, 45
Emergency Stop Interconnection	
SP520033	33, 43, 47
571485	49
Emergency Stop Knob	
SP528310	33, 43, 45
Emergency Stop Label	
SPPRI551005248	33, 45
Emergency Stop Wiring	
SP520032	33, 43
End Stop	
SP346000209101	87, 91, 95, 99, 103

N/A items do not appear in index.

SP555405	15, 25, 31
Extension	
SPPRI426003217	69, 73, 107
Extension Cable	
575880	122
Extension Tube	
SP319413104563	107
External Block Signal Cable	
SP557947	83
External Tub	
SP556196	109
SP556202	109
580955	109
External Tub Front Plate	
SP556178	111

F

Feather	
SP308726014050	113
Ferrite Core	
557961	89, 97, 101, 105
Filling Elbow Pipe	
SP526506	71, 75
Filling Hose Pipe	
RSPF200166	69
SP533036	69
SP534653	75
Filter	
SPPRI340004030	69
SP405054057008	75
SP525935	85
SP552251	85
Filter Cover	
581046	107
Filter Holder	
SP559348	85
572126	93, 97, 101, 105
Fixed Lower Hinge	
568982	65
568984	65
Fixed Upper Hinge	
568979	65
568981	65
Flap	
SP540113	69, 73
Foam Roller	
SP100188	77, 79
Frame	
SP556240	9
SP556340	9
Frastener	
SP550115	11, 19, 21, 27
Frequency Inverter	
571473	85, 89
571475	85, 93
571476	85, 105
571477	85, 101
571478	85, 97
Frequency Inverter Filter	
SP557932	85, 93, 101, 105
SP557933	85, 97

Frequency Inverter Holder	
SP559326	85
Front Panel	
SP556217	111
SP556239	111
SP558946	17, 25
SP558947	17, 25
SP558949	17, 25
SP558951	17, 25
SP560350	15
SP560352	15
SP568071	15
558949	31
563262	111
563588	17, 25, 31
563590	17, 25
568057	17, 25, 31
568059	17, 25, 31

Fuse	
SP345805005020	81, 87, 91, 95, 99, 103
SP345805163032	81, 87, 91, 95, 99, 103
Fuse Cover	
SP554311	85, 87, 91, 95, 99, 103
Fuse Holder	
SPPRI401001020	81, 87, 91, 95, 99, 103
SP554310	85, 87, 91, 95, 99, 103
Fuse Housing	
SPPRI401003020	81, 87, 91, 95, 99, 103

G

Glass Seal	
SP273115021905	63
Grease Holder	
SP552973	117

H

Handle	
SP552916	67
SP552917	67
576081	67
Handle Ball	
SP535407	67
Handle Element	
SP556197	65
Handle Lower Part	
SP535429	67
Handle Torsion Spring	
SP535402	65
Heating Contactor Wiring	
SPPRI351106209	122
100222	122
100223	122
Heating Element	
SPPRI342000040	109
SP534292	109
SP554369	109
SP554370	109
Heating Element Hole Plug	
SPPRI342001016	107
Heating GND Wiring	
SP528335	122

N/A items do not appear in index.

Heating Wiring	
SP528329	122
SP528440	122
SP552333	122
SP552334	122
Hinge	
SP516832	11, 19, 21
Hinge Spacer	
SP535421	65
Holder	
SPPRI326002004	11, 19, 21
SP567935	13, 23
567935	19
570318	89, 93, 97, 101, 105
Holder Cover	
SP535412	67
SP535436	67
Hook	
SPPRI551016250	11, 19, 21
Hook Lock	
SPPRI610002007	11, 19, 21
Hose	
SPPRI540000014	69, 75
SPPRI540001019	69
SPPRI540020005	119
SP273238003242	73, 75
529747	119
Hose Clamp	
SPPRI240000002	69, 75
SPPRI240000003	69, 71, 75, 77, 79
SPPRI240000007	71, 75, 77, 79
SPPRI240000008	73, 75, 77, 79
SPPRI240000017	71, 75
SPPRI240000021	69, 73
SPPRI241000017	77, 79
SP526491	71, 75

I

Inlet Valve, 2-Way	
SP101344	73
Insert	
SPF02107001815	67
Insert Tube	
SP235134601115	75
Insulation Washer	
571458	87, 91, 95, 99, 103
Interconnection	
557735	122
Internal Vessel	
SP540116	69, 73
Isolation Paper	
SPPRI350012007	59, 61

K

Keyboard	
SP547085	41
SP547086	41
SP547087	41
SP547088	41
SP553423	41
SP557130	41

SP557565	33, 41
SP557566	33, 41
SP560747	33, 41
SP560748	33, 41
559862	41
577656	45, 47, 49

L

Label	
SP524740	81
SP557981	81
SP564830	43
SP564831	65
560786	21
577440	87, 91, 95, 99, 103
577441	87, 91, 95, 99, 103
Large Coin Box Kit	
568095	59
Leading Pin	
SP550113	33, 43, 45, 47, 49
Locating Segment	
SP529710	67
Lock	
SP537760	111
SP547527	11, 19, 21, 27
Lock Hook	
581001	27
Lock Pin	
SP556190	65
Logo Label	
547050	43
564873	25
567887	43
575512	43
Lower Hinge	
575963	65
575965	65
Lower Rear Cover	
SP557518	11, 17, 21
Lubrication Grease	
SP111313000002	117

M

Main Switch81	
SPPRI404000097	87, 91, 99, 103
SPPRI404000098	81
SPPRI404000099	81, 87, 91, 95
SPPRI404000100	81, 87, 91, 99, 103
SPPRI404001099	81
SP347700125175	81, 99, 103
Main Switch Fourth Pole	
SPPRI404001099	87
Main Switch Knob	
SPPRI404000095	83, 87, 91, 95, 99, 103
Main Vessel	
SP540115	69, 73
Manifold Flush Kit	
529789	119
529797	119
529798	119
529799	119

N/A items do not appear in index.

529800	119
MC7 Control Board Main Wiring	
SP557794	81
SP557821	81
SP557822	81
SP557823	81
Microswitch	
SP506045	59
Mixer	
SP526558	69, 75
Mixer Body	
SP526565	69, 75
Mixer Lid	
SP526557	69, 75
Module	
553189	27
Motor and Frequency Inverter Cover	
SP559320	85
SP559345	85
562871	85
562872	85
Motor Temperature Protector Cable	
568398	122
568399	122
Motor with Pulley	
SP560435	115
SP560436	115
SP560437	115
SP560438	115
577516	115
577517	115
577518	115
577519	115
Mounting Bolt Hole Template	
572491	9
572492	9
Mounting Cone	
SP556115	117

N

Network Installation Kit	
569593	33, 43
Nut	
SP101416	81, 87, 91, 95, 99, 103
SP101419	81, 87, 95, 99, 103
SP101420	81, 95, 99, 103
SP310917240006	65, 67
SP310934000004	33, 43, 45, 47, 49, 59, 61, 81
SP310934000008	19, 29
SP310934100006	81, 89, 93, 97, 101, 105
SP310934240008	109
SP310985000005	65
SP310985000006	67, 111
SP310985000008	9, 113
SP310985000012	113
SP313251000006	15, 17, 21, 85, 107
SP313251002104	85
SP514193	15, 45, 47, 49
SP516176	81, 95, 99, 103

O

Overflow Tube	
SP554176	71, 75

P

Panel Holder	
SP557520	21
SP560318	11
560491	19
580865	27
Pin	
SP540117	69, 73
Pin Insertion	
SP520408	9, 13, 19, 23, 29, 33, 43
Pipe Nipple	
SPPRI426001217	69, 73, 107
SPPRI426001220	75
SP235134600414	75
SP559344	107
580950	69
Plastic Post	
577689	27
577693	27
Plug	
SP345900043132	83, 103
SP526156	73
SP534913	83, 95, 99, 103
SP559343	83, 95, 99, 103
Profiled Sealing	
SPPRI505000058 15, 17, 25, 31, 89, 93, 97, 101, 105	
Programmer Holder	
SP558813	33
Programming Cable	
F8600501	33, 43
Protective Foil	
577479	29, 31
Pump	
529742	119
529743	119
529744	119
529745	119
529746	119
Pump Relay Board to LED Terminal Cable	
SP528150	83
SP528151	83
Push Button Cover	
SPPRI543000003	87, 91, 95, 99, 103

R

Rear Cover	
SP557527	11, 17, 21
557518	27
581019	27
Rear Panel	
SP554343	81
SP554388	81
SP559328	81
SP559330	81
566541	87, 91

N/A items do not appear in index.

577437	95, 99, 103
Rear Panel Lid	
SP547886	83
Recycle Drain Valve	
SPPRI340072051	77, 79
Reducing Insert	
SP235134601314	73
Reduction	
SPPRI426000184	75
567174	69
Retaining Ring	
SPPRI242000014	117
SP307732031130.....	117
Ring	
SP556212	109
Rivet	
SP313250004125	45, 47, 49
SP313250048103	11, 19, 21
SP547779	9, 13, 19, 23, 29, 33, 43
RS485 External Interconnection	
SP547075	81, 122

S

Screw	
SP100218	45, 47, 49
SP309798124313	69, 73
SP526497	69, 75, 77, 79
SP529206	11, 19, 21, 29, 59, 61, 69, 73, 83, 89, 93, 97, 101, 105
Seal	
SPPRI520001009	69
SP506708	75
SP517232	9, 13, 17, 23, 29
SP526564	107
564202	27
Sealant	
SPPRI704000053	109
Sealing	
SP273222012025	111
Sealing Ring	
SP506475	117
SP537879	117
Self-Adhesive Pad	
SPMEC001410	33
Self-Adhesive Profile	
570387	87, 91, 95, 99, 103
Service Door Kit	
568859	63
Set of Hinges	
570553	65
570554	65
Shade	
SP554321	73
Side Panel	
SP556245	23
SP556247	25
SP557511.....	23
SP557513	25
SP560320	25
SP560322	23
SP560324	25
SP560326	23
SP560328	15

SP560330.....	13
SP560332.....	15
SP560334.....	13
SP560336.....	15, 17
SP560338.....	13, 17
SP560340.....	15, 17
SP560342.....	13, 17
SP561392.....	17
SP561394.....	17
SP563444.....	17
561390	17
561396	17
563442	17
563446	17
563448	17
563593	25
563595	23
563597	25
563599	23
577125	23
577127	25
577129	23
577131	25
577471.....	31
577472	29
577473	31
577474	29
580826	31
580828	29
580830	31
580832	29
580834	31
580836	29
580838	31
580840	29
Soap Hopper	
SP540164.....	69
SP554214.....	69
SP554365.....	73
562773	73
Soap Hopper Plug	
SP526468.....	69, 73
Soap Hopper Upper Cover	
SP540112.....	69, 73
Soap Link Kit	
SP557944.....	83
Soap Relay Board	
SP524714.....	83
804528	89, 93, 97, 101, 105
Spacing Washer Set	
570551	9
Speed Sensor	
SP557701.....	113
Speed Sensor Holder	
SP555547.....	113
Speed Sensor Plate	
SP555542.....	113
Spiral	
SP283449080200.....	77, 79
SPPRI40400109881	
Spring	
SP517509.....	113
Spring Clamp	
SP540183.....	77, 79
Spring Holder	
SP560361.....	113

N/A items do not appear in index.

Steam Filter	
SP405054057006	107
Steam Heat Wiring	
528064	107, 122
Steam Injector	
SP554357	107
Steam Kit	
SP562851	107
Steam Tube	
SP554351	107
Steam Valve	
SP514162	107
Steam Valve Body	
SP514166	107
Steam Valve Holder	
SP559333	107
SP559341	107
Suction Tube	
529787	119
Supply Pump Kit	
MB90-Z40	119
MB90-Z41	119
MB90-Z42	119
MB90-Z43	119
MB90-Z44	119
Switch	
SP100388	83, 87, 91, 95, 99, 103
Switching Unit	
SP528312	33, 43, 45

T

Tape	
SP284000012003	33, 43
SP510846	33, 41
Tee	
SPPRI426001107	69, 73
SP526454	77, 79
Temperature Sensor	
SP503839	71, 75
Temperature Sensor Seal	
SP526439	71, 75
Terminal Board	
SPPRI350000007	59, 61
SP506575	81
Top Cover	
SP556249	21
SP557523	21
SP560344	11
SP560346	11
SP560483	19
SP560493	19
Top Cover Assembly	
581002	27
581003	27
Top Cover Reinforcement	
SP557678	11, 19, 21
SP557679	11, 19, 21
581029	27
581030	27
Transformer	
SP516648	81, 89, 93, 97, 101, 105
564561	89, 93, 95, 99, 103
568380	89

Transformer Connection	
528350	122
Transformer Supply Wirings	
574406	122
Tub to Drain Valve Hose	
SPR35100016214	77, 79

U

U Shape	
SP560354	15
SP560356	15
SP568073	15
Upper Hinge	
575960	65
575962	65
Upper Lid Prop	
SP533341	11, 19, 21
USB Cable	
SP547006	81
569668	43

V

Valve	
SP567065	75
Valve, 1-Way	
SP554211	69, 75
SP567064	69
Valve, 2 Way	
562805	73
Valve, 3-Way	
SP547959	69, 75
Valve, 4-Way	
SP548933	69
Vent Hose	
SP526510	71, 75
V-Pulley Drum	
SP557535	113

W

Washer	
SPF02111001214	75
SPPRI231000062	69
SPPRI522000012	11, 19, 21
SP311125000004	45, 47, 49, 81, 83, 89, 93, 97, 101, 105
SP311125000006	13, 19, 23, 29, 85, 107
SP311125000013	109
SP311125100006	81, 83, 89, 93, 97, 101, 105
SP311125240006	65, 67, 83, 89, 93, 97, 101, 105
SP311125240008	109
SP311127000004	81, 83, 89, 93, 97, 101, 105
SP311127000006	13, 19, 23, 29, 85, 87, 91, 95, 99, 103, 107
SP311679800003	33, 43
SP311679800004	13, 19, 23, 33, 43, 45, 47, 49, 89, 93, 97, 101, 105
SP311679824006	81, 83, 89, 93, 97, 101, 105
SP311902100004	15, 33, 43, 45, 47, 49, 93, 97, 101, 105

N/A items do not appear in index.

SP311902100006.....	67, 87, 91, 95, 99, 103
SP311902100008.....	77, 79
SP311902100012.....	113
SP505430	89, 93, 95, 99, 103
SP511924.....	113
SP560403	113
SP568037	59
563361	81
Washing Drum	
SP556195	111
SP556201	111
563286	111
563287	111
Water Hose	
F200164	69
F200185.....	75
F200193.....	75
Water Level Switch	
570315	79
Water Level Switch Hose	
SPPRI540001003	77, 79
Wireless Reader Wiring	
552466	81, 122
Wiring Holder	
SP552996	109
Wiring Steam - Electrical Heating	
528393	107, 122
