

Washer-Extractor

Cabinet Freestanding
Refer to Page 5 for Model Numbers



Table of Contents

Title	Page
Parts Ordering Information.....	3
Serial Plate Location	3
Model Identification	5
Frame and Weighing System.....	6
Cabinet (Drawing 1 of 2).....	8
Cabinet (Drawing 2 of 2).....	10
Tub, Vibration Switch and Front Panel (Drawing 1 of 2).....	12
Tub, Vibration Switch and Front Panel (Drawing 2 of 2).....	14
Drum	16
Trunnion - 80 and 350 Models	18
Trunnion - 100, 132, 450 and 600 Models	20
Drive - 80 and 350 Models.....	22
Drive - 100, 132, 450 and 600 Models	24
Tensioning System	26
Door and Tilting System Door Fastener.....	28
Door Lock.....	30
Filling System.....	32
Soap Hopper	34
Mixer	36
Three Filling Valves With Soap Hopper	38
Three Filling Valves Without Soap Hopper	40
Pneumatic System Without Tilting System Models Through Serial No. 450FX000030KF and 600FX000019KB ..	42
Pneumatic System Without Tilting System Models Starting Serial No. 350FX000001FS, 450FX000031KF and 600FX0000KB.....	44
Pneumatic System With Tilting System - 450 and 600 Models Through Serial No. 450FX000030KF and 600FX000019KB.....	46
Pneumatic System With Tilting System - 450 and 600 Models Starting Serial No. 450FX000031KF and 600FX000020KB.....	48
Wash Bath Sample	50
Control Panel (Drawing 1 of 2).....	52
Control Panel (Drawing 2 of 2).....	54
Control Panel	56
Rear Panel	58
Rear Panel	60
Box of Electrical Components.....	62
Steam Supply - 80, 100, 350 and 450 Models	64
Steam Supply - 132 and 600 Models.....	66
Drain System With Recycle	68
Drain System With Recycle	70
Drain System Without Recycle	72
Drain System Without Recycle	74

© Copyright 2022, Alliance Laundry Systems LLC

All rights reserved. No part of the contents of this book may be reproduced or transmitted in any form or by any means without the expressed written consent of the publisher.

Weighing System	76
Tilting and Weighing System - 100, 132, 450 and 600 Models (Drawing 1 of 3)	78
Tilting and Weighing System - 100, 132, 450 and 600 Models (Drawing 2 of 3)	80
Tilting and Weighing System - 100, 132, 450 and 600 Models (Drawing 3 of 3)	82
Tilting Cabinet - 100, 132, 450 and 600 Models	84
Tilting System Control and Drum (Tub) Security - 100, 132, 450 and 600 Models.....	86
End of Cycle Light and Buzzer.....	88
Liquid Soap Supply System (Pumps)	90
Decals	92
Parts Index.....	95

Parts Ordering Information

If literature or replacement parts are required, contact the source from whom the machine was purchased or contact Alliance Laundry Systems at (920) 748-3950 for the name and address of the nearest authorized parts distributor.

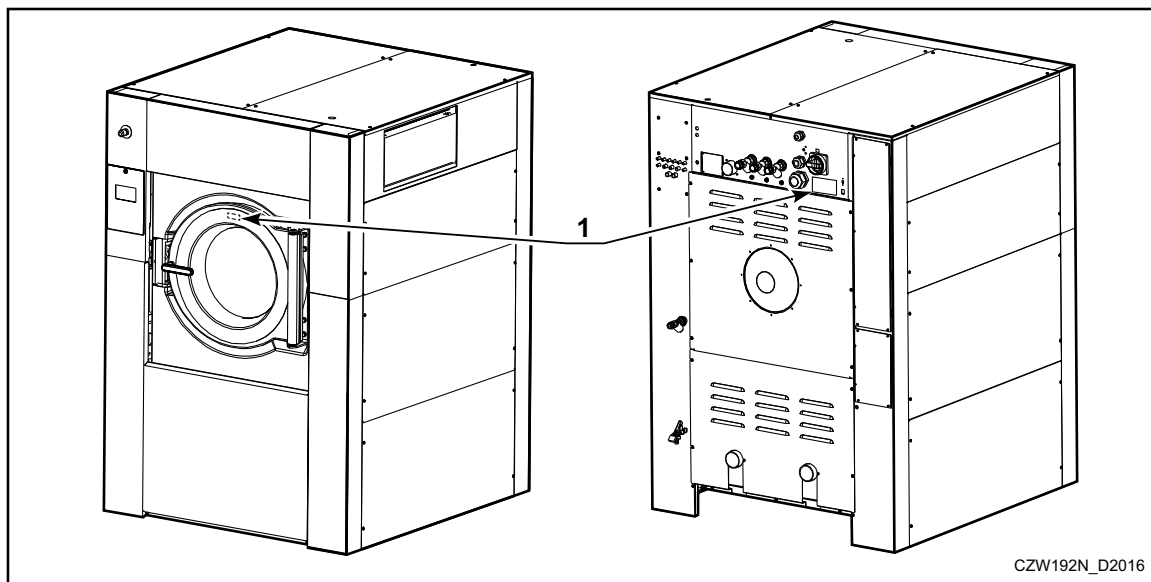
For technical assistance, call the number listed below:

(920) 748-3121 Ripon, Wisconsin

Serial Plate Location

When calling or writing about your product, be sure to mention model and serial numbers. Model and serial numbers are located on serial plate(s).

1. Serial Plate Location

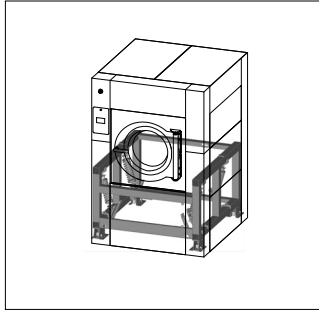


Model Identification

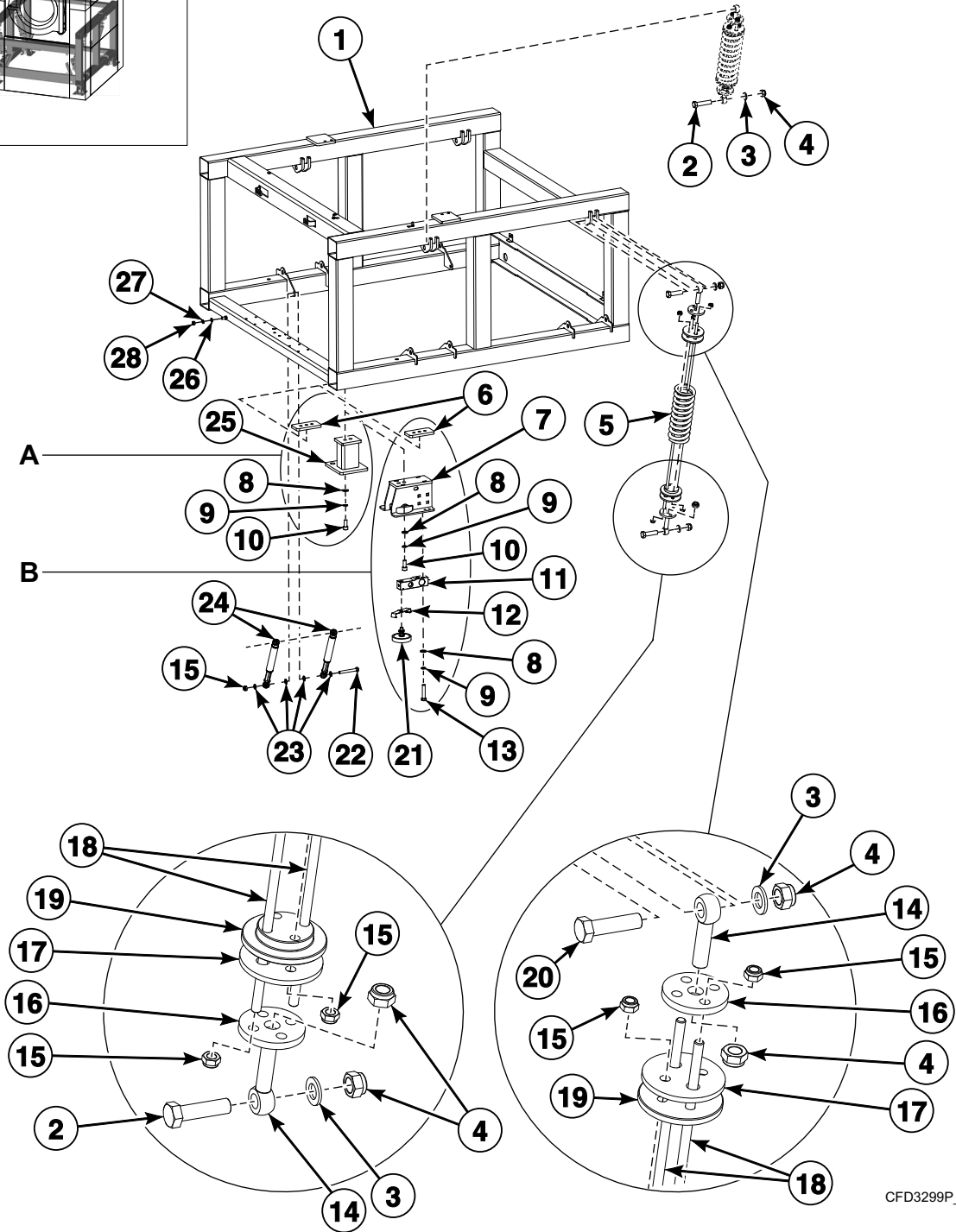
Information in this manual is applicable to these washer-extractor models:

AF350_PROFESSIONAL	NYX600T	IYM450V	PYC350V
AF450_PROFESSIONAL	YYY350T	IYM600V	PYC450V
AF600_PROFESSIONAL	YYY450T	IYH350V	PYC600V
FX350_X_CONTROL_PLUS	YYY600T	IYH450V	PYU350V
FX450_X_CONTROL_PLUS	YYY600T	IYH600V	PYU450V
FX600_X_CONTROL_PLUS	PYC350T	IYY350V	PYU600V
HY350_HC-200	PYC450T	IYY450V	PYM350V
HY450_HC-200	PYC600T	IYY600V	PYM450V
HY600_HC-200	PYH350T	IY350_EVOLIS_ELITE	PYM600V
HYC350F	PYH450T	IY450_EVOLIS_ELITE	PYH350V
HYC450F	PYH600T	IY600_EVOLIS_ELITE	PYH450V
HYC600F	PYX350T	SYC350V	PYH600V
HYH350F	PYX450T	SYC450V	PYY350V
HYH450F	PYX600T	SYC600V	PYY450V
HYH600F	PYY350T	SYU350V	PYY600V
HYX350F	PYY450T	SYU450V	FX350_X_CONTROL_FLEX_
HYX450F	PYY600T	SYU600V	PLUS
HYX600F	SYC350D	SYM350V	FX450_X_CONTROL_FLEX_
HYY350F	SYC450D	SYM450V	PLUS
HYY450F	SYC600D	SYM600V	FX600_X_CONTROL_FLEX_
HYY600F	SYH350D	SYH350V	PLUS
IY350_ARIES-ELITE	SYH450D	SYH450V	NYC350V
IY450_ARIES-ELITE	SYH600D	SYH600V	NYC450V
IY600_ARIES-ELITE	SYX350D	SYY350V	NYC600V
IYC350R	SYX450D	SYY450V	NYU350V
IYC450R	SYX600D	SYY600V	NYU450V
IYC600R	SYY350D	SY350_QUANTUM_TOU	NYU600V
IYH350R	SYY450D	CH	NYM350V
IYH450R	SYY600D	SY450_QUANTUM_TOU	NYM450V
IYH600R	UYC350I	CH	NYM600V
IYX350R	UYC450I	SY600_QUANTUM_TOU	NYH350V
IYX450R	UYC600I	CH	NYH450V
IYX600R	UYH350I	UYC350V	NYH600V
IYY350R	UYH450I	UYC450V	NYU350V
IYY450R	UYH600I	UYC600V	NYU450V
IYY600R	UYX350I	UYU350V	NYU600V
JLA100_ARIES_ELITE	UYX450I	UYU450V	AF350_GRAPHITRONIC_TO
JLA132_ARIES_ELITE	UYX600I	UYU600V	UCH
JLA80_ARIES_ELITE	UYU350I	UYM350V	AF450_GRAPHITRONIC_TO
NYC350T	UYU450I	UYM450V	UCH
NYC450T	UYU600I	UYM600V	AF600_GRAPHITRONIC_TO
NYC600T	IYC350V	UYH350V	UCH
NYH350T	IYC450V	UYH450V	SY350_QED-SELECT
NYH450T	IYC600V	UYH600V	SY450_QED-SELECT
NYH600T	IYU350V	UYU350V	SY600_QED-SELECT
NYX350T	IYU450V	UYU450V	UY350_PROFORM_TOUCH
NYX450T	IYU600V	UYU600V	UY450_PROFORM_TOUCH
	IYM350V		UY600_PROFORM_TOUCH

Frame and Weighing System



A - Parts Without Weighing System
 B - Parts With Weighing System

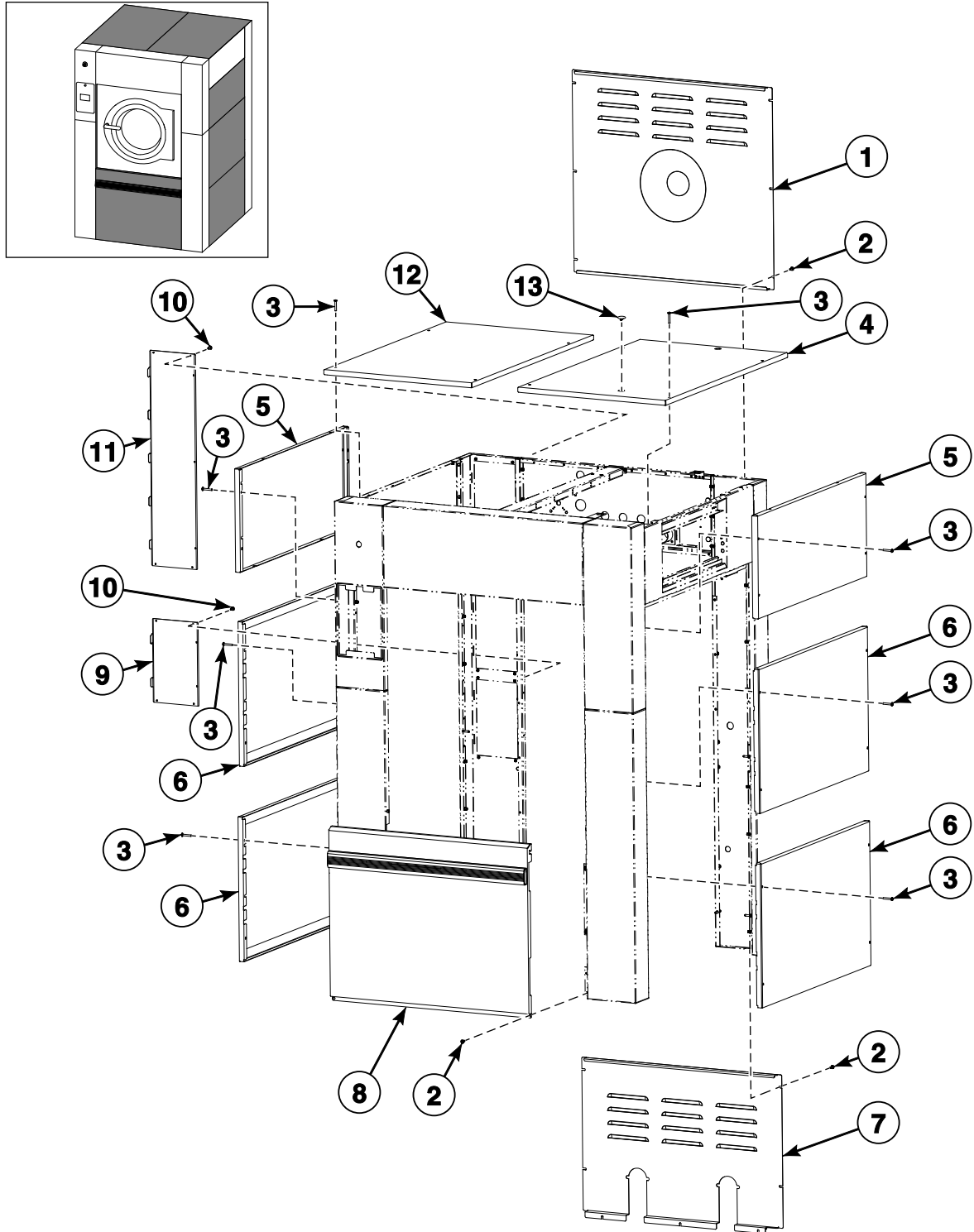


CFD3299P_D2016

Frame and Weighing System

REF	PART NO.	DESCRIPTION	COMMENTS
	SPB01107500014	Spring Suspension	80 and 350 models
	SPF02101500014	Spring Hinge	100, 132, 450 and 600 models
	SP514101	Adhesive	Loctite 5069
	SP245704003021	Adhesive	Loctite 243
	573924	Weighing System Kit	80 and 350 models
	573925	Weighing System Kit	100, 132, 450 and 600 models
1	561510	Frame	80 and 350 models
	561501	Frame	100 and 450 models
	561514	Frame	132 and 600 models
2	SPF02101001114	Bolt	80 and 350 models
	SPF02101001214	Bolt	100, 132, 450 and 600 models
3	SP311125000017	Washer	17
4	SP310985000016	Nut	M16
5	SP315011020005	Spring	80 and 350 models
	SP315002005014	Spring	100, 132, 450 and 600 models
6	561672	Connection Plate	
7	564190	Foot	Front left, rear right; With weighing system
	564198	Foot	Front right, rear left; With weighing system
8	SP311125000013	Washer	13
9	SP311127000012	Washer	12
10	SP309912101230	Bolt	M12x30
11	SP529101	Load Sensor	With weighing system
12	SP552123	Clamp	With weighing system
13	SP309933001260	Bolt	M12x60; With weighing system
14	SP309444016070	Bolt	M16x70
15	SP310985000010	Nut	M10
16	SPF02101500214	Disk	
17	SPF02101500414	Packing Part	
18	SPF02101500324	Drawing Bar	
19	SPF02101500114	Sleeve	
20	SPF02101001114	Bolt	
21	SP516956	Adjustable Foot	With weighing system
22	SP309933001080	Bolt	M10x80
23	SP311125000010	Washer	M10-10.5/20/2
24	SP326269185250	Damper	80, 100, 350 and 450 models - 12 pieces; 132 and 600 models - 16 pieces
25	561673	Fixed Foot	Without weighing system
26	SP311125240008	Washer	8.4
27	SP311679824008	Washer	8
28	SP310934240008	Nut	M8

Cabinet (Drawing 1 of 2)

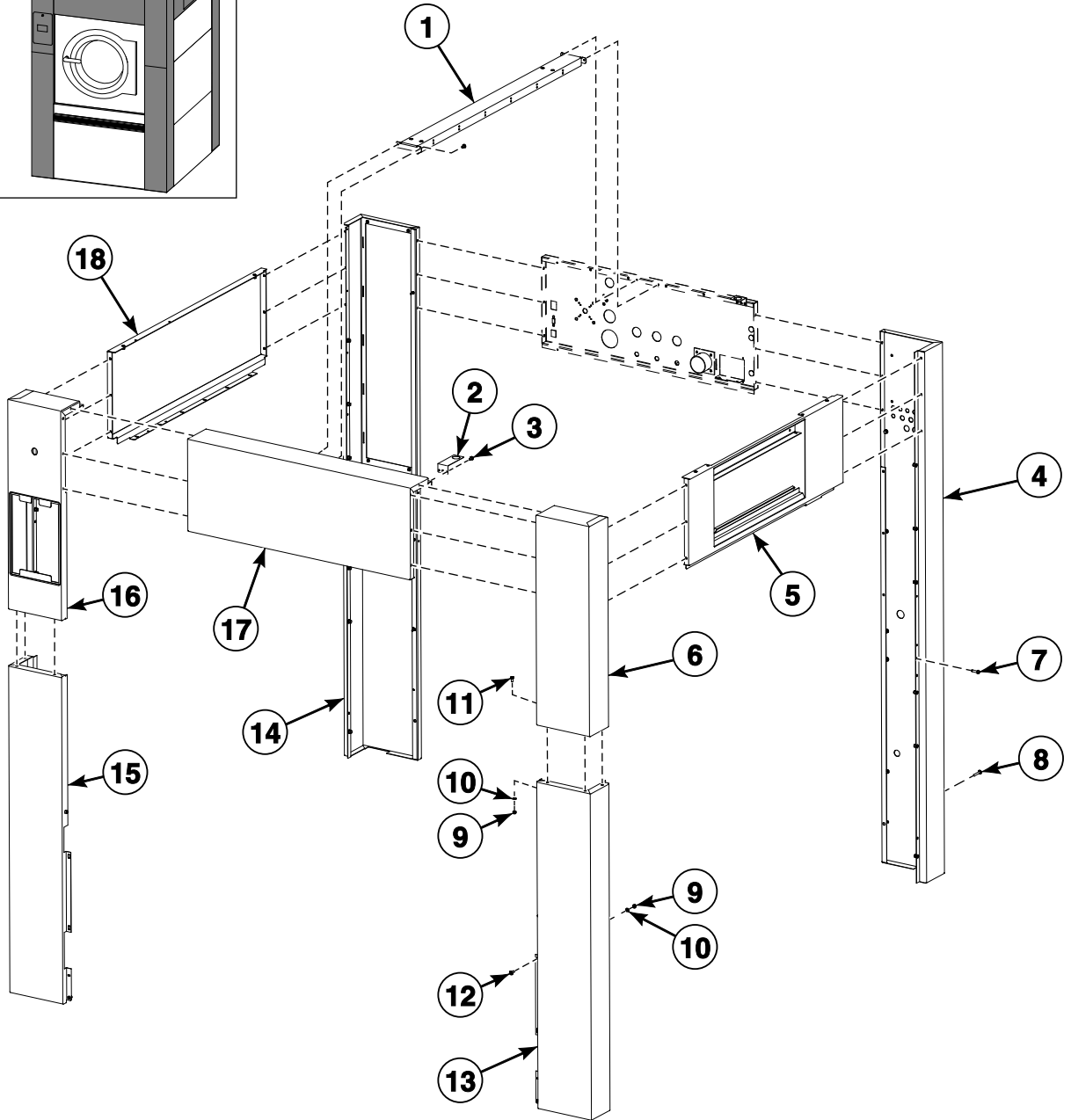
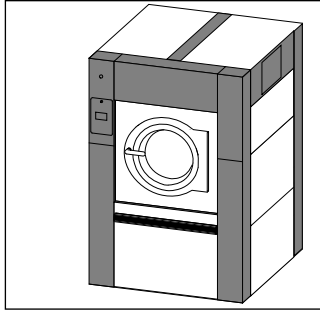


CFD3300P_D2016

Cabinet (Drawing 1 of 2)

REF	PART NO.	DESCRIPTION	COMMENTS
1	561434	Rear Cover	Upper ; Through Serial No. 350FX000373QM, 450FX000412QM, 600FX000667QM
	569509	Rear Cover	Upper; With noise isolation; Through Serial No. 350FX000373QM, 450FX000412QM, 600FX000667QM
	573241	Rear Cover	Upper; Starting Serial No. 350FX000374QM, 450FX000413QQ, 600FX000668QM
	573247	Rear Cover	Upper; With noise isolation Starting Serial No. 350FX000374QM, 450FX000413QQ, 600FX000668QM
2	SP555658	Bolt	M6x16
3	561307	Bolt	M6x40
4	561459	Top Cover	Right; 80 and 350 models
	569501	Top Cover	Right; 80 and 350 models; With noise isolation
	561480	Top Cover	Right; 100, 132, 450 and 600 models
	569502	Top Cover	Right; 100, 132, 450 and 600 models; With noise isolation
5	561456	Side Cover	Upper; 80 and 350 models
	564297	Side Cover	Upper; 80 and 350 models; With noise isolation
	561477	Side Cover	Upper; 100, 132, 450 and 600 models
	564298	Side Cover	Upper; 100, 132, 450 and 600 models; With noise isolation
6	561453	Side Cover	80 and 350 models
	564293	Side Cover	80 and 350 models; With noise isolation
	561474	Side Cover	100, 132, 450 and 600 models
	564294	Side Cover	100, 132, 450 and 600 models; With noise isolation
7	561438	Rear Cover	Lower
	569511	Rear Cover	Lower; With noise isolation
8	566767	Lower Cover	Front
	564290	Lower Cover	Front; With noise isolation
9	562793	Rear Panel Lid	Lower
10	SP555504	Bolt	M4x12
11	562789	Rear Panel Lid	Upper
12	566750	Top Cover	Left; 80 and 350 models
	569505	Top Cover	Left; 80 and 350 models; With noise isolation
	566752	Top Cover	Left; 100, 132, 450 and 600 models
	569506	Top Cover	Left; 100, 132, 450 and 600 models; With noise isolation
13	SP345900032132	Plug	Without soap hopper

Cabinet (Drawing 2 of 2)

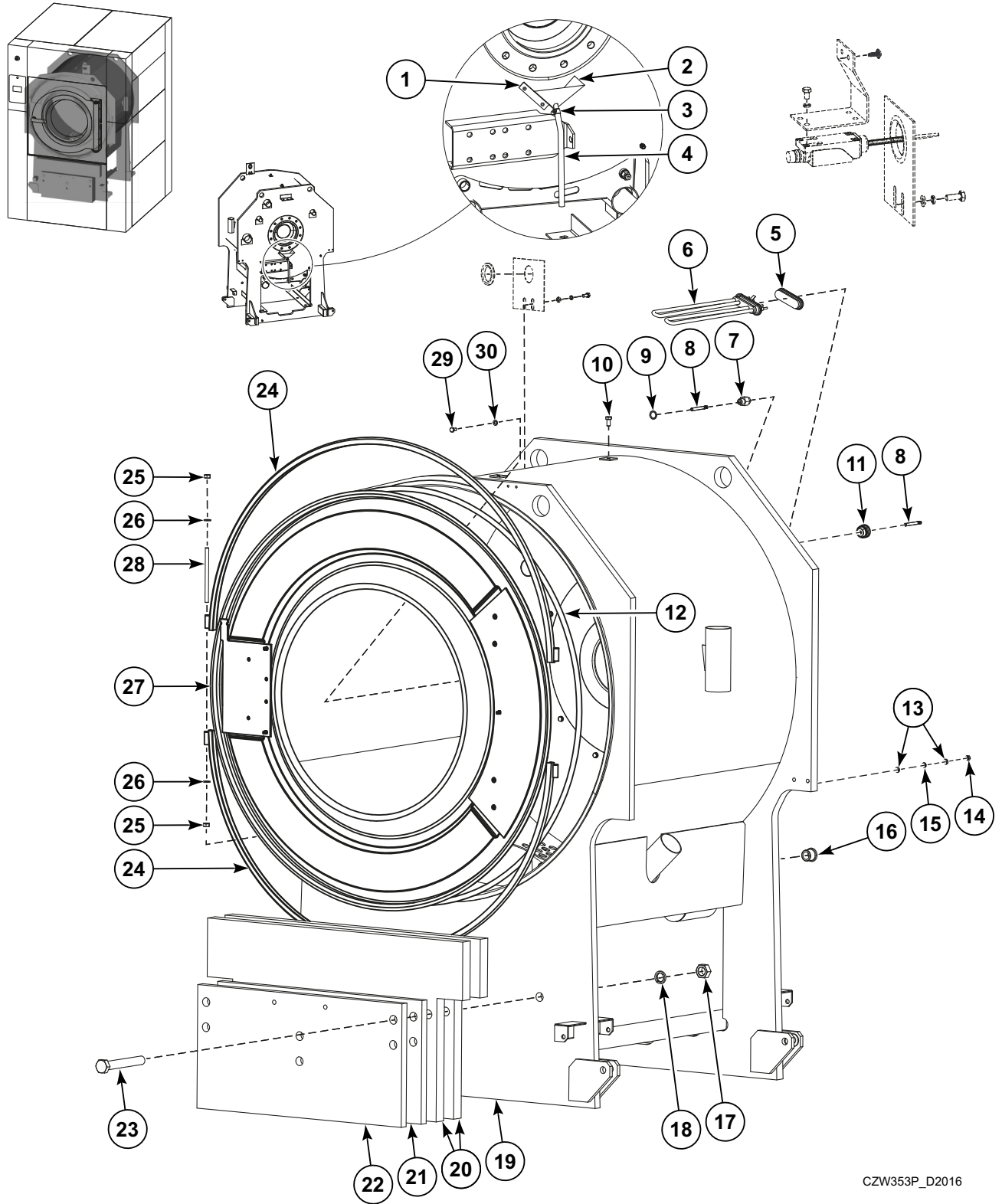


CFD3374P_D2016

Cabinet (Drawing 2 of 2)

REF	PART NO.	DESCRIPTION	COMMENTS
1	561462	Support Cover	80 and 350 models
	561483	Support Cover	100, 132, 450 and 600 models
2	562845	Holder Hose	Used with soap hopper
3	SP529206	Screw	M4x11; Used with soap hopper
4	561330	Leg	Right rear
5	561447	Side Panel	Right; 80 and 350 models; With soap hopper
	561444	Side Panel	Right; 80 and 350 models; Without soap hopper
	569517	Side Panel	Right; 80 and 350 models; With soap hopper and noise isolation
	569513	Side Panel	Right; 80 and 350 models; Without soap hopper and noise isolation
	561468	Side Panel	Right; 100, 132, 450 and 600 models; With soap hopper
	561465	Side Panel	Right; 100, 132, 450 and 600 models; Without soap hopper
	569518	Side Panel	Right; 100, 132, 450 and 600 models; With soap hopper and noise isolation
	569514	Side Panel	Right; 100, 132, 450 and 600 models; Without soap hopper and noise isolation
6	561486	Leg Extension	Right front; FX and PY models; Black
	566774	Leg Extension	Right front; JLA models; Stainless steel
	566770	Leg Extension	Right front; AF and NY models; Painted
7	SP506427	Bolt	6.3x19
8	561307	Bolt	M6x40
9	SP310985000006	Nut	M6
10	SP311125000006	Washer	M6-6.4/12/1.6
11	SP309933000612	Bolt	M6x12
12	555658	Bolt	M6x16
13	561326	Leg	Right front
14	561328	Cover	Left rear
15	561324	Cover	Left front
16	561489	Leg Extension	Left front; FX and PY models; Black
	566772	Leg Extension	Left front; AF and NY models; Painted
	566776	Leg Extension	Left front; JLA models; Stainless steel
17	561493	Cover	Upper front; FX, IY and PY models; Black
	569522	Cover	Upper front; FX, IY and PY models; Black; With noise isolation
	566778	Cover	Upper front; AF and NY models; Painted
	569523	Cover	Upper front; AF and NY models; Painted; With noise isolation
	569524	Cover	Upper front; JLA models; With noise isolation
18	561444	Side Panel	Left; 80 and 350 models
	569513	Side Panel	Left; 80 and 350 models; With noise isolation
	561465	Side Panel	Left; 100, 132, 450 and 600 models
	569514	Side Panel	Left; 100, 132, 450 and 600 models; With noise isolation

Tub, Vibration Switch and Front Panel (Drawing 1 of 2)

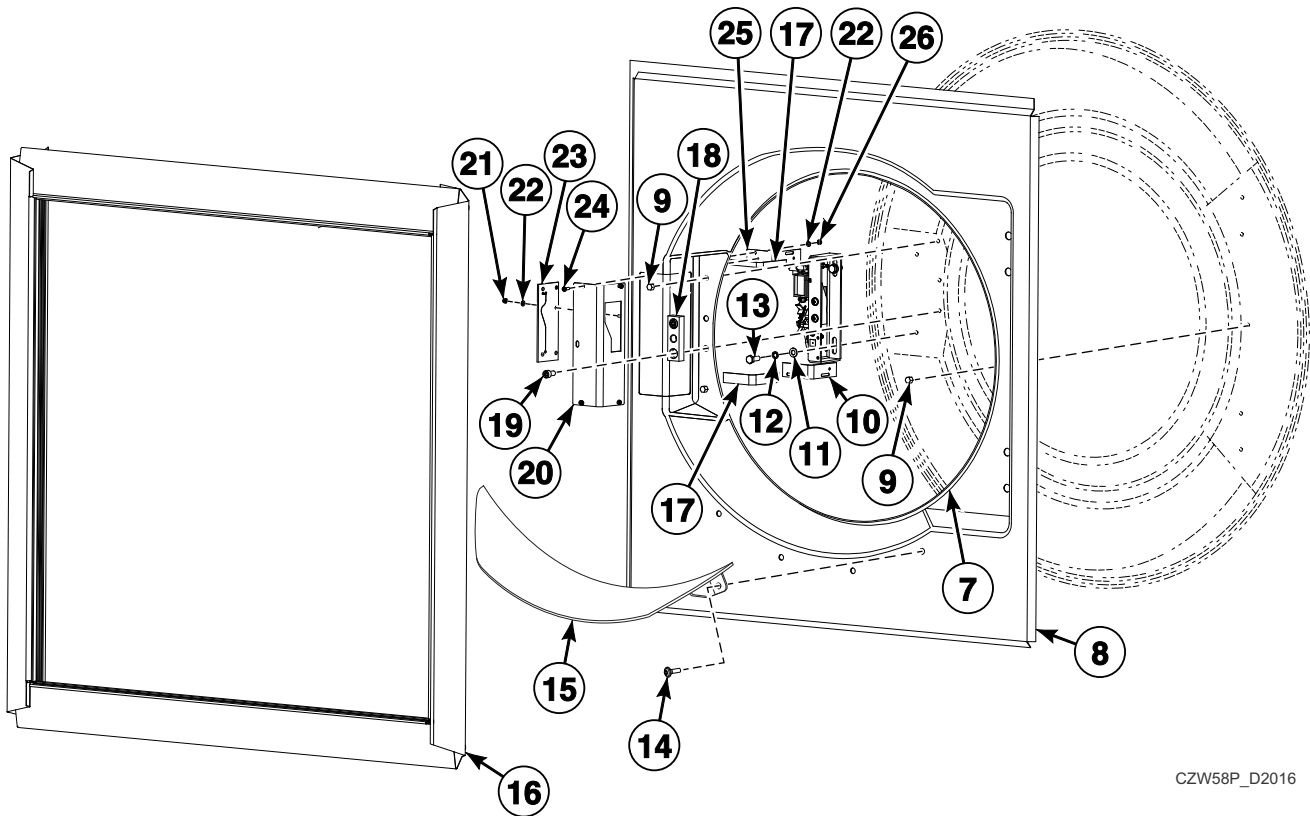
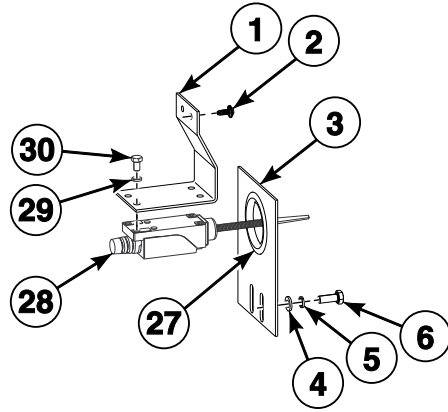
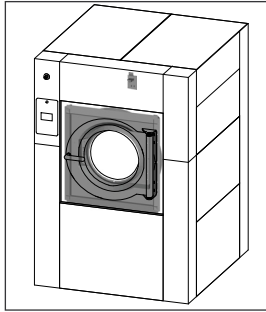


CZW353P_D2016

Tub, Vibration Switch and Front Panel (Drawing 1 of 2)

REF	PART NO.	DESCRIPTION	COMMENTS
	SPPRI704000053	Sealant	
	571516	Heating Wiring	80 and 350 models
	571517	Heating Wiring	80 and 350 models, 200-240V; 100, 132, 450 and 600 models, 380-415V, 440-480V
	571518	Heating Wiring	100, 132, 450 and 600 models
1	SP313250004007	Rivet	80 and 350 models
2	223106200014	Box	80 and 350 models
	100097	Sealing	80 and 350 models
3	SPPRI240000002	Hose Clamp	80 and 350 models
4	SP286125020211	Hose	80 and 350 models
5	SPPRI342001016	Heating Element Hole Plug	Steam heating
6	SP540131	Heating Element	80 and 350 models; Electric heating 4000W/220V; l=350mm
	SP540132	Heating Element	100, 132, 450 and 600 models; Electric heating 6000W/220V; l=470mm
7	SPPRI614000047	Thermostat Sensor Holder	Through Serial Nos. 350FX000431SD, 450FX000526SD and 600FX000794SD
8	SP503839	Temperature Sensor	
9	SPPRI524000001	Sealing Ring	Through Serial Nos. 350FX000431SD, 450FX000526SD and 600FX000794SD
10	SP309933240815	Bolt	M8x15
11	573243	Thermostat Sensor Holder	Starting Serial Nos. 350FX000432SD, 450FX000527SD and 600FX000795SD
12	SP273222012025	Sealing	80, 100, 350 and 450 models, 3.3m; 132 and 600 models, 3.7m
13	SP311125240006	Washer	6
14	SP310934240006	Nut	M6
15	SP311679824006	Washer	6
16	SP319428324805	Plug	3/4 inch; Electric heating
17	SP310934000020	Nut	100, 132, 450 and 600 models; M20
18	SP311127000020	Washer	100, 132, 450 and 600 models; 20
19	561521	Tub	80 and 350 models
	560011	Tub	100 and 450 models
	560031	Tub	100, 132, 450 and 600 models
20	SPF02104000514	Weight	Large; 100, 132, 450 and 600 models
21	564199	Weight	Small; 100, 132, 450 and 600 models
22	561638	Weight	Small; 100, 132, 450 and 600 models
23	SP309931020150	Bolt	100, 132, 450 and 600 models; M20x150
24	SPF02119000014	Clip	80, 100, 350 and 450 models
	563224	Clip	132 and 600 models
25	SP310934240008	Nut	M8
26	SP311125240008	Washer	8
27	563237	Tub Facia Panel	80, 100, 350 and 450 models
	560004	Tub Facia Panel	132 and 600 models
28	SPF02119000415	Bolt	M8
29	SP309933240612	Bolt	M6x12
30	SP311125200006	Washer	6

Tub, Vibration Switch and Front Panel (Drawing 2 of 2)

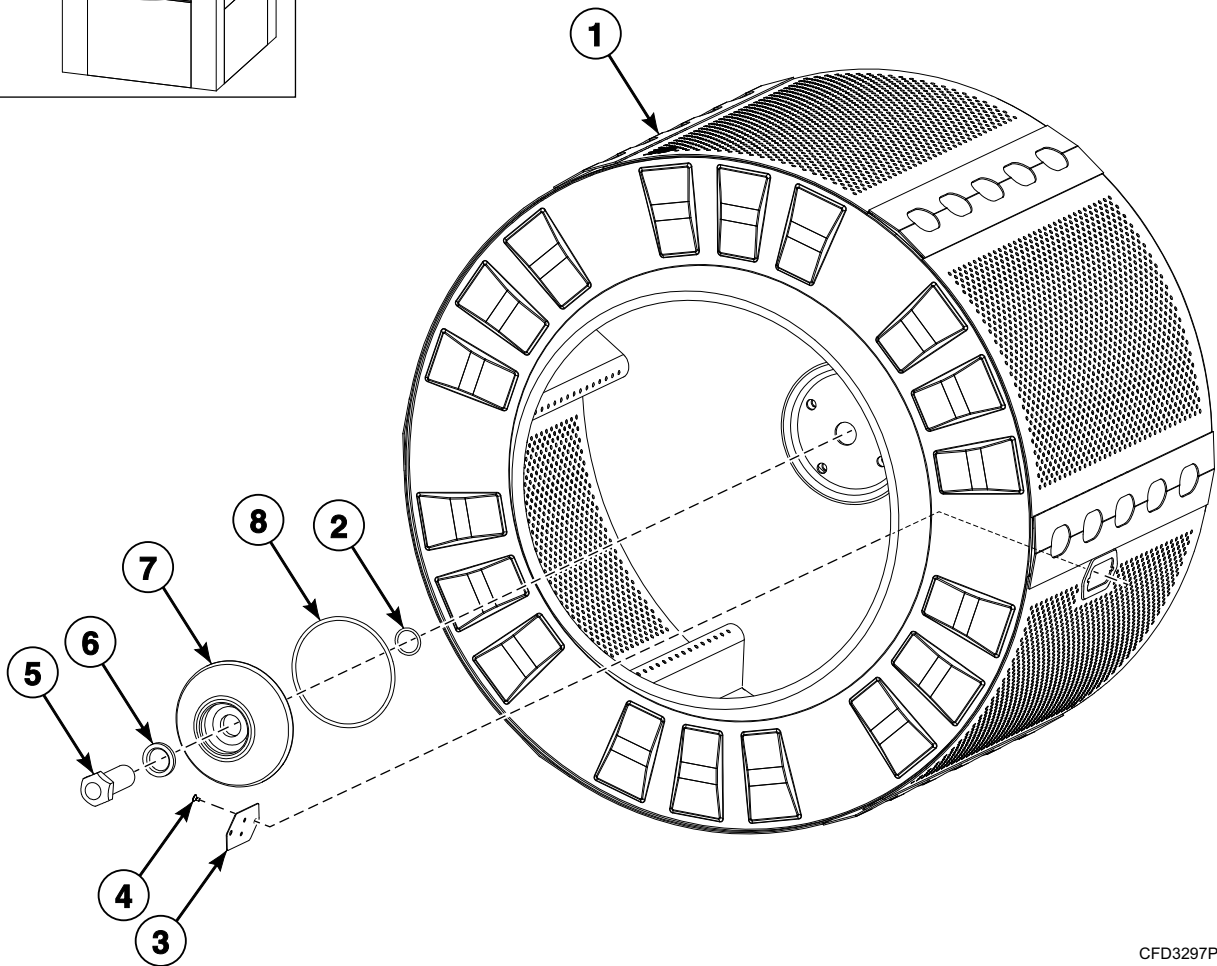
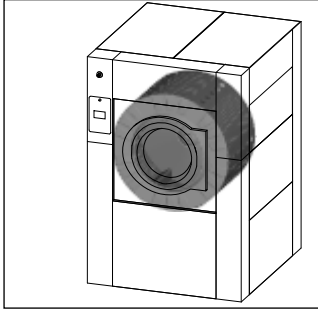


CZW58P_D2016

Tub, Vibration Switch and Front Panel (Drawing 2 of 2)

REF	PART NO.	DESCRIPTION	COMMENTS
	SPPRI704000053	Sealant	
	564553	Vibration Switch Cable	
1	563365	Vibration Switch Holder	80, 100, 350 and 450 models
	563366	Vibration Switch Holder	132 and 600 models
2	SP529206	Screw	M4x11
3	562551	Limiter	350 models
	562552	Limiter	450 models
	562553	Limiter	132 and 600 models
4	SP311125000006	Washer	M6-6.4/12/1.6
5	SP311127000006	Washer	6
6	SP309933000616	Bolt	M6x16
7	SPPRI505000058	Profiled Sealing	
8	563346	Front Panel Assembly	FX, IY, JLA and PY models; Black; Includes 563342 Lock Cover
	568868	Front Panel Assembly	FX, IY, JLA, PY 100, 132, 450 and 600 models; Black; Used with tilting system; Includes 563342 Lock Cover and items 14 and 15
	563388	Front Panel Assembly	AF and NY models; Painted; Includes 563399 Lock Cover
	568869	Front Panel Assembly	AF, NY 450 and 600 models; Painted; Used with tilting system; Includes 563399 Lock Cover and items 14 and 15
	563345	Front Panel Assembly	Stainless steel; Includes 563341 Lock Cover
	568867	Front Panel Assembly	450 and 600 models; Stainless steel; Used with tilting system; Includes 563341 Lock Cover and items 14 and 15
9	SP310917240006	Nut	M6
10	563398	Bottom Strip	
11	SP311125240008	Washer	8
12	SP311127240008	Washer	8
13	SP309933240822	Bolt	M8x22
14	537865	Bolt	100, 132, 450 and 600 models; M6x20; Used with tilting system
15	568818	Slider Assembly	100, 132, 450 and 600 models; Used with tilting system; Includes item 14
16	563395	Finger Protection	
17	SP284000012003	Tape	Self-adhesive
18	SPF02100020114	Centering Block	
19	SP309912000815	Bolt	M8x15
20	563341	Lock Cover	Stainless steel
	563342	Lock Cover	FX, IY, JLA and PY models; Black
	563399	Lock Cover	AF and NY models; Painted
21	SP514193	Nut	M4
22	SP311125000004	Washer	M4-4.3/9/0.8
23	563344	Collar	
24	SP555504	Bolt	M4x12
25	563351	Upper Strip	
26	SP310934000004	Nut	M4
27	SPPRI505000058	Profiled Sealing	
28	564507	Vibration Switch	
29	SP311127000005	Washer	5
30	SP521260	Bolt	M5x8

Drum

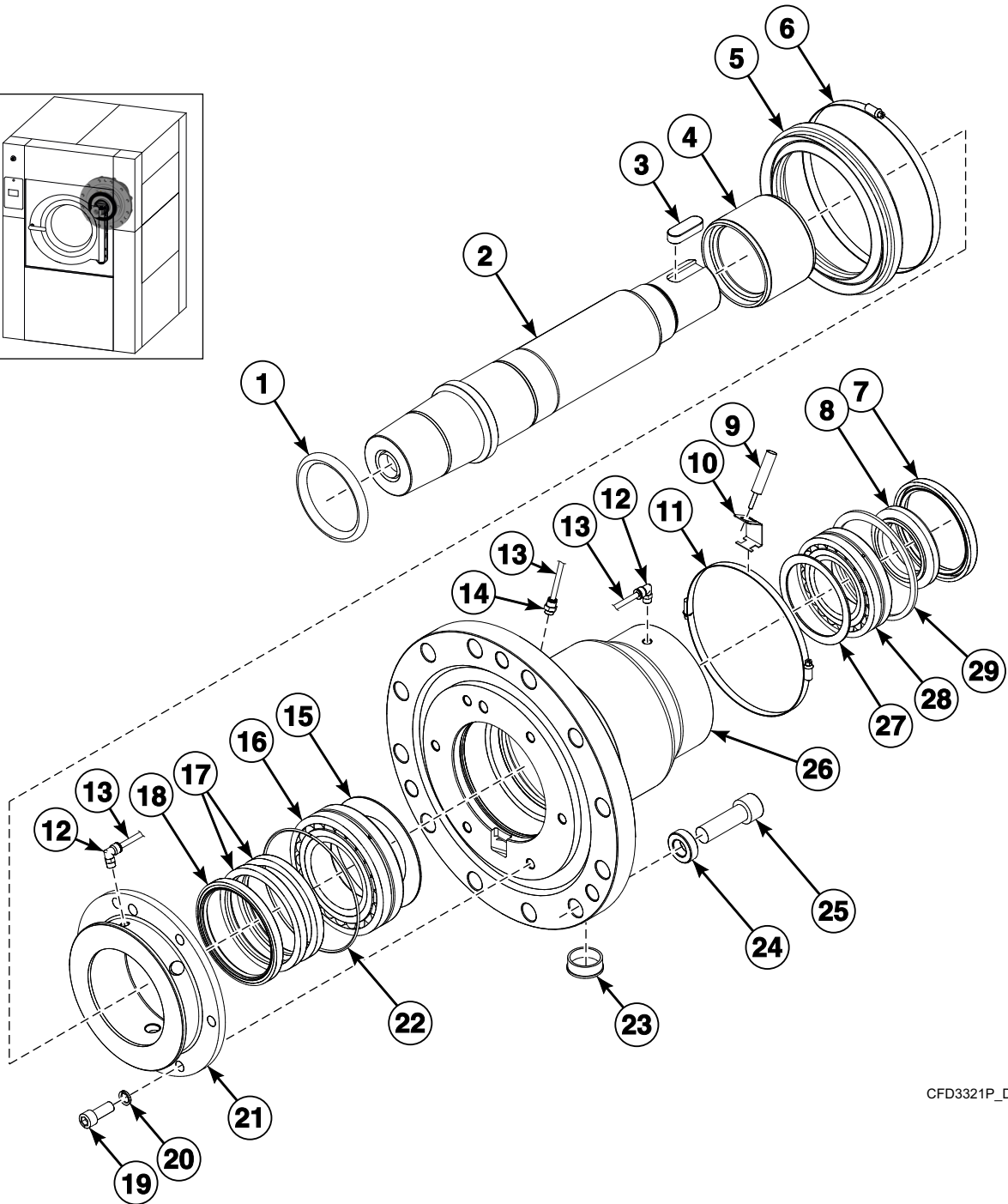
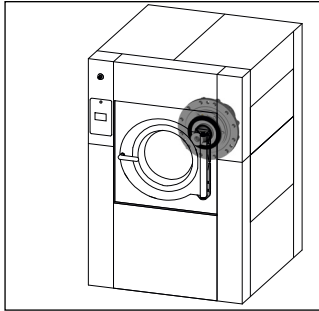


CFD3297P_D2016

Drum

REF	PART NO.	DESCRIPTION	COMMENTS
1	560050	Drum	FX and PY 350 models
	559970	Drum	FX and PY 450 models
	559990	Drum	FX and PY 600 models
	563215	Drum	AF, HY, IY, JLA80, NY, SY and UY 350 models
	563216	Drum	AF, HY, IY, JLA100, NY, SY and UY 450 models
	563217	Drum	AF, HY, IY, JLA132, NY, SY and UY 600 models
2	SP273111030035	O-Ring	
3	SP223103300014	Cover	Small
4	SP309966240408	Bolt	M4x8
5	SPF02100021114	Bolt	
6	SP529753	Washer	
7	SPF02100021214	Washer	
8	SP273111140005	O-Ring	

Trunnion - 80 and 350 Models

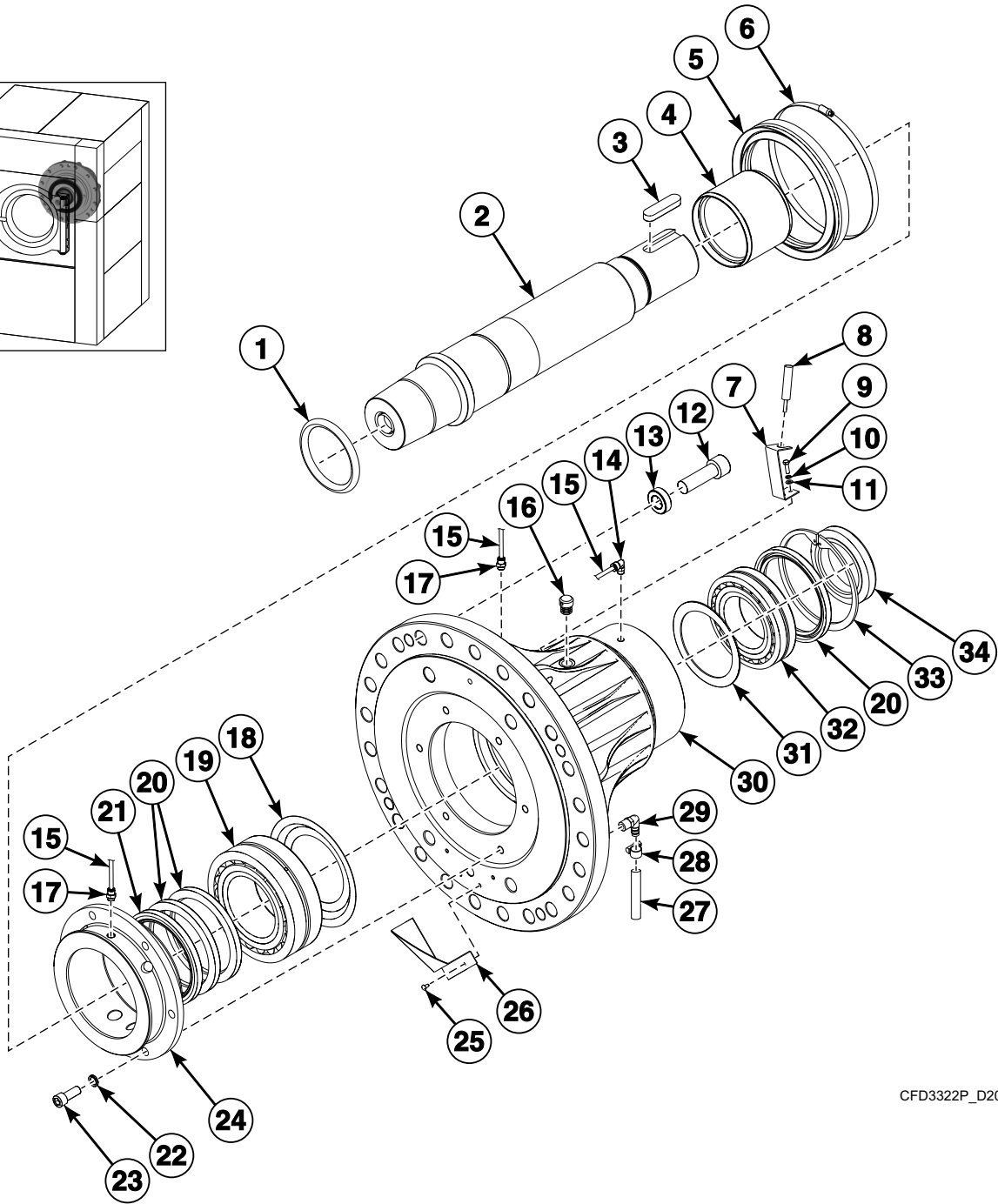
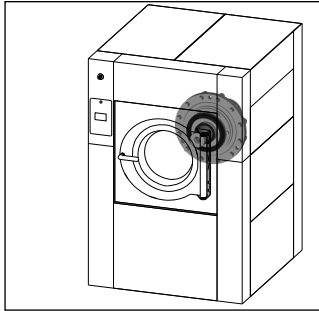


CFD3321P_D2016

Trunnion - 80 and 350 Models

REF	PART NO.	DESCRIPTION	COMMENTS
	560059	Bearing House	
	SP245704003021	Adhesive	Loctite 243; Used with item 19
	538950	Bearing Housing Replacement Tool Kit	
1	SP273222012025	Sealing	
2	559996	Shaft	
3	563229	Wedge	18x11x50
4	560048	Ring	
5	563238	Bearing House Sealing	
6	SP540240200220	Clip	
7	563226	Seal	100x125x12
8	560047	Distance Ring	
9	SP557701	Speed Sensor	
10	SP560733	Speed Sensor Holder	
11	SPPRI240000005	Hose Clamp	
12	SP319428330060	Pipe Nipple	L6; G 1/8
13	SP283351220111	Hose	
14	SP560729	Fitting	6-M10x1
15	560045	Lubricant Holder	
16	PRI608000066	Bearing	
17	563227	Seal	110x130x12
18	563228	Seal	110x130x12
19	SP309912101230	Bolt	M12x30
20	SP311127000012	Washer	12
21	560049	Cover	Front
	SPPRI704000053	Sealant	
22	SP273111150003	O-Ring	
23	SP321848503046	Plug	
24	SPF02105002515	Washer	20
25	SP309912121265	Bolt	M20x65
26	560058	Bearing House	
27	560046	Lubricant Holder	
28	SPPRI608000065	Bearing	
29	563230	Retaining Ring	125

Trunnion - 100, 132, 450 and 600 Models

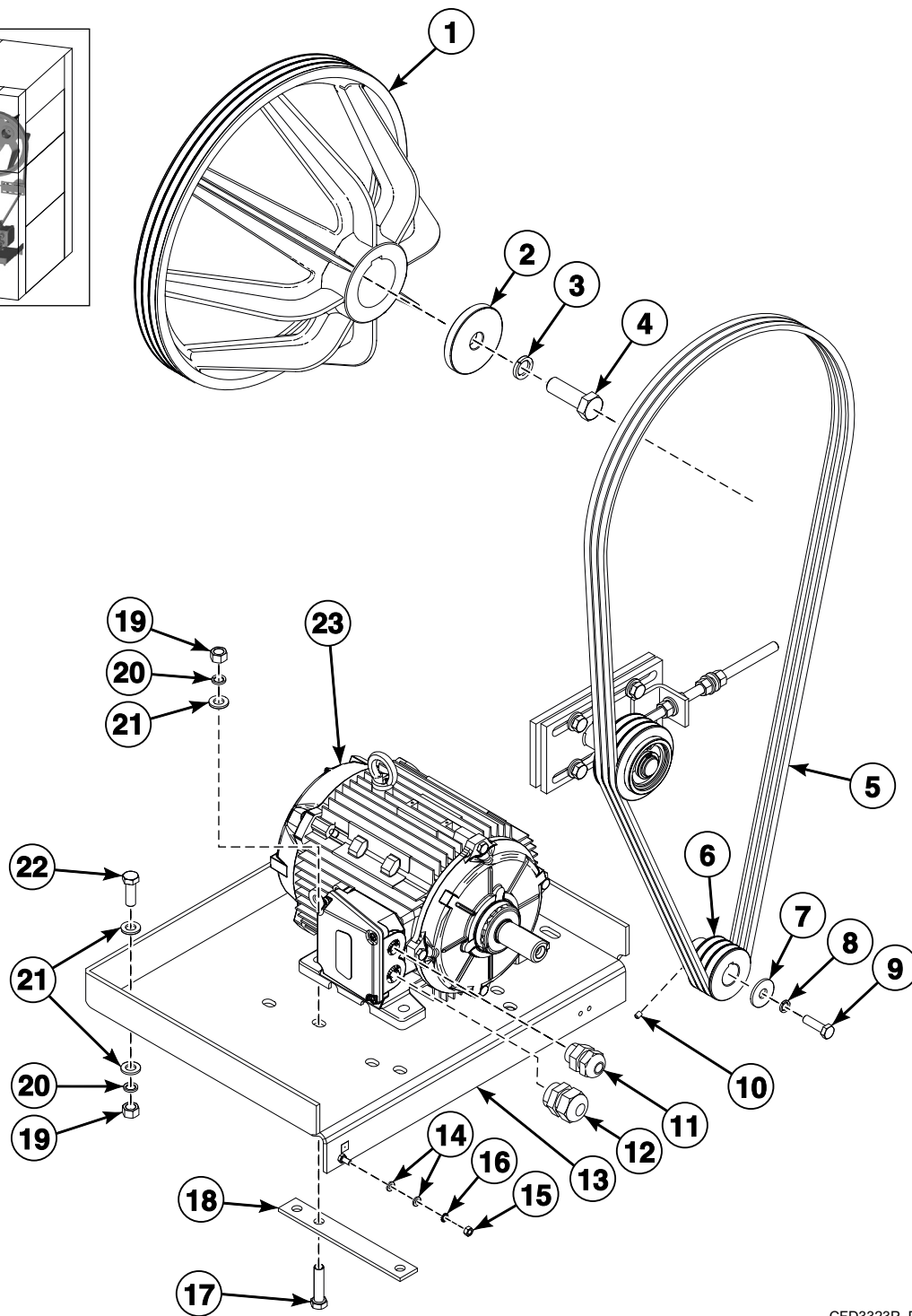
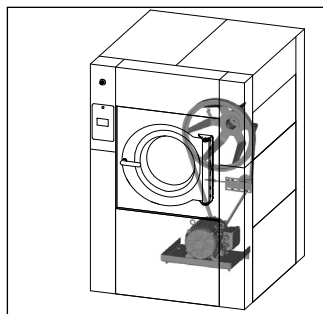


CFD3322P_D2016

Trunnion - 100, 132, 450 and 600 Models

REF	PART NO.	DESCRIPTION	COMMENTS
	560000	Bearing House	
	SP245704003021	Adhesive	Loctite 243; Used with item 23
	538950	Bearing Housing Replacement Tool Kit	
1	SP273222012025	Sealing	
2	559976	Shaft	
3	SP526810	Wedge	18x11x70
4	559980	Ring	
5	SP273111995417	Bearing House Seal	
6	SP540240200220	Clip	
7	564401	Speed Sensor Holder	
8	SP557701	Speed Sensor	
9	SP309933000516	Bolt	M5x16
10	SP311127000005	Washer	5
11	SP311125000005	Washer	M5-5.3/10/1
12	SP309912121265	Bolt	M20x65
13	SPF02105002515	Washer	20
14	SP319428330060	Pipe Nipple	L6; G 1/8
15	SP283351220111	Hose	
16	SP223105002314	Plug	
17	SP560729	Fitting	6-M10x1
18	559986	Lubricant Holder	
19	563234	Bearing	
20	563232	Seal	120x150x12
21	563233	Seal	120x150x12
22	SP311127000012	Washer	12
23	SP309912101230	Bolt	M12x30
24	559984	Cover	Front
25	SP313250004007	Rivet	
26	SPF02105001313	Box	
	100097	Sealing	
27	SP286125020211	Hose	
28	SPPRI240000002	Hose Clamp	
29	568811	Screw	
30	560001	Bearing House	
31	560025	Lubricant Holder	
32	PRI608000066	Bearing	
33	563231	Retaining Ring	150
34	559983	Distance Ring	

Drive - 80 and 350 Models

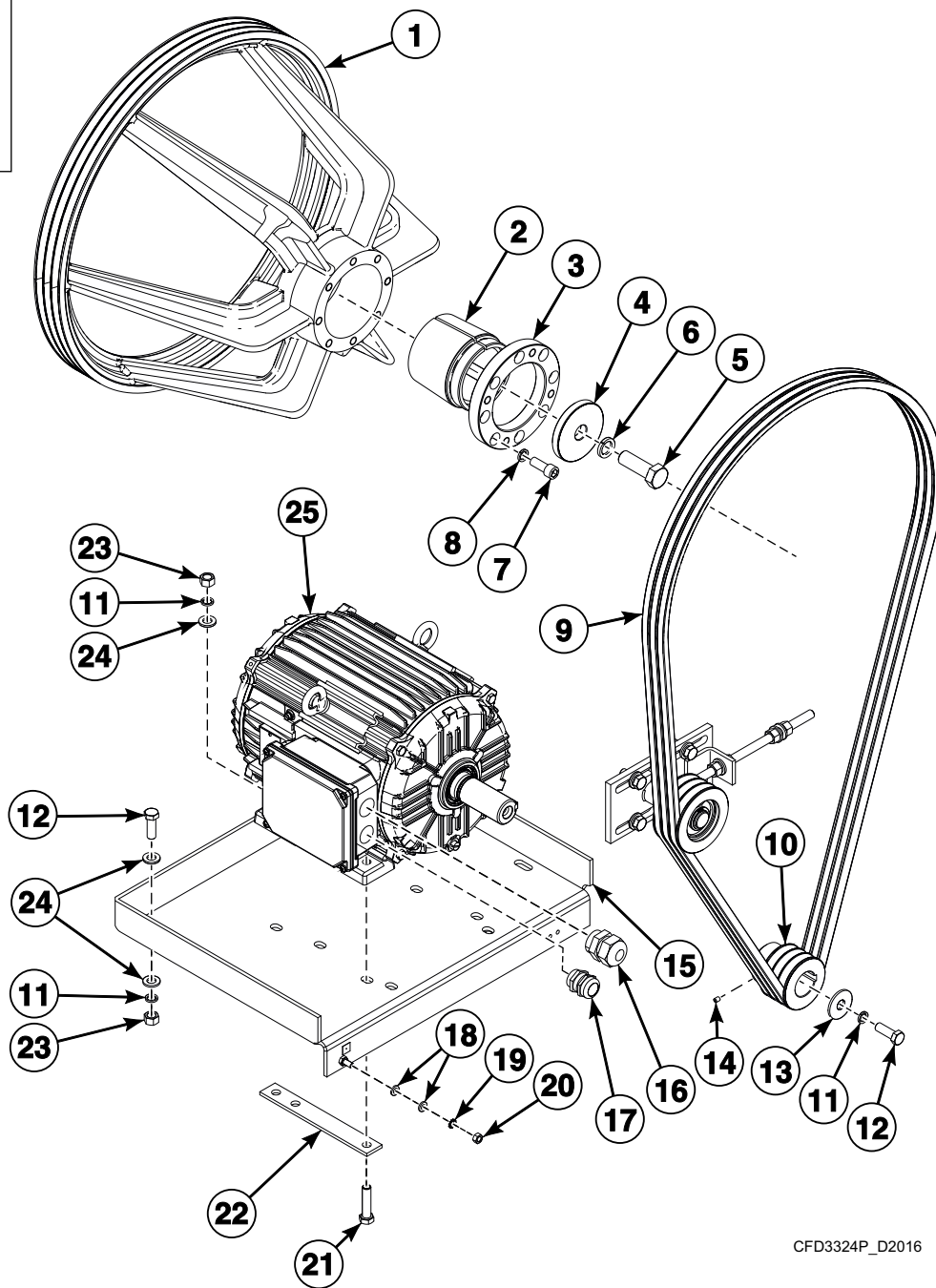
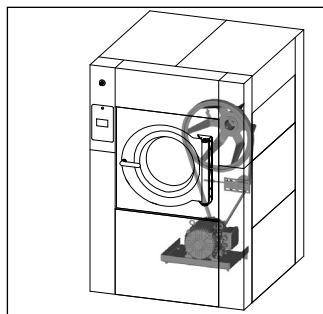


CFD3323P_D2016

Drive - 80 and 350 Models

REF	PART NO.	DESCRIPTION	COMMENTS
	571510	Motor Cable	
	561317	Drive	
	SP245704003021	Adhesive	Used with item 4
1	561389	Pulley	
2	SPF02105002715	Washer	
3	SP311127000020	Washer	20
4	SP309931020060	Bolt	M20x60
5	563438	Belt	
6	564402	Motor Pulley	
7	SP311902100012	Washer	12
8	SP311127000010	Washer	10
9	SP309933001035	Bolt	M10x35
10	SP309913000610	Bolt	M6x10
11	SP101407	Bushing	M20
12	528224	Cable Bushing	M25
13	561310	Drive Board	
14	SP311125240006	Washer	6
15	SP310934240006	Nut	M6
16	SP311679824006	Washer	6
17	SP309933001250	Bolt	M12x50
18	SPF07102001314	Washer	Through Serial No. 350FX000272MW
	SP311902100012	Washer	12; Starting Serial No. 350FX000273MW
19	SP310934000012	Nut	M12
20	SP311127000012	Washer	12
21	SP311125000013	Washer	13
22	SP309933001235	Bolt	M12x35
23	564648	Motor	

Drive - 100, 132, 450 and 600 Models

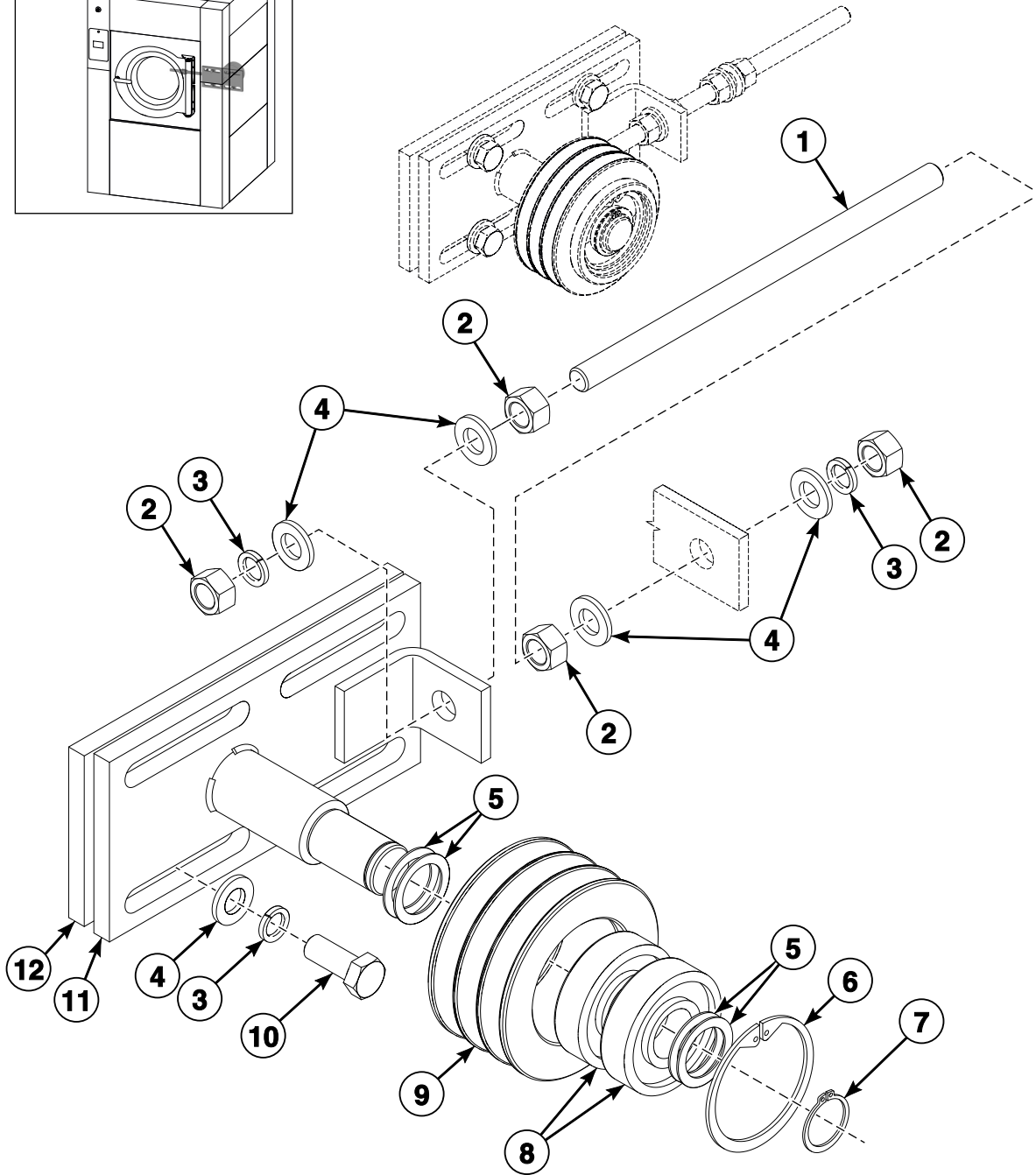
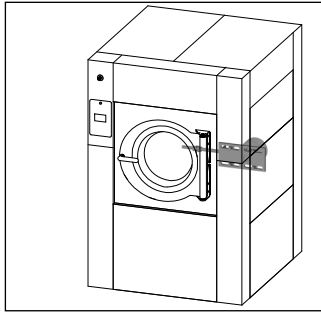


CFD3324P_D2016

Drive - 100, 132, 450 and 600 Models

REF	PART NO.	DESCRIPTION	COMMENTS
	571512	Motor Cable	200-240V
	571511	Motor Cable	380-480V
	561308	Drive	100 and 450 models
	561322	Drive	132 and 600 models
	SP245704003021	Adhesive	Loctite 243; Used with items 5 and 7
1	SPF02105000513	Pulley	
2	SPF02105002113	Clamping Sleeve	
3	SPF02105002213	Nut	
4	SPF02105002715	Washer	
5	SP309931020060	Bolt	M20x60
6	SP311127000020	Washer	20
7	SP309912101230	Bolt	M12x30
8	SP506518	Washer	12
9	563437	Belt	100 and 450 models
	SP529776	Belt	132 and 600 models
10	564403	Motor Pulley	
11	SP311127000012	Washer	12
12	SP309933001235	Bolt	M12x35
13	SP311902100014	Washer	14
14	SP309913000610	Bolt	M6x10
15	561310	Drive Board	
16	528224	Cable Bushing	M25
17	528033	Cable Bushing	M25
18	SP311125240006	Washer	6
19	SP311679824006	Washer	6
20	SP310934240006	Nut	M6
21	SP309933001250	Bolt	M12x50
22	SPF07102001314	Washer	Through Serial No. 450FX000328MW, 600FX000533MW
	SP311902100012	Washer	12; Starting Serial No. 450FX000329MW, 600FX000534MW
23	SP310934000012	Nut	M12
24	SP311125000013	Washer	13
25	564508	Motor	

Tensioning System

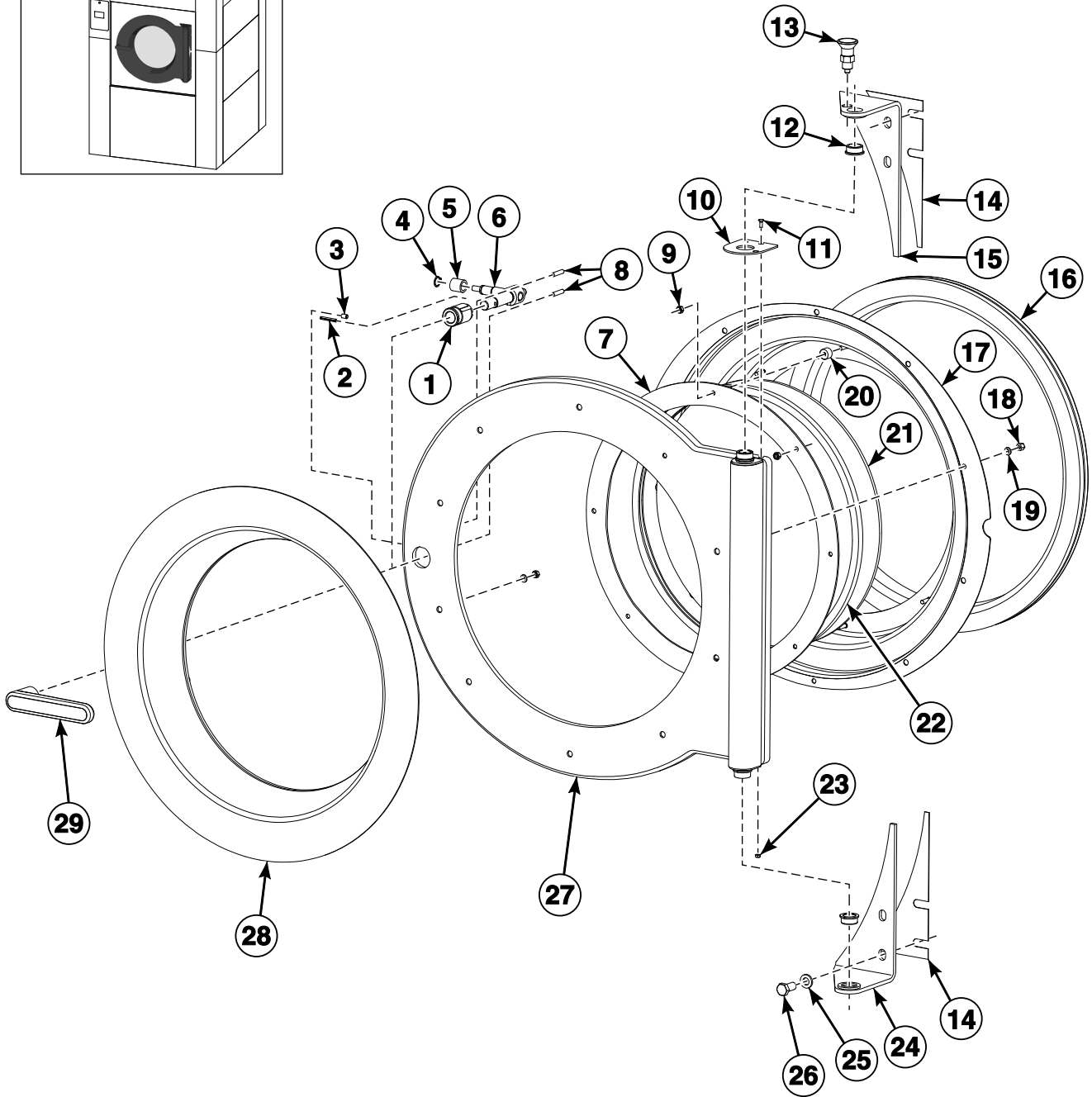
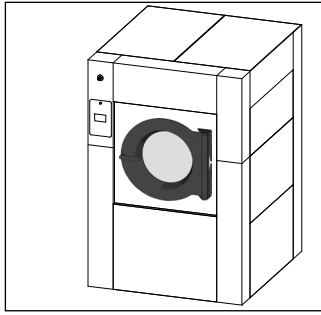


CFD3325P_D2016

Tensioning System

REF	PART NO.	DESCRIPTION	COMMENTS
	560029	Tension Roller	80 and 350 models; Item 12 not included
	561311	Tension Roller	100, 132, 450 and 600 models; Item 12 not included
1	SP515452	Adjusting Rod	
2	SP310934000012	Nut	M12
3	SP311127000012	Washer	12
4	SP311125000013	Washer	13
5	SPF02118000615	Washer	
6	SP307732031062	Retaining Ring	62
7	SP307732030025	Retaining Ring	25
8	SPPRI608000041	Bearing	
9	SPF04118000514	Roller	80 and 350 models
	SPF02118000514	Roller	100, 132, 450 and 600 models
10	SP309933001230	Bolt	M12x30
11	561312	Tension Roller	
12	SP515456	Plate	350 models

Door and Tilting System Door Fastener

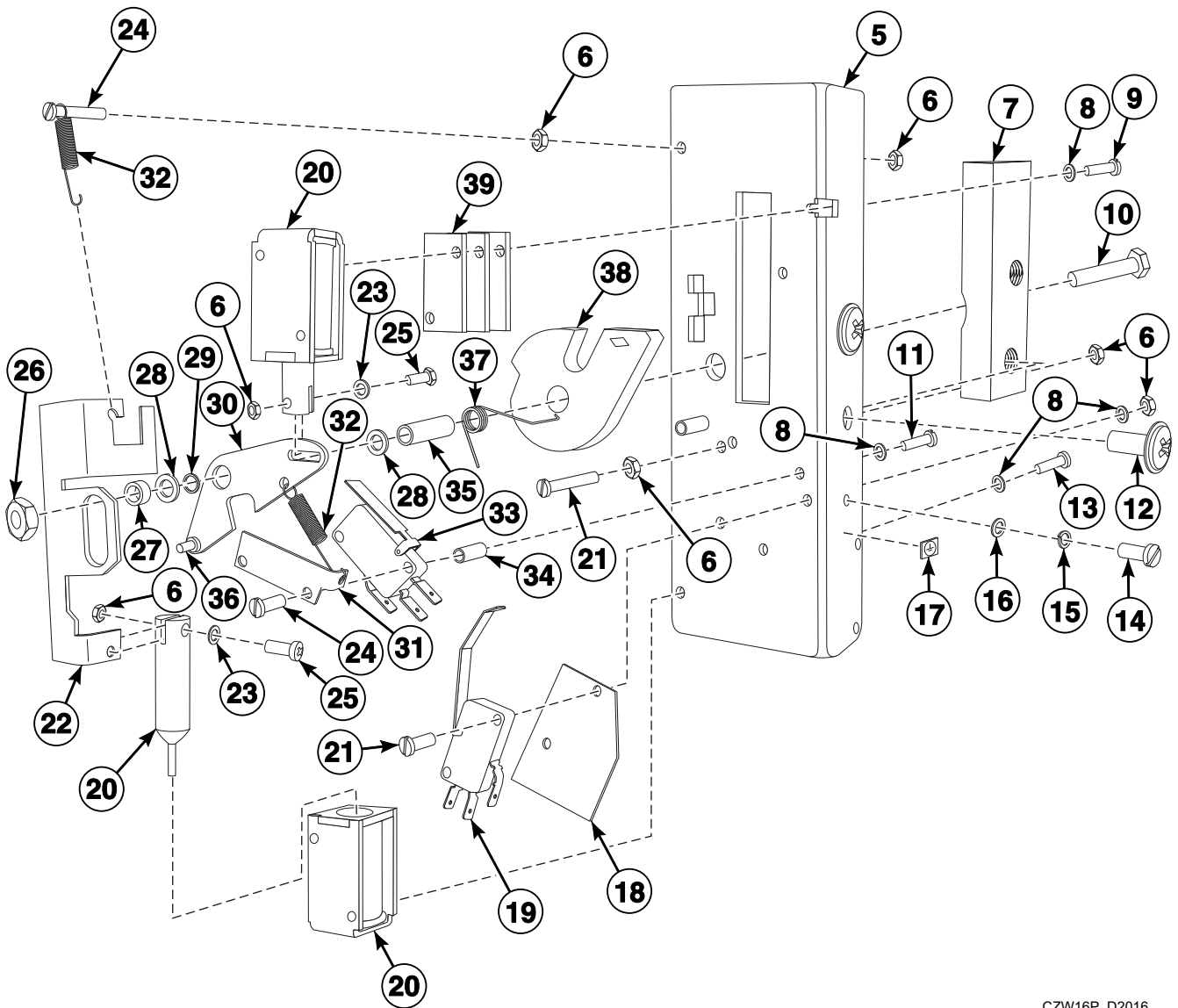
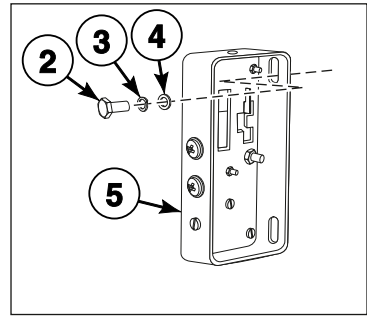
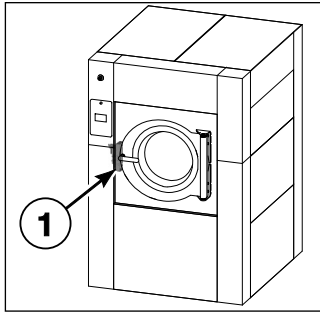


CFD3296P_D2016

Door and Tilting System Door Fastener

REF	PART NO.	DESCRIPTION	COMMENTS
	563324	Door Assembly	AF and NY models
	563322	Door Assembly	FX and PY models
	563317	Door Assembly	HY, SY and UY models
	563323	Door Assembly	IY models
	568928	Door Assembly	IY models; Stainless steel; Optional
	571200	Door Assembly	JLA models
	SP245704003021	Adhesive	Loctite 243
1	SPF02107002315	Nut	
2	SP554970	Pin	4x35
3	SP309913000610	Bolt	M6x10
4	SP307732030014	Retaining Ring	14
5	SP323622641243	Sleeve	
6	SP555115	Door Lever	
7	SP559943	Door Cover Plate	
8	563364	Stopper	Handle
9	SP310934240006	Nut	M6
10	563333	Stopper	Hinge; 100, 132, 450 and 600 models; With tilting system
11	SP309963240412	Bolt	100, 132, 450 and 600 models; M4x12; With tilting system
12	SP519461	Bracket Sleeve	
13	563305	Locking Pin	100, 132, 450 and 600 models; With tilting system
14	563354	Shim	
15	563318	Hinge	Upper; HY, IY, SY and UY models; Optional; Stainless steel
	563328	Hinge	Upper; AF, FX, IY, JLA, NY and PY models; Black
16	SPF02107003214	Door Seal	
17	563301	Door Holder	
18	SP310917240006	Nut	M6
19	SP311125240006	Washer	6
20	SPF02107001815	Insert	
21	SPF02107003314	Door Glass	AF, FX, HY, JLA, NY, PY, SY and UY models
	SP559967	Door Glass	IY models
22	SP273115021905	Glass Seal	
23	SP310934240004	Nut	100, 132, 450 and 600 models; M4; With tilting system
24	563319	Hinge	Lower; HY, IY, SY and UY models; Optional; Stainless steel
	563329	Hinge	Lower; AF, FX, IY, JLA, NY and PY models; Black
25	SPF02100021615	Washer	12
26	516699	Bolt	M12x25
27	563325	Door Frame	AF, FX, IY, JLA, NY and PY models; Black
	563302	Door Frame	HY, IY, SY and UY models; Stainless steel; Optional
28	563326	Door Cover	AF, IY, JLA and NY models; Black
	563300	Door Cover	FX, HY, IY, PY, SY and UY models; Optional; Stainless steel
29	563298	Handle	AF, FX, HY, IY, NY, PY, SY and UY models; Optional; Stainless steel
	563327	Handle	IY and JLA models; Black

Door Lock

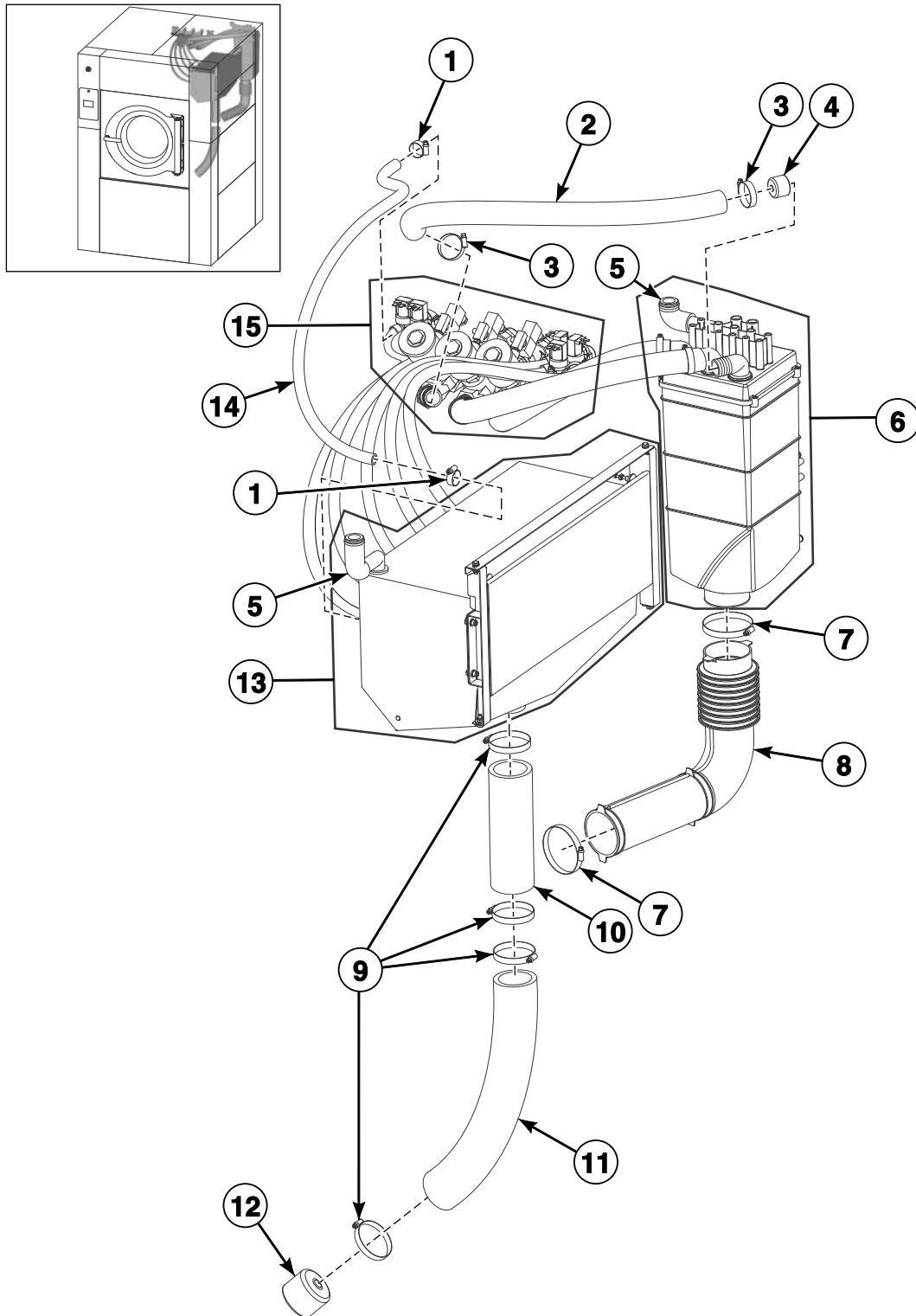


CZW16P_D2016

Door Lock

REF	PART NO.	DESCRIPTION	COMMENTS
	564518	Door Lock Wiring	Used with item 1
	SP557808	Door Lock Wiring	Used with SP560720 Door Lock
	574409	Door Lock Wiring	MC10
1	560720	Door Lock	Includes items 2-39
2	SP309933240822	Bolt	M8x22
3	SP311127240008	Washer	8
4	SP311125240008	Washer	8
5	SP511241	Element	
6	SP310934000003	Nut	M3
7	SPF02117001314	Rising Section	
8	SP311125000003	Washer	M3-3.2/7/0.5
9	SP309084240312	Bolt	M3x12
10	SP518556	Bolt	
11	SP309084000310	Bolt	M3x10
12	SP309595240612	Bolt	M6x12
13	SP309084000306	Bolt	M3x6
14	SP309084100408	Bolt	M4x8
15	SP311127000004	Washer	4
16	SP311125100004	Washer	4
17	SPPRI551000001	Earthing Index Plate	10
18	SP101154	Isolation Plate	
19	SPF02117002114	Microswitch	
20	SPF02117001814	Coil Modification	
21	SP309084000320	Bolt	M3x20
22	SP533710	Gate	
23	SP555746	Washer	
24	SP309084000316	Bolt	M3x16
25	SP309798500314	Bolt	M3x14
26	SP310934000006	Nut	M6
27	SP533712	Tube	
28	SP311125100006	Washer	6
29	SPF02117001714	Ring	
30	568816	Link	
31	SPF02117002614	Coil Holder	
32	SPPRI611000007	Spring	
33	SPF02117002224	Microswitch	
34	SPF02117001424	Column	
35	SP518680	Tube	
36	SPF02117002514	Pin	
37	SP315002015014	Spring	
38	SPF02117001214	Cam	
39	SPF02117002414	Washer	

Filling System

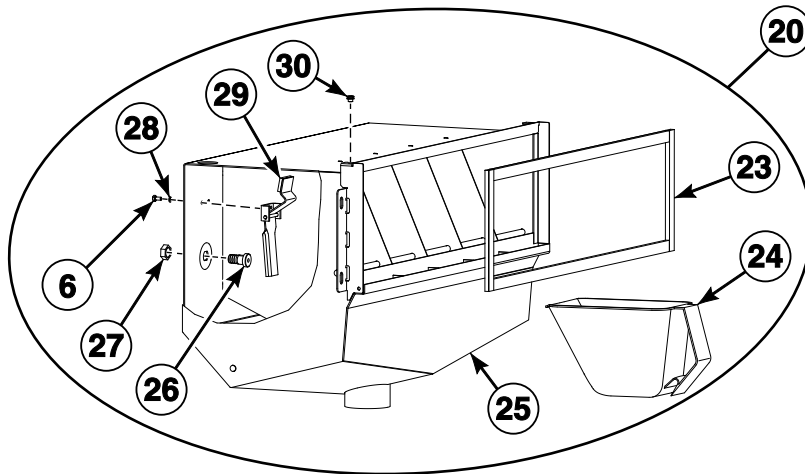
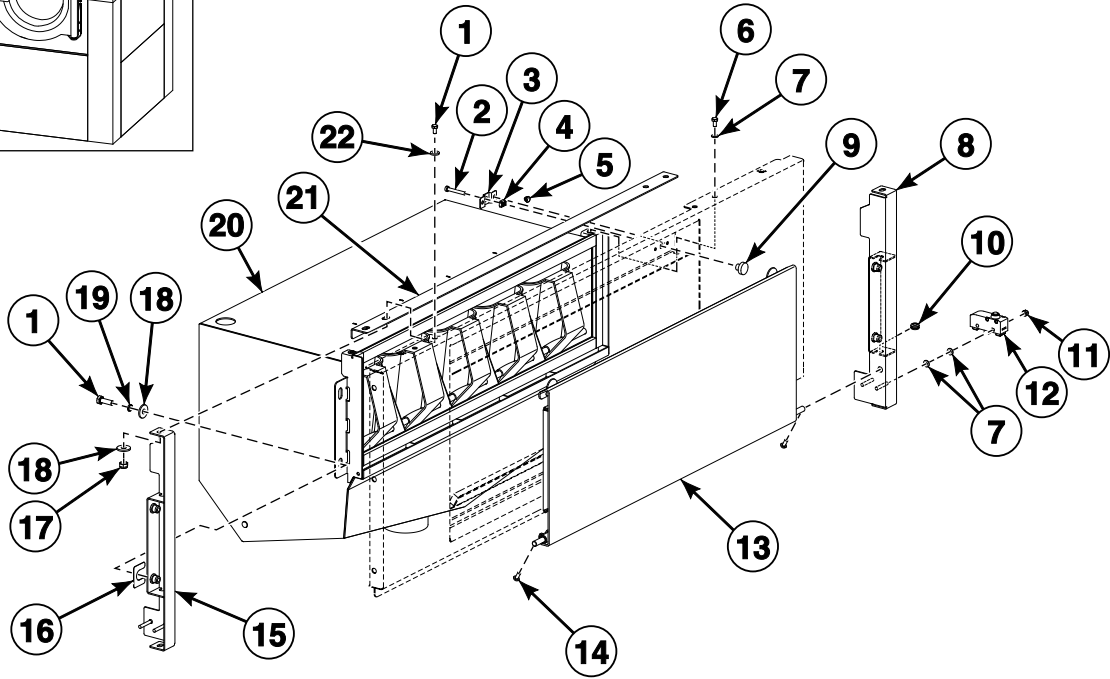
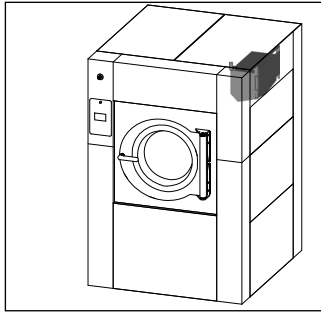


CFD3315P_D2016

Filling System

REF	PART NO.	DESCRIPTION	COMMENTS
	557999	Inlet - Outlet Valve Wiring	
1	SPPRI240000002	Hose Clamp	
2	SP273238003242	Hose	
3	SPPRI240000008	Hose Clamp	
4	562854	Hose Plug	
5	SPPRI504000069	Elbow	
6	562753	Mixer	
7	SPPRI240000007	Hose Clamp	
8	562824	Elbow	
9	SPPRI240000021	Hose Clamp	
10	SPF02109001213	Hose	Soap hopper
11	F02104001213	Hose	Soap hopper
12	567053	Plug	Without soap hopper
13	561660	Soap Hopper Assembly	Refer to <i>Soap Hopper</i> page
	564554	Soap Hopper Box Cable	
14	SPPRI540000014	Hose	
15	562784	3 Inlet Valve Assembly	Electromagnetic; With soap hopper
	562862	3 Inlet Valve Assembly	Electromagnetic; Without soap hopper
	562847	3 Inlet Valve Assembly	Pneumatic; With soap hopper
	562863	3 Inlet Valve Assembly	Pneumatic; Without soap hopper

Soap Hopper

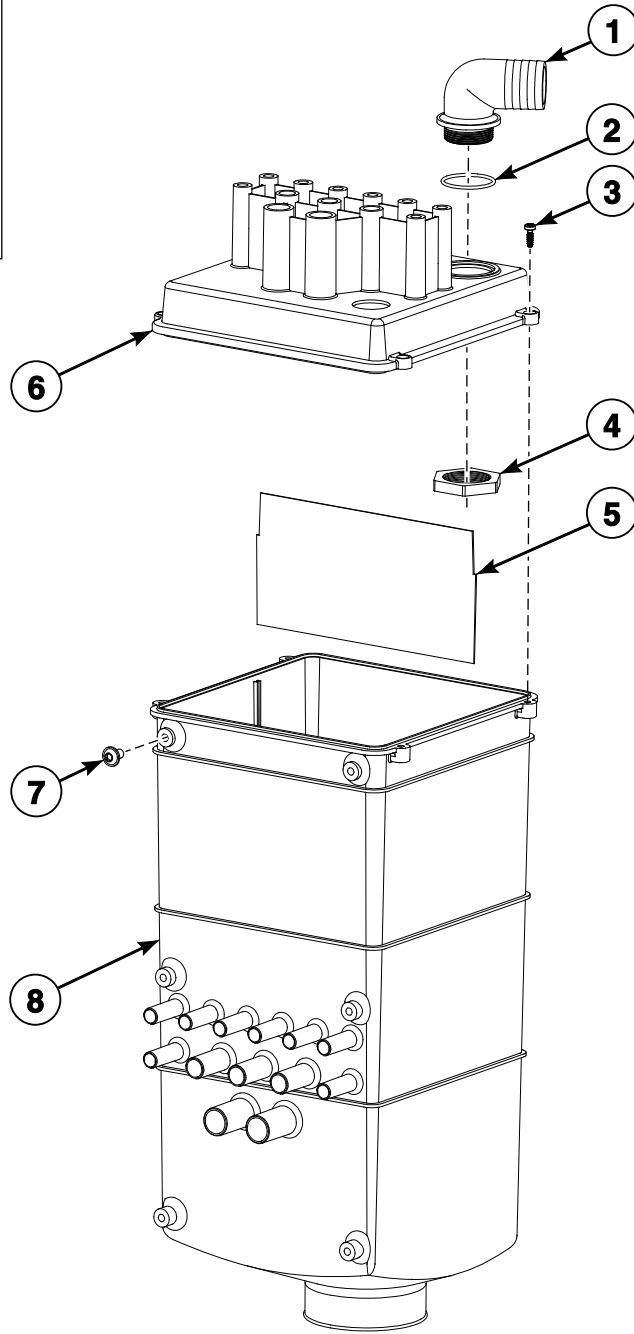
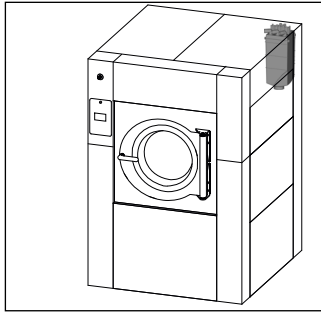


CFD3310P_D2016

Soap Hopper

REF	PART NO.	DESCRIPTION	COMMENTS
	SP245704003021	Adhesive	Loctite 243
	561660	Soap Hopper Assembly	
1	SP309933240618	Bolt	M6x18
2	SP506011	Bolt	M4x25
3	564265	Cage Nut Lock	
4	564204	Nut	M4
5	505479	Rivet	4x8
6	SP309933240408	Bolt	M4x8
7	SP311125240004	Washer	4
8	564173	Reinforcement	Right
9	564203	Magnetic Bracket	
10	SP273121005052	Cable Passage	5.5x2
11	SP514193	Nut	M4
12	564511	Microswitch	
13	561664	Soap Hopper Door	
14	SP515075	Bolt	M4x10
15	564172	Reinforcement	Left
16	564171	Distance Washer	Small
17	SP310985000006	Nut	M6
18	SP311902100006	Washer	6
19	SP311127240006	Washer	6
20	561659	Soap Hopper	
21	564104	Bar	
22	SP311125240006	Washer	6
23	564202	Seal	1.4m
24	SP321848223000	Vessel	
25	561658	Soap Hopper	
26	570375	Nozzle	
27	570374	Nut	
28	SP311127240004	Washer	4
29	SP235110200014	Soap Hopper Level	
30	SP313251002104	Nut	M4

Mixer

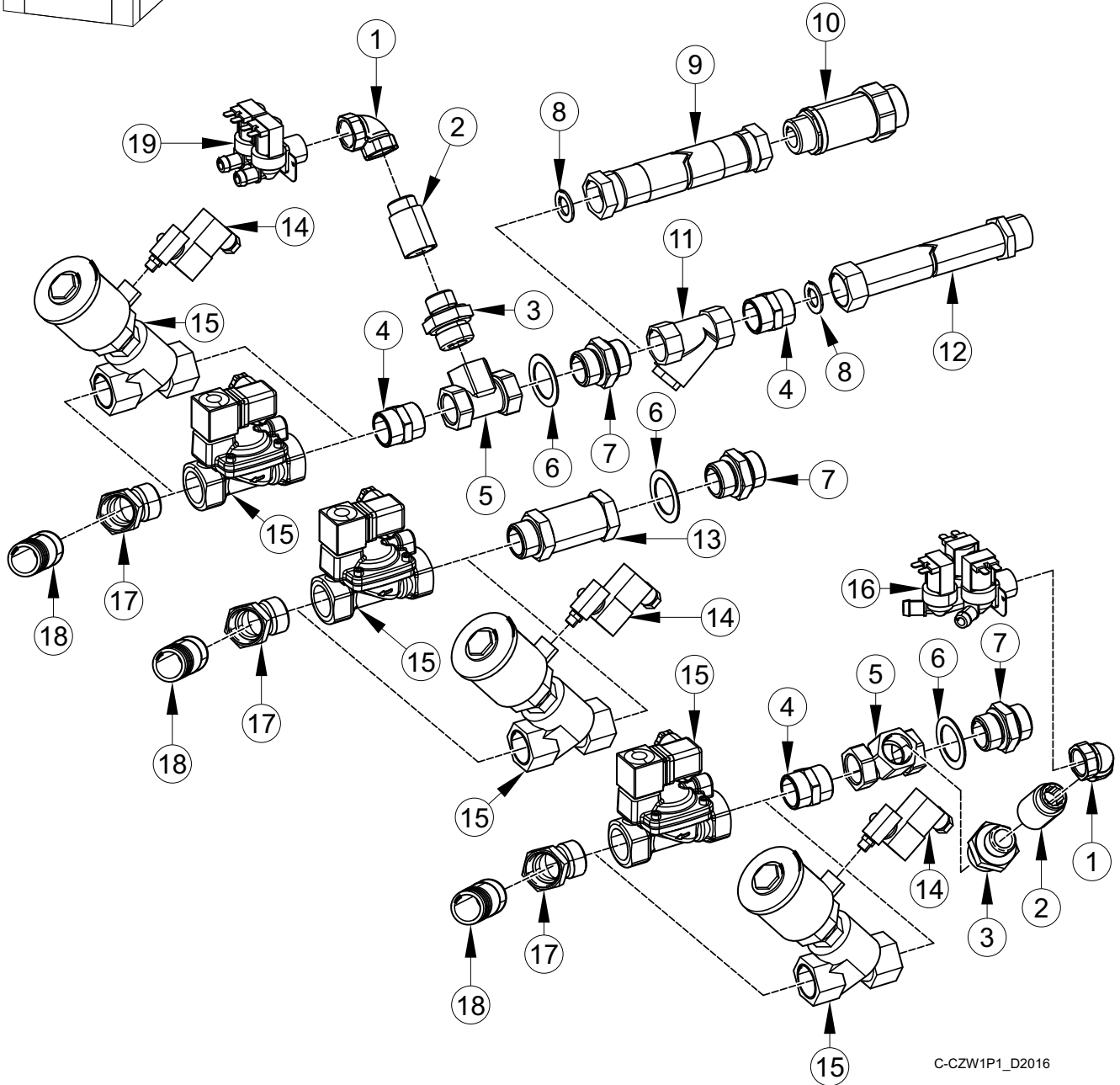
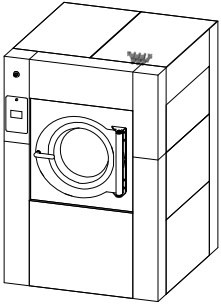


CFD3311P_D2016

Mixer

REF	PART NO.	DESCRIPTION	COMMENTS
	SPPRI704000053	Sealant	
	SP245704000050	Adhesive	Loctite 5331; Used with item 4
1	562754	Inlet Elbow	
2	562776	O-Ring	32x2
3	SP526497	Screw	M4x12
4	SP101419	Nut	M32
5	562779	Mixer Shield	
6	562807	Mixer Lid	
7	567062	Bolt	M6x10
8	562752	Mixer Outside	

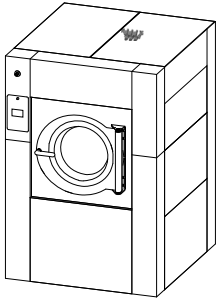
Three Filling Valves With Soap Hopper



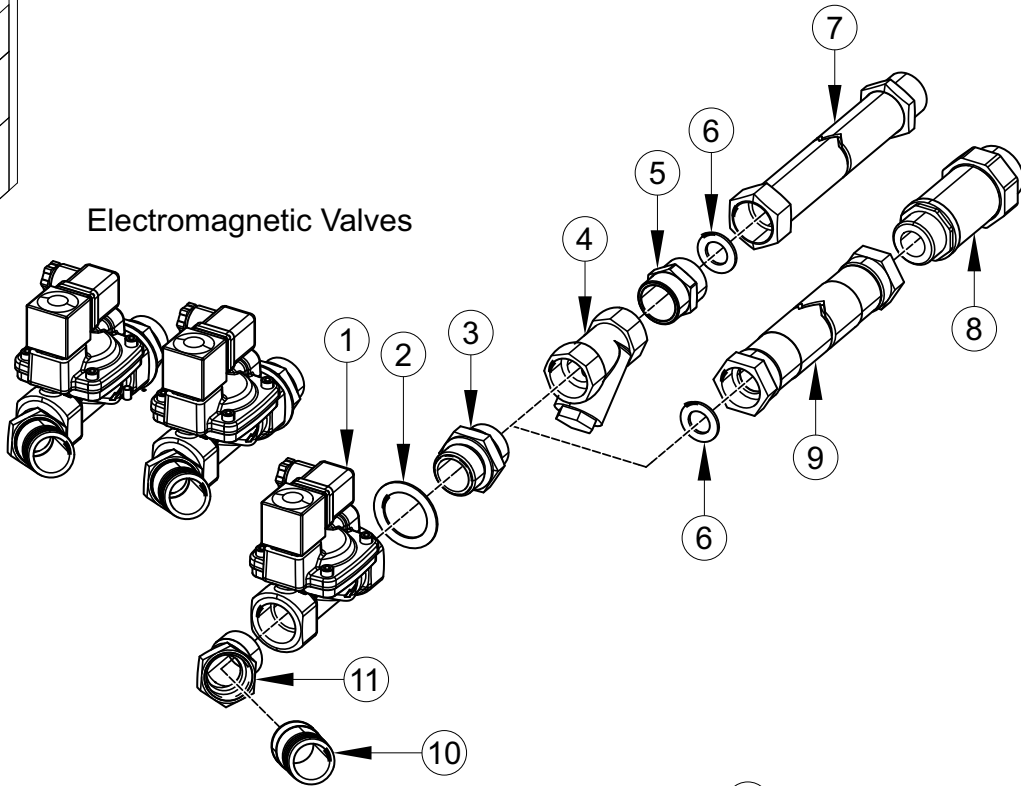
Three Filling Valves With Soap Hopper

REF	PART NO.	DESCRIPTION	COMMENTS
	562784	3 Inlet Valve Assembly	Electromagnetic
	562847	3 Inlet Valve Assembly	Pneumatic
	245704000577	Adhesive	Loctite 577
	SP510971	Adhesive	Loctite 55
1	SPPRI426002072	Elbow	3/4 inch
2	SPPRI426003217	Extension	3/4 inch x 40 ; through Serial No. 350FX000282MY, 450FX000338MY, 600FX000556MW
3	SP235134601314	Reducing Insert	
4	SPPRI426001220	Pipe Nipple	1 inch
5	SPPRI426002112	Branch T	1 inch
6	SPF02111001214	Washer	
7	SP235134600414	Pipe Nipple	
8	SP506708	Seal	
9	F200193	Water Hose	Water approval for Australia
10	567179	Check Valve	1 inch; Water approval for Australia
11	SP405054057008	Filter	CE
12	SPPRI505003055	Inlet Hose	CE; l=1m
13	SPF02111001114	Extension	
14	SP510809	Valve	G 1/8 inch; Pneumatic
15	SP567065	Valve	G 1 inch; Electromagnetic; Includes 567066 Coil
	567066	Coil	Electromagnetic
	SP510808	Valve	G 1 inch; Pneumatic
16	SP101345	3-Way Inlet Valve	3/4 inch
17	SP559327	Elbow	45 degree; 1 inch
18	SP235134601115	Insert Tube	
19	SP101344	2-Way Inlet Valve	3/4 inch

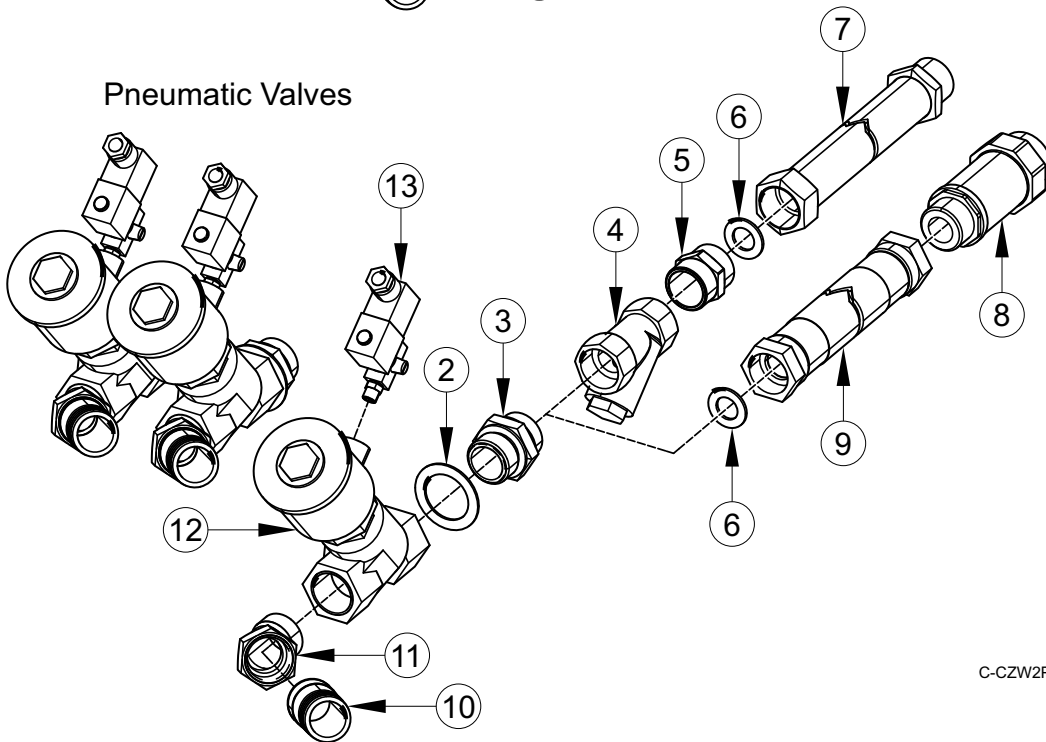
Three Filling Valves Without Soap Hopper



Electromagnetic Valves



Pneumatic Valves

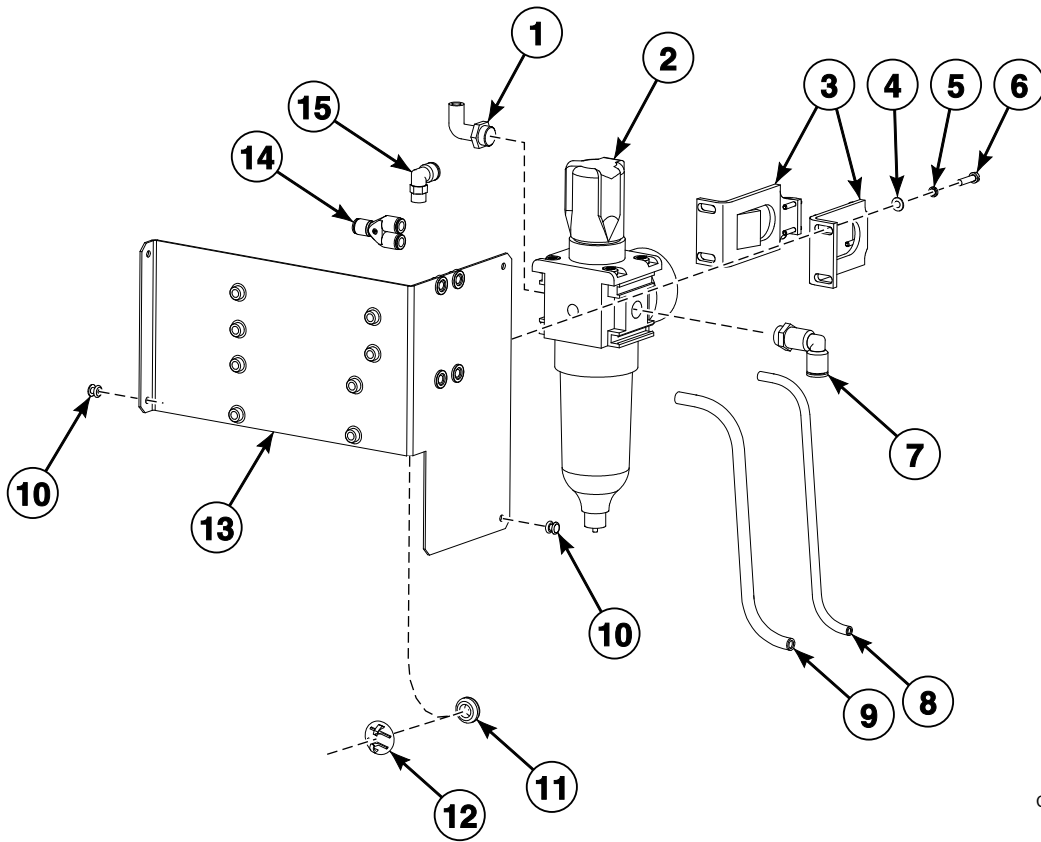
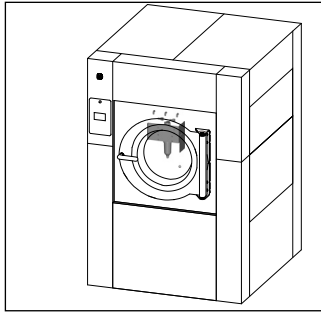


C-CZW2P1_D2016

Three Filling Valves Without Soap Hopper

REF	PART NO.	DESCRIPTION	COMMENTS
	562862	3 Inlet Valve Assembly	Electromagnetic
	562863	3 Inlet Valve Assembly	Pneumatic
	245704000577	Adhesive	Loctite 577
	SP510971	Adhesive	Loctite 55
1	SP567065	Valve	G 1 inch; Electromagnetic; Includes 567066 Coil
	567066	Coil	Electromagnetic
2	SPF02111001214	Washer	
3	SP235134600414	Pipe Nipple	
4	SP405054057008	Filter	CE
5	SPPRI426001220	Pipe Nipple	1 inch; CE
6	SP506708	Seal	
7	SPPRI505003055	Inlet Hose	CE; l=1m
8	567179	Check Valve	1 inch; Water Approval for Australia
9	F200193	Water Hose	Water Approval for Australia; l=1.5m
10	SP235134601115	Insert Tube	
11	SP559327	Elbow	45 degree; 1 inch
12	SP510808	Valve	G 1 inch; Pneumatic
13	SP510809	Valve	G 1/8 inch; Pneumatic

Pneumatic System Without Tilting System Models Through Serial No. 450FX000030KF and 600FX000019KB



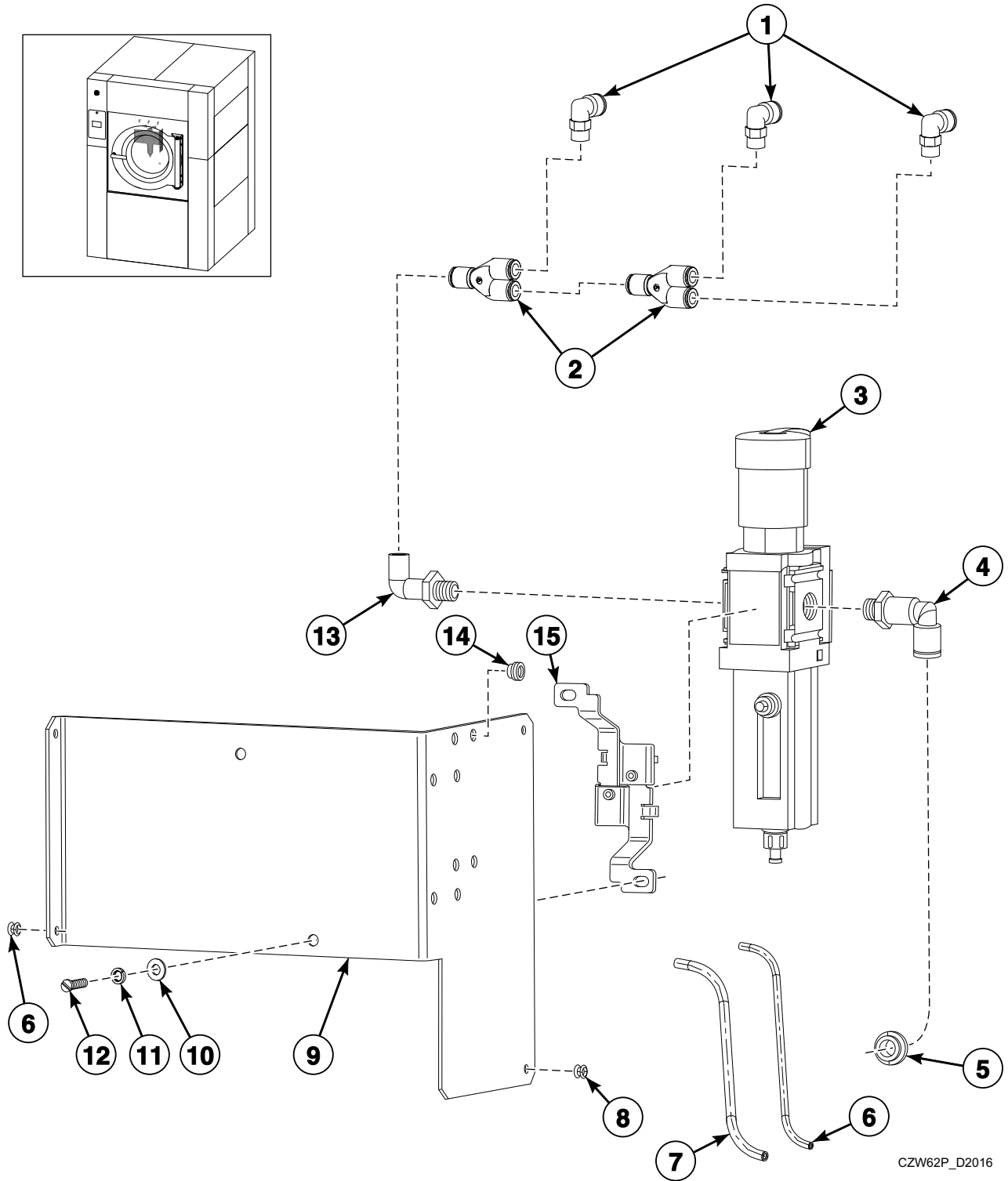
CFD3312P_D2016

Pneumatic System Without Tilting System Models Through Serial No. 450FX000030KF and 600FX000019KB

REF	PART NO.	DESCRIPTION	COMMENTS
1	SP503883	Pipe Nipple	L6; 1/4 inch
2	SP347600100112	Filter Pressure Regulator	1/4 inch
3	SP405113111112	Pressure Regulator Grip	
4	SP311125000004	Washer	M4-4.3/9/0.8
5	SP311127000004	Washer	4
6	SP309084000416	Bolt	M4x16
7	SP319428330800	Pipe Nipple	L8; G 1/4 inch
8	SP319300006001	Hose	6x1
9	SP319300008125	Hose	8x1.25
10	SP505479	Rivet	4x8
11	SP273121009002	Cable Passage	9x2
12	SP505472	Plug	Without pneumatic system
13	562801	Pneumatic Assembly Holder	
14	SP405113000006	Coupling	Y6
15	SP319428330060	Pipe Nipple	L6; G 1/8 inch

Pneumatic System Without Tilting System

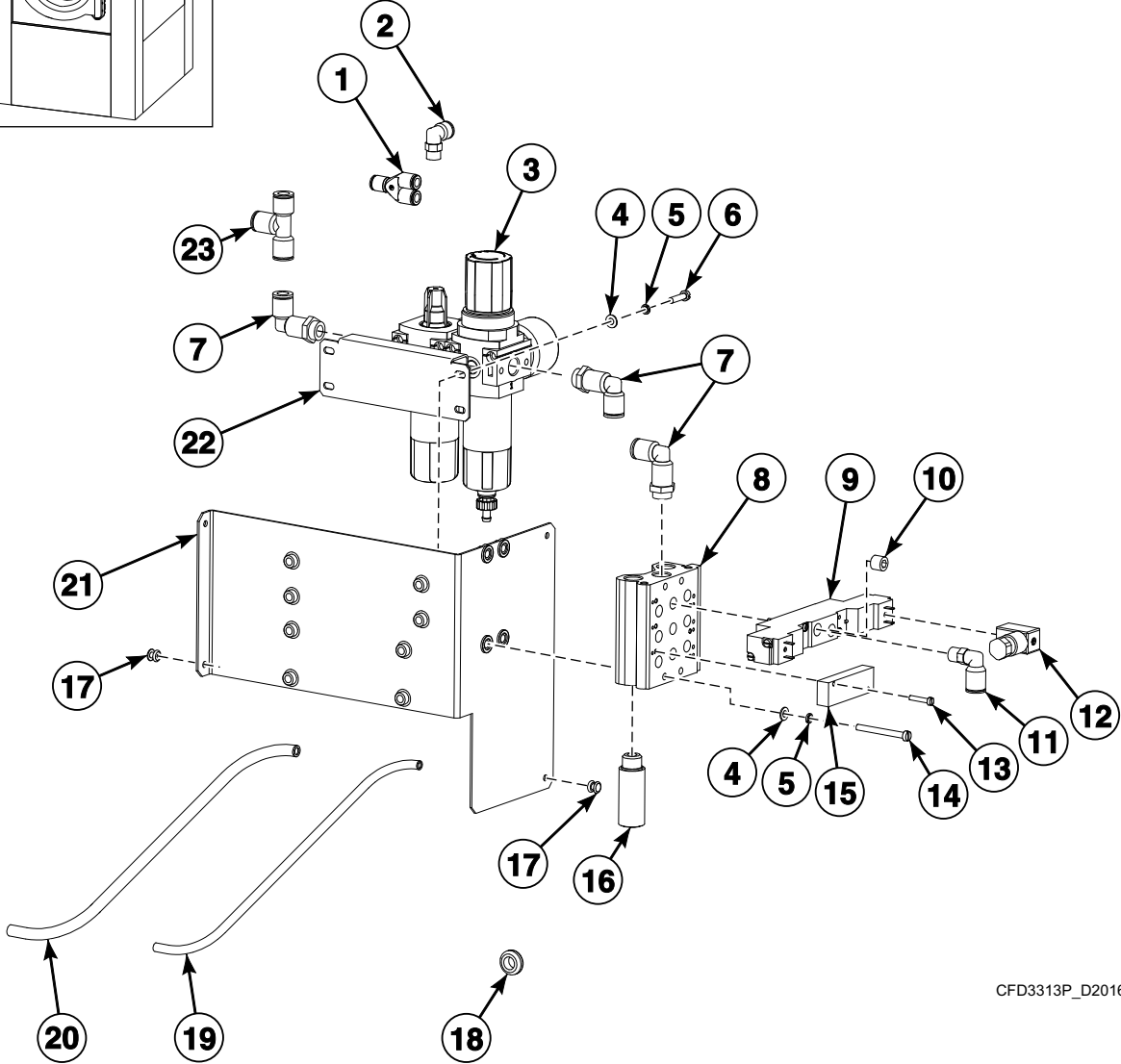
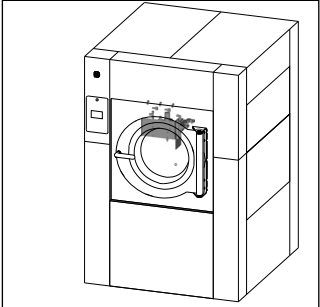
Models Starting Serial No. 350FX000001FS, 450FX000031KF and 600FX0000KB



**Pneumatic System Without Tilting System
Models Starting Serial No. 350FX000001FS, 450FX000031KF and
600FX0000KB**

REF	PART NO.	DESCRIPTION	COMMENTS
	SP505472	Plug	Without pneumatic system
1	SP319428330060	Pipe Nipple	L6; G 1/8 inch
2	SP405113000006	Coupling	Y6
3	570801	Filter Pressure Regulator	Includes filter
4	SP319428330800	Pipe Nipple	L8; G 1/4 inch
5	SP273121009002	Cable Passage	9x2
6	SP319300006001	Hose	6x1
7	SP319300008125	Hose	8x1.25
8	SP505479	Rivet	4x8
9	562801	Pneumatic Assembly Holder	Includes item 14
10	SP311125000004	Washer	M4-4.3/9/0.8
11	SP311127000004	Washer	4
12	SP309084000416	Bolt	M4x16
13	SP503883	Pipe Nipple	L6; 1/4 inch
14	SP313251002104	Nut	M4
15	570804	Pressure Regulator Grip	

Pneumatic System With Tilting System - 450 and 600 Models Through Serial No. 450FX000030KF and 600FX000019KB

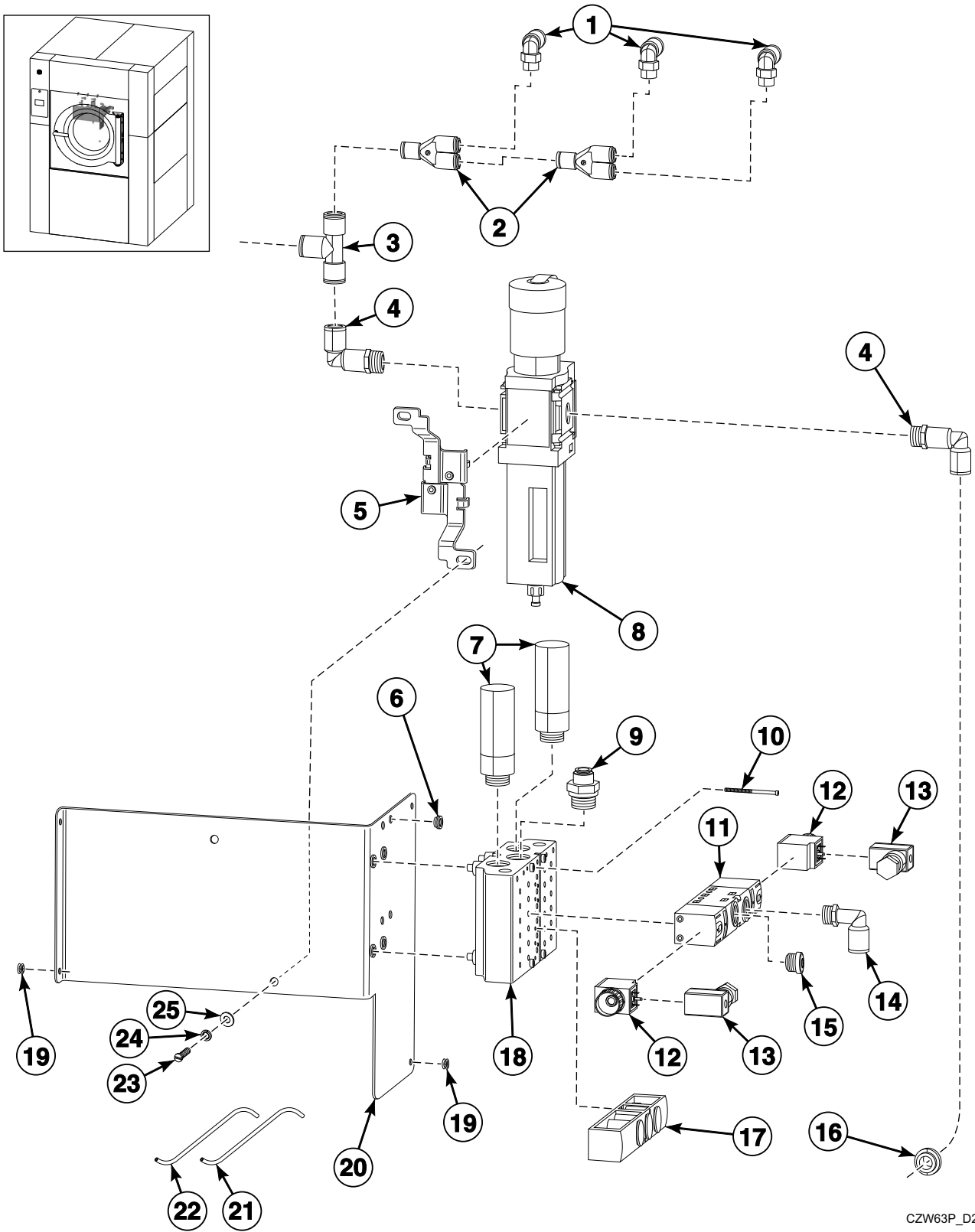


CFD3313P_D2016

Pneumatic System With Tilting System - 450 and 600 Models Through Serial No. 450FX000030KF and 600FX000019KB

REF	PART NO.	DESCRIPTION	COMMENTS
1	SP405113000006	Coupling	Y6
2	SP319428330060	Pipe Nipple	L6; G 1/8 inch
3	SP548958	Filter, Regulator and Lubricator	G 1/4 inch
4	SP311125000004	Washer	M4-4.3/9/0.8
5	SP311127000004	Washer	4
6	SP309084000416	Bolt	M4x16
7	SP319428330800	Pipe Nipple	L8;G 1/4 inch
8	SP536506	Connecting Block	
9	SP548061	Electromagnetic Valve	MEBH-5/3G; 1/8 inch-P-B-230AC; Includes SP536505 Electromagnetic Coil
10	SP510898	Plug	G 1/8 inch
11	SP319428330080	Pipe Nipple	L8; G 1/8 inch
12	SP536505	Valve Connector	
13	SP309084000316	Bolt	M3x16
14	SP512134	Bolt	M4x40
15	SP536508	Topper	
16	SP326346000407	Sound Damper	G 1/4 inch
17	SP505479	Rivet	4x8
18	SP273121009002	Cable Passage	9x2
19	SP319300006001	Hose	6x1
20	SP319300008125	Hose	8x1.25
21	562801	Pneumatic Assembly Holder	
22	SP548952	Regulator Holder	
23	561632	Pipe Nipple	T-part 8-6

Pneumatic System With Tilting System - 450 and 600 Models Starting Serial No. 450FX000031KF and 600FX000020KB

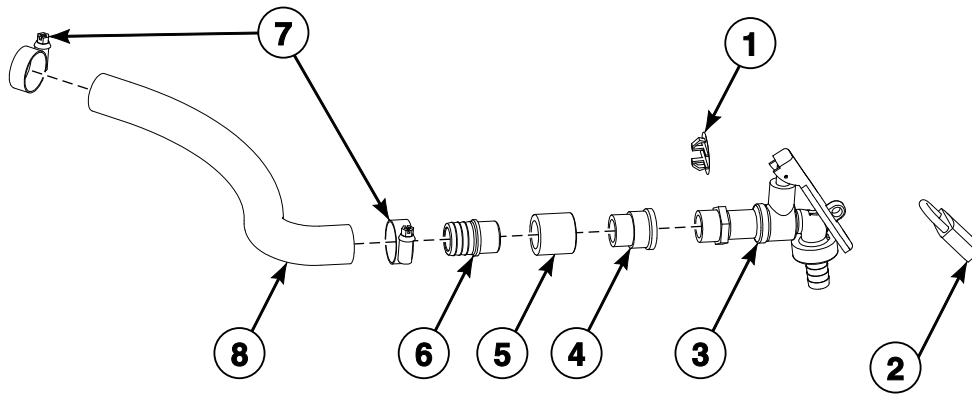
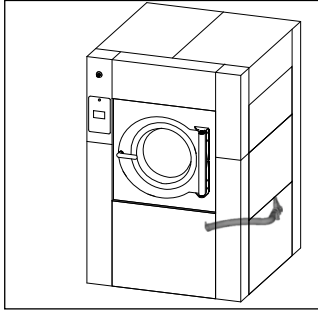


CZW63P_D2016

Pneumatic System With Tilting System - 450 and 600 Models Starting Serial No. 450FX000031KF and 600FX000020KB

REF	PART NO.	DESCRIPTION	COMMENTS
	283296215119	Tape	
1	SP319428330060	Pipe Nipple	L6; G 1/8 inch
2	SP405113000006	Coupling	Y6
3	561632	Pipe Nipple	T-part 8-6
4	SP319428330800	Pipe Nipple	L8;G 1/4 inch
5	570804	Pressure Regulator Grip	
6	SP313251002104	Nut	M4
7	570823	Sound Damper	G 3/8 inch
8	570801	Filter Pressure Regulator	Includes filter
9	570822	Fitting Adapter	QS-G3/8-8 inch
10	570821	Bolt	M4x50
11	570815	Electromagnetic Valve	VUVS-L20-P53C-MD-G18-F7; Includes SP536505 Electromagnetic Coil
12	570808	Electromagnetic Coil	
13	SP536505	Valve Connector	
14	SP319428330080	Pipe Nipple	L8; G 1/8 inch
15	566599	Bolt	
16	SP273121009002	Cable Passage	9x2
17	570811	Blanking Plate	
18	570810	Connecting Block	
19	SP505479	Rivet	4x8
20	562801	Pneumatic Assembly Holder	
21	SP319300006001	Hose	6x1
22	SP319300008125	Hose	8x1.25
23	SP309084000416	Bolt	M4x16
24	SP311127000004	Washer	4
25	SP311125000004	Washer	M4-4.3/9/0.8

Wash Bath Sample

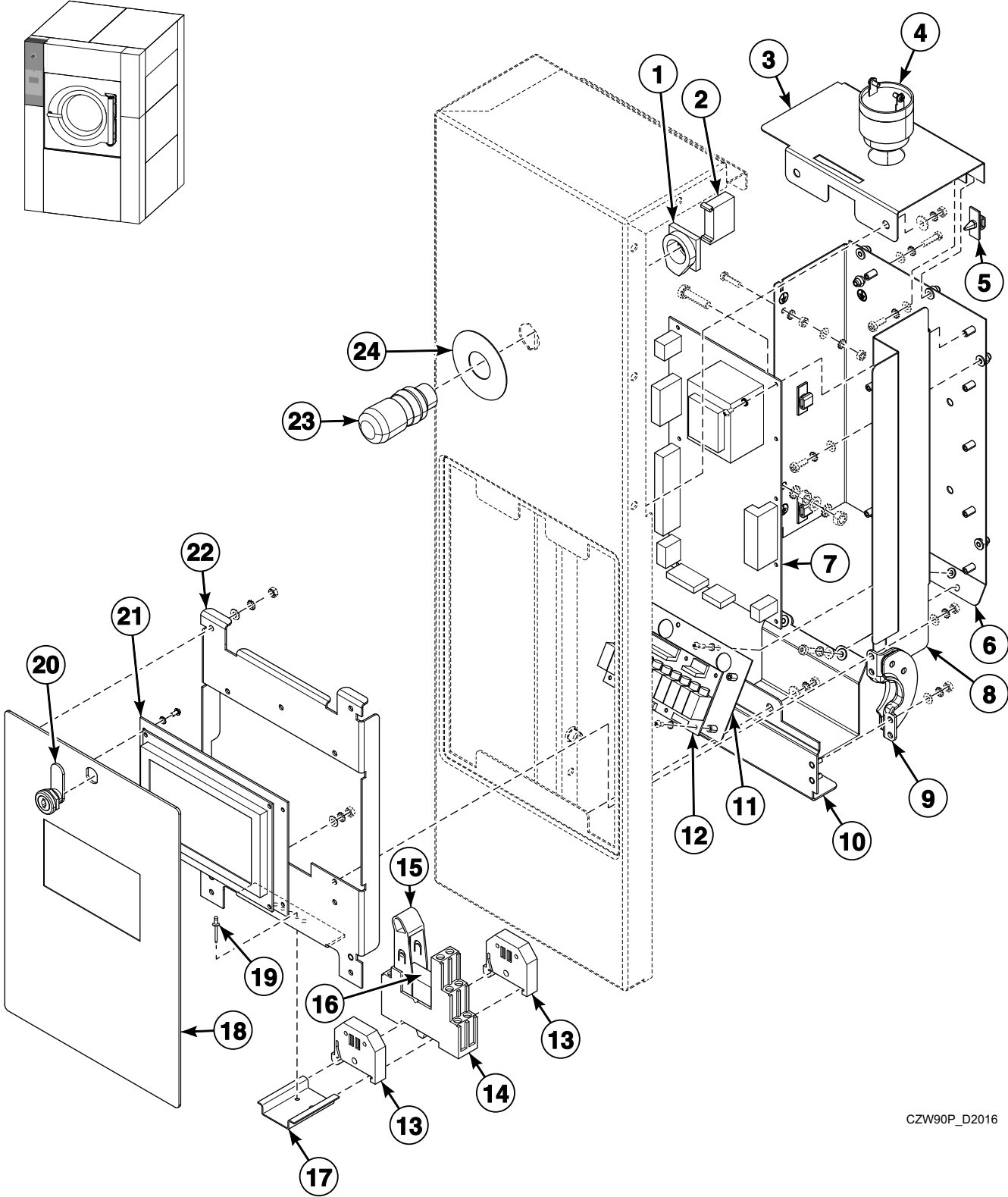


CFD3309P_D2016

Wash Bath Sample

REF	PART NO.	DESCRIPTION	COMMENTS
	562841	Wash Bath Sample Assembly	Includes items 1-8
	245704000577	Adhesive	Loctite 577
1	SP345900032132	Plug	Without wash bath sample
2	SP523167	Padlock	
3	SP523728	Valve	1/2 inch; Lockable
4	SP319413102015	Extension Tube	1/2 inch
5	SP536630	Screw	1/2 inch
6	SP531226	Threaded Joint	
7	SPPRI240000003	Hose Clamp	20-32
8	562842	Hose	

Control Panel (Drawing 1 of 2)

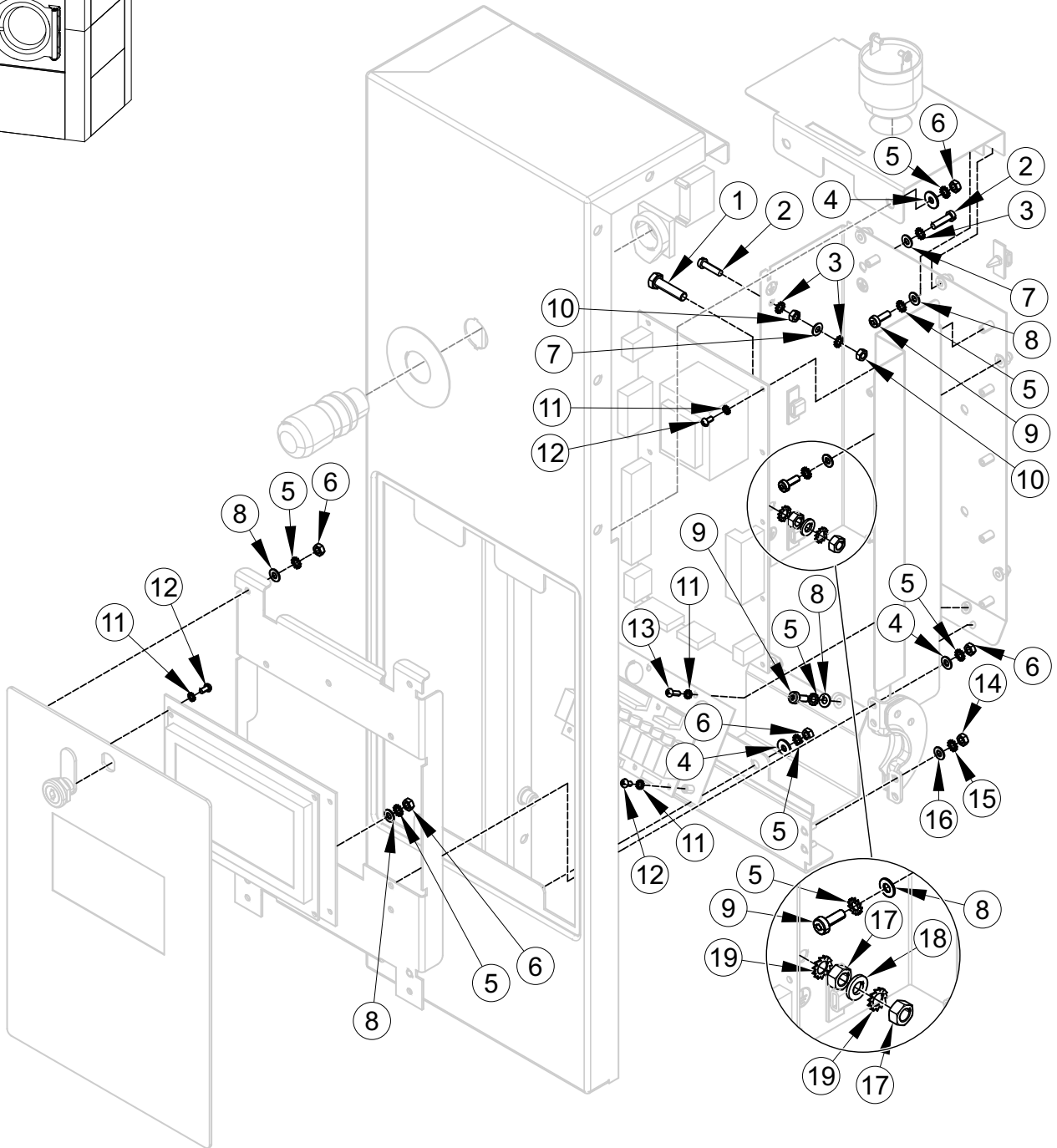
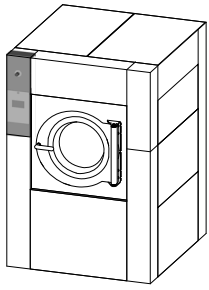


CZW90P_D2016

Control Panel (Drawing 1 of 2)

REF	PART NO.	DESCRIPTION	COMMENTS
	F8600501	Programming Cable	
	SP547062	Relay Extension Board Cable	100, 132, 450 and 600 models; Used with tilting system; Used with end of cycle light and buzzer
	SP284000012003	Tape	Self-adhesive
1	SP528311	Emergency Stop Connector	
2	SP528312	Switching Unit	
3	567816	Top Holder	
4	SP516844	Buzzer	
5	SP528313	Cable Holder	
6	567810	Programmer Holder	
7	SP553405	Control Board Power	MC7; Power part
8	567893	Programmer Cover	
9	567931	Hinge	
10	566786	Lower Holder	
11	567812	Console of Relay Extension Board	100, 132, 450 and 600 models; Used with tilting system; Used with end of cycle light and buzzer
12	SP547003	Relay Extension Board	100, 132, 450 and 600 models; Used with tilting system; Used with end of cycle light and buzzer
13	SP346000209101	End Stop	Used with tilting system
14	SP506586	Relay Case	Used with tilting system
15	SP514135	Relay Clamp	Used with tilting system
16	SP514134	Relay	Used with tilting system
17	566792	Support Rail	Used with tilting system
18	566864	Keyboard	AF and NY models
	566863	Keyboard	FX and PY models
	566868	Keyboard	HY models
	566865	Keyboard	IY and JLA models
	566867	Keyboard	SY models
	566866	Keyboard	UY models
19	SP313250032079	Rivet	Used with tilting system
20	567818	Lock	
21	SP553411	Control Board	AF, FX, HY, JLA, NY and PY models; MC7; Processor part
	SP553419	Control Board	IY models; MC7; Processor part
	SP553412	Control Board	SY and UY models; MC7; Processor part
22	566861	Reinforcement of Keyboard	
23	SP528310	Emergency Stop Knob	
24	SPPRI551005248	Emergency Stop Label	Yellow

Control Panel (Drawing 2 of 2)



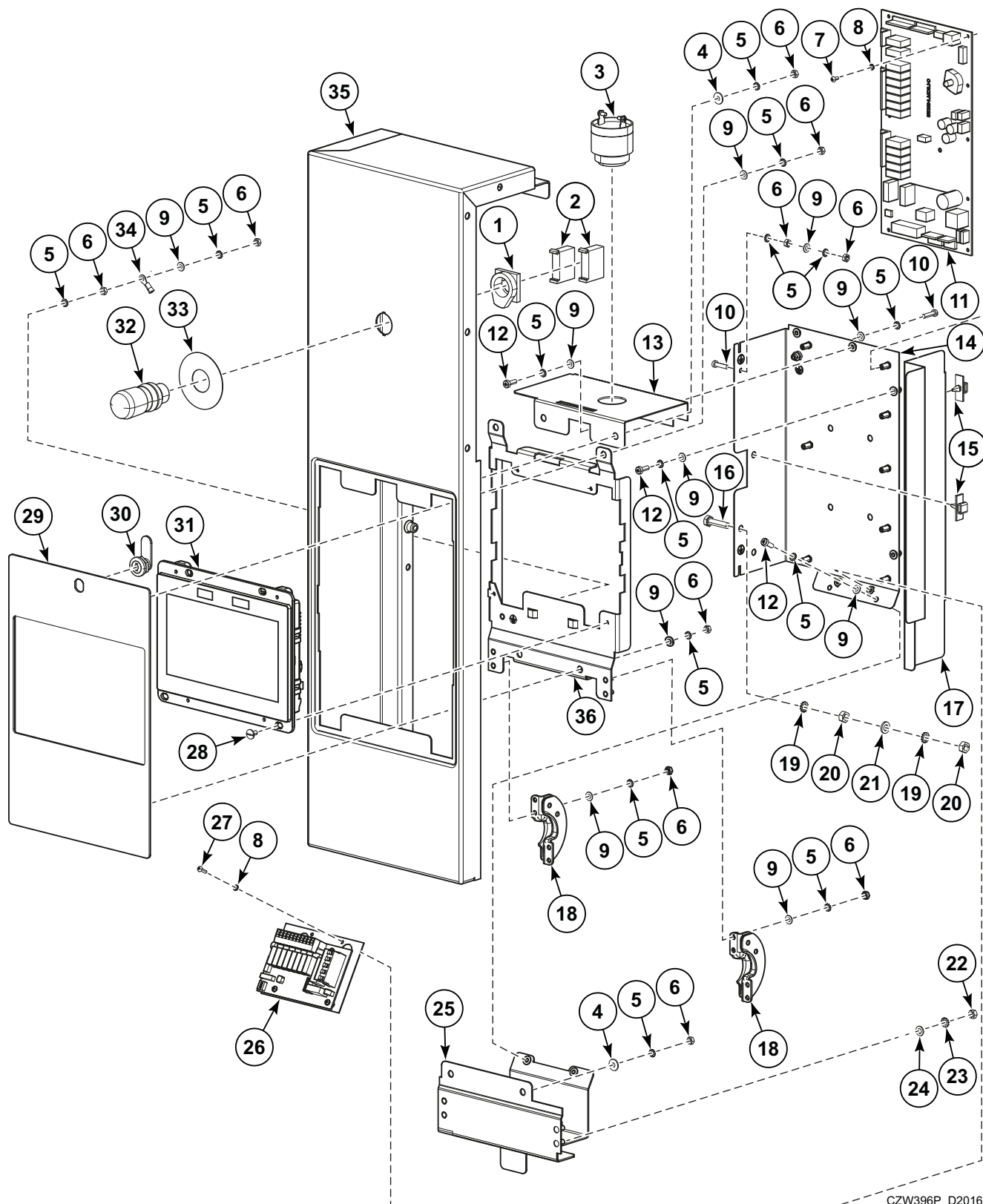
C-CZW8P1_D2016

Control Panel (Drawing 2 of 2)

REF	PART NO.	DESCRIPTION	COMMENTS
1	SP309933100625	Bolt	M6x25
2	SP309084100416	Bolt	M4x16
3	SP311679824004	Washer	4
4	SP311902100004	Washer	4
5	SP311679800004	Washer	4
6	SP310934000004	Nut	M4
7	SP311125000004	Washer	M4-4.3/9/0.8
8	SP555504	Bolt	M4x12
9	SP310934100004	Nut	M4
10	SP311125100004	Washer	4
11	SP311679800003	Washer	3
12	SP309798500306	Bolt	M3x6
13	SP518719	Bolt	M3x10
14	SP310934000005	Nut	M5
15	SP311679800005	Washer	5
16	SP311125000005	Washer	M5-5.3/10/1
17	SP310934100006	Nut	M6
18	SP311125100006	Washer	6
19	SP311679824006	Washer	6

Control Panel

Models with "V" in model numbers 7th position

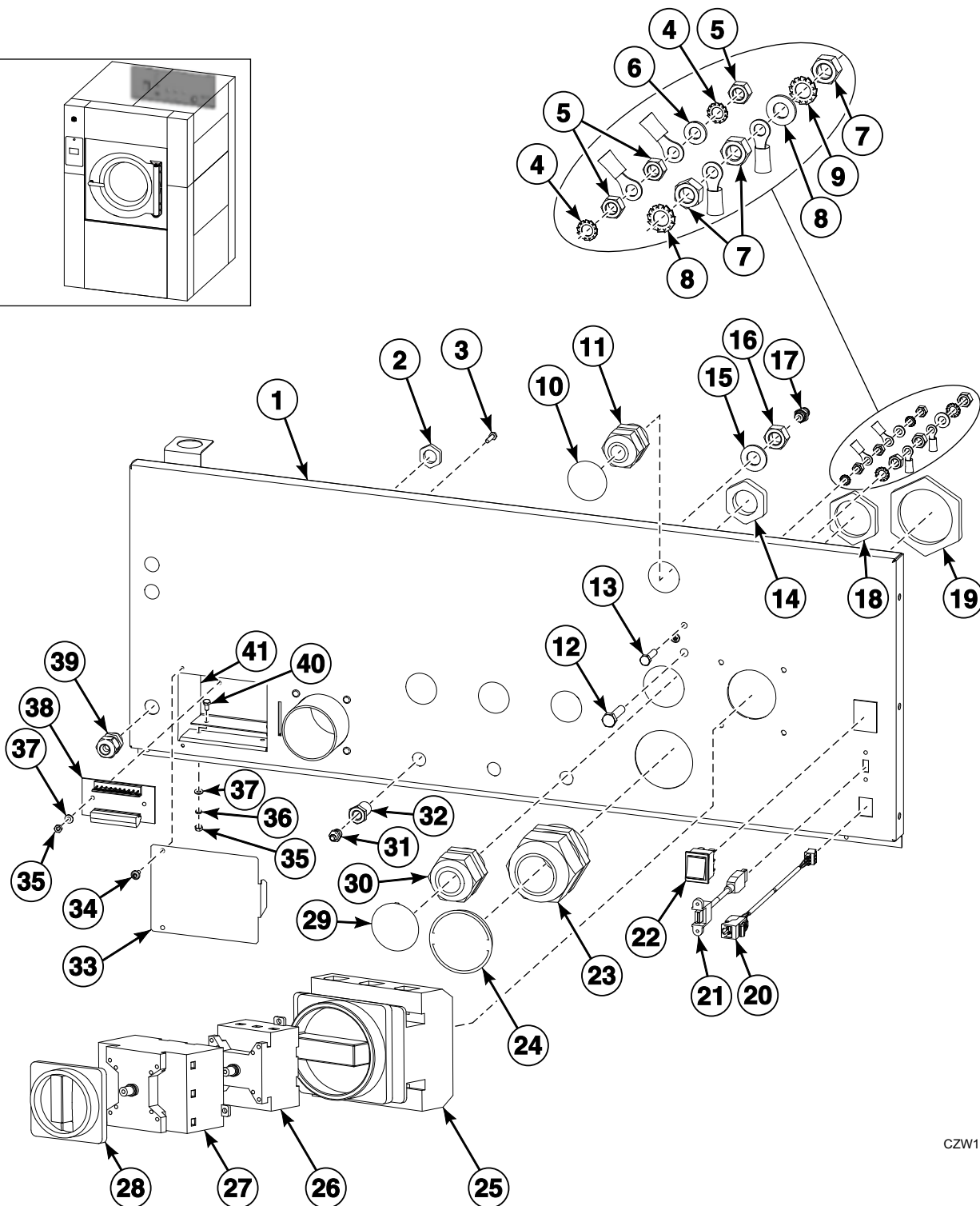
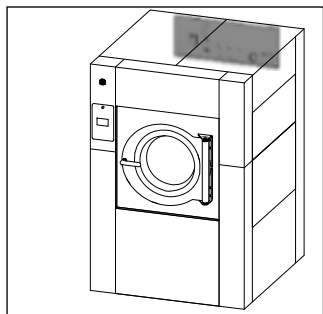


CZW396P_D2016

Control Panel

REF	PART NO.	DESCRIPTION	COMMENTS
1	SP528311	Emergency Stop Connector	
2	SP528312	Switching Unit	
3	SP516844	Buzzer	
4	SP311902100004	Washer	M4
5	SP311679800004	Washer	M4
6	SP310934000004	Nut	M4
7	SP309798500306	Bolt	M3x6
8	SP311679800003	Washer	M3
9	SP311125000004	Washer	M4
10	SP309084100416	Bolt	M4x16
11	553184	Control Board	For machines with tilting and weighing
	575630	Control Board	For machines without tilting and weighing
12	SP555504	Bolt	M4x12
13	567816	Top Holder	
14	567811	Programmer Holder	
15	SP528313	Cable Holder	
16	SP309933100625	Bolt	M6x25
17	567893	Programmer Cover	
18	567931	Hinge	
19	SP311679824006	Washer	M6
20	SP310934100006	Nut	M6
21	SP311125100006	Washer	M6
22	SP310934000005	Nut	M5
23	SP311679800005	Washer	M5
24	SP311125000005	Washer	M5
25	566786	Lower Holder	
26	577187	Plate of Relay	
27	SP518719	Bolt	M3x10
28	309500240408	Bolt	M4x8
29	577180	Cover Plate	Stainless Steel
	577182	Cover Plate	Black
	577183	Cover Plate	Grey
30	567818	Lock	
31	572505	Control	For machines with tilting and weighing
	575632	Control	For machines without tilting and weighing
32	SP528310	Emergency Stop Knob	
33	SPPRI551005248	Emergency Stop Label	
34	SP345000034148	Cable Socket	
35	561489	Leg Extension	

Rear Panel



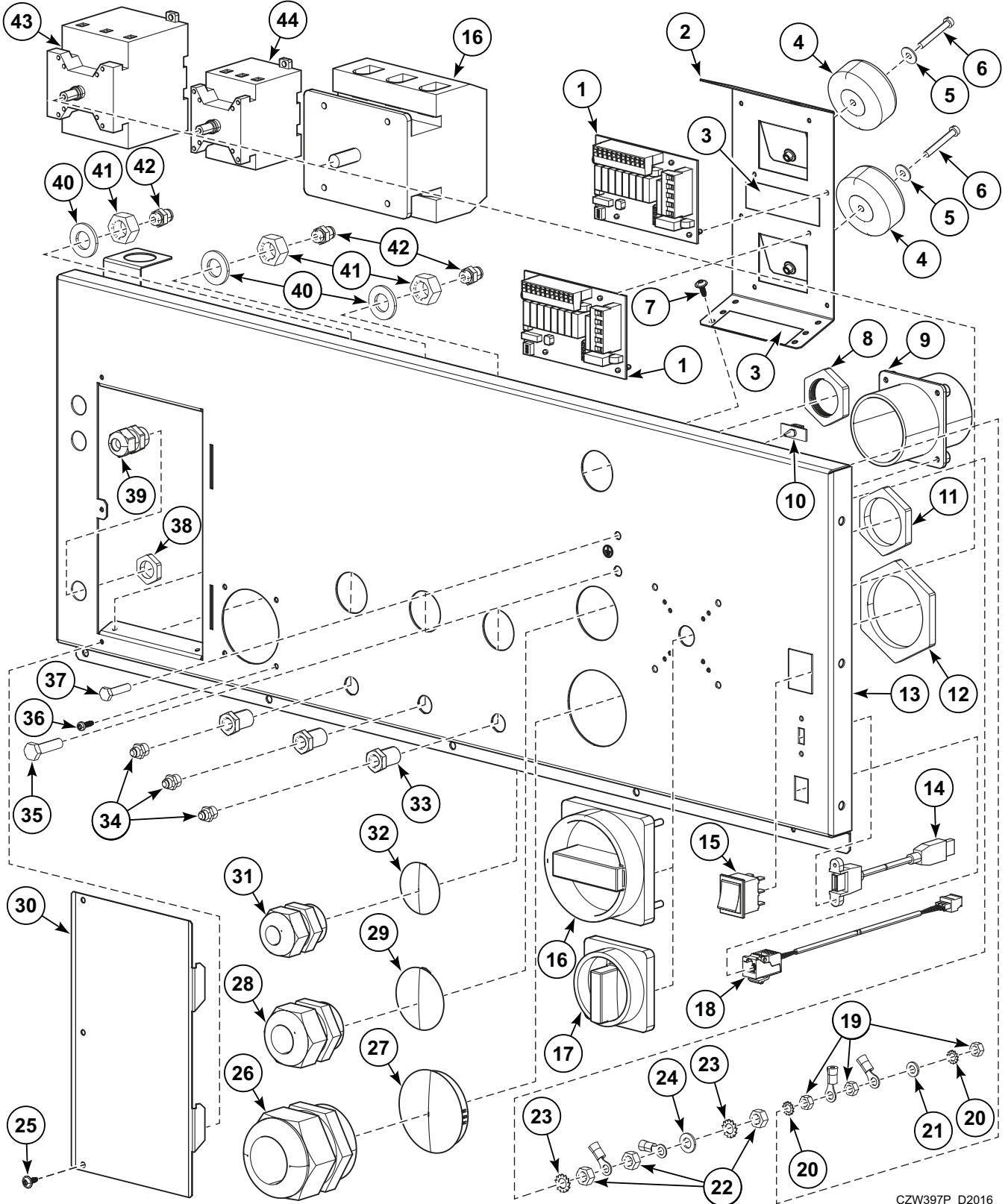
CZW1P_D2016

Rear Panel

REF	PART NO.	DESCRIPTION	COMMENTS
1	561420	Rear Panel Assembly	
2	SP101416	Nut	M16
3	SP309933000416	Bolt	M4x16
4	SP311679824006	Washer	6
5	SP310934100006	Nut	M6
6	SP311125100006	Washer	6
7	SP310934240008	Nut	M8
8	SP311679824008	Washer	8
9	SP311125240008	Washer	8
10	SP345900043132	Plug	For item 11
11	SP101409	Bushing	M32
12	SP309933240830	Bolt	M8x30
13	SP309933100625	Bolt	M6x25
14	SP101419	Nut	M32
15	SP311125000014	Washer	14
16	SP310936000014	Nut	M14
17	SP560729	Fitting	6 - M10x1
18	SP101420	Nut	M40; Used with item 30
19	SP516176	Nut	M63; Used with item 23
20	560725	Cable	RJ485; Includes connectors
21	560721	USB Cable	
22	SPPRI348000097	Switch	
23	SP516175	Cable Bushing	M63
24	SP559343	Plug	
25	SP504589	Main Switch	250A
	SP347700125175	Main Switch	125A
26	SPPRI404000099	Main Switch	63A
	SPPRI404000098	Main Switch	32A
27	SP347700100753	Main Switch	100A
28	SPPRI404000095	Main Switch Knob	
29	SP534913	Plug	
30	SP101410	Cable Bushing	M40
31	SP425111211043	Greasing Head	
32	SP230131300715	Reducing Sleeve	
33	SP547886	Rear Panel Lid	
34	SP529206	Screw	M4x11
35	SP310934000004	Nut	M4
36	SP311127000004	Washer	4
37	SP311125000004	Washer	M4-4.3/9/0.8
38	SP524714	Soap Relay Board	
	571519	Pump Relay Board to LED Terminal Cable	3.8m
39	SP101406	Bushing	M16
40	SP309933240408	Bolt	M4x8
41	SP540123	Liquid Detergent Box	

Rear Panel

Models with "V" in model numbers 7th position

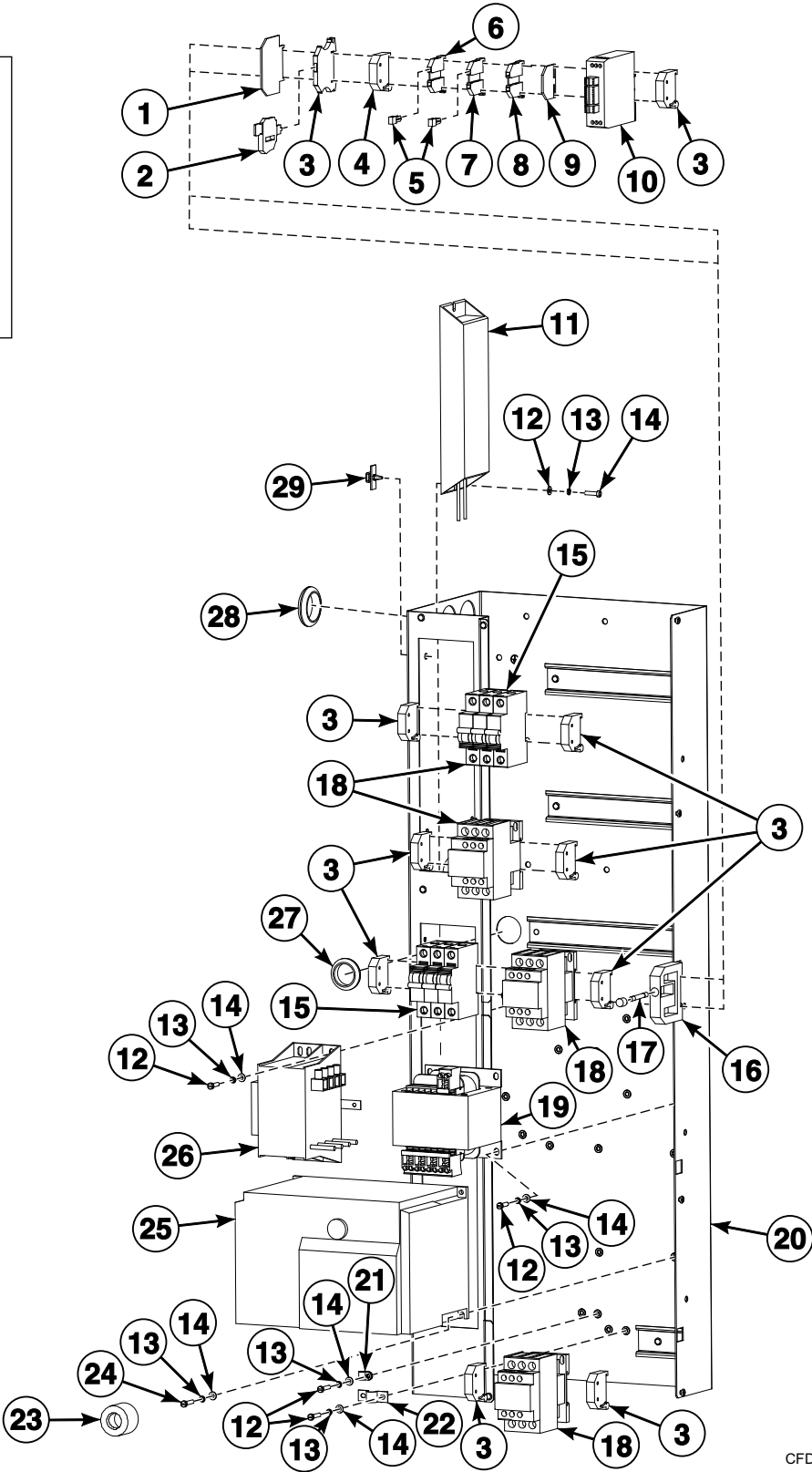
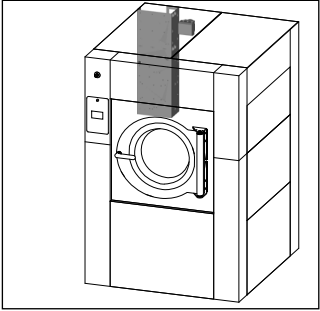


CZW397P_D2016

Rear Panel

REF	PART NO.	DESCRIPTION	COMMENTS
1	553187	Soap Relay Board	
2	577218	Holder	
3	570371	Label	
4	564561	Transformer	
5	SP505430	Washer	
6	SP309084000535	Bolt	M5x35
7	SP529206	Screw	M4x12
8	SP101419	Nut	
9	569462	Ventilation	
10	SP528313	Cable Holder	
11	SP101420	Nut	
12	SP516176	Nut	
13	577214	Rear Panel	
14	SP547006	USB Cable	
15	SPPRI348000097	Switch	
16	SP504589	Main Switch	250A
	SP347700125175	Main Switch	125A
17	SPPRI404000095	Main Switch Knob	
18	SP545234	Cable	
19	SP310934100006	Nut	M6
20	SP311679824006	Washer	6
21	SP311125100006	Washer	6
22	SP345000165034	Cable Eye	
23	SP310934240008	Nut	M8
24	SP311679824008	Washer	8
25	SP311125240008	Washer	8
26	552280	Cable Eye	
27	SP529206	Screw	4x11
28	SP516175	Cable Bushing	
29	SP559343	Plug	
30	SP101410	Cable Bushing	
31	SP534913	Plug	
32	577217	Rear Panel Lid	
33	SP101409	Bushing	
34	SP345900043132	Plug	
35	SP230131300715	Reducing Sleeve	
36	SP425111211043	Greasing Head	
37	SP309933240830	Bolt	M8x30
38	SP526497	Screw	
39	SP309933100625	Bolt	M6x25
40	SP101416	Nut	
41	SP101406	Bushing	
42	SP311125000014	Washer	
43	SP310936000014	Nut	
44	SP560729	Fitting	
45	SP347700100753	Main Switch	100A
46	SPPRI404000099	Main Switch	63A
	SPPRI404000098	Main Switch	32A

Box of Electrical Components

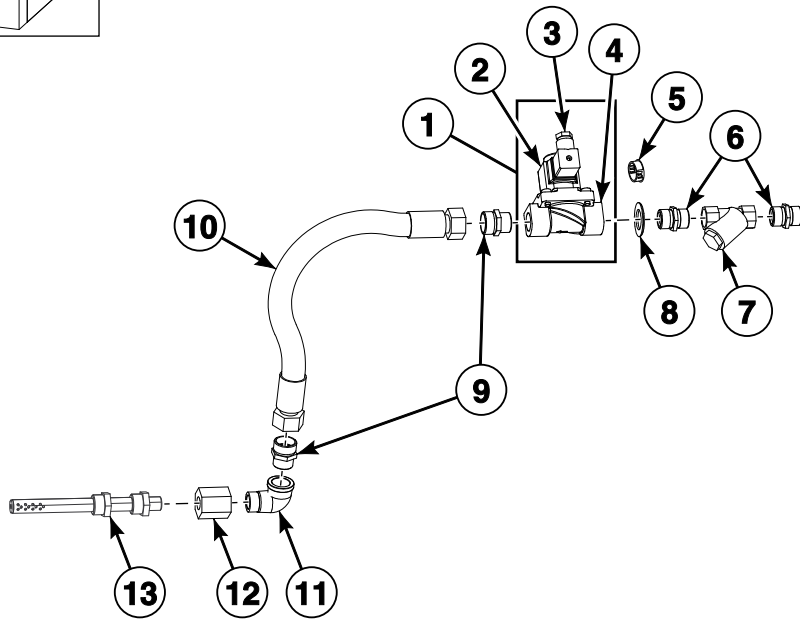
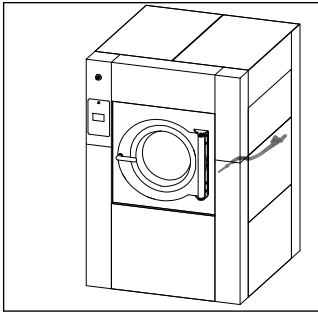


CFD3316P_D2016

Box of Electrical Components

REF	PART NO.	DESCRIPTION	COMMENTS
	SP528325	Communication Cable	Used with item 25
	SPPRI345006045	Timer	100, 132, 450 and 600 models; Used with tilting system
	557997	Control Wiring	
	574410	Control Wiring MC10	
	564501	Electric Box Wiring	
	571460	Safety stop cable	
	569701	Interconnection flat cable, MC10	
	553403	Interconnection flat cable, MC7	
1	SP346000014010	Cover	
2	SP524654	Fuse Plug	
	SPPRI401020021	Fuse	1.6A; 5x20mm
3	SP346000209101	End Stop	
4	SP524653	Fuse Clip	
5	SP346000280402	Interconnection	280-402; Used with weighing system
6	SP346000280101	Clamp	280-101; Gray; Used with weighing system
7	SP346000280107	Clamp	280-107; Green-yellow; Used with weighing system
8	SP346000280104	Clamp	280-104; Blue; Used with weighing system
9	SP346000280301	Cover	Used with weighing system
10	SP516968	Amplifier	Used with weighing system
11	SP100925	Brake Resistor	
12	SP309084000416	Bolt	M4x16
13	SP311127000004	Washer	4
14	SP311125000004	Washer	M4-4.3/9/0.8
15	SP528294	Circuit Breaker	16A
	SPPRI401013021	Circuit Breaker	25A
	SPPRI401014021	Circuit Breaker	32A
	SP524785	Circuit Breaker	50A
16	SP346000004010	Fuse Case	
17	SP345805163032	Fuse	1A/500V
18	SP514038	Contactor	80 and 350 models; LC1-D09M7
	SP514042	Contactor	100, 132, 450 and 600 models; LC1-D18M7
	SPPRI345002019	Contactor	100, 132, 450 and 600 models; LC1-D32M7
19	SP101643	Transformer	
20	562785	Distribution Board	
21	SP502214	Clip	
22	SPPRI407000091	Cable Sleeve	
23	557961	Ferrite Core	
24	SP309084000420	Bolt	M4x20
25	571475	Frequency Inverter	80 and 350 models; 3x380-480V
	571477	Frequency Inverter	80 and 350 models; 3x200-240V
	571476	Frequency Inverter	100, 132, 450 and 600 models; 3x380-480V
	SP552380	Frequency Inverter	100, 132, 450 and 600 models; 3x200-240V
	SP528235	Frequency Inverter Fan	
26	SP557932	Frequency Inverter Filter	
27	SPPRI501000071	Cable Bushing	
28	SPPRI501001078	Cable Bushing	
29	SP528313	Cable Holder	

Steam Supply - 80, 100, 350 and 450 Models

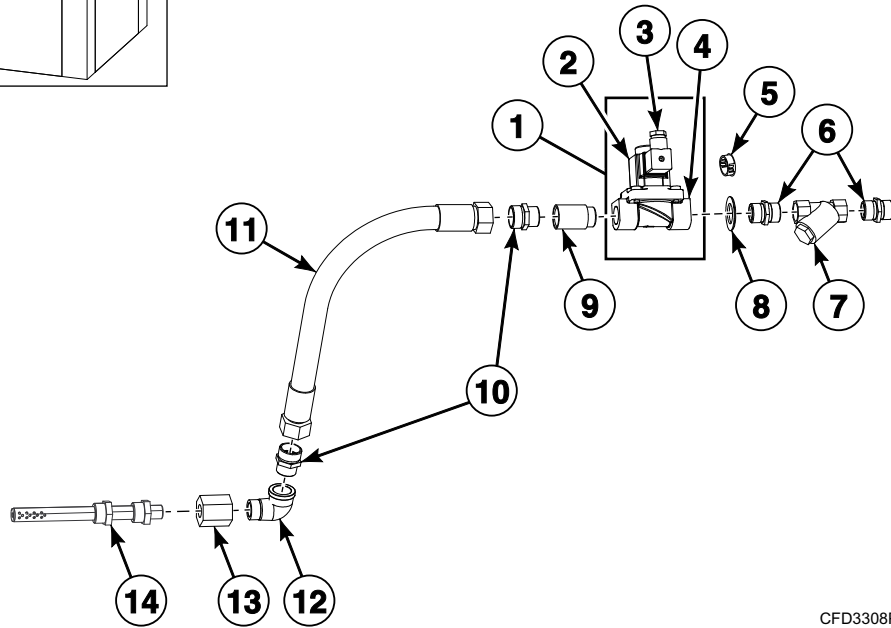
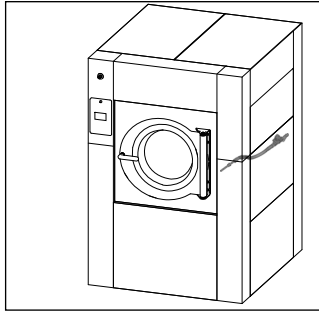


CFD3307P_D2016

Steam Supply - 80, 100, 350 and 450 Models

REF	PART NO.	DESCRIPTION	COMMENTS
	572128	Steam Kit	
	562830	Complete Steam Supply	
	245704000577	Adhesive	Loctite 577
	SP273454800034	External Steam Hose	l=0.8m; Includes item 6
	SP526564	Seal	
1	SP514162	Steam Valve	3/4 inch; Includes items 2-4
2	SP554110	Coil	50/60Hz
3	SP554156	Connector	
4	SP514166	Steam Valve Body	Coil not included
5	SPPRI505000064	Plug	Without steam supply
6	SP559310	Adapter	3/4 inch
7	SP405054057006	Steam Filter	3/4 inch
8	SP223111000814	Washer	
9	SPF02116001814	Reduction	
10	SP535941	Steam Hose	
11	SP536517	Elbow	3/4 inch
12	SPB01117002014	Reduction	
13	SPF02116100014	Steam Pipe	

Steam Supply - 132 and 600 Models

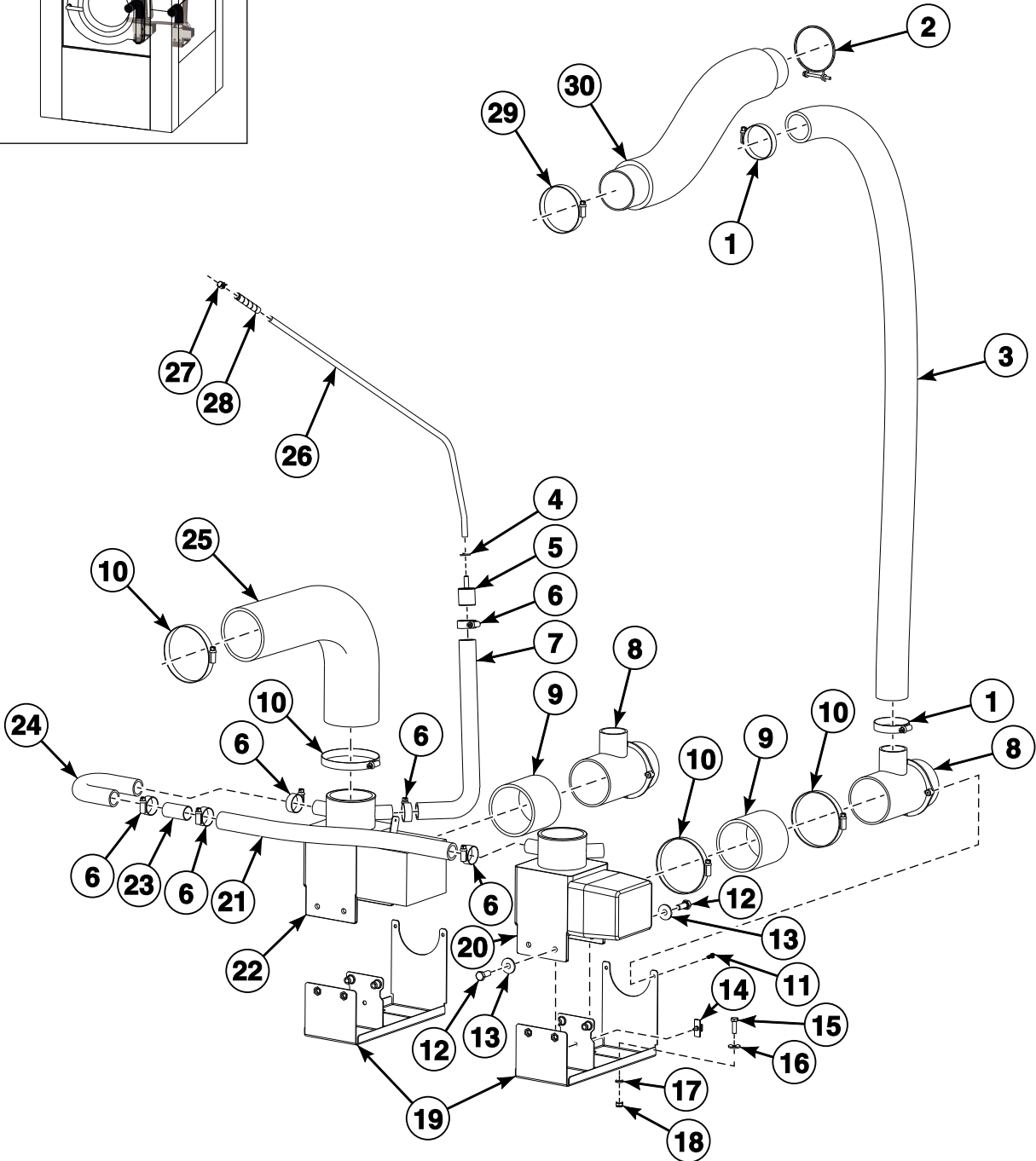
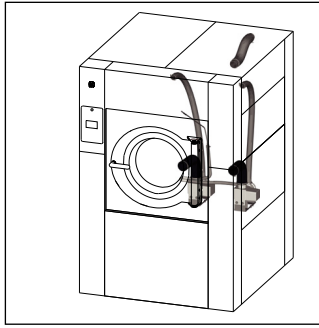


CFD3308P_D2016

Steam Supply - 132 and 600 Models

REF	PART NO.	DESCRIPTION	COMMENTS
	572129	Steam Kit	
	562829	Complete Steam Supply	
	245704000577	Adhesive	Loctite 577
	SP273454800034	External Steam Hose	l=0.8m; Includes item 6
	SP526564	Seal	
1	SP514162	Steam Valve	3/4 inch; Includes items 2-4
2	SP554110	Coil	50/60Hz
3	SP554156	Connector	
4	SP514166	Steam Valve Body	Coil not included
5	SPPRI505000064	Plug	Without steam supply
6	SP559310	Adapter	3/4 inch
7	SP405054057006	Steam Filter	3/4 inch
8	SP223111000814	Washer	
9	SPPRI426003217	Extension	3/4 inch
10	SPF02116001814	Reduction	
11	SP535941	Steam Hose	
12	SP536517	Elbow	3/4 inch
13	SPB01117002014	Reduction	
14	SPF02116100014	Steam Pipe	

Drain System With Recycle



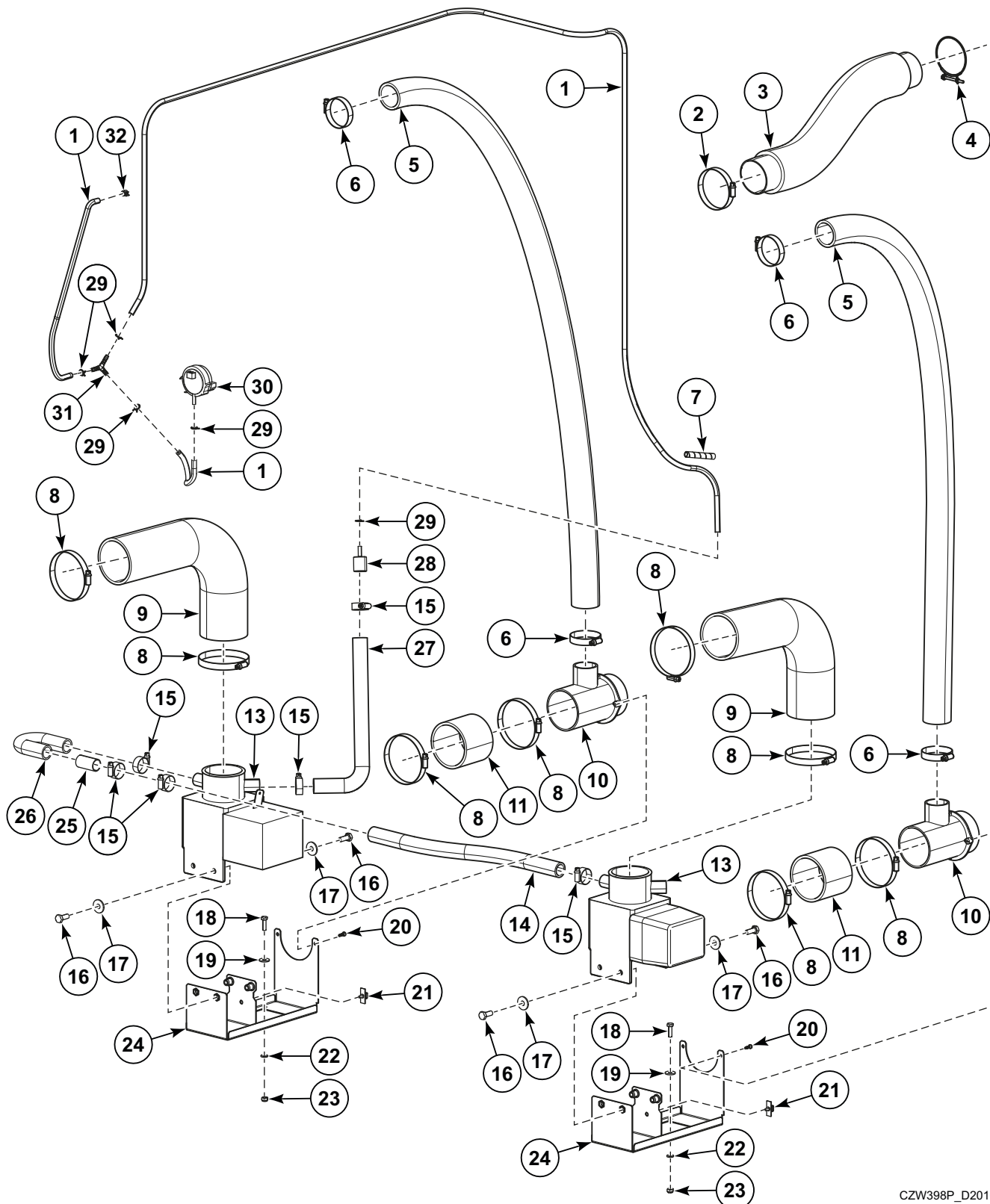
CFD3305P_D2016

Drain System With Recycle

REF	PART NO.	DESCRIPTION	COMMENTS
1	SPPRI240000017	Hose Clamp	
2	SP526491	Hose Clamp	62-70
3	562873	Hose	
4	SPPRI241000017	Hose Clamp	
5	SPPRI503000027	Air Trap Reduction	
6	SPPRI240000003	Hose Clamp	
7	SPR35100017014	Air Trap Elbow	
8	SP526454	Tee	
9	562782	Connection	
10	SPPRI240000007	Hose Clamp	
11	SP526497	Screw	M4x12
12	SP309933000820	Bolt	M8x20
13	SP311902100008	Washer	8
14	SP528313	Cable Holder	
15	SP309933000620	Bolt	M6x20
16	SP311902100006	Washer	6
17	SP311125000006	Washer	M6-6.4/12/1.6
18	SP310985000006	Nut	M6
19	562781	Valve Holder	
20	SPPRI340055051	Drain Valve	Black; Includes 567183 Drain Valve Chamber, SPPRI340002051 Drain Valve Motor and 554276 Drain Valve Seal
	554276	Drain Valve Seal	
21	SPPRI503002049	Hose	
22	SPPRI340072051	Recycle Drain Valve	Black; Includes 567183 Drain Valve Chamber, SPPRI340002051 Drain Valve Motor and 554276 Drain Valve Seal; Used with option drain valve with opposite function; Non-CE
	554276	Drain Valve Seal	
23	223110400114	Connection Part	
24	SP511269	Hose	
25	562790	Drain Elbow	80 and 350 models
	561552	Drain Elbow	100 and 450 models
	562802	Drain Elbow	132 and 600 models
26	SPPRI540001003	Water Level Switch Hose	
27	SP540183	Spring Clamp	
28	SP283449080200	Spiral	
29	SPPRI240000021	Hose Clamp	
30	F02104001213	Hose	

Drain System With Recycle

Models with "V" in model numbers 7th position

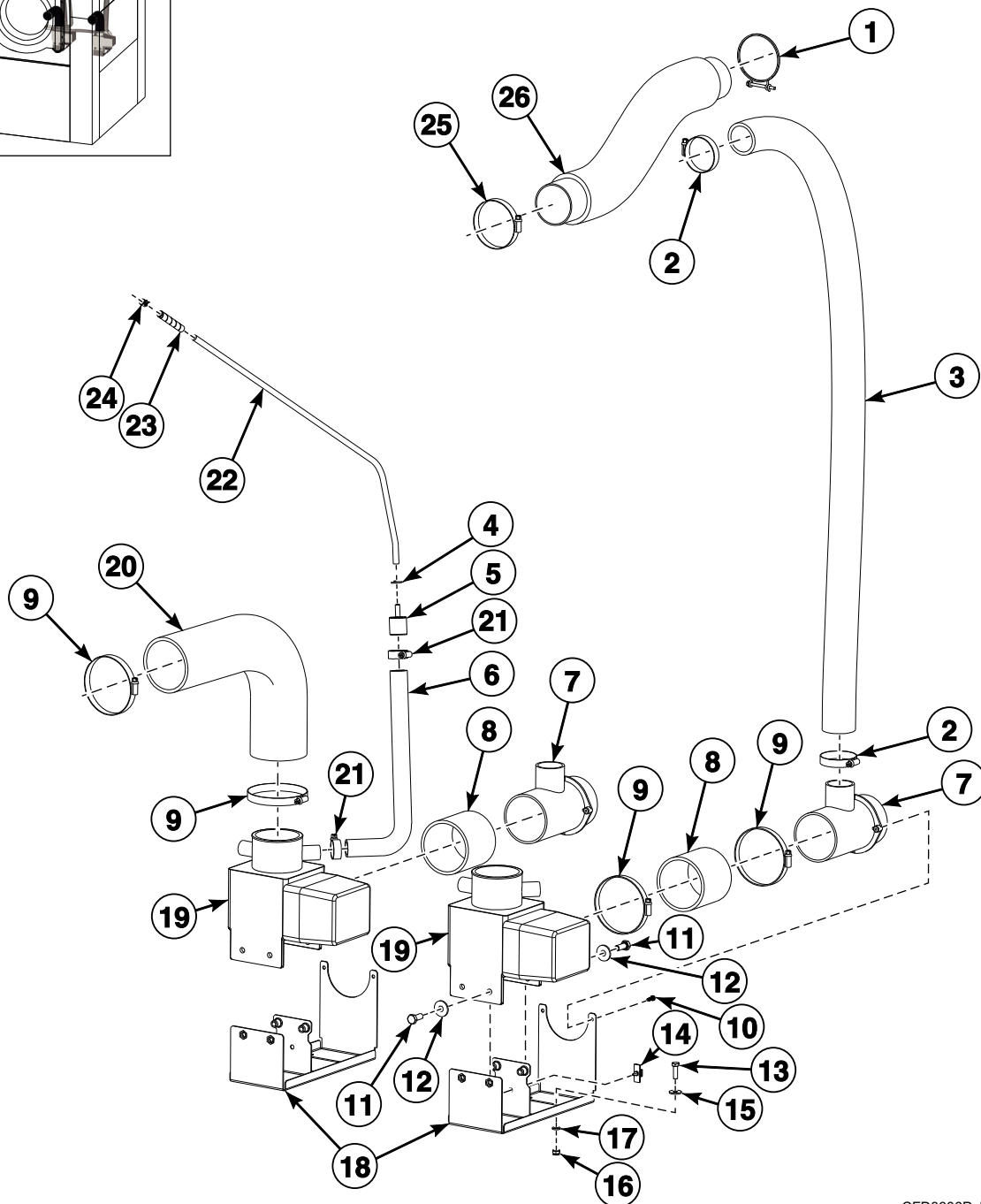
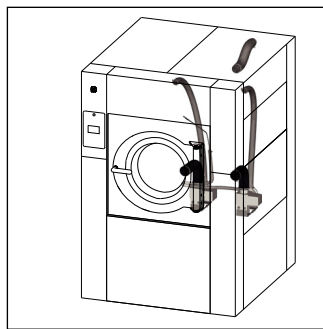


CZW398P_D2016

Drain System With Recycle

REF	PART NO.	DESCRIPTION	COMMENTS
1	SPPRI540001003	Water Level Switch Hose	2,6m
	SPPRI540001003	Water Level Switch Hose	0,45m
	SPPRI540001003	Water Level Switch Hose	0,18m
2	PRI240000021	Hose Clamp	
3	F02104001213	Hose	
4	SP526491	Hose Clamp	
5	562873	Hose	1,22m
6	SPPRI240000017	Hose Clamp	
7	SP283449080200	Spiral	
8	SPPRI240000007	Hose Clamp	
9	562790	Drain Elbow	350 models
	561552	Drain Elbow	450 models
	562802	Drain Elbow	600 models
10	SP526454	Tee	
11	562782	Connection	
12	SPPRI340072051	Recycle Drain Valve	
13	SPPRI340055051	Drain Valve	
14	SPPRI503002049	Hose	
15	SPPRI240000003	Hose clamp	
16	SP309933000820	Bolt	M8x20
17	SP311902100008	Washer	8
18	SP309933000620	Bolt	M6x20
19	SP311902100006	Washer	6
20	SP526497	Screw	4x12
21	SP528313	Cable Holder	
22	SP311125000006	Washer	
23	SP310985000006	Nut	M6
24	562781	Valve Holder	
25	223110400114	Connection Part	
26	511269	Hose	
27	SPR35100017014	Air Trap Elbow	
28	SPPRI503000027	Air Trap Reduction	
29	SPPRI241000017	Hose Clamp	
30	570315	Water Level Switch	
31	SPPRI503000028	Y-Piece	
32	SP540183	Spring Clamp	

Drain System Without Recycle



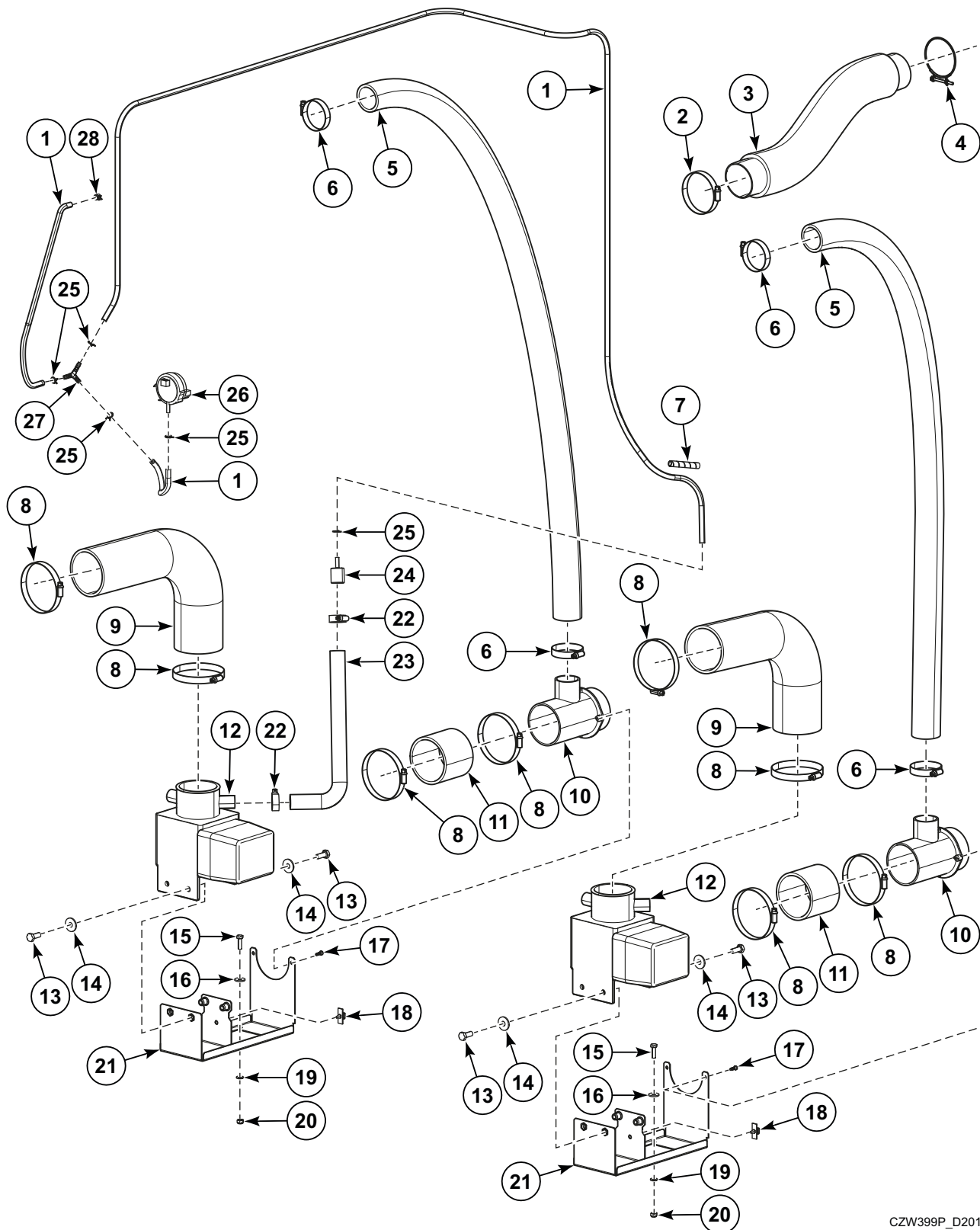
CFD3306P_D2016

Drain System Without Recycle

REF	PART NO.	DESCRIPTION	COMMENTS
1	SP526491	Hose Clamp	62-70
2	SPPRI240000017	Hose Clamp	
3	562873	Hose	
4	SPPRI241000017	Hose Clamp	
5	SPPRI503000027	Air Trap Reduction	
6	SPR35100017014	Air Trap Elbow	
7	SP526454	Tee	
8	562782	Connection	
9	SPPRI240000007	Hose Clamp	
10	SP526497	Screw	M4x12
11	SP309933000820	Bolt	M8x20
12	SP311902100008	Washer	8
13	SP309933000620	Bolt	M6x20
14	SP528313	Cable Holder	
15	SP311902100006	Washer	6
16	SP310985000006	Nut	M6
17	SP311125000006	Washer	M6-6.4/12/1.6
18	562781	Valve Holder	
19	SPPRI340055051	Drain Valve	Black; Includes 567183 Drain Valve Chamber, SPPRI340002051 Drain Valve Motor and 554276 Drain Valve Seal
	SPPRI340072051	Recycle Drain Valve	Black; Includes 567183 Drain Valve Chamber, SPPRI340002051 Drain Valve Motor and 554276 Drain Valve Seal; Used with option drain valve with opposite function; Non-CE
	554276	Drain Valve Seal	
20	526790	Drain Elbow	80 and 350 models
	561552	Drain Elbow	100 and 450 models
	562802	Drain Elbow	132 and 600 models
21	SPPRI240000003	Hose Clamp	
22	SPPRI540001003	Water Level Switch Hose	
23	SP283449080200	Spiral	
24	SP540183	Spring Clamp	
25	SPPRI240000021	Hose Clamp	
26	F02104001213	Hose	

Drain System Without Recycle

Models with "V" in model numbers 7th position

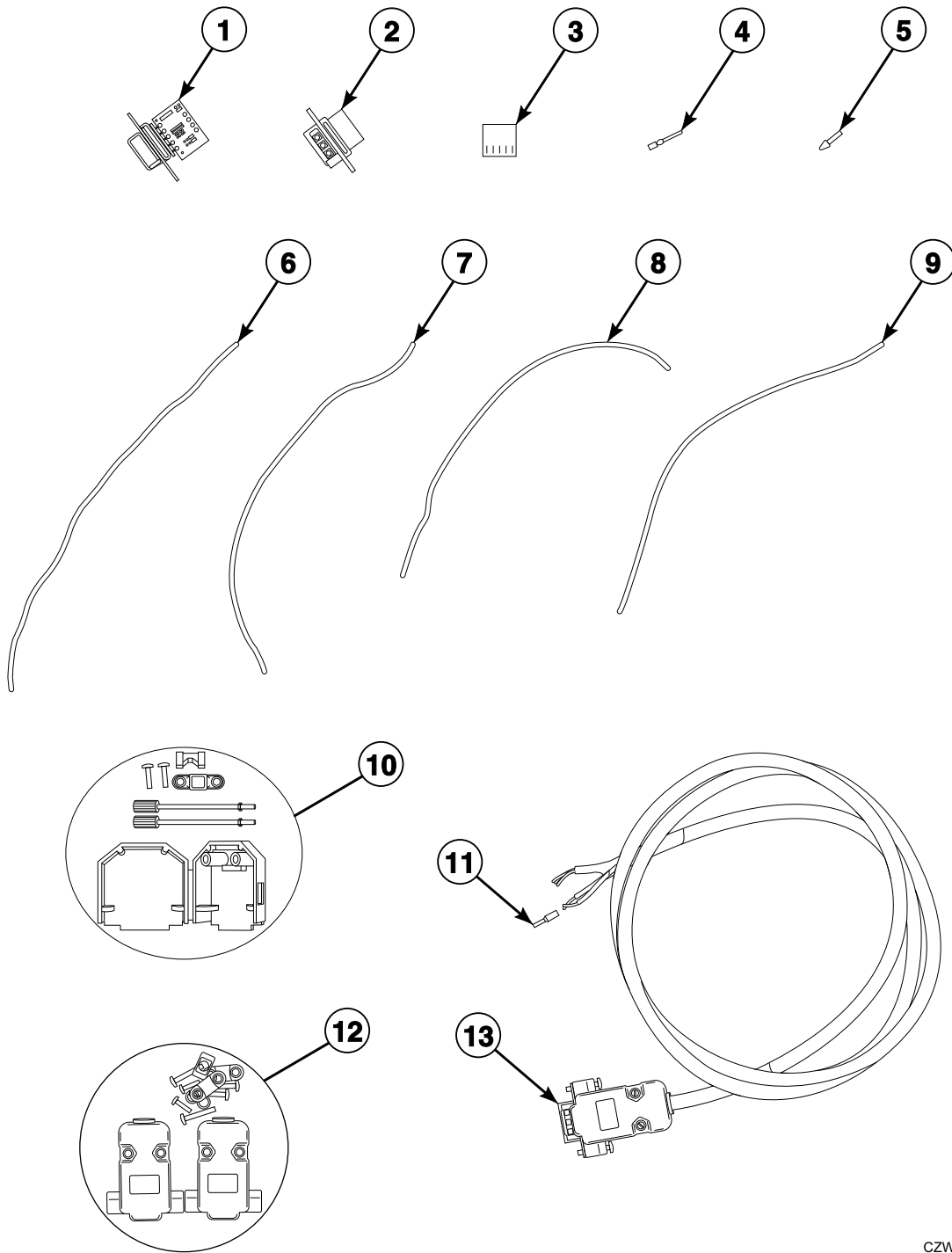


CZW399P_D2016

Drain System Without Recycle

REF	PART NO.	DESCRIPTION	COMMENTS
1	SPPRI540001003	Water Level Switch Hose	2,6m
	SPPRI540001003	Water Level Switch Hose	0,45m
	SPPRI540001003	Water Level Switch Hose	0,18m
2	PRI240000021	Hose Clamp	
3	F02104001213	Hose	
4	SP526491	Hose Clamp	
5	562873	Hose	1,22m
6	SPPRI240000017	Hose Clamp	
7	SP283449080200	Spiral	
8	SPPRI240000007	Hose Clamp	
9	562790	Drain Elbow	350 models
	561552	Drain Elbow	450 models
	562802	Drain Elbow	600 models
10	SP526454	Tee	
11	562782	Connection	
12	SPPRI340055051	Drain Valve	
13	SP309933000820	Bolt	M8x20
14	SP311902100008	Washer	8
15	SP309933000620	Bolt	M6x20
16	SP311902100006	Washer	6
17	SP526497	Screw	4x12
18	SP528313	Cable Holder	
19	SP311125000006	Washer	
20	SP310985000006	Nut	M6
21	562781	Valve Holder	
22	SPPRI240000003	Hose Clamp	
23	SPR35100017014	Air Trap Elbow	
24	SPPRI503000027	Air Trap Reduction	
25	SPPRI241000017	Hose Clamp	
26	570315	Water Level Switch	
27	SPPRI503000028	Y-Piece	
28	SP540183	Spring Clamp	

Weighing System

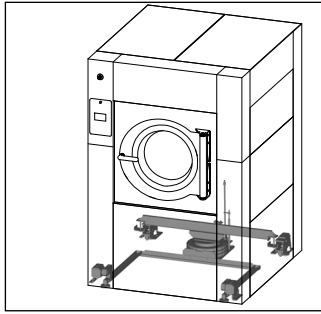


CZW6P_D2016

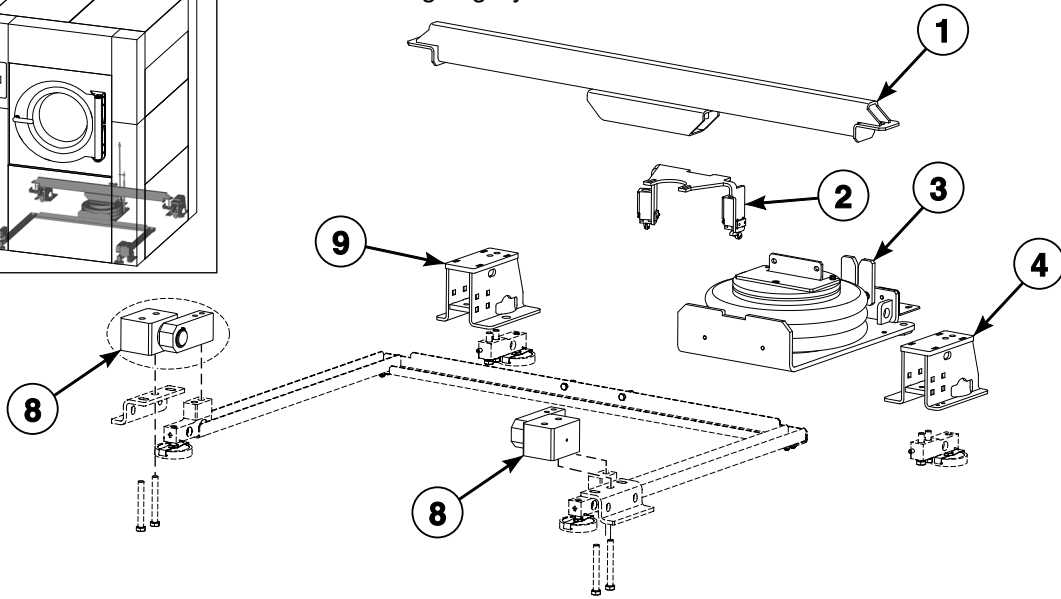
Weighing System

REF	PART NO.	DESCRIPTION	COMMENTS
1	SP516964	Converter	
2	SP520082	Connector	9 poles
3	SP516090	Connector	5 poles
4	SP345001662931	Contact Pin	
5	SPPRI350002018	Contact	
6	SP505444	Conductor	0.35mm ² ; Green; l=0.5m
7	SP341413007001	Conductor	0.35mm ² ; Red; l=2.7m
8	SP341413007002	Conductor	0.35mm ² ; Orange; l=0.5m
9	SP505446	Conductor	0.35mm ² ; Blue; l=2.7m
10	SP516997	Converter Box	Used with item 1
11	557936	Isolation Cavity	
12	SP347100306009	Connector Box	Used with item 2
13	SP341414000205	Shield Cable	2x0.5; l=2.2m; Without connector; Used with item 2 and 12

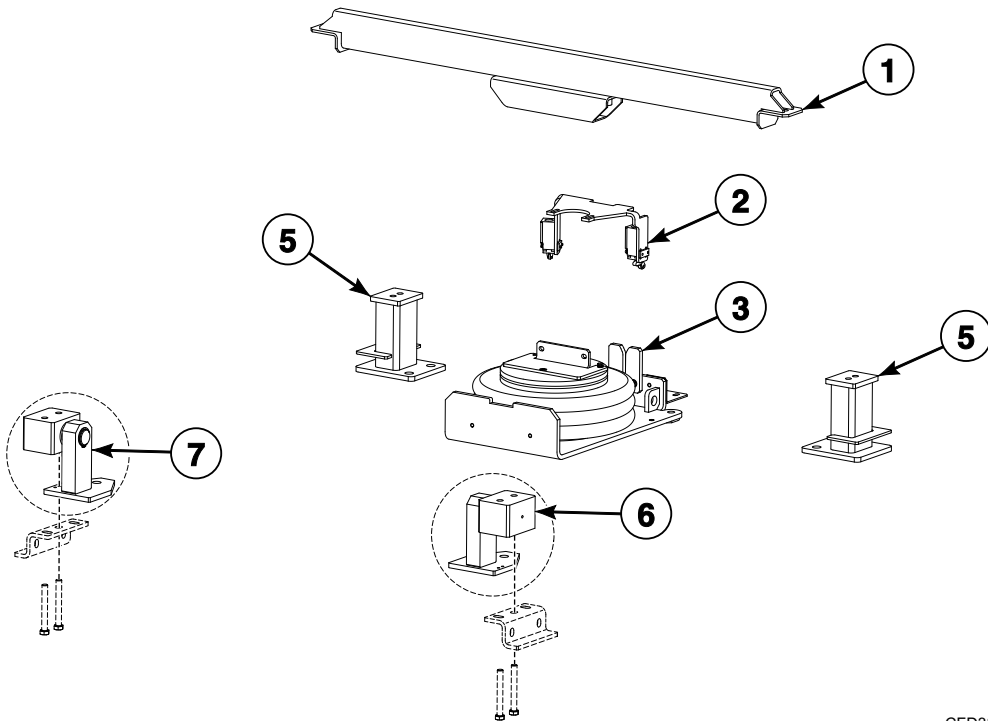
Tilting and Weighing System - 100, 132, 450 and 600 Models (Drawing 1 of 3)



With Weighing System



Without Weighing System

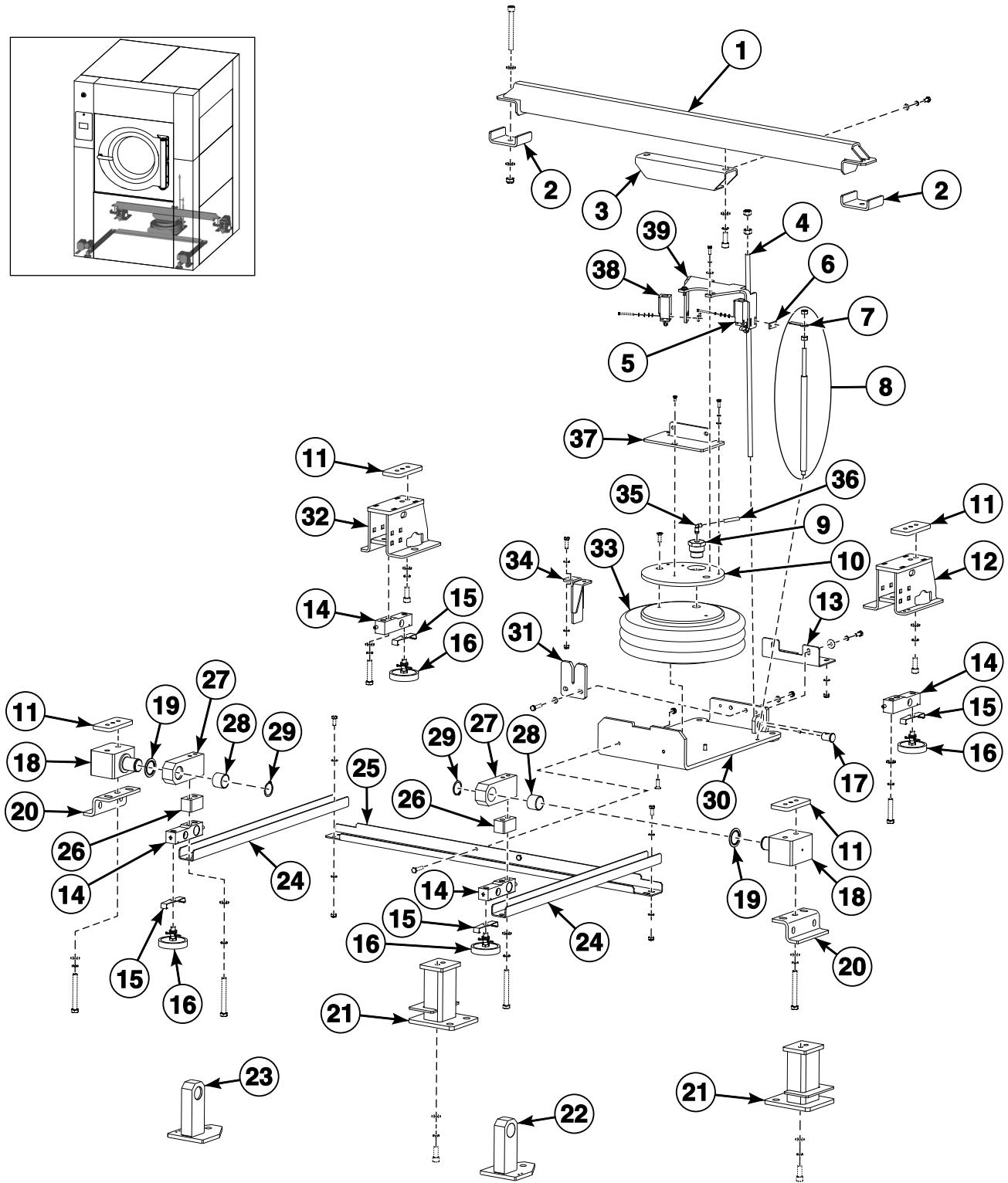
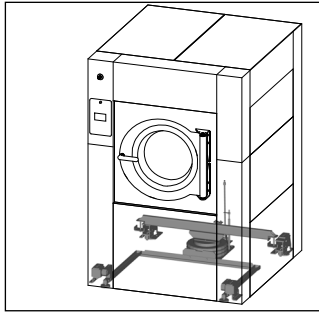


CFD3371P_D2016

Tilting and Weighing System - 100, 132, 450 and 600 Models (Drawing 1 of 3)

REF	PART NO.	DESCRIPTION	COMMENTS
1	561689	Upper Support	
2	564255	Holder	With switches
3	564162	Plate	With air spring
4	564226	Foot	Rear; With weighing system
5	564168	Fixed Foot	Rear; Without weighing system
6	564165	Hinge	Right; Without weighing system
7	564164	Hinge	Left; Without weighing system
8	564160	Hinge	With weighing system
9	564227	Foot	Rear; With weighing system

Tilting and Weighing System - 100, 132, 450 and 600 Models (Drawing 2 of 3)

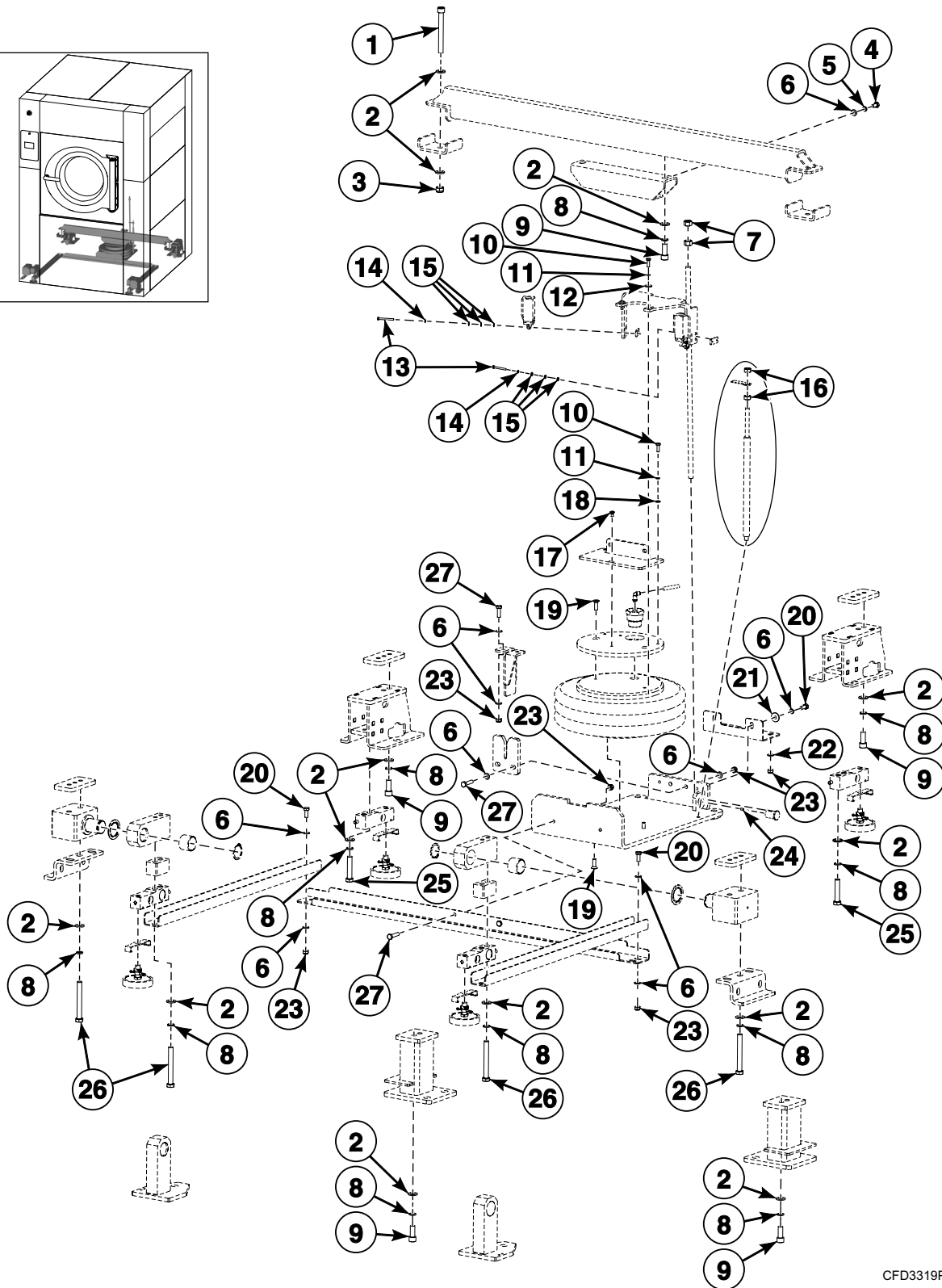
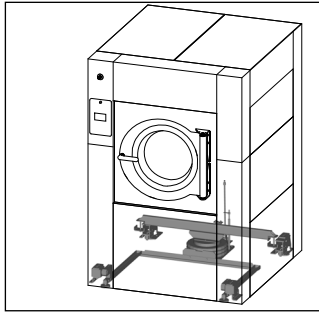


CFD3320P_D2016

Tilting and Weighing System - 100, 132, 450 and 600 Models (Drawing 2 of 3)

REF	PART NO.	DESCRIPTION	COMMENTS
	SP514101	Adhesive	Loctite 5069
	SP245704003021	Adhesive	Loctite 243
1	564129	Support	Upper
2	564130	Washer	
3	564128	Support	Upper
4	SP552132	Draw Bar	
5	SPPRI345000070	Position Switch	
6	SP529323	T-Square	
7	564261	Tongue	
8	564176	Stop Console	Upper
9	SP548001	Reduction	G 1 inch - G 1/4 inch
10	564264	Washer	
11	561672	Connection Plate	
12	564226	Foot	Rear; With weighing system
13	564111	Connection Sheet	
14	SP529101	Load Sensor	With weighing system
15	SP552123	Clamp	With weighing system
16	SP516956	Adjustable Foot	With weighing system
17	SP552131	Draw Bar Pin	
18	561682	Hinge	Upper
19	561687	Washer	
20	564161	Cabinet Holder	Front
21	564168	Fixed Foot	Rear; Without weighing system
22	564137	Foot Hinge	Right lower; Without weighing system
23	564135	Foot Hinge	Left lower; Without weighing system
24	564157	Draw Bar	With weighing system
25	564233	Draw Bar Partition	With weighing system
26	564131	Distance Prism	With weighing system
27	561685	Hinge	Lower; With weighing system
28	561686	Sleeve	
29	564258	Retaining Ring	35
30	561693	Air Spring Plate	
31	SP552725	Stop	Lower
32	564227	Foot	Rear; With weighing system
33	510853	Air Spring	G 1 inch
34	561694	Stop	Upper
35	SP319428330800	Pipe Nipple	L8; G 1/4 inch
36	SP319300008125	Hose	8x1.25
37	SP552164	Air Spring Support	
38	SP506572	Position Switch	
39	564263	Switch Holder	

Tilting and Weighing System - 100, 132, 450 and 600 Models (Drawing 3 of 3)

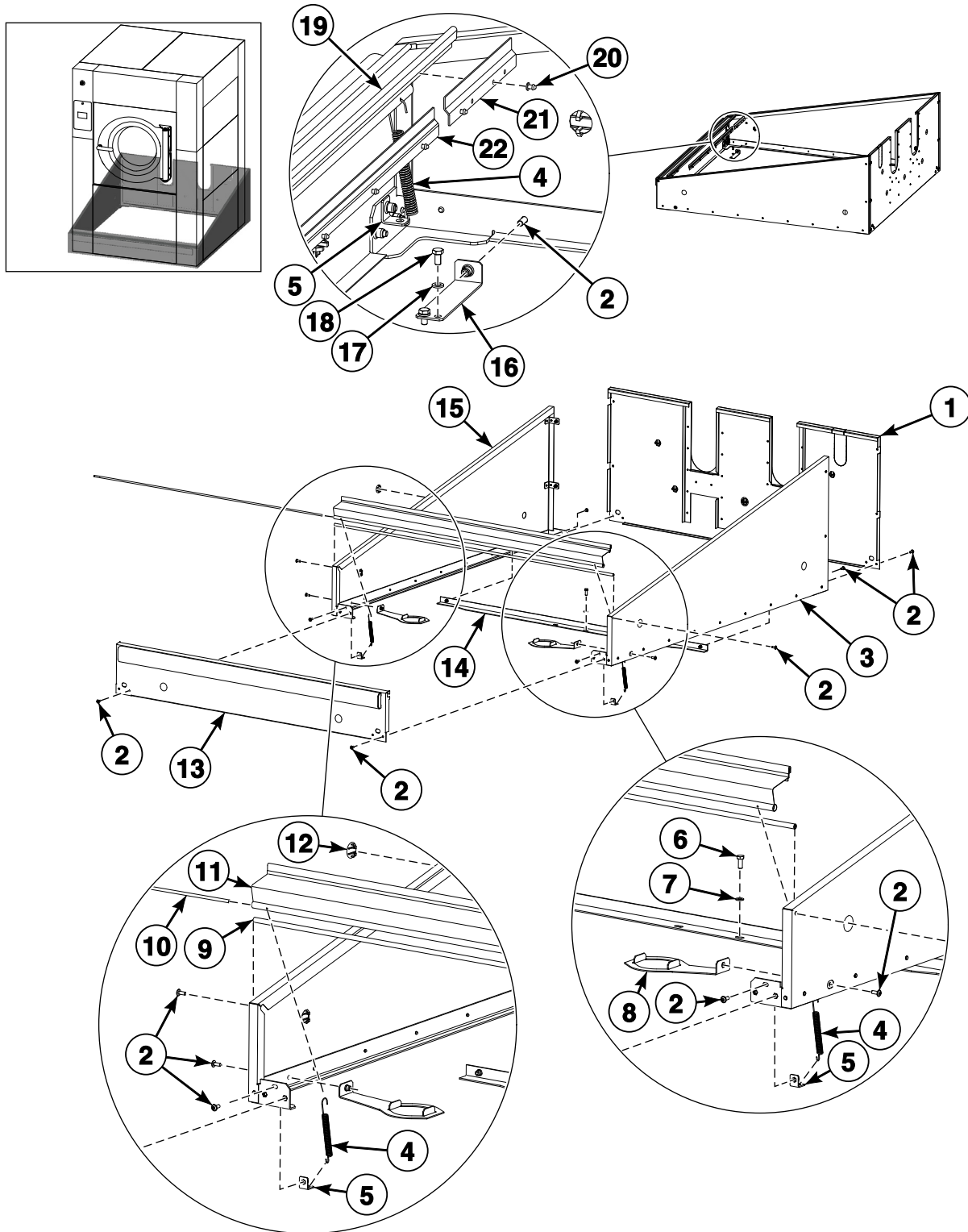


CFD3319P_D2016

Tilting and Weighing System - 100, 132, 450 and 600 Models (Drawing 3 of 3)

REF	PART NO.	DESCRIPTION	COMMENTS
	SP514101	Adhesive	Loctite 5069
	SP245704003021	Adhesive	Loctite 243
1	564257	Bolt	M12x110
2	SP311125000013	Washer	13
3	SP310985000012	Nut	M12
4	SP309933000820	Bolt	M8x20
5	SP311127000008	Washer	8
6	SP311125000008	Washer	8
7	SP310934000012	Nut	M12
8	SP311127000012	Washer	12
9	SP309912101230	Bolt	M12x30
10	SP309933000618	Bolt	M6x18
11	SP311127000006	Washer	6
12	SP311902100006	Washer	6
13	SP512134	Bolt	M4x40
14	SP311127000004	Washer	4
15	SP311125000004	Washer	M4-4.3/9/0.8
16	SP310934000010	Nut	M10
17	SP309966240610	Screw	M6x12
18	SP311125000006	Washer	M6-6.4/12/1.6
19	SP551432	Bolt	M8x25
20	SP309933000820	Bolt	M8x20
21	SP311902100008	Washer	8
22	SP311125240008	Washer	8
23	SP310985000008	Nut	M8
24	SP525168	Bolt	M5x8
25	SP309933001260	Bolt	M12x60; With weighing system
26	SP309933001299	Bolt	M12x100
27	SP309933000835	Bolt	M8x35

Tilting Cabinet - 100, 132, 450 and 600 Models

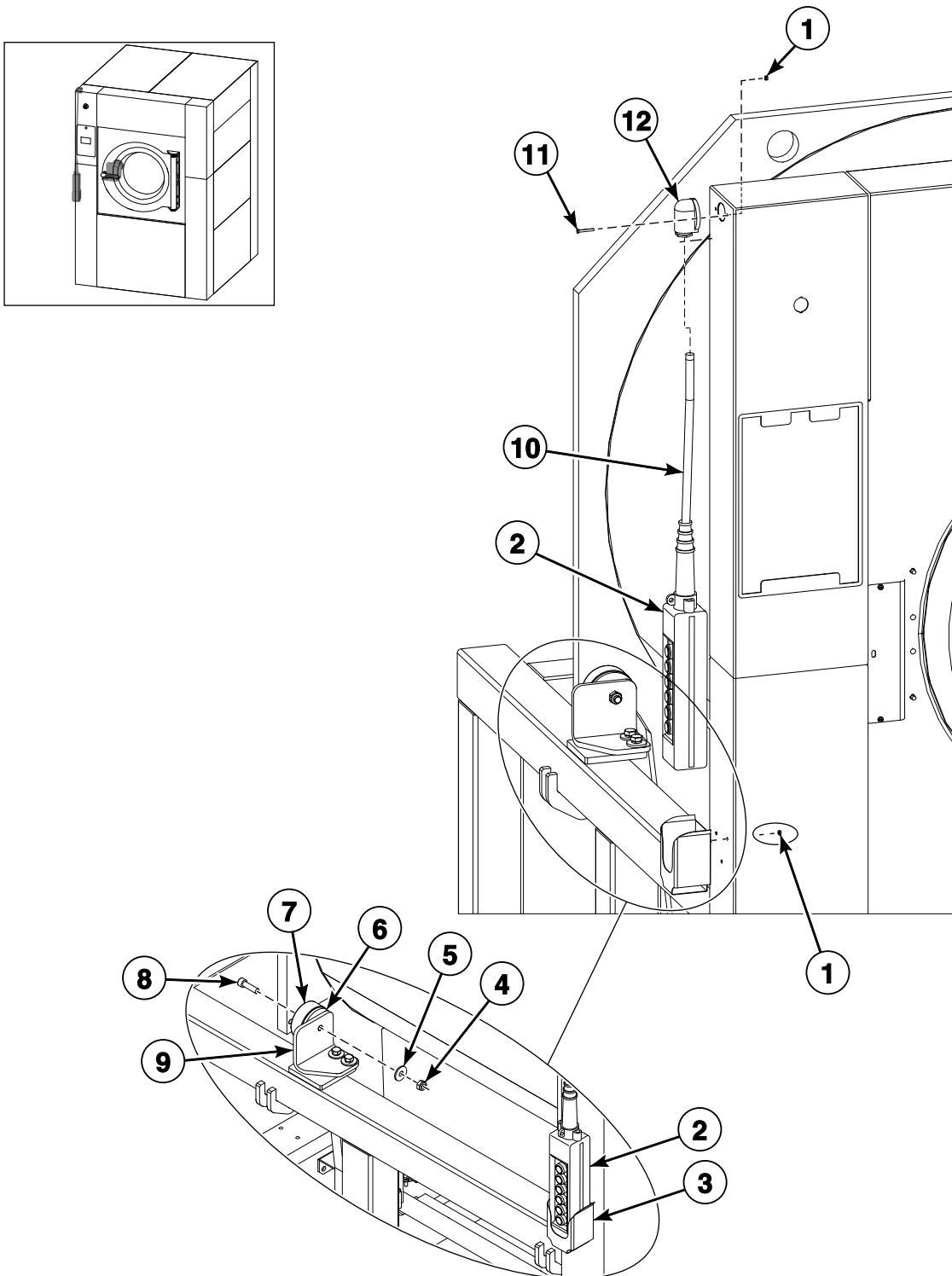


CFD3370P_D2016

Tilting Cabinet - 100, 132, 450 and 600 Models

REF	PART NO.	DESCRIPTION	COMMENTS
	564109	Tilting Cabinet	With weighing system
	564256	Tilting Cabinet	Without weighing system
1	564119	Cover	Rear
2	SP537864	Bolt	M6x16
3	564116	Cover	Right
4	SP505372	Spring	
5	564248	Spring Console	
6	SP309933000820	Bolt	M8x20
7	SP311125240008	Washer	8
8	564125	Cover Holder	Side; With weighing system
9	564251	Rod	
10	564253	Rod	
11	564242	Protective Roller Blind	Includes items 4, 10 and 19-22
12	SP345900032132	Plug	
13	564123	Cover	Front
14	564110	Bar	Rear
15	564112	Cover	Left
16	564139	Cover Holder	Side; Without weighing system
17	SP311125000006	Washer	M6-6.4/12/1.6; Without weighing system
18	SP309933000612	Bolt	M6x12; Without weighing system
19	564252	Cloth	
20	505479	Rivet	4x8
21	564250	Bar	
22	564249	Bar	

Tilting System Control and Drum (Tub) Security - 100, 132, 450 and 600 Models

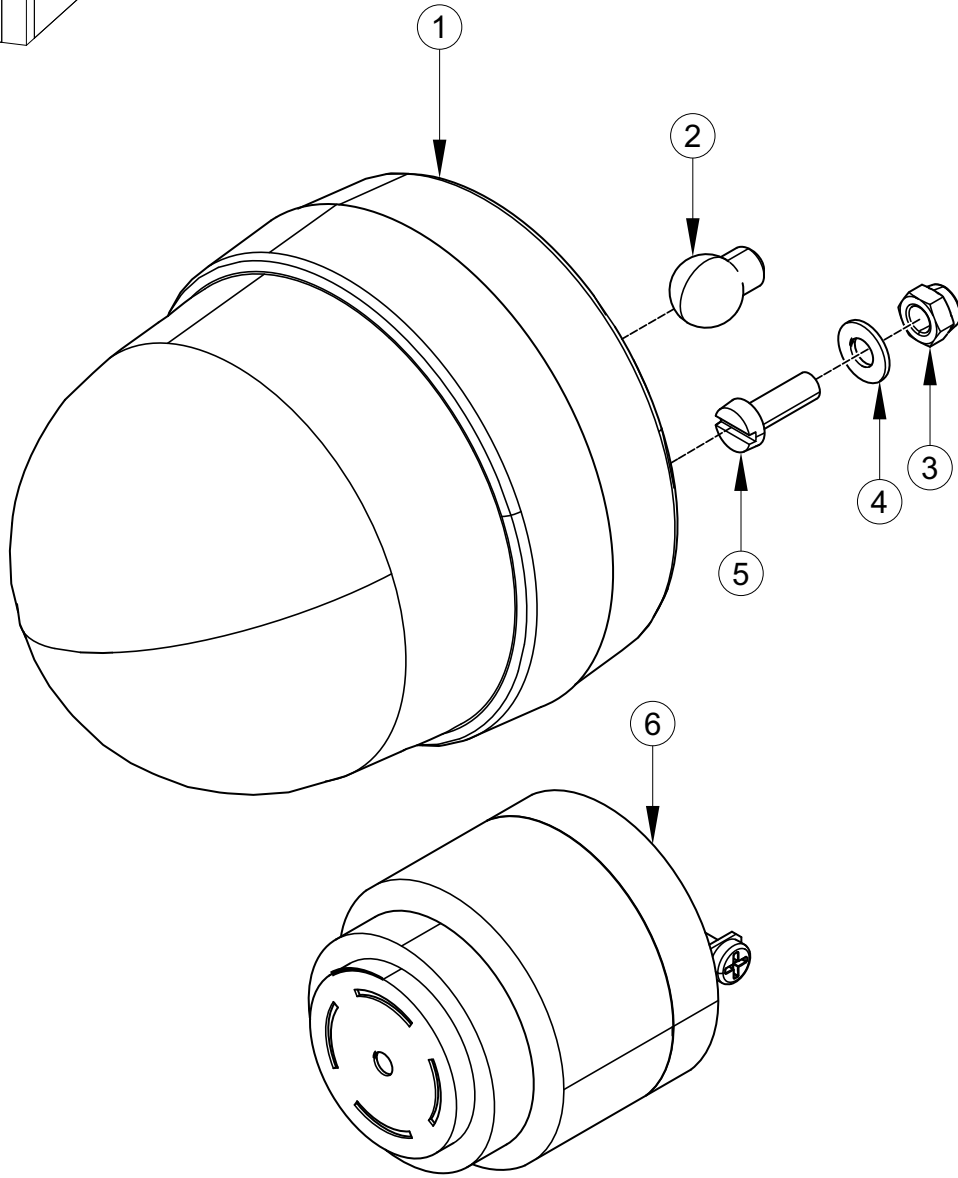
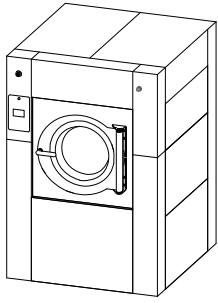


CZW2P_D2016

Tilting System Control and Drum (Tub) Security - 100, 132, 450 and 600 Models

REF	PART NO.	DESCRIPTION	COMMENTS
1	SP514193	Nut	M4
2	SP510818	Control	
3	SP541219	Remove Box	
4	SP310985000010	Nut	M10
5	SP311125000010	Washer	M10-10.5/20/2
6	SP511930	Washer	
7	SP511929	Stopper	
8	SP309912001040	Bolt	M10x40
9	564188	Console Block	100 and 450 models; Left
	564186	Console Block	100 and 450 models; Right
	564184	Console Block	132 and 600 models; Left
	564182	Console Block	132 and 600 models; Right
10	SP528387	Cable	12x0.75
11	SP550482	Bolt	M4x25
12	SP510819	Flange Angle Bushing	

End of Cycle Light and Buzzer

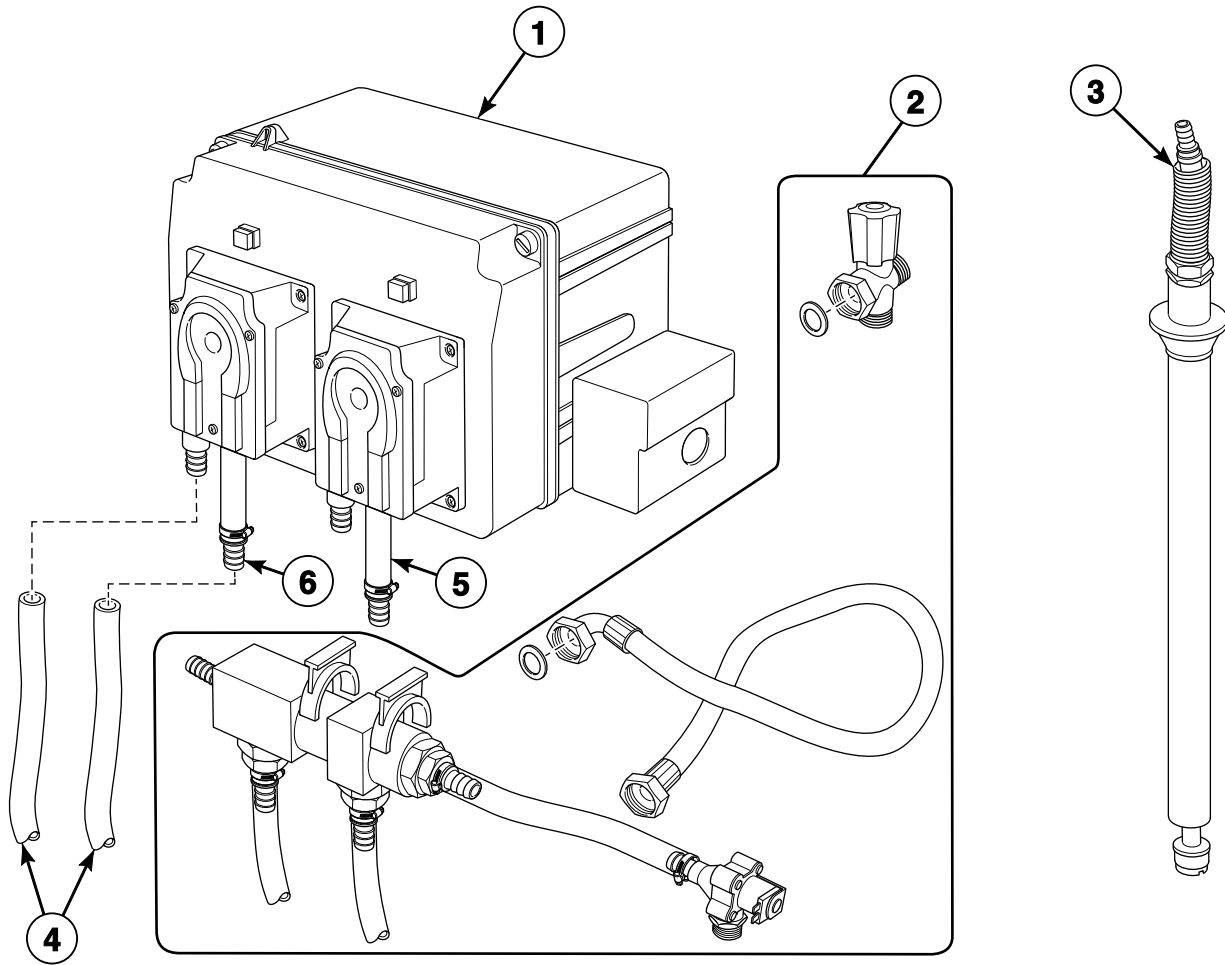


C-CZW9P1_D2016

End of Cycle Light and Buzzer

REF	PART NO.	DESCRIPTION	COMMENTS
	SP552428	Relay Board Connection Cable	
	564288	End of Cycle Light	
	571465	Cable	
1	SP564690	End of Cycle Beacon	
2	SP514132	Bulb	
3	SP514193	Nut	M4
4	SP311125000004	Washer	M4-4.3/9/0.8
5	SP309084000412	Bolt	M4x12
6	SP516844	Buzzer	Refer to <i>Control Panel</i> page

Liquid Soap Supply System (Pumps)

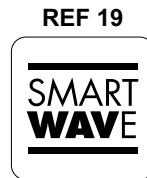
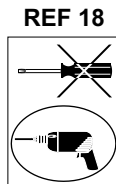
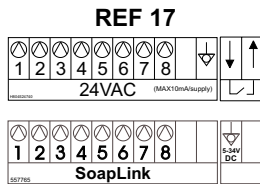
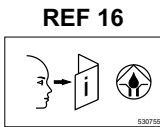
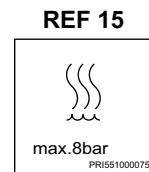
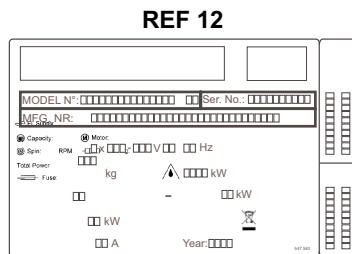
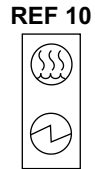
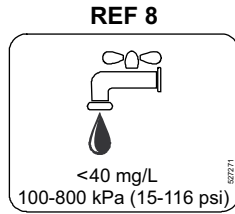
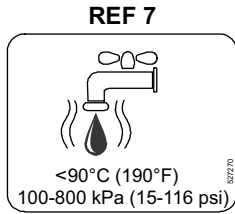
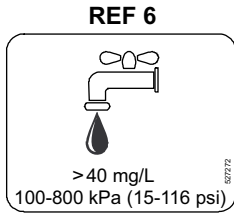
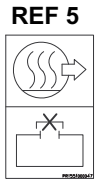
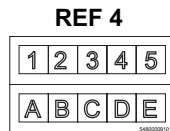
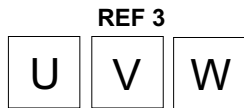
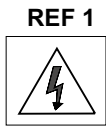
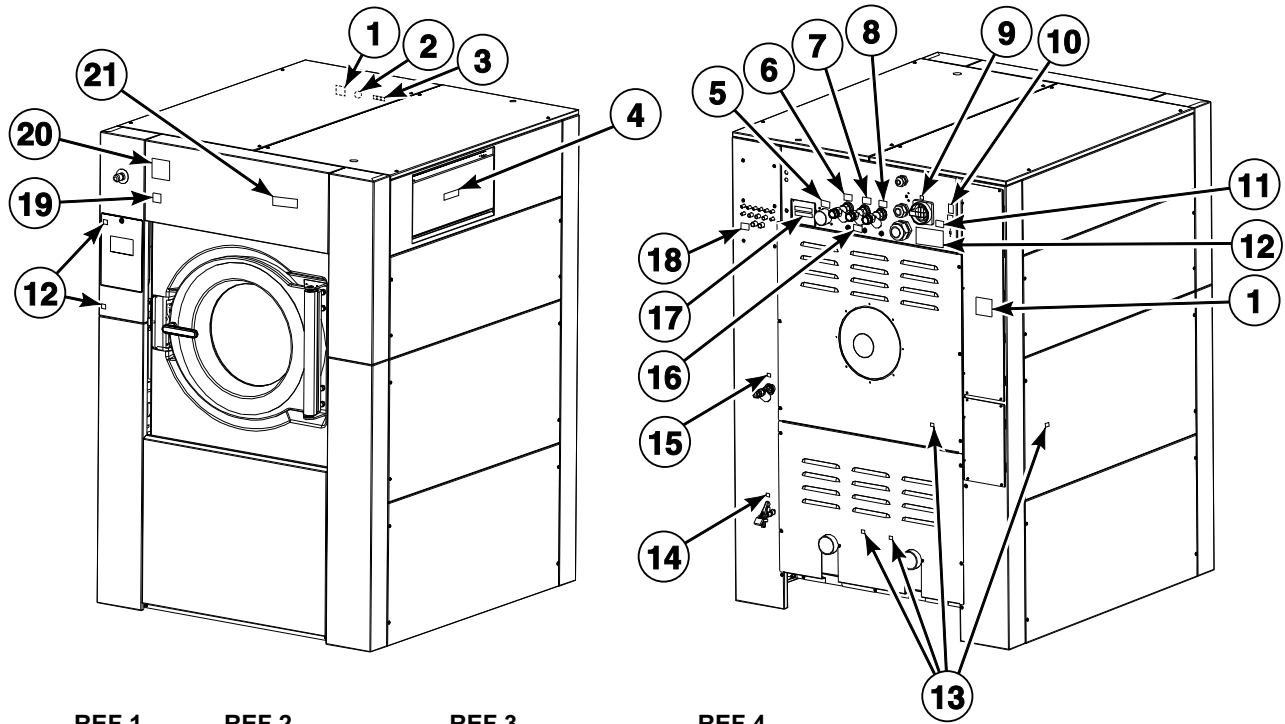


CZW45P_D2016

Liquid Soap Supply System (Pumps)

REF	PART NO.	DESCRIPTION	COMMENTS
	MB90-Z40	Supply Pump Kit	For two pumps
	MB90-Z41	Supply Pump Kit	For three pumps
	MB90-Z42	Supply Pump Kit	For four pumps
	MB90-Z43	Supply Pump Kit	For five pumps
	MB90-Z44	Supply Pump Kit	For six pumps
1	529742	Pump	Two
	529743	Pump	Three
	529744	Pump	Four
	529745	Pump	Five
	529746	Pump	Six
2	529789	Manifold Flush Kit	For two pumps
	529797	Manifold Flush Kit	For three pumps
	529798	Manifold Flush Kit	For four pumps
	529799	Manifold Flush Kit	For five pumps
	529800	Manifold Flush Kit	For six pumps
3	529787	Suction Tube	
4	SPPRI540020005	Hose	d10/14
5	529747	Hose	Spare hose for pump
6	547808	Connection	

Decals



CZW4P_D2016

Decals

REF	PART NO.	DESCRIPTION	COMMENTS
1	SP230200007514	Label	Lightning; Inside machine and outside on lid
2	SPPRI551006001	Label	PE; Inside machine
3	548011075015	Label	U V W PE; Inside machine
4	SP548000091014	Label	Soap hopper
5	SPPRI551000047	Label	Exhaust
6	SP527272	Index Plate	Cold hard water; Refer to <i>Filling System</i> page
7	SP527270	Index Plate	Hot water; Refer to <i>Filling System</i> page
8	SP527271	Index Plate	Cold soft water; Refer to <i>Filling System</i> page
9	SP530764	Label	Main switch
10	509472	Label	Steam - electricity
11	567184	Label	Watermark; Water approval for Australia
12	SPPRI551000001	Earthing Index Plate	
	1226	Nameplate	JLA 80 models; Logo
	1227	Nameplate	JLA 100 models; Logo
	1228	Nameplate	JLA 132 models; Logo
13	570313	Label	Read instructions before using
14	548000101014	Label	Steam
15	547563	Serial Plate	Used with SP516715 Transparent Foil
16	SP516715	Transparent Foil	Self-adhesive
	SP530755	Greasing Index Plate	
17	SP524740	Label	Electrical connection; Pump 24V; Outside the box
	557765	Label	SoapLink; Inside the box
18	SP523382	Label	Holes to be drilled not punched
19	B12535501	Label	IY models; Logo Smartwave
	1225	Label	JLA models; Logo SMART
	1224	Label	JLA models; Logo CLEAN
20	B12389801	Nameplate	IY models; Logo
21	532265	Nameplate	AF models; Logo
	567887	Logo Label	FX and PY models; Logo
	572486	Label	Lion logo
	F8443105	Nameplate	UY models; Logo
	RSP70115601	Nameplate	SY models; Logo

Parts Index

A

Adapter	
SP559310	65, 67
Adhesive	
SP245704000050	37
SP245704003021	7, 19, 21, 23, 25, 29, 35, 81, 83
SP510971	39, 41
SP514101	7, 81, 83
245704000577	39, 41, 51, 65, 67
Adjustable Foot	
SP516956	7, 81
Adjusting Rod	
SP515452	27
Air Spring	
510853	81
Air Spring Plate	
561693	81
Air Spring Support	
SP552164	81
Air Trap Elbow	
SPR35100017014	69, 71, 73, 75
Air Trap Reduction	
SPPRI503000027	69, 71, 73, 75
Amplifier	
SP516968	63

B

Bar	
564104	35
564110	85
564249	85
564250	85
Bearing	
PRI608000066	19, 21
SPPRI608000041	27
SPPRI608000065	19
563234	21
Bearing House	
560000	21
560001	21
560058	19
560059	19
Bearing House Seal	
SP273111995417	21
Bearing House Sealing	
563238	19
Bearing Housing Replacement Tool Kit	
538950	19, 21
Belt	
SP529776	25
563437	25
563438	23
Blanking Plate	
570811	49
Bolt	
SPF02100021114	17
SPF02101001114	7
SPF02101001214	7

SPF02119000415	13
SP309084000306	31
SP309084000310	31
SP309084000316	31, 47
SP309084000320	31
SP309084000412	89
SP309084000416	43, 45, 47, 49, 63
SP309084000420	63
SP309084000535	61
SP309084100408	31
SP309084100416	55, 57
SP309084240312	31
SP309444016070	7
SP309595240612	31
SP309798500306	55, 57
SP309798500314	31
SP309912000815	15
SP309912001040	87
SP309912101230	7, 19, 21, 25, 83
SP309912121265	19, 21
SP309913000610	23, 25, 29
SP309931020060	23, 25
SP309931020150	13
SP309933000416	59
SP309933000516	21
SP309933000612	11, 85
SP309933000616	15
SP309933000618	83
SP309933000620	69, 71, 73, 75
SP309933000820	69, 71, 73, 75, 83, 85
SP309933000835	83
SP309933001035	23
SP309933001080	7
SP309933001230	27
SP309933001235	23, 25
SP309933001250	23, 25
SP309933001260	7, 83
SP309933001299	83
SP309933100625	55, 57, 59, 61
SP309933240408	35, 59
SP309933240612	13
SP309933240618	35
SP309933240815	13
SP309933240822	15, 31
SP309933240830	59, 61
SP309963240412	29
SP309966240408	17
SP506011	35
SP506427	11
SP512134	47, 83
SP515075	35
SP518556	31
SP518719	55, 57
SP521260	15
SP525168	83
SP537864	85
SP550482	87
SP551432	83
SP555504	9, 15, 55, 57
SP555658	9
309500240408	57
516699	29
537865	15
555658	11
561307	9, 11
564257	83

N/A items do not appear in index.

567062	37
Bottom Strip	
563398	15
Box	
SPF02105001313	21
223106200014	13
Bracket Sleeve	
SP519461	29
Brake Resistor	
SP100925	63
Branch T	
SPPRI426002112	39
Bulb	
SP514132	89
Bushing	
SP101406	59, 61
SP101407	23
SP101409	59, 61
Buzzer	
SP516844	53, 57, 89

C

Cabinet Holder	
564161	81
Cable	
SP528387	87
SP545234	61
560725	59
571465	89
Cable Bushing	
SPPRI501000071	63
SPPRI501001078	63
SP101410	59, 61
SP516175	59, 61
528033	25
528224	23, 25
Cable Eye	
SP345000165034	61
552280	61
Cable Holder	
SP528313	53, 57, 61, 63, 69, 71, 73, 75
Cable Passage	
SP273121005052	35
SP273121009002	43, 45, 47, 49
Cable Sleeve	
SPPRI407000091	63
Cable Socket	
SP345000034148	57
Cage Nut Lock	
564265	35
Cam	
SPF02117001214	31
Centering Block	
SPF02100020114	15
Check Valve	
567179	39, 41
Circuit Breaker	
SPPRI401013021	63
SPPRI401014021	63
SP524785	63
SP528294	63

Clamp	
SP346000280101	63
SP346000280104	63
SP346000280107	63
SP552123	7, 81
Clamping Sleeve	
SPF02105002113	25
Clip	
SPF02119000014	13
SP502214	63
SP540240200220	19, 21
563224	13
Cloth	
564252	85
Coil	
SP554110	65, 67
567066	39, 41
Coil Holder	
SPF02117002614	31
Coil Modification	
SPF02117001814	31
Collar	
563344	15
Column	
SPF02117001424	31
Communication Cable	
SP528325	63
Complete Steam Supply	
562829	67
562830	65
Conductor	
SP341413007001	77
SP341413007002	77
SP505444	77
SP505446	77
Connecting Block	
SP536506	47
570810	49
Connection	
547808	91
562782	69, 71, 73, 75
Connection Part	
223110400114	69, 71
Connection Plate	
561672	7, 81
Connection Sheet	
564111	81
Connector	
SP516090	77
SP520082	77
SP554156	65, 67
Connector Box	
SP347100306009	77
Console Block	
564182	87
564184	87
564186	87
564188	87
Console of Relay Extension Board	
567812	53
Contact	
SPPRI350002018	77
Contact Pin	
SP345001662931	77

N/A items do not appear in index.

Contactor		Distribution Board	
SPPRI345002019	63	562785	63
SP514038	63	Door Assembly	
SP514042	63	563317	29
Control		563322	29
SP510818	87	563323	29
572505	57	563324	29
575632	57	568928	29
Control Board		571200	29
SP553411	53	Door Cover	
SP553412	53	563300	29
SP553419	53	563326	29
553184	57	Door Cover Plate	
575630	57	SP559943	29
Control Board Power		Door Frame	
SP553405	53	563302	29
Control Wiring		563325	29
557997	63	Door Glass	
Control Wiring MC10		SPF02107003314	29
574410	63	SP559967	29
Converter		Door Holder	
SP516964	77	563301	29
Converter Box		Door Lever	
SP516997	77	SP555115	29
Coupling		Door Lock	
SP405113000006	43, 45, 47, 49	560720	31
Cover		Door Lock Wiring	
SP223103300014	17	SP557808	31
SP346000014010	63	564518	31
SP346000280301	63	574409	31
559984	21	Door Seal	
560049	19	SPF02107003214	29
561324	11	Drain Elbow	
561328	11	526790	73
561493	11	561552	69, 71, 73, 75
564112	85	562790	69, 71, 75
564116	85	562802	69, 71, 73, 75
564119	85	Drain Valve	
564123	85	SPPRI340055051	69, 71, 73, 75
566778	11	Drain Valve Seal	
569522	11	554276	69, 73
569523	11	Draw Bar	
569524	11	SP552132	81
Cover Holder		564157	81
564125	85	Draw Bar Partition	
564139	85	564233	81
Cover Plate		Draw Bar Pin	
577180	57	SP552131	81
577182	57	Drawing Bar	
577183	57	SPF02101500324	7
		Drive	
		561308	25
		561317	23
		561322	25
		Drive Board	
		561310	23, 25
		Drum	
		559970	17
		559990	17
		560050	17
		563215	17
		563216	17
		563217	17

D

Damper	
SP326269185250	7
Disk	
SPF02101500214	7
Distance Prism	
564131	81
Distance Ring	
559983	21
560047	19
Distance Washer	
564171	35

N/A items do not appear in index.

E

Earthing Index Plate	
SPPRI551000001	31, 93
Elbow	
SPPRI426002072	39
SPPRI504000069	33
SP536517	65, 67
SP559327	39, 41
562824	33
Electric Box Wiring	
564501	63
Electromagnetic Valve	
SP548061	47
Element	
SP511241	31
Emergency Stop Connector	
SP528311	53, 57
Emergency Stop Knob	
SP528310	53, 57
Emergency Stop Label	
SPPRI551005248	53, 57
End of Cycle Beacon	
SP564690	89
End of Cycle Light	
564288	89
End Stop	
.....	53
SP346000209101	63
Extension	
SPF02111001114	39
SPPRI426003217	39, 67
Extension Tube	
SP319413102015	51
External Steam Hose	
SP273454800034	65, 67

F

Ferrite Core	
557961	63
Filter	
SP405054057008	39, 41
Filter Pressure Regulator	
SP347600100112	43
570801	45
Filter, Regulator and Lubricator	
SP548958	47
Finger Protection	
563395	15
Fitting	
SP560729	19, 21, 59, 61
Fitting Adapter	
570822	49
Fixed Foot	
561673	7
564168	79, 81
Flange Angle Bushing	
SP510819	87
Foot	
564190	7
564198	7

N/A items do not appear in index.

564226	79, 81
564227	79, 81
Foot Hinge	
564135	81
564137	81
Frame	
561501	7
561510	7
561514	7
Frequency Inverter	
SP552380	63
571475	63
571476	63
571477	63
Frequency Inverter Fan	
SP528235	63
Frequency Inverter Filter	
SP557932	63
Front Panel Assembly	
563345	15
563346	15
563388	15
568867	15
568868	15
568869	15
Fuse	
SPPRI401020021	63
SP345805163032	63
Fuse Case	
SP346000004010	63
Fuse Clip	
SP524653	63
Fuse Plug	
SP524654	63

G

Gate	
SP533710	31
Glass Seal	
SP273115021905	29
Greasing Head	
SP425111211043	59, 61
Greasing Index Plate	
SP530755	93

H

Handle	
563298	29
563327	29
Heating Element	
SP540131	13
SP540132	13
Heating Element Hole Plug	
SPPRI342001016	13
Heating Wiring	
571516	13
571517	13
571518	13
Hinge	
561682	81

561685	81
563318	29
563319	29
563328	29
563329	29
564160	79
564164	79
564165	79
567931	53, 57
Holder	
564255	79
577218	61
Holder Hose	
562845	11
Hose	
F02104001213	33, 69, 71, 73, 75
SPF02109001213	33
SPPRI503002049	69, 71
SPPRI540000014	33
SPPRI540020005	91
SP273238003242	33
SP283351220111	19, 21
SP286125020211	13, 21
SP319300006001	43, 45, 47, 49
SP319300008125	43, 45, 47, 49, 81
SP511269	69
511269	71
529747	91
562842	51
562873	69, 71, 73, 75
Hose Clamp	
PRI240000021	71, 75
SPPRI240000002	13, 21, 33
SPPRI240000003	51, 69, 71, 73, 75
SPPRI240000005	19
SPPRI240000007	33, 69, 71, 73, 75
SPPRI240000008	33
SPPRI240000017	69, 71, 73, 75
SPPRI240000021	33, 69, 73
SPPRI241000017	69, 71, 73, 75
SP526491	69, 71, 73, 75
Hose Plug	
562854	33

I

Index Plate	
SP527270	93
SP527271	93
SP527272	93
Inlet - Outlet Valve Wiring	
557999	33
Inlet Elbow	
562754	37
Inlet Hose	
SPPRI505003055	39, 41
Inlet Valve Assembly, 3	
562784	33, 39
562847	33, 39
562862	33, 41
562863	33, 41
Inlet Valve, 2-Way	
SP101344	39
Inlet Valve, 3-Way	
SP101345	39

Insert	
SPF02107001815	29
Insert Tube	
SP235134601115	39, 41
Interconnection	
SP346000280402	63
Interconnection flat cable, MC10	
569701	63
Interconnection flat cable, MC7	
553403	63
Isolation Cavity	
557936	77
Isolation Plate	
SP101154	31

K

Keyboard	
566863	53
566864	53
566865	53
566866	53
566867	53
566868	53

L

Label	
B12535501	93
SPPRI551000047	93
SPPRI551006001	93
SP230200007514	93
SP523382	93
SP524740	93
SP530764	93
SP548000091014	93
1224	93
1225	93
509472	93
548000101014	93
548011075015	93
557765	93
567184	93
567887	93
570313	93
570371	61
Leg	
561326	11
561330	11
Leg Extension	
561486	11
561489	11, 57
566770	11
566772	11
566774	11
566776	11
Limiter	
562551	15
562552	15
562553	15
Link	
568816	31
Liquid Detergent Box	
SP540123	59

N/A items do not appear in index.

Load Sensor	
SP529101	7, 81
Lock	
567818	53, 57
Lock Cover	
563341	15
563342	15
563399	15
Locking Pin	
563305	29
Logo Label	
567887	93
Lower Cover	
564290	9
566767	9
Lower Holder	
566786	53, 57
Lubricant Holder	
559986	21
560025	21
560045	19
560046	19

M

Magnetic Bracket	
564203	35
Main Switch	
SPPRI404000098	59, 61
SPPRI404000099	59, 61
SP347700100753	59, 61
SP347700125175	59, 61
SP504589	59, 61
Main Switch Knob	
SPPRI404000095	59, 61
Manifold Flush Kit	
529789	91
529797	91
529798	91
529799	91
529800	91
Microswitch	
SPF02117002114	31
SPF02117002224	31
564511	35
Mixer	
562753	33
Mixer Lid	
562807	37
Mixer Outside	
562752	37
Mixer Shield	
562779	37
Motor	
564508	25
564648	23
Motor Cable	
571510	23
571511	25
571512	25
Motor Pulley	
564402	23
564403	25

N

Nameplate	
B12389801	93
F8443105	93
RSP70115601	93
1226	93
1227	93
1228	93
532265	93
Nozzle	
570375	35
Nut	
SPF02105002213	25
SPF02107002315	29
SP101416	59, 61
SP101419	37, 59, 61
SP101420	59, 61
SP310917240006	15, 29
SP310934000003	31
SP310934000004	15, 55, 57, 59
SP310934000005	55, 57
SP310934000006	31
SP310934000010	83
SP310934000012	23, 25, 27, 83
SP310934000020	13
SP310934100004	55
SP310934100006	55, 57, 59, 61
SP310934240004	29
SP310934240006	13, 23, 25, 29
SP310934240008	7, 13, 59, 61
SP310936000014	59, 61
SP310985000006	11, 35, 69, 71, 73, 75
SP310985000008	83
SP310985000010	7, 87
SP310985000012	83
SP310985000016	7
SP313251002104	35, 45
SP514193	15, 35, 87, 89
SP516176	59, 61
564204	35
570374	35
NYH600T5	

O

O-Ring	
SP273111030035	17
SP273111140005	17
SP273111150003	19
562776	37

P

Packing Part	
SPF02101500414	7
Padlock	
SP523167	51
Pin	
SPF02117002514	31
SP554970	29
Pipe Nipple	
SPPRI426001220	39, 41

N/A items do not appear in index.

SP235134600414	39, 41
SP319428330060	19, 21, 43, 45, 47, 49
SP319428330080	47, 49
SP319428330800	43, 45, 47, 49, 81
SP503883	43, 45
561632	47, 49
Plate	
SP515456	27
564162	79
Plate of Relay	
577187	57
Plug	
SPPRI505000064	65, 67
SP223105002314	21
SP319428324805	13
SP321848503046	19
SP345900032132	9, 51, 85
SP345900043132	59, 61
SP505472	43, 45
SP510898	47
SP534913	59, 61
SP559343	59, 61
567053	33
Pneumatic Assembly Holder	
562801	43, 45, 47, 49
Position Switch	
SPPRI345000070	81
SP506572	81
Pressure Regulator Grip	
SP405113111112	43
570804	45
Profiled Sealing	
SPPRI505000058	15
Programmer Cover	
567893	53, 57
Programmer Holder	
567810	53
567811	57
Programming Cable	
F8600501	53
Protective Roller Blind	
564242	85
Pulley	
SPF02105000513	25
561389	23
Pump	
529742	91
529743	91
529744	91
529745	91
529746	91
Pump Relay Board to LED Terminal Cable	
571519	59

R

Rear Cover	
561434	9
561438	9
569509	9
569511	9
573241	9
573247	9

Rear Panel	
577214	61
Rear Panel Assembly	
561420	59
Rear Panel Lid	
SP547886	59
562789	9
562793	9
577217	61
Recycle Drain Valve	
SPPRI340072051	69, 71, 73
Reducing Insert	
SP235134601314	39
Reducing Sleeve	
SP230131300715	59, 61
Reduction	
SPB01117002014	65, 67
SPF02116001814	65, 67
SP548001	81
Regulator Holder	
SP548952	47
Reinforcement	
564172	35
564173	35
Reinforcement of Keyboard	
566861	53
Relay	
SP514134	53
Relay Board Connection Cable	
552428	89
Relay Case	
SP506586	53
Relay Clamp	
SP514135	53
Relay Extension Board	
SP547003	53
Relay Extension Board Cable	
SP547062	53
Remove Box	
SP541219	87
Retaining Ring	
SP307732030014	29
SP307732030025	27
SP307732031062	27
563230	19
563231	21
564258	81
Ring	
SPF02117001714	31
559980	21
560048	19
Rising Section	
SPF02117001314	31
Rivet	
SP313250004007	13, 21
SP313250032079	53
SP505479	43, 45, 47, 49
505479	35, 85
Rod	
564251	85
564253	85
Roller	
SPF02118000514	27
SPF04118000514	27

N/A items do not appear in index.

S

Safety stop cable		
571460	63	
Screw		
SP309966240610	83	
SP526497	37, 61, 69, 71, 73, 75	
SP529206	11, 15, 59, 61	
SP536630	51	
568811	21	
Seal		
SP506708	39, 41	
SP526564	65, 67	
563226	19	
563227	19	
563228	19	
563232	21	
563233	21	
564202	35	
Sealant		
SPPRI704000053	13, 15, 19, 37	
Sealing		
SP273222012025	13, 19, 21	
100097	13, 21	
Sealing Ring		
SPPRI524000001	13	
Serial Plate		
547563	93	
Shaft		
559976	21	
559996	19	
Shield Cable		
SP341414000205	77	
Shim		
563354	29	
Side Cover		
561453	9	
561456	9	
561474	9	
561477	9	
564293	9	
564294	9	
564297	9	
564298	9	
Side Panel		
561444	11	
561447	11	
561465	11	
561468	11	
569513	11	
569514	11	
569517	11	
569518	11	
Sleeve		
SPF02101500114	7	
SP323622641243	29	
561686	81	
Slider Assembly		
568818	15	
Soap Hopper		
561658	35	
561659	35	
Soap Hopper Assembly		
561660	33, 35	
Soap Hopper Box Cable		
564554	33	
Soap Hopper Door		
561664	35	
Soap Hopper Level		
SP235110200014	35	
Soap Relay Board		
SP524714	59	
553187	61	
Sound Damper		
SP326346000407	47	
570823	49	
Speed Sensor		
SP557701	19, 21	
Speed Sensor Holder		
SP560733	19	
564401	21	
Spiral		
SP283449080200	69, 71, 73, 75	
Spring		
SPPRI611000007	31	
SP315002005014	7	
SP315002015014	31	
SP315011020005	7	
SP505372	85	
Spring Clamp		
SP540183	69, 71, 73, 75	
Spring Console		
564248	85	
Spring Hinge		
SPF02101500014	7	
Spring Suspension		
SPB01107500014	7	
Steam Filter		
SP405054057006	65, 67	
Steam Hose		
SP535941	65, 67	
Steam Kit		
572128	65	
572129	67	
Steam Pipe		
SPF02116100014	65, 67	
Steam Valve		
SP514162	65, 67	
Steam Valve Body		
SP514166	65, 67	
Stop		
SP552725	81	
561694	81	
Stop Console		
564176	81	
Stopper		
SP511929	87	
563333	29	
563364	29	
Suction Tube		
529787	91	
Supply Pump Kit		
MB90-Z40	91	
MB90-Z41	91	
MB90-Z42	91	
MB90-Z43	91	
MB90-Z44	91	

N/A items do not appear in index.

Support	
564128	81
564129	81
Support Cover	
561462	11
561483	11
Support Rail	
566792	53
Switch	
SPPRI348000097	59, 61
Switch Holder	
564263	81
Switching Unit	
SP528312	53, 57

T

Tape	
SP284000012003	15, 53
Tee	
SP526454	69, 71, 73, 75
Temperature Sensor	
SP503839	13
Tension Roller	
560029	27
561311	27
561312	27
Thermostat Sensor Holder	
SPPRI614000047	13
573243	13
Threaded Joint	
SP531226	51
Tilting Cabinet	
564109	85
564256	85
Timer	
SPPRI345006045	63
Tongue	
564261	81
Top Cover	
561459	9
561480	9
566750	9
566752	9
569501	9
569502	9
569505	9
569506	9
Top Holder	
567816	53, 57
Topper	
SP536508	47
Transformer	
SP101643	63
564561	61
Transparent Foil	
SP516715	93
T-Square	
SP529323	81
Tub	
560011	13
560031	13
561521	13

Tub Facia Panel	
560004	13
563237	13
Tube	
SP518680	31
SP533712	31

U

Upper Strip	
563351	15
Upper Support	
561689	79
USB Cable	
SP547006	61
560721	59

V

Valve	
SP510808	39, 41
SP510809	39, 41
SP523728	51
SP567065	39, 41
Valve Connector	
SP536505	47, 49
Valve Holder	
562781	69, 71, 73, 75
Ventilation	
569462	61
Vessel	
SP321848223000	35
Vibration Switch	
564507	15
Vibration Switch Cable	
564553	15
Vibration Switch Holder	
563365	15
563366	15

W

Wash Bath Sample Assembly	
562841	51
Washer	
SPF02100021214	17
SPF02100021615	29
SPF02105002515	19, 21
SPF02105002715	23, 25
SPF02111001214	39, 41
SPF02117002414	31
SPF02118000615	27
SPF07102001314	23, 25
SP223111000814	65, 67
SP311125000003	31
SP311125000004 ... 15, 43, 45, 47, 49, 55, 57, 59, 63, 83,	89
SP311125000005	21, 55, 57
SP311125000006	11, 15, 69, 71, 73, 75, 83, 85
SP311125000008	83
SP311125000010	7, 87
SP311125000013	7, 23, 25, 27, 83

N/A items do not appear in index.

SP311125000014.....	59, 61
SP311125000017.....	7
SP311125100004.....	31, 55
SP311125100006.....	31, 55, 57, 59, 61
SP311125200006.....	13
SP311125240004.....	35
SP311125240006.....	13, 23, 25, 29, 35
SP311125240008.....	7, 13, 15, 31, 59, 61, 83, 85
SP311127000004.....	31, 43, 45, 47, 49, 59, 63, 83
SP311127000005.....	15, 21
SP311127000006.....	15, 83
SP311127000008.....	83
SP311127000010.....	23
SP311127000012.....	7, 19, 21, 23, 25, 27, 83
SP311127000020.....	13, 23, 25
SP311127240004.....	35
SP311127240006.....	35
SP311127240008.....	15, 31
SP311679800003.....	55, 57
SP311679800004.....	55, 57
SP311679800005.....	55, 57
SP311679824004.....	55
SP311679824006.....	13, 23, 25, 55, 57, 59, 61
SP311679824008.....	7, 59, 61
SP311902100004.....	55, 57
SP311902100006.....	35, 69, 71, 73, 75, 83
SP311902100008.....	69, 71, 73, 75, 83
SP311902100012.....	23, 25
SP311902100014.....	25
SP505430	61
SP506518	25
SP511930.....	87
SP529753	17
SP555746	31
561687	81
564130	81
564264	81
Water Hose	
F200193.....	39, 41
Water Level Switch	
570315.....	71, 75
Water Level Switch Hose	
SPPRI540001003	69, 71, 73, 75
Wedge	
SP526810	21
563229	19
Weighing System Kit	
573924	7
573925	7
Weight	
SPF02104000514	13
561638	13
564199	13

Y

Y-Piece	
SPPRI503000028	71, 75
