

# Washer-Extractor

Barrier Washer

Refer to Page 5 for Model Numbers

Parts





# Table of Contents

Title	Page
Parts Ordering Information.....	3
Serial Plate Location .....	3
Model Identification .....	5
Frame, Tub Support and Weighing System.....	6
Cabinet - 360 and 500 Models (Drawing 1 of 5) .....	8
Cabinet - 360 and 500 Models (Drawing 2 of 5) .....	10
Cabinet - 360 and 500 Models (Drawing 3 of 5) .....	12
Cabinet - 360 and 500 Models (Drawing 4 of 5) .....	14
Cabinet - 700 Models (Drawing 5 of 5) .....	16
Cabinet - 360 Models.....	18
Cabinet - 500 Models.....	20
Cabinet - 700 Models (Drawing 1 of 5) .....	22
Cabinet - 700 Models (Drawing 2 of 5) .....	24
Cabinet - 700 Models (Drawing 3 of 5) .....	26
Cabinet - 700 Models (Drawing 4 of 5) .....	28
Cabinet - 700 Models (Drawing 5 of 5) .....	30
Tub - 360 and 500 Models (Drawing 1 of 2) .....	32
Tub - 360 and 500 Models (Drawing 2 of 2) .....	34
Tub and Vibration Sensor - 360 and 500 Models .....	36
Tub - 700 Models (Drawing 1 of 2) .....	38
Tub - 700 Models (Drawing 2 of 2) .....	40
Tub and Vibration Sensors - 700 Models.....	42
Vibration Switch (Drawing 1 of 2).....	44
Vibration Switch (Drawing 2 of 2).....	46
Drum and Inner Door - 360 and 500 Models (Drawing 1 of 6).....	48
Drum and Inner Door - 360 and 500 Models (Drawing 2 of 6).....	50
Drum and Inner Door - 360 and 500 Models (Drawing 3 of 6).....	52
Drum and Inner Door - 360 and 500 Models (Drawing 4 of 6).....	54
Drum and Inner Door - 360 and 500 Models (Drawing 5 of 6).....	56
Drum and Inner Door - 360 and 500 Models (Drawing 6 of 6).....	58
Drum and Inner Door - 700 Models (Drawing 1 of 3).....	60
Drum and Inner Door - 700 Models (Drawing 2 of 3).....	62
Drum and Inner Door - 700 Models (Drawing 3 of 3).....	64
Left Trunnion.....	66
Right Trunnion .....	68
Drum Blocking (Drawing 1 of 4) .....	70
Drum Blocking (Drawing 2 of 4) .....	72
Drum Blocking (Drawing 3 of 4) .....	74
Drum Blocking (Drawing 4 of 4) .....	76
External Lubrication System .....	78
Drive.....	80

© Copyright 2023, Alliance Laundry Systems LLC

All rights reserved. No part of the contents of this book may be reproduced or transmitted in any form or by any means without the expressed written consent of the publisher.

Tensioning System .....	82
Outer Door (Drawing 1 of 2).....	84
Outer Door (Drawing 2 of 2).....	86
Door Lock (Drawing 1 of 2).....	88
Door Lock (Drawing 2 of 2).....	90
Filling System.....	92
Soap Hopper.....	94
Mixer .....	96
Two Filling Valves With Soap Hopper.....	98
Three Filling Valves With Soap Hopper .....	100
Two and Three Filling Valves - Electromagnetic Without Soap Hopper .....	102
Two and Three Filling Valves - Pneumatic Without Soap Hopper .....	104
Pneumatic System (Drawing 1 of 2) .....	106
Pneumatic System (Drawing 2 of 2) .....	108
Wash Bath Sample .....	110
Loading Side Control Panel (Drawing 1 of 2).....	112
Loading Side Control Panel (Drawing 2 of 2).....	114
Loading Side Control Panel MC10 (Drawing 1 of 2).....	116
Loading Side Control Panel MC10 (Drawing 2 of 2).....	118
Unloading Side Control Panel.....	120
Unloading Side Control Panel MC10 .....	122
Box of Electrical Components (Drawing 1 of 4) .....	124
Box of Electrical Components (Drawing 2 of 4) .....	126
Box of Electrical Components (Drawing 3 of 4) .....	128
Box of Electrical Components (Drawing 4 of 4) .....	130
Weighing System .....	132
Hygienic Barrier .....	134
Steam Supply.....	136
Steam Supply - Steam Exchanger for Indirect Steam Heating .....	138
Side Drain System With Recycle .....	140
Side Drain System Without Recycle .....	142
Side Drain System Without Recycle for Indirect Steam Heating.....	144
Drain System Under Machine With Recycle .....	146
Drain System Under Machine Without Recycle .....	148
Drain System Under Machine Without Recycle for Indirect Steam Heating .....	150
Drain Valve NO 50/60 Hz for Indirect Steam Heating.....	152
Ventilation Valve for Indirect Steam Heating .....	154
Traffic Lights .....	156
Simple Lights and Buzzer .....	158
Liquid Soap Supply System (Pumps) .....	160
Decals .....	162
Parts Index.....	165

## Parts Ordering Information

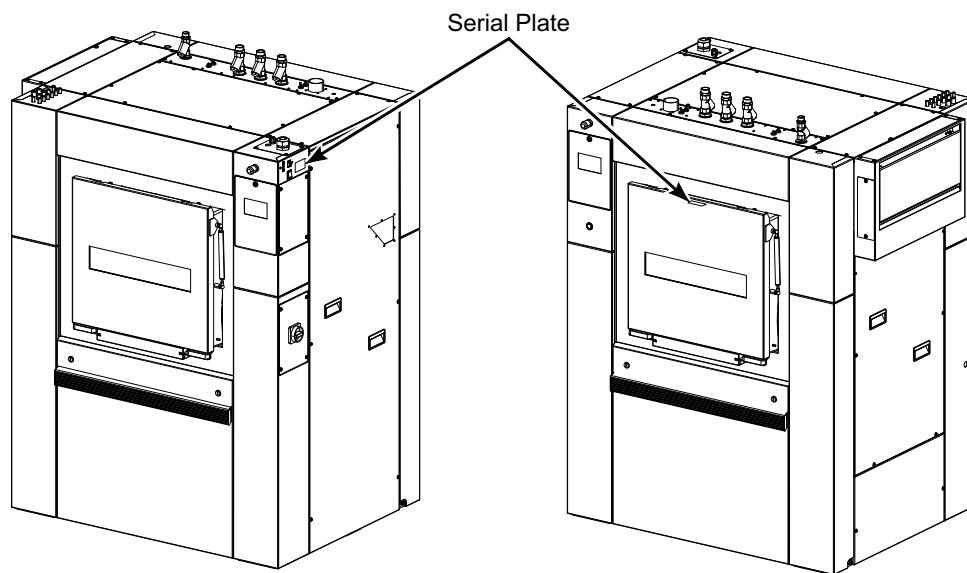
If literature or replacement parts are required, contact the source from whom the machine was purchased or contact Alliance Laundry Systems at (920) 748-3950 for the name and address of the nearest authorized parts distributor.

For technical assistance, call the number listed below:

(920) 748-3121 Ripon, Wisconsin

## Serial Plate Location

When calling or writing about your product, be sure to mention model and serial numbers. Model and serial numbers are located on serial plate(s).



C-CZB37N\_D2019

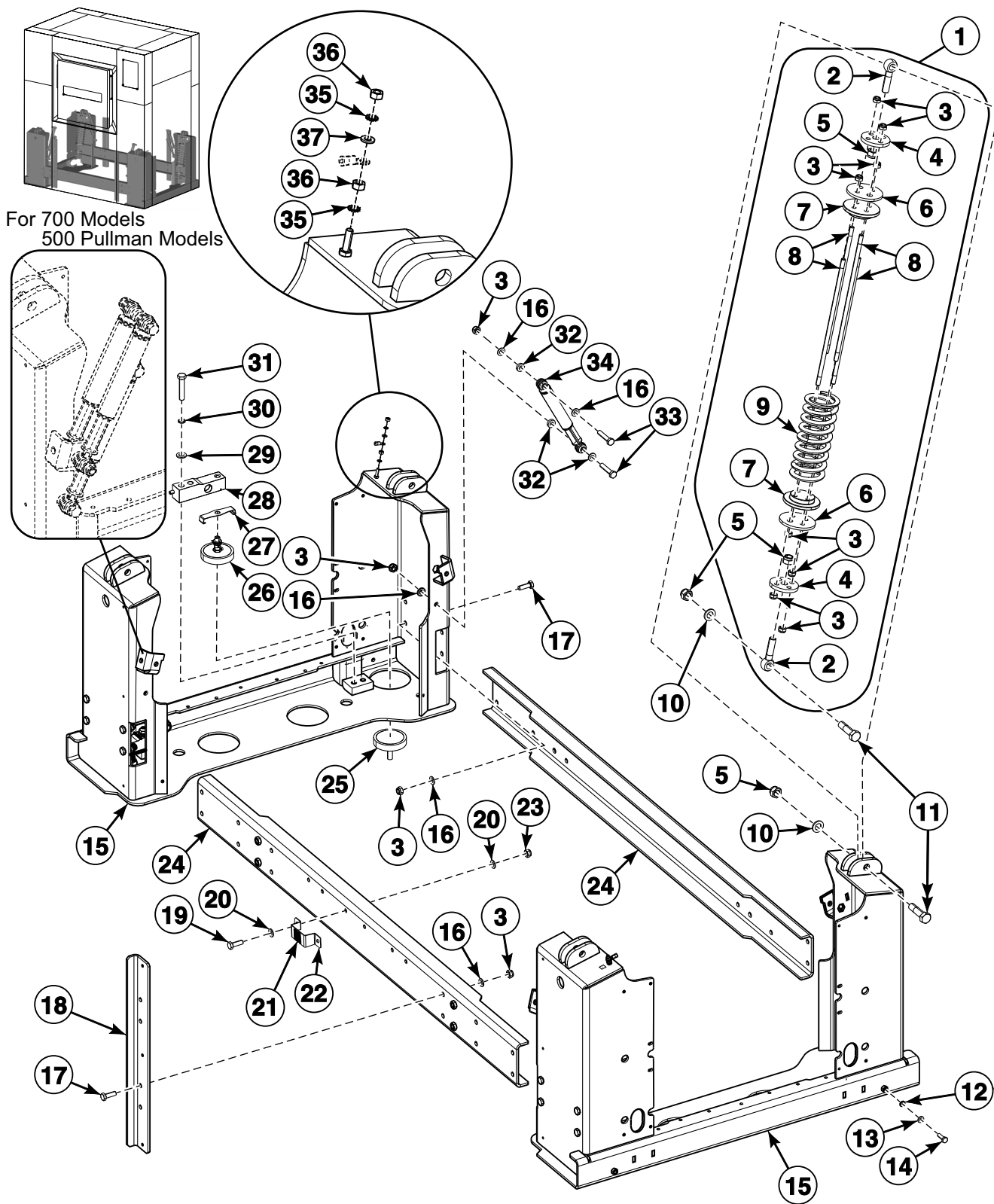


# Model Identification

Information in this manual is applicable to these washer-extractor models:

AMB360_PROFESSIONAL	NMC360T	SMU360V
AMB500_PROFESSIONAL	NMC500T	SMU500V
AMB700_PROFESSIONAL	NMC700T	SMU700V
AMB360_GRAPHITRONIC_TOUCH	NMY360T	SMY360V
AMB500_GRAPHITRONIC_TOUCH	NMY500T	SMY500V
AMB700_GRAPHITRONIC_TOUCH	NMY700T	SMY700V
IMB360_ARIES_ELITE	NMC360V	UMC360I
IMB500_ARIES_ELITE	NMC500V	UMC500I
IMB700_ARIES_ELITE	NMC700V	UMC700I
MXB360_X_CONTROL_PLUS	NMM360V	UMY360I
MXB500_X_CONTROL_PLUS	NMM500V	UMY500I
MXB700_X_CONTROL_PLUS	NMM700V	UMY700I
SMB360_QED-SELECT	NMU360V	UMC360V
SMB500_QED-SELECT	NMU500V	UMC500V
SMB700_QED-SELECT	NMU700V	UMC700V
UMB360_PROFORM	NMY360V	UMM360V
UMB500_PROFORM	NMY500V	UMM500V
UMB700_PROFORM	NMY700V	UMM700V
IMB360_EVOLIS_ELITE	PMC360T	UMU360V
IMB500_EVOLIS_ELITE	PMC500T	UMU500V
IMB700_EVOLIS_ELITE	PMC700T	UMU700V
MXB360_X_CONTROL_FLEX_PLUS	PMY360T	UMY360V
MXB500_X_CONTROL_FLEX_PLUS	PMY500T	UMY500V
MXB700_X_CONTROL_FLEX_PLUS	PMY700T	UMY700V
SMB360_QUANTUM_TOUCH	PMC360V	
SMB500_QUANTUM_TOUCH	PMC500V	
SMB700_QUANTUM_TOUCH	PMC700V	
UMB360_PROFORM_TOUCH	PMM360V	
UMB500_PROFORM_TOUCH	PMM500V	
UMB700_PROFORM_TOUCH	PMM700V	
IMC360R	PMU360V	
IMC500R	PMU500V	
IMC700R	PMU700V	
IMY360R	PMY360V	
IMY500R	PMY500V	
IMY700R	PMY700V	
IMC360V	SMC360D	
IMC500V	SMC500D	
IMC700V	SMC700D	
IMM360V	SMY360D	
IMM500V	SMY500D	
IMM700V	SMY700D	
IMU360V	SMC360V	
IMU500V	SMC500V	
IMU700V	SMC700V	
IMY360V	SMM360V	
IMY500V	SMM500V	
IMY700V	SMM700V	

# Frame, Tub Support and Weighing System



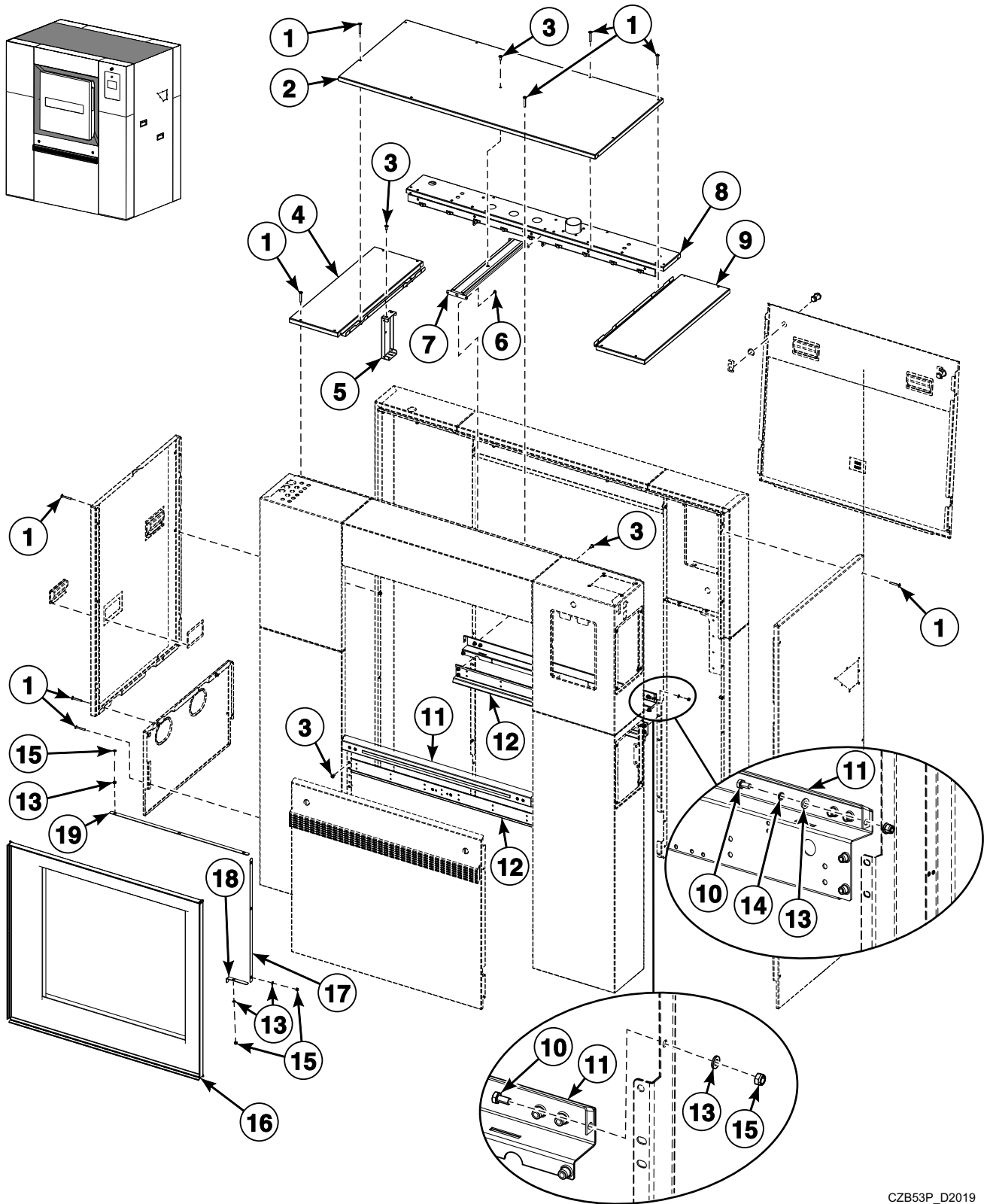
BAR54P\_D2019



# Frame, Tub Support and Weighing System

REF	PART NO.	DESCRIPTION	COMMENTS
1	SPB01107500014	Spring Suspension	
2	SP309444016070	Bolt	M16x70
3	SP310985000010	Nut	M10
4	SPF02101500214	Disk	
5	SP310985000016	Nut	M16
6	SPF02101500414	Packing Part	
7	SPF02101500114	Sleeve	
8	SPF02101500324	Drawing Bar	
9	SP315011020005	Spring	
10	SP311125000017	Washer	17
11	SPF02101001114	Bolt	
12	SP311679824008	Washer	M8
13	SP311125240008	Washer	8.4
14	SP309933240825	Bolt	M8x25
15	562400	Frame Leg	
16	SP311125000010	Washer	10.5
17	SP309933001030	Bolt	M10x30; 500 models
18	559148	Console	500 models
19	SP309933000620	Bolt	M6x20
20	SP311125000006	Washer	6.4
21	SP550115	Fastener	Hook and loop
22	569130	Cover Stopper	
23	SP310985000006	Nut	M6
24	562410	Beam	360 models
	567633	Beam	500 models
	562412	Beam	700 models
25	SP526848	Anchor Pad	
26	SP516956	Adjustable Foot	With weighing system
27	SP552123	Clamp	With weighing system
28	SP529101	Load Sensor	With weighing system
29	SP311125000013	Washer	13; With weighing system
30	SP311127000012	Washer	12; With weighing system
31	SP309933001260	Bolt	M12x60; With weighing system
32	SP562458	Washer	
33	SP309931001050	Bolt	360 and 500 models require 16 pieces; 700 models through Serial No. 70MX000009HY and 700MXB000002KB require 16 pieces; 700 models starting Serial No. 70MX000003KH require 8 pieces; M10x50
	SP309933001080	Bolt	700 models starting Serial No. 70MXB000003KH require 8 pieces; M10x80
34	SP326269185250	Damper	360 and 500 models require 8 pieces; 700 models through Serial No. 70MX000009HY and 700MXB000002KB require 8 pieces; 700 models starting Serial No. 70MX000003KH require 12 pieces
35	SP311679824006	Washer	M6
36	SP310934100006	Nut	M6
37	SP311125100006	Washer	6.4

# Cabinet - 360 and 500 Models (Drawing 1 of 5)

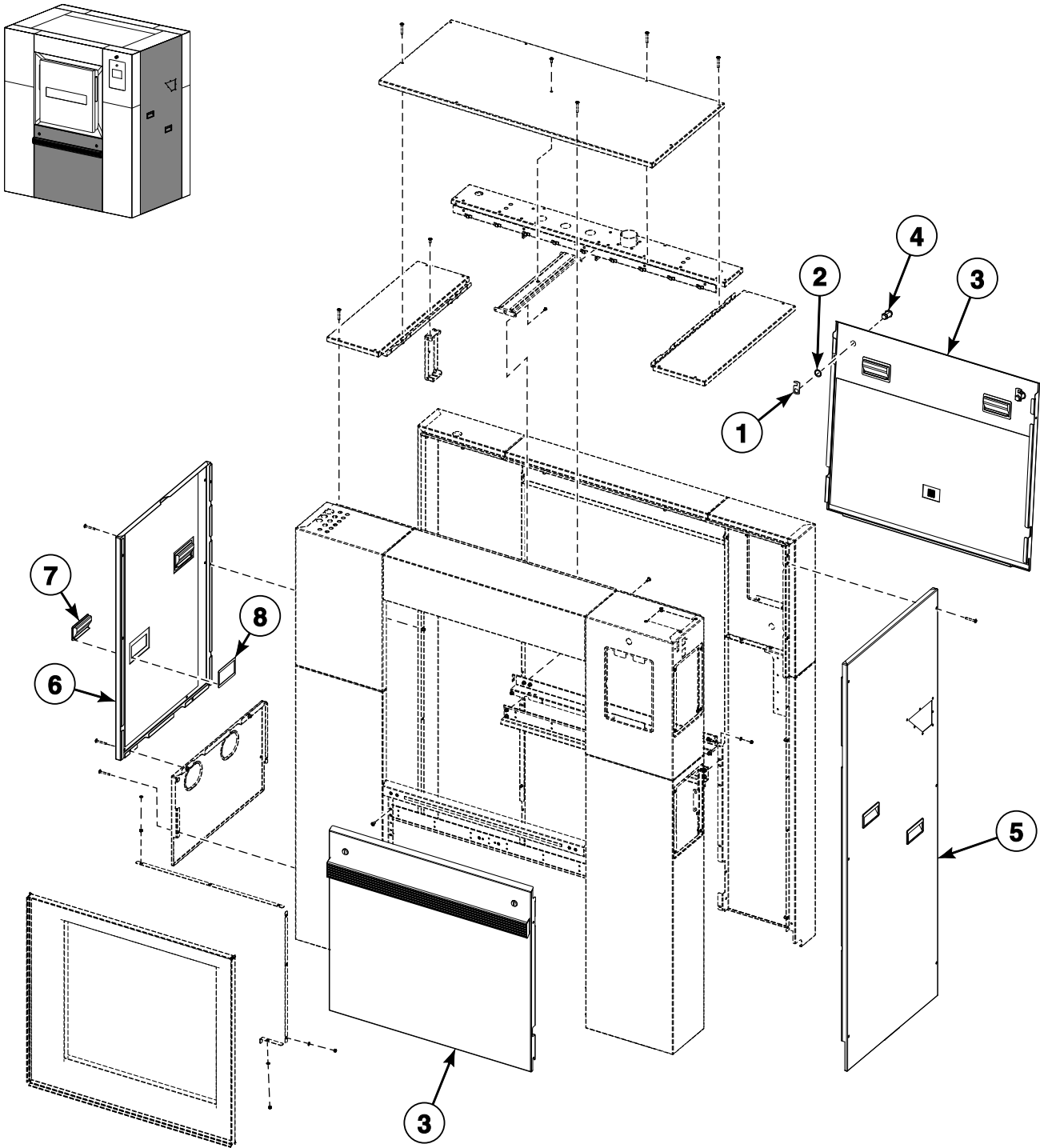


CZB53P\_D2019

## Cabinet - 360 and 500 Models (Drawing 1 of 5)

REF	PART NO.	DESCRIPTION	COMMENTS
	SP245704003021	Adhesive	Loctite 243
1	561307	Bolt	M6x40
2	562457	Top Cover	360 models; Middle
	569190	Top Cover	360 models; Middle; With noise isolation
	562468	Top Cover	500 models; Middle
	569191	Top Cover	500 models; Middle; With noise isolation
3	SP537854	Bolt	M6x14
4	562446	Top Cover	Left
	569189	Top Cover	Left; With noise isolation
5	562452	Vibration Switch Holder	360 models through Serial No. 360MXB000015KM; 500 models through Serial No. 500MXB000014KM
	566949	Vibration Switch Holder	360 models starting Serial No. 360MXB000016KQ; 500 models starting Serial No. 500MXB000015KM
6	SP529206	Screw	M4x11
7	563923	Top Cover Support	500 models
8	562429	Top Cover	360 models; Rear
	562435	Top Cover	500 models; Rear
9	567636	Top Cover	Right
	569220	Top Cover	Right; With noise isolation
10	SP309933000612	Bolt	M6x12
11	564073	Cover Support	360 models through Serial No. 36MX000008HY and 360MXB000002KD; 500 models through Serial No. 50MX000006HF and 500MXB000002KD
	567696	Cover Support	360 models starting Serial No. 360MXB000003KD; 500 models starting Serial No. 500MXB000003KF
12	564071	Wire Holder	360 models through Serial No. 36MX000008HY and 360MXB000002KD; 500 models through Serial No. 50MX000006HF and 500MXB000002KD
13	SP311125000006	Washer	6.4
14	SP311127000006	Washer	6
15	SP310985000006	Nut	M6
16	563982	Finger Protection	360 models through Serial No. 36MX000008HY and 360MXB000002KD; 500 models through Serial No. 50MX000006HF and 500MXB000002KD
	567700	Finger Protection	360 models starting Serial No. 360MXB000003KD; 500 models starting Serial No. 500MXB000003KF
17	564002	Bar	
18	564003	Bar	
19	564001	Bar	

# Cabinet - 360 and 500 Models (Drawing 2 of 5)

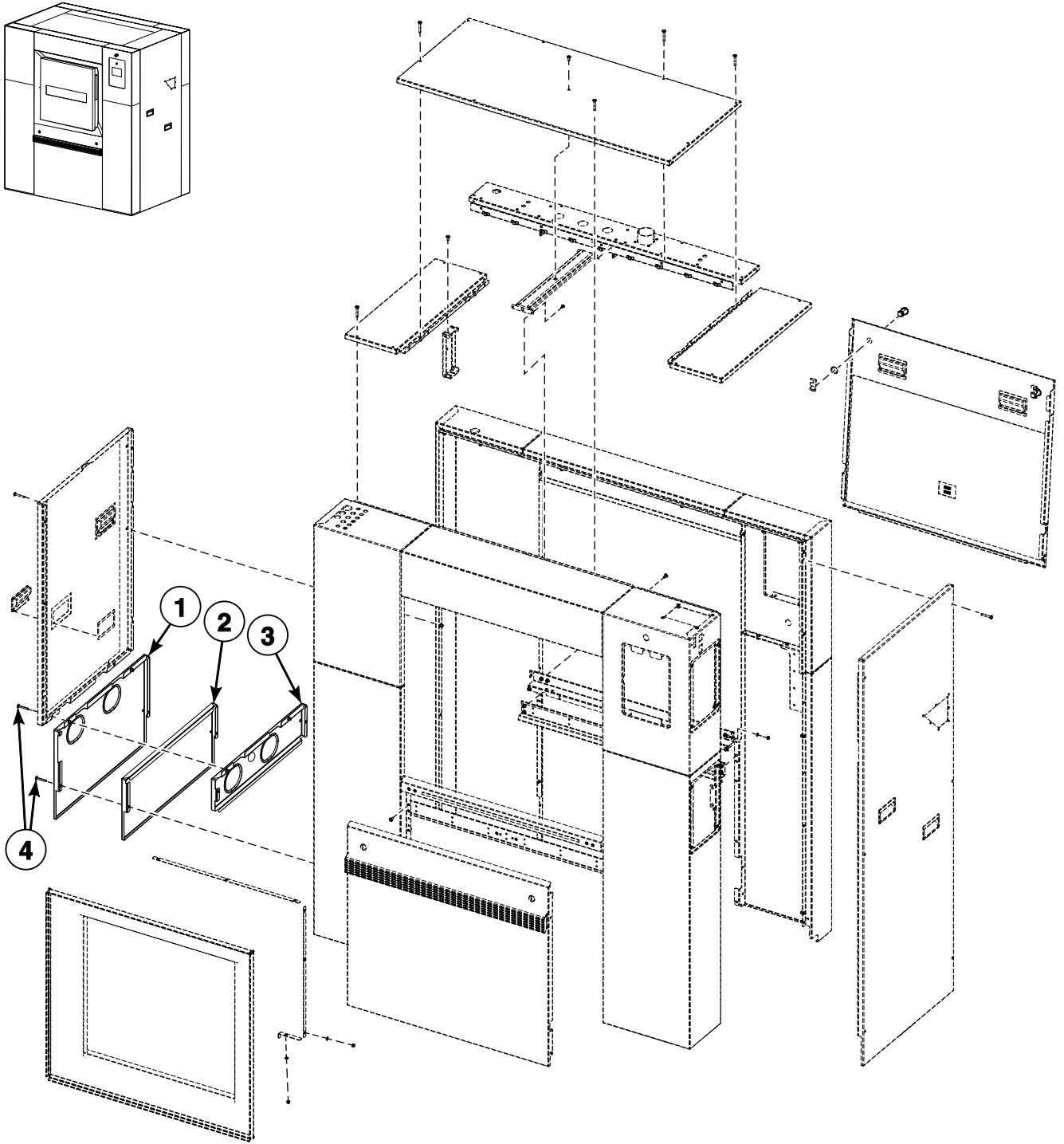


CZB54P\_D2019

## Cabinet - 360 and 500 Models (Drawing 2 of 5)

REF	PART NO.	DESCRIPTION	COMMENTS
1	SPPRI610001007	Lock Hook	
2	SPPRI522000012	Washer	21x27x1
3	563912	Cover	With bumper; Includes items 1, 2 and 4; 360 models through Serial No. 36MX000008HY and 360MXB000002KD; 500 models through Serial No. 50MX000006HF and 500MXB000002KD
	567684	Cover	With bumper; Includes items 1, 2 and 4; 360 models starting Serial No. 360MXB000003KD; 500 models starting Serial No. 500MXB000003KF
	569182	Cover	Optional; With bumper and noise isolation; Includes items 1, 2 and 4; 360 models through Serial No. 36MX000008HY and 360MXB000002KD; 500 models through Serial No. 50MX000006HF and 500MXB000002KD
	567692	Cover	Optional; With bumper and noise isolation; Includes items 1, 2 and 4; 360 models starting Serial No. 360MXB000003KD; 500 models starting Serial No. 500MXB000003KF
	563988	Cover	AM, IM, NM and SM models; Optional; With handle; Includes items 1, 2, 4, 7 and 8; 360 models through Serial No. 36MX000008HY and 360MXB000002KD; 500 models through Serial No. 50MX000006HF and 500MXB000002KD
	567686	Cover	AM, IM, NM and SM models; Optional; With handle; Includes items 1, 2, 4, 7 and 8; 360 models starting Serial No. 360MXB000003KD; 500 models starting Serial No. 500MXB000003KF
	569184	Cover	AM, IM, NM and SM models; Optional; With handle; Includes items 1, 2, 4, 7 and 8; 360 models through Serial No. 36MX000008HY and 360MXB000002KD; 500 models through Serial No. 50MX000006HF and 500MXB000002KD
	567694	Cover	AM, IM, NM and SM models; Optional; With handle; Includes items 1, 2, 4, 7 and 8; 360 models starting Serial No. 360MXB000003KD; 500 models starting Serial No. 500MXB000003KF
4	SPPRI610000007	Lock	
5	564091	Side Cover	Right; Includes items 7 and 8
	569186	Side Cover	Right; With noise isolation; Includes items 7 and 8
6	564087	Side Cover	Left upper; With soap hopper; Includes items 7 and 8
	564085	Side Cover	Left upper; Optional; Without soap hopper; Includes items 7 and 8
	569188	Side Cover	Left upper; Optional; With soap hopper and noise isolation; Includes items 7 and 8
	569187	Side Cover	Left upper; Optional; Without soap hopper and noise isolation; Includes items 7 and 8
7	SP518707	Handle	
8	563993	Distance Washer	

# Cabinet - 360 and 500 Models (Drawing 3 of 5)

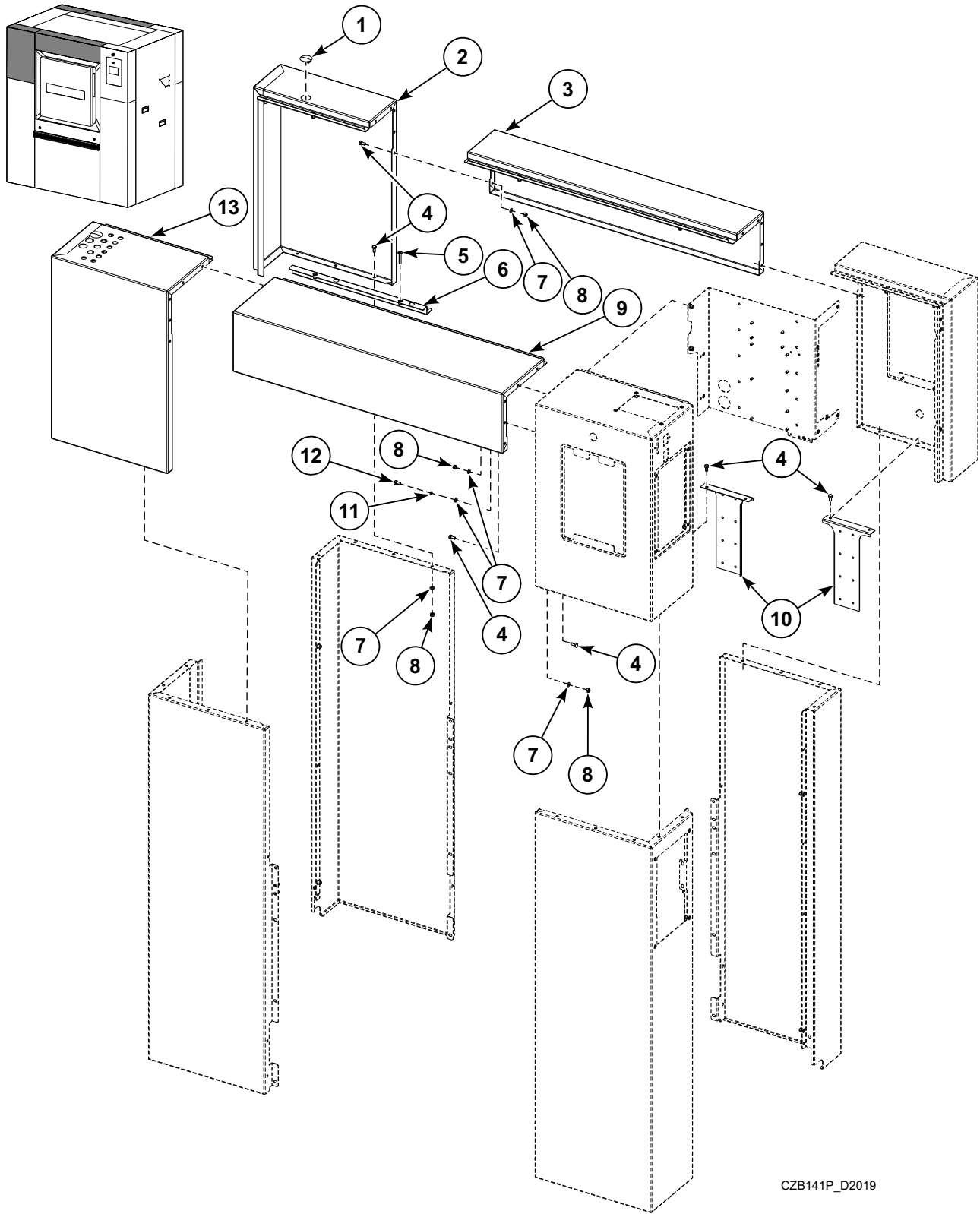


CZB46P\_D2019

## Cabinet - 360 and 500 Models (Drawing 3 of 5)

REF	PART NO.	DESCRIPTION	COMMENTS
1	564081	Side Cover	Left lower; With drain system under machine; 360 models through Serial No. 36MX000008HY and 360MXB000002KD; 500 models through Serial No. 50MX000006HF and 500MXB000002KD
	569223	Side Cover	Left lower; Optional; With drain system under machine and noise isolation; 360 models through Serial No. 36MX000008HY and 360MXB000002KD; 500 models through Serial No. 50MX000006HF and 500MXB000002KD
	564083	Side Cover	Left lower; Optional; With side drain system; 360 models through Serial No. 36MX000008HY and 360MXB000002KD; 500 models through Serial No. 50MX000006HF and 500MXB000002KD
	569224	Side Cover	Left lower; Optional; With side drain system and noise isolation; 360 models through Serial No. 36MX000008HY and 360MXB000002KD; 500 models through Serial No. 50MX000006HF and 500MXB000002KD
2	566945	Side Cover	Left lower; 360 models starting Serial No. 360MXB000003KD with indirect steam heating and 360MXB000011KK without indirect steam heating; 500 models starting Serial No. 500MXB000006KK
	567714	Side Cover	Left lower; With noise isolation; 360 models starting Serial No. 360MXB000003KD with indirect steam heating and 360MXB000011KK without indirect steam heating; 500 models starting Serial No. 500MXB000006KK
3	567710	Side Cover	Left lower; With drain system under machine and without indirect steam heating; 360 models starting Serial No. 360MXB000011KK; 500 models starting Serial No. 500MXB000006KK
	567712	Side Cover	Left lower; With drain system under machine and indirect steam heating; 360 models starting Serial No. 360MXB000003KD; 500 models starting Serial No. 500MXB000006KK
	567711	Side Cover	Left lower; Optional; With side drain system and without indirect steam heating; 360 models starting Serial No. 360MXB000011KK; 500 models starting Serial No. 500MXB000006KK
	567713	Side Cover	Left lower; Optional; With side drain system and indirect steam heating; 360 models starting Serial No. 360MXB000011KK; 500 models starting Serial No. 500MXB000006KK
4	561307	Bolt	M6x40

# Cabinet - 360 and 500 Models (Drawing 4 of 5)



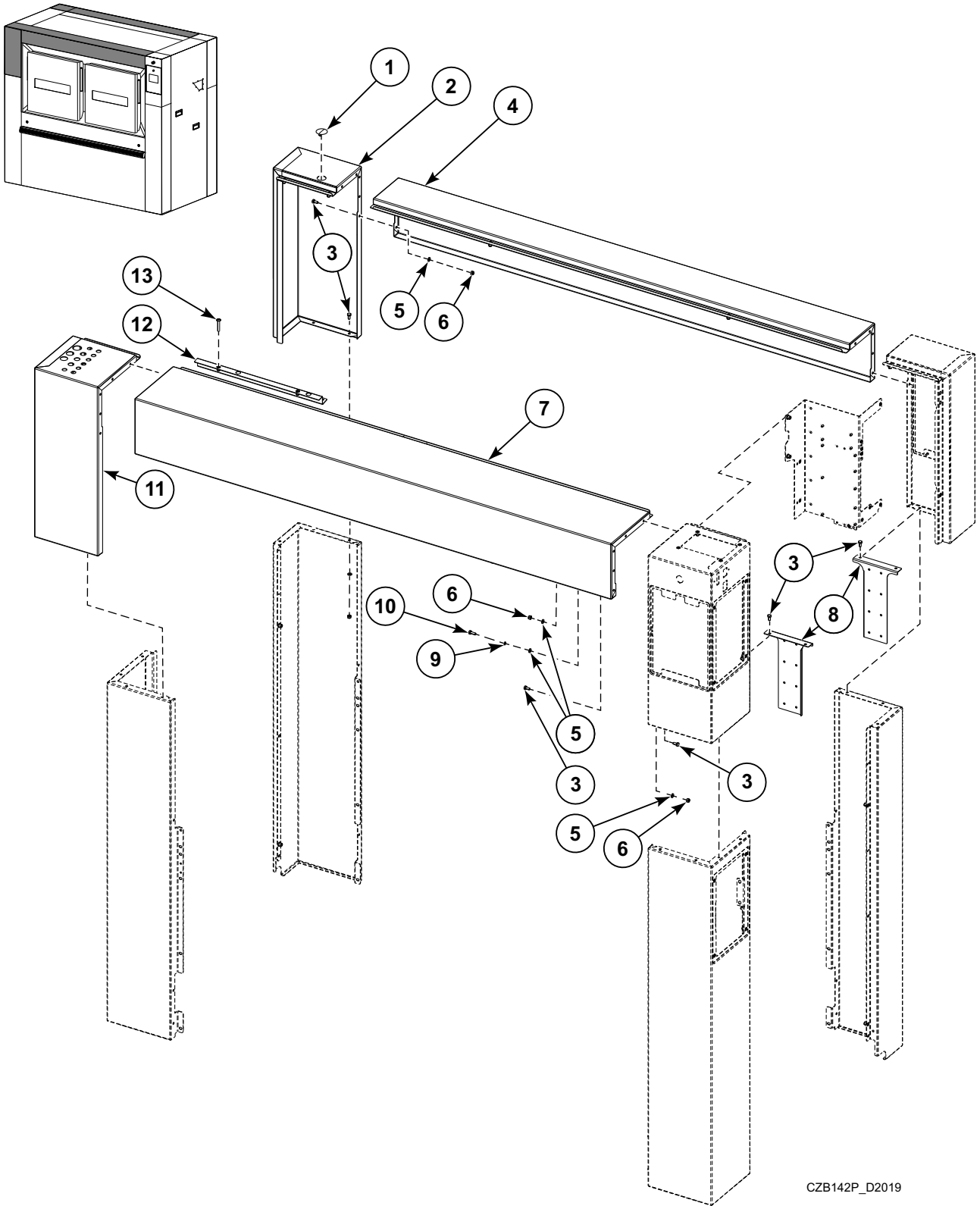
CZB141P\_D2019



## Cabinet - 360 and 500 Models (Drawing 4 of 5)

REF	PART NO.	DESCRIPTION	COMMENTS
1	SP345900032132	Plug	Without soap hopper
2	563918	Leg Extension	MXB and PM 360 models; Left rear; Black
	562476	Leg Extension	MXB and PM 500 models; Left rear; Black
	562389	Leg Extension	AM and NM 360 models; Left rear; Painted
	562397	Leg Extension	AM and NM 500 models; Left rear; Painted
	562398	Leg Extension	360 models; Left rear; Stainless steel
	562399	Leg Extension	500 models; Left rear; Stainless steel
	569164	Leg Extension	MXB and PM 360 models; Left rear; Black; Optional; With noise isolation
	569165	Leg Extension	MXB and PM 500 models; Left rear; Black; Optional; With noise isolation
	569166	Leg Extension	AM and NM 360 models; Left rear; Painted; Optional; With noise isolation
	569167	Leg Extension	AM and NM 500 models; Left rear; Patined; Optional; With noise isolation
	569168	Leg Extension	360 models; Left rear; Stainless steel; Optional; With noise isolation
	569169	Leg Extension	500 models; M6x12; Includes 1 piece
	3	562459	Upper Cover
567603		Upper Cover	AM and NM models; Rear; Stainless steel
567605		Upper Cover	Rear; Black; Optional; With noise isolation
569176		Upper Cover	MXB and PM models; Rear; Black; Optional; With noise isolation
569178		Upper Cover	AM and NM models; Rear; Painted; Optional; With noise isolation
569180		Upper Cover	Rear; Stainless steel; Optional; With noise isolation
4	SP309933000612	Bolt	Rear; Black
5	SP537854	Bolt	M6x14
6	567753	Hose Holder	
7	SP311125000006	Washer	6.4
8	SP310985000006	Nut	M6
9	563910	Upper Cover	IM, MXB and PM models; Front; Black
	562499	Upper Cover	AM and NM models; Front; Painted
	567601	Upper Cover	Front; Stainless steel
	569170	Upper Cover	MXB and PM models; Front; Black; Optional; With noise isolation
	569172	Upper Cover	AM and NM models; Front; Painted; Optional; With noise isolation
	569174	Upper Cover	Stainless steel; Front; Optional; With noise isolation
10	562490	Cable Holder	
11	SP311127000006	Washer	6
12	SP309933000616	Bolt	M6x14
13	563906	Leg Extension	MXB and PM 360 models; Left front; Black
	562470	Leg Extension	MXB and PM 500 models; Left front; Black
	564004	Leg Extension	AM and NM 360 models; Left front; Painted
	564006	Leg Extension	AM and NM 500 models; Left front; Painted
	564008	Leg Extension	360 models; Left front; Stainless steel
	564009	Leg Extension	500 models; Left Front; Stainless steel

# Cabinet - 700 Models (Drawing 5 of 5)

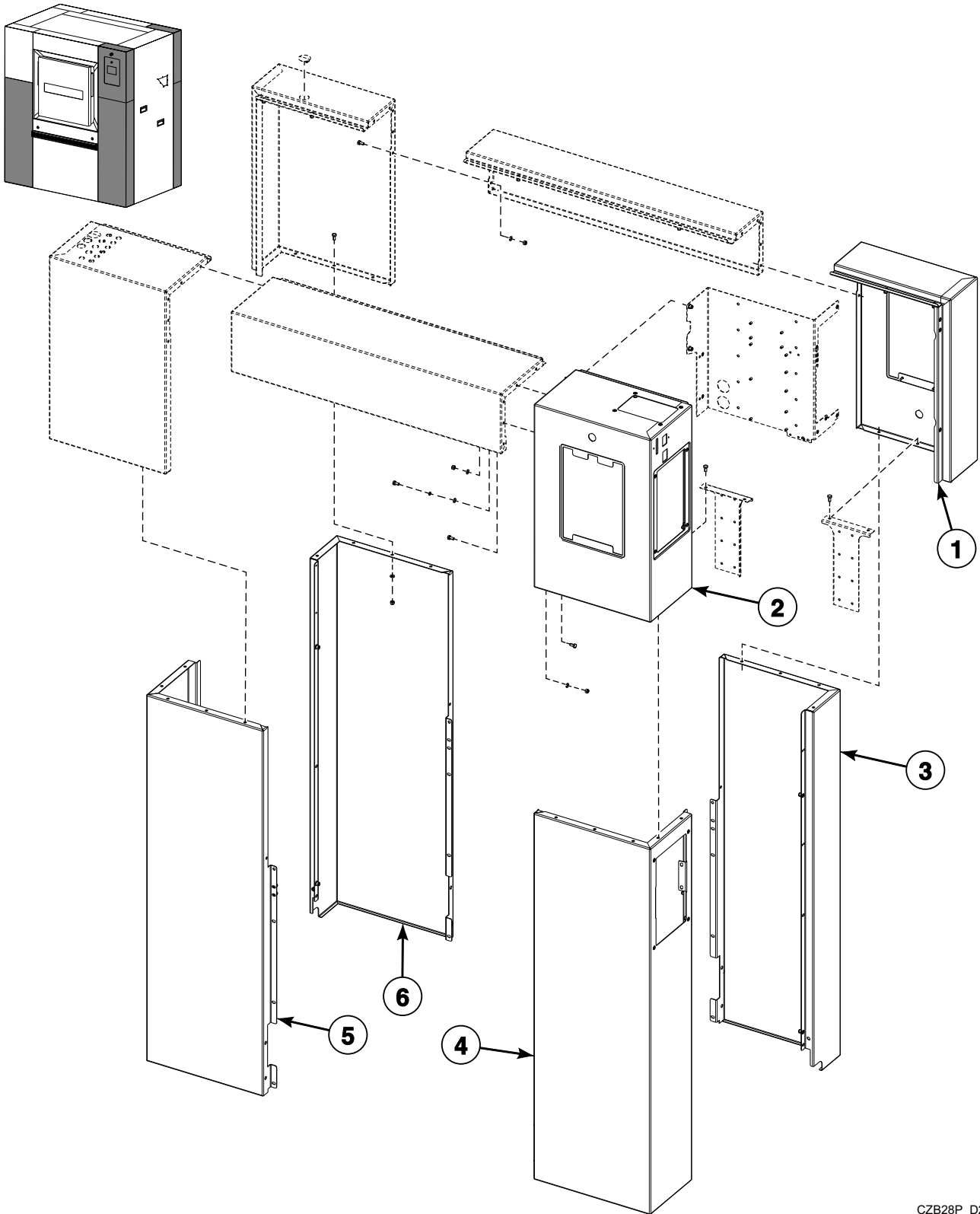


CZB142P\_D2019

## Cabinet - 700 Models (Drawing 5 of 5)

REF	PART NO.	DESCRIPTION	COMMENTS
1	SP345900032132	Plug	Without soap hopper
2	563918	Leg Extension	MXB and PM models; Left rear; Black
	562389	Leg Extension	AM and NM models; Left rear; Painted
	562398	Leg Extension	Left rear; Stainless steel
	569164	Leg Extension	MXB and PM models; Left rear; Black; Optional; With noise isolation
	569166	Leg Extension	AM and NM models; Left rear; Painted; Optional; With noise isolation
	569168	Leg Extension	Left rear; Stainless steel; Optional; With noise isolation
3	SP309933000612	Bolt	M6x12; Includes 1 piece
4	562466	Upper Cover	IM, MXB and PM models; Rear; Black
	567604	Upper Cover	AM and NM models; Rear; Painted
	567606	Upper Cover	Rear; Stainless steel
	569177	Upper Cover	MXB and PM models; Rear; Black; Optional; With noise isolation
	569179	Upper Cover	AM and NM models; Rear; Painted; Optional; With noise isolation
	569181	Upper Cover	Rear; Stainless steel; Optional; With noise isolation
5	SP311125000006	Washer	6.4
6	SP310985000006	Nut	M6
7	562464	Upper Cover	IM, MXB and PM models; Front; Black
	562500	Upper Cover	AM and NM models; Front; Painted
	567602	Upper Cover	Front; Stainless steel
	569171	Upper Cover	MXB and PM models; Front; Black; Optional; With noise isolation
	569173	Upper Cover	AM and NM models; Front; Painted; Optional; With noise isolation
	569175	Upper Cover	Front; Stainless steel; Optional; With noise isolation
8	562490	Cable Holder	
9	SP311127000006	Washer	6
10	SP309933000616	Bolt	M6x14
11	563906	Leg Extension	MXB and PM models; Left front; Black
	564004	Leg Extension	AM and NM models; Left front; Painted
	564008	Leg Extension	Left front; Stainless steel
12	567753	Hose Holder	
13	SP537854	Bolt	M6x14

# Cabinet - 360 Models

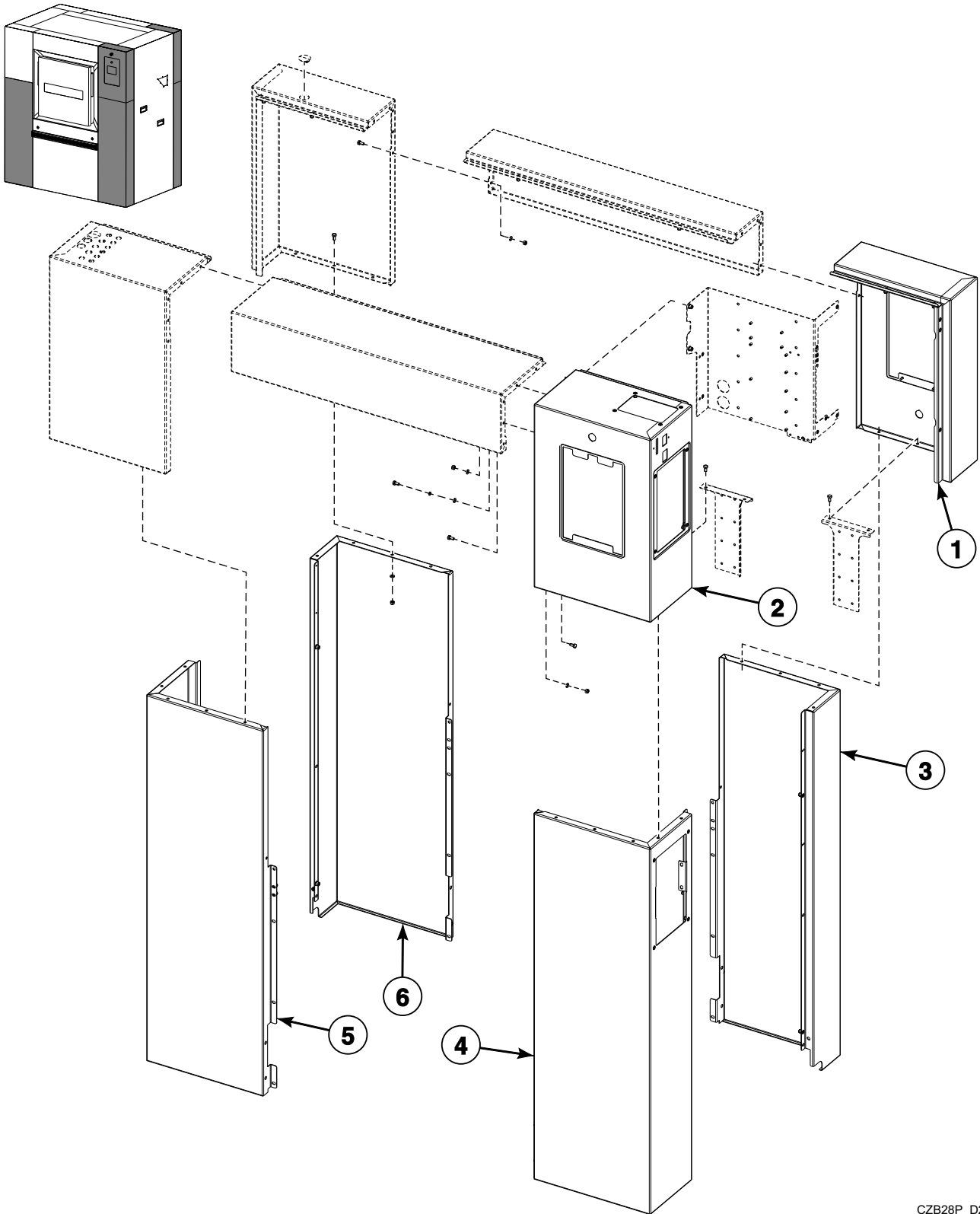


CZB28P\_D2019

## Cabinet - 360 Models

REF	PART NO.	DESCRIPTION	COMMENTS	
1	563916	Leg Extension	MXB and PM models; Right rear; Black; Optional; With second display	
	562393	Leg Extension	AM and NM models; Right rear; Painted; Optional; With second display	
	562395	Leg Extension	Rear rear; Stainless steel; Optional; With second display	
	564034	Leg Extension	MXB and PM models; Right rear; Black; Without second display	
	564036	Leg Extension	AM and NM models; Right rear; Painted; Without second display	
	564038	Leg Extension	Right rear; Stainless steel; Without second display	
	569152	Leg Extension	MXB and PM models; Right rear; Black; Optional; With second display and noise isolation	
	569154	Leg Extension	AM and NM models; Right rear; Painted; Optional; With second display and noise isolation	
	569156	Leg Extension	Right rear; Stainless steel; Optional; With second display and noise isolation	
	569158	Leg Extension	MXB and PM models; Right rear; Black; Optional; Without second display and with noise isolation	
	569160	Leg Extension	AM and NM models; Right rear; Black; Optional; Without second display and with noise isolation	
	569162	Leg Extension	Right rear; Stainless steel; Optional; Without second display and with noise isolation	
	2	563908	Leg Extension	MXB and PM models; Right front; Black
		562376	Leg Extension	AM and NM models; Right front; Painted
562378		Leg Extension	Right front; Stainless steel	
3	563941	Leg	Right rear; Models through Serial No. 360MX000008HY and 360MXB000002KD	
	567676	Leg	Right rear; Models starting Serial No. 360MXB000003KD	
	569148	Leg	Right rear; Optional; With noise isolation	
4	563904	Leg	Right front; Models through Serial No. 360MX000008HY and 360MXB000002KD	
	567672	Leg	Right front; Models starting Serial No. 360MXB000003KD	
	569146	Leg	Right front; Optional; With noise isolation	
5	563902	Leg	Left front; Models through Serial No. 360MX000008HY and 360MXB000002KD	
	567668	Leg	Left front; Models starting Serial No. 360MXB000002KD	
	569144	Leg	Left front; Optional; With noise isolation	
6	563943	Leg	Left front; Models through Serial No. 360MX000008HY and 360MXB000002KD	
	567680	Leg	Left rear; Models starting Serial No. 360MXB000003KD	
	569150	Leg	Left rear; Optional; With noise isolation	

# Cabinet - 500 Models

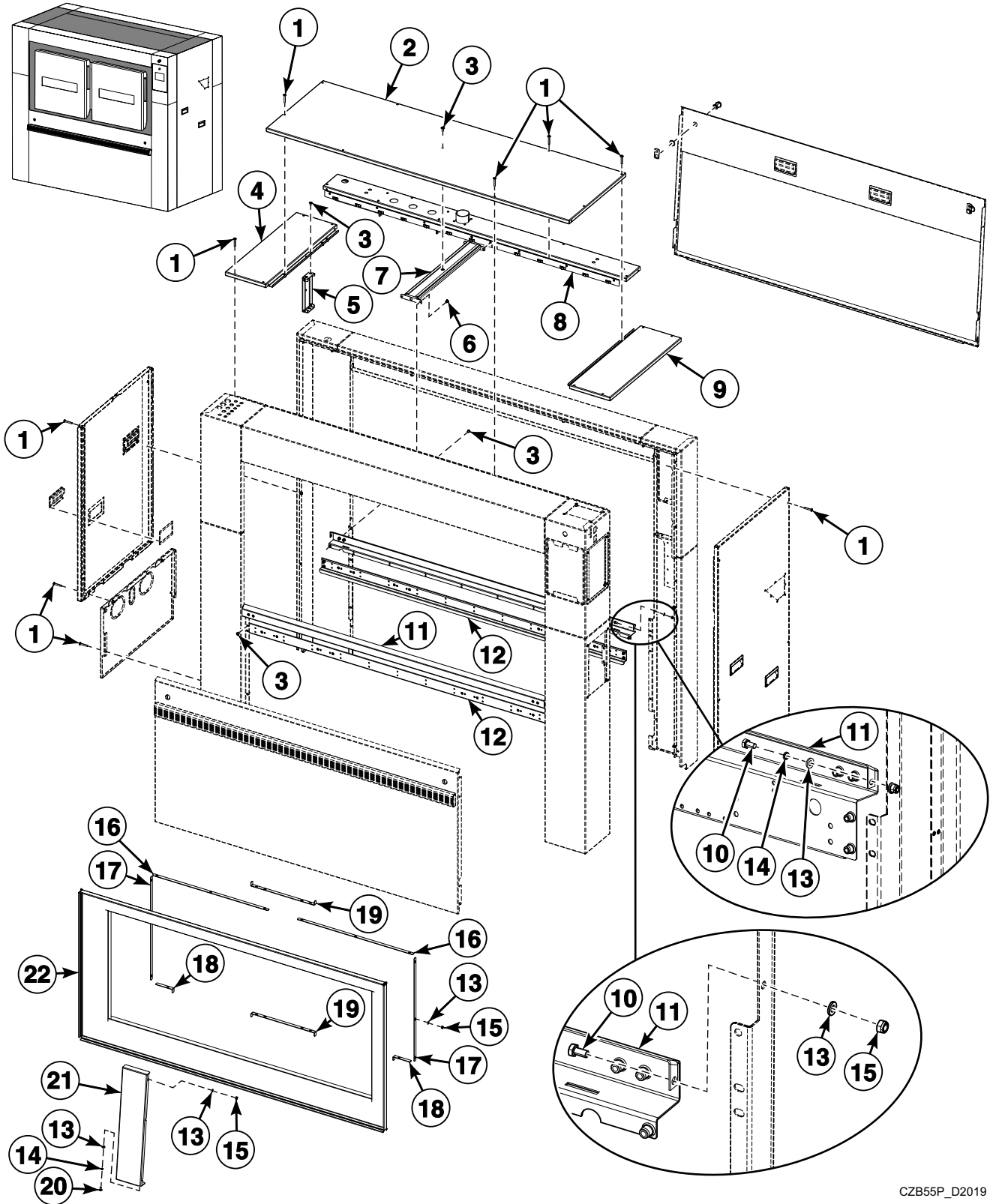


CZB28P\_D2019

## Cabinet - 500 Models

REF	PART NO.	DESCRIPTION	COMMENTS
1	562474	Leg Extension	MXB and PM models; Right rear; Black; Optional; With second display
	562394	Leg Extension	AM and NM models; Right rear; Painted; Optional; With second display
	562396	Leg Extension	Rear rear; Stainless steel; Optional; With second display
	564035	Leg Extension	MXB and PM models; Right rear; Black; Without second display
	564037	Leg Extension	AM and NM models; Right rear; Painted; Without second display
	564039	Leg Extension	Right rear; Stainless steel; Without second display
	569153	Leg Extension	MXB and PM models; Right rear; Black; Optional; With second display and noise isolation
	569155	Leg Extension	AM and NM models; Right rear; Painted; Optional; With second display and noise isolation
	569157	Leg Extension	Right rear; Stainless steel; Optional; With second display and noise isolation
	569159	Leg Extension	MXB and PM models; Right rear; Black; Optional; Without second display and with noise isolation
	569161	Leg Extension	AM and NM models; Right rear; Black; Optional; Without second display and with noise isolation
	569163	Leg Extension	Right rear; Stainless steel; Optional; Without second display and with noise isolation
	2	562472	Leg Extension
562377		Leg Extension	AM and NM models; Right front; Painted
562379		Leg Extension	Right front; Stainless steel
3	563971	Leg	Right rear; Models through Serial No. 500MX000006HF and 500MXB000002KD
	567678	Leg	Right rear; Models starting Serial No. 500MXB000003KF
	569149	Leg	Right rear; Optional; With noise isolation
4	563969	Leg	Right front; Models through Serial No. 500MX000006HF and 500MXB000002KD
	567674	Leg	Right front; Models starting Serial No. 500MXB000003KF
	569147	Leg	Right front; Optional; With noise isolation
5	563967	Leg	Left front; Models through Serial No. 500MX000006HF and 500MXB000002KD
	567670	Leg	Left front; Models starting Serial No. 500MXB000003KF
	569145	Leg	Left front; Optional; With noise isolation
6	563973	Leg	Left front; Models through Serial No. 500MX000006HF and 500MXB000002KD
	567682	Leg	Left rear; Models starting Serial No. 500MXB000003KF
	569151	Leg	Left rear; Optional; With noise isolation

# Cabinet - 700 Models (Drawing 1 of 5)



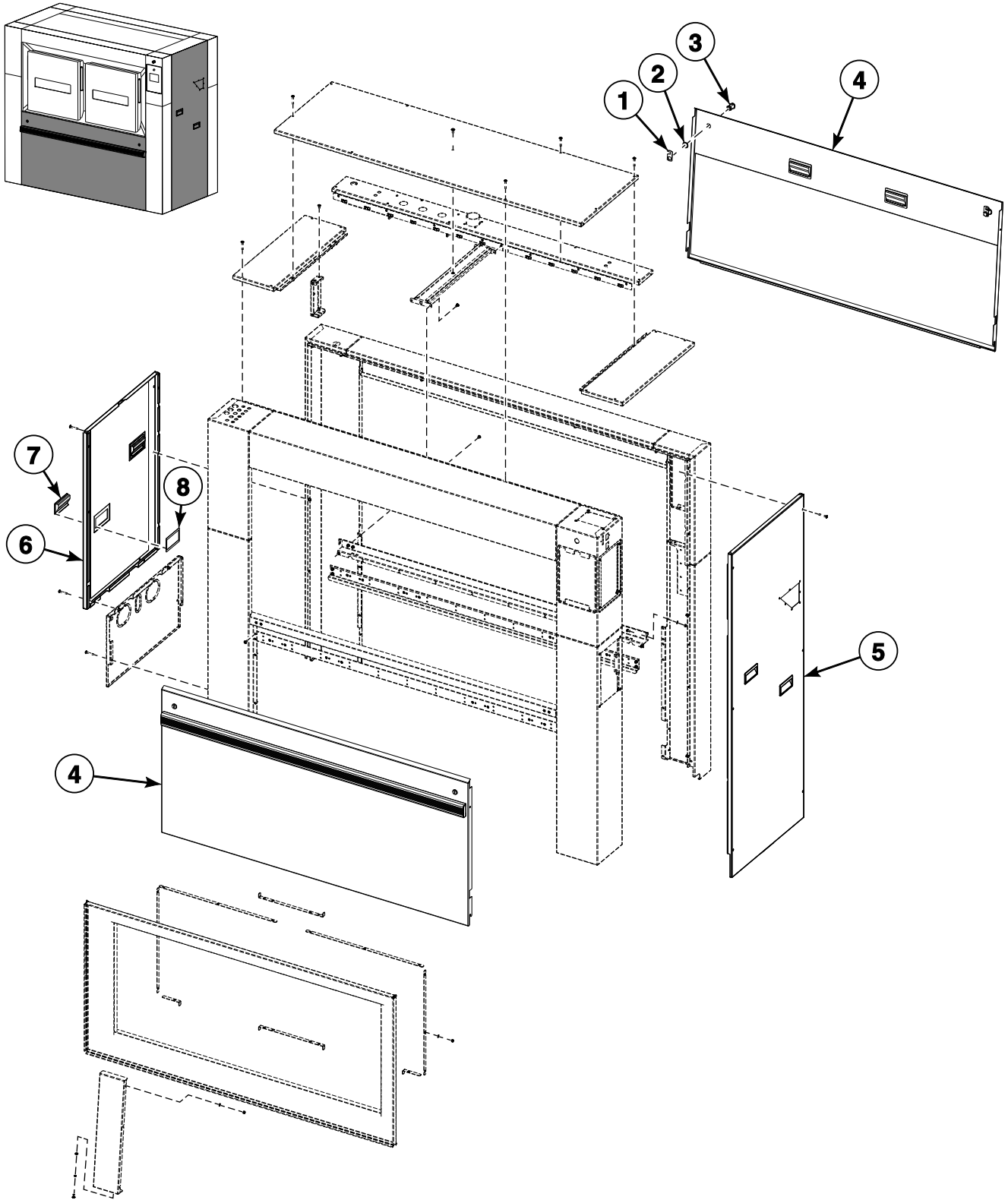
CZB55P\_D2019



## Cabinet - 700 Models (Drawing 1 of 5)

REF	PART NO.	DESCRIPTION	COMMENTS
	SP245704003021	Adhesive	Loctite 243
1	561307	Bolt	M6x40
2	562463	Top Cover	Middle
	569192	Top Cover	Middle; With noise isolation
3	SP537854	Bolt	M6x14
4	562446	Top Cover	Left
	569189	Top Cover	Left; With noise isolation
5	562452	Vibration Switch Holder	Through Serial No. 700MXB000008KM
	566949	Vibration Switch Holder	Starting Serial No. 700MXB000009KQ
6	SP529206	Screw	M4x11
7	563923	Top Cover Support	
8	562436	Top Cover	Rear
9	567636	Top Cover	Right
	569220	Top Cover	Right; With noise isolation
10	SP309933000612	Bolt	M6x12
11	564074	Cover Support	Models through Serial No. 70MX000009HY
	567697	Cover Support	Models starting Serial No. 700MXB000003KH
12	564072	Wire Holder	Models through Serial No. 70MX000009HY and 700MXB000002KD
13	SP311125000006	Washer	6.4
14	SP311127000006	Washer	6
15	SP310985000006	Nut	M6
16	564001	Bar	
17	564002	Bar	
18	564003	Bar	
19	564075	Bar	
20	SP309933000616	Bolt	M6x16
21	564069	Cover	Middle front
22	563984	Finger Protection	Models through Serial No. 70MX000009HY and 700MXB000002KB
	567701	Finger Protection	Modles starting Serial No. 700MXB000003KH

# Cabinet - 700 Models (Drawing 2 of 5)

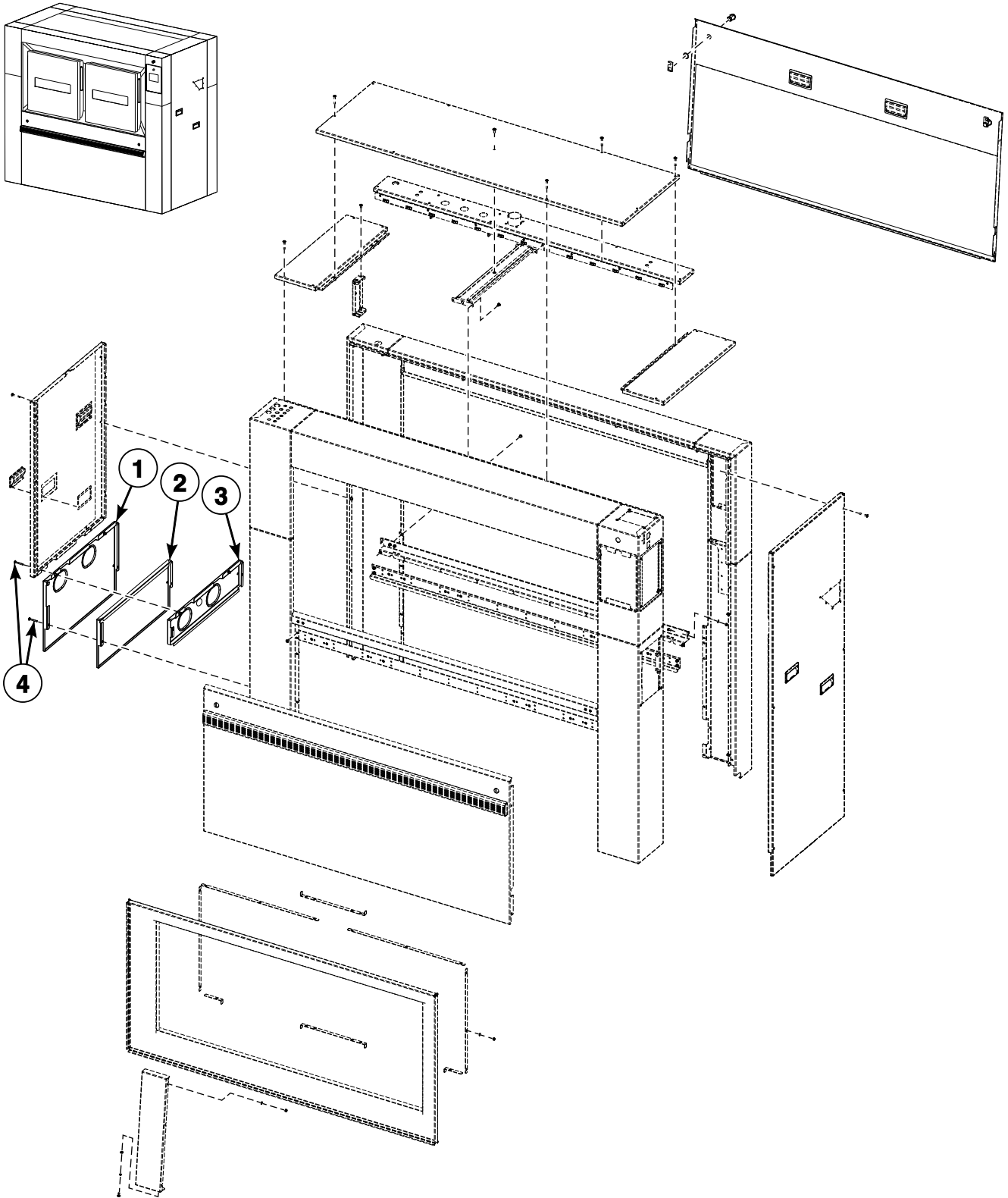


CZB56P\_D2019

## Cabinet - 700 Models (Drawing 2 of 5)

REF	PART NO.	DESCRIPTION	COMMENTS
1	SPPRI610001007	Lock Hook	
2	SPPRI522000012	Washer	21x27x1
3	SPPRI610000007	Lock	
4	563958	Cover	With bumper; Includes items 1-3; Models through Serial No. 70MX000009HY and 700MXB000002KB
	567685	Cover	With bumper; Includes items 1-3; Models starting Serial No. 700MXB000003KH
	563990	Cover	AM, IM, NM and SM models; Optional; With handle; Includes items 1-3, 7 and 8; Models through Serial No. 700MXB000002KB
	567687	Cover	AM, IM, NM and SM models; Optional; With handle; Includes items 1-3, 7 and 8; Models starting Serial No. 700MXB000003KH
	569183	Cover	Optional; With bumper and noise isolation; Includes items 1-3; Models through Serial No. 70MX000009HY and 700MXB000002KB
	567693	Cover	Optional; With bumper and noise isolation; Includes items 1-3; Models starting Serial No. 700MXB000003KH
	569185	Cover	AM, IM, NM and SM models; Optional; With handle and noise isolation; Includes items 1-3, 7 and 8; Models through Serial No. 70MXB000009HY and 700MXB000002KB
	567695	Cover	AM, IM, NM and SM models; Optional; With handle and noise isolation; Includes items 1-3, 7 and 8; Models starting Serial No. 700MXB000003KH
5	564091	Side Cover	Right; Includes items 7 and 8
	569186	Side Cover	Right; Optional; With noise isolation; Includes items 7 and 8
6	564087	Side Cover	Left upper; With soap hopper; Includes items 7 and 8
	564085	Side Cover	Left upper; Optional; Without soap hopper; Includes items 7 and 8
	569188	Side Cover	Left upper; Optional; With soap hopper and noise isolation; Includes items 7 and 8
	569187	Side Cover	Left upper; Optional; Without soap hopper and noise isolation; Includes items 7 and 8
7	SP518707	Handle	
8	563993	Distance Washer	

# Cabinet - 700 Models (Drawing 3 of 5)



CZB47P\_D2019

## Cabinet - 700 Models (Drawing 3 of 5)

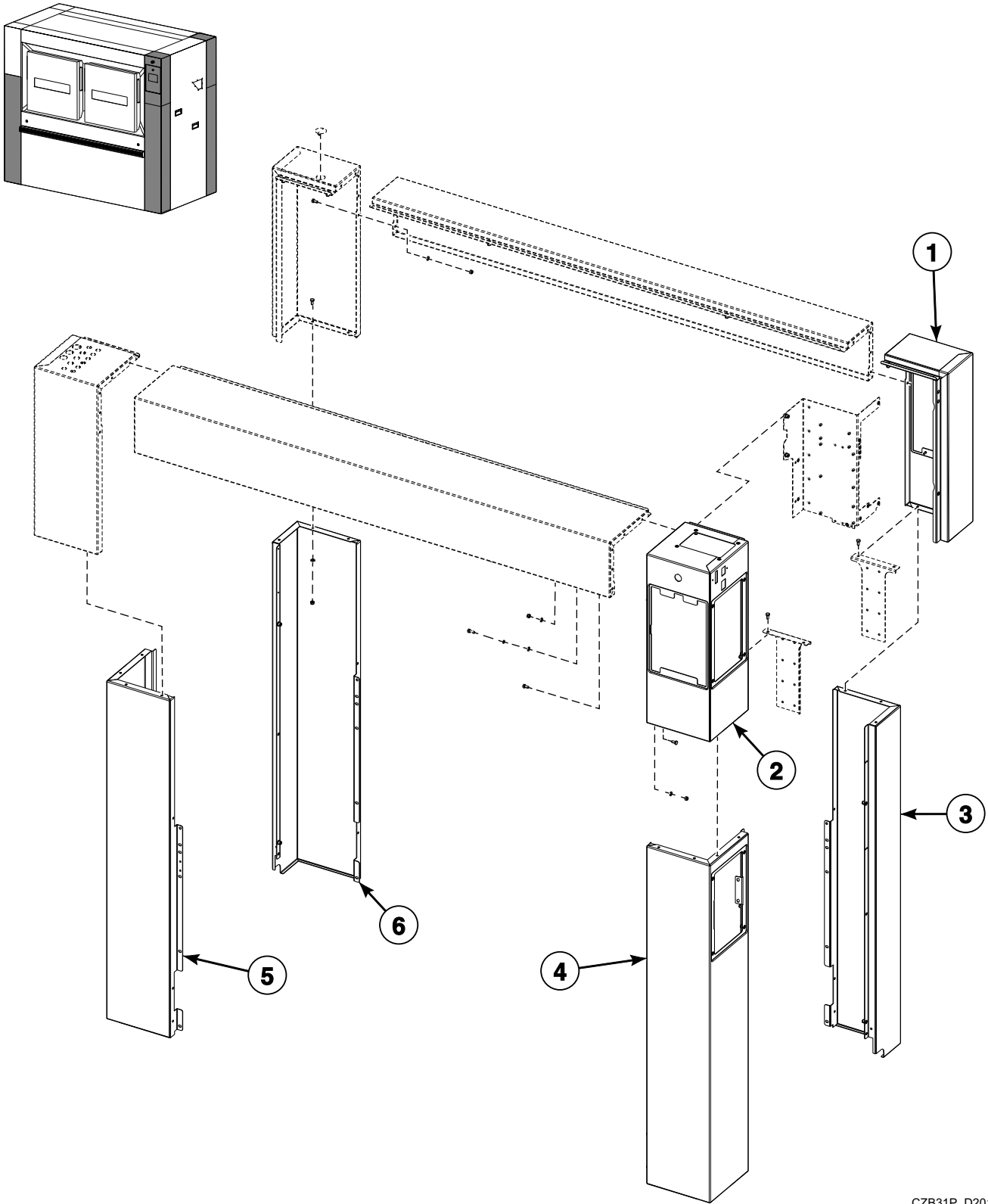
REF	PART NO.	DESCRIPTION	COMMENTS
1	564081	Side Cover	Left lower; With drain system under machine; Models through Serial No. 70MX000009HY and 700MXB000003KH
	569223	Side Cover	Left lower; Optional; With drain system under machine and noise isolation; Models through Serial No. 70MX000009HY and 700MXB000003KH
	564083	Side Cover	Left lower; Optional; With side drain system; Models through Serial No. 70MX000009HY and 700MXB000003KH
	569224	Side Cover	Left lower; Optional; With side drain system and noise isolation; Models through Serial No. 70MX000009HY and 700MXB000003KH
2	566945	Side Cover	Left lower; Models starting Serial No. 700MXB000004KH
	567714	Side Cover	Left lower; With noise isolation; Models starting Serial No. 700MXB000004KH
3	567710	Side Cover	Left lower; With drain system under machine and without indirect steam heating; Models starting Serial No. 700MXB000004KH
	567712	Side Cover	Left lower; With drain system under machine and indirect steam heating; Models starting Serial No. 700MXB000004KH
	567711	Side Cover	Left lower; Optional; With side drain system and without indirect steam heating; Models starting Serial No. 700MXB000004KH
	567713	Side Cover	Left lower; Optional; With side drain system and indirect steam heating; Models starting Serial No. 700MXB000004KH
4	561307	Bolt	M6x40



## Cabinet - 700 Models (Drawing 4 of 5)

REF	PART NO.	DESCRIPTION	COMMENTS
1	SP345900032132	Plug	Without soap hopper
2	563918	Leg Extension	MXB and PM models; Left rear; Black
	562389	Leg Extension	AM and NM models; Left rear; Painted
	562398	Leg Extension	Left rear; Stainless steel
	569164	Leg Extension	MXB and PM models; Left rear; Black; Optional; With noise isolation
	569166	Leg Extension	AM and NM models; Left rear; Painted; Optional; With noise isolation
	569168	Leg Extension	Left rear; Stainless steel; Optional; With noise isolation
3	SP309933000612	Bolt	M6x12; Includes 1 piece
4	562466	Upper Cover	IM, MXB and PM models; Rear; Black
	567604	Upper Cover	AM and NM models; Rear; Painted
	567606	Upper Cover	Rear; Stainless steel
	569177	Upper Cover	MXB and PM models; Rear; Black; Optional; With noise isolation
	569179	Upper Cover	AM and NM models; Rear; Painted; Optional; With noise isolation
	569181	Upper Cover	Rear; Stainless steel; Optional; With noise isolation
5	SP311125000006	Washer	6.4
6	SP310985000006	Nut	M6
7	562464	Upper Cover	IM, MXB and PM models; Front; Black
	562500	Upper Cover	AM and NM models; Front; Painted
	567602	Upper Cover	Front; Stainless steel
	569171	Upper Cover	MXB and PM models; Front; Black; Optional; With noise isolation
	569173	Upper Cover	AM and NM models; Front; Painted; Optional; With noise isolation
	569175	Upper Cover	Front; Stainless steel; Optional; With noise isolation
8	562490	Cable Holder	
9	SP311127000006	Washer	6
10	SP309933000616	Bolt	M6x16
11	563906	Leg Extension	MXB and PM models; Left front; Black
	564004	Leg Extension	AM and NM models; Left front; Painted
	564008	Leg Extension	Left front; Stainless steel

# Cabinet - 700 Models (Drawing 5 of 5)



CZB31P\_D2019

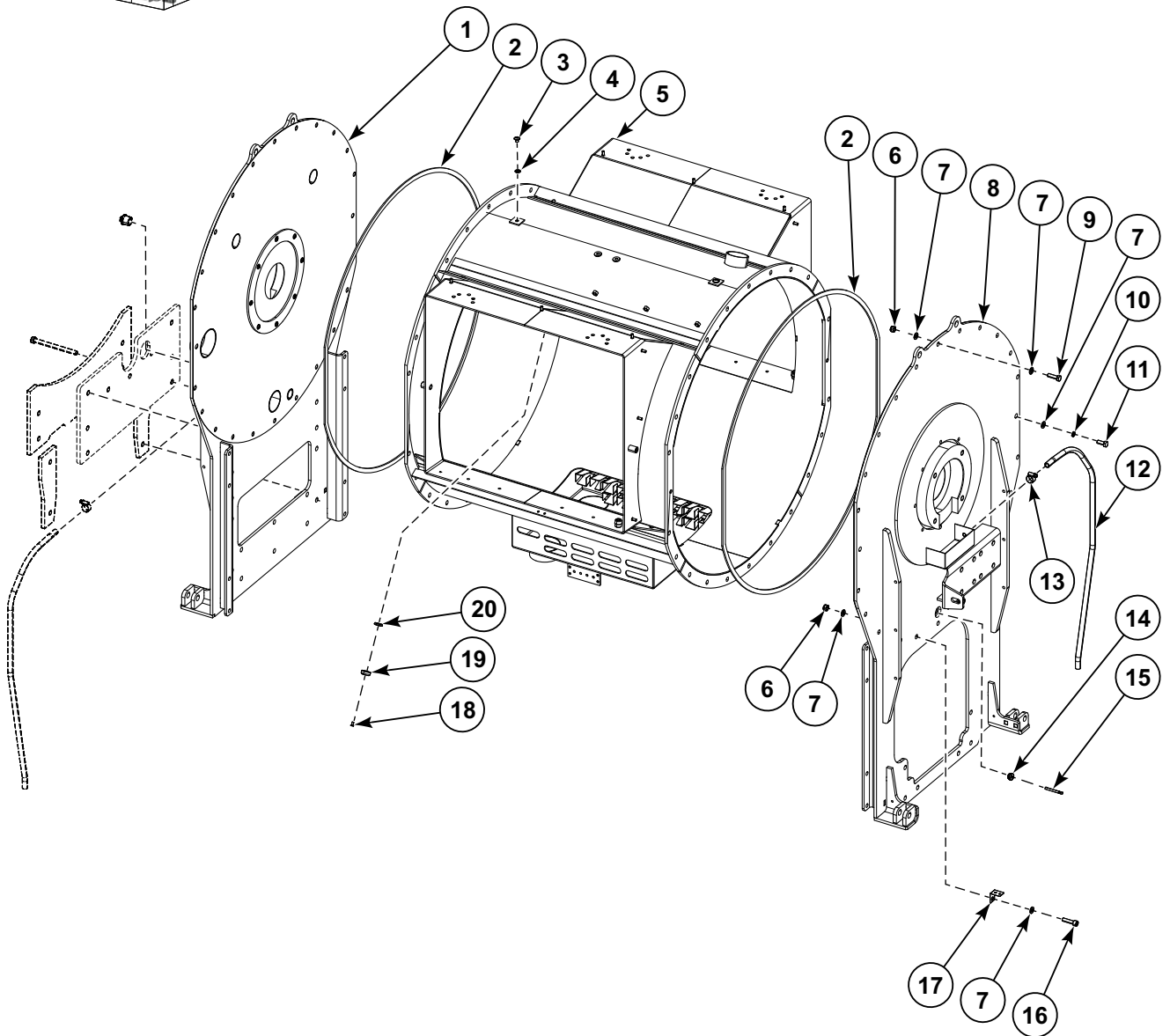
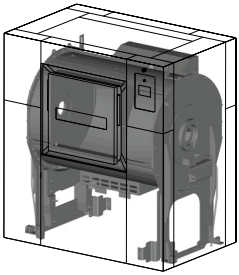


## Cabinet - 700 Models (Drawing 5 of 5)

REF	PART NO.	DESCRIPTION	COMMENTS	
1	563916	Leg Extension	MXB and PM models; Right rear; Black; Optional; With second display	
	562393	Leg Extension	AM and NM models; Right rear; Painted; Optional; With second display	
	562395	Leg Extension	Right rear; Stainelss steel; Optional; With second display	
	564034	Leg Extension	MXB and PM models; Right rear; Black; Without second display	
	564036	Leg Extension	AM and NM models; Right rear; Painted; Without second display	
	564038	Leg Extension	Right rear; Stainelss steel; Without second display	
	569152	Leg Extension	MXB and PM models; Right rear; Black; Optional; With second display and noise isolation	
	569154	Leg Extension	AM and NM models; Right rear; Painted; Optional; With second display and noise isolation	
	569156	Leg Extension	Right rear; Stainelss steel; Optional; With second display and noise isolation	
	569158	Leg Extension	MXB and PM models; Right rear; Black; Optional; Without second display and with noise isolation	
	569160	Leg Extension	AM and NM models; Right rear; Painted; Optional; Without second display and with noise isolation	
	569162	Leg Extension	Right rear; Stainelss steel; Optional; Without second display and with noise isolation	
	2	563908	Leg Extension	MXB and PM models; Right front; Black
		562376	Leg Extension	AM and NM models; Right front; Painted
562378		Leg Extension	Right front; Stainelss steel	
3	563941	Leg	Right rear; Models through Serial No. 70MX000009HY and 700MXB000002KB	
	567676	Leg	Right rear; Models starting Serial No. 700MXB000003KH	
	569148	Leg	Right rear; Optional; With noise isolation	
4	563904	Leg	Right front; Models through Serial No. 70MX000009HY and 700MXB000002KB	
	567672	Leg	Right front; Models starting Serial No. 700MXB000003KH	
	569146	Leg	Right front; Optional; With noise isolation	
5	563902	Leg	Left front; Models through Serial No. 70MX000009HY and 700MXB000002KB	
	567668	Leg	Left front; Models starting Serial No. 700MXB000003KH	
	569144	Leg	Left front; Optional; With noise isolation	
6	563943	Leg	Left rear; Models through Serial No. 70MX000009HY and 700MXB000002KB	
	567680	Leg	Left rear; Models starting Serial No. 700MXB000003KH	
	569150	Leg	Left rear; Optional; With noise isolation	

# Tub - 360 and 500 Models (Drawing 1 of 2)

360 Models Through Serial No. 360MXB000028KW and 500 Models Through Serial No. 500MXB000034KW



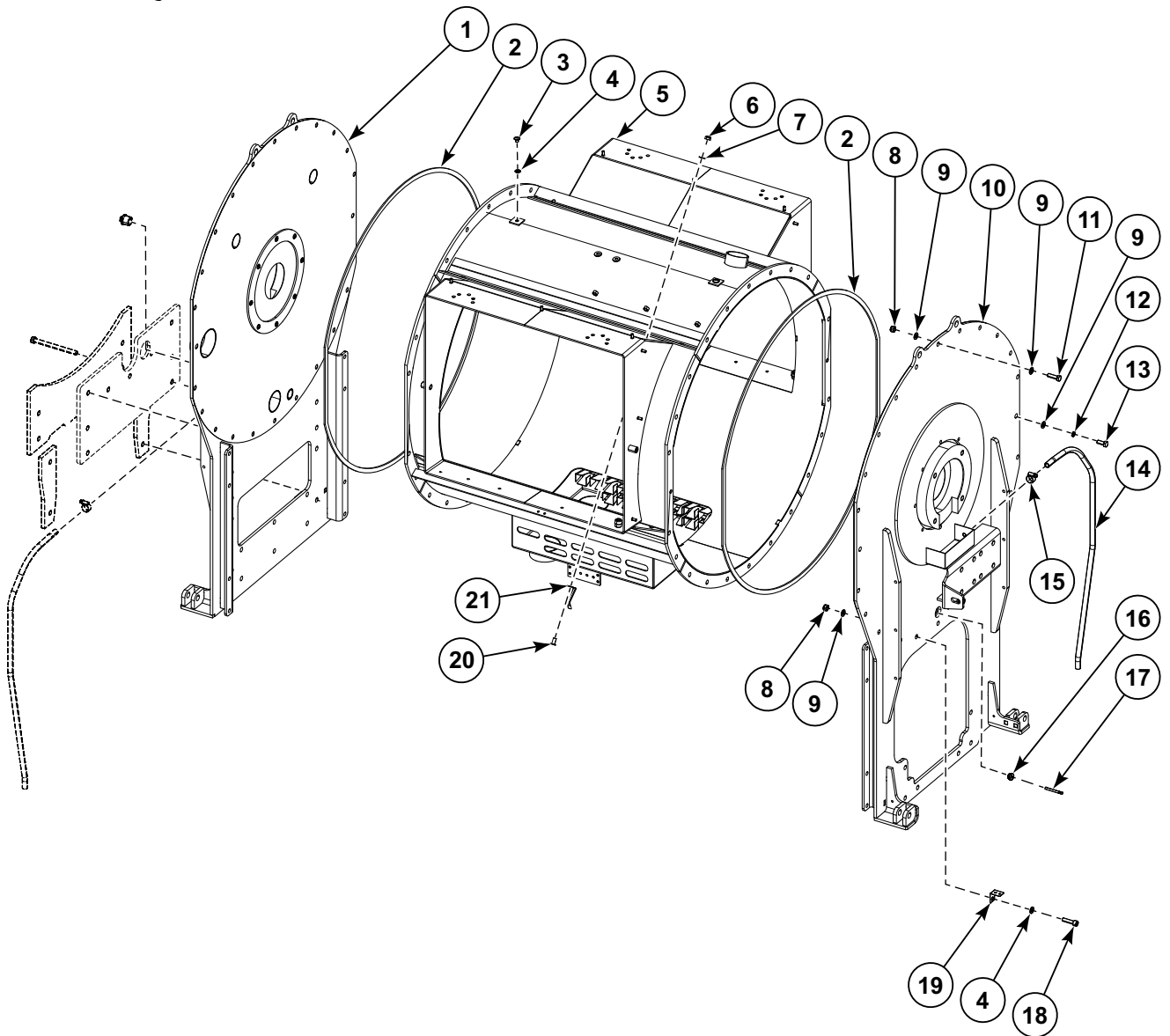
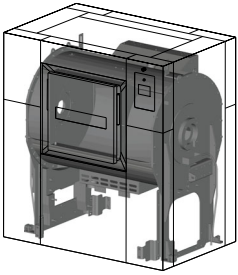
CZB91P\_D2019

## Tub - 360 and 500 Models (Drawing 1 of 2)

REF	PART NO.	DESCRIPTION	COMMENTS
1	559169	Side Weldment	Left; Without indirect steam heating
	569242	Side Weldment	Left; With indirect steam heating
2	SP510986	Seal	
3	SP515048	Bolt	M8x10
4	SP311125200008	Washer	8.4
5	559150	Tub Weldment	360 models
	563930	Tub Weldment	500 models
6	SP310985000010	Nut	M10
7	SP311125000010	Washer	10.5
8	559164	Side Weldment	Right; Without indirect steam heating
	569252	Side Weldment	Right; With indirect steam heating; Used with 569256 Plug and 526564 Seal
9	SP309933001035	Bolt	M10x35
10	SP311127000010	Washer	10
11	SP309933241025	Bolt	M10x25
12	SPPRI540020005	Hose	d10/14
13	SPPRI240000002	Hose Clamp	
14	SP526439	Temperature Sensor Seal	
15	SPPRI340015019	Temperature Sensor	
16	309912121040	Bolt	M10x40
17	563994	Cable Holder	
18	566163	Screw	M5x12
19	SP558093	Magnet Cover	Stainless
	566160	Magnet Cover	Stainless; With indirect steam heating
20	SP558096	Magnet	Stainless
	566161	Magnet	Stainless; With indirect steam heating

# Tub - 360 and 500 Models (Drawing 2 of 2)

360 Models Starting Serial No. 360MXB000029KW and 500 Models Starting Serial No. 500MXB000035KW

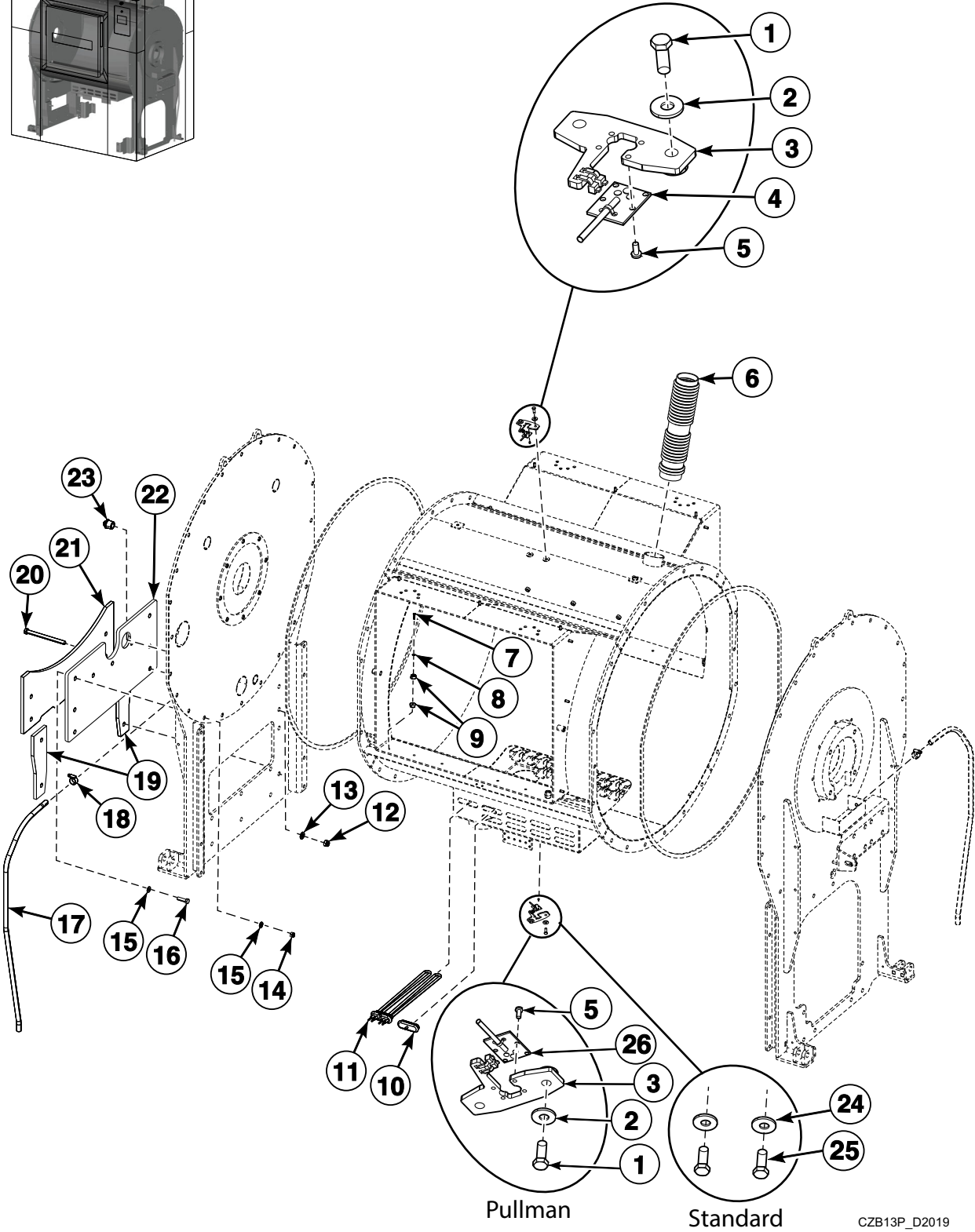
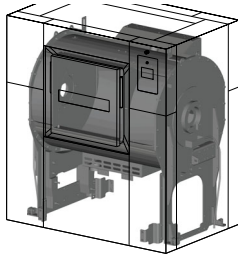


CZB118P\_D2019

## Tub - 360 and 500 Models (Drawing 2 of 2)

REF	PART NO.	DESCRIPTION	COMMENTS
1	559169	Side Weldment	Left; Without indirect steam heating
	569242	Side Weldment	Left; With indirect steam heating, Clean Room
2	SP510986	Seal	
3	SP515048	Bolt	M8x10
4	SP311125200008	Washer	8.4
5	559150	Tub Weldment	360 models
	569290	Tub Weldment	360 models; With indirect steam heating, Clean Room
	572854	Tub Weldment	360 models; Electrical heating, Clean Room
	563930	Tub Weldment	500 models
6	SP310985000008	Nut	M8
7	SP311125240008	Washer	8.4
8	SP310985000010	Nut	M10
9	SP311125000010	Washer	10.5
10	559164	Side Weldment	Right; Without indirect steam heating
	569252	Side Weldment	Right; With indirect steam heating; Used with 569256 Plug and 526564 Seal; Clean Room
11	SP309933001035	Bolt	M10x35
12	SP311127000010	Washer	10
13	SP309933241025	Bolt	M10x25
14	SPPRI540020005	Hose	d10/14
15	SPPRI240000002	Hose Clamp	
16	SP526439	Temperature Sensor Seal	
17	SPPRI340015019	Temperature Sensor	
18	309912121040	Bolt	M10x40
19	563994	Cable Holder	
20	SP549838	Bolt	M8x20
21	567756	End Stop	

# Tub and Vibration Sensor - 360 and 500 Models



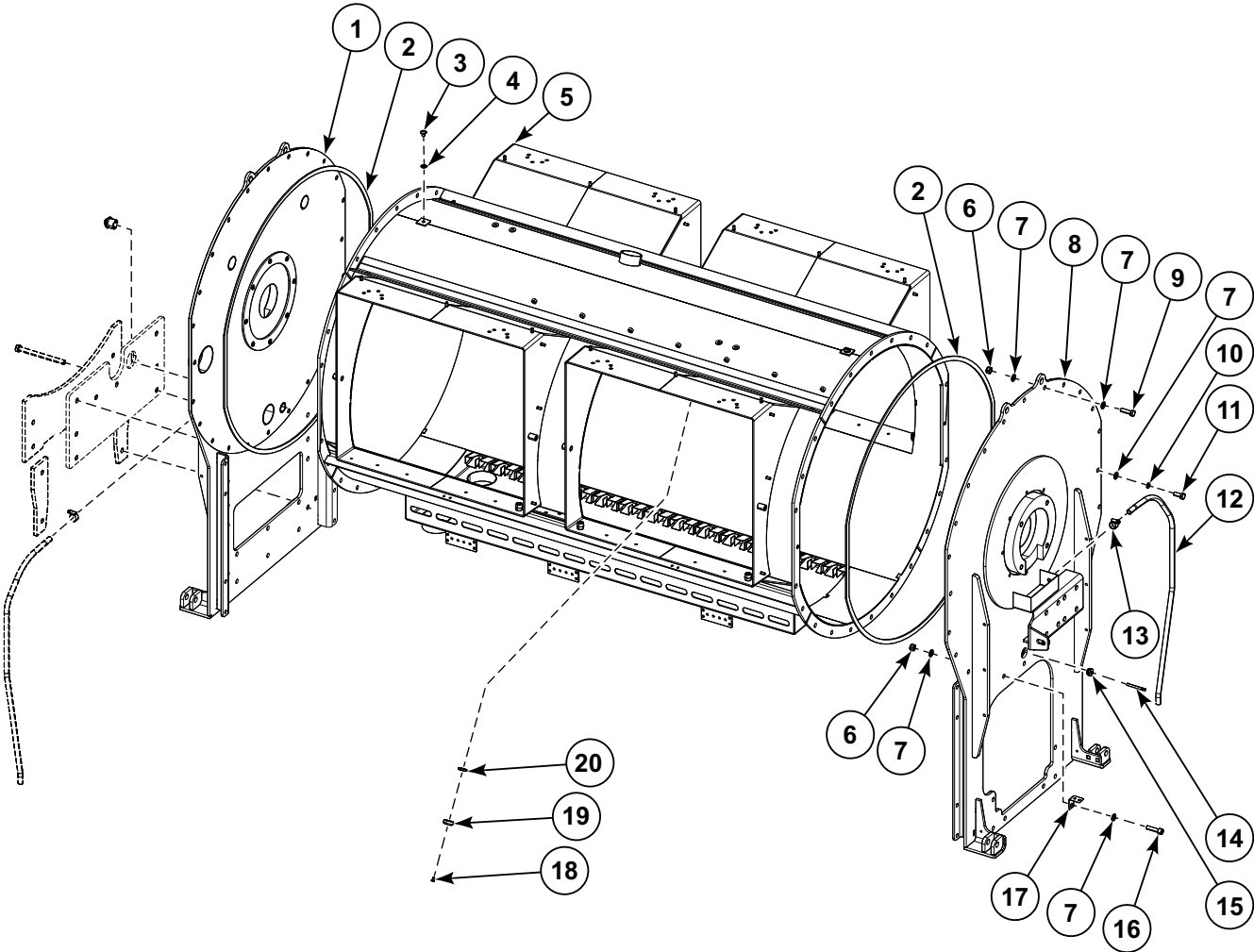
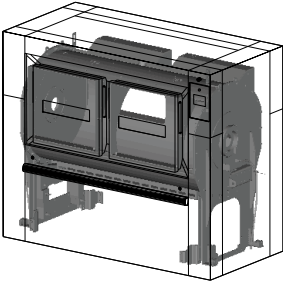
CZB13P\_D2019

## Tub and Vibration Sensor - 360 and 500 Models

REF	PART NO.	DESCRIPTION	COMMENTS
1	SP309933240612	Bolt	M6x12
2	SP311902100006	Washer	6
3	SP558113	Sensor Base	
4	SP558098	Magnetic Field Sensor	
5	SP309798500306	Bolt	M3x6
6	F02104001213	Hose	
7	569126	Screw	M4x20
8	SP311125240004	Washer	4.3
9	569125	End Stop	Includes 1 piece, 2 pieces needed
10	SPPRI342001016	Heating Element Hole Plug	Steam heating
11	SP540131	Heating Element	Electric heating; 4000W/220V; L=350mm
12	SP310985000012	Nut	M12
13	SP311125000013	Washer	13
14	SP310985000010	Nut	M10
15	SP311125000010	Washer	10.5
16	SP309912121040	Bolt	M10x40
17	SPPRI540020005	Hose	d10/14
18	SPPRI240000002	Hose Clamp	
19	559198	Weight	Small; Includes 1 piece
20	SP309933001299	Bolt	M12x100
21	559199	Weight	Large
22	564099	Side Board	
23	SP319428324805	Plug	3/4 inch; With electric heating
24	564099	Washer	6.4; only for standard tub
25	564099	Bolt	M6x8; only for standard tub
26	564099	Sensor base	Pullman 360/500 models

# Exterior Tub - 700 Models (Drawing 1 of 2)

Through Serial No. 700MXB000017KU



CZB92P\_D2019

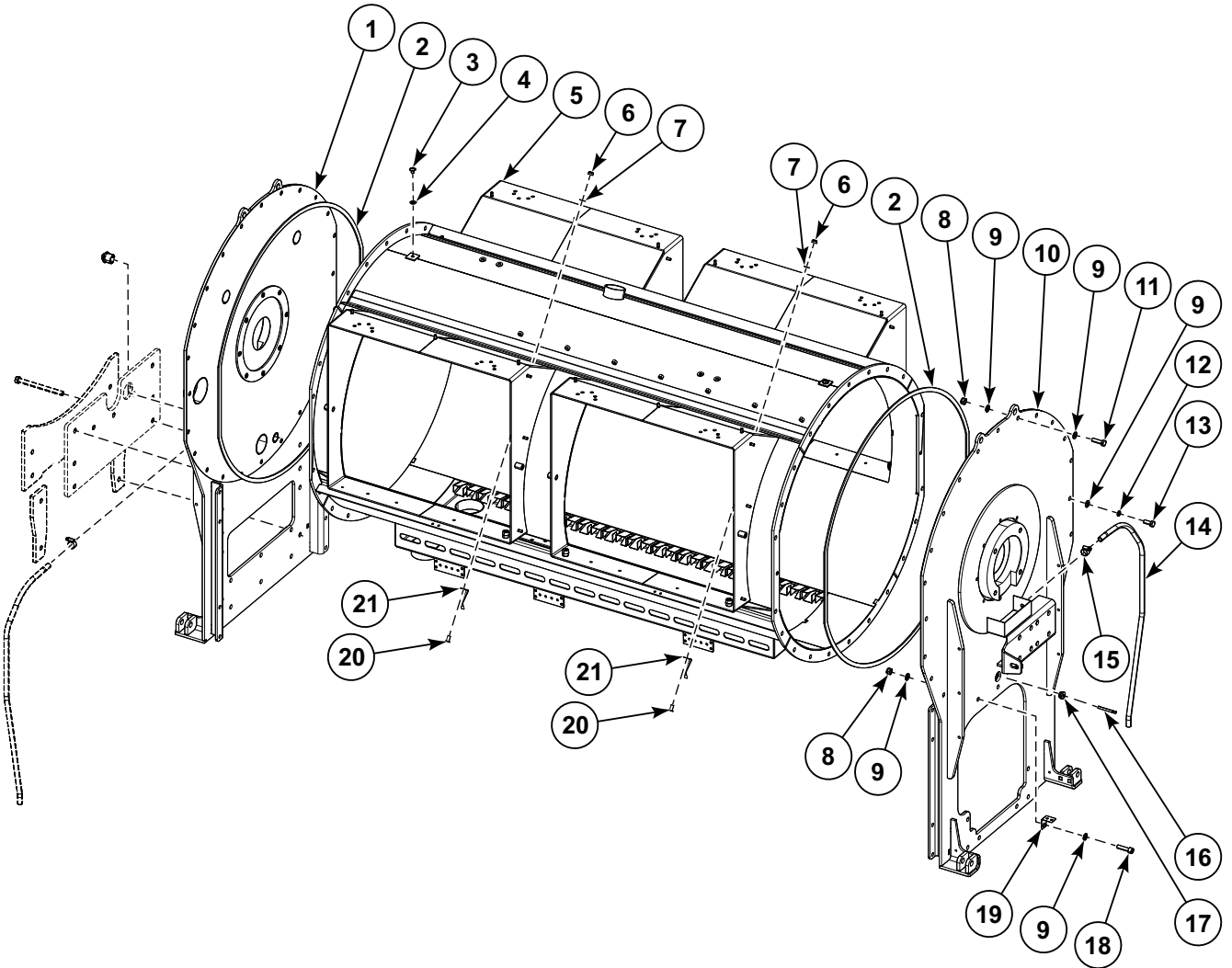
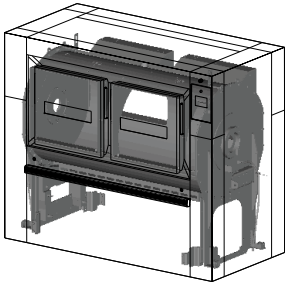


## Tub - 700 Models (Drawing 1 of 2)

REF	PART NO.	DESCRIPTION	COMMENTS
1	559169	Side Weldment	Left; Without indirect steam heating
	569242	Side Weldment	Left; With indirect steam heating
2	SP510986	Seal	
3	SP515048	Bolt	M8x10
4	SP311125200008	Washer	8.4
5	563950	Tub Weldment	
6	SP310985000010	Nut	M10
7	SP311125000010	Washer	10.5
8	559164	Side Weldment	Right; Without indirect steam heating
	569252	Side Weldment	Right; With direct steam heating; Used with 569256 Plug and 526564 Seal
9	SP309933001035	Bolt	M10x35
10	SP311127000010	Washer	10
11	SP309933241025	Bolt	M10x25
12	SPPRI540020005	Hose	d10/14
13	SPPRI240000002	Hose Clamp	
14	SPPRI340015019	Temperature Sensor	
15	SP526439	Temperature Sensor Seal	
16	309912121040	Bolt	M10x40
17	563994	Cable Holder	
18	566163	Screw	M5x12
19	SP558093	Magnet Cover	Stainless
	566160	Magnet Cover	Stainless; With indirect steam heating
20	SP558096	Magnet	Stainless
	566161	Magnet	Stainless; With indirect steam heating

# Tab - 700 Models (Drawing 2 of 2)

Starting Serial No. 700MXB000018KY

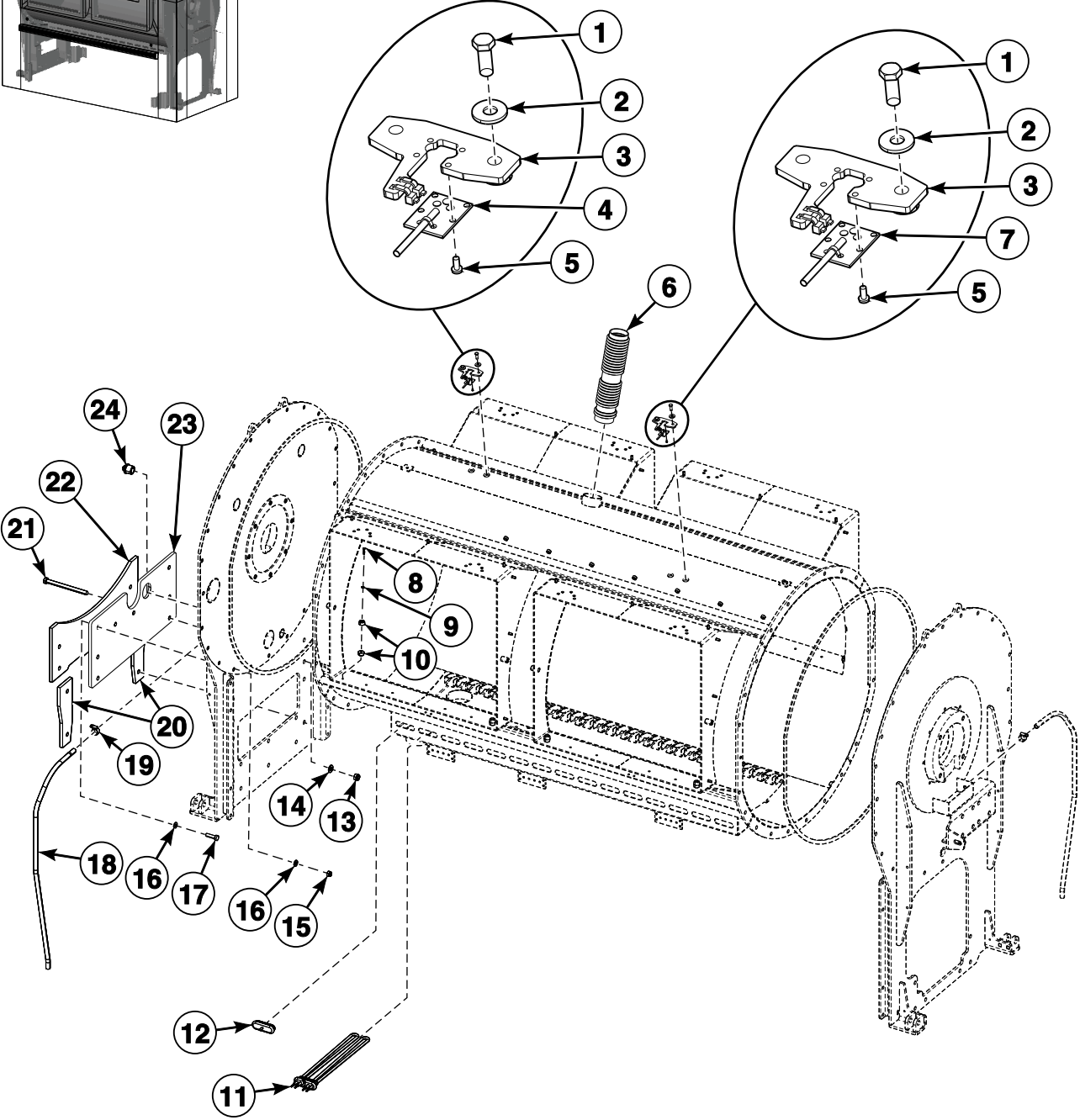
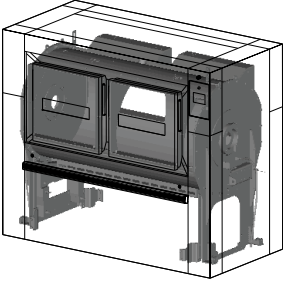


CZB119P\_D2019

## Tub - 700 Models (Drawing 2 of 2)

REF	PART NO.	DESCRIPTION	COMMENTS
1	559169	Side Weldment	Left; Without indirect steam heating
	569242	Side Weldment	Left; With indirect steam heating
2	SP510986	Seal	
3	SP515048	Bolt	M8x10
4	SP311125200008	Washer	8.4
5	563950	Tub Weldment	
6	SP310985000008	Nut	M8
7	SP311125240008	Washer	8.4
8	SP310985000010	Nut	M10
9	SP311125000010	Washer	10.5
10	559164	Side Weldment	Right; Without indirect steam heating
	569252	Side Weldment	Right; With direct steam heating; Used with 569256 Plug and 526564 Seal
11	SP309933001035	Bolt	M10x35
12	SP311127000010	Washer	10
13	SP309933241025	Bolt	M10x25
14	SPPRI540020005	Hose	d10/14
15	SPPRI240000002	Hose Clamp	
16	SPPRI340015019	Temperature Sensor	
17	SP526439	Temperature Sensor Seal	
18	309912121040	Bolt	M10x40
19	563994	Cable Holder	
20	SP549838	Bolt	M8x20
21	567756	End Stop	

# Tub and Vibration Sensors - 700 Models



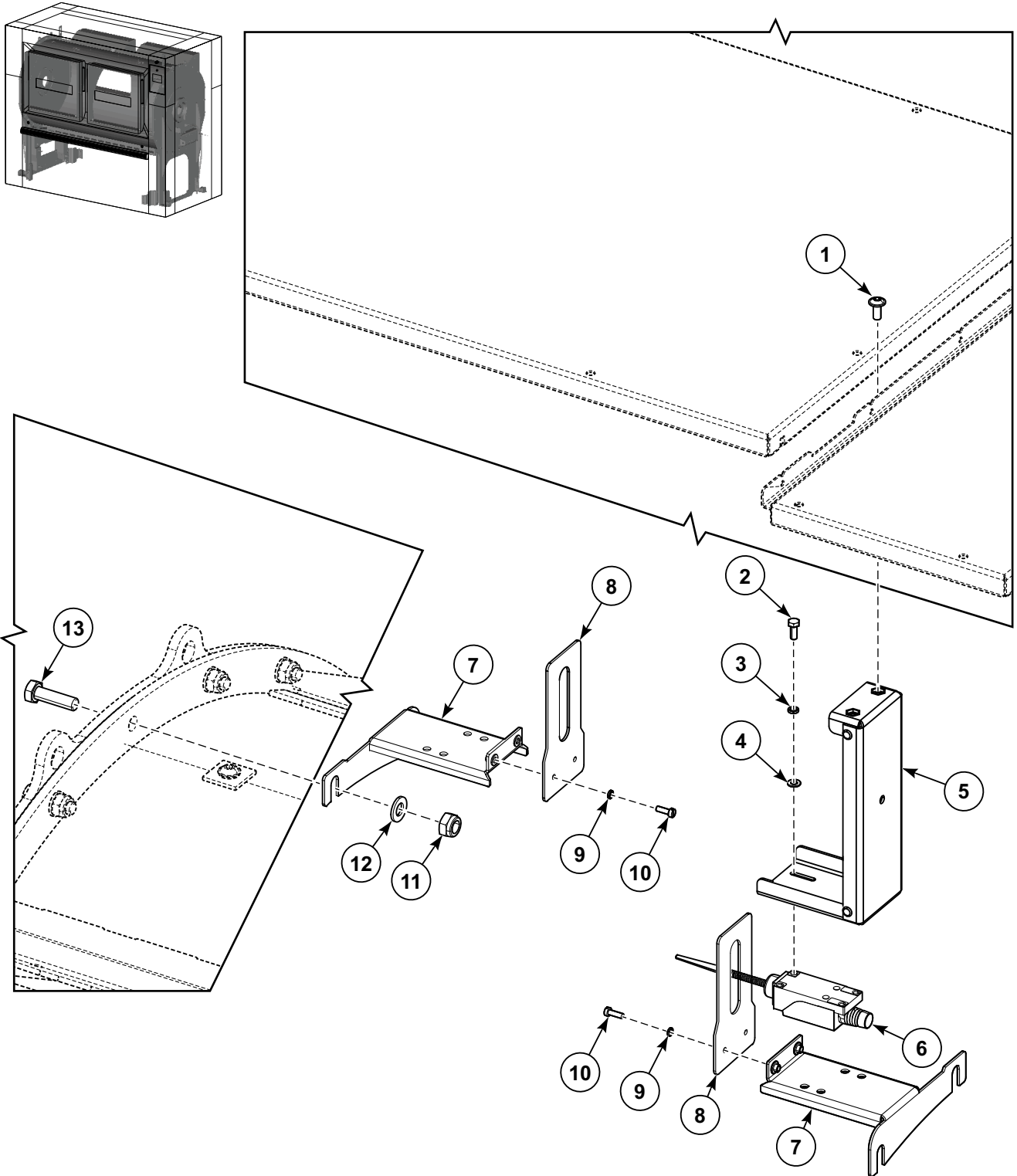
CZB15P\_D2019

## Tub and Vibration Sensors - 700 Models

REF	PART NO.	DESCRIPTION	COMMENTS
1	SP309933240612	Bolt	M6x12
2	SP311902100006	Washer	6
3	SP558113	Sensor Base	
4	558199	Magnetic Field Sensor	
5	SP309798500306	Bolt	M3x6
6	F02104001213	Hose	
7	SP558098	Magnetic Field Sensor	
8	569126	Screw	M4x20
9	SP311125240004	Washer	4.3
10	569125	End Stop	Includes 1 piece, 2 pieces needed
11	SP540131	Heating Element	Electric heating; 4000W/220V; L=350mm
12	SPPRI342001016	Heating Element Hole Plug	Steam heating
13	SP310985000012	Nut	M12
14	SP311125000013	Washer	13
15	SP310985000010	Nut	M10
16	SP311125000010	Washer	10.5
17	SP309912121040	Bolt	M10x40
18	SPPRI540020005	Hose	d10/14
19	SPPRI240000002	Hose Clamp	
20	559198	Weight	Small; Includes 1 piece
21	SP309933001299	Bolt	M12x100
22	559199	Weight	Large
23	564099	Side Board	
24	SP319428324805	Plug	3/4 inch; With electric heating

# Vibration Switch (Drawing 1 of 2)

Models Through Serial No. 360MXB000015KM, 500MXB000014KM and 700MXB000008KM



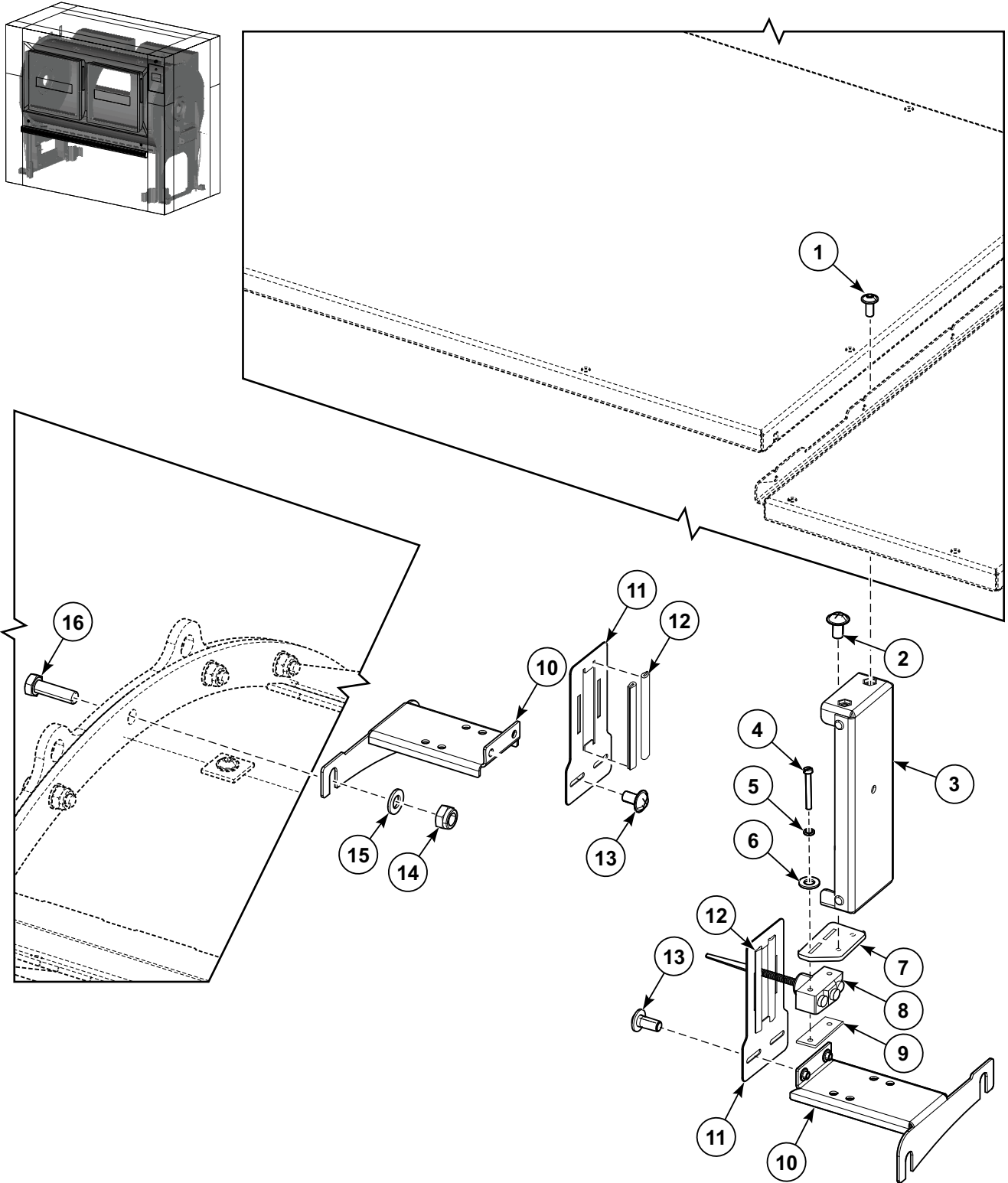
CZB117P\_D2019

## Vibration Switch (Drawing 1 of 2)

REF	PART NO.	DESCRIPTION	COMMENTS
	564553	Vibration Switch Cable	With connector; L=2.2m
	569713	Vibration Switch Cable	Without connector; L=3.5m
	SPPRI505000058	Profiled Sealing	Used with item 8
<b>1</b>	SP537854	Bolt	M6x14
<b>2</b>	SPPRI202001001	Bolt	M5x12
<b>3</b>	SP311127000005	Washer	5
<b>4</b>	SP311125000005	Washer	5.3
<b>5</b>	562452	Vibration Switch Holder	
<b>6</b>	564507	Vibration Switch	
<b>7</b>	562453	Limiter Holder	
<b>8</b>	562496	Limiter	360 models
	567659	Limiter	500 models
	567660	Limiter	700 models
<b>9</b>	SP311127000004	Washer	4
<b>10</b>	SP309084000412	Bolt	M4x12
<b>11</b>	SP310985000010	Nut	M10
<b>12</b>	SP311125000010	Washer	10.5
<b>13</b>	SP309933001035	Bolt	M10x35

# Vibration Switch (Drawing 2 of 2)

Models Starting Serial No. 360MXB000016KQ, 500MXB00001KM and 700MXB000009KQ



CZB93P\_D2019



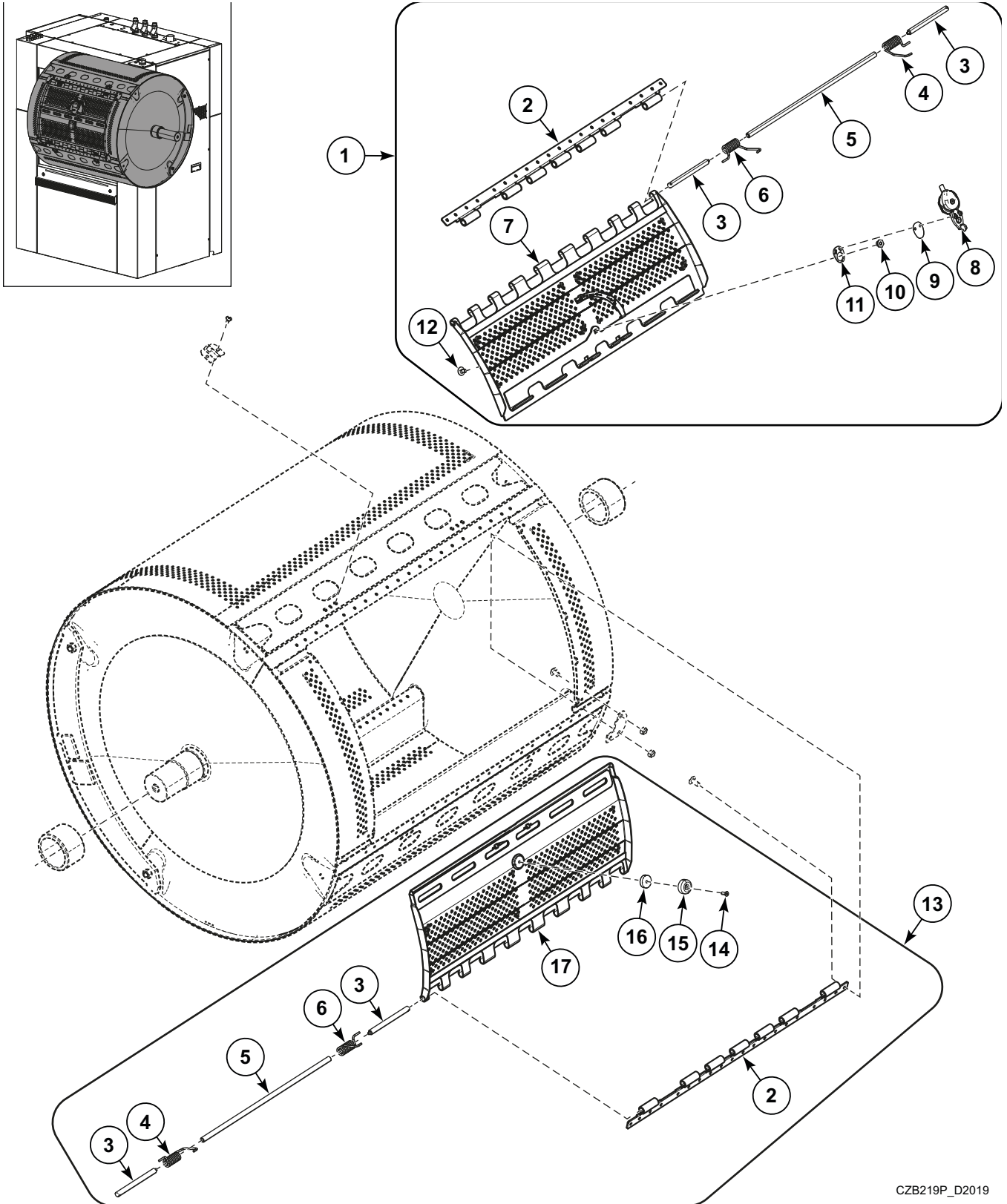
## Vibration Switch (Drawing 2 of 2)

REF	PART NO.	DESCRIPTION	COMMENTS
	569752	Vibration Switch Cable	With connector; L=2.5m
	569713	Vibration Switch Cable	Without connector; L=3.5m
<b>1</b>	SP537854	Bolt	M6x14
<b>2</b>	SP506013	Bolt	M4x8
<b>3</b>	566949	Vibration Switch Holder	
<b>4</b>	SP309798500325	Bolt	M3x25
<b>5</b>	SP311127000003	Washer	3
<b>6</b>	SP311125000003	Washer	3
<b>7</b>	566941	Vibration Switch Holder	
<b>8</b>	572218	Microswitch	
<b>9</b>	566953	Plate	
<b>10</b>	562453	Limiter Holder	
<b>11</b>	566957	Limiter	360 models; Includes item 10
	566958	Limiter	500 models; Includes item 10
	566959	Limiter	700 models; Includes item 10
<b>12</b>	566966	Bushing	Includes 1 piece, 4 pieces needed
<b>13</b>	SP521957	Bolt	M4x12
<b>14</b>	SP310985000010	Nut	M10
<b>15</b>	SP311125000010	Washer	10.5
<b>13</b>	SP309933001035	Bolt	M10x35

**\* NOTE:** For machines through Serial No. 360MXB000015KM, 500MXB000014KM and 700MXB000008KM, please upgrade the vibration switch by replacing items 2-9 and 11.

# Drum and Inner Door - 360 and 500 Models (Drawing 1 of 6)

360 Models Through Serial No. 360MXB000097QF and 500 Models Through Serial No. 500MXB000145QW



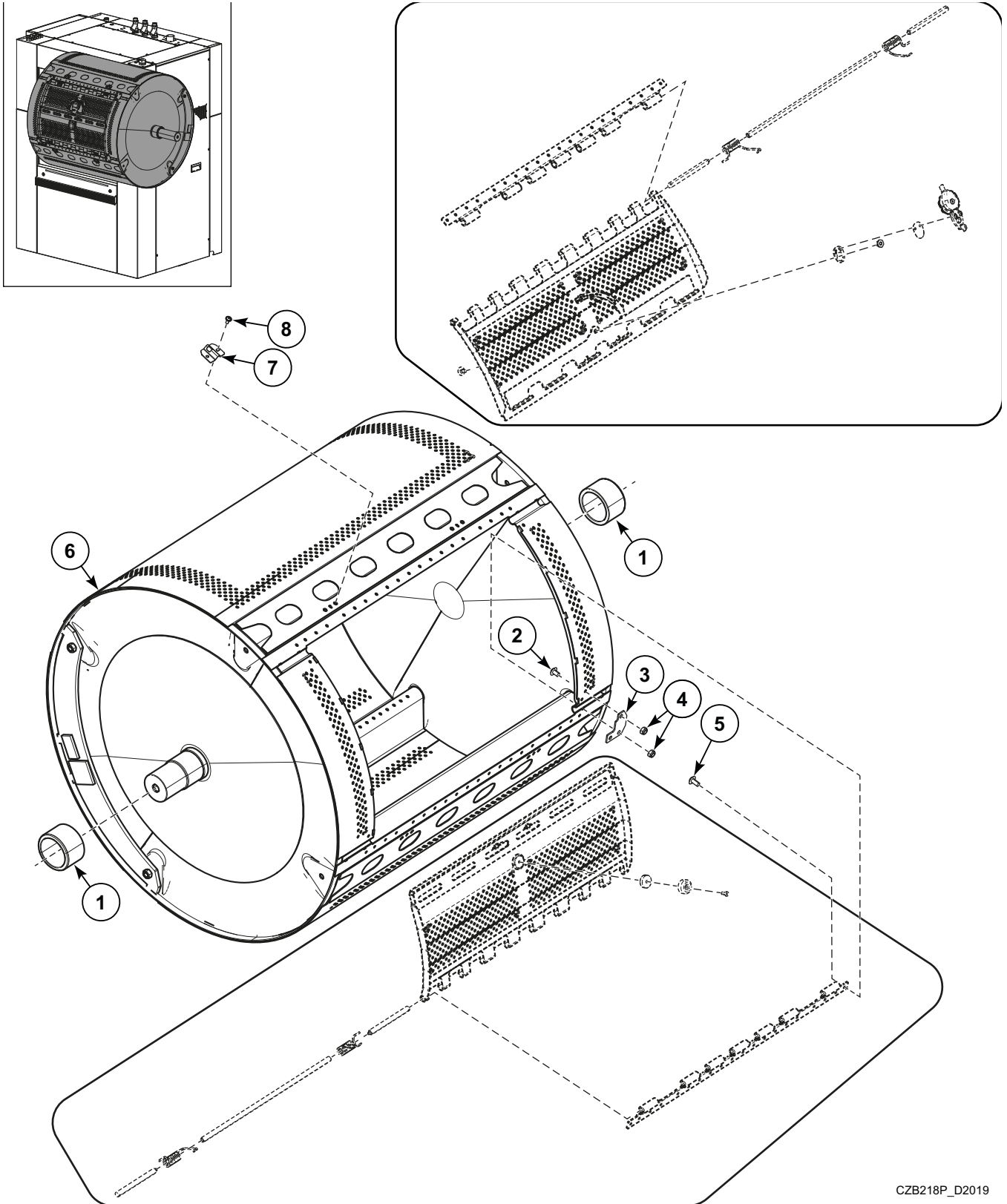
CZB219P\_D2019

## Drum and Inner Door - 360 and 500 Models (Drawing 1 of 6)

REF	PART NO.	DESCRIPTION	COMMENTS
	SP245704003021	Adhesive	Loctite 243
1	572241	Door	MXB and PM models
	572271	Door	AM, IM, NM, SM and UM models
	572272	Door	MXB and PM 360 models; With indirect steam heating
	572273	Door	AM, IM, NM, SM and UM 360 models; With indirect steam heating
2	558170	Drum Hinge	
	566916	Drum Hinge	360 models; With indirect steam heating
3	566063	Hinge Pin	
	569273	Hinge Pin	360 models; With indirect steam heating
4	558180	Door Spring	Left
5	558177	Hinge Pin	
	569274	Hinge Pin	360 models; With indirect steam heating
6	558179	Door Spring	Right
7	572243	Door Weldment	MXB and PM models
	572285	Door Weldment	AM, IM, NM, SM and UM models
	572286	Door Weldment	MXB and PM 360 models; With indirect steam heating
	572287	Door Weldment	AM, IM, NM, SM and UM 360 models; With indirect steam heating
8	572237	Golden Lock Handle	Includes SP558049 Sliding Bearing and 572260 Dust Cap
	572238	Golden Lock Handle	360 models; With indirect steam heating; Includes 572260 Dust Cap
9	572250	Cover Plate	
	572279	Cover Plate	360 models; With indirect steam heating
10	SP558050	Insertion	
	572206	Insertion	360 models; With indirect steam heating
11	572249	Distance Plate	
	572278	Distance Plate	360 models; With indirect steam heating
12	SP566073	Bolt	M6x12
	569271	Bolt	360 models; With indirect steam heating; M6x12
13	558163	Door	MXB and PM models
	566025	Door	AM, IM, NM, SM and UM models
	566998	Door	MXB and PM 360 models; With indirect steam heating
	572227	Door	AM, IM, NM, SM and UM 360 models; With indirect steam heating
14	566163	Screw	M5x12
15	566160	Magnet Cover	Stainless; With direct steam heating
16	566161	Magnet	Stainless; With indirect steam heating
17	558164	Door Weldment	MXB and PM models
	566036	Door Weldment	AM, IM, NM, SM and UM models
	566997	Door Weldment	MXB and PM 360 models; With indirect steam heating
	572231	Door Weldment	AM, IM, NM, SM and UM 360 models; With indirect steam heating

# Drum and Inner Door - 360 and 500 Models (Drawing 2 of 6)

360 Models Through Serial No. 360MXB000097QF and 500 Models Through Serial No. 500MXB000145QW



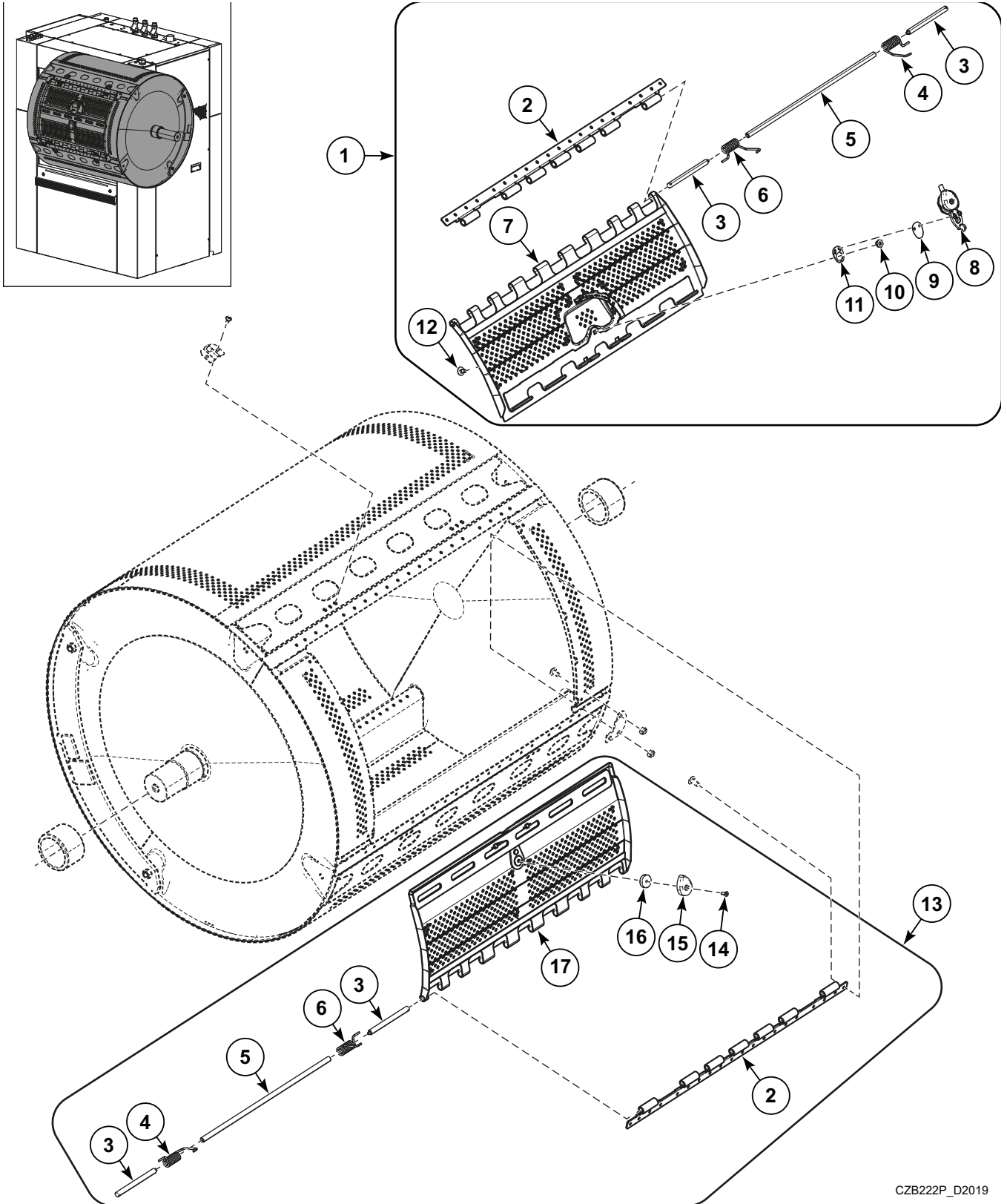
CZB218P\_D2019

## Drum and Inner Door - 360 and 500 Models (Drawing 2 of 6)

REF	PART NO.	DESCRIPTION	COMMENTS
	SP245704003021	Adhesive	Loctite 243
1	558167	Slide Casing	
	569280	Slide Casing	360 models; With indirect steam heating
2	SP526791	Bolt	M8x12
	569261	Bolt	360 models; With indirect steam heating; M8x12
3	558144	Plate	
	566918	Plate	360 models; With indirect steam heating
4	566055	Nut	M8
	569262	Nut	360 models; With indirect steam heating; M8
5	SP309159324816	Bolt	M8x16
	569260	Bolt	360 models; With indirect steam heating; M8x16
6	558151	Washing Drum Weldment	MXB and PM 360 models
	558145	Washing Drum Weldment	MXB and PM 500 models
	566022	Washing Drum Weldment	AM, IM, NM, SM and UM 360 models; Flat
	566023	Washing Drum Weldment	AM, IM, NM, SM and UM 500 models; Flat
	566908	Washing Drum Weldment	MXB and PM 360 models; With indirect steam heating
	572226	Washing Drum Weldment	AM, IM, NM, SM and UM 360 models; With indirect steam heating
7	573677	Holder	
	573678	Holder	360 models; With indirect steam heating
8	SP503572	Bolt	M5x12

# Drum and Inner Door - 360 and 500 Models (Drawing 3 of 6)

360 Models Through Serial No. 360MXB000165UM and 500 Models Through Serial No. 500MXB000248UM



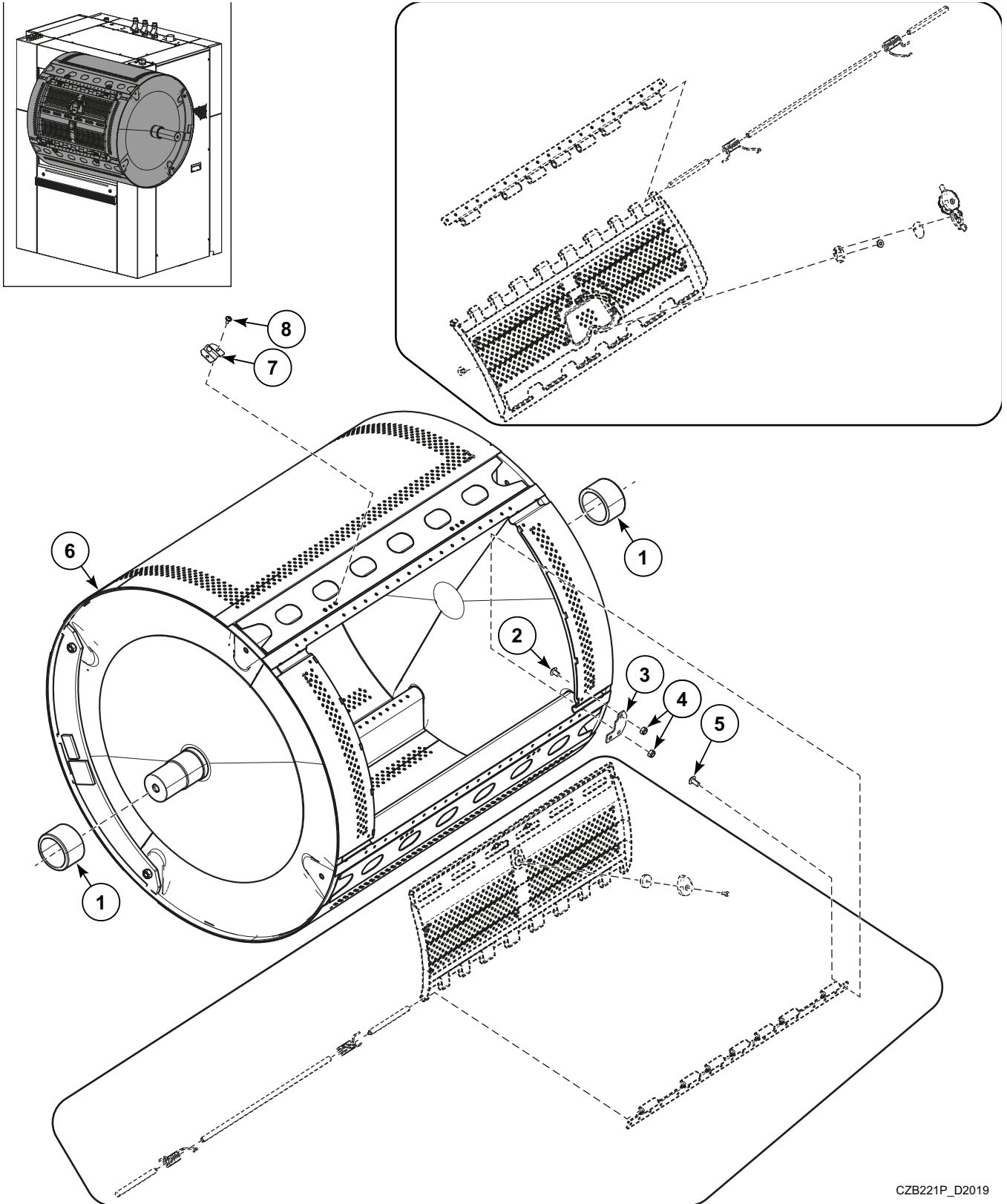
CZB222P\_D2019

## Drum and Inner Door - 360 and 500 Models (Drawing 3 of 6)

REF	PART NO.	DESCRIPTION	COMMENTS
	SP245704003021	Adhesive	Loctite 243
1	572241	Door	MXB and PM models
	572271	Door	AM, IM, NM, SM and UM models
	572272	Door	MXB and PM 360 models; With indirect steam heating
	572273	Door	AM, IM, NM, SM and UM 360 models; With indirect steam heating
2	558170	Drum Hinge	
	566916	Drum Hinge	360 models; With indirect steam heating
3	566063	Hinge Pin	
	569273	Hinge Pin	360 models; With indirect steam heating
4	558180	Door Spring	Left
5	558177	Hinge Pin	
	569274	Hinge Pin	360 models; With indirect steam heating
6	558179	Door Spring	Right
7	572243	Door Weldment	MXB and PM models
	572285	Door Weldment	AM, IM, NM, SM and UM models
	572286	Door Weldment	MXB and PM 360 models; With indirect steam heating
	572287	Door Weldment	AM, IM, NM, SM and UM 360 models; With indirect steam heating
8	572237	Golden Lock Handle	Includes SP558049 Sliding Bearing and 572260 Dust Cap
	572238	Golden Lock Handle	360 models; With indirect steam heating; Includes 572260 Dust Cap
9	572250	Cover Plate	
	572279	Cover Plate	360 models; With indirect steam heating
10	SP558050	Insertion	
	572206	Insertion	360 models; With indirect steam heating
11	572249	Distance Plate	
	572278	Distance Plate	360 models; With indirect steam heating
12	SP566073	Bolt	M6x12
	569271	Bolt	360 models; With indirect steam heating; M6x12
13	572252	Door	MXB and PM models
	572265	Door	AM, IM, NM, SM and UM models
	572266	Door	MXB and PM 360 models; With indirect steam heating
	572267	Door	AM, IM, NM, SM and UM 360 models; With indirect steam heating
14	566163	Screw	M5x12
15	572274	Magnet Cover	Stainless 316L
16	566161	Magnet	
17	572253	Door Weldment	MXB and PM models
	572268	Door Weldment	AM, IM, NM, SM and UM models
	572269	Door Weldment	MXB and PM 360 models; With indirect steam heating
	572270	Door Weldment	AM, IM, NM, SM and UM 360 models; With indirect steam heating

# Drum and Inner Door - 360 and 500 Models (Drawing 4 of 6)

360 Models Through Serial No. 360MXB000165UM and 500 Models Through Serial No. 500MXB000248UM



CZB221P\_D2019

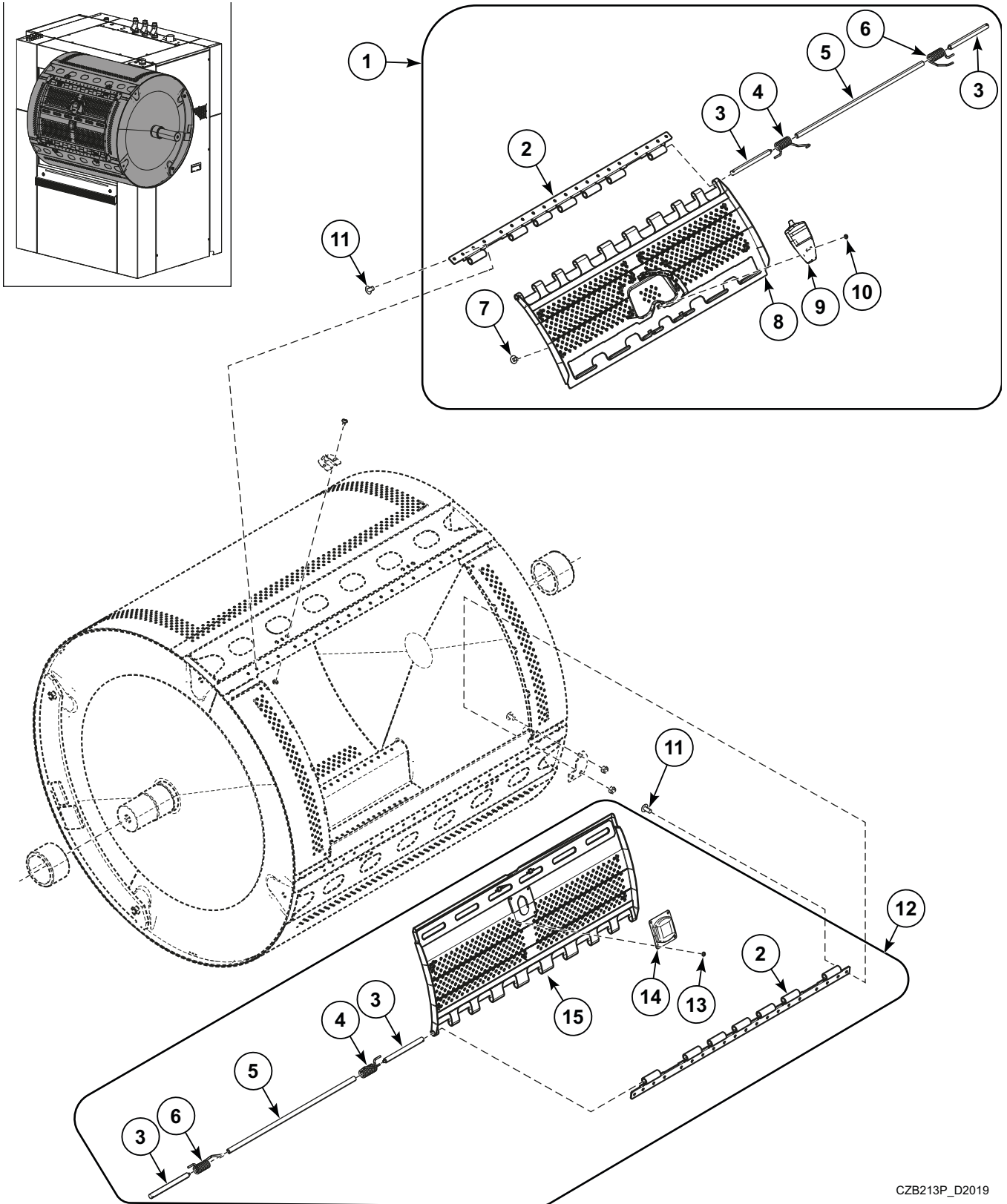


## Drum and Inner Door - 360 and 500 Models (Drawing 4 of 6)

REF	PART NO.	DESCRIPTION	COMMENTS
	SP245704003021	Adhesive	Loctite 243
1	558167	Slide Casing	
	569280	Slide Casing	360 models; With indirect steam heating
2	SP526791	Bolt	M8x12
	569261	Bolt	360 models; With indirect steam heating; M8x12
3	558144	Plate	
	566918	Plate	360 models; With indirect steam heating
4	566055	Nut	M8
	569262	Nut	360 models; With indirect steam heating; M8
5	SP309159324816	Bolt	M8x16
	569260	Bolt	360 models; With indirect steam heating; M8x16
6	558151	Washing Drum Weldment	MXB and PM 360 models
	558145	Washing Drum Weldment	MXB and PM 500 models
	566022	Washing Drum Weldment	AM, IM, NM, SM and UM 360 models; Flat
	566023	Washing Drum Weldment	AM, IM, NM, SM and UM 500 models; Flat
	566908	Washing Drum Weldment	MXB and PM 360 models; With indirect steam heating
	572226	Washing Drum Weldment	AM, IM, NM, SM and UM 360 models; With indirect steam heating
7	573677	Holder	
	573678	Holder	360 models; With indirect steam heating
8	SP503572	Bolt	M5x12

# Drum and Inner Door - 360 and 500 Models (Drawing 5 of 6)

360 Models Starting Serial No. 360MXB000166UM and 500 Models Starting Serial No. 500MXB000249UM



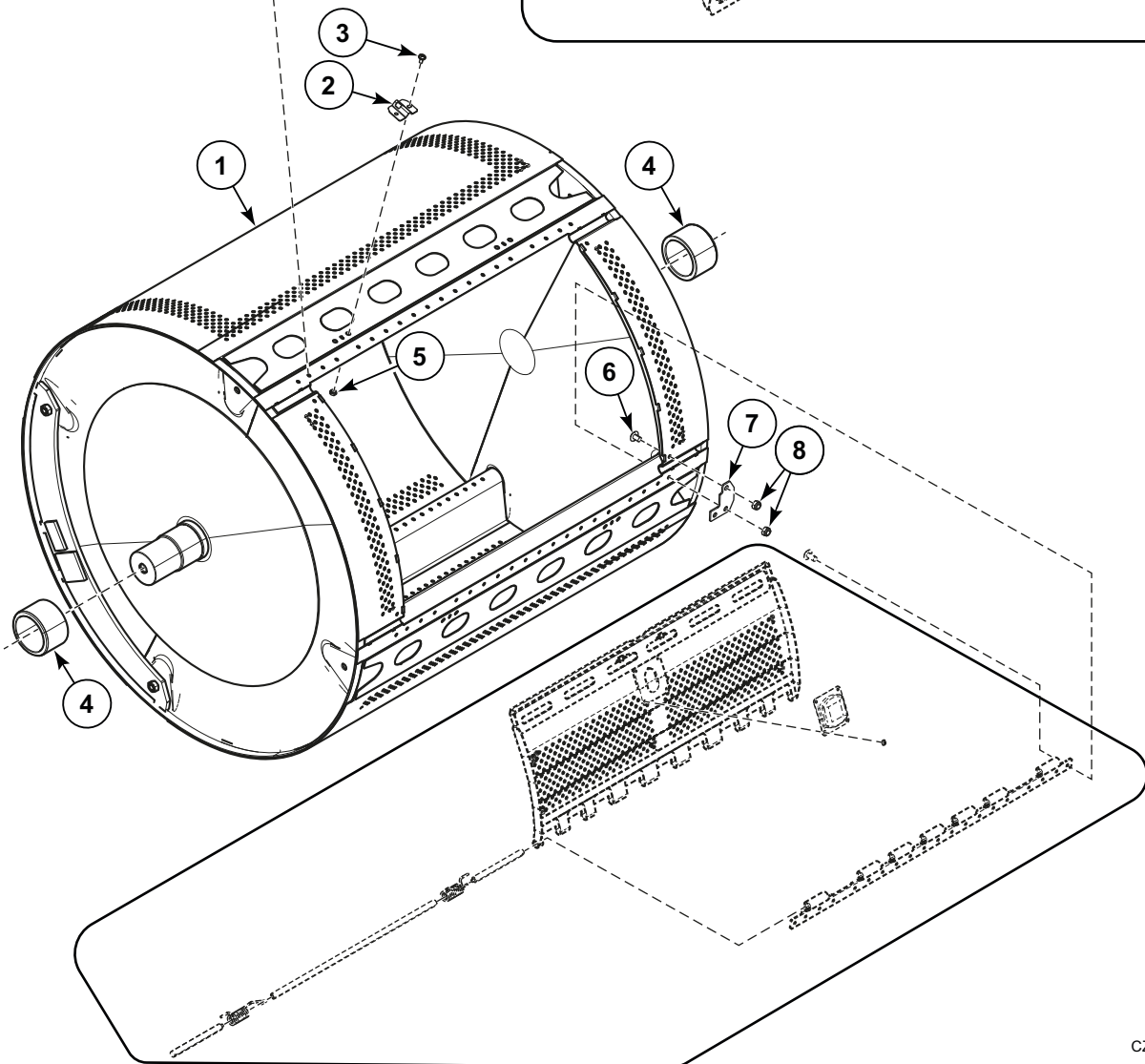
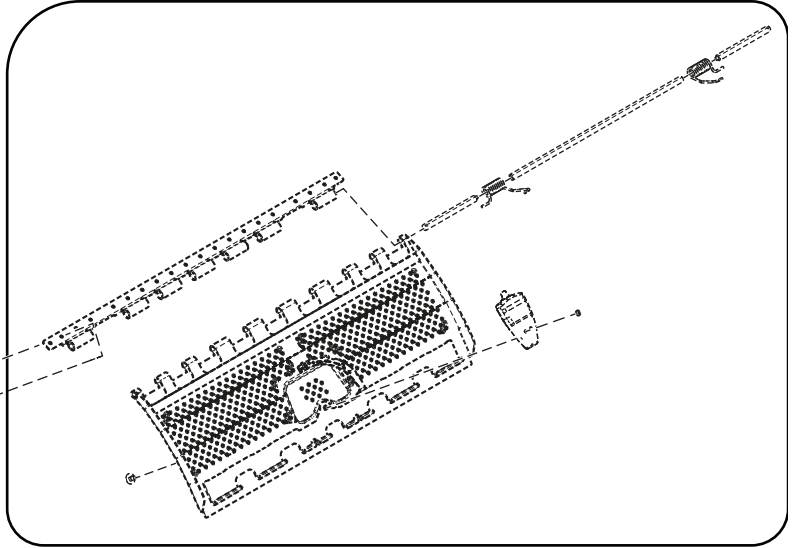
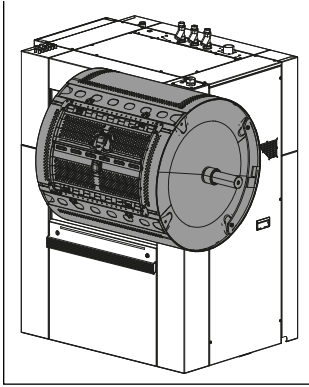
CZB213P\_D2019

## Drum and Inner Door - 360 and 500 Models (Drawing 5 of 6)

REF	PART NO.	DESCRIPTION	COMMENTS
	SP245704003021	Adhesive	Loctite 243
1	572241	Door	MXB and PM models
	572271	Door	AM, IM, NM, SM and UM models
	572272	Door	MXB and PM 360 models; With indirect steam heating
	572273	Door	AM, IM, NM, SM and UM 360 models; With indirect steam heating
2	558170	Drum Hinge	
	566916	Drum Hinge	360 models; With indirect steam heating
3	566063	Hinge Pin	
	569273	Hinge Pin	360 models; With indirect steam heating
4	573675	Door Spring	Right
5	558177	Hinge Pin	
	569274	Hinge Pin	360 models; With indirect steam heating
6	573676	Door Spring	Left
7	569261	Bolt	M6x12
	569271	Bolt	360 models; With indirect steam heating; M6x12
8	572243	Door Weldment	MXB and PM models
	572285	Door Weldment	AM, IM, NM, SM and UM models
	572286	Door Weldment	MXB and PM 360 models; With indirect steam heating
	572287	Door Weldment	AM, IM, NM, SM and UM 360 models; With indirect steam heating
9	572760	Black Lock Handle Complete	
10	580022	Bolt	M4x4
11	SP309159324816	Bolt	M8x16
	569260	Bolt	360 models; With indirect steam heating; M8x16
12	572252	Door	MXB and PM models
	572265	Door	AM, IM, NM, SM and UM models
	572266	Door	MXB and PM 360 models; With indirect steam heating
	572267	Door	AM, IM, NM, SM and UM 360 models; With indirect steam heating
13	580022	Bolt	M4x4
14	580025	Black Lock Complete	
15	572253	Door Weldment	MXB and PM models
	572268	Door Weldment	AM, IM, NM, SM and UM models
	572269	Door Weldment	MXB and PM 360 models; With indirect steam heating
	572270	Door Weldment	AM, IM, NM, SM and UM 360 models; With indirect steam heating

# Drum and Inner Door - 360 and 500 Models (Drawing 6 of 6)

360 Models Starting Serial No. 360MXB000166UM and 500 Models Starting Serial No. 500MXB000249UM



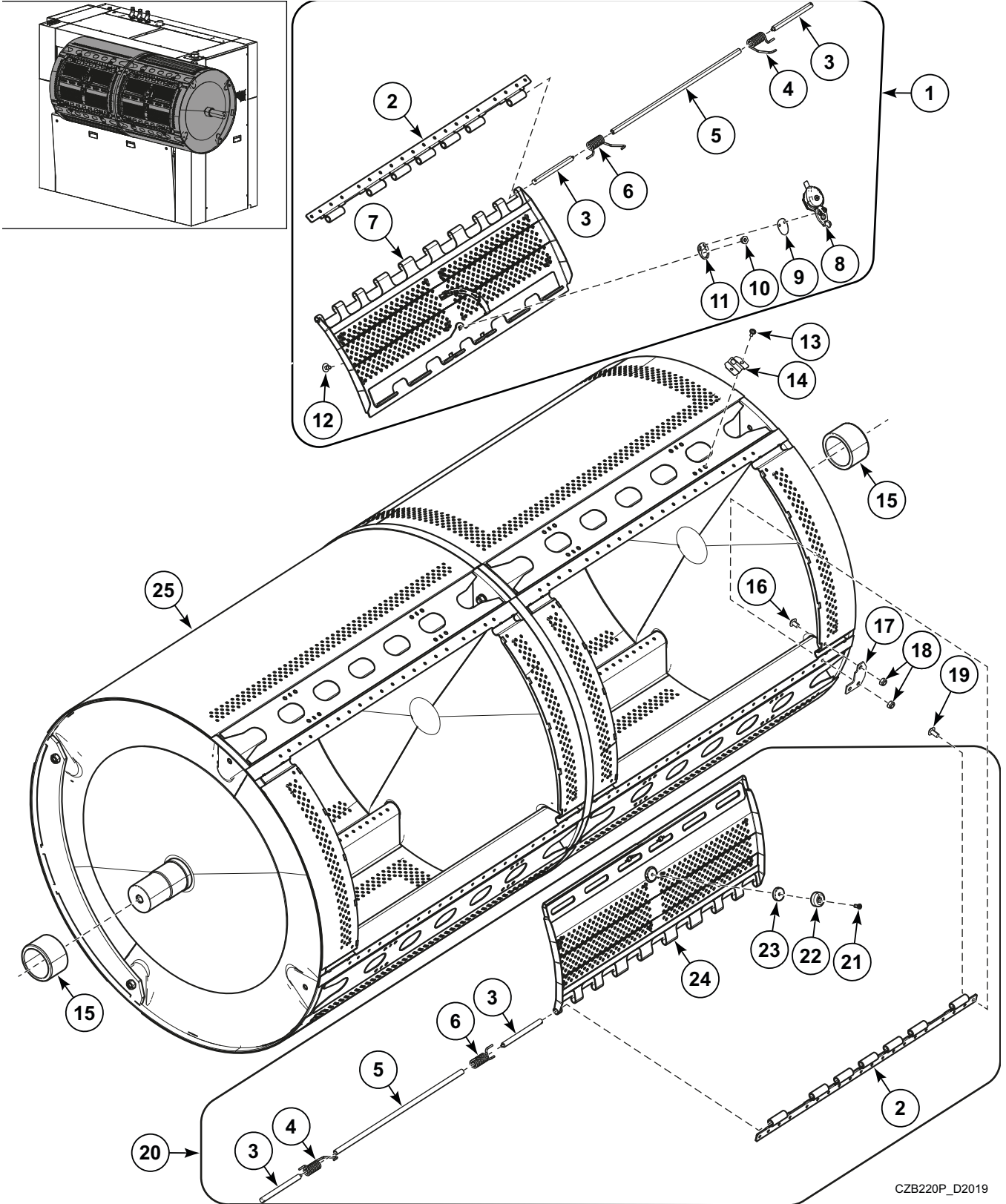
CZB216P\_D2019

## Drum and Inner Door - 360 and 500 Models (Drawing 6 of 6)

REF	PART NO.	DESCRIPTION	COMMENTS
	SP245704003021	Adhesive	Loctite 243
1	558151	Washing Drum Weldment	MXB and PM 360 models
	558145	Washing Drum Weldment	MXB and PM 500 models
	566022	Washing Drum Weldment	AM, IM, NM, SM and UM 360 models; Flat
	566023	Washing Drum Weldment	AM, IM, NM, SM and UM 500 models; Flat
	566908	Washing Drum Weldment	MXB and PM 360 models; With indirect steam heating
	572226	Washing Drum Weldment	AM, IM, NM, SM and UM 360 models; With indirect steam heating
2	573677	Holder	
	573678	Holder	360 models; With indirect steam heating
3	SP503572	Bolt	M5x12
4	558167	Slide Casing	
	569280	Slide Casing	360 models; With indirect steam heating
5	527011	Nut	M5
6	SP526791	Bolt	M8x12
	569261	Bolt	360 models; With indirect steam heating; M8x12
7	558144	Plate	
	566918	Plate	360 models; With indirect steam heating
8	566055	Nut	M8
	569262	Nut	360 models; With indirect steam heating; M8

# Drum and Inner Door - 700 Models (Drawing 1 of 3)

700 Models Through Serial No. 700MXB000081QU

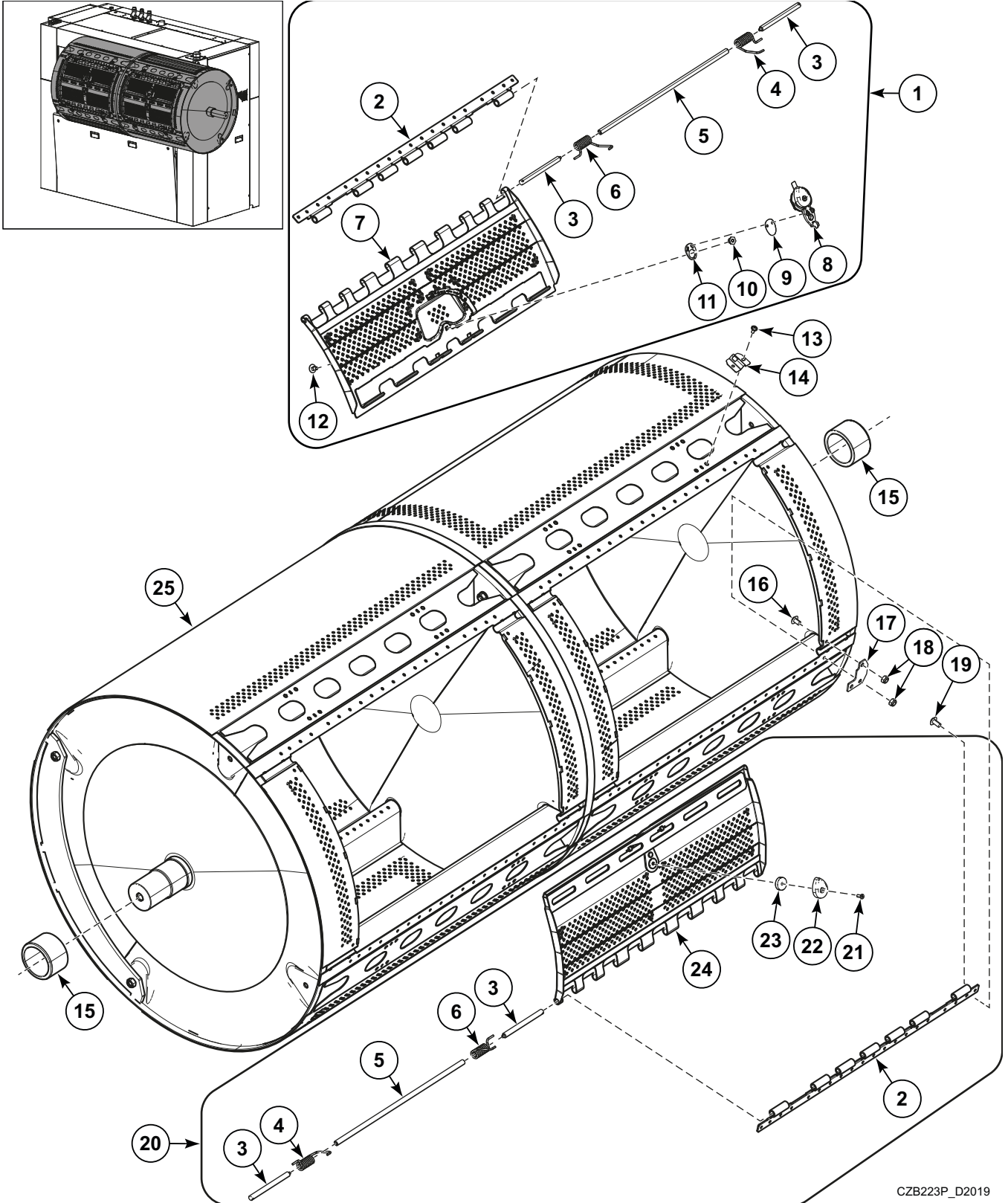


## Drum and Inner Door - 700 Models (Drawing 1 of 3)

REF	PART NO.	DESCRIPTION	COMMENTS
	SP245704003021	Adhesive	Loctite 243
1	572241	Door	MXB and PM models
	572271	Door	AM, IM, NM, SM and UM models
2	558170	Drum Hinge	
3	566063	Hinge Pin	
4	558180	Door Spring	Left
5	558177	Hinge Pin	
6	558179	Door Spring	Right
7	572243	Door Weldment	MXB and PM models
	572285	Door Weldment	AM, IM, NM, SM and UM models
8	572237	Golden Lock Handle	Includes SP558049 Sliding Bearing and 572260 Dust Cap
9	572250	Cover Plate	
10	SP558050	Insertion	
11	572249	Distance Plate	
12	SP566073	Bolt	M6x12
13	SP503572	Bolt	M5x12
14	573677	Holder	
15	558167	Slide Casing	
16	SP526791	Bolt	M8x12
17	558144	Plate	
18	566055	Nut	M8
19	SP309159324816	Bolt	M8x16
20	558163	Door	MXB and PM models
	566025	Door	AM, IM, NM, SM and UM models
21	566163	Screw	M5x12
22	566160	Magnet Cover	Stainless; With direct steam heating
23	566161	Magnet	Stainless; With indirect steam heating
24	558164	Door Weldment	MXB and PM models
	566036	Door Weldment	AM, IM, NM, SM and UM models
25	558190	Washing Drum Weldment	MXB and PM models
	566024	Washing Drum Weldment	AM, IM, NM, SM and UM models

# Drum and Inner Door - 700 Models (Drawing 2 of 3)

700 Models Through Serial No. 700MXB000132UM



CZB223P\_D2019

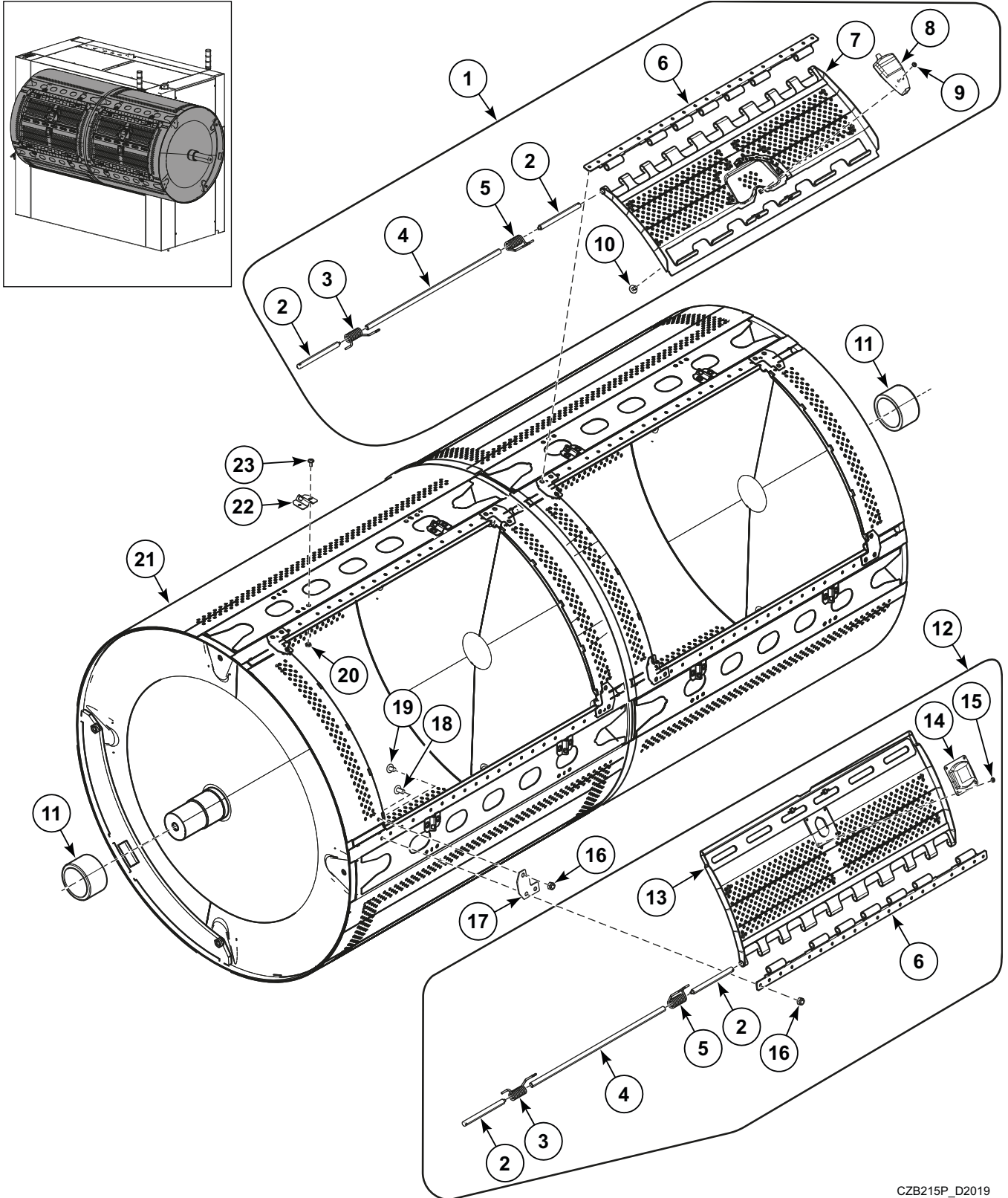


## Drum and Inner Door - 700 Models (Drawing 2 of 3)

REF	PART NO.	DESCRIPTION	COMMENTS
	SP245704003021	Adhesive	Loctite 243
1	572241	Door	MXB and PM models
	572271	Door	AM, IM, NM, SM and UM models
2	558170	Drum Hinge	
3	566063	Hinge Pin	
4	558180	Door Spring	Left
5	558177	Hinge Pin	
6	558179	Door Spring	Right
7	572243	Door Weldment	MXB and PM models
	572285	Door Weldment	AM, IM, NM, SM and UM models
8	572237	Golden Lock Handle	Includes SP558049 Sliding Bearing and 572260 Dust Cap
9	572250	Cover Plate	
10	SP558050	Insertion	
11	572249	Distance Plate	
12	SP566073	Bolt	M6x12
13	SP503572	Bolt	M5x12
14	573677	Holder	
15	558167	Slide Casing	
16	SP526791	Bolt	M8x12
17	558144	Plate	
18	566055	Nut	M8
19	SP309159324816	Bolt	M8x16
20	572252	Door	MXB and PM models
	572265	Door	AM, IM, NM, SM and UM models
21	566163	Screw	M5x12
22	572274	Magnet Cover	Stainless 316L
23	566161	Magnet	
24	572253	Door Weldment	MXB and PM models
	572268	Door Weldment	AM, IM, NM, SM and UM models
25	558190	Washing Drum Weldment	MXB and PM models
	566024	Washing Drum Weldment	AM, IM, NM, SM and UM models

# Drum and Inner Door - 700 Models (Drawing 3 of 3)

700 Models Starting Starting Serial No. 700MXB000133UM

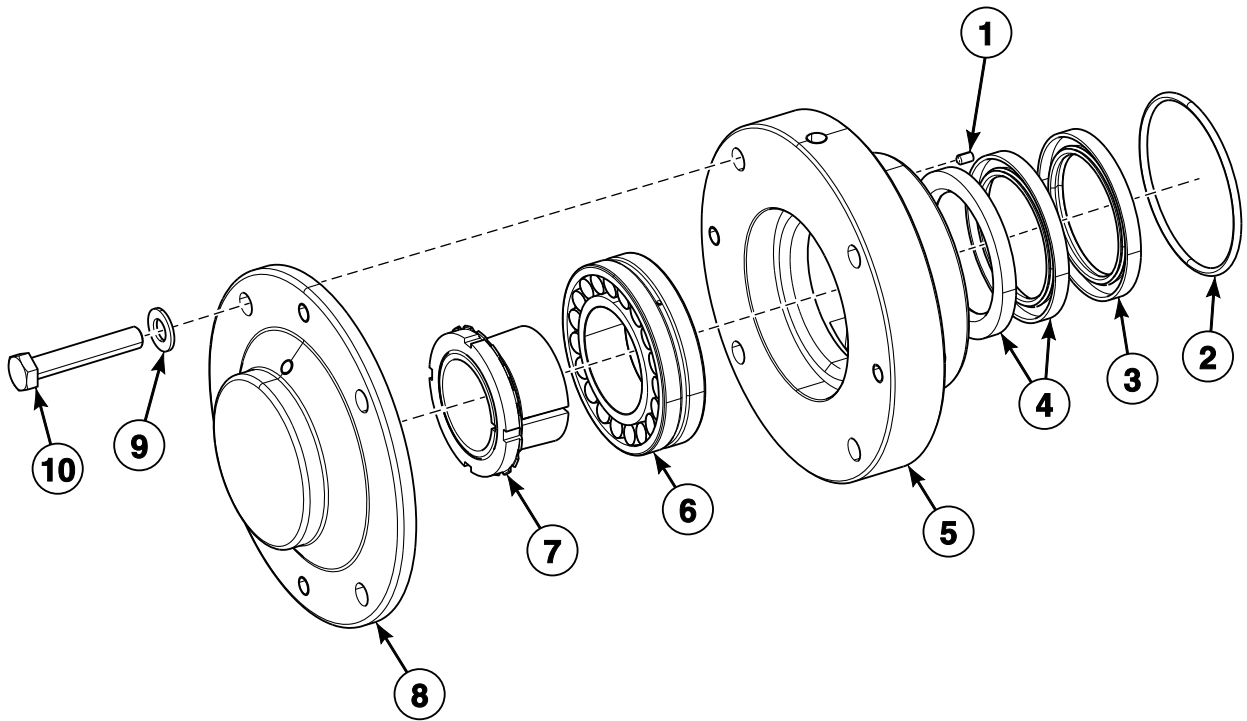
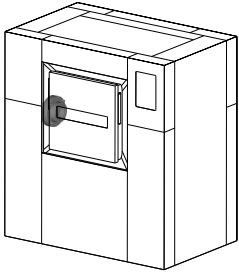


CZB215P\_D2019

## Drum and Inner Door - 700 Models (Drawing 3 of 3)

REF	PART NO.	DESCRIPTION	COMMENTS
	SP245704003021	Adhesive	Loctite 243
1	572241	Door	MXB and PM models
	572271	Door	AM, IM, NM, SM and UM models
2	566063	Hinge Pin	
3	573675	Door Spring	Right
4	558177	Hinge Pin	
5	573576	Door Spring	Left
6	558170	Drum Hinge	
7	572243	Door Weldment	MXB and PM models
	572285	Door Weldment	AM, IM, NM, SM and UM models
8	572760	Black Lock Handle Complete	
9	580022	Bolt	M4x4
10	SP566073	Bolt	M6x12
11	558167	Slide Casing	
12	572252	Door	MXB and PM models
	572265	Door	AM, IM, NM, SM and UM models
13	572253	Door Weldment	MXB and PM models
	572268	Door Weldment	AM, IM, NM, SM and UM models
14	580025	Black Lock Complete	
15	580022	Bolt	M4x4
16	566055	Nut	M8
17	558144	Plate	
18	SP309159324816	Bolt	M8x16
19	SP526791	Bolt	M8x12
20	57201	Nut	M5
21	558190	Washing Drum Weldment	MXB and PM models
	566024	Washing Drum Weldment	AM, IM, NM, SM and UM models
22	573677	Holder	
23	SP503572	Bolt	M5x12

# Left Trunnion

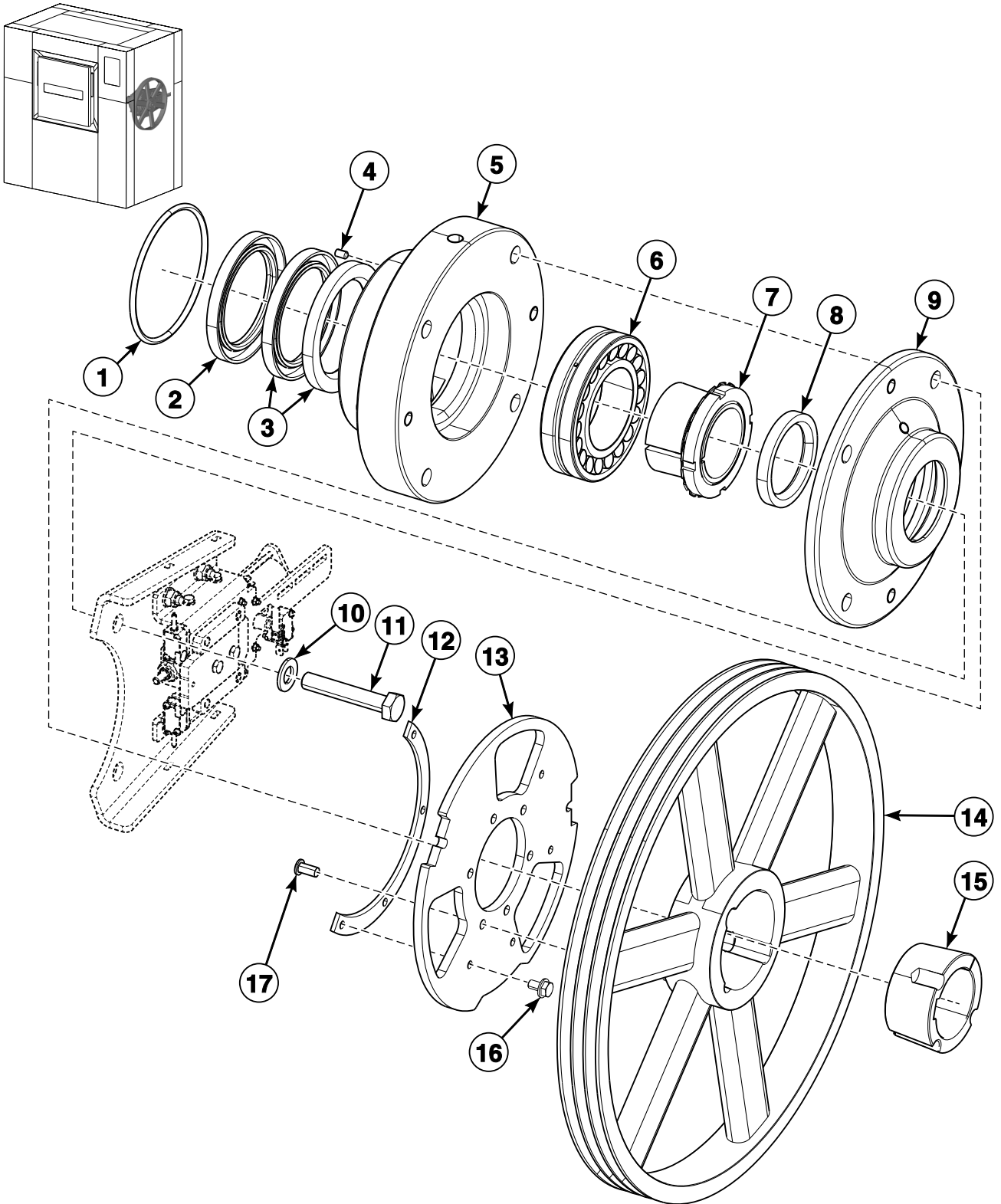


CZB73P\_D2019

# Left Trunnion

REF	PART NO.	DESCRIPTION	COMMENTS
	524099	Bearing Housing Replacement Tool	
	566002	Bearing Hub	Includes items 1-10
	SPPRI704000053	Sealant	
	SP245704003021	Adhesive	Loctite 243; Used with items 1 and 10
1	SP309913000610	Bolt	M6x10
2	558168	O-Ring	
3	SP540762	Gasket	80x110x10
4	SP540761	Gasket	80x110x10; Includes 1 piece, 2 pieces needed
5	558169	Bearing House	
6	SPPRI608001065	Bearing	
7	SPPRI608001081	Lock Bushing	
8	566053	Cover	
9	SP311125000014	Washer	14
10	SPPRI202003052	Bolt	M14x80

# Right Trunnion

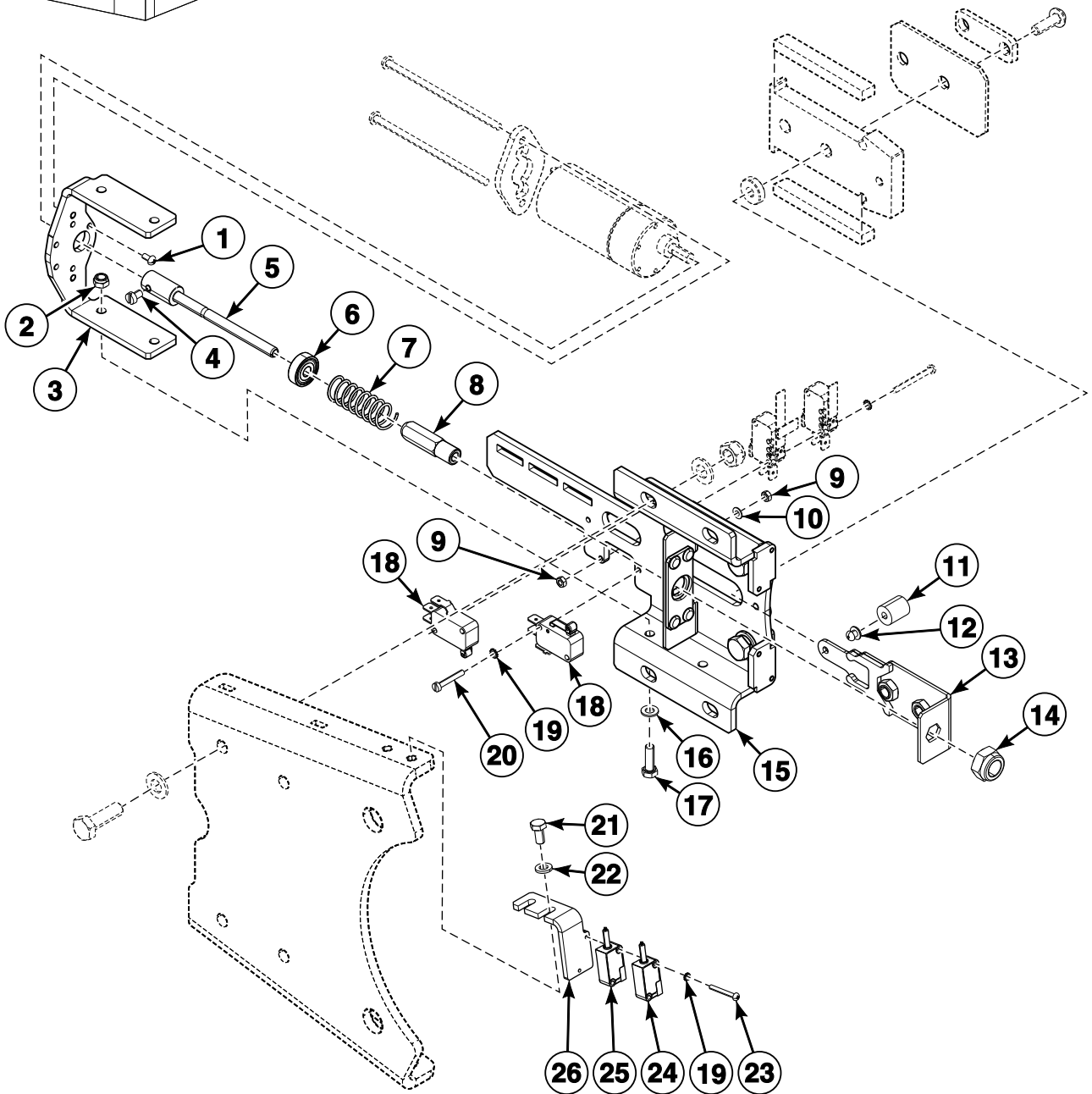
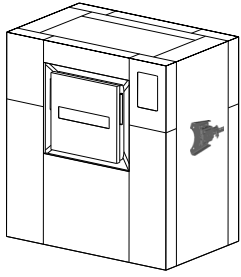


CZB33P\_D2019

# Right Trunnion

REF	PART NO.	DESCRIPTION	COMMENTS
	524099	Bearing Housing Replacement Tool	
	566001	Bearing Hub	Right; 360 models
	566051	Bearing Hub	Right; 500 and 700 models
	SPPRI704000053	Sealant	
	SP245704003021	Adhesive	Loctite 243; Used with items 4 and 11
	573734	Drum Locking Kit	New Cables Routing for Drum Locking System Kit
<b>1</b>	558168	O-Ring	
<b>2</b>	SP540762	Gasket	80x110x10
<b>3</b>	SP540761	Gasket	80x110x10; Includes 1 piece, 2 pieces needed
<b>4</b>	SP309913000610	Bolt	M6x10
<b>5</b>	558166	House Bearing	
<b>6</b>	SPPRI608001065	Bearing	
<b>7</b>	SPPRI608001081	Lock Bushing	
<b>8</b>	SPPRI530000047	Sealing Ring	
<b>9</b>	566052	Cover	
<b>10</b>	SP311125000014	Washer	14
<b>11</b>	SPPRI202003052	Bolt	M14x80
<b>12</b>	566080	Plate	Position
<b>13</b>	558194	Blocking Disk	360 models
	566050	Blocking Disk	500 and 700 models
<b>14</b>	558195	Pulley	360 models
	566048	Pulley	500 and 700 models
<b>15</b>	556733	Lock Bushing	360 models
	556735	Lock Bushing	500 and 700 models
<b>16</b>	SP309595124612	Bolt	M6x12
<b>17</b>	SP549838	Bolt	M8x20

# Drum Blocking (Drawing 1 of 4)



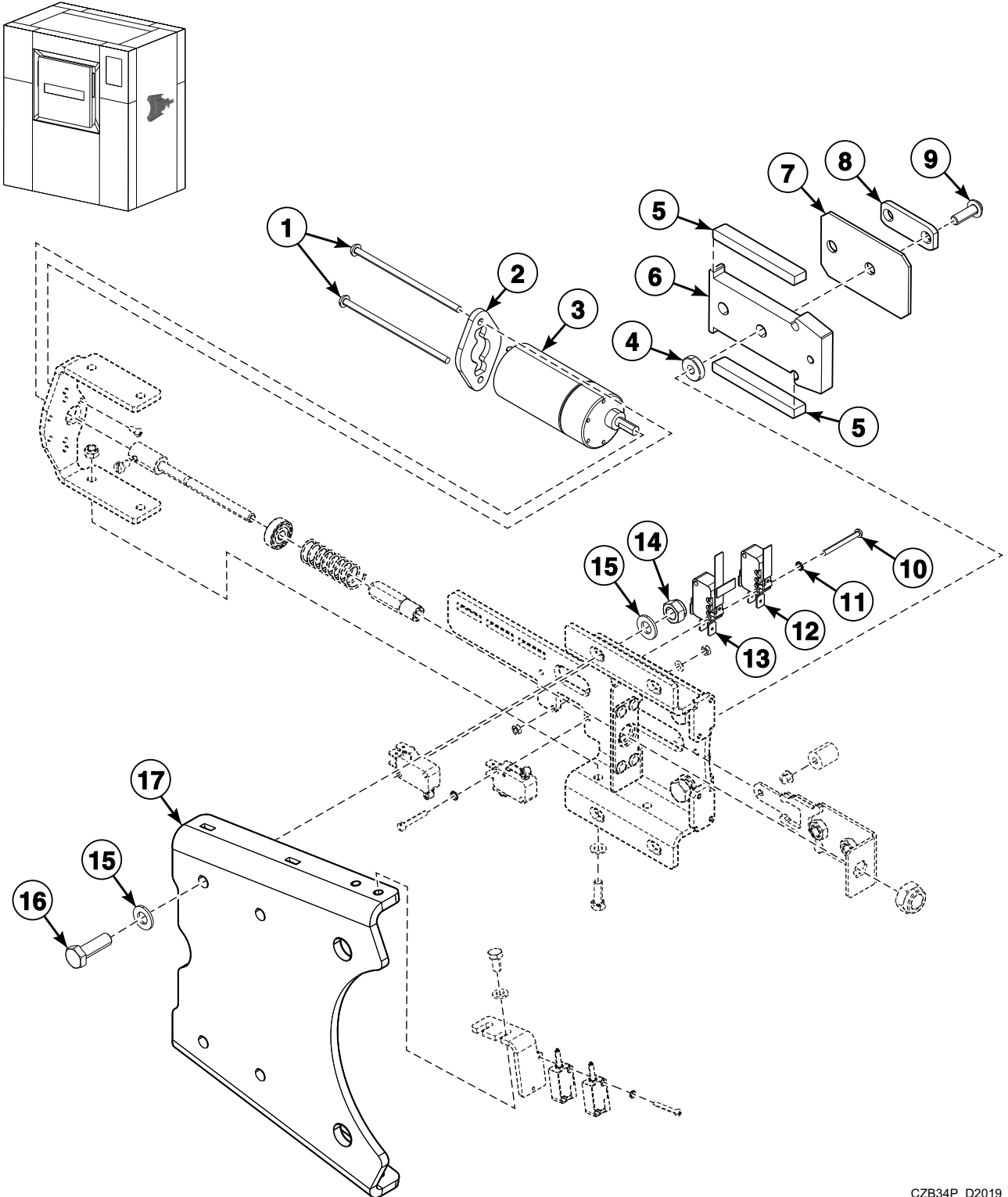
CZB18P\_D2019



## Drum Blocking (Drawing 1 of 4)

REF	PART NO.	DESCRIPTION	COMMENTS
	564638	Drum Blocking Motor Cable	
	566003	Drum Blocking Assembly	Does not include items 21-26
	SP245704003021	Adhesive	Loctite 243
<b>1</b>	SP309798500306	Bolt	M3x6
<b>2</b>	SP310985000005	Nut	M5
<b>3</b>	566020	Holder Motor	
<b>4</b>	309084240405	Bolt	M4x5
<b>5</b>	566021	Sliding Bolt	
<b>6</b>	566019	Bearing	
<b>7</b>	566018	Spring	
<b>8</b>	566017	Sliding Nut	
<b>9</b>	SP310934000003	Nut	M3
<b>10</b>	SP311125000003	Washer	3.2
<b>11</b>	566817	Slider	360 models through Serial No. 360MXB000008HY and 360MXB000030KW; 500 models through Serial No. 50MX000006HF and 500MXB000037KW; 700 models through Serial No. 70MX000009HY and 700MXB000017KU
	566183	Switch Pin	360 models starting Serial No. 360MXB000031KW; 500 models starting Serial No. 500MXB000038KW; 700 models starting Serial No. 700MXB000018KU
<b>12</b>	SP313250004125	Rivet	4x12.5
<b>13</b>	566014	Slide Bar	
<b>14</b>	SP310985000010	Nut	M10
<b>15</b>	566041	Basement	
<b>16</b>	SP311125000005	Washer	5.3
<b>17</b>	SP309933000516	Bolt	M5x16
<b>18</b>	566044	Microswitch	
<b>19</b>	SP311679800003	Washer	M3
<b>20</b>	SP309084000320	Bolt	M3x20
<b>21</b>	SP309933000612	Bolt	M6x12
<b>22</b>	SP311125000006	Washer	6.4
<b>23</b>	SP309798500325	Bolt	M3x25
<b>24</b>	564639	Sensor	Speed; Includes items SP510915 Connector and SPPRI350002018 Contact
<b>25</b>	564639	Sensor	Position; Includes items SP510915 Connector and SPPRI350002018 Contact
<b>26</b>	566079	Sensor Holder	

# Drum Blocking (Drawing 2 of 4)



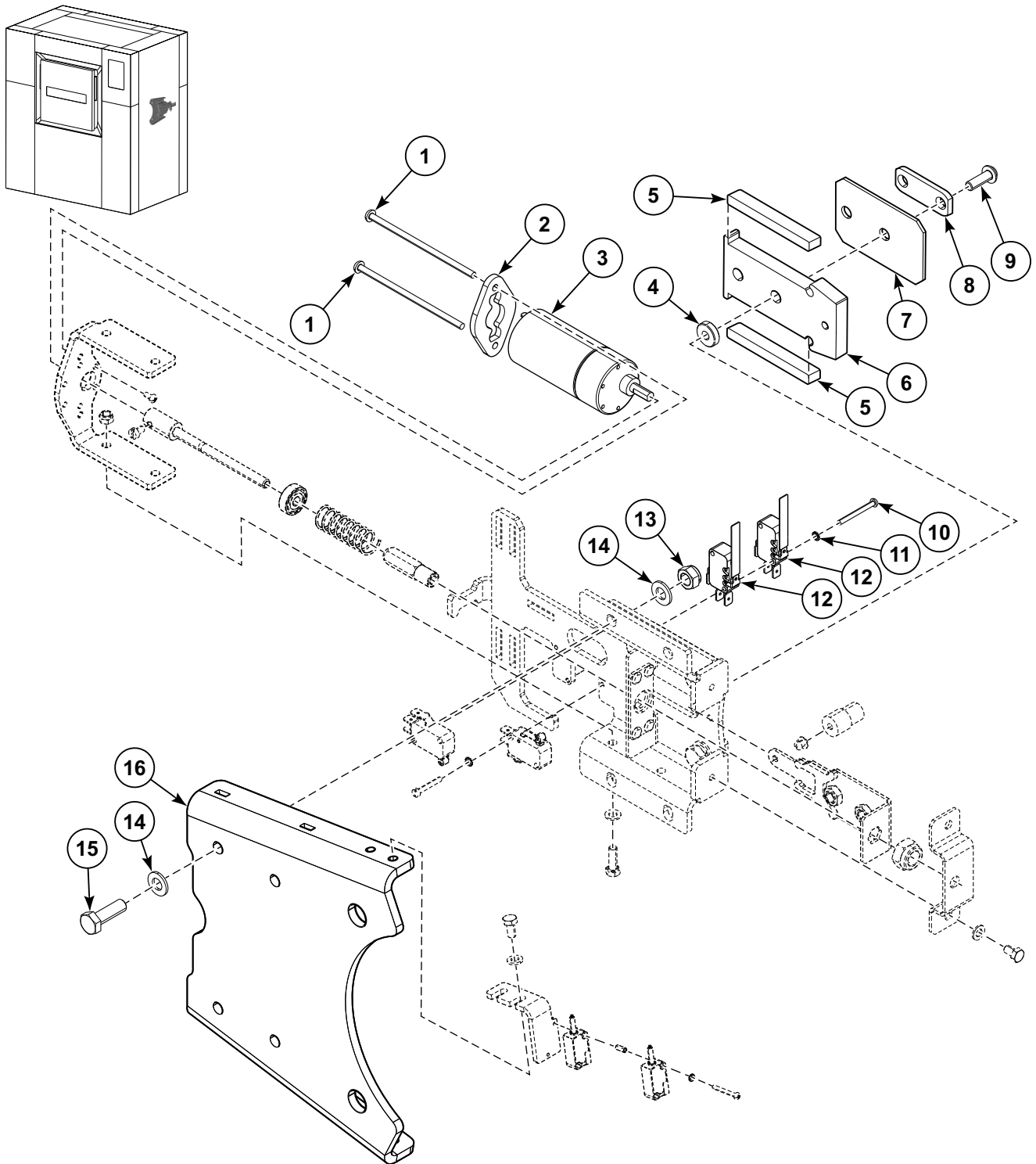
CZB34P\_D2019

## Drum Blocking (Drawing 2 of 4)

REF	PART NO.	DESCRIPTION	COMMENTS
1	566067	Bolt	M4x90
2	566066	Plate	
3	558200	Motor	
4	566005	Sliding Washer	
5	566086	Sliding Pad	
6	566085	Blocking Segment	
7	566087	Cover Plate	
8	566118	Distance Washer	360 models starting Serial No. 360MXB000001KD; 500 models starting Serial No. 500MXB000001KB; 700 models starting Serial No. 700MXB000002KB
9	537865	Bolt	M6x20; 360 models through Serial No. 36MXB000008HY; 500 models through Serial No. 50MXB000006HF; 700 models through Serial No. 70MX000009HY and 700MXB000001HZ
	SP535479	Bolt	M6x25; 360 models starting Serial No. 360MXB000001KD; 500 models starting Serial No. 500MXB000001KB; 700 models starting Serial No. 700MXB000002KB
10	SP503170	Bolt	M3x30
11	SP311679800003	Washer	M3
12	SPPRI610011077	Microswitch	
13	102394	Microswitch	360 models through Serial No. 36MXB000008HY and 360MXB000030KW; 500 models through Serial No. 50MX000006HF and 500MXB000037KW; 700 models through Serial No. 70MX000009HY and 700MXB000017KU
	SPPRI610011077	Microswitch	360 models starting Serial No. 360MXB000031KW; 500 models starting Serial No. 500MXB000038KW; 700 models starting Serial No. 700MXB000018KU
14	SP310985000008	Nut	M8
15	SP311125000008	Washer	8.4
16	SP309933000825	Bolt	M8x25
17	558198	Holder	

# Drum Blocking (Drawing 3 of 4)

Starting Serial Nos. 360MXB000031KY, 500MXB000038KW and 700MXB000018KY



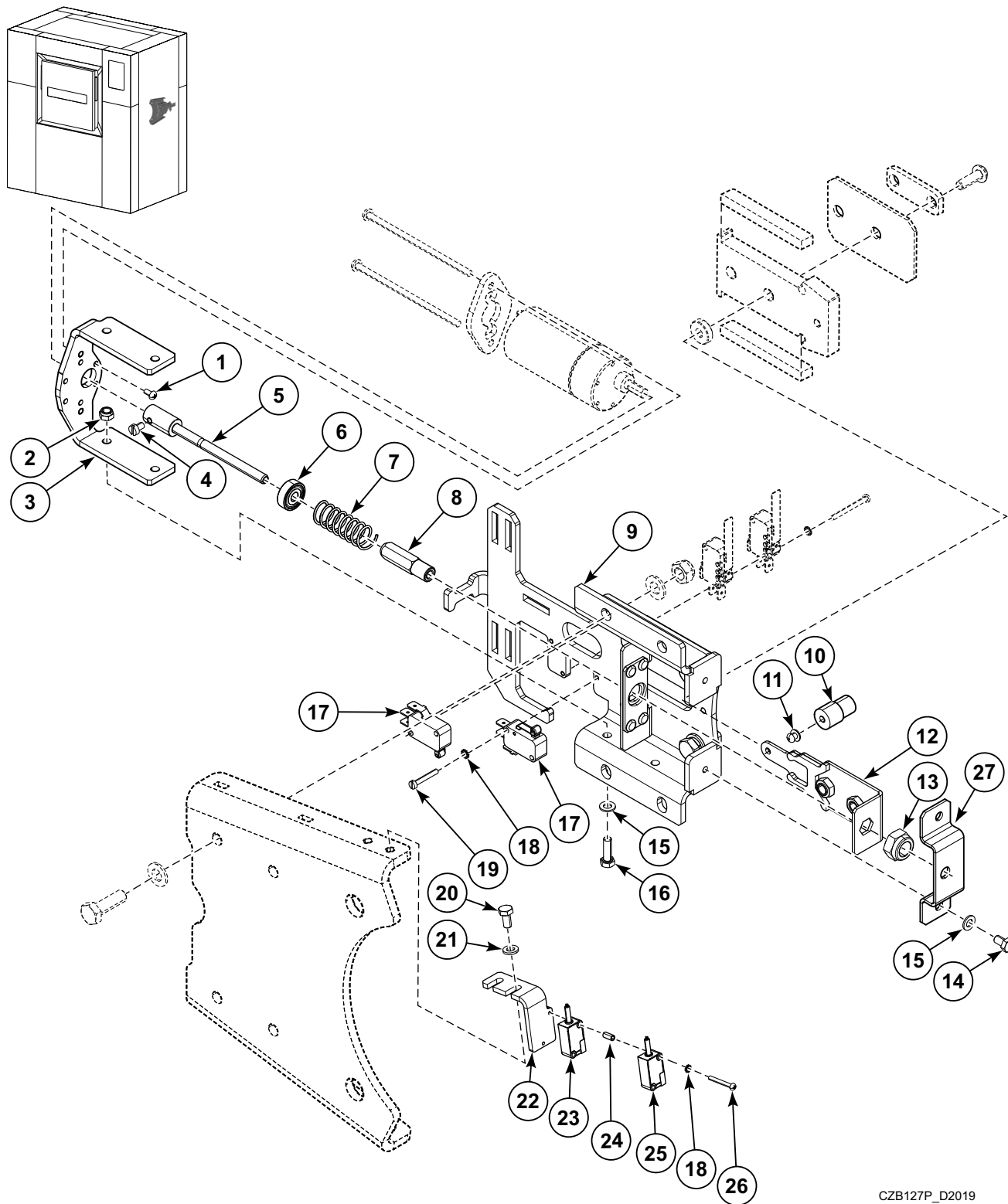
CZB128P\_D2019

## Drum Blocking (Drawing 3 of 4)

REF	PART NO.	DESCRIPTION	COMMENTS
1	566067	Bolt	M4x90
2	566066	Plate	
3	558200	Motor	
4	566005	Sliding Washer	
5	566086	Sliding Pad	
6	566085	Blocking Segment	
7	566087	Cover Plate	
8	566118	Distance Washer	360 models starting Serial No. 360MXB000001KD; 500 models starting Serial No. 500MXB000001KB; 700 models starting Serial No. 700MXB000002KB
9	537865	Bolt	M6x25; 360 models through Serial No. 36MXB000008HY; 500 models through Serial No. 50MXB000006HF; 700 models through Serial No.70MX000009HY and 700MXB000001HZ
	SP535479	Bolt	M6x25; 360 models starting Serial No. 360MXB000001KD; 500 models starting Serial No. 500MXB000001KB; 700 models starting Serial No. 700MXB000002KB
10	SP309798500325	Bolt	M3x25
11	SP311679800003	Washer	M3
12	102394	Microswitch	360 models through Serial No. 36MXB000008HY and 360MXB000030KW; 500 models through Serial No. 50MX000006HF and 500MXB000037KW; 700 models through Serial No. 70MX000009HY and 700MXB000017KU
	SPPRI610011077	Microswitch	360 models starting Serial No. 360MXB000031KW; 500 models starting Serial No. 500MXB000038KW; 700 models starting Serial No. 700MXB000018KU
13	SP310985000008	Nut	M8
14	SP311125000008	Washer	8.4
15	SP309933000825	Bolt	M8x25
16	558198	Holder	

# Drum Blocking (Drawing 4 of 4)

Starting Serial Nos. 360MXB000031KY, 500MXB000038KW and 700MXB000018KY

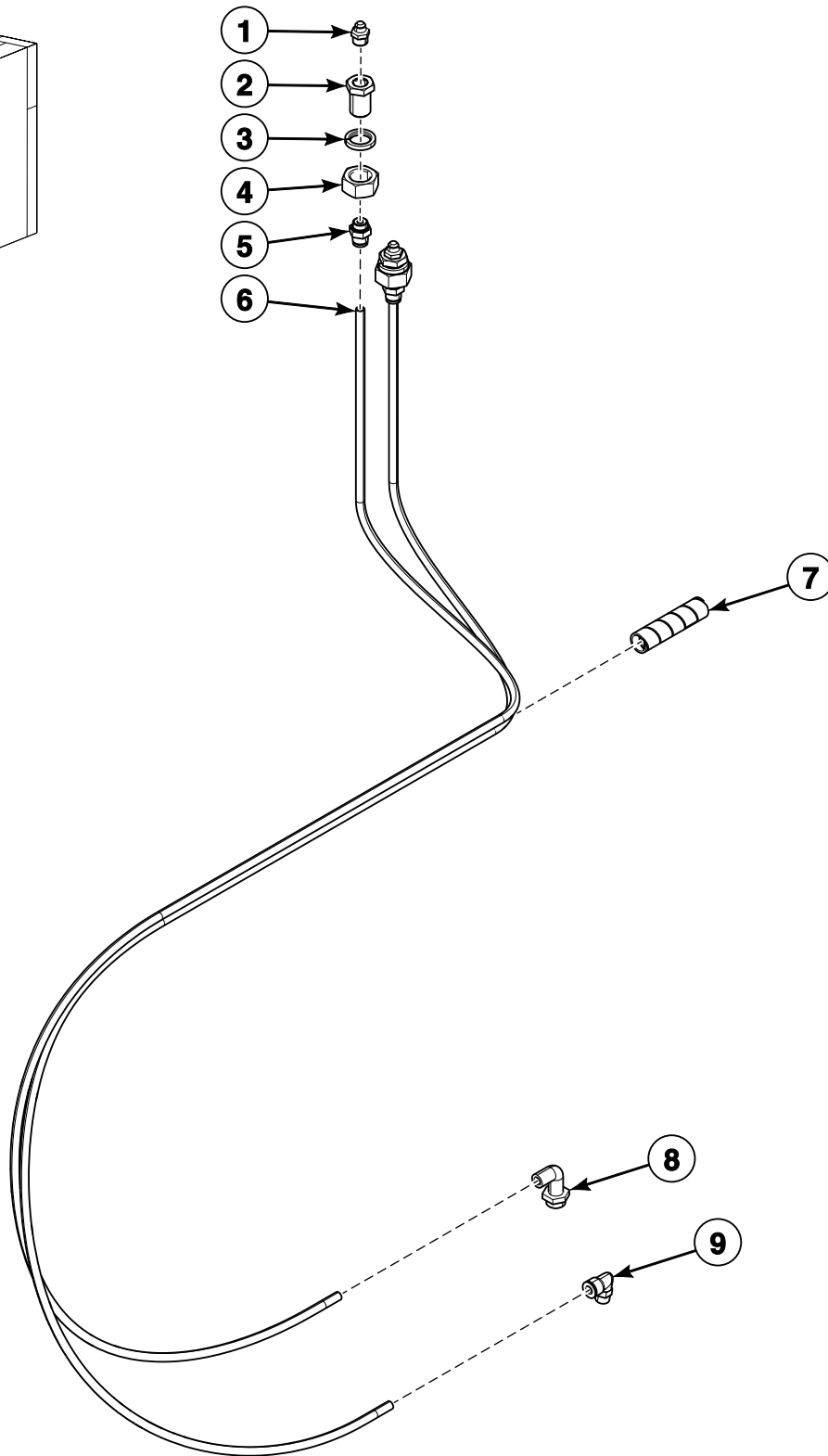
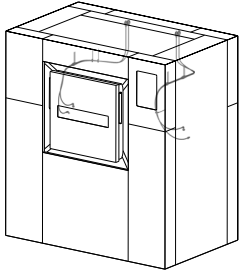


CZB127P\_D2019

## Drum Blocking (Drawing 4 of 4)

REF	PART NO.	DESCRIPTION	COMMENTS
	564638	Drum Blocking Motor Cable	
	566003	Drum Blocking Assembly	Does not include items 21-26
	SP245704003021	Adhesive	Loctite 243
<b>1</b>	SP309798500306	Bolt	M3x6
<b>2</b>	SP310985000005	Nut	M5
<b>3</b>	566020	Motor Holder	
<b>4</b>	309084240405	Bolt	M4x5
<b>5</b>	566021	Sliding Bolt	
<b>6</b>	566019	Bearing	
<b>7</b>	580001	Spring	
<b>8</b>	580066	Sliding Nut	
<b>9</b>	566041	Basement	
<b>10</b>	566183	Switch Pin	M3
<b>11</b>	SP313250004125	Rivet	4x12.5
<b>12</b>	580068	Slide Bar	
<b>13</b>	SP310985000010	Nut	M10
<b>14</b>	SP521260	Bolt	M5x8
<b>15</b>	SP311125000005	Washer	5.3
<b>16</b>	PRI202001001	Bolt	M5x16
<b>17</b>	566044	Microswitch	
<b>18</b>	SP311679800003	Washer	M3
<b>19</b>	SP309084000316	Bolt	M3x16
<b>20</b>	SP309933000612	Bolt	M6x12
<b>21</b>	SP311125000006	Washer	6.4
<b>22</b>	566079	Sensor Holder	
<b>23</b>	572618	Sensor	Position; Includes items SP557936 Connector and SPPRI350002018 Contact
<b>24</b>	572663	Spacer Tube	
<b>25</b>	564639	Sensor	Speed; Includes items SP510915 Connector and SPPRI350002018 Contact
<b>26</b>	SP514084	Bolt	M3x25
<b>27</b>	580069	Safety bridge	

# External Lubrication System



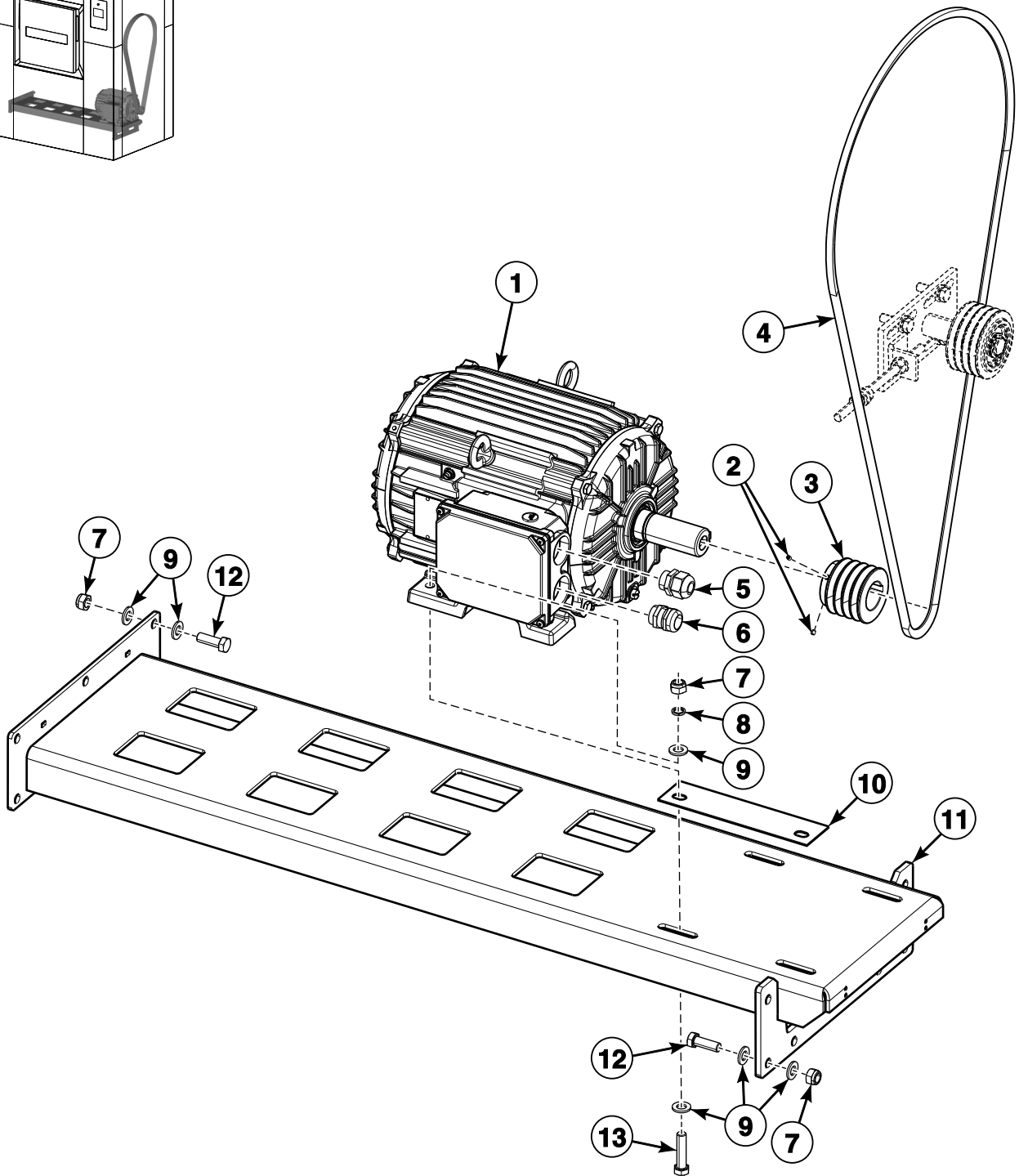
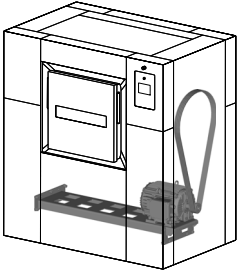
CZB74P\_D2019



## External Lubrication System

REF	PART NO.	DESCRIPTION	COMMENTS
	566815	External Lubrication System	Includes items 1-9
1	SP425111211043	Greasing Head	
2	SP230131300715	Reducing Sleeve	
3	SP311127000014	Washer	14
4	SP310936000014	Nut	M14
5	SP560729	Fitting	6-M10x1
6	283351220111	Hose	6x1
7	SP283449080200	Spiral	
8	SP503883	Pipe Nipple	L6; 1/4 inch
9	SP319428330060	Pipe Nipple	L6; G 1/8 inch

# Drive

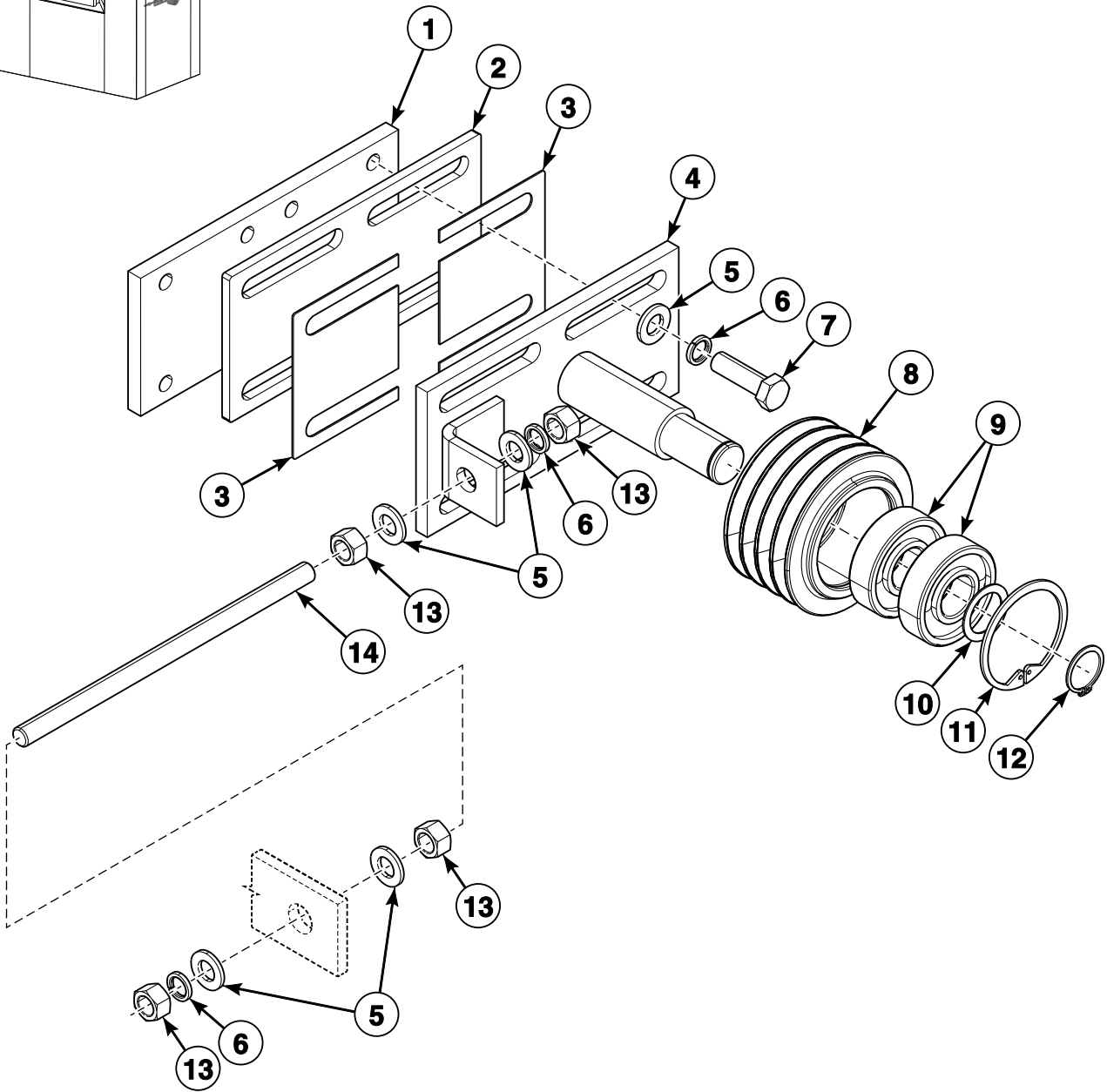
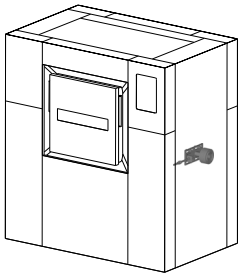


CZB75P\_D2019

# Drive

REF	PART NO.	DESCRIPTION	COMMENTS
	SP528105	Motor Cable	360 models
	SP528107	Motor Cable	500 and 700 models; 200-240V
	SP528106	Motor Cable	500 and 700 models; 380-480V
	SP245704003021	Adhesive	Loctite 243
<b>1</b>	564648	Motor	360 models
	564508	Motor	500 and 700 models
<b>2</b>	SP309916000506	Bolt	M5x6; Includes 1 piece, 2 pieces needed
<b>3</b>	559663	Motor Pulley	360 models
	559664	Motor Pulley	500 and 700 models
<b>4</b>	SP272111002160	Belt	
<b>5</b>	SP101407	Bushing	360 models; M20
<b>6</b>	528033	Cable Bushing	500 and 700 models; M25
	528224	Cable Bushing	M25
<b>7</b>	SP310934000012	Nut	M12
<b>8</b>	SP311127000012	Washer	12
<b>9</b>	SP311125000013	Washer	13
<b>10</b>	SP523032	Washer	
<b>11</b>	564064	Drive Board	360 models
	564062	Drive Board	500 models
	564056	Drive Board	700 models
<b>12</b>	SP309933001235	Bolt	M12x35
<b>13</b>	SP309933001250	Bolt	M12x50

# Tensioning System



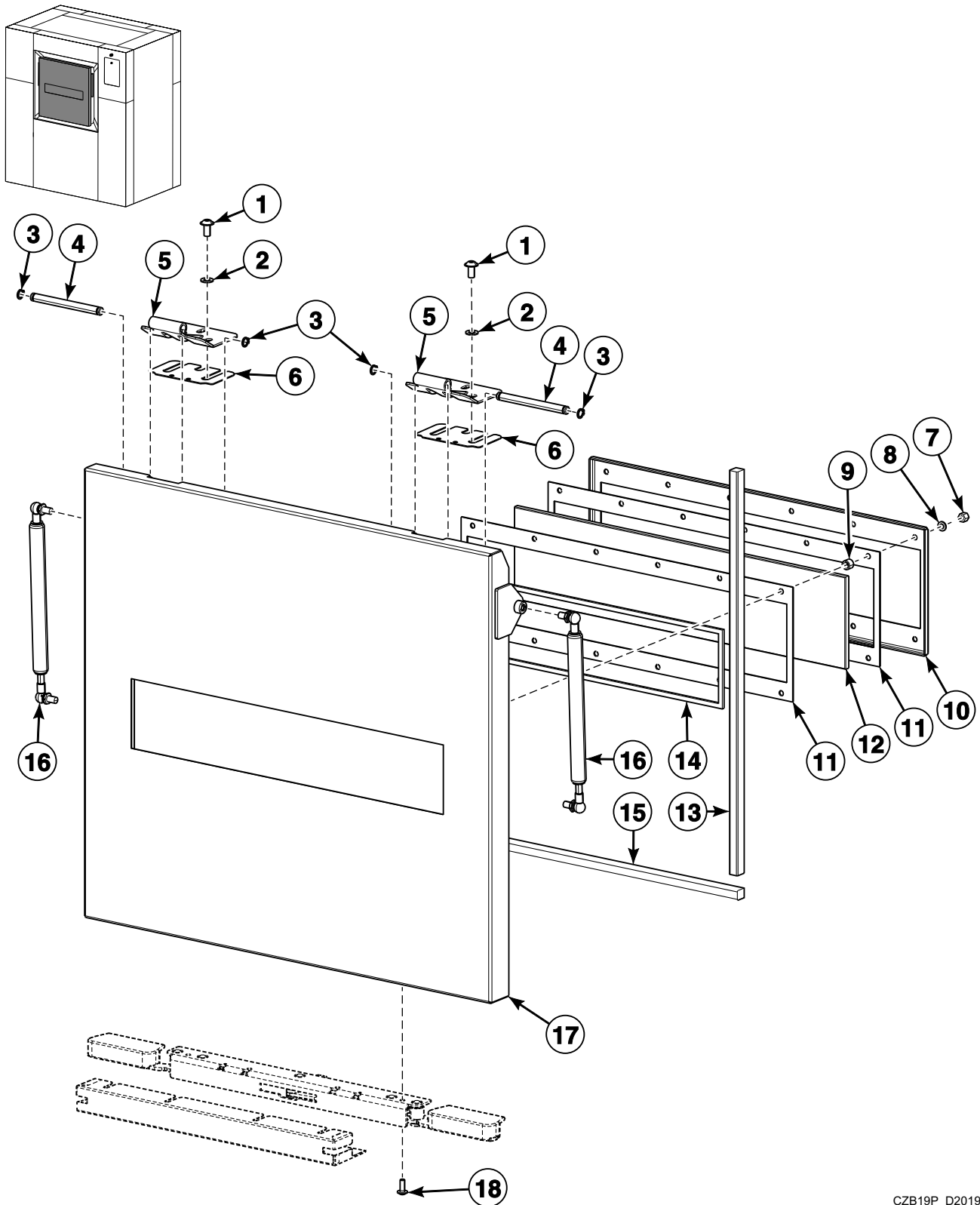
CZB76P\_D2019

# Tensioning System

REF	PART NO.	DESCRIPTION	COMMENTS
	SPF04118000014	Tension Roller	360 models; Includes items 4-14
	564068	Tension Roller	500 and 700 models; Includes items 4-14
<b>1</b>	SP515456	Plate	
<b>2</b>	564061	Washer	500 and 700 models
<b>3</b>	564067	Distance Washer	
<b>4</b>	SPF02118100013	Tension Roller	
<b>5</b>	SP311125000013	Washer	13
<b>6</b>	SP311127000012	Washer	12
<b>7</b>	SP309933001230	Bolt	360 models; M12x30
	SP309933001240	Bolt	500 and 700 models; M12x40
<b>8</b>	SPF04118000514	Roller	360 models
	SPB03106300514	Roller	500 and 700 models
<b>9</b>	SPPRI608000041	Bearing	Includes 1 piece, 2 pieces needed
<b>10</b>	SPF02118000615	Washer	
<b>11</b>	SP307732031062	Retaining Ring	62
<b>12</b>	SP307732030025	Retaining Ring	25
<b>13</b>	SP310934000012	Nut	M12
<b>14</b>	SP515452	Adjusting Rod	

# Outer Door (Drawing 1 of 2)

360 Models Through Serial No. 36MX000008HY and 360MXB000001KD, 500 Models Through Serial No. 50MX000006HF and 500MXB000001KB and 700 Models Through Serial No. 70MX000009HY and 700MXB000002KB



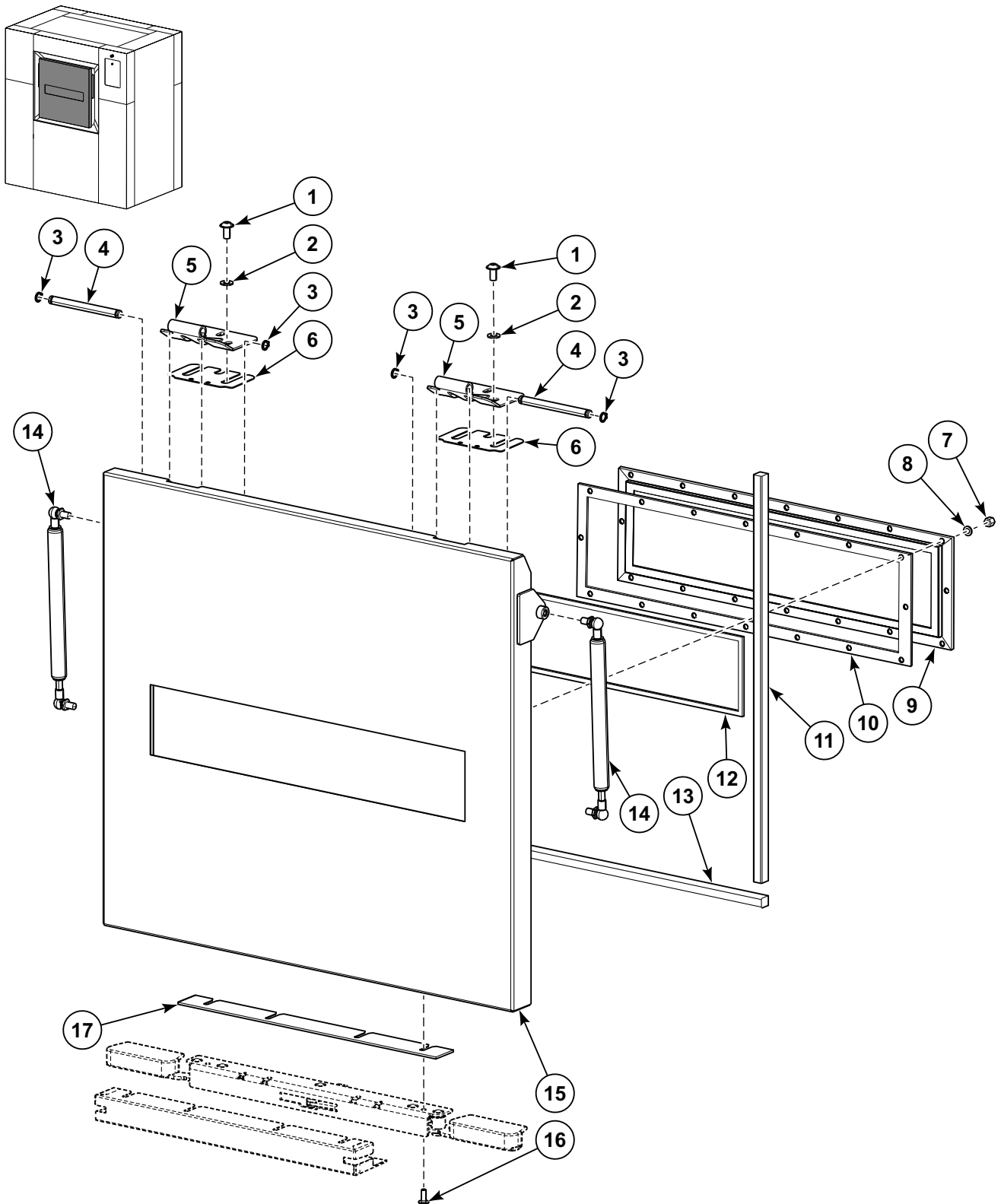
CZB19P\_D2019

## Outer Door (Drawing 1 of 2)

REF	PART NO.	DESCRIPTION	COMMENTS
	562418	Door Assembly	Stainless steel; Additional 1+2 PCs of part 572892 may be needed, see instruction 3-21-6
	562489	Door Assembly	AM, IM, MXB, NM and PM models; Black; Additional 1+2 PCs of part 572892 may be needed, see instruction 3-21-6
	SP245704003021	Adhesive	Loctite 243
	SP514101	Adhesive	Loctite 5069
<b>1</b>	SP309159324816	Bolt	M8x16
<b>2</b>	SP311125240008	Washer	8.4
<b>3</b>	SP307732030010	Safety Ring	
<b>4</b>	562439	Hinge Pin	
<b>5</b>	562437	Hinge	
<b>6</b>	562426	Distance Washer	T = 1mm
	567715	Distance Washer	T = 0.5mm
<b>7</b>	SP310917240006	Nut	M6
<b>8</b>	SP311127240006	Washer	6.4
<b>9</b>	562433	Ring	
<b>10</b>	562434	Seal Cover	
<b>11</b>	562440	Glass Seal	
<b>12</b>	562431	Door Glass	
<b>13</b>	562461	Door Seal	Vertical
<b>14</b>	562432	Seal	Outer
<b>15</b>	562460	Door Seal	Horizontal
<b>16</b>	567635	Gas Spring	
<b>17</b>	562419	Outer Door Weldment	Stainless steel
	562487	Outer Door Weldment	AM, IM, MXB, NM and PM models; Black
<b>18</b>	SP537864	Bolt	M6x16

# Outer Door (Drawing 2 of 2)

360 Models Starting Serial No. 360MXB000002KD, 500 Models Starting Serial No. 500MXB000002KB and  
700 Models Starting Serial No. 700MXB000003KB



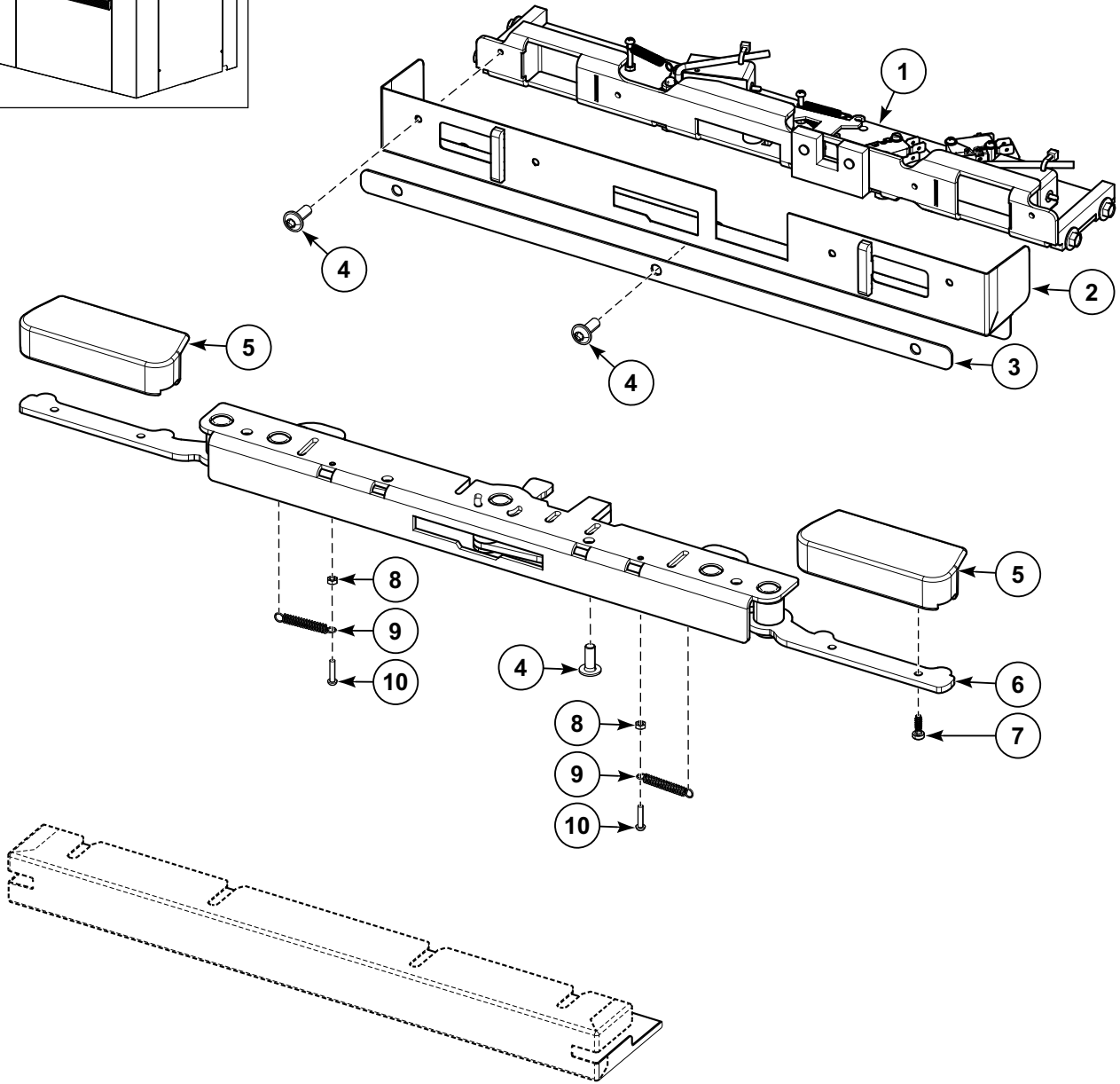
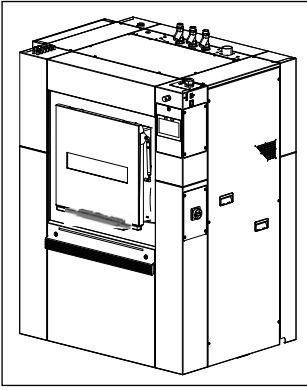
CZB199P\_D2019



## Outer Door (Drawing 2 of 2)

REF	PART NO.	DESCRIPTION	COMMENTS
	562418	Door Assembly	Stainless steel; Additional 1+2 PCs of part 572892 may be needed, see instruction 3-21-6
	562489	Door Assembly	AM, IM, MXB, NM and PM models; Black; Additional 1+2 PCs of part 572892 may be needed, see instruction 3-21-6
	566909	Door Assembly	360 models; Stainless steel; With indirect steam heating; Additional 1+2 PCs of part 572892 may be needed, see instruction 3-21-6
	SP245704003021	Adhesive	Loctite 243
	SP514101	Adhesive	Loctite 5069
<b>1</b>	SP309159324816	Bolt	M8x16
<b>2</b>	SP311125240008	Washer	8.4
<b>3</b>	SP307732030010	Safety Ring	
<b>4</b>	562439	Hinge Pin	
<b>5</b>	562437	Hinge	
<b>6</b>	562426	Distance Washer	T = 1mm
	567715	Distance Washer	T = 0.5mm
<b>7</b>	SP310917240006	Nut	M6
<b>8</b>	SP311127240006	Washer	6.4
<b>9</b>	566121	Glass Cover	Includes SP562431 Door Glass
	569297	Glass Cover	360 models; Stainless steel; With indirect steam heating
<b>10</b>	562440	Glass Seal	
<b>11</b>	562461	Door Seal	Vertical
<b>12</b>	562432	Seal	Outer
<b>13</b>	562460	Door Seal	Horizontal
<b>14</b>	567635	Gas Spring	
<b>15</b>	562419	Outer Door Weldment	Stainless steel
	562487	Outer Door Weldment	AM, IM, MXB, NM and PM models; Black
	569295	Outer Door Weldment	360 models; Stainless steel; With indirect steam heating
<b>16</b>	SP537864	Bolt	M6x16
<b>17</b>	572892	Spacer	Additional 1+2 PCs may be needed, see instruction 3-21-6

# Door Lock (Drawing 1 of 2)

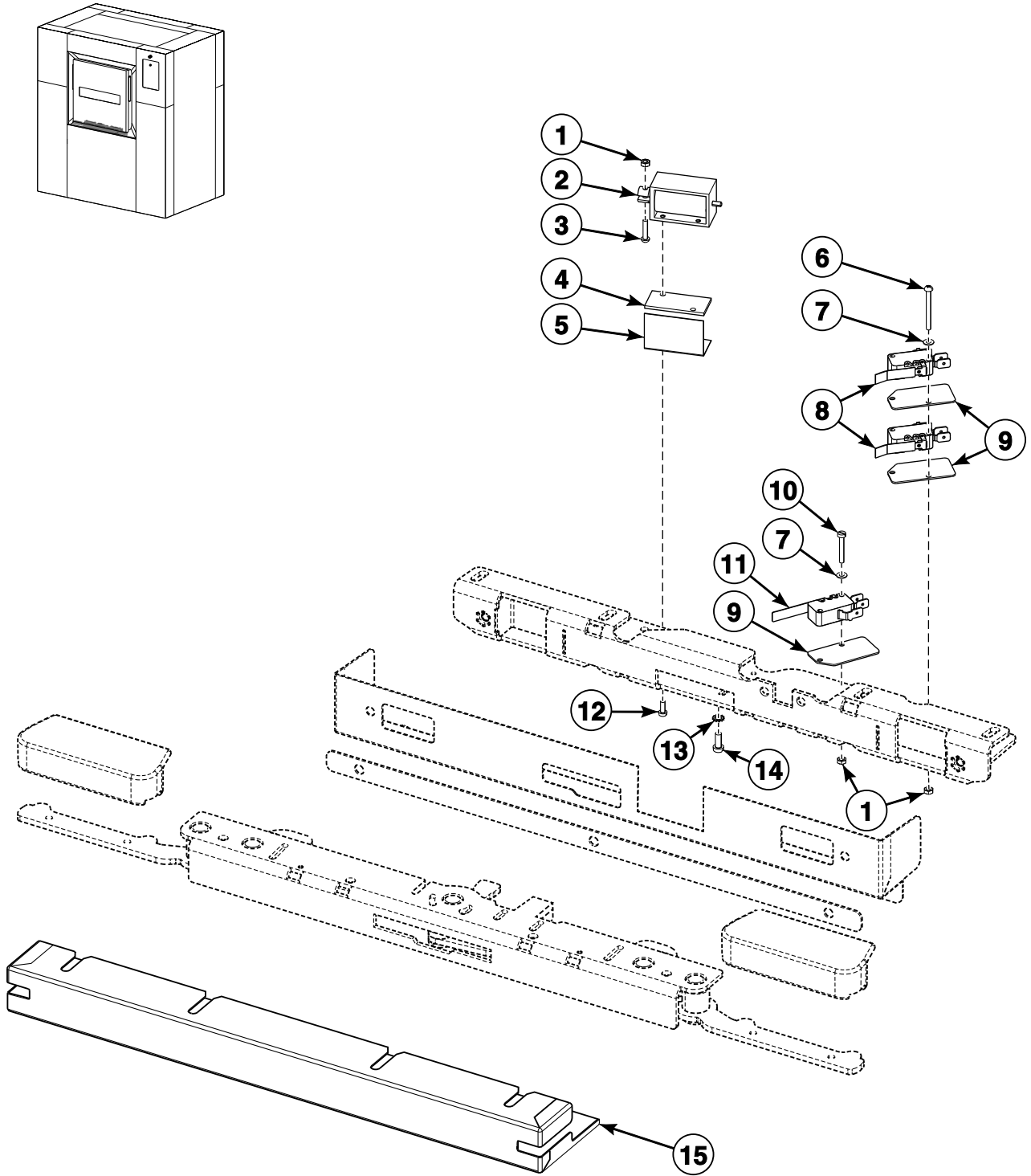


CZB20P\_D2019

## Door Lock (Drawing 1 of 2)

REF	PART NO.	DESCRIPTION	COMMENTS
	580136	Complete Lock Rebuild Kit	360 Models Through Serial. No. 360MXB000172UU and 500 Models Through Serial No. 500MXB000253UU
	580137	Complete Lock Rebuild Kit	700 models Through Serial No. 700MXB000140UU
	564562	Door Lock Wiring	Main MC7
	575782	Door Lock Wiring	Main MC10
	564563	Door Lock Wiring	Loading side
	564564	Door Lock Wiring	Unloading side
	564614	Door Lock Interconnection	
	564565	Second Door Wiring	700 models
	580135	Door Lock Assembly	Stainless steel; Additional 1÷2 PCs of part 572892 may be needed, see instruction 3-21-6
	580134	Door Lock Assembly	AM, IM, MXB, NM and PM models; Black; Additional 1÷2 PCs of part 572892 may be needed, see instruction 3-21-6
<b>1</b>	580138	Complete Lock	Only for Models Starting Serial No. 360MXB000173UU, 500MXB000254UU and 700MXB000141UU. For older models you need 580136 or 580137
<b>2</b>	580111	Cover Locking Girder	Complete
<b>3</b>	566813	Reinforcement	
<b>4</b>	SP537854	Bolt	M6x14
<b>5</b>	566801	Handle	
<b>6</b>	559699	Complete Lock Mechanism	Includes items 4 through 10
<b>7</b>	SP526497	Screw	M4x12
<b>8</b>	SP310934000003	Nut	
<b>9</b>	SP315011180012	Spring	
<b>10</b>	SP309798500314	Bolt	M3x14

# Door Lock (Drawing 2 of 2)

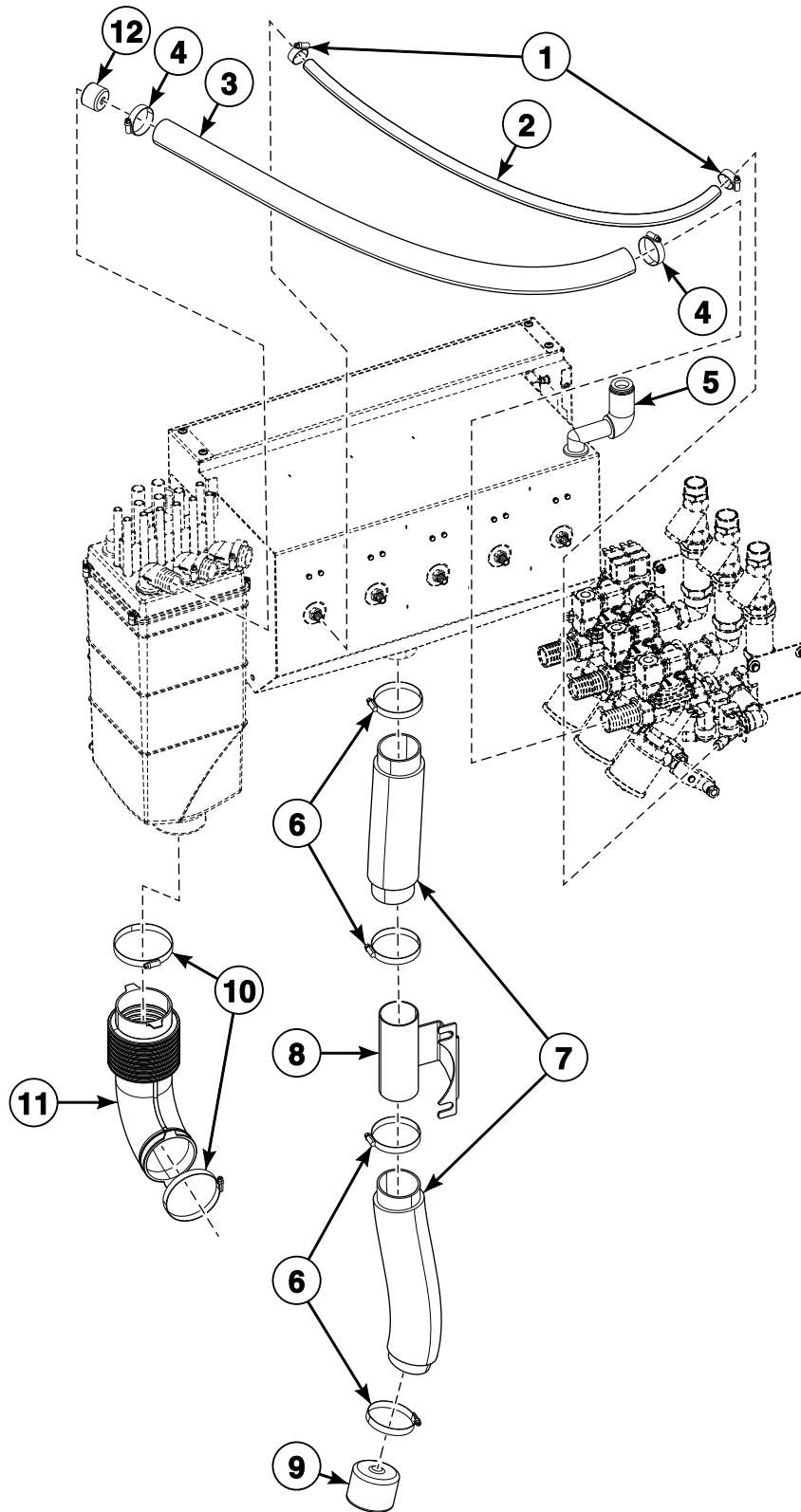
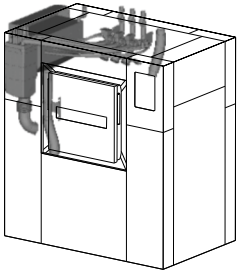


CZB21P\_D2019

## Door Lock (Drawing 2 of 2)

REF	PART NO.	DESCRIPTION	COMMENTS
1	SP310934000003	Nut	M3
2	566880	Coil Modification	
3	SP309798500314	Bolt	M3x14
4	SPF02117002414	Washer	
5	559692	Cover Coil	
6	SP503170	Bolt	M3x30
7	SP311125000003	Washer	3.2
8	580124	Microswitch	
9	SP101154	Isolation Plate	
10	573785	Bolt	M3x16
11	SPPRI610011077	Microswitch	
12	SP309084000308	Bolt	M3x8
13	SP311679824004	Washer	M4
14	SP309084240410	Screw	M4x10
15	566812	Door Cover	Stainless steel; 360 models through Serial No. 36MX000008HY and 360MXB000002KD; 500 models through Serial No. 50MX000006HF and 500MXB000002KD; 700 models through Serial No. 70MX000009HY and 700MXB000002KB
	566937	Door Cover	Stainless steel; 360 models starting Serial No. 360MXB000003KD; 500 models starting Serial No. 500MXB000003KF; 700 models starting Serial No. 700MXB000003KH
	566802	Door Cover	Black; AM, IM, MXB, NM and PM models; 360 models through Serial No. 36MX000008HY and 360MXB000002KD; 500 models through Serial No. 50MX000006HF and 500MXB000002KD; 700 models through Serial No. 70MX000009HY and 700MXB000002KB
	566936	Door Cover	Black; AM, IM, MXB, NM and PM models; 360 models starting Serial No. 360MXB000003KD; 500 models starting Serial No. 500MXB000003KF; 700 models starting Serial No. 700MXB000003KH

# Filling System

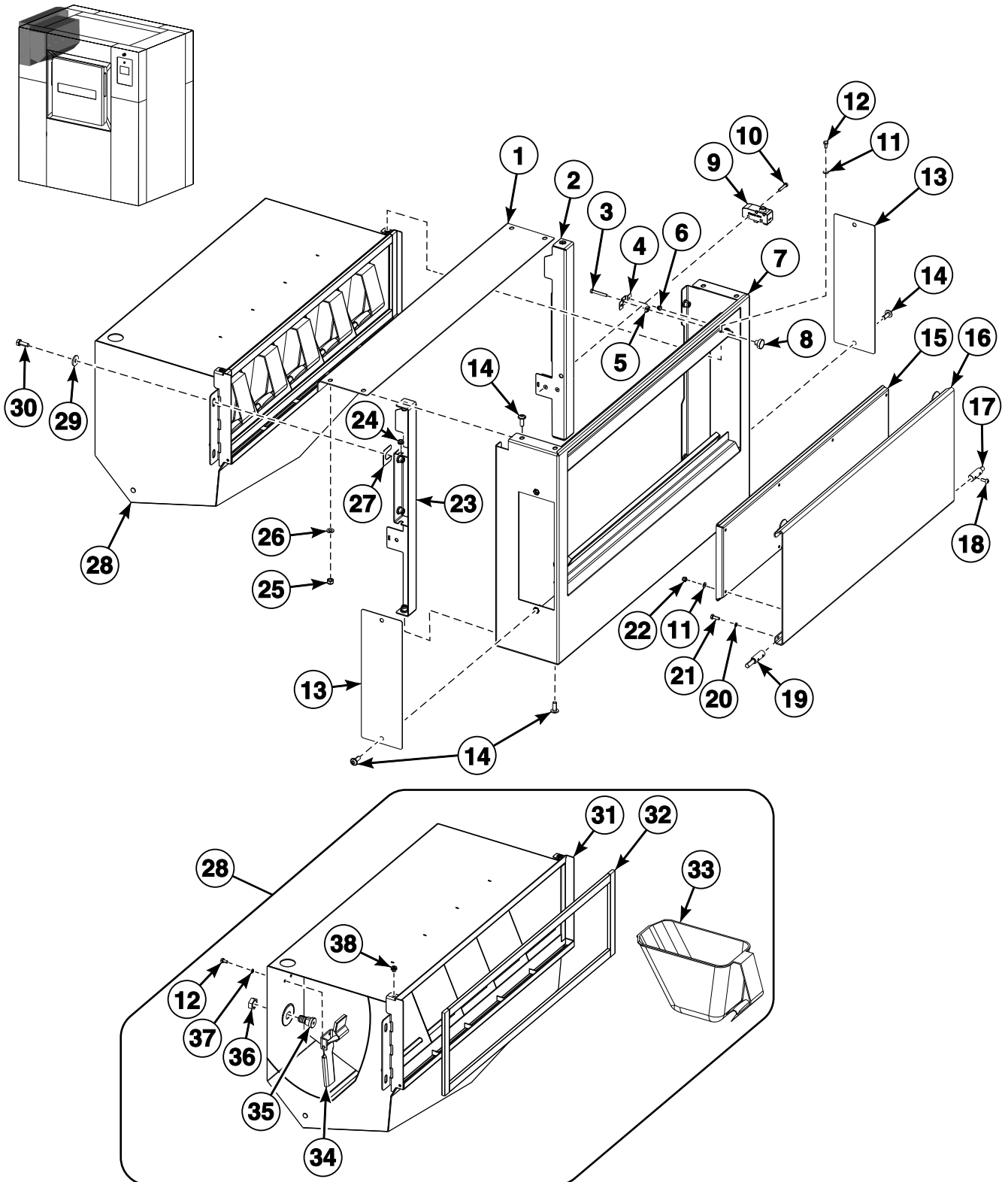


CZB48P\_D2019

# Filling System

REF	PART NO.	DESCRIPTION	COMMENTS
	564589	Inlet - Outlet Valve Wiring	
1	SPPRI240000002	Hose Clamp	
2	SPPRI540000014	Hose	
3	SP273238003242	Hose	
4	SPPRI240000008	Hose Clamp	
5	SPPRI504000069	Elbow	
6	SPPRI240000021	Hose Clamp	
7	SPF02109001213	Hose	
8	562815	Hose Holder	
9	567053	Plug	Without soap hopper
10	SPPRI240000007	Hose Clamp	
11	562825	Elbow	
12	562854	Hose Plug	

# Soap Hopper



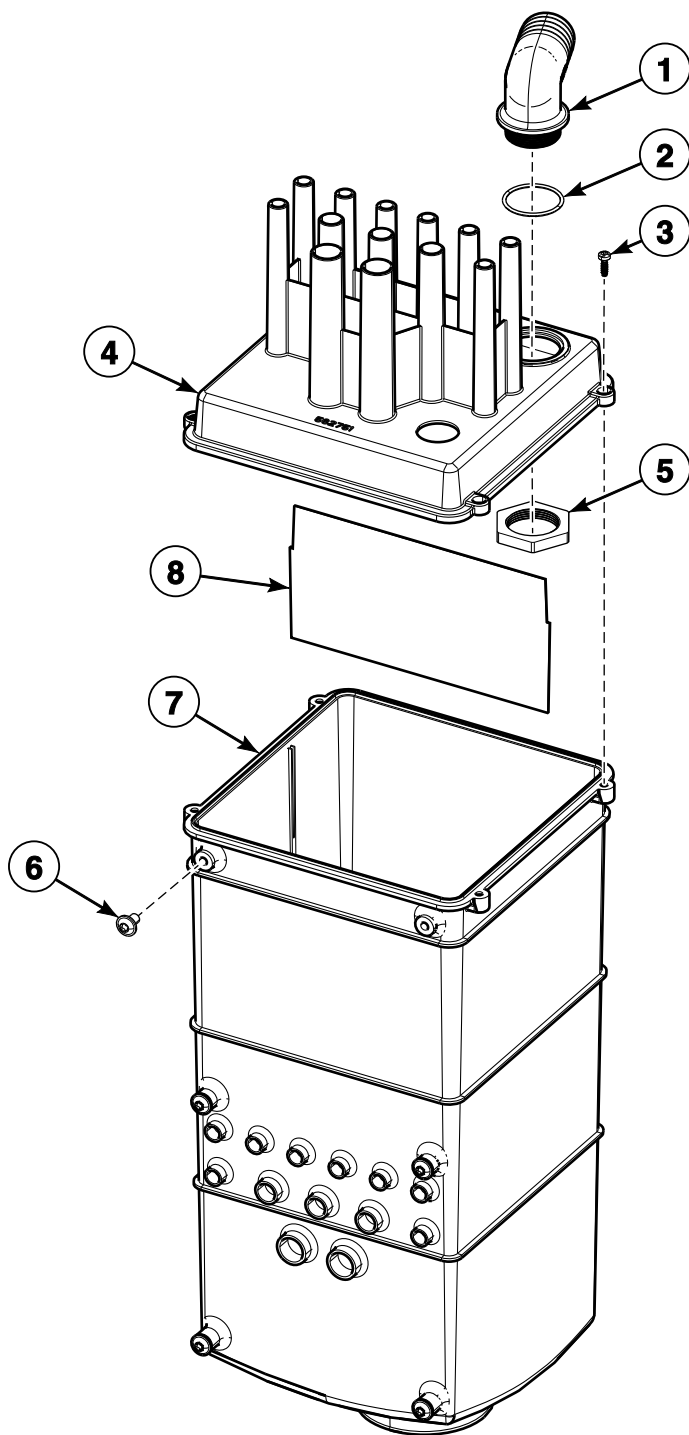
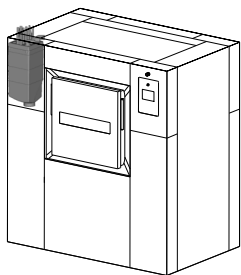
CZB77P\_D2019



# Soap Hopper

REF	PART NO.	DESCRIPTION	COMMENTS
	562442	Soap Hopper Assembly	Includes items 1-38
	564554	Soap Hopper Box Cable	
	SP245704003021	Adhesive	Loctite 243
1	562445	Bar	
2	562444	Reinforcement	Right
3	SP506011	Bolt	M4x25
4	564204	Nut	M4
5	564265	Cage Nut Lock	
6	505479	Rivet	4x8
7	563945	Side Panel	Right
8	564203	Magnetic Bracket	
9	564511	Microswitch	
10	SP309084000420	Bolt	M4x20
11	SP311125240004	Washer	4.3
12	SP309933240408	Bolt	M4x8
13	567063	Cover	
14	SP537864	Bolt	M6x16
15	564107	Soap Hopper Door	Inside
16	564108	Soap Hopper Door	Outside
17	561663	Hinge Pin	Right
18	SP515075	Bolt	M4x10
19	564286	Hinge Pin	Left
20	SP311127240004	Washer	4
21	SP309933240412	Bolt	M4x12
22	SP514193	Nut	M4
23	562443	Reinforcement	Left
24	SP273121005052	Cable Passage	
25	SP310985000006	Nut	6
26	SP311125240006	Washer	6.4
27	564171	Distance Washer	Small
28	573269	Plastic Soap Hopper	Includes items 12 and 31-38
29	SP311902100006	Washer	6
30	SP309933240616	Bolt	M6x16
31	573268	Soap Hopper	Plastic
32	564202	Seal	L=1.4m
33	SP321848223000	Vessel	
34	SP235110200014	Soap Hopper Level	
35	570375	Nozzle	
36	570374	Nut	
37	SP311127240004	Washer	4
38	SP313251002104	Nut	M4

# Mixer

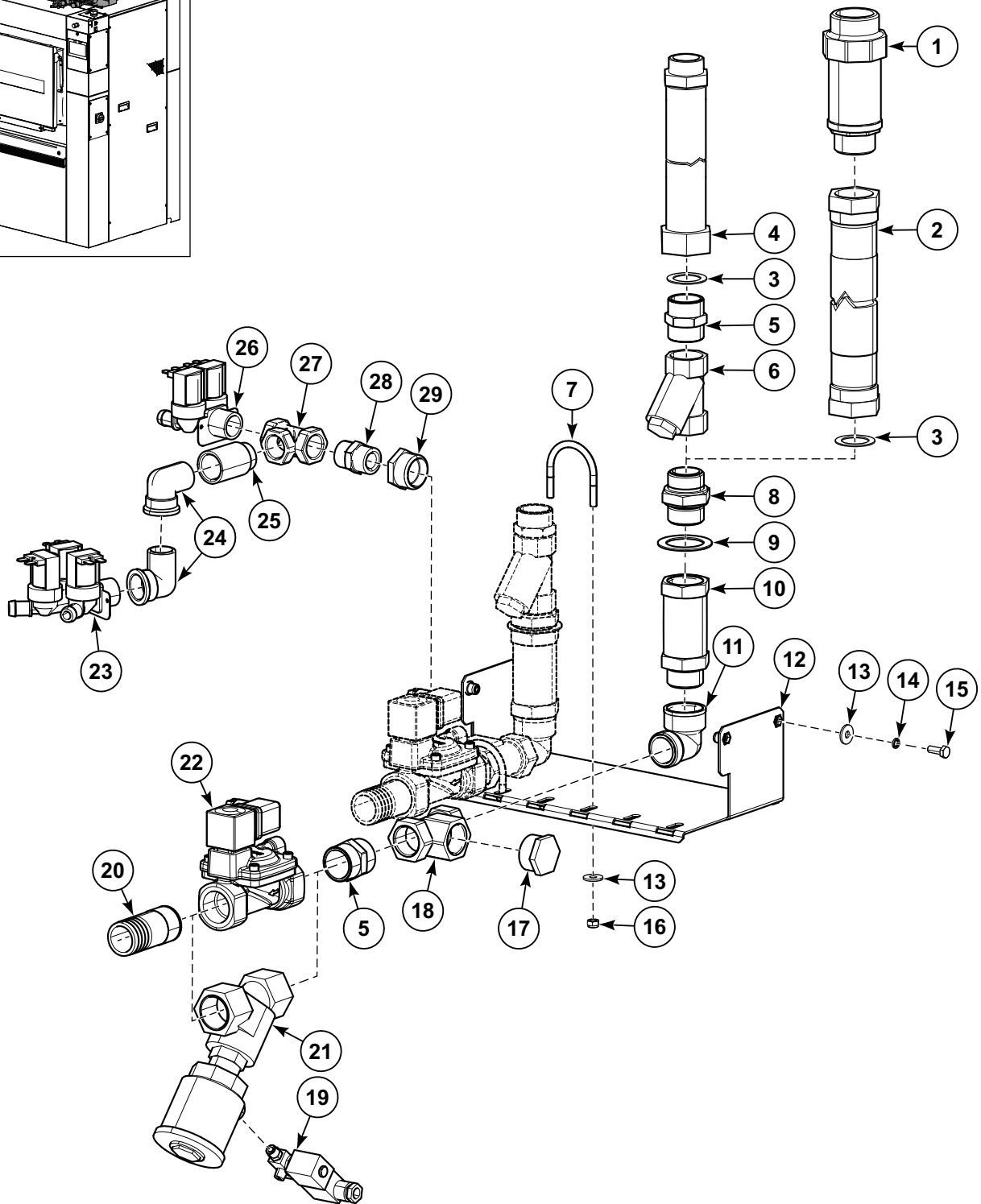
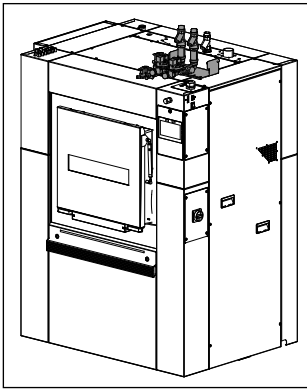


CZB78P\_D2019

# Mixer

REF	PART NO.	DESCRIPTION	COMMENTS
	562808	Mixer Assembly	
	SPPRI704000053	Sealant	
	SP245704005331	Adhesive	Loctite 5531; Used with nut
1	562754	Inlet Elbow	
2	562776	O-Ring	32x2
3	SP526497	Screw	M4x12
4	562751	Mixer Lid	
5	SP101419	Nut	M32
6	567062	Bolt	M6x10
7	562806	Mixer Outside	
8	562779	Mixer Shield	

# Two Filling Valves With Soap Hopper

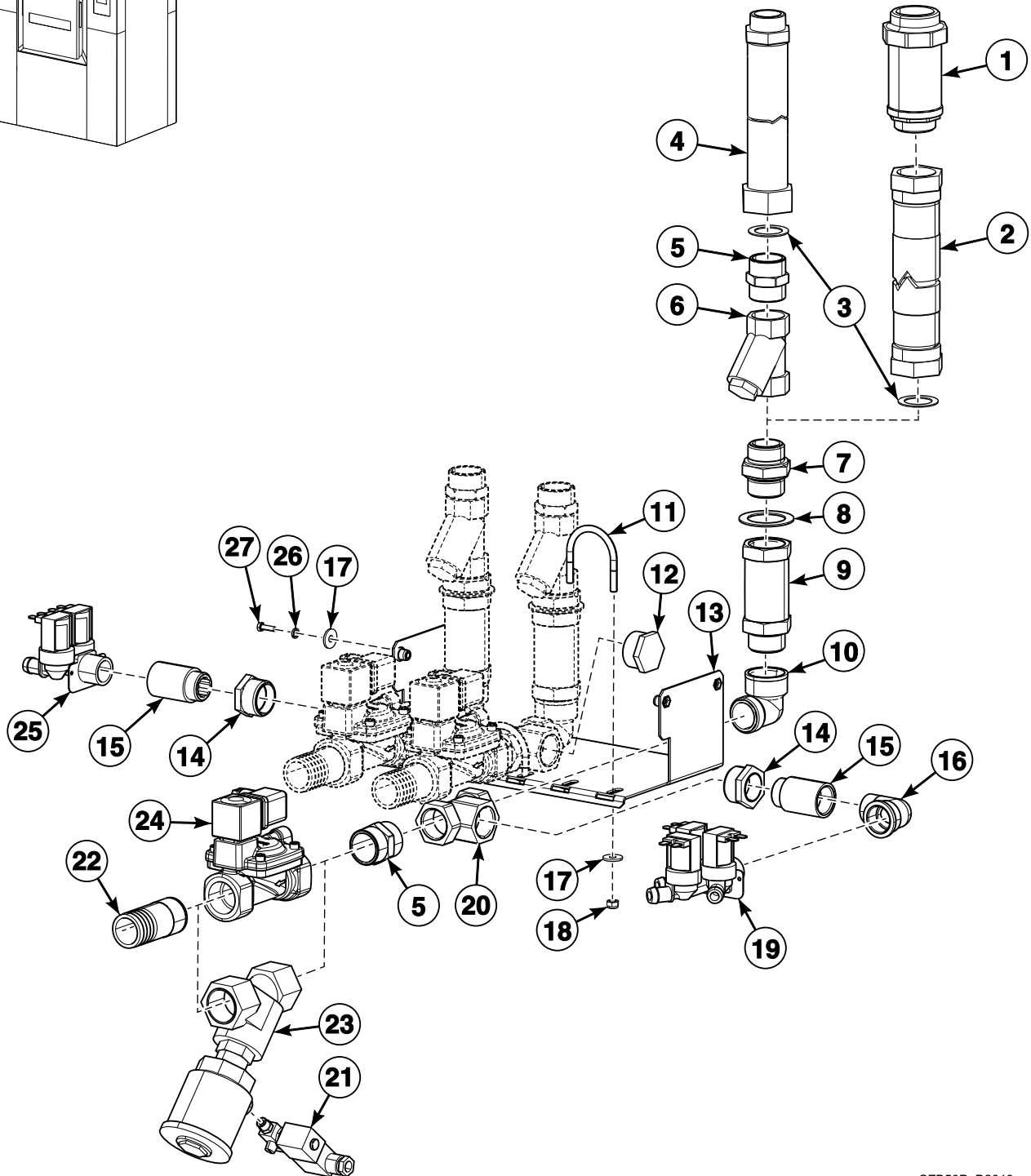
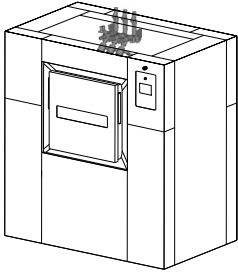


CZB49P\_D2019

## Two Filling Valves With Soap Hopper

REF	PART NO.	DESCRIPTION	COMMENTS
	567047	2 Inlet Valves Assembly	Electromagnetic; Includes items 1-18, 20 and 22-29
	567048	2 Inlet Valves Assembly	Pneumatic; Includes items 1-21 and 23-29
	245704000577	Adhesive	Loctite 577
	SP510971	Adhesive	Loctite 55
<b>1</b>	567179	Check Valve	IMY, NMY, PMY, SMY and UMY models; 1 inch
<b>2</b>	F200193	Water Hose	IMY, NMY, PMY, SMY and UMY models
<b>3</b>	SP506708	Seal	
<b>4</b>	SPPRI505003055	Inlet Hose	L=1m
<b>5</b>	SPPRI426001220	Pipe Nipple	1 inch
<b>6</b>	SP405054057008	Filter	
<b>7</b>	562819	Holder Bracket	
<b>8</b>	SP235134600414	Pipe Nipple	
<b>9</b>	SPF02111001214	Washer	
<b>10</b>	SPF02111001114	Extension	
<b>11</b>	SP506727	Elbow	G1
<b>12</b>	567038	Holder	
<b>13</b>	SP311902100006	Washer	6
<b>14</b>	SP311127000006	Washer	6
<b>15</b>	SP309933000616	Bolt	M6x16
<b>16</b>	SP310985000006	Nut	M6
<b>17</b>	SP526781	Plug	1 inch
<b>18</b>	SPPRI426002112	Branch T	1 inch
<b>19</b>	SP510809	Valve	G 1/8 inch; Solenoid
<b>20</b>	SP235134601115	Insert Tube	
<b>21</b>	SP510808	Valve	G 1 inch; Pneumatic
<b>22</b>	SP567065	Valve	G 1 inch; Electromagnetic; Includes 567066 Coil
	567066	Coil	Electromagnetic
<b>23</b>	SP101345	3-Way Inlet Valve	3/4 inch
<b>24</b>	SP554320	Elbow	3/4 inch
<b>25</b>	SPPRI426003217	Extension	3/4 inch x 40
<b>26</b>	SP101344	2-Way Inlet Valve	3/4 inch
<b>27</b>	SPPRI426001107	Tee	3/4 inch
<b>28</b>	SPPRI426001217	Pipe Nipple	3/4 inch
<b>29</b>	SPPRI426000184	Reduction	3/4 inch x 1 inch

# Three Filling Valves With Soap Hopper

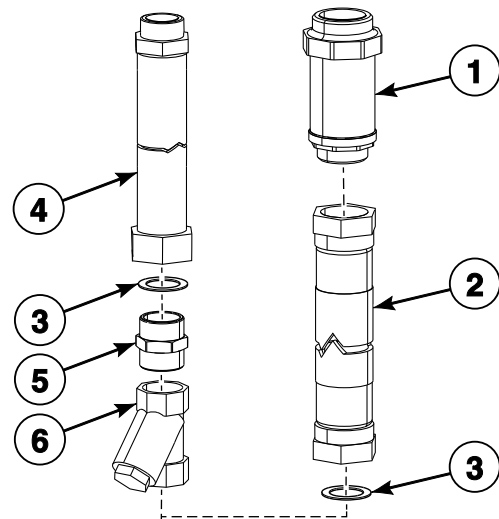
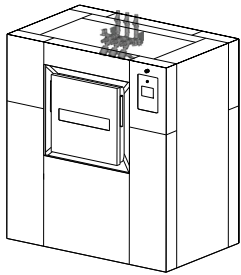


CZB50P\_D2019

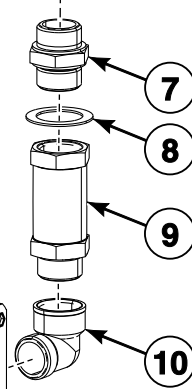
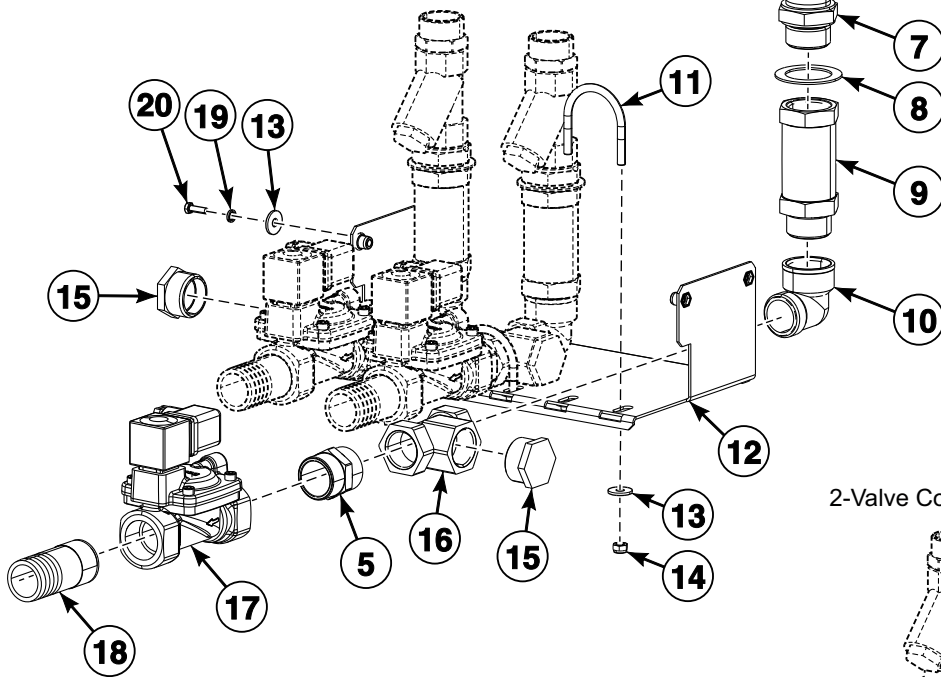
## Three Filling Valves With Soap Hopper

REF	PART NO.	DESCRIPTION	COMMENTS
	567045	3 Inlet Valves Assembly	Electromagnetic; Includes items 1-20, 22 and 24-27
	567046	3 Inlet Valves Assembly	Pneumatic; Includes items 1-23 and 25-27
	245704000577	Adhesive	Loctite 577
	SP510971	Adhesive	Loctite 55
<b>1</b>	567179	Check Valve	IMY, NMY, PMY, SMY and UMY models; 1 inch
<b>2</b>	F200193	Water Hose	IMY, NMY, PMY, SMY and UMY models
<b>3</b>	SP506708	Seal	
<b>4</b>	SPPRI505003055	Inlet Hose	L=1m
<b>5</b>	SPPRI426001220	Pipe Nipple	1 inch
<b>6</b>	SP405054057008	Filter	
<b>7</b>	SP235134600414	Pipe Nipple	
<b>8</b>	SPF02111001214	Washer	
<b>9</b>	SPF02111001114	Extension	
<b>10</b>	SP506727	Elbow	G1
<b>11</b>	562819	Holder Bracket	
<b>12</b>	SP526781	Plug	1 inch
<b>13</b>	567038	Holder	
<b>14</b>	SPPRI426000184	Reduction	3/4 inch x 1 inch
<b>15</b>	SPPRI426003217	Extension	3/4 inch x 40
<b>16</b>	SP554320	Elbow	3/4 inch
<b>17</b>	SP311902100006	Washer	6
<b>18</b>	SP310985000006	Nut	M6
<b>19</b>	SP101345	3-Way Inlet Valve	3/4 inch
<b>20</b>	SPPRI426002112	Branch T	1 inch
<b>21</b>	SP510809	Valve	G 1/8 inch; Solenoid
<b>22</b>	SP235134601115	Insert Tube	
<b>23</b>	SP510808	Valve	G 1 inch; Pneumatic
<b>24</b>	SP567065	Valve	G 1 inch; Electromagnetic; Includes 567066 Coil
	567066	Coil	Electromagnetic
<b>25</b>	SP101344	2-Way Inlet Valve	3/4 inch
<b>26</b>	SP311127000006	Washer	6
<b>27</b>	SP309933000616	Bolt	M6x16

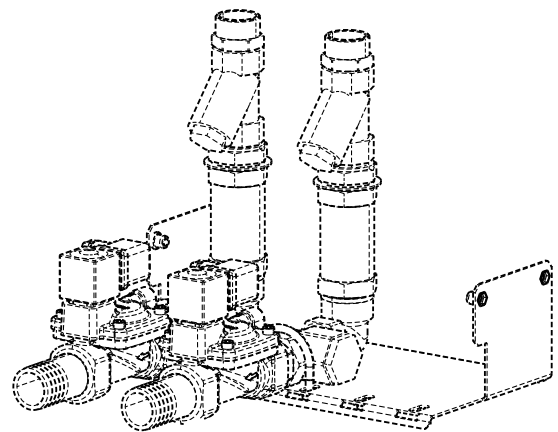
# Two and Three Filling Valves - Electromagnetic Without Soap Hopper



3-Valve Configuration



2-Valve Configuration



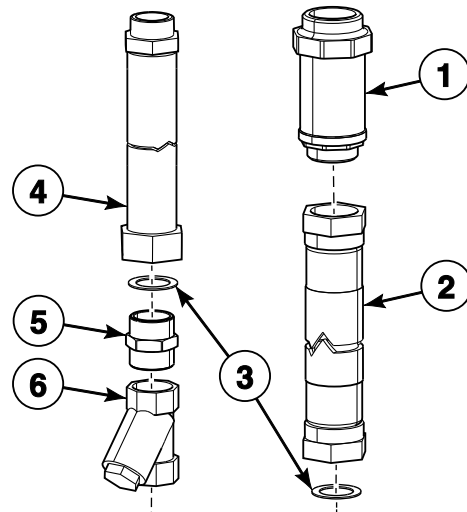
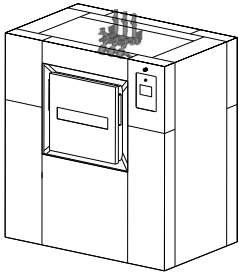
CZB51P\_D2019



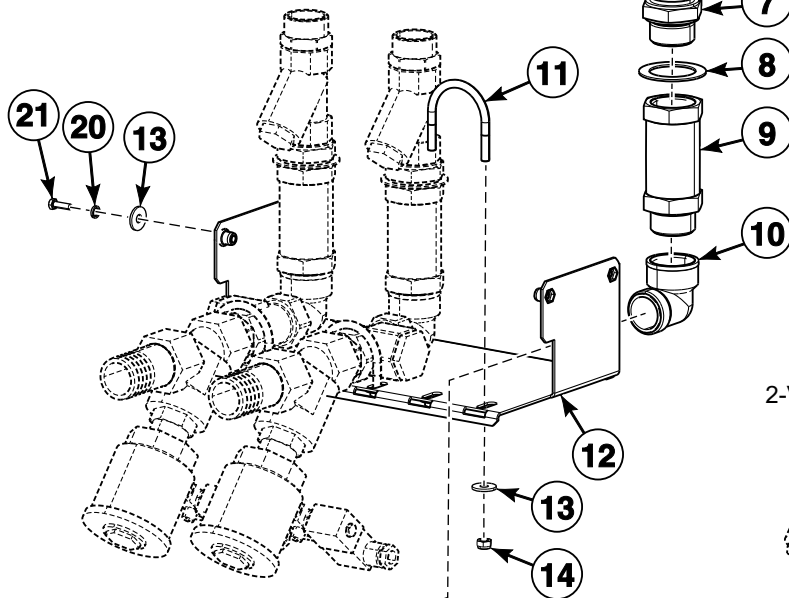
## Two and Three Filling Valves - Electromagnetic Without Soap Hopper

REF	PART NO.	DESCRIPTION	COMMENTS
	567051	2 Inlet Valves Assembly	Electromagnetic; Includes items 1-20
	567049	3 Inlet Valves Assembly	Electromagnetic; Includes items 1-20
	245704000577	Adhesive	Loctite 577
	SP510971	Adhesive	Loctite 55
1	567179	Check Valve	IMY, NMY, PMY, SMY and UMY models; 1 inch
2	F200193	Water Hose	IMY, NMY, PMY, SMY and UMY models
3	SP506708	Seal	
4	SPPRI505003055	Inlet Hose	L=1m
5	SPPRI426001220	Pipe Nipple	1 inch
6	SP405054057008	Filter	
7	SP235134600414	Pipe Nipple	
8	SPF02111001214	Washer	
9	SPF02111001114	Extension	
10	SP506727	Elbow	G1
11	562819	Holder Bracket	
12	567038	Holder	
13	SP311902100006	Washer	6
14	SP310985000006	Nut	M6
15	SP526781	Plug	1 inch
16	SPPRI426002112	Branch T	1 inch
17	SP567065	Valve	G1 inch; Electromagnetic; Includes item 567066
	567066	Coil	Coil Electromagnetic
18	SP235134601115	Insert Tube	
19	SP311127000006	Washer	6
20	SP309933000616	Bolt	M6x16

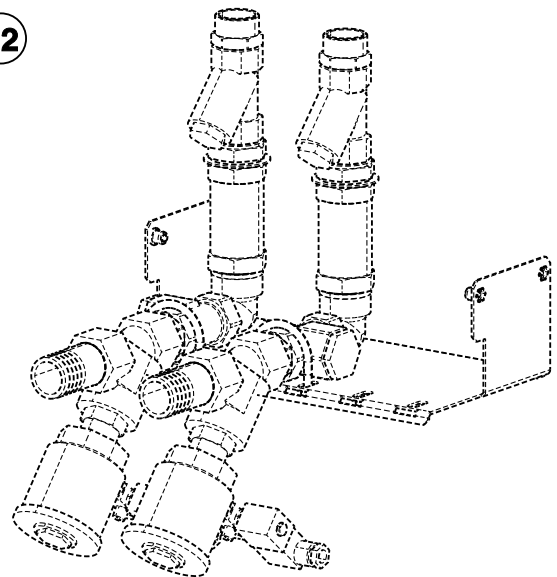
# Two and Three Filling Valves - Pneumatic Without Soap Hopper



3-Valve Configuration



2-Valve Configuration



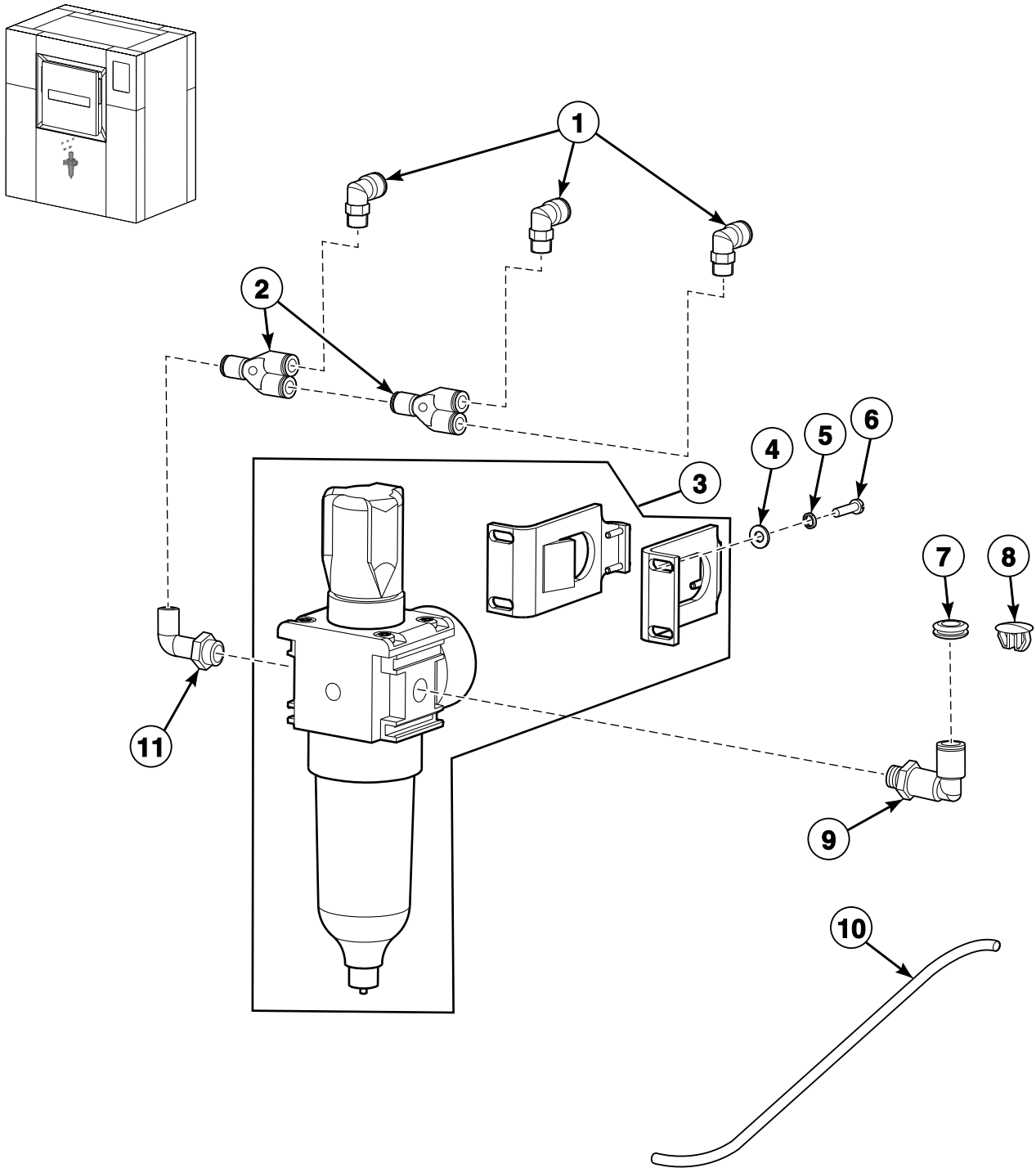
CZB52P\_D2019

## Two and Three Filling Valves - Pneumatic Without Soap Hopper

REF	PART NO.	DESCRIPTION	COMMENTS
	567052	2 Inlet Valves Assembly	Pneumatic; Includes items 1-21
	567050	3 Inlet Valves Assembly	Pneumatic; Includes items 1-21
	245704000577	Adhesive	Loctite 577
	SP510971	Adhesive	Loctite 55
1	567179	Check Valve	IMY, NMY, PMY, SMY and UMY models; 1 inch
2	F200193	Water Hose	IMY, NMY, PMY, SMY and UMY models
3	SP506708	Seal	
4	SPPRI505003055	Inlet Hose	L=1m
5	SPPRI426001220	Pipe Nipple	1 inch
6	SP405054057008	Filter	
7	SP235134600414	Pipe Nipple	
8	SPF02111001214	Washer	
9	SPF02111001114	Extension	
10	SP506727	Elbow	G1
11	562819	Holder Bracket	
12	567038	Holder	
13	SP311902100006	Washer	6
14	SP310985000006	Nut	M6
15	SP526781	Plug	1 inch
16	SPPRI426002112	Branch T	1 inch
17	SP510808	Valve	G1 inch; Pneumatic
18	SP235134601115	Insert Tube	
19	SP510809	Valve	G1/8 inch; Solenoid
20	SP311127000006	Washer	6
21	SP309933000616	Bolt	M6x16

# Pneumatic System (Drawing 1 of 2)

360 Models Through Serial No. 36MX000008HY and 360MXB000015KM, 500 Models Through Serial No. 50MX000006HF and 500MXB000018KM and 700 Models Through Serial No. 70MX000009HY and 700MXB000011KQ



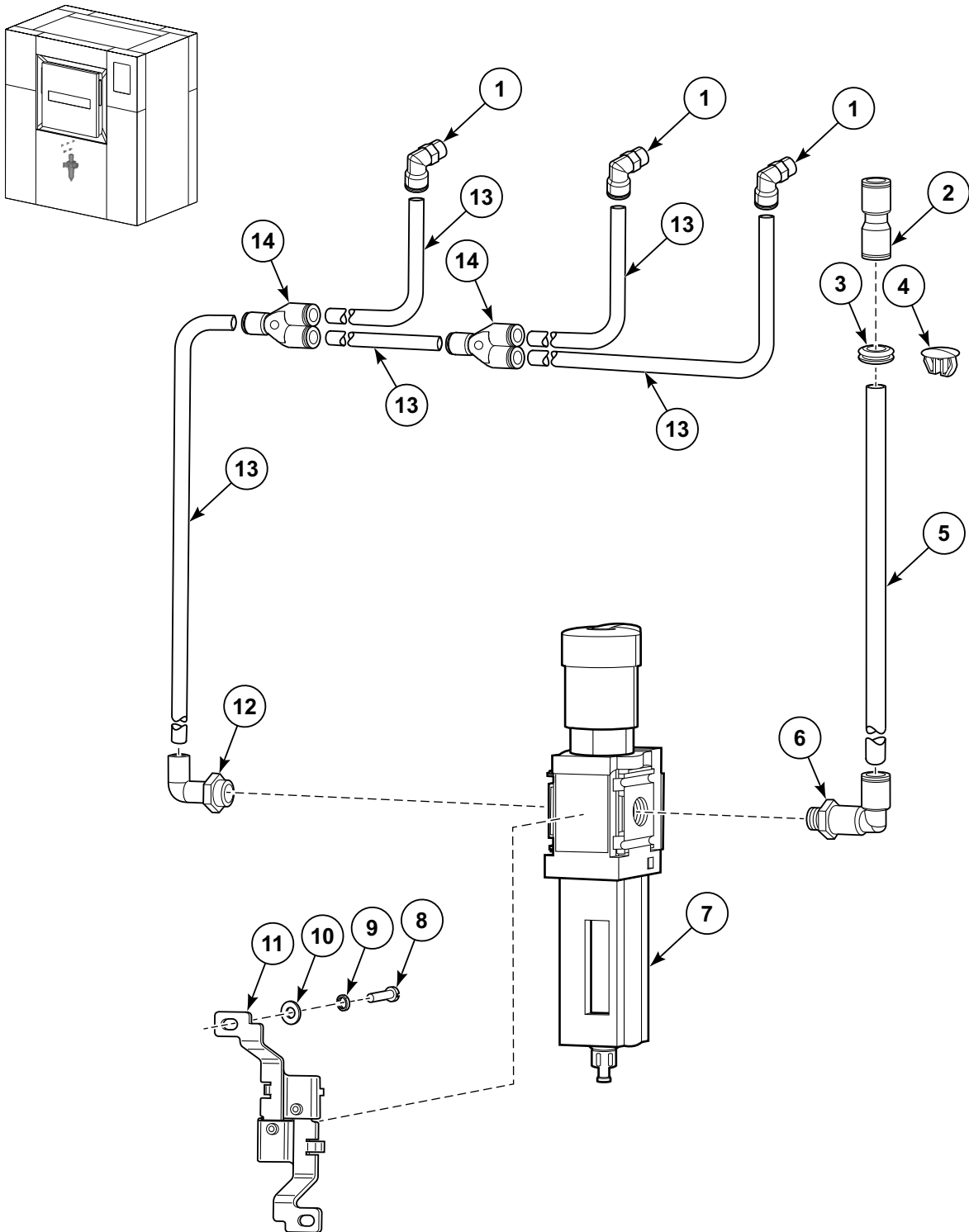
CZB36P\_D2019

## Pneumatic System (Drawing 1 of 2)

REF	PART NO.	DESCRIPTION	COMMENTS
1	SP319428330060	Pipe Nipple	L6; G 1/8 inch
2	SP405113000006	Coupling	Y6
3	573218	Pressure Regulator Grip	
4	SP311125000004	Washer	4.3
5	SP311127000004	Washer	4
6	SP309084000416	Bolt	M4x16
7	SP273121009002	Cable Passage	9x2
8	SP345900032132	Plug	Without pneumatic system
9	SP319428330800	Pipe Nipple	L8; G 1/4 inch
10	SP319300006001	Hose	6x1
11	SP503883	Pipe Nipple	L6; 1/4 inch

# Pneumatic System (Drawing 2 of 2)

360 Models Starting Serial No. 360MXB000016KQ, 500 Models Starting Serial No. 500MXB000019KM and  
700 Models Starting Serial No. 700MXB000012KS

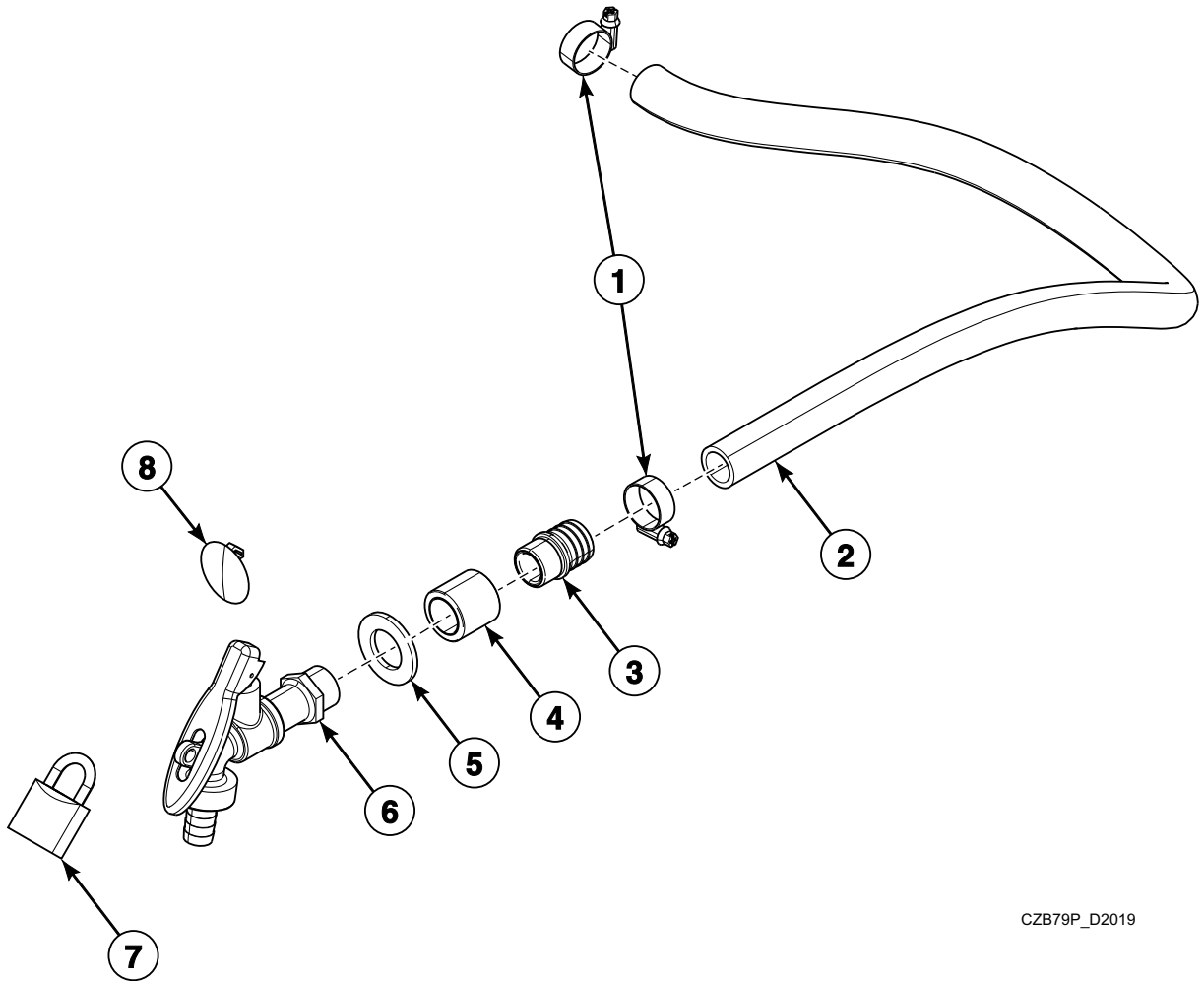
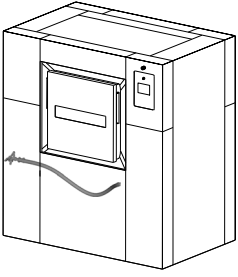


CZB129P\_D2019

## Pneumatic System (Drawing 2 of 2)

REF	PART NO.	DESCRIPTION	COMMENTS
1	SP319428330060	Pipe Nipple	L6; G 1/8 inch
2	572251	Coupling	8
3	SP273121009002	Cable Passage	9x2
4	SP505472	Plug	Without pneumatic system
5	SP319300008125	Hose	8x1.25
6	SP319428330800	Pipe Nipple	L8; G 1/4 inch
7	570801	Filter Pressure Regulator	
8	SP309084000416	Bolt	M4x16
9	SP311127000004	Washer	4
10	SP311125000004	Washer	4.3
11	570804	Pressure Regulator Grip	
12	SP503883	Pipe Nipple	L6; 1/4 inch
13	SP319300006001	Hose	6x1
14	SP405113000006	Coupling	Y6

# Wash Bath Sample



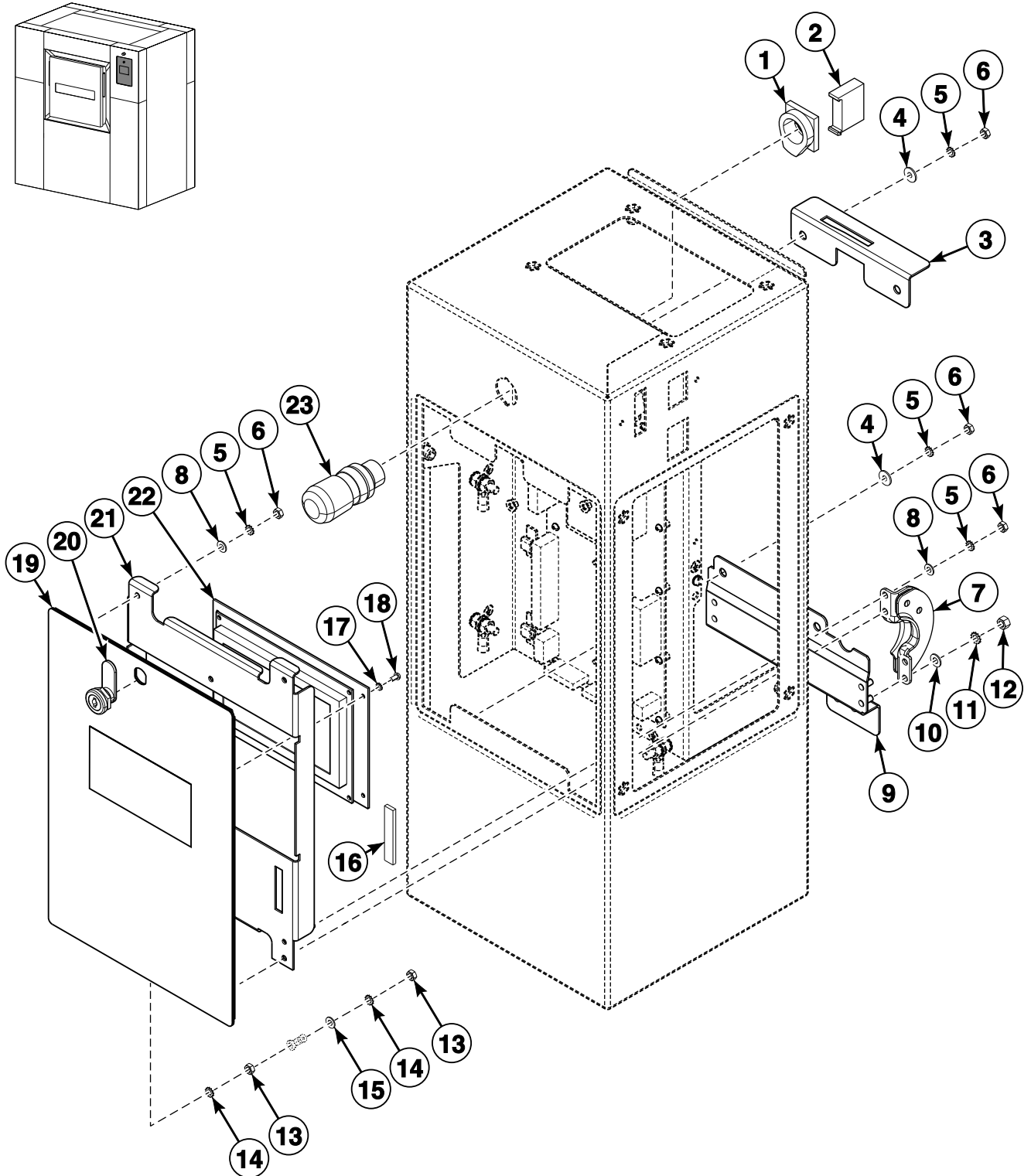
CZB79P\_D2019



## Wash Bath Sample

REF	PART NO.	DESCRIPTION	COMMENTS
	567019	Wash Bath Sample Assembly	360 models; Includes items 1-8
	567034	Wash Bath Sample Assembly	500 models; Includes items 1-8
	567035	Wash Bath Sample Assembly	700 models; Includes items 1-8
	245704000577	Adhesive	Loctite 577
1	SPPRI240000003	Hose Clamp	20-32
2	SPPRI503002049	Hose	
3	SP531226	Threaded Joint	
4	SP536630	Screw	1/2 inch
5	SP311125000020	Washer	20
6	SP523728	Valve	1/2 inch; Lockable
7	SP523167	Padlock	
8	SP345900032132	Plug	Without wash bath sample

# Loading Side Control Panel (Drawing 1 of 2)

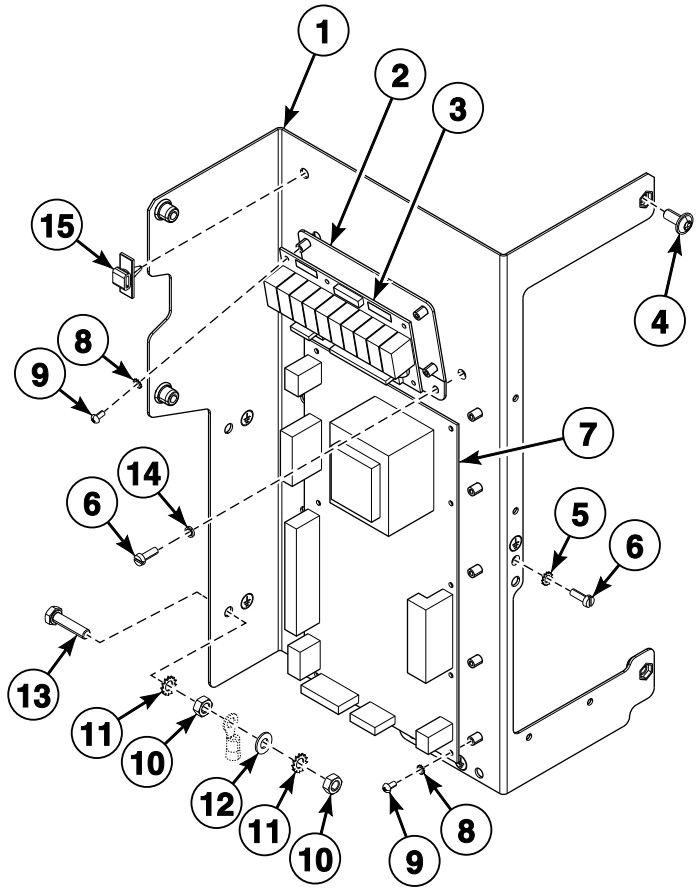
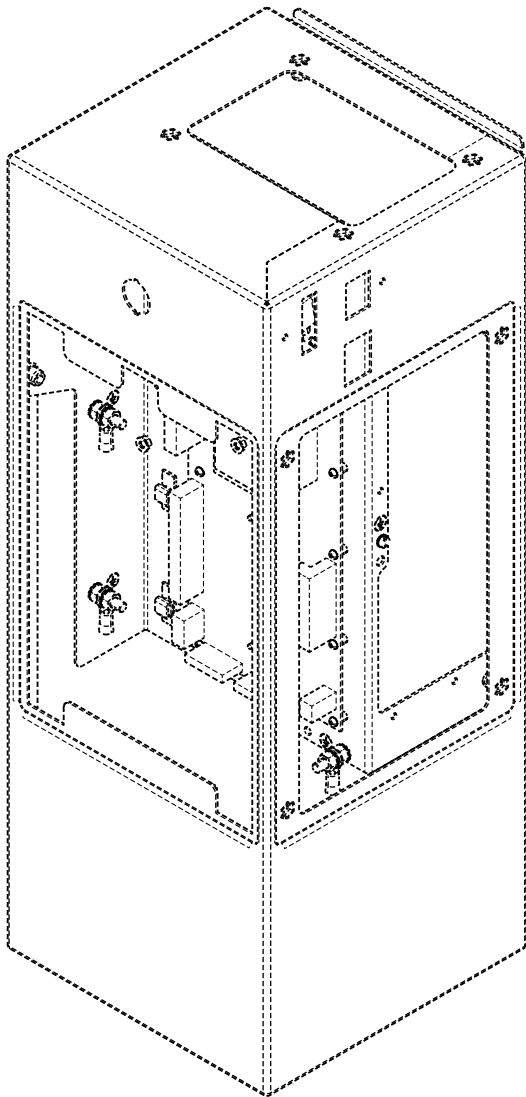
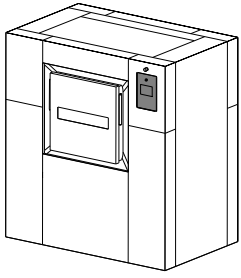


CZB80P\_D2019

## Loading Side Control Panel (Drawing 1 of 2)

REF	PART NO.	DESCRIPTION	COMMENTS
1	SP528311	Emergency Stop Connector	
2	SP528312	Switching Unit	
3	567619	Holder	Top
4	SP311902100004	Washer	4
5	SP311679800004	Washer	M4
6	SP310934000004	Nut	M4
7	567931	Hinge	
8	SP311125000004	Washer	4.3
9	567662	Holder	Lower
10	SP311125000005	Washer	5.3
11	SP311679824005	Washer	M5
12	SP310934240005	Nut	M5
13	SP310934100004	Nut	M4
14	SP311679824004	Washer	M4
15	SP311125100004	Washer	4.3
16	SP284000012003	Tape	Self-adhesive
17	SP311679800003	Washer	M3
18	SP309798500306	Bolt	M3x6
19	566864	Keyboard	AM and NM models
	566865	Keyboard	IM models
	566863	Keyboard	MXB and PM models
	566867	Keyboard	SM models
	566866	Keyboard	UM models
20	567818	Lock	
21	566861	Reinforcement of Keyboard	
22	553411	Control Board	AM, MXB, NM and PM models; MC7; Processor part
	SP553419	Control Board	IM models; MC7; Processor part
	SP553412	Control Board	SM and UM models; MC7; Processor part
23	SP528310	Emergency Stop Knob	

# Loading Side Control Panel (Drawing 2 of 2)

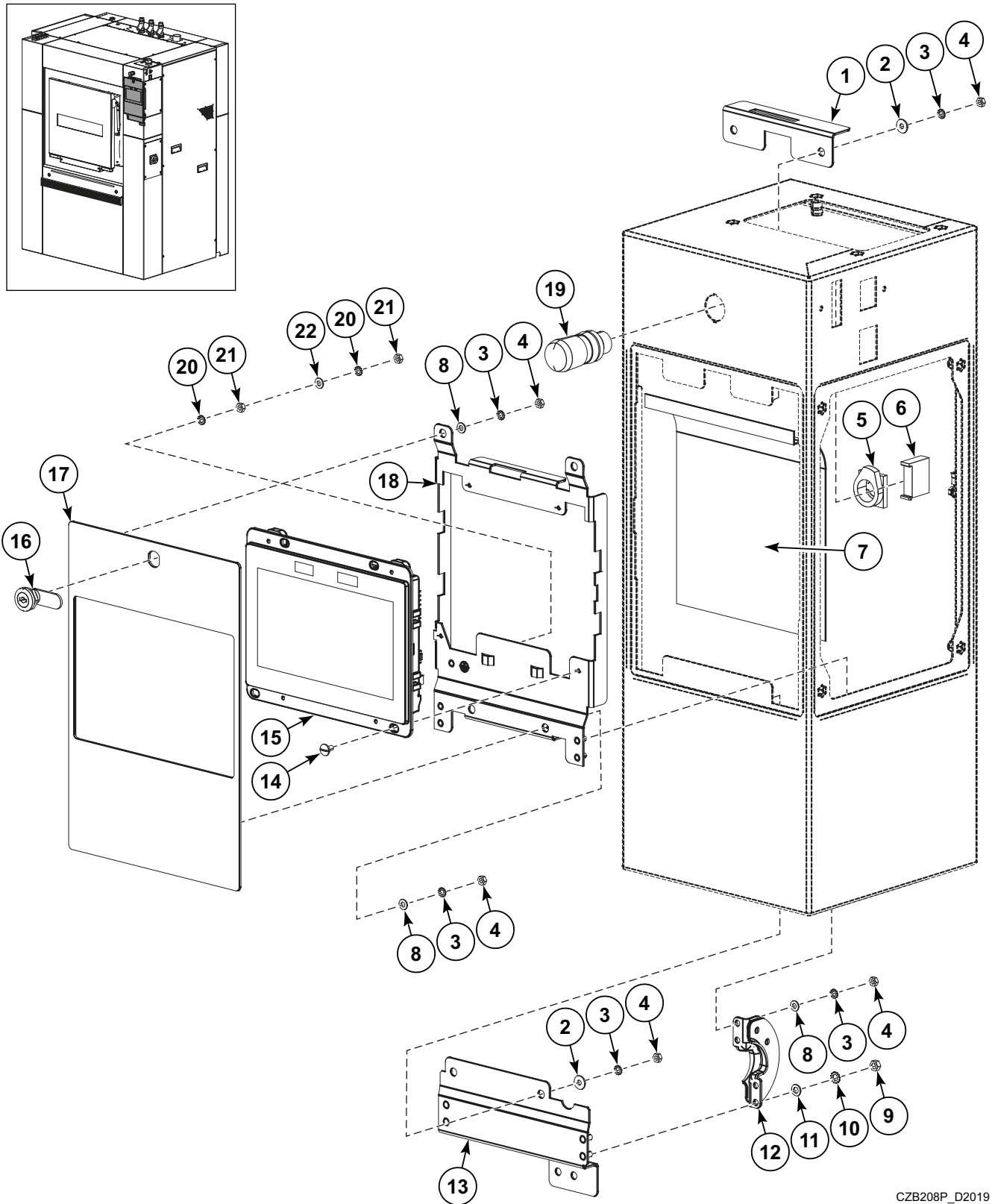


CZB81P\_D2019

## Loading Side Control Panel (Drawing 2 of 2)

REF	PART NO.	DESCRIPTION	COMMENTS
	SPPRI501001078	Cable Bushing	
	SP547062	Relay Extension Board Cable	L=0.5m
	SP553403	Board Interconnection Cable	L=1.2m
<b>1</b>	562455	Programmer Holder	360 and 700 models
	562479	Programmer Holder	500 models
<b>2</b>	566856	Console of Relay Extension Board	
<b>3</b>	SP547003	Relay Extension Board	
<b>4</b>	SP537854	Bolt	M6x14
<b>5</b>	SP311679824004	Washer	M4
<b>6</b>	SP309084000412	Bolt	M4x12
<b>7</b>	SP553405	Control Board Power	MC7
<b>8</b>	SP311679800003	Washer	M3
<b>9</b>	SP309798500306	Bolt	M3x6
<b>10</b>	SP310934100006	Nut	M6
<b>11</b>	SP311679824006	Washer	M6
<b>12</b>	SP311125100006	Washer	6.4
<b>13</b>	SP309933100625	Bolt	M6x25
<b>14</b>	SP311127000004	Washer	4
<b>15</b>	SP528313	Cable Holder	

# Loading Side Control Panel MC10 (Drawing 1 of 2)

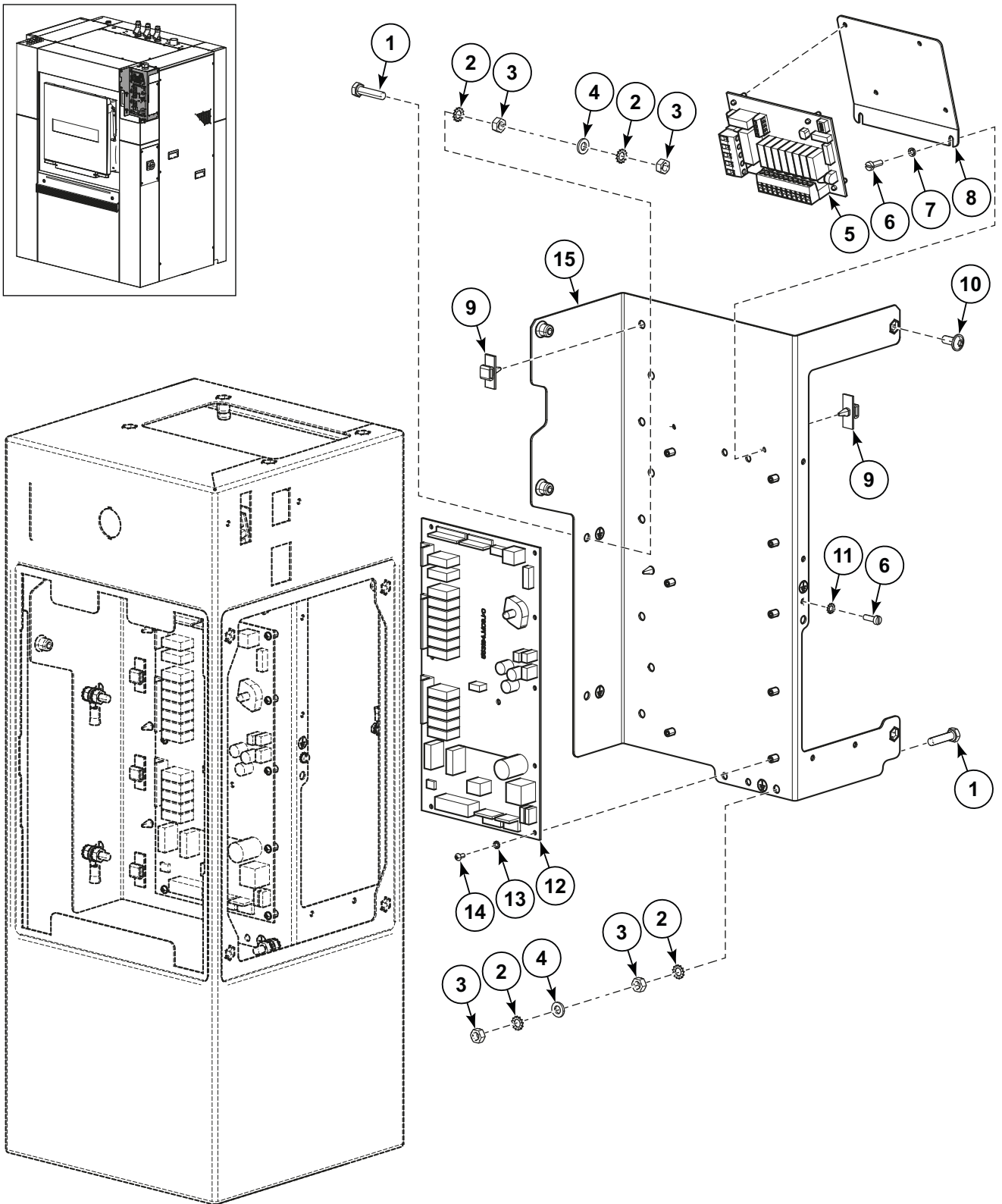


CZB208P\_D2019

## Loading Side Control Panel MC10 (Drawing 1 of 2)

REF	PART NO.	DESCRIPTION	COMMENTS
1	567619	Holder	Top
2	SP311902100004	Washer	4
3	SP311679800004	Washer	M4
4	SP310934000004	Nut	M4
5	SP528311	Emergency Stop Connector	
6	SP528312	Switching Unit	
7	567792	Plastic Cover	
8	SP311125000004	Washer	4.3
9	SP310934240005	Nut	M5
10	SP311679824005	Washer	M5
11	SP311125000005	Washer	5.3
12	567931	Hinge	
13	567662	Holder	Lower
14	567662	Bolt	M4x8
15	572505	Control Board	MC10 Models
16	567818	Lock	
17	569115	Panel	Black
	569112	Panel	Stainless Steel
	569116	Panel	Painted
18	577184	Cover Plate Reinforcement	
19	SP528310	Emergency Stop Knob	
20	SP311679824004	Washer	M4
21	SP310934100004	Nut	M4
22	SP311125100004	Washer	4.3

# Loading Side Control Panel MC10 (Drawing 2 of 2)



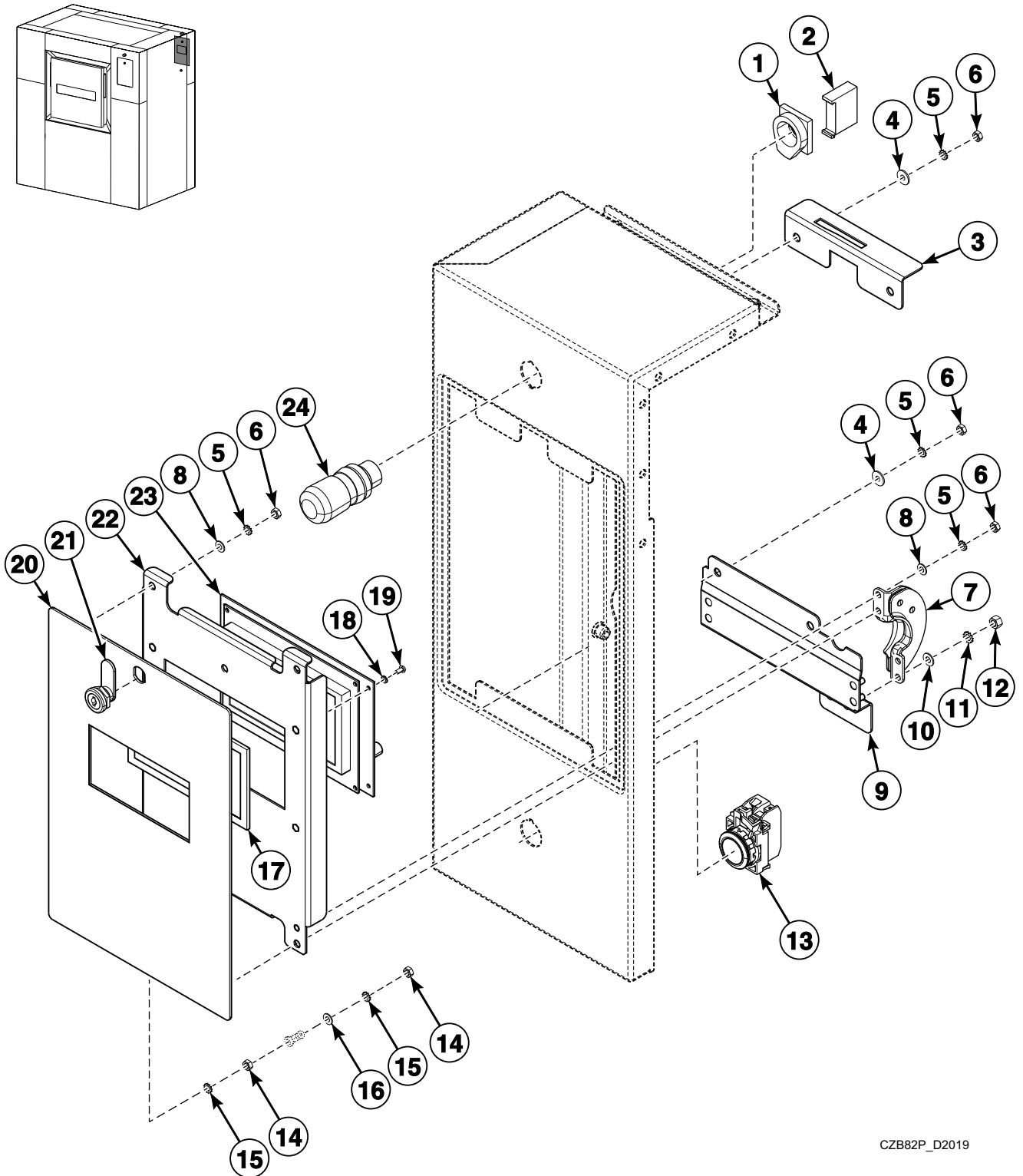
CZF209P\_D2019



## Loading Side Control Panel MC10 (Drawing 2 of 2)

REF	PART NO.	DESCRIPTION	COMMENTS
	SPPRI501001078	Cable Bushing	
	547089	flat Connection Cable	L=0.25m; I/O and Expansion Relay Boards
	569701	flat Connection Cable	L=0.5m; I/O and CPU Boards
	571460	Emergency Stop Cable	
<b>1</b>	SP309933100625	Bolt	M6x25
<b>2</b>	SP311679824006	Washer	M6
<b>3</b>	SP310934100006	Nut	M6
<b>4</b>	SP311125100006	Washer	6.4
<b>5</b>	553187	Soap Relay Board	
<b>6</b>	SP309084000412	Bolt	M4x12
<b>7</b>	SP311127000004	Washer	4
<b>8</b>	562455	Relay Board Holder	MC10 Models
<b>9</b>	SP528313	Cable Holder	
<b>10</b>	SP537854	Bolt	M6x14
<b>11</b>	SP311679824004	Washer	M4
<b>12</b>	553184	Control Board Power	MC10
<b>13</b>	SP311679800003	Washer	M3
<b>14</b>	SP309798500306	Bolt	M3x6
<b>15</b>	562455	Programmer Holder	360 and 700 models
	562479	Programmer Holder	500 models

# Unloading Side Control Panel

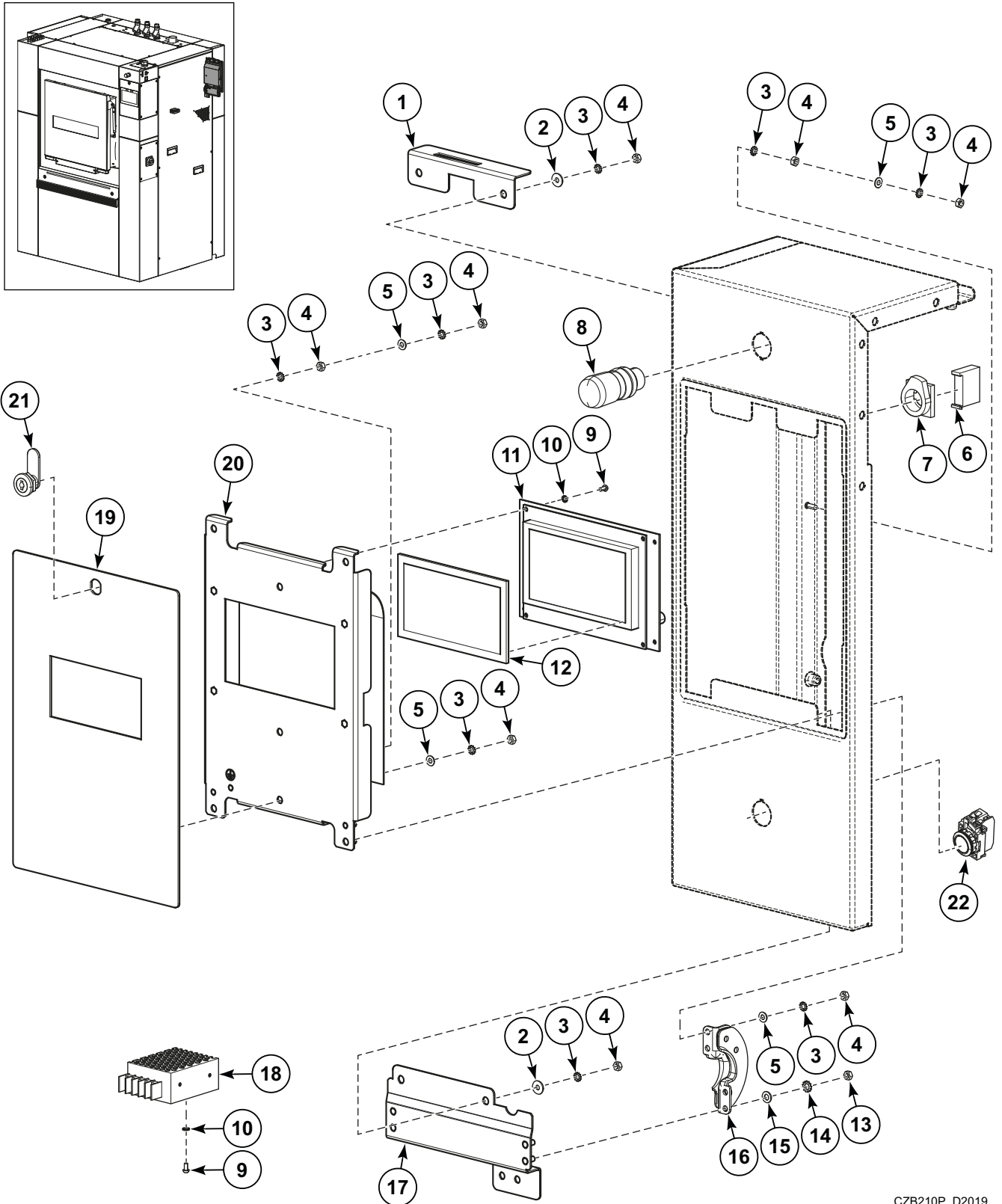


CZB82P\_D2019

## Unloading Side Control Panel

REF	PART NO.	DESCRIPTION	COMMENTS
1	SP528311	Emergency Stop Connection Flange	
2	SP528312	Switching Unit	
3	567619	Holder	Top
4	SP311902100004	Washer	4
5	SP311679800004	Washer	M4
6	SP310934000004	Nut	M4
7	567931	Hinge	
8	SP311125000004	Washer	4.3
9	567662	Holder	Lower
10	SP311125000005	Washer	5.3
11	SP311679824005	Washer	M5
12	SP310934240005	Nut	M5
13	564555	LED Illuminated Push Button	Green
14	SP310934100004	Nut	M4
15	SP311679824004	Washer	M4
16	SP311125100004	Washer	4.3
17	SP549889	Display Protection	
18	SP311679800003	Washer	M3
19	SP309798500306	Bolt	M3x6
20	569116	Panel	AM and NM models; Painted
	569112	Panel	IM, MXB, PM, SM and UM models; Stainless steel
	569115	Panel	MXB and PM models; Black
21	567818	Lock	
22	569114	Panel of Reinforcement	
23	SP547063	Second Display Board	AM, MXB, NM and PM models; MC7; Processor part
	SP553421	Second Display Board	IM models; MC7; Processor part
	SP553420	Second Display Board	SM and UM models; MC7; Processor part
24	SP528310	Emergency Stop Knob	

# Unloading Side Control Panel MC10

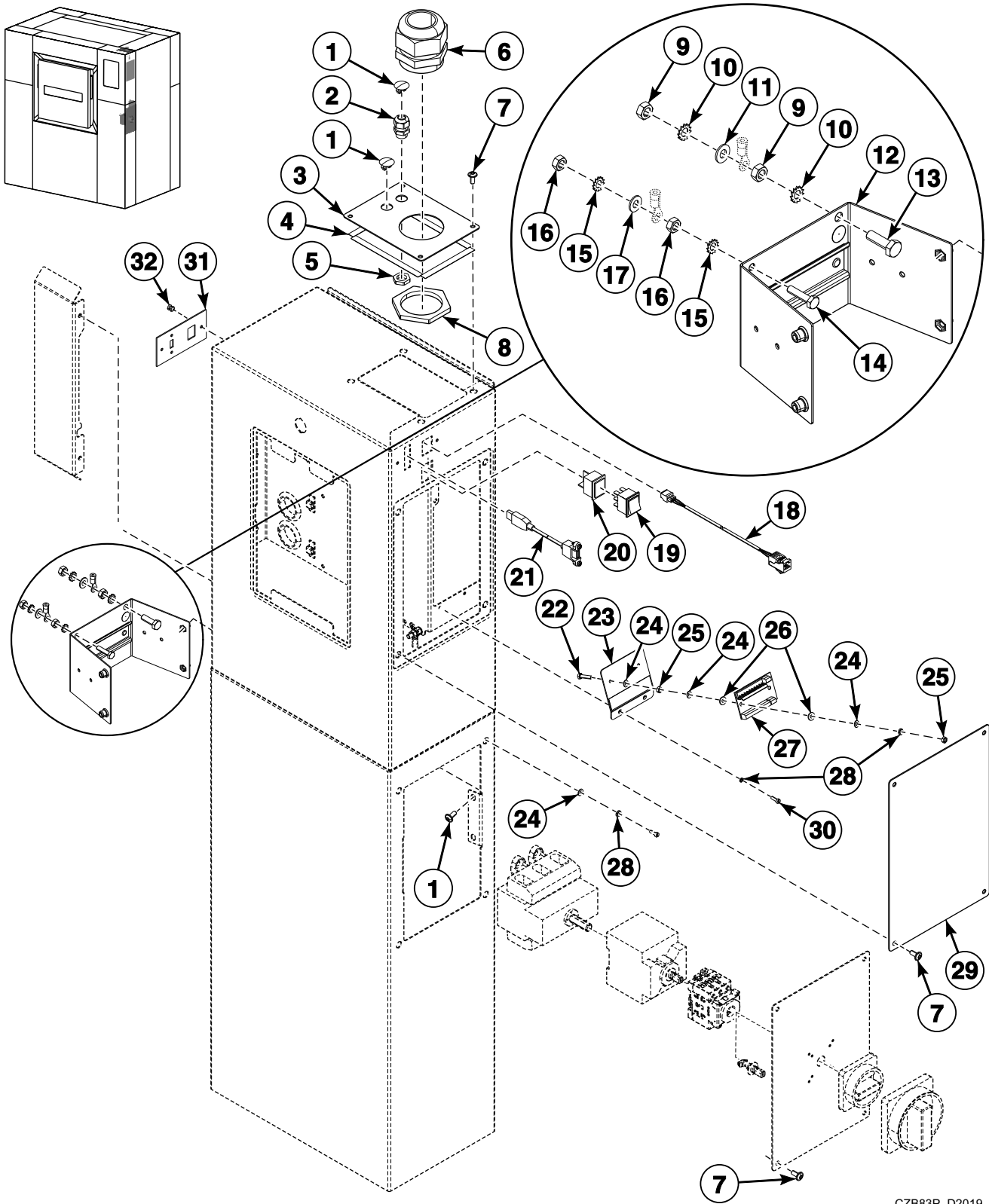


CZB210P\_D2019

## Unloading Side Control Panel MC10

REF	PART NO.	DESCRIPTION	COMMENTS
	575799	Second Display Cable	
1	567619	Holder	Top
2	SP311902100004	Washer	4
3	SP311679800004	Washer	M4
4	SP310934000004	Nut	M4
5	SP311125000004	Washer	4.3
6	SP528312	Switching Unit	
7	SP528311	Emergency Stop Connection Flange	
8	SP528310	Emergency Stop Knob	
9	SP309798500306	Bolt	M3x6
10	SP311679800003	Washer	M3
11	SP547063	Second Display Board	MC10 Models
12	SP549889	Display Protection	
13	SP310934240005	Nut	M5
14	SP311679824005	Washer	M5
15	SP311125000005	Washer	5.3
16	567931	Hinge	
17	567662	Holder	Lower
18	SP547067	Power Supply	
19	569115	Panel	Black
	569112	Panel	Stainless Steel
	569116	Panel	Painted
20	569114	Panel of Reinforcement	
21	567818	Lock	
22	564555	LED Illuminated Push Button	Green

# Box of Electrical Components (Drawing 1 of 4)

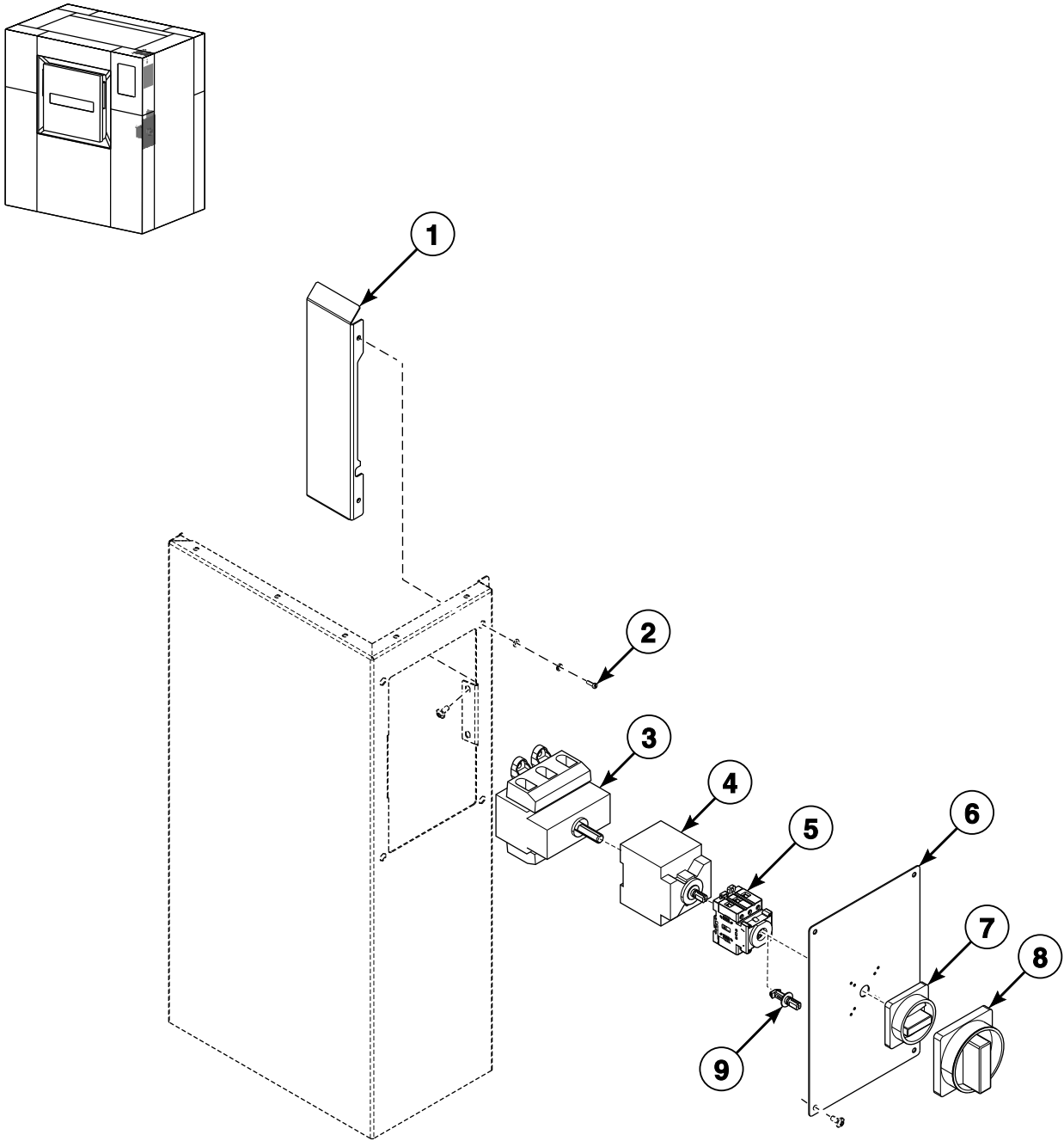


CZB83P\_D2019

## Box of Electrical Components (Drawing 1 of 4)

REF	PART NO.	DESCRIPTION	COMMENTS
	569714	USB Extension Cable	
1	SP345900215120	Plug	For bushing M16
2	SP101406	Bushing	M16
3	562491	Bushing Plate	M32
	562492	Bushing Plate	M40
	562493	Bushing Plate	M63
4	SP552665	Seal	
5	SP101416	Nut	M16
6	SP101409	Bushing	M32
	SP101410	Cable Bushing	M40
	SP516175	Cable Bushing	M63
7	SP537854	Bolt	M6x14
8	SP101419	Nut	M32
	SP101420	Nut	M40
	SP516176	Nut	M63
9	SP310934240008	Nut	M8
10	SP311679824008	Washer	M8
11	SP311125240008	Washer	8.4
12	562481	Main Switch Holder	32A, 63A
	562494	Main Switch Holder	80A, 100A
	567643	Main Switch Holder	160A
	567645	Main Switch Holder	250A
13	SP309933240825	Bolt	M8x25
14	SP309933100625	Bolt	M6x25
15	SP311679824006	Washer	M6
16	SP31093410006	Nut	M6
17	SP311125100006	Washer	6.4
18	SP545237	Cable	RS485; Includes connectors
19	SP100388	Switch	
20	SPPRI348001096	Plug	
21	545236	USB Cable	
22	SP309933000416	Bolt	M4x16
23	567610	Relay Board Holder	
	528148	Pump Relay Board to LED Terminal Cable	L=1.1m; Soap link MC10 Only
24	SP311125000004	Washer	4.3
25	SP310934000004	Nut	M4
26	PRI523000007	Washer	
27	SP524714	Soap Relay Board	Soap Link MC10 Only
28	SP311127000004	Washer	4
29	562449	Lid	MXB and PM models
	562441	Lid	AM and NM models
	564032	Lid	Stainless steel
30	SP309084000412	Bolt	M4x12
31	560724	Plate	Connection USB and RS485
32	SP313250004075	Rivet	M4x7.5

# Box of Electrical Components (Drawing 2 of 4)



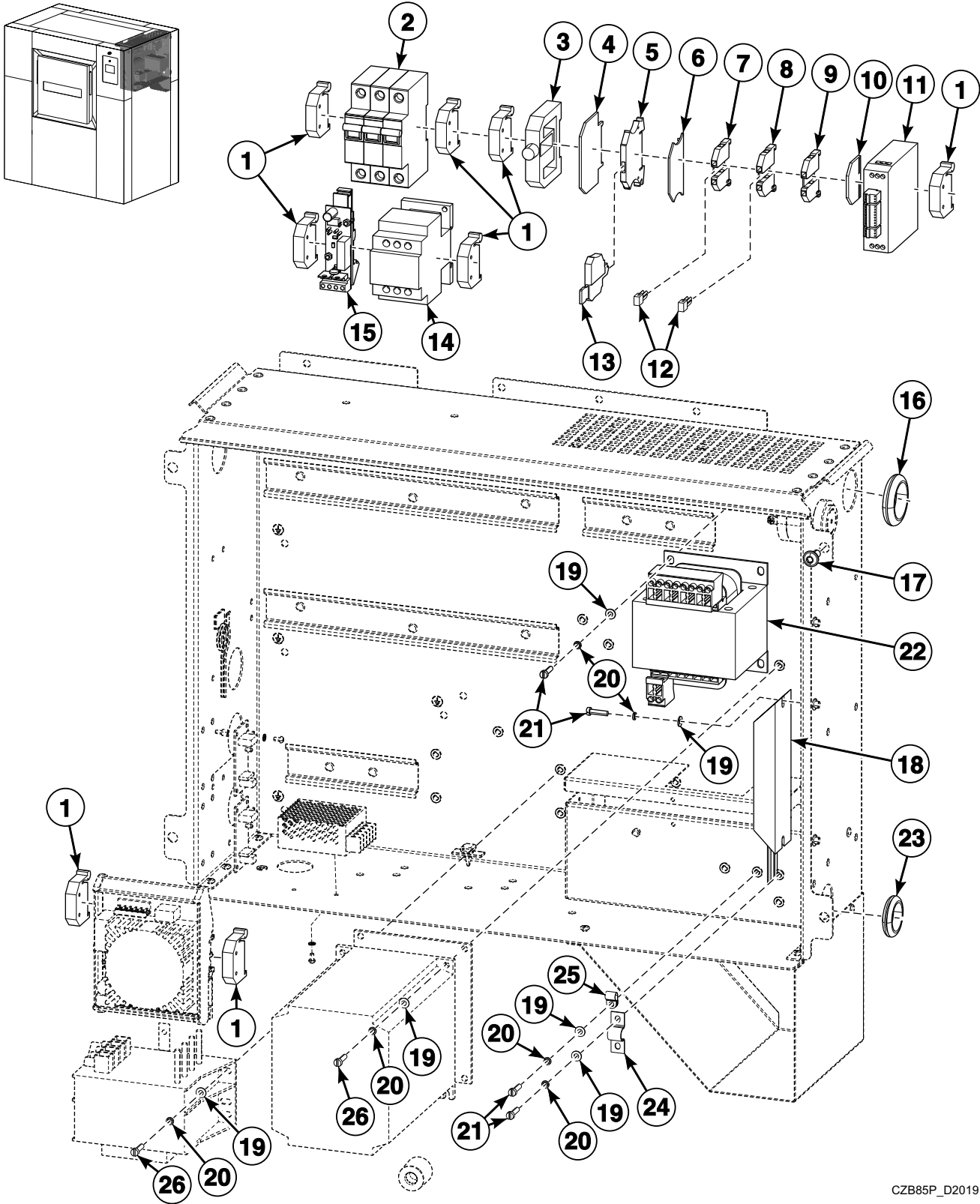
CZB84P\_D2019



## Box of Electrical Components (Drawing 2 of 4)

REF	PART NO.	DESCRIPTION	COMMENTS
1	567647	Cover	
2	SP309084000408	Bolt	M4x8
3	564610	Main Switch	250A
	564609	Main Switch	160A
4	SP514182	Main Switch	100A
	514185	Isolation Cover	For main switch 100A
5	SP514180	Main Switch	63A
	514184	Isolation Cover	For main switch 63A
	SP514179	Main Switch	32A; Item 9 not included
6	567612	Main Switch Door	32A-100A
	567613	Main Switch Door	160A, 250A
7	SPPRI404000095	Main Switch Knob	63A, 100A
8	564611	Main Switch Knob	160A, 250A
9	SP514178	Shaft	32A

# Box of Electrical Components (Drawing 3 of 4)



CZB85P\_D2019

## Box of Electrical Components (Drawing 3 of 4)

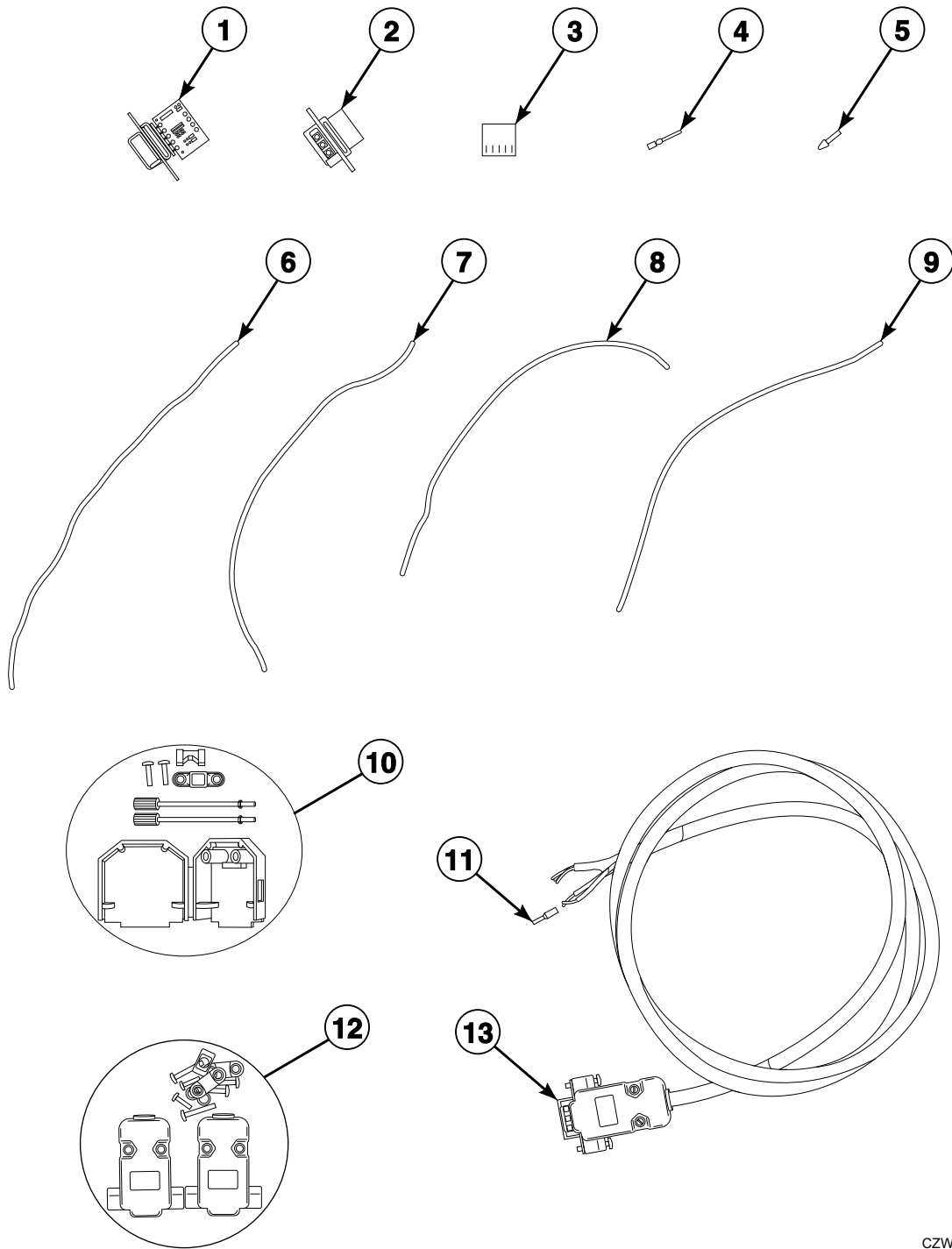
REF	PART NO.	DESCRIPTION	COMMENTS
	552334	Heating Wiring	230V
	528155	Heating Wiring	2.8m; 400V
	528156	Heating Wiring	700 models; 3.2m; 400V
	564583	Control Wiring	MC7
	575781	Control Wiring	MC10
	569757	Electric Box Wiring	Used with 569756 Limit Switch Wiring
	569756	Limit Switch Wiring	Used with 569757 Electric Box Wiring
	564638	DC Motor Drum Lock Cable	
<b>1</b>	SP346000209101	End Stop	
<b>2</b>	SP528294	Circuit Breaker	16A
	SPPRI401013021	Circuit Breaker	25A
	SPPRI401014021	Circuit Breaker	32A
	SP528171	Circuit Breaker	40A
	564591	Circuit Breaker	63A
<b>3</b>	SP346000004010	Fuse Case	
	SP345805163032	Fuse	1A/500V
	SP358251632225	Fuse	2.5A/500V
<b>4</b>	SP346000014010	Cover	
<b>5</b>	SP524653	Fuse Clip	
<b>6</b>	SP524655	Cover	
<b>7</b>	SP346000280101	Clamp	280-101; Gray; With weighing system; MC7 Only
<b>8</b>	SP346000280107	Clamp	280-107; Green-yellow; With weighing system; MC7 Only
<b>9</b>	SP346000280104	Clamp	280-104; Blue; With weighing system; MC7 Only
<b>10</b>	SP346000280301	Cover	With weighing system; MC7 Only
<b>11</b>	581731	Amplifier	With weighing system;
<b>12</b>	SP346000280402	Interconnection	280-402; With weighing system; MC7 Only
<b>13</b>	SP524654	Fuse Plug	
<b>13</b>	SPPRI401020021	Fuse	1.6A; 5x20mm
<b>14</b>	SP514038	Contactors	LC1-D09M7
	SPPRI345002019	Contactors	LC1-D32M7
	SP514042	Contactors	500 and 700 models; LC1-D18M7
	SP514043	Contactors	500 and 700 models; LC1-D50M7
<b>15</b>	SP358126300000	Electrical Time Switch	
<b>16</b>	SPPRI501001078	Cable Bushing	For hole 36.7mm
<b>17</b>	SP537854	Bolt	M6x14
<b>18</b>	SP100925	Brake Resistor	
<b>19</b>	SP311125000004	Washer	4.3
<b>20</b>	SP311127000004	Washer	4
<b>21</b>	SP309084000416	Bolt	M4x16
<b>22</b>	SP101643	Transformer	
<b>23</b>	SPPRI501000071	Cable Bushing	For hole 31mm
<b>24</b>	SPPRI407000091	Cable Sleeve	
<b>25</b>	SP502214	Clip	
<b>26</b>	SP309084000420	Bolt	M4x20



## Box of Electrical Components (Drawing 4 of 4)

REF	PART NO.	DESCRIPTION	COMMENTS
	SP528323	Communication Cable	Used with item 6
1	566850	Air Restrictor Top Cover	360 models; 3x380-480V
	566851	Air Restrictor Top Cover	360 models; 3x200-240V
2	SP313250032079	Rivet	3.2x7.9
3	SP528313	Cable Holder	
4	566857	Washer	
5	571475	Frequency Inverter	360 models; 3x380-480V
	571476	Frequency Inverter	500 and 700 models; 3x380-480V
	571477	Frequency Inverter	360 models; 3x200-240V
	571478	Frequency Inverter	500 and 700 models; 3x200-240V
	SP528235	Frequency Inverter Fan	
6	557961	Ferrite Core	
7	SP309798500306	Bolt	M3x6
8	SP311679800003	Washer	M3
9	SP547067	Power Supply	With second display
10	SP557932	Frequency Inverter Filter	
11	564640	Reverse Rectifier	
12	SP558099	Module IDLC	360 and 500 models 1 piece needed; 700 models 2 pieces needed
	568388	Safety Module Cable	360 and 500 models; MC7
	568389	Safety Module Cable	700 models; MC7
	575787	Safety Module Cable	360 and 500 models; MC10
	575788	Safety Module Cable	700 models; MC10
13	SP521444	Spacer	M3x5x3
14	566810	Key	For emergency unlocking of the lock
15	SPPRI551016250	Hook	Adhesive
16	562450	Switchboard Assembly	Items 1 and 2 not included

# Weighing System



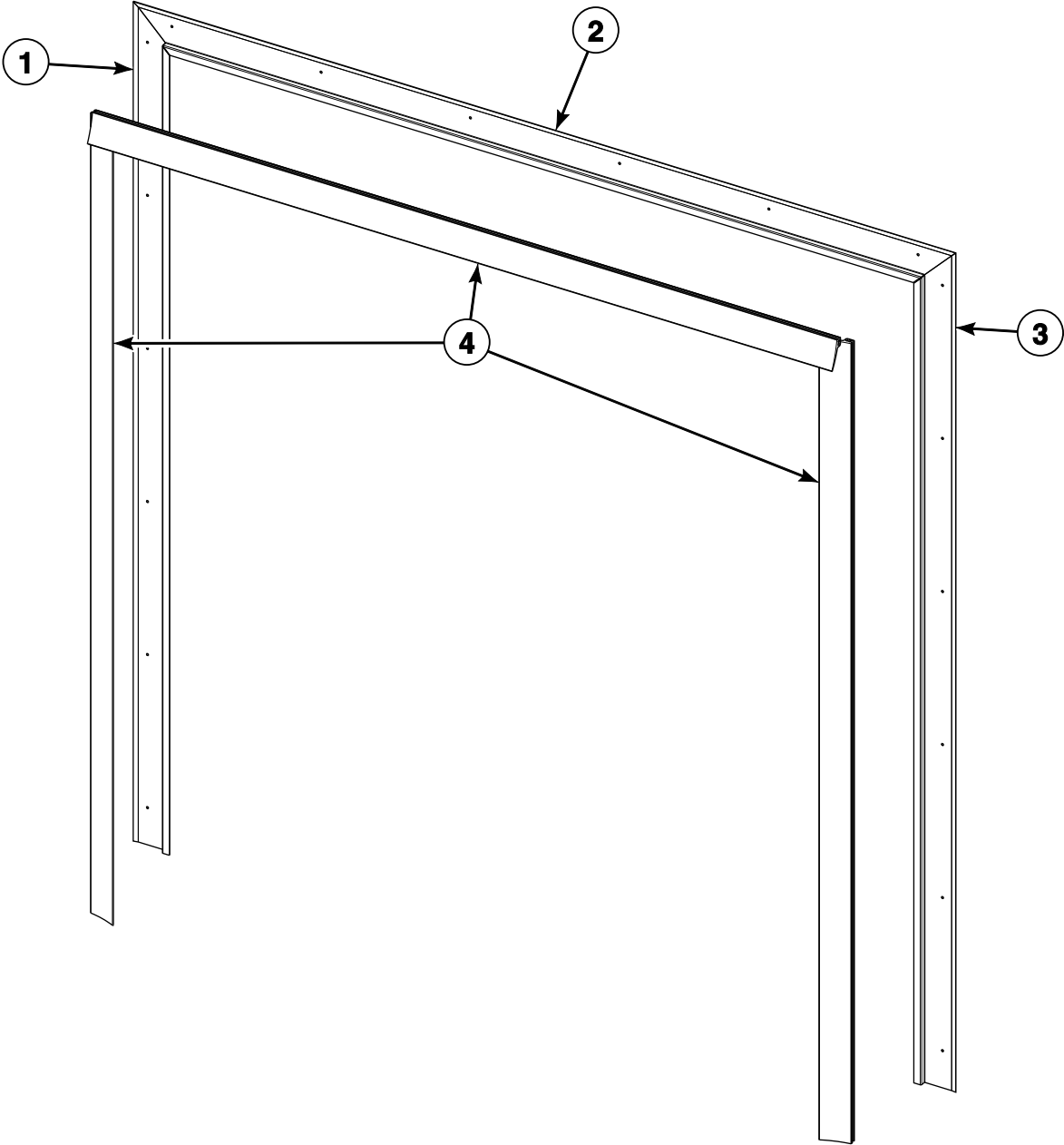
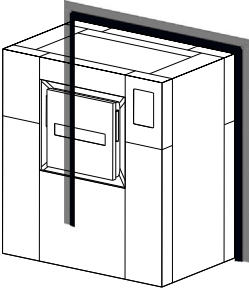
CZW6P\_D2019

# Weighing System

REF	PART NO.	DESCRIPTION	COMMENTS
	566818	Weighing System	Includes items 1-10, 12, 13, SP346000280101 Clamp, SP346000280107 Clamp, SP346000280104 Clamp, SP516968 Amplifier, SP346000280301 Cover, SP346000280402 Interconnection, SP516956 Adjustable Foot, SP552123 Clamp, SP529101 Load Sensor, SP309933001260 Bolt, SP311127000012 Washer and SP311125000013 Washer
<b>1</b>	SP516964	Converter	
<b>2</b>	SP520082	Connector	9 poles
<b>3</b>	SP516090	Connector	5 poles
	SP510918	Connector	8 poles
<b>4</b>	SP345001662931	Contact Pin	
<b>5</b>	SPPRI350002018	Contact	
<b>6</b>	SP505444	Conductor	0.35mm <sup>2</sup> ; Green; L=0.2m
<b>7</b>	SP341413007001	Conductor	0.35mm <sup>2</sup> ; Red; L=1m
<b>8</b>	SP341413007002	Conductor	0.35mm <sup>2</sup> ; Orange; L=0.2m
<b>9</b>	SP505446	Conductor	0.35mm <sup>2</sup> ; Blue; L=1m
<b>10</b>	SP516997	Converter Box	Used with item 1
<b>11</b>	N/A	Contact Pin	
<b>12</b>	SP347100306009	Connector Box	Used with item 2
<b>13</b>	SP341414000205	Shield Cable	2x0.5; Used with items 2 and 12

**N/A = Part no longer available**

# Hygienic Barrier



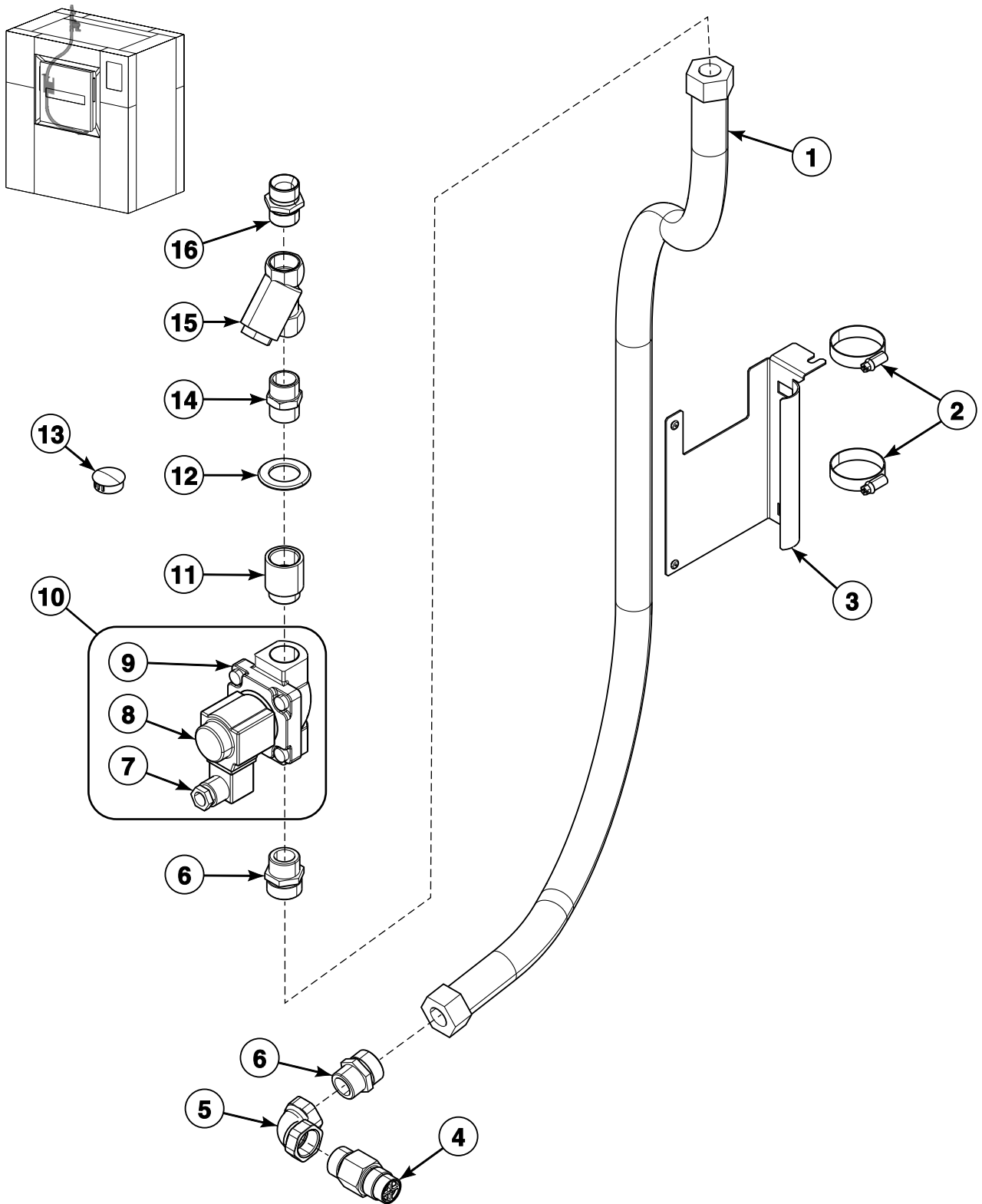
CZB87P\_D2019



# Hygienic Barrier

REF	PART NO.	DESCRIPTION	COMMENTS
	566830	Hygienic Barrier Seal	360 models; Includes items 1-4
	566831	Hygienic Barrier Seal	500 models; Includes items 1-4
	566832	Hygienic Barrier Seal	700 models; Includes items 1-4
<b>1</b>	566834	Frame	Side
<b>2</b>	566835	Frame	360 models; Upper
	566836	Frame	500 models; Upper
	566837	Frame	700 models; Upper
<b>3</b>	566833	Frame	Side
<b>4</b>	SP534338	Sealing Profile	

# Steam Supply



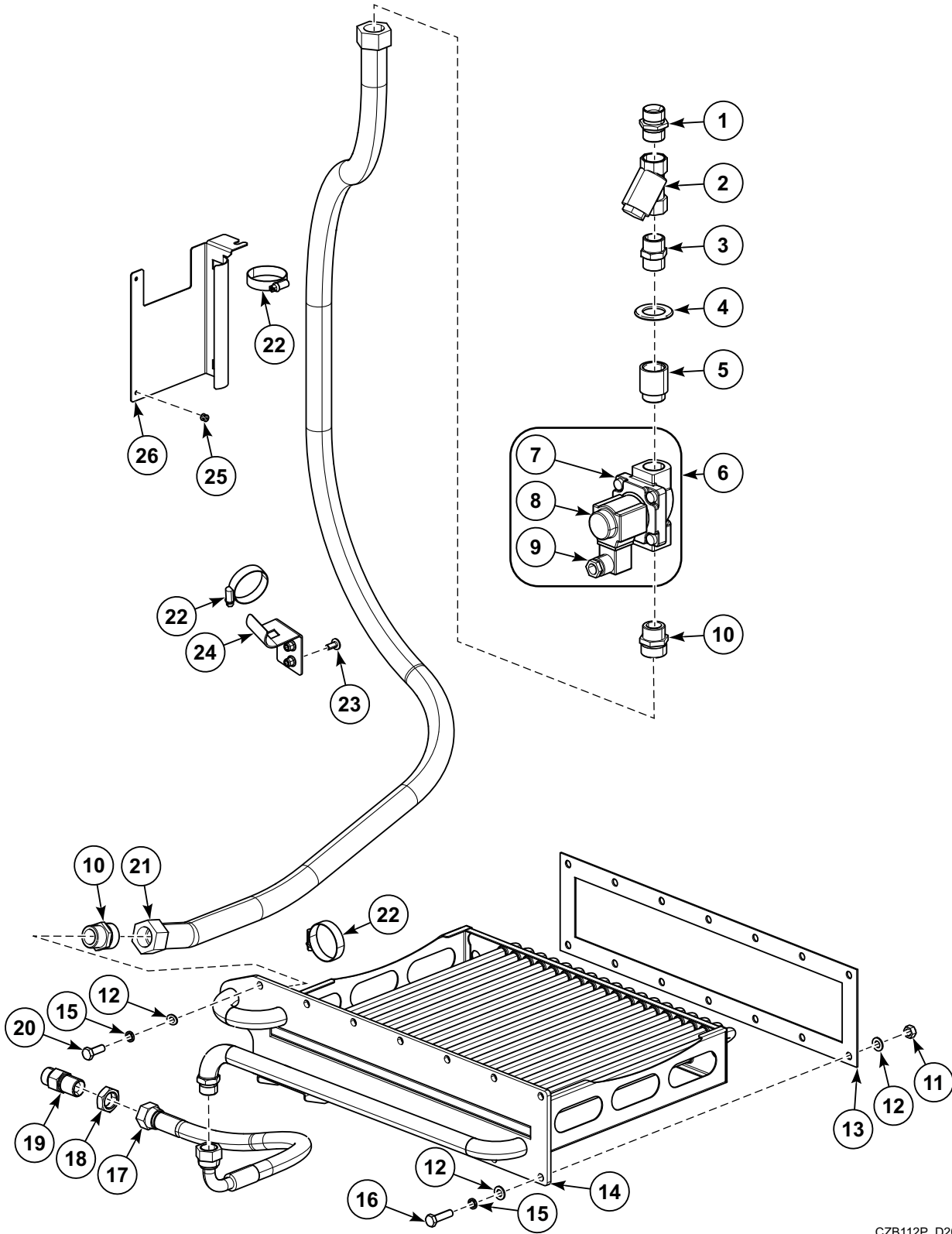
CZB89P\_D2019

# Steam Supply

REF	PART NO.	DESCRIPTION	COMMENTS
	567059	Steam Supply Assembly	
	SP273454800034	External Steam Hose	L=0.8m; Includes item 16
	245704000577	Adhesive	Loctite 577
	SP526564	Seal	
<b>1</b>	SP515009	Steam Hose	
<b>2</b>	SPPRI240000008	Hose Clamp	
<b>3</b>	567108	Holder	
<b>4</b>	559191	Injector	
<b>5</b>	SPPRI426002072	Elbow	3/4 inch
<b>6</b>	SPF02116001814	Reduction	
<b>7</b>	SP554156	Connector	
<b>8</b>	SP554110	Coil	50/60Hz
<b>9</b>	SP514166	Steam Valve Body	Coil not included
<b>10</b>	SP514162	Steam Valve	3/4 inch; Includes items 7-9
<b>11</b>	SP319413104563	Extension Tube	3/4 inch x 30
<b>12</b>	SP223111000814	Washer	
<b>13</b>	SPPRI505000064	Plug	Without a steam supply
<b>14</b>	SPPRI426001217	Pipe Nipple	3/4 inch
<b>15</b>	SP405054057006	Steam Filter	3/4 inch
<b>16</b>	SP559310	Adapter	3/4 inch

# Steam Supply - Steam Exchanger for Indirect Steam Heating

360 Models

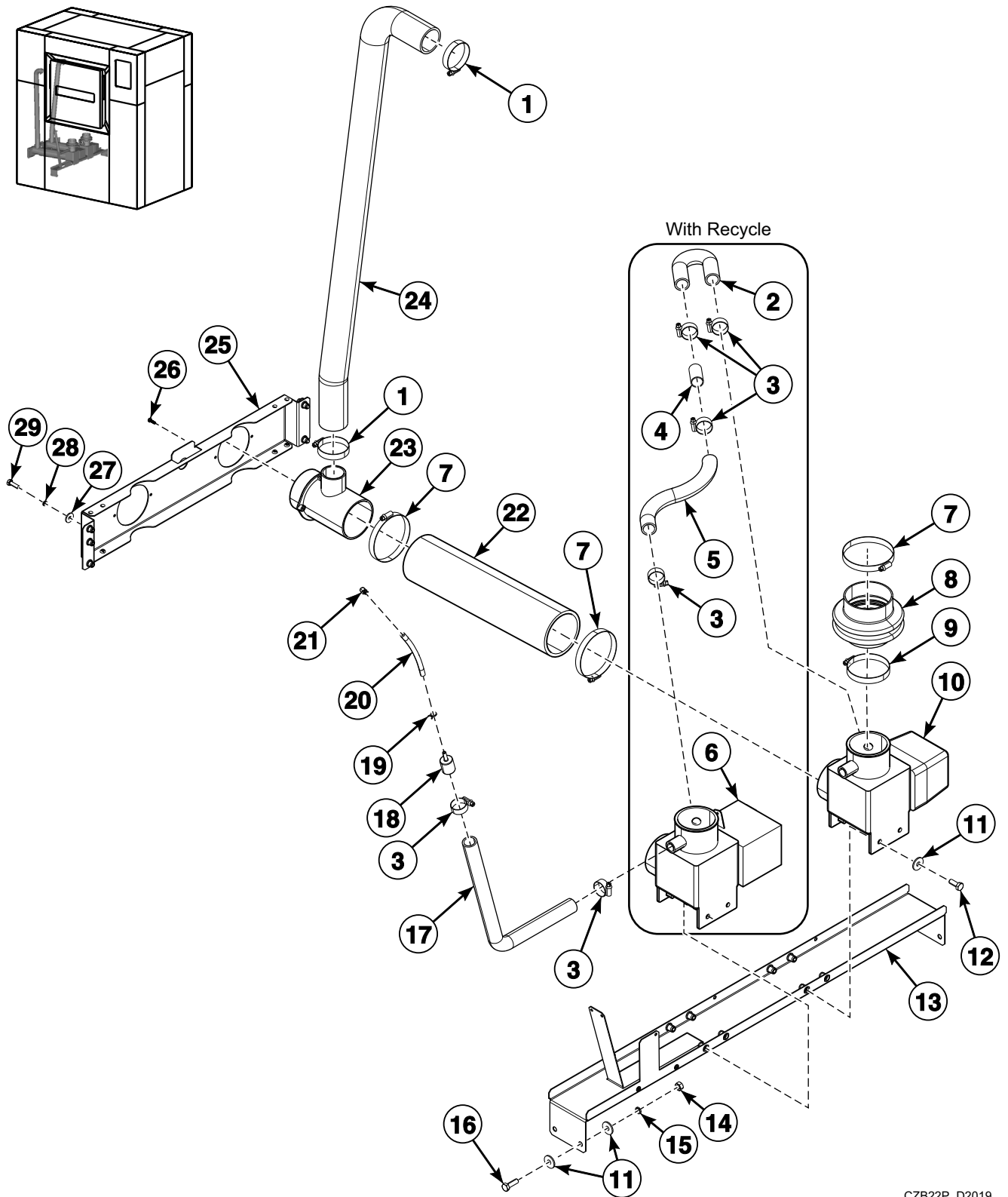


CZB112P\_D2019

# Steam Supply - Steam Exchanger for Indirect Steam Heating

REF	PART NO.	DESCRIPTION	COMMENTS
	SP526564	Seal	Used to seal threads
1	SP559310	Adapter	3/4 inch
2	SP405054057006	Steam Filter	3/4 inch
3	SPPRI426001217	Pipe Nipple	3/4 inch
4	SP223111000814	Washer	
5	SP319413104563	Extension Tube	3/4 inch x 30
6	SP514162	Steam Valve	3/4 inch; Includes items 7-9
7	SP514166	Steam Valve Body	Coil not included
8	SP554110	Coil	50/60Hz
9	SP554156	Connector	
10	SPF02116001814	Reduction	
11	SP310934240008	Nut	M8
12	SP311125240008	Washer	8.4
13	566895	Seal	
14	566896	Exchange	
15	SP311127240008	Washer	8
16	SP309933240830	Bolt	M8x30
17	PRI425000072	Hose	
18	566933	Nut	G 1/2 inch
19	566932	Connection	Used with connection of condensate
20	SP309933240822	Bolt	M8x22
21	566904	Hose	
22	SPPRI240000008	Hose Clamp	
23	SP537854	Bolt	M6x14
24	566947	Holder	Includes item 23 and 313251000006 Nut
25	SP313250004075	Rivet	4x7.5
26	567108	Holder	

# Side Drain System With Recycle

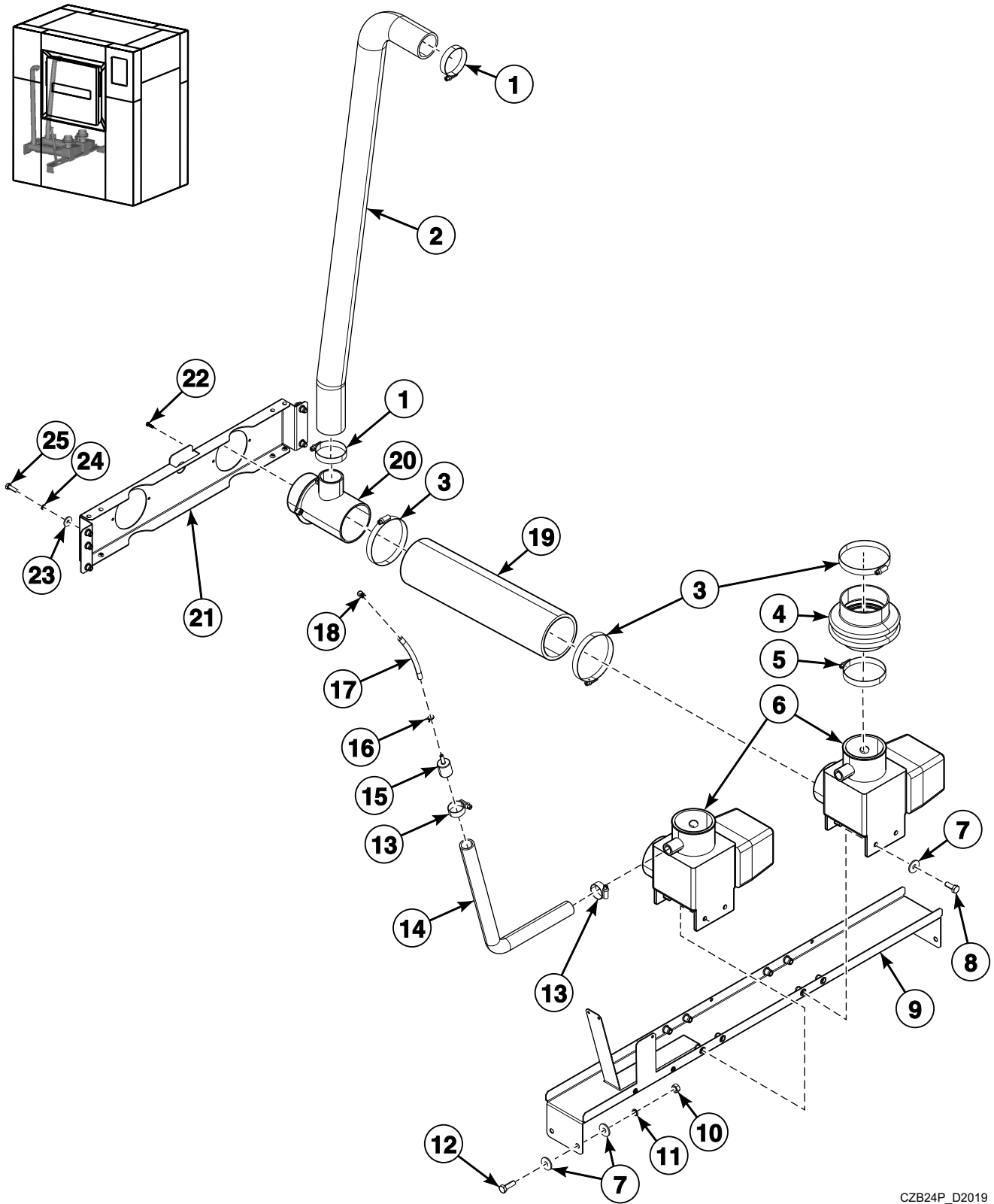


CZB22P\_D2019

## Side Drain System With Recycle

REF	PART NO.	DESCRIPTION	COMMENTS
1	SPPRI240000017	Hose Clamp	
2	SP511269	Hose	
3	SPPRI240000003	Hose Clamp	
4	223110400114	Connection Part	
5	562900	Elbow	
6	SPPRI340072051	Recycle Drain Valve	Includes SPPRI340002051 Drain Valve Motor and 554276 Drain Valve Seal
	SPPRI340002051	Drain Valve Motor	Includes gearbox
7	SPPRI240000007	Hose Clamp	
8	SP273124080161	Tub to Drain Valve Hose	360 models through Serial No.360MXB000125SH; 500 models through Serial No.500MXB000189SH
	567799	Tub to Drain Valve Hose	360 models starting Serial No.360MXB000126SH; 500 models starting Serial No.500MXB000190SH
	SPPRI340002051	Drain Valve Motor	Includes gearbox
9	SPPRI240000021	Hose Clamp	
10	SPPRI340055051	Drain Valve	Includes SPPRI340002051 Drain Valve Motor and 554276 Drain Valve Seal
	SPPRI340002051	Drain Valve Motor	Includes gearbox
	554276	Drain Valve Seal	
11	SP311902100008	Washer	8
12	SP309933000820	Bolt	M8x20
13	562811	Holder	
14	SP310934000008	Nut	M8
15	SP311127000008	Washer	8
16	SP309933000825	Bolt	M8x25
17	SP223101400414	Elbow	
18	SPPRI503000027	Air Trap Reduction	
19	SPPRI241000017	Hose Clamp	
20	SPPRI540001003	Water Level Switch Hose	
21	SP540183	Spring Clamp	
22	562809	Hose	360 models
	567044	Hose	500 models
	567040	Hose	700 models
23	SP526454	Tee	
24	562833	Hose	
25	562832	Holder	
26	SP526497	Screw	M4x12
27	SP311902100006	Washer	6
28	SP311127000006	Washer	6
29	SP309933000620	Bolt	M6x20

# Side Drain System Without Recycle



CZB24P\_D2019

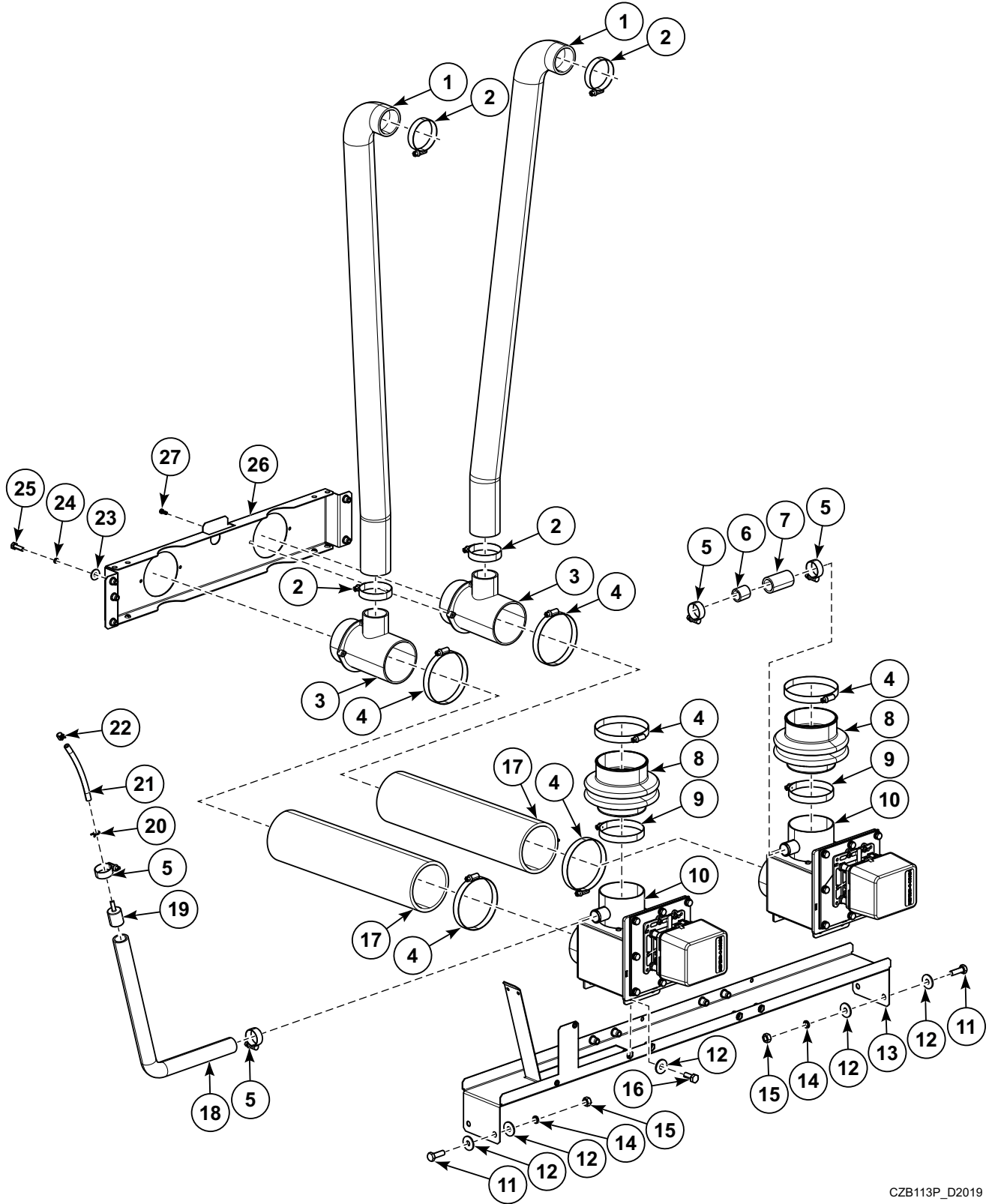


## Side Drain System Without Recycle

REF	PART NO.	DESCRIPTION	COMMENTS
1	SPPRI240000017	Hose Clamp	
2	562833	Hose	
3	SPPRI240000007	Hose Clamp	
4	SP273124080161	Tub to Drain Valve Hose	
5	SPPRI240000021	Hose Clamp	
6	SPPRI340055051	Drain Valve	Includes SPPRI340002051 Drain Valve Motor and 554276 Drain Valve Seal
	SPPRI340002051	Drain Valve Motor	Includes gearbox
	554276	Drain Valve Seal	
7	SP311902100008	Washer	8
8	SP309933000820	Bolt	M8x20
9	562811	Holder	
10	SP310934000008	Nut	M8
11	SP311127000008	Washer	8
12	SP309933000825	Bolt	M8x25
13	SPPRI240000003	Hose Clamp	
14	SP223101400414	Elbow	
15	SPPRI503000027	Air Trap Reduction	
16	SPPRI241000017	Hose Clamp	
17	SPPRI540001003	Water Level Switch Hose	
18	SP540183	Spring Clamp	
19	562809	Hose	360 models
	567044	Hose	500 models
	567040	Hose	700 models
20	SP526454	Tee	
21	562832	Holder	
22	SP526497	Screw	M4x12
23	SP311902100006	Washer	6
24	SP311127000006	Washer	6
25	SP309933000620	Bolt	M6x20

# Side Drain System Without Recycle for Indirect Steam Heating

360 Models

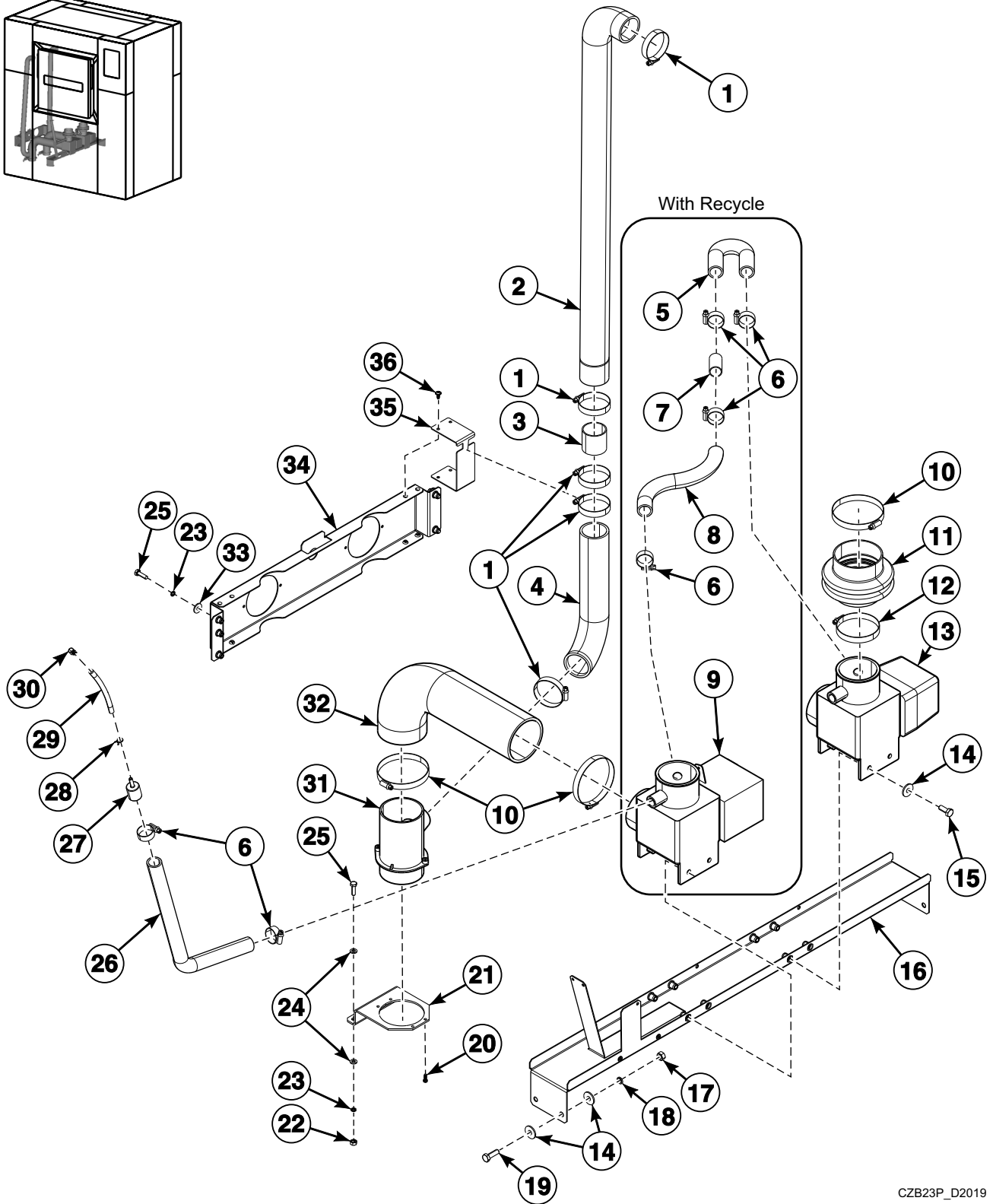
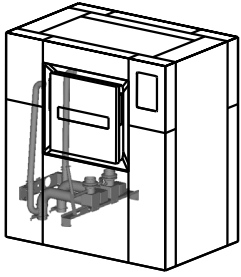


CZB113P\_D2019

# Side Drain System Without Recycle for Indirect Steam Heating

REF	PART NO.	DESCRIPTION	COMMENTS
1	562833	Hose	
2	SPPRI240000017	Hose Clamp	
3	SP526454	Tee	
4	SPPRI240000007	Hose Clamp	
5	SPPRI240000003	Hose Clamp	
6	572215	Plug	
7	572217	Connection	
8	SP273124080161	Tub to Drain Valve Hose	
9	SPPRI240000021	Hose Clamp	
10	567741	Drain Valve Assembly	Includes SPPRI340002051 Drain Valve Motor and 554276 Drain Valve Seal
	SPPRI340002051	Drain Valve Motor	Includes gearbox
	554276	Drain Valve Seal	
11	SP309933000825	Bolt	M8x25
12	SP311902100008	Washer	8
13	562811	Holder	
14	SP311127000008	Washer	8
15	SP310934000008	Nut	M8
16	SP309933000820	Bolt	M8x20
17	562809	Hose	
18	SP223101400414	Elbow	
19	SPPRI503000027	Air Trap Reduction	
20	SPPRI241000017	Hose Clamp	
21	SPPRI540001003	Water Level Switch Hose	
22	SP540183	Spring Clamp	
23	SP311902100006	Washer	6
24	SP311127000006	Washer	6
25	SP309933000620	Bolt	M6x20
26	562832	Holder	
27	SP526497	Screw	

# Drain System Under Machine With Recycle

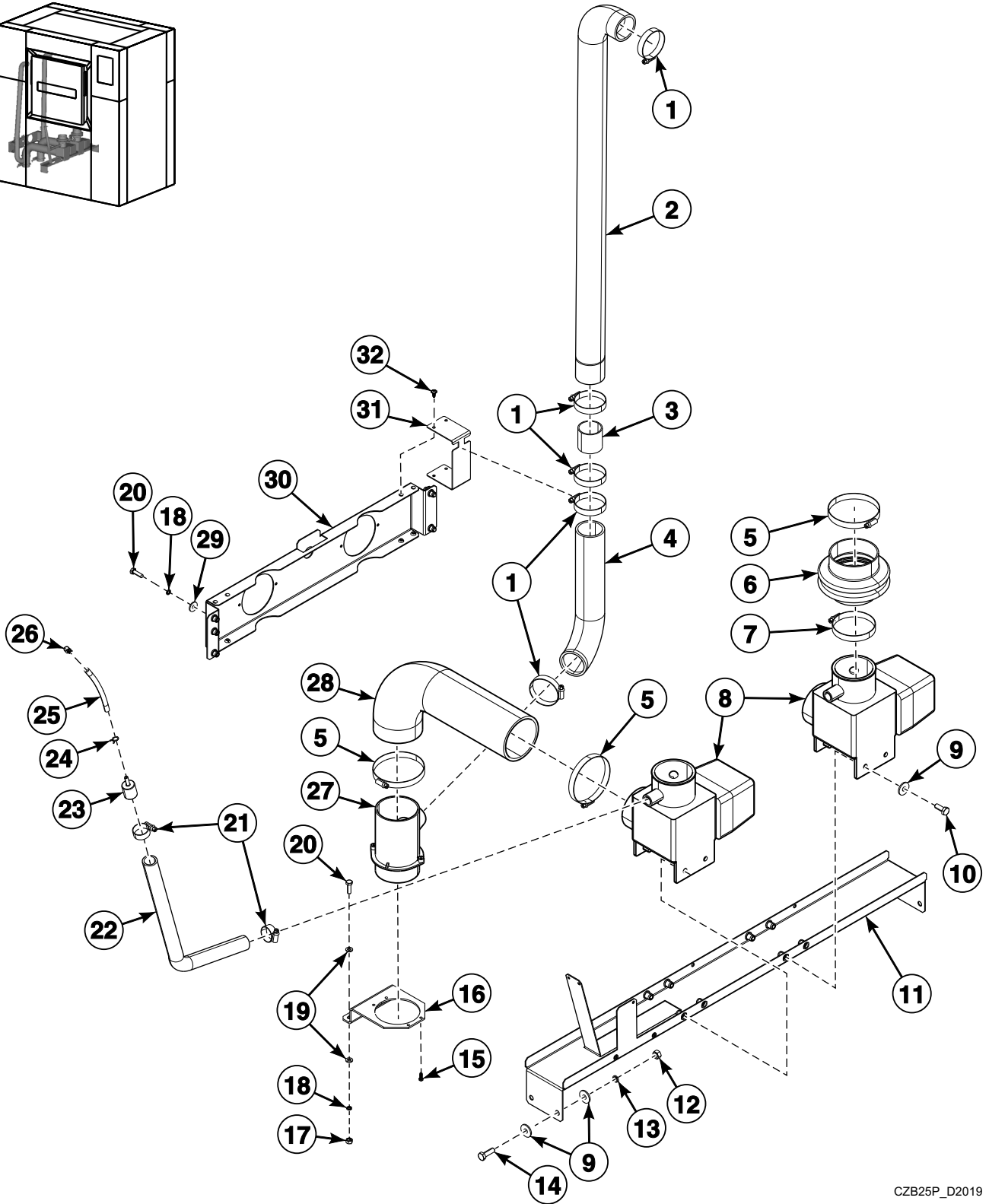
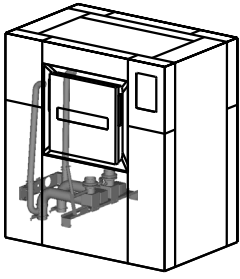


CZB23P\_D2019

## Drain System Under Machine With Recycle

REF	PART NO.	DESCRIPTION	COMMENTS
1	SPPRI240000017	Hose Clamp	
2	567020	Hose	
3	SP549615	Connection Tube	
4	567021	Elbow	
5	SP511269	Hose	
6	SPPRI240000003	Hose Clamp	
7	223110400114	Connection Part	
8	562900	Elbow	
9	SPPRI340072051	Recycle Drain Valve	Includes SPPRI340002051 Drain Valve Motor and 554276 Drain Valve Seal
	SPPRI340002051	Drain Valve Motor	Includes gearbox
	554276	Drain Valve Seal	
10	SPPRI240000007	Hose Clamp	
11	SP273124080161	Tub to Drain Valve Hose	
12	SPPRI240000021	Hose Clamp	
13	SPPRI340055051	Drain Valve	Includes SPPRI340002051 Drain Valve Motor and 554276 Drain Valve Seal
	567183	Drain Valve Chamber	
	SPPRI340002051	Drain Valve Motor	Includes gearbox
14	SP311902100008	Washer	8
15	SP309933000820	Bolt	M8x20
16	562811	Holder	
17	SP310934000008	Nut	M8
18	SP311127000008	Washer	8
19	SP309933000825	Bolt	M8x25
20	SP526497	Screw	M4x12
21	562817	Holder	
22	SP310934000006	Nut	M6
23	SP311127000006	Washer	6
24	SP311125000006	Washer	6.4
25	SP309933000620	Bolt	M6x20
26	SP223101400414	Elbow	
27	SPPRI503000027	Air Trap Reduction	
28	SPPRI241000017	Hose Clamp	
29	SPPRI540001003	Water Level Switch Hose	
30	SP540183	Spring Clamp	
31	SP526454	Tee	
32	562816	Elbow	360 models
	567036	Elbow	500 models
	567042	Elbow	700 models
33	SP311902100006	Washer	6
34	562832	Holder	
35	567077	Holder	
36	SP529206	Screw	M4x11

# Drain System Under Machine Without Recycle



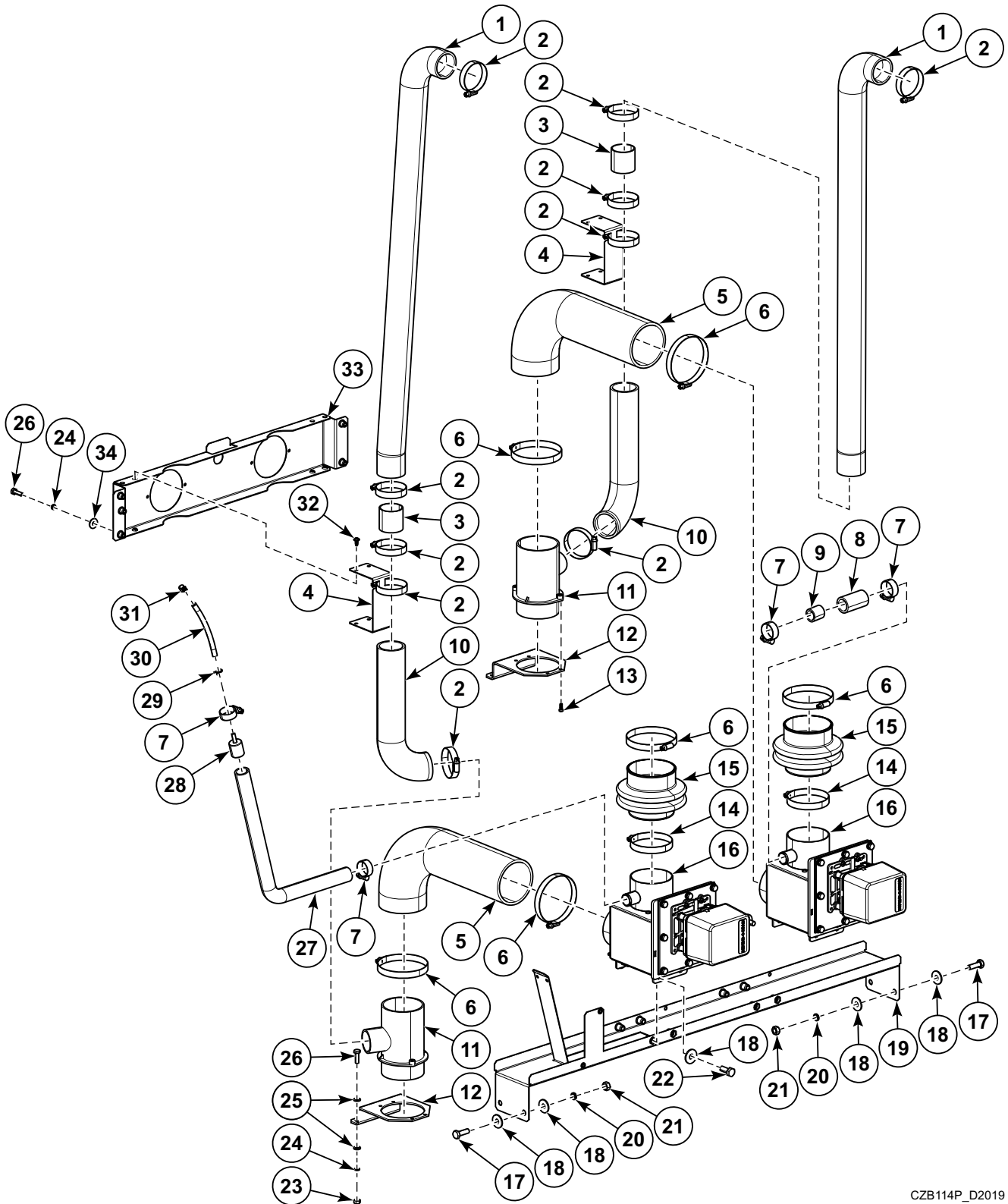
CZB25P\_D2019

## Drain System Under Machine Without Recycle

REF	PART NO.	DESCRIPTION	COMMENTS
1	SPPRI240000017	Hose Clamp	
2	567020	Hose	
3	SP549615	Connection Tube	
4	567021	Elbow	
5	SPPRI240000007	Hose Clamp	
6	SP273124080161	Tub to Drain Valve Hose	
7	SPPRI240000021	Hose Clamp	
8	SPPRI340055051	Drain Valve	Includes SPPRI340002051 Drain Valve Motor and 554276 Drain Valve Seal
	SPPRI340002051	Drain Valve Motor	Includes gearbox
	554276	Drain Valve Seal	
9	SP311902100008	Washer	8
10	SP309933000820	Bolt	M8x20
11	562811	Holder	
12	SP310934000008	Nut	M8
13	SP311127000008	Washer	8
14	SP309933000825	Bolt	M8x25
15	SP526497	Screw	M4x12
16	562817	Holder	
17	SP310934000006	Nut	M6
18	SP311127000006	Washer	6
19	SP311125000006	Washer	6.4
20	SP309933000620	Bolt	M6x20
21	SPPRI240000003	Hose Clamp	
22	SP223101400414	Elbow	
23	SPPRI503000027	Air Trap Reduction	
24	SPPRI241000017	Hose Clamp	
25	SPPRI540001003	Water Level Switch Hose	
26	SP540183	Spring Clamp	
27	SP526454	Tee	
28	562816	Elbow	360 models
	567036	Elbow	500 models
	567042	Elbow	700 models
29	SP311902100006	Washer	6
30	562832	Holder	
31	567077	Holder	
32	SP529206	Screw	M4x11

# Drain System Under Machine Without Recycle for Indirect Steam Heating

360 Models



CZB114P\_D2019

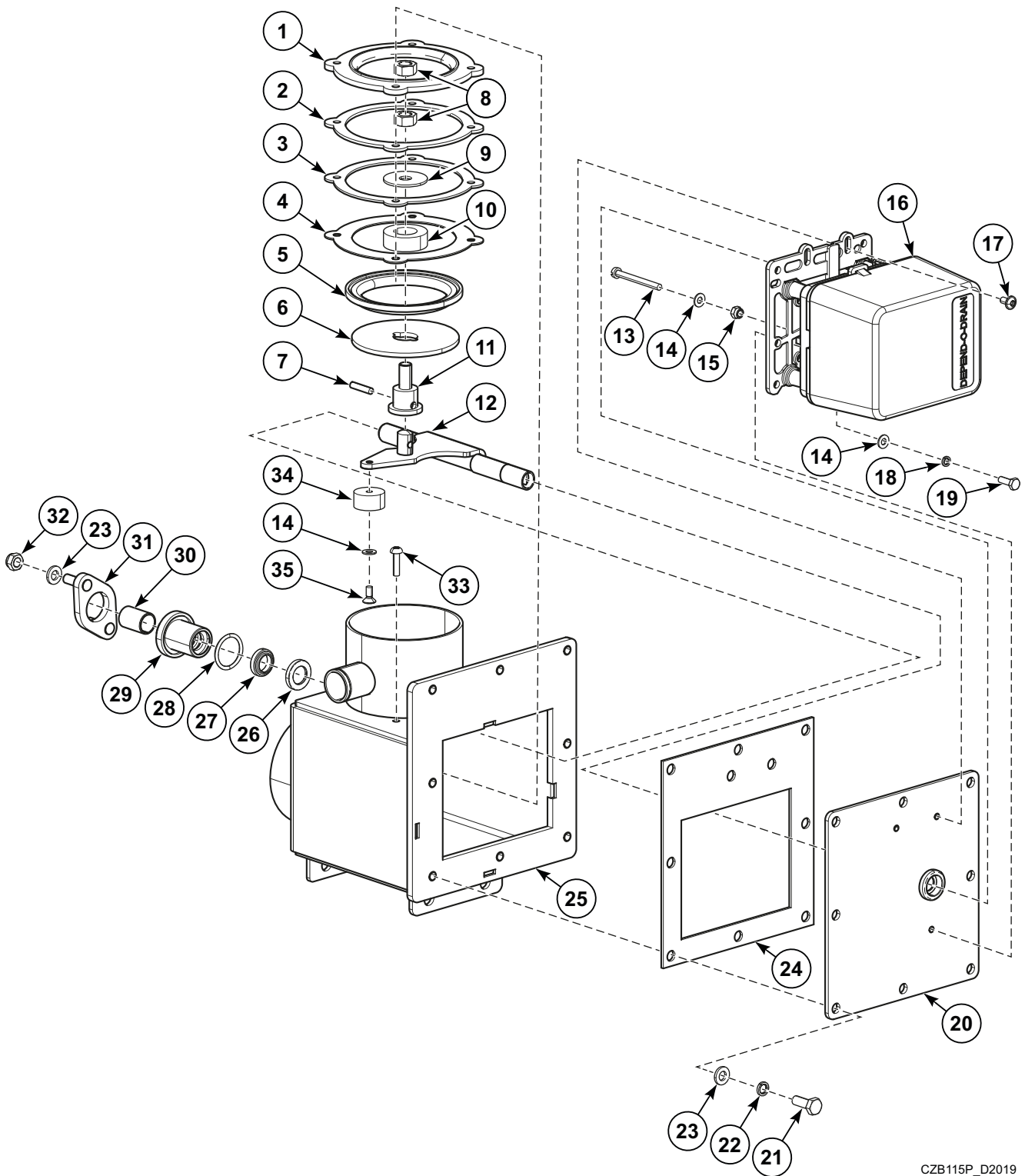


## Drain System Under Machine Without Recycle for Indirect Steam Heating

REF	PART NO.	DESCRIPTION	COMMENTS
1	567020	Hose	
2	SPPRI240000017	Hose Clamp	
3	SP549615	Connection Tube	
4	567077	Holder	
5	562816	Elbow	
6	SPPRI240000007	Hose Clamp	
7	SPPRI240000003	Hose Clamp	
8	572217	Connection	
9	572215	Plug	
10	567021	Elbow	
11	SP526454	Tee	
12	562817	Holder	
13	SP526497	Screw	
14	SPPRI240000021	Hose Clamp	
15	SP273124080161	Tub to Drain Valve Hose	
16	567741	Drain Valve Assembly	Includes SPPRI340002051 Drain Valve Motor and 554276 Drain Valve Seal
	SPPRI340002051	Drain Valve Motor	Includes gearbox
	554276	Drain Valve Seal	
17	SP309933000825	Bolt	M8x25
18	SP311902100008	Washer	8
19	562811	Holder	
20	SP311127000008	Washer	8
21	SP310934000008	Nut	M8
22	SP309933000820	Bolt	M8x20
23	SP310934000006	Nut	M6
24	SP311127000006	Washer	6
25	SP311125000006	Washer	6.4
26	SP309933000620	Bolt	M6x20
27	SP223101400414	Elbow	
28	SPPRI503000027	Air Trap Reduction	
29	SPPRI241000017	Hose Clamp	
30	SPPRI540001003	Water Level Switch Hose	
31	SP540183	Spring Clamp	
32	SP529206	Screw	M4x11
33	562832	Holder	
34	SP311902100006	Washer	6

# Drain Valve NO 50/60 Hz for Indirect Steam Heating

360 Models



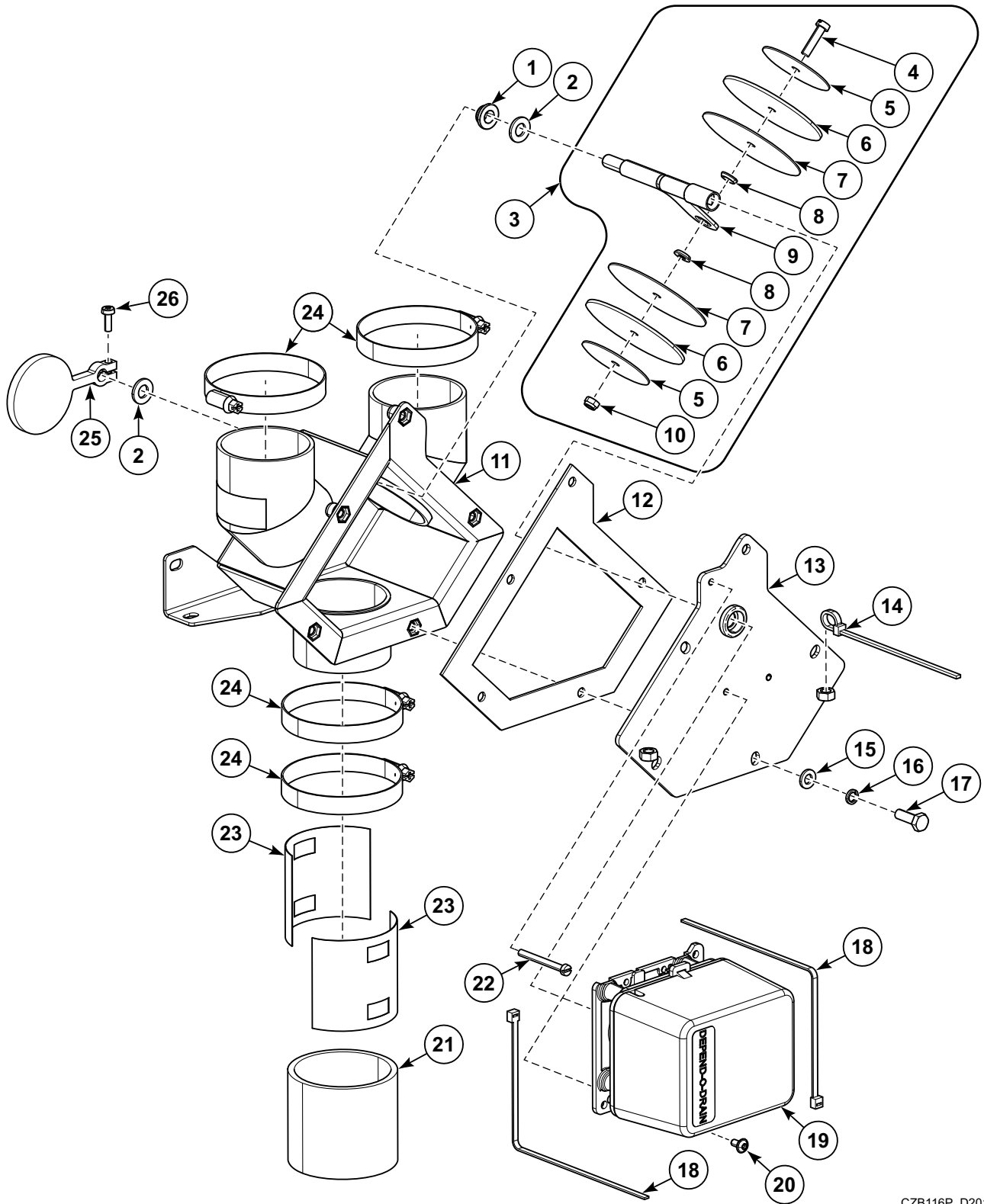
CZB115P\_D2019

## Drain Valve NO 50/60 Hz for Indirect Steam Heating

REF	PART NO.	DESCRIPTION	COMMENTS
	567741	Drain Valve Assembly	
1	566999	Insert	
2	566992	Distance Ring	
3	566993	Distance Ring	
4	566994	Clamping Ring	
5	554276	Drain Valve Seal	
6	567728	Disc	
7	SP508374	Pin	
8	SP310934240008	Nut	M8
9	567729	Disc	
10	567730	Seal	
11	SP505950	Joint	
12	567751	Valve Flap	
13	512134	Bolt	M4x40
14	SP311125240004	Washer	4
15	SP514193	Nut	M4
16	SPPRI340002051	Drain Valve Motor	Includes gearbox
17	566078	Screw	M4x8
18	SP311127240004	Washer	4
19	SP309933240412	Bolt	M4x12
20	567747	Cover	
21	SP309933240616	Bolt	M6x16
22	SP311127240006	Washer	6.4
23	SP311125240006	Washer	
24	567746	Seal	
25	567742	Valve Body Weldment	
26	566987	Distance Ring	
27	SP516633	Wiper	
28	SP506519	O-Ring	
29	SP515788	Case Body	
30	SP506521	Bearing	
31	566986	Case Flange	
32	SP310985000006	Nut	M6
33	SP309798524416	Bolt	M4x16
34	567783	Rubber Stopper	
35	SP309966240410	Bolt	M4x10

# Ventilation Valve for Indirect Steam Heating

360 Models

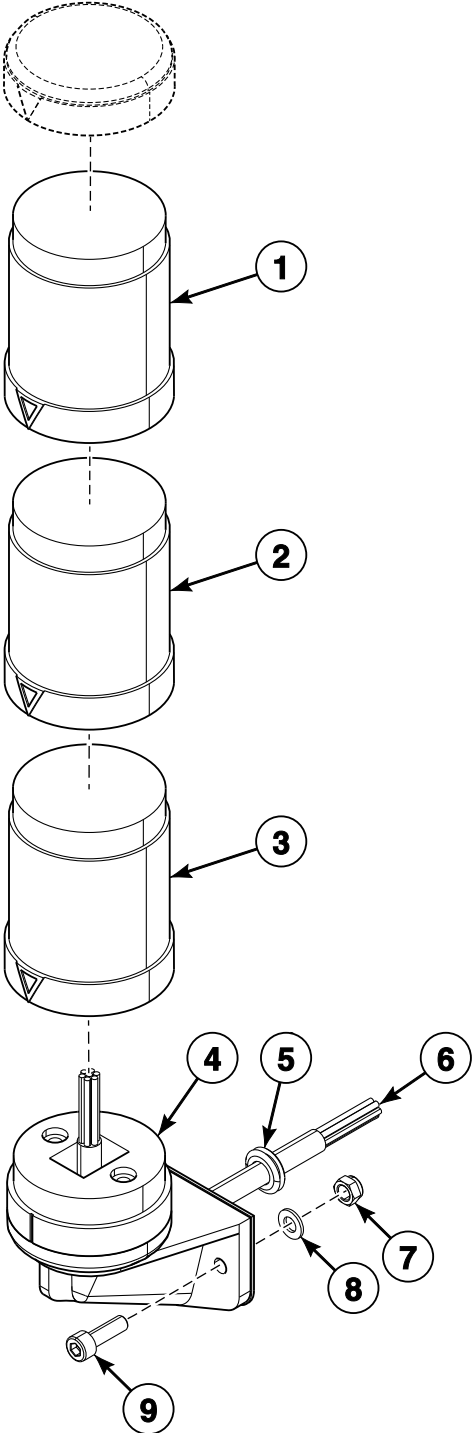
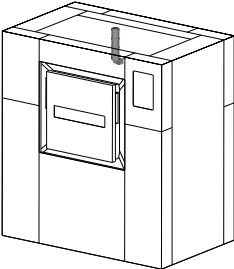


CZB116P\_D2019

## Ventilation Valve for Indirect Steam Heating

REF	PART NO.	DESCRIPTION	COMMENTS
	566967	Drain Valve Assembly	
1	SP549032	Sliding Bearing	
2	SP311124240008	Washer	8
3	566975	Ventilation Flap Assembly	
4	SP309084240520	Bolt	M5x20
5	566978	Shim	
6	566977	Ventilation Valve Seal	
7	566976	Ventilation Valve Plate	
8	SPPRI247000003	Washer	M5
9	566973	Ventilation Flap Weldment	
10	SP310985000005	Nut	M5
11	566968	Ventilation Valve Body	
12	566985	Ventilation Box Seal	
13	566983	Ventilation Valve Lid Assembly	
14	SP345000160971	Binding Strip	
15	SP311125240006	Washer	6
16	SP311127240006	Washer	M6
17	SP309933240618	Bolt	M6x18
18	39037	Cable Tie	
19	SPPRI340002051	Drain Valve Motor	Includes gearbox
20	566078	Screw	M4x8
21	566990	Hose	
22	SP512134	Bolt	M4x40
23	566991	Collar	
24	PRI240000021	Hose Clamp	
25	566984	Flap Counterweight	
26	SP555504	Bolt	M4x40

# Traffic Lights

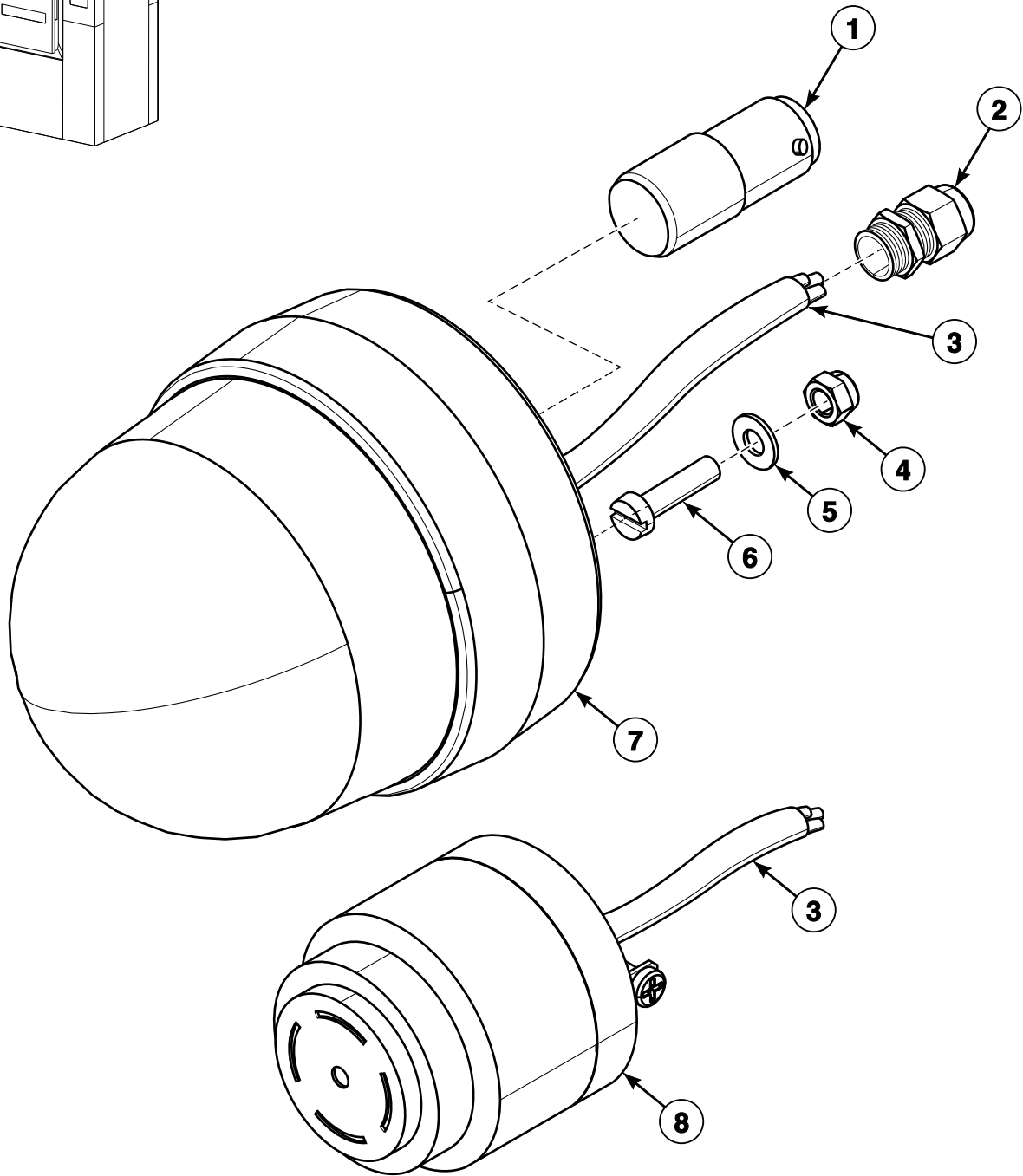
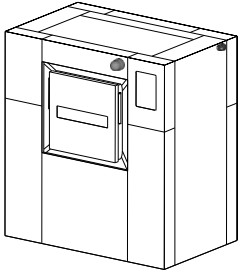


CZB90P\_D2019

# Traffic Lights

REF	PART NO.	DESCRIPTION	COMMENTS
	566824	Traffic Lights Assembly	
	SP514132	Bulb	
1	SP552479	Light Module	Red; Bulb
2	SP552480	Light	Amber; Bulb
3	SP552478	Light	Green; Bulb
4	566826	Base Holder	
5	SP273121008002	Cable Bushing	
6	SP508496	Cable	
7	SP310985000005	Nut	M5
8	SP311125240005	Washer	5.3
9	SP545090	Bolt	M5x16

# Simple Lights and Buzzer



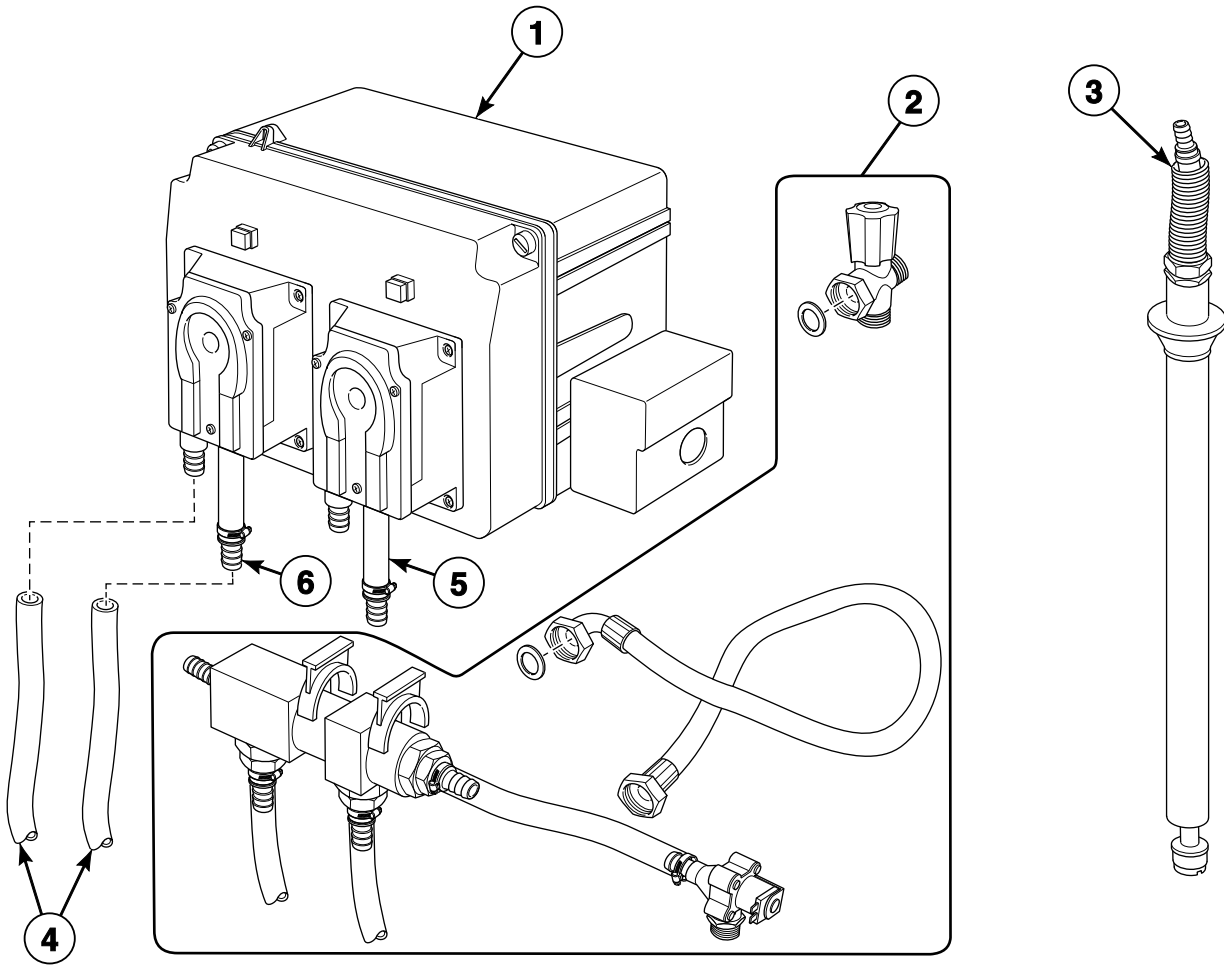
CZB26P\_D2019



## Simple Lights and Buzzer

REF	PART NO.	DESCRIPTION	COMMENTS
	566823	Simple Lights Assembly	
1	SP514132	Bulb	
2	SP101405	Bushing	M12
3	SP341411102075	Beacon Cable	
4	SP514193	Nut	M4
5	SP311125240004	Washer	4.3
6	SP309084000416	Bolt	M4x16
7	SP564690	End of Cycle Beacon	
8	SP516844	Buzzer	

# Liquid Soap Supply System (Pumps)

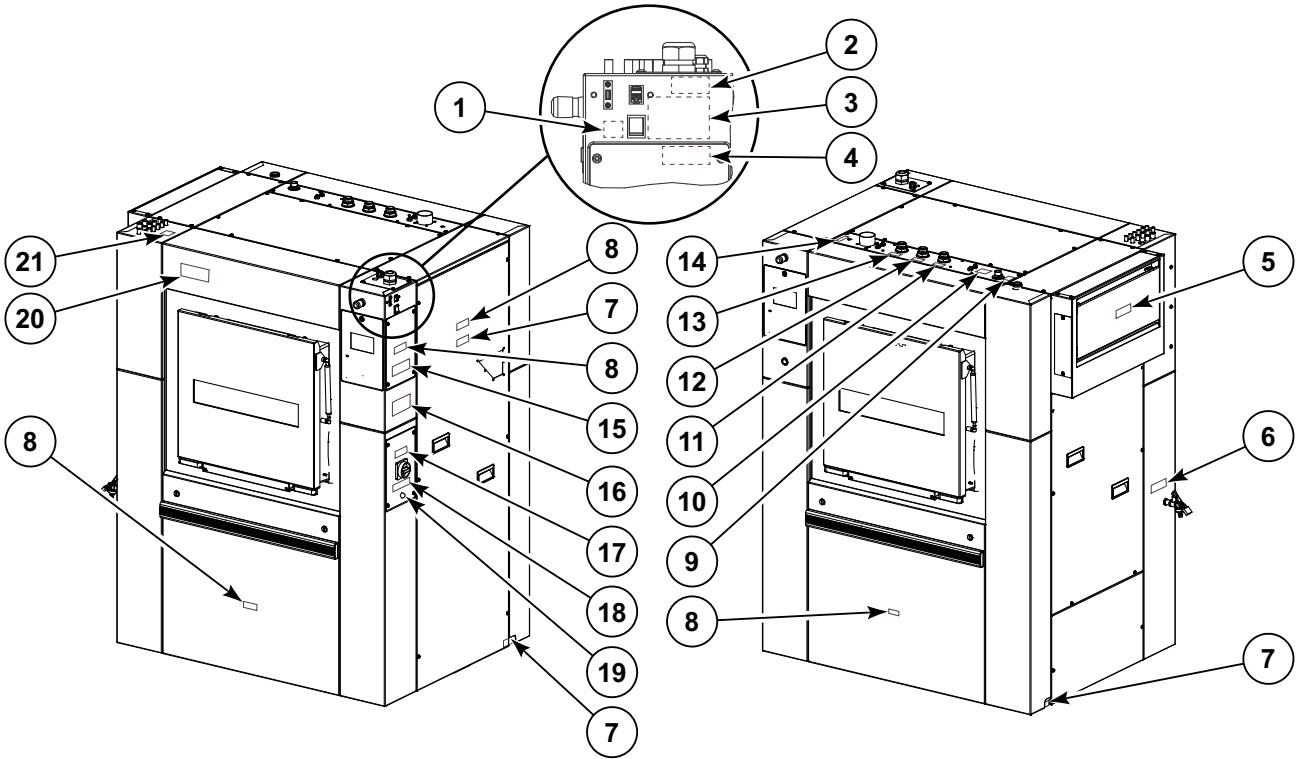


CZW45P\_D2019

## Liquid Soap Supply System (Pumps)

REF	PART NO.	DESCRIPTION	COMMENTS
	MB90-Z40	Supply Pump Kit	For two pumps
	MB90-Z41	Supply Pump Kit	For three pumps
	MB90-Z42	Supply Pump Kit	For four pumps
	MB90-Z43	Supply Pump Kit	For five pumps
	MB90-Z44	Supply Pump Kit	For six pumps
<b>1</b>	529742	Pump	Two
	529743	Pump	Three
	529744	Pump	Four
	529745	Pump	Five
	529746	Pump	Six
<b>2</b>	529789	Manifold Flush Kit	For two pumps
	529797	Manifold Flush Kit	For three pumps
	529798	Manifold Flush Kit	For four pumps
	529799	Manifold Flush Kit	For five pumps
	529800	Manifold Flush Kit	For six pumps
<b>3</b>	529787	Suction Tube	
<b>4</b>	SPPRI540020005	Hose	d10/14
<b>5</b>	529747	Hose	Spare hose for pump
<b>6</b>	547808	Connection	

# Decals



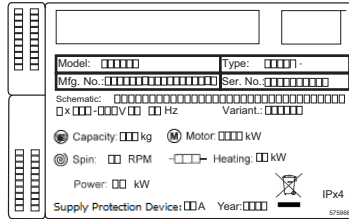
REF 1



REF 2



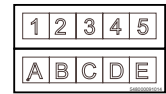
REF 3



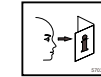
REF 4



REF 5



REF 6



REF 7



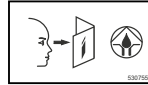
REF 8



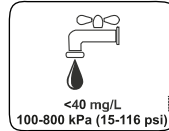
REF 9



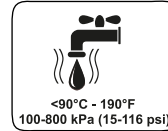
REF 10



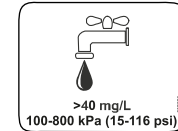
REF 11



REF 12



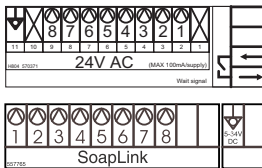
REF 13



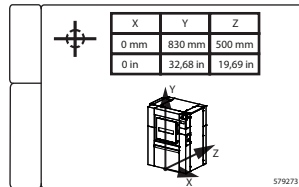
REF 14



REF 15



REF 16



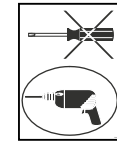
REF 17



REF 19

PE

REF 21



REF 18



REF 20

Logo

CZB37P\_D2019

## Decals

REF	PART NO.	DESCRIPTION	COMMENTS
1	509472	Label	Steam - electricity
2	567184	Label	IMY, NMY, PMY, SMY and UMY models; Watermark
3	575968	Serial Plate	Used with SP516715 Transparent Foil
	SP516715	Transparent Foil	Self-adhesive
4	576337	Label	
5	SP548000091014	Label	Soap hopper
6	570313	Label	Read instructions before using
7	SPPRI551000001	Earthing Index Plate	
8	SP230200007514	Label	Lightning; Inside machine and outside on lid
9	548000101014	Label	Steam
10	SP530755	Greasing Index Plate	
11	SP527271	Index Plate	Cold soft water
12	SP527270	Index Plate	Hot water
13	SP527272	Index Plate	Cold hard water
14	SPPRI551000047	Label	Exhaust
15	570371	Label	Liquid Soap 24V MC10 Models; Inside machine
	579019	Label	Liquid Soap MC10 Models; Inside machine
	SP524740	Label	Pump 24V; Outside the box; MC7 Models; Inside machine
	557765	Label	SoapLink; Inside the box; MC7,MC10 Models; Inside machine
16	579273	Center of Gravity Label	
17	SP530764	Label	Main switch
18	SP548011075015	Label	U V W PE; Inside machine
19	SPPRI551006001	Label	PE; Inside machine
20	567293	Nameplate	IM models; Logo
	567887	Logo Label	MXB and PM models; Logo
	F8443105	Nameplate	UM models; Logo
	RSP70115601	Nameplate	SM models; Logo
21	SP523382	Label	The holes to be drilled not punched



# Parts Index

<b>A</b>	
Adapter	
SP559310 .....	121, 123
Adhesive	
SP245704003021 .....	9, 23, 49, 51, 53, 55, 57, 59, 61, 67, 71, 75, 77, 85
SP245704005331 .....	87
SP510971 .....	89, 91, 93, 95
SP514101 .....	75, 77
245704000577 .....	89, 91, 93, 95, 101, 121
Adjustable Foot	
SP516956 .....	7
Adjusting Rod	
SP515452 .....	73
Air Restrictor Top Cover	
566850 .....	115
566851 .....	115
Air Trap Reduction	
SPPRI503000027 .....	125, 127, 129, 131, 133, 135
Amplifier	
SP516968 .....	113
Anchor Pad	
SP526848 .....	7
<b>B</b>	
Bar	
562445 .....	85
564001 .....	9, 23
564002 .....	9, 23
564003 .....	9, 23
564075 .....	23
Base Holder	
566826 .....	141
Basement	
566041 .....	61, 67
Beacon Cable	
SP341411102075 .....	143
Beam	
562410 .....	7
562412 .....	7
567633 .....	7
Bearing	
SPPRI608000041 .....	73
SPPRI608001065 .....	57, 59
SP506521 .....	137
566019 .....	61, 67
Bearing House	
558169 .....	57
Bearing Housing Replacement Tool	
524099 .....	57, 59
Bearing Hub	
566001 .....	59
566002 .....	57
566051 .....	59
Belt	
SP272111002160 .....	71
Binding Strip	
SP345000160971 .....	139
Blocking Disk	
558194 .....	59
566050 .....	59
Blocking Segment	
566085 .....	63, 65
Board Interconnection Cable	
SP553403 .....	105
Bolt	
SPF02101001114 .....	7
SPPRI202001001 .....	45
SPPRI202003052 .....	57, 59
SP309084000306 .....	79
SP309084000308 .....	81
SP309084000316 .....	67
SP309084000320 .....	61, 81
SP309084000408 .....	111
SP309084000412 .....	45, 105, 109
SP309084000416 .....	97, 99, 113, 143
SP309084000420 .....	85, 113
SP309084240520 .....	139
SP309159324816 .....	53, 55, 75, 77
SP309444016070 .....	7
SP309595124612 .....	59, 79
SP309595240612 .....	55
SP309798500306 .....	37, 43, 61, 67, 103, 105, 107, 115
SP309798500314 .....	79, 81
SP309798500325 .....	47, 61, 65, 67, 79
SP309798524416 .....	137
SP309912121040 .....	37, 43
SP309913000610 .....	57, 59
SP309916000506 .....	71
SP309931001050 .....	7
SP309933000416 .....	109
SP309933000516 .....	61, 67
SP309933000612 .....	9, 15, 17, 23, 29, 61, 67
SP309933000616 .....	15, 17, 23, 29, 89, 91, 93, 95
SP309933000620 .....	7, 125, 127, 129, 131, 133, 135
SP309933000625 .....	79
SP309933000630 .....	79
SP309933000820 .....	125, 127, 129, 131, 133, 135
SP309933000825 .....	63, 65, 125, 127, 129, 131, 133, 135
SP309933001030 .....	7
SP309933001035 .....	33, 35, 39, 41, 45, 47
SP309933001080 .....	7
SP309933001230 .....	73
SP309933001235 .....	71
SP309933001240 .....	73
SP309933001250 .....	71
SP309933001260 .....	7
SP309933001299 .....	37, 43
SP309933100625 .....	105, 109
SP309933240408 .....	85
SP309933240412 .....	85, 137
SP309933240612 .....	37, 43
SP309933240616 .....	85, 137
SP309933240618 .....	139
SP309933240822 .....	123
SP309933240825 .....	7, 109
SP309933240830 .....	123
SP309933241025 .....	33, 35, 39, 41
SP503170 .....	63, 81
SP503572 .....	53, 55
SP506011 .....	85

N/A items do not appear in index.

SP506013	47
SP512134	139
SP515048	33, 35, 39, 41
SP515075	85
SP521260	67
SP521957	47
SP525101	79
SP526791	53, 55
SP535479	63, 65
SP537854	9, 15, 17, 23, 45, 47, 105, 109, 113, 123
SP537864	75, 77, 85
SP545090	141
SP549838	35, 41, 59
SP555504	139
SP566073	49
309084240405	61, 67
309912121040	33, 35, 39, 41
512134	137
537865	63, 65
561307	9, 13, 23, 27
566067	63, 65
567062	87
569260	53
569261	53
569271	49
Brake Resistor	
SP100925	113
Branch T	
SPPRI426002112	89, 91, 93, 95
Bulb	
SP514132	141, 143
Bushing	
SP101405	143
SP101406	109
SP101407	71
SP101409	109
566966	47
Bushing Plate	
562491	109
562492	109
562493	109
Buzzer	
SP516844	143

## C

Cable	
SP508496	141
SP545237	109
Cable Bushing	
SPPRI501000071	113
SPPRI501001078	105, 113
SP101410	109
SP273121008002	141
SP516175	109
528033	71
528224	71
Cable Holder	
SP528313	105, 115
562490	15, 17, 29
563994	33, 35, 39, 41
Cable Passage	
SP273121005052	85
SP273121009002	97, 99
Cable Sleeve	
SPPRI407000091	113

N/A items do not appear in index.

Cable Tie	
39037	139
Cage Nut Lock	
564265	85
Case Body	
SP515788	137
Case Flange	
566986	137
Catch	
566803	79
Center Plate	
566878	79
Check Valve	
Reduction	89, 91
567179	93, 95
Circuit Breaker	
SPPRI401013021	113
SPPRI401014021	113
SP528171	113
SP528294	113
564591	113
Clamp	
SP346000280101	113
SP346000280104	113
SP346000280107	113
SP552123	7
Clamping Ring	
566994	137
Clip	
SP502214	113
Coil	
SP554110	121, 123
567066	89, 91, 93
Coil Modification	
566880	79, 81
Collar	
566991	139
Communication Cable	
SP528323	115
Complete Lock Mechanism	
559699	79
Complete Locking Girder	
559690	79, 81
Conductor	
SP341413007001	117
SP341413007002	117
SP505444	117
SP505446	117
Connection	
547808	145
566932	123
572217	129, 135
Connection Part	
223110400114	125, 131
Connection Tube	
SP549615	131, 133, 135
Connector	
SP510918	117
SP516090	117
SP520082	117
SP554156	121, 123
Connector Box	
SP347100306009	117
Console	
559148	7



Console of Relay Extension Board 566856 .....	105
Contact SPPRI350002018 .....	117
Contact Pin SP345001662931 .....	117
Contacto SPPRI345002019 .....	113
SP514038 .....	113
SP514042 .....	113
SP514043 .....	113
Control Board SP553412 .....	103
SP553414 .....	103
SP553419 .....	103
Control Board Power SP553405 .....	105
Control Wiring 564583 .....	113
Converter SP516964 .....	117
Converter Box SP516997 .....	117
Coupling SP405113000006 .....	97, 99
572251 .....	99
Cover SP346000014010 .....	113
SP346000280301 .....	113
SP524655 .....	113
563912 .....	11
563958 .....	25
563988 .....	11
563990 .....	25
564069 .....	23
566052 .....	59
566053 .....	57
567063 .....	85
567647 .....	111
567684 .....	11
567685 .....	25
567686 .....	11
567687 .....	25
567692 .....	11
567693 .....	25
567694 .....	11
567695 .....	25
567747 .....	137
569182 .....	11
569183 .....	25
569184 .....	11
569185 .....	25
Cover Coil 559692 .....	81
Cover Locking Girder 566806 .....	79
Cover Plate SP558136 .....	49, 55
566087 .....	63, 65
569284 .....	49
Cover Stopper 569130 .....	7
Cover Support 564073 .....	9
564074 .....	23
567696 .....	9

567697 .....	23
<b>D</b>	
Damper SP326269185250 .....	7
Disc 567728 .....	137
567729 .....	137
Disk SPF02101500214 .....	7
Display Protection SP549889 .....	107
Distance Plate SP558134 .....	49, 55
566917 .....	49
Distance Ring 566987 .....	137
566992 .....	137
566993 .....	137
Distance Washer 562426 .....	75, 77
563993 .....	11, 25
564067 .....	73
564171 .....	85
566118 .....	63, 65
567715 .....	75, 77
Door 558163 .....	51, 55
558174 .....	49, 55
566025 .....	51, 55
566026 .....	49, 55
566998 .....	51
572203 .....	49
572227 .....	51
572228 .....	49
Door Assembly 562418 .....	75, 77
562489 .....	75, 77
566909 .....	77
Door Cover 566802 .....	81
566812 .....	81
566936 .....	81
566937 .....	81
Door Glass 562431 .....	75
Door Lock 559698 .....	79
Door Lock Assembly 559700 .....	79
566811 .....	79
Door Lock Interconnection 564614 .....	79
Door Lock Wiring 564562 .....	79
564563 .....	79
564564 .....	79
Door Seal 562460 .....	75, 77
562461 .....	75, 77
Door Spring 558179 .....	49, 51, 55
558180 .....	49, 51, 55

N/A items do not appear in index.

Door Weldment	
558164	51, 55
558172	49, 55
566036	51, 55
566039	49, 55
566997	51
572201	49
572231	51
572234	49
Drain Valve	
SPPRI340055051	125, 127, 131, 133
Drain Valve Assembly	
566967	139
567741	129, 135, 137
Drain Valve Chamber	
567183	131
Drain Valve Motor	
SPPRI340002051	125, 127, 129, 131, 133, 135, 137, 139
Drain Valve Seal	
554276	125, 127, 129, 131, 133, 135, 137
Drawing Bar	
SPF02101500324	7
Drive Board	
564056	71
564062	71
564064	71
Drum Blocking Assembly	
566003	61, 67
Drum Blocking Motor Cable	
564638	61, 67
Drum Hinge	
558170	49, 51, 55
566916	49, 51

## E

Earthing Index Plate	
SPPRI551000001	147
Elbow	
SPPRI426002072	121
SPPRI504000069	83
SP223101400414	125, 127, 129, 131, 133, 135
SP506727	89, 91, 93, 95
SP554320	89, 91
562816	131, 133, 135
562825	83
562900	125, 131
567021	131, 133, 135
567036	131, 133
567042	131, 133
Electric Box Wiring	
569757	113
Electrical Time Switch	
SP358126300000	113
Emergency Stop Connector	
SP528311	103, 107
Emergency Stop Knob	
SP528310	103, 107
End of Cycle Beacon	
SP564690	143
End Stop	
SP346000209101	113
567756	35, 41

569125	37, 43
Exchange	
566896	123
Extension	
SPF02111001114	89, 91, 93, 95
SPPRI426003217	89, 91
Extension Tube	
SP319413104563	121, 123
External Lubrication System	
566815	69
External Steam Hose	
SP273454800034	121

## F

Fastener	
SP550115	7
Ferrite Core	
557961	115
Filter	
SP405054057008	89, 91, 93, 95
Filter Pressure Regulator	
570801	99
Finger Protection	
563982	9
563984	23
567700	9
567701	23
Fitting	
SP560729	69
Flap Counterweight	
566984	139
Frame	
566833	119
566834	119
566835	119
566836	119
566837	119
Frame Leg	
562400	7
Frequency Inverter	
571475	115
571476	115
571477	115
571478	115
Frequency Inverter Fan	
SP528235	115
Frequency Inverter Filter	
SP557932	115
Fuse	
SPPRI401020021	113
SP345805163032	113
SP358251632225	113
Fuse Case	
SP346000004010	113
Fuse Clip	
SP524653	113
Fuse Plug	
SP524654	113

N/A items do not appear in index.

---

**G**

Gas Spring	
567635 .....	75, 77
Gasket	
SP540761 .....	57, 59
SP540762 .....	57, 59
Glass Cover	
566121 .....	77
569297 .....	77
Glass Seal	
562440 .....	75, 77
Golden Lock Handle	
566120 .....	49, 55
572205 .....	49
Greasing Head	
SP425111211043 .....	69
Greasing Index Plate	
SP530755 .....	147

---

**H**

Handle	
SP518707 .....	11, 25
566801 .....	79
Heating Element	
SP540131 .....	37, 43
Heating Element Hole Plug	
SPPRI342001016 .....	37, 43
Heating Wiring	
528155 .....	113
528156 .....	113
552334 .....	113
Hinge	
562437 .....	75, 77
567931 .....	103, 107
Hinge Pin	
558177 .....	49, 51, 55
561663 .....	85
562439 .....	75, 77
564286 .....	85
566063 .....	49, 51, 55
569273 .....	49, 51
569274 .....	49, 51
Holder	
558188 .....	53, 55
558198 .....	63, 65
562811 .....	125, 127, 129, 131, 133, 135
562817 .....	131, 133, 135
562832 .....	125, 127, 129, 131, 133, 135
566906 .....	53
566947 .....	123
567038 .....	89, 91, 93, 95
567077 .....	131, 133, 135
567108 .....	121, 123
567619 .....	103, 107
567662 .....	103, 107
Holder Bracket	
562819 .....	89, 91, 93, 95
Holder Motor	
566020 .....	61, 67
Hook	
SPPRI551016250 .....	115

**Hose**

F02104001213 .....	37, 43
PRI425000072 .....	123
SPF02109001213 .....	83
SPPRI503002049 .....	101
SPPRI540000014 .....	83
SPPRI540020005 .....	33, 35, 37, 39, 41, 43, 145
SP273238003242 .....	83
SP319300006001 .....	97, 99
SP319300008125 .....	99
SP511269 .....	125, 131
283351220111 .....	69
529747 .....	145
562809 .....	125, 127, 129
562833 .....	125, 127, 129
566904 .....	123
566990 .....	139
567020 .....	131, 133, 135
567040 .....	125, 127
567044 .....	125, 127

**Hose Clamp**

PRI240000021 .....	139
SPPRI240000002 .....	33, 35, 37, 39, 41, 43, 83
SPPRI240000003 .....	101, 125, 127, 129, 131, 133, 135
SPPRI240000007 .....	83, 125, 127, 129, 131, 133, 135
SPPRI240000008 .....	83, 121, 123
SPPRI240000017 .....	125, 127, 129, 131, 133, 135
SPPRI240000021 .....	83, 125, 127, 129, 131, 133, 135
SPPRI241000017 .....	125, 127, 129, 131, 133, 135

**Hose Holder**

562815 .....	83
567753 .....	15, 17

**Hose Plug**

562854 .....	83
--------------	----

**House Bearing**

558166 .....	59
--------------	----

**Hygienic Barrier Seal**

566830 .....	119
566831 .....	119
566832 .....	119

---

**I****Index Plate**

SP527270 .....	147
SP527271 .....	147
SP527272 .....	147

**Injector**

559191 .....	121
--------------	-----

**Inlet - Outlet Valve Wiring**

564589 .....	83
--------------	----

**Inlet Elbow**

562754 .....	87
--------------	----

**Inlet Hose**

.....	89, 91
SPPRI505003055 .....	93, 95

**Inlet Valves Assembly, 2**

567047 .....	89
567048 .....	89
567051 .....	93
567052 .....	95

**Inlet Valves Assembly, 3**

567045 .....	91
567046 .....	91

N/A items do not appear in index.

567049	93
567050	95
Inlet Valve, 2-Way	
SP101344	89, 91
Inlet Valve, 3-Way	
SP101345	89, 91
Insert	
566999	137
Insert Tube	
SP235134601115	89, 91, 93, 95
Insertion	
SP558050	49, 55
572206	49
Interconnection	
SP346000280402	113
Isolation Cover	
514184	111
514185	111
Isolation Plate	
SP101154	81

## J

Joint	
SP505950	137

## K

Key	
566810	115
Keyboard	
566863	103
566864	103
566865	103
566866	103
566867	103

## L

Label	
B12535501	147
SPPRI551000047	147
SPPRI551006001	147
SP230200007514	147
SP523382	147
SP524740	147
SP530764	147
SP548000091014	147
SP548011075015	147
509472	147
548000101014	147
557765	147
567184	147
570313	147
LED Illuminated Push Button	
564555	107
Leg	
	19
563902	19, 31
563904	19, 31
563941	19, 31
563943	31

563967	21
563969	21
563971	21
563973	21
567668	19, 31
567670	21
567672	19, 31
567674	21
567676	19, 31
567678	21
567680	31
567682	21
569144	19, 31
569145	21
569146	19, 31
569147	21
569148	19, 31
569149	21
569150	31
569151	21
Leg Extension	
562376	19, 31
562377	21
562378	19, 31
562379	21
562389	15, 17, 29
562393	19, 31
562394	21
562395	19, 31
562396	21
562397	15
562398	15, 17, 29
562399	15
562470	15
562472	21
562474	21
562476	15
563906	15, 17, 29
563908	19, 31
563916	19, 31
563918	15, 17, 29
564004	15, 17, 29
564006	15
564008	15, 17, 29
564009	15
564034	19, 31
564035	21
564036	19, 31
564037	21
564038	19, 31
564039	21
569152	19, 31
569153	21
569154	19, 31
569155	21
569156	19, 31
569157	21
569158	19, 31
569159	21
569160	19, 31
569161	21
569162	19, 31
569163	21
569164	15, 17, 29
569165	15
569166	15, 17, 29
569167	15
569168	15, 17, 29
569169	15

N/A items do not appear in index.

Lever	559688	79
Lid	562441	109
	562449	109
	564032	109
Light	SP552478	141
	SP552480	141
Light Module	SP552479	141
Limit Switch Wiring	569756	113
Limiter	562496	45
	566957	47
	566958	47
	566959	47
	567659	45
	567660	45
Limiter Holder	562453	45, 47
Load Sensor	SP529101	7
Lock	SPPRI61000007	11, 25
	567818	103, 107
Lock Bushing	SPPRI608001081	57, 59
	556733	59
	556735	59
Lock Hook	SPPRI610001007	11, 25
Locking Girder Weldment	559686	79
Locking Lever Weldment	566808	79
Logo Label	567887	147

## M

Magnet	SP558096	33, 39
	566161	33, 39, 51, 55
Magnet Cover	SP558093	33, 39
	566160	33, 39, 51, 55
Magnetic Bracket	564203	85
Magnetic Field Sensor	SP558098	37, 43
	558199	43
Main Switch	SP514179	111
	SP514180	111
	SP514182	111
	564609	111
	564610	111
Main Switch Door	567612	111
	567613	111
Main Switch Holder	562481	109

	562494	109
	567643	109
	567645	109
Main Switch Knob	SPPRI404000095	111
	564611	111
Manifold Flush Kit	529789	145
	529797	145
	529798	145
	529799	145
	529800	145
Microswitch	SPPRI610011077	63, 65, 81
	102394	63, 65
	564511	85
	566044	61, 67
	566882	81
	572218	47
Mixer Assembly	562808	87
Mixer Lid	562751	87
Mixer Outside	562806	87
Mixer Shield	562779	87
Module IDLC	SP558099	115
Motor	558200	63, 65
	564508	71
	564648	71
Motor Cable	SP528105	71
	SP528106	71
	SP528107	71
Motor Pulley	559663	71
	559664	71

## N

Nameplate	B12389801	147
	F8443105	147
	RSP70115601	147
Nozzle	570375	85
Nut	SP101416	109
	SP101419	87, 109
	SP101420	109
	SP310917240006	75, 77
	SP310934000003	61, 79, 81
	SP310934000004	103, 107, 109
	SP310934000006	131, 133, 135
	SP310934000008	125, 127, 129, 131, 133, 135
	SP310934000012	71, 73
	SP310934100004	103, 107
	SP310934100006	7, 105
	SP310934100006	109
	SP310934240005	103, 107
	SP310934240008	109, 123, 137
	SP310936000014	69

N/A items do not appear in index.

SP310985000005	61, 67, 139, 141
SP310985000006	7, 9, 15, 17, 23, 29, 79, 85, 89, 91, 93, 95, 137
SP310985000008	35, 41, 63, 65
SP310985000010	7, 33, 35, 37, 39, 41, 43, 45, 47, 61, 67
SP310985000012	37, 43
SP310985000016	7
SP313251002104	85
SP514193	85, 137, 143
SP516176	109
564204	85
566055	51, 53, 55
566816	79
566933	123
569262	51, 53
570374	85

## O

O-Ring	
SP506519	137
558168	57, 59
562776	87
Outer Door Weldment	
562419	75, 77
562487	75, 77
569295	77

## P

Packing Part	
SPF02101500414	7
Padlock	
SP523167	101
Panel	
569112	107
569115	107
569116	107
Panel of Reinforcement	
569114	107
Pin	
SP508374	137
Pipe Nipple	
SPPRI426001217	89, 121, 123
SPPRI426001220	89, 91, 93, 95
SP235134600414	89, 91, 93, 95
SP319428330060	69, 97, 99
SP319428330800	97, 99
SP503883	69, 97, 99
Plate	
SP515456	73
558144	53, 55
560724	109
566066	63, 65
566080	59
566918	53
566953	47
Plug	
SPPRI348001096	109
SPPRI505000064	121
SP319428324805	37, 43
SP345900032132	15, 17, 29, 97, 101
SP345900215120	109

SP505472	99
SP526781	89, 91, 93, 95
567053	83
572215	129, 135
Power Supply	
SP547067	115
Pressure Regulator Grip	
570804	99
573218	97
Profiled Sealing	
SPPRI505000058	45
Programmer Holder	
562455	105
562479	105
Pulley	
558195	59
566048	59
Pump	
529742	145
529743	145
529744	145
529745	145
529746	145
Pump Relay Board to LED Terminal Cable	
528148	109

## R

Recycle Drain Valve	
SPPRI340072051	125, 131
Reducing Sleeve	
SP230131300715	69
Reduction	
SPF02116001814	121, 123
SPPRI426000184	89, 91
Reinforcement	
562443	85
562444	85
566813	79
Reinforcement of Keyboard	
566861	103
Relay Board Holder	
567610	109
Relay Extension Board	
SP547003	105
Relay Extension Board Cable	
SP547062	105
Retaining Ring	
SP307732030025	73
SP307732031062	73
Reverse Rectifier	
564640	115
Ring	
SPF02117001714	79
562433	75
Rivet	
SP313250004075	109, 123
SP313250004125	61, 67
SP313250032079	115
505479	85
Roller	
SPB03106300514	73
SPF04118000514	73

N/A items do not appear in index.

<b>S</b>		567711.....	13, 27
Safety Module Cable		567712.....	13, 27
568388.....	115	567713.....	13, 27
568389.....	115	567714.....	13, 27
Safety Ring		569186.....	11, 25
SP307732030010.....	75, 77	569187.....	11, 25
Screw		569188.....	11, 25
SP309084240410.....	81	569223.....	13, 27
SP526497.....	79, 87, 125, 127, 129, 131, 133, 135	569224.....	13, 27
SP529206.....	9, 23, 131, 133, 135		
SP536630.....	101	Side Panel	
SP558044.....	55	563945.....	85
566078.....	49, 137, 139	Side Weldment	
566163.....	33, 39, 51, 55	559164.....	33, 35, 39, 41
569126.....	37, 43	559169.....	33, 35, 39, 41
Seal		569242.....	33, 35, 39, 41
SP506708.....	89, 91, 93, 95	569252.....	33, 35, 39, 41
SP510986.....	33, 35, 39, 41	Simple Lights Assembly	
SP526564.....	121, 123	566823.....	143
SP552665.....	109	Sleeve	
562432.....	75, 77	SPF02101500114.....	7
564202.....	85	Slide Bar	
566895.....	123	566014.....	61, 67
567730.....	137	Slide Casing	
567746.....	137	558167.....	53, 55
Seal Cover		569280.....	53
562434.....	75	Slider	
Sealant		566817.....	61
SPPRI704000053.....	57, 59, 87	Sliding Bearing	
Sealing Profile		SP549032.....	139
SP534338.....	119	SP558049.....	49, 55
Sealing Ring		Sliding Bolt	
SPPRI530000047.....	59	566021.....	61, 67
Second Display Board		Sliding Nut	
SP547063.....	107	566017.....	61, 67
SP553420.....	107	Sliding Pad	
SP553421.....	107	566086.....	63, 65
Second Door Wiring		Sliding Washer	
564565.....	79	566005.....	63, 65
Sensor		Soap Hopper	
564639.....	61, 67	561658.....	85
Sensor Base		561659.....	85
SP558113.....	37, 43	Soap Hopper Assembly	
Sensor Holder		562442.....	85
566079.....	61, 67	Soap Hopper Box Cable	
Serial Plate		564554.....	85
SP547563.....	147	Soap Hopper Door	
Shaft		564107.....	85
SP514178.....	111	564108.....	85
Shield Cable		Soap Hopper Level	
SP341414000205.....	117	SP235110200014.....	85
Shim		Soap Relay Board	
566978.....	139	SP524714.....	109
Side Board		Spacer	
564099.....	37, 43	SP521444.....	115
Side Cover		Spiral	
564081.....	13, 27	SP283449080200.....	69
564083.....	13, 27	Spring	
564085.....	11, 25	SPPRI611000007.....	79
564087.....	11, 25	SP315011020005.....	7
564091.....	11, 25	SP315011180012.....	79
566945.....	13, 27	566018.....	61, 67
567710.....	13, 27	Spring Clamp	
		SP540183.....	125, 127, 129, 131, 133, 135
		Spring Suspension	
		SPB01107500014.....	7

N/A items do not appear in index.

Steam Filter	
SP405054057006 .....	121, 123
Steam Hose	
SP515009 .....	121
Steam Supply Assembly	
567059 .....	121
Steam Valve	
SP514162 .....	121, 123
Steam Valve Body	
SP514166 .....	121, 123
Suction Tube	
529787 .....	145
Supply Pump Kit	
MB90-Z40 .....	145
MB90-Z41 .....	145
MB90-Z42 .....	145
MB90-Z43 .....	145
MB90-Z44 .....	145
Switch	
SP100388 .....	109
Switch Pin	
566183 .....	67
Switchboard Assembly	
562450 .....	115
Switching Unit	
SP528312 .....	103, 107

## T

Tape	
SP284000012003 .....	103
Tee	
SPPRI426001107 .....	89
SP526454 .....	125, 127, 129, 131, 133, 135
Temperature Sensor	
SPPRI340015019 .....	33, 35, 39, 41
Temperature Sensor Seal	
SP526439 .....	33, 35, 39, 41
Tension Roller	
SPF02118100013 .....	73
SPF04118000014 .....	73
564068 .....	73
Threaded Joint	
SP531226 .....	101
Top Cover	
562429 .....	9
562435 .....	9
562436 .....	23
562446 .....	9, 23
562457 .....	9
562463 .....	23
562468 .....	9
567636 .....	9, 23
569189 .....	9, 23
569190 .....	9
569191 .....	9
569192 .....	23
569220 .....	9, 23
Top Cover Support	
563923 .....	9, 23
Traffic Lights Assembly	
566824 .....	141
Transformer	
SP101643 .....	113

N/A items do not appear in index.

Transparent Foil	
SP516715 .....	147
Tub to Drain Valve Hose	
SP273124080161 .....	125, 127, 129, 131, 133, 135
Tub Weldment	
559150 .....	33, 35
563930 .....	33, 35
563950 .....	39, 41
569290 .....	35
Tube	
SP533712 .....	79
559693 .....	79
559694 .....	79
566805 .....	79

## U

Upper Cover	
562459 .....	15
562464 .....	17, 29
562466 .....	17, 29
562499 .....	15
562500 .....	17, 29
563910 .....	15
567601 .....	15
567602 .....	17, 29
567603 .....	15
567604 .....	17, 29
567605 .....	15
567606 .....	17, 29
569170 .....	15
569171 .....	17, 29
569172 .....	15
569173 .....	17, 29
569174 .....	15
569175 .....	17, 29
569176 .....	15
569177 .....	17, 29
569178 .....	15
569179 .....	17, 29
569180 .....	15
569181 .....	17, 29
USB Cable	
545236 .....	109
USB Extension Cable	
569714 .....	109

## V

Valve	
SP510808 .....	89, 91, 95
SP510809 .....	89, 91, 95
SP523728 .....	101
SP567065 .....	89, 91, 93
Valve Body Weldment	
567742 .....	137
Valve Flap	
567751 .....	137
Ventilation Box Seal	
566985 .....	139
Ventilation Flap Assembly	
566975 .....	139
Ventilation Flap Weldment	
566973 .....	139



Ventilation Valve Body 566968 .....	139
Ventilation Valve Lid Assembly 566983 .....	139
Ventilation Valve Plate 566976 .....	139
Ventilation Valve Seal 566977 .....	139
Vessel SP321848223000 .....	85
Vibration Switch 564507 .....	45
Vibration Switch Cable 564553 .....	45
569713 .....	45, 47
569752 .....	47
Vibration Switch Holder 562452 .....	9, 23, 45
566941 .....	47
566949 .....	9, 23, 47

## W

Wash Bath Sample Assembly 567019 .....	101
567034 .....	101
567035 .....	101
Washer PRI523000007 .....	109
SPF02111001214 .....	89, 91, 93, 95
SPF02117002414 .....	81
SPF02118000615 .....	73
SPPRI247000003 .....	139
SPPRI522000012 .....	11, 25
SP223111000814 .....	121, 123
SP311124240008 .....	139
SP311125000003 .....	47, 61, 81
SP311125000004 .....	97, 99, 103, 107, 109, 113
SP311125000005 .....	45, 61, 67, 103, 107
SP311125000006 .....	7, 9, 15, 17, 23, 29, 61, 67, 131, 133, 135
SP311125000008 .....	63, 65
SP311125000010 .....	7, 33, 35, 37, 39, 41, 43, 45, 47
SP311125000013 .....	7, 37, 43, 71, 73
SP311125000014 .....	57, 59
SP311125000017 .....	7
SP311125000020 .....	101
SP311125100004 .....	103, 107
SP311125100006 .....	7, 79, 105, 109
SP311125200008 .....	33, 35, 39, 41
SP311125240004 .....	37, 43, 85, 137, 143
SP311125240005 .....	141
SP311125240006 .....	85, 137, 139
SP311125240008 .....	7, 35, 41, 75, 77, 109, 123
SP311127000003 .....	47
SP311127000004 .....	45, 97, 99, 105, 109, 113
SP311127000005 .....	45
SP311127000006 .....	9, 15, 17, 23, 29, 89, 91, 93, 95, 125, 127, 129, 131, 133, 135
SP311127000008 .....	125, 127, 129, 131, 133, 135
SP311127000010 .....	33, 35, 39, 41
SP311127000012 .....	7, 71, 73
SP311127000014 .....	69
SP311127240004 .....	85, 137
SP311127240006 .....	75, 77, 137, 139
SP311127240008 .....	123

SP311679800003 .....	61, 63, 65, 67, 103, 105, 107, 115
SP311679800004 .....	103, 107
SP311679824004 .....	81, 103, 105, 107
SP311679824005 .....	103, 107
SP311679824006 .....	7, 105, 109
SP311679824008 .....	7, 109
SP311902100004 .....	103, 107
SP311902100006 .....	37, 43, 85, 89, 91, 93, 95, 125, 127, 129, 131, 133, 135
SP311902100008 .....	125, 127, 129, 131, 133, 135
SP523032 .....	71
SP562458 .....	7
564061 .....	73
566857 .....	115

Washing Drum Weldment 558145 .....	53
558151 .....	53
558190 .....	55
566022 .....	53
566023 .....	53
566024 .....	55
566908 .....	53
572226 .....	53

Water Hose F200193 .....	89, 91, 93, 95
-----------------------------	----------------

Water Level Switch Hose SPPRI540001003 .....	125, 127, 129, 131, 133, 135
---	------------------------------

Weighing System 566818 .....	117
---------------------------------	-----

Weight 559198 .....	37, 43
559199 .....	37, 43

Wiper SP516633 .....	137
-------------------------	-----

Wire Holder 564071 .....	9
564072 .....	23

