

# Washer-Extractor

Cabinet Hardmount

Refer to Page 5 for Model Numbers





# Table of Contents

Title	Page
Parts Ordering Information.....	3
Serial Plate Location .....	3
Model Identification .....	5
Serial Label .....	6
Frame.....	8
Cabinet - A, IA and WMA Models (Drawing 1 of 2).....	10
Cabinet - A, IA and WMA Models (Drawing 2 of 2).....	12
Cabinet - AR Non-Brand, NA and SA Models (Drawing 1 of 2).....	14
Cabinet - AR Non-Brand, NA and SA Models (Drawing 2 of 2).....	16
Cabinet (Drawing 1 of 4).....	18
Cabinet (Drawing 2 of 4).....	20
Cabinet (Drawing 3 of 4).....	22
Cabinet (Drawing 4 of 4).....	24
Cabinet (Drawing 1 of 3).....	26
Cabinet (Drawing 2 of 3).....	28
Cabinet (Drawing 3 of 3).....	30
Control Panel - A, IA and WMA Models.....	32
Coin Meter - A, IA and WMA Models (Drawing 1 of 2).....	34
Coin Meter - A, IA and WMA Models (Drawing 2 of 2).....	36
Control Panel - AR Non-Brand, NA and SA Models .....	38
Coin Meter - AR Non-Brand, NA and SA Models (Drawing 1 of 3).....	40
Coin Meter - AR Non-Brand, NA and SA Models (Drawing 2 of 3).....	42
Coin Meter - AR Non-Brand, NA and SA Models (Drawing 3 of 3).....	44
Control Panel (Drawing 1 of 2).....	46
Control Panel (Drawing 2 of 2).....	48
Control Panel OPL.....	50
Control Panel Vended.....	52
Control Panel for Central Payment System .....	54
Coin Meter Case.....	56
Coin Meter Case.....	58
Coin Meter - AR, IA, LA, LW, MWC, NA, NX, PA, RX, SA and UA Models (Drawing 1 of 4) .....	60
Coin Meter - AR, IA, LA, LW, MWC, NA, NX, PA, RX, SA and UA Models (Drawing 2 of 4) .....	62
Coin Meter - AR, IA, LA, LW, MWC, NA, NX, PA, RX, SA and UA Models (Drawing 3 of 4) .....	64
Coin Meter - AR, IA, LA, LW, MWC, NA, NX, PA, RX, SA and UA Models (Drawing 4 of 4) .....	66
Door (Drawing 1 of 3).....	68
Door (Drawing 2 of 3).....	70
Door (Drawing 3 of 3).....	72
Water Inlet System (Drawing 1 of 4).....	74
Water Inlet System (Drawing 2 of 4).....	76
Water Inlet System (Drawing 3 of 4).....	78
Water Inlet System (Drawing 4 of 4).....	80

© Copyright 2023, Alliance Laundry Systems LLC

All rights reserved. No part of the contents of this book may be reproduced or transmitted in any form or by any means without the expressed written consent of the publisher.

Drain System .....	82
Drain System .....	84
Rear Panel (Drawing 1 of 2) .....	86
Rear Panel (Drawing 2 of 2) .....	88
Rear Panel - 230V 1/3AC, 400V with Neutral, CE (Drawing 1 of 2).....	90
Rear Panel - 230V 1/3AC, 400V with Neutral, CE (Drawing 2 of 2).....	92
Rear Panel - 400V 440-480V, CE (Drawing 1 of 2) .....	94
Rear Panel - 400V 440-480V, CE (Drawing 2 of 2) .....	96
Steam Heating .....	98
Drive (Drawing 1 of 2) .....	100
Drive (Drawing 2 of 2) .....	102
Elevated Base Frame .....	104
Washing Drum .....	106
External Tub and Bearing Housing .....	108
Bearing Housing .....	110
Bearing Housing - 32, 65, 70, 280 and 303 Medium Speed Models .....	112
Liquid Soap Supply System - Pumps.....	114
Wire Harnesses .....	116
Parts Index.....	117



## Parts Ordering Information

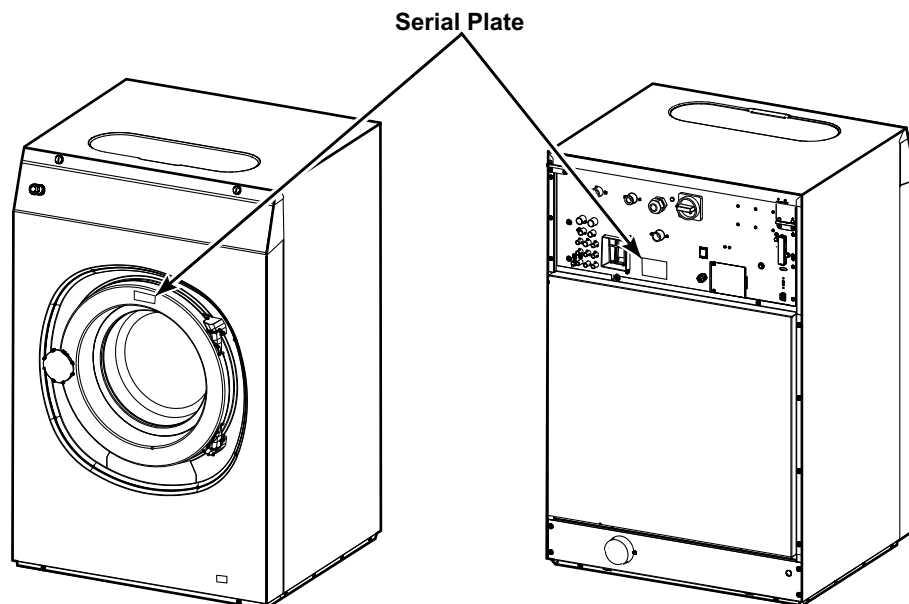
If literature or replacement parts are required, contact the source from whom the machine was purchased or contact Alliance Laundry Systems at (920) 748-3950 for the name and address of the nearest authorized parts distributor.

For technical assistance, call the number listed below:

(920) 748-3121 Ripon, Wisconsin

## Serial Plate Location

When calling or writing about your product, be sure to mention model and serial numbers. Model and serial numbers are located on serial plate(s).



CFD3559P\_D2064

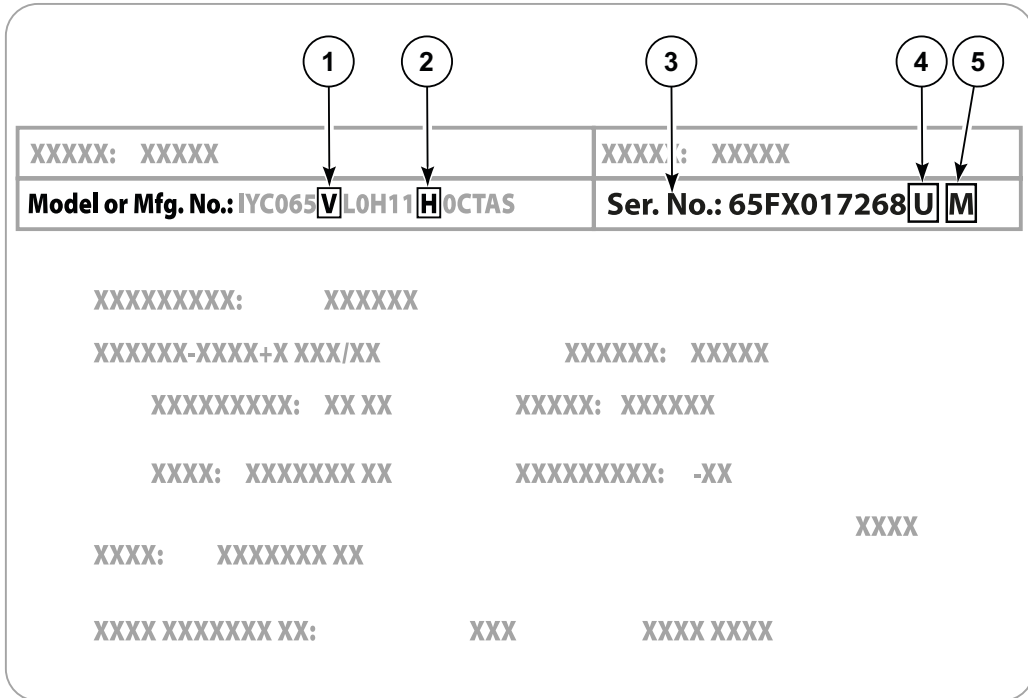


## Model Identification

Information in this manual is applicable to these washer-extractor models:

A240_ARIES	IAC240G	LAE240T	NAX280T	SA240	WMA253E
A280_ARIES	IAC280G	LAE240X	NAX280X	SA280	WMA303E
AR240M_BASIC	IAC240J	LAE280T	NAY240T	SAC240A	
AR240M_PROFESSIONAL	IAC240R	LAE280X	NAY240X	SAC280A	
AR240M_X_CONTROL	IAC280J	LAH240T	NAY280T	SAC240G	
AR240M_X_CONTROL_PLUS	IAC280R	LAH240X	NAY280X	SAC280G	
AR240N_BASIC	IAE240J	LAH280T	PAC240G	SAC240D	
AR240N_PROFESSIONAL	IAE240R	LAH280X	PAC280G	SAC280D	
AR240N_X_CONTROL	IAE280J	LAU240T	PAC240T	SAE240D	
AR240N_X_CONTROL_PLUS	IAE280R	LAU240X	PAC240X	SAE280D	
AR280M_BASIC	IAG240J	LAU280T	PAC280T	SAH240A	
AR280M_PROFESSIONAL	IAG240R	LAU280X	PAC280X	SAH280A	
AR280M_X_CONTROL	IAG280J	LAX240T	PAE240T	SAH240D	
AR280M_X_CONTROL_PLUS	IAG280R	LAX240X	PAE240X	SAH280D	
AR280N_BASIC	IAH240J	LAX280T	PAE280T	SAM240A	
AR280N_PROFESSIONAL	IAH240R	LAX280X	PAE280X	SAM280A	
AR280N_X_CONTROL	IAH280J	LAY240T	PAH240T	SAM240D	
AR280N_X_CONTROL_PLUS	IAH280R	LAY240X	PAH240X	SAM280D	
IA240_ARIES	IAK240J	LAY280T	PAH280T	SAR240D	
IA240_ARIES-ELITE	IAK240R	LAY280X	PAH280X	SAR280D	
IA280_ARIES	IAK280J	NAC240G	PAK240T	SAU240A	
IA280_ARIES-ELITE	IAK280R	NAC280G	PAK240X	SAU280A	
IA240_JLA	IAM240J	NAC240T	PAK280T	SAU240G	
IA280_JLA	IAM240R	NAC240X	PAK280X	SAU280G	
LW27_X_CONTROL	IAM280J	NAC280T	PAM240X	SAU240D	
LW32_X_CONTROL	IAM280R	NAC280X	PAM240T	SAU280D	
MWCX55_X_CONTROL	IAR240J	NAE240T	PAM280X	SAX240A	
MWCX55_X_CONTROL_PLUS	IAR240R	NAE240X	PAM280T	SAX280A	
MWCX65_X_CONTROL	IAR280J	NAE280T	PAN055T	SAX240D	
MWCX65_X_CONTROL_PLUS	IAR280R	NAE280X	PAN055X	SAX280D	
NX240_X_CONTROL	IAU240G	NAH240T	PAN070T	SAY240A	
NX240M_X_CONTROL	IAU280G	NAH240X	PAN070X	SAY280A	
NX240M_X_CONTROL_PLUS	IAU240J	NAH280T	PAR240T	SAY240D	
NX280_X_CONTROL	IAU240R	NAH280X	PAR240X	SAY280D	
NX280M_X_CONTROL	IAU280J	NAM240T	PAR280T	UAC240G	
NX280M_X_CONTROL_PLUS	IAU280R	NAM240X	PAR280X	UAC280G	
PA55_X_CONTROL	IAW240J	NAM280T	PAU240G	UAC240I	
PA55_X_CONTROL_PLUS	IAW240R	NAM280X	PAU280G	UAC280I	
PA70_X_CONTROL	IAX240J	NAR240T	PAU240T	UAH240I	
PA70_X_CONTROL_PLUS	IAX240R	NAR240X	PAU240X	UAH280I	
RX240M_X_CONTROL	IAX280J	NAR280T	PAU280T	UAM240I	
RX240M_X_CONTROL_PLUS	IAX280R	NAR280X	PAU280X	UAM280I	
RX240N_X_CONTROL	IAY240J	NAU240G	PAX240T	UAR240I	
RX240N_X_CONTROL_PLUS	IAY240R	NAU280G	PAX240X	UAR280I	
RX280M_X_CONTROL	IAY280J	NAU240T	PAX280T	UAU240G	
RX280M_X_CONTROL_PLUS	IAY280R	NAU240X	PAX280X	UAU280G	
RX280N_X_CONTROL	LAC240T	NAU280T	PAY240T	UAU240I	
RX280N_X_CONTROL_PLUS	LAC240X	NAU280X	PAY240X	UAU280I	
WMA253E_ARIES	LAC280T	NAX240T	PAY280T	UAX240I	
WMA303E_ARIES	LAC280X	NAX240X	PAY280X	UAX280I	

# Serial Label

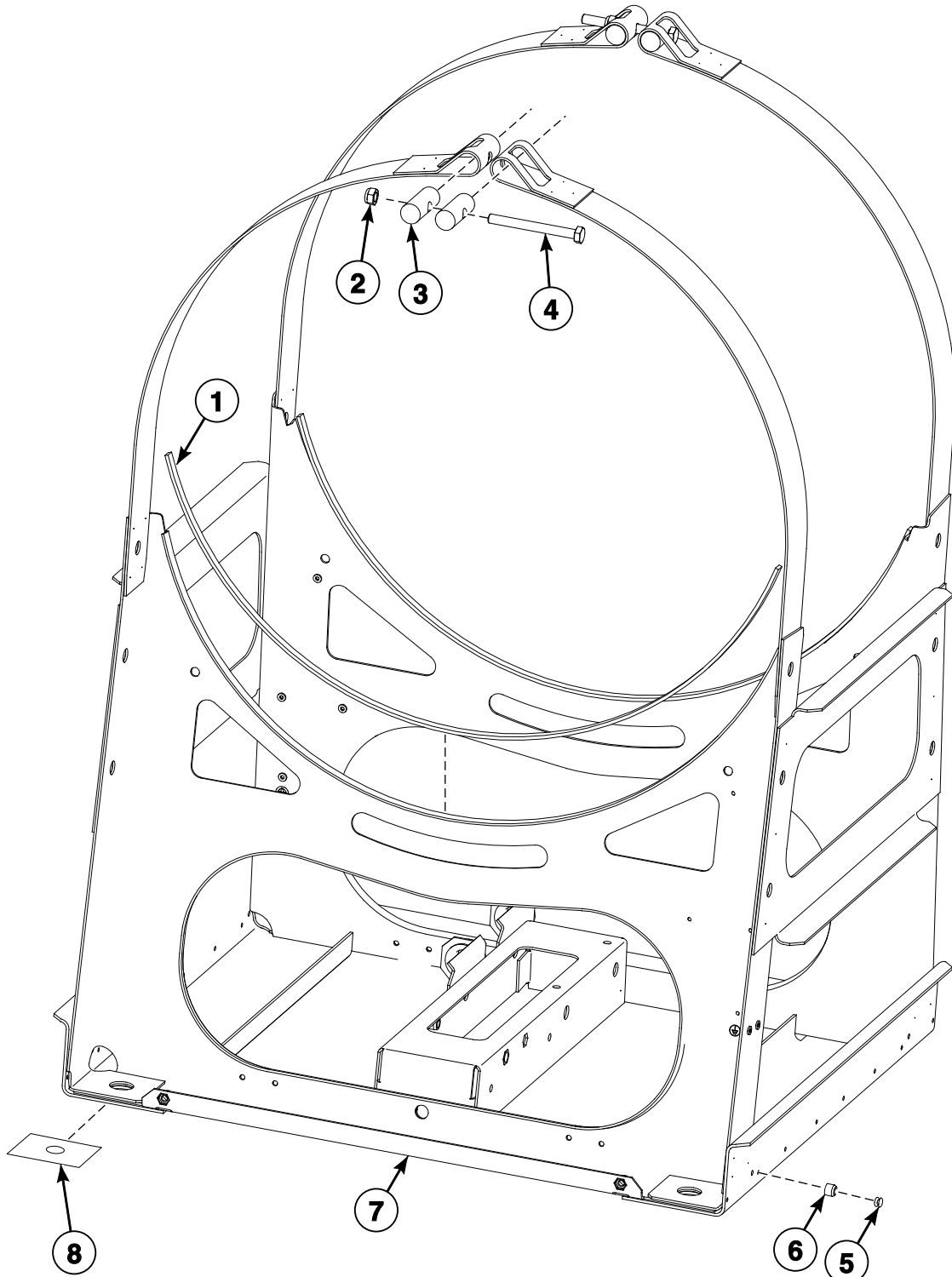


CZW489P

# Serial Label

REF	PART NO.	DESCRIPTION	COMMENTS
1	-	Control	A, D, G, I, J, R, T or X letter in 7th position of the model number
2	-	Design	1, 2, 3, 4, 5, 6, 7, 8, A, B, C, D, L, M, N or P digits or characters in 13th Position
3	-	Serial Number	
4	-	Manufacturing Date - Year	2009: P 2010: R 2011: T 2012: V 2013: X 2014: B 2015: D 2016: F 2017: H 2018: K 2019: M 2020: Q 2021: S 2022: U 2023: W 2024: Y 2025: Z
5	-	Manufacturing Date - Month	January: A or B February: C or D March: E or F April: G or H May: J or K June: L or M July: N or Q August: P or S September: R or U October: T or W November: V or Y December: X or Z

# Frame



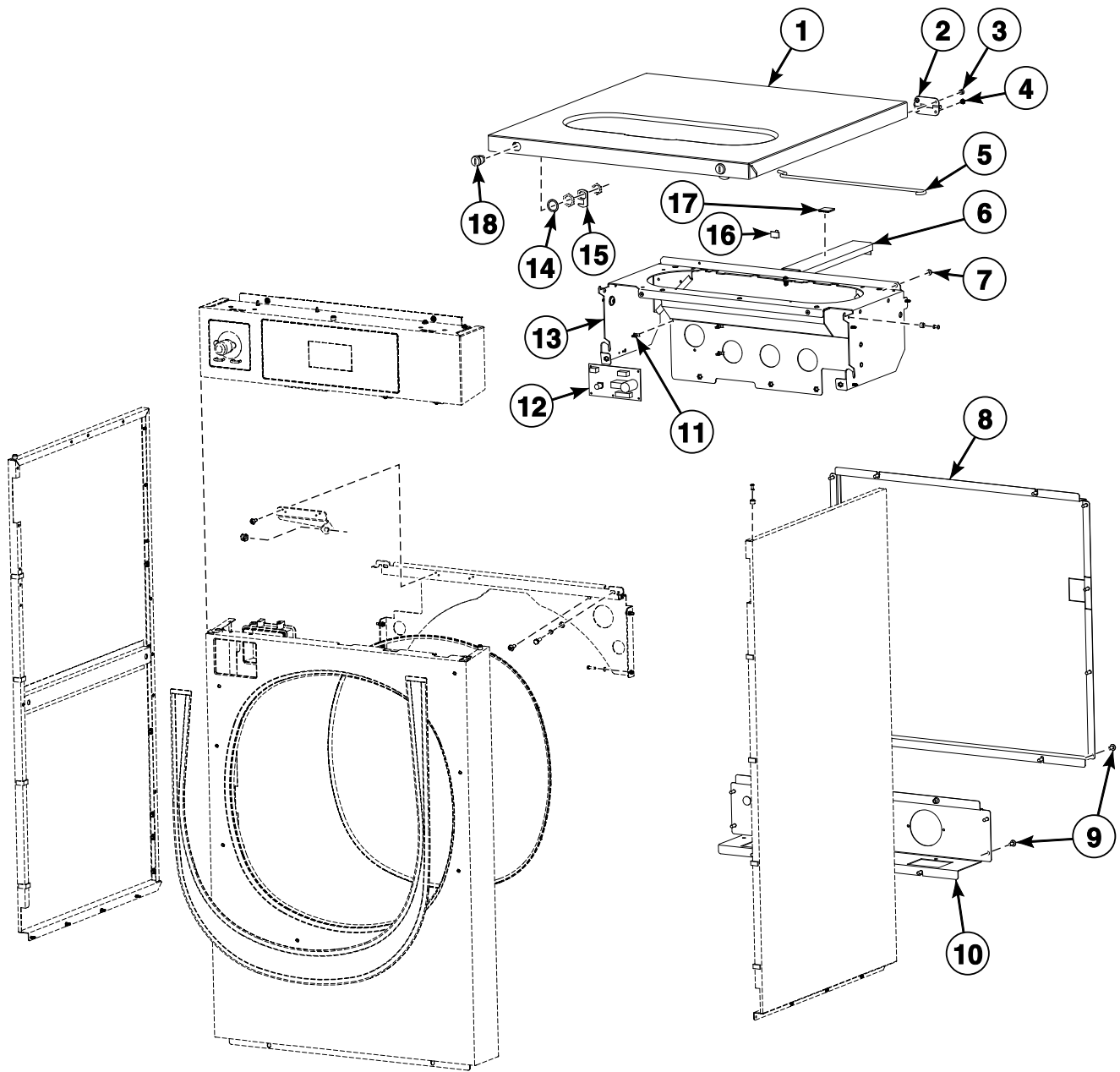
CFD3579P\_D2064

# Frame

REF	PART NO.	DESCRIPTION	COMMENTS
	560080	Mounting Bolt Hole Template	27, 55, 240 and 253 models; Medium spin
	572489	Mounting Bolt Hole Template	27, 55, 240 and 253 models; Normal spin
	560081	Mounting Bolt Hole Template	32, 65, 70, 280 and 303 models; Medium spin
	572490	Mounting Bolt Hole Template	32, 65, 70, 280 and 303 models; Normal spin
<b>1</b>	SP517232	Seal	Self-adhesive foam
<b>2</b>	SP310985000008	Nut	M8
<b>3</b>	SP533738	Cover Strip Pin	
<b>4</b>	SP527093	Bolt	M8x100
<b>5</b>	SP547779	Rivet	4x16.7 with a crank
<b>6</b>	SP520408	Pin Insertion	
<b>7</b>	SP533970	Frame	27, 55, 240 and 253 models; Normal spin
	SP533980	Frame	32, 65, 70, 280 and 303 models; Normal spin
	SP550477	Frame	27, 55, 240 and 253 models; Medium spin
	SP555525	Frame	32, 65, 70, 280 and 303 models; Medium spin
<b>8</b>	570551	Spacing Washer Set	Includes 10pcs; optional, as needed

# Cabinet - A, IA and WMA Models (Drawing 1 of 2)

Models Through Serial No. 240RX006755SB, 280RX003859SB



CZW66P\_D2064

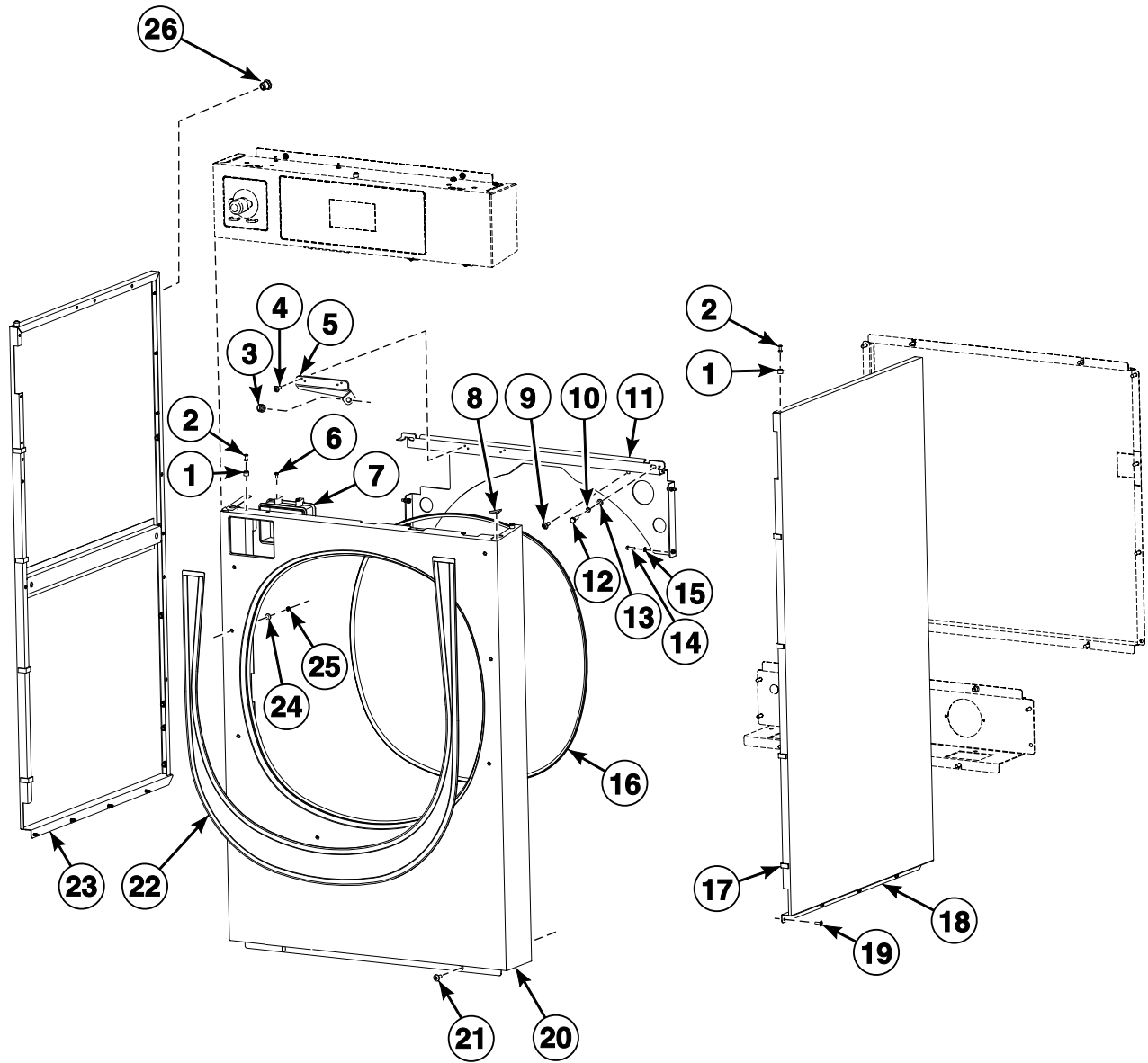


## Cabinet - A, IA and WMA Models (Drawing 1 of 2)

REF	PART NO.	DESCRIPTION	COMMENTS
1	SP557077	Top Cover	240 and 253 models
	SP557084	Top Cover	280 and 303 models
2	SP516832	Hinge	
3	SP313250048103	Rivet	4.8x10.3 with a crank
4	SP529206	Screw	M4x11
5	SP533341	Upper Lid Prop	
6	SP550267	Top Cover Reinforcement	240 and 253 models
	SP557132	Top Cover Reinforcement	280 and 303 models
7	SP273121005052	Cable Passage	5.5x2
8	SP550247	Rear Cover	
	SP555544	Rear Cover	
9	SP555658	Bolt	M6x16
10	SP550241	Lower Rear Cover	
11	SPPRI326002004	Holder	
12	SP552489	Automatic Unlocking Module Assembly	MC7; Includes item 11, SP553406 Automatic Door Opening Module, SP345000160971 Binding Strip, SP552455 Automatic Door Opening Module Wiring and SP552381 Power Terminal Protection
13	SP558864	Panel Holder	Normal speed
	SP557087	Panel Holder	Medium speed
14	SPPRI522000012	Washer	21x27x1
15	SPPRI610002007	Hook Lock	Small
16	SPPRI551016250	Hook	Stick-on
17	SP550115	Fastener	Velcro (hook and loop)
18	SP547527	Lock	

# Cabinet - A, IA and WMA Models (Drawing 2 of 2)

Models Through Serial No. 240RX006755SB, 280RX003859SB



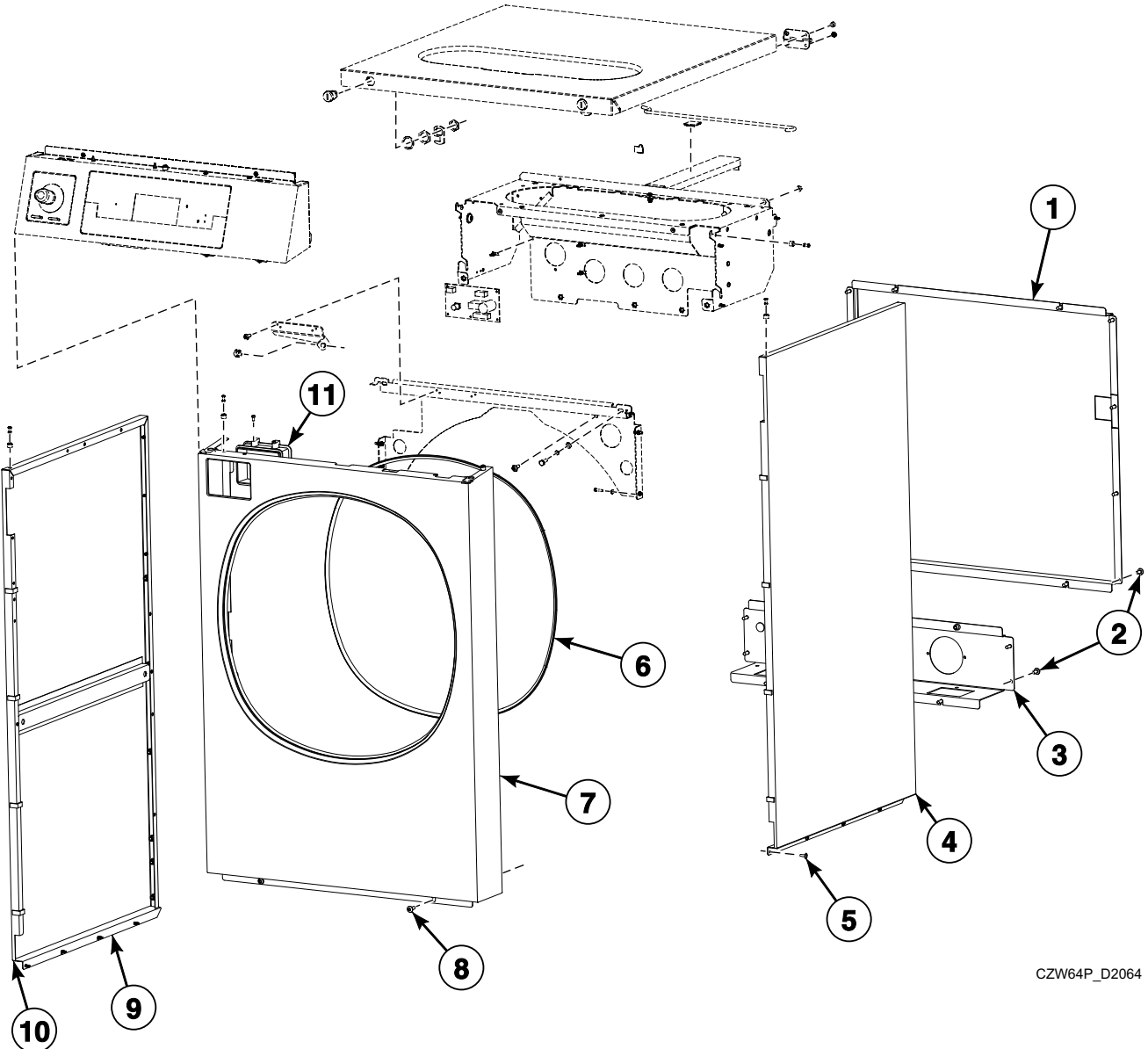
CHM3517P\_D2064

## Cabinet - A, IA and WMA Models (Drawing 2 of 2)

REF	PART NO.	DESCRIPTION	COMMENTS
	SP245704003021	Adhesive	Loctite 243; Used with item 19
1	SP520408	Pin Insertion	
2	SP547779	Rivet	4x16.7 with a crank
3	SP310934000008	Nut	M8
4	SP529206	Screw	M4x11
5	567934	Cabinet Holder	
6	SP309084000408	Bolt	M4x8
7	SP533103	Coin Vault Plate	
	566737	Coin Vault Plate	Vend; Starting Serial No. 240RX002990HM and 280RX001479HM; Large coin meter
8	SP555405	End Stop	
9	SP555658	Bolt	M6x16
10	SP311127000006	Washer	6
11	SP550499	Cabinet Reinforcement	
12	SP309933000616	Bolt	M6x16
13	SP311125000006	Washer	6.4
14	SP309084000416	Bolt	M4x16
15	SP311679800004	Washer	M4
16	SPPRI505000058	Profiled Sealing	
17	SP517232	Seal	Self-adhesive foam
18	SP557115	Side Panel	240 and 253 models; Right; Black
	SP557107	Side Panel	240 and 253 models; Right; Stainless steel
	SP557117	Side Panel	280 and 303 models; Right; Black
	SP557111	Side Panel	280 and 303 models; Right; Stainless steel
19	SP555658	Bolt	M6x16; Loctite 243 required for installation
20	SP557051	Front Panel	OPL; Includes 550112 Antivibration Foil
	SP557066	Front Panel	Vend; Includes 550112 Antivibration Foil
	568067	Front Panel	Vend; Starting Serial No. 240RX002990HM and 280RX001479HM; Large coin meter; Includes 550112 Antivibration Foil
21	SP555658	Bolt	M6x16
22	SP556995	U Shape	OPL
	SP556996	U Shape	Vend
	568069	U Shape	Vend; Starting Serial No. 240RX002990HM and 280RX001479HM; Large coin meter
23	SP557114	Side Panel	240 and 253 models; Left; Black
	SP557106	Side Panel	240 and 253 models; Left; Stainless steel
	SP557116	Side Panel	280 and 303 models; Left; Black
	SP557110	Side Panel	280 and 303 models; Left; Stainless steel
24	SP311902100004	Washer	4
25	SP514193	Nut	M4
26	SP313251000006	Nut	M6

# Cabinet - AR Non-Brand, NA and SA Models (Drawing 1 of 2)

Models Through Serial No. 240RX006755SB, 280RX003859SB



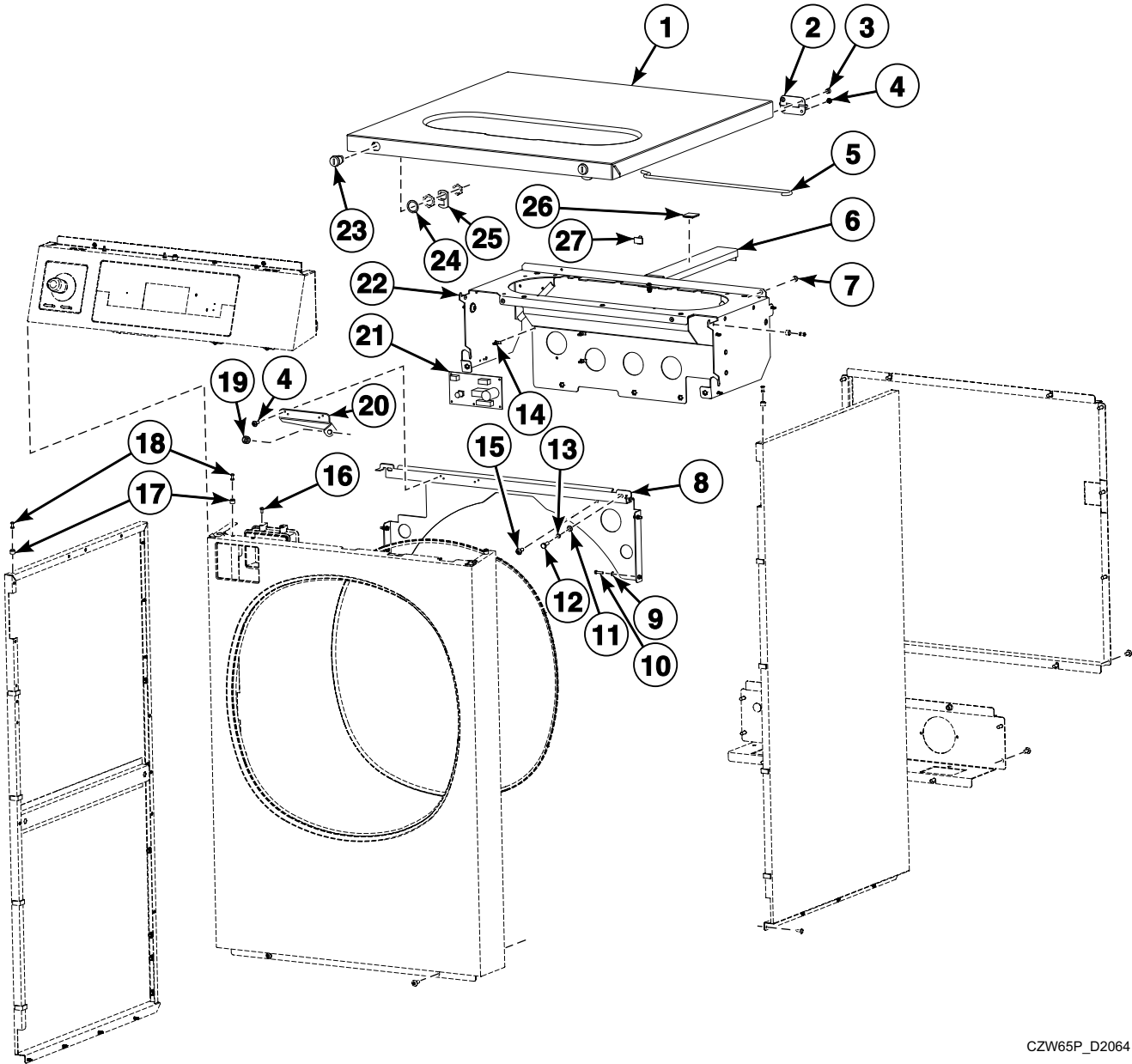
CZW64P\_D2064

## Cabinet - AR Non-Brand, NA and SA Models (Drawing 1 of 2)

REF	PART NO.	DESCRIPTION	COMMENTS
	SP245704003021	Adhesive	Loctite 243; Used with item 5
1	SP550247	Rear Cover	
	SP555544	Rear Cover	With G-factor 175
2	SP555658	Bolt	M6x16
3	SP550241	Lower Rear Cover	
4	SP557107	Side Panel	240 models; Right; Stainless steel
	SP557074	Side Panel	240 models; Right; Painted; Through Serial No. 240RX001686FD
	563582	Side Panel	240 models; Right; Painted; Starting Serial No. 240RX001687FD
	SP557111	Side Panel	280 models; Right; Stainless steel
	SP557080	Side Panel	280 models; Right; Painted; Through Serial No. 280RX000740FH
	SP563586	Side Panel	280 models; Right; Painted; Starting Serial No. 280RX000741FH
5	SP529206	Screw	4x11; Loctite 243 required for installation
6	SPPRI505000058	Profiled Sealing	Through Serial No. 240RX001686FD and 280RX000740FH
7	SP550227	Front Panel	OPL; Stainless steel; Includes 550112 Antivibration Foil
	SP550223	Front Panel	OPL; Painted; Includes 550112 Antivibration Foil; Through Serial No. 240RX001686FD and 280RX000740FH
	563536	Front Panel	OPL; Painted; Includes 550112 Antivibration Foil; Starting Serial No. 240RX001687FD and 280RX000741FH
	568055	Front Panel	AR and NA models; Vend; Painted; Includes 550112 Antivibration Foil; Starting Serial No. 240RX002990HM and 280RX001479HM; Large coin meter
	SP550229	Front Panel	Vend; Stainless steel; Includes 550112 Antivibration Foil
	568053	Front Panel	Vend; Stainless steel; Includes 550112 Antivibration Foil; Starting Serial No. 240RX002990HM and 280RX001479HM; Large coin meter
	SP550225	Front Panel	Vend; Painted; Includes 550112 Antivibration Foil; Through Serial No. 240RX001686FD and 280RX000740FH
	563538	Front Panel	Vend; Painted; Includes 550112 Antivibration Foil; Starting Serial No. 240RX001687FD and 280RX000741FH
8	SP555658	Bolt	M6x16
9	SP557106	Side Panel	240 models; Left; Stainless steel
	SP557073	Side Panel	240 models; Left; Painted; Through Serial No. 240RX001686FD
	SP563580	Side Panel	240 models; Left; Painted; Starting Serial No. 240RX007687FD
	SP557110	Side Panel	280 models; Left; Stainless steel
	SP557082	Side Panel	280 models; Left; Painted; Through Serial No. 280RX000740FH
	SP563584	Side Panel	280 models; Left; Painted; Starting Serial No. 280RX000741FH
10	SP517232	Seal	Self-adhesive foam
11	SP533103	Coin Vault Plate	
	566737	Coin Vault Plate	Vend; Starting Serial No. 240RX002990HM and 280RX001479HM; Large coin meter

# Cabinet - AR Non-Brand, NA and SA Models (Drawing 2 of 2)

Models Through Serial No. 240RX006755SB, 280RX003859SB



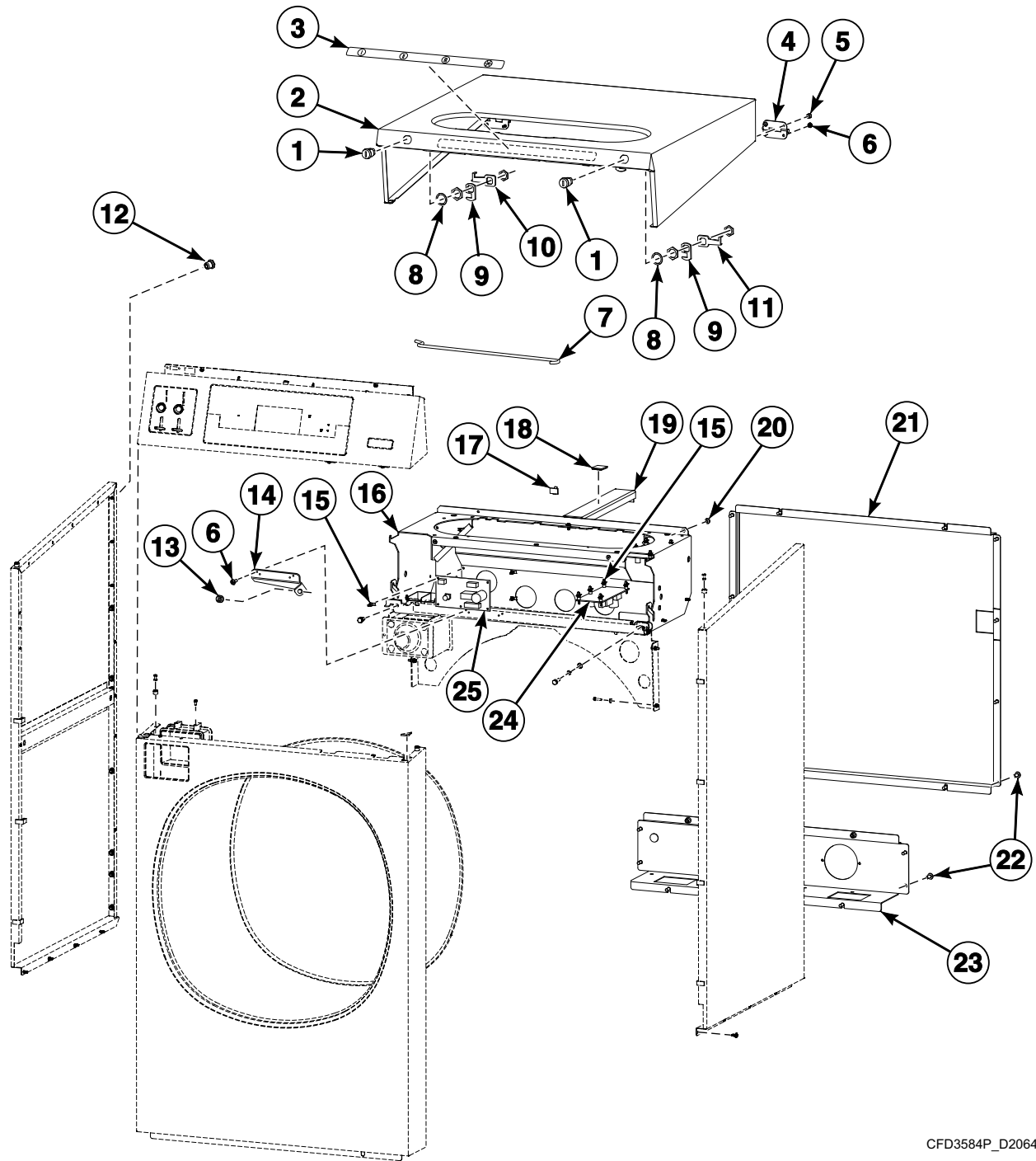
CZW65P\_D2064

## Cabinet - AR Non-Brand, NA and SA Models (Drawing 2 of 2)

REF	PART NO.	DESCRIPTION	COMMENTS
1	SP560473	Top Cover	240 models
	SP560476	Top Cover	280 models
2	SP516832	Hinge	
3	SP313250048103	Rivet	4.8x10.3 with a crank
4	SP529206	Screw	4x11
5	SP533341	Upper Lid Prop	
6	SP550267	Top Cover Reinforcement	240 models
	SP557132	Top Cover Reinforcement	280 models
7	SP273121005052	Cable Passage	5x2
8	SP550499	Cabinet Reinforcement	
9	SP311679800004	Washer	M4
10	SP309084000416	Bolt	M4x16
11	SP311125000006	Washer	6.4
12	SP309933000616	Bolt	M6x16
13	SP311127000006	Washer	6
14	SPPRI326002004	Holder	
15	SP555658	Bolt	M6x16
16	SP309084000408	Bolt	M4x8
17	SP520408	Pin Insertion	
18	SP547779	Rivet	4x16.7 with a crank
19	SP310934000008	Nut	M8
20	567934	Cabinet Holder	
21	SP552489	Automatic Unlocking Module Assembly	MC7; Includes item 14, SP553406 Automatic Door Opening Module, SP345000160971 Binding Strip, SP552455 Automatic Door Opening Module Wiring and SP552381 Power Terminal Protection
22	SP560471	Panel Holder	Normal speed
	SP560479	Panel Holder	Medium speed
23	SP547527	Lock	
24	SPPRI522000012	Washer	21x27x1
25	SPPRI610002007	Hook Lock	Small
26	SP550115	Fastener	Velcro (hook and loop)
27	SPPRI551016250	Hook	Stick-on

# Cabinet (Drawing 1 of 4)

AR, LA, LW, MWC, NX, PA and RX Models with T or X in 7th Position;  
IA, NA, SA and UA Models Starting Serial No. 240RX006756SB or 280RX003860SB with A, D, I, J, R, T or X in 7th Position



CFD3584P\_D2064

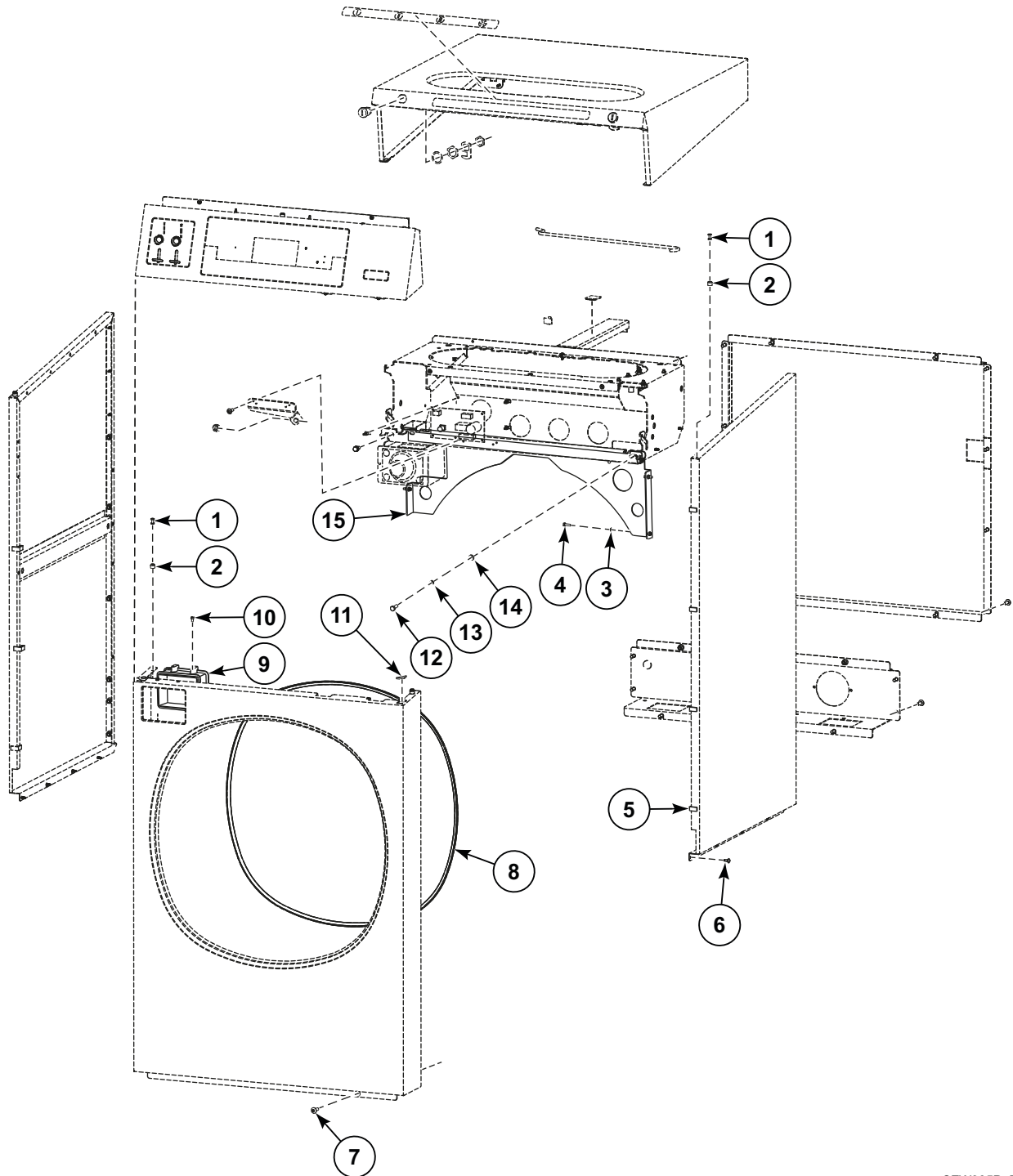


## Cabinet (Drawing 1 of 4)

REF	PART NO.	DESCRIPTION	COMMENTS
1	SP547527	Lock	Requires SP550616 Key
2	SP550263	Top Cover	27, 55, 240 and 253 models
	SP550474	Top Cover	32, 65, 70, 280 and 303 models
	SP555682	Top Cover	27, 55, 240 and 253 models; Without soap hopper opening
	SP555684	Top Cover	32, 65, 70, 280 and 303 models; Without soap hopper opening
3	560786	Label	PAN models; Soap hopper; Vend
4	SP516832	Hinge	
5	SP313250048103	Rivet	4.8x10.3 with a crank
6	SP529206	Screw	4x11
7	SP533341	Upper Lid Prop	
8	SPPRI522000012	Washer	21x27x1
9	SPPRI610002007	Hook Lock	Small
10	569579	Door Lock Strut	PAN055T, PAN055X, PAN070T and PAN070X models; Left; Vend; Starting Serial No. 240RX003177HS or 280RX001577HU
11	569580	Door Lock Strut	PAN055T, PAN055X, PAN070T and PAN070X models; Right; Vend; Starting Serial No. 240RX003177HS or 280RX001577HU
12	SP313251000006	Nut	M6
13	SP310934000008	Nut	M8
14	567934	Cabinet Holder	
15	SPPRI326002004	Holder	
16	SP550243	Panel Holder	Normal spin
	SP555644	Panel Holder	Medium spin
17	SPPRI551016250	Hook	Stick-on
18	SP550115	Fastener	Velcro (hook and loop)
19	SP550267	Top Cover Reinforcement	27, 55, 240 and 253 models
	SP555499	Top Cover Reinforcement	32, 65, 70, 280 and 303 models
20	SP273121005052	Cable Passage	5.5x2
21	SP550247	Rear Cover	Normal spin
	SP555544	Rear Cover	Medium spin
22	SP555658	Bolt	M6x10
23	SP550241	Lower Rear Cover	
24	SP552489	Automatic Unlocking Module Assembly	MC7; Includes item 12, SP553406 Automatic Door Opening Module, SP345000160971 Binding Strip, SP552455 Automatic Door Opening Module Wiring and SP552381 Power Terminal Protection
25	SP545238	Automatic Unlocking Module Assembly	MC6; Includes item 12, SP547004 Automatic Door Opening Module, SP345000160971 Binding Strip and SP545235 Door Timer Wiring

# Cabinet (Drawing 2 of 4)

AR, LA, LW, MWC, NX, PA and RX Models with T or X in 7th Position;  
IA, NA, SA and UA Models Starting Serial No. 240RX006756SB or 280RX003860SB with A, D, I, J, R, T or X in 7th Position



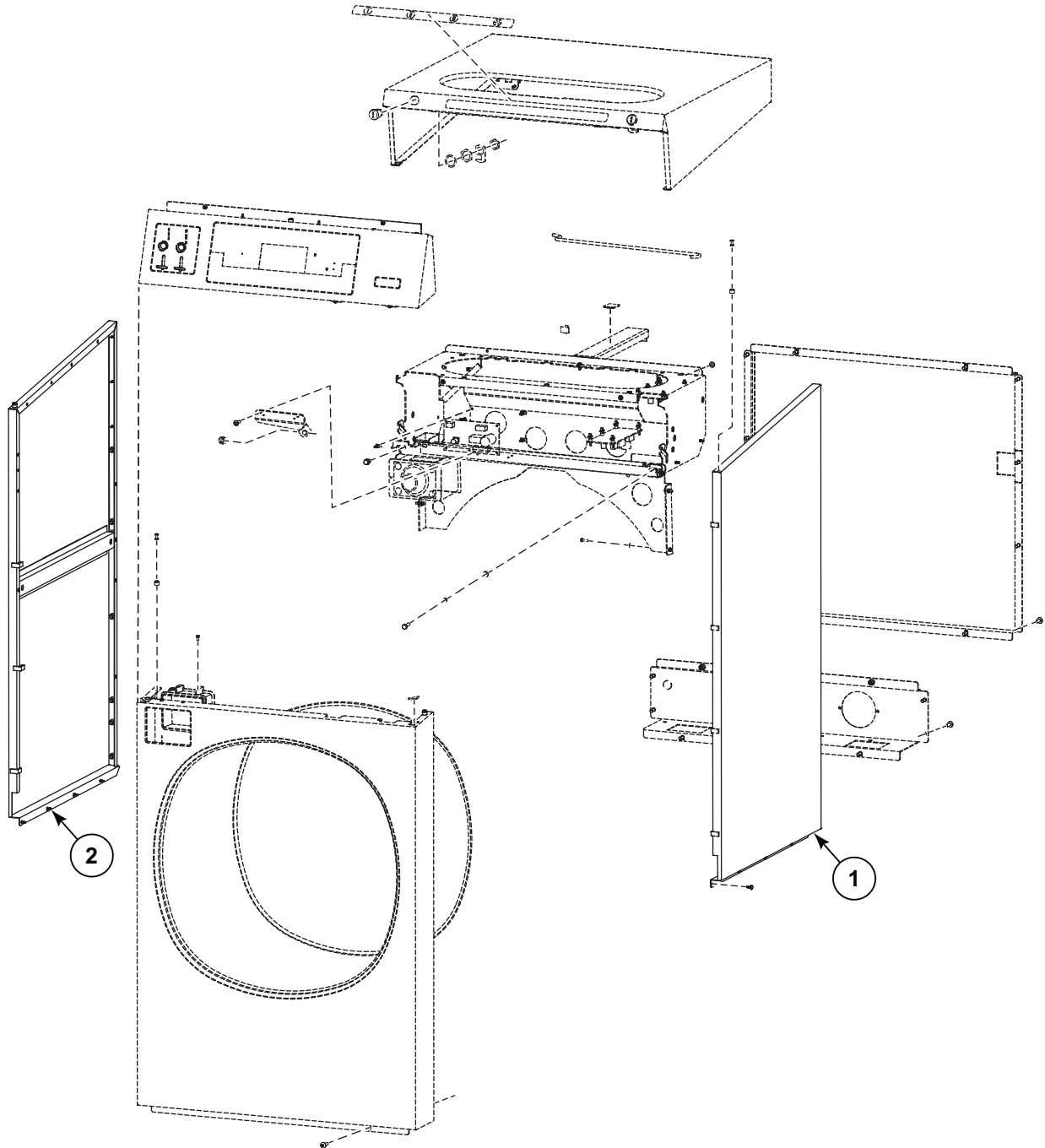
CZW395P\_D2064

## Cabinet (Drawing 2 of 4)

REF	PART NO.	DESCRIPTION	COMMENTS
	SP245704003021	Adhesive	Loctite 243; Used with item 6
1	SP547779	Rivet	4x16.7 with a crank
2	SP520408	Pin Insertion	
3	SP311679800004	Washer	M4
4	SP309084000416	Bolt	M4x16
5	SP517232	Seal	Self-adhesive foam
6	SP555658	Bolt	M6x16; Loctite 243 required for installation
7	SP555658	Bolt	M6x16
8	SPPRI505000058	Profiled Sealing	Through Serial No. 240RX001686FD or 280RX000740FH
9	SP533103	Coin Vault Plate	
	566737	Coin Vault Plate	Vend; Large coin meter; Starting Serial No. 240RX002990HM or 280RX001479HM
10	SP309084000408	Bolt	M4x8
11	SP555405	End Stop	
12	SP309933000616	Bolt	M6x16
13	SP311127000006	Washer	6
14	SP311125000006	Washer	6.4
15	SP550499	Cabinet Reinforcement	

# Cabinet (Drawing 3 of 4)

AR, LA, LW, MWC, NX, PA and RX Models with T or X in 7th Position;  
IA, NA, SA and UA Models Starting Serial No. 240RX006756SB or 280RX003860SB with A, D, I, J, R, T or X in 7th Position



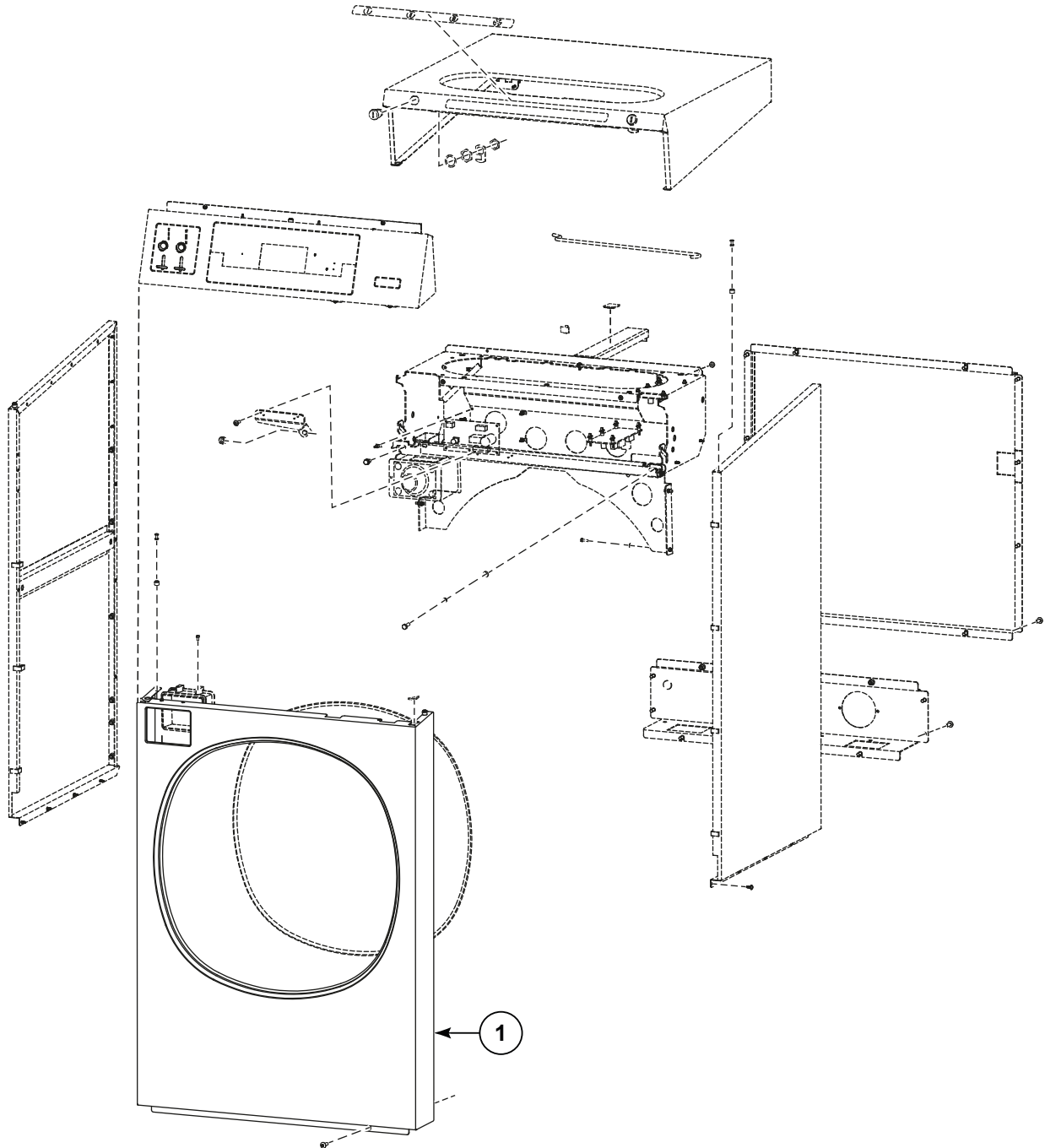
CZW394P\_D2064

## Cabinet (Drawing 3 of 4)

REF	PART NO.	DESCRIPTION	COMMENTS
1	SP550252	Side Panel	27, 55 and 240 models; Right; Painted; Models through Serial No. 240RX001686FD
	563558	Side Panel	LA, LW, MWC, NX, PA, RX 27, 55 and 240 models Starting Serial No. 240RX001687FD; AR, NA, 27, 55 and 240 models Starting Serial No. 240RX006756SB; Right, Painted
	SP550257	Side Panel	27, 55 and 240 models; Right; Stainless steel
	SP550465	Side Panel	32, 65, 70 and 280 models; Models through Serial No. 280RX000740FH; Right; Painted
	563562	Side Panel	LA, LW, MWC, NX, PA, RX 32, 65, 70 and 280 models Starting Serial No. 280RX000741FH; AR, NA, 32, 65, 70 and 280 models Starting Serial No. 280RX003860SB; Right; Painted
	SP550470	Side Panel	32, 65, 70 and 280 models; Right; Stainless steel
	577119	Side Panel	IA, SA, 27, 55 and 240 models; Starting Serial No. 240RX006756SB; Right; Black
	577123	Side Panel	IA, SA, 32, 65, 70 and 280 models; Starting Serial No. 280RX003860SB; Right; Black
2	SP550255	Side Panel	27, 55 and 240 models; Models through Serial No. 240RX001686FD; Left; Painted
	563556	Side Panel	LA, LW, MWC, NX, PA, RX 27, 55 and 240 models Starting Serial No. 240RX001687FD; AR, NA, 27, 55 and 240 models Starting Serial No. 240RX006756SB; Left, Painted
	SP550259	Side Panel	27, 55 and 240 models; Left; Stainless steel
	SP550468	Side Panel	32, 65, 70 and 280 models; Models through Serial No. 240RX001686FD and 280RX000740FH; Left; Painted
	563560	Side Panel	LA, LW, MWC, NX, PA, RX 32, 65, 70 and 280 models Starting Serial No. 280RX000741FH; AR, NA, 32, 65, 70 and 280 models Starting Serial No. 280RX003860SB; Left; Painted
	SP550472	Side Panel	32, 65, 70 and 280 models; Left; Stainless steel
	577117	Side Panel	IA, SA, 27, 55 and 240 models; Starting Serial No. 240RX006756SB; Left; Black
	577121	Side Panel	IA, SA, 32, 65, 70 and 280 models; Starting Serial No. 280RX003860SB; Left; Black

# Cabinet (Drawing 4 of 4)

AR, LA, LW, MWC, NX, PA and RX Models with T or X in 7th Position;  
IA, NA, SA and UA Models Starting Serial No. 240RX006756SB or 280RX003860SB with A, D, I, J, R, T or X in 7th Position



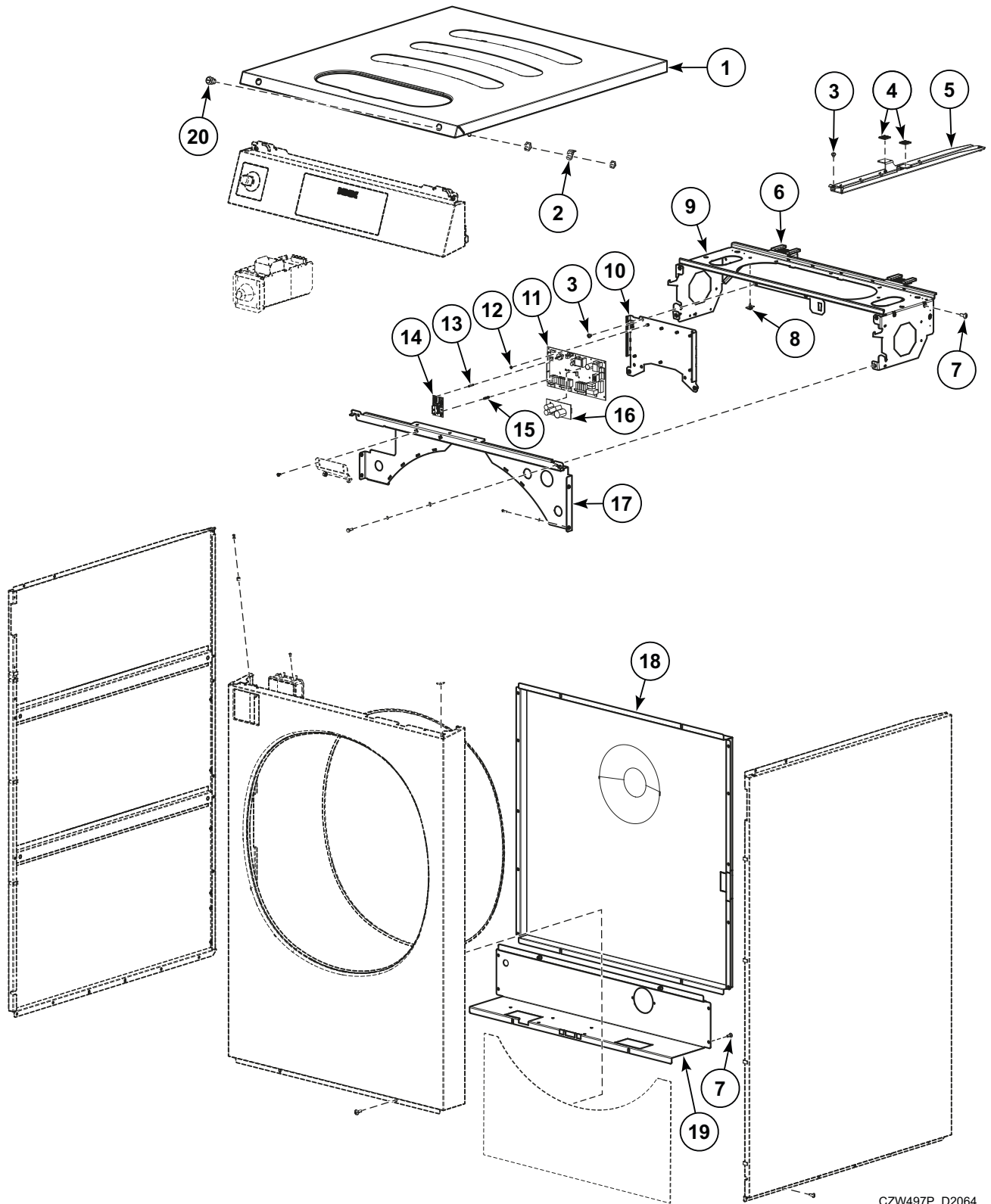
CZW393P\_D2064

## Cabinet (Drawing 4 of 4)

REF	PART NO.	DESCRIPTION	COMMENTS
1	SP550223	Front Panel	OPL; Painted; Includes 550112 Antivibration Foil; Models through Serial No. 240RX001686FD or 280RX000740FH
	563536	Front Panel	LA, LW, MWC, NX, PA and RX models starting Serial No. 240RX001687FD or 280RX000741FH; AR and NA models starting Serial No. 240RX006756SB or 280RX003860SB; OPL; Painted; Includes 550112 Antivibration Foil
	SP550227	Front Panel	OPL; Stainless steel; Includes 550112 Antivibration Foil
	SP550225	Front Panel	Vend; Painted; Includes 550112 Antivibration Foil; Models through Serial No. 240RX001686FD or 280RX000740FH
	563538	Front Panel	LA, LW, MWC, NX, PA and RX models; Vend; Painted; Includes 550112 Antivibration Foil; Models starting Serial No. 240RX001687FD and 280RX000741FH; Not Applicable for Large coin meter
	568055	Front Panel	LA, LW, MWC, NX, PA and RX models starting Serial No. 240RX002990HM or 280RX001479HM; AR and NA models starting Serial No. 240RX006756SB or 280RX003860SB; Vend; Painted; Includes 550112 Antivibration Foil; Large coin meter
	SP550229	Front Panel	Vend; Stainless steel; Includes 550112 Antivibration Foil; Not Applicable for Large coin meter
	568053	Front Panel	Vend; Stainless steel; Includes 550112 Antivibration Foil; Large coin meter; Models starting Serial No. 240RX002990HM or 280RX001479HM

# Cabinet (Drawing 1 of 3)

Models with G in 7th Position



CZW497P\_D2064

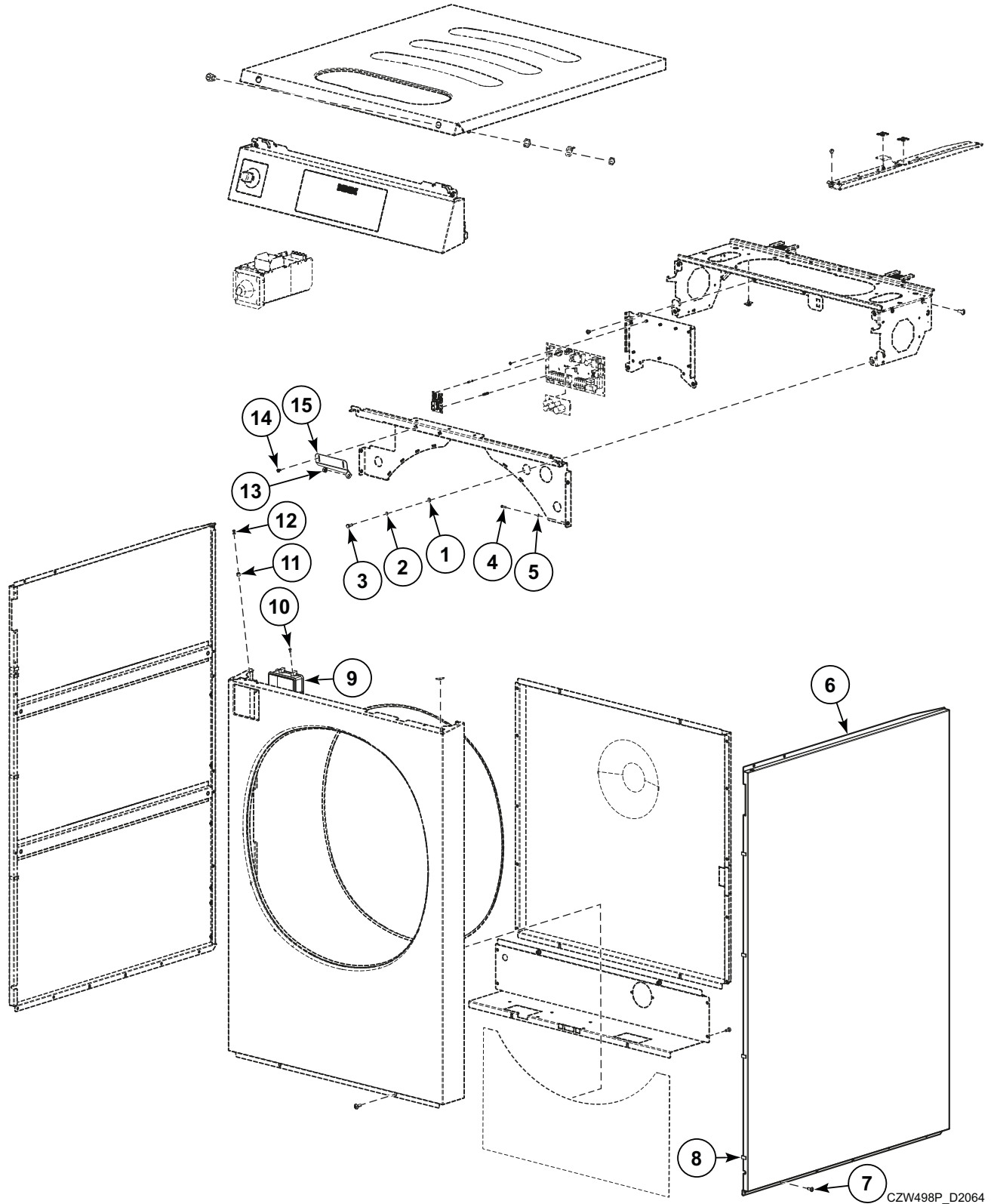


## Cabinet (Drawing 1 of 3)

REF	PART NO.	DESCRIPTION	COMMENTS
1	580871	Top Cover	240 models
	580877	Top Cover	280 models
	577503	Top Cover	240 models; Without soap hopper opening
	577504	Top Cover	280 models; Without soap hopper opening
2	581001	Lock Hook	
3	SP506012	Bolt	M6x10
4	SP550115	Fastener	Velcro (hook and loop)
5	581027	Top Cover Reinforcement	240 models
	581028	Top Cover Reinforcement	280 models
6	564202	Seal	0.1m
7	555658	Bolt	M6x16
8	SP528313	Cable Holder	
9	577661	Panel Holder	
10	577668	Control Board Holder	
11	553444	Control Board I/O	MC10; Power; Used with 569702 Interconnection Flat Cable
12	563123	Bolt	M3x6
13	577689	Plastic Post	
14	553439	Conversion Board	
15	577693	Plastic Post	
16	N/A	Module	Door Lock
17	SP550499	Cabinet Reinforcement	
18	581018	Rear Cover	
19	550241	Rear Cover	Lower
20	SP547527	Lock	Requires SP550616 Key

# Cabinet (Drawing 2 of 3)

Models with G in 7th Position



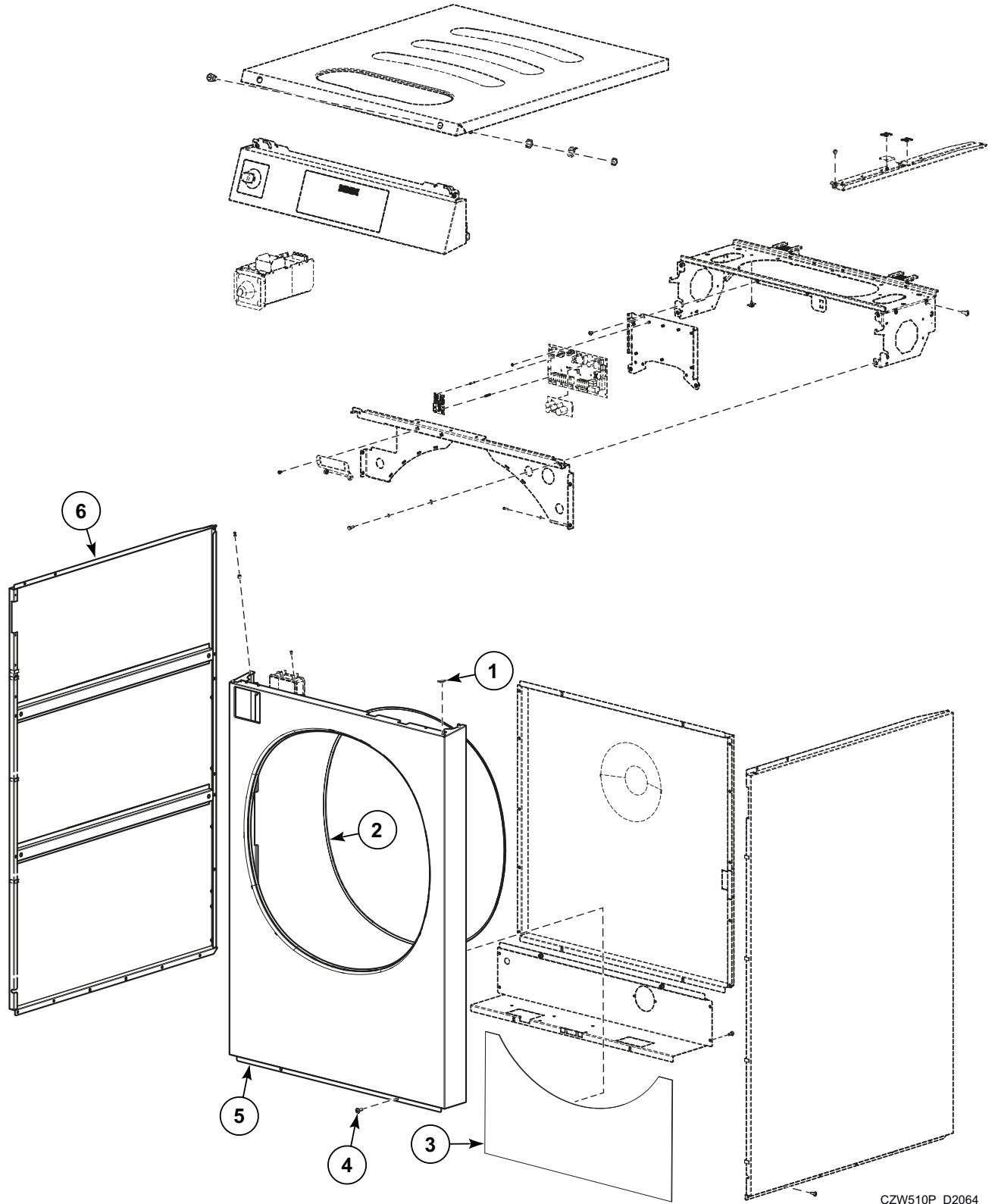
CZW498P\_D2064

## Cabinet (Drawing 2 of 3)

REF	PART NO.	DESCRIPTION	COMMENTS
1	SP31112500006	Washer	6.4
2	SP31112700006	Washer	6
3	SP309933000616	Bolt	M6x16
4	SP555504	Bolt	M4x12
5	SP311679800004	Washer	M4
6	580812	Side Panel	240 models; Right; Stainless steel
	580820	Side Panel	280 models; Right; Stainless steel
	577456	Side Panel	IA 240 models; Right; Black
	577458	Side Panel	IA 280 models; Right; Black
	580816	Side Panel	NA and PA 240 models; Right; Painted
	580824	Side Panel	NA and PA 280 models; Right; Painted
7	555658	Bolt	M6x16
8	SP517232	Seal	Self-adhesive foam
9	SP533103	Coin Vault Plate	
10	SP309084000408	Bolt	M4x8
11	SP520408	Pin Insertion	
12	SP547779	Rivet	4x16.7 with a crank
13	SP310934000008	Nut	M8
14	SP529206	Screw	4x11
15	567934	Cabinet Holder	

# Cabinet (Drawing 3 of 3)

Models with G in 7th Position



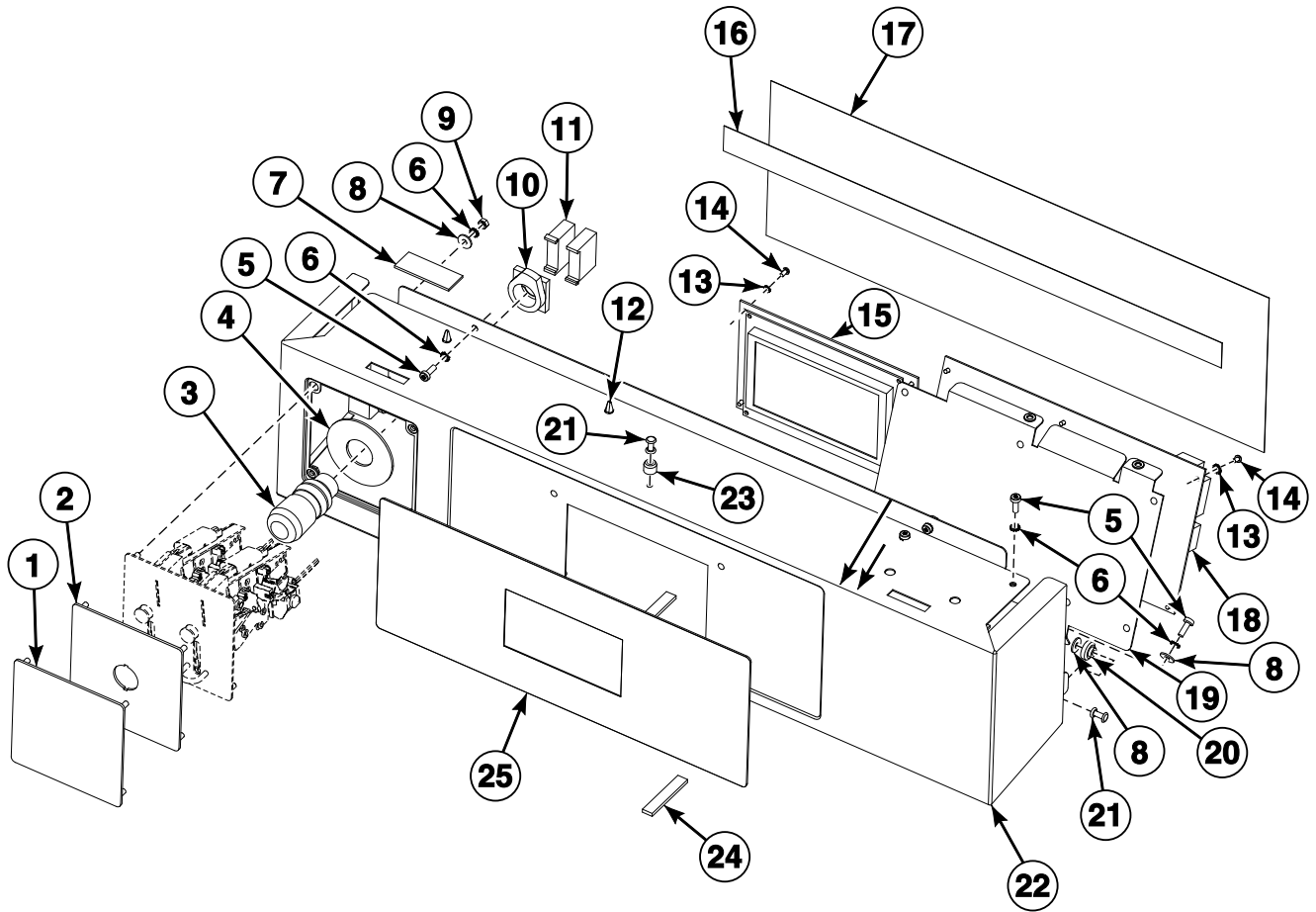
CZW510P\_D2064

## Cabinet (Drawing 3 of 3)

REF	PART NO.	DESCRIPTION	COMMENTS
1	SP555405	End Stop	
2	SPPRI505000058	Profiled Sealing	
3	550112	Antivibration Foil	
4	555658	Bolt	M6x16
5	563536	Front Panel	NA and PA models; OPL; Painted; Includes 550112 Antivibration Foil
	SP550227	Front Panel	OPL; Stainless steel; Includes 550112 Antivibration Foil
	568053	Front Panel	Vend; Stainless steel; Includes 550112 Antivibration Foil
	568055	Front Panel	NA and PA models; Vend; Painted; Includes 550112 Antivibration Foil
6	580810	Side Panel	240 models; Left; Stainless steel
	580818	Side Panel	280 models; Left; Stainless steel
	577455	Side Panel	IA 240 models; Left; Black
	577457	Side Panel	IA 280 models; Left; Black
	580814	Side Panel	NA, PA 240 models; Left; Painted
	580822	Side Panel	NA, PA 280 models; Left; Painted

# Control Panel - A, IA and WMA Models

Models Through Serial No. 240RX006755SB, 280RX003859SB



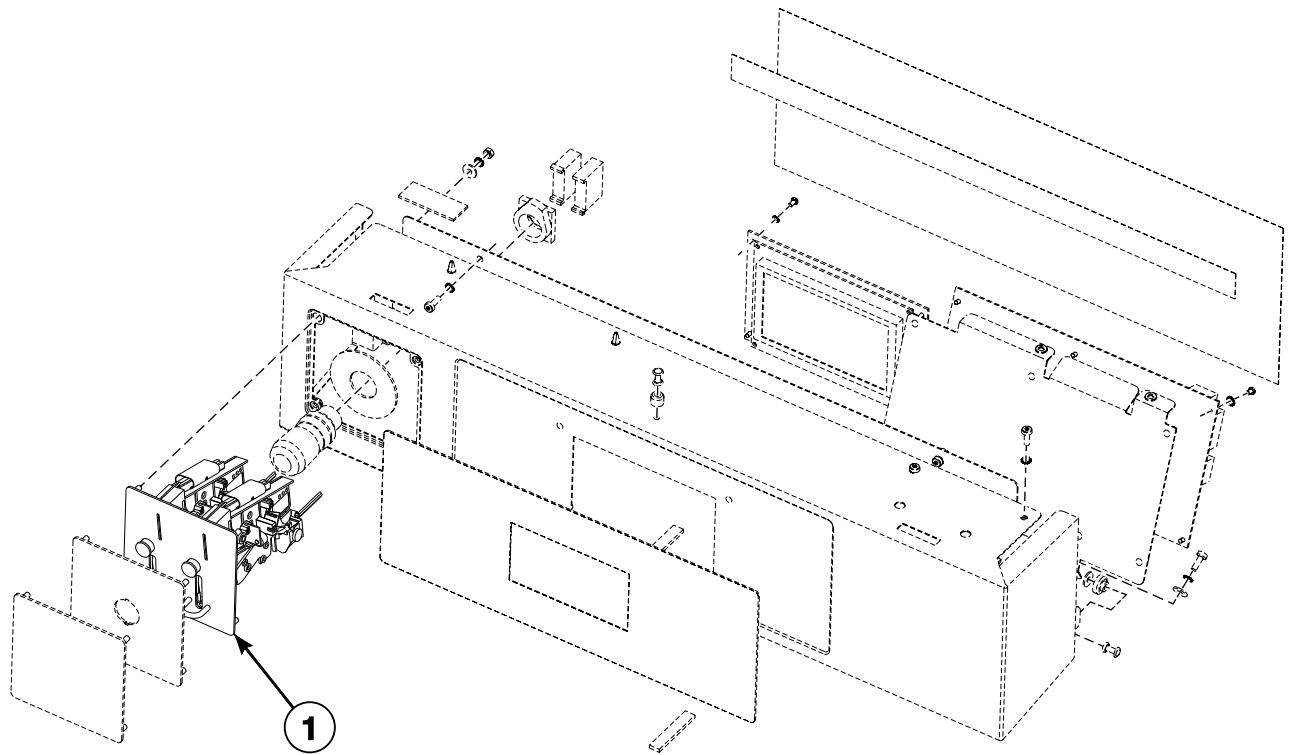
CFD2939P\_D2064

## Control Panel - A, IA and WMA Models

REF	PART NO.	DESCRIPTION	COMMENTS
	SP520033	Emergency Stop Interconnection	Vend
	F8600501	Programming Cable	
	569593	Network Installation Kit	Includes 569595 Holder, 203532 Wireless Network Control Assembly, 568363 Power Supply, 568362 Cable, 568378 Wiring, 568379 Wiring Diagram, SP345000626088 Binding Strip and connection accessories
1	SP550149	Cover Plate	Central payment system
2	SP547565	Coin Meter Cover	
3	SP528310	Emergency Stop Knob	
	SP520032	Emergency Stop Wiring	OPL
4	SPPRI551005248	Emergency Stop Label	Yellow
5	SP555504	Bolt	M4x12
6	SP311679800004	Washer	M4
7	SPMEC001410	Self-Adhesive Pad	
8	SP311902100004	Washer	M4
9	SP310934000004	Nut	M4
10	SP528311	Emergency Stop Connector	
11	SP528312	Switching Unit	
12	SP528313	Cable Holder	
13	SP311679800003	Washer	M3
14	SP309798500306	Bolt	M3x6
15	SP553419	Control Board	MC7
16	SP510846	Tape	Self-adhesive
17	SPPRI543000004	Cover	
18	SP553405	Control Board I/O	MC7
	SP547005	Board Interconnection Cable	
19	SP558813	Programmer Holder	
20	SP550113	Leading Pin	
21	SP547779	Rivet	4x16.7 with a crank
22	SP557048	Control Panel	
23	SP520408	Pin Insertion	
24	SP284000012003	Tape	Self-adhesive
25	SP557565	Keyboard	IA models; Aries Elite
	SP557566	Keyboard	IA models; Aries
	SP560747	Keyboard	Without logo and without numeric keypad
	SP560748	Keyboard	Without logo and with numeric keypad

# Coin Meter - A, IA and WMA Models (Drawing 1 of 2)

Models Through Serial No. 240RX006755SB, 280RX003859SB



CFD2940P\_D2064

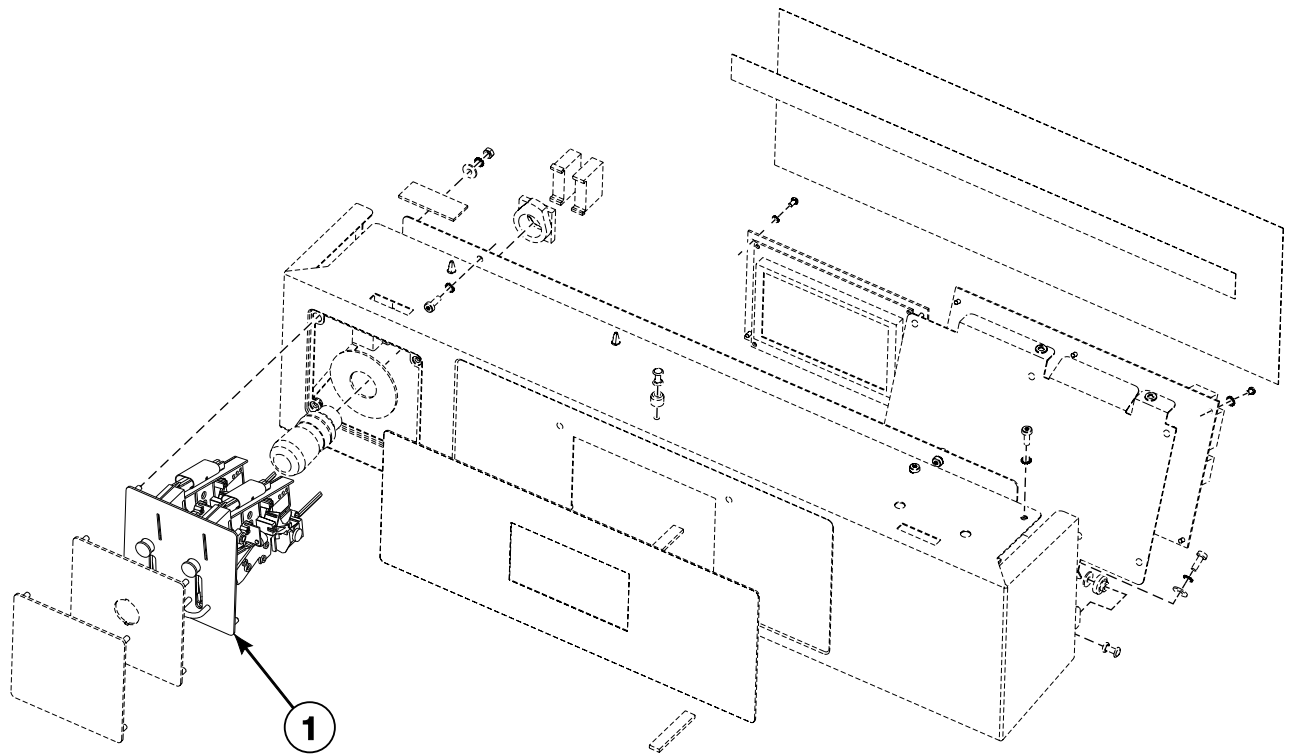


## Coin Meter - A, IA and WMA Models (Drawing 1 of 2)

REF	PART NO.	DESCRIPTION	COMMENTS
1	569922	Coin Meter	0.2GBP, 0.5GBP, 1GBP, 2GBP, 0.1EUR, 0.2EUR, 0.5EUR, 1EUR, 2EUR; Electronic EMPv7
	SP558958	Coin Meter	0.25USD
	SP558959	Coin Meter	0.5EUR and 1EUR
	SP560310	Coin Meter	1EUR
	SP560311	Coin Meter	0.5EUR
	SP560312	Coin Meter	1EUR and 2EUR
	SP559933	Coin Meter	5K Primus jeton
	SP559934	Coin Meter	10K Primus jeton
	569965	Coin Meter	0.2GBP, 0.5GBP, 1GBP, 2GBP, 0.1EUR, 0.2EUR, 0.5EUR, 1EUR, 2EUR, jeton "KWL Aqua", jeton "Gettone"; Electronic EMPv7
	SP559938	Coin Meter	STD 118-1 jeton
	SP560309	Coin Meter	7K Primus jeton
	SP560405	Coin Meter	12K Primus jeton
	SP560406	Coin Meter	15K Primus jeton
	SP560407	Coin Meter	2EUR
	SP560408	Coin Meter	0.2EUR and 0.5EUR
	SP560409	Coin Meter	0.2EUR
	SP560410	Coin Meter	1EUR and 0.2EUR
	SP560411	Coin Meter	2EUR and 0.5EUR
	SP560412	Coin Meter	1AUD and 0.2AUD
	SP560413	Coin Meter	1GBP and 20PC
	SP560414	Coin Meter	1GBP and 50PC
	SP560415	Coin Meter	100JPY
	SP560416	Coin Meter	500JPY and 100 JPY
	SP560417	Coin Meter	1AUD and 2AUD
	SP560418	Coin Meter	1AUD
	SP560419	Coin Meter	20PC
	SP560420	Coin Meter	50 Malaysian cent
	SP560421	Coin Meter	1SGD; New Singaporean dollar
	SP560422	Coin Meter	2MYR and 0.5MYR
	SP560423	Coin Meter	1SGD
	SP560424	Coin Meter	1NZD and 2NZD
	SP560425	Coin Meter	Easy games jeton
	SP560426	Coin Meter	Flat polis jeton
	SP560427	Coin Meter	Butzi wash jeton
	SP560428	Coin Meter	Speedy matic jeton
	SP560429	Coin Meter	Laundromatic Belgium jeton; Diameter 22.3mm
	569940	Coin Meter	0.1SGD, 0.2SGD, 0.5SGD, 1SGD; Electronic EMPv7
	569934	Coin Meter	0.1EUR, 0.2EUR, 0.5EUR, 1EUR, 2EUR; Electronic EMPv7
	SP560432	Coin Meter	500WON
	SP560745	Coin Meter	Dobi ekspres jeton
	SP560751	Coin Meter	Lucky winner jeton
	SP559969	Coin Meter	Gettone jeton
	SP559949	Coin Meter	10 Taiwan dollar
	SP560090	Coin Meter	5K IPSO jeton
	SP560091	Coin Meter	7K IPSO jeton
	SP560092	Coin Meter	10K IPSO jeton
	SP560093	Coin Meter	12K IPSO jeton
	SP560094	Coin Meter	15K IPSO jeton
	SP560100	Coin Meter	Electrolux Asard jeton
	SP560087	Coin Meter	Gettone jeton

# Coin Meter - A, IA and WMA Models (Drawing 2 of 2)

Models Through Serial No. 240RX006755SB, 280RX003859SB



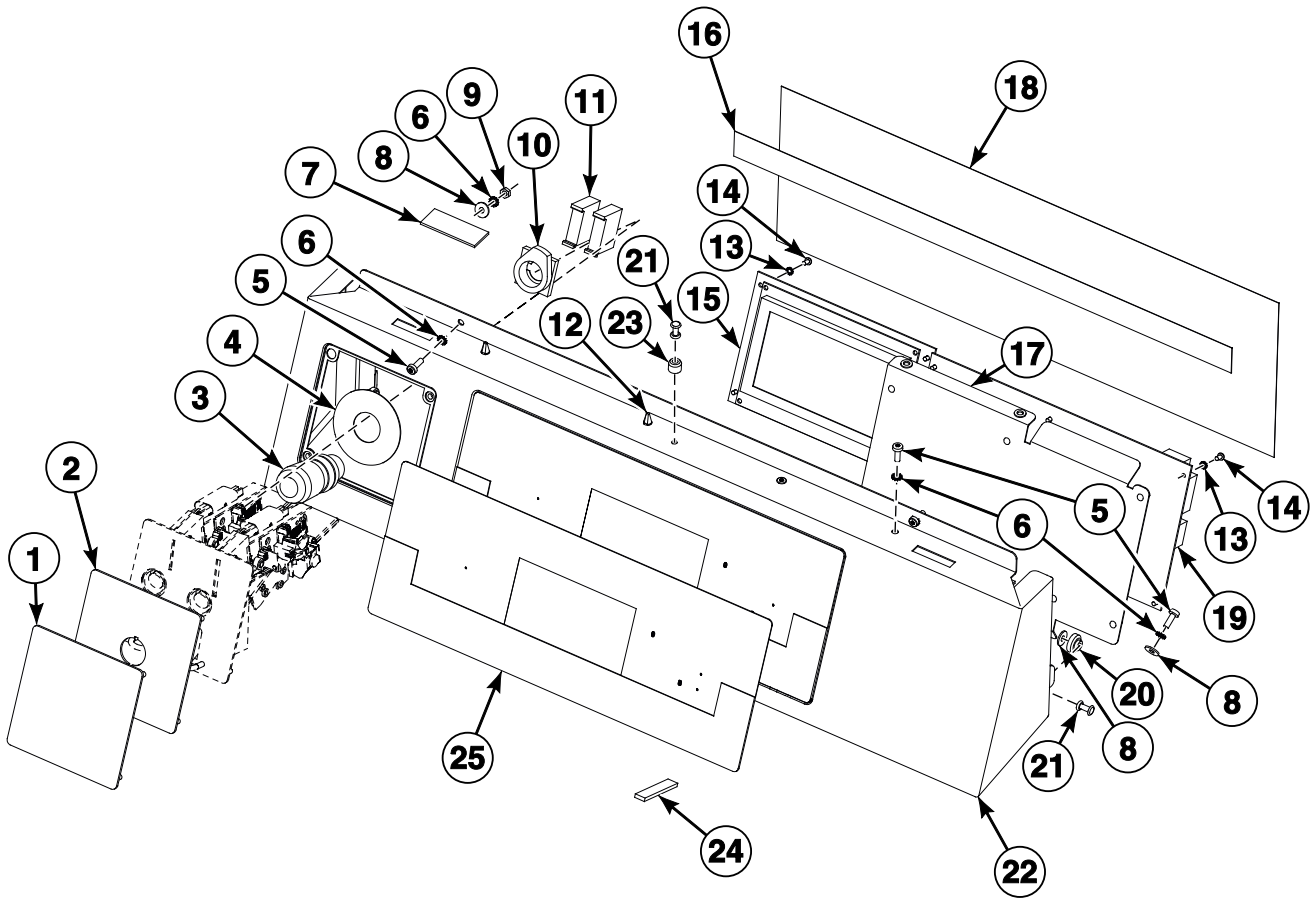
CFD2940P\_D2064

## Coin Meter - A, IA and WMA Models (Drawing 2 of 2)

REF	PART NO.	DESCRIPTION	COMMENTS
1	SP560075	Coin Meter	5+1 Shekel
	SP560071	Coin Meter	1HKD
	569968	Coin Meter	0.1EUR, 0.2EUR, 0.5EUR, 1EUR, 2EUR, jeton G-FIS "LAVOIR BIANCA"; Electronic EMPv7
	569946	Coin Meter	1HRK, 2HRK, 5HRK; Electronic EMPv7
	569974	Coin Meter	1AUD, 2AUD, jeton "No Cash Value"; Electronic EMPv7
	561497	Coin Meter	Jeton Prinz Firbitex
	563405	Coin Meter	Token Ldl Chamberland Washing Machine
	569943	Coin Meter	0.1MYR, 0.2MYR, 0.5MYR, 0.5SGD, 1SGD; Electronic EMPv7
	569925	Coin Meter	1DKK, 2DKK, 5DKK, 10DKK, 20DKK, 1NOK, 5NOK, 10NOK, 20NOK, 0.2EUR, 0.5EUR, 1EUR, 2EUR; Electronic EMPv7
	564485	Coin Meter	Token 118-5
	564487	Coin Meter	Token Barisart (Ldl)
	569971	Coin Meter	0.5MYR, jeton "DOBI PAPA"; Electronic EMPv7
	553156	Coin Meter	Token Rotondi
	569905	Coin Meter	Brass jeton
	569911	Coin Meter	0.5CHF, 2CHF
	569919	Coin Meter	0.25USD, 1USD, 0.25CAD, 1CAD, 2CAD; Electronic EMPv7
	569928	Coin Meter	0.2AUD, 1AUD, 2AUD, 0.2NZD, 1NZD, 2NZD, 5HKD, 10HKD, 500KRW; Electronic EMPv7
	569931	Coin Meter	1CNY, 0.1MYR, 0.2MYR, 0.5MYR; Electronic EMPv7
	569937	Coin Meter	1PHP, 5PHP, 10PHP; Electronic EMPv7
	569949	Coin Meter	5CZK, 10CZK, 20CZK, 50CZK; Electronic EMPv7
	569952	Coin Meter	0.5MAD, 1MAD, 2MAD, 5MAD, 10MAD; Electronic EMPv7
	569955	Coin Meter	1PLN, 2PLN, 5PLN, 0.1EUR, 0.2EUR, 0.5EUR, 1EUR, 2EUR, 10ISK, 50ISK, 100ISK; Electronic EMPv7
	569962	Coin Meter	0.1EUR, 0.2EUR, 0.5EUR, 1EUR, 2EUR, jeton IPRSO 5K; Electronic EMPv7
	569980	Coin Meter	0.5MYR, jeton "BUBBLELAB"; Electronic EMPv7
	569993	Coin Meter	Jeton 08 MS
	569995	Coin Meter	Jeton D
	569988	Coin Meter	Jeton HAUCK 2018
	572384	Coin Meter	0.2CHF, 0.5CHF, 1CHF, 2CHF; TK1, TK2; Electronic EMPv7
	572389	Coin Meter	0.25CAD
	575276	Coin Meter	0.25CAD + 1USD
	575277	Coin Meter	0.25CAD + 1CAD
	572343	Coin Meter	Token WH121
	572355	Coin Meter	Token Nr. 1699360
572359	Coin Meter	1THB, 2THB, 5THB, 10THB / TK1+2, Electronic EMPv7	

# Control Panel - AR Non-Brand, NA and SA Models

Models Through Serial No. 240RX006755SB, 280RX003859SB



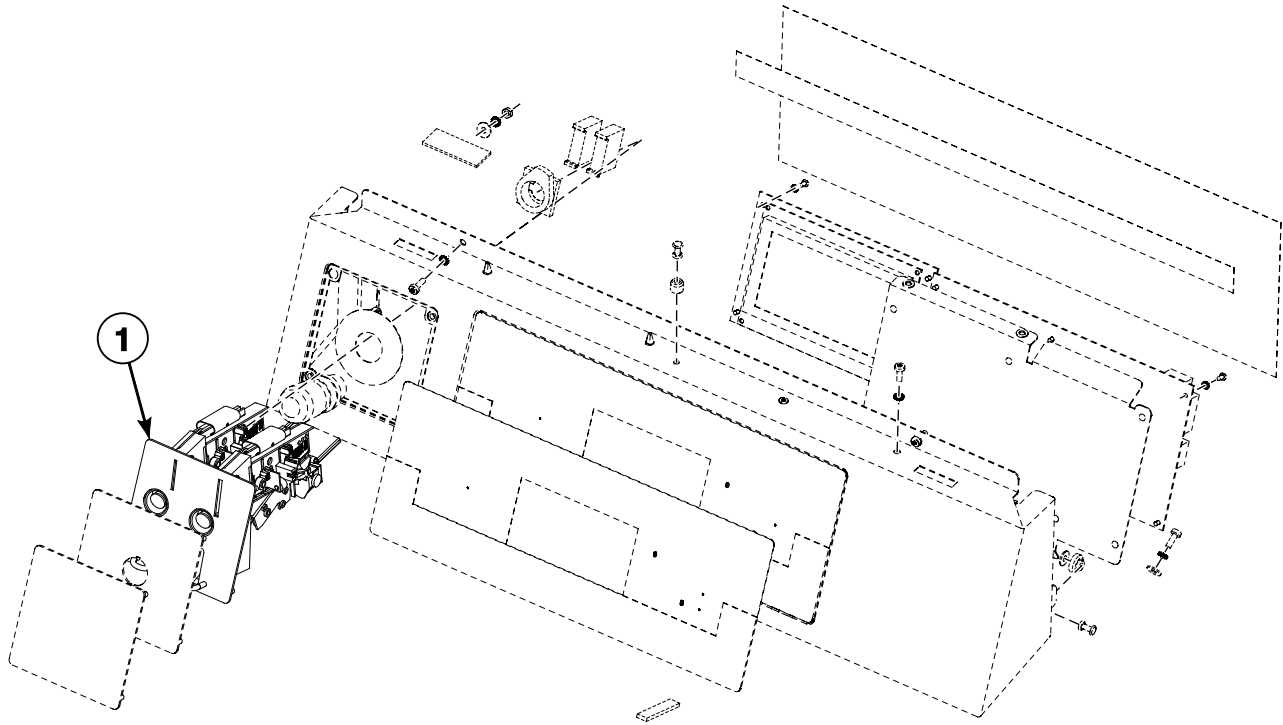
CFD2946P\_D2064

## Control Panel - AR Non-Brand, NA and SA Models

REF	PART NO.	DESCRIPTION	COMMENTS
	F8600501	Programming Cable	
	SP520033	Emergency Stop Interconnection	Vend
	569593	Network Installation Kit	Includes 569595 Holder, 203532 Wireless Network Control Assembly, 568363 Power Supply, 568362 Cable, 568378 Wiring, 568379 Wiring Diagram, SP345000626088 Binding Strip and connection accessories
1	SP550149	Cover Plate	Central payment system
2	SP547565	Coin Meter Cover	
3	SP528310	Emergency Stop Knob	
	SP520032	Emergency Stop Wiring	OPL
4	SPPRI551005248	Emergency Stop Label	Yellow
5	SP555504	Bolt	M4x12
6	SP311679800004	Washer	M4
7	SPMEC001410	Self-Adhesive Pad	
8	SP311902100004	Washer	4
9	SP310934000004	Nut	M4
10	SP528311	Emergency Stop Connector	
11	SP528312	Switching Unit	
12	SP528313	Cable Holder	
13	SP311679800003	Washer	M3
14	SP309798500306	Bolt	M3x6
15	SP553411	Control Board	AR Non-Brand and NA models; Blue display; MC7
	SP553412	Control Board	SA models
16	SP510846	Tape	Self-adhesive
17	SP560448	Programmer Holder	
18	SPPRI543000004	Cover	
19	SP553405	Control Board I/O	MC7
	SP547005	Board Interconnection Cable	
20	SP550113	Leading Pin	
21	SP547779	Rivet	4x16.7 with a crank
22	SP560469	Control Panel	
23	SP520408	Pin Insertion	
24	SP284000012003	Tape	
25	SP547087	Keyboard	AR Non-Brand and NA models; Professional; Black
	SP547088	Keyboard	AR Non-Brand and NA models; Basic; Black
	SP557130	Keyboard	SA models

# Coin Meter - AR Non-Brand, NA and SA Models (Drawing 1 of 3)

Models Through Serial No. 240RX006755SB, 280RX003859SB



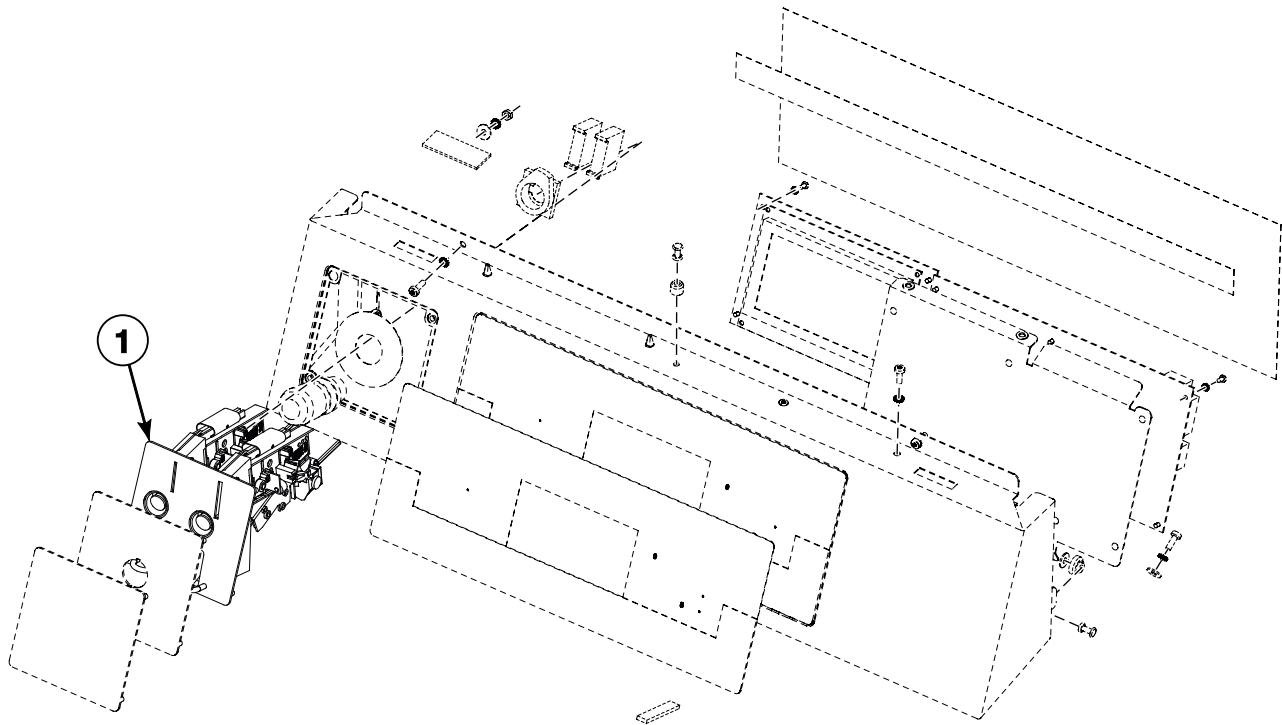
CFD3484P\_D2064

# Coin Meter - AR Non-Brand, NA and SA Models (Drawing 1 of 3)

REF	PART NO.	DESCRIPTION	COMMENTS
1	SP547601	Coin Meter	5K Primus jeton
	SP547602	Coin Meter	7K Primus jeton
	SP547603	Coin Meter	10K Primus jeton
	SP547604	Coin Meter	12K Primus jeton
	SP547605	Coin Meter	15K Primus jeton
	SP547606	Coin Meter	D jeton
	SP547648	Coin Meter	0.05EUR
	SP547638	Coin Meter	0.2EUR
	SP547616	Coin Meter	0.5EUR
	SP547614	Coin Meter	1EUR
	SP547647	Coin Meter	2EUR
	SP547622	Coin Meter	0.2EUR + 0.5EUR
	SP547639	Coin Meter	0.2EUR + 1EUR
	SP547617	Coin Meter	0.5EUR + 1EUR
	SP547656	Coin Meter	0.5EUR + 2EUR
	SP547631	Coin Meter	1EUR + 2EUR
	SP547652	Coin Meter	7K + D jeton
	SP547666	Coin Meter	7K jeton and 2EUR
	SP547665	Coin Meter	D jeton and 2EUR
	SP547600	Coin Meter	1AUD + 20C
	SP547607	Coin Meter	1POND + 20PC
	SP547608	Coin Meter	1POND + 50PC
	SP547609	Coin Meter	100YEN
	SP547610	Coin Meter	500JPY + 100JPY
	SP547611	Coin Meter	5DKK
	SP547612	Coin Meter	20DKK
	SP547613	Coin Meter	5ILS + 1ILS
	SP547615	Coin Meter	1MYR
	SP547618	Coin Meter	1DKK + 5DKK
	SP547619	Coin Meter	10NOK + 20NOK
	SP547620	Coin Meter	2DKK + 5DKK
	SP547621	Coin Meter	5NOK
	SP547623	Coin Meter	1NZD + 2NZD
	SP547624	Coin Meter	10 NOK
	SP547625	Coin Meter	10NT + 50NT
	SP547626	Coin Meter	2DKK
	SP547627	Coin Meter	Lucky Winner jeton
	SP547628	Coin Meter	10TWD
	SP547629	Coin Meter	10CZK + 20CZK
	SP547630	Coin Meter	7K Equipos Par Lavar jeton
	569921	Coin Meter	0.2GBP, 0.5GBP, 1GBP, 2GBP, 0.1EUR, 0.2EUR, 0.5EUR, 1EUR, 2EUR; Electronic EMPv7
	SP547634	Coin Meter	500WON
	SP547635	Coin Meter	0.25USD
	SP547636	Coin Meter	1AUD + 2AUD
	SP547637	Coin Meter	5DK + 10DK
	SP547640	Coin Meter	Sun Wash jeton

# Coin Meter - AR Non-Brand, NA and SA Models (Drawing 2 of 3)

Models Through Serial No. 240RX006755SB, 280RX003859SB



CFD3484P\_D2064

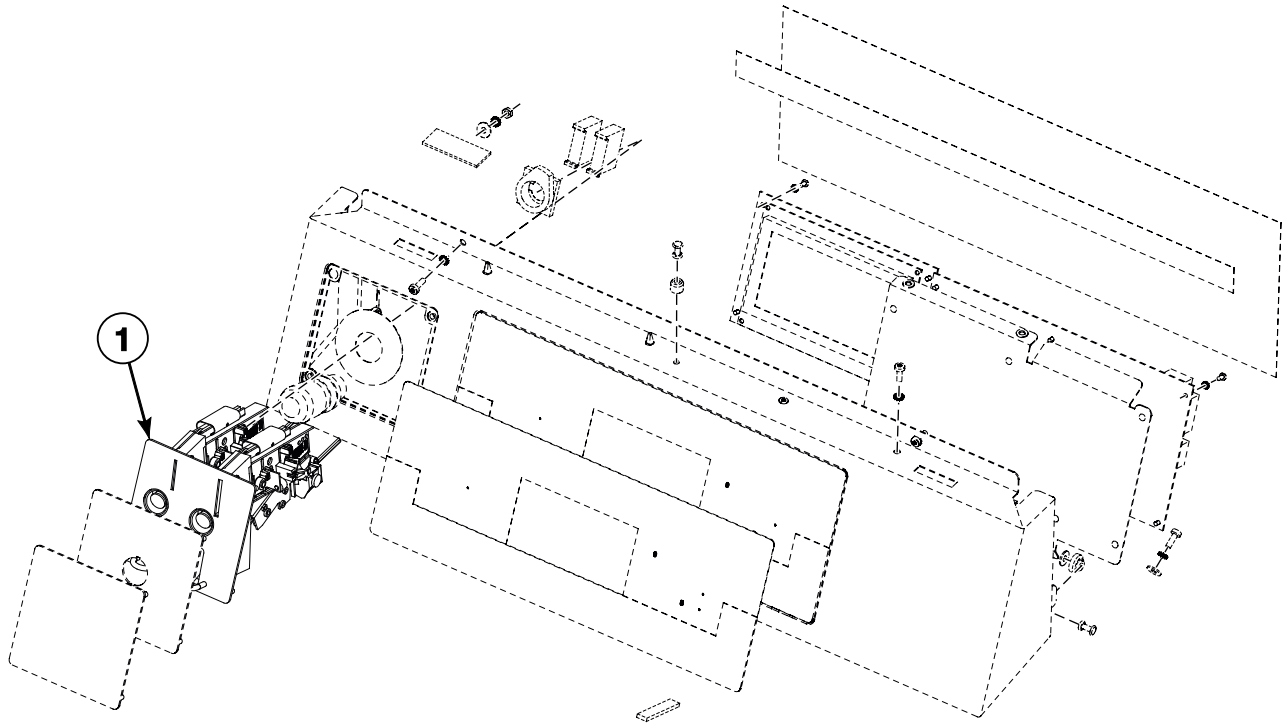


## Coin Meter - AR Non-Brand, NA and SA Models (Drawing 2 of 3)

REF	PART NO.	DESCRIPTION	COMMENTS
1	SP547641	Coin Meter	2DK + 10DK
	SP547642	Coin Meter	1AUD
	SP547643	Coin Meter	1CHF
	SP547644	Coin Meter	5NOK + 10NOK
	SP547645	Coin Meter	1 TopMos jeton + 1LEV jeton
	SP547646	Coin Meter	1 Vendo jeton
	SP547649	Coin Meter	1 jeton
	569951	Coin Meter	0.5MAD, 1MAD, 2MAD, 5MAD, 10MAD; Electronic EMPv7
	SP547651	Coin Meter	20 penny
	SP547653	Coin Meter	1 Wascator jeton, jeton diamater 22.2 mm
	SP547654	Coin Meter	1 Unibel jeton, jeton diamater 18.55 mm
	SP547657	Coin Meter	50HUF + 100HUF
	SP547658	Coin Meter	1 jeton without coining, jeton diamater 20 mm
	SP547659	Coin Meter	1 Volund jeton, jeton diamater 22.5 mm
	SP547660	Coin Meter	1 Wascator jeton, jeton diamater 19 mm
	SP547661	Coin Meter	1 Miele jeton
	SP547662	Coin Meter	1 jeton without coining, jeton diamater 26 mm
	SP547663	Coin Meter	Three-groove jeton; jeton diamater 27 mm
	SP547664	Coin Meter	Three-groove jeton; jeton diamater 24.9 mm
	SP537996	Coin Meter	Top-Mosr jeton
	SP547667	Coin Meter	Milano Italy jeton
	SP547668	Coin Meter	5PLN + 1PLN
	SP547669	Coin Meter	Two-grooves jeton; jeton diamater 27 mm
	SP547670	Coin Meter	A.S.A.R.D. jeton, jeton diamater 25.8 mm
	SP547671	Coin Meter	20CZK
	SP547672	Coin Meter	Jeton ASARD, jeton diamater 22.3 mm
	SP547673	Coin Meter	Jeton Laundromatic Belgium, jeton diamater 22.3 mm
	SP547674	Coin Meter	1SGD
	SP547675	Coin Meter	Jeton Asard Wascator, jeton diamater 19.9 mm
	SP555502	Coin Meter	Easy Games jeton
	SP555543	Coin Meter	Brev.C jeton
	SP555546	Coin Meter	50 Malaysian cent
	SP555549	Coin Meter	Flat Polis jeton
	SP555550	Coin Meter	Butzi Wash jeton
	SP555578	Coin Meter	1 New Singapore Dollar
	SP555558	Coin Meter	Copper without grooves jeton
	569939	Coin Meter	0.1SGD, 0.2SGD, 0.5SGD, 1SGD; Electronic EMPv7
	SP555666	Coin Meter	2x50 Malaysian cent
	569933	Coin Meter	0.1EUR, 0.2EUR, 0.5EUR, 1EUR, 2EUR; Electronic EMPv7
	SP555559	Coin Meter	Speedy Matic jeton
	SP555579	Coin Meter	Was-Salon Lavoir jeton
	569948	Coin Meter	5CZK, 10CZK, 20CZK, 50CZK; Electronic EMPv7
	SP560744	Coin Meter	Electronic for Dobi Ekspress jeton
	569964	Coin Meter	0.2GBP, 0.5GBP, 1GBP, 2GBP, 0.1EUR, 0.2EUR, 0.5EUR, 1EUR, 2EUR, jeton "KWL Aqua", jeton "Gettone"; Electronic EMPv7
	SP560089	Coin Meter	STD 118-1 jeton

# Coin Meter - AR Non-Brand, NA and SA Models (Drawing 3 of 3)

Models Through Serial No. 240RX006755SB, 280RX003859SB



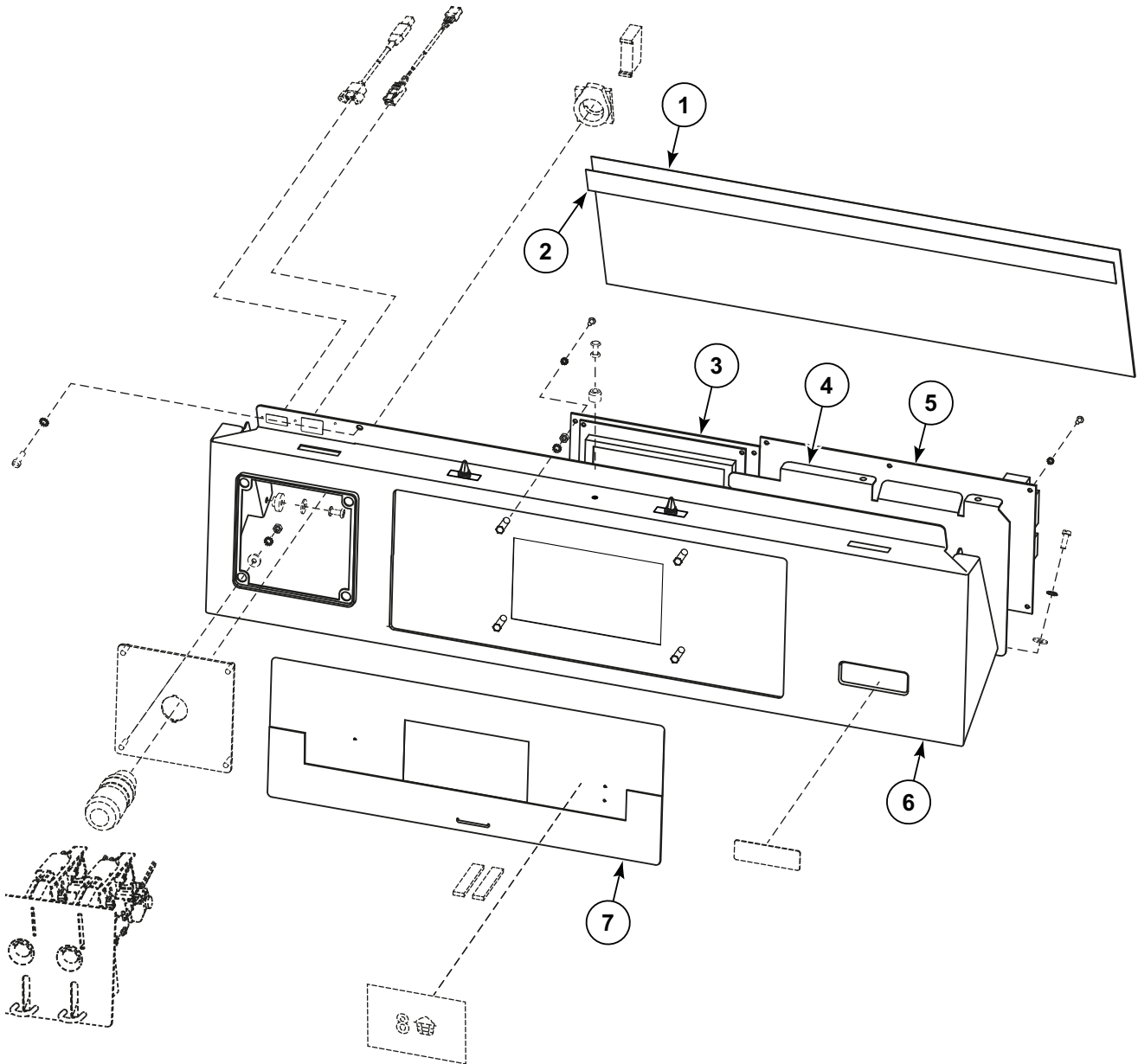
CFD3484P\_D2064

## Coin Meter - AR Non-Brand, NA and SA Models (Drawing 3 of 3)

REF	PART NO.	DESCRIPTION	COMMENTS
1	SP560082	Coin Meter	5k IPSO jeton
	SP560083	Coin Meter	7k IPSO jeton
	SP560084	Coin Meter	10k IPSO jeton
	SP560085	Coin Meter	12k IPSO jeton
	SP560086	Coin Meter	15k IPSO jeton
	561378	Coin Meter	10 Moroccan Dirham
	569918	Coin Meter	0.25USD, 1USD, 0.25CAD, 1CAD, 2CAD; Electronic EMPv7
	560073	Coin Meter	0.25 USD/1 USD
	569930	Coin Meter	1CNY, 0.1MYR, 0.2MYR, 0.5MYR; Electronic EMPv7
	569927	Coin Meter	0.2AUD, 1AUD, 2AUD, 0.2NZD, 1NZD, 2NZD, 5HKD, 10HKD, 500KRW; Electronic EMPv7
	561496	Coin Meter	Jeton Grupo Azkoyen CDS Automaten
	569936	Coin Meter	1PHP, 5PHP, 10PHP; Electronic EMPv7
	569942	Coin Meter	0.1MYR, 0.2MYR, 0.5MYR, 0.5SGD, 1SGD; Electronic EMPv7
	569945	Coin Meter	1HRK, 2HRK, 5HRK; Electronic EMPv7
	569924	Coin Meter	1DKK, 2DKK, 5DKK, 10DKK, 20DKK, 1NOK, 5NOK, 10NOK, 20NOK, 0.2EUR, 0.5EUR, 1EUR, 2EUR; Electronic EMPv7
	SP564484	Coin Meter	Jeton 118-5
	SP564486	Coin Meter	Jeton Barisart (LDL)
	569961	Coin Meter	0.1EUR, 0.2EUR, 0.5EUR, 1EUR, 2EUR, jeton IPSO 5K; Electronic EMPv7
	564489	Coin Meter	Jeton Sporrong
	569970	Coin Meter	0.5MYR, jeton "DOBI PAPA"; Electronic EMPv7
	553150	Coin Meter	Jeton with hole
	553151	Coin Meter	Jeton Deton Wash
	569901	Coin Meter	Brass jeton
	569912	Coin Meter	Jeton Wassalon lavoir
	569954	Coin Meter	1PLN, 2PLN, 5PLN, 0.1EUR, 0.2EUR, 0.5EUR, 1EUR, 2EUR, 10ISK, 50ISK, 100ISK; Electronic EMPv7
	569967	Coin Meter	0.1EUR, 0.2EUR, 0.5EUR, 1EUR, 2EUR, jeton G-FIS "LAVOIR BIANCA"; Electronic EMPv7
	569973	Coin Meter	1AUD, 2AUD, jeton "No Cash Value"; Electronic EMPv7
	569979	Coin Meter	0.5MYR, jeton "BUBBLELAB"; Electronic EMPv7
	569987	Coin Meter	Jeton HAUCK 2018
	572339	Coin Meter	Gettone Jeton (26mm diameter x 1.7mm)
	572383	Coin Meter	0.2CHF, 0.5CHF, 1CHF, 2CHF; TK1, TK2; Electronic EMPv7
	572391	Coin Meter	0.25CAD
	572339	Coin Meter	Gettone jeton [26mm diameter x 1.7mm
	572342	Coin Meter	Token WH121
	572358	Coin Meter	1 THB, 2 THB, 5THB, 10THB / TK1+2; Electronic EMPv7

# Control Panel (Drawing 1 of 2)

AR, LA, LW, MWC, NX, PA and RX Models with T or X in 7th Position;  
IA, NA, SA and UA Models Starting Serial No. 240RX006756SB or 280RX003860SB with A, D, I, J, R, T or X in 7th Position



CZW388P\_D2064

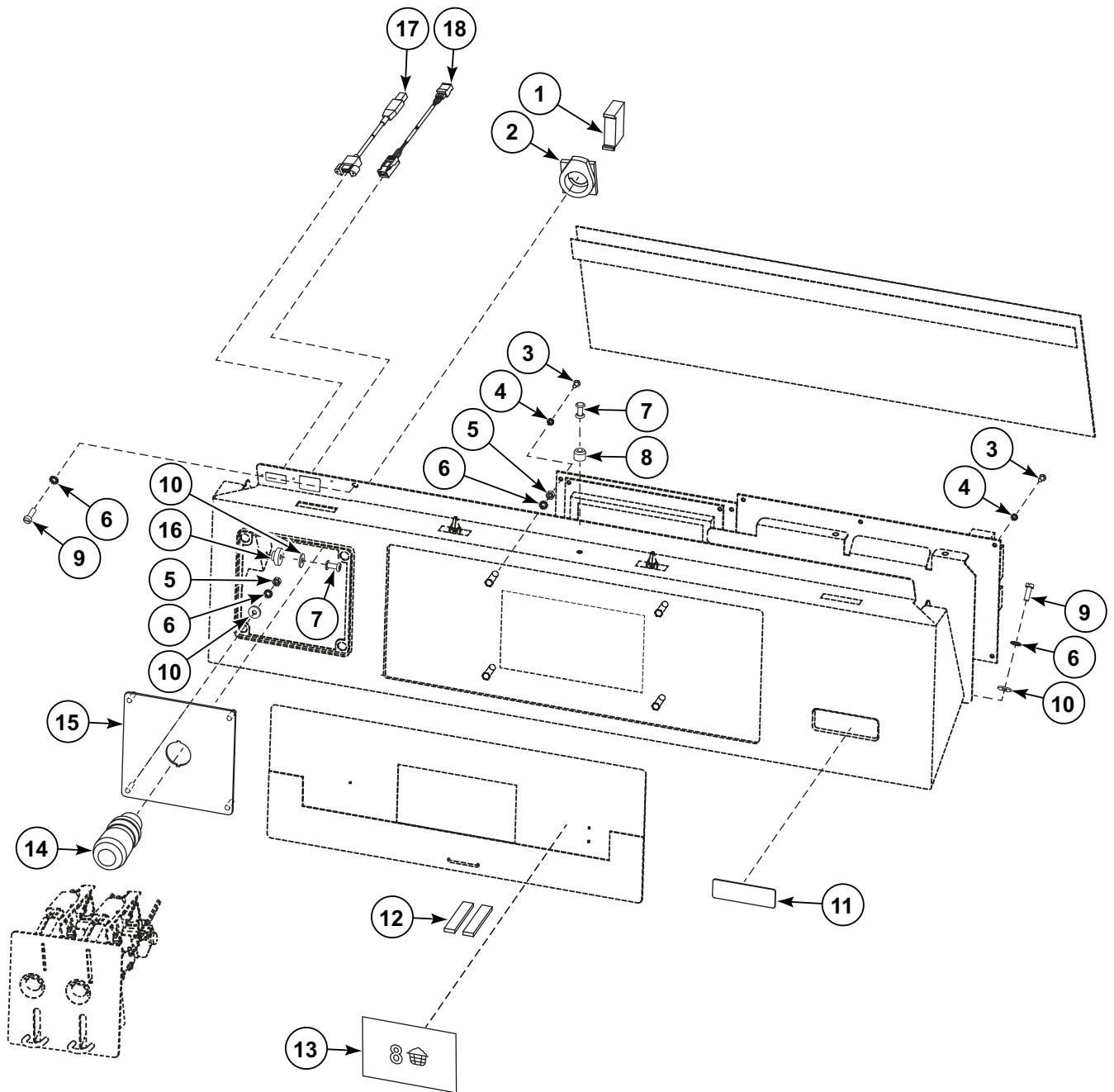
## Control Panel (Drawing 1 of 2)

REF	PART NO.	DESCRIPTION	COMMENTS
1	SPPRI543000004	Cover	
2	SP510846	Tape	Self-adhesive
3	SP547001	Control Board	AR, LA, LW, MWC, NA, NX, PA and RX Models; MC6 (green color); Models through Serial No. 240RX000496DB and 280RX000207DB; Refer to NOTE*
	SP553411	Control Board	AR, LA, LW, MWC, NA, NX, PA and RX Models; MC7 (blue color); Models starting Serial No. 240RX000719DF or 280RX000305DF; Refer to NOTE*
	SP553419	Control Board	IA Models; MC7 (red color)
	SP553412	Control Board	SA and UA Models; MC7 (red color)
4	SP550117	Control Board Holder	
5	SP553405	Control Board I/O	MC7
	SP547002	Control Board I/O	MC6
	SP547005	Board Interconnection Cable	
6	SP550240	Control Panel	AR, LA, LW, MWC, NX, PA and RX Models
	575944	Control Panel	IA, AR, NA, SA and UA Models
7	SP547088	Keyboard	AR, LA, NA and SA models; Black
	SP547087	Keyboard	AR, LA, NA and PAN055TN0MZA20CTAA models; X_Control Plus; Black
	559862	Keyboard	UA models; PROform
	557130	Keyboard	SA models; QED Select
	SP557565	Keyboard	IA models; Aries Elite
	SP557566	Keyboard	IA models; Aries
	SP560747	Keyboard	IA models; Without logo and without numeric keypad
	SP560748	Keyboard	IA models; Without logo and with numeric keypad
	SP561588	Keyboard	LW models
	SP552992	Keyboard	NX models
	SP553423	Keyboard	PAN models; X_Control; CSA; Through Serial No. 240RX005368MF or 280RX002847MF
	SP547086	Keyboard	MWC, PA and RX models; X_Control; Gray-black
	SP547085	Keyboard	MWC, PA and RX models; X_Control Plus; Gray-black; (PAN Models Starting Serial No. 240RX005369MF or 280RX002848MF)

**NOTE: For machines within the Serial No. ranges 240RX000497DB - 240RX000718DF and 280RX000208DB - 280RX000304DF, contact the After Sales department.**

# Control Panel (Drawing 2 of 2)

AR, LA, LW, MWC, NX, PA and RX Models with T or X in 7th Position;  
IA, NA, SA and UA Models Starting Serial No. 240RX006756SB or 280RX003860SB with A, D, I, J, R, T or X in 7th Position



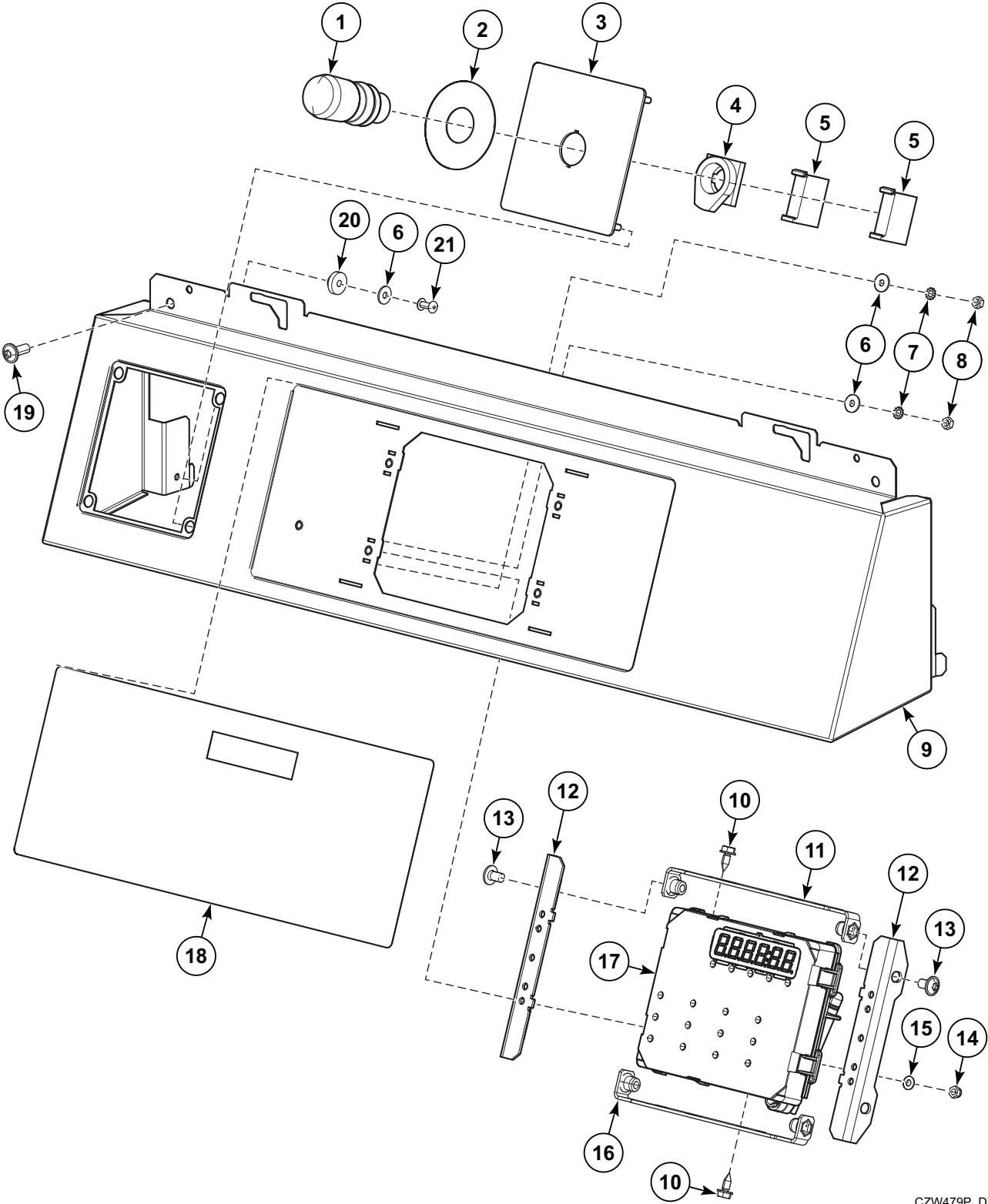
CZW389P\_D2064

## Control Panel (Drawing 2 of 2)

REF	PART NO.	DESCRIPTION	COMMENTS
	SP520033	Emergency Stop Interconnection	Vend
	F8600501	Programming Cable	
	569593	Network Installation Kit	Includes 569595 Holder, 203532 Wireless Network Control Assembly, 568363 Power Supply, 568362 Cable, 568378 Wiring, 568379 Wiring Diagram, SP345000626088 Binding Strip and connection accessories
1	SP528312	Switching Unit	
2	SP528311	Emergency Stop Connector	
3	SP309798500306	Bolt	M3x6
4	SP311679800003	Washer	M3
5	SP310934000004	Nut	M4
6	SP311679800004	Washer	M4
7	SP547779	Rivet	M4x16.7 with a crank
8	SP520408	Pin Insertion	
9	SP555504	Bolt	M4x12
10	SP311902100004	Washer	M4
11	SP556156	Logo Label	NX240 models
	SP556157	Logo Label	NX280 models
	SP547043	Logo Label	AR and LA models
	SP547046	Logo Label	LW models
	567887	Logo Label	PA and RX models
	547055	Logo Label	MWC models
12	SP284000012003	Tape	Self-adhesive
13	SP563293	Label	PAN055 models; CSA; Basket Capacity; 5.5; Vend
	SP563294	Label	PAN070 models; CSA; Basket Capacity; 7; Vend
14	SP528310	Emergency Stop Knob	
	SP520032	Emergency Stop Wiring	OPL
15	SP547565	Coin Meter Cover	
	SP550149	Cover Plate	Central payment system
16	SP550113	Leading Pin	
17	569668	USB Cable	PAN models; 0.61m; Vend; Models Starting Serial No. 240RX003177HS or 240RX001577HU
18	545234	USB Cable	PAN models; RS485; with connectors; Vend; Models Starting Serial No. 240RX003177HS or 240RX001577HU

# Control Panel OPL

Models with G in 7th Position



CZW479P\_D2064

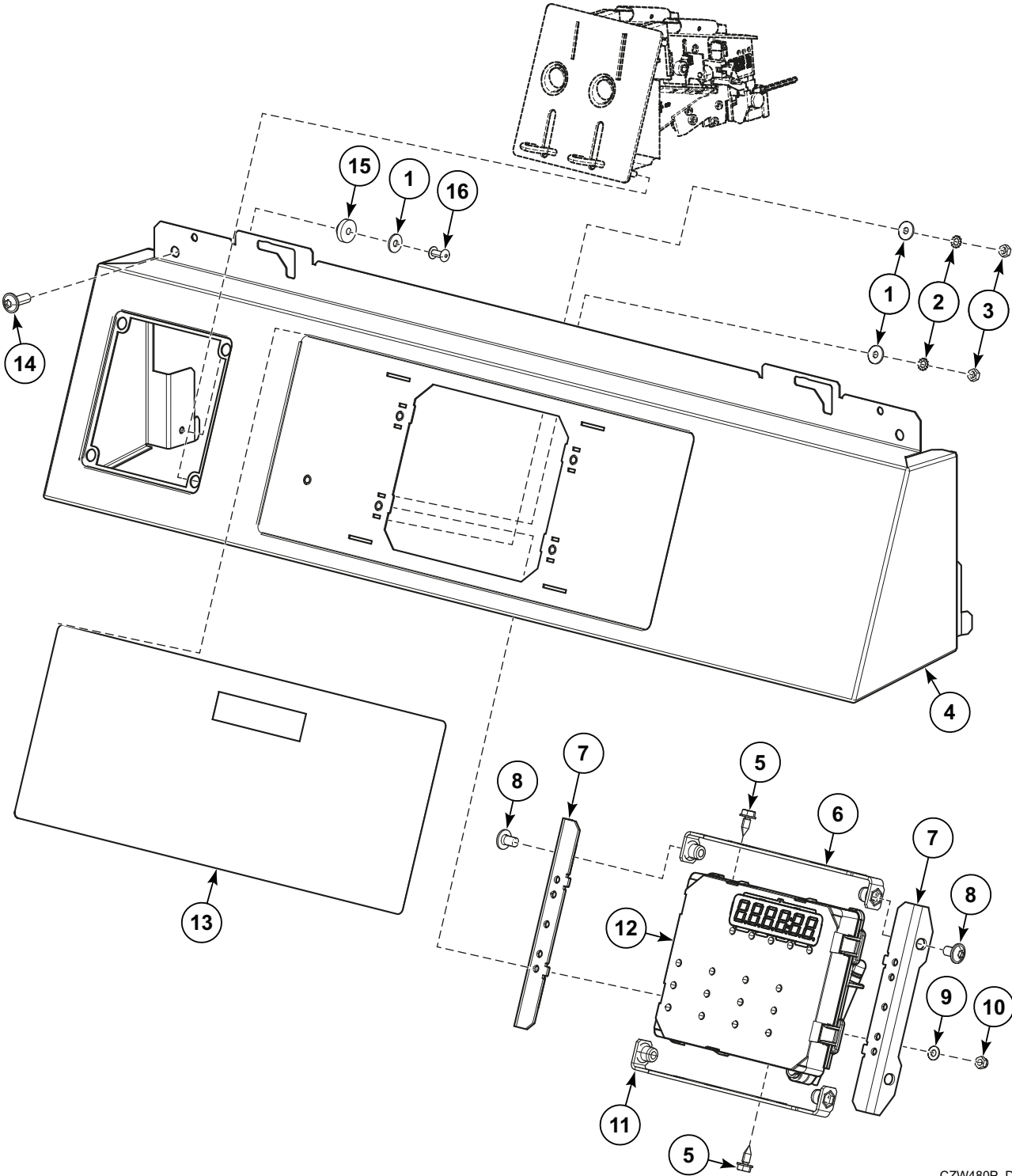


## Control Panel OPL

REF	PART NO.	DESCRIPTION	COMMENTS
1	SP528310	Emergency Stop Knob	Used with SP520032 Emergency Stop Wiring
2	SPPRI551005248	Emergency Stop Label	Yellow
3	SP547565	Coin Meter Cover	
4	SP528311	Emergency Stop Connector	
5	SP528312	Switching Unit	
6	SP311902100004	Washer	M4
7	SP311679800004	Washer	M4
8	SP310934000004	Nut	M4
9	580052	Control Panel	
10	SP100218	Screw	
11	581020	Control Holder	upper
12	581009	Control Support	
13	SP506012	Bolt	M6x10
14	SP514193	Nut	M4
15	SP311125000004	Washer	4x3
16	581021	Control Holder	lower
17	204890	Control Board	
	575865	Board Interconnection Cable	15.75 inch (0.4 m)
18	577656	Keyboard	
19	555658	Bolt	M6x16
20	SP550113	Leading Pin	
21	SP313250004125	Rivet	4x12.5

# Control Panel Vended

Models with G in 7th Position



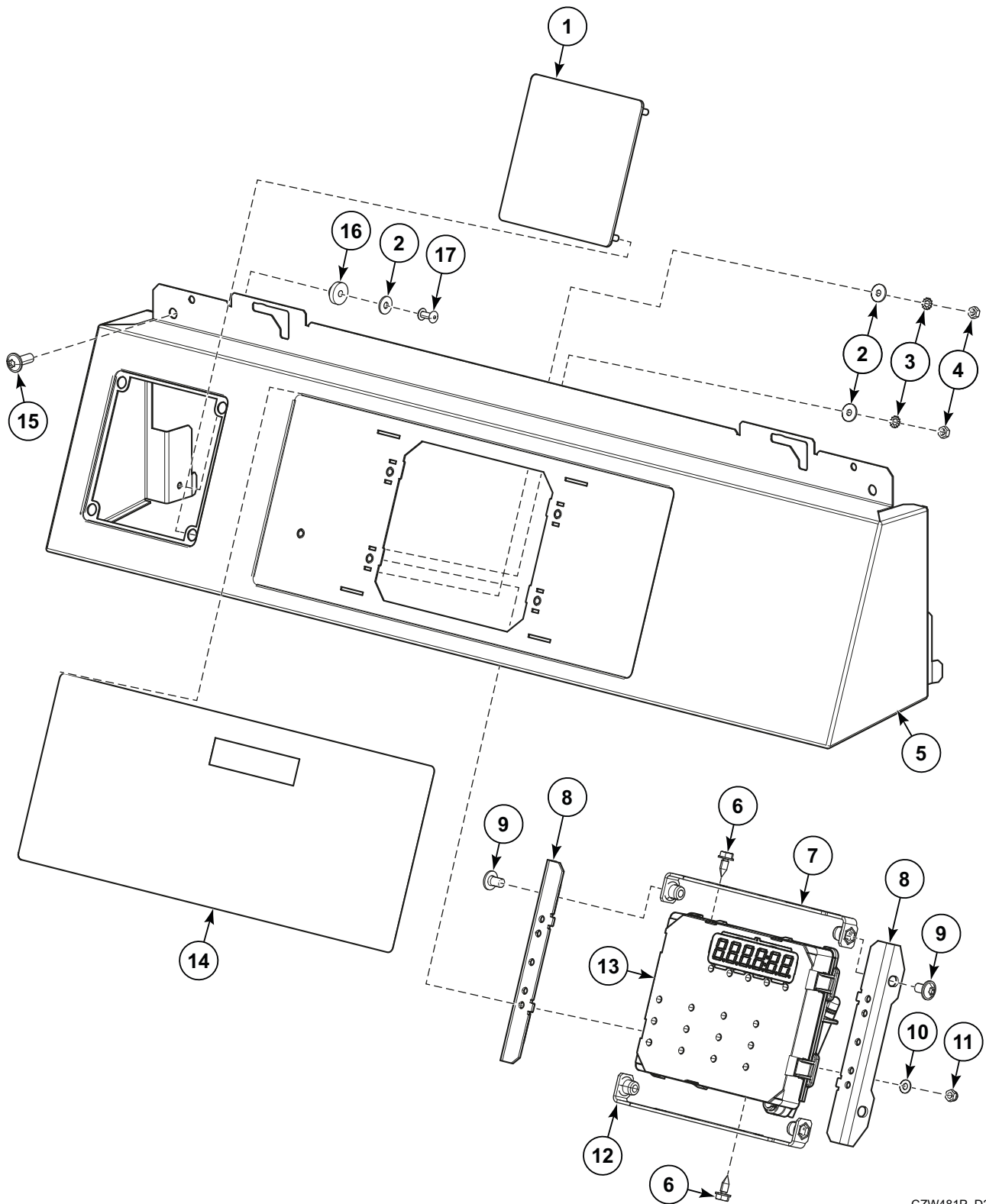
CZW480P\_D2064

## Control Panel Vended

REF	PART NO.	DESCRIPTION	COMMENTS
	SP520033	Emergency Stop Interconnection	Vend
1	SP311902100004	Washer	M4
2	SP311679800004	Washer	M4
3	SP310934000004	Nut	M4
4	580052	Control Panel	
5	SP100218	Screw	
6	581020	Control Holder	upper
7	581009	Control Support	
8	SP506012	Bolt	M6x10
9	SP311125000004	Washer	4x3
10	SP514193	Nut	M4
11	581021	Control Holder	lower
12	204890	Control Board	
	575865	Board Interconnection Cable	15.75 inch (0.4 m)
13	577656	Keyboard	
14	555658	Bolt	M6x16
15	SP550113	Leading Pin	
16	SP313250004125	Rivet	4x12.5

# Control Panel for Central Payment System

Models with G in 7th Position



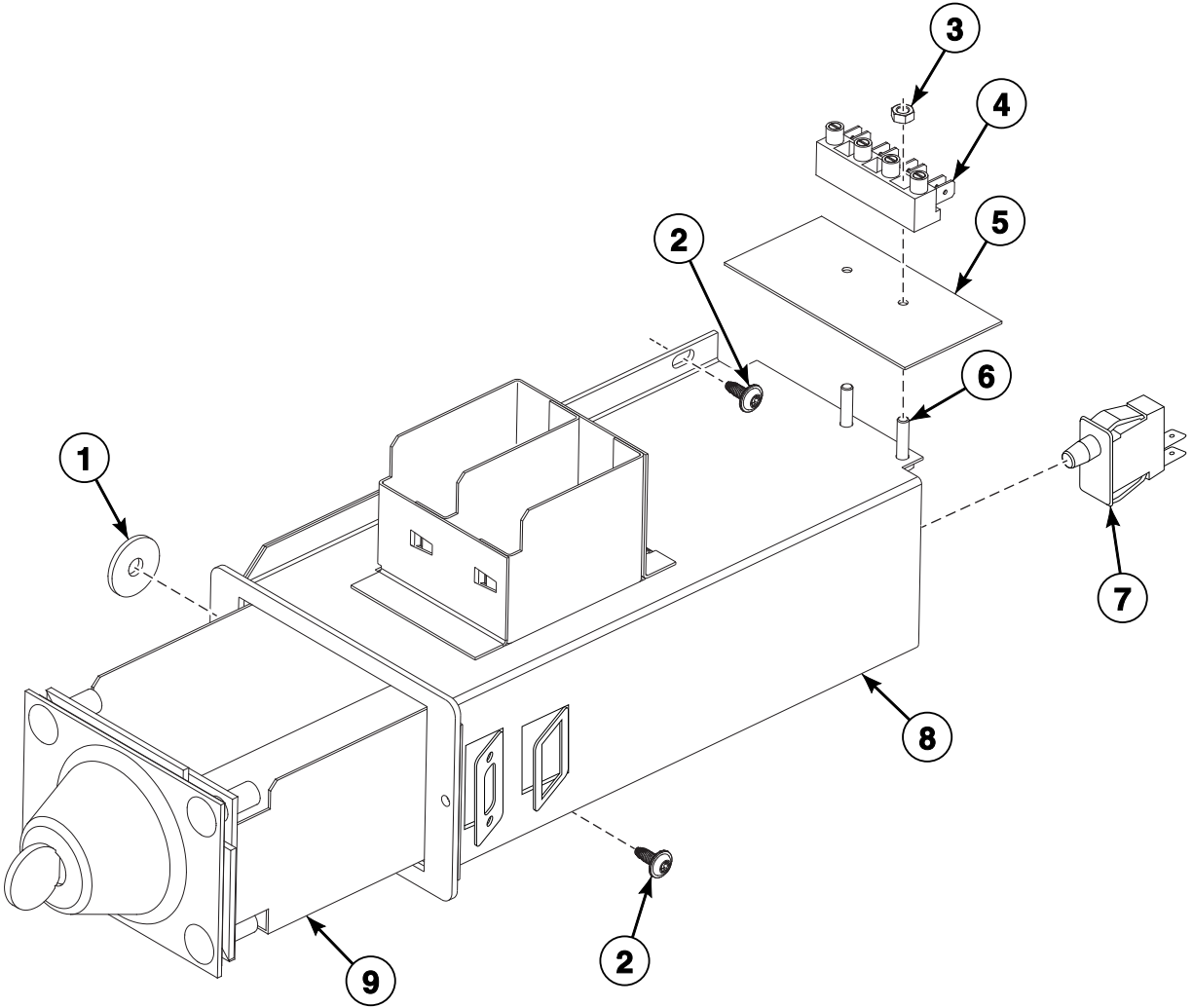
CZW481P\_D2064

## Control Panel for Central Payment System

REF	PART NO.	DESCRIPTION	COMMENTS
	571485	Emergency Stop Interconnection	Central Payment System
1	SP550149	Cover Plate	Central Payment System
2	SP311902100004	Washer	M4
3	SP311679800004	Washer	M4
4	SP310934000004	Nut	M4
5	580052	Control Panel	
6	SP100218	Screw	
7	581020	Control Holder	upper
8	581009	Control Support	
9	SP506012	Bolt	M6x10
10	SP311125000004	Washer	4x3
11	SP514193	Nut	M4
12	581021	Control Holder	lower
13	204890	Control Board	
	575865	Board Interconnection Cable	15.75 inch (0.4 m)
14	577656	Keyboard	
15	555658	Bolt	M6x16
16	SP550113	Leading Pin	
17	SP313250004125	Rivet	4x12.5

# Coin Meter Case

Models Through Serial No. 240RX005554MM, 280RX002947MH



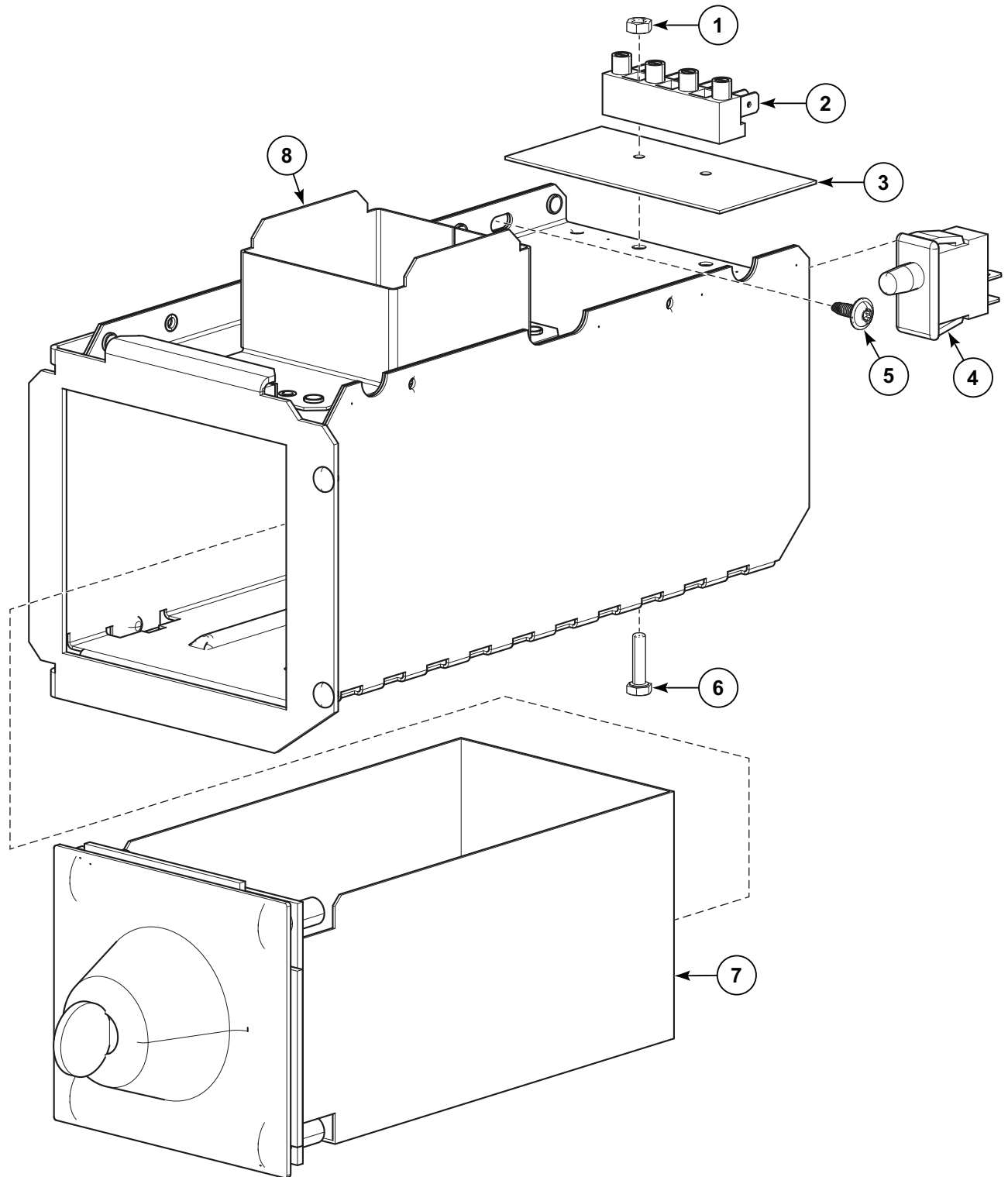
CHM3504P\_D2064

## Coin Meter Case

REF	PART NO.	DESCRIPTION	COMMENTS
	568094	Large Coin Box Kit	PAN models
1	SP568037	Washer	
2	SP529206	Screw	4x11
3	SP310934000004	Nut	M4
4	SPPRI350000007	Terminal Board	
5	SPPRI350012007	Isolation Paper	
6	SP309933000416	Bolt	M4x16
7	SP506045	Microswitch	PAN models; CSA; Vend
8	SP550436	Coin Meter Case	AR, AR Non-Brand, LA, LW, MWC, NA, NX, PA, RX and SA models; Without cuts for cables
	568041	Coin Meter Case	AR, AR Non-Brand, LA, LW, MWC, NA, NX, PA, RX and SA models starting Serial No. 240RX002990HM or 280RX001479HM; Vend; Large coin meter
	SP547548	Coin Meter Case	A, IA and WMA models
	568039	Coin Meter Case	A, IA and WMA models starting Serial No. 240RX002990HM or 280RX001479HM; Vend; Large coin meter
9	SP102532	Coin Meter Box	CE and Watermark
	100498	Coin Meter Box	CE and Watermark models starting Serial No. 240RX002990HM or 280RX001479HM; Vend; Large coin meter

# Coin Meter Case

Models Starting Serial No. 240RX005555MM, 280RX002948MH



CZW499P\_D2064



# Coin Meter Case

REF	PART NO.	DESCRIPTION	COMMENTS
1	SP310934000004	Nut	M4
2	SPPRI350000007	Terminal Board	
3	SPPRI350012007	Isolation Paper	
4	N/A	Microswitch	
5	SP529206	Screw	4x11
6	SP309933000416	Bolt	M4x16
7	100498	Coin Meter Box	
8	572120	Coin Meter Case	

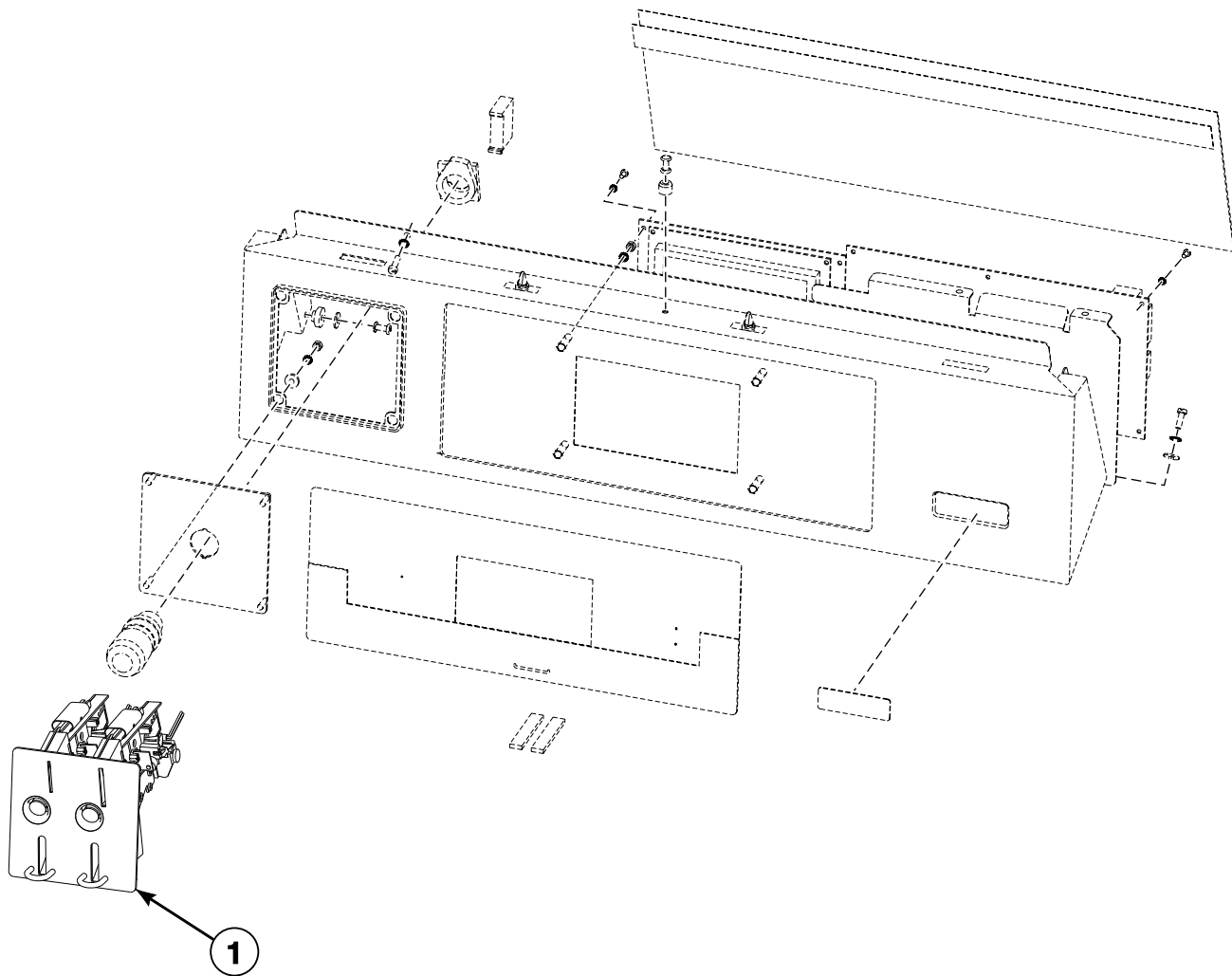
**N/A = Part no longer available**



# Coin Meter - AR, IA, LA, LW, MWC, NA, NX, PA, RX, SA and UA Models (Drawing 1 of 4)

REF	PART NO.	DESCRIPTION	COMMENTS
1	SP547601	Coin Meter	5K Primus jeton
	SP547602	Coin Meter	7K Primus jeton
	SP547603	Coin Meter	10K Primus jeton
	SP547604	Coin Meter	12K Primus jeton
	SP547605	Coin Meter	15K Primus jeton
	SP547606	Coin Meter	D jeton
	SP547648	Coin Meter	0.05EUR
	SP547638	Coin Meter	0.2EUR
	SP547616	Coin Meter	0.5EUR
	SP547614	Coin Meter	1EUR
	SP547647	Coin Meter	2EUR
	SP547622	Coin Meter	0.2EUR + 0.5EUR
	SP547639	Coin Meter	0.2EUR + 1EUR
	SP547617	Coin Meter	0.5EUR + 1EUR
	SP547656	Coin Meter	0.5EUR + 2EUR
	SP547631	Coin Meter	1EUR + 2EUR
	SP547652	Coin Meter	7K + D jeton
	SP547666	Coin Meter	7K jeton and 2EUR
	SP547665	Coin Meter	D jeton and 2EUR
	SP547600	Coin Meter	1AUD + 20C
	SP547607	Coin Meter	1POND + 20PC
	SP547608	Coin Meter	1POND + 50PC
	SP547609	Coin Meter	100YEN
	SP547610	Coin Meter	500JPY + 100JPY
	SP547611	Coin Meter	5DKK
	SP547612	Coin Meter	20DKK
	SP547613	Coin Meter	5ILS + 1ILS
	SP547615	Coin Meter	1MYR
	SP547618	Coin Meter	1DKK + 5DKK
	SP547619	Coin Meter	10NOK + 20NOK
	SP547620	Coin Meter	2DKK + 5DKK
	SP547621	Coin Meter	5NOK
	SP547623	Coin Meter	1NZD + 2NZD
	SP547624	Coin Meter	10 NOK
	SP547625	Coin Meter	10NT + 50NT
	SP547626	Coin Meter	2DKK
	SP547627	Coin Meter	Lucky Winner jeton
	SP547628	Coin Meter	10TWD
	SP547629	Coin Meter	10CZK + 20CZK
	SP547630	Coin Meter	7K Equipos Par Lavar jeton
	569921	Coin Meter	0.2GBP, 0.5GBP, 1GBP, 2GBP, 0.1EUR, 0.2EUR, 0.5EUR, 1EUR, 2EUR; Electronic EMPv7
	SP547634	Coin Meter	500WON
	SP547635	Coin Meter	0.25USD
	SP547636	Coin Meter	1AUD + 2AUD
	SP547637	Coin Meter	5DK + 10DK
	SP547640	Coin Meter	Sun Wash jeton

# Coin Meter - AR, IA, LA, LW, MWC, NA, NX, PA, RX, SA and UA Models (Drawing 2 of 4)

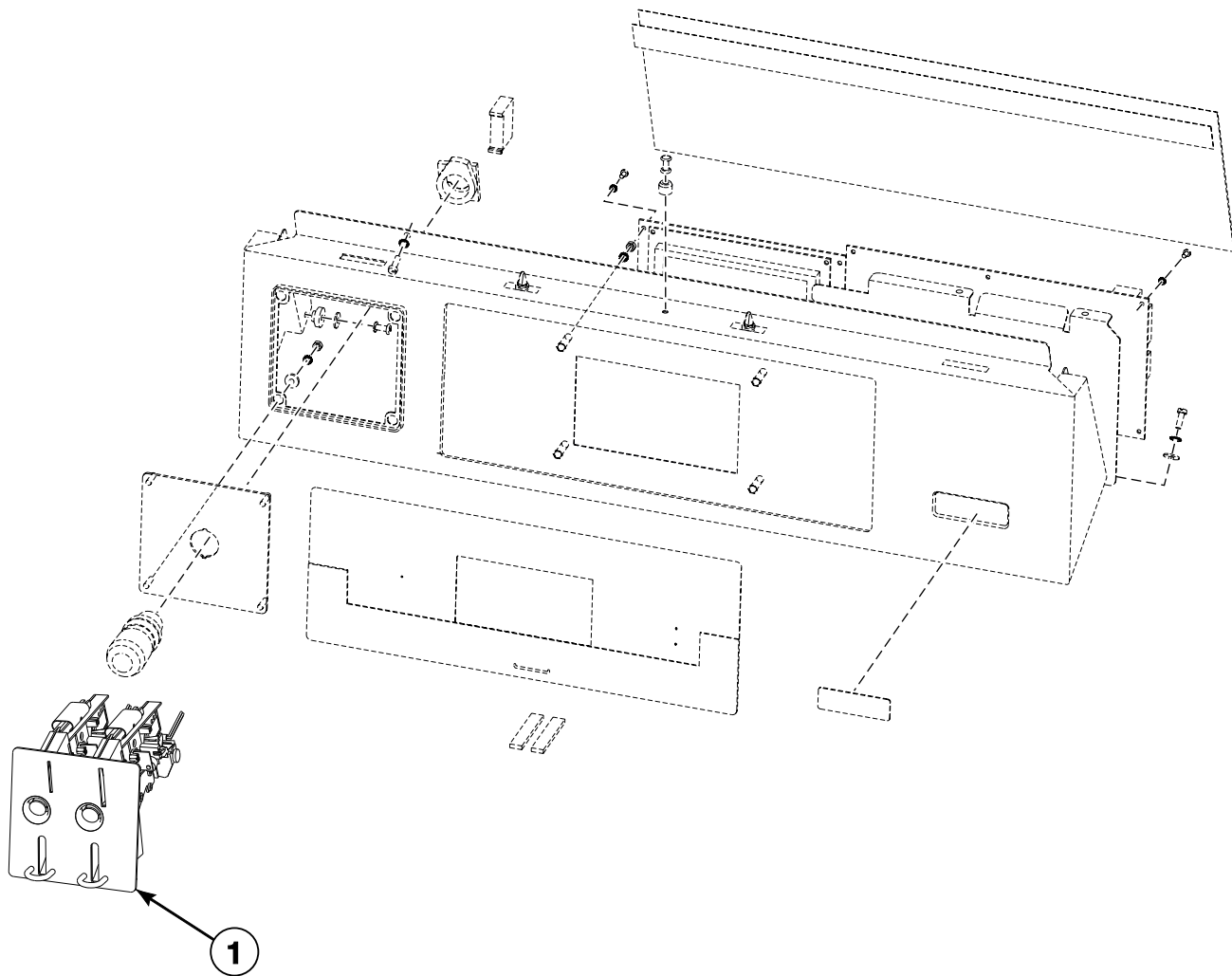


CFD2911P\_D2064

## Coin Meter - AR, IA, LA, LW, MWC, NA, NX, PA, RX, SA and UA Models (Drawing 2 of 4)

REF	PART NO.	DESCRIPTION	COMMENTS
1	SP547641	Coin Meter	2DK + 10DK
	SP547642	Coin Meter	1AUD
	SP547643	Coin Meter	1CHF
	SP547644	Coin Meter	5NOK + 10NOK
	SP547645	Coin Meter	1 TopMos jeton + 1LEV jeton
	SP547646	Coin Meter	1 Vendo jeton
	SP547649	Coin Meter	1 jeton
	569951	Coin Meter	0.5MAD, 1MAD, 2MAD, 5MAD, 10MAD; Electronic EMPv7
	SP547651	Coin Meter	20 penny
	SP547653	Coin Meter	1 Wascator jeton, jeton diamater 22.2 mm
	SP547654	Coin Meter	1 Unibel jeton, jeton diamater 18.55 mm
	SP547657	Coin Meter	50HUF + 100HUF
	SP547658	Coin Meter	1 jeton without coining, jeton diamater 20 mm
	SP547659	Coin Meter	1 Volund jeton, jeton diamater 22.5 mm
	SP547660	Coin Meter	1 Wascator jeton, jeton diamater 19 mm
	SP547661	Coin Meter	1 Miele jeton
	SP547662	Coin Meter	1 jeton without coining, jeton diamater 26 mm
	SP547663	Coin Meter	Three-groove jeton; jeton diamater 27 mm
	SP547664	Coin Meter	Three-groove jeton; jeton diamater 25 mm
	SP537996	Coin Meter	Top-Mosr jeton
	SP547667	Coin Meter	Milano Italy jeton
	SP547668	Coin Meter	5PLN + 1PLN
	SP547669	Coin Meter	Two-grooves jeton; jeton diamater 27 mm
	SP547670	Coin Meter	A.S.A.R.D. jeton, jeton diamater 25.8 mm
	SP547671	Coin Meter	20CZK
	SP547672	Coin Meter	Jeton ASARD, jeton diamater 22.3 mm
	SP547673	Coin Meter	Jeton Laundromatic Belgium, jeton diamater 22.3 mm
	SP547674	Coin Meter	1SGD
	SP547675	Coin Meter	Jeton Asard Wascator, jeton diamater 19.9 mm
	SP555502	Coin Meter	Easy Games jeton
	SP555543	Coin Meter	Brev.C jeton
	SP555546	Coin Meter	50 Malaysian cent
	SP555549	Coin Meter	Flat Polis jeton
	SP555550	Coin Meter	Butzi Wash jeton
	SP555578	Coin Meter	1 New Singapore Dollar
	SP555558	Coin Meter	Copper without grooves jeton
	569939	Coin Meter	0.1SGD, 0.2SGD, 0.5SGD, 1SGD; Electronic EMPv7
	SP555666	Coin Meter	2x50 Malaysian cent
	569933	Coin Meter	0.1EUR, 0.2EUR, 0.5EUR, 1EUR, 2EUR; Electronic EMPv7
	SP555559	Coin Meter	Speedy Matic jeton
	SP555579	Coin Meter	Electronic EMP500.12v5 Was-Salon Lavoir jeton
	569948	Coin Meter	5CZK, 10CZK, 20CZK, 50CZK; Electronic EMPv7
	SP560744	Coin Meter	Electronic for Dobi Ekspres jeton
	569964	Coin Meter	0.2GBP, 0.5GBP, 1GBP, 2GBP, 0.1EUR, 0.2EUR, 0.5EUR, 1EUR, 2EUR, jeton "KWL Aqua", jeton "Gettone"; Electronic EMPv7
	SP560089	Coin Meter	STD 118-1 jeton

# Coin Meter - AR, IA, LA, LW, MWC, NA, NX, PA, RX, SA and UA Models (Drawing 3 of 4)

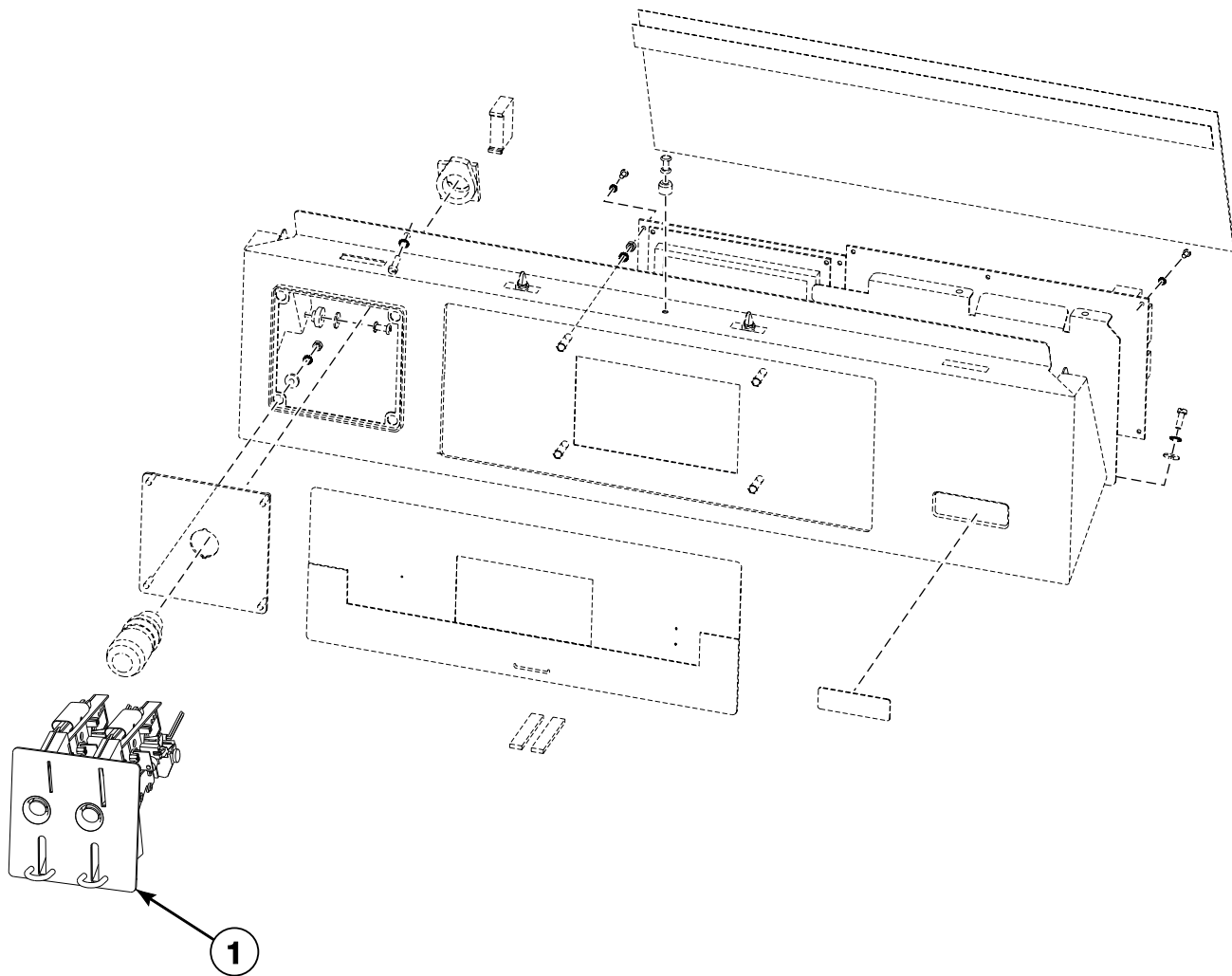


CFD2911P\_D2064

## Coin Meter - AR, IA, LA, LW, MWC, NA, NX, PA, RX, SA and UA Models (Drawing 3 of 4)

REF	PART NO.	DESCRIPTION	COMMENTS
1	SP560082	Coin Meter	5k IPSO jeton
	SP560083	Coin Meter	7k IPSO jeton
	SP560084	Coin Meter	10k IPSO jeton
	SP560085	Coin Meter	12k IPSO jeton
	SP560086	Coin Meter	15k IPSO jeton
	561378	Coin Meter	10 Moroccan Dirham
	569918	Coin Meter	0.25USD, 1USD, 0.25CAD, 1CAD, 2CAD; Electronic EMPv7
	560073	Coin Meter	0.25 USD/1 USD
	569930	Coin Meter	1CNY, 0.1MYR, 0.2MYR, 0.5MYR; Electronic EMPv7
	569927	Coin Meter	0.2AUD, 1AUD, 2AUD, 0.2NZD, 1NZD, 2NZD, 5HKD, 10HKD, 500KRW; Electronic EMPv7
	561496	Coin Meter	Jeton Grupo Azkoyen CDS Automaten
	569936	Coin Meter	1PHP, 5PHP, 10PHP; Electronic EMPv7
	569942	Coin Meter	0.1MYR, 0.2MYR, 0.5MYR, 0.5SGD, 1SGD; Electronic EMPv7
	569945	Coin Meter	1HRK, 2HRK, 5HRK; Electronic EMPv7
	569924	Coin Meter	1DKK, 2DKK, 5DKK, 10DKK, 20DKK, 1NOK, 5NOK, 10NOK, 20NOK, 0.2EUR, 0.5EUR, 1EUR, 2EUR; Electronic EMPv7
	SP564484	Coin Meter	Jeton 118-5
	SP564486	Coin Meter	Jeton Barisart (LDL)
	569961	Coin Meter	0.1EUR, 0.2EUR, 0.5EUR, 1EUR, 2EUR, jeton IPSO 5K; Electronic EMPv7
	564489	Coin Meter	Jeton Sporrong
	569970	Coin Meter	0.5MYR, jeton "DOBI PAPA"; Electronic EMPv7
	553150	Coin Meter	Jeton with hole
	553151	Coin Meter	Jeton Deton Wash
	569901	Coin Meter	Brass jeton
	569912	Coin Meter	Jeton Wassalon lavoir
	569954	Coin Meter	1PLN, 2PLN, 5PLN, 0.1EUR, 0.2EUR, 0.5EUR, 1EUR, 2EUR, 10ISK, 50ISK, 100ISK; Electronic EMPv7
	569967	Coin Meter	0.1EUR, 0.2EUR, 0.5EUR, 1EUR, 2EUR, jeton G-FIS "LAVOIR BIANCA"; Electronic EMPv7
	569973	Coin Meter	1AUD, 2AUD, jeton "No Cash Value"; Electronic EMPv7
	569979	Coin Meter	0.5MYR, jeton "BUBBLELAB"; Electronic EMPv7
	572383	Coin Meter	0.2CHF, 0.5CHF, 1CHF, 2CHF; TK1, TK2; Electronic EMPv7
	572339	Coin Meter	Gettone Jeton (26mm diameter x 1.7mm)
	572391	Coin Meter	0.25CAD
	572342	Coin Meter	Token WH121
	572358	Coin Meter	1 THB, 2 THB, 5THB, 10THB / TK1+2; Electronic EMPv7
	569987	Coin Meter	Jeton HAUCK 2018
	569998	Coin Meter	100+500 ISK
	572301	Coin Meter	Token 118-16
	572304	Coin Meter	1ILS, 2ILS, 5ILS, 10ILS; Electronic EMPv7
	572307	Coin Meter	1ZAR, 2ZAR, 5ZAR; Electronic EMPv7
	572310	Coin Meter	5RUB, 10RUB; Electronic EMPv7
	572313	Coin Meter	50CLP, 100CLP, 500CLP; Electronic EMPv7
	572317	Coin Meter	100JPY, 500JPY, 10TWD, 50TWD; Electronic EMPv7

# Coin Meter - AR, IA, LA, LW, MWC, NA, NX, PA, RX, SA and UA Models (Drawing 4 of 4)



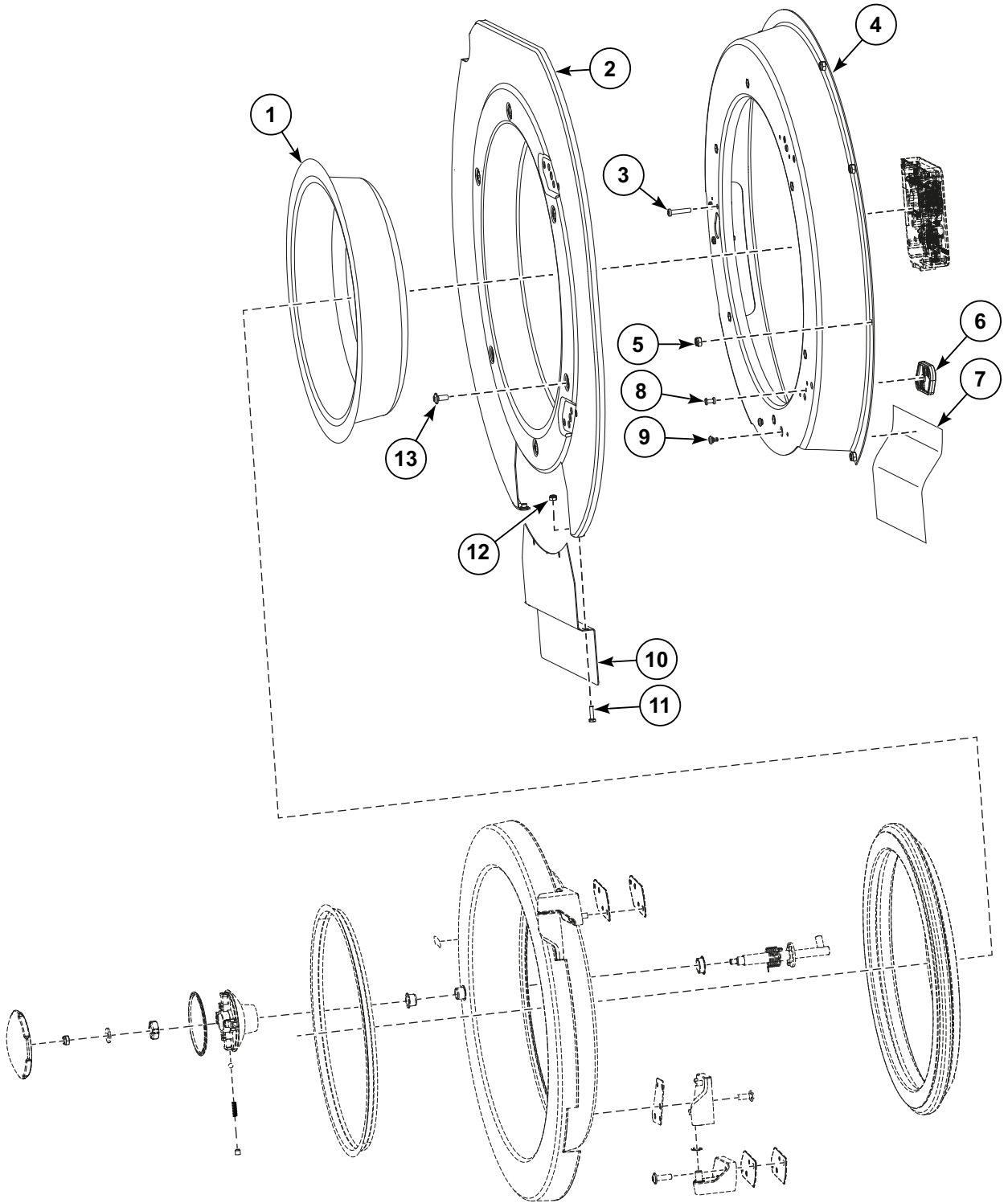
CFD2911P\_D2064



## Coin Meter - AR, IA, LA, LW, MWC, NA, NX, PA, RX, SA and UA Models (Drawing 4 of 4)

REF	PART NO.	DESCRIPTION	COMMENTS
1	572320	Coin Meter	0.5GEL, 1GEL, 2GEL; Electronic EMPv7
	572323	Coin Meter	0.2EUR, 0.5EUR, 1EUR, 2EUR, Jeton 7K; Electronic EMPv7
	579812	Coin Meter	20HUF, 50HUF, 100HUF, 200HUF; TK1, TK2; Electronic EMPv7
	579808	Coin Meter	1EAD, 1TK, 2TK; Electronic EMPv7

# Door (Drawing 1 of 3)

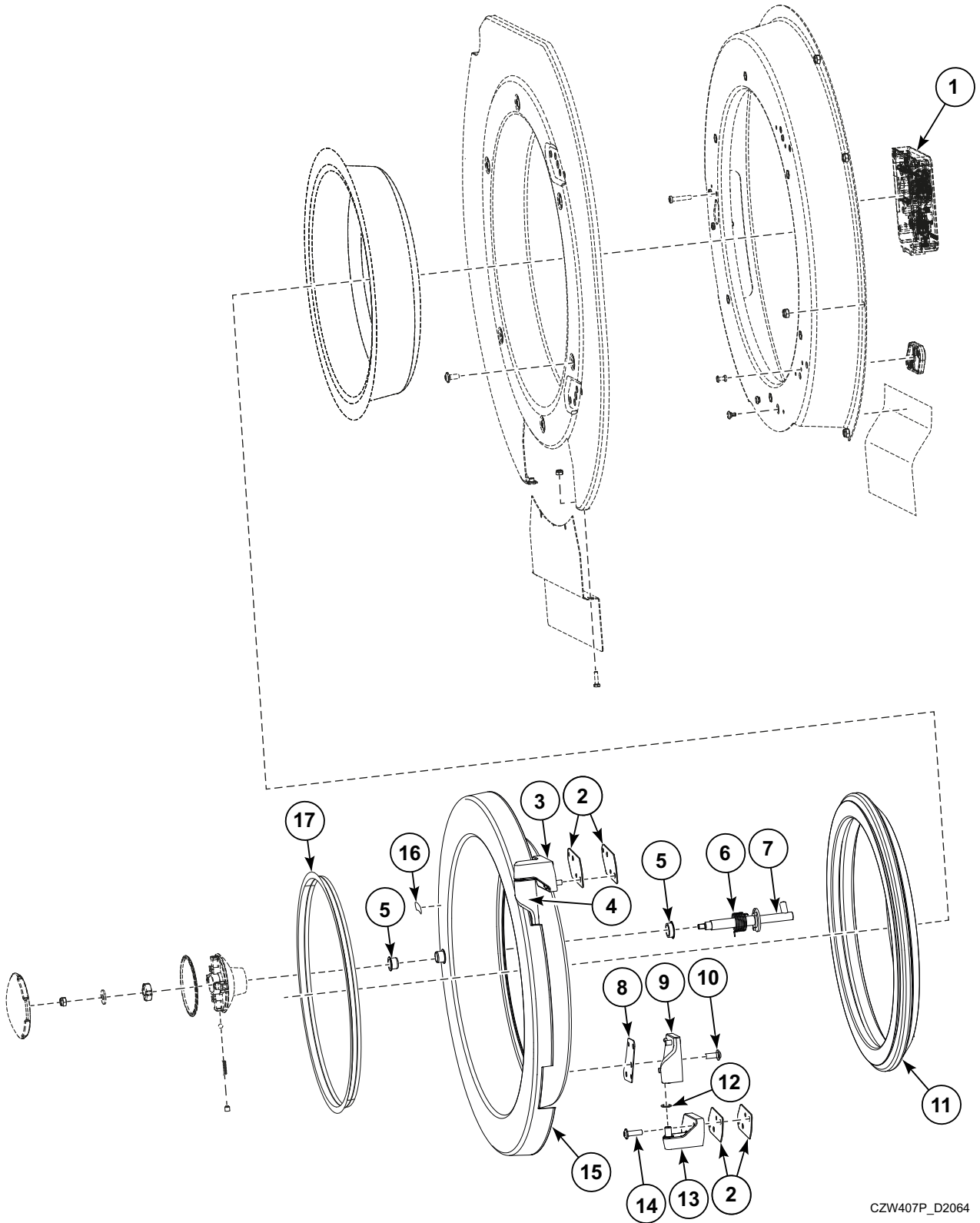


CZW370P\_D2064

## Door (Drawing 1 of 3)

REF	PART NO.	DESCRIPTION	COMMENTS
	553532	Door Assembly	LA, LW, MWC, NX, PA and RX Models; Includes items 1-13 in (Drawing 1 of 3), 1-17 in (Drawing 2 of 3) and 1-10 in (Drawing 3 of 3)
	576073	Door Assembly	IA Models with J or R in 7th position of the model number; Includes items 1-13 in (Drawing 1 of 3), 1-17 in (Drawing 2 of 3) and 1-10 in (Drawing 3 of 3)
	576076	Door Assembly	AR, NA, SA and UA Models; IA Models with G in 7th position of the model number; Includes items 1-13 in (Drawing 1 of 3), 1-17 in (Drawing 2 of 3) and 1-10 in (Drawing 3 of 3)
	SP552454	Door Lock Wiring	PAN models with T or X in 7th position of the model number; CSA; MC7 control board
	SP552453	Door Lock Wiring	Models with A, D, I, J, R, T or X in 7th position of the model number except PAN models; CE; MC7 control board
	SP528270	Door Lock Wiring	Models with A, D, I, J, R, T or X in 7th position of the model number except PAN models; CE; MC6 control board
	569723	Door Lock Wiring	Models with G in 7th position of the model number
	SP245704003021	Adhesive	Loctite 243
	SP245704000603	Adhesive	Loctite 603; Use with SP537854 Bolt
	SP537896	Adhesive	Reversible tape
	SP284000012003	Tape	Self-adhesive
	568989	Service Door Kit	Includes 569352 Door Seal, 568804 Shim, 560069 Shim, SPPRI722000004 Plastic Protection, SPPRI722000001 Plastic Protection and SP345000160971 Binding Strip
<b>1</b>	SP556228	Door Glass	IA models with J or R in 7th position of the model number; With logo
	535439	Door Glass	AR, LA, LW, MWC, NA, NX, PA, RX, SA and UA Models; IA Models with G in 7th position of the model number; Without logo
<b>2</b>	571726	Front Panel	Stainless steel
	571723	Front Panel	Black
<b>3</b>	SP556137	Bolt	M5x25
<b>4</b>	SP537883	Door and Lock Holder	
<b>5</b>	SP310985000006	Nut	M6
<b>6</b>	SP537849	Hinge Spacer	
<b>7</b>	SPPRI543000004	Cover	
<b>8</b>	SP547779	Rivet	4x16.7 with a crank
<b>9</b>	SP537856	Connector	
<b>10</b>	568987	Heating Element Front Cover	Stainless steel
	SP563275	Heating Element Front Cover	Black
<b>11</b>	SP309084000416	Bolt	M4x16
<b>12</b>	SP313251002104	Nut	M4; Riveting
<b>13</b>	SP537854	Bolt	M6x14

# Door (Drawing 2 of 3)

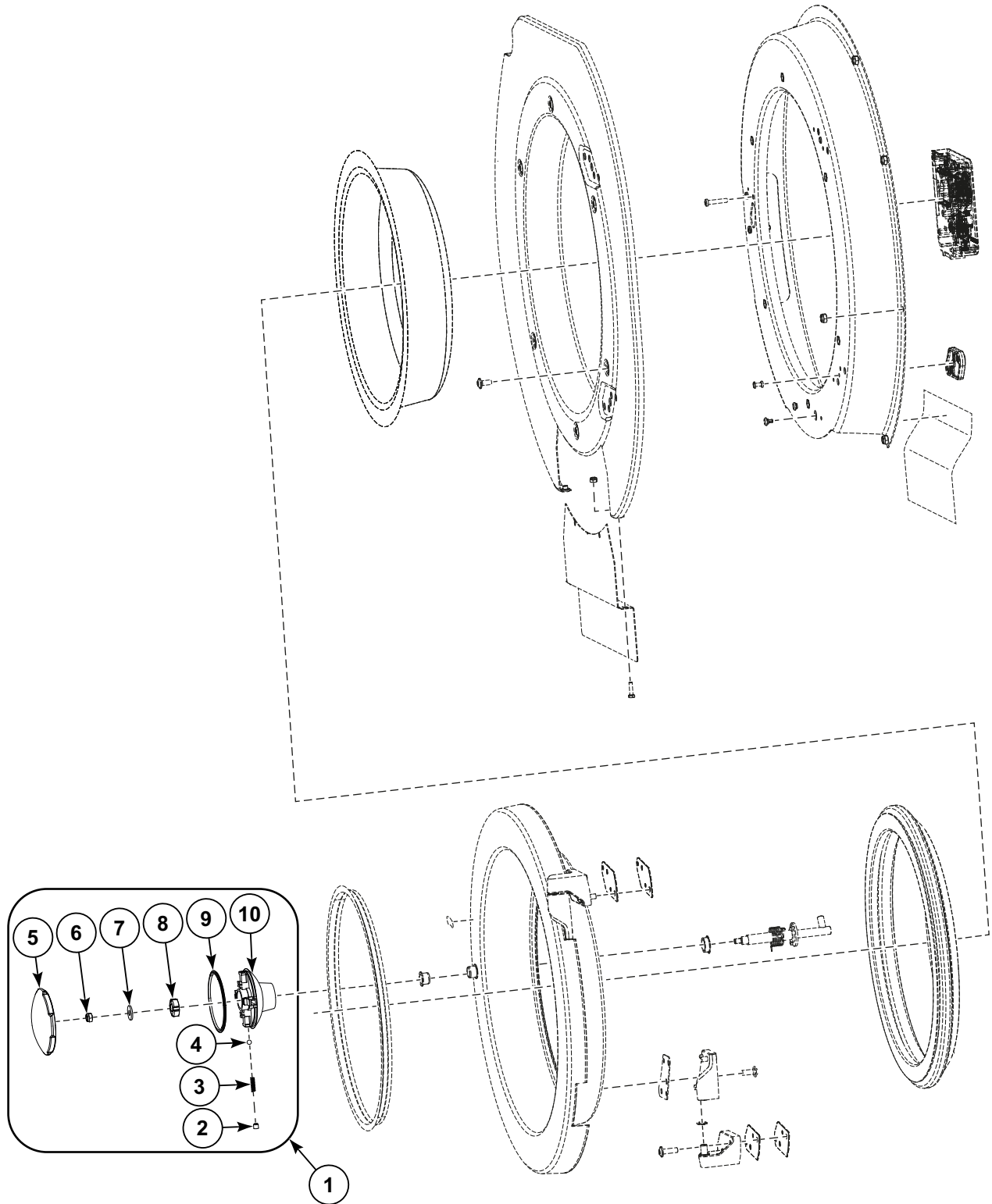


CZW407P\_D2064

## Door (Drawing 2 of 3)

REF	PART NO.	DESCRIPTION	COMMENTS
1	SP537760	Lock	
2	568804	Washer	
3	568979	Fixed Upper Hinge	Black
	568981	Fixed Upper Hinge	Chrome
4	575962	Upper Hinge	Chrome; with case
	575960	Upper Hinge	Black; with case
5	SP529739	Casing	
6	SP535402	Handle Torsion Spring	
7	SP537933	Lock Pin	
8	SP535421	Hinge Spacer	
9	575965	Lower Hinge	Chrome; with case
	575963	Lower Hinge	Black; with case
10	SP537864	Bolt	M6x16
11	568989	Service Door Kit	
12	571642	Washer	
13	568984	Fixed Lower Hinge	Chrome
	568982	Fixed Lower Hinge	Black
14	SP535479	Bolt	M6x25
15	SP535445	Door	A, AR, AR Non-Brand, IA, LA, NA and WMA Models Through Serial No. 240RX006755SB or 280RX003859SB; Black
	568838	Door	IA, AR, NA, WMA Models Starting Serial No. 240RX006756SB or 280RX003860SB; SA and UA Models Starting Serial No. 240RX008747UY or 280RX004689UY; Black
	SP535443	Door	SA and UA Models Through Serial No. 240RX008746UY or 280RX004688UY; Chrome
	SP553527	Door	LW, MWC, NX, PA and RX models; Gray
16	SP564831	Label	PAN models; CSA; Door Lock; Vend
17	562547	Trim	IA models with J or R in 7th position of the model number; starting Serial No. 240RX006756SB or 280RX003860SB

# Door (Drawing 3 of 3)



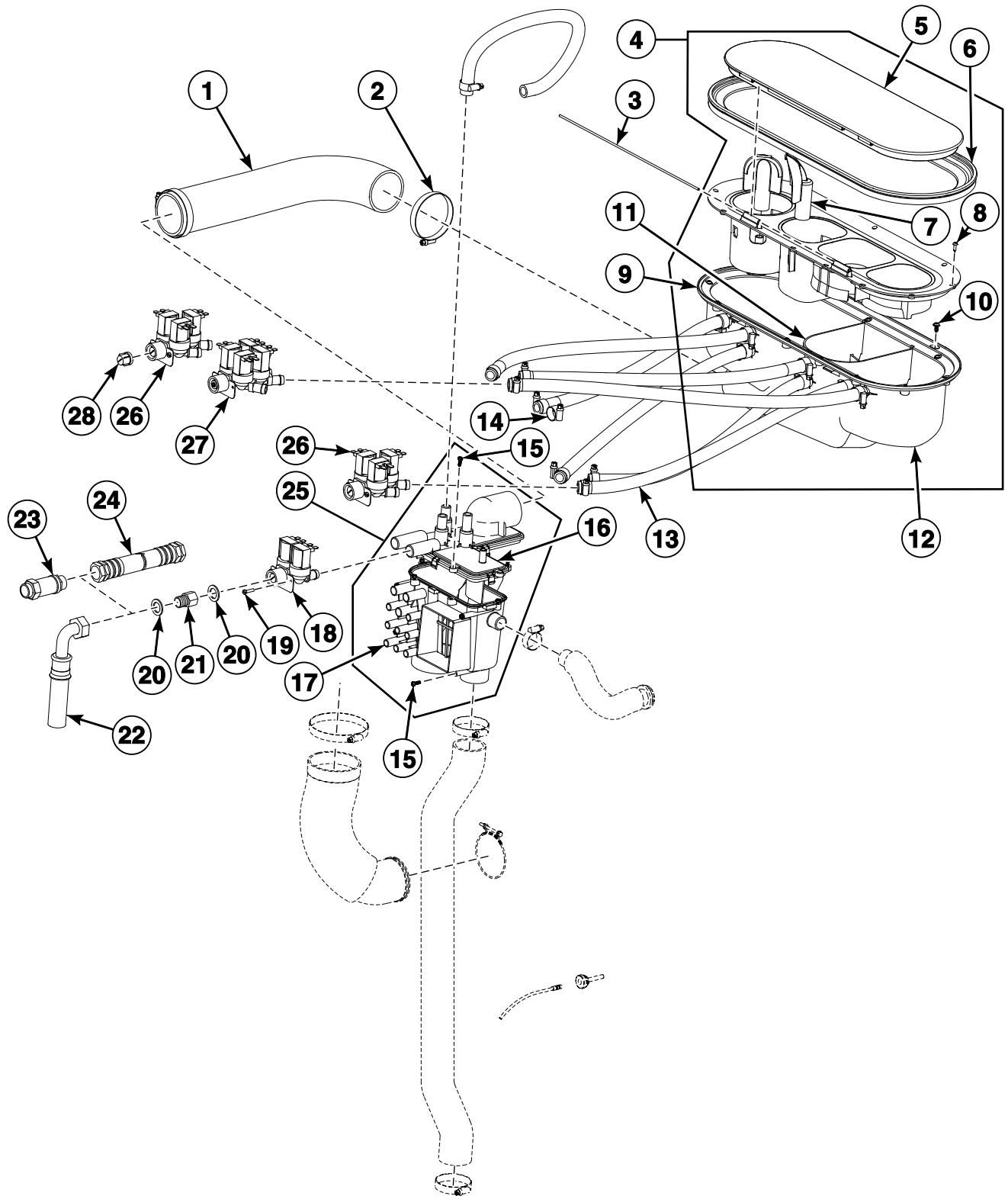
CZW372P\_D2064

## Door (Drawing 3 of 3)

REF	PART NO.	DESCRIPTION	COMMENTS
1	SP552917	Handle	A, AR, AR Non-Brand, IA, LA, NA and WMA Models Through Serial No. 240RX006755SB or 280RX003859SB
	576081	Handle	IA, AR, NA and WMA Models Starting Serial No. 240RX006756SB or 280RX003860SB; SA and UA Models
	SP552916	Handle	LW, MWC, NX, PA and RX Models
2	SP553524	Bolt	M6x6
3	SP535406	Compression Spring	
4	SP535407	Handle Ball	
5	SP535436	Holder Cover	A, AR, AR Non-Brand, IA, LA, NA, SA, UA and WMA Models
	SP535412	Holder Cove	LW, MWC, NX, PA and RX Models
6	SP310985000006	Nut	M6
7	SP311902100006	Washer	M6
8	SP529710	Locating Segment	
9	SP535437	Distinguishing Ring	A, AR, AR Non-Brand, IA, LA, NA and WMA Models Through Serial No. 240RX006755SB or 280RX003859SB; Red
	571733	Distinguishing Ring	IA, AR, NA and WMA Models starting Serial No. 240RX006756SB or 280RX003860SB; SA and UA Models; Red
	SP535411	Distinguishing Ring	LW, MWC, NX, PA and RX models; Blue
10	SP535429	Handle Lower Part	

# Water Inlet System (Drawing 1 of 4)

27, 55, 240 and 253 Models  
Optional for 32, 65, 70, 280 and 303 Models



CZW70P\_D2064

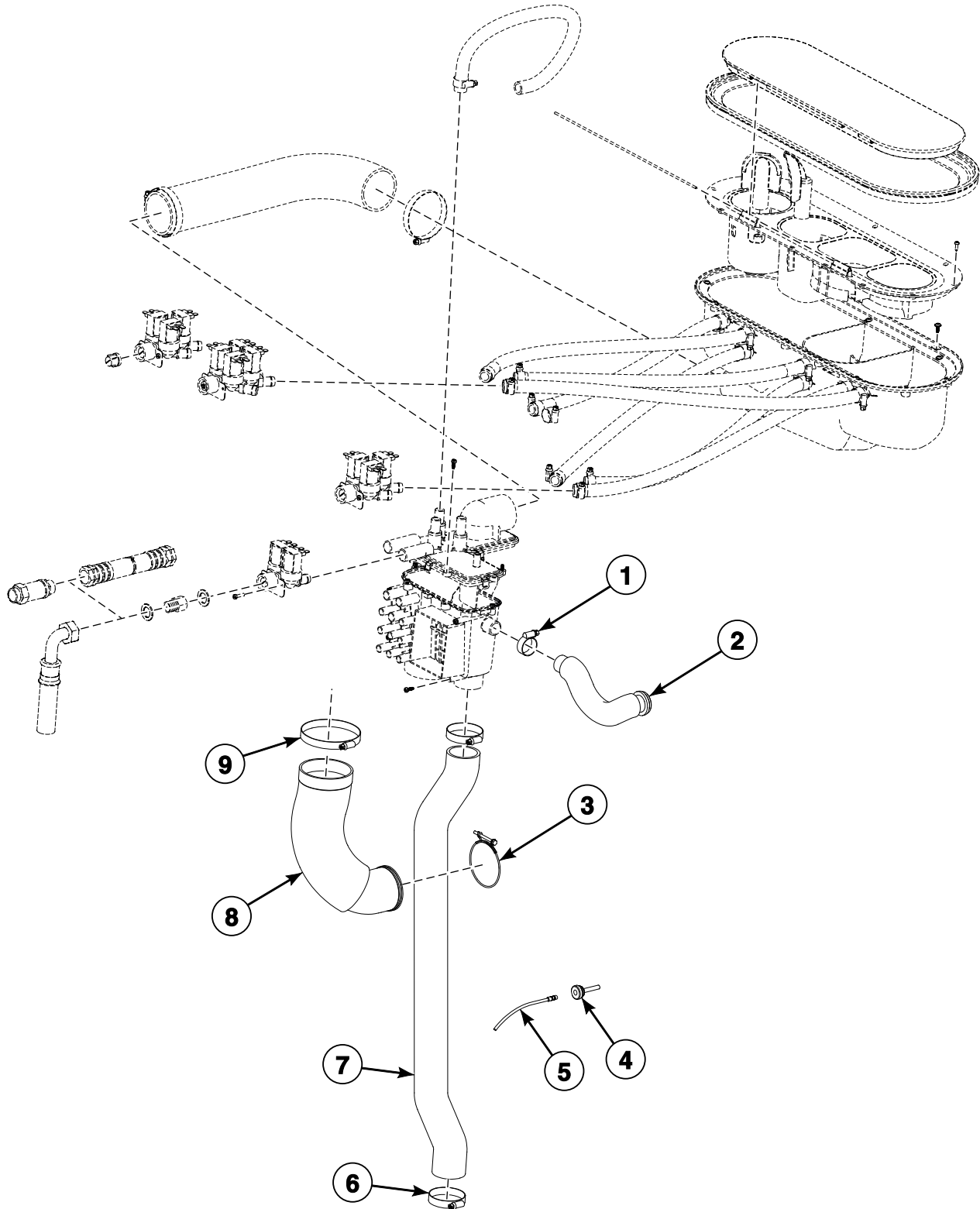


## Water Inlet System (Drawing 1 of 4)

REF	PART NO.	DESCRIPTION	COMMENTS
	SP526468	Soap Hopper Plug	Optional
	F8301201	Double Check Valve	Models IA240_JLA and IA280_JLA; Use with SPPRI426001217 Pipe Nipple; CE
1	SP547995	Dispenser Elbow Pipe	27, 55, 240 and 253 models
	SP554107	Dispenser Elbow Pipe	32, 65, 70, 280 and 303 models
2	SPPRI240000021	Hose Clamp	60-80
3	SP540117	Pin	
4	SP540164	Soap Hopper	
5	SP526461	Dispenser Lid	Black
	551695	Dispenser Lid	Grey
6	SP540158	Dispenser Seal	
7	SP540113	Flap	
8	SP309798124313	Screw	ST3.5x13
9	SP540112	Soap Hopper Upper Cover	
10	SP529206	Screw	4x11
11	SP540116	Internal Vessel	
12	SP540115	Main Vessel	
13	SPPRI540000014	Hose	13/19
	SP101745	Hose Pipe	For water approval
14	SPPRI240000002	Hose Clamp	12-22
15	SP526497	Screw	4x12
16	SP526557	Mixer Lid	
17	SP526565	Mixer Body	
18	SP547958	2-Way Valve	3/4 inch
19	SP309084000416	Bolt	4x16
20	SPPRI520001009	Seal	
21	567174	Reduction	PAN models; CSA; 3/4 inch; BSP/GHT
22	SPPRI505000054	Filling Hose Pipe	Cold water
	SP547980	Filling Hose Pipe	Hot water
	SP101621	Filling Hose Pipe	For water approval
	F200164	Water Hose	PAN models; CSA
23	B12543901	Double Reverse Valve	IAY, LAY, NAY, PAY and SAY models
24	RSPF200166	Filling Hose Pipe	IAY, LAY, NAY, PAY and SAY models
25	SP526558	Mixer	
26	SP547959	3-Way Valve	3/4 inch
27	SP548933	4-Way Valve	3/4 inch
28	SPPRI340004030	Filter	

# Water Inlet System (Drawing 2 of 4)

27, 55, 240 and 253 Models  
Optional for 32, 65, 70, 280 and 303 Models



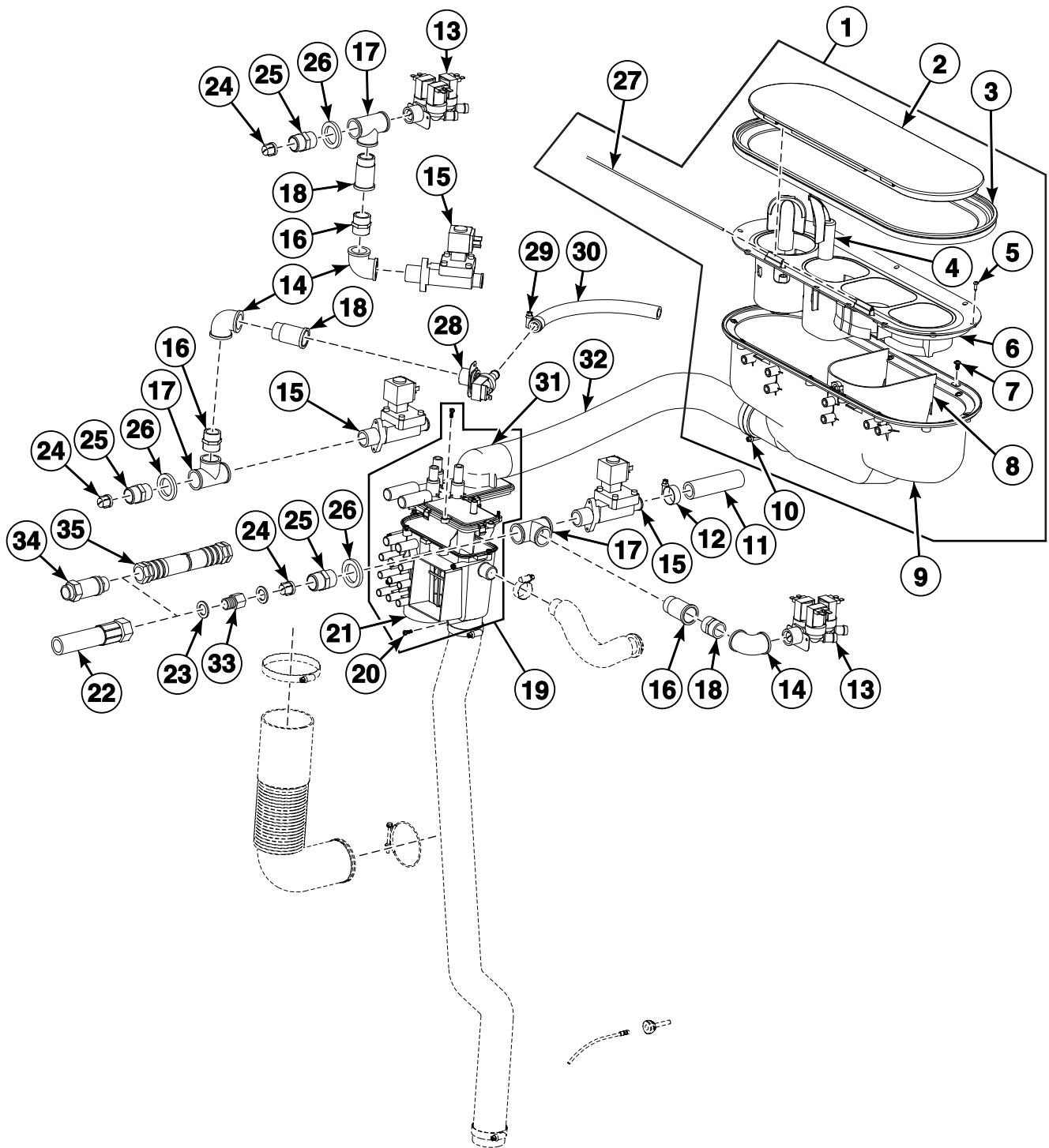
CZW71P\_D2064

## Water Inlet System (Drawing 2 of 4)

REF	PART NO.	DESCRIPTION	COMMENTS
1	SPPRI240000003	Hose Clamp	20-32
2	SP526509	Vent Hose	
3	SP526491	Hose Clamp	62-70
4	SP526439	Temperature Sensor Seal	
5	SP503839	Temperature Sensor	
6	SPPRI240000017	Hose Clamp	40-60
7	SP554176	Overflow Tube	
8	SP526484	Filling Elbow Pipe	
9	SPPRI240000007	Hose Clamp	70-90

# Water Inlet System (Drawing 3 of 4)

32, 65, 70, 280 and 303 Models  
Optional for 27, 55, 240 and 253 Models



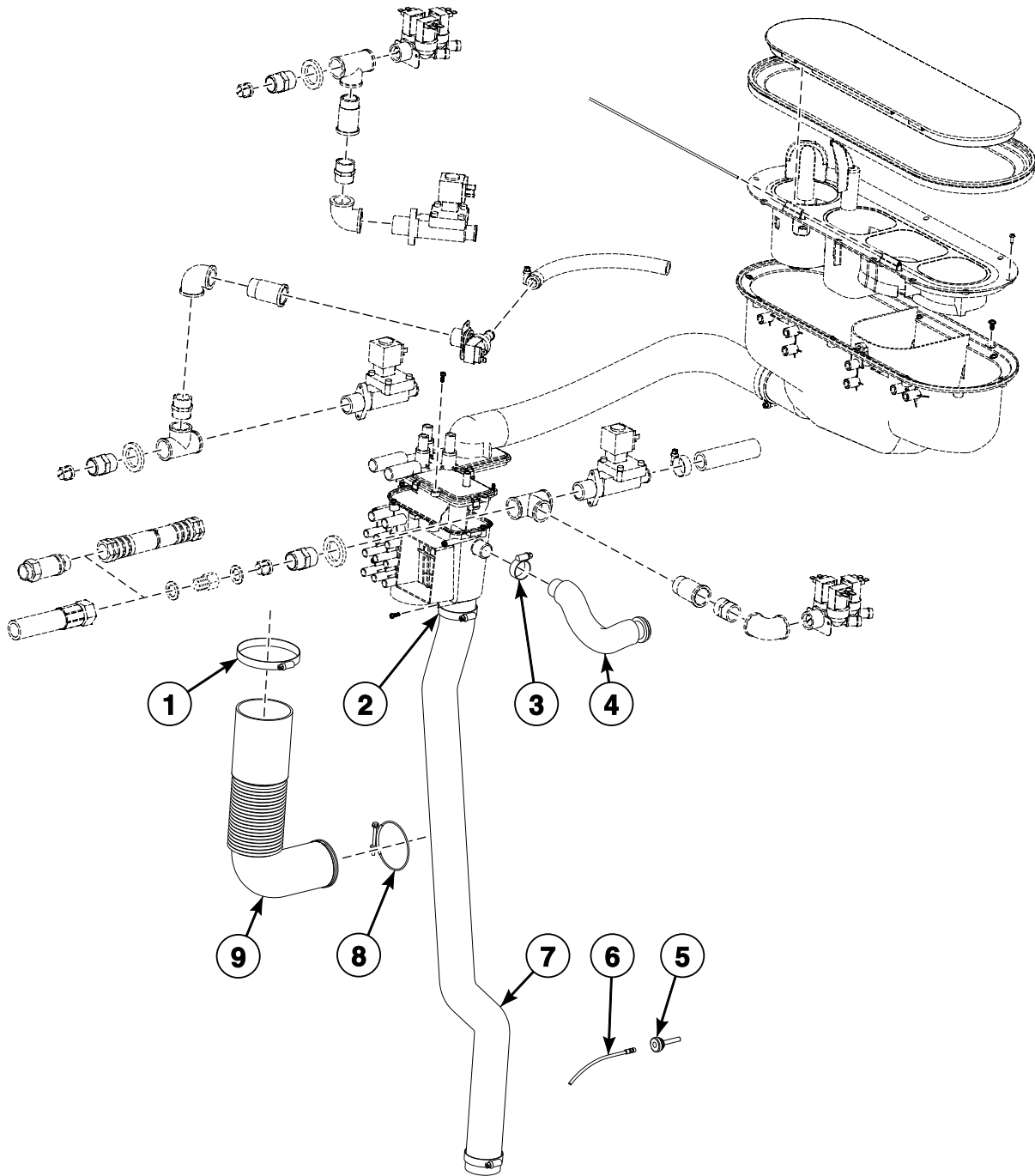
CZW35P\_D2064

## Water Inlet System (Drawing 3 of 4)

REF	PART NO.	DESCRIPTION	COMMENTS
	SP548933	4-Way Valve	3/4 inch
	SP526468	Soap Hopper Plug	Optional
1	SP540164	Soap Hopper	Gray
2	SP526461	Dispenser Lid	Black
	SP551695	Dispenser Lid	Grey
3	SP540158	Dispenser Seal	
4	SP540113	Flap	
5	SP309798124313	Screw	ST3.5x13
6	SP540112	Soap Hopper Upper Cover	
7	SP529206	Screw	4x11
8	SP540116	Internal Vessel	
9	SP540115	Main Vessel	
10	SPPRI240000021	Hose Clamp	60-80
11	SPPRI540001019	Hose	
12	SPPRI240000003	Hose Clamp	20-32
13	SP547959	3-Way Valve	3/4 inch
14	SPPRI426002072	Elbow	3/4 inch
15	SP567064	1-Way Valve	3/4 inch; Uses SP525821 Valve Repair Kit
16	SPPRI426003217	Extension	3/4 inch x 40
17	SPPRI426001107	Tee	3/4 inch
18	SPPRI426001217	Pipe Nipple	3/4 inch
19	SP526558	Mixer	
20	SP526497	Screw	4x12
21	SP526565	Mixer Body	
22	F200164	Water Hose	PAN models; CSA
	SP533036	Filling Hose Pipe	All other models; CE
23	SPPRI520001009	Seal	
24	SPPRI340004030	Filter	
25	SP510120	Pipe Nipple	3/4 inch
26	SPPRI231000062	Washer	28x42x5
27	SP540117	Pin	
28	SP554211	1-Way Valve	3/4 inch
29	SPPRI240000002	Hose Clamp	12-22
30	SPPRI540000014	Hose	13/19
31	SP526557	Mixer Lid	
32	SP547995	Dispenser Elbow Pipe	27, 55, 240 and 253 models
	SP554107	Dispenser Elbow Pipe	32, 65, 70, 280 and 303 models
33	567174	Reduction	CSA; 3/4 inch; BSP/GHT
34	B12543901	Double Reverse Valve	IAY, LAY, NAY, PAY and SAY models
35	RSPF200166	Filling Hose Pipe	IAY, LAY, NAY, PAY and SAY models

# Water Inlet System (Drawing 4 of 4)

32, 65, 70, 280 and 303 Models  
Optional for 27, 55, 240 and 253 Models



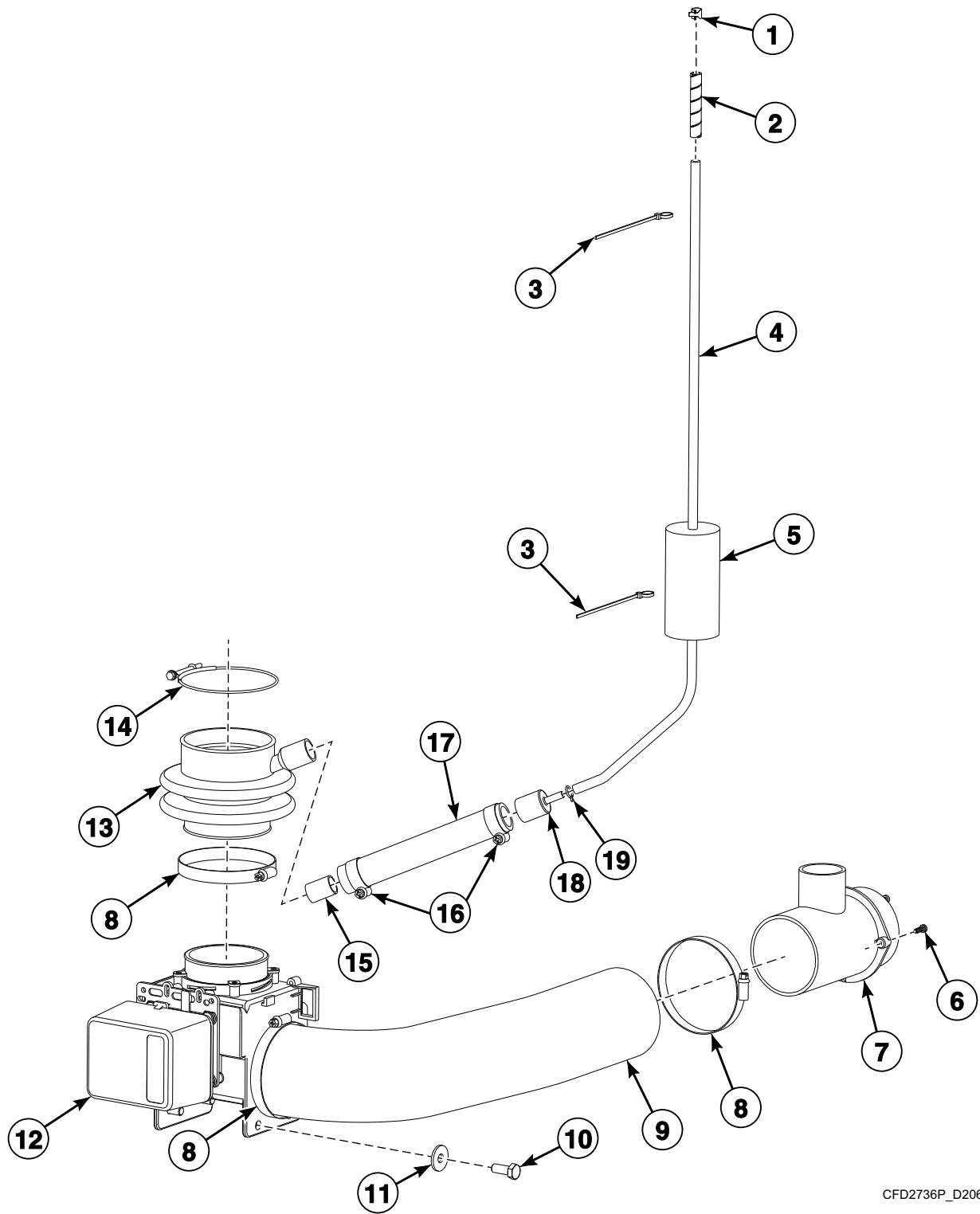
CZW36P\_D2064

## Water Inlet System (Drawing 4 of 4)

REF	PART NO.	DESCRIPTION	COMMENTS
1	SPPRI240000007	Hose Clamp	70-90
2	SPPRI240000017	Hose Clamp	40-60
3	SPPRI240000003	Hose Clamp	20-32
4	SP526509	Vent Hose	
5	SP526439	Temperature Sensor Seal	
6	SP503839	Temperature Sensor	
7	SP554176	Overflow Tube	
8	SP526491	Hose Clamp	62-70
9	SP526484	Filling Elbow Pipe	

# Drain System

Models with A, D, I, J, R, T or X in 7th Position



CFD2736P\_D2064

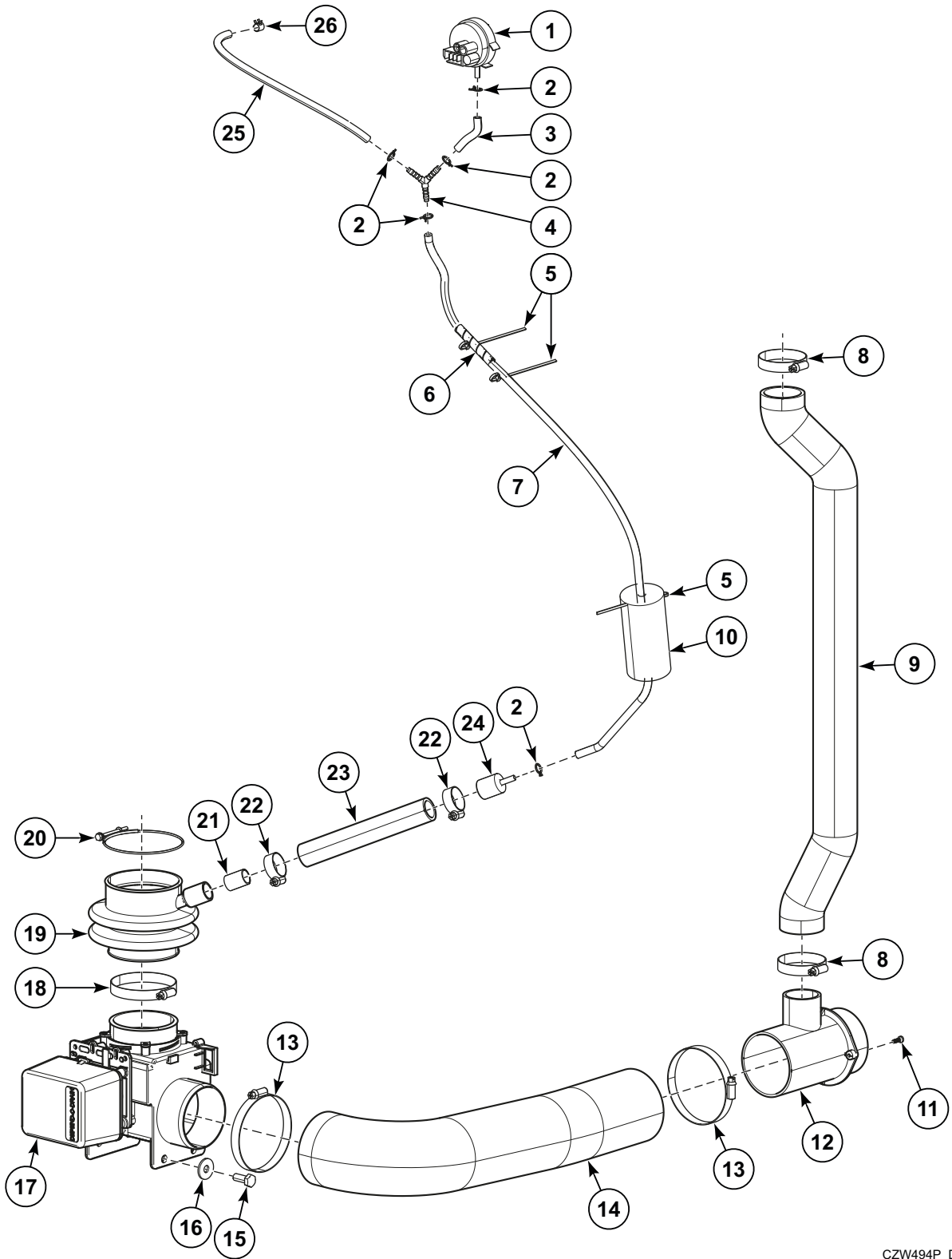


# Drain System

REF	PART NO.	DESCRIPTION	COMMENTS
1	SP540183	Spring Clamp	
2	SP283449080200	Spiral	
3	SP345000626088	Binding Strip	
4	SPPRI540001003	Water Level Switch Hose	
5	SP100188	Foam Roller	
6	SP526497	Screw	4x12
7	SP526454	Tee	
8	SPPRI240000007	Hose Clamp	70-90
9	SP547963	Drain Elbow	27, 55, 240 and 253 models
	SP554106	Drain Elbow	32, 65, 70, 280 and 303 models
10	SP309933000820	Bolt	M8x20
11	SP311902100008	Washer	8
12	SP526460	Drain Valve	Black; Includes SPPRI340002051 Drain Valve Motor and 554276 Drain Valve Seal
	SP547821	Reverse Function Drain Valve	Black; Includes SPPRI340002051 Drain Valve Motor and 554276 Drain Valve Seal
	SPPRI340002051	Drain Valve Motor	Includes gearbox
	554276	Drain Valve Seal	
13	SP526492	Drain Hose Pipe	
14	SP526532	Hose Clamp	82-90
15	SP500125	Reinforcement Tube	
16	SPPRI240000003	Hose Clamp	20-32
17	SPPRI503002049	Hose	
18	SPPRI503000027	Air Trap Reduction	
19	SPPRI241000017	Hose Clamp	A5.5

# Drain System

Models with G in 7th Position



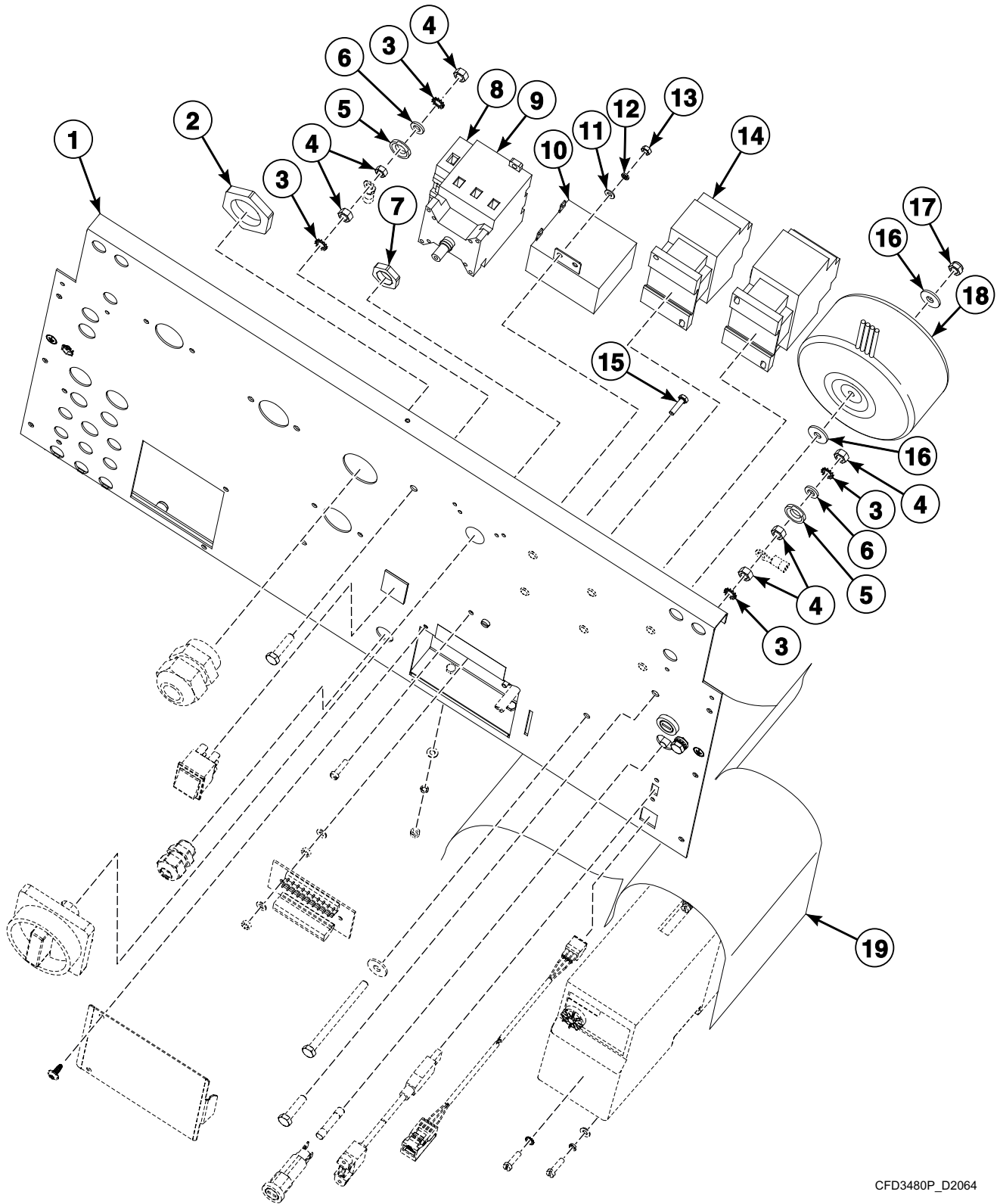
CZW494P\_D2064

# Drain System

REF	PART NO.	DESCRIPTION	COMMENTS
1	570315	Water Level Switch	
2	SPPRI241000017	Hose Clamp	A5.5
3	SPPRI540001003	Water Level Switch Hose	1.77 inch (0.045 m)
4	SPPRI503000028	Y-Piece	
5	SP345000626088	Binding Strip	
6	SP283449080200	Spiral	
7	SPPRI540001003	Water Level Switch Hose	43.31 inch (1.1 m)
8	SPPRI240000017	Hose Clamp	70-90
9	SP554176	Overflow Tube	
10	SP100188	Foam Roller	
11	SP526497	Screw	4x12
12	SP526454	Tee	
13	SPPRI240000007	Hose Clamp	70-90
14	SP547963	Drain Elbow	240 models
	SP554106	Drain Elbow	280 models
15	SP309933000820	Bolt	M8x20
16	SP311902100008	Washer	8
17	SP526460	Drain Valve	Black; Includes SPPRI340002051 Drain Valve Motor and 554276 Drain Valve Seal
	SP547821	Reverse Function Drain Valve	Black; Includes SPPRI340002051 Drain Valve Motor and 554276 Drain Valve Seal
	SPPRI340002051	Drain Valve Motor	Includes gearbox
	554276	Drain Valve Seal	
18	SPPRI240000021	Hose Clamp	60-80
19	SP526492	Drain Hose Pipe	
20	SP526532	Hose Clamp	82-90
21	SP500125	Reinforcement Tube	
22	SPPRI240000003	Hose Clamp	20-32
23	SPPRI503002049	Hose	Air trap
24	SPPRI503000027	Air Trap Reduction	
25	SPPRI540001003	Water Level Switch Hose	10.63 inch (0.27 m)
26	SP540183	Spring Clamp	

# Rear Panel (Drawing 1 of 2)

Models with A, D, I, J, R, T or X in 7th Position



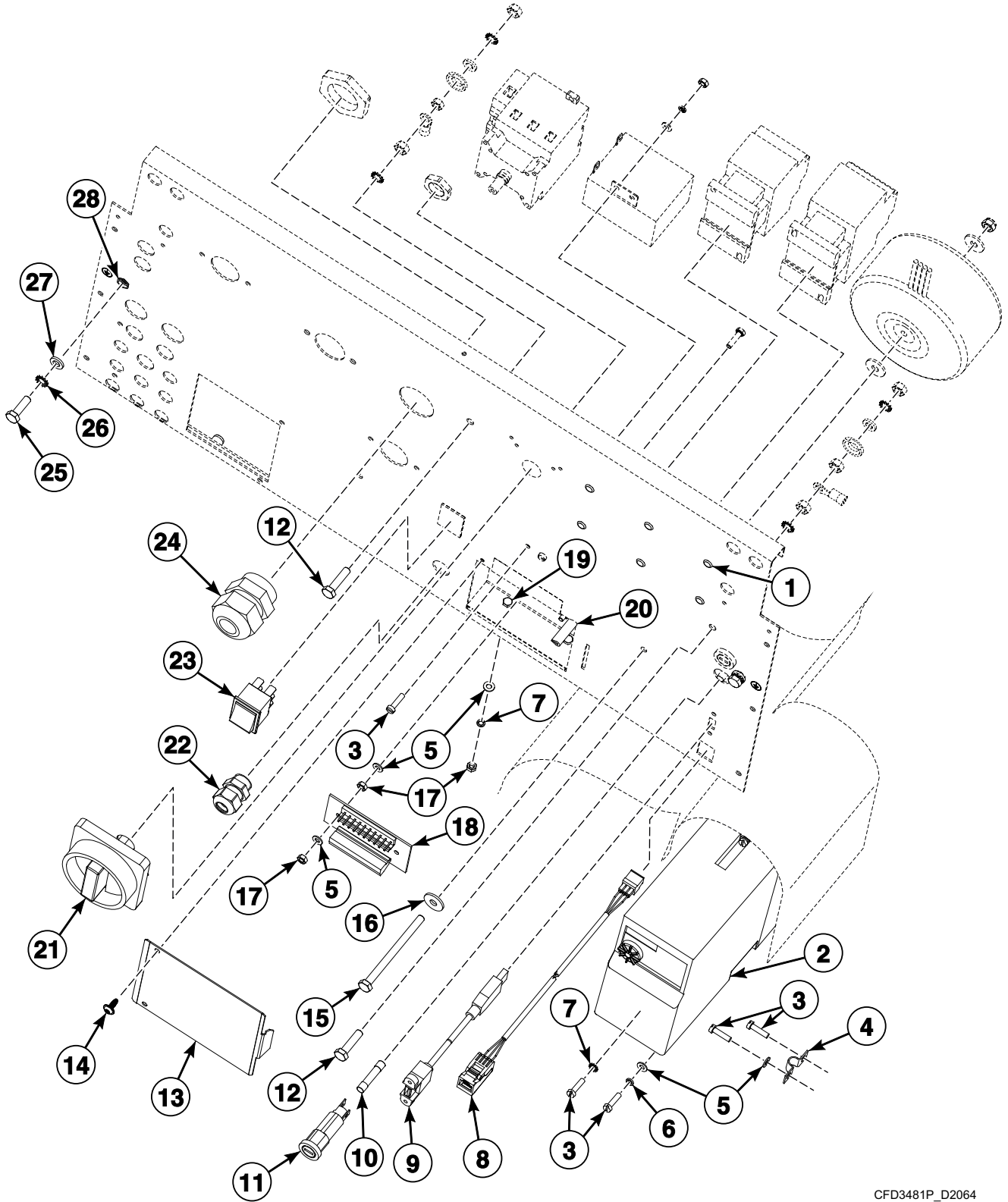
CFD3480P\_D2064

## Rear Panel (Drawing 1 of 2)

REF	PART NO.	DESCRIPTION	COMMENTS
1	SP559240	Rear Panel	A, AR Non-Brand, IA, NA, SA and WMA Models Through Serial No. 240RX006755SB or 280RX003859SB
	SP547989	Rear Panel	27, 55, 240 and 253 models
	SP547990	Rear Panel	32, 65, 70, 280 and 303 models
2	SP101419	Nut	Cable bushing; M32x1.5
3	SP311679824006	Washer	M6
4	SP310934100006	Nut	M6
5	563361	Washer	PAN models; CSA
6	SP311125100006	Washer	6.4
7	SP101416	Nut	Cable bushing; M16
8	SP506407	Main Switch	25A; Fourth pole
	SPPRI404001098	Main Switch	32A; Fourth pole
	SPPRI404001099	Main Switch	63A; Fourth pole
9	SPPRI404000097	Main Switch	25A
	SPPRI404000098	Main Switch	32A
	SPPRI404000099	Main Switch	63A
10	SP516012	Filter	20MSW6
	SP525935	Filter	FFR-CSH-80-16A-RF1-LL
11	SP311125000004	Washer	4.3
12	SP311127000004	Washer	4
13	SP310934000004	Nut	M4
14	SP514038	Contactora	LC1-D09M7
	SP514042	Contactora	LC1-D18M7
	SPPRI345002019	Contactora	LC1-D32M7
	SP514043	Contactora	LC1-D50M7
15	SP309933000416	Bolt	M4x16
16	SP311902100006	Washer	M6
17	SP310985000006	Nut	M6
18	SP516648	Transformer	
19	SP547997	Motor and Frequency Inverter Cover	27, 240 and 253 models; 55 non-CSA models; All except PAN CSA models; Normal spin
	SP554153	Motor and Frequency Inverter Cover	32, 65, 280 and 303 models; 70 non-CSA models; All except PAN CSA models; Normal spin
	562878	Motor and Frequency Inverter Cover	PAN055 models; CSA
	562879	Motor and Frequency Inverter Cover	PAN070 models; CSA
	SP554269	Motor and Frequency Inverter Cover	27, 240 and 253 models; 55 non-CSA models; All except PAN CSA models; Medium spin
	SP554270	Motor and Frequency Inverter Cover	32, 65, 280 and 303 models; 70 non-CSA models; All except PAN CSA models; Medium spin

# Rear Panel (Drawing 2 of 2)

Models with A, D, I, J, R, T or X in 7th Position



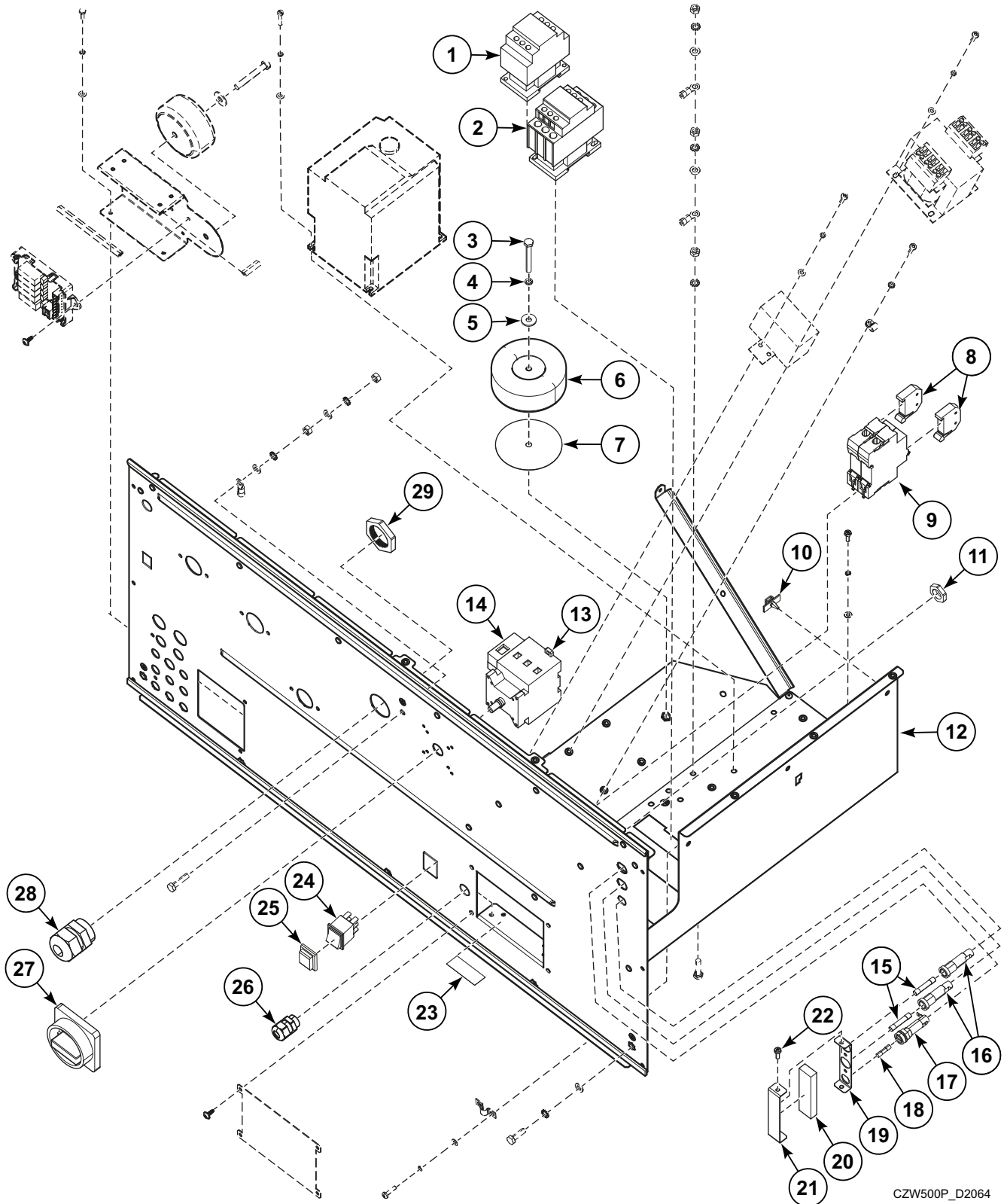
CFD3481P\_D2064

## Rear Panel (Drawing 2 of 2)

REF	PART NO.	DESCRIPTION	COMMENTS
	557982	Cable	Extra price option
	SP506575	Terminal Board	Extra price option
	557981	Label	Extra price option
	SP557767	MC7 Control Board Main Wiring	All except PAN models; CSA
	552310	MC6 Control Board Main Wiring	All except PAN models; CSA
	SP552474	MC7 Control Board Main Wiring	CSA
	SP528443	Liquid Soap Supply Connection Kit	
<b>1</b>	SP313250004007	Rivet	4x7 with a crank
<b>2</b>	571472	Frequency Inverter	FR-D720S-070-SC-E8
	571474	Frequency Inverter	FR-D740S-036-SC-E8
	SP528325	Communication Cable	
<b>3</b>	SP309084000416	Bolt	M4x16
<b>4</b>	SP528392	Cable Clamp	
<b>5</b>	SP311125000004	Washer	4.3
<b>6</b>	SP311127000004	Washer	4
<b>7</b>	SP311679800004	Washer	M4
<b>8</b>	SP545234	Cable	RS485; With connectors
<b>9</b>	SP547006	USB Cable	Rear panel
<b>10</b>	SP345805005020	Fuse	5x20mm; T0.5A/250V
	SP345805163032	Fuse	6.3x32mm; T1A/500V
<b>11</b>	SPPRI401003020	Fuse Housing	6.3x32mm
	SPPRI401001020	Fuse Holder	5x20mm
<b>12</b>	SP309933100625	Bolt	M6x25
<b>13</b>	SP547886	Rear Panel Lid	
<b>14</b>	SP529206	Screw	4x11
<b>15</b>	SP547925	Bolt	M6x80
<b>16</b>	SP311902100006	Washer	M6
<b>17</b>	SP310934000004	Nut	M4
<b>18</b>	SP524714	Soap Relay Board	
	SP528150	Pump Relay Board to LED Terminal Cable	
	SP557944	Soap Link Kit	SP557947 External Block Signal Cable; 2.8m
<b>19</b>	SP309933240408	Bolt	M4x8
<b>20</b>	SPPRI505000058	Profiled Sealing	
<b>21</b>	SPPRI404000095	Main Switch Knob	
<b>22</b>	SP101406	Bushing	M16
<b>23</b>	SP100388	Switch	
<b>24</b>	SP101409	Bushing	M32x1.5
	SP557952	Cable Bushing Insert	M32; Use with small diameter cables
<b>25</b>	SP309933000620	Bolt	M6x20
<b>26</b>	SP311679824006	Washer	M6
<b>27</b>	SP311125240006	Washer	6.4
<b>28</b>	SP313251000006	Nut	M6

# Rear Panel - 230V 1/3AC, 400V with Neutral, CE (Drawing 1 of 2)

Models with G in 7th Position



CZW500P\_D2064

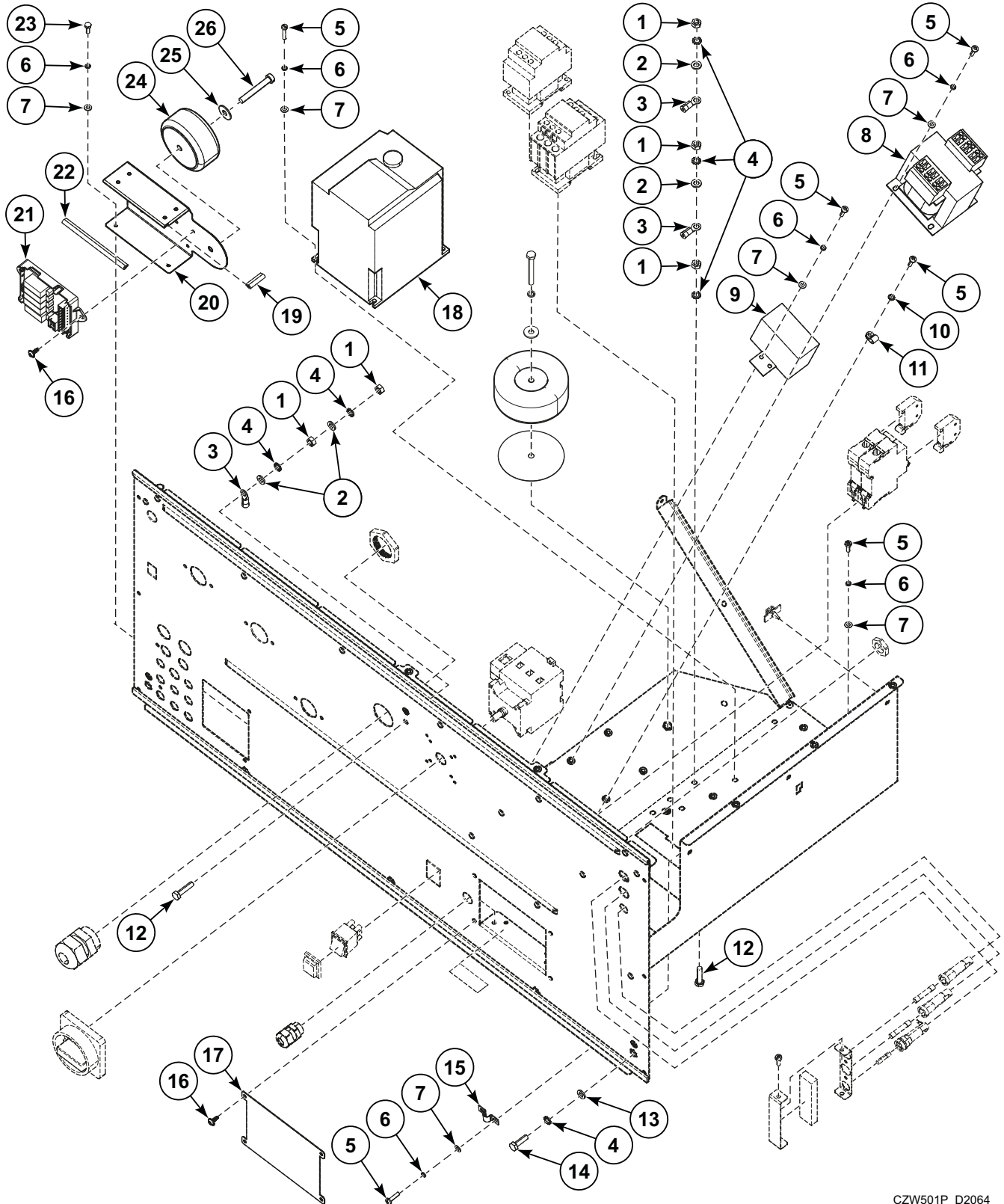


## Rear Panel - 230V 1/3AC, 400V with Neutral, CE (Drawing 1 of 2)

REF	PART NO.	DESCRIPTION	COMMENTS
	568394	Control Board Main Wiring	
1	SP514038	Contactora	LC1-D09M7; Used with frequency inverter
2	SPPRI345002019	Contactora	LC1D3201; Electric heating
	SP514043	Contactora	LC1D50; Electric heating
	SP514042	Contactora	LC1D18M7; Electric heating
3	SP309933000660	Bolt	M6x60
4	SP311127000006	Washer	6
5	SP311902100006	Washer	6
6	571455	DC Choke	Supply 230V / 400V+N
7	571458	Insulation Washer	
8	SP346000209101	End Stop	
9	571463	Circuit Breaker	16A - 2 poles
	571462	Circuit Breaker	10A - 2 poles
10	SP528313	Cable Holder	
11	SP101416	Nut	M16
12	580875	Rear Panel	
13	SPPRI404000097	Main Switch	25A
	SPPRI404000098	Main Switch	32A
	SPPRI404000099	Main Switch	63A
	SPPRI404000100	Main Switch	80A
14	SP506407	Main Switch	Fourth Pole; 25A
	SPPRI404001098	Main Switch	Fourth Pole; 32A
	SPPRI404001099	Main Switch	Fourth Pole; 63A
15	SP345805163032	Fuse	6.3x32mm, T1A/500V; 2 pieces
16	SPPRI401003020	Fuse Housing	2 pieces
17	SPPRI401001020	Fuse Holder	
18	SP345805005020	Fuse	0.5A/250V
19	SP554310	Fuse Holder	
20	570387	Self-Adhesive Profile	
21	SP554311	Fuse Cover	
22	SP555504	Bolt	
23	577441	Label	Models with Transformer
	577440	Label	Models without Transformer
24	SP100388	Switch	
25	SPPRI543000003	Push Buttom Cover	
26	SP101406	Bushing	M16
27	SPPRI404000095	Main Switch Knob	
28	SP101409	Bushing	M35x1.5
29	SP101419	Nut	M32

# Rear Panel - 230V 1/3AC, 400V with Neutral, CE (Drawing 2 of 2)

Models with G in 7th Position



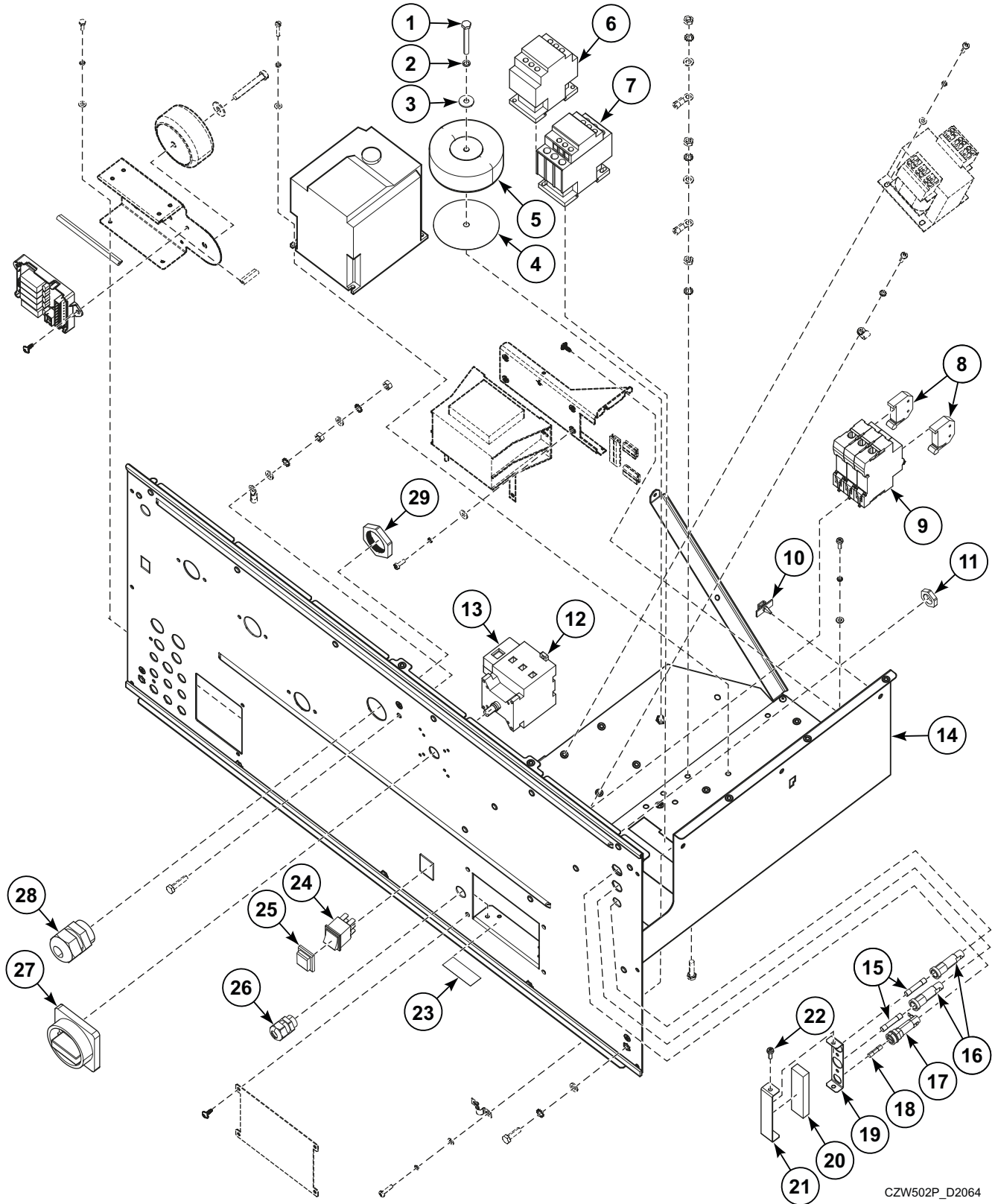
CZW501P\_D2064

## Rear Panel - 230V 1/3AC, 400V with Neutral, CE (Drawing 2 of 2)

REF	PART NO.	DESCRIPTION	COMMENTS
1	SP310934100006	Nut	M6
2	SP311125100006	Washer	6
3	SP345000165034	Cable Eye	
4	SP311679824006	Washer	6
5	SP309084000416	Bolt	M4x16
6	SP311127000004	Washer	4
7	SP311125000004	Washer	4.3
8	SP516648	Transformer	
9	568380	Filter	20A 250V
10	SP311679800004	Washer	M4
11	SP502214	Clip	
12	SP309933100625	Bolt	M6x25
13	SP311125240006	Washer	6
14	SP309933000620	Bolt	M6x20
15	SP528392	Cable Clamp	
16	SP529206	Screw	4x11
17	566549	Cover	
18	571472	Frequency Inverter	FR-D720S-070-SC-E8
	SP528324	Communication Cable	
	557961	Ferrite Core	Used with frequency inverter
19	SPPRI505000058	Profiled Sealing	1 inch (0.025 m)
20	570318	Holder	
21	804528	Soap Relay Board	
22	SPPRI505000058	Profiled Sealing	4.1 inch (0.105 m)
23	SP309933240412	Bolt	M4x12
24	564561	Transformer	24V
25	SP505430	Washer	5
26	SP309084000535	Bolt	M5x35

# Rear Panel - 400V 440-480V, CE (Drawing 1 of 2)

Models with G in 7th Position

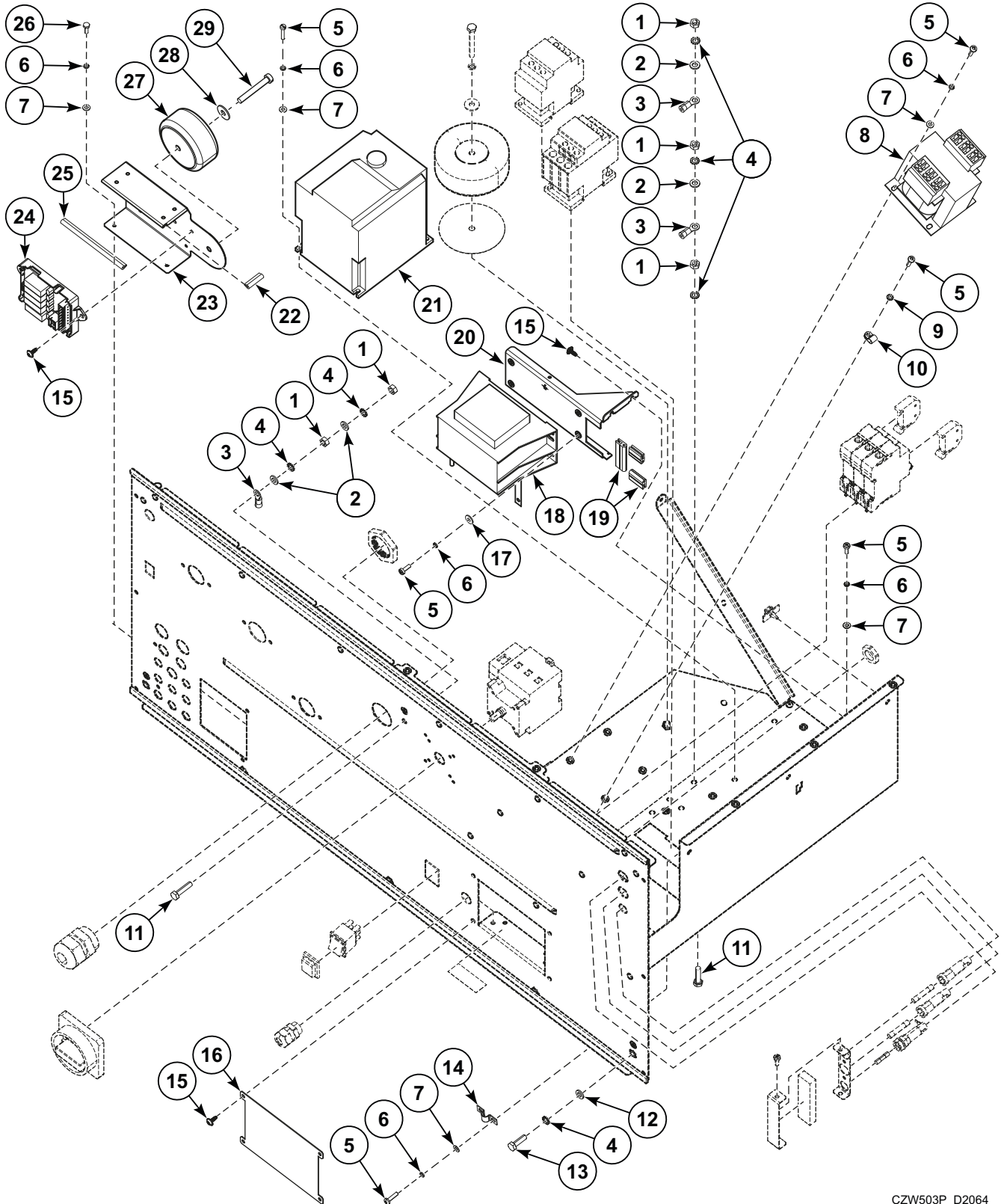


## Rear Panel - 400V 440-480V, CE (Drawing 1 of 2)

REF	PART NO.	DESCRIPTION	COMMENTS
	568394	Control Board Main Wiring	
1	SP309933000660	Bolt	M6x60
2	SP311127000006	Washer	6
3	SP311902100006	Washer	6
4	571458	Insulation Washer	
5	571454	DC Choke	240 models; 9.7mH; Supply 400V / 440V
	571457	DC Choke	280 models; 8.8mH; Supply 400V / 440V
6	SP514038	Contactor	LC1-D09M7; Used with frequency inverter
7	SPPRI345002019	Contactor	LC1D3201; Electric heating; 21.9kW 400V/440V
	SP514042	Contactor	LC1D18M7; Electric heating; 18kW 400V/440V
8	SP346000209101	End Stop	
9	571464	Circuit Breaker	10A - 3 poles
10	SP528313	Cable Holder	
11	SP101416	Nut	M16
12	SPPRI404000097	Main Switch	25A
	SPPRI404000098	Main Switch	32A
	SPPRI404000099	Main Switch	63A
13	N/A	Main Switch	Fourth Pole
14	580875	Rear Panel	
15	SP345805163032	Fuse	6.3x32mm, T1A/500V; 2 pieces
16	SPPRI401003020	Fuse Housing	2 pieces
17	SPPRI401001020	Fuse Holder	
18	SP345805005020	Fuse	0.5A/250V
19	SP554310	Fuse Holder	
20	570387	Self-Adhesive Profile	
21	SP554311	Fuse Cover	
22	SP555504	Bolt	
23	577441	Label	Models with Transformer
	577440	Label	Models without Transformer
24	SP100388	Switch	
25	SPPRI543000003	Push Button Cover	
26	SP101406	Bushing	M16
27	SPPRI404000095	Main Switch Knob	
28	SP101409	Bushing	M35x1.5
29	SP101419	Nut	M32

# Rear Panel - 400V 440-480V, CE (Drawing 2 of 2)

Models with G in 7th Position

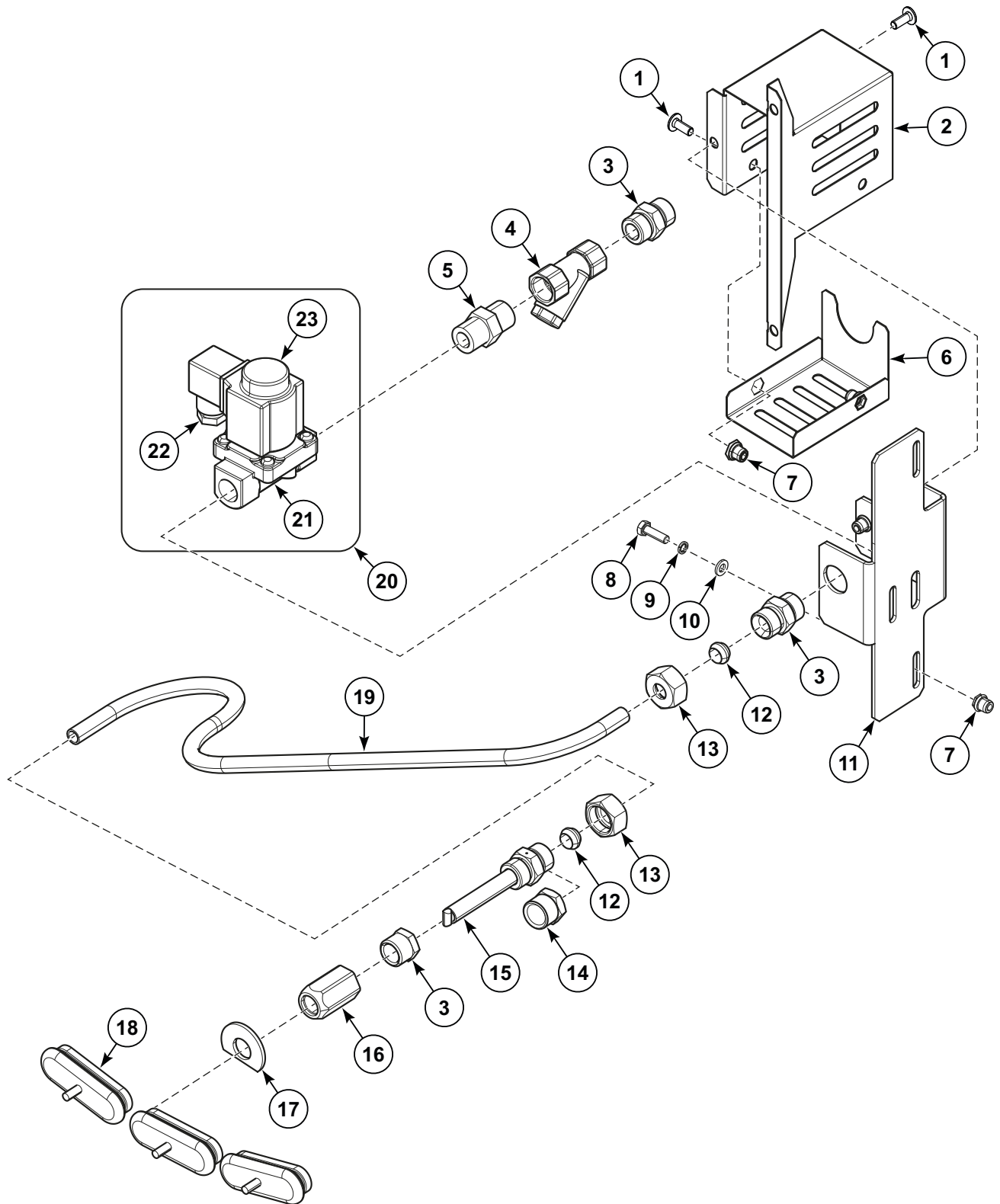


CZW503P\_D2064

## Rear Panel - 400V 440-480V, CE (Drawing 2 of 2)

REF	PART NO.	DESCRIPTION	COMMENTS
1	SP310934100006	Nut	M6
2	SP311125100006	Washer	6
3	SP345000165034	Cable Eye	
4	SP311679824006	Washer	6
5	SP309084000416	Bolt	M4x16
6	SP311127000004	Washer	4
7	SP311125000004	Washer	4.3
8	SP516648	Transformer	
9	SP311679800004	Washer	M4
10	SP502214	Clip	
11	SP309933100625	Bolt	M6x25
12	SP311125240006	Washer	6
13	SP309933000620	Bolt	M6x20
14	SP528392	Cable Clamp	
15	SP529206	Screw	4x11
16	566549	Cover	
17	SP311902100004	Washer	4
18	SP557932	Frequency Inverter Filter	3x400V
19	SP529068	Edge Protection	0.014m
20	572126	Filter Holder	Used with SP313251002104 Nut
21	571474	Frequency Inverter	FR-D740S-036-SC-E8
22	SPPRI505000058	Profiled Sealing	1 inch (0.025 m)
23	570318	Holder	
24	804528	Soap Relay Board	
25	SPPRI505000058	Profiled Sealing	4.1 inch (0.105 m)
26	SP309933240412	Bolt	M4x12
27	564561	Transformer	24V
28	SP505430	Washer	5
29	SP309084000535	Bolt	M5x35

# Steam Heating



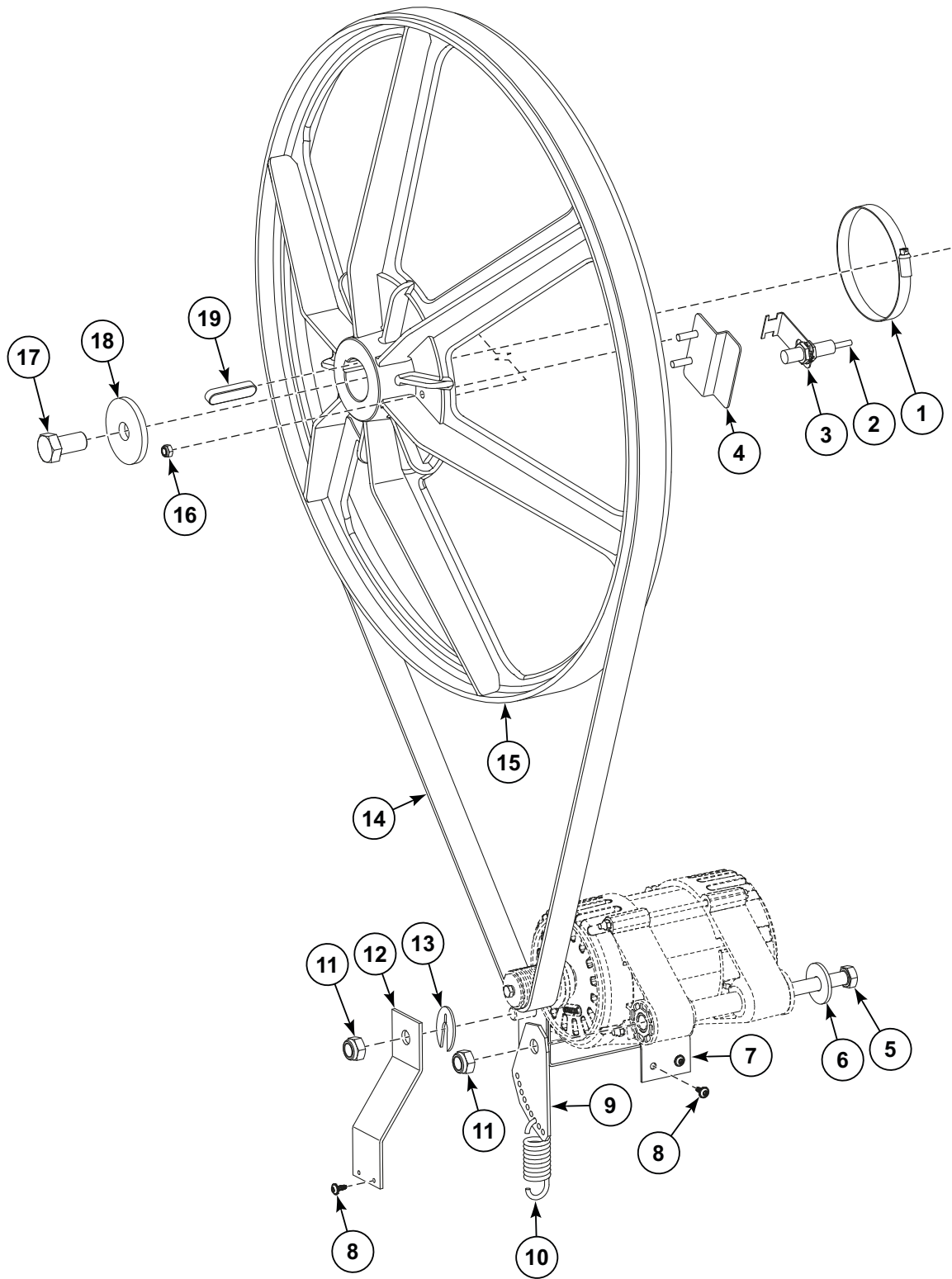
CZW538P\_D2064



# Steam Heating

REF	PART NO.	DESCRIPTION	COMMENTS
	SP554339	Steam Kit	Models with A, D, I, J, R, T or X in 7th Position of the model number
	SP526564	Seal	
	SP101403	Adhesive	Loctite 5366
	SP245704000603	Adhesive	Loctite 603
1	SP555658	Bolt	M6x16
2	581044	Filter Cover	
3	SPR22112000114	Pipe Nipple	1/2 inch
4	SP405054120215	Steam Filter	
5	SP319428324012	Adapter	1/2 inch
6	581045	Bottom of Filter Cover	
7	SP313251000006	Nut	M6
8	SP309933000620	Bolt	M6x20
9	SP311127000006	Washer	6
10	SP311125000006	Washer	6.4
11	SP547999	Steam Valve Support	
12	SP230100007014	Fastening Cone	
13	SP547952	Nut	1/2 inch
14	SPPRI426001268	Plug	1/2 inch; Electric heat
15	SP526525	Steam Injector	
16	SP547968	Adapter	G3/8 inch / G1/2 inch
17	SP547981	Washer	
18	SPPRI342001016	Heating Element Hole Plug	
19	SP554119	Steam Tube	
20	SP514164	Steam Valve	1/2 inch
21	SP514165	Steam Valve Body	
22	SP554156	Connector	
23	SP554110	Coil	50/60 Hertz

# Drive (Drawing 1 of 2)

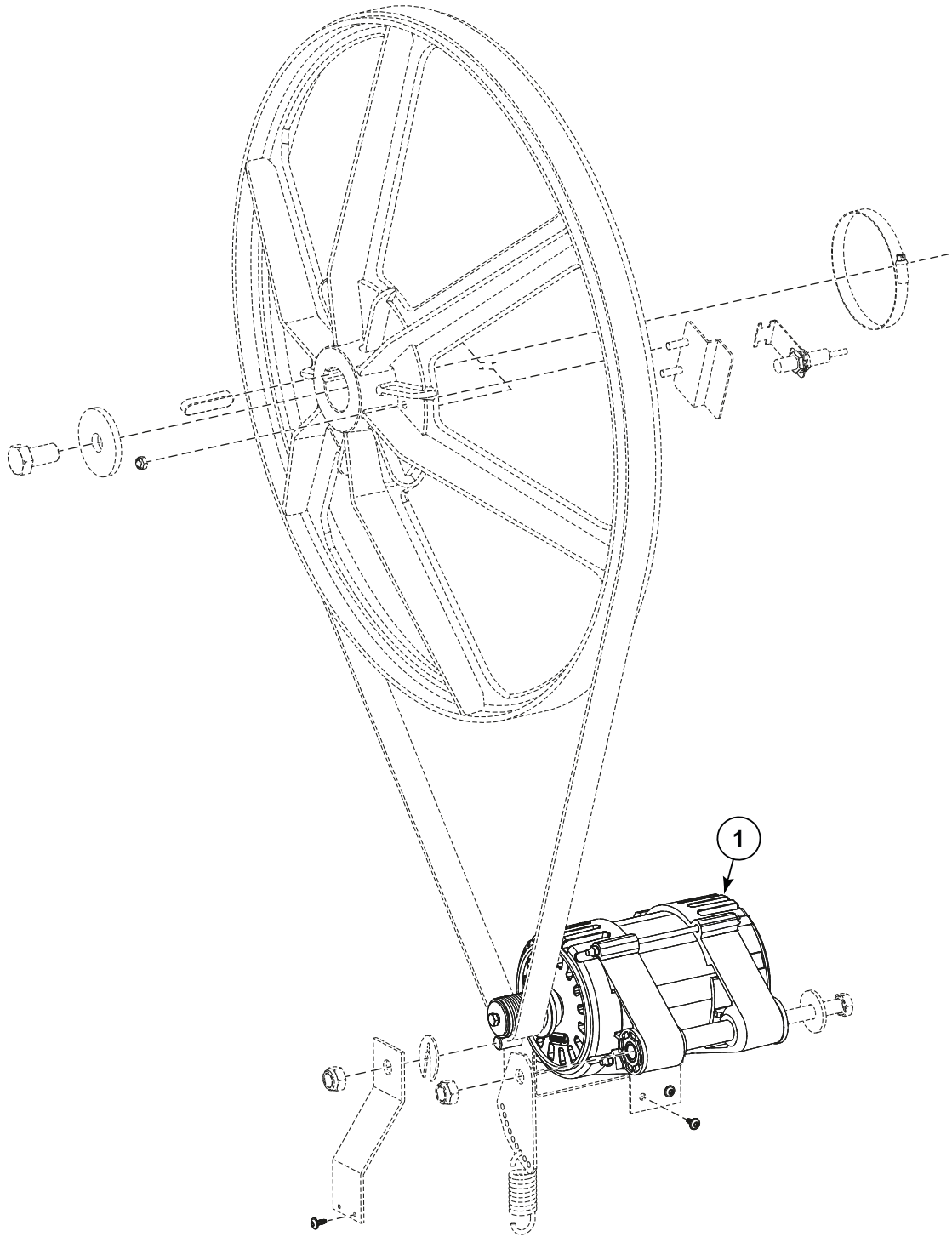


CZW536P\_D2064

## Drive (Drawing 1 of 2)

REF	PART NO.	DESCRIPTION	COMMENTS
1	SPPRI240000015	Hose Clamp	Normal spin; 90-110
	SP529013	Clamp	Medium spin; 140-160
2	SP557701	Speed Sensor	
3	SP555548	Speed Sensor Holder	Normal spin
	SP555547	Speed Sensor Holder	Medium spin
4	SP555542	Speed Sensor Plate	
5	SP533393	Bolt	27, 55, 240 and 253 models; Normal spin; M12x200
	SP533394	Bolt	Medium spin; M12x220
6	SP311902100012	Washer	12
7	SP555492	Motor Holder	27, 55, 240 and 253 models; Normal spin
	SP550493	Motor Holder	Medium spin
8	SP529206	Screw	4x11
9	SP555500	Spring Holder	
10	SP517509	Spring	
11	SP310985000012	Nut	M12
12	SP533978	Holder	Normal spin
	SP555539	Holder	27, 55, 240 and 253 models; Medium spin
	SP555540	Holder	32, 65, 70, 280 and 303 models; Medium spin
13	SP560403	Washer	
14	SP555498	Belt	
15	SP550453	V-Pulley Drum	
16	SP310985000008	Nut	M8
17	SP309933001630	Bolt	M16x30
18	SP511924	Washer	
19	SP555497	Feather	

# Drive (Drawing 2 of 2)

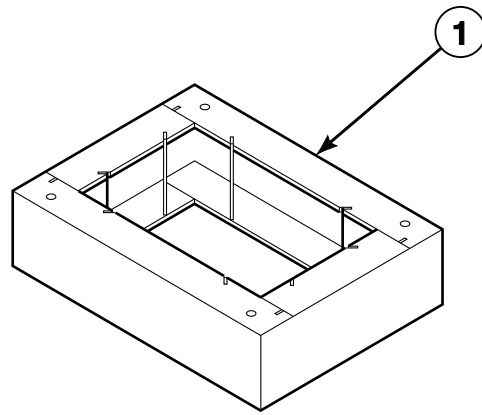


CZW537P\_D2064

## Drive (Drawing 2 of 2)

REF	PART NO.	DESCRIPTION	COMMENTS
1	SP555595	Motor with Pulley	27, 55, 240 and 253 models with A, D, I, J, R, T or X in 7th position of the model number; 1.1kW, 230V/75 Hz, Includes SP528422 Motor, Normal spin; Applicable for power supply 200V-240V, 50/60Hz, 1/3ph and 380-415V+N, 50/60HZ, 3ph
	SP555596	Motor with Pulley	27, 55, 240 and 253 models with A, D, I, J, R, T or X in 7th position of the model number; 1.1kW, 400V/76 Hz, Includes SP552412 Motor, Normal spin; Applicable for power supply 400V, 50/60Hz, 3ph without Neutral and 440-480V, 50/60Hz, 3ph
	SP555597	Motor with Pulley	32, 65, 70, 280 and 303 models with A, D, I, J, R, T or X in 7th position of the model number; 1.5kW, 230V/75 Hz, Includes SP528423 Motor, Normal spin; Applicable for power supply 200V-240V, 50/60Hz, 1/3ph and 380-415V+N, 50/60HZ, 3ph
	SP555598	Motor with Pulley	32, 65, 70, 280 and 303 models with A, D, I, J, R, T or X in 7th position of the model number; 1.5kW, 400V/76 Hz, Includes SP552413 Motor, Normal spin; Applicable for power supply 400V, 50/60Hz, 3ph without Neutral and 440-480V, 50/60Hz, 3ph
	SP555656	Motor with Pulley	Models with A, D, I, J, R, T or X in 7th position of the model number; 1.5kW, 230V/75 Hz, Includes SP528423 Motor, Medium spin; Applicable for power supply 200V-240V, 50/60Hz, 1/3ph and 380-415V+N, 50/60HZ, 3ph
	SP555657	Motor with Pulley	Models with A, D, I, J, R, T or X in 7th position of the model number; 1.5kW, 400V/76 Hz, Includes SP552413 Motor, Medium spin; Applicable for power supply 400V, 50/60Hz, 3ph without Neutral and 440-480V, 50/60Hz, 3ph

# Elevated Base Frame

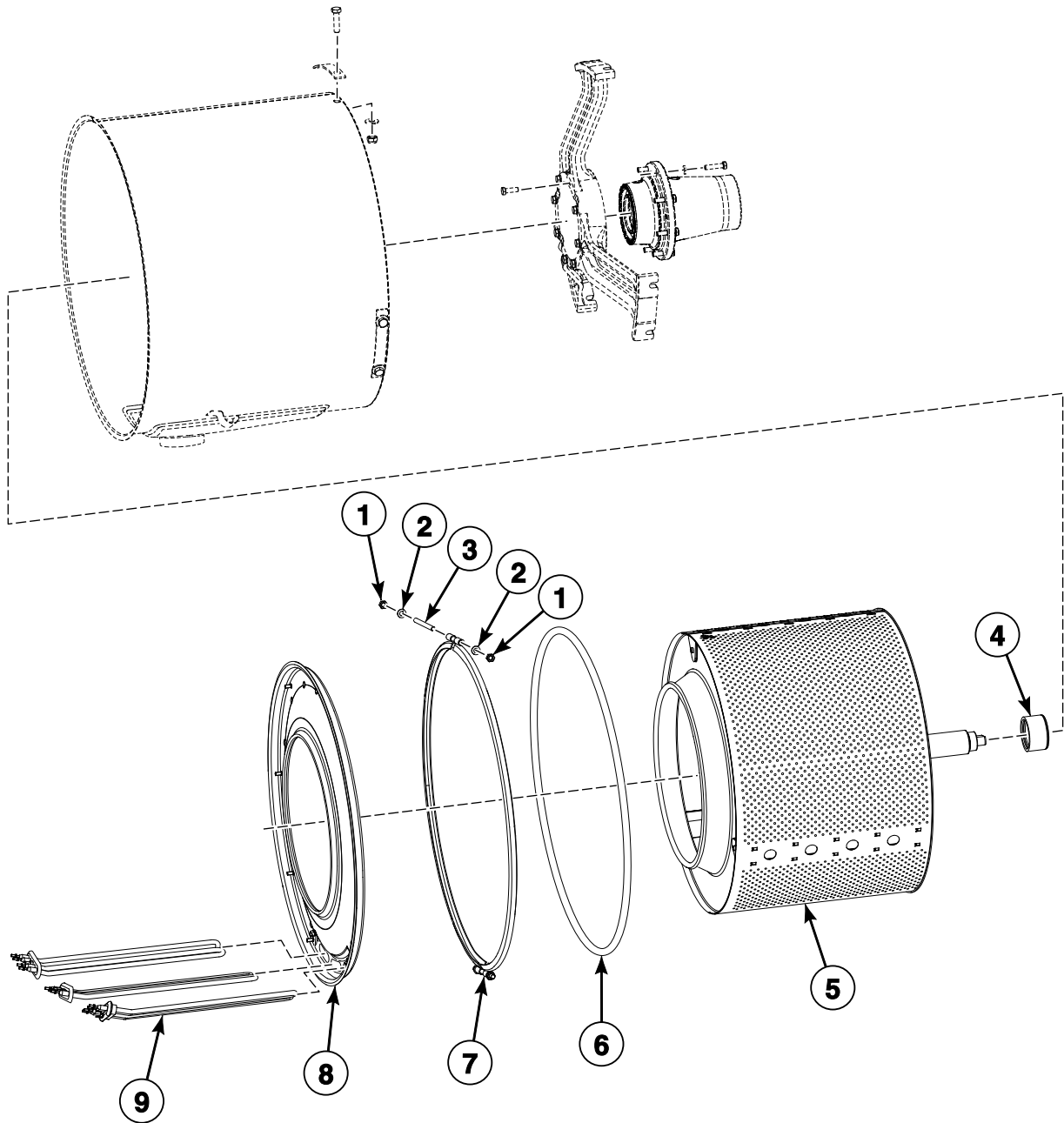


CFD3429P\_D2064

## Elevated Base Frame

REF	PART NO.	DESCRIPTION	COMMENTS
1	SP554181	Elevated Base Frame	27, 55, 240 and 253 models; Height 135mm
	SP554182	Elevated Base Frame	27, 55, 240 and 253 models; Height 200mm
	SP554183	Elevated Base Frame	32, 65, 70, 280 and 303 models; Height 135mm
	SP554184	Elevated Base Frame	32, 65, 70, 280 and 303 models; Height 200mm

# Washing Drum



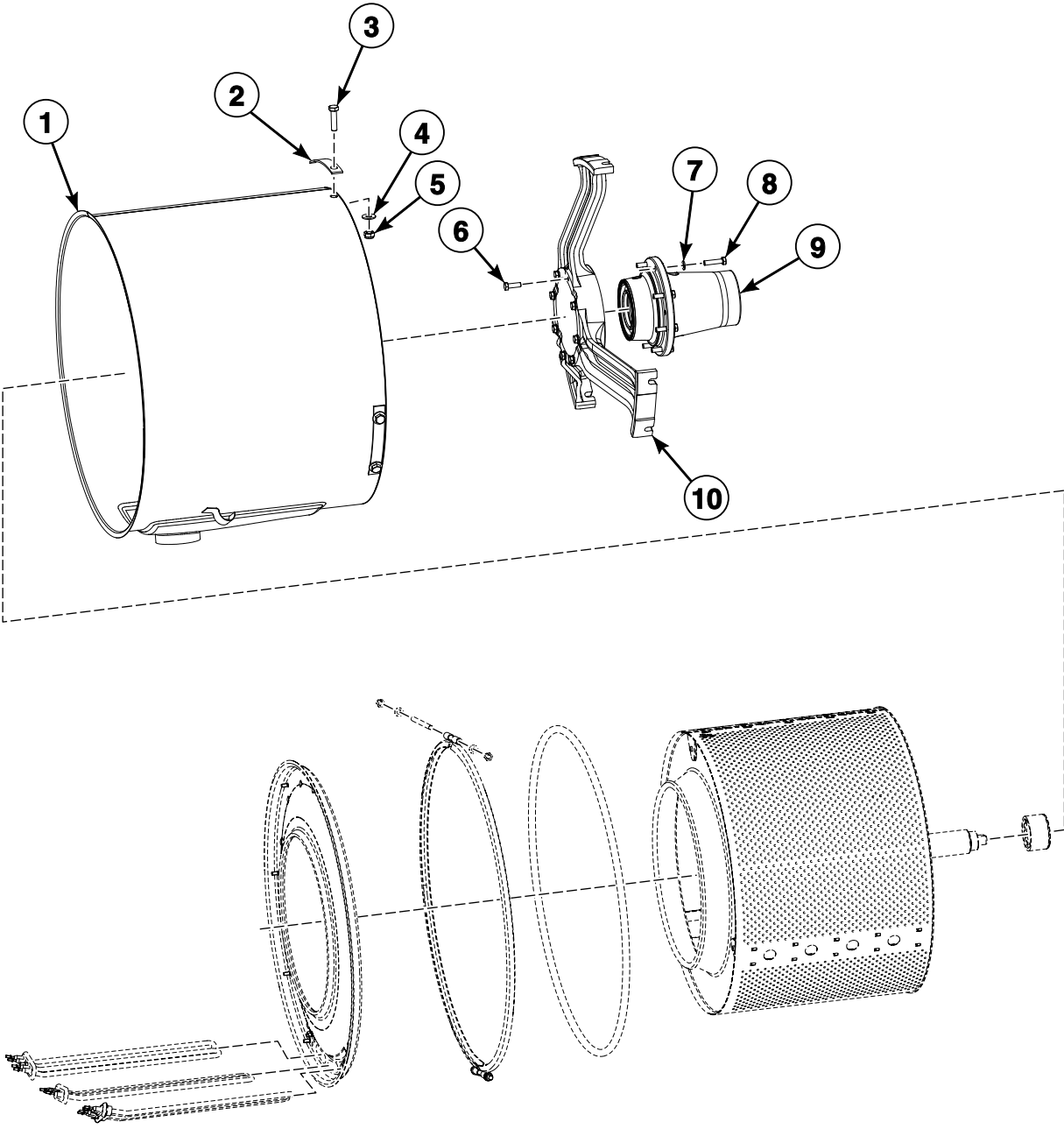
CFD3281P\_D2064



# Washing Drum

REF	PART NO.	DESCRIPTION	COMMENTS
1	SP310934240008	Nut	
2	SP311125240008	Washer	
3	SPF02119000415	Bolt	
4	SP537843	Shaft Ring	Normal spin
	SP552982	Shaft Ring	Medium spin
5	552947P	Washing Drum	27, 55, 240 and 253 models; Normal spin; Cascade; Includes SP537843
	563281P	Washing Drum	27, 55, 240 and 253 models with G in 7th position of the model number; Normal spin; Flat; Includes SP537843
	537961P	Washing Drum	27, 55, 240 and 253 models; Medium spin; Cascade; Includes SP552982
	563284P	Washing Drum	27, 55, 240 and 253 models with G in 7th position of the model number; Medium spin; Flat; Includes SP552982
	552950P	Washing Drum	32, 65, 70, 280 and 303 models; Normal spin; Cascade; Includes SP537843
	563282P	Washing Drum	32, 65, 70, 280 and 303 models with G in 7th position of the model number; Normal spin; Flat; Includes SP537843
	552986P	Washing Drum	32, 65, 70, 280 and 303 models; Medium spin; Cascade; Includes SP552982
	563285P	Washing Drum	32, 65, 70, 280 and 303 models with G in 7th position of the model number; Medium spin; Flat; Includes SP552982
	559909P	Washing Drum	27, 55, 240 and 253 models; Normal spin; 7mm perforation; Includes SP537843
6	SP537821	Seal	D10-2550mm
7	SP537822	Clamp	
8	575987	External Tub Front Plate	
9	SP540144	Heating Element	3000W; 325mm
	SP540145	Heating Element	2x1500kW; 325mm
	SP540127	Heating Element	27, 55, 240 and 253 models; 2x2000W; 470mm
	SP540132	Heating Element	27, 55, 240 and 253 models; 2x3000W; 470mm
	SP554152	Heating Element	32, 65, 70, 280 and 303 models; 2x3650W; 570mm

# External Tub and Bearing Housing



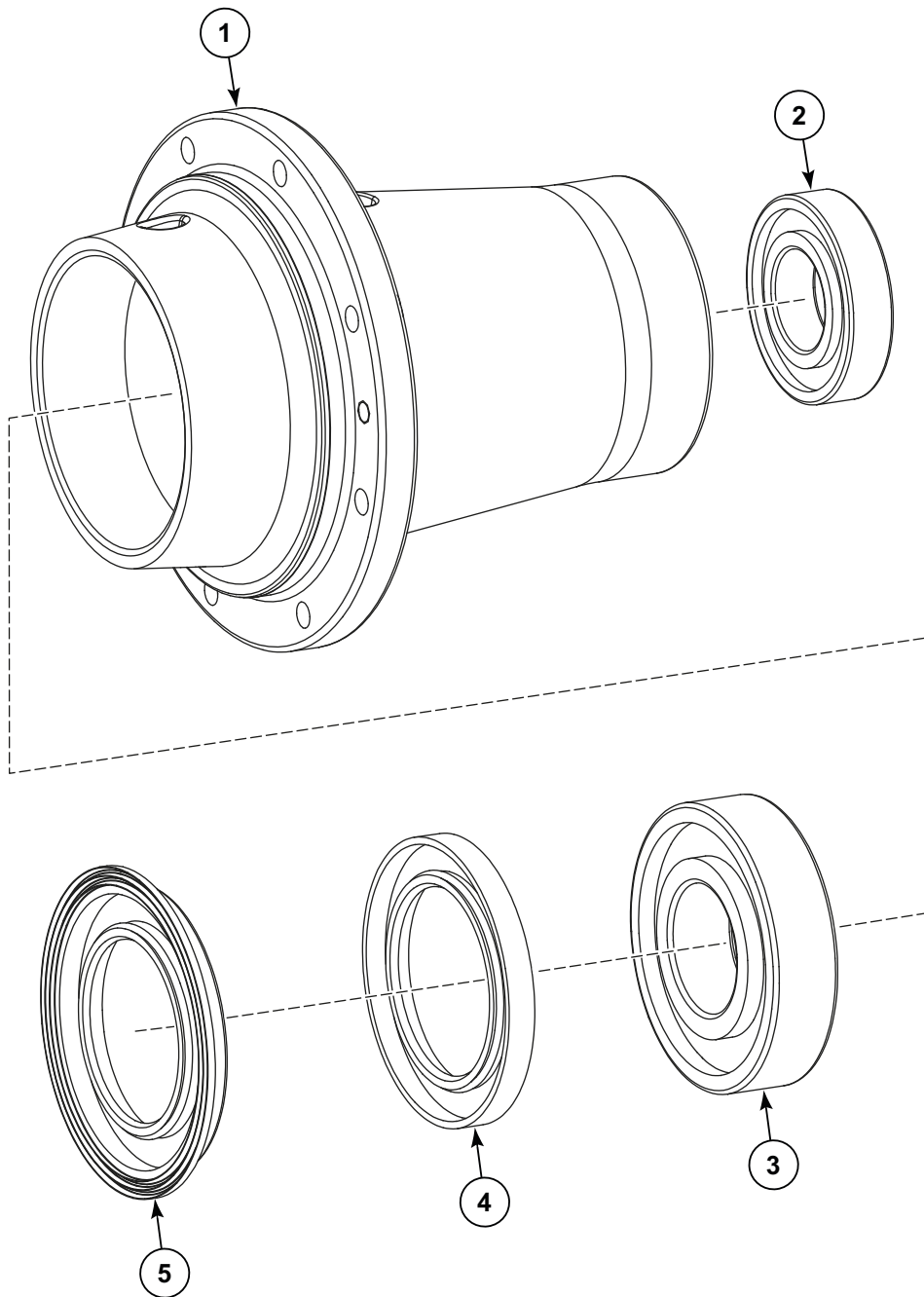
CFD3282P\_D2064

## External Tub and Bearing Housing

REF	PART NO.	DESCRIPTION	COMMENTS
	SP245704003021	Adhesive	Use with bolt
	SPPRI704000053	Sealant	Silicone
	SP245704000050	Adhesive	
	SP510889	Anticorrosive Agent	
1	SP552939	External Tub	27, 55, 240 and 253 models; Normal spin; Steam heat
	SP552940	External Tub	32, 65, 70, 280 and 303 models; Normal spin; Steam heat
	SP537837	External Tub	27, 55, 240 and 253 models; Medium spin; Steam heat
	SP552966	External Tub	32, 65, 70, 280 and 303 models; Medium spin; Steam heat
	SP552954	External Tub	27, 55, 240 and 253 models; Normal spin; Electric heat
	SP552955	External Tub	32, 65, 70, 280 and 303 models; Normal spin; Electric heat
	SP537922	External Tub	27, 55, 240 and 253 models; Medium spin; Electric heat
	SP552967	External Tub	32, 65, 70, 280 and 303 models; Medium spin; Electric heat
2	SP537898	Washer	
3	SP309933001250	Bolt	M12x50
4	SP537898	Washer	
5	SP310985000012	Nut	M12
6	SP309933241035	Bolt	M10x35
7	SP311125000013	Washer	M12
8	SP309933001235	Bolt	M12x35
9	579159	Bearing Housing Assembly	27, 55, 240 and 253 models; Normal spin
	579160	Bearing Housing Assembly	32, 65, 70, 280 and 303 models; Normal spin
	556224	Bearing Housing Assembly	27, 55, 240 and 253 models; Medium spin
	556225	Bearing Housing Assembly	32, 65, 70, 280 and 303 models; Medium spin
10	SP537824	Cross Piece	

# Bearing Housing

27, 55, 240 and 253 Normal Speed Models or Medium Speed Models  
32, 65, 70, 280 and 303 Normal Speed Models

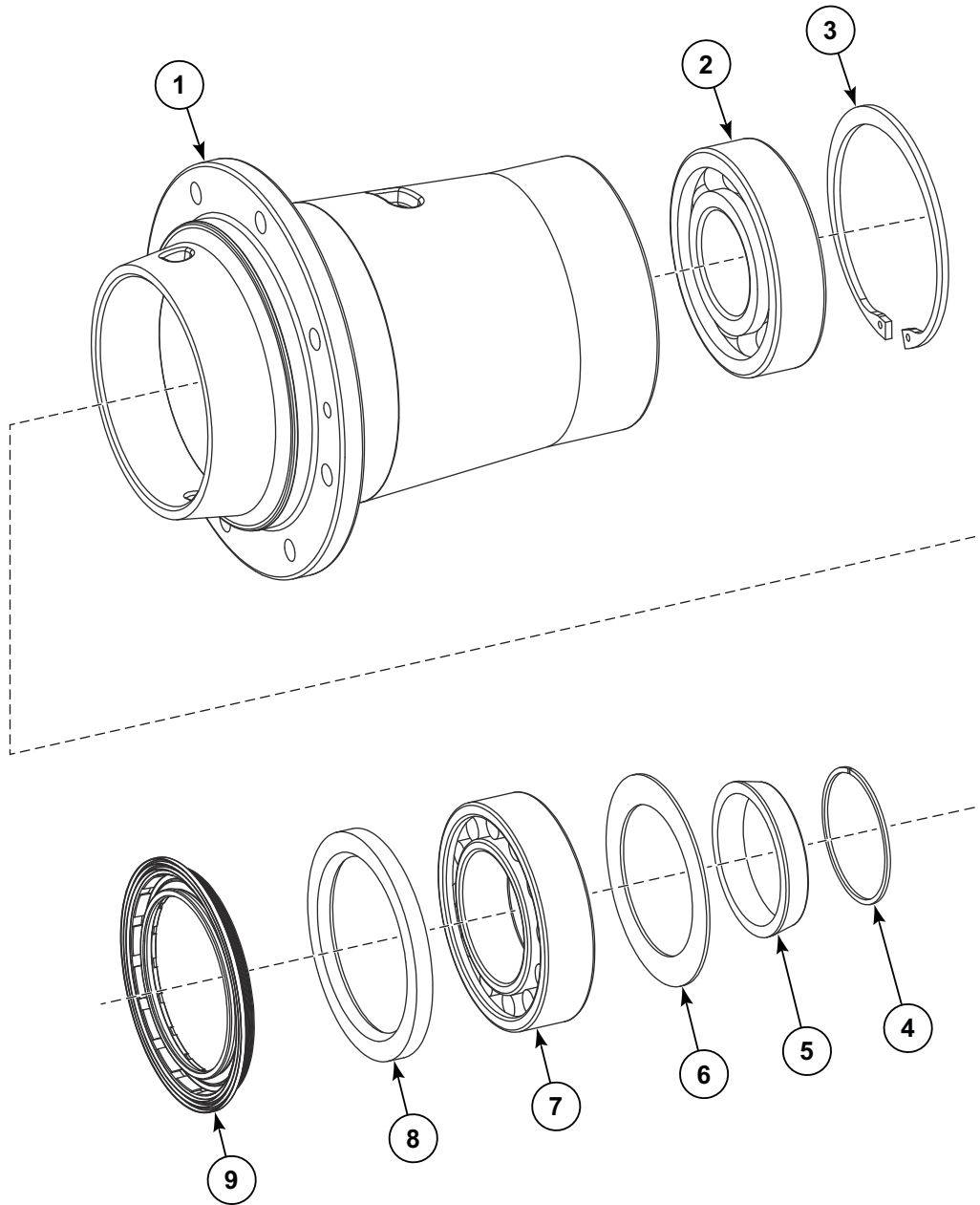


CZW488P\_D2064

# Bearing Housing

REF	PART NO.	DESCRIPTION	COMMENTS
	SP245704000603	Adhesive	Loctite 603
	SP111313000002	Lubrication Grease	
	SP538787	Bearing Replacement Tool Kit	
<b>1</b>	SP552923	Bearing Housing	27, 55, 240 and 253 models; Normal spin
	SP552924	Bearing Housing	32, 65, 70, 280 and 303 models; Normal spin
	SP537815	Bearing Housing	27, 55, 240 and 253 models; Medium spin
<b>2</b>	SP532949	Bearing	Normal spin; 6308
	SPPRI608002048	Bearing	27, 55, 240 and 253 models; Medium spin; 6310
<b>3</b>	SPPRI608000048	Bearing	Includes only 1 piece; 27, 55, 240 and 253 models required 1 pc; 32, 65, 70, 280 and 303 models required 2 pieces; Normal spin; 6309
	SPPRI608000080	Bearing	27, 55, 240 and 253 models; Medium spin; 6312; Includes only 1 piece, 2 pieces required
<b>4</b>	SP525813	Sealing Ring	Normal spin; 65x100x10
	SP506475	Sealing Ring	27, 55, 240 and 253 models; Medium spin; 100x130x10
<b>5</b>	SP537848	Sealing Ring	Normal spin; 65x100/144x9/12
	SP537879	Sealing Ring	27, 55, 240 and 253 models; Medium spin; 100x130/144x9/12

# Bearing Housing - 32, 65, 70, 280 and 303 Medium Speed Models

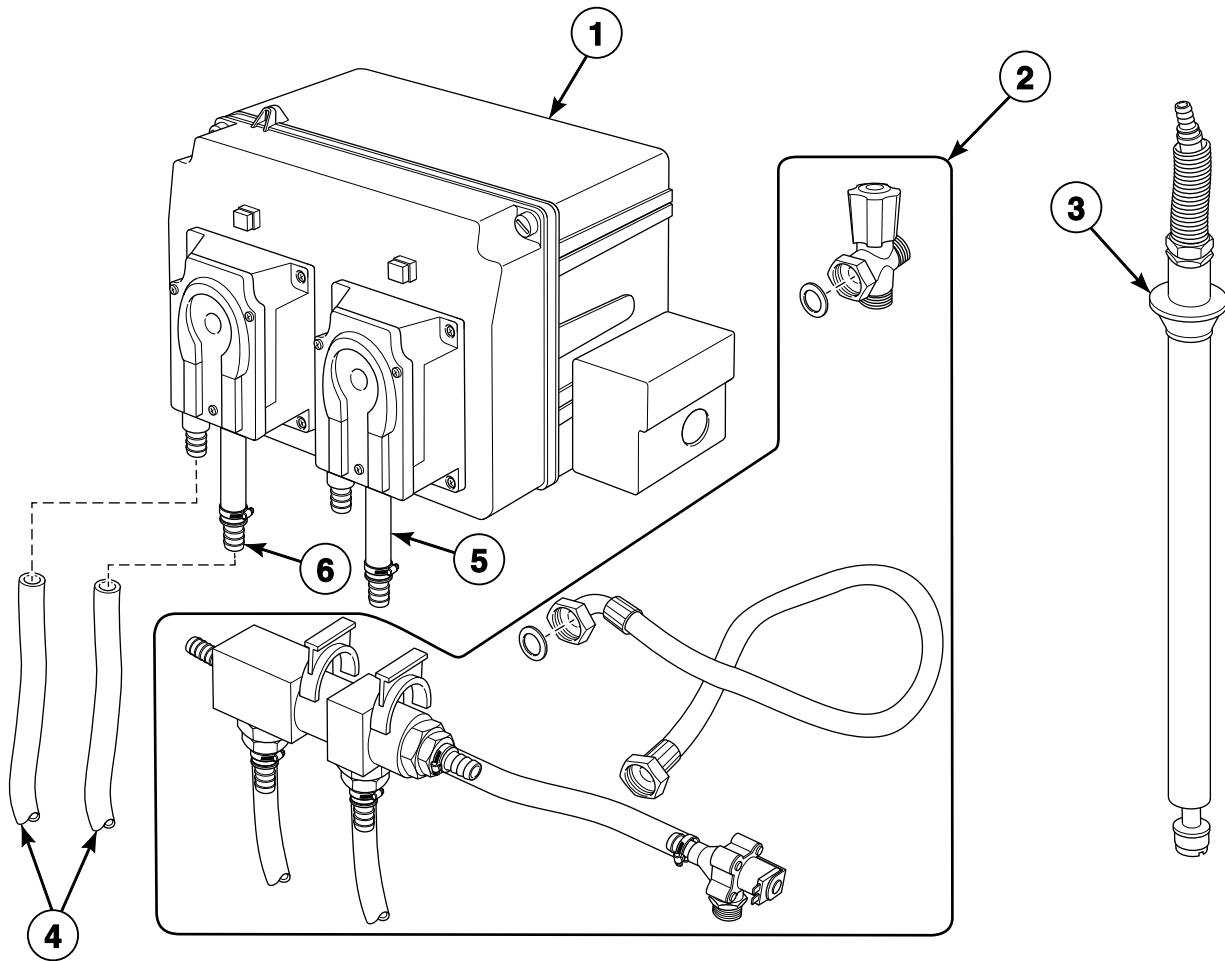


CZW496P\_D2064

## Bearing Housing - 32, 65, 70, 280 and 303 Medium Speed Models

REF	PART NO.	DESCRIPTION	COMMENTS
	SP245704000603	Adhesive	Loctite 603
	SP111313000002	Lubrication Grease	
	SP538787	Bearing Replacement Tool Kit	
1	SP552985	Bearing Housing	
2	SPPRI608002048	Bearing	6310
3	SP307732031110	Retaining Ring	
4	SPPRI242000014	Retaining Ring	
5	SP556115	Mounting Cone	
6	SP552973	Grease Holder	
7	SPPRI608000079	Bearing	NU 2215 EC
8	SP506475	Sealing Ring	100x130x10
9	SP537879	Sealing Ring	100x130/144x9/12

# Liquid Soap Supply System - Pumps



CZW45P\_D2064



## Liquid Soap Supply System - Pumps

REF	PART NO.	DESCRIPTION	COMMENTS
	MB90-Z40	Supply Pump Kit	For two pumps
	MB90-Z41	Supply Pump Kit	For three pumps
	MB90-Z42	Supply Pump Kit	For four pumps
	MB90-Z43	Supply Pump Kit	For five pumps
	MB90-Z44	Supply Pump Kit	For six pumps
<b>1</b>	529742	Pump	Two
	529743	Pump	Three
	529744	Pump	Four
	529745	Pump	Five
	529746	Pump	Six
<b>2</b>	529789	Manifold Flush Kit	For two pumps
	529797	Manifold Flush Kit	For three pumps
	529798	Manifold Flush Kit	For four pumps
	529799	Manifold Flush Kit	For five pumps
	529800	Manifold Flush Kit	For six pumps
<b>3</b>	529787	Suction Tube	
<b>4</b>	SPPRI540020005	Hose	d10/14
<b>5</b>	529747	Hose	Spare hose for pump
<b>6</b>	547808	Connection	

## Wire Harnesses

PART NO.	DESCRIPTION	COMMENTS
552495	Transformer Connection	CSA
574406	Transformer Supply Wirings	Models with G in 7th position of the model number; supply 230V / 400+N
528064	Steam Heat Wiring	Steam heat
552477	Inlet Valve Extension Wiring	High volume water inlets
552466	Wireless Reader Wiring	Vend; CSA
557735	Interconnection	Vend; CSA
100223	Heating Contactor Wiring	CE and Watermark; l=700mm; For 18kW, 380-415 Volt, 440 Volt, 480 Volt/3 Phase
SPPRI351106209	Heating Contactor Wiring	CE and Watermark; l=700mm; For 21.9kW, 200-240 Volt, 380-415 Volt, 440 Volt, 480 Volt/3 Phase
552314	Heating Wiring	240 and 253 models; CE and Watermark; 6mm <sup>2</sup> , 18kW, 200-240 Volt/3 Phase
SP552333	Heating Wiring	280 and 303 models; CE and Watermark; 4 mm <sup>2</sup> , 21.9kW, 380-415 Volt, 440 Volt, 480 Volt/3 Phase
SP552334	Heating Wiring	280 and 303 models; CE and Watermark; 10mm <sup>2</sup> , 21.9 kW, 200-240 Volt/3 Phase
SP528335	Heating GND Wiring	CE and Watermark
528350	Transformer Connection	CE and Watermark; 400-480 Volt, 3 Phase-N
SP547075	RS485 External Interconnection	For RS485 external interconnection to PC
528393	Wiring Steam - Electrical Heating	Steam - electrical heating modification
F8715501	Extension Board Connection Cable	Models with G in 7th position of the model number; Extension Cable for Pumps; 81.89 inch (2.08 m).
575880	Extension Cable	Models with G in 7th position of the model number; Used with F8715501; 4 pumps; 47.24 inch (1.2 m).
568397	Motor Temperature Protector Cable	Models with G in 7th position of the model number

# Parts Index

## A

Adapter	
SP319428324012 .....	99
SP547968 .....	99
Adhesive	
SP101403 .....	99
SP245704000050 .....	109
SP245704000603 .....	69, 99, 111, 113
SP245704003021 .....	13, 15, 21, 69, 109
SP537896 .....	69
Air Trap Reduction	
SPPRI503000027 .....	83, 85
Anticorrosive Agent	
SP510889 .....	109
Antivibration Foil	
550112 .....	31
Automatic Door Opening Module	
SP545238 .....	19
SP552489 .....	19
Automatic Unlocking Module Assembly	
SP552489 .....	11, 17

## B

Bearing	
SPPRI608000048 .....	111
SPPRI608000079 .....	113
SPPRI608000080 .....	111
SPPRI608002048 .....	111, 113
SP532949 .....	111
Bearing Housing	
SP537815 .....	111
SP552923 .....	111
SP552924 .....	111
SP552985 .....	113
Bearing Housing Assembly	
556224 .....	109
556225 .....	109
579159 .....	109
579160 .....	109
Bearing Replacement Tool Kit	
SP538787 .....	111, 113
Belt	
SP555498 .....	101
Binding Strip	
SP345000626088 .....	83, 85
Board Interconnection Cable	
SP547005 .....	33, 39, 47
575865 .....	51, 53, 55
Bolt	
SPF02119000415 .....	107
SP309084000408 .....	13, 17, 21, 29
SP309084000416 .....	13, 17, 21, 69, 75, 89, 93, 97
SP309084000535 .....	93, 97
SP309798500306 .....	33, 39, 49
SP309933000416 .....	57, 59, 87
SP309933000616 .....	13, 17, 21, 29
SP309933000620 .....	89, 93, 97, 99
SP309933000660 .....	91, 95

SP309933000820 .....	83, 85
SP309933001235 .....	109
SP309933001250 .....	109
SP309933001630 .....	101
SP309933100625 .....	89, 93, 97
SP309933240408 .....	89
SP309933240412 .....	93, 97
SP309933241035 .....	109
SP506012 .....	27, 51, 53, 55
SP527093 .....	9
SP533393 .....	101
SP533394 .....	101
SP535479 .....	71
SP537854 .....	69
SP537864 .....	71
SP547925 .....	89
SP553524 .....	73
SP555504 .....	29, 33, 39, 49, 91, 95
SP555658 .....	11, 13, 15, 17, 19, 21, 99
SP556137 .....	69
555658 .....	27, 29, 31, 51, 53, 55
563123 .....	27
Bottom of Filter Cover	
581045 .....	99
Bushing	
SP101406 .....	89, 91, 95
SP101409 .....	89, 91, 95

## C

Cabinet Holder	
567934 .....	13, 17, 19, 29
Cabinet Reinforcement	
SP550499 .....	13, 17, 21
550499 .....	27
Cable	
F8715501 .....	116
SP545234 .....	89
557982 .....	89
Cable Bushing Insert	
SP557952 .....	89
Cable Clamp	
SP528392 .....	89, 93, 97
Cable Eye	
SP345000165034 .....	93, 97
Cable Holder	
SP528313 .....	27, 33, 39, 91, 95
Cable Passage	
SP273121005052 .....	11, 17, 19
Casing	
SP529739 .....	71
Circuit Breaker	
571462 .....	91
571463 .....	91
571464 .....	95
Clamp	
SP529013 .....	101
SP537822 .....	107
Clip	
SP502214 .....	93, 97

N/A items do not appear in index.

Coil			
	SP554110.....	99	
Coin Meter			
	SP537996.....	43, 63	
	SP547600.....	41, 61	
	SP547601.....	41, 61	
	SP547602.....	41, 61	
	SP547603.....	41, 61	
	SP547604.....	41, 61	
	SP547605.....	41, 61	
	SP547606.....	41, 61	
	SP547607.....	41, 61	
	SP547608.....	41, 61	
	SP547609.....	41, 61	
	SP547610.....	41, 61	
	SP547611.....	41, 61	
	SP547612.....	41, 61	
	SP547613.....	41, 61	
	SP547614.....	41, 61	
	SP547615.....	41, 61	
	SP547616.....	41, 61	
	SP547617.....	41, 61	
	SP547618.....	41, 61	
	SP547619.....	41, 61	
	SP547620.....	41, 61	
	SP547621.....	41, 61	
	SP547622.....	41, 61	
	SP547623.....	41, 61	
	SP547624.....	41, 61	
	SP547625.....	41, 61	
	SP547626.....	41, 61	
	SP547627.....	41, 61	
	SP547628.....	41, 61	
	SP547629.....	41, 61	
	SP547630.....	41, 61	
	SP547631.....	41, 61	
	SP547634.....	41, 61	
	SP547635.....	41, 61	
	SP547636.....	41, 61	
	SP547637.....	41, 61	
	SP547638.....	41, 61	
	SP547639.....	41, 61	
	SP547640.....	41, 61	
	SP547641.....	43, 63	
	SP547642.....	43, 63	
	SP547643.....	43, 63	
	SP547644.....	43, 63	
	SP547645.....	43, 63	
	SP547646.....	43, 63	
	SP547647.....	41, 61	
	SP547648.....	41, 61	
	SP547649.....	43, 63	
	SP547651.....	43, 63	
	SP547652.....	41, 61	
	SP547653.....	43, 63	
	SP547654.....	43, 63	
	SP547656.....	41, 61	
	SP547657.....	43, 63	
	SP547658.....	43, 63	
	SP547659.....	43, 63	
	SP547660.....	43, 63	
	SP547661.....	43, 63	
	SP547662.....	43, 63	
	SP547663.....	43, 63	
	SP547664.....	43, 63	
	SP547665.....	41, 61	
	SP547666.....	41, 61	
	SP547667.....	43, 63	
	SP547668.....	43, 63	
	SP547669.....	43, 63	
	SP547670.....	43, 63	
	SP547671.....	43, 63	
	SP547672.....	43, 63	
	SP547673.....	43, 63	
	SP547674.....	43, 63	
	SP547675.....	43, 63	
	SP555502.....	43, 63	
	SP555543.....	43, 63	
	SP555546.....	43, 63	
	SP555549.....	43, 63	
	SP555550.....	43, 63	
	SP555558.....	43, 63	
	SP555559.....	43, 63	
	SP555578.....	43, 63	
	SP555579.....	43, 63	
	SP555666.....	43, 63	
	SP558958.....	35	
	SP558959.....	35	
	SP559933.....	35	
	SP559934.....	35	
	SP559938.....	35	
	SP559949.....	35	
	SP559969.....	35	
	SP560071.....	37	
	SP560075.....	37	
	SP560082.....	45, 65	
	SP560083.....	45, 65	
	SP560084.....	45, 65	
	SP560085.....	45, 65	
	SP560086.....	45, 65	
	SP560087.....	35	
	SP560089.....	43, 63	
	SP560090.....	35	
	SP560091.....	35	
	SP560092.....	35	
	SP560093.....	35	
	SP560094.....	35	
	SP560100.....	35	
	SP560309.....	35	
	SP560310.....	35	
	SP560311.....	35	
	SP560312.....	35	
	SP560405.....	35	
	SP560406.....	35	
	SP560407.....	35	
	SP560408.....	35	
	SP560409.....	35	
	SP560410.....	35	
	SP560411.....	35	
	SP560412.....	35	
	SP560413.....	35	
	SP560414.....	35	
	SP560415.....	35	
	SP560416.....	35	
	SP560417.....	35	
	SP560418.....	35	
	SP560419.....	35	
	SP560420.....	35	
	SP560421.....	35	
	SP560422.....	35	
	SP560423.....	35	
	SP560424.....	35	
	SP560425.....	35	
	SP560426.....	35	
	SP560427.....	35	
	SP560428.....	35	
	SP560429.....	35	
	SP560432.....	35	

N/A items do not appear in index.

SP560744 .....	43, 63	572339 .....	45, 65
SP560745 .....	35	572342 .....	45, 65
SP560751 .....	35	572343 .....	37
SP564484 .....	45, 65	572355 .....	37
SP564486 .....	45, 65	572358 .....	45, 65
553150 .....	45, 65	572359 .....	37
553151 .....	45, 65	572383 .....	45, 65
553156 .....	37	572384 .....	37
560073 .....	45, 65	572389 .....	37
561378 .....	45, 65	572391 .....	45, 65
561496 .....	45, 65	575276 .....	37
561497 .....	37	575277 .....	37
563405 .....	37	579808 .....	67
564485 .....	37	579812 .....	67
564487 .....	37	Coin Meter Box	
564489 .....	45, 65	SP102532 .....	57
569901 .....	45, 65	100498 .....	57, 59
569905 .....	37	Coin Meter Case	
569911 .....	37	SP547548 .....	57
569912 .....	45, 65	SP550436 .....	57
569918 .....	45, 65	568039 .....	57
569919 .....	37	568041 .....	57
569921 .....	41, 61	572120 .....	59
569922 .....	35	Coin Meter Cover	
569924 .....	45, 65	SP547565 .....	33, 39, 49, 51
569925 .....	37	Coin Vault Plate	
569927 .....	45, 65	SP533103 .....	13, 15, 21, 29
569928 .....	37	566737 .....	13, 15, 21
569930 .....	45, 65	Communication Cable	
569931 .....	37	SP528324 .....	93
569933 .....	43, 63	SP528325 .....	89
569934 .....	35	Compression Spring	
569936 .....	45, 65	SP535406 .....	73
569937 .....	37	Connection	
569939 .....	43, 63	547808 .....	115
569940 .....	35	Connector	
569942 .....	45, 65	SP537856 .....	69
569943 .....	37	SP554156 .....	99
569945 .....	45, 65	Contactactor	
569946 .....	37	SPPRI345002019 .....	87, 91, 95
569948 .....	43, 63	SP514038 .....	87, 91, 95
569949 .....	37	SP514042 .....	87, 91, 95
569951 .....	43, 63	SP514043 .....	87, 91
569952 .....	37	Control Board	
569954 .....	45, 65	SP547001 .....	47
569955 .....	37	SP553411 .....	39, 47
569961 .....	45, 65	SP553412 .....	39, 47
569962 .....	37	SP553419 .....	33, 47
569964 .....	43, 63	204890 .....	51, 53, 55
569965 .....	35	Control Board Holder	
569967 .....	45, 65	SP550117 .....	47
569968 .....	37	553444 .....	27
569970 .....	45, 65	577668 .....	27
569971 .....	37	Control Board I/O	
569973 .....	45, 65	SP547002 .....	47
569974 .....	37	SP553405 .....	33, 39, 47
569979 .....	45, 65	Control Board Main Wiring	
569980 .....	37	568394 .....	91, 95
569987 .....	45, 65	Control Holder	
569988 .....	37	581020 .....	51, 53, 55
569993 .....	37	581021 .....	51, 53, 55
569995 .....	37	Control Panel	
569998 .....	65	SP550240 .....	47
572301 .....	65	SP557048 .....	33
572304 .....	65	SP560469 .....	39
572307 .....	65	575944 .....	47
572310 .....	65		
572313 .....	65		
572317 .....	65, 67		

N/A items do not appear in index.

580052 .....	51, 53, 55
Control Support 581009 .....	51, 53, 55
Conversion Board 553439 .....	27
Cover SPPRI543000004 .....	33, 39, 47, 69
566549 .....	93, 97
Cover Plate SP550149 .....	33, 39, 49, 55
Cover Strip Pin SP533738 .....	9
Cross Piece SP537824 .....	109

## D

DC Choke 571454 .....	95
571455 .....	91
571457 .....	95
Dispenser Elbow Pipe SP547995 .....	75, 79
SP554107 .....	75, 79
Dispenser Lid SP526461 .....	75, 79
SP551695 .....	79
551695 .....	75
Dispenser Seal SP540158 .....	75, 79
Distinguishing Ring SP535411 .....	73
SP535437 .....	73
571733 .....	73
Door SP535443 .....	71
SP535445 .....	71
SP553527 .....	71
568838 .....	71
Door and Lock Holder SP537883 .....	69
Door Assembly 553532 .....	69
576073 .....	69
576076 .....	69
Door Glass SP556228 .....	69
535439 .....	69
Door Lock Strut 569579 .....	19
569580 .....	19
Door Lock Wiring SP528270 .....	69
SP552453 .....	69
SP552454 .....	69
569723 .....	69
Double Check Valve F8301201 .....	75
Double Reverse Valve B12543901 .....	75, 79
Drain Elbow SP547963 .....	83, 85
SP554106 .....	83, 85

Drain Hose Pipe SP526492 .....	83, 85
Drain Valve SP526460 .....	83, 85
Drain Valve Motor SPPRI340002051 .....	83, 85
Drain Valve Seal 554276 .....	83, 85

## E

Edge Protection SP529068 .....	97
Elbow SPPRI426002072 .....	79
Elevated Base Frame SP554181 .....	105
SP554182 .....	105
SP554183 .....	105
SP554184 .....	105
Emergency Stop Connector SP528311 .....	33, 39, 49, 51
Emergency Stop Interconnection SP520033 .....	33, 39, 49, 53
571485 .....	55
Emergency Stop Knob SP528310 .....	33, 39, 49, 51
Emergency Stop Label SPPRI551005248 .....	33, 39, 51
Emergency Stop Wiring SP520032 .....	33, 39, 49
End Stop SP346000209101 .....	91, 95
SP555405 .....	13, 21, 31
Extension SPPRI426003217 .....	79
Extension Cable 575880 .....	116
External Tub SP537837 .....	109
SP537922 .....	109
SP552939 .....	109
SP552940 .....	109
SP552954 .....	109
SP552955 .....	109
SP552966 .....	109
SP552967 .....	109
External Tub Front Plate 575987 .....	107

## F

Fastening Cone SP230100007014 .....	99
Feather SP555497 .....	101
Ferrite Core 557961 .....	93
Filling Elbow Pipe SP526484 .....	77, 81
Filling Hose Pipe RSPF200166 .....	75, 79

N/A items do not appear in index.

SPPRI505000054 .....	75
SP101621 .....	75
SP533036 .....	79
SP547980 .....	75
Filter	
SPPRI340004030 .....	75, 79
SP516012 .....	87
SP525935 .....	87
Filter Cover	
581044 .....	99
Filter Holder	
572126 .....	97
Fixed Lower Hinge	
568982 .....	71
568984 .....	71
Fixed Upper Hinge	
568979 .....	71
568981 .....	71
Flap	
SP540113.....	75, 79
Foam Roller	
SP100188 .....	83, 85
Frame	
SP533970 .....	9
SP533980 .....	9
SP550477 .....	9
SP555525 .....	9
Frastener	
SP550115.....	11, 17, 19, 27
Frequency Inverter	
571472 .....	89, 93
571474 .....	89, 97
Frequency Inverter Filter	
SP557932 .....	97
Front Panel	
SP550223 .....	15, 25
SP550225 .....	15, 25
SP550227 .....	15, 25, 31
SP550229 .....	15, 25
SP557051 .....	13
SP557066 .....	13
563536 .....	15, 25, 31
563538 .....	15, 25
568053 .....	15, 25, 31
568055 .....	15, 25, 31
568067 .....	13
571723 .....	69
571726 .....	69
Fuse	
SP345805005020 .....	89, 91, 95
SP345805163032 .....	89, 91, 95
Fuse Cover	
SP554311.....	91, 95
Fuse Holder	
SPPRI401001020 .....	89, 91, 95
SP554310 .....	91, 95
Fuse Housing	
SPPRI401003020 .....	89, 91, 95

## G

Grease Holder	
SP552973 .....	113

## H

Handle	
SP552916.....	73
SP552917.....	73
576081 .....	73
Handle Ball	
SP535407.....	73
Handle Lower Part	
SP535429.....	73
Handle Torsion Spring	
SP535402.....	71
Heating Contactor Wiring	
SPPRI351106209 .....	116
100223 .....	116
Heating Element	
SP540127.....	107
SP540132.....	107
SP540144.....	107
SP540145.....	107
SP554152.....	107
Heating Element Front Cover	
SP563275.....	69
568987 .....	69
Heating Element Hole Plug	
SPPRI342001016.....	99
Heating GND Wiring	
SP528335.....	116
Heating Wiring	
SP552333.....	116
SP552334.....	116
552314 .....	116
Hinge	
SP516832.....	11, 17, 19
Hinge Spacer	
SP535421.....	71
SP537849.....	69
Holder	
SPPRI326002004.....	11, 17, 19
SP533978.....	101
SP555539.....	101
SP555540.....	101
570318 .....	93, 97
Holder Cover	
SP535412.....	73
SP535436.....	73
Hook	
SPPRI551016250.....	11, 17, 19
Hook Lock	
SPPRI610002007.....	11, 17, 19
Hose	
SPPRI503002049.....	83, 85
SPPRI540000014.....	75, 79
SPPRI540001019.....	79
SPPRI540020005.....	115
529747 .....	115
Hose Clamp	
SPPRI240000002.....	75, 79
SPPRI240000003.....	77, 79, 81, 83, 85
SPPRI240000007.....	77, 81, 83, 85
SPPRI240000015.....	101
SPPRI240000017.....	77, 81, 85
SPPRI240000021.....	75, 79, 85
SPPRI241000017.....	83, 85

N/A items do not appear in index.

SP526491 .....	77, 81
SP526532 .....	83, 85
Hose Pipe	
SP101745 .....	75

## I

Inlet Valve Extension Wiring	
552477 .....	116
Insulation Washer	
571458 .....	91, 95
Interconnection	
557735 .....	116
Internal Vessel	
SP540116 .....	75, 79
Isolation Paper	
SPPRI350012007 .....	57, 59

## K

Keyboard	
SP547085 .....	47
SP547086 .....	47
SP547087 .....	39, 47
SP547088 .....	39, 47
SP552992 .....	47
SP553423 .....	47
SP557130 .....	39
SP557565 .....	33, 47
SP557566 .....	33, 47
SP560747 .....	33, 47
SP560748 .....	33, 47
SP561588 .....	47
557130 .....	47
559862 .....	47
577656 .....	51, 53, 55

## L

Label	
SP563293 .....	49
SP563294 .....	49
SP564831 .....	71
557981 .....	89
560786 .....	19
577440 .....	91, 95
577441 .....	91, 95
Large Coin Box Kit	
568094 .....	57
Leading Pin	
SP550113 .....	33, 39, 49, 51, 53, 55
Liquid Soap Supply Connection Kit	
SP528443 .....	89
Locating Segment	
SP529710 .....	73
Lock	
SP537760 .....	71
SP547527 .....	11, 17, 19, 27
Lock Hook	
581001 .....	27
Lock Pin	
SP537933 .....	71

N/A items do not appear in index.

Logo Label	
SP547043 .....	49
SP547046 .....	49
SP556156 .....	49
SP556157 .....	49
547055 .....	49
567887 .....	49
Lower Hinge	
575963 .....	71
575965 .....	71
Lower Rear Cover	
SP550241 .....	11, 15, 19
Lubrication Grease	
SP111313000002 .....	111, 113

## M

Main Switch	
SPPRI404000097 .....	87, 91, 95
SPPRI404000098 .....	87, 91, 95
SPPRI404000099 .....	87, 91, 95
SPPRI404000100 .....	91
SPPRI404001098 .....	87, 91
SPPRI404001099 .....	87, 91
SP506407 .....	87, 91
Main Switch Knob	
SPPRI404000095 .....	89, 91, 95
Main Vessel	
SP540115 .....	75, 79
Manifold Flush Kit	
529789 .....	115
529797 .....	115
529798 .....	115
529799 .....	115
529800 .....	115
MC6 Control Board Main Wiring	
552310 .....	89
MC7 Control Board Main Wiring	
SP552474 .....	89
SP557767 .....	89
Microswitch	
SP506045 .....	57
Mixer	
SP526558 .....	75, 79
Mixer Body	
SP526565 .....	75, 79
Mixer Lid	
SP526557 .....	75, 79
Motor and Frequency Inverter Cover	
SP547997 .....	87
SP554153 .....	87
SP554269 .....	87
SP554270 .....	87
562878 .....	87
562879 .....	87
Motor Holder	
SP550493 .....	101
SP555492 .....	101
Motor Temperature Protector Cable	
568397 .....	116
Motor with Pulley	
SP555595 .....	103
SP555596 .....	103
SP555597 .....	103



SP555598 .....	103
SP555656 .....	103
SP555657 .....	103
Mounting Bolt Hole Template	
560080 .....	9
560081 .....	9
572489 .....	9
572490 .....	9
Mounting Cone	
SP556115.....	113

## N

Network Installation Kit	
569593 .....	33, 39, 49
Nut	
SP101416 .....	87, 91, 95
SP101419 .....	87, 91, 95
SP310934000004 ..	33, 39, 49, 51, 53, 55, 57, 59, 87, 89
SP310934000008 .....	13, 17, 19, 29
SP310934100006 .....	87, 93, 97
SP310934240008 .....	107
SP310985000006 .....	69, 73, 87
SP310985000008 .....	9, 101
SP310985000012 .....	101, 109
SP313251000006 .....	13, 19, 89, 99
SP313251002104 .....	69
SP514193 .....	13, 51, 53, 55
SP547952 .....	99

## O

Overflow Tube	
SP554176 .....	77, 81, 85

## P

Panel Holder	
SP550243 .....	19
SP555644 .....	19
SP557087 .....	11
SP558864 .....	11
SP560471 .....	17
SP560479 .....	17
577661 .....	27
Pin	
SP540117.....	75, 79
Pin Insertion	
SP520408 .....	9, 13, 17, 21, 29, 33, 39, 49
Pipe Nipple	
SPPRI426001217 .....	79
SPR22112000114 .....	99
SP510120 .....	79
Plastic Post	
577689 .....	27
577693 .....	27
Plug	
SPPRI426001268 .....	99
Profiled Sealing	
SPPRI505000058 .....	13, 15, 21, 31, 89, 93, 97

Programmer Holder	
SP558813.....	33
SP560448.....	39
Programming Cable	
F8600501 .....	33, 39, 49
Pump	
529742 .....	115
529743 .....	115
529744 .....	115
529745 .....	115
529746 .....	115
Pump Relay Board to LED Terminal Cable	
SP528150.....	89
Push Button Cover	
SPPRI543000003.....	91, 95

## R

Rear Cover	
SP550247.....	11, 15, 19
SP555544.....	11, 15, 19
550241 .....	27
581018 .....	27
Rear Panel	
SP547989.....	87
SP547990.....	87
SP559240.....	87
580875 .....	91, 95
Rear Panel Lid	
SP547886.....	89
Reduction	
567174 .....	75, 79
Reinforcement Tube	
SP500125.....	83, 85
Retaining Ring	
SPPRI242000014.....	113
SP307732031110 .....	113
Reverse Function Drain Valve	
SP547821.....	83, 85
Rivet	
SP313250004007.....	89
SP313250004125.....	51, 53, 55
SP313250048103.....	11, 17, 19
SP547779.....	9, 13, 17, 21, 29, 33, 39, 49, 69
RS485 External Interconnection	
SP547075.....	116

## S

Screw	
SP100218.....	51, 53, 55
SP309798124313.....	75, 79
SP526497.....	75, 79, 83, 85
SP529206... 11, 13, 15, 17, 19, 29, 57, 59, 75, 79, 89, 93, .....	97, 101
Seal	
SPPRI520001009.....	75, 79
SP517232.....	9, 13, 15, 21, 29
SP526564.....	99
SP537821.....	107
564202 .....	27
Sealant	
SPPRI704000053.....	109

N/A items do not appear in index.

Sealing Ring			
SP506475 .....	111, 113		
SP525813 .....	111		
SP537848 .....	111		
SP537879 .....	111, 113		
Self-Adhesive Pad			
SPMEC001410 .....	33, 39		
Self-Adhesive Profile			
570387 .....	91, 95		
Service Door Kit			
568989 .....	69, 71		
Shaft Ring			
SP537843 .....	107		
SP552982 .....	107		
Side Panel			
SP550252 .....	23		
SP550255 .....	23		
SP550257 .....	23		
SP550259 .....	23		
SP550465 .....	23		
SP550468 .....	23		
SP550470 .....	23		
SP550472 .....	23		
SP557073 .....	15		
SP557074 .....	15		
SP557080 .....	15		
SP557082 .....	15		
SP557106 .....	13, 15		
SP557107 .....	13, 15		
SP557110 .....	13, 15		
SP557111 .....	13, 15		
SP557114 .....	13		
SP557115 .....	13		
SP557116 .....	13		
SP557117 .....	13		
SP563580 .....	15		
SP563584 .....	15		
SP563586 .....	15		
563556 .....	23		
563558 .....	23		
563560 .....	23		
563562 .....	23		
563582 .....	15		
577117 .....	23		
577119 .....	23		
577121 .....	23		
577123 .....	23		
577455 .....	31		
577456 .....	29		
577457 .....	31		
577458 .....	29		
580810 .....	31		
580812 .....	29		
580814 .....	31		
580816 .....	29		
580818 .....	31		
580820 .....	29		
580822 .....	31		
580824 .....	29		
Soap Hopper			
SP540164 .....	75, 79		
Soap Hopper Plug			
SP526468 .....	75, 79		
Soap Hopper Upper Cover			
SP540112 .....	75, 79		
Soap Link Kit			
SP557944 .....	89		
Soap Relay Board			
SP524714 .....	89		
804528 .....	93, 97		
Spacing Washer Set			
570551 .....	9		
Speed Sensor			
SP557701 .....	101		
Speed Sensor Holder			
SP555547 .....	101		
SP555548 .....	101		
Speed Sensor Plate			
SP555542 .....	101		
Spiral			
SP283449080200 .....	83, 85		
Spring			
SP517509 .....	101		
Spring Clamp			
SP540183 .....	83, 85		
Spring Holder			
SP555500 .....	101		
Steam Filter			
SP405054120215 .....	99		
Steam Heat Wiring			
528064 .....	116		
Steam Injector			
SP526525 .....	99		
Steam Kit			
SP554339 .....	99		
Steam Tube			
SP554119 .....	99		
Steam Valve			
SP514164 .....	99		
Steam Valve Body			
SP514165 .....	99		
Steam Valve Support			
SP547999 .....	99		
Suction Tube			
529787 .....	115		
Supply Pump Kit			
MB90-Z40 .....	115		
MB90-Z41 .....	115		
MB90-Z42 .....	115		
MB90-Z43 .....	115		
MB90-Z44 .....	115		
Switch			
SP100388 .....	89, 91, 95		
Switching Unit			
SP528312 .....	33, 39, 49, 51		
<hr/>			
<b>T</b>			
Tape			
SP284000012003 .....	33, 39, 49, 69		
SP510846 .....	33, 39, 47		
Tee			
SPPRI426001107 .....	79		
SP526454 .....	83, 85		
Temperature Sensor			
SP503839 .....	77, 81		
Temperature Sensor Seal			
SP526439 .....	77, 81		
Terminal Board			
SPPRI350000007 .....	57, 59		

N/A items do not appear in index.

SP506575 .....	89
Top Cover	
SP550263 .....	19
SP550474 .....	19
SP555682 .....	19
SP555684 .....	19
SP557077 .....	11
SP557084 .....	11
SP560473 .....	17
SP560476 .....	17
577503 .....	27
577504 .....	27
580871 .....	27
580877 .....	27

Top Cover Reinforcement	
SP550267 .....	11, 17, 19
SP555499 .....	19
SP557132 .....	11, 17
581027 .....	27
581028 .....	27

Transformer	
SP516648 .....	87, 93, 97
564561 .....	93, 97
568380 .....	93

Transformer Connection	
528350 .....	116
552495 .....	116

Transformer Supply Wirings	
574406 .....	116

Trim	
562547 .....	71

## U

U Shape	
SP556995 .....	13
SP556996 .....	13
568069 .....	13

Upper Hinge	
575960 .....	71
575962 .....	71

Upper Lid Prop	
SP533341 .....	11, 17, 19

USB Cable	
SP547006 .....	89
545234 .....	49
569668 .....	49

## V

Valve, 1-Way	
SP554211 .....	79
SP567064 .....	79

Valve, 2-Way	
SP547958 .....	75

Valve, 3-Way	
SP547959 .....	75, 79

Valve, 4-Way	
SP548933 .....	75, 79

Vent Hose	
SP526509 .....	77, 81

V-Pulley Drum	
SP550453 .....	101

## W

Washer	
SPPRI231000062 .....	79
SPPRI522000012 .....	11, 17, 19
SP311125000004 .....	51, 53, 55, 87, 89, 93, 97
SP311125000006 .....	13, 17, 21, 29, 99
SP311125000013 .....	109
SP311125100006 .....	87, 93, 97
SP311125240006 .....	89, 93, 97
SP311125240008 .....	107
SP311127000004 .....	87, 89, 93, 97
SP311127000006 .....	13, 17, 21, 29, 91, 95, 99
SP311679800003 .....	33, 39, 49
SP311679800004 .....	13, 17, 21, 29, 33, 39, 49, 51, 53, 55, 89, 93, 97
SP311679824006 .....	87, 89, 93, 97
SP311902100004 .....	13, 33, 39, 49, 51, 53, 55, 97
SP311902100006 .....	73, 87, 89, 91, 95
SP311902100008 .....	83, 85
SP311902100012 .....	101
SP505430 .....	93, 97
SP511924 .....	101
SP537898 .....	109
SP547981 .....	99
SP560403 .....	101
SP568037 .....	57
563361 .....	87
568804 .....	71
571642 .....	71

Washing Drum	
537961P .....	107
552947P .....	107
552950P .....	107
552986P .....	107
559909P .....	107
563281P .....	107
563282P .....	107
563284P .....	107
563285P .....	107

Water Hose	
F200164 .....	75, 79

Water Level Switch	
570315 .....	85

Water Level Switch Hose	
SPPRI540001003 .....	83, 85

Wireless Reader Wiring	
552466 .....	116

Wiring Steam - Electrical Heating	
528393 .....	116

## Y

Y-Piece	
SPPRI503000028 .....	85