

Washer-Extractor

Cabinet Freestanding

20, 25, 30 and 65, 80, 105 and 135 Models

Refer to Page 3 for Model Numbers



Table of Contents

Title	Page
Parts Ordering Information.....	2
Serial Plate Location	2
Model Identification	3
Decals	4
Upper Frame - 65 Models	6
Upper Frame - 20 and 80 Models	8
Upper Frame - 25 and 105 Models	10
Upper Frame - 30 and 135 Models	12
Lower Frame - 20, 25 65, 80 and 105 Models	14
Lower Frame - 30 and 135 Models	16
Stabilizing Spring	18
Cabinet (Drawing 1 of 2)	20
Cabinet (Drawing 2 of 2)	22
Control Panel	24
Coin Meter (Drawing 1 of 3).....	26
Coin Meter (Drawing 2 of 3).....	28
Coin Meter (Drawing 3 of 3).....	30
Coin Meter Box	32
Door - Models Through December 31, 2019	34
Door - Models Starting January 1, 2020	36
Door Lock.....	38
Two Water Inlet System.....	40
Three Water Inlet System	42
Drain System	44
Drain System - Drain Pump Option - 65 and 80 Models	46
Rear Panel - 230-400V CE Models with Neutral (Drawing 1 of 2).....	48
Rear Panel - 230-400V CE Models with Neutral (Drawing 2 of 2).....	50
Rear Panel - 400-440V CE Models (Drawing 1 of 2).....	52
Rear Panel - 400-440V (Drawing 2 of 2).....	54
Rear Panel - 230-400V CSA Models (Drawing 1 of 2).....	56
Rear Panel - 230-400V CSA Models (Drawing 2 of 2).....	58
Rear Panel - 400-440V CSA Models (Drawing 1 of 2).....	60
Rear Panel - 400-440V CSA Models (Drawing 2 of 2).....	62
Steam Heating	64
Washing Drum and Tub (Drawing 1 of 2)	66
Washing Drum and Tub (Drawing 2 of 2)	68
Drive.....	70
Bearing Housing	72
Elevated Base Frame	74
Liquid Soap Supply System - Pumps.....	76
Harnesses.....	78
Parts Index.....	79

© Copyright 2022, Alliance Laundry Systems LLC

All rights reserved. No part of the contents of this book may be reproduced or transmitted in any form or by any means without the expressed written consent of the publisher.

Parts Ordering Information

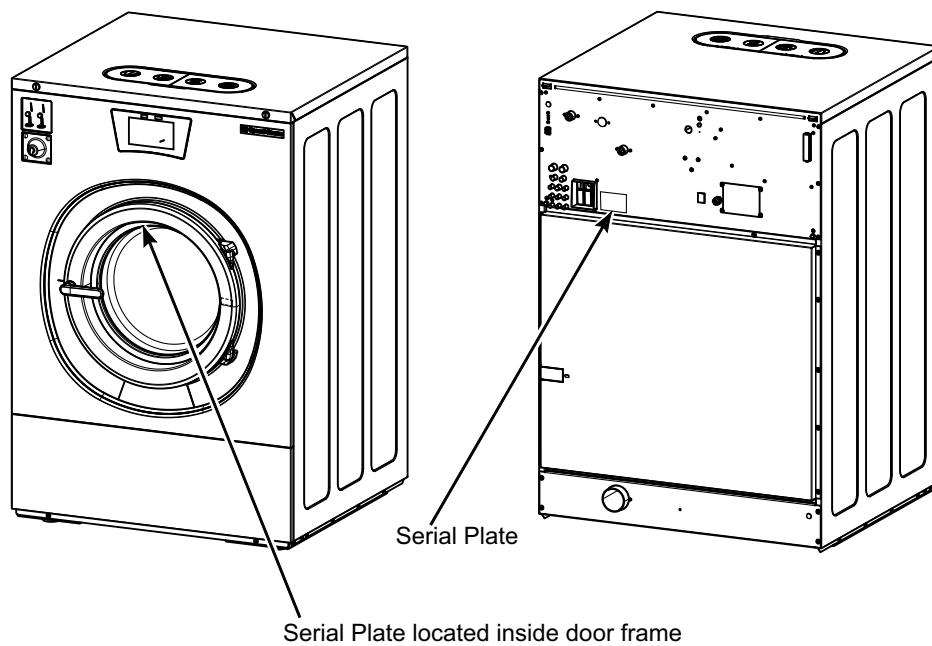
If literature or replacement parts are required, contact the source from whom the machine was purchased or contact Alliance Laundry Systems at (920) 748-3950 for the name and address of the nearest authorized parts distributor.

For technical assistance, call the number listed below:

(920) 748-3121 Ripon, Wisconsin

Serial Plate Location

When calling or writing about your product, be sure to mention model and serial numbers. Model and serial numbers are located on serial plate(s).



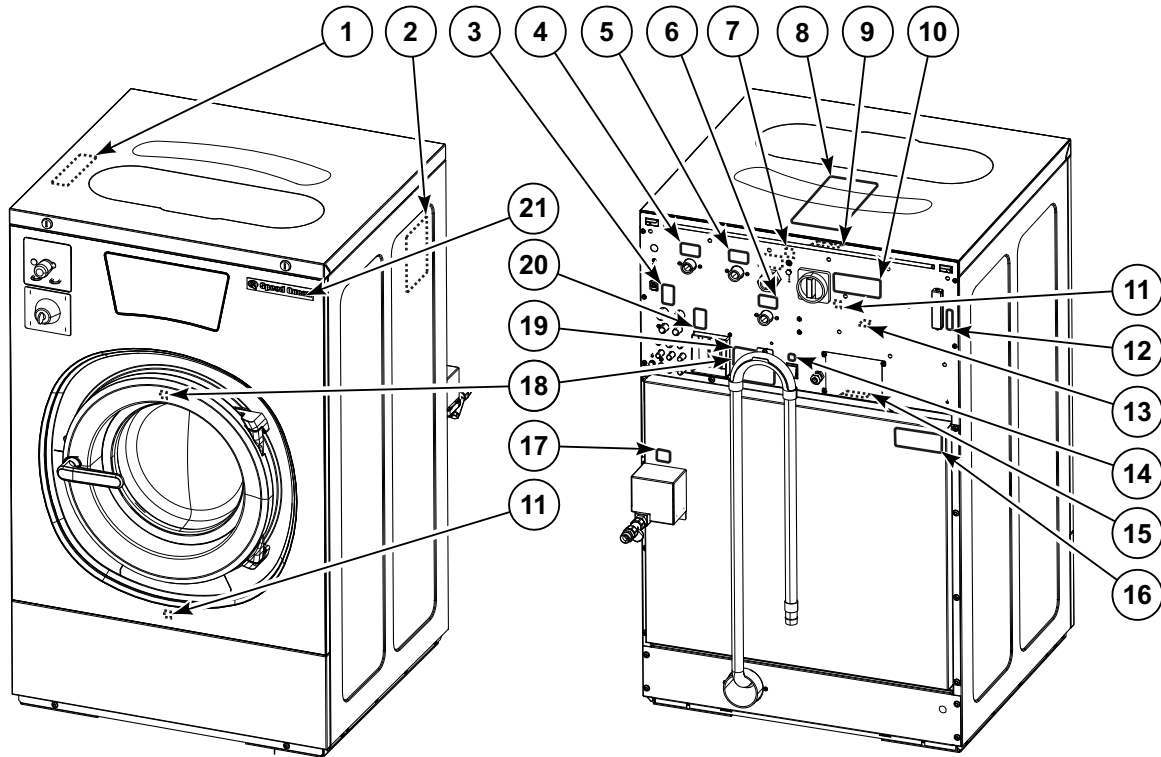
CFD3560P_D2412

Model Identification

Information in this manual is applicable to these washer-extractor models:

HY020_GALAXY_TOUCH_VEND	SYR135V
HY025_GALAXY_TOUCH_VEND	SYT020V
HY030_GALAXY_TOUCH_VEND	SYT025V
SY020_QUANTUM_TOUCH_VEND	SYT030V
SY025_QUANTUM_TOUCH_VEND	SYU065V
SY030_QUANTUM_TOUCH_VEND	SYU080V
SY65_QUANTUM_TOUCH_OPL	SYU105V
SY80_QUANTUM_TOUCH_OPL	SYU135V
SY105_QUANTUM_TOUCH_OPL	SYX065V
SY135_QUANTUM_TOUCH_OPL	SYX080V
SY65_QUANTUM_TOUCH_VEND	SYX105V
SY80_QUANTUM_TOUCH_VEND	SYX135V
SY105_QUANTUM_TOUCH_VEND	UYA065V
SY135_QUANTUM_TOUCH_VEND	UYA080V
UY65_PROFORM_TOUCH_OPL	UYA105V
UY80_PROFORM_TOUCH_OPL	UYA135V
UY105_PROFORM_TOUCH_OPL	UYC065V
UY135_PROFORM_TOUCH_OPL	UYC080V
HYT020V	UYC105V
HYT025V	UYC135V
HYT030V	UYE065V
SYA065V	UYE080V
SYA080V	UYE105V
SYA105V	UYE135V
SYA135V	UYR065V
SYC065V	UYR080V
SYC080V	UYR105V
SYC105V	UYR135V
SYC135V	UYU065V
SYE065V	UYU080V
SYE080V	UYU105V
SYE105V	UYU135V
SYE135V	UYX065V
SYR065V	UYX080V
SYR080V	UYX105V
SYR105V	UYX135V

Decals



REF 1

⚠ DANGER Disconnect power before servicing. Remove all parts and screws before opening. Risque de choc électrique. Déconnecter la source d'alimentation électrique avant l'intervention. Retirez tous les vis et les pièces avant d'ouvrir.	⚠ PELIGRO Desconecte el suministro de energía eléctrica antes de trabajar. Retire todos los tornillos y componentes antes de comenzar el trabajo eléctrico.
--	---

REF 2

El. Scheme

REF 3

REF 4

<40 mg/L
100-800 kPa (15-116 psi)

REF 5

>40 mg/L
100-800 kPa (15-116 psi)

REF 6

<90°C (190°F)
100-800 kPa (15-116 psi)

REF 7

PE

REF 8

REF 9

N L1 L2 L3

REF 10

⚠ WARNING This machine is not provided with a Mains Disconnecting Means. Suitable Mains Disconnecting Means must be provided during installation and by authorized personnel in accordance with the Canadian Electrical Code, Part I (CE Code), or (U.S.) National Electrical Code (NEC).	⚠ ATTENTION Cette machine n'est pas fournie avec un Dispositif de Déconnexion du Secteur. Des moyens de déconnexion du secteur appropriés doivent être fournis lors de l'installation par personnel autorisé conformément au Code Canadien de l'électricité, Partie I (Code CE) ou (USA) Code national de l'électricité (NEC).
---	--

REF 11

REF 12

1A 500V F1	1A 250V F1	1A 500V F1
1A 500V F2	1A 250V F2	1A 500V F2
0.5A 250V F3	0.5A 250V F3	1.6A 250V F3

REF 13

REF 14

REF 15

24V AC (MAX 100mA supply)

Wait signal

REF 16

⚠ WARNING Disconnect power before servicing. Remove all parts and screws before opening. Risque de choc électrique. Déconnecter la source d'alimentation électrique avant l'intervention. Retirez tous les vis et les pièces avant d'ouvrir.	⚠ PELIGRO Desconecte el suministro de energía eléctrica antes de trabajar. Retire todos los tornillos y componentes antes de comenzar el trabajo eléctrico.
---	---

REF 17

max.8bar

REF 18 19

MODEL N°: [] Ser. No.: []

MEG. NR.: []

Capacity: [] Motor []

Spin RPM [] V [] Hz []

Total Power [] kW

Fuse [] A

Year []

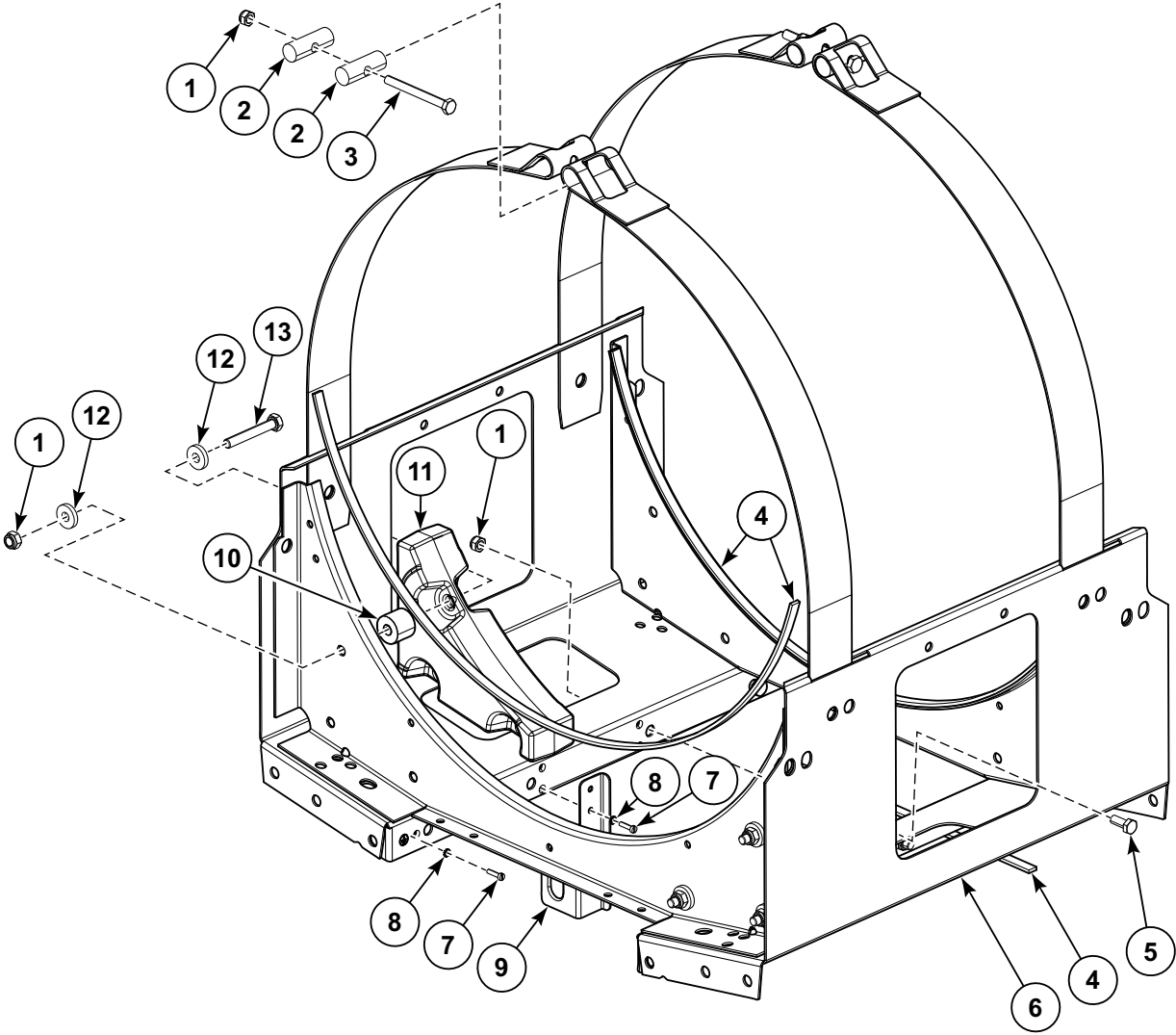
REF 20

CZW259P_D2412

Decals

REF	PART NO.	DESCRIPTION	COMMENTS
1	W10163746	Label	Electrical shock hazard; Inside machine
2	574404	Wiring Diagram	Inside machine
3	SP523382	Label	Holes to be drilled not punched
4	SP527271	Index Plate	Cold soft water; <i>Refer to Water Inlet System page</i>
5	SP527272	Index Plate	Cold hard water; <i>Refer to Water Inlet System page</i>
6	SP527270	Index Plate	Hot water; <i>Refer to Water Inlet System page</i>
7	SPPRI551006001	Label	PE; Inside machine
8	547805	Transport Brace Instruction	
9	SPPRI551001001	Label	N L1 L2 L3; Inside machine
10	555328	Label	Disconnecting device; CSA models
11	SP230200007514	Label	Lightning; Inside machine
12	547899	Label	Fuse 1A 500V; 1A 500V; 0.5A 250V
	547900	Label	Fuse 1A 250V; 1A 250V; 0.5A 250V
	547901	Label	Fuse 1A 500V; 1A 500V; 1.6A 250V
13	SPPRI551000001	Earthing Index Plate	
14	509472	Label	Steam - electricity
15	570371	Label	Electrical connection; Pump 24V; Inside the box; Models with Transformer
	579019	Label	Models without Transformer
16	W10132092	Label	Electrical Shock Hazard; Inside machine
17	548000101014	Label	Steam
18	547563	Serial Plate	Used with SP516715 Transparent Foil
19	SP516715	Transparent Foil	Self-adhesive
20	SPPRI551000047	Label	Exhaust
21	F8664901	Nameplate	Speed Queen
	F8688001	Nameplate	Huebsch

Upper Frame - 65 Models

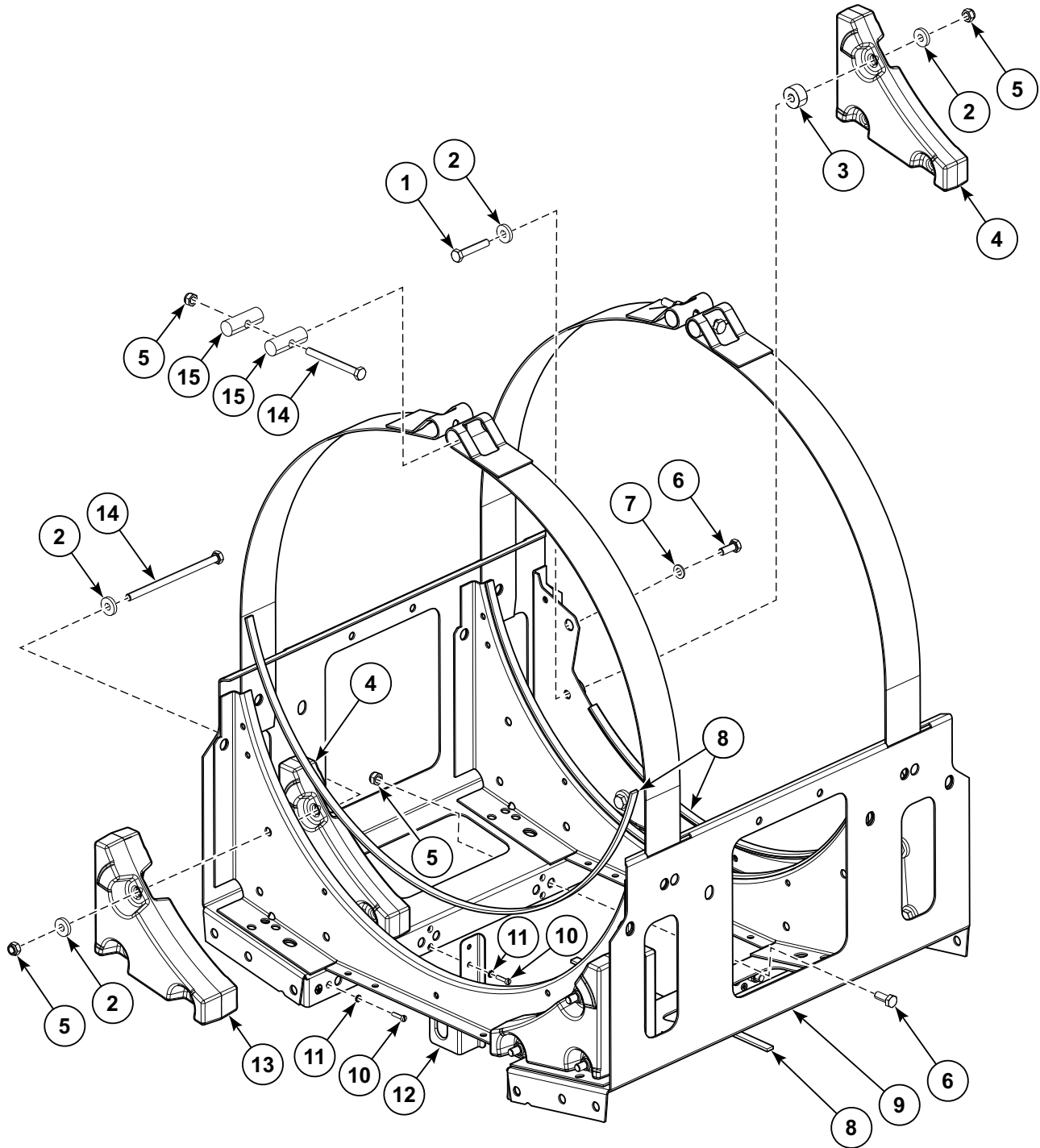


CZW113P_D2412

Upper Frame - 65 Models

REF	PART NO.	DESCRIPTION	COMMENTS
	SP245704003021	Adhesive	Used with external tub for fastening into frame
1	SP310985000008	Nut	M8
2	SP533738	Cover Strip Pin	
3	SP309933000880	Bolt	M8x80
4	SP517232	Seal	
5	SP309933000820	Bolt	M8x20
6	SP533886	Upper Frame	
7	SP309084000416	Bolt	M4x16
8	SP311679800004	Washer	M4
9	SP533388	Oscillation Limiter	
10	SP557472	Distance Case	
11	SP533753	Lower Weight	
12	SP525284	Washer	M8
13	521895	Bolt	M8x55

Upper Frame - 20 and 80 Models

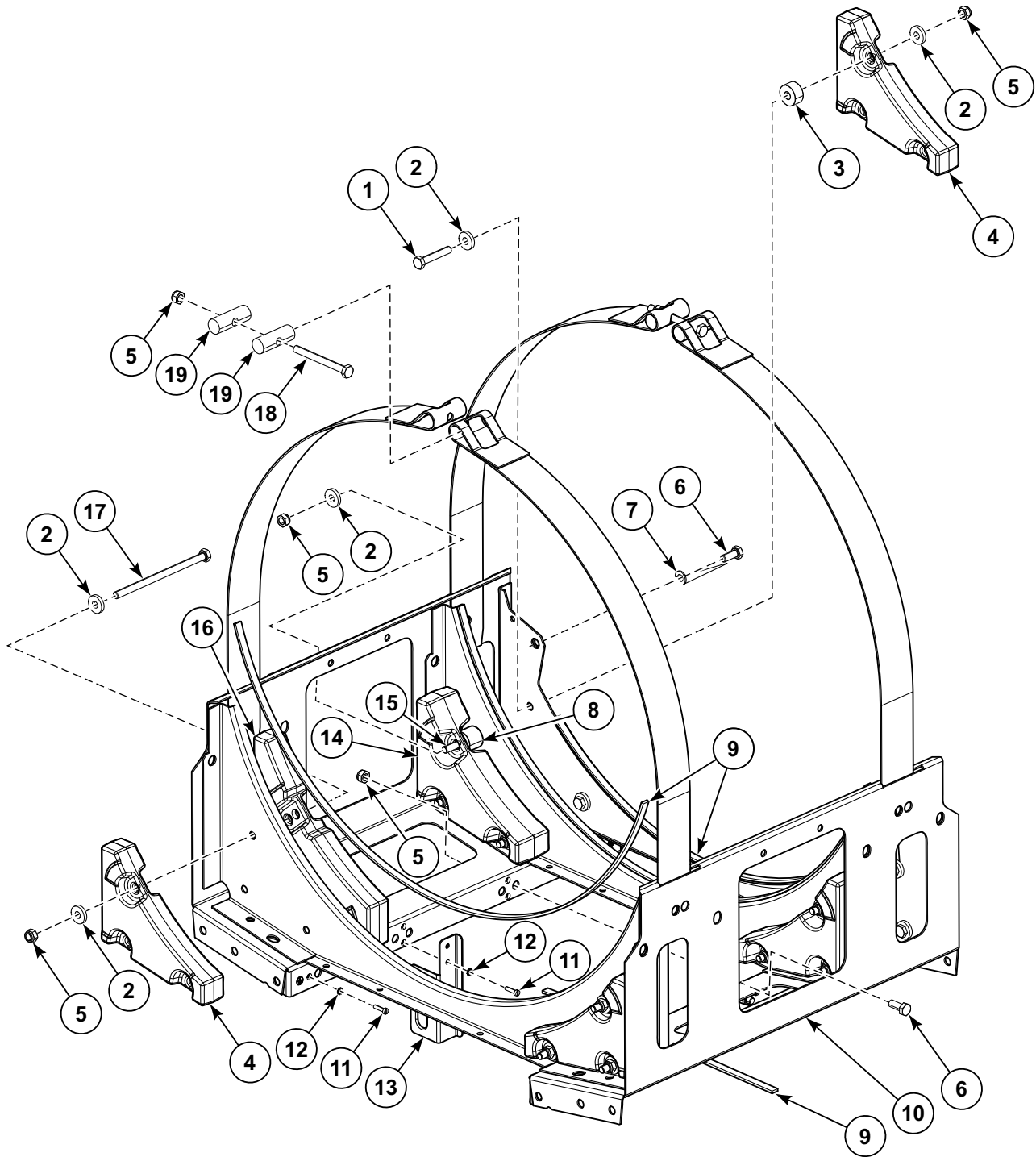


CZW114P_D2412

Upper Frame - 20 and 80 Models

REF	PART NO.	DESCRIPTION	COMMENTS
	SP245704003021	Adhesive	Used with external tub for fastening into frame
1	SP309933000845	Bolt	M8x45
2	SP525284	Washer	M8
3	SP515274	Distance Case	
4	SP533737	Lower Weight	
5	SP310985000008	Nut	M8
6	SP309933000820	Bolt	M8x20
7	SP311125000008	Washer	8.4
8	SP517232	Seal	
9	SP533731	Upper Frame	
10	SP309084000416	Bolt	M4x16
11	SP311679800004	Washer	M4
12	SP533388	Oscillation Limiter	
13	SP533753	Lower Weight	
14	SP309933000880	Bolt	M8x80
15	SP533738	Cover Strip Pin	

Upper Frame - 25 and 105 Models

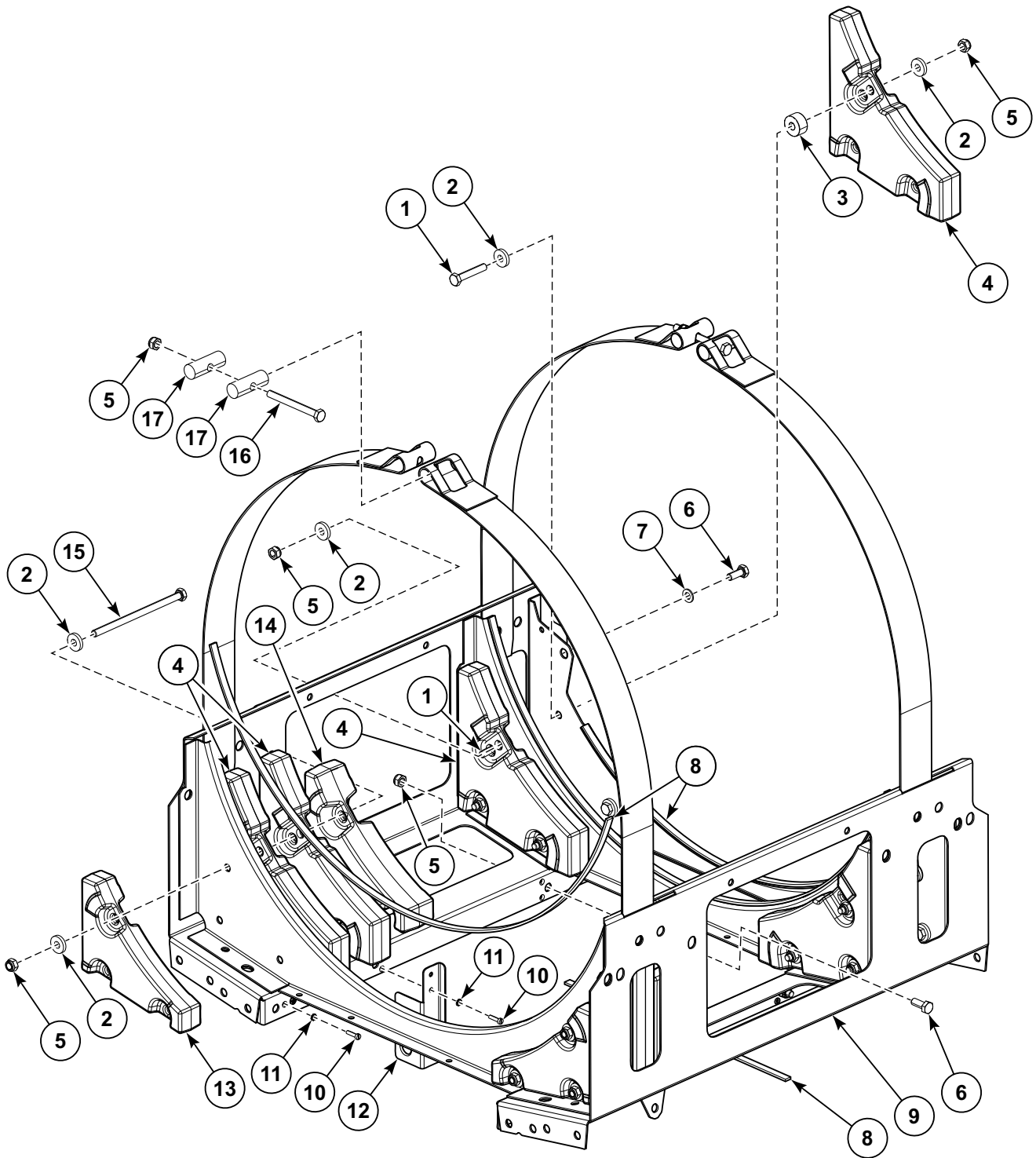


CZW115P_D2412

Upper Frame - 25 and 105 Models

REF	PART NO.	DESCRIPTION	COMMENTS
	SP245704003021	Adhesive	Used with external tub for fastening into frame
1	SP309933000845	Bolt	M8x45
2	SP525284	Washer	M8
3	SP515274	Distance Case	
4	SP533737	Lower Weight	
5	SP310985000008	Nut	M8
6	SP309933000820	Bolt	M8x20
7	SP311125000008	Washer	8.4
8	SP557472	Distance Case	
9	SP517232	Seal	
10	SP533756	Upper Frame	
11	SP309084000416	Bolt	M4x16
12	SP311679800004	Washer	M4
13	SP533388	Oscillation Limiter	
14	SP533753	Lower Weight	
15	521895	Bolt	M8x55
16	SP533784	Lower Weight	
17	SP309933000870	Bolt	M8x70
18	SP309933000880	Bolt	M8x80
19	SP533738	Cover Strip Pin	

Upper Frame - 30 and 135 Models

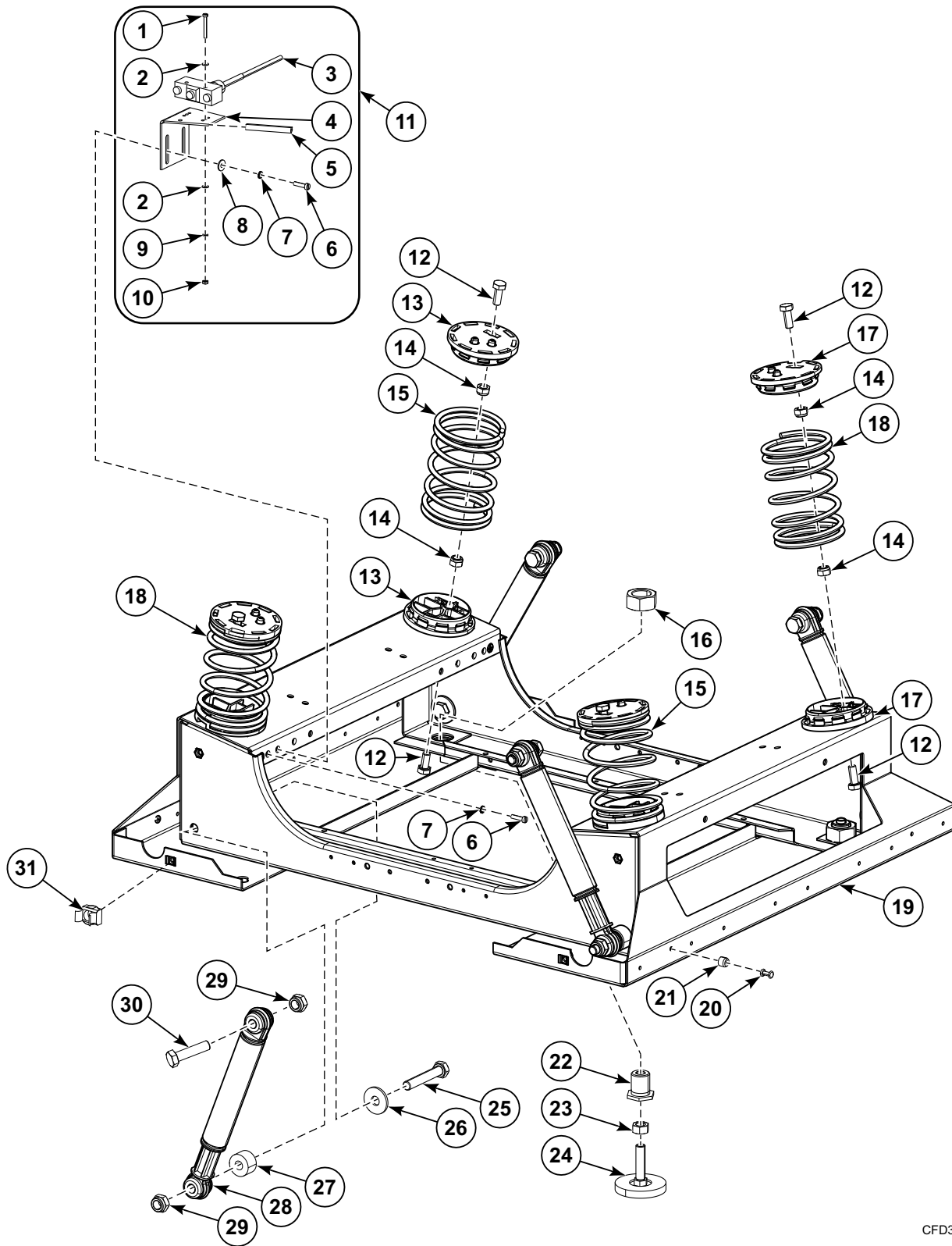


CZW116P_D2412

Upper Frame - 30 and 135 Models

REF	PART NO.	DESCRIPTION	COMMENTS
	SP245704003021	Adhesive	Used with external tub for fastening into frame
1	SP309933000845	Bolt	M8x45
2	SP525284	Washer	M8
3	SP515274	Distance Case	
4	SP533784	Lower Weight	
5	SP310985000008	Nut	M8
6	SP309933000820	Bolt	M8x20
7	SP311125000008	Washer	8.4
8	SP517232	Seal	
9	SP533776	Upper Frame	
10	SP309084000416	Bolt	M4x16
11	SP311679800004	Washer	M4
12	SP533388	Oscillation Limiter	
13	SP533737	Lower Weight	
14	SP533753	Lower Weight	
15	SP533717	Bolt	M8x150
16	SP309933000880	Bolt	M8x80
17	SP533738	Cover Strip Pin	

Lower Frame - 20, 25 65, 80 and 105 Models

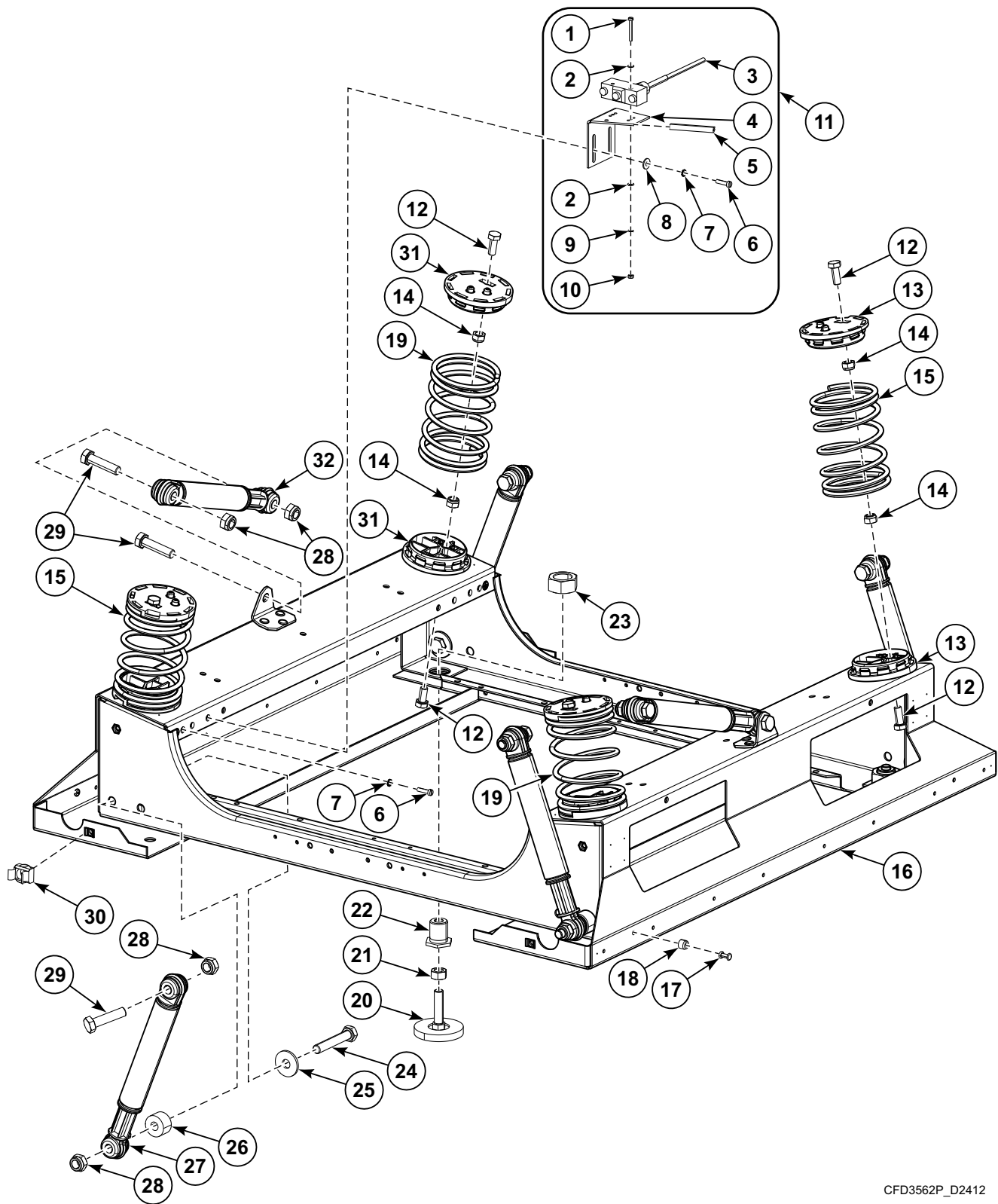


CFD3561P_D2412

Lower Frame - 20, 25 65, 80 and 105 Models

REF	PART NO.	DESCRIPTION	COMMENTS
1	SP309084240325	Bolt	M3x25
2	SP311125000003	Washer	3.2
3	SP528309	Microswitch	Includes spring
4	SP533387	Vibration Switch Holder	
5	SPPRI505000058	Profiled Sealing	
6	SP309084000416	Bolt	M4x16
7	SP311679800004	Washer	M4
8	SP311902100004	Washer	M4 - 4.3/12/1
9	SP311679800003	Washer	M3
10	SP310934000003	Nut	M3
11	SP533391	Vibration Switch Assembly	Includes items 1-10
12	SP309933000820	Bolt	M8x20
13	SP534978	Spring Holder	Left
14	SP310985000008	Nut	M8
15	SP533876	Spring	65 models; Left
	SP533767	Spring	20 and 80 models; Left
	SP533765	Spring	25 and 105 models; Left
16	SP310934000020	Nut	M20
17	SP534977	Spring Holder	Right
18	SP533875	Spring	65 models; Right
	SP533766	Spring	20 and 80 models; Right
	SP533764	Spring	25 and 105 models; Right
19	SP533881	Lower Frame	65 models
	SP533723	Lower Frame	20 and 80 models
	SP533749	Lower Frame	25 and 105 models
20	SP547779	Rivet	4x16.7
21	SP520408	Pin Insertion	
22	SP533726	Bolt	
23	SP310934000010	Nut	M10
24	SPPRI504000001	Adjustable Foot	
25	SP506432	Bolt	M10x60
26	SP311902100010	Washer	10
27	SP533727	Roller	
28	SP533715	Damper	20, 65 and 80 models; 4 required
	SP533716	Damper	25 and 105 models; 4 required
29	SP310985000010	Nut	M10
30	SP527420	Bolt	M10x40
31	SP510923	Nut	M6

Lower Frame - 30 and 135 Models

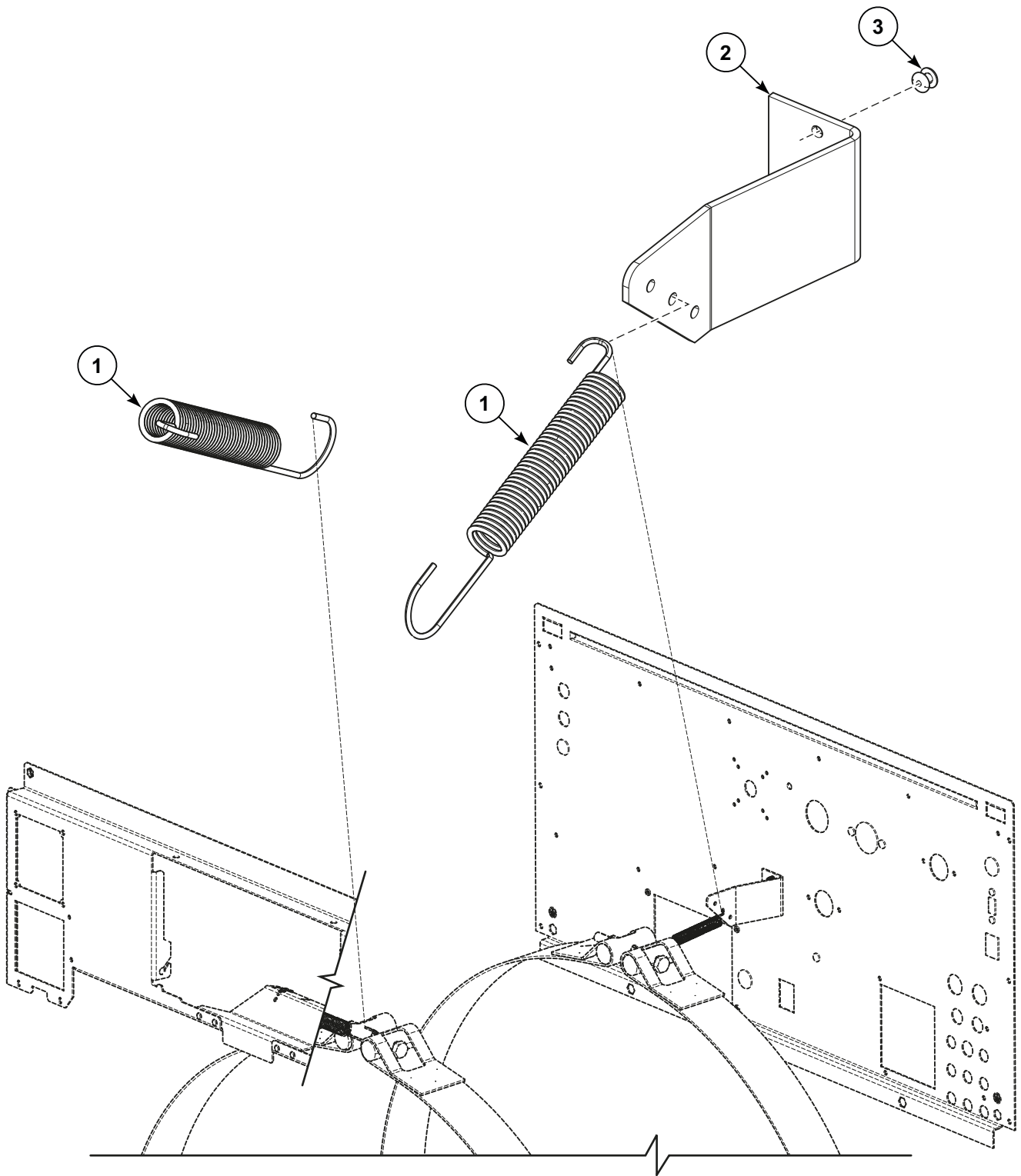


CFD3562P_D2412

Lower Frame - 30 and 135 Models

REF	PART NO.	DESCRIPTION	COMMENTS
1	SP309084240325	Bolt	M3x25
2	SP311125000003	Washer	3.2
3	SP528309	Microswitch	Includes spring
4	SP533387	Vibration Switch Holder	
5	SPPRI505000058	Profiled Sealing	Through Serial No. 65FX016070SW, 80FX021821SW, 105FX014614SW, 135FX017469SW
6	SP309084000416	Bolt	M4x16
7	SP311679800004	Washer	M4
8	SP311902100004	Washer	M4 - 4.3/12/1
9	SP311679800003	Washer	M3
10	SP310934000003	Nut	M3
11	SP533391	Vibration Switch Assembly	Includes items 1-10
12	SP309933000820	Bolt	M8x20
13	SP534977	Spring Holder	Right
14	SP310985000008	Nut	M8
15	SP533768	Spring	Right
16	SP533771	Lower Frame	
17	SP547779	Rivet	4x16.7
18	SP520408	Pin Insertion	
19	SP533769	Spring	Left
20	SPPRI504000001	Adjustable Foot	
21	SP310934000010	Nut	M10
22	SP533726	Bolt	
23	SP310934000020	Nut	M20
24	SP506432	Bolt	M10x60
25	SP311902100010	Washer	10
26	SP533727	Roller	
27	SP533716	Damper	4 required
28	SP310985000010	Nut	M10
29	SP527420	Bolt	M10x40
30	SP510923	Nut	M6
31	SP534978	Spring Holder	Left
32	SP533715	Damper	2 required

Stabilizing Spring

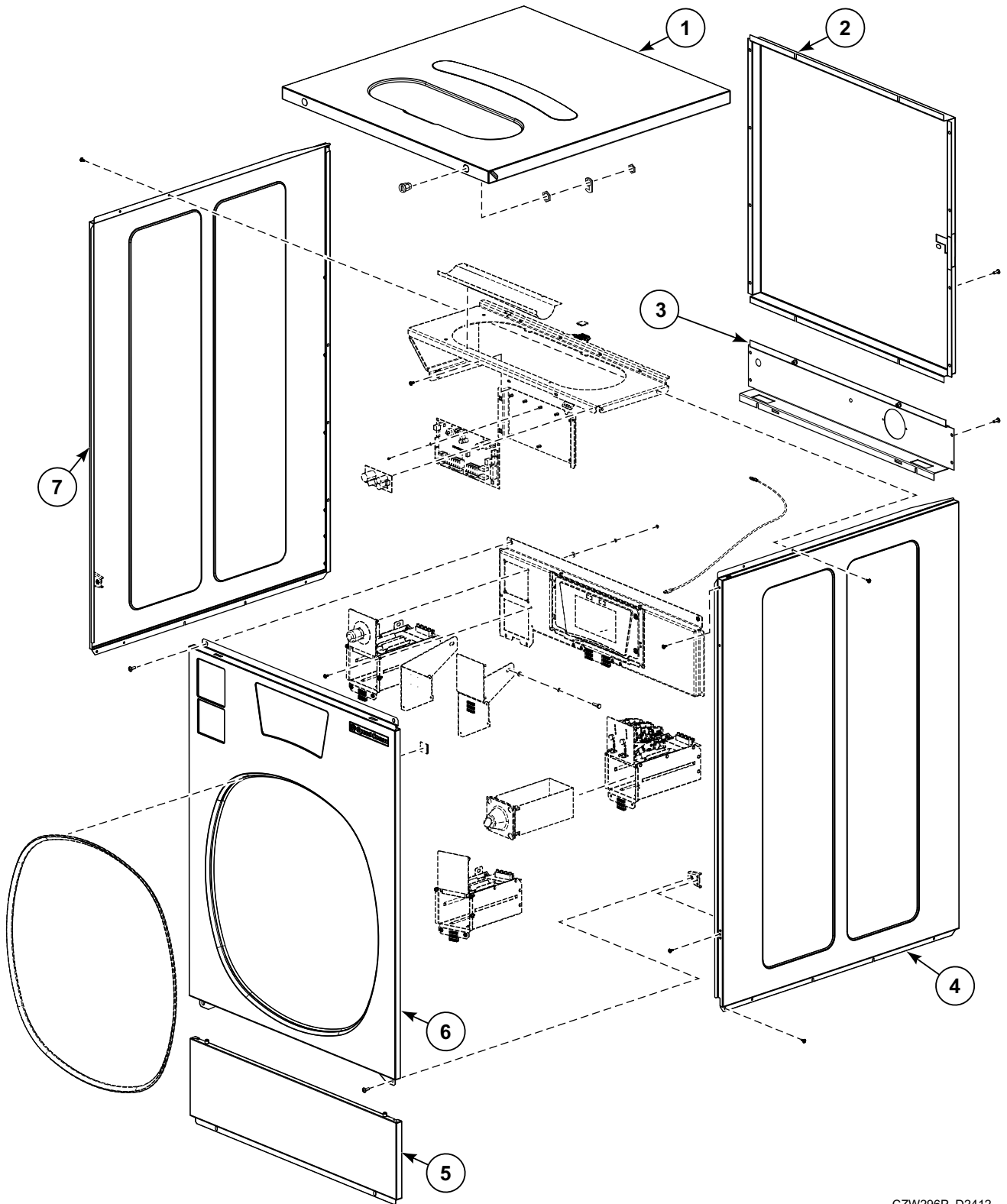


CZW419P_D2412

Stabilizing Spring

REF	PART NO.	DESCRIPTION	COMMENTS
1	SP505372	Spring	
2	SP555517	Rear Spring Holder	20, 65 and 80 models
	SP550448	Rear Spring Holder	25 and 105 models
	SP550449	Rear Spring Holder	30 and 135 models
3	505479	Rivet	4x8

Cabinet (Drawing 1 of 2)

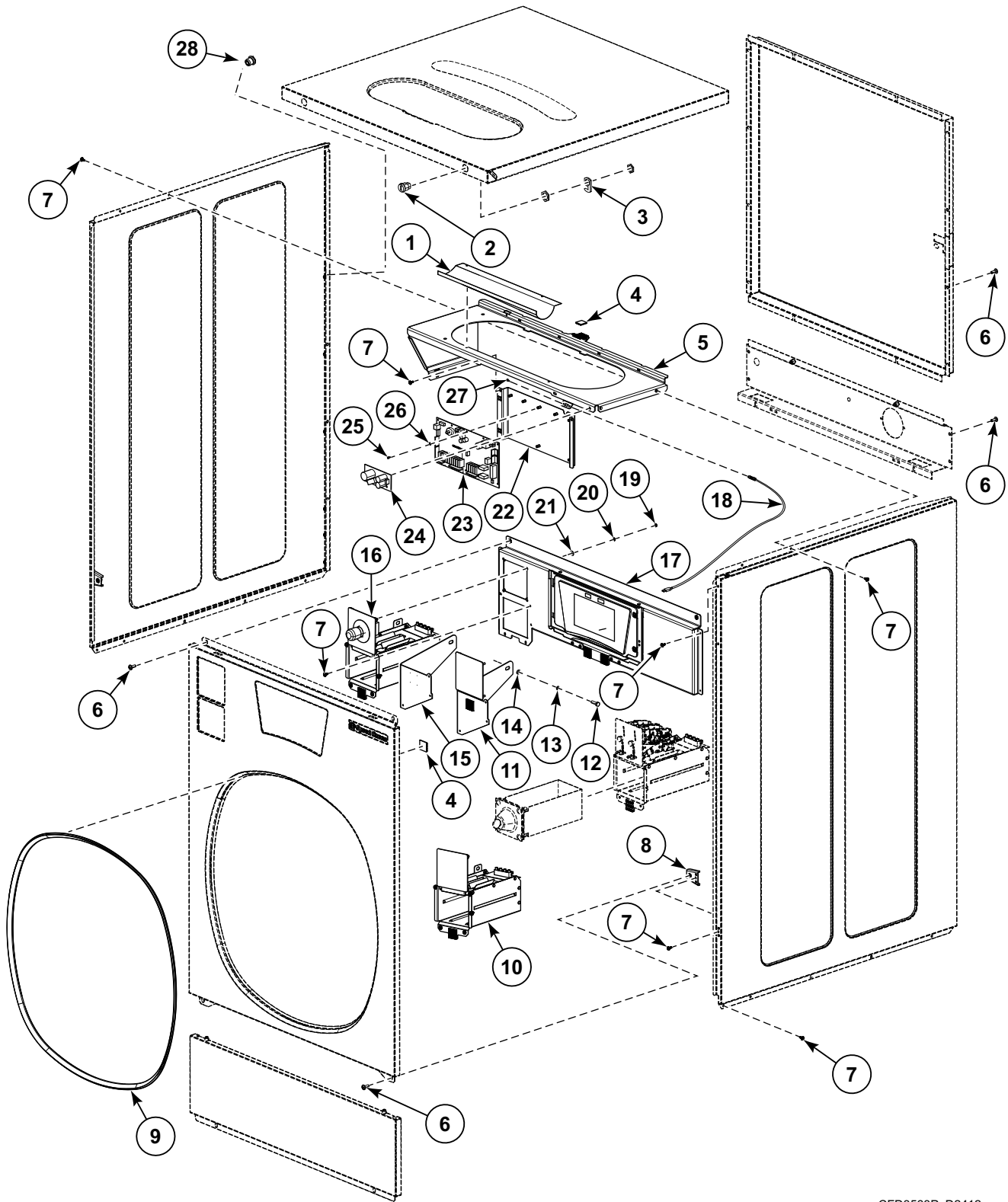


CZW296P_D2412

Cabinet (Drawing 1 of 2)

REF	PART NO.	DESCRIPTION	COMMENTS
1	569623	Top Cover	65 models; Includes SP547527 Lock, SP550616 Key, SPPRI610002007 Hook Lock, SP520408 Pin Insertion, SP547779 Rivet and SP550115 Fastener
	567999	Top Cover	20 and 80 models; Includes SP547527 Lock, SP550616 Key, SPPRI610002007 Hook Lock, SP520408 Pin Insertion, SP547779 Rivet and SP550115 Fastener
	567965	Top Cover	25 and 105 models; Includes SP547527 Lock, SP550616 Key, SPPRI610002007 Hook Lock, SP520408 Pin Insertion, SP547779 Rivet and SP550115 Fastener
	567992	Top Cover	30 and 135 models; Includes SP547527 Lock, SP550616 Key, SPPRI610002007 Hook Lock, SP520408 Pin Insertion, SP547779 Rivet and SP550115 Fastener
	569641	Top Cover	65 models; Without soap hopper opening
	569643	Top Cover	20 and 80 models; Without soap hopper opening
	569645	Top Cover	25 and 105 models; Without soap hopper opening
	569647	Top Cover	30 and 135 models; Without soap hopper opening
2	570467	Rear Cover	20, 65 and 80 models
	570468	Rear Cover	25, 30, 105 and 135 models
3	SP533381	Lower Rear Cover	20, 65 and 80 models
	SP533382	Lower Rear Cover	25 and 105 models
	SP533383	Lower Rear Cover	30 and 135 models
4	569556	Side Panel	65 models; Stainless; Right; Includes SP529206 Screw, 569555 Console and SP313251000006 Nut
	567995	Side Panel	20 and 80 models; Stainless; Right; Includes SP529206 Screw, 569555 Console and SP313251000006 Nut
	567949	Side Panel	25 and 105 models; Stainless; Right; Includes SP529206 Screw, 569555 Console and SP313251000006 Nut
	567988	Side Panel	30 and 135 models; Stainless; Right; Includes SP529206 Screw, 569555 Console and SP313251000006 Nut
5	569561	Lower Front Panel	20, 65 and 80 models; Stainless; Includes SP520408 Pin Insertion and SP313250004125 Rivet
	567958	Lower Front Panel	25, 30, 105 and 135 models; Stainless; Includes SP520408 Pin Insertion and SP313250004125 Rivet
6	569630	Front Panel	65 and 80 models; OPL; Stainless; Includes SP550115 Fastener and SP529068 Edge Protection
	569569	Front Panel	20, 65 and 80 models; Vended; Stainless; Includes SP550115 Fastener and SP529068 Edge Protection
	569661	Front Panel	20, 65 and 80 models; Central payment system; Stainless; Includes SP550115 Fastener and SP529068 Edge Protection
	569638	Front Panel	105 and 135 models; OPL; Stainless; Includes SP550115 Fastener and SP529068 Edge Protection
	567953	Front Panel	25, 30, 105 and 135 models; Vended; Stainless; Includes SP550115 Fastener and SP529068 Edge Protection
	569662	Front Panel	25, 30, 105 and 135 models; Central payment system; Stainless; Includes SP550115 Fastener and SP529068 Edge Protection
7	569558	Side Panel	65 models; Stainless; Left; Includes SP529206 Screw, 569555 Console and SP313251000006 Nut
	567997	Side Panel	20 and 80 models; Stainless; Left; Includes SP529206 Screw, 569555 Console and SP313251000006 Nut
	567951	Side Panel	25 and 105 models; Stainless; Left; Includes SP529206 Screw, 569555 Console and SP313251000006 Nut
	567990	Side Panel	30 and 135 models; Stainless; Left; Includes SP529206 Screw, 569555 Console and SP313251000006 Nut

Cabinet (Drawing 2 of 2)

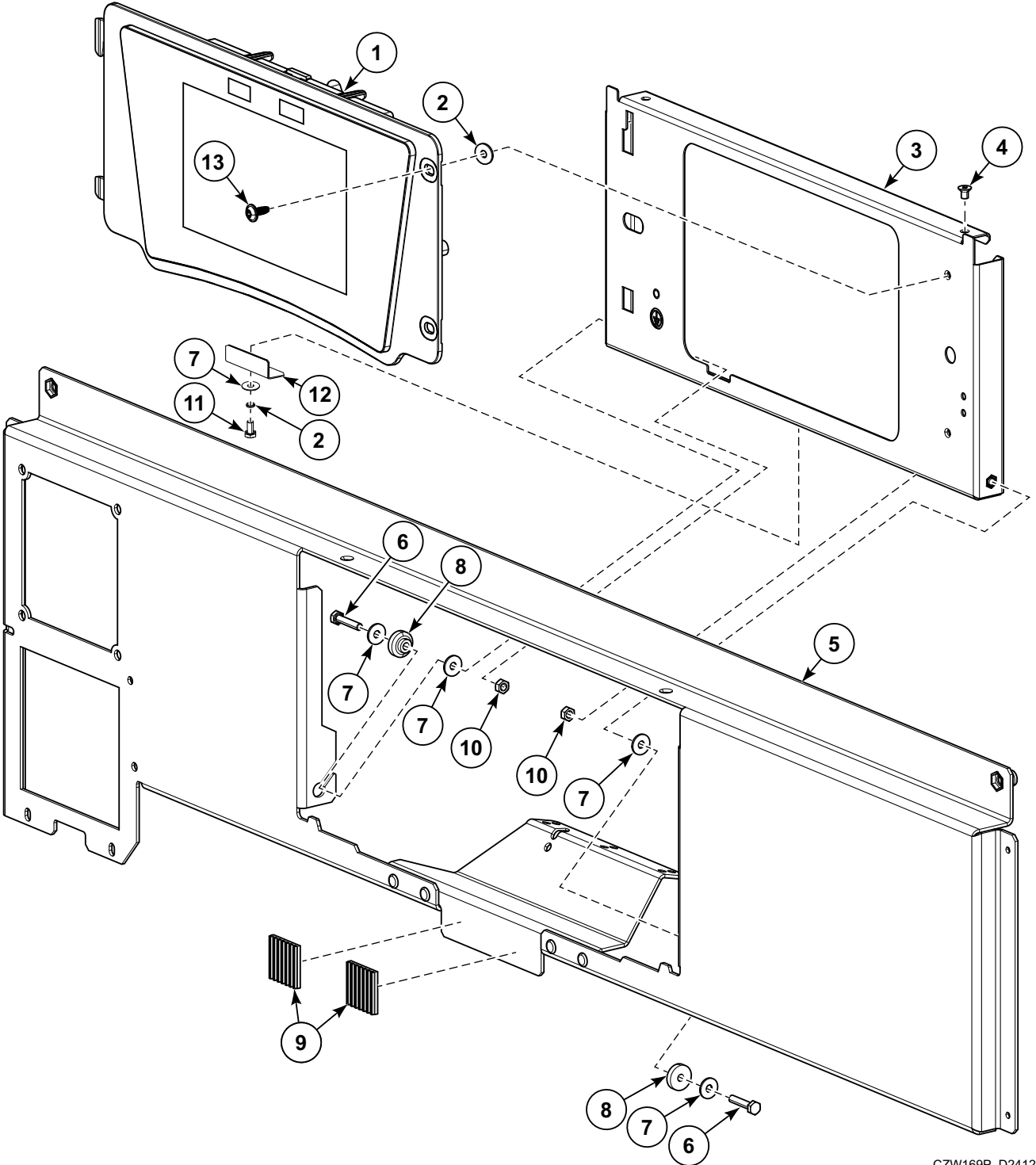


CFD3563P_D2412

Cabinet (Drawing 2 of 2)

REF	PART NO.	DESCRIPTION	COMMENTS
1	569656	Cover	Through Serial Nos. 80FX017683QQ, 105FX012567QQ, and 135FX014679QQ
2	SP547527	Lock	Used with SP550616 Key
3	SPPRI610002007	Hook Lock	Small
4	SP550115	Fastener	
5	569492	Panel Holder	20, 65 and 80 models; Through Serial No. 80FX017683QQ; Includes 573934 Programmer Holder
	569493	Panel Holder	25, 30, 105 and 135 models; Through Serial Nos. 105FX012567QQ, and 135FX014679QQ; Includes 573934 Programmer Holder
6	SP555658	Bolt	M6x16
7	SP529206	Screw	4x11
8	569555	Console	6
9	SP529068	Edge Protection	6
10	569634	Prep for Coin Meter	CSA models; vended; includes items 4 and 19-21; 569588 Coin Meter Case, SP550149 Cover Plate, SPPRI350012007 Isolation Paper, SPPRI3500000007 Terminal Board, SP506045 Microswitch, SP309933000416 Bolt and SP529206 Screw
11	569636	Card Reader Cover Plate	Prep for Card Reader; Includes items 4, 7, 19-21, SP550149 Cover Plate, 569631 Reinforcement, 561386 Card Plate ESD, 561382 Card Plate and 560792 Card Reader Label
12	SP309933000618	Bolt	M6x18
13	SP311127000006	Washer	
14	SP311125000006	Washer	
15	569635	CPS Stiffener	Central payment system; Includes item 7 and 569631 Reinforcement
16	569633	Coin Meter Case Assembly	Includes items 4 and 19-21, 569588 Coin Meter Case, SP547565 Coin Meter Cover, SP528310 Emergency Stop Knob, SP528311 Emergency Stop Connector, SP528312 Switching Unit, SPPRI551005248 Emergency Stop Label, SPPRI350012007 Isolation Paper, SPPRI3500000007 Terminal Board, SP309933000416 Bolt and SP529206 Screw
17	569627	Control Panel	20, 65 and 80 models; Includes control
	567962	Control Panel	25, 30, 105 and 135 models; Includes control
18	569668	USB Cable	.61M
19	SP31093400004	Nut	M4
20	SP311679800004	Washer	M4
21	SP311902100004	Washer	M4
22	573934	Programmer Holder	Through Serial Nos. 80FX017683QQ, 105FX012567QQ, and 135FX014679QQ; Includes 527279 Nut, 569492 Panel Holder and 569493 Panel Holder
23	575630	Control Board I/O	MC10; Power; Used with 569701 Interconnection Flat Cable
24	553189	Module	Door Lock
25	SP309798500306	Bolt	M3x6
26	SP311679800003	Washer	M3
27	SP526497	Screw	4x12
28	SP313251000006	Nut	M6

Control Panel

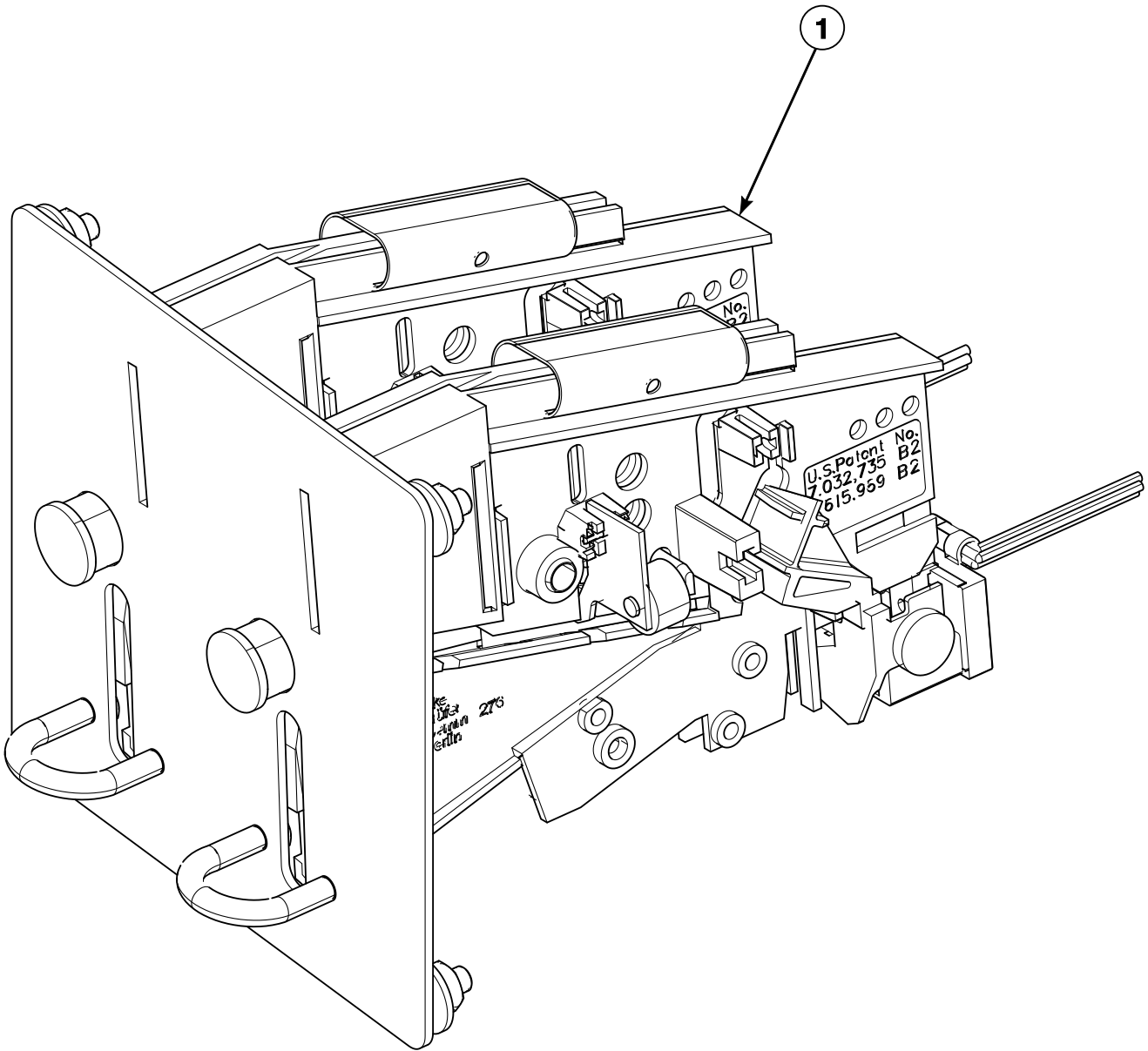


CZW169P_D2412

Control Panel

REF	PART NO.	DESCRIPTION	COMMENTS
1	575631	Control	7", MC10
2	SP555746	Washer	11/4x0.5
3	569575	Control Plate	
4	SP309965240408	Bolt	M4x8
5	569584	Control Panel	20, 65 and 80 models
	567963	Control Panel	25, 30, 105 and 135 models
6	569655	Bolt	M4x25
7	SP311902100004	Washer	4
8	SP550113	Leading Pin	
9	SP550115	Fastener	
10	SP310934000004	Nut	M4
11	SP309933000416	Bolt	M4x6
12	569658	Holder	
13	SP529206	Screw	

Coin Meter (Drawing 1 of 3)

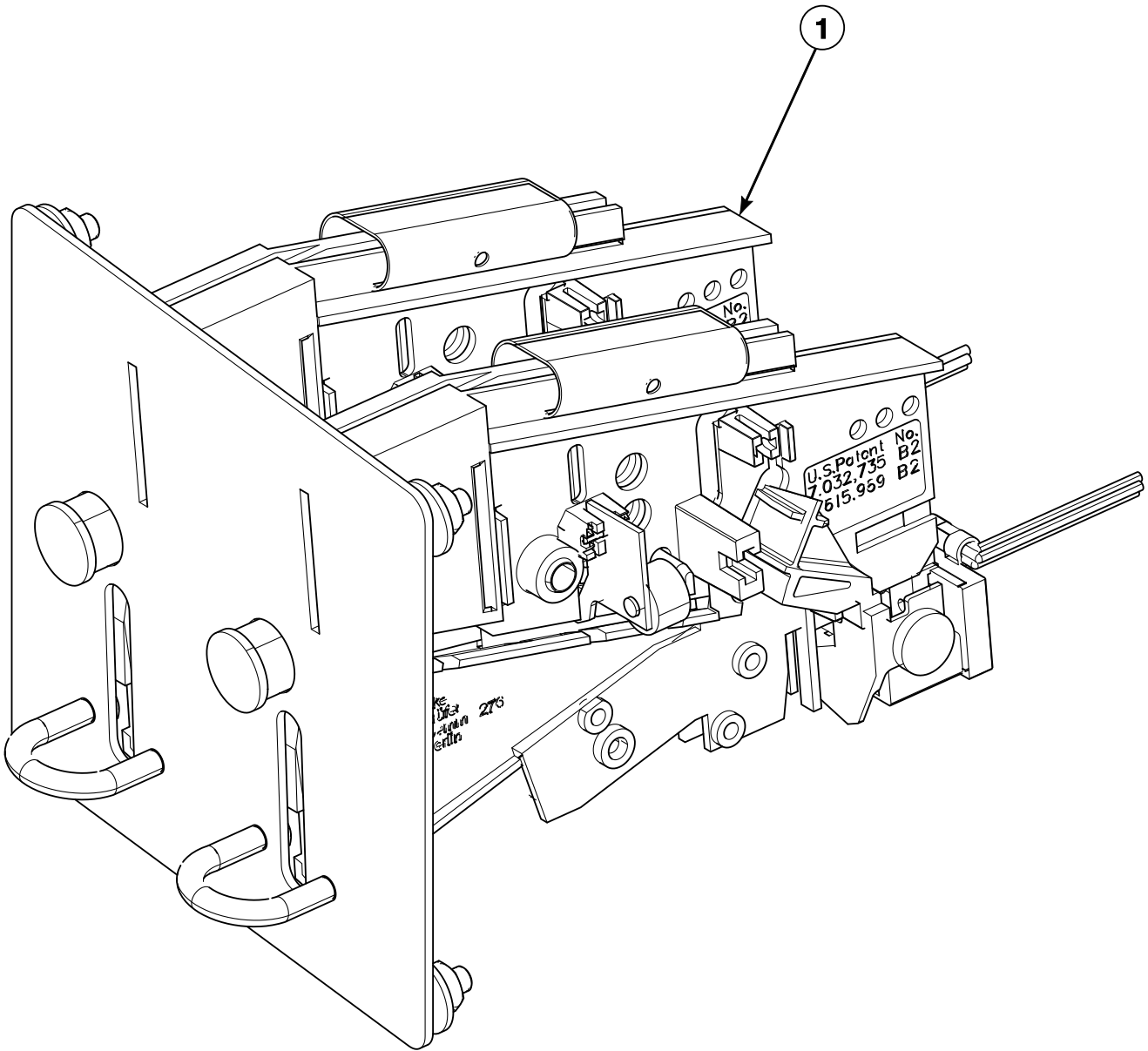


CZW233P_D2412

Coin Meter (Drawing 1 of 3)

REF	PART NO.	DESCRIPTION	COMMENTS
1	569922	Coin Meter	0.2GBP, 0.5GBP, 1GBP, 2GBP / 0.1EUR, 0.2EUR, 0.5EUR, 1EUR, 2EUR; Electronic EMPv7
	SP558958	Coin Meter	0.25USD
	SP558959	Coin Meter	0.5EUR + 1EUR
	SP560310	Coin Meter	1EUR
	SP560311	Coin Meter	0.5EUR
	SP560312	Coin Meter	1EUR + 2EUR
	SP559933	Coin Meter	5K Primus jeton
	SP559934	Coin Meter	10K Primus jeton
	569965	Coin Meter	0.2GBP, 0.5GBP, 1GBP, 2GBP / 0.1EUR, 0.2EUR, 0.5EUR, 1EUR, 2EUR / jeton KWL Aqua / jeton Gettone; Electronic EMPv7
	SP559938	Coin Meter	STD 118-1 jeton
	SP560309	Coin Meter	7K Primus jeton
	SP560405	Coin Meter	12K Primus jeton
	SP560406	Coin Meter	15K Primus jeton
	SP560407	Coin Meter	2EUR
	SP560408	Coin Meter	0.2EUR + 0.5EUR
	SP560409	Coin Meter	0.2EUR
	SP560410	Coin Meter	1EUR + 0.2EUR
	SP560411	Coin Meter	2EUR + 0.5EUR
	SP560412	Coin Meter	1AUD + 0.2AUD
	SP560413	Coin Meter	1 pound + 20PC
	SP560414	Coin Meter	1 pound + 50PC
	SP560415	Coin Meter	100JPY
	SP560416	Coin Meter	500JPY + 100JPY
	SP560417	Coin Meter	1AUD + 2AUD
	SP560418	Coin Meter	1AUD
	SP560419	Coin Meter	20PC
	SP560420	Coin Meter	50 Malaysian cent
	SP560421	Coin Meter	1SGD (new Singaporean dollar)
	SP560422	Coin Meter	2MYR + 0.5MYR
	SP560423	Coin Meter	1SGD
	SP560424	Coin Meter	1NZD + 2NZD
	SP560425	Coin Meter	Easy games jeton
	SP560426	Coin Meter	Flat polis jeton
	SP560427	Coin Meter	Butzi wash jeton
	SP560428	Coin Meter	Speedy matic jeton
	SP560429	Coin Meter	Laundromatic Belgium jeton, (jeton diameter 22.3 mm)
	569940	Coin Meter	0.1SGD, 0.2SGD, 0.5SGD, 1SGD; Electronic EMPv7
	569934	Coin Meter	0.1EUR, 0.2EUR, 0.5EUR, 1EUR, 2EUR; Electronic EMPv7
	SP560432	Coin Meter	500WON
	SP560745	Coin Meter	Dobi ekspress jeton
	SP560751	Coin Meter	Lucky Winner jeton
	SP559969	Coin Meter	Gettone jeton
	SP559949	Coin Meter	10 Taiwan dollar
	SP560090	Coin Meter	5K Ipso jeton
	SP560091	Coin Meter	7K Ipso jeton

Coin Meter (Drawing 2 of 3)

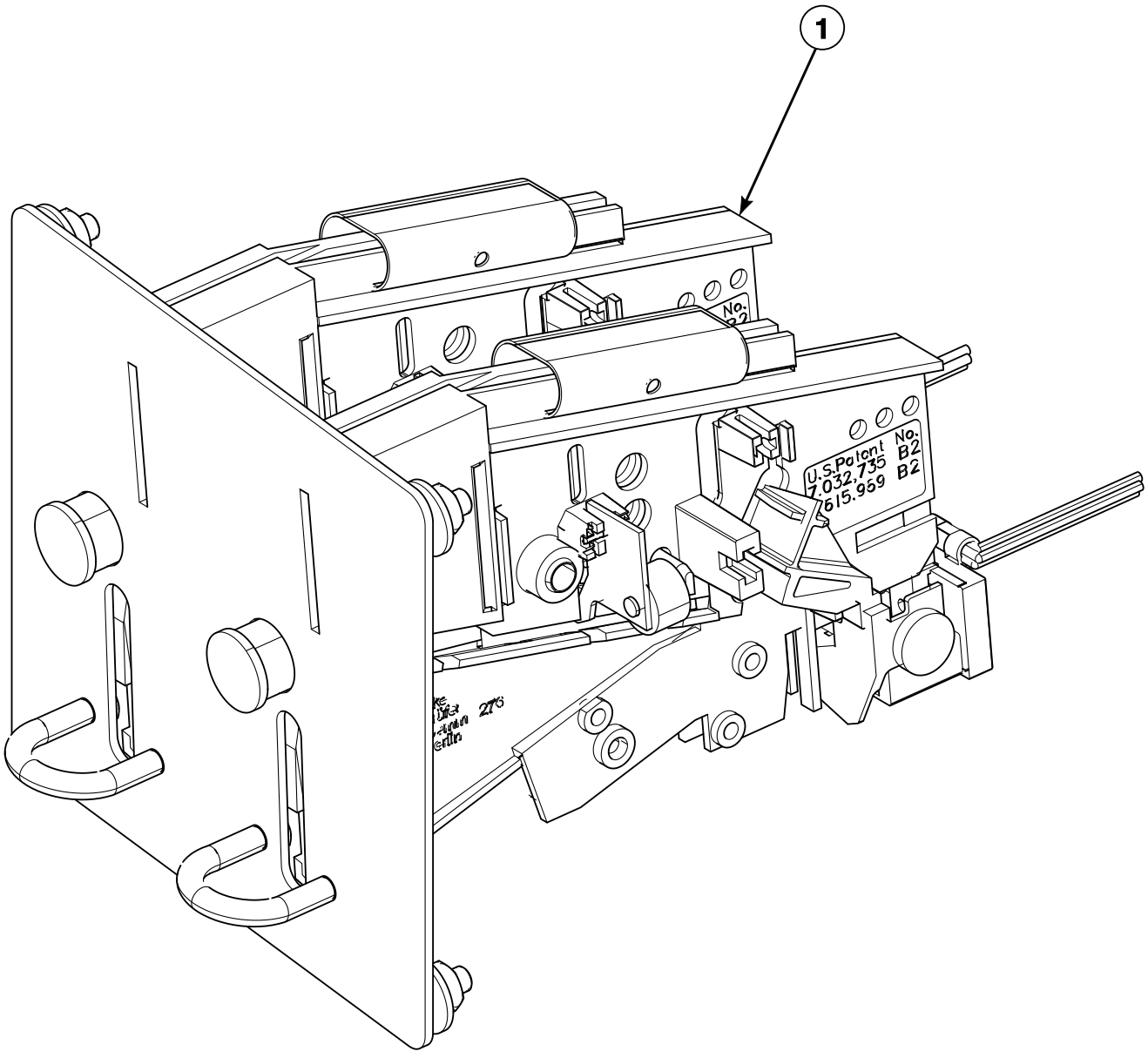


CZW233P_D2412

Coin Meter (Drawing 2 of 3)

REF	PART NO.	DESCRIPTION	COMMENTS
1	SP560092	Coin Meter	10K Ipso jeton
	SP560093	Coin Meter	12K Ipso jeton
	SP560094	Coin Meter	15K Ipso jeton
	SP560100	Coin Meter	Electrolux Asard jeton
	SP560087	Coin Meter	Gettone jeton
	569925	Coin Meter	1DKK, 2DKK, 5DKK, 10DKK, 20DKK / 1NOK, 5NOK, 10NOK, 20NOK / 0.2EUR, 0.5EUR, 1EUR, 2EUR; Electronic EMPv7
	569928	Coin Meter	0.2AUD, 1AUD, 2AUD / 1NZD, 2NZD / 5HKD, 10HKD / 500KRW; Electronic EMPv7
	569931	Coin Meter	1CNY / 0.1MYR, 0.2MYR, 0.5MYR; Electronic EMPv7
	569937	Coin Meter	1PHP, 5PHP, 10PHP; Electronic EMPv7
	569943	Coin Meter	0.1MYR, 0.2MYR, 0.5MYR / 0.5SGD, 1SGD; Electronic EMPv7
	569946	Coin Meter	1HRK, 2HRK, 5HRK; Electronic EMPv7
	569949	Coin Meter	5CZK, 10CZK, 20CZK, 50CZK; Electronic EMPv7
	569952	Coin Meter	0.5MAD, 1MAD, 2MAD, 5MAD, 10MAD; Electronic EMPv7
	569962	Coin Meter	0.1EUR, 0.2EUR, 0.5EUR, 1EUR, 2EUR / 5K IPSO jeton; Electronic EMPv7
	569971	Coin Meter	0.5MYR / jeton DobiPapa 22.5x2; Electronic EMPv7
	569919	Coin Meter	0.25USD, 1USD / 0.25CAD, 1CAD, 2CAD; Electronic EMPv7
	569968	Coin Meter	0.1EUR, 0.2EUR, 0.5EUR, 1EUR, 2EUR / jeton G-Fis Lavoir Bianca 20x1.8; Electronic EMPv7
	569974	Coin Meter	1AUD, 2AUD / jeton No Cash Value 28.6x1.58; Electronic EMPv7
	569980	Coin Meter	0.5MYR / jeton BUBBLELAB; Electronic EMPv7
	569955	Coin Meter	1PLN, 2PLN, 5 PLN / 0.1EUR, 0.2EUR, 0.5EUR, 1EUR, 2EUR / ISK10, ISK50, ISK100; Electronic EMPv7
	SP560075	Coin Meter	5+1 Shekel
	SP560071	Coin Meter	1HKD
	561497	Coin Meter	Jeton Prinz Firbitex
	563405	Coin Meter	Token Ldl Chamberland Washing Machine
	564485	Coin Meter	Token 118-5
	564487	Coin Meter	Token Barisart (Ldl)
	553156	Coin Meter	Token Rotondi
	569905	Coin Meter	Brass Jeton
	569911	Coin Meter	0.5CHF, 2CHF
	569995	Coin Meter	Jeton D
	569993	Coin Meter	Jeton 08 MS
	569999	Coin Meter	10+50 TWD
	570000	Coin Meter	100+500 ISK
	572302	Coin Meter	Token 118-16
	572305	Coin Meter	1ILS, 2ILS, 5ILS, 10ILS; Electronic EMPv7
	572308	Coin Meter	1ZAR, 2ZAR, 5ZAR; Electronic EMPv7
	572311	Coin Meter	5RUB, 10RUB; Electronic EMPv7
	572314	Coin Meter	50CLP, 100CLP, 500CLP; Electronic EMPv7
	572318	Coin Meter	100JPY, 500JPY, 10TWD, 50TWD; Electronic EMPv7
	572321	Coin Meter	0.5GEL, 1GEL, 2GEL; Electronic EMPv7
	572324	Coin Meter	0.2EUR, 0.5EUR, 1EUR, 2EUR, Jeton 7K; Electronic EMPv7
	572343	Coin Meter	Token WH121

Coin Meter (Drawing 3 of 3)

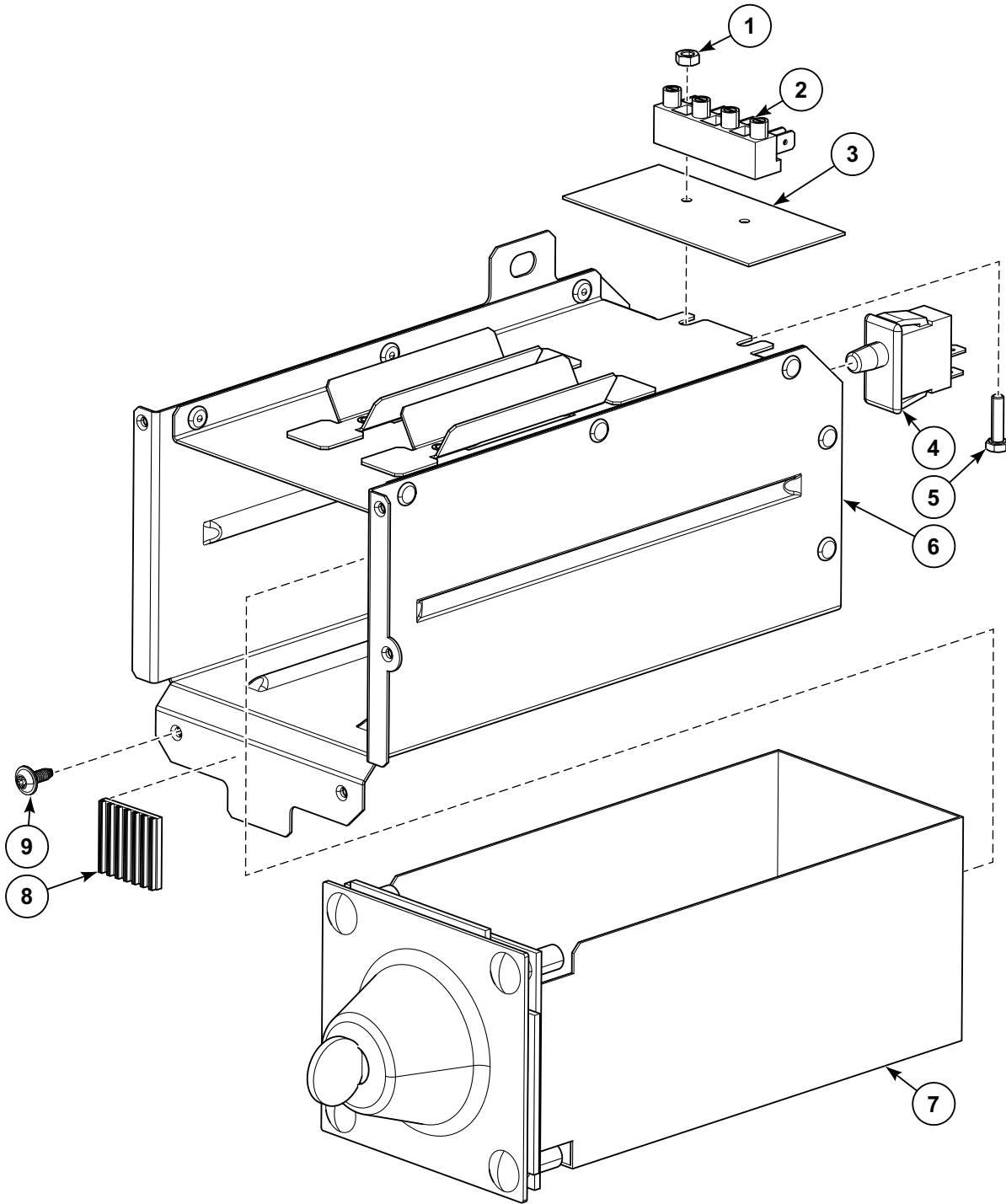


CZW233P_D2412

Coin Meter (Drawing 3 of 3)

REF	PART NO.	DESCRIPTION	COMMENTS
1	572384	Coin Meter	0.2CHF, 0.5CHF, 1CHF, 2CHF; TK1, TK2; Electronic EMPv7
	572355	Coin Meter	Token 1699360
	572359	Coin Meter	1THB, 2THB, 5THB, 10THB/TK1+2, Electronic EMPv7
	572389	Coin Meter	0.25CAD
	569988	Coin Meter	Jeton HAUCK 2018
	579809	Coin Meter	1EAD, 1TK, 2TK; Electronic EMPv7
	579813	Coin Meter	20 HUF, 50HUF, 100HUF, 200HUF; 1TK, 2TK, Jeton; Electronic EMPv7
	575276	Coin Meter	0.25USD + 1USD
	575277	Coin Meter	0.25CAD + 1CAD

Coin Meter Box

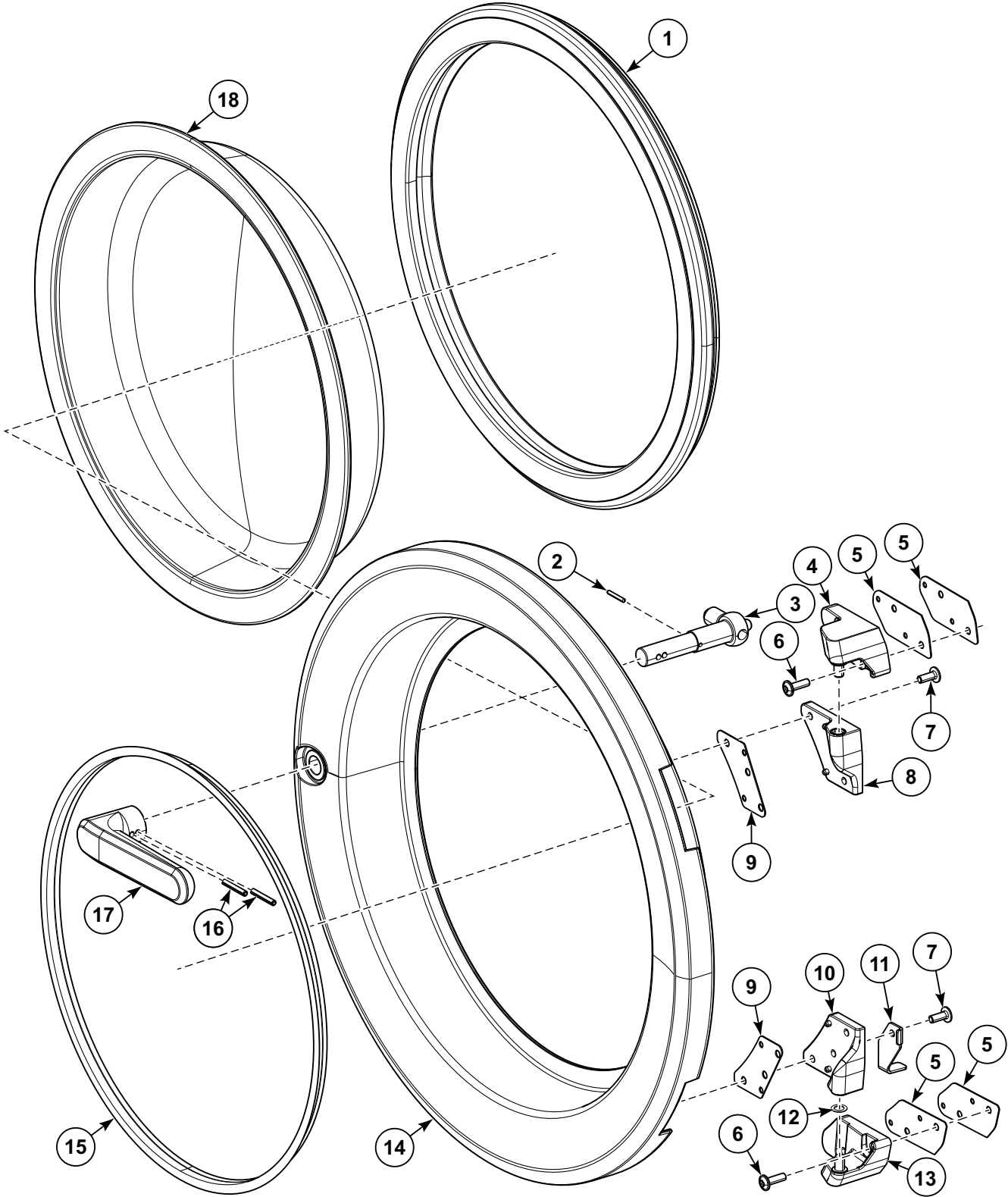


CZW153P_D2412

Coin Meter Box

REF	PART NO.	DESCRIPTION	COMMENTS
1	SP310934000004	Nut	M4
2	SPPRI350000007	Terminal Board	
3	SPPRI350012007	Isolation Paper	
4	SP506045	Microswitch	Vended; CSA models
5	SP309933000416	Bolt	M4x16
6	569588	Coin Meter Case	
7	SP100498	Coin Meter Box	
8	SP550115	Fastener	
9	SP529206	Screw	4x11

Door - Models Through December 31, 2019



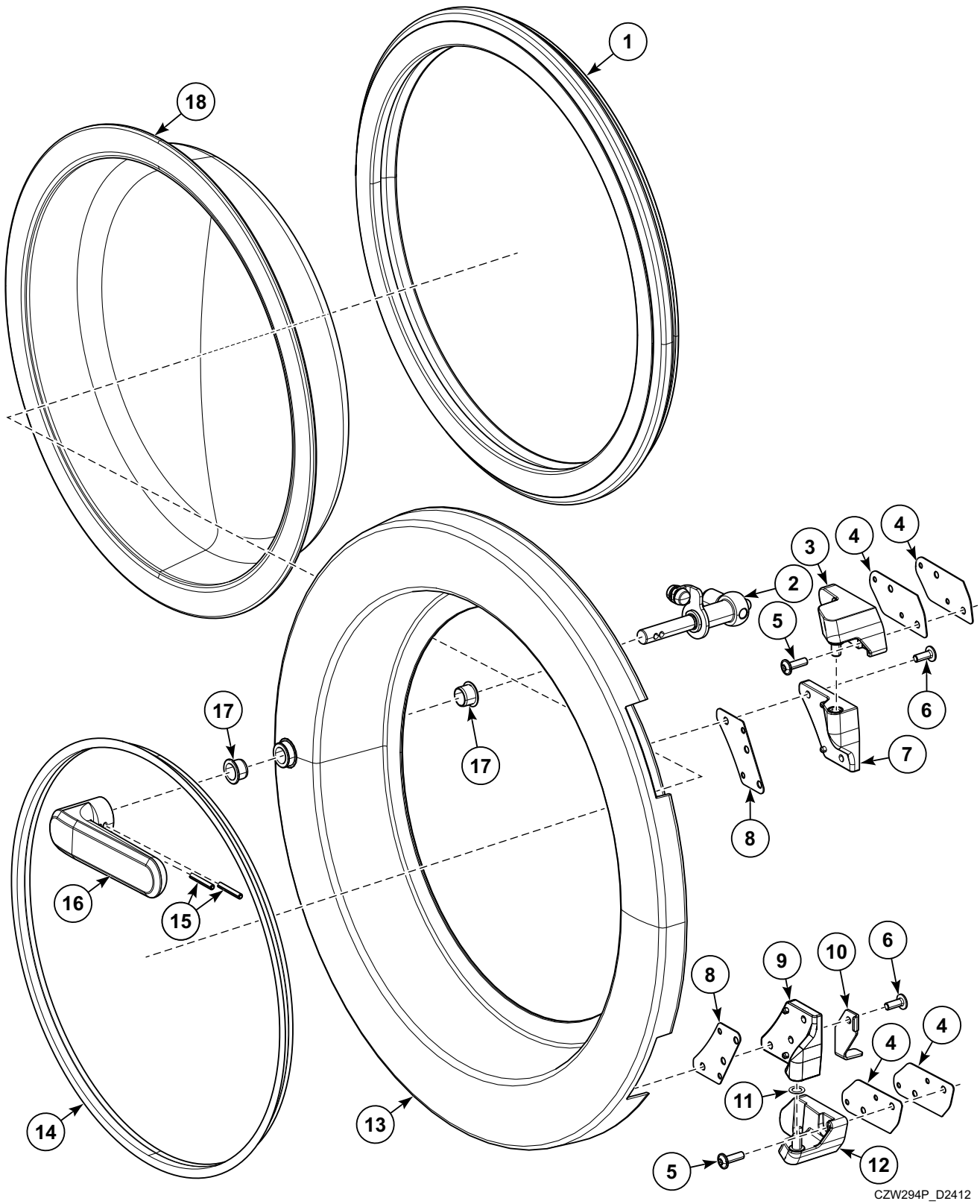
CZW319P_D2412

Door - Models Through December 31, 2019

REF	PART NO.	DESCRIPTION	COMMENTS
	569407	Door Assembly	65 and 80 models; Chrome; Includes items 1-17
	569406	Door Assembly	105 and 135 models; Chrome; Includes items 1-17
1	568990	Service Door Kit	65 and 80 models
	568991	Service Door Kit	105 and 135 models
2	571605	Pin	3x22
3	568902	Door Level	
4	568979	Fixed Upper Hinge	
5	N/A	Shim	
6	SP535479	Bolt	M6x25
7	SP537864	Bolt	M6x16
8	571650	Upper Hinge	
9	SP535421	Hinge Spacer	
10	571651	Lower Hinge	
11	571632	Door Frame Sheet	65 and 80 models
	571633	Door Frame Sheet	105 and 135 models
12	571642	Washer	
13	568982	Fixed Hinge	Lower
14	569415	Door	65 and 80 models; Chrome
	569417	Door	105 and 135 models; Chrome
15	569401	Trim	65 and 80 models
	569402	Trim	105 and 135 models
16	SP554970	Pin	
17	F8624602	Handle	Chrome
18	SP535413	Door Glass	65 and 80 models
	SP535417	Door Glass	105 and 135 models

N/A = Part no longer available

Door - Models Starting January 1, 2020



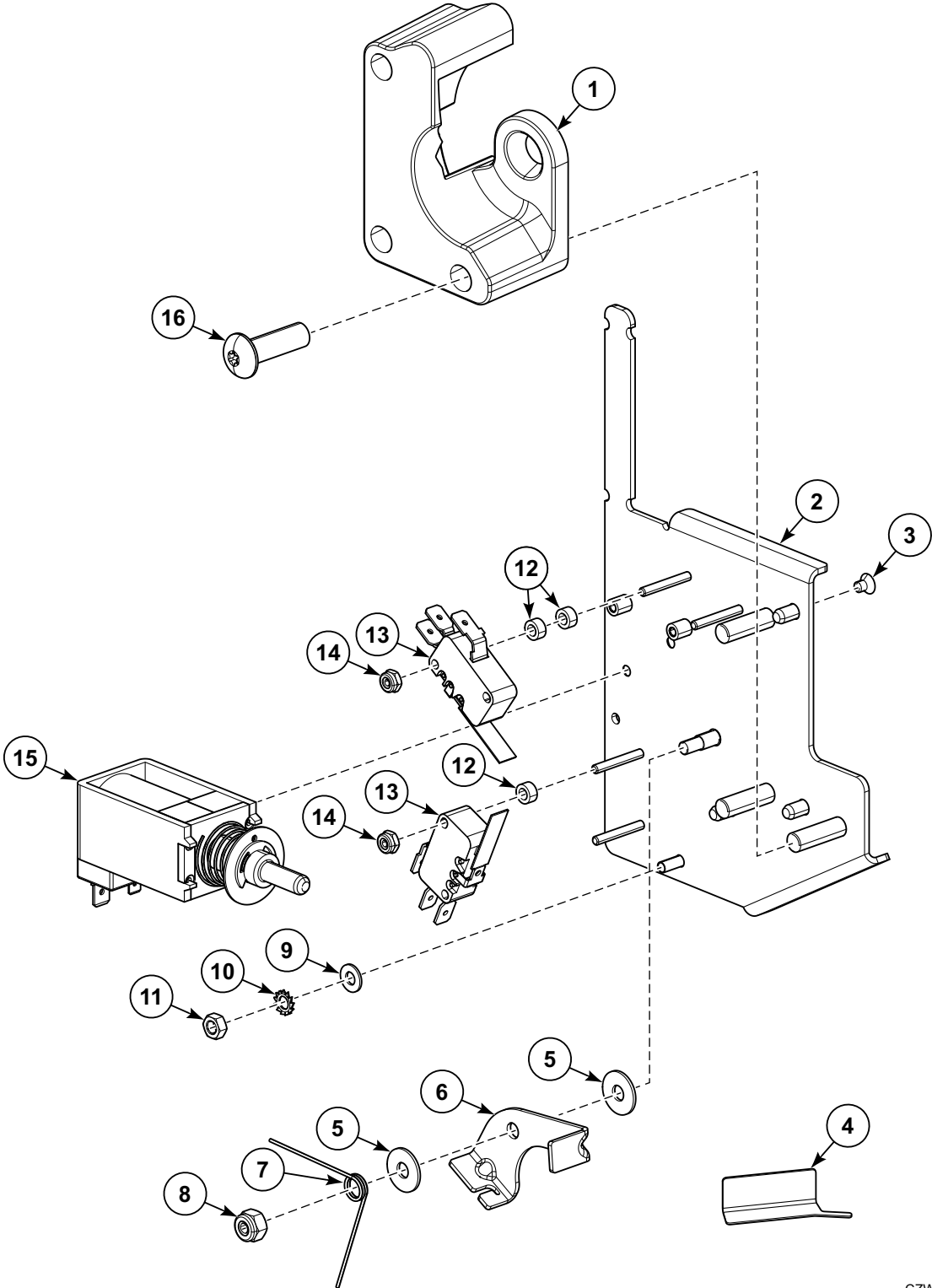
CZW294P_D2412

Door - Models Starting January 1, 2020

REF	PART NO.	DESCRIPTION	COMMENTS
	573901	Door Assembly	CSA models; 20 models; Models through 31 December 2021; Gray; Includes items 1-18
	573902	Door Assembly	CSA models; 25 and 30 models; Models through 31 December 2021; Gray; Includes items 1-18
	575991	Door Assembly	65 and 80 models; Models through 31 December 2021; Chrome; Includes items 1-18
	575992	Door Assembly	105 and 135 models; Models through 31 December 2021; Chrome; Includes items 1-18
	576401	Door Assembly	20, 65 and 80 models; Models starting 1 January 2022; Black; Includes items 1-18
	576402	Door Assembly	25, 30, 105 and 135 models; Models starting 1 January 2022; Black; Includes items 1-18
	576087	Service Door Frame Kit	20, 65 and 80 models
	576088	Service Door Frame Kit	25, 30, 105 and 135 models
	570553	Kit of Hinges	Includes 568979, 568982, 575960, 575963 and 571642
1	568990	Service Door Kit	20, 65 and 80 models
	568991	Service Door Kit	25, 30, 105 and 135 models
2	573906	Door Level	
3	568979	Fixed Upper Hinge	
4	N/A	Shim	
5	SP535479	Bolt	M6x25
6	SP537864	Bolt	M6x16
7	575960	Upper Hinge	With case
8	SP535421	Hinge Spacer	
9	575963	Lower Hinge	With case
10	571632	Door Frame Sheet	20, 65 and 80 models
	571633	Door Frame Sheet	25, 30, 105 and 135 models
11	571642	Washer	
12	568982	Fixed Hinge	Lower
13	SP553525	Door	CSA models; 20 models; Models through 31 December 2021; Gray
	SP553526	Door	CSA models; 25 and 30 models; Models through 31 December 2021; Gray
	575988	Door	65 and 80 models; Models through 31 December 2021; Chrome
	575989	Door	105 and 135 models; Models through 31 December 2021; Chrome
	568836	Door	20, 65 and 80 models; Models starting 1 January 2022; Black
	568837	Door	25, 30, 105 and 135 models; Models starting 1 January 2022; Black
14	569401	Trim	20, 65 and 80 models
	569402	Trim	25, 30, 105 and 135 models
15	SP554970	Pin	
16	569695	Handle	CSA models; Models through 31 December 2021; Gray
	575994	Handle	Models through 31 December 2021; Chrome
	574100	Handle	Models starting 1 January 2022; Black
17	SP529739	Casing	
18	SP535413	Door Glass	20, 65 and 80 models
	SP535417	Door Glass	25, 30, 105 and 135 models

N/A = Part no longer available

Door Lock

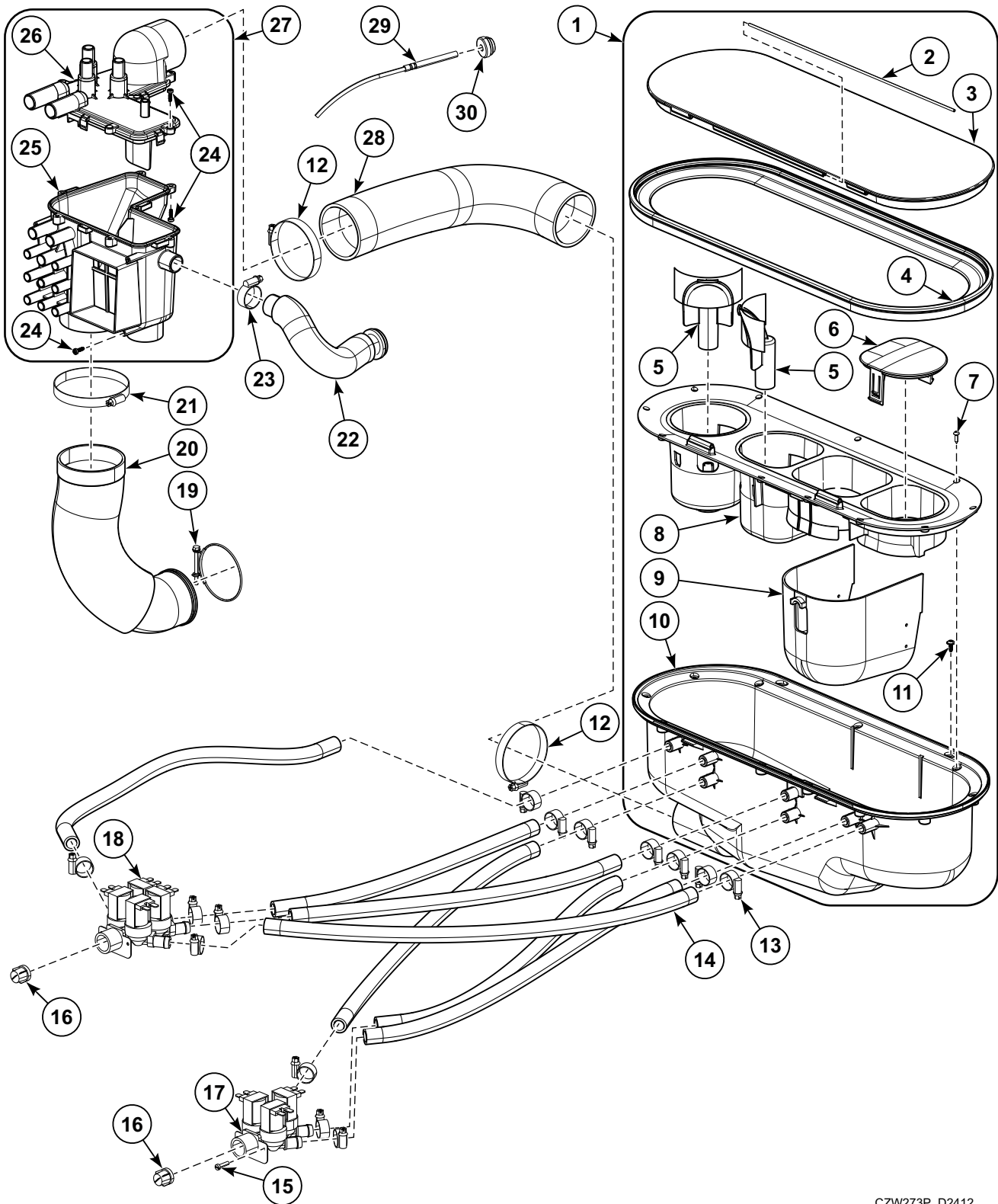


CZW347P_D2412

Door Lock

REF	PART NO.	DESCRIPTION	COMMENTS
	576085	Door Lock Assembly	Includes item 1-16, 569751 Door Lock Cable, SP345000160996 Binding Strip, 571466 Door Lock Switch Cable
1	576084	Door Lock Catch	
2	568971	Door Lock Plate	
3	F430977	Screw	
4	571615	Emergency Opener	For door lock
5	F8193101	Washer	
6	568941	Closing Plate	
7	571612	Torsion/Door Lock Spring	
8	F430232	Nut	
9	SP311125240004	Washer	4
10	SP311679824004	Washer	4
11	SP310934240004	Nut	M4
12	F431901	Spacer	
13	568978	Microswitch	
14	F430225	Nut	
15	568942	Coil	
16	F8270701	Bolt	Stainless
	568968	Bolt	Black

Two Water Inlet System

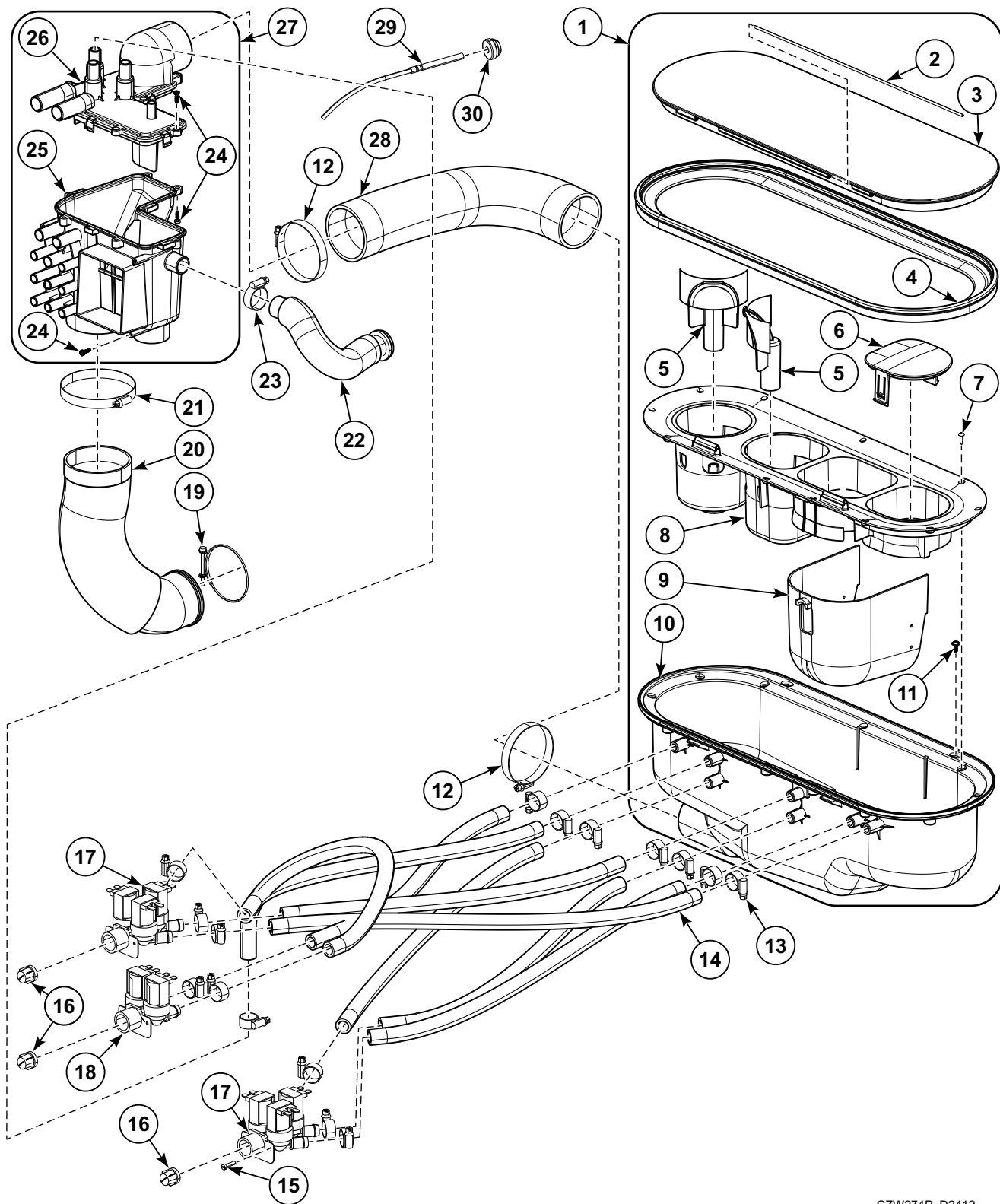


CZW273P_D2412

Two Water Inlet System

REF	PART NO.	DESCRIPTION	COMMENTS
	SPPRI505000054	Filling Hose Pipe	Used with cold water; used with SPPRI520001009 Seal
	SP547980	Filling Hose Pipe	Used with cold water; used with SPPRI520001009 Seal
	SP101621	Filling Hose Pipe	Valid for water approval Wras; used with SPPRI520001009 Seal
	RSPF200166	Filling Hose Pipe	SY; used with SPPRI520001009 Seal and B12543901, Check Valve
	F200164	Water Hose	CSA, used with SPPRI520001009 Seal and 567174 Reduction
1	SP540111	Soap Hopper	
2	SP540117	Pin	
3	SP526461	Dispenser Lid	
	573922	Dispenser Lid	CSA models
4	SP540158	Dispenser Seal	
5	SP540113	Flap	
6	SP526468	Soap Hopper Plug	
7	SP309798124313	Screw	ST3.5x13
8	SP540112	Soap Hopper Upper Cover	
9	SP540122	Internal Vessel	
10	SP540115	Main Vessel	
11	SP529206	Screw	
12	SPPRI240000021	Hose Clamp	60-80
13	SPPRI240000002	Hose Clamp	12-22
14	SPPRI540000014	Hose	13-19
	SP101745	Hose Pipe	Valid for water approval Wras
15	SP309084000416	Bolt	M4x16
16	SPPRI340004030	Filter	
17	SP547959	3-Way Valve	3/4 inch
18	SP548933	4-Way Valve	3/4 inch
19	SP526491	Hose Clamp	62-70
20	SP526456	Filling Elbow Pipe	20, 65 and 80 models
	SP526484	Filling Elbow Pipe	25 and 105 models
	SP526506	Filling Elbow Pipe	30 and 135 models
21	SPPRI240000007	Hose Clamp	70-90
22	SP526509	Vent Hose	20, 25, 65, 80 and 105 models
	SP526482	Vent Hose	30 and 135 models
23	SPPRI240000003	Hose Clamp	
24	SP526497	Screw	4x12
25	SP526565	Mixer Body	
26	SP526557	Mixer Lid	
27	SP526558	Mixer	
28	SP526589	Dispenser Pipe	65 models
	SP526486	Dispenser Pipe	20 and 80 models
	SP526487	Dispenser Pipe	25 and 105 models
	SP526488	Dispenser Pipe	30 and 135 models
29	503839	Temperature Sensor	
30	SP526439	Temperature Sensor Seal	

Three Water Inlet System

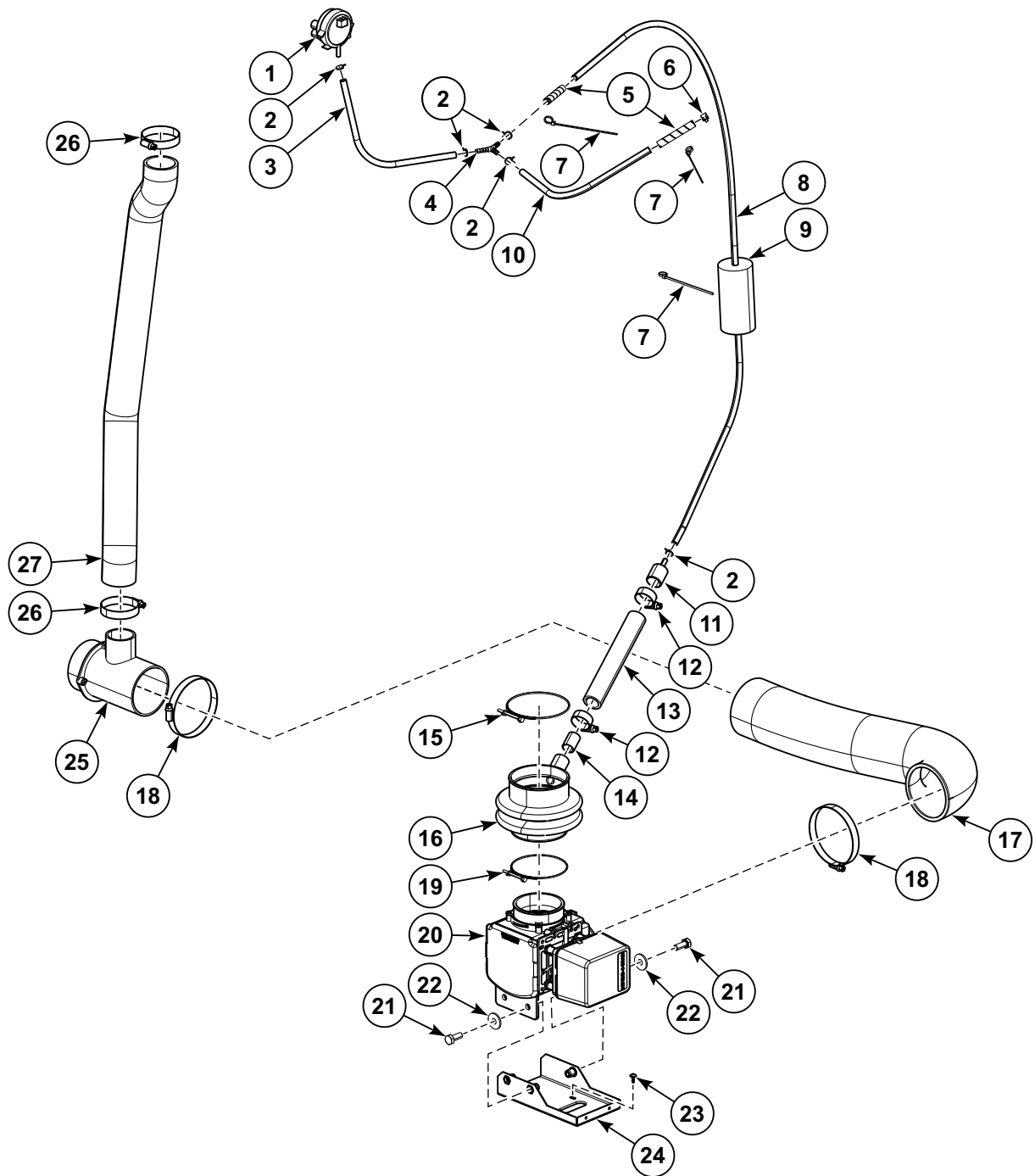


CZW274P_D2412

Three Water Inlet System

REF	PART NO.	DESCRIPTION	COMMENTS
	SPPRI505000054	Filling Hose Pipe	Used with cold water; used with SPPRI520001009 Seal
	SP547980	Filling Hose Pipe	Used with cold water; used with SPPRI520001009 Seal
	SP101621	Filling Hose Pipe	Valid for water approval Wras; used with SPPRI520001009 Seal
	RSPF200166	Filling Hose Pipe	SY; used with SPPRI520001009 Seal and B12543901, Check Valve
	F200164	Water Hose	CSA, used with SPPRI520001009 Seal and 567174 Reduction
1	SP540111	Soap Hopper	
2	SP540117	Pin	
3	SP526461	Dispenser Lid	
	573922	Dispenser Lid	CSA models
4	SP540158	Dispenser Seal	
5	SP540113	Flap	
6	SP526468	Soap Hopper Plug	
7	SP309798124313	Screw	ST3.5x13
8	SP540112	Soap Hopper Upper Cover	
9	SP540122	Internal Vessel	
10	SP540115	Main Vessel	
11	SP529206	Screw	
12	SPPRI240000021	Hose Clamp	60-80
13	SPPRI240000002	Hose Clamp	12-22
14	SPPRI540000014	Hose	13-19
	SP101745	Hose Pipe	Valid for water approval Wras
15	SP309084000416	Bolt	M4x16
16	SPPRI340004030	Filter	
17	SP547959	3-Way Valve	3/4 inch
18	SP548933	4-Way Valve	3/4 inch
19	SP526491	Hose Clamp	62-70
20	SP526456	Filling Elbow Pipe	20, 65 and 80 models
	SP526484	Filling Elbow Pipe	25 and 105 models
	SP526506	Filling Elbow Pipe	30 and 135 models
21	SPPRI240000007	Hose Clamp	70-90
22	SP526509	Vent Hose	20, 25, 65, 80 and 105 models
	SP526482	Vent Hose	30 and 135 models
23	SPPRI240000003	Hose Clamp	
24	SP526497	Screw	4x12
25	SP526565	Mixer Body	
26	SP526557	Mixer Lid	
27	SP526558	Mixer	
28	SP526589	Dispenser Pipe	65 models
	SP526486	Dispenser Pipe	20 and 80 models
	SP526487	Dispenser Pipe	25 and 105 models
	SP526488	Dispenser Pipe	30 and 135 models
29	503839	Temperature Sensor	
30	SP526439	Temperature Sensor Seal	

Drain System

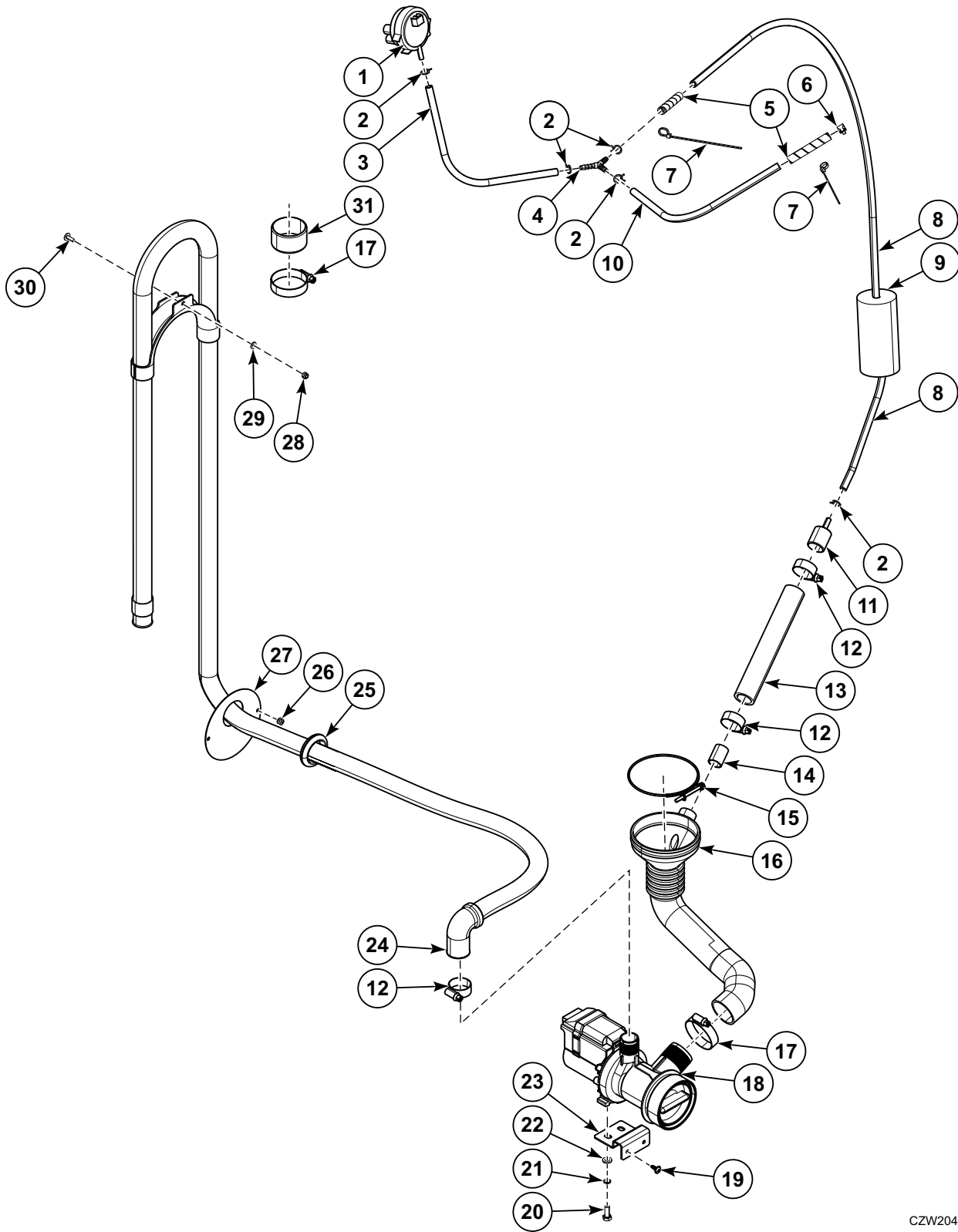


CZW416P_D2412

Drain System

REF	PART NO.	DESCRIPTION	COMMENTS
1	570315	Water Level Switch	
2	SPPRI241000017	Hose Clamp	A5.5
3	SPPRI540001003	Water Level Switch Hose	12.2 inch (0.31 m)
4	SPPRI503000028	Y-Piece	
5	SP283449080200	Spiral	
6	SP540183	Spring Clamp	
7	SP345000626088	Binding Strip	
8	SPPRI540001003	Water Level Switch Hose	31.5 inch (0.8 m)
9	SP100188	Foam Roller	
10	SPPRI540001003	Water Level Switch Hose	11.42 inch (0.29 m)
11	SPPRI503000027	Air Trap Reduction	
12	SPPRI240000003	Hose Clamp	20-32
13	SPPRI503002049	Hose	Air trap
14	SP500125	Reinforcement Tube	
15	SP526532	Hose Clamp	82-90
16	SP526492	Drain Hose Pipe	
17	SP526591	Drain Elbow	65 models
	SP526457	Drain Elbow	20, 25, 80 and 105 models
	SP526498	Drain Elbow	30 and 135 models
18	SPPRI240000007	Hose Clamp	70-90
19	576096	Hose Clamp	78-85
20	SP526460	Drain Valve	Black; Includes SPPRI340002051 Drain Valve Motor and 554276 Drain Valve Seal
	SP547821	Reverse Function Drain Valve	Black; Includes SPPRI340002051 Drain Valve Motor and 554276 Drain Valve Seal
	SPPRI340002051	Drain Valve Motor	Includes gear box
	554276	Drain Valve Seal	
21	SP309933000820	Bolt	M8x20
22	SP311902100008	Washer	8
23	SP529206	Screw	4x11
24	SP526511	Drain Valve Holder	20, 65 and 80 models
	SP526512	Drain Valve Holder	25, 30, 105 and 135 models
25	SP526454	Tee	
26	SPPRI54100001	Hose Clamp	40-60
27	SP526481	Overflow Tube	20, 65 and 80 models
	SP526480	Overflow Tube	25, 30, 105 and 135 models

Drain System - Drain Pump Option - 65 and 80 Models

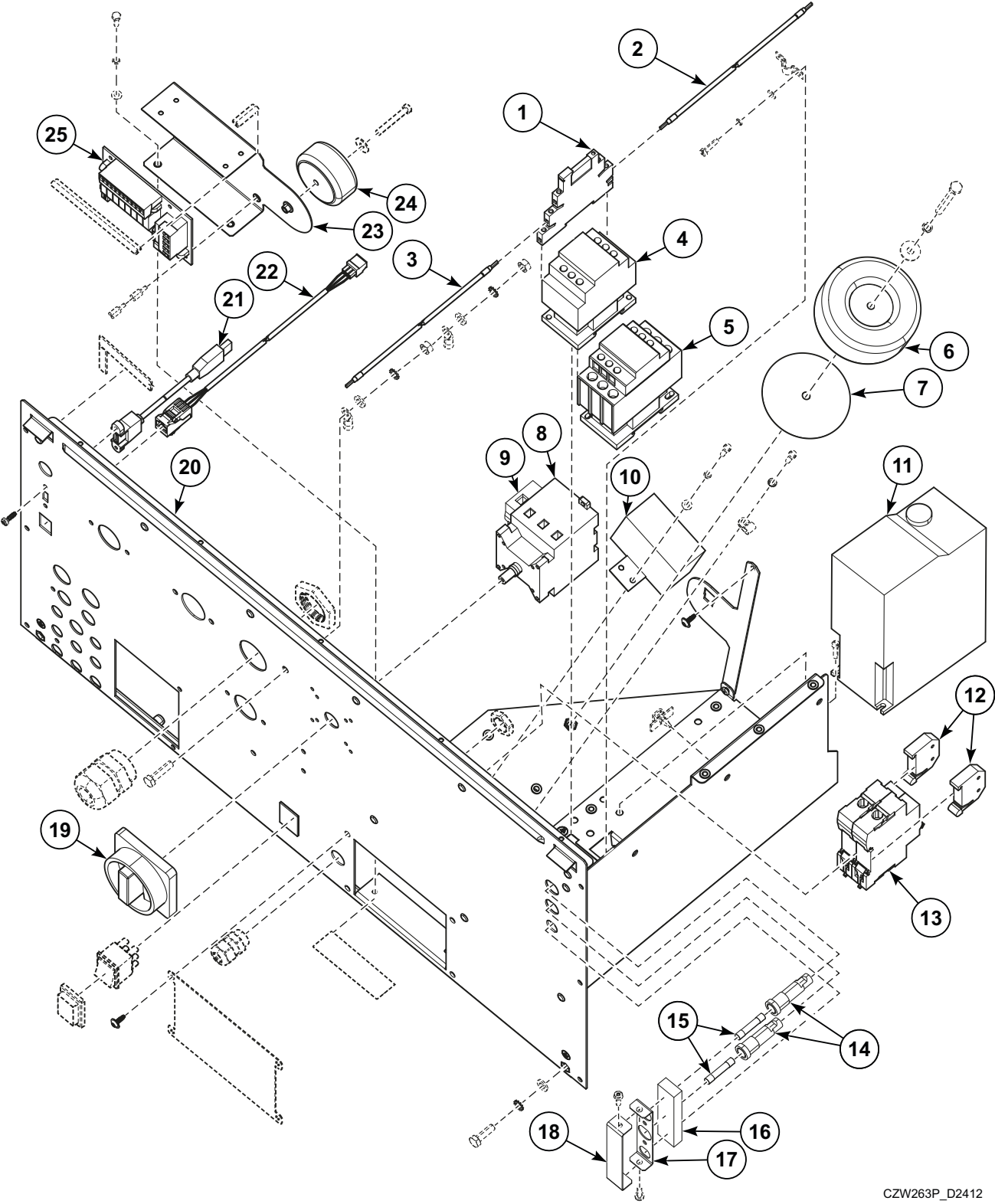


CZW204P_D2412

Drain System - Drain Pump Option - 65 and 80 Models

REF	PART NO.	DESCRIPTION	COMMENTS
	SPPRI704000053	Sealant	
1	570315	Water Level Switch	
2	SPPRI241000017	Hose Clamp	A5.5
3	SPPRI540001003	Water Level Switch Hose	0.31m
4	SPPRI503000028	Y-Piece	
5	SP283449080200	Spiral	
6	SP540183	Spring Clamp	
7	SP345000626088	Binding Strip	
8	SPPRI540001003	Water Level Switch Hose	0.8m
9	SP100188	Foam Roller	
10	SPPRI540001003	Water Level Switch Hose	0.29m
11	SPPRI503000027	Air Trap Reduction	
12	SPPRI240000003	Hose Clamp	20-32
13	SPPRI503002049	Hose	Air trap
14	SP500125	Reinforcement Tube	
15	SP526532	Hose Clamp	82-90
16	SP547803	Drain Elbow	
17	SPPRI240000008	Hose Clamp	32-50
18	570314	Drain Pump	50Hz
	567142	Drain Pump	60Hz
19	SP529206	Screw	4x11
20	SP309933000616	Bolt	M6x16
21	SP311127000006	Washer	6
22	SP311125000006	Washer	6.4
23	567127	Pump Holder	
24	SP521558	Drain Hose Pipe	
25	SPPRI501001078	Cable Bushing	
26	SP313250004063	Rivet	4x6.3
27	SP547807	Drain Pump Hose Bushing	
28	SP514193	Nut	M4
29	SP311125000004	Washer	4.3
30	SP521957	Bolt	M4x12
31	SP526568	Cylinder Cap	

Rear Panel - 230-400V CE Models with Neutral (Drawing 1 of 2)

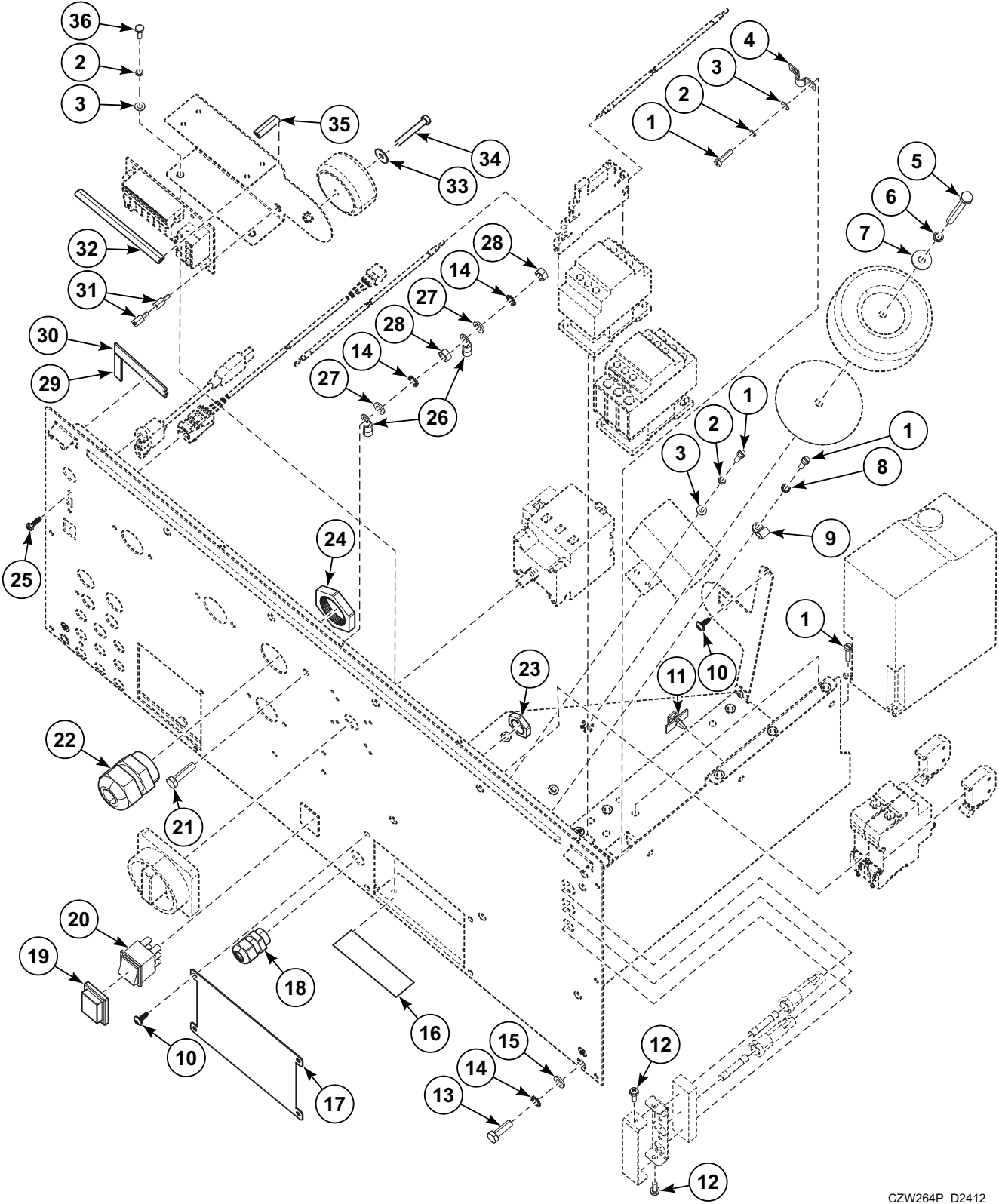


CZW263P_D2412

Rear Panel - 230-400V CE Models with Neutral (Drawing 1 of 2)

REF	PART NO.	DESCRIPTION	COMMENTS
	570316	Liquid detergents	Assembly, includes items: (drawing 1 of 2): 18, 19, 23, 28, 29, 30 and 569737 Pump Relay Board Flat Cable and items from (drawing 2 of 2): 2, 3, 21, 22, 23, 24, 25, 26 43
1	SP552468	Relay	65 and 80 models; 2 poles; Used with drain pump
2	571480	Cable	65 and 80 models; White; Used with drain pump
3	557931	Cable	65 and 80 models; Gray; Used with drain pump
4	SP514038	Contactactor	LC1-D09M7; Used with frequency inverter
5	SP514038	Contactactor	LC1-D09M7; Electric heating; 6kW, 9kW, 12kW 400V / 440V
	SP514042	Contactactor	LC1D18M7; Electric heating 9kW 230V
	SPPRI345002019	Contactactor	LC1D3201; Electric heating 12kW, 13.8kW, 230V
6	571454	DC Choke	65 and 80 models; 9.7mH; Supply 230V, 380-415V+N
	571455	DC Choke	105 and 135 models; 4mH; Supply 230V, 380-415V+N
7	571458	Insulation Washer	
8	SPPRI404000097	Main Switch	25A; used with SP506407 Main Switch Fourth Pole 25A
	SPPRI404000098	Main Switch	32A; used with SPPRI404001098 Main Switch Fourth Pole 32A
	SPPRI404000099	Main Switch	63A; used with SPPRI404001099 Main Switch Fourth Pole 63A
9	SP506407	Main Switch	25A; Fourth pole
	SPPRI404001098	Main Switch	32A; Fourth pole
	SPPRI404001099	Main Switch	63A; Fourth pole
10	568380	Filter	20A / 250V
11	571471	Frequency Inverter	65 and 80 models; FR-D720S-042-SC-E8; 0.75kW; 230V / 400V+N
	571472	Frequency Inverter	105 and 135 models; 1.5kW; 230V / 400V+N; FR-D720S-070-SC-E8
	571474	Frequency Inverter	1.5kW; 400V / 440V; FR-D740-036-SC-E8
	557961	Ferrite Core	Used with frequency inverter
12	SP346000209101	End Stop	
13	571462	Circuit Breaker	65, 80 and 105 models
	571463	Circuit Breaker	135 models
14	SPPRI401003020	Fuse Housing	2 pieces
15	SP345805163032	Fuse	6.3x32mm, T1A/500V; 2 pieces
16	570387	Self-Adhesive Profile	
17	SP554310	Fuse Holder	
18	SP554311	Fuse Cover	
19	SPPRI404000095	Main Switch Knob	
20	569591	Rear Panel	65 models
	571016	Rear Panel	80 models
	571017	Rear Panel	105 models
	567946	Rear Panel	135 models
21	SP547006	USB Cable	Rear panel connection; Optional
22	SP545234	Cable	RS485; With connectors
23	570382	Holder	
24	564561	Transformer	
	579014	Transformer Kit	Models without transformer
25	553187	Soap Relay Board	Used with 569737 Pump Relay Board Flat Cable, 2m long

Rear Panel - 230-400V CE Models with Neutral (Drawing 2 of 2)

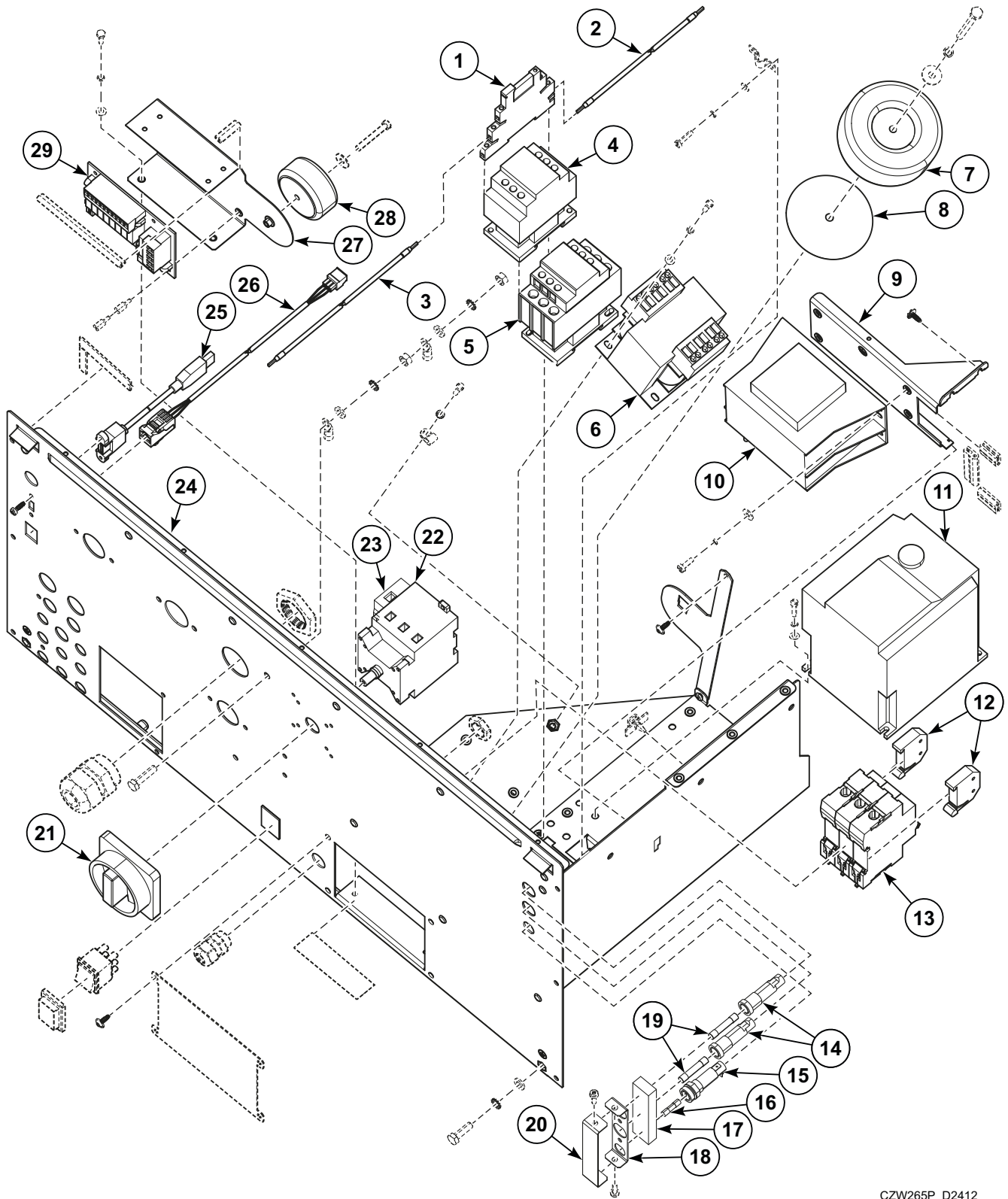


CZW264P_D2412

Rear Panel - 230-400V CE Models with Neutral (Drawing 2 of 2)

REF	PART NO.	DESCRIPTION	COMMENTS
1	SP309084000416	Bolt	M4x16
2	SP311127000004	Washer	4
3	SP311125000004	Washer	4.3
4	SP528392	Cable Clamp	
5	SP309933000660	Bolt	M6x60
6	SP311127000006	Washer	6
7	SP311902100006	Washer	6
8	SP311679800004	Washer	M4
9	SP502214	Clip	
10	SP529206	Screw	4x11
11	SP528313	Cable Holder	
12	SP555504	Bolt	
13	SP309933000620	Bolt	M6x20
14	SP311679824006	Washer	6
15	SP311125240006	Washer	6
16	570371	Label	Models with Transformer
	579019	Label	Models without Transformer
17	566549	Cover	
18	SP101406	Bushing	M16
19	SPPRI543000003	Push Button Cover	
20	SP100388	Switch	
21	SP309933100625	Bolt	M6x25
22	SP101409	Bushing	M32x1.5
23	SP101416	Nut	M16
24	SP101419	Nut	M32
25	SP526497	Screw	4x12
26	SP345000165034	Cable Eye	
27	SP311125100006	Washer	6
28	SP310934100006	Nut	M6
29	284000012003	Sealing	l=0.048m, includes 1 piece, 2 pcs needed
30	284000012003	Sealing	l=0.048m, includes 1 piece, 2 pcs needed
31	570381	Hex Pillar	M3
32	SPPRI505000058	Profiled Sealing	0.105m
33	SP505430	Washer	5
34	SP309084000535	Bolt	M5x35
35	SPPRI505000058	Profiled Sealing	0.025m
36	SP309933240412	Bolt	M4x12

Rear Panel - 400-440V CE Models (Drawing 1 of 2)

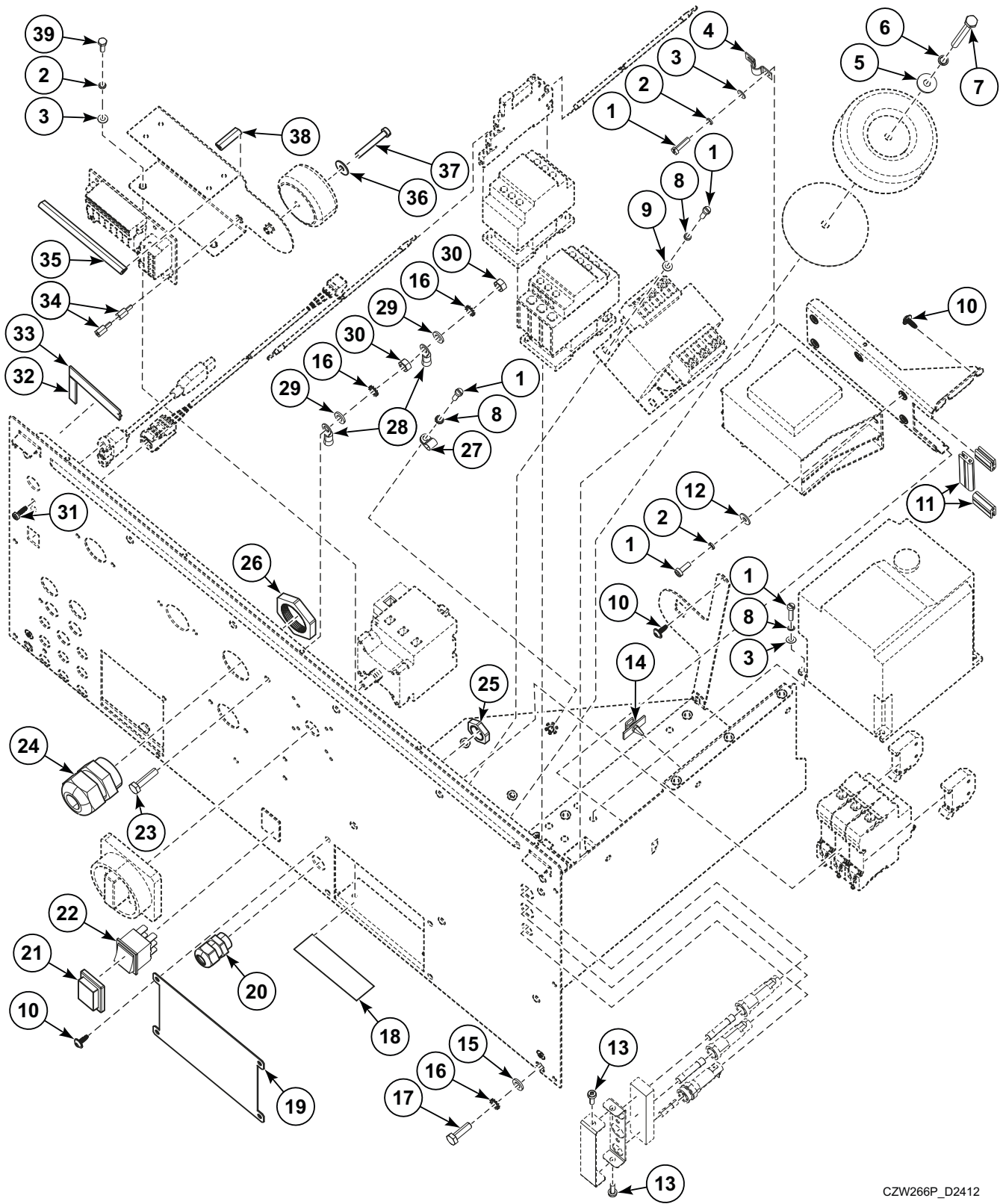


CZW265P_D2412

Rear Panel - 400-440V CE Models (Drawing 1 of 2)

REF	PART NO.	DESCRIPTION	COMMENTS
	570316	Liquid detergents	Assembly, includes items: (drawing 1 of 2): 18, 19, 23, 28, 29, 30 and 569737 Pump Relay Board Flat Cable and items from (drawing 2 of 2): 2, 3, 21, 22, 23, 24, 25, 26 43
1	SP552468	Relay	65 and 80 models; 2 poles; Used with drain pump
2	571480	Cable	65 and 80 models; White; Used with drain pump
3	557931	Cable	65 and 80 models; Gray; Used with drain pump
4	SP514038	Contactactor	LC1-D09M7; Used with frequency inverter
5	SP514038	Contactactor	LC1-D09M7; Electric heating; 6kW, 9kW, 12kW 400V / 440V
	SP514042	Contactactor	LC1D18M7; Electric heating 9kW 230V
	SPPRI345002019	Contactactor	LC1D3201; Electric heating 12kW, 13.8kW, 230V
6	SP516648	Transformer	
7	571454	DC Choke	65 and 80 models; 9.7mH; Supply 230V, 380-415V+N
	571455	DC Choke	105 and 135 models; 4mH; Supply 230V, 380-415V+N
8	571458	Insulation Washer	
9	572126	Filter Holder	Used with SP313251002104 Nut
10	SP557932	Frequency Inverter Filter	3x400V
11	571474	Frequency Inverter	1.5kW; 400V / 440V; FR-D740-036-SC-E8
	557961	Ferrite Core	Used with frequency inverter
12	SP346000209101	End Stop	
13	571464	Circuit Breaker	
14	SPPRI401003020	Fuse Housing	2 pieces
15	SPPRI401001020	Fuse Holder	
16	SP345805005020	Fuse	Without neutral
17	570387	Self-Adhesive Profile	
18	SP554310	Fuse Holder	
19	SP345805163032	Fuse	6.3x32mm, T1A/500V; 2 pieces
20	SP554311	Fuse Cover	
21	SPPRI404000095	Main Switch Knob	
22	SPPRI404000097	Main Switch	25A
	SPPRI404000098	Main Switch	32A
	SPPRI404000099	Main Switch	63A
23	SP506407	Main Switch	25A; Fourth pole
	SPPRI404001098	Main Switch	32A; Fourth pole
	SPPRI404001099	Main Switch	63A; Fourth pole
24	569591	Rear Panel	65 models
	571016	Rear Panel	80 models
	571017	Rear Panel	105 models
	567946	Rear Panel	135 models
25	SP547006	USB Cable	Rear panel connection; Optional
26	SP545234	Cable	RS485; With connectors
27	570382	Holder	
28	564561	Transformer	
	579014	Transformer Kit	Models without transformer
29	553187	Soap Relay Board	Used with 569737 Pump Relay Board Flat Cable, 2m long

Rear Panel - 400-440V (Drawing 2 of 2)

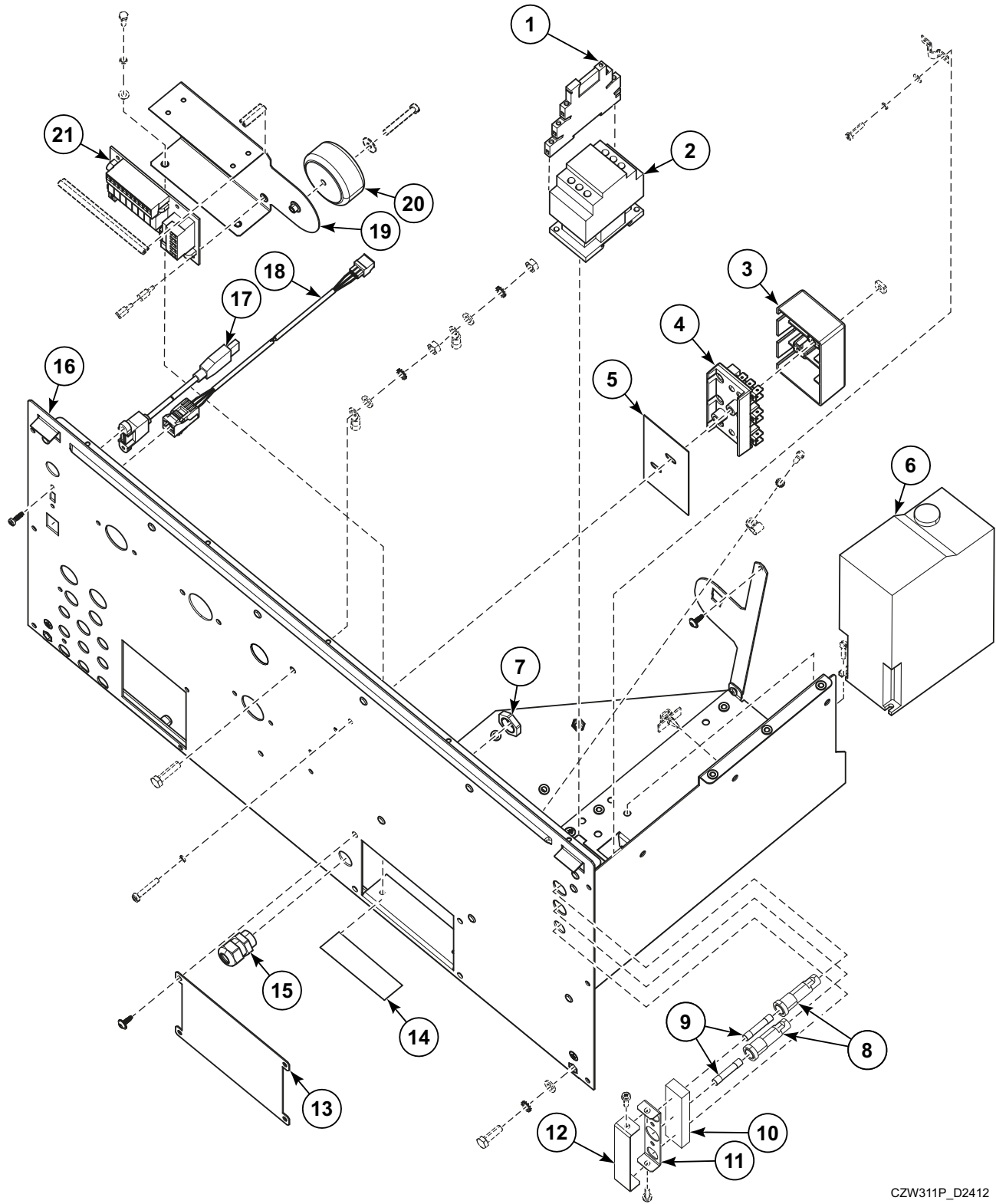


CZW266P_D2412

Rear Panel - 400-440V (Drawing 2 of 2)

REF	PART NO.	DESCRIPTION	COMMENTS
1	SP309084000416	Bolt	M4x16
2	SP311127000004	Washer	4
3	SP311125000004	Washer	4.3
4	SP528392	Cable Clamp	
5	SP311902100006	Washer	6
6	SP311127000006	Washer	6
7	SP309933000660	Bolt	M6
8	SP311679800004	Washer	
9	SP311125000004	Washer	
10	SP529206	Screw	
11	SP529068	Edge Protection	
12	SP311902100004	Washer	
13	SP555504	Bolt	
14	SP528313	Cable Holder	
15	SP311125240006	Washer	
16	SP311679824006	Washer	
17	SP309933000620	Bolt	
18	570371	Label	Models with Transformer
	579019	Label	Models without Transformer
19	566549	Cover	
20	SP101406	Bushing	M16
21	SPPRI543000003	Push Button Cover	
22	SP100388	Switch	
23	SP309933100625	Bolt	M6x25
24	SP101409	Bushing	M32x1.5
25	SP101416	Nut	M16
26	SP101419	Nut	M32
27	SP502214	Clip	
28	SP345000165034	Cable Eye	
29	SP311125100006	Washer	6
30	SP310934100006	Nut	M6
31	SP526497	Screw	4x12
32	284000012003	Sealing	l=0.048m, includes 1 piece, 2 pcs needed
33	284000012003	Sealing	l=0.048m, includes 1 piece, 2 pcs needed
34	570381	Hex Pillar	M3
35	SPPRI505000058	Profiled Sealing	0.105m
36	SP505430	Washer	5
37	SP309084000535	Bolt	M5x35
38	SPPRI505000058	Profiled Sealing	0.025m
39	SP309933240412	Bolt	M4x12

Rear Panel - 230-400V CSA Models (Drawing 1 of 2)

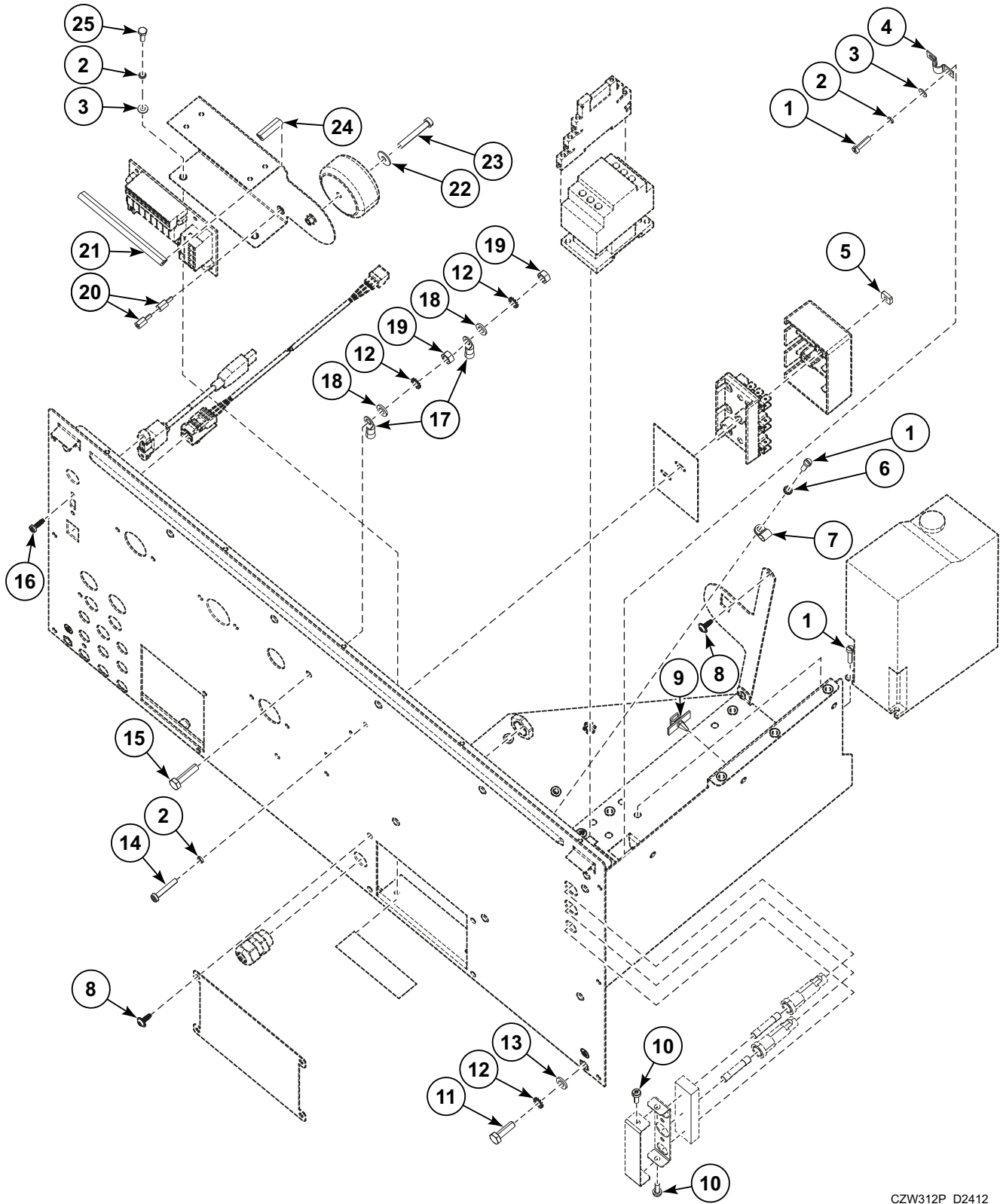


CZW311P_D2412

Rear Panel - 230-400V CSA Models (Drawing 1 of 2)

REF	PART NO.	DESCRIPTION	COMMENTS
	570316	Liquid detergents	Assembly, includes items: (drawing 1 of 2): 7, 14, 15, 19, 20, 21 and 569737 Pump Relay Board Flat Cable and items from (drawing 2 of 2): 2, 3, 20, 21, 22, 23, 24, 25
1	SP552468	Relay	20 models; 2 poles; Used with drain pump
2	SP514038	Contactors	LC1-D09M7; Used with frequency inverter
3	70333001	Terminal Block Shield	
4	430642	Terminal Block	
5	M413862	Insulator	
6	571471	Frequency Inverter	20 models; FR-D720S-042-SC-E8; 0.75kW; 230V / 400V+N
	571472	Frequency Inverter	25 and 30 models; FR-D720S-042-SC-E8; 0.75kW; 230V / 400V+N
	557961	Ferrite Core	Used with frequency inverter
7	SP101416	Nut	M16
8	SPPRI401003020	Fuse Housing	2 pieces
9	SP345805163032	Fuse	6.3x32mm, T1A/500V; 2 pieces
10	570387	Self-Adhesive Profile	
11	SP554310	Fuse Holder	
12	SP554311	Fuse Cover	
13	566549	Cover	
14	570371	Label	Models with Transformer
	579019	Label	Models without Transformer
15	SP101406	Bushing	M16
16	570474	Rear Panel	20 models
	570475	Rear Panel	25 models
	570476	Rear Panel	30 models
17	SP547006	USB Cable	Rear panel connection; Optional
18	SP545234	Cable	RS485; With connectors
19	570382	Holder	
20	564561	Transformer	
	579014	Transformer Kit	Models without transformer
21	553187	Soap Relay Board	Used with 569737 Pump Relay Board Flat Cable, 2m long

Rear Panel - 230-400V CSA Models (Drawing 2 of 2)

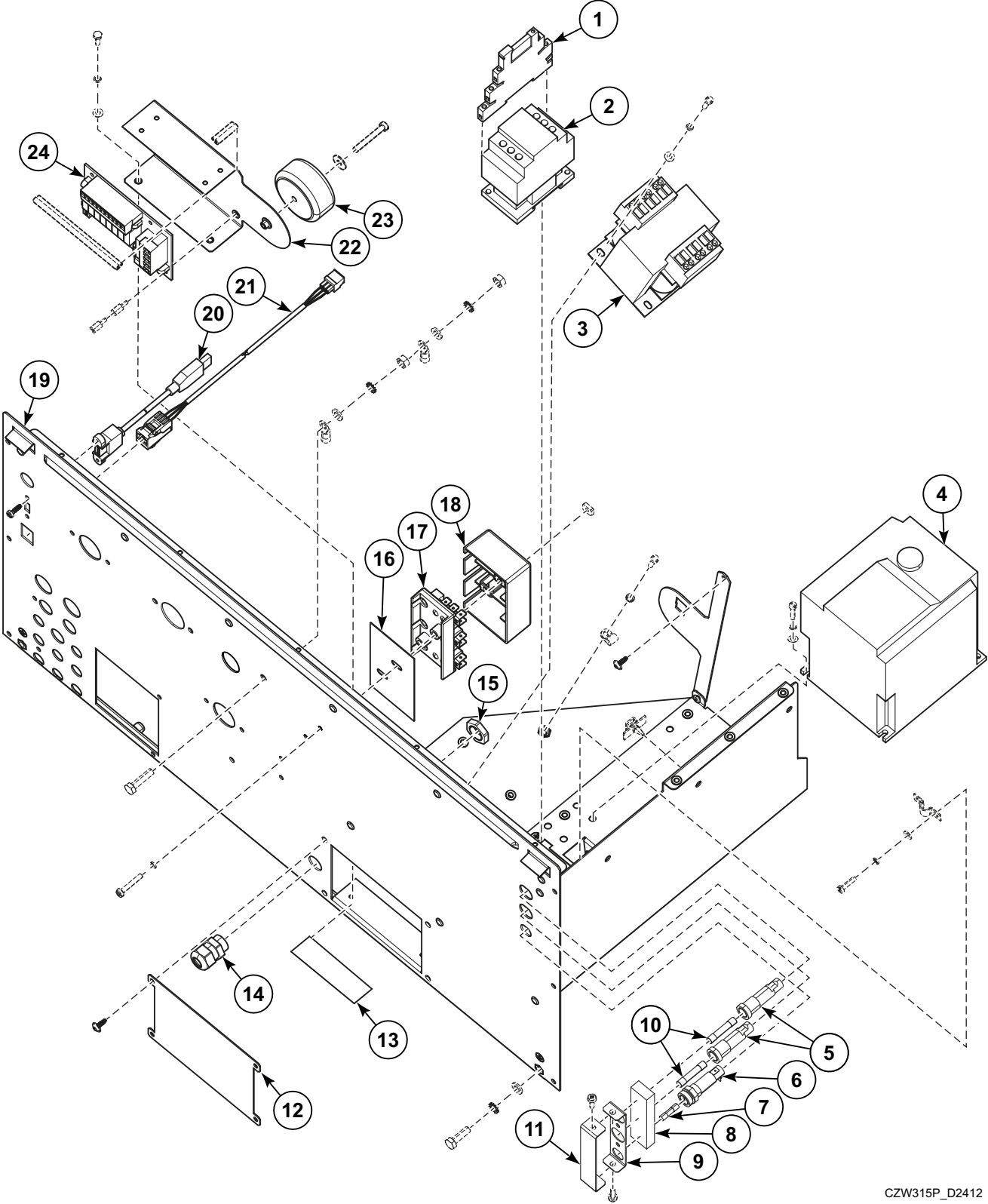


CZW312P_D2412

Rear Panel - 230-400V CSA Models (Drawing 2 of 2)

REF	PART NO.	DESCRIPTION	COMMENTS
1	SP309084000416	Bolt	M4x16
2	SP311127000004	Washer	4
3	SP311125000004	Washer	4.3
4	SP528392	Cable Clamp	
5	570439	Threaded Plate	
6	SP311679800004	Washer	M6
7	SP502214	Clip	
8	SP529206	Screw	4x11
9	SP528313	Cable Holder	
10	SP555504	Bolt	
11	SP309933000620	Bolt	M6x20
12	SP311679824006	Washer	6
13	SP311125240006	Washer	6
14	SP550482	Bolt	M4x25
15	SP309933100625	Bolt	M6x25
16	SP526497	Screw	4x12
17	SP345000165034	Cable Eye	
18	SP311125100006	Washer	6
19	SP310934100006	Nut	M6
20	570381	Hex Pillar	M3
21	SPPRI505000058	Profiled Sealing	0.105m
22	SP505430	Washer	5
23	SP309084000535	Bolt	M5x35
24	SPPRI505000058	Profiled Sealing	0.025m
25	SP309933240412	Bolt	M4x12

Rear Panel - 400-440V CSA Models (Drawing 1 of 2)

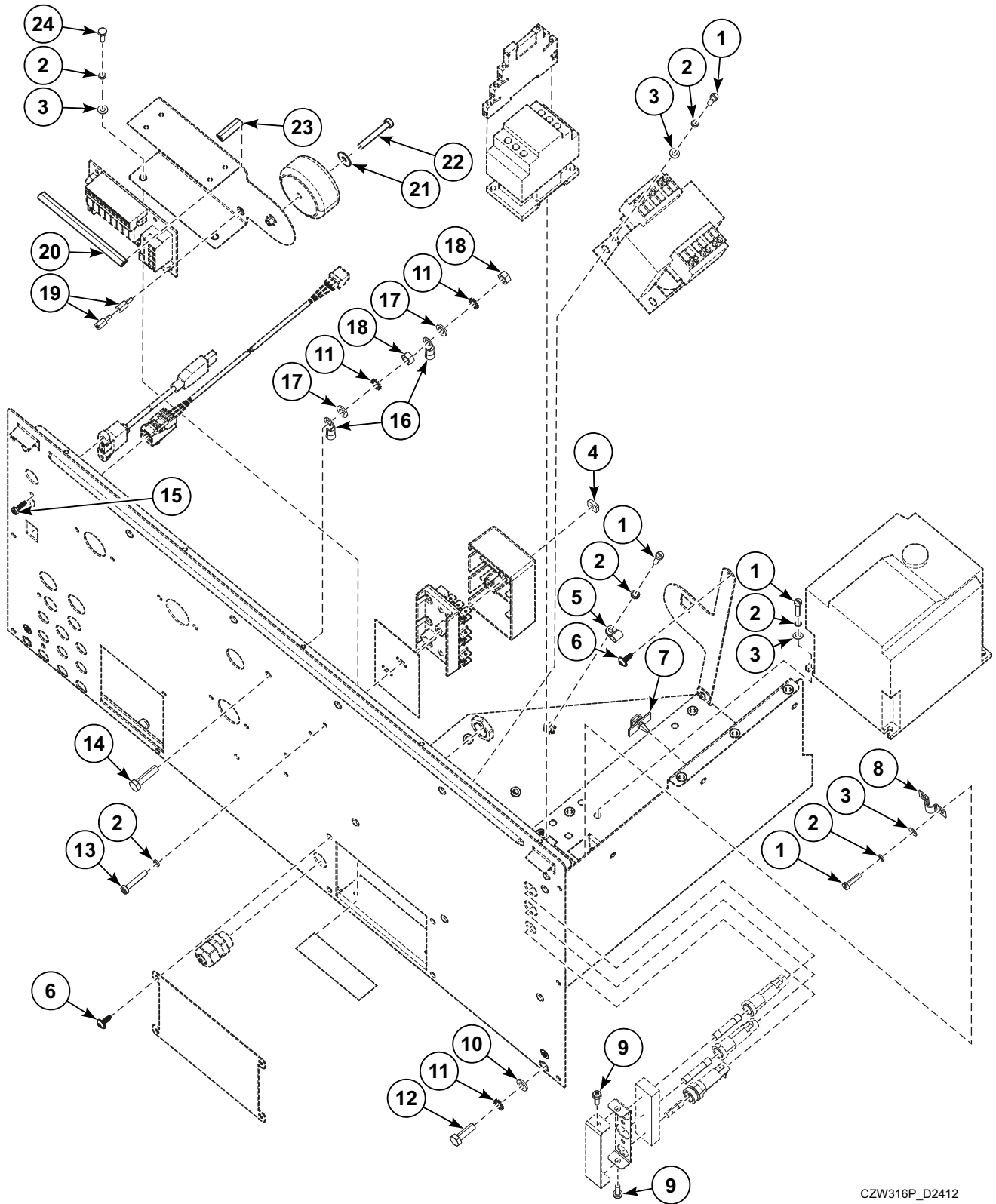


CZW315P_D2412

Rear Panel - 400-440V CSA Models (Drawing 1 of 2)

REF	PART NO.	DESCRIPTION	COMMENTS
	570316	Liquid detergents	Assembly, includes items: (drawing 1 of 2): 7, 14, 15, 19, 20, 21 and 569737 Pump Relay Board Flat Cable and items from (drawing 2 of 2): 2, 3, 20, 21, 22, 23, 24, 25
1	SP552468	Relay	20 models; 2 poles; Used with drain pump
2	SP514038	Contactator	LC1-D09M7; Used with frequency inverter
3	SP516648	Transformer	
4	571474	Frequency Inverter	1.5kW; 400V / 440V; FR-D740-036-SC-E8
	557961	Ferrite Core	Used with frequency inverter
5	SPPRI401003020	Fuse Housing	2 pieces
6	SPPRI1401001020	Fuse Holder	
7	SP345805005020	Fuse	Without neutral
8	570387	Self-Adhesive Profile	
9	SP554310	Fuse Holder	
10	SP345805163032	Fuse	6.3x32mm, T1A/500V; 2 pieces
11	SP554311	Fuse Cover	
12	566549	Cover	
13	570371	Label	Models with Transformer
	579019	Label	Models without Transformer
14	SP101406	Bushing	M16
15	SP101416	Nut	M16
16	M413862	Insulator	
17	430642	Terminal Block	
18	70333001	Terminal Block Shield	
19	570474	Rear Panel	20 models
	570475	Rear Panel	25 models
	570476	Rear Panel	30 models
20	SP547006	USB Cable	Rear panel connection; Optional
21	SP545234	Cable	RS485; With connectors
22	570382	Holder	
23	564561	Transformer	
	579014	Transformer Kit	Models without transformer
24	553187	Soap Relay Board	Used with 569737 Pump Relay Board Flat Cable

Rear Panel - 400-440V CSA Models (Drawing 2 of 2)

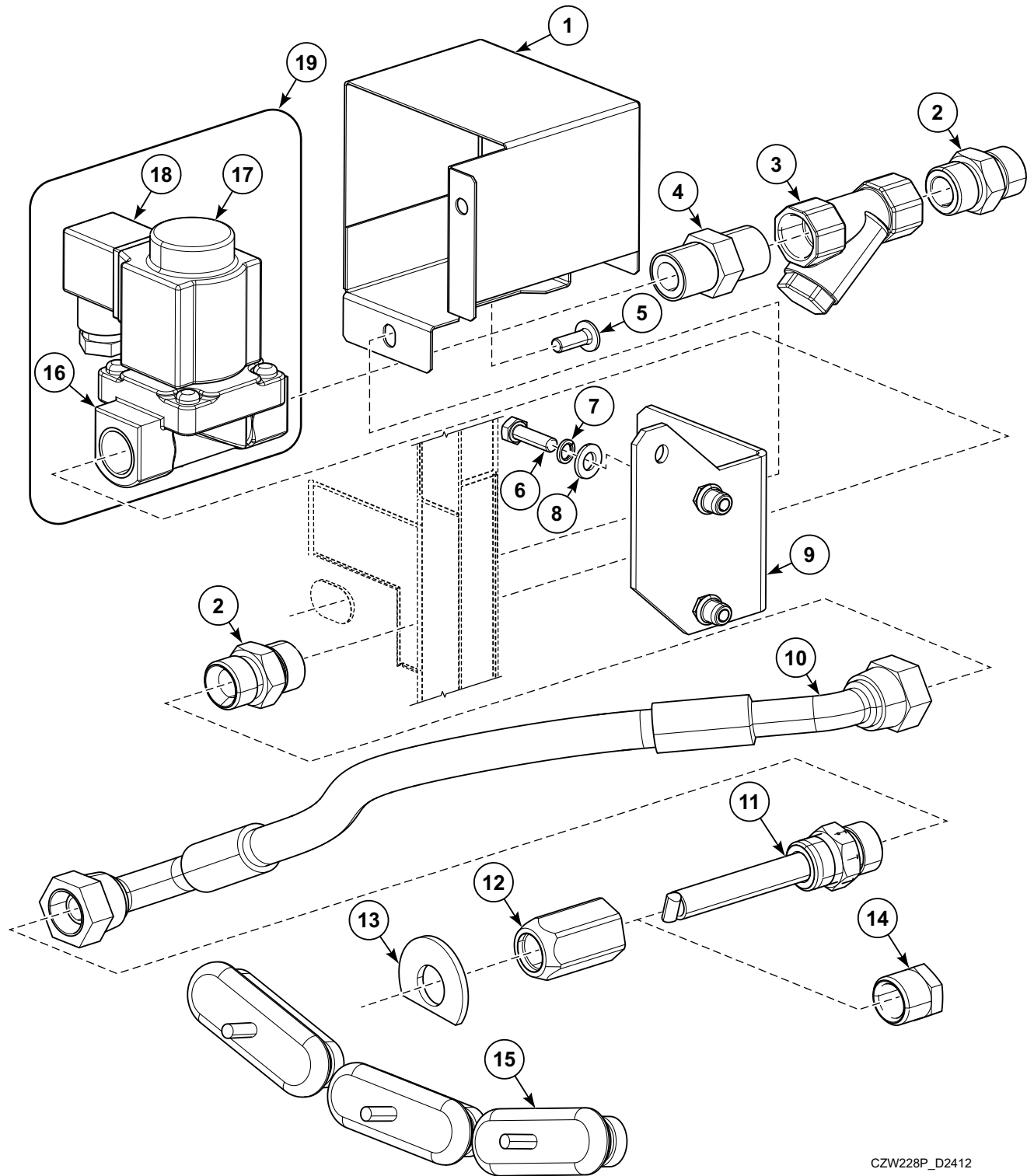


CZW316P_D2412

Rear Panel - 400-440V CSA Models (Drawing 2 of 2)

REF	PART NO.	DESCRIPTION	COMMENTS
1	SP309084000416	Bolt	M4x16
2	SP311127000004	Washer	4
3	SP311125000004	Washer	4.3
4	570439	Threaded Plate	
5	SP502214	Clip	
6	SP529206	Screw	4x11
7	SP528313	Cable Holder	
8	SP528392	Cable Clamp	
9	SP555504	Bolt	M4x12
10	SP311125240006	Washer	6
11	SP311679824006	Washer	6
12	SP309933000620	Bolt	M6x20
13	SP550482	Bolt	M4x25
14	SP309933100625	Bolt	M6x25
15	SP526497	Screw	4x12
16	SP345000165034	Cable Eye	
17	SP311125100006	Washer	6
18	SP310934100006	Nut	M6
19	570381	Hex Pillar	M3
20	SPPRI505000058	Profiled Sealing	0.105m
21	SP505430	Washer	5
22	SP309084000535	Bolt	M5x35
23	SPPRI505000058	Profiled Sealing	0.025m
24	SP309933240412	Bolt	M4x12

Steam Heating

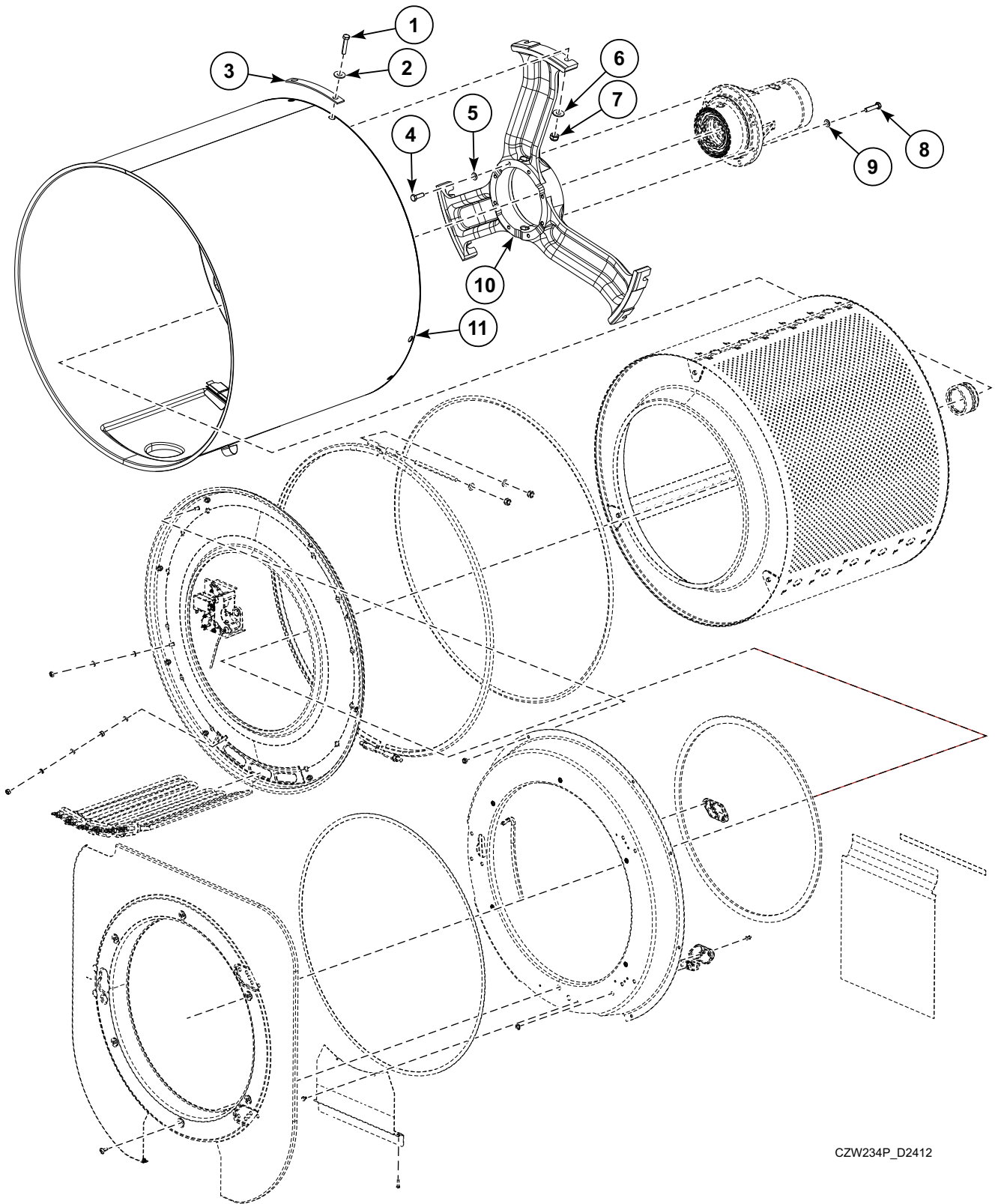


CZW228P_D2412

Steam Heating

REF	PART NO.	DESCRIPTION	COMMENTS
	555351	Steam Kit	65 models
	555352	Steam Kit	80 models
	555353	Steam Kit	105 models
	555354	Steam Kit	135 models
	SP101403	Adhesive	Loctite 5366
	SP245704000603	Adhesive	Loctite 603
1	570435	Steam Valve Cover	65 and 80 models
	570436	Steam Valve Cover	105 and 135 models
2	SPR22112000114	Pipe Nipple	1/2 inch
3	SP405054120215	Steam Filter	1/2 inch
4	SP319428324012	Adapter	1/2 inch
5	SP555658	Bolt	M6x16
6	SP309933000620	Bolt	M6x20
7	SP311127000006	Washer	6
8	SP311125000006	Washer	6
9	SP526521	Steam Valve Support	65 and 80 models
	SP526529	Steam Valve Support	105 models
	SP526531	Steam Valve Support	135 models
10	SP526522	Steam Hose	65 and 80 models; 1/2 inch, l=465mm
	SP526528	Steam Hose	105 and 135 models; 1/2 inch, l=520mm
11	SP526525	Steam Injector	
12	SP547968	Adapter	G3/8 inch / G1/2 inch
13	SP547981	Washer	
14	SPPRI426001268	Plug	1/2 inch; Prep for electric and steam heat
15	SPPRI342001016	Heating Element Hole Plug	
16	SP514165	Steam Valve Body	
17	SP554110	Coil	50/60Hz
18	SP554156	Connector	
19	SP514164	Steam Valve	1/2 inch

Washing Drum and Tub (Drawing 1 of 2)

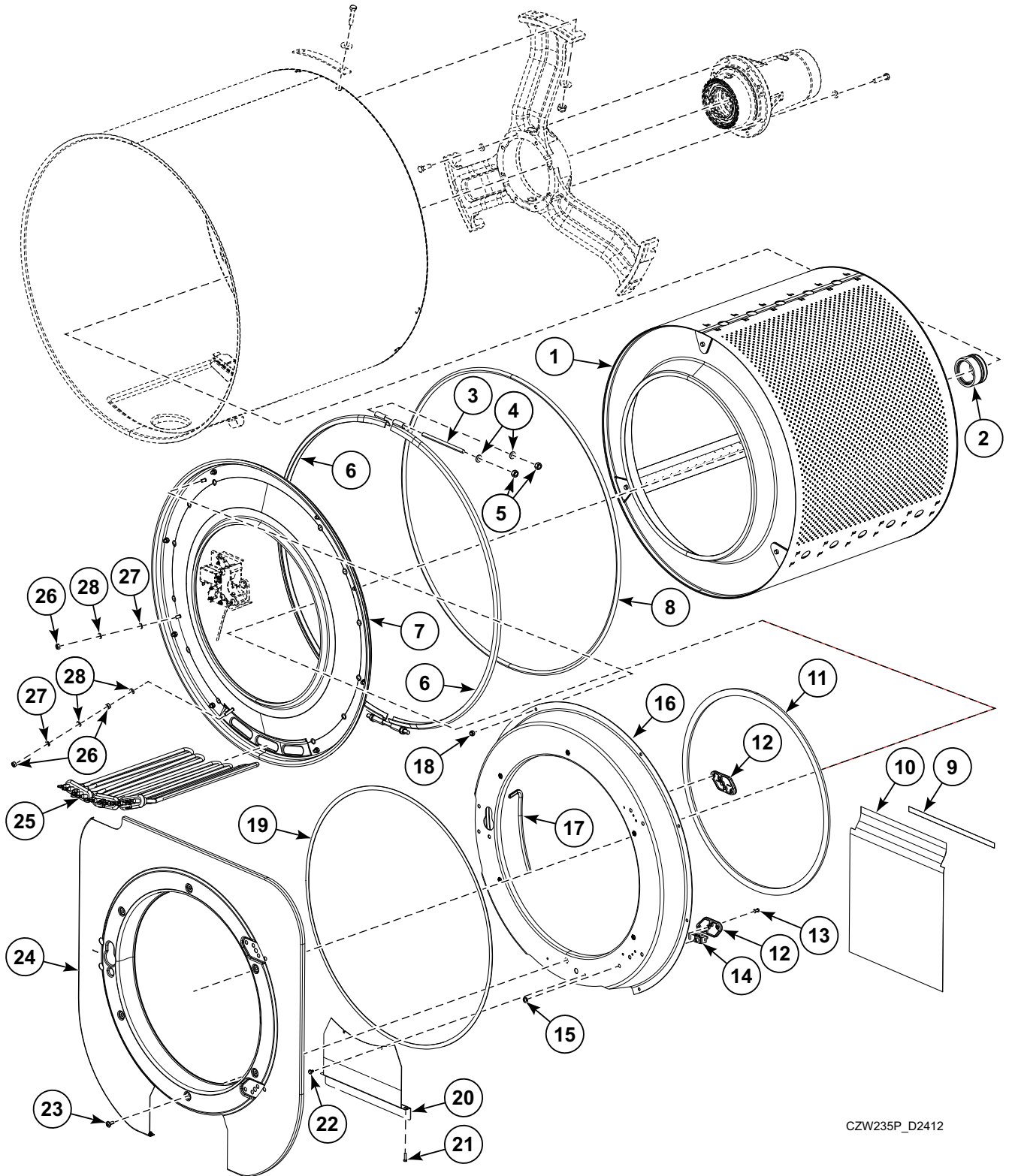


CZW234P_D2412

Washing Drum and Tub (Drawing 1 of 2)

REF	PART NO.	DESCRIPTION	COMMENTS
1	SP527420	Bolt	M10x40
2	SP311125000010	Washer	M10
3	SP537897	Washer	20, 65 and 80 models
	SP537885	Washer	25, 30, 105 and 135 models
4	SP309933240825	Bolt	M8x25
5	SP311125240008	Washer	8
6	SP311737000010	Washer	M10
7	SP310985000010	Nut	M10
8	SP309933000835	Bolt	M8x35
9	SP311125000008	Washer	8
10	SP537861	Cross Piece	20, 65 and 80 models
	SP537730	Cross Piece	25, 30, 105 and 135 models
11	SP537891	External Tub	65 models; Steam heating
	SP537714	External Tub	20 and 80 models; Steam heating
	SP537736	External Tub	25 and 105 models; Steam heating
	SP537764	External Tub	30 and 135 models; Steam heating
	SP537923	External Tub	65 models; Electric heating
	SP537916	External Tub	20 and 80 models; Electric heating
	SP537917	External Tub	25 and 105 models; Electric heating
	SP537918	External Tub	30 and 135 models; Electric heating

Washing Drum and Tub (Drawing 2 of 2)

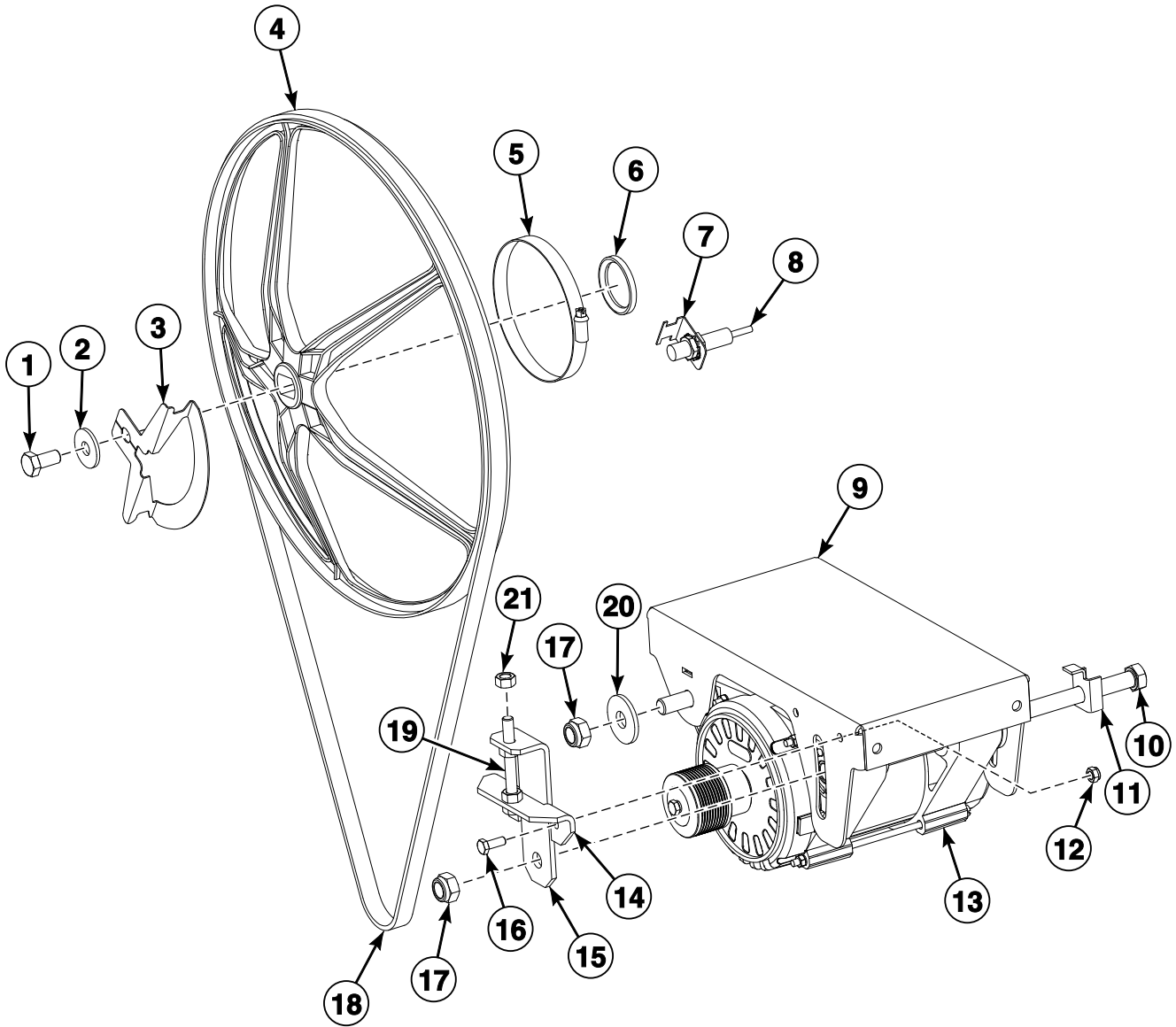


CZW235P_D2412

Washing Drum and Tub (Drawing 2 of 2)

REF	PART NO.	DESCRIPTION	COMMENTS
1	537886P	Washing Drum	65 models; Cascade; Includes item 2
	537705P	Washing Drum	20 and 80 models; Cascade; Includes item 2
	537732P	Washing Drum	25 and 105 models; Cascade; Includes item 2
	537766P	Washing Drum	30 and 135 models; Cascade; Includes item 2
	563263P	Washing Drum	65 models; Flat; Includes item 2
	563264P	Washing Drum	20 and 80 models; Flat; Includes item 2
	563265P	Washing Drum	25 and 105 models; Flat; Includes item 2
	563266P	Washing Drum	30 and 135 models; Flat; Includes item 2
	563244P	Washing Drum	80 models; 7mm perforation; Includes item 2
	563245P	Washing Drum	105 models; 7mm perforation; Includes item 2
	563246P	Washing Drum	135 models; 7mm perforation; Includes item 2
2	SP537843	Shaft Ring	
3	SPF02119000415	Bolt	M8
4	SP311125240008	Washer	M8
5	SP310934240008	Nut	M8
6	SP537717	Clamp	20, 65 and 80 models
	SP537737	Clamp	25, 30, 105 and 135 models
7	SP571606	External Tub Front Plate	20, 65 and 80 models
	SP571607	External Tub Front Plate	25, 30, 105 and 135 models
8	SP537719	Seal	20, 65 and 80 models; d10-1800mm
	SP537739	Seal	25, 30, 105 and 135 models; d10-2100mm
9	SP537896	Adhesive	
10	568929	Heating Element Cover	20, 65 and 80 models
	568938	Heating Element Cover	25, 30, 105 and 135 models
11	SP522450	Profile	20, 25, 30, 65 and 80 models, l=1.2m; 105 and 135 models, l=1.45m
12	SP537849	Hinge Spacer	
13	SP547779	Rivet	4x16.7
14	571634	Microswitch	
15	571635	Nut	M10
16	568887	Door Lock Holder	20, 65 and 80 models
	568906	Door Lock Holder	25, 30, 105 and 135 models
17	SPPRI505000058	Profiled Sealing	
18	SP310985000006	Nut	M8
19	SP284000012003	Tape	
20	568985	Heating Element Front Cover	20, 65 and 80 models; Stainless
	SP563273	Heating Element Front Cover	65 and 80 models; Black
	568986	Heating Element Front Cover	25, 30, 105 and 135 models; Stainless
	SP563274	Heating Element Front Cover	105 and 135 models; Black
21	SP309084000416	Bolt	M4x16
22	SP537856	Connector	
23	SP537854	Bolt	M6x14
24	568998	Front Panel	20, 65 and 80 models; Stainless
	568975	Front Panel	65 and 80 models; Black
	568999	Front Panel	25, 30, 105 and 135 models; Stainless
	568976	Front Panel	105 and 135 models; Black
25	SP540144	Heating Element	3000W, l=325mm
	SP540143	Heating Element	2000W, l=325mm
	SP540145	Heating Element	2x1500W, l=325mm
	SP540142	Heating Element	65, 80 and 135 models; 2x2300kW, l=325mm
	SP540146	Heating Element	105 and 135 models; 2x2000W, l=335mm
26	SP310934240006	Nut	M6
27	SP311679800006	Washer	6
28	SP311125240006	Washer	6

Drive

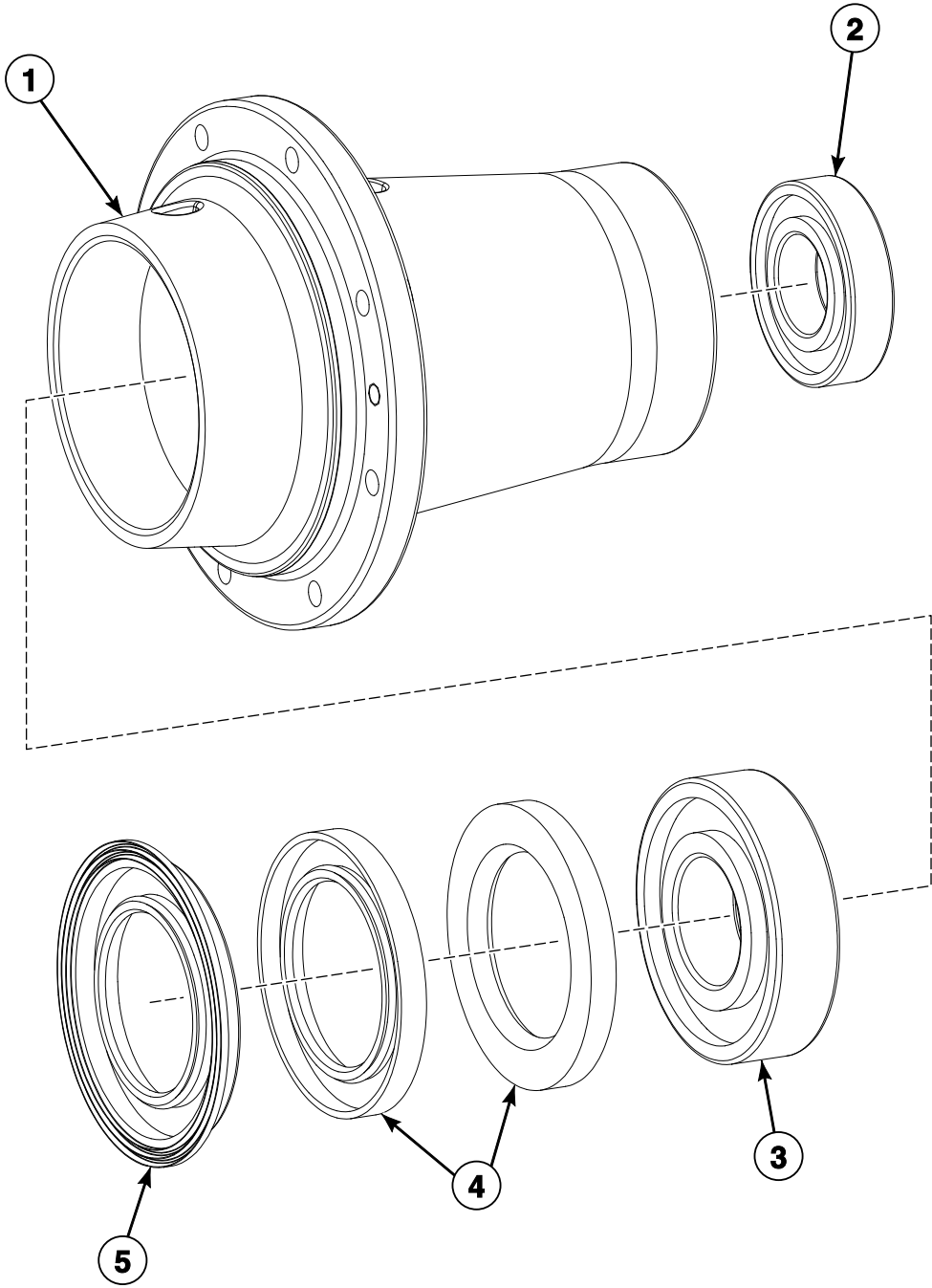


CFD2853P_D2412

Drive

REF	PART NO.	DESCRIPTION	COMMENTS
1	SP309933001020	Bolt	M10x20
2	SP311902100010	Washer	
3	SP555545	Speed Sensor Plate	
4	SP556166	Drum V-Pulley	20, 25, 65, 80 and 105 models
	SP509819	Drum V-Pulley	30 and 135 models
5	SPPRI2400000005	Hose Clamp	20, 25, 65, 80 and 105 models
	SPPRI2400000015	Hose Clamp	30 and 135 models
6	SP556149	Pulley Ring	30 and 135 models
7	SP555547	Speed Sensor Holder	
8	SP557701	Speed Sensor	
9	SP533741	Motor Holder	20, 65 and 80 models
	SP533761	Motor Holder	25 and 105 models
	SP533781	Motor Holder	30 and 135 models
10	SP533392	Bolt	20, 65 and 80 models; M12x180
	SP533393	Bolt	25 and 105 models; M12x200
	SP533394	Bolt	30 and 135 models; M12x220
11	SP533742	Cage	1
12	SP310985000006	Nut	M6
13	SP573909	Motor and Pulley	20 models; 0.75kW, 230V/75Hz; CSA; Includes SP528421 Motor; Applicable for power supply 200V-240V, 50/60Hz, 1/3ph and 380-415V+N, 50/60Hz, 3ph
	SP573910	Motor and Pulley	20 models; 0.75kW, 400V/76Hz; CSA; Includes SP552411 Motor; Applicable for power supply 400V, 50/60Hz, 3ph without Neutral and 440-480V, 50/60Hz, 3ph
	SP573911	Motor and Pulley	25 models; 1.1kW, 230V/75Hz; CSA; Includes SP528422 Motor; Applicable for power supply 200V-240V, 50/60Hz, 1/3ph and 380-415V+N, 50/60Hz, 3ph
	SP573912	Motor and Pulley	25 models; 1.1kW, 400V/76Hz; CSA; Includes SP552412 Motor; Applicable for power supply 400V, 50/60Hz, 3ph without Neutral and 440-480V, 50/60Hz, 3ph
	SP573913	Motor and Pulley	30 models; 1.5kW, 230V/75Hz; CSA; Includes SP528423 Motor; Applicable for power supply 200V-240V, 50/60Hz, 1/3ph and 380-415V+N, 50/60Hz, 3ph
	SP573914	Motor and Pulley	30 models; 1.5kW, 400V/76Hz; CSA; Includes SP552413 Motor; Applicable for power supply 400V, 50/60Hz, 3ph without Neutral and 440-480V, 50/60Hz, 3ph
	571443	Motor and Pulley	65 and 80 models; 0.75kW, 230V/75Hz; CE; Includes 568371 Motor; Applicable for power supply 200V-240V, 50/60Hz, 1/3ph and 380-415V+N, 50/60Hz, 3ph
	571444	Motor and Pulley	65 and 80 models; 0.75kW, 400V/76Hz; CE; Includes 568381 Motor; Applicable for power supply 400V, 50/60Hz, 3ph without Neutral and 440-480V, 50/60Hz, 3ph
	571445	Motor and Pulley	105 models; 1.1kW, 230V/75Hz; CE; Includes 568372 Motor; Applicable for power supply 200V-240V, 50/60Hz, 1/3ph and 380-415V+N, 50/60Hz, 3ph
	571446	Motor and Pulley	105 models; 1.1kW, 400V/76Hz; CE; Includes 568382 Motor; Applicable for power supply 400V, 50/60Hz, 3ph without Neutral and 440-480V, 50/60Hz, 3ph
	571447	Motor and Pulley	135 models; 1.5kW, 230V/75Hz; CE; Includes 568373 Motor; Applicable for power supply 200V-240V, 50/60Hz, 1/3ph and 380-415V+N, 50/60Hz, 3ph
	571448	Motor and Pulley	135 models; 1.5kW, 400V/76Hz; CE; Includes 568383 Motor; Applicable for power supply 400V, 50/60Hz, 3ph without Neutral and 440-480V, 50/60Hz, 3ph
	14	SP533326	Tensioning Angle Piece
15	SP533327	Tensioning Angle Piece	20, 25, 65, 80 and 105 models; Movable
16	SP309933000616	Bolt	M6x16
17	SP310985000012	Nut	M12
18	SP528925	Belt	20, 65 and 80 models
	SP533157	Belt	20, 25, 65, 80 and 105 models
19	SP309933000870	Bolt	M8x70
20	SP311902100012	Washer	12
21	SP310934000008	Nut	M8

Bearing Housing

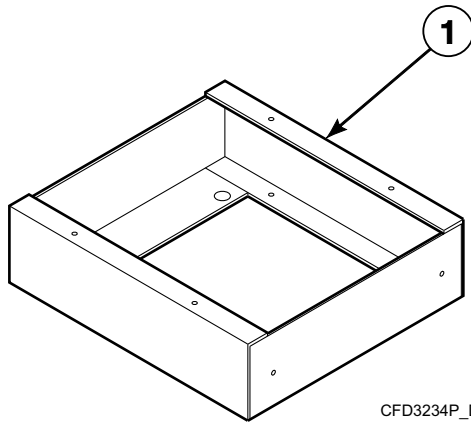


CFD2747P_D2412

Bearing Housing

REF	PART NO.	DESCRIPTION	COMMENTS
	SP245704000603	Adhesive	Loctite 603
	SP111313000002	Lubrication Grease	
	SP537862	Bearing Housing	20, 65 and 80 models
	SP537750	Bearing Housing	25 and 105 models
	SP537756	Bearing Housing	30 and 135 models
	SP538787	Bearing Replacement Tool Kit	
1	SP537860	Bearing Housing	20, 65 and 80 models
	SP537752	Bearing Housing	25 and 105 models
	SP537754	Bearing Housing	30 and 135 models
2	SPPRI608000002	Bearing	20, 65 and 80 models; 6207
	SPPRI608001048	Bearing	25 and 105 models; 6307
	SP532949	Bearing	30 and 135 models; 6308
3	SPPRI608000048	Bearing	6309
4	SP525813	Sealing Ring	65x100x10; Includes 1 seal, 2 seals required
5	SP537848	Sealing Ring	65x100/114x9/12

Elevated Base Frame



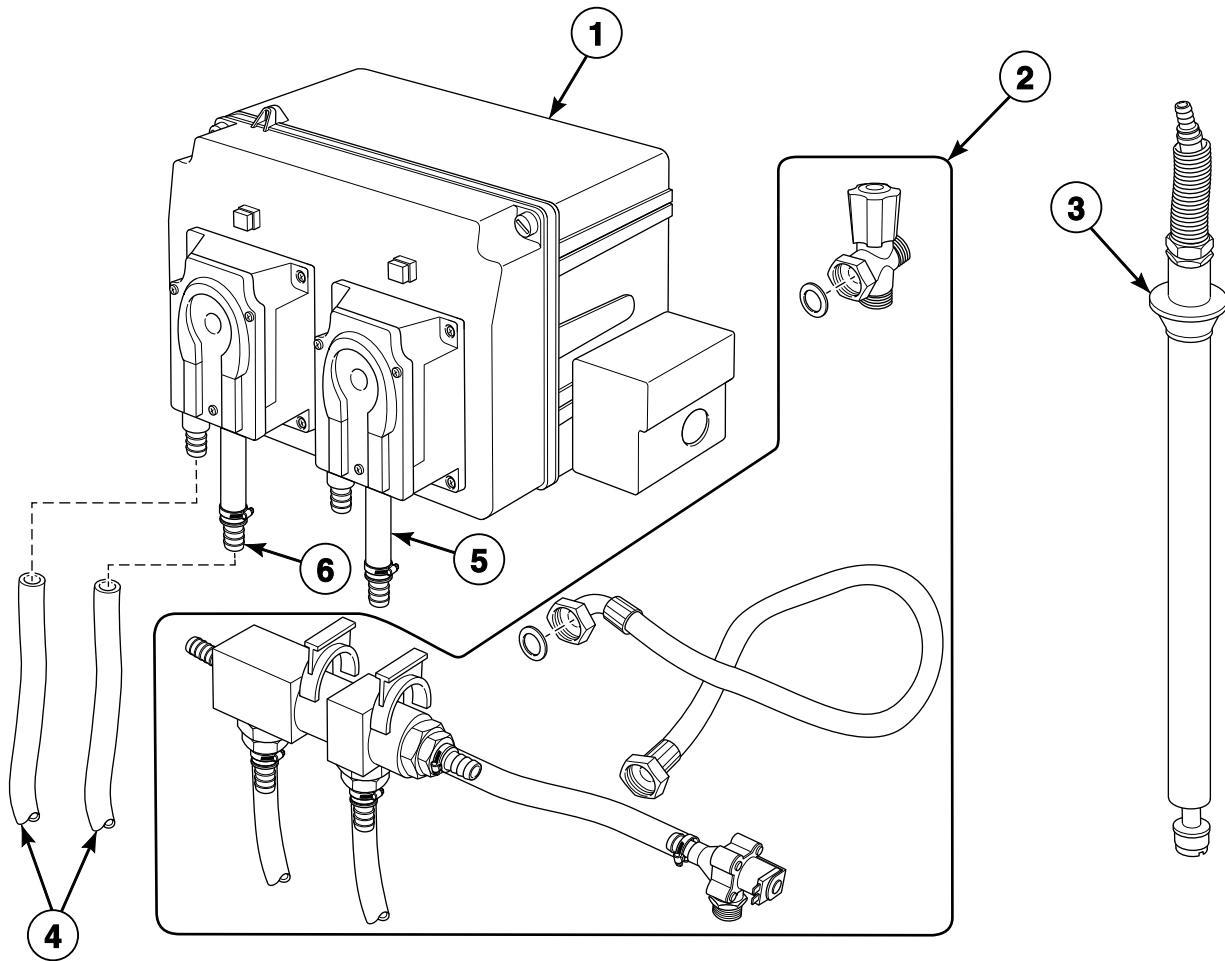
CFD3234P_D2412

Elevated Base Frame

REF	PART NO.	DESCRIPTION	COMMENTS
1	SP550120	Elevated Base Frame	65 models; For mounting one machine; 135mm; Refer to NOTE*
	SP550135	Elevated Base Frame	65 models; For mounting two machines; 135mm; Refer to NOTE*
	SP550136	Elevated Base Frame	65 models; For mounting three machines; 135mm; Refer to NOTE*
	SP550137	Elevated Base Frame	65 models; For mounting four machines; 135mm; Refer to NOTE*
	SP550138	Elevated Base Frame	65 models; For mounting five machines; 135mm; Refer to NOTE*
	SP551901	Elevated Base Frame	65 models; For mounting one machine; 200mm; Refer to NOTE*
	SP551902	Elevated Base Frame	65 models; For mounting two machines; 200mm; Refer to NOTE*
	SP551903	Elevated Base Frame	65 models; For mounting three machines; 200mm; Refer to NOTE*
	SP551904	Elevated Base Frame	65 models; For mounting four machines; 200mm; Refer to NOTE*
	SP551905	Elevated Base Frame	65 models; For mounting five machines; 200mm; Refer to NOTE*
	SP547690	Elevated Base Frame	65 models; For mounting one machine; 135mm; Refer to NOTE*
	SP547688	Elevated Base Frame	80 models; For mounting two machines; 135mm; Refer to NOTE*
	SP547685	Elevated Base Frame	80 models; For mounting three machines; 135mm; Refer to NOTE*
	SP547692	Elevated Base Frame	80 models; For mounting four machines; 135mm; Refer to NOTE*
	SP547693	Elevated Base Frame	80 models; For mounting five machines; 135mm; Refer to NOTE*
	SP547716	Elevated Base Frame	80 models; For mounting one machine; 200mm; Refer to NOTE*
	SP547714	Elevated Base Frame	80 models; For mounting two machines; 200mm; Refer to NOTE*
	SP547711	Elevated Base Frame	80 models; For mounting three machines; 200mm; Refer to NOTE*
	SP547718	Elevated Base Frame	80 models; For mounting four machines; 200mm; Refer to NOTE*
	SP547719	Elevated Base Frame	80 models; For mounting five machines; 200mm; Refer to NOTE*
	551907	Elevated Base Frame	105 models; For mounting one machine; 135mm; Refer to NOTE*
	551908	Elevated Base Frame	105 models; For mounting two machines; 135mm; Refer to NOTE*
	551909	Elevated Base Frame	105 models; For mounting three machines; 135mm; Refer to NOTE*
	551910	Elevated Base Frame	105 models; For mounting four machines; 135mm; Refer to NOTE*
	551911	Elevated Base Frame	105 models; For mounting five machines; 135mm; Refer to NOTE*
	547725	Elevated Base Frame	105 models; For mounting one machine; 200mm; Refer to NOTE*
	SP547723	Elevated Base Frame	105 models; For mounting two machines; 200mm; Refer to NOTE*
	547720	Elevated Base Frame	105 models; For mounting three machines; 200mm; Refer to NOTE*
	547727	Elevated Base Frame	105 models; For mounting four machines; 200mm; Refer to NOTE*
	547728	Elevated Base Frame	105 models; For mounting five machines; 200mm; Refer to NOTE*
	551916	Elevated Base Frame	135 models; For mounting one machine; 135mm; Refer to NOTE*
	551917	Elevated Base Frame	135 models; For mounting two machines; 135mm; Refer to NOTE*
	551918	Elevated Base Frame	135 models; For mounting three machines; 135mm; Refer to NOTE*
	551919	Elevated Base Frame	135 models; For mounting four machines; 135mm; Refer to NOTE*
	551920	Elevated Base Frame	135 models; For mounting five machines; 135mm; Refer to NOTE*
	SP547734	Elevated Base Frame	135 models; For mounting one machine; 200mm; Refer to NOTE*
	SP547732	Elevated Base Frame	135 models; For mounting two machines; 200mm; Refer to NOTE*
	SP547729	Elevated Base Frame	135 models; For mounting three machines; 200mm; Refer to NOTE*
	SP547736	Elevated Base Frame	135 models; For mounting four machines; 200mm; Refer to NOTE*
	SP547737	Elevated Base Frame	135 models; For mounting five machines; 200mm; Refer to NOTE*

* NOTE: Part can only be ordered through the Equipment Order Desk.

Liquid Soap Supply System - Pumps



CZW45P_D2412

Liquid Soap Supply System - Pumps

REF	PART NO.	DESCRIPTION	COMMENTS
	MB90-Z40	Supply Pump Kit	For two pumps
	MB90-Z41	Supply Pump Kit	For three pumps
	MB90-Z42	Supply Pump Kit	For four pumps
	MB90-Z43	Supply Pump Kit	For five pumps
	MB90-Z44	Supply Pump Kit	For six pumps
1	529742	Pump	Two
	529743	Pump	Three
	529744	Pump	Four
	529745	Pump	Five
	529746	Pump	Six
2	529789	Manifold Flush Kit	For two pumps
	529797	Manifold Flush Kit	For three pumps
	529798	Manifold Flush Kit	For four pumps
	529799	Manifold Flush Kit	For five pumps
	529800	Manifold Flush Kit	For six pumps
3	529787	Suction Tube	
4	SPPRI540020005	Hose	d10/14
5	529747	Hose	Spare hose for pump
6	547808	Connection	

Harnesses

PART NO.	DESCRIPTION	COMMENTS
568391	Main Wiring	65 and 80 models
571491	Main Wiring	20 models
568392	Main Wiring	105 and 135 models
571492	Main Wiring	25 and 30 models
569749	Door Lock Wiring	1=1.7m
569751	Door Lock Cable	1=0.24m
SP520033	Emergency Stop Interconnection	
SP528323	Communication Cable	
568396	Motor Temperatuer Protect Cable	
SP528328	Heating Wiring	65 and 80 models
528329	Heating Wiring	65 and 80 models with 9kW / 230V / 400V
528330	Heating Wiring	105 models with 6kW / 230V / 400V; 135 models with 9kW / 440V; 105 and 135 models with 12kW / 400V/ 440V; 105 and 135 models with 13.8kW / 400V
528331	Heating Wiring	105 and 135 models with 9kW / 230/ 400V and 12kW / 230V; 135 models with 13.8kW / 230V
SP528335	Heating GND Wiring	
528080	Frame GND Interconnection	
SPPRI351107209	Heating Contactor Wiring	2.5mm ² ; l=440mm; For 6kW / 230V
SPPRI351108209	Heating Contactor Wiring	4mm ² ; l=440mm; For 9kW / 230V
100222	Heating Contactor Wiring	4mm ² ; l=700mm; For 12kW / 400V
SPPRI351105209	Heating Contactor Wiring	6mm ² ; l=440mm; For 12kW / 230V
528350	Transformer Connection	400-480V, 3AC - N
SP547075	RS485 External Interconnection	For RS485 external interconnection to PC
528393	Wiring Steam - Electrical Heating	Steam - electrical heating modification
552477	Inlet Valve Extension Wiring	
SP528064	Steam Heat Wiring	Steamboat
SP557947	External Block Signal Cable	Length = 110.24 inches (2.8 m)
SP557948	External Block Signal Cable	Length = 169.29 inches (4.3m)
569701	Cable	CPU - I/O board interconnection

Parts Index

A

Adapter	
SP319428324012	65
SP547968	65
Adhesive	
SP101403	65
SP245704000603	65, 73
SP245704003021	7, 9, 11, 13
SP537896	69
Adjustable Foot	
SPPRI504000001	15, 17
Air Trap Reduction	
SPPRI503000027	45, 47

B

Bearing	
SPPRI608000002	73
SPPRI608000048	73
SPPRI608001048	73
SP532949	73
Bearing Housing	
SP537750	73
SP537752	73
SP537754	73
SP537756	73
SP537860	73
SP537862	73
Bearing Replacement Tool Kit	
SP538787	73
Belt	
SP528925	71
SP533157	71
Binding Strip	
SP345000626088	45, 47
Bolt	
F8270701	39
SPF02119000415	69
SP309084000416	7, 9, 11, 13, 15, 17, 41, 43, 51, 55, 59, 63, 69
SP309084000535	51, 55, 59, 63
SP309084240325	15, 17
SP309798500306	23
SP309933000416	25, 33
SP309933000616	47, 71
SP309933000618	23
SP309933000620	51, 55, 59, 63, 65
SP309933000660	51, 55
SP309933000820	7, 9, 11, 13, 15, 17, 45
SP309933000835	67
SP309933000845	9, 11, 13
SP309933000870	11, 71
SP309933000880	7, 9, 11, 13
SP309933001020	71
SP309933100625	51, 55, 59, 63
SP309933240412	51, 55, 59, 63
SP309933240825	67
SP309965240408	25
SP506432	15, 17
SP521957	47

SP527420	15, 17, 67
SP533392	71
SP533393	71
SP533394	71
SP533717	13
SP533726	15, 17
SP535479	35, 37
SP537854	69
SP537864	35, 37
SP550482	59, 63
SP555504	51, 55, 59, 63
SP555658	23, 65
521895	7, 11
568968	39
569655	25

Bushing	
SP101406	51, 55, 57, 61
SP101409	51, 55

C

Cable	
SP545234	49, 53, 57, 61
557931	49, 53
569701	78
Cable Bushing	
SPPRI501001078	47
Cable Clamp	
SP528392	51, 55, 59, 63
Cable Eye	
SP345000165034	51, 55, 59, 63
Cable Holder	
SP528313	51, 55, 59, 63
Cage	
SP533742	71
Card Reader Cover Plate	
569636	23
Casing	
SP529739	37
Circuit Breaker	
571462	49
571463	49
571464	53
Clamp	
SP537717	69
SP537737	69
Clip	
SP502214	51, 55, 59, 63
Coil	
SP554110	65
568942	39
Coin Meter	
SP558958	27
SP558959	27
SP559933	27
SP559934	27
SP559938	27
SP559949	27
SP559969	27
SP560071	29
SP560075	29
SP560087	29

N/A items do not appear in index.

SP560090	27	572305	29
SP560091	27	572308	29
SP560092	29	572311	29
SP560093	29	572314	29
SP560094	29	572318	29
SP560100	29	572321	29
SP560309	27	572324	29
SP560310	27	572343	29
SP560311	27	572384	31
SP560312	27	579809	31
SP560405	27	Coin Meter Box	
SP560406	27	SP100498	33
SP560407	27	Coin Meter Case	
SP560408	27	569588	33
SP560409	27	Coin Meter Case Assembly	
SP560410	27	569633	23
SP560411	27	Communication Cable	
SP560412	27	SP528323	78
SP560413	27	Connection	
SP560414	27	547808	77
SP560415	27	Connector	
SP560416	27	SP537856	69
SP560417	27	SP554156	65
SP560418	27	Console	
SP560419	27	569555	23
SP560420	27	Contactora	
SP560421	27	SPPRI345002019	49, 53
SP560422	27	SP514038	49, 53, 57, 61
SP560423	27	SP514042	49, 53
SP560424	27	Control	
SP560426	27	575631	25
SP560427	27	Control Board I/O	
SP560428	27	575630	23
SP560429	27	Control Panel	
SP560432	27	567962	23
SP560745	27	567963	25
SP560751	27	569584	25
553156	29	569627	23
561497	29	Control Plate	
563405	29	569575	25
564485	29	Cover	
564487	29	566549	51, 55, 57, 61
569905	29	569656	23
569911	29	Cover Strip Pin	
569919	29	SP533738	7, 9, 11, 13
569922	27	CPS Stiffener	
569925	29	569635	23
569928	29	Cross Piece	
569931	29	SP537730	67
569934	27	SP537861	67
569937	29	Cylinder Cap	
569940	27	SP526568	47
569943	29		
569946	29		
569949	29		
569952	29		
569955	29		
569962	29		
569965	27		
569968	29		
569971	29		
569974	29		
569980	29		
569988	31		
569993	29		
569995	29		
569999	29		
570000	29		
572302	29		

D

Damper	
SP533715	15, 17
SP533716	15, 17
DC Choke	
571454	49, 53
571455	49, 53
Dispenser Lid	
SP526461	41, 43
573922	41, 43

Dispenser Pipe			
SP526486	41, 43		
SP526487	41, 43		
SP526488	41, 43		
SP526589	41, 43		
Dispenser Seal			
SP540158	41, 43		
Distance Case			
SP515274	9, 11, 13		
SP557472	7, 11		
Door			
SP553525	37		
SP553526	37		
568836	37		
568837	37		
569415	35		
569417	35		
575988	37		
575989	37		
Door Assembly			
569406	35		
569407	35		
573901	37		
573902	37		
575991	37		
575992	37		
576401	37		
576402	37		
Door Frame Sheet			
571632	35, 37		
571633	35, 37		
Door Glass			
SP535413	35, 37		
Door Level			
568902	35		
573906	37		
Door Lock Assembly			
576085	39		
Door Lock Cable			
569751	78		
Door Lock Catch			
576084	39		
Door Lock Holder			
568887	69		
568906	69		
Door Lock Plate			
568971	39		
Door Lock Wiring			
569749	78		
Drain Elbow			
SP526457	45		
SP526498	45		
SP526591	45		
SP547803	47		
Drain Hose Pipe			
SP521558	47		
SP526492	45		
Drain Pump			
567142	47		
570314	47		
Drain Pump Hose Bushing			
SP547807	47		
Drain Valve			
SP526460	45		
Drain Valve Holder			
SP526511	45		
SP526512	45		
Drain Valve Motor			
SPPRI340002051	45		
Drain Valve Seal			
554276	45		
Drum V-Pulley			
SP509819	71		
SP556166	71		
<hr/>			
E			
Earthing Index Plate			
SPPRI551000001	5		
Edge Protection			
SP529068	23, 55		
Elevated Base Frame			
SP547685	75		
SP547688	75		
SP547690	75		
SP547692	75		
SP547693	75		
SP547711	75		
SP547714	75		
SP547716	75		
SP547718	75		
SP547719	75		
SP547723	75		
SP547729	75		
SP547732	75		
SP547734	75		
SP547736	75		
SP547737	75		
SP550120	75		
SP550135	75		
SP550136	75		
SP550137	75		
SP550138	75		
SP551901	75		
SP551902	75		
SP551903	75		
SP551904	75		
SP551905	75		
547720	75		
547725	75		
547727	75		
547728	75		
551907	75		
551908	75		
551909	75		
551910	75		
551911	75		
551916	75		
551917	75		
551918	75		
551919	75		
551920	75		
Emergency Stop Interconnection			
SP520033	78		
End Stop			
SP346000209101	49, 53		
External Block Signal Cable			
SP557947	78		
SP557948	78		

N/A items do not appear in index.

External Tub	
SP537714	67
SP537736	67
SP537764	67
SP537891	67
SP537916	67
SP537917	67
SP537918	67
SP537923	67
External Tub Front Plate	
SP571606	69
SP571607	69

F

Fastener	
SP550115	23, 25, 33
Ferrite Core	
557961	49, 53, 57, 61
Filling Elbow Pipe	
SP526456	41, 43
SP526484	41, 43
SP526506	41, 43
Filling Hose Pipe	
RSPF200166	41, 43
SPPRI505000054	41, 43
SP101621	41, 43
SP547980	41, 43
Filter	
SPPRI340004030	41, 43
568380	49
Filter Holder	
572126	53
Fixed Hinge	
568982	35, 37
Fixed Upper Hinge	
568979	35, 37
Flap	
SP540113	41, 43
Foam Roller	
SP100188	45, 47
Frame GND Interconnection	
528080	78
Frequency Inverter	
571471	49, 57
571472	49, 57
571474	49, 53, 61
Frequency Inverter Filter	
SP557932	53
Front Panel	
567953	21
568975	69
568976	69
568998	69
568999	69
569569	21
569630	21
569638	21
569661	21
569662	21
Fuse	
SP345805005020	53, 61
SP345805163032	49, 53, 57, 61

Fuse Cover	
SP554311	49, 53, 57, 61
Fuse Holder	
SPPRI1401001020	61
SPPRI401001020	53
SP554310	49, 53, 57, 61
Fuse Housing	
SPPRI401003020	49, 53, 57, 61

H

Handle	
F8624602	35
569695	37
574100	37
575994	37
Heating Contactor Wiring	
SPPRI351105209	78
SPPRI351107209	78
SPPRI351108209	78
100222	78
Heating Element	
SP540142	69
SP540143	69
SP540144	69
SP540145	69
SP540146	69
Heating Element Cover	
568929	69
568938	69
Heating Element Front Cover	
SP563273	69
SP563274	69
568985	69
568986	69
Heating Element Hole Plug	
SPPRI342001016	65
Heating GND Wiring	
SP528335	78
Heating Wiring	
SP528328	78
528329	78
528330	78
528331	78
Hex Pillar	
570381	51, 55, 59, 63
Hinge Spacer	
SP535421	35, 37
SP537849	69
Holder	
569658	25
570382	49, 53, 57, 61
Hook Lock	
SPPRI610002007	23
Hose	
SPPRI503002049	45, 47
SPPRI540000014	41, 43
SPPRI540020005	77
529747	77
Hose Clamp	
SPPRI240000002	41, 43
SPPRI240000003	41, 43, 45, 47
SPPRI240000005	71
SPPRI240000007	41, 43, 45
SPPRI240000008	47

N/A items do not appear in index.

SPPRI240000015	71
SPPRI240000021	41, 43
SPPRI241000017	45, 47
SPPRI54100001	45
SP526491	41, 43
SP526532	45, 47
576096	45
Hose Pipe	
SP101745	41, 43

I

Index Plate	
SP527270	5
SP527271	5
SP527272	5
Inlet Valve Extension Wiring	
552477	78
Insulation Washer	
571458	49, 53
Insulator	
M413862	57, 61
Internal Vessel	
SP540122	41, 43
Isolation Paper	
SPPRI350012007	33

K

Kit of Hinges	
570553	37

L

Label	
SPPRI551000047	5
SPPRI551001001	5
SPPRI551006001	5
SP230200007514	5
SP523382	5
W10132092	5
W10163746	5
509472	5
547899	5
547900	5
547901	5
548000101014	5
555328	5
570371	5, 51, 55, 57, 61
579019	5, 51, 55, 57, 61
Leading Pin	
SP550113	25
Liquid detergents	
570316	49, 53, 57, 61
Lock	
SP547527	23
Lower Frame	
SP533723	15
SP533749	15
SP533771	17
SP533881	15

Lower Front Panel	
567958	21
569561	21
Lower Hinge	
571651	35
575963	37
Lower Rear Cover	
SP533381	21
SP533382	21
SP533383	21
Lower Weight	
SP533737	9, 11, 13
SP533753	7, 9, 11, 13
SP533784	11, 13
Lubrication Grease	
SP111313000002	73

M

Main Switch	
SPPRI404000097	49, 53
SPPRI404000098	49, 53
SPPRI404000099	49, 53
SPPRI404001098	49, 53
SPPRI404001099	49, 53
SP506407	49, 53
Main Switch Knob	
SPPRI404000095	49, 53
Main Vessel	
SP540115	41, 43
Main Wiring	
568391	78
568392	78
571491	78
571492	78
Manifold Flush Kit	
529789	77
529797	77
529798	77
529799	77
529800	77
Microswitch	
SP506045	33
SP528309	15, 17
568978	39
571634	69
Mixer	
SP526558	41, 43
Mixer Body	
SP526565	41, 43
Mixer Lid	
SP526557	41, 43
Module	
553189	23
Motor and Pulley	
SP573909	71
SP573910	71
SP573911	71
SP573912	71
SP573913	71
SP573914	71
571443	71
571444	71
571445	71
571446	71

N/A items do not appear in index.

571447	71
571448	71
Motor Holder	
SP533741	71
SP533761	71
SP533781	71
Motor Temperatuer Protect Cable	
568396	78

N

Nameplate	
F8664901	5
F8688001	5
Nut	
F430225	39
F430232	39
SP101416	51, 55, 57, 61
SP101419	51, 55
SP310934000003	15, 17
SP310934000004	25, 33
SP310934000008	71
SP310934000010	15, 17
SP310934000020	15, 17
SP310934000004	23
SP310934100006	51, 55, 59, 63
SP310934240004	39
SP310934240006	69
SP310934240008	69
SP310985000006	69, 71
SP310985000008	7, 9, 11, 13, 15, 17
SP310985000010	15, 17, 67
SP310985000012	71
SP313251000006	23
SP510923	15, 17
SP514193	47
571635	69

O

Oscillation Limiter	
SP533388	7, 9, 11, 13
Overflow Tube	
SP526480	45
SP526481	45

P

Panel Holder	
569492	23
569493	23
Pin	
SP540117	41, 43
SP554970	35, 37
571605	35
Pin Insertion	
SP520408	15, 17
Pipe Nipple	
SPR22112000114	65
Plate of Closing	
568941	39

Plug	
SPPRI426001268	65
Prep for Coin Meter	
569634	23
Profile	
SP522450	69
Profiled Sealing	
SPPRI505000058	15, 17, 51, 55, 59, 63, 69
Programmer Holder	
573934	23
Pulley Ring	
SP556149	71
Pump	
529742	77
529743	77
529744	77
529745	77
529746	77
Pump Holder	
567127	47
Push Button Cover	
SPPRI543000003	51, 55

R

Rear Cover	
570467	21
570468	21
Rear Panel	
567946	49, 53
569591	49, 53, 57
570474	61
570475	61
570476	61
571016	49, 53, 57
571017	49, 53, 57
Rear Spring Holder	
SP550448	19
SP550449	19
SP555517	19
Reinforcement Tube	
SP500125	45, 47
Relay	
SP552468	49, 53, 57, 61
Reverse Function Drain Valve	
SP547821	45
Rivet	
SP313250004063	47
SP547779	15, 17, 69
Roller	
SP533727	15, 17
RS485 External Interconnection	
SP547075	78

S

Screw	
F430977	39
SP309798124313	41, 43
SP526497	23, 41, 43, 51, 55, 59, 63
SP529206	19, 23, 25, 33, 41, 43, 45, 47, 51, 55, 59, 63

N/A items do not appear in index.

Seal			
SP517232	7, 9, 11, 13		
SP537719	69		
SP537739	69		
Sealant			
SPPRI704000053	47		
Sealing			
284000012003	51, 55		
Sealing Ring			
SP525813	73		
SP537848	73		
Self-Adhesive Profile			
570387	49, 53, 57, 61		
Serial Plate			
547563	5		
Service Door Frame Kit			
576087	37		
576088	37		
Service Door Kit			
568990	35, 37		
568991	35, 37		
Shaft Ring			
SP537843	69		
Side Panel			
567949	21		
567951	21		
567988	21		
567990	21		
567995	21		
567997	21		
569556	21		
569558	21		
Soap Hopper			
SP540111	41, 43		
Soap Hopper Plug			
SP526468	41, 43		
Soap Hopper Upper Cover			
SP540112	41, 43		
Soap Relay Board			
553187	49, 53, 57, 61		
Spacer			
F431901	39		
Speed Sensor			
SP557701	71		
Speed Sensor Holder			
SP555547	71		
Speed Sensor Plate			
SP555545	71		
Spiral			
SP283449080200	45, 47		
Spring			
SP505372	19		
SP533764	15		
SP533765	15		
SP533766	15		
SP533767	15		
SP533768	17		
SP533875	15, 17		
SP533876	15		
Spring Clamp			
SP540183	45, 47		
Spring Holder			
SP534977	15, 17		
SP534978	15, 17		
Steam Filter			
SP405054120215	65		
Steam Heat Wiring			
SP528064	78		
Steam Hose			
SP526522	65		
SP526528	65		
Steam Injector			
SP526525	65		
Steam Kit			
555351	65		
555352	65		
555353	65		
555354	65		
Steam Valve			
SP514164	65		
Steam Valve Body			
SP514165	65		
Steam Valve Cover			
570435	65		
570436	65		
Steam Valve Support			
SP526521	65		
SP526529	65		
SP526531	65		
Suction Tube			
529787	77		
Supply Pump Kit			
MB90-Z40	77		
MB90-Z41	77		
MB90-Z42	77		
MB90-Z43	77		
MB90-Z44	77		
Switch			
SP100388	51, 55		

T

Tape			
SP284000012003	69		
Tee			
SP526454	45		
Temperature Sensor			
503839	41, 43		
Temperature Sensor Seal			
SP526439	41, 43		
Tensioning Angle Piece			
SP533326	71		
SP533327	71		
Terminal Block			
430642	57, 61		
Terminal Block Shield			
70333001	57, 61		
Terminal Board			
SPPRI350000007	33		
Threaded Plate			
570439	59, 63		
Top Cover			
567965	21		
567992	21		
567999	21		
569623	21		
569641	21		
569643	21		

N/A items do not appear in index.

569645	21
569647	21
Torsion/Door Lock Spring	
571612	39
Transformer Connection	
528350	78
Transformer Kit	
579014	49, 53, 57, 61
Transformet	
SP516648	53, 61
564561	49, 53, 57, 61
Transparent Foil	
SP516715	5
Transport Brace Instruction	
547805	5
Trim	
569401	35, 37
569402	35, 37

U

Upper Frame	
SP533731	9
SP533756	11
SP533776	13
SP533886	7
Upper Hinge	
571650	35
575960	37
USB Cable	
SP547006	49, 53, 57, 61
569668	23

V

Valve, 3-Way	
SP547959	41, 43
Valve, 4-Way	
SP548933	41, 43
Vent Hose	
SP526482	41, 43
SP526509	41, 43
Vibration Switch Assembly	
SP533391	15, 17
Vibration Switch Holder	
SP533387	15, 17

W

Washer	
F8193101	39
SP311125000003	15, 17
SP311125000004	47, 51, 55, 59, 63
SP311125000006	23, 47, 65
SP311125000008	9, 11, 13, 67
SP311125000010	67
SP311125100006	51, 55, 59, 63
SP311125240004	39
SP311125240006	51, 55, 59, 63, 69
SP311125240008	67, 69
SP311127000004	51, 55, 59, 63
SP311127000006	23, 47, 51, 55, 65

SP311679800003	15, 17, 23
SP311679800004	7, 9, 11, 13, 15, 17, 23, 51, 55, 59
SP311679800006	69
SP311679824004	39
SP311679824006	51, 55, 59, 63
SP311737000010	67
SP311902100004	15, 17, 23, 25, 55
SP311902100006	51, 55
SP311902100008	45
SP311902100010	15, 17, 71
SP311902100012	71
SP505430	51, 55, 59, 63
SP525284	7, 9, 11, 13
SP537885	67
SP537897	67
SP547981	65
SP555746	25
571642	35, 37

Washing Drum	
537705P	69
537732P	69
537766P	69
537886P	69
563244P	69
563245P	69
563246P	69
563263P	69
563264P	69
563265P	69
563266P	69

Water Hose	
F200164	41, 43

Water Level Switch	
570315	45, 47

Water Level Switch Hose	
SPPRI540001003	45, 47

Wiring Diagram	
574404	5

Wiring Steam - Electrical Heating	
528393	78

Y

Y-Piece	
SPPRI503000028	45, 47

N/A items do not appear in index.