

Tumble Dryer

345 Liters (16 Kilograms) Capacity
With Easy Control
Refer to Page 3 for Model Numbers

Parts

Table of Contents

Title	Page
Parts Ordering Information	2
Serial Plate Location.....	2
Model Identification.....	3
Front Panel Assembly.....	4
Filter Panel Assembly.....	6
Upper Panel for EC Models.....	8
Easy Control Components With Coin Meter (Drawing 1 of 2)	10
Easy Control Components With Coin Meter (Drawing 2 of 2)	12
Coin Meter (Drawing 1 of 3).....	14
Coin Meter (Drawing 2 of 3).....	16
Coin Meter (Drawing 3 of 3).....	18
Easy Control Components Without Coin Meter (Drawing 1 of 2)	20
Easy Control Components Without Coin Meter (Drawing 2 of 2)	22
Easy Control with External Payment System (Drawing 1 of 2).....	24
Easy Control with External Payment System (Drawing 2 of 2).....	26
Cabinet - Heat Pump Models.....	28
Cabinet - Gas, Steam and Electric Models (Drawing 1 of 2)	30
Cabinet - Gas, Steam and Electric Models (Drawing 2 of 2)	32
Drum Assembly	34
Door Assembly	36
Door Assembly - Double Layer Door.....	38
Electric Heat Components	40
Gas Heat Components - Models Through Serial No. 16T014291QB.....	42
Gas Heat Components - Models Starting Serial No. 16T014292QB (Drawing 1 of 2)	44
Gas Heat Components - Models Starting Serial No. 16T014292QB (Drawing 2 of 2)	46
Steam Heat Components	48
Heat Pump (Drawing 1 of 2)	50
Heat Pump (Drawing 2 of 2)	52
Frequency Inverter Panel	54
Heat Pump Rinsing System.....	56
Exhaust.....	58
Drive System	60
Fan Housing Assembly.....	62
Electric Box Components - Heat Pump Models.....	64
Electric Box Components - Electric Models.....	66
Electric Box Components - Gas and Steam Models.....	68
Under Pressure Clutch	70
Humidity Sensor	72
WiFi Connection	74
Ventilator - Heat Pump Models.....	76
Parts Index.....	79

© Copyright 2023, Alliance Laundry Systems LLC

All rights reserved. No part of the contents of this book may be reproduced or transmitted in any form or by any means without the expressed written consent of the publisher.

Parts Ordering Information

If literature or replacement parts are required, contact the source from whom the machine was purchased or contact Alliance Laundry Systems at (920) 748-3950 for the name and address of the nearest authorized parts distributor.

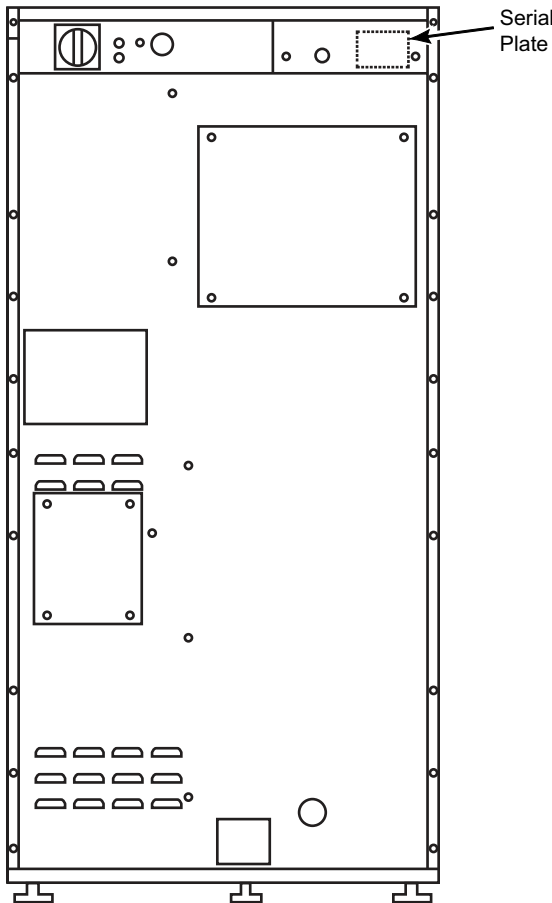
For technical assistance, call the number listed below:

(920) 748-3121 Ripon, Wisconsin

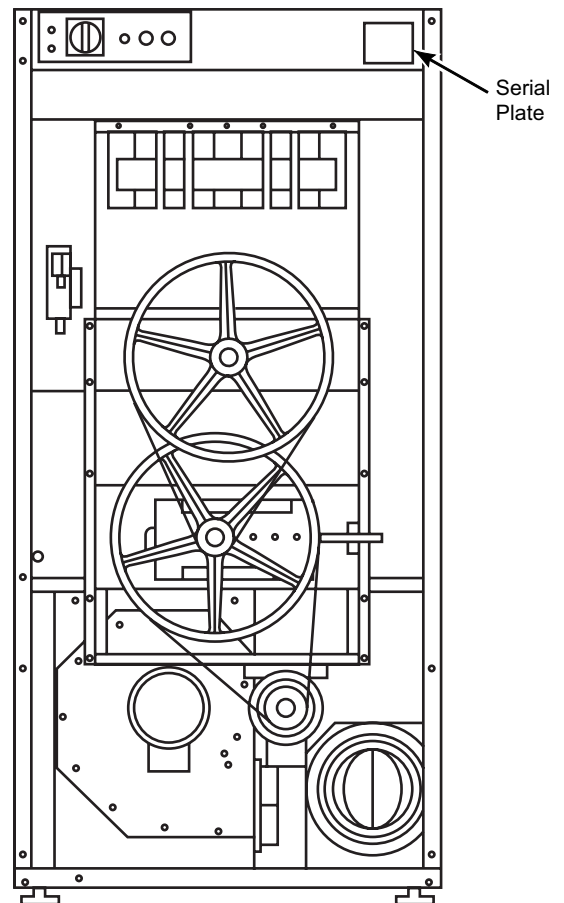
Serial Plate Location

When calling or writing about your product, be sure to mention model and serial numbers. Model and serial numbers are located on serial plate(s).

HEAT PUMP



GAS, STEAM AND ELECTRIC



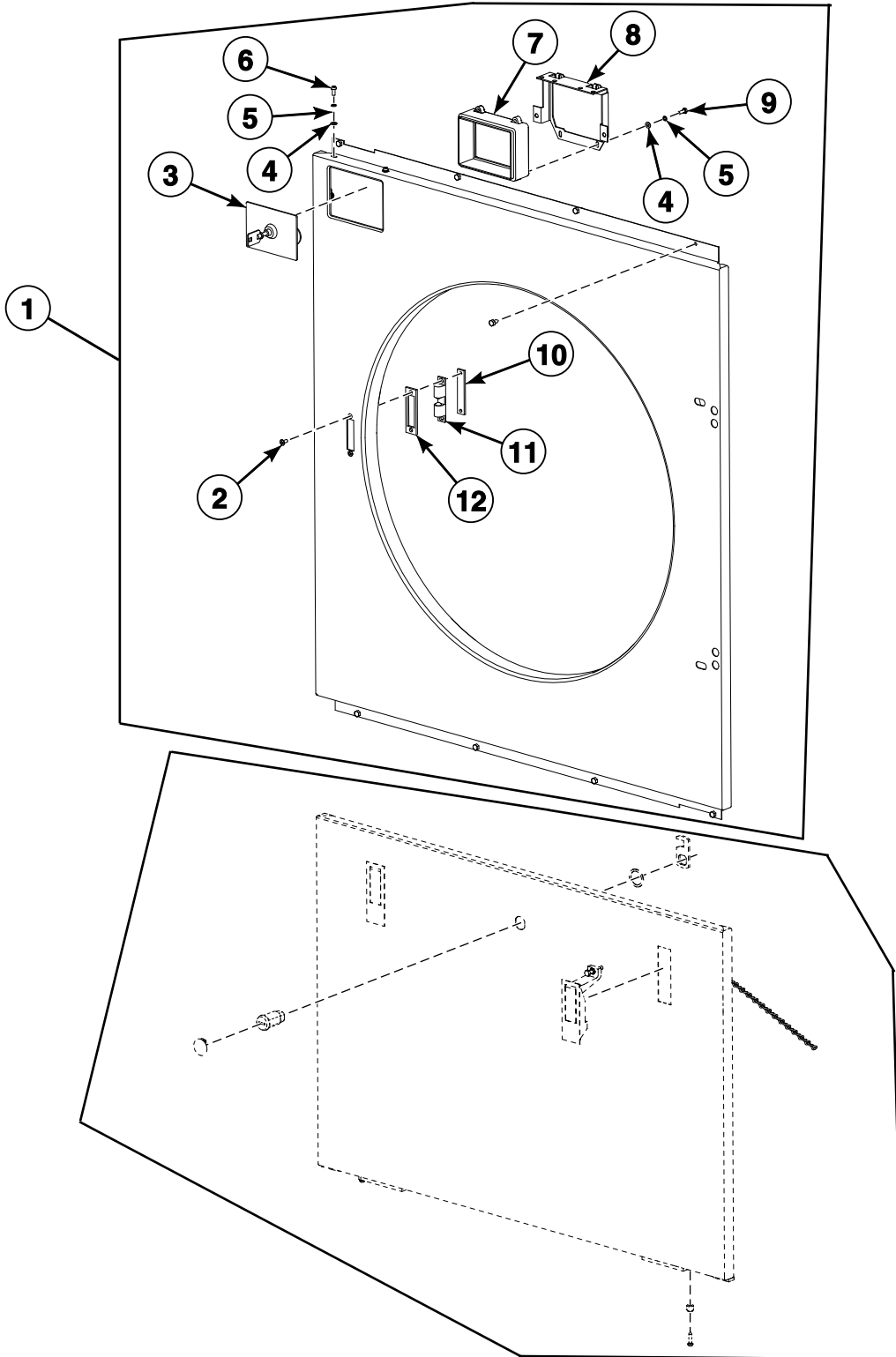
TMB3403P_D2445

Model Identification

Information in this manual is applicable to these tumbler models:

EC_HYDROS_ST19	LC345NE	NX345LE	SH345NE
EC_HYDROS_ST19HP	LC345SE	NX345ME	SH345SE
I345_EASY	LC345TE	NX345NE	SH345TE
IDR345	LC345WE	NX345SE	SH345WE
IHP345_EASY	LH345EE	NX345TE	SU345EE
LS350_EASY	LH345HE	NX345WE	SU345HE
LS350HP_BASIC	LH345LE	PC345EE	SU345ME
SDR345	LH345ME	PC345HE	SU345SE
SHP345_EASY	LH345NE	PC345LE	SU345WE
T16_EASY	LH345SE	PC345ME	SX345EE
T16E	LH345TE	PC345NE	SX345HE
T16HP_EASY	LH345WE	PC345SE	SX345LE
T16VP_EASY	LU345EE	PC345TE	SX345ME
UDR345	LU345HE	PC345WE	SX345NE
UHP345_EASY	LU345ME	PE345HE	SX345SE
IC345EE	LU345SE	PH345EE	SX345TE
IC345HE	LU345WE	PH345HE	SX345WE
IC345LE	LX345EE	PH345LE	UC345EE
IC345ME	LX345HE	PH345ME	UC345HE
IC345NE	LX345LE	PH345NE	UC345LE
IC345SE	LX345ME	PH345SE	UC345ME
IC345TE	LX345NE	PH345TE	UC345NE
IC345WE	LX345SE	PH345WE	UC345SE
IE345HE	LX345TE	PU345EE	UC345TE
IH345EE	LX345WE	PU345HE	UC345WE
IH345HE	NC345EE	PU345ME	UE345HE
IH345LE	NC345FE	PU345SE	UH345EE
IH345ME	NC345HE	PU345WE	UH345HE
IH345NE	NC345LE	PX345EE	UH345LE
IH345SE	NC345ME	PX345HE	UH345ME
IH345TE	NC345NE	PX345LE	UH345NE
IH345WE	NC345SE	PX345ME	UH345SE
IU345EE	NC345TE	PX345NE	UH345TE
IU345HE	NC345WE	PX345SE	UH345WE
IU345ME	NH345EE	PX345TE	UU345EE
IU345SE	NH345HE	PX345WE	UU345HE
IU345WE	NH345LE	SC345EE	UU345ME
IX345EE	NH345ME	SC345HE	UU345SE
IX345HE	NH345NE	SC345LE	UU345WE
IX345LE	NH345SE	SC345ME	UX345EE
IX345ME	NH345TE	SC345NE	UX345HE
IX345NE	NH345WE	SC345SE	UX345LE
IX345SE	NU345EE	SC345TE	UX345ME
IX345TE	NU345HE	SC345WE	UX345NE
IX345WE	NU345ME	SE345HE	UX345SE
LC345EE	NU345SE	SH345EE	UX345TE
LC345HE	NU345WE	SH345HE	UX345WE
LC345LE	NX345EE	SH345LE	
LC345ME	NX345HE	SH345ME	

Front Panel Assembly

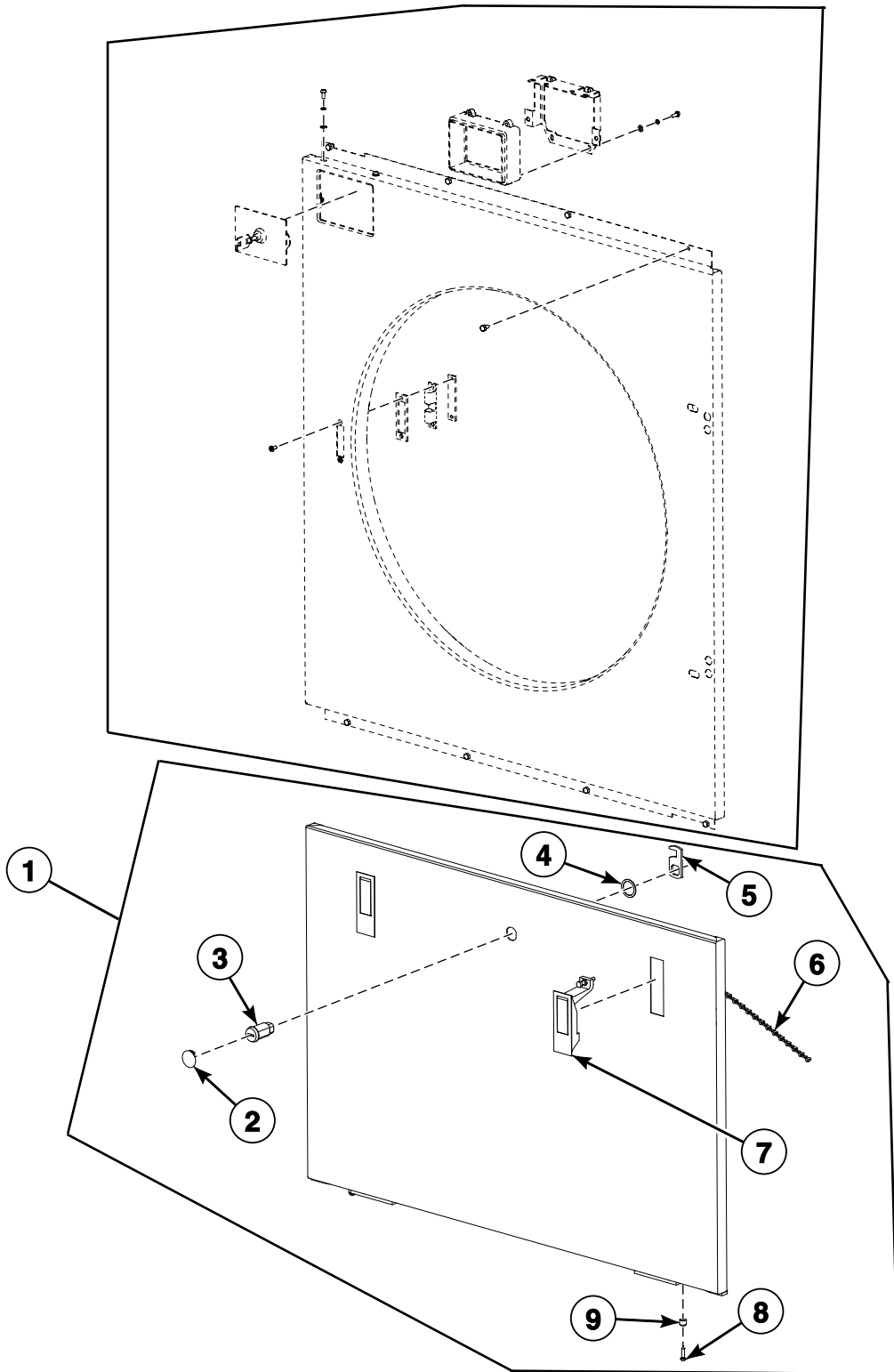


TMB3337P_D2445

Front Panel Assembly

REF	PART NO.	DESCRIPTION	COMMENTS
1	SP530621	Front Panel Assembly	U models; I models starting Serial No.16T014342QD; S models starting 1/1/2021; Includes items 2-12; Imitation stainless steel
	SP559831	Front Panel Assembly	I and LS350HP_BASIC models through Serial No.16T014341QD; S models through 12/31/2020; Includes items 2-12; White
	SP555996	Front Panel Assembly	EC, L, N, P and T models; Includes items 2-12; Gray
	SP530620	Front Panel Assembly	Includes items 2-12; Stainless steel
	SP530623	Front Panel Assembly	U models; I models starting Serial No.16T014342QD; S models starting 1/1/2021; Includes items 2-12; Coin; Right door; Imitation stainless steel
	SP559832	Front Panel Assembly	I and LS350HP_BASIC models through Serial No.16T014341QD; S models through 12/31/2020; Includes items 2-12; Coin; Right door; White
	SP555997	Front Panel Assembly	EC, L, N, P and T models; Includes items 2-12; Coin; Right door; Gray
	SP530622	Front Panel Assembly	Includes items 2-12; Coin; Right door; Stainless steel
	SP545543	Front Panel Assembly	U models; I models starting Serial No.16T014342QD; S models starting 1/1/2021; Includes items 2-12; Coin; Left door; Imitation stainless steel
	SP559833	Front Panel Assembly	I and LS350HP_BASIC models through Serial No.16T014341QD; S models through 12/31/2020; Includes items 2-12; Coin; Left door; White
	SP555998	Front Panel Assembly	EC, L, N, P and T models; Includes items 2-12; Coin; Left door; Gray
	SP545542	Front Panel Assembly	Includes items 2-12; Coin; Left door; Stainless steel
2	SP309966240410	Bolt	
3	SP515291	Coin Vault Cover	Coin
4	SP311125000004	Washer	
5	SP311127000004	Washer	
6	SP515075	Bolt	
7	SP501514	Coin Vault Frame	Coin
8	SP524394	Coin Vault Frame Bracket	Coin
9	SP309933240412	Bolt	
10	SP514906	Washer	
11	SP514530	Latch	
12	SP524366	Washer	

Filter Panel Assembly



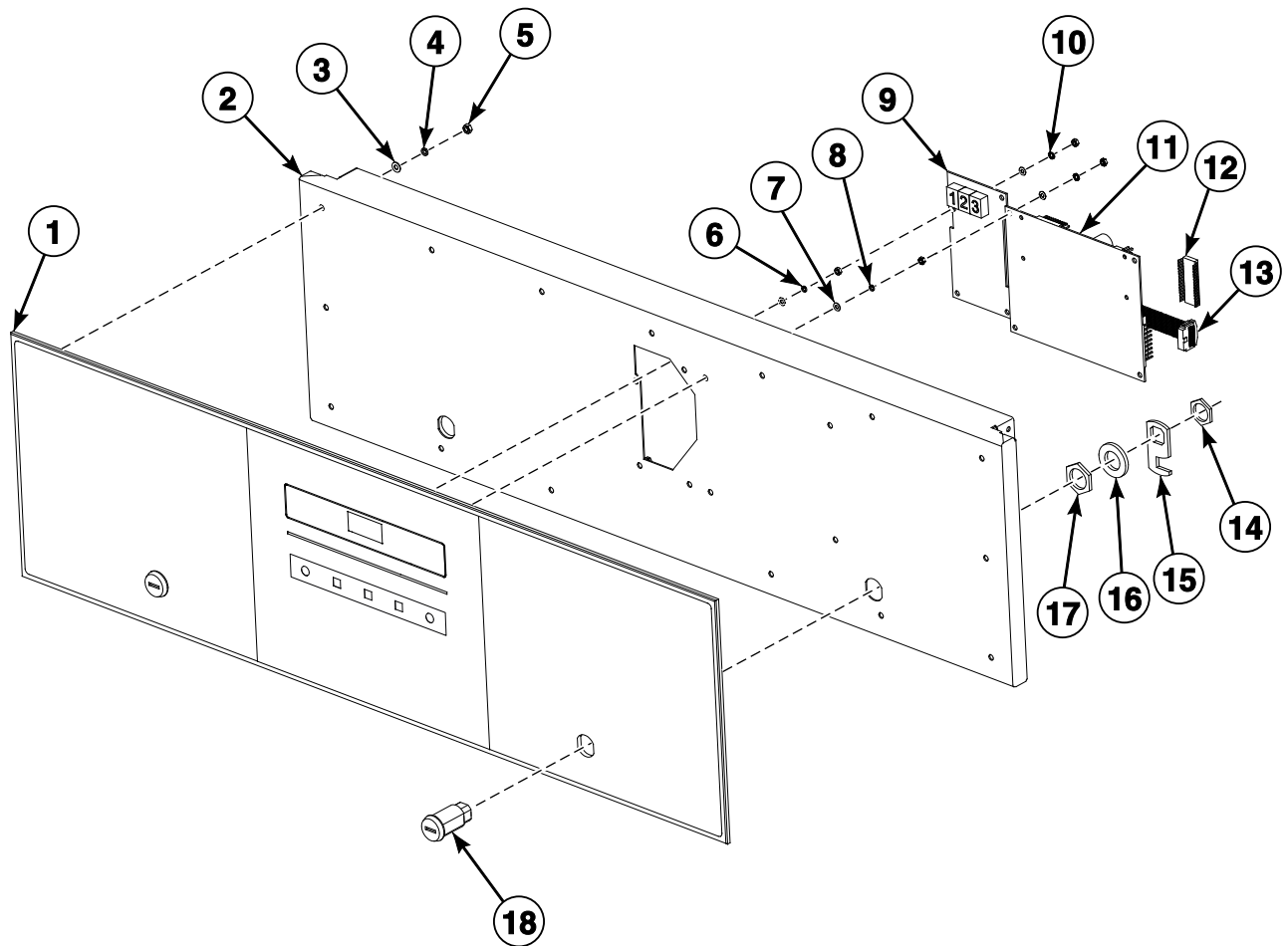
TMB3337PA_D2445

Filter Panel Assembly

REF	PART NO.	DESCRIPTION	COMMENTS
1	SP530631	Filter Panel Assembly	U models; I models starting Serial No.16T014342QD; S models starting 1/1/2021; Includes items 2-9; Imitation stainless steel
	SP559827	Filter Panel Assembly	I and LS350HP_BASIC models through Serial No.16T014341QD; S models through 12/31/2020; Includes items 2-9; White
	SP555961	Filter Panel Assembly	EC, L, N, P and T models; Includes items 2-9; Gray
	SP530630	Filter Panel Assembly	Includes items 2-9; Stainless steel
	SP530634	Filter Panel Assembly	U models; I models starting Serial No.16T014342QD; S models starting 1/1/2021; Includes items 2-9; With lock; Imitation stainless steel
	SP559828	Filter Panel Assembly	I and LS350HP_BASIC models through Serial No.16T014341QD; S models through 12/31/2020; Includes items 2-9; With lock; White
	SP555962	Filter Panel Assembly	EC, L, N, P and T models; Includes items 2-9; With lock; Gray
	SP530633	Filter Panel Assembly	Includes items 2-9; With lock; Stainless steel
	2	SP345900025012	Plug
3	SPPRI610000007	Lock	
4	SPPRI522000012	Washer	
5	SPPRI610001007	Lock Hook	
6	SP521266	Chain	
7	SP521221	Lock	
8	SP520407	Screw	
9	SP520408	Pin Insertion	

Upper Panel for EC Models

Models EC_HYDROS_ST19 and EC_HYDROS_ST19HP

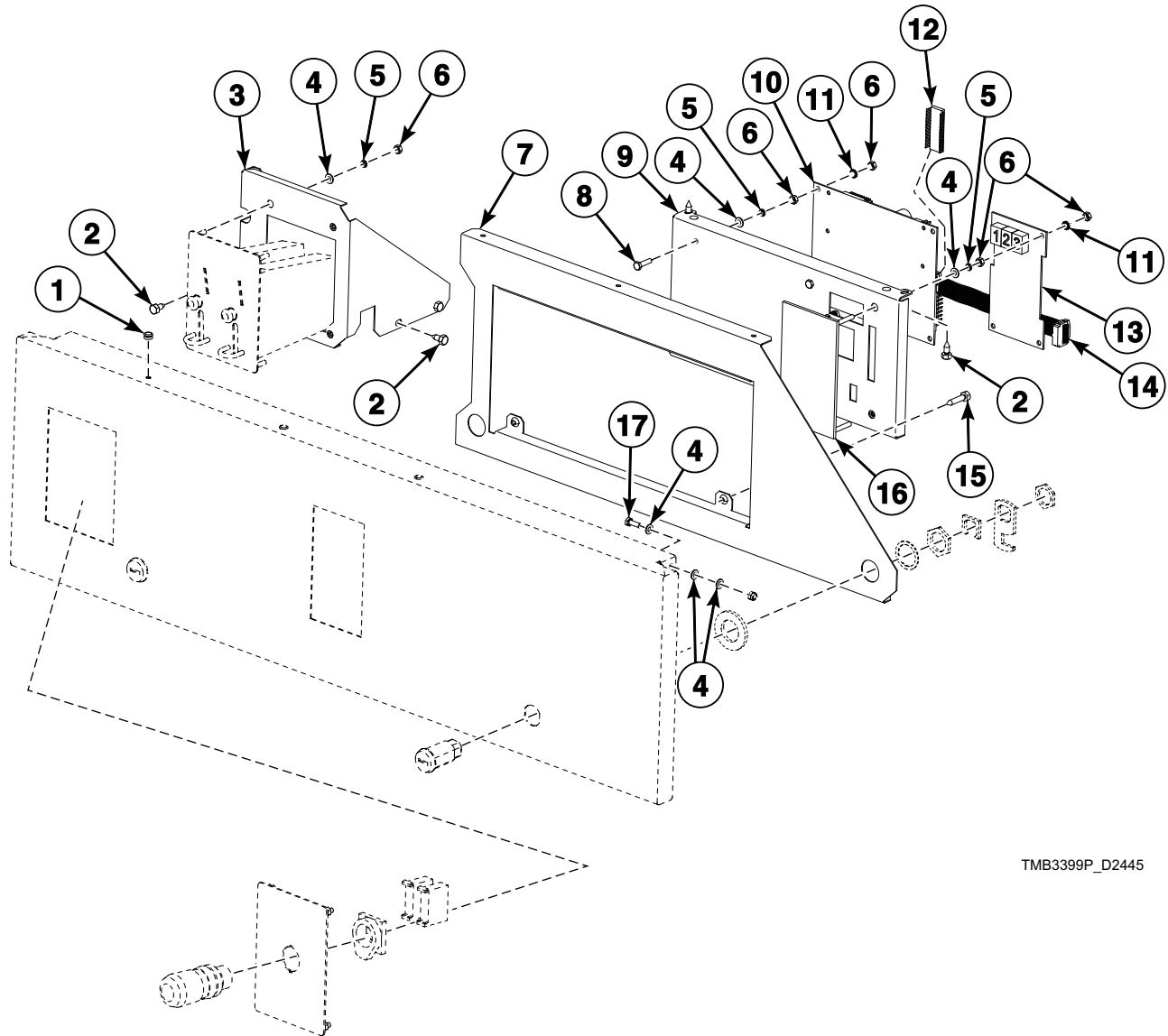


TMB3338P_D2445

Upper Panel for EC Models

REF	PART NO.	DESCRIPTION	COMMENTS
	SP560138	Control Panel Assembly	Includes items 1-18; Gray
1	SP560140	Overlay	
2	SP560139	Control Panel	Gray
3	SP311125000004	Washer	
4	SP311127000004	Washer	
5	SP310934000004	Nut	
6	SP310934000003	Nut	
7	SP311125000003	Washer	
8	SP311127240003	Washer	
9	SP553416	Display Board	Blue
10	SP311679800003	Washer	
11	SP529112	Control	
12	SP526001	Memory	Empty without software version
	103460	Memory	Includes SP526001 Memory and software
	545268	Memory	Models with heat pump; Includes SP526001 Memory and software
13	SP521061	Cable	
14	SPPRI610006007	Nut	
15	SPPRI610001007	Lock Hook	
16	SP311125000010	Washer	
17	SPPRI610005007	Nut	
18	SPPRI610000007	Lock	

Easy Control Components With Coin Meter (Drawing 1 of 2)

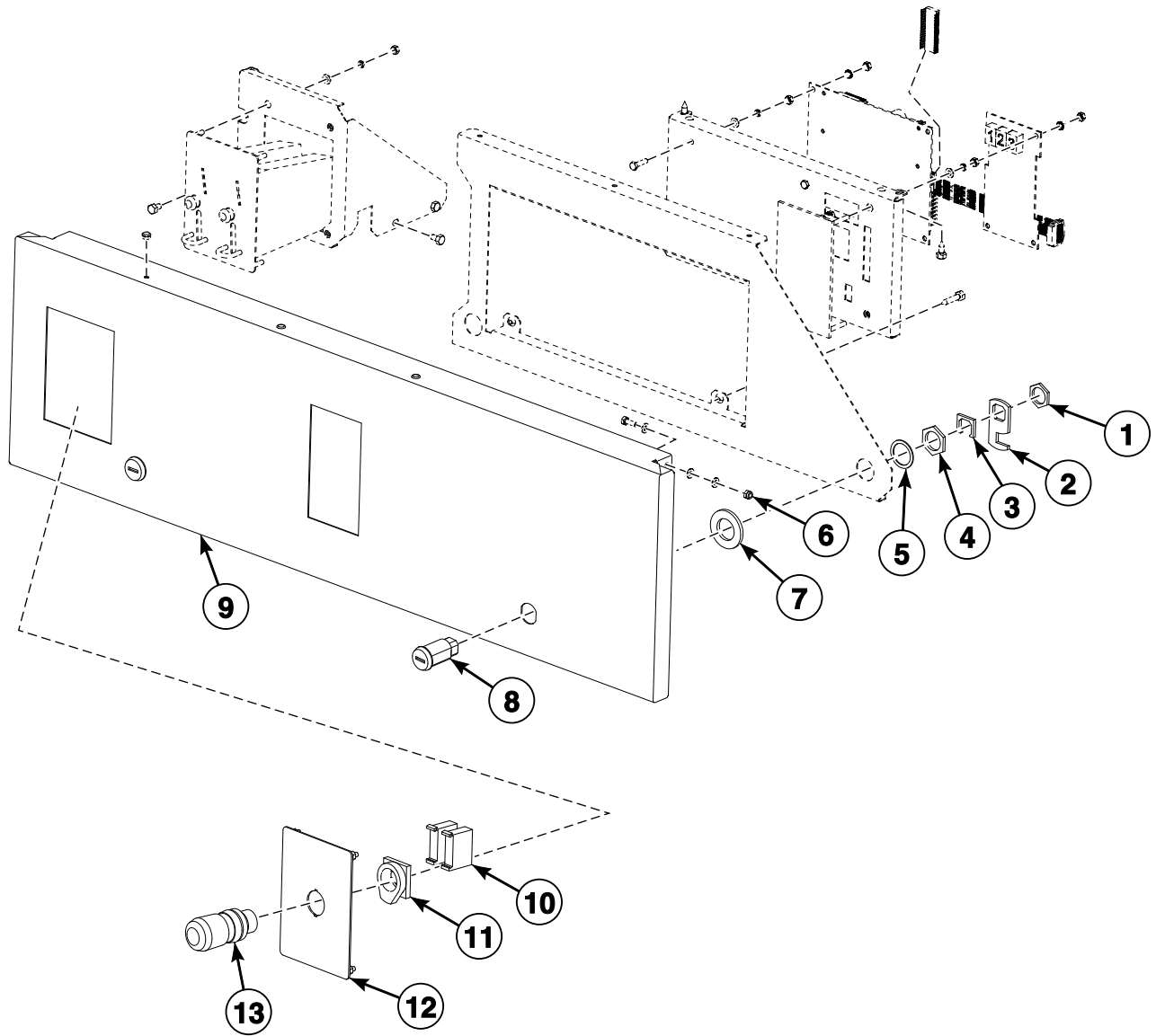


TMB3399P_D2445

Easy Control Components With Coin Meter (Drawing 1 of 2)

REF	PART NO.	DESCRIPTION	COMMENTS
	SP556690	Control Panel Assembly	U models; Imitation stainless steel
	SP559889	Control Panel Assembly	U models; Stainless steel
	SP556691	Control Panel Assembly	I models; White; Through Serial No.16T014341QD
	574517	Control Panel Assembly	I models; Imitation stainless steel; Starting Serial No.16T014342QD
	SP559890	Control Panel Assembly	I models; Stainless steel
	575433	Control Panel Assembly	S models; Imitation stainless steel
	SP560717	Control Panel Assembly	S models through 12/31/2020; White
	SP560716	Control Panel Assembly	S models; Stainless steel
	SP556075	Control Panel Assembly	P and T models; Gray; L and N models through Serial No.16T014341QD
	SP556689	Control Panel Assembly	P and T models; Stainless steel; L and N models through Serial No.16T014341QD
	SP556692	Control Panel Assembly	P and T models; Black; Through 12/12/2016
	SP560224	Control Panel Assembly	Model LS350HP; White; Through Serial No.16T014341QD
	574518	Control Panel Assembly	L and N models; Gray; Starting Serial No.16T014342QD
	SP560225	Control Panel Assembly	L and N models; Stainless steel
1	SP313250004075	Rivet	
2	SP100218	Screw	
3	SP556081	Coin Meter Bracket	
4	SP311125000004	Washer	
5	SP311127000004	Washer	
6	SP310934000004	Nut	
7	SP556603	Control Bracket	
8	SP309933000416	Bolt	
9	SP559819	Control Bracket	
10	SP102458	Control	
11	SP311679800004	Washer	
12	SP526001	Memory	Empty without software version
	102460	Memory	Includes SP526001 Memory and software; Models without heat pump
	545264	Memory	Includes SP526001 Memory and software; Models without heat pump; Export France
	545265	Memory	Models with heat pump; Includes SP526001 Memory and software
	545266	Memory	Models with heat pump; Includes SP526001 Memory and software; Export France
	545267	Memory	Models with heat pump and frequency inverter; Includes SP526001 Memory and software
13	SP102459	Display Board	S and U models; Green
	SP560706	Display Board	I models; Red
	SP553416	Display Board	L, N, P and T models; Blue
14	SP521061	Cable	
15	SP520871	Screw	
16	SP559870	Overlay	U models
	SP559900	Overlay	I models
	SP559871	Overlay	L, N and S models
	SP556099	Overlay	P and T models
17	SP309933240412	Bolt	

Easy Control Components With Coin Meter (Drawing 2 of 2)

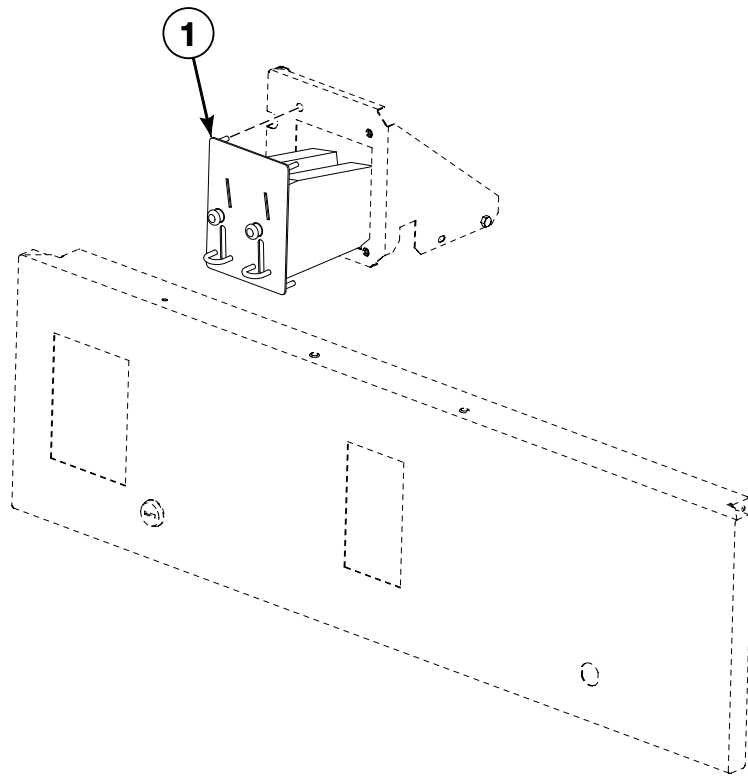


TMB3399PA_D2445

Easy Control Components With Coin Meter (Drawing 2 of 2)

REF	PART NO.	DESCRIPTION	COMMENTS
1	SPPRI610006007	Nut	
2	SPPRI610001007	Lock Hook	
3	SP529082	Shim	
4	SPPRI610005007	Nut	
5	SPPRI522000012	Washer	
6	SP514193	Nut	
7	SP311125000020	Washer	
8	SPPRI610000007	Lock	
9	SP556644	Control Panel	Stainless steel
	SP556680	Control Panel	P and T models; Black
	SP556678	Control Panel	U models; I models starting Serial No.16T014342QD; S models starting 1/1/2021; Imitation stainless steel
	SP556679	Control Panel	I, L and N models through Serial No.16T014341QD; S models through 12/31/2020; White
	SP556076	Control Panel	L, N, P and T models; Gray
10	SP528312	Switching Unit	
11	SP528311	Emergency Stop Connector	
12	SP562956	Label	
13	SP528310	Emergency Stop Knob	

Coin Meter (Drawing 1 of 3)

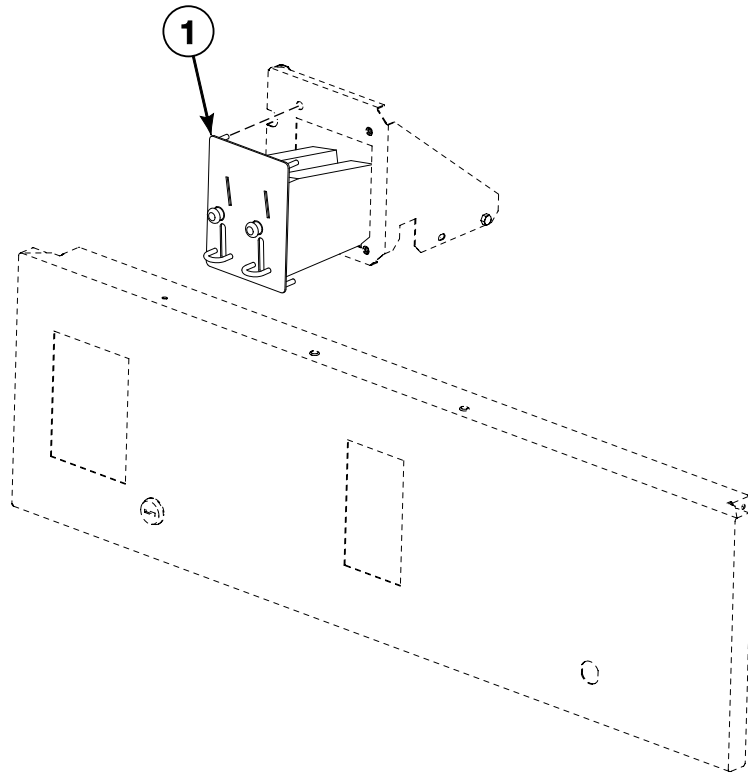


TMB3400P_D2445

Coin Meter (Drawing 1 of 3)

REF	PART NO.	DESCRIPTION	COMMENTS
1	SP100642	Coin Meter	1AUD + 20C
	SP100866	Coin Meter	5K jeton
	SP100867	Coin Meter	7K jeton
	SP100868	Coin Meter	10K jeton
	SP100869	Coin Meter	12K jeton
	SP100870	Coin Meter	15K jeton
	SP100871	Coin Meter	D jeton
	SP100887	Coin Meter	1pound + 20PC
	SP100888	Coin Meter	1pound + 50PC
	SP100891	Coin Meter	100YEN
	SP100892	Coin Meter	500YEN + 100YEN
	SP100895	Coin Meter	5DKK
	SP100896	Coin Meter	20DKK
	SP100900	Coin Meter	5ILS + 1ILS
	SP100902	Coin Meter	1EUR
	SP101228	Coin Meter	1 MYR
	SP101535	Coin Meter	0.50EUR
	SP101536	Coin Meter	0.50EUR + 1EUR
	SP101797	Coin Meter	1DKK + 5DKK
	SP101612	Coin Meter	10NOK + 20NOK
	SP101450	Coin Meter	2DKK + 5DKK
	SP101499	Coin Meter	5NOK
	SP101632	Coin Meter	0.20EUR + 0.50EUR
	SP101586	Coin Meter	1NZD + 2NZD
	SP101155	Coin Meter	10NOK
	SP102084	Coin Meter	10NT + 50NT (dolar)
	SP516639	Coin Meter	2DKK
	SP516638	Coin Meter	Lucky Winner jeton
	SP102473	Coin Meter	10 Taiwan dollar
	SP516636	Coin Meter	10CZK + 20CZK
	SP516804	Coin Meter	7K Equipos Par Lavar jeton
	SP516737	Coin Meter	1EUR + 2EUR
	SP516807	Coin Meter	F10.3-W2000-19,2 Groove jeton, jeton diameter 24.8 mm
	SP100898	Coin Meter	500WON
	SP101437	Coin Meter	0.25USD
	SP516875	Coin Meter	1AUD + 2AUD
	SP102371	Coin Meter	5DKK + 10DKK
	SP102407	Coin Meter	0.2EUR
	SP102452	Coin Meter	1EUR + 0.2 EUR
	SP102546	Coin Meter	SUN WASH jeton
	SP516632	Coin Meter	2DKK + 10DKK
	SP516921	Coin Meter	Unibel Tech 5K jeton
	SP100893	Coin Meter	1AUD
	SP516950	Coin Meter	1CHF
	SP516967	Coin Meter	5 NOK +10NOK
	SP516969	Coin Meter	1 TopMos jeton + 1BGN
	SP516976	Coin Meter	50 penny
	SP516977	Coin Meter	1 Vendo jeton
	SP516980	Coin Meter	2EUR
	SP516984	Coin Meter	0.05EUR
	SP516991	Coin Meter	1 jeton Token

Coin Meter (Drawing 2 of 3)

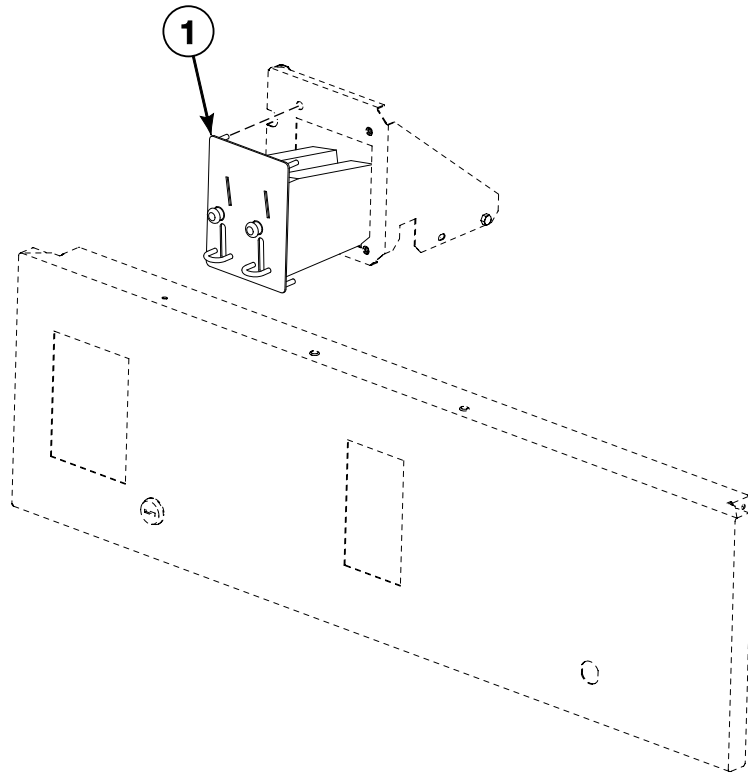


TMB3400P_D2445

Coin Meter (Drawing 2 of 3)

REF	PART NO.	DESCRIPTION	COMMENTS
1	SP516994	Coin Meter	20 pence
	SP516999	Coin Meter	Jetons 7K + D
	SP529106	Coin Meter	1 Wascator jeton diamater 22.2 mm
	SP529108	Coin Meter	1 Unibel jeton diamater 18.55 mm
	SP529114	Coin Meter	2EUR + 0.50EUR
	SP529115	Coin Meter	50HUF + 100HUF
	SP529119	Coin Meter	1 jeton, without coining, jeton diamater 20 mm
	SP529124	Coin Meter	1 Volund jeton, jeton diamater 22.5 mm
	SP534187	Coin Meter	1 Wascator jeton diamater 19 mm
	SP529113	Coin Meter	1 Miele jeton
	SP529110	Coin Meter	1 jeton without coining, jeton diamater 26 mm
	SP534289	Coin Meter	Three-groove jeton, jeton diamater 27 mm
	SP534297	Coin Meter	Three-groove jeton, jeton diamater 25 mm
	SP537775	Coin Meter	D Jeton + 2EUR
	SP537776	Coin Meter	7K Jeton + 2EUR
	SP537778	Coin Meter	Milano Italy Jeton
	SP537779	Coin Meter	5PLN + 1 PLN
	SP537787	Coin Meter	Two-groove jeton, jeton diamater 27 mm
	SP537788	Coin Meter	A.S.A.R.D. jeton, jeton diamater 25.8 mm
	SP537825	Coin Meter	20CZK
	SP537828	Coin Meter	Electrolux ASARD jeton, jeton diamater 22.3 mm
	SP537859	Coin Meter	Laundromatic Belgium jeton, jeton diamater 22.3 mm
	SP537829	Coin Meter	Carsen two-groove jeton, jeton diamater 22 mm
	SP537913	Coin Meter	Asard Wascator jeton, jeton diamater 19.9 mm
	SP552901	Coin Meter	Eagle jeton, jeton diamater 25.98 mm
	SP552951	Coin Meter	1SGD
	SP552952	Coin Meter	200HUF
	SP552998	Coin Meter	1TRY
	SP553007	Coin Meter	0.5 MYR
	SP553008	Coin Meter	Butzi wash jeton
	SP553152	Coin Meter	EUROTOKEN 10 (DETON WASH)
	SP556109	Coin Meter	1SGD (new Singapore dollar)
	SP556113	Coin Meter	Flash wash jeton
	SP556114	Coin Meter	2PLN
	SP555667	Coin Meter	50 + 50, Malaysian cents
	SP556153	Coin Meter	Symbol M jeton, jeton ROMAC
	SP559709	Coin Meter	1 NOK + 5 NOK
	SP560746	Coin Meter	Dobi Ekspres jeton
	SP560095	Coin Meter	5k IPSO jeton
	SP560096	Coin Meter	7k IPSO jeton
	SP560097	Coin Meter	10k IPSO jeton
	SP560098	Coin Meter	12k IPSO jeton
	SP560099	Coin Meter	15k IPSO jeton
	SP561379	Coin Meter	10 Morrocan Dirham
	SP560793	Coin Meter	AAW Lav-o-seul jeton
	SP564823	Coin Meter	EMP500.12v5 for new SGD + new MYR + teach mode
	SP553140	Coin Meter	20 CZK + 50 CZK

Coin Meter (Drawing 3 of 3)

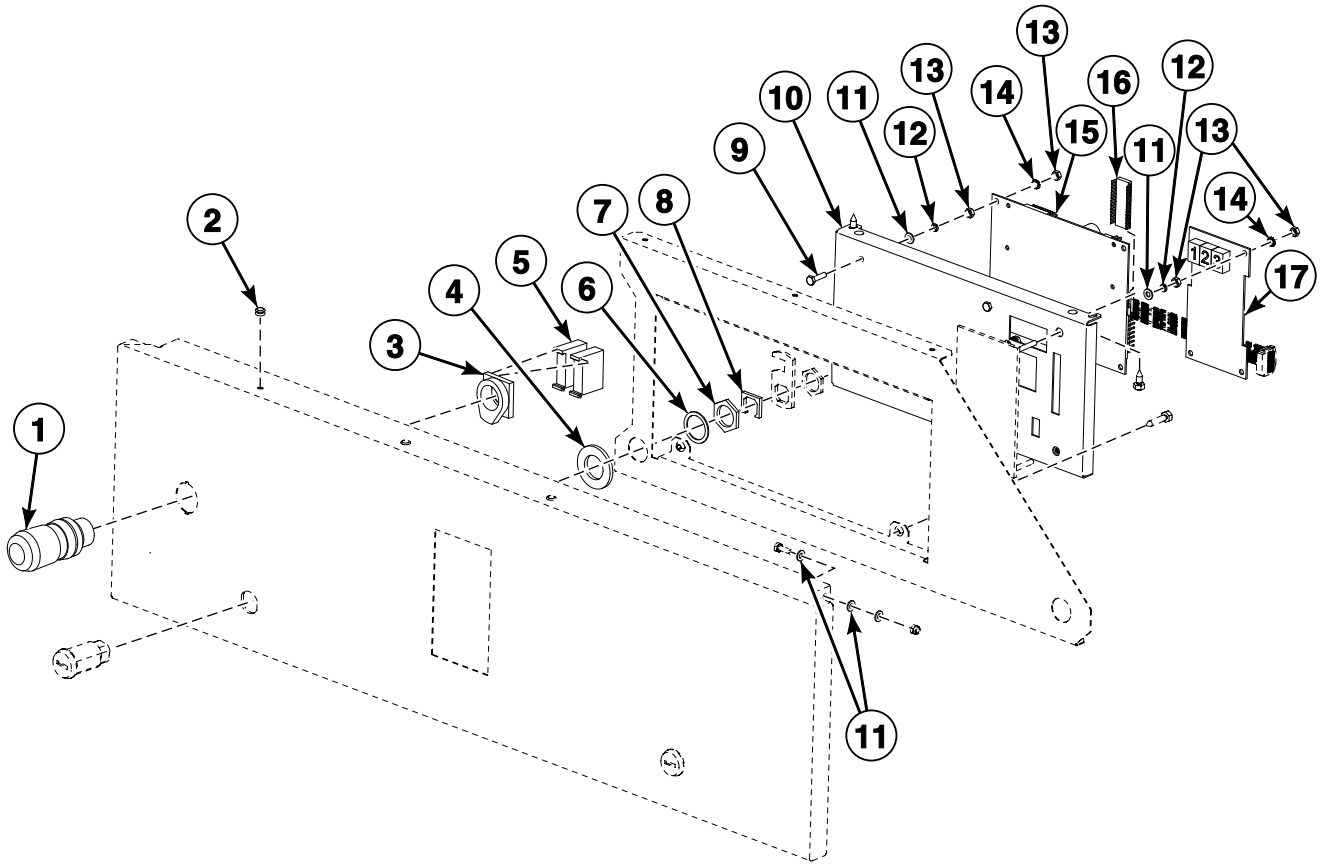


TMB3400P_D2445

Coin Meter (Drawing 3 of 3)

REF	PART NO.	DESCRIPTION	COMMENTS
1	516848	Coin Meter	Washmatic jeton
	516908	Coin Meter	Unibel Tech one-groove jeton
	516909	Coin Meter	Unibel Tech two-groove jeton
	516913	Coin Meter	Unibel Tech jeton for FS07
	516914	Coin Meter	Unibel Tech jeton for FS10
	529159	Coin Meter	1 Wash Jet. 20 jeton
	569920	Coin Meter	0.25USD, 1USD, 0.25CAD, 1CAD, 2CAD; Electronic EMPv7
	569923	Coin Meter	0.2GBP, 0.5GBP, 1GBP, 2GBP, 0.1EUR, 0.2EUR, 0.5EUR, 1EUR, 2EUR; Electronic EMPv7
	569926	Coin Meter	1DKK, 2DKK, 5DKK, 10DKK, 20DKK, 1NOK, 5NOK, 10NOK, 20NOK, 0.2EUR, 0.5EUR, 1EUR, 2EUR; Electronic EMPv7
	569929	Coin Meter	0.2AUD, 1AUD, 2AUD, 0.2NZD, 1NZD, 2NZD, 5HKD, 10KHD, 500KRW; Electronic EMPv7
	569932	Coin Meter	1CNY, 0.1MYR, 0.2MYR, 0.5MYR; Electronic EMPv7
	569935	Coin Meter	0.1EUR, 0.2EUR, 0.5EUR, 1EUR, 2EUR; Electronic EMPv7
	569938	Coin Meter	1PHP, 5PHP, 10PHP; Electronic EMPv7
	569941	Coin Meter	0.1SGD, 0.2SGD, 0.5SGD, 1SGD; Electronic EMPv7
	569944	Coin Meter	0.1MYR, 0.2MYR, 0.5MYR, 0.5SGD, 1SGD; Electronic EMPv7
	569947	Coin Meter	1HRK, 2HRK, 5HRK; Electronic EMPv7
	569950	Coin Meter	5CZK, 10CZK, 20CZK, 50CZK; Electronic EMPv7
	569953	Coin Meter	0.5MAD, 1MAD, 2MAD, 5MAD, 10MAD; Electronic EMPv7
	569956	Coin Meter	1PLN, 2PLN, 5PLN, 0.1EUR, 0.2EUR, 0.5EUR, 1EUR, 2EUR, 10ISK, 50ISK, 100ISK; Electronic EMPv7
	569963	Coin Meter	0.1EUR, 0.2EUR, 0.5EUR, 1EUR, 2EUR, jeton IPSO 5K
	569966	Coin Meter	0.2GBP, 0.5GBP, 1GBP, 2GBP, 0.1EUR, 0.2EUR, 0.5EUR, 1EUR, 2EUR, jeton "KWL Aqua", jeton "Gettone"; Electronic EMPv7
	569969	Coin Meter	0.1EUR, 0.2EUR, 0.5EUR, 1EUR, 2EUR, jeton G-FIS "LAVOIR BIANCA"; Electronic EMPv7
	569972	Coin Meter	0.5MYR, jeton "DOBI PAPA"; Electronic EMPv7
	569975	Coin Meter	1AUD, 2AUD, jeton "No Cash Value"; Electronic EMPv7
	569981	Coin Meter	0.5MYR, jeton "BUBBLELAB"; Electronic EMPv7
	569986	Coin Meter	HAUCK 2018 jeton
	572303	Coin Meter	Jetton 118-16
	572306	Coin Meter	1ILS, 2ILS, 5ILS, 10ILS; Electronic EMPv7
	572309	Coin Meter	1ZAR, 2ZAR, 5 ZAR; Electronic EMPv7
	572312	Coin Meter	5RUB, 10RUB; Electronic EMPv7
	572315	Coin Meter	50CLP, 100CLP, 500CLP; Electronic EMPv7
	572319	Coin Meter	100JPY, 500JPY, 10TWD, 50TWD; Electronic EMPv7
	572322	Coin Meter	0.5GEL, 1GEL, 2GEL; Electronic EMPv7
	572325	Coin Meter	0.1EUR, 0.2 EUR, 0.5 EUR, 1EUR, 2EUR; Electronic EMPv7
	572337	Coin Meter	Jeton 118-1
	572338	Coin Meter	Jeton 118-5
	572340	Coin Meter	Gettone Jetton (26mm diameter x 1.7mm)
	572344	Coin Meter	TOKEN WH121
	572360	Coin Meter	1THB, 2THB, 5THB, 10THB; Electronic EMPv7
	572385	Coin Meter	0.2CHF, 0.5CHF, 1CHF, 2CHF; Electronic EMPv7
	572390	Coin Meter	0.25CAD
	579810	Coin Meter	1AED, Jeton 118-1; Electronic EMPv7
	579814	Coin Meter	20HUF, 50HUF, 100HUF, 200HUF; Electronic EMPv7
	579820	Coin Meter	2PLN + 5PLN; Electronic EMPv7

Easy Control Components Without Coin Meter (Drawing 1 of 2)

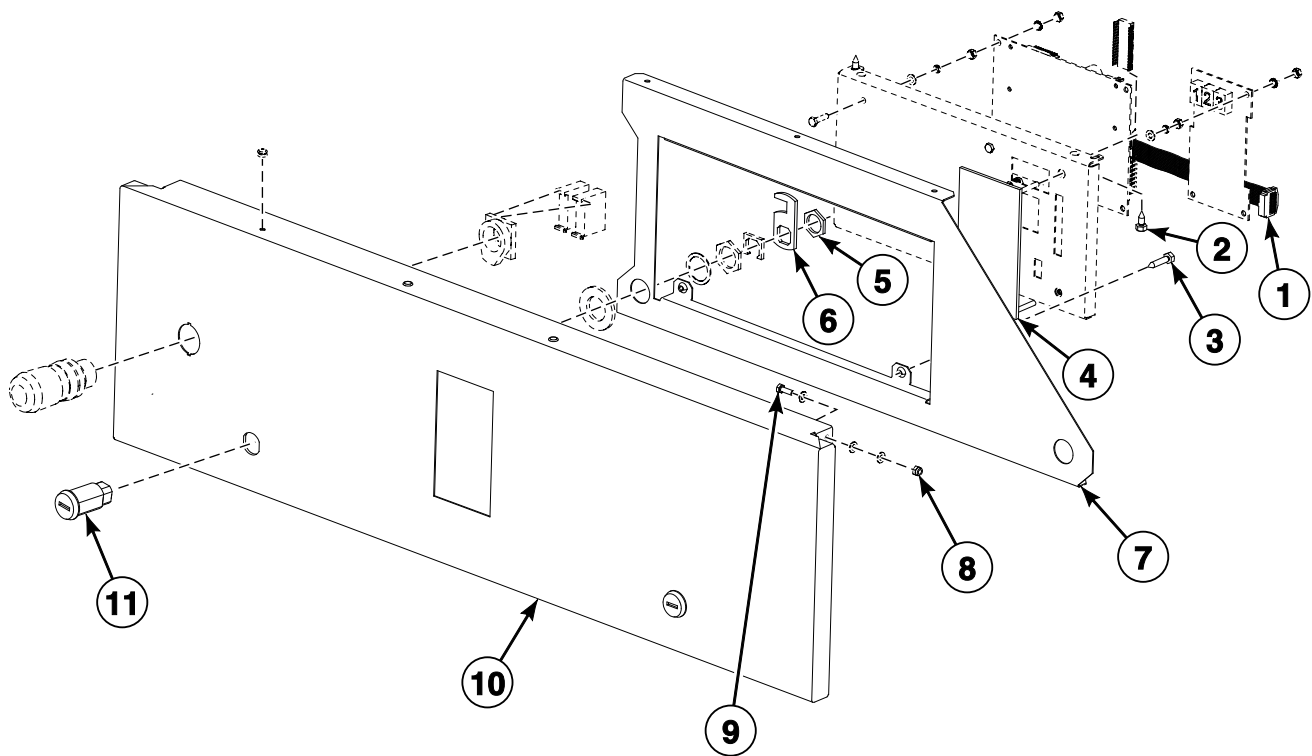


TMB3341P_D2445

Easy Control Components Without Coin Meter (Drawing 1 of 2)

REF	PART NO.	DESCRIPTION	COMMENTS
	SP556688	Control Panel Assembly	U models; Imitation stainless steel
	SP559887	Control Panel Assembly	U models; Stainless steel
	SP556687	Control Panel Assembly	I models; White; Through Serial No.16T014341QD
	574515	Control Panel Assembly	I models; Imitation stainless steel; Starting Serial No.16T014342QD
	SP559888	Control Panel Assembly	I models; Stainless steel
	575432	Control Panel Assembly	S models; Imitation stainless steel
	SP560715	Control Panel Assembly	S models through 12/31/2020; White
	SP560714	Control Panel Assembly	S models; Stainless steel
	SP556078	Control Panel Assembly	P and T models; Gray; L and N models through Serial No.16T014341QD
	SP556685	Control Panel Assembly	P and T models; Stainless steel; L and N models through Serial No.16T014341QD
	SP556686	Control Panel Assembly	P and T models; Black
	SP560222	Control Panel Assembly	Model LS350HP_BASIC; White; Through Serial No.16T014341QD
	574516	Control Panel Assembly	L and N models; Gray; Starting Serial No.16T014342QD
	SP560223	Control Panel Assembly	L and N models; Stainless steel
1	SP528310	Emergency Stop Knob	
2	SP313250004075	Rivet	
3	SP528311	Emergency Stop Connector	
4	SP311125000020	Washer	
5	SP528312	Switching Unit	
6	SPPRI522000012	Washer	
7	SPPRI610005007	Nut	
8	SP529082	Shim	
9	SP309933000416	Bolt	
10	SP559819	Control Bracket	
11	SP311125000004	Washer	
12	SP311127000004	Washer	
13	SP310934000004	Nut	
14	SP311679800004	Washer	
15	SP102458	Control	
16	SP526001	Memory	Empty without software version
	102460	Memory	Models without heat pump; Includes SP526001 Memory and software
	545264	Memory	Models without heat pump; Includes SP526001 Memory and software; Export France
	545265	Memory	Models with heat pump; Includes SP526001 Memory and software
	545266	Memory	Models with heat pump; Includes SP526001 Memory and software; Export France
	545267	Memory	Models with heat pump and frequency inverter; Includes SP526001 Memory and software
17	SP102459	Display Board	S and U models; Green
	SP560706	Display Board	I models; Red
	SP553416	Display Board	L, N, P and T models; Blue

Easy Control Components Without Coin Meter (Drawing 2 of 2)

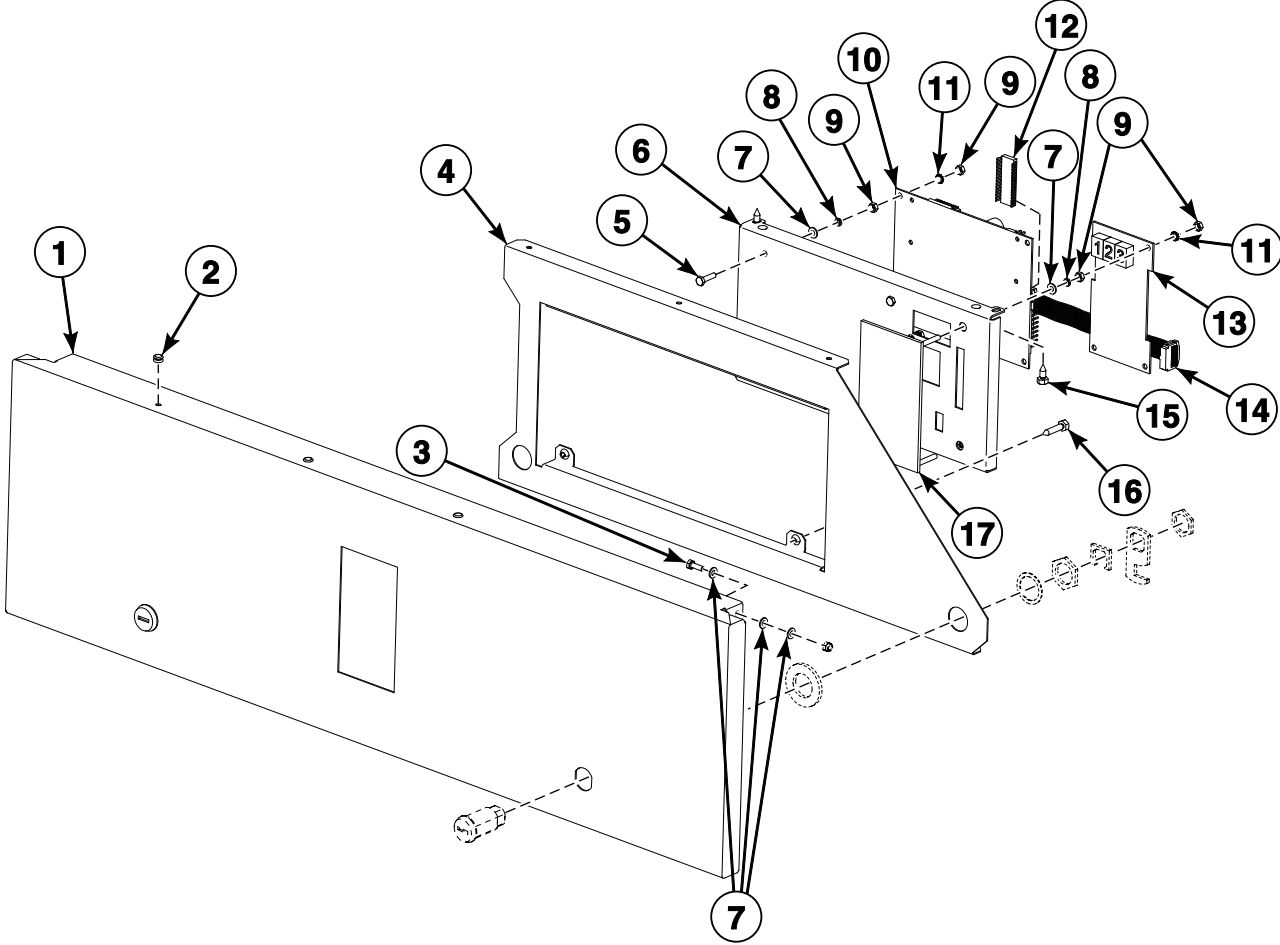


TMB3341PA_D2445

Easy Control Components Without Coin Meter (Drawing 2 of 2)

REF	PART NO.	DESCRIPTION	COMMENTS
1	SP521061	Cable	
2	SP100218	Screw	
3	SP520871	Screw	
4	SP559870	Overlay	U models
	SP559900	Overlay	I models
	SP559871	Overlay	L, N and S models
	SP556099	Overlay	P and T models
5	SPPRI610006007	Nut	
6	SPPRI610001007	Lock Hook	
7	SP556603	Control Bracket	
8	SP514193	Nut	
9	SP309933240412	Bolt	
10	SP556677	Control Panel	U models; I models starting Serial No.16T014342QD; S models starting 1/1/2021; Imitation stainless steel
	SP556676	Control Panel	I, L and N models through Serial No.16T014341QD; S models through 12/31/2020; White
	SP556077	Control Panel	L, N, P and T models; Gray
	SP556675	Control Panel	P and T models; Black
	SP556674	Control Panel	Stainless steel
11	SPPRI610000007	Lock	

Easy Control with External Payment System (Drawing 1 of 2)

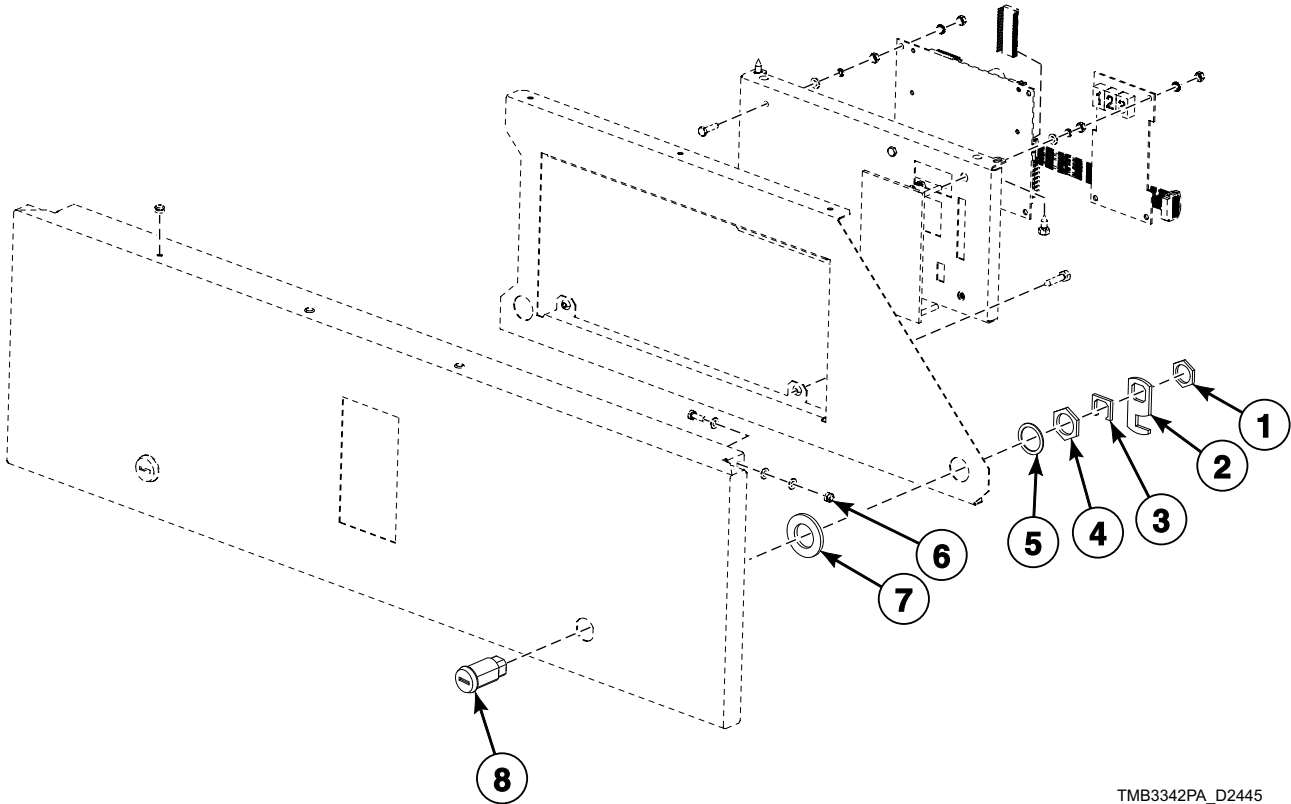


TMB3342P_D2445

Easy Control with External Payment System (Drawing 1 of 2)

REF	PART NO.	DESCRIPTION	COMMENTS
	SP556693	Control Panel Assembly	U models; Imitation stainless steel
	SP559891	Control Panel Assembly	U models; Stainless steel
	SP556696	Control Panel Assembly	I models; White; Through Serial No.16T014341QD
	574519	Control Panel Assembly	I models; Imitation stainless steel; Starting Serial No.16T014342QD
	SP559892	Control Panel Assembly	I models; Stainless steel
	575434	Control Panel Assembly	S models; Imitation stainless steel
	SP560719	Control Panel Assembly	S models; White; Through 12/31/2020
	SP560718	Control Panel Assembly	S models; Stainless steel
	SP556695	Control Panel Assembly	P and T models; Gray; L and N models through Serial No.16T014341QD
	SP556694	Control Panel Assembly	P and T models; Stainless steel; L and N models through Serial No.16T014341QD
	SP556646	Control Panel Assembly	P and T models; Black; Through 12/12/2016
	SP559893	Control Panel Assembly	P and T models; Black
	SP560226	Control Panel Assembly	Model LS350HP_BASIC; White; Through S.N.16T014341QD
	574520	Control Panel Assembly	L and N models; Gray; Starting Serial No.16T014342QD
	SP560227	Control Panel Assembly	L and N models; Stainless steel
1	SP556681	Control Panel	U models; I models starting Serial No.16T014342QD; S models starting 1/1/2021; Imitation stainless steel
	SP556684	Control Panel	I, L and N models through Serial No.16T014341QD; S models through 12/31/2020; White
	SP556683	Control Panel	L, N, P and T models; Gray
	SP556645	Control Panel	P and T models; Black
	SP556682	Control Panel	Stainless steel
2	SP313250004075	Rivet	
3	SP309933240412	Bolt	
4	SP556603	Control Bracket	
5	SP309933000416	Bolt	
6	SP559819	Control Bracket	
7	SP311125000004	Washer	
8	SP311127000004	Washer	
9	SP310934000004	Nut	
10	SP102458	Control	
11	SP311679800004	Washer	
12	SP526001	Memory	Empty without software version
	102460	Memory	Models without heat pump; Includes SP526001 Memory and software
	545264	Memory	Models without heat pump; Includes SP526001 Memory and software; Export France
	545265	Memory	Models with heat pump; Includes SP526001 Memory and software
	545266	Memory	Models with heat pump; Includes SP526001 Memory and software; Export France
	545267	Memory	Models with heat pump and frequency inverter; Includes SP526001 Memory and software
13	SP102459	Display Board	S and U models; Green
	SP560706	Display Board	I models; Red
	SP553416	Display Board	L, N, P and T models; Blue
14	SP521061	Cable	
15	SP100218	Screw	
16	SP520871	Screw	
17	SP559870	Overlay	U models
	SP559900	Overlay	I models
	SP559871	Overlay	L, N and S models
	SP556099	Overlay	P and T models except T16E
	SP553415	Overlay	Model T16E

Easy Control with External Payment System (Drawing 2 of 2)

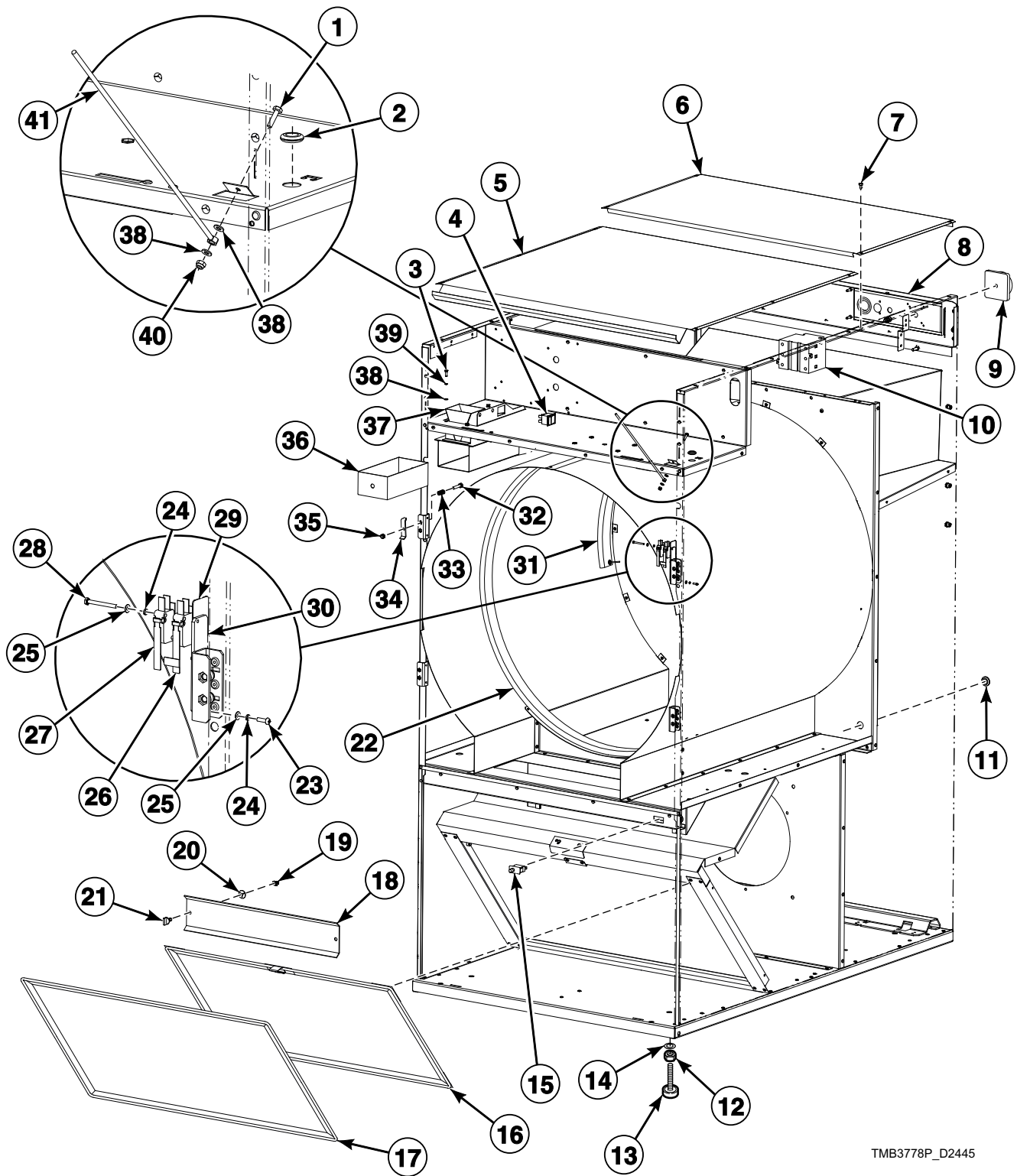


TMB3342PA_D2445

Easy Control with External Payment System (Drawing 2 of 2)

REF	PART NO.	DESCRIPTION	COMMENTS
1	SPPRI610006007	Nut	
2	SPPRI610001007	Lock Hook	
3	SP529082	Shim	
4	SPPRI610005007	Nut	
5	SPPRI522000012	Washer	
6	SP514193	Nut	
7	SP311125000020	Washer	
8	SPPRI610000007	Lock	

Cabinet - Heat Pump Models

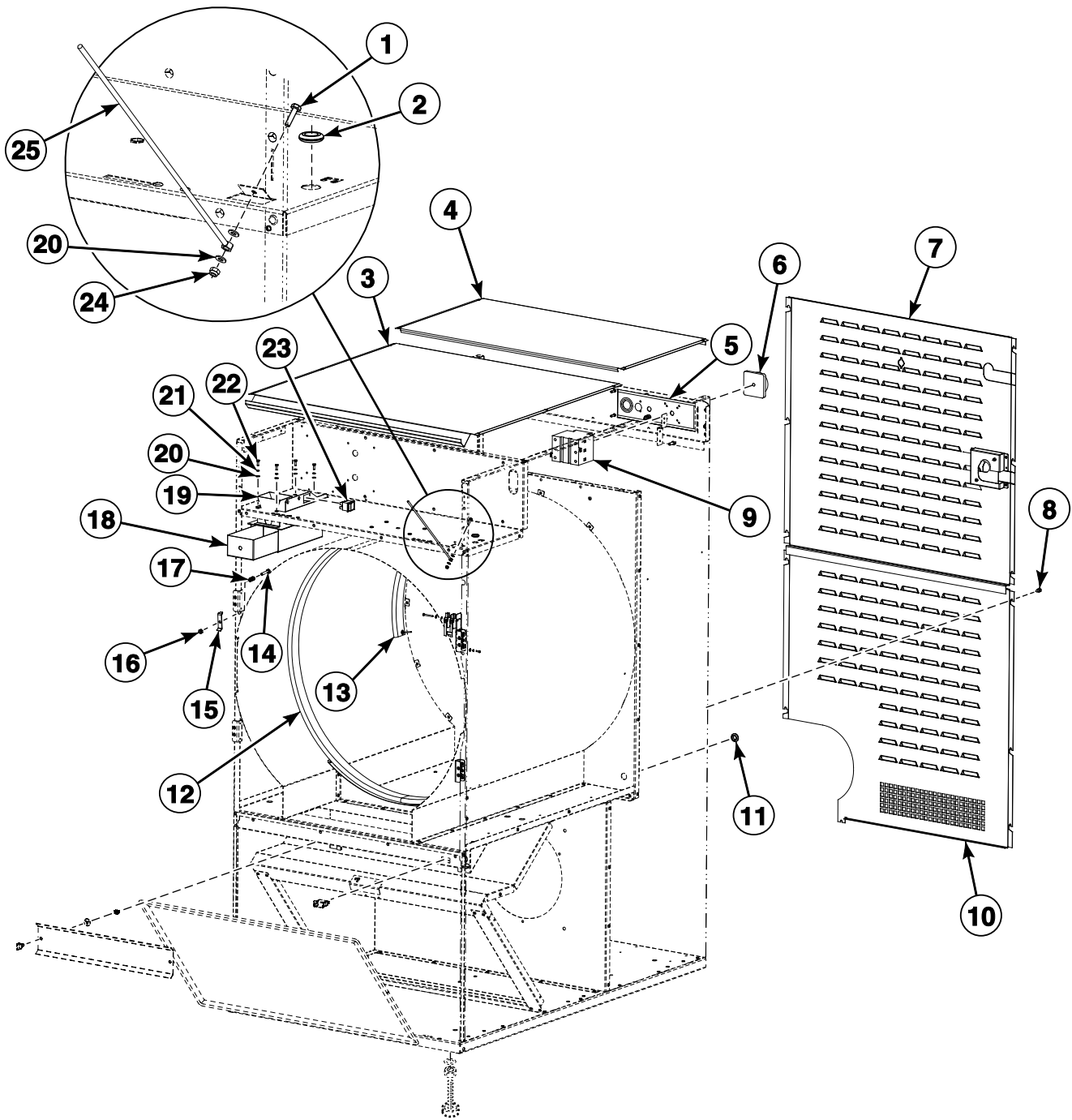


TMB3778P_D2445

Cabinet - Heat Pump Models

REF	PART NO.	DESCRIPTION	COMMENTS
	SP560162	Filter Assembly	Includes items 16 and 17
	SP520404	Door Switch Assembly	Includes items 23-30
	573370	Coin Vault Assembly	Includes items 3 and 36, 37, 38, 39
1	SP309933000416	Bolt	
2	SP273121011001	Bushing	
3	SP309933240412	Bolt	
4	SP100388	Switch	
5	SP530795	Upper Cover	
	SP557133	Upper Cover	Single phase
6	SP530796	Access Cover	
	SP557136	Access Cover	Single phase
7	SP100218	Screw	
8	SP520891	Switch Panel	
9	SPPRI404000095	Main Switch Knob	
10	SPPRI404000097	Main Switch	
11	SP273121013002	Bushing	
12	SP310934000010	Nut	
13	SPPRI504000001	Adjustable Foot	
14	SP311125000010	Washer	
15	SP506045	Microswitch	
16	SP560160	Fine Filter	
17	SP512324	Filter	
18	SP545533	Exhaust Cover	
19	SP545530	Nut	
20	SP545531	Washer	
21	SP545529	Bolt	
22	SP518505	Front Seal	
23	SP518719	Bolt	
24	SP311127000003	Washer	
25	SP311125000003	Washer	
26	SP517484	Microswitch	
27	SPPRI610011077	Microswitch	
28	SP516693	Bolt	
29	SP101154	Isolation Plate	
30	SP520403	Door Switch Holder	
31	SP527801	Back Seal	
32	SP309933000630	Bolt	
33	SPPRI611000009	Spring	
34	SP534645	Lock Hook	
35	SP310985000006	Nut	
36	SP321848140028	Coin Vault	
37	573350	Coin Vault	
38	SP311125000004	Washer	
39	SP311127000004	Washer	
40	SP514193	Nut	
41	SP517486	Rod	

Cabinet - Gas, Steam and Electric Models (Drawing 1 of 2)

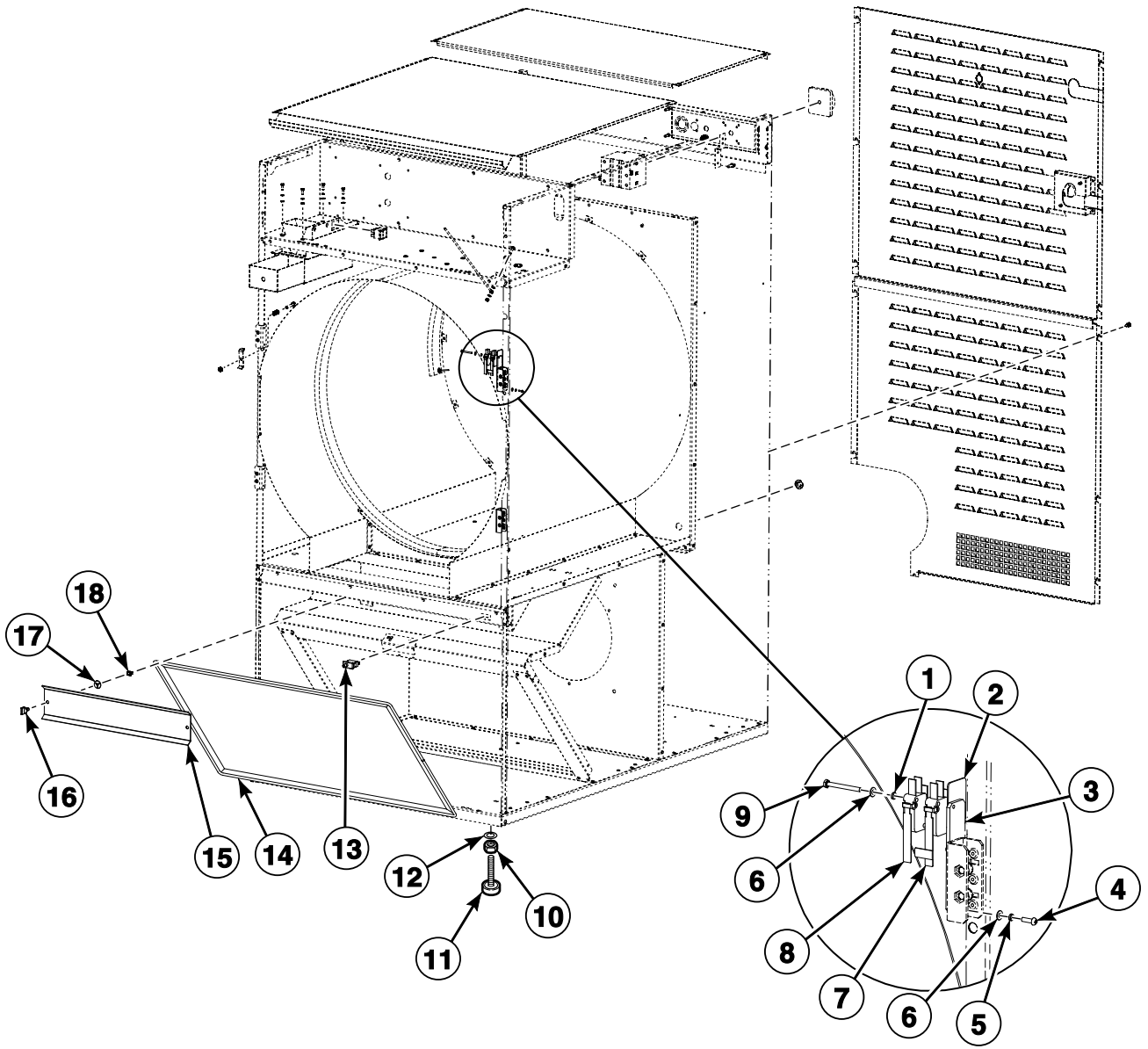


TMB3780P_D2445

Cabinet - Gas, Steam and Electric Models (Drawing 1 of 2)

REF	PART NO.	DESCRIPTION	COMMENTS
	573370	Coin Vault Assembly	Includes items 18 and 19
1	SP309933000416	Bolt	
2	SP273121011001	Bushing	
3	SP530795	Upper Cover	
4	SP530796	Access Cover	
5	SP520890	Switch Panel	
6	SPPRI404000095	Main Switch Knob	
7	SP530798	Upper Rear Cover	Electric models
	SP556533	Upper Rear Cover	Gas models; Also use SP556519 Cover
8	SP100218	Screw	
9	SPPRI404000097	Main Switch	Gas and steam models
	SPPRI404000098	Main Switch	Electric models; 400-440V, 12kW, 18kW or 24 kW
	SPPRI404000099	Main Switch	Electric models; 208-240V, 18 kW; 400-440V, 18kW or 24kW
	SPPRI404000100	Main Switch	Electric models; 208-240V; 24 kW
10	SP530799	Lower Rear Cover	
11	SP273121013002	Bushing	
12	SP518505	Front Seal	
13	SP527801	Back Seal	
14	SP309933000630	Bolt	
15	SP534645	Lock Hook	
16	SP310985000006	Nut	
17	SPPRI611000009	Spring	
18	SP321848140028	Coin Vault	
19	573350	Coin Vault	
20	SP311125000004	Washer	
21	SP311127000004	Washer	
22	SP309933240412	Bolt	
23	SP100388	Switch	
24	SP514193	Nut	
25	SP517486	Rod	

Cabinet - Gas, Steam and Electric Models (Drawing 2 of 2)

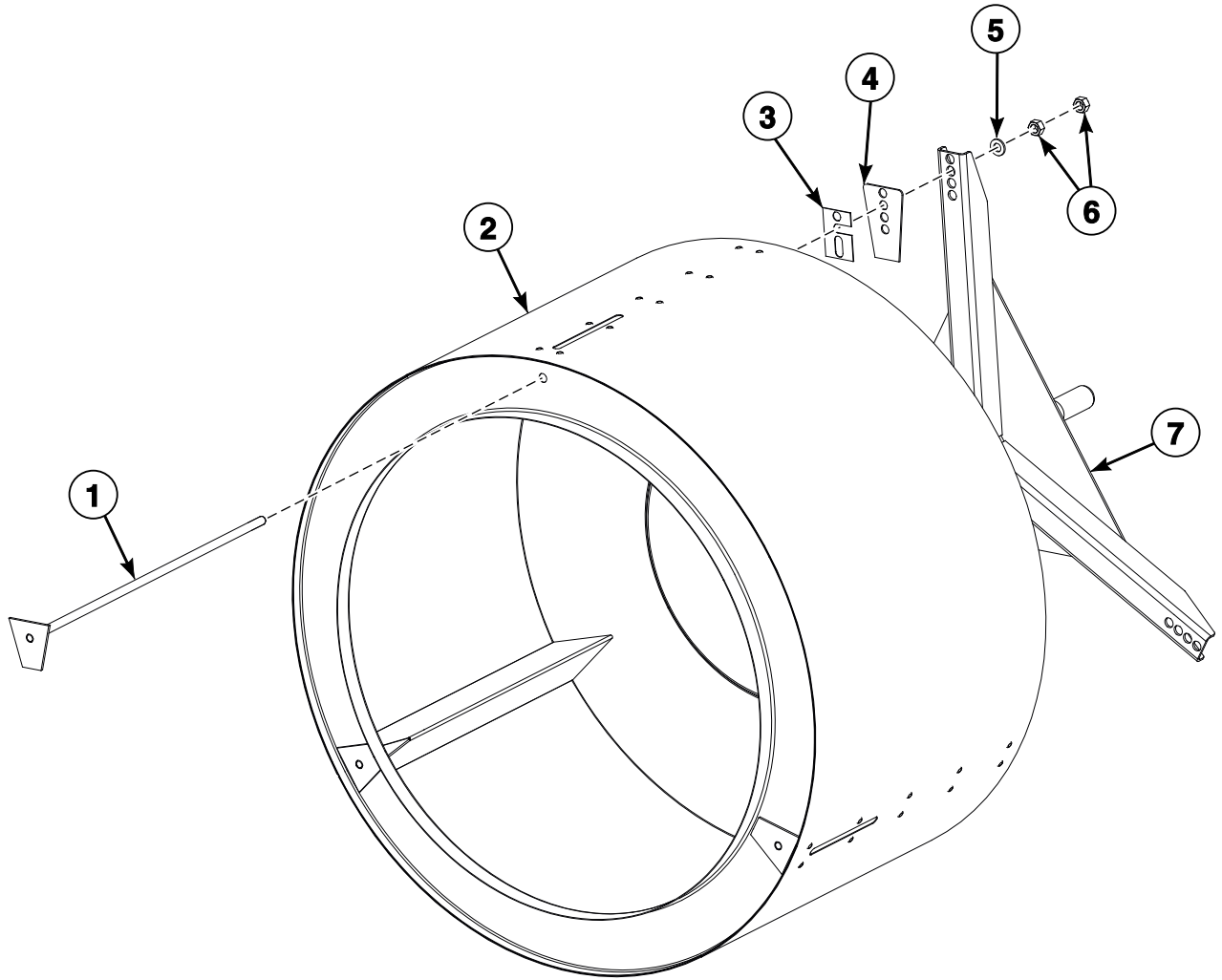


TMB3779P_D2445

Cabinet - Gas, Steam and Electric Models (Drawing 2 of 2)

REF	PART NO.	DESCRIPTION	COMMENTS
	SP520404	Door Switch Assembly	Includes items 1-9
1	SP311127000003	Washer	
2	SP101154	Isolation Plate	
3	SP520403	Door Switch Holder	
4	SP518719	Bolt	
5	SP311127000003	Washer	
6	SP311125000003	Washer	
7	SP517484	Microswitch	
8	SPPRI610011077	Microswitch	
9	SP516693	Bolt	
10	SP310934000010	Nut	
11	SPPRI504000001	Adjustable Foot	
12	SP311125000010	Washer	
13	SP506045	Microswitch	
14	SP512324	Filter	
15	SP545533	Exhaust Cover	
16	SP545529	Bolt	
17	SP545531	Washer	
18	SP545530	Nut	

Drum Assembly

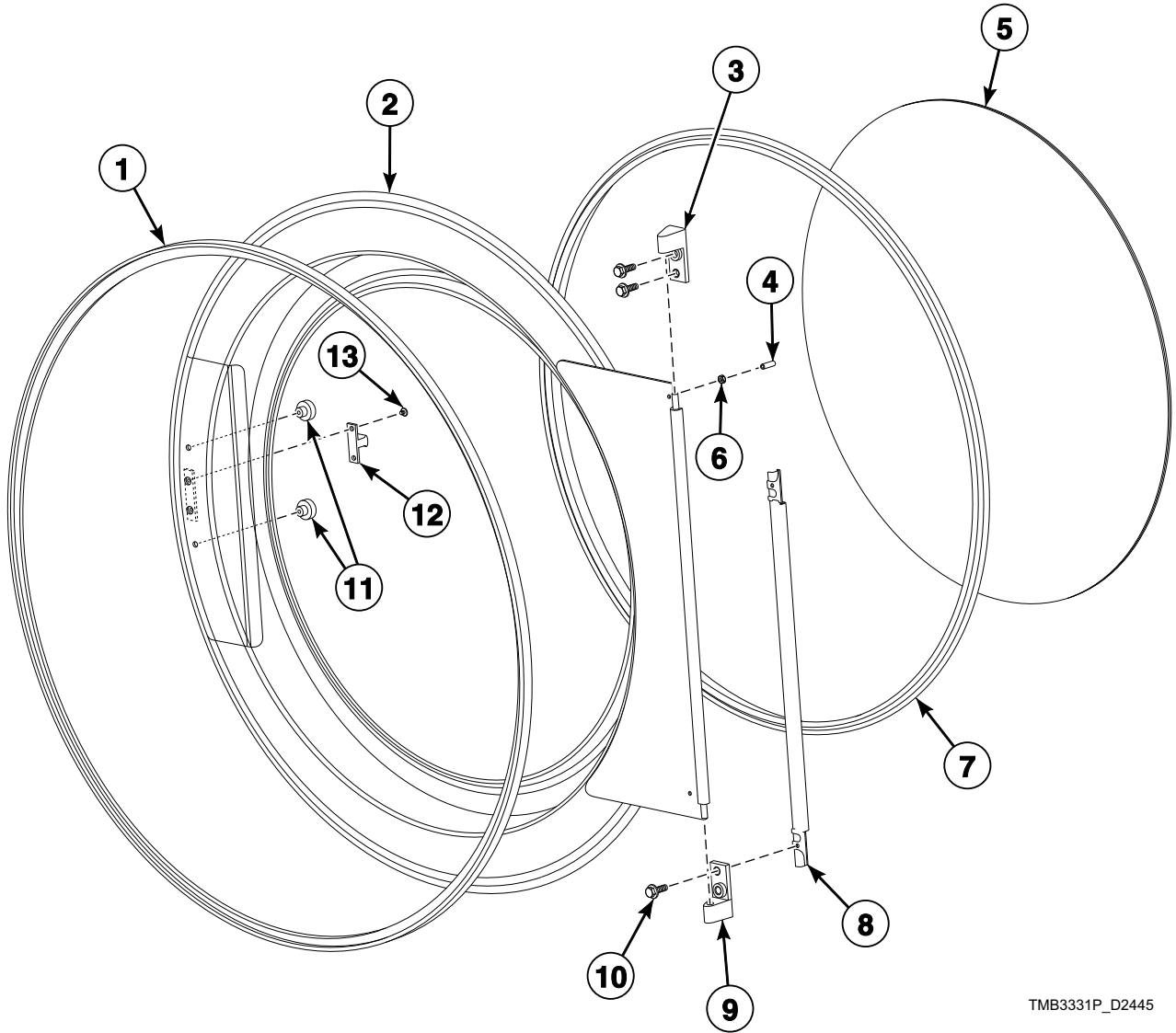


TMB3330P_D2445

Drum Assembly

REF	PART NO.	DESCRIPTION	COMMENTS
	577704	Drum Assembly	Galvanized; Includes items 1-7; 3000 RPM
	577726	Drum Assembly	Stainless steel; Includes items 1-7; 3000 RPM
1	SP525030	Bolt	
2	577766	Drum	Galvanized
	577769	Drum	Stainless steel
3	SP512233	Washer	1mm
	517426	Washer	0.5mm
4	SP510697	Washer	
5	SP311125000010	Washer	
6	SP310934000010	Nut	
7	SP514957	Drum Cross	3000 RPM

Door Assembly

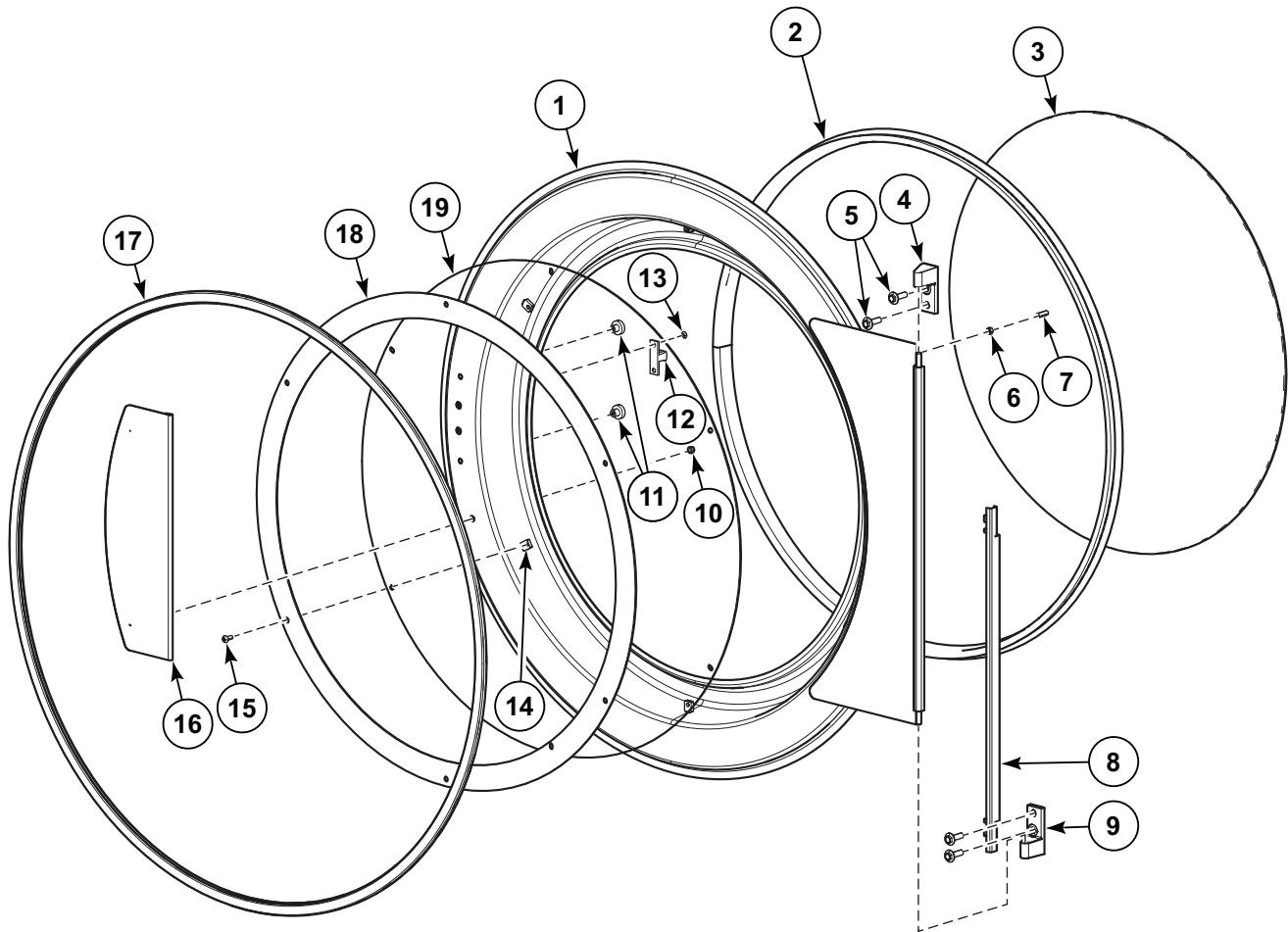


TMB3331P_D2445

Door Assembly

REF	PART NO.	DESCRIPTION	COMMENTS
	SP534969	Glue	Use with item 5
	SP245704003021	Adhesive	Use with item 4
	SP559703	Door Assembly	EC, P and T models; Heat pump; Includes items 1-13; Metallic gray; S and U models through Serial No.16T018064UD
	SP556559	Door Assembly	I, L and N models; S and U models starting Serial No.16T018065UD; Heat pump; Includes items 1-13; Black
	SP524359	Door Assembly	L and N models; I models starting Serial No.16T014342QD; S and U models starting Serial No.16T018065UD; Gas, steam and electric; Includes items 1-13; Black
	SP556561	Door Assembly	EC, P and T models through Serial No.16T014341QD; Heat pump; Includes items 1-13; Silver
	SP556558	Door Assembly	EC, P and T models through Serial No.16T013256MB; Gas, steam and electric; Includes items 1-13; Silver
	559702	Door Assembly	EC, P and T models starting Serial No.16T013257MB; Gas, steam and electric; Includes items 1-13; Metallic gray; S and U models through Serial No.16T018064UD
1	SP534873	Door Ring	
2	SP559701	Door	EC, P, S, T and U models; Metallic gray
	SP524364	Door	I, L, N, S and U models; Black
	SP556552	Door	EC, P and T models; Silver
3	SP559705	Upper Door Hinge	EC, P, S, T and U models; Metallic gray
	SP525105	Upper Door Hinge	I, L, N, S and U models; Black
	SP556555	Upper Door Hinge	EC, P and T models; Silver
4	SP520201	Stop Pin	
5	SP512053	Door Glass	
6	SP310934240004	Nut	
7	SP519933	Outer Door Gasket	
8	SP559706	Lath	EC, P, S, T and U models; Metallic gray
	SP524582	Lath	I, L, N, S and U models; Black
	SP556553	Lath	EC, P and T models; Silver
9	SP559704	Lower Door Hinge	EC, P, S, T and U models; Metallic gray
	SP525104	Lower Door Hinge	I, L, N, S and U models; Black
	SP556554	Lower Door Hinge	EC, P and T models; Silver
10	SP525101	Bolt	
11	564203	Magnet	
12	SP514530	Latch	
13	SP524367	Bolt	

Door Assembly - Double Layer Door



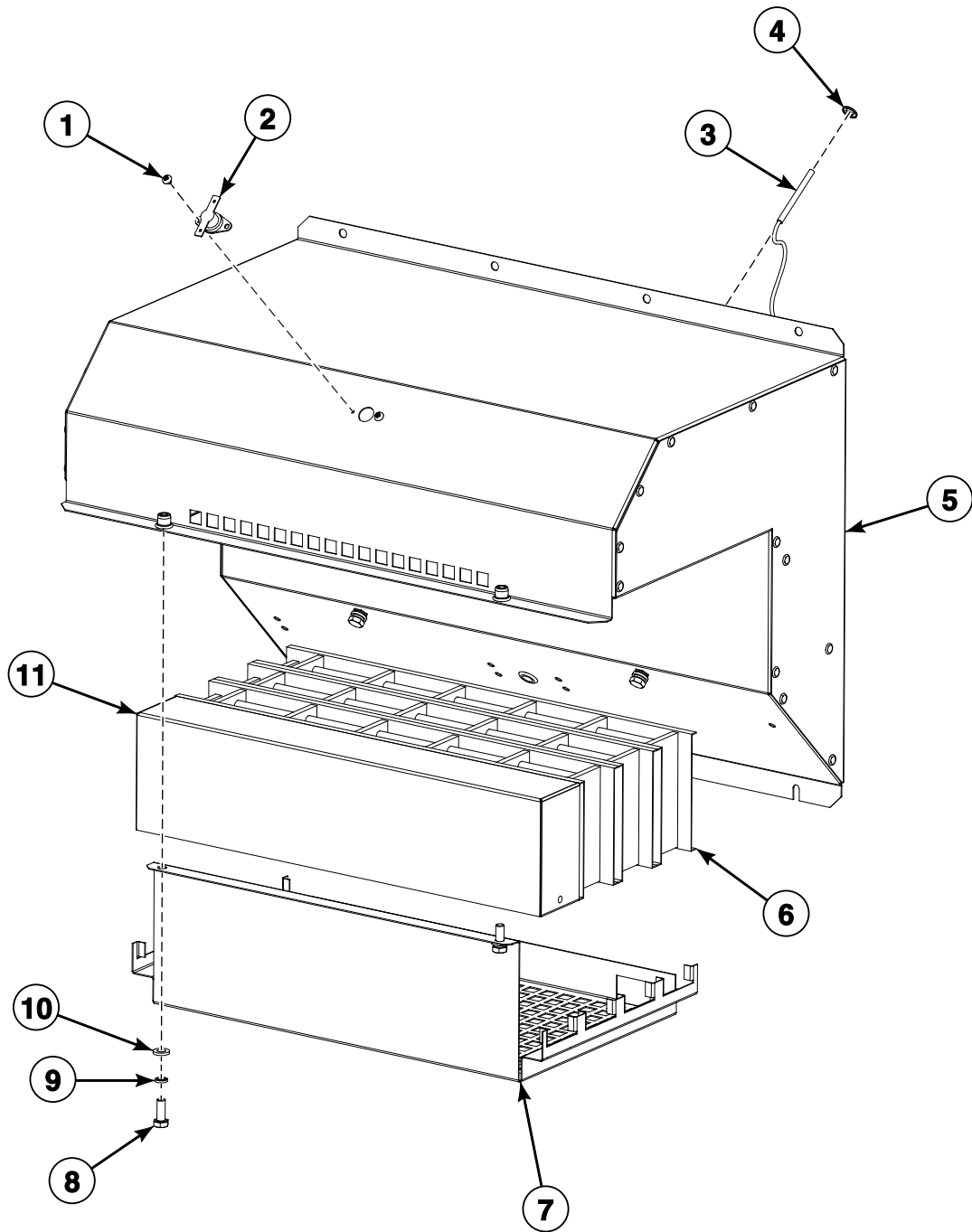
CZT451P_D2445

Door Assembly - Double Layer Door

REF	PART NO.	DESCRIPTION	COMMENTS
	SP534969	Glue	Use with item 3
	SP245704003021	Adhesive	Use with item 7
	579505	Door Assembly	Gas, steam and electric models; Includes items 1-19; Black
	579506	Door Assembly	Gas, steam and electric models; Includes items 1-19; Metallic gray
	579507	Door Assembly	Heat pump models; Includes items 1-13; Black
	579508	Door Assembly	Heat pump models; Includes items 1-13; Metallic gray
1	579509	Door	Black
	579510	Door	Metallic gray
2	SP519933	Outer Door Gasket	
3	SP512053	Door Glass	
4	SP525105	Upper Door Hinge	Black
	SP559705	Upper Door Hinge	Metallic gray
5	SP525101	Bolt	
6	SP310934240004	Nut	
7	SP520201	Stop Pin	
8	SP524582	Lath	Black
	SP559706	Lath	Metallic gray
9	SP525104	Lower Door Hinge	Black
	SP559704	Lower Door Hinge	Metallic gray
10	SP514193	Nut	
11	564203	Magnet	Heat pump models
12	SP514530	Latch	
13	SP524367	Bolt	
14	580337	Plastic Layer Holder	
15	SP515075	Bolt	
16	579513	Handle	Black
	579514	Handle	Metallic gray
17	SP534873	Door Ring	
18	580339	Fixation Ring	Black
	579515	Fixation Ring	Metallic gray
19	580338	Door Plastic Layer	

Electric Heat Components

Electric Models



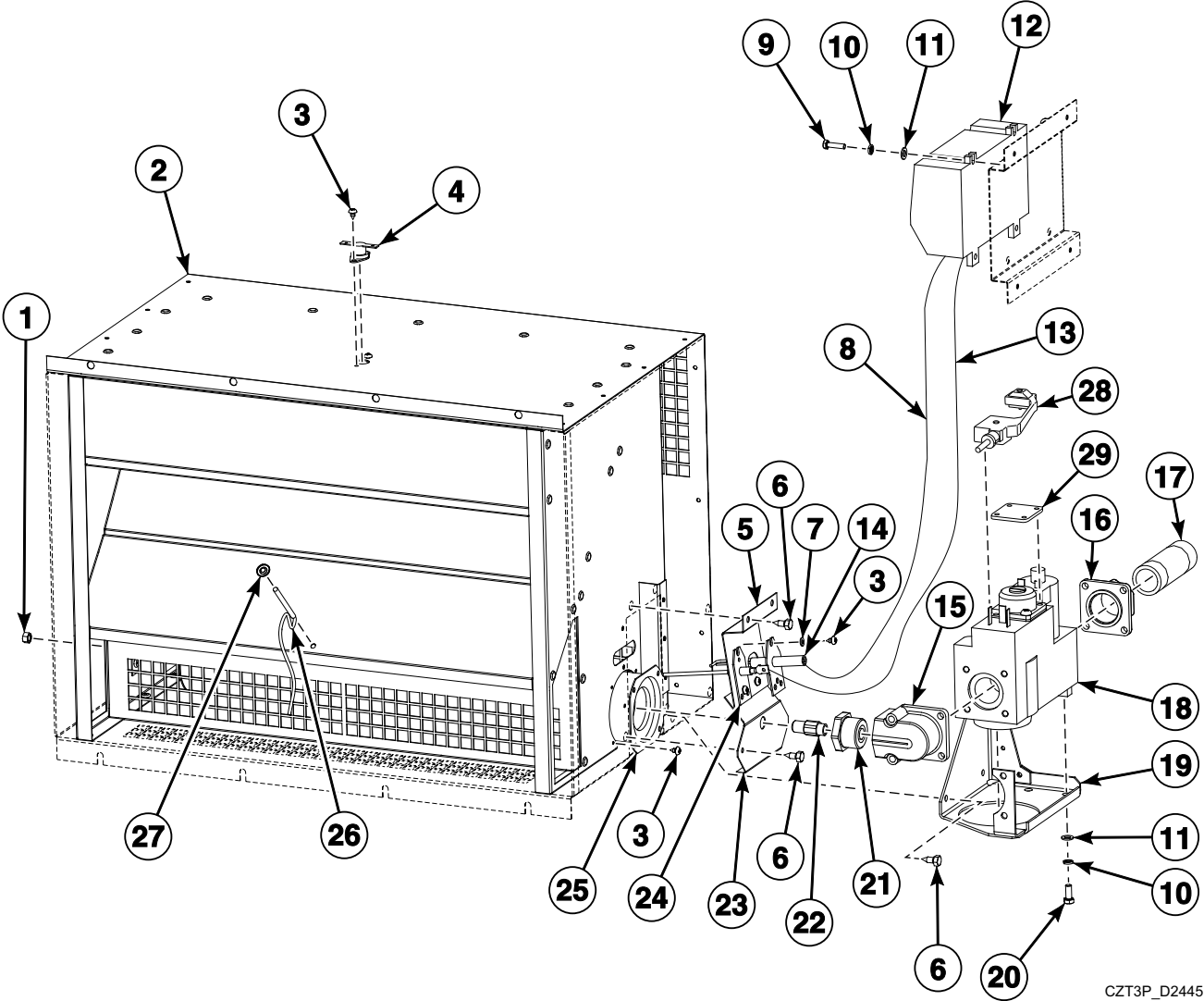
TMB3386P_D2445

Electric Heat Components

REF	PART NO.	DESCRIPTION	COMMENTS
1	SP309798100313	Screw	
2	SP514127	Safety Thermostat	
3	SP516092	Temperature Sensor	
4	SP516669	Washer	
5	SP528941	Heater Box	
6	SP510984	Heating Element	6 kW
	SP510985	Heating Element	4.5 kW
	SP557786	Fuse	
7	SP527900	Heating Element Bracket	
8	SP309933000616	Bolt	
9	SP311127000006	Washer	
10	SP311125000006	Washer	
11	SP520297	Plug	

Gas Heat Components - Models Through Serial No. 16T014291QB

Gas Models



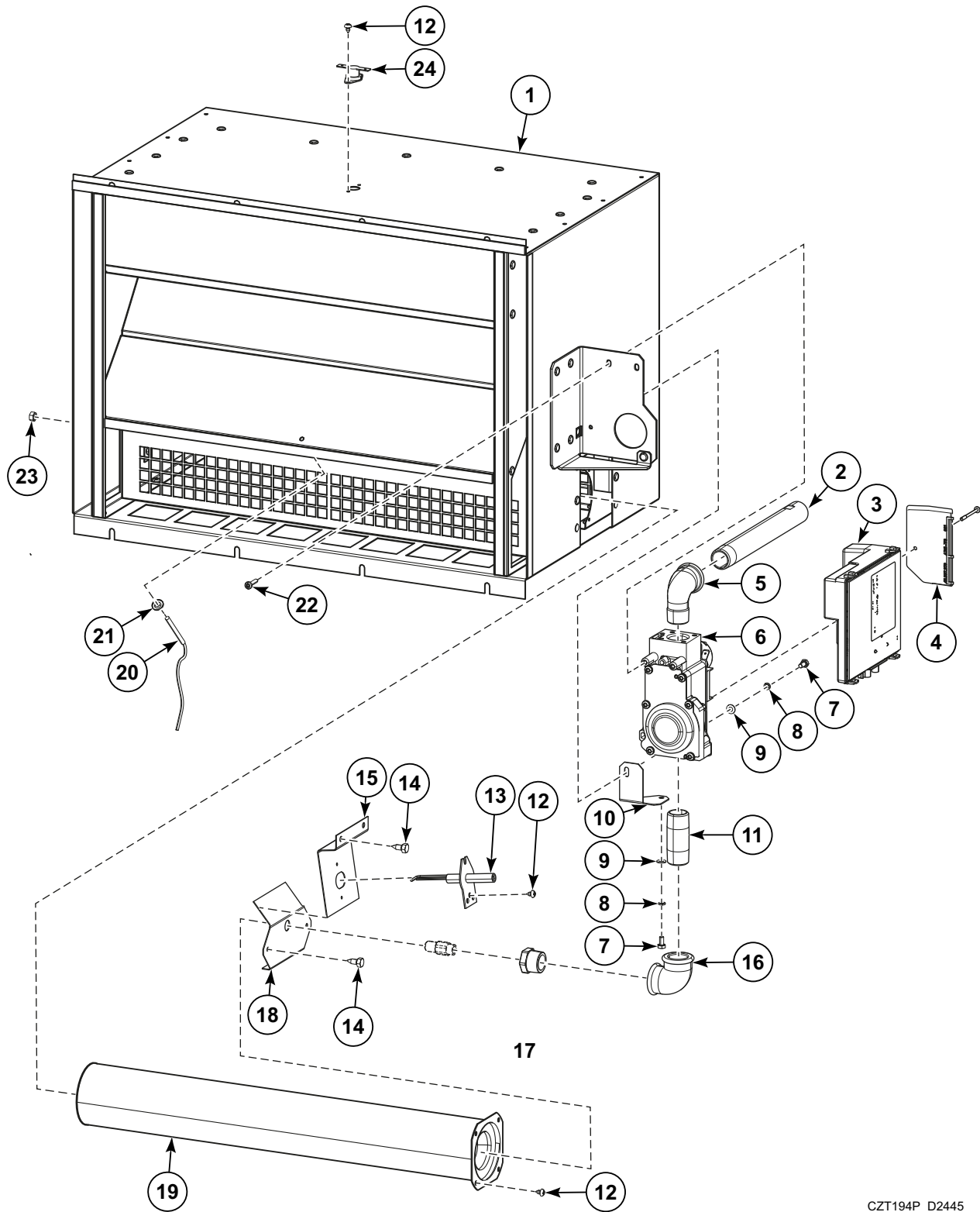
CZT3P_D2445

Gas Heat Components - Models Through Serial No. 16T014291QB

REF	PART NO.	DESCRIPTION	COMMENTS
	SP273454410020	Hose	
	520098	Gas Valve Wiring	60 Hertz; Use with item 18
1	SP310934240005	Nut	
2	SP512130	Gas Heater Box	
3	SP517238	Screw	
4	SP514127	Safety Thermostat	
5	SP512141	Electrode Bracket	
6	SP100218	Screw	
7	SP311125000003	Washer	
8	SP516060	Ignition Cable	
9	SP309933000516	Bolt	
10	SP311127000005	Washer	
11	SP311125000005	Washer	
12	SP357456010080	Ignition Unit	
13	SP516057	Flame Detection Cable	
14	575643	Ignition Electrode	
15	SP102018	Flange	
16	SP514062	Flange	
17	SP512142	Tube	
18	SP102000	Gas Valve	50 Hertz
	SP520281	Gas Valve	60 Hertz
19	SP512144	Valve Bracket	
20	SPPRI202001001	Bolt	
21	SP512067	Nozzle	
22	525466	Orifice	130
	525465	Orifice	165
	517241	Orifice	170
	517327	Orifice	175
	517328	Orifice	185
	517243	Orifice	190
	517222	Orifice	200
	520399	Orifice	210
	517223	Orifice	215
	517329	Orifice	220
	517224	Orifice	235
	517245	Orifice	245
	530819	Orifice	250
	517246	Orifice	260
	517250	Orifice	290
	517251	Orifice	300
	517252	Orifice	310
	517253	Orifice	325
	517225	Orifice	350
	517257	Orifice	360
	517258	Orifice	365
	517226	Orifice	380
	530820	Orifice	385
	517227	Orifice	420
	517330	Orifice	435
	517331	Orifice	445
	517337	Orifice	530
	520237	Orifice	650
	520236	Orifice	700
23	SP512139	Cover	
24	SP102002	Detection Electrode	
25	SP552515	Burner Tube	
26	SP516092	Temperature Sensor	
27	SP516669	Washer	
28	345000180901	Connector	50 Hertz; Use with item 18
	345000160645	Contact	50 Hertz; Use with item 18
	SP357500459412	Gas Valve Cable	50 Hertz; Use with item 18
29	SP102019	Blank Plate Kit	Without regulator

Gas Heat Components - Models Starting Serial No. 16T014292QB (Drawing 1 of 2)

Gas Models



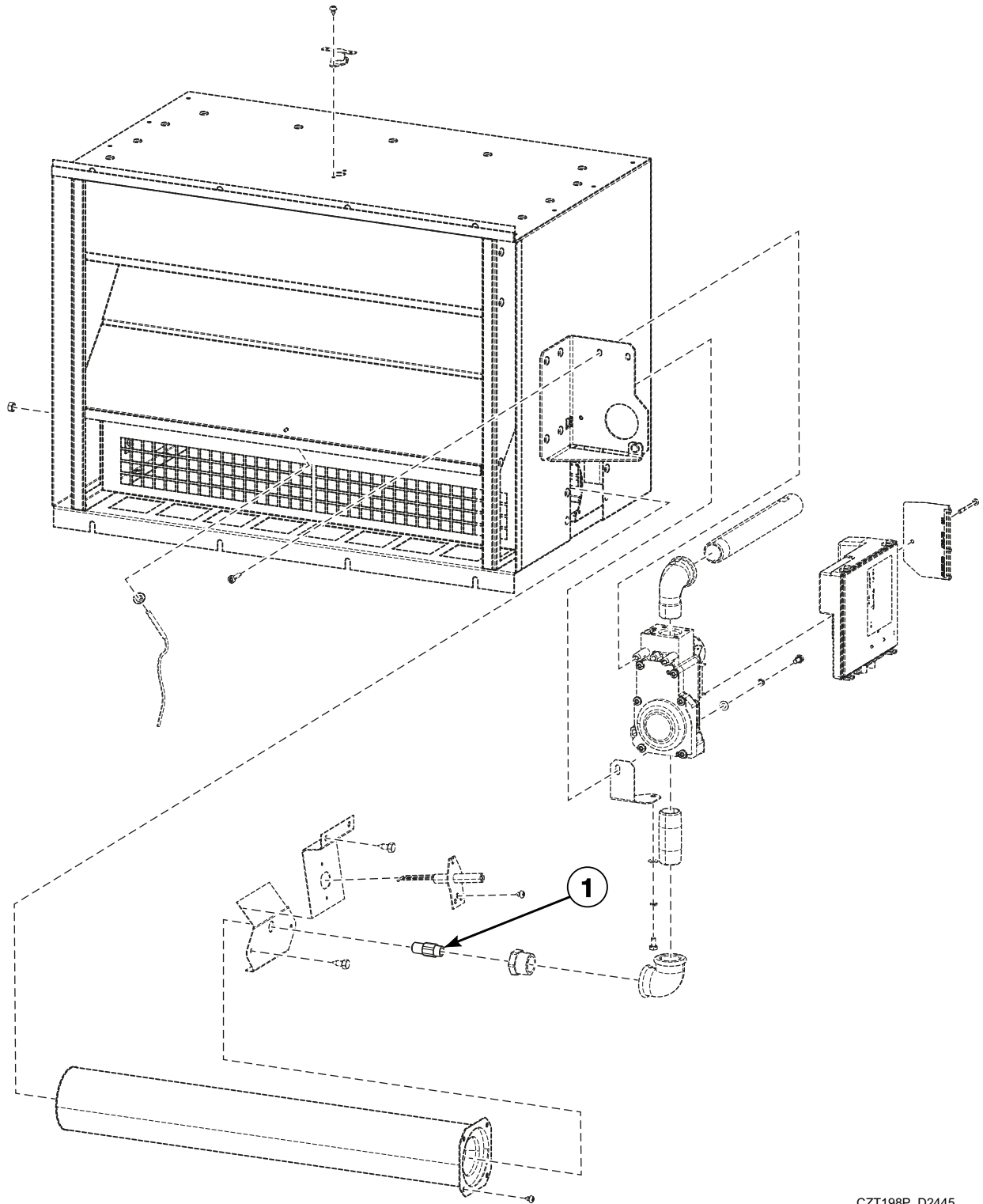
CZT194P_D2445

Gas Heat Components - Models Starting Serial No. 16T014292QB (Drawing 1 of 2)

REF	PART NO.	DESCRIPTION	COMMENTS
1	569440	Gas Heater Box	
2	569444	Tube	1/2 inch
3	571938	Control Unit	
4	537625	Cover	
5	572352	Elbow	1/2 inch
6	572351	Gas Valve	
7	SP309798524408	Bolt	M4x8
8	SP311127000004	Washer	M4
9	SP311125000004	Washer	4.3
10	569446	Holder	
11	571881	Tube	1/2 inch
12	SP517238	Screw	ST 3.6x6.5
13	575643	Ignition Electrode	
14	SP100218	Screw	ST4.8x13
15	571880	Holder	
16	572350	Elbow	1/2 inch
17	571884	Holder	
18	SP512139	Cover	
19	SP552515	Burner Tube	
20	SP516092	Temperature Sensor	
21	SP516669	Washer	2 pieces
22	572361	Screw	ST3.9x13
23	SP310934240005	Nut	M5
24	SP514127	Safety Thermostat	

Gas Heat Components - Models Starting Serial No. 16T014292QB (Drawing 2 of 2)

Gas Models



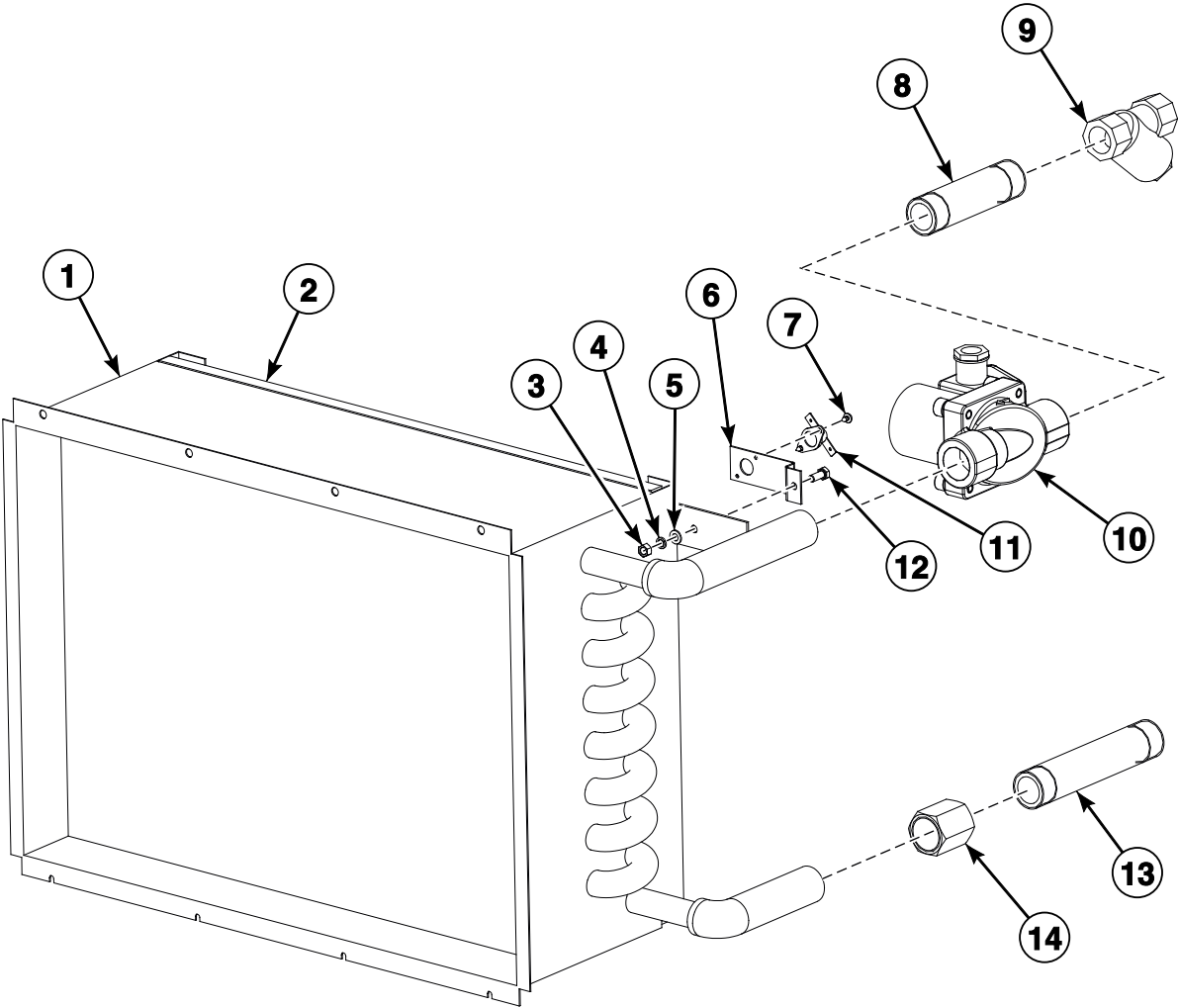
CZT198P_D2445

Gas Heat Components - Models Starting Serial No. 16T014292QB (Drawing 2 of 2)

REF	PART NO.	DESCRIPTION	COMMENTS
1	525466	Orifice	130
	525465	Orifice	165
	517241	Orifice	170
	517327	Orifice	175
	517328	Orifice	185
	517243	Orifice	190
	517222	Orifice	200
	520399	Orifice	210
	517223	Orifice	215
	517329	Orifice	220
	517224	Orifice	235
	517245	Orifice	245
	530819	Orifice	250
	517246	Orifice	260
	517250	Orifice	290
	517251	Orifice	300
	517252	Orifice	310
	517253	Orifice	325
	575530	Orifice	330
	517225	Orifice	350
	517257	Orifice	360
	517258	Orifice	365
	517226	Orifice	380
	530820	Orifice	385
	517227	Orifice	420
	517330	Orifice	435
	517331	Orifice	445
	517337	Orifice	530
	520237	Orifice	650
	520236	Orifice	700

Steam Heat Components

Steam Models



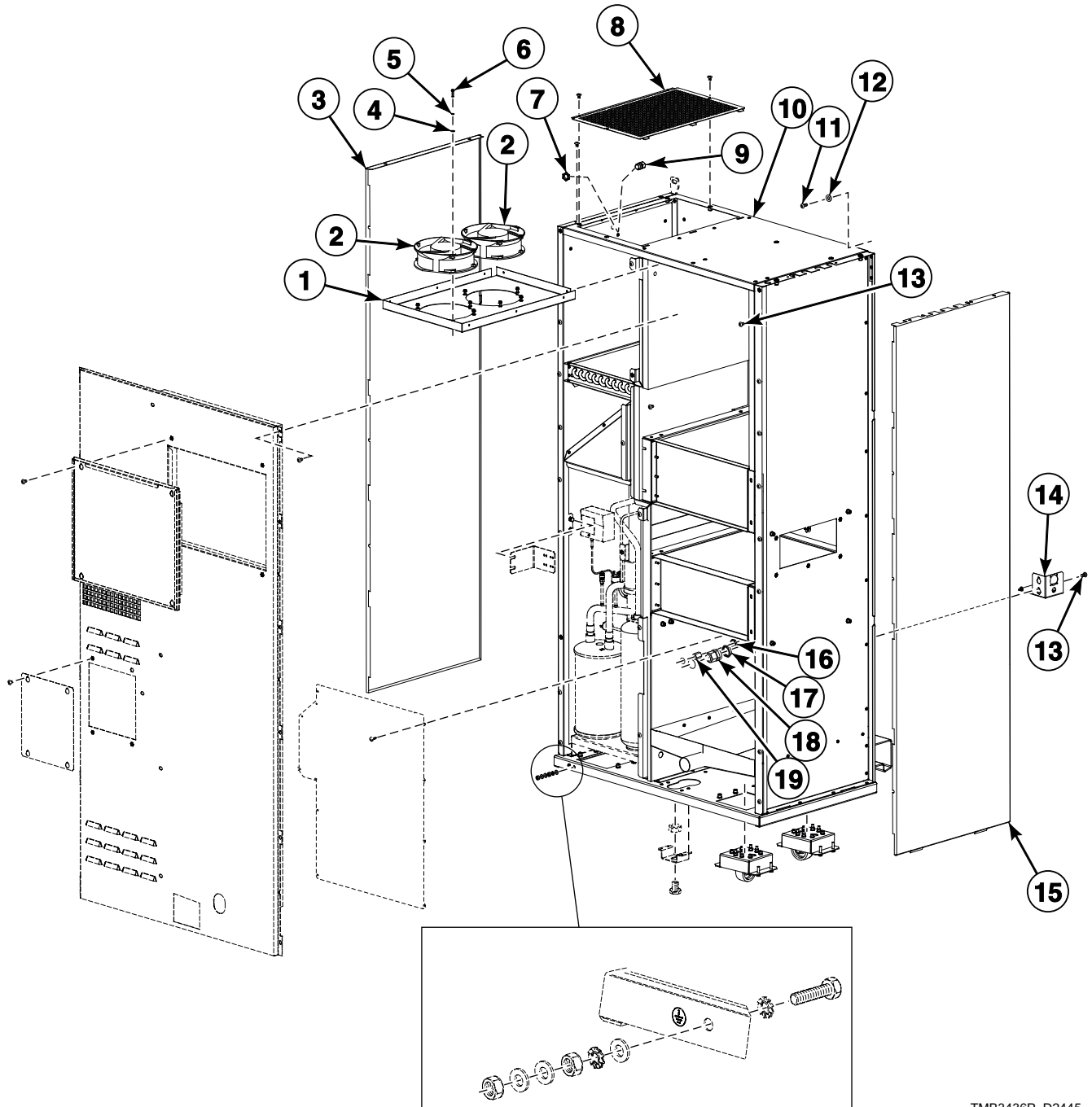
TMB3388P_D2445

Steam Heat Components

REF	PART NO.	DESCRIPTION	COMMENTS
1	SP530409	Steam Exchanger	2 rows
	SP530410	Steam Exchanger	4 rows
2	SP519027	Filter	
3	SP310934240005	Nut	
4	SP311127000005	Washer	
5	SP311125000005	Washer	
6	SP520227	Thermostat Bracket	
7	SP517238	Screw	
8	SP517236	Tube	
9	SP405054057006	Steam Filter	3/4 inch
10	SP516718	Steam Valve	50 Hertz; With coil
	SP514166	Steam Valve Body	60 Hertz; Without coil
	SP516717	Coil	60 Hertz
11	SP514127	Safety Thermostat	
12	SPPRI202001001	Bolt	
13	SP314G00017524	Tube	
14	SPX01140400514	Tube Insert	

Heat Pump (Drawing 1 of 2)

Heat Pump Models



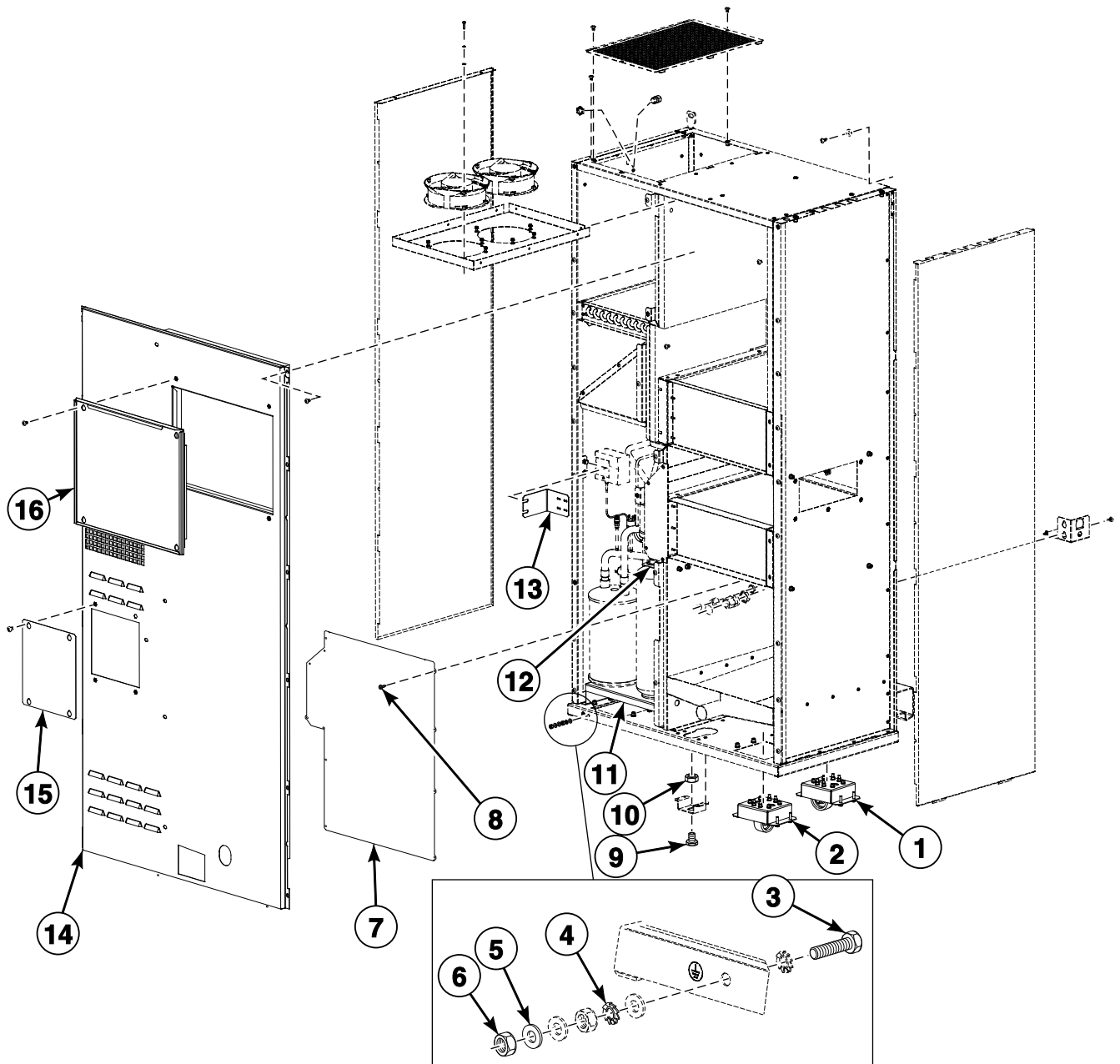
TMB3436P_D2445

Heat Pump (Drawing 1 of 2)

REF	PART NO.	DESCRIPTION	COMMENTS
	SP556082	Heat Pump	U models; With rinsing system; 380-415V 3AC+N 50Hz or 440V 3AC 60Hz; Imitation stainless steel; I models starting S.N.16T014342QD; S models starting S.N.16T018065UD
	SP556084	Heat Pump	U models; With rinsing system; 230V 3AC 50Hz; Imitation stainless steel; I models starting S.N.16T014342QD; S models starting S.N.16T018065UD
	SP556090	Heat Pump	U models; Without rinsing system; 380-415V 3AC+N 50Hz or 440V 3AC 60Hz; Imitation stainless steel; I models starting S.N.16T014342QD; S models starting S.N.16T018065UD
	SP556092	Heat Pump	U models; Without rinsing system; 230V 3AC 50Hz; Imitation stainless steel; I models starting S.N.16T014342QD; S models starting S.N.16T018065UD
	SP556659	Heat Pump	I and LS350HP_BASIC models through S.N.16T014341QD; S models through S.N.16T018064UD; Without rinsing system; 230V 3AC 50Hz; White
	SP556660	Heat Pump	I and LS350HP_BASIC models through S.N.16T014341QD; S models through S.N.16T018064UD; Without rinsing system; 380-415V 3AC+N 50Hz or 440V 3AC 60Hz; White
	SP556663	Heat Pump	I and LS350HP_BASIC models through S.N.16T014341QD; S models through S.N.16T018064UD; With rinsing system; 230V 3AC 50Hz; White
	SP556664	Heat Pump	I and LS350HP_BASIC models through S.N.16T014341QD; S models through S.N.16T018064UD; With rinsing system; 380-415V 3AC+N 50Hz or 440V 3AC 60Hz; White
	SP556083	Heat Pump	EC, L, N, P and T models; With rinsing system; 380-415V 3AC+N 50Hz or 440 V 3AC 60Hz; Gray
	SP556085	Heat Pump	EC, L, N, P and T models; With rinsing system; 230V 3AC 50Hz; Gray
	SP556091	Heat Pump	EC, L, N, P and T models; Without rinsing system; 380-415V 3AC+N 50Hz or 440V 3AC 60Hz; Gray
	SP556093	Heat Pump	EC, L, N, P and T models; Without rinsing system; 230V 3AC 50Hz; Gray
	SP541496	Fan Assembly	Includes items 1, 2 and 4-6
1	SP541495	Fan Holder	
2	SP528481	Fan	
3	SP541424	Side Panel	U models; Left; Imitation stainless steel; I models starting S.N.16T014342QD; S models starting S.N.16T018065UD
	SP556649	Side Panel	I and LS350HP_BASIC models through S.N.16T014341QD; S models through S.N.16T018064UD; Left; White
	SP556005	Side Panel	EC, L, N, P and T models; Left; Gray
4	SP311125000004	Washer	
5	SP311127000004	Washer	
6	SP309084000416	Bolt	
7	SP101415	Nut	
8	SP541484	Fan Cover	
9	SP101405	Bushing	
10	SP552660	Cabinet	
11	SP537864	Bolt	
12	SP311902100006	Washer	
13	SP506012	Bolt	
14	SP551869	Humidity Sensor Cover	
15	SP541425	Side Panel	U models; Right; Imitation stainless steel; I models starting S.N.16T014342QD; S models starting S.N.16T018065UD
	SP556650	Side Panel	I and LS350HP_BASIC models through S.N.16T014341QD; S models through S.N.16T018064UD; Right; White
	SP556007	Side Panel	EC, L, N, P and T models; Right; Gray
16	SP101416	Nut	
17	SP101418	Nut	
18	SP101408	Bushing	
19	SP101406	Bushing	

Heat Pump (Drawing 2 of 2)

Heat Pump Models

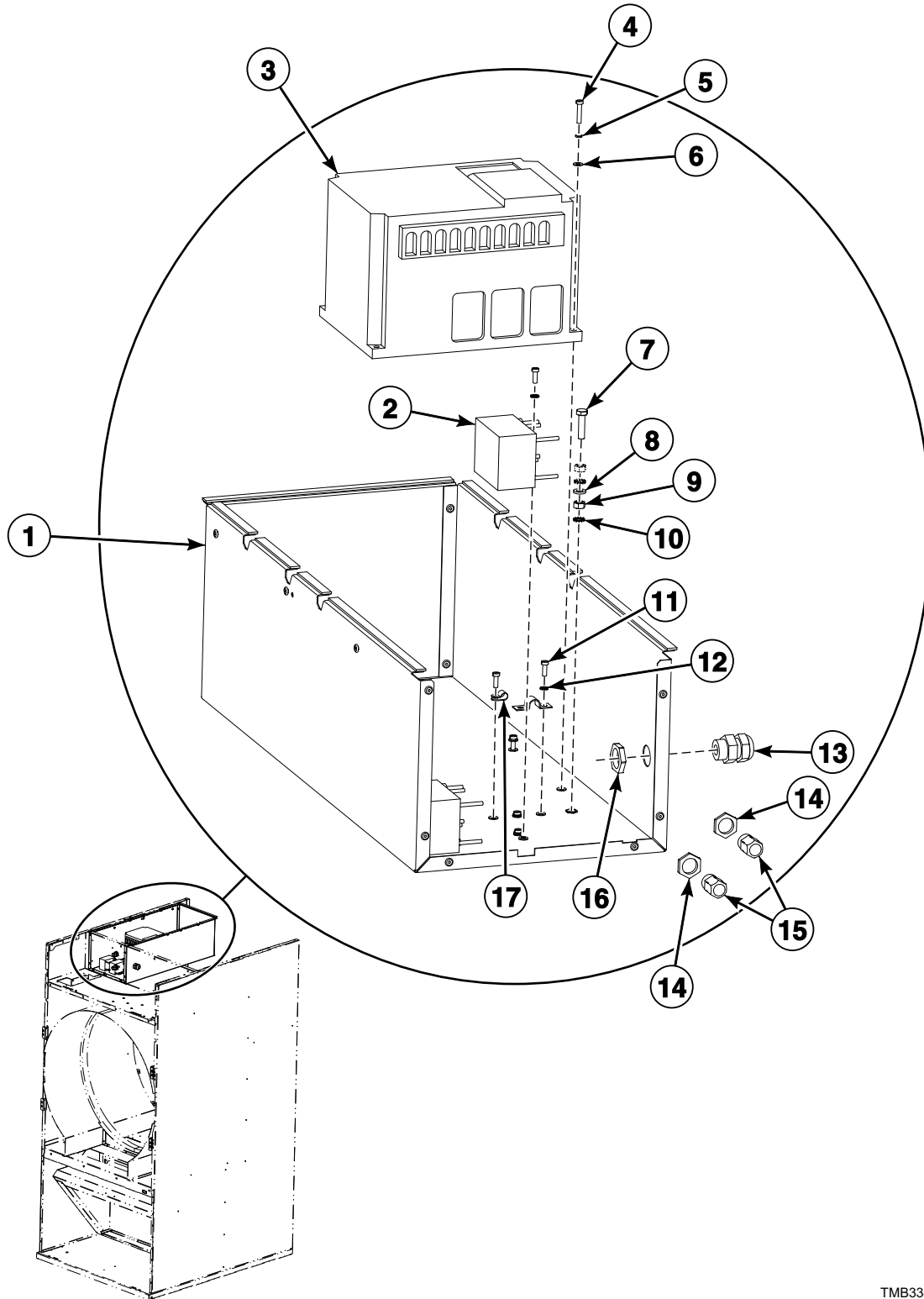


TMB3437P_D2445

Heat Pump (Drawing 2 of 2)

REF	PART NO.	DESCRIPTION	COMMENTS
1	SP541494	Swivel Wheel Assembly	
2	SP551864	Swivel Wheel Assembly	
3	SP309933000625	Bolt	
4	SP311679824006	Washer	
5	SP311125000006	Washer	
6	SP310934000006	Nut	
7	SP566259	Cover	Models starting Serial No. 16T010067FS
8	SP529206	Screw	M4x11
9	SP533726	Bolt	
10	SP310934000020	Nut	
11	SP541489	Base	
12	SP541436	Bracket	
13	SP541457	Thermostat Bracket	
14	SP541435	Cover	Models through Serial No. 16T010474FZ
	SP566301	Cover	Models starting Serial No. 16T010475FZ
15	SP551860	Cover	
16	SP541434	Cover	

Frequency Inverter Panel



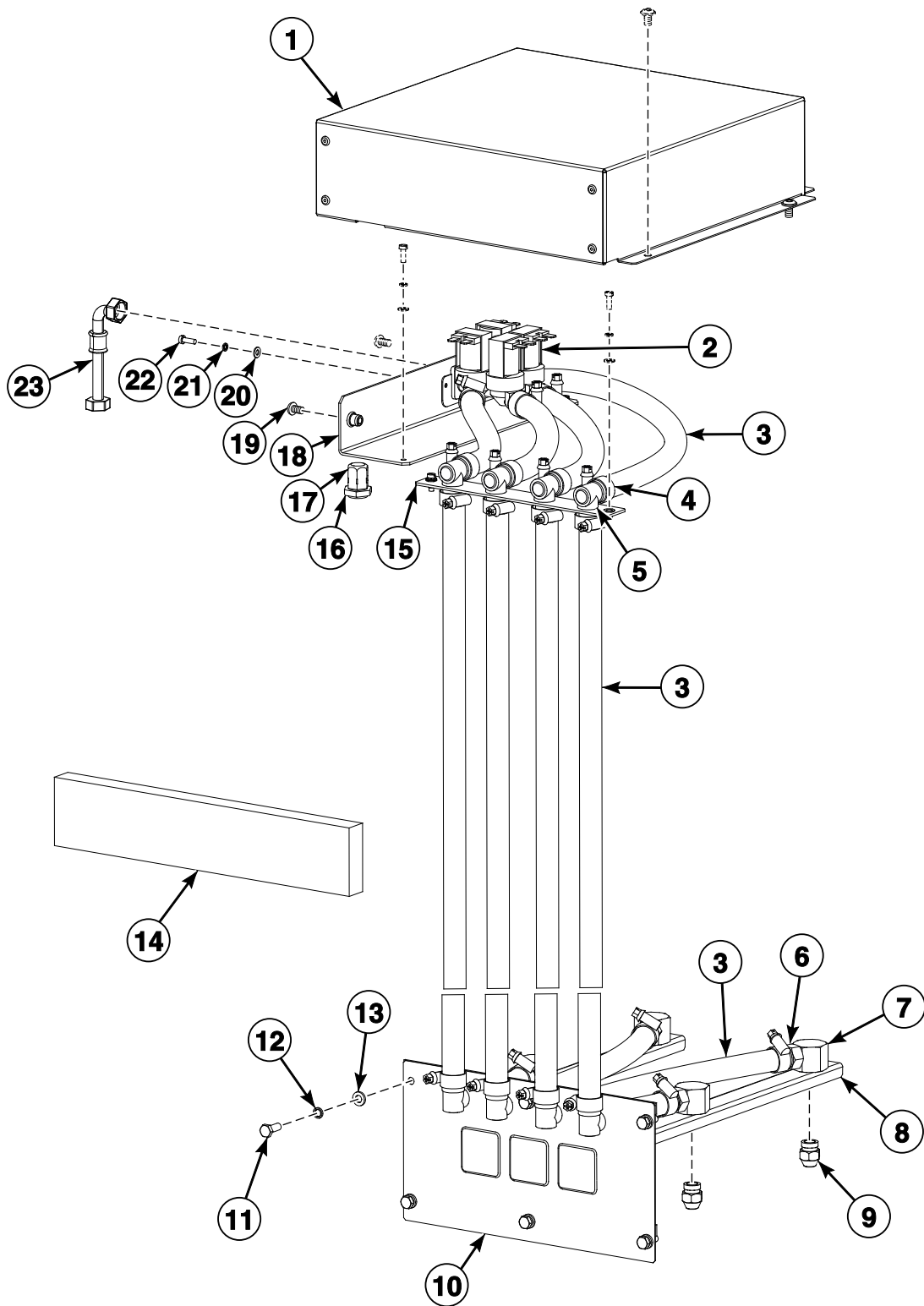
TMB3344P_D2445

Frequency Inverter Panel

REF	PART NO.	DESCRIPTION	COMMENTS
	SP556043	Box Assembly	Includes items 1-17
1	SP556044	Box	
2	SP552251	Filter	
3	571478	Frequency Inverter	
4	SP309084000420	Bolt	
5	SP311127000004	Washer	
6	SP311125000004	Washer	
7	SP309933100625	Bolt	
8	SP311125100006	Washer	
9	SP310934100006	Nut	
10	SP311679824006	Washer	
11	SP309084000412	Bolt	
12	SP311679800004	Washer	
13	SP101408	Bushing	
14	SP101416	Nut	
15	SP101406	Bushing	
16	SP101418	Nut	
17	SP502214	Clip	

Heat Pump Rinsing System

Heat Pump Models



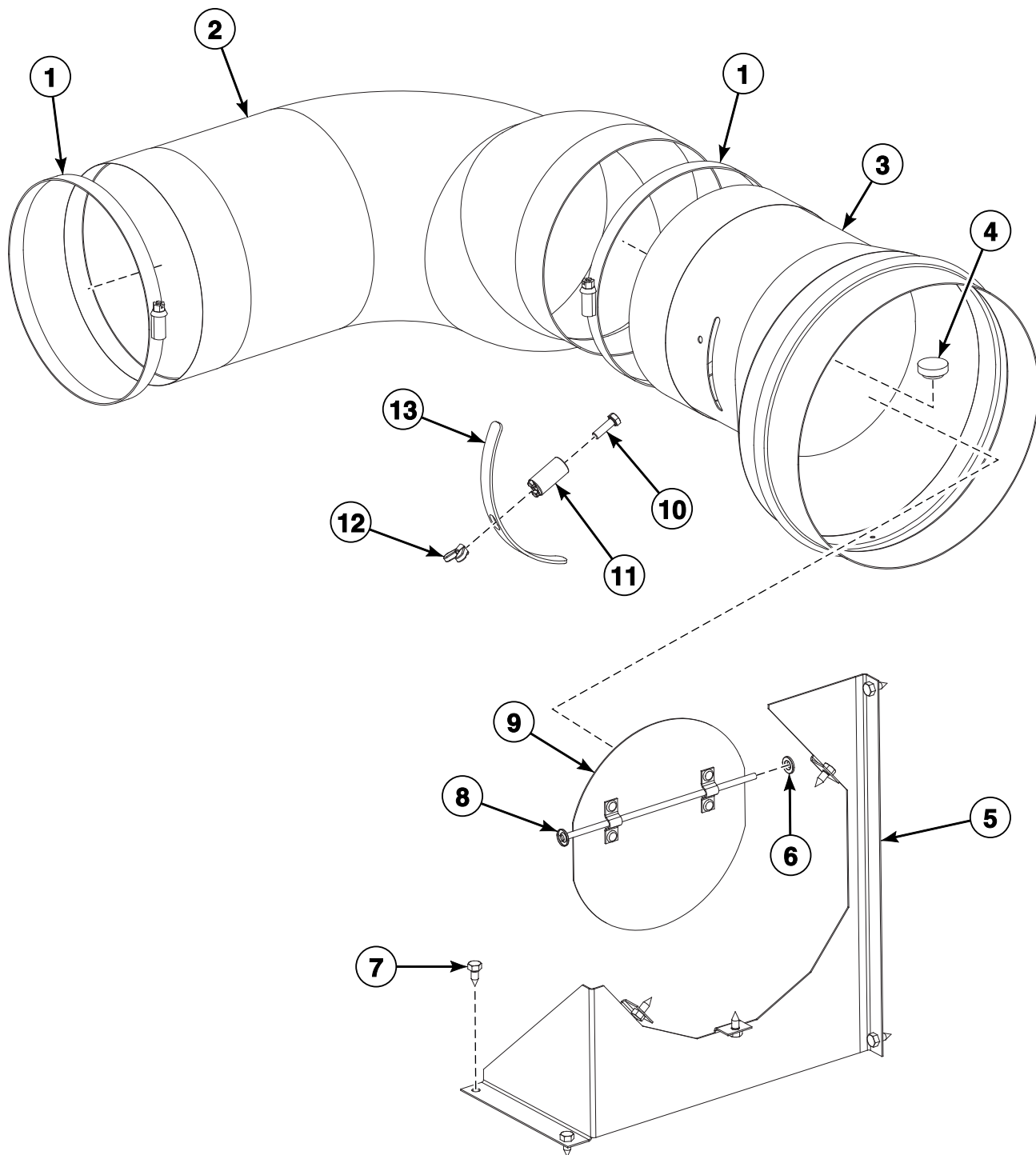
CZT1P_D2445

Heat Pump Rinsing System

REF	PART NO.	DESCRIPTION	COMMENTS
	SP556920	Nozzle Holder Assembly	
1	SP556947	Valve Cover Assembly	
2	SP556959	Valve	4-way
3	SPPRI540000014	Hose	
	SP101745	Hose Pipe	For water approval
4	SPPRI240000002	Hose Clamp	
5	SP527236	Elbow	
6	SP556916	Nozzle Adapter	
7	SP556915	Nozzle Fitting Adapter	
8	SP556919	Nozzle Bracket Assembly	
9	SP556922	Nozzle	
10	SP556954	Rinsing System Bracket	
11	SP309933000616	Bolt	
12	SP311125000006	Washer	
13	SP311127000006	Washer	
14	SP552666	Insulation	
15	SP556943	Elbow Bracket Assembly	
16	SP101416	Nut	
17	SP101406	Bushing	
18	SP556946	Valve Bracket Assembly	
19	SP506012	Bolt	
20	SP311127000004	Washer	
21	SP311125000004	Washer	
22	SP309084000412	Bolt	
23	SPPRI505000054	Filling Hose Pipe	
	SP101621	Filling Hose Pipe	For water approval

Exhaust

Gas, Steam and Electric Models

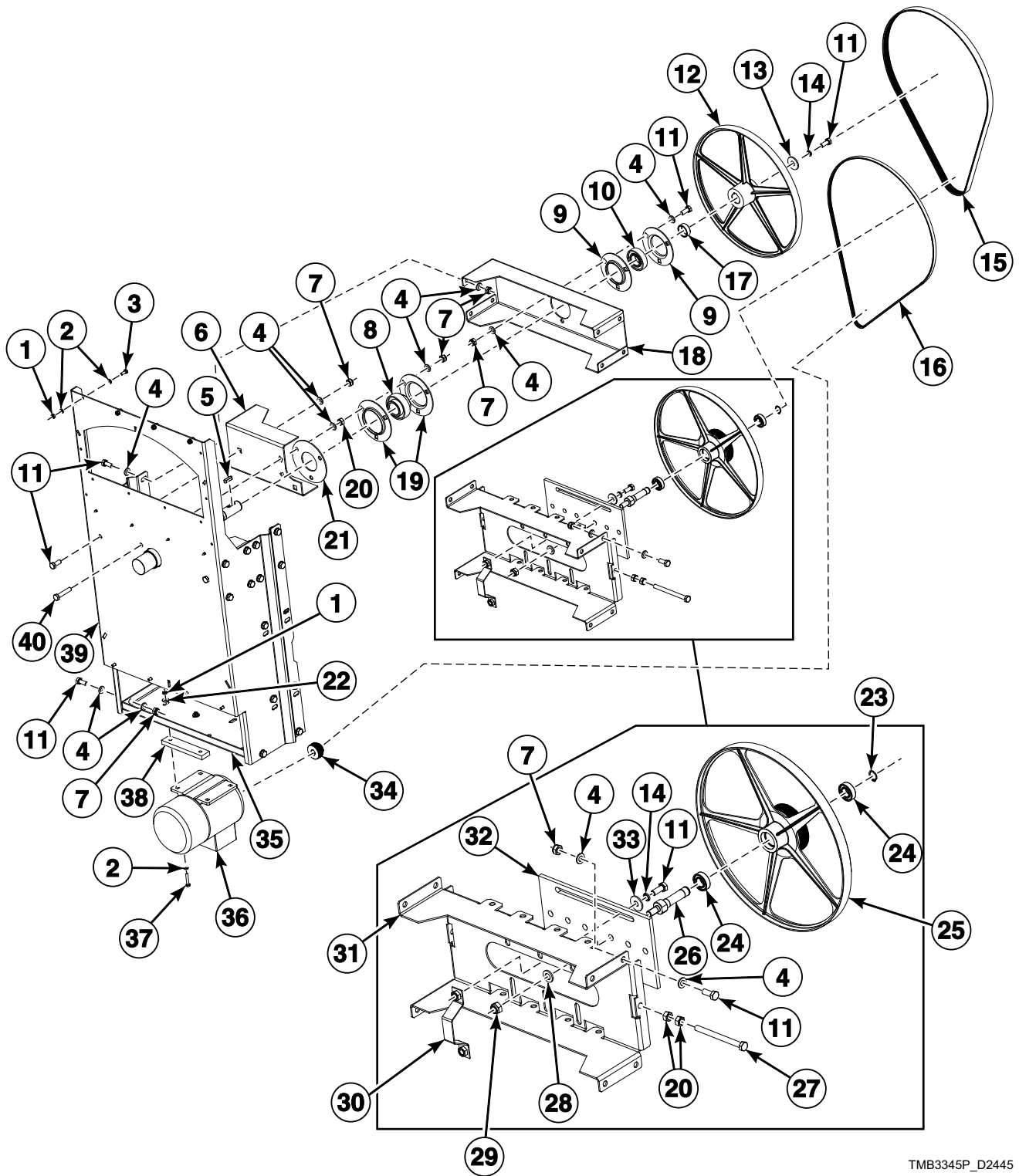


TMB3389P_D2445

Exhaust

REF	PART NO.	DESCRIPTION	COMMENTS
	SP534910	Exhaust Assembly	Includes items 1-13
1	SP529013	Clamp	
2	SP144151508341	Tube	
3	SP534914	Tube	
4	SP273127001798	Plug	
5	SP530689	Exhaust Bracket	
6	SP516669	Washer	
7	SP100218	Screw	
8	SP534908	Bar	
9	SP534902	Flap Assembly	
10	SP309933000516	Bolt	
11	SP534900	Flap Stop	
12	SP534929	Nut	
13	SP534904	Plug	

Drive System



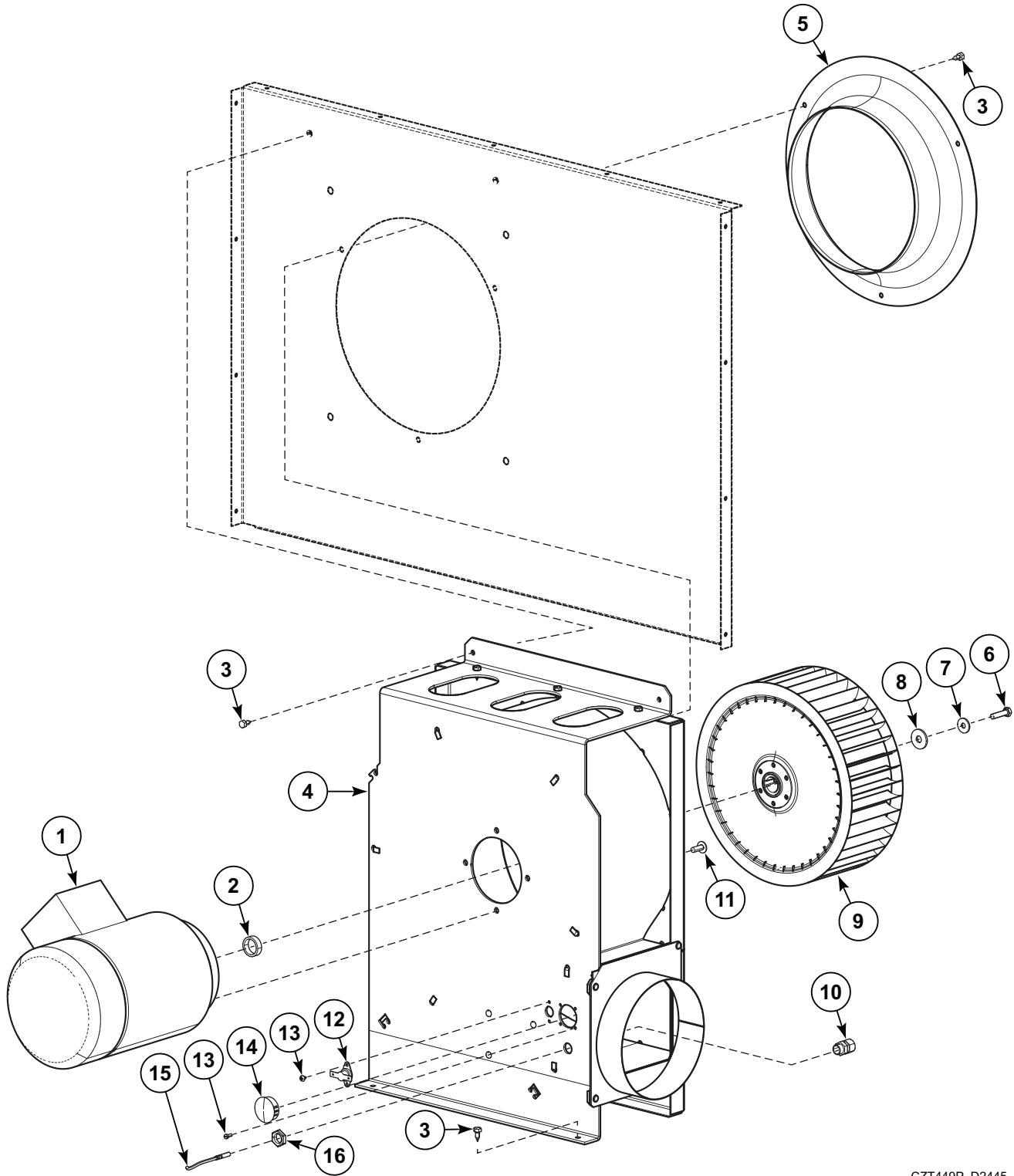
TMB3345P_D2445

Drive System

REF	PART NO.	DESCRIPTION	COMMENTS
	SP528928	Tension Assembly	Includes items 4, 7, 11, 14, 20 and 23-33
1	SP310985000006	Nut	
2	SP311125000006	Washer	
3	SP309933000616	Bolt	
4	SP311125000010	Washer	
5	SP505449	Key	
6	SP512365	Reinforcement Bracket	
7	SP310985000010	Nut	
8	SP514005	Bearing	
9	SP514012	Flange Bearing Body	
10	SP514007	Bearing	
11	SP309933001025	Bolt	
12	SP518646	Double Drum Pulley	
13	SP311902100012	Washer	
14	SP311127000010	Washer	
15	SP518647	Belt	
16	SP515257	Belt	
17	SP518649	Distance Ring	
18	SP512366	Bearing Bracket	
19	SP514011	Flange Bearing Body	
20	SP310934000010	Nut	
21	SP514483	Bearing Flange	
22	SP311902100006	Washer	
23	SP515517	Retaining Ring	
24	SP326000600300	Bearing	
25	SP534703	Double Pulley	
26	SP534704	Tension Rod	
27	SP309933001120	Bolt	
28	SP311125000013	Washer	
29	SP310985000012	Nut	
30	SP515514	Support Plate	
31	SP514479	Tension Assembly	
32	SP514480	Sliding Board	
33	SP311902100010	Washer	
34	SP530720	Motor Pulley	50 Hertz; Reversing
	SP530721	Motor Pulley	60 Hertz; Reversing
	SP527723	Motor Pulley	50 Hertz; Nonreversing
	SP528922	Motor Pulley	60 Hertz; Nonreversing
35	SP515418	Motor Bracket	3 Phase; Reversing
	SP518517	Motor Bracket	1 Phase; Reversing
36	SP523724	Motor	208-240 Volt; 1 Phase; Reversing
	SP523725	Motor	3 Phase; Reversing
37	SP518556	Bolt	
38	SP515521	Spacer	
39	SP512363	Drive Bracket	
40	SP309933001050	Bolt	

Fan Housing Assembly

Gas, Steam and Electric Models

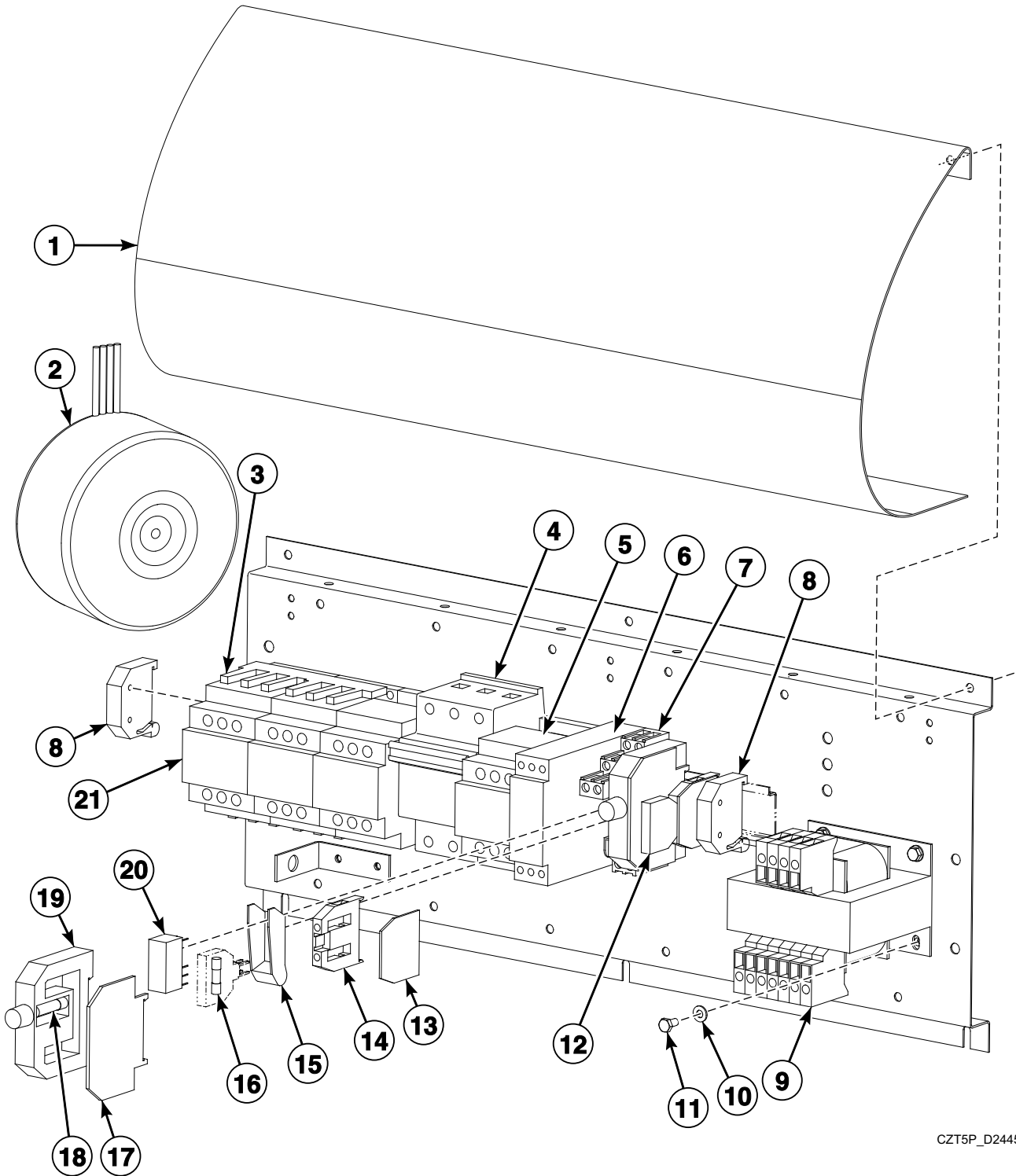


CZT449P_D2445

Fan Housing Assembly

REF	PART NO.	DESCRIPTION	COMMENTS
1	SP523622	Fan Motor	3 phase; Nonreversing
	SP523625	Fan Motor	1 phase; Nonreversing
2	SP520940	Spacer	
3	SP100218	Screw	
4	575503	Fan Housing Weldment	
5	SP520950	Inlet Nozzle	
6	SP309933000625	Bolt	
7	SP311902100006	Washer	
8	SP311902100008	Washer	
9	SP520945	Ventilator	
10	SP101405	Bushing	
11	SP510954	Bolt	
12	SP514016	Safety Thermostat	
13	SP309798500306	Screw	
14	SPPRI505000064	Plug	
15	SP534930	Temperature Sensor	
16	SP101415	Nut	

Electric Box Components - Heat Pump Models

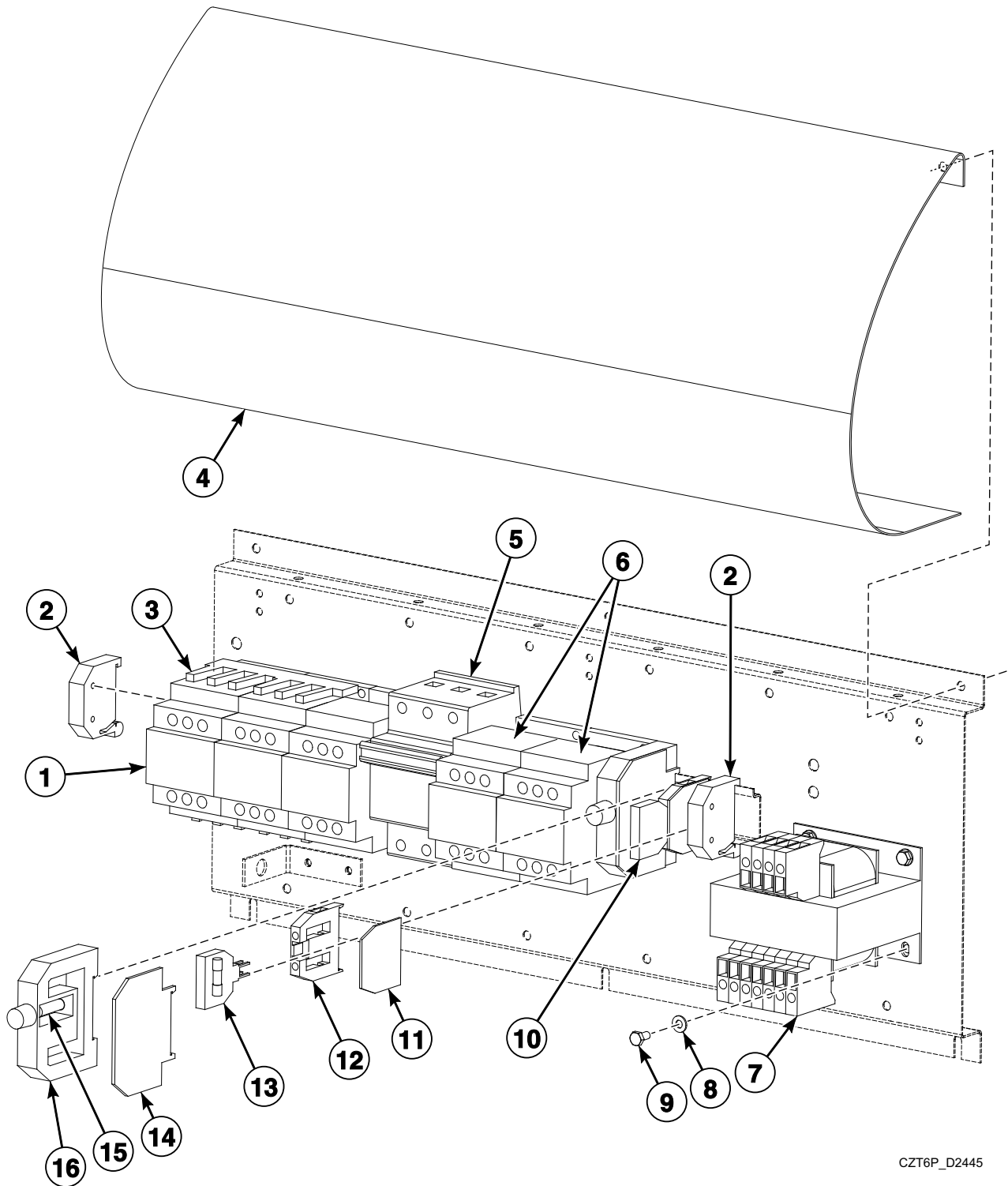


CZT5P_D2445

Electric Box Components - Heat Pump Models

REF	PART NO.	DESCRIPTION	COMMENTS
	SP552248	Autotransformer	440-480 Volt/50 or 60 Hertz/3 AC
1	530518	Electric Box Cover	
2	SP552201	Autotransformer	
3	569858	Mechanical Interlock Unit	Need to use with 569859 Set for Reversing Contactors
4	SP358251506220	Fuse	
	SP358251601312	Fuse Isolator	
5	569857	Contactors	208-240V 1AC
	569856	Contactors	208-240V 3AC; 380-415V 3AC+N
6	SP552311	Control Relay	
7	SP506586	Relay Case	
8	SP346000209101	End Stop	
9	SP514021	Transformer	208-440 Volt
10	SP311125000004	Washer	
11	SP309084000410	Bolt	
12	SP524654	Fuse Plug	
13	SP524655	Cover	
14	SP524653	Fuse Clip	
15	SP514135	Relay Clamp	
16	SP345805005020	Fuse	250 Volt; T500mA
	SPPRI401001021	Fuse	250 Volt; F4A
17	SP346000014010	Cover	
18	SP514133	Fuse	500 Volt, F500mA; 440 Volt; 380-415 Volt
19	SP346000004010	Fuse Case	
20	SP514057	Relay	
21	569856	Contactors	

Electric Box Components - Electric Models

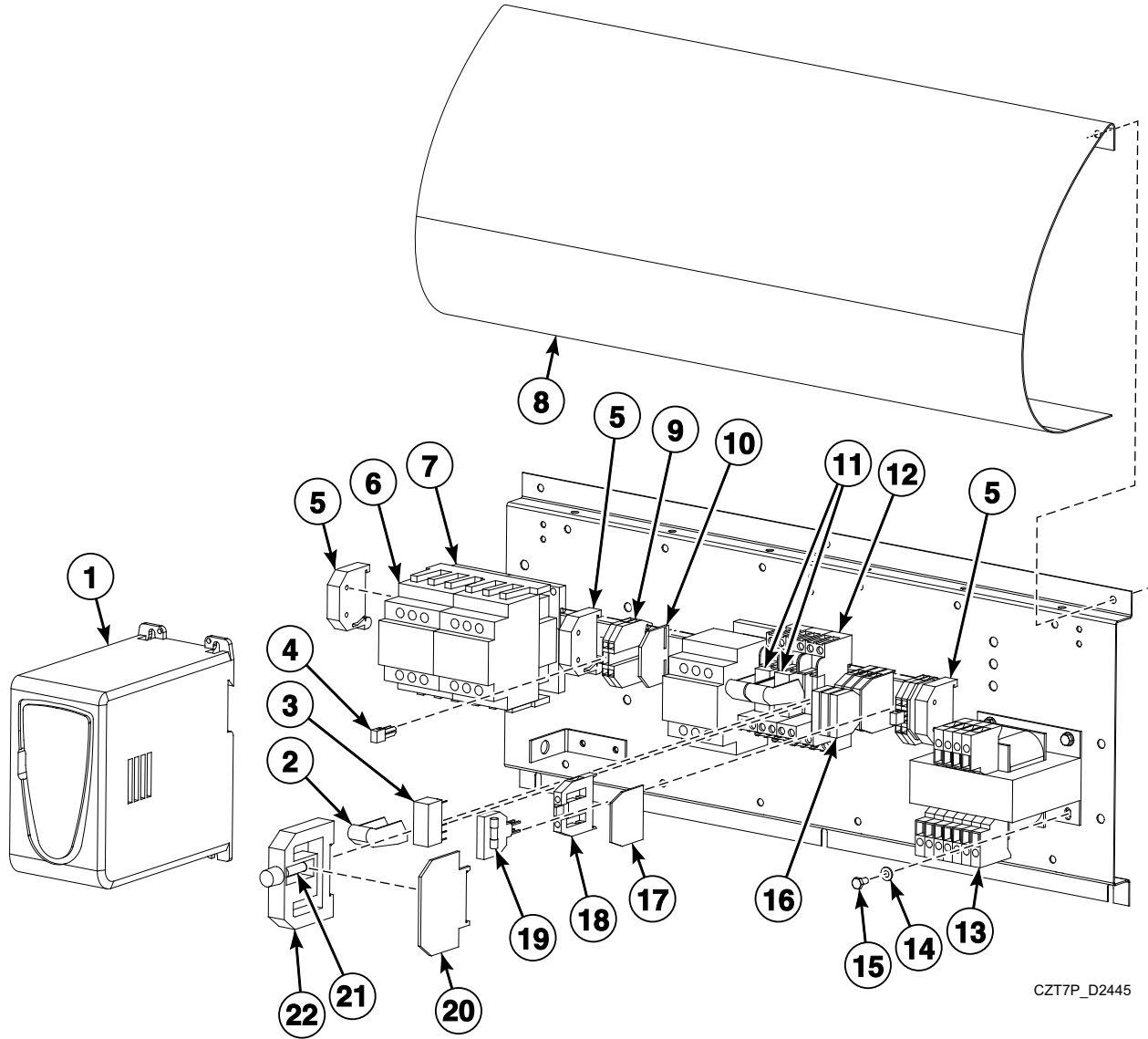


CZT6P_D2445

Electric Box Components - Electric Models

REF	PART NO.	DESCRIPTION	COMMENTS
	SP552248	Autotransformer	440-480 Volt/50 or 60 Hertz/3 AC
1	569856	Contactactor	
2	SP346000209101	End Stop	
3	569858	Mechanical Interlock Unit	Need to use with 569859 Set for Reversing Contactors
4	530518	Electric Box Cover	
5	SP358251506220	Fuse	6A
	SP358251601312	Fuse Isolator	
6	569856	Contactactor	400-440V 12kW, 18kW or 24 kW
	569873	Contactactor	230V 18 kW need to use with 569856; 230V 24 kW
7	SP514021	Transformer	208-440 Volt
8	SP311125000004	Washer	
9	SP309084000410	Bolt	
10	SP524654	Fuse Plug	
11	SP524655	Cover	
12	SP524653	Fuse Clip	
13	SP345805005020	Fuse	250 Volt; T500mA
	SPPRI401001021	Fuse	250 Volt; F4A
14	SP346000014010	Cover	
15	SP514133	Fuse	500 Volt, F500mA; 440 Volt; 380-415 Volt
16	SP346000004010	Fuse Case	

Electric Box Components - Gas and Steam Models

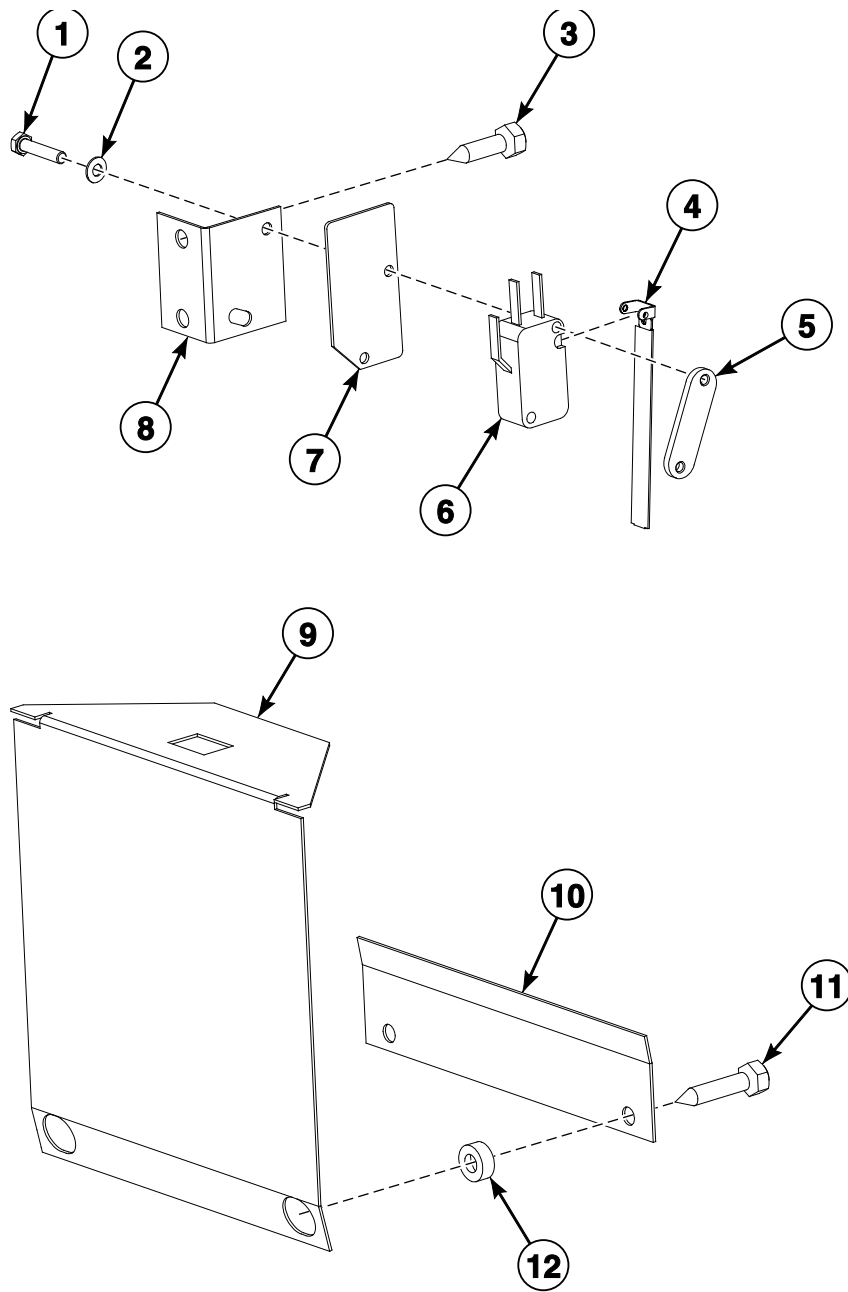


Electric Box Components - Gas and Steam Models

REF	PART NO.	DESCRIPTION	COMMENTS
	SP552248	Autotransformer	440-480 V/50 or 60 Hertz/3 AC
1	SP557962	Frequency Inverter	
2	SP514135	Relay Clamp	Gas models
3	SP514134	Relay	220VAC; Gas models
4	SP346000280402	Interconnection	
5	SP346000209101	End Stop	
6	569856	Contactors	
	SP520195	Resistance Bleeder	Reversing
7	569858	Mechanical Interlock Unit	Need to use with 569859 Set for Reversing Contactors
8	530518	Electric Box Cover	
9	SP346000280101	Clamp	
10	SP346000280301	Cover	
11	SP514057	Relay	24VAC; Gas models
12	SP506586	Relay Case	Gas models
13	SP514021	Transformer	14.2V plus 24V; 208-440 Volt
	SP516648	Transformer	380-415 Volt without N
14	SP311125000004	Washer	
15	SP309084000410	Bolt	
16	SP524654	Fuse Plug	
17	SP524655	Cover	
18	SP524653	Fuse Clip	
19	SPPRI401001021	Fuse	250 Volt F4A
	SP345805005020	Fuse	250 Volt T500mA
	SPPRI401020021	Fuse	1.6A
20	SP346000014010	Cover	
21	SP514133	Fuse	500 Volt, F500mA; 440 Volt; 380-415 Volt
	SP345805163032	Fuse	1A
22	SP346000004010	Fuse Case	

Under Pressure Clutch

Gas, Steam and Electric Models

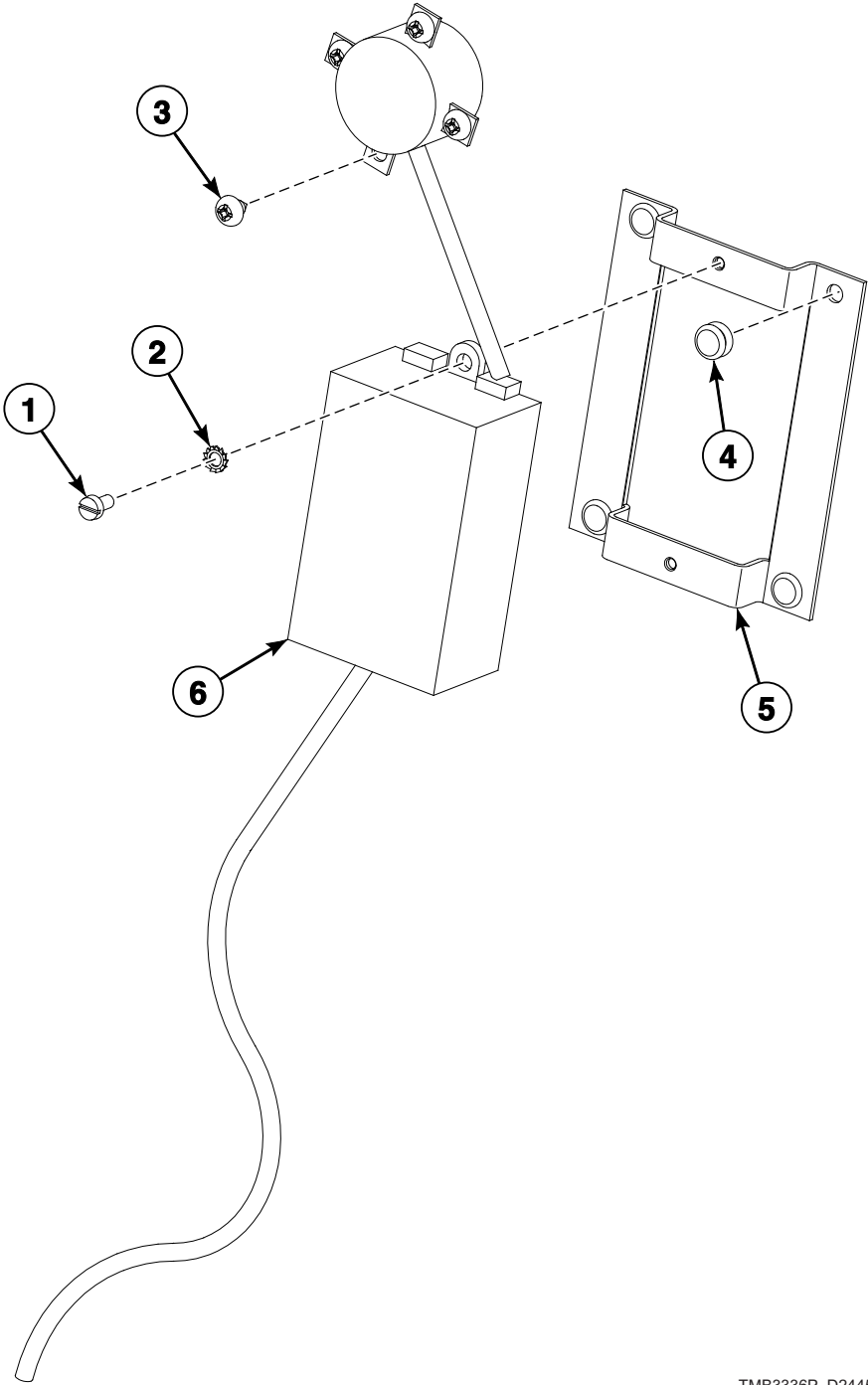


TMB3370P_D2445

Under Pressure Clutch

REF	PART NO.	DESCRIPTION	COMMENTS
	SP520870	Underpressure Clutch Assembly	Includes items 1-12
1	SP516623	Bolt	
2	SP311125000003	Washer	
3	SP518623	Bolt	
4	SP517441	Microswitch Lever Assembly	
5	SP235119001815	Nut	
6	SPPRI610028017	Microswitch	
7	SP101154	Isolation Plate	
8	SP520803	Microswitch Bracket	
9	SP520805	Clutch	
10	SP520808	Stop End	
11	SP520871	Screw	
12	SP520804	Distance Ring	

Humidity Sensor

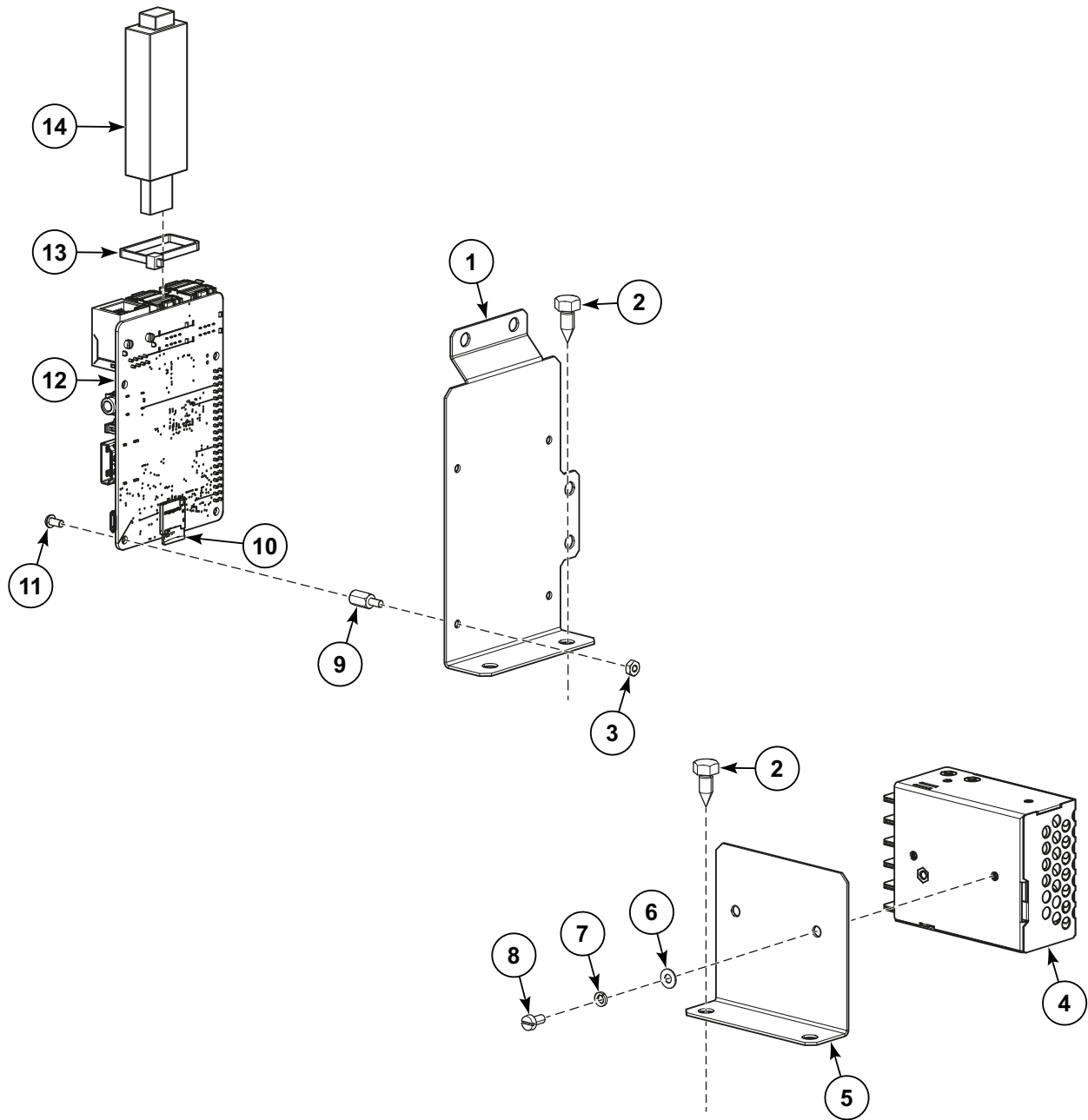


TMB3336P_D2445

Humidity Sensor

REF	PART NO.	DESCRIPTION	COMMENTS
	SP532002	Dust Cap Humidity Sensor	
	SP518562	Humidity Sensor Assembly	Includes items 1-6
1	SP309084000306	Bolt	
2	SP311679800003	Washer	
3	SP309798500306	Screw	
4	SP313250004075	Rivet	
5	SP518563	Sensor Holder	
6	SP102456	Humidity Sensor	

WiFi Connection

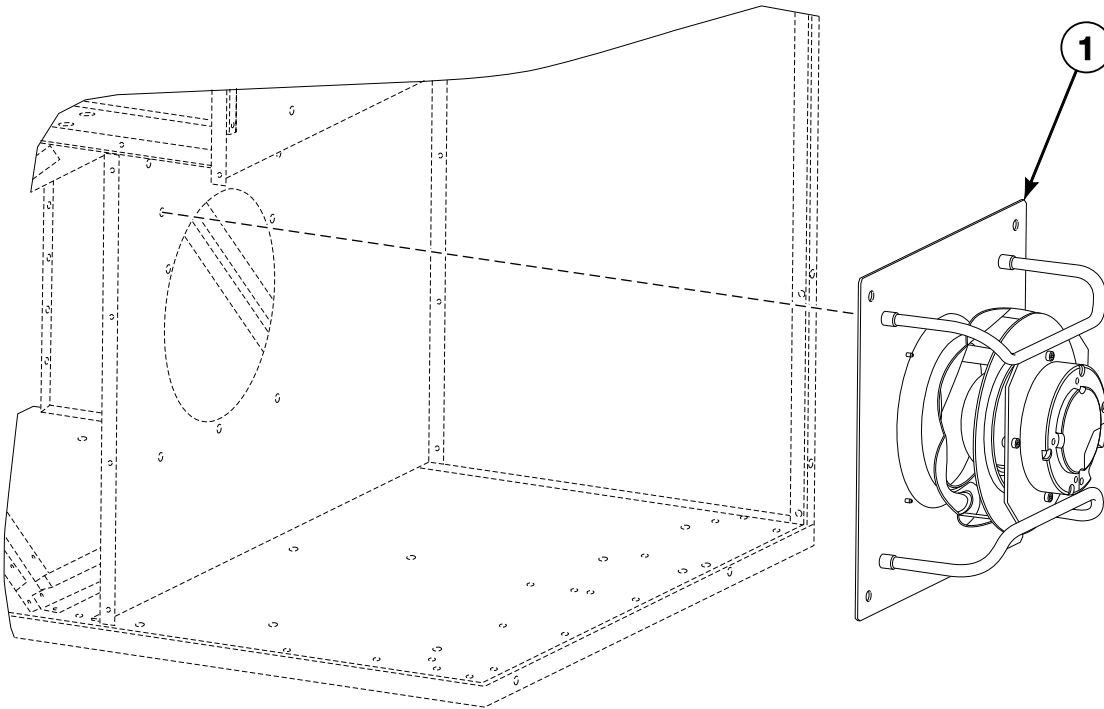


CZT446P_D2445

WiFi Connection

REF	PART NO.	DESCRIPTION	COMMENTS
	573395	WiFi Service kit	Includes items 1-14, items 575872, 575873, 575866 and Flash Memory with Firmware
	575872	Power Supply Cable	
	575873	WiFi Cable	
	575866	Power Supply Harness	Micro USB-B
1	573393	Control Board Holder	
2	SP100218	Screw	ST4.8x13
3	573392	Nut	M2.5
4	575864	Power Supply	
5	573394	Power Supply Holder	
6	SP311125000003	Washer	M3
7	SP311127000003	Washer	M3
8	SP309084000306	Bolt	M3x6
9	573390	Spacer	M2.5x8
10	553442	MicroSD Card	16GB
11	573391	Bolt	M2.5x5
12	553440	Control Board	
13	SP345000626088	Binding Strip	
14	529102	Converter	USB RS485 - Nano

Ventilator - Heat Pump Models



TMB3354P_D2445

Ventilator - Heat Pump Models

REF	PART NO.	DESCRIPTION	COMMENTS
	SP534930	Temperature Sensor	
1	SP552675	Ventilator	

Parts Index

A

Access Cover	
SP530796	29, 31
SP557136	29
Adhesive	
SP245704003021	37, 39
Adjustable Foot	
SPPRI504000001	29, 33
Autotransformer	
SP552201	65
SP552248	65, 67, 69

B

Back Seal	
SP527801	29, 31
Base	
SP541489	53
Bearing	
SP326000600300	61
SP514005	61
SP514007	61
Bearing Bracket	
SP512366	61
Bearing Flange	
SP514483	61
Belt	
SP515257	61
SP518647	61
Binding Strip	
SP345000626088	75
Blank Plate Kit	
SP102019	43
Bolt	
SPPRI202001001	43, 49
SP309084000306	73, 75
SP309084000410	65, 67, 69
SP309084000412	55, 57
SP309084000416	51
SP309084000420	55
SP309798524408	45
SP309933000416	11, 21, 25, 29, 31
SP309933000516	43, 59
SP309933000616	41, 57, 61
SP309933000625	53, 63
SP309933000630	29, 31
SP309933001025	61
SP309933001050	61
SP309933001120	61
SP309933100625	55
SP309933240412	5, 11, 23, 25, 29, 31
SP309966240410	5
SP506012	51, 57
SP510954	63
SP515075	5, 39
SP516623	71
SP516693	29, 33
SP518556	61
SP518623	71
SP518719	29, 33

SP524367	37, 39
SP525030	35
SP525101	37, 39
SP533726	53
SP534908	59
SP537864	51
SP545529	29, 33
573391	75

Box	
SP556044	55
Box Assembly	
SP556043	55
Bracket	
SP541436	53
Burner Tube	
SP552515	43, 45
Bushing	
SP101405	51, 63
SP101406	51, 55, 57
SP101408	51, 55
SP273121011001	29, 31
SP273121013002	29, 31

C

Cabinet	
SP552660	51
Cable	
SP521061	9, 11, 23, 25
Chain	
SP521266	7
Clamp	
SP346000280101	69
SP529013	59
Clip	
SP502214	55
Clutch	
SP520805	71
Coil	
SP516717	49
Coin Meter	
SP100642	15
SP100866	15
SP100867	15
SP100868	15
SP100869	15
SP100870	15
SP100871	15
SP100887	15
SP100888	15
SP100891	15
SP100892	15
SP100893	15
SP100895	15
SP100896	15
SP100898	15
SP100900	15
SP100902	15
SP101155	15
SP101228	15
SP101437	15
SP101450	15

N/A items do not appear in index.

SP101499	15	SP560096	17
SP101535	15	SP560097	17
SP101536	15	SP560098	17
SP101586	15	SP560099	17
SP101612	15	SP560746	17
SP101632	15	SP560793	17
SP101797	15	SP561379	17
SP102084	15	SP564823	17
SP102371	15	516848	19
SP102407	15	516908	19
SP102452	15	516909	19
SP102473	15	516913	19
SP102546	15	516914	19
SP516632	15	529159	19
SP516636	15	569920	19
SP516638	15	569923	19
SP516639	15	569926	19
SP516737	15	569929	19
SP516804	15	569932	19
SP516807	15	569935	19
SP516875	15	569938	19
SP516921	15	569941	19
SP516950	15	569944	19
SP516967	15	569947	19
SP516969	15	569950	19
SP516976	15	569953	19
SP516977	15	569956	19
SP516980	15	569963	19
SP516984	15	569966	19
SP516991	15	569969	19
SP516994	17	569972	19
SP516999	17	569975	19
SP529106	17	569981	19
SP529108	17	569986	19
SP529110	17	572303	19
SP529113	17	572306	19
SP529114	17	572309	19
SP529115	17	572312	19
SP529119	17	572315	19
SP529124	17	572319	19
SP534187	17	572322	19
SP534289	17	572325	19
SP534297	17	572337	19
SP537775	17	572338	19
SP537776	17	572340	19
SP537778	17	572344	19
SP537779	17	572360	19
SP537787	17	572385	19
SP537788	17	572390	19
SP537825	17	579810	19
SP537828	17	579814	19
SP537829	17	579820	19
SP537859	17		
SP537913	17	Coin Meter Bracket	
SP552901	17	SP556081	11
SP552951	17	Coin Vault	
SP552952	17	SP321848140028	29, 31
SP552998	17	573350	29, 31
SP553007	17	Coin Vault Assembly	
SP553008	17	573370	29, 31
SP553140	17	Coin Vault Cover	
SP553152	17	SP515291	5
SP555667	17	Coin Vault Frame	
SP556109	17	SP501514	5
SP556113	17	Coin Vault Frame Bracket	
SP556114	17	SP524394	5
SP556153	17	Connector	
SP559709	17	345000180901	43
SP560095	17		

N/A items do not appear in index.

Contact		SP560719.....	25
345000160645.....	43	574515	21
Contact		574516	21
569856	65, 67, 69	574517	11
569857	65	574518	11
569873	67	574519	25
Control		574520	25
SP102458	11, 21, 25	575432	21
SP529112.....	9	575433	11
Control Board		575434	25
553440	75	Control Relay	
Control Board Holder		SP552311.....	65
573393	75	Control Unit	
Control Bracket		571938	45
SP556603	11, 23, 25	Converter	
SP559819	11, 21, 25	529102	75
Control Panel		Cover	
SP556076	13	SP346000014010.....	65, 67, 69
SP556077	23	SP346000280301.....	69
SP556644	13	SP512139.....	43, 45
SP556645	25	SP524655.....	65, 67, 69
SP556674	23	SP541434.....	53
SP556675	23	SP541435.....	53
SP556676	23	SP551860.....	53
SP556677	23	SP566259.....	53
SP556678	13	SP566301.....	53
SP556679	13	537625	45
SP556680	13		
SP556681	25		
SP556682	25		
SP556683	25		
SP556684	25		
SP560139.....	9		
Control Panel Assembly			
SP556075	11		
SP556078	21		
SP556646	25		
SP556685	21		
SP556686	21		
SP556687	21		
SP556688	21		
SP556689	11		
SP556690	11		
SP556691	11		
SP556692	11		
SP556693	25		
SP556694	25		
SP556695	25		
SP556696	25		
SP559887	21		
SP559888	21		
SP559889	11		
SP559890	11		
SP559891	25		
SP559892	25		
SP559893	25		
SP560138	9		
SP560222	21		
SP560223	21		
SP560224	11		
SP560225	11		
SP560226	25		
SP560227	25		
SP560714	21		
SP560715	21		
SP560716	11		
SP560717	11		
SP560718	25		
		D	
		Detection Electrode	
		SP102002.....	43
		Display Board	
		SP102459.....	11, 21, 25
		SP553416.....	9, 11, 21, 25
		SP560706.....	11, 21, 25
		Distance Ring	
		SP518649.....	61
		SP520804.....	71
		Door	
		SP524364.....	37
		SP556552.....	37
		SP559701.....	37
		579509	39
		579510	39
		Door Assembly	
		SP524359.....	37
		SP556558.....	37
		SP556559.....	37
		SP556561.....	37
		SP559703.....	37
		559702	37
		579505	39
		579506	39
		579507	39
		579508	39
		Door Glass	
		SP512053.....	37, 39
		Door Ring	
		SP534873.....	37, 39
		Door Switch Assembly	
		SP520404.....	29, 33
		Door Switch Holder	
		SP520403.....	29, 33

N/A items do not appear in index.

Double Drum Pulley	
SP518646	61
Double Pulley	
SP534703	61
Drive Bracket	
SP512363	61
Drum	
577766	35
577769	35
Drum Assembly	
577704	35
577726	35
Dust Cap Humidity Sensor	
SP532002	73

E

Elbow	
SP527236	57
572350	45
572352	45
Elbow Bracket Assembly	
SP556943	57
Electric Box Cover	
530518	65, 67, 69
Electrode Bracket	
SP512141	43
Emergency Stop Connector	
SP528311	13, 21
Emergency Stop Knob	
SP528310	13, 21
End Stop	
SP346000209101	65, 67, 69
Exhaust Assembly	
SP534910	59
Exhaust Bracket	
SP530689	59
Exhaust Cover	
SP545533	29, 33

F

Fan	
SP528481	51
Fan Assembly	
SP541496	51
Fan Cover	
SP541484	51
Fan Holder	
SP541495	51
Fan Housing Weldment	
575503	63
Fan Motor	
SP523625	63
Fan motor	
SP523622	63
Filling Hose Pipe	
SPPRI505000054	57
SP101621	57
Filter	
SP512324	29, 33
SP519027	49

SP552251	55
Filter Assembly	
SP560162	29
Filter Panel Assembly	
SP530630	7
SP530631	7
SP530633	7
SP530634	7
SP555961	7
SP555962	7
SP559827	7
SP559828	7
Fine Filter	
SP560160	29
Fixation Ring	
579515	39
580339	39
Flame Detection Cable	
SP516057	43
Flange	
SP102018	43
SP514062	43
Flange Bearing Body	
SP514011	61
SP514012	61
Flap Assembly	
SP534902	59
Flap Stop	
SP534900	59
Frequency Inverter	
SP557962	69
571478	55
Front Panel Assembly	
SP530620	5
SP530621	5
SP530622	5
SP530623	5
SP545542	5
SP545543	5
SP555996	5
SP555997	5
SP555998	5
SP559831	5
SP559832	5
SP559833	5
Front Seal	
SP518505	29, 31
Fuse	
SPPRI401001021	65, 67, 69
SPPRI401020021	69
SP345805005020	65, 67, 69
SP345805163032	69
SP358251506220	65, 67
SP514133	65, 67, 69
SP557786	41
Fuse Case	
SP346000004010	65, 67, 69
Fuse Clip	
SP524653	65, 67, 69
Fuse Isolator	
SP358251601312	65, 67
Fuse Plug	
SP524654	65, 67, 69

N/A items do not appear in index.

G

Gas Heater Box	
SP512130	43
569440	45
Gas Valve	
SP102000	43
SP520281	43
572351	45
Gas Valve Cable	
SP357500459412	43
Gas Valve Wiring	
520098	43
Glue	
SP534969	37, 39

H

Handle	
579513	39
Heat Pump	
SP556082	51
SP556083	51
SP556084	51
SP556085	51
SP556090	51
SP556091	51
SP556092	51
SP556093	51
SP556659	51
SP556660	51
SP556663	51
SP556664	51
Heater Box	
SP528941	41
Heating Element	
SP510984	41
SP510985	41
Heating Element Bracket	
SP527900	41
Holder	
569446	45
571880	45
571884	45
Hose	
SPPRI540000014	57
SP273454410020	43
Hose Clamp	
SPPRI240000002	57
Hose Pipe	
SP101745	57
Humidity Sensor	
SP102456	73
Humidity Sensor Assembly	
SP518562	73
Humidity Sensor Cover	
SP551869	51

I

Ignition Cable	
SP516060	43
Ignition Electrode	
575643	43, 45
Ignition Unit	
SP357456010080	43
Inlet Nozzle	
SP520950	63
Insulation	
SP552666	57
Interconnection	
SP346000280402	69
Isolation Plate	
SP101154	29, 33, 71

K

Key	
SP505449	61

L

Label	
SP562956	13
Latch	
SP514530	5, 37, 39
Lath	
SP524582	37, 39
SP556553	37
SP559706	37, 39
Lock	
SPPRI610000007	7, 9, 13, 23, 27
SP521221	7
Lock Hook	
SPPRI610001007	7, 9, 13, 23, 27
SP534645	29, 31
Lower Door Hinge	
SP525104	37, 39
SP556554	37
SP559704	37, 39
Lower Rear Cover	
SP530799	31

M

Magnet	
564203	37, 39
Main Switch	
SPPRI404000097	29, 31
SPPRI404000098	31
SPPRI404000099	31
SPPRI404000100	31
Main Switch Knob	
SPPRI404000095	29, 31
Mechanical Interlock Unit	
569858	65, 67, 69
Memory	
SP526001	9, 11, 21, 25

N/A items do not appear in index.

102460	11, 21, 25
103460	9
545264	11, 21, 25
545265	11, 21, 25
545266	11, 21, 25
545267	11, 21, 25
545268	9
MicroSD Card	
553442	75
Microswitch	
SPPRI610011077	29, 33
SPPRI610028017	71
SP506045	29, 33
SP517484	29, 33
Microswitch Bracket	
SP520803	71
Microswitch Lever Assembly	
SP517441	71
Motor	
SP523724	61
SP523725	61
Motor Bracket	
SP515418	61
SP518517	61
Motor Pulley	
SP527723	61
SP528922	61
SP530720	61
SP530721	61

N

Nozzle	
SP512067	43
SP556922	57
Nozzle Adapter	
SP556916	57
Nozzle Bracket Assembly	
SP556919	57
Nozzle Fitting Adapter	
SP556915	57
Nozzle Holder Assembly	
SP556920	57
Nut	
SPPRI610005007	9, 13, 21, 27
SPPRI610006007	9, 13, 23, 27
SP101415	51, 63
SP101416	51, 55, 57
SP101418	51, 55
SP235119001815	71
SP310934000003	9
SP310934000004	9, 11, 21, 25
SP310934000006	53
SP310934000010	29, 33, 35, 61
SP310934000020	53
SP310934100006	55
SP310934240004	37, 39
SP310934240005	43, 45, 49
SP310985000006	29, 31, 61
SP310985000010	61
SP310985000012	61
SP514193	13, 23, 27, 29, 31, 39
SP534929	59
SP545530	29, 33
573392	75

N/A items do not appear in index.

O

Orifice	
517222	43, 47
517223	43, 47
517224	47
517225	43, 47
517226	43, 47
517227	43, 47
517241	43, 47
517243	43, 47
517245	43, 47
517246	43, 47
517250	43, 47
517251	43, 47
517252	43, 47
517253	43, 47
517257	43, 47
517258	43, 47
517327	43, 47
517328	43, 47
517329	43, 47
517330	43, 47
517331	43, 47
517337	43, 47
520236	43, 47
520237	43, 47
520399	43, 47
525465	47
525466	43, 47
530819	43, 47
530820	43, 47
575530	47
Outer Door Gasket	
SP519933	37, 39
Overlay	
SP553415	25
SP556099	11, 23, 25
SP559870	11, 23, 25
SP559871	11, 23, 25
SP559900	11, 23, 25
SP560140	9

P

Pin Insertion	
SP520408	7
Plastic Layer Holder	
580337	39
Plug	
SPPRI505000064	63
SP273127001798	59
SP345900025012	7
SP520297	41
SP534904	59
Power Supply	
575864	75
Power Supply Cable	
575872	75
Power Supply Harness	
575866	75
Power Supply Holder	
573394	75

R

Reinforcement Bracket	
SP512365	61
Relay	
SP514057	65, 69
SP514134	69
Relay Case	
SP506586	65, 69
Relay Clamp	
SP514135	65, 69
Resistance Bleeder	
SP520195	69
Retaining Ring	
SP515517	61
Rinsing System Bracket	
SP556954	57
Rivet	
SP313250004075	11, 21, 25, 73
Rod	
SP517486	29, 31

S

Safety Thermostat	
SP514016	63
SP514127	41, 43, 45, 49
Screw	
SP100218	11, 23, 25, 29, 31, 43, 45, 59, 63, 75
SP309798100313	41
SP309798500306	63, 73
SP517238	43, 45, 49
SP520407	7
SP520871	11, 23, 25, 71
SP529206	53
572361	45
Sensor Holder	
SP518563	73
Shim	
SP529082	13, 21, 27
Side Panel	
SP541424	51
SP541425	51
SP556005	51
SP556007	51
SP556649	51
SP556650	51
Sliding Board	
SP514480	61
Spacer	
SP515521	61
SP520940	63
573390	75
Spring	
SPPRI611000009	29, 31
Steam Exchanger	
SP530409	49
SP530410	49
Steam Filter	
SP405054057006	49
Steam Valve	
SP516718	49

Steam Valve Body	
SP514166	49
Stop End	
SP520808	71
Stop Pin	
SP520201	37, 39
Support Plate	
SP515514	61
Switch	
SP100388	29, 31
Switch Panel	
SP520890	31
SP520891	29
Switching Unit	
SP528312	13, 21
Swivel Wheel Assembly	
SP541494	53
SP551864	53

T

Temperature Sensor	
SP516092	41, 43, 45
SP534930	63, 77
Tension Assembly	
SP514479	61
SP528928	61
Tension Rod	
SP534704	61
Thermostat Bracket	
SP520227	49
SP541457	53
Transformer	
SP514021	65, 67, 69
SP516648	69
Trunnion	
SP514957	35
Tube	
SP144151508341	59
SP314G00017524	49
SP512142	43
SP517236	49
SP534914	59
571881	45
571928	45
Tube Insert	
SPX01140400514	49

U

Underpressure Clutch Assembly	
SP520870	71
Upper Cover	
SP530795	29, 31
SP557133	29
Upper Door Hinge	
SP525105	37, 39
SP556555	37
SP559705	37, 39
Upper Rear Cover	
SP530798	31
SP556533	31

N/A items do not appear in index.

V

Valve	
SP556959	57
Valve Bracket	
SP512144	43
Valve Bracket Assembly	
SP556946	57
Valve Cover Assembly	
SP556947	57
Ventilator	
SP520945	63
SP552675	77

W

Washer	
SPPRI522000012	7, 13, 21, 27
SP311125000003	9, 29, 33, 43, 71, 75
SP311125000004	5, 9, 11, 21, 25, 29, 31, 45, 51, 55,
57,	65, 67, 69
SP311125000005	43, 49
SP311125000006	41, 53, 57, 61
SP311125000010	9, 29, 33, 35, 61
SP311125000013	61
SP311125000020	13, 21, 27
SP311125100006	55
SP311127000003	29, 33, 75
SP311127000004	5, 9, 11, 21, 25, 29, 31, 45, 51, 55,
57	
SP311127000005	43, 49
SP311127000006	41, 57
SP311127000010	61
SP311127240003	9
SP311679800003	9, 73
SP311679800004	11, 21, 25, 55
SP311679824006	53, 55
SP311902100006	51, 61, 63
SP311902100008	63
SP311902100010	61
SP311902100012	61
SP510697	35
SP512233	35
SP514906	5
SP516669	41, 43, 45, 59
SP524366	5
SP545531	29, 33
517426	35
WiFi Cable	
575873	75
WiFi Service kit	
573395	75
