

# Tumble Dryer

345 Liters (16 Kilograms) Capacity  
With Full/Flex Control  
Refer to Page 3 for Model Numbers

Parts



# Table of Contents

Title	Page
Parts Ordering Information .....	2
Serial Plate Location .....	2
Model Identification .....	3
Front Panel Assembly .....	4
Filter Panel Assembly .....	6
Flex/Full Control Components .....	8
Cabinet - Heat Pump Models .....	10
Cabinet - Gas, Steam and Electric Models (Drawing 1 of 2) .....	12
Cabinet - Gas, Steam and Electric Models (Drawing 2 of 2) .....	14
Drum Assembly .....	16
Door Assembly .....	18
Door Assembly - Double Layer Door .....	20
Electric Heat Components .....	22
Gas Heat Components - Models Through Serial No. 16T014291QB .....	24
Gas Heat Components - Models Starting Serial No. 16T014292QB (Drawing 1 of 2) .....	26
Gas Heat Components - Models Starting Serial No. 16T014292QB (Drawing 2 of 2) .....	28
Steam Heat Components .....	30
Heat Pump (Drawing 1 of 2) .....	32
Heat Pump (Drawing 2 of 2) .....	34
Frequency Inverter Panel .....	36
Heat Pump Rinsing System .....	38
Exhaust .....	40
Drive System .....	42
Fan Housing Assembly .....	44
Electric Box Components - Heat Pump Models .....	46
Electric Box Components - Electric Models .....	48
Electric Box Components - Gas and Steam Models .....	50
Under Pressure Clutch .....	52
Humidity Sensor .....	54
WiFi Connection .....	56
Ventilator - Heat Pump Models .....	58
Parts Index .....	61

© Copyright 2023, Alliance Laundry Systems LLC

All rights reserved. No part of the contents of this book may be reproduced or transmitted in any form or by any means without the expressed written consent of the publisher.

# Parts Ordering Information

If literature or replacement parts are required, contact the source from whom the machine was purchased or contact Alliance Laundry Systems at (920) 748-3950 for the name and address of the nearest authorized parts distributor.

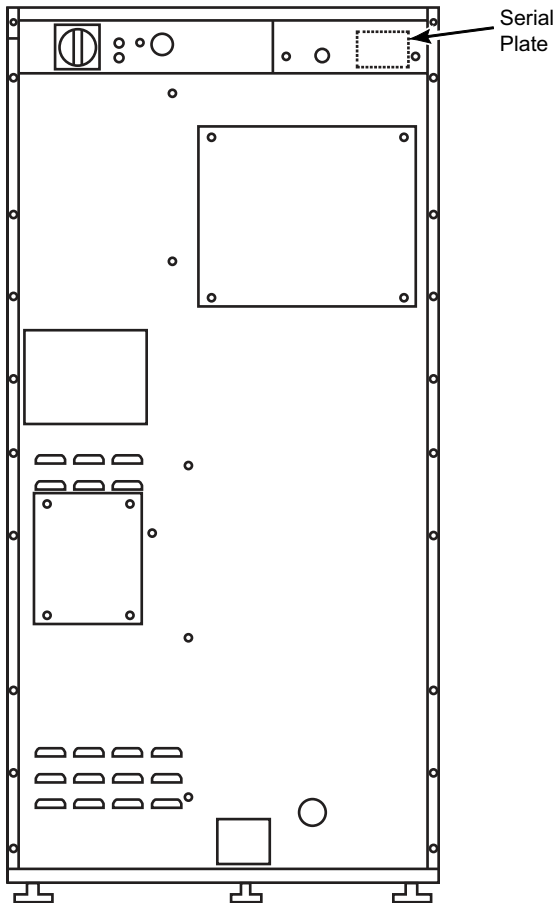
For technical assistance, call the number listed below:

(920) 748-3121 Ripon, Wisconsin

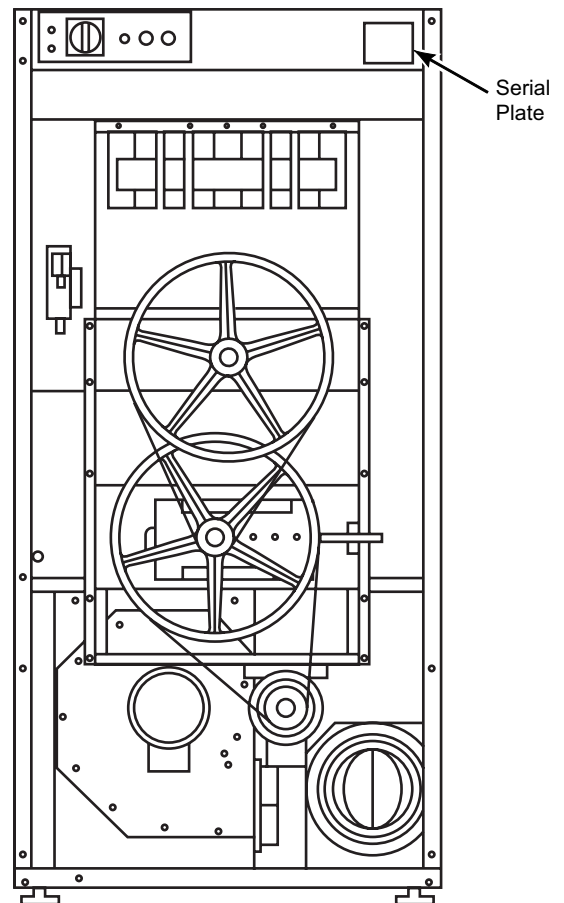
# Serial Plate Location

When calling or writing about your product, be sure to mention model and serial numbers. Model and serial numbers are located on serial plate(s).

**HEAT PUMP**



**GAS, STEAM AND ELECTRIC**



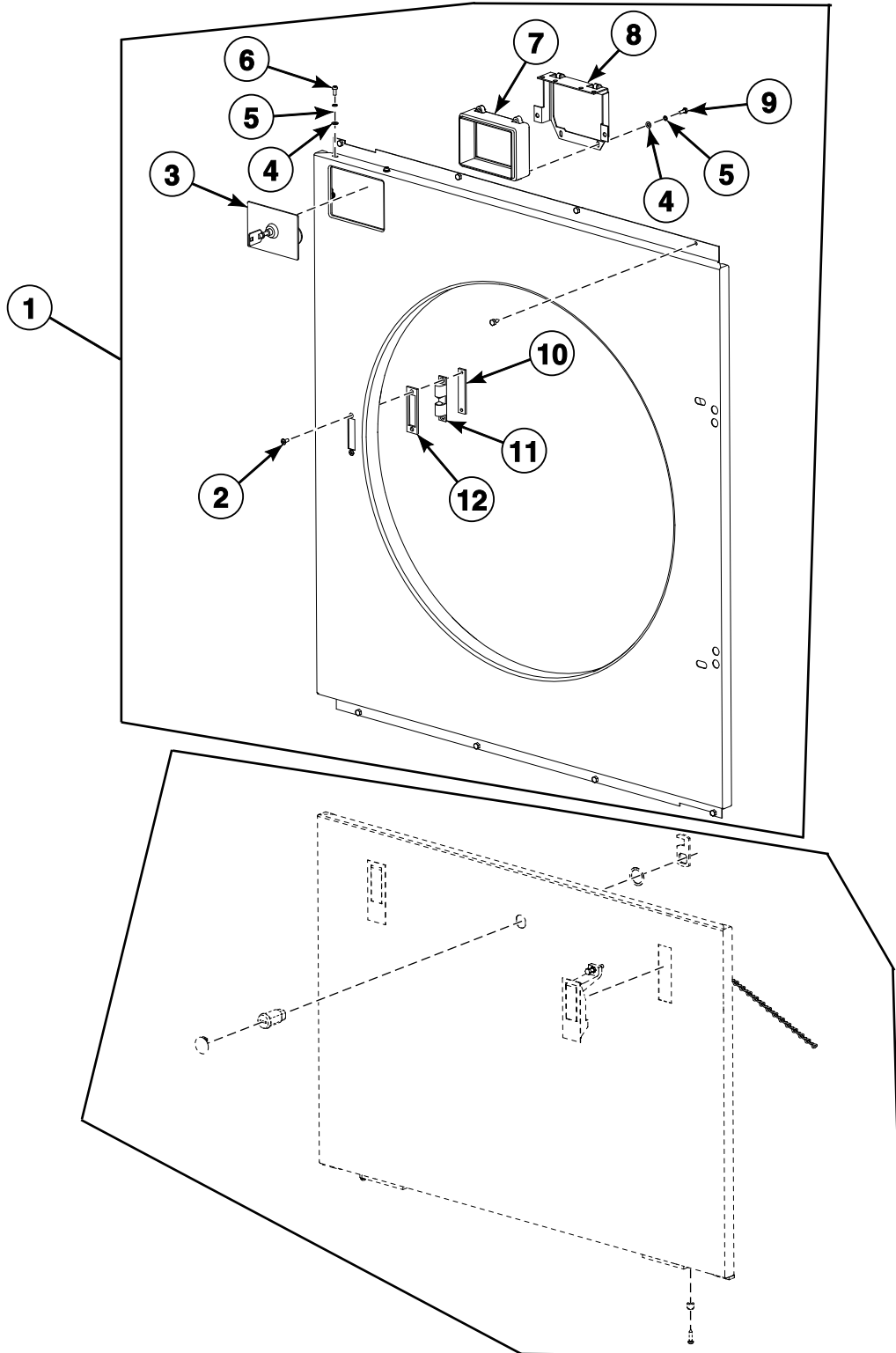
TMB3403P\_D2445

## Model Identification

Information in this manual is applicable to these tumbler models:

I345_FULL	IX345TF	NH345MF	PX345LF	UC345TF
IDR345	IX345WF	NH345NF	PX345MF	UC345WF
IHP345_FLEX	LC345EF	NH345SF	PX345NF	UE345EF
LS350_FULL	LC345HF	NH345TF	PX345SF	UE345HF
LS350HP_PROFESSIONAL	LC345LF	NH345WF	PX345TF	UE345LF
SDR345	LC345MF	NU345EF	PX345WF	UE345MF
SHP345_FLEX	LC345NF	NU345HF	SC345EF	UE345NF
SWT16	LC345SF	NU345MF	SC345HF	UE345SF
SWT16HP	LC345TF	NU345SF	SC345LF	UE345TF
T16_FULL	LC345WF	NU345WF	SC345MF	UE345WF
T16HP_FULL	LH345EF	NX345EF	SC345NF	UH345EF
T16VP_FULL	LH345HF	NX345HF	SC345SF	UH345HF
UDR345	LH345LF	NX345LF	SC345TF	UH345LF
UHP345_FLEX	LH345MF	NX345MF	SC345WF	UH345MF
IC345EF	LH345NF	NX345NF	SE345EF	UH345NF
IC345HF	LH345SF	NX345SF	SE345HF	UH345SF
IC345LF	LH345TF	NX345TF	SE345LF	UH345TF
IC345MF	LH345WF	NX345WF	SE345MF	UH345WF
IC345NF	LU345EF	PC345EF	SE345NF	UU345EF
IC345SF	LU345HF	PC345HF	SE345SF	UU345HF
IC345TF	LU345MF	PC345LF	SE345TF	UU345MF
IC345WF	LU345SF	PC345MF	SE345WF	UU345SF
IE345EF	LU345WF	PC345NF	SH345EF	UU345WF
IE345HF	LX345EF	PC345SF	SH345HF	UX345EF
IE345LF	LX345HF	PC345TF	SH345LF	UX345HF
IE345MF	LX345LF	PC345WF	SH345MF	UX345LF
IE345NF	LX345MF	PE345EF	SH345NF	UX345MF
IE345SF	LX345NF	PE345HF	SH345SF	UX345NF
IE345TF	LX345SF	PE345LF	SH345TF	UX345SF
IE345WF	LX345TF	PE345MF	SH345WF	UX345TF
IH345EF	LX345WF	PE345NF	SU345EF	UX345WF
IH345HF	NC345EF	PE345SF	SU345HF	
IH345LF	NC345HF	PE345TF	SU345MF	
IH345MF	NC345LF	PE345WF	SU345SF	
IH345NF	NC345MF	PH345EF	SU345WF	
IH345SF	NC345NF	PH345HF	SX345EF	
IH345TF	NC345SF	PH345LF	SX345HF	
IH345WF	NC345TF	PH345MF	SX345LF	
IU345EF	NC345WF	PH345NF	SX345MF	
IU345HF	NE345EF	PH345SF	SX345NF	
IU345MF	NE345LF	PH345TF	SX345SF	
IU345SF	NE345MF	PH345WF	SX345TF	
IU345WF	NE345NF	PU345EF	SX345WF	
IX345EF	NE345SF	PU345HF	UC345EF	
IX345HF	NE345TF	PU345MF	UC345HF	
IX345LF	NE345WF	PU345SF	UC345LF	
IX345MF	NH345EF	PU345WF	UC345MF	
IX345NF	NH345HF	PX345EF	UC345NF	
IX345SF	NH345LF	PX345HF	UC345SF	

# Front Panel Assembly

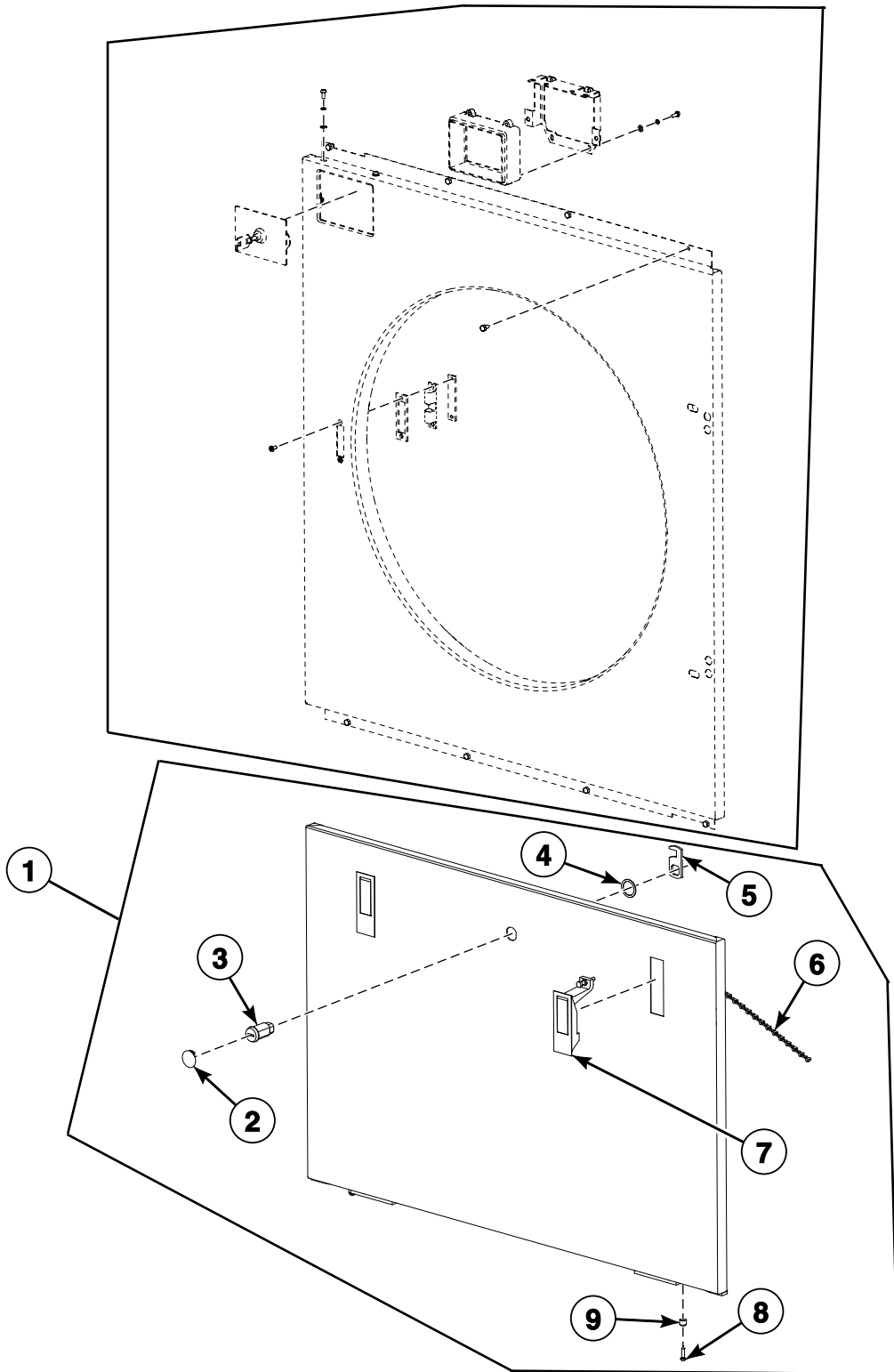


TMB3337P\_D2446

# Front Panel Assembly

REF	PART NO.	DESCRIPTION	COMMENTS
1	SP530621	Front Panel Assembly	U models; I models starting Serial No.16T014342QD; S models starting 1/1/2021; Includes items 2-12; Imitation stainless steel
	SP559831	Front Panel Assembly	I and LS350HP_PROFESSIONAL models through Serial No.16T014341QD; S models through 12/31/2020; Includes items 2-12; White
	SP555996	Front Panel Assembly	L, N, P and T models; Includes items 2-12; Gray
	SP530620	Front Panel Assembly	Includes items 2-12; Stainless steel
	SP530623	Front Panel Assembly	U models; I models starting Serial No.16T014342QD; S models starting 1/1/2021; Includes items 2-12; Coin; Right door; Imitation stainless steel
	SP559832	Front Panel Assembly	I and LS350HP_PROFESSIONAL models through Serial No.16T014341QD; S models through 12/31/2020; Includes items 2-12; Coin; Right door; White
	SP555997	Front Panel Assembly	L, N, P and T models; Includes items 2-12; Coin; Right door; Gray
	SP530622	Front Panel Assembly	Includes items 2-12; Coin; Right door; Stainless steel
	SP545543	Front Panel Assembly	U models; I models starting Serial No.16T014342QD; S models starting 1/1/2021; Includes items 2-12; Coin; Left door; Imitation stainless steel
	SP559833	Front Panel Assembly	I and LS350HP_PROFESSIONAL models through Serial No.16T014341QD; S models through 12/31/2020; Includes items 2-12; Coin; Left door; White
	SP555998	Front Panel Assembly	L, N, P and T models; Includes items 2-12; Coin; Left door; Gray
	SP545542	Front Panel Assembly	Includes items 2-12; Coin; Left door; Stainless steel
2	SP309966240410	Bolt	
3	SP515291	Coin Vault Cover	Coin
4	SP311125000004	Washer	
5	SP311127000004	Washer	
6	SP515075	Bolt	
7	SP501514	Coin Vault Frame	Coin
8	SP524394	Coin Vault Frame Bracket	Coin
9	SP309933240412	Bolt	
10	SP514906	Washer	
11	SP514530	Latch	
12	SP524366	Washer	

# Filter Panel Assembly



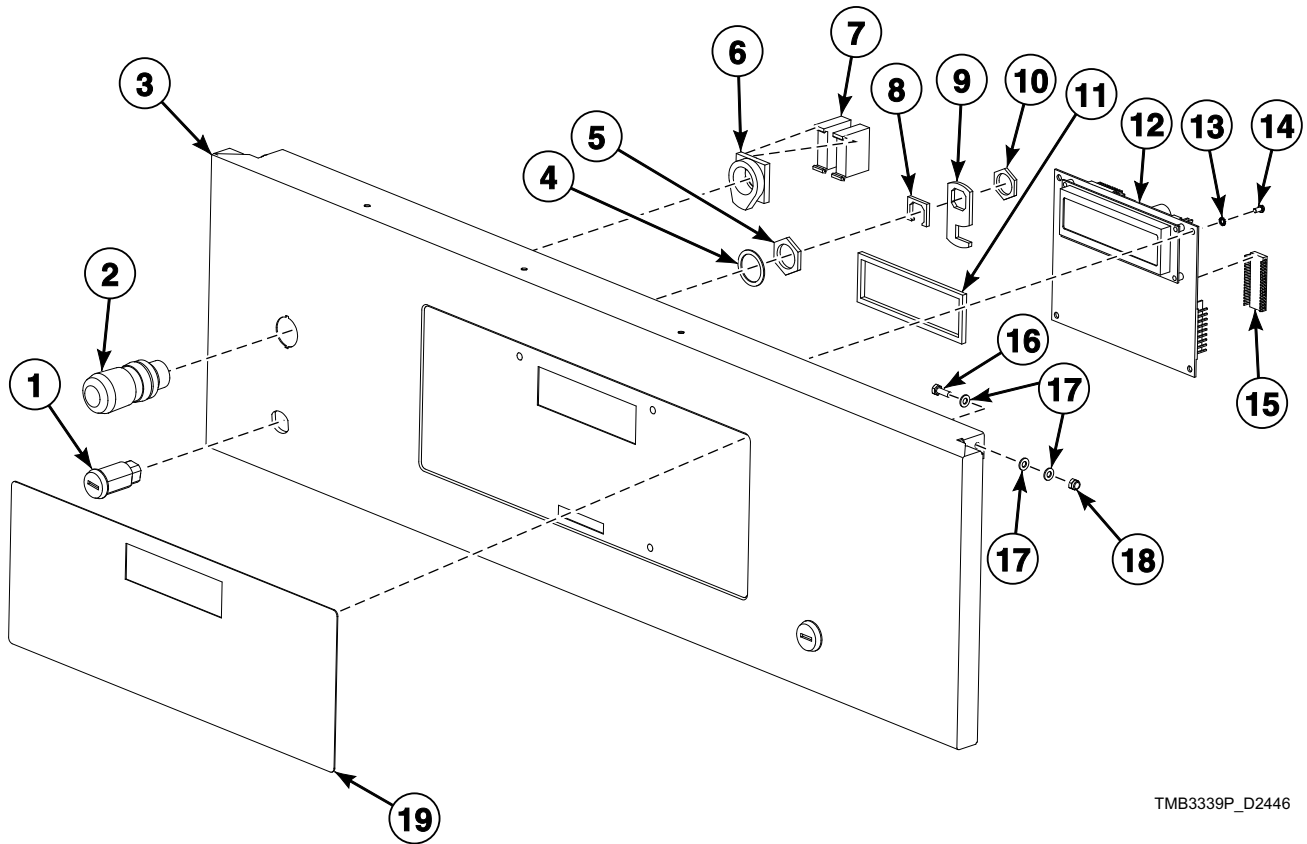
TMB3337PA\_D2446



## Filter Panel Assembly

REF	PART NO.	DESCRIPTION	COMMENTS
1	SP530631	Filter Panel Assembly	U models; I models starting Serial No.16T014342QD; S models starting 1/1/2021; Includes items 2-9; Imitation stainless steel
	SP559827	Filter Panel Assembly	I and LS350HP_PROFESSIONAL models through Serial No.16T014341QD; S models through 12/31/2020; Includes items 2-9; White
	SP555961	Filter Panel Assembly	L, N, P and T models; Includes items 2-9; Gray
	SP530630	Filter Panel Assembly	Includes items 2-9; Stainless steel
	SP530634	Filter Panel Assembly	U models; I models starting Serial No.16T014342QD; S models starting 1/1/2021; Includes items 2-9; With lock; Imitation stainless steel
	SP559828	Filter Panel Assembly	I and LS350HP_PROFESSIONAL models through Serial No.16T014341QD; S models through 12/31/2020; Includes items 2-9; With lock; White
	SP555962	Filter Panel Assembly	L, N, P and T models; Includes items 2-9; With lock; Gray
	SP530633	Filter Panel Assembly	Includes items 2-9; With lock; Stainless steel
	2	SP345900025012	Plug
3	SPPRI610000007	Lock	
4	SPPRI522000012	Washer	
5	SPPRI610001007	Lock Hook	
6	SP521266	Chain	
7	SP521221	Lock	
8	SP520407	Screw	
9	SP520408	Pin Insertion	

# Flex/Full Control Components

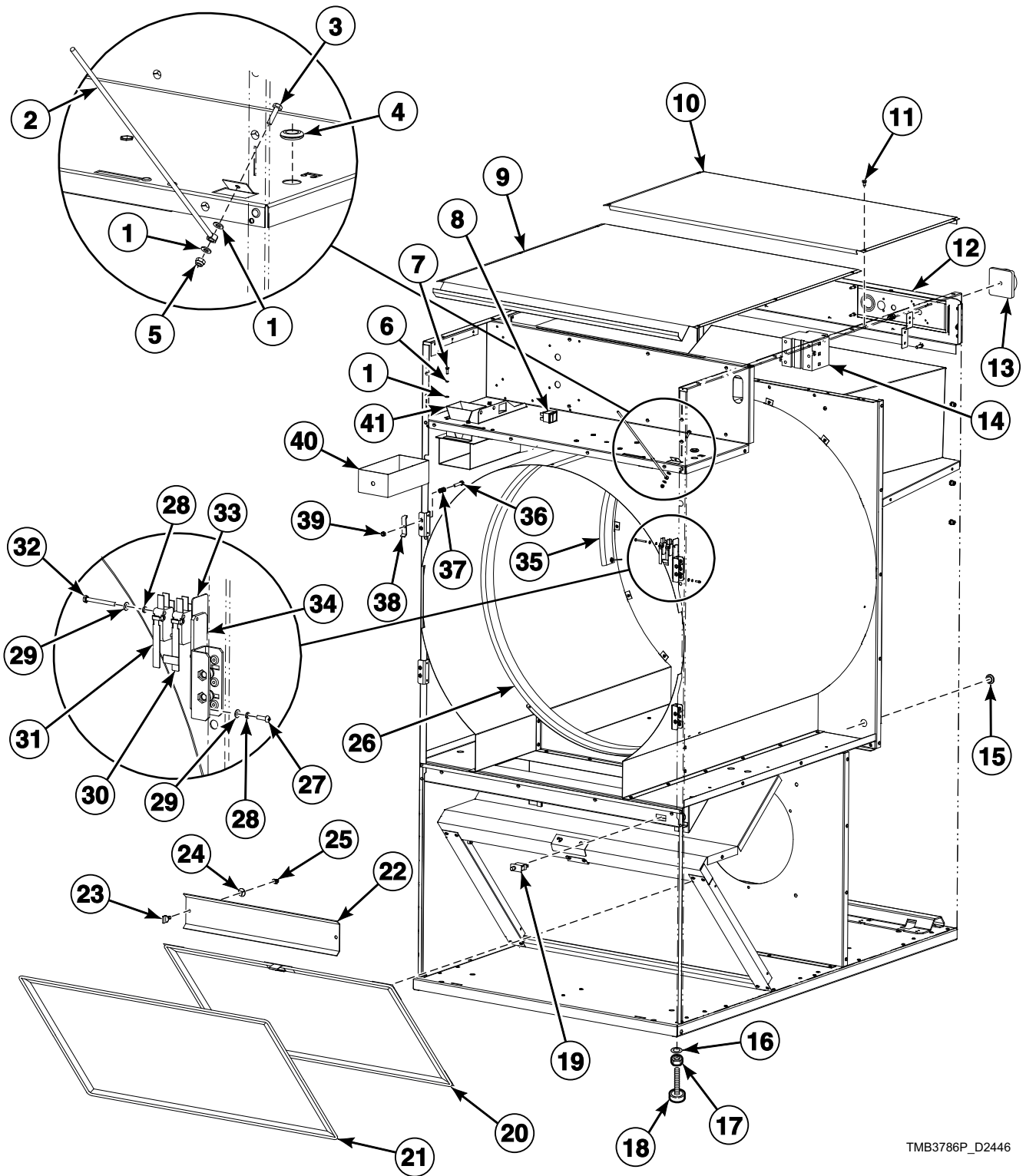


TMB3339P\_D2446

## Flex/Full Control Components

REF	PART NO.	DESCRIPTION	COMMENTS
	SP560115	Control Panel Assembly	U models; Includes items 1-19; Imitation stainless steel
	SP559884	Control Panel Assembly	U models; Includes items 1-19; Stainless steel
	SP560117	Control Panel Assembly	I and LS350HP_PROFESSIONAL models; Includes items 1-19; White; Through Serial No.16T014341QD
	574514	Control Panel Assembly	I models; Includes items 1-19; Imitation stainless steel; Starting Serial No.16T014342QD
	SP559885	Control Panel Assembly	I, L and N models; Includes items 1-19; Stainless steel
	571930	Control Panel Assembly	L and N models; Includes items 1-19; Gray; Starting 6/14/2019
	SP559883	Control Panel Assembly	S models; Includes items 1-19; White; Through 12/31/2020
	SP559886	Control Panel Assembly	S models; Includes items 1-19; Stainless steel
	575431	Control Panel Assembly	S models starting 1/1/2021; Includes items 1-19; Imitation stainless steel
	SP560101	Control Panel Assembly	P and T models; Includes items 1-19; Gray; L and N models through Serial No.16T014341QD
	SP560116	Control Panel Assembly	P and T models; Includes items 1-19; Stainless steel; L and N models through Serial No.16T014341QD
	SP560118	Control Panel Assembly	P and T models; Includes items 1-19; Black; Through Serial No.16T014341QD
<b>1</b>	SPPRI610000007	Lock	
<b>2</b>	SP528310	Emergency Stop Knob	
<b>3</b>	SP560111	Control Panel	U models; Imitation stainless steel; I models starting Serial No.16T014342QD; S models starting 1/1/2021
	SP560113	Control Panel	I, LS350HP_PROFESSIONAL and S models; White; Through 12/31/2020
	SP560106	Control Panel	L, N, P and T models; Gray
	SP560114	Control Panel	P and T models; Black
	SP560112	Control Panel	Stainless steel
<b>4</b>	SPPRI522000012	Washer	
<b>5</b>	SPPRI610005007	Nut	
<b>6</b>	SP528311	Emergency Stop Connector	
<b>7</b>	SP528312	Switching Unit	
<b>8</b>	SP529082	Shim	
<b>9</b>	SPPRI610001007	Lock Hook	
<b>10</b>	SPPRI610006007	Nut	
<b>11</b>	SP101275	Gasket	
<b>12</b>	SP556608	Control Board	I, L, N, P and T models; Gray
	SP102457	Control Board	S and U models; Green
<b>13</b>	SP311679800003	Washer	
<b>14</b>	SP309798500306	Bolt	
<b>15</b>	SP526001	Memory	Empty without software version
	102471	Memory	Models without heat pump; Includes SP526001 Memory and EN, CZ, DE, FR, NL, ES, IT, DK, NO software language version
	102472	Memory	Models without heat pump; Includes SP526001 Memory and EN, CZ, RU, SL, HR, HU, PL, BG, RO, TR software language version
	545269	Memory	Models with heat pump; Includes SP526001 Memory and EN, CZ, DE, FR, NL, ES, IT, DK, NO software language version
	545270	Memory	Models with heat pump; Includes SP526001 Memory and EN, CZ, RU, SL, HR, HU, PL, BG, RO, TR software language version
	572334	Memory	Models with heat pump and frequency inverter; Includes SP526001 Memory and EN, CZ, DE, FR, NL, ES, IT, DK, NO software language version
	572335	Memory	Models with heat pump and frequency inverter; Includes SP526001 Memory and EN, CZ, RU, SL, HR, HU, PL, BG, RO, TR software language version
<b>16</b>	SP309933240412	Bolt	
<b>17</b>	SP311125000004	Washer	
<b>18</b>	SP514193	Nut	
<b>19</b>	SP559863	Overlay	U models
	SP559864	Overlay	I, LS350HP_PROFESSIONAL and S models
	SP556100	Overlay	L, N, P and T models

# Cabinet - Heat Pump Models

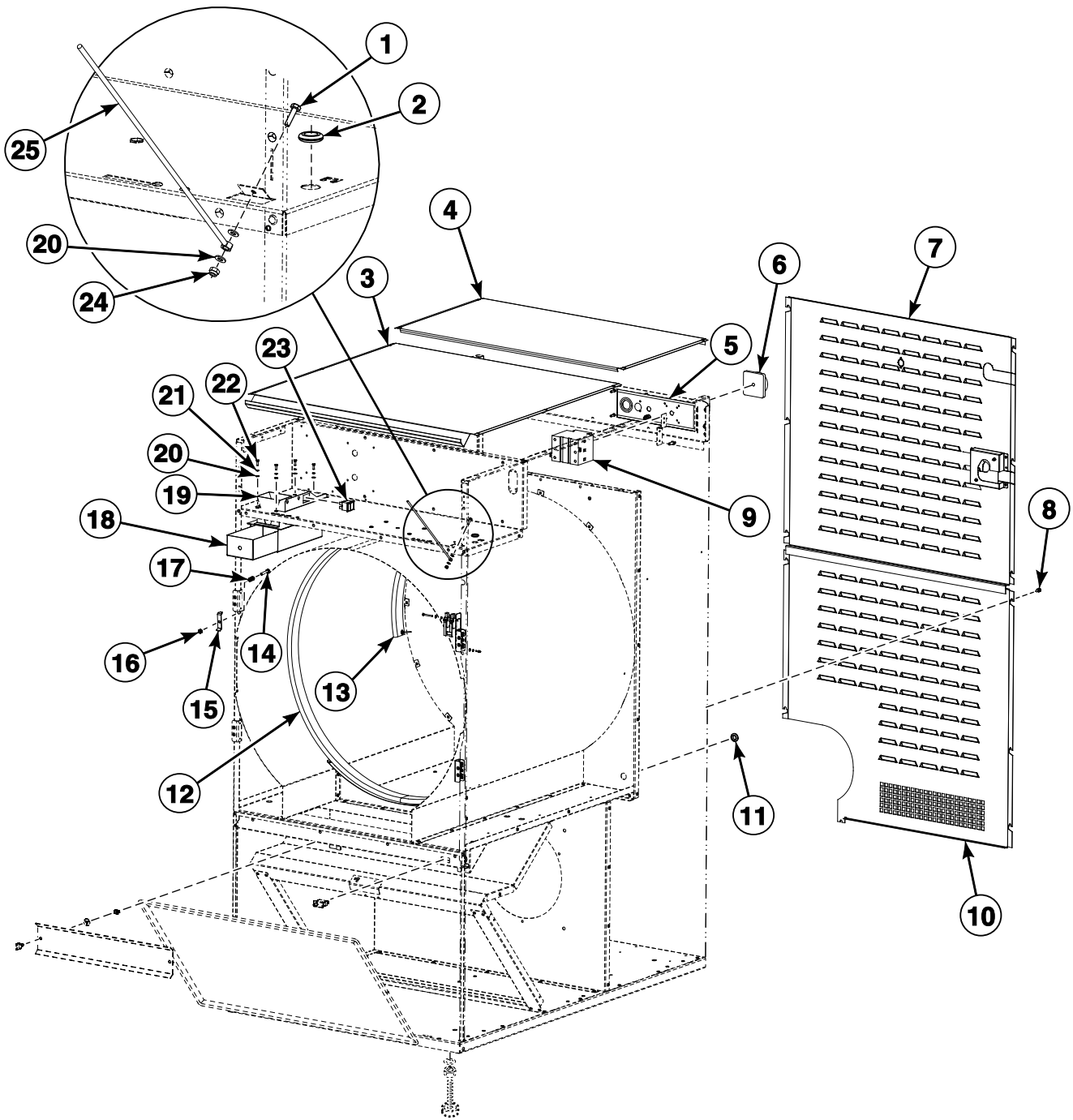


TMB3786P\_D2446

## Cabinet - Heat Pump Models

REF	PART NO.	DESCRIPTION	COMMENTS
	SP560162	Filter Assembly	Includes items 20 and 21
	SP520404	Door Switch Assembly	Includes items 27-34
	573370	Coin Vault Assembly	Includes items 1, 6, 7, 40 and 41
1	SP311125000004	Washer	
2	SP517486	Rod	
3	SP309933000416	Bolt	
4	SP273121011001	Bushing	
5	SP514193	Nut	
6	SP311127000004	Washer	
7	SP309933240412	Bolt	
8	SP100388	Switch	
9	SP530795	Upper Cover	
	SP557133	Upper Cover	Single phase
10	SP530796	Access Cover	
	SP557136	Access Cover	Single phase
11	SP100218	Screw	
12	SP520891	Switch Panel	
13	SPPRI404000095	Main Switch Knob	
14	SPPRI404000097	Main Switch	
15	SP273121013002	Bushing	
16	SP311125000010	Washer	
17	SP310934000010	Nut	
18	SPPRI504000001	Adjustable Foot	
19	SP506045	Microswitch	
20	SP560160	Fine Filter	
21	SP512324	Filter	
22	SP545533	Exhaust Cover	
23	SP545529	Bolt	
24	SP545531	Washer	
25	SP545530	Nut	
26	SP518505	Front Seal	
27	SP518719	Bolt	
28	SP311127000003	Washer	
29	SP311125000003	Washer	
30	SP517484	Microswitch	
31	SPPRI610011077	Microswitch	
32	SP516693	Bolt	
33	SP101154	Isolation Plate	
34	SP520403	Door Switch Holder	
35	SP527801	Back Seal	
36	SP309933000630	Bolt	
37	SPPRI611000009	Spring	
38	SP534645	Lock Hook	
39	SP310985000006	Nut	
40	SP321848140028	Coin Vault	
41	573350	Coin Vault	

# Cabinet - Gas, Steam and Electric Models (Drawing 1 of 2)

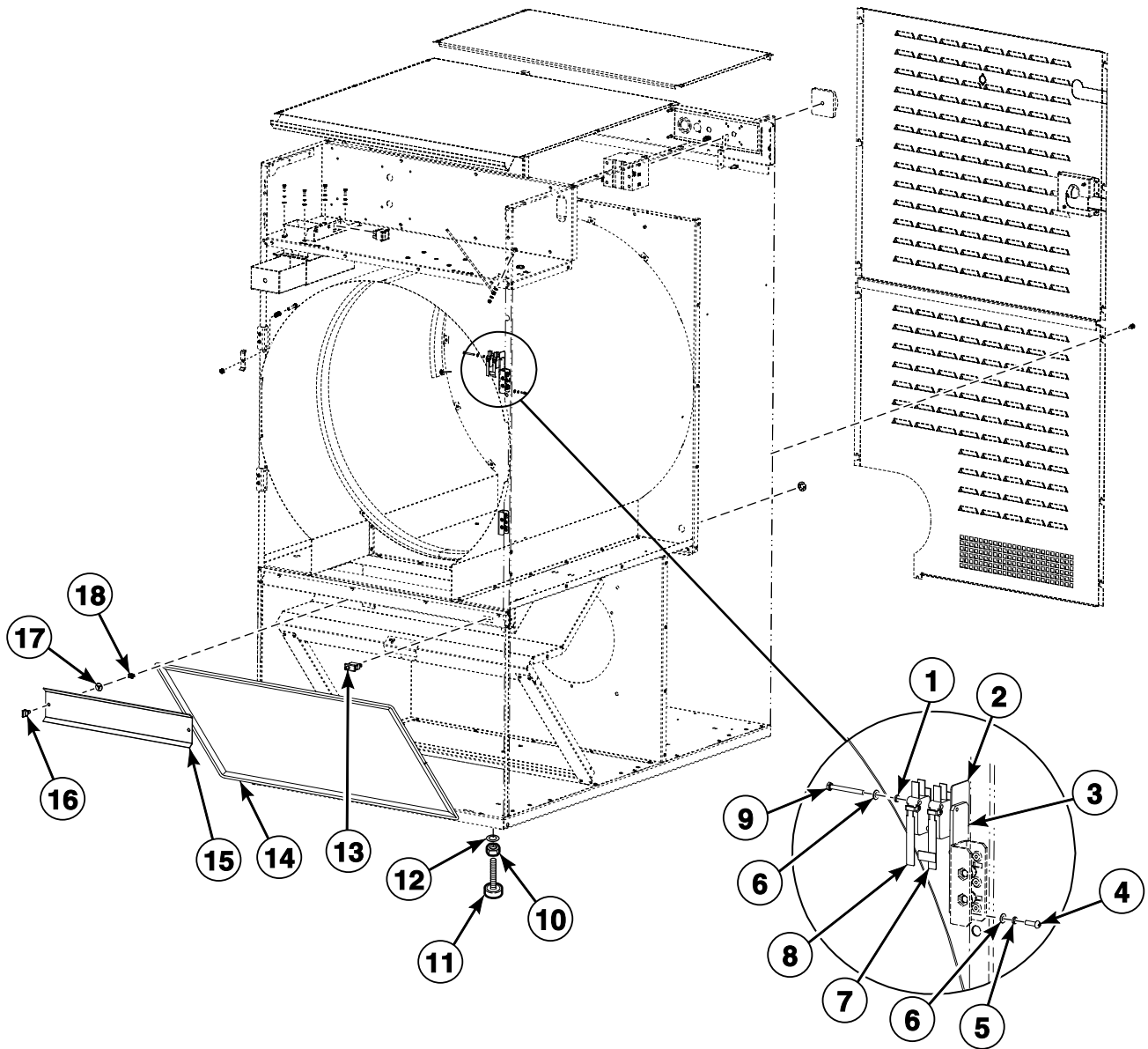


TMB3780P\_D2446

## Cabinet - Gas, Steam and Electric Models (Drawing 1 of 2)

REF	PART NO.	DESCRIPTION	COMMENTS
	573370	Coin Vault Assembly	Includes items 18 and 19
1	SP309933000416	Bolt	
2	SP273121011001	Bushing	
3	SP530795	Upper Cover	
4	SP530796	Access Cover	
5	SP520890	Switch Panel	
6	SPPRI404000095	Main Switch Knob	
7	SP530798	Upper Rear Cover	Electric models
	SP556533	Upper Rear Cover	Gas models; Also use SP556519 Cover
8	SP100218	Screw	
9	SPPRI404000097	Main Switch	Gas and steam models
	SPPRI404000098	Main Switch	Electric models; 400-440V, 12 or 18 kW
	SPPRI404000099	Main Switch	Electric models; 208-240V, 18 kW; 400-440V, 24kW
	SPPRI404000100	Main Switch	Electric models; 208-240V; 24 kW
10	SP530799	Lower Rear Cover	
11	SP273121013002	Bushing	
12	SP518505	Front Seal	
13	SP527801	Back Seal	
14	SP309933000630	Bolt	
15	SP534645	Lock Hook	
16	SP310985000006	Nut	
17	SPPRI611000009	Spring	
18	SP321848140028	Coin Vault	
19	573350	Coin Vault	
20	SP311125000004	Washer	
21	SP311127000004	Washer	
22	SP309933240412	Bolt	
23	SP100388	Switch	
24	SP514193	Nut	
25	SP517486	Rod	

# Cabinet - Gas, Steam and Electric Models (Drawing 2 of 2)



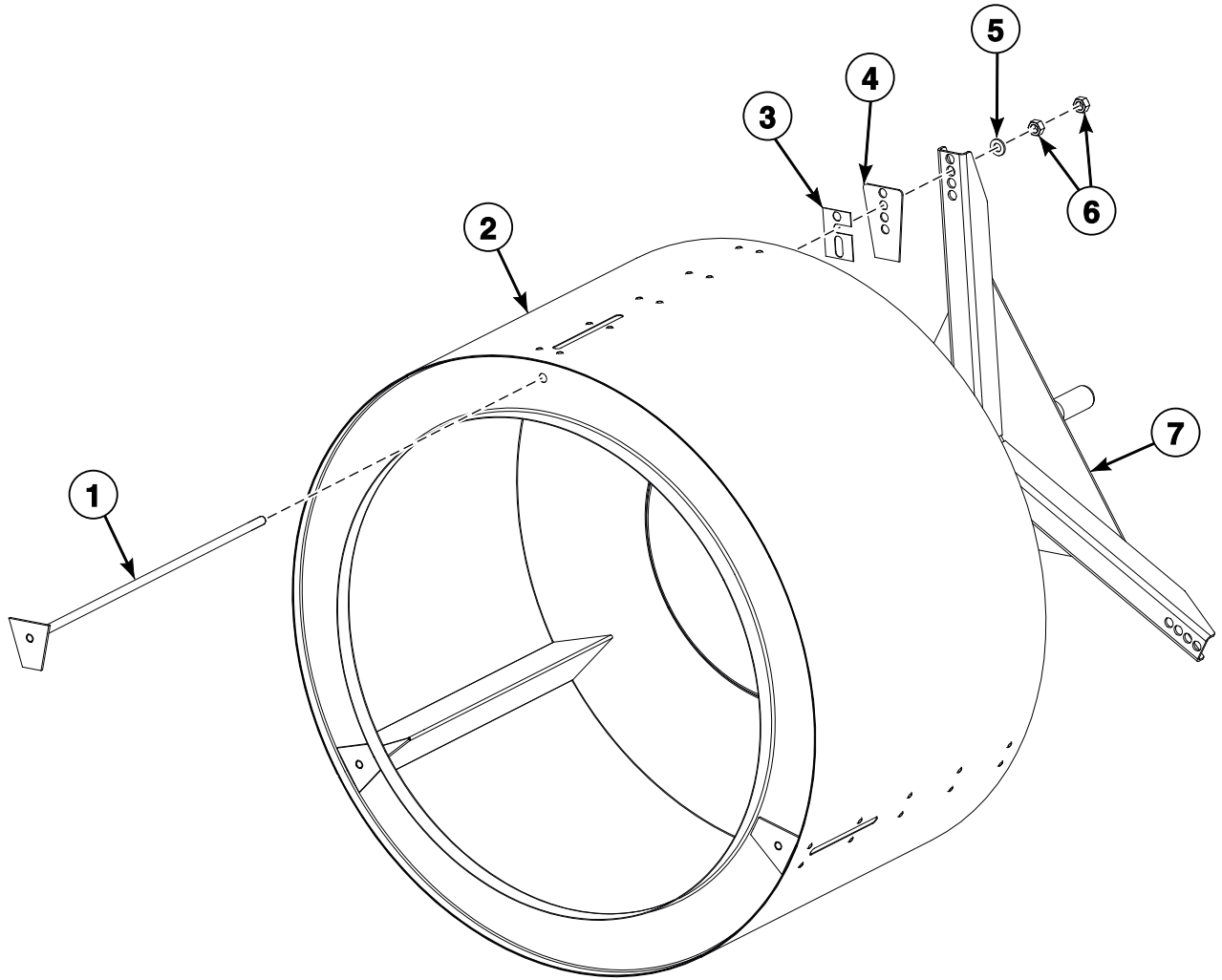
TMB3779P\_D2446



## Cabinet - Gas, Steam and Electric Models (Drawing 2 of 2)

REF	PART NO.	DESCRIPTION	COMMENTS
	SP520404	Door Switch Assembly	Includes items 1-9
1	SP311127000003	Washer	
2	SP101154	Isolation Plate	
3	SP520403	Door Switch Holder	
4	SP518719	Bolt	
5	SP311127000003	Washer	
6	SP311125000003	Washer	
7	SP517484	Microswitch	
8	SPPRI610011077	Microswitch	
9	SP516693	Bolt	
10	SP310934000010	Nut	
11	SPPRI504000001	Adjustable Foot	
12	SP311125000010	Washer	
13	SP506045	Microswitch	
14	SP512324	Filter	
15	SP545533	Exhaust Cover	
16	SP545529	Bolt	
17	SP545531	Washer	
18	SP545530	Nut	

# Drum Assembly

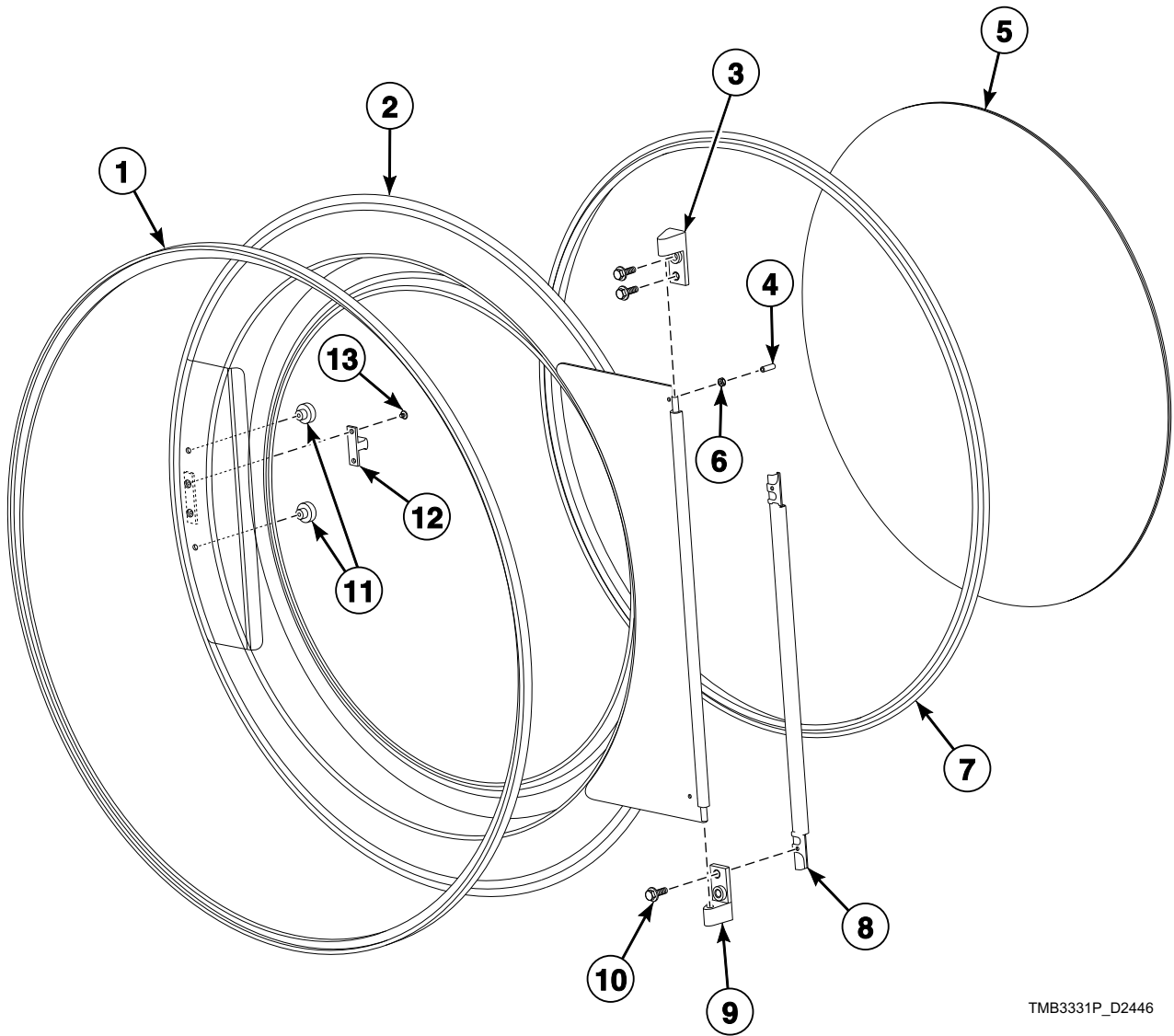


TMB3330P\_D2446

# Drum Assembly

REF	PART NO.	DESCRIPTION	COMMENTS
	577704	Drum Assembly	Galvanized; Includes items 1-7; 3000 RPM
	577726	Drum Assembly	Stainless steel; Includes items 1-7; 3000 RPM
1	SP525030	Bolt	
2	577766	Drum	Galvanized
	577769	Drum	Stainless steel
3	SP512233	Washer	1mm
	517426	Washer	0.5mm
4	SP510697	Washer	
5	SP311125000010	Washer	
6	SP310934000010	Nut	
7	SP514957	Drum Cross	3000 RPM

# Door Assembly

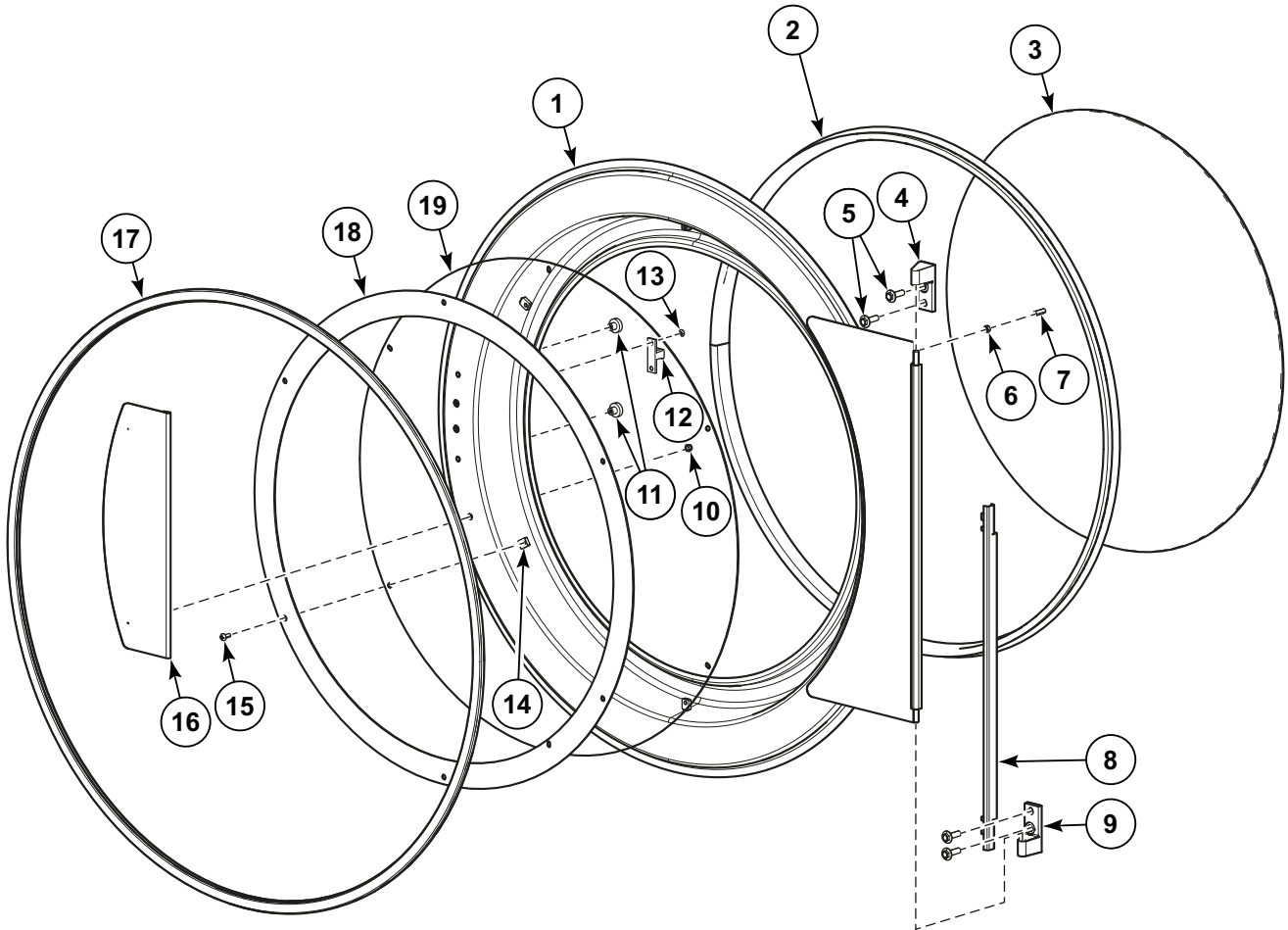


TMB3331P\_D2446

# Door Assembly

REF	PART NO.	DESCRIPTION	COMMENTS
	SP534969	Glue	Use with item 5
	SP245704003021	Adhesive	Use with item 4
	SP559703	Door Assembly	P and T models; Heat pump; Includes items 1-13; Metallic gray; S and U models through Serial No.16T018064UD
	SP556559	Door Assembly	I, L, N models; S and U models starting Serial No.16T018065UD; Heat pump; Includes items 1-13; Black
	SP524359	Door Assembly	L and N models; I models starting Serial No.16T014342QD; S and U models starting 16T018065UD; Gas, steam and electric; Includes items 1-13; Black
	SP556561	Door Assembly	P and T models through Serial No.16T014341QD; Heat pump; Includes items 1-13; Silver
	SP556558	Door Assembly	P and T models through Serial No. 16T013256MB; Gas, steam and electric; Includes items 1-13; Silver
	559702	Door Assembly	P and T models starting Serial No. 16T013257MB; Gas, steam and electric; Includes items 1-13; Metallic gray; S and U models through Serial No.16T018064UD
<b>1</b>	SP534873	Door Ring	
<b>2</b>	SP559701	Door	P, S, T and U models; Metallic gray
	SP524364	Door	I, L, N, S and U models; Black
	SP556552	Door	P and T models; Silver
<b>3</b>	SP559705	Upper Door Hinge	P, S, T and U models; Metallic gray
	SP525105	Upper Door Hinge	I, L, N, S and U models; Black
	SP556555	Upper Door Hinge	P and T models; Silver
<b>4</b>	SP520201	Stop Pin	
<b>5</b>	SP512053	Door Glass	
<b>6</b>	SP310934240004	Nut	
<b>7</b>	SP519933	Outer Door Gasket	
<b>8</b>	SP559706	Lath	P, S, T and U models; Metallic gray
	SP524582	Lath	I, L, N, S and U models; Black
	SP556553	Lath	P and T models; Silver
<b>9</b>	SP559704	Lower Door Hinge	P, S, T and U models; Metallic gray
	SP525104	Lower Door Hinge	I, L, N, S and U models; Black
	SP556554	Lower Door Hinge	P and T models; Silver
<b>10</b>	SP525101	Bolt	
<b>11</b>	564203	Magnet	
<b>12</b>	SP514530	Latch	
<b>13</b>	SP524367	Bolt	

# Door Assembly - Double Layer Door



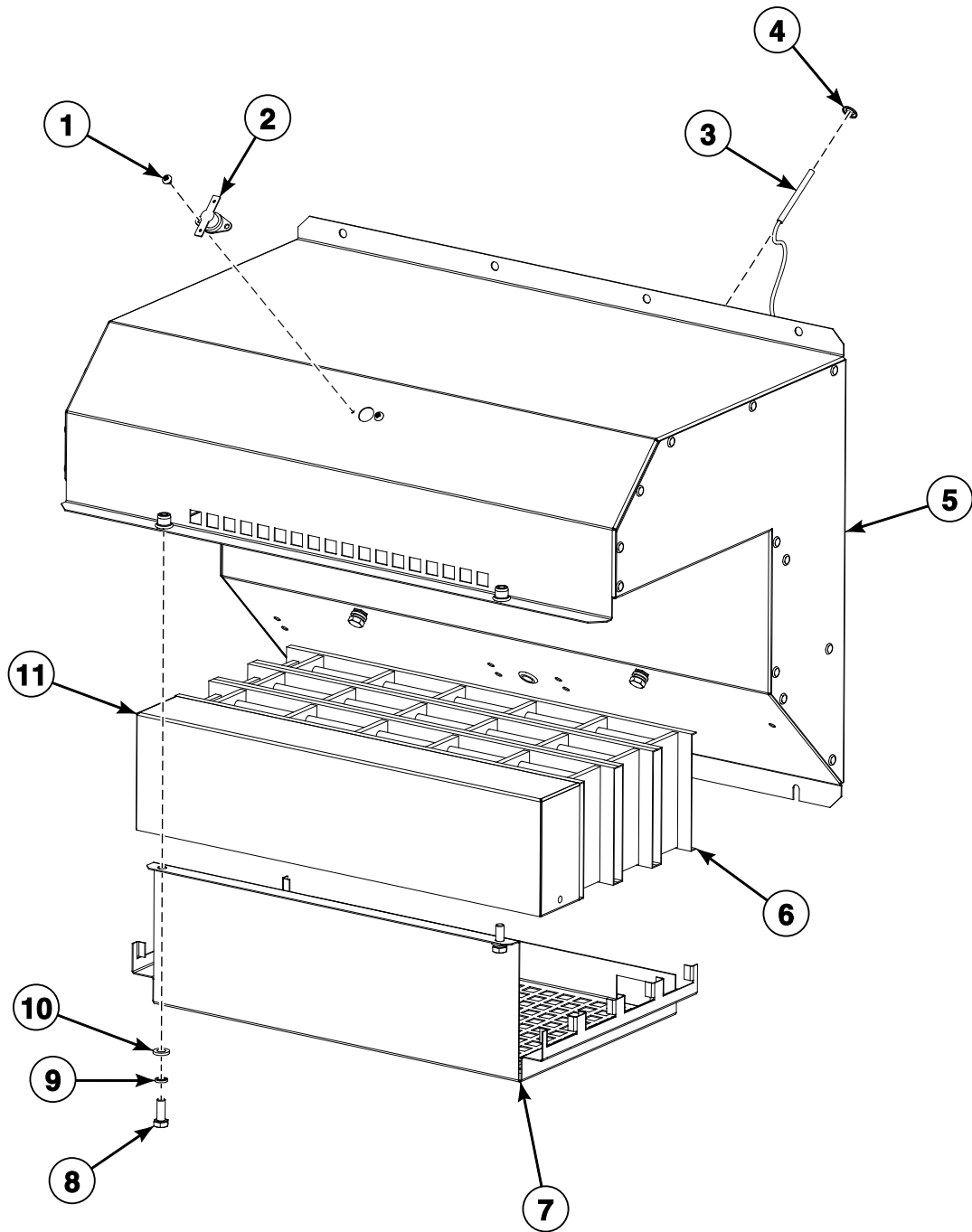
CZT451P\_D2446

## Door Assembly - Double Layer Door

REF	PART NO.	DESCRIPTION	COMMENTS
	SP534969	Glue	Use with item 3
	SP245704003021	Adhesive	Use with item 7
	579505	Door Assembly	Gas, steam and electric models; Includes items 1-19; Black
	579506	Door Assembly	Gas, steam and electric models; Includes items 1-19; Metallic gray
	579507	Door Assembly	Heat pump models; Includes items 1-19; Black
	579508	Door Assembly	Heat pump models; Includes items 1-19; Metallic gray
<b>1</b>	579509	Door	Black
	579510	Door	Metallic gray
<b>2</b>	SP519933	Outer Door Gasket	
<b>3</b>	SP512053	Door Glass	
<b>4</b>	SP525105	Upper Door Hinge	Black
	SP559705	Upper Door Hinge	Metallic gray
<b>5</b>	SP525101	Bolt	
<b>6</b>	SP310934240004	Nut	
<b>7</b>	SP520201	Stop Pin	
<b>8</b>	SP524582	Lath	Black
	SP559706	Lath	Metallic gray
<b>9</b>	SP525104	Lower Door Hinge	Black
	SP559704	Lower Door Hinge	Metallic gray
<b>10</b>	SP514193	Nut	
<b>11</b>	564203	Magnet	Heat pump models
<b>12</b>	SP514530	Latch	
<b>13</b>	SP524367	Bolt	
<b>14</b>	580337	Plastic Layer Holder	
<b>15</b>	SP515075	Bolt	
<b>16</b>	579513	Handle	Black
	579514	Handle	Metallic gray
<b>17</b>	SP534873	Door Ring	
<b>18</b>	580339	Fixation Ring	Black
	579515	Fixation Ring	Metallic gray
<b>19</b>	580338	Door Plastic Layer	

# Electric Heat Components

Electric Models



TMB3386P\_D2446

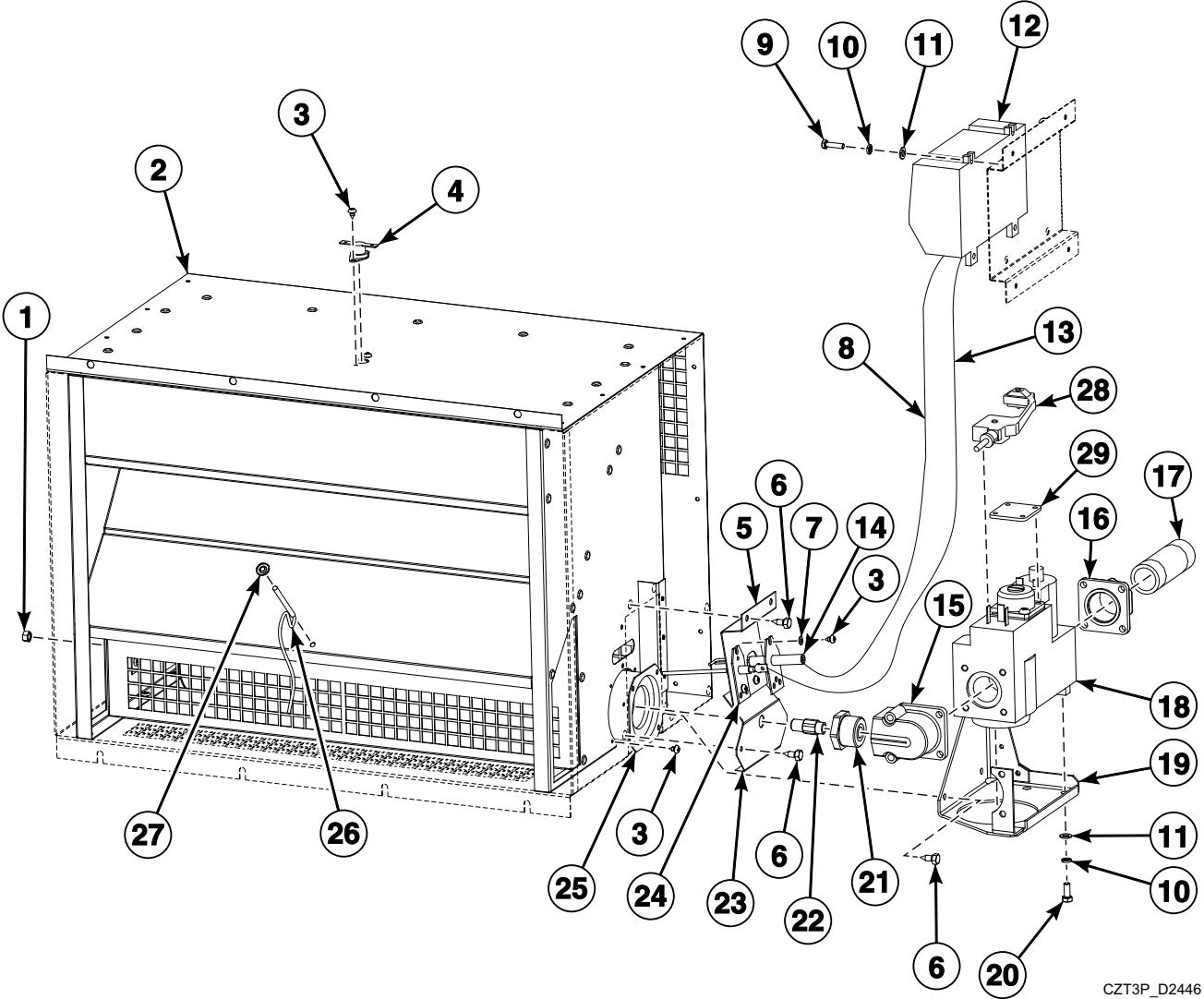


## Electric Heat Components

REF	PART NO.	DESCRIPTION	COMMENTS
1	SP309798100313	Screw	
2	SP514127	Safety Thermostat	
3	SP516092	Temperature Sensor	
4	SP516669	Washer	
5	SP528941	Heater Box	
6	SP510984	Heating Element	6 kW
	SP510985	Heating Element	4.5 kW
	SP557786	Fuse	
7	SP527900	Heating Element Bracket	
8	SP309933000616	Bolt	
9	SP311127000006	Washer	
10	SP311125000006	Washer	
11	SP520297	Plug	

# Gas Heat Components - Models Through Serial No. 16T014291QB

Gas Models



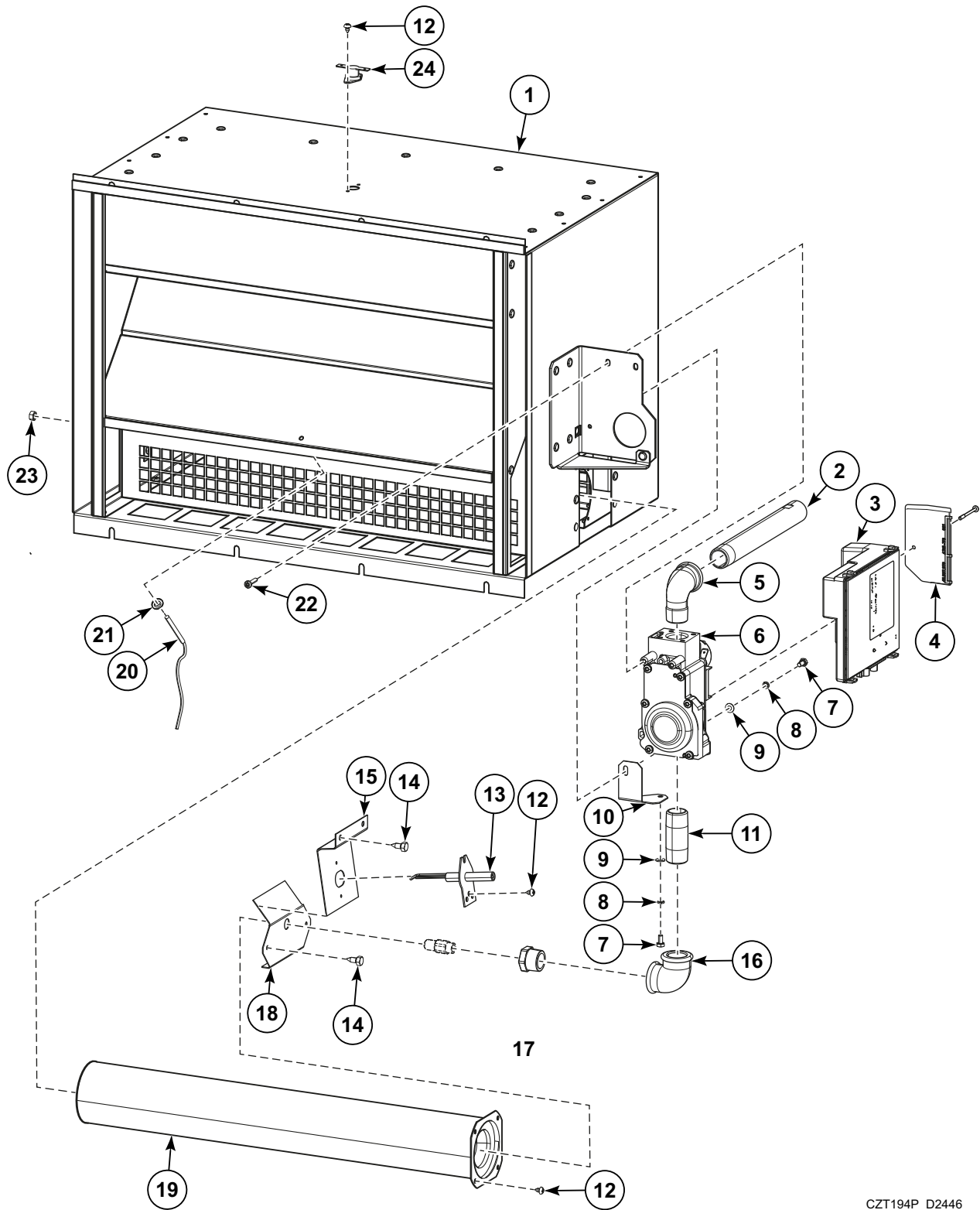
CZT3P\_D2446

# Gas Heat Components - Models Through Serial No. 16T014291QB

REF	PART NO.	DESCRIPTION	COMMENTS
	SP273454410020	Hose	
	520098	Gas Valve Wiring	60 Hertz; Use with item 18
1	SP310934240005	Nut	
2	SP512130	Gas Heater Box	
3	SP517238	Screw	
4	SP514127	Safety Thermostat	
5	SP512141	Electrode Bracket	
6	SP100218	Screw	
7	SP311125000003	Washer	
8	SP516060	Ignition Cable	
9	SP309933000516	Bolt	
10	SP311127000005	Washer	
11	SP311125000005	Washer	
12	SP357456010080	Ignition Unit	
13	SP516057	Flame Detection Cable	
14	575643	Ignition Electrode	
15	SP102018	Flange	
16	SP514062	Flange	
17	SP512142	Tube	
18	SP102000	Gas Valve	50 Hertz
	SP520281	Gas Valve	60 Hertz
19	SP512144	Valve Bracket	
20	SPPRI202001001	Bolt	
21	SP512067	Nozzle	
22	525466	Orifice	130
	525465	Orifice	165
	517241	Orifice	170
	517327	Orifice	175
	517328	Orifice	185
	517243	Orifice	190
	517222	Orifice	200
	520399	Orifice	210
	517223	Orifice	215
	517329	Orifice	220
	517224	Orifice	235
	517245	Orifice	245
	530819	Orifice	250
	517246	Orifice	260
	517250	Orifice	290
	517251	Orifice	300
	517252	Orifice	310
	517253	Orifice	325
	517225	Orifice	350
	517257	Orifice	360
	517258	Orifice	365
	517226	Orifice	380
	530820	Orifice	385
	517227	Orifice	420
	517330	Orifice	435
	517331	Orifice	445
	517337	Orifice	530
	520237	Orifice	650
	520236	Orifice	700
23	SP512139	Cover	
24	SP102002	Detection Electrode	
25	SP552515	Burner Tube	
26	SP516092	Temperature Sensor	
27	SP516669	Washer	
28	345000180901	Connector	50 Hertz; Use with item 18
	345000160645	Contact	50 Hertz; Use with item 18
	SP357500459412	Gas Valve Cable	50 Hertz; Use with item 18
29	SP102019	Blank Plate Kit	Without regulator

# Gas Heat Components - Models Starting Serial No. 16T014292QB (Drawing 1 of 2)

Gas Models



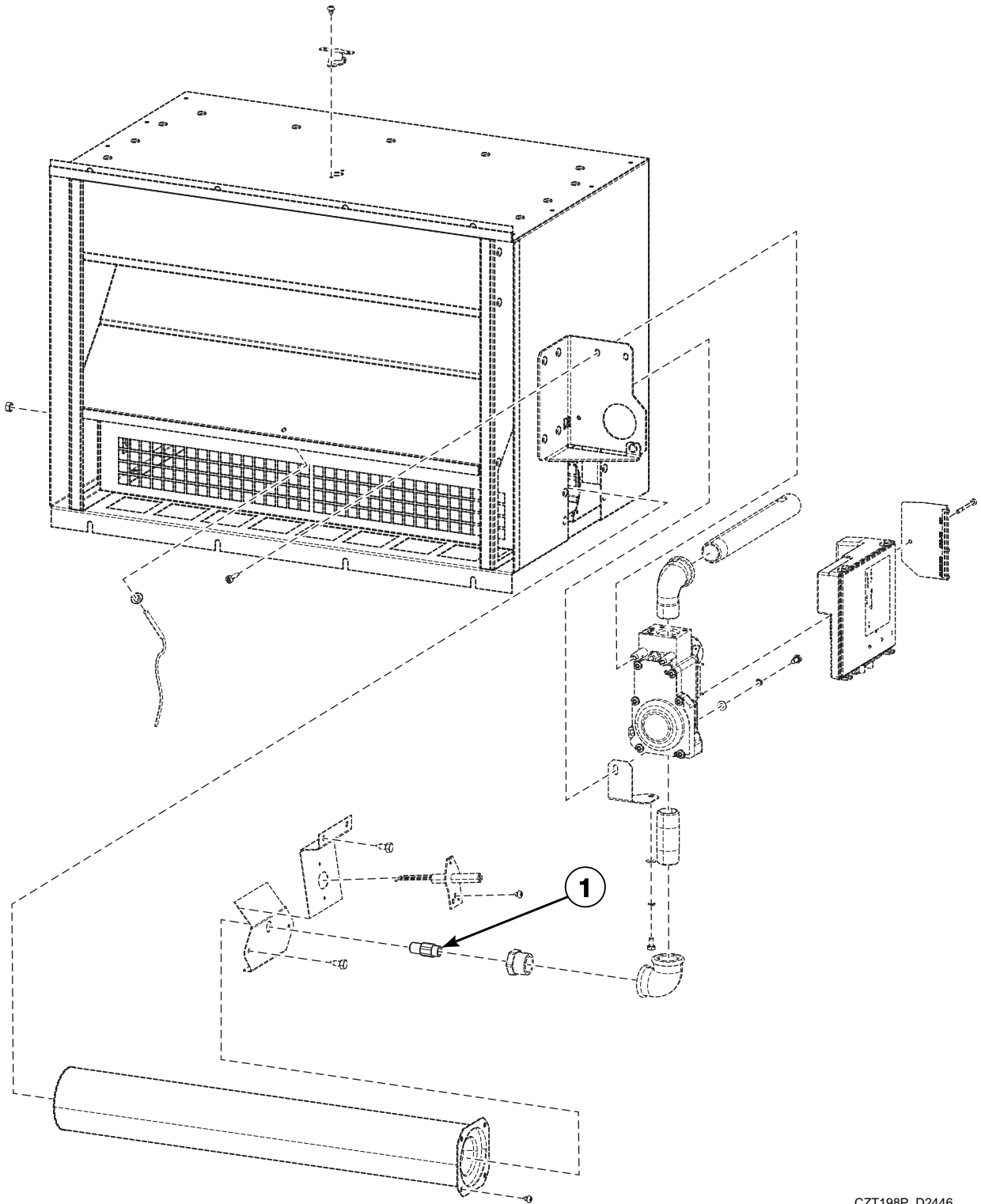
CZT194P\_D2446

## Gas Heat Components - Models Starting Serial No. 16T014292QB (Drawing 1 of 2)

REF	PART NO.	DESCRIPTION	COMMENTS
1	569440	Gas Heater Box	
2	569444	Tube	1/2 inch
3	571938	Control Unit	
4	537625	Cover	
5	572352	Elbow	1/2 inch
6	572351	Gas Valve	
7	SP309798524408	Bolt	M4x8
8	SP311127000004	Washer	M4
9	SP311125000004	Washer	4.3
10	569446	Holder	
11	571881	Tube	1/2 inch
12	SP517238	Screw	ST 3.6x6.5
13	575643	Ignition Electrode	
14	SP100218	Screw	ST4.8x13
15	571880	Holder	
16	572350	Elbow	1/2 inch
17	571884	Holder	
18	SP512139	Cover	
19	SP552515	Burner Tube	
20	SP516092	Temperature Sensor	
21	SP516669	Washer	2 pieces
22	572361	Screw	ST3.9x13
23	SP310934240005	Nut	M5
24	SP514127	Safety Thermostat	

# Gas Heat Components - Models Starting Serial No. 16T014292QB (Drawing 2 of 2)

Gas Models



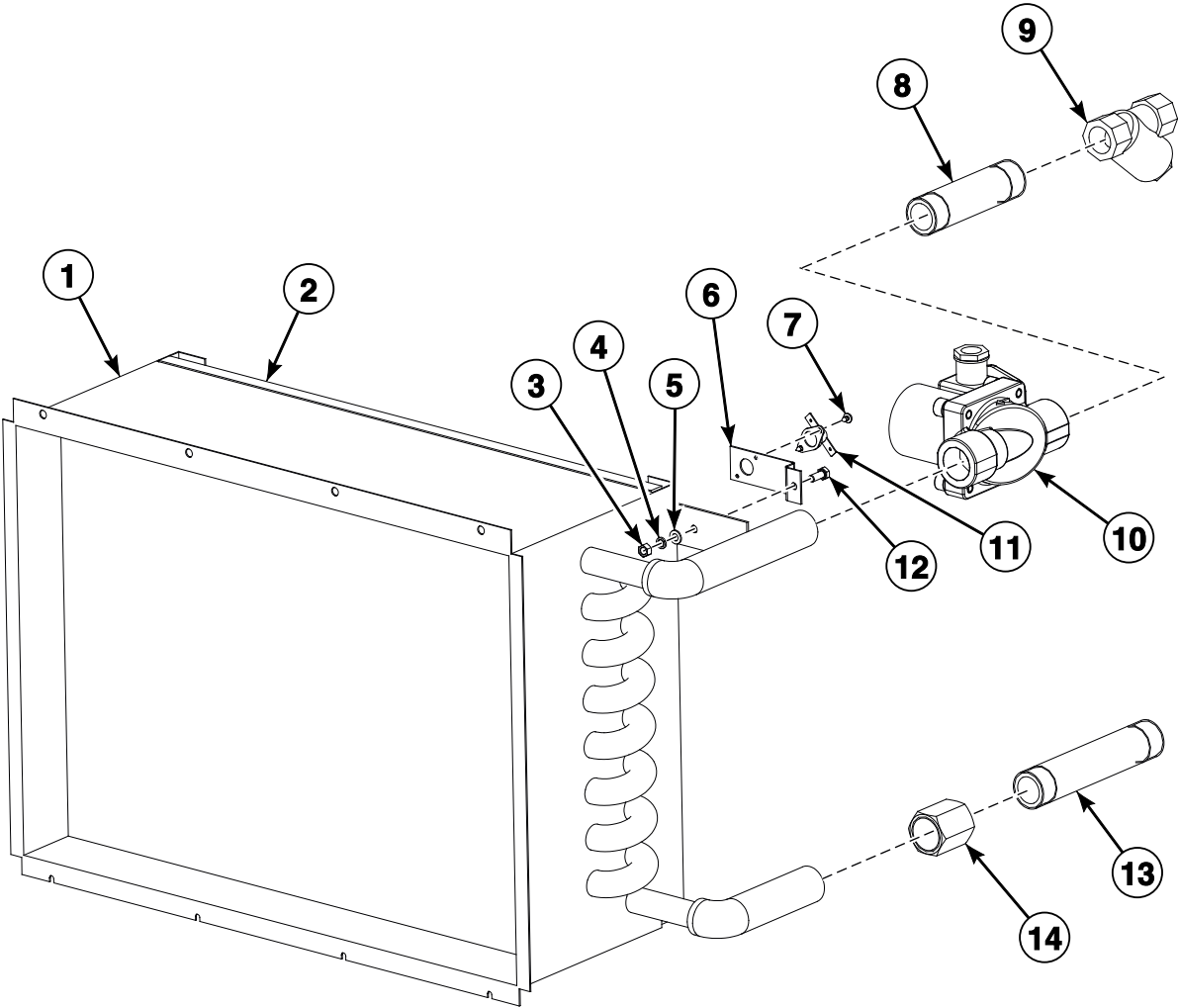
CZT198P\_D2446

## Gas Heat Components - Models Starting Serial No. 16T014292QB (Drawing 2 of 2)

REF	PART NO.	DESCRIPTION	COMMENTS
1	525466	Orifice	130
	525465	Orifice	165
	517241	Orifice	170
	517327	Orifice	175
	517328	Orifice	185
	517243	Orifice	190
	517222	Orifice	200
	520399	Orifice	210
	517223	Orifice	215
	517329	Orifice	220
	517224	Orifice	235
	517245	Orifice	245
	530819	Orifice	250
	517246	Orifice	260
	517250	Orifice	290
	517251	Orifice	300
	517252	Orifice	310
	517253	Orifice	325
	575530	Orifice	330
	517225	Orifice	350
	517257	Orifice	360
	517258	Orifice	365
	517226	Orifice	380
	530820	Orifice	385
	517227	Orifice	420
	517330	Orifice	435
	517331	Orifice	445
	517337	Orifice	530
	520237	Orifice	650
	520236	Orifice	700

# Steam Heat Components

Steam Models



TMB3388P\_D2446

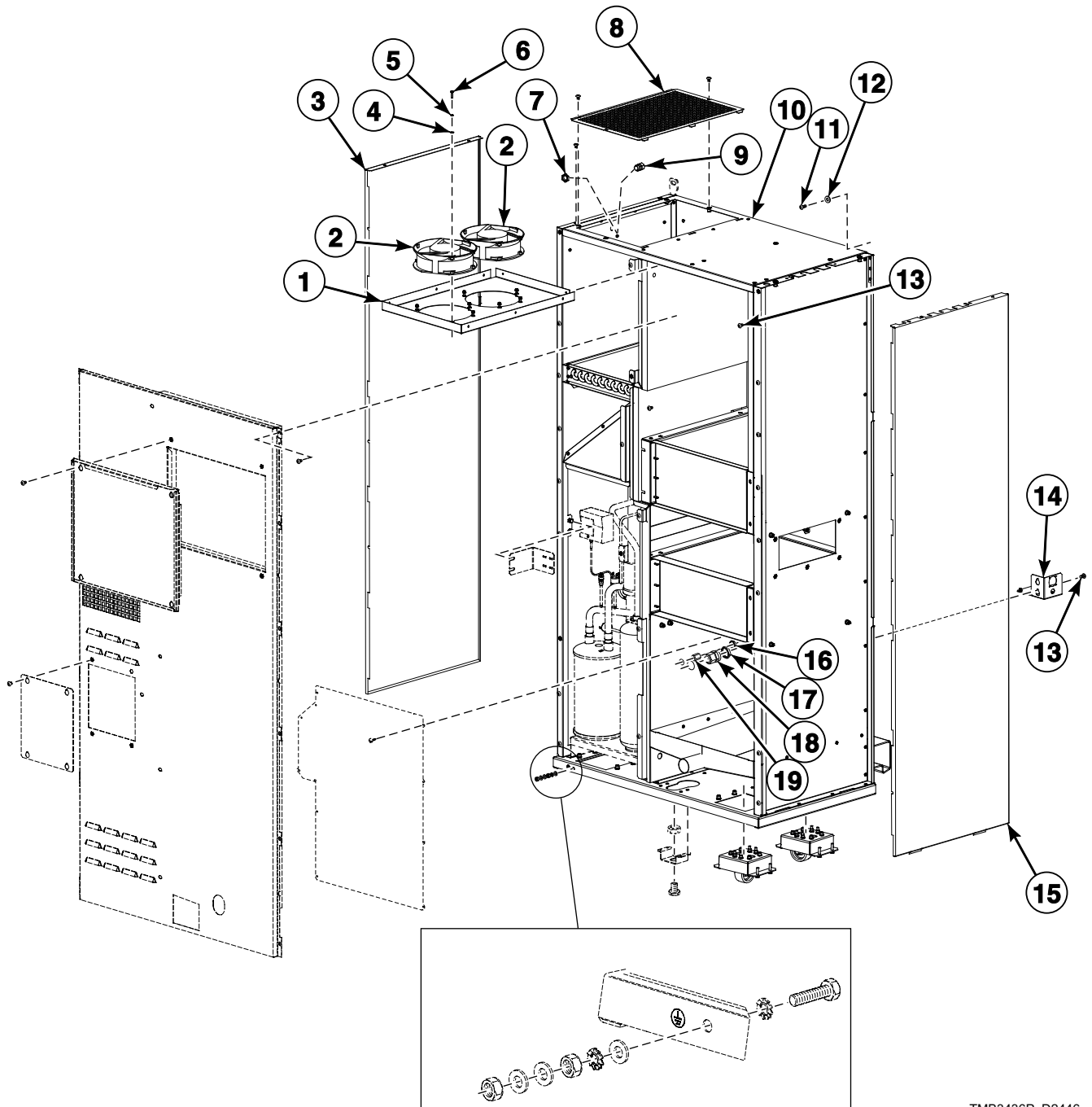


## Steam Heat Components

REF	PART NO.	DESCRIPTION	COMMENTS
1	SP530409	Steam Exchanger	2 rows
1	SP530410	Steam Exchanger	4 rows
2	SP519027	Filter	
3	SP310934240005	Nut	
4	SP311127000005	Washer	
5	SP311125000005	Washer	
6	SP520227	Thermostat Bracket	
7	SP517238	Screw	
8	SP517236	Tube	
9	SP405054057006	Steam Filter	3/4 inch
10	SP516718	Steam Valve	50 Hertz; With coil
	SP514166	Steam Valve Body	60 Hertz; Without coil
	SP516717	Coil	60 Hertz
11	SP514127	Safety Thermostat	
12	SPPRI202001001	Bolt	
13	SP314G00017524	Tube	
14	SPX01140400514	Tube Insert	

# Heat Pump (Drawing 1 of 2)

Heat Pump Models



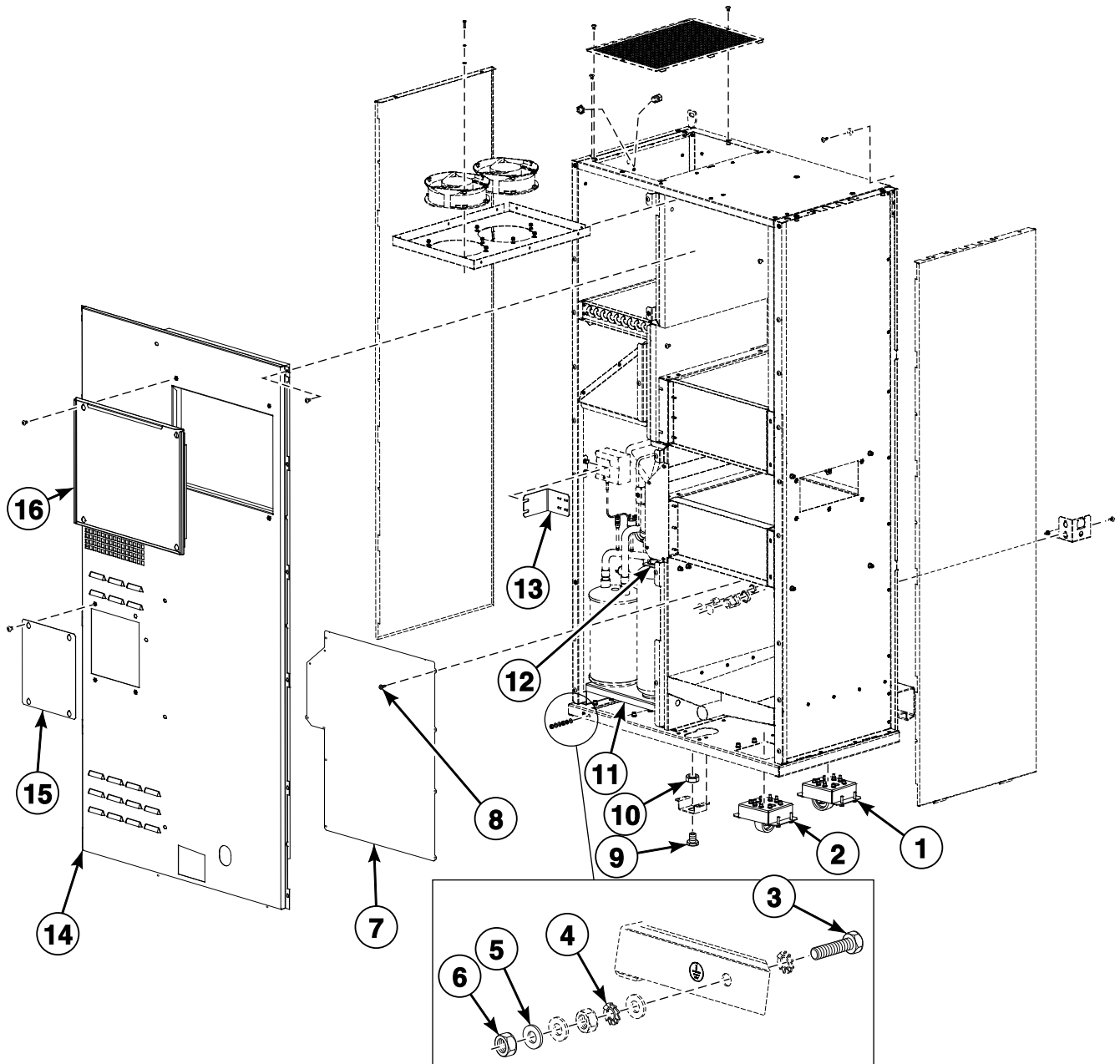
TMB3436P\_D2446

## Heat Pump (Drawing 1 of 2)

REF	PART NO.	DESCRIPTION	COMMENTS
	SP556082	Heat Pump	U models; With rinsing system; 380-415V 3AC+N 50Hz or 440V 3AC 60Hz; Imitation stainless steel; I models starting S.N.16T014342QD; S models starting S.N.16T018065UD
	SP556084	Heat Pump	U models; With rinsing system; 230V 3AC 50Hz; Imitation stainless steel; I models starting S.N.16T014342QD; S models starting S.N.16T018065UD
	SP556090	Heat Pump	U models; Without rinsing system; 380-415V 3AC+N 50Hz or 440V 3AC 60Hz; Imitation stainless steel; I models starting S.N.16T014342QD; S models starting S.N.16T018065UD
	SP556092	Heat Pump	U models; Without rinsing system; 230V 3AC 50Hz; Imitation stainless steel; I models starting S.N.16T014342QD; S models starting S.N.16T018065UD
	SP556659	Heat Pump	I and LS350HP_PROFESSIONAL models through S.N.16T014341QD; S models through S.N.16T018064UD; Without rinsing system; 230V 3AC 50Hz; White
	SP556660	Heat Pump	I and LS350HP_PROFESSIONAL models through S.N.16T014341QD; S models through S.N.16T018064UD; Without rinsing system; 380-415V 3AC+N 50Hz or 440V 3AC 60Hz; White
	SP556663	Heat Pump	I and LS350HP_PROFESSIONAL models through S.N.16T014341QD; S models through S.N.16T018064UD; With rinsing system; 230V 3AC 50Hz; White
	SP556664	Heat Pump	I and LS350HP_PROFESSIONAL models through S.N.16T014341QD; S models through S.N.16T018064UD; With rinsing system; 380-415V 3AC+N 50Hz or 440V 3AC 60Hz; White
	SP556083	Heat Pump	L, N, P and T models; With rinsing system; 380-415V 3AC+N 50Hz or 440V 3AC 60Hz; Gray
	SP556085	Heat Pump	L, N, P and T models; With rinsing system; 230V 3AC 50Hz; Gray
	SP556091	Heat Pump	L, N, P and T models; Without rinsing system; 380-415V 3AC+N 50Hz or 440V 3AC 60Hz; Gray
	SP556093	Heat Pump	L, N, P and T models; Without rinsing system; 230V 3AC 50Hz; Gray
	SP541496	Fan Assembly	Includes items 1, 2 and 4-6
<b>1</b>	SP541495	Fan Holder	
<b>2</b>	SP528481	Fan	
<b>3</b>	SP541424	Side Panel	U models; Left; Imitation stainless steel; I models starting S.N.16T014342QD; S models starting S.N.16T018065UD
	SP556649	Side Panel	I and LS350HP_PROFESSIONAL models through S.N.16T014341QD; S models through S.N.16T018064UD; Left; White
	SP556005	Side Panel	L, N, P and T models; Left; Gray
<b>4</b>	SP311125000004	Washer	
<b>5</b>	SP311127000004	Washer	
<b>6</b>	SP309084000416	Bolt	
<b>7</b>	SP101415	Nut	
<b>8</b>	SP541484	Fan Cover	
<b>9</b>	SP101405	Bushing	
<b>10</b>	SP552660	Cabinet	
<b>11</b>	SP537864	Bolt	
<b>12</b>	SP311902100006	Washer	
<b>13</b>	SP506012	Bolt	
<b>14</b>	SP551869	Humidity Sensor Cover	
<b>15</b>	SP541425	Side Panel	U models; Right; Imitation stainless steel; I models starting S.N.16T014342QD; S models starting S.N.16T018065UD
	SP556650	Side Panel	I and LS350HP_PROFESSIONAL models through S.N.16T014341QD; S models through S.N.16T018064UD; Right; White
	SP556007	Side Panel	L, N, P and T models; Right; Gray
<b>16</b>	SP101416	Nut	
<b>17</b>	SP101418	Nut	
<b>18</b>	SP101408	Bushing	
<b>19</b>	SP101406	Bushing	

# Heat Pump (Drawing 2 of 2)

Heat Pump Models

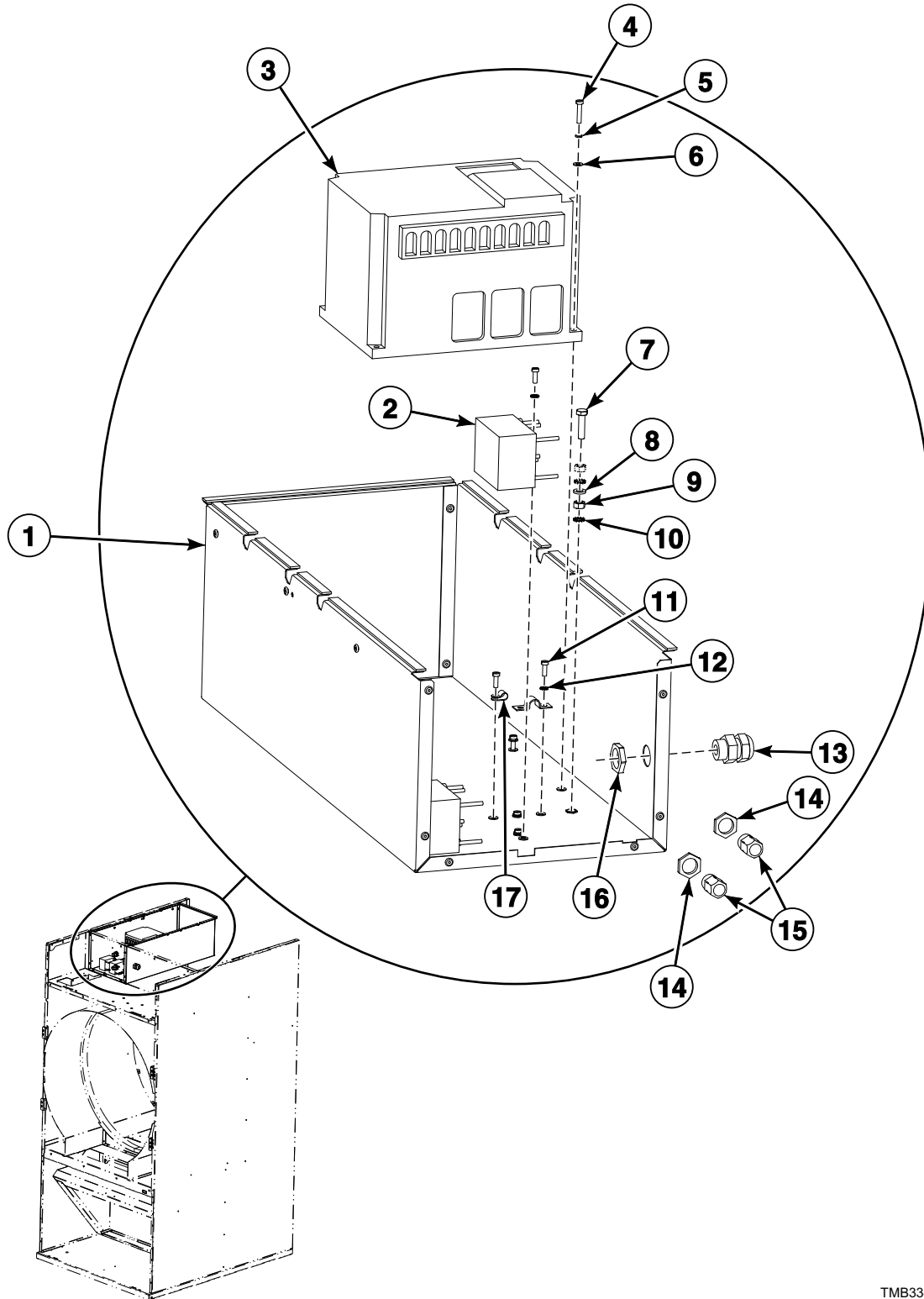


TMB3437P\_D2446

## Heat Pump (Drawing 2 of 2)

REF	PART NO.	DESCRIPTION	COMMENTS
1	SP541494	Swivel Wheel Assembly	
2	SP551864	Swivel Wheel Assembly	
3	SP309933000625	Bolt	
4	SP311679824006	Washer	
5	SP311125000006	Washer	
6	SP310934000006	Nut	
7	SP566259	Cover	Starting Serial No. 16T010067FS
8	SP529206	Screw	M4x11
9	SP533726	Bolt	
10	SP310934000020	Nut	
11	SP541489	Base	
12	SP541436	Bracket	
13	SP541457	Thermostat Bracket	
14	SP541435	Cover	Models through Serial No. 16T010474FZ
	SP566301	Cover	Models starting Serial No. 16T010475FZ
15	SP551860	Cover	
16	SP541434	Cover	

# Frequency Inverter Panel



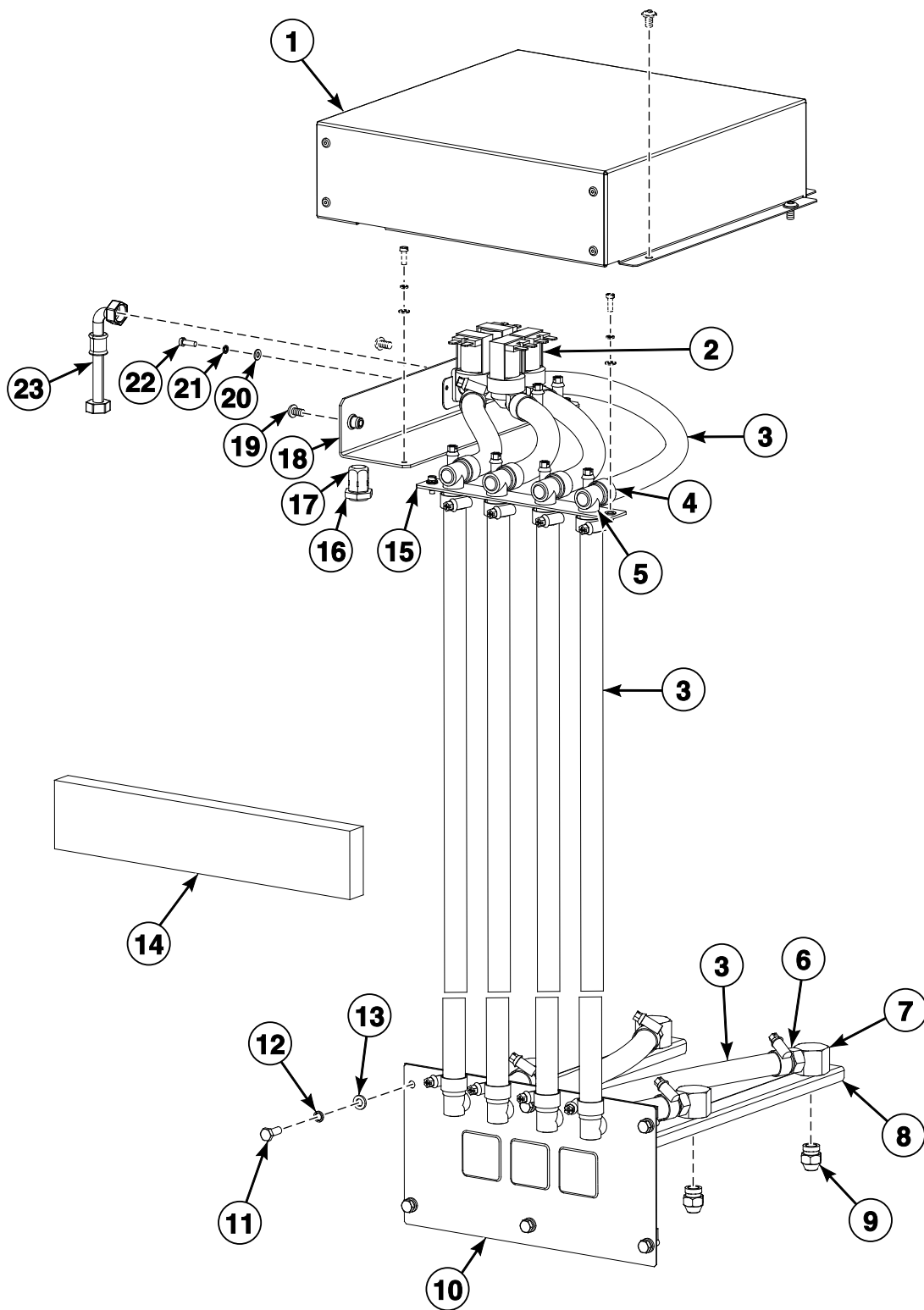
TMB3344P\_D2446

# Frequency Inverter Panel

REF	PART NO.	DESCRIPTION	COMMENTS
	SP556043	Box Assembly	Includes items 1-17
1	SP556044	Box	
2	SP552251	Filter	
3	571478	Frequency Inverter	
4	SP309084000420	Bolt	
5	SP311127000004	Washer	
6	SP311125000004	Washer	
7	SP309933100625	Bolt	
8	SP311125100006	Washer	
9	SP310934100006	Nut	
10	SP311679824006	Washer	
11	SP309084000412	Bolt	
12	SP311679800004	Washer	
13	SP101408	Bushing	
14	SP101416	Nut	
15	SP101406	Bushing	
16	SP101418	Nut	
17	SP502214	Clip	

# Heat Pump Rinsing System

Heat Pump Models



CZT1P\_D2446

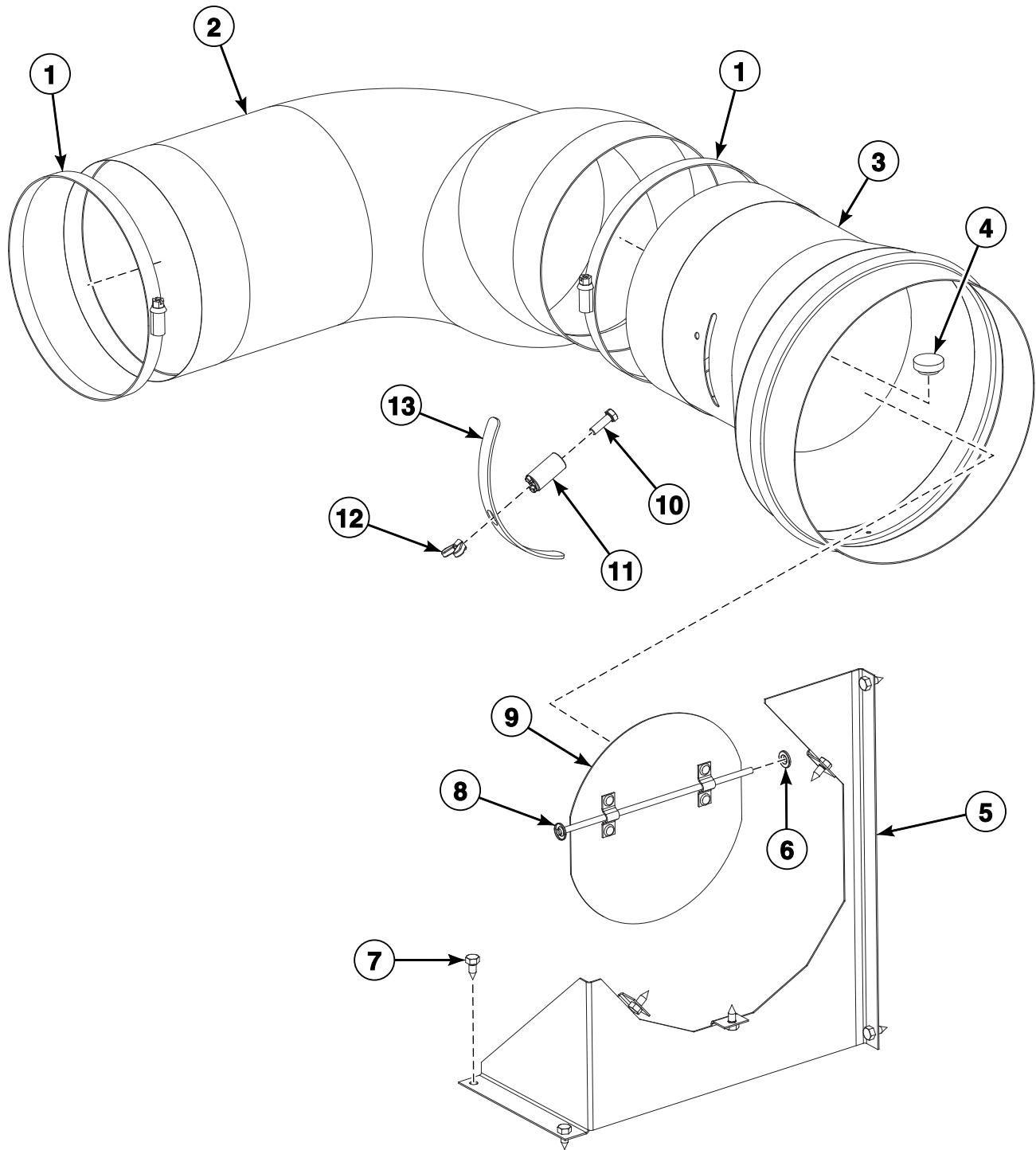


# Heat Pump Rinsing System

REF	PART NO.	DESCRIPTION	COMMENTS
	SP556920	Nozzle Holder Assembly	
1	SP556947	Valve Cover Assembly	
2	SP556959	Valve	4-way
3	SPPRI540000014	Hose	
	SP101745	Hose Pipe	For water approval
4	SPPRI240000002	Hose Clamp	
5	SP527236	Elbow	
6	SP556916	Nozzle Adapter	
7	SP556915	Nozzle Fitting Adapter	
8	SP556919	Nozzle Bracket Assembly	
9	SP556922	Nozzle	
10	SP556954	Rinsing System Bracket	
11	SP309933000616	Bolt	
12	SP311125000006	Washer	
13	SP311127000006	Washer	
14	SP552666	Insulation	
15	SP556943	Elbow Bracket Assembly	
16	SP101416	Nut	
17	SP101406	Bushing	
18	SP556946	Valve Bracket Assembly	
19	SP506012	Bolt	
20	SP311127000004	Washer	
21	SP311125000004	Washer	
22	SP309084000412	Bolt	
23	SPPRI505000054	Filling Hose Pipe	
	SP101621	Filling Hose Pipe	For water approval

# Exhaust

Gas, Steam and Electric Models

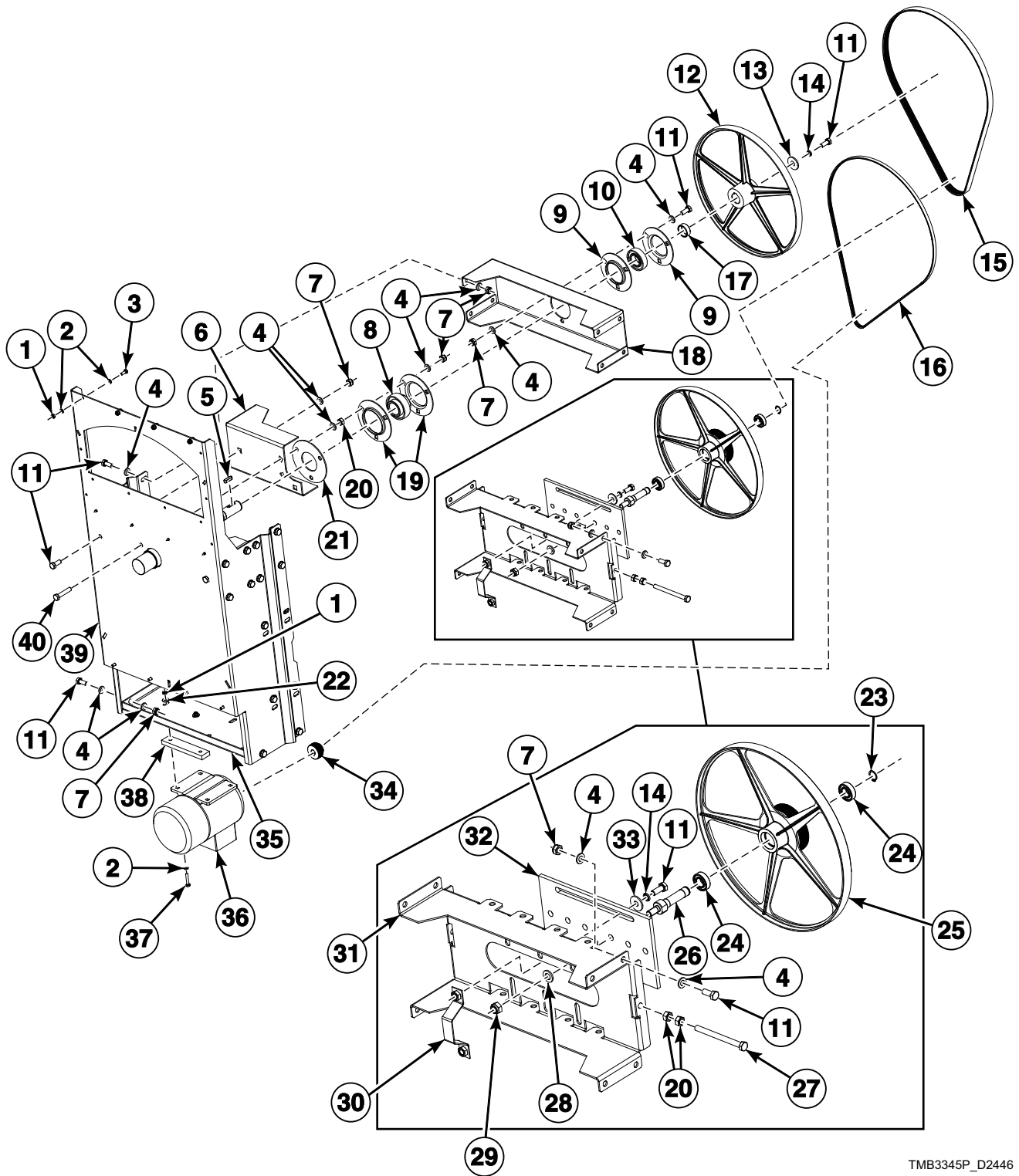


TMB3389P\_D2446

# Exhaust

REF	PART NO.	DESCRIPTION	COMMENTS
	SP534910	Exhaust Assembly	Includes items 1-13
1	SP529013	Clamp	
2	SP144151508341	Tube	
3	SP534914	Tube	
4	SP273127001798	Plug	
5	SP530689	Exhaust Bracket	
6	SP516669	Washer	
7	SP100218	Screw	
8	SP534908	Bar	
9	SP534902	Flap Assembly	
10	SP309933000516	Bolt	
11	SP534900	Flap Stop	
12	SP534929	Nut	
13	SP534904	Plug	

# Drive System



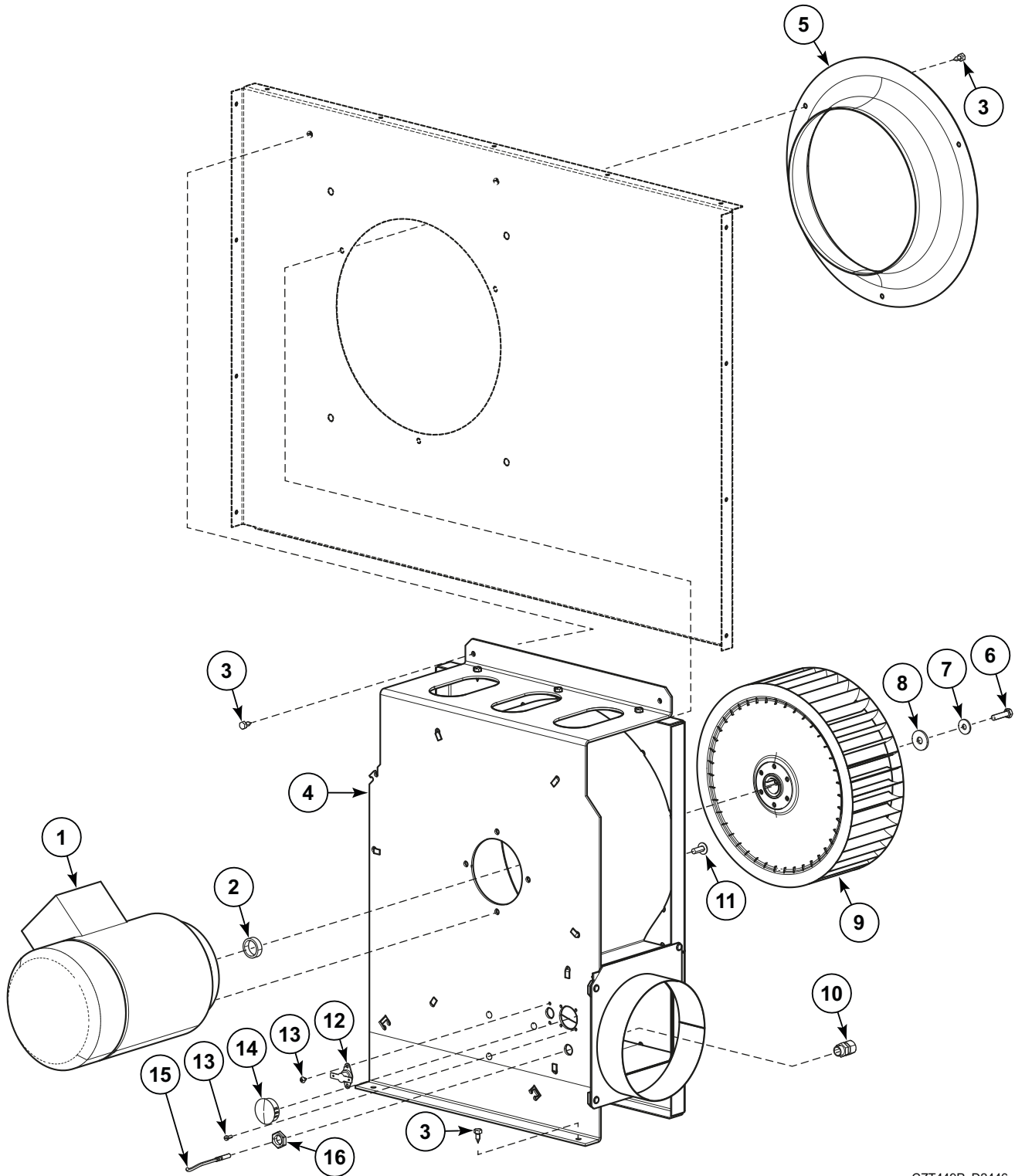
TMB3345P\_D2446

# Drive System

REF	PART NO.	DESCRIPTION	COMMENTS
	SP528928	Tension Assembly	Includes items 4, 7, 11, 14, 20 and 23-33
1	SP310985000006	Nut	
2	SP311125000006	Washer	
3	SP309933000616	Bolt	
4	SP311125000010	Washer	
5	SP505449	Key	
6	SP512365	Reinforcement Bracket	
7	SP310985000010	Nut	
8	SP514005	Bearing	
9	SP514012	Flange Bearing Body	
10	SP514007	Bearing	
11	SP309933001025	Bolt	
12	SP518646	Double Drum Pulley	
13	SP311902100012	Washer	
14	SP311127000010	Washer	
15	SP518647	Belt	
16	SP515257	Belt	
17	SP518649	Distance Ring	
18	SP512366	Bearing Bracket	
19	SP514011	Flange Bearing Body	
20	SP310934000010	Nut	
21	SP514483	Bearing Flange	
22	SP311902100006	Washer	
23	SP515517	Retaining Ring	
24	SP326000600300	Bearing	
25	SP534703	Double Pulley	
26	SP534704	Tension Rod	
27	SP309933001120	Bolt	
28	SP311125000013	Washer	
29	SP310985000012	Nut	
30	SP515514	Support Plate	
31	SP514479	Tension Assembly	
32	SP514480	Sliding Board	
33	SP311902100010	Washer	
34	SP530720	Motor Pulley	50 Hertz; Reversing
	SP530721	Motor Pulley	60 Hertz; Reversing
	SP527723	Motor Pulley	50 Hertz; Nonreversing
	SP528922	Motor Pulley	60 Hertz; Nonreversing
35	SP515418	Motor Bracket	3 Phase; Reversing
	SP518517	Motor Bracket	1 Phase; Reversing
36	SP523724	Motor	208-240 Volt; 1 Phase; Reversing
	SP523725	Motor	3 Phase; Reversing
37	SP518556	Bolt	
38	SP515521	Spacer	
39	SP512363	Drive Bracket	
40	SP309933001050	Bolt	

# Fan Housing Assembly

Gas, Steam and Electric Models

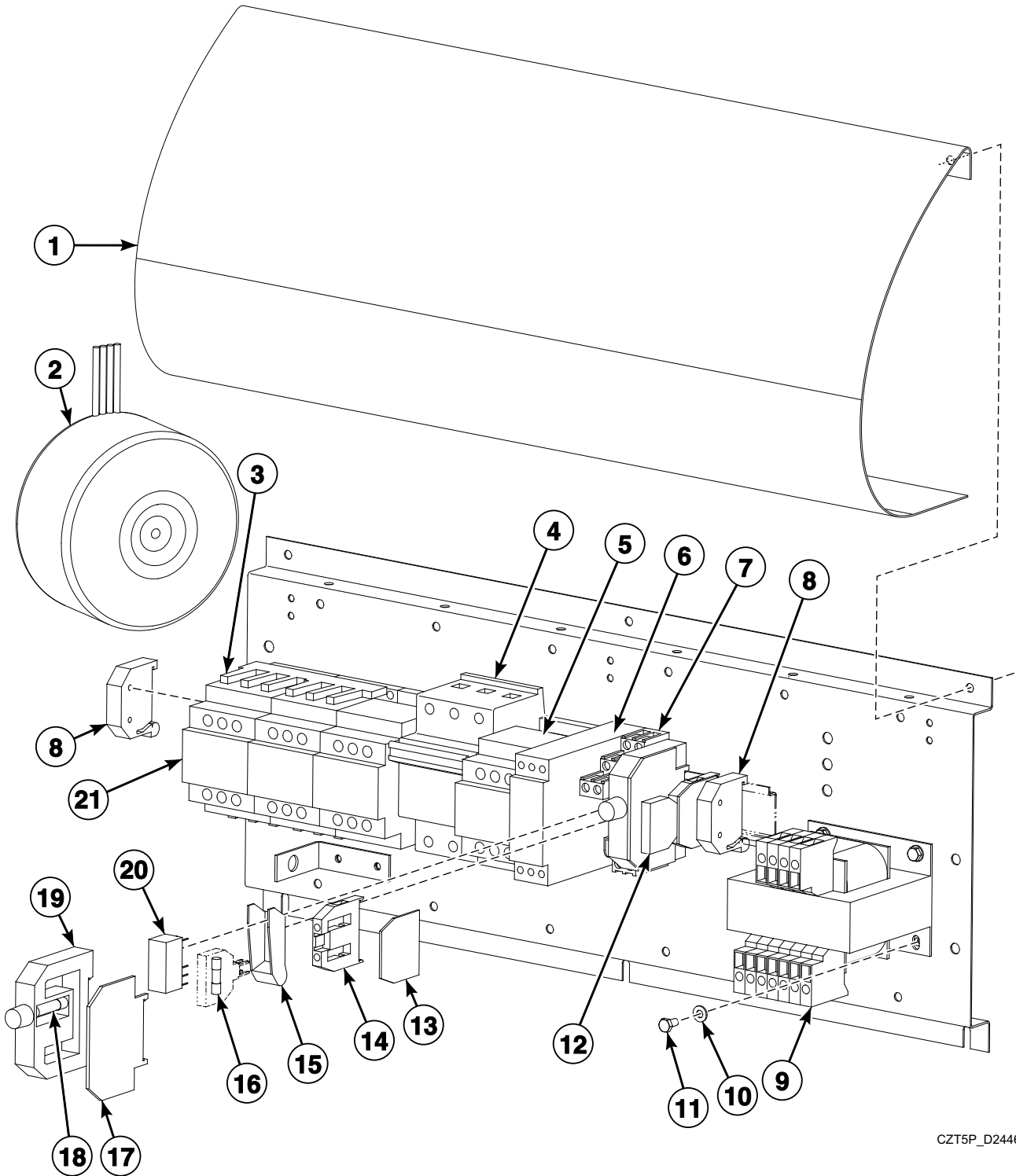


CZT449P\_D2446

# Fan Housing Assembly

REF	PART NO.	DESCRIPTION	COMMENTS
1	SP523622	Fan Motor	3 phase; Nonreversing
	SP523625	Fan Motor	1 phase; Nonreversing
2	SP520940	Spacer	
3	SP100218	Screw	
4	575503	Fan Housing Weldment	
5	SP520950	Inlet Nozzle	
6	SP309933000625	Bolt	
7	SP311902100006	Washer	
8	SP311902100008	Washer	
9	SP520945	Ventilator	
10	SP101405	Bushing	
11	SP510954	Bolt	
12	SP514016	Safety Thermostat	
13	SP309798500306	Screw	
14	SPPRI505000064	Plug	
15	SP534930	Temperature Sensor	
16	SP101415	Nut	

# Electric Box Components - Heat Pump Models



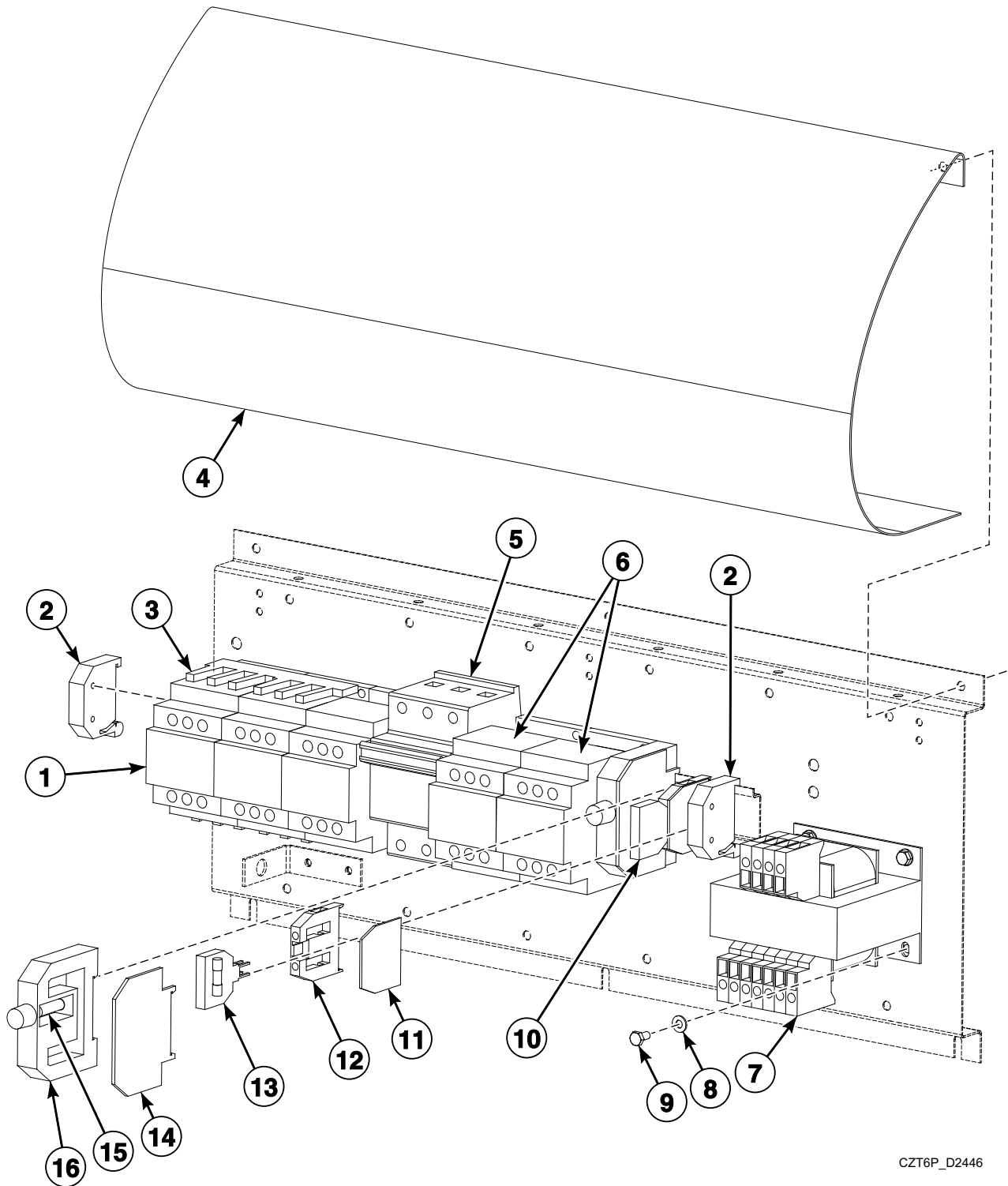
CZT5P\_D2446



## Electric Box Components - Heat Pump Models

REF	PART NO.	DESCRIPTION	COMMENTS
	SP552248	Autotransformer	440-480 Volt/50 or 60 Hertz/3 Phase
1	530518	Electric Box Cover	
2	SP552201	Autotransformer	
3	569858	Mechanical Interlock Unit	Need to use with 569859 Set for Reversing Contactors
4	SP358251506220	Fuse	
	SP358251601312	Fuse Isolator	
5	569857	Contactors	208-240V 1AC
	569856	Contactors	208-240V 3AC; 380-415V 3AC+N
6	SP552311	Control Relay	
7	SP506586	Relay Case	
8	SP346000209101	End Stop	
9	SP514021	Transformer	208-440 Volt
10	SP311125000004	Washer	
11	SP309084000410	Bolt	
12	SP524654	Fuse Plug	
13	SP524655	Cover	
14	SP524653	Fuse Clip	
15	SP514135	Relay Clamp	
16	SP345805005020	Fuse	250 Volt; T500mA
	SPPRI401001021	Fuse	250 Volt; F4A
17	SP346000014010	Cover	
18	SP514133	Fuse	500 Volt, F500mA; 440 Volt; 380-415 Volt
19	SP346000004010	Fuse Case	
20	SP514057	Relay	
21	569856	Contactors	

# Electric Box Components - Electric Models

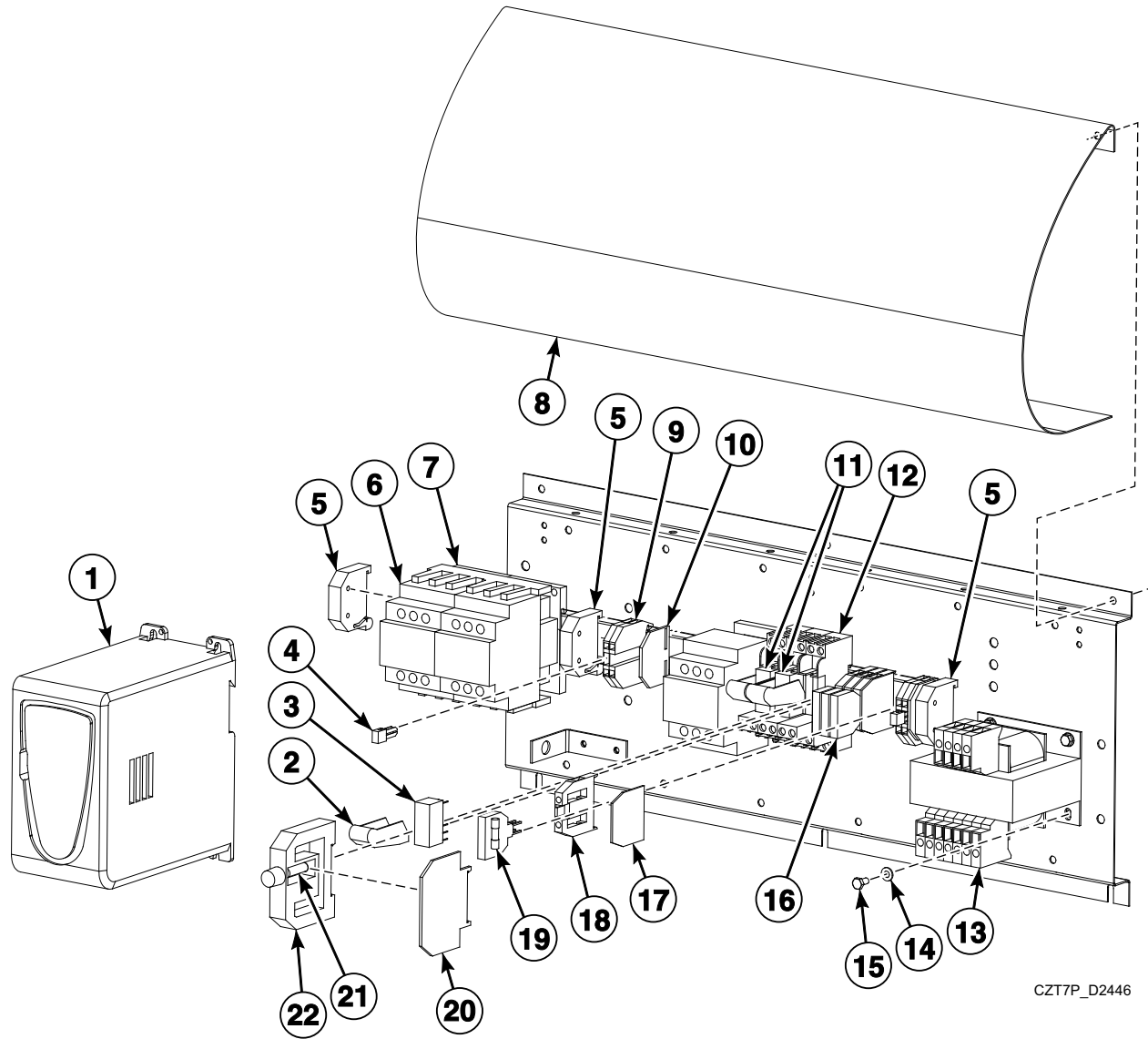


CZT6P\_D2446

## Electric Box Components - Electric Models

REF	PART NO.	DESCRIPTION	COMMENTS
	SP552248	Autotransformer	440-480 Volt/50 or 60 Hertz/3 Phase
1	569856	Contactactor	
2	SP346000209101	End Stop	
3	569858	Mechanical Interlock Unit	Need to use with 569859 Set for Reversing Contactors
4	530518	Electric Box Cover	
5	SP358251506220	Fuse	6A
	SP358251601312	Fuse Isolator	
6	569856	Contactactor	400-440V 12kW, 18kW or 24 kW
	569873	Contactactor	230V 18 kW need to use with 569856; 230V 24 kW
7	SP514021	Transformer	208-440 Volt
8	SP311125000004	Washer	
9	SP309084000410	Bolt	
10	SP524654	Fuse Plug	
11	SP524655	Cover	
12	SP524653	Fuse Clip	
13	SP345805005020	Fuse	250 Volt; T500mA
	SPPRI401001021	Fuse	250 Volt; F4A
14	SP346000014010	Cover	
15	SP514133	Fuse	500 Volt, F500mA; 440 Volt; 380-415 Volt
16	SP346000004010	Fuse Case	

# Electric Box Components - Gas and Steam Models

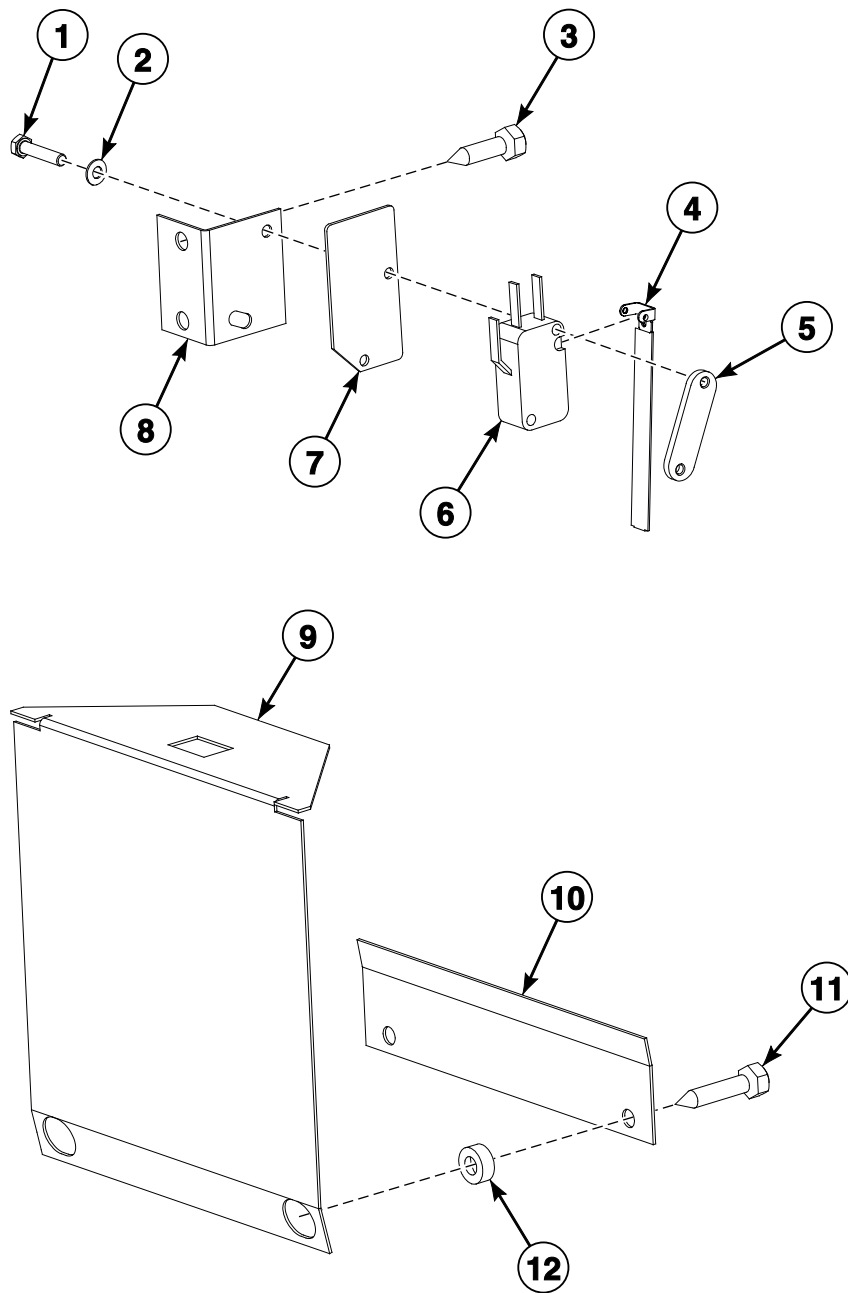


## Electric Box Components - Gas and Steam Models

REF	PART NO.	DESCRIPTION	COMMENTS
	SP552248	Autotransformer	440-480 Volt/50 or 60 Hertz/3 AC
1	SP557962	Frequency Inverter	
2	SP514135	Relay Clamp	Gas models
3	SP514134	Relay	220VAC; Gas models
4	SP346000280402	Interconnection	
5	SP346000209101	End Stop	
6	569856	Contactors	
	SP520195	Resistance Bleeder	Reversing
7	569858	Mechanical Interlock Unit	Need to use with 569859 Set for Reversing Contactors
8	530518	Electric Box Cover	
9	SP346000280101	Clamp	
10	SP346000280301	Cover	
11	SP514057	Relay	24VAC; Gas models
12	SP506586	Relay Case	Gas models
13	SP514021	Transformer	14.2V plus 24V; 208-440 Volt
	SP516648	Transformer	380-415 Volt without N
14	SP311125000004	Washer	
15	SP309084000410	Bolt	
16	SP524654	Fuse Plug	
17	SP524655	Cover	
18	SP524653	Fuse Clip	
19	SPPRI401001021	Fuse	250 Volt F4A
	SP345805005020	Fuse	250 Volt T500mA
	SPPRI401020021	Fuse	1.6A
20	SP346000014010	Cover	
21	SP514133	Fuse	500 Volt, F500mA; 440 Volt; 380-415 Volt
	SP345805163032	Fuse	1A
22	SP346000004010	Fuse Case	

# Under Pressure Clutch

Gas, Steam and Electric Models

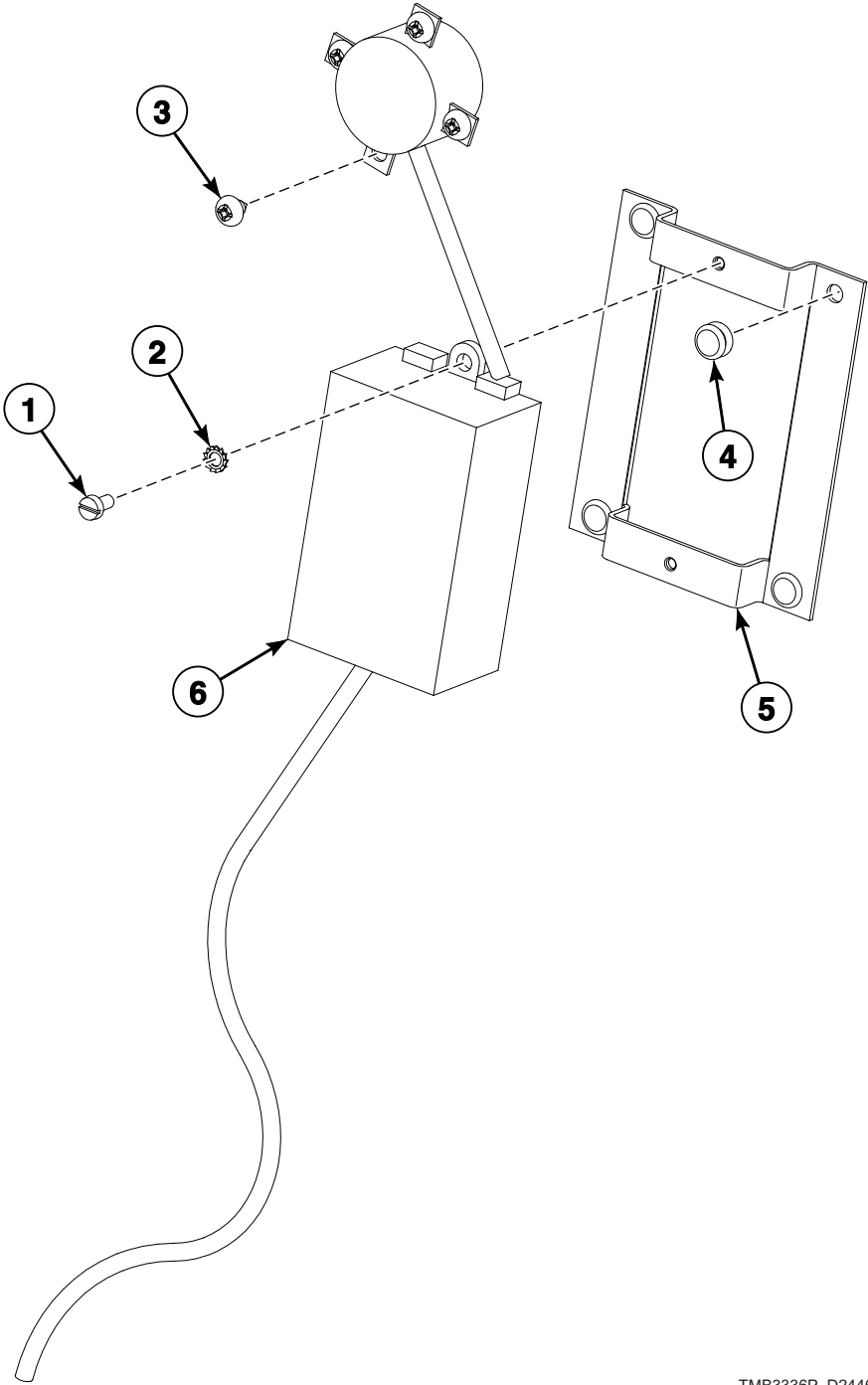


TMB3370P\_D2446

## Under Pressure Clutch

REF	PART NO.	DESCRIPTION	COMMENTS
	SP520870	Underpressure Clutch Assembly	Includes items 1-12
1	SP516623	Bolt	
2	SP311125000003	Washer	
3	SP518623	Bolt	
4	SP517441	Microswitch Lever Assembly	
5	SP235119001815	Nut	
6	SPPRI610028017	Microswitch	
7	SP101154	Isolation Plate	
8	SP520803	Microswitch Bracket	
9	SP520805	Clutch	
10	SP520808	Stop End	
11	SP520871	Screw	
12	SP520804	Distance Ring	

# Humidity Sensor



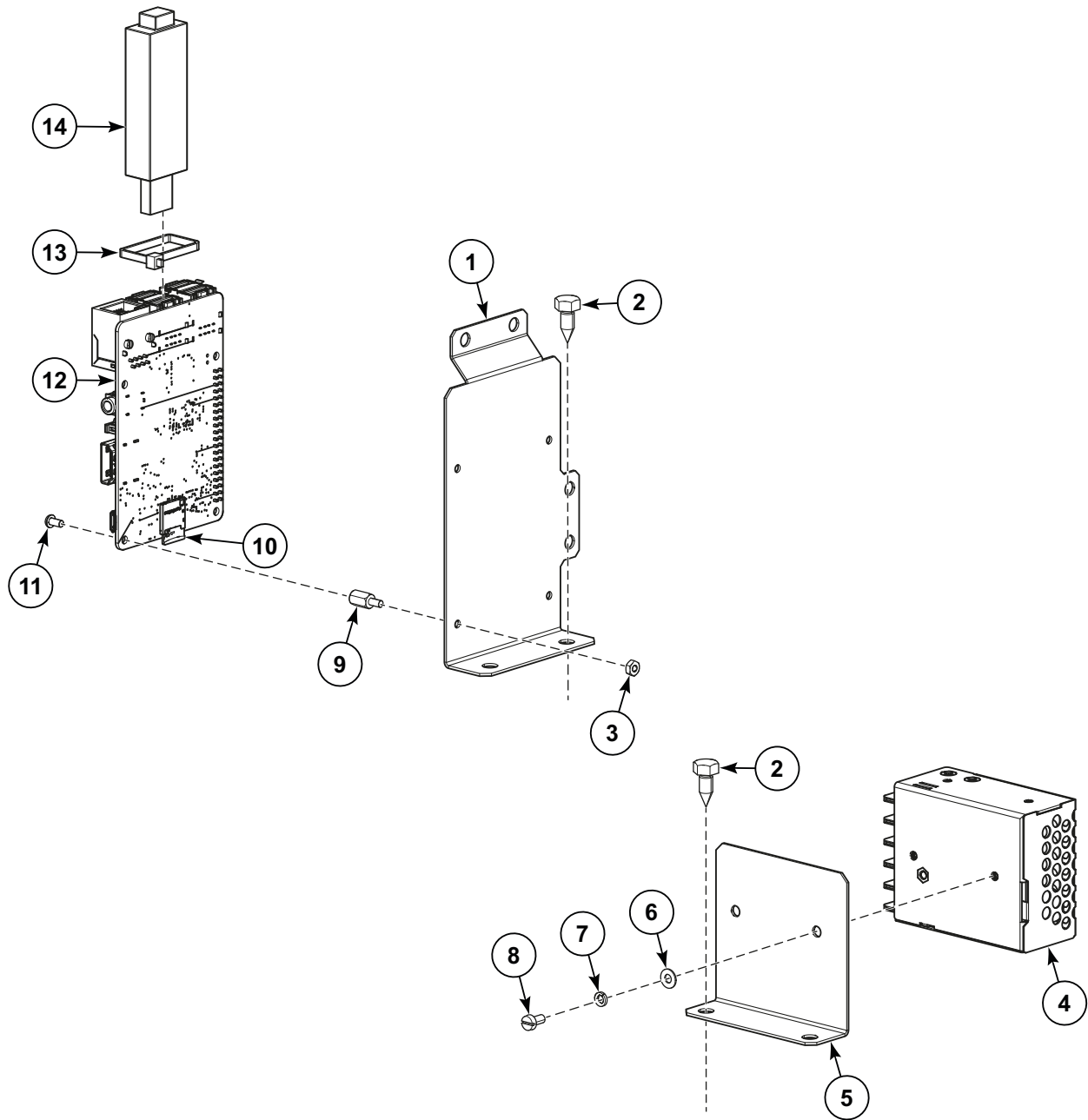
TMB3336P\_D2446



# Humidity Sensor

REF	PART NO.	DESCRIPTION	COMMENTS
	SP532002	Dust Cap Humidity Sensor	
	SP518562	Humidity Sensor Assembly	Includes items 1-6
1	SP309084000306	Bolt	
2	SP311679800003	Washer	
3	SP309798500306	Screw	
4	SP313250004075	Rivet	
5	SP518563	Sensor Holder	
6	SP102456	Humidity Sensor	

# WiFi Connection

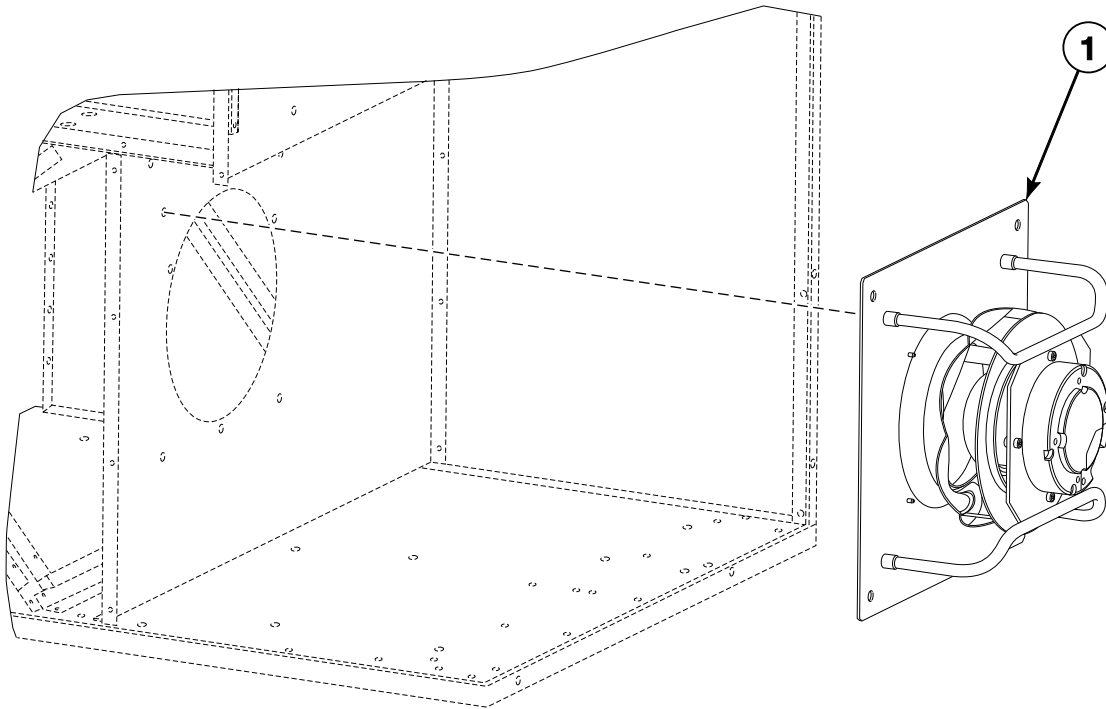


CZT446P\_D2446

## WiFi Connection

REF	PART NO.	DESCRIPTION	COMMENTS
	573395	WiFi Service kit	Includes items 1-14, items 575872, 575873, 575866 and Flash Memory with Firmware
	575872	Power Supply Cable	
	575873	WiFi Cable	
	575866	Power Supply Harness	Micro USB-B
1	573393	Control Board Holder	
2	SP100218	Screw	ST4.8x13
3	573392	Nut	M2.5
4	575864	Power Supply	
5	573394	Power Supply Holder	
6	SP311125000003	Washer	M3
7	SP311127000003	Washer	M3
8	SP309084000306	Bolt	M3x6
9	573390	Spacer	M2.5x8
10	553442	MicroSD Card	16GB
11	573391	Bolt	M2.5x5
12	553440	Control Board	
13	SP345000626088	Binding Strip	
14	529102	Converter	USB RS485 - Nano

# Ventilator - Heat Pump Models



TMB3354P\_D2446

## Ventilator - Heat Pump Models

REF	PART NO.	DESCRIPTION	COMMENTS
	SP534930	Temperature Sensor	
1	SP552675	Ventilator	



# Parts Index

## A

Access Cover	
SP530796 .....	11, 13
SP557136 .....	11
Adhesive	
SP245704003021 .....	19, 21
Adjustable Foot	
SPPRI504000001 .....	11, 15
Autotransformer	
SP552201 .....	47
SP552248 .....	47, 49, 51

## B

Back Seal	
SP527801 .....	11, 13
Base	
SP541489 .....	35
Bearing	
SP326000600300 .....	43
SP514005 .....	43
SP514007 .....	43
Bearing Bracket	
SP512366 .....	43
Bearing Flange	
SP514483 .....	43
Belt	
SP515257 .....	43
SP518647 .....	43
Binding Strip	
SP345000626088 .....	57
Blank Plate Kit	
SP102019 .....	25
Bolt	
SPPRI202001001 .....	25, 31
SP309084000306 .....	55, 57
SP309084000410 .....	47, 49, 51
SP309084000412 .....	37, 39
SP309084000416 .....	33
SP309084000420 .....	37
SP309798500306 .....	9
SP309798524408 .....	27
SP309933000416 .....	11, 13
SP309933000516 .....	25, 41
SP309933000616 .....	23, 39, 43
SP309933000625 .....	35, 45
SP309933000630 .....	11, 13
SP309933001025 .....	43
SP309933001050 .....	43
SP309933001120 .....	43
SP309933100625 .....	37
SP309933240412 .....	5, 9, 11, 13
SP309966240410 .....	5
SP506012 .....	33, 39
SP510954 .....	45
SP515075 .....	5, 21
SP516623 .....	53
SP516693 .....	11, 15
SP518556 .....	43
SP518623 .....	53

SP518719 .....	11, 15
SP524367 .....	19, 21
SP525030 .....	17
SP525101 .....	19, 21
SP533726 .....	35
SP534908 .....	41
SP537864 .....	33
SP545529 .....	11, 15
573391 .....	57

Box	
SP556044 .....	37
Box Assembly	
SP556043 .....	37
Bracket	
SP541436 .....	35
Burner Tube	
SP552515 .....	25, 27
Bushing	
SP101405 .....	33, 45
SP101406 .....	33, 37, 39
SP101408 .....	33, 37
SP273121011001 .....	11, 13
SP273121013002 .....	11, 13

## C

Cabinet	
SP552660 .....	33
Chain	
SP521266 .....	7
Clamp	
SP346000280101 .....	51
SP529013 .....	41
Clip	
SP502214 .....	37
Clutch	
SP520805 .....	53
Coil	
SP516717 .....	31
Coin Vault	
SP321848140028 .....	11, 13
573350 .....	11, 13
Coin Vault Assembly	
573370 .....	11, 13
Coin Vault Cover	
SP515291 .....	5
Coin Vault Frame	
SP501514 .....	5
Coin Vault Frame Bracket	
SP524394 .....	5
Connector	
345000180901 .....	25
Contact	
345000160645 .....	25
Contacto	
569856 .....	47, 49, 51
569857 .....	47
569873 .....	49
Control Board	
SP102457 .....	9

N/A items do not appear in index.

SP556608 .....	9
553440 .....	57
Control Board Holder	
573393 .....	57
Control Panel	
SP560106 .....	9
SP560111 .....	9
SP560112 .....	9
SP560113 .....	9
SP560114 .....	9
Control Panel Assembly	
SP559883 .....	9
SP559884 .....	9
SP559885 .....	9
SP559886 .....	9
SP560101 .....	9
SP560115 .....	9
SP560116 .....	9
SP560117 .....	9
SP560118 .....	9
571930 .....	9
574514 .....	9
575431 .....	9
Control Relay	
SP552311 .....	47
Control Unit	
571938 .....	27
Converter	
529102 .....	57
Cover	
SP346000014010 .....	47, 49, 51
SP346000280301 .....	51
SP512139 .....	25, 27
SP524655 .....	47, 49, 51
SP541434 .....	35
SP541435 .....	35
SP551860 .....	35
SP566259 .....	35
SP566301 .....	35
537625 .....	27

## D

Detection Electrode	
SP102002 .....	25
Distance Ring	
SP518649 .....	43
SP520804 .....	53
Door	
SP524364 .....	19
SP556552 .....	19
SP559701 .....	19
579509 .....	21
579510 .....	21
Door Assembly	
SP524359 .....	19
SP556558 .....	19
SP556559 .....	19
SP556561 .....	19
SP559703 .....	19
559702 .....	19
579505 .....	21
579506 .....	21
579507 .....	21
579508 .....	21

Door Glass	
SP512053 .....	19, 21
Door Plastic Layer	
580338 .....	21
Door Ring	
SP534873 .....	19, 21
Door Switch Assembly	
SP520404 .....	11, 15
Door Switch Holder	
SP520403 .....	11, 15
Double Drum Pulley	
SP518646 .....	43
Double Pulley	
SP534703 .....	43
Drive Bracket	
SP512363 .....	43
Drum	
577766 .....	17
577769 .....	17
Drum Assembly	
577704 .....	17
577726 .....	17
Dust Cap Humidity Sensor	
SP532002 .....	55

## E

Elbow	
SP527236 .....	39
572350 .....	27
572352 .....	27
Elbow Bracket Assembly	
SP556943 .....	39
Electric Box Cover	
530518 .....	47, 49, 51
Electrode Bracket	
SP512141 .....	25
Emergency Stop Connector	
SP528311 .....	9
Emergency Stop Knob	
SP528310 .....	9
End Stop	
SP346000209101 .....	47, 49, 51
Exhaust Assembly	
SP534910 .....	41
Exhaust Bracket	
SP530689 .....	41
Exhaust Cover	
SP545533 .....	11, 15

## F

Fan	
SP528481 .....	33
Fan Assembly	
SP541496 .....	33
Fan Cover	
SP541484 .....	33
Fan Holder	
SP541495 .....	33

N/A items do not appear in index.



Fan Housing Weldment	45
575503 .....	45
Fan Motor	45
SP523622 .....	45
SP523625 .....	45
Filling Hose Pipe	39
SPPRI505000054 .....	39
SP101621 .....	39
Filter	11, 15
SP512324 .....	11, 15
SP519027 .....	31
SP552251 .....	37
Filter Assembly	11
SP560162 .....	11
Filter Panel Assembly	7
SP530630 .....	7
SP530631 .....	7
SP530633 .....	7
SP530634 .....	7
SP555961 .....	7
SP555962 .....	7
SP559827 .....	7
SP559828 .....	7
Fine Filter	11
SP560160 .....	11
Fixation Ring	21
579515 .....	21
580339 .....	21
Flame Detection Cable	25
SP516057 .....	25
Flange	25
SP102018 .....	25
SP514062 .....	25
Flange Bearing Body	43
SP514011 .....	43
SP514012 .....	43
Flap Assembly	41
SP534902 .....	41
Flap Stop	41
SP534900 .....	41
Frequency Inverter	51
SP557962 .....	51
571478 .....	37
Front Panel Assembly	5
SP530620 .....	5
SP530621 .....	5
SP530622 .....	5
SP530623 .....	5
SP545542 .....	5
SP545543 .....	5
SP555996 .....	5
SP555997 .....	5
SP555998 .....	5
SP559831 .....	5
SP559832 .....	5
SP559833 .....	5
Front Seal	11, 13
SP518505 .....	11, 13
Fuse	47, 49, 51
SPPRI401001021 .....	47, 49, 51
SPPRI401020021 .....	51
SP345805005020 .....	47, 49, 51
SP345805163032 .....	51
SP358251506220 .....	47, 49
SP514133 .....	47, 49, 51
SP557786 .....	23

Fuse Case	47, 49, 51
SP346000004010 .....	47, 49, 51
Fuse Clip	47, 49, 51
SP524653 .....	47, 49, 51
Fuse Isolator	47, 49
SP358251601312 .....	47, 49
Fuse Plug	47, 49, 51
SP524654 .....	47, 49, 51

## G

Gas Heater Box	25
SP512130 .....	25
569440 .....	27
Gas Valve	25
SP102000 .....	25
SP520281 .....	25
572351 .....	27
Gas Valve Cable	25
SP357500459412 .....	25
Gas Valve Wiring	25
520098 .....	25
Gasket	9
SP101275 .....	9
Glue	19, 21
SP534969 .....	19, 21

## H

Handle	21
579513 .....	21
579514 .....	21
Heat Pump	33
SP556082 .....	33
SP556083 .....	33
SP556084 .....	33
SP556085 .....	33
SP556090 .....	33
SP556091 .....	33
SP556092 .....	33
SP556093 .....	33
SP556659 .....	33
SP556660 .....	33
SP556663 .....	33
SP556664 .....	33
Heater Box	23
SP528941 .....	23
Heating Element	23
SP510984 .....	23
SP510985 .....	23
Heating Element Bracket	23
SP527900 .....	23
Holder	27
569446 .....	27
571880 .....	27
571884 .....	27
Hose	39
SPPRI540000014 .....	39
SP273454410020 .....	25
Hose Clamp	39
SPPRI240000002 .....	39
Hose Pipe	39
SP101745 .....	39

N/A items do not appear in index.

Humidity Sensor	
SP102456 .....	55
Humidity Sensor Assembly	
SP518562 .....	55
Humidity Sensor Cover	
SP551869 .....	33

## I

Ignition Cable	
SP516060 .....	25
Ignition Electrode	
575643 .....	25, 27
Ignition Unit	
SP357456010080 .....	25
Inlet Nozzle	
SP520950 .....	45
Insulation	
SP552666 .....	39
Interconnection	
SP346000280402 .....	51
Isolation Plate	
SP101154 .....	11, 15, 53

## K

Key	
SP505449 .....	43

## L

Latch	
SP514530 .....	5, 19, 21
Lath	
SP524582 .....	19, 21
SP556553 .....	19
SP559706 .....	19, 21
Lock	
SPPRI610000007 .....	7, 9
SP521221 .....	7
Lock Hook	
SPPRI610001007 .....	7, 9
SP534645 .....	11, 13
Lower Door Hinge	
SP525104 .....	19, 21
SP556554 .....	19
SP559704 .....	19, 21
Lower Rear Cover	
SP530799 .....	13

## M

Magnet	
564203 .....	19, 21
Main Switch	
SPPRI404000097 .....	11, 13
SPPRI404000098 .....	13
SPPRI404000099 .....	13
SPPRI404000100 .....	13

Main Switch Knob	
SPPRI404000095 .....	11, 13
Mechanical Interlock Unit	
569858 .....	49
Mechanical Interlock Unit	
569858 .....	47, 51

## Memory

SP526001 .....	9
102471 .....	9
102472 .....	9
545269 .....	9
545270 .....	9
572334 .....	9
572335 .....	9

## MicroSD Card

553442 .....	57
--------------	----

## Microswitch

SPPRI610011077 .....	11, 15
SPPRI610028017 .....	53
SP506045 .....	11, 15
SP517484 .....	11, 15

## Microswitch Bracket

SP520803 .....	53
----------------	----

## Microswitch Lever Assembly

SP517441 .....	53
----------------	----

## Motor

SP523724 .....	43
SP523725 .....	43

## Motor Bracket

SP515418 .....	43
SP518517 .....	43

## Motor Pulley

SP527723 .....	43
SP528922 .....	43
SP530720 .....	43
SP530721 .....	43

## N

### Nozzle

SP512067 .....	25
SP556922 .....	39

### Nozzle Adapter

SP556916 .....	39
----------------	----

### Nozzle Bracket Assembly

SP556919 .....	39
----------------	----

### Nozzle Fitting Adapter

SP556915 .....	39
----------------	----

### Nozzle Holder Assembly

SP556920 .....	39
----------------	----

### Nut

SPPRI610005007 .....	9
SPPRI610006007 .....	9
SP101415 .....	33, 45
SP101416 .....	33, 37, 39
SP101418 .....	33, 37
SP235119001815 .....	53
SP310934000006 .....	35
SP310934000010 .....	11, 15, 17, 43
SP310934000020 .....	35
SP310934100006 .....	37
SP310934240004 .....	19, 21
SP310934240005 .....	25, 27, 31
SP310985000006 .....	11, 13, 43
SP310985000010 .....	43

N/A items do not appear in index.

SP310985000012 .....	43
SP514193 .....	9, 11, 13, 21
SP534929 .....	41
SP545530 .....	11, 15
573392 .....	57

## O

Orifice	
517222 .....	25, 29
517223 .....	25, 29
517224 .....	29
517225 .....	25, 29
517226 .....	25, 29
517227 .....	25, 29
517241 .....	25, 29
517243 .....	25, 29
517245 .....	25, 29
517246 .....	25, 29
517250 .....	25, 29
517251 .....	25, 29
517252 .....	25, 29
517253 .....	25, 29
517257 .....	25, 29
517258 .....	25, 29
517327 .....	25, 29
517328 .....	25, 29
517329 .....	25, 29
517330 .....	25, 29
517331 .....	25, 29
517337 .....	25, 29
520236 .....	25, 29
520237 .....	25, 29
520399 .....	25, 29
525465 .....	29
525466 .....	25, 29
530819 .....	25, 29
530820 .....	25, 29
575530 .....	29
Outer Door Gasket	
SP519933 .....	19, 21
Overlay	
SP556100 .....	9
SP559863 .....	9
SP559864 .....	9

## P

Pin Insertion	
SP520408 .....	7
Plastic Layer Holder	
580337 .....	21
Plug	
SPPRI505000064 .....	45
SP273127001798 .....	41
SP345900025012 .....	7
SP520297 .....	23
SP534904 .....	41
Power Supply	
575864 .....	57
Power Supply Cable	
575872 .....	57
Power Supply Harness	
575866 .....	57

Power Supply Holder	
573394 .....	57

## R

Reinforcement Bracket	
SP512365 .....	43
Relay	
SP514057 .....	47, 51
SP514134 .....	51
Relay Case	
SP506586 .....	47, 51
Relay Clamp	
SP514135 .....	47, 51
Resistance Bleeder	
SP520195 .....	51
Retaining Ring	
SP515517 .....	43
Rinsing System Bracket	
SP556954 .....	39
Rivet	
SP313250004075 .....	55
Rod	
SP517486 .....	11, 13

## S

Safety Thermostat	
SP514016 .....	45
SP514127 .....	23, 25, 27, 31
Screw	
SP100218 .....	11, 13, 25, 27, 41, 45, 57
SP309798100313 .....	23
SP309798500306 .....	45, 55
SP517238 .....	25, 27, 31
SP520407 .....	7
SP520871 .....	53
SP529206 .....	35
572361 .....	27
Sensor Holder	
SP518563 .....	55
Shim	
SP529082 .....	9
Side Panel	
SP541424 .....	33
SP541425 .....	33
SP556005 .....	33
SP556007 .....	33
SP556649 .....	33
SP556650 .....	33
Sliding Board	
SP514480 .....	43
Spacer	
SP515521 .....	43
SP520940 .....	45
573390 .....	57
Spring	
SPPRI611000009 .....	11, 13
Steam Exchanger	
SP530409 .....	31
SP530410 .....	31

N/A items do not appear in index.

Steam Filter	
SP405054057006 .....	31
Steam Valve	
SP516718 .....	31
Steam Valve Body	
SP514166 .....	31
Stop End	
SP520808 .....	53
Stop Pin	
SP520201 .....	19, 21
Support Plate	
SP515514 .....	43
Switch	
SP100388 .....	11, 13
Switch Panel	
SP520890 .....	13
SP520891 .....	11
Switching Unit	
SP528312 .....	9
Swivel Wheel Assembly	
SP541494 .....	35
SP551864 .....	35

## T

Temperature Sensor	
SP516092 .....	23, 25, 27
SP534930 .....	45, 59
Tension Assembly	
SP514479 .....	43
SP528928 .....	43
Tension Rod	
SP534704 .....	43
Thermostat Bracket	
SP520227 .....	31
SP541457 .....	35
Transformer	
SP514021 .....	47, 49, 51
SP516648 .....	51
Trunnion	
SP514957 .....	17
Tube	
SP144151508341 .....	41
SP314G00017524 .....	31
SP512142 .....	25
SP517236 .....	31
SP534914 .....	41
571881 .....	27
571928 .....	27
Tube Insert	
SPX01140400514 .....	31

## U

Underpressure Clutch Assembly	
SP520870 .....	53
Upper Cover	
SP530795 .....	11, 13
SP557133 .....	11
Upper Door Hinge	
SP525105 .....	19, 21
SP556555 .....	19

SP559705.....	19, 21
Upper Rear Cover	
SP530798.....	13
SP556533.....	13

## V

Valve	
SP556959.....	39
Valve Bracket	
SP512144.....	25
Valve Bracket Assembly	
SP556946.....	39
Valve Cover Assembly	
SP556947.....	39
Ventilator	
SP520945.....	45
SP552675.....	59

## W

Washer	
SPPRI522000012.....	7, 9
SP311125000003 .....	11, 15, 25, 53, 57
SP311125000004 .	5, 9, 11, 13, 27, 33, 37, 39, 47, 49, 51
SP311125000005 .....	25, 31
SP311125000006 .....	23, 35, 39, 43
SP311125000010 .....	11, 15, 17, 43
SP311125000013 .....	43
SP311125100006 .....	37
SP311127000003 .....	11, 15, 57
SP311127000004 .....	5, 11, 13, 27, 33, 37, 39
SP311127000005 .....	25, 31
SP311127000006 .....	23, 39
SP311127000010 .....	43
SP311679800003 .....	9, 55
SP311679800004 .....	37
SP311679824006.....	35, 37
SP311902100006.....	33, 43, 45
SP311902100008 .....	45
SP311902100010.....	43
SP311902100012.....	43
SP510697 .....	17
SP512233.....	17
SP514906.....	5
SP516669.....	23, 25, 27, 41
SP524366.....	5
SP545531.....	11, 15
517426 .....	17
WiFi Cable	
575873 .....	57
WiFi Service kit	
573395 .....	57

N/A items do not appear in index.