

# Tumble Dryer

680 Liters (35 Kilograms) Capacity

Refer to Page 3 for Model Numbers

Parts





# Table of Contents

Title	Page
Parts Ordering Information .....	2
Serial Plate Location.....	2
Model Identification.....	3
Front Panel Assembly.....	4
Full Control Components .....	6
Easy Control Components With Coin Meter .....	8
Easy Control Coin Meter (Drawing 1 of 3).....	10
Easy Control Coin Meter (Drawing 2 of 3).....	12
Easy Control Coin Meter (Drawing 3 of 3).....	14
Easy Control Components Without Coin Meter .....	16
Easy Control with External Payment System .....	18
Cabinet .....	20
Drum Assembly .....	22
Door Assembly .....	24
Electric Heat Components .....	26
Gas Heat Components - Models Through Serial No. 35T007384QB (Drawing 1 of 2).....	28
Gas Heat Components - Models Through Serial No. 35T007384QB (Drawing 2 of 2).....	30
Gas Heat Components - Models Starting Serial No. 35T007385QB (Drawing 1 of 2).....	32
Gas Heat Components - Models Starting Serial No. 35T007385QB (Drawing 2 of 2).....	34
Steam Heat Components .....	36
Ventilator.....	38
Exhaust.....	40
Drive System .....	42
Electric Box Components - Electric Models.....	44
Electric Box Components - Gas and Steam Models.....	46
Under Pressure Clutch .....	48
Humidity Sensor .....	50
WiFi Connection .....	52
Parts Index.....	55

© Copyright 2023, Alliance Laundry Systems LLC

All rights reserved. No part of the contents of this book may be reproduced or transmitted in any form or by any means without the expressed written consent of the publisher.

## Parts Ordering Information

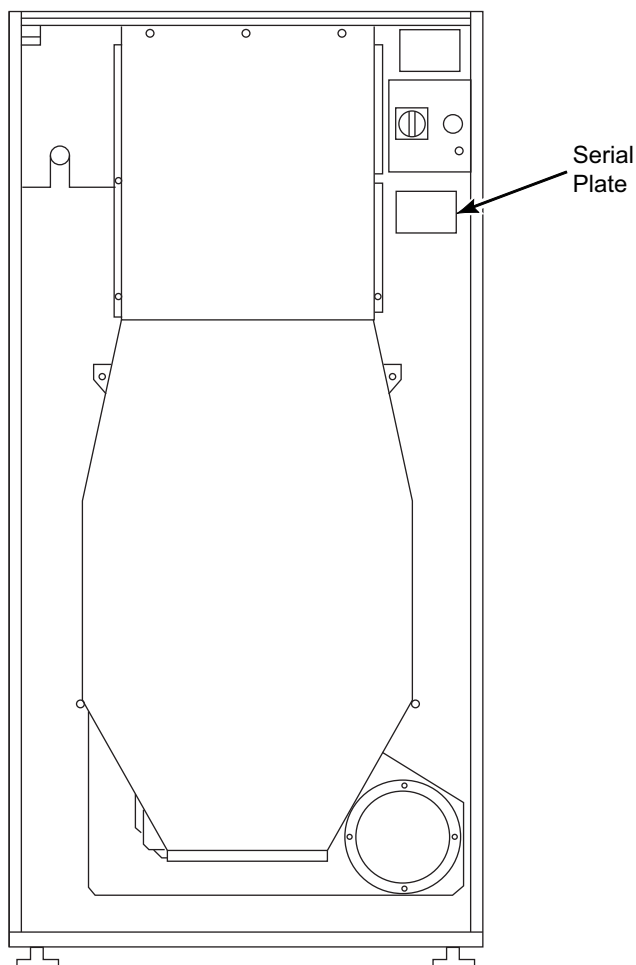
If literature or replacement parts are required, contact the source from whom the machine was purchased or contact Alliance Laundry Systems at (920) 748-3950 for the name and address of the nearest authorized parts distributor.

For technical assistance, call the number listed below:

(920) 748-3121 Ripon, Wisconsin

## Serial Plate Location

When calling or writing about your product, be sure to mention model and serial numbers. Model and serial numbers are located on serial plate(s) as shown.



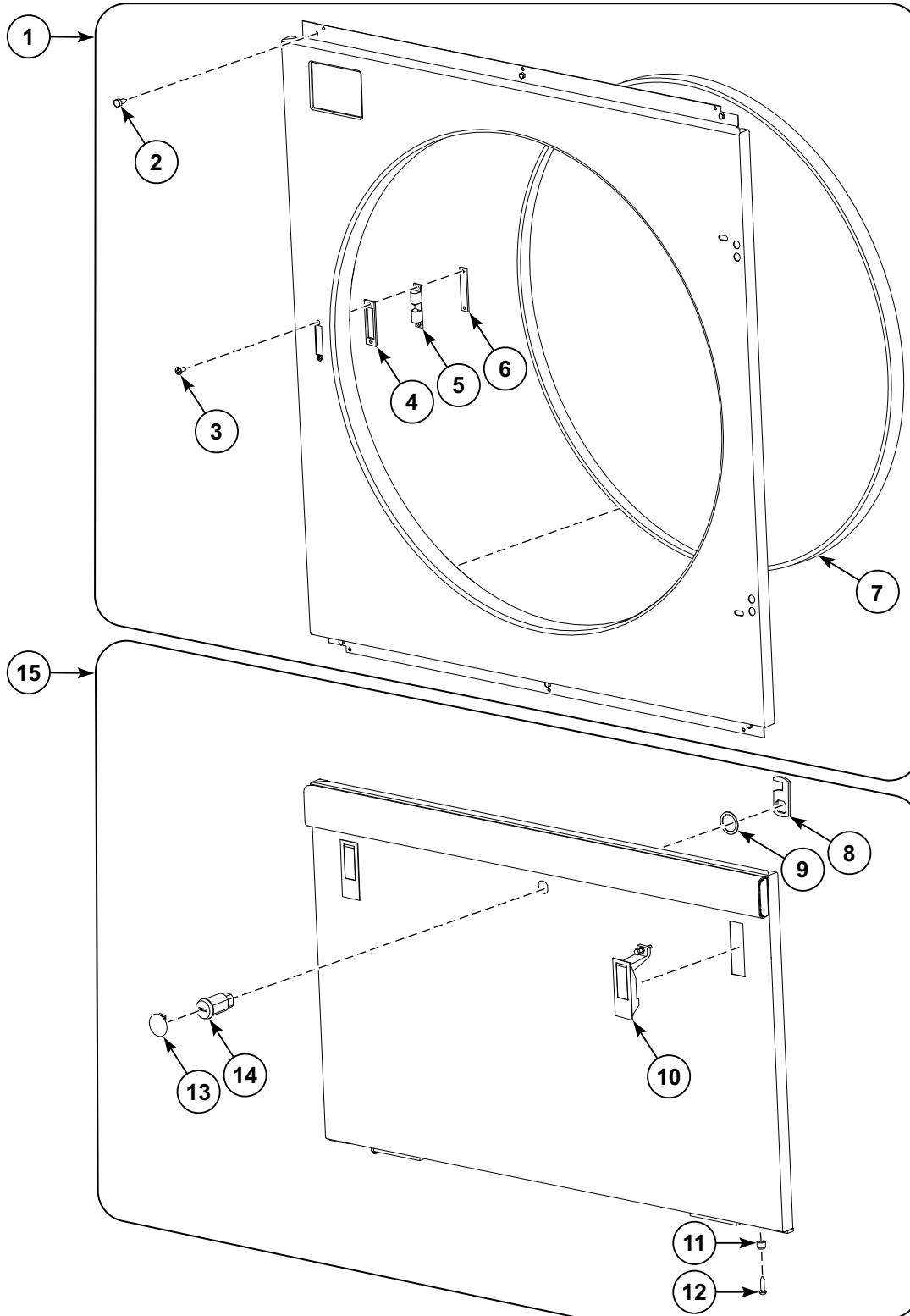
TMB2509N\_D2572

## Model Identification

Information in this manual is applicable to these tumbler models:

I680_EASY	IH680TE	LX680LE	NH680WE	PE680TE	SC680SE	SX680NE	UH680WE
I680_FLEX	IH680TF	LX680LF	NH680WF	PE680TF	SC680SF	SX680NF	UH680WF
IDR680	IH680WE	LX680ME	NU680EE	PE680WE	SC680TE	SX680SE	UU680EE
LS680_EASY	IH680WF	LX680MF	NU680EF	PE680WF	SC680TF	SX680SF	UU680EF
LS680_FULL	IU680EE	LX680NE	NU680ME	PH680EE	SC680WE	SX680TE	UU680ME
SDR680	IU680EF	LX680NF	NU680MF	PH680EF	SC680WF	SX680TF	UU680MF
ST38	IU680ME	LX680SE	NU680SE	PH680LE	SE680EE	SX680WE	UU680SE
T35_EASY	IU680MF	LX680SF	NU680SF	PH680LF	SE680EF	SX680WF	UU680SF
T35_FULL	IU680SE	NC680EE	NU680WE	PH680ME	SE680LE	UC680EE	UU680WE
UDR680	IU680SF	NC680EF	NU680WF	PH680MF	SE680LF	UC680EF	UU680WF
IC680EE	IU680WE	NC680LE	NX680EE	PH680NE	SE680ME	UC680LE	UX680EE
IC680EF	IU680WF	NC680LF	NX680EF	PH680NF	SE680MF	UC680LF	UX680EF
IC680LE	IX680EE	NC680ME	NX680LE	PH680SE	SE680NE	UC680ME	UX680LE
IC680LF	IX680EF	NC680MF	NX680LF	PH680SF	SE680NF	UC680MF	UX680LF
IC680ME	IX680LE	NC680NE	NX680ME	PH680TE	SE680SE	UC680NE	UX680ME
IC680MF	IX680LF	NC680NF	NX680MF	PH680TF	SE680SF	UC680NF	UX680MF
IC680NE	IX680ME	NC680SE	NX680NE	PH680WE	SE680TE	UC680SE	UX680NE
IC680NF	IX680MF	NC680SF	NX680NF	PH680WF	SE680TF	UC680SF	UX680NF
IC680SE	IX680NE	NC680TE	NX680SE	PU680EE	SE680WE	UC680TE	UX680SE
IC680SF	IX680NF	NC680TF	NX680SF	PU680EF	SE680WF	UC680TF	UX680SF
IC680TE	IX680SE	NC680WE	NX680TE	PU680ME	SH680EE	UC680WE	UX680TE
IC680TF	IX680SF	NC680WF	NX680TF	PU680MF	SH680EF	UC680WF	UX680TF
IC680WE	IX680TE	NE680EE	NX680WE	PU680SE	SH680LE	UE680EE	UX680WE
IC680WF	IX680TF	NE680EF	NX680WF	PU680SF	SH680LF	UE680EF	UX680WF
IE680EE	IX680WE	NE680LE	PC680EE	PU680WE	SH680ME	UE680LE	
IE680EF	IX680WF	NE680LF	PC680EF	PU680WF	SH680MF	UE680LF	
IE680LE	LC680EE	NE680ME	PC680LE	PX680EE	SH680NE	UE680ME	
IE680LF	LC680EF	NE680MF	PC680LF	PX680EF	SH680NF	UE680MF	
IE680ME	LC680LE	NE680NE	PC680ME	PX680LE	SH680SE	UE680NE	
IE680MF	LC680LF	NE680NF	PC680MF	PX680LF	SH680SF	UE680NF	
IE680NE	LC680ME	NE680SE	PC680NE	PX680ME	SH680TE	UE680SE	
IE680NF	LC680MF	NE680SF	PC680NF	PX680MF	SH680TF	UE680SF	
IE680SE	LC680NE	NE680TE	PC680SE	PX680NE	SH680WE	UE680TE	
IE680SF	LC680NF	NE680TF	PC680SF	PX680NF	SH680WF	UE680TF	
IE680TE	LC680SE	NE680WE	PC680TE	PX680SE	SU680EE	UE680WE	
IE680TF	LC680SF	NE680WF	PC680TF	PX680SF	SU680EF	UE680WF	
IE680WE	LC680TE	NH680EE	PC680WE	PX680TE	SU680ME	UH680EE	
IE680WF	LC680TF	NH680EF	PC680WF	PX680TF	SU680MF	UH680EF	
IH680EE	LC680WE	NH680LE	PE680EE	PX680WE	SU680SE	UH680LE	
IH680EF	LC680WF	NH680LF	PE680EF	PX680WF	SU680SF	UH680LF	
IH680LE	LU680EE	NH680ME	PE680LE	SC680EE	SU680WE	UH680ME	
IH680LF	LU680EF	NH680MF	PE680LF	SC680EF	SU680WF	UH680MF	
IH680ME	LU680ME	NH680NE	PE680ME	SC680LE	SX680EE	UH680NE	
IH680MF	LU680MF	NH680NF	PE680MF	SC680LF	SX680EF	UH680NF	
IH680NE	LU680SE	NH680SE	PE680NE	SC680ME	SX680LE	UH680SE	
IH680NF	LU680SF	NH680SF	PE680NF	SC680MF	SX680LF	UH680SF	
IH680SE	LX680EE	NH680TE	PE680SE	SC680NE	SX680ME	UH680TE	
IH680SF	LX680EF	NH680TF	PE680SF	SC680NF	SX680MF	UH680TF	

# Front Panel Assembly

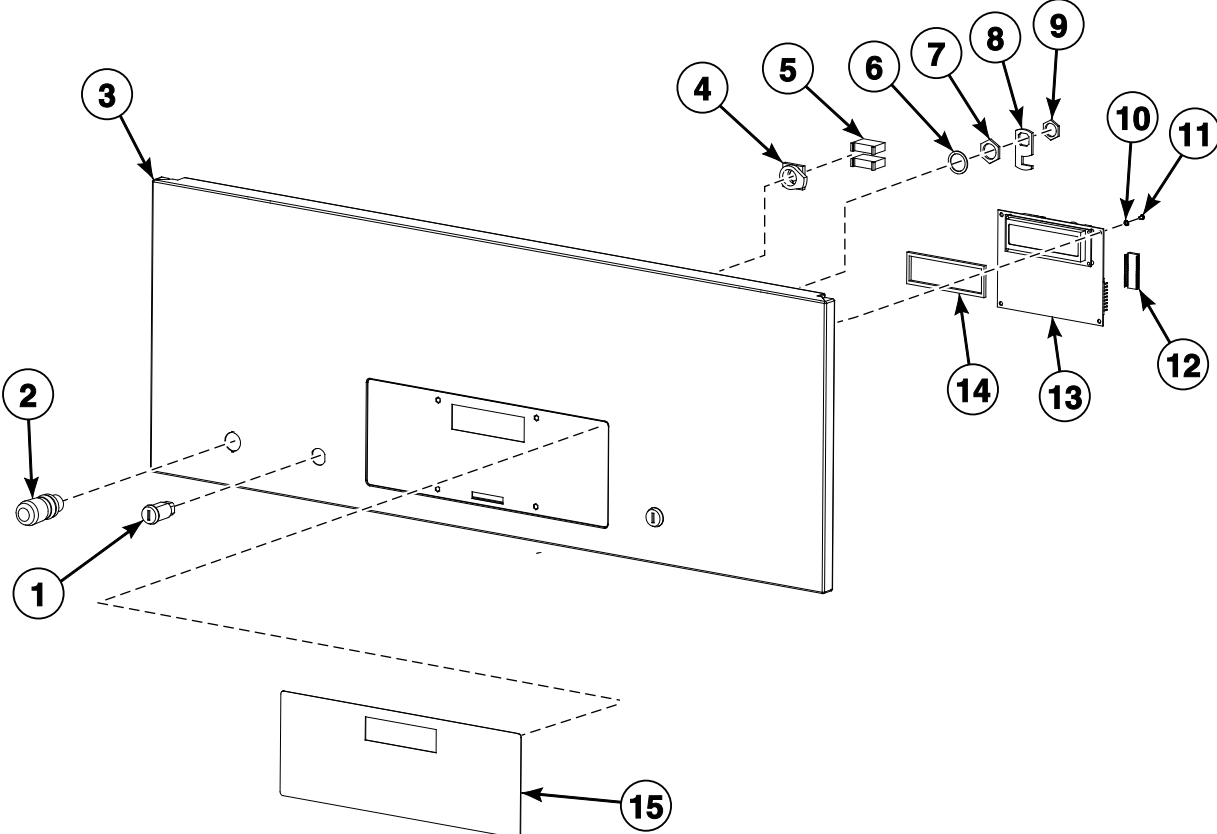


TMB3825P\_D2572

# Front Panel Assembly

REF	PART NO.	DESCRIPTION	COMMENTS
1	SP528972	Front Panel Assembly	Includes items 2-7; OPL; External payment system; Stainless steel
	SP528974	Front Panel Assembly	Includes items 2-7; Coin; Right door; Stainless steel
	SP545548	Front Panel Assembly	Includes items 2-7; Coin; Left door; Stainless steel
	528973	Front Panel Assembly	I, S and U models; Includes items 2-7; OPL; External payment system; Imitation stainless steel
	528975	Front Panel Assembly	I, S and U models; Includes items 2-7; Coin; Right door; Imitation stainless steel
	545549	Front Panel Assembly	I, S and U models; Includes items 2-7; Coin; Left door; Imitation stainless steel
	SP557169	Front Panel Assembly	L, N, P and T models; Includes items 2-7; OPL; External payment system; Gray
	SP557170	Front Panel Assembly	L, N, P and T models; Includes items 2-7; Coin; Right door; Gray
	SP557171	Front Panel Assembly	L, N, P and T models; Includes items 2-7; Coin; Left door; Gray
2	SP100218	Screw	
3	SP309966240410	Bolt	
4	SP524366	Washer	
5	SP514530	Latch	
6	SP514906	Washer	
7	519170	Sealing	4x30x2560 mm
8	SPPRI522000012	Washer	Coin
9	SPPRI610001007	Lock Hook	Coin
10	SP521221	Lock	
11	SP520407	Screw	
12	SP520408	Pin Insertion	
13	SP345900025012	Plug	OPL
14	SPPRI610000007	Lock	Coin
15	528965	Filter Panel Assembly	I, S and U models; Includes items 8-14; OPL; Imitation stainless steel
	528968	Filter Panel Assembly	I, S and U models; Includes items 8-14; With lock; Coin; OPL or External payment system; Imitation stainless steel
	SP528964	Filter Panel Assembly	Includes items 8-14; OPL; Stainless steel
	SP528967	Filter Panel Assembly	Includes items 8-14; With lock; Coin; OPL or External payment system; Stainless steel
	SP557172	Filter Panel Assembly	L, N, P and T models; Includes items 8-14; OPL; Gray
	SP557173	Filter Panel Assembly	L, N, P and T models; Includes items 8-14; With lock; Coin; OPL or External payment system; Gray

# Full Control Components



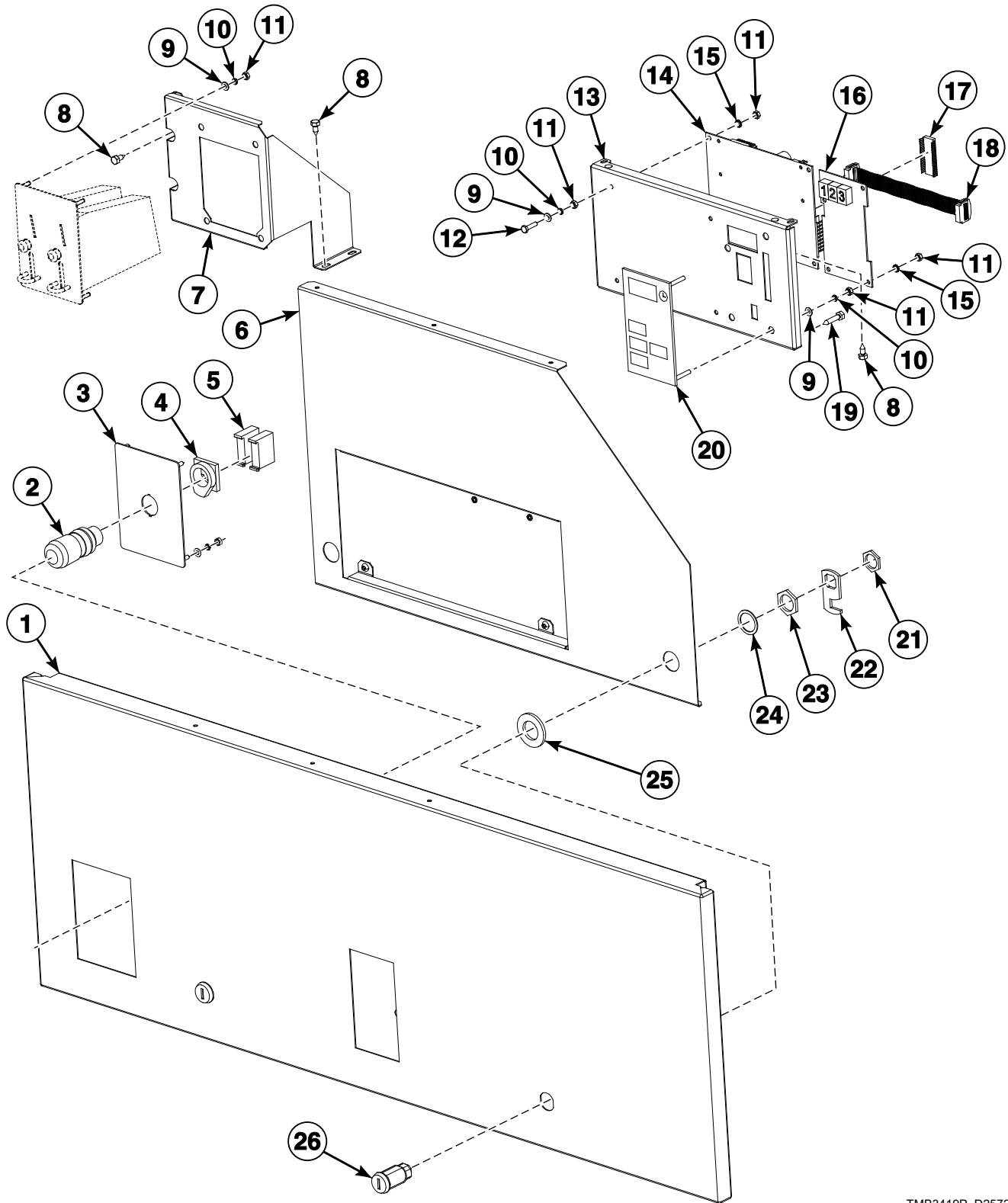
TMB3418P\_D2572



## Full Control Components

REF	PART NO.	DESCRIPTION	COMMENTS
	574530	Control Panel Assembly	I models; Includes items 1-15; Imitation stainless steel
	574531	Control Panel Assembly	I models; Includes items 1-15; Stainless steel
	575443	Control Panel Assembly	S models; Includes items 1-15; Imitation stainless steel
	575444	Control Panel Assembly	S models; Includes items 1-15; Stainless steel
	575445	Control Panel Assembly	U models; Includes items 1-15; Imitation stainless steel
	575446	Control Panel Assembly	U models; Includes items 1-15; Stainless steel
	571912	Control Panel Assembly	L and N models; Includes items 1-15; Gray; Starting January 1, 2020
	571931	Control Panel Assembly	L and N models; Includes items 1-15; Stainless steel; Starting January 1, 2020
	SP561152	Control Panel Assembly	P and T models; Includes items 1-15; Gray
	SP561180	Control Panel Assembly	P and T models; Includes items 1-15; Stainless steel
<b>1</b>	SP528310	Emergency Stop Knob	
<b>2</b>	SPPRI610000007	Lock	
<b>3</b>	574532	Control Panel	I, S and U models; Imitation stainless steel
	SP561147	Control Panel	L, N, P and T models; Gray
	SP561181	Control Panel	Stainless steel
<b>4</b>	SP528311	Emergency Stop Connector	
<b>5</b>	SP528312	Switching Unit	
<b>6</b>	SPPRI522000012	Washer	
<b>7</b>	SPPRI610005007	Nut	
<b>8</b>	SPPRI100010007	Hook	
<b>9</b>	SPPRI610006007	Nut	
<b>10</b>	SP311679800003	Washer	
<b>11</b>	SP309798500306	Bolt	
<b>12</b>	SP526001	Memory	Empty without software version
	102471	Memory	Includes SP526001 Memory and EN, CZ, DE, FR, NL, ES, IT, DK, NO software language version
	102472	Memory	Includes SP526001 Memory and EN, CZ, RU, SL, HR, HU, PL, BG, RO, TR language version
<b>13</b>	SP102457	Control Board	S and U models; Green
	SP556608	Control Board	I, L, N, P and T models; Gray
<b>14</b>	SP101275	Gasket	
<b>15</b>	SP559864	Overlay	I, L, N and S models
	SP556100	Overlay	P and T models
	SP559863	Overlay	U models

# Easy Control Components With Coin Meter

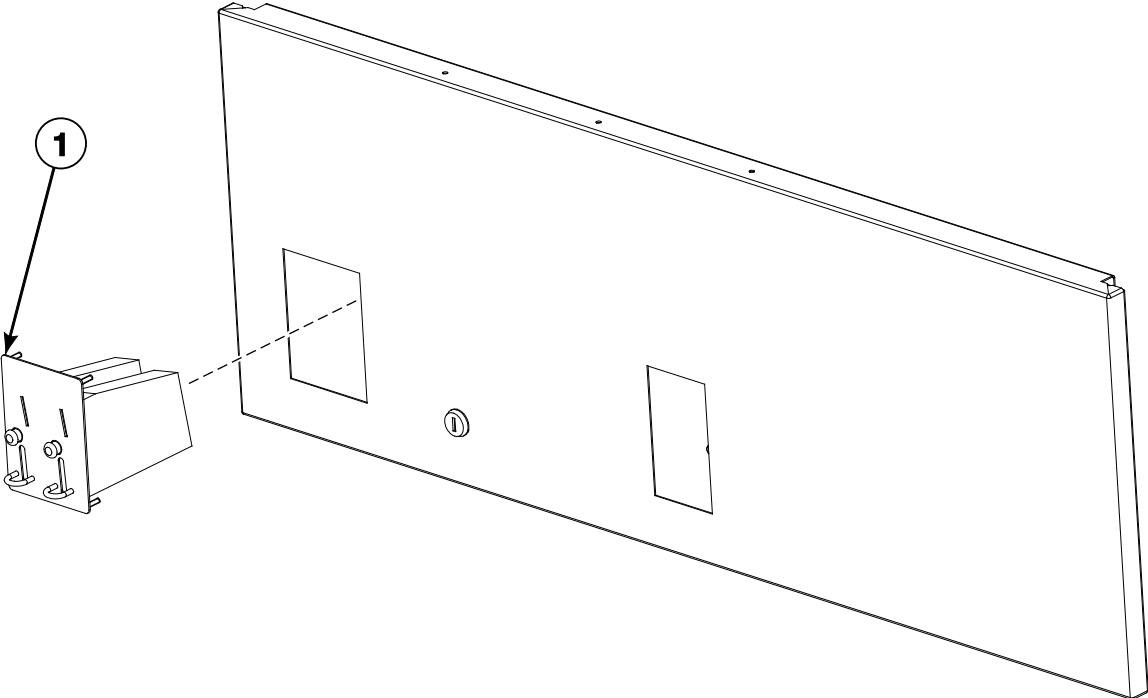


TMB3419P\_D2572

## Easy Control Components With Coin Meter

REF	PART NO.	DESCRIPTION	COMMENTS
	574525	Control Panel Assembly	I models; Includes items 1-26; Imitation stainless steel
	574528	Control Panel Assembly	I models; Includes items 1-26; Stainless steel
	574535	Control Panel Assembly	L and N models; Includes items 1-26; Gray
	574536	Control Panel Assembly	L and N models; Includes items 1-26; Stainless steel
	575448	Control Panel Assembly	S models; Includes items 1-26; Imitation stainless steel
	575451	Control Panel Assembly	S models; Includes items 1-26; Stainless steel
	575454	Control Panel Assembly	U models; Includes items 1-26; Imitation stainless steel
	575457	Control Panel Assembly	U models; Includes items 1-26; Stainless steel
	SP561149	Control Panel Assembly	P and T models; Includes items 1-26; Gray
	SP561183	Control Panel Assembly	P and T models; Includes items 1-26; Stainless steel
	SP557975	Extend Coin Wiring	
1	SP557167	Control Panel	L, N, P and T models; Gray
	SP561162	Control Panel	Stainless steel
	574522	Control Panel	I, S and U models; Imitation stainless steel
2	SP528310	Emergency Stop Knob	
3	SP562956	Label	
4	SP528311	Emergency Stop Connector	
5	SP528312	Switching Unit	
6	SP561153	Control Bracket	
7	SP561154	Coin Meter Bracket	
8	SP100218	Screw	
9	SP311125000004	Washer	
10	SP311127000004	Washer	
11	SP310934000004	Nut	
12	SP309933000416	Bolt	
13	SP559819	Control Bracket	
14	SP102458	Control	
15	SP311679800004	Washer	
16	SP553416	Display Board	L, N, P and T models; Blue
	SP560706	Display Board	I models; Red
	SP102459	Display Board	S and U models; Green
17	SP526001	Memory	Empty without software version
	102460	Memory	Includes SP526001 Memory and software
	545264	Memory	Includes SP526001 Memory and software, export France
18	SP521061	Cable	
19	SP100306	Screw	
20	SP556099	Overlay	P and T models
	SP559900	Overlay	I models
	SP559871	Overlay	L, N and S models
	SP559870	Overlay	U models
21	SPPRI610006007	Nut	
22	SPPRI610001007	Lock Hook	
23	SPPRI610005007	Nut	
24	SPPRI522000012	Washer	
25	SP311125000020	Washer	
26	SPPRI610000007	Lock	

# Easy Control Coin Meter (Drawing 1 of 3)

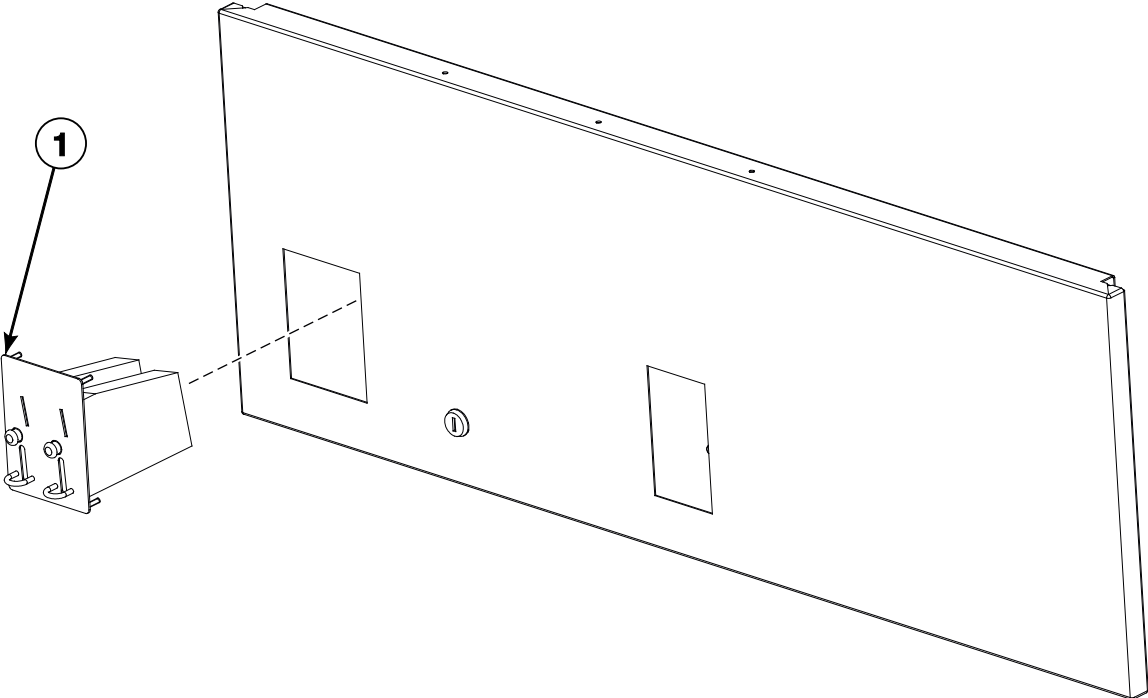


TMB3420P\_D2572

## Easy Control Coin Meter (Drawing 1 of 3)

REF	PART NO.	DESCRIPTION	COMMENTS
1	SP100642	Coin Meter	1AUD + 20C
	SP100866	Coin Meter	5K jeton
	SP100867	Coin Meter	7K jeton
	SP100868	Coin Meter	10K jeton
	SP100869	Coin Meter	12K jeton
	SP100870	Coin Meter	15K jeton
	SP100871	Coin Meter	D jeton
	SP100887	Coin Meter	1pound + 20PC
	SP100888	Coin Meter	1pound + 50PC
	SP100891	Coin Meter	100YEN
	SP100892	Coin Meter	500YEN + 100YEN
	SP100895	Coin Meter	5DKK
	SP100896	Coin Meter	20DKK
	SP100900	Coin Meter	5ILS + 1ILS
	SP100902	Coin Meter	1EUR
	SP101228	Coin Meter	1 MYR
	SP101535	Coin Meter	0.50EUR
	SP101536	Coin Meter	0.50EUR + 1EUR
	SP101797	Coin Meter	1DKK + 5DKK
	SP101612	Coin Meter	10NOK + 20NOK
	SP101450	Coin Meter	2DKK + 5DKK
	SP101499	Coin Meter	5NOK
	SP101632	Coin Meter	0.20EUR + 0.50EUR
	SP101586	Coin Meter	1NZD + 2NZD
	SP101155	Coin Meter	10NOK
	SP102084	Coin Meter	10NT + 50NT (dolar)
	SP516639	Coin Meter	2DKK
	SP516638	Coin Meter	Lucky Winner jeton
	SP102473	Coin Meter	10 Taiwan dollar
	SP516636	Coin Meter	10CZK + 20CZK
	SP516804	Coin Meter	7K Equipos Par Lavar jeton
	SP516737	Coin Meter	1EUR + 2EUR
	SP516807	Coin Meter	F10.3-W2000-19,2, Groove jeton, jeton diameter 24.8 mm
	SP100898	Coin Meter	500WON
	SP101437	Coin Meter	0.25USD
	SP516875	Coin Meter	1AUD + 2AUD
	SP102371	Coin Meter	5DKK + 10DKK
	SP102407	Coin Meter	0.2EUR
	SP102452	Coin Meter	1EUR + 0.2 EUR
	SP102546	Coin Meter	SUN WASH jeton
	SP516632	Coin Meter	2DKK + 10DKK
	SP516921	Coin Meter	Unibel Tech 5K jeton
	SP100893	Coin Meter	1AUD
	SP516950	Coin Meter	1CHF
	SP516967	Coin Meter	5 NOK +10NOK
	SP516969	Coin Meter	1 TopMos jeton + 1BGN
	SP516976	Coin Meter	50 penny
	SP516977	Coin Meter	1 Vendo jeton
	SP516980	Coin Meter	2EUR
	SP516984	Coin Meter	0.05EUR
	SP516991	Coin Meter	1 jeton Token

# Easy Control Coin Meter (Drawing 2 of 3)

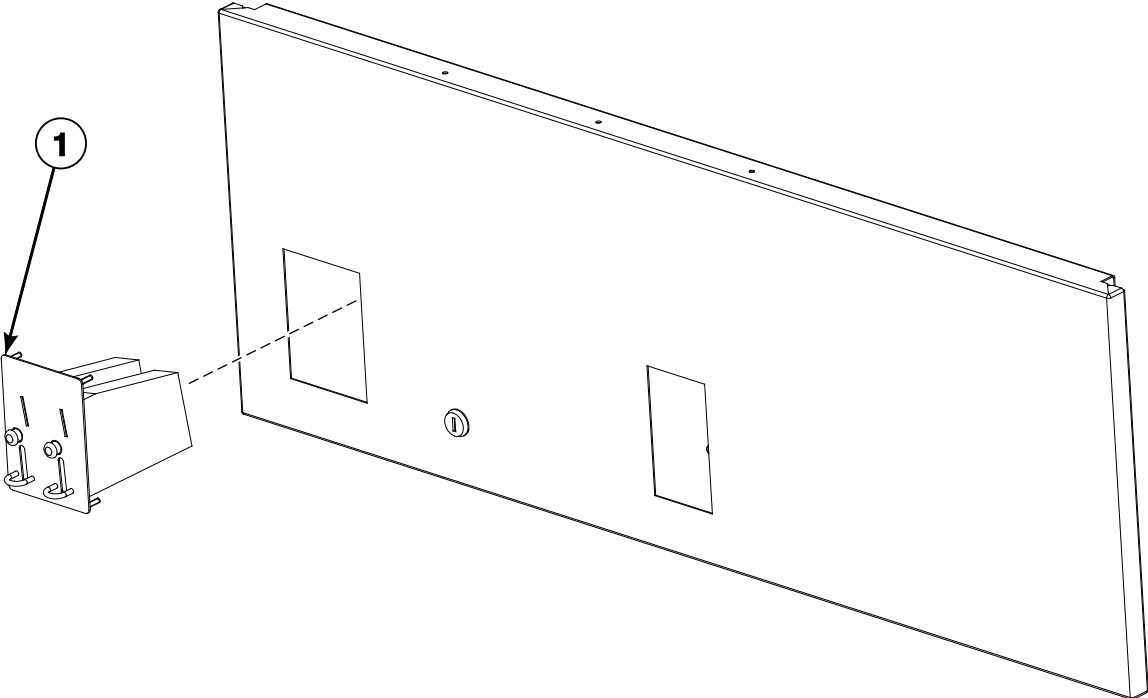


TMB3420P\_D2572

## Easy Control Coin Meter (Drawing 2 of 3)

REF	PART NO.	DESCRIPTION	COMMENTS
1	SP516994	Coin Meter	20 pence
	SP516999	Coin Meter	Jetons 7K + D
	SP529106	Coin Meter	1 Wascator jeton diamater 22.2 mm
	SP529108	Coin Meter	1 Unibel jeton diamater 18.55 mm
	SP529114	Coin Meter	2EUR + 0.50EUR
	SP529115	Coin Meter	50HUF + 100HUF
	SP529119	Coin Meter	1 jeton, without coining, jeton diamater 20 mm
	SP529124	Coin Meter	1 Volund jeton, jeton diamater 22.5 mm
	SP534187	Coin Meter	1 Wascator jeton diamater 19 mm
	SP529113	Coin Meter	1 Miele jeton
	SP529110	Coin Meter	1 jeton without coining, jeton diamater 26 mm
	SP534289	Coin Meter	Three-groove jeton, jeton diamater 27 mm
	SP534297	Coin Meter	Three-groove jeton, jeton diamater 25 mm
	SP537775	Coin Meter	D Jeton + 2EUR
	SP537776	Coin Meter	7K Jeton + 2EUR
	SP537778	Coin Meter	Milano Italy Jeton
	SP537779	Coin Meter	5PLN + 1 PLN
	SP537787	Coin Meter	Two-groove jeton, jeton diamater 27 mm
	SP537788	Coin Meter	A.S.A.R.D. jeton, jeton diamater 25.8 mm
	SP537825	Coin Meter	20CZK
	SP537828	Coin Meter	Electrolux ASARD jeton, jeton diamater 22.3 mm
	SP537859	Coin Meter	Laundromatic Belgium jeton, jeton diamater 22.3 mm
	SP537829	Coin Meter	Carsen two-groove jeton, jeton diamater 22 mm
	SP537913	Coin Meter	Asard Wascator jeton, jeton diamater 19.9 mm
	SP552901	Coin Meter	Eagle jeton, jeton diamater 25.98 mm
	SP552951	Coin Meter	1SGD
	SP552952	Coin Meter	200HUF
	SP552998	Coin Meter	1TRY
	SP553007	Coin Meter	0.5 MYR
	SP553008	Coin Meter	Butzi wash jeton
	SP553152	Coin Meter	EUROTOKEN 10 (DETON WASH)
	SP556109	Coin Meter	1SGD (new Singapore dollar)
	SP556113	Coin Meter	Flash wash jeton
	SP556114	Coin Meter	2PLN
	SP555667	Coin Meter	50 + 50, Malaysian cents
	SP556153	Coin Meter	Symbol M jeton, jeton ROMAC
	SP559709	Coin Meter	1 NOK + 5 NOK
	SP560746	Coin Meter	Dobi Ekspress jeton
	SP560095	Coin Meter	5k IPSO jeton
	SP560096	Coin Meter	7k IPSO jeton
	SP560097	Coin Meter	10k IPSO jeton
	SP560098	Coin Meter	12k IPSO jeton
	SP560099	Coin Meter	15k IPSO jeton
	SP561379	Coin Meter	10 Morrocan Dirham
	SP560793	Coin Meter	AAW Lav-o-seul jeton
	SP564823	Coin Meter	EMP500.12v5 for new SGD + new MYR + teach mode
	SP553140	Coin Meter	20 CZK + 50 CZK
	516848	Coin Meter	Washmatic jeton

# Easy Control Coin Meter (Drawing 3 of 3)



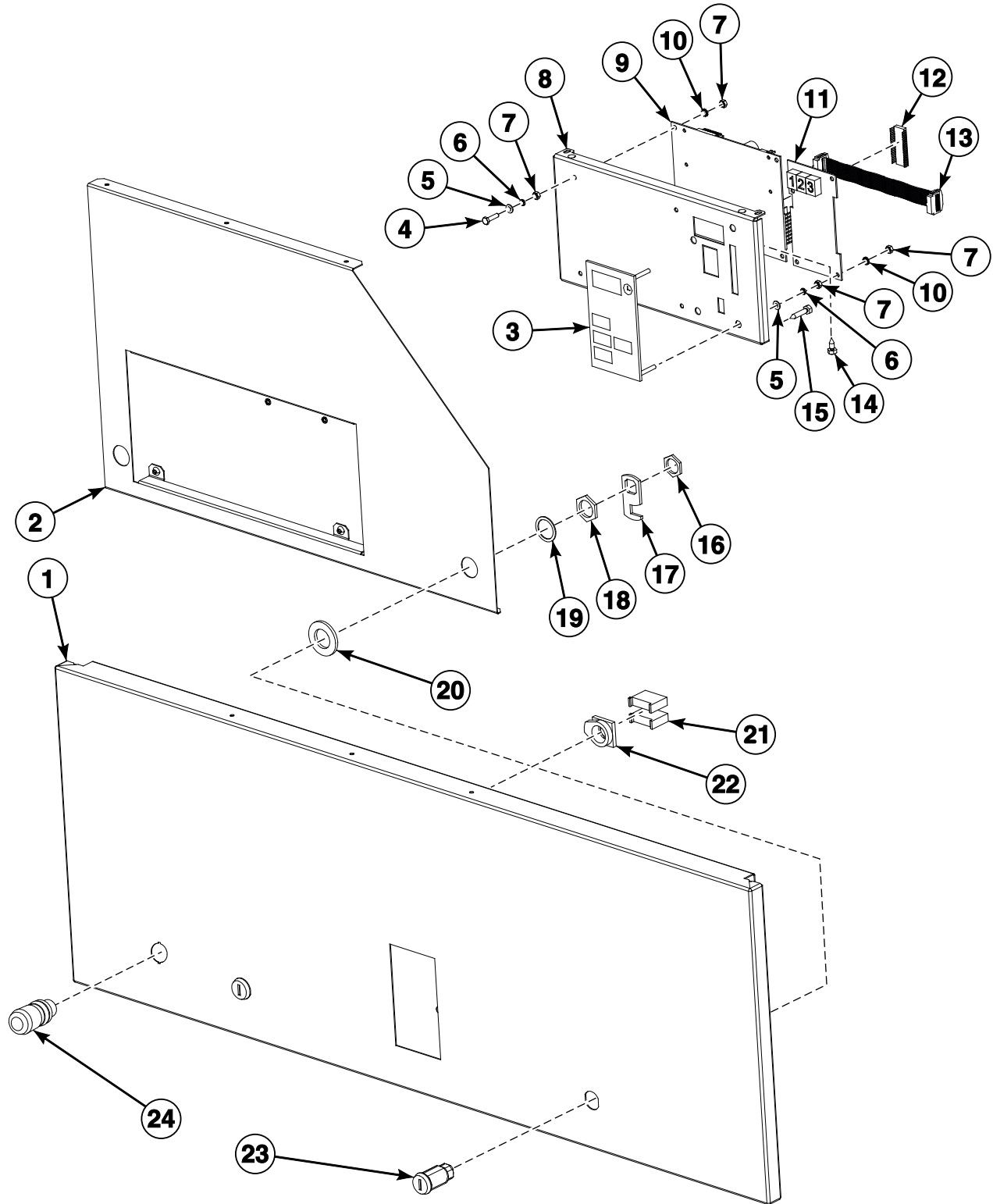
TMB3420P\_D2572



## Easy Control Coin Meter (Drawing 3 of 3)

REF	PART NO.	DESCRIPTION	COMMENTS
1	516908	Coin Meter	Unibel Tech one-groove jeton
	516909	Coin Meter	Unibel Tech two-groove jeton
	516913	Coin Meter	Unibel Tech jeton for FS07
	516914	Coin Meter	Unibel Tech jeton for FS10
	529159	Coin Meter	1 Wash Jet. 20 jeton
	569920	Coin Meter	0.25USD, 1USD, 0.25CAD, 1CAD, 2CAD; Electronic EMPv7
	569923	Coin Meter	0.2GBP, 0.5GBP, 1GBP, 2GBP, 0.1EUR, 0.2EUR, 0.5EUR, 1EUR, 2EUR
	569926	Coin Meter	1DKK, 2DKK, 5DKK, 10DKK, 20DKK, 1NOK, 5NOK, 10NOK, 20NOK, 0.2EUR, 0.5EUR, 1EUR, 2EUR; Electronic EMPv7
	569929	Coin Meter	0.2AUD, 1AUD, 2AUD, 0.2NZD, 1NZD, 2NZD, 5HKD, 10HKD, 500KRW
	569932	Coin Meter	1CNY, 0.1MYR, 0.2MYR, 0.5MYR; Electronic EMPv7
	569935	Coin Meter	0.1EUR, 0.2EUR, 0.5EUR, 1EUR, 2EUR; Electronic EMPv7
	569938	Coin Meter	1PHP, 5PHP, 10PHP; Electronic EMPv7
	569941	Coin Meter	0.1SGD, 0.2SGD, 0.5SGD, 1SGD; Electronic EMPv7
	569944	Coin Meter	0.1MYR, 0.2MYR, 0.5MYR, 0.5SGD, 1SGD; Electronic EMPv7
	569947	Coin Meter	1HRK, 2HRK, 5HRK; Electronic EMPv7
	569950	Coin Meter	5CZK, 10CZK, 20CZK, 50CZK; Electronic EMPv7
	569953	Coin Meter	0.5MAD, 1MAD, 2MAD, 5MAD, 10MAD; Electronic EMPv7
	569956	Coin Meter	1PLN, 2PLN, 5PLN, 0.1EUR, 0.2EUR, 0.5EUR, 1EUR, 2EUR, 10ISK, 50ISK, 100ISK; Electronic EMPv7
	569963	Coin Meter	0.1EUR, 0.2EUR, 0.5EUR, 1EUR, 2EUR, jeton IPSO 5K
	569966	Coin Meter	0.2GBP, 0.5GBP, 1GBP, 2GBP, 0.1EUR, 0.2EUR, 0.5EUR, 1EUR, 2EUR, jeton "KWL Aqua", jeton "Gettone"; Electronic EMPv7
	569969	Coin Meter	0.1EUR, 0.2EUR, 0.5EUR, 1EUR, 2EUR, jeton G-FIS "LAVOIR BIANCA"
	569972	Coin Meter	0.5MYR, jeton "DOBI PAPA"; Electronic EMPv7
	569975	Coin Meter	1AUD, 2AUD, jeton "No Cash Value"; Electronic EMPv7
	569981	Coin Meter	0.5MYR, jeton "BUBBLELAB"; Electronic EMPv7
	569986	Coin Meter	HAUCK 2018 jeton
	572303	Coin Meter	Jeton 118-16
	572306	Coin Meter	1ILS, 2ILS, 5ILS, 10ILS; Electronic EMPv7
	572309	Coin Meter	1ZAR, 2ZAR, 5ZAR; Electronic EMPv7
	572312	Coin Meter	5RUB, 10RUB; Electronic EMPv7
	572315	Coin Meter	50CLP, 100CLP, 500CLP; Electronic EMPv7
	572319	Coin Meter	100JPY, 500JPY, 10TWD, 50TWD; Electronic EMPv7
	572322	Coin Meter	0.5GEL, 1GEL, 2GEL; Electronic EMPv7
	572325	Coin Meter	0.2EUR, 0.5EUR, 1EUR, 2EUR; Electronic EMPv7
	572337	Coin Meter	Jeton 118-1
	572338	Coin Meter	Jeton 118-5
	572340	Coin Meter	Getton Jeton (26mm diameter x 1.7mm)
	572344	Coin Meter	TOKEN WH121
	572360	Coin Meter	1THB, 2THB, 5THB, 10THB; Electronic EMPv7
	572385	Coin Meter	0.2CHF, 0.5CHF, 1CHF, 2CHF; Electronic EMPv7
	572390	Coin Meter	0.25CAD; Electronic EMPv7
	579810	Coin Meter	1AED, Jeton 118-1; Electronic EMPv7
579814	Coin Meter	20HUF, 50HUF, 100HUF, 200HUF; Electronic EMPv7	
579820	Coin Meter	2PLN + 5PLN; Electronic EMPv7	

# Easy Control Components Without Coin Meter

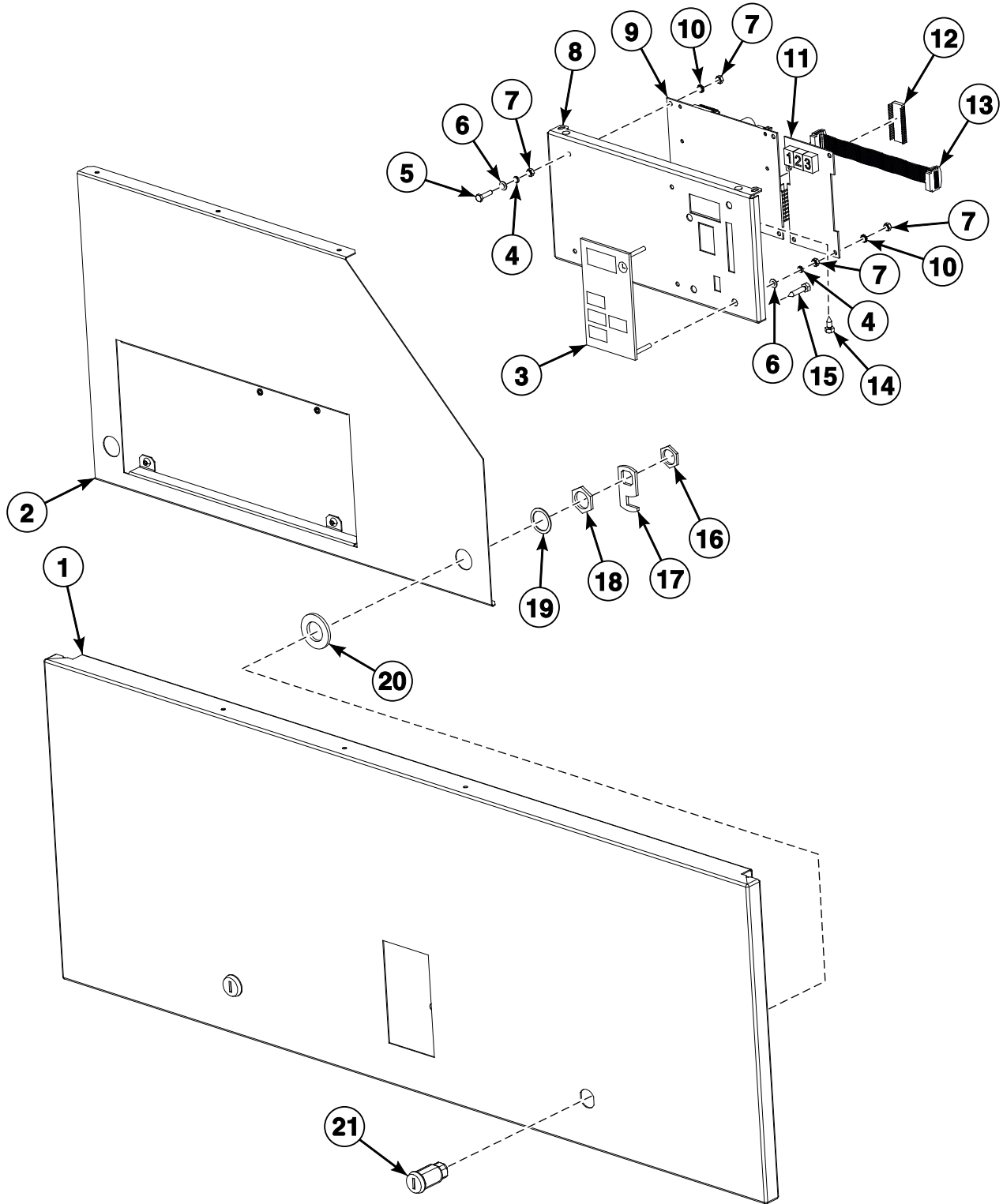


TMB3421P\_D2572

## Easy Control Components Without Coin Meter

REF	PART NO.	DESCRIPTION	COMMENTS
	574524	Control Panel Assembly	I models; Includes items 1-24; Imitation stainless steel
	574527	Control Panel Assembly	I models; Includes items 1-24; Stainless steel
	575447	Control Panel Assembly	S models; Includes items 1-24; Imitation stainless steel
	575450	Control Panel Assembly	S models; Includes items 1-24; Stainless steel
	575453	Control Panel Assembly	U models; Includes items 1-24; Imitation stainless steel
	575456	Control Panel Assembly	U models; Includes items 1-24; Stainless steel
	571905	Control Panel Assembly	L and N models; Includes items 1-24; Gray
	571932	Control Panel Assembly	L and N models; Includes items 1-24; Stainless steel
	SP561148	Control Panel Assembly	P and T models; Includes items 1-24; Gray
	SP561182	Control Panel Assembly	P and T models; Includes items 1-24; Stainless steel
<b>1</b>	SP557177	Control Panel	L, N, P and T models; Gray
	SP561161	Control Panel	Stainless steel
	574521	Control Panel	I, S and U models; Imitation stainless steel
<b>2</b>	SP561153	Control Bracket	
<b>3</b>	SP559900	Overlay	I models
	SP559871	Overlay	L, N and S models
	SP556099	Overlay	P and T models
	SP559870	Overlay	U models
<b>4</b>	SP309933000416	Bolt	
<b>5</b>	SP311125000004	Washer	
<b>6</b>	SP311127000004	Washer	
<b>7</b>	SP310934000004	Nut	
<b>8</b>	SP559819	Control Bracket	
<b>9</b>	SP102458	Control	
<b>10</b>	SP311679800004	Washer	
<b>11</b>	SP553416	Display Board	L, N, P and T models; Blue
	SP560706	Display Board	I models; Red
	SP102459	Display Board	S and U models; Green
<b>12</b>	SP526001	Memory	Empty without software version
	102460	Memory	Includes SP526001 Memory and software
	545264	Memory	Includes SP526001 Memory and software, export France
<b>13</b>	SP521061	Cable	
<b>14</b>	SP100218	Screw	
<b>15</b>	SP100306	Screw	
<b>16</b>	SPPRI610006007	Nut	
<b>17</b>	SPPRI610001007	Lock Hook	
<b>18</b>	SPPRI610005007	Nut	
<b>19</b>	SPPRI522000012	Washer	
<b>20</b>	SP311125000020	Washer	
<b>21</b>	SP528312	Switching Unit	
<b>22</b>	SP528311	Emergency Stop Connector	
<b>23</b>	SPPRI610000007	Lock	
<b>24</b>	SP528310	Emergency Stop Knob	

# Easy Control with External Payment System

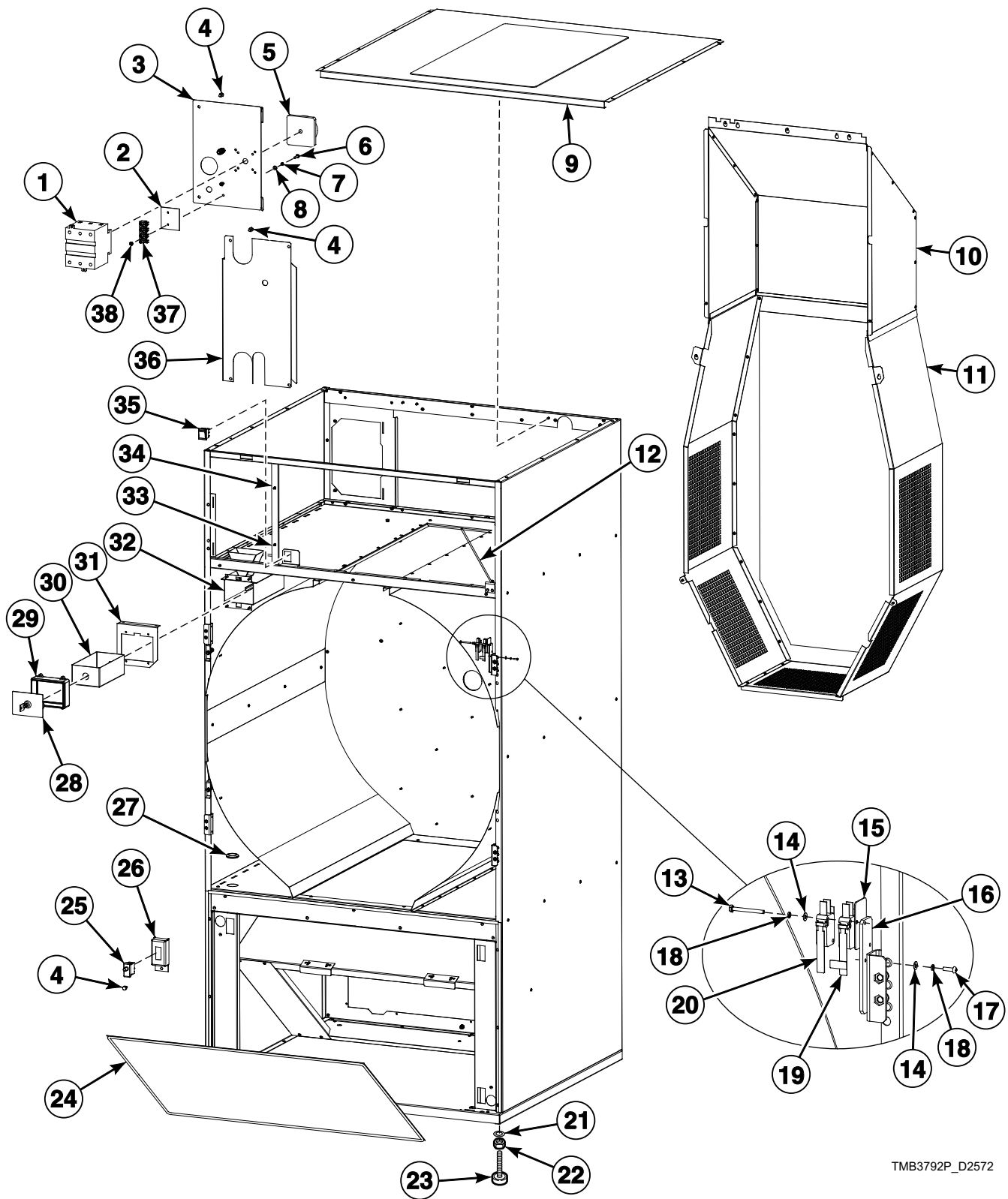


TMB3375P\_D2572

## Easy Control with External Payment System

REF	PART NO.	DESCRIPTION	COMMENTS
	574526	Control Panel Assembly	I models; Includes items 1-21; Imitation stainless steel
	574529	Control Panel Assembly	I models; Includes items 1-21; Stainless steel
	575449	Control Panel Assembly	S models; Includes items 1-21; Imitation stainless steel
	575452	Control Panel Assembly	S models; Includes items 1-21; Stainless steel
	575455	Control Panel Assembly	U models; Includes items 1-21; Imitation stainless steel
	575458	Control Panel Assembly	U models; Includes items 1-21; Stainless steel
	574537	Control Panel Assembly	L and N models; Includes items 1-21; Gray
	574538	Control Panel Assembly	L and N models; Includes items 1-21; Stainless steel
	SP561151	Control Panel Assembly	P and T models; Includes items 1-21; Gray
	SP561184	Control Panel Assembly	P and T models; Includes items 1-21; Stainless steel
<b>1</b>	SP561155	Control Panel	L, N, P and T models; Gray
	SP561163	Control Panel	Stainless steel
	574523	Control Panel	I, S and U models; Imitation stainless steel
<b>2</b>	SP561153	Control Bracket	
<b>3</b>	SP556099	Overlay	P and T models
	SP559900	Overlay	I models
	SP559870	Overlay	U models
	SP559871	Overlay	L, N and S models
<b>4</b>	SP311127000004	Washer	
<b>5</b>	SP309933000416	Bolt	
<b>6</b>	SP311125000004	Washer	
<b>7</b>	SP310934000004	Nut	
<b>8</b>	SP559819	Control Bracket	
<b>9</b>	SP102458	Control	
<b>10</b>	SP311679800004	Washer	
<b>11</b>	SP553416	Display Board	L, N, P and T models; Blue
	SP560706	Display Board	I models; Red
	SP102459	Display Board	S and U models; Green
<b>12</b>	SP526001	Memory	Empty without software version
	102460	Memory	Includes SP526001 Memory and software
	545264	Memory	Includes SP526001 Memory and software, export France
<b>13</b>	SP521061	Cable	
<b>14</b>	SP100218	Screw	
<b>15</b>	SP100306	Screw	
<b>16</b>	SPPRI610006007	Nut	
<b>17</b>	SPPRI610001007	Lock Hook	
<b>18</b>	SPPRI610005007	Nut	
<b>19</b>	SPPRI522000012	Washer	
<b>20</b>	SP311125000020	Washer	
<b>21</b>	SPPRI610000007	Lock	

# Cabinet

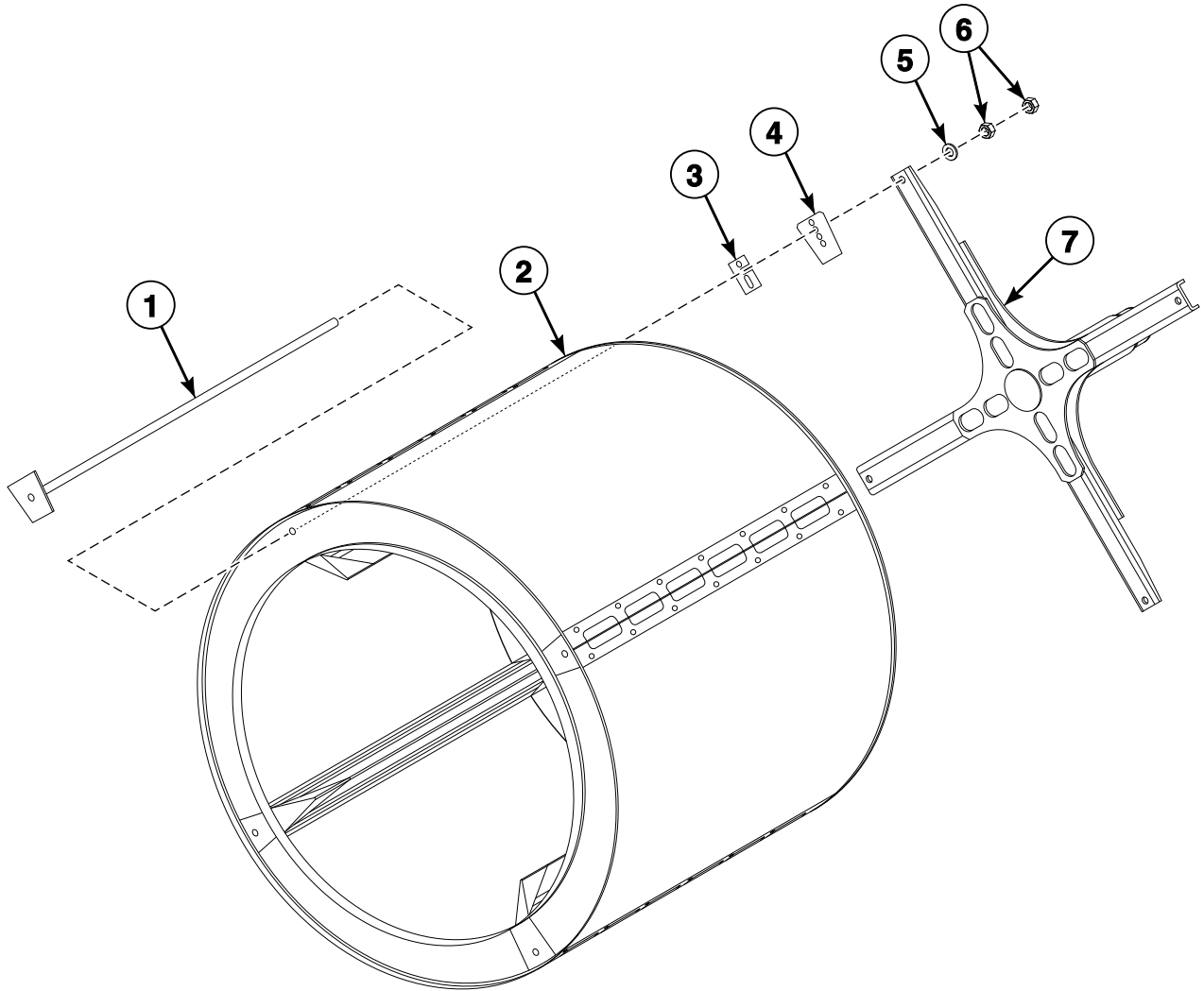


TMB3792P\_D2572

# Cabinet

REF	PART NO.	DESCRIPTION	COMMENTS
	573374	Coin Vault Assembly	Includes items 28-32
	SP520404	Door Switch Assembly	Includes items 13-20
1	SPPRI404000097	Main Switch	Gas and steam models
	SPPRI404000099	Main Switch	Electric models; 36 kW 380-415V or 440V
	SPPRI404000100	Main Switch	Electric models; 48 kW 380-415V or 440V
	SP347700100753	Main Switch	Electric models; 36 kW 208-240V
	SP506407	Main Switch	Gas models; 3ph; Neutral; 380-415V; Fourth pole
2	SPPRI350012007	Isolation Paper	
3	SP520561	Door Switch	Electric models
	SP521104	Door Switch	Gas and steam models
4	SP100218	Screw	
5	SPPRI404000095	Main Switch Knob	
6	SP309933000416	Bolt	
7	SP311127000004	Washer	
8	SP311125000004	Washer	
9	SP520563	Upper Cover	
10	SP520560	Upper Rear Cover Assembly	
11	SP520553	Rear Cover Assembly	
12	SP517486	Rod	
13	SP516693	Bolt	
14	SP311125000003	Washer	
15	SP101154	Isolation Plate	
16	SP520403	Door Switch Holder	
17	SP518719	Bolt	
18	SP311127000003	Washer	
19	SP517484	Microswitch	
20	SPPRI610011077	Microswitch	
21	SP311125000010	Washer	
22	SP310934000010	Nut	
23	SPPRI504000001	Adjustable Foot	
24	SP534810	Filter Assembly	
25	SP506045	Microswitch	
26	SP521028	Switch Bracket	
27	SPPRI501000071	Cable Bushing	
28	SP515291	Coin Vault Cover	
29	SP501514	Coin Vault Frame	
30	SP321848140028	Coin Vault	
31	573384	Coin Vault Support	
32	573352	Coin Vault Case	
33	SP561193	Cable Holder	
34	SP528313	Cable Holder	
35	SP100388	Switch	
36	SP521036	Upper Rear Cover	Electric models
	SP521132	Upper Rear Cover	Gas models
	SP521035	Upper Rear Cover	Steam models
37	SPPRI350000007	Terminal Board	
38	SP310934000004	Nut	

# Drum Assembly



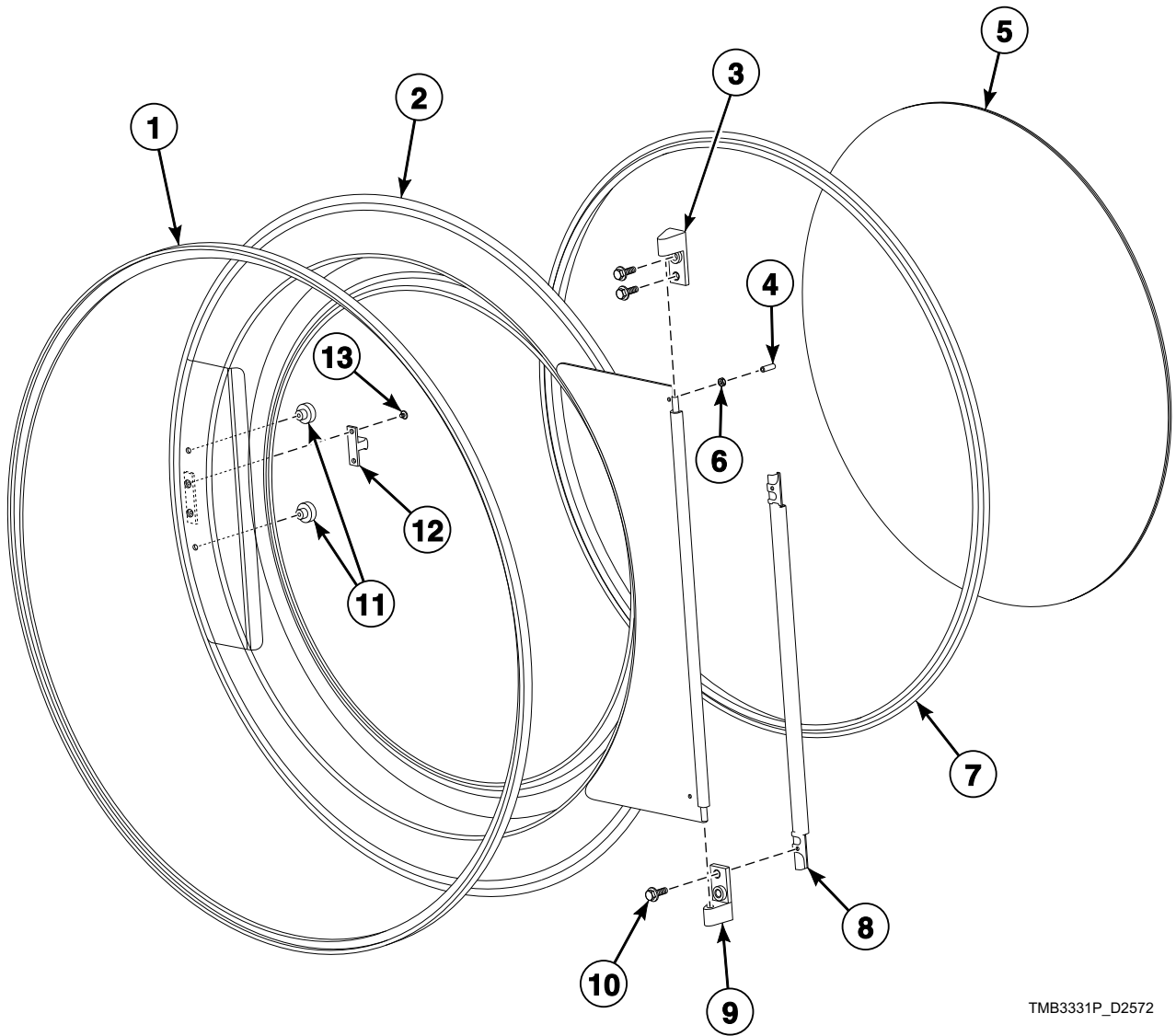
CZT10P\_D2572



# Drum Assembly

REF	PART NO.	DESCRIPTION	COMMENTS
	573317	Drum Assembly	Galvanized; Includes items 1-7
	573318	Drum Assembly	Stainless steel; Includes items 1-7
1	SP527892	Bolt	
2	580227	Drum	Galvanized
	580228	Drum	Stainless steel
3	518508	Washer	1mm
	518509	Washer	0.5mm
4	SP527896	Washer	
5	SP311125000013	Washer	
6	SP310934240012	Nut	
7	SP525068	Trunnion	

# Door Assembly



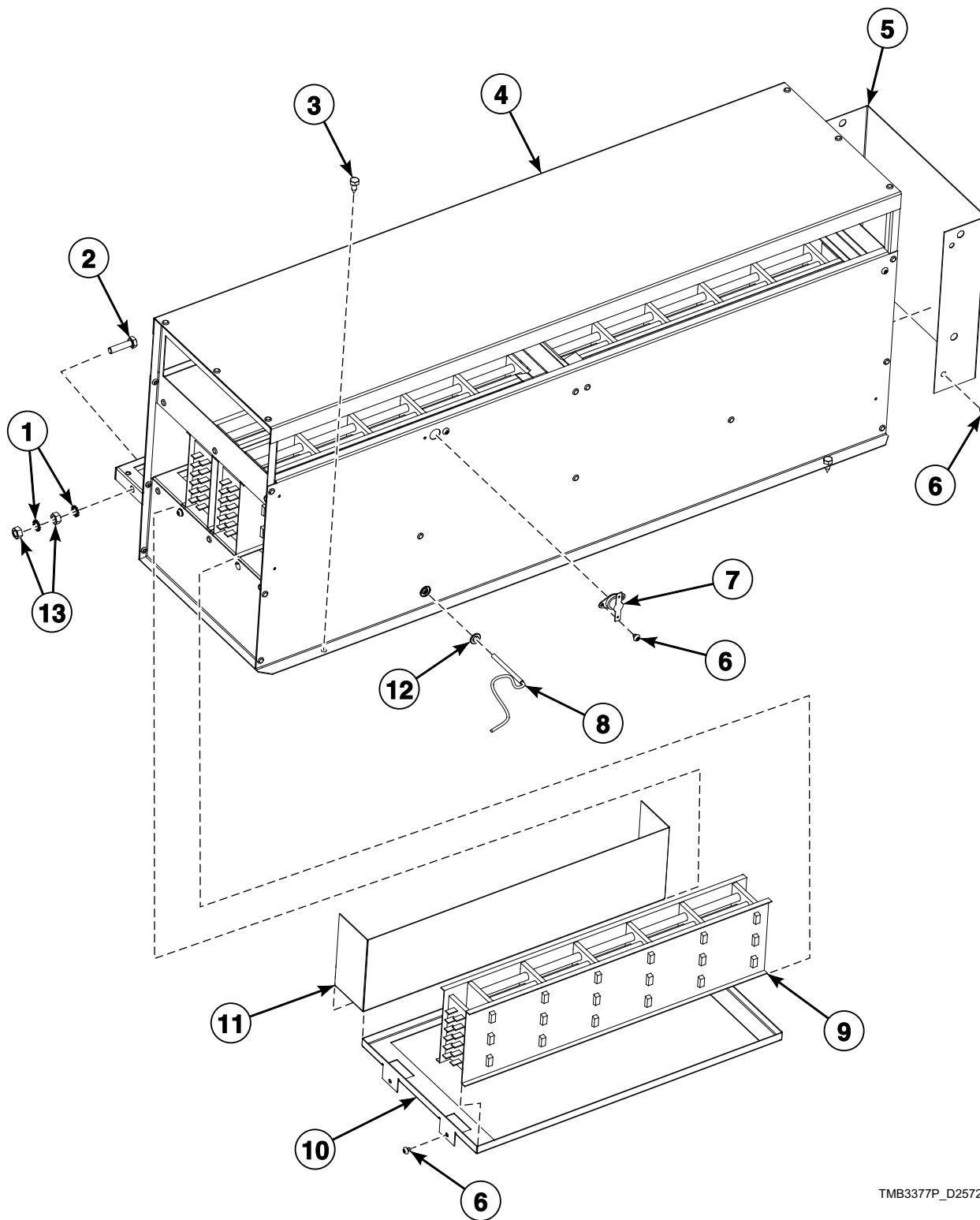
TMB3331P\_D2572

# Door Assembly

REF	PART NO.	DESCRIPTION	COMMENTS
	SP534969	Glue	Use with item 5
	SP245704003021	Adhesive	Use with item 4
	SP524360	Door Assembly	I, L, N, S and U models; Black; Includes items 1-13
	SP556563	Door Assembly	P and T models; Silver; Includes items 1-13; Through Serial No. 35T007230MQ
	572347	Door Assembly	P and T models; Metallic gray; Includes items 1-13; Starting Serial No. 35T007231MQ
<b>1</b>	SP534874	Door Ring	
<b>2</b>	SP524365	Door	I, L, N, S and U models; Black
	SP556562	Door	P and T models; Silver; Through Serial No.35T007230MQ
	572348	Door	P and T models; Metallic gray; Starting Serial No.35T007231MQ
<b>3</b>	SP525105	Upper Door Hinge	I, L, N, S and U models; Black
	SP556555	Upper Door Hinge	P and T models; Silver; Through Serial No.35T007230MQ
	SP559705	Upper Door Hinge	P and T models; Metallic gray; Starting Serial No.35T007231MQ
<b>4</b>	SP520201	Stop Pin	
<b>5</b>	SP512052	Door Glass	
<b>6</b>	SP310934240004	Nut	
<b>7</b>	SP525107	Outer Door Gasket	
<b>8</b>	524583	Lath	I, L, N, S and U models; Black
	556564	Lath	P and T models; Silver; Through Serial No.35T007230MQ
	572349	Lath	P and T models; Metallic gray; Starting Serial No.35T007231MQ
<b>9</b>	SP525104	Lower Door Hinge	I, L, N, S and U models; Black
	SP556554	Lower Door Hinge	P and T models; Silver; Through Serial No.35T007230MQ
	SP559704	Lower Door Hinge	P and T models; Metallic gray; Starting Serial No.35T007231MQ
<b>10</b>	SP525101	Bolt	
<b>11</b>	564203	Magnet	
<b>12</b>	SP514530	Latch	
<b>13</b>	SP524367	Bolt	

# Electric Heat Components

Electric Models



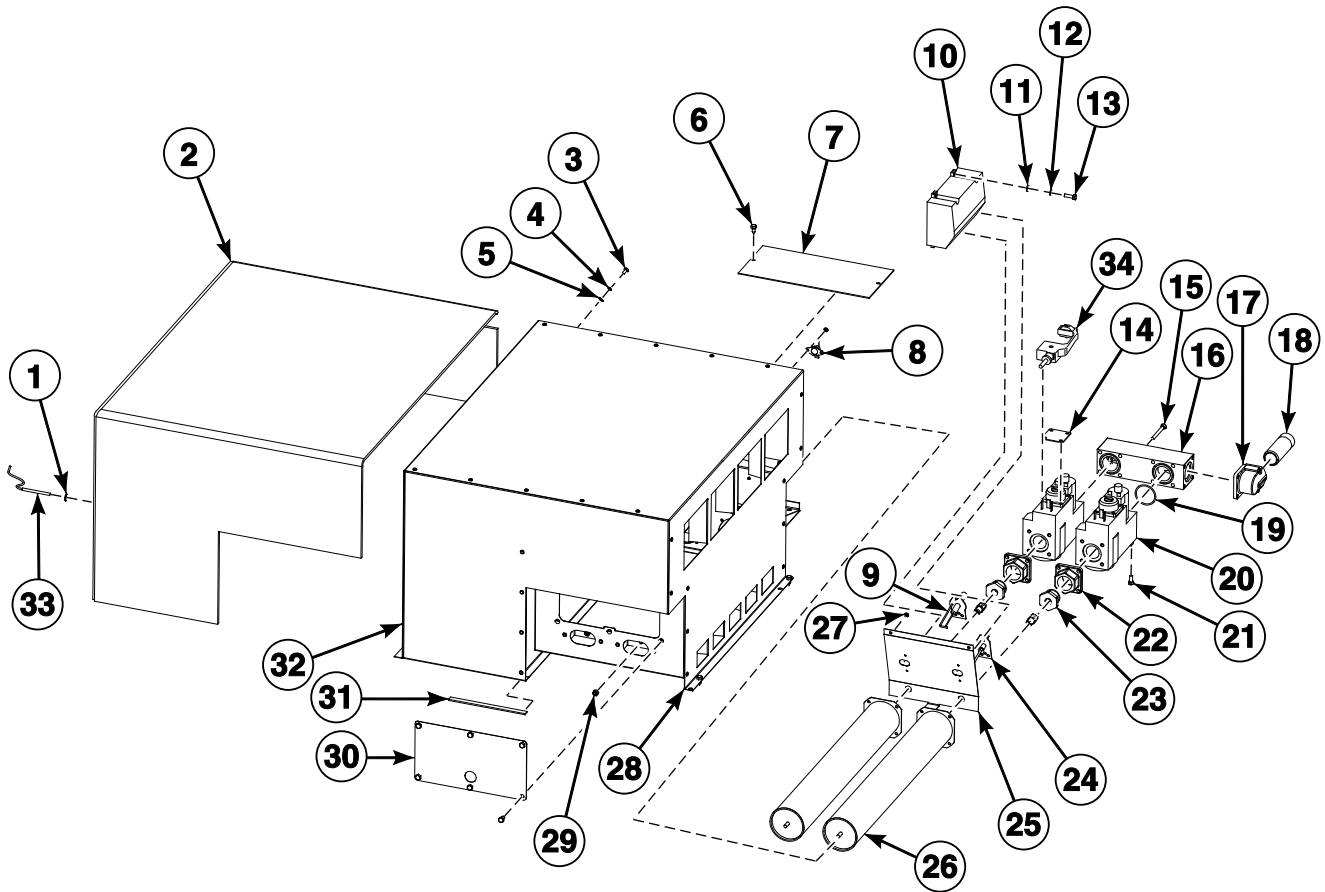
TMB3377P\_D2572

# Electric Heat Components

REF	PART NO.	DESCRIPTION	COMMENTS
1	SP311679824006	Washer	
2	SP309933100625	Bolt	
3	SP514061	Screw	
4	SP520290	Electric Heater Box	
5	SP521331	Cover	
6	SP517238	Screw	
7	SP514127	Safety Thermostat	
8	SP516092	Temperature Sensor	
9	SP510984	Heating Element	6 kW
	SP510985	Heating Element	4.5 kW
10	SP520298	Holder	
11	SP520297	Plug	
12	SP516669	Washer	
13	SP310934100006	Nut	

# Gas Heat Components - Models Through Serial No. 35T007384QB (Drawing 1 of 2)

Gas Models



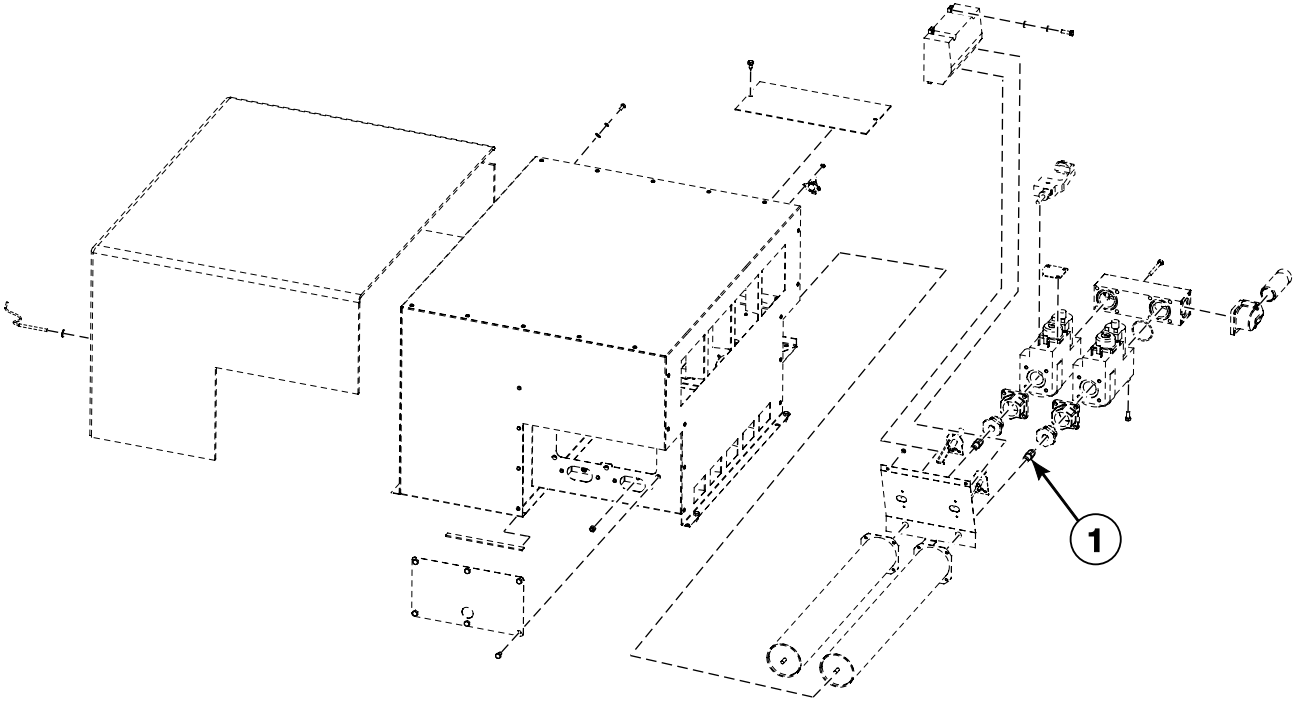
CZT4P\_D2572

# Gas Heat Components - Models Through Serial No. 35T007384QB (Drawing 1 of 2)

REF	PART NO.	DESCRIPTION	COMMENTS
	SP273454410020	Hose	
	SP516144	Flame Detection Cable	Use with item 24
	SP516143	Ignition Cable	Use with item 9
	520098	Gas Valve Wiring	60 Hertz; Use with item 20
1	SP516669	Washer	
2	SP522024	Gas Box Isolation	
3	SP309798524408	Bolt	
4	SP311127240004	Washer	
5	SP311125240004	Washer	
6	SP100218	Screw	
7	SP520382	Cover	
8	SP514127	Safety Thermostat	
9	575643	Ignition Electrode	
10	SP357456010080	Ignition Unit	
11	SP311125000005	Washer	
12	SP311127000005	Washer	
13	SP309933000516	Bolt	
14	SP102019	Blank Plate Kit	Without regulator
15	SP309966240550	Bolt	
16	SP520383	Block	
17	SP102018	Flange	
18	SP512142	Tube	
19	SP520395	O-Ring	
20	SP102000	Gas Valve	50 Hertz
	SP520281	Gas Valve	60 Hertz
21	SPPRI202001001	Bolt	
22	SP514062	Flange	
23	SP512067	Nozzle	
24	SP102002	Detection Electrode	
25	SP520279	Electrode Bracket	
26	SP552515	Burner Tube	
27	SP517238	Screw	
28	SP313250032006	Rivet	
29	SP310934240005	Nut	
30	SP541394	Burner Window	
31	SP517232	Seal	
32	SP541413	Heater Box	
33	SP516092	Temperature Sensor	
34	345000180901	Connector	50 Hertz; Use with item 20
	345000160645	Contact	50 Hertz; Use with item 20
	SP357500459412	Gas Valve Cable	50 Hertz; Use with item 20

# Gas Heat Components - Models Through Serial No. 35T007384QB (Drawing 2 of 2)

Gas Models



CZT4PA\_D2572

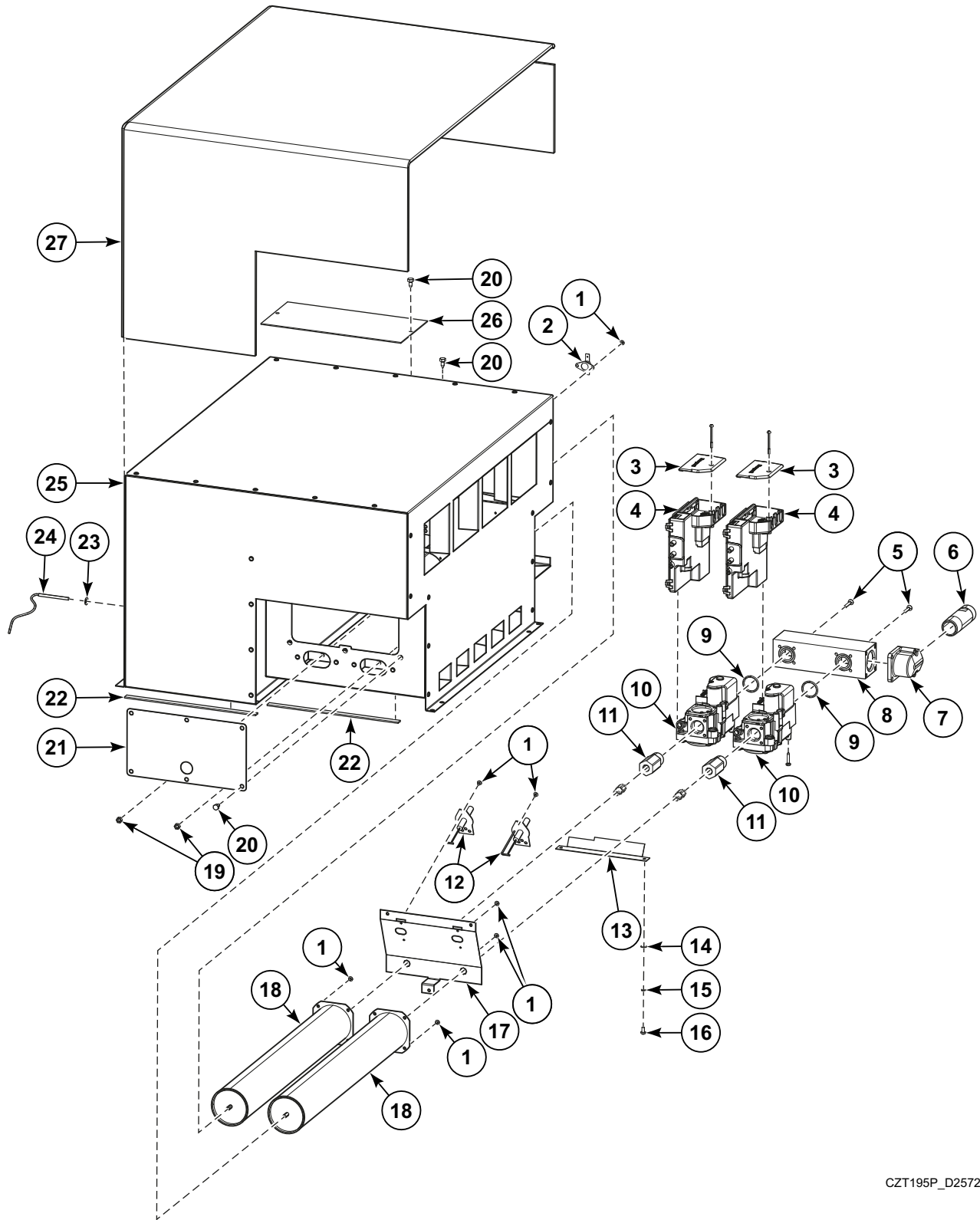


## Gas Heat Components - Models Through Serial No. 35T007384QB (Drawing 2 of 2)

REF	PART NO.	DESCRIPTION	COMMENTS
1	525466	Orifice	130
	525465	Orifice	165
	517241	Orifice	170
	517327	Orifice	175
	517328	Orifice	185
	517243	Orifice	190
	517222	Orifice	200
	520399	Orifice	210
	517223	Orifice	215
	517329	Orifice	220
	517224	Orifice	235
	517245	Orifice	245
	530819	Orifice	250
	517246	Orifice	260
	517250	Orifice	290
	517251	Orifice	300
	517252	Orifice	310
	517253	Orifice	325
	517225	Orifice	350
	517257	Orifice	360
	517258	Orifice	365
	517226	Orifice	380
	530820	Orifice	385
	517227	Orifice	420
	517330	Orifice	435
	517331	Orifice	445
	517337	Orifice	530
	520237	Orifice	650
	520236	Orifice	700

# Gas Heat Components - Models Starting Serial No. 35T007385QB (Drawing 1 of 2)

Gas Models



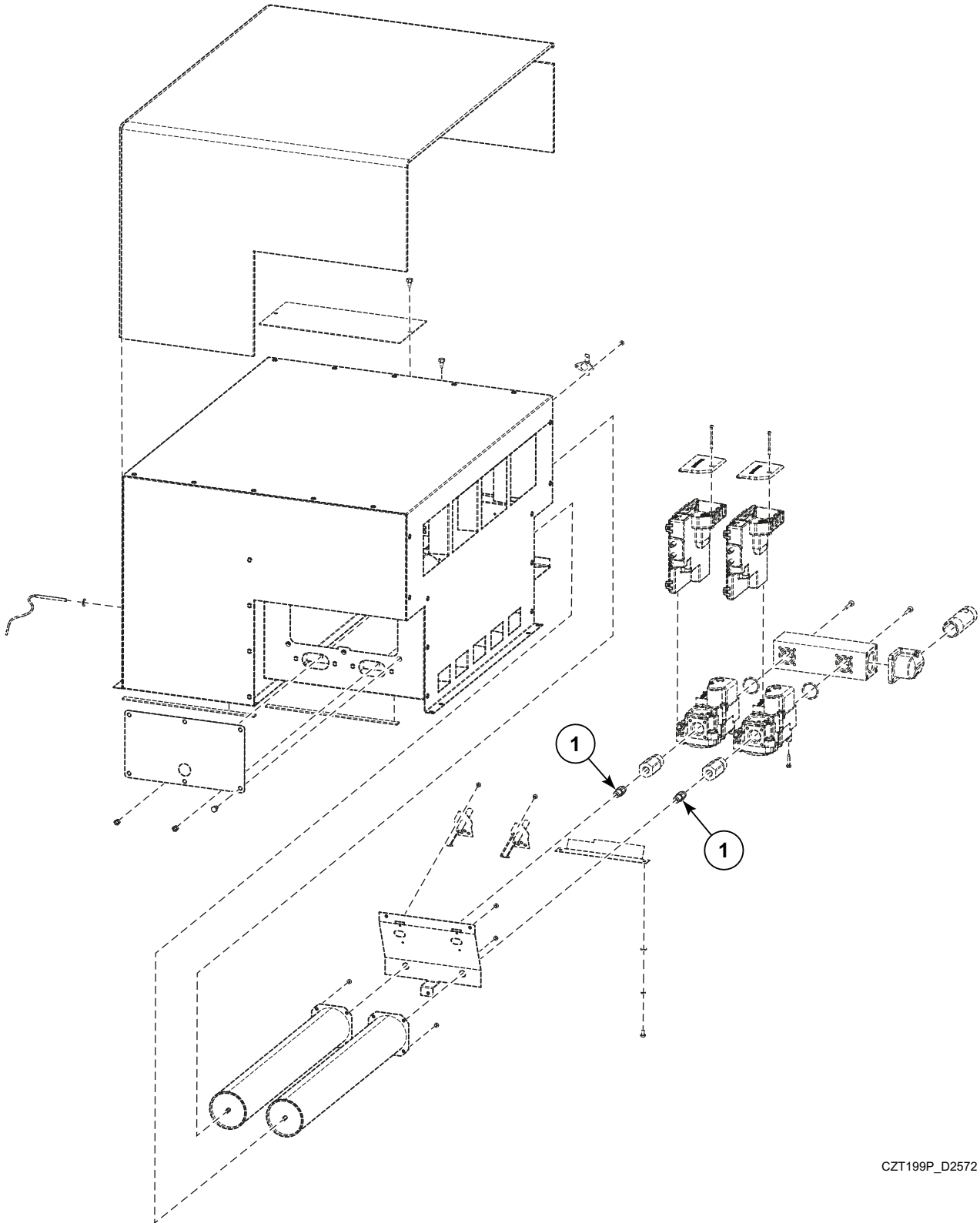
CZT195P\_D2572

## Gas Heat Components - Models Starting Serial No. 35T007385QB (Drawing 1 of 2)

REF	PART NO.	DESCRIPTION	COMMENTS
1	SP517238	Screw	ST 3.6x6.5
2	SP514127	Safety Thermostat	
3	SP537625	Terminal Board Cover	
4	571938	Control Unit	
5	571960	Bolt	M4x50
6	SP512142	Tube	3/4 inch
7	SP102018	Flange	
8	569432	Cube	
9	571961	Ring	22x2.5
10	572351	Gas Valve	
11	569433	Holder	
12	575643	Ignition Electrode	
13	541395	Primary Air Limitation	
14	SP311125240004	Washer	4.3
15	SP311127000004	Washer	M4
16	SP309798524408	Bolt	M4x8
17	571954	Electrodes Holder	
18	SP552515	Burner Tube	
19	SP310934000005	Nut	M5
20	SP100218	Screw	ST4.8x13
21	SP541394	Burner WIndow	
22	SP517232	Seal	
23	SP516669	Washer	2 pcs
24	SP516092	Temperature Sensor	
25	571927	Heater Box	
26	SP520382	Cover	
27	SP522024	Gas Box Isolation	

# Gas Heat Components - Models Starting Serial No. 35T007385QB (Drawing 2 of 2)

Gas Models



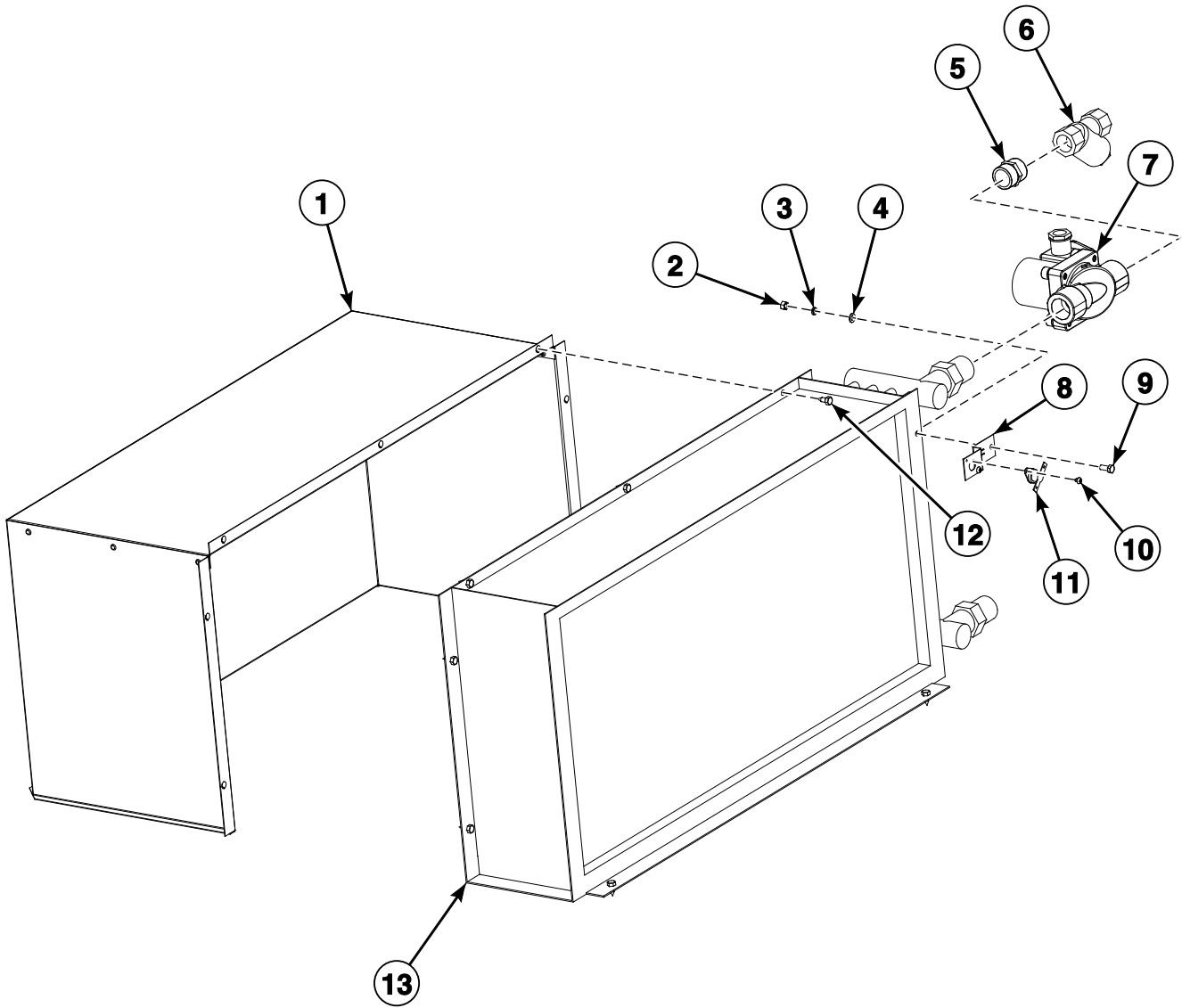
CZT199P\_D2572

## Gas Heat Components - Models Starting Serial No. 35T007385QB (Drawing 2 of 2)

REF	PART NO.	DESCRIPTION	COMMENTS
1	525466	Orifice	130
	525465	Orifice	165
	517241	Orifice	170
	517327	Orifice	175
	517328	Orifice	185
	517243	Orifice	190
	517222	Orifice	200
	520399	Orifice	210
	517223	Orifice	215
	517329	Orifice	220
	517224	Orifice	235
	517245	Orifice	245
	530819	Orifice	250
	517246	Orifice	260
	517250	Orifice	290
	517251	Orifice	300
	517252	Orifice	310
	517253	Orifice	325
	575530	Orifice	330
	517225	Orifice	350
	517257	Orifice	360
	517258	Orifice	365
	517226	Orifice	380
	530820	Orifice	385
	517227	Orifice	420
	517330	Orifice	435
	517331	Orifice	445
	517337	Orifice	530
	520237	Orifice	650
	520236	Orifice	700

# Steam Heat Components

Steam Models

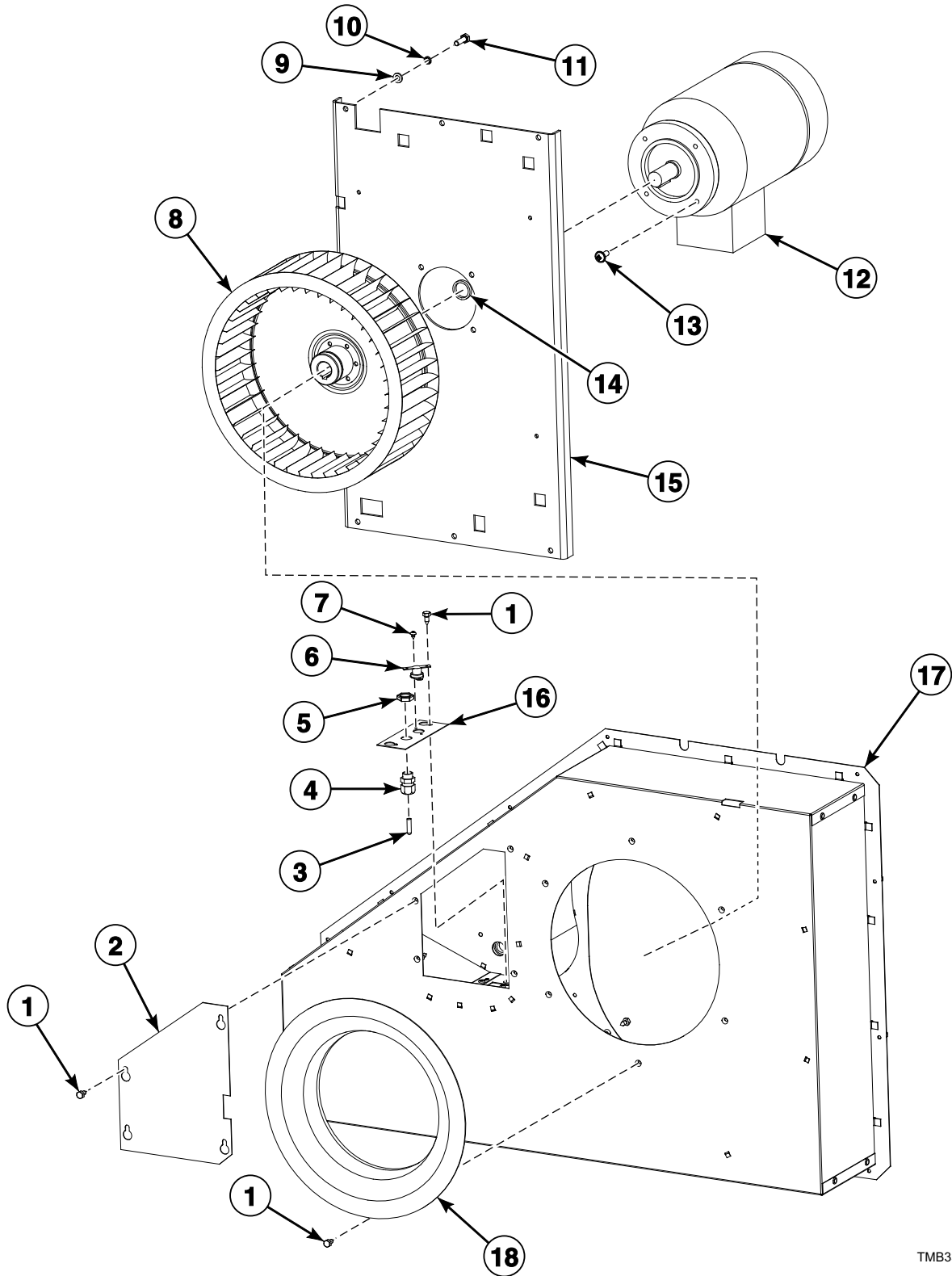


TMB3379P\_D2572

## Steam Heat Components

REF	PART NO.	DESCRIPTION	COMMENTS
	SP273454410020	Hose	
1	SP520390	Steam Heating Assembly	
2	SP310934240005	Nut	
3	SP311127000005	Washer	
4	SP311125000005	Washer	
5	SPPRI426001217	Pipe Nipple	
6	SP405054057006	Steam Filter	
7	SP516718	Steam Valve	50 Hertz; With coil
	SP514166	Steam Valve Body	60 Hertz; Without coil
	SP516717	Coil	60 Hertz
8	SP520227	Thermostat Bracket	
9	SPPRI202001001	Bolt	
10	SP517238	Screw	
11	SP514127	Safety Thermostat	
12	SP100218	Screw	
13	SP520286	Steam Exchanger	4 row

# Ventilator



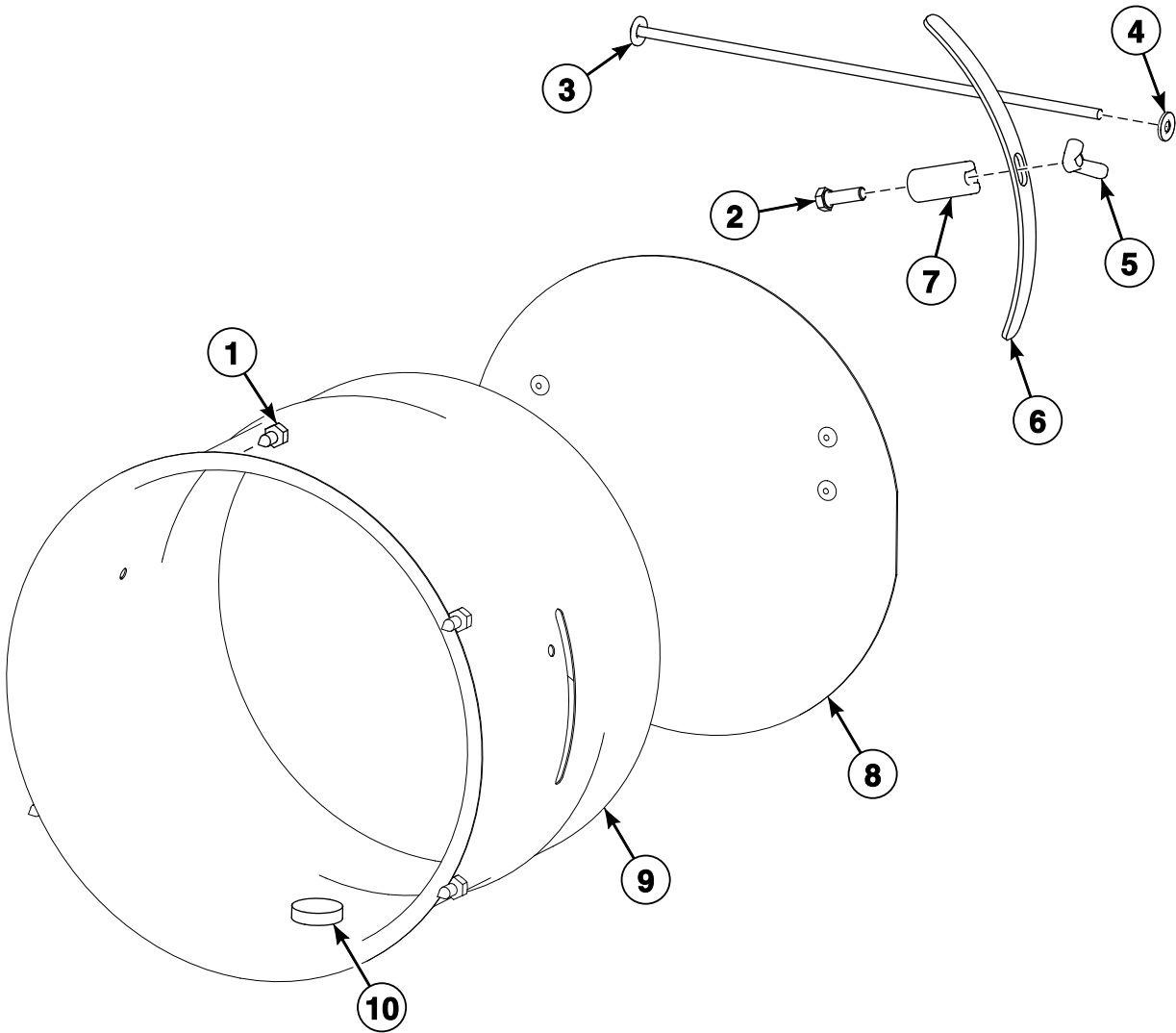
TMB3380P\_D2572



# Ventilator

REF	PART NO.	DESCRIPTION	COMMENTS
	SP551784	Ventilator Assembly	1 phase; Includes items 8-15
	SP551781	Ventilator Assembly	3 phase; Includes items 8-15
1	SP100218	Screw	
2	SP534808	Sensor Cover	
3	SP534930	Temperature Sensor	
4	SP101405	Bushing	
5	SP101415	Nut	
6	SP527728	Safety Thermostat	Electric and gas models
	SP514016	Safety Thermostat	Steam models
7	SP517238	Screw	
8	SP523632	Ventilator	
9	SP311127000006	Washer	
10	SP311125000006	Washer	
11	SP309933000620	Bolt	
12	SP551783	Motor	1 phase
	SP523622	Fan Motor	3 phase
13	SP510954	Bolt	
14	SP551782	Washer	
15	SP551779	Motor Plate	
16	SP534809	Sensor Bracket	
17	SP523689	Ventilator Cover	
18	SP101863	Inlet	

# Exhaust

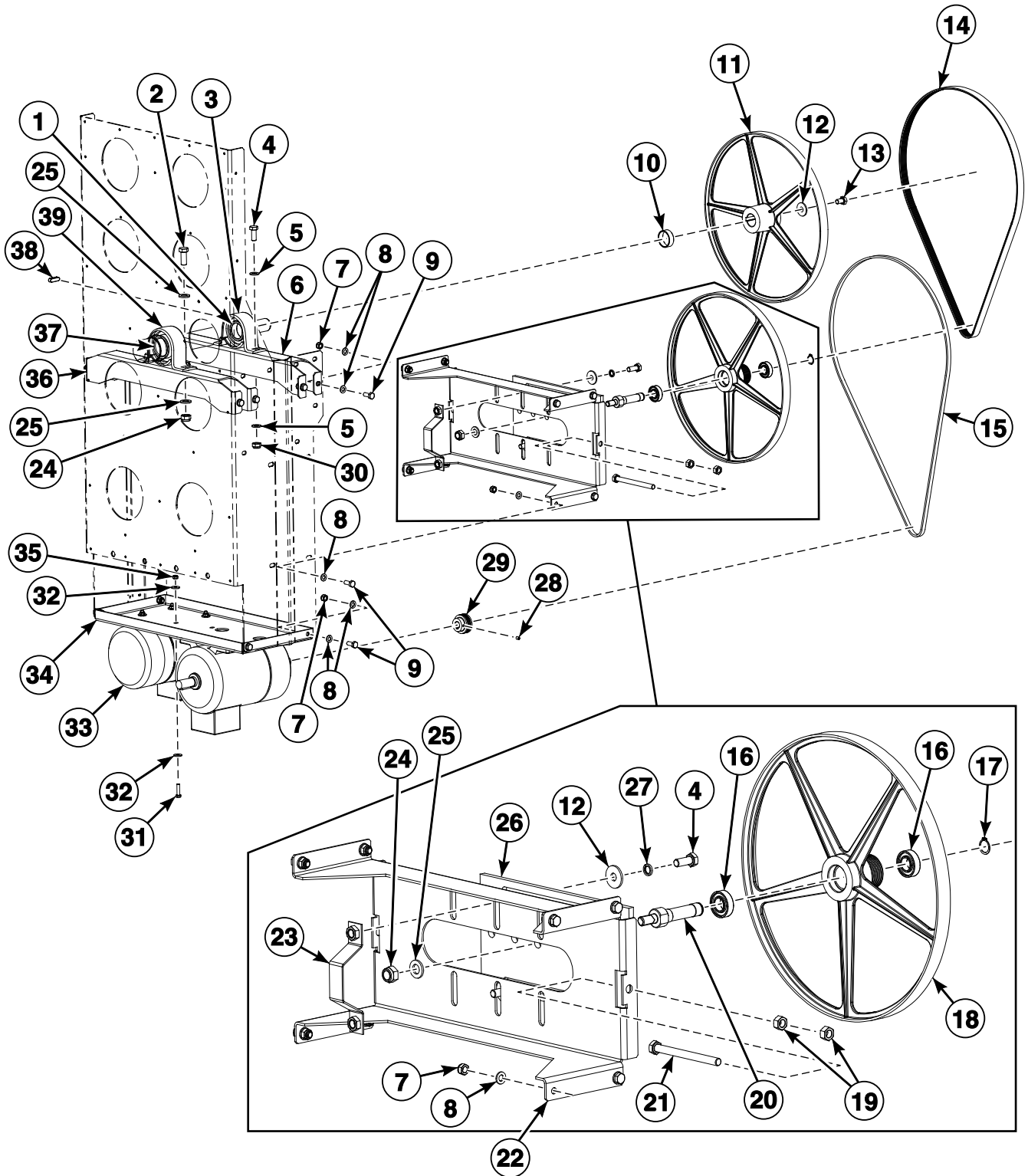


TMB3381P\_D2572

# Exhaust

REF	PART NO.	DESCRIPTION	COMMENTS
	SP534915	Exhaust Assembly	Includes items 1-10
1	SP100218	Screw	
2	SP309933000516	Bolt	
3	SP534921	Bar	
4	SP516669	Washer	
5	SP534929	Nut	
6	SP534919	Plug	
7	SP534900	Flap Stop	
8	SP534917	Flap Stop	
9	SP534920	Adapting Pipe	
10	SP273127001798	Plug	

# Drive System

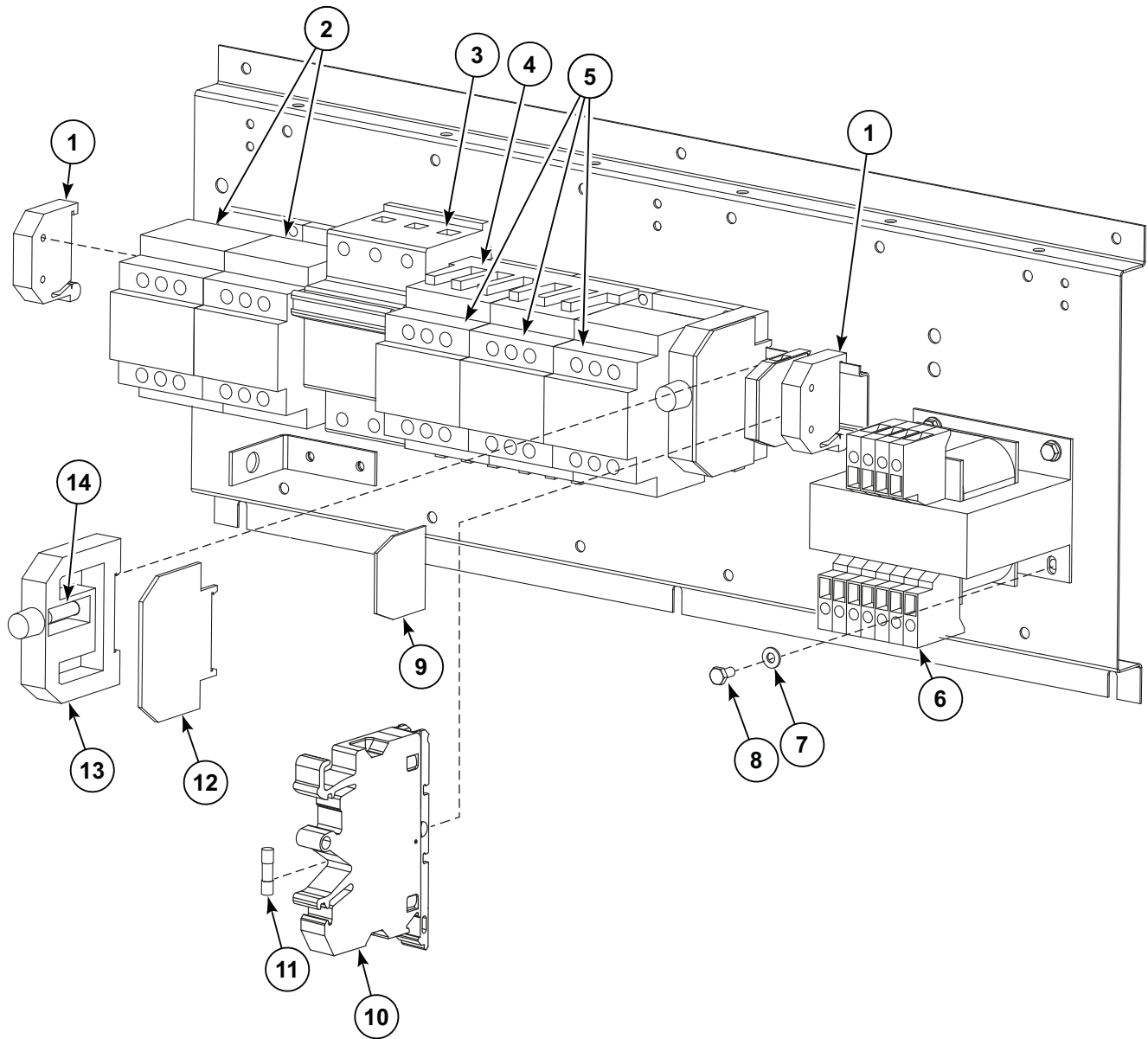


TMB3382P\_D2572

# Drive System

REF	PART NO.	DESCRIPTION	COMMENTS
	SP528929	Tension Assembly	Includes items 4, 7, 8, 12 and 16-27
1	SP514006	Bearing	
2	SP309933001230	Bolt	
3	SP515570	Bearing House	
4	SP309933001025	Bolt	
5	SP311125000010	Washer	
6	SP521126	Bearing Bracket	
7	SP310985000008	Nut	
8	SP311125000008	Washer	
9	SP309933000820	Bolt	
10	SP521103	Distance Ring	
11	SP530681	Double Drum Pulley	
12	SP311902100010	Washer	
13	SP309933001020	Bolt	
14	SP523732	Belt	
15	SP528925	Belt	
16	SP326000600300	Bearing	
17	SP515517	Retaining Ring	
18	SP534703	Double Pulley	
19	SP310934000010	Nut	
20	SP534704	Tension Rod	
21	SP309933001120	Bolt	
22	SP520461	Tensioning Bracket	
23	SP515514	Support Plate	
24	SP310985000012	Nut	
25	SP311125000013	Washer	
26	SP514480	Sliding Board	
27	SP311127000010	Washer	
28	SP309916000408	Bolt	
29	SP530690	Motor Pulley	50 Hertz; Reversing
	SP530719	Motor Pulley	60 Hertz; Reversing
	SP527724	Motor Pulley	50 Hertz; Nonreversing
	SP528924	Motor Pulley	60 Hertz; Nonreversing
30	SP310985000010	Nut	
31	SP309933000625	Bolt	
32	SP311902100006	Washer	
33	SP523724	Motor	208-240 Volt; 1 Phase; Reversing
	SP523725	Motor	3 Phase; Reversing
34	SP520419	Motor Bracket	
35	SP310985000006	Nut	
36	SP521119	Bearing Bracket	
37	SP514004	Bearing	
38	SP505449	Key	
39	SP520449	Bearing House	

# Electric Box Components - Electric Models

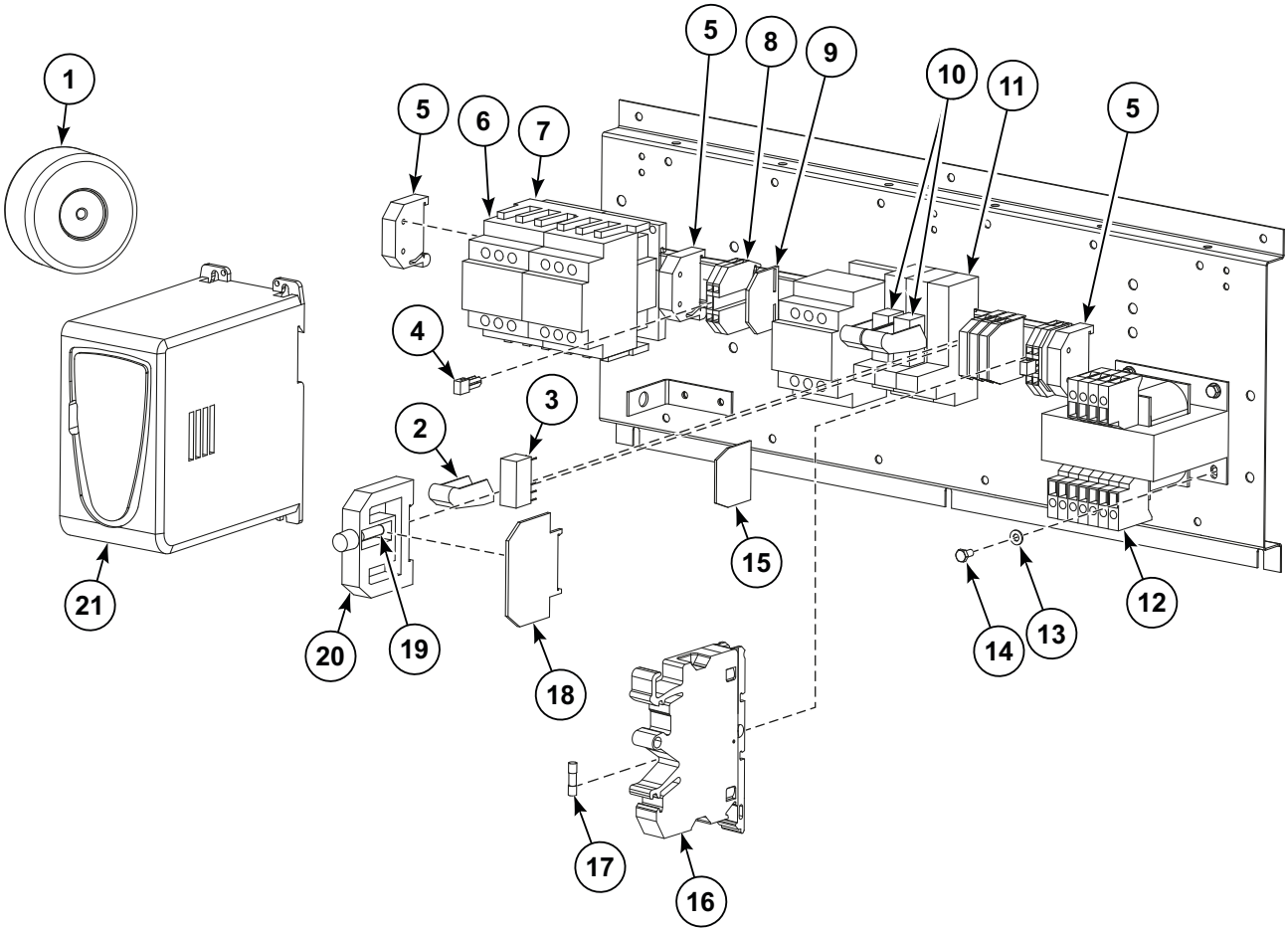


CZT453P\_D2572

## Electric Box Components - Electric Models

REF	PART NO.	DESCRIPTION	COMMENTS
	SP552248	Autotransformer	
1	SP346000209101	End Stop	
2	569873	Contactactor	36 kW 230V; 48 kW 380-440V
	569857	Contactactor	36 kW; 380-440V
3	SP358251506220	Fuse	
	SP358251601312	Fuse Isolator	
4	569858	Mechanical Interlock Unit	Need to use with 569859 Set for Reversing Contactors
5	569856	Contactactor	
6	SP514021	Transformer	
7	SP311125000004	Washer	
8	SP309933240408	Bolt	
9	552483	End Cover	
10	552482	Fuse Housing	
11	SP345805005020	Fuse	250V T500mA
	SPPRI401001021	Fuse	250V F4A
12	SP346000014010	Cover	
13	SP346000004010	Fuse Case	
14	SP514133	Fuse	500V F500mA; 440V; 380-415V

# Electric Box Components - Gas and Steam Models



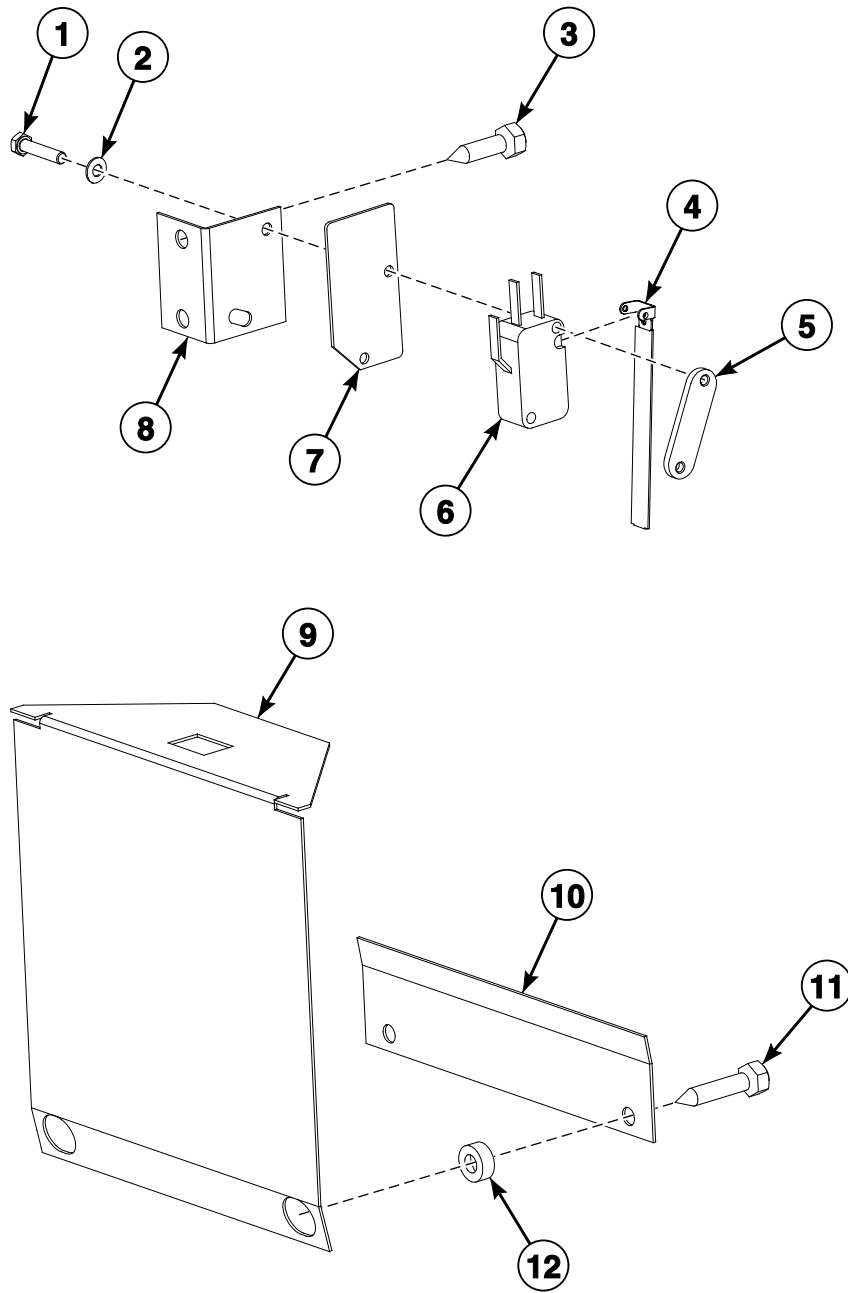
CZT452P\_D2572



## Electric Box Components - Gas and Steam Models

REF	PART NO.	DESCRIPTION	COMMENTS
1	SP528391	Transformer	
2	SP514135	Relay Clamp	Gas models
3	SP514134	Relay	220VAC; Gas models
4	SP346000280402	Interconnection	
5	SP346000209101	End Stop	
6	569856	Contactator	
	SP520195	Resistance Bleeder	
7	569858	Mechanical Interlock Unit	Need to use with 569859 Set for Reversing Contactors
8	SP346000280101	Clamp	
9	SP346000280301	Cover	
10	SP514057	Relay	24VAC; Gas models
11	SP506586	Relay Case	Gas models
12	SP514021	Transformer	14.2V plus 24V; 208-440V
	SP516648	Transformer	380-415V without N
13	SP311125000004	Washer	
14	SP309933240408	Bolt	
15	552483	End Cover	
16	552482	Fuse Housing	
17	SPPRI401001021	Fuse	250V F4A
	SP345805005020	Fuse	250V T500mA
	SPPRI401020021	Fuse	1.6A
18	SP346000014010	Cover	
19	SP514133	Fuse	500V F500mA; 440V; 380-415V
	SP345805163032	Fuse	Gas models
20	SP346000004010	Fuse Case	
21	SP557962	Frequency Inverter	

# Under Pressure Clutch

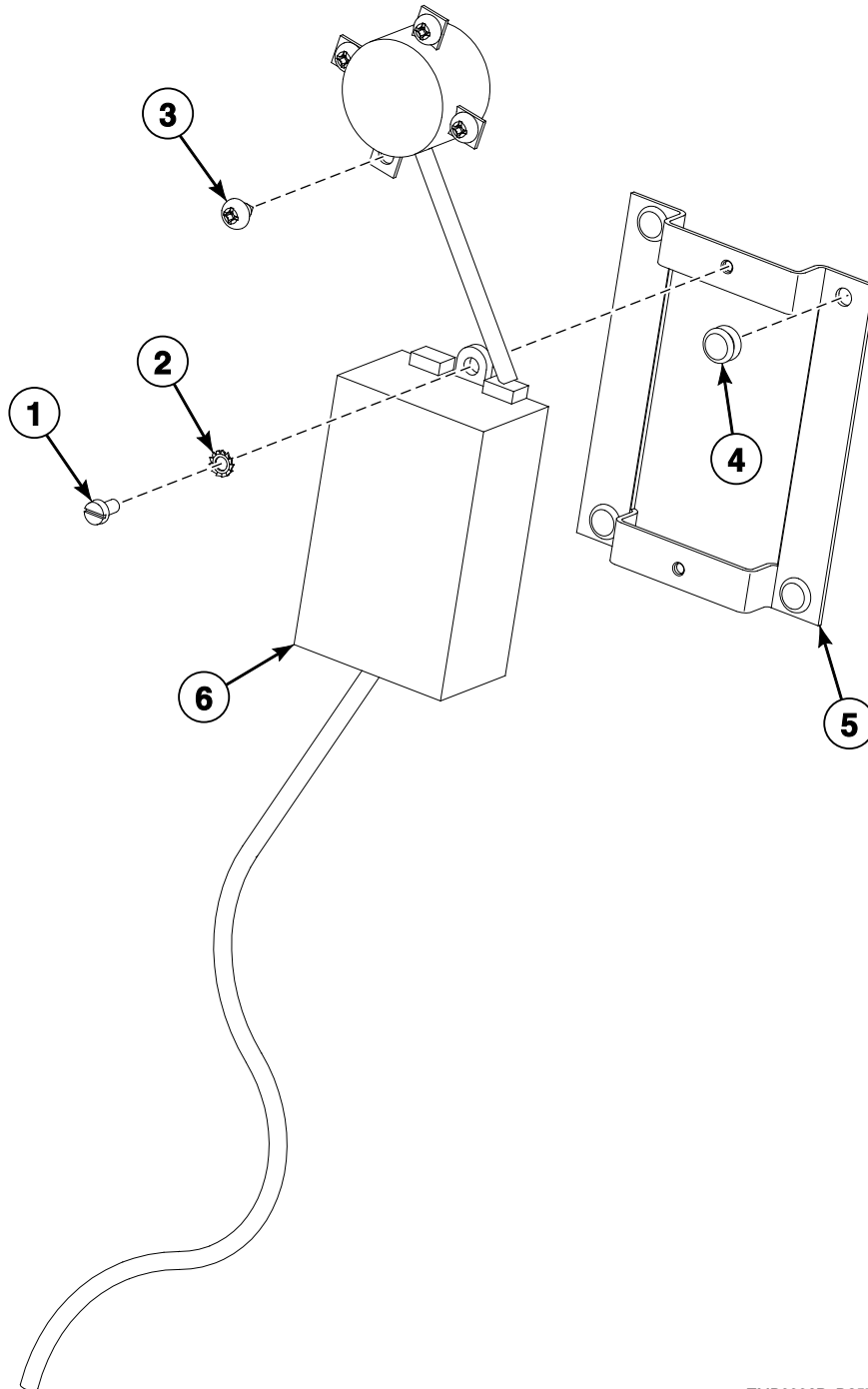


TMB3370P\_D2572

# Under Pressure Clutch

REF	PART NO.	DESCRIPTION	COMMENTS
	SP520870	Underpressure Clutch Assembly	Includes items 1-12
1	SP516623	Bolt	
2	SP311125000003	Washer	
3	SP518623	Bolt	
4	SP517441	Microswitch Lever Assembly	
5	SP235119001815	Nut	
6	SPPRI610028017	Microswitch	
7	SP101154	Isolation Plate	
8	SP520803	Microswitch Bracket	
9	SP520805	Clutch	
10	SP520808	Stop End	
11	SP520871	Screw	
12	SP520804	Distance Ring	

# Humidity Sensor

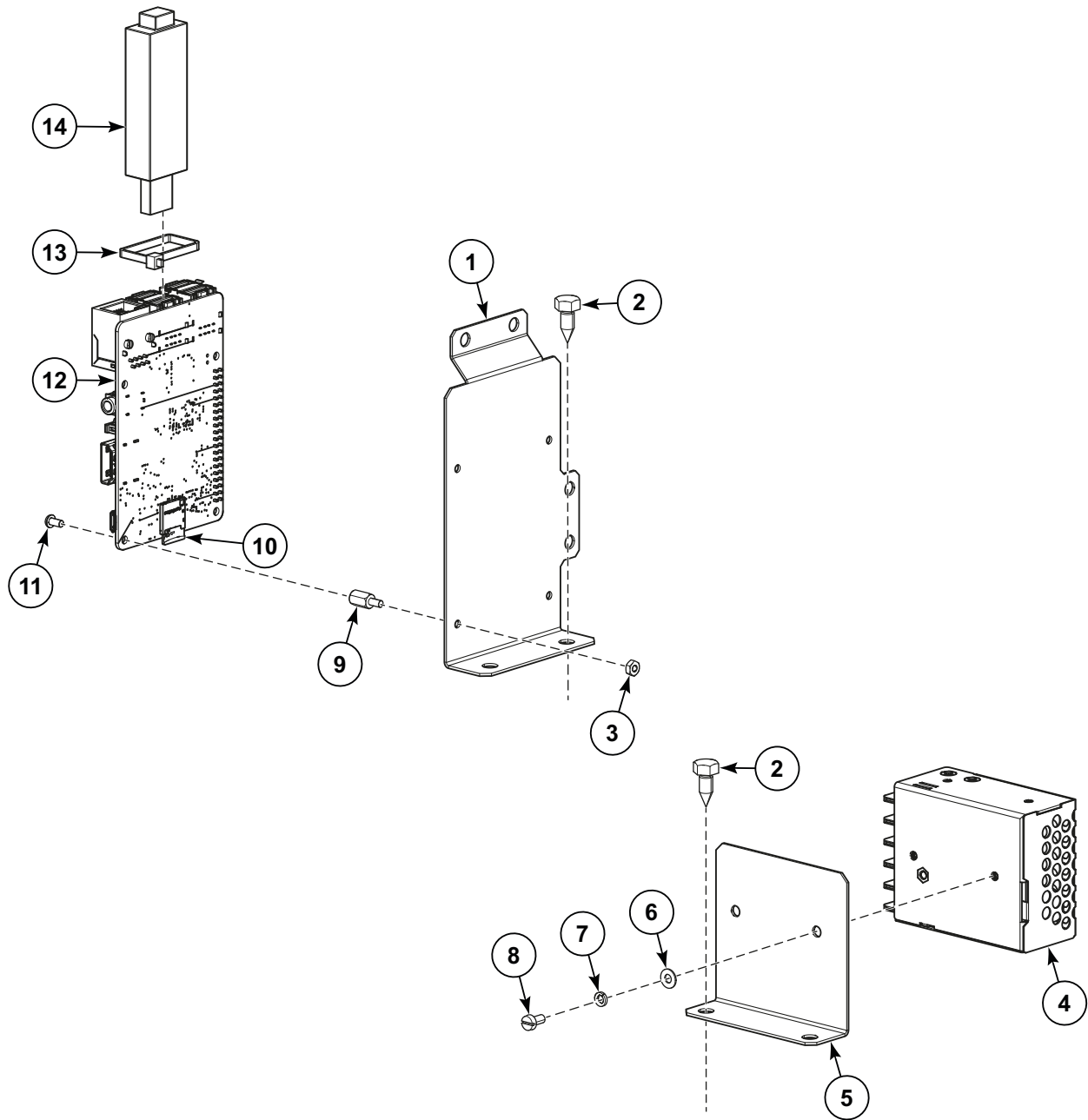


TMB3336P\_D2572

# Humidity Sensor

REF	PART NO.	DESCRIPTION	COMMENTS
	SP532002	Dust Cap Humidity Sensor	
	SP518562	Humidity Sensor Assembly	Includes items 1-6
1	SP309084000306	Bolt	
2	SP311679800003	Washer	
3	SP309798500306	Screw	
4	SP313250004075	Rivet	
5	SP518563	Sensor Holder	
6	SP102456	Humidity Sensor	

# WiFi Connection



CZT446P\_D2572

## WiFi Connection

REF	PART NO.	DESCRIPTION	COMMENTS
	573395	WiFi Service kit	Includes items 1-14, items 575872, 575873, 575866 and Flash Memory with Firmware
	575872	Power Supply Cable	
	575873	WiFi Cable	
	575866	Power Supply Harness	Micro USB-B
<b>1</b>	573393	Control Board Holder	
<b>2</b>	SP100218	Screw	ST4.8x13
<b>3</b>	573392	Nut	M2.5
<b>4</b>	575864	Power Supply	
<b>5</b>	573394	Power Supply Holder	
<b>6</b>	SP311125000003	Washer	M3
<b>7</b>	SP311127000003	Washer	M3
<b>8</b>	SP309084000306	Bolt	M3x6
<b>9</b>	573390	Spacer	M2.5x8
<b>10</b>	553442	MicroSD Card	16GB
<b>11</b>	573391	Bolt	M2.5x5
<b>12</b>	553440	Control Board	
<b>13</b>	SP345000626088	Binding Strip	
<b>14</b>	529102	Converter	USB RS485 - Nano





# Parts Index

## A

Adapting Pipe	
SP534920 .....	41
Adhesive	
SP245704003021 .....	25
Adjustable Foot	
SPPRI1504000001 .....	21
Autotransformer	
SP552248 .....	45

## B

Bearing	
SP326000600300 .....	43
SP514004 .....	43
SP514006 .....	43
Bearing Bracket	
SP521119 .....	43
SP521126 .....	43
Bearing House	
SP515570 .....	43
SP520449 .....	43
Belt	
SP523732 .....	43
SP528925 .....	43
Binding Strip	
SP345000626088 .....	53
Blank Plate Kit	
SP102019 .....	29
Block	
SP520383 .....	29
Bolt	
SPPRI202001001 .....	29, 37
SP309084000306 .....	51, 53
SP309798500306 .....	7
SP309798524408 .....	29, 33
SP309916000408 .....	43
SP309933000416 .....	9, 17, 19, 21
SP309933000516 .....	29, 41
SP309933000620 .....	39
SP309933000625 .....	43
SP309933000820 .....	43
SP309933001020 .....	43
SP309933001025 .....	43
SP309933001120 .....	43
SP309933001230 .....	43
SP309933100625 .....	27
SP309933240408 .....	45, 47
SP309966240410 .....	5
SP309966240550 .....	29
SP510954 .....	39
SP516623 .....	49
SP516693 .....	21
SP518623 .....	49
SP518719 .....	21
SP524367 .....	25
SP525101 .....	25
SP527892 .....	23
SP534921 .....	41
571960 .....	33

573391 .....	53
Burner Tube	
SP552515 .....	29, 33
Burner Window	
SP541394 .....	33
Burner Window	
SP541394 .....	29
Bushing	
SP101405 .....	39

## C

Cable	
SP521061 .....	9, 17, 19
Cable Bushing	
SPPRI501000071 .....	21
Cable Holder	
SP528313 .....	21
SP561193 .....	21
Clamp	
SP346000280101 .....	47
Clutch	
SP520805 .....	49
Coil	
SP516717 .....	37
Coin Meter	
SP100642 .....	11
SP100866 .....	11
SP100867 .....	11
SP100868 .....	11
SP100869 .....	11
SP100870 .....	11
SP100871 .....	11
SP100887 .....	11
SP100888 .....	11
SP100891 .....	11
SP100892 .....	11
SP100893 .....	11
SP100895 .....	11
SP100896 .....	11
SP100898 .....	11
SP100900 .....	11
SP100902 .....	11
SP101155 .....	11
SP101228 .....	11
SP101437 .....	11
SP101450 .....	11
SP101499 .....	11
SP101535 .....	11
SP101536 .....	11
SP101586 .....	11
SP101612 .....	11
SP101632 .....	11
SP101797 .....	11
SP102084 .....	11
SP102371 .....	11
SP102407 .....	11
SP102452 .....	11
SP102473 .....	11
SP102546 .....	11
SP516632 .....	11
SP516636 .....	11

N/A items do not appear in index.

SP516638 .....	11	569923 .....	15
SP516639 .....	11	569926 .....	15
SP516737 .....	11	569929 .....	15
SP516804 .....	11	569932 .....	15
SP516807 .....	11	569935 .....	15
SP516875 .....	11	569938 .....	15
SP516921 .....	11	569941 .....	15
SP516950 .....	11	569944 .....	15
SP516967 .....	11	569947 .....	15
SP516969 .....	11	569950 .....	15
SP516976 .....	11	569953 .....	15
SP516977 .....	11	569956 .....	15
SP516980 .....	11	569963 .....	15
SP516984 .....	11	569966 .....	15
SP516991 .....	11	569969 .....	15
SP516994 .....	13	569972 .....	15
SP516999 .....	13	569975 .....	15
SP529106 .....	13	569981 .....	15
SP529108 .....	13	569986 .....	15
SP529110 .....	13	572303 .....	15
SP529113 .....	13	572306 .....	15
SP529114 .....	13	572309 .....	15
SP529115 .....	13	572312 .....	15
SP529119 .....	13	572315 .....	15
SP529124 .....	13	572319 .....	15
SP534187 .....	13	572322 .....	15
SP534289 .....	13	572337 .....	15
SP534297 .....	13	572338 .....	15
SP537775 .....	13	572340 .....	15
SP537776 .....	13	572344 .....	15
SP537778 .....	13	572360 .....	15
SP537779 .....	13	572385 .....	15
SP537787 .....	13	572390 .....	15
SP537788 .....	13	579810 .....	15
SP537825 .....	13	579814 .....	15
SP537828 .....	13	579820 .....	15
SP537829 .....	13	Coin Meter Bracket	
SP537859 .....	13	SP561154 .....	9
SP537913 .....	13	Coin Vault	
SP552901 .....	13	SP321848140028 .....	21
SP552951 .....	13	Coin Vault Assembly	
SP552952 .....	13	573374 .....	21
SP552998 .....	13	Coin Vault Case	
SP553007 .....	13	573352 .....	21
SP553008 .....	13	Coin Vault Cover	
SP553140 .....	13	SP515291 .....	21
SP553152 .....	13	Coin Vault Frame	
SP555667 .....	13	SP501514 .....	21
SP556109 .....	13	Coin Vault Support	
SP556113 .....	13	573384 .....	21
SP556114 .....	13	Connector	
SP556153 .....	13	345000180901 .....	29
SP559709 .....	13	Contact	
SP560095 .....	13	345000160645 .....	29
SP560096 .....	13	Contact	
SP560097 .....	13	569856 .....	45, 47
SP560098 .....	13	569857 .....	45
SP560099 .....	13	569873 .....	45
SP560746 .....	13	Control	
SP560793 .....	13	SP102458 .....	9, 17, 19
SP561379 .....	13	Control Board	
SP564823 .....	13	SP102457 .....	7
516848 .....	13	SP556608 .....	7
516908 .....	15	553440 .....	53
516909 .....	15	Control Board Holder	
516913 .....	15	573393 .....	53
516914 .....	15		
529159 .....	15		
569920 .....	15		

N/A items do not appear in index.

Control Bracket	
SP559819 .....	9, 17, 19
SP561153 .....	9, 17, 19
Control Panel	
SP557167 .....	9
SP557177 .....	17
SP561147 .....	7
SP561155 .....	19
SP561161 .....	17
SP561162 .....	9
SP561163 .....	19
SP561181 .....	7
574521 .....	17
574522 .....	9
574523 .....	19
574532 .....	7
Control Panel Assembly	
SP561148 .....	17
SP561149 .....	9
SP561151 .....	19
SP561152 .....	7
SP561180 .....	7
SP561182 .....	17
SP561183 .....	9
SP561184 .....	19
571905 .....	17
571912 .....	7
571931 .....	7
571932 .....	17
574524 .....	17
574525 .....	9
574526 .....	19
574527 .....	17
574528 .....	9
574529 .....	19
574530 .....	7
574531 .....	7
574535 .....	9
574536 .....	9
574537 .....	19
574538 .....	19
575443 .....	7
575444 .....	7
575445 .....	7
575446 .....	7
575447 .....	17
575448 .....	9
575449 .....	19
575450 .....	17
575451 .....	9
575452 .....	19
575453 .....	17
575454 .....	9
575455 .....	19
575456 .....	17
575457 .....	9
575458 .....	19
Control Unit	
571938 .....	33
Converter	
529102 .....	53
Cover	
SP346000014010 .....	45, 47
SP346000280301 .....	47
SP520382 .....	29, 33
SP521331 .....	27
Cube	
569432 .....	33

## D

Detection Electrode	
SP102002 .....	29
Display Board	
SP102459 .....	9, 17, 19
SP553416 .....	9, 17, 19
SP560706 .....	9, 17, 19
Distance Ring	
SP520804 .....	49
SP521103 .....	43
Door	
SP524365 .....	25
SP556562 .....	25
572348 .....	25
Door Assembly	
SP524360 .....	25
572347 .....	25
Door Glass	
SP512052 .....	25
Door Ring	
SP534874 .....	25
Door Switch	
SP520561 .....	21
SP521104 .....	21
Door Switch Assembly	
SP520404 .....	21
Door Switch Holder	
SP520403 .....	21
Double Drum Pulley	
SP530681 .....	43
Double Pulley	
SP534703 .....	43
Drum	
580227 .....	23
580228 .....	23
Drum Assembly	
573317 .....	23
573318 .....	23
Dust Cap Humidity Sensor	
SP532002 .....	51

## E

Electric Heater Box	
SP520290 .....	27
Electrode Bracket	
SP520279 .....	29
Electrodes Holder	
571954 .....	33
Emergency Stop Connector	
SP528311 .....	7, 9, 17
Emergency Stop Knob	
SP528310 .....	7, 9, 17
End Cover	
552483 .....	45, 47
End Stop	
SP346000209101 .....	45, 47
Exhaust Assembly	
SP534915 .....	41
Extend Coin Wiring	
SP557975 .....	9

N/A items do not appear in index.

---

**F**

Fan Motor	
SP523622 .....	39
Filter Assembly	
SP534810 .....	21
Filter Panel Assembly	
SP528964 .....	5
SP528967 .....	5
SP557172 .....	5
SP557173 .....	5
528965 .....	5
528968 .....	5
Flame Detection Cable	
SP516144 .....	29
Flange	
SP102018 .....	29, 33
SP514062 .....	29
Flap Stop	
SP534900 .....	41
SP534917 .....	41
Frequency Inverter	
SP557962 .....	47
Front Panel Assembly	
SP528972 .....	5
SP528974 .....	5
SP545548 .....	5
SP557169 .....	5
SP557170 .....	5
SP557171 .....	5
528973 .....	5
528975 .....	5
545549 .....	5
Fuse	
SPPRI401001021 .....	45, 47
SPPRI401020021 .....	47
SP345805005020 .....	45, 47
SP345805163032 .....	47
SP358251506220 .....	45
SP514133 .....	45, 47
Fuse Case	
SP346000004010 .....	45, 47
Fuse Housing	
552482 .....	45, 47
Fuse Isolator	
SP358251601312 .....	45

---

**G**

Gas Box Isolation	
SP522024 .....	29, 33
Gas Valve	
SP102000 .....	29
SP520281 .....	29
572351 .....	33
Gas Valve Cable	
SP357500459412 .....	29
Gas Valve Wiring	
520098 .....	29
Gasket	
SP101275 .....	7
Glue	
SP534969 .....	25

---

N/A items do not appear in index.

---

**H**

Heater Box	
SP541413 .....	29
571927 .....	33
Heating Element	
SP510984 .....	27
SP510985 .....	27
Holder	
569433 .....	33
Hook	
SPPRI100010007 .....	7
Hose	
SP273454410020 .....	29, 37
Humidity Sensor	
SP102456 .....	51
Humidity Sensor Assembly	
SP518562 .....	51

---

**I**

Ignition Cable	
SP516143 .....	29
Ignition Electrode	
575643 .....	29, 33
Ignition Unit	
SP357456010080 .....	29
Inlet	
SP101863 .....	39
Interconnection	
SP346000280402 .....	47
Isolation Paper	
SPPRI350012007 .....	21
Isolation Plate	
SP101154 .....	21, 49

---

**K**

Key	
SP505449 .....	43

---

**L**

Label	
SP562956 .....	9
Latch	
SP514530 .....	5, 25
Lath	
524583 .....	25
556564 .....	25
572349 .....	25
Lock	
SPPRI610000007 .....	5, 7, 9, 17, 19
SP521221 .....	5
Lock Hook	
SPPRI610001007 .....	5, 9, 17, 19
Lower Door Hinge	
SP525104 .....	25
SP556554 .....	25

---

SP559704 .....25

**M**

Magnet  
564203 .....25

Main Switch  
SPPRI404000097 .....21  
SPPRI404000099 .....21  
SPPRI404000100 .....21  
SP347700100753 .....21  
SP506407 .....21

Main Switch Knob  
SPPRI404000095 .....21

Mechanical Interlock Unit  
569858 .....45, 47

Memory  
SP526001 .....7, 9, 17, 19  
102460 .....9, 17, 19  
102471 .....7  
102472 .....7  
545264 .....9, 17, 19

MicroSD Card  
553442 .....53

Microswitch  
SPPRI610011077 .....21  
SPPRI610028017 .....49  
SP506045 .....21  
SP517484 .....21

Microswitch Bracket  
SP520803 .....49

Microswitch Lever Assembly  
SP517441 .....49

Motor  
SP523724 .....43  
SP523725 .....43  
SP551783 .....39

Motor Bracket  
SP520419 .....43

Motor Plate  
SP551779 .....39

Motor Pulley  
SP527724 .....43  
SP528924 .....43  
SP530690 .....43  
SP530719 .....43

**N**

Nozzle  
SP512067 .....29

Nut  
SPPRI610005007 .....7, 9, 17, 19  
SPPRI610006007 .....7, 9, 17, 19  
SP101415 .....39  
SP235119001815 .....49  
SP310934000004 .....9, 17, 19, 21  
SP310934000005 .....33  
SP310934000010 .....21, 43  
SP310934100006 .....27  
SP310934240004 .....25  
SP310934240005 .....29, 37  
SP310934240012 .....23

SP310985000006 .....43  
SP310985000008 .....43  
SP310985000010 .....43  
SP310985000012 .....43  
SP534929 .....41  
573392 .....53

**O**

Orifice  
517222 .....31, 35  
517223 .....31, 35  
517224 .....31, 35  
517225 .....31, 35  
517226 .....31, 35  
517227 .....31, 35  
517241 .....31, 35  
517243 .....31, 35  
517245 .....31, 35  
517246 .....31, 35  
517250 .....31, 35  
517251 .....31, 35  
517252 .....31, 35  
517253 .....31, 35  
517257 .....31, 35  
517258 .....31, 35  
517327 .....31, 35  
517328 .....31, 35  
517329 .....31, 35  
517330 .....31, 35  
517331 .....31, 35  
517337 .....31, 35  
520236 .....31, 35  
520237 .....31, 35  
520399 .....31, 35  
525465 .....31, 35  
525466 .....31, 35  
530819 .....31, 35  
530820 .....31, 35  
575530 .....35

O-Ring  
SP520395 .....29

Outer Door Gasket  
SP525107 .....25

Overlay  
SP556099 .....9, 17, 19  
SP556100 .....7  
SP559863 .....7  
SP559864 .....7  
SP559870 .....9, 17, 19  
SP559871 .....9, 17, 19  
SP559900 .....9, 17, 19

**P**

Pin Insertion  
SP520408 .....5

Pipe Nipple  
SPPRI426001217 .....37

Plug  
SP273127001798 .....41  
SP345900025012 .....5  
SP520297 .....27  
SP534919 .....41

N/A items do not appear in index.

Power Supply 575864 .....	53
Power Supply Cable 575872 .....	53
Power Supply Harness 575866 .....	53
Power Supply Holder 573394 .....	53
Primary Air Limitation 541395 .....	33

## R

Rear Cover Assembly SP520553 .....	21
Relay SP514057 .....	47
SP514134 .....	47
Relay Case SP506586 .....	47
Relay Clamp SP514135 .....	47
Resistance Bleeder SP520195 .....	47
Retaining Ring SP515517 .....	43
Ring 571961 .....	33
Rivet SP313250004075 .....	51
SP313250032006 .....	29
Rod SP517486 .....	21

## S

Safety Thermostat SP514016 .....	39
SP514127 .....	27, 29, 33, 37
SP527728 .....	39
Screw SP100218 ....	5, 9, 17, 19, 21, 29, 33, 37, 39, 41, 53
SP100306 .....	9, 17, 19
SP309798500306 .....	51
SP514061 .....	27
SP517238 .....	27, 29, 33, 37, 39
SP520407 .....	5
SP520871 .....	49
Seal SP517232 .....	29, 33
Sealing 519170 .....	5
Sensor Bracket SP534809 .....	39
Sensor Cover SP534808 .....	39
Sensor Holder SP518563 .....	51
Sliding Board SP514480 .....	43
Spacer 573390 .....	53

N/A items do not appear in index.

Steam Exchanger SP520286 .....	37
Steam Filter SP405054057006 .....	37
Steam Heating Assembly SP520390 .....	37
Steam Valve SP516718 .....	37
Steam Valve Body SP514166 .....	37
Stop End SP520808 .....	49
Stop Pin SP520201 .....	25
Support Plate SP515514 .....	43
Switch SP100388 .....	21
Switch Bracket SP521028 .....	21
Switching Unit SP528312 .....	7, 9, 17

## T

Temperature Sensor SP516092 .....	27, 29, 33
SP534930 .....	39
Tension Assembly SP528929 .....	43
Tension Rod SP534704 .....	43
Tensioning Bracket SP520461 .....	43
Terminal Board SPPRI350000007 .....	21
Terminal Board Cover SP537625 .....	33
Thermostat Bracket SP520227 .....	37
Transformer SP514021 .....	45, 47
SP516648 .....	47
SP528391 .....	47
Trunnion SP525068 .....	23
Tube SP512142 .....	29, 33

## U

Underpressure Clutch Assembly SP520870 .....	49
Upper Cover SP520563 .....	21
Upper Door Hinge SP525105 .....	25
SP556555 .....	25
SP559705 .....	25
Upper Rear Cover SP521035 .....	21
SP521036 .....	21

SP521132 .....	21
Upper Rear Cover Assembly	
SP520560 .....	21

---

## V

Ventilator	
SP523632 .....	39
Ventilator Assembly	
SP551781 .....	39
SP551784 .....	39
Ventilator Cover	
SP523689 .....	39

---

## W

Washer	
SPPRI522000012 .....	5, 7, 9, 17, 19
SP31112500003 .....	21, 49, 53
SP31112500004 .....	9, 17, 19, 21, 45, 47
SP31112500005 .....	29, 37
SP31112500006 .....	39
SP31112500008 .....	43
SP31112500010 .....	21, 43
SP31112500013 .....	23, 43
SP31112500020 .....	9, 17, 19
SP311125240004 .....	29, 33
SP311127000003 .....	21, 53
SP311127000004 .....	9, 17, 19, 21, 33
SP311127000005 .....	29, 37
SP311127000006 .....	39
SP31112700010 .....	43
SP311127240004 .....	29
SP311679800003 .....	7, 51
SP311679800004 .....	9, 17, 19
SP311679824006 .....	27
SP311902100006 .....	43
SP311902100010 .....	43
SP514906 .....	5
SP516669 .....	27, 29, 33, 41
SP520298 .....	27
SP524366 .....	5
SP527896 .....	23
SP551782 .....	39
518508 .....	23
518509 .....	23
WiFi Cable	
575873 .....	53
WiFi Service kit	
573395 .....	53

---

