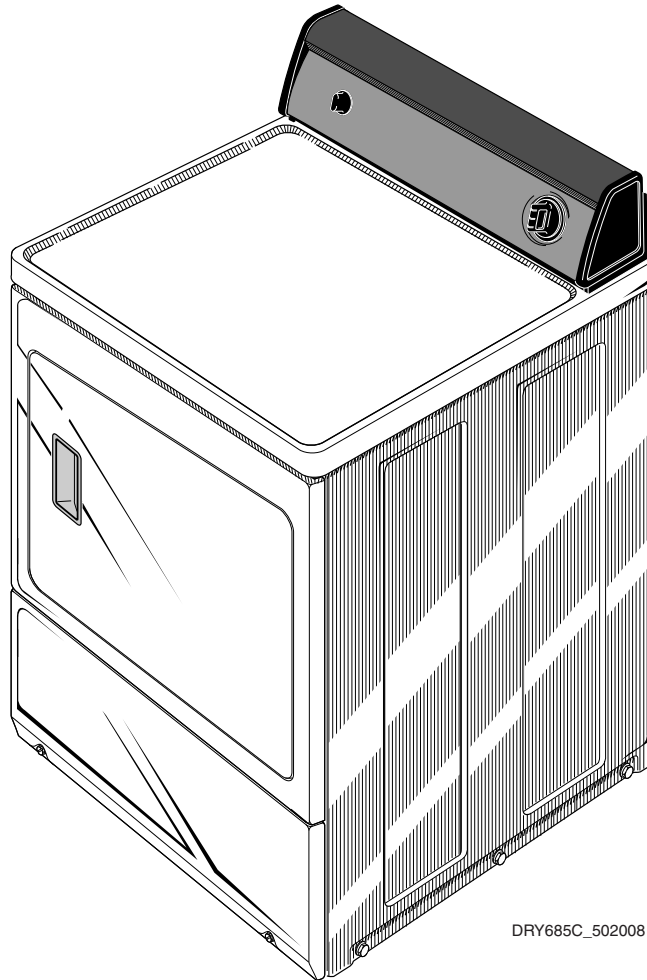


Automatic Dryers

Refer to Page 3 for Model Numbers



DRY685C_502008

Table of Contents

Title	Page
Parts Ordering Information.....	2
Nameplate Location.....	2
Model Identification.....	3
Graphic Panel, Control Hood and Controls (Drawing 1 of 5).....	4
Graphic Panel, Control Hood and Controls (Drawing 2 of 5).....	6
Graphic Panel, Control Hood and Controls (Drawing 3 of 5).....	8
Graphic Panel, Control Hood and Controls (Drawing 4 of 5).....	10
Graphic Panel, Control Hood and Controls (Drawing 5 of 5).....	12
Motor, Exhaust Fan and Belt.....	14
Cabinet Top and Control Hood Rear Panel.....	16
Loading Door.....	18
Lower Access Panel, Front Panel and Seal.....	20
Front Bulkhead, Air Duct, Felt Seal and Cylinder.....	22
Rear Bulkhead, Felt Seal, Cylinder Roller and Terminal Block.....	24
Heater Box Assembly - Electric Models.....	26
Heater Box Assembly - Gas Models.....	28
Gas Valve, Igniter and Gas Conversion Kits - 50 Hertz Gas Models.....	30
Gas Valve, Igniter and Gas Conversion Kits - 60 Hertz Gas Models.....	32
Cabinet, Exhaust Duct and Base.....	34
Rear Cabinet.....	36
Power Cord and Terminals (Drawing 1 of 2).....	38
Power Cord and Terminals (Drawing 2 of 2).....	40
Motor Connection Block, Terminals and Terminal Extractor Tool.....	42
Wire Harnesses and Wires.....	44
Parts Index.....	45

© Copyright 2019 Alliance Laundry Systems LLC

All rights reserved. No part of the contents of this book may be reproduced or transmitted in any form or by any means without the expressed written consent of the publisher.

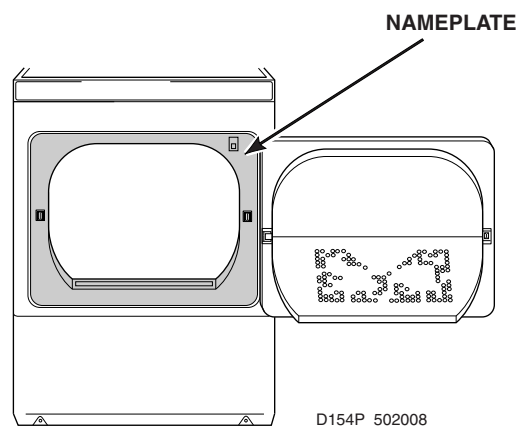
Parts Ordering Information

If literature or replacement parts are required, contact the source from whom the machine was purchased or contact Alliance Laundry Systems at (920) 748-3950 for the name and address of the nearest authorized parts distributor.

For technical assistance, call (920) 748-3121.

Nameplate Location

When calling or writing about your product, be sure to mention model and serial numbers. Model and serial numbers are located on nameplate(s) as shown.



Model Identification

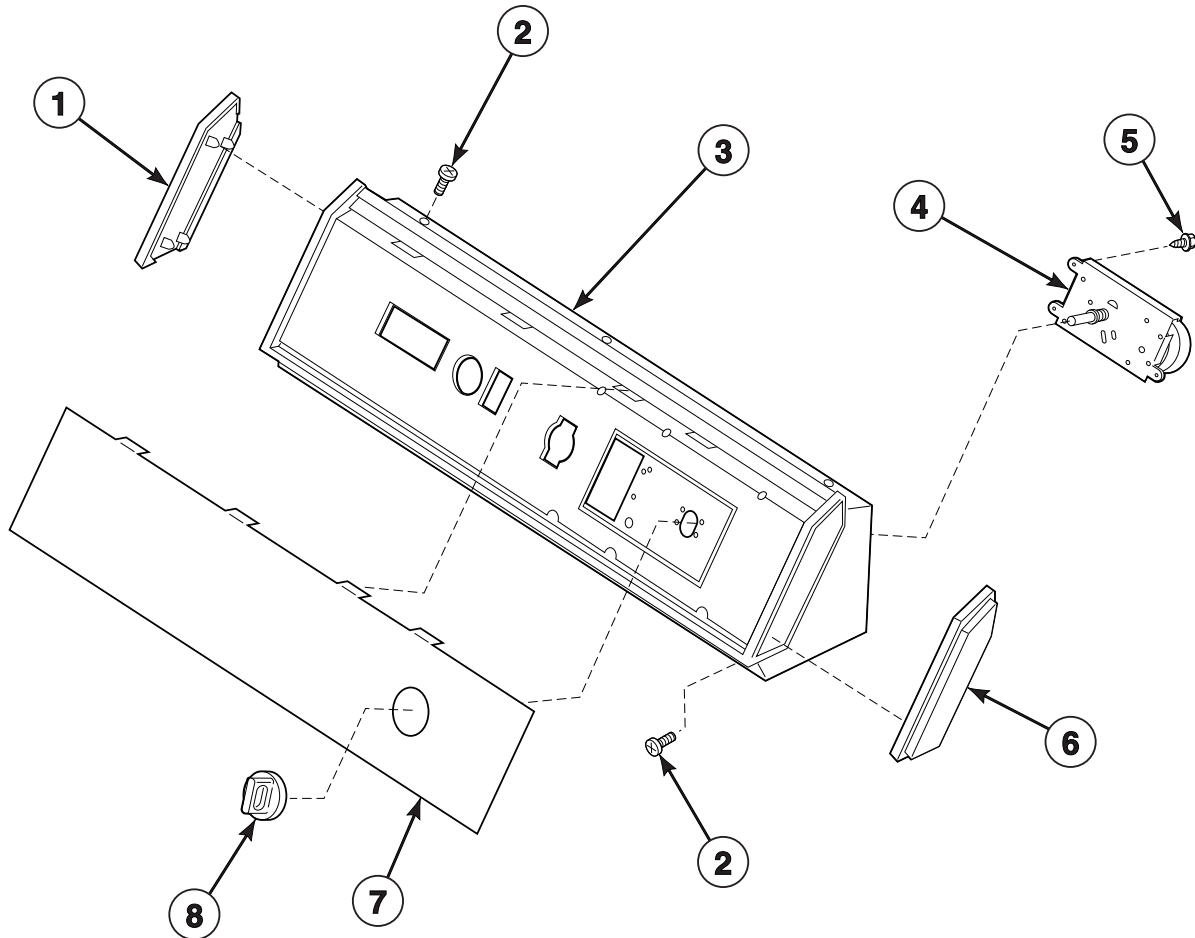
Information in this manual is applicable to these dryer models:

ACE497*23000	AEM497*24350	AGM499*23080	KEM677*-1709	NEM497*-3000
ACG499*23013	AGM479*-3000	BGM419*-1180	KEM777*-1709	NGM499*-3013
ACG499*23080	AGM499*-3000	KED497*-4350	KGD499*-3058	REM477*-4562
AEM477*-4562	AGM499*-3013	KED597*-4350	KGD599*-3058	ZCE477*-3000
AEM497*-3000	AGM499*-3058	KEE997*-1702	KGE999*-1102	ZCG479*-3013
AEM497*-3300	AGM499*-3080	KEM377*-1709	KGM379*-1109	ZEM477*-3000
AEM497*-4350	AGM499*23000	KEM497*-1702	KGM499*-1102	ZGM479*-3000
AEM497*23000	AGM499*23013	KEM497*-3000	KGM679*-1109	ZGM479*-3013
AEM497*23300	AGM499*23058			

* Add Letter To Designate Color. L - Almond W - White

Graphic Panel, Control Hood and Controls (Drawing 1 of 5)

Models BGM419*-1180, KEM377*-1709 and KGM379*-1109



D201P_502008

Graphic Panel, Control Hood and Controls (Drawing 1 of 5)

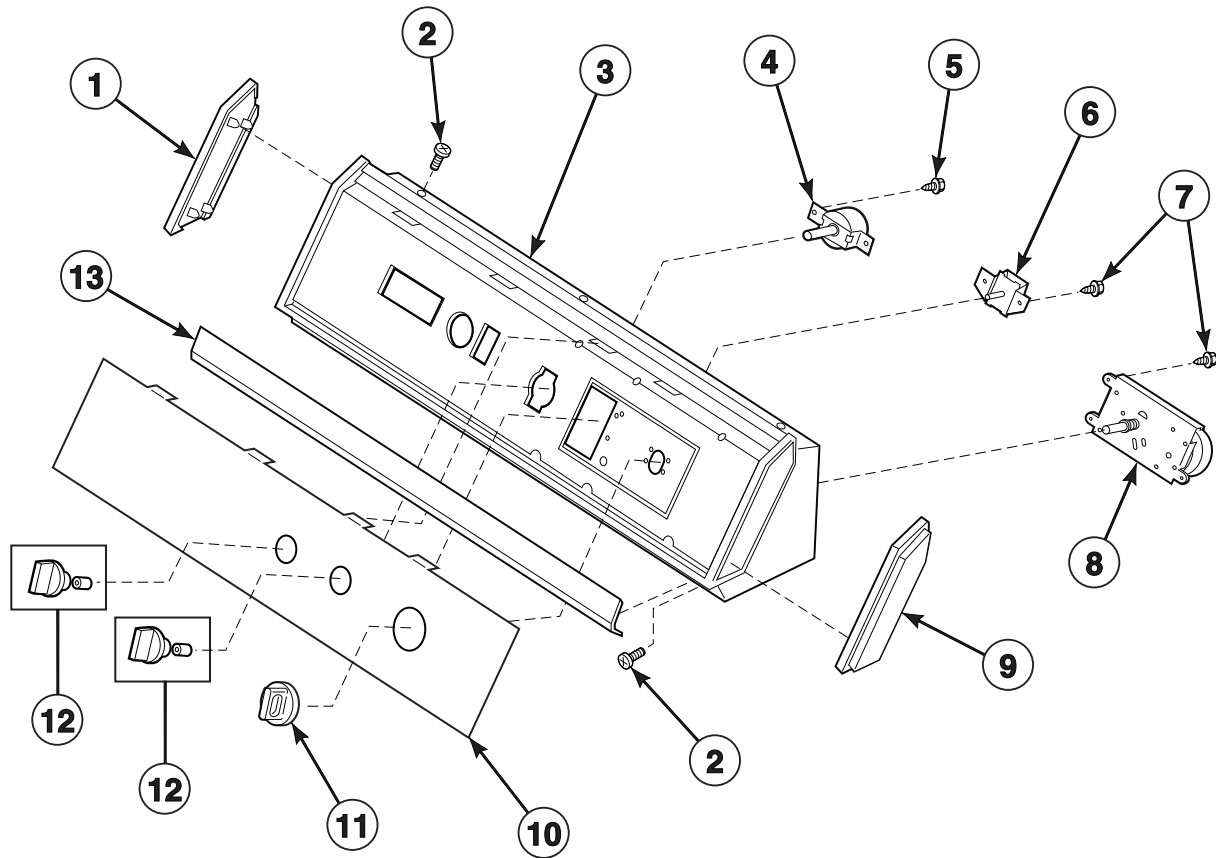
REF	PART NO.	DESCRIPTION	COMMENTS
1	31249	End Cap	Left
2	32993	Screw	
3	N/A	Control Hood Assembly	
4	59420	Timer	1 cycle; Models KEM377*-1709 and KGM379*-1109
	D501881	Timer	2 cycle; Model BGM419*-1180
5	D501086	Screw	
6	31248	End Cap	Right
7	N/A	Graphic Panel	
8	62234	Timer Knob Assembly	White

* Add Letter To Designate Color. L - Almond W - White

N/A = Part no longer available

Graphic Panel, Control Hood and Controls (Drawing 2 of 5)

Models KEM677*-1709, KEM777*-1709 and KGM679*-1109



D158P_502008

Graphic Panel, Control Hood and Controls (Drawing 2 of 5)

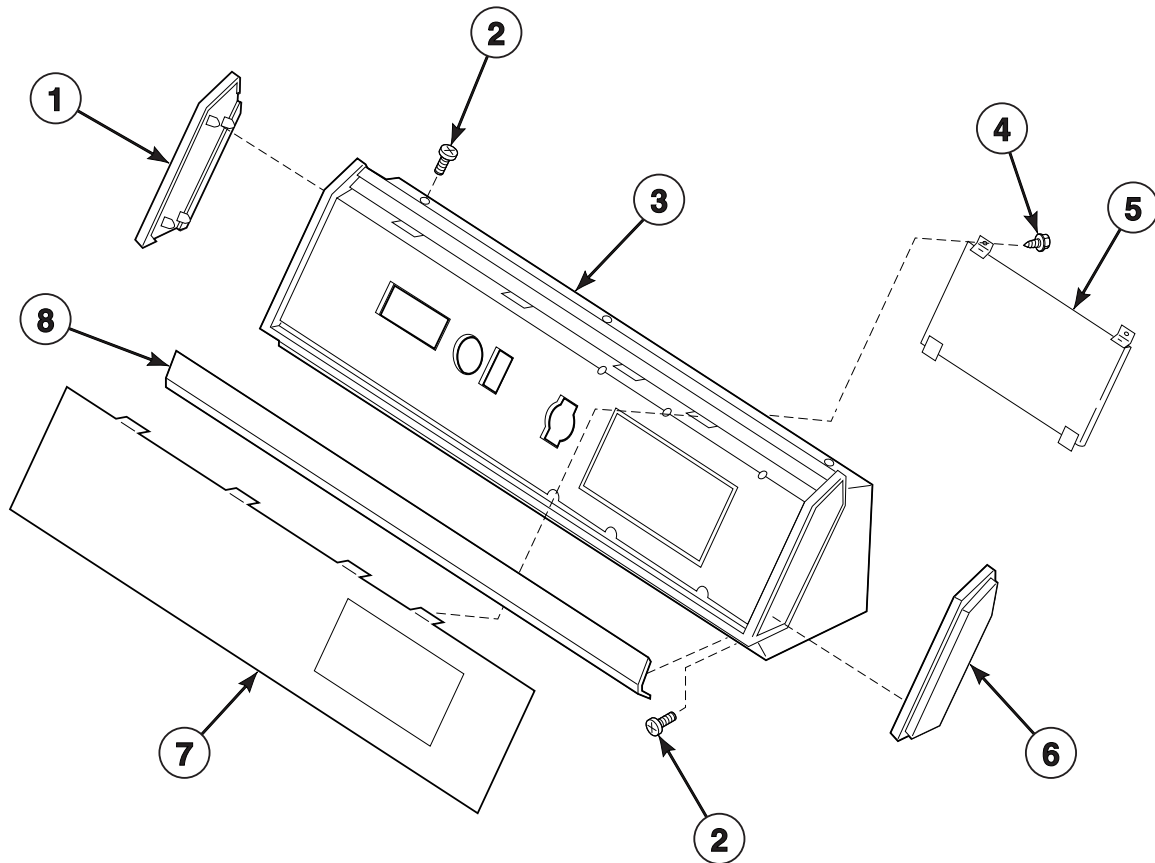
REF	PART NO.	DESCRIPTION	COMMENTS
1	31249	End Cap	Left
2	32993	Screw	
3	N/A	Control Hood Assembly	
4	N/A	Temperature Switch	
5	31260	Screw	
6	D500823	Rotary Signal	
7	D501086	Screw	
8	D502967	Timer	5 cycle
9	31248	End Cap	Right
10	N/A	Graphic Panel	
11	62234	Timer Knob Assembly	White
12	33688	Knob Assembly	White
13	N/A	Trim Strip	

* Add Letter To Designate Color. L - Almond W - White

N/A = Part no longer available

Graphic Panel, Control Hood and Controls (Drawing 3 of 5)

Models KEE997*-1702 and KGE999*-1102



D036P_502008

Graphic Panel, Control Hood and Controls (Drawing 3 of 5)

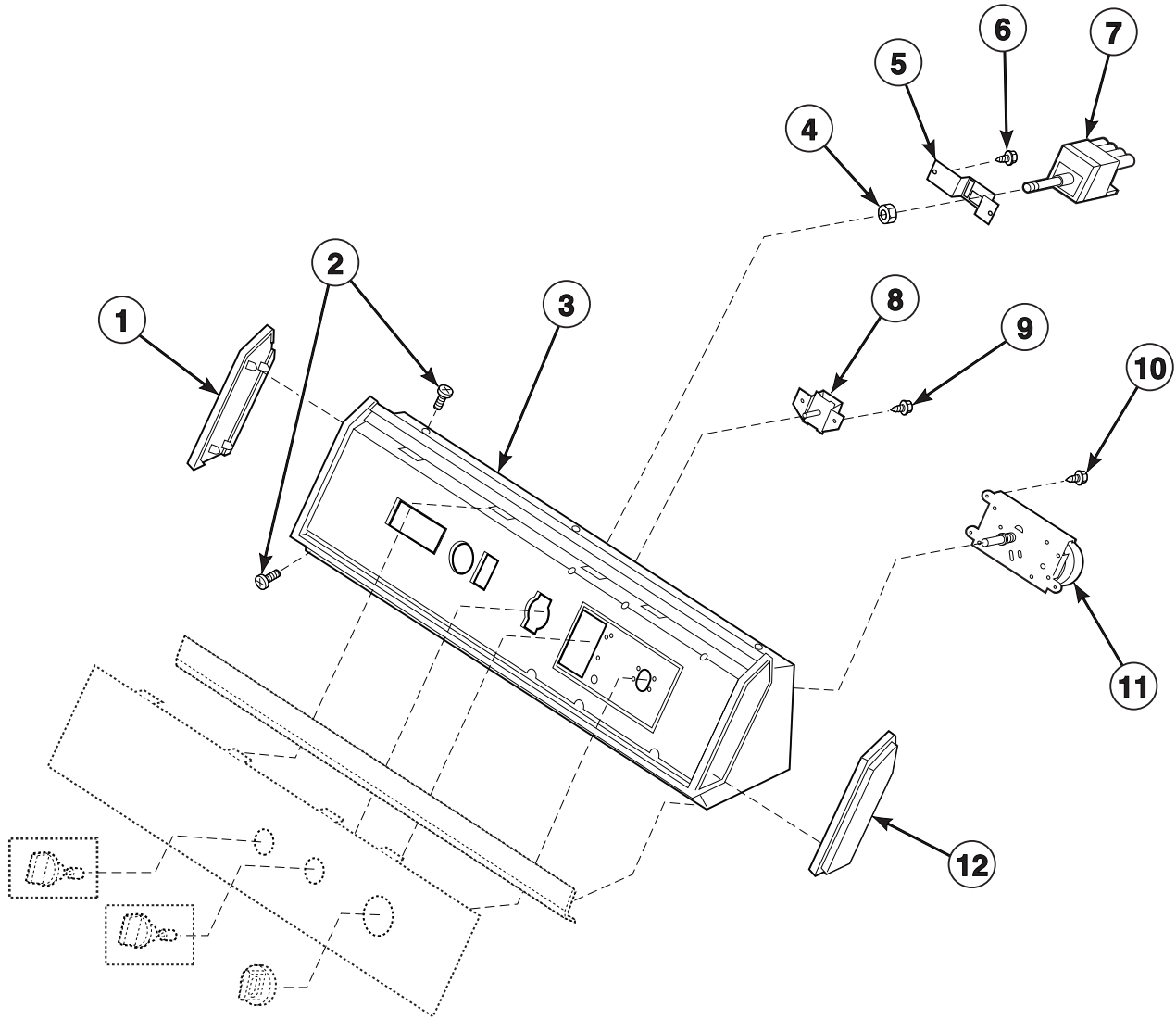
REF	PART NO.	DESCRIPTION	COMMENTS
1	31249	End Cap	Left
2	31752	Screw	
3	N/A	Control Hood	
4	31260	Screw	
5	N/A	Electronic Control Assembly	
6	31248	End Cap	Right
7	N/A	Graphic Panel	
8	N/A	Trim Strip	

* Add Letter To Designate Color. L - Almond W - White

N/A = Part no longer available

Graphic Panel, Control Hood and Controls (Drawing 4 of 5)

All Models Except BGM419*-1180, KEE997*-1702, KEM377*-1709, KEM677*-1709, KEM777*-1709, KGE999*-1102, KGM379*-1109 and KGM679*-1109



D157P_502008

Graphic Panel, Control Hood and Controls (Drawing 4 of 5)

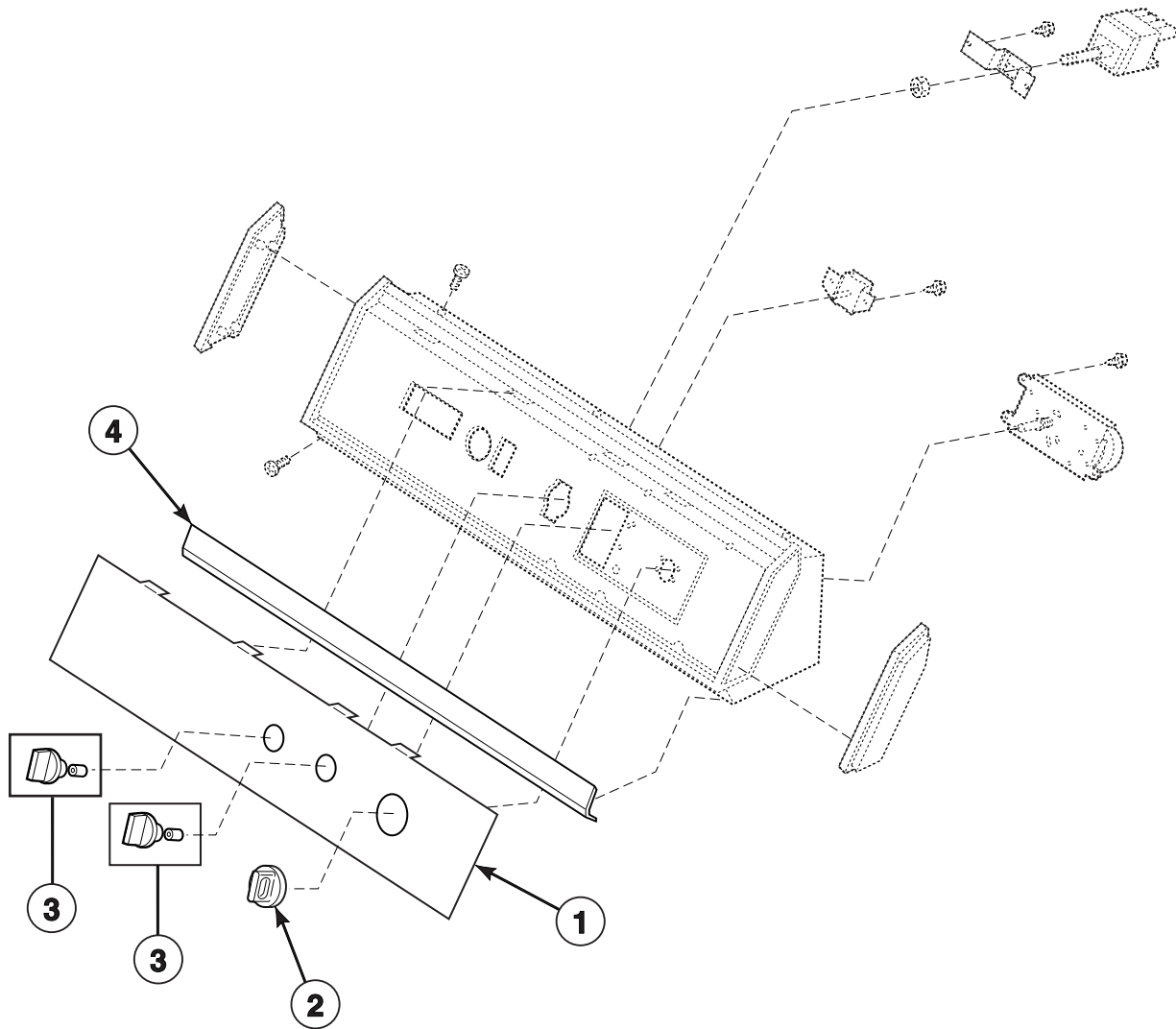
REF	PART NO.	DESCRIPTION	COMMENTS
1	34460	End Cap	Left; Black
	31249	End Cap	Left; Chrome
	D504009WP	End Panel	Left; White
	D504009L	End Panel	Left; Almond
2	31752	Screw	Black
	32993	Screw	Chrome
3	N/A	Control Hood Assembly	
4	57584	Nut	
5	N/A	Switch Bracket	
6	31260	Screw	
7	58813	Fabric Selector Switch	50 Hertz; Models AEM477*-4562 and AGM479*-3000
	61511	Fabric Selector Switch	60 Hertz; All other models
8	D500823	Rotary Signal	120 Volt/60 Hertz; Models KEM497*-1702 and KGM499*-1102
	D502499	Buzzer	Adjustable; Models ACE497*23000, ACG499*23013, ACG499*23080, ZCE477*-3000 and ZCG479*-3013
	N/A	Signal Switch	240 Volt/50 or 60 Hertz; All other models
9	D501086	Screw	60 Hertz
	D502535	Screw	50 Hertz
10	D501086	Screw	
11	D502963	Timer	120 Volt/60 Hertz; 3 cycle; Models KEM497*-1702 and KGM499*-1102
	D502965	Timer	240 Volt/60 Hertz; 3 cycle; Model AEM497*-3300
	D502966P	Timer	240 Volt/50 Hertz; Models ACE497*23000, ACG499*23013, ACG499*23080, ZCE477*-3000 and ZCG479*-3013
	D502964P	Timer	240 Volt/50 Hertz; 3 cycle; All other models
12	34459	End Cap	Right; Black
	31248	End Cap	Right; Chrome
	D504008WP	End Panel	Right; White
	D504008L	End Panel	Right; Almond

* Add Letter To Designate Color. L - Almond W - White

N/A = Part no longer available

Graphic Panel, Control Hood and Controls (Drawing 5 of 5)

All Models Except BGM419*-1180, KEE997*-1702, KEM377*-1709, KEM677*-1709,
KEM777*-1709, KGE999*-1102, KGM379*-1109 and KGM679*-1109



D157PA_502008

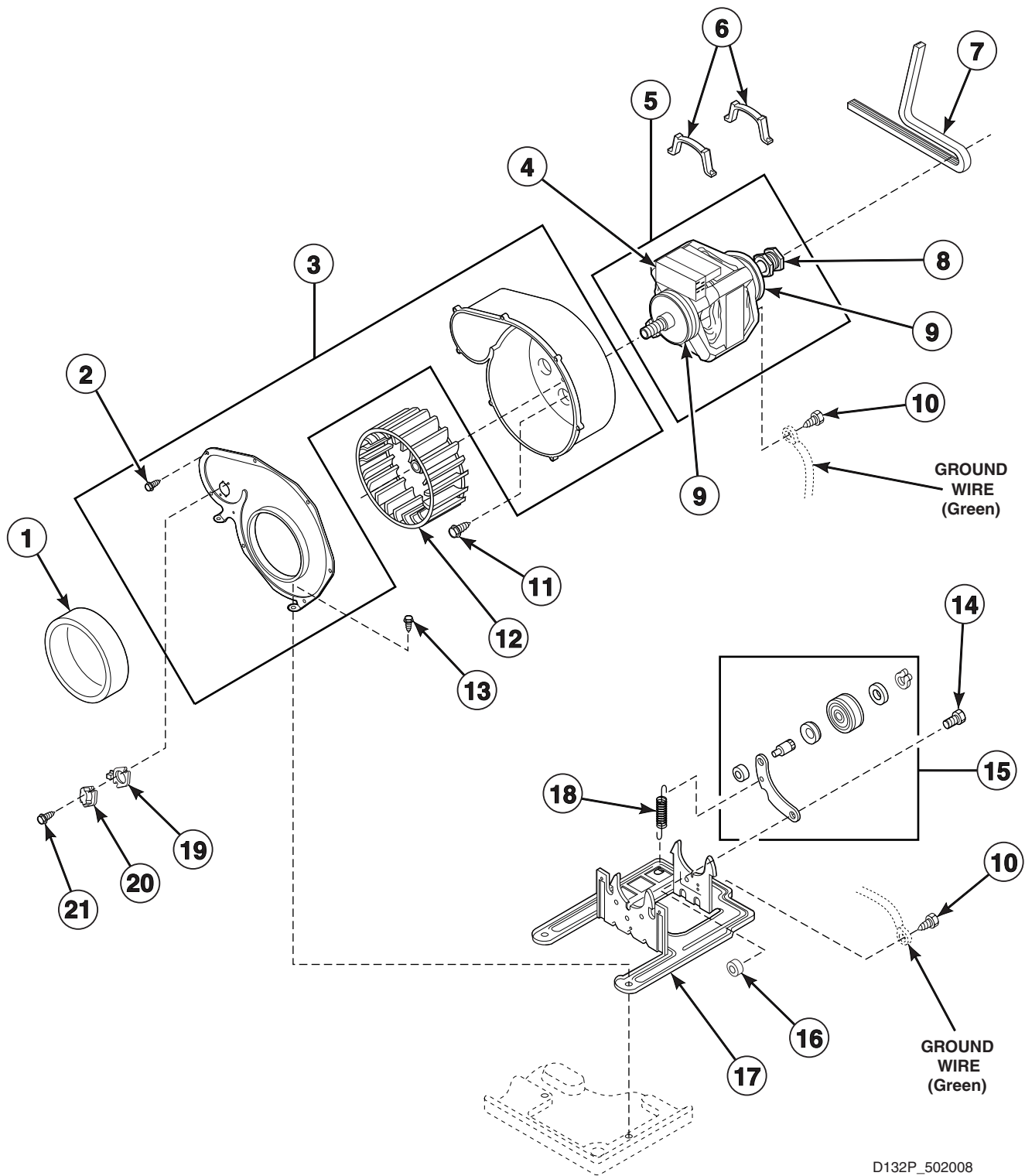
Graphic Panel, Control Hood and Controls (Drawing 5 of 5)

REF	PART NO.	DESCRIPTION	COMMENTS
1	D501250	Graphic Panel	Models AEM497*-3000, AGM479*-3000 and AGM499*-3013
	D502505	Graphic Panel	Models ACE497*23000, ACG499*23013 and ACG499*23080
	D503394	Graphic Panel	Model AEM477*-4562
	D502646	Graphic Panel	Models ZCE477*-3000 and ZCG479*-3013
	N/A	Graphic Panel	All other models
2	62234	Timer Knob Assembly	White; Models AEM477*-4562, AGM479*-3000, ZEM477*-3000, ZGM479*-3000 and ZGM479*-3013
	D512117W	Timer Knob Assembly	White; Model REM477*-4562
	D510287L	Timer Knob Assembly	Almond; Model REM477*-4562
	62176	Timer Knob Assembly	Black; All other models
3	33688	Knob Assembly	White; Models AEM477*-4562, AGM479*-3000, ZEM477*-3000, ZGM479*-3000 and ZGM479*-3013
	36701W	Knob Assembly	White; Model REM477*-4562
	36701L	Knob Assembly	Almond; Model REM477*-4562
	N/A	Control Knob Assembly	Black; All other models
4	N/A	Trim Strip	Models KED497*-4350, KEM497*-1702, KGD499*-3058 and KGM499*-1102

* Add Letter To Designate Color. L - Almond W - White

N/A = Part no longer available

Motor, Exhaust Fan and Belt



D132P_502008

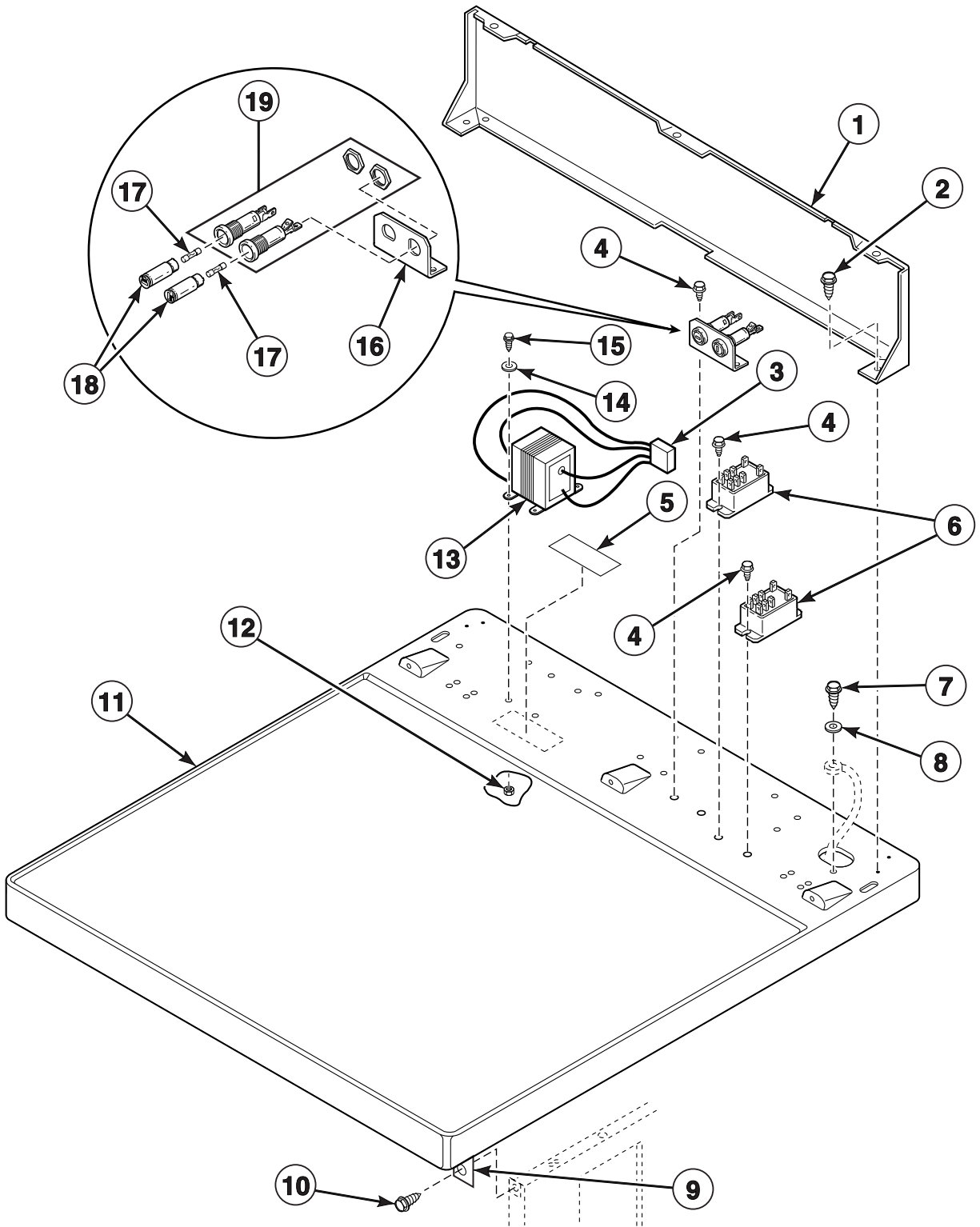
Motor, Exhaust Fan and Belt

REF	PART NO.	DESCRIPTION	COMMENTS
	27604P	Anti-Seize Compound	Apply to motor shaft before installing the exhaust fan impeller
1	D500313	Blower Housing Seal	
2	31260	Screw	
3	D511969WP	Blower Housing	Includes item 2
4	D501218P	Motor Switch Kit	
5	D511629P	Motor and Pulley Assembly	120 Volt/60 Hertz; Models BGM419*-1180, KEE997*-1702, KEM377*-1709, KEM497*-1702, KEM677*-1709, KEM777*-1709, KGE999*-1102, KGM379*-1109, KGM499*-1102 and KGM679*-1109
	D505843P	Motor and Pulley Assembly	Export models; 240 Volt/50 Hertz; All other models
6	D510180	Motor Mount Clamp	
7	D511255P	Cylinder Belt	
8	D500222	Motor Pulley	50 Hertz
	D512196	Motor Pulley	60 Hertz
9	590P3	Motor Hub Ring Kit	
10	20530	Screw	
11	D503661	Screw	
12	D510139P	Blower Fan Assembly	
13	33562	Screw	
14	D500824	Screw	
15	D516792	Idler Lever and Wheel Assembly	
16	52566	Nut	
17	D510060	Motor Mount	
18	D510185	Idler Spring	
19	61401	Thermostat Heater	Models KEM497*-1702, KEM677*-1709, KEM777*-1709, KGM499*-1102 and KGM679*-1109
	D502498	Thermostat Heater	Green; Models ACE497*23000, ACG499*23013, ACG499*23080, ZCE477*-3000 and ZCG479*-3013
	61622	Thermostat Heater	All other models
20	D510523	Thermistor Assembly	Black; Models KEE997*-1702 and KGE999*-1102
	56410	Thermostat	Models BGM419*-1180, KEM377*-1709 and KGM379*-1109
	N/A	Thermostat	Low; Model AEM477*-4562
	N/A	Thermostat	High; Model AEM477*-4562
	61372	Thermostat	All other models
21	23222	Screw	Use with 56410 Thermostat or D510523 Thermistor Assembly
	D501086	Screw	Use with 61372 Thermostat

* Add Letter To Designate Color. L - Almond W - White

N/A = Part no longer available

Cabinet Top and Control Hood Rear Panel



DRY995P_502008

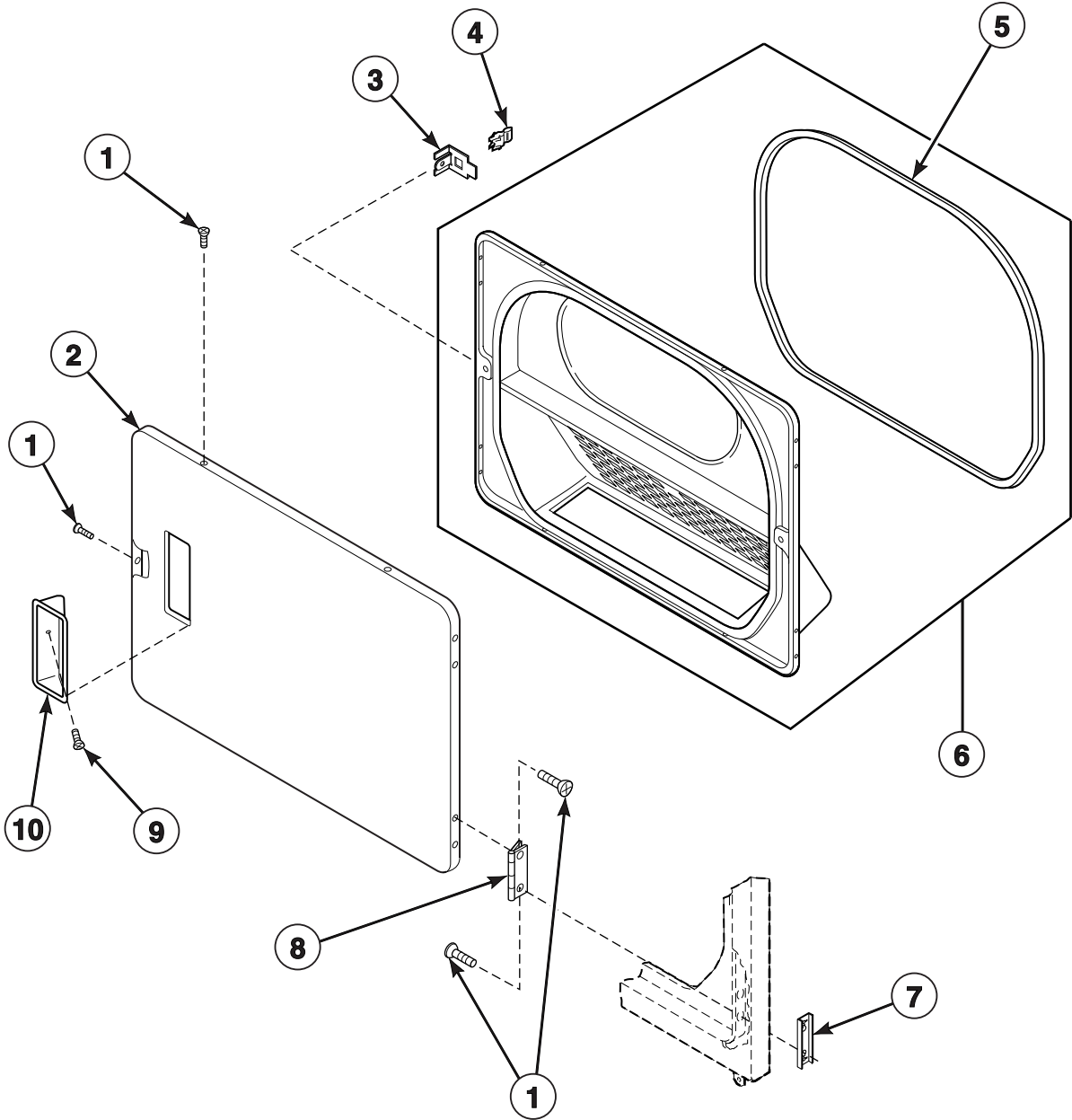
Cabinet Top and Control Hood Rear Panel

REF	PART NO.	DESCRIPTION	COMMENTS
1	D510099	Hood Back Panel	
2	D501086	Screw	
3	23041	6 Circuit Plug	
4	D503688	Screw	
5	D500316	Warning Label	Disconnect Power; Models KEE997*-1702, KEM377*-1709, KEM497*-1702, KEM677*-1709, KEM777*-1709, KGE999*-1102, KGM379*-1109, KGM499*-1102 and KGM679*-1109
	D500314	Warning Label	Disconnect Power; Model ZEM477*-3000
	D505281	Disconnect Power Warning Label	All other models
6	D502501P	Relay	Models ACE497*23000, ACG499*23013, ACG499*23080, ZCE477*-3000 and ZCG479*-3013
7	20530	Screw	
8	03815	Washer	Models KEE997*-1702, KEM377*-1709, KEM497*-1702, KEM677*-1709, KEM777*-1709, KGE999*-1102, KGM379*-1109, KGM499*-1102 and KGM679*-1109
9	D510146	Bracket	
10	33562	Screw	
11	D502569W	Top Panel	White; Models ACE497*23000, ACG499*23013, ACG499*23080, ZCE477*-3000 and ZCG479*-3013
	D502569L	Top Panel	Almond; Models ACE497*23000, ACG499*23013, ACG499*23080, ZCE477*-3000 and ZCG479*-3013
	N/A	Top Cover	Model REM477*-4562
	D510029WP	Top Panel Kit	White; Includes 2 each of items 9 and 10; All other models
	D510029LP	Top Panel Kit	Almond; Includes 2 each of items 9 and 10; All other models
12	23951	Nut	
13	D511658P	Transformer Kit	Models AGM479*-3000, AGM499*-3000, AGM499*-3013, AGM499*-3080, KGD499*-3058, ZGM479*-3000 and ZGM479*-3013
	M412477P	Transformer	Models ACE497*23000, ACG499*23013, ACG499*23080, AGM499*-3080, ZCE477*-3000 and ZCG479*-3013
14	03815	Washer	
15	D501086	Screw	Models ACE497*23000, ACG499*23013, ACG499*23080, ZCE477*-3000 and ZCG479*-3013
	20267	Screw	All other models
16	D502589	Fuse Holder Bracket	
17	D502593	Fuse	Primary
	D502592	Fuse	Secondary
18	D502811	Fuse Carrier	
19	D502591P	Fuse Holder Kit	

* Add Letter To Designate Color. L - Almond W - White

N/A = Part no longer available

Loading Door



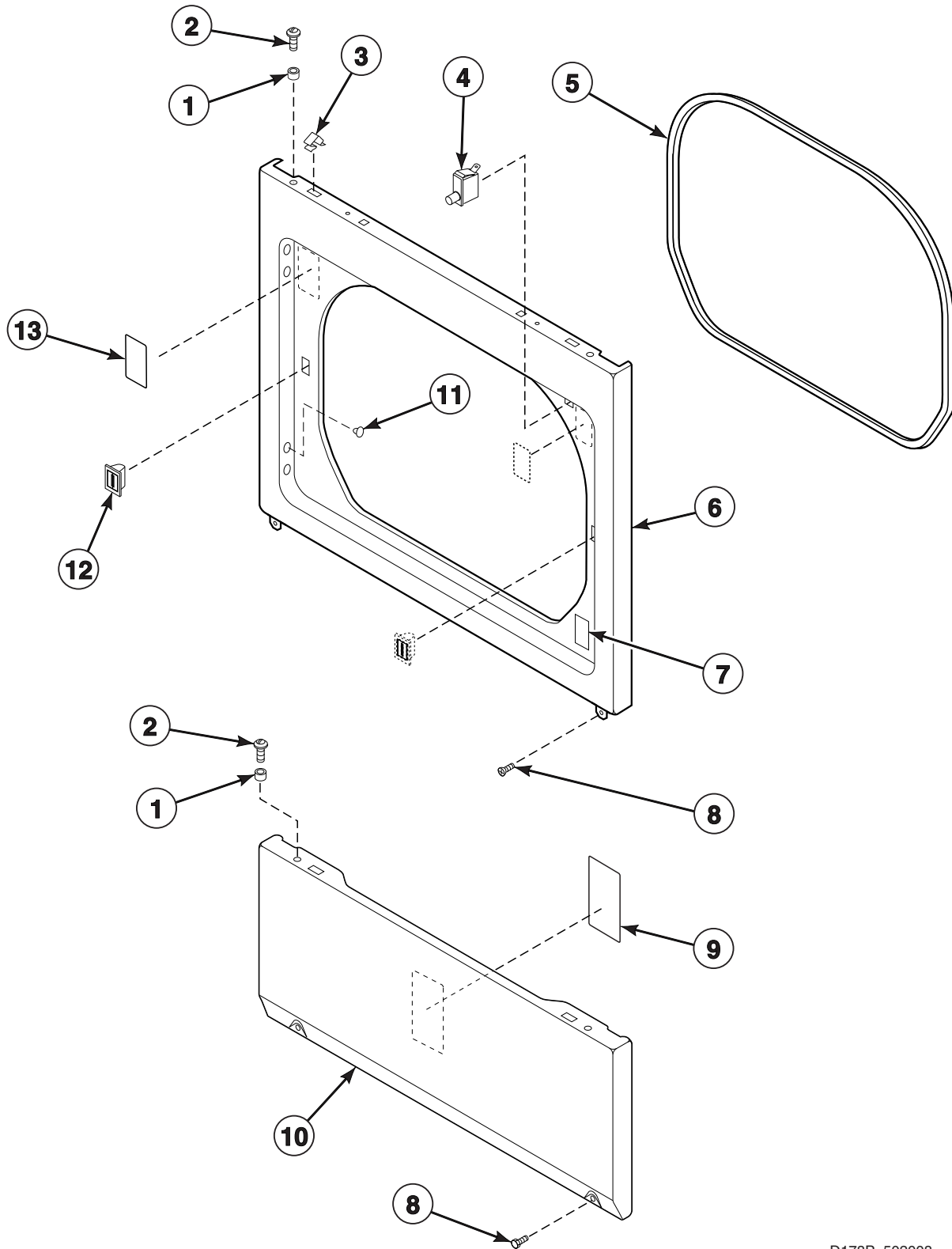
D146P_502008

Loading Door

REF	PART NO.	DESCRIPTION	COMMENTS
1	D500226	Screw	
2	D500040W	Dryer Door	White
	D500040L	Dryer Door	Almond
3	D510127	Door Strike Mount	
4	D510181	Door Strike	
5	D500200P	Door Seal	
6	D500199	Liner and Seal Assembly	Includes item 5
7	D500236	Door Hinge Mounting Clip	
8	D510519	Door Hinge	
9	N/A	Screw	
10	D500042W	Door Pull	White

N/A = Part no longer available

Lower Access Panel, Front Panel and Seal



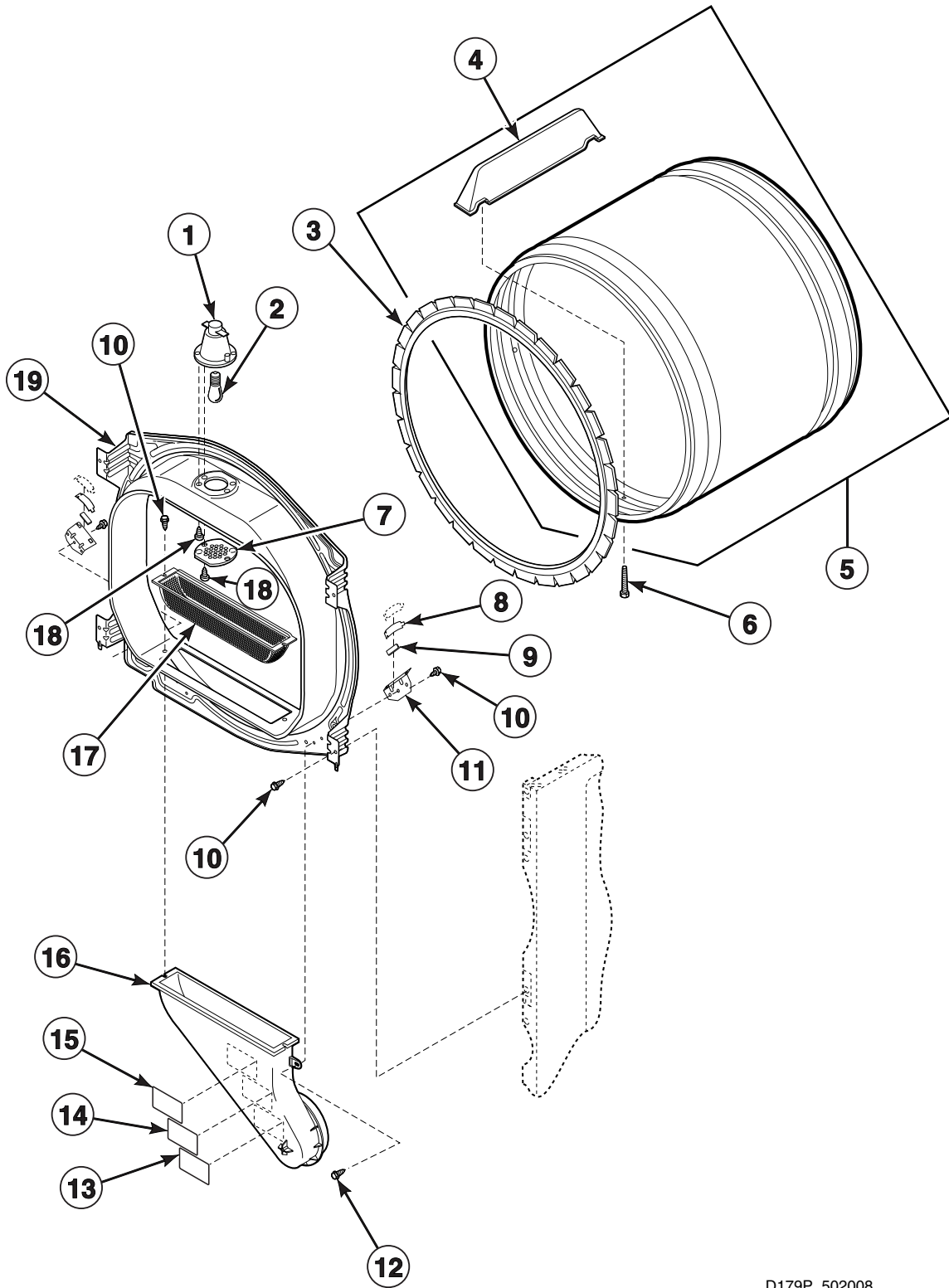
D178P_502008

Lower Access Panel, Front Panel and Seal

REF	PART NO.	DESCRIPTION	COMMENTS
1	56079	Panel Locator	
2	39733	Screw	
3	28835	Speed Clip	
4	D512973	Switch	
5	D500034	Seal	
6	D500033W	Front Panel	White
	N/A	Front Panel	Almond
7	D500240	Natural/L.P. Gas Label	Natural Gas (N.G.) or Liquid Petroleum Gas (L.P.); Models KGE999*-1102, KGM379*-1109, KGM499*-1102 and KGM679*-1109
8	33562	Screw	
9	D511004	Gas Clearance Label	Gas models
10	D510069WP	Access Panel	White
	D510069L	Access Panel	Almond
11	D505870	Screw	
12	D510177	Door Catch Assembly	
13	D500253	Caution Label	Models KEE997*-1702, KEM377*-1709, KEM497*-1702, KEM677*-1709, KEM777*-1709, KGE999*-1102, KGM379*-1109, KGM499*-1102 and KGM679*-1109
	D500281	Warning/Caution Label	All other models

* Add Letter To Designate Color. L - Almond W - White

Front Bulkhead, Air Duct, Felt Seal and Cylinder



D179P_502008

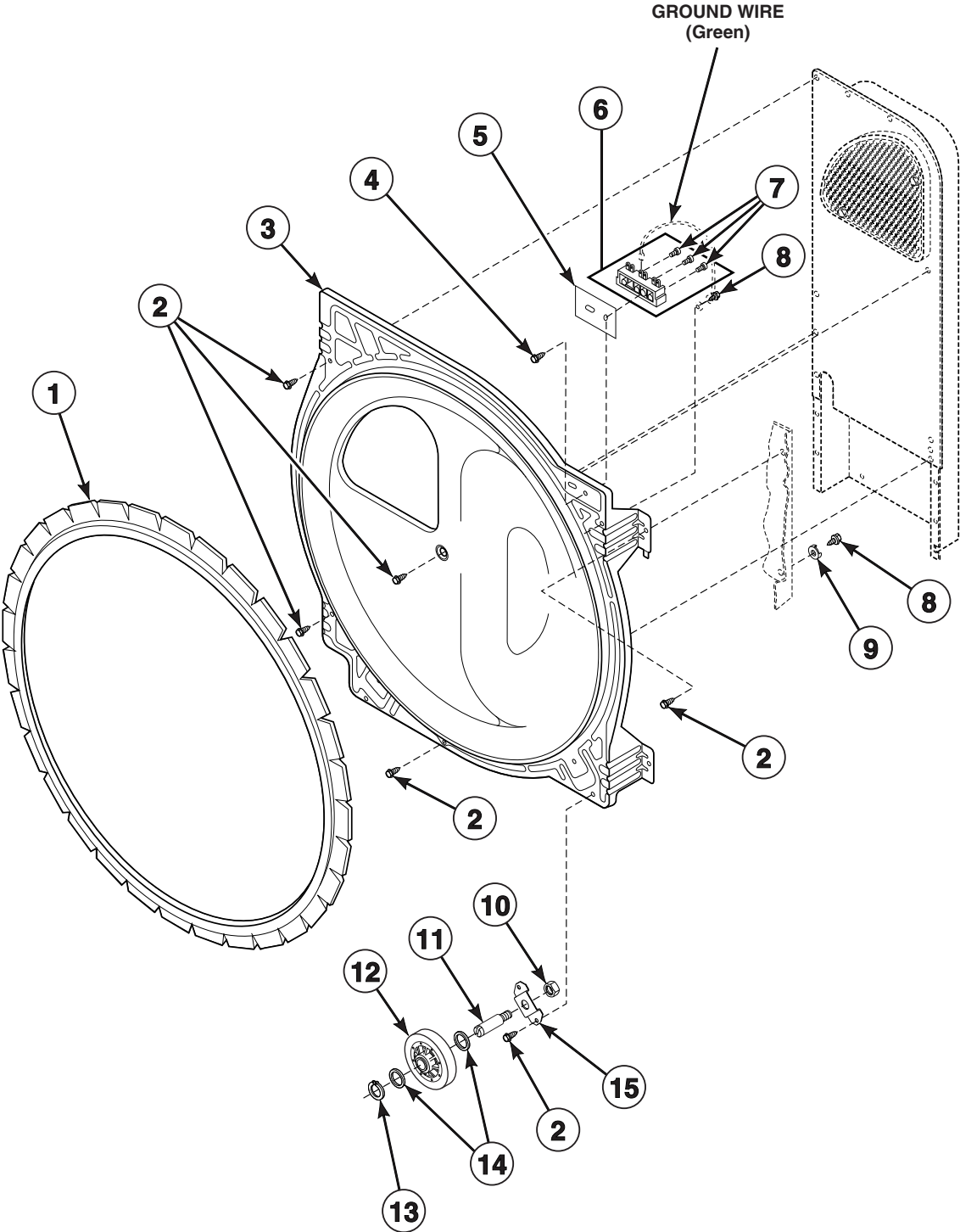
Front Bulkhead, Air Duct, Felt Seal and Cylinder

REF	PART NO.	DESCRIPTION	COMMENTS
1	N/A	Cylinder Light Housing	Models KEE997*-1702, KEM677*-1709, KEM777*-1709, KGE999*-1102 and KGM679*-1109
2	60954	Drum Light Lamp	
3	D510207P	Cylinder Seal Assembly	
4	D510102W	Cylinder Baffle	
5	D500735P	Cylinder Assembly	Includes 3 of item 4
6	62588	Screw	
7	N/A	Lens	
8	D513710	Cylinder Glide	2 required per side for stainless steel; Only 1 is required for homestyle
9	D510189	Felt Pad	
10	D500226	Screw	Models ACE497*23000, ACG499*23013, ACG499*23080, ZCE477*-3000 and ZCG479*-3013
	D503688	Screw	All other models
11	D510145	Cylinder Glide Bracket	
12	D503661	Screw	
13	N/A	Label	
14	D500049	Warning Label	
15	D500314	Warning Label	Models KEE997*-1702, KEM377*-1709, KEM497*-1702, KEM677*-1709, KEM777*-1709, KGE999*-1102, KGM379*-1109, KGM499*-1102 and KGM679*-1109
16	D502231	Front Air Duct	
17	D502140P	Lint Filter	
18	D505870	Screw	
19	D500016W	Front Bulkhead Assembly	Includes items 3, 8, 9, 11 and hardware; For models with cylinder with light opening
	D500117W	Front Bulkhead Assembly	Includes items 3, 8, 9, 11 and hardware; For models with cylinder with light opening

* Add Letter To Designate Color. L - Almond W - White

N/A = Part no longer available

Rear Bulkhead, Felt Seal, Cylinder Roller and Terminal Block



D176P_502008

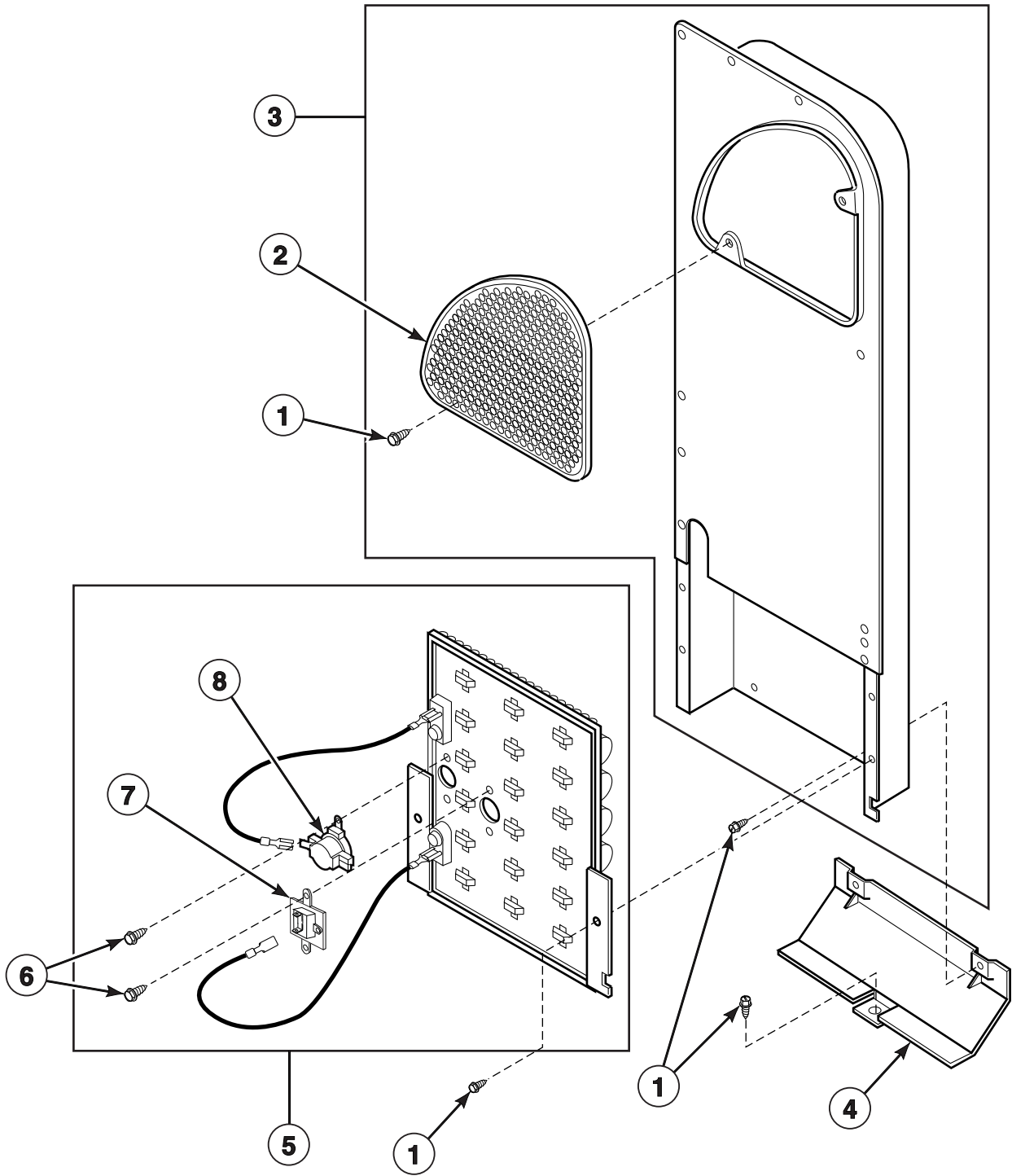
Rear Bulkhead, Felt Seal, Cylinder Roller and Terminal Block

REF	PART NO.	DESCRIPTION	COMMENTS
1	D510207P	Cylinder Seal Assembly	
2	D503688	Screw	
3	D501154	Rear Bulkhead Assembly	Includes item 1; Model KEM777*-1709
	D510905WP	Rear Bulkhead Assembly	Includes item 1; All other models
4	D501285	Screw	
5	N/A	Plastic Plate	Model AEM477*-4562
6	D502517	Terminal Block	Models ACE497*23000, ACG499*23013, ACG499*23080, ZCE477*-3000 and ZCG479*-3013
	D510190P	Terminal Block Assembly	Includes 3 of item 7; All other electric models; Gas models AGM479*-3000, AGM499*-3000, AGM499*-3013, AGM499*-3080, KGD499*-3058, ZGM479*-3000 and ZGM479*-3013
7	61199	Screw	
8	20530	Screw	
9	51474	Washer	
10	56156	Nut	
11	56461P	Shaft	
12	D510708P	Cylinder Roller	
13	23748	Retaining Ring	
14	52549	Washer	
15	D510100	Cylinder Roller Bracket	

* Add Letter To Designate Color. L - Almond W - White

N/A = Part no longer available

Heater Box Assembly - Electric Models



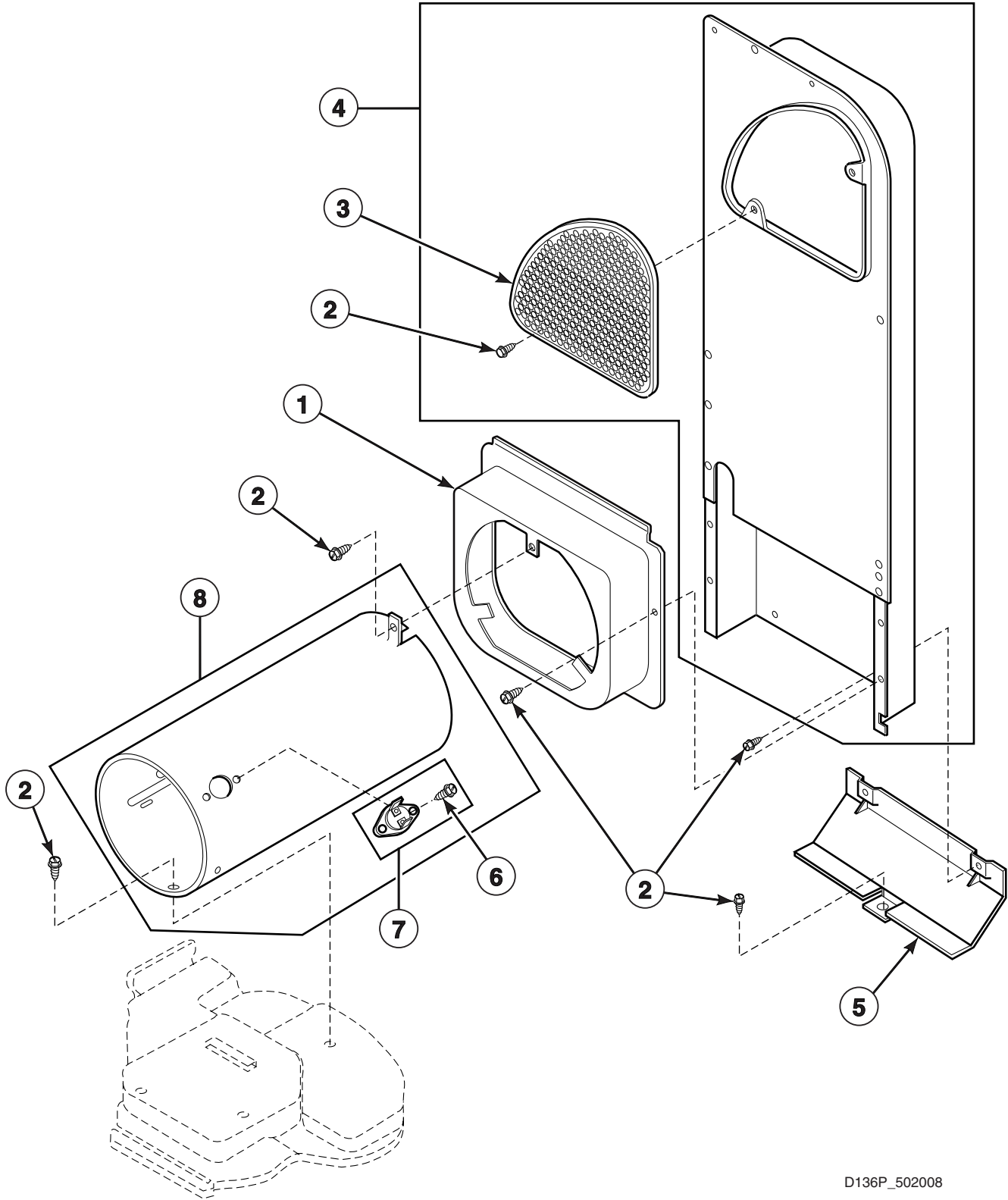
D135P_502008

Heater Box Assembly - Electric Models

REF	PART NO.	DESCRIPTION	COMMENTS
1	D503688	Screw	
2	D500820	Outlet Cover	
3	D510025P	Heater Duct Assembly	Includes items 1 and 2
4	60952	Heat Duct Shield	
5	61928	Heater Kit Assembly	White; 208 Volt/60 Hertz; 4750 kW
	61927	Heater Kit Assembly	Red; 240 Volt/60 Hertz; 5000 kW
	61930	Heater Kit Assembly	240 Volt/50 Hertz; 4000 kW
	61931	Heater Kit Assembly	240 Volt/50 Hertz; 3100 kW
	61929	Heater Kit Assembly	Green; 240 Volt/50 Hertz; 4800 kW
6	23222	Screw	
7	D511412	Thermal Fuse Assembly	
8	D510700	Limit Thermostat	Use with 61931 Heater Kit Assembly; Model AEM477*-4562
	D500807	Thermostat	Use with 61927 Heater Kit Assembly; Models KEE997*-1702, KEM377*-1709, KEM497*-1702, KEM677*-1709 and KEM777*-1709
	D510701	Limit Thermostat	Use with 61927, 61929 and 61930 Heater Kit Assembly; All other models

* Add Letter To Designate Color. L - Almond W - White

Heater Box Assembly - Gas Models



D136P_502008

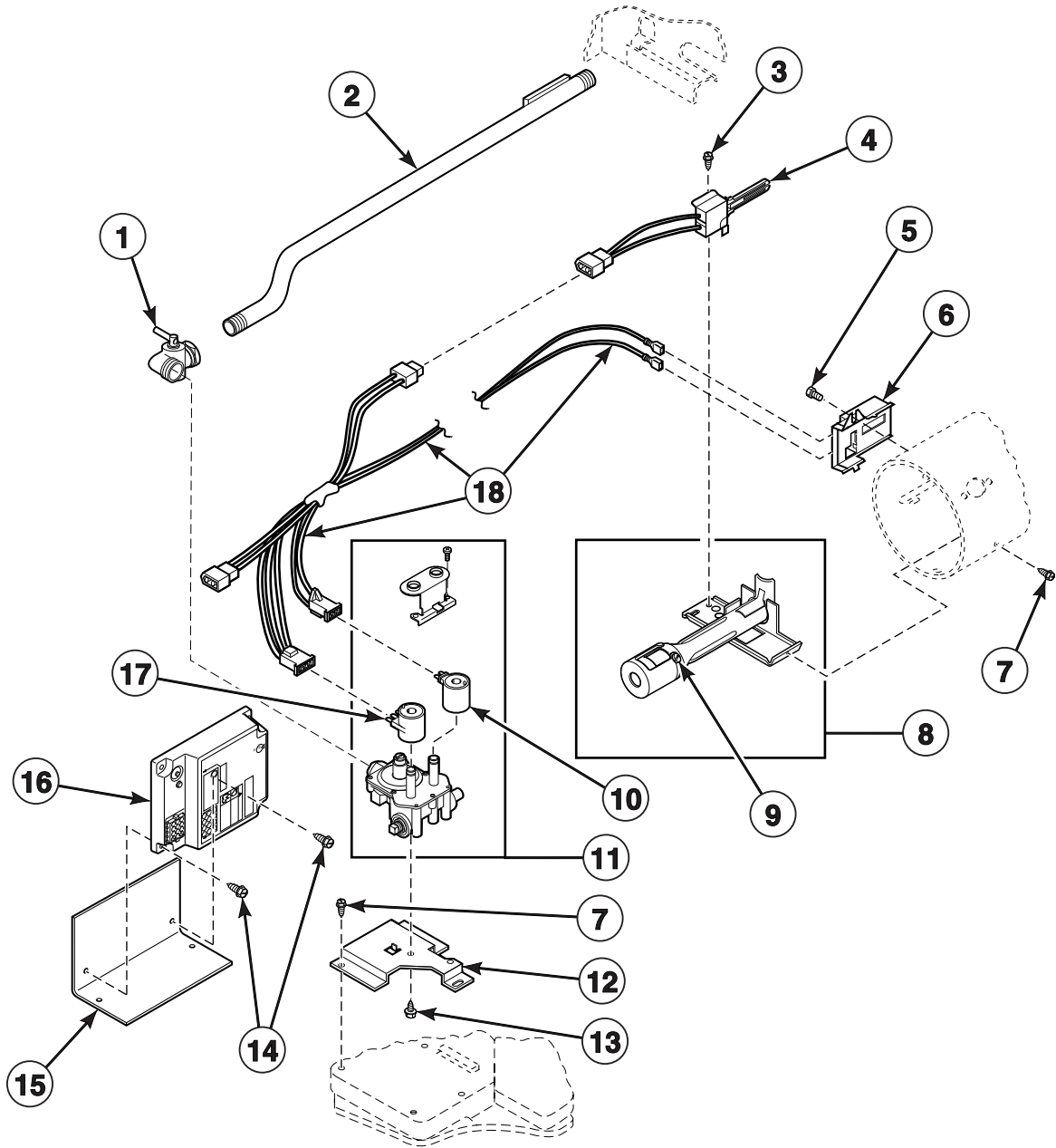
Heater Box Assembly - Gas Models

REF	PART NO.	DESCRIPTION	COMMENTS
1	D510101	Heat Duct Shroud	
2	D503688	Screw	
3	D500820	Outlet Cover	
4	D510025P	Heater Duct Assembly	Includes items 2 and 3
5	60952	Heat Duct Shield	
6	51782	Screw	
7	D510703	Thermostat	Manual reset; Model KGD499*-3058
	489P3	Thermostat and Plate Kit	Includes item 6; All other models
8	N/A	Burner Housing	Includes item 7

* Add Letter To Designate Color. L - Almond W - White

N/A = Part no longer available

Gas Valve, Igniter and Gas Conversion Kits - 50 Hertz Gas Models



DRY645P_502008

Gas Valve, Igniter and Gas Conversion Kits - 50 Hertz Gas Models

REF	PART NO.	DESCRIPTION	COMMENTS
	401P3	L.P. Conversion Kit	Model AGM499*-3080; To convert from Natural Gas (N.G.) or Mixed Gas to Liquid Petroleum Gas (L.P.)
	402P3	N.G. Conversion Kit	To convert from L.P. to N.G. or Mixed Gas
	D502995P	Igniter and Sensor Assembly	Models ACG499*23013, ACG499*23080 and ZCG479*-3013
1	D510205	Elbow Shut-Off Valve	
2	D510204	Lead-In Pipe Assembly	
3	51782	Screw	
4	D502426	Igniter Bracket	Models ACG499*23080 and KGD599*-3058
	D510184P	Igniter and Bracket Assembly	All other models
5	51782	Screw	Models ACG499*23013, ACG499*23080 and ZCG479*-3013
	23222	Screw	All other models
6	D502995P	Igniter and Sensor Assembly	Model KGD599*-3058
	D510213	Sensor	All other models
7	D503688	Screw	
8	D510149P	Burner Assembly	
9	33562	Screw	
10	D502423A	Main and Redundant Coil	240 Volt; Model KGD599*-3058
	59063B	Secondary Coil	120 Volt; All other models
11	N/A	Gas Valve Assembly	N.G. or Mixed Gas; Models KGD499*-3058, ZGM479*-3000 and ZGM479*-3013
	D502423P	Gas Valve Assembly	Models ACG499*23013, ACG499*23080, KGD599*-3058 and ZCG479*-3013
	59063P	Gas Valve Assembly	115 Volt/50 Hertz; All other models
12	D510128	Gas Valve Mounting Bracket	
13	56124	Screw	
14	D502535	Screw	Models ACG499*23080 and KGD599*-3058
15	D502425	Ignition Control Bracket	Models ACG499*23080 and KGD599*-3058
16	D502994	Igniter Control	
17	D502423A	Main and Redundant Coil	240 Volt; Model KGD599*-3058
	59063A	Booster and Holding Coil	120 Volt; All other models
18	D502609	Gas Valve Wire Harness Assembly	Models ACG499*23013, ACG499*23080 and ZCG479*-3013
	D510530	Gas Valve Wire Harness Assembly	All other models

* Add Letter To Designate Color. L - Almond W - White

N/A = Part no longer available

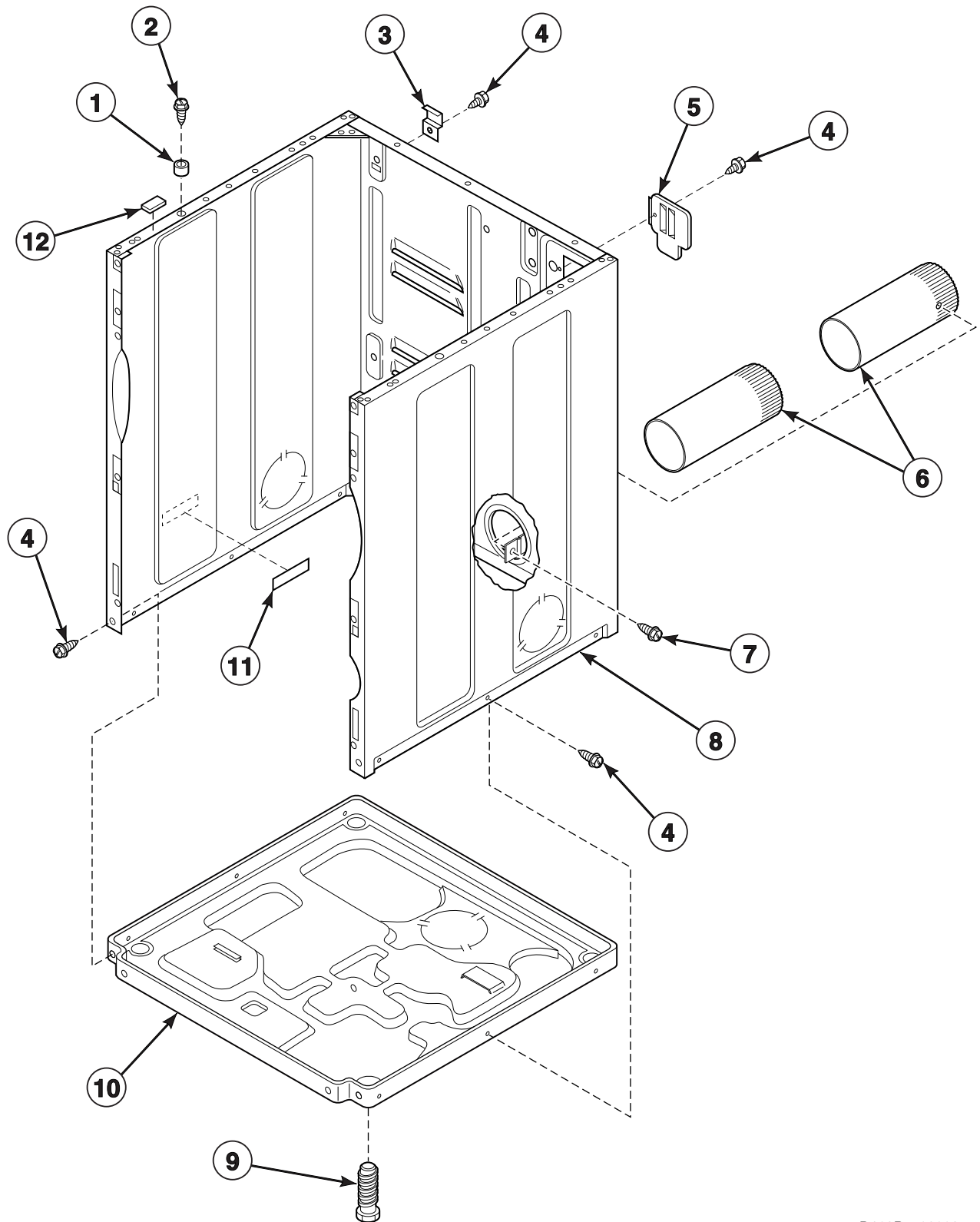
Gas Valve, Igniter and Gas Conversion Kits - 60 Hertz Gas Models

REF	PART NO.	DESCRIPTION	COMMENTS
	401P3	L.P. Conversion Kit	Canadian models KGM379*-1109 and KGM679*-1109; To convert from Natural Gas (N.G.) or Mixed Gas to Liquid Petroleum Gas (L.P.)
	402P3	N.G. Conversion Kit	Canadian models; To convert from L.P. to N.G. or Mixed Gas
1	D510205	Elbow Shut-Off Valve	
2	D510204	Lead-In Pipe Assembly	
3	51782	Screw	
4	D510184P	Igniter and Bracket Assembly	
5	23222	Screw	
6	D510213	Sensor	
7	D503688	Screw	
8	D510149P	Burner Assembly	
9	N/A	Screw	
10	58804B	Secondary Coil	60 Hertz
11	58804P	Gas Valve Assembly	N.G. or Mixed Gas; 120 Volt/60 Hertz
12	56124	Screw	
13	D510128	Gas Valve Mounting Bracket	
14	58804A	Booster and Holding Coil	60 Hertz
15	D510530	Gas Valve Wire Harness Assembly	

* Add Letter To Designate Color. L - Almond W - White

N/A = Part no longer available

Cabinet, Exhaust Duct and Base

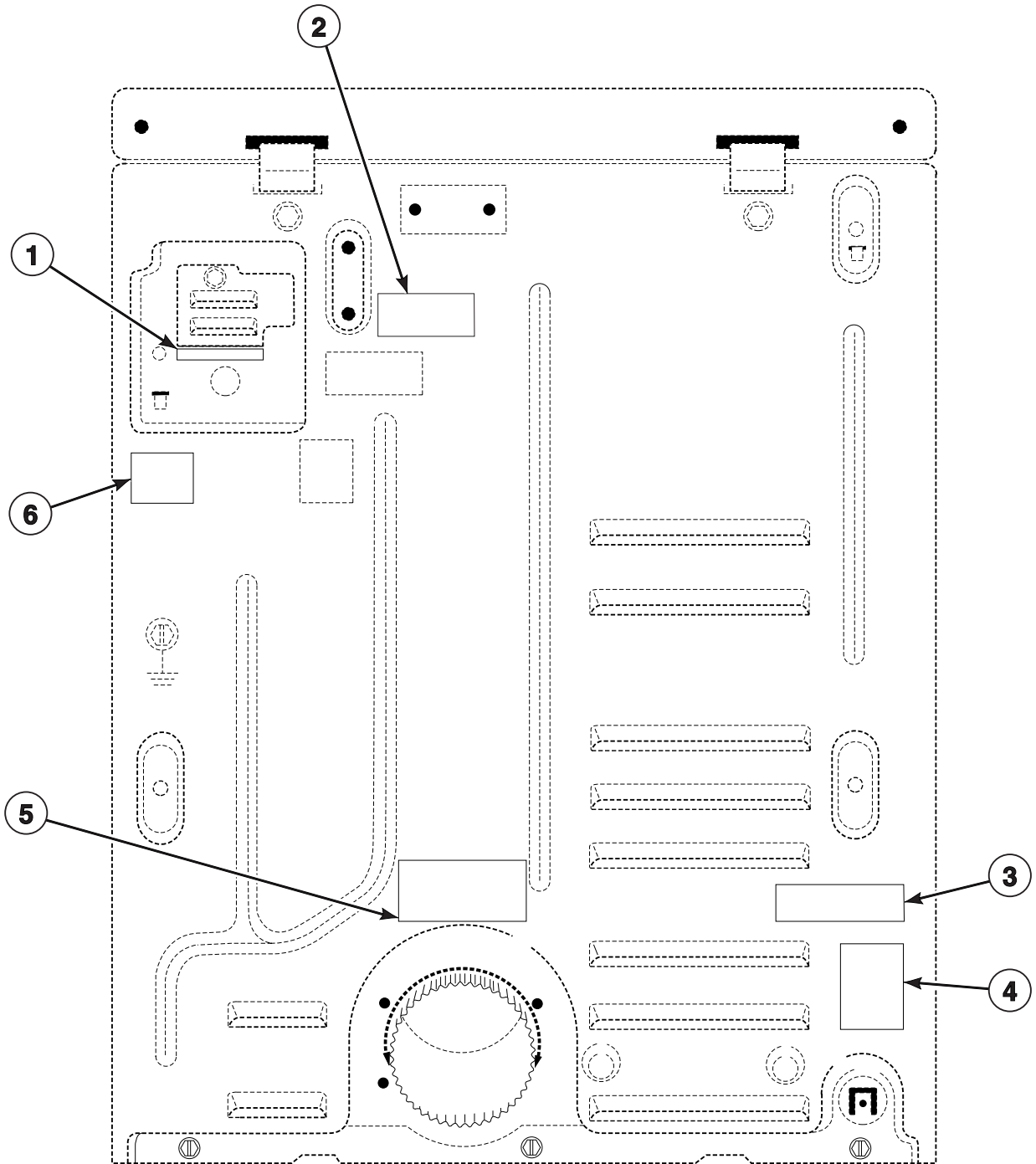


D169P_502008

Cabinet, Exhaust Duct and Base

REF	PART NO.	DESCRIPTION	COMMENTS
	528P3	Directional Exhaust Kit	To vent dryer out the sides or bottom
1	56079	Panel Locator	
2	39733	Screw	
3	D510136	Top Hinge	
4	33562	Screw	
5	D510903	Access Panel Plate	
6	D516196	Exhaust Duct	
7	D503688	Screw	
8	727P3W	Panel Kit	White
	727P3L	Panel Kit	Almond
9	D510135	Leveling Leg	
10	D510084	Dryer Base	
11	61294	Fuse Notice Label	Electric models
12	56128	Bumper Pad	

Rear Cabinet



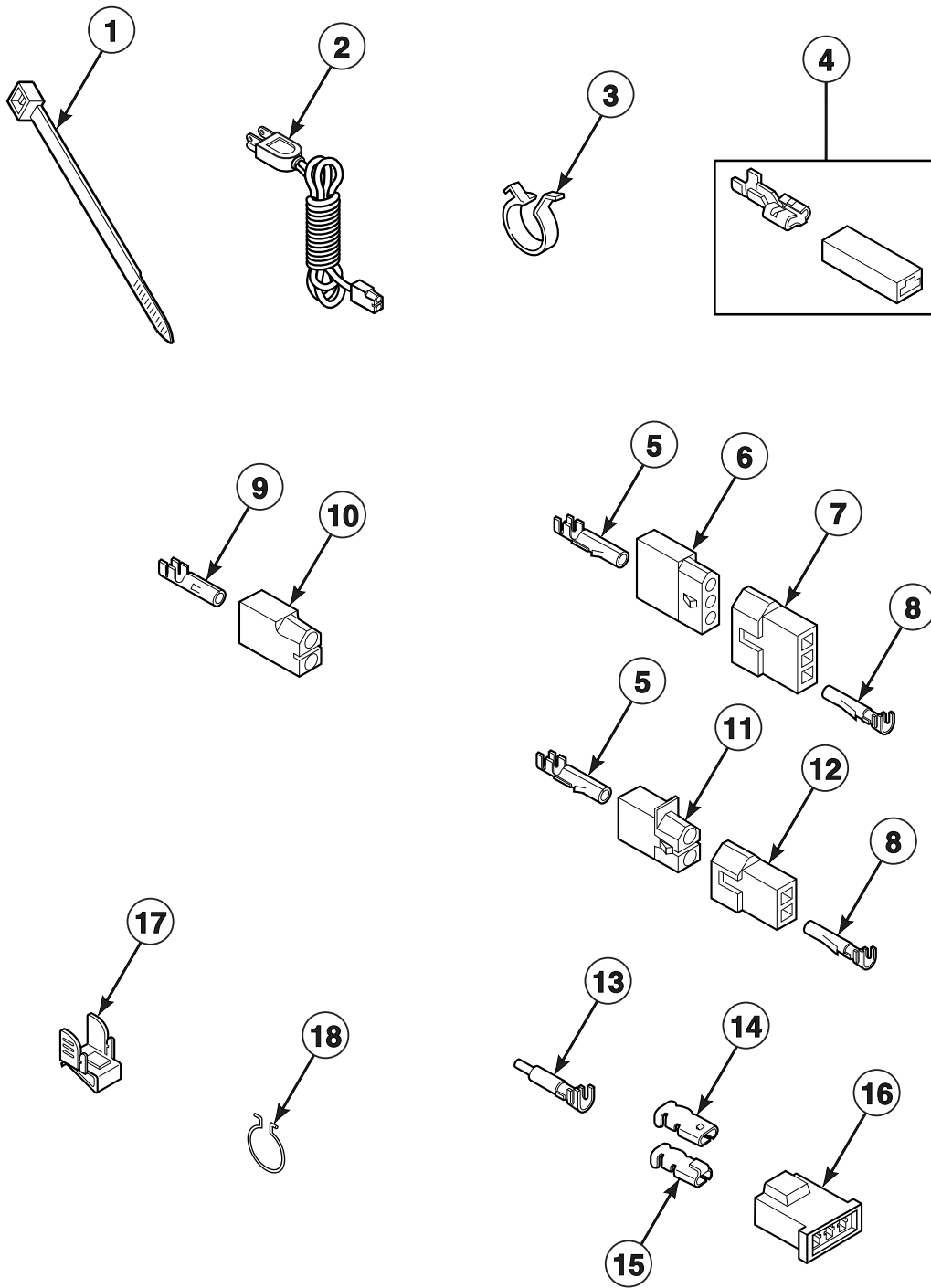
D183P_502008

Rear Cabinet

REF	PART NO.	DESCRIPTION	COMMENTS
1	D501288	Terminal Block Label	Models KED597*-4350 and KGD499*-3058
2	D500316	Warning Label	Models KEE997*-1702, KEM377*-1709, KEM497*-1702, KEM677*-1709, KEM777*-1709, KGE999*-1102, KGM379*-1109, KGM499*-1102 and KGM679*-1109
3	D501140	Natural Gas Notice Label	Model KGD499*-3058
4	D511004	Gas Clearance Label	Gas models
5	D500497	Exhaust Warning Label	Models AEM477*-4562, AEM497*-3000, AEM497*-3300, AGM479*-3000, AGM499*-3000, AGM499*-3013, AGM499*-3080, KED497*-4350, KGD499*-3058, KGE999*-1102, KGM379*-1109, KGM499*-1102, KGM679*-1109, ZEM477*-3000, ZGM479*-3000 and ZGM479*-3013
6	D500493	30 Amp Notice Label	Electric models
	D500496	20 Amp Notice Label	Electric models
	D500495	15 Amp Notice Label	Electric models

* Add Letter To Designate Color. L - Almond W - White

Power Cord and Terminals (Drawing 1 of 2)



DRY1748P_502008

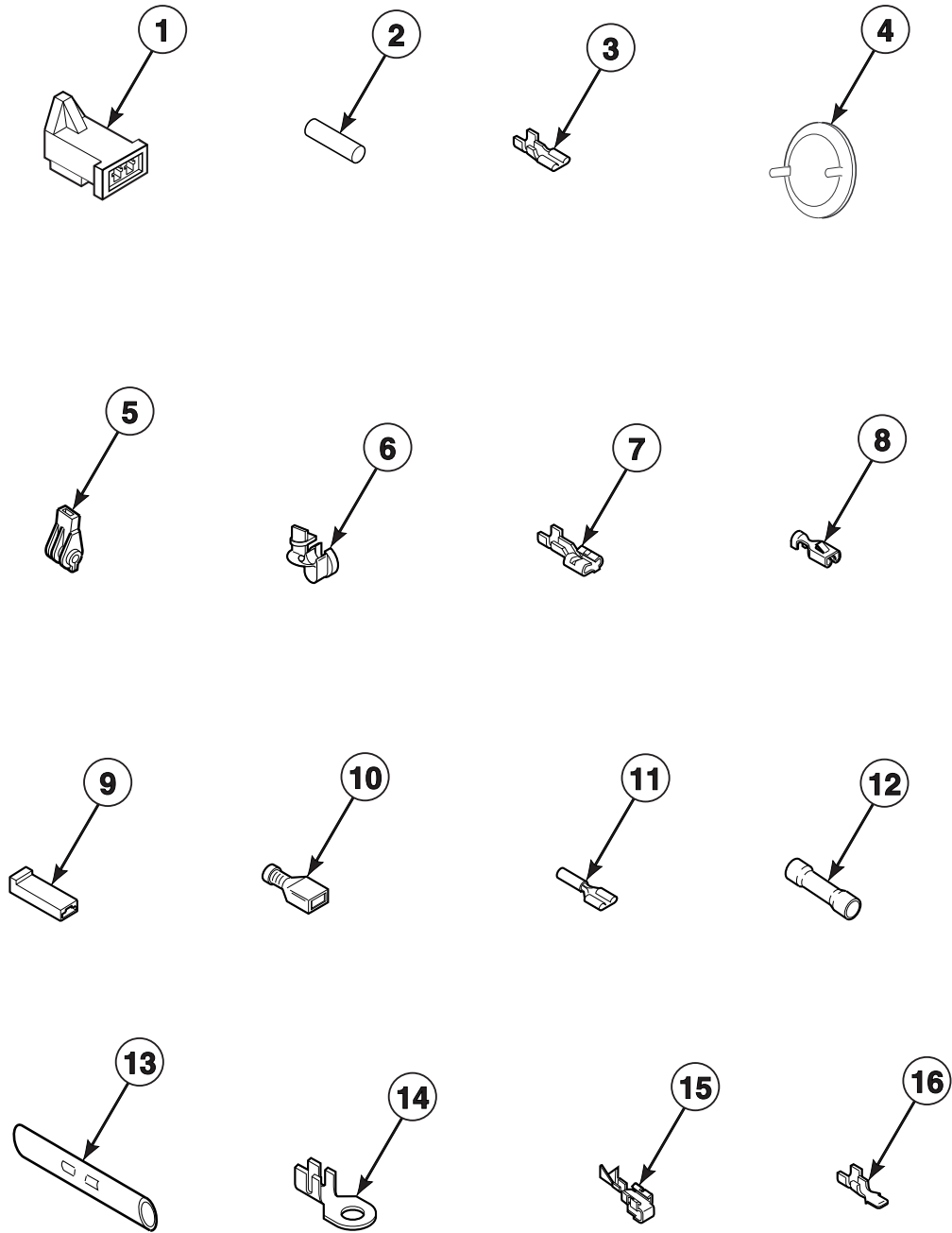
Power Cord and Terminals (Drawing 1 of 2)

REF	PART NO.	DESCRIPTION	COMMENTS
1	55881	Harness Strap	
2	N/A	Lead-In Cord	Models AGM499*-3013, KGD499*-3058 and ZGM479*-3013
	61605P	Lead-In Cord Kit	Model KED497*-4350
	D510505P	Lead-In Cord Assembly	Models KEE997*-1702, KEM377*-1709, KEM677*-1709 and KEM777*-1709
	D513632	Lead-In Cord	Model AEM477*-4562
	56222	Lead-In Cord	Models KGE999*-1102, KGM379*-1109, KGM499*-1102 and KGM679*-1109
	D502786	Power Cord Assembly	Models ACG499*23013 and ACG499*23080
	N/A	Power Cord Assembly	Model ACE497*23000
3	D504034	Wire Clip	
4	00360	Insulated Female Spade Terminal	(1) 12 gauge wire or (2) 18 gauge wires
5	00117	Female Pin Terminal	
6	23039	3 Circuit Receptacle	
7	23040	Plug	
8	00116	Male Pin Terminal	
9	00130	Female Pin Terminal	
10	56265	2 Circuit Receptacle	
11	56451	2 Circuit Receptacle	
12	56448	2 Circuit Plug	
13	00127	Male Pin Terminal	
14	00189	Female Spade Terminal	
15	00361	Female Piggyback Terminal	
16	58800	3 Circuit Connector	
17	00161	Grounding Clip	
18	51291	Wire Clip	

* Add Letter To Designate Color. L - Almond W - White

N/A = Part no longer available

Power Cord and Terminals (Drawing 2 of 2)



DRY1749P_502008

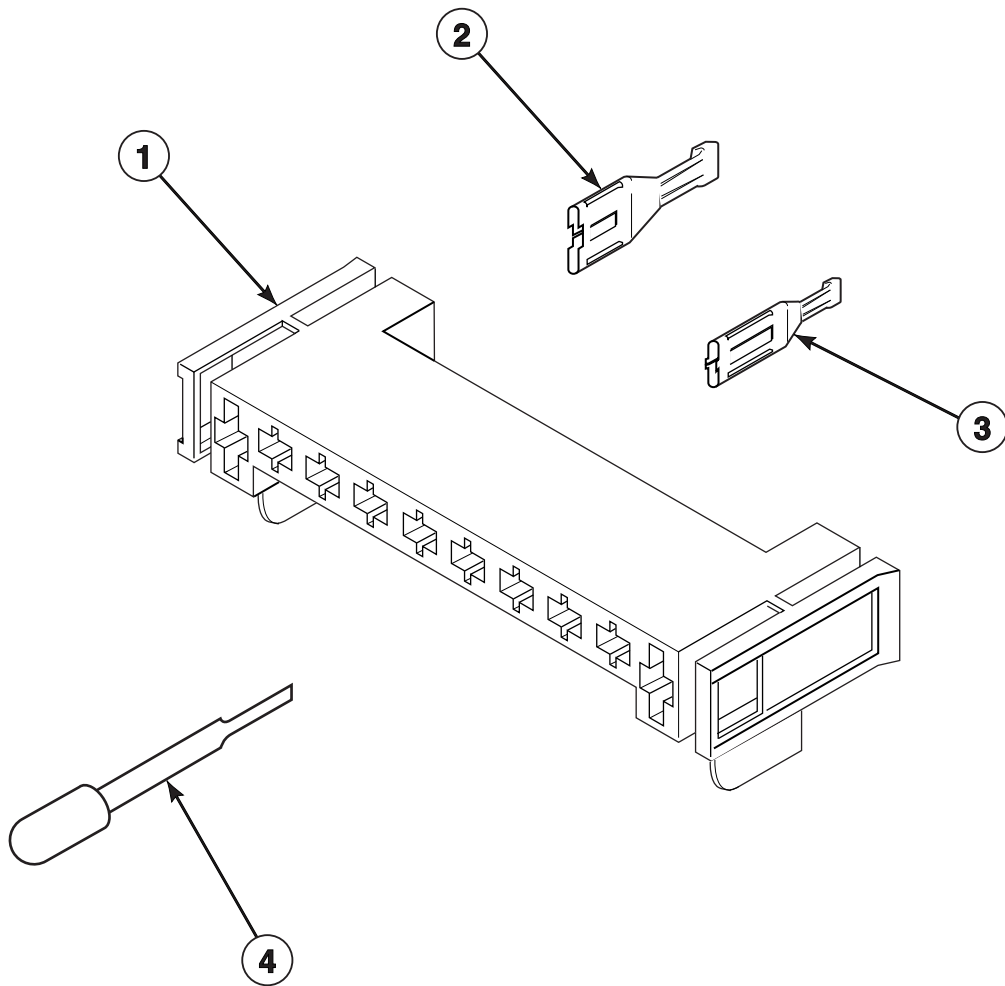
Power Cord and Terminals (Drawing 2 of 2)

REF	PART NO.	DESCRIPTION	COMMENTS
1	58799	2 Circuit Connector	
2	D503670	Insulator Sleeve	
3	00124	Female Spade Terminal	3/16 inch; (1) 18 gauge wire; .020 tab
	00209	Female Spade Terminal	3/16 inch; (2) 18 gauge wires; .020 tab
	00156	Female Spade Terminal	.032 tab
4	D502496	Strain Relief Adapter	Models ACE497*23000, ACG499*23013, ACG499*23080, AEM477*-4562, AGM499*-3013, KED497*-4350, KGD499*-3058, ZCE477*-3000, ZCG479*-3013 and ZGM479*-3013
5	70210	Insulator	
6	N/A	Strain Relief	Models AGM499*-3013, AGM499*-3058 and ZGM479*-3013
	52113	Strain Relief	Use with item 4; Models AEM477*-4562 and KED497*-4350
	D502500	Strain Relief	Models ACE497*23000, ACG499*23013, ACG499*23080, ZCE477*-3000 and ZCG479*-3013
	38384	Strain Relief	All other models
7	00245	Spade Terminal	1/4 inch; (1) 22 gauge wire
	00223	Female Spade Terminal	1/4 inch; (1) 18 gauge wire
	00121	Female Spade Terminal	1/4 inch; (2) 18 gauge wires or (1) 12 gauge wire
8	00115	Female Spade Terminal	(1) 18 gauge wire
	00321	Female Spade Terminal	(2) 18 gauge wires or (1) 12 gauge wire
9	90789	Receptacle Housing	
10	00165	Insulated Female Terminal	3/16 inch
	00359	Insulated Female Spade Terminal	1/4 inch
11	N/A	Pre-Insulated Spade Terminal	18 gauge wire
	00215	Pre-Insulated Spade Terminal	12 gauge wire
12	N/A	Butt Splice Connector	
13	21091	Connector	
14	00110	Ring Terminal	No. 10; (1) 18 gauge wire
	00111	Ring Terminal	No. 10; (2) 18 gauge wires or (1) 12 gauge wire
15	00114	Female Spade Terminal	
16	00139	Male Tab Terminal	(2) 18 gauge wires or (1) 12 gauge wire

* Add Letter To Designate Color. L - Almond W - White

N/A = Part no longer available

Motor Connection Block, Terminals and Terminal Extractor Tool



D153P_502008

Motor Connection Block, Terminals and Terminal Extractor Tool

REF	PART NO.	DESCRIPTION	COMMENTS
1	D500338	10 Position Housing	
2	00255	Female Terminal	1/4 inch; (1) 12 gauge wire
	00256	Female Terminal	1/4 inch; (1) or (2) 18 gauge wires
3	00188	Female Terminal	For 1 or 2 wire application
4	283P4	Terminal Extractor Tool	

Wire Harnesses and Wires

PART NO.	DESCRIPTION	COMMENTS
D500888	Wire Harness Assembly	Model KEM497*-1702
N/A	Wire Harness Assembly	Models KEE997*-1702 and KGM679*-1109
D500890	Wire Harness Assembly	Models KEM677*-1709 and KEM777*-1709
D500891	Wire Harness Assembly	Model KEM377*-1709
D500694	Wire Harness Assembly	Models AEM497*-3000, AEM497*-3300, AEM497*-4350, AEM497*23000, AEM497*23300, AEM497*24350, KED497*-4350, KED597*-4350, KEM497*-3000, NEM497*-3000 and ZEM477*-3000
D500894	Wire Harness Assembly	Model AEM477*-4562
D500695	Wire Harness Assembly	Model KGM499*-1102
D500691	Wire Harness Assembly	Model KGE999*-1102
D500699	Wire Harness Assembly	Models BGM419*-1180 and KGM379*-1109
D500898	Wire Harness Assembly	Models AGM479*-3000, AGM499*-3000, AGM499*-3013, AGM499*-3058, AGM499*-3080, AGM499*23000, AGM499*23013, AGM499*23058, AGM499*23080, KGD499*-3058, KGD599*-3058, NGM499*-3013, ZGM479*-3000 and ZGM479*-3013
D501886	Wire Harness Assembly	Model BGM419*-1180
D503403	Wire Harness Assembly	Model REM477*-4562
D502580	Base Wire Harness Assembly	Models ACG499*23013, ACG499*23080 and ZCG479*-3013
D502620	Base Wire Harness Assembly	Models ACE497*23000 and ZCE477*-3000
N/A	Hood Wire Harness Assembly	Models ACE497*23000, ACG499*23013, ACG499*23080, ZCE477*-3000 and ZCG479*-3013
D502900	Hood Wire Harness Assembly	Models ZCE477*-3000 and ZCG479*-3013
45001	18 Gauge Wire	Black; Order by the foot; Order terminals and connectors as required
45380	12 Gauge Wire	Orange; Order by the foot; Order terminals and connectors as required

* Add Letter To Designate Color. L - Almond W - White

N/A = Part no longer available

NOTE: Individual wires are not available separately. Order complete wire harness or order wire by the foot. When applying terminals to wires it is recommended that the terminals be soldered to the wires.

Parts Index

A

Access Panel	
D510069L	21
D510069WP	21
Access Panel Plate	
D510903	35
Anti-Seize Compound	
27604P	15

B

Base Wire Harness Assembly	
D502580	44
D502620	44
Blower Fan Assembly	
D510139P	15
Blower Housing	
D511969WP	15
Blower Housing Seal	
D500313	15
Booster and Holding Coil	
58804A	33
59063A	31
Bracket	
D510146	17
Bumper Pad	
56128	35
Burner Assembly	
D510149P	31, 33
Buzzer	
D502499	11

C

Caution Label	
D500253	21
Connector	
21091	41
Connector, 2 Circuit	
58799	41
Connector, 3 Circuit	
58800	39
Cylinder Assembly	
D500735P	23
Cylinder Baffle	
D510102W	23
Cylinder Belt	
D511255P	15
Cylinder Glide	
D513710	23
Cylinder Glide Bracket	
D510145	23
Cylinder Roller	
D510708P	25
Cylinder Roller Bracket	
D510100	25

Cylinder Seal Assembly	
D510207P	23, 25

D

Directional Exhaust Kit	
528P3	35
Disconnect Power Warning Label	
D505281	17
Door Catch Assembly	
D510177	21
Door Hinge	
D510519	19
Door Hinge Mounting Clip	
D500236	19
Door Pull	
D500042W	19
Door Seal	
D500200P	19
Door Strike	
D510181	19
Door Strike Mount	
D510127	19
Drum Light Lamp	
60954	23
Dryer Base	
D510084	35
Dryer Door	
D500040L	19
D500040W	19

E

Elbow Shut-Off Valve	
D510205	31, 33
End Cap	
31248	5, 7, 9, 11
31249	5, 7, 9, 11
34459	11
34460	11
End Panel	
D504008L	11
D504008WP	11
D504009L	11
D504009WP	11
Exhaust Duct	
D516196	35
Exhaust Warning Label	
D500497	37

F

Fabric Selector Switch	
58813	11
61511	11
Felt Pad	
D510189	23

N/A items do not appear in index.

Female Piggyback Terminal 00361	39
Female Pin Terminal 00117	39
00130	39
Female Spade Terminal 00114	41
00115	41
00121	41
00124	41
00156	41
00189	39
00209	41
00223	41
00321	41
Female Terminal 00188	43
00255	43
00256	43
Front Air Duct D502231	23
Front Bulkhead Assembly D500016W	23
D500117W	23
Front Panel D500033W	21
Fuse D502592	17
D502593	17
Fuse Carrier D502811	17
Fuse Holder Bracket D502589	17
Fuse Holder Kit D502591	17
Fuse Notice Label 61294	35

G

Gas Clearance Label D511004	21, 37
Gas Valve Assembly D502423P	31
58804P	33
59063P	31
Gas Valve Mounting Bracket D510128	31, 33
Gas Valve Wire Harness Assembly D502609	31
D510530	31, 33
Graphic Panel D501250	13
D502505	13
D502646	13
D503394	13
Grounding Clip 00161	39

H

Harness Strap 55881	39
------------------------------	----

Heat Duct Shield 60952	27, 29
Heat Duct Shroud D510101	29
Heater Duct Assembly D510025P	27, 29
Heater Kit Assembly 61927	27
61928	27
61929	27
61930	27
61931	27
Hood Back Panel D510099	17
Hood Wire Harness Assembly D502900	44
Housing, 10 Position D500338	43

I

Idler Lever and Wheel Assembly D516792	15
Idler Spring D510185	15
Igniter and Bracket Assembly D510184P	31, 33
Igniter and Sensor Assembly D502995P	31
Igniter Bracket D502426	31
Igniter Control D502994	31
Ignition Control Bracket D502425	31
Insulated Female Spade Terminal 00359	41
00360	39
Insulated Female Terminal 00165	41
Insulator 70210	41
Insulator Sleeve D503670	41

K

Knob Assembly 33688	7, 13
36701L	13
36701W	13

L

Lead-In Cord D513632	39
56222	39
Lead-In Cord Assembly D510505P	39
Lead-In Cord Kit 61605P	39

N/A items do not appear in index.

Lead-In Pipe Assembly	
D510204	31, 33
Leveling Leg	
D510135	35
Limit Thermostat	
D510700	27
D510701	27
Liner and Seal Assembly	
D500199	19
Lint Filter	
D502140P	23
L.P. Conversion Kit	
401P3	31, 33

M

Main and Redundant Coil	
D502423A	31
Male Pin Terminal	
00116	39
00127	39
Male Tab Terminal	
00139	41
Motor and Pulley Assembly	
D505843P	15
D511629P	15
Motor Hub Ring Kit	
590P3	15
Motor Mount	
D510060	15
Motor Mount Clamp	
D510180	15
Motor Pulley	
D500222	15
D512196	15
Motor Switch Kit	
D501218P	15

N

Natural Gas Notice Label	
D501140	37
Natural/L.P. Gas Label	
D500240	21
Notice Label, 15 Amp	
D500495	37
Notice Label, 20 Amp	
D500496	37
Notice Label, 30 Amp	
D500493	37
Nut	
23951	17
52566	15
56156	25
57584	11
N.G. Conversion Kit	
402P3	31, 33

O

Outlet Cover	
D500820	27, 29

P

Panel Kit	
727P3L	35
727P3W	35
Panel Locator	
56079	21, 35
Plug	
23040	39
Plug, 2 Circuit	
56448	39
Plug, 6 Circuit	
23041	17
Power Cord Assembly	
D502786	39
Pre-Insulated Spade Terminal	
00215	41

R

Rear Bulkhead Assembly	
D501154	25
D510905WP	25
Receptacle Housing	
90789	41
Receptacle, 2 Circuit	
56265	39
56451	39
Receptacle, 3 Circuit	
23039	39
Relay	
D502501P	17
Retaining Ring	
23748	25
Ring Terminal	
00110	41
00111	41
Rotary Signal	
D500823	7, 11

S

Screw	
D500226	19, 23
D500824	15
D501086	5, 7, 11, 15, 17
D501285	25
D502535	11, 31
D503661	15, 23
D503688	17, 23, 25, 27, 29, 31, 33, 35
D505870	21, 23
20267	17
20530	15, 17, 25
23222	15, 27, 31, 33
31260	7, 9, 11, 15

N/A items do not appear in index.

31752	9, 11
32993	5, 7, 11
33562	15, 17, 21, 31, 35
39733	21, 35
51782	29, 31, 33
56124	31, 33
61199	25
62588	23
Seal	
D500034	21
Secondary Coil	
58804B	33
59063B	31
Sensor	
D510213	31, 33
Shaft	
56461P	25
Spade Terminal	
00245	41
Speed Clip	
28835	21
Strain Relief	
D502500	41
38384	41
52113	41
Strain Relief Adapter	
D502496	41
Switch	
D512973	21

T

Terminal Block	
D502517	25
Terminal Block Assembly	
D510190P	25
Terminal Block Label	
D501288	37
Terminal Extractor Tool	
283P4	43
Thermal Fuse Assembly	
D511412	27
Thermistor Assembly	
D510523	15
Thermostat	
D500807	27
D510703	29
56410	15
61372	15
Thermostat and Plate Kit	
489P3	29
Thermostat Heater	
D502498	15
61401	15
61622	15
Timer	
D501881	5
D502963	11
D502964P	11
D502965	11
D502966P	11
D502967	7
59420	5

Timer Knob Assembly	
D510287L	13
D512117W	13
62176	13
62234	5, 7, 13
Top Hinge	
D510136	35
Top Panel	
D502569L	17
D502569W	17
Top Panel Kit	
D510029LP	17
D510029WP	17
Transformer	
M412477P	17
Transformer Kit	
D511658P	17

W

Warning Label	
D500049	23
D500314	17, 23
D500316	17, 37
Warning/Caution Label	
D500281	21
Washer	
03815	17
51474	25
52549	25
Wire Clip	
D504034	39
51291	39
Wire Harness Assembly	
D500691	44
D500694	44
D500695	44
D500699	44
D500888	44
D500890	44
D500891	44
D500894	44
D500898	44
D501886	44
D503403	44
Wire, 12 Gauge	
45380	44
Wire, 18 Gauge	
45001	44
