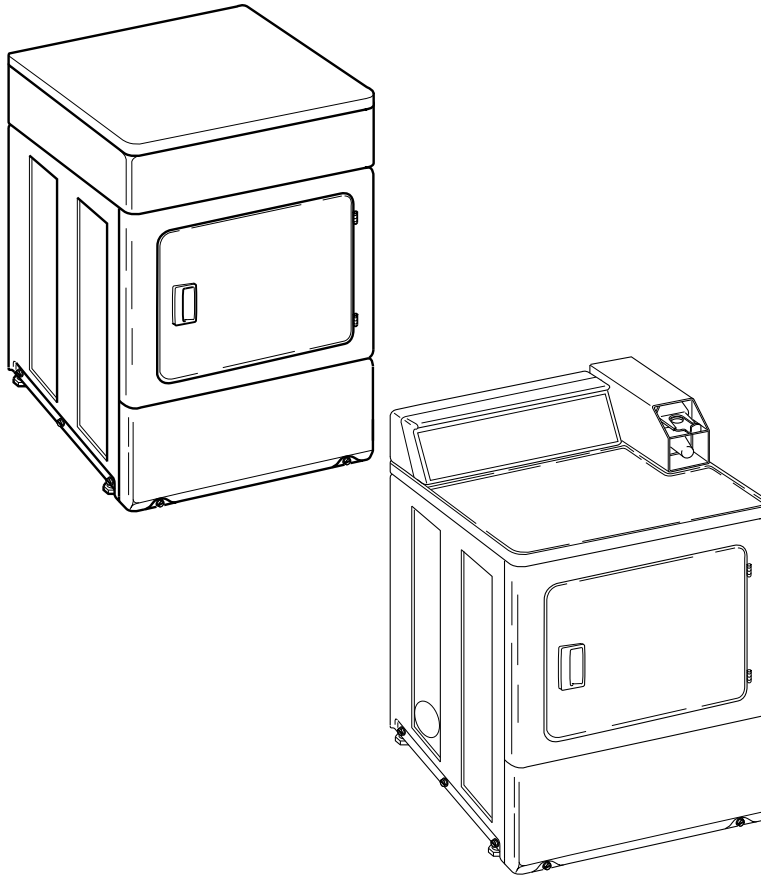


Commercial Dryers

Metered and Nonmetered
Refer to Page 5 for Model Numbers



DRY692C_506055

Table of Contents

Title	Page
Parts Ordering Information.....	3
Serial Plate Location	3
Model Identification	5
Graphic Overlays and Controls - Electromechanical Rear Control Models	6
Control Hood - Electromechanical Rear Control Models	8
Control Panel, Control Hood and Controls - Nonmetered Rear Control Models.....	10
Control Panel and Control Hood - Coin Slide Rear Control Models.....	12
Control Panel and Controls - Electronic Rear Control Models	14
Control Panel and Controls - Rear Control Coin Drop Models.....	16
Control Panel and Controls - Rear Control Card Models	18
Timer and Timer Case - Nonmetered Rear Control Models	20
Short Vault Coin Slide Extension and Meter Case - Coin Slide Rear Control Models	22
Long Vault Coin Slide Extension and Meter Case - Coin Slide Rear Control Models.....	24
Control, Meter Case and Service Door - Coin Slide Rear Control Models.....	26
Coin Slide Extension Through Serial No. 1211 - Coin Slide Rear Control Models	28
Coin Slide Extension Starting Serial No. 1211 - Coin Slide Rear Control Models	30
Non-Electronic Coin Drop - Rear Control Models	32
Electronic Coin Drop - Rear Control Models	34
Meter Case - Rear Control Coin Drop Models	36
Card Reader and Security Case - Rear Control Models	38
Cabinet Top - Rear Control Models (Drawing 1 of 2).....	40
Cabinet Top - Rear Control Models (Drawing 2 of 2).....	42
Control Panel and Controls - Coin Slide Ready Front Control Models	44
Control Panel and Controls - Front Control Coin Drop and Card Models (Drawing 1 of 2).....	46
Control Panel and Controls - Front Control Coin Drop and Card Models (Drawing 2 of 2).....	48
Non-Electronic Coin Drop - Front Control Models.....	50
Electronic Coin Drop - Front Control Models	52
Control Cabinet Controls - Front Control Coin Drop Models.....	54
Control Cabinet Controls - Front Control Card Reader Ready Models	56
Card Reader - Front Control Card Reader Ready and Installed Models	58
Cabinet Top - Front Control Coin Slide Ready, Coin Drop Ready, Coin Drop Installed and Card Reader Ready Models	60
Control Cabinet - Front Control Non-Vend Models	62
Cabinet Top - Front Control Coin Drop and Card Reader Installed Models.....	64
Accumulator - Coin Slide Models	66
Loading Door with Window (Drawing 1 of 2).....	68
Loading Door with Window (Drawing 2 of 2).....	70
Loading Door without Window	72
Access Panel	74
Front Panel and Seal	76
Motor and Belt.....	78

© Copyright 2023, Alliance Laundry Systems LLC

All rights reserved. No part of the contents of this book may be reproduced or transmitted in any form or by any means without the expressed written consent of the publisher.

Exhaust Fan and Idler Assembly	80
Thermistor and Thermostat (Drawing 1 of 2)	82
Thermistor and Thermostat (Drawing 2 of 2)	84
Front Bulkhead, Air Duct, Felt Seal and Cylinder with Light	86
Front Bulkhead and Air Duct	88
Felt Seal and Cylinder without Light	90
Air Duct Label	92
Rear Bulkhead, Felt Seal and Cylinder Roller	94
Terminal Block - Gas and 1 Phase Electric Models	96
Terminal Block - 3 Phase Electric Models	98
Heater Duct Assembly - 3 Phase	100
Heater Duct and Element Assembly - 1 Phase	102
Heater Duct Assembly	104
Gas Valve, Igniter, Ignition Control and Gas Conversion Kits	106
Gas Valve	108
Burner Orifice Spuds - For Higher Elevations (Drawing 1 of 2)	110
Burner Orifice Spuds - For Higher Elevations (Drawing 2 of 2)	112
Igniter and Gas Conversion Kits	114
Cabinet, Exhaust Duct and Base	116
Contactors and Transformer	118
Power Cord	120
Strain Relief	122
Terminal Block and Terminals	124
Terminals	126
Motor Connection Block and Tools	128
Wire Harnesses and Wires - Front Control Models Through Serial No. 1401 (Drawing 1 of 2)	130
Wire Harnesses and Wires - Front Control Models Through Serial No. 1401 (Drawing 2 of 2)	132
Wire Harnesses and Wires - Front Control Models Starting Serial No. 1401 (Drawing 1 of 2)	134
Wire Harnesses and Wires - Front Control Models Starting Serial No. 1401 (Drawing 2 of 2)	136
Wire Harnesses and Wires - Front Control Models Through Serial No. 1303025314	138
Wire Harnesses and Wires - Front Control Models Starting Serial No. 1303025315	140
Wire Harnesses and Wires - Front Control Models Through Serial No. 0904 (Drawing 1 of 2)	142
Wire Harnesses and Wires - Front Control Models Through Serial No. 0904 (Drawing 2 of 2)	144
Wire Harnesses and Wires - Front Control Models Starting Serial No. 0904 and Continuing Through Serial No. 1401	146
Wire Harnesses and Wires - Front Control Models Starting Serial No. 1401	148
Wire Harnesses and Wires - Front Control Models Starting Serial No. 0904 and Continuing Through Serial No. 1303025314	150
Wire Harnesses and Wires - Front Control Models Starting Serial No. 13030252315	152
Wire Harnesses and Wires - Rear Control Models Through Serial No. 1207	154
Wire Harnesses and Wires - Rear Control Models Starting Serial No. 1207 (Drawing 1 of 2)	156
Wire Harnesses and Wires - Rear Control Models Starting Serial No. 1207 (Drawing 2 of 2)	158
Wire Harnesses and Wires - Rear Control	160
Wire Harnesses and Wires - Rear Control Models Through Serial No. 0904	162
Wire Harnesses and Wires - Rear Control Models Starting Serial No. 0904 and Continuing Through Serial No. 1207	164
Parts Index	167

Parts Ordering Information

If literature or replacement parts are required, contact the source from whom the machine was purchased or contact Alliance Laundry Systems at (920) 748-3950 for the name and address of the nearest authorized parts distributor.

For technical assistance, call the number listed below:

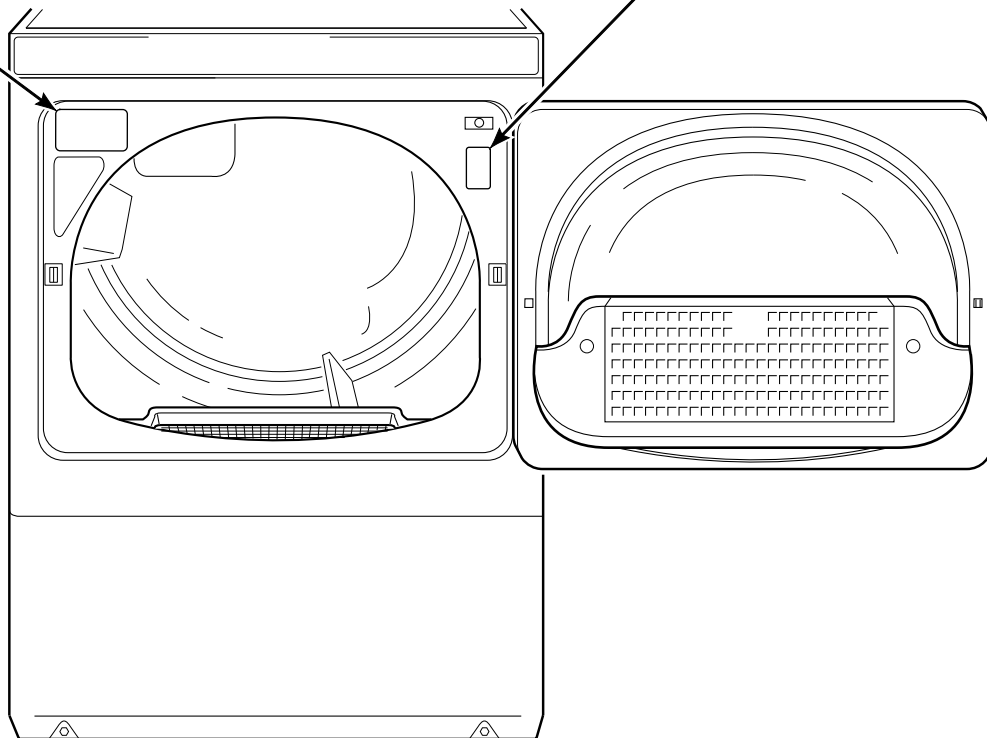
(920) 748-3121 Ripon, Wisconsin

Serial Plate Location

When calling or writing about your product, be sure to mention model and serial numbers. Model and serial numbers are located on serial plate(s) as shown.

SERIAL PLATE
(Models starting Serial No. 1206025810)

SERIAL PLATE
(Models through Serial No. 1206025809)



DRY2283P_506055

Model Identification

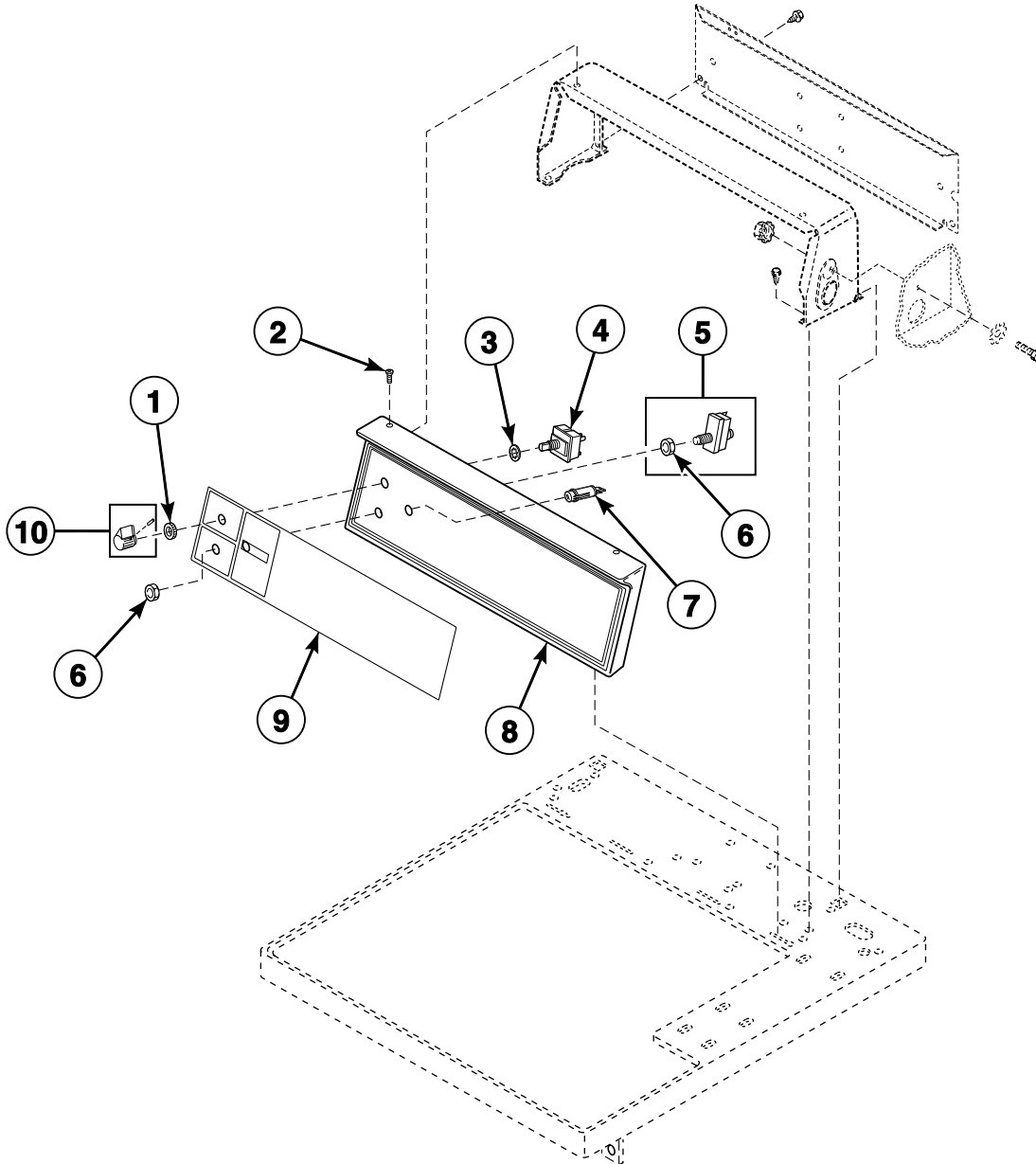
Information in this manual is applicable to these dryer models:

BDG809*F1102	HDEB07*J1502	HFG509*F1102	NDE007*G3018	SDEA07*J3000
BDG909*F1102	HDEB07*J1702	HFG709*F1102	NDE007*G4018	SDEA07*J4350
BFEL07*G4018	HDEF07*J1502	HFGX09*F1102	NDE807*F3022	SDEF07*J4350
BFEX07*F4350	HDEF07*J1702	HFGX09*M3013	NDE807*F5422	SDEMNRGS171CW01
BFEX07*G4018	HDER07*F1502	HFGY09*F1102	NDE807*G3018	SDEX07*F3000
BFGL09*M3013	HDER07*F1702	JDE807*F4350	NDE807*G4018	SDEX07*F4350
BFGX09*F3060	HDET07*F1502	JDE807*F5418	NDE907*F3022	SDEX07*G3018
BFGX09*M3013	HDET07*F1702	JDE807*G3018	NDE907*F5422	SDEX07*G4018
FDE807*G3018	HDEX07*F1502	JDE907*F4350	NDG809*F3022	SDG009*F3000
FDE807*G4018	HDEX07*F1702	JDE907*G3018	NDG809*F5422	SDG009*F3058
GDE807*F5418	HDEX07*F3000	JDG809*F3060	NDG909*F3022	SDG009*F3060
GDE807*G3018	HDEX07*G3018	JDG809*M3013	NDG909*F5422	SDG109*F3000
GDE907*F5418	HDEY07*F1502	JDG809*M3020	NFEL47*G4018	SDG109*F3058
GDE907*G3018	HDEY07*F1702	JDG909*F3060	NFEL67*G4018	SDG109*F3060
GDESCRGS301UW01	HDEY07*F99N2	JDG909*M3013	NFEX07*G3018	SDG109*F5412
GDESCRGS331ZW01	HDEZ07*F1502	JDG909*M3020	NFEX07*G4018	SDG109*G3013
GFEG17NG3018	HDEZ07*F1702	KFEG17NF1702	NFGL49*M3013	SDG109*M3013
GFEG17NG4018	HDG009*F1102	KFEG17NG3018	NFGX09*M3013	SDG409*F3000
GFEX17NG3018	HDG009*F3000	KFEG17NG4018	PDE807*G3018	SDG409*F3058
GFEX17NG4018	HDG009*G3008	KFET17NF1702	PDE807*G4018	SDG809*F3060
GFEX17NG3018	HDG009*M3008	KFEX17NG3018	PDEBXRGS431AG02	SDG909*F3060
GFEX17NG4018	HDG109*F1102	KFEX17NG4018	PDG809*F3060	SDG909*F5412
GFGG19NM3020	HDG109*F3000	KFEY17NF1702	PDG809*M3013	SDG909*M3013
GFGY19NM3020	HDG109*G3013	KFEY17NG3018	PDGBXRGS301AG02	SDGF09*J3060
GFGY19NM3020	HDG109*M3013	KFEY17NG4018	SDE007*F3000	SDGMNRGS111CW01
HDE007*F1702	HDG509*F1102	KFGG19NF1102	SDE007*F4350	SDGSXRGS111CW02
HDE007*F3000	HDG709*F1102	KFGG19NM3020	SDE007*G3018	SDGX09*F3000
HDE007*G3003	HDG809*F1102	KFGT19NF1102	SDE107*F3000	SDGX09*F3060
HDE007*G3008	HDG909*F1102	KFGX19NM3020	SDE107*F4350	SDGX09*M3013
HDE007*G3010	HDGB09*J1102	KFGY19NF1102	SDE107*F5412	SFEA07*G3018
HDE007*G4008	HDGF09*J1102	KFGY19NM3020	SDE107*F5417	SFEL07*G4018
HDE007*G4010	HDGR09*F1102		SDE107*G3018	SFEL67*G4018
HDE107*F1502	HDGT09*F1102		SDE107*G4018	SFEX07*F3300
HDE107*F1702	HDGX09*F1102		SDE407*F3000	SFEX07*F4350
HDE107*F3000	HDGX09*F3000		SDE407*F4350	SFEX07*G3018
HDE107*G3003	HDGX09*M3013		SDE807*F3000	SFEX07*G4018
HDE107*G3018	HDGY09*F1102		SDE807*F4350	SFEX67*G4018
HDE107*G4018	HDGZ09*F1102		SDE907*F3000	SFEY07*G4018
HDE507*F1502	HFE167*G4018		SDE907*F4350	SFGL09*M3013
HDE507*F1702	HFE507*F1702		SDE907*F5412	SFGX09*M3013
HDE707*F1502	HFE707*F1702		SDE907*G3018	UDE007*F3000
HDE707*F1702	HFEB07*J1702		SDE907*G4018	UDE007*F3025
HDE807*F1702	HFEL47*G4018			UDE807*F1702
HDE907*F1502	HFEL67*G4018			UDG009*F3000
HDE907*F1702	HFEX07*F1702			UDG009*F3025
HDE907*G3018	HFEY07*F1502			UDG809*F1102
HDE907*G4018	HFEY07*F1702			

* Add Letter To Designate Color. G - Gray L - Almond Q - Bisque W - White N - Stainless Steel

Graphic Overlays and Controls - Electromechanical Rear Control Models

Models HDE007*F1702, HDE007*F3000, HDE007*G3003, HDE007*G3008, HDE007*G3010, HDE007*G4008, HDE007*G4010, HDE107*F1502, HDE107*F1702, HDE107*F3000, HDE107*G3003, HDE107*G3018, HDE107*G4018, HDG009*F1102, HDG009*F3000, HDG009*G3008, HDG009*M3008, HDG109*F1102, HDG109*F3000, HDG109*G3013, HDG109*M3013, NDE007*G3018, NDE007*G4018, SDE007*F3000, SDE007*F4350, SDE007*G3018, SDE107*F3000, SDE107*F4350, SDE107*F5412, SDE107*F5417, SDE107*G3018, SDE107*G4018, SDG009*F3000, SDG009*F3058, SDG009*F3060, SDG109*F3000, SDG109*F3058, SDG109*F3060, SDG109*F5412, SDG109*G3013, SDG109*M3013, UDE007*F3000, UDE007*F3025, UDG009*F3000 and UDG009*F3025



DRY1854P_506055

Graphic Overlays and Controls - Electromechanical Rear Control Models

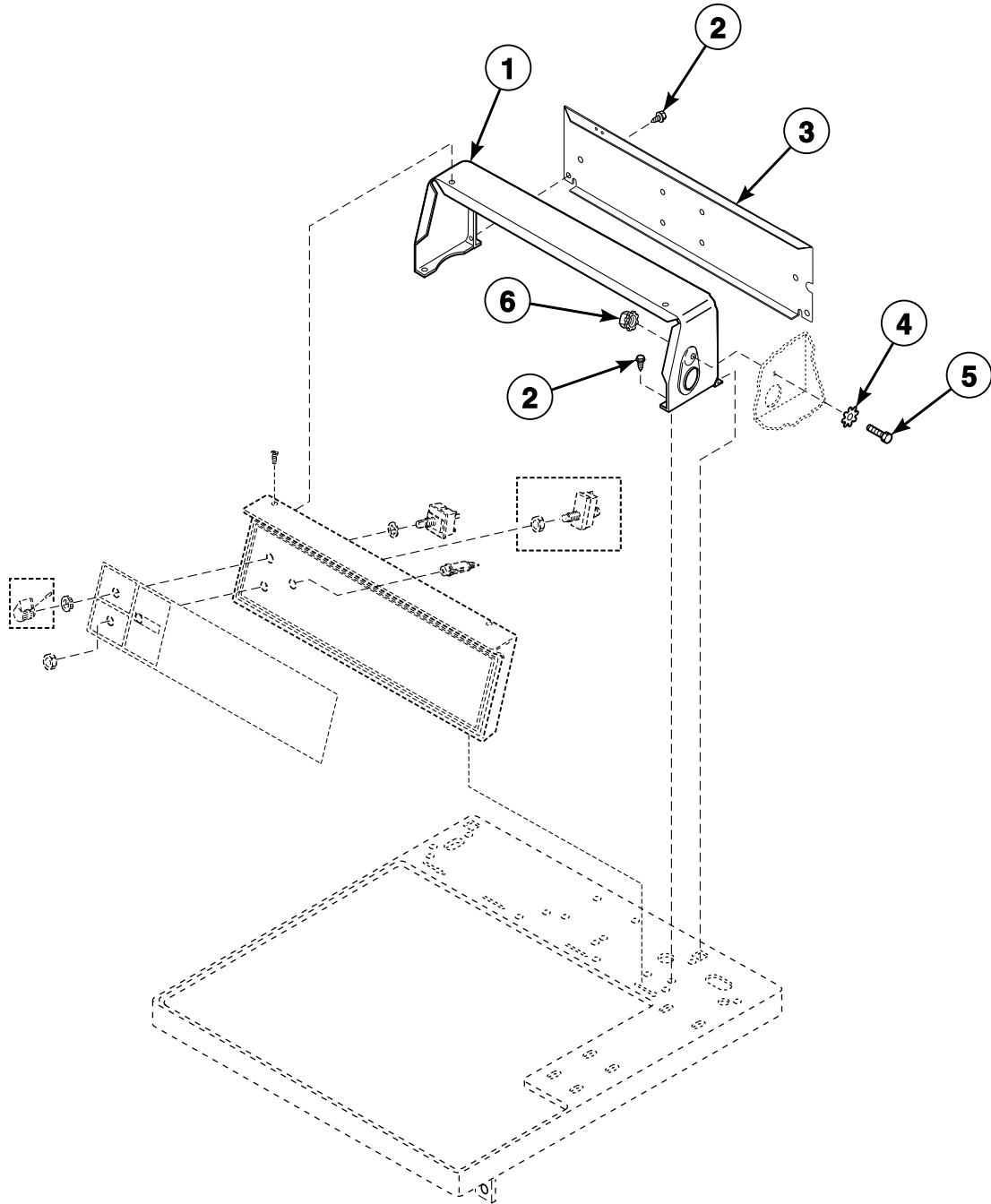
REF	PART NO.	DESCRIPTION	COMMENTS
1	24205	Nut	
2	52864	Screw	
	35528	Screw	Optional for added security
3	91029	Washer	
4	61512	Fabric Selector Switch	
5	55882	Switch Assembly	Includes item 6
6	52947	Nut	
7	38280	Indicator Light	Red; Models HDE007*G3003, HDE007*G3008, HDE007*G3010, HDE007*G4008, HDE007*G4010, HDE107*G3003, HDE107*G3018, HDE107*G4018, HDG009*M3008, HDG109*M3013, NDE007*G3018, NDE007*G4018, SDE007*G3018, SDE107*G3018, SDE107*G4018 and SDG109*M3013
	36967	Light	Green; Models HDG009*G3008, HDG109*G3013 and SDG109*G3013
	32464	Light	White; Models HDE007*F1702, HDE107*F1502, HDE107*F1702, HDG009*F1102 and HDG109*F1102
	32519	Light	Purple; All other models
8	D501738W	Control Panel and Bracket Assembly	White
	N/A	Control Panel and Bracket Assembly	Almond
	D501738Q	Control Panel and Bracket Assembly	Bisque
9	D511898	Graphic Overlay	Models UDE007*F3000, UDE007*F3025, UDG009*F3000 and UDG009*F3025
	D511901	Graphic Overlay	Models HDE107*G3018, HDE107*G4018, HDG109*G3013 and HDG109*M3013
	D511904	Graphic Overlay	Models HDE007*G3008, HDE007*G3010, HDE007*G4008, HDE007*G4010, HDG009*G3008, HDG009*M3008, NDE007*G3018, NDE007*G4018 and SDE107*G4018
	D511897	Graphic Overlay	Models SDE107*F5412, SDE107*F5417 and SDG109*F5412
	D511900	Graphic Overlay	Models HDE007*F1702, HDE007*F3000, HDE107*F1502, HDE107*F1702, HDE107*F3000, HDG009*F1102, HDG009*F3000, HDG109*F1102 and HDG109*F3000
	D511905	Graphic Overlay	Models HDE007*G3003 and HDE107*G3003
	D511896	Graphic Overlay	Models SDE007*G3018, SDE107*G3018, SDG109*G3013 and SDG109*M3013
	D511895	Graphic Overlay	All other models
10	39897	Switch Knob	

* Add Letter To Designate Color. G - Gray L - Almond Q - Bisque W - White

N/A = Part no longer available

Control Hood - Electromechanical Rear Control Models

Models HDE007*F1702, HDE007*F3000, HDE007*G3003, HDE007*G3008, HDE007*G3010, HDE007*G4008, HDE007*G4010, HDE107*F1502, HDE107*F1702, HDE107*F3000, HDE107*G3003, HDE107*G3018, HDE107*G4018, HDG009*F1102, HDG009*F3000, HDG009*G3008, HDG009*M3008, HDG109*F1102, HDG109*F3000, HDG109*G3013, HDG109*M3013, NDE007*G3018, NDE007*G4018, SDE007*F3000, SDE007*F4350, SDE007*G3018, SDE107*F3000, SDE107*F4350, SDE107*F5412, SDE107*F5417, SDE107*G3018, SDE107*G4018, SDG009*F3000, SDG009*F3058, SDG009*F3060, SDG109*F3000, SDG109*F3058, SDG109*F3060, SDG109*F5412, SDG109*G3013, SDG109*M3013, UDE007*F3000, UDE007*F3025, UDG009*F3000 and UDG009*F3025



DRY1855P_506055

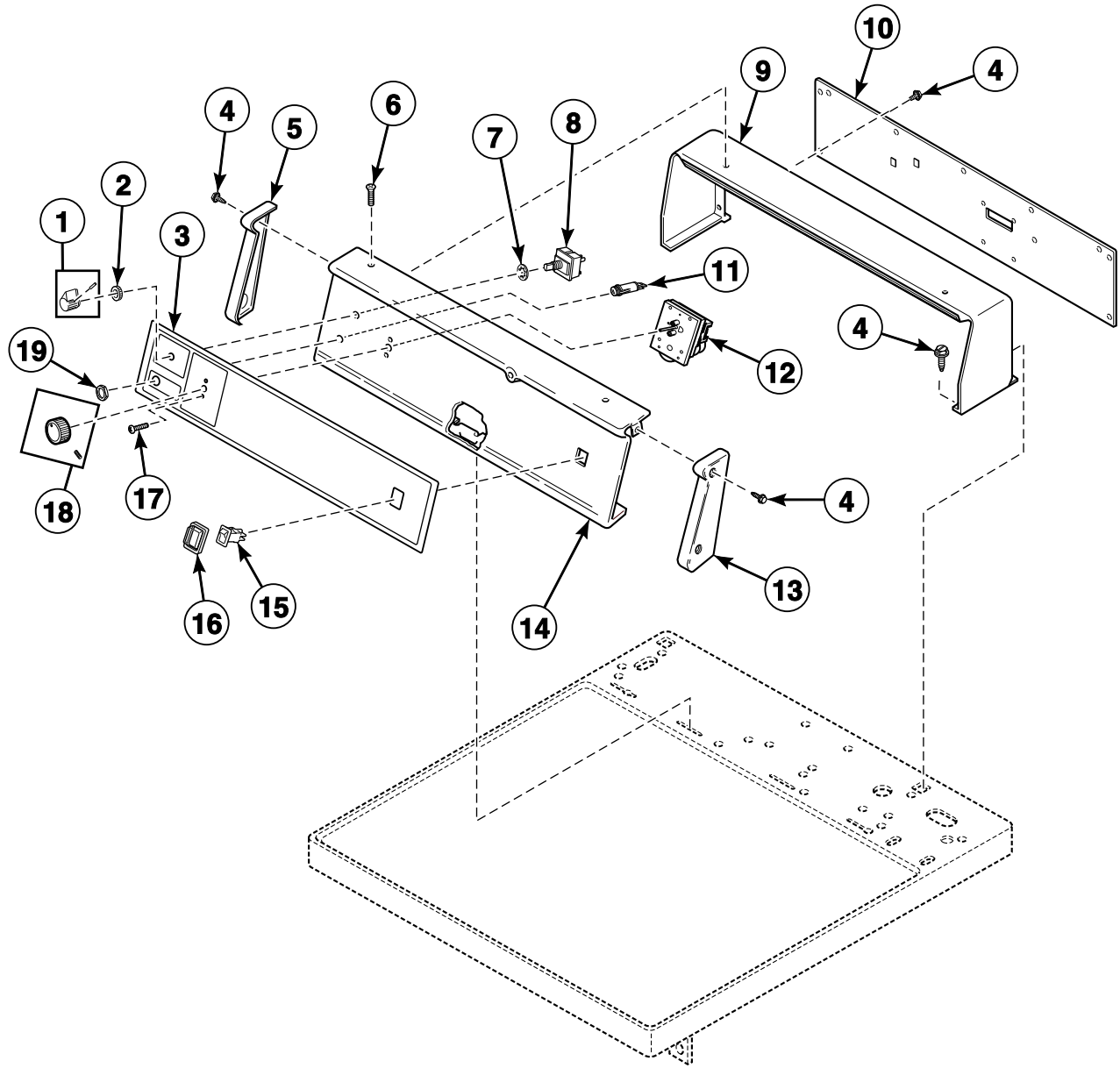
Control Hood - Electromechanical Rear Control Models

REF	PART NO.	DESCRIPTION	COMMENTS
1	D502567W	Control Hood	White
	D502567L	Control Hood	Almond
	D502567Q	Control Hood	Bisque
2	D501086	Screw	
3	N/A	Hood Back Panel	Models HDE007*G3003, HDE007*G3008, HDE007*G3010, HDE007*G4008, HDE007*G4010, HDE107*G3003, HDE107*G3018, HDE107*G4018, HDG009*G3008, HDG009*M3008, HDG109*G3013, HDG109*M3013, NDE007*G3018, NDE007*G4018, SDE007*G3018, SDE107*G3018, SDE107*G4018, SDG109*G3013, SDG109*M3013 and UDE007*F3025
	D505798	Hood Back Plate	All other models
4	M400017	Washer	
5	02916	Screw	
6	29786	Nut	

* Add Letter To Designate Color. G - Gray L - Almond Q - Bisque W - White

N/A = Part no longer available

Control Panel, Control Hood and Controls - Nonmetered Rear Control Models



DRY2099P_506055

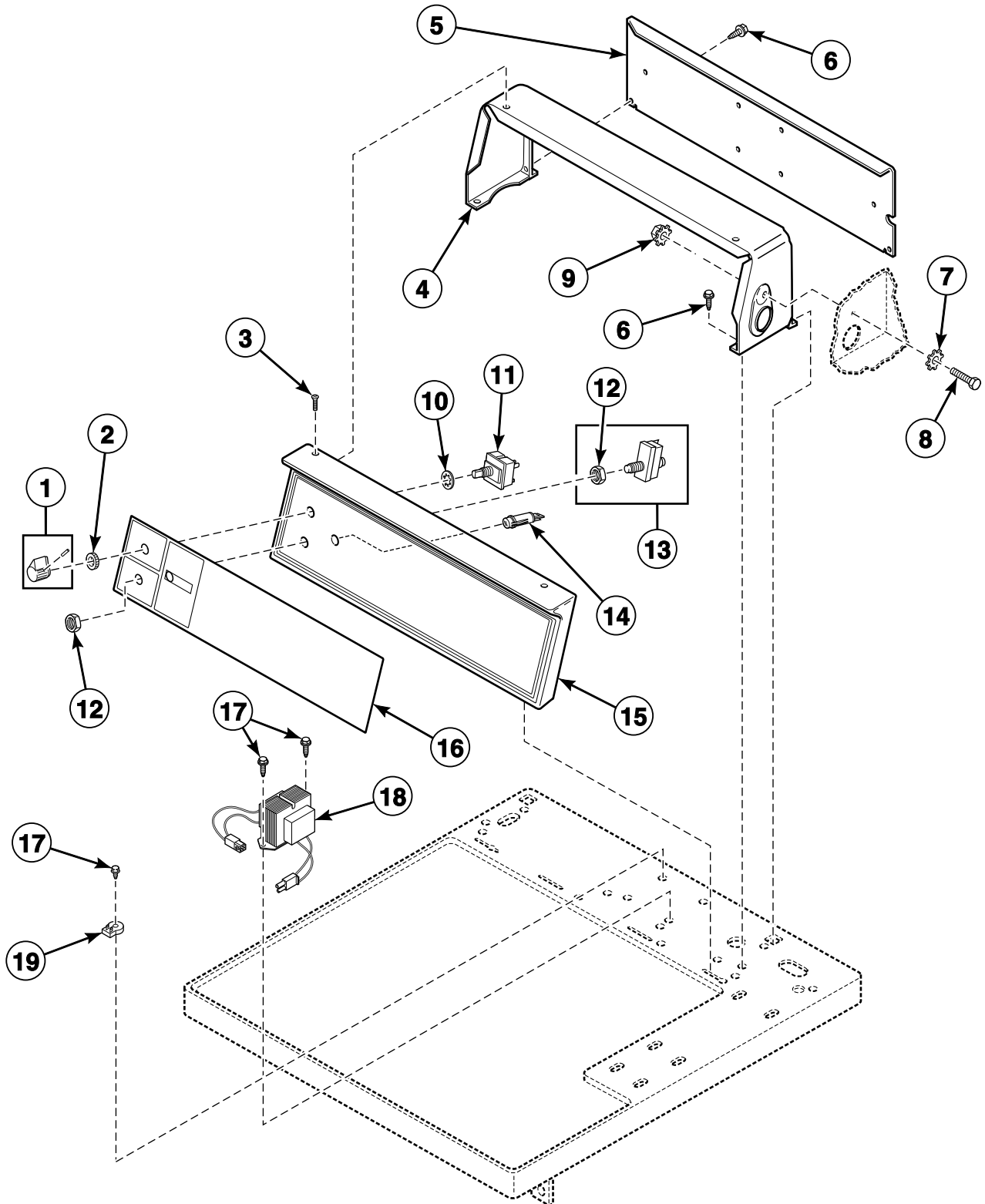
Control Panel, Control Hood and Controls - Nonmetered Rear Control Models

REF	PART NO.	DESCRIPTION	COMMENTS
1	39897	Switch Knob	
2	24205	Nut	
3	D512679	Control Panel Overlay	Models JDE807*F4350, JDE807*F5418, JDE807*G3018, JDG809*F3060, JDG809*M3013 and JDG809*M3020
	D512368	Control Panel Overlay	Models SDE807*F3000, SDE807*F4350, SDEMNRGS171CW01, SDG809*F3060 and SDGMNRGS111CW01
	D512487	Overlay	Models HDE807*F1702 and HDG809*F1102
	D512927	Control Panel Overlay	Model BDG809*F1102
	D512849	Graphic Overlay	Models FDE807*G3018, FDE807*G4018, PDE807*G3018, PDE807*G4018, PDG809*F3060 and PDG809*M3013
	D512491	Overlay	Models NDE807*F3022, NDE807*F5422, NDE807*G3018, NDE807*G4018, NDG809*F3022 and NDG809*F5422
	D512492	Overlay	Models GDE807*F5418 and GDE807*G3018
	D513604	Control Panel Overlay	Models UDE807*F1702 and UDG809*F1102
4	D501086	Screw	
5	210109W	End Cap	Left
6	52864	Screw	Phillips head
	35528	Screw	Torx head
7	91029	Washer	
8	61512	Fabric Selector Switch	
9	D511253W	Control Hood	White
	D511253L	Control Hood	Almond
	D511253Q	Control Hood	Bisque
10	804884	Rear Panel	Model PDG809*F3060
	D511254	Rear Panel	All other models
11	32464	Light	Models BDG809*F1102, HDE807*F1702, HDG809*F1102, UDE807*F1702 and UDG809*F1102
	32519	Light	Models JDE807*F4350, JDG809*F3060, PDG809*F3060, SDE807*F4350, SDG809*F3060 and SDGMNRGS111CW01
	38280	Indicator Light	All other models
12	D510524P	Timer	120 Volt/60 Hertz; Models BDG809*F1102, HDE807*F1702, HDG809*F1102, UDE807*F1702 and UDG809*F1102
	D511985P	Timer	240 Volt/60 Hertz; Models GDE807*F5418, JDE807*F5418, NDE807*F5422 and NDG809*F5422
	D510525P	Timer	240 Volt/50 Hertz; All other models
13	210108W	End Cap	Right
14	D512533W	Control Panel Assembly	White
	D512533Q	Control Panel Assembly	Bisque
15	70455101	Rocker Switch	
16	D512870P	Push-to-Start Switch Boot	
17	27328	Screw	
18	54678	Timer Knob	
19	52947	Nut	

* Add Letter To Designate Color. L - Almond Q - Bisque W - White

Control Panel and Control Hood - Coin Slide Rear Control Models

Models BDG909*F1102, GDE907*F5418, GDE907*G3018, GDESCRGS301UW01, GDESCRGS331ZW01, HDE907*F1502, HDE907*F1702, HDE907*G3018, HDE907*G4018, HDG909*F1102, JDE907*F4350, JDE907*G3018, JDG909*F3060, JDG909*M3013, JDG909*M3020, NDE907*F3022, NDE907*F5422, NDG909*F3022, NDG909*F5422, SDE907*F3000, SDE907*F4350, SDE907*F5412, SDE907*G3018, SDE907*G4018, SDG909*F3060, SDG909*F5412, SDG909*M3013 and SDGSXRGs111CW02



DRY2055P_506055

Control Panel and Control Hood - Coin Slide Rear Control Models

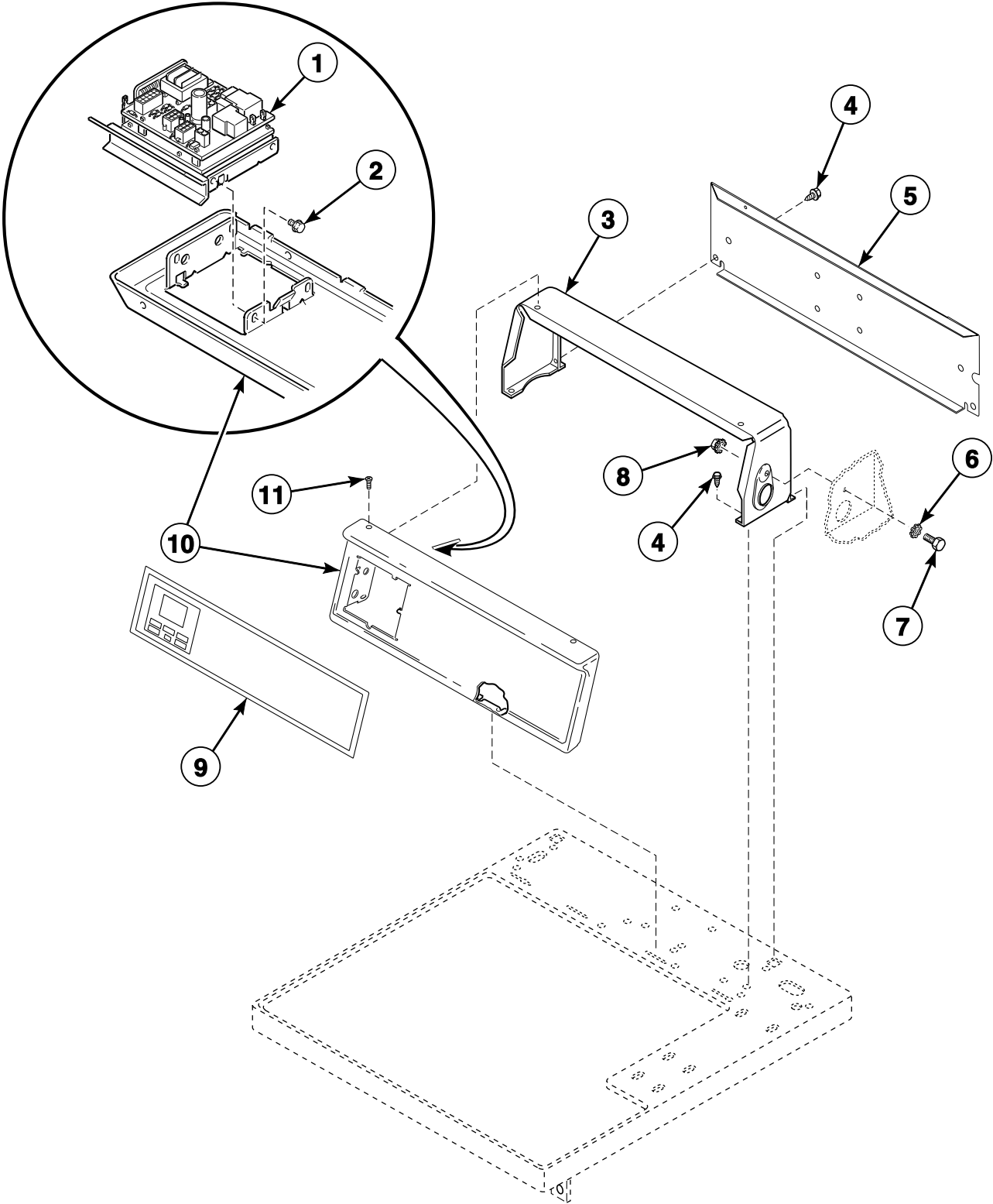
REF	PART NO.	DESCRIPTION	COMMENTS
1	39897	Switch Knob	
2	24205	Nut	
3	52864	Screw	
	35528	Screw	Optional for added security
4	D502567W	Control Hood	White
	D502567L	Control Hood	Almond
	D502567Q	Control Hood	Bisque
5	D505798	Hood Back Plate	
6	D501086	Screw	
7	M400017	Washer	
8	02916	Screw	
9	29786	Nut	
10	91029	Washer	
11	D511711	Temperature Selector Switch	
12	52947	Nut	
13	55882	Switch Assembly	Includes item 12
14	801431	Light	
15	D501738W	Control Panel and Bracket Assembly	White
	N/A	Control Panel and Bracket Assembly	Almond
	D501738Q	Control Panel and Bracket Assembly	Bisque
16	D512490	Control Panel Overlay	Models HDE907*F1502, HDE907*F1702, HDE907*G3018, HDE907*G4018 and HDG909*F1102
	D512677	Control Panel Overlay	Models JDE907*F4350, JDE907*G3018, JDG909*F3060, JDG909*M3013 and JDG909*M3020
	D512865	Control Panel Overlay	Model BDG909*F1102
	D512495	Graphic Overlay	Models GDE907*F5418, GDE907*G3018, GDESCRGS301UW01 and GDESCRGS331ZW01
	D513146	Control Overlay	Models NDE907*F3022, NDE907*F5422, NDG909*F3022 and NDG909*F5422
	D511897	Graphic Overlay	Models SDE907*F5412 and SDG909*F5412
	D512489	Control Panel Overlay	All other models
17	D503661	Screw	
18	201587P	Transformer	Models BDG909*F1102, HDE907*F1502, HDE907*F1702 and HDG909*F1102
	201616P	Transformer	All other models
19	210100	Resistor	All models except BDG909*F1102, HDE907*F1502, HDE907*F1702 and HDG909*F1102

* Add Letter To Designate Color. L - Almond Q - Bisque W - White

N/A = Part no longer available

Control Panel and Controls - Electronic Rear Control Models

Models HDE507*F1502, HDE507*F1702, HDE707*F1502, HDE707*F1702, HDG509*F1102, HDG709*F1102, SDE407*F3000, SDE407*F4350, SDG409*F3000 and SDG409*F3058



D389PE3A_506055

Control Panel and Controls - Electronic Rear Control Models

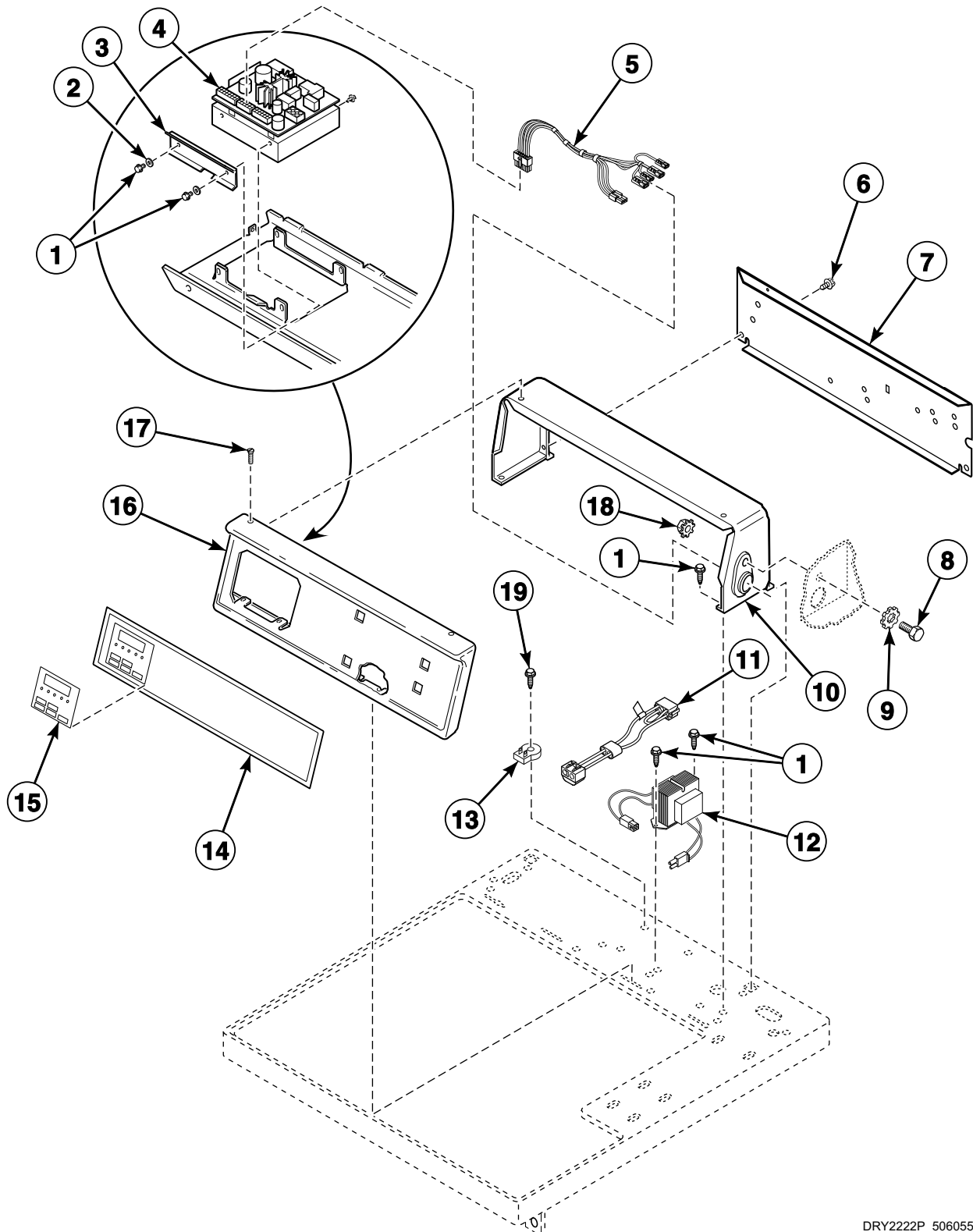
REF	PART NO.	DESCRIPTION	COMMENTS
1	M414050P	Control Kit	120 Volt; Model and serial number of machine required - part no longer available for units built prior to 1/1/04 per field bulletin FB15-164
	M411883P	Control Kit	240 Volt; Model and serial number of machine required - part no longer available for units built prior to 1/1/04 per field bulletin FB15-164
2	D501524	Screw	
3	D502567W	Control Hood	White
	D502567L	Control Hood	Almond
	D502567Q	Control Hood	Bisque
4	D501086	Screw	
5	D505798	Hood Back Plate	
6	M400017	Washer	
7	02916	Screw	
8	52566	Nut	
9	D504113	Graphic Overlay	Models SDE407*F3000, SDE407*F4350, SDG409*F3000 and SDG409*F3058
	N/A	Graphic Overlay	All other models
10	D501359W	Control Panel	White
	D501359Q	Control Panel	Bisque
11	52864	Screw	Phillips head
	35528	Screw	Torx head; Optional for added security

* Add Letter To Designate Color. L - Almond Q - Bisque W - White

N/A = Part no longer available

Control Panel and Controls - Rear Control Coin Drop Models

Models HDEB07*J1502, HDEB07*J1702, HDER07*F1502, HDER07*F1702, HDET07*F1502, HDET07*F1702, HDEX07*F1502, HDEX07*F1702, HDEX07*F3000, HDEX07*G3018, HDEZ07*F1502, HDEZ07*F1702, HDGB09*J1102, HDGR09*F1102, HDGT09*F1102, HDGX09*F1102, HDGX09*F3000, HDGX09*M3013, HDGZ09*F1102, PDEBXRGS431AG02, PDGBXRGS301AG02, SDEA07*J3000, SDEA07*J4350, SDEX07*F3000, SDEX07*F4350, SDEX07*G3018, SDEX07*G4018, SDGX09*F3000, SDGX09*F3060 and SDGX09*M3013



DRY2222P_506055

Control Panel and Controls - Rear Control Coin Drop Models

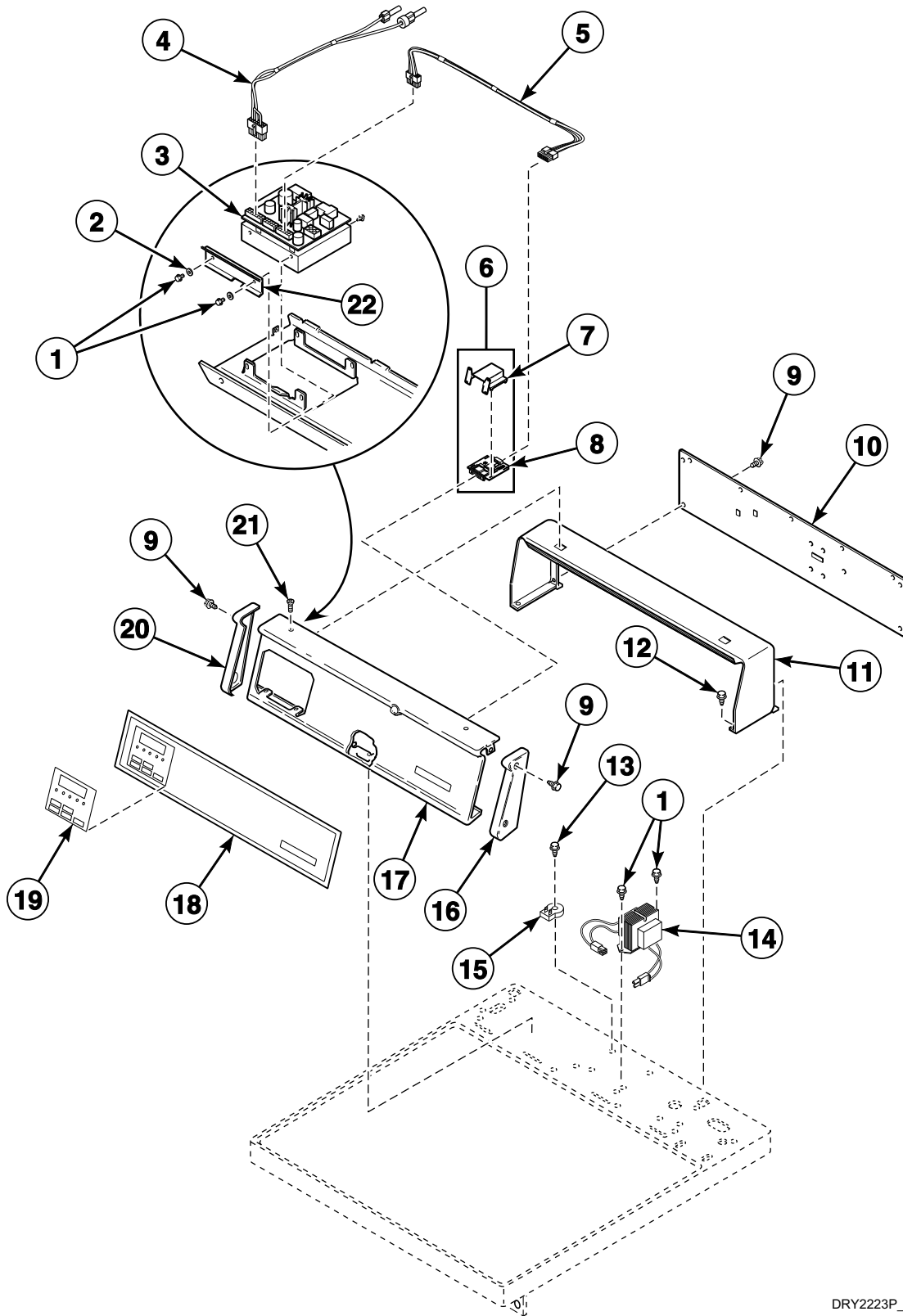
REF	PART NO.	DESCRIPTION	COMMENTS
	905P3	Security Kit	Hood lock
1	D501524	Screw	Models HDEX07*G3018, HDGX09*M3013, SDEX07*G3018, SDEX07*G4018 and SDGX09*M3013
	D503688	Screw	All other models
2	200608	Washer	
3	D510083	Control Shield	
4	D505905P	Control Kit	Models HDEB07*J1502, HDEB07*J1702, HDGB09*J1102, SDEA07*J3000 and SDEA07*J4350
	D511867P	Control Assembly	All other models
5	802905	Harness Assembly	Coin drop
6	D501086	Screw	
7	N/A	Hood Back Panel	Models HDGX09*F3000, SDGX09*F3000 and SDGX09*F3060
	D505798	Hood Back Plate	All other models
8	02916	Screw	
9	M400017	Washer	
10	D502567W	Control Hood	White
	D502567L	Control Hood	Almond
	D502567Q	Control Hood	Bisque
	D502567DG	Control Hood	Gray; Models PDEBXRGS431AG02 and PDGBXRGS301AG02
11	M413507	Jumper Configuration Assembly	Attaches to 210019 Transformer; Models HDEX07*G3018, HDGX09*M3013, SDEX07*G3018, SDEX07*G4018, SDGX09*F3060 and SDGX09*M3013
	12	803527P	Transformer
	201375P	Transformer	Some models may have jumper wire attached to transformer. Discard jumper wire when replacing transformer; Models HDER07*F1502, HDER07*F1702, HDEX07*F1502, HDEX07*F1702, HDGR09*F1102 and HDGX09*F1102 starting Serial No. 0409
	210018P	Transformer	All other models
13	210100	Resistor	
14	D511233	Graphic Overlay	Models HDEB07*J1502, HDEB07*J1702 and HDGB09*J1102
	D510070	Graphic Overlay	Models SDEA07*J3000 and SDEA07*J4350
	D511429	MDC Overlay	Models SDEX07*F3000, SDEX07*F4350, SDGX09*F3000 and SDGX09*F3060
	D511486	MDC Overlay	Models SDEX07*G3018, SDEX07*G4018 and SDGX09*M3013
	N/A	Graphic Overlay	Models HDEX07*G3018 and HDGX09*M3013
	D515654	Overlay	Models PDEBXRGS431AG02 and PDGBXRGS301AG02
	D511431	MDC Overlay	All other models
15	D513546	Overlay	French/English; Models HDER07*F1502, HDER07*F1702, HDET07*F1502, HDET07*F1702, HDEX07*F1502, HDEX07*F1702, HDEZ07*F1502, HDEZ07*F1702, HDGR09*F1102, HDGT09*F1102, HDGX09*F1102 and HDGZ09*F1102
	16	D510067W	Control Panel
	D510067L	Control Panel	Almond
	D510067Q	Control Panel	Bisque
	D510067DG	Control Panel	Gray; Models PDEBXRGS431AG02 and PDGBXRGS301AG02
17	52864	Screw	Phillips head
	35528	Screw	Torx head
18	52566	Nut	
19	D503661	Screw	

* Add Letter To Designate Color. L - Almond Q - Bisque W - White

N/A = Part no longer available

Control Panel and Controls - Rear Control Card Models

Models HDEF07*J1502, HDEF07*J1702, HDEY07*F1502, HDEY07*F1702,
HDEY07*F99N2, HDGF09*J1102, HDGY09*F1102, SDEF07*J4350 and SDGF09*J3060



DRY2223P_506055

Control Panel and Controls - Rear Control Card Models

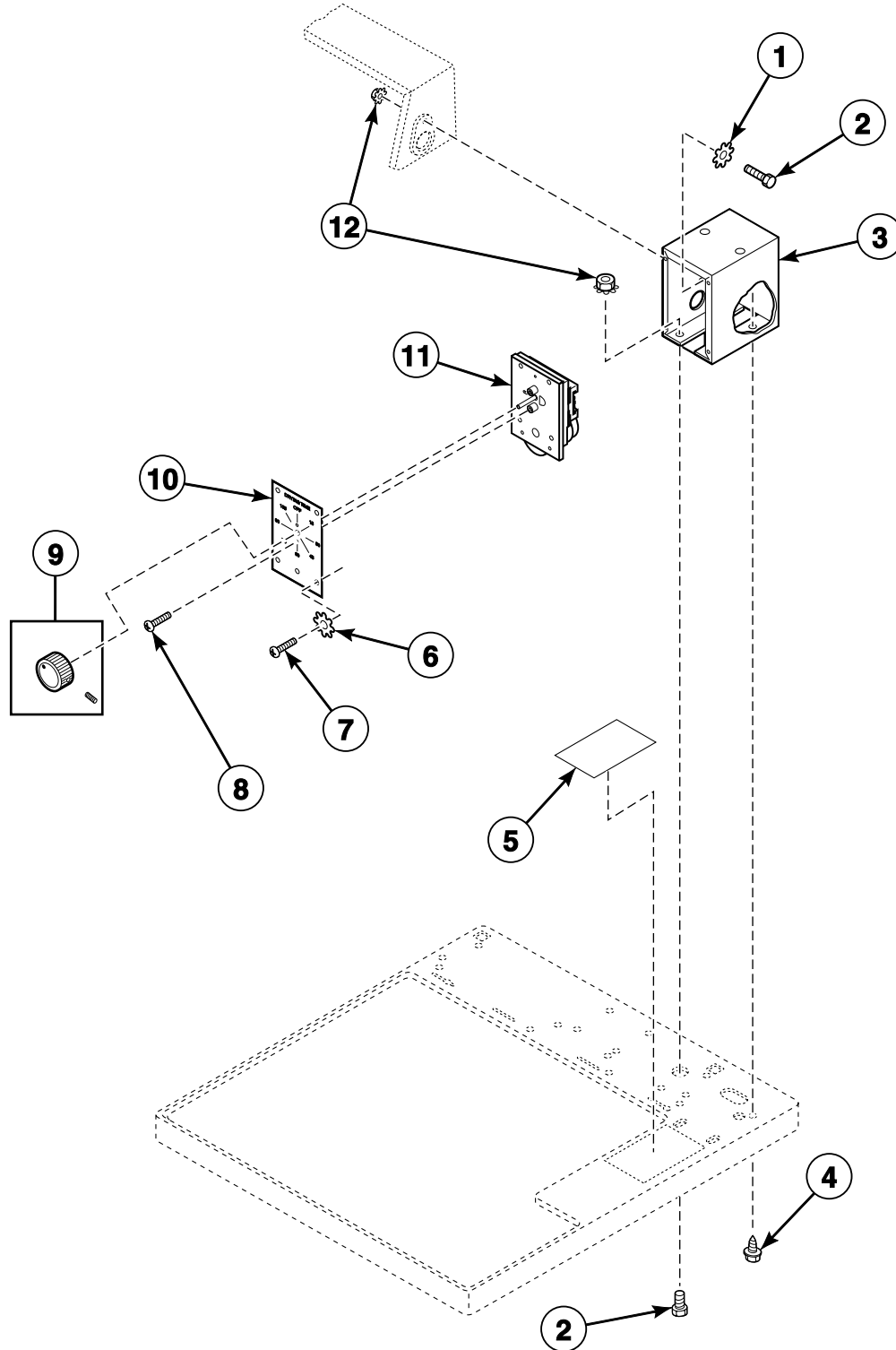
REF	PART NO.	DESCRIPTION	COMMENTS
	905P3	Security Kit	Hood lock
1	D503688	Screw	
2	200608	Washer	
3	D511867P	Control Assembly	Models HDEY07*F1502, HDEY07*F1702, HDEY07*F99N2 and HDGY09*F1102
	D505905P	Control Kit	All other models
4	202869	Wiring Harness Assembly	
5	800125P	Card Reader Wire Harness Assembly	
6	210045P	Card Reader Assembly	Models HDEF07*J1502, HDEF07*J1702, HDGF09*J1102, SDEF07*J4350 and SDGF09*J3060
7	D510068P	Card Reader and Bracket Assembly	Models HDEF07*J1502, HDEF07*J1702, HDGF09*J1102, SDEF07*J4350 and SDGF09*J3060
8	210023	Card Reader Bracket	Includes items 7 and 8; Models HDEF07*J1502, HDEF07*J1702, HDGF09*J1102, SDEF07*J4350 and SDGF09*J3060
9	D501086	Screw	
10	D505798	Hood Back Plate	Model SDEF07*J4350
	D511254	Rear Panel	All other models
11	D511253L	Control Hood	Almond
	D511253Q	Control Hood	Bisque
12	02916	Screw	
13	D503661	Screw	
14	803527P	Transformer	Model SDEF07*J4350; Models HDEY07*F1502, HDEY07*F1702, HDEY07*F99N2 and HDGY09*F1102 through Serial No. 0409
	201375P	Transformer	Some models may have jumper wire attached to transformer. Discard jumper wire when replacing transformer; Models HDEY07*F1502, HDEY07*F1702, HDEY07*F99N2 and HDGY09*F1102 starting Serial No. 0409
	210018P	Transformer	All other models
15	210100	Resistor	
16	210108W	End Cap	Right
17	D511055W	Control Panel	White
	D511055L	Control Panel	Almond
	D511055Q	Control Panel	Bisque
18	N/A	Graphic Overlay	Models HDEF07*J1502, HDEF07*J1702 and HDGF09*J1102
	D510113	Graphic Overlay	Models SDEF07*J4350 and SDGF09*J3060
	D511508	Control Panel Overlay	Models HDEY07*F1502, HDEY07*F1702, HDEY07*F99N2 and HDGY09*F1102
19	D513546	Overlay	French/English; Models HDEY07*F1502, HDEY07*F1702, HDEY07*F99N2 and HDGY09*F1102
20	210109W	End Cap	Left
21	52864	Screw	Phillips head
	35528	Screw	Torx head
22	N/A	Control Shield	

* Add Letter To Designate Color. L - Almond Q - Bisque W - White

N/A = Part no longer available

Timer and Timer Case - Nonmetered Rear Control Models

Models HDE007*F1702, HDE007*F3000, HDE007*G3003, HDE007*G3008, HDE007*G3010, HDE007*G4008, HDE007*G4010, HDG009*F1102, HDG009*F3000, HDG009*G3008, HDG009*M3008, NDE007*G3018, NDE007*G4018, SDE007*F3000, SDE007*F4350, SDE007*G3018, SDG009*F3000, SDG009*F3058, SDG009*F3060, UDE007*F3000, UDE007*F3025, UDG009*F3000 and UDG009*F3025



DRY1796P_506055

Timer and Timer Case - Nonmetered Rear Control Models

REF	PART NO.	DESCRIPTION	COMMENTS
1	M400017	Washer	
2	02916	Screw	
3	37733W	Timer Case Assembly	
4	D501086	Screw	
5	D500490	Instruction Plate	Models HDE007*F1702, HDE007*F3000, HDG009*F1102, HDG009*F3000, SDE007*F3000, SDE007*F4350, SDG009*F3000, SDG009*F3058, SDG009*F3060, UDE007*F3000, UDE007*F3025, UDG009*F3000 and UDG009*F3025
	D502783	Instruction Label	Models HDE007*G3003, HDE007*G3008, HDE007*G3010, HDE007*G4008, HDE007*G4010, HDG009*G3008, HDG009*M3008, NDE007*G3018, NDE007*G4018 and SDE007*G3018
6	21734	Washer	
7	51778	Screw	
8	27328	Screw	
9	54678	Timer Knob	
10	D502797W	Timer Plate Assembly	Models HDE007*G3003, HDE007*G3008, HDE007*G3010, HDE007*G4008, HDE007*G4010, HDG009*G3008, HDG009*M3008, NDE007*G3018, NDE007*G4018 and SDE007*G3018
	D500921W	Timer Plate Assembly	All other models
11	D510524P	Timer	120 Volt/60 Hertz; Models HDE007*F1702 and HDG009*F1102
	N/A	Timer	24 Volt; Model HDG009*G3008
	D510525P	Timer	240 Volt/50 Hertz; All other models
12	29786	Nut	

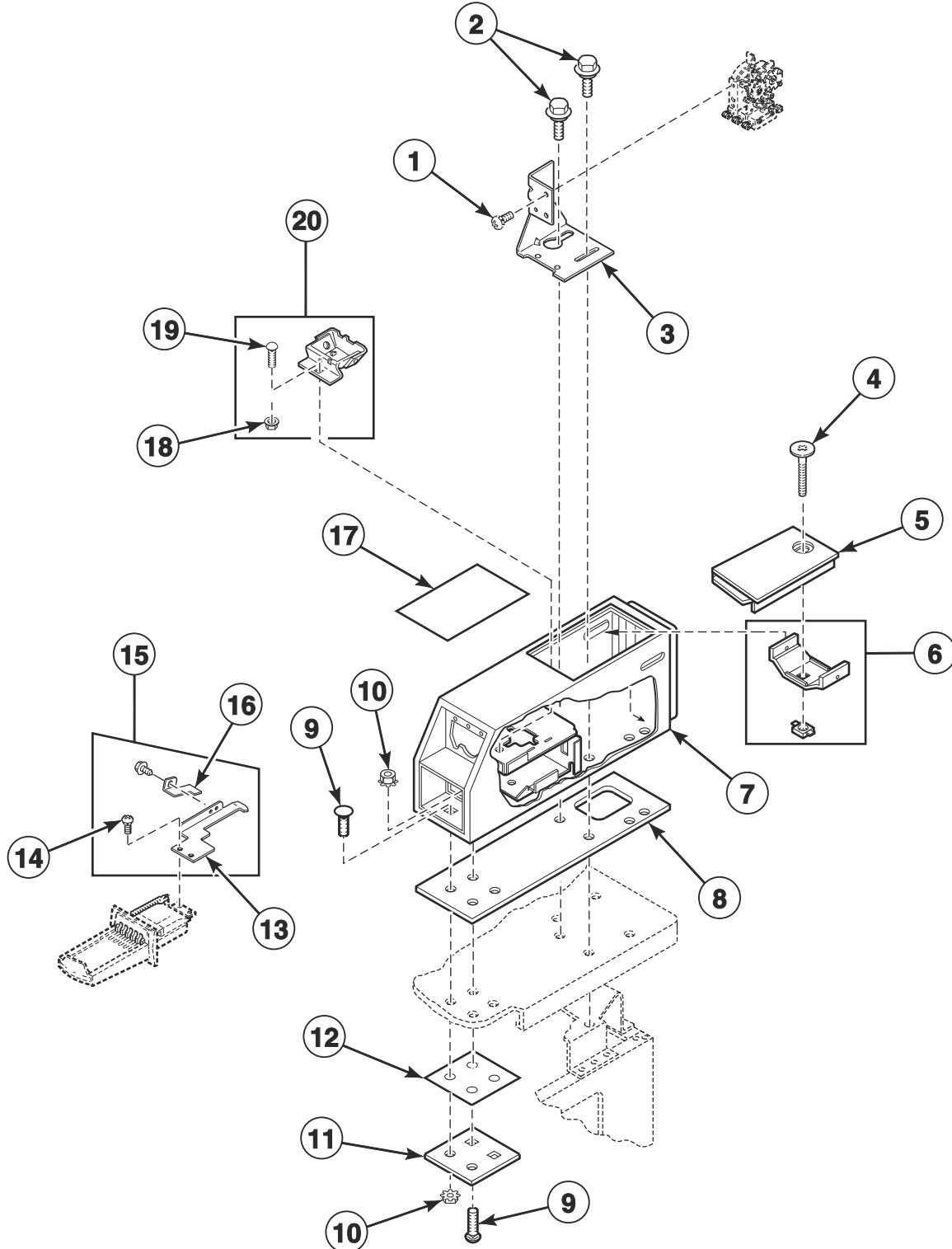
* Add Letter To Designate Color. G - Gray L - Almond Q - Bisque W - White

N/A = Part no longer available

Short Vault Coin Slide Extension and Meter Case - Coin Slide Rear Control Models

Models Through Serial No. 0210004099

Models HDE107*F1502, HDE107*F1702, HDE107*F3000, HDE107*G3003, HDE107*G3018, HDE107*G4018,
HDG109*F1102, HDG109*F3000, HDG109*G3013, HDG109*M3013, SDE107*F3000, SDE107*F4350, SDE107*F5412,
SDE107*F5417, SDE107*G3018, SDE107*G4018, SDG109*F3000, SDG109*F3058, SDG109*F3060, SDG109*F5412,
SDG109*G3013 and SDG109*M3013



DRY1804P_506055

Short Vault Coin Slide Extension and Meter Case - Coin Slide Rear Control Models

REF	PART NO.	DESCRIPTION	COMMENTS
1	03203	Screw	
2	D502431	Screw	
3	N/A	Timer Bracket	
4	D503673	Screw	
5	39874WP	Service Door Assembly	White
	39874LP	Service Door Assembly	Almond
	39874QP	Service Door Assembly	Bisque
6	204616	Meter Case Locking Bracket Kit	
7	524P3W	Meter Case and Funnel Kit	White; Includes items 8-12 and 20; Replaces 56944* and 57368* Meter Cases
	524P3L	Meter Case and Funnel Kit	Almond; Includes items 8-12 and 20; Replaces 56944* and 57368* Meter Cases
	524P3Q	Meter Case and Funnel Kit	Bisque; Includes items 8-12 and 20; Replaces 56944* and 57368* Meter Cases
8	26354	Meter Case Gasket	
9	203798	Bolt	
10	29786	Nut	
11	35525	Meter Case Lockdown Bracket	
12	35526	Meter Case Bracket Gasket	
13	D503733	Coin Slide Extension	
14	N/A	Screw	
15	553P3	Slide Extension Kit	Includes items 13, 14 and 16
16	D501796	Slide Extension Modifier	
17	D500628	Instruction Label	
18	29796	Nut	
19	29651	Bolt	
20	523P3	Coin Funnel Kit	Includes items 18 and 19

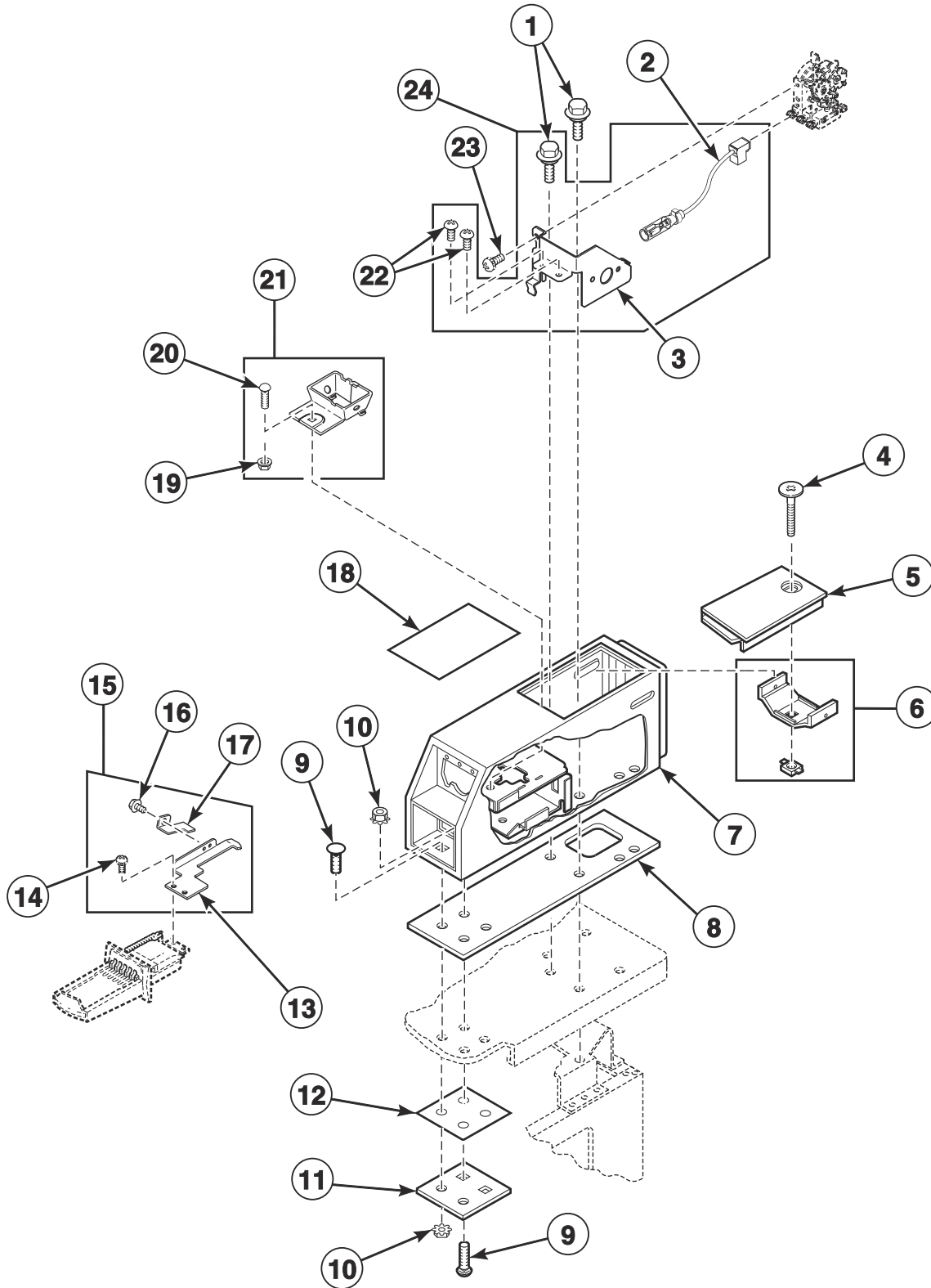
* Add Letter To Designate Color. L - Almond Q - Bisque W - White

N/A = Part no longer available

Long Vault Coin Slide Extension and Meter Case - Coin Slide Rear Control Models

Models Starting Serial No. 0210004100

Models HDE107*F1502, HDE107*F1702, HDE107*F3000, HDE107*G3003, HDE107*G3018, HDE107*G4018,
HDG109*F1102, HDG109*F3000, HDG109*G3013, HDG109*M3013, SDE107*F3000, SDE107*F4350, SDE107*F5412,
SDE107*F5417, SDE107*G3018, SDE107*G4018, SDG109*F3000, SDG109*F3058, SDG109*F3060, SDG109*F5412,
SDG109*G3013 and SDG109*M3013



DRY1801P 506055

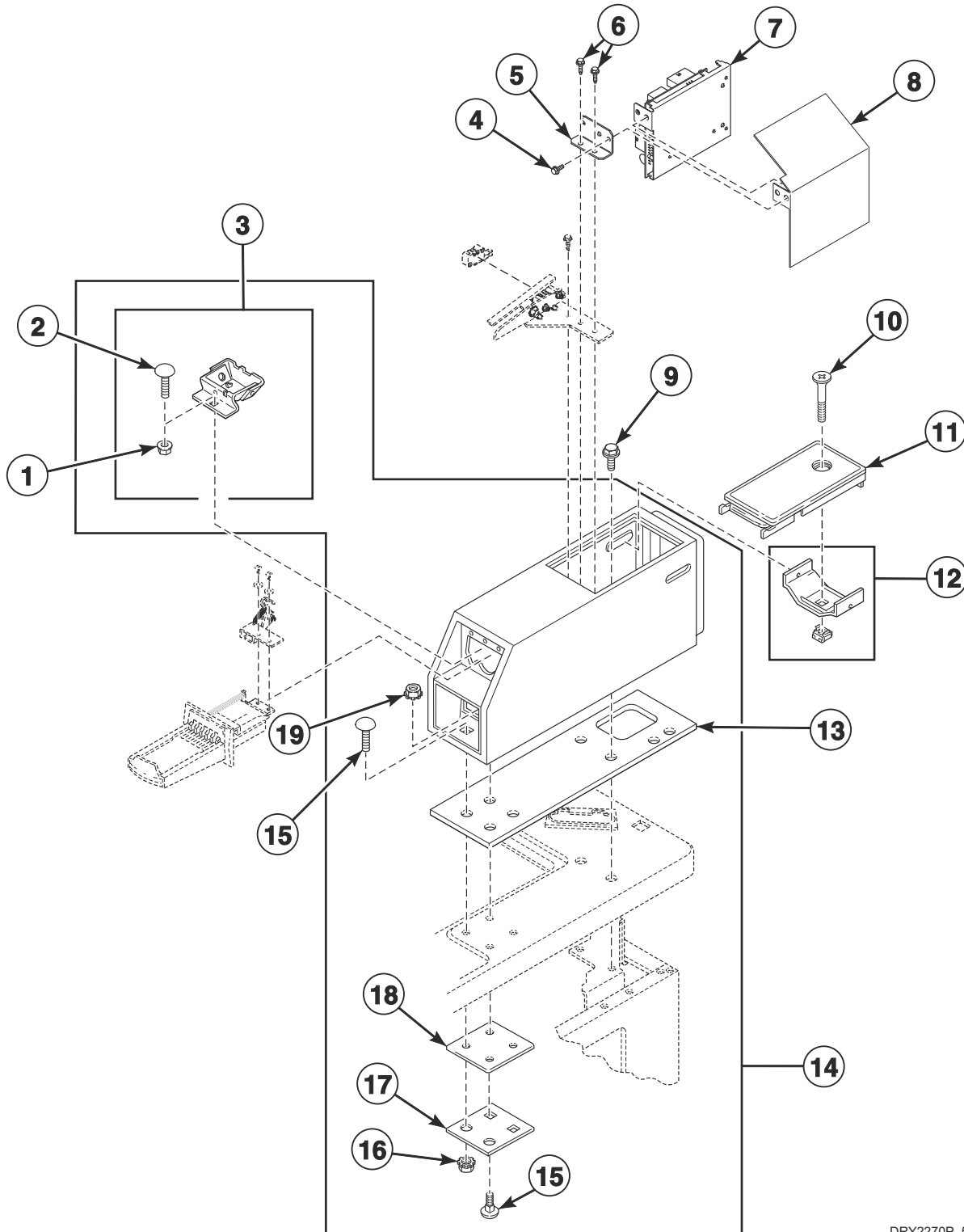
Long Vault Coin Slide Extension and Meter Case - Coin Slide Rear Control Models

REF	PART NO.	DESCRIPTION	COMMENTS
	201280P	Mechanical Counter Kit Assembly	
1	36048	Screw	
2	D511589	Wire Accumulator Assembly	
3	200832	Long Vault Timer Bracket	
4	D503673	Screw	
5	39874WP	Service Door Assembly	White
	39874LP	Service Door Assembly	Almond
	39874QP	Service Door Assembly	Bisque
6	204616	Meter Case Locking Bracket Kit	
7	807398W	Meter Case Kit	White; Includes items 8-12 and 21
	201010LP	Meter Case Kit	Almond; Includes items 8-12 and 21
	201010QP	Meter Case Kit	Bisque; Includes items 8-12 and 21
8	26354	Meter Case Gasket	
9	203798	Bolt	
10	29786	Nut	
11	35525	Meter Case Lockdown Bracket	
12	35526	Meter Case Bracket Gasket	
13	D506114	Coin Slide Extension	
14	D511419	Screw	
15	788P3	Long Vault Slide Extension Kit	Includes items 13, 14, 16 and 17
16	D501086	Screw	
17	D501796	Slide Extension Modifier	
18	D500628	Instruction Label	
19	29796	Nut	
20	29651	Bolt	
21	523P3	Coin Funnel Kit	Includes items 19 and 20
22	D503688	Screw	Self tapping
23	03203	Screw	
24	789P3	Long Vault Timer Bracket Kit	Includes items 1-3 and 22

* Add Letter To Designate Color. L - Almond Q - Bisque W - White

Control, Meter Case and Service Door - Coin Slide Rear Control Models

Models BDG909*F1102, GDE907*F5418, GDE907*G3018, GDESCRGS301UW01, GDESCRGS331ZW01, HDE907*F1502, HDE907*F1702, HDE907*G3018, HDE907*G4018, HDG909*F1102, JDE907*F4350, JDE907*G3018, JDG909*F3060, JDG909*M3013, JDG909*M3020, NDE907*F3022, NDE907*F5422, NDG909*F3022, NDG909*F5422, SDE907*F3000, SDE907*F4350, SDE907*F5412, SDE907*G3018, SDE907*G4018, SDG909*F3060, SDG909*F5412 and SDG909*M3013



DRY2270P_506055

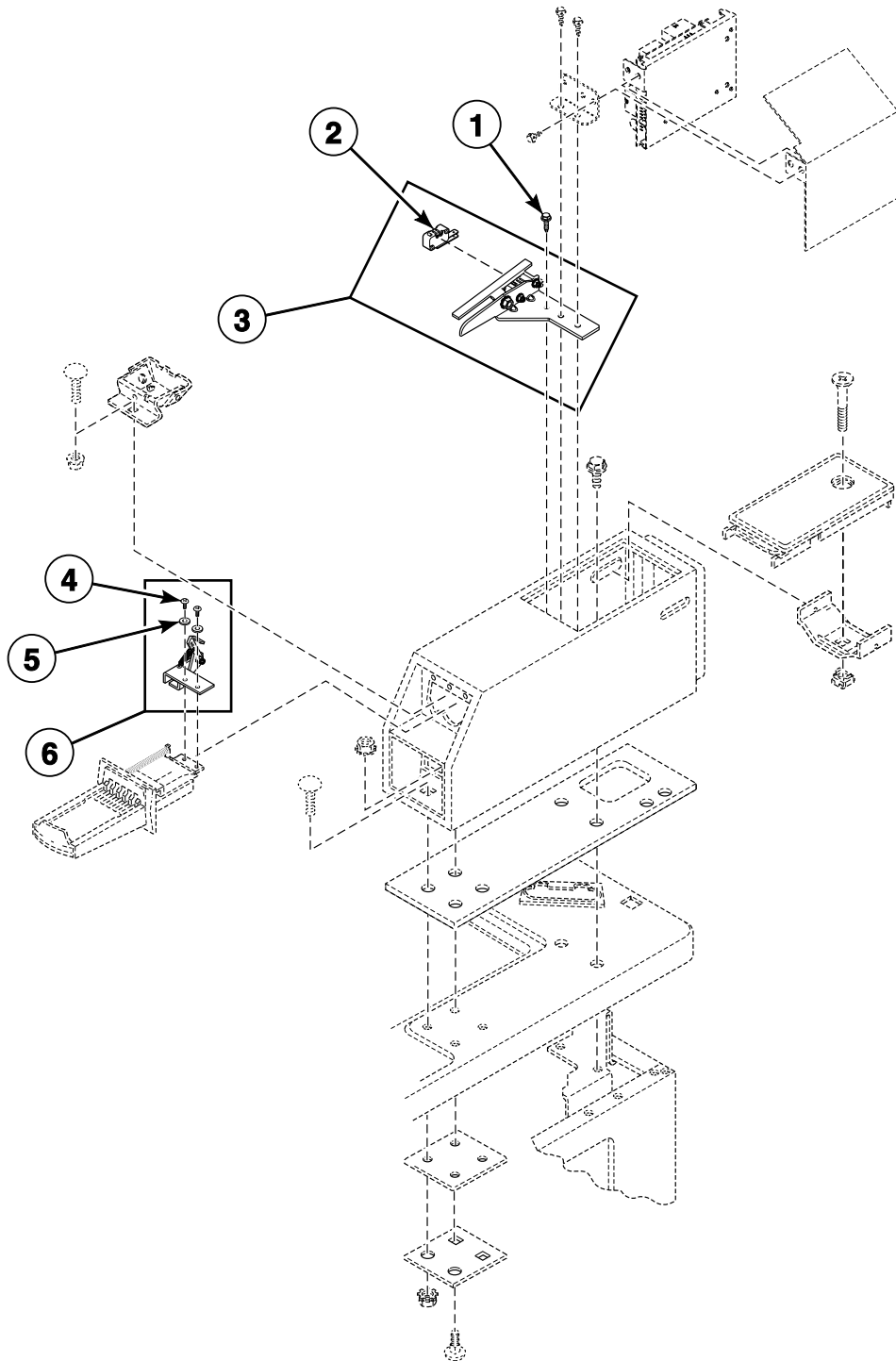
Control, Meter Case and Service Door - Coin Slide Rear Control Models

REF	PART NO.	DESCRIPTION	COMMENTS
1	29796	Nut	
2	29651	Bolt	
3	523P3	Coin Funnel Kit	
4	D501524	Screw	
5	201581	Chassis Mounting Bracket	
6	D503688	Screw	
7	D513139P	Control Assembly	
8	D512304	Control Shield	
9	36048	Screw	
10	D503673	Screw	
11	39874WP	Service Door Assembly	White
	39874QP	Service Door Assembly	Bisque
12	204616	Meter Case Locking Bracket Kit	
13	26354	Meter Case Gasket	
14	807398W	Meter Case Kit	White; Includes items 3, 13 and 15-19
	201010QP	Meter Case Kit	Bisque; Includes items 3, 13 and 15-19
15	203798	Bolt	
16	29786	Nut	
17	35525	Meter Case Lockdown Bracket	
18	35526	Meter Case Bracket Gasket	
19	802337	Nut	

* Add Letter To Designate Color. L - Almond Q - Bisque W - White

Coin Slide Extension Through Serial No. 1211 - Coin Slide Rear Control Models

Models BDG909*F1102, GDE907*F5418, GDE907*G3018, HDE907*F1502, HDE907*F1702, HDE907*G3018, HDE907*G4018, HDG909*F1102, JDE907*F4350, JDE907*G3018, JDG909*F3060, JDG909*M3013, JDG909*M3020, NDE907*F3022, NDE907*F5422, NDG909*F3022, NDG909*F5422, SDE907*F3000, SDE907*F4350, SDE907*F5412, SDE907*G3018, SDE907*G4018, SDG909*F3060, SDG909*F5412 and SDG909*M3013



DRY2270PA_506055

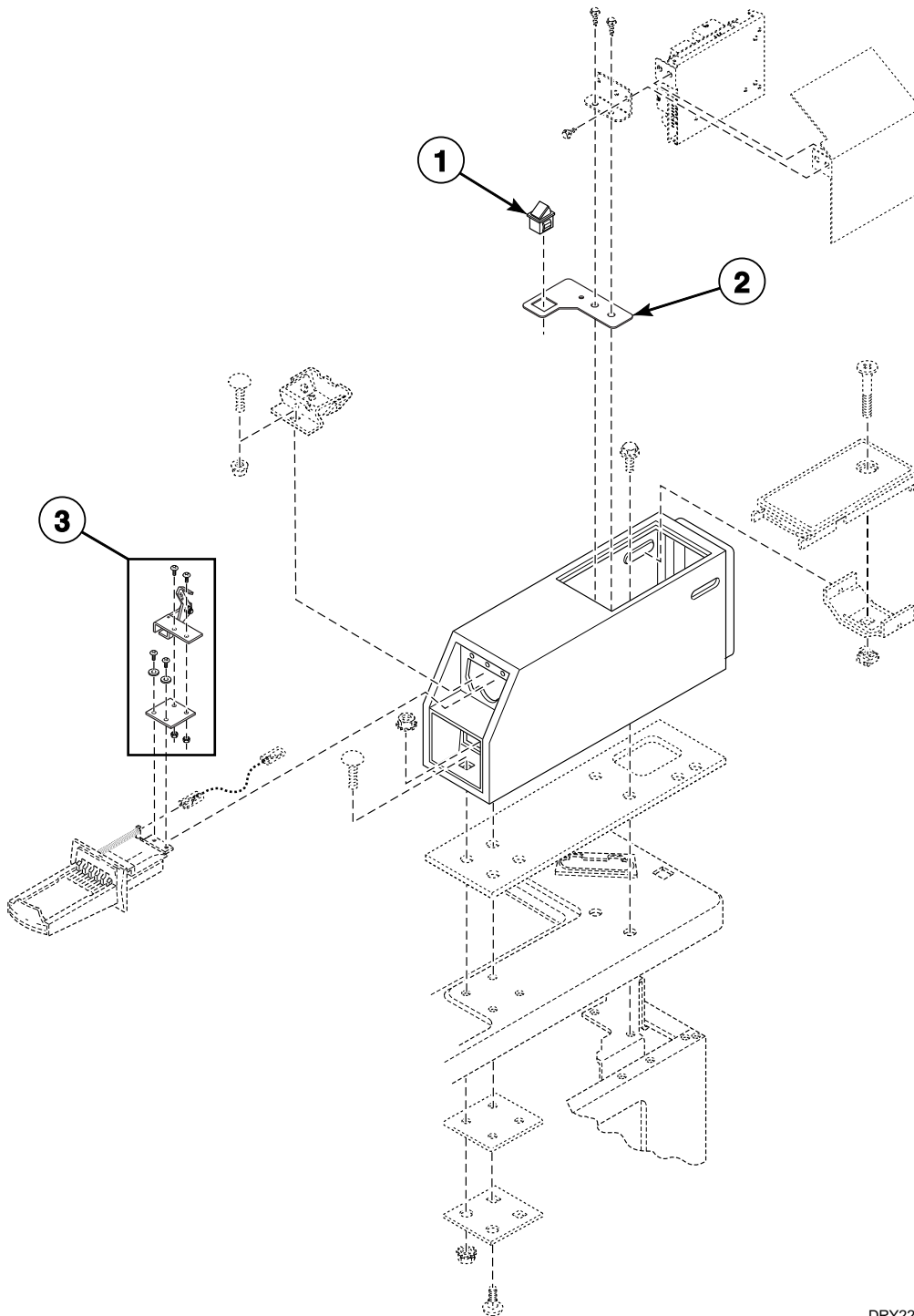
Coin Slide Extension Through Serial No. 1211 - Coin Slide Rear Control Models

REF	PART NO.	DESCRIPTION	COMMENTS
1	51782	Screw	
2	201952	Switch	
3	201917P	Switch Mount Assembly	Includes item 2; Some models may have a 3/16 inch spade terminal on the coin slide switch; When replacing switch mount assembly on these models, the control wire harness must also be replaced
4	27328	Screw	
5	03815	Washer	
6	D514228	Coin Slide Extension Kit	

* Add Letter To Designate Color. L - Almond Q - Bisque W - White

Coin Slide Extension Starting Serial No. 1211 - Coin Slide Rear Control Models

Models BDG909*F1102, GDE907*F5418, GDE907*G3018, GDESCRGS301UW01, GDESCRGS331ZW01, HDE907*F1502, HDE907*F1702, HDE907*G3018, HDE907*G4018, HDG909*F1102, JDE907*F4350, JDE907*G3018, JDG909*F3060, JDG909*M3013, JDG909*M3020, NDE907*F3022, NDE907*F5422, NDG909*F3022, NDG909*F5422, SDE907*F3000, SDE907*F4350, SDE907*F5412, SDE907*G3018, SDE907*G4018, SDG909*F3060, SDG909*F5412 and SDG909*M3013



DRY2275P_506055

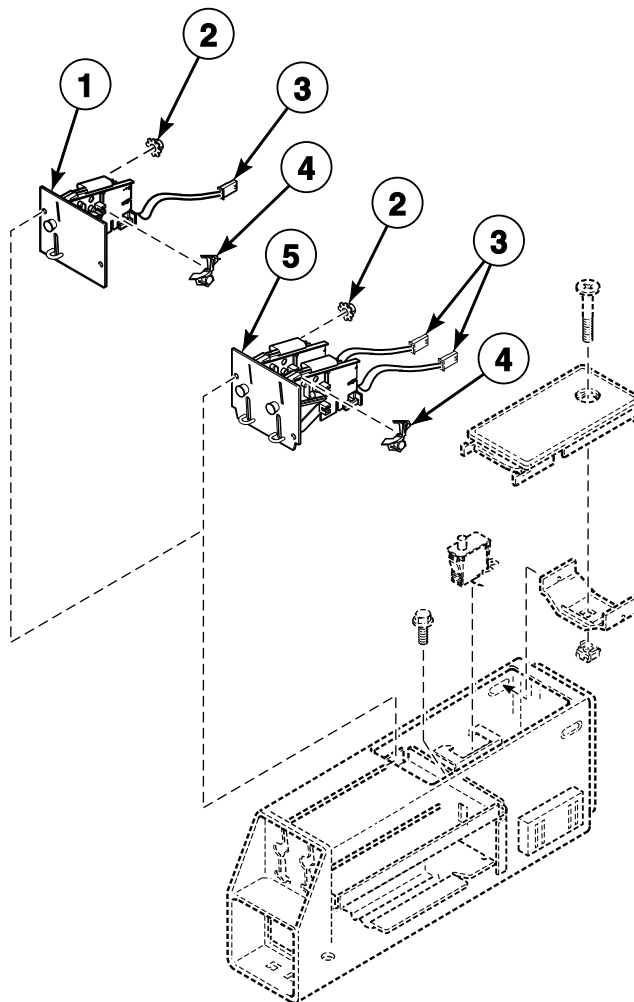
Coin Slide Extension Starting Serial No. 1211 - Coin Slide Rear Control Models

REF	PART NO.	DESCRIPTION	COMMENTS
1	431159	Switch	
2	803662	Bracket	
3	200913	Coin Slide Extension Kit	Includes spring and items 1 and 2
	804794	Spring	

* Add Letter To Designate Color. L - Almond Q - Bisque W - White

Non-Electronic Coin Drop - Rear Control Models

Models HDE507*F1502, HDE507*F1702, HDEB07*J1502, HDEB07*J1702, HDER07*F1502, HDER07*F1702, HDET07*F1502, HDET07*F1702, HDEX07*F1502, HDEX07*F1702, HDEX07*F3000, HDEX07*G3018, HDEZ07*F1502, HDEZ07*F1702, HDG509*F1102, HDGB09*J1102, HDGR09*F1102, HDGT09*F1102, HDGX09*F1102, HDGX09*F3000, HDGX09*M3013, HDGZ09*F1102, PDEBXRGS431AG02, PDGBXRGS301AG02, SDE407*F3000, SDE407*F4350, SDEA07*J3000, SDEA07*J4350, SDEX07*F3000, SDEX07*F4350, SDEX07*G3018, SDEX07*G4018, SDG409*F3000, SDG409*F3058, SDGX09*F3000, SDGX09*F3060 and SDGX09*M3013



DRY2094P_506055

Non-Electronic Coin Drop - Rear Control Models

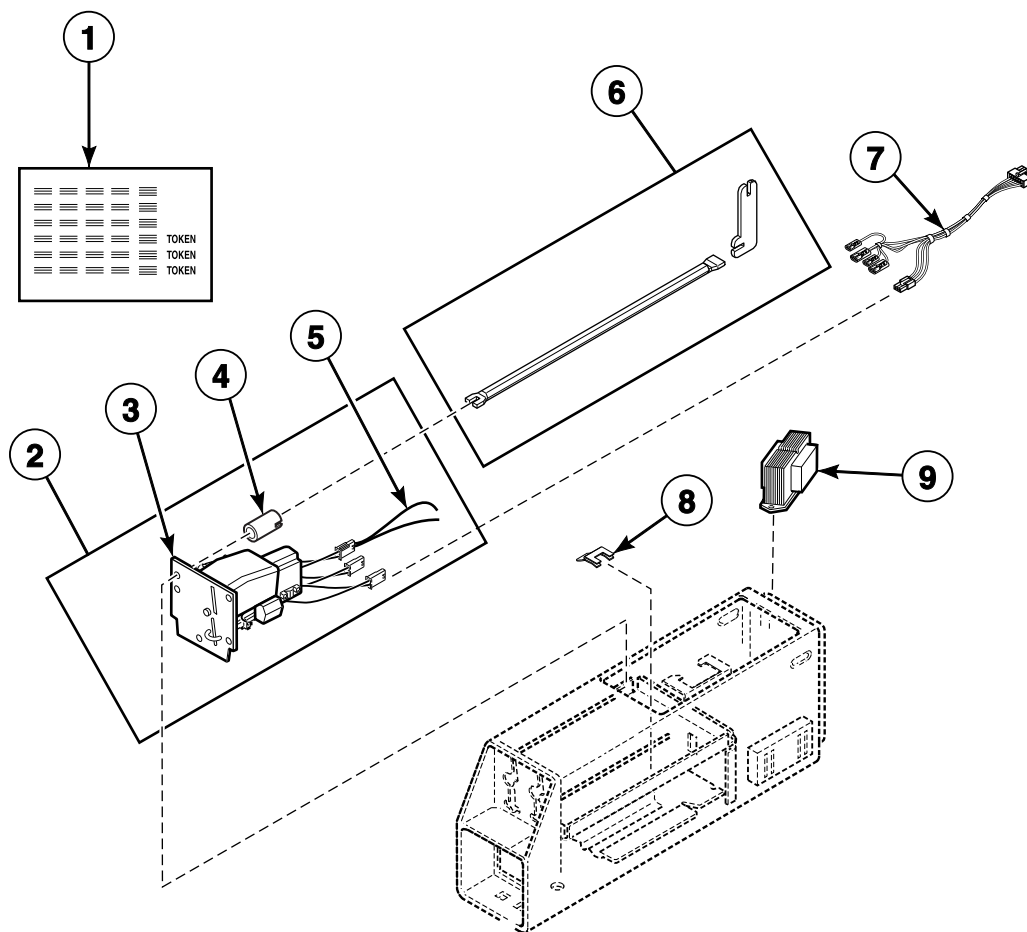
REF	PART NO.	DESCRIPTION	COMMENTS
1	38462P	Coin Drop Assembly	Token; 118-1 mzp; .880 diameter x .079 thick; Brass
	38463	Coin Drop Assembly	Token; 118-5 mzp; .990 diameter x .081 thick; Silver
	38464P	Coin Drop Assembly	Canada; .25
	38475	Coin Drop Assembly	Japan; 100 yen
	CK077	Coin Drop Kit	Taiwan; 10 NT
	70441601P	Coin Drop	U.S.; \$.25
	38963P	Coin Drop	Token 118-16 not available; Replacement for 38963P Coin Drop only
	CK114	Coin Drop Assembly	Singapore; Old 1.00
	CK123	Coin Drop Kit	Singapore; New 1.00
2	29786	Nut	
3	200674P	Opto Coupler	
4	201595P	Wire Guard	Anti-stringing security device; Add to coin drops beginning January 2005
5	70441602	Coin Drop Assembly	Canada; .25 and 1.00
	38467	Coin Drop Assembly	Australia; .20 and 1.00
	N/A	Coin Drop Assembly	Belgium, Denmark, France, Italy and Taiwan coins
	38472	Coin Drop Assembly	England; 20 pence and 1 pound
	38519	Coin Drop Assembly	Japan; 100 and 500 yen
	38521	Coin Drop Assembly	Korea; 100 and 500 won
	N/A	Coin Drop Assembly	New Zealand; .20 and 1.00
	70482401	Coin Drop Assembly	New Zealand; 1.00 and 2.00
	39157	Coin Drop Assembly	Israel; 1 and 5 shekel

* Add Letter To Designate Color. L - Almond Q - Bisque W - White

N/A = Part no longer available

Electronic Coin Drop - Rear Control Models

Models HDEB07*J1502, HDEB07*J1702, HDER07*F1502, HDER07*F1702, HDET07*F1502, HDET07*F1702, HDEX07*F1502, HDEX07*F1702, HDEX07*F3000, HDEX07*G3018, HDEZ07*F1502, HDEZ07*F1702, HDGB09*J1102, HDGR09*F1102, HDGT09*F1102, HDGX09*F1102, HDGX09*F3000, HDGX09*M3013, HDGZ09*F1102, PDEBXRGS431AG02, PDGBXRGS301AG02, SDEA07*J3000, SDEA07*J4350, SDEX07*F3000, SDEX07*F4350, SDEX07*G3018, SDEX07*G4018, SDGX09*F3000, SDGX09*F3060 and SDGX09*M3013



DRY2156P_506055

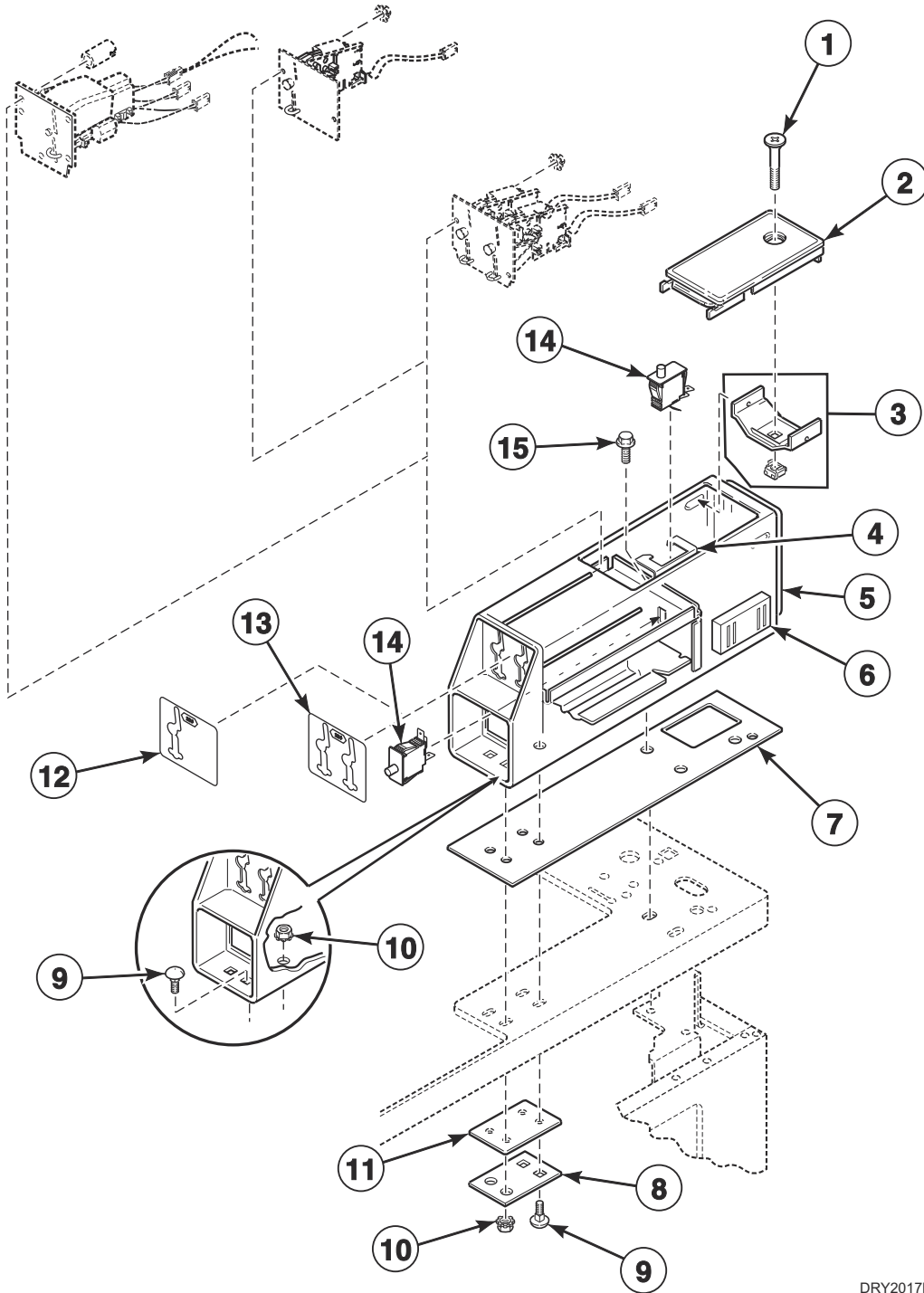
Electronic Coin Drop - Rear Control Models

REF	PART NO.	DESCRIPTION	COMMENTS
1	38725	Coin Identification Paper	For use with items 2 and 3
2	CK099	Electronic Coin Drop Kit	Includes items 3-5; Australia, New Zealand, Hong Kong and South Korea coins
	CK100	Electronic Coin Drop Kit	Includes items 3-5; Euro and Great Britain coins
	CK101	Electronic Coin Drop Kit	Includes items 3-5; Euro, Denmark and Norway coins
	CK103	Electronic Coin Drop Kit	Includes items 3-5; Euro, Lithuania and Latvia coins
	CK106	Electronic Coin Drop Kit	Includes items 3-5; Malaysia, Russia, China and Singapore coins
	CK108	Electronic Coin Drop Kit	Includes items 3-5; South Africa coins
	CK109	Electronic Coin Drop Kit	Includes items 3-5; Euro coins
	CK110	Electronic Coin Drop Kit	Includes items 3-5; Mexico, Ecuador and United States coins
	CK113	Electronic Coin Drop Kit	Includes items 3-5; Japan and Taiwan coins
	CK115	Electronic Coin Drop Kit	Includes items 3-5; United States and Canada coins
	CK120	Electronic Coin Drop Kit	Includes items 3-5; Chile coins
	CK121	Electronic Coin Drop Kit	Includes items 3-5; Singapore coins
3	70294103P	Electronic Coin Drop Assembly	Euro and Great Britain coins
	70294104	Electronic Coin Drop Assembly	Euro, Denmark and Norway coins
	CK099	Electronic Coin Drop Kit	Australia, New Zealand, Hong Kong, South Korea and Malaysia coins
	70513306	Electronic Coin Drop Assembly	Mexico, Ecuador and United States coins
	70294107	Electronic Coin Drop Assembly	Euro, Lithuania and Latvia coins
	70294109	Electronic Coin Drop Assembly	Malaysia, Russia, China and Singapore coins
	70294110	Electronic Coin Drop Assembly	South Africa coins
	70294111	Electronic Coin Drop Assembly	Euro coins
	70294120	Electronic Coin Drop Assembly	Chile coins
	70294121	Electronic Coin Drop Assembly	Singapore coins
4	201216	Nut	For use with items 2 and 3
5	201104	Coin Drop Wire Harness	For use with items 2 and 3; All models except HDER07*F1502, HDER07*F1702, HDEX07*F1502, HDEX07*F1702, HDGR09*F1102, HDGX09*F1102, SDEX07*F3000, SDEX07*F4350 and SDGX09*F3060 starting Serial No. 0904
6	CK096	Mounting Tool Kit	For use with items 2 and 3
7	802905	Harness Assembly	Electronic coin drop requires this harness. If unit is not factory-equipped with this harness, it must be ordered separately.
8	201572	Clip	For use with items 2 and 3
9	201375P	Transformer	Electronic coin drop requires this transformer. If unit is not factory-equipped with this transformer, it must be ordered separately.

* Add Letter To Designate Color. L - Almond Q - Bisque W - White

Meter Case - Rear Control Coin Drop Models

Models HDE507*F1502, HDE507*F1702, HDEB07*J1502, HDEB07*J1702, HDER07*F1502, HDER07*F1702, HDET07*F1502, HDET07*F1702, HDEX07*F1502, HDEX07*F1702, HDEX07*F3000, HDEX07*G3018, HDEZ07*F1502, HDEZ07*F1702, HDG509*F1102, HDGB09*J1102, HDGR09*F1102, HDGT09*F1102, HDGX09*F1102, HDGX09*F3000, HDGX09*M3013, HDGZ09*F1102, PDEBXRGS431AG02, PDGBXRGS301AG02, SDE407*F3000, SDE407*F4350, SDEA07*J3000, SDEA07*J4350, SDEX07*F3000, SDEX07*F4350, SDEX07*G3018, SDEX07*G4018, SDG409*F3000, SDG409*F3058, SDGX09*F3000, SDGX09*F3060 and SDGX09*M3013



DRY2017PA_506055

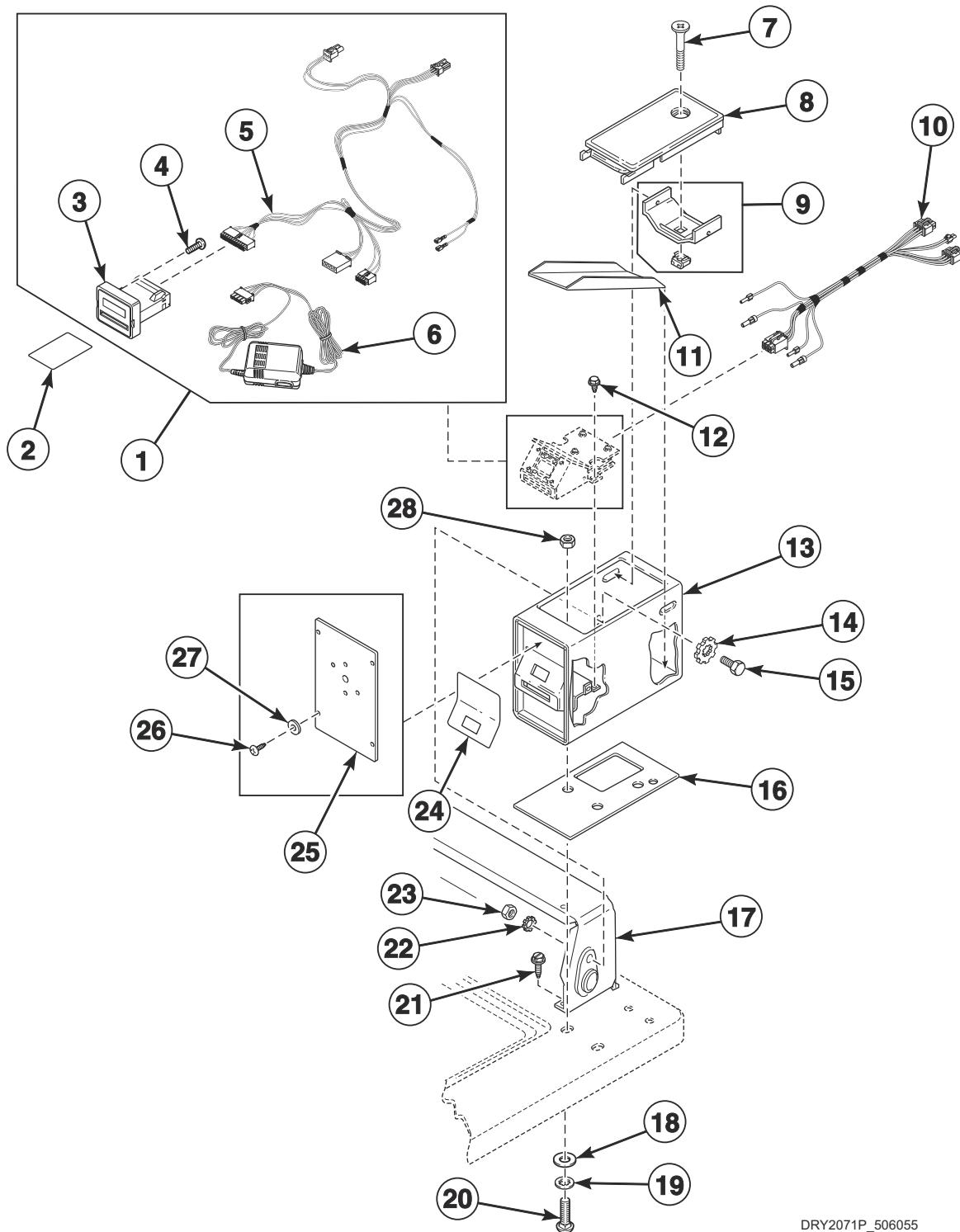
Meter Case - Rear Control Coin Drop Models

REF	PART NO.	DESCRIPTION	COMMENTS
1	D503673	Screw	
2	39874WP	Service Door Assembly	White
	39874LP	Service Door Assembly	Almond
	39874QP	Service Door Assembly	Bisque
	39874DG	Service Door Assembly	Gray; Models PDEBXRGS431AG02 and PDGBXRGS301AG02
3	204616	Meter Case Locking Bracket Kit	
4	38087	Door Switch Bracket	Models HDEX07*G3018, HDGX09*M3013, SDEX07*G3018, SDEX07*G4018, SDGX09*F3060 and SDGX09*M3013
5	807406W	Meter Case Assembly	White; For electronic coin drop; Models HDER07*F1502, HDER07*F1702 and HDGR09*F1102
	802505Q	Meter Case Assembly	Bisque; For electronic coin drop; Models HDER07*F1502, HDER07*F1702 and HDGR09*F1102
	803063DG	Meter Case Assembly	Gray; Models PDEBXRGS431AG02 and PDGBXRGS301AG02
	202877W	Meter Case Assembly	White; All other models
	38724L	Meter Case Assembly	Almond; All other models
	202877Q	Meter Case Assembly	Bisque; All other models
6	38571	Multiplier Assembly	Models HDE507*F1502 and HDG509*F1102
7	26354	Meter Case Gasket	
8	35525	Meter Case Lockdown Bracket	
9	203798	Bolt	
10	29786	Nut	
11	35526	Meter Case Bracket Gasket	
12	38717	Single Overlay	For non-electronic coin drops
	201091	Overlay	For electronic coin drops
13	39073	Dual Overlay	
14	D512973	Switch	
15	36048	Screw	

* Add Letter To Designate Color. L - Almond Q - Bisque W - White

Card Reader and Security Case - Rear Control Models

Models HDE707*F1502, HDE707*F1702 and HDG709*F1102



DRY2071P_506055

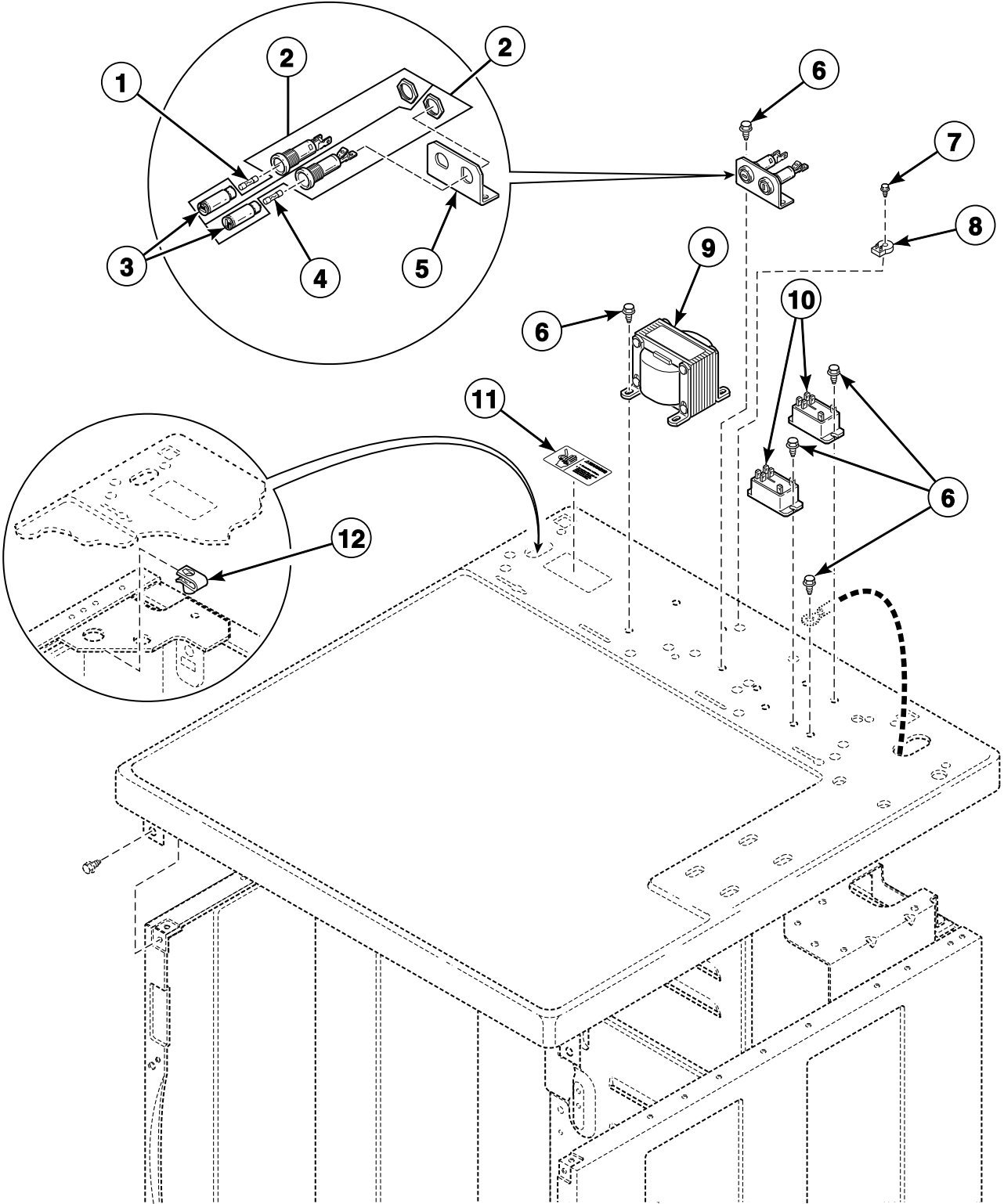
Card Reader and Security Case - Rear Control Models

REF	PART NO.	DESCRIPTION	COMMENTS
1	874P3	Card Reader Kit	Includes items 3-6 and 14
2	D512499P	Programming Card	
3	D512473	Card Reader	
4	D512504	Screw	
5	D512501	Harness	
6	D512496	Power Supply	
7	D503673	Screw	
8	37733W	Timer Case Assembly	Use with item 1
	39874WP	Service Door Assembly	White; Use with 39685 Card Reader
	39874LP	Service Door Assembly	Almond; Use with 39685 Card Reader
	39874QP	Service Door Assembly	Bisque; Use with 39685 Card Reader
9	204616	Meter Case Locking Bracket Kit	
10	38191	Card Reader Wire Harness Assembly	
11	N/A	Shield	
12	D503688	Screw	
13	38145L	Security Case Assembly	Almond
	N/A	Security Case Assembly	White
14	M400017	Washer	
15	02916	Screw	
16	N/A	Security Case Gasket	
17	D502567W	Control Hood	White
	D502567L	Control Hood	Almond
	D502567Q	Control Hood	Bisque
18	23225	Washer	Vinyl
19	30627	Washer	
20	203798	Bolt	
21	23962	Screw	
22	02431	Washer	
23	52566	Nut	
24	38192	Card Reader Instruction Overlay	
25	39481W	Timer Plate	Use with item 1
26	51778	Screw	Use with item 1
27	21734	Washer	Use with item 1
28	29786	Nut	

* Add Letter To Designate Color. L - Almond Q - Bisque W - White

N/A = Part no longer available

Cabinet Top - Rear Control Models (Drawing 1 of 2)



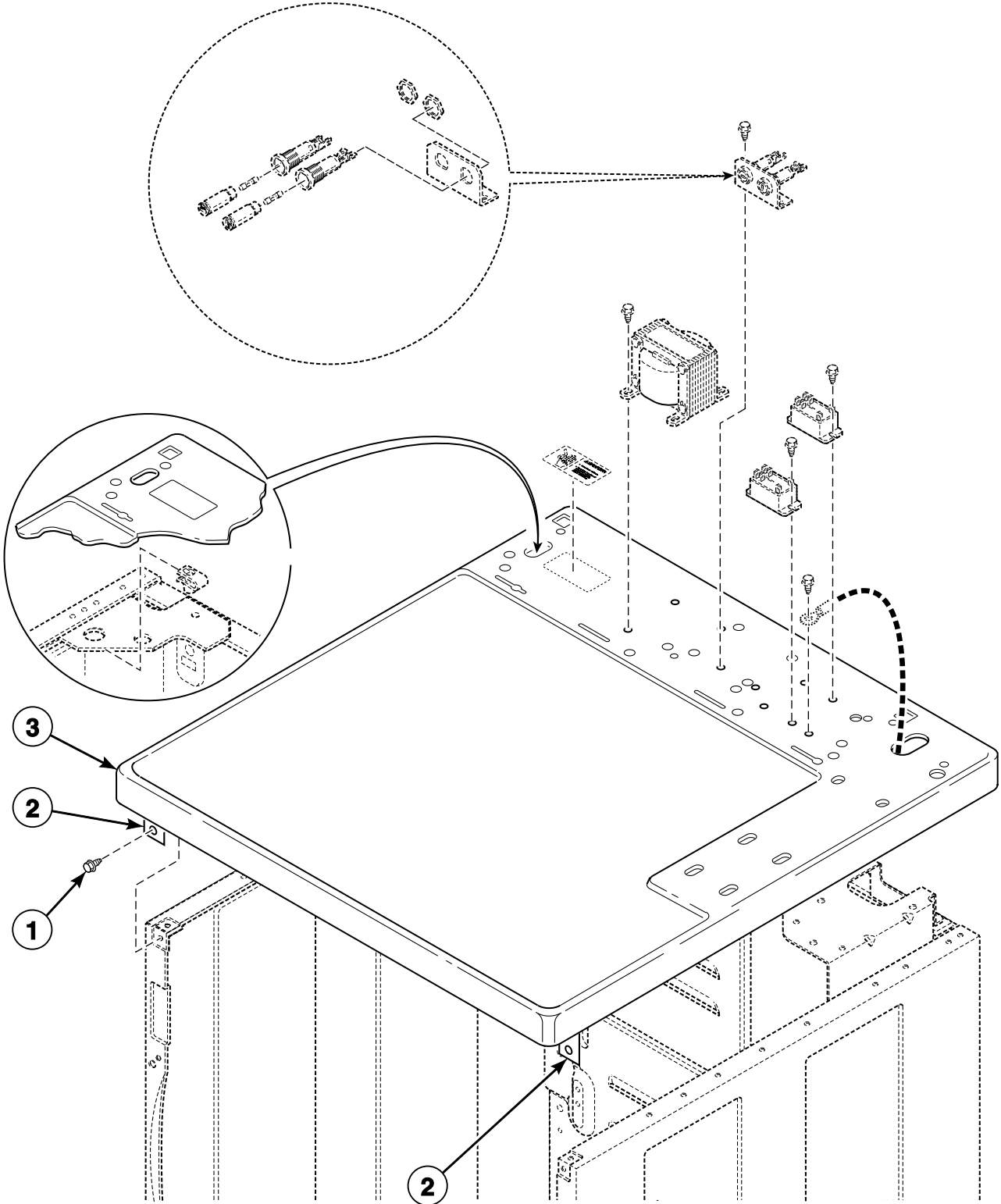
DRY2157P_506055

Cabinet Top - Rear Control Models (Drawing 1 of 2)

REF	PART NO.	DESCRIPTION	COMMENTS
1	D502593	Fuse	Primary 400 mA; Models HDG009*G3008, HDG109*G3013 and SDG109*G3013
2	D502591P	Fuse Holder Kit	Includes item 3; Models HDG009*G3008, HDG109*G3013 and SDG109*G3013
3	D502811	Fuse Carrier	Models HDG009*G3008, HDG109*G3013 and SDG109*G3013
4	D502592	Fuse	Secondary 3.15 Amp; Models HDG009*G3008, HDG109*G3013 and SDG109*G3013
5	D502589	Fuse Holder Bracket	Models HDG009*G3008, HDG109*G3013 and SDG109*G3013
6	D503688	Screw	
7	D503661	Screw	Model NDG809*F5422
8	210100	Resistor	Model NDG809*F5422
9	D511658P	Transformer Kit	Models HDG009*F3000, HDG109*F3000, SDG009*F3000, SDG009*F3058, SDG009*F3060, SDG109*F3000, SDG109*F3060, SDG109*F5412, UDG009*F3000 and UDG009*F3025
	M412477P	Transformer	Models HDG009*G3008, HDG109*G3013 and SDG109*G3013
	M413100P	Transformer	Models HDG009*M3008, HDG109*M3013 and SDG109*M3013
	201616P	Transformer	Model NDG809*F5422
10	D502501P	Relay	Models HDG009*G3008, HDG109*G3013 and SDG109*G3013
11	D500316	Warning Label	Models BDG809*F1102, BDG909*F1102, HDE007*F1702, HDE107*F1502, HDE107*F1702, HDE507*F1502, HDE507*F1702, HDE707*F1502, HDE707*F1702, HDE807*F1702, HDE907*F1502, HDE907*F1702, HDEB07*J1502, HDEB07*J1702, HDEF07*J1502, HDEF07*J1702, HDER07*F1502, HDER07*F1702, HDET07*F1502, HDET07*F1702, HDEX07*F1502, HDEX07*F1702, HDEY07*F1502, HDEY07*F1702, HDEY07*F99N2, HDEZ07*F1502, HDEZ07*F1702, HDG009*F1102, HDG109*F1102, HDG509*F1102, HDG709*F1102, HDG809*F1102, HDG909*F1102, HDGB09*J1102, HDGF09*J1102, HDGR09*F1102, HDGT09*F1102, HDGX09*F1102, HDGY09*F1102, HDGZ09*F1102, SDEMNRGS171CW01, SDGMNRGS111CW01, SDGSXRGs111CW02, UDE807*F1702 and UDG809*F1102
	D502511	Electrical Shock Label	Models GDE807*F5418, GDE907*F5418, GDE907*G3018, GDESCRGS301UW01, GDESCRGS331ZW01, HDE007*G3003, HDE007*G3008, HDE007*G3010, HDE007*G4008, HDE007*G4010, HDE107*G3003, HDE107*G3018, HDE907*G3018, HDG009*G3008, HDG009*M3008, HDG109*G3013, HDG109*M3013, JDE807*F5418, JDE907*G3018, JDG809*M3013, JDG809*M3020, JDG909*M3013, JDG909*M3020, NDE807*F5422, PDG809*M3013, SDE007*G3018, SDE107*G3018, SDE907*G3018, SDG109*G3013, SDG109*M3013 and SDG909*M3013
	D505281	Disconnect Power Warning Label	All other models
12	27222	Nut	

* Add Letter To Designate Color. G - Gray L - Almond Q - Bisque W - White

Cabinet Top - Rear Control Models (Drawing 2 of 2)



DRY2003PA_506055

Cabinet Top - Rear Control Models (Drawing 2 of 2)

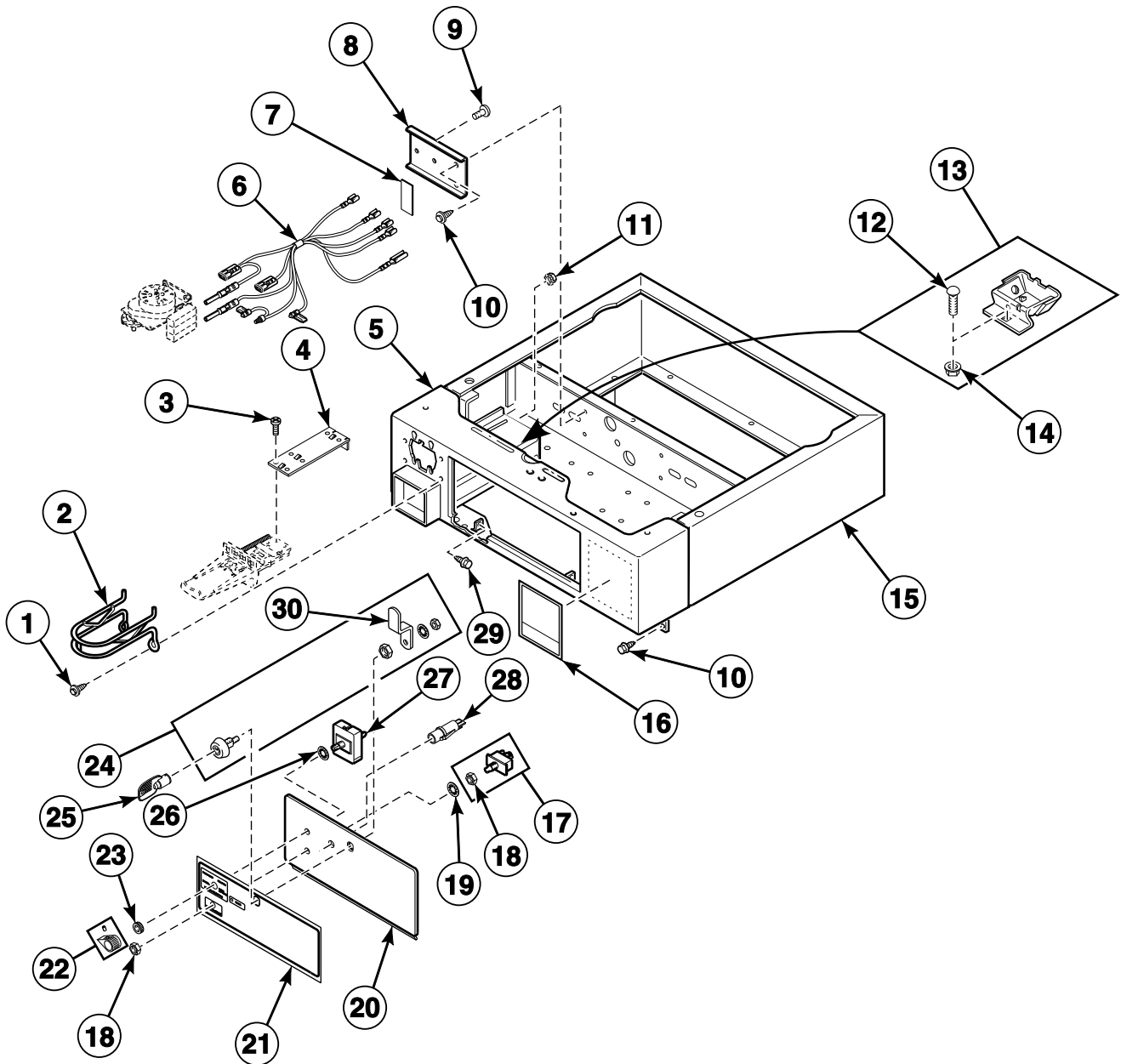
REF	PART NO.	DESCRIPTION	COMMENTS
1	D503688	Screw	
2	D510146	Bracket	All models except PDEBXRGS431AG02 and PDGBXRGS301AG02
3	N/A	Top Panel	White; Model HDG009*G3008
	D502670Q	Top Panel	Bisque; Models HDG109*G3013 and SDG109*G3013
	D511530WP	Top Panel Kit	White; Models BDG809*F1102, FDE807*G3018, FDE807*G4018, GDE807*F5418, GDE807*G3018, HDE807*F1702, HDEF07*J1502, HDEF07*J1702, HDEY07*F1502, HDEY07*F1702, HDEY07*F99N2, HDG809*F1102, HDGF09*J1102, HDGY09*F1102, JDE807*F4350, JDE807*F5418, JDE807*G3018, JDG809*F3060, JDG809*M3013, JDG809*M3020, NDE807*F3022, NDE807*F5422, NDE807*G3018, NDE807*G4018, NDG809*F3022, NDG809*F5422, PDE807*G3018, PDE807*G4018, PDG809*F3060, PDG809*M3013, SDE807*F3000, SDE807*F4350, SDEF07*J4350, SDG809*F3060, SDGF09*J3060, UDE807*F1702 and UDG809*F1102
	D511530LP	Top Panel Kit	Almond; Models BDG809*F1102, FDE807*G3018, FDE807*G4018, GDE807*F5418, GDE807*G3018, HDE807*F1702, HDEF07*J1502, HDEF07*J1702, HDEY07*F1502, HDEY07*F1702, HDEY07*F99N2, HDG809*F1102, HDGF09*J1102, HDGY09*F1102, JDE807*F4350, JDE807*F5418, JDE807*G3018, JDG809*F3060, JDG809*M3013, JDG809*M3020, NDE807*F3022, NDE807*F5422, NDE807*G3018, NDE807*G4018, NDG809*F3022, NDG809*F5422, PDE807*G3018, PDE807*G4018, PDG809*F3060, PDG809*M3013, SDE807*F3000, SDE807*F4350, SDEF07*J4350, SDG809*F3060, SDGF09*J3060, UDE807*F1702 and UDG809*F1102
	D511528WP	Top Kit	White; Models HDE007*F1702, HDE007*F3000, HDE007*G3003, HDE007*G3008, HDE007*G3010, HDE007*G4008, HDE007*G4010, HDE707*F1502, HDE707*F1702, HDG009*F1102, HDG009*F3000, HDG009*M3008, HDG709*F1102, NDE007*G3018, NDE007*G4018, SDE007*F3000, SDE007*F4350, SDE007*G3018, SDEMNRGS171CW01, SDG009*F3000, SDG009*F3058, SDG009*F3060, SDGMNRGS111CW01, SDGSXRGS111CW02, UDE007*F3000, UDE007*F3025, UDG009*F3000 and UDG009*F3025
	D511528LP	Top Kit	Almond; Models HDE007*F1702, HDE007*F3000, HDE007*G3003, HDE007*G3008, HDE007*G3010, HDE007*G4008, HDE007*G4010, HDE707*F1502, HDE707*F1702, HDG009*F1102, HDG009*F3000, HDG009*M3008, HDG709*F1102, NDE007*G3018, NDE007*G4018, SDE007*F3000, SDE007*F4350, SDE007*G3018, SDG009*F3000, SDG009*F3058, SDG009*F3060, UDE007*F3000, UDE007*F3025, UDG009*F3000 and UDG009*F3025
	D511528QP	Top Kit	Bisque; Models HDE007*F1702, HDE007*F3000, HDE007*G3003, HDE007*G3008, HDE007*G3010, HDE007*G4008, HDE007*G4010, HDE707*F1502, HDE707*F1702, HDG009*F1102, HDG009*F3000, HDG009*M3008, HDG709*F1102, NDE007*G3018, NDE007*G4018, SDE007*F3000, SDE007*F4350, SDE007*G3018, SDG009*F3000, SDG009*F3058, SDG009*F3060, UDE007*F3000, UDE007*F3025, UDG009*F3000 and UDG009*F3025
	D505885DG	Top Panel	Gray; Models PDEBXRGS431AG02 and PDGBXRGS301AG02
	D511527WP	Top Kit	White; All other models
	D511527LP	Top Kit	Almond; All other models
	D511527QP	Top Kit	Bisque; All other models

* Add Letter To Designate Color. G - Gray L - Almond Q - Bisque W - White

N/A = Part no longer available

Control Panel and Controls - Coin Slide Ready Front Control Models

Model HFE167*G4018



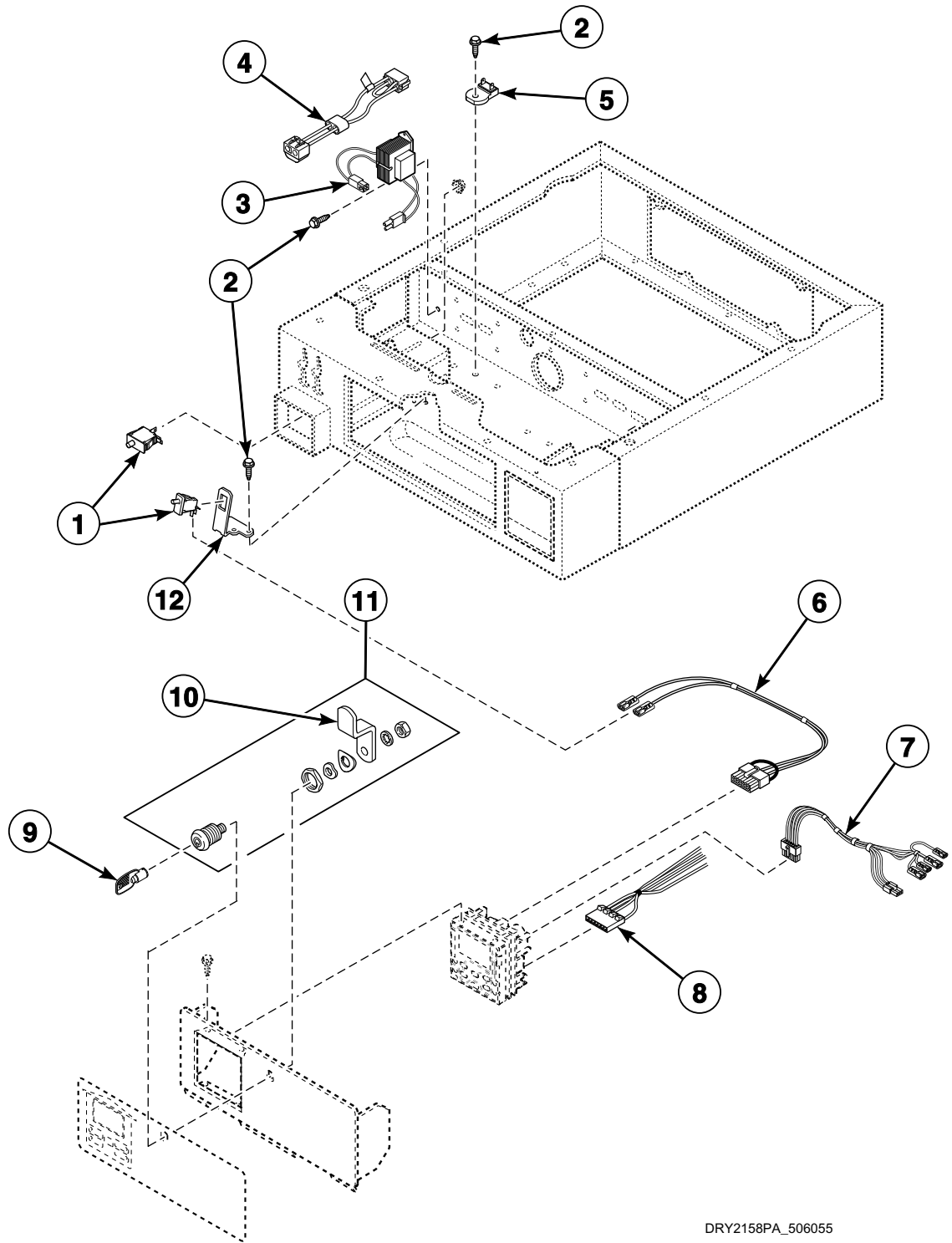
DRY2093P_506055

Control Panel and Controls - Coin Slide Ready Front Control Models

REF	PART NO.	DESCRIPTION	COMMENTS
1	33562	Screw	
2	58181	Coin Slide Guard	
3	N/A	Screw	
4	D503455	Coin Slide Extension	
5	D511523W	Security Cabinet Front Assembly	White
	D511523L	Security Cabinet Front Assembly	Almond
	D511523Q	Security Cabinet Front Assembly	Bisque
6	D510534P	Harness Replacement Kit	
7	56751	Shield	
8	D503017	Timer Bracket	
9	03203	Screw	
10	D503688	Screw	
11	80077	Nut	
12	29651	Bolt	
13	523P3	Coin Funnel Kit	Includes items 12 and 14
14	29796	Nut	
15	D505753WP	Wrapper and Channel Assembly	White
	N/A	Wrapper and Channel Assembly	Almond
	D505753QP	Wrapper and Channel Assembly	Bisque
16	D504585	Instruction Overlay	
17	55882	Switch Assembly	Includes item 18
18	52947	Nut	
19	25820	Washer	
20	D504447W	Control Panel and Bracket Assembly	White
	D504447L	Control Panel and Bracket Assembly	Almond
	D504447Q	Control Panel and Bracket Assembly	Bisque
21	N/A	Graphic Overlay	
22	39897	Switch Knob	
23	24205	Nut	
24	27260P	Lock Kit	Includes item 30
25	54612	Key	800
26	91029	Washer	
27	61512	Fabric Selector Switch	
28	32464	Light	
29	D502431	Screw	
30	27261	Lock Cam	

* Add Letter To Designate Color. L - Almond Q - Bisque W - White
N/A = Part no longer available

Control Panel and Controls - Front Control Coin Drop and Card Models (Drawing 1 of 2)



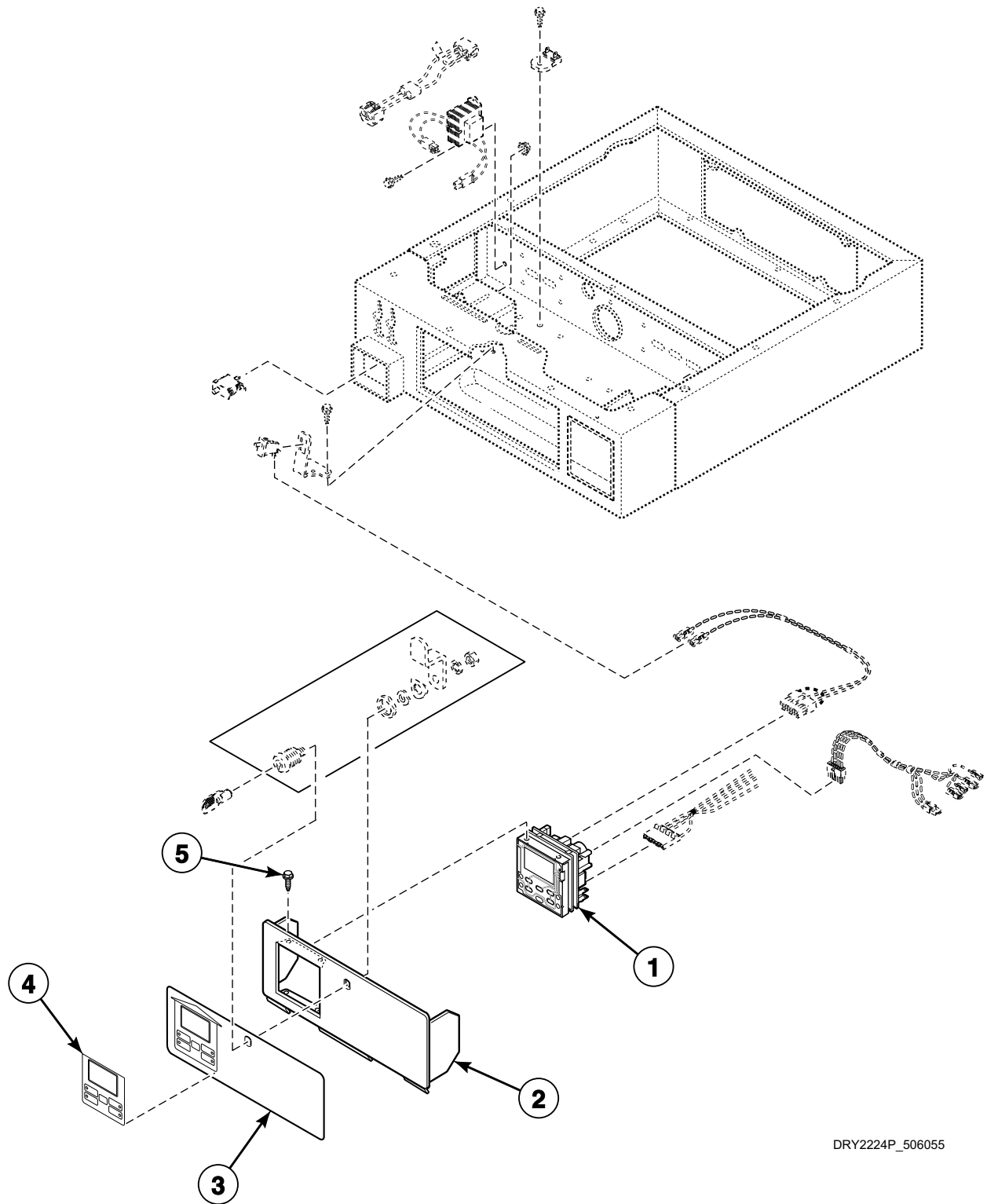
DRY2158PA_506055

Control Panel and Controls - Front Control Coin Drop and Card Models (Drawing 1 of 2)

REF	PART NO.	DESCRIPTION	COMMENTS
1	D512973	Switch	
2	D503688	Screw	
3	201375P	Transformer	Some models may have jumper wire attached to transformer. Discard jumper wire when replacing transformer; Models HFEX07*F1702, HFEY07*F1502, HFEY07*F1702, HFGX09*F1102, HFGY09*F1102, KFEG17NF1702, KFEY17NF1702, KFGG19NF1102 and KFGY19NF1102
	210018P	Transformer	Models HFEB07*J1702, KFET17NF1702 and KFGT19NF1102
	803527P	Transformer	All other models
4	M413507	Jumper Configuration Assembly	Models BFEX07*F4350, BFEX07*G4018, BFGX09*F3060, BFGX09*M3013, GFEG17NG3018, GFEG17NG4018, GFEX17NG3018, GFEX17NG4018, GFEY17NG3018, GFEY17NG4018, GFGG19NM3020, GFGX19NM3020, GFGY19NM3020, HFGX09*M3013, KFEG17NG3018, KFEG17NG4018, KFEX17NG3018, KFEX17NG4018, KFEY17NG3018, KFEY17NG4018, KFGG19NM3020, KFGX19NM3020, KFGY19NM3020, NFEX07*G3018, NFEX07*G4018, NFGX09*M3013, SFEA07*G3018, SFEX07*F3300, SFEX07*F4350, SFEX07*G3018, SFEX07*G4018, SFEX67*G4018, SFEY07*G4018 and SFGX09*M3013
5	210100	Resistor	
6	800374	Diagnostic Wire Harness Assembly	Models GFEG17NG3018, GFEG17NG4018, GFGG19NM3020, GFGY19NM3020, HFEY07*F1502, HFEY07*F1702, HFGY09*F1102, KFEG17NF1702, KFEG17NG3018, KFEG17NG4018, KFGG19NF1102, KFGG19NM3020, KFGY19NF1102, KFGY19NM3020 and SFEY07*G4018
7	802905	Harness Assembly	Coin drop; Models BFEX07*F4350, BFEX07*G4018, BFGX09*F3060, BFGX09*M3013, GFEX17NG3018, GFEX17NG4018, GFGX19NM3020, HFGX09*M3013, KFEX17NG3018, KFEX17NG4018, KFGX19NM3020, NFEX07*G3018, NFEX07*G4018, NFGX09*M3013, SFEA07*G3018, SFEX07*F3300, SFEX07*F4350, SFEX07*G3018, SFEX07*G4018, SFEX67*G4018 and SFGX09*M3013
8	D511478	Central Pay Harness	From control to customer supplied pay unit; Models GFEG17NG3018, GFEG17NG4018, GFEY17NG3018, GFEY17NG4018, GFGG19NM3020, GFGY19NM3020, KFEG17NF1702, KFEG17NG3018, KFEG17NG4018, KFEY17NF1702, KFEY17NG3018, KFEY17NG4018, KFGG19NF1102, KFGG19NM3020, KFGY19NF1102 and KFGY19NM3020
9	54612	Key	800
10	27261	Lock Cam	
11	27260P	Lock Kit	Includes item 10
12	800379	Audit Switch Bracket	

* Add Letter To Designate Color. L - Almond Q - Bisque W - White N - Stainless Steel

Control Panel and Controls - Front Control Coin Drop and Card Models (Drawing 2 of 2)



DRY2224P_506055

Control Panel and Controls - Front Control Coin Drop and Card Models (Drawing 2 of 2)

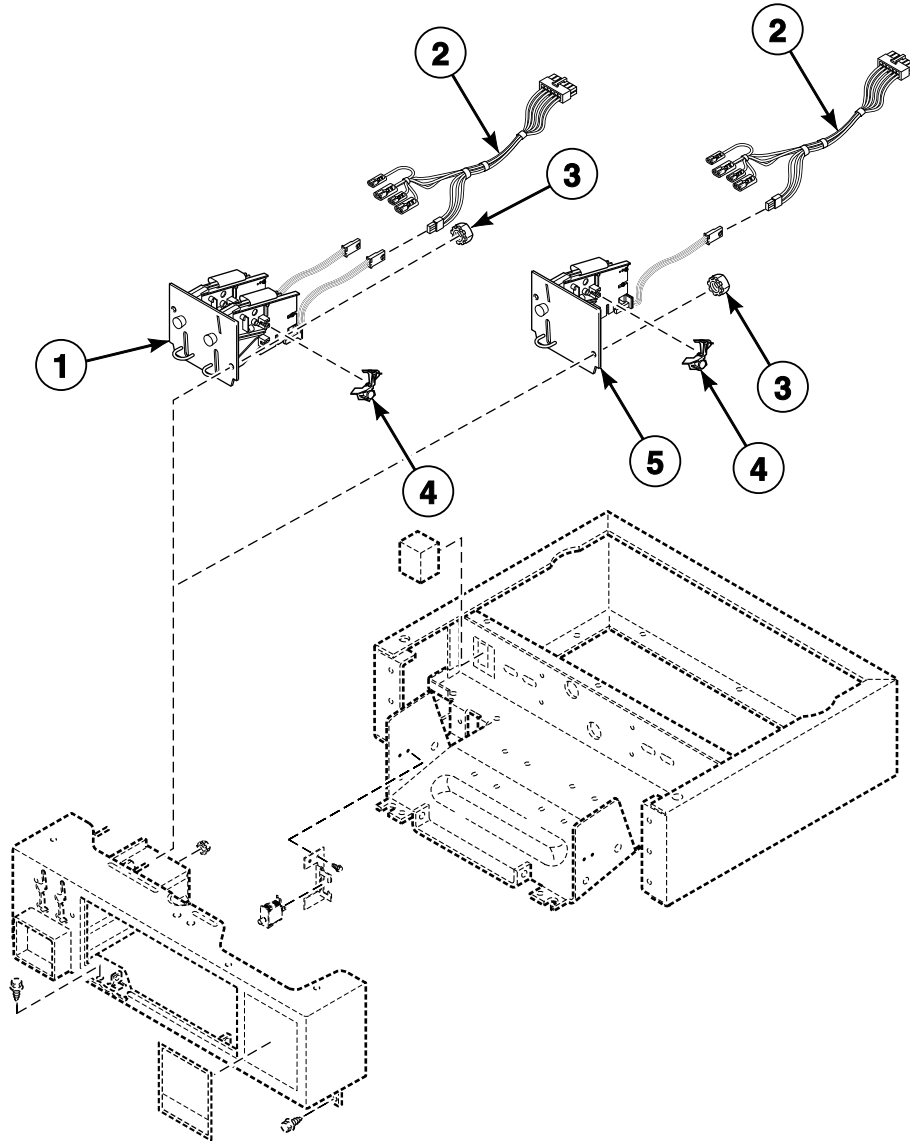
REF	PART NO.	DESCRIPTION	COMMENTS
1	D505905P	Control Kit	Models HFEB07*J1702 and SFEA07*G3018
	M414050P	Control Kit	120 Volt; Models HFE507*F1702, HFE707*F1702, HFG509*F1102 and HFG709*F1102; Model and serial number of machine required - part no longer available for units built prior to 1/1/04 per field bulletin FB15-164
	D511867P	Control Assembly	All other models
2	D505510W	Control Panel and Bracket Assembly	White; Models HFE507*F1702, HFE707*F1702, HFG509*F1102 and HFG709*F1102
	D505510L	Control Panel and Bracket Assembly	Almond; Models HFE507*F1702, HFE707*F1702, HFG509*F1102 and HFG709*F1102
	D512705	Control Panel Assembly	Models GFEG17NG3018, GFEG17NG4018, GFEX17NG3018, GFEX17NG4018, GFEY17NG3018, GFEY17NG4018, GFGG19NM3020, GFGX19NM3020, KFGY19NM3020, KFEG17NF1702, KFEG17NG3018, KFEX17NG4018, KFET17NF1702, KFEX17NG3018, KFEX17NG4018, KFEY17NF1702, KFEY17NG3018, KFEY17NG4018, KFGG19NF1102, KFGG19NM3020, KFGT19NF1102, KFGX19NM3020, KFGY19NF1102 and KFGY19NM3020
	D510077W	Control Panel and Bracket Assembly	White; All other models
	D510077B	Control Panel and Bracket Assembly	Black; All other models
3	D511899	Graphic Overlay	Models SFEX07*G3018, SFEX07*G4018, SFEX67*G4018, SFEY07*G4018 and SFGX09*M3013
	D512008	Graphic Overlay	Models BFEX07*G4018 and BFGX09*M3013
	D512029	Graphic Overlay	Model HFGX09*M3013
	D511573	Graphic Overlay	Models SFEX07*F3300 and SFEX07*F4350
	N/A	Graphic Overlay	Model HFEB07*J1702
	D512102	Graphic Overlay	Models HFEX07*F1702, HFEY07*F1502, HFEY07*F1702, HFGX09*F1102 and HFGY09*F1102
	D512534	Graphic Overlay	Models NFEX07*G3018, NFEX07*G4018 and NFGX09*M3013
	D505695	Graphic Overlay	Models HFE507*F1702, HFE707*F1702, HFG509*F1102 and HFG709*F1102
	D510075	Graphic Overlay	Model SFEA07*G3018
	D513392	Graphic Overlay	Models BFEX07*F4350 and BFGX09*F3060
	D512726	Graphic Overlay	All other models
4	D513546	Overlay	French/English; Models HFEX07*F1702, HFEY07*F1502, HFEY07*F1702, HFGX09*F1102 and HFGY09*F1102
5	D501524	Screw	

* Add Letter To Designate Color. L - Almond Q - Bisque W - White N - Stainless Steel

N/A = Part no longer available

Non-Electronic Coin Drop - Front Control Models

Models BFEX07*F4350, BFEX07*G4018, BFGX09*F3060, BFGX09*M3013, GFEX17NG3018, GFEX17NG4018, GFGX19NM3020, HFE507*F1702, HFEB07*J1702, HFEX07*F1702, HFG509*F1102, HFGX09*F1102, HFGX09*M3013, KFET17NF1702, KFEX17NG3018, KFEX17NG4018, KFGT19NF1102, KFGX19NM3020, NFEX07*G3018, NFEX07*G4018, NFGX09*M3013, SFEA07*G3018, SFEX07*F3300, SFEX07*F4350, SFEX07*G3018, SFEX07*G4018, SFEX67*G4018 and SFGX09*M3013



DRY2096P_506055

Non-Electronic Coin Drop - Front Control Models

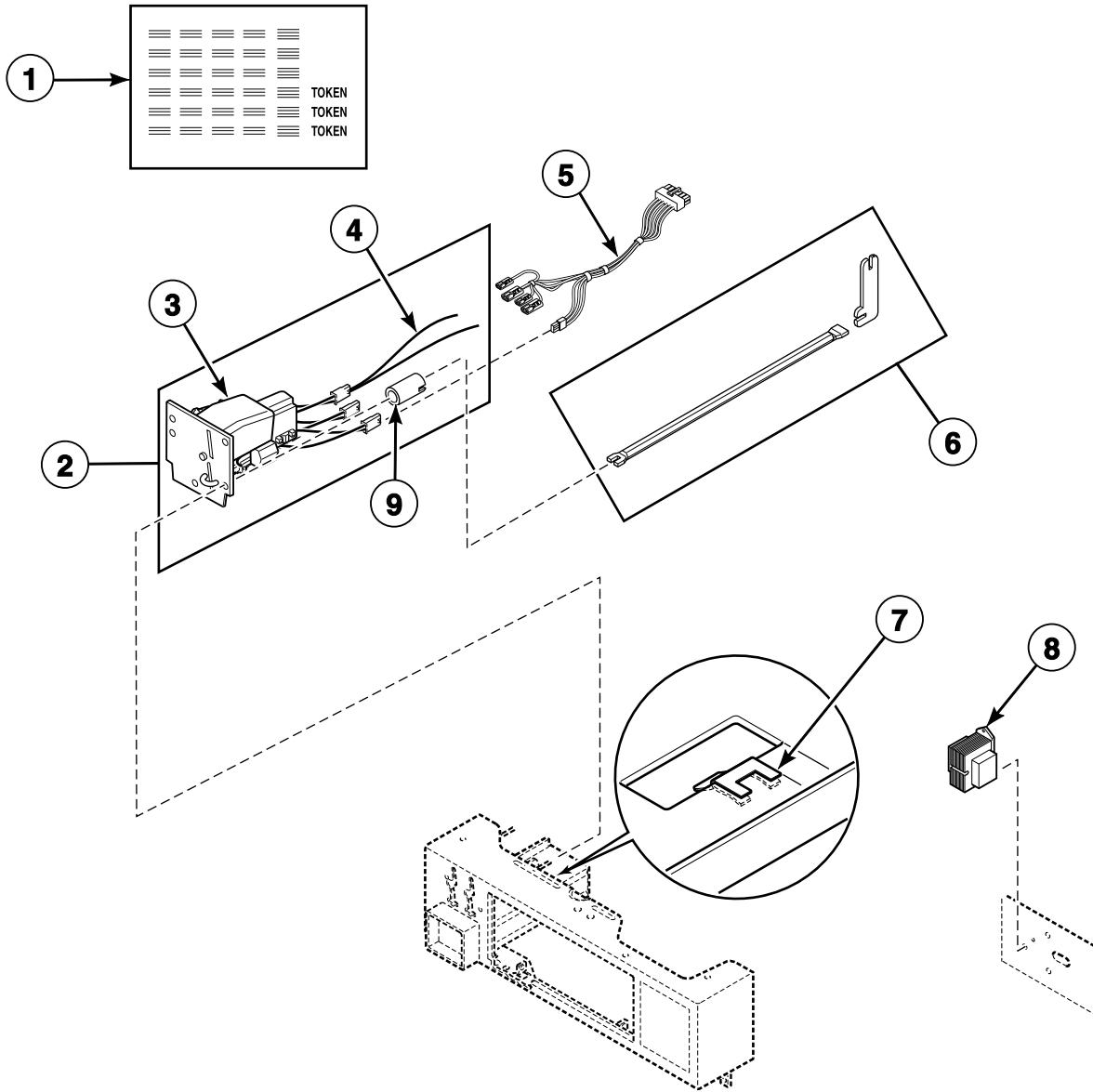
REF	PART NO.	DESCRIPTION	COMMENTS
1	N/A	Coin Drop Assembly	Belgium, Denmark, France, Italy and Taiwan coins
	70441602	Coin Drop Assembly	Canada; .25 and 1.00
	38467	Coin Drop Assembly	Australia; .20 and 1.00
	38472	Coin Drop Assembly	England; 20 pence and 1 pound
	38519	Coin Drop Assembly	Japan; 100 and 500 yen
	38521	Coin Drop Assembly	Korea; 100 and 500 won
	N/A	Coin Drop Assembly	New Zealand; .20 and 1.00
	70482401	Coin Drop Assembly	New Zealand; 1.00 and 2.00
	39157	Coin Drop Assembly	Israel; 1 and 5 shekel
2	802905	Harness Assembly	Coin drop; Models BFEX07*F4350, BFEX07*G4018, BFGX09*F3060, BFGX09*M3013, GFEX17NG3018, GFEX17NG4018, GFGX19NM3020, HFGX09*M3013, KFEX17NG3018, KFEX17NG4018, KFGX19NM3020, NFEX07*G3018, NFEX07*G4018, NFGX09*M3013, SFEX07*G3018, SFEX07*F3300, SFEX07*F4350, SFEX07*G3018, SFEX07*G4018, SFEX67*G4018 and SFGX09*M3013
	802904P	Harness Assembly	Models KFET17NF1702 and KFGT19NF1102
3	29786	Nut	
4	201595P	Wire Guard	Anti-stringing security device; Add to coin drops beginning January 2005
5	38462P	Coin Drop Assembly	Token; 118-1 mzp
	38463	Coin Drop Assembly	Token; 118-5 mzp
	38464P	Coin Drop Assembly	Canada; .25
	38475	Coin Drop Assembly	Japan; 100 yen
	CK077	Coin Drop Kit	Taiwan; 10 NT
	70441601P	Coin Drop	U.S.; \$.25
	38963P	Coin Drop	Token 118-16 not available; Replacement for 38963P Coin Drop only
	CK114	Coin Drop Assembly	Singapore; Old 1.00
CK123	Coin Drop Kit	Singapore; New 1.00	

* Add Letter To Designate Color. L - Almond Q - Bisque W - White N - Stainless Steel

N/A = Part no longer available

Electronic Coin Drop - Front Control Models

Models BFEX07*F4350, BFEX07*G4018, BFGX09*F3060, BFGX09*M3013, GFEX17NG3018, GFEX17NG4018, GFGX19NM3020, HFEB07*J1702, HFEX07*F1702, HFGX09*F1102, HFGX09*M3013, KFET17NF1702, KFEX17NG3018, KFEX17NG4018, KFGT19NF1102, KFGX19NM3020, NFEX07*G3018, NFEX07*G4018, NFGX09*M3013, SFEA07*G3018, SFEX07*F3300, SFEX07*F4350, SFEX07*G3018, SFEX07*G4018, SFEX67*G4018 and SFGX09*M3013



DRY2159P_506055

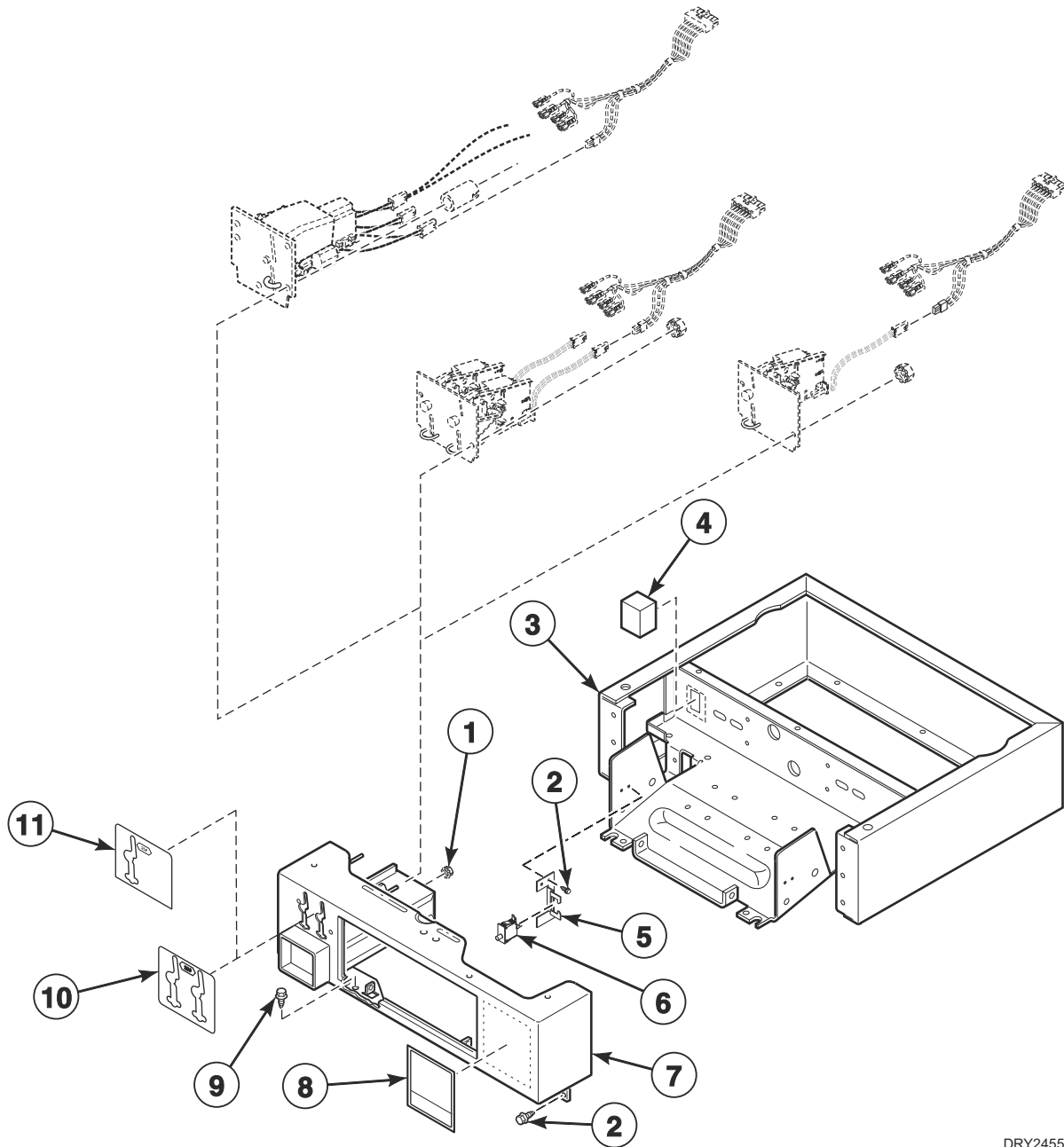
Electronic Coin Drop - Front Control Models

REF	PART NO.	DESCRIPTION	COMMENTS
1	38725	Coin Identification Paper	For use with items 2 and 3
2	CK099	Electronic Coin Drop Kit	Includes items 3-5; Australia, New Zealand, Hong Kong and South Korea coins
	CK100	Electronic Coin Drop Kit	Includes items 3-5; Euro and Great Britain coins
	CK101	Electronic Coin Drop Kit	Includes items 3-5; Euro, Denmark and Norway coins
	CK103	Electronic Coin Drop Kit	Includes items 3-5; Euro, Lithuania and Latvia coins
	CK106	Electronic Coin Drop Kit	Includes items 3-5; Malaysia, Russia, China and Singapore coins
	CK108	Electronic Coin Drop Kit	Includes items 3-5; South Africa coins
	CK109	Electronic Coin Drop Kit	Includes items 3-5; Euro coins
	CK113	Electronic Coin Drop Kit	Includes items 3-5; Japan and Taiwan coins
	CK115	Electronic Coin Drop Kit	Includes items 3-5; United States and Canada coins
	CK120	Electronic Coin Drop Kit	Includes items 3-5; Chile coins
	CK121	Electronic Coin Drop Kit	Includes items 3-5; Singapore coins
3	CK099	Electronic Coin Drop Kit	Australia, New Zealand, Hong Kong, South Korea and Malaysia coins
	70294103P	Electronic Coin Drop Assembly	Euro and Great Britain coins
	70294104	Electronic Coin Drop Assembly	Euro, Denmark and Norway coins
	70294107	Electronic Coin Drop Assembly	Euro, Lithuania and Latvia coins
	70294109	Electronic Coin Drop Assembly	Malaysia, Russia, China and Singapore coins
	70294110	Electronic Coin Drop Assembly	South Africa coins
	70294111	Electronic Coin Drop Assembly	Euro coins
	70294120	Electronic Coin Drop Assembly	Chile coins
	70294121	Electronic Coin Drop Assembly	Singapore coins
4	201104	Coin Drop Wire Harness	For use with items 2 and 3; All models except BFEX07*F4350, BFEX07*G4018, BFGX09*F3060, HFEX07*F1702, HFGX09*F1102, NFEX07*G3018, NFEX07*G4018, SFEX07*F3300, SFEX07*F4350, SFEX07*G3018 and SFEX07*G4018 starting Serial No. 0904
5	802905	Harness Assembly	Electronic coin drop requires this harness. If unit is not factory-equipped with this harness, it must be ordered separately.
6	CK096	Mounting Tool Kit	For use with items 2 and 3
7	201572	Clip	For use with items 2 and 3
8	201375P	Transformer	Electronic coin drop requires this transformer. If unit is not factory-equipped with this transformer, it must be ordered separately.
9	201216	Nut	Slotted nut; Use with front assemblies with guide rods; Models through Serial No. 1007022688
	29786	Nut	Hex nut; Use with front assemblies without guide rods; Models starting Serial No. 1007022689

* Add Letter To Designate Color. L - Almond Q - Bisque W - White N - Stainless Steel

Control Cabinet Controls - Front Control Coin Drop Models

Models BFEX07*F4350, BFEX07*G4018, BFGX09*F3060, BFGX09*M3013, GFEX17NG3018, GFEX17NG4018, GFGX19NM3020, HFE507*F1702, HFEB07*J1702, HFEX07*F1702, HFG509*F1102, HFGX09*F1102, HFGX09*M3013, KFET17NF1702, KFEX17NG3018, KFEX17NG4018, KFGT19NF1102, KFGX19NM3020, NFEX07*G3018, NFEX07*G4018, NFGX09*M3013, SFEA07*G3018, SFEX07*F3300, SFEX07*F4350, SFEX07*G3018, SFEX07*G4018, SFEX67*G4018 and SFGX09*M3013



DRY2455P_506055

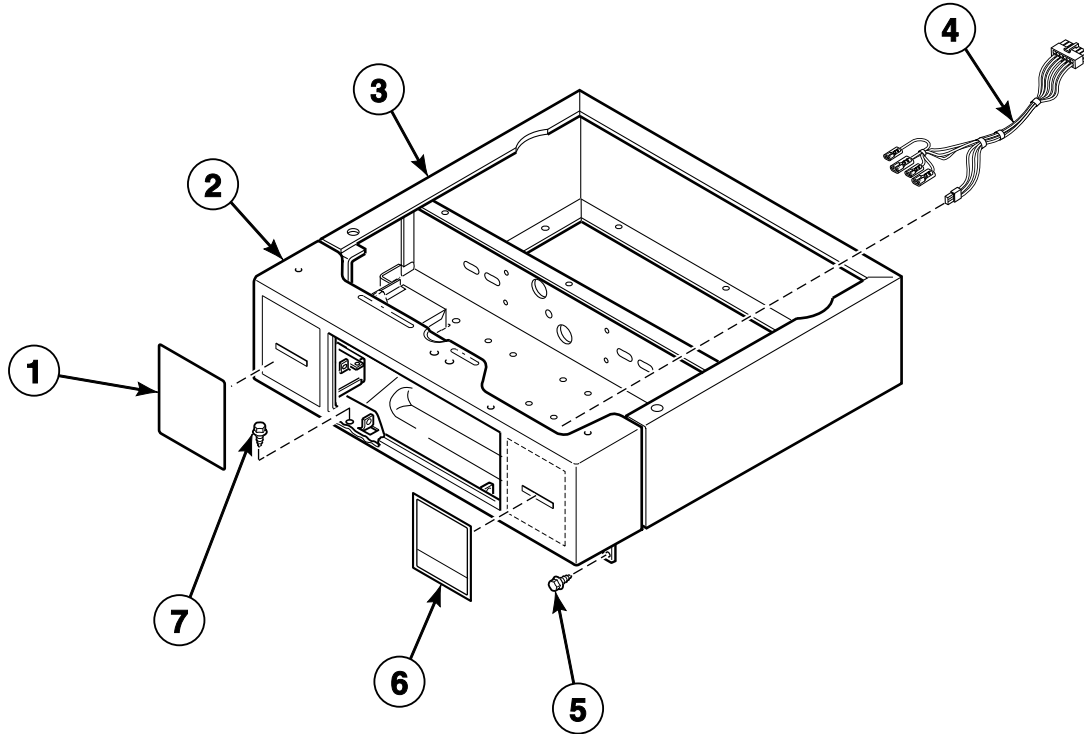
Control Cabinet Controls - Front Control Coin Drop Models

REF	PART NO.	DESCRIPTION	COMMENTS
1	80077	Nut	
2	M405188	Screw	Models GFEX17NG3018, GFEX17NG4018, GFGX19NM3020, KFET17NF1702, KFEX17NG3018, KFEX17NG4018, KFGT19NF1102 and KFGX19NM3020
	D503688	Screw	All other models
3	D512706	Security Cabinet Wrapper Assembly	Models GFEX17NG3018, GFEX17NG4018, GFGX19NM3020, KFET17NF1702, KFEX17NG3018, KFEX17NG4018, KFGT19NF1102 and KFGX19NM3020
	D505753WP	Wrapper and Channel Assembly	White; All other models
	D505753QP	Wrapper and Channel Assembly	Bisque; All other models
	D505753BP	Wrapper and Channel Assembly	Black; All other models
4	38571	Multiplier Assembly	Models HFE507*F1702 and HFG509*F1102
5	38087	Door Switch Bracket	Models HFE507*F1702 and HFG509*F1102
6	D512973	Switch	Models HFE507*F1702 and HFG509*F1102
7	D512708	Security Cabinet Front Assembly	Models GFEX17NG3018, GFEX17NG4018, GFGX19NM3020, KFET17NF1702, KFEX17NG3018, KFEX17NG4018, KFGT19NF1102 and KFGX19NM3020
	D511633WP	Security Cabinet Front Assembly	White; All other models
	D511633LP	Security Cabinet Front Assembly	Almond; All other models
	D511633QP	Security Cabinet Front Assembly	Bisque; All other models
	D511633B	Security Cabinet Front Assembly	Black; All other models
8	D504585	Instruction Overlay	Models BFEX07*F4350, BFGX09*F3060, HFE507*F1702, HFEB07*J1702, HFEX07*F1702, HFGX09*F1102, SFEX07*F3300 and SFEX07*F4350
	D511903	Instruction Label	Models BFEX07*G4018, BFGX09*M3013, NFEX07*G3018, NFEX07*G4018, NFGX09*M3013, SFEA07*G3018, SFEX07*G3018, SFEX07*G4018 and SFGX09*M3013
	D513544	Instruction Label	French/English; Models HFEX07*F1702 and HFGX09*F1102
9	D502431	Screw	
10	39073	Dual Overlay	Model HFEB07*J1702
11	D512821	Single Overlay	Models GFEX17NG3018, GFEX17NG4018, GFGX19NM3020, KFET17NF1702, KFEX17NG3018, KFEX17NG4018, KFGT19NF1102 and KFGX19NM3020

* Add Letter To Designate Color. L - Almond Q - Bisque W - White N - Stainless Steel

Control Cabinet Controls - Front Control Card Reader Ready Models

Models GFEG17NG3018, GFEG17NG4018, GFEY17NG3018, GFEY17NG4018, GFGG19NM3020, GFGY19NM3020, HFEY07*F1502, HFEY07*F1702, HFGY09*F1102, KFEG17NF1702, KFEG17NG3018, KFEG17NG4018, KFEY17NF1702, KFEY17NG3018, KFEY17NG4018, KFGG19NF1102, KFGG19NM3020, KFGY19NF1102, KFGY19NM3020 and SFEY07*G4018



DRY2058P_506055

Control Cabinet Controls - Front Control Card Reader Ready Models

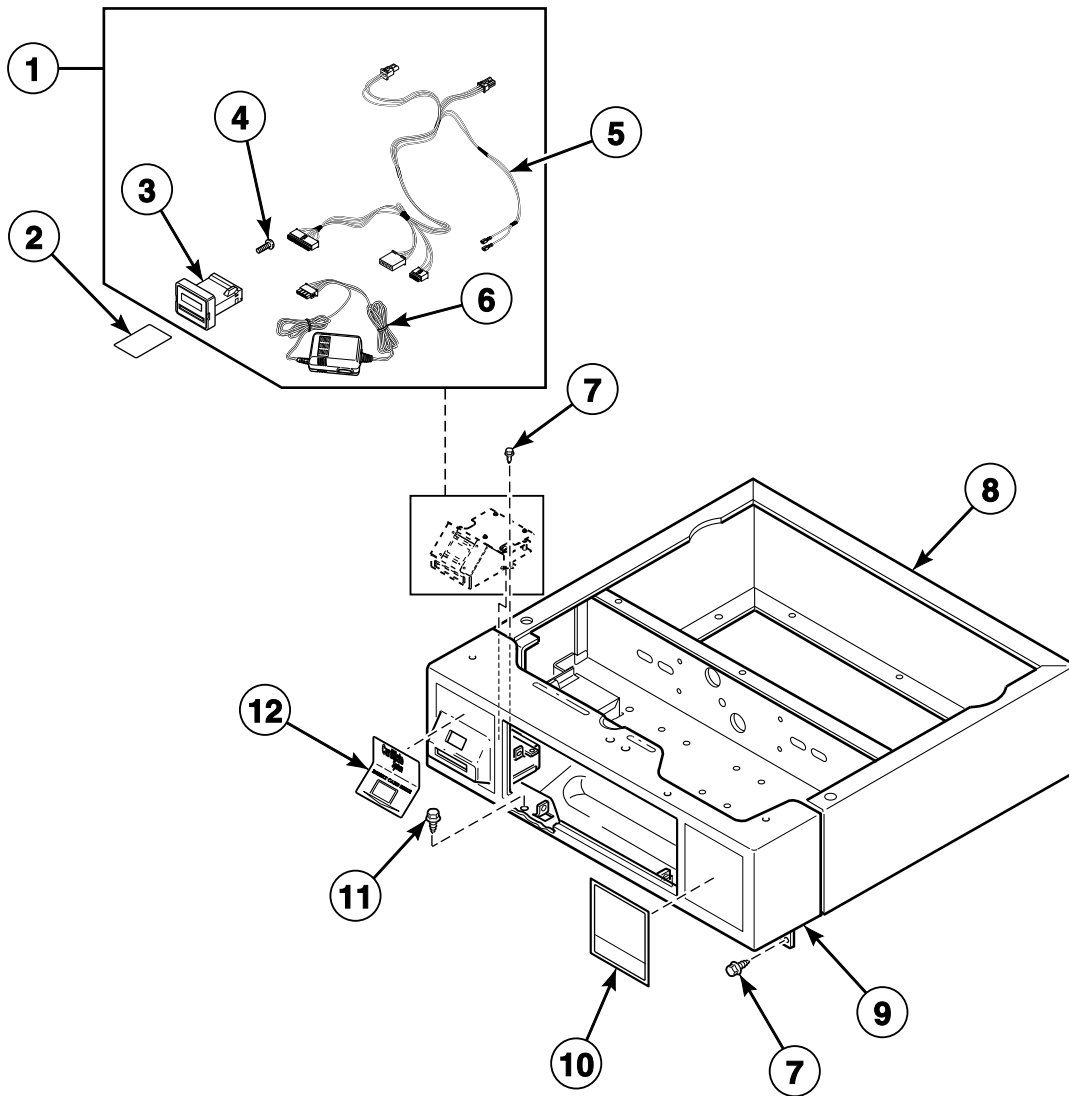
REF	PART NO.	DESCRIPTION	COMMENTS
1	D511561	Card Insert Overlay	Black; Model SFEY07*G4018
	D511548	Card Insert Overlay	Gray; Models HFEY07*F1502, HFEY07*F1702 and HFGY09*F1102
	D512824	Blank Black Label	All other models
2	D511209WP	Security Cabinet Front Assembly	White; Models HFEY07*F1502, HFEY07*F1702, HFGY09*F1102 and SFEY07*G4018
	D511209L	Security Cabinet Front Assembly	Almond; Models HFEY07*F1502, HFEY07*F1702, HFGY09*F1102 and SFEY07*G4018
	D511209Q	Security Cabinet Front Assembly	Bisque; Models HFEY07*F1502, HFEY07*F1702, HFGY09*F1102 and SFEY07*G4018
	D512718	Security Cabinet Front Assembly	All other models
3	D505753WP	Wrapper and Channel Assembly	White; Models HFEY07*F1502, HFEY07*F1702, HFGY09*F1102 and SFEY07*G4018
	N/A	Wrapper and Channel Assembly	Almond; Models HFEY07*F1502, HFEY07*F1702, HFGY09*F1102 and SFEY07*G4018
	D505753QP	Wrapper and Channel Assembly	Bisque; Models HFEY07*F1502, HFEY07*F1702, HFGY09*F1102 and SFEY07*G4018
	D512706	Security Cabinet Wrapper Assembly	All other models
4	802905	Harness Assembly	Models GFEG17NG3018, GFEG17NG4018, GFEY17NG3018, GFEY17NG4018, KFEG17NG3018, KFEG17NG4018, KFEY17NG3018 and KFEY17NG4018
5	D503688	Screw	Models HFEY07*F1502, HFEY07*F1702, HFGY09*F1102 and SFEY07*G4018
	M405188	Screw	All other models
6	D511903	Instruction Label	Model SFEY07*G4018
	D513544	Instruction Label	French/English; Models HFEY07*F1502, HFEY07*F1702 and HFGY09*F1102
	D504585	Instruction Overlay	All other models
7	D502431	Screw	

* Add Letter To Designate Color. Q - Bisque W - White

N/A = Part no longer available

Card Reader - Front Control Card Reader Ready and Installed Models

Models HFE707*F1702 and HFG709*F1102



DRY2034P_506055

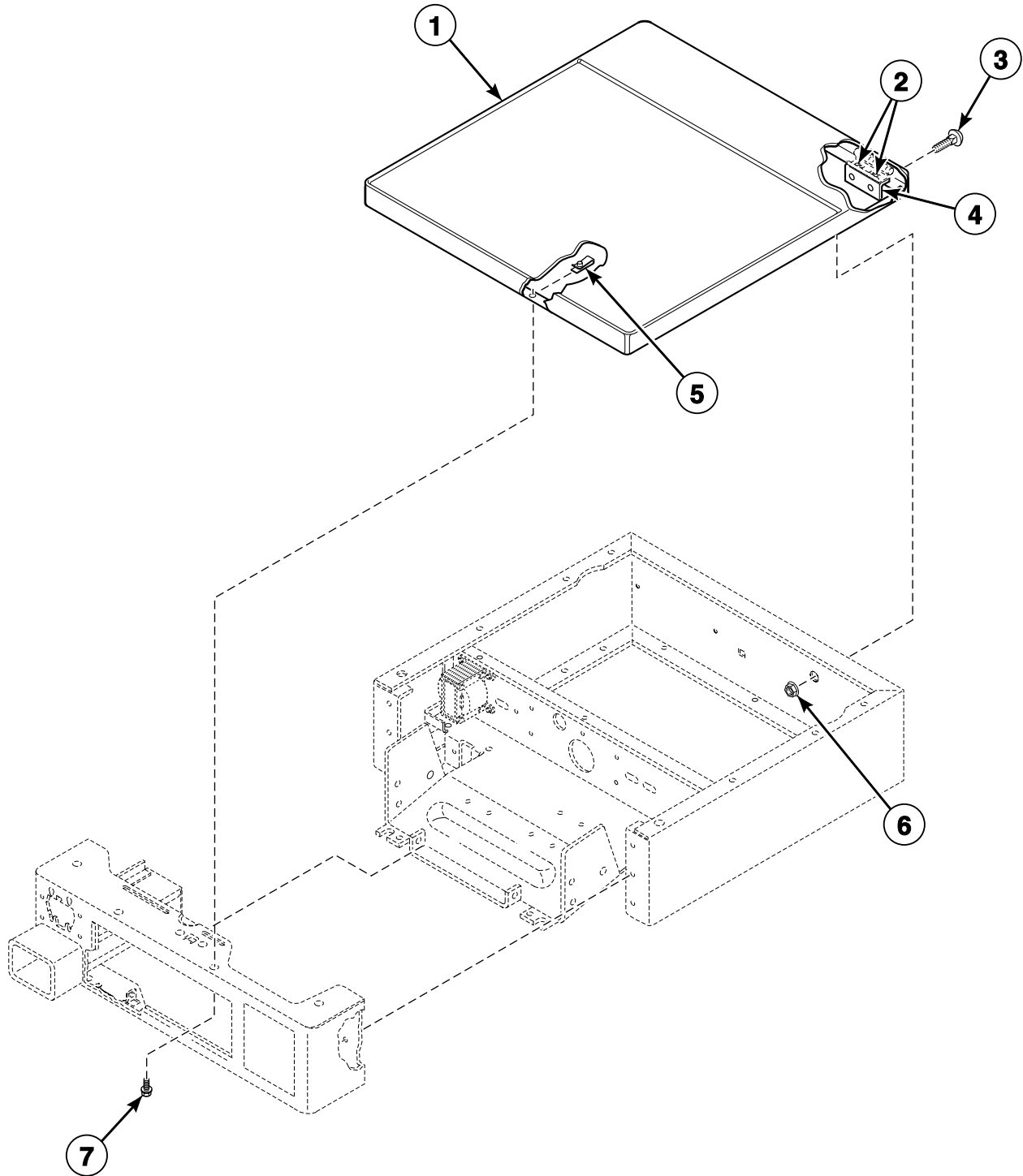
Card Reader - Front Control Card Reader Ready and Installed Models

REF	PART NO.	DESCRIPTION	COMMENTS
1	876P3	Card Reader Kit	Includes items 3-6
2	D512499P	Programming Card	
3	D512473	Card Reader	
4	D512505	Bolt	
5	D512501	Harness	
6	D512496	Power Supply	
7	D503688	Screw	
8	D505753WP	Wrapper and Channel Assembly	White
	N/A	Wrapper and Channel Assembly	Almond
	D505753QP	Wrapper and Channel Assembly	Bisque
9	D505699WP	Security Cabinet Front Assembly	Use with item 1
	D505542W	Security Cabinet Front Assembly	White; Use with 39685 Card Reader
10	D504585	Instruction Overlay	
11	D502431	Screw	
12	38192	Card Reader Instruction Overlay	

* Add Letter To Designate Color. L - Almond Q - Bisque W - White

N/A = Part no longer available

Cabinet Top - Front Control Coin Slide Ready, Coin Drop Ready, Coin Drop Installed and Card Reader Ready Models



DRY1805P_506055

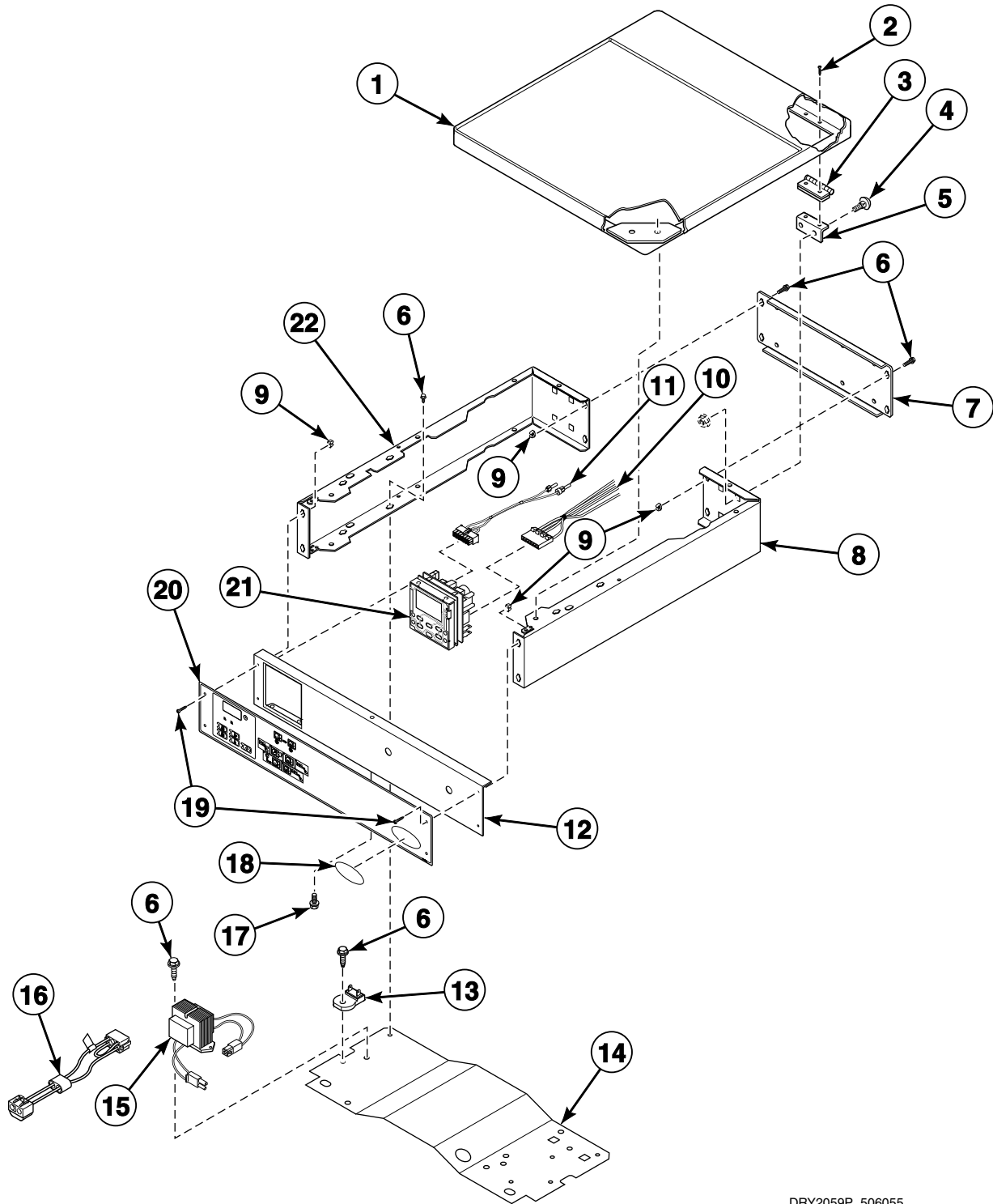
Cabinet Top - Front Control Coin Slide Ready, Coin Drop Ready, Coin Drop Installed and Card Reader Ready Models

REF	PART NO.	DESCRIPTION	COMMENTS
1	D511631P	Stainless Steel Top	Models GFEG17NG3018, GFEG17NG4018, GFEX17NG3018, GFEX17NG4018, GFEY17NG3018, GFEY17NG4018, GFGG19NM3020, GFGX19NM3020, GFGY19NM3020, KFEG17NF1702, KFEG17NG3018, KFEG17NG4018, KFET17NF1702, KFEX17NG3018, KFEX17NG4018, KFEY17NF1702, KFEY17NG3018, KFEY17NG4018, KFGG19NF1102, KFGG19NM3020, KFGT19NF1102, KFGX19NM3020, KFGY19NF1102, KFGY19NM3020 and SFEX67*G4018
	803144P	Top Kit	Stainless steel; Includes items 3-6 and 4 each 22649 Screw, 51236 Nut
	D512967	Stainless Steel Top	Stainless steel; All other models
	802247WP	Top and Gusset Assembly	White; All other models
	D510032LP	Top Kit	Almond; All other models
	802247QP	Top and Gusset Assembly	Bisque; All other models
2	685847	Pop Rivet	
3	29651	Bolt	
4	D504228	Top Mounting Bracket	
5	36020	Nut	
6	44087201	Nut	
7	23008	Screw	

* Add Letter To Designate Color. Q - Bisque W - White N - Stainless Steel

Control Cabinet - Front Control Non-Vend Models

Models BFEL07*G4018, BFGL09*M3013, HFEL47*G4018, HFEL67*G4018, NFEL47*G4018, NFEL67*G4018, NFGL49*M3013, SFEL07*G4018, SFEL67*G4018 and SFGL09*M3013



DRY2059P_506055

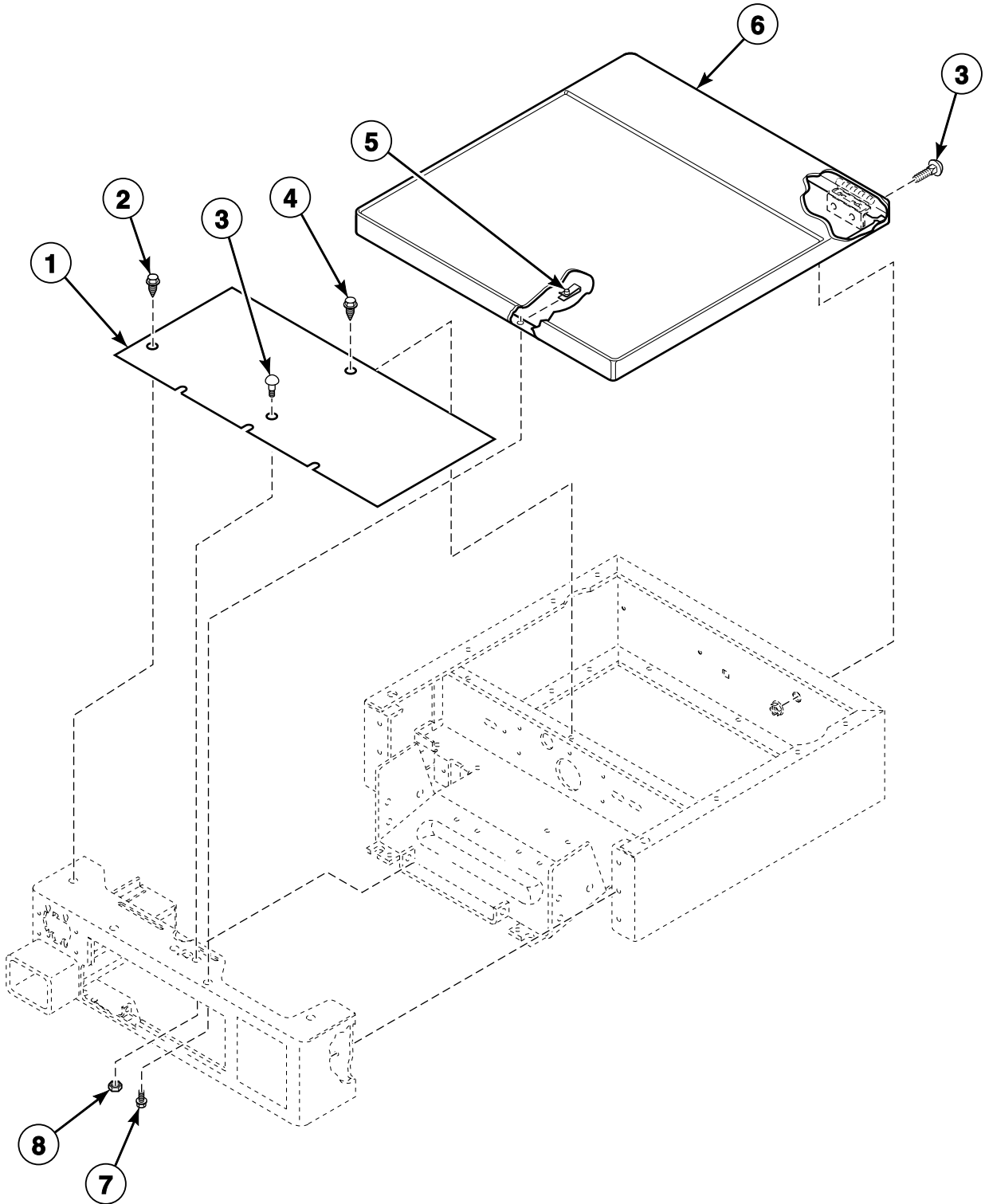
Control Cabinet - Front Control Non-Vend Models

REF	PART NO.	DESCRIPTION	COMMENTS
1	D511631P	Stainless Steel Top	Models HFEL47*G4018, HFEL67*G4018, NFEL67*G4018 and SFEL67*G4018
	D512967	Stainless Steel Top	Stainless steel; All other models
	802247WP	Top and Gusset Assembly	White; All other models
	D510032LP	Top Kit	Almond; All other models
	802247QP	Top and Gusset Assembly	Bisque; All other models
2	685847	Pop Rivet	
3	D511036	Hinge	
4	29651	Bolt	
5	D504228	Top Mounting Bracket	
6	D503688	Screw	
7	801058	Rear Control Cabinet	
8	800915W	Right Control Cabinet Side	White
	800915L	Right Control Cabinet Side	Almond
	800915Q	Right Control Cabinet Side	Bisque
	800915B	Right Control Cabinet Side	Black
9	70030501	Expansion Clip	
10	D511478	Central Pay Harness	
11	202869	Diagnostic Wire Harness Assembly	Models BFEL07*G4018, BFGL09*M3013, NFEL47*G4018, NFGL49*M3013, SFEL07*G4018 and SFGL09*M3013
12	D511648W	Control Panel	White
	D511648B	Control Panel	Black
13	210100	Resistor	
14	801777	Control Cabinet Bottom	
15	803527P	Transformer	
16	M413507	Jumper Configuration Assembly	Attaches to 210019P Transformer
17	23008	Screw	
18	800922	Domed Label	Models HFEL47*G4018 and HFEL67*G4018
	800921	Domed Label	Model SFEL67*G4018
19	800930	Screw	
20	D512054	Graphic Overlay	Models BFEL07*G4018 and BFGL09*M3013
	D512760	Graphic Overlay	Models SFEL07*G4018 and SFGL09*M3013
	D511654	Graphic Overlay	All other models
21	D511867P	Control Assembly	
22	800900WP	Left Control Cabinet Side	White
	800900LP	Left Control Cabinet Side	Almond
	800900QP	Left Control Cabinet Side	Bisque
	800900B	Left Control Cabinet Side	Black

* Add Letter To Designate Color. Q - Bisque W - White N - Stainless Steel

Cabinet Top - Front Control Coin Drop and Card Reader Installed Models

Models HFE507*F1702, HFE707*F1702, HFG509*F1102 and HFG709*F1102



DRY1809P_506055

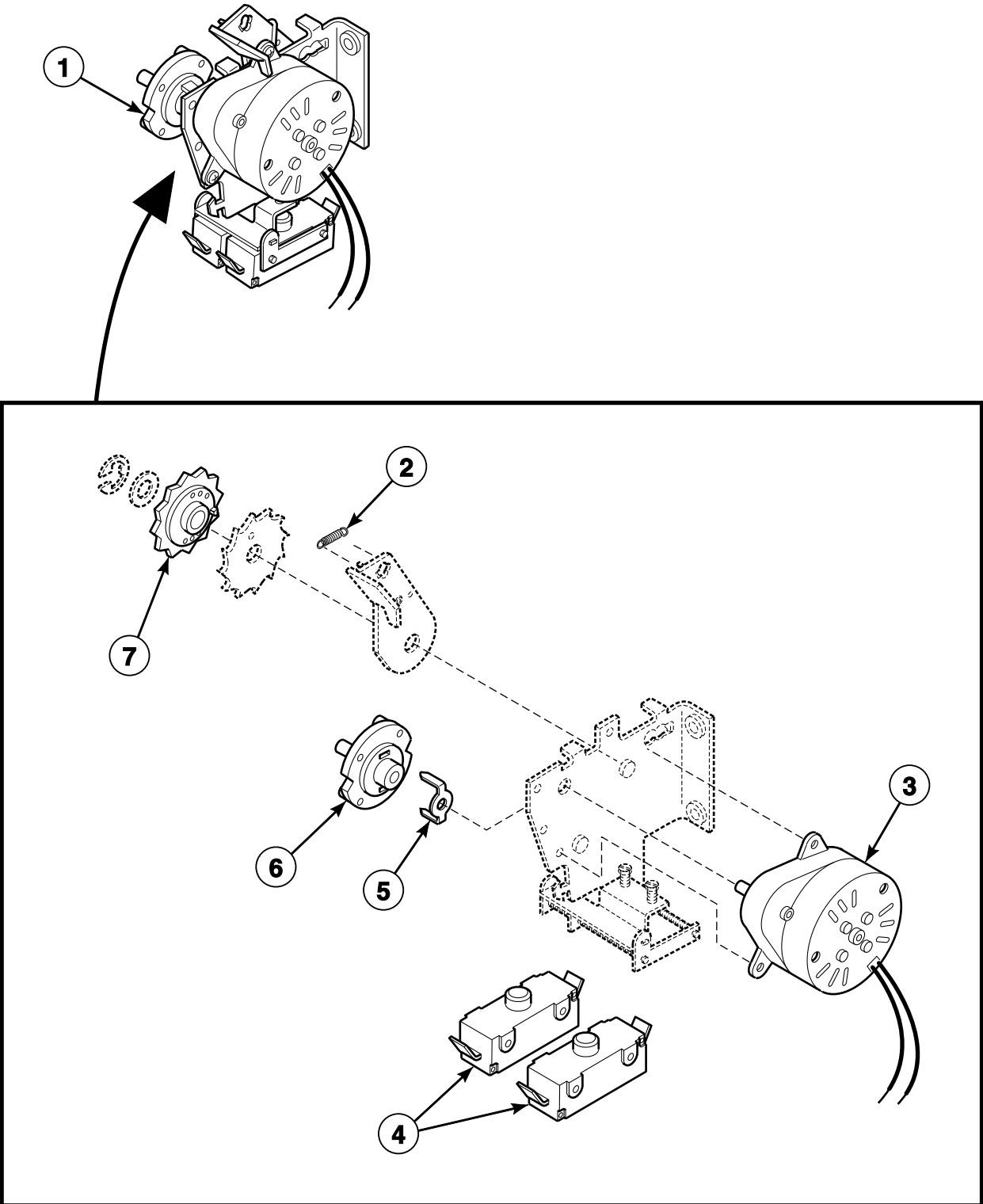
Cabinet Top - Front Control Coin Drop and Card Reader Installed Models

REF	PART NO.	DESCRIPTION	COMMENTS
1	N/A	Security Top Panel	
2	36048	Screw	
3	29651	Bolt	
4	D503688	Screw	
5	36020	Nut	
6	802247WP	Top and Gusset Assembly	White
	D510032LP	Top Kit	Almond
	802247QP	Top and Gusset Assembly	Bisque
7	23008	Screw	
8	29796	Nut	

* Add Letter To Designate Color. L - Almond Q - Bisque W - White
N/A = Part no longer available

Accumulator - Coin Slide Models

Models HDE107*F1502, HDE107*F1702, HDE107*F3000, HDE107*G3003, HDE107*G3018, HDE107*G4018, HDG109*F1102, HDG109*F3000, HDG109*G3013, HDG109*M3013, HFE167*G4018, SDE107*F3000, SDE107*F4350, SDE107*F5412, SDE107*F5417, SDE107*G3018, SDE107*G4018, SDG109*F3000, SDG109*F3058, SDG109*F3060, SDG109*F5412, SDG109*G3013 and SDG109*M3013



DRY1852P_506055

Accumulator - Coin Slide Models

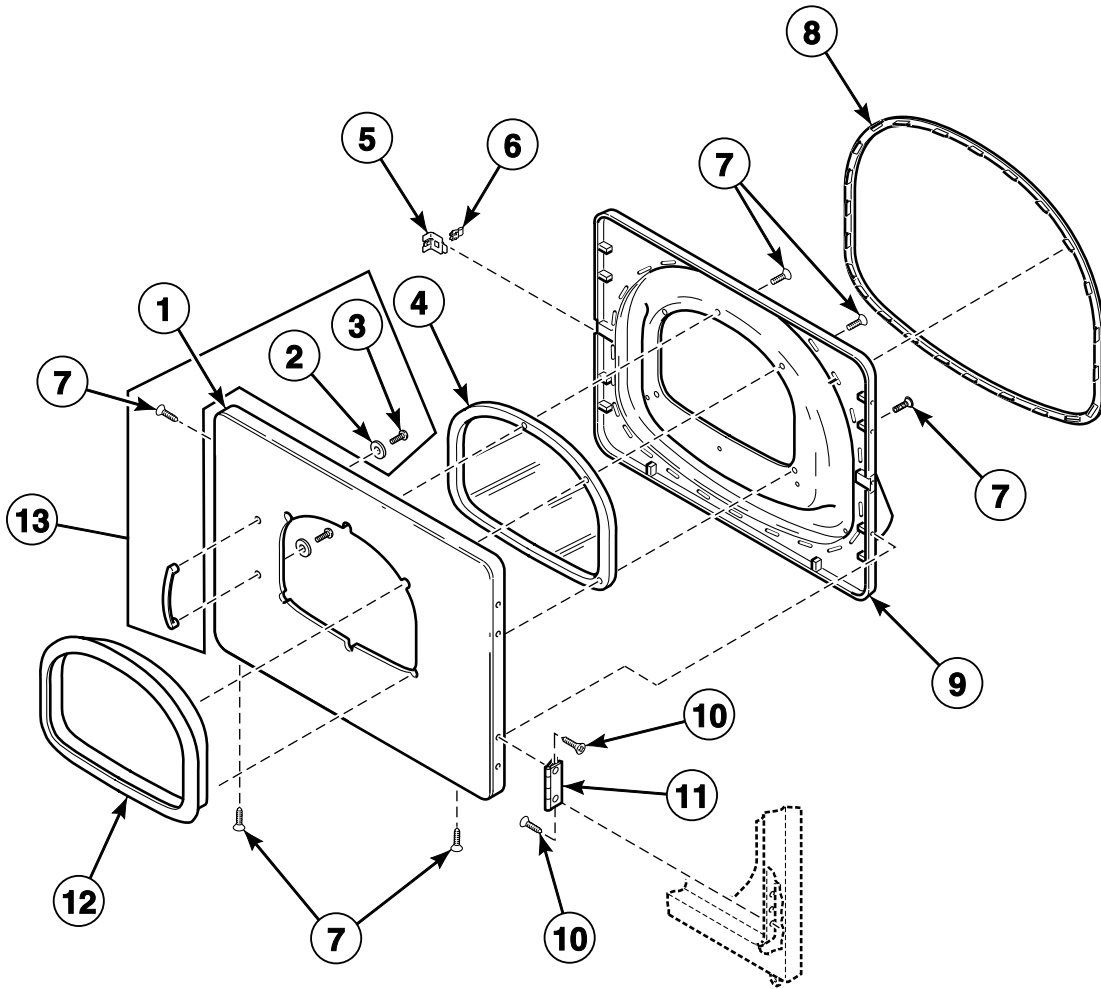
REF	PART NO.	DESCRIPTION	COMMENTS
1	D510629P	Accumulator Replacement Kit	240 Volt/50 Hertz; 2 switch; Model HFE167*G4018
	D501627P	Timer	230 Volt/60 Hertz; 2 switch; Models SDE107*F5412, SDE107*F5417 and SDG109*F5412
	D501754P	Timer Assembly	Rear control; 240 Volt/50 Hertz; 2 switch; Models HDE107*F3000, HDE107*G3003, HDE107*G3018, HDE107*G4018, HDG109*F3000, HDG109*M3013, SDE107*F3000, SDE107*F4350, SDE107*G3018, SDE107*G4018, SDG109*F3000, SDG109*F3058, SDG109*F3060 and SDG109*M3013
	D501757P	Timer	Rear control; 120 Volt/60 Hertz; 2 switch; Models HDE107*F1502, HDE107*F1702 and HDG109*F1102
	D510632P	Accumulator Kit	Rear control; 240 Volt/50 Hertz; 2 switch; Models HDG109*G3013 and SDG109*G3013
2	N/A	Pawl Spring	
3	D512017P	Timer Motor	120 Volt/60 Hertz; Models HDE107*F1502, HDE107*F1702 and HDG109*F1102
4	N/A	Switch	
5	M400754	Coin Meter Drive	
6	53240	Timing Cam	60 minute; 3 pin
	53241	Timing Cam	45 minute; 4 pin
	53242	Timing Cam	30 minute; 6 pin
	53243	Timing Cam	20 minute; 9 pin
7	53239	Ratchet Wheel	

* Add Letter To Designate Color. L - Almond Q - Bisque W - White

N/A = Part no longer available

Loading Door with Window (Drawing 1 of 2)

Models GFEG17NG3018, GFEG17NG4018, GFEX17NG3018, GFEX17NG4018, GFEY17NG3018, GFEY17NG4018, GFGG19NM3020, GFGX19NM3020, GFGY19NM3020, KFEG17NG3018, KFEG17NG4018, KFEX17NG3018, KFEX17NG4018, KFEY17NF1702, KFEY17NG3018, KFEY17NG4018, KFGG19NF1102, KFGG19NM3020, KFGT19NF1102, KFGX19NM3020, KFGY19NF1102 and KFGY19NM3020



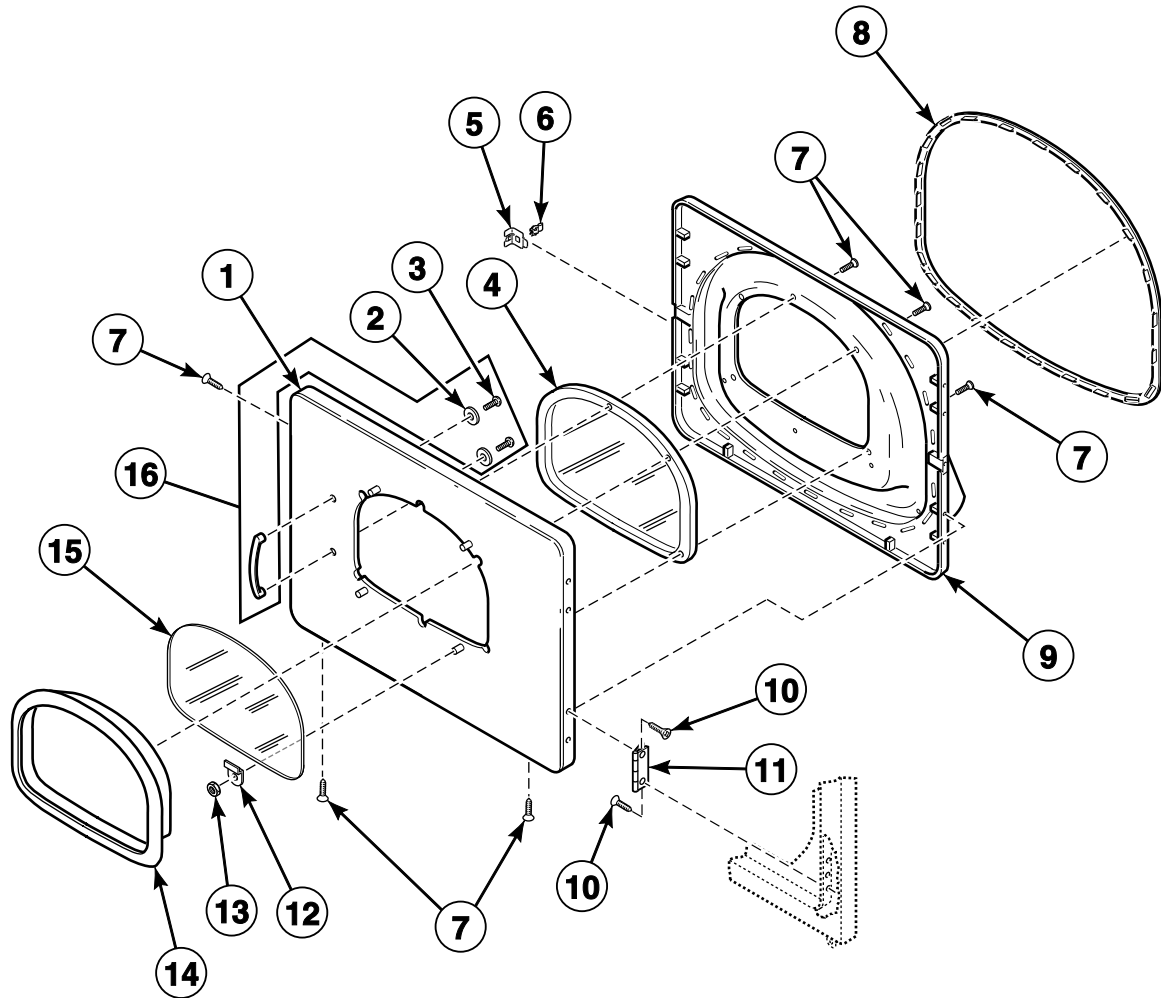
DRY2041P_506055

Loading Door with Window (Drawing 1 of 2)

REF	PART NO.	DESCRIPTION	COMMENTS
1	D512699	Dryer Door	
2	29260	Washer	
3	D512631	Screw	
4	D503982P	Dryer Door Window	
5	D510127	Door Strike Mount	
6	D510181	Door Strike	
7	D500226	Screw	
8	D510147P	Liner Door Seal	
9	D512914	Liner Assembly	
10	D500226	Screw	
11	D511036	Hinge	
12	D512632	Window Trim	Gray
13	D512620P	Door Pull Kit	Includes items 2 and 3

Loading Door with Window (Drawing 2 of 2)

Models KFEG17NF1702 and KFET17NF1702



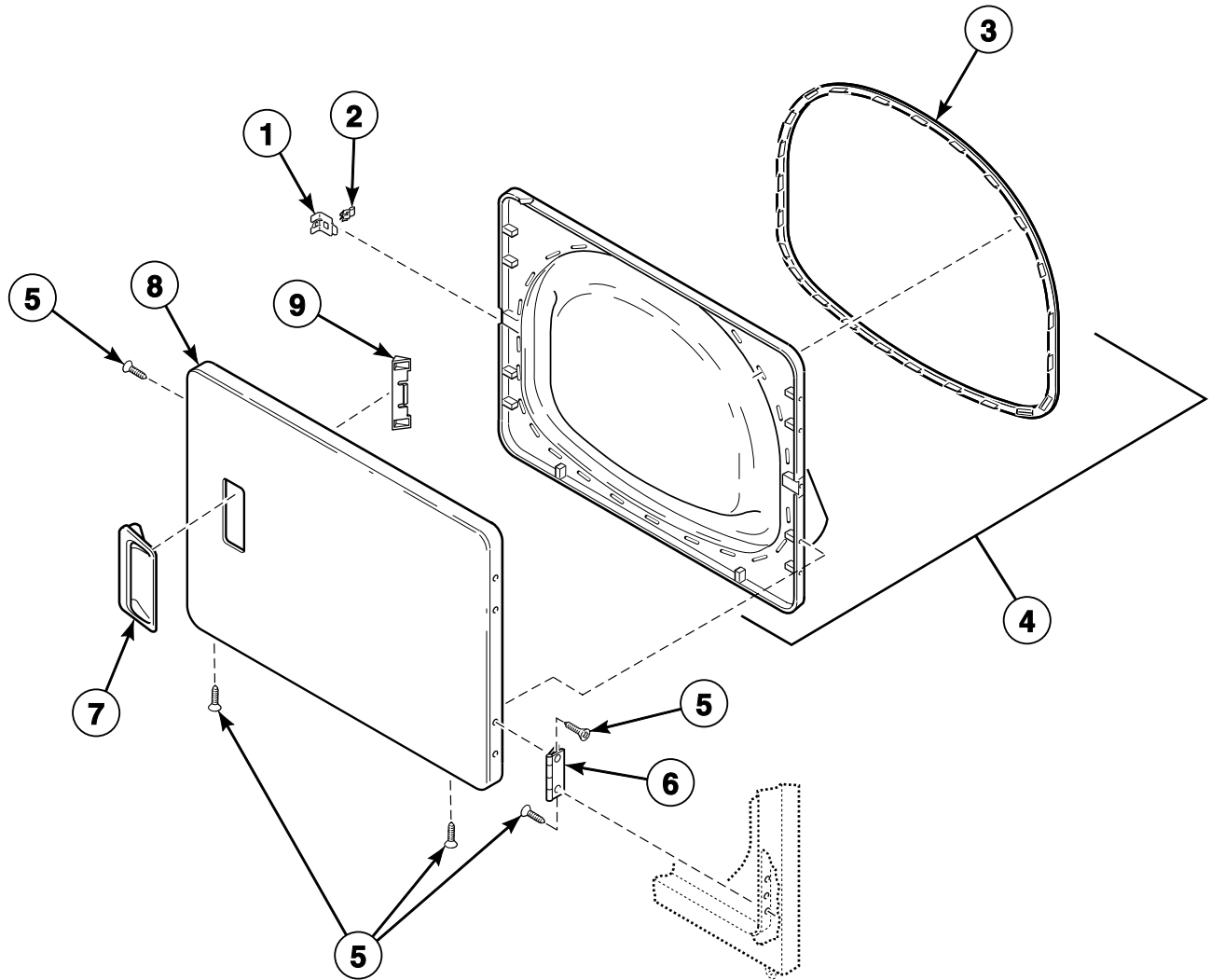
DRY2291P_506055

Loading Door with Window (Drawing 2 of 2)

REF	PART NO.	DESCRIPTION	COMMENTS
1	D512699	Dryer Door	Models through Serial No. 1303025314
	D517042	Dryer Door Assembly	Models starting Serial No. 1303025315
2	29260	Washer	
3	D512631	Screw	
4	D503982P	Dryer Door Window	
5	D510127	Door Strike Mount	
6	D510181	Door Strike	
7	D500226	Screw	
8	D510147P	Liner Door Seal	
9	D516508	Door Liner Assembly	
10	D500226	Screw	
11	D511036	Hinge	
12	D513958	Window Clip	Models starting Serial No. 1303025315
13	44071201	Nut	Models starting Serial No. 1303025315
14	D512632	Window Trim	Models through Serial No. 1303025314
	D517042	Dryer Door Assembly	Models starting Serial No. 1303025315
15	D516737W	Door Assembly	Models starting Serial No. 1303025315
16	D512620P	Door Pull Kit	Includes items 2 and 3

Loading Door without Window

All Models Except GFEG17NG3018, GFEG17NG4018, GFEX17NG3018, GFEX17NG4018, GFEY17NG3018, GFEY17NG4018, GFGG19NM3020, GFGX19NM3020, GFGY19NM3020, KFEG17NF1702, KFEG17NG3018, KFEG17NG4018, KFET17NF1702, KFEX17NG3018, KFEX17NG4018, KFEY17NF1702, KFEY17NG3018, KFEY17NG4018, KFGG19NF1102, KFGG19NM3020, KFGT19NF1102, KFGX19NM3020, KFGY19NF1102 and KFGY19NM3020



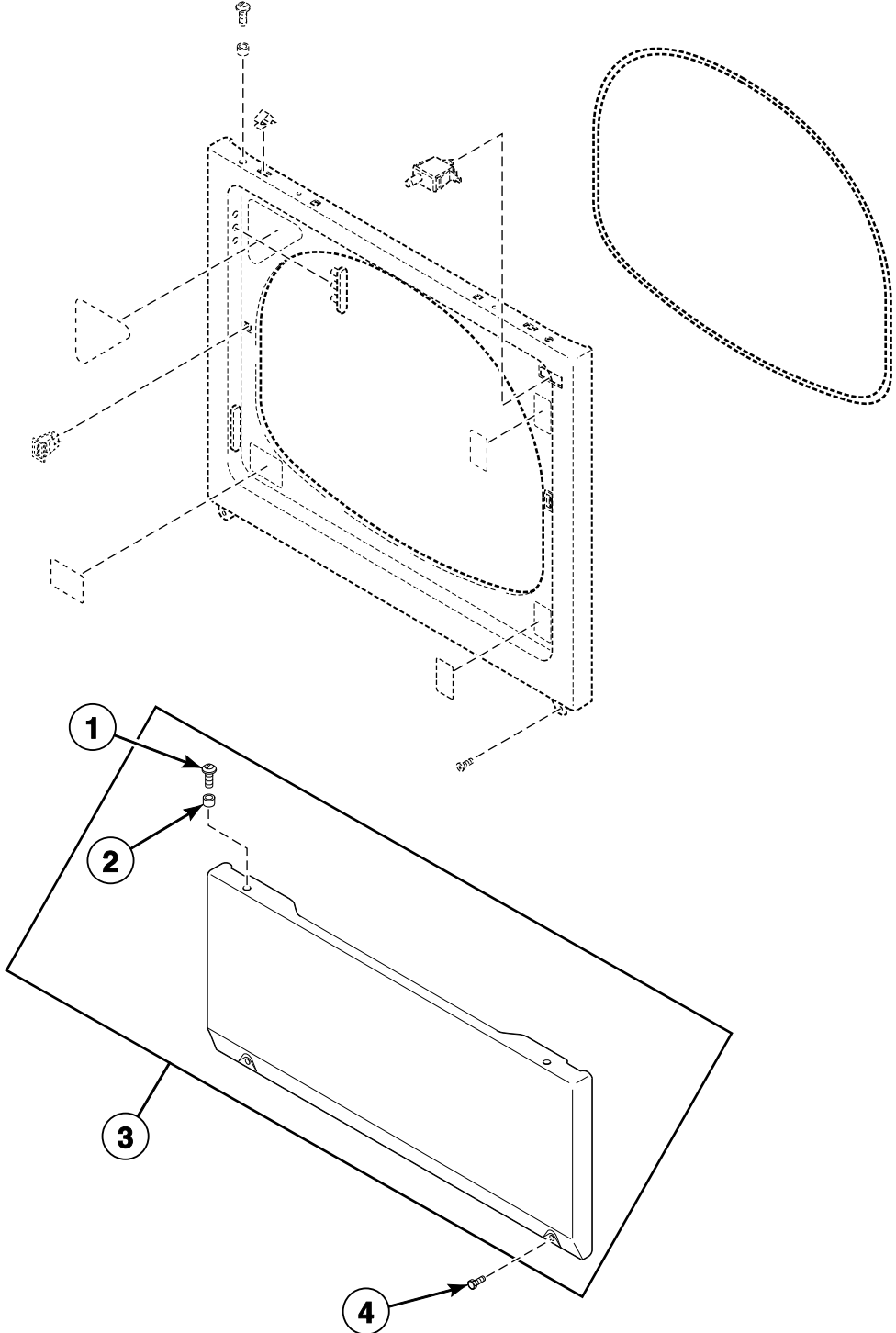
DRY1857P_506055

Loading Door without Window

REF	PART NO.	DESCRIPTION	COMMENTS
1	D510127	Door Strike Mount	
2	D510181	Door Strike	
3	D510147P	Liner Door Seal	
4	D516510WP	Door Assembly	Gray; Models HDE807*F1702, HDE907*F1502, HDE907*F1702, HDER07*F1502, HDER07*F1702, HDEX07*F1502, HDEX07*F1702, HDEY07*F1502, HDEY07*F1702, HFEX07*F1702, HFEY07*F1502 and UDE807*F1702 starting Serial No. 1303025315
	D510163WP	Liner, Seal and Grill Assembly	White; Includes item 3; Models HDE807*F1702, HDE907*F1502, HDE907*F1702, HDER07*F1502, HDER07*F1702, HDEX07*F1502, HDEX07*F1702, HDEY07*F1502, HDEY07*F1702, HFEX07*F1702, HFEY07*F1502 and UDE807*F1702 HDE807*F1702, HDE907*F1502, HDE907*F1702, HDER07*F1502, HDER07*F1702, HDEX07*F1502, HDEX07*F1702, HDEY07*F1502, HDEY07*F1702, HFEX07*F1702, HFEY07*F1502 and UDE807*F1702 through Serial No. 1303025314; All other models
5	D500226	Screw	
6	D511036	Hinge	
7	D510103WP	Door Pull and Wedge Kit	White; Includes item 9
	D510103LP	Door Pull and Wedge Kit	Almond; Includes item 9
	D510103QP	Door Pull and Wedge Kit	Bisque; Includes item 9
	D512947	Door Pull	Light gray
8	D510013WP	Dryer Door	White
	D510013GP	Dryer Door	Gray
	D510013LP	Dryer Door	Almond
	D510013QP	Dryer Door	Bisque
	D512969	Dryer Door	Stainless steel; Includes item 9
9	D510129W	Door Handle Wedge	

* Add Letter To Designate Color. G - Gray L - Almond Q - Bisque W - White

Access Panel



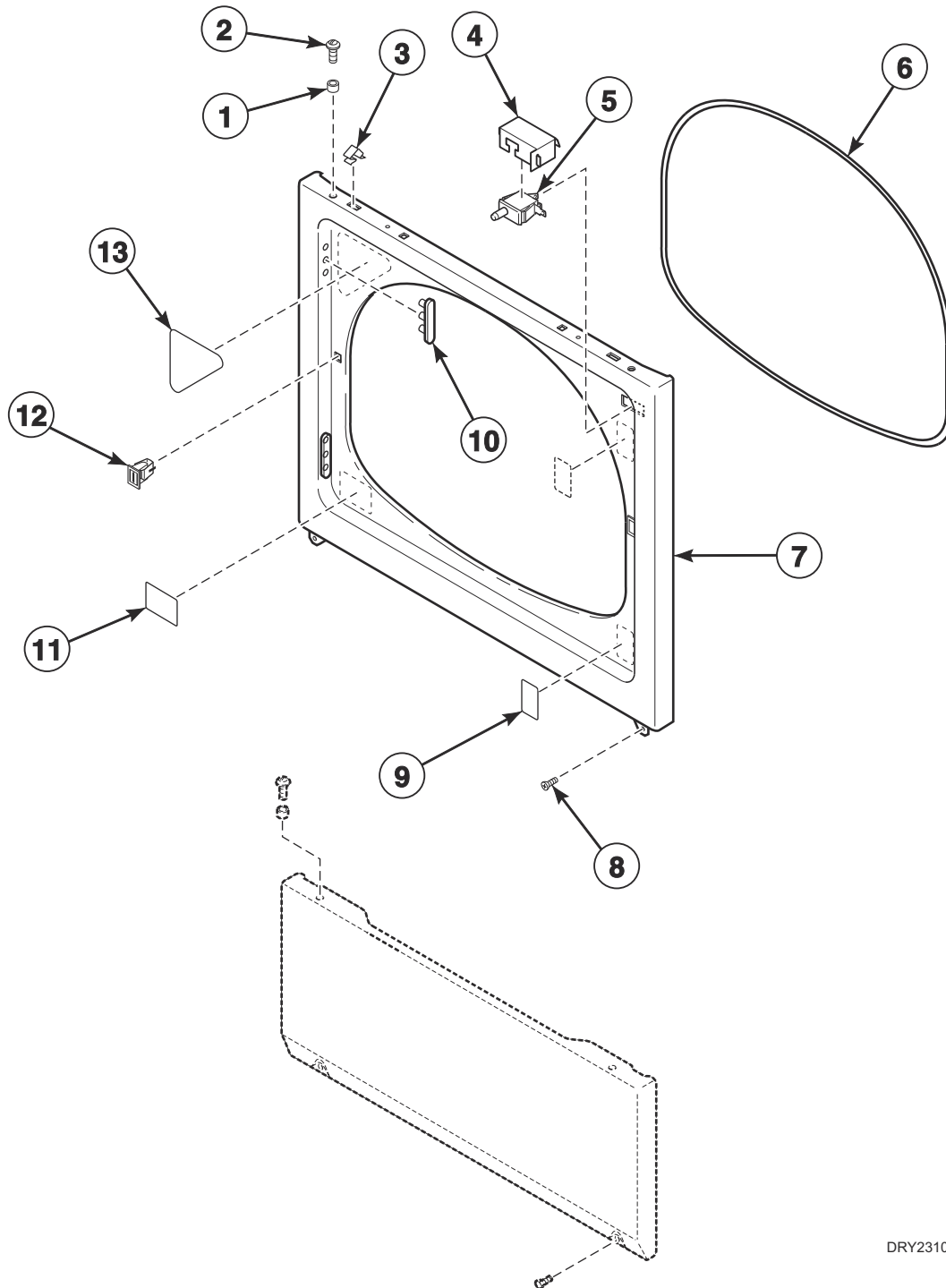
DRY1776PA_506055

Access Panel

REF	PART NO.	DESCRIPTION	COMMENTS
1	39733	Screw	
2	56079	Panel Locator	
3	D514251	Access Panel Assembly	Stainless steel; Models BFEX07*G4018, BFGL09*M3013, GFEG17NG3018, GFEG17NG4018, GFEX17NG3018, GFEX17NG4018, GFEY17NG3018, GFEY17NG4018, GFGG19NM3020, GFGX19NM3020, GFGY19NM3020, KFEG17NF1702, KFEG17NG3018, KFEG17NG4018, KFET17NF1702, KFEX17NG3018, KFEX17NG4018, KFEY17NF1702, KFEY17NG3018, KFEY17NG4018, KFGG19NF1102, KFGG19NM3020, KFGT19NF1102, KFGX19NM3020, KFGY19NF1102, KFGY19NM3020, SFEL07*G4018, SFEX07*G4018, SFGL09*M3013 and SFGX09*M3013
	D514250WP	Access Panel Assembly	White; Models HDE807*F1702, HDE907*F1502, HDE907*F1702, HDER07*F1502, HDER07*F1702, HDEX07*F1502, HDEX07*F1702, HDEY07*F1502, HDEY07*F1702, HFEX07*F1702, HFEY07*F1502, SDE907*F3000 and UDE807*F1702; All other models
	D514252Q	Access Panel and Guard Assembly	Bisque; Models HDE807*F1702, HDE907*F1502, HDE907*F1702, HDER07*F1502, HDER07*F1702, HDEX07*F1502, HDEX07*F1702, HDEY07*F1502, HDEY07*F1702, HFEX07*F1702, HFEY07*F1502 and UDE807*F1702 starting Serial No. 1303025315
	D514252G	Access Panel with Guard Assembly	Gray; Models HDE807*F1702, HDE907*F1502, HDE907*F1702, HDER07*F1502, HDER07*F1702, HDEX07*F1502, HDEX07*F1702, HDEY07*F1502, HDEY07*F1702, HFEX07*F1702, HFEY07*F1502 and UDE807*F1702 starting Serial No. 1303025315
	D514250G	Access Panel Assembly	Gray; Models HDE807*F1702, HDE907*F1502, HDE907*F1702, HDER07*F1502, HDER07*F1702, HDEX07*F1502, HDEX07*F1702, HDEY07*F1502, HDEY07*F1702, HFEX07*F1702, HFEY07*F1502 and UDE807*F1702 through Serial No. 1303025314; All other models
	D510069LP	Access Panel	Almond; Models HDE807*F1702, HDE907*F1502, HDE907*F1702, HDER07*F1502, HDER07*F1702, HDEX07*F1502, HDEX07*F1702, HDEY07*F1502, HDEY07*F1702, HFEX07*F1702, HFEY07*F1502 and UDE807*F1702 through Serial No. 1303025314; All other models
	D514250Q	Access Panel Assembly	Bisque; Models HDE807*F1702, HDE907*F1502, HDE907*F1702, HDER07*F1502, HDER07*F1702, HDEX07*F1502, HDEX07*F1702, HDEY07*F1502, HDEY07*F1702, HFEX07*F1702, HFEY07*F1502 and UDE807*F1702 through Serial No. 1303025314; All other models
	D514250DG	Access Panel Assembly	Gray; Models PDEBXRGS431AG02 and PDGBXRGS301AG02
4	33562	Screw	
	62853	Screw	Optional for added security

* Add Letter To Designate Color. G - Gray L - Almond Q - Bisque W - White N - Stainless Steel

Front Panel and Seal



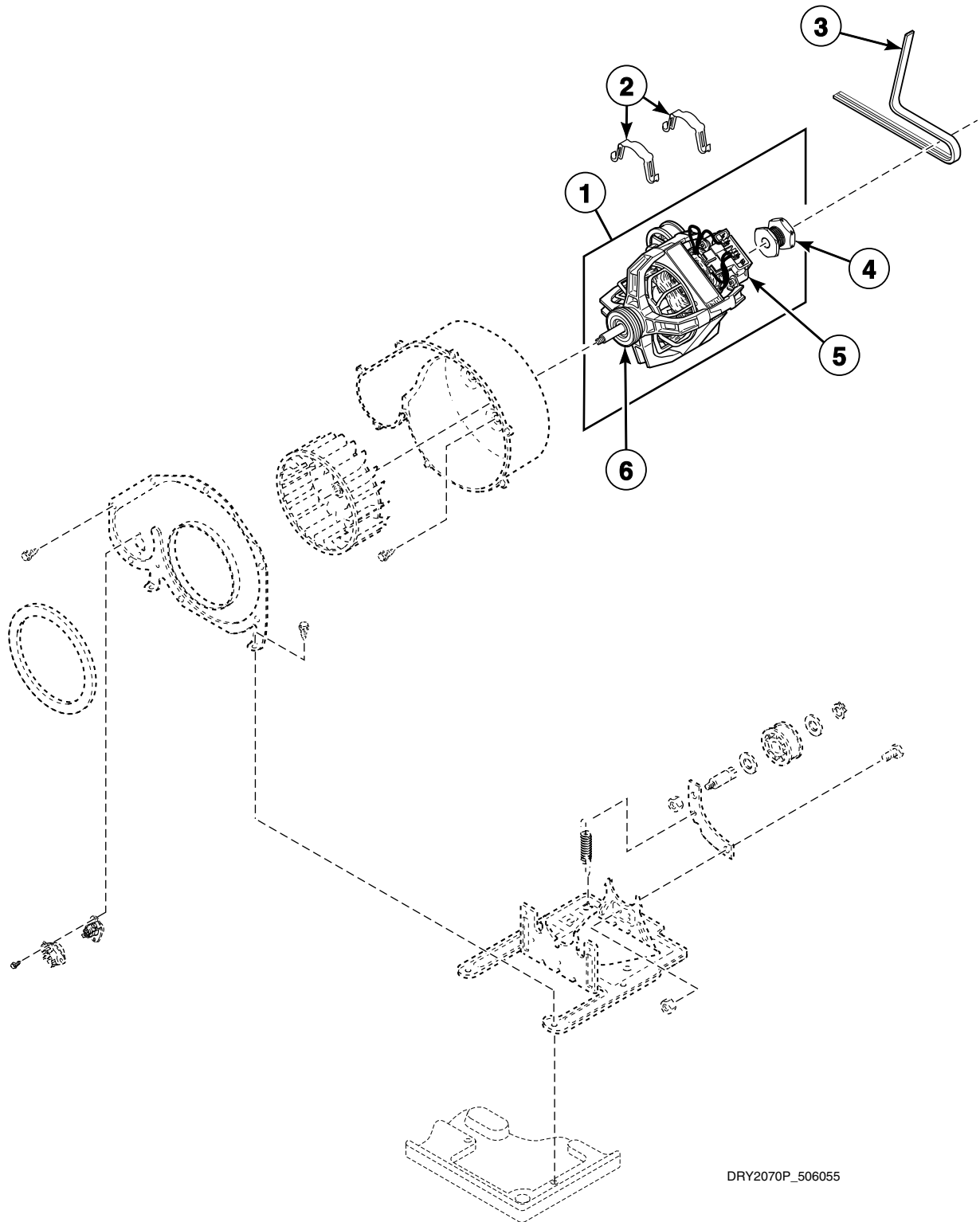
DRY2310P_506055

Front Panel and Seal

REF	PART NO.	DESCRIPTION	COMMENTS
1	56079	Panel Locator	
2	39733	Screw	Use with painted front panel
	D512921	Screw	Use with stainless steel front panel
3	28835	Speed Clip	
4	D514327	Drip Shield	Model PDG809*F3060
5	D512973	Switch	
6	D511056	Front Panel Seal	
7	D512542	Front Panel	Stainless steel
	D510066WP	Front Panel	White
	D510066GP	Front Panel	Gray
	D510066LP	Front Panel	Almond
	D510066QP	Front Panel	Bisque
8	M405188	Screw	Use with stainless steel side panels
	D503688	Screw	Use with painted side panels
9	D512263	Warning Label	Models BFEX07*F4350, BFGX09*F3060, JDE807*F4350, JDE907*F4350, JDG809*F3060, JDG909*F3060, PDG809*F3060, SDE007*F4350, SDE107*F4350, SDE407*F4350, SDE807*F4350, SDE907*F4350, SDEA07*J4350, SDEF07*J4350, SDEX07*F4350, SDG009*F3058, SDG009*F3060, SDG109*F3058, SDG109*F3060, SDG409*F3058, SDG809*F3060, SDG909*F3060, SDGF09*J3060, SDGX09*F3060 and SFEX07*F4350
10	D510186	Hinge Hole Plug	
11	D502804	Lint Filter Label	Models BFEX07*F4350, BFGX09*F3060, JDE807*F4350, JDE907*F4350, JDG809*F3060, JDG909*F3060, PDG809*F3060, SDE007*F4350, SDE107*F4350, SDE407*F4350, SDE807*F4350, SDE907*F4350, SDEA07*J4350, SDEF07*J4350, SDEX07*F4350, SDG009*F3058, SDG009*F3060, SDG109*F3058, SDG109*F3060, SDG409*F3058, SDG809*F3060, SDG909*F3060, SDGF09*J3060, SDGX09*F3060 and SFEX07*F4350
12	D510177	Door Catch Assembly	
13	D500253	Caution Label	Models with 99N2, 1102, 1502 or 1702 suffixes of 12 digit model numbers
	D500281	Warning/Caution Label	All other models

* Add Letter To Designate Color. **G** - Gray **L** - Almond **Q** - Bisque **W** - White

Motor and Belt



DRY2070P_506055

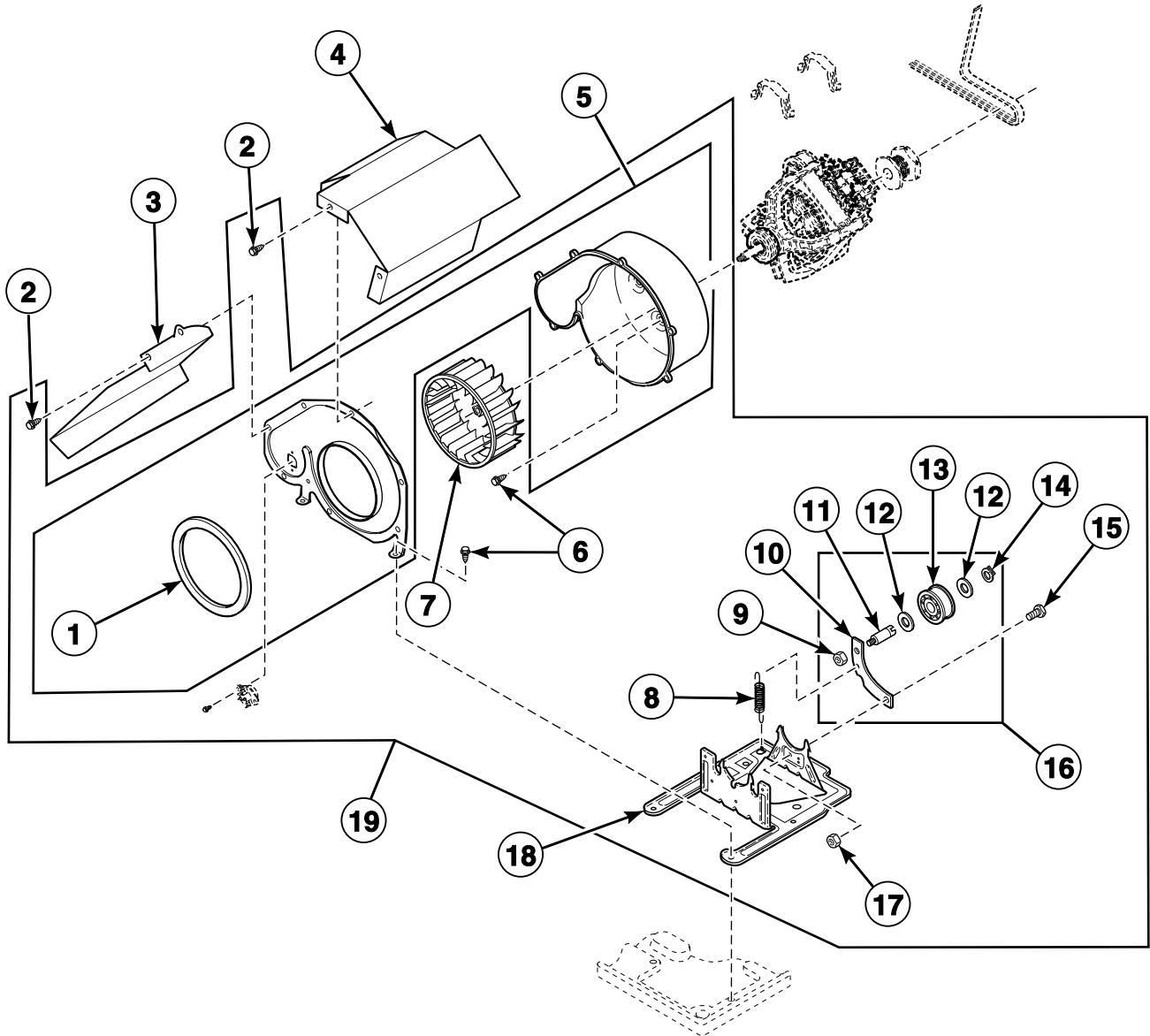
Motor and Belt

REF	PART NO.	DESCRIPTION	COMMENTS
	27604P	Anti-Seize Compound	Apply to motor shaft when installing blower fan assembly
1	D511629P	Motor and Pulley Assembly	120 Volt/60 Hertz; Includes items 5 and 6; Apply anti-seize compound to motor shaft when installing blower fan assembly; Models with 99N2, 1102, 1502 and 1702 suffixes of 12 digit model numbers; Models SDGMNRGS111CW01 and SDGSXRGs111CW02
	D505869P	Motor and Pulley Assembly	240 Volt/60 Hertz; Includes items 5 and 6; Apply anti-seize compound to motor shaft when installing blower fan assembly; Models GDE807*F5418, GDE907*F5418, GDESCRGS331ZW01, JDE807*F5418, NDE807*F5422, NDE907*F5422, NDG809*F5422, NDG909*F5422, SDE107*F5412, SDE107*F5417, SDE907*F5412, SDEMNRGS171CW01, SDG109*F5412, SDG909*F5412 and SFEX07*F3300
	D505843P	Motor and Pulley Assembly	240 Volt/50 Hertz; Includes items 5 and 6; Apply anti-seize compound to motor shaft when installing blower fan assembly; All other models
2	D510180	Motor Mount Clamp	
3	D511255P	Cylinder Belt	
4	D500011	Motor Pulley	Use with D511629P and D505869P Motor and Pulley Assemblies; 60 Hertz; Models BDG809*F1102, BDG909*F1102, GDESCRGS331ZW01, HDE007*F1702, HDE107*F1502, HDE107*F1702, HDE507*F1502, HDE507*F1702, HDE707*F1502, HDE707*F1702, HDE807*F1702, HDE907*F1502, HDE907*F1702, HDEB07*J1502, HDEB07*J1702, HDEF07*J1502, HDEF07*J1702, HDER07*F1502, HDER07*F1702, HDET07*F1502, HDET07*F1702, HDEX07*F1502, HDEX07*F1702, HDEY07*F1502, HDEY07*F1702, HDEY07*F99N2, HDEZ07*F1502, HDEZ07*F1702, HDG009*F1102, HDG109*F1102, HDG509*F1102, HDG709*F1102, HDG809*F1102, HDG909*F1102, HDGB09*J1102, HDGF09*J1102, HDGR09*F1102, HDGT09*F1102, HDGX09*F1102, HDGY09*F1102, HDGZ09*F1102, HFE507*F1702, HFE707*F1702, HFEB07*J1702, HFEX07*F1702, HFEY07*F1502, HFEY07*F1702, HFG509*F1102, HFG709*F1102, HFGX09*F1102, HFGY09*F1102, KFEG17NF1702, KFET17NF1702, KFEY17NF1702, KFGG19NF1102, KFGT19NF1102, KFGY19NF1102, NDE807*F5422, NDE907*F5422, NDG809*F5422, NDG909*F5422, SDE107*F5412, SDE107*F5417, SDE907*F5412, SDEMNRGS171CW01, SDG109*F5412, SDG909*F5412, SDGMNRGS111CW01, SDGSXRGs111CW02, SFEX07*F3300, UDE807*F1702 and UDG809*F1102
	D500222	Motor Pulley	Use with D505843P Motor and Pulley Assembly; 50 Hertz; All other models
5	N/A	Motor Switch Kit	Does not include thermal protector
6	590P3	Motor Hub Ring Kit	

* Add Letter To Designate Color. G - Gray L - Almond Q - Bisque W - White N - Stainless Steel

N/A = Part no longer available

Exhaust Fan and Idler Assembly



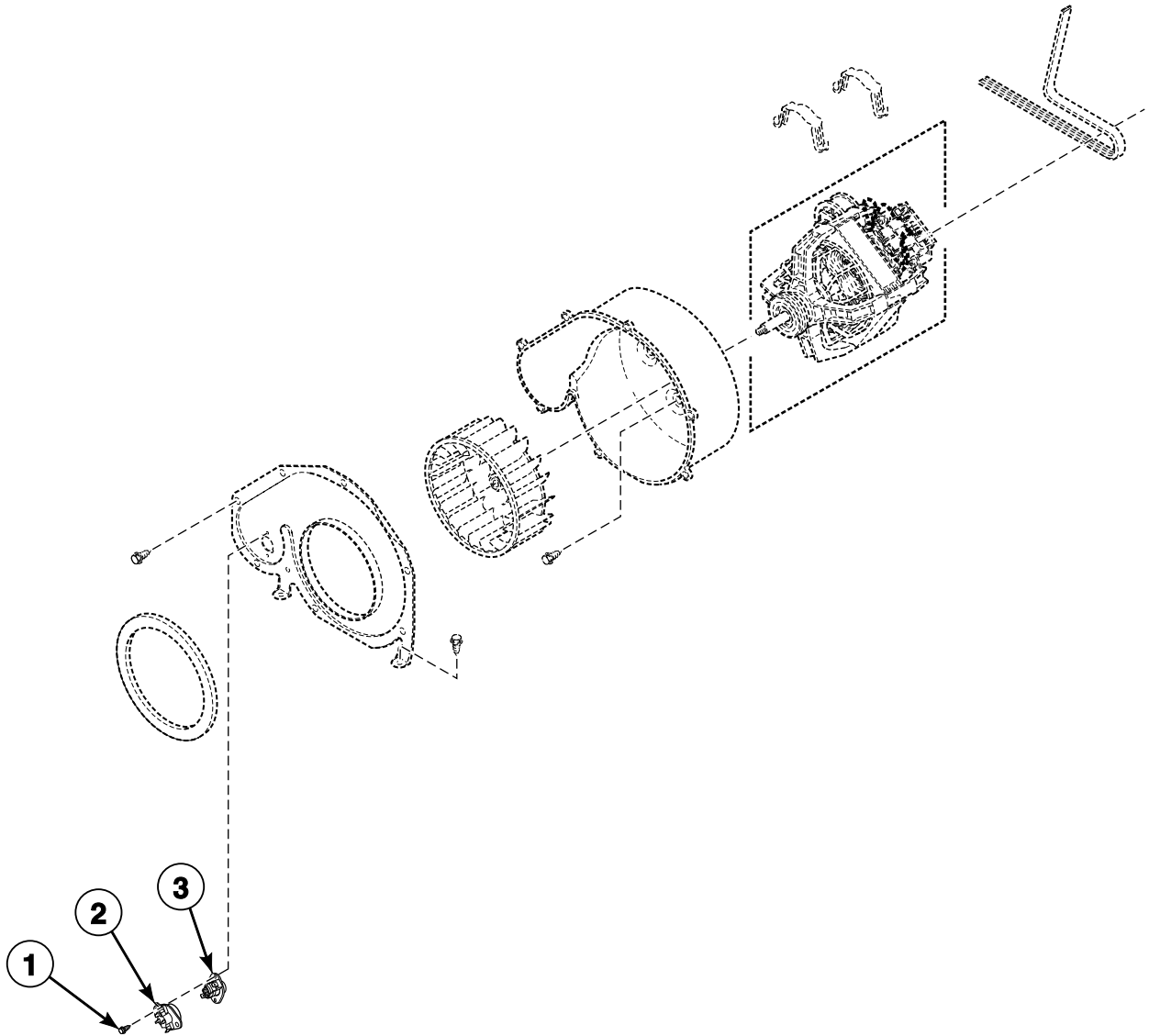
DRY2312P_506055

Exhaust Fan and Idler Assembly

REF	PART NO.	DESCRIPTION	COMMENTS
	27604P	Anti-Seize Compound	Apply to motor shaft when installing blower fan assembly
1	D510238P	Blower Housing Seal	
2	31260	Screw	
3	D514325	Thermostat Shield	Model PDG809*F3060
4	D514602	Motor Shield	Model PDG809*F3060
5	D511969WP	Blower Housing	White; Includes items 1 and 2
	D511969LG	Blower Housing	Gray; Includes items 1 and 2
6	D503688	Screw	
7	D510139P	Blower Fan Assembly	Apply anti-seize compound to motor shaft when installing blower fan assembly
8	D510185	Idler Spring	
9	56156	Nut	
10	D516310	Idler Lever	
11	56461P	Shaft	
12	52549	Washer	
13	D510142P	Idler Wheel and Bearing Assembly	
14	23748	Retaining Ring	
15	D500824	Screw	
16	D516792	Idler Lever and Wheel Assembly	Includes items 9-14
17	52566	Nut	
18	D518517	Motor Mount	
19	D510717P	Blower and Fan Kit	Includes items 1, 2, 5-18, motor mount clamp, motor hub rings and motor and pulley assembly; Models BDG809*F1102, BDG909*F1102, HDE007*F1702, HDE107*F1502, HDE107*F1702, HDE507*F1502, HDE507*F1702, HDE707*F1502, HDE707*F1702, HDE807*F1702, HDE907*F1502, HDE907*F1702, HDEB07*J1502, HDEB07*J1702, HDEF07*J1502, HDEF07*J1702, HDER07*F1502, HDER07*F1702, HDET07*F1502, HDET07*F1702, HDEX07*F1502, HDEX07*F1702, HDEY07*F1502, HDEY07*F1702, HDEY07*F99N2, HDEZ07*F1502, HDEZ07*F1702, HDG009*F1102, HDG109*F1102, HDG509*F1102, HDG709*F1102, HDG809*F1102, HDG909*F1102, HDGB09*J1102, HDGF09*J1102, HDGR09*F1102, HDGT09*F1102, HDGX09*F1102, HDGY09*F1102, HDGZ09*F1102, HFE507*F1702, HFE707*F1702, HFEB07*J1702, HFEX07*F1702, HFEY07*F1502, HFEY07*F1702, HFG509*F1102, HFG709*F1102, HFGX09*F1102, HFGY09*F1102, KFEG17NF1702, KFET17NF1702, KFEY17NF1702, KFGG19NF1102, KFGT19NF1102, KFGY19NF1102, UDE807*F1702 and UDG809*F1102

* Add Letter To Designate Color. G - Gray L - Almond Q - Bisque W - White N - Stainless Steel

Thermistor and Thermostat (Drawing 1 of 2)



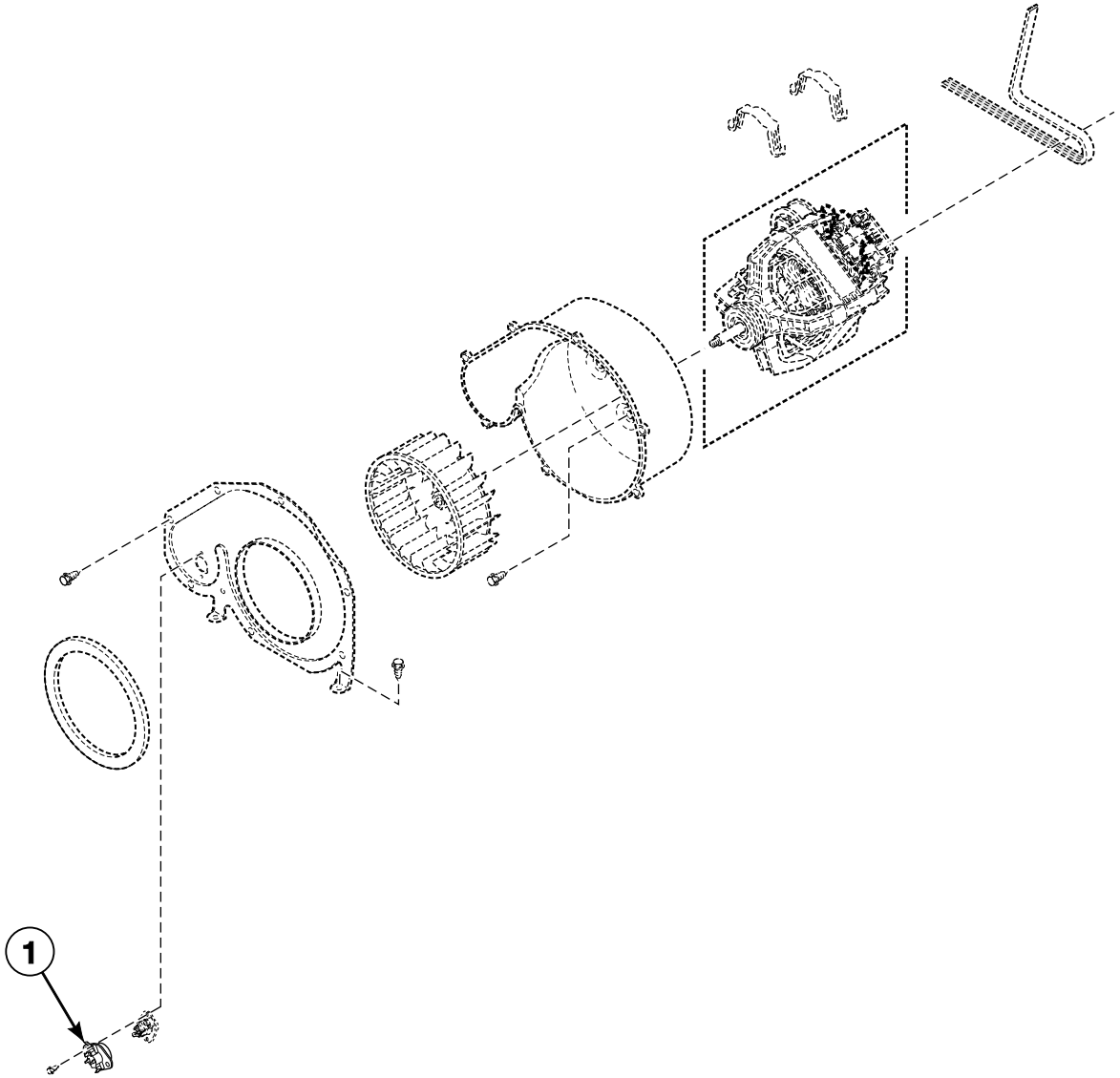
DRY1850P_506055

Thermistor and Thermostat (Drawing 1 of 2)

REF	PART NO.	DESCRIPTION	COMMENTS
1	D502535	Screw	
2	D511887	Thermostat	Tan/white; Models FDE807*G3018, FDE807*G4018, GDE807*F5418, GDE807*G3018, HDE007*F3000, HDE007*G3003, HDE007*G3008, HDE007*G3010, HDE007*G4008, HDE007*G4010, HDE107*F3000, HDE107*G3003, HDE107*G3018, HDE107*G4018, HDG009*F3000, HDG009*M3008, HDG109*F3000, HDG109*M3013, HFE167*G4018, JDE807*F4350, JDE807*F5418, JDE807*G3018, JDG809*F3060, JDG809*M3013, JDG809*M3020, NDE007*G3018, NDE007*G4018, NDE807*F3022, NDE807*F5422, NDE807*G3018, NDE807*G4018, NDG809*F3022, NDG809*F5422, PDE807*G3018, PDE807*G4018, PDG809*F3060, PDG809*M3013, SDE007*F3000, SDE007*F4350, SDE007*G3018, SDE107*F3000, SDE107*F4350, SDE107*F5412, SDE107*F5417, SDE107*G3018, SDE107*G4018, SDE807*F3000, SDE807*F4350, SDEMNRGS171CW01, SDG009*F3000, SDG009*F3058, SDG009*F3060, SDG109*F3000, SDG109*F3058, SDG109*F3060, SDG109*F5412, SDG109*M3013, SDG809*F3060, SDGMNRGS111CW01, SDGSXRGs111CW02, UDE007*F3000, UDE007*F3025, UDG009*F3000 and UDG009*F3025
	D504515	Thermostat	Green; Models HDE007*F1702, HDE107*F1502, HDE107*F1702, HDG009*F1102 and HDG109*F1102 through Serial No. 0404
	D512005	Thermostat	Green/white; Models UDE807*F1702 and UDG809*F1102; Models BDG809*F1102, HDE007*F1702, HDE107*F1502, HDE107*F1702, HDE807*F1702, HDG009*F1102, HDG109*F1102 and HDG809*F1102 starting Serial No. 0404
	D504517	Thermostat	Red; Models HDG009*G3008, HDG109*G3013 and SDG109*G3013
3	M411941	Manual Reset Thermostat	Models BFGX09*F3060, JDG809*F3060, JDG909*F3060, PDG809*F3060, SDG009*F3060, SDG109*F3060, SDG809*F3060, SDG909*F3060, SDGF09*J3060 and SDGX09*F3060

* Add Letter To Designate Color. G - Gray L - Almond Q - Bisque W - White N - Stainless Steel

Thermistor and Thermostat (Drawing 2 of 2)



DRY1850PA_506055

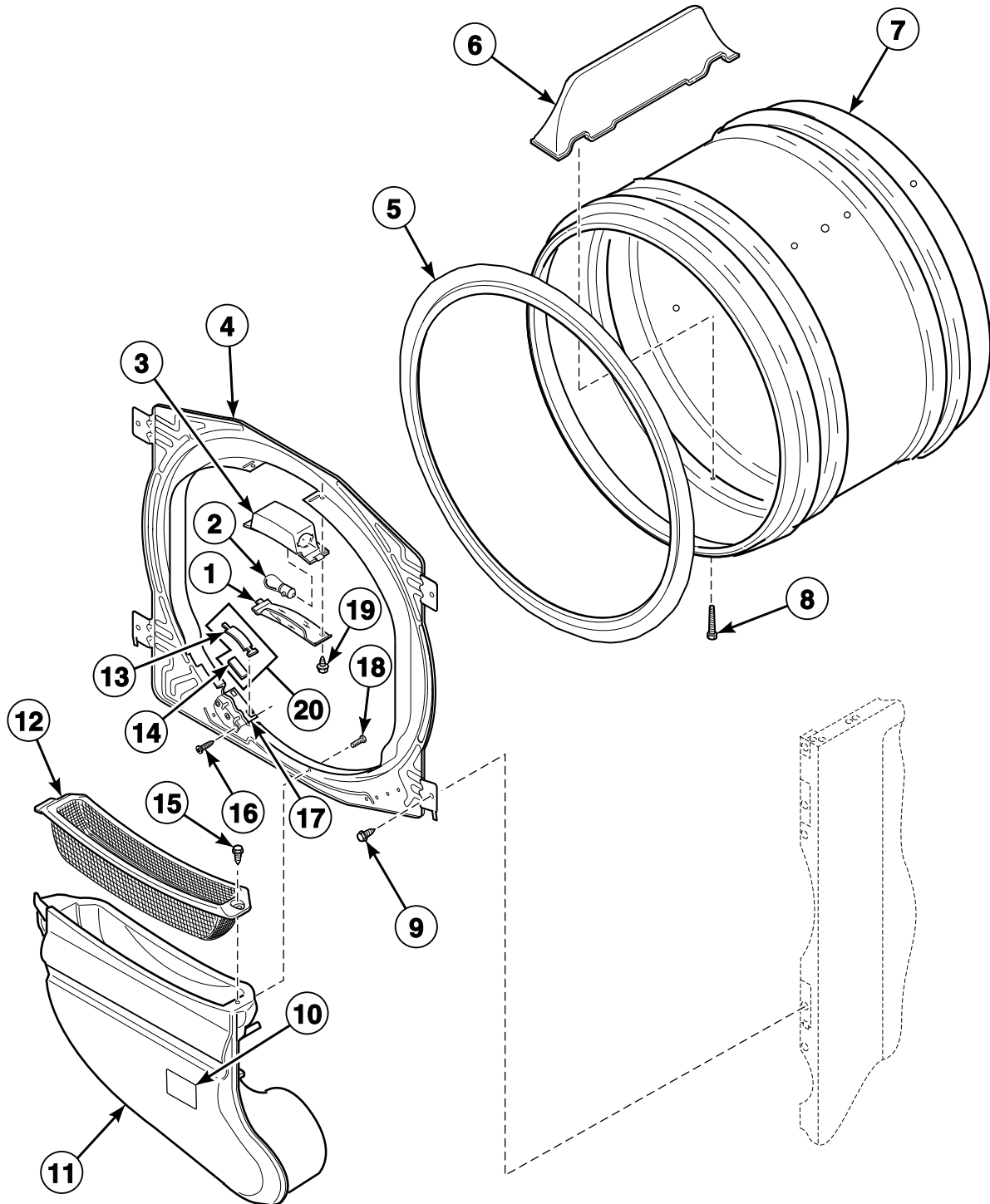
Thermistor and Thermostat (Drawing 2 of 2)

REF	PART NO.	DESCRIPTION	COMMENTS
1	D510523	Thermistor Assembly	Models BDG909*F1102, GDE907*F5418, GDESCRGS301UW01, GDESCRGS331ZW01, HDE507*F1502, HDE507*F1702, HDE707*F1502, HDE707*F1702, HDE907*F1502, HDE907*F1702, HDEB07*J1502, HDEB07*J1702, HDEF07*J1502, HDEF07*J1702, HDER07*F1502, HDER07*F1702, HDET07*F1502, HDET07*F1702, HDEX07*F1502, HDEX07*F1702, HDEY07*F1502, HDEY07*F1702, HDEY07*F99N2, HDEZ07*F1502, HDEZ07*F1702, HDG509*F1102, HDG709*F1102, HDG909*F1102, HDGB09*J1102, HDGF09*J1102, HDGR09*F1102, HDGT09*F1102, HDGX09*F1102, HDGY09*F1102, HDGZ09*F1102, HFE507*F1702, HFE707*F1702, HFEB07*J1702, HFEX07*F1702, HFEY07*F1502, HFEY07*F1702, HFG509*F1102, HFG709*F1102, HFGX09*F1102, HFGY09*F1102, KFEG17NF1702, KFET17NF1702, KFEY17NF1702, KFGG19NF1102, KFGT19NF1102, KFGY19NF1102, NDE907*F5422, NDG909*F5422, SDE907*F5412 and SDG909*F5412
	D502366	Thermistor Assembly	Models BFEL07*G4018, BFEX07*F4350, BFEX07*G4018, BFGL09*M3013, BFGX09*F3060, BFGX09*M3013, GDE907*G3018, GFEG17NG3018, GFEG17NG4018, GFEX17NG3018, GFEX17NG4018, GFEX17NG3018, GFEX17NG4018, GFEG19NM3020, GFGX19NM3020, GFGY19NM3020, HDE907*G3018, HDE907*G4018, HDEX07*F3000, HDEX07*G3018, HDGX09*F3000, HDGX09*M3013, HFEL47*G4018, HFEL67*G4018, HFGX09*M3013, JDE907*F4350, JDE907*G3018, JDG909*F3060, JDG909*M3013, JDG909*M3020, KFEG17NG3018, KFEG17NG4018, KFEX17NG3018, KFEX17NG4018, KFEY17NG3018, KFEY17NG4018, KFGG19NM3020, KFGX19NM3020, KFGY19NM3020, NDE907*F3022, NDG909*F3022, NFEL47*G4018, NFEL67*G4018, NFEX07*G3018, NFEX07*G4018, NFGL49*M3013, NFGX09*M3013, PDEBXRGS431AG02, PDGBXRGS301AG02, SDE407*F3000, SDE407*F4350, SDE907*F3000, SDE907*F4350, SDE907*G3018, SDE907*G4018, SDEA07*J3000, SDEA07*J4350, SDEF07*J4350, SDEX07*F3000, SDEX07*F4350, SDEX07*G3018, SDEX07*G4018, SDG409*F3000, SDG409*F3058, SDG909*F3060, SDG909*M3013, SDGF09*J3060, SDGX09*F3000, SDGX09*F3060, SDGX09*M3013, SFEA07*G3018, SFEL07*G4018, SFEL67*G4018, SFEX07*F3300, SFEX07*F4350, SFEX07*G3018, SFEX07*G4018, SFEX67*G4018, SFY07*G4018, SFGL09*M3013 and SFGX09*M3013

* Add Letter To Designate Color. G - Gray L - Almond Q - Bisque W - White N - Stainless Steel

Front Bulkhead, Air Duct, Felt Seal and Cylinder with Light

Models GFEG17NG3018, GFEG17NG4018, GFEX17NG3018, GFEX17NG4018, GFEY17NG3018, GFEY17NG4018, GFGG19NM3020, GFGX19NM3020, GFGY19NM3020, HFEL47*G4018, KFEG17NF1702, KFEG17NG3018, KFEG17NG4018, KFET17NF1702, KFEX17NG3018, KFEX17NG4018, KFEY17NF1702, KFEY17NG3018, KFEY17NG4018, KFGG19NF1102, KFGG19NM3020, KFGT19NF1102, KFGX19NM3020, KFGY19NF1102, KFGY19NM3020, NFEL47*G4018 and NFGL49*M3013



DRY2136P_506055

Front Bulkhead, Air Duct, Felt Seal and Cylinder with Light

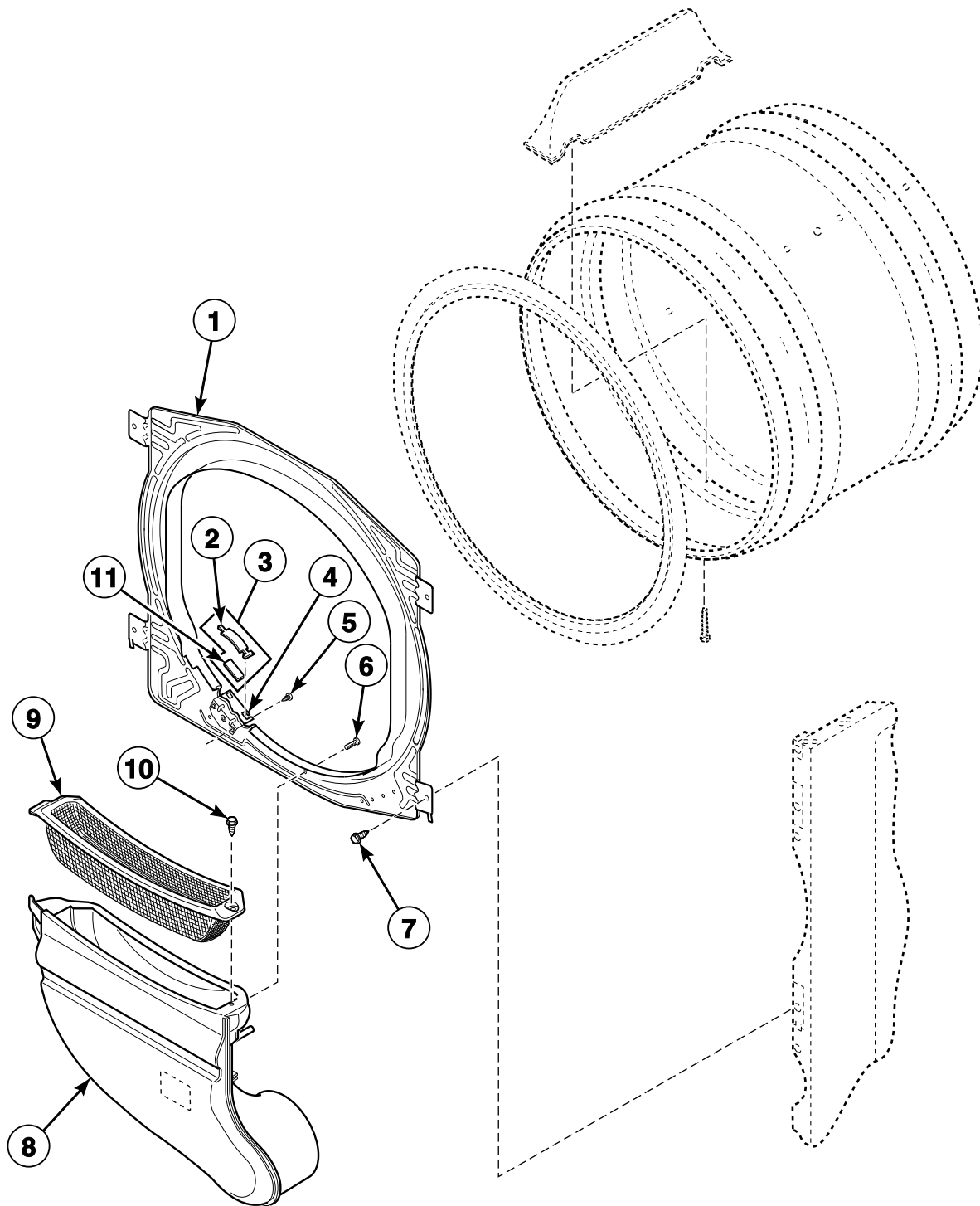
REF	PART NO.	DESCRIPTION	COMMENTS
1	D512106	Cylinder Light Lens	
2	N/A	Drum Light Lamp	24 Volt; Models GFGG19NM3020, GFGX19NM3020, GFGY19NM3020, KFGG19NM3020, KFGX19NM3020, KFGY19NM3020 and NFGL49*M3013
	60954	Drum Light Lamp	120 Volt; Models KFEG17NF1702, KFET17NF1702, KFEY17NF1702, KFGG19NF1102, KFGT19NF1102 and KFGY19NF1102
	D503579	Drum Light Lamp	240 Volt; All other models
3	D512564	Cylinder Light Assembly	24 Volt; Models GFGG19NM3020, GFGX19NM3020, GFGY19NM3020, KFGG19NM3020, KFGX19NM3020, KFGY19NM3020 and NFGL49*M3013
	D512108	Light Housing Assembly	120 Volt; Includes lamp; Models KFEG17NF1702, KFET17NF1702, KFEY17NF1702, KFGG19NF1102, KFGT19NF1102 and KFGY19NF1102
	D519422	Cylinder Light Assembly	240 Volt; All other models
4	D512476	Front Bulkhead Assembly	Galvanized; Includes items 3, 5, 13, 14 and 16; 24 Volt and 240 Volt Cylinder Light Assemblies and Lamps must be ordered seperately. Drum Light lens must be ordered seperately for models HFEL47*G4018, NFEL47*G4018 and NFGL49*M3013
5	D510207P	Cylinder Seal Assembly	Apply adhesive when installing
	D511637P	Adhesive	Apply to cylinder seal
	RB170001	Seal Kit	Includes 2 cylinder seals, D510238P Blower Housing Seal and Adhesive
6	D510102W	Cylinder Baffle	White; Models HFEL47*G4018, NFEL47*G4018 and NFGL49*M3013
	D510102LG	Cylinder Baffle	Gray; All other models
7	D510265WP	Cylinder Assembly	Galvanized; Includes item 6; Models HFEL47*G4018, NFEL47*G4018 and NFGL49*M3013
	D505929LG	Cylinder Assembly	Stainless steel; Models GFEG17NG3018, GFEG17NG4018, GFEX17NG3018, GFEX17NG4018, GFEY17NG3018, GFEY17NG4018, GFGG19NM3020, GFGX19NM3020 and GFGY19NM3020
	D5102650GP	Cylinder Assembly	Galvanized; Includes 3 of item 6 and 6 of item 8; All other models
8	62588	Screw	
9	D503688	Screw	Models HFEL47*G4018, NFEL47*G4018 and NFGL49*M3013
	M405188	Screw	All other models
10	D500314	Warning Label	Models KFEG17NF1702, KFET17NF1702, KFEY17NF1702, KFGG19NF1102, KFGT19NF1102 and KFGY19NF1102
11	D518432	Air Duct Assembly	White; Models HFEL47*G4018, NFEL47*G4018 and NFGL49*M3013
	D510151DG	Air Duct Assembly	Gray; All other models
12	D503980W	Lint Filter	White; Models HFEL47*G4018, NFEL47*G4018 and NFGL49*M3013
	D503980DG	Lint Filter	Gray; All other models
13	D513710	Cylinder Glide	
14	D510189	Felt Pad	
15	D501285	Screw	
16	D501086	Screw	
17	D510145	Cylinder Glide Bracket	
18	D500226	Screw	
19	D500227	Screw	
20	RB170003	Glide Kit	Includes items 13 and 14

* Add Letter To Designate Color. Q - Bisque W - White

N/A = Part no longer available

Front Bulkhead and Air Duct

All Models Except GFEG17NG3018, GFEG17NG4018, GFEX17NG3018, GFEX17NG4018, GFEY17NG3018, GFEY17NG4018, GFGG19NM3020, GFGX19NM3020, GFGY19NM3020, HFEL47*G4018, KFEG17NF1702, KFEG17NG3018, KFEG17NG4018, KFET17NF1702, KFEX17NG3018, KFEX17NG4018, KFEY17NF1702, KFEY17NG3018, KFEY17NG4018, KFGG19NF1102, KFGG19NM3020, KFGT19NF1102, KFGX19NM3020, KFGY19NF1102, KFGY19NM3020, NFEL47*G4018 and NFGL49*M3013



DRY1910P_506055

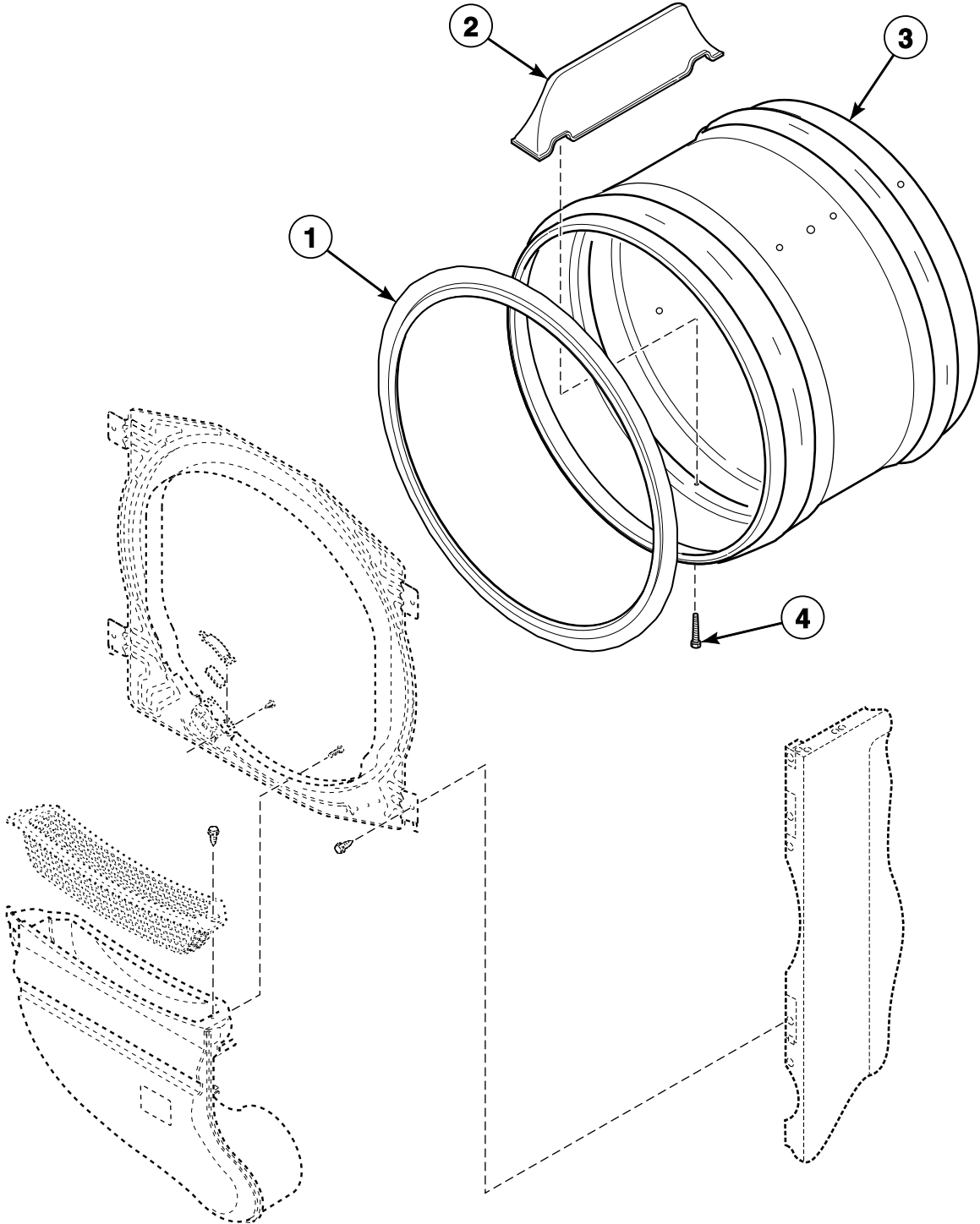
Front Bulkhead and Air Duct

REF	PART NO.	DESCRIPTION	COMMENTS
1	D510266P	Front Bulkhead Assembly	Unpainted; Includes items 3-5 and felt seal
2	D513710	Cylinder Glide	
3	RB170003	Glide Kit	Includes items 2 and 11
4	D510145	Cylinder Glide Bracket	
5	52864	Screw	
6	D500226	Screw	
7	D503688	Screw	
8	D518433	Air Duct Assembly	Light gray; Models HDE807*F1702, HDE907*F1502, HDE907*F1702, HDER07*F1502, HDER07*F1702, HDEX07*F1502, HDEX07*F1702, HDEY07*F1502, HDEY07*F1702, HFEX07*F1702, HFEY07*F1502 and UDE807*F1702 starting Serial No. 1303025315
	D518432	Air Duct Assembly	White; Models HDE807*F1702, HDE907*F1502, HDE907*F1702, HDER07*F1502, HDER07*F1702, HDEX07*F1502, HDEX07*F1702, HDEY07*F1502, HDEY07*F1702, HFEX07*F1702, HFEY07*F1502 and UDE807*F1702 through Serial No. 1303025314; All other models
9	D503980LG	Lint Filter	Light gray; Models HDE807*F1702, HDE907*F1502, HDE907*F1702, HDER07*F1502, HDER07*F1702, HDEX07*F1502, HDEX07*F1702, HDEY07*F1502, HDEY07*F1702, HFEX07*F1702, HFEY07*F1502 and UDE807*F1702 starting Serial No. 1303025315
	D503980W	Lint Filter	White; Models HDE807*F1702, HDE907*F1502, HDE907*F1702, HDER07*F1502, HDER07*F1702, HDEX07*F1502, HDEX07*F1702, HDEY07*F1502, HDEY07*F1702, HFEX07*F1702, HFEY07*F1502 and UDE807*F1702 through Serial No. 1303025314; All other models
10	D501285	Screw	
11	D510189	Felt Pad	

* Add Letter To Designate Color. G - Gray L - Almond Q - Bisque W - White N - Stainless Steel

Felt Seal and Cylinder without Light

All Models Except GFEG17NG3018, GFEG17NG4018, GFEX17NG3018, GFEX17NG4018, GFEY17NG3018, GFEY17NG4018, GFGG19NM3020, GFGX19NM3020, GFGY19NM3020, HFEL47*G4018, KFEG17NF1702, KFEG17NG3018, KFEG17NG4018, KFET17NF1702, KFEX17NG3018, KFEX17NG4018, KFEY17NF1702, KFEY17NG3018, KFEY17NG4018, KFGG19NF1102, KFGG19NM3020, KFGT19NF1102, KFGX19NM3020, KFGY19NF1102, KFGY19NM3020, NFEL47*G4018 and NFGL49*M3013



DRY1910PA_506055

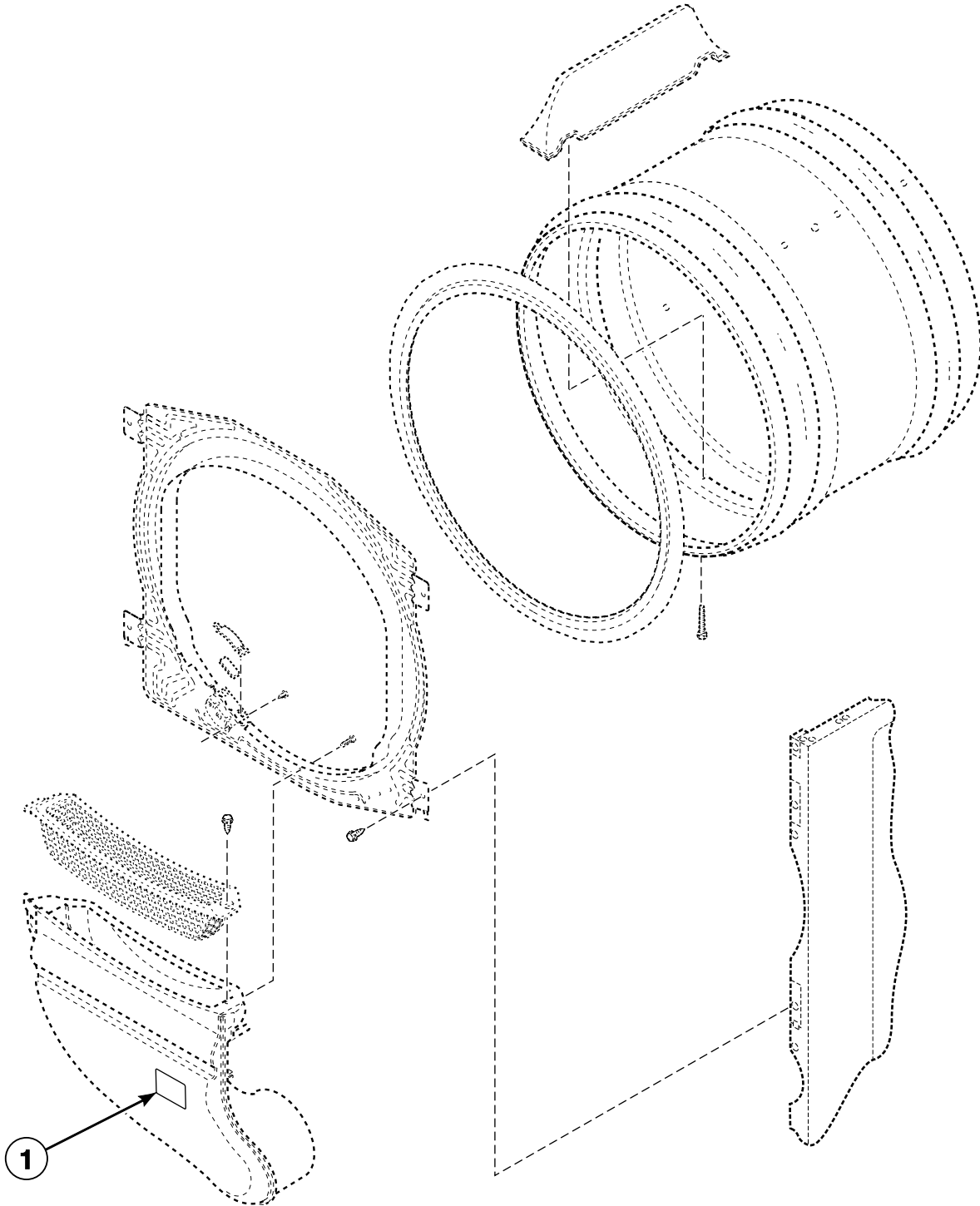
Felt Seal and Cylinder without Light

REF	PART NO.	DESCRIPTION	COMMENTS
1	D510207P	Cylinder Seal Assembly	Apply adhesive when installing
	D511637P	Adhesive	Apply to cylinder seal
	RB170001	Seal Kit	Includes 2 cylinder seals, D510238P Blower Housing Seal and Adhesive
2	D510102LG	Cylinder Baffle	Light gray; Models HDE807*F1702, HDE907*F1502, HDE907*F1702, HDER07*F1502, HDER07*F1702, HDEX07*F1502, HDEX07*F1702, HDEY07*F1502, HDEY07*F1702, HFEX07*F1702, HFEY07*F1502 and UDE807*F1702 starting Serial No. 1303025315
	D510102W	Cylinder Baffle	White; Models HDE807*F1702, HDE907*F1502, HDE907*F1702, HDER07*F1502, HDER07*F1702, HDEX07*F1502, HDEX07*F1702, HDEY07*F1502, HDEY07*F1702, HFEX07*F1702, HFEY07*F1502 and UDE807*F1702 through Serial No. 1303025314; All other models
3	D510265LGP	Cylinder Assembly	Galvanized; Includes item 2 in light gray; Models HDE807*F1702, HDE907*F1502, HDE907*F1702, HDER07*F1502, HDER07*F1702, HDEX07*F1502, HDEX07*F1702, HDEY07*F1502, HDEY07*F1702, HFEX07*F1702, HFEY07*F1502 and UDE807*F1702 starting Serial No. 1303025315
	D510265WP	Cylinder Assembly	Galvanized; Includes item 2 in white; Models HDE807*F1702, HDE907*F1502, HDE907*F1702, HDER07*F1502, HDER07*F1702, HDEX07*F1502, HDEX07*F1702, HDEY07*F1502, HDEY07*F1702, HFEX07*F1702, HFEY07*F1502 and UDE807*F1702 through Serial No. 1303025314; All other models
	D505929LGP	Cylinder Assembly	Stainless steel; Includes item 2 in light gray
4	62588	Screw	

* Add Letter To Designate Color. G - Gray L - Almond Q - Bisque W - White N - Stainless Steel

Air Duct Label

All Models Except GFEG17NG3018, GFEG17NG4018, GFEX17NG3018, GFEX17NG4018, GFEY17NG3018, GFEY17NG4018, GFGG19NM3020, GFGX19NM3020, GFGY19NM3020, HFEL47*G4018, KFEG17NF1702, KFEG17NG3018, KFEG17NG4018, KFET17NF1702, KFEX17NG3018, KFEX17NG4018, KFEY17NF1702, KFEY17NG3018, KFEY17NG4018, KFGG19NF1102, KFGG19NM3020, KFGT19NF1102, KFGX19NM3020, KFGY19NF1102, KFGY19NM3020, NFEL47*G4018 and NFGL49*M3013



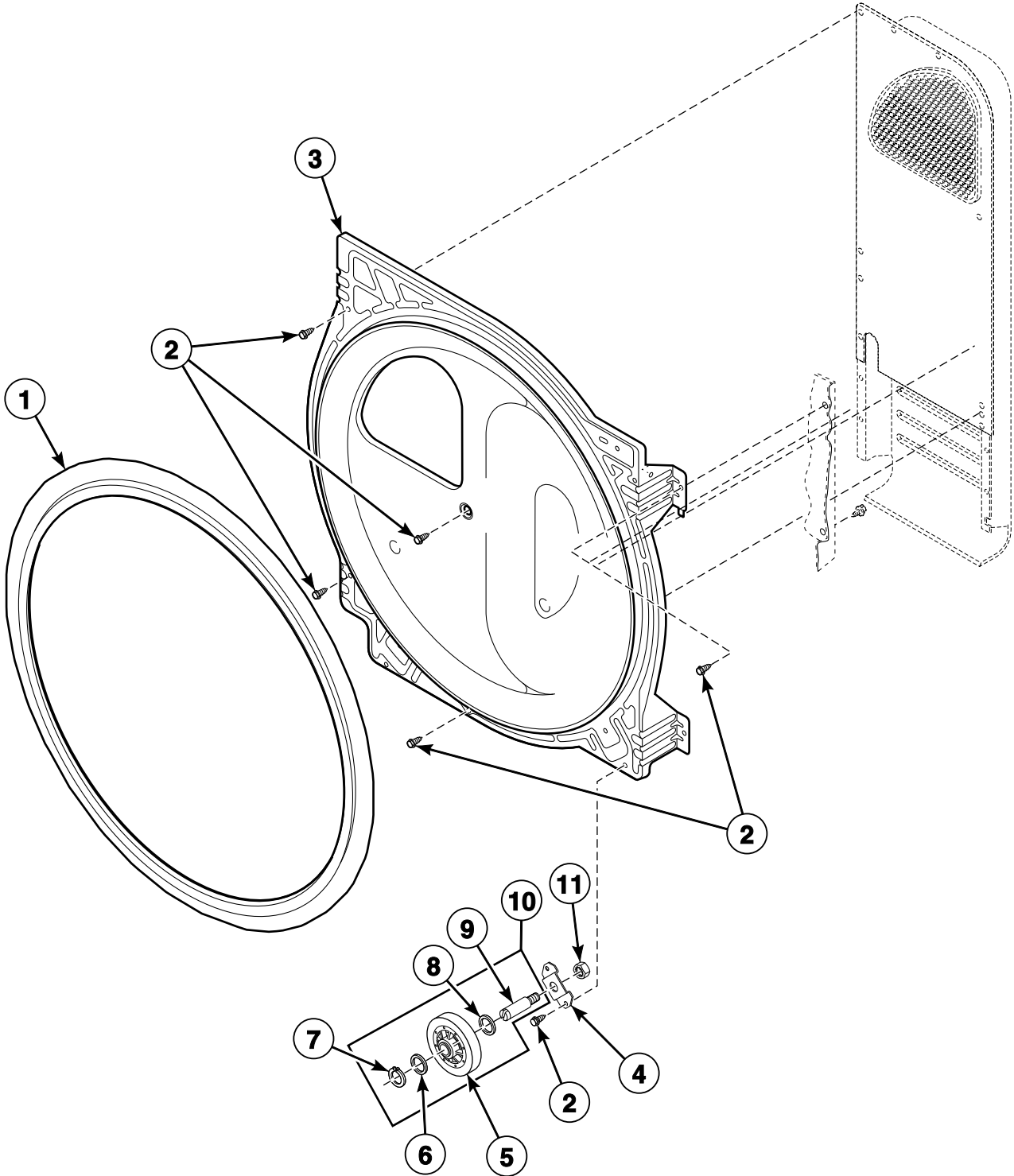
DRY1910PB_506055

Air Duct Label

REF	PART NO.	DESCRIPTION	COMMENTS
1	D500314	Warning Label	Model HDEY07*F99N2 and models ending in 1102, 1502 and 1702
	F8211201	Electrical Shock Label	Models BFEL07*G4018, BFEX07*G4018, BFGX09*M3013, BFGX09*M3013, FDE807*G3018, FDE807*G4018, GDE807*G3018, GDE907*F5418, GDE907*G3018, GDESCRGS301UW01, GDESCRGS331ZW01, HDE107*G3018, HDE107*G4018, HDE907*G3018, HDE907*G4018, HDEX07*G3018, HDG109*G3013, HDG109*M3013, HDGX09*M3013, HFE167*G4018, HFEL67*G4018, HFGX09*M3013, JDE807*G3018, JDE907*G3018, JDG809*M3013, JDG909*M3013, NDE007*G3018, NDE007*G4018, NDE807*G3018, NDE807*G4018, NFEL67*G4018, NFEX07*G3018, NFEX07*G4018, NFGX09*M3013, PDE807*G3018, PDE807*G4018, PDG809*M3013, SDE007*G3018, SDE107*G3018, SDE107*G4018, SDE907*G3018, SDE907*G4018, SDEX07*G3018, SDEX07*G4018, SDG109*G3013, SDG109*M3013, SDG909*M3013, SDGX09*M3013, SFEA07*G3018, SFEL07*G4018, SFEL67*G4018, SFEX07*G3018, SFEX07*G4018, SFEX67*G4018, SFEX07*G4018, SFGL09*M3013 and SFGX09*M3013
	F8615701	Pinch Warning Label	Models BFEL07*G4018, BFEX07*G4018, BFGX09*M3013, BFGX09*M3013, FDE807*G3018, FDE807*G4018, GDE807*G3018, GDE907*G3018, HDE107*G3018, HDE107*G4018, HDE907*G3018, HDE907*G4018, HDEX07*G3018, HDG109*G3013, HDG109*M3013, HDGX09*M3013, HFE167*G4018, HFEL67*G4018, HFGX09*M3013, JDE807*G3018, JDE907*G3018, JDG809*M3013, JDG909*M3013, NDE007*G3018, NDE007*G4018, NDE807*G3018, NDE807*G4018, NFEL67*G4018, NFEX07*G3018, NFEX07*G4018, NFGX09*M3013, PDE807*G3018, PDE807*G4018, PDG809*M3013, SDE007*G3018, SDE107*G3018, SDE107*G4018, SDE907*G3018, SDE907*G4018, SDEX07*G3018, SDEX07*G4018, SDG109*G3013, SDG109*M3013, SDG909*M3013, SDGX09*M3013, SFEA07*G3018, SFEL07*G4018, SFEL67*G4018, SFEX07*G3018, SFEX07*G4018, SFEX67*G4018, SFEX07*G4018, SFGL09*M3013 and SFGX09*M3013
	44324001	Warning Label	Models SDEMNRGS171CW01, SDGMNRGS111CW01 and SDGSXRGs111CW02
	D500049	Warning Label	All other models

* Add Letter To Designate Color. G - Gray L - Almond Q - Bisque W - White N - Stainless Steel

Rear Bulkhead, Felt Seal and Cylinder Roller



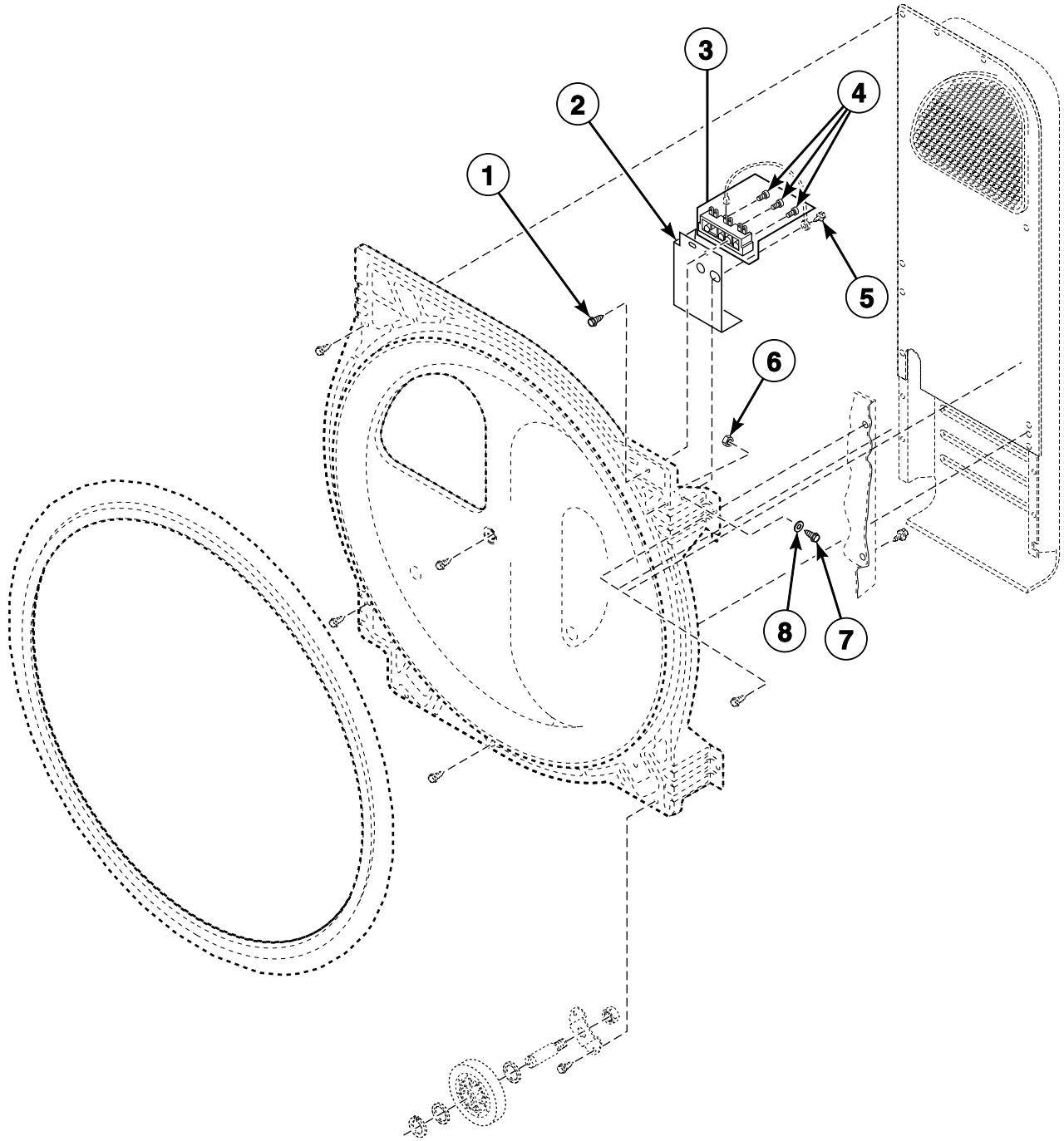
DRY2138P_506055

Rear Bulkhead, Felt Seal and Cylinder Roller

REF	PART NO.	DESCRIPTION	COMMENTS
1	D510207P	Cylinder Seal Assembly	Apply adhesive when installing
	D511637P	Adhesive	Apply to cylinder seal
	RB170001	Seal Kit	Includes 2 cylinder seals, D510238P Blower Housing Seal and Adhesive
2	D503688	Screw	
3	D518128	Rear Bulkhead	Polished
	D511082P	Rear Bulkhead Assembly	Galvanized; Includes item 1
4	D510100	Cylinder Roller Bracket	
5	D510708P	Cylinder Roller	
6	52549	Washer	
7	23748	Retaining Ring	
8	D504082	Washer	
9	56461P	Shaft	
10	RB170002	Roller Kit	Includes items 5-9
11	56156	Nut	

* Add Letter To Designate Color. G - Gray L - Almond Q - Bisque W - White N - Stainless Steel

Terminal Block - Gas and 1 Phase Electric Models



DRY1774P_506055

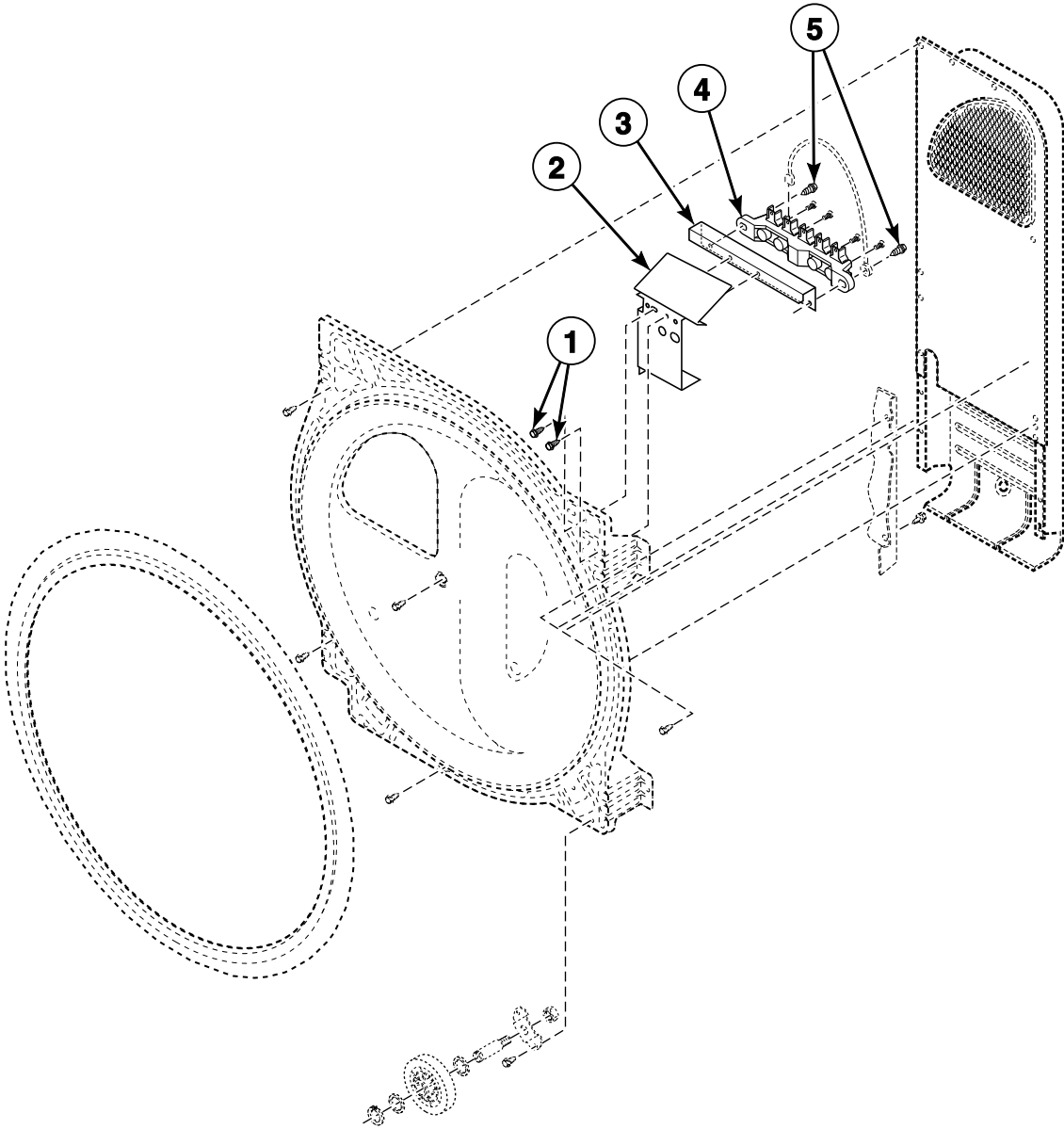
Terminal Block - Gas and 1 Phase Electric Models

REF	PART NO.	DESCRIPTION	COMMENTS
1	D501285	Screw	
2	D505768	Terminal Block Shield	Models BFGL09*M3013, BFGX09*M3013, FDE807*G3018, GDE807*F5418, GDE807*G3018, GDE907*F5418, GDE907*G3018, GDESCRGS301UW01, GDESCRGS331ZW01, GFEG17NG3018, GFEX17NG3018, GFEY17NG3018, GFGG19NM3020, GFGX19NM3020, GFGY19NM3020, HDE007*G3003, HDE007*G3008, HDE007*G3010, HDE107*G3003, HDE107*G3018, HDE807*F1702, HDE907*F1502, HDE907*F1702, HDE907*G3018, HDER07*F1502, HDER07*F1702, HDEX07*F1502, HDEX07*F1702, HDEX07*F3000, HDEX07*G3018, HDEY07*F1502, HDEY07*F1702, HDG009*G3008, HDG009*M3008, HDG109*G3013, HDG109*M3013, HDGX09*F3000, HDGX09*M3013, JDE807*F5418, JDE807*G3018, JDE907*G3018, JDG809*M3013, JDG809*M3020, JDG909*M3013, JDG909*M3020, KFEG17NG3018, KFEX17NG3018, KFEY17NG3018, KFGG19NM3020, KFGX19NM3020, KFGY19NM3020, NDE007*G3018, NDE807*F5422, NDE807*G3018, NFEX07*G3018, NFGX09*M3013, PDE807*G3018, PDG809*M3013, SDE007*G3018, SDE107*G3018, SDE907*G3018, SDEX07*G3018, SDG109*G3013, SDG109*M3013, SDG909*F5412, SDG909*M3013, SDGX09*F3000, SDGX09*M3013, SFEA07*G3018, SFEX07*G3018, SFGL09*M3013, SFGX09*M3013 and UDE807*F1702
	D517715	Terminal Block Shield	Model PDG809*F3060
	D510237	Terminal Block Shield	All other models; Through Serial No. 1903000001
3	D510190P	Terminal Block Assembly	Includes 3 of item 7; All models except BDG809*F1102, BDG909*F1102, HDG009*F1102, HDG009*G3008, HDG109*F1102, HDG109*G3013, HDG509*F1102, HDG709*F1102, HDG809*F1102, HDG909*F1102, HDGB09*J1102, HDGF09*J1102, HDGR09*F1102, HDGT09*F1102, HDGX09*F1102, HDGY09*F1102, HDGZ09*F1102, HFG509*F1102, HFG709*F1102, SDG109*G3013, SDG909*F5412 and UDG809*F1102
	N/A	Terminal Block	Models HDG009*G3008, HDG109*G3013 and SDG109*G3013
4	61199	Screw	
5	D503688	Screw	
6	28447	Nut	
7	28448	Screw	
8	28449	Washer	

* Add Letter To Designate Color. G - Gray L - Almond Q - Bisque W - White N - Stainless Steel

N/A = Part no longer available

Terminal Block - 3 Phase Electric Models



DRY9B_506055

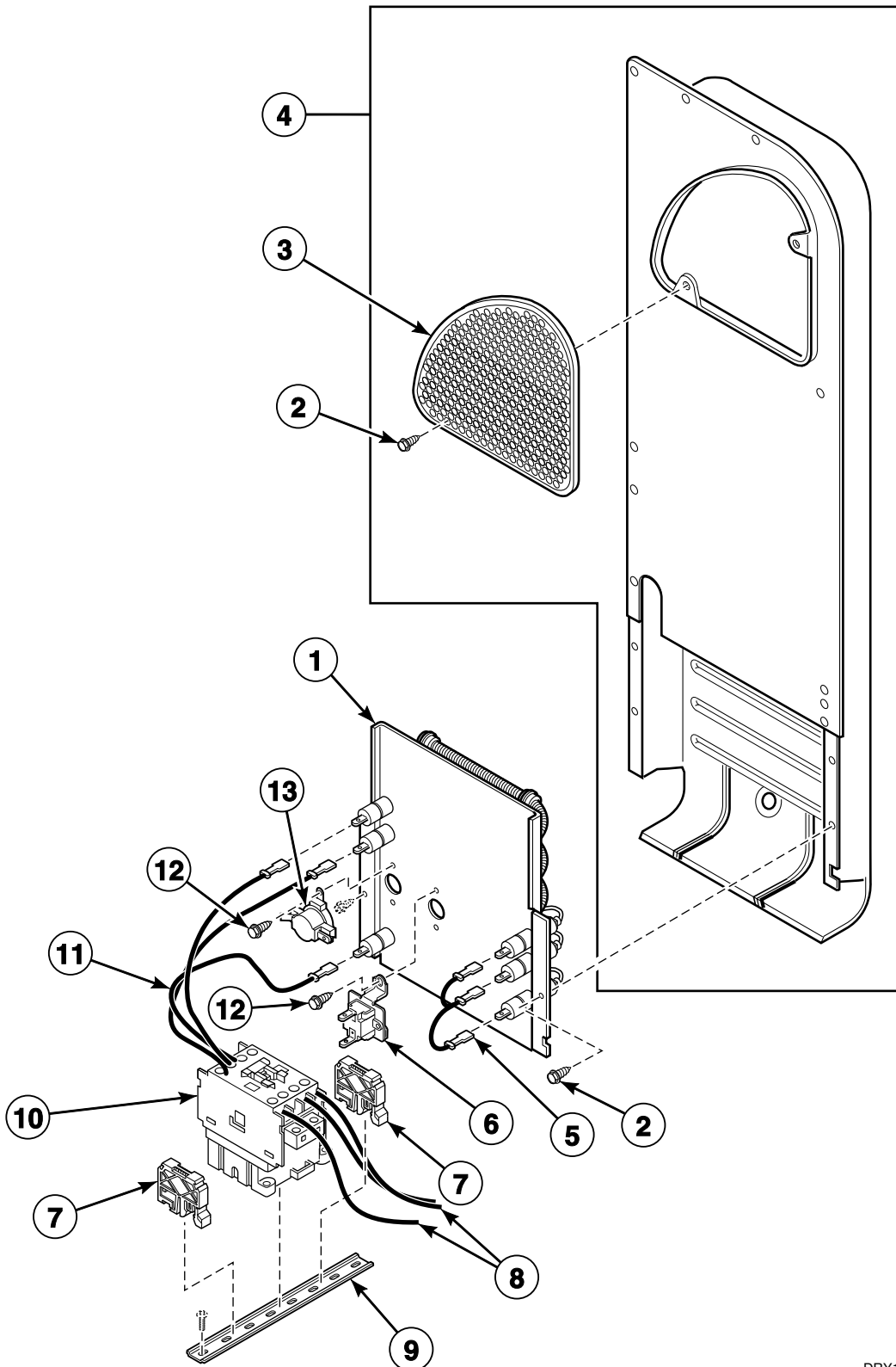
Terminal Block - 3 Phase Electric Models

REF	PART NO.	DESCRIPTION	COMMENTS
1	D501285	Screw	
2	D505768	Terminal Block Shield	
3	D505875	Terminal Block Support Bracket	
4	D505876	Terminal Block Assembly	
5	D503661	Screw	

* Add Letter To Designate Color. G - Gray L - Almond Q - Bisque W - White N - Stainless Steel

Heater Duct Assembly - 3 Phase

Models BFEL07*G4018, BFEX07*G4018, FDE807*G4018, GFEG17NG4018, GFEX17NG4018, GFEY17NG4018, HDE007*G4008, HDE007*G4010, HDE107*G4018, HDE907*G4018, HFE167*G4018, HFEL47*G4018, HFEL67*G4018, KFEG17NG4018, KFEX17NG4018, KFEY17NG4018, NDE007*G4018, NDE807*G4018, NFEL47*G4018, NFEL67*G4018, NFEX07*G4018, PDE807*G4018, SDE107*G4018, SDE907*G4018, SDEX07*G4018, SFEL07*G4018, SFEL67*G4018, SFEX07*G4018, SFEX67*G4018 and SFEY07*G4018



DRY1807P_506055

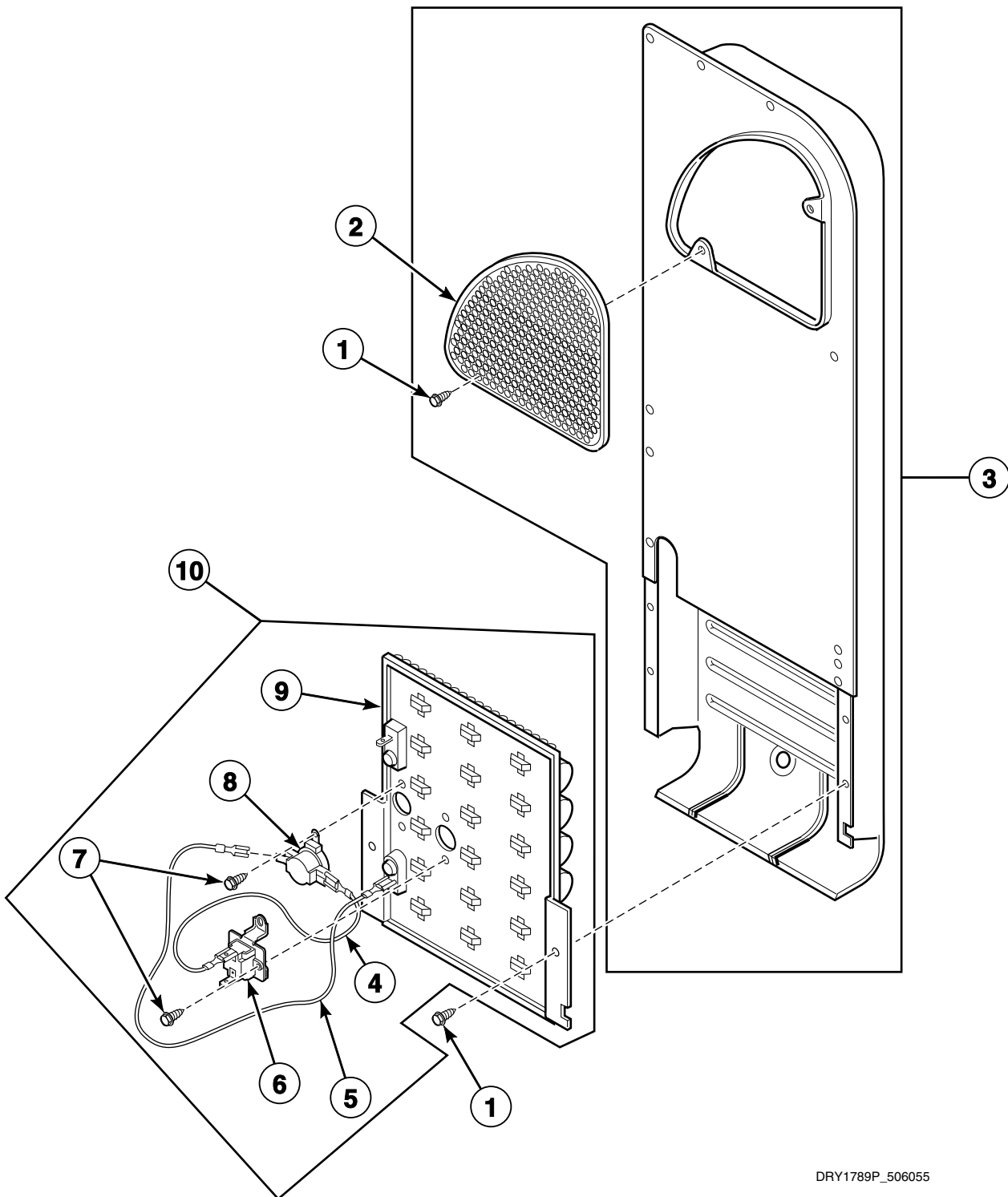
Heater Duct Assembly - 3 Phase

REF	PART NO.	DESCRIPTION	COMMENTS
	756P3	Conversion Kit	400 Volt, 4 wire WYE to 240 Volt, 3 wire Delta
1	D511014P	Heater	400 Volt/3 Phase
2	D503688	Screw	
3	D500820	Outlet Cover	
4	D510025P	Heater Duct Assembly	Includes items 2 and 3
5	D518529	Jumper Wire Assembly	3 Phase
6	D518542	Thermal Fuse Assembly	
7	70121001	End Stop	
8	D514918	Relay Harness	Model PDE807*G4018
	D514920	Dual Contactor Harness	Model PDE807*G4018
	D511112P	Block to Relay Harness	All other models; Terminal block to contactor
9	M412693	Din Rail	
10	F330177P	Contactor	
11	D511114P	Relay to Heater Harness	Contactor to heater
12	23222	Screw	
13	D510701	Limit Thermostat	

* Add Letter To Designate Color. G - Gray L - Almond Q - Bisque W - White N - Stainless Steel

Heater Duct and Element Assembly - 1 Phase

All Electric Models Except Those with G4008, G4010 and G4018 Suffixes



DRY1789P_506055

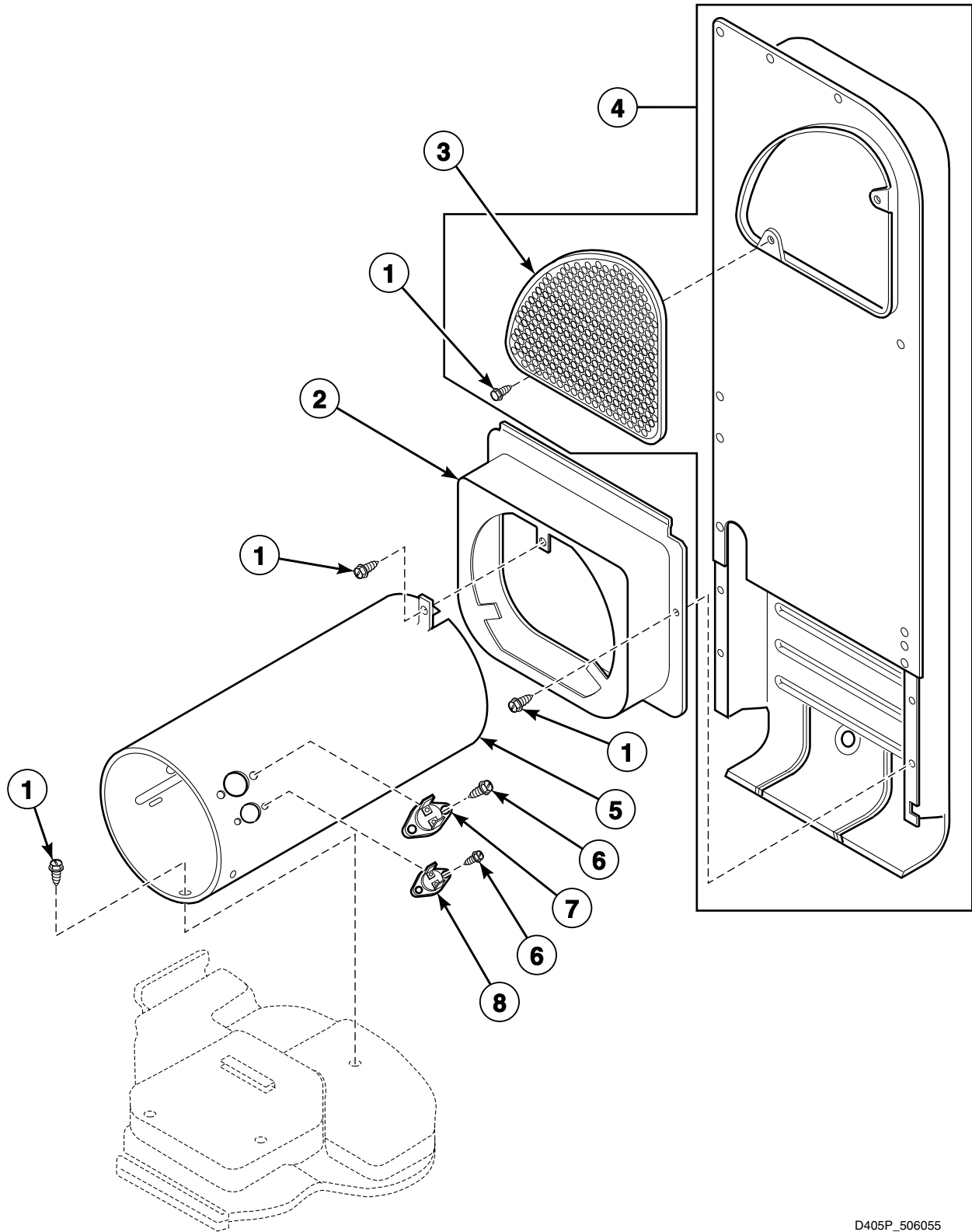
Heater Duct and Element Assembly - 1 Phase

REF	PART NO.	DESCRIPTION	COMMENTS
1	D503688	Screw	
2	D500820	Outlet Cover	
3	D510025P	Heater Duct Assembly	Includes items 1 and 2
4	D518256	Wire Assembly	Orange; Thermostat jumper; Attaches to heater assembly
5	D518255	Wire Assembly	Black; Fuse jumper; Attaches to heater assembly
6	D518542	Thermal Fuse Assembly	
7	23222	Screw	
8	D510701	Limit Thermostat	
9	D510324P	Heater Assembly	5 kW; 240 Volt/60 Hertz; Models GDE807*F5418, GDE907*F5418, GDESCRGS301UW01, GDESCRGS331ZW01, HDE007*F1702, HDE107*F1702, HDE507*F1702, HDE707*F1702, HDE807*F1702, HDE907*F1702, HDEB07*J1702, HDEF07*J1702, HDER07*F1702, HDET07*F1702, HDEX07*F1702, HDEY07*F1702, HDEZ07*F1702, HFE507*F1702, HFE707*F1702, HFEB07*J1702, HFEX07*F1702, HFEY07*F1702, JDE807*F5418, KFEG17NF1702, KFET17NF1702, KFEY17NF1702, NDE807*F5422, NDE907*F5422, SDE107*F5412, SDE107*F5417, SDE907*F5412, SDEMNRGS171CW01, SFEX07*F3300 and UDE807*F1702
	D510327P	Heater Assembly	4 kW; 240 Volt/50 Hertz; Models BFEX07*F4350, JDE807*F4350, JDE907*F4350, PDEBXRGS431AG02, SDE007*F4350, SDE107*F4350, SDE407*F4350, SDE807*F4350, SDE907*F4350, SDEA07*J4350, SDEF07*J4350, SDEX07*F4350 and SFEX07*F4350
	D510330P	Heater Assembly	4.25 kW; 208 Volt/60 Hertz; Models HDE107*F1502, HDE507*F1502, HDE707*F1502, HDE907*F1502, HDEB07*J1502, HDEF07*J1502, HDER07*F1502, HDET07*F1502, HDEX07*F1502, HDEY07*F1502, HDEZ07*F99N2, HDEZ07*F1502 and HFEY07*F1502
	D510326P	Heater Assembly	4.8 kW; 240 Volt/50 Hertz; All other models
10	965P3	Heater Kit	4.25 kW; 208 Volt/60 Hertz; Includes items 4-9; Models HDE107*F1502, HDE507*F1502, HDE707*F1502, HDE907*F1502, HDEB07*J1502, HDEF07*J1502, HDER07*F1502, HDET07*F1502, HDEX07*F1502, HDEY07*F1502, HDEZ07*F99N2, HDEZ07*F1502 and HFEY07*F1502
	61930	Heater Kit Assembly	4 kW; 240 Volt/50 Hertz; Includes items 4-9; Models BFEX07*F4350, JDE807*F4350, JDE907*F4350, PDEBXRGS431AG02, SDE007*F4350, SDE107*F4350, SDE407*F4350, SDE807*F4350, SDE907*F4350, SDEA07*J4350, SDEF07*J4350, SDEX07*F4350 and SFEX07*F4350
	61927	Heater Kit Assembly	5 kW; 240 Volt/60 Hertz; Includes items 4-9; Models GDE807*F5418, HDE007*F1702, HDE107*F1702, HDE507*F1702, HDE707*F1702, HDE807*F1702, HDE907*F1702, HDEB07*J1702, HDEF07*J1702, HDER07*F1702, HDET07*F1702, HDEX07*F1702, HDEY07*F1702, HDEZ07*F1702, HFE507*F1702, HFE707*F1702, HFEB07*J1702, HFEX07*F1702, HFEY07*F1702, JDE807*F5418, KFEG17NF1702, KFET17NF1702, KFEY17NF1702, NDE807*F5422, NDE907*F5422, SDE107*F5412, SDE107*F5417, SDE907*F5412, SDEMNRGS171CW01, SFEX07*F3300 and UDE807*F1702
	61929	Heater Kit Assembly	4.8 kW; 240 Volt/50 Hertz; Includes items 4-9; All other models

* Add Letter To Designate Color. G - Gray L - Almond Q - Bisque W - White N - Stainless Steel

Heater Duct Assembly

Gas Models



D405P_506055

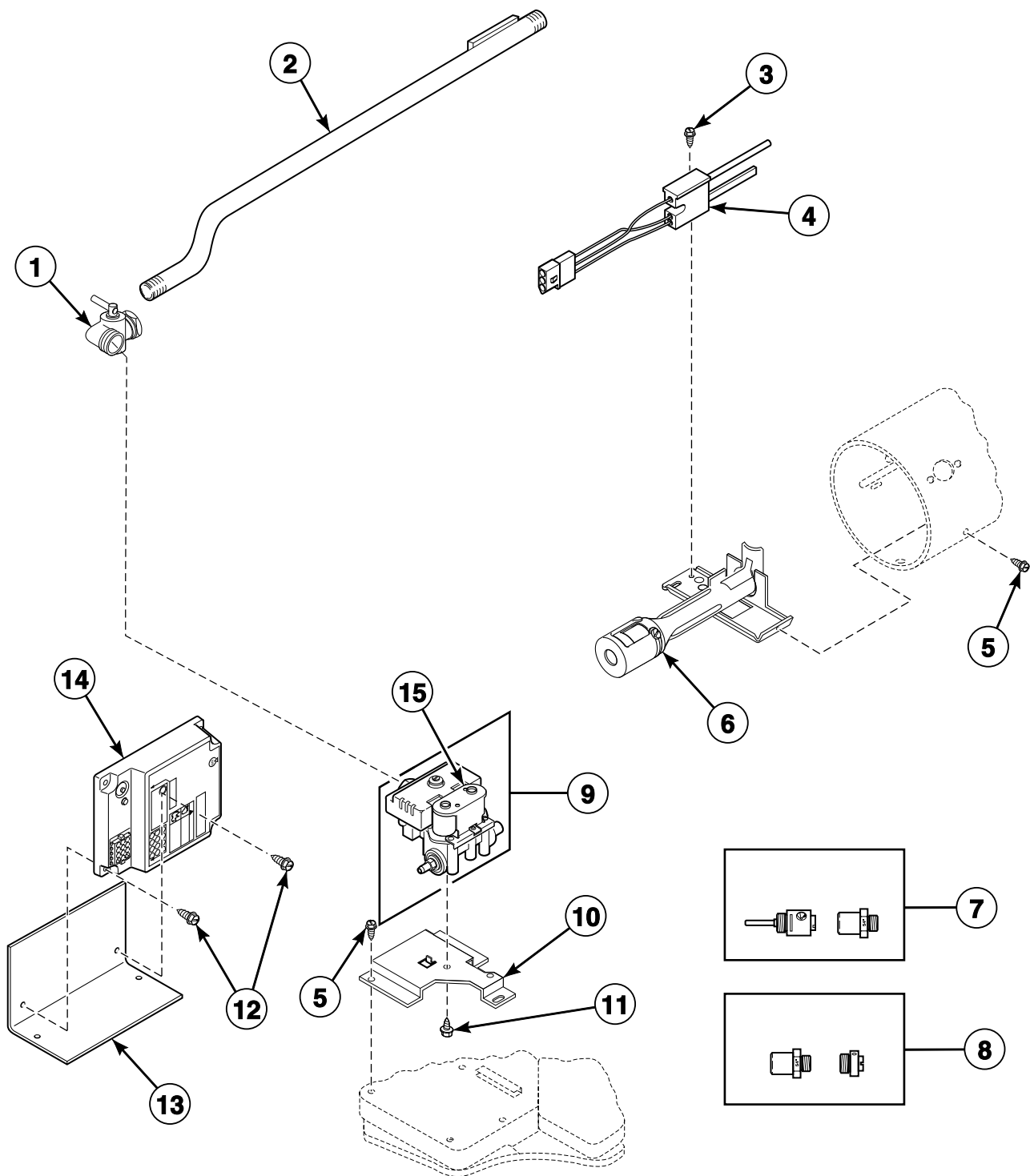
Heater Duct Assembly

REF	PART NO.	DESCRIPTION	COMMENTS
1	D503688	Screw	
2	D510101	Heat Duct Shroud	
3	D500820	Outlet Cover	
4	D510025P	Heater Duct Assembly	Includes items 1 and 3
5	D510132	Combustion Duct	Models BDG909*F1102, HDG909*F1102, HDGB09*J1102, HDGF09*J1102, HDGR09*F1102, HDGT09*F1102, HDGX09*F1102, HDGY09*F1102, HFGX09*F1102, HFGY09*F1102, KFGG19NF1102, KFGT19NF1102 and KFGY19NF1102 starting serial no. 0803010126; Models SDG009*F3058, SDG109*F3058 and SDG409*F3058
	D510131	Combustion Duct	Models BDG809*F1102, HDG909*F1102, HDGB09*J1102, HDGF09*J1102, HDGR09*F1102, HDGT09*F1102, HDGX09*F1102, HDGY09*F1102, HFGX09*F1102, HFGY09*F1102, KFGG19NF1102, KFGT19NF1102 and KFGY19NF1102 through serial no. 0803010125; Models BDG809*F1102, BFGX09*F3060, BFGX09*M3013, GFGG19NM3020, GFGX19NM3020, GFGY19NM3020, HDG009*F1102, HDG009*F3000, HDG009*G3008, HDG009*M3008, HDG109*F1102, HDG109*F3000, HDG109*G3013, HDG109*M3013, HDG509*F1102, HDG709*F1102, HDG809*F1102, HDGX09*F3000, HDGX09*M3013, HDGZ09*F1102, HFG509*F1102, HFG709*F1102, HFGX09*M3013, JDG809*F3060, JDG809*M3013, JDG809*M3020, JDG909*F3060, JDG909*M3013, JDG909*M3020, KFGG19NM3020, KFGX19NM3020, KFGY19NM3020, NDG809*F3022, NDG809*F5422, NDG909*F3022, NDG909*F5422, NFGL49*M3013, NFGX09*M3013, PDG809*F3060, PDG809*M3013, PDGBXRG301AG02, SDG009*F3000, SDG009*F3060, SDG109*F3000, SDG109*F3060, SDG109*F5412, SDG109*G3013, SDG109*M3013, SDG409*F3000, SDG809*F3060, SDG909*F3060, SDG909*F5412, SDG909*M3013, SDGF09*J3060, SDGMNRGS111CW01, SDGSXRG311CW02, SDGX09*F3000, SDGX09*F3060, SDGX09*M3013, SFGL09*M3013, SFGX09*M3013, UDG009*F3000, UDG009*F3025 and UDG809*F1102
6	51782	Screw	
7	D510702	Limit Thermostat	Black
8	D510703	Thermostat	Models SDG009*F3058, SDG109*F3058 and SDG409*F3058; Models BDG909*F1102, HDG909*F1102, HDGB09*J1102, HDGF09*J1102, HDGR09*F1102, HDGT09*F1102, HDGX09*F1102, HDGY09*F1102, HFGX09*F1102, HFGY09*F1102, KFGG19NF1102, KFGT19NF1102 and KFGY19NF1102 starting serial no. 0803010126

* Add Letter To Designate Color. G - Gray L - Almond Q - Bisque W - White N - Stainless Steel

Gas Valve, Igniter, Ignition Control and Gas Conversion Kits

Models HDG009*G3008, HDG109*G3013, SDG009*F3058, SDG109*F3058, SDG109*G3013 and SDG409*F3058



DRY2061P_506055

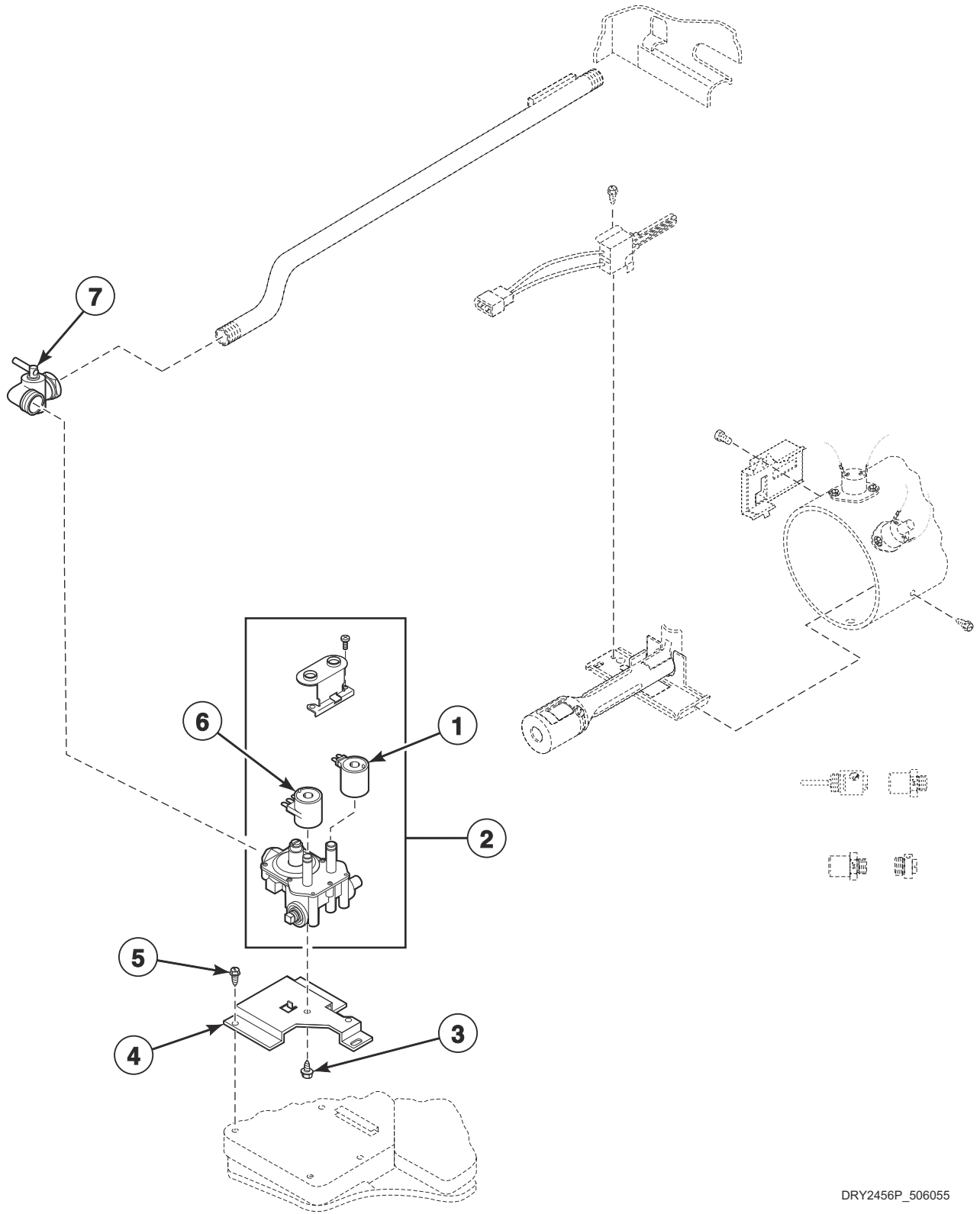
Gas Valve, Igniter, Ignition Control and Gas Conversion Kits

REF	PART NO.	DESCRIPTION	COMMENTS
1	D510205	Elbow Shut-Off Valve	
2	D510204	Lead-In Pipe Assembly	
3	51782	Screw	
4	D502995P	Igniter and Sensor Assembly	
5	D503688	Screw	
6	D510149P	Burner Assembly	
7	600P3	L.P. Conversion Kit	Natural Gas (N.G.) to Liquid Petroleum Gas (L.P.); 8.5 kW; Models HDG009*G3008, HDG109*G3013 and SDG109*G3013
	458P3	L.P. Conversion Kit	N.G. to L.P.; 25,000 Btu; Models SDG009*F3058, SDG109*F3058 and SDG409*F3058
8	459P3	N.G. Conversion Kit	L.P. to N.G.; 25,000 Btu; Models SDG009*F3058, SDG109*F3058 and SDG409*F3058
9	D502478P	Gas Valve Assembly	Includes item 15
10	D510128	Gas Valve Mounting Bracket	
11	56124	Screw	
12	D502535	Screw	
13	D502425	Ignition Control Bracket	
14	D502994P	Igniter Control	
15	D502423A	Main and Redundant Coil	240 Volt/50 Hertz

* Add Letter To Designate Color. G - Gray L - Almond Q - Bisque W - White

Gas Valve

All Gas Models Except Those with F3058, G3008 and G3013 Suffixes



DRY2456P_506055

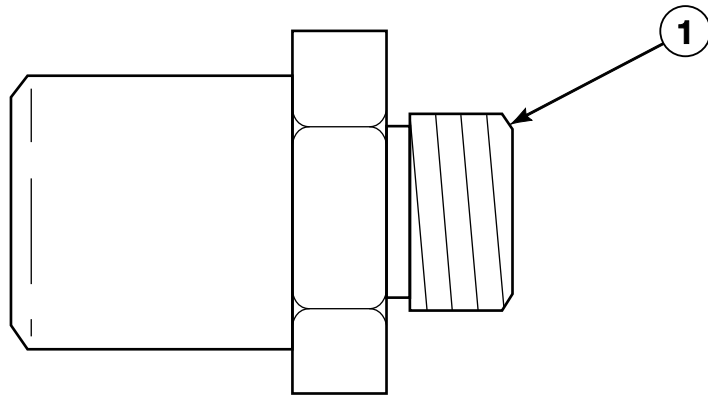
Gas Valve

REF	PART NO.	DESCRIPTION	COMMENTS
1	58804B	Secondary Coil	60 Hertz; Models BDG809*F1102, BDG909*F1102, HDG009*F1102, HDG109*F1102, HDG509*F1102, HDG709*F1102, HDG809*F1102, HDG909*F1102, HDGB09*J1102, HDGF09*J1102, HDGR09*F1102, HDGT09*F1102, HDGX09*F1102, HDGY09*F1102, HDGZ09*F1102, HFG509*F1102, HFG709*F1102, HFGX09*F1102, HFGY09*F1102, KFGG19NF1102, KFGT19NF1102, KFGY19NF1102, NDG809*F5422, NDG909*F5422, SDG109*F5412, SDG909*F5412, SDGMNRGS111CW01 and UDG809*F1102
	59063B	Secondary Coil	50 Hertz; All other models
2	60353P	Gas Valve Assembly	60 Hertz; 25,000 Btu; Models BDG809*F1102, BDG909*F1102, HDG009*F1102, HDG109*F1102, HDG509*F1102, HDG709*F1102, HDG809*F1102, HDG909*F1102, HDGB09*J1102, HDGF09*J1102, HDGR09*F1102, HDGT09*F1102, HDGX09*F1102, HDGY09*F1102, HDGZ09*F1102, HFG509*F1102, HFG709*F1102, HFGX09*F1102, HFGY09*F1102, KFGG19NF1102, KFGT19NF1102, KFGY19NF1102, SDGMNRGS111CW01 and UDG809*F1102
	D510506P	Gas Valve Assembly	60 Hertz; 22,500 Btu; Models NDG809*F5422, NDG909*F5422, SDG109*F5412 and SDG909*F5412
	60443P	Valve Assembly	50 Hertz; 25,000 Btu; All other models
3	56124	Screw	
4	D510128	Gas Valve Mounting Bracket	
5	D503688	Screw	
6	58804A	Booster and Holding Coil	60 Hertz; Models BDG809*F1102, BDG909*F1102, HDG009*F1102, HDG109*F1102, HDG509*F1102, HDG709*F1102, HDG809*F1102, HDG909*F1102, HDGB09*J1102, HDGF09*J1102, HDGR09*F1102, HDGT09*F1102, HDGX09*F1102, HDGY09*F1102, HDGZ09*F1102, HFG509*F1102, HFG709*F1102, HFGX09*F1102, HFGY09*F1102, KFGG19NF1102, KFGT19NF1102, KFGY19NF1102, NDG809*F5422, NDG909*F5422, SDG109*F5412, SDG909*F5412, SDGMNRGS111CW01 and UDG809*F1102
	59063A	Booster and Holding Coil	50 Hertz; All other models
7	D510205	Elbow Shut-Off Valve	

* Add Letter To Designate Color. G - Gray L - Almond Q - Bisque W - White N - Stainless Steel

Burner Orifice Spuds - For Higher Elevations (Drawing 1 of 2)

Liquid Petroleum Gas Models



DRY2266P_506055

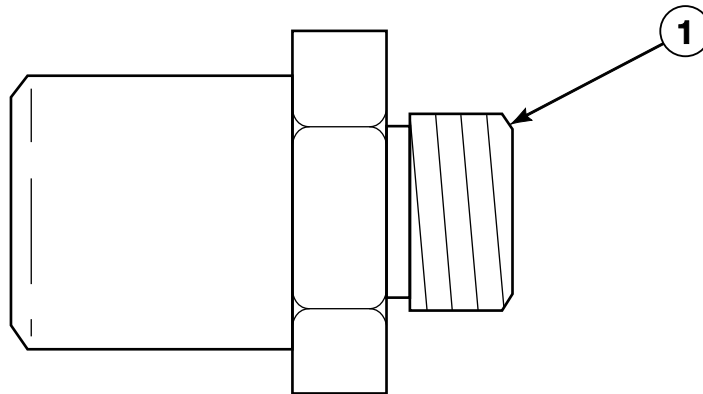
Burner Orifice Spuds - For Higher Elevations (Drawing 1 of 2)

REF	PART NO.	DESCRIPTION	COMMENTS
1	58755	L.P. Orifice	Models NDG809*F5422, NDG909*F5422, SDG109*F5412 and SDG909*F5412; 22,500 Btu; 3000-7999 feet (915-2439 m); All other models; 25,000 Btu; 7500-10,999 feet (2290-3354 m)
	D503786	L.P. Orifice	Models NDG809*F5422, NDG909*F5422, SDG109*F5412 and SDG909*F5412; 22,500 Btu; 8000 feet (2440 m) and higher; All other models; 25,000 Btu; 11,000 feet (3355 m) and higher

* Add Letter To Designate Color. G - Gray L - Almond Q - Bisque W - White

Burner Orifice Spuds - For Higher Elevations (Drawing 2 of 2)

Natural Gas Models



DRY2266P_506055

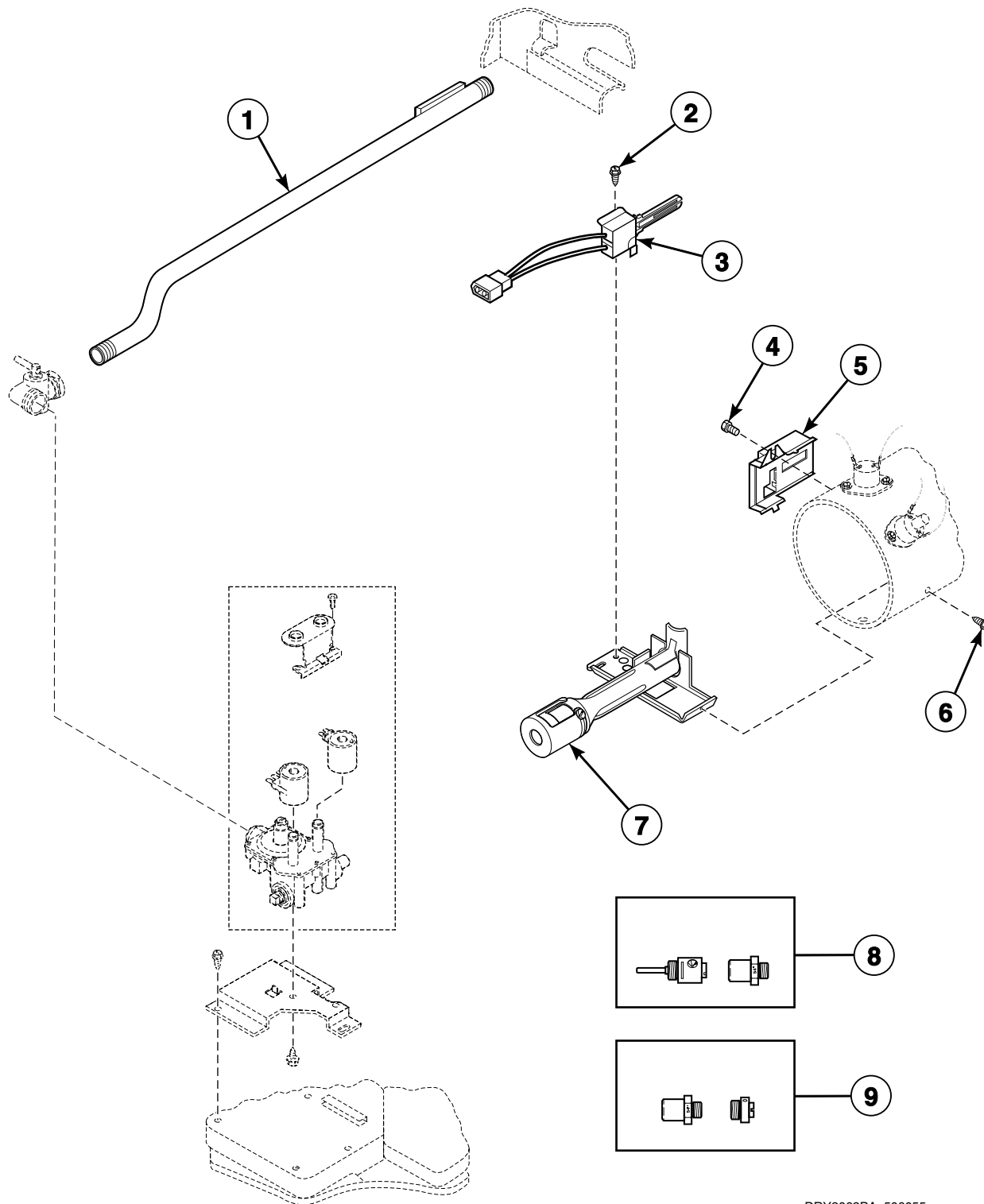
Burner Orifice Spuds - For Higher Elevations (Drawing 2 of 2)

REF	PART NO.	DESCRIPTION	COMMENTS
1	D503778	N.G. Orifice	Models NDG809*F5422, NDG909*F5422, SDG109*F5412 and SDG909*F5412; 22,500 Btu; 3,000-5999 feet (915-1829 m); All other models; 25,000 Btu; 5500-6999 feet (1680-2134 m)
	58719	Screw Orifice	Models NDG809*F5422, NDG909*F5422, SDG109*F5412 and SDG909*F5412; 22,500 Btu; 6000-7999 feet (1830-2439 m); All other models; 25,000 Btu; 7000-8999 feet (2135-2744 m)
	D503779	N.G. Orifice	Models NDG809*F5422, NDG909*F5422, SDG109*F5412 and SDG909*F5412; 22,500 Btu; 8000-8999 feet (2440-2739 m); All other models; 25,000 Btu; 9000-10,499 feet (2745-3199 m)
	D503780	N.G. Orifice	Models NDG809*F5422, NDG909*F5422, SDG109*F5412 and SDG909*F5412; 22,500 Btu; 9000-9999 feet (2740-3049 m); All other models; 25,000 Btu; 10,500 feet (3200 m) and higher
	D503781	N.G. Orifice	22,500 Btu; 10,000 feet (3050 m) and higher; Models NDG809*F5422, NDG909*F5422, SDG109*F5412 and SDG909*F5412
	D503776	N.G. Orifice	25,000 Btu; 2000-2999 feet (610-914 m); All models except NDG809*F5422, NDG909*F5422, SDG109*F5412 and SDG909*F5412
	D510517	N.G. Orifice	25,000 Btu; 3000-5499 feet (915-1679 m); All models except NDG809*F5422, NDG909*F5422, SDG109*F5412 and SDG909*F5412

* Add Letter To Designate Color. G - Gray L - Almond Q - Bisque W - White

Igniter and Gas Conversion Kits

All Gas Models Except Those with F3058, G3008 and G3013 Suffixes



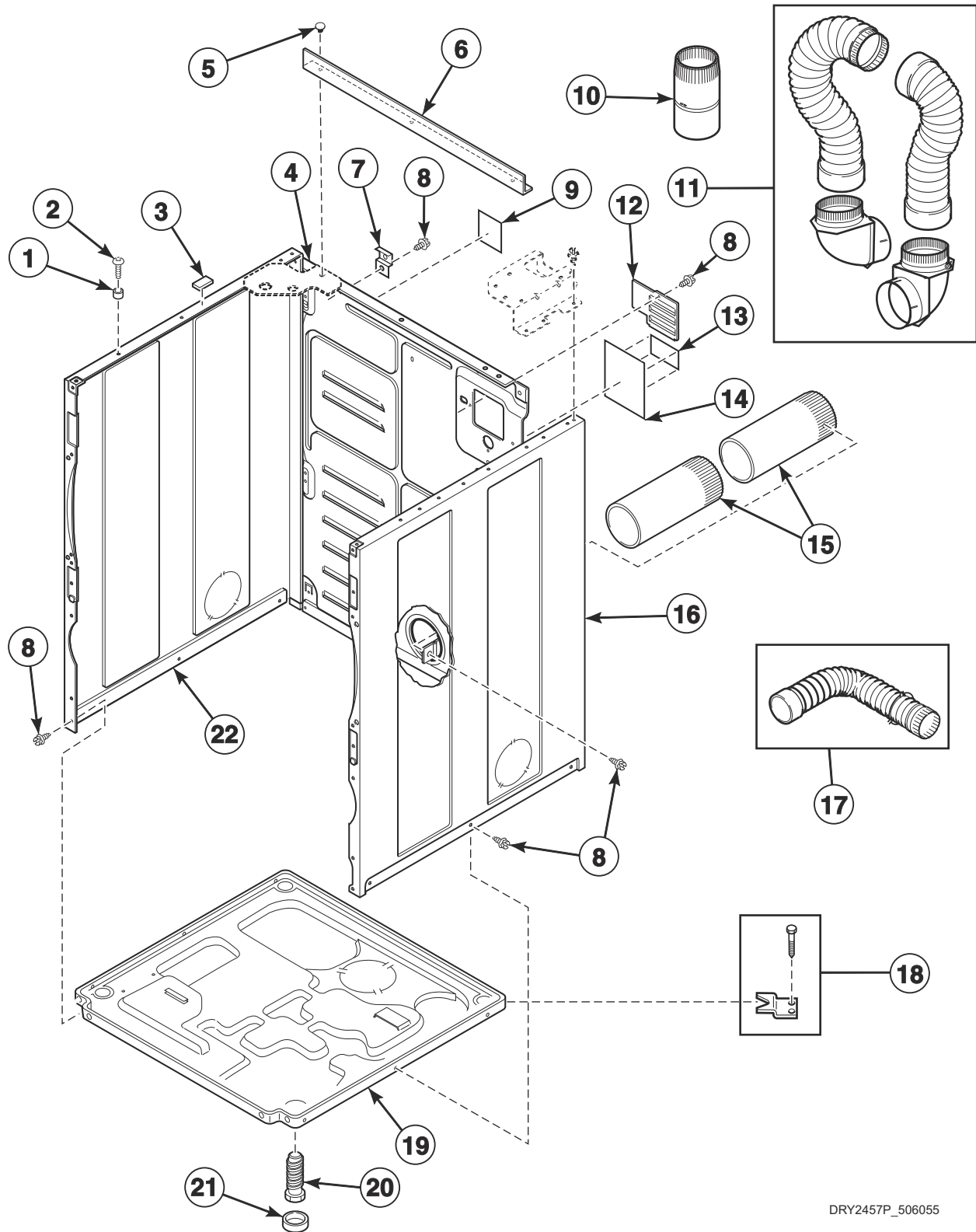
DRY2062PA_506055

Igniter and Gas Conversion Kits

REF	PART NO.	DESCRIPTION	COMMENTS
1	D510204	Lead-In Pipe Assembly	
2	51782	Screw	
3	D510184P	Igniter and Bracket Assembly	
4	23222	Screw	
5	D510213	Sensor	
6	D503688	Screw	
7	D510149P	Burner Assembly	
8	600P3	L.P. Conversion Kit	Used to convert dryers from Natural Gas (N.G.) or Mixed Gas to Liquid Petroleum Gas (L.P.) for 25,000 Btu; Models BFGL09*M3013, BFGX09*M3013, GFGG19NM3020, GFGX19NM3020, GFGY19NM3020, HDG009*M3008, HDG109*M3013, HDGX09*M3013, HFGX09*M3013, JDG809*M3013, JDG809*M3020, JDG909*M3013, JDG909*M3020, KFGG19NM3020, KFGX19NM3020, KFGY19NM3020, NFGL49*M3013, NFGX09*M3013, PDG809*M3013, SDG109*M3013, SDG909*M3013, SDGX09*M3013, SFGL09*M3013 and SFGX09*M3013
	458P3	L.P. Conversion Kit	Used to convert dryers from N.G. or Mixed Gas to L.P. for 25,000 Btu; All other models
9	459P3	N.G. Conversion Kit	Used to convert dryers from L.P. to N.G. or Mixed Gas for 25,000 Btu; All models except BFGL09*M3013, BFGX09*M3013, GFGG19NM3020, GFGX19NM3020, GFGY19NM3020, HDG009*M3008, HDG109*M3013, HDGX09*M3013, HFGX09*M3013, JDG809*M3013, JDG809*M3020, JDG909*M3013, JDG909*M3020, KFGG19NM3020, KFGX19NM3020, KFGY19NM3020, NFGL49*M3013, NFGX09*M3013, PDG809*M3013, SDG109*M3013, SDG909*M3013, SDGX09*M3013, SFGL09*M3013 and SFGX09*M3013

* Add Letter To Designate Color. G - Gray L - Almond Q - Bisque W - White N - Stainless Steel

Cabinet, Exhaust Duct and Base



DRY2457P_506055

Cabinet, Exhaust Duct and Base

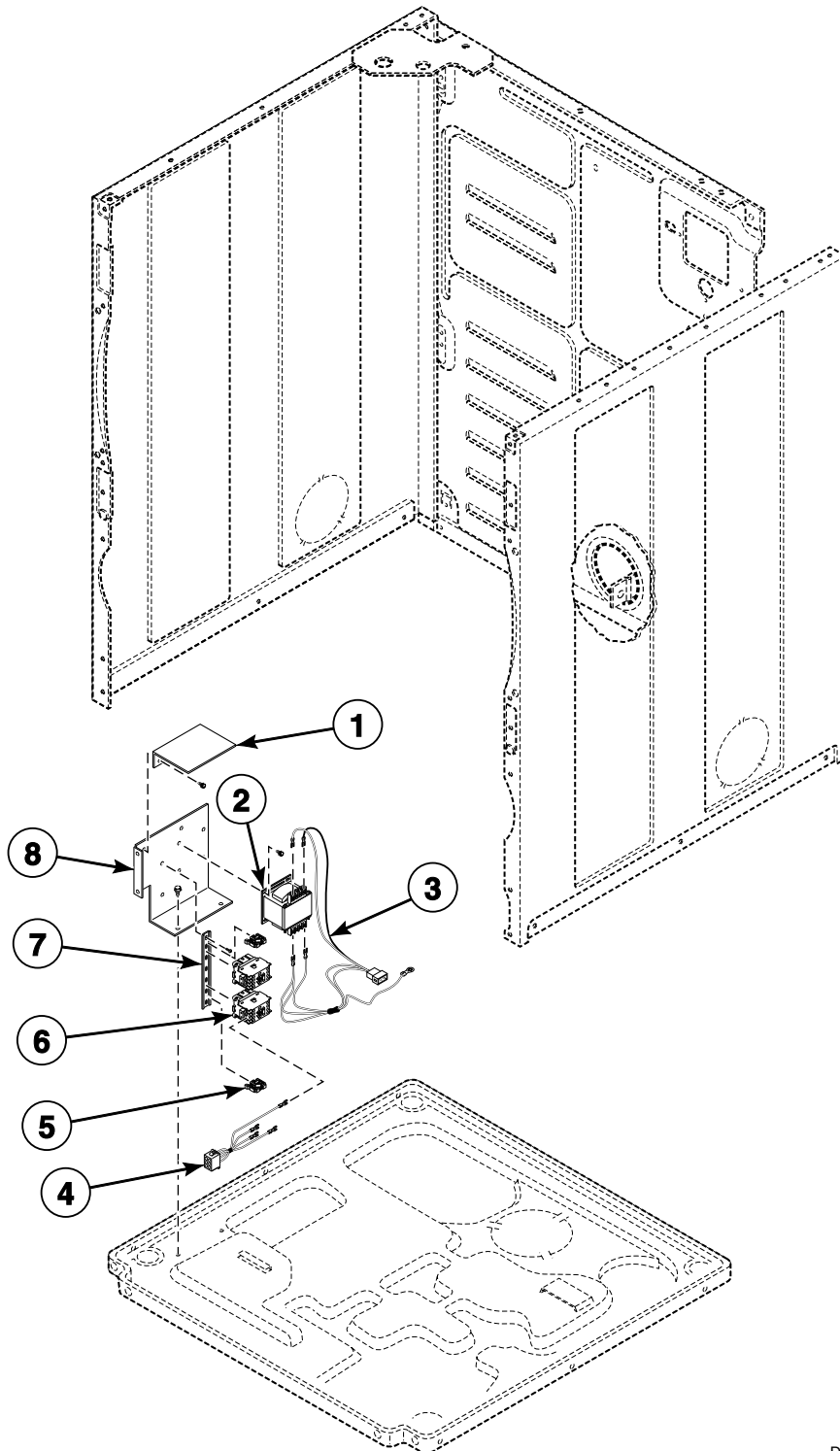
REF	PART NO.	DESCRIPTION	COMMENTS
	122P4P	Porcelain Touch-Up Paint	White
	370P4P	Porcelain Touch-Up Paint	Bisque
	215P4P	Porcelain Touch-Up Paint	Almond
1	56079	Panel Locator	
2	D512921	Screw	Use with stainless steel panels
	39733	Screw	Use with painted panels
3	56128	Bumper Pad	
4	D514632P	Cabinet Rear Panel	
5	D514375	Rivet	Model PDG809*F3060
6	D514335	Rear Shield	Model PDG809*F3060
7	D510136	Top Hinge	Rear control models
8	D503688	Screw	
9	D502791	Venting Instruction Label	
10	58786	Damper	Use when connecting to a manifold vent system
11	521P3	Flexible Venting Kit	
12	D514356	Access Cover Plate	Model PDG809*F3060
	D510903	Access Panel Plate	All other models
13	N/A	Label	
14	D505984	Electric Clearance Label	Model SDEMNRGS171CW01
	D511005	Electric Clearance Label	Electric models; All other models
15	D516196	Exhaust Duct	Each dryer requires 2 pieces
16	D510002GP	Cabinet Side Panel	Gray; Right
	D510002WP	Cabinet Side Panel	White; Right; All other models
	D510002LP	Cabinet Side Panel	Almond; Right; All other models
	D510002QP	Cabinet Side Panel	Bisque; Right; All other models
	D512539	Cabinet Side Panel	Stainless steel; Right; All other models
17	528P3	Directional Exhaust Kit	Used to vent dryer out the sides or bottom
18	526P3	Hold Down Kit	For mobile home installations
19	D514245	Dryer Base	
20	D510135	Leveling Leg	
21	D501855	Rubber Foot	
22	D510001GP	Cabinet Side Panel	Gray; Left
	D512538	Cabinet Side Panel	Stainless steel; Left; Models GFEG17NG3018, GFEG17NG4018, GFEX17NG3018, GFEX17NG4018, GFEY17NG3018, GFEY17NG4018, GFGG19NM3020, GFGX19NM3020, GFGY19NM3020, KFEG17NF1702, KFEG17NG3018, KFEG17NG4018, KFET17NF1702, KFEX17NG3018, KFEX17NG4018, KFEY17NF1702, KFEY17NG3018, KFEY17NG4018, KFGG19NF1102, KFGG19NM3020, KFGT19NF1102, KFGX19NM3020, KFGY19NF1102 and KFGY19NM3020
	D510001WP	Cabinet Side Panel	White; Left; All other models
	D510001LP	Cabinet Side Panel	Almond; Left; All other models
	D510001QP	Cabinet Side Panel	Bisque; Left; All other models
	D512951	Cabinet Side Panel	Stainless steel; Left; All other models

* Add Letter To Designate Color. **G - Gray L - Almond Q - Bisque W - White N - Stainless Steel**

N/A = Part no longer available

Contactor and Transformer

Models BFGL09*M3013, BFGX09*F3060, BFGX09*M3013, GFGG19NM3020, GFGX19NM3020, GFGY19NM3020, HDG009*M3008, HDGX09*F3000, HDGX09*M3013, HFGX09*M3013, JDG809*F3060, JDG809*M3013, JDG809*M3020, JDG909*F3060, JDG909*M3013, JDG909*M3020, KFGG19NM3020, KFGX19NM3020, KFGY19NM3020, NDG809*F3022, NDG809*F5422, NDG909*F3022, NDG909*F5422, NFGL49*M3013, NFGX09*M3013, PDG809*F3060, PDG809*M3013, PDGBXRG301AG02, SDG009*F3060, SDG109*F3060, SDG109*M3013, SDG809*F3060, SDG909*F3060, SDG909*F5412, SDG909*M3013, SDGF09*J3060, SDGMNRGS111CW01, SDGX09*F3000, SDGX09*F3060, SDGX09*M3013, SFGL09*M3013 and SFGX09*M3013



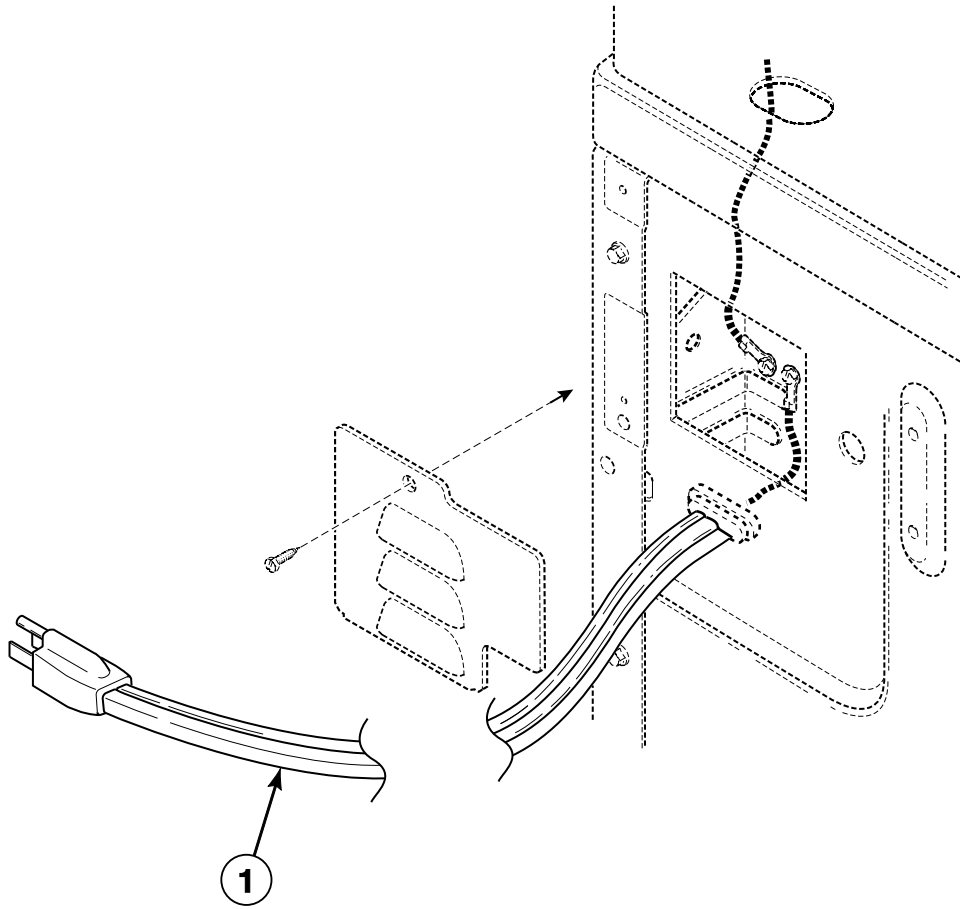
DRY2098P_506055

Contactor and Transformer

REF	PART NO.	DESCRIPTION	COMMENTS
1	801101	Card Reader Shield	Models BFGL09*M3013, BFGX09*M3013, GFGG19NM3020, GFGX19NM3020, GFGY19NM3020, HDGX09*M3013, HFGX09*M3013, KFGG19NM3020, KFGX19NM3020, KFGY19NM3020, NFGX09*M3013, SDGX09*M3013, SFGL09*M3013 and SFGX09*M3013
2	D511658P	Transformer Kit	Includes item 3; All models except HDG009*M3008, SDG009*F3060, SDG109*F3060 and SDG109*M3013
3	D511303	Wire Harness Assembly	To transformer; Includes D502592 Fuse (3.15 Amp, 250 Volt); All models except HDG009*M3008, SDG009*F3060, SDG109*F3060 and SDG109*M3013
4	D511327	Harness Assembly	Models BFGL09*M3013, BFGX09*M3013, GFGG19NM3020, GFGX19NM3020, GFGY19NM3020, KFGG19NM3020, KFGX19NM3020, KFGY19NM3020, NFGX09*M3013, SDGX09*M3013, SFGL09*M3013 and SFGX09*M3013
5	70121001	End Stop	Models BFGL09*M3013, BFGX09*M3013, GFGG19NM3020, GFGX19NM3020, GFGY19NM3020, HDGX09*M3013, HFGX09*M3013, KFGG19NM3020, KFGX19NM3020, KFGY19NM3020, NFGX09*M3013, SDGX09*M3013, SFGL09*M3013 and SFGX09*M3013
6	70323701P	Contactor	Models BFGL09*M3013, BFGX09*M3013, GFGG19NM3020, GFGX19NM3020, GFGY19NM3020, HDGX09*M3013, HFGX09*M3013, KFGG19NM3020, KFGX19NM3020, KFGY19NM3020, NFGX09*M3013, SDGX09*M3013, SFGL09*M3013 and SFGX09*M3013
7	M412693	Din Rail	Models BFGL09*M3013, BFGX09*M3013, GFGG19NM3020, GFGX19NM3020, GFGY19NM3020, HDGX09*M3013, HFGX09*M3013, KFGG19NM3020, KFGX19NM3020, KFGY19NM3020, NFGX09*M3013, SDGX09*M3013, SFGL09*M3013 and SFGX09*M3013
8	D511859	Contactor Bracket	All models except HDG009*M3008, SDG009*F3060, SDG109*F3060 and SDG109*M3013

* Add Letter To Designate Color. G - Gray L - Almond Q - Bisque W - White N - Stainless Steel

Power Cord



DRY1856PA_506055

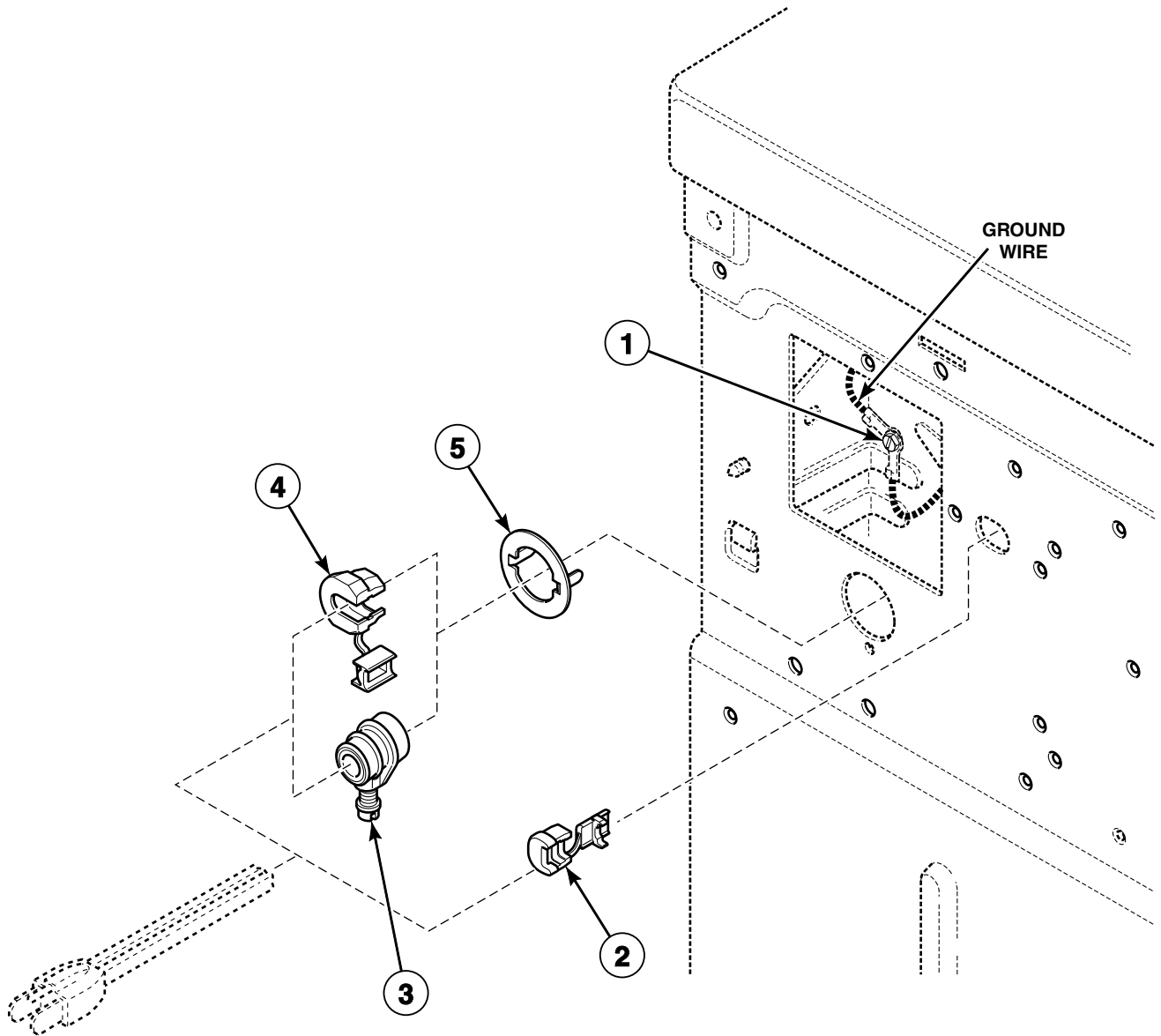
Power Cord

REF	PART NO.	DESCRIPTION	COMMENTS
1	D510505P	Lead-In Cord Assembly	Models HDE007*F1702, HDE107*F1502, HDE107*F1702, HDE507*F1502, HDE507*F1702, HDE707*F1502, HDE707*F1702, HDE807*F1702, HDE907*F1502, HDE907*F1702, HDEB07*J1502, HDEB07*J1702, HDEF07*J1502, HDEF07*J1702, HDER07*F1502, HDER07*F1702, HDET07*F1502, HDET07*F1702, HDEX07*F1502, HDEX07*F1702, HDEY07*F1502, HDEY07*F1702, HDEY07*F99N2, HDEZ07*F1502, HDEZ07*F1702, HFE507*F1702, HFE707*F1702, HFEB07*J1702, HFEX07*F1702, HFEY07*F1502, HFEY07*F1702, KFEG17NF1702, KFET17NF1702, KFEY17NF1702, SDEMNRGS171CW01 and UDE807*F1702
	61605P	Lead-In Cord Kit	Includes item 2; Models BFEX07*F4350, JDE807*F4350, JDE907*F4350, PDEBXRGS431AG02, SDE007*F4350, SDE107*F4350, SDE407*F4350, SDE807*F4350, SDE907*F4350, SDEA07*J4350, SDEF07*J4350, SDEX07*F4350 and SFEX07*F4350
	D512019	Lead-In Cord	Models BFGX09*F3060, JDG809*F3060, JDG909*F3060, PDG809*F3060, PDGBXRGS301AG02, SDG009*F3060, SDG109*F3060, SDG809*F3060, SDG909*F3060, SDGF09*J3060, SDGMNRGS111CW01 and SDGX09*F3060
	N/A	Lead-In Cord	Models SDG009*F3058, SDG109*F3058 and SDG409*F3058
	D516747	Lead-In Cord Assembly	Models FDE807*G3018, GDE807*F5418, GDE807*G3018, GDE907*F5418, GDE907*G3018, GDESCRGS301UW01, GDESCRGS331ZW01, GFEG17NG3018, GFEX17NG3018, GFEY17NG3018, HDE007*G3003, HDE007*G3008, HDE007*G3010, HDE107*G3003, HDE107*G3018, HDE907*G3018, HDEX07*G3018, JDE807*F5418, JDE807*G3018, JDE907*G3018, KFEG17NG3018, KFEX17NG3018, KFEY17NG3018, NDE007*G3018, NDE807*G3018, NDG809*F3022, NDG809*F5422, NDG909*F3022, NDG909*F5422, NFEX07*G3018, PDE807*G3018, SDE007*G3018, SDE107*G3018, SDE907*G3018, SDEX07*G3018, SFEA07*G3018 and SFEX07*G3018
	56222	Lead-In Cord	Models BDG809*F1102, BDG909*F1102, HDG009*F1102, HDG109*F1102, HDG509*F1102, HDG709*F1102, HDG809*F1102, HDG909*F1102, HDGB09*J1102, HDGF09*J1102, HDGR09*F1102, HDGT09*F1102, HDGX09*F1102, HDGY09*F1102, HDGZ09*F1102, HFG509*F1102, HFG709*F1102, HFGX09*F1102, HFGY09*F1102, KFGG19NF1102, KFGT19NF1102, KFGY19NF1102 and UDG809*F1102
	N/A	Power Cord Assembly	Models HDG009*G3008, HDG009*M3008, HDG109*G3013, HDG109*M3013, HDGX09*M3013, HFGX09*M3013, SDG109*G3013, SDG109*M3013, SDGX09*M3013 and UDG009*F3025
	D506081	Power Cord Assembly	Models BFGX09*F3060, BFGX09*M3013, JDG809*M3013, JDG909*M3013, NFGL49*M3013, NFGX09*M3013, PDG809*M3013, SDG909*M3013, SFGL09*M3013 and SFGX09*M3013
	D505938	Lead-In Cord Assembly	Model UDE007*F3025
	59373	Lead-In Cord	Models GFGG19NM3020, GFGX19NM3020, GFGY19NM3020, JDG809*M3020, JDG909*M3020, KFGG19NM3020, KFGX19NM3020, KFGY19NM3020, SDG109*F5412 and SDG909*F5412

* Add Letter To Designate Color. G - Gray L - Almond Q - Bisque W - White N - Stainless Steel

N/A = Part no longer available

Strain Relief



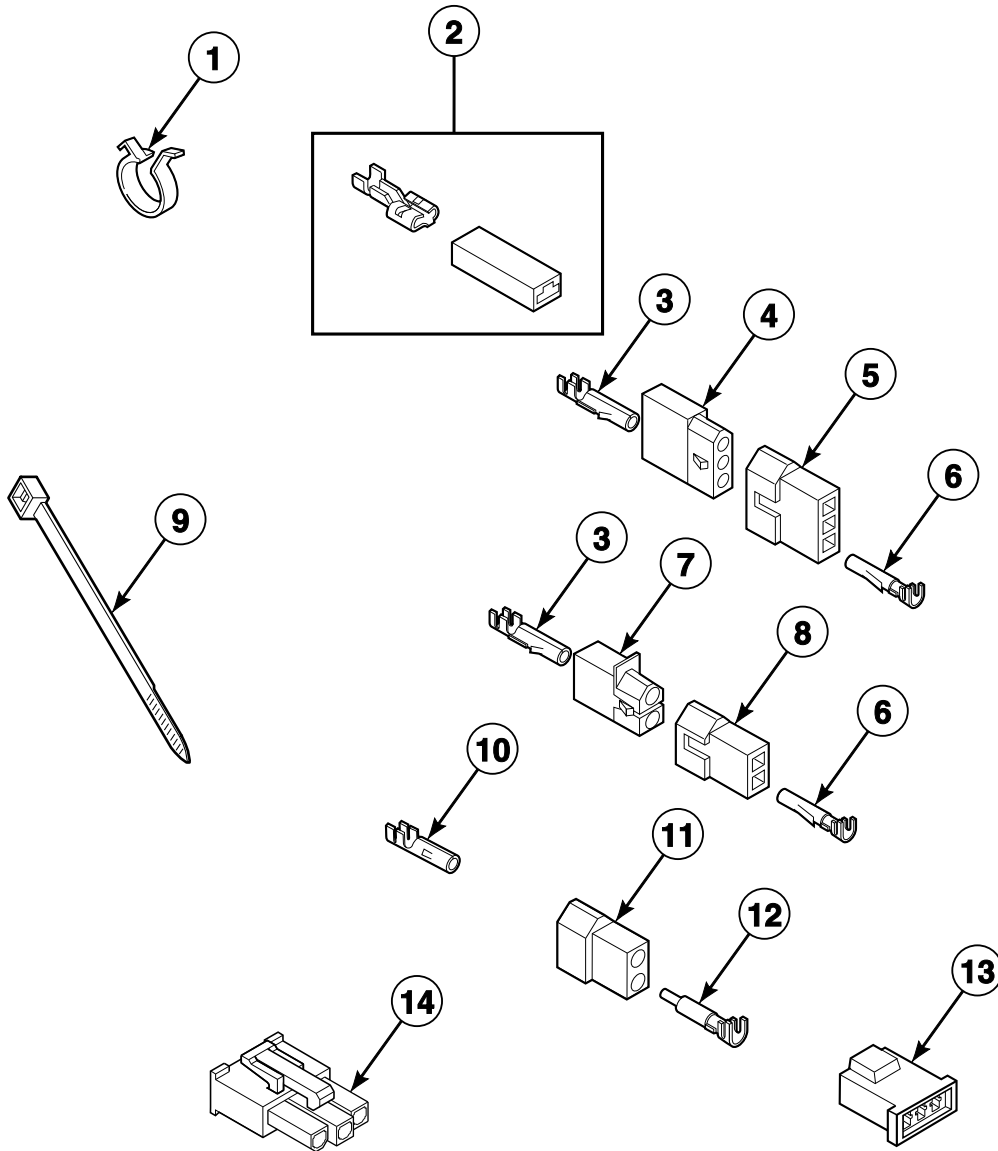
SWD1230P_506055

Strain Relief

REF	PART NO.	DESCRIPTION	COMMENTS
1	D513071	Screw	Models GFEX17NG3018, GFEX17NG4018, GFGX19NM3020, KFET17NF1702, KFEX17NG3018, KFEX17NG4018, KFGT19NF1102 and KFGX19NM3020; Models BFEL07*G4018, BFEX07*G4018, BFGL09*M3013, BFGX09*M3013, SFEL07*G4018, SFEX07*G4018, SFGL09*M3013 and SFGX09*M3013 stainless steel only
	20530	Screw	All other models
2	38384	Strain Relief	Models BDG809*F1102, BDG909*F1102, HDG009*F1102, HDG109*F1102, HDG509*F1102, HDG709*F1102, HDG809*F1102, HDG909*F1102, HDGB09*J1102, HDGF09*J1102, HDGR09*F1102, HDGT09*F1102, HDGX09*F1102, HDGY09*F1102, HDGZ09*F1102, HFGX09*F1102, HFGY09*F1102, KFGG19NF1102, KFGT19NF1102, KFGY19NF1102 and UDG809*F1102
3	D502500	Strain Relief	Models BFGL09*M3013, BFGX09*M3013, GFGG19NM3020, GFGX19NM3020, GFGY19NM3020, HDG009*G3008, HDG009*M3008, HDG109*G3013, HDG109*M3013, HFGX09*M3013, JDG809*M3013, JDG809*M3020, JDG909*M3013, JDG909*M3020, KFGG19NM3020, KFGX19NM3020, KFGY19NM3020, NFGL49*M3013, NFGX09*M3013, PDG809*M3013, SDG109*G3013, SDG109*M3013, SDG909*M3013, SDGX09*M3013, SFGL09*M3013, SFGX09*M3013 and UDG009*F3025
4	52113	Strain Relief	Models BFEX07*F4350, FDE807*G3018, GDE807*F5418, GDE807*G3018, GDE907*F5418, GDE907*G3018, GDESCRGS301UW01, GDESCRGS331ZW01, GFEG17NG3018, GFEX17NG3018, GFEY17NG3018, HDE007*G3003, HDE007*G3008, HDE007*G3010, HDE107*G3003, HDE107*G3018, HDE907*G3018, JDE807*F4350, JDE807*F5418, JDE807*G3018, JDE907*F4350, JDE907*G3018, KFEG17NG3018, KFEX17NG3018, KFEY17NG3018, NDE007*G3018, NDE807*G3018, NDG809*F3022, NDG809*F5422, NDG909*F3022, NDG909*F5422, NFEX07*G3018, PDE807*G3018, PDEBXRGS431AG02, SDE007*F4350, SDE007*G3018, SDE107*F4350, SDE107*G3018, SDE407*F4350, SDE807*F4350, SDE907*F4350, SDE907*G3018, SDEA07*J4350, SDEF07*J4350, SDEX07*F4350, SDG109*F5412, SDG909*F5412, SFEA07*G3018, SFEX07*F4350 and SFEX07*G3018
	60298	Strain Relief	Models BFGX09*F3060, JDG809*F3060, JDG909*F3060, PDG809*F3060, PDGBXRGS301AG02, SDG009*F3058, SDG009*F3060, SDG109*F3058, SDG109*F3060, SDG409*F3058, SDG809*F3060, SDG909*F3060, SDGF09*J3060, SDGMNRGS111CW01 and SDGX09*F3060
5	D502496	Strain Relief Adapter	Use with 59373 Lead-In Cord, 502786 Power Cord Assembly, D503597 Lead-In Cord Assembly, D506081 Power Cord Assembly and D512019 Lead-In Cord

* Add Letter To Designate Color. G - Gray L - Almond Q - Bisque W - White N - Stainless Steel

Terminal Block and Terminals

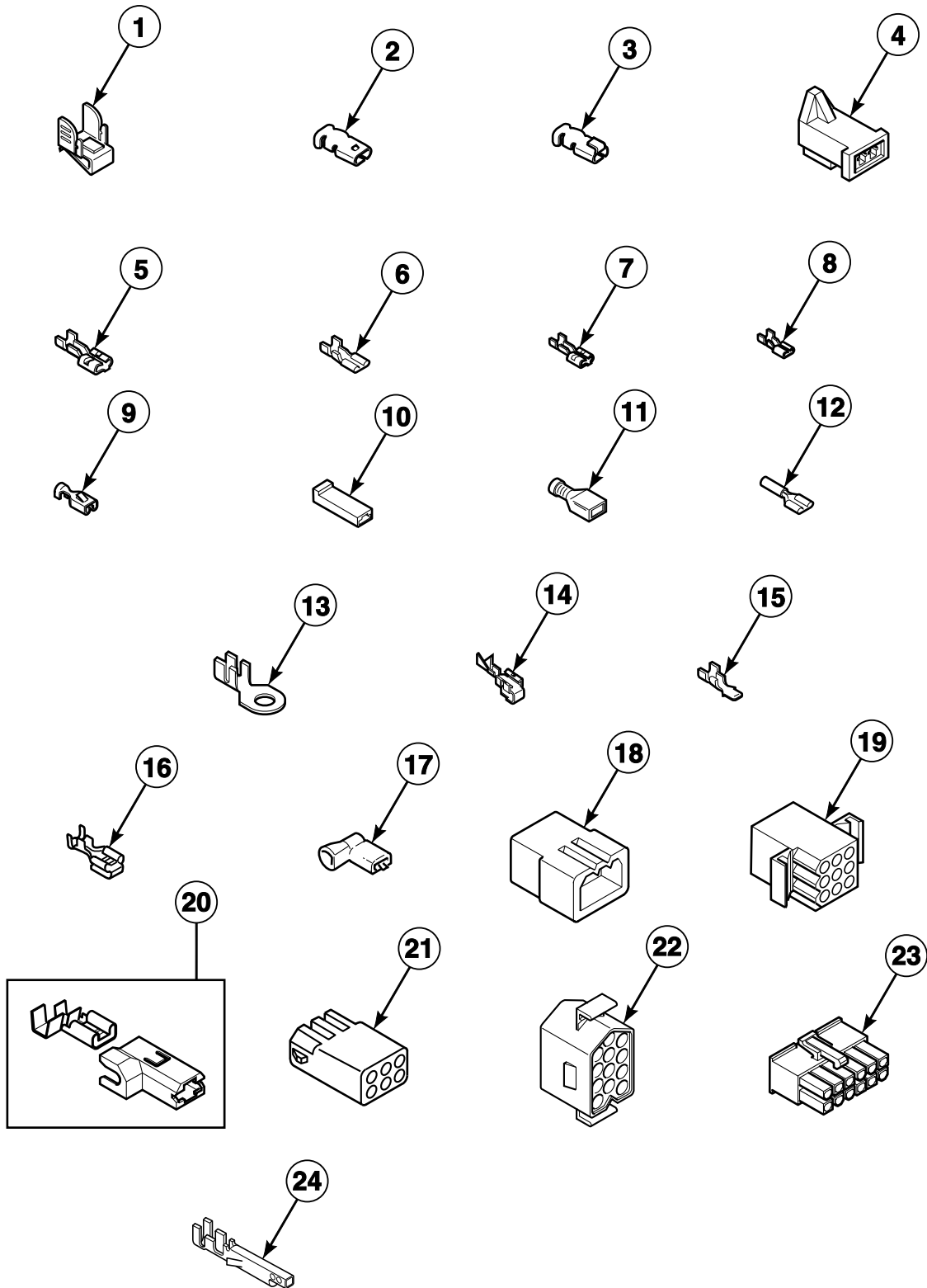


DRY2064P_506055

Terminal Block and Terminals

REF	PART NO.	DESCRIPTION	COMMENTS
1	D504034	Wire Clip	11/16 inch
	687500	Wire Clip	1 inch
2	00360	Insulated Female Spade Terminal	(1) 12 gauge wire or (2) 18 gauge wires
3	00117	Female Pin Terminal	
4	23039	3 Circuit Receptacle	
	56265	2 Circuit Receptacle	
5	23040	Plug	3 circuit
6	00116	Male Pin Terminal	
7	56451	2 Circuit Receptacle	
8	56448	2 Circuit Plug	
9	55881	Harness Strap	
10	00130	Female Pin Terminal	1/8 inch; 16-18 gauge wire
	00128	Female Pin Terminal	1/8 inch; 10-14 gauge wire
11	56266	2 Circuit Plug	
12	00127	Male Pin Terminal	.18 insulation diameter
	00129	Male Pin Terminal	.12 insulation diameter
13	58800	3 Circuit Connector	
14	36170	3 Circuit Receptacle	

Terminals



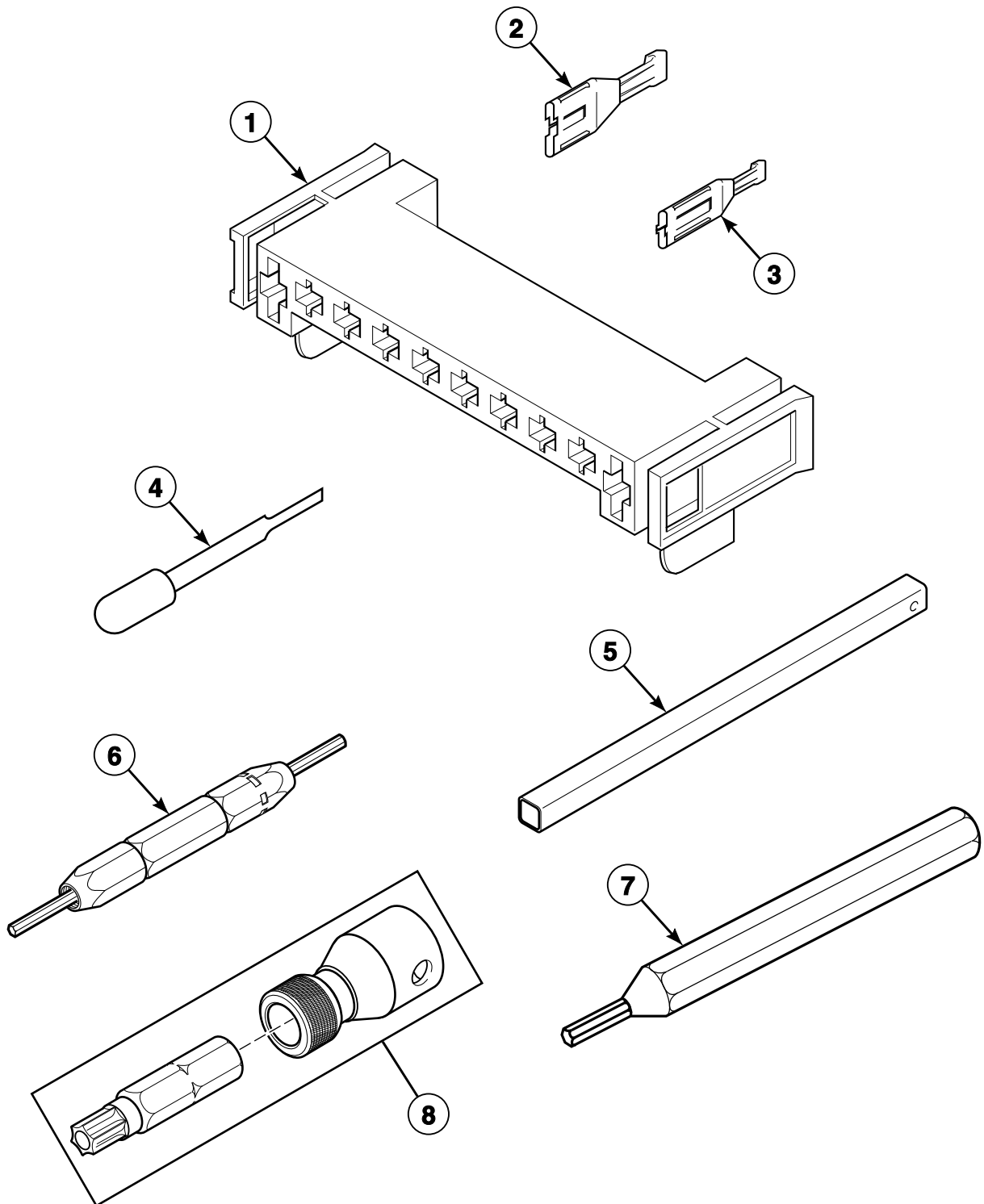
DRY2065P_506055

Terminals

REF	PART NO.	DESCRIPTION	COMMENTS
1	00161	Grounding Clip	
2	00189	Female Spade Terminal	
3	00361	Female Piggyback Terminal	
4	58799	2 Circuit Connector	
5	00223	Female Spade Terminal	1/4 inch; (1) 18 gauge wire
	00121	Female Spade Terminal	1/4 inch; (2) 18 gauge wires or (1) 12 gauge wire
	00245	Spade Terminal	1/4 inch; (1) 22 gauge wire
6	00124	Female Spade Terminal	3/16 inch; (1) 18 gauge wire; .020 tab
	00156	Female Spade Terminal	3/16 inch; Thermostat wire; .032 tab
	N/A	Female Spade Terminal	3/16 inch; (2) 18 gauge wires; .020 tab
7	00222	Female Spade Terminal	1/4 inch
8	00347	Terminal	
9	00115	Female Spade Terminal	1/4 inch; (1) 18 gauge wire
	N/A	Female Spade Terminal	1/4 inch; (2) 18 gauge wires or (1) 12 gauge wire
10	90789	Receptacle Housing	
11	00359	Insulated Female Spade Terminal	1/4 inch
	00165	Insulated Female Terminal	3/16 inch
12	N/A	Pre-Insulated Spade Terminal	1/4 inch; 18 gauge wire
	N/A	Pre-Insulated Spade Terminal	1/4 inch; 12 gauge wire
13	00110	Ring Terminal	(1) 18 gauge wire
	00111	Ring Terminal	(2) 18 gauge wires or (1) 12 gauge wire
	00319	Ring Terminal	(2) 18 gauge wires or (1) 14 gauge wire
14	00114	Female Spade Terminal	1/4 inch; Double connector
15	00139	Male Tab Terminal	1/4 inch; (2) 18 gauge wires or (1) 12 gauge wire
16	00344	Female Tab Terminal	
17	N/A	Flag Insulated Terminal	
18	44370401	1 Circuit Plug	
	23033	9 Circuit Plug	
	23041	6 Circuit Plug	
19	26163	9 Circuit Receptacle	
	56855	12 Circuit Receptacle	
20	00221	Insulated Female Flag Terminal	1/4 inch
21	26708	6 Circuit Receptacle	
	26301	1 Circuit Receptacle	
22	54522	Plug	
23	D501333	12 Circuit Receptacle	
	34596	10 Circuit Receptacle	
24	00252	Terminal	

N/A = Part no longer available

Motor Connection Block and Tools



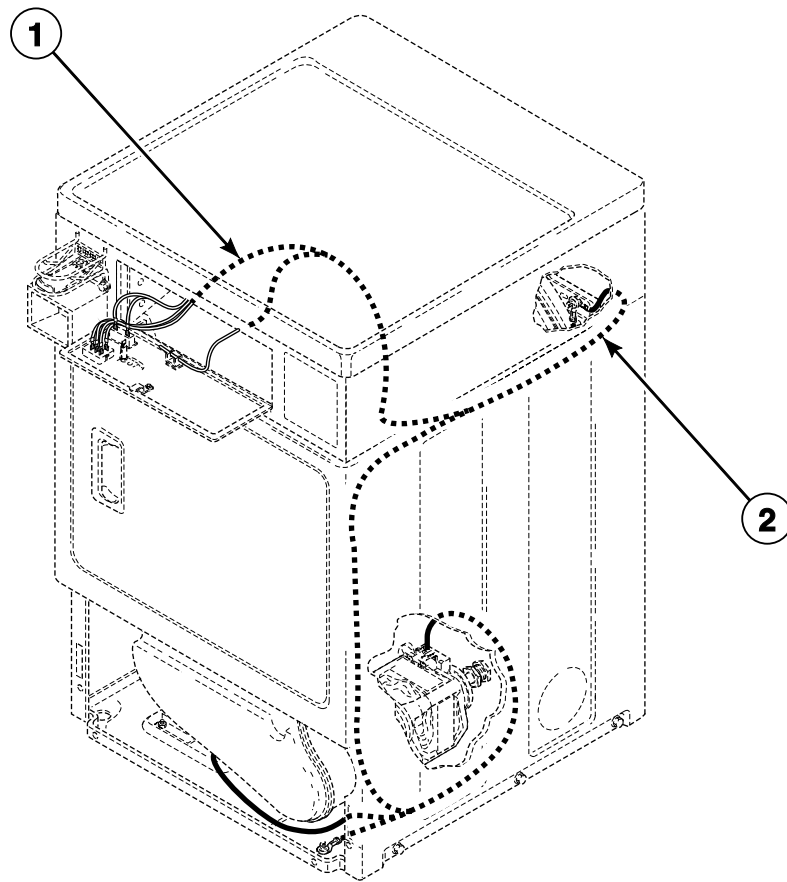
DRY2066P_506055

Motor Connection Block and Tools

REF	PART NO.	DESCRIPTION	COMMENTS
1	D500338	10 Position Housing	
2	00255	Female Terminal	1/4 inch; For (1) 12 gauge wire
	00256	Female Terminal	1/4 inch; For (1) or (2) 18 gauge wires
3	00188	Female Terminal	For 1 or 2 wire application
4	283P4	Terminal Extractor Tool	For use on Molex connectors
5	310P4	Ratchet Extension Tool	1/4 inch; For coin drop installation
6	190P4	Extractor Tool	For use on electric dryer terminals
7	128P4	Extractor Tool	For use on gas dryer terminals
8	281P4	Torx Bit	T15 Tamper Resistant Bit
	282P4	Torx Bit	Use with 62853 Screw on access panel; T25 Tamper Resistant Bit
	292P4	Torx Bit	T20 Standard Bit
	93501	Torx Drive Tool	T10 Standard Bit

Wire Harnesses and Wires - Front Control Models Through Serial No. 1401 (Drawing 1 of 2)

Models BFGL09*M3013, NFGL49*M3013 and SFGL09*M3013



DRY1915P_506055

Wire Harnesses and Wires - Front Control Models Through Serial No. 1401 (Drawing 1 of 2)

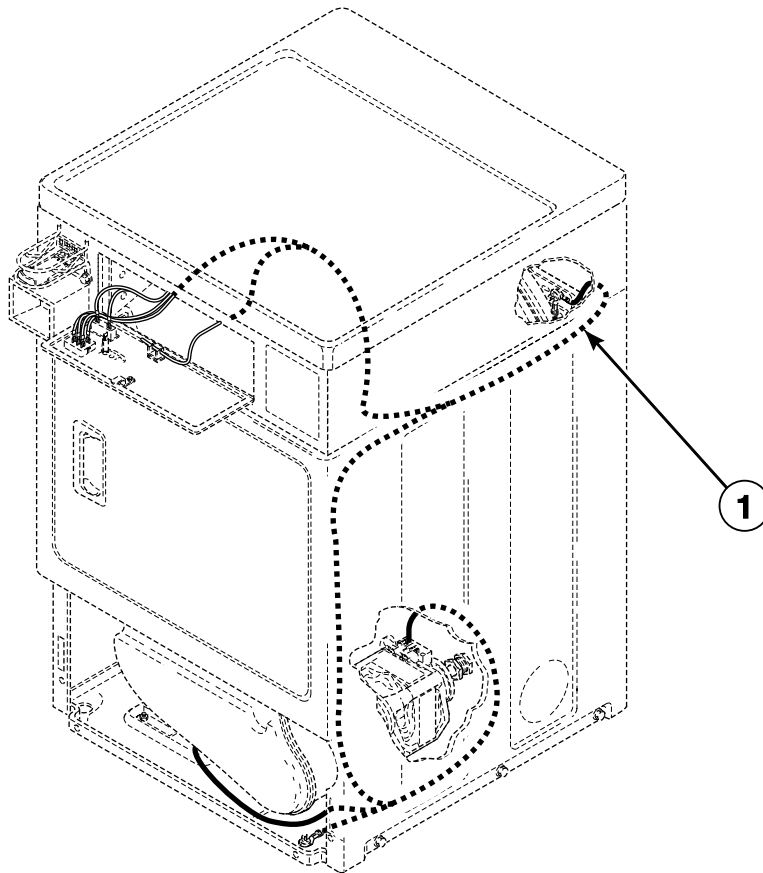
REF	PART NO.	DESCRIPTION	COMMENTS
	45380	12 Gauge Wire	Orange; Order wire by foot; Order terminals and connectors as required
	45001	18 Gauge Wire	Black; Order wire by foot; Order terminals and connectors as required
1	D511823P	Security Cabinet Harness	Models BFGL09*M3013, NFGL49*M3013 and SFGL09*M3013
2	D512955P	Front Control Harness	Models BFGL09*M3013 and SFGL09*M3013
	D511825	Wire Harness Assembly	Model NFGL49*M3013

* Add Letter To Designate Color. L - Almond Q - Bisque W - White N - Stainless Steel

NOTE: Individual wires are not available separately. Order complete harness, or order wire by the foot. When applying terminals to wires, it is recommended that the terminals be soldered to the wires.

Wire Harnesses and Wires - Front Control Models Through Serial No. 1401 (Drawing 2 of 2)

Models BFGX09*M3013, GFEG17NG3018, GFEG17NG4018, GFEX17NG3018, GFEX17NG4018, GFEY17NG3018, GFEY17NG4018, GFGG19NM3020, GFGX19NM3020, GFGY19NM3020, HFE167*G4018, HFE507*F1702, HFE707*F1702, HFEB07*J1702, HFG509*F1102, HFG709*F1102, HFGX09*M3013, KFEG17NG3018, KFEG17NG4018, KFEX17NG3018, KFEX17NG4018, KFEY17NF1702, KFEY17NG3018, KFEY17NG4018, KFGG19NF1102, KFGG19NM3020, KFGT19NF1102, KFGX19NM3020, KFGY19NF1102, KFGY19NM3020, NFGX09*M3013, SFEA07*G3018 and SFGX09*M3013



DRY1915PA_506055

Wire Harnesses and Wires - Front Control Models Through Serial No. 1401 (Drawing 2 of 2)

REF	PART NO.	DESCRIPTION	COMMENTS
	45380	12 Gauge Wire	Orange; Order wire by foot; Order terminals and connectors as required
	45001	18 Gauge Wire	Black; Order wire by foot; Order terminals and connectors as required
1	N/A	Front Control Wire Harness	Models HFE167*G4018, HFE507*F1702, HFE707*F1702, HFG509*F1102 and HFG709*F1102
	D511316	Wire Harness Assembly	Model SFEA07*G3018
	D510488P	Wire Harness Assembly	Model HFEB07*J1702
	D511755	Wire Harness Assembly	Models BFGX09*M3013, HFGX09*M3013, NFGX09*M3013 and SFGX09*M3013
	D512728P	Wire Harness Assembly	Model KFEY17NF1702
	D512730	Electronic Wire Harness Assembly	Models GFEG17NG3018, GFEX17NG3018, GFEY17NG3018, KFEG17NG3018, KFEX17NG3018 and KFEY17NG3018
	D512731P	Wire Harness Assembly	Models GFGG19NM3020, GFGX19NM3020, GFGY19NM3020, KFGG19NM3020, KFGX19NM3020 and KFGY19NM3020
	D512729	Wire Harness Assembly	Models KFGG19NF1102, KFGT19NF1102 and KFGY19NF1102
	D512400	Front Control Harness Assembly	3 Phase; Models GFEG17NG4018, GFEX17NG4018, GFEY17NG4018, KFEG17NG4018, KFEX17NG4018 and KFEY17NG4018

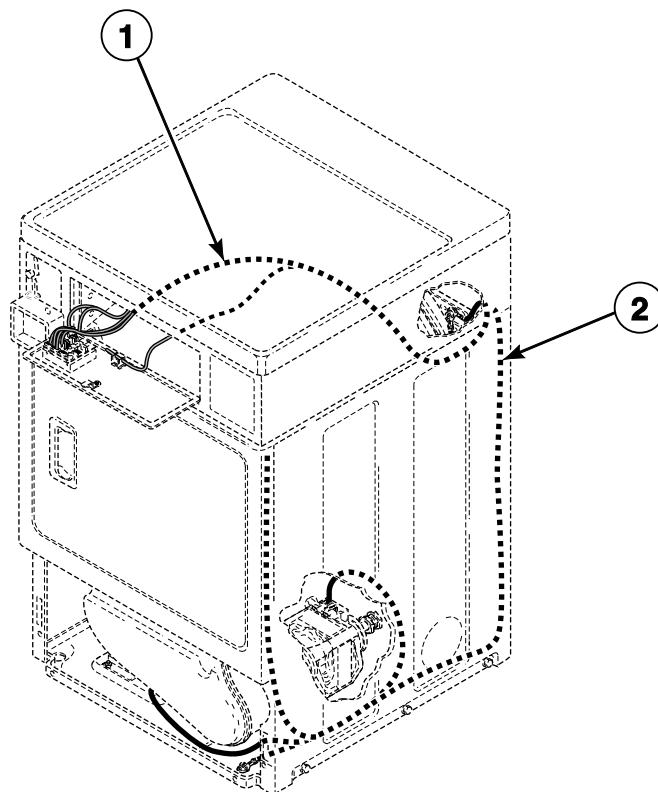
* Add Letter To Designate Color. L - Almond Q - Bisque W - White N - Stainless Steel

N/A = Part no longer available

NOTE: Individual wires are not available separately. Order complete harness, or order wire by the foot. When applying terminals to wires, it is recommended that the terminals be soldered to the wires.

Wire Harnesses and Wires - Front Control Models Starting Serial No. 1401 (Drawing 1 of 2)

Models BFGL09*M3013, NFGL49*M3013 and SFGL09*M3013



DRY2286PA_506055

Wire Harnesses and Wires - Front Control Models Starting Serial No. 1401 (Drawing 1 of 2)

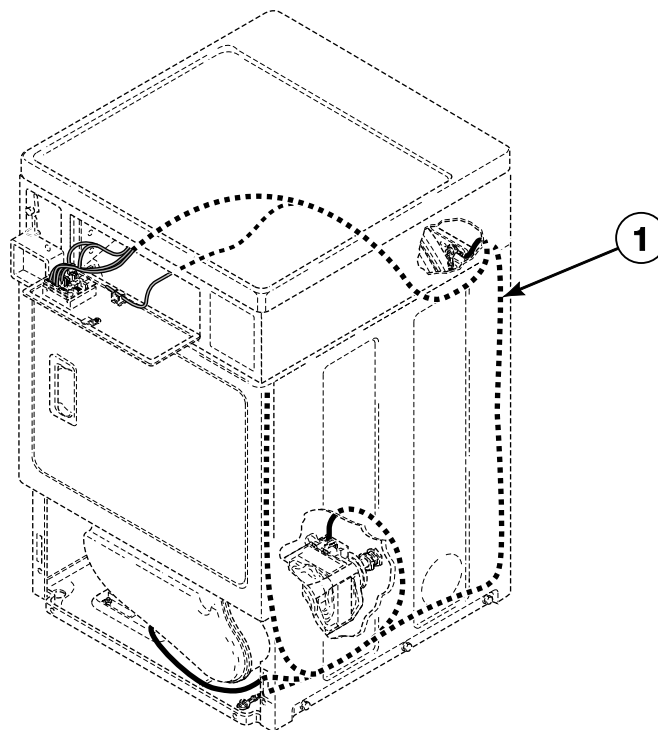
REF	PART NO.	DESCRIPTION	COMMENTS
	45380	12 Gauge Wire	Orange; Order wire by foot; Order terminals and connectors as required
	45001	18 Gauge Wire	Black; Order wire by foot; Order terminals and connectors as required
1	D511823P	Security Cabinet Harness	Models BFGL09*M3013, NFGL49*M3013 and SFGL09*M3013
2	D513813	Security Cabinet Harness	Models BFGL09*M3013 and SFGL09*M3013
	D511825	Wire Harness Assembly	Model NFGL49*M3013

* Add Letter To Designate Color. L - Almond Q - Bisque W - White N - Stainless Steel

NOTE: Individual wires are not available separately. Order complete harness, or order wire by the foot. When applying terminals to wires, it is recommended that the terminals be soldered to the wires.

Wire Harnesses and Wires - Front Control Models Starting Serial No. 1401 (Drawing 2 of 2)

Models BFGX09*M3013, GFEG17NG3018, GFEG17NG4018, GFEX17NG3018, GFEX17NG4018, GFY17NG3018, GFY17NG4018, GFGG19NM3020, GFGX19NM3020, GFGY19NM3020, HFE167*G4018, HFE507*F1702, HFE707*F1702, HFEB07*J1702, HFG509*F1102, HFG709*F1102, HFGX09*M3013, KFEG17NG3018, KFEG17NG4018, KFEX17NG3018, KFEX17NG4018, KFEY17NF1702, KFEY17NG3018, KFEY17NG4018, KFGG19NF1102, KFGG19NM3020, KFGT19NF1102, KFGX19NM3020, KFGY19NF1102, KFGY19NM3020, NFGX09*M3013, SFEA07*G3018 and SFGX09*M3013



DRY2286P_506055

Wire Harnesses and Wires - Front Control Models Starting Serial No. 1401 (Drawing 2 of 2)

REF	PART NO.	DESCRIPTION	COMMENTS
	45380	12 Gauge Wire	Orange; Order wire by foot; Order terminals and connectors as required
	45001	18 Gauge Wire	Black; Order wire by foot; Order terminals and connectors as required
1	N/A	Front Control Wire Harness	Models HFE167*G4018, HFE507*F1702, HFE707*F1702, HFG509*F1102 and HFG709*F1102
	D511316	Wire Harness Assembly	Model SFEA07*G3018
	D510488P	Wire Harness Assembly	Model HFEB07*J1702
	D511755	Wire Harness Assembly	Models BFGX09*M3013, HFGX09*M3013, NFGX09*M3013 and SFGX09*M3013
	D513812	Wire Harness Assembly	Model KFEY17NF1702
	D513814	Electronic Wire Harness Assembly	Models GFEG17NG3018, GFEX17NG3018, GFEY17NG3018, KFEG17NG3018, KFEX17NG3018 and KFEY17NG3018
	D512731P	Wire Harness Assembly	Models GFGG19NM3020, GFGX19NM3020, GFGY19NM3020, KFGG19NM3020, KFGX19NM3020 and KFGY19NM3020
	D513809	Wire Harness Assembly	Models KFGG19NF1102, KFGT19NF1102 and KFGY19NF1102
	D513810	Front Control Harness Assembly	3 Phase; Models GFEG17NG4018, GFEX17NG4018, GFEY17NG4018, KFEG17NG4018, KFEX17NG4018 and KFEY17NG4018

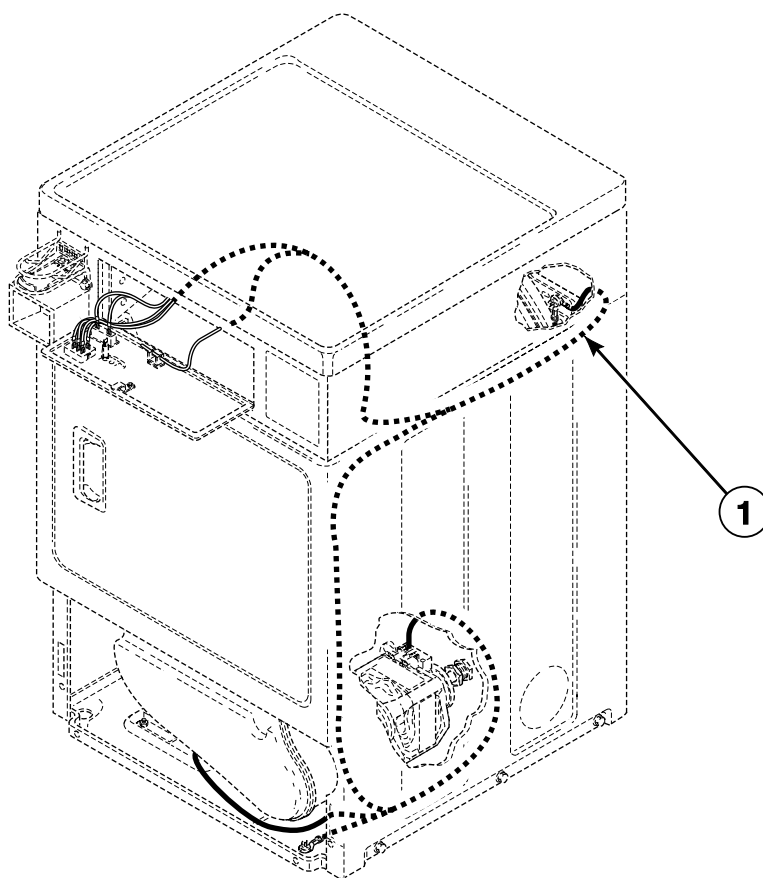
* Add Letter To Designate Color. L - Almond Q - Bisque W - White N - Stainless Steel

N/A = Part no longer available

NOTE: Individual wires are not available separately. Order complete harness, or order wire by the foot. When applying terminals to wires, it is recommended that the terminals be soldered to the wires.

Wire Harnesses and Wires - Front Control Models Through Serial No. 1303025314

Models KFEG17NF1702 and KFET17NF1702



DRY1915PA_506055

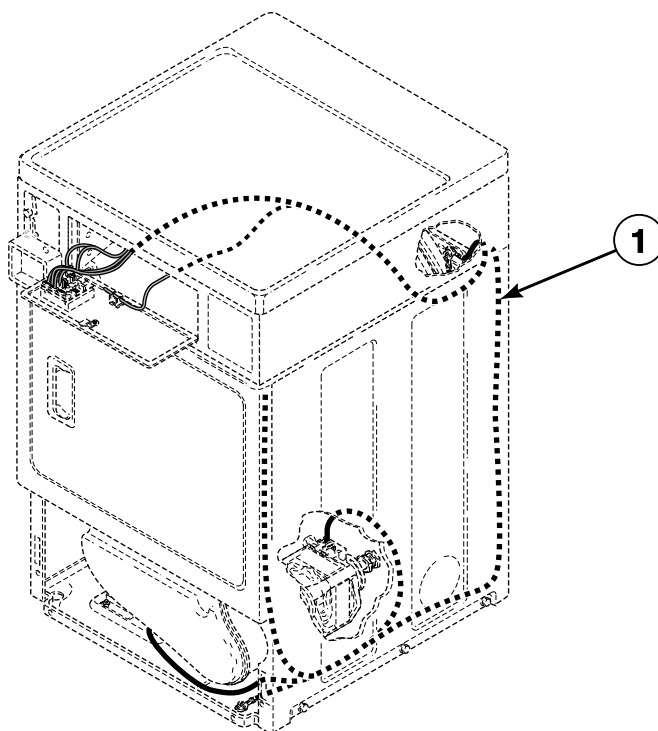
Wire Harnesses and Wires - Front Control Models Through Serial No. 1303025314

REF	PART NO.	DESCRIPTION	COMMENTS
	45380	12 Gauge Wire	Orange; Order wire by foot; Order terminals and connectors as required
	45001	18 Gauge Wire	Black; Order wire by foot; Order terminals and connectors as required
1	D512728P	Wire Harness Assembly	

NOTE: Individual wires are not available separately. Order complete harness, or order wire by the foot. When applying terminals to wires, it is recommended that the terminals be soldered to the wires.

Wire Harnesses and Wires - Front Control Models Starting Serial No. 1303025315

Models KFEG17NF1702 and KFET17NF1702



DRY2286P_506055

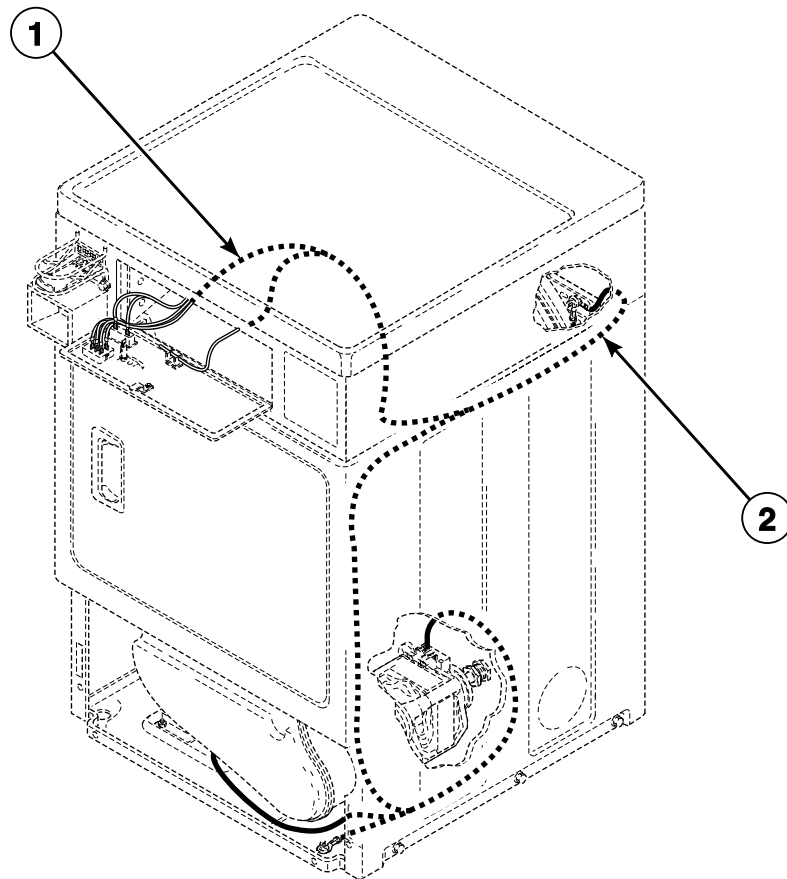
Wire Harnesses and Wires - Front Control Models Starting Serial No. 1303025315

REF	PART NO.	DESCRIPTION	COMMENTS
	45380	12 Gauge Wire	Orange; Order wire by foot; Order terminals and connectors as required
	45001	18 Gauge Wire	Black; Order wire by foot; Order terminals and connectors as required
1	D513812	Wire Harness Assembly	

NOTE: Individual wires are not available separately. Order complete harness, or order wire by the foot. When applying terminals to wires, it is recommended that the terminals be soldered to the wires.

Wire Harnesses and Wires - Front Control Models Through Serial No. 0904 (Drawing 1 of 2)

Models BFEL07*G4018, HFEL47*G4018, HFEL67*G4018, NFEL47*G4018,
NFEL67*G4018, SFEL07*G4018 and SFEL67*G4018



DRY1915P_506055

Wire Harnesses and Wires - Front Control Models Through Serial No. 0904 (Drawing 1 of 2)

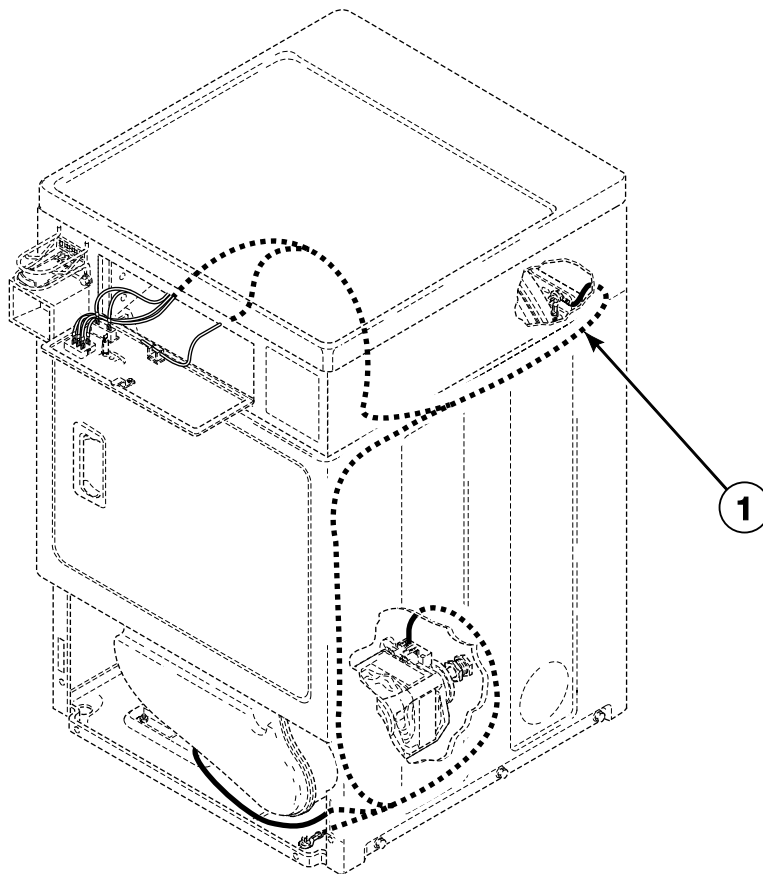
REF	PART NO.	DESCRIPTION	COMMENTS
	45380	12 Gauge Wire	Orange; Order wire by foot; Order terminals and connectors as required
	45001	18 Gauge Wire	Black; Order wire by foot; Order terminals and connectors as required
1	D511348P	MDC Security Cabinet Wire Harness	3 Phase
2	D511340P	Front Control Wire Harness	Models HFEL47*G4018 and NFEL47*G4018
	D511346	Front Control Wire Harness	White and bisque models; Models BFEL07*G4018, HFEL67*G4018, NFEL67*G4018 and SFEL67*G4018
	D512954	Front Control Wire Harness	Stainless steel models; Models BFEL07*G4018 and SFEL07*G4018

* Add Letter To Designate Color. L - Almond Q - Bisque W - White N - Stainless Steel

NOTE: Individual wires are not available separately. Order complete harness, or order wire by the foot. When applying terminals to wires, it is recommended that the terminals be soldered to the wires.

Wire Harnesses and Wires - Front Control Models Through Serial No. 0904 (Drawing 2 of 2)

Models BFEX07*G4018, HFEX07*F1702, HFEY07*F1502, HFEY07*F1702,
HFGX09*F1102, HFGY09*F1102, NFEX07*G3018, NFEX07*G4018, SFEX07*F3300,
SFEX07*F4350, SFEX07*G3018, SFEX07*G4018, SFEX67*G4018 and SFEY07*G4018



DRY1915PA_506055

Wire Harnesses and Wires - Front Control Models Through Serial No. 0904 (Drawing 2 of 2)

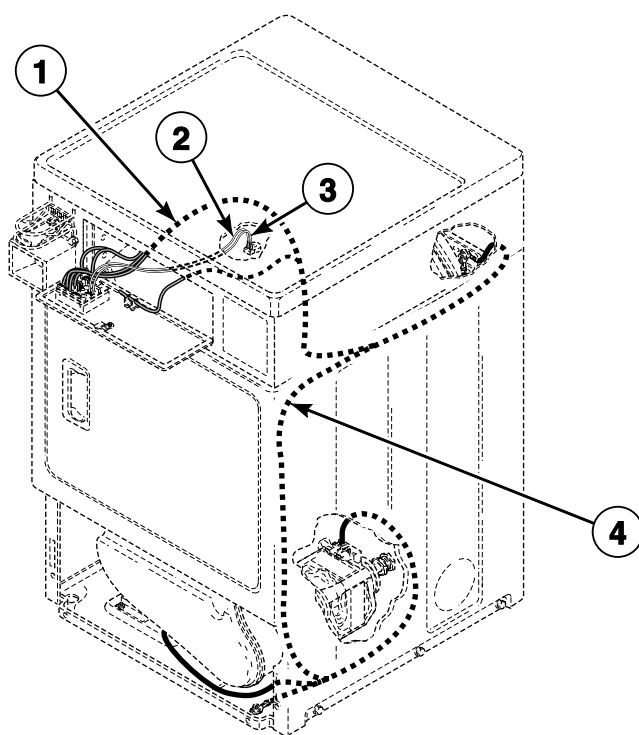
REF	PART NO.	DESCRIPTION	COMMENTS
	45380	12 Gauge Wire	Orange; Order wire by foot; Order terminals and connectors as required
	45001	18 Gauge Wire	Black; Order wire by foot; Order terminals and connectors as required
1	D511756	Front Control Wire Harness	Models BFEX07*G4018, NFEX07*G4018, SFEX07*G4018, SFEX67*G4018 and SFEY07*G4018
	D511316	Wire Harness Assembly	Models NFEX07*G3018, SFEX07*F3300, SFEX07*F4350 and SFEX07*G3018
	D510487P	Wire Harness Assembly	Models HFGX09*F1102 and HFGY09*F1102
	D510488P	Wire Harness Assembly	Models HFEX07*F1702, HFEY07*F1502 and HFEY07*F1702

* Add Letter To Designate Color. L - Almond Q - Bisque W - White N - Stainless Steel

NOTE: Individual wires are not available separately. Order complete harness, or order wire by the foot. When applying terminals to wires, it is recommended that the terminals be soldered to the wires.

Wire Harnesses and Wires - Front Control Models Starting Serial No. 0904 and Continuing Through Serial No. 1401

Models BFEL07*G4018, BFEX07*F4350, BFEX07*G4018, BFGX09*F3060, HFEY07*F1702, HFGX09*F1102, HFGY09*F1102, NFEL47*G4018, NFEX07*G3018, NFEX07*G4018, SFEL07*G4018, SFEX07*F3300, SFEX07*F4350, SFEX07*G3018, SFEX07*G4018 and SFEY07*G4018



DRY2165P_506055

Wire Harnesses and Wires - Front Control Models Starting Serial No. 0904 and Continuing Through Serial No. 1401

REF	PART NO.	DESCRIPTION	COMMENTS
	45380	12 Gauge Wire	Orange; Order wire by foot; Order terminals and connectors as required
	45001	18 Gauge Wire	Black; Order wire by foot; Order terminals and connectors as required
	D513246P	Jumper Assembly	For models with two resistors, connect jumper wire to each resistor; Models BFEL07*G4018, BFEX07*F4350, BFEX07*G4018, BFGX09*F3060, NFEL47*G4018, NFEX07*G3018, NFEX07*G4018, SFEL07*G4018, SFEX07*F3300, SFEX07*F4350, SFEX07*G3018, SFEX07*G4018 and SFEY07*G4018
1	D512422P	Wire Harness Assembly	
2	D512273P	Wire Configuration Assembly	
3	D512275P	Wire Configuration Assembly	
4	D511795P	Electronic Harness	Models HFGX09*F1102 and HFGY09*F1102
	D511794P	Electronic Harness	Models BFEX07*F4350, HFEY07*F1702, NFEX07*G3018, SFEX07*F3300, SFEX07*F4350 and SFEX07*G3018
	D512287	Wire Harness Assembly	Model BFGX09*F3060
	D512960P	Wire Harness Assembly	Models BFEL07*G4018 and SFEL07*G4018
	D512962	Wire Harness Assembly	Model NFEL47*G4018
	D513366	Wire Harness Assembly	Models BFEX07*G4018, NFEX07*G4018, SFEX07*G4018 and SFEY07*G4018

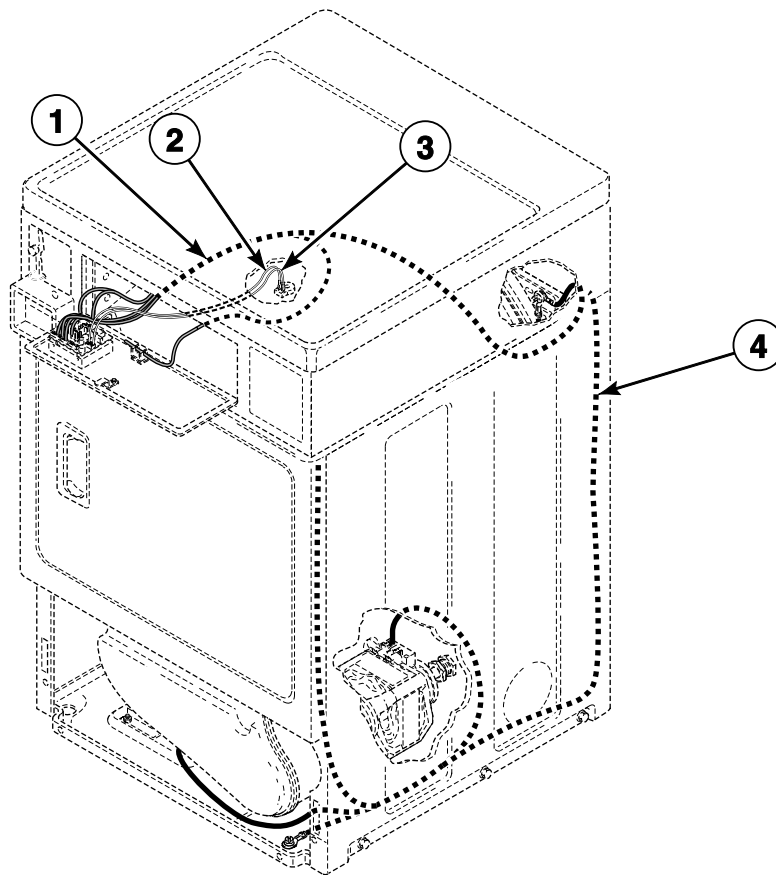
* Add Letter To Designate Color. L - Almond N - Stainless Steel Q - Bisque W - White

NOTE: Individual wires are not available separately. Order complete harness, or order wire by the foot. When applying terminals to wires, it is recommended that the terminals be soldered to the wires.

NOTE: Some models built after Serial No. 0904 may come equipped with one harness. If replacement of harness is necessary, replace with harness listed for model on *Wire Harnesses and Wires - Front Control Models Through Serial No. 0904*.

Wire Harnesses and Wires - Front Control Models Starting Serial No. 1401

Models BFEL07*G4018, BFEX07*F4350, BFEX07*G4018, BFGX09*F3060, HFEY07*F1702, HFGX09*F1102, HFGY09*F1102, NFEL47*G4018, NFEX07*G3018, NFEX07*G4018, SFEL07*G4018, SFEX07*F3300, SFEX07*F4350, SFEX07*G3018, SFEX07*G4018 and SFEY07*G4018



DRY2285P_506055

Wire Harnesses and Wires - Front Control Models Starting Serial No. 1401

REF	PART NO.	DESCRIPTION	COMMENTS
	45380	12 Gauge Wire	Orange; Order wire by foot; Order terminals and connectors as required
	45001	18 Gauge Wire	Black; Order wire by foot; Order terminals and connectors as required
	D513246P	Jumper Assembly	For models with two resistors, connect jumper wire to each resistor; Models BFEL07*G4018, BFEX07*F4350, BFEX07*G4018, BFGX09*F3060, NFEL47*G4018, NFEX07*G3018, NFEX07*G4018, SFEL07*G4018, SFEX07*F3300, SFEX07*F4350, SFEX07*G3018, SFEX07*G4018 and SFEY07*G4018
1	D512422P	Wire Harness Assembly	
2	D512273P	Wire Configuration Assembly	
3	D512275P	Wire Configuration Assembly	
4	D513835	Electronic Harness	Models HFGX09*F1102 and HFGY09*F1102
	D513830	Electronic Harness	Models BFEX07*F4350, HFEY07*F1702, NFEX07*G3018, SFEX07*F3300, SFEX07*F4350 and SFEX07*G3018
	D513839	Wire Harness Assembly	Model BFGX09*F3060
	D513816	Wire Harness Assembly	Models BFEL07*G4018 and SFEL07*G4018
	D513818	Wire Harness Assembly	Model NFEL47*G4018
	D513820	Wire Harness Assembly	Models BFEX07*G4018, NFEX07*G4018, SFEX07*G4018 and SFEY07*G4018

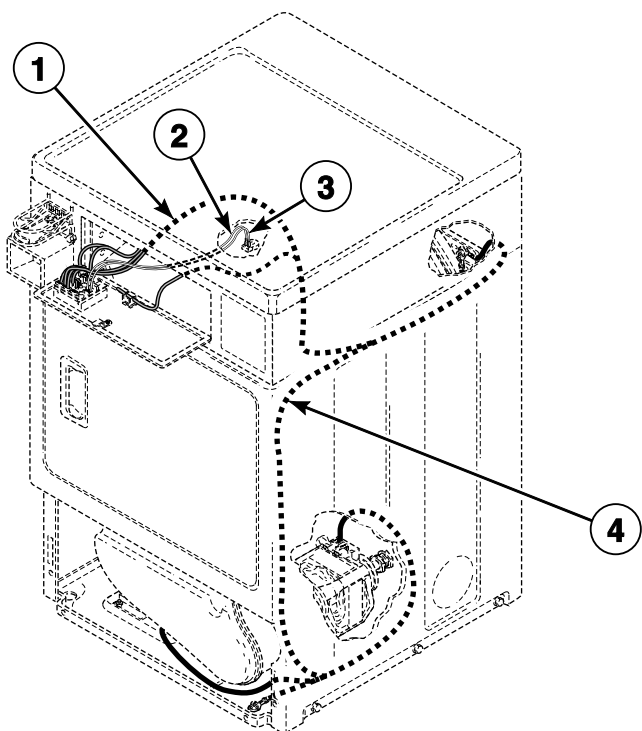
* Add Letter To Designate Color. L - Almond N - Stainless Steel Q - Bisque W - White

NOTE: Individual wires are not available separately. Order complete harness, or order wire by the foot. When applying terminals to wires, it is recommended that the terminals be soldered to the wires.

NOTE: Some models built after Serial No. 0904 may come equipped with one harness. If replacement of harness is necessary, replace with harness listed for model on *Wire Harnesses and Wires - Front Control Models Through Serial No. 0904*.

Wire Harnesses and Wires - Front Control Models Starting Serial No. 0904 and Continuing Through Serial No. 1303025314

Models HFEX07*F1702 and HFEY07*F1502



DRY2165P_506055

Wire Harnesses and Wires - Front Control Models Starting Serial No. 0904 and Continuing Through Serial No. 1303025314

REF	PART NO.	DESCRIPTION	COMMENTS
	45380	12 Gauge Wire	Orange; Order wire by foot; Order terminals and connectors as required
	45001	18 Gauge Wire	Black; Order wire by foot; Order terminals and connectors as required
1	D512422P	Wire Harness Assembly	
2	D512273P	Wire Configuration Assembly	
3	D512275P	Wire Configuration Assembly	
4	D511794P	Electronic Harness	

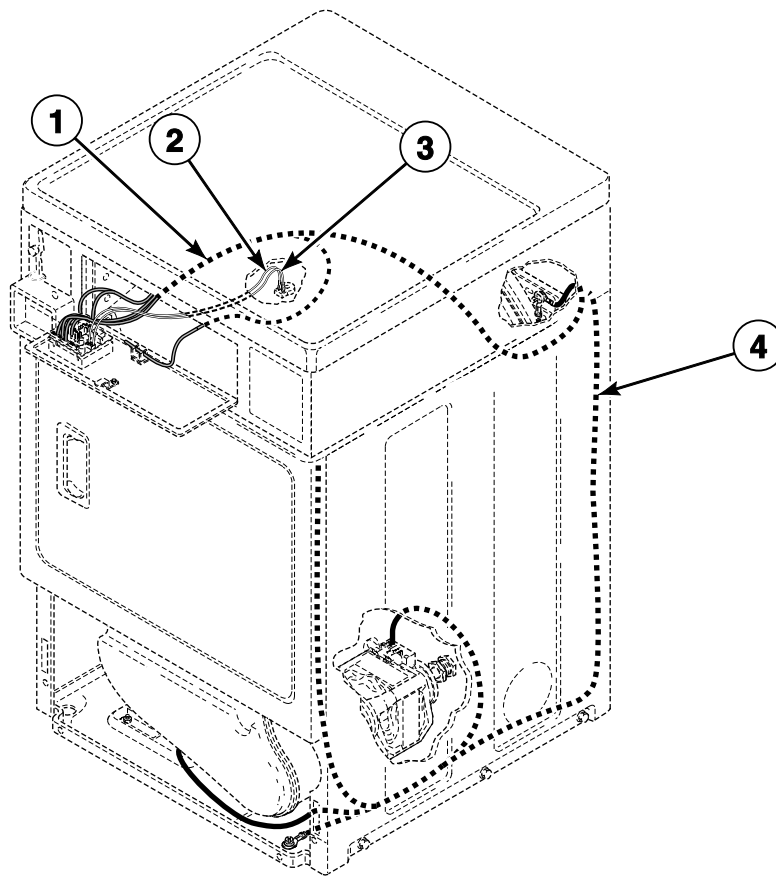
* Add Letter To Designate Color. L - Almond N - Stainless Steel Q - Bisque W - White

NOTE: Individual wires are not available separately. Order complete harness, or order wire by the foot. When applying terminals to wires, it is recommended that the terminals be soldered to the wires.

NOTE: Some models built after Serial No. 0904 may come equipped with one harness. If replacement of harness is necessary, replace with harness listed for model on *Wire Harnesses and Wires - Front Control Models Through Serial No. 0904*.

Wire Harnesses and Wires - Front Control Models Starting Serial No. 13030252315

Models HFEX07*F1702 and HFEY07*F1502



DRY2285P_506055

Wire Harnesses and Wires - Front Control Models Starting Serial No. 13030252315

REF	PART NO.	DESCRIPTION	COMMENTS
	45380	12 Gauge Wire	Orange; Order wire by foot; Order terminals and connectors as required
	45001	18 Gauge Wire	Black; Order wire by foot; Order terminals and connectors as required
1	D512422P	Wire Harness Assembly	
2	D512273P	Wire Configuration Assembly	
3	D512275P	Wire Configuration Assembly	
4	D514096	Electronic Harness	

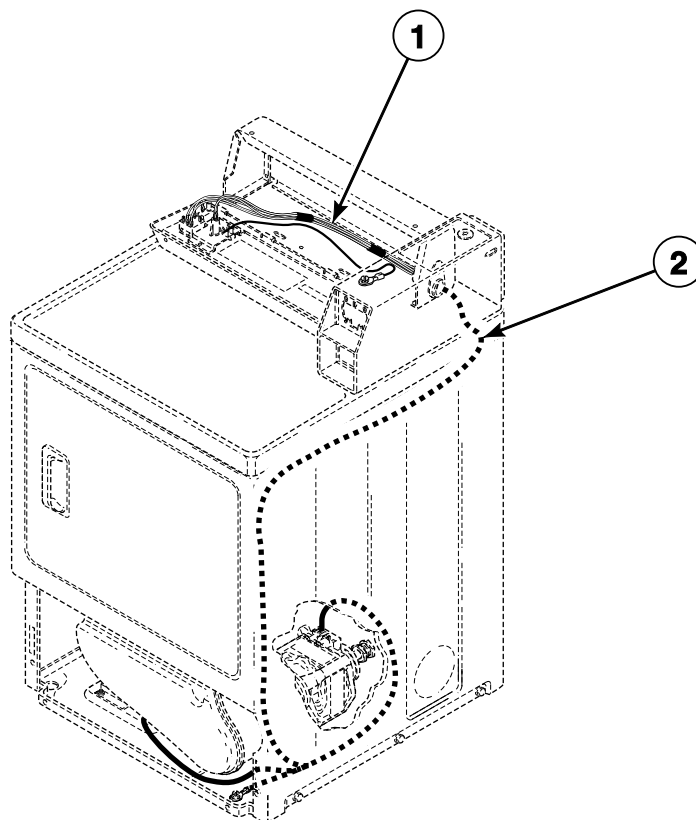
* Add Letter To Designate Color. L - Almond N - Stainless Steel Q - Bisque W - White

NOTE: Individual wires are not available separately. Order complete harness, or order wire by the foot. When applying terminals to wires, it is recommended that the terminals be soldered to the wires.

NOTE: Some models built after Serial No. 0904 may come equipped with one harness. If replacement of harness is necessary, replace with harness listed for model on *Wire Harnesses and Wires - Front Control Models Through Serial No. 0904*.

Wire Harnesses and Wires - Rear Control Models Through Serial No. 1207

Models BDG809*F1102, BDG909*F1102, FDE807*G3018, FDE807*G4018, GDE807*F5418, GDE807*G3018, GDE907*F5418, GDE907*G3018, HDE807*F1702, HDE907*F1502, HDE907*F1702, HDE907*G3018, HDE907*G4018, HDG809*F1102, HDG909*F1102, JDE807*F4350, JDE807*F5418, JDE807*G3018, JDE907*F4350, JDE907*G3018, JDG809*F3060, JDG809*M3013, JDG809*M3020, JDG909*F3060, JDG909*M3013, JDG909*M3020, NDE807*F3022, NDE807*F5422, NDE807*G3018, NDE807*G4018, NDE907*F3022, NDE907*F5422, NDG809*F3022, NDG809*F5422, NDG909*F3022, NDG909*F5422, PDE807*G3018, PDE807*G4018, PDG809*M3013, SDE807*F3000, SDE807*F4350, SDE907*F3000, SDE907*F4350, SDE907*F5412, SDE907*G3018, SDE907*G4018, SDG809*F3060, SDG909*F3060, SDG909*F5412, SDG909*M3013, UDE807*F1702 and UDG809*F1102



DRY2039P_506055

Wire Harnesses and Wires - Rear Control Models Through Serial No. 1207

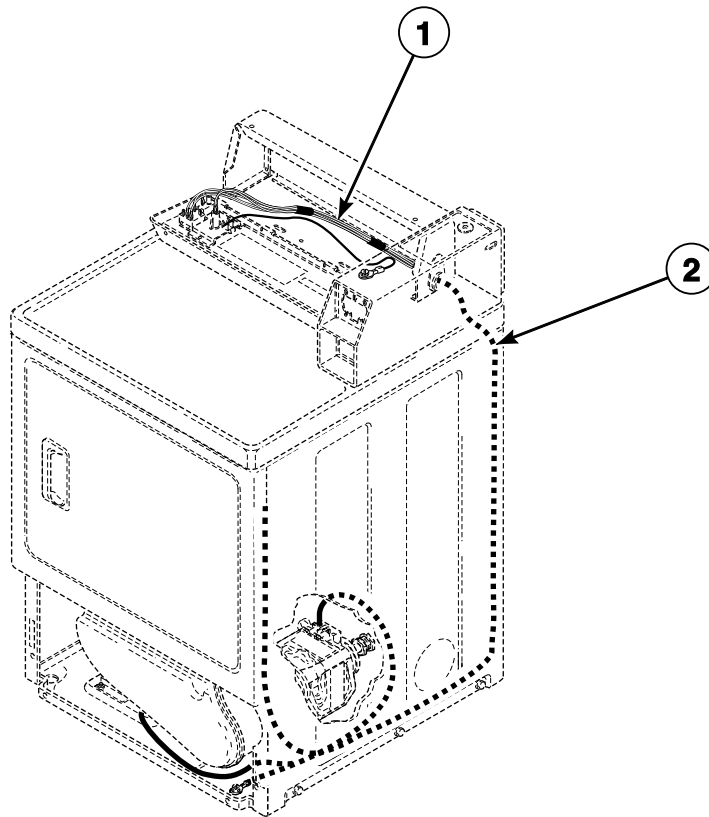
REF	PART NO.	DESCRIPTION	COMMENTS
	45380	12 Gauge Wire	Orange; Order wire by foot; Order terminals and connectors as required
	45001	18 Gauge Wire	Black; Order wire by foot; Order terminals and connectors as required
1	D512510	Hood Harness	Models BDG809*F1102, FDE807*G3018, FDE807*G4018, GDE807*F5418, GDE807*G3018, HDE807*F1702, HDG809*F1102, JDE807*F4350, JDE807*F5418, JDE807*G3018, JDG809*F3060, JDG809*M3013, JDG809*M3020, NDE807*F3022, NDE807*F5422, NDE807*G3018, NDE807*G4018, NDG809*F3022, NDG809*F5422, PDE807*G3018, PDE807*G4018, PDG809*M3013, SDE807*F3000, SDE807*F4350, SDG809*F3060, UDE807*F1702 and UDG809*F1102
	D512140	Wire Harness Assembly	Some models have a 3/16 inch spade terminal on the coin slide switch; When replacing harness on these models, the switch mount assembly must also be replaced; Models BDG909*F1102, GDE907*F5418, GDE907*G3018, HDE907*F1502, HDE907*F1702, HDE907*G3018, HDE907*G4018, HDG909*F1102, JDE907*F4350, JDE907*G3018, JDG909*F3060, JDG909*M3013, JDG909*M3020, NDE907*F3022, NDE907*F5422, NDG909*F3022, NDG909*F5422, SDE907*F3000, SDE907*F4350, SDE907*F5412, SDE907*G3018, SDE907*G4018, SDG909*F3060, SDG909*F5412 and SDG909*M3013
2	D511790P	Electronic Harness	Models GDE907*F5418, GDE907*G3018, HDE907*F1502, HDE907*F1702, HDE907*G3018, JDE907*F4350, JDE907*G3018, NDE907*F3022, NDE907*F5422, SDE907*F3000, SDE907*F4350, SDE907*F5412 and SDE907*G3018
	D512515P	Wire Harness Assembly	Models JDG809*F3060 and SDG809*F3060
	D512513P	Wire Harness Assembly	Models JDG809*M3013, JDG809*M3020, NDG809*F3022 and PDG809*M3013
	D512512	Wire Harness Assembly	Models FDE807*G3018, GDE807*F5418, GDE807*G3018, HDE807*F1702, JDE807*F4350, JDE807*F5418, JDE807*G3018, NDE807*F3022, NDE807*F5422, NDE807*G3018, PDE807*G3018, SDE807*F3000, SDE807*F4350 and UDE807*F1702
	D512518P	Wire Harness Assembly	Models FDE807*G4018, NDE807*G4018 and PDE807*G4018
	D512511P	Wire Harness Assembly	Models BDG809*F1102, HDG809*F1102 and UDG809*F1102
	D512283	Wire Harness Assembly	Models JDG909*M3013, JDG909*M3020, NDG809*F5422, NDG909*F3022, NDG909*F5422, SDG909*F5412 and SDG909*M3013
	D511789P	Electronic Harness	Models BDG909*F1102 and HDG909*F1102
	D512281	Wire Harness Assembly	Models JDG909*F3060 and SDG909*F3060
	D512646P	Wire Harness Assembly	Models HDE907*G4018 and SDE907*G4018

* Add Letter To Designate Color. G - Gray L - Almond Q - Bisque W - White

NOTE: Individual wires are not available separately. Order complete harness, or order wire by the foot. When applying terminals to wires, it is recommended that the terminals be soldered to the wires.

Wire Harnesses and Wires - Rear Control Models Starting Serial No. 1207 (Drawing 1 of 2)

Models BDG809*F1102, BDG909*F1102, FDE807*G3018, FDE807*G4018, GDE807*F5418, GDE807*G3018, GDE907*F5418, GDE907*G3018, GDESCRGS301UW01, GDESCRGS331ZW01, HDE807*F1702, HDE907*F1502, HDE907*F1702, HDE907*G3018, HDE907*G4018, HDG809*F1102, HDG909*F1102, JDE807*F4350, JDE807*F5418, JDE807*G3018, JDE907*F4350, JDE907*G3018, JDG809*F3060, JDG809*M3013, JDG809*M3020, JDG909*F3060, JDG909*M3013, JDG909*M3020, NDE807*F3022, NDE807*F5422, NDE807*G3018, NDE807*G4018, NDE907*F3022, NDE907*F5422, NDG809*F3022, NDG809*F5422, NDG909*F3022, NDG909*F5422, PDE807*G3018, PDE807*G4018, PDEBXRGS431AG02, PDG809*F3060, PDG809*M3013, PDGBXRGS301AG02, SDE807*F3000, SDE807*F4350, SDE907*F3000, SDE907*F4350, SDE907*F5412, SDE907*G3018, SDE907*G4018, SDEMNRGS171CW01, SDG809*F3060, SDG909*F3060, SDG909*F5412, SDG909*M3013, SDGMNRGS111CW01, UDE807*F1702 and UDG809*F1102



DRY2271P_506055

Wire Harnesses and Wires - Rear Control Models Starting Serial No. 1207 (Drawing 1 of 2)

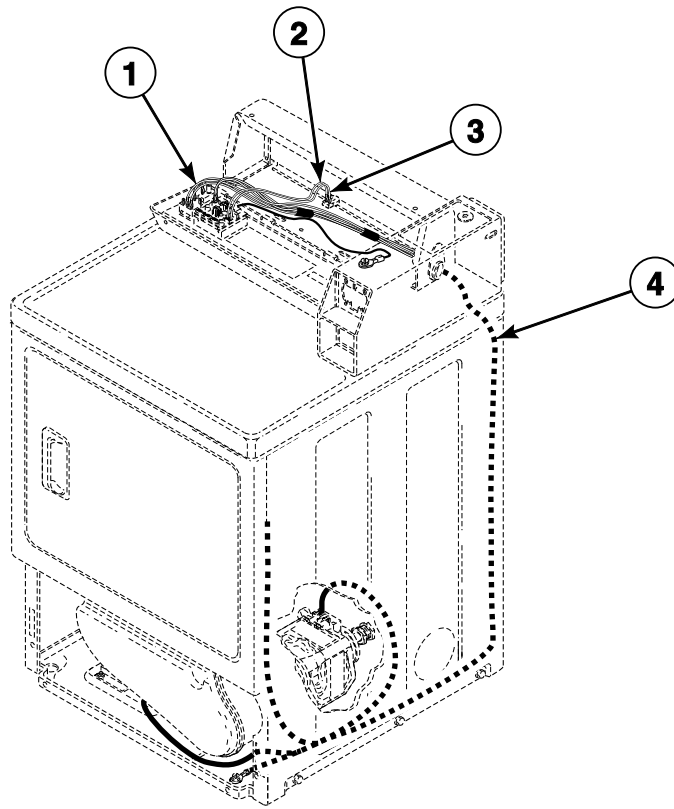
REF	PART NO.	DESCRIPTION	COMMENTS
	45380	12 Gauge Wire	Orange; Order wire by foot; Order terminals and connectors as required
	45001	18 Gauge Wire	Black; Order wire by foot; Order terminals and connectors as required
1	D512510	Hood Harness	Models BDG809*F1102, FDE807*G3018, FDE807*G4018, GDE807*F5418, GDE807*G3018, HDE807*F1702, HDG809*F1102, JDE807*F4350, JDE807*F5418, JDE807*G3018, JDG809*F3060, JDG809*M3013, JDG809*M3020, NDE807*F3022, NDE807*F5422, NDE807*G3018, NDE807*G4018, NDG809*F3022, NDG809*F5422, PDE807*G3018, PDE807*G4018, PDG809*F3060, PDG809*M3013, SDE807*F3000, SDE807*F4350, SDEMNRGS171CW01, SDG809*F3060, SDGMNRGS111CW01, UDE807*F1702 and UDG809*F1102
	D512140	Wire Harness Assembly	Some models have a 3/16 inch spade terminal on the coin slide switch; When replacing harness on these models, the switch mount assembly must also be replaced; All other models
2	D513668	Electronic Harness	Models HDE907*F1502 and HDE907*F1702 through Serial No. 1303025314; Models GDE907*F5418, GDE907*G3018, GDESCRGS301UW01, GDESCRGS331ZW01, HDE907*G3018, JDE907*F4350, JDE907*G3018, NDE907*F3022, NDE907*F5422, PDEBXRGS431AG02, SDE907*F3000, SDE907*F4350, SDE907*F5412 and SDE907*G3018
	D513944	Electronic Harness	Models HDE907*F1502 and HDE907*F1702 starting Serial No. 1303025315
	D513679	Wire Harness Assembly	Models JDG809*F3060, PDG809*F3060, SDG809*F3060 and SDGMNRGS111CW01
	D513677	Wire Harness Assembly	Models JDG809*M3013, JDG809*M3020, NDG809*F3022 and PDG809*M3013
	D513670	Wire Harness Assembly	Models HDE807*F1702 and UDE807*F1702 through Serial No. 1303025314; Models FDE807*G3018, GDE807*F5418, GDE807*G3018, JDE807*F4350, JDE807*F5418, JDE807*G3018, NDE807*F3022, NDE807*F5422, NDE807*G3018, PDE807*G3018, SDE807*F3000, SDE807*F4350 and SDEMNRGS171CW01; Models HDE807*F1702 and UDE807*F1702 starting Serial No. 1303025315
	D513672	Wire Harness Assembly	Models FDE807*G4018, NDE807*G4018 and PDE807*G4018
	D513675	Wire Harness Assembly	Models BDG809*F1102, HDG809*F1102 and UDG809*F1102
	D513673	Electronic Harness	Models JDG909*M3013, JDG909*M3020, NDG809*F5422, NDG909*F3022, NDG909*F5422, SDG909*F5412 and SDG909*M3013
	D513669	Electronic Harness	Models BDG909*F1102 and HDG909*F1102
	D513671	Electronic Harness	Models JDG909*F3060, PDGBXRGS301AG02 and SDG909*F3060
	D513674	Electronic Harness	Models HDE907*G4018 and SDE907*G4018

* Add Letter To Designate Color. G - Gray L - Almond Q - Bisque W - White

NOTE: Individual wires are not available separately. Order complete harness, or order wire by the foot. When applying terminals to wires, it is recommended that the terminals be soldered to the wires.

Wire Harnesses and Wires - Rear Control Models Starting Serial No. 1207 (Drawing 2 of 2)

Models HDER07*F1502, HDER07*F1702, HDEX07*F1502, HDEX07*F1702, HDEY07*F1502, HDEY07*F1702, HDGR09*F1102, HDGX09*F1102, HDGY09*F1102, SDEX07*F3000, SDEX07*F4350 and SDGX09*F3060



DRY2272P_506055

Wire Harnesses and Wires - Rear Control Models Starting Serial No. 1207 (Drawing 2 of 2)

REF	PART NO.	DESCRIPTION	COMMENTS
	45380	12 Gauge Wire	Orange; Order wire by foot; Order terminals and connectors as required
	45001	18 Gauge Wire	Black; Order wire by foot; Order terminals and connectors as required
	D513246P	Jumper Assembly	For models with two resistors, connect jumper wire to each resistor; Models SDEX07*F3000, SDEX07*F4350 and SDGX09*F3060
1	D512422P	Wire Harness Assembly	
2	D512273P	Wire Configuration Assembly	
3	D512275P	Wire Configuration Assembly	
4	D513669	Electronic Harness	Models HDGR09*F1102, HDGX09*F1102 and HDGY09*F1102
	D513668	Electronic Harness	Models SDEX07*F3000 and SDEX07*F4350; Models HDER07*F1502, HDER07*F1702, HDEX07*F1502, HDEX07*F1702, HDEY07*F1502 and HDEY07*F1702 through Serial No. 1303025314
	D513944	Electronic Harness	Models HDER07*F1502, HDER07*F1702, HDEX07*F1502, HDEX07*F1702, HDEY07*F1502 and HDEY07*F1702 starting Serial No. 1303025315
	D513671	Electronic Harness	Model SDGX09*F3060

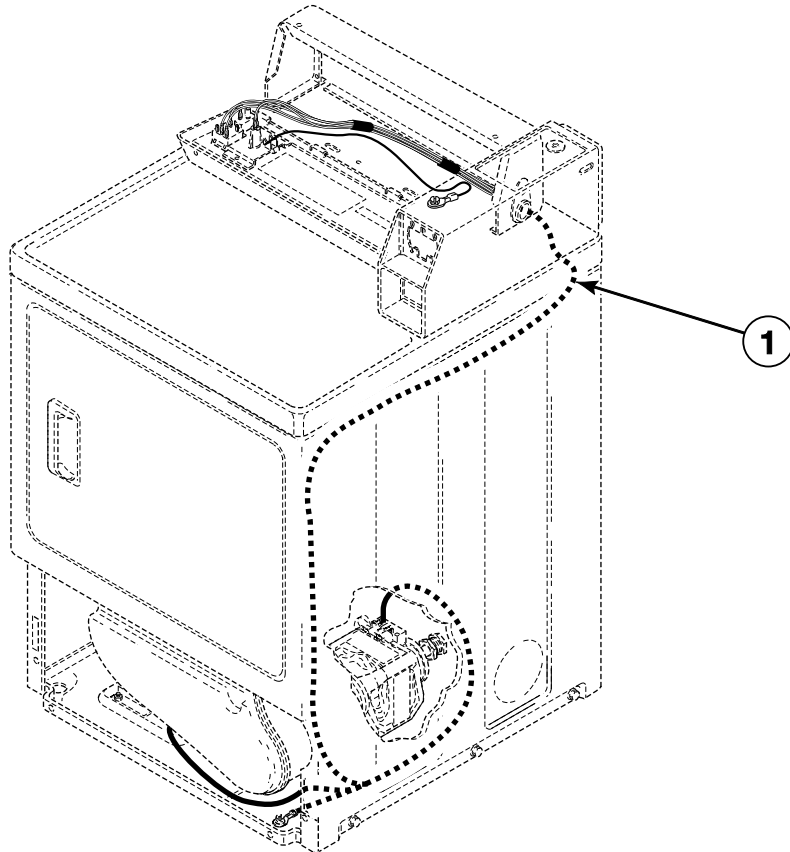
* Add Letter To Designate Color. L - Almond N - Stainless Steel Q - Bisque W - White

NOTE: Individual wires are not available separately. Order complete harness, or order wire by the foot. When applying terminals to wires, it is recommended that the terminals be soldered to the wires.

NOTE: Some models built after Serial No. 0904 may come equipped with one harness. If replacement of harness is necessary, replace with harness listed for model on *Wire Harnesses and Wires - Rear Control Models Through Serial No. 0904*.

Wire Harnesses and Wires - Rear Control

Models HDE007*F1702, HDE007*F3000, HDE007*G3003, HDE007*G3008, HDE007*G3010, HDE007*G4008, HDE007*G4010, HDE107*F1502, HDE107*F1702, HDE107*F3000, HDE107*G3003, HDE107*G3018, HDE107*G4018, HDE507*F1502, HDE507*F1702, HDE707*F1502, HDE707*F1702, HDEB07*J1502, HDEB07*J1702, HDEF07*J1502, HDEF07*J1702, HDET07*F1502, HDET07*F1702, HDEX07*F3000, HDEX07*G3018, HDEY07*F99N2, HDEZ07*F1502, HDEZ07*F1702, HDG009*F1102, HDG009*F3000, HDG009*G3008, HDG009*M3008, HDG109*F1102, HDG109*F3000, HDG109*G3013, HDG109*M3013, HDG509*F1102, HDG709*F1102, HDGB09*J1102, HDGF09*J1102, HDGT09*F1102, HDGX09*F3000, HDGX09*M3013, HDGZ09*F1102, NDE007*G3018, NDE007*G4018, SDE007*F3000, SDE007*F4350, SDE007*G3018, SDE107*F3000, SDE107*F4350, SDE107*F5412, SDE107*F5417, SDE107*G3018, SDE107*G4018, SDE407*F3000, SDE407*F4350, SDEA07*J3000, SDEA07*J4350, SDEF07*J4350, SDEX07*G3018, SDEX07*G4018, SDG009*F3000, SDG009*F3058, SDG009*F3060, SDG109*F3000, SDG109*F3058, SDG109*F3060, SDG109*F5412, SDG109*G3013, SDG109*M3013, SDG409*F3000, SDG409*F3058, SDGF09*J3060, SDGX09*F3000, SDGX09*M3013, UDE007*F3000, UDE007*F3025, UDG009*F3000 and UDG009*F3025



DRY1916P_506055

Wire Harnesses and Wires - Rear Control

REF	PART NO.	DESCRIPTION	COMMENTS
	45380	12 Gauge Wire	Orange; Order wire by foot; Order terminals and connectors as required
	45001	18 Gauge Wire	Black; Order wire by foot; Order terminals and connectors as required
1	N/A	Wire Harness Assembly	Models HDE007*G3003, HDE007*G3008, HDE007*G3010, HDE507*F1502, HDE507*F1702, HDE707*F1502, HDE707*F1702, HDEX07*F3000, HDEX07*G3018, HDG009*F3000, HDG009*G3008, HDG009*M3008, HDG109*G3013, HDG109*M3013, HDGX09*F3000, NDE007*G3018, SDE007*F3000, SDE007*F4350, SDE007*G3018, SDE407*F3000, SDEA07*J3000, SDEA07*J4350, SDEF07*J4350, SDEX07*G3018, SDG009*F3000, SDG009*F3058, SDG109*F3058, SDG109*G3013, SDG109*M3013, SDG409*F3000, SDGX09*F3000, UDE007*F3000, UDE007*F3025, UDG009*F3000 and UDG009*F3025
	D510400P	Wire Harness Assembly	Models HDE107*F1502 and HDE107*F1702
	D510401P	Wire Harness Assembly	Model HDG109*F1102
	D510404P	Wire Harness Assembly	Models HDE007*F1702 and HDE007*F3000
	D510405P	Wire Harness Assembly	Model HDG009*F1102
	D510407P	Wire Harness Assembly	Models HDG509*F1102 and HDG709*F1102
	D510430P	Wire Harness Assembly	Models HDE107*F3000, SDE107*F3000, SDE107*F4350, SDE107*F5412 and SDE107*F5417
	D510431P	Wire Harness Assembly	Models HDG109*F3000, SDG109*F3000 and SDG109*F5412
	D510458	Wire Harness Assembly	Models HDE107*G3003, HDE107*G3018 and SDE107*G3018
	D510462	Wire Harness Assembly	Model SDE407*F4350
	D510467	Wire Harness Assembly	Model SDG409*F3058
	D510486	Wire Harness Assembly	Models HDEB07*J1502, HDEB07*J1702, HDEF07*J1502, HDEF07*J1702, HDET07*F1502, HDET07*F1702, HDEY07*F99N2, HDEZ07*F1502 and HDEZ07*F1702
	D511315	Wire Harness Assembly	Models HDGX09*M3013 and SDGX09*M3013
	D511326	Wire Harness Assembly	Models HDE007*G4008, HDE007*G4010 and NDE007*G4018
	D511328	Wire Harness Assembly	Models HDE107*G4018 and SDE107*G4018
	D511334	Wire Harness Assembly	Model SDEX07*G4018
	D511339P	Wire Harness Assembly	Model SDG109*F3060
	D511337	Wire Harness Assembly	Model SDG009*F3060
	D510485P	Wire Harness Assembly	Models HDGB09*J1102, HDGF09*J1102, HDGT09*F1102 and HDGZ09*F1102
	D511759P	Wire Harness Assembly	Model SDGF09*J3060

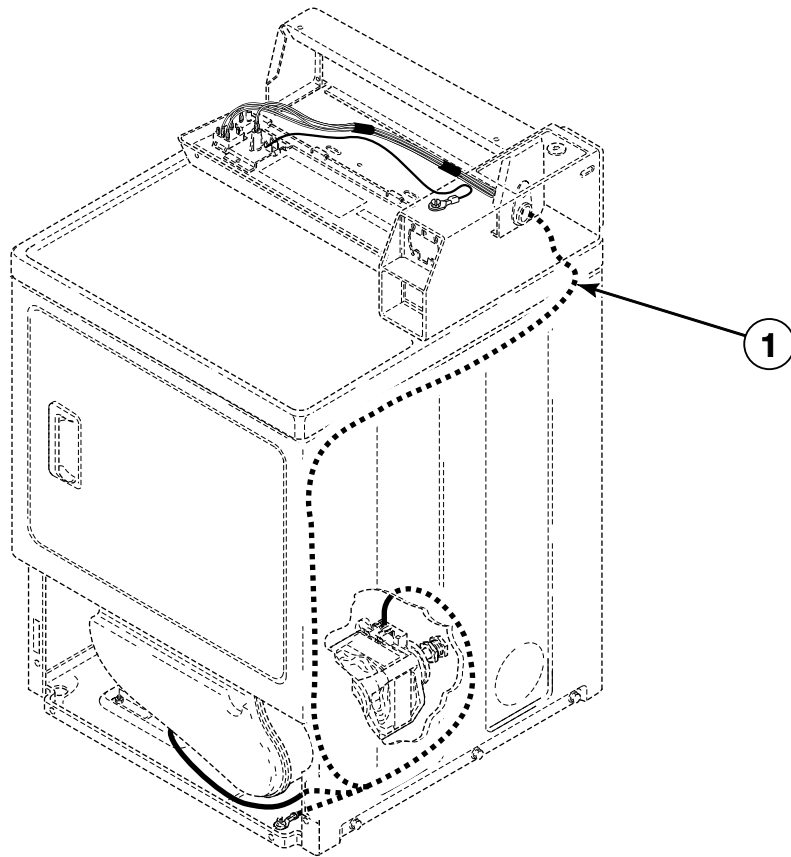
* Add Letter To Designate Color. G - Gray L - Almond Q - Bisque W - White

N/A = Part no longer available

NOTE: Individual wires are not available separately. Order complete harness, or order wire by the foot. When applying terminals to wires, it is recommended that the terminals be soldered to the wires.

Wire Harnesses and Wires - Rear Control Models Through Serial No. 0904

Models HDER07*F1502, HDER07*F1702, HDEX07*F1502, HDEX07*F1702, HDEY07*F1502, HDEY07*F1702,
HDGR09*F1102, HDGX09*F1102, HDGY09*F1102, SDEX07*F3000, SDEX07*F4350 and SDGX09*F3060



DRY1916P_506055

Wire Harnesses and Wires - Rear Control Models Through Serial No. 0904

REF	PART NO.	DESCRIPTION	COMMENTS
	45380	12 Gauge Wire	Orange; Order wire by foot; Order terminals and connectors as required
	45001	18 Gauge Wire	Black; Order wire by foot; Order terminals and connectors as required
1	N/A	Wire Harness Assembly	Models SDEX07*F3000 and SDEX07*F4350
	D510486	Wire Harness Assembly	Models HDER07*F1502, HDER07*F1702, HDEX07*F1502, HDEX07*F1702, HDEY07*F1502 and HDEY07*F1702
	D510485P	Wire Harness Assembly	Models HDGR09*F1102, HDGX09*F1102 and HDGY09*F1102
	D511759P	Wire Harness Assembly	Model SDGX09*F3060

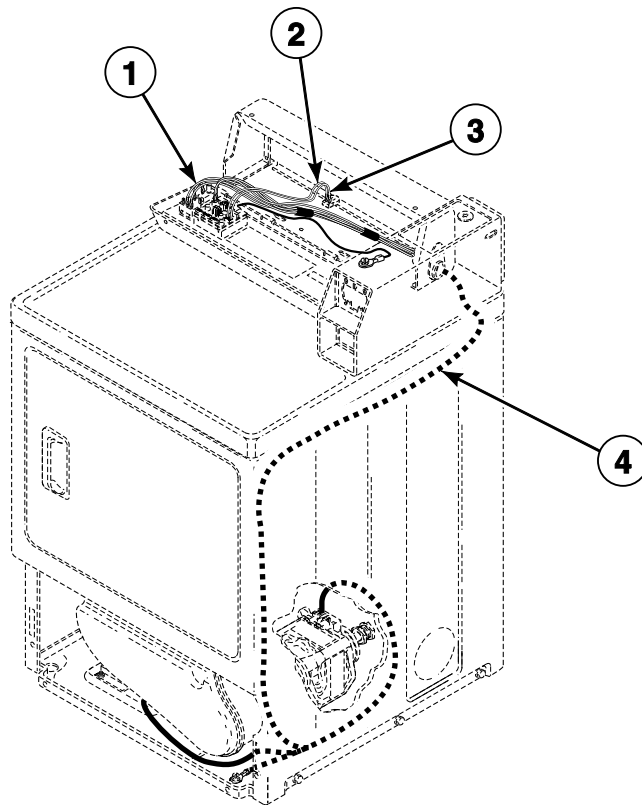
* Add Letter To Designate Color. **G** - Gray **L** - Almond **Q** - Bisque **W** - White

N/A = Part no longer available

NOTE: Individual wires are not available separately. Order complete harness, or order wire by the foot. When applying terminals to wires, it is recommended that the terminals be soldered to the wires.

Wire Harnesses and Wires - Rear Control Models Starting Serial No. 0904 and Continuing Through Serial No. 1207

Models HDER07*F1502, HDER07*F1702, HDEX07*F1502, HDEX07*F1702, HDEY07*F1502, HDEY07*F1702, HDGR09*F1102, HDGX09*F1102, HDGY09*F1102, SDEX07*F3000, SDEX07*F4350 and SDGX09*F3060



DRY2164P_506055

Wire Harnesses and Wires - Rear Control Models Starting Serial No. 0904 and Continuing Through Serial No. 1207

REF	PART NO.	DESCRIPTION	COMMENTS
	45380	12 Gauge Wire	Orange; Order wire by foot; Order terminals and connectors as required
	45001	18 Gauge Wire	Black; Order wire by foot; Order terminals and connectors as required
	D513246P	Jumper Assembly	For models with two resistors, connect jumper wire to each resistor; Models SDEX07*F3000, SDEX07*F4350 and SDGX09*F3060
1	D512422P	Wire Harness Assembly	
2	D512273P	Wire Configuration Assembly	
3	D512275P	Wire Configuration Assembly	
4	D511789P	Electronic Harness	Models HDGR09*F1102, HDGX09*F1102 and HDGY09*F1102
	D511790P	Electronic Harness	
	D512281	Wire Harness Assembly	Model SDGX09*F3060

* Add Letter To Designate Color. L - Almond N - Stainless Steel Q - Bisque W - White

NOTE: Individual wires are not available separately. Order complete harness, or order wire by the foot. When applying terminals to wires, it is recommended that the terminals be soldered to the wires.

NOTE: Some models built after Serial No. 0904 may come equipped with one harness. If replacement of harness is necessary, replace with harness listed for model on *Wire Harnesses and Wires - Rear Control Models Through Serial No. 0904*.

Parts Index

A

Access Cover Plate D514356	117
Access Panel D510069LP	75
Access Panel and Guard Assembly D514252Q	75
Access Panel Assembly D514250DG	75
D514250G	75
D514250Q	75
D514250WP	75
D514251	75
Access Panel Plate D510903	117
Access Panel with Guard Assembly D514252G	75
Accumulator Kit D510632P	67
Accumulator Replacement Kit D510629P	67
Adhesive D511637P	87, 91, 95
Air Duct Assembly D510151DG	87
D518432	87, 89
D518433	89
Anti-Seize Compound 27604P	79, 81
Audit Switch Bracket 800379	47

B

Blank Black Label D512824	57
Block to Relay Harness D511112P	101
Blower and Fan Kit D510717P	81
Blower Fan Assembly D510139P	81
Blower Housing D511969LG	81
D511969WP	81
Blower Housing Seal D510238P	81
Bolt D512505	59
203798	23, 25, 27, 37, 39
29651	23, 25, 27, 45, 61, 63, 65
Booster and Holding Coil 58804A	109
59063A	109
Bracket D510146	43
803662	31

Bumper Pad 56128	117
Burner Assembly D510149P	107, 115

C

Cabinet Rear Panel D514632P	117
Cabinet Side Panel D510001GP	117
D510001LP	117
D510001QP	117
D510001WP	117
D510002GP	117
D510002LP	117
D510002QP	117
D510002WP	117
D512538	117
D512539	117
D512951	117
Card Insert Overlay D511548	57
D511561	57
Card Reader D512473	39, 59
Card Reader and Bracket Assembly D510068P	19
Card Reader Assembly 210045P	19
Card Reader Bracket 210023	19
Card Reader Instruction Overlay 38192	39, 59
Card Reader Kit 874P3	39
876P3	59
Card Reader Shield 801101	119
Card Reader Wire Harness Assembly 38191	39
800125P	19
Caution Label D500253	77
Central Pay Harness D511478	47, 63
Chassis Mounting Bracket 201581	27
Clip 201572	35, 53
Coin Drop 38963P	33, 51
70441601P	33, 51
Coin Drop Assembly CK114	33, 51
38462P	33, 51
38463	33, 51
38464P	33, 51
38467	33, 51
38472	33, 51
38475	33, 51

N/A items do not appear in index.

38519	33, 51	D511055W.....	19
38521	33, 51	D511648B.....	63
39157	33, 51	D511648W.....	63
70441602	33, 51	Control Panel and Bracket Assembly	
70482401	33, 51	D501738Q.....	7, 13
Coin Drop Kit		D501738W	7, 13
CK077	33, 51	D504447L.....	45
CK123	33, 51	D504447Q.....	45
Coin Drop Wire Harness		D504447W	45
201104	35, 53	D505510L.....	49
Coin Funnel Kit		D505510W	49
523P3.....	23, 25, 27, 45	D510077B	49
Coin Identification Paper		D510077W	49
38725	35, 53	Control Panel Assembly	
Coin Meter Drive		D512533Q.....	11
M400754	67	D512533W	11
Coin Slide Extension		D512705.....	49
D503455	45	Control Panel Overlay	
D503733	23	D511508	19
D506114.....	25	D512368.....	11
Coin Slide Extension Kit		D512489.....	13
D514228	29	D512490	13
200913	31	D512677.....	13
Coin Slide Guard		D512679.....	11
58181	45	D512865.....	13
Combustion Duct		D512927.....	11
D510131	105	D513604.....	11
D510132	105	Control Shield	
Connector, 2 Circuit		D510083.....	17
58799	127	D512304.....	27
Connector, 3 Circuit		Conversion Kit	
58800	125	756P3	101
Contactora		Cylinder Assembly	
F330177P	101	D505929LG	87
70323701P.....	119	D505929LGP.....	91
Contactora Bracket		D510265LGP.....	91
D511859.....	119	D510265WP	87, 91
Control Assembly		D510265GP.....	87
D511867P	17, 19, 49, 63	Cylinder Baffle	
D513139P.....	27	D510102LG	87, 91
Control Cabinet Bottom		D510102W	87, 91
801777	63	Cylinder Belt	
Control Hood		D511255P.....	79
D502567DG.....	17	Cylinder Glide	
D502567L	9, 13, 15, 17, 39	D513710	87, 89
D502567Q.....	9, 13, 15, 17, 39	Cylinder Glide Bracket	
D502567W	9, 13, 15, 17, 39	D510145.....	87, 89
D511253L.....	11, 19	Cylinder Light Assembly	
D511253Q.....	11, 19	D512564.....	87
D511253W	11	D519422.....	87
Control Kit		Cylinder Light Lens	
D505905P	17, 19, 49	D512106.....	87
M411883P	15	Cylinder Roller	
M414050P.....	15, 49	D510708P	95
Control Overlay		Cylinder Roller Bracket	
D513146	13	D510100.....	95
Control Panel		Cylinder Seal Assembly	
D501359Q.....	15	D510207P	87, 91, 95
D501359W	15		
D510067DG.....	17		
D510067L	17		
D510067Q.....	17		
D510067W	17		
D511055L.....	19		
D511055Q.....	19		

D

Damper	
58786	117

N/A items do not appear in index.

Diagnostic Wire Harness Assembly 800374	47
Din Rail M412693	101, 119
Directional Exhaust Kit 528P3	117
Disconnect Power Warning Label D505281	41
Domed Label 800921	63
800922	63
Door Assembly D516510WP	73
D516737W	71
Door Catch Assembly D510177	77
Door Handle Wedge D510129W	73
Door Liner Assembly D516508	71
Door Pull D512947	73
Door Pull and Wedge Kit D510103LP	73
D510103QP	73
D510103WP	73
Door Pull Kit D512620P	69, 71
Door Strike D510181	69, 71, 73
Door Strike Mount D510127	69, 71, 73
Door Switch Bracket 38087	37, 55
Drip Shield D514327	77
Drum Light Lamp D503579	87
60954	87
Dryer Base D514245	117
Dryer Door D510013GP	73
D510013LP	73
D510013QP	73
D510013WP	73
D512699	69, 71
D512969	73
Dryer Door Assembly D517042	71
Dryer Door Window D503982P	69, 71
Dual Contactor Harness D514920	101
Dual Overlay 39073	37, 55

E

Elbow Shut-Off Valve D510205	107, 109
Electric Clearance Label D505984	117

D511005	117
Electrical Shock Label D502511	41
F8211201	93
Electronic Coin Drop Assembly 70294103P	35, 53
70294104	35, 53
70294107	35, 53
70294109	35, 53
70294110	35, 53
70294111	35, 53
70294120	35, 53
70294121	35, 53
70513306	35
Electronic Coin Drop Kit CK099	35, 53
CK100	35, 53
CK101	35, 53
CK103	35, 53
CK106	35, 53
CK108	35, 53
CK109	35, 53
CK110	35
CK113	35, 53
CK115	35, 53
CK120	35, 53
CK121	35, 53
Electronic Harness D511789P	155
D511790P	155, 165
D511794P	147, 151
D513668	157
D513669	157, 159
D513671	157, 159
D513673	157
D513674	157
D513830	149
D513835	149
D513944	157, 159
D514096	153
511789P	165
511795P	147
513668	159
Electronic Wire Harness Assembly D512730	133
D513814	137
End Cap 210108W	11, 19
210109W	11, 19
End Stop 70121001	101, 119
Exhaust Duct D516196	117
Expansion Clip 70030501	63
Extractor Tool 128P4	129
190P4	129

F

Fabric Selector Switch 61512	7, 11, 45
Felt Pad D510189	87, 89

N/A items do not appear in index.

Female Piggyback Terminal	
00361	127
Female Pin Terminal	
00117	125
00128	125
00130	125
Female Spade Terminal	
00114	127
00115	127
00121	127
00124	127
00156	127
00189	127
00222	127
00223	127
Female Tab Terminal	
00344	127
Female Terminal	
00188	129
00255	129
00256	129
Flexible Venting Kit	
521P3	117
Front Bulkhead Assembly	
D510266P	89
D512476	87
Front Control Harness	
D512955P	131
Front Control Harness Assembly	
D512400	133
D513810	137
Front Control Wire Harness	
D511340P	143
D511346	143
D511756	145
D512954	143
Front Panel	
D510066GP	77
D510066LP	77
D510066QP	77
D510066WP	77
D512542	77
Front Panel Seal	
D511056	77
Fuse	
D502592	41
D502593	41
Fuse Carrier	
D502811	41
Fuse Holder Bracket	
D502589	41
Fuse Holder Kit	
D502591P	41

G

Gas Valve Assembly	
D502478P	107
D510506P	109
60353P	109
Gas Valve Mounting Bracket	
D510128	107, 109
Glide Kit	
RB170003	87, 89

Graphic Overlay	
D504113	15
D505695	49
D510070	17
D510075	49
D510113	19
D511233	17
D511573	49
D511654	63
D511895	7
D511896	7
D511897	7, 13
D511898	7
D511899	49
D511900	7
D511901	7
D511904	7
D511905	7
D512008	49
D512029	49
D512054	63
D512102	49
D512495	13
D512534	49
D512726	49
D512760	63
D512849	11
D513392	49
Grounding Clip	
00161	127

H

Harness	
D512501	39, 59
Harness Assembly	
D511327	119
802904P	51
802905	17, 35, 47, 51, 53, 57
Harness Replacement Kit	
D510534P	45
Harness Strap	
55881	125
Heat Duct Shroud	
D510101	105
Heater	
D511014P	101
Heater Assembly	
D510324P	103
D510326P	103
D510327P	103
D510330P	103
Heater Duct and Screw Assembly	
D510025P	105
Heater Duct Assembly	
D510025P	101, 103
Heater Kit	
965P3	103
Heater Kit Assembly	
61927	103
61929	103
61930	103
Hinge	
D511036	63, 69, 71, 73

N/A items do not appear in index.

Hinge Hole Plug D510186	77
Hold Down Kit 526P3.....	117
Hood Back Plate D505798	9, 13, 15, 17, 19
Hood Harness D512510	155, 157
Housing, 10 Position D500338	129

I

Idler Lever D516310	81
Idler Lever and Wheel Assembly D516792	81
Idler Spring D510185	81
Idler Wheel and Bearing Assembly D510142P	81
Igniter and Bracket Assembly D510184P	115
Igniter and Sensor Assembly D502995P	107
Igniter Control D502994P	107
Ignition Control Bracket D502425	107
Indicator Light 38280	7, 11
Instruction Label D500628	23, 25
D502783	21
D511903	55, 57
D513544	55, 57
Instruction Overlay D504585	45, 55, 57, 59
Instruction Plate D500490	21
Insulated Female Flag Terminal 00221	127
Insulated Female Spade Terminal 00359	127
00360	125
Insulated Female Terminal 00165	127

J

Jumper Assembly D513246P	147, 149, 159, 165
Jumper Configuration Assembly M413507	17, 47, 63
Jumper Wire Assembly D518529	101

K

Key 54612	45, 47
--------------------	--------

L

Lead-In Cord D512019	121
56222	121
59373	121
Lead-In Cord Assembly D505938	121
D510505P	121
D516747	121
Lead-In Cord Kit 61605P	121
Lead-In Pipe Assembly D510204	107, 115
Left Control Cabinet Side 800900B	63
800900LP	63
800900QP	63
800900WP	63
Leveling Leg D510135	117
Light 32464	7, 11, 45
32519	7, 11
36967	7
801431	13
Light Housing Assembly D512108	87
Limit Thermostat D510701	101, 103
D510702	105
Liner Assembly D500226	69
Liner Door Seal D510147P	69, 71, 73
Liner, Seal and Grill Assembly D510163WP	73
Lint Filter D503980DG	87
D503980LG	89
D503980W	87, 89
Lint Filter Label D502804	77
Lock Cam 27261	45, 47
Lock Kit 27260P	45, 47
Long Vault Slide Extension Kit 788P3	25
Long Vault Timer Bracket 200832	25
Long Vault Timer Bracket Kit 789P3	25
L.P. Conversion Kit 458P3	107, 115
600P3	107, 115

N/A items do not appear in index.

L.P. Orifice	
D503786	111
58755	111

Multiplier Assembly	
38571	37, 55

M

Main and Redundant Coil	
D502423A	107
Male Pin Terminal	
00116	125
00127	125
00129	125
Male Tab Terminal	
00139	127
Manual Reset Thermostat	
M411941	83
MDC Overlay	
D511429	17
D511431	17
D511486	17
MDC Security Cabinet Wire Harness	
D511348P	143
Mechanical Counter Kit Assembly	
201280P	25
Meter Case and Funnel Kit	
524P3L	23
524P3Q	23
524P3W	23
Meter Case Assembly	
202877Q	37
202877W	37
38724L	37
802505Q	37
803063DG	37
807406W	37
Meter Case Bracket Gasket	
35526	23, 25, 27, 37
Meter Case Gasket	
26354	23, 25, 27, 37
Meter Case Kit	
201010LP	25
201010QP	25, 27
807398W	25, 27
Meter Case Lockdown Bracket	
35525	23, 25, 27, 37
Meter Case Locking Bracket Kit	
204616	23, 25, 27, 37, 39
Motor and Pulley Assembly	
D505843P	79
D505869P	79
D511629P	79
Motor Hub Ring Kit	
590P3	79
Motor Mount	
D518517	81
Motor Mount Clamp	
D510180	79
Motor Pulley	
D500011	79
D500222	79
Motor Shield	
D514602	81
Mounting Tool Kit	
CK096	35, 53

N/A items do not appear in index.

N

Nut	
201216	35, 53
24205	7, 11, 13, 45
27222	41
28447	97
29786	9, 13, 21, 23, 25, 27, 33, 37, 39, 51, 53
29796	23, 25, 27, 45, 65
36020	61, 65
44071201	71
44087201	61
52566	15, 17, 39, 81
52947	7, 11, 13, 45
56156	81, 95
80077	45, 55
802337	27
N.G. Conversion Kit	
459P3	107, 115
N.G. Orifice	
D503776	113
D503778	113
D503779	113
D503780	113
D503781	113
D510517	113

O

Opto Coupler	
200674P	33
Outlet Cover	
D500820	101, 103, 105
Overlay	
D512487	11
D512491	11
D512492	11
D513546	17, 19, 49
D515654	17
201091	37

P

Panel Locator	
56079	75, 77, 117
Pinch Warning Label	
F8615701	93
Plug	
23040	125
54522	127
Plug, 1 Circuit	
44370401	127
Plug, 2 Circuit	
56266	125
56448	125
Plug, 6 Circuit	
23041	127
Plug, 9 Circuit	
23033	127

Pop Rivet	
685847	61, 63
Porcelain Touch-Up Paint	
122P4P	117
215P4P	117
370P4P	117
Power Cord Assembly	
D506081	121
Power Supply	
D512496	39, 59
Programming Card	
D512499P	39, 59
Push-to-Start Switch Boot	
D512870P	11

R

Ratchet Extension Tool	
310P4	129
Ratchet Wheel	
53239	67
Rear Bulkhead	
D518128	95
Rear Bulkhead Assembly	
D511082P	95
Rear Control Cabinet	
801058	63
Rear Panel	
D511254	11, 19
804884	11
Rear Shield	
D514335	117
Receptacle Housing	
90789	127
Receptacle, 1 Circuit	
26301	127
Receptacle, 10 Circuit	
34596	127
Receptacle, 12 Circuit	
D501333	127
56855	127
Receptacle, 2 Circuit	
56265	125
56451	125
Receptacle, 3 Circuit	
23039	125
36170	125
Receptacle, 6 Circuit	
26708	127
Receptacle, 9 Circuit	
26163	127
Relay	
D502501P	41
Relay Harness	
D514918	101
Relay to Heater Harness	
D511114P	101
Resistor	
210100	13, 17, 19, 41, 47, 63
Retaining Ring	
23748	81, 95
Right Control Cabinet Side	
800915B	63

800915L	63
800915Q	63
800915W	63
Ring Terminal	
00110	127
00111	127
00319	127
Rivet	
D514375	117
Rocker Switch	
70455101	11
Roller Kit	
RB170002	95
Rubber Foot	
D501855	117

S

Screw	
D500226	69, 71, 73, 87, 89
D500227	87
D500824	81
D501086	9, 11, 13, 15, 17, 19, 21, 25, 87
D501285	87, 89, 97, 99
D501524	15, 17, 27, 49
D502431	23, 45, 55, 57, 59
D502535	83, 107
D503661	13, 17, 19, 41, 99
D503673	23, 25, 27, 37, 39
D50368817, 19, 25, 27, 39, 41, 43, 45, 47, 55, 57, 59, 63, 65, 77, 81, 87, 89, 95, 97, 101, 103, 105, 107, 109,	115, 117
D511419	25
D512504	39
D512631	69, 71
D512921	77, 117
D513071	123
D514461	69
M405188	55, 57, 77, 87
02916	9, 13, 15, 17, 19, 21, 39
03203	23, 25, 45
20530	123
23008	61, 63, 65
23222	101, 103, 115
23962	39
27328	11, 21, 29
28448	97
31260	81
33562	45, 75
35528	7, 11, 13, 15, 17, 19
36048	25, 27, 37, 65
39733	75, 77, 117
51778	21, 39
51782	29, 105, 107, 115
52864	7, 11, 13, 15, 17, 19, 89
56124	107, 109
61199	97
62588	87, 91
62853	75
800930	63
Screw Orifice	
58719	113
Seal Kit	
RB170001	87, 91, 95
Secondary Coil	
58804B	109

N/A items do not appear in index.

59063B.....	109
Security Cabinet Front Assembly	
D505542W.....	59
D505699WP.....	59
D511209L.....	57
D511209Q.....	57
D511209WP.....	57
D511523L.....	45
D511523Q.....	45
D511523W.....	45
D511633B.....	55
D511633LP.....	55
D511633QP.....	55
D511633WP.....	55
D512708.....	55
D512718.....	57
Security Cabinet Harness	
D511823P.....	131, 135
D513813.....	135
Security Cabinet Wrapper Assembly	
D512706.....	55, 57
Security Case Assembly	
38145L.....	39
Security Kit	
905P3.....	17, 19
Sensor	
D510213.....	115
Service Door Assembly	
39874DG.....	37
39874LP.....	23, 25, 37, 39
39874QP.....	23, 25, 27, 37, 39
39874WP.....	23, 25, 27, 37, 39
Shaft	
56461P.....	81, 95
Shield	
56751.....	45
Single Overlay	
D512821.....	55
38717.....	37
Slide Extension Kit	
553P3.....	23
Slide Extension Modifier	
D501796.....	23, 25
Spade Terminal	
00245.....	127
Speed Clip	
28835.....	77
Spring	
804794.....	31
Stainless Steel Top	
D511631P.....	61, 63
D512967.....	61, 63
Strain Relief	
D502500.....	123
38384.....	123
52113.....	123
60298.....	123
Strain Relief Adapter	
D502496.....	123
Switch	
D512973.....	37, 47, 55, 77
201952.....	29
431159.....	31
Switch Assembly	
55882.....	7, 13, 45

Switch Knob	
39897.....	7, 11, 13, 45
Switch Mount Assembly	
201917P.....	29
<hr/>	
T	
Temperature Selector Switch	
D511711.....	13
Terminal	
00252.....	127
00347.....	127
Terminal Block Assembly	
D505876.....	99
D510190P.....	97
Terminal Block Shield	
D505768.....	97, 99
D510237.....	97
D517715.....	97
Terminal Block Support Bracket	
D505875.....	99
Terminal Extractor Tool	
283P4.....	129
Thermal Fuse Assembly	
D518542.....	101, 103
Thermistor Assembly	
D502366.....	85
D510523.....	85
Thermostat	
D504515.....	83
D504517.....	83
D510703.....	105
D511887.....	83
D512005.....	83
Thermostat Shield	
D514325.....	81
Timer	
D501627P.....	67
D501757P.....	67
D510524P.....	11, 21
D510525P.....	11, 21
D511985P.....	11
Timer Assembly	
D501754P.....	67
Timer Bracket	
D503017.....	45
Timer Case Assembly	
37733W.....	21, 39
Timer Knob	
54678.....	11, 21
Timer Motor	
D512017P.....	67
Timer Plate	
39481W.....	39
Timer Plate Assembly	
D500921W.....	21
D502797W.....	21
Timing Cam	
53240.....	67
53241.....	67
53242.....	67
53243.....	67
Top and Gusset Assembly	
802247QP.....	61, 63, 65

N/A items do not appear in index.

802247WP	61, 63, 65
Top Hinge	
D510136	117
Top Kit	
D510032LP	61, 63, 65
D511527LP	43
D511527QP	43
D511527WP	43
D511528LP	43
D511528QP	43
D511528WP	43
803144P	61
Top Mounting Bracket	
D504228	61, 63
Top Panel	
D502670Q	43
D505885DG	43
Top Panel Kit	
D511530LP	43
D511530WP	43
Torx Bit	
281P4	129
282P4	129
292P4	129
Torx Drive Tool	
93501	129
Transformer	
M412477P	41
M413100P	41
201375P	17, 19, 35, 47, 53
201587P	13
201616P	13, 41
210018P	17, 19, 47
803527P	17, 19, 47, 63
Transformer Kit	
D511658P	41, 119

V

Valve Assembly	
60443P	109
Venting Instruction Label	
D502791	117

W

Warning Label	
D500049	93
D500314	87, 93
D500316	41
D512263	77
44324001	93
Warning/Caution Label	
D500281	77
Washer	
D504082	95
M400017	9, 13, 15, 17, 21, 39
02431	39
03815	29
200608	17, 19
21734	21, 39
23225	39
25820	45

28449	97
29260	69, 71
30627	39
52549	81, 95
91029	7, 11, 13, 45
Window Clip	
D513958	71
Window Trim	
D512632	69, 71
Wire Accumulator Assembly	
D511589	25
Wire Assembly	
D518255	103
D518256	103
Wire Clip	
D504034	125
687500	125
Wire Configuration Assembly	
D512273P	147, 149, 151, 153, 159, 165
D512275P	147, 149, 151, 153, 159, 165
Wire Guard	
201595P	33, 51
Wire Harness Assembly	
D510400P	161
D510401P	161
D510404P	161
D510405P	161
D510407P	161
D510430P	161
D510431P	161
D510458	161
D510462	161
D510467	161
D510485P	161, 163
D510486	161, 163
D510487P	145
D510488P	133, 137, 145
D511303	119
D511315	161
D511316	133, 137, 145
D511326	161
D511328	161
D511334	161
D511337	161
D511339P	161
D511755	133, 137
D511759P	161, 163
D511825	131, 135
D512140	155, 157
D512281	155, 165
D512283	155
D512287	147
D512422P	147, 149, 151, 153, 159, 165
D512511P	155
D512512	155
D512513P	155
D512515P	155
D512518P	155
D512646P	155
D512728P	133, 139
D512729	133
D512731P	133, 137
D512960P	147
D512962	147
D513366	147
D513670	157
D513672	157
D513675	157

N/A items do not appear in index.

D513677	157
D513679	157
D513809	137
D513812	137, 141
D513816	149
D513818	149
D513820	149
D513839	149
Wire, 12 Gauge	
45380 ...	131, 133, 135, 137, 139, 141, 143, 145, 147, 149, 151, 153, 155, 157, 159, 161, 163, 165
Wire, 18 Gauge	
45001 ...	131, 133, 135, 137, 139, 141, 143, 145, 147, 149, 151, 153, 155, 157, 159, 161, 163, 165
Wiring Harness Assembly	
202869	19, 63
Wrapper and Channel Assembly	
D505753BP.....	55
D505753QP	45, 55, 57, 59
D505753WP.....	45, 55, 57, 59
