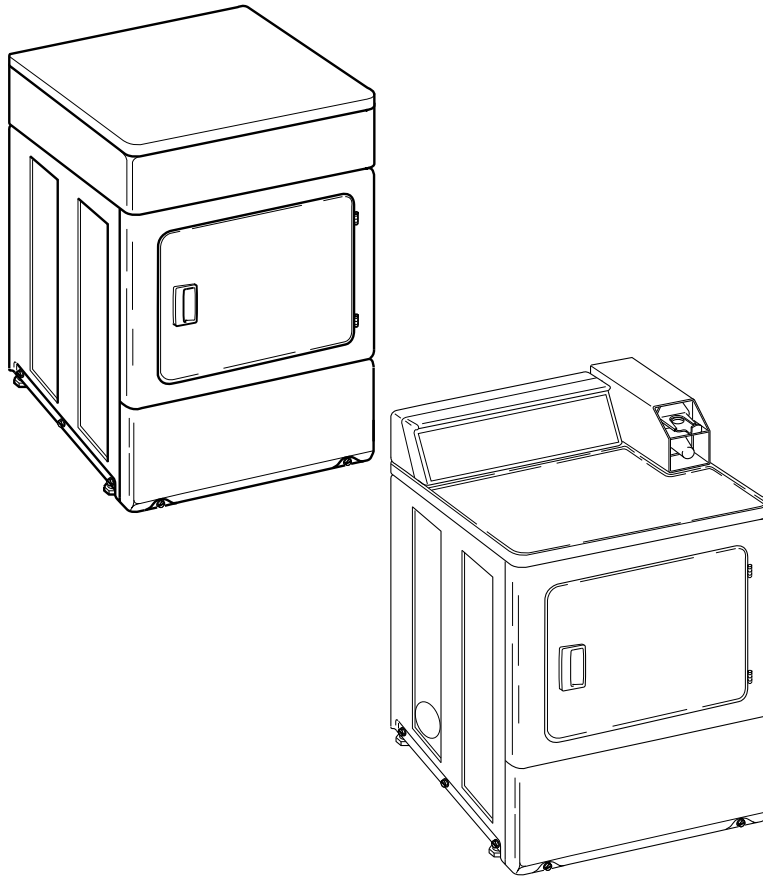


Commercial Dryers

Metered and Nonmetered
Refer to Page 5 for Model Numbers



DRY692C_510298

Table of Contents

Title	Page
Parts Ordering Information.....	3
Serial Plate Location	3
Model Identification	5
Graphic Overlays and Controls - Electromechanical Rear Control Models	6
Control Hood - Electromechanical Rear Control Models	8
Control Panel, Control Hood and Controls - Nonmetered Rear Control Models.....	10
Control Panel and Control Hood - Coin Slide Rear Control Models.....	12
Control Panel and Controls - Electronic Rear Control Models	14
Control Panel - Rear Control Coin Drop and Card Ready Models.....	16
Controls - Rear Control Coin Drop and Card Ready Models	18
Control Panel and Controls - Rear Control Card Models	20
Timer and Timer Case - Nonmetered Rear Control Models	22
Short Vault Coin Slide Extension and Meter Case - Coin Slide Rear Control Models	24
Long Vault Coin Slide Extension and Meter Case - Coin Slide Rear Control Models.....	26
Control, Meter Case and Service Door - Coin Slide Rear Control Models.....	28
Coin Slide Extension Through Serial No. 1211 - Coin Slide Rear Control Models	30
Coin Slide Extension Starting Serial No. 1211 - Coin Slide Rear Control Models	32
Meter Case - Rear Control Models	34
Non-Electronic Coin Drop - Rear Control Models	36
Electronic Coin Drop - Rear Control Models	38
Card Reader and Security Case - Rear Control Models	40
Cabinet Top - Rear Control Models	42
Control Panel and Controls - Coin Slide Ready Front Control Models	44
Control Panel and Controls - Coin Drop and Card Front Control Models	46
Control Cabinet Controls - Front Control Coin Drop Models.....	48
Non-Electronic Coin Drop - Front Control Models.....	50
Electronic Coin Drop - Front Control Models	52
Card Reader - Front Control Card Reader Installed Models.....	54
Integrated Card Reader Installed and Ready Models.....	56
Cabinet Top - Front Control Models.....	58
Accumulator - Coin Slide Models	60
Loading Door without Window	62
Loading Door with Window	64
Access Panel, Front Panel and Seal (Drawing 1 of 2).....	66
Access Panel, Front Panel and Seal (Drawing 2 of 2).....	68
Motor, Exhaust Fan and Belt	70
Front Bulkhead, Air Duct and Felt Seal.....	72
Cylinder Assembly without Light	74
Front Bulkhead, Air Duct, Felt Seal and Cylinder with Light	76
Rear Bulkhead, Felt Seal, Cylinder Roller and Terminal Block.....	78
Heater Duct and Element Assembly - Electric Model Dryers.....	80

© Copyright 2023, Alliance Laundry Systems LLC

All rights reserved. No part of the contents of this book may be reproduced or transmitted in any form or by any means without the expressed written consent of the publisher.

Heater Duct Assembly - Gas Model Dryers	82
Gas Valve, Igniter and Gas Conversion Kits.....	84
Burner Orifice Spuds - For Higher Elevations.....	86
Cabinet, Exhaust Duct and Base	88
Power Cord	90
Terminal Block and Terminals (Drawing 1 of 2).....	92
Terminal Block and Terminals (Drawing 2 of 2).....	94
Terminals and Terminal Extractor Tools	96
Wire Harnesses and Wires - Rear Control Models	98
Wire Harnesses and Wires - Rear Control Models Through Serial No. 1207	100
Wire Harnesses and Wires - Rear Control Models Starting Serial No. 1207 (Drawing 1 of 2)	102
Wire Harnesses and Wires - Rear Control Models Through Serial No. 0904	104
Wire Harnesses and Wires - Rear Control Models Starting Serial No. 0904 and Continuing Through Serial No. 1207 106	
Wire Harnesses and Wires - Rear Control Models Starting Serial No. 1207 (Drawing 2 of 2)	108
Wire Harnesses and Wires - Front Control Models.....	110
Wire Harnesses and Wires - Front Control Models Through Serial No. 1303	112
Wire Harnesses and Wires - Front Control Models Starting Serial No. 1303 (Drawing 1 of 2).....	114
Wire Harnesses and Wires - Front Control Models Through Serial No. 0904	116
Wire Harnesses and Wires - Front Control Models Starting Serial No. 0904	118
Wire Harnesses and Wires - Front Control Models Starting Serial No. 0904 and Continuing Through Serial No. 1303 120	
Wire Harnesses and Wires - Front Control Models Starting Serial No. 1303 (Drawing 2 of 2).....	122
Parts Index.....	125

Parts Ordering Information

If literature or replacement parts are required, contact the source from whom the machine was purchased or contact Alliance Laundry Systems at (920) 748-3950 for the name and address of the nearest authorized parts distributor.

For technical assistance, call the number listed below:

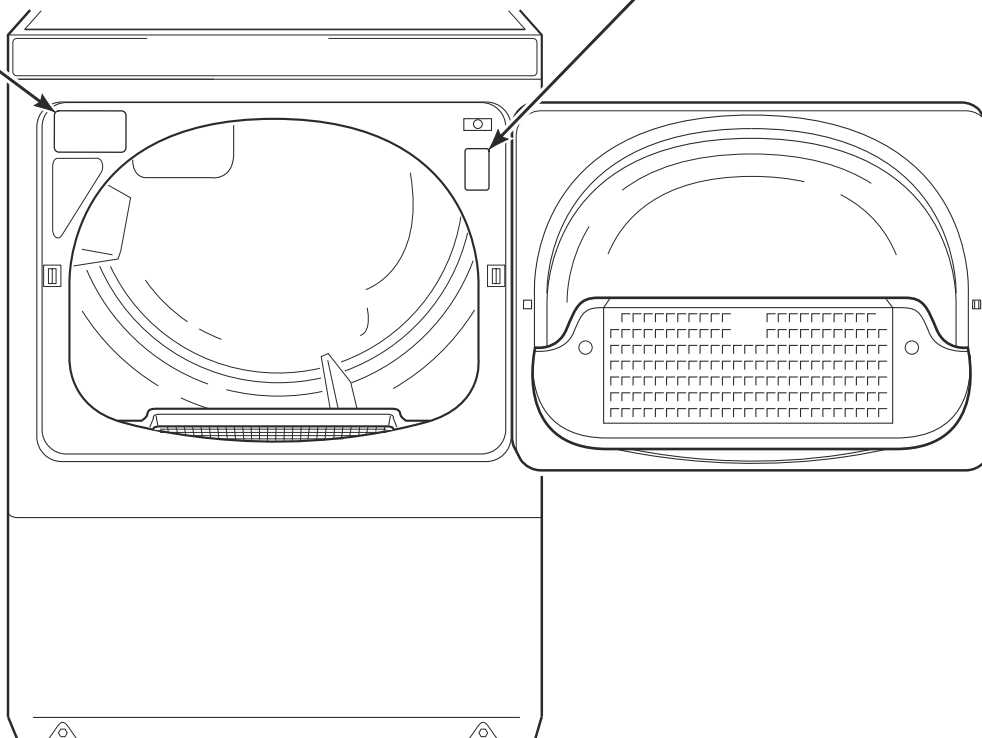
(920) 748-3121 Ripon, Wisconsin

Serial Plate Location

When calling or writing about your product, be sure to mention model and serial numbers. Model and serial numbers are located on serial plate(s) as shown.

SERIAL PLATE
(Models starting Serial No. 1206025810)

SERIAL PLATE
(Models through Serial No. 1206025809)



DRY2283P_510298

Model Identification

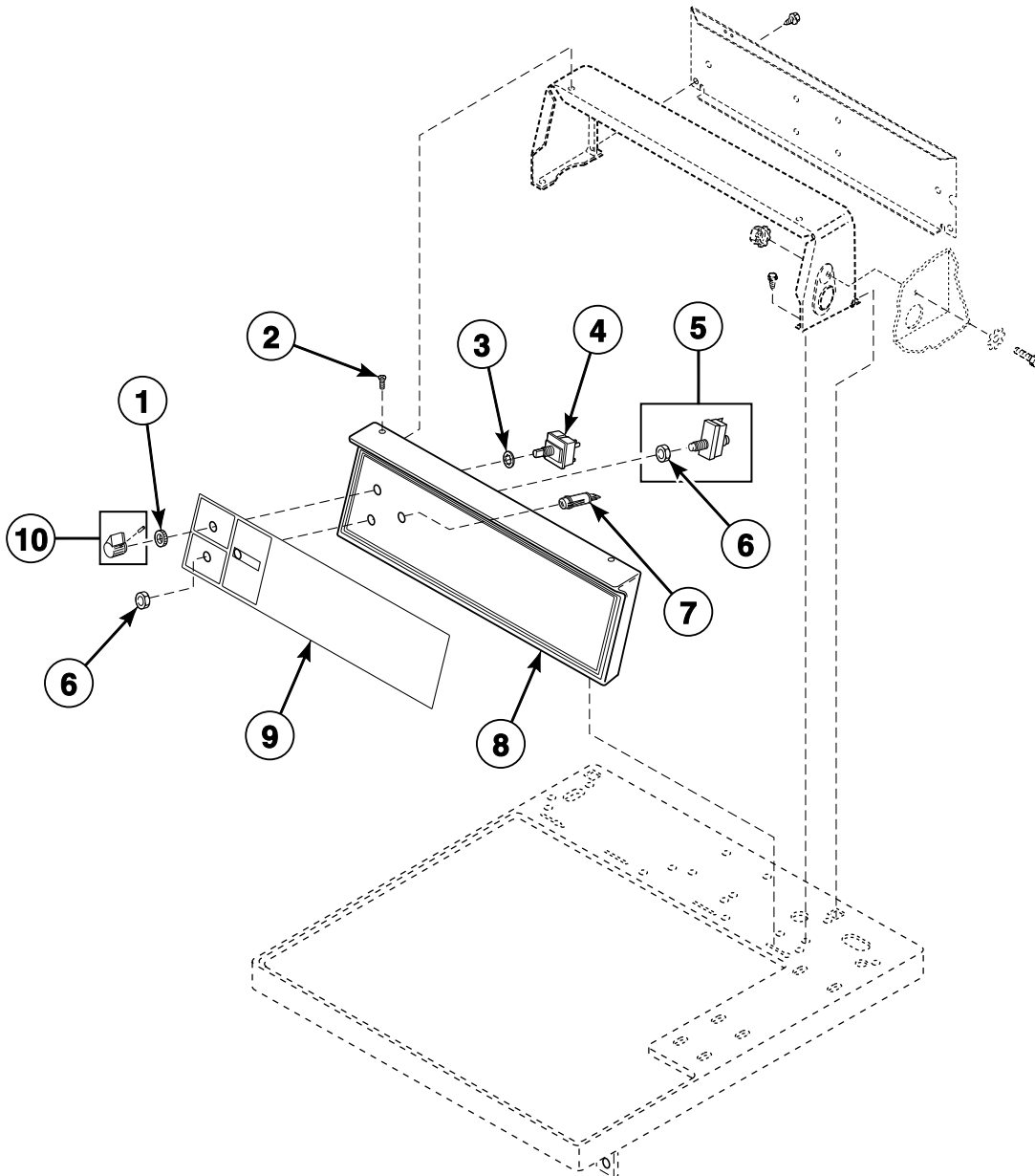
Information in this manual is applicable to these dryer models:

BDE807*F	PDEBCRGS171TG02	SDG009*F	SFE107*F
BDE907*F	PDEBXRGS171TG02	SDG109*F	SFE407*F
BDEBCFGS171TN01	PDGBCRGS111TG02	SDG109*F1124	SFE507*F
BDEBCFGS171TW01	PDGBCRGS111TG02	SDG109*F99L6	SFE507*F1500
BDEBEFGS171TN01	SDE007*F	SDG109*F99L7	SFE707*F
BDEBEFGS171TW01	SDE007*F1500	SDG309*F	SFEB07*J
BDEBYRGS171TW01	SDE107*F	SDG409*F	SFEF07*J
BDGBCFGS111TN01	SDE107*F1500	SDG509*F	SFET07*F
BDGBCFGS111TW01	SDE107*F1724	SDG609*F	SFEX07*F
BDGBEFGS111TN01	SDE107*F99L6	SDG709*F	SFEY07*F
BDGBEFGS111TW01	SDE107*F99L7	SDG809*F	SFEZ07*F
BDGBYRGS111TW01	SDE307*F	SDG909*F	SFG109*F
BDET07*F	SDE307*F1500	SDG909*F1124	SFG409*F
BDEX07*F	SDE407*F	SDGA09*J	SFG509*F
BDGT09*F	SDE407*F1500	SDGB09*J	SFG709*F
BFEX07*F	SDE507*F	SDGBCRGS111TW02	SFGB09*J
BFGX09*F	SDE507*F1500	SDGBXRGS111TW02	SFGF09*J
HDE007*F	SDE607*F	SDGC09*J	SFGT09*F
HDE107*F	SDE607*F1500	SDGF09*J	SFGX09*F
HDE907*F	SDE707*F	SDGH09*J	SFGY09*F
HDEB07*J99L1	SDE707*F1500	SDGSXRGS111TW02	SFGZ09*F
HDEB07*J99L2	SDE807*F	SDGT09*F	UDE007*F
HDET07*F	SDE807*F1500	SDGX09*F	UDE807*F
HDET07*F1500	SDE907*F	SDGY09*F	UDG009*F
HDEY07*F	SDE907*F1500	SDGZ09*F	UDG809*F
HDEY07*F1500	SDE907*F1724		
HDEZ07*F	SDEA07*J		
HDEZ07*F1500	SDEA07*J1500		
HDG009*F	SDEB07*J		
HDG109*F	SDEB07*J1500		
HDG909*F	SDEBCRGS171TW02		
HDGB09*J99L1	SDEBXRGS171TW02		
HDGT09*F	SDEC07*J		
HDGY09*F	SDEF07*J		
HDGZ09*F	SDEF07*J1500		
JDE807*F	SDEH07*J		
JDE907*F	SDEH07*J1500		
JDG809*F	SDESXRGS171TW02		
JDG909*F	SDET07*F		
KFEG17NF	SDET07*F1500		
KFET17NF	SDEX07*F		
KFEY17NF	SDEX07*F1500		
KFGG19NF	SDEY07*F		
KFGT19NF	SDEY07*F1500		
KFGY19NF	SDEZ07*F		
	SDEZ07*F1500		

* Add Letter To Designate Color. L - Almond Q - Bisque N - Stainless Steel W - White

Graphic Overlays and Controls - Electromechanical Rear Control Models

Models HDE007*F, HDE107*F, HDG009*F, HDG109*F, SDE007*F, SDE007*F1500, SDE107*F, SDE107*F1500, SDE107*F1724, SDE107*F99L6, SDE107*F99L7, SDE307*F, SDE307*F1500, SDG009*F, SDG109*F, SDG109*F1124, SDG109*F99L6, SDG109*F99L7, SDG309*F, UDE007*F and UDG009*F



DRY1854P_510298

Graphic Overlays and Controls - Electromechanical Rear Control Models

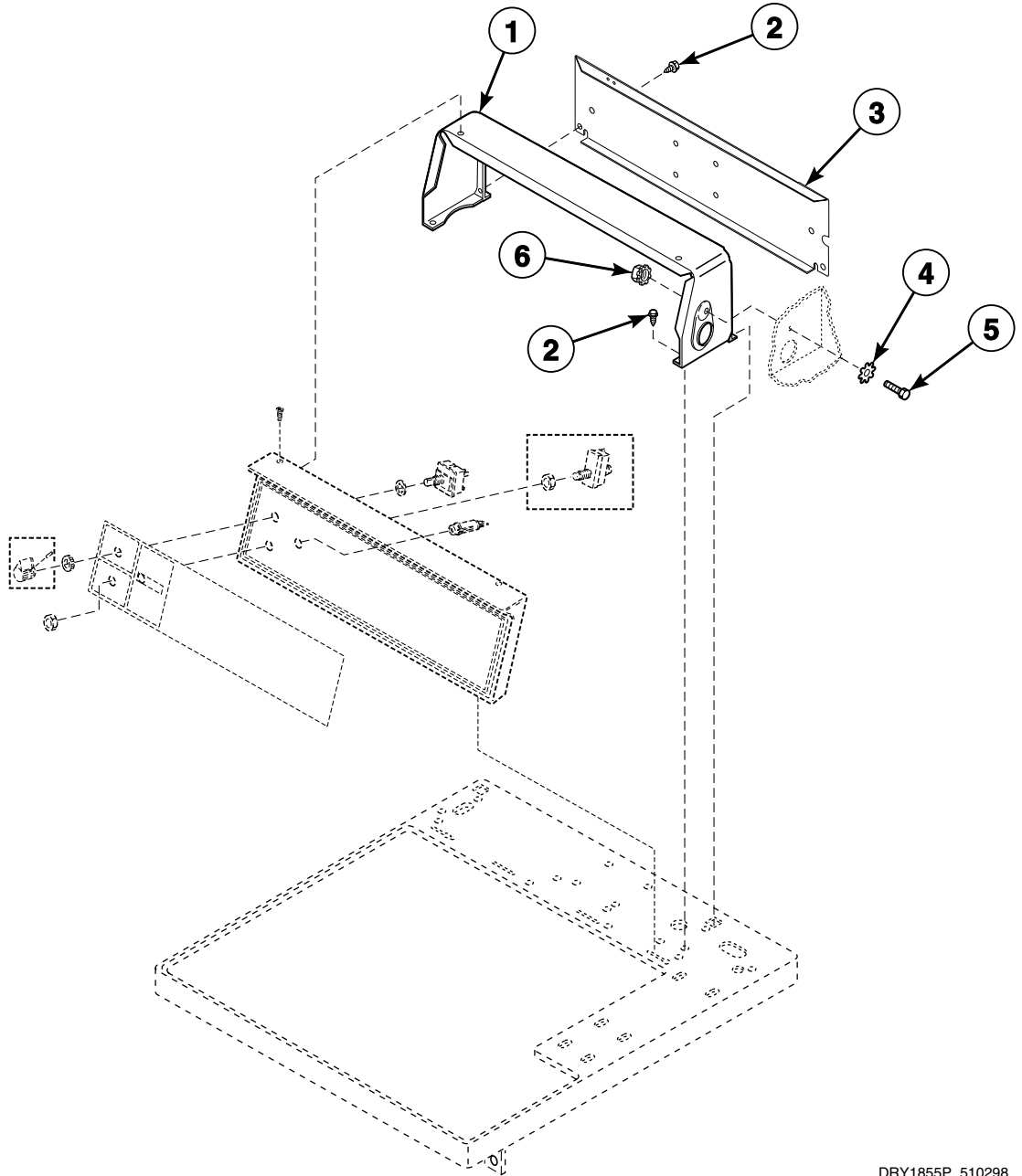
REF	PART NO.	DESCRIPTION	COMMENTS
1	24205	Nut	
2	52864	Screw	
	35528	Screw	Optional for added security
3	91029	Washer	
4	61512	Fabric Selector Switch	
5	55882	Switch Assembly	Includes item 6
6	52947	Nut	
7	32464	Light	White
8	D501738W	Control Panel and Bracket Assembly	White
	N/A	Control Panel and Bracket Assembly	Almond
	D501738Q	Control Panel and Bracket Assembly	Bisque
9	D511898	Graphic Overlay	Models UDE007*F and UDG009*F
	D511900	Graphic Overlay	Models HDE007*F, HDE107*F, HDG009*F and HDG109*F
	D511895	Graphic Overlay	All other models
10	39897	Switch Knob	

* Add Letter To Designate Color. L - Almond N - Stainless Steel Q - Bisque W - White

N/A = Part no longer available

Control Hood - Electromechanical Rear Control Models

Models HDE007*F, HDE107*F, HDG009*F, HDG109*F, SDE007*F, SDE007*F1500, SDE107*F, SDE107*F1500, SDE107*F1724, SDE107*F99L6, SDE107*F99L7, SDE307*F, SDE307*F1500, SDG009*F, SDG109*F, SDG109*F1124, SDG109*F99L6, SDG109*F99L7, SDG309*F, UDE007*F and UDG009*F



DRY1855P_510298

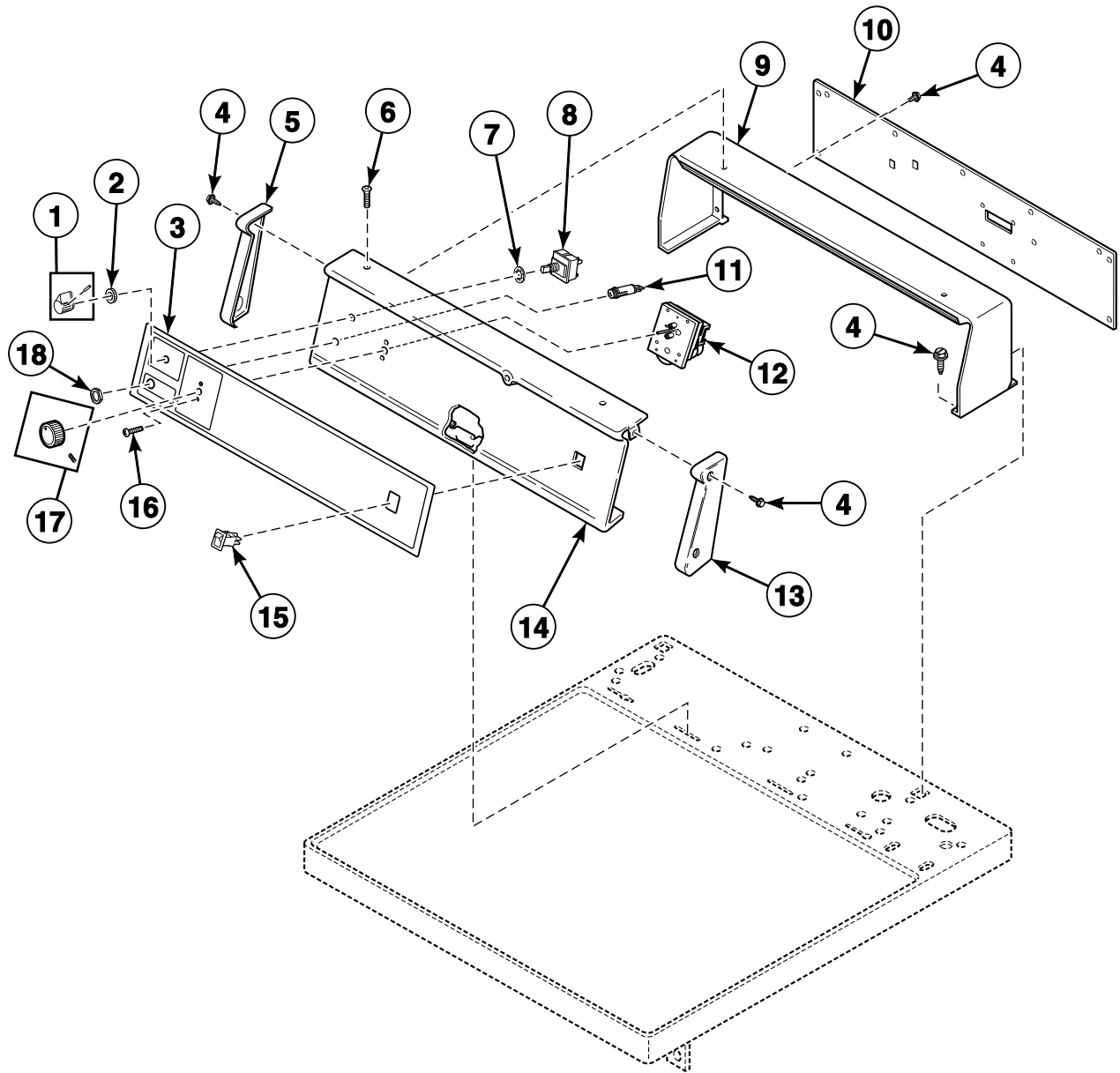
Control Hood - Electromechanical Rear Control Models

REF	PART NO.	DESCRIPTION	COMMENTS
1	D502567W	Control Hood	White
	D502567L	Control Hood	Almond
	D502567Q	Control Hood	Bisque
2	D501086	Screw	
3	D505798	Hood Back Plate	
4	M400017	Washer	
5	02916	Screw	
6	29786	Nut	

* Add Letter To Designate Color. L - Almond N - Stainless Steel Q - Bisque W - White

Control Panel, Control Hood and Controls - Nonmetered Rear Control Models

Models BDE807*F, JDE807*F, JDG809*F, SDE807*F, SDE807*F1500, SDG809*F, UDE807*F and UDG809*F



DRY2037P_510298

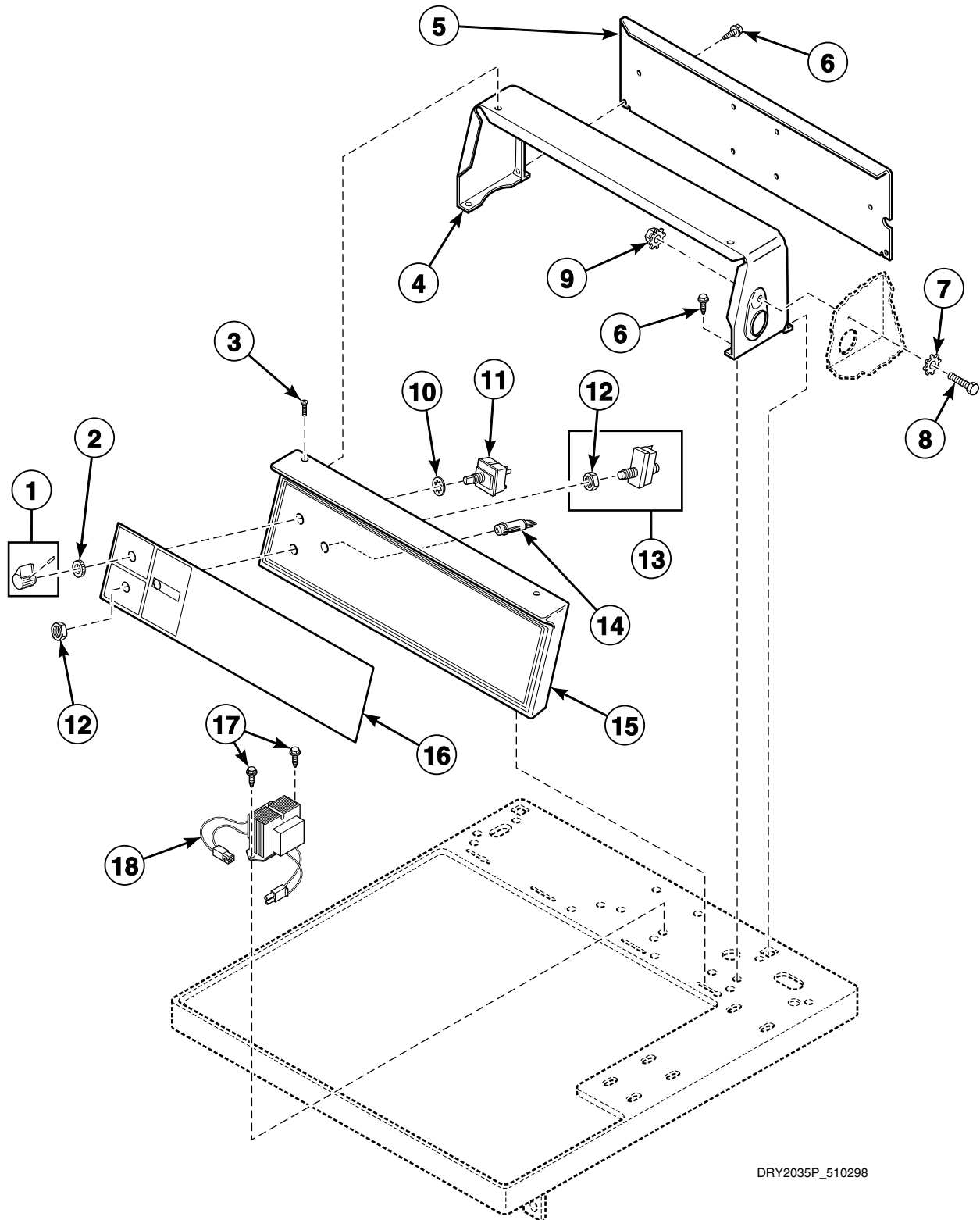
Control Panel, Control Hood and Controls - Nonmetered Rear Control Models

REF	PART NO.	DESCRIPTION	COMMENTS
1	39897	Switch Knob	
2	24205	Nut	
3	D513604	Control Panel Overlay	Models UDE807*F and UDG809*F
	D512679	Control Panel Overlay	Models JDE807*F and JDG809*F
	D512368	Control Panel Overlay	Models SDE807*F, SDE807*F1500 and SDG809*F
	D512927	Control Panel Overlay	Model BDE807*F
4	D501086	Screw	
5	210109W	End Cap	Left
6	52864	Screw	Phillips head
	35528	Screw	Torx head
7	91026	Washer	
8	61512	Fabric Selector Switch	
9	D511253W	Control Hood	White
	D511253L	Control Hood	Almond
	D511253Q	Control Hood	Bisque
10	D511254	Rear Panel	
11	32464	Light	
12	D510524P	Timer	120 Volt/60 Hertz
13	210108W	End Cap	Right
14	D512533W	Control Panel Assembly	White
	D512533Q	Control Panel Assembly	Bisque
15	70455101	Rocker Switch	
16	27328	Screw	
17	54678	Timer Knob	
18	52947	Nut	

* Add Letter To Designate Color. L - Almond N - Stainless Steel Q - Bisque W - White

Control Panel and Control Hood - Coin Slide Rear Control Models

Models BDE907*F, HDE907*F, HDG909*F, JDE907*F, JDG909*F, SDE907*F, SDE907*F1500, SDE907*F1724, SDESXRG171TW02, SDG909*F, SDG909*F1124 and SDGSXRG111TW02



DRY2035P_510298

Control Panel and Control Hood - Coin Slide Rear Control Models

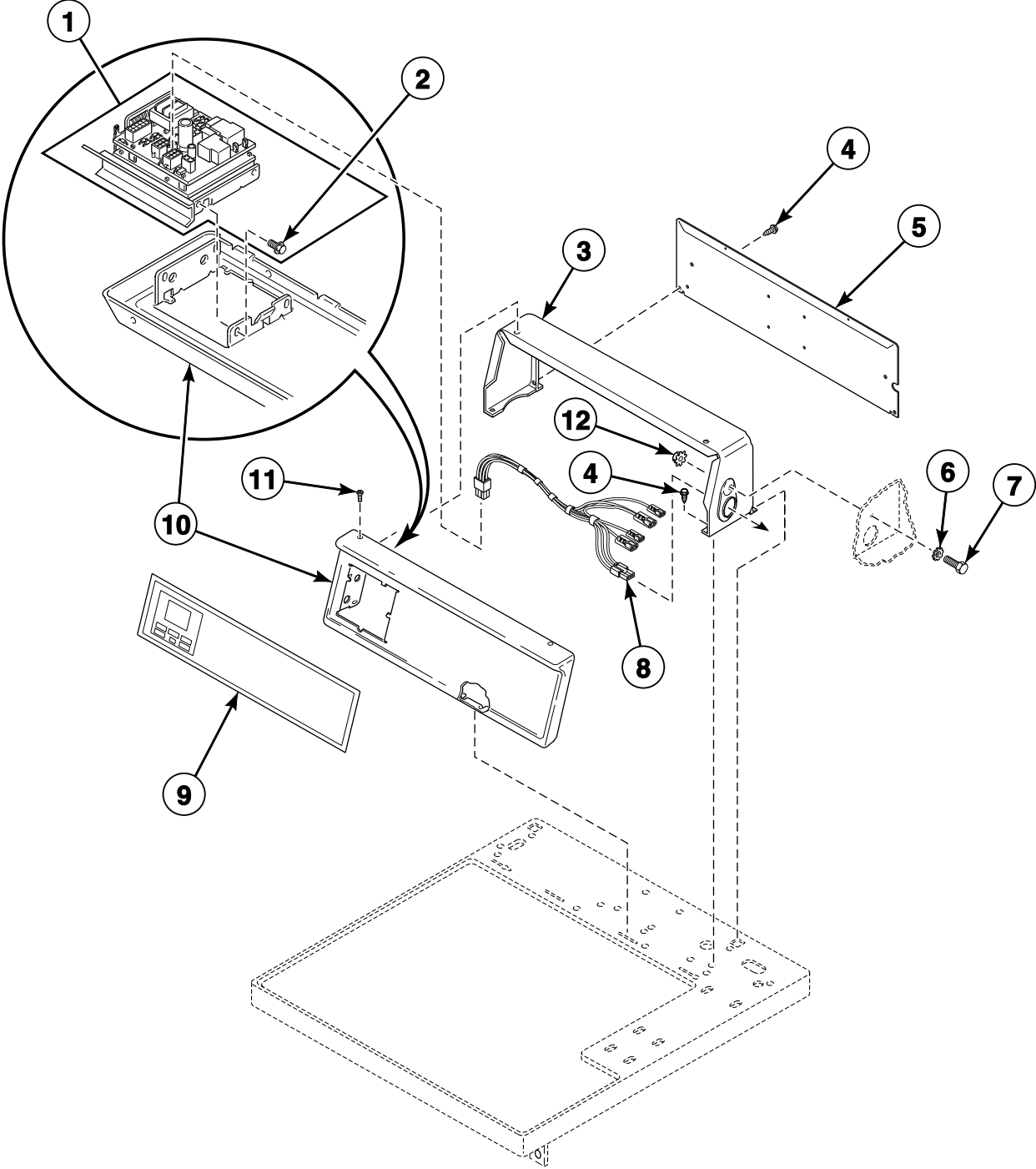
REF	PART NO.	DESCRIPTION	COMMENTS
1	39897	Switch Knob	
2	24205	Nut	
3	52864	Screw	
	35528	Screw	Optional for added security
4	D502567W	Control Hood	White
	D502567L	Control Hood	Almond
	D502567Q	Control Hood	Bisque
5	D505798	Hood Back Plate	
6	D501086	Screw	
7	M400017	Washer	
8	02916	Screw	
9	29786	Nut	
10	91029	Washer	
11	D511711	Temperature Selector Switch	
12	52947	Nut	
13	55882	Switch Assembly	Includes item 12
14	801431	Light	
15	D501738W	Control Panel and Bracket Assembly	White
	N/A	Control Panel and Bracket Assembly	Almond
	D501738Q	Control Panel and Bracket Assembly	Bisque
16	D512490	Control Panel Overlay	Models HDE907*F and HDG909*F
	D512677	Control Panel Overlay	Models JDE907*F and JDG909*F
	D512865	Control Panel Overlay	Model BDE907*F
	D512489	Control Panel Overlay	All other models
17	D503661	Screw	
18	201587P	Transformer	

* Add Letter To Designate Color. L - Almond N - Stainless Steel Q - Bisque W - White

N/A = Part no longer available

Control Panel and Controls - Electronic Rear Control Models

Models SDE407*F, SDE407*F1500, SDE507*F, SDE507*F1500, SDE607*F, SDE607*F1500, SDE707*F, SDE707*F1500, SDG409*F, SDG509*F, SDG609*F and SDG709*F



DRY1920P_510298

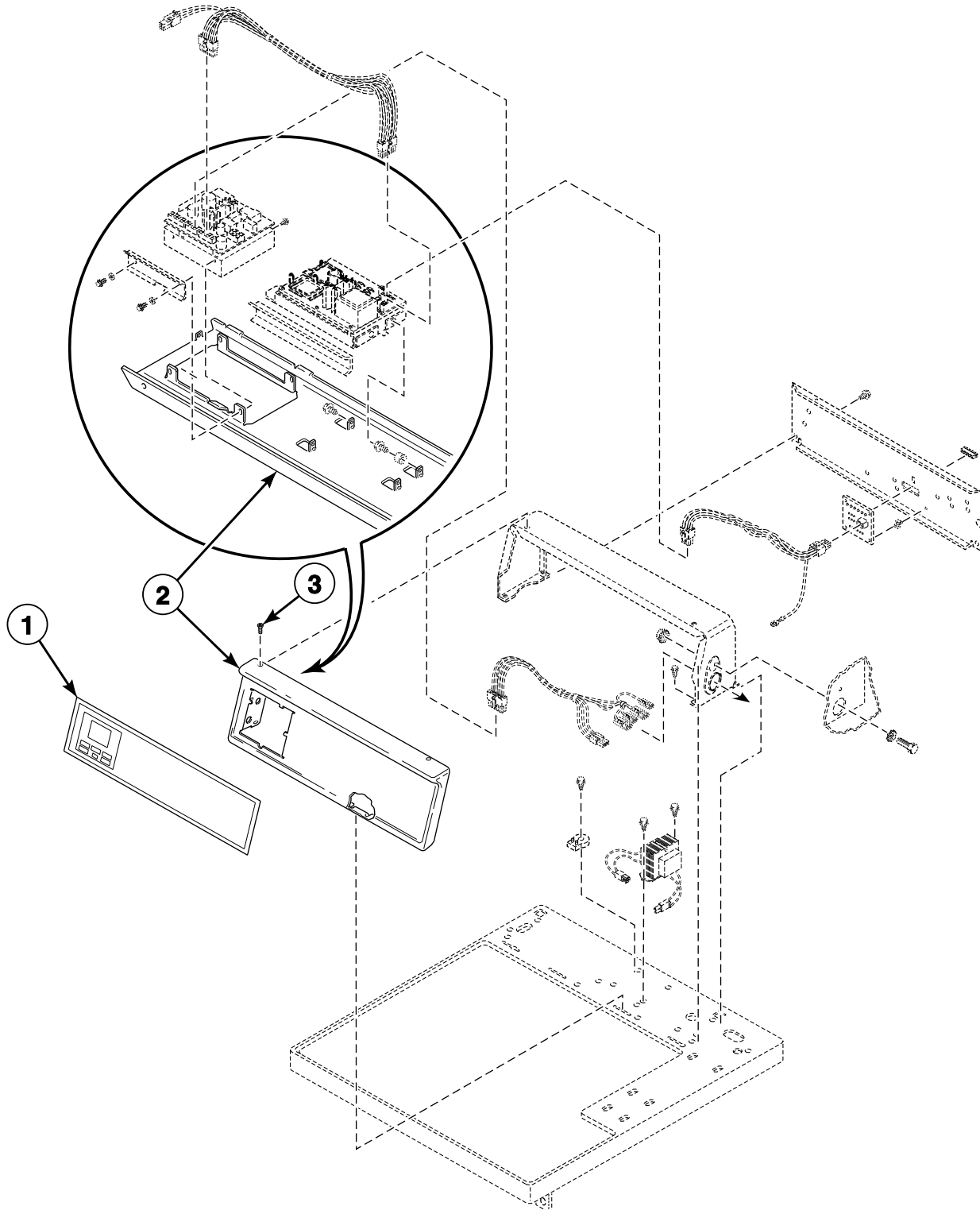
Control Panel and Controls - Electronic Rear Control Models

REF	PART NO.	DESCRIPTION	COMMENTS
1	M414050P	Control Kit	120 Volt; Includes item 2; Model and serial number of machine required - part no longer available for units built prior to 1/1/04 per field bulletin FB15-164
2	D501524	Screw	
3	D502567W	Control Hood	White
	D502567L	Control Hood	Almond
	D502567Q	Control Hood	Bisque
4	D501086	Screw	
5	D505798	Hood Back Plate	
6	M400017	Washer	
7	02916	Screw	
8	39955P	Meter Case Wire Harness Kit	Models SDE407*F, SDE407*F1500, SDE507*F, SDE507*F1500, SDG409*F and SDG509*F
9	D504113	Graphic Overlay	
10	D501359W	Control Panel	White
	D501359Q	Control Panel	Bisque
11	52864	Screw	Phillips head
	35528	Screw	Torx head; Optional for added security
12	52566	Nut	

* Add Letter To Designate Color. L - Almond N - Stainless Steel Q - Bisque W - White

Control Panel - Rear Control Coin Drop and Card Ready Models

Models BDET07*F, BDEX07*F, BDGT09*F, HDEB07*J99L1, HDEB07*J99L2, HDET07*F, HDET07*F1500, HDEZ07*F, HDEZ07*F1500, HDGB09*J99L1, HDGT09*F, HDGZ09*F, PDEBCRGS171TG02, PDEBXRGS171TG02, PDGBCRGS111TG02, PDGBXRGS111TG02, SDEA07*J, SDEA07*J1500, SDEB07*J, SDEB07*J1500, SDEBCRGS171TW02, SDEBXRGS171TW02, SDEC07*J, SDEH07*J, SDEH07*J1500, SDET07*F, SDET07*F1500, SDEX07*F, SDEX07*F1500, SDEZ07*F, SDEZ07*F1500, SDGA09*J, SDGB09*J, SDGBCRGS111TW02, SDGBXRGS111TW02, SDGC09*J, SDGH09*J, SDGT09*F, SDGX09*F and SDGZ09*F



DRY1904P_510298

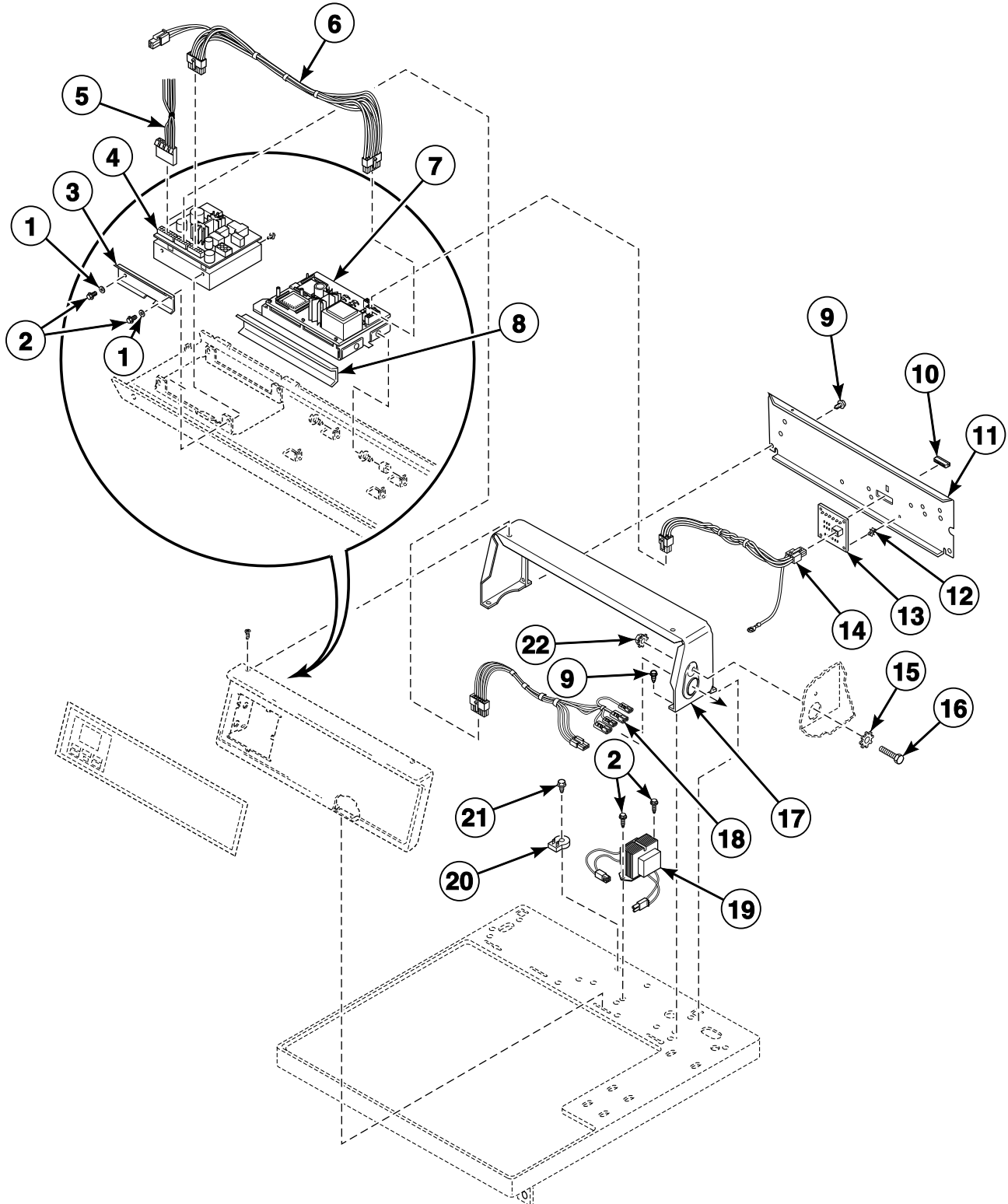
Control Panel - Rear Control Coin Drop and Card Ready Models

REF	PART NO.	DESCRIPTION	COMMENTS
1	D513036	MDC Overlay	Models BDET07*F, BDEX07*F and BDGT09*F
	D511233	Graphic Overlay	Models HDEB07*J99L1, HDEB07*J99L2 and HDGB09*J99L1
	D510070	Graphic Overlay	Models SDEA07*J, SDEA07*J1500, SDEB07*J, SDEB07*J1500, SDEC07*J, SDEH07*J, SDEH07*J1500, SDGA09*J, SDGB09*J, SDGC09*J and SDGH09*J
	D511431	MDC Overlay	Models HDET07*F, HDET07*F1500, HDEZ07*F, HDEZ07*F1500, HDGT09*F and HDGZ09*F
	D515654	MDC Overlay	Models PDEBCRGS171TG02, PDEBXRGS171TG02, PDGBCRGS111TG02 and PDGBXRGS111TG02
	D511429	MDC Overlay	Models SDEBCRGS171TW02, SDEBXRGS171TW02, SDET07*F, SDET07*F1500, SDEX07*F, SDEX07*F1500, SDEZ07*F, SDEZ07*F1500, SDGBCRGS111TW02, SDGBXRGS111TW02, SDGT09*F, SDGX09*F and SDGZ09*F
2	D510067W	Control Panel	White
	D510067L	Control Panel	Almond
	D510067Q	Control Panel	Bisque
	D510067DG	Control Panel	Dark gray
3	52864	Screw	Phillips head
	35528	Screw	Torx head

* Add Letter To Designate Color. L - Almond N - Stainless Steel Q - Bisque W - White

Controls - Rear Control Coin Drop and Card Ready Models

Models BDET07*F, BDEX07*F, BDGT09*F, HDEB07*J99L1, HDEB07*J99L2, HDET07*F, HDET07*F1500, HDEZ07*F, HDEZ07*F1500, HDGB09*J99L1, HDGT09*F, HDGZ09*F, PDEBCRGS171TG02, PDEBXRGS171TG02, PDGBCRGS111TG02, PDGBXRGS111TG02, SDEA07*J, SDEA07*J1500, SDEB07*J, SDEB07*J1500, SDEBCRGS171TW02, SDEBXRGS171TW02, SDEC07*J, SDEH07*J, SDEH07*J1500, SDET07*F, SDET07*F1500, SDEX07*F, SDEX07*F1500, SDEZ07*F, SDEZ07*F1500, SDGA09*J, SDGB09*J, SDGBCRGS111TW02, SDGBXRGS111TW02, SDGC09*J, SDGH09*J, SDGT09*F, SDGX09*F and SDGZ09*F



DRY2043P_510298

Controls - Rear Control Coin Drop and Card Ready Models

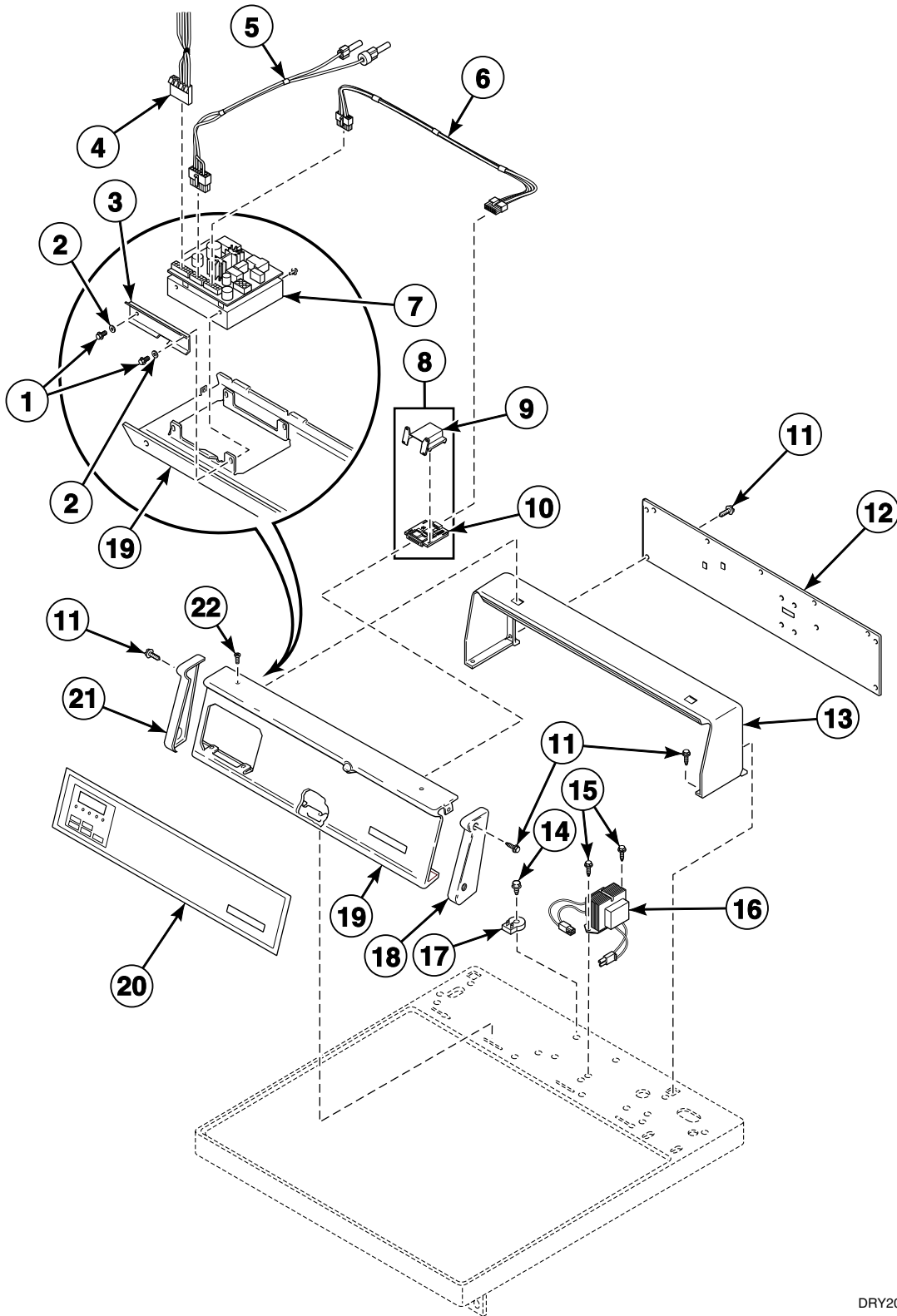
REF	PART NO.	DESCRIPTION	COMMENTS
	905P3	Security Kit	Secures front panel to rear panel
	210157P	Network Board	For tower PC; Models SDEH07*J, SDEH07*J1500 and SDGH09*J
1	200608	Washer	
2	D503688	Screw	
3	N/A	Control Shield	
4	D505905P	Control Kit	Models HDEB07*J99L1, HDEB07*J99L2, HDGB09*J99L1, SDEA07*J, SDEA07*J1500, SDEB07*J, SDEB07*J1500, SDEH07*J, SDEH07*J1500, SDGA09*J, SDGB09*J and SDGH09*J
	D511867P	Control Assembly	All other models
5	800725	Remote Vend Wire Harness Assembly	From NetMaster control to customer supplied pay unit; Models HDEB07*J99L1, HDEB07*J99L2, HDGB09*J99L1, SDEA07*J, SDEA07*J1500, SDEB07*J, SDEB07*J1500, SDEC07*J, SDEH07*J, SDEH07*J1500, SDGA09*J, SDGB09*J, SDGC09*J and SDGH09*J
	D511478	Central Pay Harness	From MDC control to customer supplied pay unit; All other models
6	800217	Network Wire Harness Assembly	Models SDEH07*J, SDEH07*J1500 and SDGH09*J
7	210016P	Network Board Assembly	Models SDEH07*J, SDEH07*J1500 and SDGH09*J
8	36105	Electronic Control Shield	Models SDEH07*J, SDEH07*J1500 and SDGH09*J
9	D501086	Screw	
10	210099	Communication Connector	Models SDEH07*J, SDEH07*J1500 and SDGH09*J
11	D505798	Hood Back Plate	
12	210098	PC Board Standoff	Models SDEH07*J, SDEH07*J1500 and SDGH09*J
13	210095P	Communication Board	Models SDEH07*J, SDEH07*J1500 and SDGH09*J
14	800219	Communication Wire Harness Assembly	Models SDEH07*J, SDEH07*J1500 and SDGH09*J
15	M400017	Washer	
16	02916	Screw	
17	D502567W	Control Hood	White
	D502567L	Control Hood	Almond
	D502567Q	Control Hood	Bisque
	D502567DG	Control Hood	Dark gray
18	802904P	Harness Assembly	Coin drop; All models except SDEA07*J, SDEA07*J1500, SDEBXRGS171TW02, SDEC07*J, SDEX07*F, SDEX07*F1500, SDGA09*J, SDGBXRGS111TW02, SDGC09*J and SDGX09*F
	802905	Harness Assembly	Coin drop; Models BDEX07*F, SDEA07*J, SDEA07*J1500, SDEBXRGS171TW02, SDEX07*F, SDEX07*F1500, SDGA09*J, SDGBXRGS111TW02 and SDGX09*F
19	803527P	Transformer	Models through Serial No. 0409; Models SDEA07*J, SDEA07*J1500, SDEC07*J, SDEX07*F, SDEX07*F1500, SDGA09*J, SDGC09*J and SDGX09*F
	201375P	Transformer	Some models may have jumper wire attached to transformer. Discard jumper wire when replacing transformer; Models starting Serial No. 0409; Models BDEX07*F, SDEA07*J, SDEA07*J1500, SDEBXRGS171TW02, SDEC07*J, SDEX07*F, SDEX07*F1500, SDGA09*J, SDGBXRGS111TW02, SDGC09*J and SDGX09*F
	210018P	Transformer	All other models
20	210100	Resistor	
21	D503661	Screw	
22	52566	Nut	

* Add Letter To Designate Color. L - Almond N - Stainless Steel Q - Bisque W - White

N/A = Part no longer available

Control Panel and Controls - Rear Control Card Models

Models BDEBYRGS171TW01, BDGBYRGS111TW01, HDEY07*F, HDEY07*F1500, HDGY09*F, SDEF07*J, SDEF07*J1500, SDEY07*F, SDEY07*F1500, SDGF09*J and SDGY09*F



DRY2044P_510298

Control Panel and Controls - Rear Control Card Models

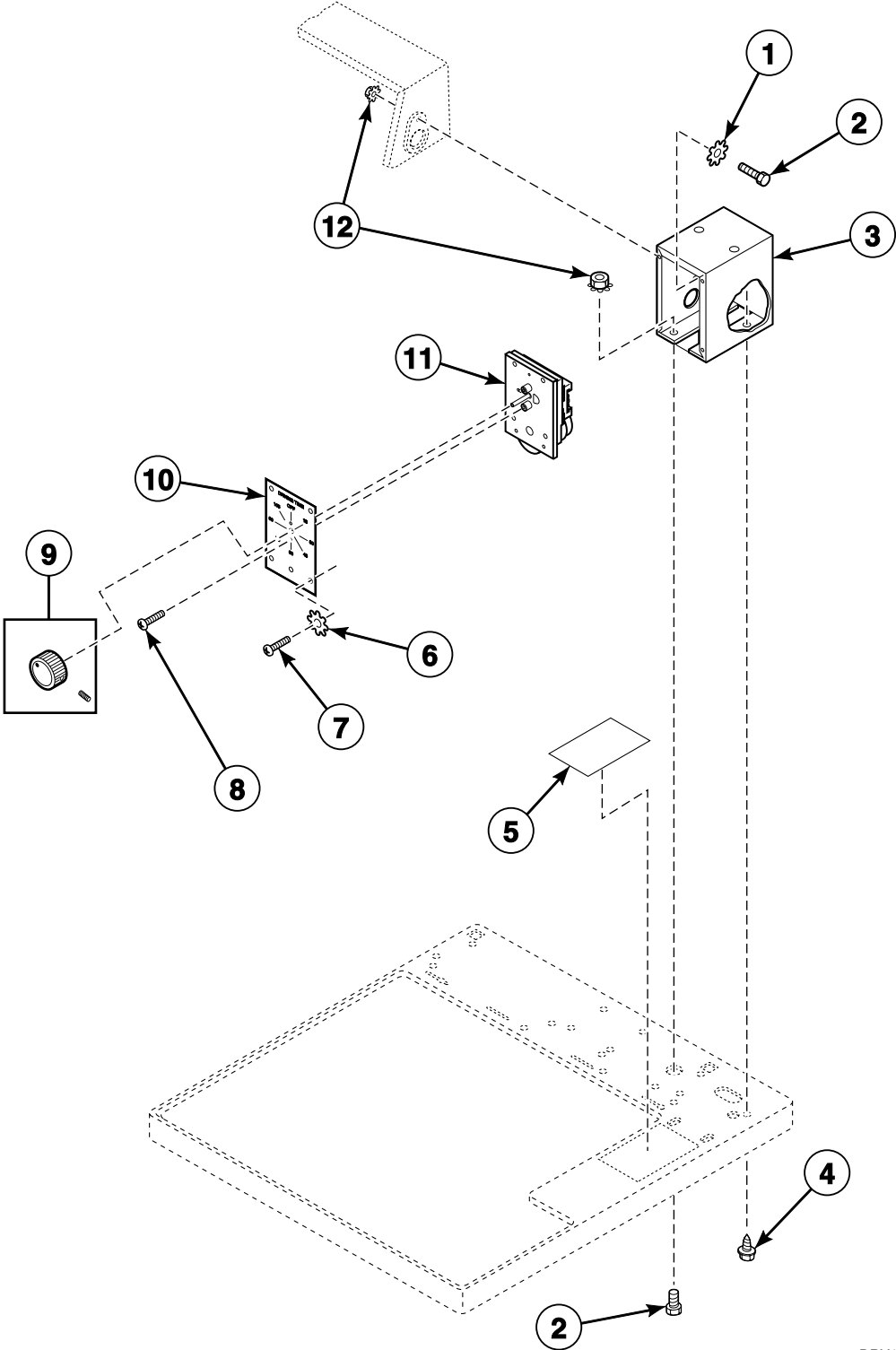
REF	PART NO.	DESCRIPTION	COMMENTS
1	23222	Screw	
2	200608	Washer	
3	N/A	Control Shield	
4	800725	Remote Vend Wire Harness Assembly	From NetMaster control to customer supplied pay unit; Models SDEF07*J, SDEF07*J1500 and SDGF09*J
	D511478	Central Pay Harness	From MDC control to customer supplied pay unit; All other models
5	202869	Diagnostic Wire Harness Assembly	
6	800125P	Card Reader Wire Harness Assembly	Models SDEF07*J, SDEF07*J1500 and SDGF09*J
7	D511867P	Control Assembly	Models BDEBYRGS171TW01, BDGBYRGS111TW01, HDEY07*F, HDEY07*F1500, HDGY09*F, SDEY07*F, SDEY07*F1500 and SDGY09*F
	D505905P	Control Kit	All other models
8	210045P	Card Reader Assembly	Includes items 9 and 10; Models SDEF07*J, SDEF07*J1500 and SDGF09*J
9	210023	Card Reader Bracket	Models SDEF07*J, SDEF07*J1500 and SDGF09*J
10	D510068P	Card Reader and Bracket Assembly	Models SDEF07*J, SDEF07*J1500 and SDGF09*J
11	D501086	Screw	
12	D511254	Rear Panel	
13	D511253W	Control Hood	White
	D511253L	Control Hood	Almond
	D511253Q	Control Hood	Bisque
14	D503661	Screw	
15	D503688	Screw	
16	803527P	Transformer	Models through Serial No. 0409; Models BDEBYRGS171TW01, BDGBYRGS111TW01, HDEY07*F1500, SDEY07*F, SDEY07*F1500 and SDGY09*F
	201375P	Transformer	Some models may have jumper wire attached to transformer. Discard jumper wire when replacing transformer; Models starting Serial No. 0409; Models BDEBYRGS171TW01, BDGBYRGS111TW01, HDEY07*F1500, SDEY07*F, SDEY07*F1500 and SDGY09*F
	210018P	Transformer	All other models
17	210100	Resistor	
18	210108W	End Cap	Right
19	D511055W	Control Panel	White
	D511055L	Control Panel	Almond
	D511055Q	Control Panel	Bisque
20	D510113	Graphic Overlay	Models SDEF07*J, SDEF07*J1500 and SDGF09*J
	D511508	Control Panel Overlay	Models HDEY07*F, HDEY07*F1500 and HDGY09*F
	D511507	Overlay	Models SDEY07*F, SDEY07*F1500 and SDGY09*F
	D514274	Overlay	Models BDEBYRGS171TW01 and BDGBYRGS111TW01
21	210109W	End Cap	Left
22	52864	Screw	Phillips head
	35528	Screw	Torx head

* Add Letter To Designate Color. L - Almond N - Stainless Steel Q - Bisque W - White

N/A = Part no longer available

Timer and Timer Case - Nonmetered Rear Control Models

Models HDE007*F, HDG009*F, SDE007*F, SDE007*F1500, SDG009*F, UDE007*F and UDG009*F



DRY1796P_510298

Timer and Timer Case - Nonmetered Rear Control Models

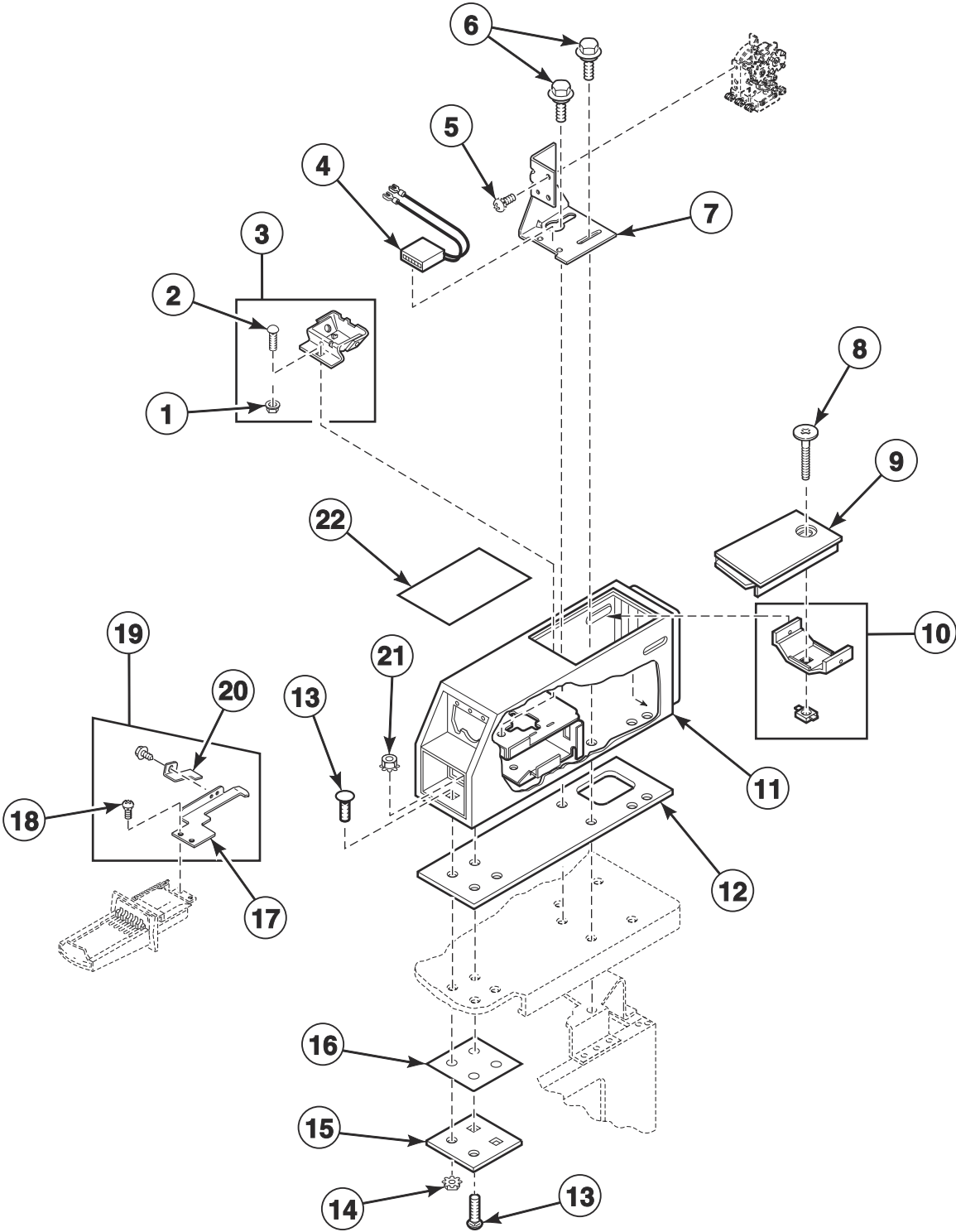
REF	PART NO.	DESCRIPTION	COMMENTS
1	M400017	Washer	
2	02916	Screw	
3	37733W	Timer Case Assembly	
4	D501086	Screw	
5	D500490	Instruction Plate	
6	21734	Washer	
7	51778	Screw	
8	27328	Screw	
9	54678	Timer Knob	
10	D500921W	Timer Plate Assembly	
11	D510524P	Timer	120 Volt/60 Hertz
12	29786	Nut	

* Add Letter To Designate Color. L - Almond N - Stainless Steel Q - Bisque W - White

Short Vault Coin Slide Extension and Meter Case - Coin Slide Rear Control Models

Models Through Serial No. 0210004099

Models HDE107*F, HDG109*F, SDE107*F, SDE107*F1500, SDE107*F1724, SDE107*F99L6, SDE107*F99L7, SDE307*F, SDE307*F1500, SDG109*F, SDG109*F1124, SDG109*F99L6, SDG109*F99L7 and SDG309*F



DRY1888P_510298

Short Vault Coin Slide Extension and Meter Case - Coin Slide Rear Control Models

REF	PART NO.	DESCRIPTION	COMMENTS
1	29796	Nut	
2	29651	Bolt	
3	523P3	Coin Funnel Kit	Includes items 1 and 2
4	62113P	Counter Kit	Models SDE307*F, SDE307*F1500 and SDG309*F
5	03203	Screw	
6	D502431	Screw	
7	N/A	Timer Bracket	
8	D503673	Screw	
9	39874WP	Service Door Assembly	White
	39874LP	Service Door Assembly	Almond
	39874QP	Service Door Assembly	Bisque
10	204616	Meter Case Locking Bracket Kit	
11	524P3W	Meter Case and Funnel Kit	White; Includes items 3 and 12-16; Replaces 56944* and 57368* Meter Cases; Uses a 3 inch high x 3.5 inch wide x 6 inch long coin vault
	524P3L	Meter Case and Funnel Kit	Almond; Includes items 3 and 12-16; Replaces 56944* and 57368* Meter Case; Uses a 3 inch high x 3.5 inch wide x 6 inch long coin vault
	524P3Q	Meter Case and Funnel Kit	Bisque; Includes items 3 and 12-16; Replaces 56944* and 57368* Meter Case; Uses a 3 inch high x 3.5 inch wide x 6 inch long coin vault
12	26354	Meter Case Gasket	
13	203798	Bolt	
14	29786	Nut	
15	35525	Meter Case Lockdown Bracket	
16	35526	Meter Case Bracket Gasket	
17	D503733	Coin Slide Extension	
18	N/A	Screw	
19	553P3	Slide Extension Kit	Includes items 17, 18 and 20
20	D501796	Slide Extension Modifier	
21	29786	Nut	
22	D500628	Instruction Label	

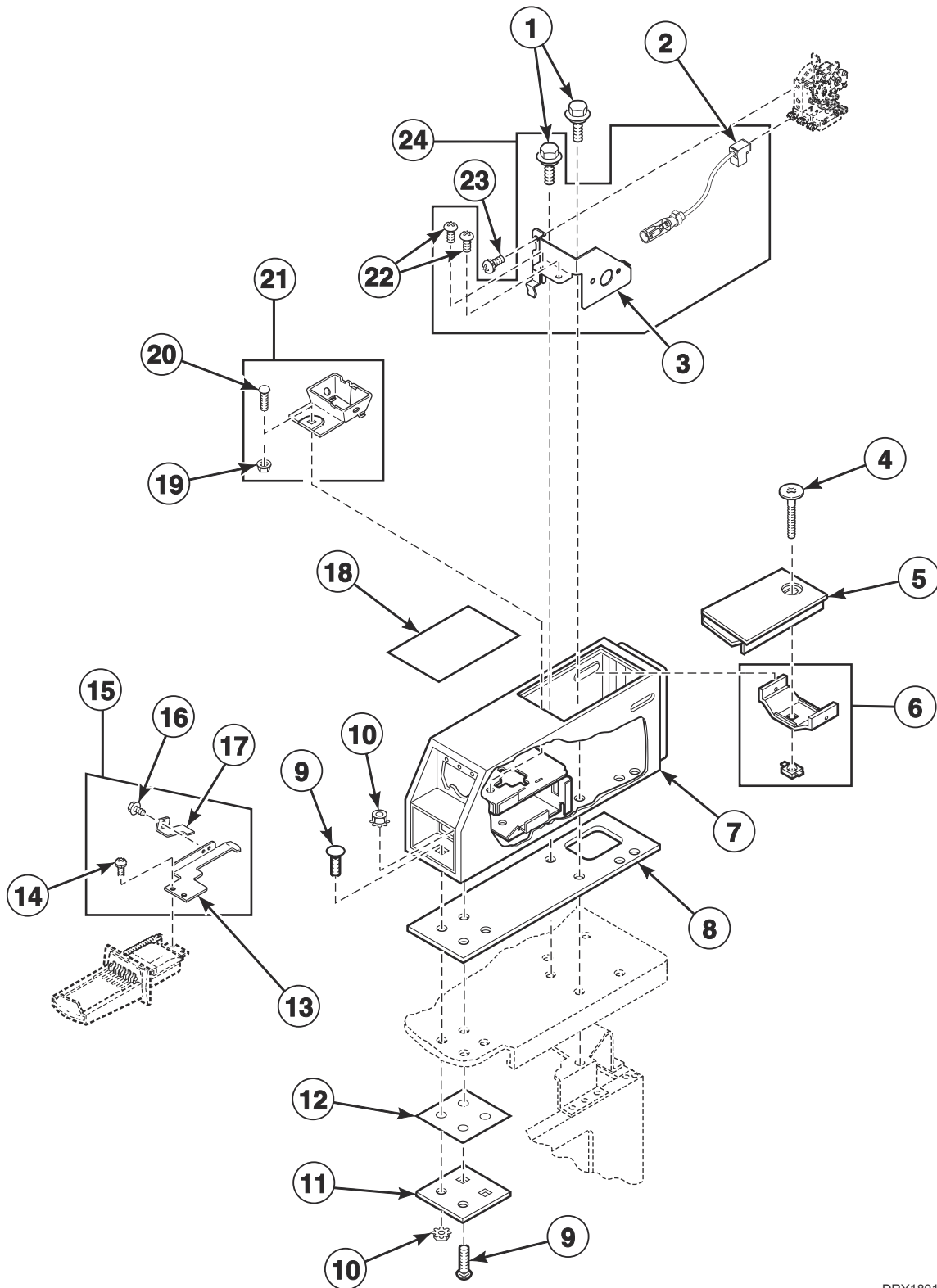
* Add Letter To Designate Color. L - Almond N - Stainless Steel Q - Bisque W - White

N/A = Part no longer available

Long Vault Coin Slide Extension and Meter Case - Coin Slide Rear Control Models

Models Starting Serial No. 0210004100

Models HDE107*F, HDG109*F, SDE107*F, SDE107*F1500, SDE107*F1724, SDE107*F99L6, SDE107*F99L7, SDE307*F, SDE307*F1500, SDG109*F, SDG109*F1124, SDG109*F99L6, SDG109*F99L7 and SDG309*F



DRY1801P_510298

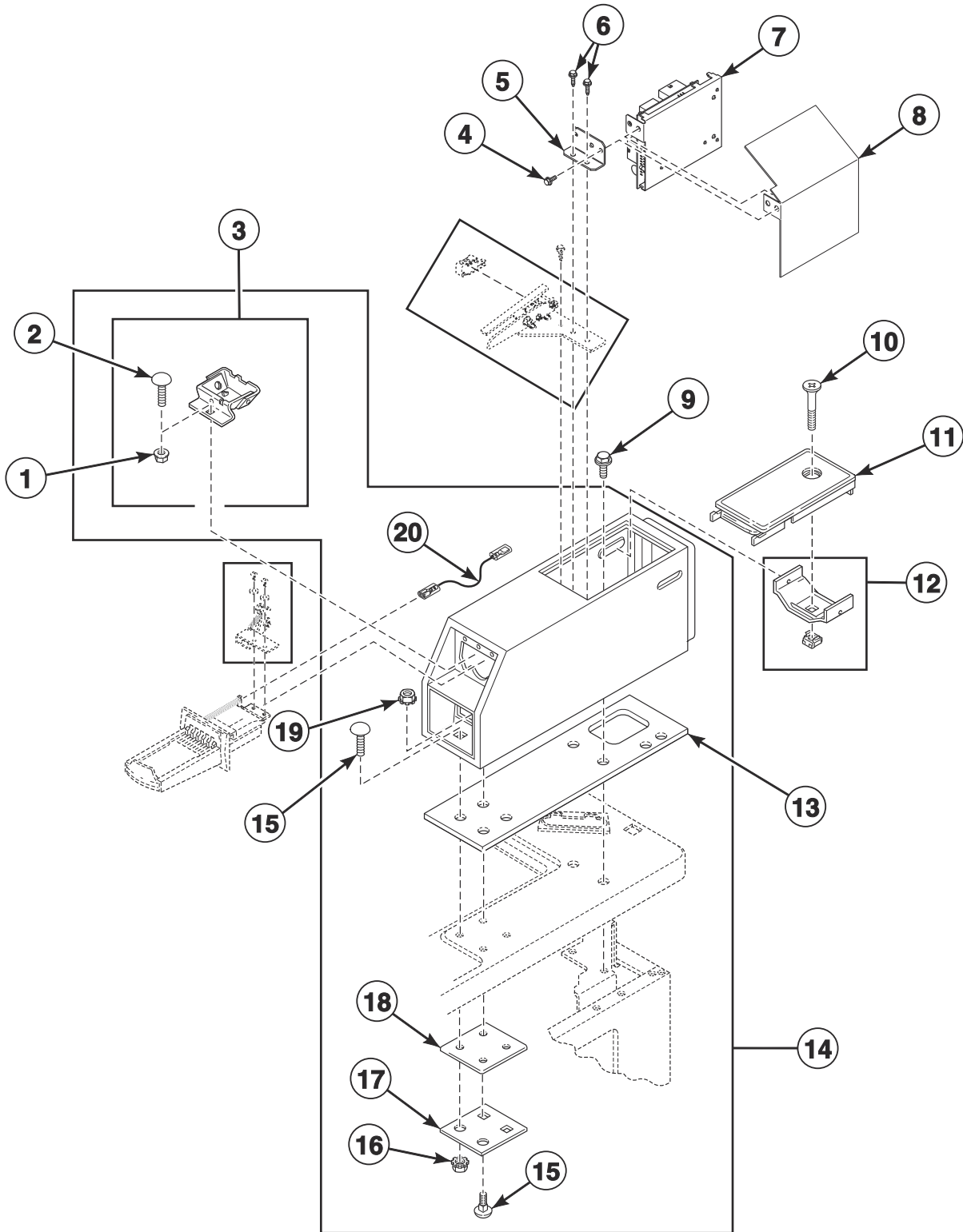
Long Vault Coin Slide Extension and Meter Case - Coin Slide Rear Control Models

REF	PART NO.	DESCRIPTION	COMMENTS
	201280P	Mechanical Counter Kit Assembly	
1	36048	Screw	
2	D511589	Wire Accumulator Assembly	
3	200832	Long Vault Timer Bracket	
4	D503673	Screw	
5	39874WP	Service Door Assembly	White
	39874LP	Service Door Assembly	Almond
	39874QP	Service Door Assembly	Bisque
6	204616	Meter Case Locking Bracket Kit	
7	807398W	Meter Case Kit	White; Includes items 8-12 and 21; Uses a 3 inch high x 3.5 inch wide x 8 inch long coin vault
	201010LP	Meter Case Kit	Almond; Includes items 8-12 and 21; Uses a 3 inch high x 3.5 inch wide x 8 inch long coin vault
	201010QP	Meter Case Kit	Bisque; Includes items 8-12 and 21; Uses a 3 inch high x 3.5 inch wide x 8 inch long coin vault
8	26354	Meter Case Gasket	
9	203798	Bolt	
10	29786	Nut	
11	35525	Meter Case Lockdown Bracket	
12	35526	Meter Case Bracket Gasket	
13	D506114	Coin Slide Extension	
14	D511419	Screw	
15	788P3	Long Vault Slide Extension Kit	Includes items 13, 14, 16 and 17
16	D501086	Screw	
17	D501796	Slide Extension Modifier	
18	D500628	Instruction Label	
19	29796	Nut	
20	29651	Bolt	
21	523P3	Coin Funnel Kit	Includes items 19 and 20
22	D503688	Screw	
23	03203	Screw	
24	789P3	Long Vault Timer Bracket Kit	Includes items 1-3 and 22

* Add Letter To Designate Color. L - Almond N - Stainless Steel Q - Bisque W - White

Control, Meter Case and Service Door - Coin Slide Rear Control Models

Models BDE907*F, HDE907*F, HDG909*F, JDE907*F, JDG909*F, SDE907*F, SDE907*F1500, SDE907*F1724,
SDESXRG171TW02, SDG909*F, SDG909*F1124 and SDGSXRG111TW02



DRY2274P_510298

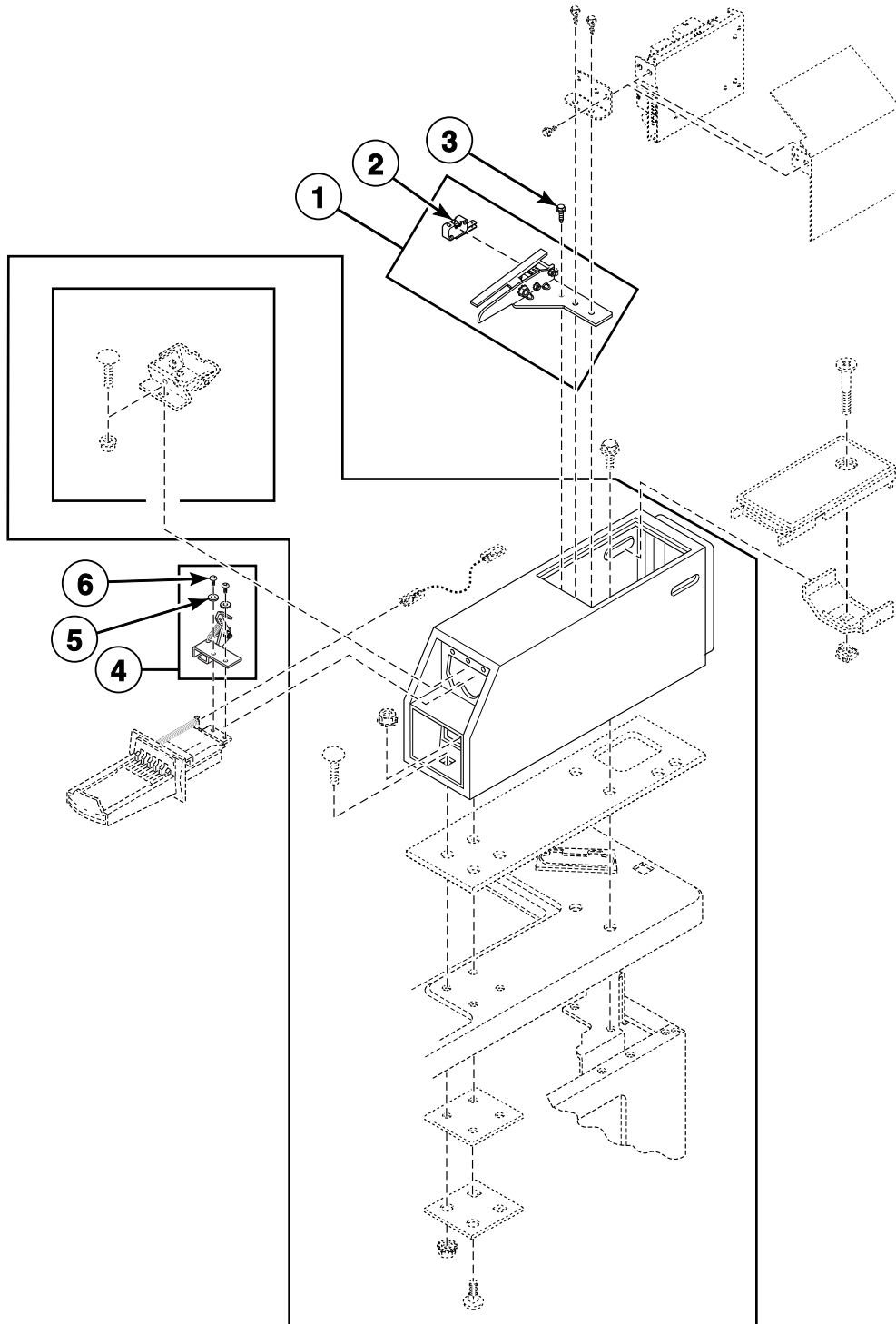
Control, Meter Case and Service Door - Coin Slide Rear Control Models

REF	PART NO.	DESCRIPTION	COMMENTS
1	29796	Nut	
2	29651	Bolt	All models except SDESXRG111TW02 and SDGSXRG111TW02 through Serial No. 1009024164
3	523P3	Coin Funnel Kit	All models except SDESXRG111TW02 and SDGSXRG111TW02 through Serial No. 1009024164
4	D501524	Screw	
5	201581	Chassis Mounting Bracket	
6	D503688	Screw	
7	D513139P	Control Assembly	
8	D512304	Control Shield	
9	36048	Screw	
10	D503673	Screw	All models except SDESXRG111TW02 and SDGSXRG111TW02 through Serial No. 1009024164
11	803043WP	Service Door Assembly	Models SDESXRG111TW02 and SDGSXRG111TW02 through Serial No. 1009024164
	39874WP	Service Door Assembly	White; All other models
	39874QP	Service Door Assembly	Bisque; All other models
12	204616	Meter Case Locking Bracket Kit	All models except SDESXRG111TW02 and SDGSXRG111TW02 through Serial No. 1009024164
13	26354	Meter Case Gasket	
14	803074W	Meter Case Assembly	Models SDESXRG111TW02 and SDGSXRG111TW02 through Serial No. 1009024164
	803575WP	Meter Case Assembly Kit	Models SDESXRG111TW02 and SDGSXRG111TW02 starting Serial No. 1009024165
	803578P	Coin Box Extension Kit	Use with 803575W Meter Case to extend shorter 7 inch coin boxes; Models SDESXRG111TW02 and SDGSXRG111TW02 starting Serial No. 1009024165
	807398W	Meter Case Kit	White; Includes items 3, 15-20; All other models
	201010QP	Meter Case Kit	Bisque; Includes items 3, 15-20; All other models
15	203798	Bolt	
16	29786	Nut	
17	35525	Meter Case Lockdown Bracket	
18	35526	Meter Case Bracket Gasket	
19	802337	Nut	
20	D513131	Jumper Assembly	Models SDESXRG111TW02 and SDGSXRG111TW02; Hood harness to coin slide switch

* Add Letter To Designate Color. L - Almond N - Stainless Steel Q - Bisque W - White

Coin Slide Extension Through Serial No. 1211 - Coin Slide Rear Control Models

Models BDE907*F, HDE907*F, HDG909*F, JDE907*F, JDG909*F, SDE907*F, SDE907*F1500, SDE907*F1724, SDESXRGs171TW02, SDG909*F, SDG909*F1124 and SDGSXRGs111TW02



DRY2274PA_510298

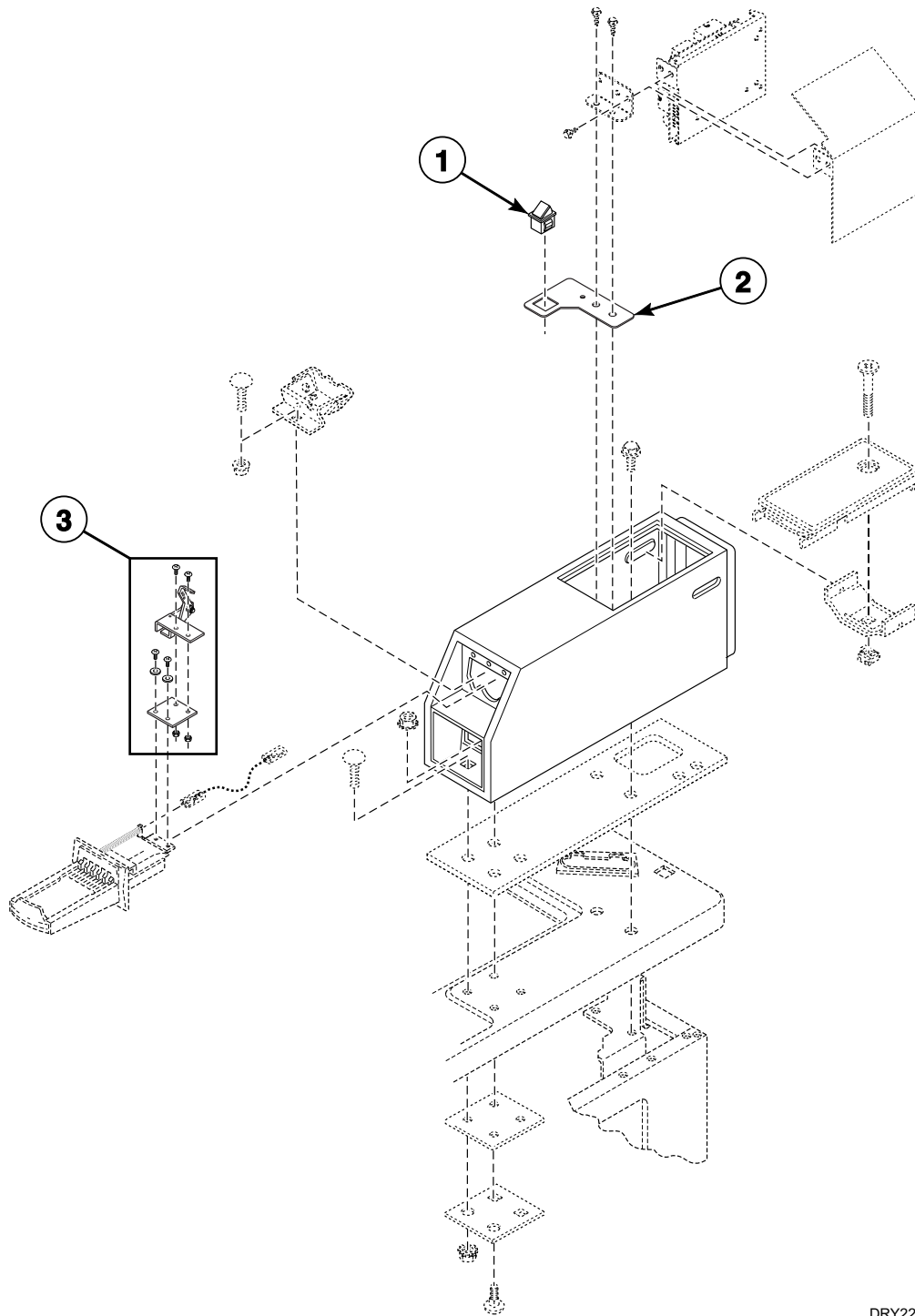
Coin Slide Extension Through Serial No. 1211 - Coin Slide Rear Control Models

REF	PART NO.	DESCRIPTION	COMMENTS
1	201917P	Switch Mount Assembly	Some models may have a 3/16 inch spade terminal on the coin slide switch; When replacing switch mount assembly on these models, the control wire harness must also be replaced; All models except SDESXRG171TW02 and SDGSXRG111TW02 through Serial No. 1009024164
2	201952	Switch	Some models may have a 3/16 inch spade terminal on the coin slide switch; When replacing switch mount assembly on these models, the control wire harness must also be replaced; All models except SDESXRG171TW02 and SDGSXRG111TW02 through Serial No. 1009024164
3	51782	Screw	All models except SDESXRG171TW02 and SDGSXRG111TW02 through Serial No. 1009024164
4	201915	Slide Extension Kit	All models except SDESXRG171TW02 and SDGSXRG111TW02 through Serial No. 1009024164
5	03815	Washer	All models except SDESXRG171TW02 and SDGSXRG111TW02 through Serial No. 1009024164
6	27328	Screw	All models except SDESXRG171TW02 and SDGSXRG111TW02 through Serial No. 1009024164

* Add Letter To Designate Color. L - Almond N - Stainless Steel Q - Bisque W - White

Coin Slide Extension Starting Serial No. 1211 - Coin Slide Rear Control Models

Models BDE907*F, HDE907*F, HDG909*F, JDE907*F, JDG909*F, SDE907*F, SDE907*F1500, SDE907*F1724, SDESXRG171TW02, SDG909*F, SDG909*F1124 and SDGSXRG111TW02



DRY2275P_510298

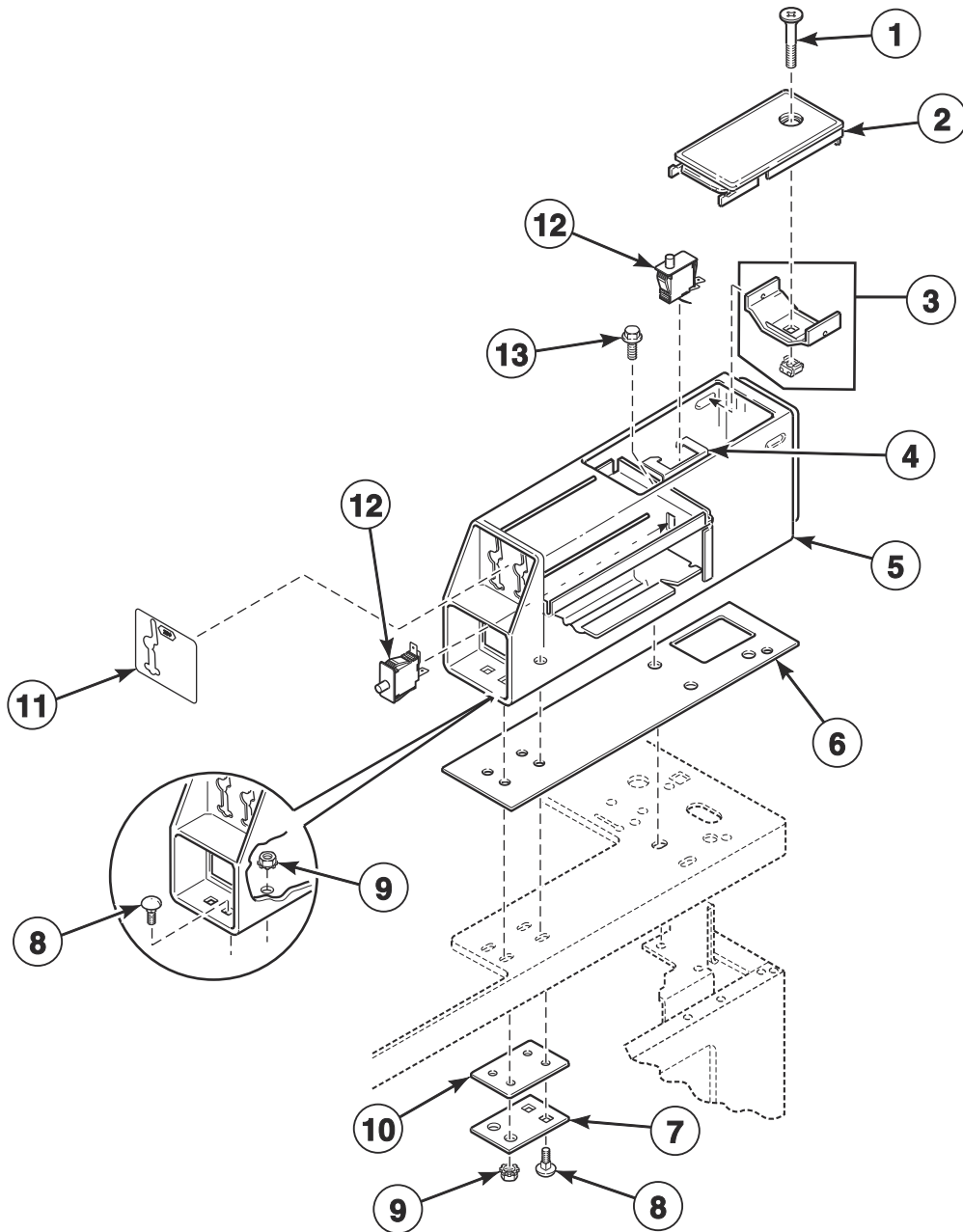
Coin Slide Extension Starting Serial No. 1211 - Coin Slide Rear Control Models

REF	PART NO.	DESCRIPTION	COMMENTS
1	431159	Switch	
2	803662	Bracket	
3	200913	Coin Slide Extension Kit	Includes spring and items 1 and 2
	804794	Spring	

* Add Letter To Designate Color. L - Almond N - Stainless Steel Q - Bisque W - White

Meter Case - Rear Control Models

Models BDET07*F, BDEX07*F, BDGT09*F, HDEB07*J99L1, HDEB07*J99L2, HDET07*F, HDET07*F1500, HDEZ07*F, HDEZ07*F1500, HDGB09*J99L1, HDGT09*F, HDGZ09*F, PDEBCRGS171TG02, PDEBXRGS171TG02, PDGBCRGS111TG02, PDGBXRGS111TG02, SDE407*F, SDE407*F1500, SDE507*F, SDE507*F1500, SDEA07*J, SDEA07*J1500, SDEB07*J, SDEB07*J1500, SDEBCRGS171TW02, SDEBXRGS171TW02, SDEH07*J, SDEH07*J1500, SDET07*F, SDET07*F1500, SDEX07*F, SDEX07*F1500, SDEZ07*F, SDEZ07*F1500, SDG409*F, SDG509*F, SDGA09*J, SDGB09*J, SDGBCRGS111TW02, SDGBXRGS111TW02, SDGH09*J, SDGT09*F, SDGX09*F and SDGZ09*F



DRY2219P_510298

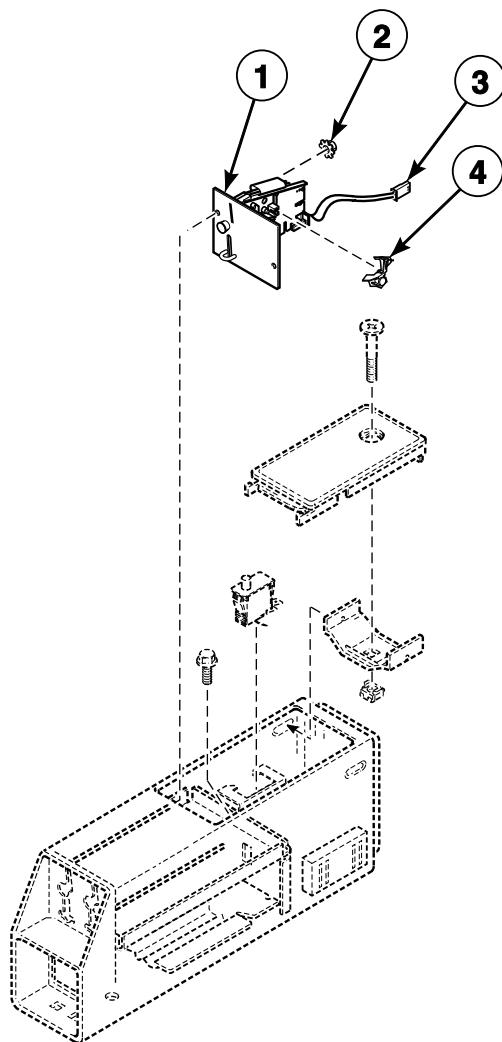
Meter Case - Rear Control Models

REF	PART NO.	DESCRIPTION	COMMENTS
1	D503673	Screw	All models except SDEBCRGS171TW02, SDEBXRGS171TW02, SDGBCRGS111TW02 and SDGBXRGS111TW02 through Serial No. 1009024164
2	803043WP	Service Door Assembly	Models SDEBCRGS171TW02, SDEBXRGS171TW02, SDGBCRGS111TW02 and SDGBXRGS111TW02 through Serial No. 1009024164
	39874WP	Service Door Assembly	White; All other models
	39874LP	Service Door Assembly	Almond; All other models
	39874QP	Service Door Assembly	Bisque; All other models
	39874DG	Service Door Assembly	Dark gray; All other models
3	204616	Meter Case Locking Bracket Kit	All models except SDEBCRGS171TW02, SDEBXRGS171TW02, SDGBCRGS111TW02 and SDGBXRGS111TW02 through Serial No. 1009024164
4	38087	Door Switch Bracket	
5	807401W	Meter Case Assembly Kit	Models SDEBCRGS171TW02, SDEBXRGS171TW02, SDGBCRGS111TW02 and SDGBXRGS111TW02
	803578P	Coin Box Extension Kit	Use with 803063W Meter Case to extend shorter 7 inch coin boxes; Models SDEBCRGS171TW02, SDEBXRGS171TW02, SDGBCRGS111TW02 and SDGBXRGS111TW02 starting Serial No. 1009024165
	202877W	Meter Case Assembly	White; All other models
	38724L	Meter Case Assembly	Almond; All other models
	202877Q	Meter Case Assembly	Bisque; All other models
	807401DG	Meter Case Assembly	Dark gray; All other models
6	26354	Meter Case Gasket	
7	35525	Meter Case Lockdown Bracket	
8	203798	Bolt	
9	29786	Nut	
10	35526	Meter Case Bracket Gasket	
11	202123	Single Overlay	Models SDEBCRGS171TW02, SDEBXRGS171TW02, SDGBCRGS111TW02 and SDGBXRGS111TW02 through Serial No. 1009024164
	38717	Single Overlay	All other models
12	D512973	Switch	
13	36048	Screw	

* Add Letter To Designate Color. L - Almond N - Stainless Steel Q - Bisque W - White

Non-Electronic Coin Drop - Rear Control Models

Models BDET07*F, BDEX07*F, BDGT09*F, HDEB07*J99L1, HDEB07*J99L2, HDET07*F, HDET07*F1500, HDEZ07*F, HDEZ07*F1500, HDGB09*J99L1, HDGT09*F, HDGZ09*F, PDEBCRGS171TG02, PDEBXRGS171TG02, PDGBCRGS111TG02, PDGBXRGS111TG02, SDE407*F, SDE407*F1500, SDE507*F, SDE507*F1500, SDEA07*J, SDEA07*J1500, SDEB07*J, SDEB07*J1500, SDEBCRGS171TW02, SDEBXRGS171TW02, SDEH07*J, SDEH07*J1500, SDET07*F, SDET07*F1500, SDEX07*F, SDEX07*F1500, SDEZ07*F, SDEZ07*F1500, SDG409*F, SDG509*F, SDGA09*J, SDGB09*J, SDGBCRGS111TW02, SDGBXRGS111TW02, SDGH09*J, SDGT09*F, SDGX09*F and SDGZ09*F



DRY2170P_510298

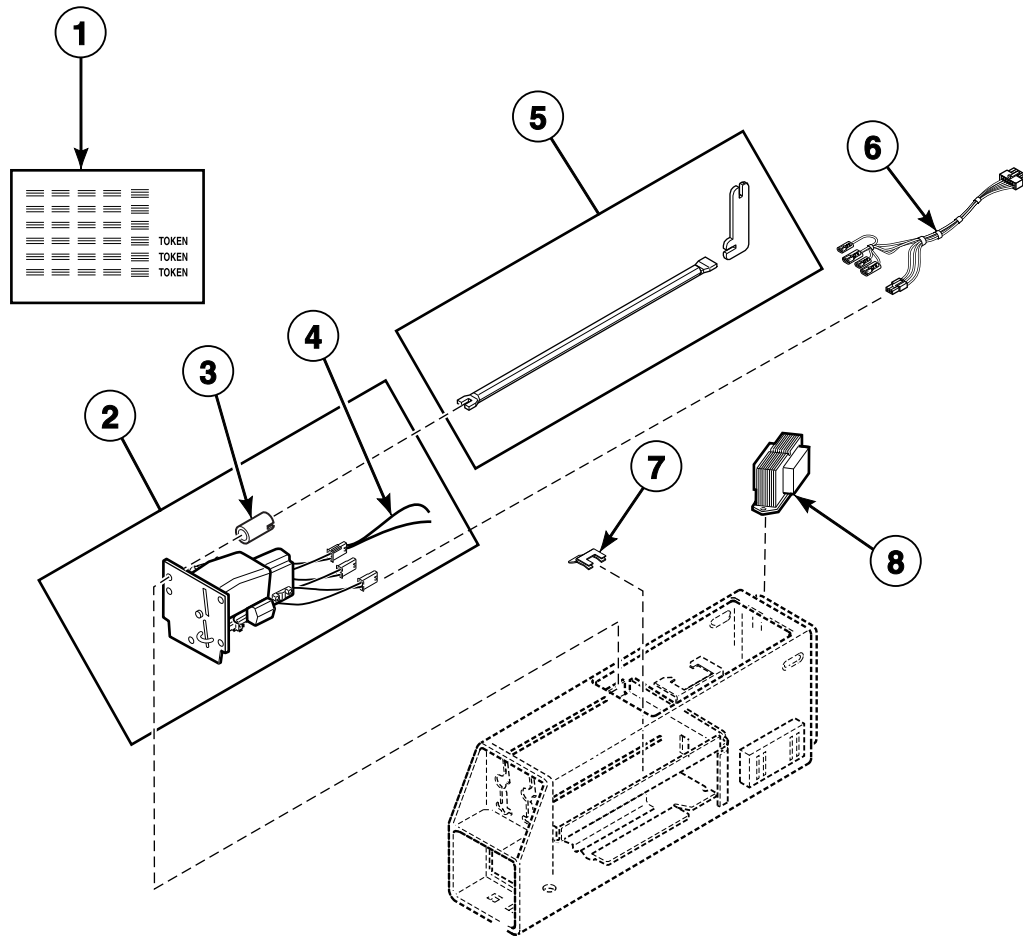
Non-Electronic Coin Drop - Rear Control Models

REF	PART NO.	DESCRIPTION	COMMENTS
	802904	Coin Drop Harness Assembly	
1	38462P	Coin Drop Assembly	Token; 118-1 mzp; .880 diameter x .079 thick; Brass
	38463	Coin Drop Assembly	Token; 118-5 mzp; .990 diameter x .081 thick; Silver
	70441601P	Coin Drop	U.S.; \$.25
	38963P	Coin Drop	Token 118-16 not available; Replacement for 38963P Coin Drop only
2	29786	Nut	
3	200674P	Opto Coupler	
4	201595P	Wire Guard	Anti-stringing security device; Add to coin drops beginning January 2005

* Add Letter To Designate Color. L - Almond N - Stainless Steel Q - Bisque W - White

Electronic Coin Drop - Rear Control Models

Models BDET07*F, BDEX07*F, BDGT09*F, HDEB07*J99L1, HDEB07*J99L2, HDET07*F, HDET07*F1500, HDEZ07*F, HDEZ07*F1500, HDGB09*J99L1, HDGT09*F, HDGZ09*F, PDEBXRGS171TG02, PDGBXRGS111TG02, SDEA07*J, SDEA07*J1500, SDEB07*J, SDEB07*J1500, SDEBCRGS171TW02, SDEBXRGS171TW02, SDET07*F, SDET07*F1500, SDEX07*F, SDEX07*F1500, SDEZ07*F, SDEZ07*F1500, SDGA09*J, SDGB09*J, SDGBCRGS111TW02, SDGBXRGS111TW02, SDGT09*F, SDGX09*F and SDGZ09*F



DRY2156P_510298

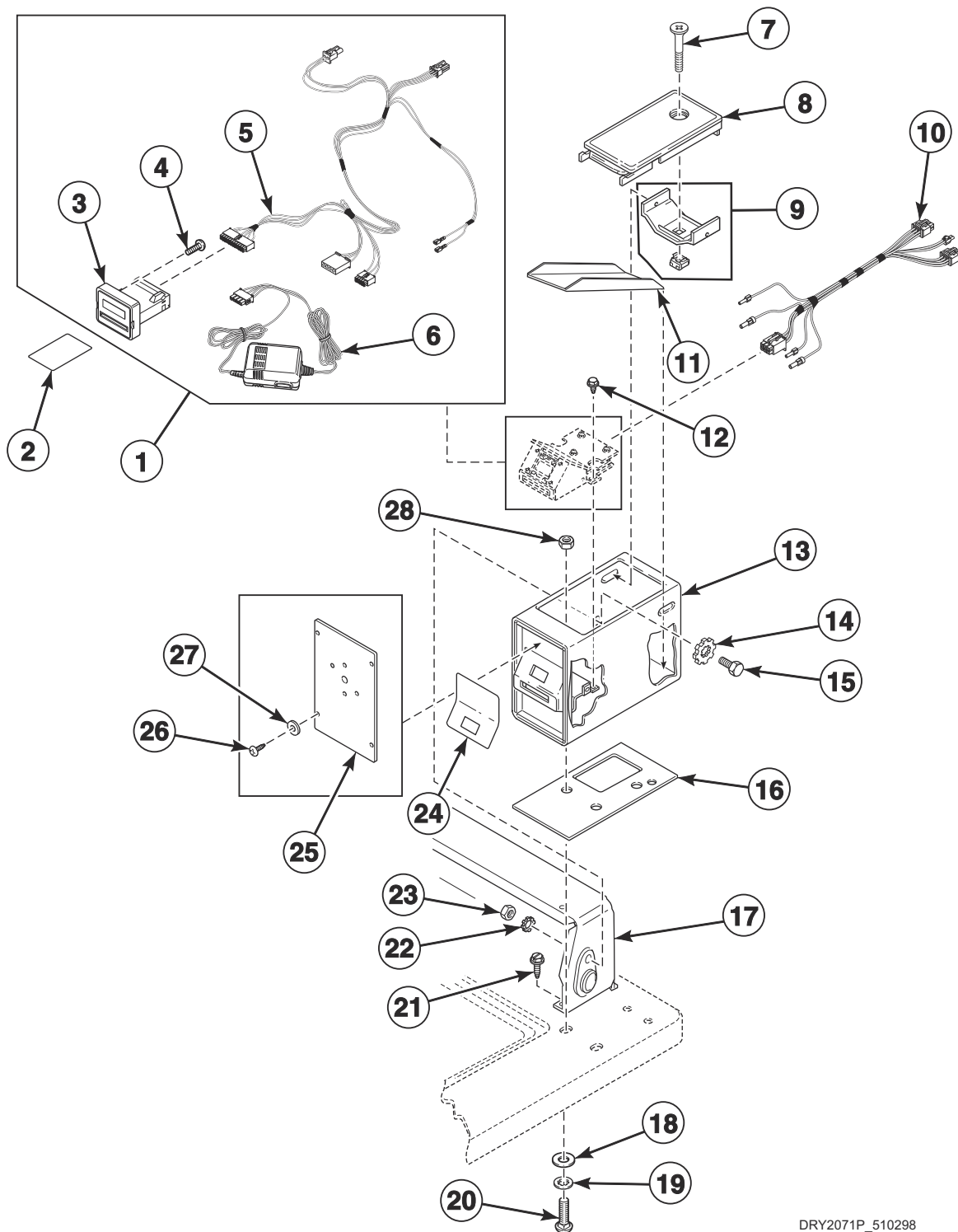
Electronic Coin Drop - Rear Control Models

REF	PART NO.	DESCRIPTION	COMMENTS
1	38725	Coin Identification Paper	
2	CK115	Electronic Coin Drop Kit	Includes items 1, 3, 4 and 7; United States and Canada coins
3	201216	Nut	
4	201104	Coin Drop Wire Harness	
5	CK096	Mounting Tool Kit	
6	802905	Harness Assembly	Electronic coin drop requires this harness. If unit is not factory-equipped with this harness, it must be ordered separately.
7	201572	Clip	
8	201375P	Transformer	Electronic coin drop requires this transformer. If unit is not factory-equipped with this transformer, it must be ordered separately.

* Add Letter To Designate Color. L - Almond N - Stainless Steel Q - Bisque W - White

Card Reader and Security Case - Rear Control Models

Models SDE607*F, SDE607*F1500, SDE707*F, SDE707*F1500, SDG609*F and SDG709*F



DRY2071P_510298

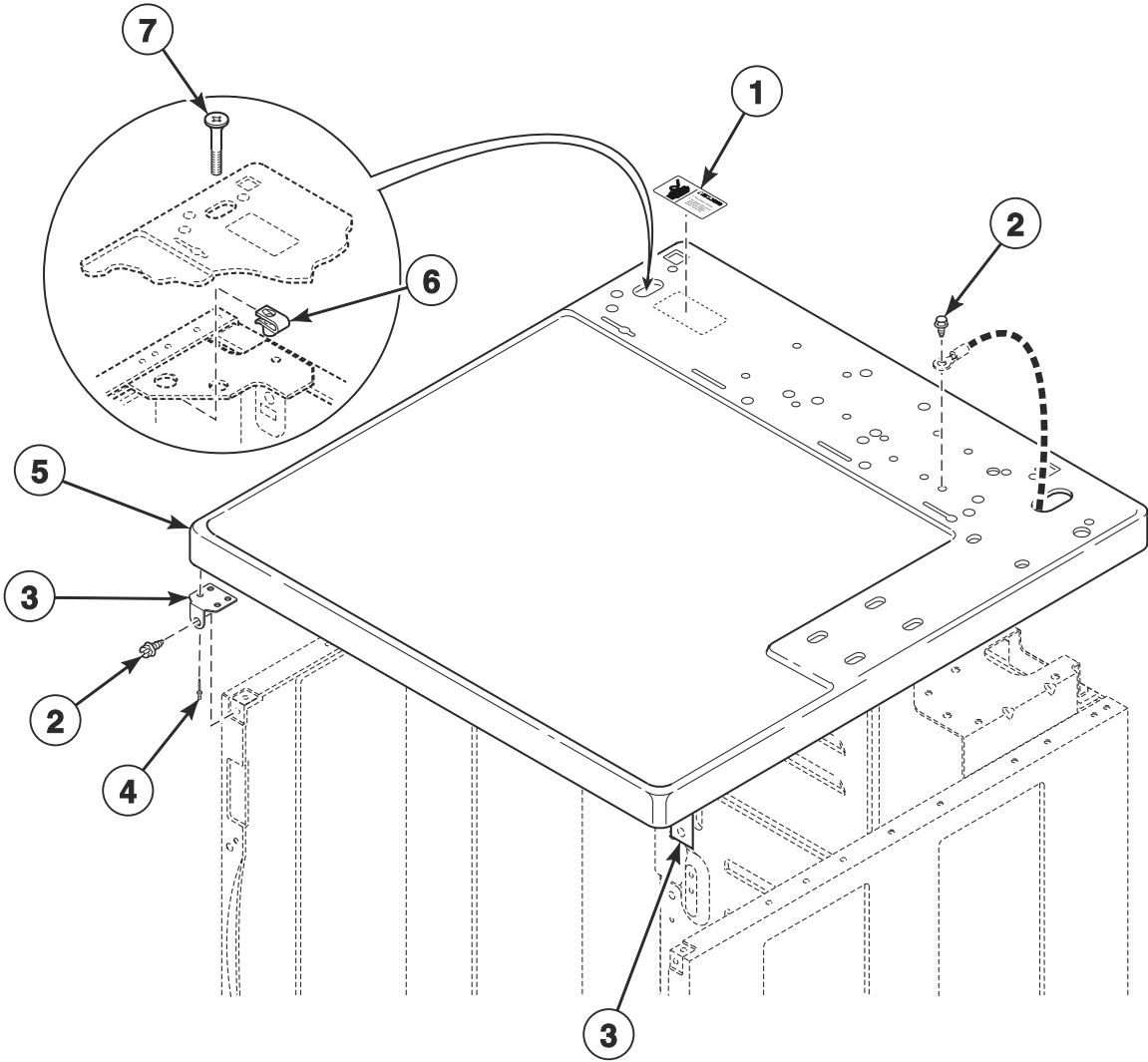
Card Reader and Security Case - Rear Control Models

REF	PART NO.	DESCRIPTION	COMMENTS
1	874P3	Card Reader Kit	Includes items 3-6 and 14; Models SDE707*F, SDE707*F1500 and SDG709*F
2	D512499P	Programming Card	Models SDE707*F, SDE707*F1500 and SDG709*F
3	D512473	Card Reader	Models SDE707*F, SDE707*F1500 and SDG709*F
4	D512504	Screw	Models SDE707*F, SDE707*F1500 and SDG709*F
5	D512501	Harness	Models SDE707*F, SDE707*F1500 and SDG709*F
6	D512496	Power Supply	Models SDE707*F, SDE707*F1500 and SDG709*F
7	D503673	Screw	
8	39874WP	Service Door Assembly	White
	39874LP	Service Door Assembly	Almond
	39874QP	Service Door Assembly	Bisque
9	204616	Meter Case Locking Bracket Kit	
10	38191	Card Reader Wire Harness Assembly	Models SDE707*F, SDE707*F1500 and SDG709*F
11	N/A	Shield	
12	D503688	Screw	Models SDE707*F, SDE707*F1500 and SDG709*F
13	38145L	Security Case Assembly	Almond; Use with 39685 Card Reader
	N/A	Security Case Assembly	White; Use with 39685 Card Reader
	37733W	Timer Case Assembly	Use with item 1; Models SDE707*F, SDE707*F1500 and SDG709*F
14	M400017	Washer	
15	02916	Screw	
16	N/A	Security Case Gasket	
17	D502567W	Control Hood	White
	D502567L	Control Hood	Almond
	D502567Q	Control Hood	Bisque
18	23225	Washer	Vinyl
19	30627	Washer	
20	203798	Bolt	
21	23962	Screw	
22	02431	Washer	
23	52566	Nut	
24	38192	Card Reader Instruction Overlay	Models SDE707*F, SDE707*F1500 and SDG709*F
25	39481W	Timer Plate	Use with item 1; Models SDE707*F, SDE707*F1500 and SDG709*F
26	51778	Screw	Use with item 1; Models SDE707*F, SDE707*F1500 and SDG709*F
27	21734	Washer	Use with item 1; Models SDE707*F, SDE707*F1500 and SDG709*F
28	29786	Nut	

* Add Letter To Designate Color. L - Almond N - Stainless Steel Q - Bisque W - White

N/A = Part no longer available

Cabinet Top - Rear Control Models



DRY2315P_510298

Cabinet Top - Rear Control Models

REF	PART NO.	DESCRIPTION	COMMENTS
1	D505281	Disconnect Power Warning Label	
2	D503688	Screw	
3	D510146	Bracket	
4	685847	Pop Rivet	
5	D511528WP	Top Kit	White; Includes item 3; Models HDE007*F, HDG009*F, SDE007*F, SDE007*F1500, SDE607*F, SDE607*F1500, SDE707*F, SDE707*F1500, SDEC07*J, SDG009*F, SDG609*F, SDG709*F, SDGC09*J, UDE007*F and UDG009*F
	D511528LP	Top Kit	Almond; Includes item 3; Models HDE007*F, HDG009*F, SDE007*F, SDE007*F1500, SDE607*F, SDE607*F1500, SDE707*F, SDE707*F1500, SDEC07*J, SDG009*F, SDG609*F, SDG709*F, SDGC09*J, UDE007*F and UDG009*F
	D511528QP	Top Kit	Bisque; Includes item 3; Models HDE007*F, HDG009*F, SDE007*F, SDE007*F1500, SDE607*F, SDE607*F1500, SDE707*F, SDE707*F1500, SDEC07*J, SDG009*F, SDG609*F, SDG709*F, SDGC09*J, UDE007*F and UDG009*F
	D511530WP	Top Panel Kit	White; Includes item 3; Models BDE807*F, BDEBYRGS171TW01, BDGBYRGS111TW01, HDEY07*F, HDEY07*F1500, HDGY09*F, JDE807*F, JDG809*F, SDE807*F, SDE807*F1500, SDEF07*J, SDEF07*J1500, SDEY07*F, SDEY07*F1500, SDG809*F, SDGF09*J, SDGY09*F, UDE807*F and UDG809*F
	D511530LP	Top Panel Kit	Almond; Includes item 3; Models BDE807*F, BDEBYRGS171TW01, BDGBYRGS111TW01, HDEY07*F, HDEY07*F1500, HDGY09*F, JDE807*F, JDG809*F, SDE807*F, SDE807*F1500, SDEF07*J, SDEF07*J1500, SDEY07*F, SDEY07*F1500, SDG809*F, SDGF09*J, SDGY09*F, UDE807*F and UDG809*F
	D505885DG	Top Panel	Dark gray; Includes item 3; Models PDEBCRGS171TG02, PDEBXRGS171TG02, PDGBCRGS111TG02 and PDGBXRGS111TG02
	D511527WP	Top Kit	White; Includes item 3; All other models
	D511527LP	Top Kit	Almond; Includes item 3; All other models
	D511527QP	Top Kit	Bisque; Includes item 3; All other models
6	27222	Nut	
7	D503673	Screw	

* Add Letter To Designate Color. L - Almond N - Stainless Steel Q - Bisque W - White

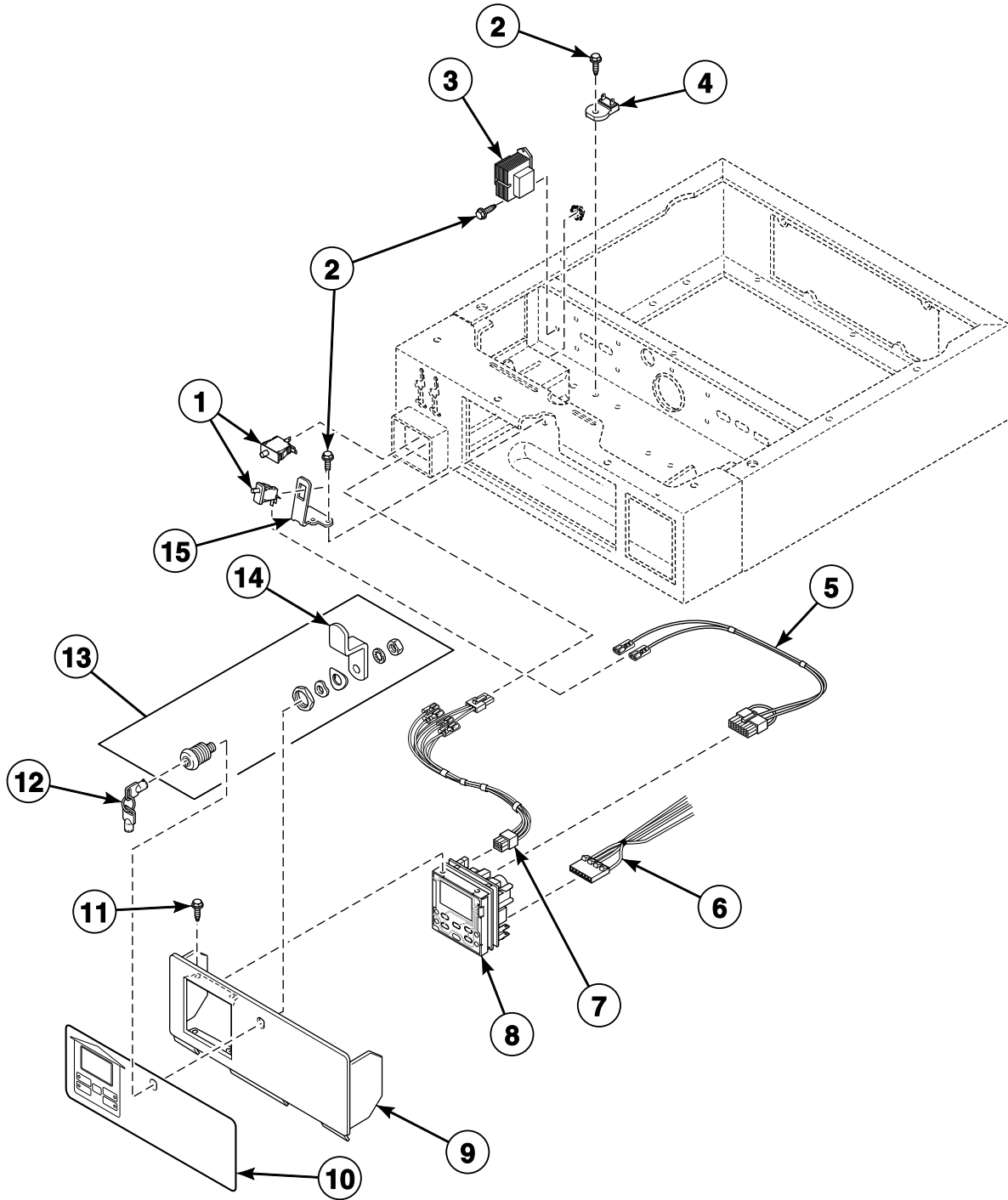
Control Panel and Controls - Coin Slide Ready Front Control Models

REF	PART NO.	DESCRIPTION	COMMENTS
1	D510534P	Harness Replacement Kit	
2	56751	Shield	
3	D503017	Timer Bracket	
4	03203	Screw	
5	D503688	Screw	
6	80077	Nut	
7	29651	Bolt	
8	523P3	Coin Funnel Kit	Includes items 7 and 9
9	29796	Nut	
10	D505753WP	Wrapper and Channel Assembly	White
	N/A	Wrapper and Channel Assembly	Almond
	D505753QP	Wrapper and Channel Assembly	Bisque
11	D504585	Instruction Overlay	
12	55882	Switch Assembly	
13	52947	Nut	
14	25820	Washer	
15	D504447W	Control Panel and Bracket Assembly	White
	D504447L	Control Panel and Bracket Assembly	Almond
	D504447Q	Control Panel and Bracket Assembly	Bisque
16	D504210	Overlay	
17	39897	Switch Knob	
18	24205	Nut	
19	54612	Key	800
20	27260P	Lock Kit	Includes item 26
21	33562	Screw	
22	58181	Coin Slide Guard	
23	N/A	Screw	
24	D503455	Coin Slide Extension	
25	D511523W	Security Cabinet Front Assembly	White
	D511523L	Security Cabinet Front Assembly	Almond
	D511523Q	Security Cabinet Front Assembly	Bisque
26	27261	Lock Cam	
27	D502431	Screw	
28	32464	Light	
29	61512	Fabric Selector Switch	
30	91029	Washer	

* Add Letter To Designate Color. L - Almond Q - Bisque W - White
N/A = Part no longer available

Control Panel and Controls - Coin Drop and Card Front Control Models

Models BDEBCFGS171TN01, BDEBCFGS171TW01, BDEBEFGS171TN01, BDEBEFGS171TW01, BDGBCFGS111TN01, BDGBCFGS111TW01, BDGBEFGS111TN01, BDGBEFGS111TW01, BFEX07*F, BFGX09*F, KFEG17NF, KFET17NF, KFEY17NF, KFGG19NF, KFGT19NF, KFGY19NF, SFE407*F, SFE507*F, SFE507*F1500, SFE707*F, SFEB07*J, SFEF07*J, SFET07*F, SFEX07*F, SFEY07*F, SFEZ07*F, SFG409*F, SFG509*F, SFG709*F, SFGB09*J, SFGF09*J, SFGT09*F, SFGX09*F, SFGY09*F and SFGZ09*F



DRY2113P_510298

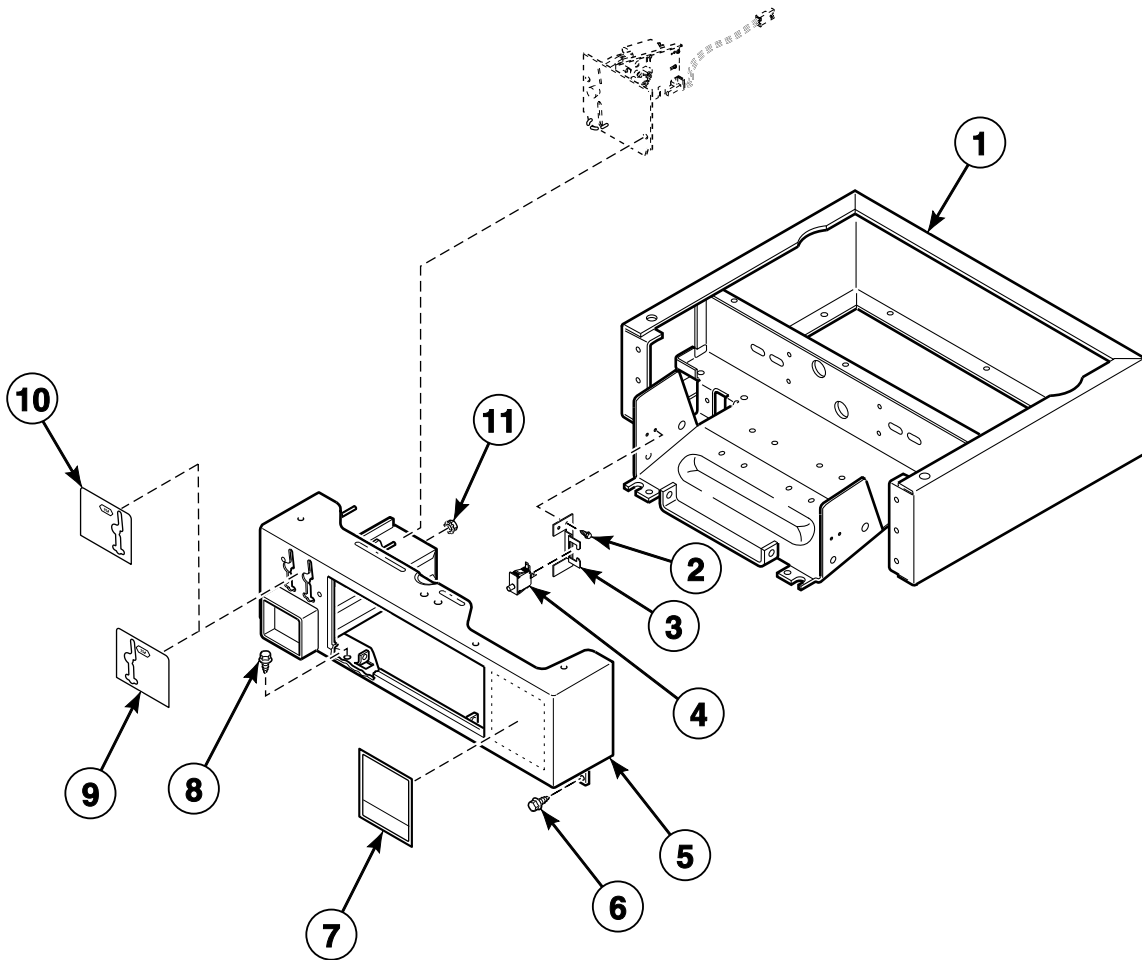
Control Panel and Controls - Coin Drop and Card Front Control Models

REF	PART NO.	DESCRIPTION	COMMENTS
1	D512973	Switch	
2	D503688	Screw	
3	803527P	Transformer	Models through Serial No. 0409; Models SFEX07*F, SFEY07*F, SFGX09*F and SFGY09*F
	201375P	Transformer	Some models may have jumper wire attached to transformer. Discard jumper wire when replacing transformer; Models starting Serial No. 0409; Models BDEBEFGS171TN01, BDEBEFGS171TW01, BDGBEFGS111TN01, BDGBEFGS111TW01, BFEX07*F, BFGX09*F, KFEG17NF, KFEY17NF, KFGG19NF, KFGY19NF, SFEX07*F, SFEY07*F, SFGX09*F and SFGY09*F
	210018P	Transformer	Models BDEBCFGS171TN01, BDEBCFGS171TW01, BDGBCFGS111TN01, BDGBCFGS111TW01, KFET17NF, KFGT19NF, SFEB07*J, SFEF07*J, SFET07*F, SFEZ07*F, SFGB09*J, SFGF09*J, SFGT09*F and SFGZ09*F
4	210100	Resistor	
5	800374	Diagnostic Wire Harness Assembly	Models KFEG17NF, KFEY17NF, KFGG19NF, KFGY19NF, SFEF07*J, SFEY07*F, SFGF09*J and SFGY09*F
6	800725	Remote Vend Wire Harness Assembly	From NetMaster control to customer supplied pay unit; Models SFEB07*J, SFEF07*J, SFGB09*J and SFGF09*J
	D511478	Central Pay Harness	From MDC control to customer supplied pay unit; All other models
7	39955P	Meter Case Wire Harness Kit	Models SFE407*F, SFE507*F1500, SFG409*F and SFG509*F
8	M414050P	Control Kit	120 Volt; Includes item 11; Models SFE407*F, SFE507*F, SFE507*F1500, SFE707*F, SFG409*F, SFG509*F and SFG709*F; Model and serial number of machine required - part no longer available for units built prior to 1/1/04 per field bulletin FB15-164
	D505905P	Control Kit	Models SFEB07*J, SFEF07*J, SFGB09*J and SFGF09*J
	D511867P	Control Assembly	All other models
9	D512705	Control Panel Assembly	Gray; Models KFEG17NF, KFET17NF, KFEY17NF, KFGG19NF, KFGT19NF and KFGY19NF
	D505510W	Control Panel and Bracket Assembly	White; Models SFE407*F, SFE507*F, SFE507*F1500, SFE707*F, SFG409*F, SFG509*F and SFG709*F
	D505510L	Control Panel and Bracket Assembly	Almond; Models SFE407*F, SFE507*F, SFE507*F1500, SFE707*F, SFG409*F, SFG509*F and SFG709*F
	D510077W	Control Panel and Bracket Assembly	White; All other models
	D510077B	Control Panel and Bracket Assembly	Black; All other models
10	D511573	Graphic Overlay	Models SFET07*F, SFEX07*F, SFEY07*F, SFEZ07*F, SFGT09*F, SFGX09*F, SFGY09*F and SFGZ09*F
	D510056	Graphic Overlay	Models SFEF07*J and SFGF09*J
	D510075	Graphic Overlay	Models SFEB07*J and SFGB09*J
	D512726	Graphic Overlay	Models KFEG17NF, KFET17NF, KFEY17NF, KFGG19NF, KFGT19NF and KFGY19NF
	D513392	Graphic Overlay	Models BDEBCFGS171TN01, BDEBCFGS171TW01, BDEBEFGS171TN01, BDEBEFGS171TW01, BDGBCFGS111TN01, BDGBCFGS111TW01, BDGBEFGS111TN01, BDGBEFGS111TW01, BFEX07*F and BFGX09*F
	N/A	Graphic Overlay	All other models
11	D501524	Screw	
12	54612	Key	800
13	27260P	Lock Kit	Includes item 14
14	27261	Lock Cam	
15	800379	Audit Switch Bracket	

* Add Letter To Designate Color. L - Almond N - Stainless Steel Q - Bisque W - White
N/A = Part no longer available

Control Cabinet Controls - Front Control Coin Drop Models

Models BDEBCFGS171TN01, BDEBCFGS171TW01, BDEBEFGS171TN01, BDEBEFGS171TW01, BDGBCFGS111TN01, BDGBCFGS111TW01, BDGBEFGS111TN01, BDGBEFGS111TW01, BFEX07*F, BFGX09*F, KFET17NF, KFGT19NF, SFE407*F, SFE507*F, SFE507*F1500, SFEB07*J, SFET07*F, SFEX07*F, SFEZ07*F, SFG409*F, SFG509*F, SFGB09*J, SFGT09*F, SFGX09*F and SFGZ09*F



DRY2216P_510298

Control Cabinet Controls - Front Control Coin Drop Models

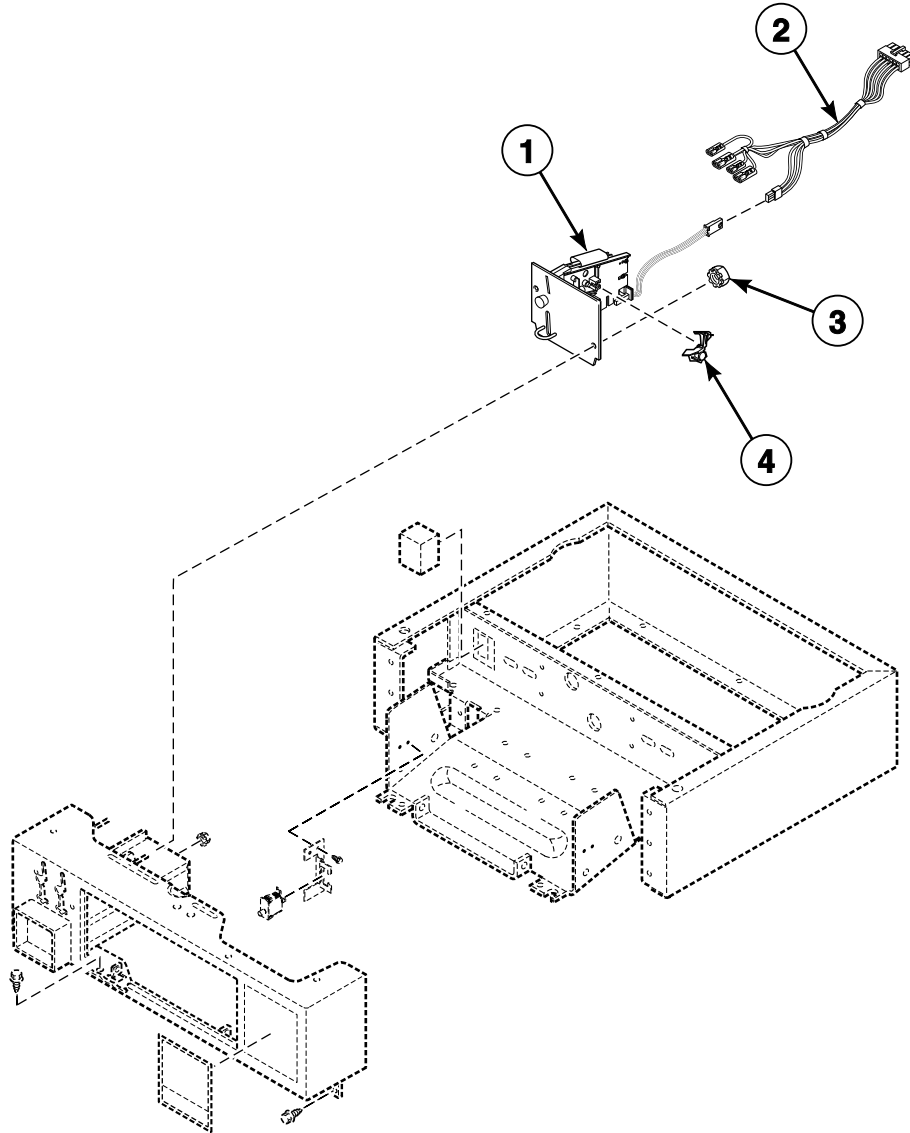
REF	PART NO.	DESCRIPTION	COMMENTS
1	D512706	Security Cabinet Wrapper Assembly	Gray; Models KFET17NF and KFGT19NF
	D505753WP	Wrapper and Channel Assembly	White; All other models
	N/A	Wrapper and Channel Assembly	Almond; All other models
	D505753QP	Wrapper and Channel Assembly	Bisque; All other models
	D505753BP	Wrapper and Channel Assembly	Black; All other models
2	D503688	Screw	Models SFE407*F, SFE507*F, SFE507*F1500, SFG409*F and SFG509*F
3	38087	Door Switch Bracket	Models SFE407*F, SFE507*F, SFE507*F1500, SFG409*F and SFG509*F
4	D512973	Switch	Models SFE407*F, SFE507*F, SFE507*F1500, SFG409*F and SFG509*F
5	D512708	Security Cabinet Front Assembly	Gray; Models KFET17NF and KFGT19NF
	D511633WP	Security Cabinet Front Assembly	White; All other models
	D511633LP	Security Cabinet Front Assembly	Almond; All other models
	D511633QP	Security Cabinet Front Assembly	Bisque; All other models
	D511633B	Security Cabinet Front Assembly	Black; All other models
6	M405188	Screw	Models BDEBCFGS171TN01, BDEBEFGS171TN01, BDGBCFGS111TN01, BDGBEFGS111TN01, KFET17NF and KFGT19NF
	D503688	Screw	All other models
7	D512822	Operating Instruction Label	Models KFET17NF and KFGT19NF
	D504585	Instruction Overlay	All other models
8	D502431	Screw	
9	38717	Single Overlay	Models BDEBCFGS171TN01, BDEBCFGS171TW01, BDGBCFGS111TN01, BDGBCFGS111TW01, SFEB07*J, SFET07*F, SFEZ07*F, SFGB09*J, SFGT09*F and SFGZ09*F
	D512821	Single Overlay	Models KFET17NF and KFGT19NF
10	201091	Overlay	Models BDEBEFGS171TN01, BDEBEFGS171TW01, BDGBEFGS111TN01 and BDGBEFGS111TW01
11	80077	Nut	

* Add Letter To Designate Color. L - Almond N - Stainless Steel Q - Bisque W - White

N/A = Part no longer available

Non-Electronic Coin Drop - Front Control Models

Models BDEBCFGS171TN01, BDEBCFGS171TW01, BDEBEFGS171TN01, BDEBEFGS171TW01, BDGBCFGS111TN01, BDGBCFGS111TW01, BDGBEFGS111TN01, BDGBEFGS111TW01, BFEX07*F, BFGX09*F, KFET17NF, KFGT19NF, SFE407*F, SFE507*F, SFE507*F1500, SFEB07*J, SFET07*F, SFEX07*F, SFEZ07*F, SFG409*F, SFG509*F, SFGB09*J, SFGT09*F, SFGX09*F and SFGZ09*F



DRY2172P_510298

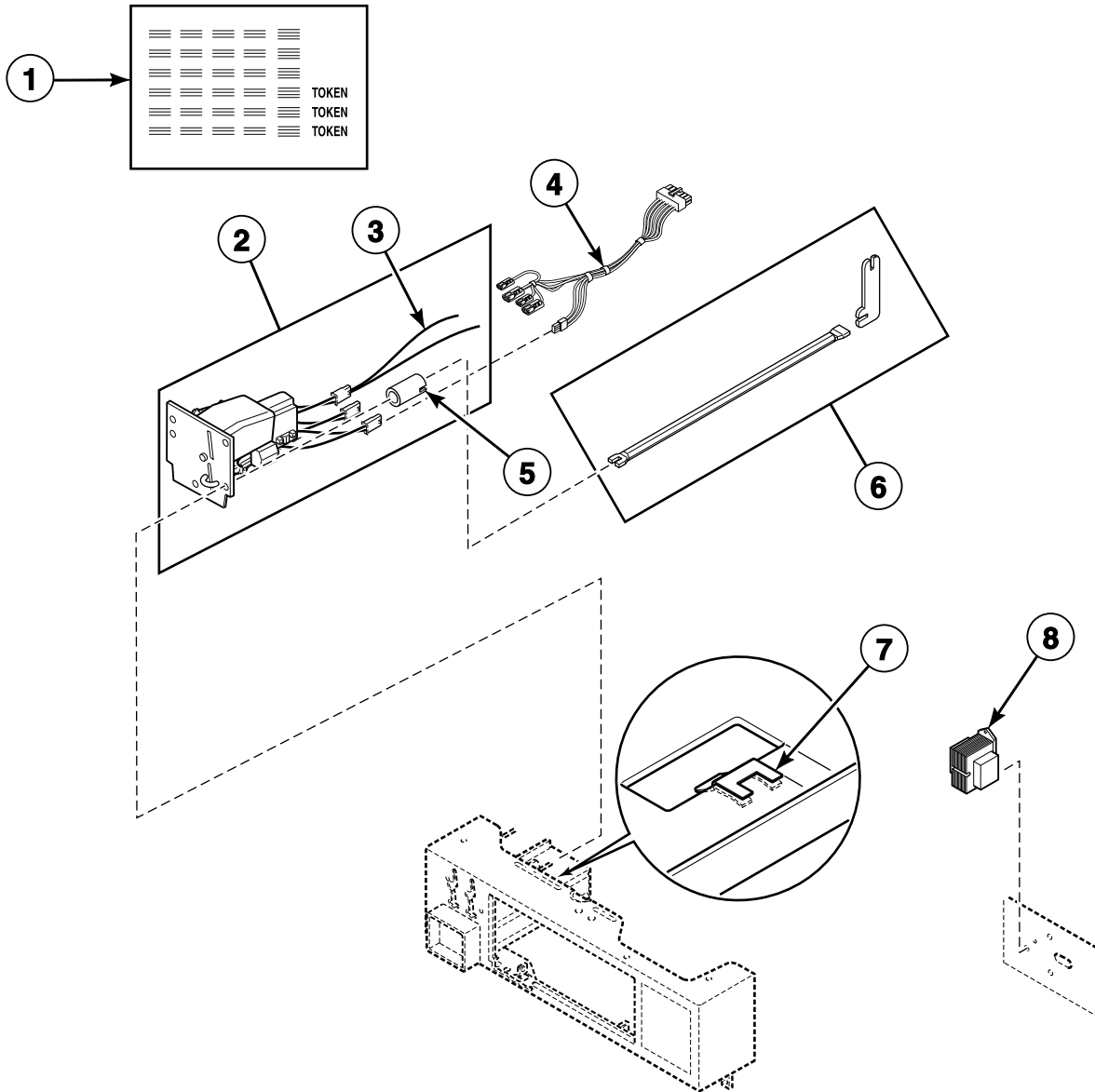
Non-Electronic Coin Drop - Front Control Models

REF	PART NO.	DESCRIPTION	COMMENTS
1	38462P	Coin Drop Assembly	Token; 118-1 mzp; .880 diameter x .079 thick; Brass
	38463	Coin Drop Assembly	Token; 118-5 mzp; .990 diameter x .081 thick; Silver
	70441601P	Coin Drop	U.S.; \$.25
	38963P	Coin Drop	Token 118-16 not available; Replacement for 38963P Coin Drop only
2	802904P	Harness Assembly	Coin drop; Models BDEBCFGS171TN01, BDEBCFGS171TW01, BDGBCFGS111TN01, BDGBCFGS111TW01, KFET17NF, KFGT19NF, SFEB07*J, SFET07*F, SFEZ07*F, SFGB09*J, SFGT09*F and SFGZ09*F
	802905	Harness Assembly	Coin drop; Models BDEBEFGS171TN01, BDEBEFGS171TW01, BDGBEFGS111TN01, BDGBEFGS111TW01, BFEX07*F, BFGX09*F, SFEX07*F and SFGX09*F
3	29786	Nut	
4	201595P	Wire Guard	Anti-stringing security device; Add to coin drops beginning January 2005

* Add Letter To Designate Color. L - Almond N - Stainless Steel Q - Bisque W - White

Electronic Coin Drop - Front Control Models

Models BDEBCFGS171TN01, BDEBCFGS171TW01, BDEBEFGS171TN01, BDEBEFGS171TW01, BDGBCFGS111TN01, BDGBCFGS111TW01, BDGBEFGS111TN01, BDGBEFGS111TW01, BFEX07*F, BFGX09*F, KFET17NF, KFGT19NF, SFEB07*J, SFET07*F, SFEX07*F, SFEZ07*F, SFGB09*J, SFGT09*F, SFGX09*F and SFGZ09*F



DRY2159P_510298

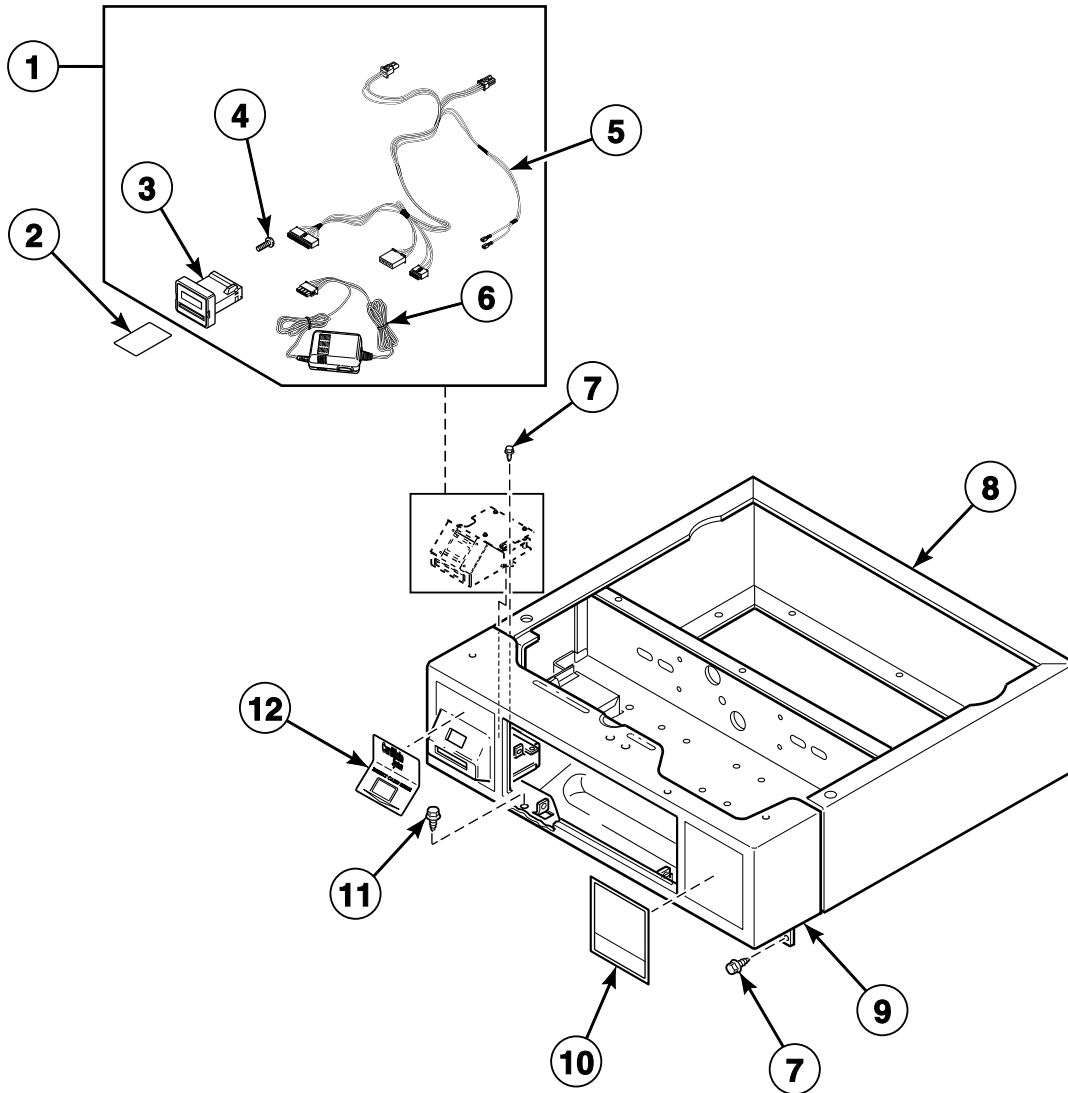
Electronic Coin Drop - Front Control Models

REF	PART NO.	DESCRIPTION	COMMENTS
1	38725	Coin Identification Paper	
2	CK115	Electronic Coin Drop Kit	Includes items 1, 3, 5 and 7; United States and Canada coins
3	201104	Coin Drop Wire Harness	
4	802905	Harness Assembly	Electronic coin drop requires this harness. If unit is not factory-equipped with this harness, it must be ordered separately.
5	201216	Nut	Slotted; Used with front assemblies with guide rods; Models through Serial No. 1007022688
	29786	Nut	Hexnut; Used with front assemblies without guide rods; Models starting Serial No. 1007022689
6	CK096	Mounting Tool Kit	
7	201572	Clip	
8	201375P	Transformer	Electronic coin drop requires this transformer. If unit is not factory-equipped with this transformer, it must be ordered separately.

* Add Letter To Designate Color. L - Almond N - Stainless Steel Q - Bisque W - White

Card Reader - Front Control Card Reader Installed Models

Models SFE707*F and SFG709*F



DRY2034P_510298

Card Reader - Front Control Card Reader Installed Models

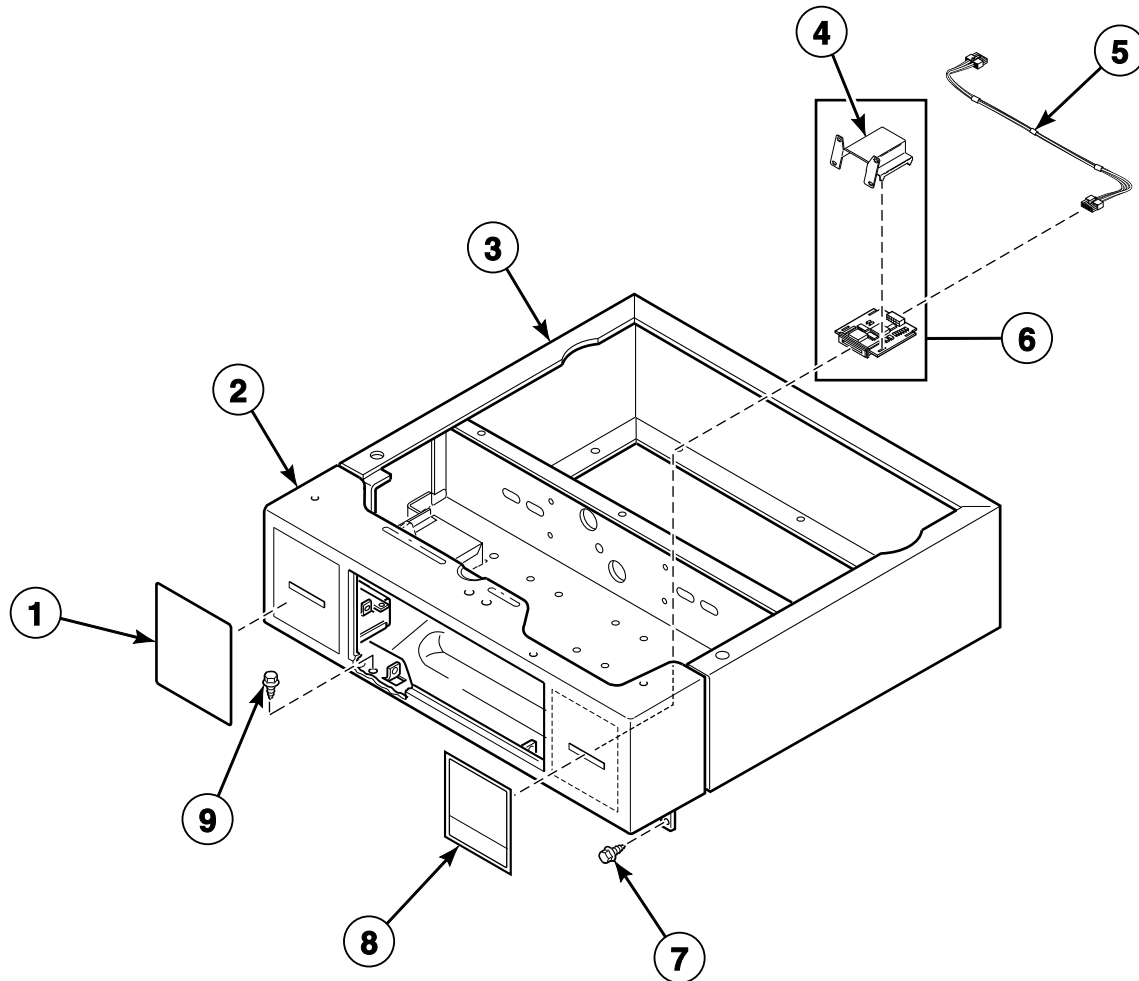
REF	PART NO.	DESCRIPTION	COMMENTS
1	876P3	Card Reader Kit	Includes items 3-6
2	D512499P	Programming Card	
3	D512473	Card Reader	
4	D512505	Bolt	
5	D512501	Harness	
6	D512496	Power Supply	
7	D503688	Screw	
8	D505753WP	Wrapper and Channel Assembly	White
	N/A	Wrapper and Channel Assembly	Almond
	D505753QP	Wrapper and Channel Assembly	Bisque
9	D505542W	Security Cabinet Front Assembly	Use with 39685 Card Reader
	D505699WP	Security Cabinet Front Assembly	Use with 876P3 Card Reader Kit
10	D504585	Instruction Overlay	
11	D502431	Screw	
12	38192	Card Reader Instruction Overlay	

* Add Letter To Designate Color. L - Almond N - Stainless Steel Q - Bisque W - White

N/A = Part no longer available

Integrated Card Reader Installed and Ready Models

Models KFEG17NF, KFEY17NF, KFGG19NF, KFGY19NF, SFEF07*J, SFEY07*F, SFGF09*J and SFGY09*F



DRY1903P_510298

Integrated Card Reader Installed and Ready Models

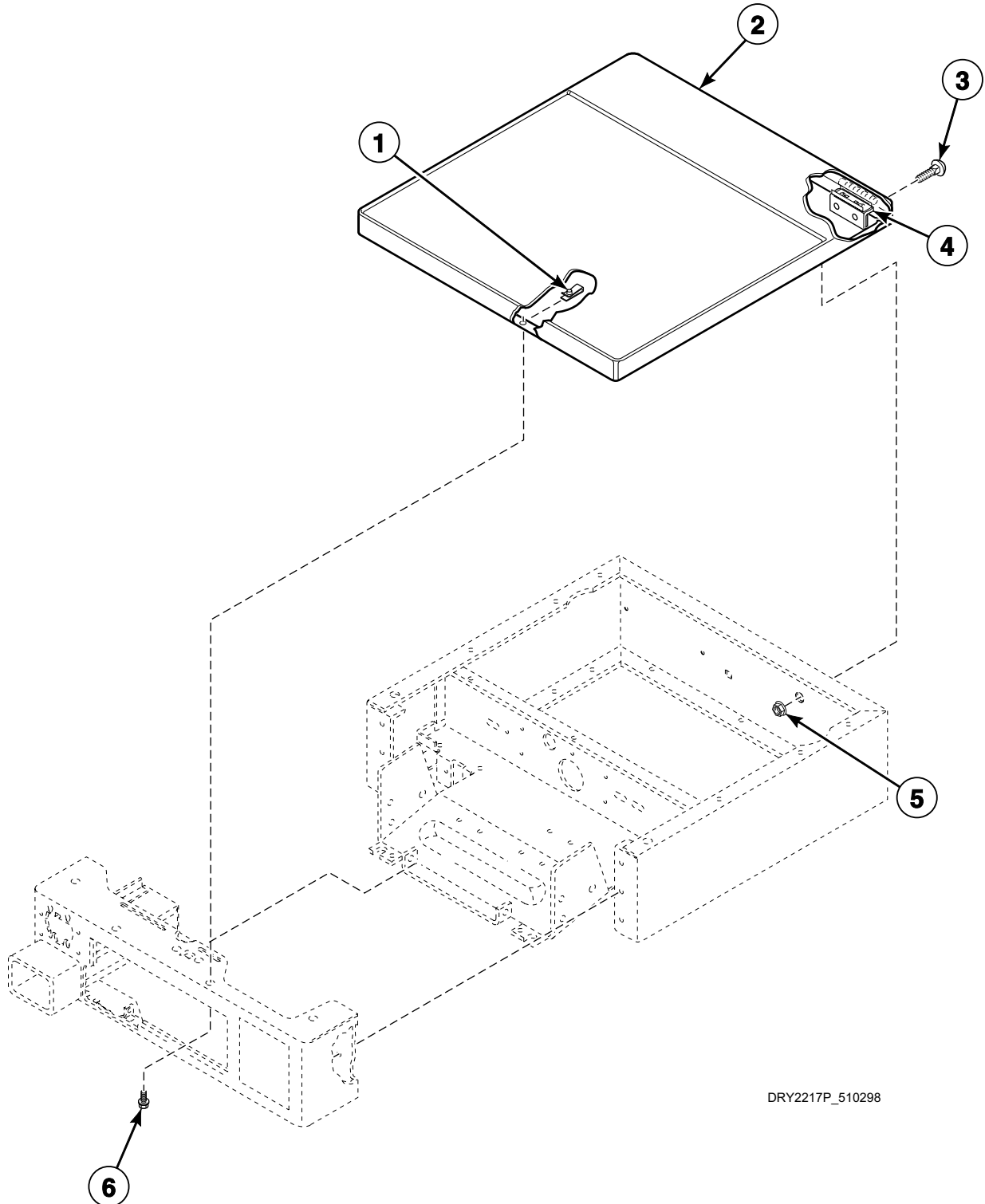
REF	PART NO.	DESCRIPTION	COMMENTS
1	800230	Card Reader Overlay	Models SFEF07*J and SFGF09*J
	D511544	Card Insert Overlay	Models SFEY07*F and SFGY09*F
	D512824	Blank Black Label	Models KFEG17NF, KFEY17NF, KFGG19NF and KFGY19NF
2	D512718	Security Cabinet Front Assembly	Gray; Models KFEG17NF, KFEY17NF, KFGG19NF and KFGY19NF
	D511209WP	Security Cabinet Front Assembly	White; All other models
	D511209L	Security Cabinet Front Assembly	Almond; All other models
	D511209Q	Security Cabinet Front Assembly	Bisque; All other models
3	D512706	Security Cabinet Wrapper Assembly	Gray; Models KFEG17NF, KFEY17NF, KFGG19NF and KFGY19NF
	D505753WP	Wrapper and Channel Assembly	White; All other models
	N/A	Wrapper and Channel Assembly	Almond; All other models
	D505753QP	Wrapper and Channel Assembly	Bisque; All other models
4	D510045	Card Reader Bracket	Models SFEF07*J and SFGF09*J
5	800125P	Card Reader Wire Harness Assembly	Models SFEF07*J and SFGF09*J
6	D510068P	Card Reader and Bracket Assembly	Includes item 4; Models SFEF07*J and SFGF09*J
7	M405188	Screw	Use with stainless steel side panels
	D503688	Screw	Use with painted side panels
8	D512823	Operating Instruction Label	Models KFEG17NF, KFEY17NF, KFGG19NF and KFGY19NF
9	D502431	Screw	

* Add Letter To Designate Color. L - Almond N - Stainless Steel Q - Bisque W - White

N/A = Part no longer available

Cabinet Top - Front Control Models

Models BDEBCFGS171TN01, BDEBCFGS171TW01, BDEBEFGS171TN01, BDEBEFGS171TW01, BDGBCFGS111TN01, BDGBCFGS111TW01, BDGBEFGS111TN01, BDGBEFGS111TW01, BFEX07*F, BFGX09*F, KFEG17NF, KFET17NF, KFEY17NF, KFGG19NF, KFGT19NF, KFGY19NF, SFE107*F, SFE407*F, SFE507*F, SFE507*F1500, SFEB07*J, SFEF07*J, SFET07*F, SFEX07*F, SFEY07*F, SFEZ07*F, SFG109*F, SFG409*F, SFG509*F, SFGB09*J, SFGF09*J, SFGT09*F, SFGX09*F, SFGY09*F and SFGZ09*F



DRY2217P_510298

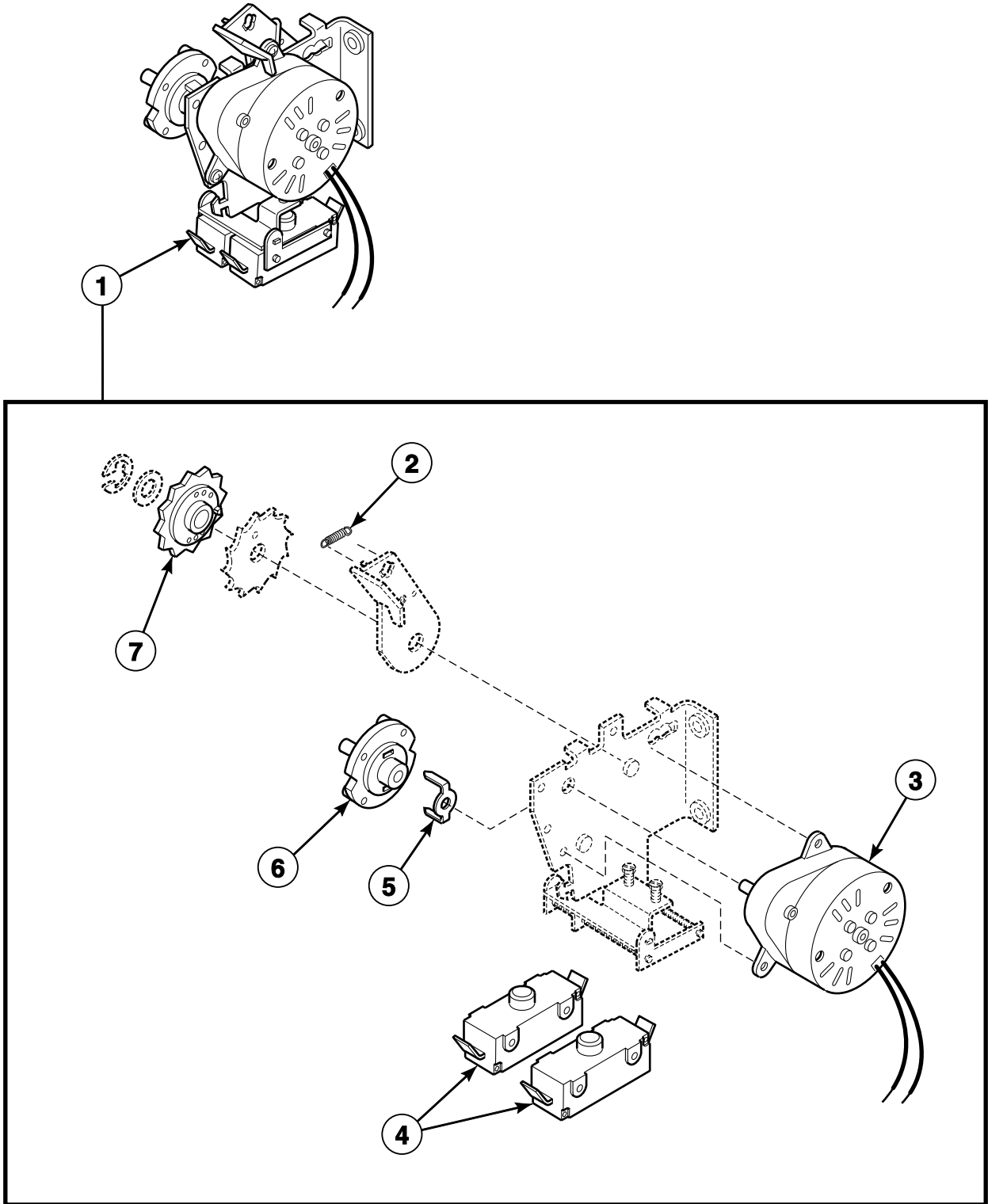
Cabinet Top - Front Control Models

REF	PART NO.	DESCRIPTION	COMMENTS
1	36020	Nut	
2	D511631P	Stainless Steel Top	Models KFEG17NF, KFET17NF, KFEY17NF, KFGG19NF, KFGT19NF and KFGY19NF
	D512967	Stainless Steel Top	Stainless steel; Models BDEBCFGS171TN01, BDEBEFGS171TN01, BDGBCFGS111TN01 and BDGBEFGS111TN01 through Serial No. 1005018719
	803144P	Top Kit	Stainless steel; Models BDEBCFGS171TN01, BDEBEFGS171TN01, BDGBCFGS111TN01 and BDGBEFGS111TN01 starting Serial No. 1005018720; Includes items 1, 3, 4 and 4 each 22649 Screw, 51236 Nut, 44087201 Nut
	802247WP	Top and Gusset Assembly	White; Includes item 4; All other models
	D510032LP	Top Kit	Almond; Includes item 4; All other models
	802247QP	Top and Gusset Assembly	Bisque; Includes item 4; All other models
3	29651	Bolt	
4	D504228	Top Mounting Bracket	
5	44087201	Nut	
6	23008	Screw	

* Add Letter To Designate Color. L - Almond N - Stainless Steel Q - Bisque W - White

Accumulator - Coin Slide Models

Models HDE107*F, HDG109*F, SDE107*F, SDE107*F1500, SDE107*F1724, SDE107*F99L6, SDE107*F99L7, SDE307*F, SDE307*F1500, SDG109*F, SDG109*F1124, SDG109*F99L6, SDG109*F99L7, SDG309*F, SFE107*F and SFG109*F



DRY1852P_510298

Accumulator - Coin Slide Models

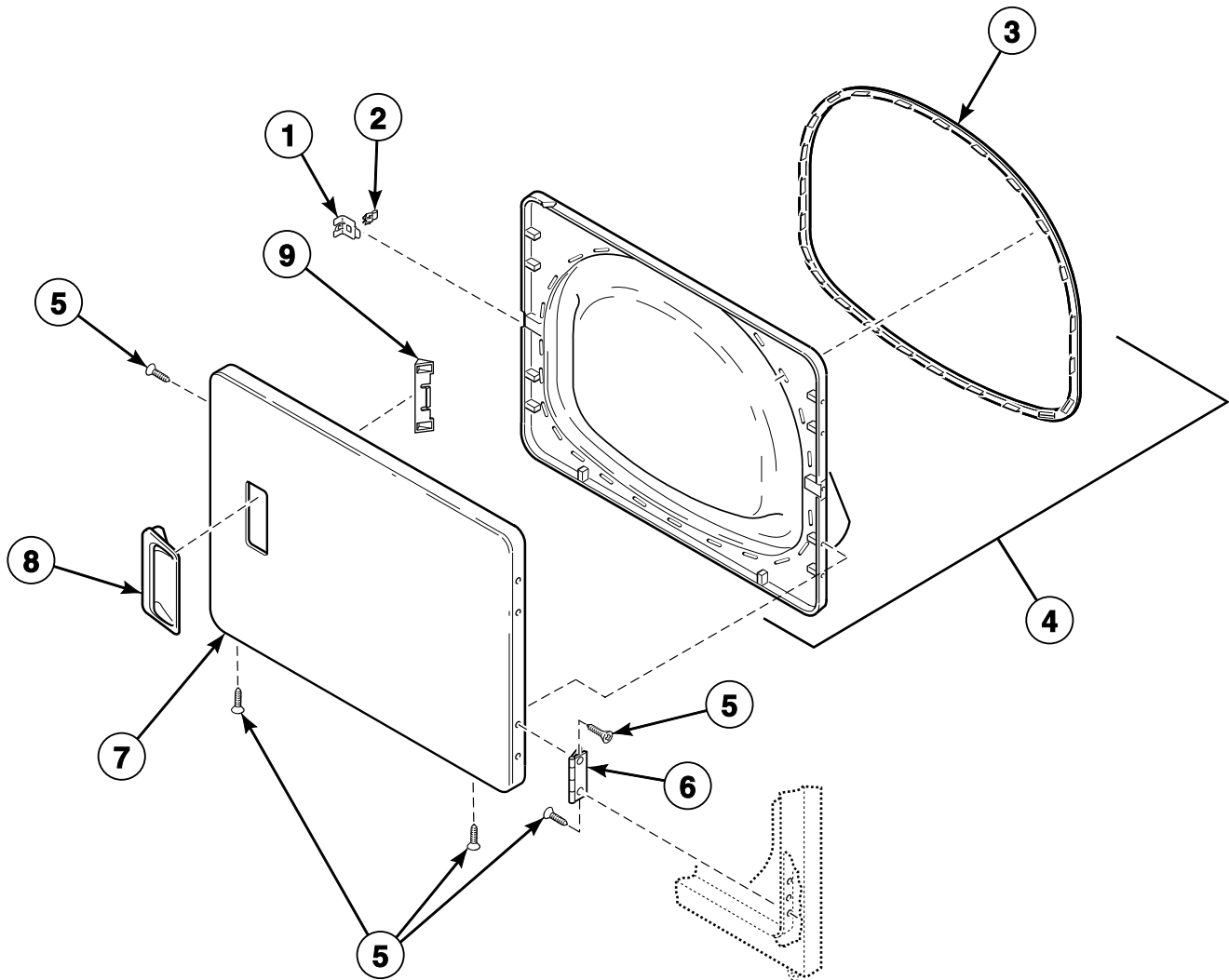
REF	PART NO.	DESCRIPTION	COMMENTS
1	D510628P	Accumulator Replacement Kit	Front control; 120 Volt/60 Hertz; 2 switch; Models SFE107*F and SFG109*F
	D501757P	Timer	Rear control; 120 Volt/60 Hertz; 2 switch; Models HDE107*F, HDG109*F, SDE107*F, SDE107*F1500, SDE107*F1724, SDE107*F99L6, SDE107*F99L7, SDE307*F, SDE307*F1500, SDG109*F, SDG109*F1124, SDG109*F99L6, SDG109*F99L7 and SDG309*F
2	N/A	Pawl Spring	
3	D512017P	Timer Motor	
4	N/A	Switch	
5	M400754	Coin Meter Drive	
6	53240	Timing Cam	60 minute; 3 pin
	53241	Timing Cam	45 minute; 4 pin
	53242	Timing Cam	30 minute; 6 pin
	53243	Timing Cam	20 minute; 9 pin
7	53239	Ratchet Wheel	

* Add Letter To Designate Color. L - Almond N - Stainless Steel Q - Bisque W - White

N/A = Part no longer available

Loading Door without Window

All Models Except KFEG17NF, KFET17NF, KFEY17NF, KFGG19NF, KFGT19NF and KFGY19NF



DRY1857P_510298

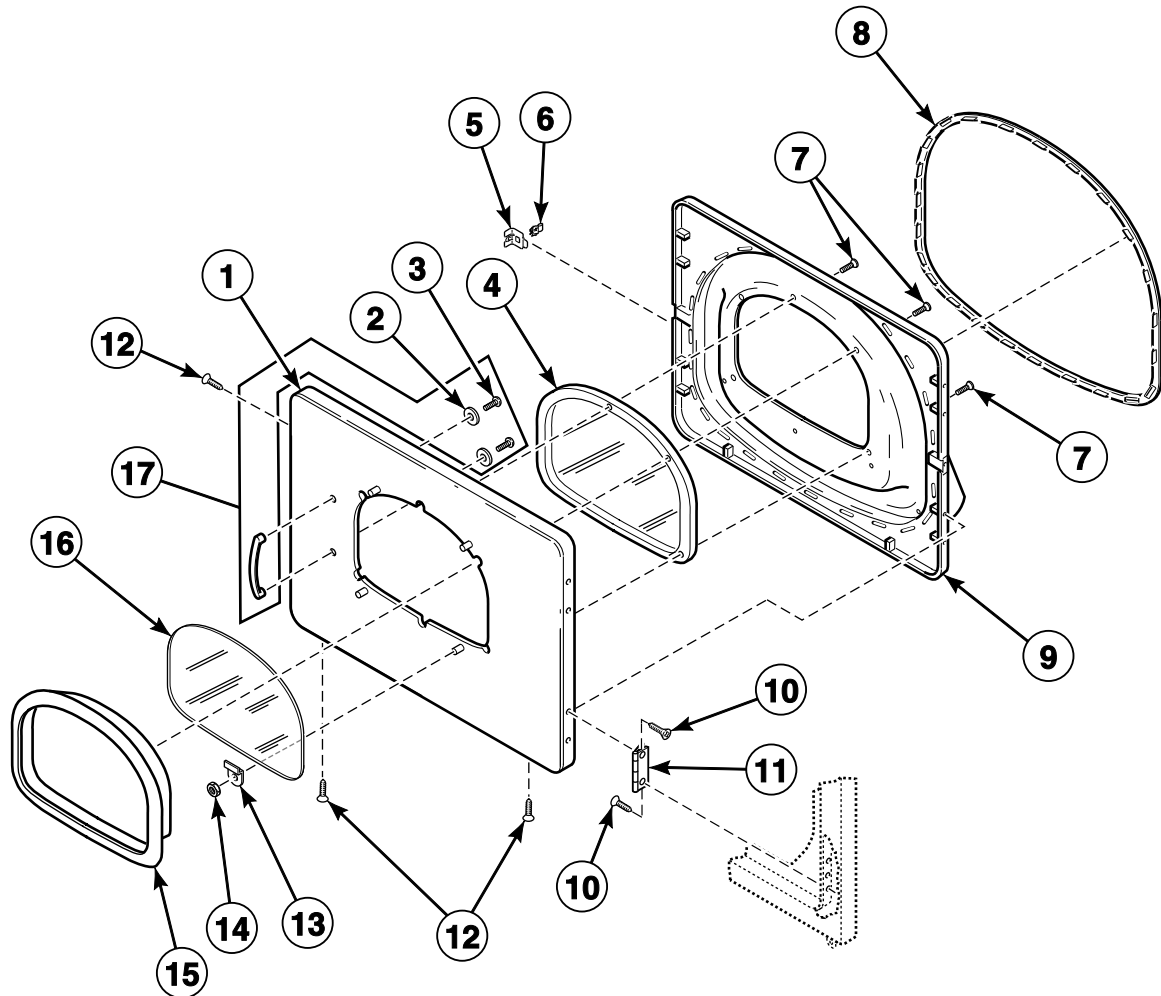
Loading Door without Window

REF	PART NO.	DESCRIPTION	COMMENTS
1	D510127	Door Strike Mount	
2	D510181	Door Strike	
3	D510147P	Liner Door Seal	
4	D516510WP	Door Assembly	Models BDE807*F, BDE907*F, BDEBCFGS171TW01, BDEBYRGS171TW01, BDET07*F, BDEX07*F, BFEX07*F, HDE907*F, HDET07*F, HDEY07*F, JDE807*F, JDE907*F, SDE807*F, SDE807*F1500, SDE907*F, SDE907*F1500, SDEBCRGS171TW02, SDEBXRGS171TW02, SDESXRGS171TW02, SDET07*F, SDET07*F1500, SDEX07*F, SDEX07*F1500, SDEY07*F, SDEY07*F1500, SFET07*F, SFEX07*F, SFEY07*F and UDE807*F starting Serial No. 1303025315; Models BDEBCFGS171TN01, BDEBEFGS171TN01, BDGBCFGS111TN01 and BDGBEFGS111TN01
	D510163WP	Liner, Seal and Grill Assembly	Models BDE807*F, BDE907*F, BDEBCFGS171TW01, BDEBYRGS171TW01, BDET07*F, BDEX07*F, BFEX07*F, HDE907*F, HDET07*F, HDEY07*F, JDE807*F, JDE907*F, SDE807*F, SDE807*F1500, SDE907*F, SDE907*F1500, SDEBCRGS171TW02, SDEBXRGS171TW02, SDESXRGS171TW02, SDET07*F, SDET07*F1500, SDEX07*F, SDEX07*F1500, SDEY07*F, SDEY07*F1500, SFET07*F, SFEX07*F, SFEY07*F and UDE807*F BDE807*F, BDE907*F, BDEBCFGS171TW01, BDEBYRGS171TW01, BDET07*F, BDEX07*F, BDGBEFGS111TW01, BFEX07*F, HDE907*F, HDET07*F, HDEY07*F, JDE807*F, JDE907*F, PDEBCRGS171TG02, PDGBCRGS111TG02, SDE807*F, SDE807*F1500, SDE907*F, SDE907*F1500, SDEBCRGS171TW02, SDEBXRGS171TW02, SDESXRGS171TW02, SDET07*F, SDET07*F1500, SDEX07*F, SDEX07*F1500, SDEY07*F, SDEY07*F1500, SFET07*F, SFEX07*F, SFEY07*F and UDE807*F through Serial No. 1303025314; All other models
5	D500226	Screw	
6	D511036	Hinge	
7	D510013WP	Dryer Door	White
	D510013LP	Dryer Door	Almond
	D510013QP	Dryer Door	Bisque
	D510013DG	Dryer Door	Dark gray
	D512969	Dryer Door	Stainless steel; Includes item 9
8	D510103WP	Door Pull and Wedge Kit	White; Includes item 9
	D510103LP	Door Pull and Wedge Kit	Almond; Includes item 9
	D510103QP	Door Pull and Wedge Kit	Bisque; Includes item 9
	D512947	Door Pull	Light gray
9	D510129W	Door Handle Wedge	

* Add Letter To Designate Color. L - Almond N - Stainless Steel Q - Bisque W - White

Loading Door with Window

Models KFEG17NF, KFET17NF, KFEY17NF, KFGG19NF, KFGT19NF and KFGY19NF

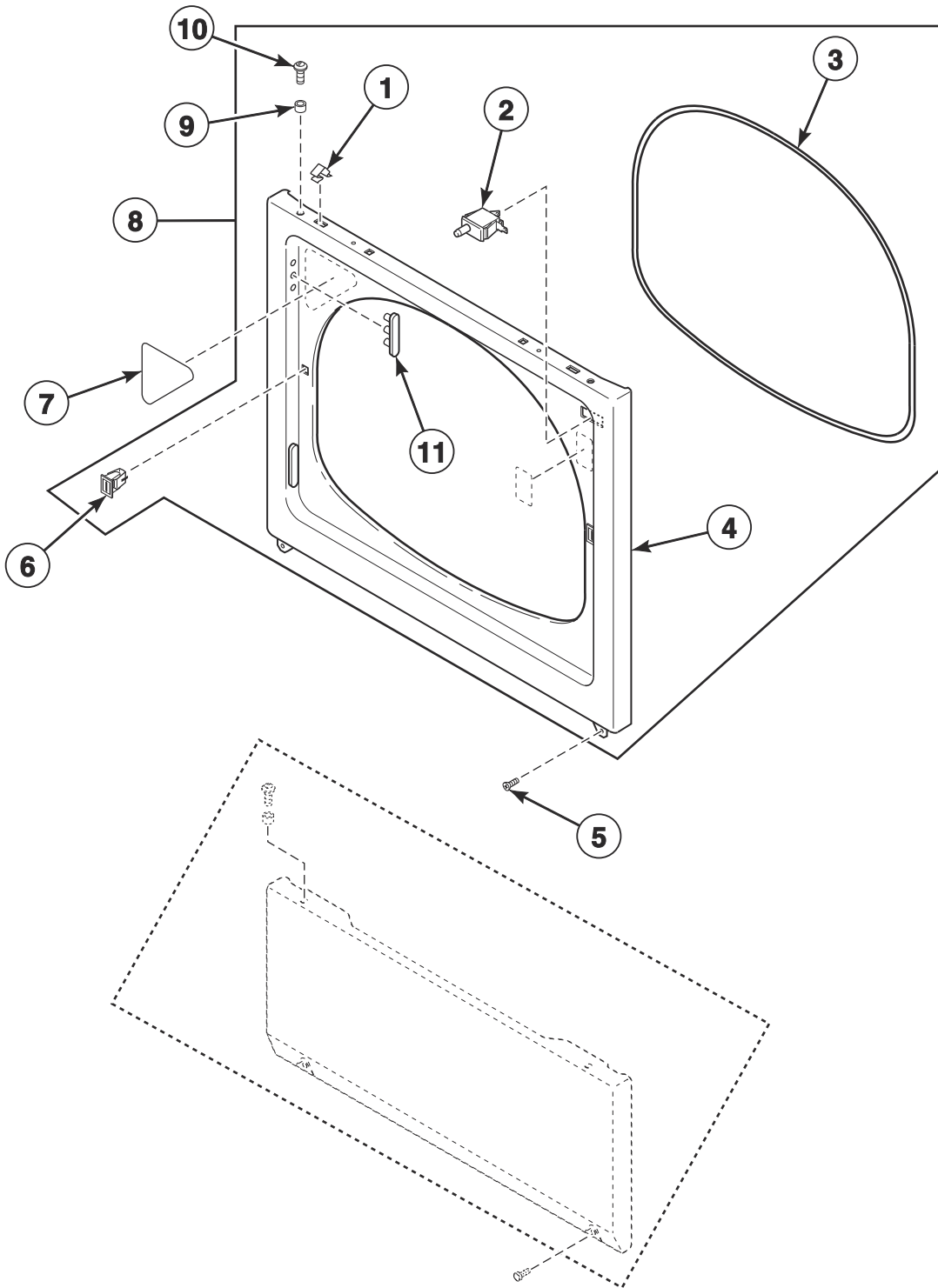


DRY2291P_510298

Loading Door with Window

REF	PART NO.	DESCRIPTION	COMMENTS
1	D512699	Dryer Door	Models KFEG17NF and KFET17NF through Serial No. 1303025314; Models KFEY17NF, KFGG19NF, KFGT19NF and KFGY19NF
	D517042	Dryer Door Assembly	Models KFEG17NF and KFET17NF starting Serial No. 1303025315
2	29260	Washer	
3	D512631	Screw	
4	D503982P	Dryer Door Window	
5	D510127	Door Strike Mount	
6	D510181	Door Strike	
7	D505870	Screw	
8	D510147P	Liner Door Seal	
9	D516508	Door Liner Assembly	
10	D500226	Screw	
11	D511036	Hinge	
12	D500226	Screw	
13	D513958	Window Clip	Models KFEG17NF and KFET17NF starting Serial No. 1303025315
14	44071201	Nut	Models KFEG17NF and KFET17NF starting Serial No. 1303025315
15	D512632	Window Trim	Models KFEG17NF and KFET17NF through Serial No. 1303025314; Models KFEY17NF, KFGG19NF, KFGT19NF and KFGY19NF
	D517042	Dryer Door Assembly	Models KFEG17NF and KFET17NF starting Serial No. 1303025315
16	D516737W	Door Assembly	Models KFEG17NF and KFET17NF starting Serial No. 1303025315
17	D512620P	Door Pull Kit	Includes items 2 and 3

Access Panel, Front Panel and Seal (Drawing 1 of 2)



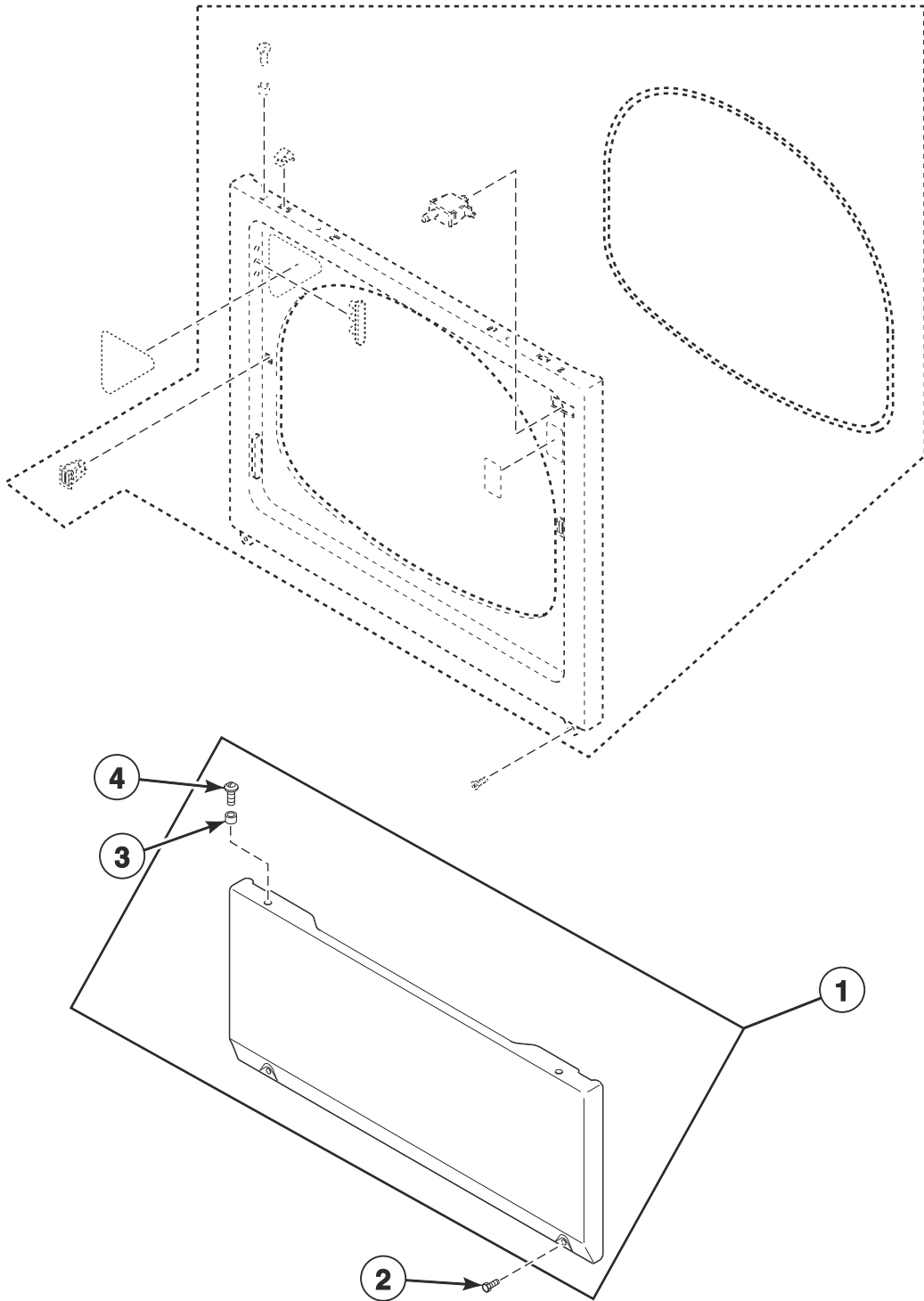
DRY1824P_510298

Access Panel, Front Panel and Seal (Drawing 1 of 2)

REF	PART NO.	DESCRIPTION	COMMENTS
1	28835	Speed Clip	1 per side
2	D512973	Switch	
3	D511056	Front Panel Seal	
4	D512542	Front Panel	Stainless steel; Models BDEBCFGS171TN01, BDEBEFGS171TN01, BDGBCFGS111TN01, BDGBEFGS111TN01, KFEG17NF, KFET17NF, KFEY17NF, KFGG19NF, KFGT19NF and KFGY19NF
	D510066WP	Front Panel	White; All other models
	D510066LP	Front Panel	Almond; All other models
	D510066QP	Front Panel	Bisque; All other models
	D510066DG	Front Panel	Dark gray; All other models
5	M405188	Screw	Use with stainless steel side panels
	D503688	Screw	Use with painted side panels
6	D510177	Door Catch Assembly	
7	D500281	Warning/Caution Label	
8	D513781WP	Front Panel Assembly	
9	56079	Panel Locator	1 per side
10	39733	Screw	1 per side
11	D510186	Hinge Hole Plug	

* Add Letter To Designate Color. L - Almond N - Stainless Steel Q - Bisque W - White

Access Panel, Front Panel and Seal (Drawing 2 of 2)



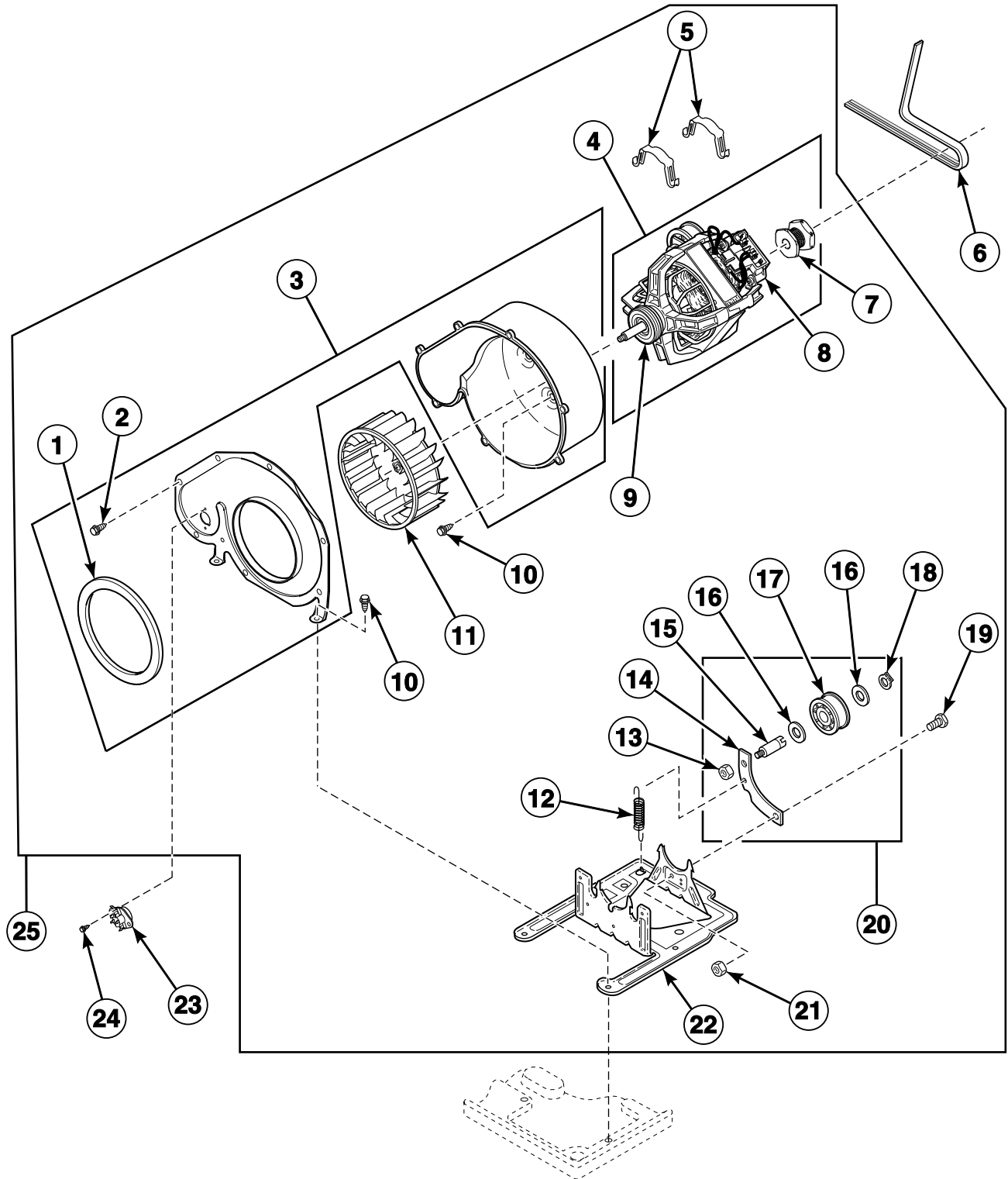
DRY1824PA_510298

Access Panel, Front Panel and Seal (Drawing 2 of 2)

REF	PART NO.	DESCRIPTION	COMMENTS
1	D514251	Access Panel Assembly	Stainless steel; Models BDEBEFGS171TN01, BDGBCFGS111TN01, BDGBEFGS111TN01, KFEY17NF, KFGG19NF, KFGT19NF and KFGY19NF; Models BDEBCFGS171TN01, KFEG17NF and KFET17NF through Serial No. 1303025314
	D514251	Access Panel Assembly	Stainless steel; Models BDEBCFGS171TN01, KFEG17NF and KFET17NF starting Serial No. 1303025315
	D514250WP	Access Panel Assembly	White; Models BDE807*F, BDE907*F, BDEBCFGS171TW01, BDEBYRGS171TW01, BDET07*F, BDEX07*F, BFEX07*F, HDE907*F, HDET07*F, HDEY07*F, JDE807*F, JDE907*F, SDE807*F, SDE807*F1500, SDE907*F, SDE907*F1500, SDEBCRGS171TW02, SDEBXRGS171TW02, SDESXRGS171TW02, SDET07*F, SDET07*F1500, SDEX07*F, SDEX07*F1500, SDEY07*F, SDEY07*F1500, SFET07*F, SFEX07*F and SFEY07*F starting Serial No. 1303025315
	D514252Q	Access Panel and Guard Assembly	Bisque; Models BDE807*F, BDE907*F, BDEBCFGS171TW01, BDEBYRGS171TW01, BDET07*F, BDEX07*F, BFEX07*F, HDE907*F, HDET07*F, HDEY07*F, JDE807*F, JDE907*F, SDE807*F, SDE807*F1500, SDE907*F, SDE907*F1500, SDEBCRGS171TW02, SDEBXRGS171TW02, SDESXRGS171TW02, SDET07*F, SDET07*F1500, SDEX07*F, SDEX07*F1500, SDEY07*F, SDEY07*F1500, SFET07*F, SFEX07*F and SFEY07*F starting Serial No. 1303025315
	D514250WP	Access Panel Assembly	White; Models BDE807*F, BDE907*F, BDEBCFGS171TW01, BDEBYRGS171TW01, BDET07*F, BDEX07*F, BFEX07*F, HDE907*F, HDET07*F, HDEY07*F, JDE807*F, JDE907*F, SDE807*F, SDE807*F1500, SDE907*F, SDE907*F1500, SDEBCRGS171TW02, SDEBXRGS171TW02, SDESXRGS171TW02, SDET07*F, SDET07*F1500, SDEX07*F, SDEX07*F1500, SDEY07*F, SDEY07*F1500, SFET07*F, SFEX07*F and SFEY07*F through Serial No. 1303025314; All other models
	D510069LP	Access Panel	Almond; Models BDE807*F, BDE907*F, BDEBCFGS171TW01, BDEBYRGS171TW01, BDET07*F, BDEX07*F, BFEX07*F, HDE907*F, HDET07*F, HDEY07*F, JDE807*F, JDE907*F, SDE807*F, SDE807*F1500, SDE907*F, SDE907*F1500, SDEBCRGS171TW02, SDEBXRGS171TW02, SDESXRGS171TW02, SDET07*F, SDET07*F1500, SDEX07*F, SDEX07*F1500, SDEY07*F, SDEY07*F1500, SFET07*F, SFEX07*F and SFEY07*F through Serial No. 1303025314; All other models
	D514250Q	Access Panel Assembly	Bisque; Models BDE807*F, BDE907*F, BDEBCFGS171TW01, BDEBYRGS171TW01, BDET07*F, BDEX07*F, BFEX07*F, HDE907*F, HDET07*F, HDEY07*F, JDE807*F, JDE907*F, SDE807*F, SDE807*F1500, SDE907*F, SDE907*F1500, SDEBCRGS171TW02, SDEBXRGS171TW02, SDESXRGS171TW02, SDET07*F, SDET07*F1500, SDEX07*F, SDEX07*F1500, SDEY07*F, SDEY07*F1500, SFET07*F, SFEX07*F and SFEY07*F through Serial No. 1303025314; All other models
	D514250DG	Access Panel Assembly	Dark gray; Models PDEBCRGS171TG02, PDEBXRGS171TG02, PDGBCRGS111TG02 and PDGBXRGS111TG02
2	33562	Screw	Slotted hex head
	62853	Screw	Torx head; Optional for added security
3	56079	Panel Locator	1 per side
4	39733	Screw	1 per side

* Add Letter To Designate Color. L - Almond N - Stainless Steel Q - Bisque W - White

Motor, Exhaust Fan and Belt



DRY2084P_510298

Motor, Exhaust Fan and Belt

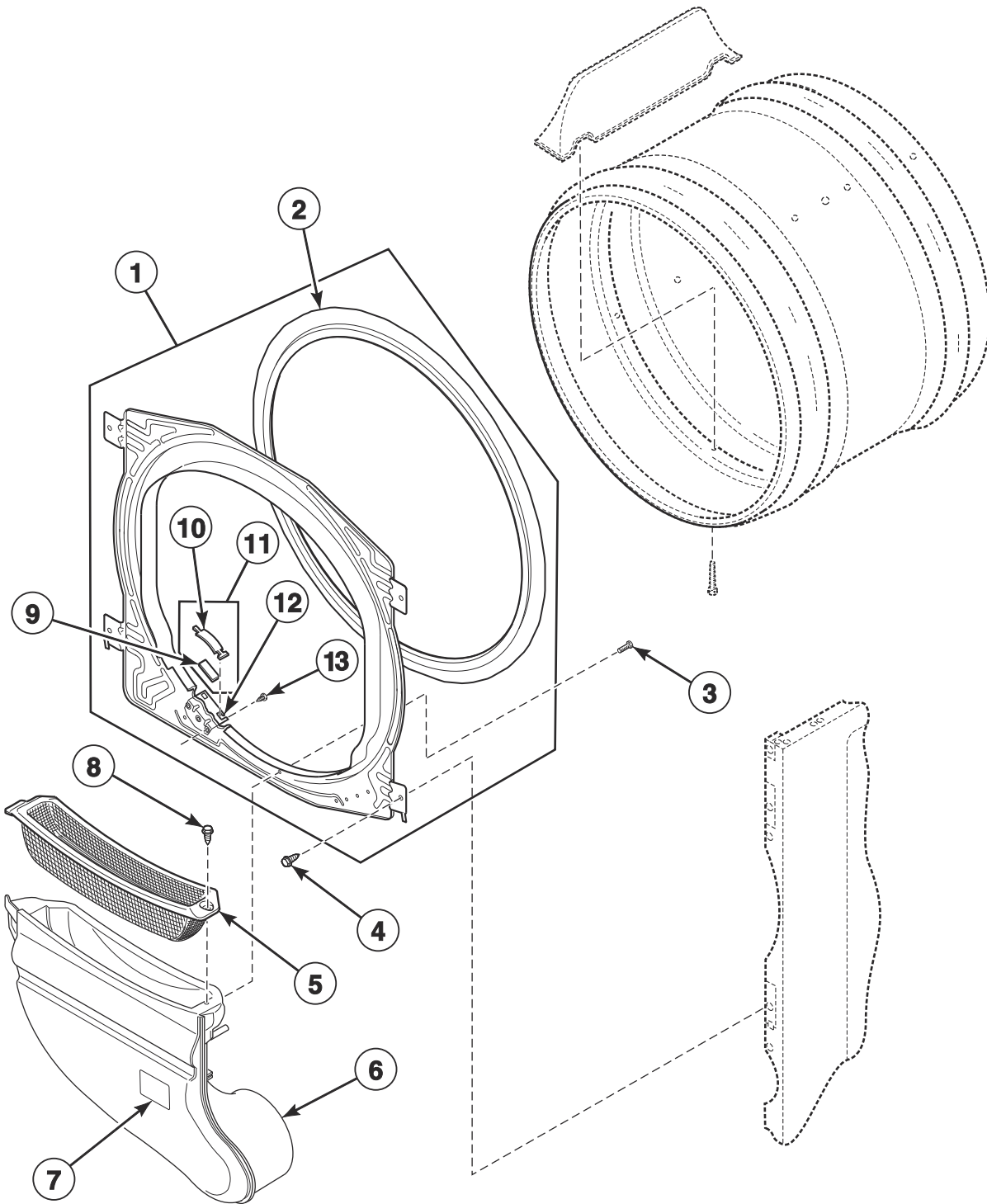
REF	PART NO.	DESCRIPTION	COMMENTS
	27604P	Anti-Seize Compound	Apply to motor shaft when installing blower fan assembly
1	D510238P	Blower Housing Seal	
2	31260	Screw	
3	D511969WP	Blower Housing	Includes items 1 and 2
4	D511629P	Motor and Pulley Assembly	120 Volt/60 Hertz; Apply anti-seize compound to motor shaft when installing blower fan assembly; Includes items 7-9
5	D510180	Motor Mount Clamp	
6	D511255P	Cylinder Belt	
7	D500011	Motor Pulley	60 Hertz
8	N/A	Motor Switch Kit	Does not include thermal protector
9	590P3	Motor Hub Ring Kit	
10	D503688	Screw	
11	D510139P	Blower Fan Assembly	Apply anti-seize compound to motor shaft when installing blower fan assembly
12	D510185	Idler Spring	
13	56156	Nut	
14	D516310	Idler Lever	
15	56461P	Shaft	
16	52549	Washer	
17	D510142P	Idler Wheel and Bearing Assembly	
18	23748	Retaining Ring	
19	D500824	Screw	
20	D516792	Idler Lever and Wheel Assembly	Includes items 13-18
21	52566	Nut	
22	D518517	Motor Mount	
23	D504515	Thermostat	Green; Models through Serial No. 0404; Models HDE007*F, HDE107*F, HDG009*F, HDG109*F, SDE007*F, SDE007*F1500, SDE107*F, SDE107*F1500, SDE107*F1724, SDE107*F99L6, SDE107*F99L7, SDE307*F, SDE307*F1500, SDG009*F, SDG109*F, SDG109*F1124, SDG109*F99L6, SDG109*F99L7, SDG309*F, SFE107*F, SFG109*F, UDE007*F and UDG009*F
	D512005	Thermostat	Green/White; Models starting Serial No. 0404; Models BDE807*F, HDE007*F, HDE107*F, HDG009*F, HDG109*F, JDE807*F, JDG809*F, SDE007*F, SDE007*F1500, SDE107*F, SDE107*F1500, SDE107*F1724, SDE107*F99L6, SDE107*F99L7, SDE307*F, SDE307*F1500, SDE807*F, SDE807*F1500, SDG009*F, SDG109*F, SDG109*F1124, SDG109*F99L6, SDG109*F99L7, SDG309*F, SDG809*F, SFE107*F, SFG109*F, UDE007*F, UDE807*F, UDG009*F and UDG809*F
	D510523	Thermistor Assembly	Black; All other models
24	D502535	Screw	
25	D510717P	Blower and Fan Kit	Includes items 1-5 and 7-22

* Add Letter To Designate Color. L - Almond N - Stainless Steel Q - Bisque W - White

N/A = Part no longer available

Front Bulkhead, Air Duct and Felt Seal

All Models Except KFEG17NF, KFET17NF, KFEY17NF, KFGG19NF, KFGT19NF and KFGY19NF



DRY2589P

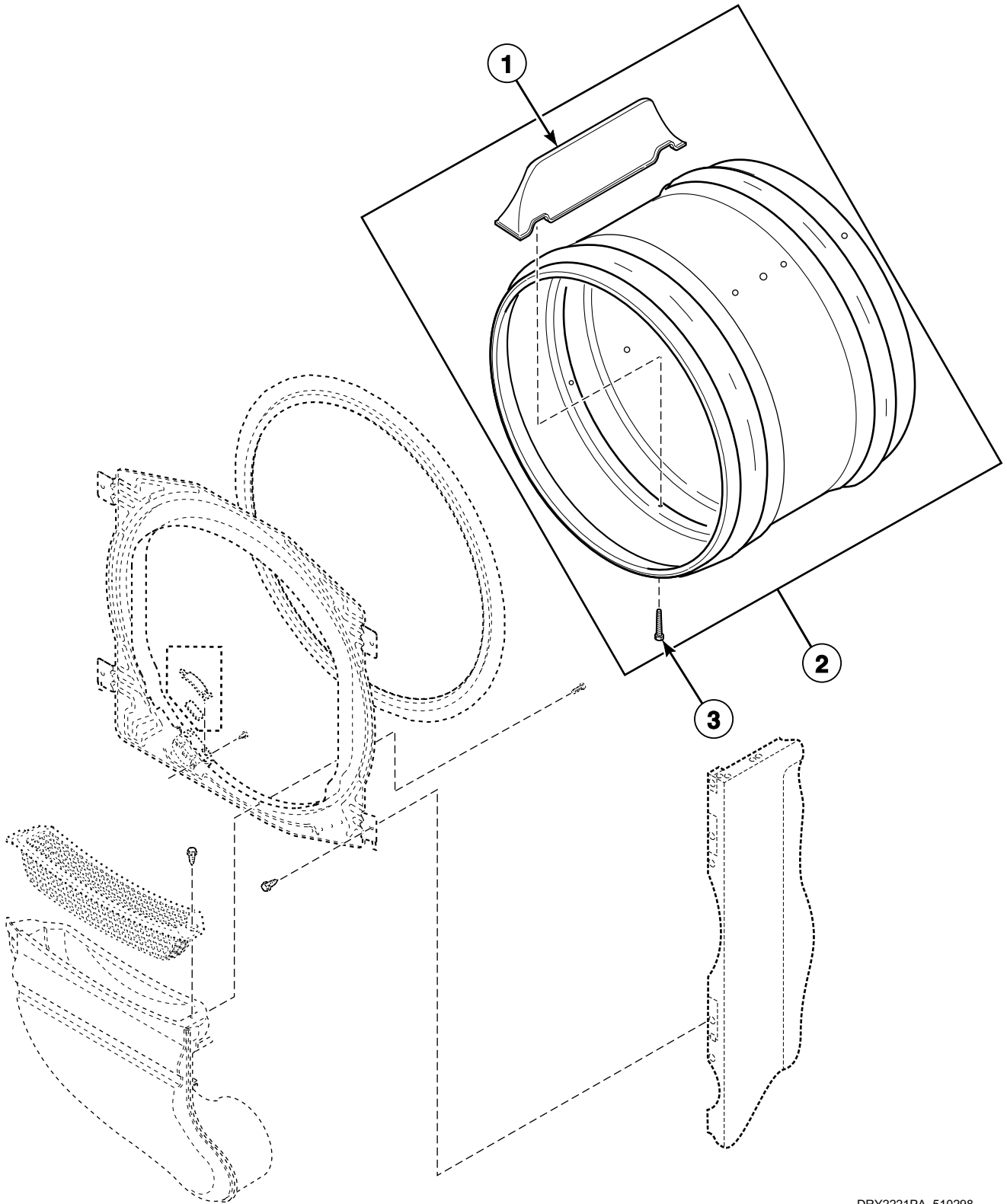
Front Bulkhead, Air Duct and Felt Seal

REF	PART NO.	DESCRIPTION	COMMENTS
	D518429	Air Duct Assembly and Lint Filter	
1	D510266P	Front Bulkhead Assembly	Unpainted; Includes items 2 and 9-13
2	D510207P	Cylinder Seal Assembly	
	D511637P	Adhesive	Apply to cylinder seal
	RB170001	Seal Kit	Includes 2 cylinder seals, 510238P Blower Housing Seal and 511637P Adhesive
3	D500226	Screw	1 per side
4	M405188	Screw	Use with stainless steel side panels
	D503688	Screw	Use with painted side panels
5	D503980LG	Lint Filter	Models BDE807*F, BDE907*F, BDEBCFGS171TW01, BDEBYRGS171TW01, BDET07*F, BDEX07*F, BFEX07*F, HDE907*F, HDET07*F, HDEY07*F, JDE807*F, JDE907*F, SDE807*F, SDE807*F1500, SDE907*F, SDE907*F1500, SDEBCRGS171TW02, SDEBXRGS171TW02, SDESXRGS171TW02, SDET07*F, SDET07*F1500, SDEX07*F, SDEX07*F1500, SDEY07*F, SDEY07*F1500, SFET07*F, SFEX07*F and SFEY07*F starting Serial No. 1303025315; Models BDEBCFGS171TN01, BDEBEFGS171TN01, BDGBCFGS111TN01 and BDGBEFGS111TN01
	D503980W	Lint Filter	Models BDE807*F, BDE907*F, BDEBCFGS171TW01, BDEBYRGS171TW01, BDET07*F, BDEX07*F, BFEX07*F, HDE907*F, HDET07*F, HDEY07*F, JDE807*F, JDE907*F, SDE807*F, SDE807*F1500, SDE907*F, SDE907*F1500, SDEBCRGS171TW02, SDEBXRGS171TW02, SDESXRGS171TW02, SDET07*F, SDET07*F1500, SDEX07*F, SDEX07*F1500, SDEY07*F, SDEY07*F1500, SFET07*F, SFEX07*F and SFEY07*F through Serial No. 1303025314; All other models
6	D518433	Air Duct Assembly	Models BDE807*F, BDE907*F, BDEBCFGS171TW01, BDEBYRGS171TW01, BDET07*F, BDEX07*F, BFEX07*F, HDE907*F, HDET07*F, HDEY07*F, JDE807*F, JDE907*F, SDE807*F, SDE807*F1500, SDE907*F, SDE907*F1500, SDEBCRGS171TW02, SDEBXRGS171TW02, SDESXRGS171TW02, SDET07*F, SDET07*F1500, SDEX07*F, SDEX07*F1500, SDEY07*F, SDEY07*F1500, SFET07*F, SFEX07*F and SFEY07*F starting Serial No. 1303025315; Models BDEBCFGS171TN01, BDEBEFGS171TN01, BDGBCFGS111TN01 and BDGBEFGS111TN01
	D518432	Air Duct Assembly	Models BDE807*F, BDE907*F, BDEBCFGS171TW01, BDEBYRGS171TW01, BDET07*F, BDEX07*F, BFEX07*F, HDE907*F, HDET07*F, HDEY07*F, JDE807*F, JDE907*F, SDE807*F, SDE807*F1500, SDE907*F, SDE907*F1500, SDEBCRGS171TW02, SDEBXRGS171TW02, SDESXRGS171TW02, SDET07*F, SDET07*F1500, SDEX07*F, SDEX07*F1500, SDEY07*F, SDEY07*F1500, SFET07*F, SFEX07*F and SFEY07*F through Serial No. 1303025314; All other models
7	201149	Electrical Shock Label	Icon; Models PDEBCRGS171TG02 and PDGBCRGS111TG02
8	D501285	Screw	
9	D510189	Felt Pad	1 per side
10	D513710	Cylinder Glide	1 per side
11	RB170003	Glide Kit	Includes (2) of item 8 and (2) of item 9
12	D510145	Cylinder Glide Bracket	1 per side
13	52864	Screw	2 per side

* Add Letter To Designate Color. L - Almond N - Stainless Steel Q - Bisque W - White

Cylinder Assembly without Light

All Models Except KFEG17NF, KFET17NF, KFEY17NF, KFGG19NF, KFGT19NF and KFGY19NF



DRY2221PA_510298

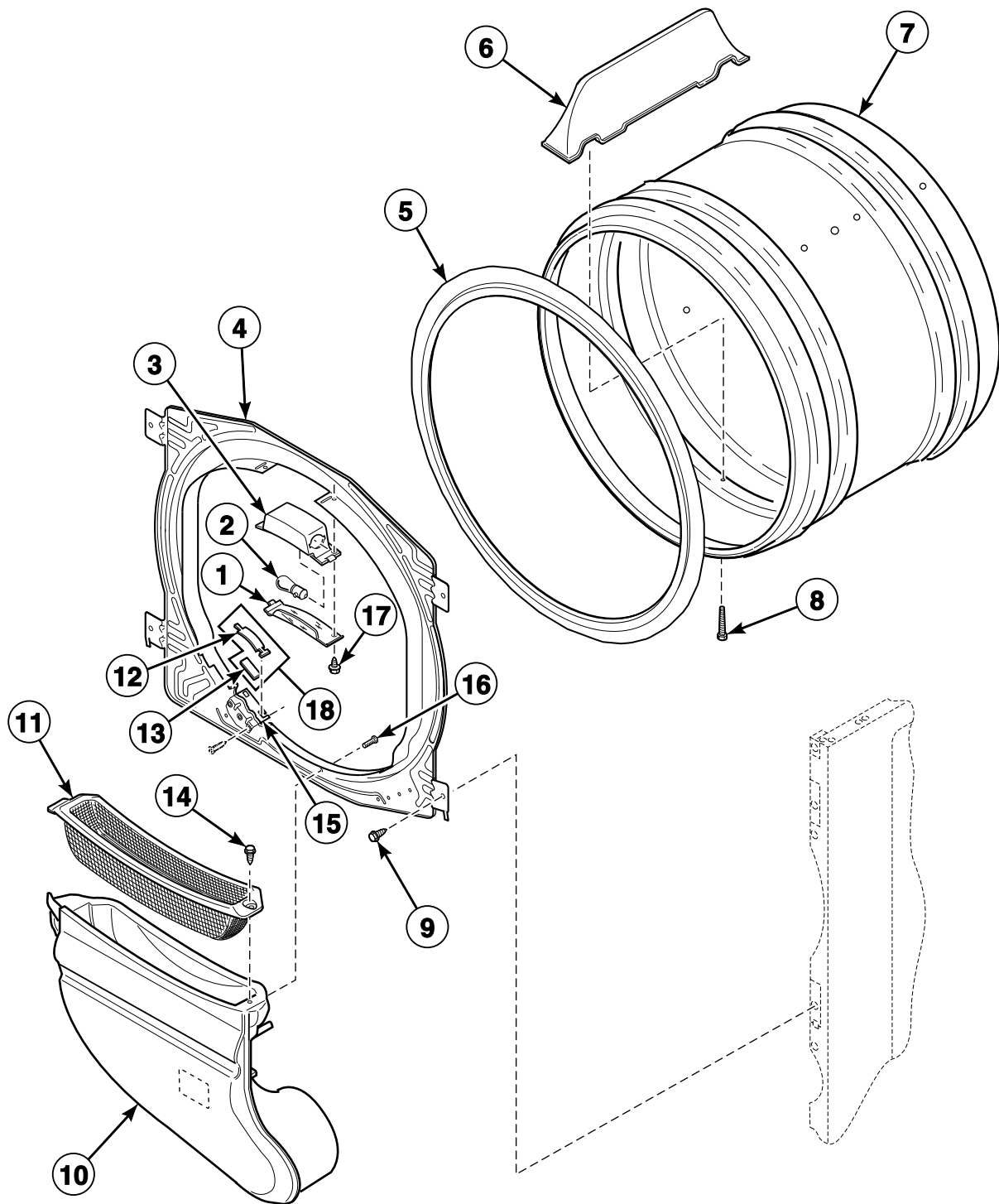
Cylinder Assembly without Light

REF	PART NO.	DESCRIPTION	COMMENTS
1	D510102LG	Cylinder Baffle	Models BDE807*F, BDE907*F, BDEBCFGS171TW01, BDEBYRGS171TW01, BDET07*F, BDEX07*F, BFEX07*F, HDE907*F, HDET07*F, HDEY07*F, JDE807*F, JDE907*F, SDE807*F, SDE807*F1500, SDE907*F, SDE907*F1500, SDEBCRGS171TW02, SDEBXRGS171TW02, SDESXRGS171TW02, SDET07*F, SDET07*F1500, SDEX07*F, SDEX07*F1500, SDEY07*F, SDEY07*F1500, SFET07*F, SFEX07*F and SFEY07*F starting Serial No. 1303025315; Models BDEBCFGS171TN01, BDEBEFGS171TN01, BDGBCFGS111TN01 and BDGBEFGS111TN01
	D510102W	Cylinder Baffle	Models BDE807*F, BDE907*F, BDEBCFGS171TW01, BDEBYRGS171TW01, BDET07*F, BDEX07*F, BFEX07*F, HDE907*F, HDET07*F, HDEY07*F, JDE807*F, JDE907*F, SDE807*F, SDE807*F1500, SDE907*F, SDE907*F1500, SDEBCRGS171TW02, SDEBXRGS171TW02, SDESXRGS171TW02, SDET07*F, SDET07*F1500, SDEX07*F, SDEX07*F1500, SDEY07*F, SDEY07*F1500, SFET07*F, SFEX07*F and SFEY07*F through Serial No. 1303025314; All other models
2	D510265LGP	Cylinder Assembly	Galvanized; Includes 3 of item 1 and 6 of item 3; Models BDE807*F, BDE907*F, BDEBCFGS171TW01, BDEBYRGS171TW01, BDET07*F, BDEX07*F, BFEX07*F, HDE907*F, HDET07*F, HDEY07*F, JDE807*F, JDE907*F, SDE807*F, SDE807*F1500, SDE907*F, SDE907*F1500, SDEBCRGS171TW02, SDEBXRGS171TW02, SDESXRGS171TW02, SDET07*F, SDET07*F1500, SDEX07*F, SDEX07*F1500, SDEY07*F, SDEY07*F1500, SFET07*F, SFEX07*F and SFEY07*F starting Serial No. 1303025315; Models BDEBCFGS171TN01, BDEBEFGS171TN01, BDGBCFGS111TN01 and BDGBEFGS111TN01
	D510265WP	Cylinder Assembly	Galvanized; Includes 3 of item 1 and 6 of item 3; Models BDE807*F, BDE907*F, BDEBCFGS171TW01, BDEBYRGS171TW01, BDET07*F, BDEX07*F, BFEX07*F, HDE907*F, HDET07*F, HDEY07*F, JDE807*F, JDE907*F, SDE807*F, SDE807*F1500, SDE907*F, SDE907*F1500, SDEBCRGS171TW02, SDEBXRGS171TW02, SDESXRGS171TW02, SDET07*F, SDET07*F1500, SDEX07*F, SDEX07*F1500, SDEY07*F, SDEY07*F1500, SFET07*F, SFEX07*F and SFEY07*F through Serial No. 1303025314; All other models
3	62588	Screw	

* Add Letter To Designate Color. L - Almond N - Stainless Steel Q - Bisque W - White

Front Bulkhead, Air Duct, Felt Seal and Cylinder with Light

Models KFEG17NF, KFET17NF, KFEY17NF, KFGG19NF, KFGT19NF and KFGY19NF

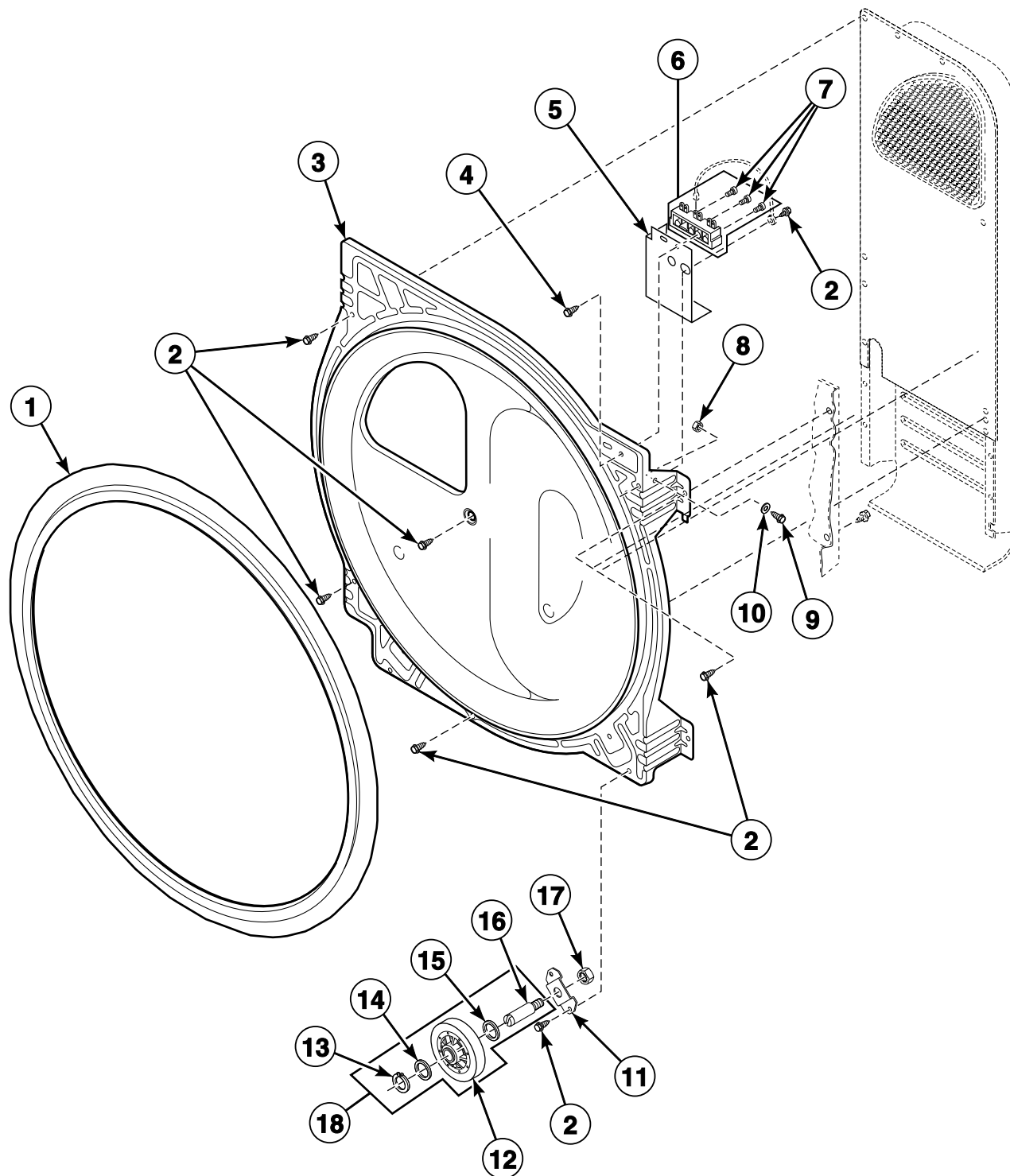


DRY2136P_510298

Front Bulkhead, Air Duct, Felt Seal and Cylinder with Light

REF	PART NO.	DESCRIPTION	COMMENTS
1	D512106	Cylinder Light Lens	
2	60954	Drum Light Lamp	
3	D512108	Light Housing Assembly	Includes item 2
4	D512476P	Front Bulkhead Assembly	Galvanized; Includes item 5
5	D510207P	Cylinder Seal Assembly	
	D511637P	Adhesive	Apply to cylinder seal
	RB170001	Seal Kit	Includes 2 cylinder seals, 510238P Blower Housing Seal and 511637P Adhesive
6	D5101026G	Cylinder Baffle	
7	D510265LGP	Cylinder Assembly	Galvanized; Includes (3) of item 6 and (6) of item 8
8	62588	Screw	
9	M405188	Screw	Use with stainless steel side panels
	D503688	Screw	Use with painted side panels
10	D510151DG	Air Duct Assembly	
11	D503980DG	Lint Filter	
12	D513710	Cylinder Glide	
13	D510189	Felt Pad	
14	D501285	Screw	
15	D510145	Cylinder Glide Bracket	
16	52864	Screw	
17	D500227	Screw	
18	RB170003	Glide Kit	Includes (2) of item 12 and (2) of item 13

Rear Bulkhead, Felt Seal, Cylinder Roller and Terminal Block



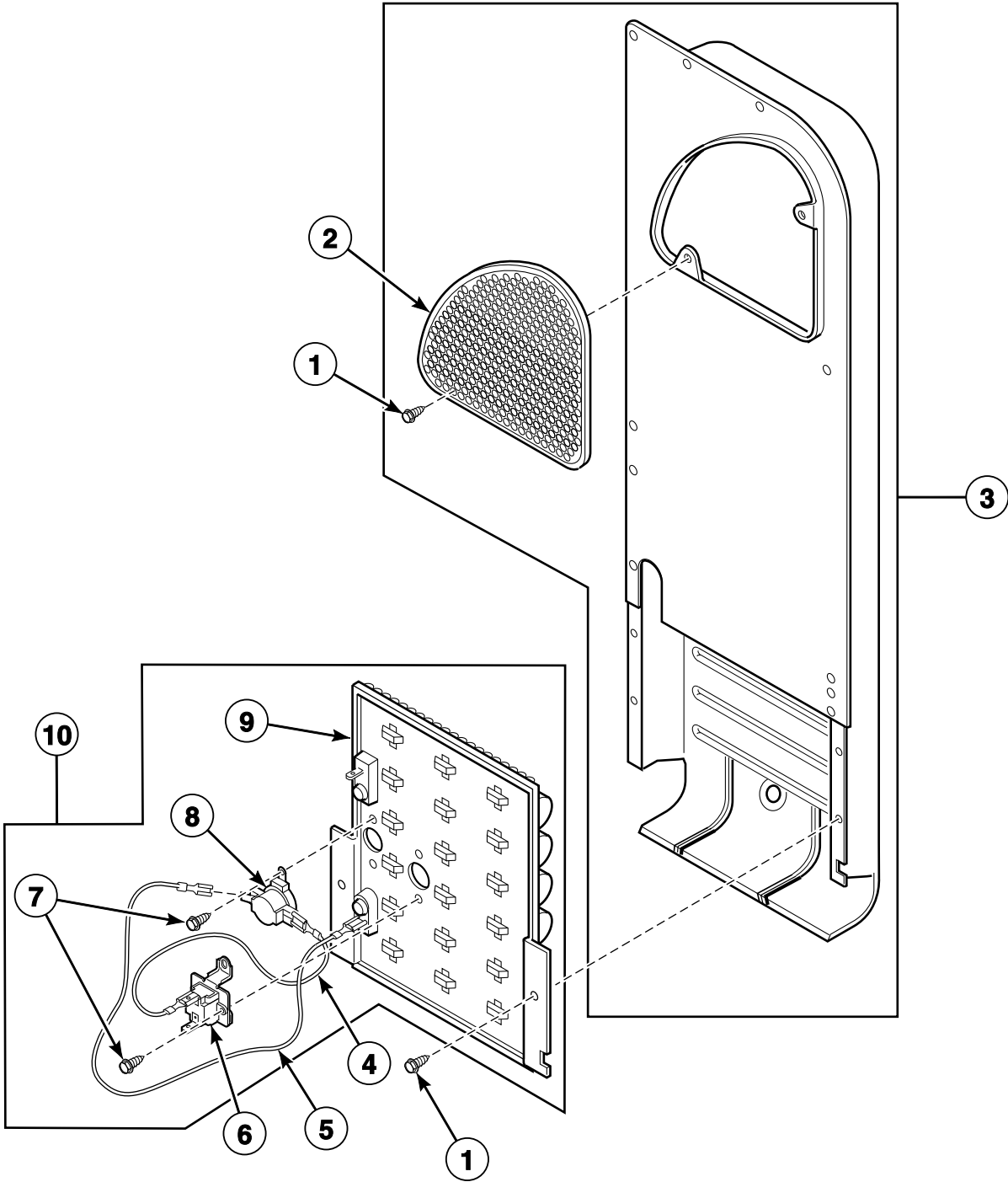
DRY1774P_510298

Rear Bulkhead, Felt Seal, Cylinder Roller and Terminal Block

REF	PART NO.	DESCRIPTION	COMMENTS
1	D510207P	Cylinder Seal Assembly	
	D511637P	Adhesive	Apply to cylinder seal
	RB170001	Seal Kit	Includes 2 cylinder seals, 510238P Blower Housing Seal and 511637P Adhesive
2	M405188	Screw	Models BDEBCFGS171TN01, BDEBEFGS171TN01, BDGBCFGS111TN01, BDGBEFGS111TN01, KFEG17NF, KFET17NF, KFEY17NF, KFGG19NF, KFGT19NF and KFGY19NF
	D503688	Screw	All other models
3	D518128	Rear Bulkhead	Polished; Models KFEG17NF, KFET17NF, KFEY17NF, KFGG19NF, KFGT19NF and KFGY19NF
	D511082P	Rear Bulkhead Assembly	Galvanized; Includes item 1; All other models
4	D501285	Screw	Electric models
5	D505768	Terminal Block Shield	Models BDE807*F, BDE907*F, BDEBYRGS171TW01, BDET07*F, BDEX07*F, HDE907*F, HDET07*F, HDEY07*F, JDE807*F, JDE907*F, SDE807*F, SDE807*F1500, SDE907*F, SDE907*F1500, SDE907*F1724, SDEA07*J, SDEA07*J1500, SDEB07*J, SDEB07*J1500, SDEBCRGS171TW02, SDEBXRGS171TW02, SDEF07*J, SDEF07*J1500, SDESXRGS171TW02, SDET07*F, SDET07*F1500, SDEX07*F, SDEX07*F1500, SDEY07*F and SDEY07*F1500
	D510237	Terminal Block Shield	All other electric models; Through Serial No. 1903000001
6	D510190P	Terminal Block Assembly	Includes 3 of item 7; Electric models
7	61199	Screw	
8	28447	Nut	
9	28448	Screw	
10	28449	Washer	
11	D510100	Cylinder Roller Bracket	
12	D510708P	Cylinder Roller	
13	23748	Retaining Ring	
14	52549	Washer	
15	D504082	Washer	
16	56461P	Shaft	
17	56156	Nut	
18	RB170002	Roller Kit	Includes 2 of each item 12-16

* Add Letter To Designate Color. L - Almond N - Stainless Steel Q - Bisque W - White

Heater Duct and Element Assembly - Electric Model Dryers



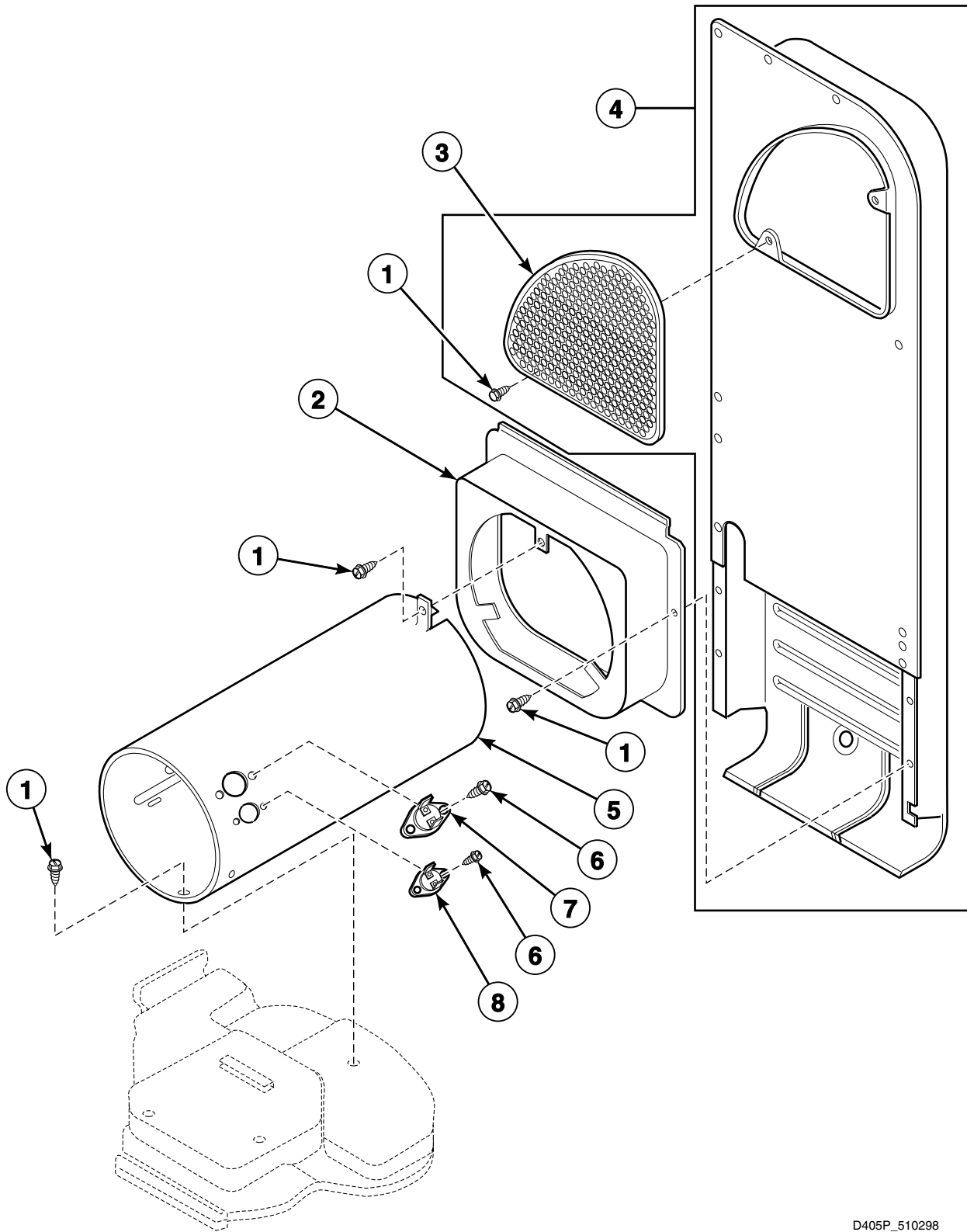
DRY1789P_510298

Heater Duct and Element Assembly - Electric Model Dryers

REF	PART NO.	DESCRIPTION	COMMENTS
1	D503688	Screw	
2	D500820	Outlet Cover	
3	D510025P	Heater Duct Assembly	Includes items 1 and 2
4	D518256	Wire Assembly	Orange; Thermostat jumper; Attaches to heater assembly
5	D518255	Wire Assembly	Black; Fuse jumper; Attaches to heater assembly
6	D518542	Thermal Fuse Assembly	
7	23222	Screw	
8	D510701	Limit Thermostat	
9	D510325P	Heater	4.75 kW; 208 Volt; Models HDEB07*J99L2, HDET07*F1500, HDEY07*F1500, HDEZ07*F1500, SDE007*F1500, SDE107*F1500, SDE307*F1500, SDE407*F1500, SDE507*F1500, SDE607*F1500, SDE707*F1500, SDE807*F1500, SDE907*F1500, SDEA07*J1500, SDEB07*J1500, SDEF07*J1500, SDEH07*J1500, SDET07*F1500, SDEX07*F1500, SDEY07*F1500, SDEZ07*F1500 and SFE507*F1500
	D510329P	Heater Assembly	5.35 kW; 240 Volt; All other models
10	61928	Heater Kit Assembly	4.75 kW; 208 Volt; Optional
	964P3	Heater Kit	5.35 kW; 240 Volt

* Add Letter To Designate Color. L - Almond N - Stainless Steel Q - Bisque W - White

Heater Duct Assembly - Gas Model Dryers



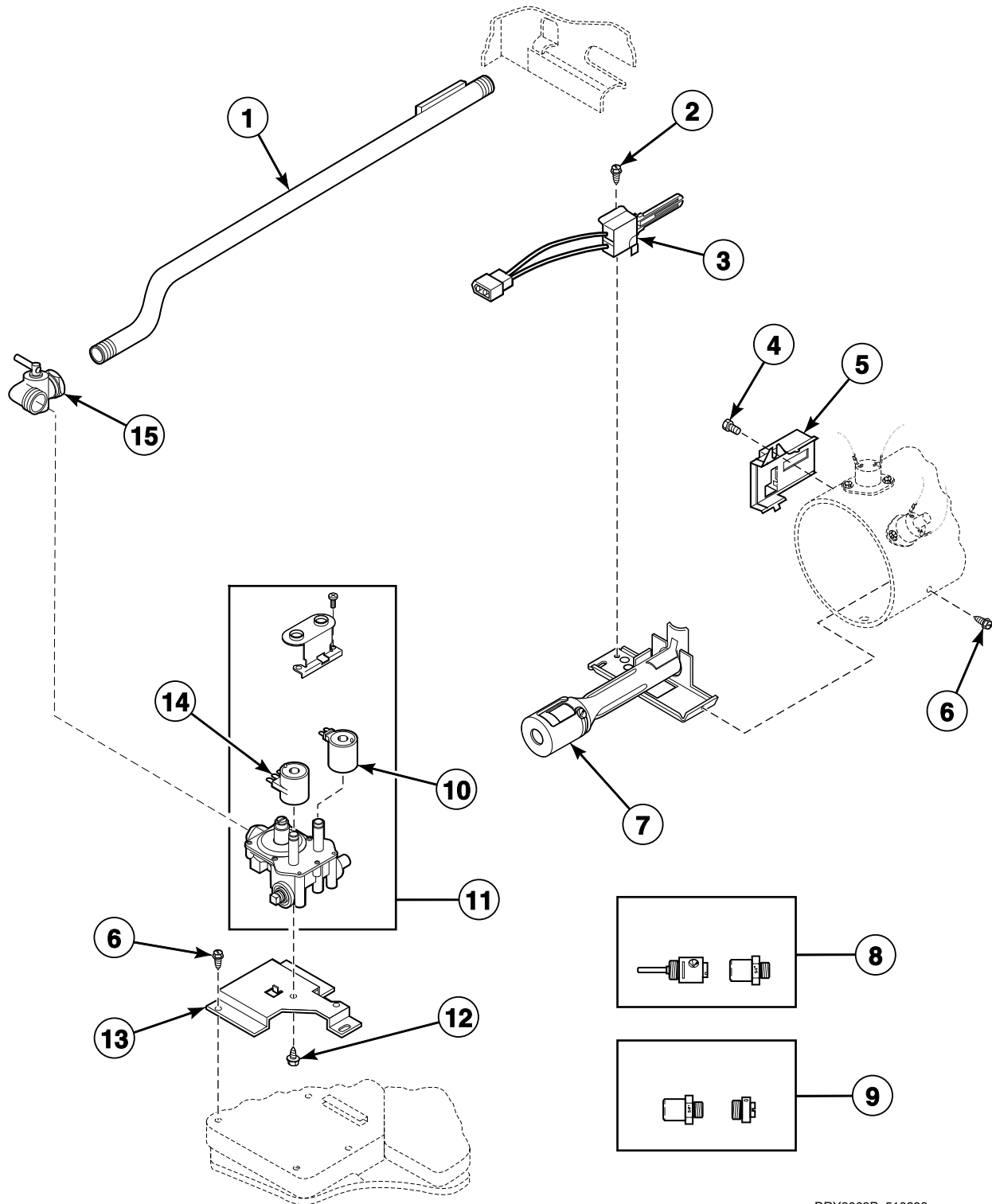
D405P_510298

Heater Duct Assembly - Gas Model Dryers

REF	PART NO.	DESCRIPTION	COMMENTS
1	D503688	Screw	
2	D510101	Heat Duct Shroud	
3	D500820	Outlet Cover	
4	D510025P	Heater Duct Assembly	Includes items 1 and 3
5	D510131	Combustion Duct	Models BDGBYRGS111TW01, BDGT09*F, HDG909*F, HDGT09*F, HDGY09*F, HDGZ09*F, JDG909*F, KFGG19NF, KFGT19NF, KFGY19NF, SDG409*F, SDG509*F, SDG609*F, SDG709*F, SDG909*F, SDG909*F1124, SDGA09*J, SDGB09*J, SDGC09*J, SDGF09*J, SDGH09*J, SDGT09*F, SDGX09*F, SDGY09*F, SDGZ09*F, SFG409*F, SFG509*F, SFG709*F, SFGB09*J, SFGF09*J, SFGT09*F, SFGX09*F, SFGY09*F and SFGZ09*F through Serial No. 0803010125; Models HDG009*F, HDG109*F, HDGB09*J99L1, JDG809*F, SDG009*F, SDG109*F, SDG109*F1124, SDG109*F99L6, SDG109*F99L7, SDG309*F, SDG809*F, SFG109*F, UDG009*F and UDG809*F
	D510132	Combustion Duct	Models BDGBCFGS111TN01, BDGBCFGS111TW01, BDGBEFGS111TN01, BDGBEFGS111TW01, BDGBYRGS111TW01, BDGT09*F, BFGX09*F, HDG909*F, HDGT09*F, HDGY09*F, HDGZ09*F, JDG909*F, KFGG19NF, KFGT19NF, KFGY19NF, PDGBCRGS111TG02, PDGBXRGS111TG02, SDG409*F, SDG509*F, SDG609*F, SDG709*F, SDG909*F, SDG909*F1124, SDGA09*J, SDGB09*J, SDGBCRGS111TW02, SDGBXRGS111TW02, SDGC09*J, SDGF09*J, SDGH09*J, SDGSXRGS111TW02, SDGT09*F, SDGX09*F, SDGY09*F, SDGZ09*F, SFG409*F, SFG509*F, SFG709*F, SFGB09*J, SFGF09*J, SFGT09*F, SFGX09*F, SFGY09*F and SFGZ09*F starting Serial No. 0803010126
6	51782	Screw	
7	D510702	Limit Thermostat	Black; Auto reset
8	D510703	Thermostat	Models BDGBCFGS111TN01, BDGBCFGS111TW01, BDGBEFGS111TN01, BDGBEFGS111TW01, BDGBYRGS111TW01, BDGT09*F, BFGX09*F, HDG909*F, HDGT09*F, HDGY09*F, HDGZ09*F, JDG909*F, KFGG19NF, KFGT19NF, KFGY19NF, PDGBCRGS111TG02, PDGBXRGS111TG02, SDG409*F, SDG509*F, SDG609*F, SDG709*F, SDG909*F, SDG909*F1124, SDGA09*J, SDGB09*J, SDGBCRGS111TW02, SDGBXRGS111TW02, SDGC09*J, SDGF09*J, SDGH09*J, SDGSXRGS111TW02, SDGT09*F, SDGX09*F, SDGY09*F, SDGZ09*F, SFG409*F, SFG509*F, SFG709*F, SFGB09*J, SFGF09*J, SFGT09*F, SFGX09*F, SFGY09*F and SFGZ09*F starting Serial No. 0803010126

Gas Valve, Igniter and Gas Conversion Kits

Gas Models



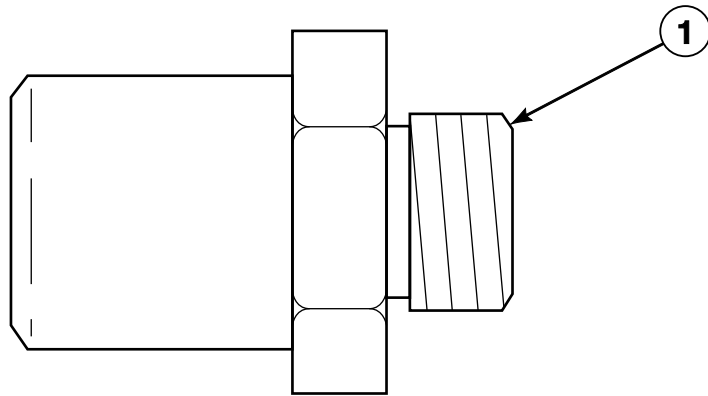
DRY2062P_510298

Gas Valve, Igniter and Gas Conversion Kits

REF	PART NO.	DESCRIPTION	COMMENTS
1	D510204	Lead-In Pipe Assembly	
2	51782	Screw	
3	D510184P	Igniter and Bracket Assembly	
4	23222	Screw	
5	D510213	Sensor	
6	D503688	Screw	
7	D510149P	Burner Assembly	
8	458P3	L.P. Conversion Kit	Used to convert dryers from Natural Gas (N.G.) or Mixed Gas to Liquid Petroleum Gas (L.P.) for 25,000 Btu
9	459P3	N.G. Conversion Kit	Used to convert dryers from L.P. to N.G. or Mixed Gas for 25,000 Btu
10	58804B	Secondary Coil	
11	60353P	Gas Valve Assembly	25,000 Btu; Includes items 10 and 14
12	56124	Screw	
13	D510128	Gas Valve Mounting Bracket	
14	58804A	Booster and Holding Coil	
15	D510205	Elbow Shut-Off Valve	

Burner Orifice Spuds - For Higher Elevations

Gas Models

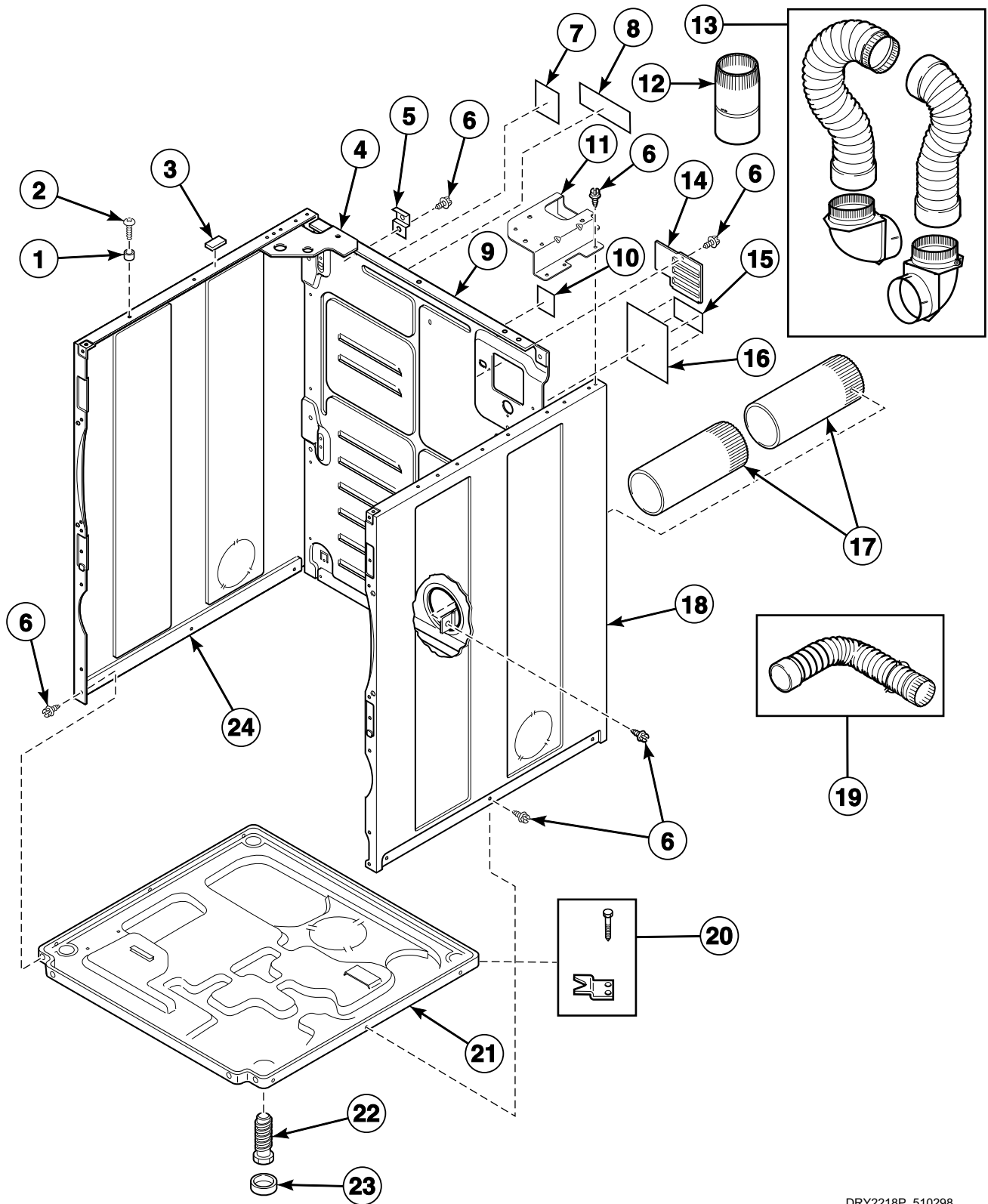


DRY2266P_510298

Burner Orifice Spuds - For Higher Elevations

REF	PART NO.	DESCRIPTION	COMMENTS
1	D502103	Burner Orifice	Liquid Petroleum Gas (L.P.); 3500-7000 feet (1067-2134 m)
	58755	L.P. Orifice	L.P.; 7500-10999 feet (2290-3354 m)
	D503786	L.P. Orifice	L.P.; 11000 feet (3355 m) and higher
	D503776	N.G. Orifice	Natural Gas (N.G.); 2000-2999 feet (610-914 m)
	D510517	N.G. Orifice	N.G.; 3000-5499 feet (915-1679 m)
	D503778	N.G. Orifice	N.G.; 5500-6999 feet (1680-2134 m)
	58719	Screw Orifice	N.G.; 7000-8999 feet (2135-2744 m)
	D503779	N.G. Orifice	N.G.; 9000-10499 feet (2745-3199 m)
	D503780	N.G. Orifice	N.G.; 10500 feet (3200 m) and higher

Cabinet, Exhaust Duct and Base



DRY2218P_510298

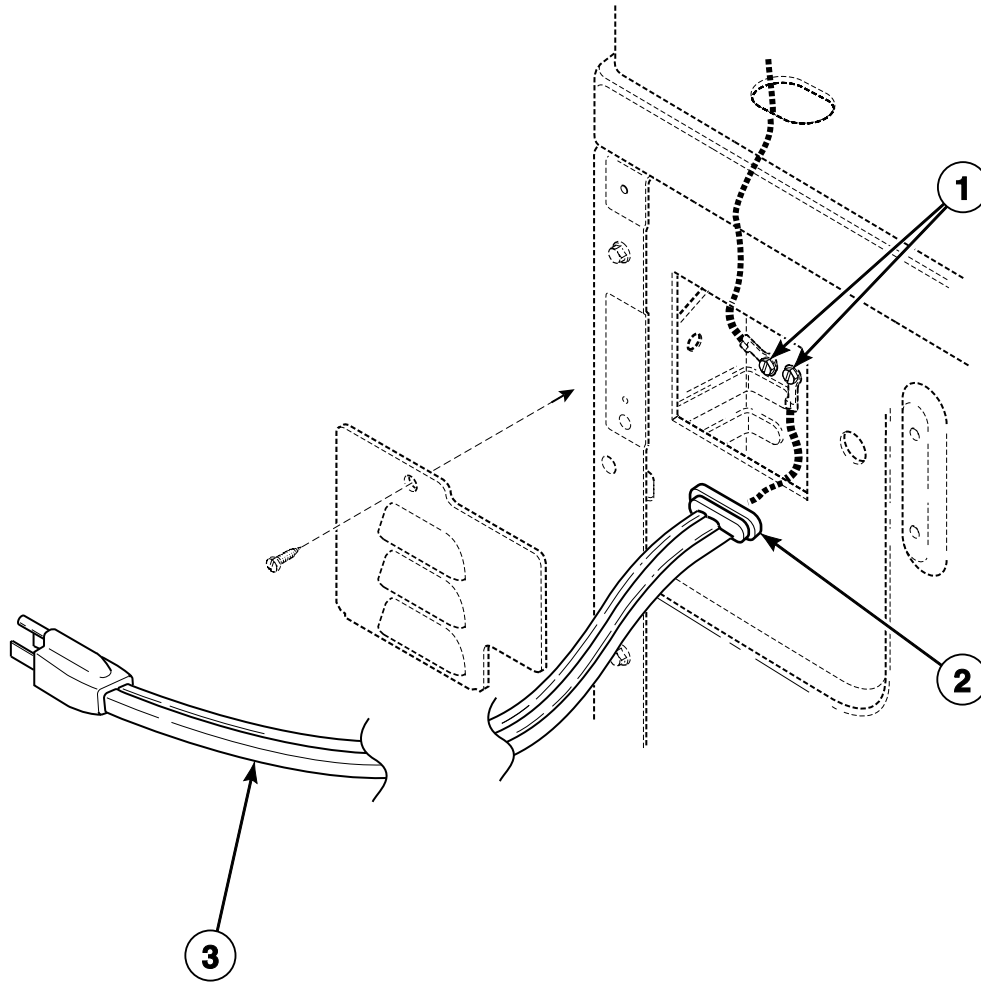
Cabinet, Exhaust Duct and Base

REF	PART NO.	DESCRIPTION	COMMENTS
1	56079	Panel Locator	
2	D512921	Screw	Use with stainless steel panels
	39733	Screw	Use with painted panels
3	56128	Bumper Pad	
4	D510337	Frame Gusset	
5	D510136	Top Hinge	
6	D503688	Screw	
7	D511004	Gas Clearance Label	Gas models
8	D502791	Venting Instruction Label	
9	D514632P	Cabinet Rear Panel	
10	803260	Warning Label	Disconnect power; Models BDE807*F, JDE807*F, SDE807*F and UDE807*F
11	547P3	Coin Cabinet Hardware Kit	Models BDE907*F, BDET07*F, BDEX07*F, BDGT09*F, HDE107*F, HDE907*F, HDEB07*J99L1, HDEB07*J99L2, HDET07*F, HDET07*F1500, HDEZ07*F, HDEZ07*F1500, HDG109*F, HDG909*F, HDGB09*J99L1, HDGT09*F, HDGZ09*F, JDE907*F, JDG909*F, SDE107*F, SDE107*F1500, SDE107*F1724, SDE107*F99L6, SDE107*F99L7, SDE307*F, SDE307*F1500, SDE407*F, SDE407*F1500, SDE507*F, SDE507*F1500, SDE907*F, SDE907*F1500, SDE907*F1724, SDEA07*J, SDEA07*J1500, SDEB07*J, SDEB07*J1500, SDEBCRGS171TW02, SDEBXRGS171TW02, SDEH07*J, SDEH07*J1500, SDESXRGS171TW02, SDET07*F, SDET07*F1500, SDEX07*F, SDEX07*F1500, SDEZ07*F, SDEZ07*F1500, SDG109*F, SDG109*F1124, SDG109*F99L6, SDG109*F99L7, SDG309*F, SDG409*F, SDG509*F, SDG909*F, SDG909*F1124, SDGA09*J, SDGB09*J, SDGBCRGS111TW02, SDGBXRGS111TW02, SDGH09*J, SDGSXRGS111TW02, SDGT09*F, SDGX09*F and SDGZ09*F
12	58786	Damper	Use when connecting to a manifold vent system
13	521P3	Flexible Venting Kit	
14	D510903	Access Panel Plate	
15	N/A	Label	
16	D511005	Electric Clearance Label	Electric models
17	D516196	Exhaust Duct	Each dryer requires 2 pieces
18	D510002GP	Cabinet Side Panel	Gray; Right
	D512539	Cabinet Side Panel	Stainless steel; Right; Models KFEG17NF, KFET17NF, KFEY17NF, KFGG19NF, KFGT19NF and KFGY19NF
	D512952	Cabinet Side Panel	Stainless steel; Right; All other models
	D510002WGP	Cabinet Side Panel	White; Right; All other models
	D510002LP	Cabinet Side Panel	Almond; Right; All other models
	D510002QP	Cabinet Side Panel	Bisque; Right; All other models
	D510002DGP	Cabinet Side Panel	Dark gray; Right; All other models
19	528P3	Directional Exhaust Kit	Used to vent dryer out the sides or bottom
20	526P3	Hold Down Kit	For mobile home installations
21	D514245	Dryer Base	
22	D510135	Leveling Leg	
23	D501855	Rubber Foot	
24	D510001GP	Cabinet Side Panel	Gray; Left
	D512538	Cabinet Side Panel	Stainless steel; Left; Models KFEG17NF, KFET17NF, KFEY17NF, KFGG19NF, KFGT19NF and KFGY19NF
	D512951	Cabinet Side Panel	Stainless steel; Left; All other models
	D510001WGP	Cabinet Side Panel	White; Left; All other models
	D510001LP	Cabinet Side Panel	Almond; Left; All other models
	D510001QP	Cabinet Side Panel	Bisque; Left; All other models
	D510001DGP	Cabinet Side Panel	Dark gray; Left; All other models

* Add Letter To Designate Color. L - Almond N - Stainless Steel Q - Bisque W - White

N/A = Part no longer available

Power Cord

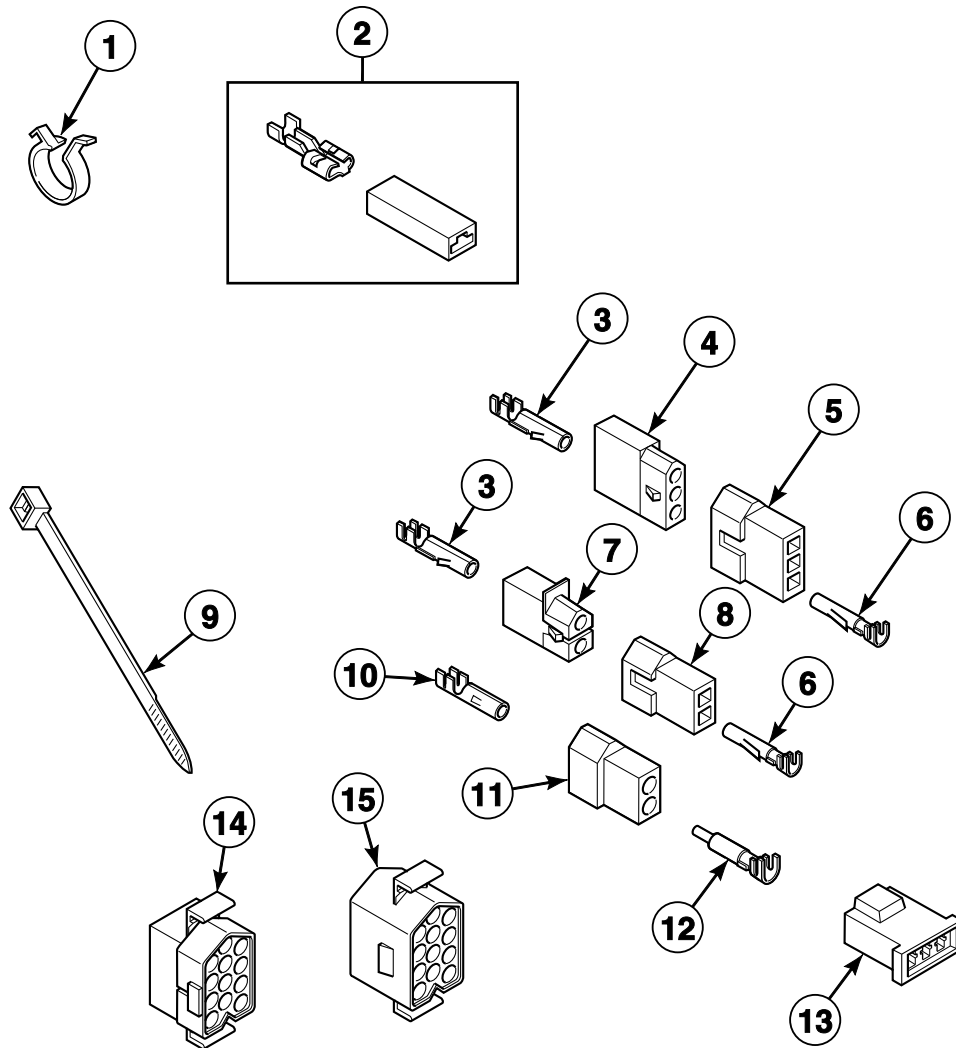


DRY1879P_510298

Power Cord

REF	PART NO.	DESCRIPTION	COMMENTS
1	D513071	Screw	Models BDEBCFGS171TN01, BDEBEFGS171TN01, BDGBCFGS111TN01, BDGBEFGS111TN01, KFET17NF and KFGT19NF
	20530	Screw	All other models
2	38384	Strain Relief	Gas models
3	56222	Lead-In Cord	Gas models

Terminal Block and Terminals (Drawing 1 of 2)

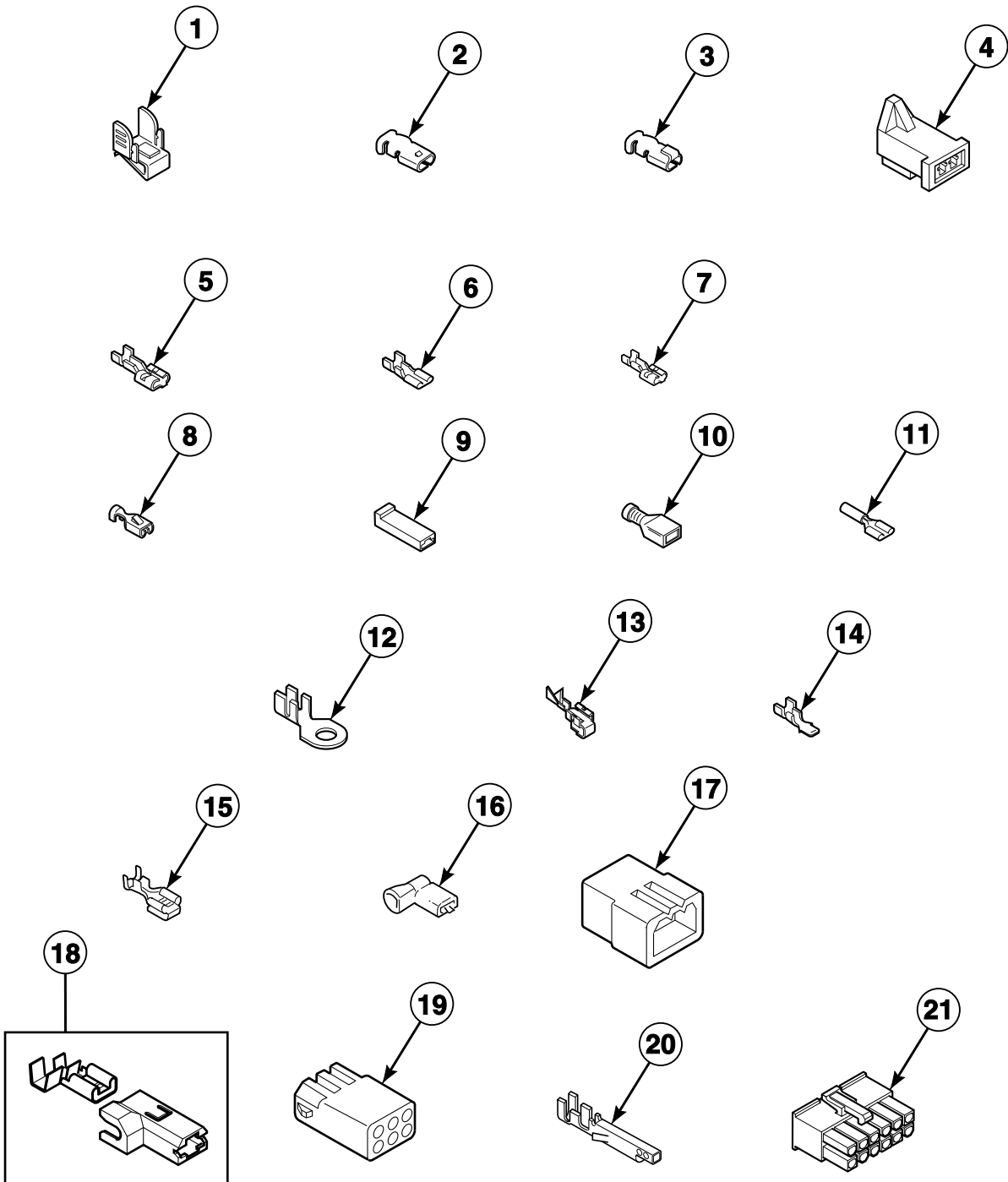


DRY2038P_510298

Terminal Block and Terminals (Drawing 1 of 2)

REF	PART NO.	DESCRIPTION	COMMENTS
1	D504034	Wire Clip	11/16 inch
	687500	Wire Clip	1 inch
2	00360	Insulated Female Spade Terminal	(1) 12 gauge wire or (2) 18 gauge wires
3	00117	Female Pin Terminal	
4	23039	3 Circuit Receptacle	
5	23040	Plug	3 circuit
6	00116	Male Pin Terminal	
7	56451	2 Circuit Receptacle	
8	56448	2 Circuit Plug	
9	55881	Harness Strap	
10	00128	Female Pin Terminal	1/8 inch; 10-14 gauge wire
	00130	Female Pin Terminal	1/8 inch; 16-18 gauge wire
11	56266	2 Circuit Plug	
12	00127	Male Pin Terminal	1/8 inch; 10-14 gauge wire
	00129	Male Pin Terminal	1/8 inch; 16-18 gauge wire
13	58800	3 Circuit Connector	
14	54522	Plug	
15	56855	12 Circuit Receptacle	

Terminal Block and Terminals (Drawing 2 of 2)



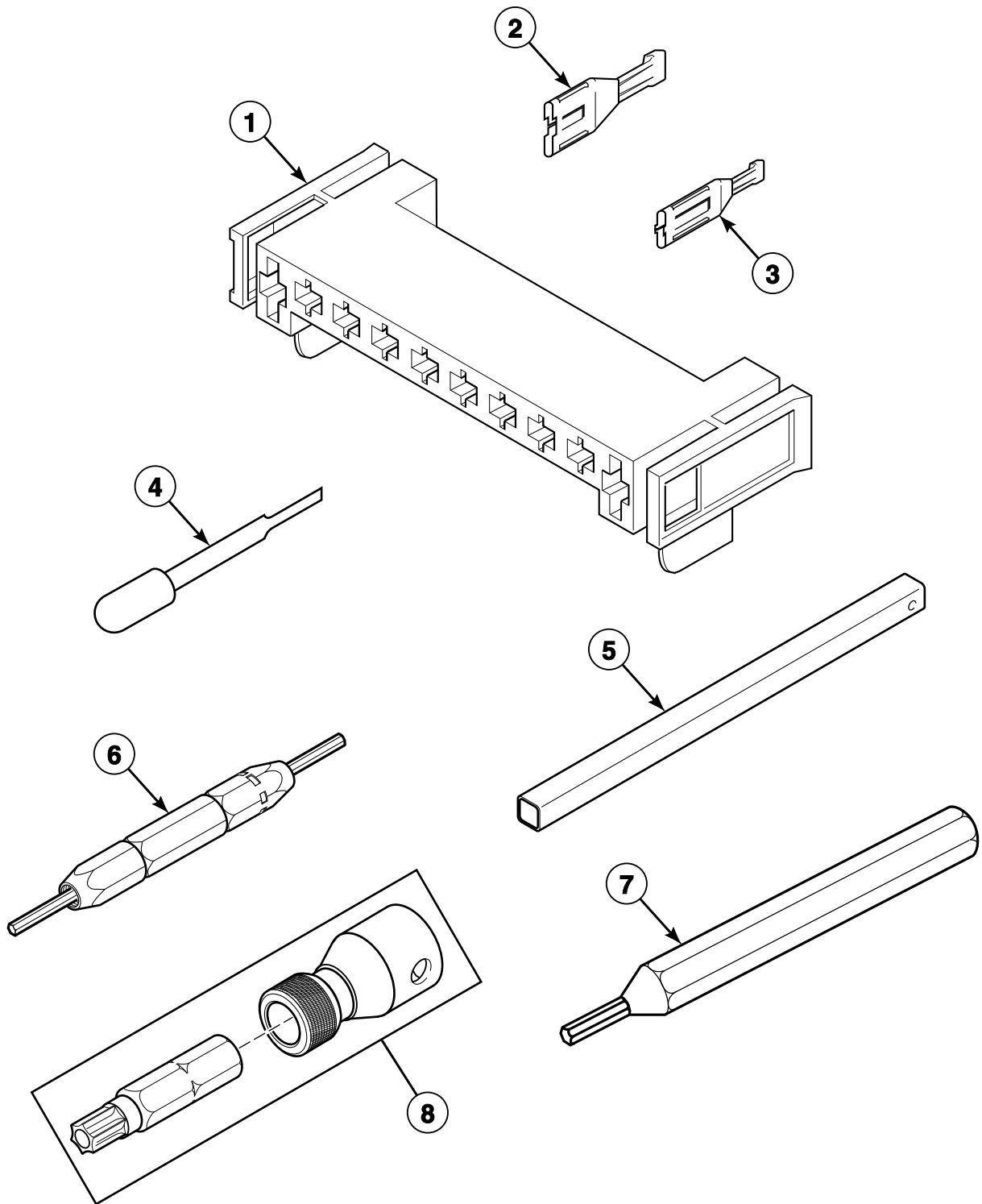
DRY1893P_510298

Terminal Block and Terminals (Drawing 2 of 2)

REF	PART NO.	DESCRIPTION	COMMENTS
1	00161	Grounding Clip	
2	00189	Female Spade Terminal	1/8 inch
3	00361	Female Piggyback Terminal	
4	58799	2 Circuit Connector	
5	00223	Female Spade Terminal	1/4 inch; (1) 18 gauge wire
	00121	Female Spade Terminal	1/4 inch; (2) 18 gauge wires or (1) 12 gauge wire
	00245	Spade Terminal	1/4 inch; (1) 22 gauge wire
6	00124	Female Spade Terminal	3/16 inch; (1) 18 gauge wire; .020 tab
7	00222	Female Spade Terminal	1/4 inch
8	00115	Female Spade Terminal	1/4 inch; (1) 18 gauge wire
	N/A	Female Spade Terminal	1/4 inch; (2) 18 gauge wires or (1) 12 gauge wire
9	90789	Receptacle Housing	
10	00359	Insulated Female Spade Terminal	1/4 inch
11	N/A	Pre-Insulated Spade Terminal	1/4 inch; (1) 18 gauge wire or (1) 12 gauge wire
12	00110	Ring Terminal	No. 10; (1) 18 gauge wire
	N/A	Ring Terminal	No. 14; 18 gauge
13	00114	Female Spade Terminal	1/4 inch; Double connector
14	00139	Male Tab Terminal	1/4 inch; (2) 18 gauge wires or (1) 12 gauge wire
15	00344	Female Tab Terminal	1/4 inch
16	N/A	Flag Insulated Terminal	3/16 inch
17	23033	9 Circuit Plug	
	44370401	1 Circuit Plug Housing	
18	00221	Insulated Female Flag Terminal	
19	26708	6 Circuit Receptacle	
	26301	1 Circuit Receptacle	
20	00252	Terminal	
21	34596	10 Circuit Receptacle	
	D501333	12 Circuit Receptacle	

N/A = Part no longer available

Terminals and Terminal Extractor Tools



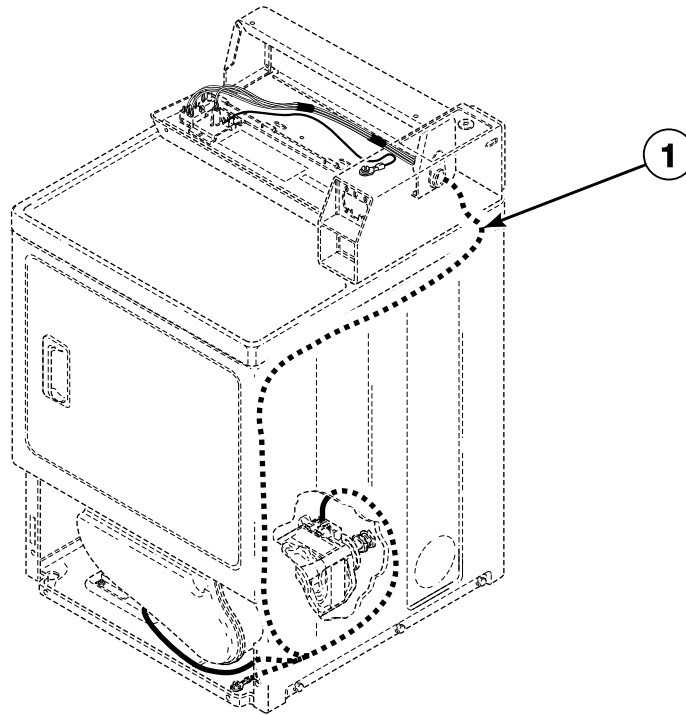
DRY2066P_510298

Terminals and Terminal Extractor Tools

REF	PART NO.	DESCRIPTION	COMMENTS
1	D500338	10 Position Housing	
2	00255	Female Terminal	1/4 inch; (1) 12 gauge wire; Electric models
	00256	Female Terminal	1/4 inch; (1) or (2) 18 gauge wires
3	00188	Female Terminal	For 1 or 2 wire application
4	283P4	Terminal Extractor Tool	For use on Molex connectors
5	310P4	Ratchet Extension Tool	1/4 inch; For coin drop installation
6	190P4	Extractor Tool	For use on electric dryer terminals
7	128P4	Extractor Tool	For use on gas dryer terminals
8	281P4	Torx Bit	T15 Tamper Resistant Bit
	282P4	Torx Bit	Use with 62853 Screw on access panel; T25 Tamper Resistant Bit
	292P4	Torx Bit	T20 Standard Bit
	93501	Torx Drive Tool	T10 Standard Bit

Wire Harnesses and Wires - Rear Control Models

Models HDE007*F, HDE107*F, HDEB07*J99L1, HDEB07*J99L2, HDET07*F1500, HDEY07*F1500, HDEZ07*F, HDEZ07*F1500, HDG009*F, HDG109*F, HDGB09*J99L1, HDGZ09*F, SDE007*F, SDE007*F1500, SDE107*F, SDE107*F1500, SDE107*F1724, SDE107*F99L6, SDE107*F99L7, SDE307*F, SDE307*F1500, SDE407*F, SDE407*F1500, SDE507*F, SDE507*F1500, SDE607*F, SDE607*F1500, SDE707*F, SDE707*F1500, SDEA07*J, SDEA07*J1500, SDEB07*J, SDEB07*J1500, SDEC07*J, SDEF07*J, SDEF07*J1500, SDEH07*J, SDEH07*J1500, SDEZ07*F, SDEZ07*F1500, SDG009*F, SDG109*F, SDG109*F1124, SDG109*F99L6, SDG109*F99L7, SDG309*F, SDG409*F, SDG509*F, SDG609*F, SDG709*F, SDGA09*J, SDGB09*J, SDGC09*J, SDGF09*J, SDGH09*J, SDGZ09*F, UDE007*F and UDG009*F



DRY2167P_510298

Wire Harnesses and Wires - Rear Control Models

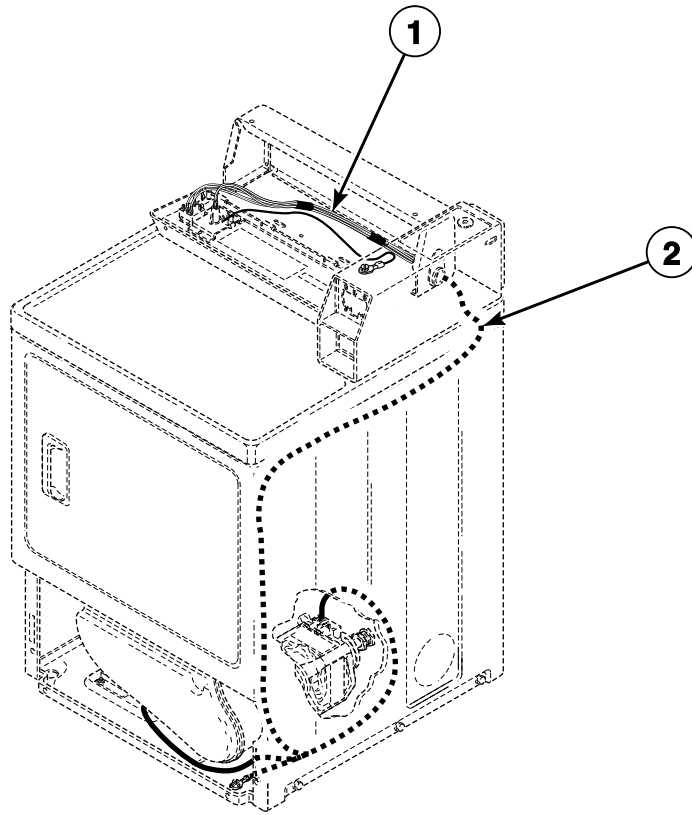
REF	PART NO.	DESCRIPTION	COMMENTS
	45001	18 Gauge Wire	Black; Order wire by foot; Order terminals and connectors as required
	45380	12 Gauge Wire	Orange; Order wire by foot; Order terminals and connectors as required
1	D510400P	Wire Harness Assembly	Models HDE107*F, SDE107*F, SDE107*F1500, SDE107*F1724, SDE107*F99L6, SDE107*F99L7, SDE307*F and SDE307*F1500
	D510401P	Wire Harness Assembly	Models HDG109*F, SDG109*F, SDG109*F1124, SDG109*F99L6, SDG109*F99L7 and SDG309*F
	D510404P	Wire Harness Assembly	Models HDE007*F, SDE007*F, SDE007*F1500 and UDE007*F
	D510405P	Wire Harness Assembly	Models HDG009*F, SDG009*F and UDG009*F
	D510406P	Wire Harness Assembly	Models SDE407*F, SDE407*F1500, SDE507*F, SDE507*F1500, SDE607*F, SDE607*F1500, SDE707*F and SDE707*F1500
	D510407P	Wire Harness Assembly	Models SDG409*F, SDG509*F, SDG609*F and SDG709*F
	D510482P	Wire Harness Assembly	Models HDEB07*J99L1, HDEB07*J99L2, HDET07*F1500, HDEY07*F1500, HDEZ07*F, HDEZ07*F1500, SDEA07*J, SDEA07*J1500, SDEB07*J, SDEB07*J1500, SDEC07*J, SDEF07*J, SDEF07*J1500, SDEH07*J, SDEH07*J1500, SDEZ07*F and SDEZ07*F1500
	D510485P	Wire Harness Assembly	Models HDGB09*J99L1, HDGZ09*F, SDGA09*J, SDGB09*J, SDGC09*J, SDGF09*J, SDGH09*J and SDGZ09*F

* Add Letter To Designate Color. L - Almond N - Stainless Steel Q - Bisque W - White

NOTE: Individual wires are not available separately. Order complete harness, or order wire by the foot. When applying terminals to wires, it is recommended that the terminals be soldered to the wires.

Wire Harnesses and Wires - Rear Control Models Through Serial No. 1207

Models BDE807*F, BDE907*F, HDE907*F, HDG909*F, JDE807*F, JDE907*F, JDG809*F, JDG909*F, SDE807*F, SDE807*F1500, SDE907*F, SDE907*F1500, SDE907*F1724, SDESXRGS171TW02, SDG809*F, SDG909*F, SDG909*F1124, SDGSXRGS111TW02, UDE807*F and UDG809*F



DRY2039P_510298

Wire Harnesses and Wires - Rear Control Models Through Serial No. 1207

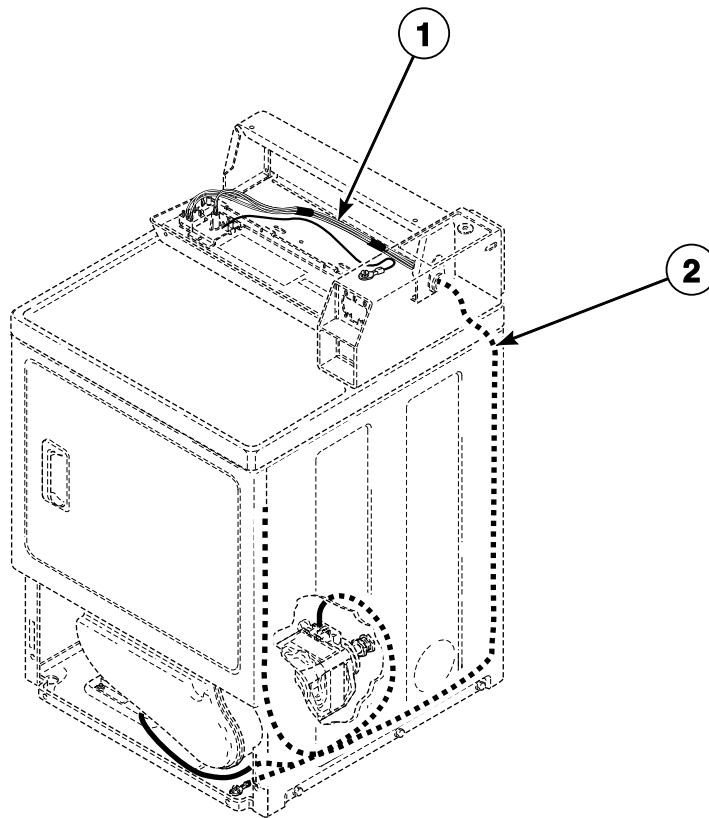
REF	PART NO.	DESCRIPTION	COMMENTS
	45001	18 Gauge Wire	Black; Order wire by foot; Order terminals and connectors as required
	45380	12 Gauge Wire	Orange; Order wire by foot; Order terminals and connectors as required
1	D512140	Wire Harness Assembly	Some models may have a 3/16 inch spade terminal on the coin slide switch; When replacing the harness on these models, the switch mount assembly must also be replaced; Models BDE907*F, HDE907*F, HDG909*F, JDE907*F, JDG909*F, SDE907*F, SDE907*F1500, SDE907*F1724, SDESXRGs171TW02, SDG909*F, SDG909*F1124 and SDGSXRGs111TW02
	D512510	Hood Harness	Models BDE807*F, JDE807*F, JDG809*F, SDE807*F, SDE807*F1500, SDG809*F, UDE807*F and UDG809*F
2	D511790P	Electronic Harness	Models BDE907*F, HDE907*F, JDE907*F, SDE907*F, SDE907*F1500, SDE907*F1724 and SDESXRGs171TW02
	D511789P	Electronic Harness	Models HDG909*F, JDG909*F, SDG909*F, SDG909*F1124 and SDGSXRGs111TW02
	D512512	Wire Harness Assembly	Models BDE807*F, JDE807*F, SDE807*F, SDE807*F1500 and UDE807*F
	D512511P	Wire Harness Assembly	Models JDG809*F, SDG809*F and UDG809*F

* Add Letter To Designate Color. L - Almond N - Stainless Steel Q - Bisque W - White

NOTE: Individual wires are not available separately. Order complete harness, or order wire by the foot. When applying terminals to wires, it is recommended that the terminals be soldered to the wires.

Wire Harnesses and Wires - Rear Control Models Starting Serial No. 1207 (Drawing 1 of 2)

Models BDE807*F, BDE907*F, HDE907*F, HDG909*F, JDE807*F, JDE907*F, JDG809*F, JDG909*F, SDE807*F, SDE807*F1500, SDE907*F, SDE907*F1500, SDE907*F1724, SDESXRGS171TW02, SDG809*F, SDG909*F, SDG909*F1124, SDGSXRGS111TW02, UDE807*F and UDG809*F



DRY2271P_510298

Wire Harnesses and Wires - Rear Control Models Starting Serial No. 1207 (Drawing 1 of 2)

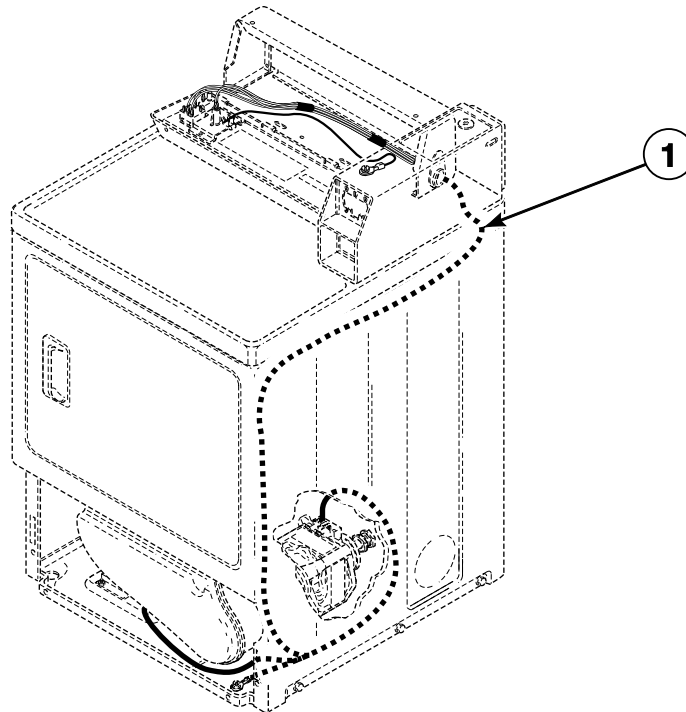
REF	PART NO.	DESCRIPTION	COMMENTS
	45001	18 Gauge Wire	Black; Order wire by foot; Order terminals and connectors as required
	45380	12 Gauge Wire	Orange; Order wire by foot; Order terminals and connectors as required
1	D512140	Wire Harness Assembly	Some models may have a 3/16 inch spade terminal on the coin slide switch; When replacing the harness on these models, the switch mount assembly must also be replaced; Models BDE907*F, HDE907*F, HDG909*F, JDE907*F, JDG909*F, SDE907*F, SDE907*F1500, SDE907*F1724, SDESXRG171TW02, SDG909*F, SDG909*F1124 and SDGSXRG111TW02
	D512510	Hood Harness	Models BDE807*F, JDE807*F, JDG809*F, SDE807*F, SDE807*F1500, SDG809*F, UDE807*F and UDG809*F
2	D513668	Electronic Harness	Models BDE907*F, HDE907*F, JDE907*F, SDE907*F, SDE907*F1500, SDE907*F1724 and SDESXRG171TW02; Models through Serial No. 1303025314
	D513944	Electronic Harness	Models BDE907*F, HDE907*F, JDE907*F, SDE907*F, SDE907*F1500, SDE907*F1724 and SDESXRG171TW02; Models starting Serial No. 1303025315
	D513669	Electronic Harness	Models HDG909*F, JDG909*F, SDG909*F, SDG909*F1124 and SDGSXRG111TW02
	D513670	Wire Harness Assembly	Models BDE807*F, JDE807*F, SDE807*F, SDE807*F1500 and UDE807*F; Models through Serial No. 1303025314
	D513670	Wire Harness Assembly	Models BDE807*F, JDE807*F, SDE807*F, SDE807*F1500 and UDE807*F; Models starting Serial No. 1303025315
	D513675	Wire Harness Assembly	Models JDG809*F, SDG809*F and UDG809*F

* Add Letter To Designate Color. L - Almond N - Stainless Steel Q - Bisque W - White

NOTE: Individual wires are not available separately. Order complete harness, or order wire by the foot. When applying terminals to wires, it is recommended that the terminals be soldered to the wires.

Wire Harnesses and Wires - Rear Control Models Through Serial No. 0904

Models BDEBYRGS171TW01, BDGBYRGS111TW01, BDET07*F, BDEX07*F, BDGT09*F, HDET07*F, HDEY07*F, HDGT09*F, HDGY09*F, SDET07*F, SDET07*F1500, SDEX07*F, SDEX07*F1500, SDEY07*F, SDEY07*F1500, SDGT09*F, SDGX09*F and SDGY09*F



DRY2167P_510298

Wire Harnesses and Wires - Rear Control Models Through Serial No. 0904

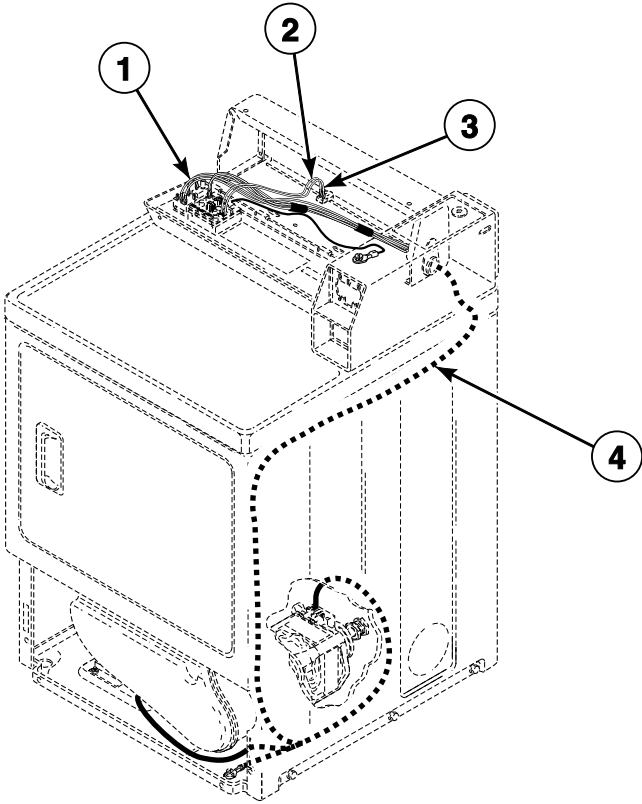
REF	PART NO.	DESCRIPTION	COMMENTS
	45001	18 Gauge Wire	Black; Order wire by foot; Order terminals and connectors as required
	45380	12 Gauge Wire	Orange; Order wire by foot; Order terminals and connectors as required
1	D510482P	Wire Harness Assembly	Models BDEBYRGS171TW01, BDET07*F, BDEX07*F, HDET07*F, HDEY07*F, SDET07*F, SDET07*F1500, SDEX07*F, SDEX07*F1500, SDEY07*F and SDEY07*F1500
	D510485P	Wire Harness Assembly	Models BDGBYRGS111TW01, BDGT09*F, HDGT09*F, HDGY09*F, SDGT09*F, SDGX09*F and SDGY09*F

* Add Letter To Designate Color. L - Almond N - Stainless Steel Q - Bisque W - White

NOTE: Individual wires are not available separately. Order complete harness, or order wire by the foot. When applying terminals to wires, it is recommended that the terminals be soldered to the wires.

Wire Harnesses and Wires - Rear Control Models Starting Serial No. 0904 and Continuing Through Serial No. 1207

Models BDEBYRGS171TW01, BDGBYRGS111TW01, BDET07*F, BDEX07*F, BDGT09*F, HDET07*F, HDEY07*F, HDGT09*F, HDGY09*F, PDEBXRGS171TG02, PDGBXRGS111TG02, SDEBCRGS171TW02, SDEBXRGS171TW02, SDET07*F, SDET07*F1500, SDEX07*F, SDEX07*F1500, SDEY07*F, SDEY07*F1500, SDGBCRGS111TW02, SDGBXRGS111TW02, SDGT09*F, SDGX09*F and SDGY09*F



DRY2164P_510298

Wire Harnesses and Wires - Rear Control Models Starting Serial No. 0904 and Continuing Through Serial No. 1207

REF	PART NO.	DESCRIPTION	COMMENTS
	45001	18 Gauge Wire	Black; Order wire by foot; Order terminals and connectors as required
	45380	12 Gauge Wire	Orange; Order wire by foot; Order terminals and connectors as required
1	D512422P	Wire Harness Assembly	
2	D512273P	Wire Configuration Assembly	
3	D512275P	Wire Configuration Assembly	
4	D511789P	Electronic Harness	Models BDGBYRGS111TW01, BDGT09*F, HDGT09*F, HDGY09*F, PDGBXRGS111TG02, SDGBCRGS111TW02, SDGBXRGS111TW02, SDGT09*F, SDGX09*F and SDGY09*F
	D511790P	Electronic Harness	Models BDEBYRGS171TW01, BDET07*F, BDEX07*F, HDET07*F, HDEY07*F, PDEBXRGS171TG02, SDEBCRGS171TW02, SDEBXRGS171TW02, SDET07*F, SDET07*F1500, SDEX07*F, SDEX07*F1500, SDEY07*F and SDEY07*F1500

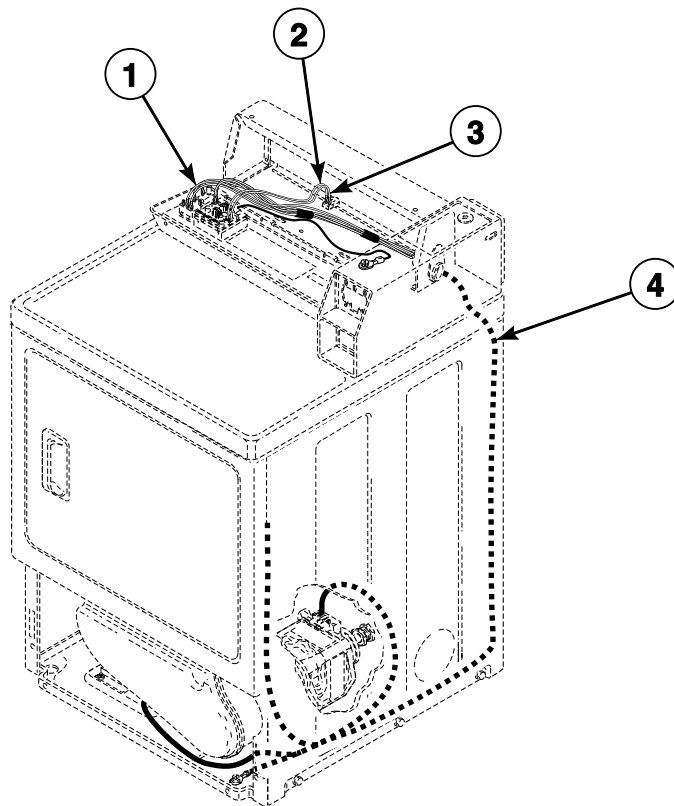
* Add Letter To Designate Color. L - Almond N - Stainless Steel Q - Bisque W - White

NOTE: Individual wires are not available separately. Order complete harness, or order wire by the foot. When applying terminals to wires, it is recommended that the terminals be soldered to the wires.

NOTE: Some models built after Serial No. 0904 may come equipped with one harness. If replacement of harness is necessary, replace with harness listed for model on *Wire Harnesses and Wires - Rear Control Models Through Serial No. 0904*.

Wire Harnesses and Wires - Rear Control Models Starting Serial No. 1207 (Drawing 2 of 2)

Models BDEBYRGS171TW01, BDET07*F, BDEX07*F, BDGBYRGS111TW01, BDGT09*F, HDET07*F, HDEY07*F, HDGT09*F, HDGY09*F, PDEBCRGS171TG02, PDEBXRGS171TG02, PDGBCRGS111TG02, PDGBXRGS111TG02, SDEBCRGS171TW02, SDEBXRGS171TW02, SDET07*F, SDET07*F1500, SDEX07*F, SDEX07*F1500, SDEY07*F, SDEY07*F1500, SDGBCRGS111TW02, SDGBXRGS111TW02, SDGT09*F, SDGX09*F and SDGY09*F



DRY2272P_510298

Wire Harnesses and Wires - Rear Control Models Starting Serial No. 1207 (Drawing 2 of 2)

REF	PART NO.	DESCRIPTION	COMMENTS
	45001	18 Gauge Wire	Black; Order wire by foot; Order terminals and connectors as required
	45380	12 Gauge Wire	Orange; Order wire by foot; Order terminals and connectors as required
1	D512422P	Wire Harness Assembly	
2	D512273P	Wire Configuration Assembly	
3	D512275P	Wire Configuration Assembly	
4	D513669	Electronic Harness	Models BDGBYRGS111TW01, BDGT09*F, HDGT09*F, HDGY09*F, PDGBXRGs111TG02, SDGBCRGs111TW02, SDGBXRGs111TW02, SDGT09*F, SDGX09*F and SDGY09*F
	D513668	Electronic Harness	Models BDEBYRGS171TW01, BDET07*F, BDEX07*F, HDET07*F, HDEY07*F, PDEBCRGs171TG02, PDEBXRGs171TG02, SDEBCRGs171TW02, SDEBXRGs171TW02, SDET07*F, SDET07*F1500, SDEX07*F, SDEX07*F1500, SDEY07*F and SDEY07*F1500; Models through Serial No. 1303025314

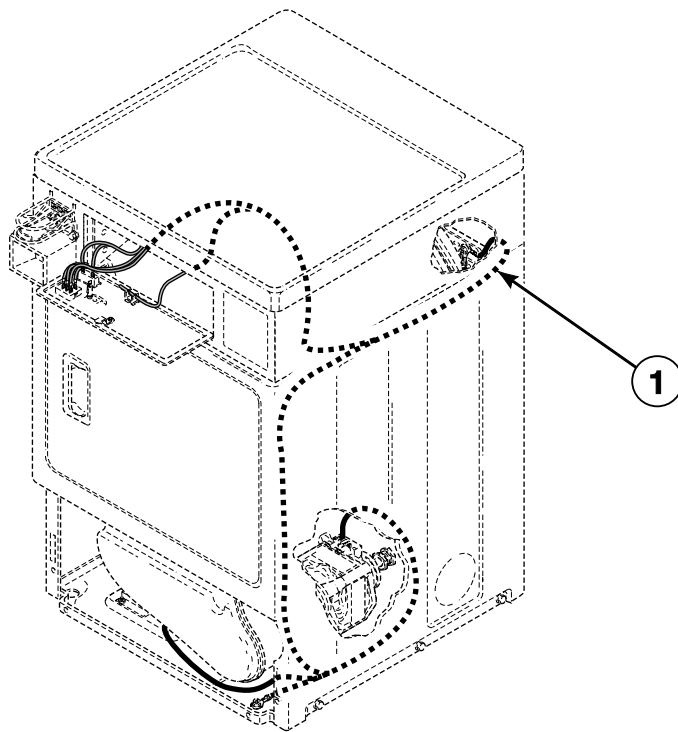
* Add Letter To Designate Color. L - Almond N - Stainless Steel Q - Bisque W - White

NOTE: Individual wires are not available separately. Order complete harness, or order wire by the foot. When applying terminals to wires, it is recommended that the terminals be soldered to the wires.

NOTE: Some models built after Serial No. 0904 may come equipped with one harness. If replacement of harness is necessary, replace with harness listed for model on *Wire Harnesses and Wires - Rear Control Models Through Serial No. 0904*.

Wire Harnesses and Wires - Front Control Models

Models KFEY17NF, KFGG19NF, KFGT19NF, KFGY19NF, SFE107*F, SFE407*F, SFE507*F, SFE507*F1500, SFE707*F, SFEB07*J, SFEF07*J, SFEZ07*F, SFG109*F, SFG409*F, SFG509*F, SFG709*F, SFGB09*J, SFGF09*J and SFGZ09*F



DRY2166P_510298

Wire Harnesses and Wires - Front Control Models

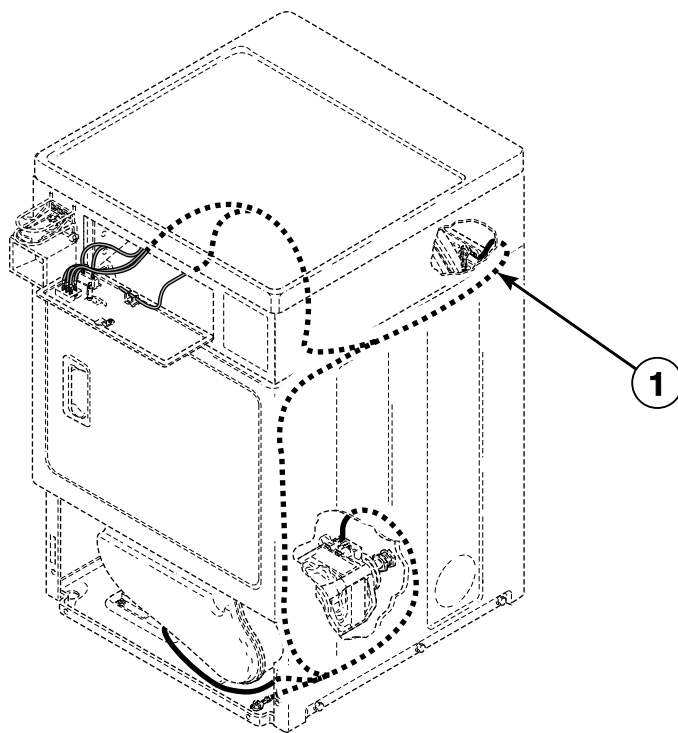
REF	PART NO.	DESCRIPTION	COMMENTS
	45001	18 Gauge Wire	Black; Order wire by foot; Order terminals and connectors as required
	45380	12 Gauge Wire	Orange; Order wire by foot; Order terminals and connectors as required
1	D510410P	Wire Harness Assembly	Models SFE407*F, SFE507*F, SFE507*F1500 and SFE707*F
	D510411P	Wire Harness Assembly	Models SFG409*F, SFG509*F and SFG709*F
	D510414P	Wire Harness Assembly	Model SFE107*F
	D510419P	Wire Harness Assembly	Model SFG109*F
	D510487P	Wire Harness Assembly	Models SFGB09*J, SFGF09*J and SFGZ09*F
	D510488P	Wire Harness Assembly	Models SFEB07*J, SFEF07*J and SFEZ07*F
	D512728P	Wire Harness Assembly	Model KFEY17NF
	D512729	Wire Harness Assembly	Models KFGG19NF, KFGT19NF and KFGY19NF

* Add Letter To Designate Color. L - Almond N - Stainless Steel Q - Bisque W - White

NOTE: Individual wires are not available separately. Order complete harness, or order wire by the foot. When applying terminals to wires, it is recommended that the terminals be soldered to the wires.

Wire Harnesses and Wires - Front Control Models Through Serial No. 1303

Models KFEG17NF and KFET17NF



DRY2166P_510298

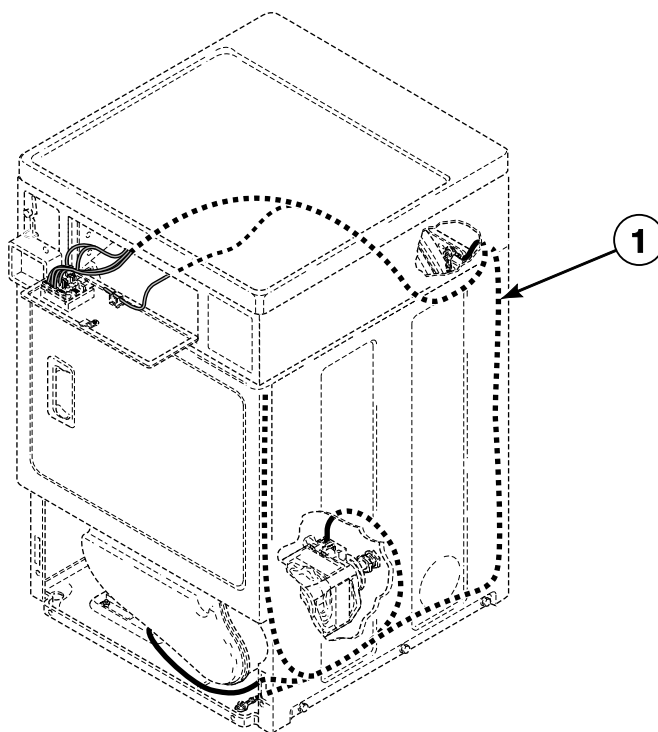
Wire Harnesses and Wires - Front Control Models Through Serial No. 1303

REF	PART NO.	DESCRIPTION	COMMENTS
	45001	18 Gauge Wire	Black; Order wire by foot; Order terminals and connectors as required
	45380	12 Gauge Wire	Orange; Order wire by foot; Order terminals and connectors as required
1	D512728P	Wire Harness Assembly	

NOTE: Individual wires are not available separately. Order complete harness, or order wire by the foot. When applying terminals to wires, it is recommended that the terminals be soldered to the wires.

Wire Harnesses and Wires - Front Control Models Starting Serial No. 1303 (Drawing 1 of 2)

Models KFEG17NF and KFET17NF



DRY2286P_510298

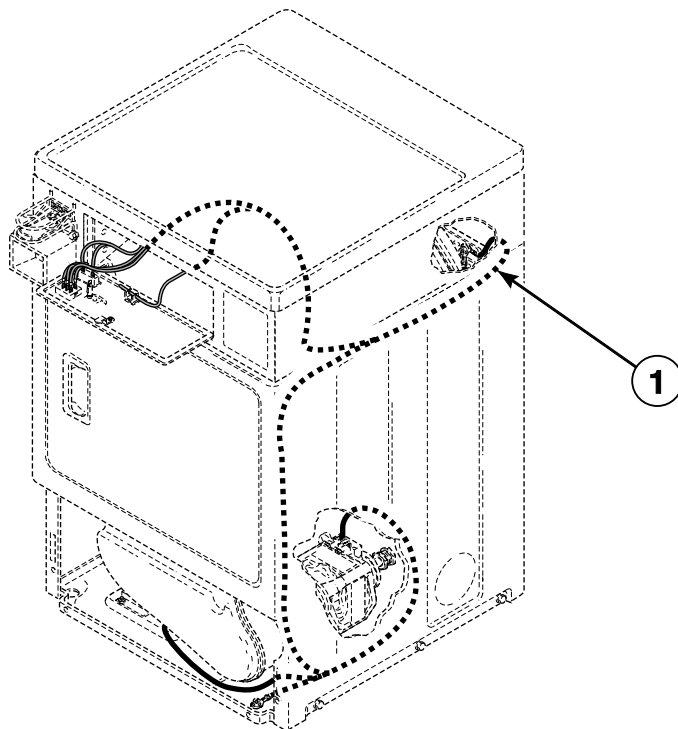
Wire Harnesses and Wires - Front Control Models Starting Serial No. 1303 (Drawing 1 of 2)

REF	PART NO.	DESCRIPTION	COMMENTS
	45001	18 Gauge Wire	Black; Order wire by foot; Order terminals and connectors as required
	45380	12 Gauge Wire	Orange; Order wire by foot; Order terminals and connectors as required
1	D514092	Electronic Harness	

NOTE: Individual wires are not available separately. Order complete harness, or order wire by the foot. When applying terminals to wires, it is recommended that the terminals be soldered to the wires.

Wire Harnesses and Wires - Front Control Models Through Serial No. 0904

Models SFET07*F, SFEX07*F, SFEY07*F, SFGT09*F, SFGX09*F and SFGY09*F



DRY2166P_510298

Wire Harnesses and Wires - Front Control Models Through Serial No. 0904

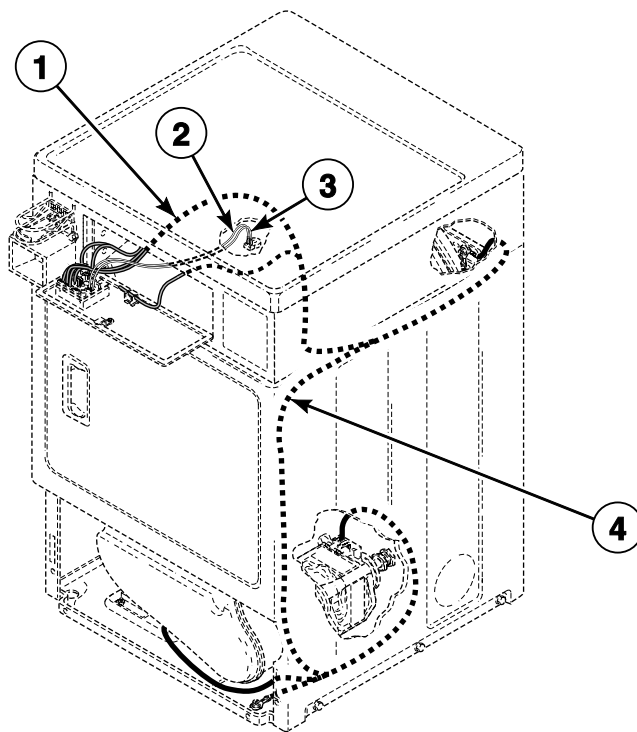
REF	PART NO.	DESCRIPTION	COMMENTS
	45001	18 Gauge Wire	Black; Order wire by foot; Order terminals and connectors as required
	45380	12 Gauge Wire	Orange; Order wire by foot; Order terminals and connectors as required
1	D510487P	Wire Harness Assembly	Models SFGT09*F, SFGX09*F and SFGY09*F
	D510488P	Wire Harness Assembly	Models SFET07*F, SFEX07*F and SFEY07*F

* Add Letter To Designate Color. L - Almond N - Stainless Steel Q - Bisque W - White

NOTE: Individual wires are not available separately. Order complete harness, or order wire by the foot. When applying terminals to wires, it is recommended that the terminals be soldered to the wires.

Wire Harnesses and Wires - Front Control Models Starting Serial No. 0904

Models BDEBEFGS171TN01, BDEBEFGS171TW01, BDGBCFGS111TN01, BDGBCFGS111TW01,
BDGBEFGS111TN01, BDGBEFGS111TW01, BFGX09*F, SFGT09*F, SFGX09*F and SFGY09*F



DRY2165P_510298

Wire Harnesses and Wires - Front Control Models Starting Serial No. 0904

REF	PART NO.	DESCRIPTION	COMMENTS
	45001	18 Gauge Wire	Black; Order wire by foot; Order terminals and connectors as required
	45380	12 Gauge Wire	Orange; Order wire by foot; Order terminals and connectors as required
1	D512422P	Wire Harness Assembly	
2	D512273P	Wire Configuration Assembly	
3	D512275P	Wire Configuration Assembly	
4	D511795P	Electronic Harness	Models BDGBCFGS111TN01, BDGBCFGS111TW01, BDGBEFGS111TN01, BDGBEFGS111TW01, BFGX09*F, SFGT09*F, SFGX09*F and SFGY09*F
	D511794P	Electronic Harness	Models BDEBEFGS171TN01 and BDEBEFGS171TW01

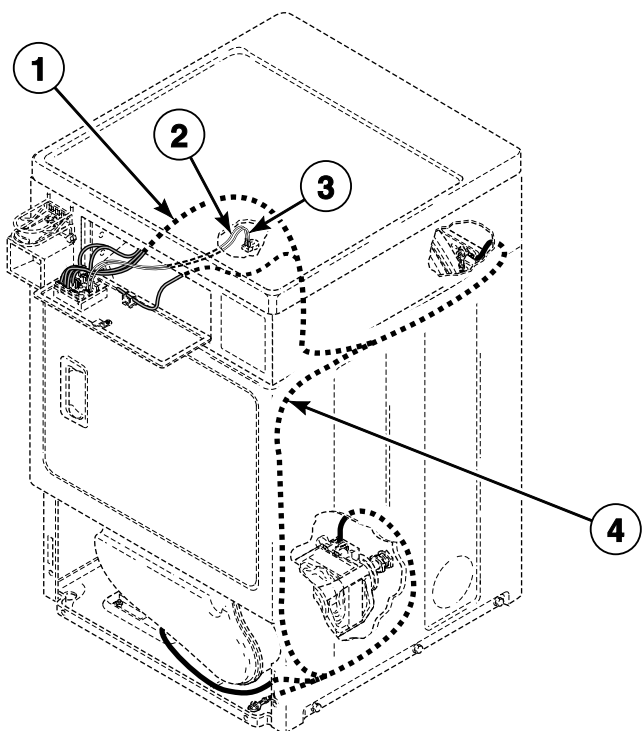
* Add Letter To Designate Color. L - Almond N - Stainless Steel Q - Bisque W - White

NOTE: Individual wires are not available separately. Order complete harness, or order wire by the foot. When applying terminals to wires, it is recommended that the terminals be soldered to the wires.

NOTE: Some models built after Serial No. 0904 may come equipped with one harness. If replacement of harness is necessary, replace with harness listed for model on *Wire Harnesses and Wires - Front Control Models Through Serial No. 0904*.

Wire Harnesses and Wires - Front Control Models Starting Serial No. 0904 and Continuing Through Serial No. 1303

Models BDEBCFGS171TN01, BDEBCFGS171TW01, BFEX07*F, SFET07*F, SFEX07*F and SFEY07*F



DRY2165P_510298

Wire Harnesses and Wires - Front Control Models Starting Serial No. 0904 and Continuing Through Serial No. 1303

REF	PART NO.	DESCRIPTION	COMMENTS
	45001	18 Gauge Wire	Black; Order wire by foot; Order terminals and connectors as required
	45380	12 Gauge Wire	Orange; Order wire by foot; Order terminals and connectors as required
1	D512422P	Wire Harness Assembly	
2	D512273P	Wire Configuration Assembly	
3	D512275P	Wire Configuration Assembly	
4	D511794P	Electronic Harness	

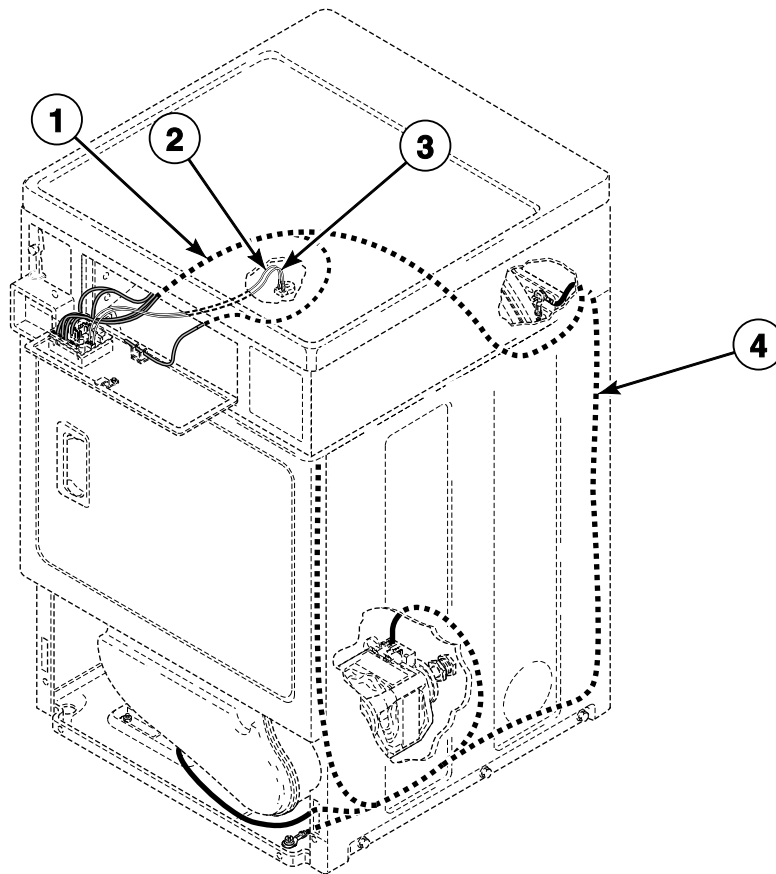
* Add Letter To Designate Color. L - Almond N - Stainless Steel Q - Bisque W - White

NOTE: Individual wires are not available separately. Order complete harness, or order wire by the foot. When applying terminals to wires, it is recommended that the terminals be soldered to the wires.

NOTE: Some models built after Serial No. 0904 may come equipped with one harness. If replacement of harness is necessary, replace with harness listed for model on *Wire Harnesses and Wires - Front Control Models Through Serial No. 0904*.

Wire Harnesses and Wires - Front Control Models Starting Serial No. 1303 (Drawing 2 of 2)

Models BDEBCFGS171TN01, BDEBCFGS171TW01, BFEX07*F, SFET07*F, SFEX07*F and SFEY07*F



DRY2285P_510298

Wire Harnesses and Wires - Front Control Models Starting Serial No. 1303 (Drawing 2 of 2)

REF	PART NO.	DESCRIPTION	COMMENTS
	45001	18 Gauge Wire	Black; Order wire by foot; Order terminals and connectors as required
	45380	12 Gauge Wire	Orange; Order wire by foot; Order terminals and connectors as required
1	D512422P	Wire Harness Assembly	
2	D512273P	Wire Configuration Assembly	
3	D512275P	Wire Configuration Assembly	
4	D514096	Electronic Harness	

* Add Letter To Designate Color. L - Almond N - Stainless Steel Q - Bisque W - White

NOTE: Individual wires are not available separately. Order complete harness, or order wire by the foot. When applying terminals to wires, it is recommended that the terminals be soldered to the wires.

Parts Index

A

Access Panel	
D510069LP	69
Access Panel and Guard Assembly	
D514252Q	69
Access Panel Assembly	
D514250DG	69
D514250Q	69
D514250WP	69
D514251	69
Access Panel Plate	
D510903	89
Accumulator Replacement Kit	
D510628P	61
Adhesive	
D511637P	73, 77, 79
Air Duct Assembly	
D510151DG	77
D518432	73
D518433	73
Anti-Seize Compound	
27604P	71, 73
Audit Switch Bracket	
800379	47

B

Blank Black Label	
D512824	57
Blower and Fan Kit	
D510717P	71
Blower Fan Assembly	
D510139P	71
Blower Housing	
D511969WP	71
Blower Housing Seal	
D510238P	71
Bolt	
D512505	55
203798	25, 27, 29, 35, 41
29651	25, 27, 29, 45, 59
Booster and Holding Coil	
58804A	85
Bracket	
D510146	43
803662	33
Bumper Pad	
56128	89
Burner Assembly	
D510149P	85
Burner Orifice	
D502103	87

C

Cabinet Rear Panel	
D514632P	89

Cabinet Side Panel	
D510001DGP	89
D510001GP	89
D510001LP	89
D510001QP	89
D510001WP	89
D510002DGP	89
D510002GP	89
D510002LP	89
D510002QP	89
D510002WP	89
D512538	89
D512539	89
D512951	89
D512952	89
Card Insert Overlay	
D511544	57
Card Reader	
D512473	41, 55
Card Reader and Bracket Assembly	
D510068P	21, 57
Card Reader Assembly	
210045P	21
Card Reader Bracket	
D510045	57
210023	21
Card Reader Instruction Overlay	
38192	41, 55
Card Reader Kit	
874P3	41
876P3	55
Card Reader Overlay	
800230	57
Card Reader Wire Harness Assembly	
38191	41
800125P	21, 57
Central Pay Harness	
D511478	19, 21, 47
Chassis Mounting Bracket	
201581	29
Clip	
201572	39, 53
Coin Box Extension Kit	
803578P	29, 35
Coin Cabinet Hardware Kit	
547P3	89
Coin Drop	
38963P	37, 51
70441601P	37, 51
Coin Drop Assembly	
38462P	37, 51
38463	37, 51
Coin Drop Harness Assembly	
802904	37
Coin Drop Wire Harness	
201104	39, 53
Coin Funnel Kit	
523P3	25, 27, 29, 45
Coin Identification Paper	
38725	39, 53
Coin Meter Drive	
M400754	61

N/A items do not appear in index.

Coin Slide Extension	
D503455	45
D503733	25
D506114	27
Coin Slide Extension Kit	
200913	33
Coin Slide Guard	
58181	45
Combustion Duct	
D510131	83
D510132	83
Communication Board	
210095P	19
Communication Connector	
210099	19
Communication Wire Harness Assembly	
800219	19
Connector, 2 Circuit	
58799	95
Connector, 3 Circuit	
58800	93
Control Assembly	
D511867P	19, 21, 47
D513139P	29
Control Hood	
D502567DG	19
D502567L	9, 13, 15, 19, 41
D502567Q	9, 13, 15, 19, 41
D502567W	9, 13, 15, 19, 41
D511253L	11, 21
D511253Q	11, 21
D511253W	11, 21
Control Kit	
D505905P	19, 21, 47
M414050P	15, 47
Control Panel	
D501359Q	15
D501359W	15
D510067DG	17
D510067L	17
D510067Q	17
D510067W	17
D511055L	21
D511055Q	21
D511055W	21
Control Panel and Bracket Assembly	
D501738Q	7, 13
D501738W	7, 13
D504447L	45
D504447Q	45
D504447W	45
D505510L	47
D505510W	47
D510077B	47
D510077W	47
Control Panel Assembly	
D512533Q	11
D512533W	11
D512705	47
Control Panel Overlay	
D511508	21
D512368	11
D512489	13
D512490	13
D512677	13
D512679	11

D512865	13
D512927	11
D513604	11
Control Shield	
D512304	29
Counter Kit	
62113P	25
Cylinder Assembly	
D510265LGP	75, 77
D510265WP	75
Cylinder Baffle	
D510102LG	75
D510102W	75
D5101026G	77
Cylinder Belt	
D511255P	71
Cylinder Glide	
D513710	73, 77
Cylinder Glide Bracket	
D510145	73, 77
Cylinder Light Lens	
D512106	77
Cylinder Roller	
D510708P	79
Cylinder Roller Bracket	
D510100	79
Cylinder Seal Assembly	
D510207P	73, 77, 79

D

Damper	
58786	89
Diagnostic Wire Harness Assembly	
202869	21
800374	47
Directional Exhaust Kit	
528P3	89
Disconnect Power Warning Label	
D505281	43
Door Assembly	
D516510WP	63
D516737W	65
Door Catch Assembly	
D510177	67
Door Handle Wedge	
D510129W	63
Door Liner Assembly	
D516508	65
Door Pull	
D512947	63
Door Pull and Wedge Kit	
D510103LP	63
D510103QP	63
D510103WP	63
Door Pull Kit	
D512620P	65
Door Strike	
D510181	63, 65
Door Strike Mount	
D510127	63, 65
Door Switch Bracket	
38087	35, 49

N/A items do not appear in index.

Drum Light Lamp 60954	77
Dryer Base D514245	89
Dryer Door D510013DG	63
D510013LP	63
D510013QP	63
D510013WP	63
D512699	65
D512969	63
Dryer Door Assembly D517042	65
Dryer Door Window D503982	65

E

Elbow Shut-Off Valve D510205	85
Electric Clearance Label D511005	89
Electrical Shock Label 201149	73
Electronic Coin Drop Kit CK115	39, 53
Electronic Control Shield 36105	19
Electronic Harness D511789P	101, 107
D511790P	101, 107
D511794P	119, 121
D511795P	119
D513668	103, 109
D513669	103, 109
D513944	103
D514092	115
D514096	123
End Cap 210108W	11, 21
210109W	11, 21
Exhaust Duct D516196	89
Extractor Tool 128P4	97
190P4	97

F

Fabric Selector Switch 61512	7, 11, 45
Felt Pad D510189	73, 77
Female Piggyback Terminal 00361	95
Female Pin Terminal 00117	93
00128	93
00130	93
Female Spade Terminal 00114	95
00115	95
00121	95

00124	95
00189	95
00222	95
00223	95
Female Tab Terminal 00344	95
Female Terminal 00188	97
00255	97
00256	97
Flexible Venting Kit 521P3	89
Frame Gusset D510337	89
Front Bulkhead Assembly D510266P	73
D512476P	77
Front Panel D510066DG	67
D510066LP	67
D510066QP	67
D510066WP	67
D512542	67
Front Panel Assembly D513781WP	67
Front Panel Seal D511056	67

G

Gas Clearance Label D511004	89
Gas Valve Assembly 60353P	85
Gas Valve Mounting Bracket D510128	85
Glide Kit RB170003	73, 77
Graphic Overlay D504113	15
D510056	47
D510070	17
D510075	47
D510113	21
D511233	17
D511573	47
D511895	7
D511898	7
D511900	7
D512726	47
D513392	47
Grounding Clip 00161	95

H

Harness D512501	41, 55
Harness Assembly 802904P	19, 51
802905	19, 39, 51, 53
Harness Replacement Kit D510534P	45

N/A items do not appear in index.

Harness Strap 55881	93
Heat Duct Shroud D510101	83
Heater D510325P	81
Heater Assembly D510329P	81
Heater Duct Assembly D510025P	81, 83
Heater Kit 964P3	81
Heater Kit Assembly 61928	81
Hinge D511036	63, 65
Hinge Hole Plug D510186	67
Hold Down Kit 526P3	89
Hood Back Plate D505798	9, 13, 15, 19
Hood Harness D512510	101, 103
Housing, 10 Position D500338	97

I

Idler Lever D516310	71
Idler Lever and Wheel Assembly D516792	71
Idler Spring D510185	71
Idler Wheel and Bearing Assembly D510142P	71
Igniter and Bracket Assembly D510184P	85
Instruction Label D500628	25, 27
Instruction Overlay D504585	45, 49, 55
Instruction Plate D500490	23
Insulated Female Flag Terminal 00221	95
Insulated Female Spade Terminal 00359	95
00360	93

J

Jumper Assembly D513131	29
----------------------------------	----

K

Key 54612	45, 47
--------------------	--------

L

Lead-In Cord 56222	91
Lead-In Pipe Assembly D510204	85
Leveling Leg D510135	89
Light 32464	7, 11, 45
801431	13
Light Housing Assembly D512108	77
Limit Thermostat D510701	81
D510702	83
Liner Door Seal D510147P	63, 65
Liner, Seal and Grill Assembly D510163WP	63
Lint Filter D503980DG	77
D503980LG	73
D503980W	73
Lock Cam 27261	45, 47
Lock Kit 27260P	45, 47
Long Vault Slide Extension Kit 788P3	27
Long Vault Timer Bracket 200832	27
Long Vault Timer Bracket Kit 789P3	27
L.P. Conversion Kit 458P3	85
L.P. Orifice D503786	87
58755	87

M

Male Pin Terminal 00116	93
00127	93
00129	93
Male Tab Terminal 00139	95
MDC Overlay D511429	17
D511431	17
D513036	17
D515654	17
Mechanical Counter Kit Assembly 201280P	27
Meter Case and Funnel Kit 524P3L	25
524P3Q	25
524P3W	25
Meter Case Assembly 202877Q	35
202877W	35

N/A items do not appear in index.

38724L	35
803074W	29
807401DG	35
Meter Case Assembly Kit	
803575WP	29
807401W	35
Meter Case Bracket Gasket	
35526	25, 27, 29, 35
Meter Case Gasket	
26354	25, 27, 29, 35
Meter Case Kit	
201010LP	27
201010QP	27, 29
807398W	27, 29
Meter Case Lockdown Bracket	
35525	25, 27, 29, 35
Meter Case Locking Bracket Kit	
204616	25, 27, 29, 35, 41
Meter Case Wire Harness Kit	
39955P	15, 47
Motor and Pulley Assembly	
D511629P	71
Motor Hub Ring Kit	
590P3	71
Motor Mount	
D518517	71
Motor Mount Clamp	
D510180	71
Motor Pulley	
D500011	71
Mounting Tool Kit	
CK096	39, 53

N

Network Board	
210157P	19
Network Board Assembly	
210016P	19
Network Wire Harness Assembly	
800217	19
Nut	
201216	39, 53
24205	7, 11, 13, 45
27222	43
28447	79
29786	9, 13, 23, 25, 27, 29, 35, 37, 41, 51, 53
29796	25, 27, 29, 45
36020	59
44071201	65
44087201	59
52566	15, 19, 41, 71
52947	7, 11, 13, 45
56156	71, 79
80077	45, 49
802337	29
N.G. Conversion Kit	
459P3	85
N.G. Orifice	
D503776	87
D503778	87
D503779	87
D503780	87
D510517	87

O

Operating Instruction Label	
D512822	49
D512823	57
Opto Coupler	
200674P	37
Outlet Cover	
D500820	81, 83
Overlay	
D504210	45
D511507	21
D514274	21
201091	49

P

Panel Locator	
56079	67, 69, 89
PC Board Standoff	
210098	19
Plug	
23040	93
54522	93
Plug Housing, 1 Circuit	
44370401	95
Plug, 2 Circuit	
56266	93
56448	93
Plug, 9 Circuit	
23033	95
Pop Rivet	
685847	43
Power Supply	
D512496	41, 55
Programming Card	
D512499P	41, 55

R

Ratchet Extension Tool	
310P4	97
Ratchet Wheel	
53239	61
Rear Bulkhead	
D518128	79
Rear Bulkhead Assembly	
D511082P	79
Rear Panel	
D511254	11, 21
Receptacle Housing	
90789	95
Receptacle, 1 Circuit	
26301	95
Receptacle, 10 Circuit	
34596	95
Receptacle, 12 Circuit	
D501333	95
56855	93

N/A items do not appear in index.

Receptacle, 2 Circuit 56451	93
Receptacle, 3 Circuit 23039	93
Receptacle, 6 Circuit 26708	95
Remote Vend Wire Harness Assembly 800725	19, 21, 47
Resistor 210100	19, 21, 47
Retaining Ring 23748	71, 79
Ring Terminal 00110	95
Rocker Switch 70455101	11
Roller Kit RB170002	79
Rubber Foot D501855	89

S

Screw	
D500226	63, 65, 73
D500227	77
D500824	71
D501086	9, 11, 13, 15, 19, 21, 23, 27
D501285	73, 77, 79
D501524	15, 29, 47
D502431	25, 45, 49, 55, 57
D502535	71
D503661	13, 19, 21
D503673	25, 27, 29, 35, 41, 43
D503688	19, 21, 27, 29, 41, 43, 45, 47, 49, 55, 57, 67, 71, 73, 77, 79, 81, 83, 85, 89
D511419	27
D512504	41
D512631	65
D512921	89
D513071	91
M405188	49, 57, 67, 73, 77, 79
02916	9, 13, 15, 19, 23, 41
03203	25, 27, 45
20530	91
23008	59
23222	21, 81, 85
23962	41
27328	11, 23, 31
28448	79
31260	71
33562	45, 69
35528	7, 11, 13, 15, 17, 21
36048	27, 29, 35
39733	67, 69, 89
51778	23, 41
51782	31, 83, 85
52864	7, 11, 13, 15, 17, 21, 73, 77
56124	85
61199	79
62588	75, 77
62853	69
Screw Orifice 58719	87

Seal Kit RB170001	73, 77, 79
Secondary Coil 58804B	85
Security Cabinet Front Assembly	
D505542W	55
D505699WP	55
D511209L	57
D511209Q	57
D511209WP	57
D511523L	45
D511523Q	45
D511523W	45
D511633B	49
D511633LP	49
D511633QP	49
D511633WP	49
D512708	49
D512718	57
Security Cabinet Wrapper Assembly D512706	49, 57
Security Case Assembly 38145L	41
Security Kit 905P3	19
Sensor D510213	85
Service Door Assembly	
39874DG	35
39874LP	25, 27, 35, 41
39874QP	25, 27, 29, 35, 41
39874WP	25, 27, 29, 35, 41
803043WP	29, 35
Shaft 56461P	71, 79
Shield 56751	45
Single Overlay	
D512821	49
202123	35
38717	35, 49
Slide Extension Kit 201915	31
553P3	25
Slide Extension Modifier D501796	25, 27
Spade Terminal 00245	95
Speed Clip 28835	67
Spring 804794	33
Stainless Steel Top	
D511631P	59
D512967	59
Strain Relief 38384	91
Switch	
D512973	35, 47, 49, 67
201952	31
431159	33
Switch Assembly 55882	7, 13, 45
Switch Knob 39897	7, 11, 13, 45

N/A items do not appear in index.

Switch Mount Assembly 201917P	31
--	----

T

Temperature Selector Switch D511711	13
Terminal 00252	95
Terminal Block Assembly D510190P	79
Terminal Block Shield D505768	79
D510237	79
Terminal Extractor Tool 283P4	97
Thermal Fuse Assembly D518542	81
Thermistor Assembly D510523	71
Thermostat D504515	71
D510703	83
D512005	71
Timer D501757P	61
D510524P	11, 23
Timer Bracket D503017	45
Timer Case Assembly 37733W	23, 41
Timer Knob 54678	11, 23
Timer Motor D512017P	61
Timer Plate 39481W	41
Timer Plate Assembly D500921W	23
Timing Cam 53240	61
53241	61
53242	61
53243	61
Top and Gusset Assembly 802247QP	59
802247WP	59
Top Hinge D510136	89
Top Kit D510032LP	59
D511527LP	43
D511527QP	43
D511527WP	43
D511528LP	43
D511528QP	43
D511528WP	43
803144P	59
Top Mounting Bracket D504228	59
Top Panel D505885DG	43

Top Panel Kit D511530LP	43
D511530WP	43
Torx Bit 281P4	97
282P4	97
292P4	97
Torx Drive Tool 93501	97
Transformer 201375P	19, 21, 39, 47, 53
201587P	13
210018P	19, 21, 47
803527P	19, 21, 47

V

Venting Instruction Label D502791	89
--	----

W

Warning Label 803260	89
Warning/Caution Label D500281	67
Washer D504082	79
M400017	9, 13, 15, 19, 23, 41
02431	41
03815	31
200608	19, 21
21734	23, 41
23225	41
25820	45
28449	79
29260	65
30627	41
52549	71, 79
91026	11
91029	7, 13, 45
Window Clip D513958	65
Window Trim D512632	65
Wire Accumulator Assembly D511589	27
Wire Assembly D518255	81
D518256	81
Wire Clip D504034	93
687500	93
Wire Configuration Assembly D512273P	107, 109, 119, 121, 123
D512275P	107, 109, 119, 121, 123
Wire Guard 201595P	37, 51
Wire Harness Assembly D510400P	99
D510401P	99
D510404P	99
D510405P	99

N/A items do not appear in index.

D510406P	99
D510407P	99
D510410P	111
D510411P	111
D510414P	111
D510419P	111
D510482P	99, 105
D510485P	99, 105
D510487P	111, 117
D510488P	111, 117
D512140	101, 103
D512422P	107, 109, 119, 121, 123
D512511P	101
D512512	101
D512728P	111, 113
D512729	111
D513670	103
D513675	103
Wire, 12 Gauge	
45380	99, 101, 103, 105, 107, 109, 111, 113, 115, 117, 119, 121, 123
Wire, 18 Gauge	
45001	99, 101, 103, 105, 107, 109, 111, 113, 115, 117, 119, 121, 123
Wrapper and Channel Assembly	
D505753BP	49
D505753QP	45, 49, 55, 57
D505753WP	45, 49, 55, 57
