

Commercial Dryers

Metered and Nonmetered
ZE and ZG Models

Refer to Page 3 for Model Numbers

Table of Contents

Title	Page
Parts Ordering Information.....	2
Nameplate Location.....	2
Model Identification.....	3
Service Door and Meter Case.....	4
Timer, Plate, Case and Knob.....	6
Accumulator - Metered Models Except Audit Models.....	8
Accumulator - Metered Audit Models.....	10
Control Panel, Control Hood and Controls - Nonmetered and Coin Slide Models.....	12
Control Panel, Control Hood and Controls - Card Reader Models.....	14
Cabinet Top.....	16
Loading Door, Front Panels and Access Door.....	18
Front Bulkhead, Air Duct, Felt Seal and Cylinder.....	20
Rear Bulkhead, Felt Seal and Cylinder Roller.....	22
Motor, Exhaust Fan and Belt.....	24
Cabinet, Exhaust Duct and Base.....	26
Terminal Block - Electric Models without Power Cord Through Serial No. S6270865XG.....	28
Terminal Block - Electric Models with Power Cord Through Serial No. S6270865XG.....	30
Terminal Block - Electric Models without Power Cord Starting Serial No. S6270866XG.....	32
Terminal Block - Electric Models with Power Cord Starting Serial No. S6270866XG.....	34
Heater Duct - Electric Models Through Serial No. S6270865XG.....	36
Heater Duct - Electric Models Starting Serial No. S6270866XG.....	38
Heater Duct - Gas Models.....	40
Gas Valve, Igniter and Gas Conversion Kits.....	42
Power Cord and Terminals.....	44
Wire Harnesses and Wires.....	46
Parts Index.....	47

© Copyright 2018, Alliance Laundry Systems LLC

All rights reserved. No part of the contents of this book may be reproduced or transmitted in any form or by any means without the expressed written consent of the publisher.

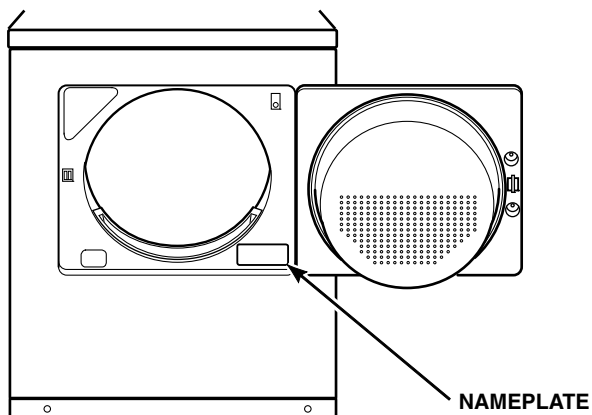
Parts Ordering Information

If literature or replacement parts are required, contact the source from whom the machine was purchased or contact Alliance Laundry Systems at (920) 748-3950 for the name and address of the nearest authorized parts distributor.

For technical assistance, call (920) 748-3121.

Nameplate Location

When calling or writing about your product, be sure to mention model and serial numbers. Model and serial numbers are located on nameplate(s) as shown.



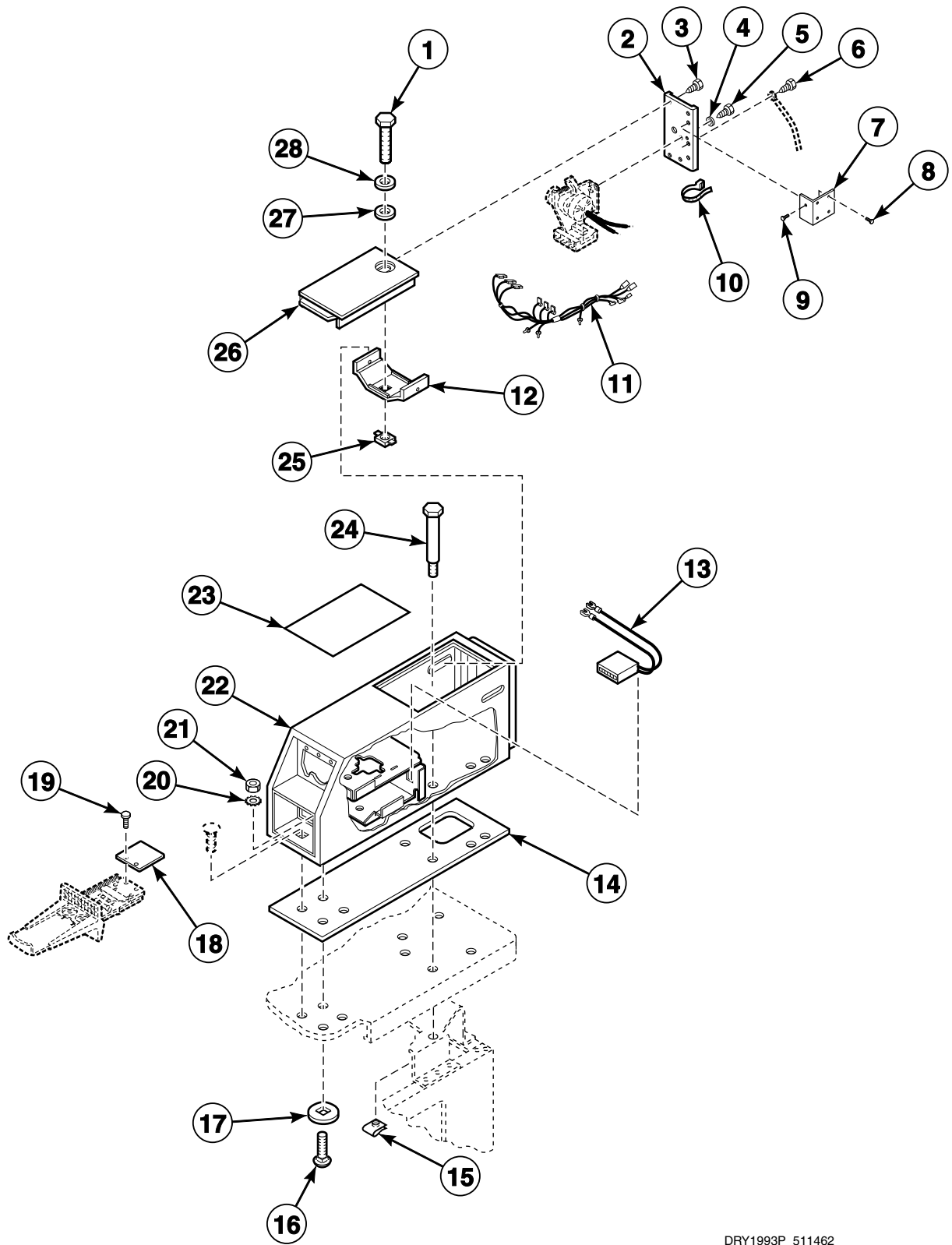
DRY912P_511462

Model Identification

Information in this manual is applicable to these dryer models:

ZE1010-1502	ZE1010-3005	ZE1110-1702	ZG1020-3004	ZG1120-3000
ZE1010-1702	ZE1010-3007	ZE1110-3000	ZG1020-3005	ZG1120-3002
ZE1010-3003	ZE1010-3008	ZE1110-3004	ZG1020-3008	ZG1120-3004
ZE1010-3004	ZE1110-1502	ZE1110-3005	ZG1120-1102	ZG1120-3005

Service Door and Meter Case



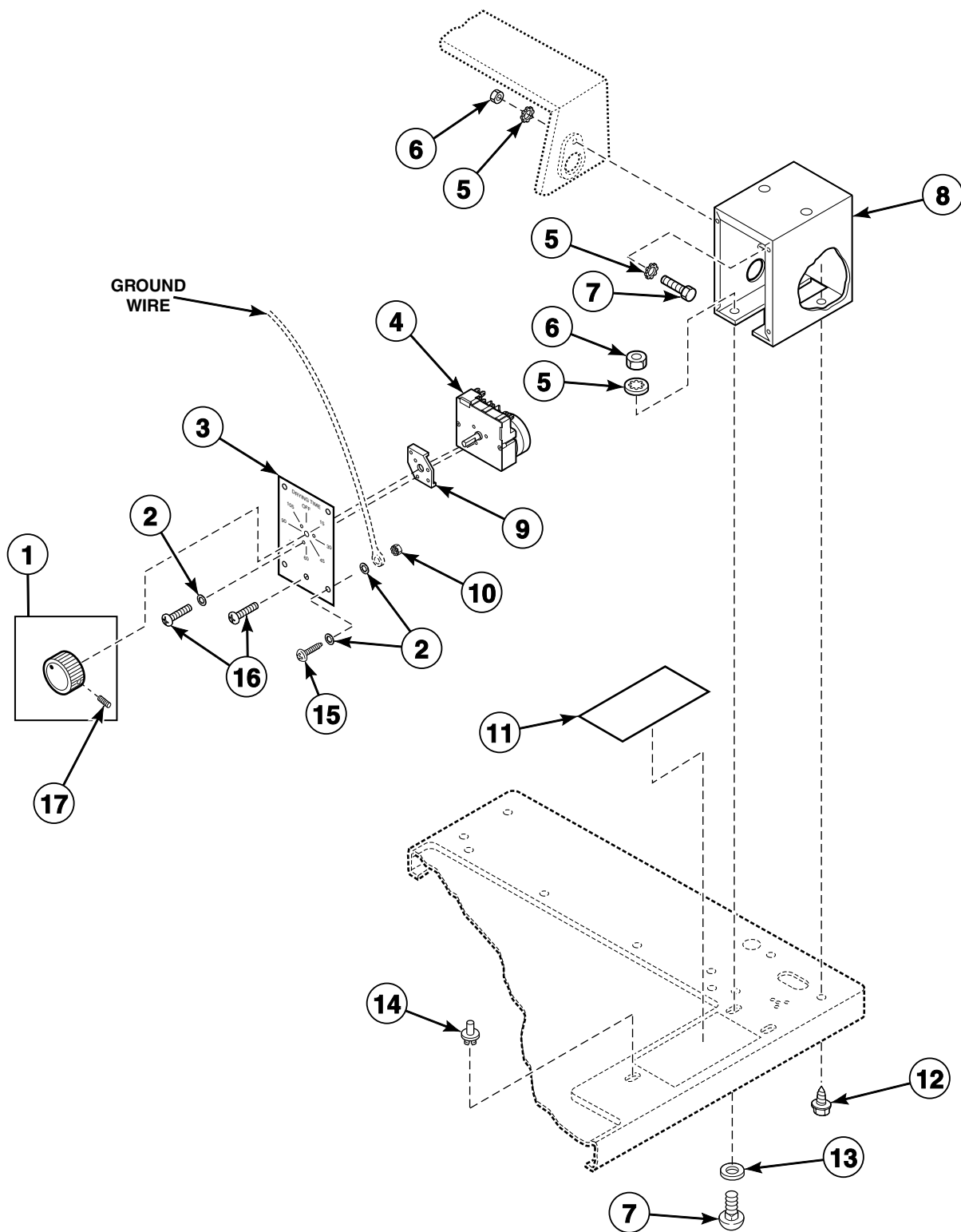
DRY1993P_511462

Service Door and Meter Case

REF	PART NO.	DESCRIPTION	COMMENTS
1	D503673	Screw	
2	N/A	Timer Bracket	
3	D503661	Screw	
4	21734	Washer	
5	03203	Screw	
6	20530	Screw	
7	N/A	Counter Bracket	
8	N/A	Screw	
9	51780	Screw	
10	55881	Harness Strap	
11	61310	Hood Wire Harness Assembly	Audit models through Serial No. S6348563YA
	D510661P	Harness Replacement Kit	Audit models starting Serial No. S6348564YA
	D510534P	Harness Replacement Kit	All other models
12	30642	Meter Case Locking Bracket	
13	62113P	Counter Kit	Audit models
14	26354	Meter Case Gasket	
15	80077	Nut	
16	02505	Bolt	
17	30627	Washer	
18	61031	Coin Slide Extension	
19	03950	Screw	
20	02431	Washer	
21	20275	Nut	
22	524P3W	Meter Case and Funnel Kit	
23	55969	Instruction Plate	
24	N/A	Screw	
25	30647	Nut	
26	35798W	Service Door Assembly	White
	35798L	Service Door Assembly	Almond
27	35774	Washer	
28	35917	Washer	

N/A = Part no longer available

Timer, Plate, Case and Knob



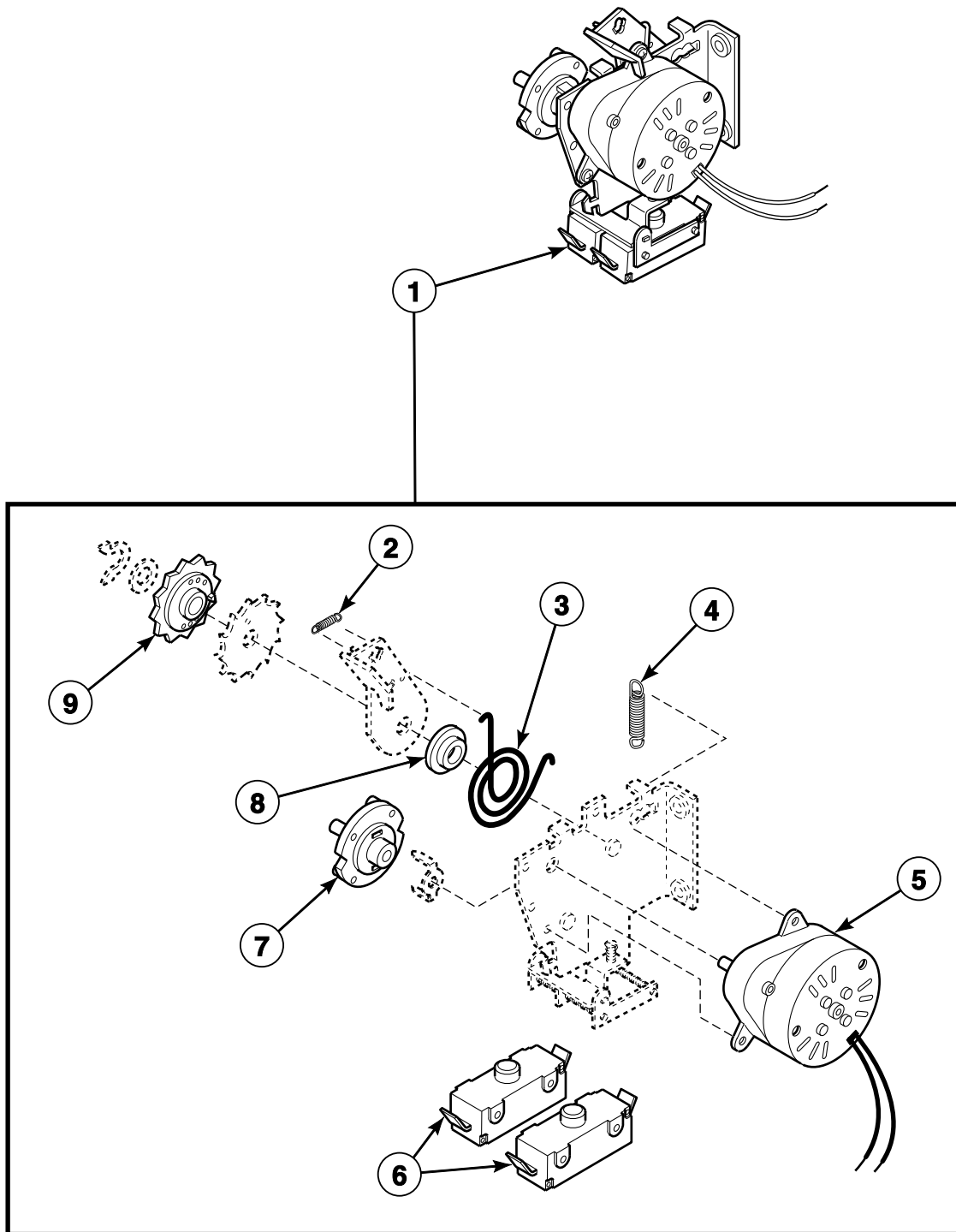
DRY1724P_511462

Timer, Plate, Case and Knob

REF	PART NO.	DESCRIPTION	COMMENTS
1	54678	Timer Knob	
2	21734	Washer	
3	N/A	Timer Plate Assembly	
4	N/A	Timer	60 Hertz; Models ZE1010-1502, ZE1010-1702, ZE1110-1502, ZE1110-1702 and ZG1120-1102
	58636	Timer	50 Hertz; All other models
5	02431	Washer	
6	20275	Nut	
7	02916	Screw	
8	37733W	Timer Case Assembly	
9	N/A	Timer Spacer	
10	51236	Nut	
11	D500490	Instruction Plate	
12	D501086	Screw	
13	20279	Washer	
14	26351	Rivet	
15	51778	Screw	
16	03203	Screw	
17	N/A	Screw	

N/A = Part no longer available

Accumulator - Metered Models Except Audit Models



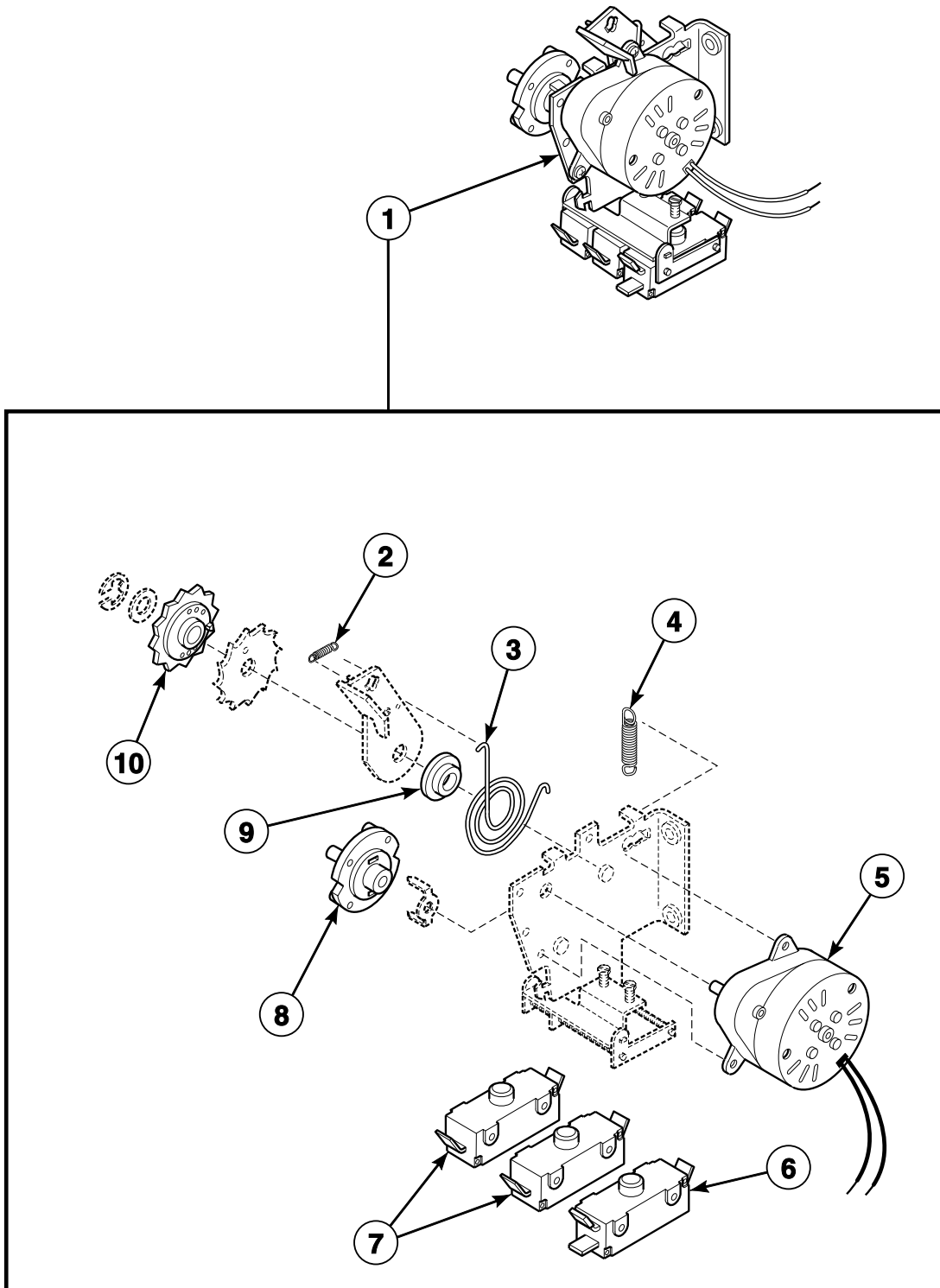
D003P_511462

Accumulator - Metered Models Except Audit Models

REF	PART NO.	DESCRIPTION	COMMENTS
1	D510628P	Accumulator Replacement Kit	60 Hertz; Models ZE1010-1502, ZE1010-1702, ZE1110-1502, ZE1110-1702 and ZG1120-1102
	D510629P	Accumulator Replacement Kit	50 Hertz; All other models
2	53244	Pawl Spring	
3	53261	Spring	
4	N/A	Index Spring	
5	D512017P	Timer Motor	60 Hertz; Models ZE1010-1502, ZE1010-1702, ZE1110-1502, ZE1110-1702 and ZG1120-1102
	N/A	Timer Motor	50 Hertz; All other models
6	N/A	Switch	
7	53240	Timing Cam	60 minute; 3 pin
	53241	Timing Cam	45 minute; 4 pin
	53242	Timing Cam	30 minute; 6 pin
	53243	Timing Cam	20 minute; 9 pin
8	N/A	Bushing	
9	53239	Ratchet Wheel	

N/A = Part no longer available

Accumulator - Metered Audit Models



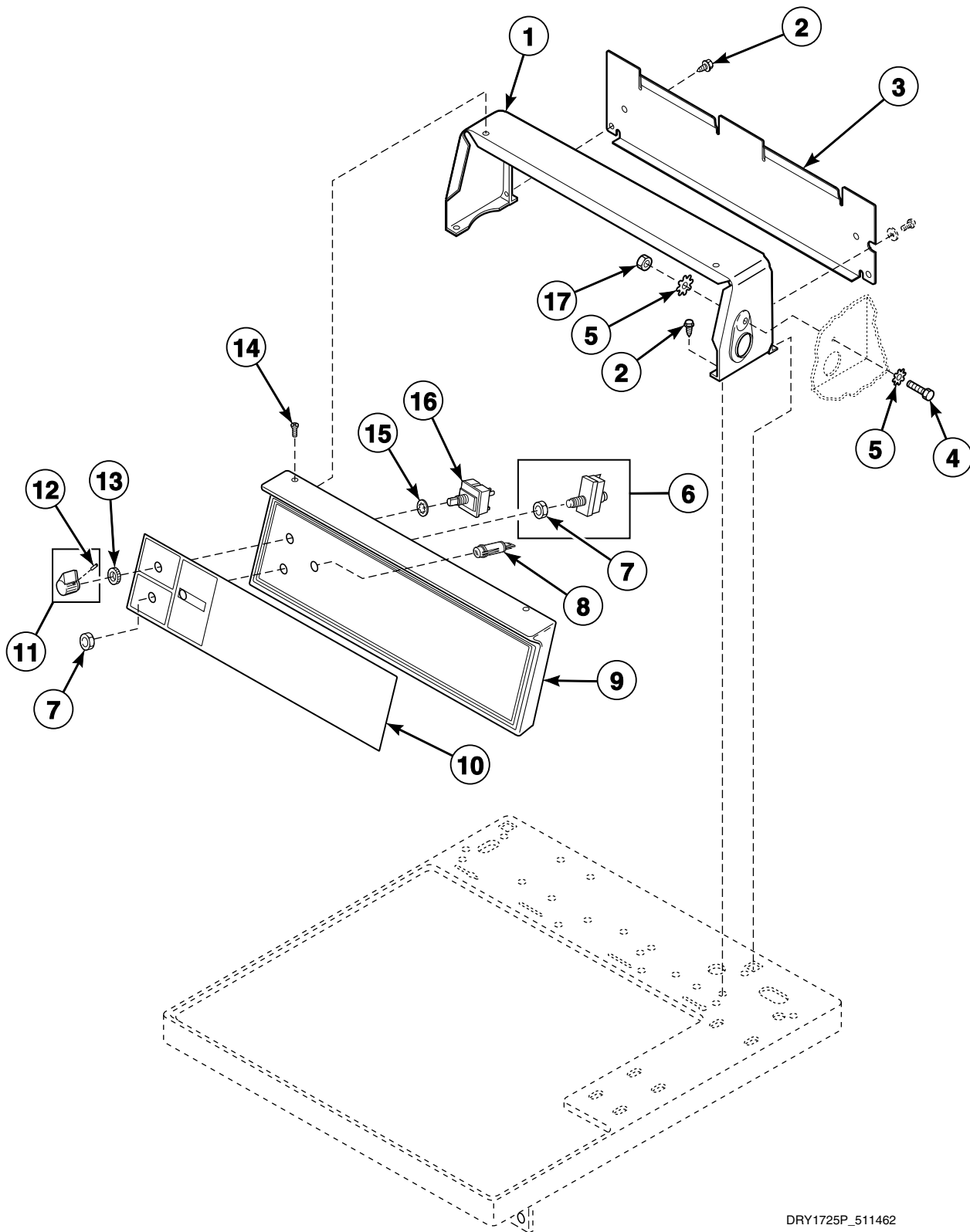
D004P_511462

Accumulator - Metered Audit Models

REF	PART NO.	DESCRIPTION	COMMENTS
1	D510630P	Accumulator Replacement Kit	
2	53244	Pawl Spring	
3	53261	Spring	
4	N/A	Index Spring	
5	D512017P	Timer Motor	
6	61468	Snap Switch	
7	N/A	Switch	
8	53240	Timing Cam	60 minute; 3 pin
	53241	Timing Cam	45 minute; 4 pin
	53242	Timing Cam	30 minute; 6 pin
	53243	Timing Cam	20 minute; 9 pin
9	N/A	Bushing	
10	53239	Ratchet Wheel	

N/A = Part no longer available

Control Panel, Control Hood and Controls - Nonmetered and Coin Slide Models



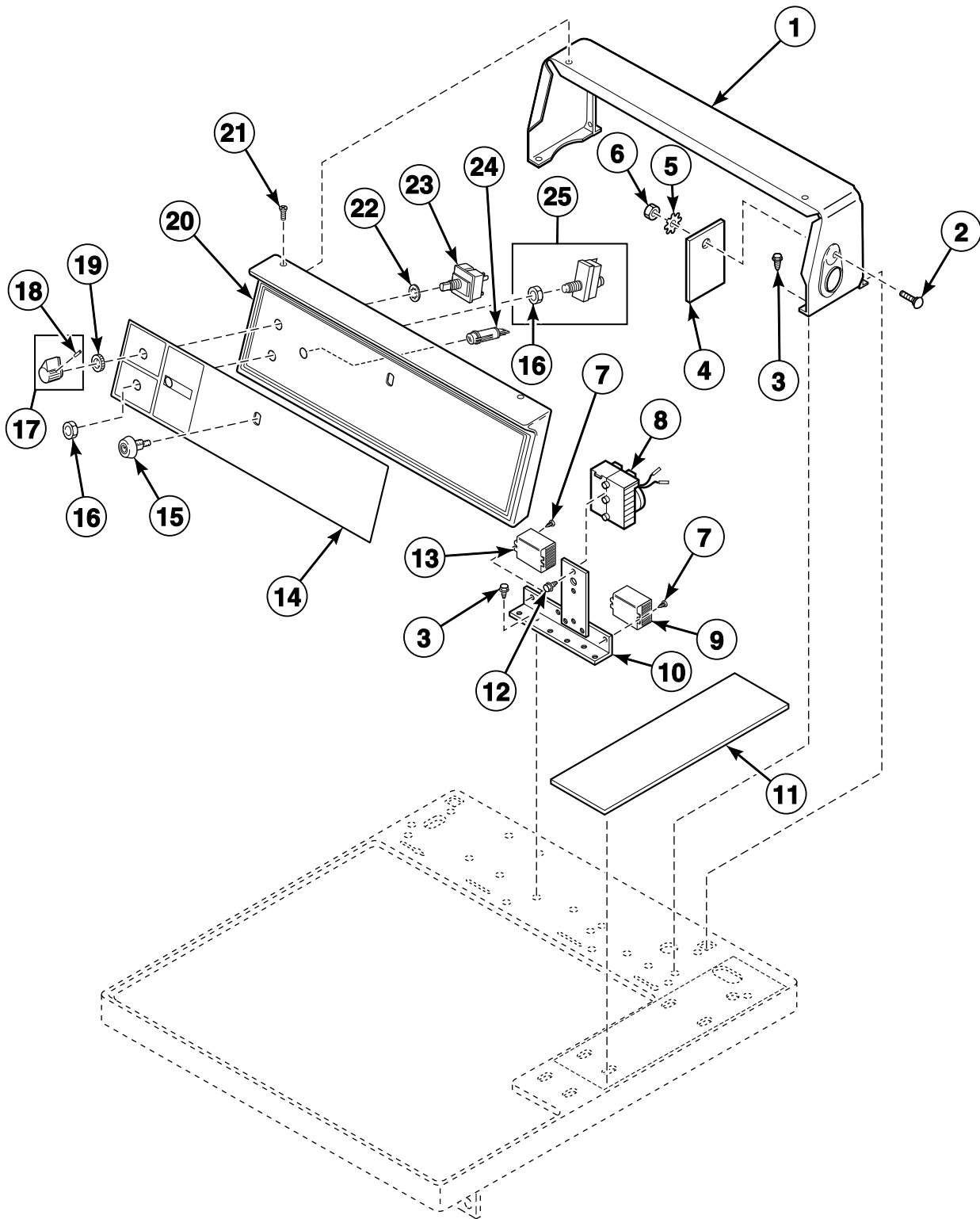
DRY1725P_511462

Control Panel, Control Hood and Controls - Nonmetered and Coin Slide Models

REF	PART NO.	DESCRIPTION	COMMENTS
1	D502567W	Control Hood	White
	D502567L	Control Hood	Almond
2	D501086	Screw	
3	D505798	Hood Back Plate	
4	02916	Screw	
5	02431	Washer	
6	55882	Switch Assembly	Includes item 7
7	52947	Nut	
8	32464	Light	60 Hertz; Models ZE1010-1502, ZE1010-1702, ZE1110-1502, ZE1110-1702 and ZG1120-1102
	32519	Light	50 Hertz; All other models
9	62645W	Control Panel and Bracket Assembly	White
	N/A	Control Panel and Bracket Assembly	Almond
10	N/A	Control Panel Overlay	
11	39897	Switch Knob	
12	N/A	Screw	
13	24205	Nut	
14	52864	Screw	
15	91176	Washer	
16	56576	Temperature Selector Switch	Models through Serial No. S6270865XG
	61512	Fabric Selector Switch	Models starting Serial No. S6270866XG
17	20275	Nut	

N/A = Part no longer available

Control Panel, Control Hood and Controls - Card Reader Models



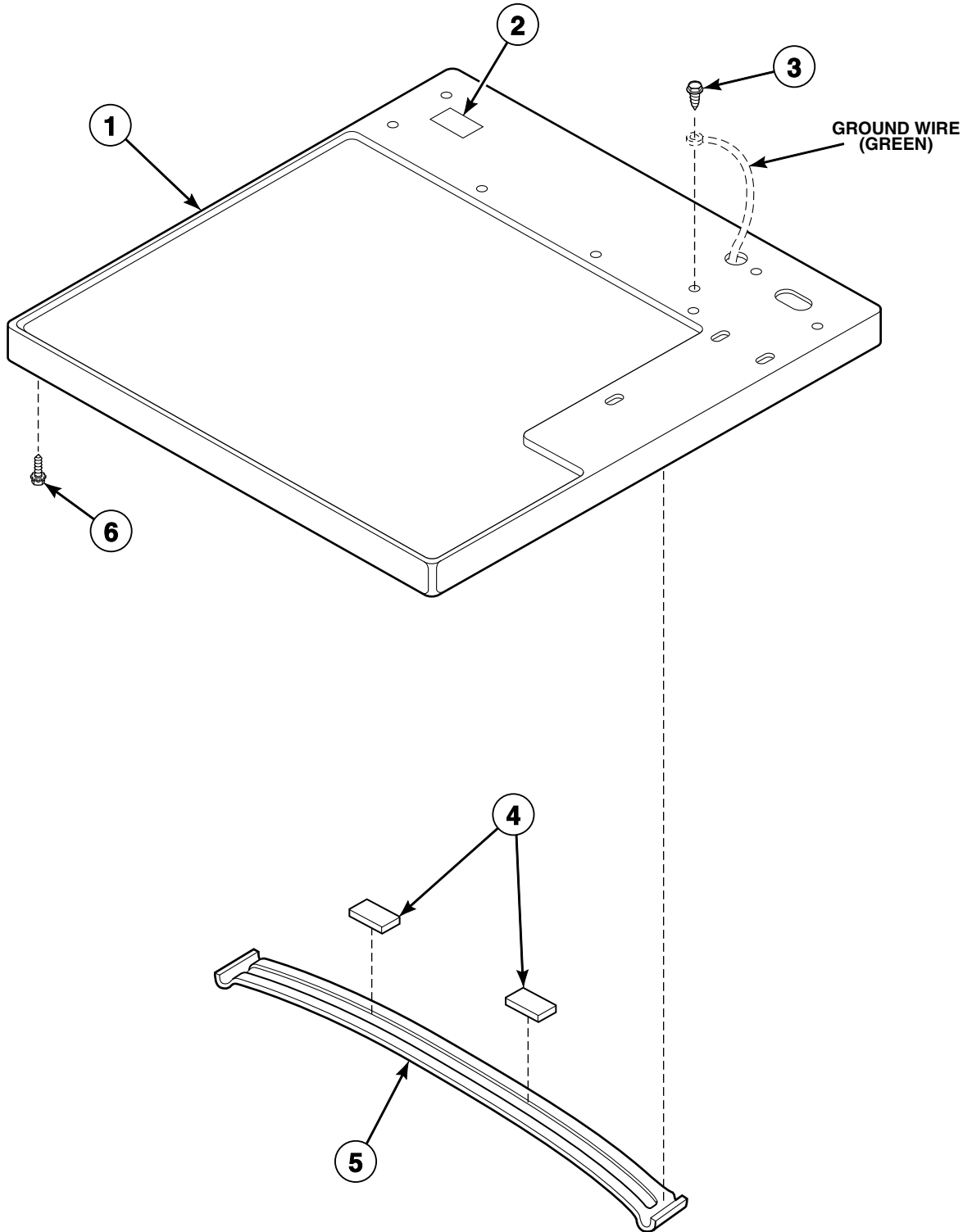
DRY1730P_511462

Control Panel, Control Hood and Controls - Card Reader Models

REF	PART NO.	DESCRIPTION	COMMENTS
1	N/A	Control Hood Assembly	
2	02505	Bolt	
3	D501086	Screw	
4	N/A	Cover Plate	
5	02431	Washer	
6	20275	Nut	
7	23222	Screw	
8	N/A	Timer	
9	30616	Latch Relay	
10	N/A	Timer Bracket Assembly	
11	N/A	Instruction Plate	
12	80399	Screw	
13	31738	Relay	
14	N/A	Control Panel Overlay	
15	57916	Lock Plug	
16	52947	Nut	
17	39897	Switch Knob	
18	N/A	Screw	
19	24205	Nut	
20	62645W	Control Panel and Bracket Assembly	White
	N/A	Control Panel and Bracket Assembly	Almond
21	52864	Screw	
22	91176	Washer	
23	56576	Temperature Selector Switch	Models through Serial No. S6270865XG
	61512	Fabric Selector Switch	Models starting Serial No. S6270866XG
24	32464	Light	
25	55882	Switch Assembly	Includes item 16

N/A = Part no longer available

Cabinet Top



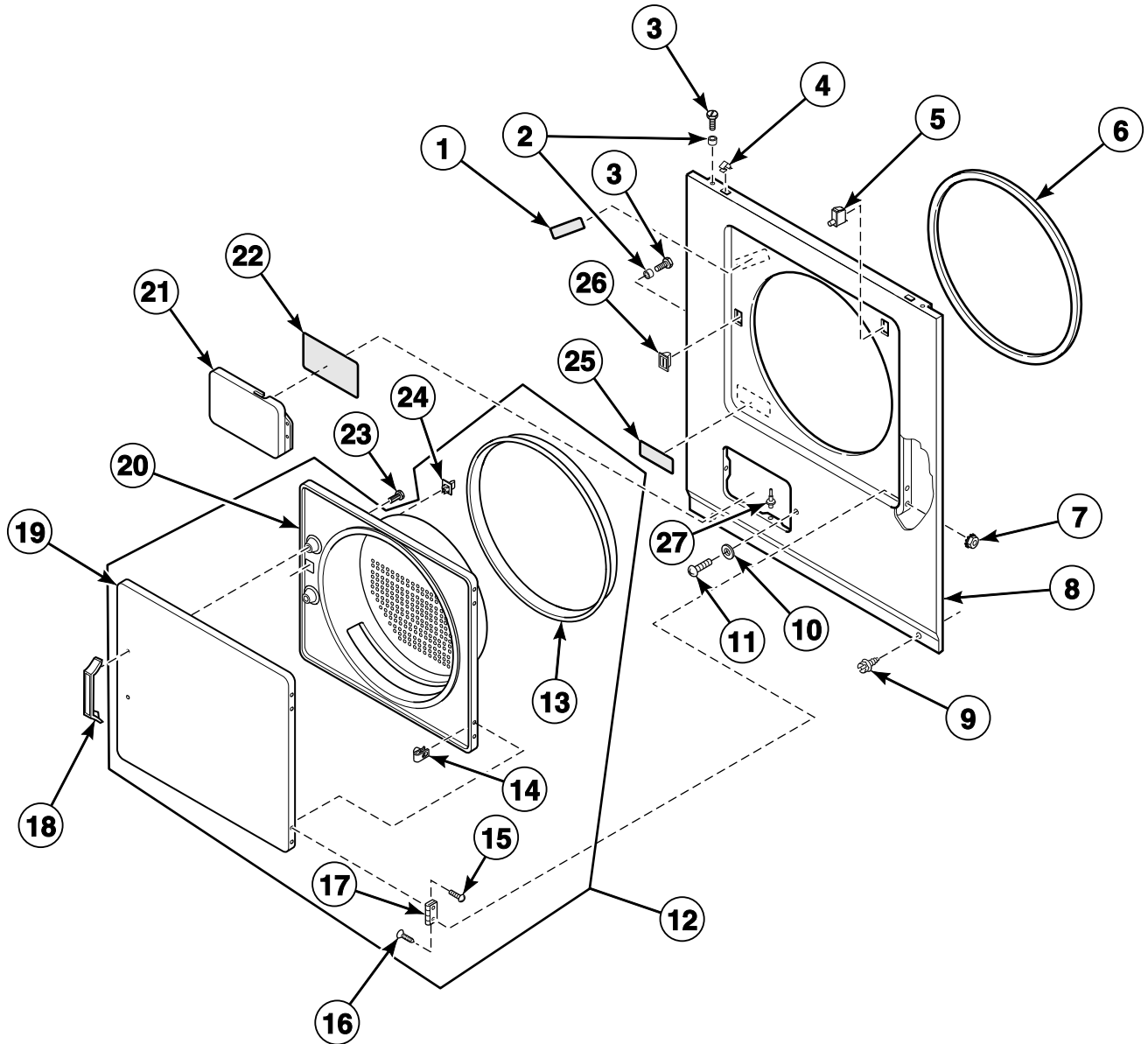
DRY1731P_511462

Cabinet Top

REF	PART NO.	DESCRIPTION	COMMENTS
1	D505863WP	Top Kit	White
	N/A	Top Panel Assembly	Almond
2	D505281	Disconnect Power Warning Label	
3	20530	Screw	
4	32670	Foam Pad	
5	56486	Top Brace	
6	D503661	Screw	

N/A = Part no longer available

Loading Door, Front Panels and Access Door



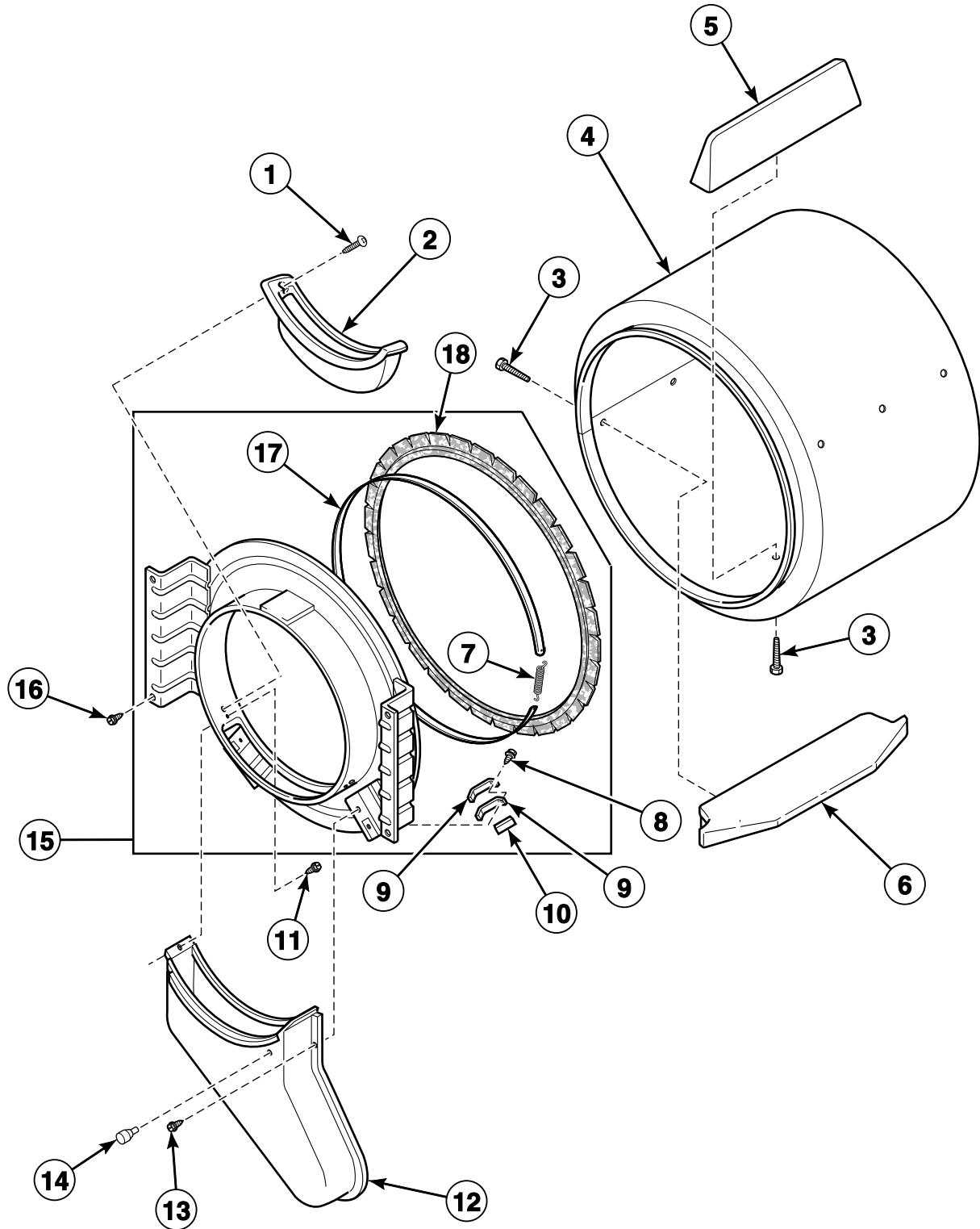
DRY1728P_511462

Loading Door, Front Panels and Access Door

REF	PART NO.	DESCRIPTION	COMMENTS
1	D500281	Warning/Caution Label	
2	56079	Panel Locator	
3	39733	Screw	
4	28835	Speed Clip	
5	D512973	Switch	
6	61380	Front Panel Seal	
7	51236	Nut	
8	62420WP	Front Panel Assembly	White; Electric models
	N/A	Front Panel	Gas models
9	D503661	Screw	
10	21147	Washer	
11	57444	Screw	
12	62300WP	Door Assembly	White
	N/A	Door Assembly	Almond
13	61379	Door Seal	
14	23407	Nut	
15	52864	Screw	
16	22649	Screw	
17	56045	Hinge	
18	61925	Door Pull	
19	N/A	Door	
20	62152P	Door Liner	
21	60795W	Access Door	White; Gas models
	N/A	Access Door	Almond; Gas models
22	D511004	Gas Clearance Label	
23	33561	Screw	
24	D510181	Door Strike	
25	D502804	Clean Lint Label	
26	D510177	Door Catch Assembly	
27	56534	Support Barrel	

N/A = Part no longer available

Front Bulkhead, Air Duct, Felt Seal and Cylinder



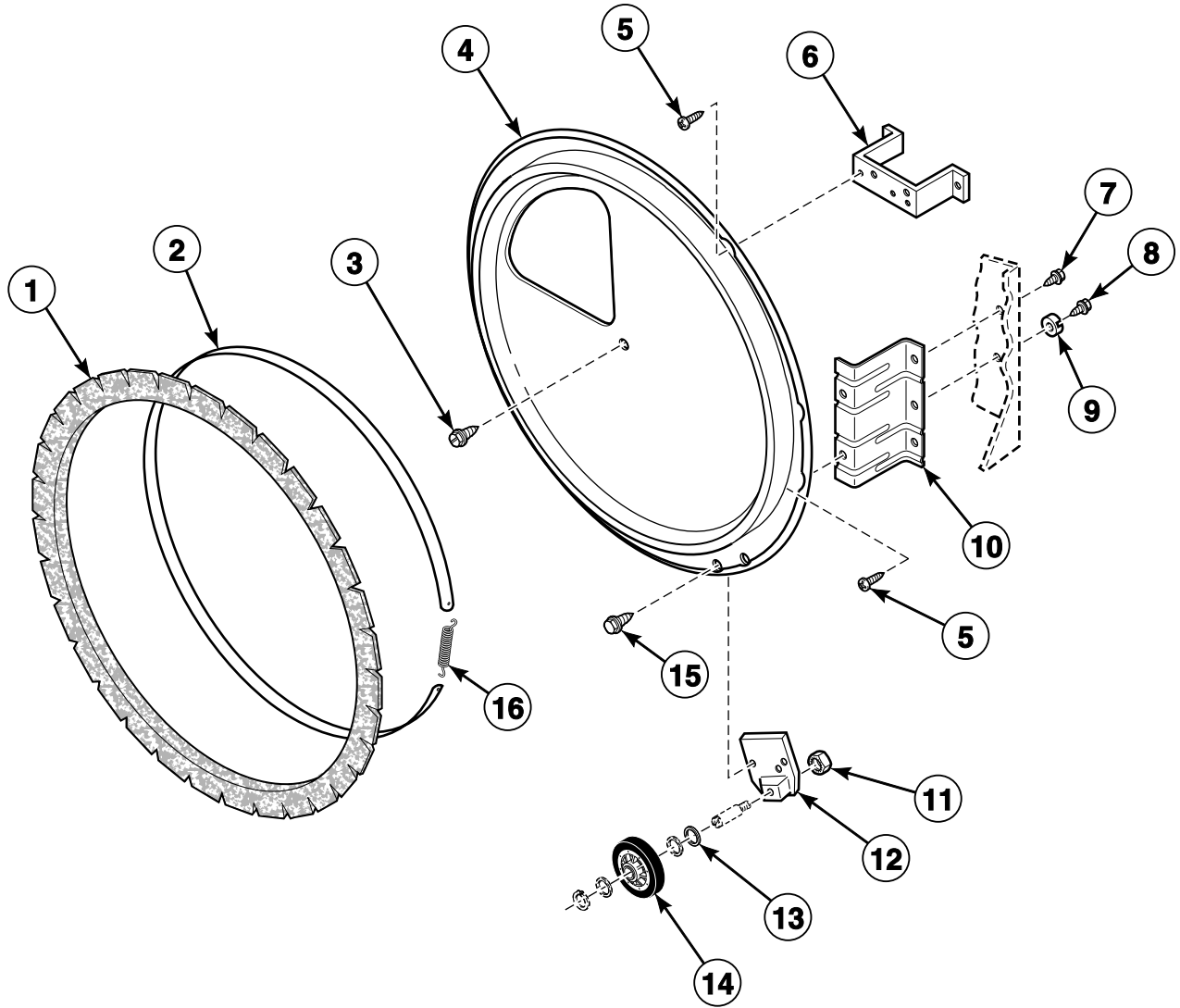
DRY940P_511462

Front Bulkhead, Air Duct, Felt Seal and Cylinder

REF	PART NO.	DESCRIPTION	COMMENTS
1	25232	Screw	
2	61376P	Lint Filter	
3	62588	Screw	
4	60645P	Cylinder Assembly	Includes baffles
5	61399	Cylinder Baffle	Short; White; 2 required
6	61027	Cylinder Baffle	Extended; 1 required
7	52310	Spring	
8	23962	Screw	
9	61448	Cylinder Glide	
10	58049	Thin Pad	
11	33561	Screw	
12	60786	Air Duct Assembly	
13	23962	Screw	
14	N/A	Bumper	
15	N/A	Front Bulkhead Assembly	
16	D503661	Screw	
17	56090	Seal Strap	
18	56088	Seal Assembly	

N/A = Part no longer available

Rear Bulkhead, Felt Seal and Cylinder Roller



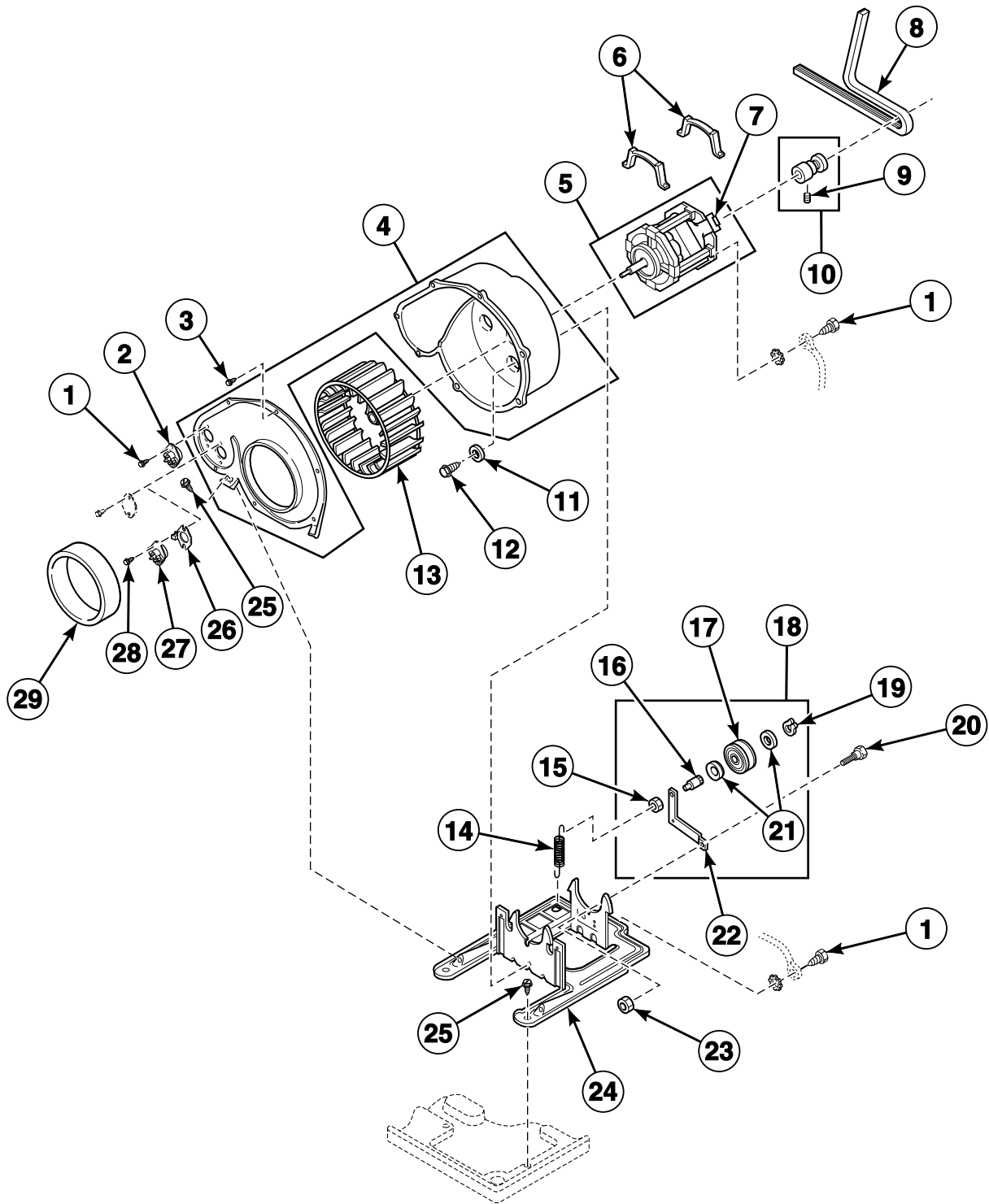
DRY1717P_511462

Rear Bulkhead, Felt Seal and Cylinder Roller

REF	PART NO.	DESCRIPTION	COMMENTS
1	56088	Seal Assembly	
2	56090	Seal Strap	
3	33561	Screw	
4	61135P	Rear Bulkhead Assembly	
5	M400664	Screw	
6	N/A	Terminal Block Bracket	
7	D503661	Screw	
8	52909	Screw	Green
9	51474	Washer	
10	N/A	Rear Bulkhead Bracket	
11	56156	Nut	
12	N/A	Cylinder Roller Bracket	Models starting Serial No. S6270866XG
13	20279	Washer	
14	56285	Cylinder Roller	
15	51780	Screw	
16	52310	Spring	

N/A = Part no longer available

Motor, Exhaust Fan and Belt



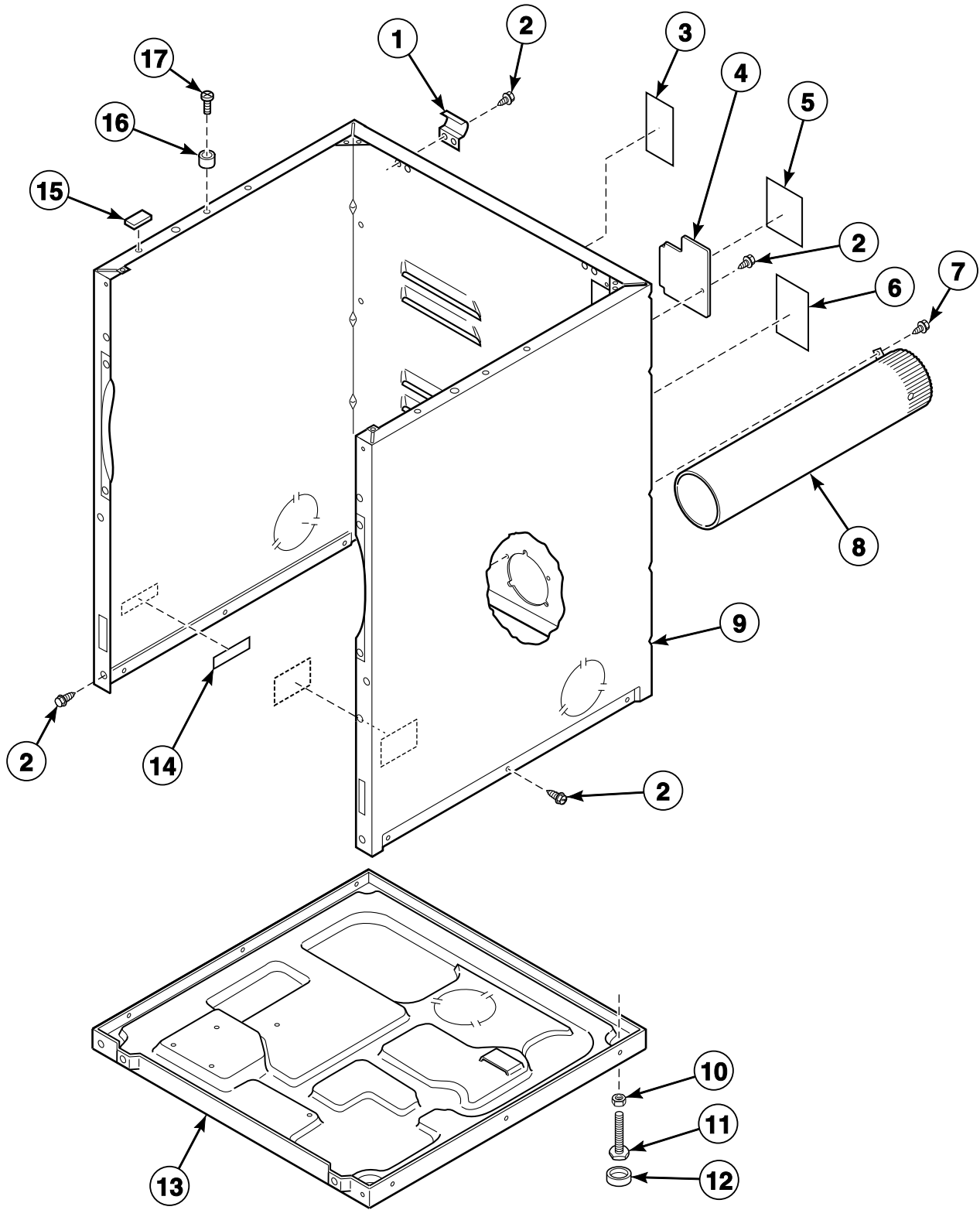
DRY1716P_511462

Motor, Exhaust Fan and Belt

REF	PART NO.	DESCRIPTION	COMMENTS
	27604P	Anti-Seize Compound	Apply to motor shaft before installing the blower fan assembly
1	23222	Screw	
2	57015	Thermostat	Models through Serial No. S6270865XG
3	23962	Screw	
4	D511969WP	Blower Housing and Cover Kit	
5	58044	Motor	Includes switch; 60 Hertz; Models ZE1010-1502, ZE1010-1702, ZE1110-1502, ZE1110-1702 and ZG1120-1102
	58056	Motor	Includes switch; 50 Hertz; All other models
6	D510180	Motor Mount Clamp	
7	N/A	Motor Switch	
8	D511255	Cylinder Belt	
9	62541	Screw	
10	N/A	Motor Pulley Assembly	60 Hertz; Models ZE1010-1502, ZE1010-1702, ZE1110-1502, ZE1110-1702 and ZG1120-1102
	59884	Motor Pulley Assembly	50 Hertz; All other models
11	20492	Washer	
12	D503661	Screw	
13	D510139P	Blower Fan Assembly	
14	D510185	Idler Spring	
15	56156	Nut	
16	56461	Shaft	
17	D510142P	Idler Wheel and Bearing Assembly	
18	D511227	Motor Mount and Idler Assembly	
19	23748	Retaining Ring	
20	N/A	Screw	
21	52549	Washer	
22	N/A	Idler Lever	
23	52566	Nut	
24	D510060	Motor Mount	
25	51780	Screw	Optional
26	61623	Thermostat Heater	Use with 503552 or 61556 Thermostat; 60 Hertz; Models ZE1010-1502, ZE1010-1702, ZE1110-1502, ZE1110-1702 and ZG1120-1102
	61622	Thermostat Heater	Use with 503552 or 61556 Thermostat; 50 Hertz; All other models
27	56470	Thermostat	Models through Serial No. S6270865XG
	D503552	Thermostat	Green; 60 Hertz; Models ZE1010-1502, ZE1010-1702, ZE1110-1502, ZE1110-1702 and ZG1120-1102 starting Serial No. S6270866XG
	61556	Thermostat	50 Hertz; All other models starting Serial No. S6270866XG
28	23222	Screw	Use with 56470 Thermostat
	33561	Screw	Use with 503552 or 61556 Thermostat
29	56065	Seal	

N/A = Part no longer available

Cabinet, Exhaust Duct and Base



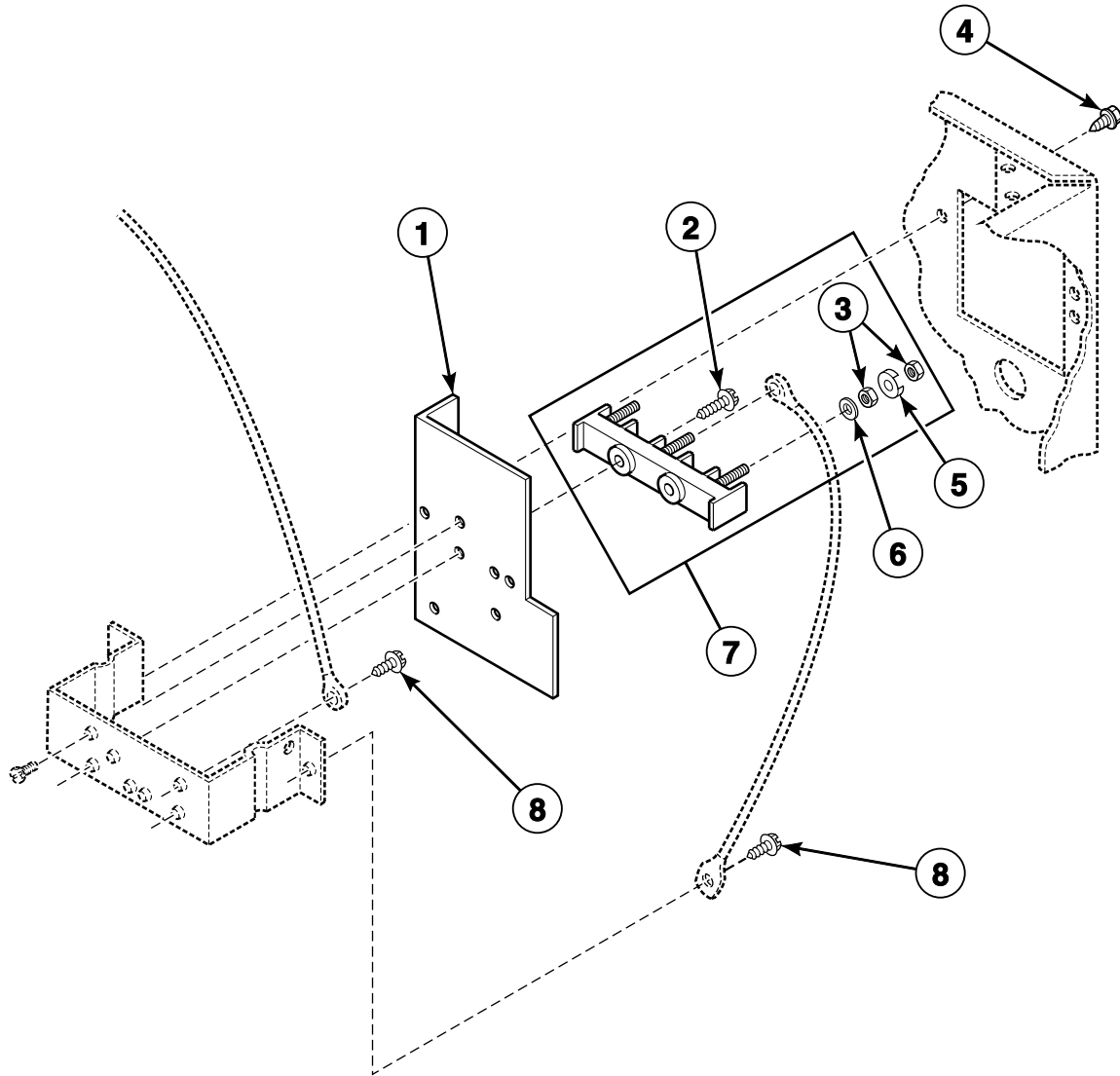
DRY2014P_511462

Cabinet, Exhaust Duct and Base

REF	PART NO.	DESCRIPTION	COMMENTS
	D505281	Disconnect Power Warning Label	
1	N/A	Top Hinge	
2	D503661	Screw	
3	D511004	Gas Clearance Label	Gas models
4	60821	Access Cover Plate	
5	N/A	Install Notice Sticker	Electric models
6	D511005	Electric Clearance Label	Electric models
7	23962	Screw	
8	N/A	Exhaust Duct Assembly	
9	N/A	Dryer Cabinet Assembly	
10	20274	Nut	
11	52696	Screw	
12	70282	Rubber Foot	
13	N/A	Base Assembly	
14	61294	Fuse Notice Label	Electric models
15	56128	Bumper Pad	
16	56079	Panel Locator	
17	39733	Screw	

N/A = Part no longer available

Terminal Block - Electric Models without Power Cord Through Serial No. S6270865XG

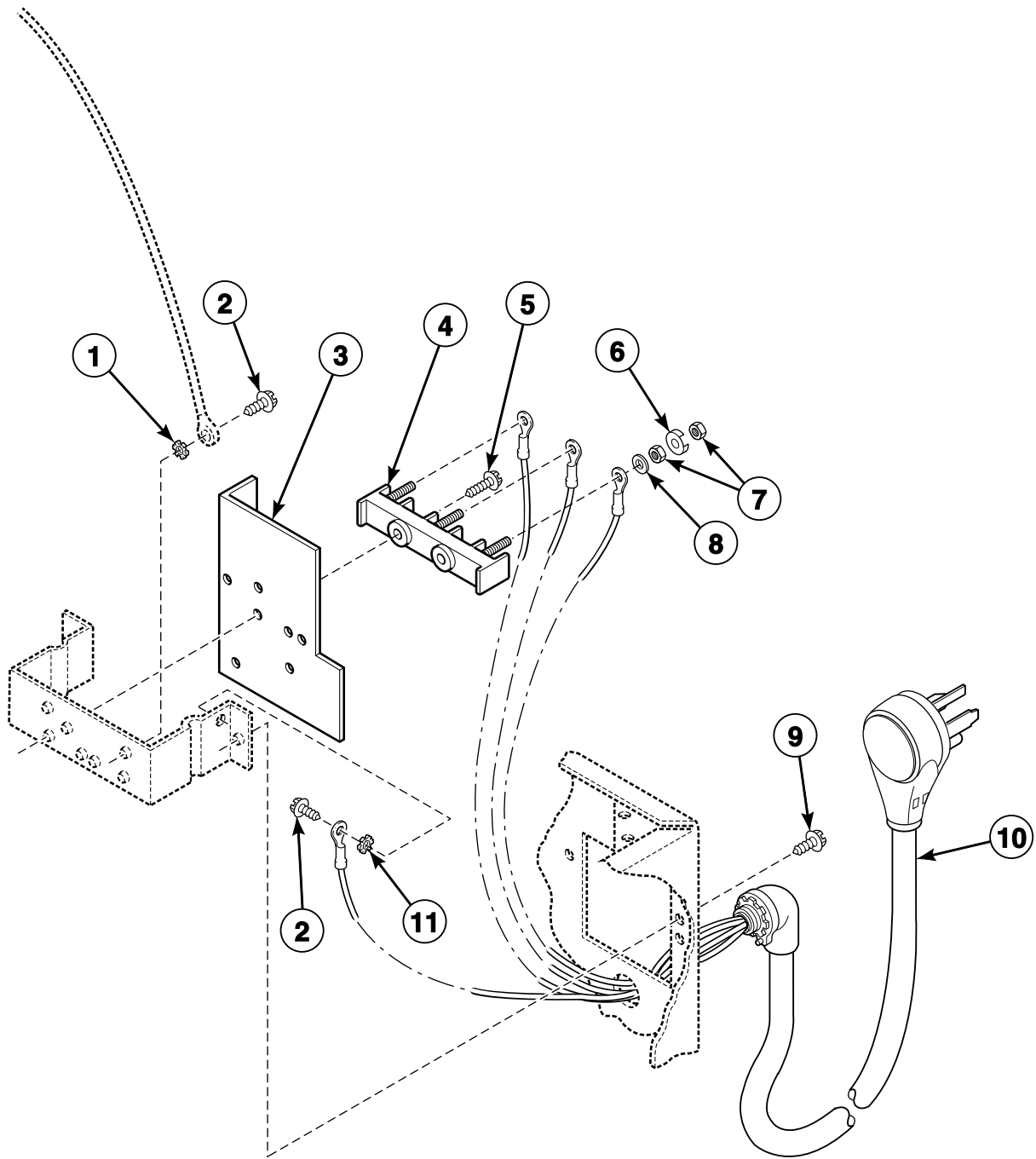


DRY943P_511462

Terminal Block - Electric Models without Power Cord Through Serial No. S6270865XG

REF	PART NO.	DESCRIPTION	COMMENTS
1	56087	Terminal Block Shield	
2	Q6535	Screw	
3	Q6163	Nut	
4	D503661	Screw	
5	51474	Washer	
6	56552	Washer	
7	50854A	Terminal Block Assembly	
8	20530	Screw	

Terminal Block - Electric Models with Power Cord Through Serial No. S6270865XG

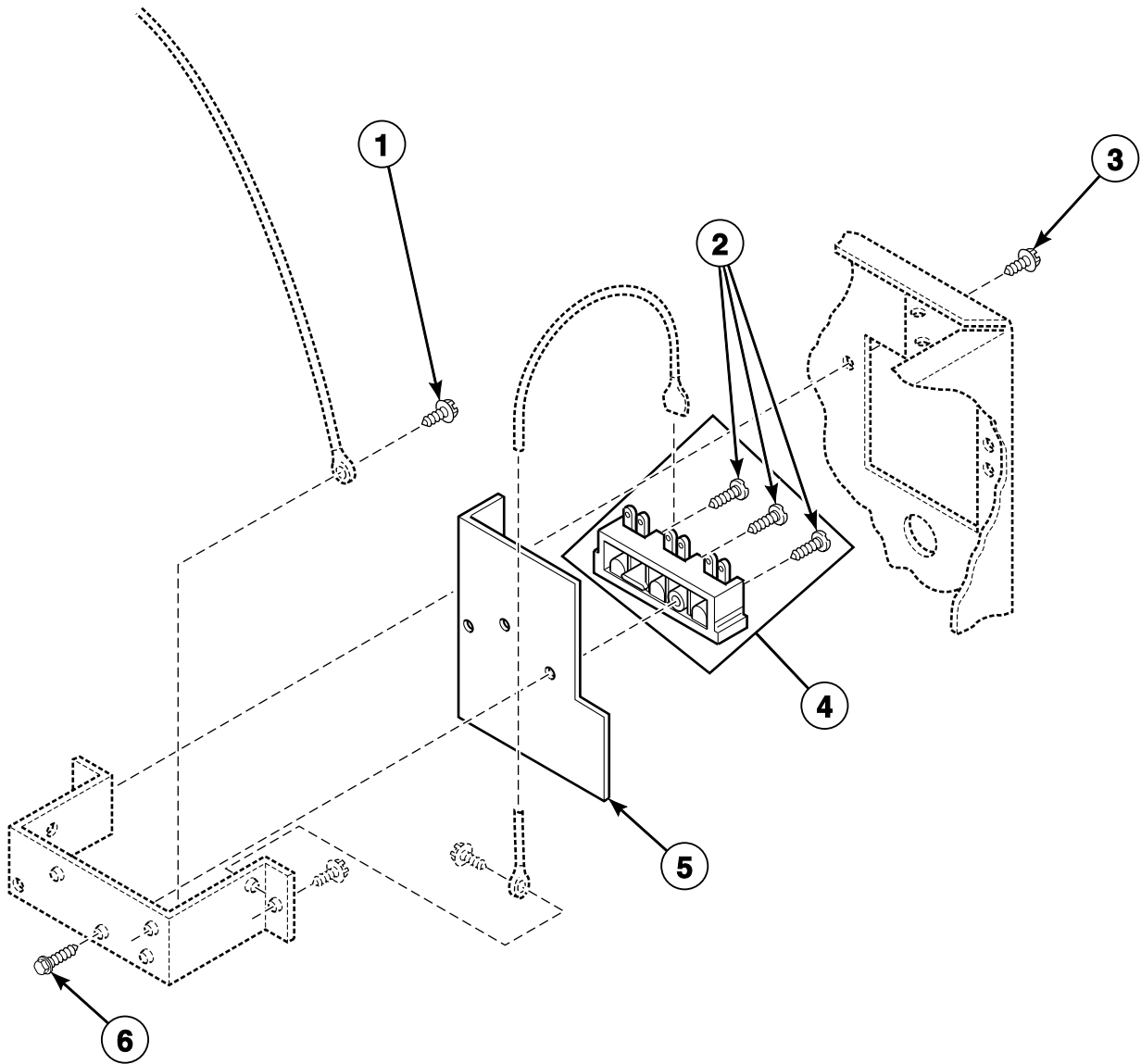


DRY1718P_511462

Terminal Block - Electric Models with Power Cord Through Serial No. S6270865XG

REF	PART NO.	DESCRIPTION	COMMENTS
1	03815	Washer	
2	20530	Screw	
3	56087	Terminal Block Shield	
4	50854A	Terminal Block Assembly	
5	62588	Screw	
6	51474	Washer	
7	Q6163	Nut	
8	56552	Washer	
9	D503661	Screw	
10	D510505P	Lead-In Cord Assembly	4-wire
11	03815	Washer	

Terminal Block - Electric Models without Power Cord Starting Serial No. S6270866XG

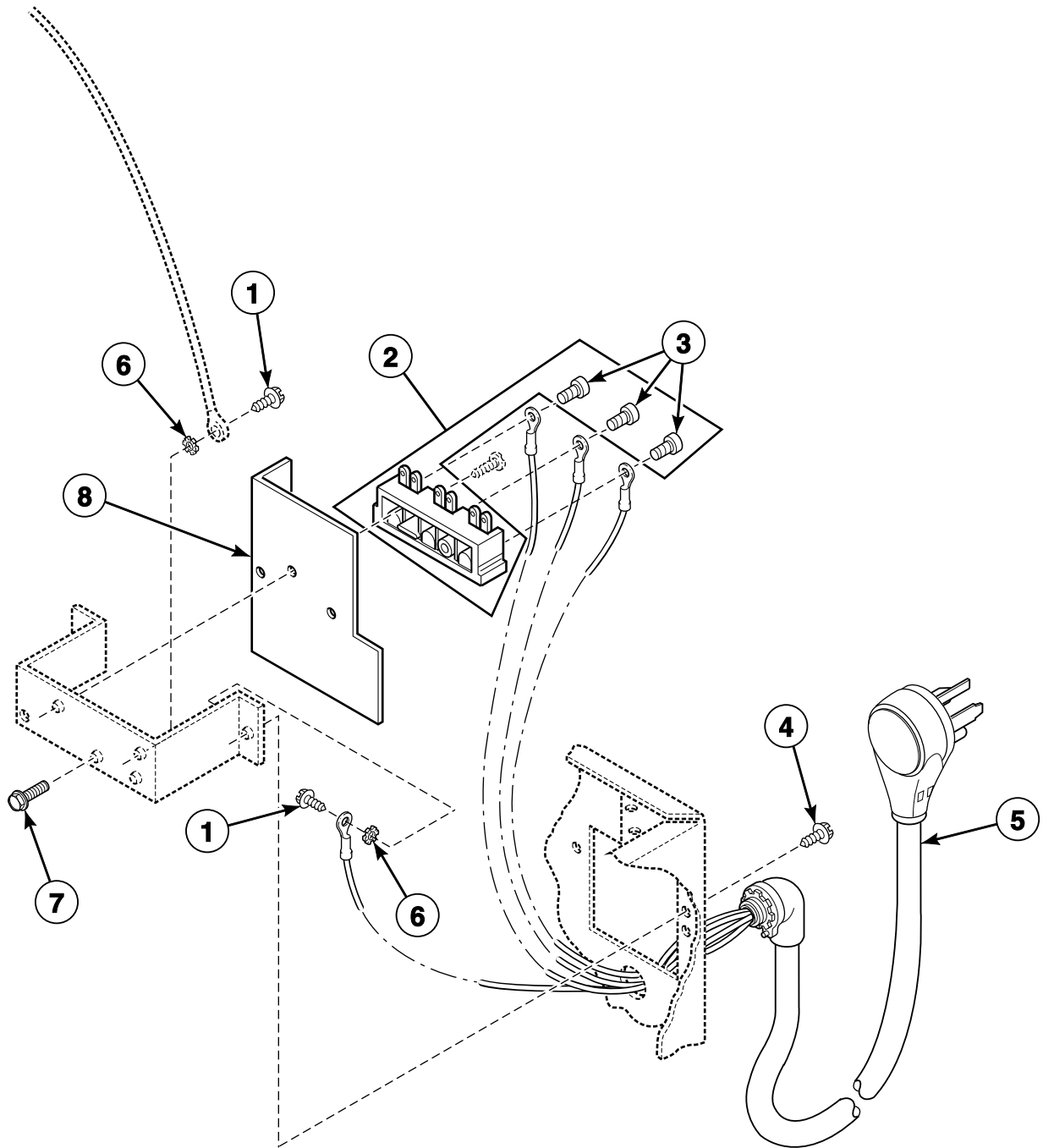


DRY1727P_511462

Terminal Block - Electric Models without Power Cord Starting Serial No. S6270866XG

REF	PART NO.	DESCRIPTION	COMMENTS
1	20530	Screw	
2	61199	Screw	
3	D503661	Screw	
4	D510190P	Terminal Block Assembly	Includes 3 of item 2
5	56087	Terminal Block Shield	
6	D501285	Screw	

Terminal Block - Electric Models with Power Cord Starting Serial No. S6270866XG

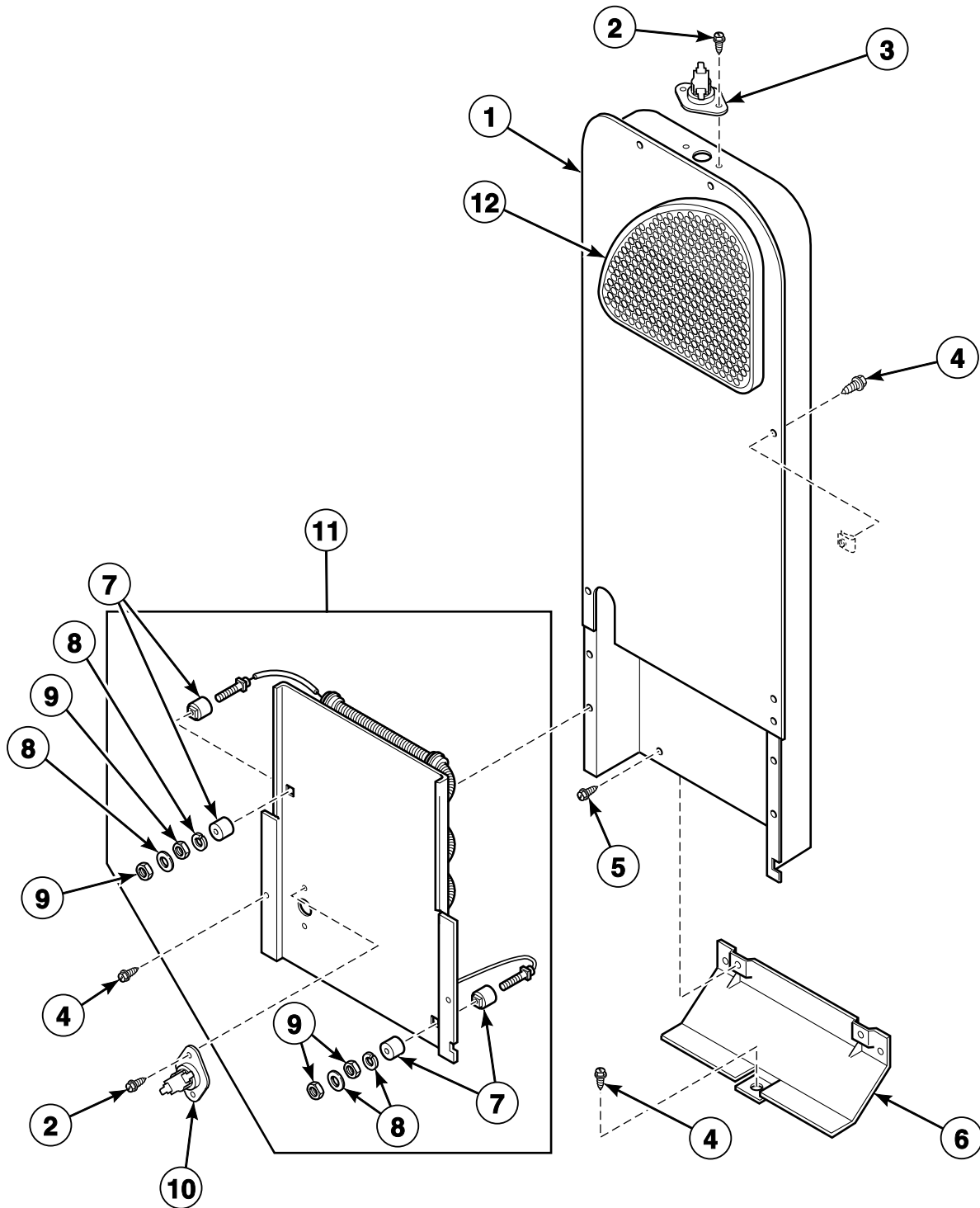


DRY1719P_511462

Terminal Block - Electric Models with Power Cord Starting Serial No. S6270866XG

REF	PART NO.	DESCRIPTION	COMMENTS
1	20530	Screw	
2	D510190P	Terminal Block Assembly	Includes 3 of item 3
3	61199	Screw	
4	D503661	Screw	
5	D510505P	Lead-In Cord Assembly	4-wire
6	03815	Washer	
7	D501285	Screw	
8	56087	Terminal Block Shield	

Heater Duct - Electric Models Through Serial No. S6270865XG



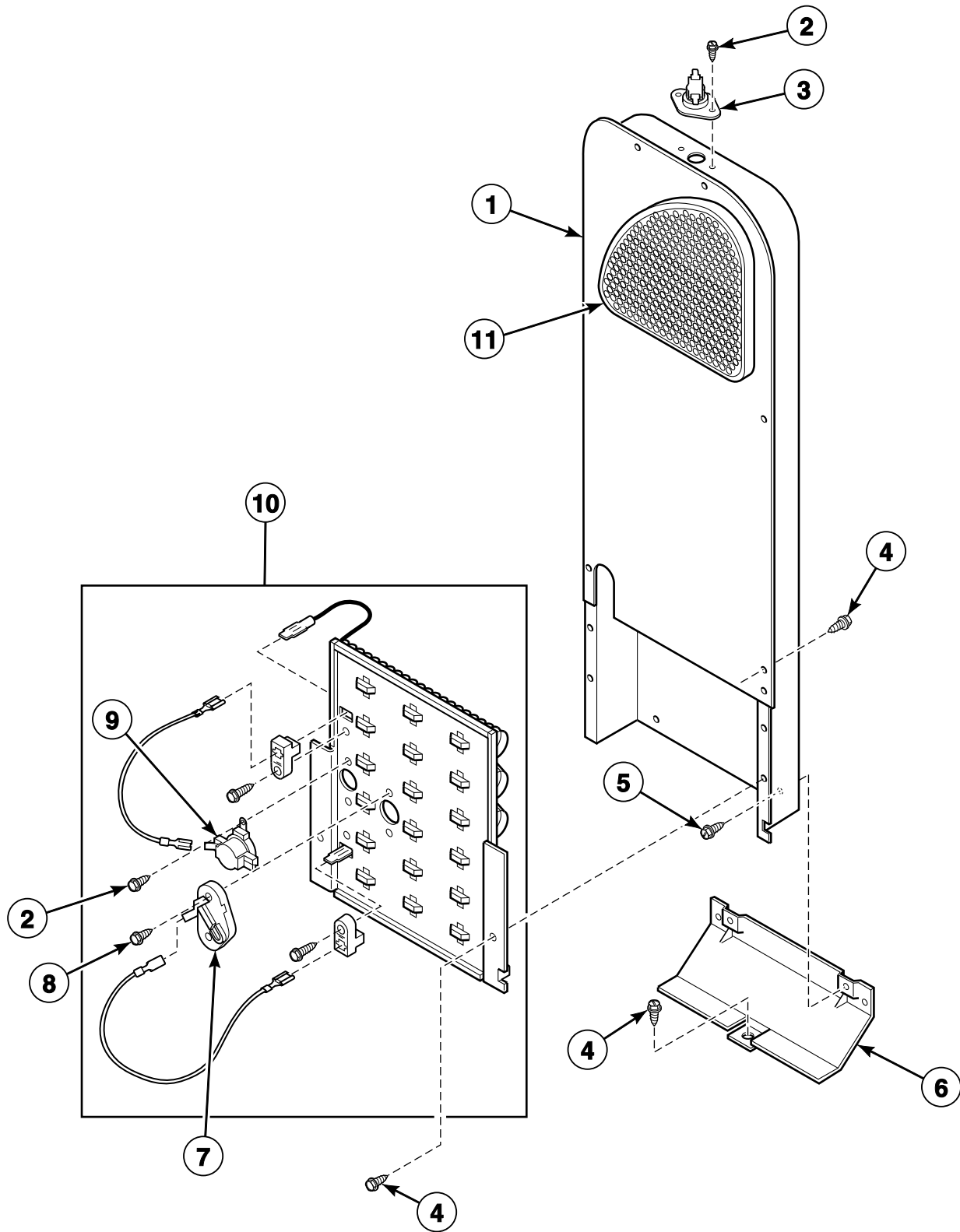
DRY1704P_511462

Heater Duct - Electric Models Through Serial No. S6270865XG

REF	PART NO.	DESCRIPTION	COMMENTS
1	D500180P	Heater Duct Assembly	Models equipped with 57239 Thermostat
	D510025P	Heater Duct and Screw Assembly	Includes item 12; All other models
2	23222	Screw	
3	57239	Thermostat	
4	D503661	Screw	
5	51780	Screw	
6	60952	Heat Duct Shield	
7	N/A	Terminal Bushings Assembly	
8	56552	Washer	
9	Q6163	Nut	
10	56082	Limit Thermostat	
11	61928	Heater Kit Assembly	208 Volt/60 Hertz; 4.75 kW
	61927	Heater Kit Assembly	230 or 240 Volt/60 Hertz; 5.0 kW
	61929	Heater Kit Assembly	230 or 240 Volt/50 Hertz; 5.0 kW
12	D500820	Outlet Cover	

N/A = Part no longer available

Heater Duct - Electric Models Starting Serial No. S6270866XG

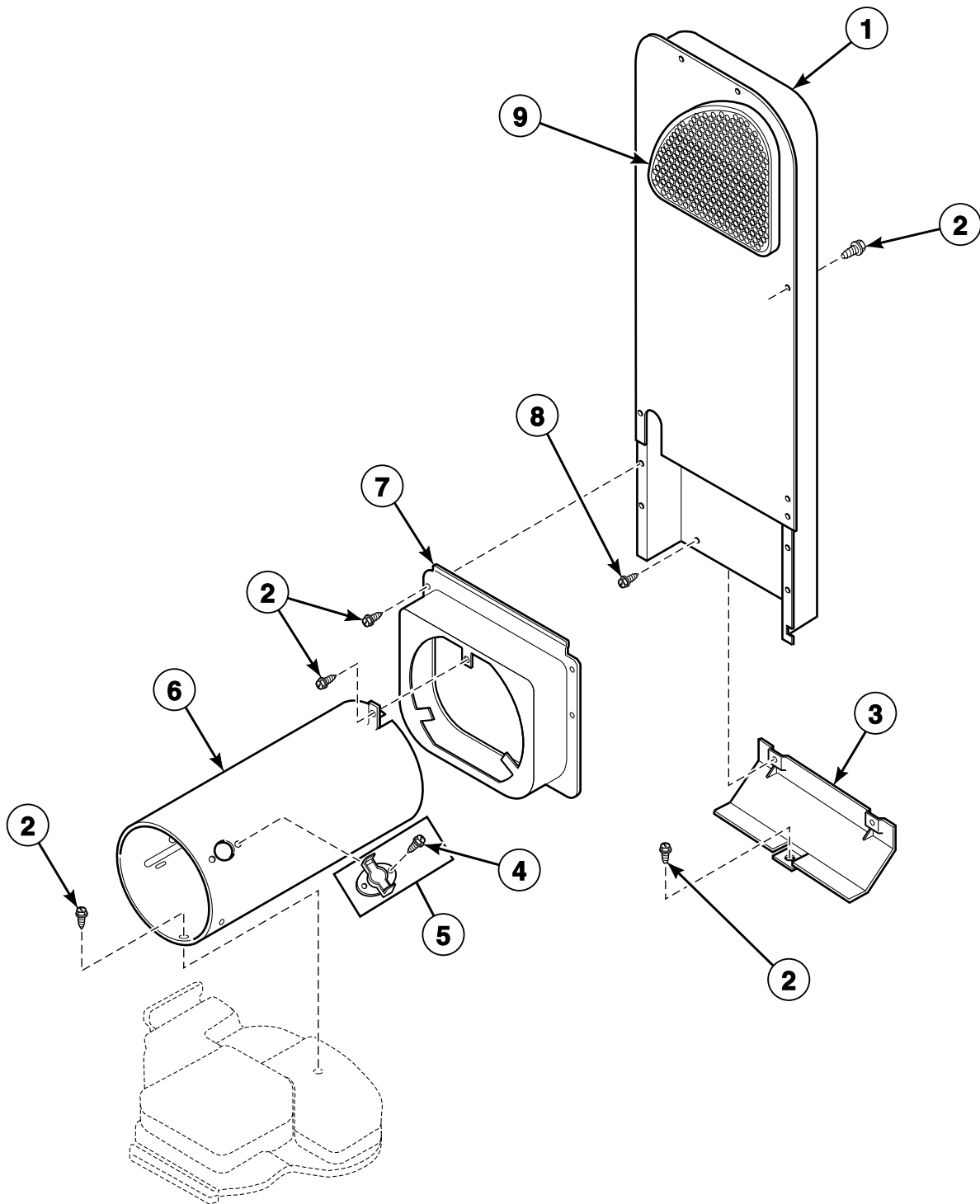


DRY1720P_511462

Heater Duct - Electric Models Starting Serial No. S6270866XG

REF	PART NO.	DESCRIPTION	COMMENTS
1	D500180P	Heater Duct Assembly	Models equipped with 57239 Thermostat
	D510025P	Heater Duct and Screw Assembly	Includes item 11; All other models
2	23222	Screw	
3	57239	Thermostat	
4	D503661	Screw	
5	51780	Screw	
6	60952	Heat Duct Shield	
7	490P3	Thermal Fuse Kit	
8	56693	Screw	
9	D510701	Limit Thermostat	
10	61928	Heater Kit Assembly	208 Volt/60 Hertz; 4.75 kW
	61927	Heater Kit Assembly	240 Volt/60 Hertz; 5.0 kW
	61931	Heater Kit Assembly	240 Volt/50 or 60 Hertz; 3.1 kW
	61929	Heater Kit Assembly	240 Volt/50 Hertz; 5.0 kW
	61930	Heater Kit Assembly	240 Volt/50 Hertz; 4.0 kW
11	D500820	Outlet Cover	

Heater Duct - Gas Models



DRY1703P_511462

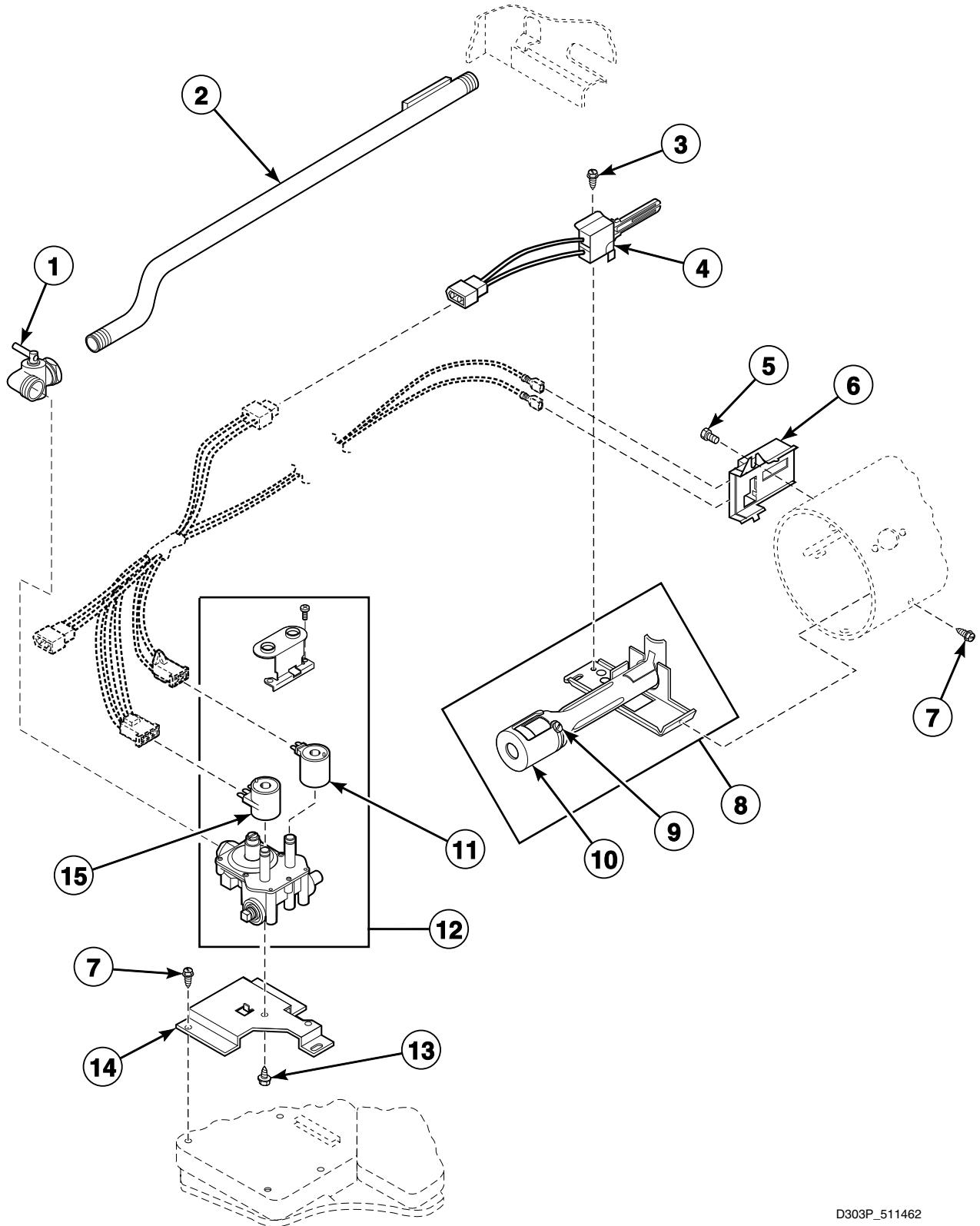
Heater Duct - Gas Models

REF	PART NO.	DESCRIPTION	COMMENTS
1	D510025P	Heater Duct and Screw Assembly	Includes item 9
2	D503661	Screw	
3	60952	Heat Duct Shield	
4	51782	Screw	
5	489P3	Thermostat and Plate Kit	Includes item 4
6	N/A	Combustion Duct	
7	D510101	Heat Duct Shroud	
8	51780	Screw	
9	D500820	Outlet Cover	

N/A = Part no longer available

Gas Valve, Igniter and Gas Conversion Kits

Gas Models



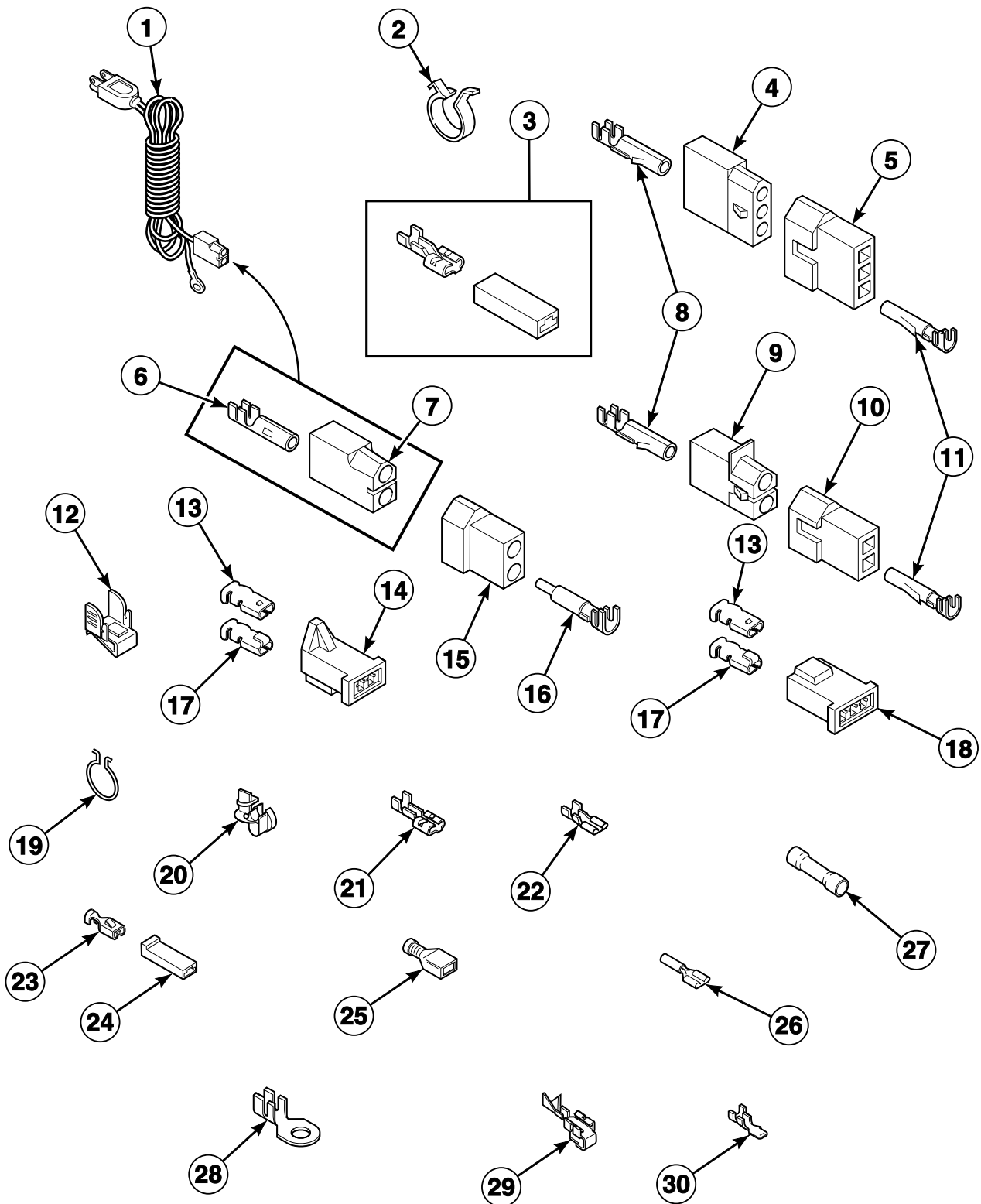
D303P_511462

Gas Valve, Igniter and Gas Conversion Kits

REF	PART NO.	DESCRIPTION	COMMENTS
	458P3	L.P. Conversion Kit	Used to convert dryers from Natural Gas (N.G.) or Mixed Gas to Liquid Petroleum Gas (L.P.)
	459P3	N.G. Conversion Kit	Used to convert dryers from L.P. to N.G. or Mixed Gas
1	D510205	Elbow Shut-Off Valve	
2	N/A	Lead-In Pipe Assembly	
3	56693	Screw	
4	D510184P	Igniter and Bracket Assembly	
5	23222	Screw	
6	D510213	Sensor	
7	D503661	Screw	
8	D510149P	Burner Assembly	
9	N/A	Screw	
10	N/A	Air Shutter	
11	58804B	Secondary Coil	60 Hertz; Model ZG1120-1102
	59063B	Secondary Coil	50 Hertz; All other models
12	60353	Gas Valve Assembly	N.G. or Mixed Gas; 60 Hertz; Model ZG1120-1102
	60443	Valve Assembly	N.G. or Mixed Gas; 50 Hertz; All other models
13	N/A	Screw	
14	D510128	Gas Valve Mounting Bracket	
15	58804A	Booster and Holding Coil	60 Hertz; Model ZG1120-1102
	59063A	Booster and Holding Coil	50 Hertz; All other models

N/A = Part no longer available

Power Cord and Terminals



DRY1726P_511462

Power Cord and Terminals

REF	PART NO.	DESCRIPTION	COMMENTS
1	56222	Lead-In Cord	Gas models
2	D504034	Wire Clip	
3	00360	Ultra Pod Terminal	1/4 inch; (1) 12 gauge wire or (2) 18 gauge wires
4	23039	3 Circuit Receptacle	
5	23040	Plug	
6	00130	Female Pin Terminal	
7	56265	2 Circuit Receptacle	
8	00117	Female Pin Terminal	
9	56451	2 Circuit Receptacle	
10	56448	2 Circuit Plug	
11	00116	Male Pin Terminal	
12	00161	Grounding Clip	
13	00189	Female Spade Terminal	
14	58799	2 Circuit Connector	
15	56266	2 Circuit Plug	
16	00127	Male Pin Terminal	
17	00361	Female Piggyback Terminal	
18	58800	3 Circuit Connector	
19	51291	Wire Clip	
20	38384	Strain Relief	
21	00245	Spade Terminal	1/4 inch; (1) 22 gauge wire
	00223	Female Spade Terminal	1/4 inch; (1) 18 gauge wire
	00121	Female Spade Terminal	1/4 inch; (2) 18 gauge wires or (1) 12 gauge wire
22	00124	Female Spade Terminal	3/16 inch; (1) 18 gauge wire; .020 tab
	00209	Female Spade Terminal	3/16 inch; (2) 18 gauge wires; .020 tab
	00156	Female Spade Terminal	3/16 inch; .032 tab
23	00115	Female Spade Terminal	(1) 18 gauge wire
	00321	Female Spade Terminal	(2) 18 gauge wires or (1) 12 gauge wire
24	90789	Receptacle Housing	
25	00165	Insulated Female Terminal	3/16 inch
	00359	Ultra Pod Terminal	1/4 inch
26	N/A	Pre-Insulated Spade Terminal	18 gauge
	00215	Pre-Insulated Spade Terminal	12 gauge
27	N/A	Butt Splice Connector	
28	00110	Ring Terminal	No. 10; (1) 18 gauge wire
	00111	Ring Terminal	No. 10; (2) 18 gauge wires or (1) 12 gauge wire
29	00114	Female Spade Terminal	
30	00139	Male Tab Terminal	1/4 inch; (1) or (2) 18 gauge wires or (1) 12 gauge wire

N/A = Part no longer available

Wire Harnesses and Wires

PART NO.	DESCRIPTION	COMMENTS
N/A	Wire Harness Assembly	
45001	18 Gauge Wire	Black; Order wire by foot; Order terminals and connectors as required.
45003	18 Gauge Wire	Brown; Order wire by foot; Order terminals and connectors as required.
45380	12 Gauge Wire	Orange; Order wire by foot; Order terminals and connectors as required.

N/A = Part no longer available

NOTE: Individual wires are not available separately. Order complete harness, or order wire by the foot. When applying terminals to wires, it is recommended that the terminals be soldered to the wires.

Parts Index

A

Access Cover Plate 60821	27
Access Door 60795W	19
Accumulator Replacement Kit D510628P	9
D510629P	9
D510630P	11
Air Duct Assembly 60786	21
Anti-Seize Compound 27604P	25

B

Blower Fan Assembly D510139P	25
Blower Housing and Cover Kit D511969WP	25
Bolt 02505	5, 15
Booster and Holding Coil 58804A	43
59063A	43
Bumper Pad 56128	27
Burner Assembly D510149P	43

C

Clean Lint Label D502804	19
Coin Slide Extension 61031	5
Connector, 2 Circuit 58799	45
Connector, 3 Circuit 58800	45
Control Hood D502567L	13
D502567W	13
Control Panel and Bracket Assembly 62645W	13, 15
Counter Kit 62113P	5
Cylinder Assembly 60645P	21
Cylinder Baffle 61027	21
61399	21
Cylinder Belt D511255	25
Cylinder Glide 61448	21

Cylinder Roller 56285	23
--------------------------------	----

D

Disconnect Power Warning Label D505281	17, 27
Door Assembly 62300WP	19
Door Catch Assembly D510177	19
Door Liner 62152P	19
Door Pull 61925	19
Door Seal 61379	19
Door Strike D510181	19

E

Elbow Shut-Off Valve D510205	43
Electric Clearance Label D511005	27

F

Fabric Selector Switch 61512	13, 15
Female Piggyback Terminal 00361	45
Female Pin Terminal 00117	45
00130	45
Female Spade Terminal 00114	45
00115	45
00121	45
00124	45
00156	45
00189	45
00209	45
00223	45
00321	45
Foam Pad 32670	17
Front Panel Assembly 62420WP	19
Front Panel Seal 61380	19
Fuse Notice Label 61294	27

N/A items do not appear in index.

G

Gas Clearance Label D511004	19, 27
Gas Valve Assembly 60353	43
Gas Valve Mounting Bracket D510128	43
Grounding Clip 00161	45

H

Harness Replacement Kit D510534P	5
D510661P	5
Harness Strap 55881	5
Heat Duct Shield 60952	37, 39, 41
Heat Duct Shroud D510101	41
Heater Duct and Screw Assembly D510025P	37, 39, 41
Heater Duct Assembly D500180P	37, 39
Heater Kit Assembly 61927	37, 39
61928	37, 39
61929	37, 39
61930	39
61931	39
Hinge 56045	19
Hood Back Plate D505798	13
Hood Wire Harness Assembly 61310	5

I

Idler Spring D510185	25
Idler Wheel and Bearing Assembly D510142P	25
Igniter and Bracket Assembly D510184P	43
Instruction Plate D500490	7
55969	5
Insulated Female Terminal 00165	45

L

Latch Relay 30616	15
Lead-In Cord 56222	45

Lead-In Cord Assembly D510505P	31, 35
Light 32464	13, 15
32519	13
Limit Thermostat D510701	39
56082	37
Lint Filter 61376P	21
Lock Plug 57916	15
L.P. Conversion Kit 458P3	43

M

Male Pin Terminal 00116	45
00127	45
Male Tab Terminal 00139	45
Meter Case and Funnel Kit 524P3W	5
Meter Case Gasket 26354	5
Meter Case Locking Bracket 30642	5
Motor 58044	25
58056	25
Motor Mount D510060	25
Motor Mount and Idler Assembly D511227	25
Motor Mount Clamp D510180	25
Motor Pulley Assembly 59884	25

N

Nut Q6163	29, 31, 37
20274	27
20275	5, 7, 13, 15
23407	19
24205	13, 15
30647	5
51236	7, 19
52566	25
52947	13, 15
56156	23, 25
80077	5
N.G. Conversion Kit 459P3	43

O

Outlet Cover D500820	37, 39, 41
-------------------------------	------------

N/A items do not appear in index.

P

Panel Locator	
56079	19, 27
Pawl Spring	
53244	9, 11
Plug	
23040	45
Plug, 2 Circuit	
56266	45
56448	45
Pre-Insulated Spade Terminal	
00215	45

R

Ratchet Wheel	
53239	9, 11
Rear Bulkhead Assembly	
61135P	23
Receptacle Housing	
90789	45
Receptacle, 2 Circuit	
56265	45
56451	45
Receptacle, 3 Circuit	
23039	45
Relay	
31738	15
Retaining Ring	
23748	25
Ring Terminal	
00110	45
00111	45
Rivet	
26351	7
Rubber Foot	
70282	27

S

Screw	
D501086	7, 13, 15
D501285	33, 35
D503661	5, 17, 19, 21, 23, 25, 27, 29, 31, 33, 35, 37, 39, 41, 43
D503673	5
M400664	23
Q6535	29
02916	7, 13
03203	5, 7
03950	5
20530	5, 17, 29, 31, 33, 35
22649	19
23222	15, 25, 37, 39, 43
23962	21, 25, 27
25232	21
33561	19, 21, 23, 25
39733	19, 27
51778	7
51780	5, 23, 25, 37, 39, 41
51782	41

52696	27
52864	13, 15, 19
52909	23
56693	39, 43
57444	19
61199	33, 35
62541	25
62588	21, 31
80399	15
Seal	
56065	25
Seal Assembly	
56088	21, 23
Seal Strap	
56090	21, 23
Secondary Coil	
58804B	43
59063B	43
Sensor	
D510213	43
Service Door Assembly	
35798L	5
35798W	5
Shaft	
56461	25
Snap Switch	
61468	11
Spade Terminal	
00245	45
Speed Clip	
28835	19
Spring	
52310	21, 23
53261	9, 11
Strain Relief	
38384	45
Support Barrel	
56534	19
Switch	
D512973	19
Switch Assembly	
55882	13, 15
Switch Knob	
39897	13, 15

T

Temperature Selector Switch	
56576	13, 15
Terminal Block Assembly	
D510190P	33, 35
50854A	29, 31
Terminal Block Shield	
56087	29, 31, 33, 35
Thermal Fuse Kit	
490P3	39
Thermostat	
D503552	25
56470	25
57015	25
57239	37, 39
61556	25

N/A items do not appear in index.

Thermostat and Plate Kit	
489P3	41
Thermostat Heater	
61622	25
61623	25
Thin Pad	
58049	21
Timer	
58636	7
Timer Case Assembly	
37733W	7
Timer Knob	
54678	7
Timer Motor	
D512017P	9, 11
Timing Cam	
53240	9, 11
53241	9, 11
53242	9, 11
53243	9, 11
Top Brace	
56486	17
Top Kit	
D505863WP	17

U

Ultra Pod Terminal	
00359	45
00360	45

V

Valve Assembly	
60443	43

W

Warning/Caution Label	
D500281	19
Washer	
02431	5, 7, 13, 15
03815	31, 35
20279	7, 23
20492	25
21147	19
21734	5, 7
30627	5
35774	5
35917	5
51474	23, 29, 31
52549	25
56552	29, 31, 37
91176	13, 15
Wire Clip	
D504034	45
51291	45
Wire, 12 Gauge	
45380	46
Wire, 18 Gauge	
45001	46
45003	46

N/A items do not appear in index.