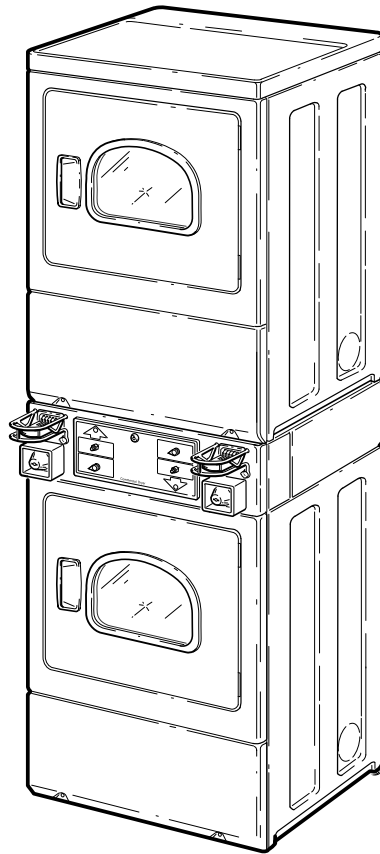


Commercial Dryers

Metered and Nonmetered
Refer to Page 3 for Model Numbers



D009C_511996

Table of Contents

Title	Page
Parts Ordering Information.....	2
Serial Plate Location	2
Model Identification	3
Control Panel and Controls - Nonmetered.....	4
Control Panel and Controls - Coin Slide Ready Models	6
Control and Control Panel - Coin Slide Models	8
Coin Slide Extension Kit.....	10
Control Panel and Controls - Coin Drop Models.....	12
Control Panel and Controls - Card Models	14
Control Cabinet Controls - Coin Drop Models.....	16
Non-Electronic Coin Drop - Coin Drop Models	18
Electronic Coin Drop - Coin Drop Models	20
Control Cabinet - Card Reader Ready and Installed Models.....	22
Control Cabinet - Integrated Card Reader Installed and Card Ready Models.....	24
Accumulator - Coin Slide Ready Models	26
Cabinet Top	28
Loading Door without Window	30
Loading Door with Window	32
Access Panel, Front Panel and Seal	34
Motor, Exhaust Fan and Belt	36
Front Bulkhead, Felt Seal and Cylinder	38
Air Duct and Lint Filter	40
Rear Bulkhead, Felt Seal, Cylinder Roller and Terminal Block.....	42
Heater Duct and Element Assembly - Electric Model Dryers.....	44
Heater Duct Assembly - Gas Model Dryers	46
Gas Valve, Igniter and Gas Conversion Kits.....	48
Cabinet, Exhaust Duct and Base	50
Power Cord.....	52
Terminal Block and Terminals	54
Terminals	56
Terminals and Terminal Extractor Tools	58
Wire Harnesses and Wires - Nonmetered and Coin Slide Models	60
Wire Harnesses and Wires - Nonmetered and Coin Slide Models Through Serial No. 1303025314	62
Wire Harnesses and Wires - Nonmetered and Coin Slide Models Starting Serial No. 1303025315	64
Wire Harnesses - Coin Drop and Card Reader Models.....	66
Wires and Wire Harnesses - Coin Drop and Card Reader Models Through Serial No. 0904.....	68
Wire Harnesses and Wires - Coin Drop and Card Reader Models Starting Serial No. 0904.....	70
Wire Harnesses and Wires - Coin Drop and Card Reader Models Starting Serial No. 0904 and Continuing Through Serial No. 1303025314.....	72
Wire Harnesses and Wires - Coin Drop and Card Reader Models Starting Serial No. 1303025315.....	74
Parts Index.....	77

© Copyright 2019, Alliance Laundry Systems LLC

All rights reserved. No part of the contents of this book may be reproduced or transmitted in any form or by any means without the expressed written consent of the publisher.

Parts Ordering Information

If literature or replacement parts are required, contact the source from whom the machine was purchased or contact Alliance Laundry Systems at (920) 748-3950 for the name and address of the nearest authorized parts distributor.

For technical assistance, call the number listed below:

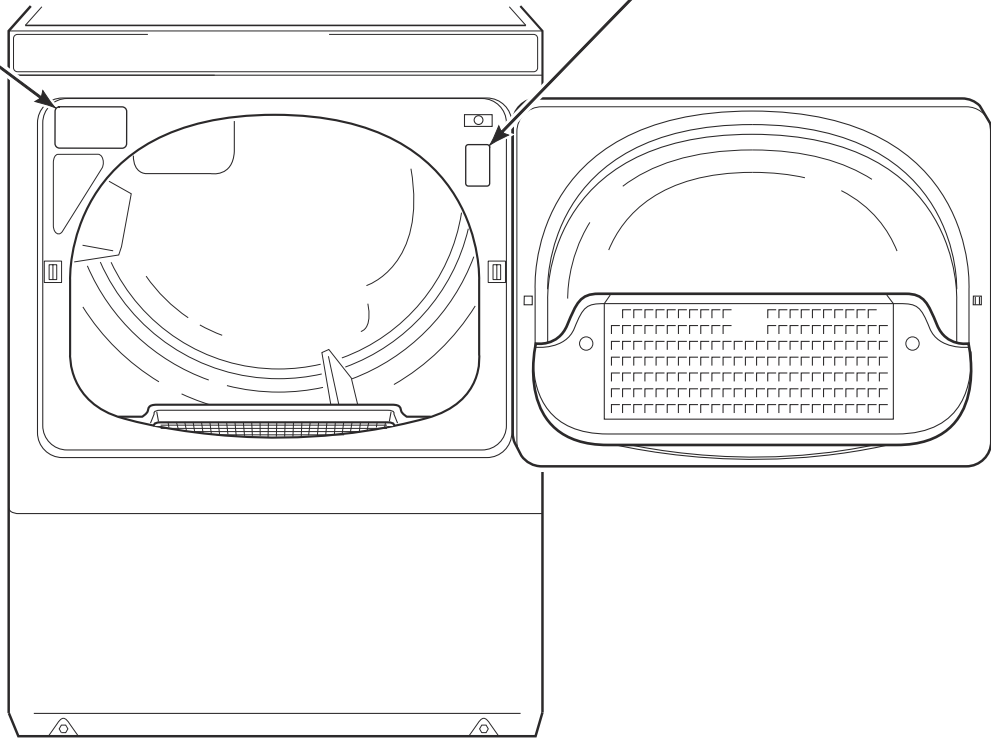
(920) 748-3121 Ripon, Wisconsin

Serial Plate Location

When calling or writing about your product, be sure to mention model and serial numbers. Model and serial numbers are located on serial plate(s) as shown.

SERIAL PLATE
(Models starting Serial No. 1206025810)

SERIAL PLATE
(Models through Serial No. 1206025809)



DRY2283P_511996

Model Identification

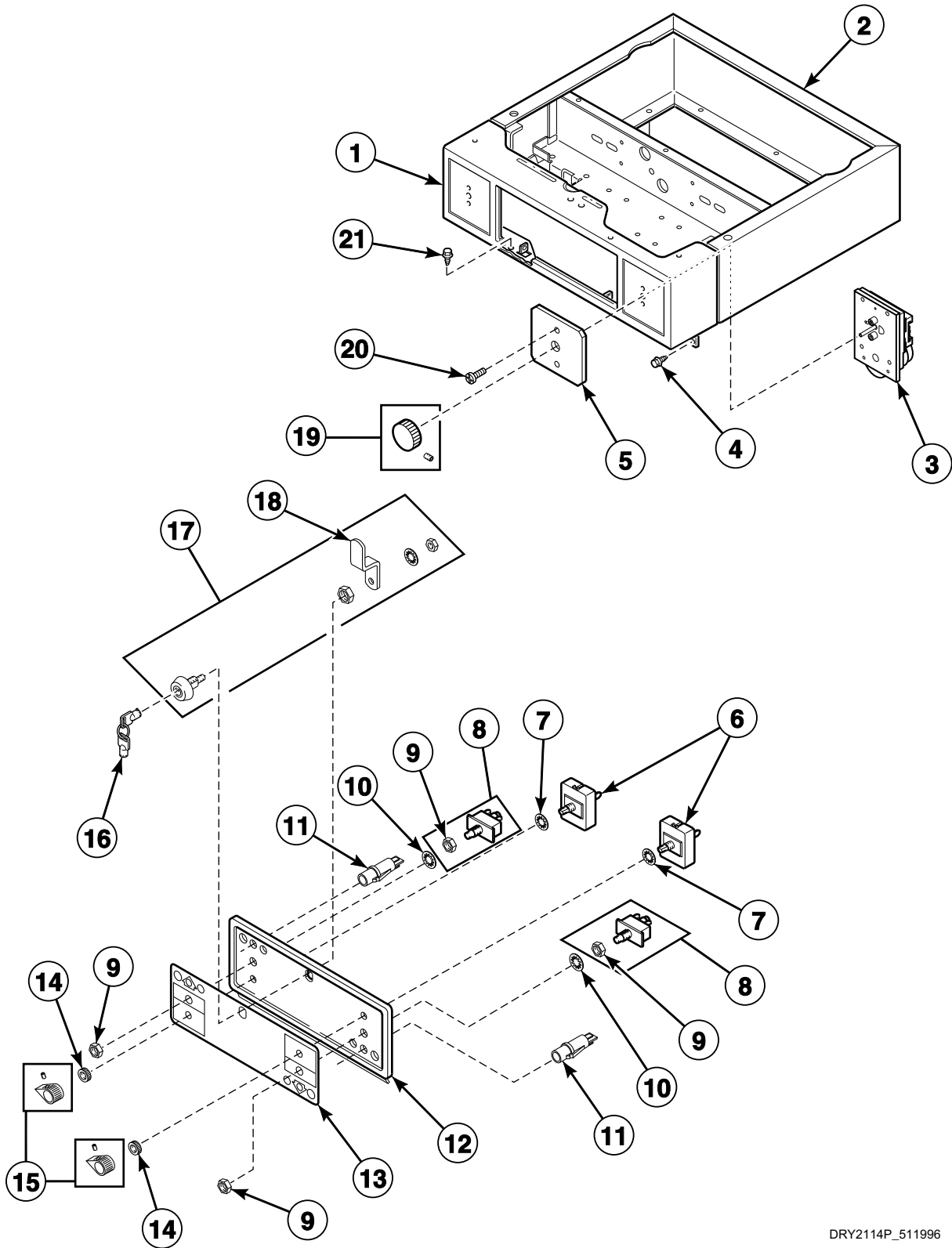
Information in this manual is applicable to these dryer models:

BSE807*F	JSE907*F	SSE707*F	SSEX07*F	SSG809*F
BSE907*F	JSG809*F	SSE717*F	SSEX07*F1500	SSG909*F
BSEBCFGS171TW01	JSG909*F	SSE807*F	SSEY07*F	SSG909*F1124
BSEBYFGS171TW01	SSE007*F	SSE807*F1500	SSEY07*F1500	SSG919*F
BSG809*F	SSE007*F1500	SSE907*F	SSEY17*F	SSGA19*J
BSG909*F	SSE007*F99H2	SSE907*F1500	SSEZ07*F	SSGB09*J
BSGBCFGS111TW01	SSE107*F	SSE907*F1724	SSEZ07*F1500	SSGB19*J
BSGBYFGS111TW01	SSE107*F1500	SSE917*F	SSEZ17*F	SSGC09*J
HSE117*F	SSE107*F1724	SSEA17*J	SSEZ17*F1500	SSGF09*J
HSE917*F	SSE107*F99L6	SSEB07*J	SSG009*F	SSGF19*J
HSEB17*J1500	SSE107*F99L7	SSEB07*J1500	SSG109*F	SSGH09*J
HSEB17*J99L1	SSE117*F	SSEB17*J	SSG109*F1124	SSGT09*F
HSEB17*J99L2	SSE117*F1500	SSEB17*J1500	SSG109*F99L6	SSGT19*F
HSET17*F	SSE307*F	SSEC07*J	SSG109*F99L7	SSGX09*F
HSET17*F1500	SSE307*F1500	SSEF07*J	SSG119*F	SSGX19*F
HSEY17*F	SSE417*F	SSEF17*J	SSG309*F	SSGY09*F
HSEY17*F1500	SSE507*F	SSEH07*J	SSG419*F	SSGY19*F
HSEZ17*F	SSE507*F1500	SSEH07*J1500	SSG509*F	SSGZ09*F
HSEZ17*F1500	SSE517*F	SSET07*F	SSG519*F	SSGZ19*F
HSG119*F	SSE517*F1500	SSET07*F1500	SSG609*F	USE007*F
HSG919*F	SSE607*F	SSET17*F	SSG619*F	USE807*F
HSGB19*J99L1	SSE617*F	SSET17*F1500	SSG709*F	USG009*F
HSGT19*F			SSG719*F	USG809*F
HSGY19*F				
HSGZ19*F				
JSE807*F				

* Add Letter To Designate Color. L - Almond Q - Bisque W - White

Control Panel and Controls - Nonmetered

Models BSE807*F, BSG809*F, JSE807*F, JSG809*F, SSE007*F, SSE007*F1500, SSE007*F99H2, SSE807*F, SSE807*F1500, SSG009*F, SSG809*F, USE007*F, USE807*F, USG009*F and USG809*F



DRY2114P_511996

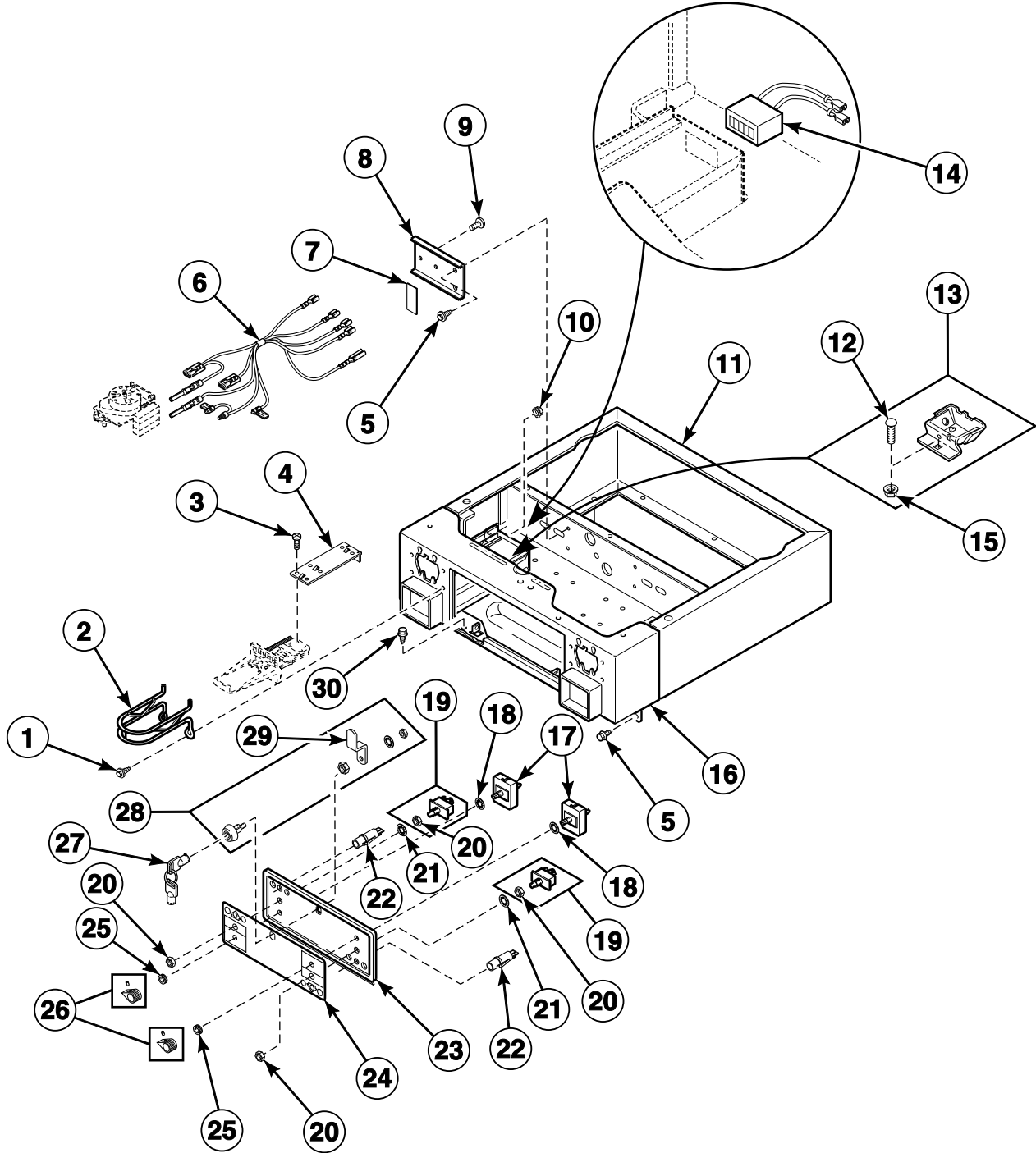
Control Panel and Controls - Nonmetered

REF	PART NO.	DESCRIPTION	COMMENTS
1	D500225WP	Security Cabinet Front	White
	D500225LP	Security Cabinet Front	Almond
	D500225QP	Security Cabinet Front	Bisque
2	D505753WP	Wrapper and Channel Assembly	White
	D505753QP	Wrapper and Channel Assembly	Bisque
3	D510524P	Timer	
4	D503688	Screw	
5	D500814	Timer Overlay	
6	61512	Fabric Selector Switch	
7	91176	Washer	
8	55882	Switch Assembly	Includes item 9
9	52947	Nut	
10	25820	Washer	
11	32464	Light	120 Volt
12	D500228W	Control Panel and Bracket Assembly	White
	D500228L	Control Panel and Bracket Assembly	Almond
	D500228Q	Control Panel and Bracket Assembly	Bisque
13	D504590	Graphic Overlay	Models SSE007*F, SSE007*F1500, SSE007*F99H2 and SSG009*F
	D502927	Overlay	Models USE007*F, USE807*F, USG009*F and USG809*F
	D512678	Overlay	Models JSE807*F and JSG809*F
	D512493	Overlay	Models SSE807*F, SSE807*F1500 and SSG809*F
	D512928	Overlay	Models BSE807*F and BSG809*F
14	24205	Nut	
15	39897	Switch Knob	
16	54612	Key	800
17	27260P	Lock Kit	Includes item 18
18	27261	Lock Cam	
19	54678	Timer Knob	
20	27328	Screw	
21	D502431	Screw	

* Add Letter To Designate Color. L - Almond Q - Bisque W - White

Control Panel and Controls - Coin Slide Ready Models

Models HSE117*F, HSG119*F, SSE107*F, SSE107*F1500, SSE107*F1724,
SSE107*F99L6, SSE107*F99L7, SSE117*F, SSE117*F1500, SSE307*F, SSE307*F1500,
SSG109*F, SSG109*F1124, SSG109*F99L6, SSG109*F99L7, SSG119*F and SSG309*F



DRY2088P_511996

Control Panel and Controls - Coin Slide Ready Models

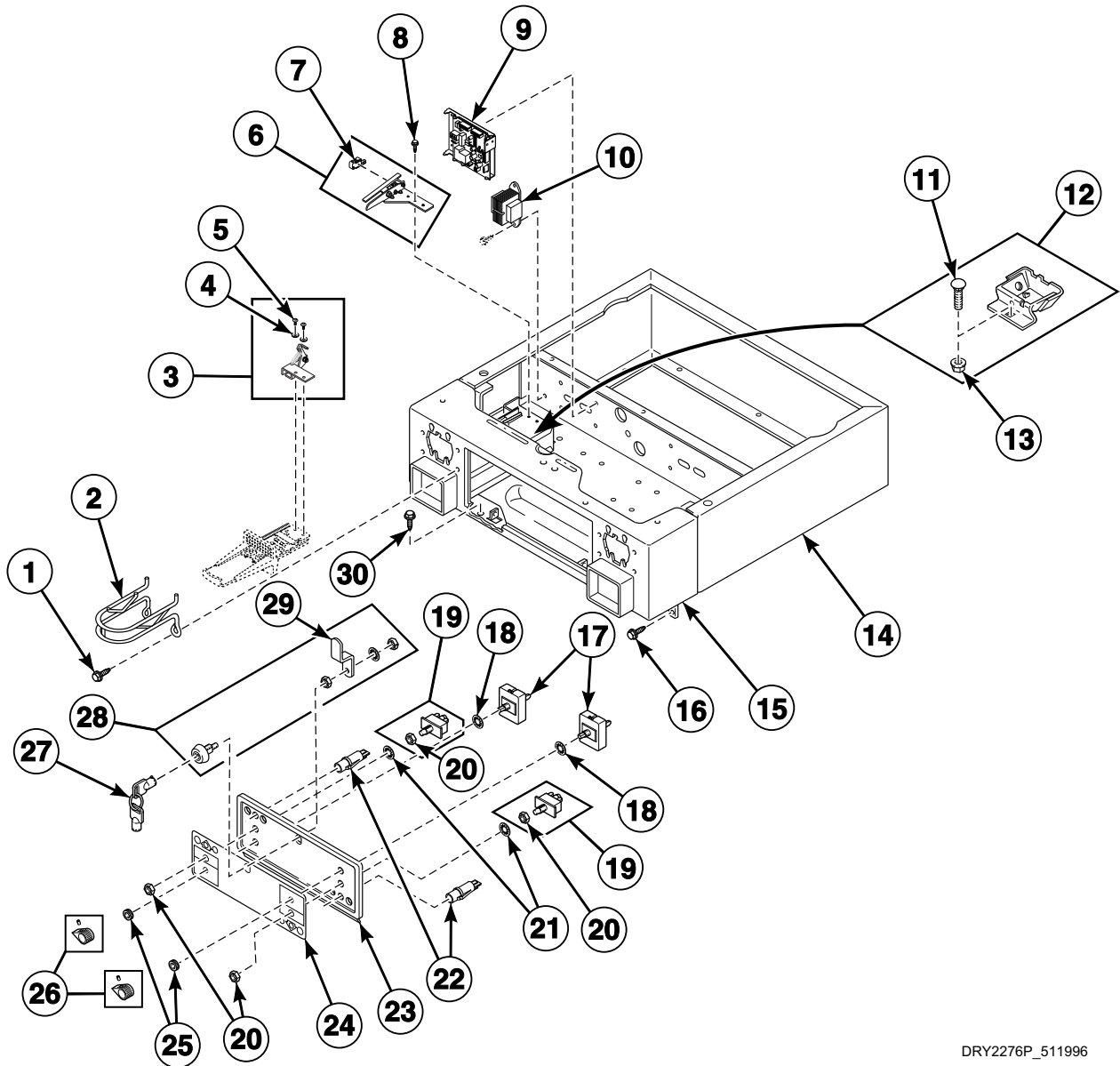
REF	PART NO.	DESCRIPTION	COMMENTS
1	33562	Screw	
2	58181	Coin Slide Guard	
3	N/A	Screw	
4	D503455	Coin Slide Extension	
5	D503688	Screw	
6	D510662P	Harness Replacement Kit	Models SSE307*F, SSE307*F1500 and SSG309*F
	D510534P	Harness Replacement Kit	All other models
7	56751	Shield	
8	D503017	Timer Bracket	
9	03203	Screw	
10	80077	Nut	
11	D505753WP	Wrapper and Channel Assembly	White
	D505753QP	Wrapper and Channel Assembly	Bisque
12	29651	Bolt	
13	523P3	Coin Funnel Kit	Includes items 12 and 15
14	62113P	Counter Kit	Models SSE307*F, SSE307*F1500 and SSG309*F
15	29796	Nut	
16	D511522WP	Security Cabinet Front Assembly	White
	D511522LP	Security Cabinet Front Assembly	Almond
	D511522QP	Security Cabinet Front Assembly	Bisque
17	61512	Fabric Selector Switch	
18	91176	Washer	
19	55882	Switch Assembly	Includes item 20
20	52947	Nut	
21	25820	Washer	
22	32464	Light	
23	D500228W	Control Panel and Bracket Assembly	White
	D500228L	Control Panel and Bracket Assembly	Almond
	D500228Q	Control Panel and Bracket Assembly	Bisque
24	D505381	Overlay	Models HSE117*F and HSG119*F
	D504590	Graphic Overlay	All other models
25	24205	Nut	
26	39897	Switch Knob	
27	54612	Key	800
28	27260P	Lock Kit	Includes item 29
29	27261	Lock Cam	
30	D502431	Screw	

* Add Letter To Designate Color. L - Almond Q - Bisque W - White

N/A = Part no longer available

Control and Control Panel - Coin Slide Models

Models BSE907*F, BSG909*F, HSE917*F, HSG919*F, JSE907*F, JSG909*F, SSE907*F, SSE907*F1500, SSE907*F1724, SSE917*F, SSG909*F, SSG909*F1124 and SSG919*F



DRY2276P_511996

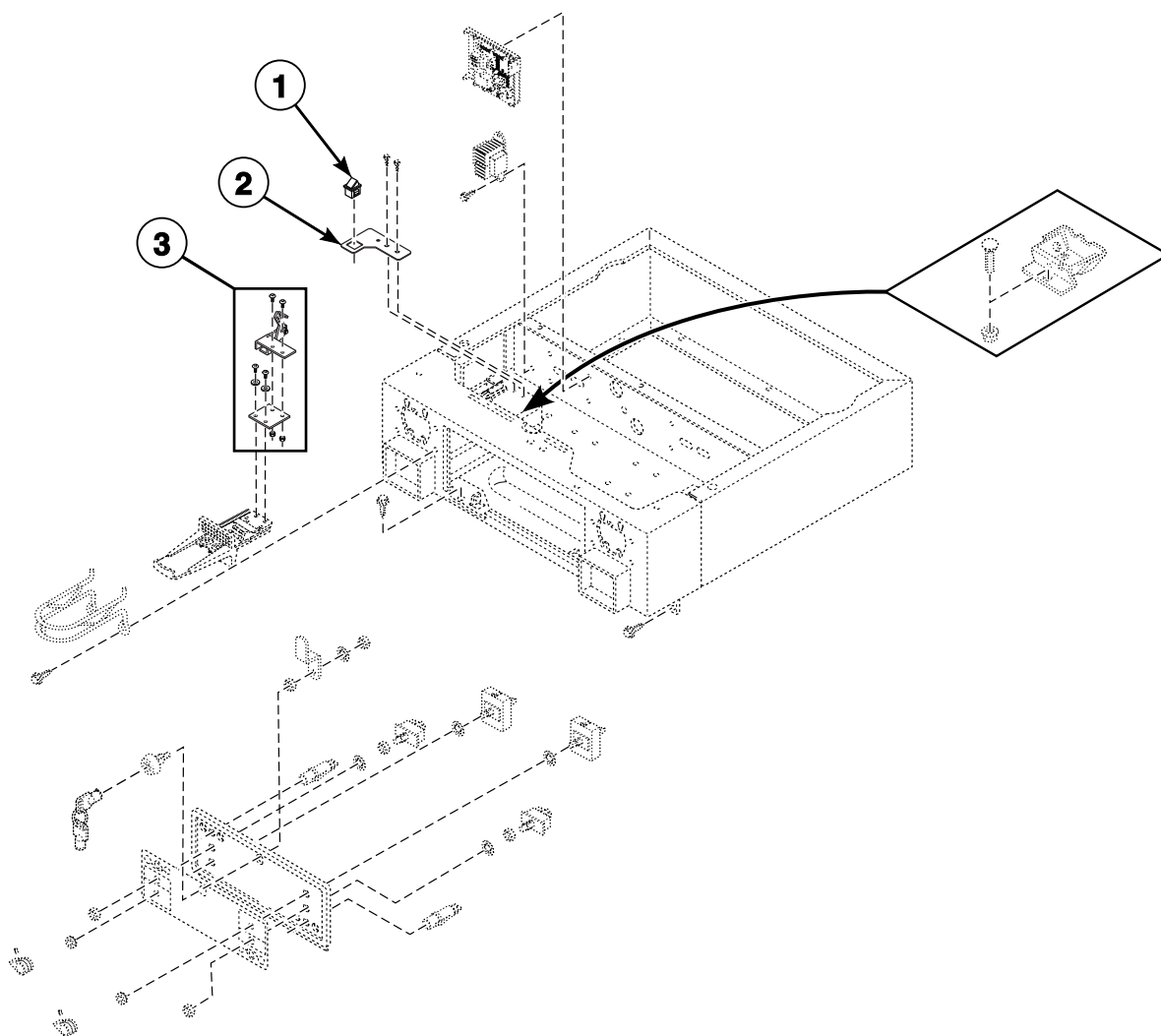
Control and Control Panel - Coin Slide Models

REF	PART NO.	DESCRIPTION	COMMENTS
1	33562	Screw	
2	58181	Coin Slide Guard	
3	201915	Slide Extension Kit	
4	03815	Washer	
5	27328	Screw	
6	201917P	Switch Mount Assembly	Includes item 7; Some models may have a 3/16 inch spade terminal on the coin slide switch; When replacing switch mount assembly on these models, the control wire harness must also be replaced
7	201952	Switch	Some models may have a 3/16 inch spade terminal on the coin slide switch; When replacing switch mount assembly on these models, the control wire harness must also be replaced
8	51782	Screw	
9	D513139P	Control Assembly	
10	201587P	Transformer	
11	29651	Bolt	
12	523P3	Coin Funnel Kit	Includes items 11 and 13
13	29796	Nut	
14	D505753WP	Wrapper and Channel Assembly	White
	D505753QP	Wrapper and Channel Assembly	Bisque
15	D511522WP	Security Cabinet Front Assembly	White
	D511522LP	Security Cabinet Front Assembly	Almond
	D511522QP	Security Cabinet Front Assembly	Bisque
16	D503688	Screw	
17	D511711	Temperature Selector Switch	
18	91176	Washer	
19	55882	Switch Assembly	Includes item 20
20	52947	Nut	
21	25820	Washer	
22	801431	Light	
23	D500228W	Control Panel and Bracket Assembly	White
	D500228L	Control Panel and Bracket Assembly	Almond
	D500228Q	Control Panel and Bracket Assembly	Bisque
24	D512678	Overlay	Models JSE907*F and JSG909*F
	D512494	Overlay	Models HSE917*F and HSG919*F
	D512928	Overlay	Models BSE907*F and BSG909*F
	D512493	Overlay	All other models
25	24205	Nut	
26	39897	Switch Knob	
27	54612	Key	800
28	27260P	Lock Kit	Includes item 29
29	27261	Lock Cam	
30	D502431	Screw	

* Add Letter To Designate Color. L - Almond Q - Bisque W - White

Coin Slide Extension Kit

Models BSE907*F, BSG909*F, HSE917*F, HSG919*F, JSE907*F, JSG909*F, SSE907*F, SSE907*F1500, SSE907*F1724, SSE917*F, SSG909*F, SSG909*F1124 and SSG919*F



DRY2292P_511996

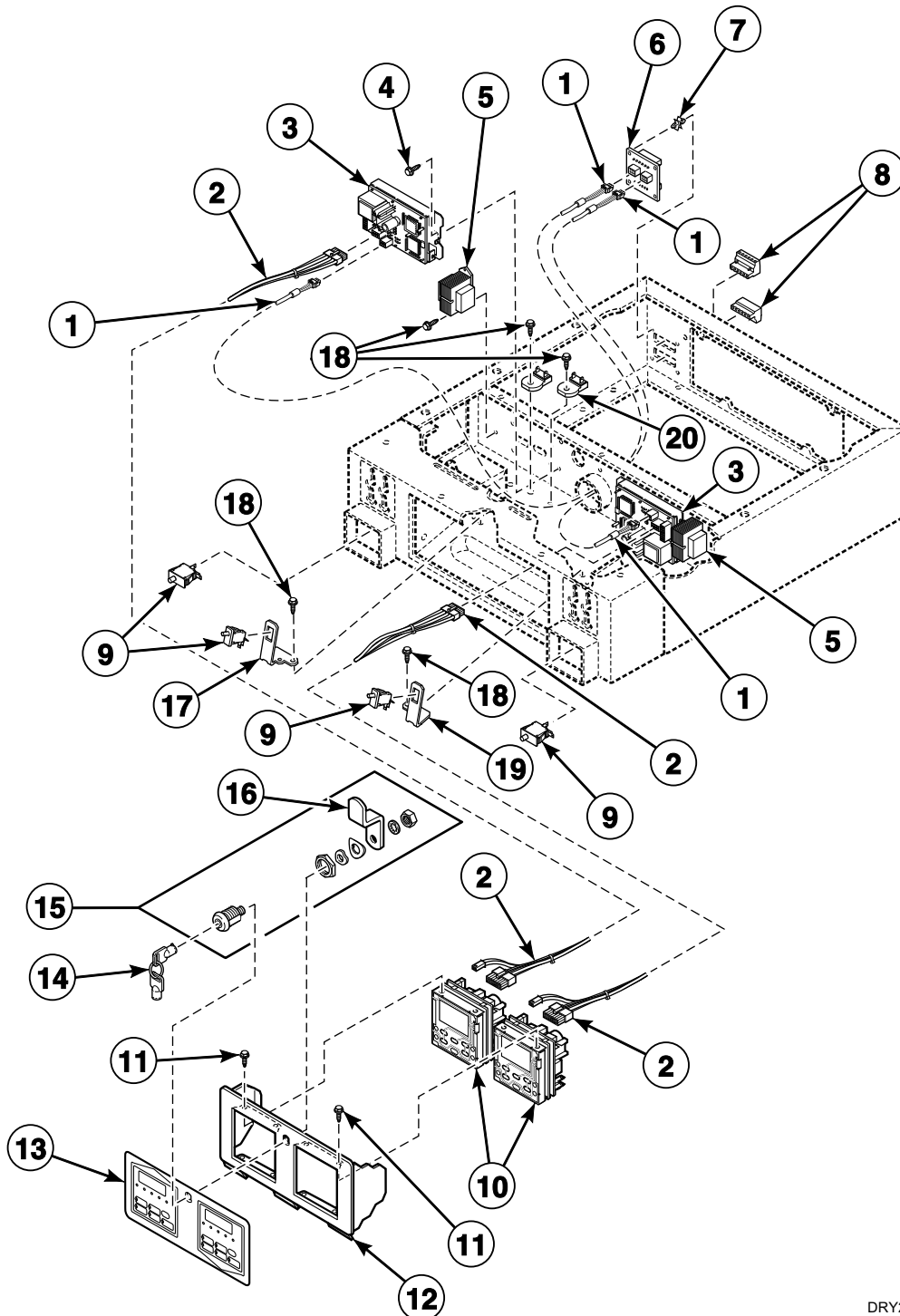
Coin Slide Extension Kit

REF	PART NO.	DESCRIPTION	COMMENTS
1	D514105	Switch	
2	803662	Bracket	
3	D514228	Coin Slide Extension Kit	Includes items 1 and 2

* Add Letter To Designate Color. L - Almond Q - Bisque W - White

Control Panel and Controls - Coin Drop Models

Models BSEBCFGS171TW01, BSGBCFGS111TW01, HSEB17*J1500, HSEB17*J99L1, HSEB17*J99L2, HSET17*F, HSET17*F1500, HSEZ17*F, HSEZ17*F1500, HSGB19*J99L1, HSGT19*F, HSGZ19*F, SSE417*F, SSE507*F, SSE507*F1500, SSE517*F, SSE517*F1500, SSEA17*J, SSEB07*J, SSEB07*J1500, SSEB17*J, SSEB17*J1500, SSEH07*J, SSEH07*J1500, SSET07*F, SSET07*F1500, SSET17*F, SSET17*F1500, SSEX07*F, SSEX07*F1500, SSEZ07*F, SSEZ07*F1500, SSEZ17*F, SSEZ17*F1500, SSG419*F, SSG509*F, SSG519*F, SSGA19*J, SSGB09*J, SSGB19*J, SSGH09*J, SSGT09*F, SSGT19*F, SSGX09*F, SSGX19*F, SSGZ09*F and SSGZ19*F



DRY2115P_511996

Control Panel and Controls - Coin Drop Models

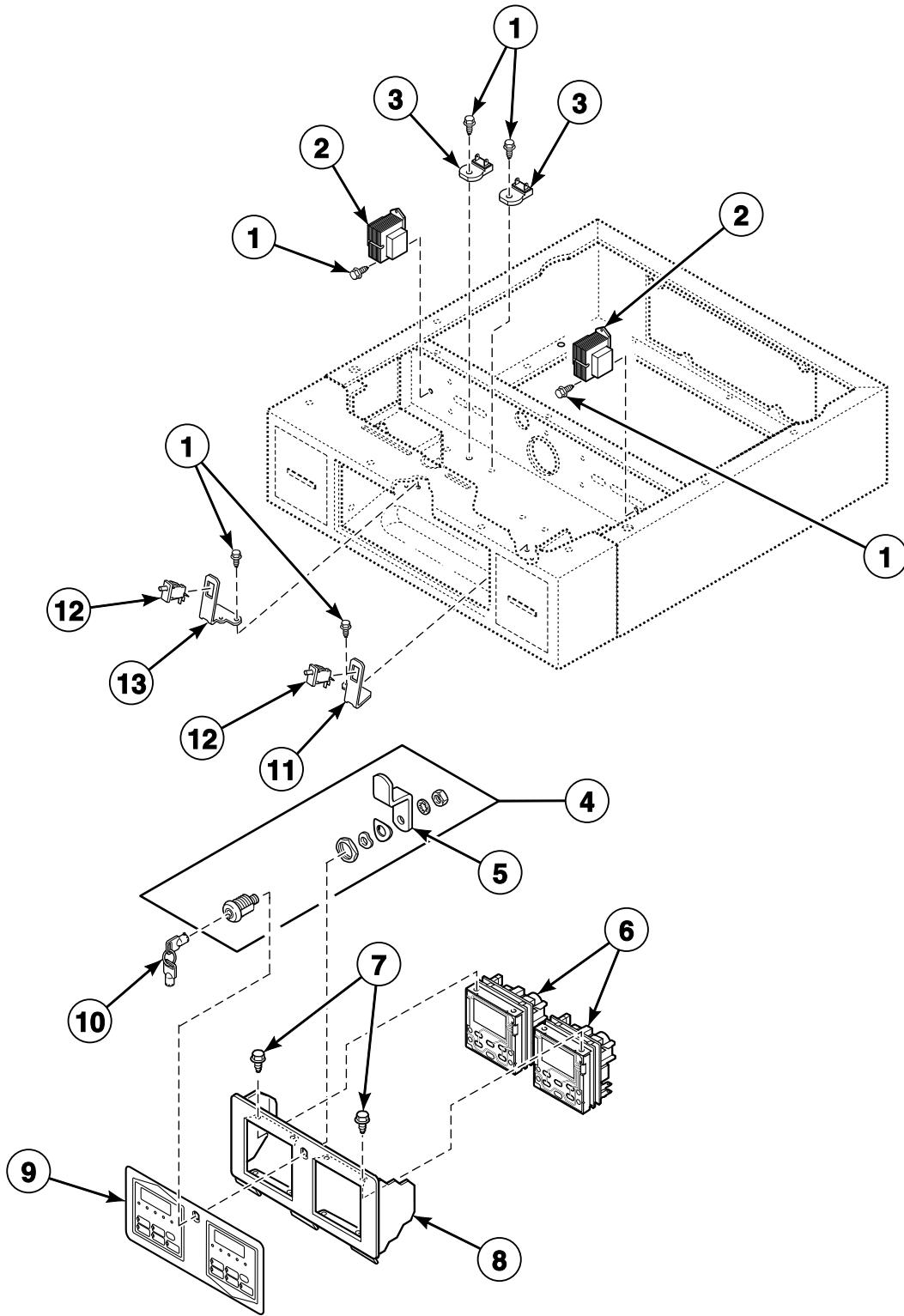
REF	PART NO.	DESCRIPTION	COMMENTS
	210157P	Network Board	For tower PC; Models SSEH07*J, SSEH07*J1500 and SSGH09*J
1	800216	Network Cable Wire Harness Assembly	2 required; Models SSEH07*J, SSEH07*J1500 and SSGH09*J
2	800217	Network Wire Harness Assembly	2 required; Models SSEH07*J, SSEH07*J1500 and SSGH09*J
3	210016P	Network Board Assembly	Models SSEH07*J, SSEH07*J1500 and SSGH09*J
4	D503661	Screw	Models SSEH07*J, SSEH07*J1500 and SSGH09*J
5	803527P	Transformer	Models SSEA17*J, SSEX07*F, SSEX07*F1500, SSGA19*J, SSGX09*F and SSGX19*F through Serial No. 0409
	201375P	Transformer	120 Volt; Some models may have jumper wire attached to transformer. Discard jumper wire when replacing transformer; Models SSEA17*J, SSEX07*F, SSEX07*F1500, SSGA19*J, SSGX09*F and SSGX19*F starting Serial No. 0409
	210018P	Transformer	All models except SSE417*F, SSE507*F, SSE507*F1500, SSE517*F, SSE517*F1500, SSEA17*J, SSEX07*F, SSEX07*F1500, SSG419*F, SSG509*F, SSG519*F, SSGA19*J, SSGX09*F and SSGX19*F
6	210097	Communication Board	Models SSEH07*J, SSEH07*J1500 and SSGH09*J
7	210098	PC Board Standoff	Models SSEH07*J, SSEH07*J1500 and SSGH09*J
8	210099	Communication Connector	Models SSEH07*J, SSEH07*J1500 and SSGH09*J
9	D512973	Switch	
10	D511867P	Control Assembly	Models BSEBCFGS171TW01, BSGBCFGS111TW01, HSET17*F, HSET17*F1500, HSEZ17*F, HSEZ17*F1500, HSGT19*F, HSGZ19*F, SSET07*F, SSET07*F1500, SSET17*F, SSET17*F1500, SSEX07*F, SSEX07*F1500, SSEZ07*F, SSEZ07*F1500, SSEZ17*F, SSEZ17*F1500, SSGT09*F, SSGT19*F, SSGX09*F, SSGX19*F, SSGZ09*F and SSGZ19*F
	M414050P	Control Kit	Includes item 11; 120 Volt; Models SSE417*F, SSE507*F, SSE507*F1500, SSE517*F, SSE517*F1500, SSG419*F, SSG509*F and SSG519*F; Model and serial number of machine required - part no longer available for units built prior to 1/1/2004 per field bulletin FB15-164
	D505905P	Control Kit	Includes item 11; All other models
11	D501524	Screw	
12	N/A	Control Panel and Bracket Assembly	Models SSE417*F, SSE507*F, SSE507*F1500, SSE517*F, SSE517*F1500, SSG419*F, SSG509*F and SSG519*F
	D510076W	Control Panel and Bracket Assembly	White; All other models
	D510076Q	Control Panel and Bracket Assembly	Bisque; All other models
13	N/A	Graphic Overlay	Models HSEB17*J99L1, HSEB17*J99L2 and HSGB19*J99L1
	D504117	Graphic Overlay	Models SSE417*F, SSE507*F, SSE507*F1500, SSE517*F, SSE517*F1500, SSG419*F, SSG509*F and SSG519*F
	D511430	Overlay	Models HSET17*F, HSET17*F1500, HSEZ17*F, HSEZ17*F1500, HSGT19*F and HSGZ19*F
	D510074	Graphic Overlay	Models SSEA17*J, SSEB07*J, SSEB07*J1500, SSEB17*J, SSEB17*J1500, SSEH07*J, SSEH07*J1500, SSGA19*J, SSGB09*J, SSGB19*J and SSGH09*J
	D514275	Overlay	Models BSEBCFGS171TW01 and BSGBCFGS111TW01
	D511428	Overlay	All other models
14	54612	Key	800
15	27260P	Lock Kit	Includes item 16
16	27261	Lock Cam	
17	800379	Audit Switch Bracket	Left
18	D503688	Screw	
19	800380	Audit Switch Bracket	Right
20	210100	Resistor	For use with item 5; All models except SSE417*F, SSE507*F, SSE507*F1500, SSE517*F, SSE517*F1500, SSG419*F, SSG509*F and SSG519*F

* Add Letter To Designate Color. L - Almond Q - Bisque W - White

N/A = Part no longer available

Control Panel and Controls - Card Models

Models BSEBYFGS171TW01, BSGBYFGS111TW01, HSEY17*F, HSEY17*F1500, HSGY19*F, SSE607*F, SSE617*F, SSE707*F, SSE717*F, SSEC07*J, SSEF07*J, SSEF17*J, SSEY07*F, SSEY07*F1500, SSEY17*F, SSG609*F, SSG619*F, SSG709*F, SSG719*F, SSGC09*J, SSGF09*J, SSGF19*J, SSGY09*F and SSGY19*F



DRY2116P_511996

Control Panel and Controls - Card Models

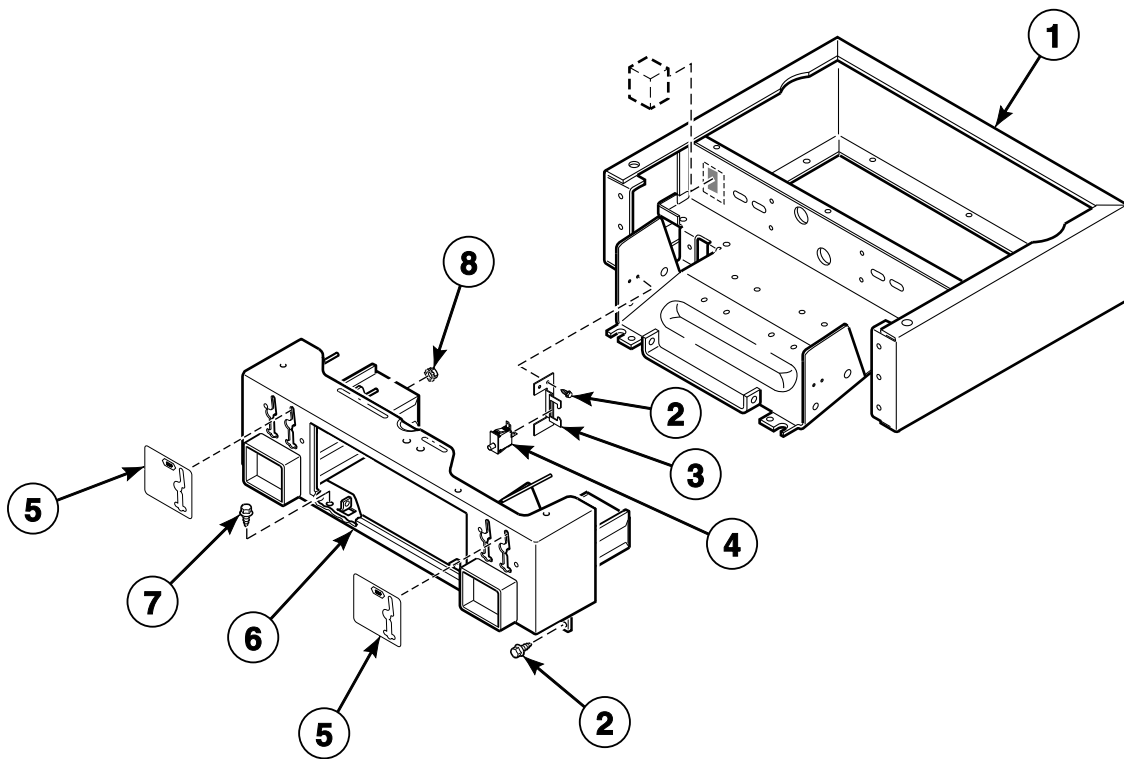
REF	PART NO.	DESCRIPTION	COMMENTS
1	D503688	Screw	
2	803527P	Transformer	Models BSEBYFGS171TW01, BSGBYFGS111TW01, HSEY17*F, HSEY17*F1500, HSGY19*F, SSEC07*J, SSEY07*F, SSEY07*F1500, SSEY17*F, SSGC09*J, SSGY09*F and SSGY19*F through Serial No. 0409
	201375P	Transformer	120 Volt; Some models may have jumper wire attached to transformer. Discard jumper wire when replacing transformer; Models BSEBYFGS171TW01, BSGBYFGS111TW01, HSEY17*F, HSEY17*F1500, HSGY19*F, SSEC07*J, SSEY07*F, SSEY07*F1500, SSEY17*F, SSGC09*J, SSGY09*F and SSGY19*F starting Serial No. 0409
	210018P	Transformer	Models SSEF07*J, SSEF17*J, SSGF09*J and SSGF19*J
3	210100	Resistor	For use with item 2; Models BSEBYFGS171TW01, BSGBYFGS111TW01, HSEY17*F, HSEY17*F1500, HSGY19*F, SSEC07*J, SSEF07*J, SSEF17*J, SSEY07*F, SSEY07*F1500, SSEY17*F, SSGC09*J, SSGF09*J, SSGF19*J, SSGY09*F and SSGY19*F
4	27260P	Lock Kit	Includes item 5
5	27261	Lock Cam	
6	M414050P	Control Kit	Includes item 7; 120 Volt; Models SSE607*F, SSE617*F, SSE707*F, SSE717*F, SSG609*F, SSG619*F, SSG709*F and SSG719*F; Model and serial number of machine required - part no longer available for units built prior to 1/1/2004 per field bulletin FB15-164
	D505905P	Control Kit	Includes item 7; Models SSEC07*J, SSEF07*J, SSEF17*J, SSGC09*J, SSGF09*J and SSGF19*J
	D511867P	Control Assembly	All other models
7	D501524	Screw	
8	N/A	Control Panel and Bracket Assembly	Models SSE607*F, SSE617*F, SSE707*F, SSE717*F, SSG609*F, SSG619*F, SSG709*F and SSG719*F
	D510076W	Control Panel and Bracket Assembly	White; All other models
	D510076Q	Control Panel and Bracket Assembly	Bisque; All other models
9	D504117	Graphic Overlay	Models SSE607*F, SSE617*F, SSE707*F, SSE717*F, SSG609*F, SSG619*F, SSG709*F and SSG719*F
	D510064	Graphic Overlay	Models SSEF07*J, SSEF17*J, SSGF09*J and SSGF19*J
	D511430	Overlay	Models HSEY17*F, HSEY17*F1500 and HSGY19*F
	D510074	Graphic Overlay	Models SSEC07*J and SSGC09*J
	D514275	Overlay	Models BSEBYFGS171TW01 and BSGBYFGS111TW01
	D511428	Overlay	All other models
10	54612	Key	800
11	800380	Audit Switch Bracket	Right
12	D512973	Switch	
13	800379	Audit Switch Bracket	Left

* Add Letter To Designate Color. L - Almond Q - Bisque W - White

N/A = Part no longer available

Control Cabinet Controls - Coin Drop Models

Models BSEBCFGS171TW01, BSGBCFGS111TW01, HSEB17*J1500, HSEB17*J99L1, HSEB17*J99L2, HSET17*F, HSET17*F1500, HSEZ17*F, HSEZ17*F1500, HSGB19*J99L1, HSGT19*F, HSGZ19*F, SSE417*F, SSE507*F, SSE507*F1500, SSE517*F, SSE517*F1500, SSEA17*J, SSEB07*J, SSEB07*J1500, SSEB17*J, SSEB17*J1500, SSEH07*J, SSEH07*J1500, SSET07*F, SSET07*F1500, SSET17*F, SSET17*F1500, SSEX07*F, SSEX07*F1500, SSEZ07*F, SSEZ07*F1500, SSEZ17*F, SSEZ17*F1500, SSG419*F, SSG509*F, SSG519*F, SSGA19*J, SSGB09*J, SSGB19*J, SSGH09*J, SSGT09*F, SSGT19*F, SSGX09*F, SSGX19*F, SSGZ09*F and SSGZ19*F



DRY2214P_511996

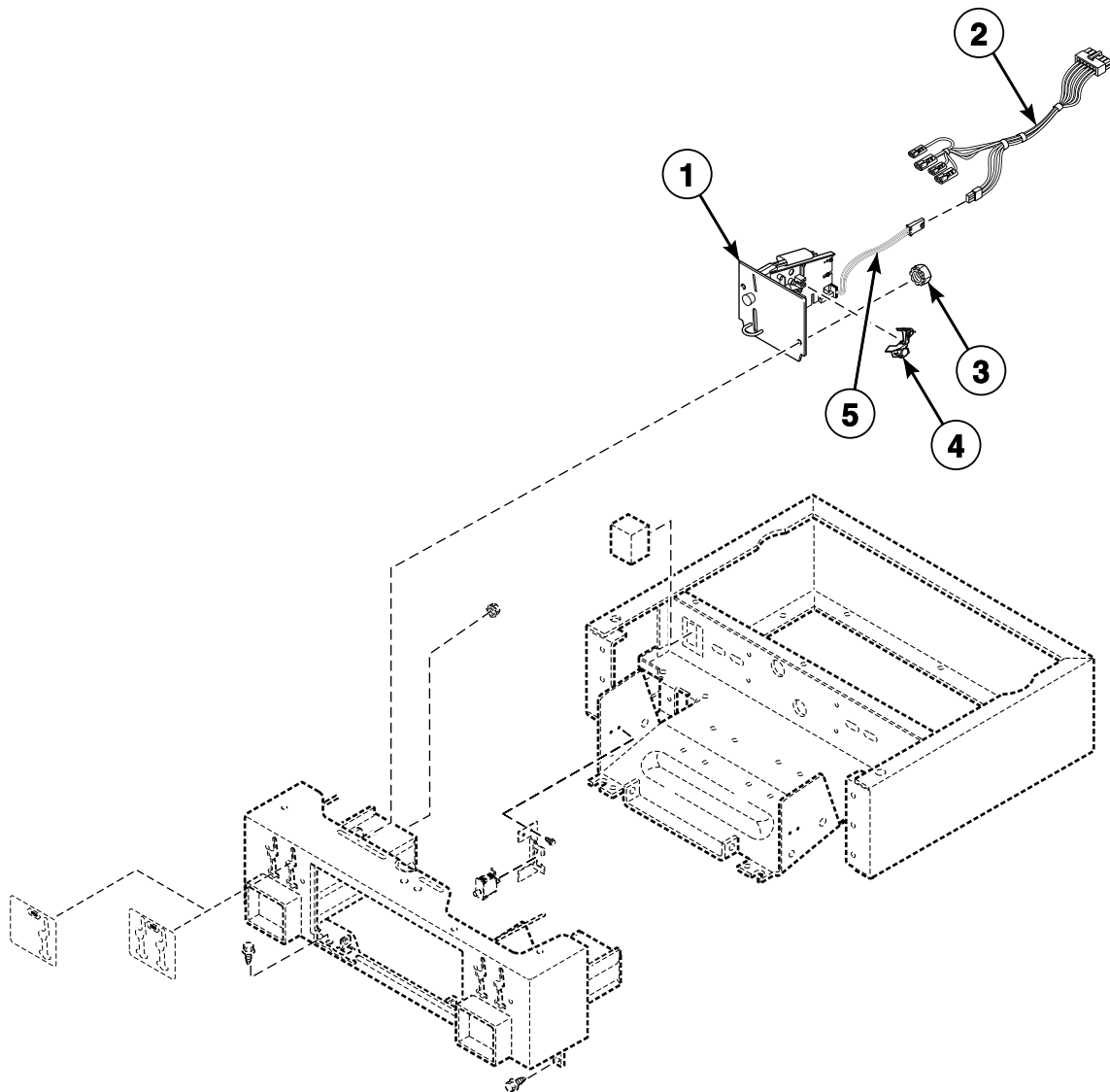
Control Cabinet Controls - Coin Drop Models

REF	PART NO.	DESCRIPTION	COMMENTS
1	D505753WP	Wrapper and Channel Assembly	White
	D505753QP	Wrapper and Channel Assembly	Bisque
2	D503688	Screw	Models SSE417*F, SSE507*F, SSE507*F1500, SSE517*F, SSE517*F1500, SSG419*F, SSG509*F and SSG519*F
3	38087	Door Switch Bracket	Models SSE417*F, SSE507*F, SSE507*F1500, SSE517*F, SSE517*F1500, SSG419*F, SSG509*F and SSG519*F
4	D512973	Switch	Models SSE417*F, SSE507*F, SSE507*F1500, SSE517*F, SSE517*F1500, SSG419*F, SSG509*F and SSG519*F
5	38717	Single Overlay	
6	D511632WP	Security Cabinet Front Assembly	White
	D511632L	Security Cabinet Front Assembly	Almond
	D511632Q	Security Cabinet Front Assembly	Bisque
7	D502431	Screw	
8	80077	Nut	

* Add Letter To Designate Color. L - Almond Q - Bisque W - White

Non-Electronic Coin Drop - Coin Drop Models

Models BSEBCFGS171TW01, BSGBCFGS111TW01, HSEB17*J1500, HSEB17*J99L1, HSEB17*J99L2, HSET17*F, HSET17*F1500, HSEZ17*F, HSEZ17*F1500, HSGB19*J99L1, HSGT19*F, HSGZ19*F, SSE417*F, SSE507*F, SSE507*F1500, SSE517*F, SSE517*F1500, SSEA17*J, SSEB07*J, SSEB07*J1500, SSEB17*J, SSEB17*J1500, SSEH07*J, SSEH07*J1500, SSET07*F, SSET07*F1500, SSET17*F, SSET17*F1500, SSEX07*F, SSEX07*F1500, SSEZ07*F, SSEZ07*F1500, SSEZ17*F, SSEZ17*F1500, SSG419*F, SSG509*F, SSG519*F, SSGA19*J, SSGB09*J, SSGB19*J, SSGH09*J, SSGT09*F, SSGT19*F, SSGX09*F, SSGX19*F, SSGZ09*F and SSGZ19*F



DRY2215P_511996

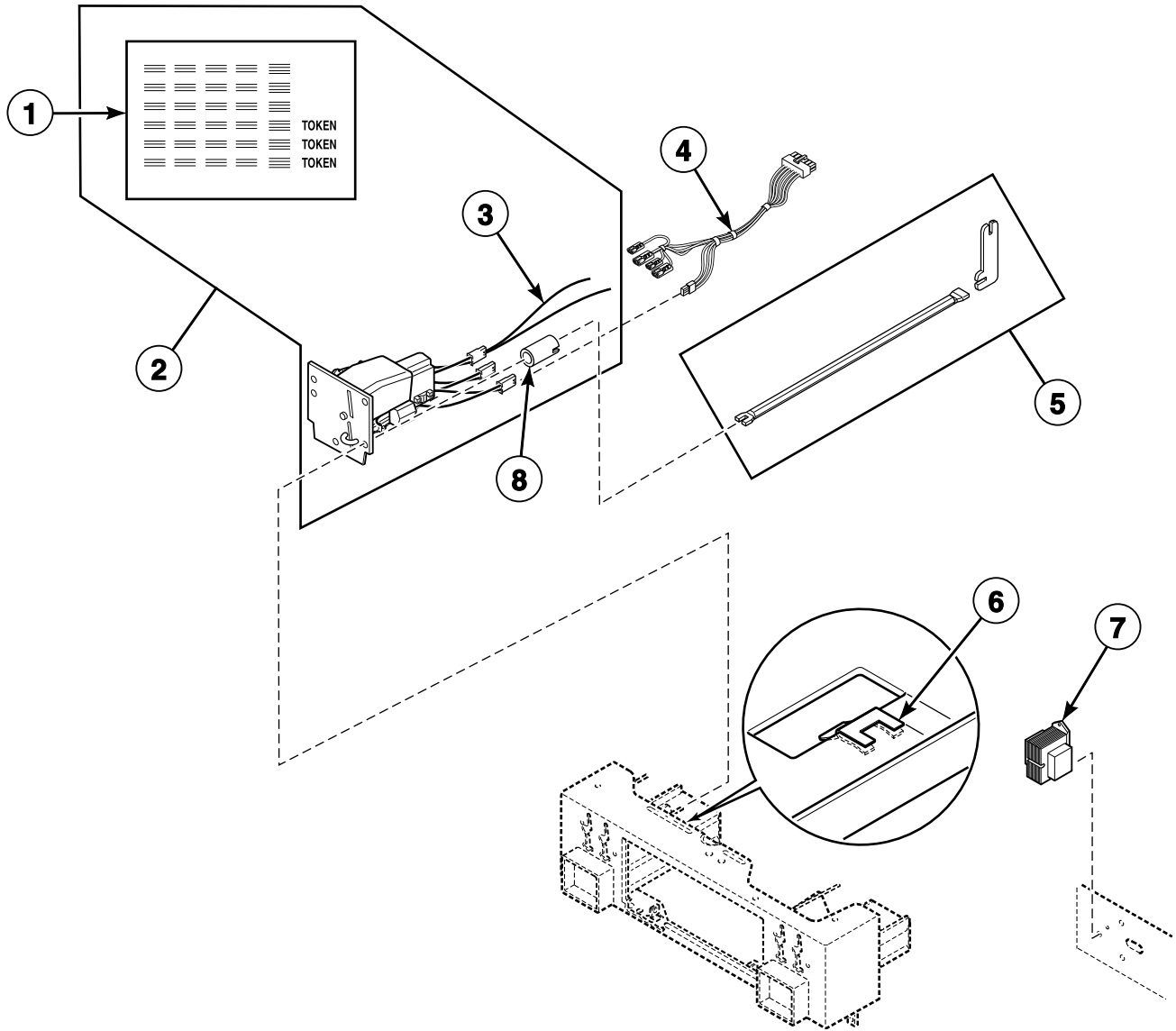
Non-Electronic Coin Drop - Coin Drop Models

REF	PART NO.	DESCRIPTION	COMMENTS
1	38462P	Coin Drop Assembly	Token; 118-1 mzp; .880 diameter x .079 thick; Brass
	38463	Coin Drop Assembly	Token; 118-5 mzp; .990 diameter x .081 thick; Silver
	38464P	Coin Drop Assembly	Canada; .25
	38475	Coin Drop Assembly	Japan; 100 yen
	CK077	Coin Drop Kit	Taiwan; 10 NT
	70441601P	Coin Drop	USA; \$0.25
	38963P	Coin Drop	Token 118-16 not available; Replacement for 38963P Coin Drop only
2	39955P	Meter Case Wire Harness Kit	Models SSE417*F, SSE507*F, SSE507*F1500, SSE517*F, SSE517*F1500, SSG419*F, SSG509*F and SSG519*F
	802905	Harness Assembly	All other models
3	29786	Nut	
4	201595P	Wire Guard	Anti-stringing security device; Add to coin drops beginning January 2005
5	200674P	Opto Coupler	

* Add Letter To Designate Color. L - Almond Q - Bisque W - White

Electronic Coin Drop - Coin Drop Models

Models BSEBCFGS1711TW01, BSGBCFGS1111TW01, HSEB17*J1500, HSEB17*J99L1, HSEB17*J99L2, HSET17*F, HSET17*F1500, HSEZ17*F, HSEZ17*F1500, HSGB19*J99L1, HSGT19*F, HSGZ19*F, SSEA17*J, SSEB07*J, SSEB07*J1500, SSEB17*J, SSEB17*J1500, SSEH07*J, SSEH07*J1500, SSET07*F, SSET07*F1500, SSET17*F, SSET17*F1500, SSEX07*F, SSEX07*F1500, SSEZ07*F, SSEZ07*F1500, SSEZ17*F, SSEZ17*F1500, SSGA19*J, SSGB09*J, SSGB19*J, SSGH09*J, SSGT09*F, SSGT19*F, SSGX09*F, SSGX19*F, SSGZ09*F and SSGZ19*F



DRY2177P_511996

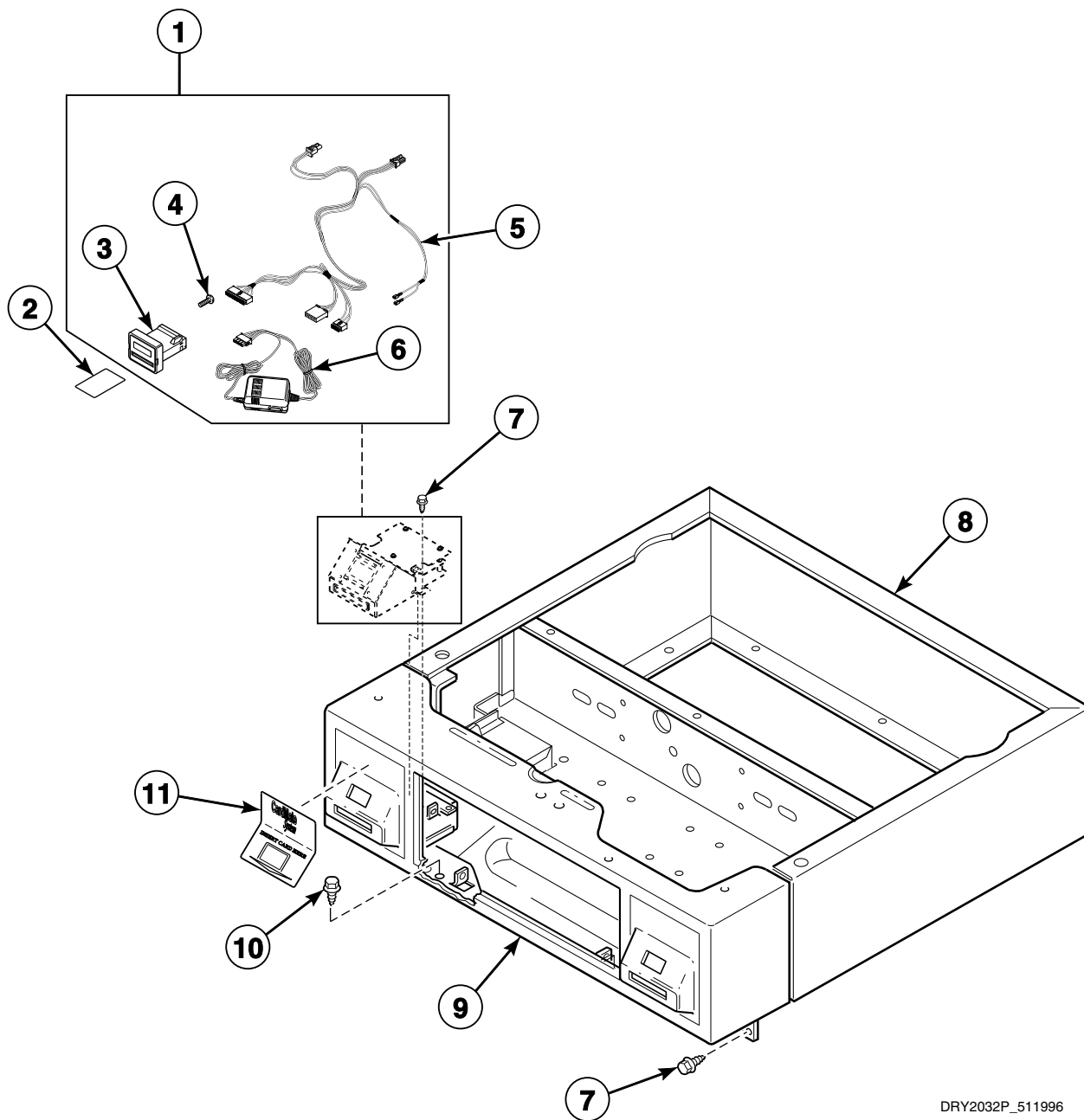
Electronic Coin Drop - Coin Drop Models

REF	PART NO.	DESCRIPTION	COMMENTS
1	38725	Coin Identification Paper	
2	CK115	Electronic Coin Drop Kit	Includes items 1, 3, 6 and 8; United States and Canada coins
3	201104	Coin Drop Wire Harness	
4	802905	Harness Assembly	Electronic coin drop requires this harness. If unit is not factory-equipped with this harness, it must be ordered separately.
5	CK096	Mounting Tool Kit	
6	201572	Clip	
7	201375P	Transformer	Electronic coin drop requires this transformer. If unit is not factory-equipped with this transformer, it must be ordered separately.
8	201216	Nut	

* Add Letter To Designate Color. L - Almond Q - Bisque W - White

Control Cabinet - Card Reader Ready and Installed Models

Models SSE607*F, SSE617*F, SSE707*F, SSE717*F, SSG609*F, SSG619*F, SSG709*F and SSG719*F



DRY2032P_511996

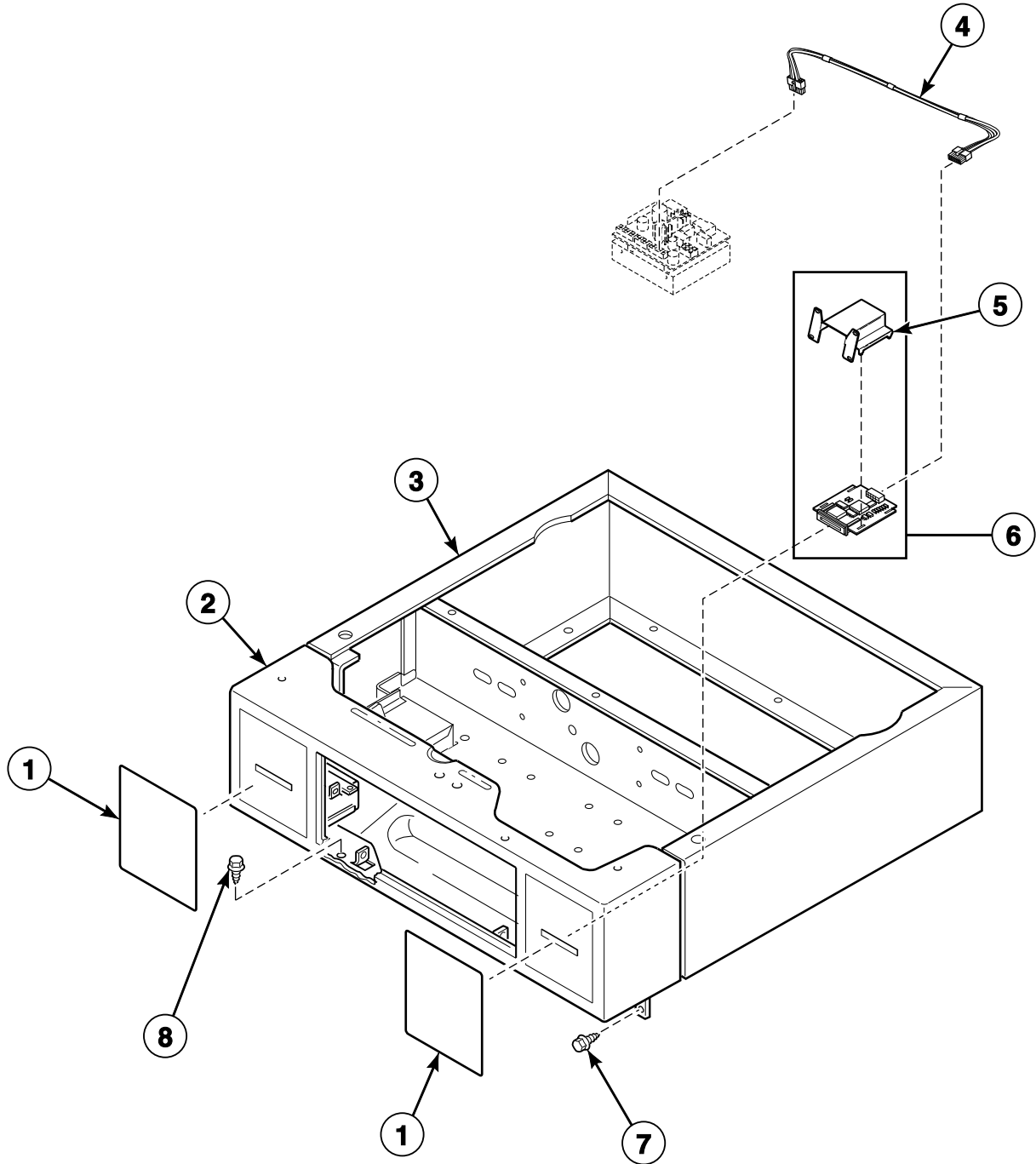
Control Cabinet - Card Reader Ready and Installed Models

REF	PART NO.	DESCRIPTION	COMMENTS
1	875P3	Card Reader Kit	Includes items 3-6; Models SSE707*F, SSE717*F, SSG709*F and SSG719*F
2	D512499P	Programming Card	Models SSE707*F, SSE717*F, SSG709*F and SSG719*F
3	D512473	Card Reader	Models SSE707*F, SSE717*F, SSG709*F and SSG719*F
4	D512505	Bolt	Models SSE707*F, SSE717*F, SSG709*F and SSG719*F
5	D512501	Harness	Models SSE707*F, SSE717*F, SSG709*F and SSG719*F
6	D512496	Power Supply	Models SSE707*F, SSE717*F, SSG709*F and SSG719*F
7	D503688	Screw	
8	D505753WP	Wrapper and Channel Assembly	White
	D505753QP	Wrapper and Channel Assembly	Bisque
9	D503428W	Security Cabinet Front Assembly	White; For use with 39685 Card Reader; Models SSE707*F, SSE717*F, SSG709*F and SSG719*F
	D505227W	Security Cabinet Front Assembly	White; For use with 875P3 Card Reader Kit (Card Reader Installed models)
10	D502431	Screw	
11	38192	Card Reader Instruction Overlay	

* Add Letter To Designate Color. L - Almond Q - Bisque W - White

Control Cabinet - Integrated Card Reader Installed and Card Ready Models

Models BSEBYFGS171TW01, BSGBYFGS111TW01, HSEY17*F, HSEY17*F1500, HSGY19*F, SSEC07*J, SSEF07*J, SSEF17*J, SSEY07*F, SSEY07*F1500, SSEY17*F, SSGC09*J, SSGF09*J, SSGF19*J, SSGY09*F and SSGY19*F



DRY2211P_511996

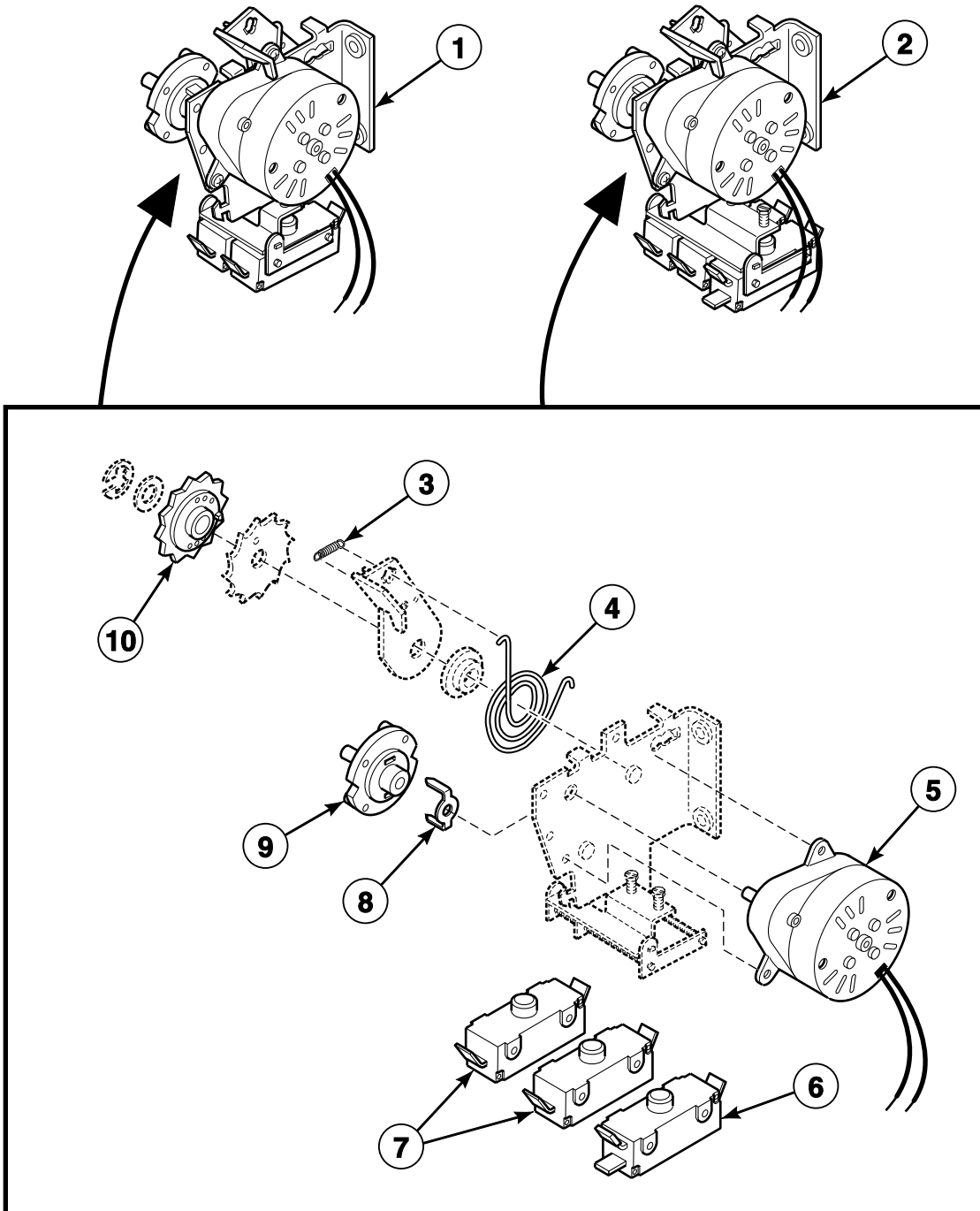
Control Cabinet - Integrated Card Reader Installed and Card Ready Models

REF	PART NO.	DESCRIPTION	COMMENTS
1	800230	Card Reader Overlay	Models SSEF07*J, SSEF17*J, SSGF09*J and SSGF19*J
	D511548	Card Insert Overlay	Models HSEY17*F, HSEY17*F1500 and HSGY19*F
	D511544	Card Insert Overlay	Models BSEBYFGS171TW01, BSGBYFGS111TW01, SSEY07*F, SSEY07*F1500, SSEY17*F, SSGY09*F and SSGY19*F
2	D505227W	Security Cabinet Front Assembly	White; Models SSEC07*J and SSGC09*J
	D511208W	Security Cabinet Front Assembly	White; All other models
	D511208L	Security Cabinet Front Assembly	Almond; All other models
	D511208Q	Security Cabinet Front Assembly	Bisque; All other models
3	D505753WP	Wrapper and Channel Assembly	White
	D505753QP	Wrapper and Channel Assembly	Bisque
4	800125P	Card Reader Wire Harness Assembly	Models SSEF07*J, SSEF17*J, SSGF09*J and SSGF19*J
5	D510045	Card Reader Bracket	Models SSEF07*J, SSEF17*J, SSGF09*J and SSGF19*J
6	D510068P	Card Reader and Bracket Assembly	Includes item 5; Models SSEF07*J, SSEF17*J, SSGF09*J and SSGF19*J
7	D503688	Screw	
8	D502431	Screw	

* Add Letter To Designate Color. L - Almond Q - Bisque W - White

Accumulator - Coin Slide Ready Models

Models HSE117*F, HSG119*F, SSE107*F, SSE107*F1500, SSE107*F1724, SSE107*F99L6, SSE107*F99L7, SSE117*F, SSE117*F1500, SSE307*F, SSE307*F1500, SSG109*F, SSG109*F1124, SSG109*F99L6, SSG109*F99L7, SSG119*F and SSG309*F



DRY1830P_511996

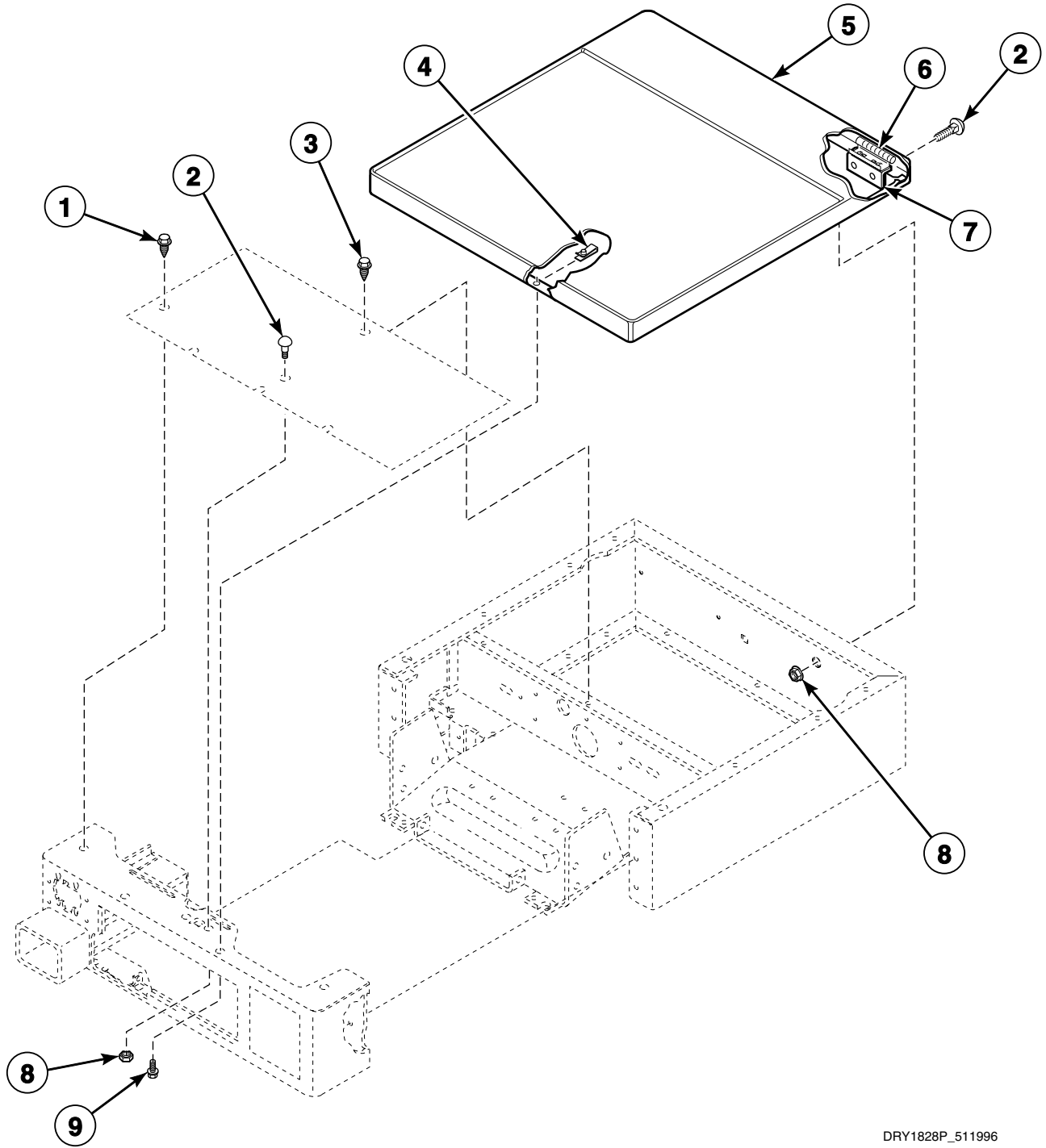
Accumulator - Coin Slide Ready Models

REF	PART NO.	DESCRIPTION	COMMENTS
1	D510628P	Accumulator Replacement Kit	120 Volt/60 Hertz; 2 switch; Models HSE117*F, HSG119*F, SSE107*F, SSE107*F1500, SSE107*F1724, SSE107*F99L6, SSE107*F99L7, SSE117*F, SSE117*F1500, SSG109*F, SSG109*F1124, SSG109*F99L6, SSG109*F99L7 and SSG119*F
2	D510630P	Accumulator Replacement Kit	120 Volt/60 Hertz; 3 switch; Models SSE307*F, SSE307*F1500 and SSG309*F
3	N/A	Pawl Spring	
4	53261	Spring	
5	D512017P	Timer Motor	
6	N/A	Snap Switch	Use only with 3 switch accumulators; Models SSE307*F, SSE307*F1500 and SSG309*F
7	N/A	Switch	
8	M400754	Coin Meter Drive	
9	53240	Timing Cam	60 minute; 3 pin
	53241	Timing Cam	45 minute; 4 pin
	53242	Timing Cam	30 minute; 6 pin
	53243	Timing Cam	20 minute; 9 pin
10	53239	Ratchet Wheel	

* Add Letter To Designate Color. L - Almond Q - Bisque W - White

N/A = Part no longer available

Cabinet Top



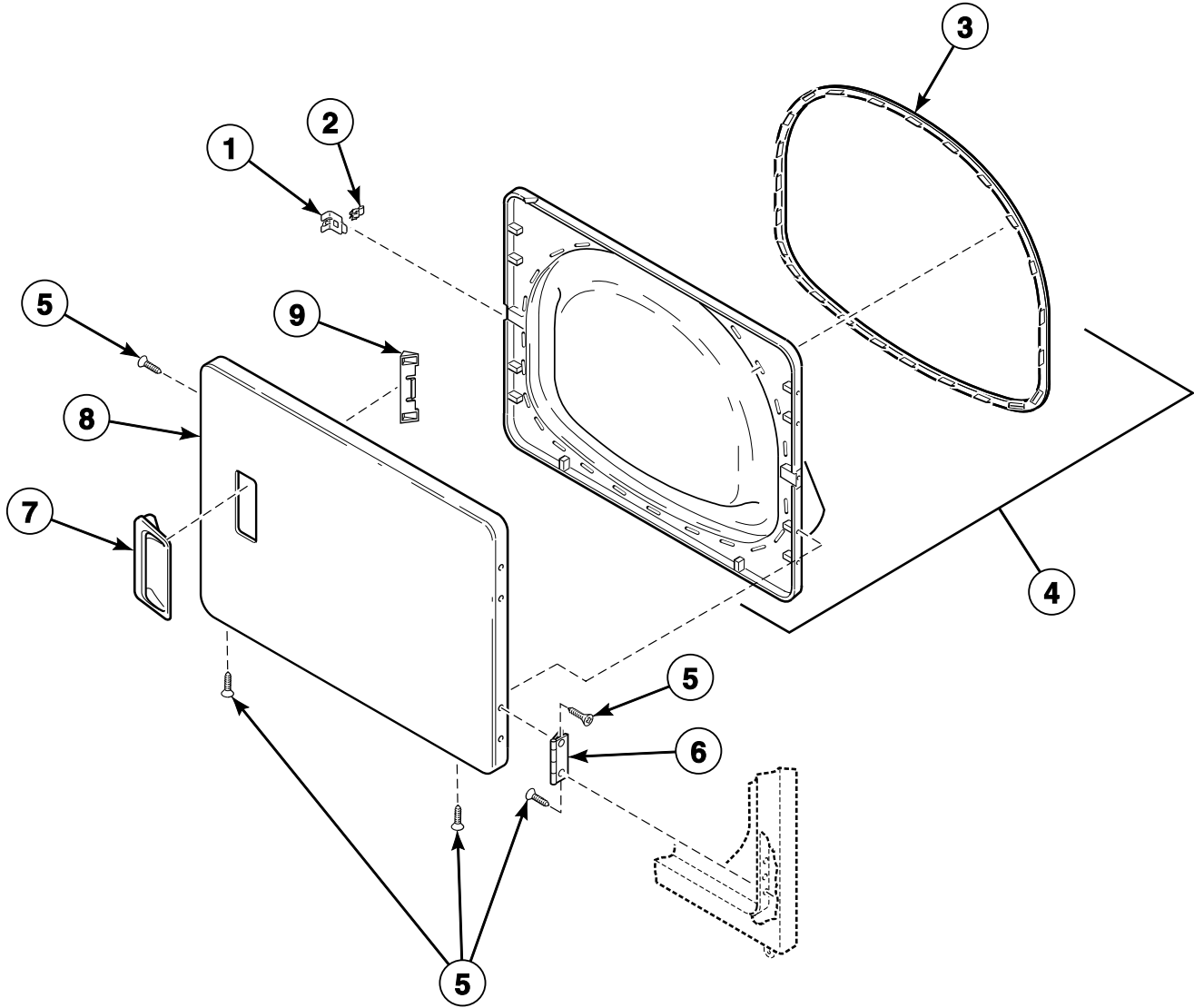
DRY1828P_511996

Cabinet Top

REF	PART NO.	DESCRIPTION	COMMENTS
1	36048	Screw	
2	29651	Bolt	
3	D503688	Screw	
4	36020	Nut	
5	D510032WP	Top Kit	White
	D510032LP	Top Kit	Almond
	D510032QP	Top Kit	Bisque
6	D511036	Hinge	
7	D504228	Top Mounting Bracket	
8	44087201	Nut	
9	23008	Screw	

Loading Door without Window

Models BSE807*F, BSE907*F, BSEBCFGS171TW01, BSEBYFGS171TW01, BSG809*F, BSG909*F, BSGBCFGS111TW01, BSGBYFGS111TW01, JSE807*F, JSE907*F, JSG809*F, JSG909*F, SSE007*F, SSE007*F1500, SSE007*F99H2, SSE107*F, SSE107*F1500, SSE107*F1724, SSE107*F99L6, SSE107*F99L7, SSE307*F, SSE307*F1500, SSE507*F, SSE507*F1500, SSE607*F, SSE707*F, SSE807*F, SSE807*F1500, SSE907*F, SSE907*F1500, SSE907*F1724, SSEB07*J, SSEB07*J1500, SSECO7*J, SSEFO7*J, SSEHO7*J, SSEHO7*J1500, SSET07*F, SSET07*F1500, SSEX07*F, SSEX07*F1500, SSEY07*F, SSEY07*F1500, SSEZ07*F, SSEZ07*F1500, SSG009*F, SSG109*F, SSG109*F1124, SSG109*F99L6, SSG109*F99L7, SSG309*F, SSG509*F, SSG609*F, SSG709*F, SSG809*F, SSG909*F, SSG909*F1124, SSGBO9*J, SSGCO9*J, SSGFO9*J, SSGHO9*J, SSGTO9*F, SSGX09*F, SSGY09*F, SSGZO9*F, USE007*F, USE807*F, USG009*F and USG809*F



DRY1775P_511996

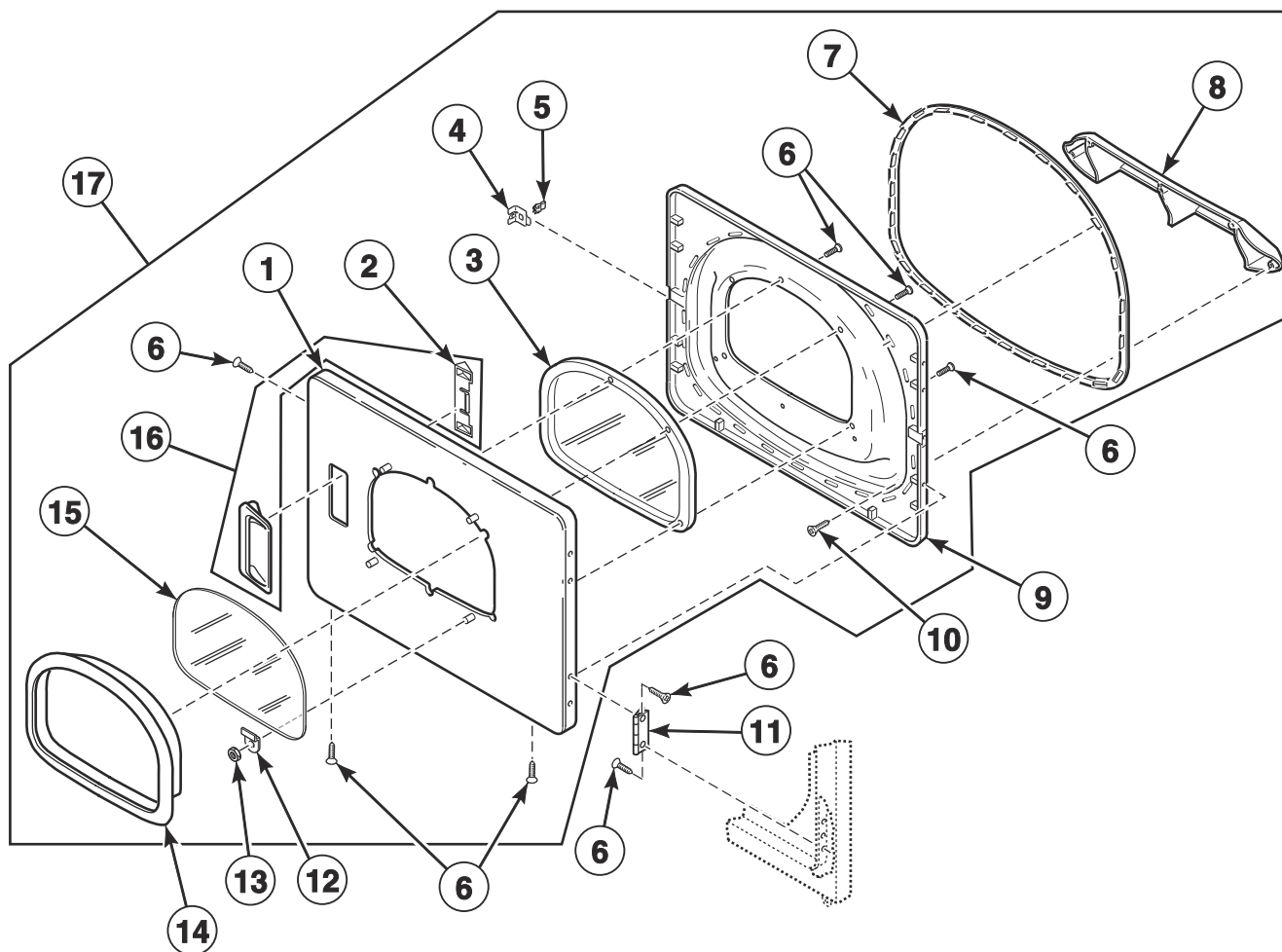
Loading Door without Window

REF	PART NO.	DESCRIPTION	COMMENTS
1	D510127	Door Strike Mount	
2	D510181	Door Strike	
3	D510147P	Liner Door Seal	
4	D510163WP	Liner, Seal and Grill Assembly	Models BSE907*F, BSEBCFGS171TW01, BSEBYFGS171TW01, JSE807*F, JSE907*F, SSE807*F, SSE807*F1500, SSE907*F, SSE907*F1500, SSET07*F, SSET07*F1500, SSEX07*F, SSEY07*F, SSEY07*F1500 and USE807*F through Serial No. 1303025314; All other models
	D516510WP	Door Assembly	Gray; Models BSE907*F, BSEBCFGS171TW01, BSEBYFGS171TW01, JSE807*F, JSE907*F, SSE807*F, SSE807*F1500, SSE907*F, SSE907*F1500, SSET07*F, SSET07*F1500, SSEX07*F, SSEY07*F, SSEY07*F1500 and USE807*F starting Serial No. 1303025315
5	D500226	Screw	
6	D511036	Hinge	
7	D510103WP	Door Pull and Wedge Kit	White; Includes item 9
	D510103LP	Door Pull and Wedge Kit	Almond; Includes item 9
	D510103QP	Door Pull and Wedge Kit	Bisque; Includes item 9
8	D510013WP	Dryer Door	White
	D510013LP	Dryer Door	Almond
	D510013QP	Dryer Door	Bisque
9	D510129W	Door Handle Wedge	

* Add Letter To Designate Color. L - Almond Q - Bisque W - White

Loading Door with Window

Models HSE117*F, HSE917*F, HSEB17*J1500, HSEB17*J99L1, HSEB17*J99L2, HSET17*F, HSET17*F1500, HSEY17*F, HSEY17*F1500, HSEZ17*F, HSEZ17*F1500, HSG119*F, HSG919*F, HSGB19*J99L1, HSGT19*F, HSGY19*F, HSGZ19*F, SSE117*F, SSE117*F1500, SSE417*F, SSE517*F, SSE517*F1500, SSE617*F, SSE717*F, SSE917*F, SSEA17*J, SSEB17*J, SSEB17*J1500, SSEF17*J, SSET17*F, SSET17*F1500, SSEY17*F, SSEZ17*F, SSEZ17*F1500, SSG119*F, SSG419*F, SSG519*F, SSG619*F, SSG719*F, SSG919*F, SSGA19*J, SSGB19*J, SSGF19*J, SSGT19*F, SSGX19*F, SSGY19*F and SSGZ19*F



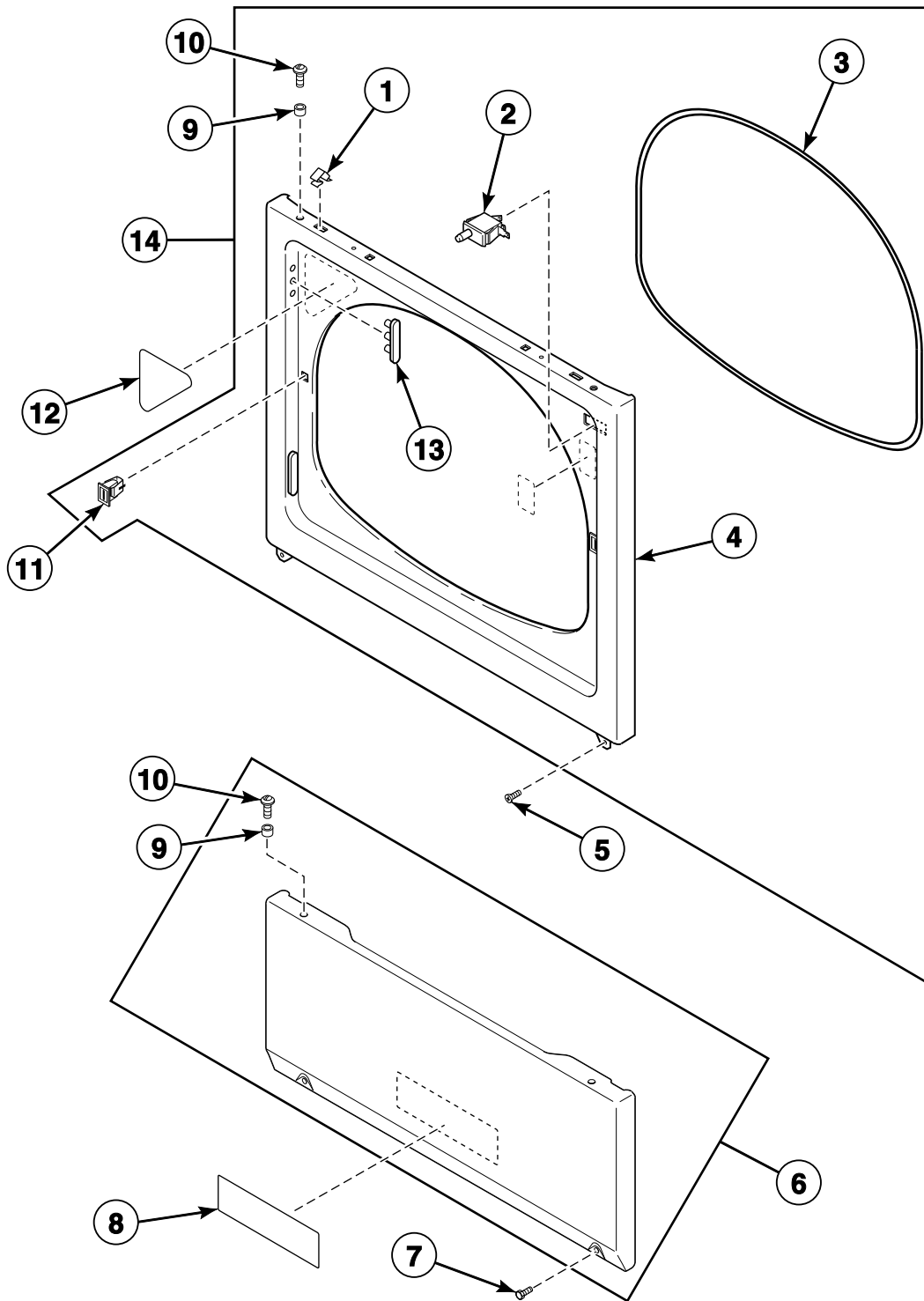
DRY2296P_511996

Loading Door with Window

REF	PART NO.	DESCRIPTION	COMMENTS
1	D510082WP	Dryer Door	White; Models HSE917*F, HSET17*F, HSEY17*F, SSE917*F, SSET17*F, SSET17*F1500 and SSEY17*F through Serial No. 1303025314; All other models
	D510082LP	Dryer Door	Almond; Models HSE917*F, HSET17*F, HSEY17*F, SSE917*F, SSET17*F, SSET17*F1500 and SSEY17*F through Serial No. 1303025314; All other models
	D510082QP	Dryer Door	Bisque; Models HSE917*F, HSET17*F, HSEY17*F, SSE917*F, SSET17*F, SSET17*F1500 and SSEY17*F through Serial No. 1303025314; All other models
	D516737W	Door Assembly	Models HSE917*F, HSET17*F, HSEY17*F, SSE917*F, SSET17*F, SSET17*F1500 and SSEY17*F starting Serial No. 1303025315
	D516737Q	Door Assembly	Models HSE917*F, HSET17*F, HSEY17*F, SSE917*F, SSET17*F, SSET17*F1500 and SSEY17*F starting Serial No. 1303025315
2	D510129W	Door Handle Wedge	
3	D503982P	Dryer Door Window	
4	D510127	Door Strike Mount	
5	D510181	Door Strike	
6	D500226	Screw	
7	D510147P	Liner Door Seal	
8	D503870W	Door Liner Grill	Models HSE917*F, HSET17*F, HSEY17*F, SSE917*F, SSET17*F, SSET17*F1500 and SSEY17*F through Serial No. 1303025314; All other models
	D503870LG	Door Liner Grill	Models HSE917*F, HSET17*F, HSEY17*F, SSE917*F, SSET17*F, SSET17*F1500 and SSEY17*F starting Serial No. 1303025315
9	D510098W	Liner and Seal Assembly	Includes item 7; Models HSE917*F, HSET17*F, HSEY17*F, SSE917*F, SSET17*F, SSET17*F1500 and SSEY17*F through Serial No. 1303025314; All other models
	D516737W	Door Assembly	Includes item 7; Models HSE917*F, HSET17*F, HSEY17*F, SSE917*F, SSET17*F, SSET17*F1500 and SSEY17*F starting Serial No. 1303025315
10	D505870	Screw	
11	D511036	Hinge	
12	D513958	Window Clip	Models HSE917*F, HSET17*F, HSEY17*F, SSE917*F, SSET17*F, SSET17*F1500 and SSEY17*F starting Serial No. 1303025315
13	44071201	Nut	Models HSE917*F, HSET17*F, HSEY17*F, SSE917*F, SSET17*F, SSET17*F1500 and SSEY17*F starting Serial No. 1303025315
14	D503981W	Window Trim	White; Models HSE917*F, HSET17*F, HSEY17*F, SSE917*F, SSET17*F, SSET17*F1500 and SSEY17*F through Serial No. 1303025314; All other models
	D503981L	Window Trim	Almond; Models HSE917*F, HSET17*F, HSEY17*F, SSE917*F, SSET17*F, SSET17*F1500 and SSEY17*F through Serial No. 1303025314; All other models
	D503981Q	Window Trim	Bisque; Models HSE917*F, HSET17*F, HSEY17*F, SSE917*F, SSET17*F, SSET17*F1500 and SSEY17*F through Serial No. 1303025314; All other models
	D516737W	Door Assembly	Models HSE917*F, HSET17*F, HSEY17*F, SSE917*F, SSET17*F, SSET17*F1500 and SSEY17*F starting Serial No. 1303025315
	D513960Q	Window Trim	Models HSE917*F, HSET17*F, HSEY17*F, SSE917*F, SSET17*F, SSET17*F1500 and SSEY17*F starting Serial No. 1303025315
15	D516737W	Door Assembly	Models HSE917*F, HSET17*F, HSEY17*F, SSE917*F, SSET17*F, SSET17*F1500 and SSEY17*F starting Serial No. 1303025315
16	D510103WP	Door Pull and Wedge Kit	White; Includes item 2
	D510103LP	Door Pull and Wedge Kit	Almond; Includes item 2
	D510103QP	Door Pull and Wedge Kit	Bisque; Includes item 2
17	D516737W	Door Assembly	White; Includes items 1-10, 14 and 16; Models HSE917*F, HSET17*F, HSEY17*F, SSE917*F, SSET17*F, SSET17*F1500 and SSEY17*F through Serial No. 1303025314; All other models
	D511636QP	Door and Liner Assembly	Bisque; Includes items 1-10, 14 and 16; Models HSE917*F, HSET17*F, HSEY17*F, SSE917*F, SSET17*F, SSET17*F1500 and SSEY17*F through Serial No. 1303025314; All other models

* Add Letter To Designate Color. L - Almond Q - Bisque W - White

Access Panel, Front Panel and Seal



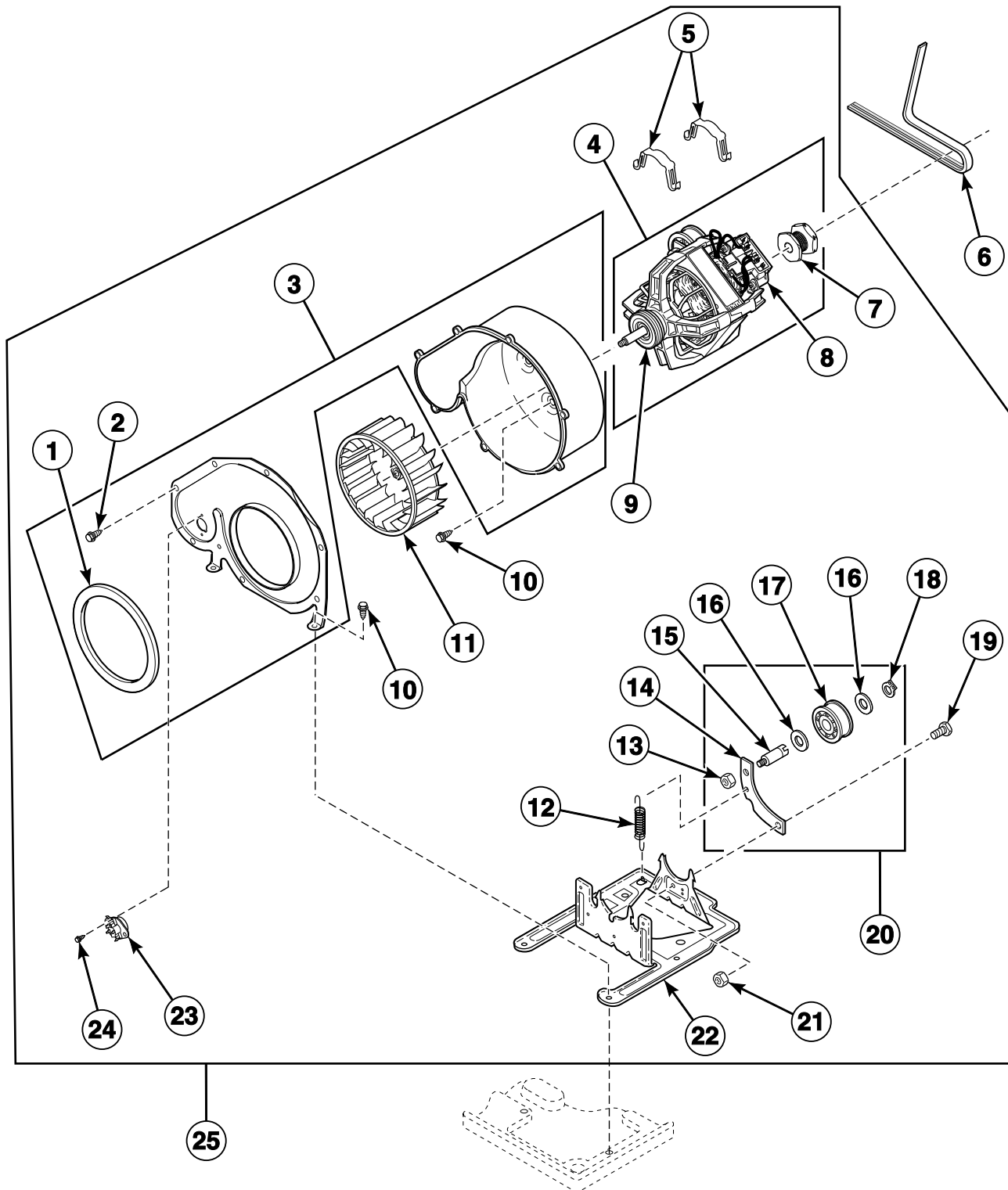
DRY2213P_511996

Access Panel, Front Panel and Seal

REF	PART NO.	DESCRIPTION	COMMENTS
1	28835	Speed Clip	1 per side
2	D512973	Switch	
3	D511056	Front Panel Seal	
4	D510066WP	Front Panel	White
	D510066LP	Front Panel	Almond
	D510066QP	Front Panel	Bisque
5	D503688	Screw	
6	D514250WP	Access Panel Assembly	White; Models BSE907*F, BSEBCFGS171TW01, BSEBYFGS171TW01, HSE917*F, HSET17*F, HSEY17*F, JSE807*F, JSE907*F, SSE807*F, SSE807*F1500, SSE907*F, SSE917*F, SSET07*F, SSET07*F1500, SSET17*F, SSET17*F1500, SSEX07*F, SSEY07*F, SSEY07*F1500, SSEY17*F and USE807*F through Serial No. 1303025314; All other models
	D510069LP	Access Panel	Almond; Models BSE907*F, BSEBCFGS171TW01, BSEBYFGS171TW01, HSE917*F, HSET17*F, HSEY17*F, JSE807*F, JSE907*F, SSE807*F, SSE807*F1500, SSE907*F, SSE917*F, SSET07*F, SSET07*F1500, SSET17*F, SSET17*F1500, SSEX07*F, SSEY07*F, SSEY07*F1500, SSEY17*F and USE807*F through Serial No. 1303025314; All other models
	D514250Q	Access Panel Assembly	Bisque; Models BSE907*F, BSEBCFGS171TW01, BSEBYFGS171TW01, HSE917*F, HSET17*F, HSEY17*F, JSE807*F, JSE907*F, SSE807*F, SSE807*F1500, SSE907*F, SSE917*F, SSET07*F, SSET07*F1500, SSET17*F, SSET17*F1500, SSEX07*F, SSEY07*F, SSEY07*F1500, SSEY17*F and USE807*F through Serial No. 1303025314; All other models
	D514250WP	Access Panel Assembly	White; Models BSE907*F, BSEBCFGS171TW01, BSEBYFGS171TW01, HSE917*F, HSET17*F, HSEY17*F, JSE807*F, JSE907*F, SSE807*F, SSE807*F1500, SSE907*F, SSE917*F, SSET07*F, SSET07*F1500, SSET17*F, SSET17*F1500, SSEX07*F, SSEY07*F, SSEY07*F1500, SSEY17*F and USE807*F starting Serial No. 1303025315
	D514252Q	Access Panel and Guard Assembly	Bisque; Models BSE907*F, BSEBCFGS171TW01, BSEBYFGS171TW01, HSE917*F, HSET17*F, HSEY17*F, JSE807*F, JSE907*F, SSE807*F, SSE807*F1500, SSE907*F, SSE917*F, SSET07*F, SSET07*F1500, SSET17*F, SSET17*F1500, SSEX07*F, SSEY07*F, SSEY07*F1500, SSEY17*F and USE807*F starting Serial No. 1303025315
7	33562	Screw	Slotted hex head
	62853	Screw	Torx head; Optional for added security
8	D500498	Instructions for Use Label	
9	56079	Panel Locator	1 per side
10	39733	Screw	1 per side
11	D510177	Door Catch Assembly	
12	D500281	Warning/Caution Label	
13	D510186	Hinge Hole Plug	
14	D513781WP	Front Panel Assembly	Includes items 1-4, 9-11, 13, 511626WP Door Assembly, (2) of 511036 Door Hinge and (8) of 500226 Screw; Models HSE117*F, HSE917*F, HSEB17*J1500, HSEB17*J99L1, HSEB17*J99L2, HSET17*F, HSET17*F1500, HSEY17*F, HSEY17*F1500, HSEZ17*F, HSEZ17*F1500, HSG119*F, HSG919*F, HSG19*J99L1, HSGT19*F, HSGY19*F, HSGZ19*F, SSE117*F, SSE117*F1500, SSE417*F, SSE517*F, SSE517*F1500, SSE617*F, SSE717*F, SSE917*F, SSEA17*J, SSEB17*J, SSEB17*J1500, SSEF17*J, SSET17*F, SSET17*F1500, SSEY17*F, SSEZ17*F, SSEZ17*F1500, SSG119*F, SSG419*F, SSG519*F, SSG619*F, SSG719*F, SSG919*F, SSGA19*J, SSGB19*J, SSGF19*J, SSGT19*F, SSGX19*F, SSGY19*F and SSGZ19*F

* Add Letter To Designate Color. L - Almond Q - Bisque W - White

Motor, Exhaust Fan and Belt



DRY2084P_511996

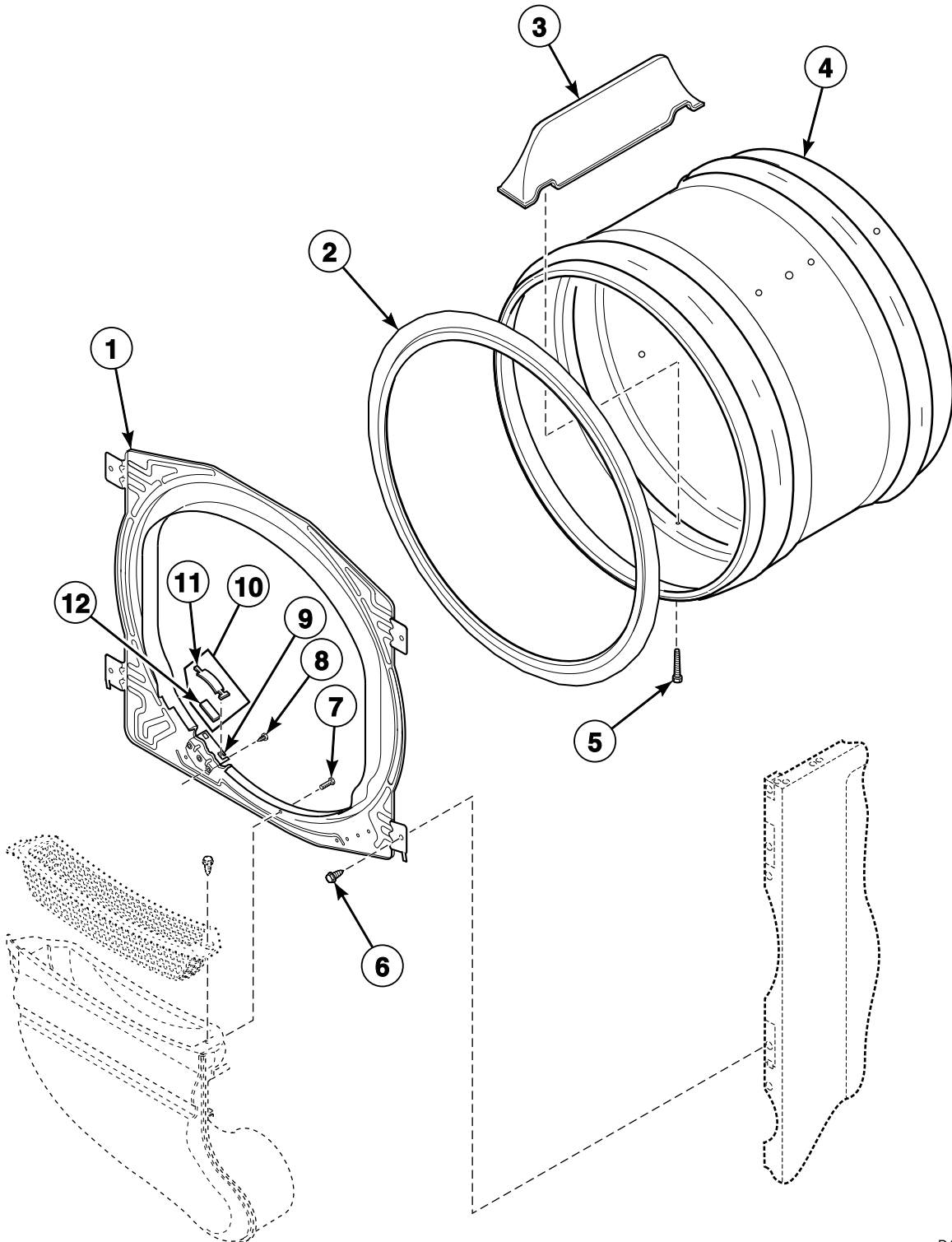
Motor, Exhaust Fan and Belt

REF	PART NO.	DESCRIPTION	COMMENTS
	27604P	Anti-Seize Compound	Apply to motor shaft when installing blower fan assembly
1	D510238P	Blower Housing Seal	
2	31260	Screw	
3	D511969WP	Blower Housing	Includes items 1 and 2
4	D511629P	Motor and Pulley Assembly	120 Volt/60 Hertz; Apply anti-seize compound to motor shaft when installing blower fan assembly; Includes items 7-9
5	D510180	Motor Mount Clamp	
6	D511255P	Cylinder Belt	
7	D500011	Motor Pulley	60 Hertz
8	N/A	Motor Switch Kit	Does not include thermal protector
9	590P3	Motor Hub Ring Kit	
10	D503688	Screw	
11	D510139P	Blower Fan Assembly	Apply anti-seize compound to motor shaft when installing blower fan assembly
12	D510185	Idler Spring	
13	56156	Nut	
14	D516310	Idler Lever	
15	56461P	Shaft	
16	52549	Washer	
17	D510142P	Idler Wheel and Bearing Assembly	
18	23748	Retaining Ring	
19	D500824	Screw	
20	D516792	Idler Lever and Wheel Assembly	Includes items 13-18
21	52566	Nut	
22	D510060	Motor Mount	
23	D504515	Thermostat	Green; Models HSE117*F, HSG119*F, SSE007*F, SSE007*F1500, SSE007*F99H2, SSE107*F, SSE107*F1500, SSE107*F1724, SSE107*F99L6, SSE107*F99L7, SSE117*F, SSE117*F1500, SSE307*F, SSE307*F1500, SSG009*F, SSG109*F, SSG109*F1124, SSG109*F99L6, SSG109*F99L7, SSG119*F, SSG309*F, USE007*F and USG009*F through Serial No. 0404
	D512005	Thermostat	Green/White; Models BSE807*F, BSG809*F, HSE117*F, HSG119*F, JSE807*F, JSG809*F, SSE007*F, SSE007*F1500, SSE007*F99H2, SSE107*F, SSE107*F1500, SSE107*F1724, SSE107*F99L6, SSE107*F99L7, SSE117*F, SSE117*F1500, SSE307*F, SSE307*F1500, SSE807*F, SSE807*F1500, SSG009*F, SSG109*F, SSG109*F1124, SSG109*F99L6, SSG109*F99L7, SSG119*F, SSG309*F, SSG809*F, USE007*F, USE807*F, USG009*F and USG809*F starting Serial No. 0404
	D510523	Thermistor Assembly	Black; All other models
24	D502535	Screw	
25	D510717P	Blower and Fan Kit	Includes items 1-5 and 7-24

* Add Letter To Designate Color. L - Almond Q - Bisque W - White

N/A = Part no longer available

Front Bulkhead, Felt Seal and Cylinder



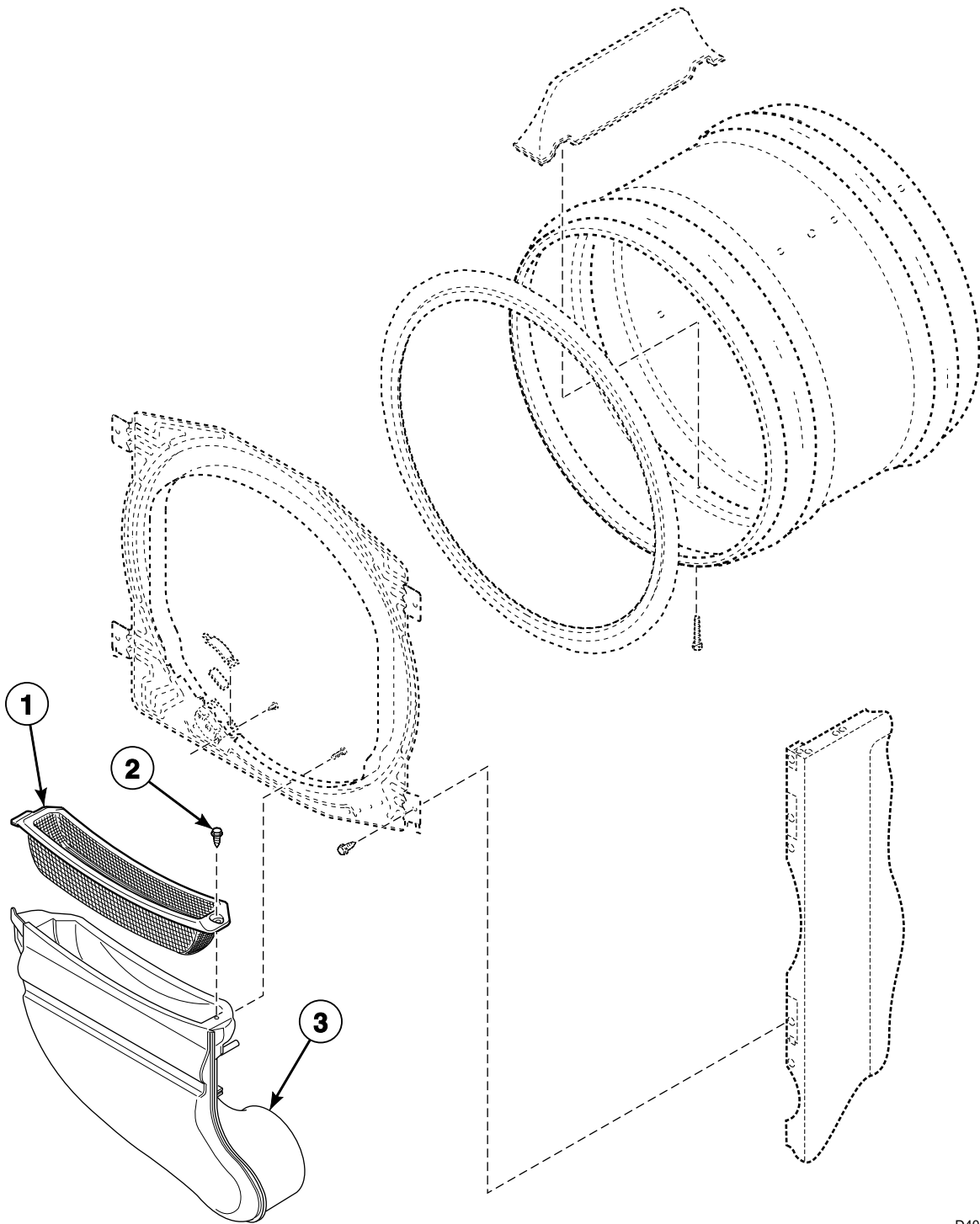
D402P_511996

Front Bulkhead, Felt Seal and Cylinder

REF	PART NO.	DESCRIPTION	COMMENTS
1	D511033WP	Front Bulkhead Assembly	Painted; Includes item 2; Model SSE007*F99H2
	D510266P	Front Bulkhead Assembly	Unpainted; Includes items 2, and 8-12; All other models
2	D510207P	Cylinder Seal Assembly	
	D511637P	Adhesive	Apply to cylinder seal
	RB170001	Seal Kit	Includes 2 cylinder seals, 510238P Blower Housing Seal and 511637P Adhesive
3	D510102W	Cylinder Baffle	Models BSE907*F, BSEBCFGS171TW01, BSEBYFGS171TW01, HSE917*F, HSET17*F, HSEY17*F, JSE807*F, JSE907*F, SSE807*F, SSE807*F1500, SSE907*F, SSE907*F1500, SSE917*F, SSET07*F, SSET07*F1500, SSET17*F, SSET17*F1500, SSEX07*F, SSEY07*F, SSEY07*F1500, SSEY17*F and USE807*F through Serial No. 1303025314; All other models
	D510102LG	Cylinder Baffle	Models BSE907*F, BSEBCFGS171TW01, BSEBYFGS171TW01, HSE917*F, HSET17*F, HSEY17*F, JSE807*F, JSE907*F, SSE807*F, SSE807*F1500, SSE907*F, SSE907*F1500, SSE917*F, SSET07*F, SSET07*F1500, SSET17*F, SSET17*F1500, SSEX07*F, SSEY07*F, SSEY07*F1500, SSEY17*F and USE807*F starting Serial No. 1303025315
4	D510159WP	Cylinder Assembly	Painted; Includes item 3; Model SSE007*F99H2
	D510265WP	Cylinder Assembly	Galvanized; Includes item 3; Models BSE907*F, BSEBCFGS171TW01, BSEBYFGS171TW01, HSE917*F, HSET17*F, HSEY17*F, JSE807*F, JSE907*F, SSE807*F, SSE807*F1500, SSE907*F, SSE907*F1500, SSE917*F, SSET07*F, SSET07*F1500, SSET17*F, SSET17*F1500, SSEX07*F, SSEY07*F, SSEY07*F1500, SSEY17*F and USE807*F through Serial No. 1303025314; All other models
	D510265LGP	Cylinder Assembly	Galvanized; Includes item 3; Models BSE907*F, BSEBCFGS171TW01, BSEBYFGS171TW01, HSE917*F, HSET17*F, HSEY17*F, JSE807*F, JSE907*F, SSE807*F, SSE807*F1500, SSE907*F, SSE907*F1500, SSE917*F, SSET07*F, SSET07*F1500, SSET17*F, SSET17*F1500, SSEX07*F, SSEY07*F, SSEY07*F1500, SSEY17*F and USE807*F starting Serial No. 1303025315
5	62588	Screw	
6	D503688	Screw	
7	D500226	Screw	
8	52864	Screw	2 per side
9	D510145	Cylinder Glide Bracket	1 per side
10	RB170003	Glide Kit	Includes 2 of items 11 and 12
11	D513710	Cylinder Glide	1 per side
12	D510189	Felt Pad	1 per side

* Add Letter To Designate Color. L - Almond Q - Bisque W - White

Air Duct and Lint Filter



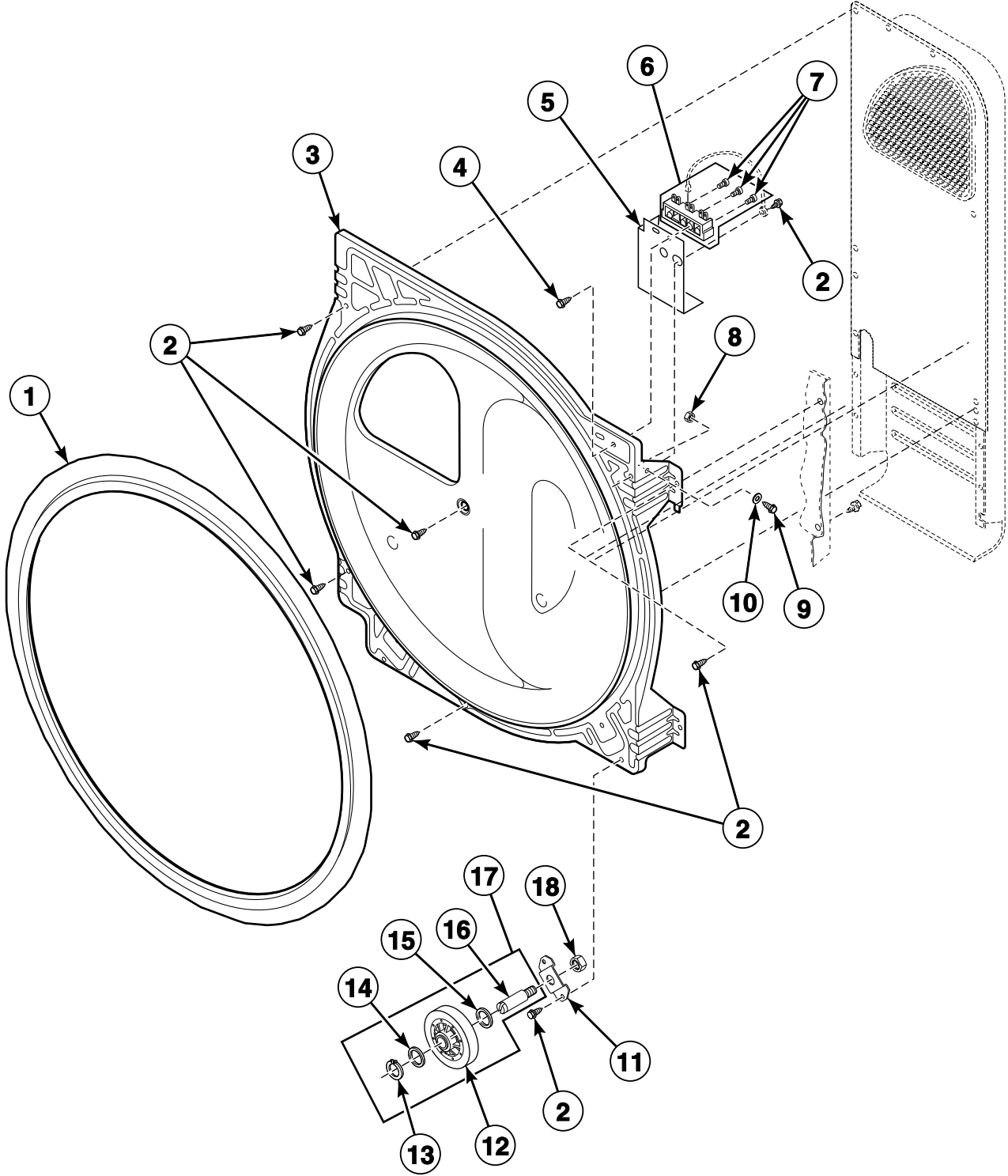
D402PA_511996

Air Duct and Lint Filter

REF	PART NO.	DESCRIPTION	COMMENTS
1	D503980W	Lint Filter	Models BSE907*F, BSEBCFGS171TW01, BSEBYFGS171TW01, HSE917*F, HSET17*F, HSEY17*F, JSE807*F, JSE907*F, SSE807*F, SSE807*F1500, SSE907*F, SSE907*F1500, SSE917*F, SSET07*F, SSET07*F1500, SSET17*F, SSET17*F1500, SSEX07*F, SSEY07*F, SSEY07*F1500, SSEY17*F and USE807*F through Serial No. 1303025314; All other models
	D503980LG	Lint Filter	Models BSE907*F, BSEBCFGS171TW01, BSEBYFGS171TW01, HSE917*F, HSET17*F, HSEY17*F, JSE807*F, JSE907*F, SSE807*F, SSE807*F1500, SSE907*F, SSE907*F1500, SSE917*F, SSET07*F, SSET07*F1500, SSET17*F, SSET17*F1500, SSEX07*F, SSEY07*F, SSEY07*F1500, SSEY17*F and USE807*F starting Serial No. 1303025315
2	D501285	Screw	
3	D510151W	Air Duct Assembly	Models BSE907*F, BSEBCFGS171TW01, BSEBYFGS171TW01, HSE917*F, HSET17*F, HSEY17*F, JSE807*F, JSE907*F, SSE807*F, SSE807*F1500, SSE907*F, SSE907*F1500, SSE917*F, SSET07*F, SSET07*F1500, SSET17*F, SSET17*F1500, SSEX07*F, SSEY07*F, SSEY07*F1500, SSEY17*F and USE807*F through Serial No. 1303025314; All other models
	D515805LG	Air Duct Assembly	Models BSE907*F, BSEBCFGS171TW01, BSEBYFGS171TW01, HSE917*F, HSET17*F, HSEY17*F, JSE807*F, JSE907*F, SSE807*F, SSE807*F1500, SSE907*F, SSE907*F1500, SSE917*F, SSET07*F, SSET07*F1500, SSET17*F, SSET17*F1500, SSEX07*F, SSEY07*F, SSEY07*F1500, SSEY17*F and USE807*F starting Serial No. 1303025315

* Add Letter To Designate Color. L - Almond Q - Bisque W - White

Rear Bulkhead, Felt Seal, Cylinder Roller and Terminal Block



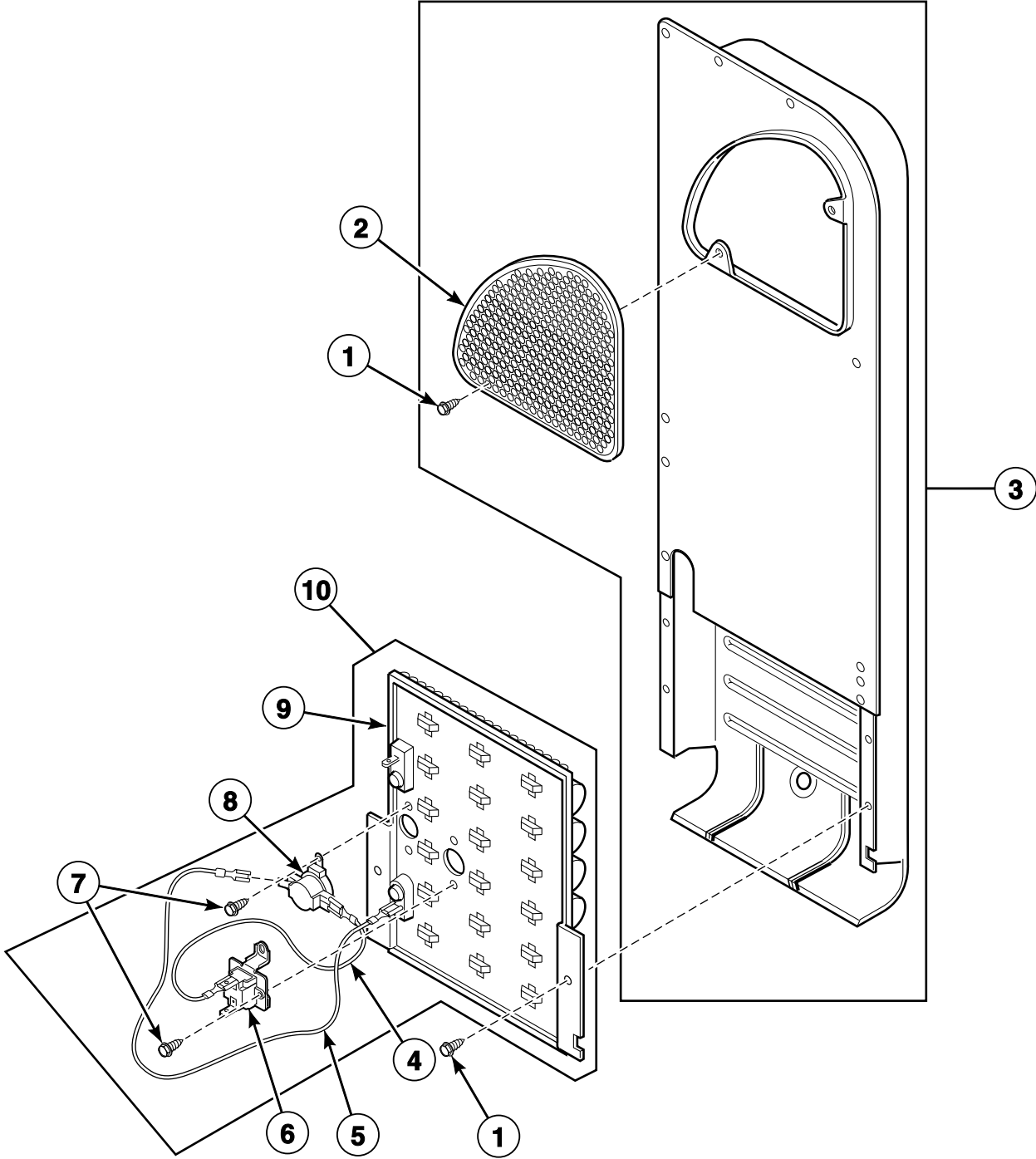
DRY1774P_511996

Rear Bulkhead, Felt Seal, Cylinder Roller and Terminal Block

REF	PART NO.	DESCRIPTION	COMMENTS
1	D510207P	Cylinder Seal Assembly	
	D511637P	Adhesive	Apply to cylinder seal
	RB170001	Seal Kit	Includes 2 cylinder seals, 510238P Blower Housing Seal and 511637P Adhesive
2	D503688	Screw	
3	D510905WP	Rear Bulkhead Assembly	White; Includes item 1; Model SSE007*F99H2
	D511082P	Rear Bulkhead Assembly	Galvanized; Includes item 1; All other models
4	D501285	Screw	Electric models
5	D510237	Terminal Block Shield	Electric models
6	D510190P	Terminal Block Assembly	Electric models; Includes 3 of item 7
7	61199	Screw	
8	28447	Nut	
9	28448	Screw	
10	28449	Washer	
11	D510100	Cylinder Roller Bracket	
12	D510708P	Cylinder Roller	
13	23748	Retaining Ring	
14	52549	Washer	
15	D504082	Washer	
16	56461P	Shaft	
17	RB170002	Roller Kit	Includes items 12-16
18	56156	Nut	

* Add Letter To Designate Color. L - Almond Q - Bisque W - White

Heater Duct and Element Assembly - Electric Model Dryers



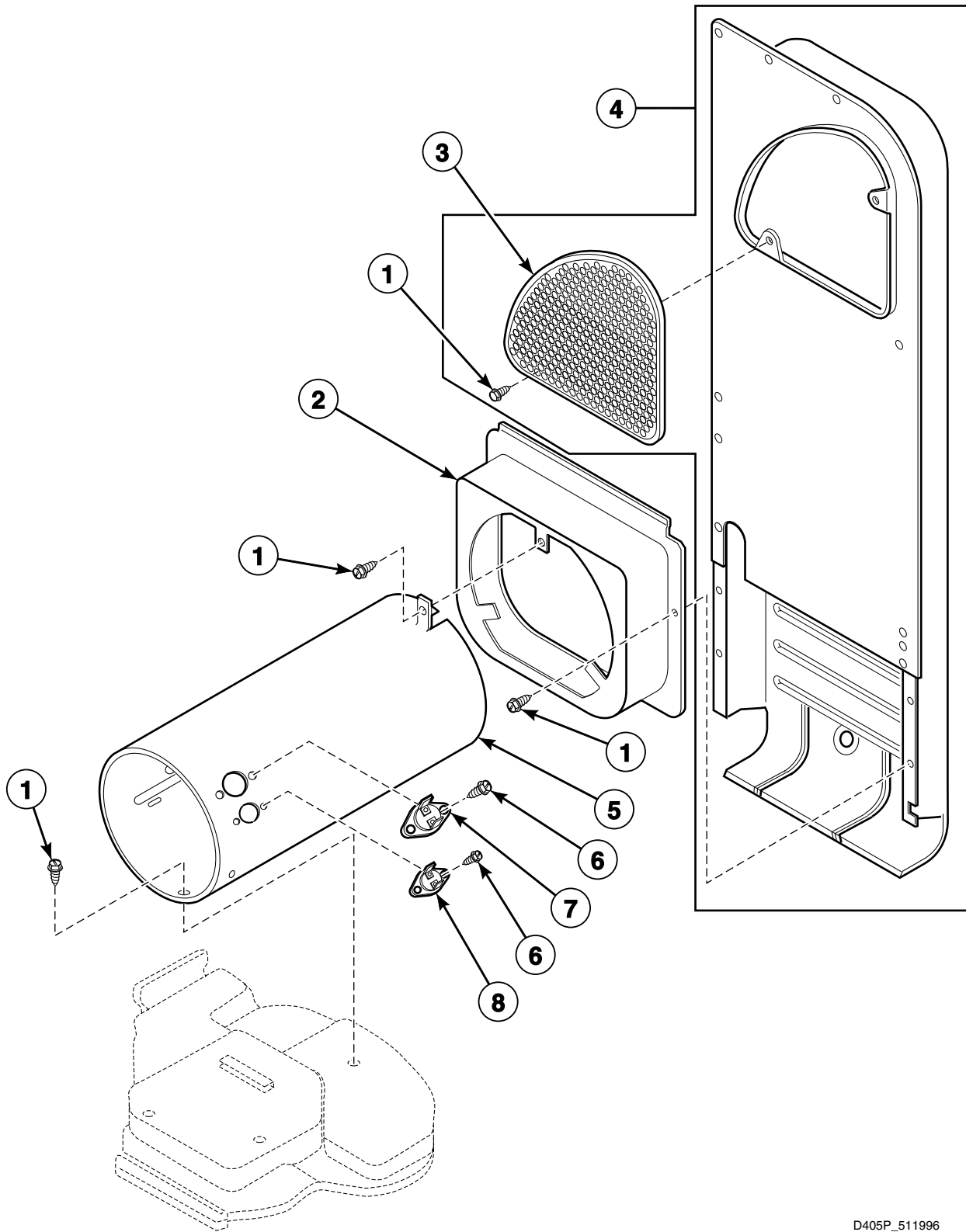
DRY1789P_511996

Heater Duct and Element Assembly - Electric Model Dryers

REF	PART NO.	DESCRIPTION	COMMENTS
1	D503688	Screw	
2	D500820	Outlet Cover	
3	D510025P	Heater Duct Assembly	Includes items 1 and 2
4	D510528	Wire Assembly	Orange; Thermostat jumper; Attaches to heater assembly
5	D510527	Wire Assembly	Black; Fuse jumper; Attaches to heater assembly
6	D511412	Thermal Fuse Assembly	
7	23222	Screw	
8	D510701	Limit Thermostat	
9	D510325P	Heater	4.75 kW; 208 Volt; Models HSEB17*J1500, HSEB17*J99L2, HSET17*F1500, HSEY17*F1500, HSEZ17*F1500, SSE007*F1500, SSE007*F99H2, SSE107*F1500, SSE117*F1500, SSE307*F1500, SSE507*F1500, SSE517*F1500, SSE807*F1500, SSE907*F1500, SSEB07*J1500, SSEB17*J1500, SSEH07*J1500, SSET07*F1500, SSET17*F1500, SSEX07*F1500, SSEY07*F1500, SSEZ07*F1500 and SSEZ17*F1500
	D510329P	Heater Assembly	5.35 kW; 240 Volt; All other models
10	61928	Heater Kit Assembly	4.75 kW; 208 Volt; Includes items 4-9; Optional
	964P3	Heater Kit	5.35 kW; 240 Volt; Includes items 4-9

* Add Letter To Designate Color. L - Almond Q - Bisque W - White

Heater Duct Assembly - Gas Model Dryers



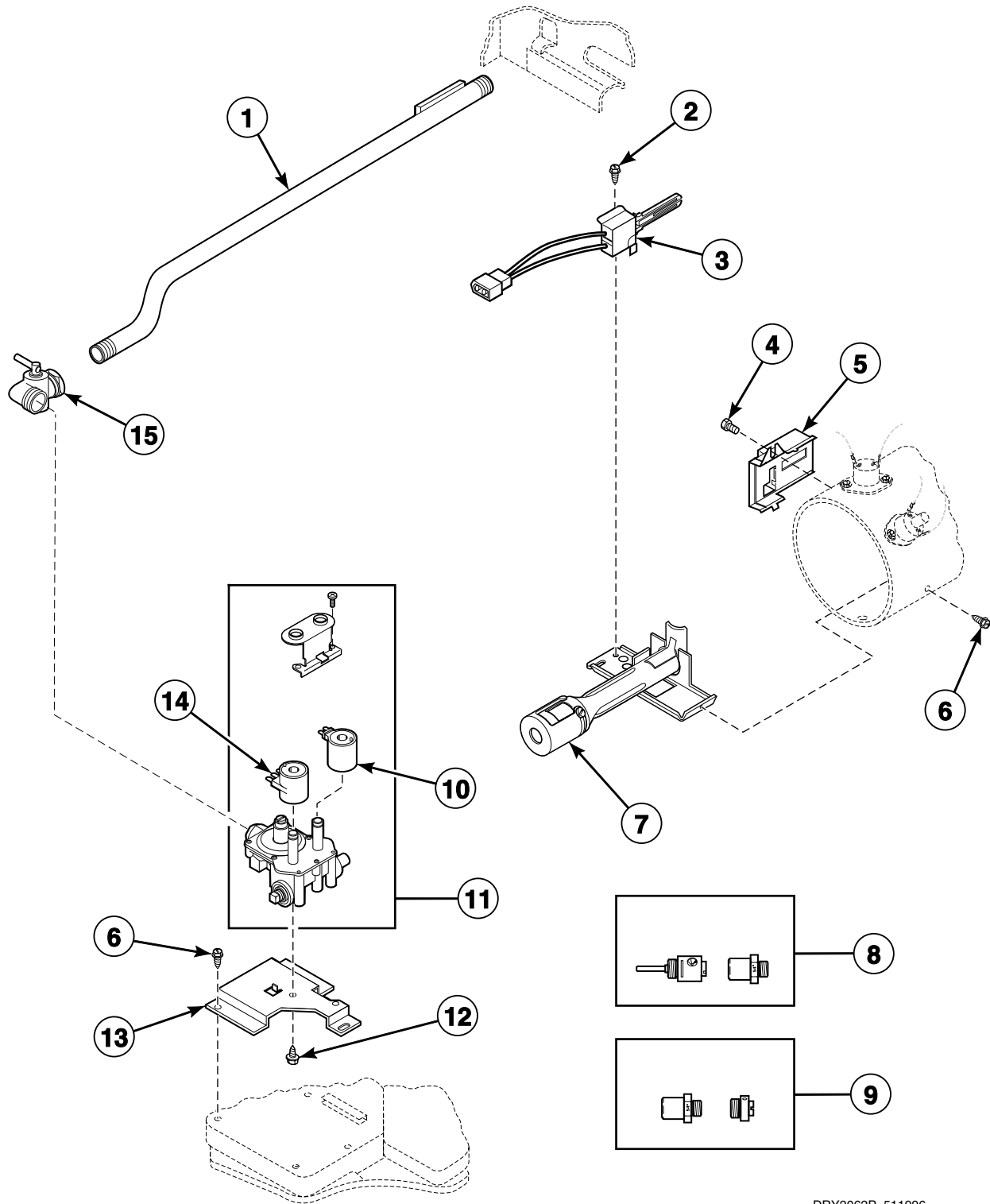
D405P_511996

Heater Duct Assembly - Gas Model Dryers

REF	PART NO.	DESCRIPTION	COMMENTS
1	D503688	Screw	
2	D510101	Heat Duct Shroud	
3	D500820	Outlet Cover	
4	D510025P	Heater Duct Assembly	Includes items 1 and 3
5	D510131	Combustion Duct	Models BSG909*F, BSGBCFGS111TW01, BSGBYFGS111TW01, HSG919*F, HSGB19*J99L1, HSGT19*F, HSGY19*F, HSGZ19*F, JSG909*F, SSG419*F, SSG509*F, SSG519*F, SSG609*F, SSG619*F, SSG709*F, SSG719*F, SSG909*F, SSG909*F1124, SSG919*F, SSGA19*J, SSGB09*J, SSGB19*J, SSGC09*J, SSGF09*J, SSGF19*J, SSGH09*J, SSGT09*F, SSGT19*F, SSGX09*F, SSGX19*F, SSGY09*F, SSGY19*F, SSGZ09*F and SSGZ19*F through Serial No. 0803010125; Models BSG809*F, HSG119*F, JSG809*F, SSG009*F, SSG109*F, SSG109*F1124, SSG109*F99L6, SSG109*F99L7, SSG119*F, SSG309*F, SSG809*F, USG009*F and USG809*F
	D510132	Combustion Duct	Models BSG909*F, BSGBCFGS111TW01, BSGBYFGS111TW01, HSG919*F, HSGB19*J99L1, HSGT19*F, HSGY19*F, HSGZ19*F, JSG909*F, SSG419*F, SSG509*F, SSG519*F, SSG609*F, SSG619*F, SSG709*F, SSG719*F, SSG909*F, SSG909*F1124, SSG919*F, SSGA19*J, SSGB09*J, SSGB19*J, SSGC09*J, SSGF09*J, SSGF19*J, SSGH09*J, SSGT09*F, SSGT19*F, SSGX09*F, SSGX19*F, SSGY09*F, SSGY19*F, SSGZ09*F and SSGZ19*F starting Serial No. 0803010126
6	51782	Screw	
7	D510702	Limit Thermostat	Black; Auto reset
8	D510703	Thermostat	Models BSG909*F, BSGBCFGS111TW01, BSGBYFGS111TW01, HSG919*F, HSGB19*J99L1, HSGT19*F, HSGY19*F, HSGZ19*F, JSG909*F, SSG419*F, SSG509*F, SSG519*F, SSG609*F, SSG619*F, SSG709*F, SSG719*F, SSG909*F, SSG909*F1124, SSG919*F, SSGA19*J, SSGB09*J, SSGB19*J, SSGC09*J, SSGF09*J, SSGF19*J, SSGH09*J, SSGT09*F, SSGT19*F, SSGX09*F, SSGX19*F, SSGY09*F, SSGY19*F, SSGZ09*F and SSGZ19*F starting Serial No. 0803010126

Gas Valve, Igniter and Gas Conversion Kits

Gas Models

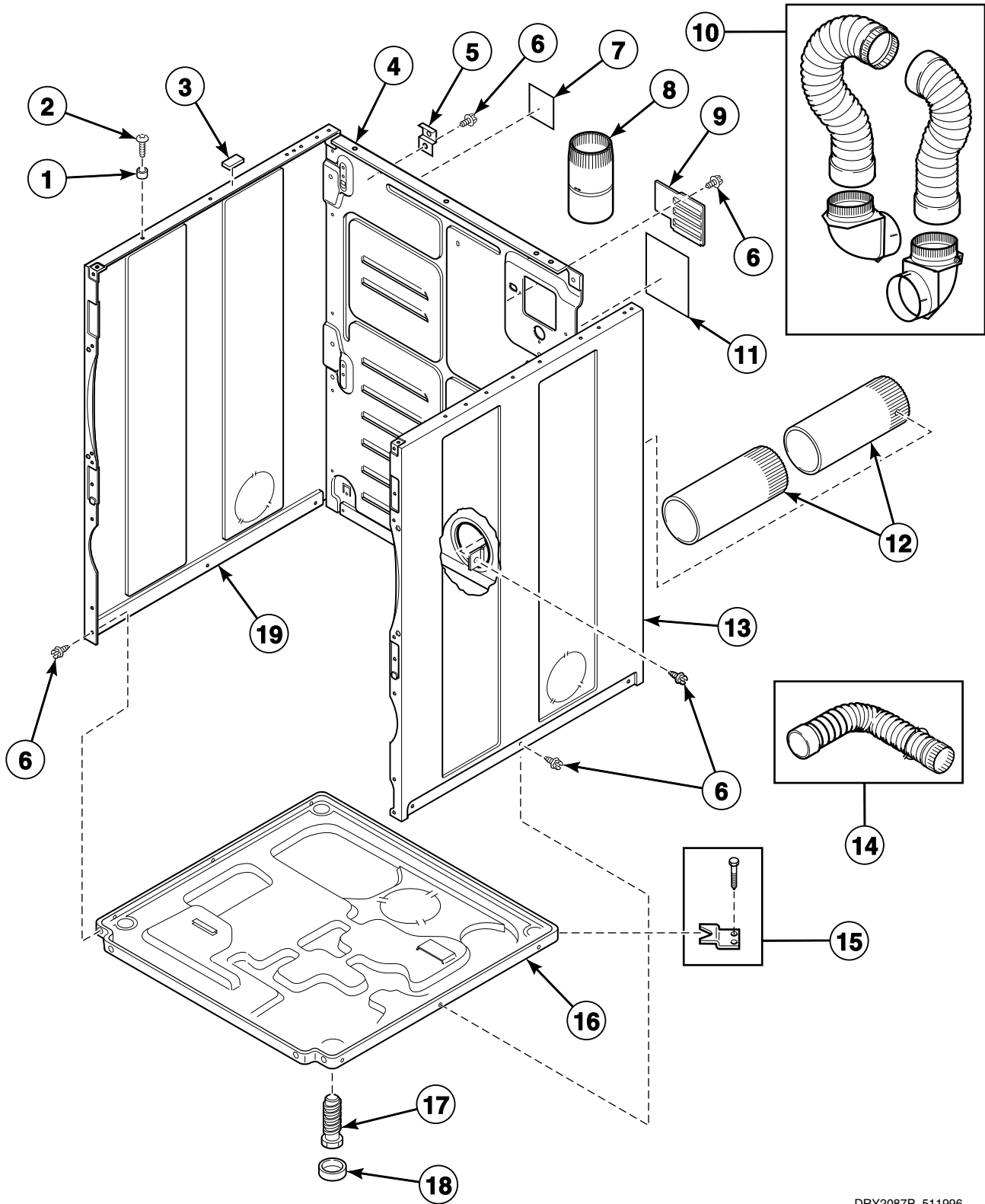


DRY2062P_511996

Gas Valve, Igniter and Gas Conversion Kits

REF	PART NO.	DESCRIPTION	COMMENTS
1	D510204	Lead-In Pipe Assembly	
2	51782	Screw	
3	D510184P	Igniter and Bracket Assembly	
4	23222	Screw	
5	D510213	Sensor	
6	D503688	Screw	
7	D510149P	Burner Assembly	
8	458P3	L.P. Conversion Kit	2 required; Used to convert dryers from Natural Gas (N.G.) or Mixed Gas to Liquid Petroleum Gas (L.P.); For 25,000 Btu
9	459P3	N.G. Conversion Kit	2 required; Used to convert dryers from L.P. to N.G. or Mixed Gas; For 25,000 Btu
10	58804B	Secondary Coil	
11	60353P	Gas Valve Assembly	25,000 Btu; Includes items 10 and 14
12	56124	Screw	
13	D510128	Gas Valve Mounting Bracket	
14	58804A	Booster and Holding Coil	
15	D510205	Elbow Shut-Off Valve	

Cabinet, Exhaust Duct and Base



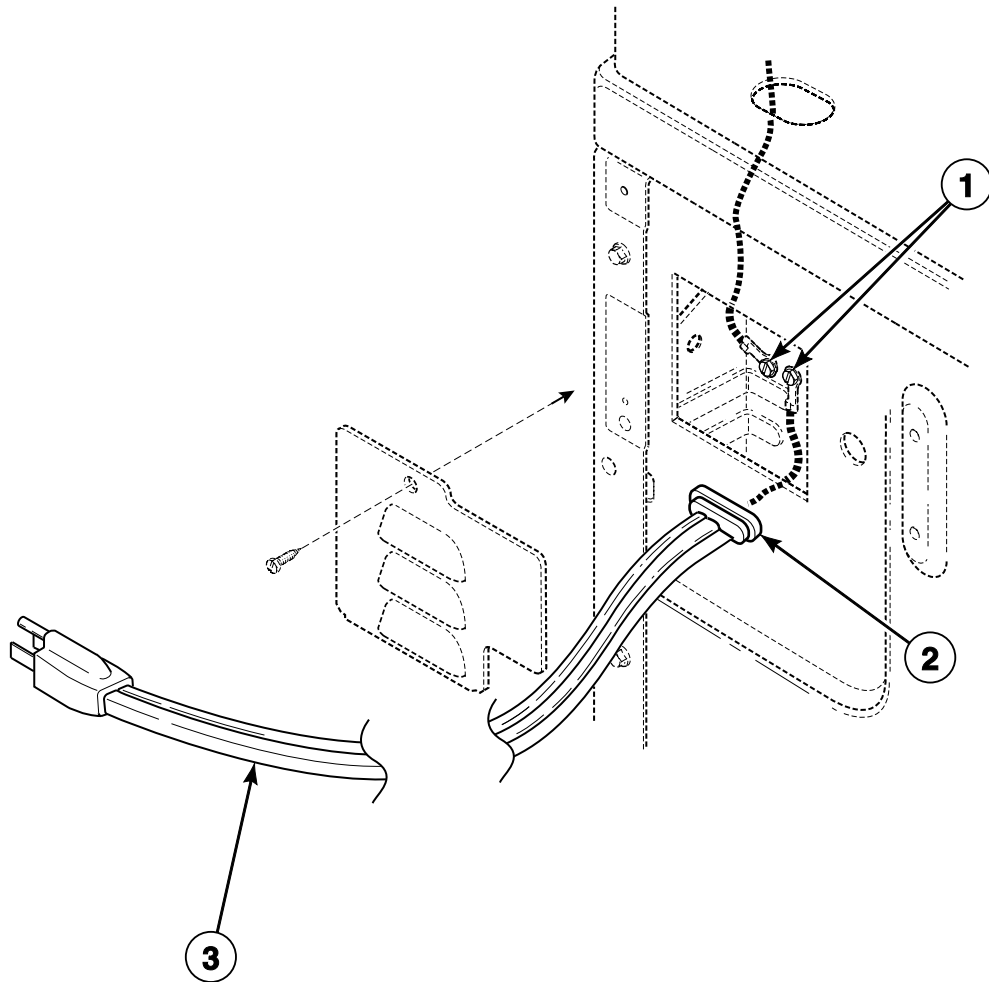
DRY2087P_511996

Cabinet, Exhaust Duct and Base

REF	PART NO.	DESCRIPTION	COMMENTS
	122P4P	Porcelain Touch-Up Paint	White
	215P4P	Porcelain Touch-Up Paint	Almond
	370P4P	Porcelain Touch-Up Paint	Bisque
1	56079	Panel Locator	
2	39733	Screw	
3	56128	Bumper Pad	
4	D510005P	Cabinet Rear Panel	
5	D510136	Top Hinge	
6	D503688	Screw	
7	D511004	Gas Clearance Label	Gas models
8	58786	Damper	Use when connecting to a manifold vent system.
9	D510903	Access Panel Plate	
10	521P3	Flexible Venting Kit	
11	D511005	Electric Clearance Label	Electric models
12	D516196	Exhaust Duct	Each dryer requires 2 pieces
13	D510002WP	Cabinet Side Panel	White; Right
	D510002LP	Cabinet Side Panel	Almond; Right
	D510002QP	Cabinet Side Panel	Bisque; Right
14	528P3	Directional Exhaust Kit	Used to vent dryer out the sides or bottom
15	526P3	Hold Down Kit	For mobile home installations
16	D514245	Dryer Base	
17	D510135	Leveling Leg	
18	D501855	Rubber Foot	
19	D510001WP	Cabinet Side Panel	White; Left
	D510001LP	Cabinet Side Panel	Almond; Left
	D510001QP	Cabinet Side Panel	Bisque; Left

Power Cord

Gas Models

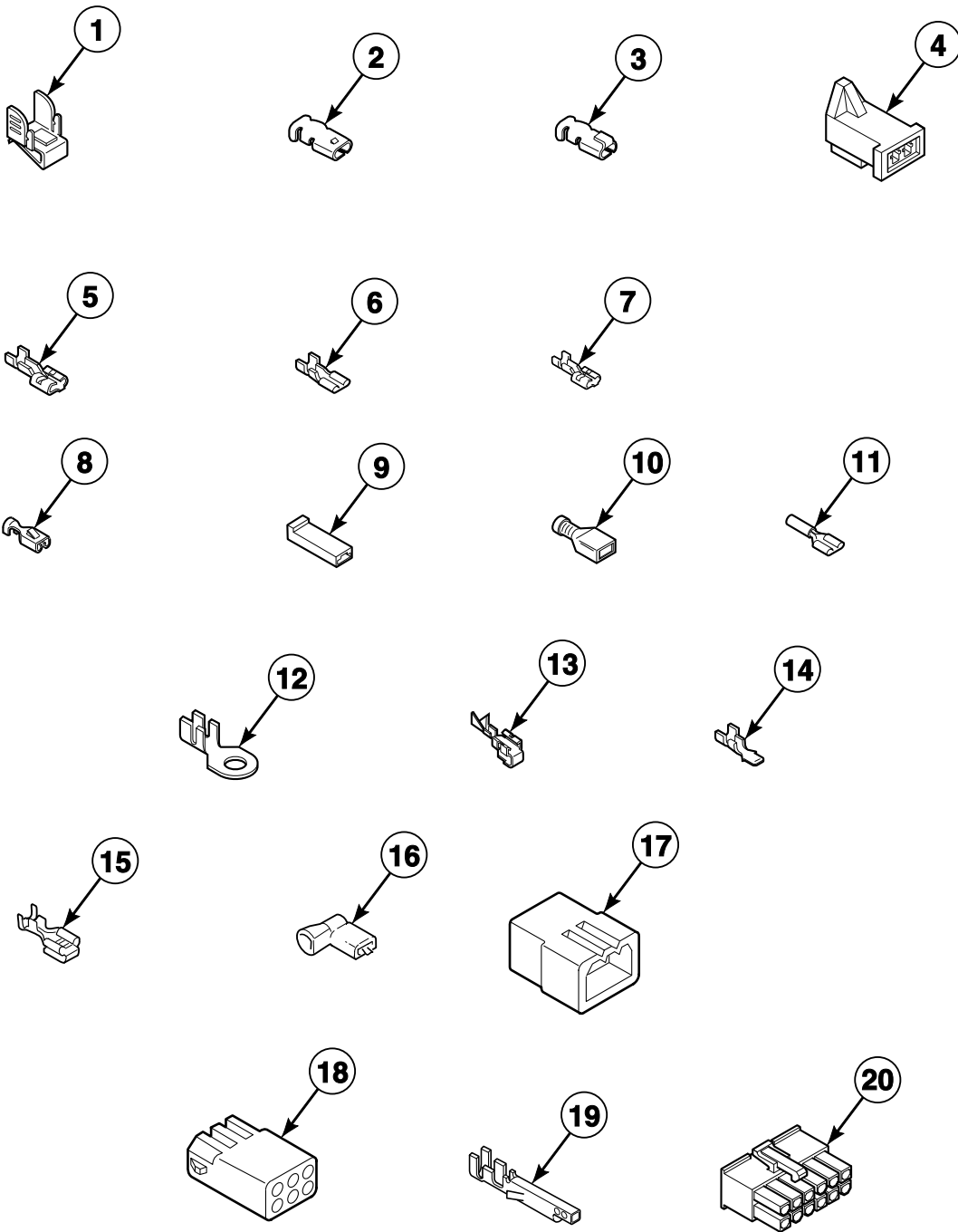


DRY1879P_511996

Power Cord

REF	PART NO.	DESCRIPTION	COMMENTS
1	20530	Screw	
2	38384	Strain Relief	
3	59308	Lead-In Cord	

Terminal Block and Terminals



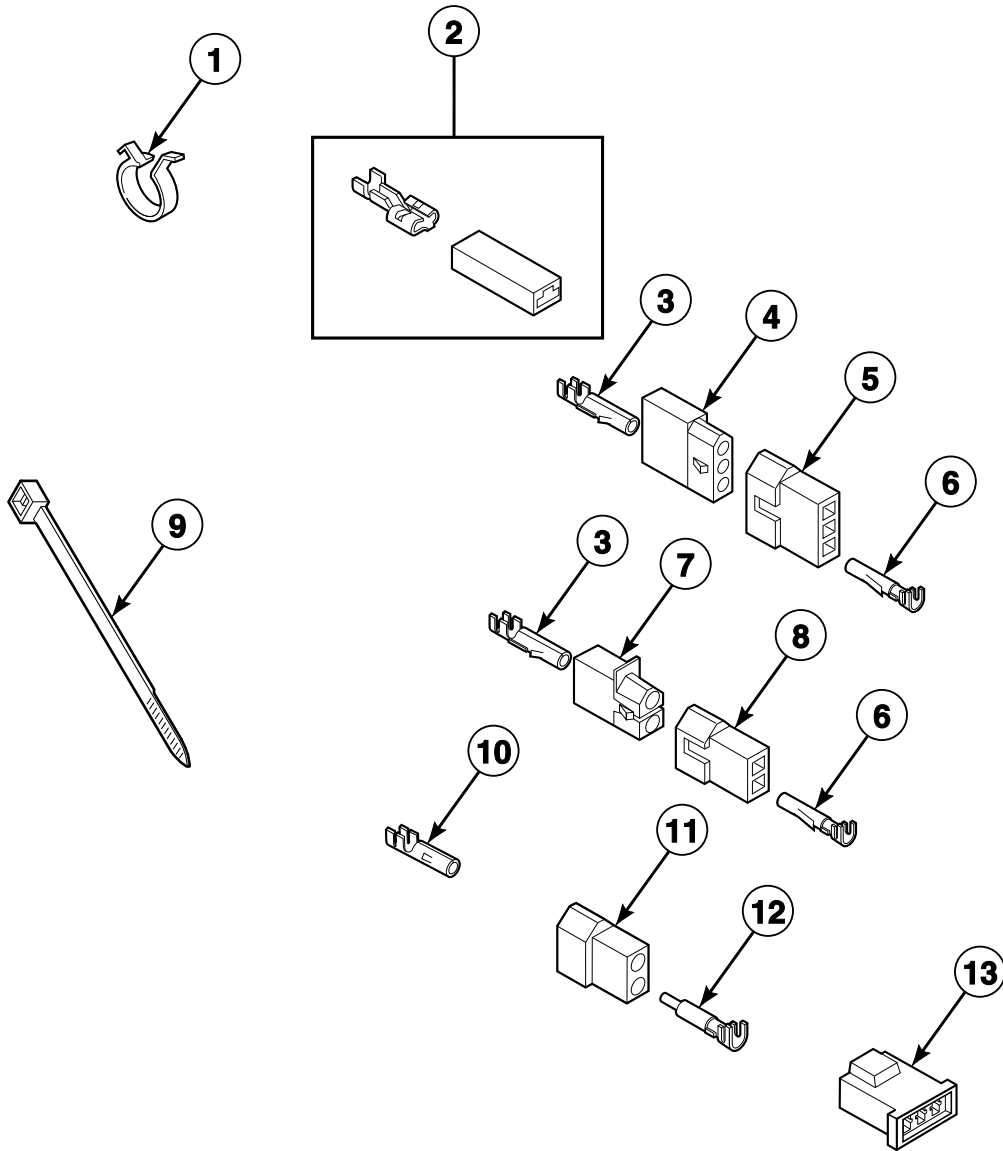
DRY1827P_511996

Terminal Block and Terminals

REF	PART NO.	DESCRIPTION	COMMENTS
1	00161	Grounding Clip	
2	00189	Female Spade Terminal	1/8 inch
3	00361	Female Piggyback Terminal	
4	58799	2 Circuit Connector	
5	00223	Female Spade Terminal	1/4 inch; (1) 18 gauge wire
	00121	Female Spade Terminal	1/4 inch; (2) 18 gauge wires or (1) 12 gauge wire
	00245	Spade Terminal	1/4 inch; (1) 22 gauge wire
6	00124	Female Spade Terminal	3/16 inch; (1) 18 gauge wire; .020 tab
7	N/A	Female Spade Terminal	1/4 inch
8	00115	Female Spade Terminal	1/4 inch; (1) 18 gauge wire
	N/A	Female Spade Terminal	1/4 inch; (2) 18 gauge wires or (1) 12 gauge wire
9	90789	Receptacle Housing	
10	00359	Insulated Female Spade Terminal	1/4 inch
11	N/A	Pre-Insulated Spade Terminal	1/4 inch; (1) 12 gauge wire or (1) 18 gauge wire
12	00110	Ring Terminal	No. 10; (1) 18 gauge wire
13	00114	Female Spade Terminal	1/4 inch; Double connector
14	00139	Male Tab Terminal	1/4 inch; (2) 18 gauge wires or (1) 12 gauge wire
15	00344	Female Tab Terminal	1/4 inch
16	N/A	Flag Insulated Terminal	3/16 inch
17	23033	9 Circuit Plug	
18	26708	6 Circuit Receptacle	
19	00252	Terminal	
20	34596	10 Circuit Receptacle	
	D501333	12 Circuit Receptacle	

N/A = Part no longer available

Terminals

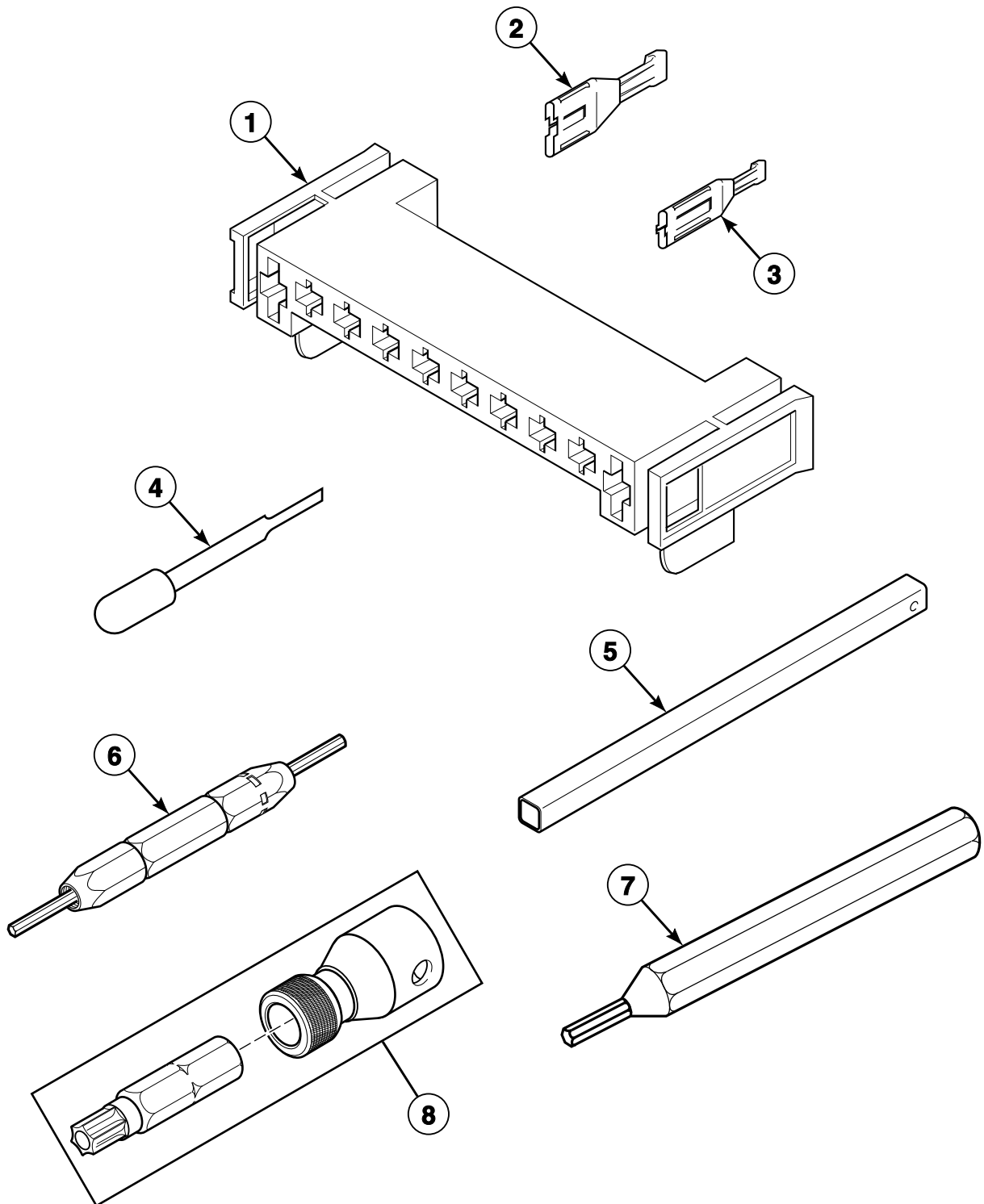


DRY1769P_511996

Terminals

REF	PART NO.	DESCRIPTION	COMMENTS
1	D504034	Wire Clip	11/16 inch
	687500	Wire Clip	1 inch
2	00360	Insulated Female Spade Terminal	(1) 12 gauge wire or (2) 18 gauge wires
3	00117	Female Pin Terminal	
4	23039	3 Circuit Receptacle	
5	23040	Plug	
6	00116	Male Pin Terminal	
7	56451	2 Circuit Receptacle	
8	56448	2 Circuit Plug	
9	55881	Harness Strap	
10	00130	Female Pin Terminal	1/8 inch
11	56266	2 Circuit Plug	
12	00127	Male Pin Terminal	1/8 inch
13	58800	3 Circuit Connector	

Terminals and Terminal Extractor Tools



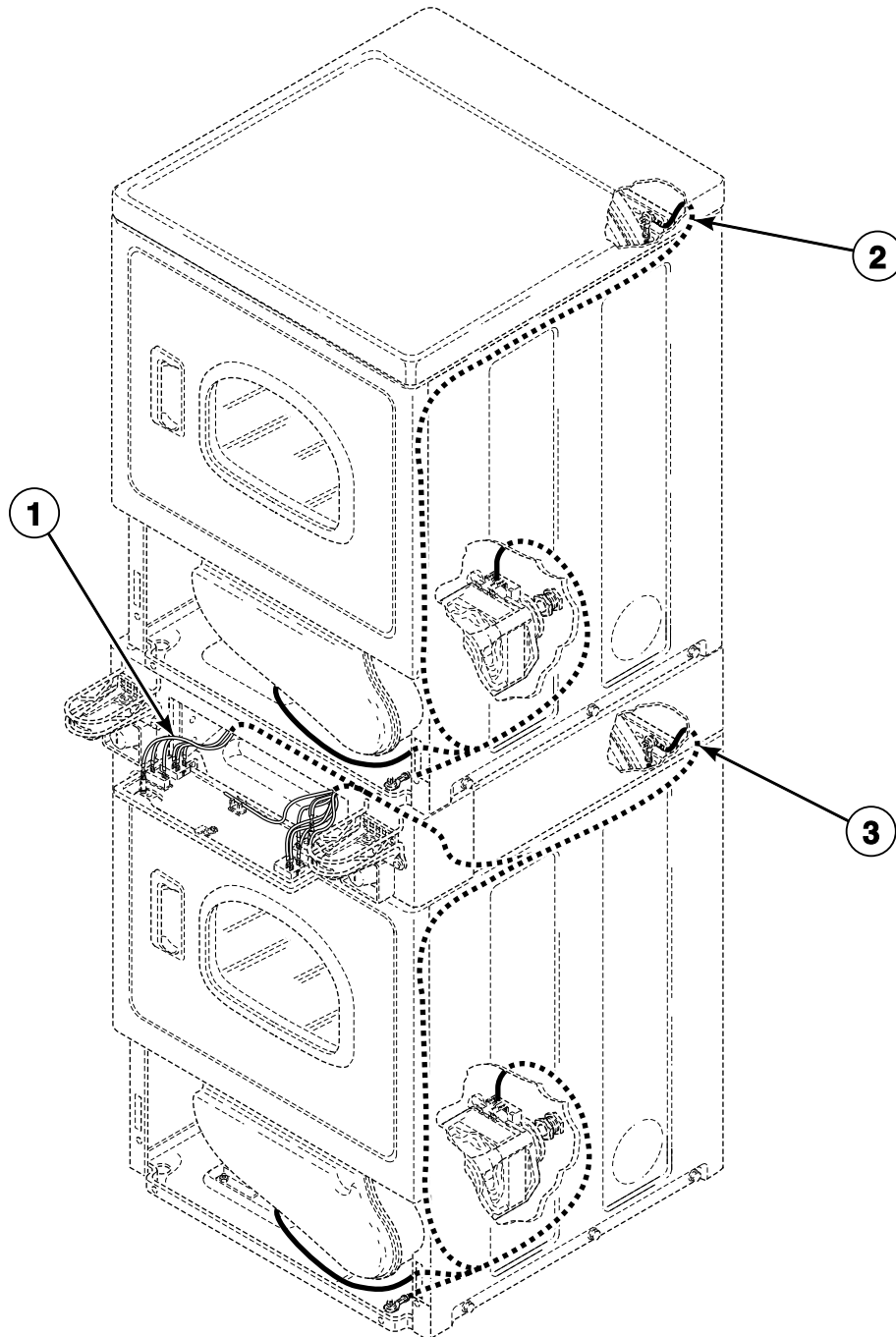
DRY2066P_511996

Terminals and Terminal Extractor Tools

REF	PART NO.	DESCRIPTION	COMMENTS
1	D500338	10 Position Housing	
2	00255	Female Terminal	1/4 inch; (1) 12 gauge wire; Electric models
	00256	Female Terminal	1/4 inch; (1) or (2) 18 gauge wires
3	00188	Female Terminal	For 1 or 2 wire application
4	283P4	Terminal Extractor Tool	For use on Molex connectors
5	310P4	Ratchet Extension Tool	1/4 inch; For coin drop installation
6	190P4	Extractor Tool	For use on electric dryer terminals
7	128P4	Extractor Tool	For use on gas dryer terminals
8	281P4	Torx Bit	T15 Tamper Resistant Bit
	282P4	Torx Bit	Use with 62853 Screw on access panel; T25 Tamper Resistant Bit
	292P4	Torx Bit	T20 Standard Bit
	93501	Torx Drive Tool	T10 Standard Bit

Wire Harnesses and Wires - Nonmetered and Coin Slide Models

Models BSE807*F, BSG809*F, BSG909*F, HSE117*F, HSG119*F, HSG919*F, JSG809*F, JSG909*F, SSE007*F, SSE007*F1500, SSE007*F99H2, SSE107*F, SSE107*F1500, SSE107*F1724, SSE107*F99L6, SSE107*F99L7, SSE117*F, SSE117*F1500, SSE307*F, SSE307*F1500, SSE907*F1724, SSG009*F, SSG109*F, SSG109*F1124, SSG109*F99L6, SSG109*F99L7, SSG119*F, SSG309*F, SSG809*F, SSG909*F, SSG909*F1124, SSG919*F, USE007*F, USG009*F and USG809*F



DRY1912P_511996

Wire Harnesses and Wires - Nonmetered and Coin Slide Models

REF	PART NO.	DESCRIPTION	COMMENTS
	45001	18 Gauge Wire	Black; Order wire by foot; Order terminals and connectors as required
	45380	12 Gauge Wire	Orange; Order wire by foot; Order terminals and connectors as required
1	D510626	Security Cabinet Harness Assembly	Models HSE117*F, SSE107*F, SSE107*F1500, SSE107*F1724, SSE107*F99L6, SSE107*F99L7, SSE117*F and SSE117*F1500
	D510607	Security Cabinet Wire Harness Assembly	Models HSG119*F, SSG109*F, SSG109*F1124, SSG109*F99L6, SSG109*F99L7 and SSG119*F
	D510655P	Security Cabinet Wire Harness Assembly	Models BSG809*F, JSG809*F, SSG009*F, SSG809*F, USG009*F and USG809*F
	D510654P	Security Cabinet Wire Harness Assembly	Models BSE807*F, SSE007*F, SSE007*F1500, SSE007*F99H2 and USE007*F
	D510637P	Harness Replacement Kit	Model SSG309*F
	D510662P	Harness Replacement Kit	Models SSE307*F and SSE307*F1500
	D512142	Wire Harness Assembly	Control; Some models may have a 3/16 inch spade terminal on the coin slide switch; When replacing the harness on these models, the switch mount assembly must also be replaced; All other models
	2	D510417P	Wire Harness Assembly
D510413P		Wire Harness Assembly	Upper; Models BSG809*F, JSG809*F, SSG009*F, SSG809*F, USG009*F and USG809*F
D511792P		Electronic Harness	Upper; Model SSE907*F1724
D511793P		Electronic Harness	Upper; Models BSG909*F, HSG919*F, JSG909*F, SSG909*F, SSG909*F1124 and SSG919*F
D510412P		Wire Harness Assembly	Upper; All other models
3		D510415P	Wire Harness Assembly
	D510419P	Wire Harness Assembly	Lower; Models HSG119*F, SSG109*F, SSG109*F1124, SSG109*F99L6, SSG109*F99L7, SSG119*F and SSG309*F
	N/A	Wire Harness Assembly	Lower; Models SSE007*F, SSE007*F1500, SSE007*F99H2 and USE007*F
	D511794P	Electronic Harness	Lower; Model SSE907*F1724
	D511795P	Electronic Harness	Lower; Models BSG909*F, HSG919*F, JSG909*F, SSG909*F, SSG909*F1124 and SSG919*F
	D512653	Wire Harness Assembly	Models BSG809*F, JSG809*F, SSG809*F and USG809*F
	D512660	Wire Harness Assembly	Model BSE807*F
	D510414P	Wire Harness Assembly	Lower; All other models

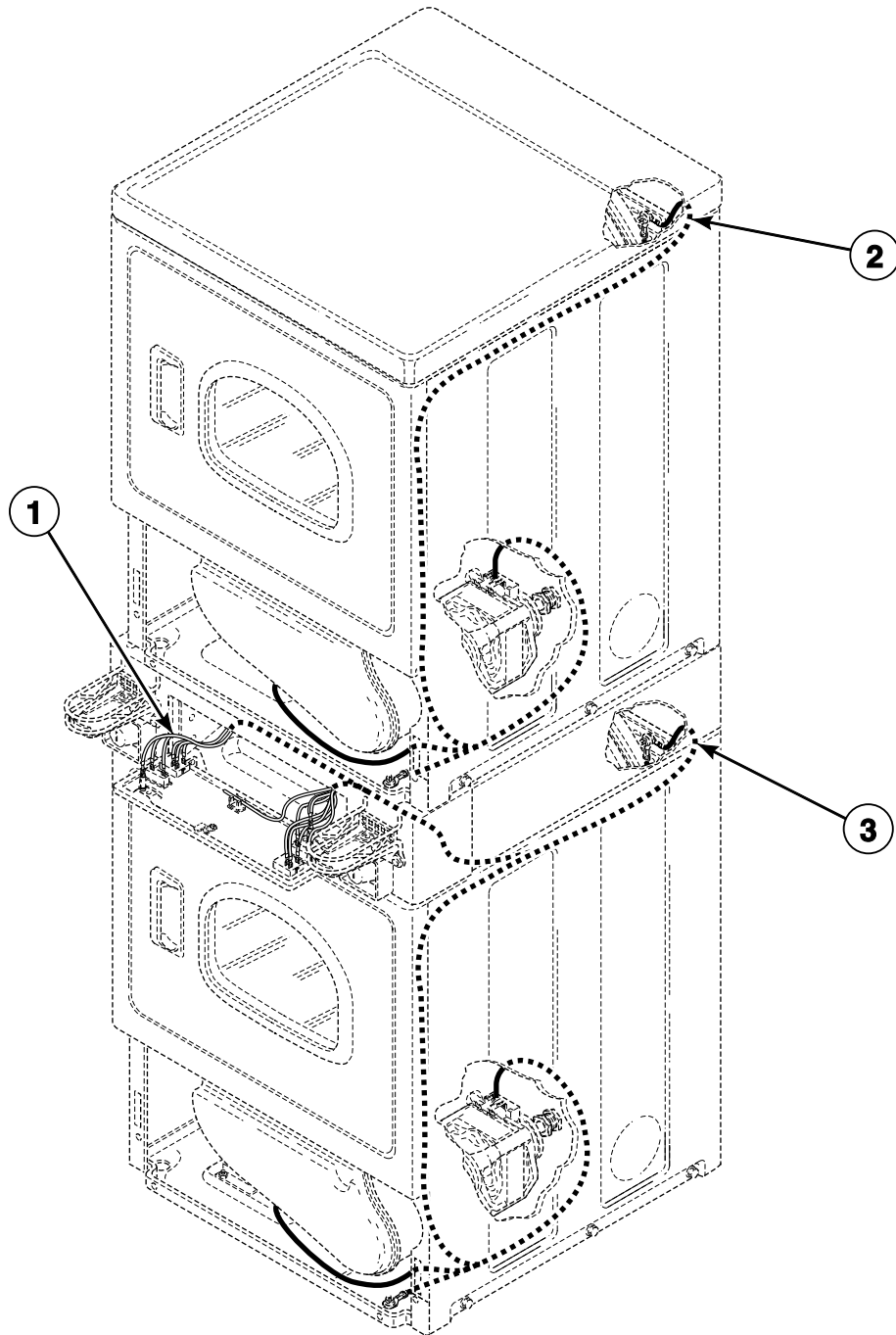
* Add Letter To Designate Color. L - Almond Q - Bisque W - White

N/A = Part no longer available

NOTE: Individual wires are not available separately. Order complete harness, or order wire by the foot. When applying terminals to wires, it is recommended that the terminals be soldered to the wires.

Wire Harnesses and Wires - Nonmetered and Coin Slide Models Through Serial No. 1303025314

Models BSE907*F, HSE917*F, JSE807*F, JSE907*F, SSE807*F, SSE807*F1500, SSE907*F,
SSE907*F1500, SSE917*F and USE807*F



DRY1912P_511996

Wire Harnesses and Wires - Nonmetered and Coin Slide Models Through Serial No. 1303025314

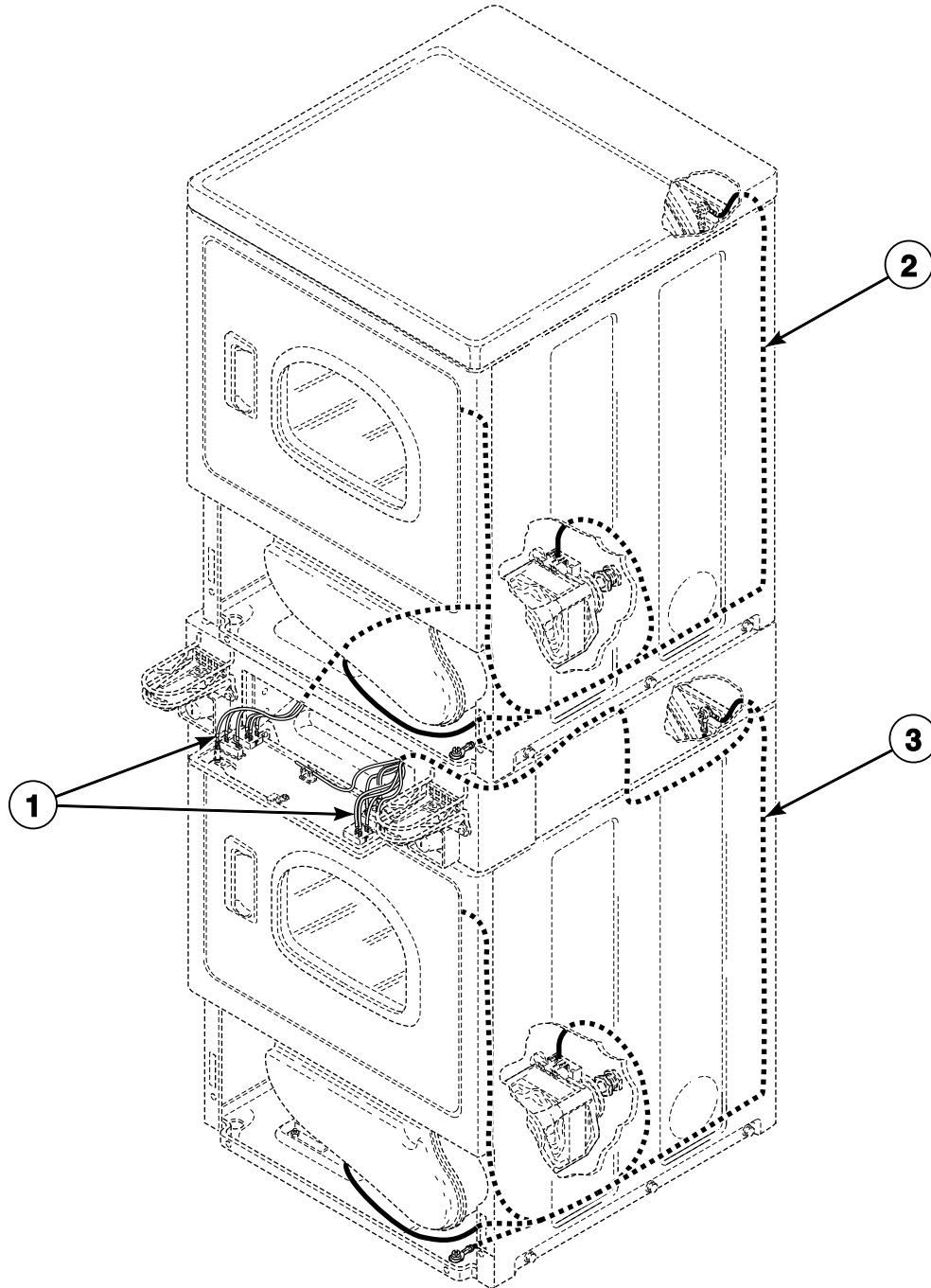
REF	PART NO.	DESCRIPTION	COMMENTS
	45001	18 Gauge Wire	Black; Order wire by foot; Order terminals and connectors as required
	45380	12 Gauge Wire	Orange; Order wire by foot; Order terminals and connectors as required
1	D510654P	Security Cabinet Wire Harness Assembly	Models JSE807*F, SSE807*F, SSE807*F1500 and USE807*F
	D512142	Wire Harness Assembly	Control; Some models may have a 3/16 inch spade terminal on the coin slide switch; When replacing the harness on these models, the switch mount assembly must also be replaced; All other models
2	D511792P	Electronic Harness	Upper; Models BSE907*F, HSE917*F, JSE907*F, SSE907*F, SSE907*F1500 and SSE917*F
	D510412P	Wire Harness Assembly	Upper; All other models
3	D511794P	Electronic Harness	Lower; Models BSE907*F, HSE917*F, JSE907*F, SSE907*F, SSE907*F1500 and SSE917*F
	D512660	Wire Harness Assembly	Models JSE807*F, SSE807*F, SSE807*F1500 and USE807*F

* Add Letter To Designate Color. L - Almond Q - Bisque W - White

NOTE: Individual wires are not available separately. Order complete harness, or order wire by the foot. When applying terminals to wires, it is recommended that the terminals be soldered to the wires.

Wire Harnesses and Wires - Nonmetered and Coin Slide Models Starting Serial No. 1303025315

Models BSE907*F, HSE917*F, JSE807*F, JSE907*F, SSE807*F, SSE807*F1500, SSE907*F,
SSE907*F1500, SSE917*F and USE807*F



DRY2287P_511996

Wire Harnesses and Wires - Nonmetered and Coin Slide Models Starting Serial No. 1303025315

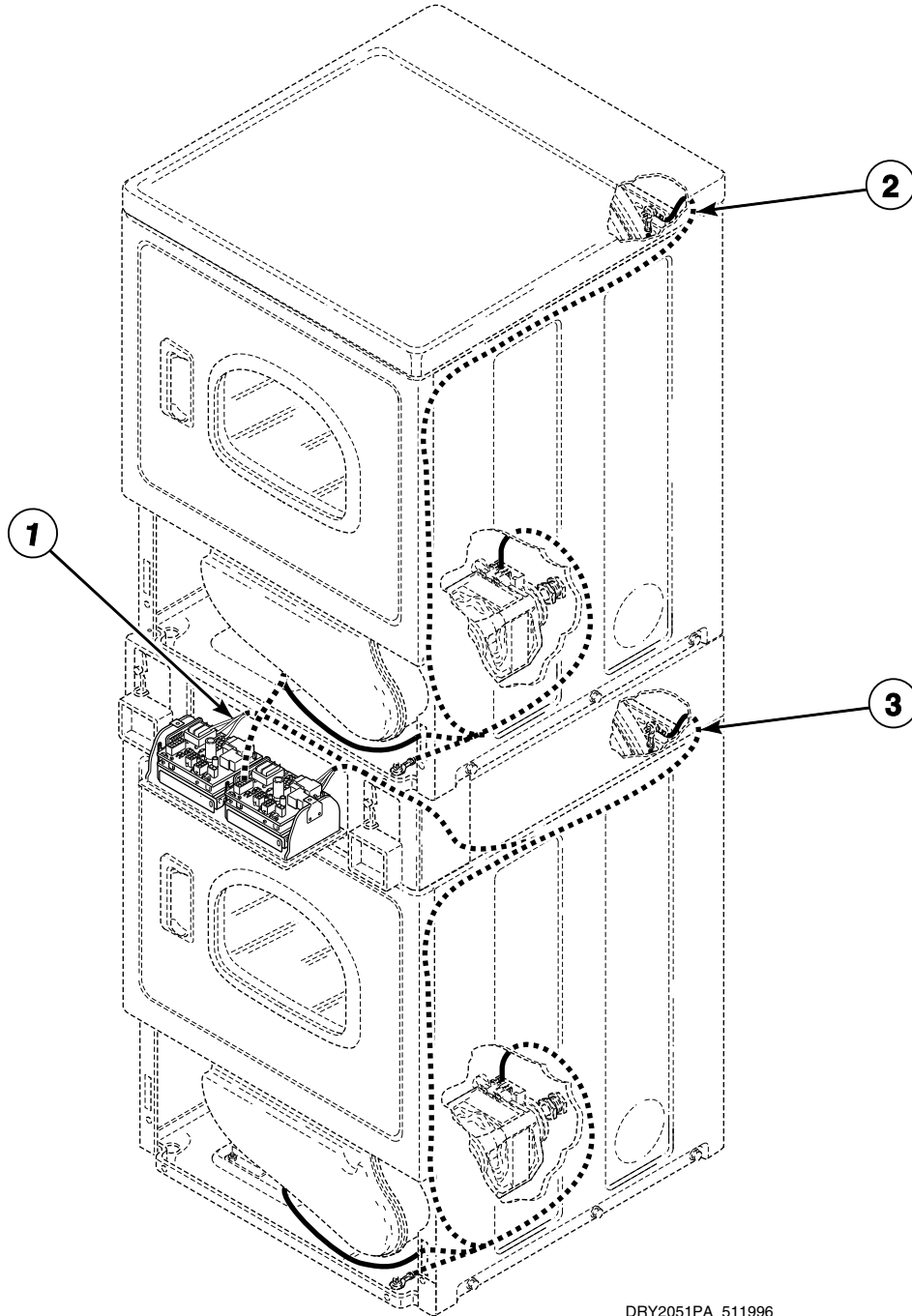
REF	PART NO.	DESCRIPTION	COMMENTS
	45001	18 Gauge Wire	Black; Order wire by foot; Order terminals and connectors as required
	45380	12 Gauge Wire	Orange; Order wire by foot; Order terminals and connectors as required
1	D510654P	Security Cabinet Wire Harness Assembly	Models JSE807*F, SSE807*F, SSE807*F1500 and USE807*F
	D512142	Wire Harness Assembly	Control; Some models may have a 3/16 inch spade terminal on the coin slide switch; When replacing the harness on these models, the switch mount assembly must also be replaced; All other models
2	D514094	Electronic Harness	Upper; Models BSE907*F, HSE917*F, JSE907*F, SSE907*F, SSE907*F1500 and SSE917*F
	D513836	Harness Assembly	Upper; All other models
3	D514096	Electronic Harness	Lower; Models BSE907*F, HSE917*F, JSE907*F, SSE907*F, SSE907*F1500 and SSE917*F
	D513838	Wire Harness Assembly	Models JSE807*F, SSE807*F, SSE807*F1500 and USE807*F

* Add Letter To Designate Color. L - Almond Q - Bisque W - White

NOTE: Individual wires are not available separately. Order complete harness, or order wire by the foot. When applying terminals to wires, it is recommended that the terminals be soldered to the wires.

Wire Harnesses - Coin Drop and Card Reader Models

Models HSEB17*J1500, HSEB17*J99L1, HSEB17*J99L2, HSEZ17*F, HSEZ17*F1500, HSGB19*J99L1, HSGZ19*F, SSE417*F, SSE507*F, SSE507*F1500, SSE517*F, SSE517*F1500, SSE607*F, SSE617*F, SSE707*F, SSE717*F, SSEA17*J, SSEB07*J, SSEB07*J1500, SSEB17*J, SSEB17*J1500, SSEC07*J, SSEF07*J, SSEF17*J, SSEH07*J, SSEH07*J1500, SSEZ07*F, SSEZ07*F1500, SSEZ17*F, SSEZ17*F1500, SSG419*F, SSG509*F, SSG519*F, SSG609*F, SSG619*F, SSG709*F, SSG719*F, SSGA19*J, SSGB09*J, SSGB19*J, SSGC09*J, SSGF09*J, SSGF19*J, SSGH09*J, SSGZ09*F and SSGZ19*F



DRY2051PA_511996

Wire Harnesses - Coin Drop and Card Reader Models

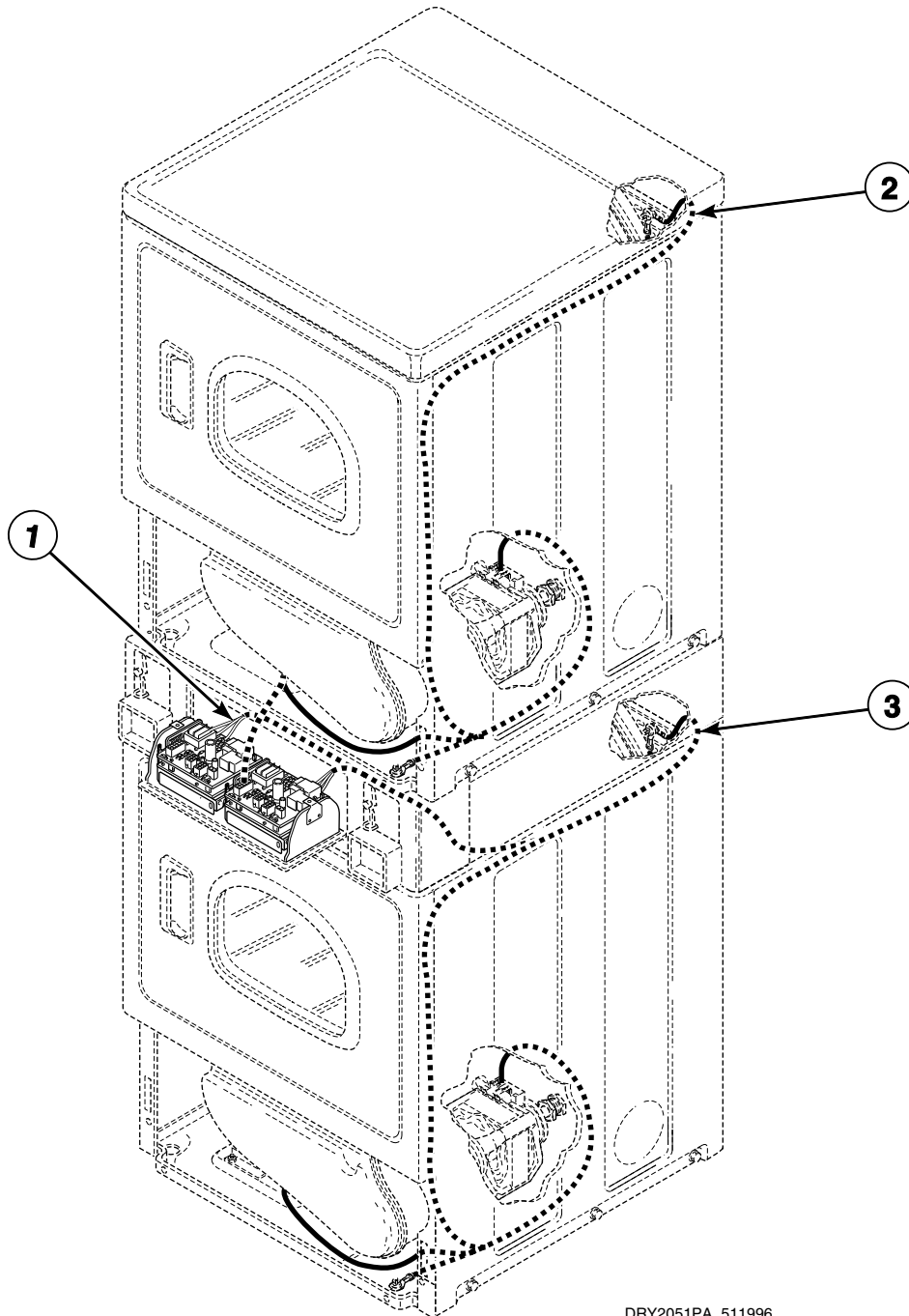
REF	PART NO.	DESCRIPTION	COMMENTS
	45001	18 Gauge Wire	Black; Order wire by foot; Order terminals and connectors as required
	45380	12 Gauge Wire	Orange; Order wire by foot; Order terminals and connectors as required
1	D501378P	Security Cabinet Harness Assembly	Models SSE417*F, SSE507*F, SSE507*F1500, SSE517*F, SSE517*F1500, SSE607*F, SSE617*F, SSE707*F and SSE717*F
	D501374P	Security Cabinet Harness Assembly	Models SSG419*F, SSG509*F, SSG519*F, SSG609*F, SSG619*F, SSG709*F and SSG719*F
	D510497P	Security Cabinet Wire Harness Assembly	Models HSGB19*J99L1, HSGZ19*F, SSGA19*J, SSGB09*J, SSGB19*J, SSGC09*J, SSGF09*J, SSGF19*J, SSGH09*J, SSGZ09*F and SSGZ19*F
	D510496P	Wire Harness	Security cabinet; Models HSEB17*J1500, HSEB17*J99L1, HSEB17*J99L2, HSEZ17*F, HSEZ17*F1500, SSEA17*J, SSEB07*J, SSEB07*J1500, SSEB17*J, SSEB17*J1500, SSEC07*J, SSEF07*J, SSEF17*J, SSEH07*J, SSEH07*J1500, SSEZ07*F, SSEZ07*F1500, SSEZ17*F and SSEZ17*F1500
2	D510408P	Upper Wire Harness Assembly	Models HSEB17*J1500, HSEB17*J99L1, HSEB17*J99L2, HSEZ17*F, HSEZ17*F1500, SSE417*F, SSE507*F, SSE507*F1500, SSE517*F, SSE517*F1500, SSE607*F, SSE617*F, SSE707*F, SSE717*F, SSEA17*J, SSEB07*J, SSEB07*J1500, SSEB17*J, SSEB17*J1500, SSEC07*J, SSEF07*J, SSEF17*J, SSEH07*J, SSEH07*J1500, SSEZ07*F, SSEZ07*F1500, SSEZ17*F and SSEZ17*F1500
	D510409P	Wire Harness Assembly	Upper; Models HSGB19*J99L1, HSGZ19*F, SSG419*F, SSG509*F, SSG519*F, SSG609*F, SSG619*F, SSG709*F, SSG719*F, SSGA19*J, SSGB09*J, SSGB19*J, SSGC09*J, SSGF09*J, SSGF19*J, SSGH09*J, SSGZ09*F and SSGZ19*F
3	D510411P	Wire Harness Assembly	Lower; Models SSG419*F, SSG509*F, SSG519*F, SSG609*F, SSG619*F, SSG709*F and SSG719*F
	D510487P	Wire Harness Assembly	Lower; Models HSGB19*J99L1, HSGZ19*F, SSGA19*J, SSGB09*J, SSGB19*J, SSGC09*J, SSGF09*J, SSGF19*J, SSGH09*J, SSGZ09*F and SSGZ19*F
	D510410P	Wire Harness Assembly	Lower; Models SSE417*F, SSE507*F, SSE507*F1500, SSE517*F, SSE517*F1500, SSE607*F, SSE617*F, SSE707*F and SSE717*F
	D510488P	Wire Harness Assembly	Lower; Models HSEB17*J1500, HSEB17*J99L1, HSEB17*J99L2, HSEZ17*F, HSEZ17*F1500, SSEA17*J, SSEB07*J, SSEB07*J1500, SSEB17*J, SSEB17*J1500, SSEC07*J, SSEF07*J, SSEF17*J, SSEH07*J, SSEH07*J1500, SSEZ07*F, SSEZ07*F1500, SSEZ17*F and SSEZ17*F1500

* Add Letter To Designate Color. L - Almond Q - Bisque W - White

NOTE: Individual wires are not available separately. Order complete harness, or order wire by the foot. When applying terminals to wires, it is recommended that the terminals be soldered to the wires.

Wires and Wire Harnesses - Coin Drop and Card Reader Models Through Serial No. 0904

Models BSEBCFGS171TW01, BSEBYFGS171TW01, BSGBCFGS111TW01, BSGBYFGS111TW01,
HSET17*F, HSET17*F1500, HSEY17*F, HSEY17*F1500, HSGT19*F, HSGY19*F, SSET07*F,
SSET07*F1500, SSET17*F, SSET17*F1500, SSEX07*F, SSEX07*F1500, SSEY07*F, SSEY07*F1500,
SSEY17*F, SSGT09*F, SSGT19*F, SSGX09*F, SSGX19*F, SSGY09*F and SSGY19*F



DRY2051PA_511996

Wires and Wire Harnesses - Coin Drop and Card Reader Models Through Serial No. 0904

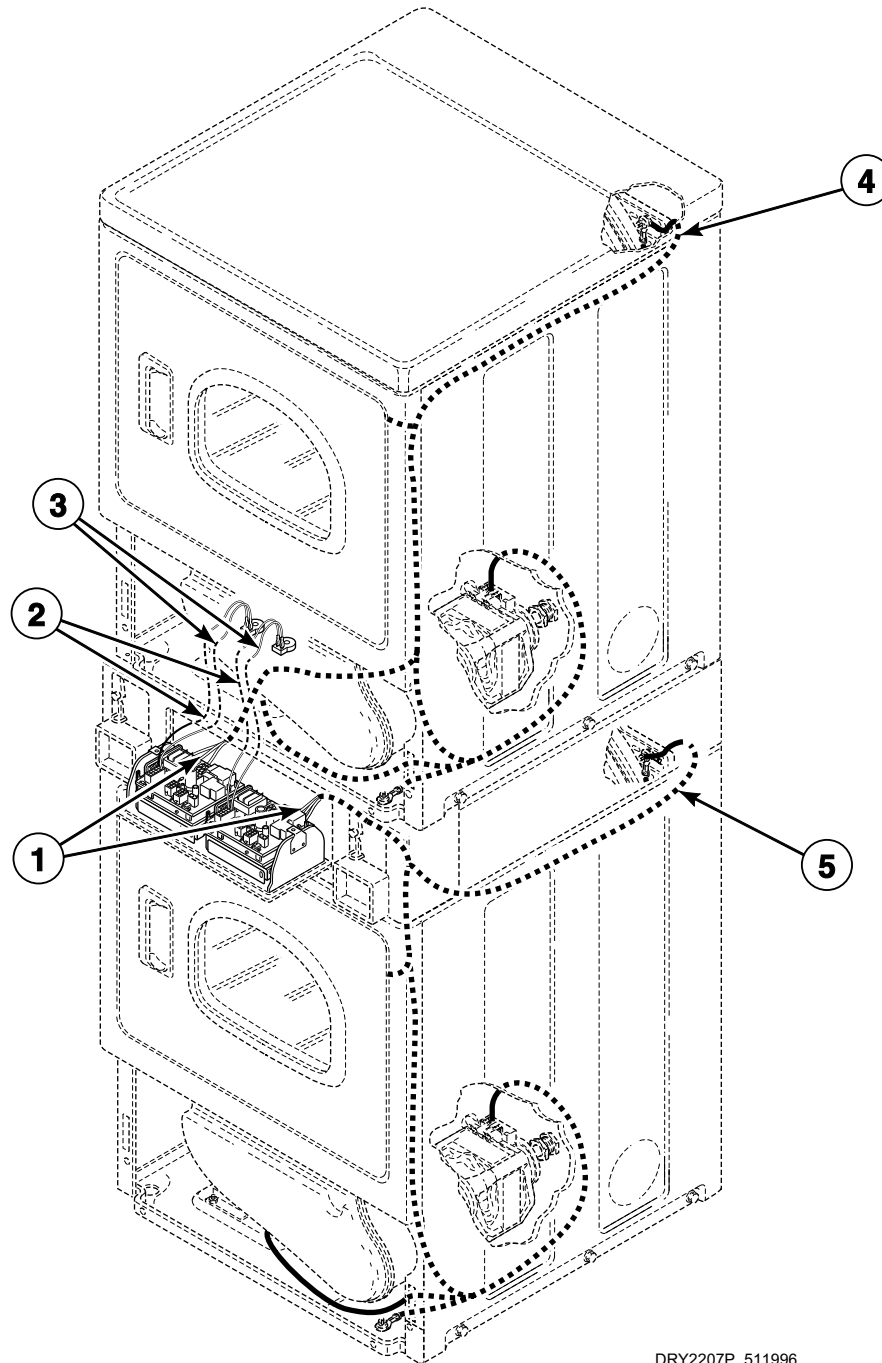
REF	PART NO.	DESCRIPTION	COMMENTS
	45001	18 Gauge Wire	Black; Order wire by the foot; Order terminals and connectors as required
	45380	12 Gauge Wire	Orange; Order wire by the foot; Order terminals and connectors as required
1	D510497P	Security Cabinet Wire Harness Assembly	Models BSGBCFGS111TW01, BSGBYFGS111TW01, HSGT19*F, HSGY19*F, SSGT09*F, SSGT19*F, SSGX09*F, SSGX19*F, SSGY09*F and SSGY19*F
	D510496P	Wire Harness	Security cabinet; Models BSEBCFGS171TW01, BSEBYFGS171TW01, HSET17*F, HSET17*F1500, HSEY17*F, HSEY17*F1500, SSET07*F, SSET07*F1500, SSET17*F, SSET17*F1500, SSEX07*F, SSEX07*F1500, SSEY07*F, SSEY07*F1500 and SSEY17*F
2	D510408P	Upper Wire Harness Assembly	Models BSEBCFGS171TW01, BSEBYFGS171TW01, HSET17*F, HSET17*F1500, HSEY17*F, HSEY17*F1500, SSET07*F, SSET07*F1500, SSET17*F, SSET17*F1500, SSEX07*F, SSEX07*F1500, SSEY07*F, SSEY07*F1500 and SSEY17*F
	D510409P	Wire Harness Assembly	Upper; Models BSGBCFGS111TW01, BSGBYFGS111TW01, HSGT19*F, HSGY19*F, SSGT09*F, SSGT19*F, SSGX09*F, SSGX19*F, SSGY09*F and SSGY19*F
3	D510487P	Wire Harness Assembly	Lower; Models BSGBCFGS111TW01, BSGBYFGS111TW01, HSGT19*F, HSGY19*F, SSGT09*F, SSGT19*F, SSGX09*F, SSGX19*F, SSGY09*F and SSGY19*F
	D510488P	Wire Harness Assembly	Lower; Models BSEBCFGS171TW01, BSEBYFGS171TW01, HSET17*F, HSET17*F1500, HSEY17*F, HSEY17*F1500, SSET07*F, SSET07*F1500, SSET17*F, SSET17*F1500, SSEX07*F, SSEX07*F1500, SSEY07*F, SSEY07*F1500 and SSEY17*F

* Add Letter To Designate Color. L - Almond Q - Bisque W - White

NOTE: Individual wires are not available separately. Order complete harness, or order wire by the foot. When applying terminals to wires, it is recommended that the terminals be soldered to the wires.

Wire Harnesses and Wires - Coin Drop and Card Reader Models Starting Serial No. 0904

Models BSGBCFGS111TW01, BSGBYFGS111TW01, HSET17*F1500, HSEY17*F1500, HSGT19*F, HSGY19*F, SSEX07*F1500, SSGT09*F, SSGT19*F, SSGX09*F, SSGX19*F, SSGY09*F and SSGY19*F



DRY2207P_511996

Wire Harnesses and Wires - Coin Drop and Card Reader Models Starting Serial No. 0904

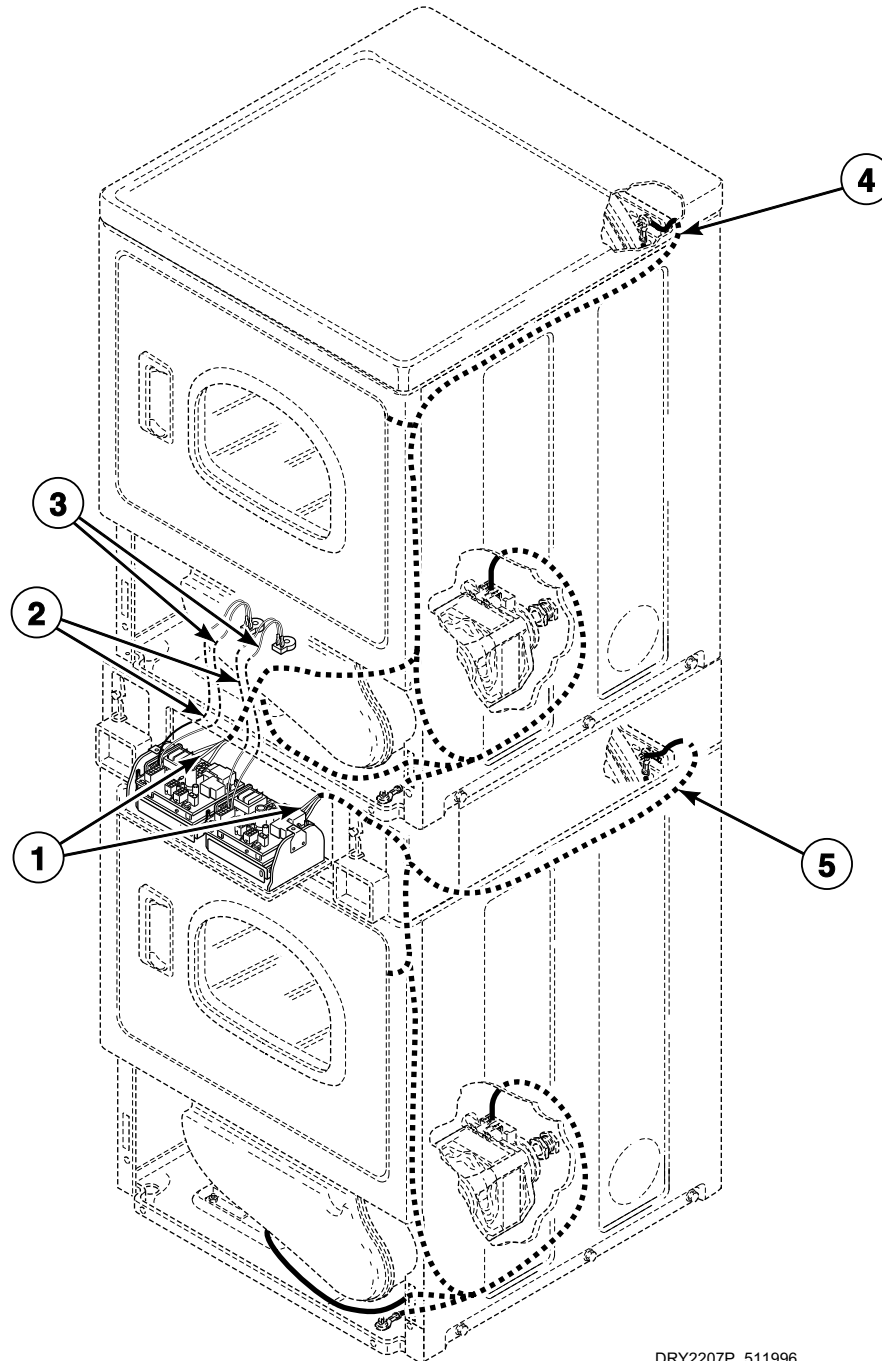
REF	PART NO.	DESCRIPTION	COMMENTS
	45001	18 Gauge Wire	Black; Order wire by foot; Order terminals and connectors as required
	45380	12 Gauge Wire	Orange; Order wire by foot; Order terminals and connectors as required
1	D512422P	Wire Harness Assembly	2 required
2	D512273P	Wire Configuration Assembly	All models except BSGBYFGS111TW01
3	D512275P	Wire Configuration Assembly	
4	D511792P	Electronic Harness	Upper; Models HSET17*F1500, HSEY17*F1500 and SSEX07*F1500
	D511793P	Electronic Harness	Upper; All other models
5	D511794P	Electronic Harness	Lower; Models HSET17*F1500, HSEY17*F1500 and SSEX07*F1500
	D511795P	Electronic Harness	Lower; All other models

* Add Letter To Designate Color. L - Almond Q - Bisque W - White

NOTE: Individual wires are not available separately. Order complete harness, or order wire by the foot. When applying terminals to wires, it is recommended that the terminals be soldered to the wires.

Wire Harnesses and Wires - Coin Drop and Card Reader Models Starting Serial No. 0904 and Continuing Through Serial No. 1303025314

Models BSEBCFGS171TW01, BSEBYFGS171TW01, HSET17*F, HSEY17*F, SSET07*F, SSET07*F1500,
SSET17*F, SSET17*F1500, SSEX07*F, SSEY07*F, SSEY07*F1500 and SSEY17*F



DRY2207P_511996

Wire Harnesses and Wires - Coin Drop and Card Reader Models Starting Serial No. 0904 and Continuing Through Serial No. 1303025314

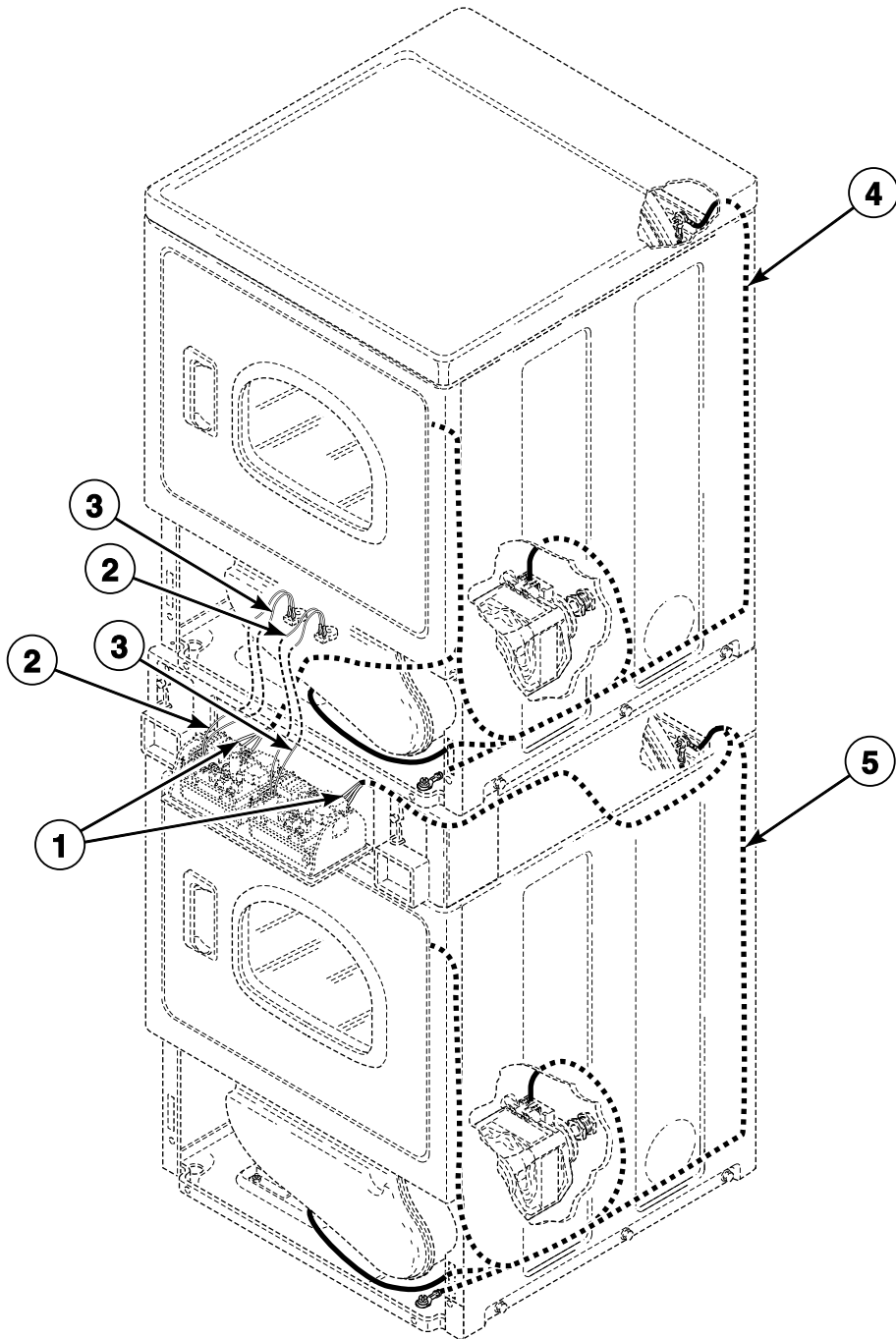
REF	PART NO.	DESCRIPTION	COMMENTS
	45001	18 Gauge Wire	Black; Order wire by foot; Order terminals and connectors as required
	45380	12 Gauge Wire	Orange; Order wire by foot; Order terminals and connectors as required
1	D512422P	Wire Harness Assembly	2 required
2	D512273P	Wire Configuration Assembly	All models except BSEBYFGS171TW01
3	D512275P	Wire Configuration Assembly	
4	D511792P	Electronic Harness	Upper
5	D511794P	Electronic Harness	Lower

* Add Letter To Designate Color. L - Almond Q - Bisque W - White

NOTE: Individual wires are not available separately. Order complete harness, or order wire by the foot. When applying terminals to wires, it is recommended that the terminals be soldered to the wires.

Wire Harnesses and Wires - Coin Drop and Card Reader Models Starting Serial No. 1303025315

Models BSEBCFGS171TW01, BSEBYFGS171TW01, HSET17*F, HSEY17*F, SSET07*F, SSET07*F1500, SSET17*F, SSET17*F1500, SSEX07*F, SSEY07*F, SSEY07*F1500 and SSEY17*F



DRY2288P_511996

Wire Harnesses and Wires - Coin Drop and Card Reader Models Starting Serial No. 1303025315

REF	PART NO.	DESCRIPTION	COMMENTS
	45001	18 Gauge Wire	Black; Order wire by foot; Order terminals and connectors as required
	45380	12 Gauge Wire	Orange; Order wire by foot; Order terminals and connectors as required
1	D512422P	Wire Harness Assembly	2 required
2	D512273P	Wire Configuration Assembly	All models except BSEBCFGS171TW01 and BSEBYFGS171TW01
3	D512275P	Wire Configuration Assembly	
4	D514094	Electronic Harness	Upper
5	D514096	Electronic Harness	Lower

* Add Letter To Designate Color. L - Almond Q - Bisque W - White

NOTE: Individual wires are not available separately. Order complete harness, or order wire by the foot. When applying terminals to wires, it is recommended that the terminals be soldered to the wires.

Parts Index

A

Access Panel	
D510069LP	35
Access Panel and Guard Assembly	
D514252Q	35
Access Panel Assembly	
D514250Q	35
D514250WP	35
Access Panel Plate	
D510903	51
Accumulator Replacement Kit	
D510628P	27
D510630P	27
Adhesive	
D511637P	39, 43
Air Duct Assembly	
D510151W	41
D515805LG	41
Anti-Seize Compound	
27604P	37
Audit Switch Bracket	
800379	13, 15
800380	13, 15

B

Blower and Fan Kit	
D510717P	37
Blower Fan Assembly	
D510139P	37
Blower Housing	
D511969WP	37
Blower Housing Seal	
D510238P	37
Bolt	
D512505	23
29651	7, 9, 29
Booster and Holding Coil	
58804A	49
Bracket	
803662	11
Bumper Pad	
56128	51
Burner Assembly	
D510149P	49

C

Cabinet Rear Panel	
D510005P	51
Cabinet Side Panel	
D510001LP	51
D510001QP	51
D510001WP	51
D510002LP	51
D510002QP	51
D510002WP	51

Card Insert Overlay	
D511544	25
D511548	25
Card Reader	
D512473	23
Card Reader and Bracket Assembly	
D510068P	25
Card Reader Bracket	
D510045	25
Card Reader Instruction Overlay	
38192	23
Card Reader Kit	
875P3	23
Card Reader Overlay	
800230	25
Card Reader Wire Harness Assembly	
800125P	25
Clip	
201572	21
Coin Drop	
38963P	19
70441601P	19
Coin Drop Assembly	
38462P	19
38463	19
38464P	19
38475	19
Coin Drop Kit	
CK077	19
Coin Drop Wire Harness	
201104	21
Coin Funnel Kit	
523P3	7, 9
Coin Identification Paper	
38725	21
Coin Meter Drive	
M400754	27
Coin Slide Extension	
D503455	7
Coin Slide Extension Kit	
D514228	11
Coin Slide Guard	
58181	7, 9
Combustion Duct	
D510131	47
D510132	47
Communication Board	
210097	13
Communication Connector	
210099	13
Connector, 2 Circuit	
58799	55
Connector, 3 Circuit	
58800	57
Control Assembly	
D511867P	13, 15
D513139P	9
Control Kit	
D505905P	13, 15
M414050P	13, 15

N/A items do not appear in index.

Control Panel and Bracket Assembly	
D500228L	5, 7, 9
D500228Q	5, 7, 9
D500228W	5, 7, 9
D510076Q	13
D510076W	13
510076Q	15
510076W	15
Counter Kit	
62113P	7
Cylinder Assembly	
D510159WP	39
D510265LGP	39
D510265WP	39
Cylinder Baffle	
D510102LG	39
D510102W	39
Cylinder Belt	
D511255P	37
Cylinder Glide	
D513710	39
Cylinder Glide Bracket	
D510145	39
Cylinder Roller	
D510708P	43
Cylinder Roller Bracket	
D510100	43
Cylinder Seal Assembly	
D510207P	39, 43

D

Damper	
58786	51
Directional Exhaust Kit	
528P3	51
Door and Liner Assembly	
D511636QP	33
Door Assembly	
D516510WP	31
D516737Q	33
D516737W	33
Door Catch Assembly	
D510177	35
Door Handle Wedge	
D510129W	31, 33
Door Liner Grill	
D503870LG	33
D503870W	33
Door Pull and Wedge Kit	
D510103LP	31, 33
D510103QP	31, 33
D510103WP	31, 33
Door Strike	
D510181	31, 33
Door Strike Mount	
D510127	31, 33
Door Switch Bracket	
38087	17
Dryer Base	
D514245	51
Dryer Door	
D510013LP	31

D510013QP	31
D510013WP	31
D510082LP	33
D510082QP	33
D510082WP	33
Dryer Door Window	
D503982P	33

E

Elbow Shut-Off Valve	
D510205	49
Electric Clearance Label	
D511005	51
Electronic Coin Drop Kit	
CK115	21
Electronic Harness	
D511792P	61, 63, 71, 73
D511793P	61, 71
D511794P	61, 63, 71, 73
D511795P	61, 71
D514094	65, 75
D514096	65, 75
Exhaust Duct	
D516196	51
Extractor Tool	
128P4	59
190P4	59

F

Fabric Selector Switch	
61512	5, 7
Felt Pad	
D510189	39
Female Piggyback Terminal	
00361	55
Female Pin Terminal	
00117	57
00130	57
Female Spade Terminal	
00114	55
00115	55
00121	55
00124	55
00189	55
00223	55
Female Tab Terminal	
00344	55
Female Terminal	
00188	59
00255	59
00256	59
Flexible Venting Kit	
521P3	51
Front Bulkhead Assembly	
D510266P	39
D511033WP	39
Front Panel	
D510066LP	35
D510066QP	35
D510066WP	35

N/A items do not appear in index.

Front Panel Assembly D513781WP	35
Front Panel Seal D511056	35

G

Gas Clearance Label D511004	51
Gas Valve Assembly 60353P	49
Gas Valve Mounting Bracket D510128	49
Glide Kit RB170003	39
Graphic Overlay D504117	13, 15
D504590	5, 7
D510064	15
D510074	13, 15
Grounding Clip 00161	55

H

Harness D512501	23
Harness Assembly D513836	65
802905	19, 21
Harness Replacement Kit D510534P	7
D510637P	61
D510662P	7, 61
Harness Strap 55881	57
Heat Duct Shroud D510101	47
Heater D510325P	45
Heater Assembly D510329P	45
Heater Duct Assembly D510025P	45, 47
Heater Kit 964P3	45
Heater Kit Assembly 61928	45
Hinge D511036	29, 31, 33
Hinge Hole Plug D510186	35
Hold Down Kit 526P3	51
Housing, 10 Position D500338	59

I

Idler Lever D516310	37
Idler Lever and Wheel Assembly D516792	37
Idler Spring D510185	37
Idler Wheel and Bearing Assembly D510142P	37
Igniter and Bracket Assembly D510184P	49
Instructions for Use Label D500498	35
Insulated Female Spade Terminal 00359	55
00360	57

K

Key 54612	5, 7, 9, 13, 15
--------------------	-----------------

L

Lead-In Cord 59308	53
Lead-In Pipe Assembly D510204	49
Leveling Leg D510135	51
Light 32464	5, 7
801431	9
Limit Thermostat D510701	45
D510702	47
Liner and Seal Assembly D510098W	33
Liner Door Seal D510147P	31, 33
Liner, Seal and Grill Assembly D510163WP	31
Lint Filter D503980LG	41
D503980W	41
Lock Cam 27261	5, 7, 9, 13, 15
Lock Kit 27260P	5, 7, 9, 13, 15
L.P. Conversion Kit 458P3	49

M

Male Pin Terminal 00116	57
00127	57

N/A items do not appear in index.

Male Tab Terminal 00139	55
Meter Case Wire Harness Kit 39955P	19
Motor and Pulley Assembly D511629P	37
Motor Hub Ring Kit 590P3	37
Motor Mount D510060	37
Motor Mount Clamp D510180	37
Motor Pulley D500011	37
Mounting Tool Kit CK096	21

N

Network Board 210157P	13
Network Board Assembly 210016P	13
Network Cable Wire Harness Assembly 800216	13
Network Wire Harness Assembly 800217	13
Nut	
201216	21
24205	5, 7, 9
28447	43
29786	19
29796	7, 9
36020	29
44071201	33
44087201	29
52566	37
52947	5, 7, 9
56156	37, 43
80077	7, 17
N.G. Conversion Kit 459P3	49

O

Opto Coupler 200674P	19
Outlet Cover D500820	45, 47
Overlay	
D502927	5
D505381	7
D511428	13, 15
D511430	13, 15
D512493	5, 9
D512494	9
D512678	5, 9
D512928	5, 9
D514275	13, 15

P

Panel Locator 56079	35, 51
PC Board Standoff 210098	13
Plug	
23040	57
Plug, 2 Circuit	
56266	57
56448	57
Plug, 9 Circuit 23033	55
Porcelain Touch-Up Paint	
122P4P	51
215P4P	51
370P4P	51
Power Supply D512496	23
Programming Card D512499P	23

R

Ratchet Extension Tool 310P4	59
Ratchet Wheel 53239	27
Rear Bulkhead Assembly	
D510905WP	43
D511082P	43
Receptacle Housing 90789	55
Receptacle, 10 Circuit 34596	55
Receptacle, 12 Circuit D501333	55
Receptacle, 2 Circuit 56451	57
Receptacle, 3 Circuit 23039	57
Receptacle, 6 Circuit 26708	55
Resistor 210100	13, 15
Retaining Ring 23748	37, 43
Ring Terminal 00110	55
Roller Kit RB170002	43
Rubber Foot D501855	51

S

Screw	
D500226	31, 33, 39
D500824	37
D501285	41, 43
D501524	13, 15

N/A items do not appear in index.

D502431	5, 7, 9, 17, 23, 25
D502535	37
D503661	13
D503688	5, 7, 9, 13, 15, 17, 23, 25, 29, 35, 37, 39, 43, 45, 47, 49, 51
D505870	33
03203	7
20530	53
23008	29
23222	45, 49
27328	5, 9
28448	43
31260	37
33562	7, 9, 35
36048	29
39733	35, 51
51782	9, 47, 49
52864	39
56124	49
61199	43
62588	39
62853	35
Seal Kit	
RB170001	39, 43
Secondary Coil	
58804B	49
Security Cabinet Front	
D500225LP	5
D500225QP	5
D500225WP	5
Security Cabinet Front Assembly	
D503428W	23
D505227W	23, 25
D511208L	25
D511208Q	25
D511208W	25
D511522LP	7, 9
D511522QP	7, 9
D511522WP	7, 9
D511632L	17
D511632Q	17
D511632WP	17
Security Cabinet Harness Assembly	
D501374P	67
D501378P	67
D510626	61
Security Cabinet Wire Harness Assembly	
D510497P	67, 69
D510607	61
D510654P	61, 63, 65
D510655P	61
Sensor	
D510213	49
Shaft	
56461P	37, 43
Shield	
56751	7
Single Overlay	
38717	17
Slide Extension Kit	
201915	9
Spade Terminal	
00245	55
Speed Clip	
28835	35

Spring	
53261	27
Strain Relief	
38384	53
Switch	
D512973	13, 15, 17, 35
D514105	11
201952	9
Switch Assembly	
55882	5, 7, 9
Switch Knob	
39897	5, 7, 9
Switch Mount Assembly	
201917P	9

T

Temperature Selector Switch	
D511711	9
Terminal	
00252	55
Terminal Block Assembly	
D510190P	43
Terminal Block Shield	
D510237	43
Terminal Extractor Tool	
283P4	59
Thermal Fuse Assembly	
D511412	45
Thermistor Assembly	
D510523	37
Thermostat	
D504515	37
D510703	47
D512005	37
Timer	
D510524P	5
Timer Bracket	
D503017	7
Timer Knob	
54678	5
Timer Motor	
D512017P	27
Timer Overlay	
D500814	5
Timing Cam	
53240	27
53241	27
53242	27
53243	27
Top Hinge	
D510136	51
Top Kit	
D510032LP	29
D510032QP	29
D510032WP	29
Top Mounting Bracket	
D504228	29
Torx Bit	
281P4	59
282P4	59
292P4	59

N/A items do not appear in index.

Torx Drive Tool	
93501	59
Transformer	
201375P	13, 15, 21
201587P	9
210018P	13, 15
803527P	13, 15

Wire, 18 Gauge	
45001	61, 63, 65, 67, 69, 71, 73, 75
Wrapper and Channel Assembly	
D505753QP	5, 7, 9, 17, 23, 25
D505753WP	5, 7, 9, 17, 23, 25

U

Upper Wire Harness Assembly	
D510408P	67, 69

W

Warning/Caution Label	
D500281	35
Washer	
D504082	43
03815	9
25820	5, 7, 9
28449	43
52549	37, 43
91176	5, 7, 9
Window Clip	
D513958	33
Window Trim	
D503981L	33
D503981Q	33
D503981W	33
D513960Q	33
Wire Assembly	
D510527	45
D510528	45
Wire Clip	
D504034	57
687500	57
Wire Configuration Assembly	
D512273P	71, 73, 75
D512275P	71, 73, 75
Wire Guard	
201595P	19
Wire Harness	
D510496P	67, 69
Wire Harness Assembly	
D510409P	67, 69
D510410P	67
D510411P	67
D510412P	61, 63
D510413P	61
D510414P	61
D510415P	61
D510417P	61
D510419P	61
D510487P	67, 69
D510488P	67, 69
D512142	61, 63, 65
D512422P	71, 73, 75
D512653	61
D512660	61, 63
D513838	65
Wire, 12 Gauge	
45380	61, 63, 65, 67, 69, 71, 73, 75

N/A items do not appear in index.