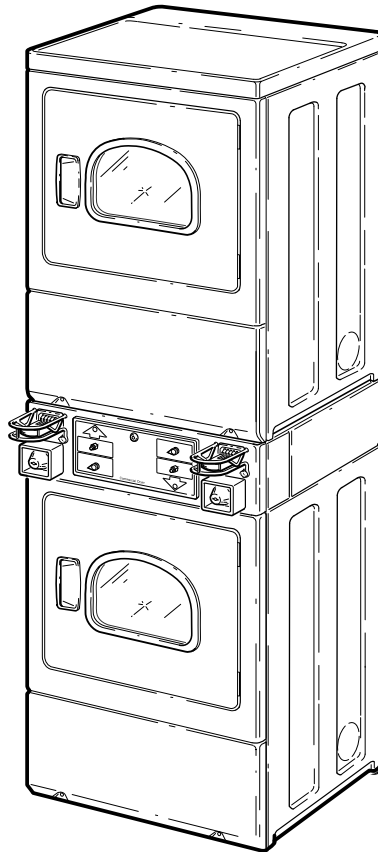


Commercial Dryers

Metered and Nonmetered
Refer to Page 5 for Model Numbers



D009C_512026

Table of Contents

Title	Page
Parts Ordering Information.....	3
Serial Plate Location	3
Model Identification	5
Control Panel and Controls - Nonmetered.....	6
Control and Control Panel - Coin Slide Models	8
Control Panel and Controls - Coin Slide Ready Models	10
Control Panel and Controls - Coin Drop and Card Models (Drawing 1 of 2).....	12
Control Panel and Controls - Coin Drop and Card Models (Drawing 2 of 2).....	14
Non-Electronic Coin Drop - Coin Drop Models	16
Electronic Coin Drop - Coin Drop Models	18
Control Cabinet Controls - Coin Drop Models.....	20
Card Reader - Card Reader Ready and Installed Models	22
Integrated Card Reader Installed and Ready - All Netmaster Integrated Card Reader Models	24
Control Cabinet - Non-Vend Models	26
Accumulator - Coin Slide Ready Models	28
Loading Door without Window	30
Loading Door with Window (Drawing 1 of 2).....	32
Loading Door with Window (Drawing 2 of 2).....	34
Access Panel, Front Panel and Seal	36
Front Panel Assembly	38
Motor, Exhaust Fan and Belt	40
Thermostat and Thermistor.....	42
Front Bulkhead, Air Duct, Felt Seal and Cylinder	44
Rear Bulkhead, Felt Seal, Cylinder Roller and Terminal Block.....	46
Heater Duct and Element Assembly - Electric Model Dryers.....	48
Heater Duct Assembly - Gas Model Dryers	50
Gas Valve, Igniter and Gas Conversion Kits.....	52
Gas Valve, Igniter, Ignition Control and Gas Conversion Kits.....	54
Cabinet and Exhaust Duct	56
Base	58
Cabinet Top	60
Power Cord	62
Terminal Block and Terminals	64
Terminals	66
Terminals and Terminal Extractor Tools	68
Wire Harnesses and Wires - Nonmetered and Coin Slide Models Through Serial No. 1401 (Drawing 1 of 2).....	70
Wire Harnesses and Wires - Nonmetered and Coin Slide Models Through Serial No. 1401 (Drawing 2 of 2).....	72
Wire Harnesses and Wires - Nonmetered and Coin Slide Models Starting Serial No. 1401 (Drawing 1 of 2).....	74
Wire Harnesses and Wires - Nonmetered and Coin Slide Models Starting Serial No. 1401 (Drawing 2 of 2).....	76
Wire Harnesses and Wires - Model NSE917*F3022 Through Serial No. 1303025314	78
Wire Harnesses and Wires - Model NSE917*F3022 Starting Serial No. 1303025315	80

© Copyright 2019, Alliance Laundry Systems LLC

All rights reserved. No part of the contents of this book may be reproduced or transmitted in any form or by any means without the expressed written consent of the publisher.

Wire Harnesses and Wires - Coin Drop and Card Reader Models	82
Wire Harnesses and Wires Through Serial No. 1401	84
Wire Harnesses and Wires Starting Serial No. 1401	86
Wire Harnesses and Wires - Coin Drop Card Reader Models Through Serial No. 0904.....	88
Wire Harnesses and Wires - Coin Drop Card Reader Models Through Serial No. 1401.....	90
Wire Harnesses and Wires - Coin Drop, Card Reader and OPL Models Starting Serial No. 0904 and Continuing Through Serial No. 1401	92
Wire Harnesses and Wires - Coin Drop, Card Reader and OPL Models Starting Serial No. 0904 and Continuing Through Serial No. 1303025314	94
Wire Harnesses and Wires - Coin Drop, Card Reader and OPL Models Starting Serial No. 1303025315	96
Parts Index.....	99

Parts Ordering Information

If literature or replacement parts are required, contact the source from whom the machine was purchased or contact Alliance Laundry Systems at (920) 748-3950 for the name and address of the nearest authorized parts distributor.

For technical assistance, call the number listed below:

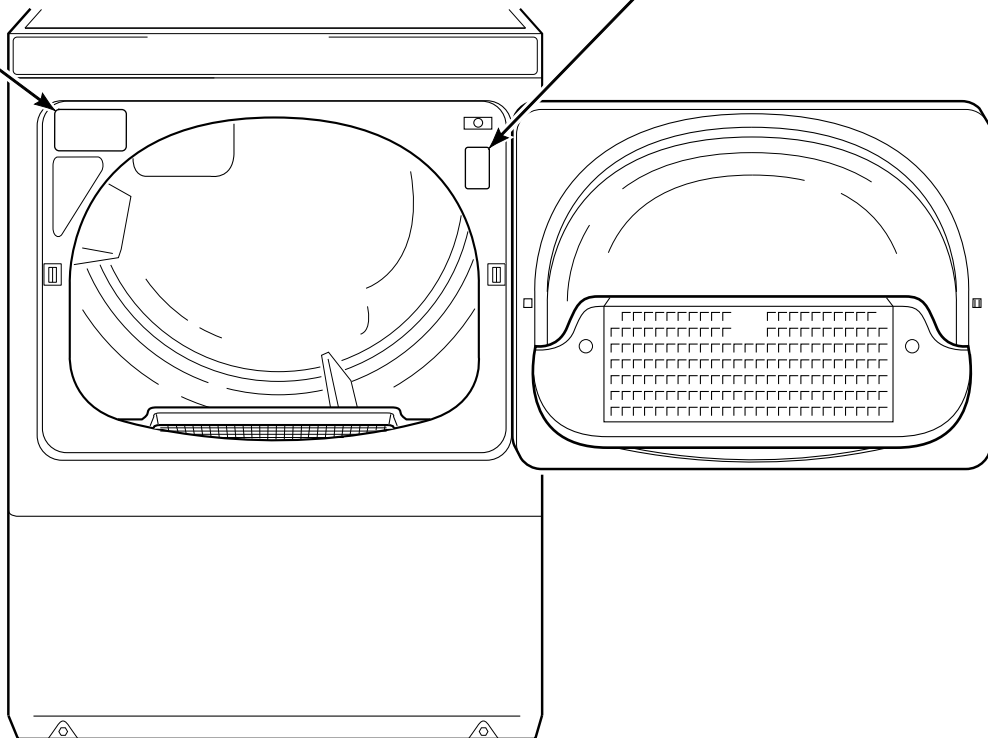
(920) 748-3121 Ripon, Wisconsin

Serial Plate Location

When calling or writing about your product, be sure to mention model and serial numbers. Model and serial numbers are located on serial plate(s) as shown.

SERIAL PLATE
(Models starting Serial No. 1206025810)

SERIAL PLATE
(Models through Serial No. 1206025809)



DRY2283P_512026

Model Identification

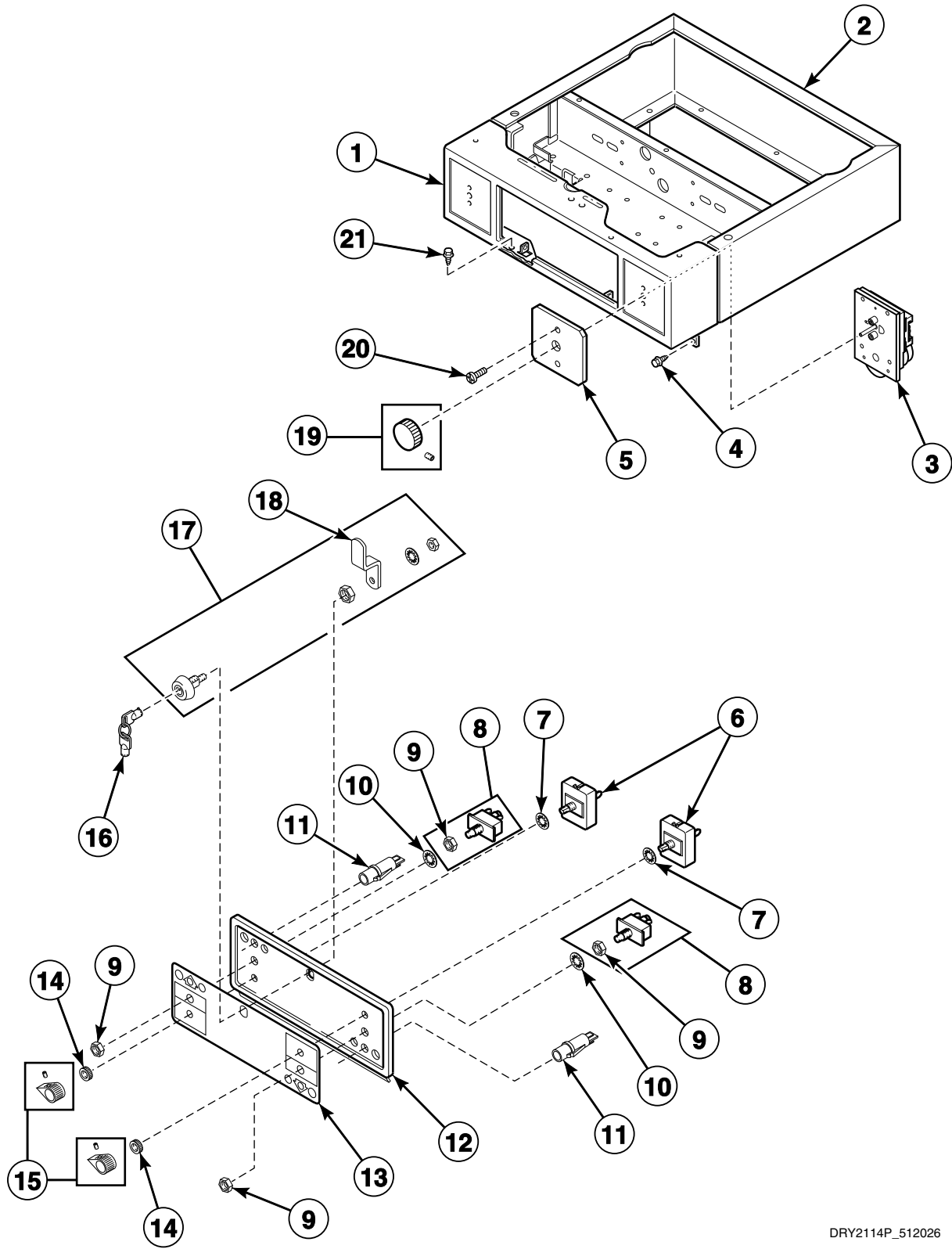
Information in this manual is applicable to these dryer models:

BSGBXFGW301AW01	HSG119*F0902	SSE007*F3000	SSG109*M3013
HSE117*F2802	HSG519*F0902	SSE007*F4350	SSG119*F3000
HSE117*F2902	HSG719*F0902	SSE107*G3018	SSG119*F3058
HSE517*F2802	HSG919*F0902	SSE117*F3000	SSG119*F3060
HSE517*F2902	HSGB19*J0902	SSE117*F4350	SSG119*F5412
HSE717*F2802	HSGBXFGW121DW01	SSE117*F5412	SSG119*F5480
HSE717*F2902	HSGBXFGW541DW01	SSE117*G3018	SSG119*M3013
HSE917*F2802	HSGF19*J0902	SSE417*F3000	SSG419*F3000
HSE917*F2902	HSGR19*F0902	SSE417*F4350	SSG419*F3058
HSEB17*J2802	HSGT19*F0902	SSE807*F3000	SSG909*M3013
HSEB17*J2902	HSGX19*F0902	SSE807*F4350	SSG919*F3028
HSEBXFGW131DW01	HSGY19*F0902	SSE807*G3018	SSG919*F3060
HSEBXFGW171FW28	HSGZ19*F0902	SSE907*G3018	SSGBXFGW121DW01
HSEBXFGW541DW01	JSE807*F4350	SSE917*F3000	SSGBXFGW541DW01
HSEF17*J2802	JSE907*F4350	SSE917*F4350	SSGF19*J3060
HSEF17*J2902	JSEBEFGW301EW01	SSEA07*G3018	SSGX09*M3013
HSER17*F2802	JSEBGF301EW01	SSEBXFGW131DW01	SSGX19*F3060
HSER17*F2902	JSG809*F3060	SSEBXFGW541DW01	USE017*F5412
HSET17*F2802	JSG909*F3060	SSEF17*J4350	USG019*F5412
HSET17*F2902	JSGBEFGW301EW01	SSEX07*G3018	
HSEX17*F2802	JSGBGF301EW01		
HSEX17*F2902	NSE817*F5422		
HSEY17*F2802	NSE917*F3022		
HSEY17*F2902	NSE917*F5422		
HSEY17*F99N2	NSEBXFGW301NW22		
HSEZ17*F2802	NSG919*F3022		
HSEZ17*F2902	NSGBXFGW301NW22		

* Add Letter To Designate Color. L - Almond Q - Bisque W - White

Control Panel and Controls - Nonmetered

Models JSE807*F4350, JSG809*F3060, NSE817*F5422, SSE007*F3000, SSE007*F4350, SSE807*F3000, SSE807*F4350, SSE807*G3018, USE017*F5412 and USG019*F5412



DRY2114P_512026

Control Panel and Controls - Nonmetered

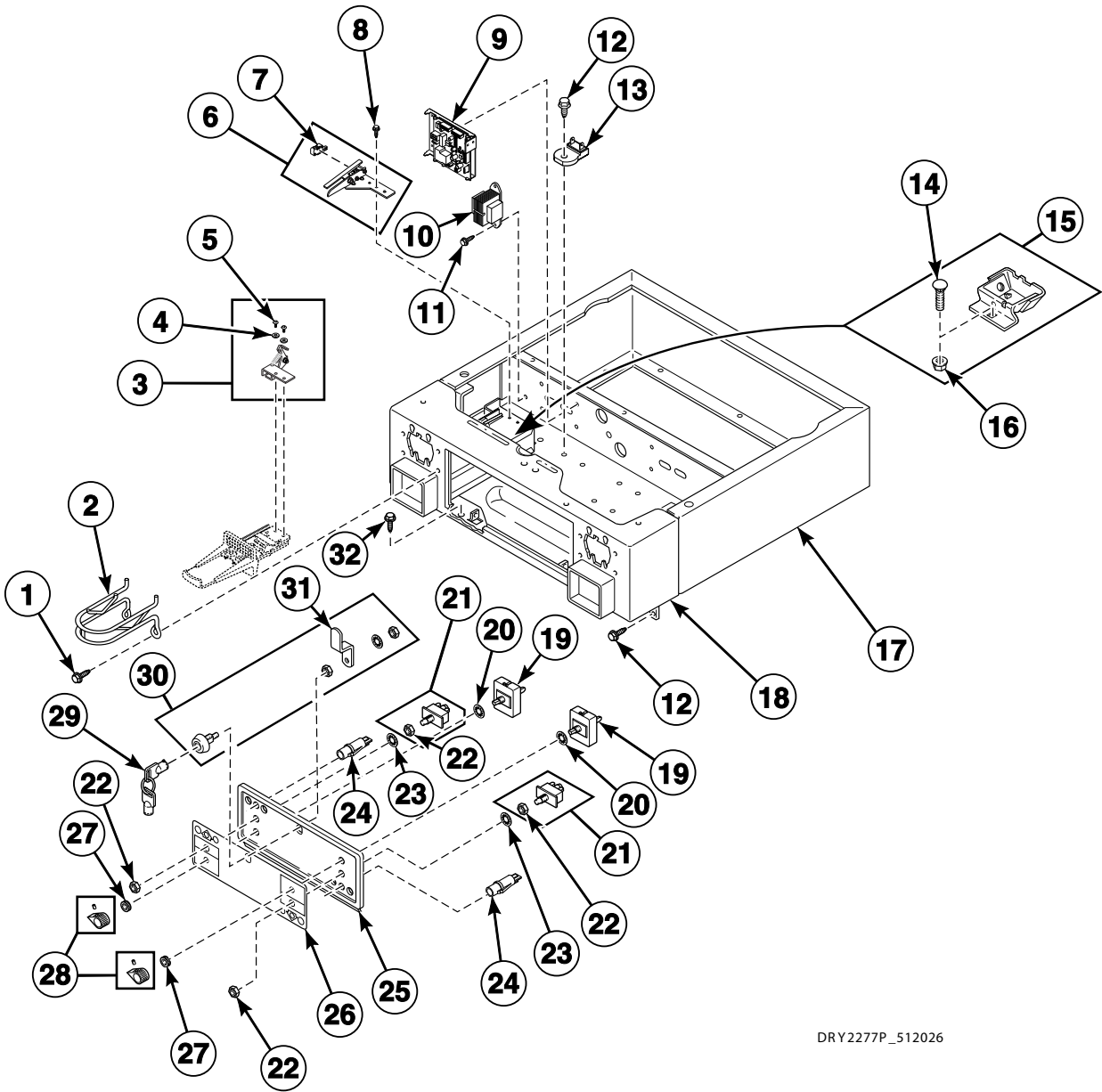
REF	PART NO.	DESCRIPTION	COMMENTS
1	D500225WP	Security Cabinet Front	White
	D500225LP	Security Cabinet Front	Almond
	D500225QP	Security Cabinet Front	Bisque
2	D505753WP	Wrapper and Channel Assembly	White
	N/A	Wrapper and Channel Assembly	Almond
	D505753QP	Wrapper and Channel Assembly	Bisque
3	D511985P	Timer	240 Volt/60 Hertz; Models NSE817*F5422, USE017*F5412 and USG019*F5412
	D510525P	Timer	240 Volt/50 Hertz; Models JSE807*F4350, JSG809*F3060, SSE007*F3000, SSE007*F4350, SSE807*F3000, SSE807*F4350 and SSE807*G3018
4	D503688	Screw	
5	D500814	Timer Overlay	
6	61512	Fabric Selector Switch	
7	91176	Washer	
8	55882	Switch Assembly	Includes item 9
9	52947	Nut	
10	25820	Washer	
11	32464	Light	120 Volt
	32519	Light	240 Volt
12	D500228W	Control Panel and Bracket Assembly	White
	D500228L	Control Panel and Bracket Assembly	Almond
	D500228Q	Control Panel and Bracket Assembly	Bisque
13	D504590	Graphic Overlay	Models SSE007*F3000 and SSE007*F4350
	D502927	Overlay	Models USE017*F5412 and USG019*F5412
	D512678	Overlay	Models JSE807*F4350 and JSG809*F3060
	D512493	Overlay	Models SSE807*F3000, SSE807*F4350 and SSE807*G3018
	D513147	Control Overlay	Model NSE817*F5422
14	24205	Nut	
15	39897	Switch Knob	
16	54612	Key	800
17	27260P	Lock Kit	Includes item 18
18	27261	Lock Cam	
19	54678	Timer Knob	
20	27328	Screw	
21	D502431	Screw	

* Add Letter To Designate Color. L - Almond Q - Bisque W - White

N/A = Part no longer available

Control and Control Panel - Coin Slide Models

Models HSE917*F2802, HSE917*F2902, HSG919*F0902, JSE907*F4350,
JSG909*F3060, NSE917*F3022, NSE917*F5422, NSG919*F3022, SSE907*G3018,
SSE917*F3000, SSE917*F4350, SSG909*M3013, SSG919*F3028 and SSG919*F3060



DRY2277P_512026

Control and Control Panel - Coin Slide Models

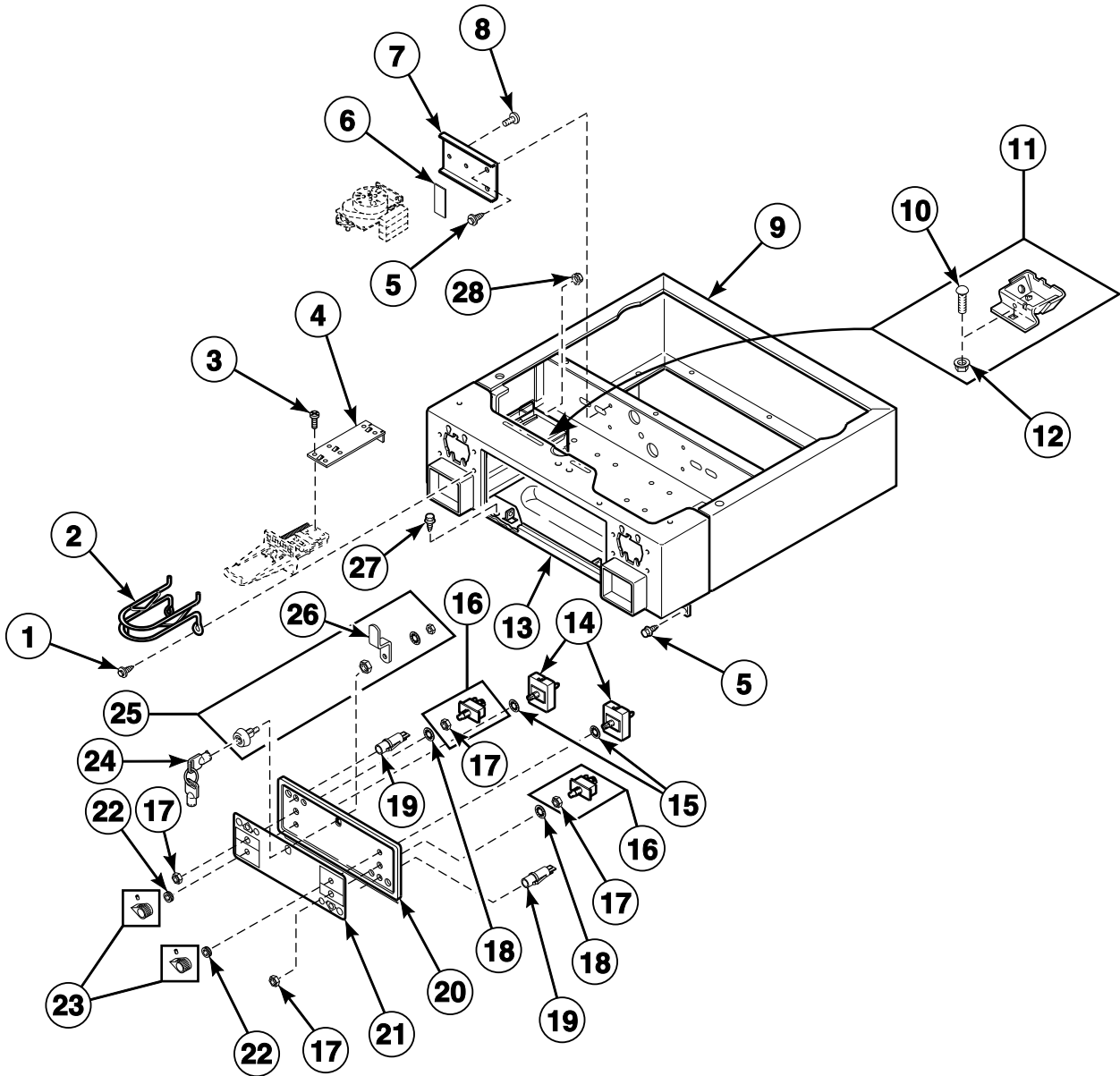
REF	PART NO.	DESCRIPTION	COMMENTS
1	33562	Screw	
2	58181	Coin Slide Guard	
3	201915	Slide Extension Kit	Includes items 4 and 5
4	03815	Washer	
5	27328	Screw	
6	201917P	Switch Mount Assembly	Includes item 7
7	201952	Switch	
8	51782	Screw	
9	D513139P	Control Assembly	
10	201587P	Transformer	Models HSE917*F2802, HSE917*F2902 and HSG919*F0902
	201616P	Transformer	All other models
11	D503661	Screw	
12	D503688	Screw	
13	210100	Resistor	All models except HSE917*F2802, HSE917*F2902 and HSG919*F0902
14	29651	Bolt	
15	523P3	Coin Funnel Kit	Includes items 14 and 16
16	29796	Nut	
17	D505753WP	Wrapper and Channel Assembly	White
	N/A	Wrapper and Channel Assembly	Almond
	D505753QP	Wrapper and Channel Assembly	Bisque
18	D511522WP	Security Cabinet Front Assembly	White
	D511522LP	Security Cabinet Front Assembly	Almond
	D511522QP	Security Cabinet Front Assembly	Bisque
19	D511711	Temperature Selector Switch	
20	91176	Washer	
21	55882	Switch Assembly	Includes item 22
22	52947	Nut	
23	25820	Washer	
24	801431	Light	
25	D500228W	Control Panel and Bracket Assembly	White
	D500228L	Control Panel and Bracket Assembly	Almond
	D500228Q	Control Panel and Bracket Assembly	Bisque
26	D512678	Overlay	Models JSE907*F4350 and JSG909*F3060
	D512494	Overlay	Models HSE917*F2802, HSE917*F2902 and HSG919*F0902
	D513147	Control Overlay	Models NSE917*F3022, NSE917*F5422 and NSG919*F3022
	D512493	Overlay	All other models
27	24205	Nut	
28	39897	Switch Knob	
29	54612	Key	800
30	27260P	Lock Kit	Includes item 31
31	27261	Lock Cam	
32	D502431	Screw	

* Add Letter To Designate Color. L - Almond Q - Bisque W - White

N/A = Part no longer available

Control Panel and Controls - Coin Slide Ready Models

Models HSE117*F2802, HSE117*F2902, HSG119*F0902, SSE107*G3018, SSE117*F3000, SSE117*F4350, SSE117*F5412, SSE117*G3018, SSG109*M3013, SSG119*F3000, SSG119*F3058, SSG119*F3060, SSG119*F5412, SSG119*F5480 and SSG119*M3013



DRY2123P_512026

Control Panel and Controls - Coin Slide Ready Models

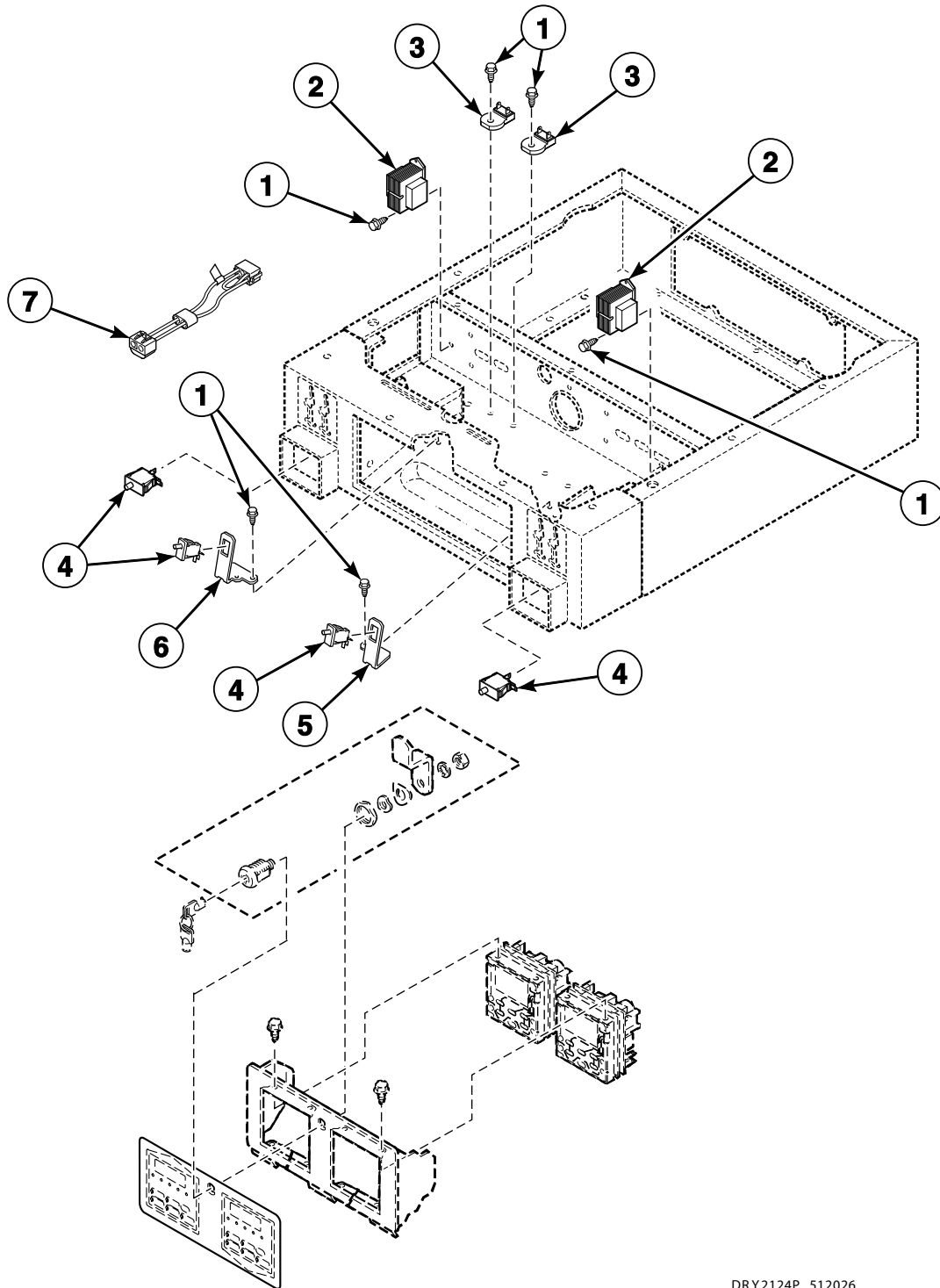
REF	PART NO.	DESCRIPTION	COMMENTS
1	33562	Screw	
2	58181	Coin Slide Guard	
3	N/A	Screw	
4	D503455	Coin Slide Extension	
5	D503688	Screw	
6	56751	Shield	
7	D503017	Timer Bracket	
8	03203	Screw	
9	D505753WP	Wrapper and Channel Assembly	White
	N/A	Wrapper and Channel Assembly	Almond
	D505753QP	Wrapper and Channel Assembly	Bisque
10	29651	Bolt	
11	523P3	Coin Funnel Kit	Includes items 10 and 12
12	29796	Nut	
13	D511522WP	Security Cabinet Front Assembly	White
	D511522LP	Security Cabinet Front Assembly	Almond
	D511522QP	Security Cabinet Front Assembly	Bisque
14	61512	Fabric Selector Switch	
15	91176	Washer	
16	55882	Switch Assembly	Includes item 17
17	52947	Nut	
18	25820	Washer	
19	32464	Light	
20	D500228W	Control Panel and Bracket Assembly	White
	D500228L	Control Panel and Bracket Assembly	Almond
	D500228Q	Control Panel and Bracket Assembly	Bisque
21	D502655	Overlay	Models SSE107*G3018, SSE117*G3018, SSG109*M3013 and SSG119*M3013
	D505381	Overlay	Models HSE117*F2802, HSE117*F2902 and HSG119*F0902
	D504590	Graphic Overlay	Models SSE117*F3000, SSE117*F4350, SSG119*F3000, SSG119*F3058, SSG119*F3060 and SSG119*F5480
	N/A	Overlay	Models SSE117*F5412 and SSG119*F5412
22	24205	Nut	
23	39897	Switch Knob	
24	54612	Key	800
25	27260P	Lock Kit	Includes item 26
26	27261	Lock Cam	
27	D502431	Screw	
28	80077	Nut	

* Add Letter To Designate Color. L - Almond Q - Bisque W - White

N/A = Part no longer available

Control Panel and Controls - Coin Drop and Card Models (Drawing 1 of 2)

Models BSGBXFGW301AW01, HSE517*F2802, HSE517*F2902, HSE717*F2802, HSE717*F2902, HSEB17*J2802, HSEB17*J2902, HSEBXFGW131DW01, HSEBXFGW171FW28, HSEBXFGW541DW01, HSEF17*J2802, HSEF17*J2902, HSER17*F2802, HSER17*F2902, HSET17*F2802, HSET17*F2902, HSEX17*F2802, HSEX17*F2902, HSEY17*F2802, HSEY17*F2902, HSEY17*F99N2, HSEZ17*F2802, HSEZ17*F2902, HSG519*F0902, HSG719*F0902, HSGB19*J0902, HSGBXFGW121DW01, HSGBXFGW541DW01, HSGF19*J0902, HSGR19*F0902, HSGT19*F0902, HSGX19*F0902, HSGY19*F0902, HSGZ19*F0902, JSEBEFGW301EW01, JSGBEFGW301EW01, NSEBXFGW301NW22, NSGBXFGW301NW22, SSE417*F3000, SSE417*F4350, SSEA07*G3018, SSEBXFGW131DW01, SSEBXFGW541DW01, SSEF17*J4350, SSEX07*G3018, SSG419*F3000, SSG419*F3058, SSGBXFGW121DW01, SSGBXFGW541DW01, SSGF19*J3060, SSGX09*M3013 and SSGX19*F3060



DRY2124P_512026

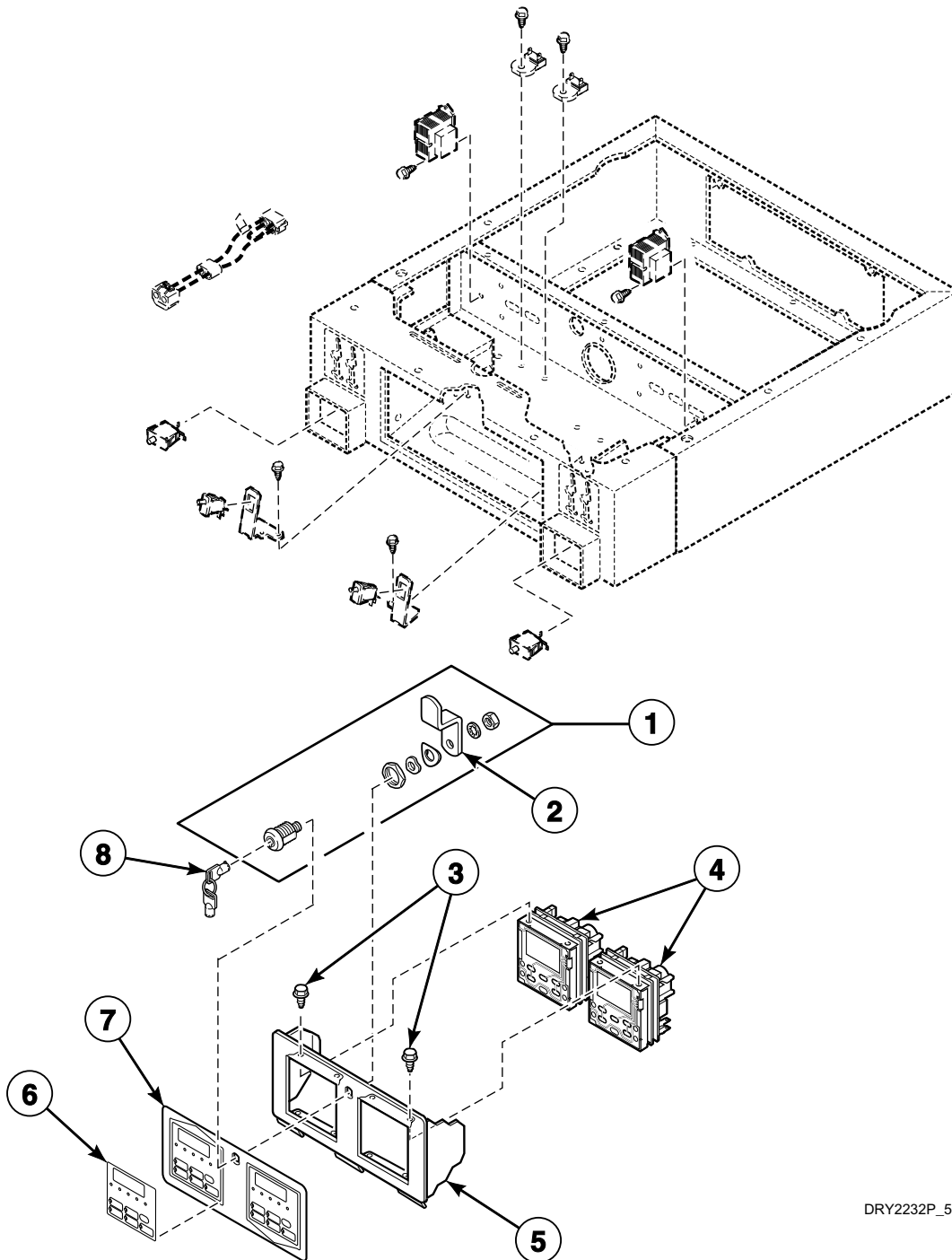
Control Panel and Controls - Coin Drop and Card Models (Drawing 1 of 2)

REF	PART NO.	DESCRIPTION	COMMENTS
1	D503688	Screw	
2	803527P	Transformer	Models BSGBXFGW301AW01, HSEBXFGW541DW01, HSGBXFGW541DW01, JSEBEFGW301EW01, JSGBEFGW301EW01, NSEBXFGW301NW22, NSGBXFGW301NW22, SSEA07*G3018, SSEBXFGW541DW01, SSEF17*J4350, SSEX07*G3018, SSGBXFGW541DW01, SSGF19*J3060, SSGX09*M3013 and SSGX19*F3060; Models HSEX17*F2802, HSEX17*F2902, HSEY17*F2802, HSEY17*F2902, HSEY17*F99N2, HSGX19*F0902 and HSGY19*F0902 through Serial No. 0409
	201375P	Transformer	Some models may have jumper wire attached to transformer. Discard jumper wire when replacing transformer; Models HSER17*F2802, HSER17*F2902, HSEX17*F2802, HSEX17*F2902, HSEY17*F2802, HSEY17*F2902, HSEY17*F99N2, HSGR19*F0902, HSGX19*F0902 and HSGY19*F0902 starting Serial No. 0409; Models HSEBXFGW131DW01, HSGBXFGW121DW01, SSEBXFGW131DW01 and SSGBXFGW121DW01
	210018P	Transformer	Models HSEB17*J2802, HSEB17*J2902, HSEBXFGW171FW28, HSEF17*J2802, HSEF17*J2902, HSET17*F2802, HSET17*F2902, HSEZ17*F2802, HSEZ17*F2902, HSGB19*J0902, HSGF19*J0902, HSGT19*F0902 and HSGZ19*F0902
3	210100	Resistor	All models except SSGX09*M3013
4	D512973	Switch	
5	800380	Audit Switch Bracket	Right
6	800379	Audit Switch Bracket	Left
7	M413507	Jumper Configuration Assembly	Models BSGBXFGW301AW01, HSEBXFGW541DW01, HSGBXFGW121DW01, HSGBXFGW541DW01, JSEBEFGW301EW01, JSGBEFGW301EW01, NSEBXFGW301NW22, NSGBXFGW301NW22, SSEA07*G3018, SSEBXFGW541DW01, SSEF17*J4350, SSEX07*G3018, SSGBXFGW121DW01, SSGBXFGW541DW01, SSGF19*J3060, SSGX09*M3013 and SSGX19*F3060

* Add Letter To Designate Color. L - Almond Q - Bisque W - White

Control Panel and Controls - Coin Drop and Card Models (Drawing 2 of 2)

Models BSGBXFGW301AW01, HSE517*F2802, HSE517*F2902, HSE717*F2802, HSE717*F2902, HSEB17*J2802, HSEB17*J2902, HSEBXFGW131DW01, HSEBXFGW171FW28, HSEBXFGW541DW01, HSEF17*J2802, HSEF17*J2902, HSER17*F2802, HSER17*F2902, HSET17*F2802, HSET17*F2902, HSEX17*F2802, HSEX17*F2902, HSEY17*F2802, HSEY17*F2902, HSEY17*F99N2, HSEZ17*F2802, HSEZ17*F2902, HSG519*F0902, HSG719*F0902, HSGB19*J0902, HSGBXFGW121DW01, HSGBXFGW541DW01, HSGF19*J0902, HSGR19*F0902, HSGT19*F0902, HSGX19*F0902, HSGY19*F0902, HSGZ19*F0902, JSEBEFGW301EW01, JSGBEFGW301EW01, NSEBXFGW301NW22, NSGBXFGW301NW22, SSE417*F3000, SSE417*F4350, SSEA07*G3018, SSEBXFGW131DW01, SSEBXFGW541DW01, SSEF17*J4350, SSEX07*G3018, SSG419*F3000, SSG419*F3058, SSGBXFGW121DW01, SSGBXFGW541DW01, SSGF19*J3060, SSGX09*M3013 and SSGX19*F3060



DRY2232P_512026

Control Panel and Controls - Coin Drop and Card Models (Drawing 2 of 2)

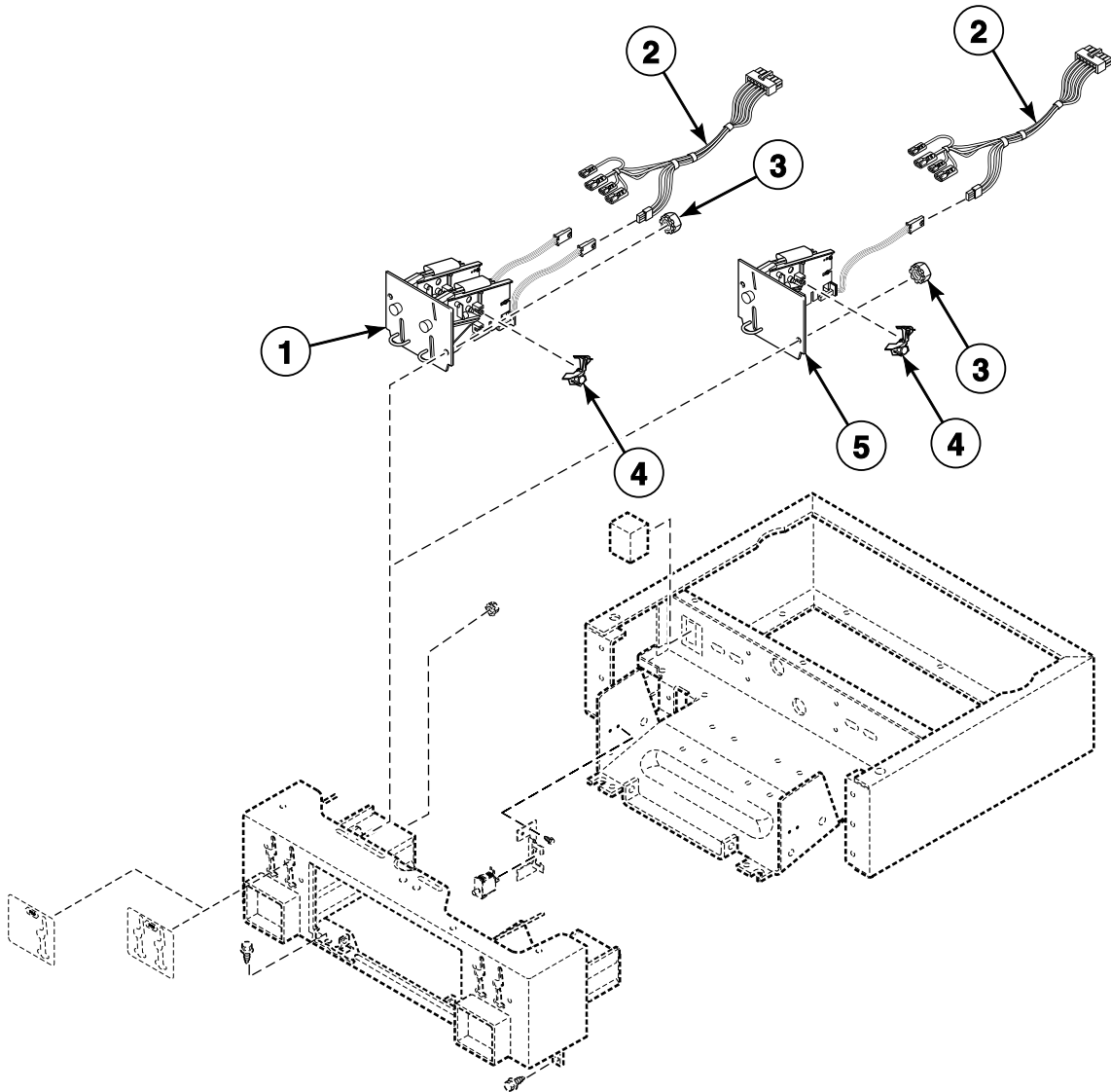
REF	PART NO.	DESCRIPTION	COMMENTS
1	27260P	Lock Kit	Includes item 2
2	27261	Lock Cam	
3	D501524	Screw	
4	D511867P	Control Assembly	Models BSGBXFGW301AW01, HSEBXFGW131DW01, HSEBXFGW171FW28, HSEBXFGW541DW01, HSER17*F2802, HSER17*F2902, HSET17*F2802, HSET17*F2902, HSEX17*F2802, HSEX17*F2902, HSEY17*F2802, HSEY17*F2902, HSEY17*F99N2, HSEZ17*F2802, HSEZ17*F2902, HSGBXFGW121DW01, HSGBXFGW541DW01, HSGR19*F0902, HSGT19*F0902, HSGX19*F0902, HSGY19*F0902, HSGZ19*F0902, JSEBEFGW301EW01, JSGBEFGW301EW01, NSEBXFGW301NW22, NSGBXFGW301NW22, SSEBXFGW131DW01, SSEBXFGW541DW01, SSEX07*G3018, SSGBXFGW121DW01, SSGBXFGW541DW01, SSGX09*M3013 and SSGX19*F3060
	M411883P	Control Kit	Includes item 3; 240 Volt; Models SSE417*F3000, SSE417*F4350, SSG419*F3000 and SSG419*F3058; Model and serial number of machine required - part no longer available for units built prior to 1/1/04 per field bulletin FB15-164
	M414050P	Control Kit	Includes item 3; 120 Volt; Models HSE517*F2802, HSE517*F2902, HSE717*F2802, HSE717*F2902, HSG519*F0902 and HSG719*F0902; Model and serial number of machine required - part no longer available for units built prior to 1/1/04 per field bulletin FB15-164
	D505905P	Control Kit	Includes item 3; All other models
5	N/A	Control Panel and Bracket Assembly	Models HSE517*F2802, HSE517*F2902, HSE717*F2802, HSE717*F2902, HSG519*F0902, HSG719*F0902, SSE417*F3000, SSE417*F4350, SSG419*F3000 and SSG419*F3058
	D510076B	Control Panel and Bracket Assembly	Black; All other models
	D510076W	Control Panel and Bracket Assembly	White; All other models
6	D513546	Overlay	French/English; Models HSER17*F2802, HSER17*F2902, HSET17*F2802, HSET17*F2902, HSEX17*F2802, HSEX17*F2902, HSEY17*F2802, HSEY17*F2902, HSEY17*F99N2, HSEZ17*F2802, HSEZ17*F2902, HSGR19*F0902, HSGT19*F0902, HSGX19*F0902, HSGY19*F0902 and HSGZ19*F0902
7	N/A	Graphic Overlay	Models HSEB17*J2802, HSEB17*J2902, HSEF17*J2802, HSEF17*J2902, HSGB19*J0902 and HSGF19*J0902
	D511485	Overlay	Models NSEBXFGW301NW22, NSGBXFGW301NW22, SSEX07*G3018 and SSGX09*M3013
	D504117	Graphic Overlay	Models SSE417*F3000, SSE417*F4350, SSG419*F3000 and SSG419*F3058
	D505382	Graphic Overlay	Models HSE517*F2802, HSE517*F2902, HSE717*F2802, HSE717*F2902, HSG519*F0902 and HSG719*F0902
	D513250	Overlay	Models JSEBEFGW301EW01 and JSGBEFGW301EW01
	D510064	Graphic Overlay	Models SSEF17*J4350 and SSGF19*J3060
	D511428	Overlay	Models SSEBXFGW131DW01, SSEBXFGW541DW01, SSGBXFGW121DW01, SSGBXFGW541DW01 and SSGX19*F3060
	D510074	Graphic Overlay	Model SSEA07*G3018
	D514275	Overlay	Model BSGBXFGW301AW01
	D511430	Overlay	All other models
8	54612	Key	800

* Add Letter To Designate Color. L - Almond Q - Bisque W - White

N/A = Part no longer available

Non-Electronic Coin Drop - Coin Drop Models

Models BSGBXFGW301AW01, HSE517*F2802, HSE517*F2902, HSEB17*J2802, HSEB17*J2902, HSEBXFGW131DW01, HSEBXFGW171FW28, HSEBXFGW541DW01, HSER17*F2802, HSER17*F2902, HSET17*F2802, HSET17*F2902, HSEX17*F2802, HSEX17*F2902, HSEZ17*F2802, HSEZ17*F2902, HSG519*F0902, HSGB19*J0902, HSGBXFGW121DW01, HSGBXFGW541DW01, HSGR19*F0902, HSGT19*F0902, HSGX19*F0902, HSGZ19*F0902, JSEBEFGW301EW01, JSGBEFGW301EW01, NSEBXFGW301NW22, NSGBXFGW301NW22, SSE417*F3000, SSE417*F4350, SSEA07*G3018, SSEBXFGW131DW01, SSEBXFGW541DW01, SSEX07*G3018, SSG419*F3000, SSG419*F3058, SSGBXFGW121DW01, SSGBXFGW541DW01, SSGX09*M3013 and SSGX19*F3060



DRY2117P_512026

Non-Electronic Coin Drop - Coin Drop Models

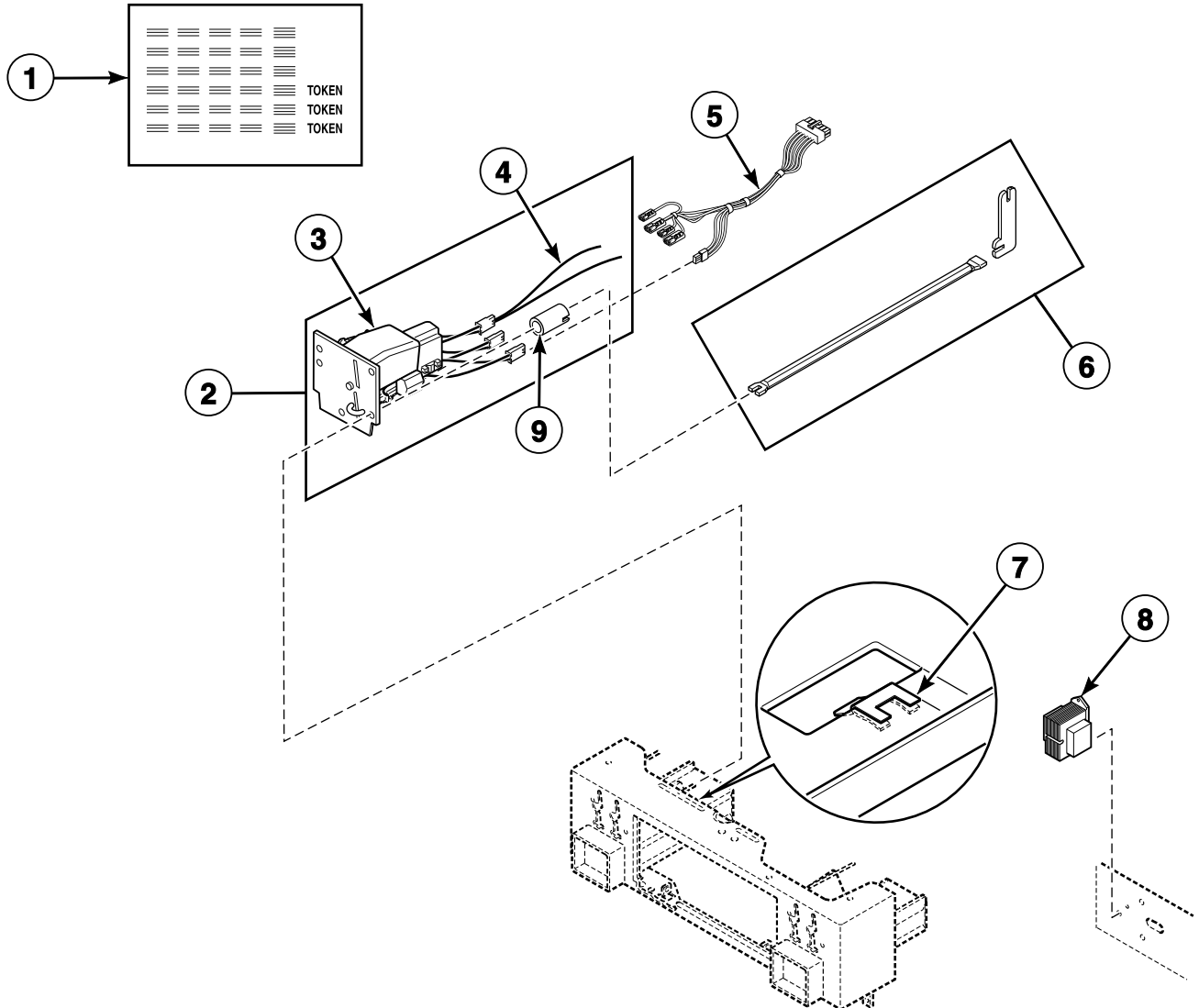
REF	PART NO.	DESCRIPTION	COMMENTS
1	N/A	Dual Coin Drop Assembly	Belgium, Denmark, France, Italy and Taiwan coins
	70441602	Coin Drop Assembly	Canada; .25 and 1.00
	38467	Coin Drop Assembly	Australia; .20 and 1.00
	38472	Coin Drop Assembly	England; 20p and 1 pound
	38519	Coin Drop Assembly	Japan; 100 yen and 500 yen
	38521	Coin Drop Assembly	Korea; 100 won and 500 won
	N/A	Coin Drop Assembly	New Zealand; .20 and 1.00
	39157	Coin Drop Assembly	Israel; 1 shekel and 5 shekel
2	802904P	Harness Assembly	Model HSEBXFGW171FW28
	802905	Harness Assembly	All other models
3	29786	Nut	
4	201595P	Wire Guard	Anti-stringing security device; Add to coin drops beginning January 2005
5	38462P	Coin Drop Assembly	Token; 118-1 mzp; .880 diameter x .079 thick; Brass
	38463	Coin Drop Assembly	Token; 118-5 mzp; .990 diameter x .081 thick; Silver
	38464P	Coin Drop Assembly	Canada; .25
	38475	Coin Drop Assembly	Japan; 100 yen
	CK077	Coin Drop Kit	Taiwan; 10 NT
	70441601P	Coin Drop	United States; \$.25
	38963P	Coin Drop	Token 118-16 not available; Replacement for 38963P Coin Drop only
	CK114	Coin Drop Assembly	Singapore; Old 1.00
	CK123	Coin Drop Kit	Singapore; New 1.00
	70482401	Coin Drop Assembly	Dual; New Zealand; 1.00 and 2.00

* Add Letter To Designate Color. L - Almond Q - Bisque W - White

N/A = Part no longer available

Electronic Coin Drop - Coin Drop Models

Models BSGBXFGW301AW01, HSEB17*J2802, HSEB17*J2902, HSEBXFGW131DW01, HSEBXFGW171FW28, HSEBXFGW541DW01, HSER17*F2802, HSER17*F2902, HSET17*F2802, HSET17*F2902, HSEX17*F2802, HSEX17*F2902, HSEZ17*F2802, HSEZ17*F2902, HSGB19*J0902, HSGBXFGW121DW01, HSGBXFGW541DW01, HSGR19*F0902, HSGT19*F0902, HSGX19*F0902, HSGZ19*F0902, JSEBEFGW301EW01, JSGBEFGW301EW01, NSEBXFGW301NW22, NSGBXFGW301NW22, SSEA07*G3018, SSEBXFGW131DW01, SSEBXFGW541DW01, SSEX07*G3018, SSGBXFGW121DW01, SSGBXFGW541DW01, SSGX09*M3013 and SSGX19*F3060



DRY2177P_512026

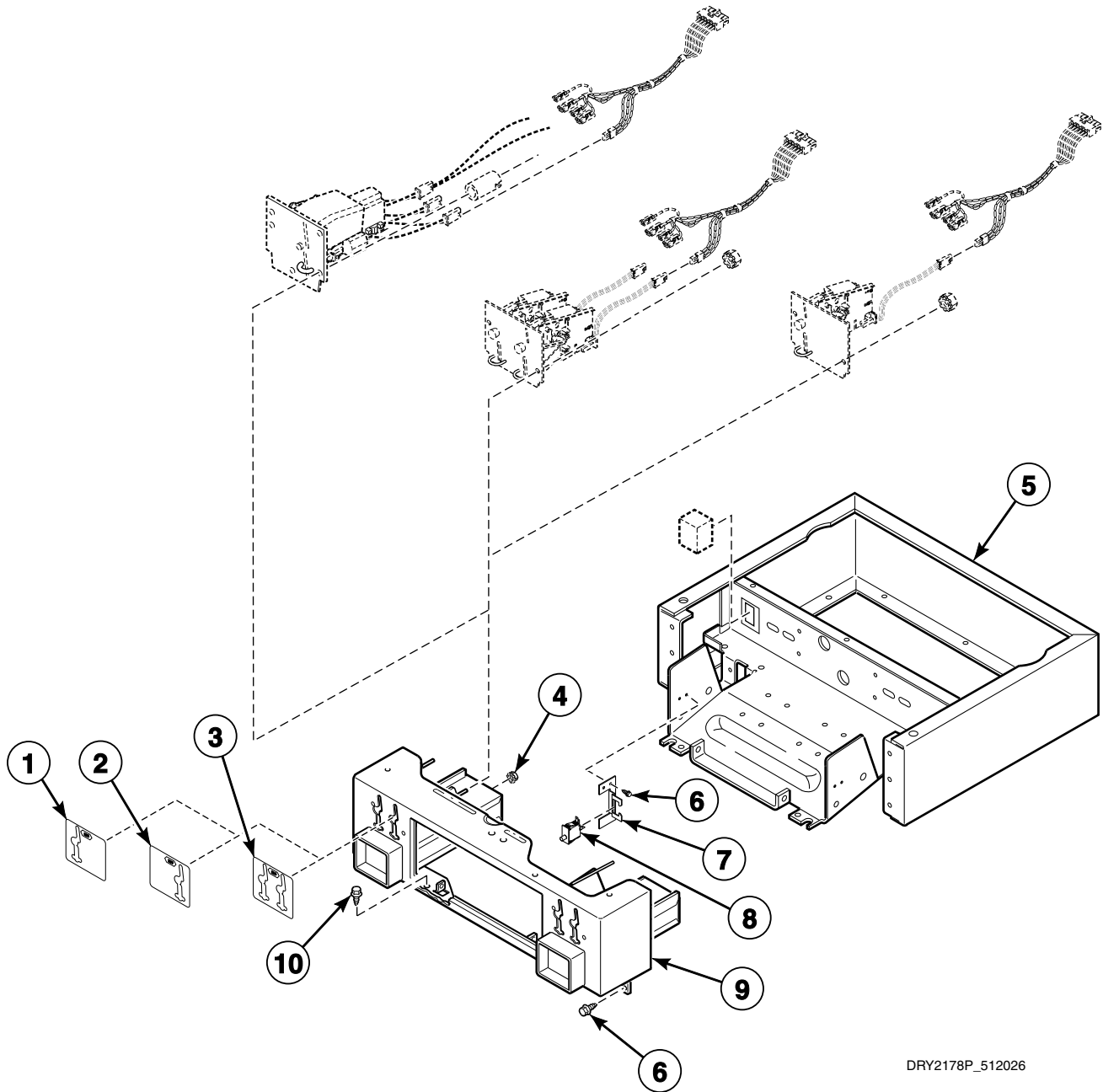
Electronic Coin Drop - Coin Drop Models

REF	PART NO.	DESCRIPTION	COMMENTS
1	38725	Coin Identification Paper	
2	CK099	Electronic Coin Drop Kit	Australia, New Zealand, Hong Kong and South Korea; Includes items 1, 3-5, 7 and 9
	CK100	Electronic Coin Drop Kit	Euro and Great Britain; Includes items 1, 3-5, 7 and 9
	CK101	Electronic Coin Drop Kit	Euro, Denmark and Norway; Includes items 1, 3-5, 7 and 9
	CK103	Electronic Coin Drop Kit	Euro, Lithuania and Latvia; Includes items 1, 3-5, 7 and 9
	CK106	Electronic Coin Drop Kit	Malaysia, China and Russia; Includes items 1, 3-5, 7 and 9
	CK108	Electronic Coin Drop Kit	South Africa; Includes items 1, 3-5, 7 and 9
	CK109	Electronic Coin Drop Kit	Euro; Includes items 1, 3-5, 7 and 9
	CK110	Electronic Coin Drop Kit	Mexico, Ecuador and United States; Includes items 1, 3-5, 7 and 9
	CK113	Electronic Coin Drop Kit	Japan and Taiwan; Includes items 1, 3-5, 7 and 9
	CK115	Electronic Coin Drop Kit	United States and Canada; Includes items 1, 3-5, 7 and 9
	CK120	Electronic Coin Drop Kit	Chile; Includes items 1-3 and 5-7
	CK121	Electronic Coin Drop Kit	Singapore; Includes items 1-3 and 5-7
3	70294103P	Electronic Coin Drop Assembly	Euro and Great Britain
	70294104	Electronic Coin Drop Assembly	Euro, Denmark and Norway
	70294107	Electronic Coin Drop Assembly	Euro, Lithuania and Latvia
	70294109	Electronic Coin Drop Assembly	Malaysia, China and Russia
	70294110	Electronic Coin Drop Assembly	South Africa
	70294111	Electronic Coin Drop Assembly	Euro
	70294106	Electronic Coin Drop Assembly	Mexico, Ecuador and United States
	70294122	Electronic Coin Drop Assembly	Euro, Great Britain and token
	70294120	Electronic Coin Drop Assembly	Chile
	70294121	Electronic Coin Drop Assembly	Singapore
4	201104	Coin Drop Wire Harness	For use with items 2 and 3
5	802905	Harness Assembly	Electronic Coin Drop requires this harness. If unit is not factory-equipped with this harness, it must be ordered separately.
6	CK096	Mounting Tool Kit	For use with items 2 and 3
7	201572	Clip	
8	201375P	Transformer	Electronic Coin Drop requires this transformer. If unit is not factory-equipped with this transformer, it must be ordered separately
9	201216	Nut	

* Add Letter To Designate Color. L - Almond Q - Bisque W - White

Control Cabinet Controls - Coin Drop Models

Models BSGBXFGW301AW01, HSE517*F2802, HSE517*F2902, HSEB17*J2802, HSEB17*J2902, HSEBXFGW131DW01, HSEBXFGW171FW28, HSEBXFGW541DW01, HSER17*F2802, HSER17*F2902, HSET17*F2802, HSET17*F2902, HSEX17*F2802, HSEX17*F2902, HSEZ17*F2802, HSEZ17*F2902, HSG519*F0902, HSGB19*J0902, HSGBXFGW121DW01, HSGBXFGW541DW01, HSGR19*F0902, HSGT19*F0902, HSGX19*F0902, HSGZ19*F0902, JSEBEFGW301EW01, JSGBEFGW301EW01, NSEBXFGW301NW22, NSGBXFGW301NW22, SSE417*F3000, SSE417*F4350, SSEA07*G3018, SSEBXFGW131DW01, SSEBXFGW541DW01, SSEX07*G3018, SSG419*F3000, SSG419*F3058, SSGBXFGW121DW01, SSGBXFGW541DW01, SSGX09*M3013 and SSGX19*F3060



DRY2178P_512026

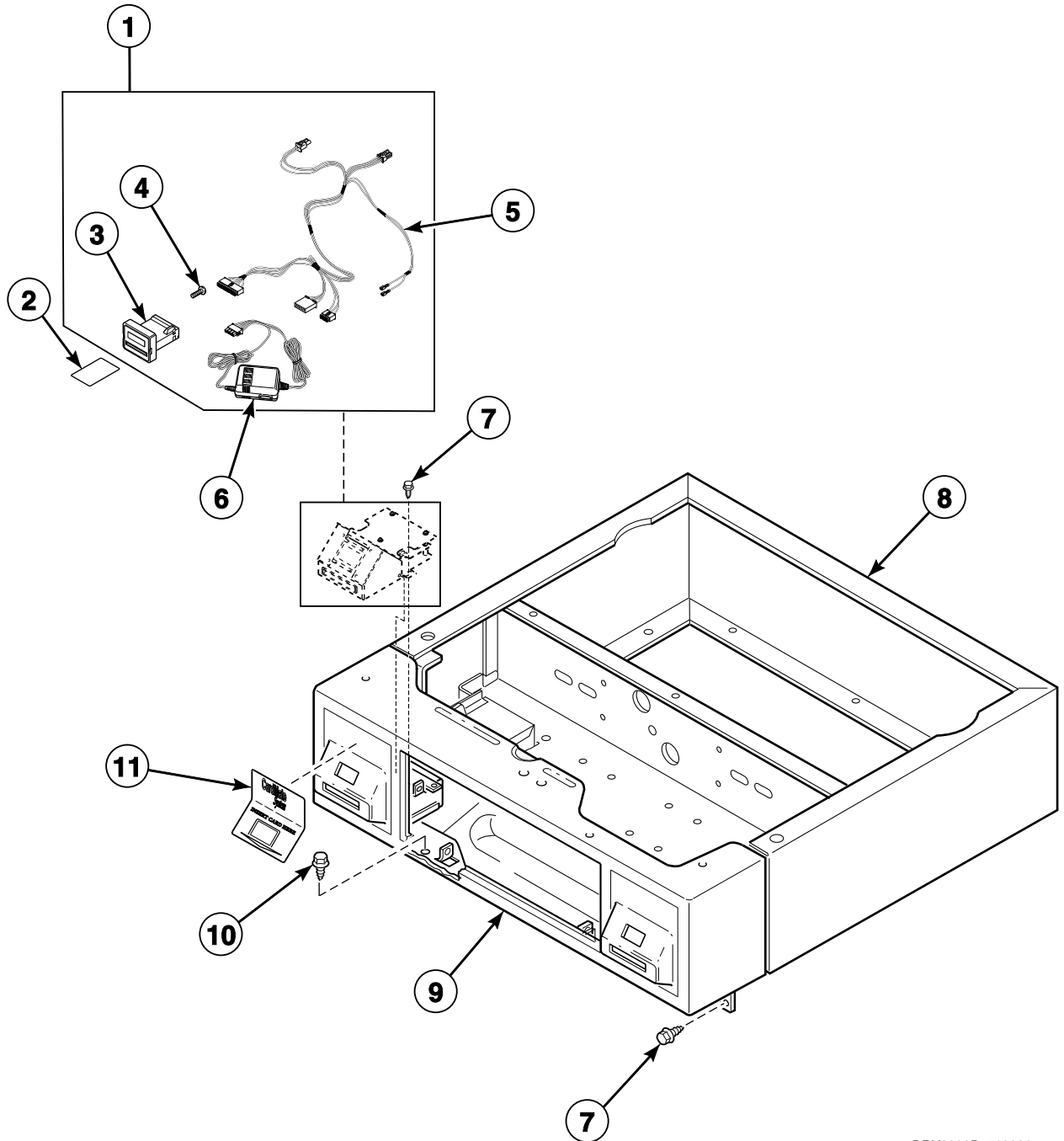
Control Cabinet Controls - Coin Drop Models

REF	PART NO.	DESCRIPTION	COMMENTS
1	803476	Single Drop Overlay	Models JSEBFGW301EW01 and JSGBFGW301EW01
2	38717	Single Overlay	For use with non-electronic coin drops
	201091	Overlay	For use with electronic coin drops
3	39073	Dual Overlay	
4	80077	Nut	
5	D505753WP	Wrapper and Channel Assembly	White
	N/A	Wrapper and Channel Assembly	Almond
	D505753QP	Wrapper and Channel Assembly	Bisque
6	D503688	Screw	Models HSE517*F2802, HSE517*F2902, HSG519*F0902, SSE417*F3000, SSE417*F4350, SSG419*F3000 and SSG419*F3058
7	38087	Door Switch Bracket	Models HSE517*F2802, HSE517*F2902, HSG519*F0902, SSE417*F3000, SSE417*F4350, SSG419*F3000 and SSG419*F3058
8	D512973	Switch	Models HSE517*F2802, HSE517*F2902, HSG519*F0902, SSE417*F3000, SSE417*F4350, SSG419*F3000 and SSG419*F3058
9	D511632WP	Security Cabinet Front Assembly	White
	D511632L	Security Cabinet Front Assembly	Almond
	D511632Q	Security Cabinet Front Assembly	Bisque
	D511632B	Security Cabinet Front Assembly	Black
10	D502431	Screw	

* Add Letter To Designate Color. L - Almond Q - Bisque W - White
 N/A = Part no longer available

Card Reader - Card Reader Ready and Installed Models

Models HSE717*F2802, HSE717*F2902 and HSG719*F0902



DRY2020P_512026

Card Reader - Card Reader Ready and Installed Models

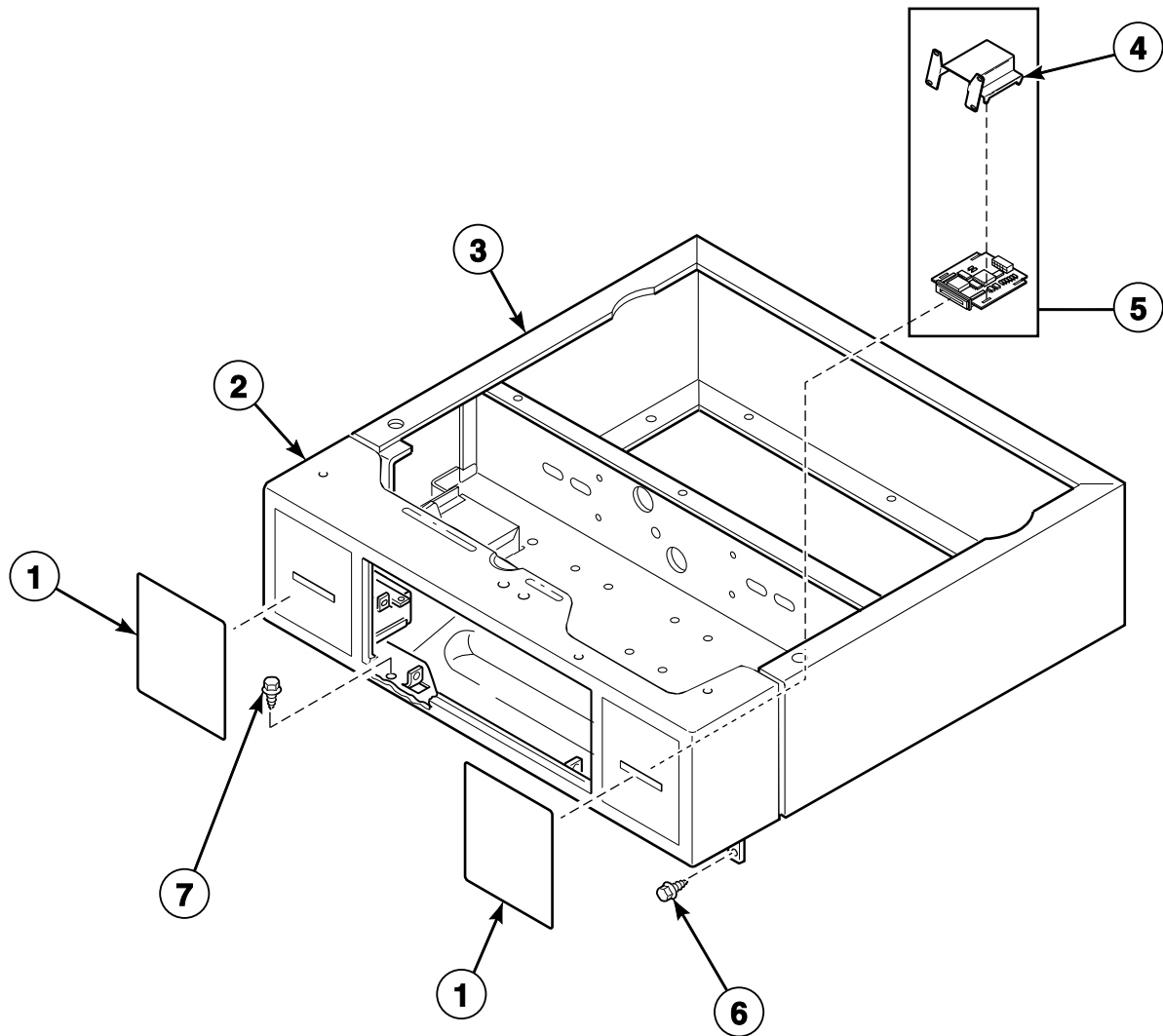
REF	PART NO.	DESCRIPTION	COMMENTS
1	875P3	Card Reader Kit	Includes items 3-6
2	D512499P	Programming Card	
3	D512473	Card Reader	
4	D512505	Bolt	
5	D512501	Harness	
6	D512496	Power Supply	
7	D503688	Screw	
8	D505753WP	Wrapper and Channel Assembly	White
	N/A	Wrapper and Channel Assembly	Almond
	D505753QP	Wrapper and Channel Assembly	Bisque
9	D503428W	Security Cabinet Front Assembly	White; For use with 39685 Card Reader
	D505227W	Security Cabinet Front Assembly	White; For use with 875P3 Card Reader Kit
	N/A	Security Cabinet Front Assembly	Almond; For use with 875P3 Card Reader Kit
10	D502431	Screw	
11	38192	Card Reader Instruction Overlay	

* Add Letter To Designate Color. L - Almond Q - Bisque W - White

N/A = Part no longer available

Integrated Card Reader Installed and Ready - All Netmaster Integrated Card Reader Models

Models HSEF17*J2802, HSEF17*J2902, HSEY17*F2802, HSEY17*F2902,
HSEY17*F99N2, HSGF19*J0902, HSGY19*F0902, SSEF17*J4350 and SSGF19*J3060



DRY1761P_512026

Integrated Card Reader Installed and Ready - All Netmaster Integrated Card Reader Models

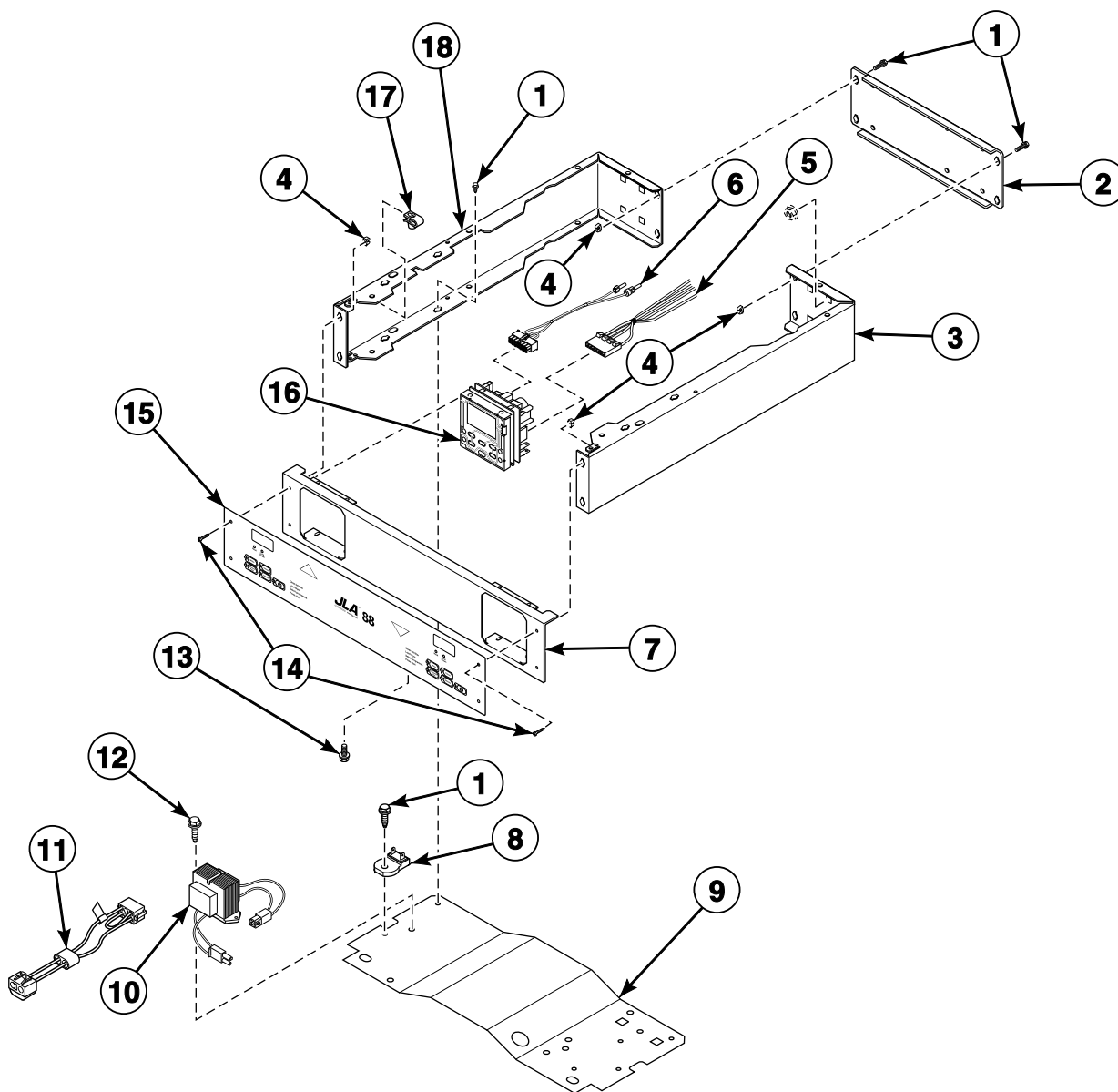
REF	PART NO.	DESCRIPTION	COMMENTS
1	800230	Card Reader Overlay	Models HSEF17*J2802, HSEF17*J2902, HSGF19*J0902, SSEF17*J4350 and SSGF19*J3060
	D511548	Card Insert Overlay	Models HSEY17*F2802, HSEY17*F2902, HSEY17*F99N2 and HSGY19*F0902
2	D511208W	Security Cabinet Front Assembly	White
	D511208L	Security Cabinet Front Assembly	Almond
	D511208Q	Security Cabinet Front Assembly	Bisque
3	D505753WP	Wrapper and Channel Assembly	White
	N/A	Wrapper and Channel Assembly	Almond
	D505753QP	Wrapper and Channel Assembly	Bisque
4	D510045	Card Reader Bracket	Models HSEF17*J2802, HSEF17*J2902, HSGF19*J0902, SSEF17*J4350 and SSGF19*J3060
5	D510068P	Card Reader and Bracket Assembly	Includes item 4; Models HSEF17*J2802, HSEF17*J2902, HSGF19*J0902, SSEF17*J4350 and SSGF19*J3060
6	D503688	Screw	
7	D502431	Screw	

* Add Letter To Designate Color. L - Almond Q - Bisque W - White

N/A = Part no longer available

Control Cabinet - Non-Vend Models

Models JSEBGF301EW01 and JSGBGF301EW01



DRY2234P_512026

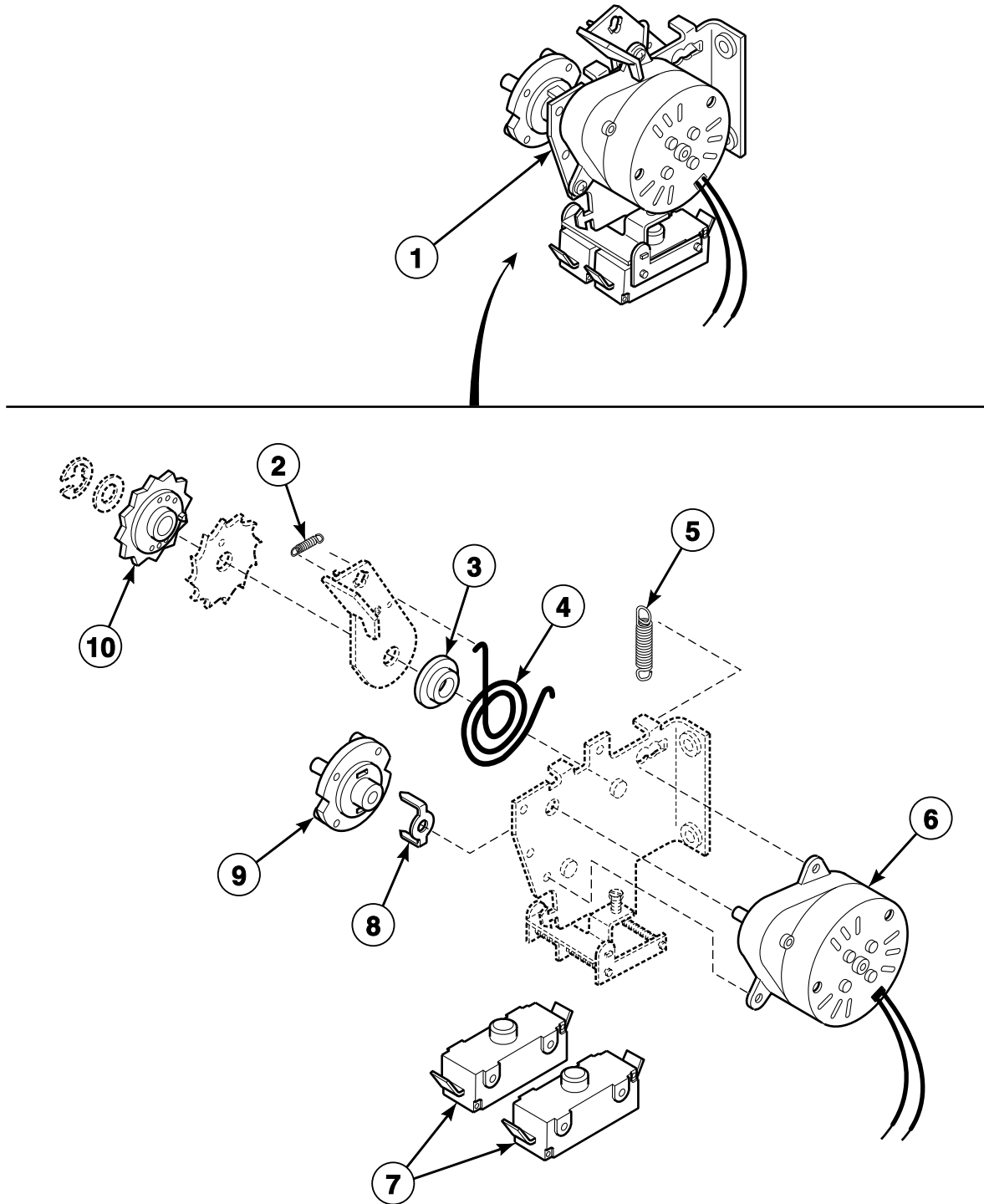
Control Cabinet - Non-Vend Models

REF	PART NO.	DESCRIPTION	COMMENTS
1	D503688	Screw	
2	801058	Rear Control Cabinet	
3	800915W	Right Control Cabinet Side	White
4	70030501	Expansion Clip	
5	D511478	Central Pay Harness	
6	800680	Diagnostic Wire Harness Assembly	
7	D512098W	Control Panel and Bracket Assembly	White
8	210100	Resistor	
9	801777	Control Cabinet Bottom	
10	803527P	Transformer	
11	M413507	Jumper Configuration Assembly	Attaches to 210019P Transformer
12	70240301	Screw	
13	23008	Screw	
14	800930	Screw	
15	D513249	Graphic Overlay	
16	D511867P	Control Assembly	
17	800931	Nut	
18	800900WP	Left Control Cabinet Side	White

* Add Letter To Designate Color. L - Almond Q - Bisque W - White

Accumulator - Coin Slide Ready Models

Models HSE117*F2802, HSE117*F2902, HSG119*F0902, SSE107*G3018, SSE117*F3000, SSE117*F4350, SSE117*F5412, SSE117*G3018, SSG109*M3013, SSG119*F3000, SSG119*F3058, SSG119*F3060 and SSG119*M3013



DRY1815P_512026

Accumulator - Coin Slide Ready Models

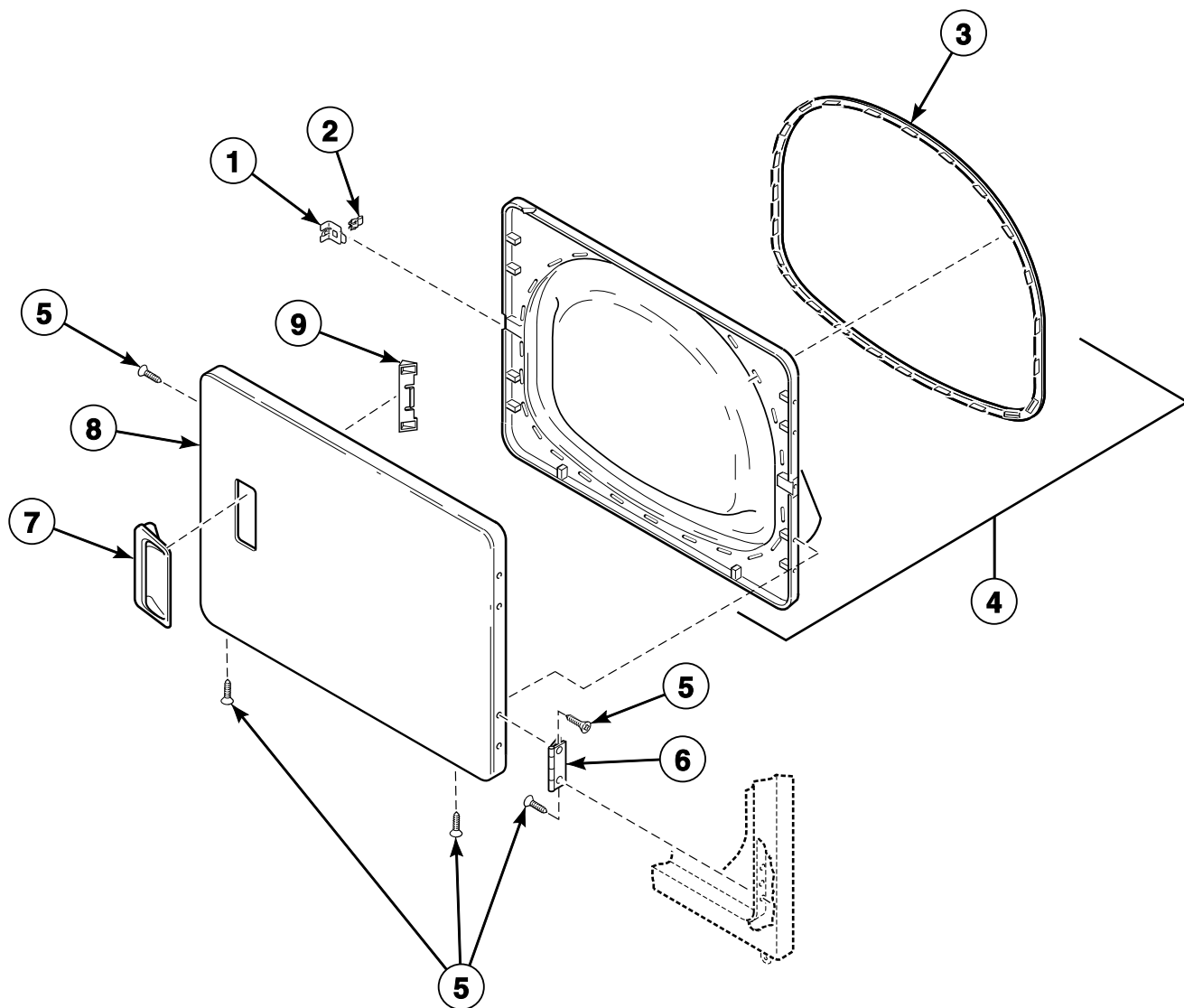
REF	PART NO.	DESCRIPTION	COMMENTS
1	D510628P	Accumulator Replacement Kit	120 Volt/60 Hertz; 2 switch; Models HSE117*F2802, HSE117*F2902 and HSG119*F0902
	D510629P	Accumulator Replacement Kit	240 Volt/50 Hertz; 2 switch; Models SSE107*G3018 and SSE117*F5412
	D510631P	Accumulator Replacement Kit	230 Volt/60 Hertz; 2 switch; All other models
2	N/A	Pawl Spring	
3	N/A	Nylon Bushing	
4	53261	Spring	
5	N/A	Index Spring	
6	D512017P	Timer Motor	115 Volt/60 Hertz
7	N/A	Switch	
8	M400754	Coin Meter Drive	
9	53240	Timing Cam	60 minute; 3 pin
	53241	Timing Cam	45 minute; 4 pin
	53242	Timing Cam	30 minute; 6 pin
	53243	Timing Cam	20 minute; 9 pin
10	53239	Ratchet Wheel	

* Add Letter To Designate Color. L - Almond Q - Bisque W - White

N/A = Part no longer available

Loading Door without Window

Models JSE807*F4350, JSE907*F4350, JSG809*F3060, JSG909*F3060, SSE007*F3000, SSE007*F4350, SSE107*G3018, SSE807*F3000, SSE807*F4350, SSE807*G3018, SSE907*G3018, SSEA07*G3018, SSEX07*G3018, SSG109*M3013, SSG909*M3013 and SSGX09*M3013



DRY1775P_512026

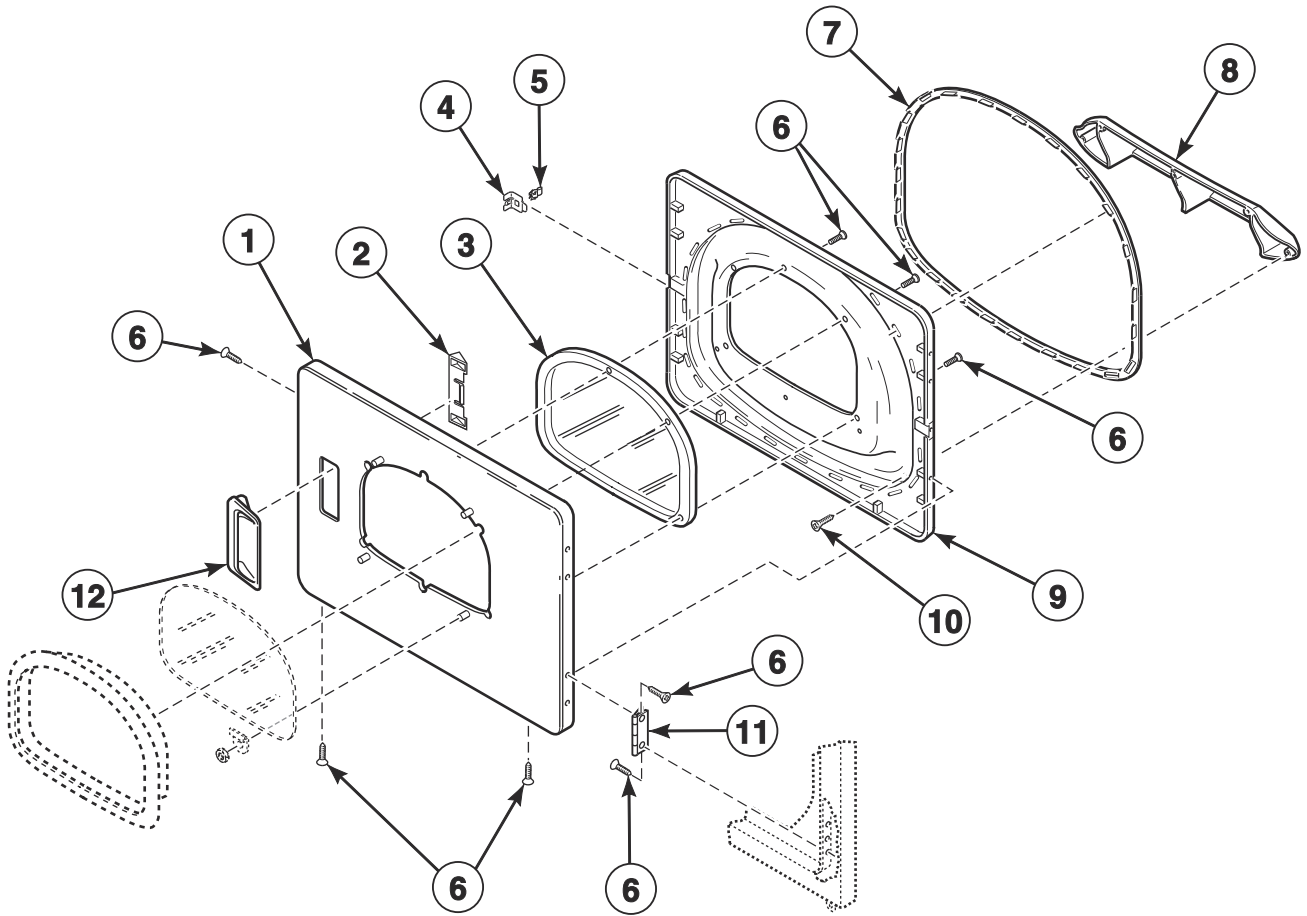
Loading Door without Window

REF	PART NO.	DESCRIPTION	COMMENTS
1	D510127	Door Strike Mount	
2	D510181	Door Strike	
3	D510147P	Liner Door Seal	
4	D510163WP	Liner, Seal and Grill Assembly	Includes item 3
5	D500226	Screw	
6	D511036	Hinge	
7	D510103WP	Door Pull and Wedge Kit	White; Includes item 9
	D510103LP	Door Pull and Wedge Kit	Almond; Includes item 9
	D510103QP	Door Pull and Wedge Kit	Bisque; Includes item 9
8	D510013WP	Dryer Door	White
	D510013LP	Dryer Door	Almond
	D510013QP	Dryer Door	Bisque
9	D510129W	Door Handle Wedge	

* Add Letter To Designate Color. L - Almond Q - Bisque W - White

Loading Door with Window (Drawing 1 of 2)

All Models Except JSE807*F4350, JSE907*F4350, JSG809*F3060, JSG909*F3060, SSE007*F3000, SSE007*F4350, SSE107*G3018, SSE807*F3000, SSE807*F4350, SSE807*G3018, SSE907*G3018, SSEA07*G3018, SSEX07*G3018, SSG109*M3013, SSG909*M3013 and SSGX09*M3013



DRY2296P_512026

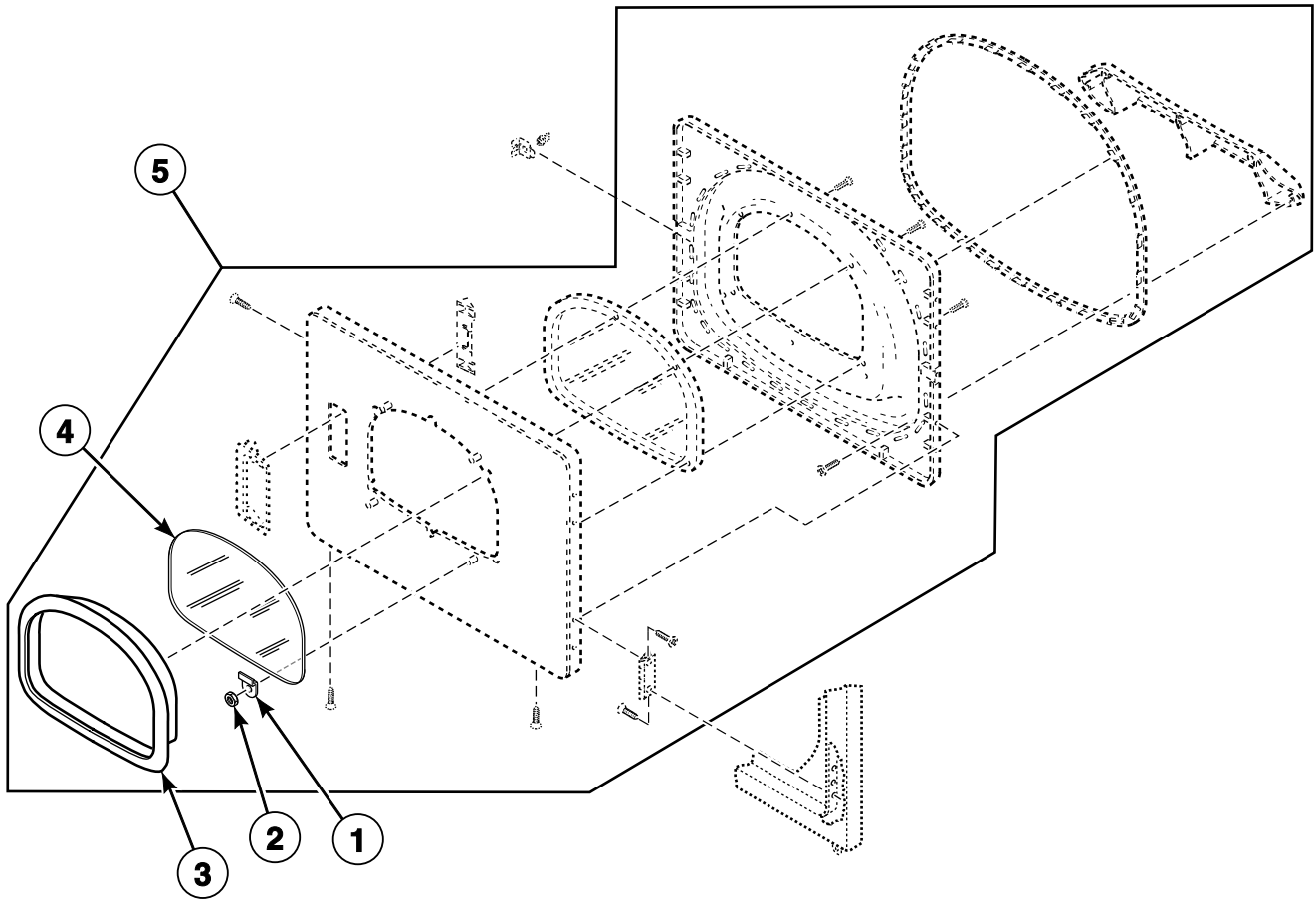
Loading Door with Window (Drawing 1 of 2)

REF	PART NO.	DESCRIPTION	COMMENTS
1	D510082WP	Dryer Door	White; Models HSEBXFGW171FW28. HSER17*F2902, HSET17*F2902, HSEY17*F2802, HSEY17*F2902, NSE917*F3022 and NSEBXFGW301NW22 through Serial No. 1303025314; All other models
	D510082LP	Dryer Door	Almond; Models HSEBXFGW171FW28. HSER17*F2902, HSET17*F2902, HSEY17*F2802, HSEY17*F2902, NSE917*F3022 and NSEBXFGW301NW22 through Serial No. 1303025314; All other models
	D510082QP	Dryer Door	Bisque; Models HSEBXFGW171FW28. HSER17*F2902, HSET17*F2902, HSEY17*F2802, HSEY17*F2902, NSE917*F3022 and NSEBXFGW301NW22 through Serial No. 1303025314; All other models
	D516737W	Door Assembly	Models HSEBXFGW171FW28, HSER17*F2902, HSET17*F2902, HSEY17*F2802, HSEY17*F2902, NSE917*F3022 and NSEBXFGW301NW22 starting Serial No. 1303025315
	D516737Q	Door Assembly	Models HSEBXFGW171FW28, HSER17*F2902, HSET17*F2902, HSEY17*F2802, HSEY17*F2902, NSE917*F3022 and NSEBXFGW301NW22 starting Serial No. 1303025315
2	D510129W	Door Handle Wedge	
3	D503982P	Dryer Door Window	
4	D510127	Door Strike Mount	
5	D510181	Door Strike	
6	D500226	Screw	
7	D510147P	Liner Door Seal	
8	D503870W	Door Liner Grill	Models HSEBXFGW171FW28. HSER17*F2902, HSET17*F2902, HSEY17*F2802, HSEY17*F2902, NSE917*F3022, and NSEBXFGW301NW22 through Serial No. 1303025314; All other models
	D503870LG	Door Liner Grill	Models HSEBXFGW171FW28, HSER17*F2902, HSET17*F2902, HSEY17*F2802, HSEY17*F2902, NSE917*F3022 and NSEBXFGW301NW22 starting Serial No. 1303025315
9	D510098W	Liner and Seal Assembly	Includes item 7; Models HSEBXFGW171FW28. HSER17*F2902, HSET17*F2902, HSEY17*F2802, HSEY17*F2902, NSE917*F3022, and NSEBXFGW301NW22 through Serial No. 1303025314; All other models
	D516737W	Door Assembly	Includes item 7; Models HSEBXFGW171FW28, HSER17*F2902, HSET17*F2902, HSEY17*F2802, HSEY17*F2902, NSE917*F3022 and NSEBXFGW301NW22 starting Serial No. 1303025315
10	D505870	Screw	
11	D511036	Hinge	
12	D510103WP	Door Pull and Wedge Kit	White; Includes item 2
	D510103LP	Door Pull and Wedge Kit	Almond; Includes item 2
	D510103QP	Door Pull and Wedge Kit	Bisque; Includes item 2

* Add Letter To Designate Color. L - Almond Q - Bisque W - White

Loading Door with Window (Drawing 2 of 2)

All Models Except JSE807*F4350, JSE907*F4350, JSG809*F3060, JSG909*F3060, SSE007*F3000, SSE007*F4350, SSE107*G3018, SSE807*F3000, SSE807*F4350, SSE807*G3018, SSE907*G3018, SSEA07*G3018, SSEX07*G3018, SSG109*M3013, SSG909*M3013 and SSGX09*M3013



DRY2296PA_512026

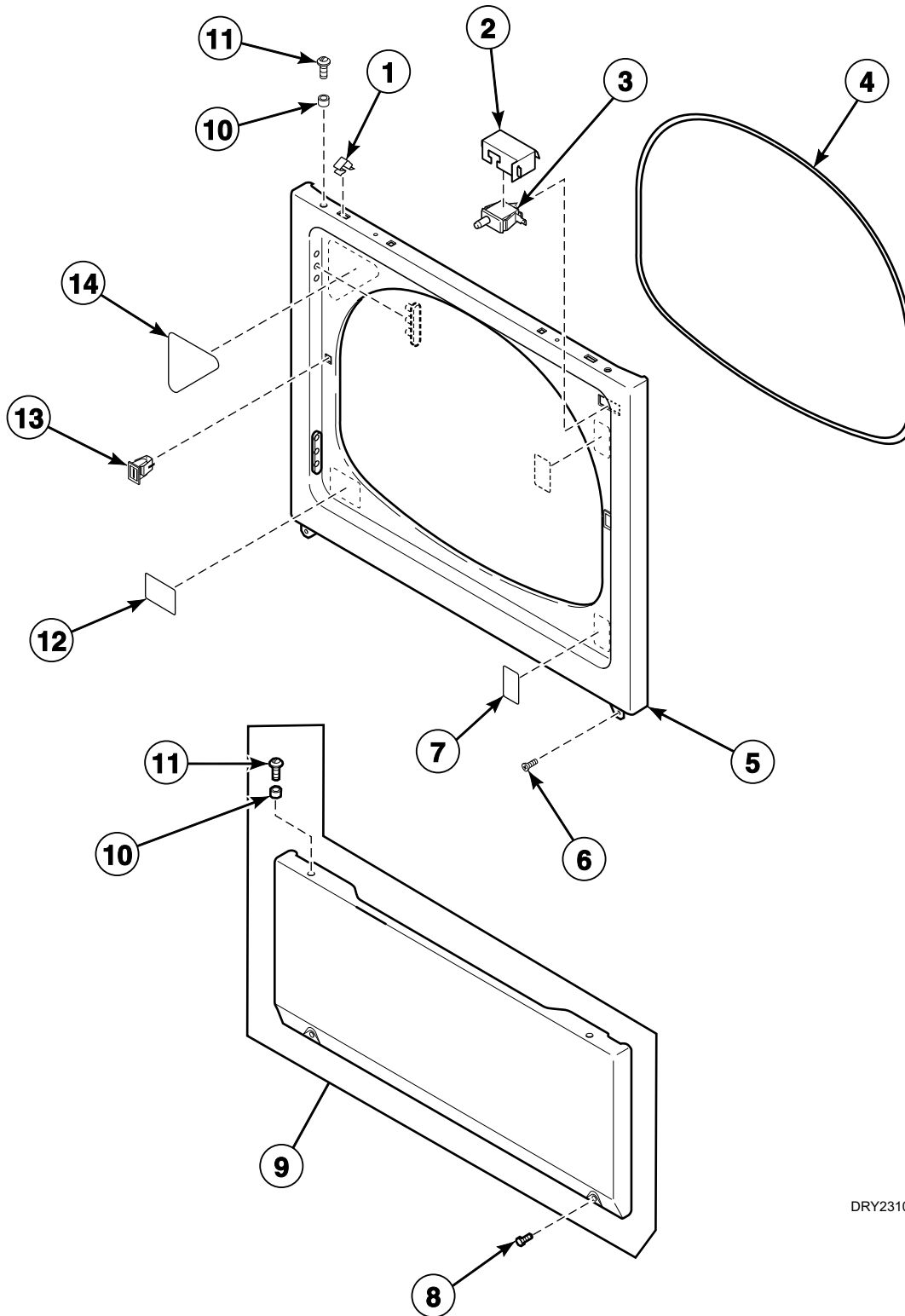
Loading Door with Window (Drawing 2 of 2)

REF	PART NO.	DESCRIPTION	COMMENTS
1	D513958	Window Clip	Models HSEBXFGW171FW28, HSER17*F2902, HSET17*F2902, HSEY17*F2802, HSEY17*F2902, NSE917*F3022 and NSEBXFGW301NW22 starting Serial No. 1303025315
2	44071201	Nut	Models HSEBXFGW171FW28, HSER17*F2902, HSET17*F2902, HSEY17*F2802, HSEY17*F2902, NSE917*F3022 and NSEBXFGW301NW22 starting Serial No. 1303025315
3	D503981W	Window Trim	White; Models HSEBXFGW171FW28. HSER17*F2902, HSET17*F2902, HSEY17*F2802, HSEY17*F2902, NSE917*F3022 and NSEBXFGW301NW22 through Serial No. 1303025314; All other models
	D503981L	Window Trim	Almond; Models HSEBXFGW171FW28. HSER17*F2902, HSET17*F2902, HSEY17*F2802, HSEY17*F2902, NSE917*F3022 and NSEBXFGW301NW22 through Serial No. 1303025314; All other models
	D503981Q	Window Trim	Bisque; Models HSEBXFGW171FW28. HSER17*F2902, HSET17*F2902, HSEY17*F2802, HSEY17*F2902, NSE917*F3022 and NSEBXFGW301NW22 through Serial No. 1303025314; All other models
	D516737W	Door Assembly	Models HSEBXFGW171FW28, HSER17*F2902, HSET17*F2902, HSEY17*F2802, HSEY17*F2902, NSE917*F3022 and NSEBXFGW301NW22 starting Serial No. 1303025315
	D513960Q	Window Trim	Models HSEBXFGW171FW28, HSER17*F2902, HSET17*F2902, HSEY17*F2802, HSEY17*F2902, NSE917*F3022 and NSEBXFGW301NW22 starting Serial No. 1303025315
4	D516737W	Door Assembly	Models HSEBXFGW171FW28, HSER17*F2902, HSET17*F2902, HSEY17*F2802, HSEY17*F2902, NSE917*F3022 and NSEBXFGW301NW22 starting Serial No. 1303025315
5	D516737W	Door Assembly	White; Includes item 3, items 1-3, 6, and 8-13 on <i>Loading Door with Window (Drawing 1 of 2)</i> ; Models HSEBXFGW171FW28. HSER17*F2902, HSET17*F2902, HSEY17*F2802, HSEY17*F2902, NSE917*F3022 and NSEBXFGW301NW22 through Serial No. 1303025314; All other models
	N/A	Door and Liner Assembly	Almond; Includes items 1-2 and items 1-10 on <i>Loading Door with Window (Drawing 1 of 2)</i> ; Models HSEBXFGW171FW28. HSER17*F2902, HSET17*F2902, HSEY17*F2802, HSEY17*F2902, NSE917*F3022 and NSEBXFGW301NW22 through Serial No. 1303025314; All other models
	D511636QP	Door and Liner Assembly	Bisque; Includes items 1-2 and items 1-10 on <i>Loading Door with Window (Drawing 1 of 2)</i> ; Models HSEBXFGW171FW28. HSER17*F2902, HSET17*F2902, HSEY17*F2802, HSEY17*F2902, NSE917*F3022 and NSEBXFGW301NW22 through Serial No. 1303025314; All other models

* Add Letter To Designate Color. L - Almond Q - Bisque W - White

N/A = Part no longer available

Access Panel, Front Panel and Seal



DRY2310P_512026

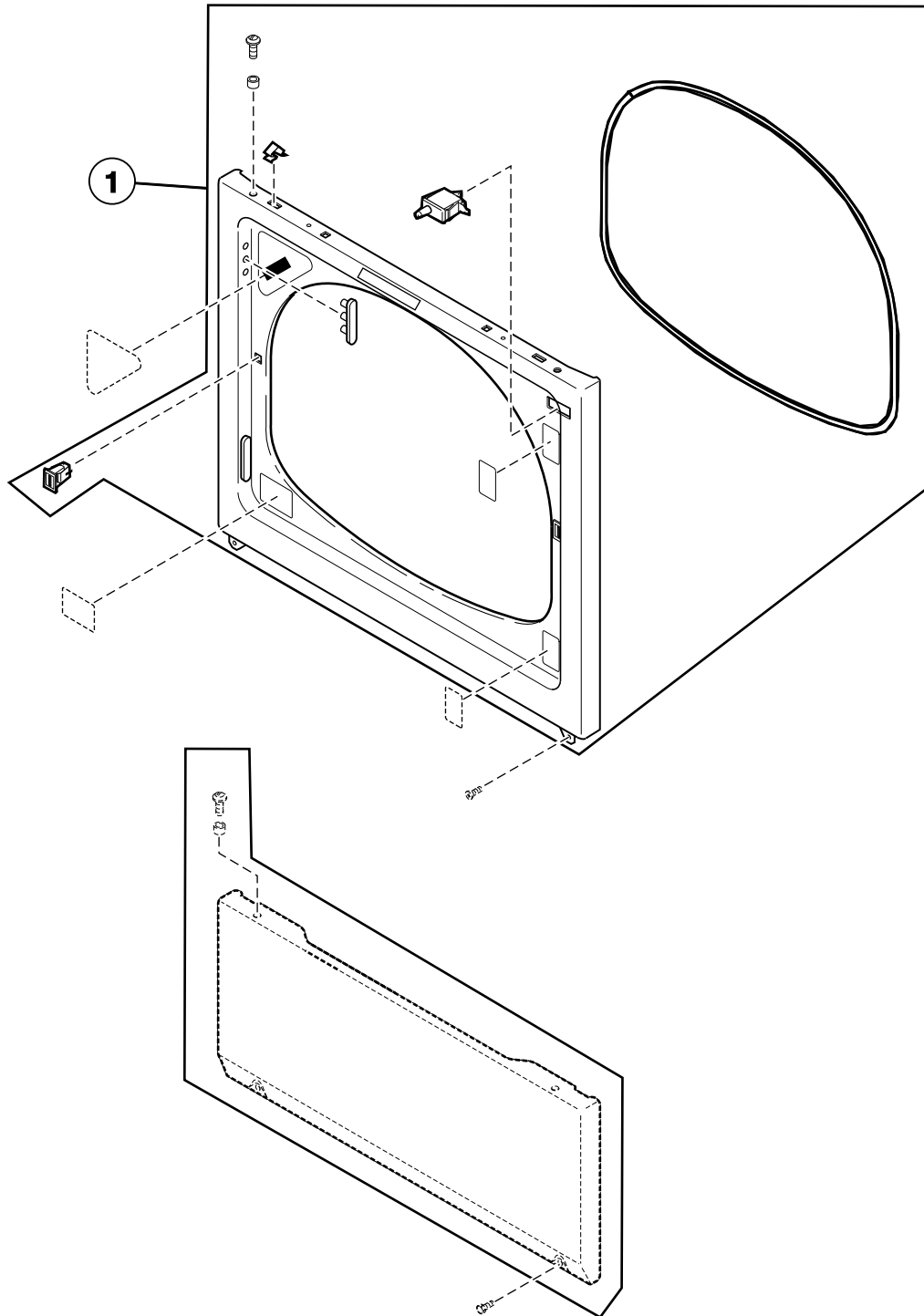
Access Panel, Front Panel and Seal

REF	PART NO.	DESCRIPTION	COMMENTS
	D511903	Instruction Label	Models HSEBXFGW131DW01, HSEBXFGW541DW01, SSEBXFGW131DW01 and SSEBXFGW541DW01
1	28835	Speed Clip	
2	D514327	Drip Shield	Model BSGBXFGW301AW01
3	D512973	Switch	
4	D511056	Front Panel Seal	
5	D510066WP	Front Panel	White
	D510066LP	Front Panel	Almond
	D510066QP	Front Panel	Bisque
6	D503688	Screw	
7	D512263	Warning Label	Models BSGBXFGW301AW01, JSE807*F4350, JSE907*F4350, JSG809*F3060, JSG909*F3060, SSE007*F4350, SSE117*F4350, SSE417*F4350, SSE807*F4350, SSE917*F4350, SSEF17*J4350, SSG119*F3058, SSG119*F3060, SSG419*F3058, SSG919*F3060, SSGF19*J3060 and SSGX19*F3060
8	33562	Screw	Slotted hex head
	62853	Screw	Torx head; Optional for added security
9	D514250WP	Access Panel Assembly	White; Models HSEBXFGW171FW28, HSER17*F2902, HSET17*F2902, HSEY17*F2802, HSEY17*F2902, NSE917*F3022, NSEBXFGW301NW22 and SSE807*F3000 through Serial No. 1303025314; All other models
	D510069LP	Access Panel	Almond; Models HSEBXFGW171FW28, HSER17*F2902, HSET17*F2902, HSEY17*F2802, HSEY17*F2902, NSE917*F3022, NSEBXFGW301NW22 and SSE807*F3000 through Serial No. 1303025314; All other models
	D514250Q	Access Panel Assembly	Bisque; Models HSEBXFGW171FW28, HSER17*F2902, HSET17*F2902, HSEY17*F2802, HSEY17*F2902, NSE917*F3022, NSEBXFGW301NW22 and SSE807*F3000 through Serial No. 1303025314; All other models
	D514250WP	Access Panel Assembly	Models HSEBXFGW171FW28, HSER17*F2902, HSET17*F2902, HSEY17*F2802, HSEY17*F2902, NSE917*F3022, NSEBXFGW301NW22 and SSE807*F3000 starting Serial No. 1303025315
	D514252Q	Access Panel and Guard Assembly	Models HSEBXFGW171FW28, HSER17*F2902, HSET17*F2902, HSEY17*F2802, HSEY17*F2902, NSE917*F3022, NSEBXFGW301NW22 and SSE807*F3000 starting Serial No. 1303025315
10	56079	Panel Locator	
11	39733	Screw	
12	D502804	Lint Filter Label	Models BSGBXFGW301AW01, JSE807*F4350, JSE907*F4350, JSG809*F3060, JSG909*F3060, SSE007*F4350, SSE117*F4350, SSE417*F4350, SSE807*F4350, SSE917*F4350, SSEF17*J4350, SSG119*F3058, SSG119*F3060, SSG419*F3058, SSG919*F3060, SSGF19*J3060 and SSGX19*F3060
13	D510177	Door Catch Assembly	
14	D500253	Caution Label	English/French; Models HSE117*F2802, HSE117*F2902, HSE517*F2802, HSE517*F2902, HSE717*F2802, HSE717*F2902, HSE917*F2802, HSE917*F2902, HSEB17*J2802, HSEB17*J2902, HSEF17*J2802, HSEF17*J2902, HSER17*F2802, HSER17*F2902, HSET17*F2802, HSET17*F2902, HSEX17*F2802, HSEX17*F2902, HSEY17*F2802, HSEY17*F2902, HSEY17*F99N2, HSEZ17*F2802, HSEZ17*F2902, HSG119*F0902, HSG519*F0902, HSG719*F0902, HSG919*F0902, HSGB19*J0902, HSGF19*J0902, HSGR19*F0902, HSGT19*F0902, HSGX19*F0902, HSGY19*F0902 and HSGZ19*F0902
	D502825	Warning Label	Spanish; Model SSG919*F3028
	D514226	Warning Label	Models HSEBXFGW131DW01, HSEBXFGW541DW01, SSEBXFGW131DW01 and SSEBXFGW541DW01
	D500281	Warning/Caution Label	English; All other models

* Add Letter To Designate Color. L - Almond Q - Bisque W - White

Front Panel Assembly

All Models Except HSGBXFGW121DW01, HSGBXFGW541DW01, JSE807*F4350, JSE907*F4350, JSG809*F3060, JSG909*F3060, SSE007*F3000, SSE007*F4350, SSE107*G3018, SSE807*F3000, SSE807*F4350, SSE807*G3018, SSE907*G3018, SSEA07*G3018, SSEX07*G3018, SSG109*M3013, SSG909*M3013, SSGBXFGW121DW01, SSGBXFGW541DW01 and SSGX09*M3013



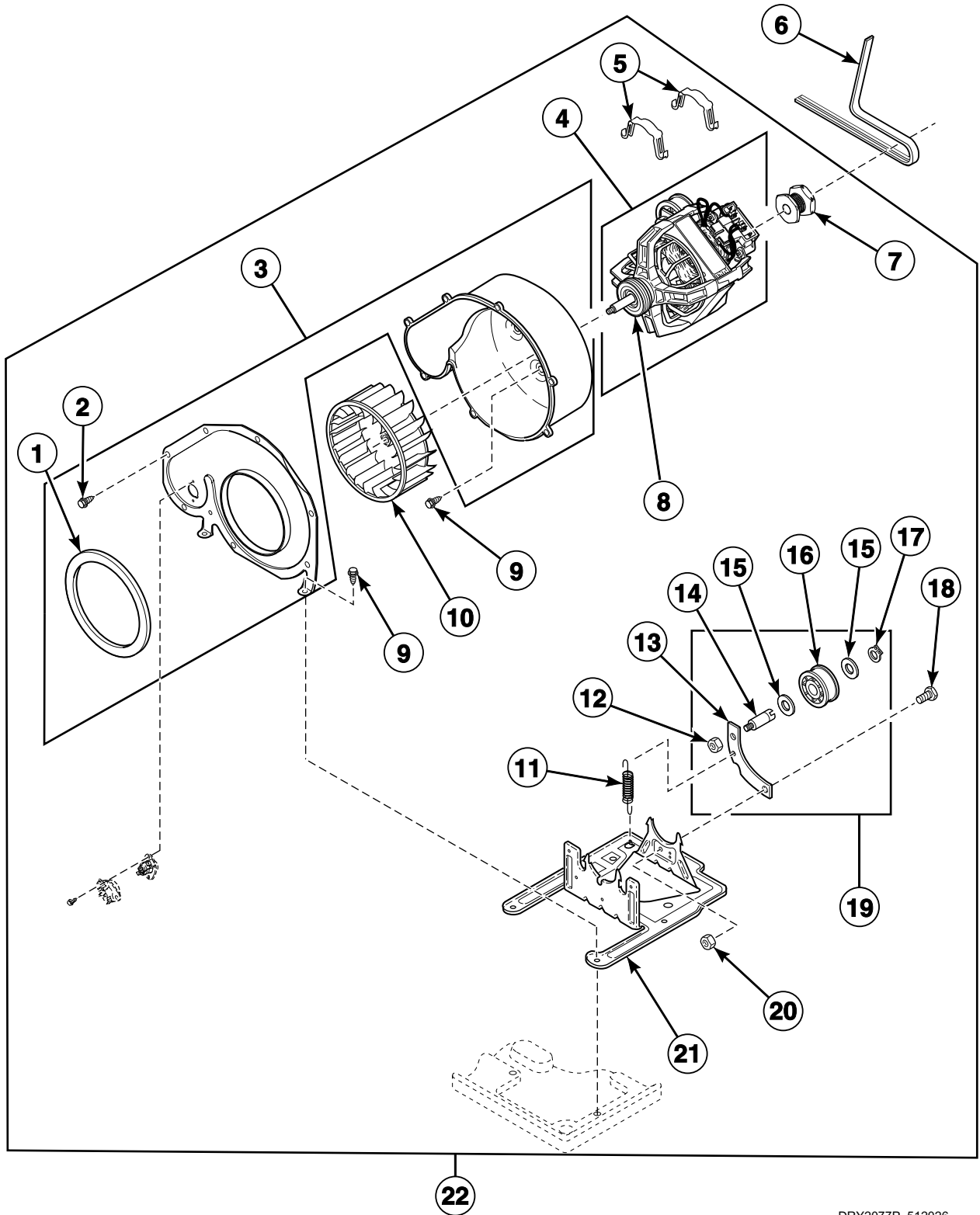
DRY2179PA_512026

Front Panel Assembly

REF	PART NO.	DESCRIPTION	COMMENTS
1	D513781WP	Front Panel Assembly	Models HSEBXFGW171FW28, HSER17*F2902, HSET17*F2902, HSEY17*F2802, HSEY17*F2902, NSE917*F3022, and NSEBXFGW301NW22 through Serial No. 1303025314; All other models

* Add Letter To Designate Color. L - Almond Q - Bisque W - White

Motor, Exhaust Fan and Belt



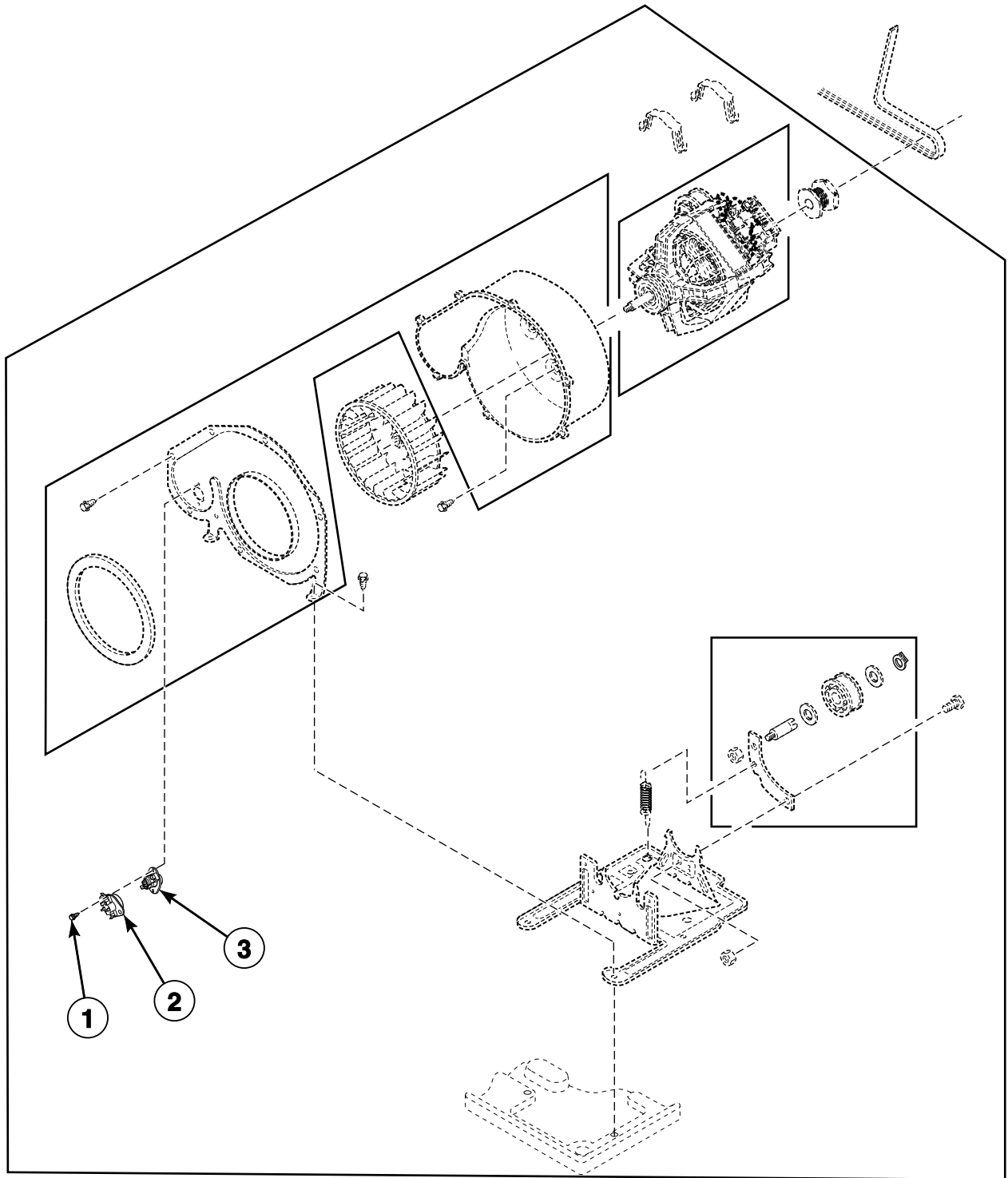
DRY2077P_512026

Motor, Exhaust Fan and Belt

REF	PART NO.	DESCRIPTION	COMMENTS
	27604P	Anti-Seize Compound	Apply to motor shaft when installing blower fan assembly
1	D510238P	Blower Housing Seal	
2	31260	Screw	
3	D511969WP	Blower Housing	Includes items 1 and 2
4	D505843P	Motor and Pulley Assembly	240 Volt/50 Hertz; Apply anti-seize compound to motor shaft when installing blower fan assembly; Includes item 8; Models BSGBXFGW301AW01, JSE807*F4350, JSE907*F4350, JSEBEFGW301EW01, JSEBGF301EW01, JSG809*F3060, JSG909*F3060, JSGBEFGW301EW01, JSGBGF301EW01, NSE917*F3022, NSG919*F3022, NSGBXFGW301NW22, SSE007*F3000, SSE007*F4350, SSE107*G3018, SSE117*F3000, SSE117*F4350, SSE117*G3018, SSE417*F3000, SSE417*F4350, SSE807*F3000, SSE807*F4350, SSE807*G3018, SSE907*G3018, SSE917*F3000, SSE917*F4350, SSEA07*G3018, SSEF17*J4350, SSEX07*G3018, SSG109*M3013, SSG119*F3000, SSG119*F3058, SSG119*F3060, SSG119*M3013, SSG419*F3000, SSG419*F3058, SSG909*M3013, SSG919*F3028, SSG919*F3060, SSGF19*J3060, SSGX09*M3013 and SSGX19*F3060
	D505869P	Motor and Pulley Assembly	240 Volt/60 Hertz; Apply anti-seize compound to motor shaft when installing blower fan assembly; Includes item 8; Models HSEBXFGW541DW01, HSGBXFGW541DW01, NSE817*F5422, NSE917*F5422, SSE117*F5412, SSEBXFGW541DW01, SSG119*F5412, SSG119*F5480, SSGBXFGW541DW01, USE017*F5412 and USG019*F5412
	D511629P	Motor and Pulley Assembly	120 Volt/60 Hertz; Apply anti-seize compound to motor shaft when installing blower fan assembly; Includes item 8; All other models
5	D510180	Motor Mount Clamp	
6	D511255P	Cylinder Belt	
7	D500222	Motor Pulley	50 Hertz; Models BSGBXFGW301AW01, JSE807*F4350, JSE907*F4350, JSEBEFGW301EW01, JSEBGF301EW01, JSG809*F3060, JSG909*F3060, JSGBEFGW301EW01, JSGBGF301EW01, NSE817*F5422, NSE917*F3022, NSE917*F5422, NSEBXFGW301NW22, NSG919*F3022, NSGBXFGW301NW22, SSE007*F3000, SSE007*F4350, SSE107*G3018, SSE117*F3000, SSE117*F4350, SSE117*G3018, SSE417*F3000, SSE417*F4350, SSE807*F3000, SSE807*F4350, SSE807*G3018, SSE907*G3018, SSE917*F3000, SSE917*F4350, SSEA07*G3018, SSEF17*J4350, SSEX07*G3018, SSG109*M3013, SSG119*F3000, SSG119*F3058, SSG119*F3060, SSG119*M3013, SSG419*F3000, SSG419*F3058, SSG909*M3013, SSG919*F3060, SSGF19*J3060, SSGX09*M3013 and SSGX19*F3060
	D500011	Motor Pulley	60 Hertz; All other models
8	590P3	Motor Hub Ring Kit	
9	D503688	Screw	
10	D510139P	Blower Fan Assembly	Apply anti-seize compound to motor shaft when installing blower fan assembly
11	D510185	Idler Spring	
12	56156	Nut	
13	D516310	Idler Lever	
14	56461P	Shaft	
15	52549	Washer	
16	D510142P	Idler Wheel and Bearing Assembly	
17	23748	Retaining Ring	
18	D500824	Screw	
19	D516792	Idler Lever and Wheel Assembly	Includes items 12-17
20	52566	Nut	
21	D510060	Motor Mount	
22	D510717P	Blower and Fan Kit	Includes items 1-5 and 7-21

* Add Letter To Designate Color. L - Almond Q - Bisque W - White

Thermostat and Thermistor



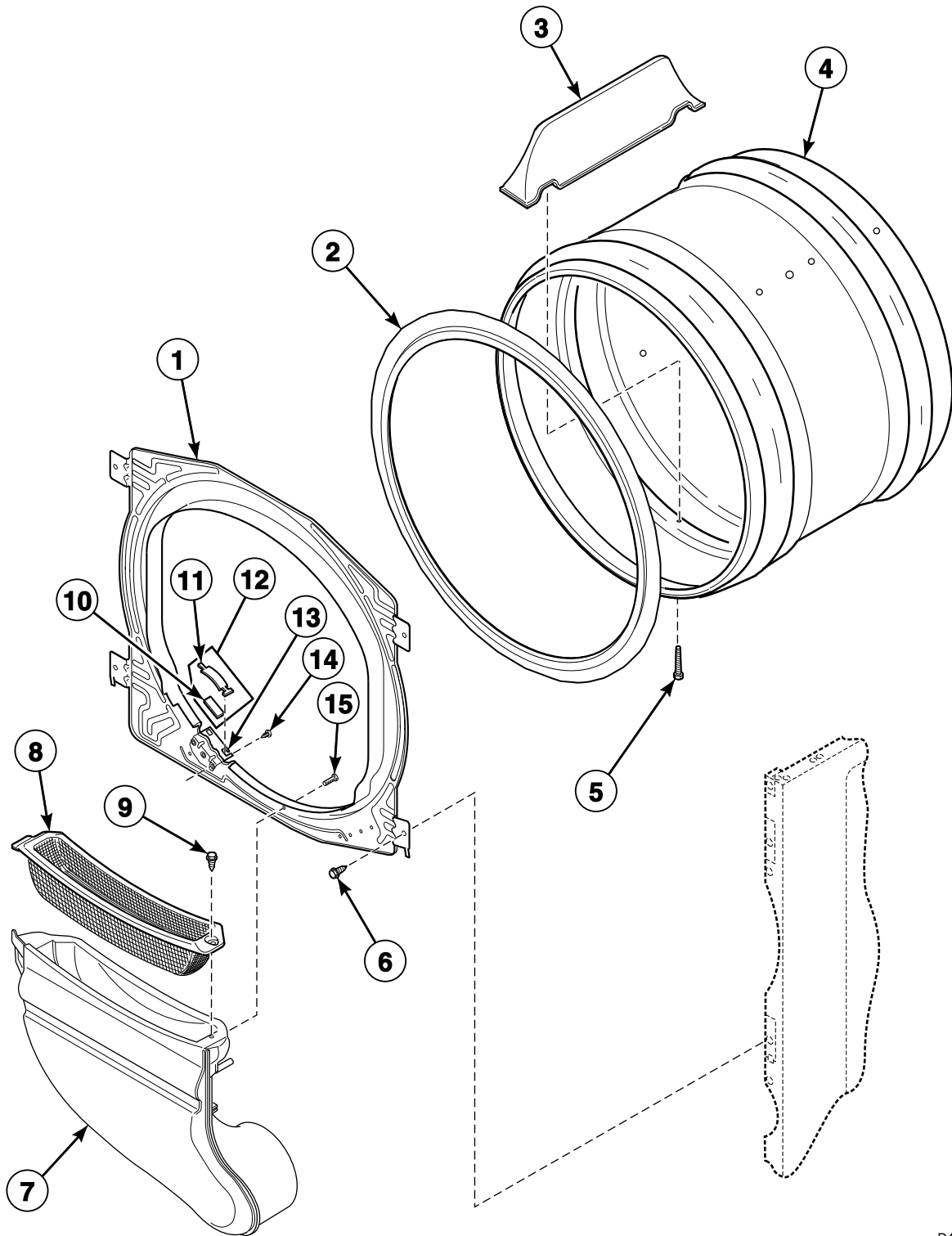
DRY2077PA_512026

Thermostat and Thermistor

REF	PART NO.	DESCRIPTION	COMMENTS
1	D502535	Screw	
2	D504515	Thermostat	Green; Models HSE117*F2802, HSE117*F2902 and HSG119*F0902 through Serial No. 0404
	D512005	Thermostat	Green/White; Models HSE117*F2802, HSE117*F2902 and HSG119*F0902 starting Serial No. 0404
	D511887	Thermostat	Tan/White; Models JSE807*F4350, JSG809*F3060, NSE817*F5422, SSE007*F3000, SSE007*F4350, SSE107*G3018, SSE117*F3000, SSE117*F4350, SSE117*F5412, SSE117*G3018, SSE807*F3000, SSE807*F4350, SSE807*G3018, SSG109*M3013, SSG119*F3000, SSG119*F3058, SSG119*F3060, SSG119*F5412, SSG119*F5480, SSG119*M3013, USE017*F5412 and USG019*F5412
	D510523	Thermistor Assembly	Black; Models HSE517*F2802, HSE517*F2902, HSE717*F2802, HSE717*F2902, HSE917*F2802, HSE917*F2902, HSEB17*J2802, HSEB17*J2902, HSEBFXFGW131DW01, HSEBFXFGW171FW28, HSEBFXFGW541DW01, HSEF17*J2802, HSEF17*J2902, HSER17*F2802, HSER17*F2902, HSET17*F2802, HSET17*F2902, HSEX17*F2802, HSEX17*F2902, HSEY17*F2802, HSEY17*F2902, HSEY17*F99N2, HSEZ17*F2802, HSEZ17*F2902, HSG519*F0902, HSG719*F0902, HSG919*F0902, HSGB19*J0902, HSGBFXFGW121DW01, HSGBFXFGW541DW01, HSGF19*J0902, HSGR19*F0902, HSGT19*F0902, HSGX19*F0902, HSGY19*F0902, HSGZ19*F0902, NSE917*F5422, SSEBFXFGW131DW01, SSEBFXFGW541DW01, SSGBFXFGW121DW01 and SSGBFXFGW541DW01
	D502366	Thermistor Assembly	50 Hertz; Models BSGBFXFGW301AW01, JSE907*F4350, JSEBEFGW301EW01, JSEBGF301EW01, JSG909*F3060, JSGBEFGW301EW01, JSGBGF301EW01, NSE917*F3022, NSEBFXFGW301NW22, NSG919*F3022, NSGBFXFGW301NW22, SSE417*F3000, SSE417*F4350, SSE907*G3018, SSE917*F3000, SSE917*F4350, SSEA07*G3018, SSEF17*J4350, SSEX07*G3018, SSG419*F3000, SSG419*F3058, SSG909*M3013, SSG919*F3028, SSG919*F3060, SSGF19*J3060, SSGX09*M3013 and SSGX19*F3060
3	M411941	Manual Reset Thermostat	Models BSGBFXFGW301AW01, JSG809*F3060, JSG909*F3060, SSG119*F3060, SSG919*F3060, SSGF19*J3060 and SSGX19*F3060

* Add Letter To Designate Color. L - Almond Q - Bisque W - White

Front Bulkhead, Air Duct, Felt Seal and Cylinder

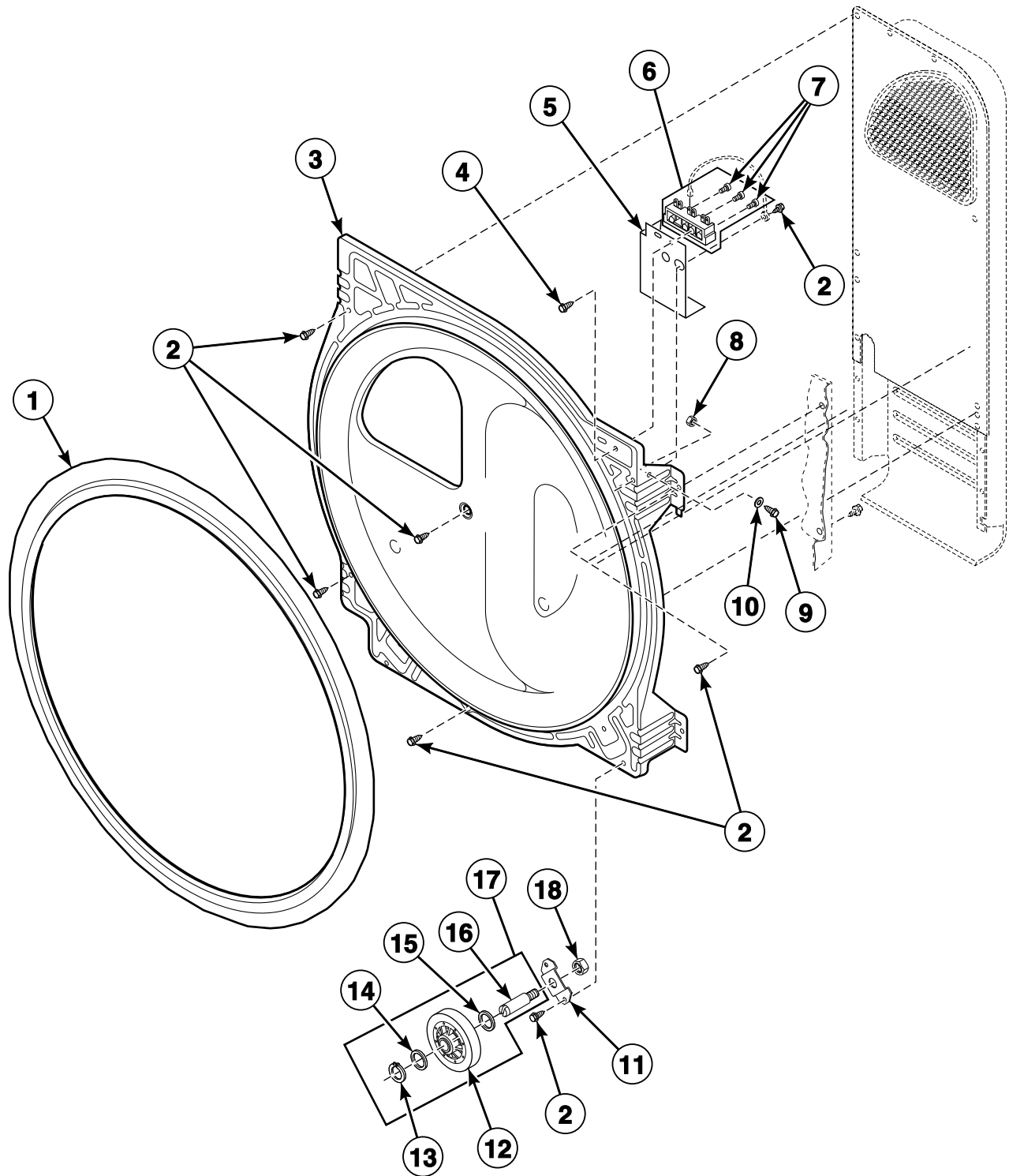


D402P_512026

Front Bulkhead, Air Duct, Felt Seal and Cylinder

REF	PART NO.	DESCRIPTION	COMMENTS
1	D510266P	Front Bulkhead Assembly	Unpainted; Includes items 2, 10, 11, 13 and 14
2	D510207P	Cylinder Seal Assembly	
	D511637P	Adhesive	Apply to cylinder seal
	RB170001	Seal Kit	Includes 2 cylinder seals, 510238P Blower Housing Seal and 511637P Adhesive
3	D510102W	Cylinder Baffle	Models HSEBXFGW171FW28, HSER17*F2902, HSET17*F2902, HSEY17*F2802, HSEY17*F2902, NSE917*F3022 and NSEBXFGW301NW22 through Serial No. 1303025314; All other models
	D510102LG	Cylinder Baffle	Models HSEBXFGW171FW28, HSER17*F2902, HSET17*F2902, HSEY17*F2802, HSEY17*F2902, NSE917*F3022 and NSEBXFGW301NW22 starting Serial No. 1303025315
4	D510265WP	Cylinder Assembly	Galvanized; Includes item 3; Models HSEBXFGW171FW28, HSER17*F2902, HSET17*F2902, HSEY17*F2802, HSEY17*F2902, NSE917*F3022 and NSEBXFGW301NW22 through Serial No. 1303025314; All other models
	D510265LGP	Cylinder Assembly	Models HSEBXFGW171FW28, HSER17*F2902, HSET17*F2902, HSEY17*F2802, HSEY17*F2902, NSE917*F3022 and NSEBXFGW301NW22 starting Serial No. 1303025315
5	62588	Screw	
6	D503688	Screw	
7	D510151W	Air Duct Assembly	Models HSEBXFGW171FW28, HSER17*F2902, HSET17*F2902, HSEY17*F2802, HSEY17*F2902, NSE917*F3022 and NSEBXFGW301NW22 through Serial No. 1303025314; All other models
	D515805LG	Air Duct Assembly	Models HSEBXFGW171FW28, HSER17*F2902, HSET17*F2902, HSEY17*F2802, HSEY17*F2902, NSE917*F3022 and NSEBXFGW301NW22 starting Serial No. 1303025315
8	D503980W	Lint Filter	Models HSEBXFGW171FW28, HSER17*F2902, HSET17*F2902, HSEY17*F2802, HSEY17*F2902, NSE917*F3022 and NSEBXFGW301NW22 through Serial No. 1303025314; All other models
	D503980LG	Lint Filter	Models HSEBXFGW171FW28, HSER17*F2902, HSET17*F2902, HSEY17*F2802, HSEY17*F2902, NSE917*F3022 and NSEBXFGW301NW22 starting Serial No. 1303025315
9	D501285	Screw	
10	D510189	Felt Pad	
11	D513710	Cylinder Glide	
12	RB170003	Glide Kit	Includes items 10 and 11
13	D510145	Cylinder Glide Bracket	
14	52864	Screw	
15	D500226	Screw	

Rear Bulkhead, Felt Seal, Cylinder Roller and Terminal Block



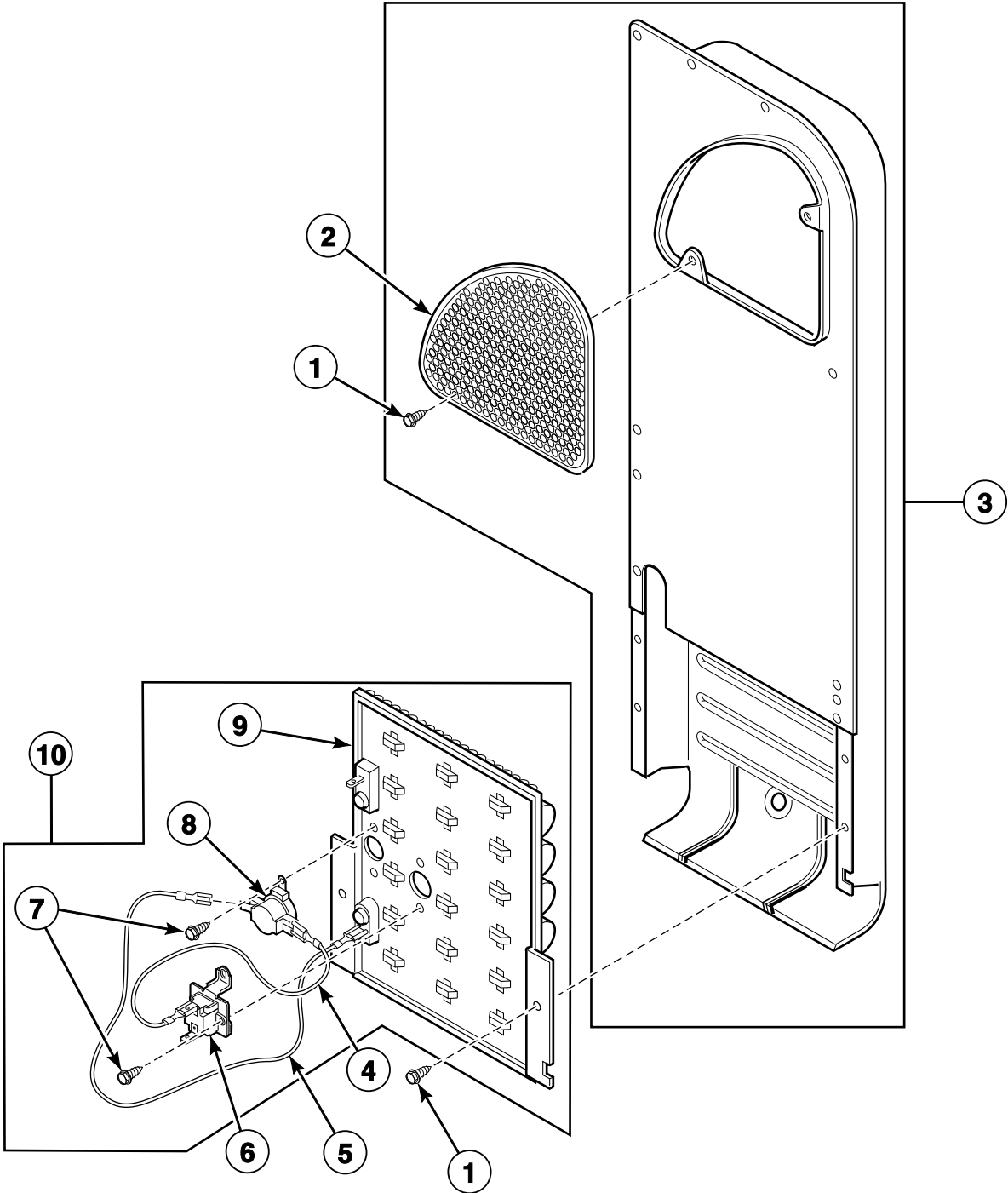
DRY1774P_512026

Rear Bulkhead, Felt Seal, Cylinder Roller and Terminal Block

REF	PART NO.	DESCRIPTION	COMMENTS
1	D510207P	Cylinder Seal Assembly	
	D511637P	Adhesive	Apply to cylinder seal
	RB170001	Seal Kit	Includes 2 cylinder seals, 510238P Blower Housing Seal and 511637P Adhesive
2	D503688	Screw	
3	D511082P	Rear Bulkhead Assembly	Galvanized; Includes item 1
4	D501285	Screw	All models except HSGBXFGW121DW01, HSGBXFGW541DW01, SSG119*F5412, SSG119*F5480, SSGBXFGW121DW01, SSGBXFGW541DW01 and USG019*F5412
5	D505768	Terminal Block Shield	Model BSGBXFGW301AW01
	D510237	Terminal Block Shield	Models HSE117*F2802, HSE117*F2902, HSE517*F2802, HSE517*F2902, HSE717*F2802, HSE717*F2902, HSE917*F2802, HSE917*F2902, HSEB17*J2802, HSEB17*J2902, HSEBXFGW131DW01, HSEBXFGW171FW28, HSEBXFGW541DW01, HSEF17*J2802, HSEF17*J2902, HSER17*F2802, HSER17*F2902, HSET17*F2802, HSET17*F2902, HSEX17*F2802, HSEX17*F2902, HSEY17*F2802, HSEY17*F2902, HSEY17*F99N2, HSEZ17*F2802, HSEZ17*F2902, HSGBXFGW541DW01, JSE807*F4350, JSE907*F4350, JSEBEFGW301EW01, JSEBGF301EW01, NSE817*F5422, NSE917*F3022, NSE917*F5422, NSEBXFGW301NW22, SSE007*F3000, SSE007*F4350, SSE107*G3018, SSE117*F3000, SSE117*F4350, SSE117*F5412, SSE117*G3018, SSE417*F3000, SSE417*F4350, SSE807*F3000, SSE807*F4350, SSE807*G3018, SSE907*G3018, SSE917*F3000, SSE917*F4350, SSEA07*G3018, SSEBXFGW131DW01, SSEBXFGW541DW01, SSEF17*J4350, SSEX07*G3018, SSGBXFGW541DW01 and USE017*F5412
6	D510190P	Terminal Block Assembly	Includes 3 of item 7; All models except HSGBXFGW121DW01, HSGBXFGW541DW01, SSG119*F5412, SSG119*F5480, SSGBXFGW121DW01, SSGBXFGW541DW01 and USG019*F5412
7	61199	Screw	
8	28447	Nut	
9	28448	Screw	
10	28449	Washer	
11	D510100	Cylinder Roller Bracket	
12	D510708P	Cylinder Roller	
13	23748	Retaining Ring	
14	52549	Washer	
15	D504082	Washer	
16	56461P	Shaft	
17	RB170002	Roller Kit	Includes items 12-16
18	56156	Nut	

* Add Letter To Designate Color. L - Almond Q - Bisque W - White

Heater Duct and Element Assembly - Electric Model Dryers



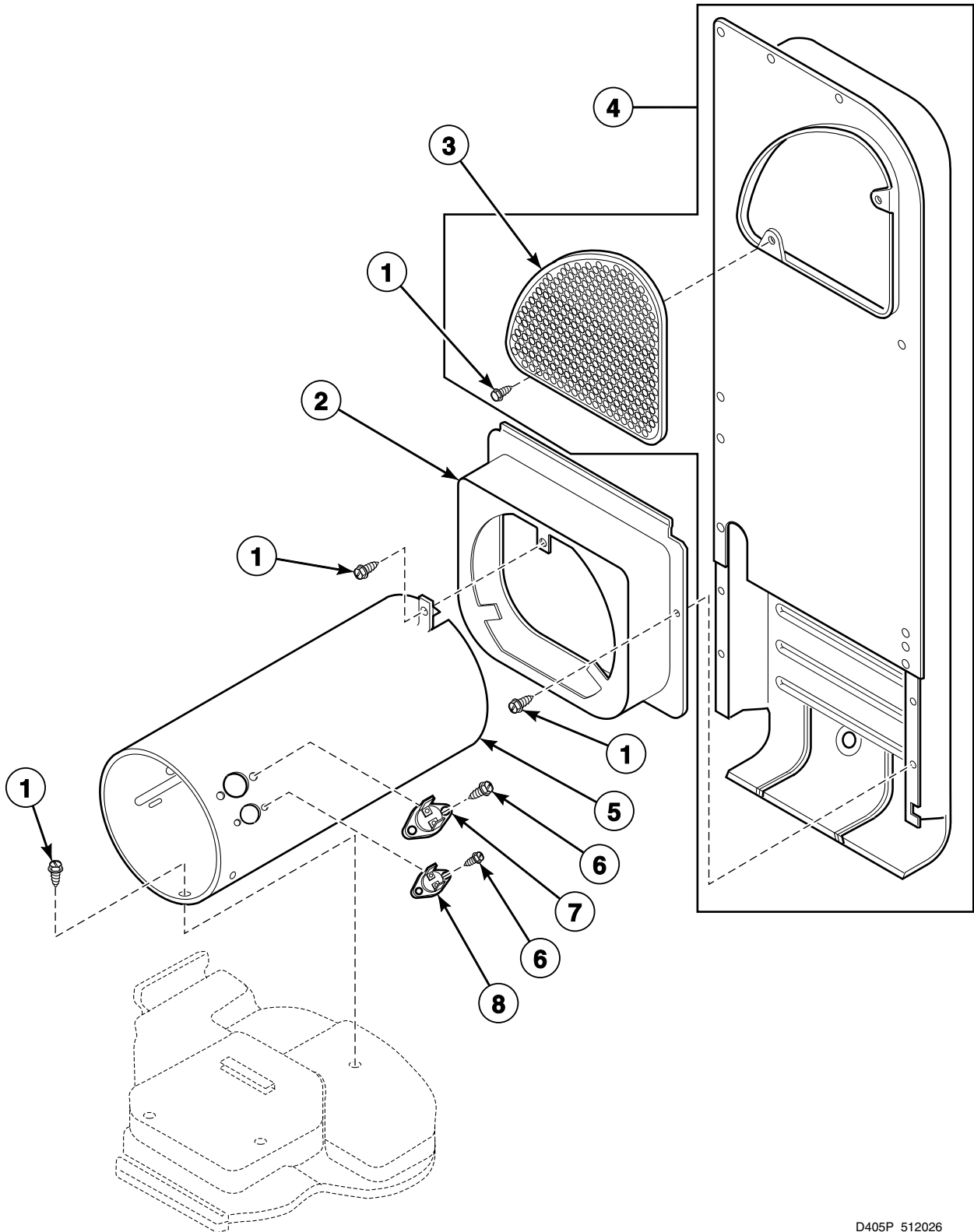
DRY1789P_512026

Heater Duct and Element Assembly - Electric Model Dryers

REF	PART NO.	DESCRIPTION	COMMENTS
1	D503688	Screw	
2	D500820	Outlet Cover	
3	D510025P	Heater Duct Assembly	Includes items 1 and 2
4	D510528	Wire Assembly	Orange; Thermostat jumper; Attaches to heater assembly
5	D510527	Wire Assembly	Black; Fuse jumper; Attaches to heater assembly
6	D511412	Thermal Fuse Assembly	
7	23222	Screw	
8	D510701	Limit Thermostat	
9	D510326P	Heater Assembly	240 Volt/50 Hertz; 4.8 kW; Models JSEBEFGW301EW01, JSEBGF301EW01, NSE917*F3022, NSEBXFGW301NW22, SSE007*F3000, SSE107*G3018, SSE117*F3000, SSE117*G3018, SSE417*F3000, SSE807*F3000, SSE807*G3018, SSE907*G3018, SSE917*F3000, SSEA07*G3018 and SSEX07*G3018
	D510327P	Heater Assembly	240 Volt/50 Hertz; 4 kW; Models JSE807*F4350, JSE907*F4350, SSE007*F4350, SSE117*F4350, SSE417*F4350, SSE807*F4350, SSE917*F4350 and SSEF17*J4350
	D510330P	Heater Assembly	208 Volt/60 Hertz; 4.25 kW; Models HSE117*F2902, HSE517*F2902, HSE717*F2902, HSE917*F2802, HSE917*F2902, HSEB17*J2902, HSEF17*J2902, HSER17*F2902, HSET17*F2902, HSEX17*F2902, HSEY17*F2902, HSEY17*F99N2 and HSEZ17*F2902
	D510329P	Heater Assembly	240 Volt/60 Hertz; 5.35 kW; Models HSEBXFGW131DW01, HSEBXFGW171FW28, HSEBXFGW541DW01, SSEBXFGW131DW01 and SSEBXFGW541DW01
	D510324P	Heater Assembly	240 Volt/60 Hertz; 5 kW; All other models
10	965P3	Heater Kit	208 Volt/60 Hertz; 4.25 kW; Includes items 4-9; Models HSE117*F2902, HSE517*F2902, HSE717*F2902, HSE917*F2802, HSE917*F2902, HSEB17*J2902, HSEF17*J2902, HSER17*F2902, HSET17*F2902, HSEX17*F2902, HSEY17*F2902, HSEY17*F99N2 and HSEZ17*F2902
	61929	Heater Kit Assembly	240 Volt/50 Hertz; 4.8 kW; Models JSEBEFGW301EW01, JSEBGF301EW01, NSE917*F3022, NSEBXFGW301NW22, SSE007*F3000, SSE107*G3018, SSE117*F3000, SSE117*G3018, SSE417*F3000, SSE807*F3000, SSE807*G3018, SSE907*G3018, SSE917*F3000, SSEA07*G3018 and SSEX07*G3018
	61930	Heater Kit Assembly	240 Volt/50 Hertz; 4 kW; Models JSE807*F4350, JSE907*F4350, SSE007*F4350, SSE117*F4350, SSE417*F4350, SSE807*F4350, SSE917*F4350 and SSEF17*J4350
	964P3	Heater Kit	240 Volt/60 Hertz; 5.35 kW; Models HSEBXFGW131DW01, HSEBXFGW171FW28, HSEBXFGW541DW01, SSEBXFGW131DW01 and SSEBXFGW541DW01
	61927	Heater Kit Assembly	240 Volt/60 Hertz; 5 kW; All other models

* Add Letter To Designate Color. L - Almond Q - Bisque W - White

Heater Duct Assembly - Gas Model Dryers



D405P_512026

Heater Duct Assembly - Gas Model Dryers

REF	PART NO.	DESCRIPTION	COMMENTS
1	D503688	Screw	
2	D510101	Heat Duct Shroud	
3	D500820	Outlet Cover	
4	D510025P	Heater Duct Assembly	Includes items 1 and 3
5	D510132	Combustion Duct	Models HSG519*F0902, HSG719*F0902, HSG919*F0902, HSGB19*J0902, HSGF19*J0902, HSGR19*F0902, HSGT19*F0902, HSGX19*F0902, HSGY19*F0902, HSGZ19*F0902, SSG119*F3058 and SSG419*F3058 starting Serial No. 0803010126; Models HSGBXFGW121DW01, HSGBXFGW541DW01, SSGBXFGW121DW01 and SSGBXFGW541DW01
	D510131	Combustion Duct	Models BSGBXFGW301AW01, HSG519*F0902, HSG719*F0902, HSG919*F0902, HSGB19*J0902, HSGF19*J0902, HSGR19*F0902, HSGT19*F0902, HSGX19*F0902, HSGY19*F0902, HSGZ19*F0902, SSG119*F3058 and SSG419*F3058 through Serial No. 0803010125; Models HSG119*F0902, JSG809*F3060, JSG909*F3060, JSGBEFGW301EW01, JSGBGFGW301EW01, NSG919*F3022, NSGBXFGW301NW22, SSG109*M3013, SSG119*F3000, SSG119*F3060, SSG119*F5412, SSG119*F5480, SSG119*M3013, SSG419*F3000, SSG909*M3013, SSG919*F3028, SSG919*F3060, SSGF19*J3060, SSGX09*M3013, SSGX19*F3060 and USG019*F5412
6	51782	Screw	
7	D510702	Limit Thermostat	Black; Auto reset
8	D510703	Thermostat	Manual reset; Models HSG519*F0902, HSG719*F0902, HSG919*F0902, HSGB19*J0902, HSGF19*J0902, HSGR19*F0902, HSGT19*F0902, HSGX19*F0902, HSGY19*F0902, HSGZ19*F0902, SSG119*F3058 and SSG419*F3058 starting Serial No. 0803010126; Models HSGBXFGW121DW01, HSGBXFGW541DW01, SSGBXFGW121DW01 and SSGBXFGW541DW01

* Add Letter To Designate Color. L - Almond Q - Bisque W - White

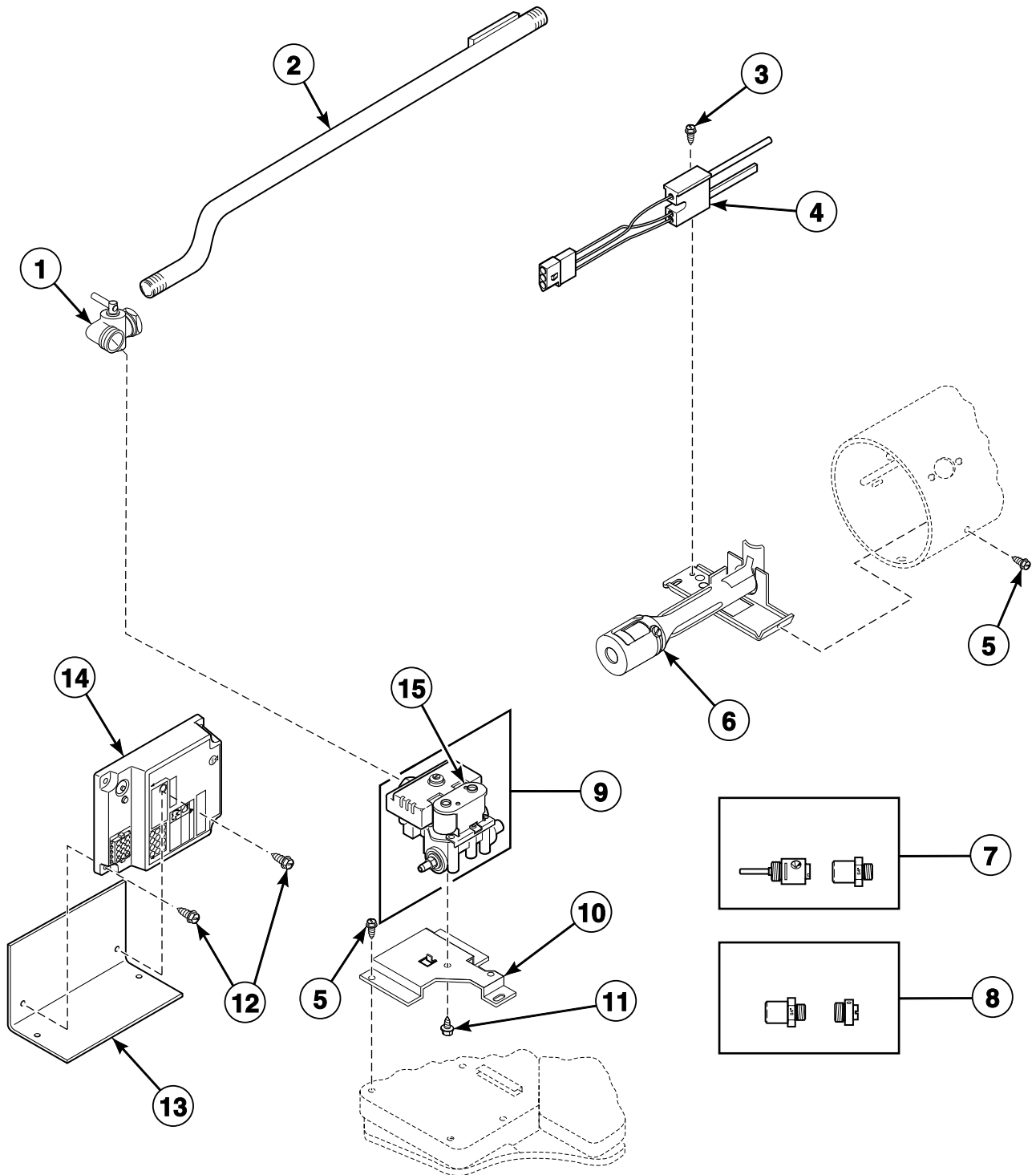
Gas Valve, Igniter and Gas Conversion Kits

REF	PART NO.	DESCRIPTION	COMMENTS
1	D510204	Lead-In Pipe Assembly	
2	51782	Screw	
3	D510184P	Igniter and Bracket Assembly	
4	23222	Screw	
5	D510213	Sensor	
6	D503688	Screw	
7	D510149P	Burner Assembly	
8	600P3	L.P. Conversion Kit	Used to convert dryers from Natural Gas (N.G.) or Mixed Gas to Liquid Petroleum Gas (L.P.) for 25,000 Btu; Models HSGBXFGW121DW01, HSGBXFGW541DW01, NSGBXFGW301NW22, SSG109*M3013, SSG119*M3013, SSG909*M3013, SSGBXFGW121DW01, SSGBXFGW541DW01 and SSGX09*M3013
	458P3	L.P. Conversion Kit	Used to convert dryers from N.G. or Mixed Gas to L.P. for 25,000 Btu; All other models
9	459P3	N.G. Conversion Kit	Used to convert dryers from L.P. to N.G. or Mixed Gas for 25,000 Btu; All models except HSGBXFGW121DW01, HSGBXFGW541DW01, NSGBXFGW301NW22, SSG109*M3013, SSG119*M3013, SSG909*M3013, SSGBXFGW121DW01, SSGBXFGW541DW01 and SSGX09*M3013
10	59063B	Secondary Coil	50 Hertz; Models BSGBXFGW301AW01, JSG809*F3060, JSG909*F3060, JSGBEFGW301EW01, JSGBGFGW301EW01, NSG919*F3022, NSGBXFGW301NW22, SSG109*M3013, SSG119*F3000, SSG119*F3060, SSG119*M3013, SSG419*F3000, SSG909*M3013, SSG919*F3028, SSG919*F3060, SSGF19*J3060, SSGX09*M3013 and SSGX19*F3060
	58804B	Secondary Coil	60 Hertz; All other models
11	60443P	Valve Assembly	50 Hertz; 25,000 Btu; Includes items 10 and 14; Models BSGBXFGW301AW01, JSG809*F3060, JSG909*F3060, JSGBEFGW301EW01, JSGBGFGW301EW01, NSG919*F3022, NSGBXFGW301NW22, SSG109*M3013, SSG119*F3000, SSG119*F3060, SSG119*M3013, SSG419*F3000, SSG909*M3013, SSG919*F3028, SSG919*F3060, SSGF19*J3060, SSGX09*M3013 and SSGX19*F3060
	D510506P	Gas Valve Assembly	60 Hertz; 22,500 Btu; Includes items 10 and 14; Models HSGBXFGW121DW01, HSGBXFGW541DW01, SSG119*F5412, SSG119*F5480, SSGBXFGW121DW01, SSGBXFGW541DW01 and USG019*F5412
	60353P	Gas Valve Assembly	60 Hertz; 25,000 Btu; Includes items 10 and 14; All other models
12	56124	Screw	
13	D510128	Gas Valve Mounting Bracket	
14	59063A	Booster and Holding Coil	50 Hertz; Models BSGBXFGW301AW01, JSG809*F3060, JSG909*F3060, JSGBEFGW301EW01, JSGBGFGW301EW01, NSG919*F3022, NSGBXFGW301NW22, SSG109*M3013, SSG119*F3000, SSG119*F3060, SSG119*M3013, SSG419*F3000, SSG909*M3013, SSG919*F3028, SSG919*F3060, SSGF19*J3060, SSGX09*M3013 and SSGX19*F3060
	58804A	Booster and Holding Coil	60 Hertz; All other models
15	D510205	Elbow Shut-Off Valve	

* Add Letter To Designate Color. L - Almond Q - Bisque W - White

Gas Valve, Igniter, Ignition Control and Gas Conversion Kits

Models SSG119*F3058 and SSG419*F3058



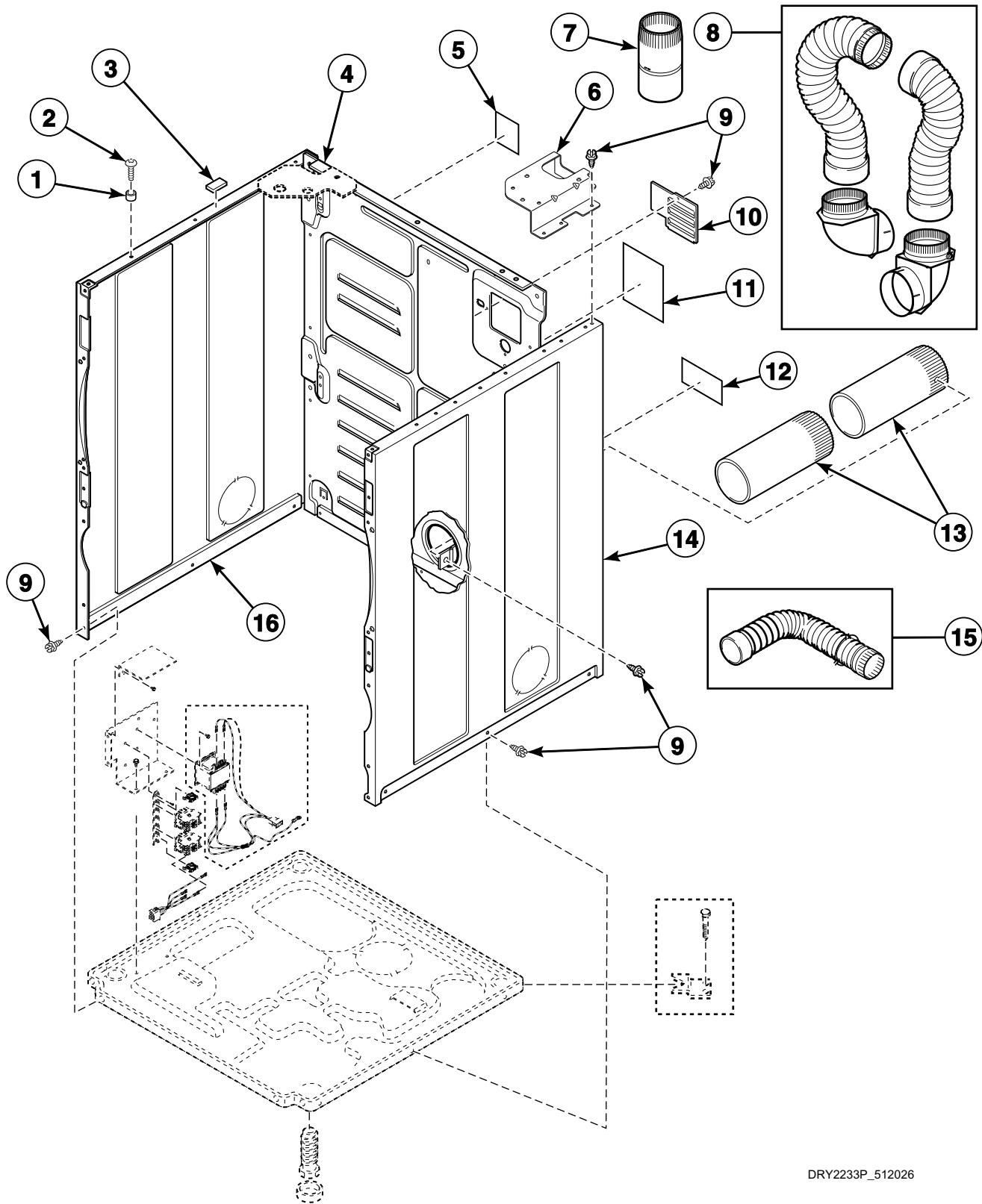
DRY2080P_512026

Gas Valve, Igniter, Ignition Control and Gas Conversion Kits

REF	PART NO.	DESCRIPTION	COMMENTS
1	D510205	Elbow Shut-Off Valve	
2	D510204	Lead-In Pipe Assembly	
3	51782	Screw	
4	D502995P	Igniter And Sensor Assembly	
5	D503688	Screw	
6	D510149P	Burner Assembly	
7	458P3	L.P. Conversion Kit	Natural Gas (N.G.) to Liquid Petroleum Gas (L.P.); 25,000 Btu
8	459P3	N.G. Conversion Kit	L.P. to N.G.; 25,000 Btu
9	D502478P	Gas Valve Assembly	Includes item 15
10	D510128	Gas Valve Mounting Bracket	
11	56124	Screw	
12	D502535	Screw	
13	D502425	Ignition Control Bracket	
14	D502994P	Igniter Control	
15	D502423A	Main and Redundant Coil	240 Volt/50 Hertz

* Add Letter To Designate Color. L - Almond Q - Bisque W - White

Cabinet and Exhaust Duct



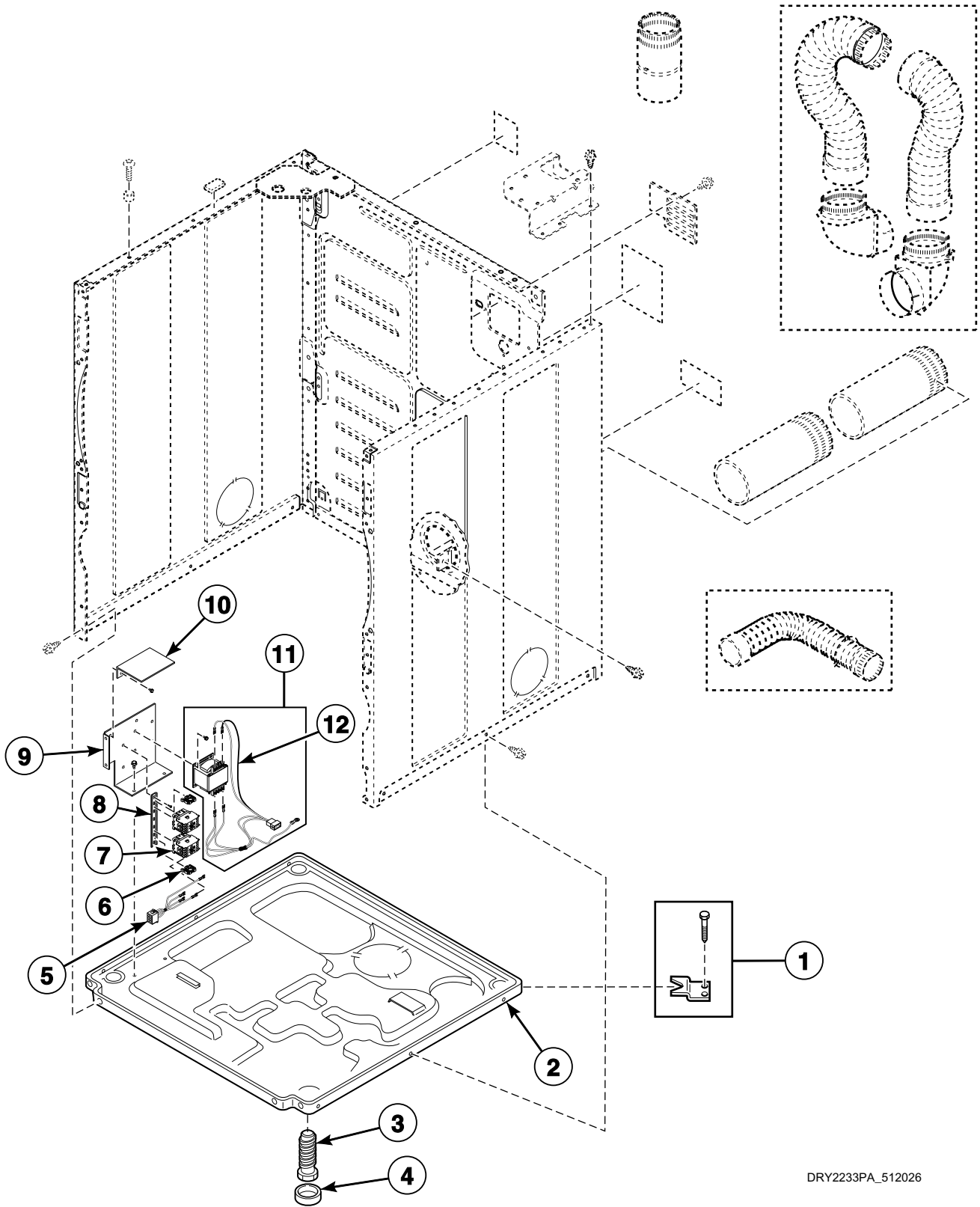
DRY2233P_512026

Cabinet and Exhaust Duct

REF	PART NO.	DESCRIPTION	COMMENTS
	122P4P	Porcelain Touch-Up Paint	White
	370P4P	Porcelain Touch-Up Paint	Bisque
	215P4P	Porcelain Touch-Up Paint	Almond
	D513372	Label	Models HSE917*F2802, HSE917*F2902, HSER17*F2802, HSER17*F2902, HSET17*F2802, HSET17*F2902, HSEY17*F2802 and HSEY17*F2902
1	56079	Panel Locator	
2	39733	Screw	
3	56128	Bumper Pad	
4	D514632P	Cabinet Rear Panel	
5	D511004	Gas Clearance Label	
6	547P3	Coin Cabinet Hardware Kit	
7	58786	Damper	Use when connecting to a manifold vent system
8	521P3	Flexible Venting Kit	
9	D503688	Screw	
10	D510903	Access Panel Plate	
11	D511005	Electric Clearance Label	Models HSEBXFGW171FW28, NSEBXFGW301NW22, SSE007*F3000 and SSE807*F3000
12	D500497	Exhaust Warning Label	All models except HSEBXFGW131DW01, HSEBXFGW541DW01, HSGBXFGW121DW01, HSGBXFGW541DW01, JSEBEFGW301EW01, JSEBGF301EW01, JSGBEFGW301EW01, JSGBGF301EW01, NSG919*F3022, NSGBXFGW301NW22, SSE107*G3018, SSE117*G3018, SSE807*G3018, SSE907*G3018, SSEA07*G3018, SSEBXFGW131DW01, SSEBXFGW541DW01, SSEX07*G3018, SSG109*M3013, SSG119*M3013, SSG909*M3013, SSGBXFGW121DW01, SSGBXFGW541DW01 and SSGX09*M3013
13	D516196	Exhaust Duct	Each dryer requires 2 pieces
14	D510002WP	Cabinet Side Panel	White; Right
	D510002LP	Cabinet Side Panel	Almond; Right
	D510002QP	Cabinet Side Panel	Bisque; Right
15	528P3	Directional Exhaust Kit	Used to vent dryer out the sides or bottom
16	D510001WP	Cabinet Side Panel	White; Left
	D510001LP	Cabinet Side Panel	Almond; Left
	D510001QP	Cabinet Side Panel	Bisque; Left

* Add Letter To Designate Color. L - Almond Q - Bisque W - White

Base



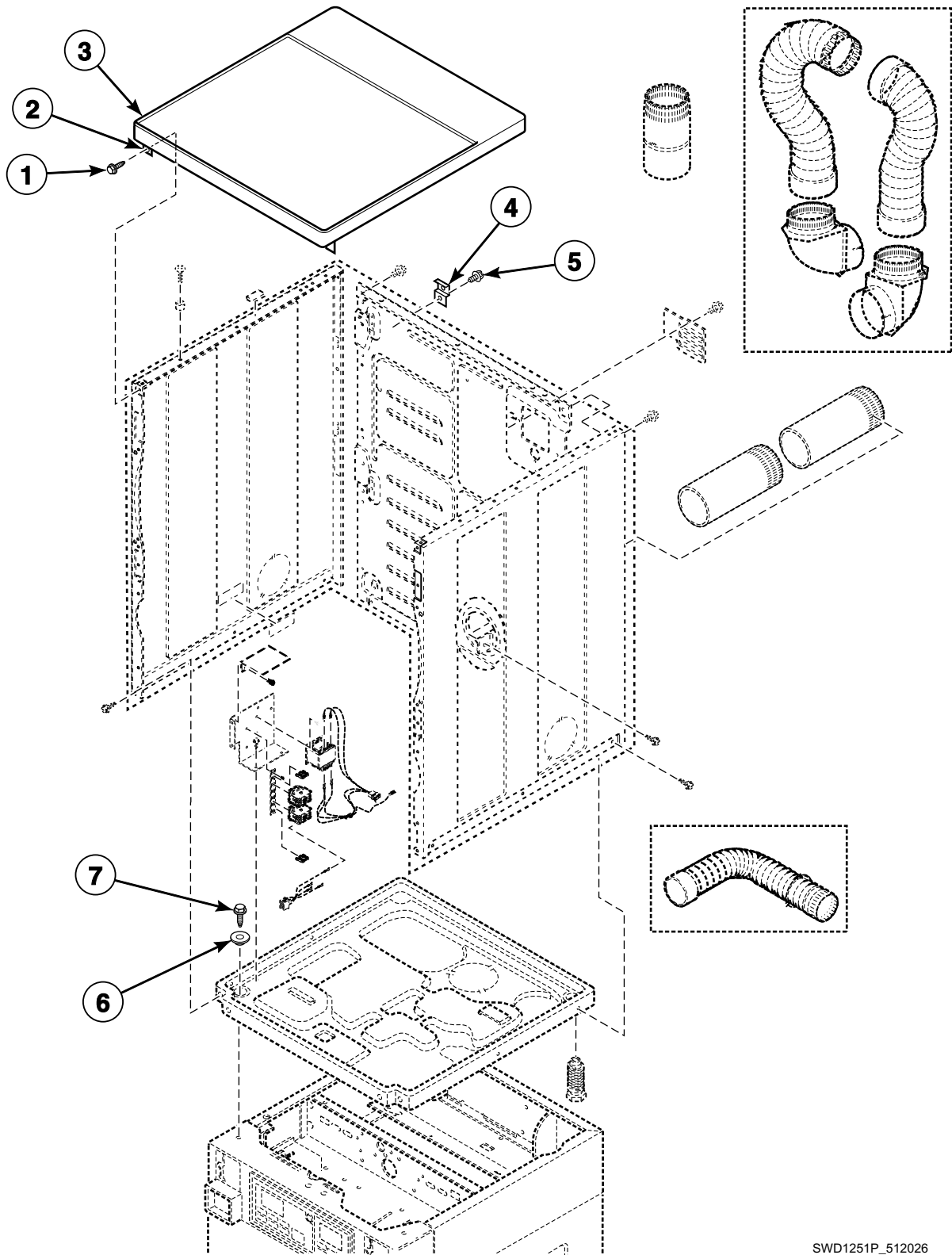
DRY2233PA_512026

Base

REF	PART NO.	DESCRIPTION	COMMENTS
1	526P3	Hold Down Kit	For mobile home installations
2	D514245	Dryer Base	
3	D510135	Leveling Leg	
4	D501855	Rubber Foot	
5	D511327	Harness Assembly	Models HSGBXFGW121DW01, HSGBXFGW541DW01, JSGBEFGW301EW01, JSGBGFGW301EW01, NSGBXFGW301NW22, SSGBXFGW121DW01, SSGBXFGW541DW01 and SSGX09*M3013
6	70121001	End Stop	
7	70323701P	Contactora	Models HSGBXFGW121DW01, HSGBXFGW541DW01, JSGBEFGW301EW01, JSGBGFGW301EW01, NSGBXFGW301NW22, SSGBXFGW121DW01, SSGBXFGW541DW01 and SSGX09*M3013
8	M412693	Din Rail	
9	D511859	Contactora Bracket	Models BSGBXFGW301AW01, HSGBXFGW121DW01, HSGBXFGW541DW01, JSG809*F3060, JSG909*F3060, JSGBEFGW301EW01, JSGBGFGW301EW01, NSG919*F3022, NSGBXFGW301NW22, SSG109*M3013, SSG119*F3000, SSG119*F3060, SSG119*F5412, SSG119*F5480, SSG119*M3013, SSG419*F3000, SSG909*M3013, SSG919*F3028, SSG919*F3060, SSGBXFGW121DW01, SSGBXFGW541DW01, SSGF19*J3060, SSGX09*M3013, SSGX19*F3060 and USG019*F5412
10	801101	Card Reader Shield	
11	D511658P	Transformer Kit	Includes item 12; Models BSGBXFGW301AW01, HSGBXFGW121DW01, HSGBXFGW541DW01, JSG809*F3060, JSG909*F3060, JSGBEFGW301EW01, JSGBGFGW301EW01, NSG919*F3022, NSGBXFGW301NW22, SSG109*M3013, SSG119*F3000, SSG119*F3060, SSG119*F5412, SSG119*F5480, SSG119*M3013, SSG419*F3000, SSG909*M3013, SSG919*F3028, SSG919*F3060, SSGBXFGW121DW01, SSGBXFGW541DW01, SSGF19*J3060, SSGX09*M3013, SSGX19*F3060 and USG019*F5412
12	D511303	Wire Harness Assembly	Transformer adapter; Includes 502592 Fuse (3.15 Amp, 250 Volt); Models BSGBXFGW301AW01, HSGBXFGW121DW01, HSGBXFGW541DW01, JSG809*F3060, JSG909*F3060, JSGBEFGW301EW01, JSGBGFGW301EW01, NSG919*F3022, NSGBXFGW301NW22, SSG109*M3013, SSG119*F3000, SSG119*F3060, SSG119*F5412, SSG119*F5480, SSG119*M3013, SSG419*F3000, SSG909*M3013, SSG919*F3028, SSG919*F3060, SSGBXFGW121DW01, SSGBXFGW541DW01, SSGF19*J3060, SSGX09*M3013, SSGX19*F3060 and USG019*F5412

* Add Letter To Designate Color. L - Almond Q - Bisque W - White

Cabinet Top



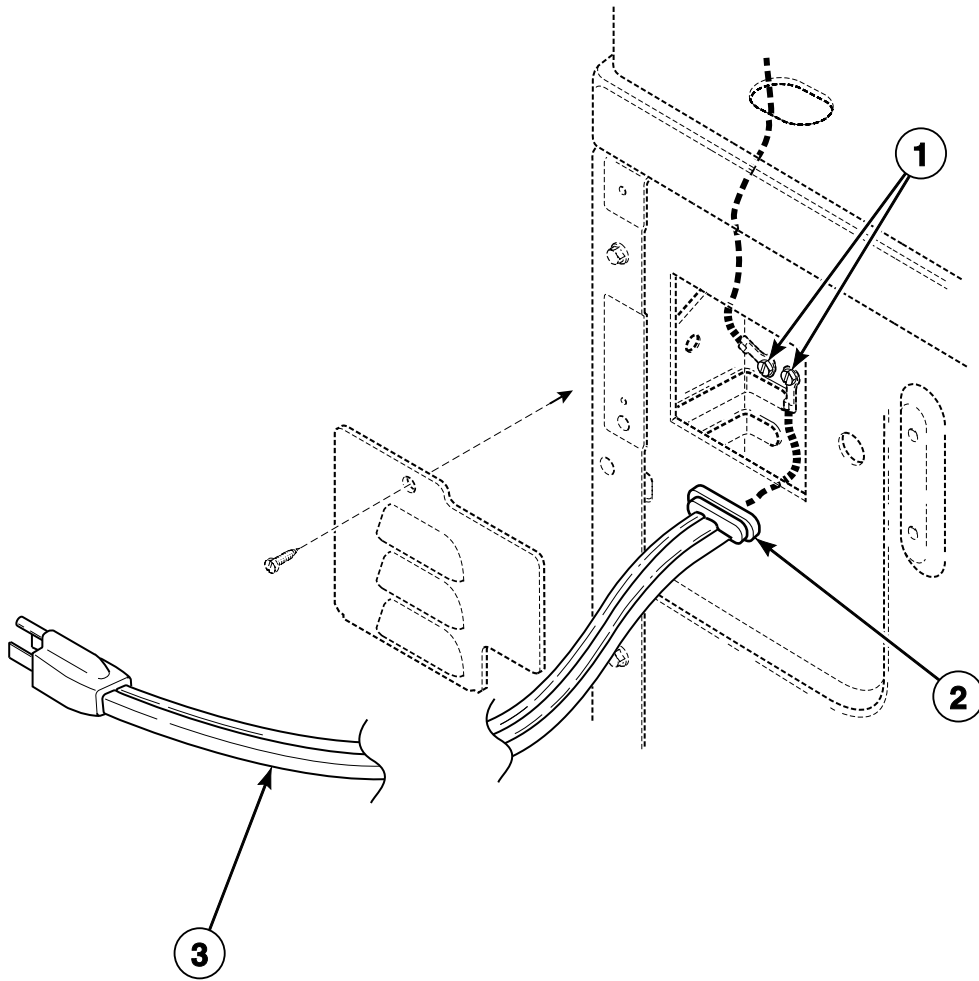
SWD1251P_512026

Cabinet Top

REF	PART NO.	DESCRIPTION	COMMENTS
1	D503661	Screw	
2	D510146	Bracket	
3	D510032WP	Top Kit	White
	D510032LP	Top Kit	Almond
	D510032QP	Top Kit	Bisque
4	D510136	Top Hinge	
5	D503688	Screw	
6	D501307	Washer	
7	36048	Screw	

* Add Letter To Designate Color. L - Almond Q - Bisque W - White

Power Cord



D408PE3A_512026

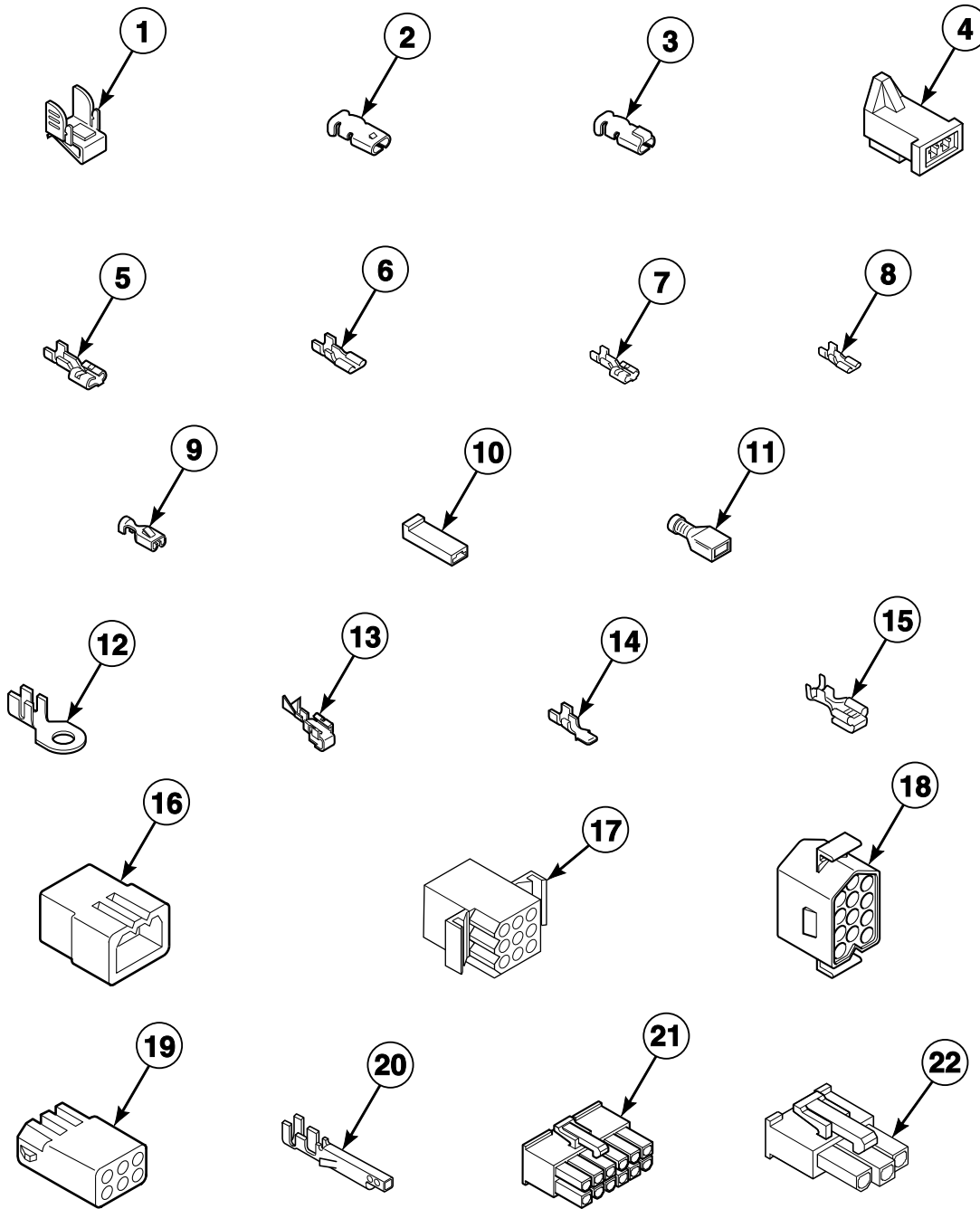
Power Cord

REF	PART NO.	DESCRIPTION	COMMENTS
	D502496	Strain Relief Adapter	Models BSGBXFGW301AW01, HSG119*F0902, HSG519*F0902, HSG719*F0902, HSG919*F0902, HSG19*J0902, HSGBXFGW121DW01, HSGBXFGW541DW01, HSGF19*J0902, HSGR19*F0902, HSGT19*F0902, HSGX19*F0902, HSGY19*F0902, HSGZ19*F0902, JSE807*F4350, JSE907*F4350, JSG809*F3060, JSG909*F3060, JSGBEFGW301EW01, JSGBGFGW301EW01, NSEBXFGW301NW22, NSG919*F3022, NSGBXFGW301NW22, SSE007*F4350, SSE107*G3018, SSE117*F4350, SSE117*G3018, SSE417*F4350, SSE807*F4350, SSE807*G3018, SSE907*G3018, SSE917*F4350, SSEA07*G3018, SSEF17*J4350, SSEX07*G3018, SSG109*M3013, SSG119*F3058, SSG919*F3060, SSG119*F3060, SSG119*M3013, SSG419*F3058, SSG909*M3013, SSG919*F3060, SSGBXFGW121DW01, SSGBXFGW541DW01, SSGF19*J3060, SSGX09*M3013 and SSGX19*F3060
1	20530	Screw	
2	N/A	Strain Relief	Models BSGBXFGW301AW01, HSE117*F2802, HSE517*F2802, HSE717*F2802, HSG119*F0902, HSG519*F0902, HSG719*F0902, HSG919*F0902, HSG19*J0902, HSGF19*J0902, HSGR19*F0902, HSGT19*F0902, HSGX19*F0902, HSGY19*F0902, HSGZ19*F0902, JSG809*F3060, JSG909*F3060, SSG119*F3058, SSG119*F3060, SSG19*J3060, SSGF19*J3060 and SSGX19*F3060
	D502500	Strain Relief	Models JSGBEFGW301EW01, JSGBGFGW301EW01, SSG109*M3013, SSG119*M3013, SSG909*M3013 and SSGX09*M3013
	52113	Strain Relief	Models JSE807*F4350, JSE907*F4350, NSEBXFGW301NW22, NSG919*F3022, NSGBXFGW301NW22, SSE007*F4350, SSE107*G3018, SSE117*F4350, SSE117*G3018, SSE417*F4350, SSE807*F4350, SSE807*G3018, SSE907*G3018, SSE917*F4350, SSEA07*G3018, SSEF17*J4350, SSEX07*G3018 and USG019*F5412
	38384	Strain Relief	Models HSGBXFGW121DW01, HSGBXFGW541DW01, SSG119*F5412, SSG119*F5480, SSG919*F3028, SSGBXFGW121DW01 and SSGBXFGW541DW01
3	61605P	Lead-In Cord Kit	Models JSE807*F4350, JSE907*F4350, SSE007*F4350, SSE117*F4350, SSE417*F4350, SSE807*F4350, SSE917*F4350 and SSEF17*J4350
	D512019	Lead-In Cord	Models BSGBXFGW301AW01, JSG809*F3060, JSG909*F3060, SSG119*F3058, SSG119*F3060, SSG419*F3058, SSG919*F3060, SSGF19*J3060 and SSGX19*F3060
	D513329	Lead-In Cord	Models JSGBEFGW301EW01 and JSGBGFGW301EW01
	D503597	Lead-In Cord Assembly	Models NSEBXFGW301NW22, NSG919*F3022, NSGBXFGW301NW22, SSE107*G3018, SSE117*G3018, SSE807*G3018, SSE907*G3018, SSEA07*G3018 and SSEX07*G3018
	D506081	Power Cord Assembly	Models SSG109*M3013, SSG119*M3013, SSG909*M3013 and SSGX09*M3013
	58992	Power Cord Assembly	Models HSG119*F0902, HSG519*F0902, HSG719*F0902, HSG919*F0902, HSG19*J0902, HSGF19*J0902, HSGR19*F0902, HSGT19*F0902, HSGX19*F0902, HSGY19*F0902 and HSGZ19*F0902
	57397	Power Cord Assembly	Models HSE917*F2802, HSE917*F2902, HSEB17*J2802, HSEB17*J2902, HSEF17*J2802, HSEF17*J2902, HSER17*F2802, HSER17*F2902, HSET17*F2802, HSET17*F2902, HSEX17*F2802, HSEX17*F2902, HSEY17*F2802, HSEY17*F2902, HSEY17*F99N2, HSEZ17*F2802 and HSEZ17*F2902
	D514222	Lead-In Cord Assembly	Models HSGBXFGW121DW01 and SSGBXFGW121DW01
	D514289	Lead-In Cord Assembly	Models HSGBXFGW541DW01 and SSGBXFGW541DW01
	59373	Lead-In Cord	Model USG019*F5412
	D505945	Power Cord Assembly	Model SSG919*F3028

* Add Letter To Designate Color. L - Almond Q - Bisque W - White

N/A = Part no longer available

Terminal Block and Terminals



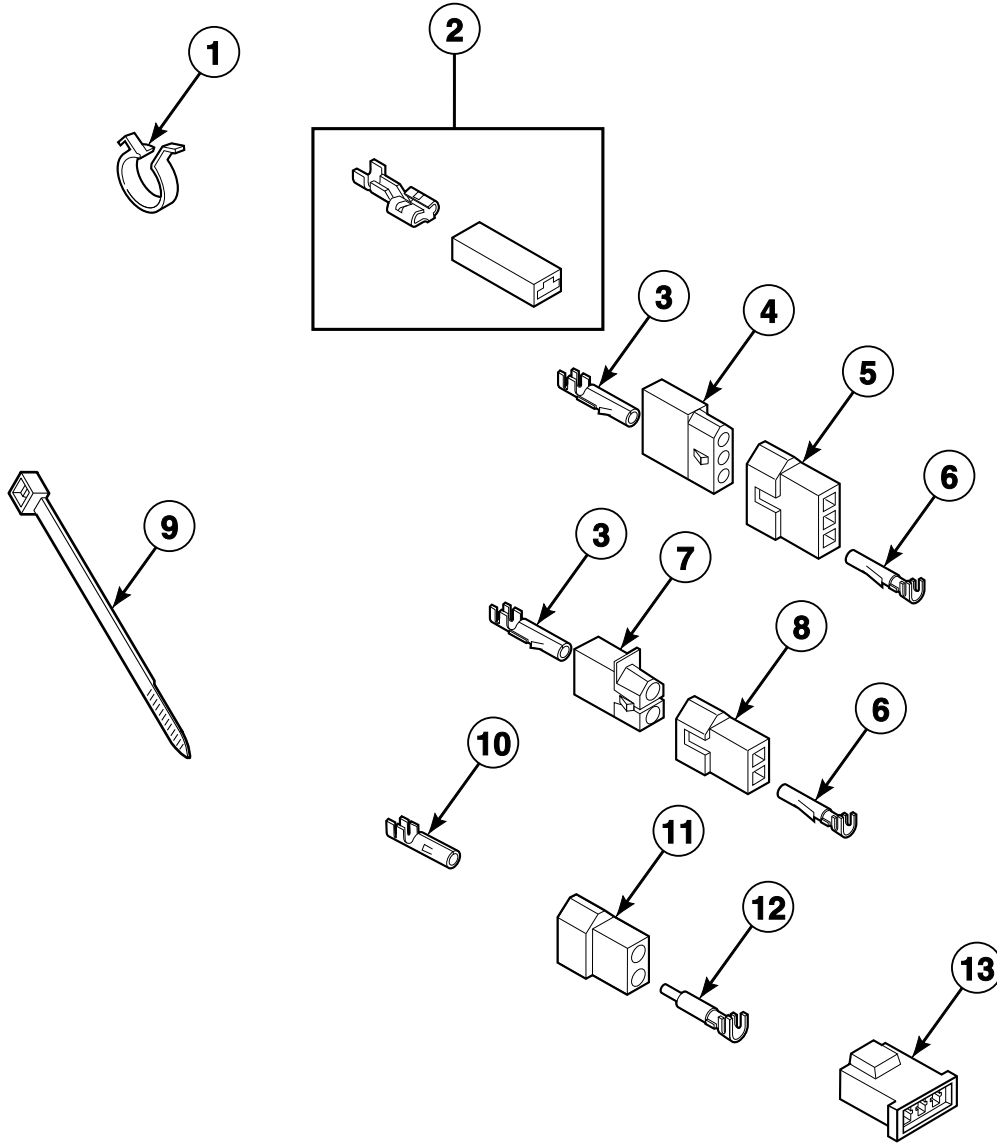
DRY2209P_512026

Terminal Block and Terminals

REF	PART NO.	DESCRIPTION	COMMENTS
1	00161	Grounding Clip	
2	00189	Female Spade Terminal	1/8 inch
3	00361	Female Piggyback Terminal	
4	58799	2 Circuit Connector	
5	00223	Female Spade Terminal	1/4 inch; (1) 18 gauge wire
	00121	Female Spade Terminal	1/4 inch; (2) 18 gauge wires or (1) 12 gauge wire
	00245	Spade Terminal	1/4 inch; (1) 22 gauge wire
6	00124	Female Spade Terminal	3/16 inch; (1) 18 gauge wire; .020 tab
	00156	Female Spade Terminal	3/16 inch; Thermostat wire; .032 tab
	00112	Female Spade Terminal	3/16 inch; .020 tab
7	N/A	Female Spade Terminal	1/4 inch
8	00347	Terminal	
9	00115	Female Spade Terminal	1/4 inch; (1) 18 gauge wire
10	90789	Receptacle Housing	
11	00359	Insulated Female Spade Terminal	1/4 inch
	00165	Insulated Female Terminal	3/16 inch
12	00110	Ring Terminal	No. 10; (1) 18 gauge wire
	00111	Ring Terminal	No. 10; (2) 18 gauge wires or (1) 12 gauge wire
13	00114	Female Spade Terminal	1/4 inch; Double connector
14	00139	Male Tab Terminal	1/4 inch; (2) 18 gauge wires or (1) 12 gauge wire
15	00344	Female Tab Terminal	1/4 inch
16	26302	1 Circuit Plug	
	23033	9 Circuit Plug	
	23041	6 Circuit Plug	
17	26163	9 Circuit Receptacle	
	56855	12 Circuit Receptacle	
18	54522	Plug	
19	26301	1 Circuit Receptacle	
	26708	6 Circuit Receptacle	
20	00252	Terminal	
21	34596	10 Circuit Receptacle	
	D501333	12 Circuit Receptacle	
22	36170	3 Circuit Receptacle	

N/A = Part no longer available

Terminals

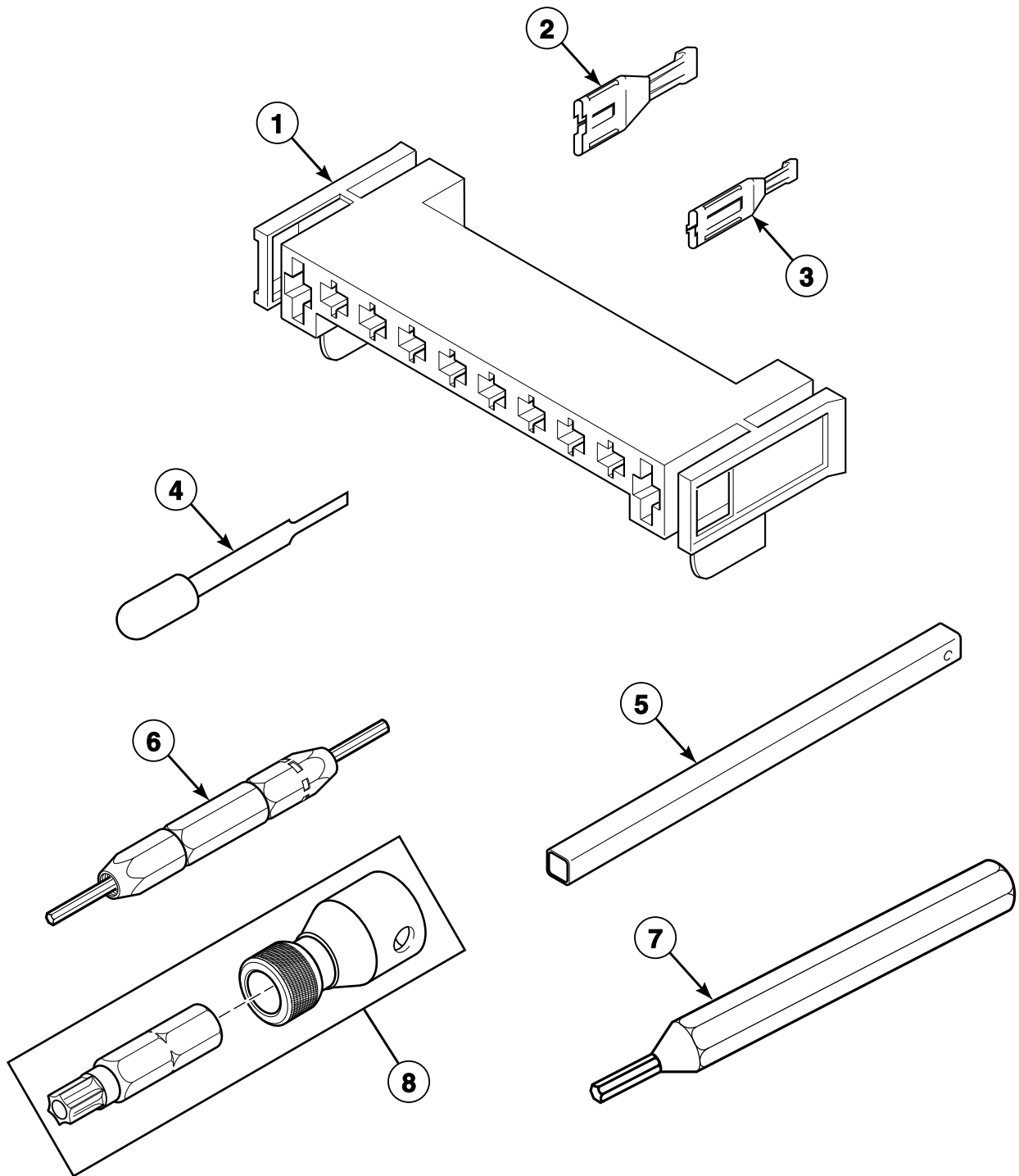


DRY1769P_512026

Terminals

REF	PART NO.	DESCRIPTION	COMMENTS
1	D504034	Wire Clip	11/16 inch
	687500	Wire Clip	1 inch
2	00360	Insulated Female Spade Terminal	(1) 12 gauge wire or (2) 18 gauge wires
3	00117	Female Pin Terminal	
4	56265	2 Circuit Receptacle	
	23039	3 Circuit Receptacle	
5	23040	Plug	
6	00116	Male Pin Terminal	
7	56451	2 Circuit Receptacle	
8	56448	2 Circuit Plug	
9	55881	Harness Strap	
	38663	Wire Tie	
10	00128	Female Pin Terminal	1/8 inch; 10-14 gauge wire
	00130	Female Pin Terminal	1/8 inch; 16-18 gauge wire
11	56266	2 Circuit Plug	
12	00129	Male Pin Terminal	.12 insulation diameter
	00127	Male Pin Terminal	.18 insulation diameter
13	58800	3 Circuit Connector	

Terminals and Terminal Extractor Tools



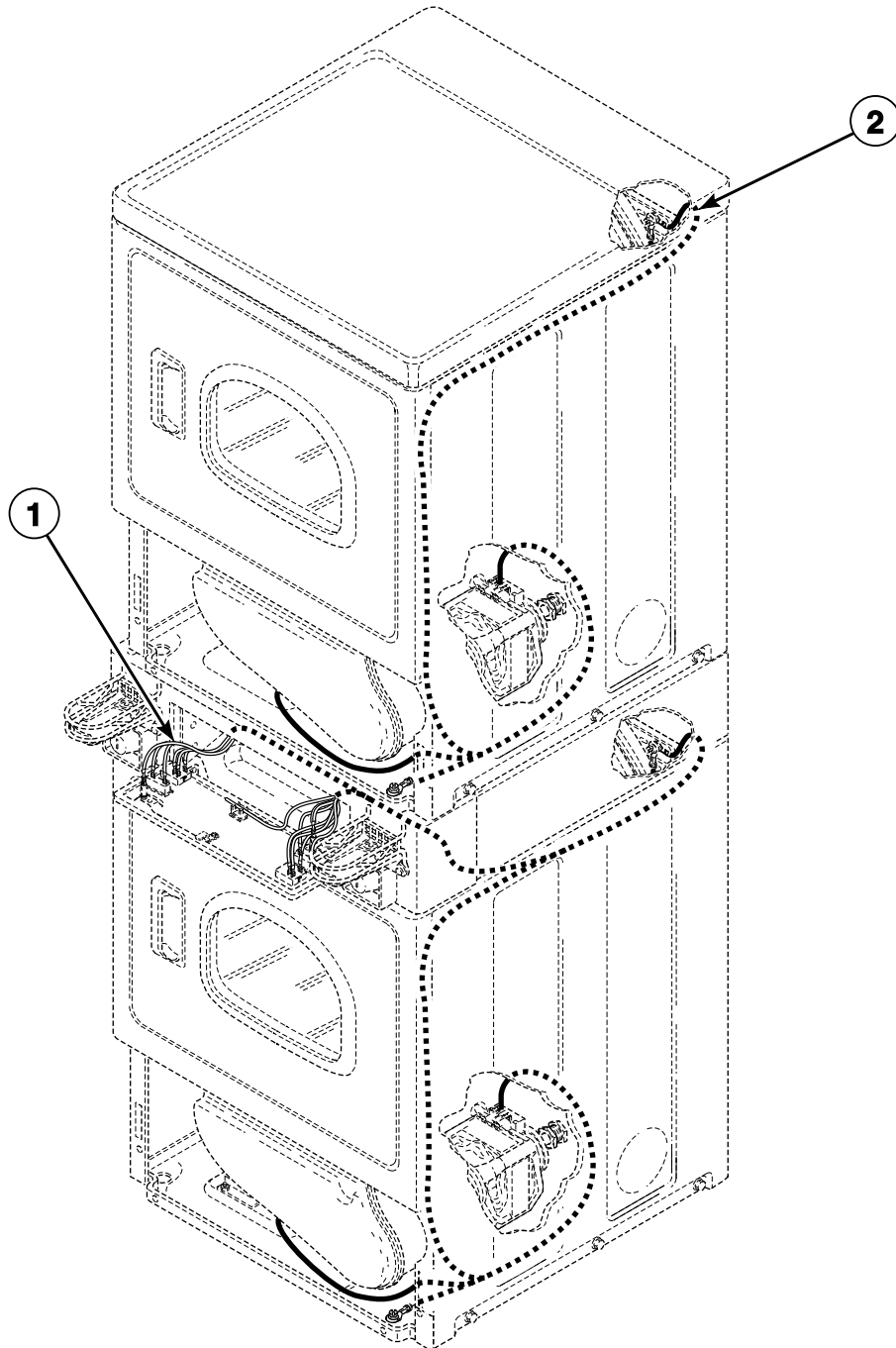
DRY2081P_512026

Terminals and Terminal Extractor Tools

REF	PART NO.	DESCRIPTION	COMMENTS
1	D500338	10 Position Housing	
2	00255	Female Terminal	1/4 inch; (1) 12 gauge wire
	00256	Female Terminal	1/4 inch; (1) or (2) 18 gauge wires
3	00188	Female Terminal	For 1 or 2 wire application
4	283P4	Terminal Extractor Tool	For use on Molex connectors
5	310P4	Ratchet Extension Tool	1/4 inch; For coin drop installation
6	190P4	Extractor Tool	For use on electric dryer terminals
7	128P4	Extractor Tool	For use on gas dryer terminals
8	281P4	Torx Bit	T15 Tamper Resistant Bit
	282P4	Torx Bit	Use with 62853 Screw on access panel; T25 Tamper Resistant Bit
	292P4	Torx Bit	T20 Standard Bit
	93501	Torx Drive Tool	T10 Standard Bit

Wire Harnesses and Wires - Nonmetered and Coin Slide Models Through Serial No. 1401 (Drawing 1 of 2)

Models HSE117*F2802, HSE117*F2902, HSE917*F2802, HSE917*F2902, HSG119*F0902, HSG919*F0902, JSE807*F4350, JSE907*F4350, JSG809*F3060, JSG909*F3060, NSE817*F5422, NSE917*F5422, NSG919*F3022, SSE007*F3000, SSE007*F4350, SSE107*G3018, SSE117*F3000, SSE117*F4350, SSE117*F5412, SSE117*G3018, SSE807*F3000, SSE807*F4350, SSE807*G3018, SSE907*G3018, SSE917*F3000, SSE917*F4350, SSG109*M3013, SSG119*F3000, SSG119*F3058, SSG119*F3060, SSG119*F5412, SSG119*F5480, SSG119*M3013, SSG909*M3013, SSG919*F3028, SSG919*F3060, USE017*F5412 and USG019*F5412



DRY1912P_512026

Wire Harnesses and Wires - Nonmetered and Coin Slide Models Through Serial No. 1401 (Drawing 1 of 2)

REF	PART NO.	DESCRIPTION	COMMENTS
	45380	12 Gauge Wire	Orange; Order wire by the foot; Order terminals and connectors as required
	45001	18 Gauge Wire	Black; Order wire by the foot; Order terminals and connectors as required
1	D511765	Security Cabinet Wire Harness Assembly	Connects from control to upper harness; Model USG019*F5412
	D510647P	Harness Replacement Kit	Connects from control to upper harness; Models HSE117*F2802 and HSE117*F2902
	D512142	Wire Harness Assembly	Connects from control to main harness; 2 required; Models HSE917*F2802, HSE917*F2902, HSG919*F0902, JSE907*F4350, JSG909*F3060, NSE917*F5422, NSG919*F3022, SSE907*G3018, SSE917*F4350, SSG909*M3013, SSG919*F3028 and SSG919*F3060
	D510654P	Security Cabinet Wire Harness Assembly	Models JSE807*F4350, NSE817*F5422, SSE807*F4350 and SSE807*G3018 connects from control to main harness, 2 required; Models SSE007*F3000, SSE007*F4350 and USE017*F5412 connects from control to upper harness, 1 required
	D510626	Security Cabinet Harness Assembly	Connects from control to upper harness; Models SSE107*G3018, SSE117*F3000, SSE117*F4350, SSE117*F5412 and SSE117*G3018
	D510655P	Security Cabinet Wire Harness Assembly	Model JSG809*F3060
	N/A	Harness Replacement Kit	Connects from control to upper harness; Models HSG119*F0902, SSG109*M3013, SSG119*F3000, SSG119*F3058, SSG119*F3060, SSG119*F5412, SSG119*F5480 and SSG119*M3013
2	D512913	Wire Harness	Model JSG809*F3060
	D510445P	Upper Harness Assembly	Models SSG119*F3000, SSG119*F5412 and SSG119*F5480
	D510449P	Wire Harness Assembly	Upper; Model SSG119*F3058
	D511341	Wire Harness Assembly	Upper; Model SSG119*F3060
	D511761	Wire Harness Assembly	Upper; Model USG019*F5412
	D512644	Wire Harness Assembly	Models HSE917*F2802 and HSE917*F2902
	D511792P	Electronic Harness	Models JSE907*F4350, NSE917*F5422, SSE907*G3018 and SSE917*F4350
	D511793P	Electronic Harness	Model HSG919*F0902
	D512285	Wire Harness Assembly	Models JSG909*F3060 and SSG919*F3060
	D512289	Wire Harness Assembly	Models NSG919*F3022, SSG909*M3013 and SSG919*F3028
	D510468P	Wire Harness Assembly	Models JSE807*F4350, NSE817*F5422, SSE807*F4350 and SSE807*G3018
	N/A	Upper Wire Harness	All other models

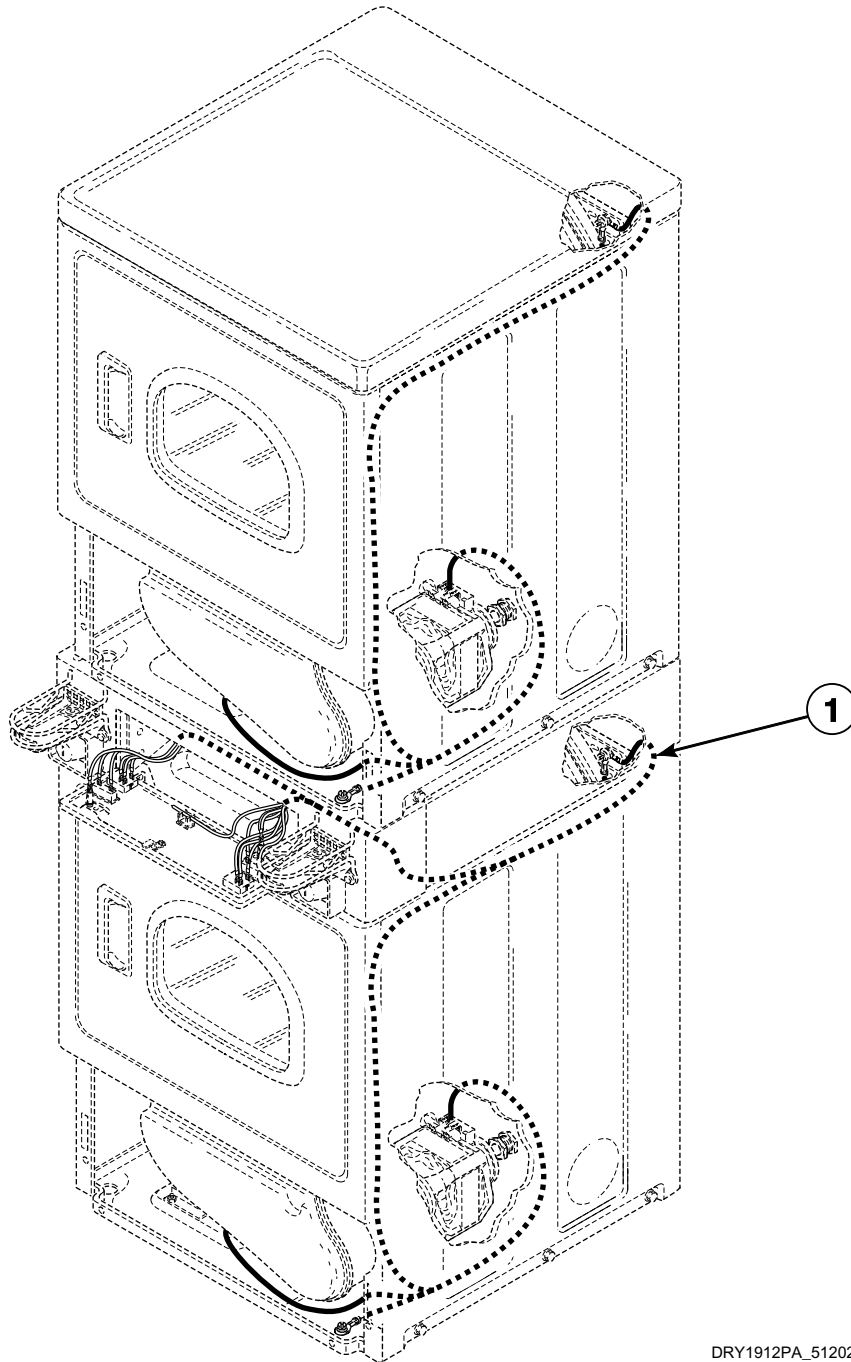
* Add Letter To Designate Color. L - Almond Q - Bisque W - White

N/A = Part no longer available

NOTE: Individual wires are not available separately. Order complete harness, or order wire by the foot. When applying terminals to wires, it is recommended that the terminals be soldered to the wires.

Wire Harnesses and Wires - Nonmetered and Coin Slide Models Through Serial No. 1401 (Drawing 2 of 2)

Models HSE117*F2802, HSE117*F2902, HSE917*F2802, HSE917*F2902, HSG119*F0902, HSG919*F0902, JSE807*F4350, JSE907*F4350, JSG809*F3060, JSG909*F3060, NSE817*F5422, NSE917*F5422, NSG919*F3022, SSE007*F3000, SSE007*F4350, SSE107*G3018, SSE117*F3000, SSE117*F4350, SSE117*F5412, SSE117*G3018, SSE807*F3000, SSE807*F4350, SSE807*G3018, SSE907*G3018, SSE917*F3000, SSE917*F4350, SSG109*M3013, SSG119*F3000, SSG119*F3058, SSG119*F3060, SSG119*F5412, SSG119*F5480, SSG119*M3013, SSG909*M3013, SSG919*F3028, SSG919*F3060, USE017*F5412 and USG019*F5412



DRY1912PA_512026

Wire Harnesses and Wires - Nonmetered and Coin Slide Models Through Serial No. 1401 (Drawing 2 of 2)

REF	PART NO.	DESCRIPTION	COMMENTS
	45380	12 Gauge Wire	Orange; Order wire by the foot; Order terminals and connectors as required
	45001	18 Gauge Wire	Black; Order wire by the foot; Order terminals and connectors as required
1	D510435	Lower Wire Harness Assembly	Model HSG119*F0902
	D512915	Wire Harness	Model JSG809*F3060
	D510451	Wire Harness Assembly	Lower; Model SSG119*F3058
	D510470	Wire Harness Assembly	Lower; Models SSE007*F3000, SSE007*F4350 and USE017*F5412
	D511343	Wire Harness Assembly	Lower; Model SSG119*F3060
	D511763	Wire Harness Assembly	Lower; Model USG019*F5412
	D512642	Wire Harness Assembly	Models HSE917*F2802 and HSE917*F2902
	D511794P	Electronic Harness	Models JSE907*F4350, NSE917*F5422, SSE907*G3018 and SSE917*F4350
	D512660	Wire Harness Assembly	Models JSE807*F4350, NSE817*F5422, SSE807*F4350 and SSE807*G3018
	D511795P	Electronic Harness	Model HSG919*F0902
	D512287	Wire Harness Assembly	Models JSG909*F3060 and SSG919*F3060
	D512291	Wire Harness Assembly	Models NSG919*F3022, SSG909*M3013 and SSG919*F3028
	N/A	Lower Wire Harness	All other models

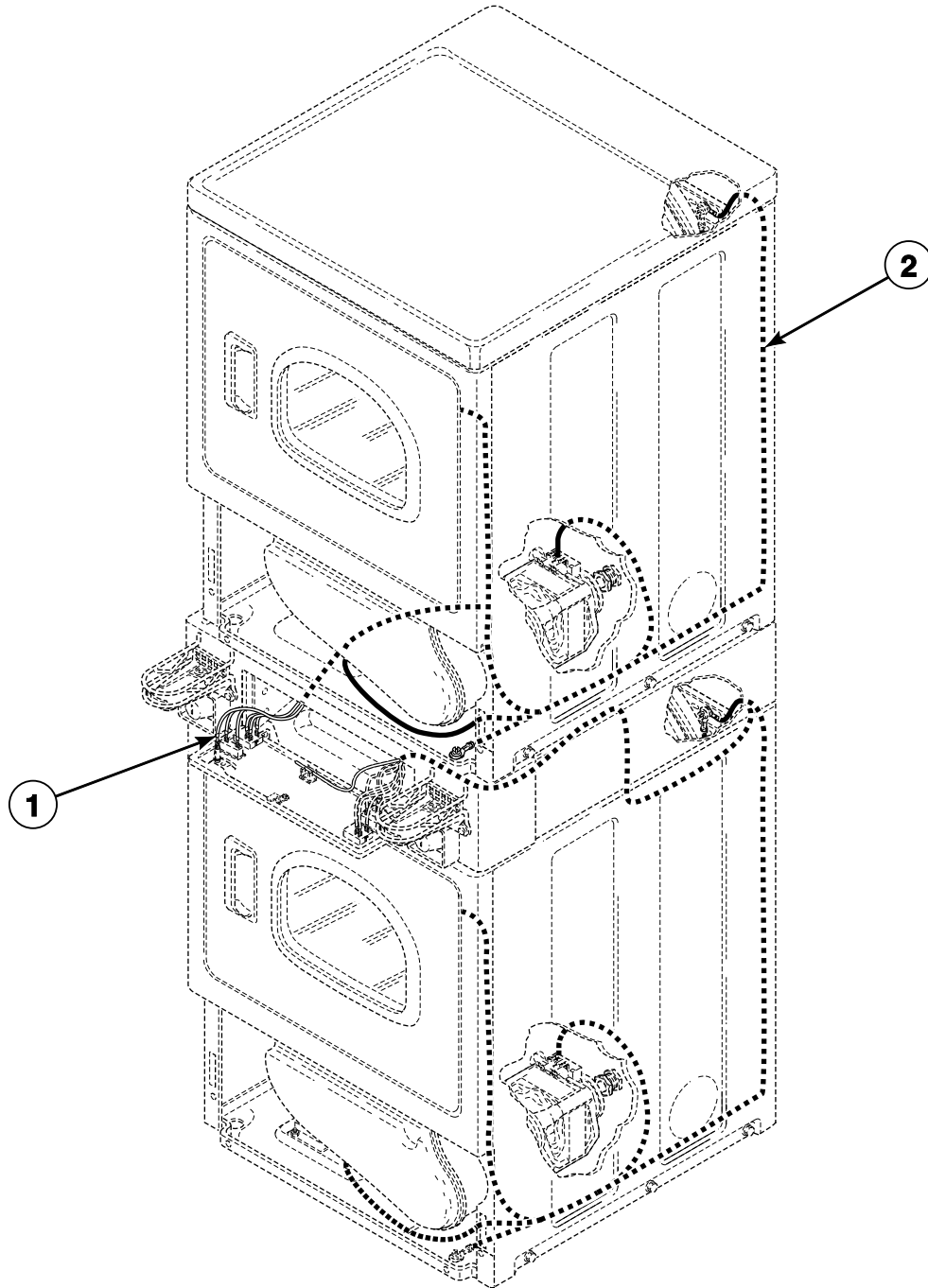
* Add Letter To Designate Color. L - Almond Q - Bisque W - White

N/A = Part no longer available

NOTE: Individual wires are not available separately. Order complete harness, or order wire by the foot. When applying terminals to wires, it is recommended that the terminals be soldered to the wires.

Wire Harnesses and Wires - Nonmetered and Coin Slide Models Starting Serial No. 1401 (Drawing 1 of 2)

Models HSE117*F2802, HSE117*F2902, HSE917*F2802, HSE917*F2902, HSG119*F0902, HSG919*F0902, JSE807*F4350, JSE907*F4350, JSG809*F3060, JSG909*F3060, NSE817*F5422, NSE917*F5422, NSG919*F3022, SSE007*F3000, SSE007*F4350, SSE107*G3018, SSE117*F3000, SSE117*F4350, SSE117*F5412, SSE117*G3018, SSE807*F3000, SSE807*F4350, SSE807*G3018, SSE907*G3018, SSE917*F3000, SSE917*F4350, SSG109*M3013, SSG119*F3000, SSG119*F3058, SSG119*F3060, SSG119*F5412, SSG119*F5480, SSG119*M3013, SSG909*M3013, SSG919*F3028, SSG919*F3060, USE017*F5412 and USG019*F5412



DRY2287PA_512026

Wire Harnesses and Wires - Nonmetered and Coin Slide Models Starting Serial No. 1401 (Drawing 1 of 2)

REF	PART NO.	DESCRIPTION	COMMENTS
	45380	12 Gauge Wire	Orange; Order wire by the foot; Order terminals and connectors as required
	45001	18 Gauge Wire	Black; Order wire by the foot; Order terminals and connectors as required
1	D511765	Security Cabinet Wire Harness Assembly	Connects from control to upper harness; Model USG019*F5412
	D510647P	Harness Replacement Kit	Connects from control to upper harness; Models HSE117*F2802 and HSE117*F2902
	D512142	Wire Harness Assembly	Connects from control to main harness; 2 required; Models HSE917*F2802, HSE917*F2902, HSG919*F0902, JSE907*F4350, JSG909*F3060, NSE917*F5422, NSG919*F3022, SSE907*G3018, SSE917*F4350, SSG909*M3013, SSG919*F3028 and SSG919*F3060
	D510654P	Security Cabinet Wire Harness Assembly	Models JSE807*F4350, NSE817*F5422, SSE807*F4350 and SSE807*G3018 connects from control to main harness, 2 required; Models SSE007*F3000, SSE007*F4350 and USE017*F5412 connects from control to upper harness, 1 required
	D510626	Security Cabinet Harness Assembly	Connects from control to upper harness; Models SSE107*G3018, SSE117*F3000, SSE117*F4350, SSE117*F5412 and SSE117*G3018
	D510655P	Security Cabinet Wire Harness Assembly	Model JSG809*F3060
	N/A	Harness Replacement Kit	Connects from control to upper harness; Models HSG119*F0902, SSG109*M3013, SSG119*F3000, SSG119*F3058, SSG119*F3060, SSG119*F5412, SSG119*F5480 and SSG119*M3013
2	D513849	Wire Harness	Model JSG809*F3060
	D510445P	Upper Harness Assembly	Models SSG119*F3000, SSG119*F5412 and SSG119*F5480
	D510449P	Wire Harness Assembly	Upper; Model SSG119*F3058
	D511341	Wire Harness Assembly	Upper; Model SSG119*F3060
	D511761	Wire Harness Assembly	Upper; Model USG019*F5412
	D513832	Wire Harness Assembly	Models HSE917*F2802 and HSE917*F2902
	D513828	Electronic Harness	Models JSE907*F4350, NSE917*F5422, SSE907*G3018 and SSE917*F4350
	D513833	Electronic Harness	Model HSG919*F0902
	D513837	Wire Harness Assembly	Models JSG909*F3060 and SSG919*F3060
	D513841	Wire Harness Assembly	Models NSG919*F3022, SSG909*M3013 and SSG919*F3028
	D510468P	Wire Harness Assembly	Models JSE807*F4350, NSE817*F5422, SSE807*F4350 and SSE807*G3018
	N/A	Upper Wire Harness	All other models

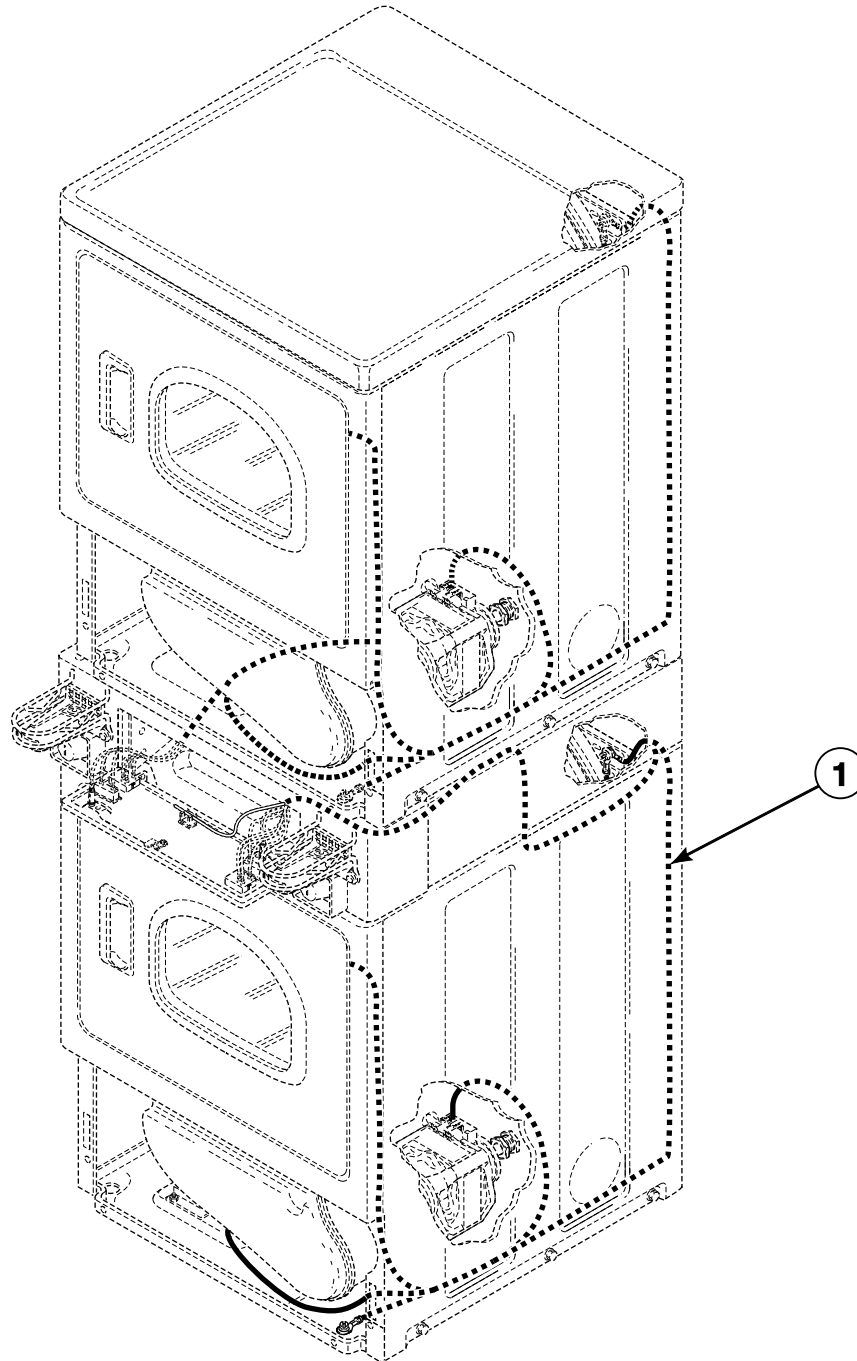
* Add Letter To Designate Color. L - Almond Q - Bisque W - White

N/A = Part no longer available

NOTE: Individual wires are not available separately. Order complete harness, or order wire by the foot. When applying terminals to wires, it is recommended that the terminals be soldered to the wires.

Wire Harnesses and Wires - Nonmetered and Coin Slide Models Starting Serial No. 1401 (Drawing 2 of 2)

Models HSE117*F2802, HSE117*F2902, HSE917*F2802, HSE917*F2902, HSG119*F0902, HSG919*F0902, JSE807*F4350, JSE907*F4350, JSG809*F3060, JSG909*F3060, NSE817*F5422, NSE917*F5422, NSG919*F3022, SSE007*F3000, SSE007*F4350, SSE107*G3018, SSE117*F3000, SSE117*F4350, SSE117*F5412, SSE117*G3018, SSE807*F3000, SSE807*F4350, SSE807*G3018, SSE907*G3018, SSE917*F3000, SSE917*F4350, SSG109*M3013, SSG119*F3000, SSG119*F3058, SSG119*F3060, SSG119*F5412, SSG119*F5480, SSG119*M3013, SSG909*M3013, SSG919*F3028, SSG919*F3060, USE017*F5412 and USG019*F5412



DRY2287PB_512026

Wire Harnesses and Wires - Nonmetered and Coin Slide Models Starting Serial No. 1401 (Drawing 2 of 2)

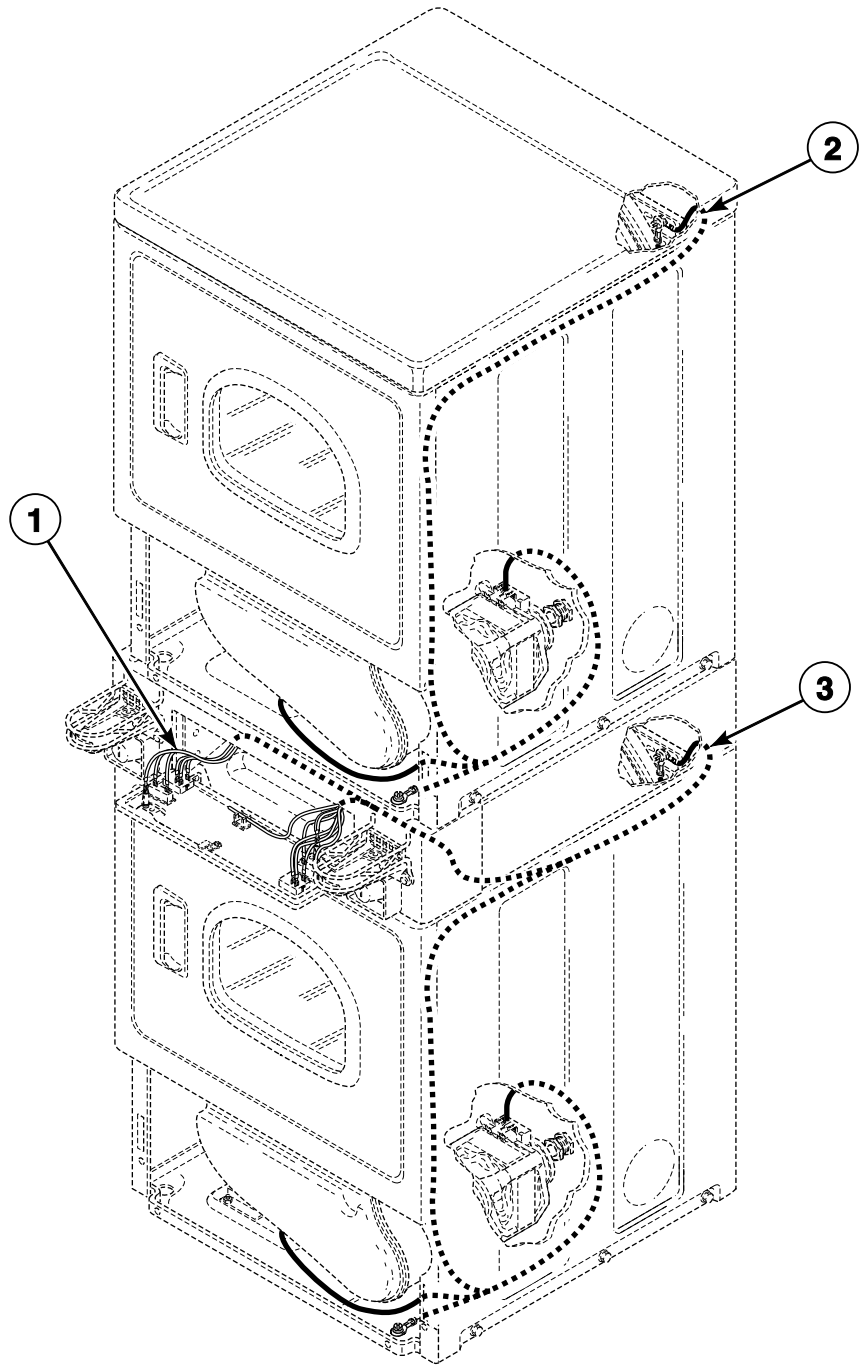
REF	PART NO.	DESCRIPTION	COMMENTS
	45380	12 Gauge Wire	Orange; Order wire by the foot; Order terminals and connectors as required
	45001	18 Gauge Wire	Black; Order wire by the foot; Order terminals and connectors as required
1	D510435	Lower Wire Harness Assembly	Model HSG119*F0902
	D512915	Wire Harness	Model JSG809*F3060
	D510451	Wire Harness Assembly	Lower; Model SSG119*F3058
	D510470	Wire Harness Assembly	Lower; Models SSE007*F3000, SSE007*F4350 and USE017*F5412
	D511343	Wire Harness Assembly	Lower; Model SSG119*F3060
	D511763	Wire Harness Assembly	Lower; Model USG019*F5412
	D513834	Wire Harness Assembly	Models HSE917*F2802 and HSE917*F2902
	D513830	Electronic Harness	Models JSE907*F4350, NSE917*F5422, SSE907*G3018 and SSE917*F4350
	D513838	Wire Harness Assembly	Models JSE807*F4350, NSE817*F5422, SSE807*F4350 and SSE807*G3018
	D513835	Electronic Harness	Model HSG919*F0902
	D512287	Wire Harness Assembly	Models JSG909*F3060 and SSG919*F3060
	D512291	Wire Harness Assembly	Models NSG919*F3022, SSG909*M3013 and SSG919*F3028
		N/A	Lower Wire Harness

* Add Letter To Designate Color. L - Almond Q - Bisque W - White

N/A = Part no longer available

NOTE: Individual wires are not available separately. Order complete harness, or order wire by the foot. When applying terminals to wires, it is recommended that the terminals be soldered to the wires.

Wire Harnesses and Wires - Model NSE917*F3022 Through Serial No. 1303025314



DRY1912PB 512026

Wire Harnesses and Wires - Model NSE917*F3022 Through Serial No. 1303025314

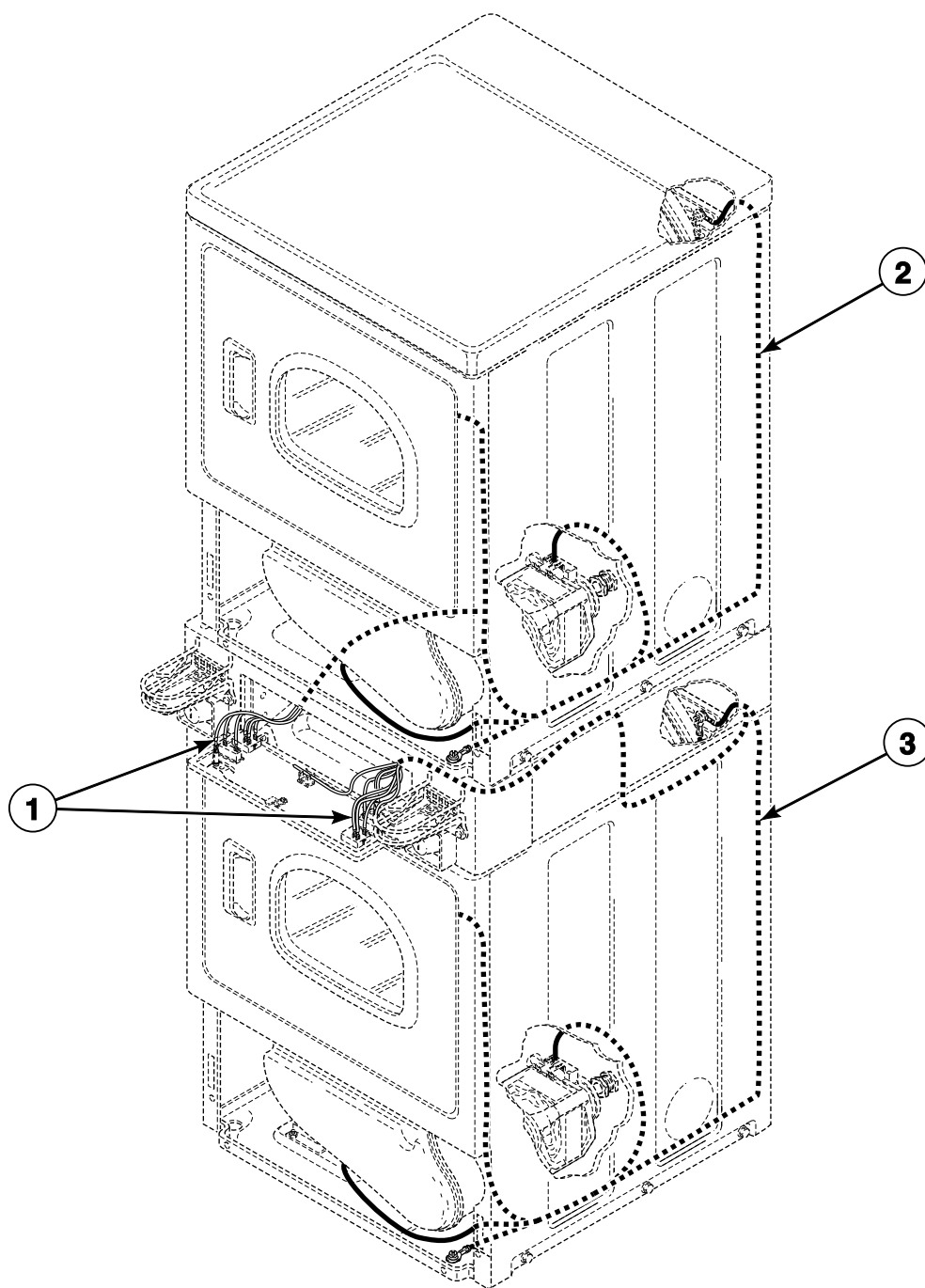
REF	PART NO.	DESCRIPTION	COMMENTS
	45380	12 Gauge Wire	Orange; Order wire by the foot; Order terminals and connectors as required
	45001	18 Gauge Wire	Black; Order wire by the foot; Order terminals and connectors as required
1	D512142	Wire Harness Assembly	Connects from control to main harness; 2 required
2	D511792P	Electronic Harness	
3	D511794P	Electronic Harness	

* Add Letter To Designate Color. L - Almond Q - Bisque W - White

NOTE: Individual wires are not available separately. Order complete harness, or order wire by the foot. When applying terminals to wires, it is recommended that the terminals be soldered to the wires.

Wire Harnesses and Wires - Model NSE917*F3022

Starting Serial No. 1303025315



DRY2287P_512026

Wire Harnesses and Wires - Model NSE917*F3022 Starting Serial No. 1303025315

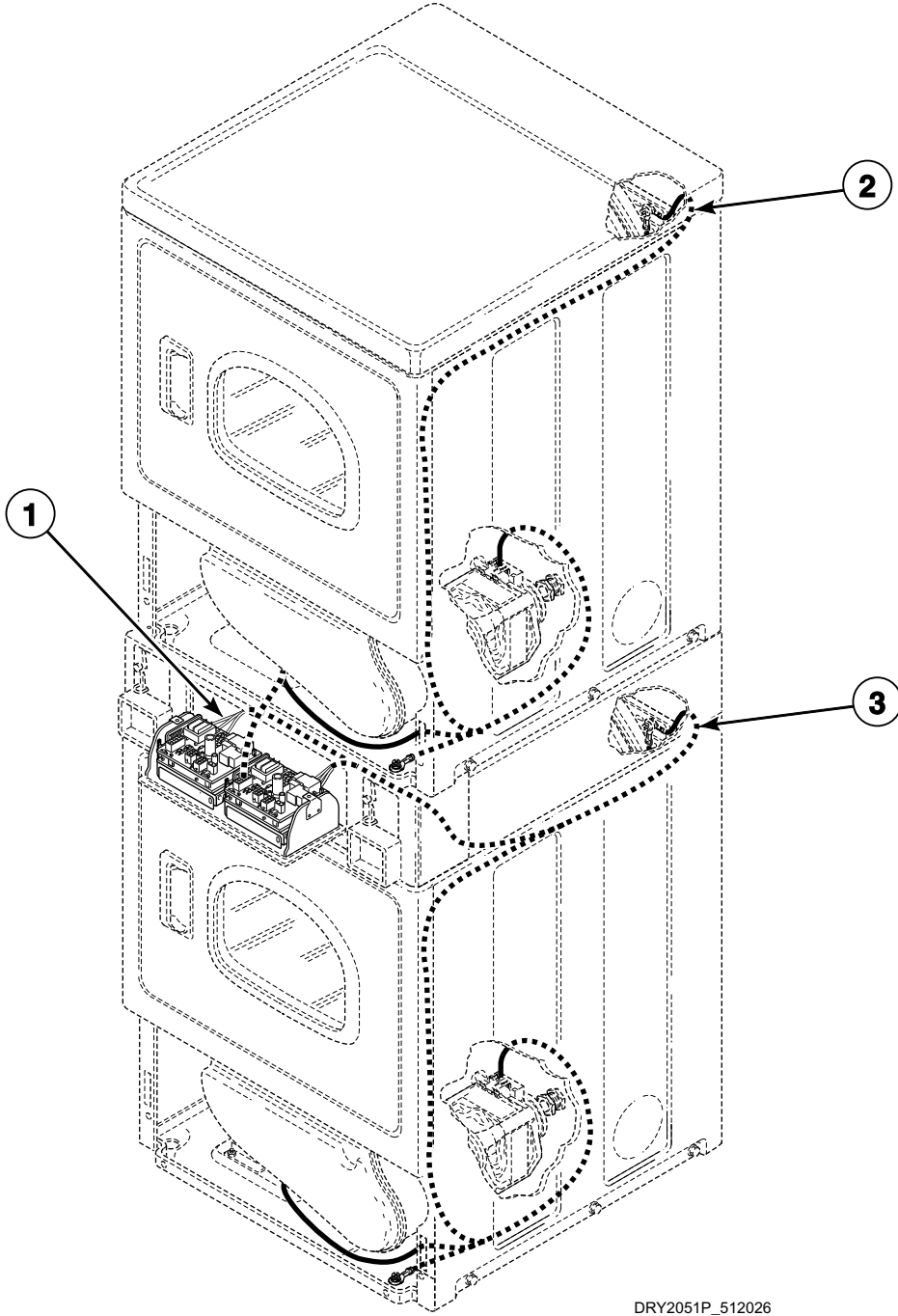
REF	PART NO.	DESCRIPTION	COMMENTS
	45380	12 Gauge Wire	Orange; Order wire by the foot; Order terminals and connectors as required
	45001	18 Gauge Wire	Black; Order wire by the foot; Order terminals and connectors as required
1	D512142	Wire Harness Assembly	Connects from control to main harness; 2 required
2	D514094	Electronic Harness	Upper
3	D514096	Electronic Harness	Lower

* Add Letter To Designate Color. L - Almond Q - Bisque W - White

NOTE: Individual wires are not available separately. Order complete harness, or order wire by the foot. When applying terminals to wires, it is recommended that the terminals be soldered to the wires.

Wire Harnesses and Wires - Coin Drop and Card Reader Models

Models HSE517*F2802, HSE517*F2902, HSE717*F2802, HSE717*F2902, HSEB17*J2802, HSEB17*J2902, HSEF17*J2802, HSEF17*J2902, HSEZ17*F2802, HSEZ17*F2902, HSG519*F0902, HSG719*F0902, HSGB19*J0902, HSGF19*J0902, HSGZ19*F0902, SSE417*F3000, SSE417*F4350, SSEA07*G3018, SSEF17*J4350, SSG419*F3000, SSG419*F3058 and SSGF19*J3060



DRY2051P_512026

Wire Harnesses and Wires - Coin Drop and Card Reader Models

REF	PART NO.	DESCRIPTION	COMMENTS
	45380	12 Gauge Wire	Orange; Order wire by the foot; Order terminals and connectors as required
	45001	18 Gauge Wire	Black; Order wire by the foot; Order terminals and connectors as required
1	N/A	Security Cabinet Wire Harness Assembly	Models HSE517*F2802, HSE517*F2902, HSE717*F2802, HSE717*F2902, HSG519*F0902, HSG719*F0902, HSGB19*J0902, HSGF19*J0902, HSGZ19*F0902, SSE417*F3000, SSE417*F4350, SSG419*F3000 and SSG419*F3058
	D510498P	Wire Harness Assembly	Models HSEB17*J2802, HSEB17*J2902, HSEF17*J2802, HSEF17*J2902, HSEZ17*F2802 and HSEZ17*F2902
	D511318P	Wire Harness Assembly	Models SSEA07*G3018 and SSEF17*J4350
	D511321P	Wire Harness Assembly	Model SSGF19*J3060
2	D510440P	Wire Harness Assembly	Upper; Models HSE517*F2802, HSE517*F2902, HSE717*F2802, HSE717*F2902, HSEB17*J2802, HSEB17*J2902, HSEF17*J2802, HSEF17*J2902, HSEZ17*F2802 and HSEZ17*F2902
	D510448	Wire Harness Assembly	Upper; Models SSE417*F3000 and SSE417*F4350
	D511314P	Wire Harness Assembly	Upper; Models SSEA07*G3018 and SSEF17*J4350
	D511347	Wire Harness Assembly	Upper; Model SSGF19*J3060
	N/A	Wire Harness Assembly	Upper; Models HSG519*F0902, HSG719*F0902, HSGB19*J0902, HSGF19*J0902, HSGZ19*F0902, SSG419*F3000 and SSG419*F3058
3	N/A	Wire Harness Assembly	Lower; Models HSE517*F2802, HSE517*F2902, HSE717*F2802, HSE717*F2902, HSG519*F0902, HSG719*F0902, SSG419*F3000 and SSG419*F3058
	D510450	Wire Harness Assembly	Lower; Models SSE417*F3000 and SSE417*F4350
	D510489	Wire Harness Assembly	Lower; Models HSGB19*J0902, HSGF19*J0902 and HSGZ19*F0902
	D510490	Wire Harness Assembly	Lower; Models HSEB17*J2802, HSEB17*J2902, HSEF17*J2802, HSEF17*J2902, HSEZ17*F2802 and HSEZ17*F2902
	D511316	Wire Harness Assembly	Lower; Models SSEA07*G3018 and SSEF17*J4350
	D511349	Wire Harness Assembly	Lower; Model SSGF19*J3060

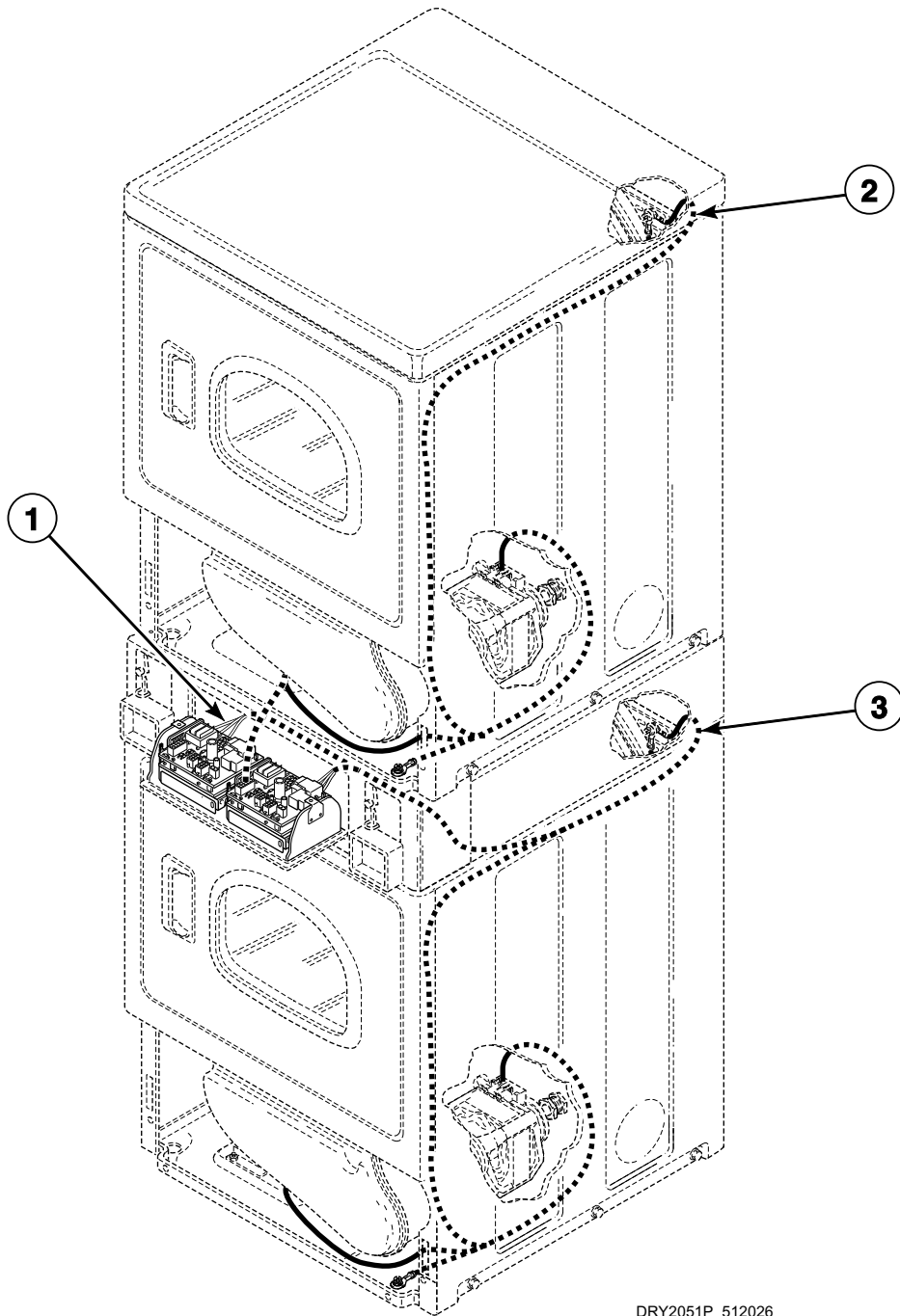
* Add Letter To Designate Color. L - Almond Q - Bisque W - White

N/A = Part no longer available

NOTE: Individual wires are not available separately. Order complete harness, or order wire by the foot. When applying terminals to wires, it is recommended that the terminals be soldered to the wires.

Wire Harnesses and Wires Through Serial No. 1401

Models JSGBEFGW301EW01, JSGBGFGW301EW01 and SSGX09*M3013



DRY2051P_512026

Wire Harnesses and Wires Through Serial No. 1401

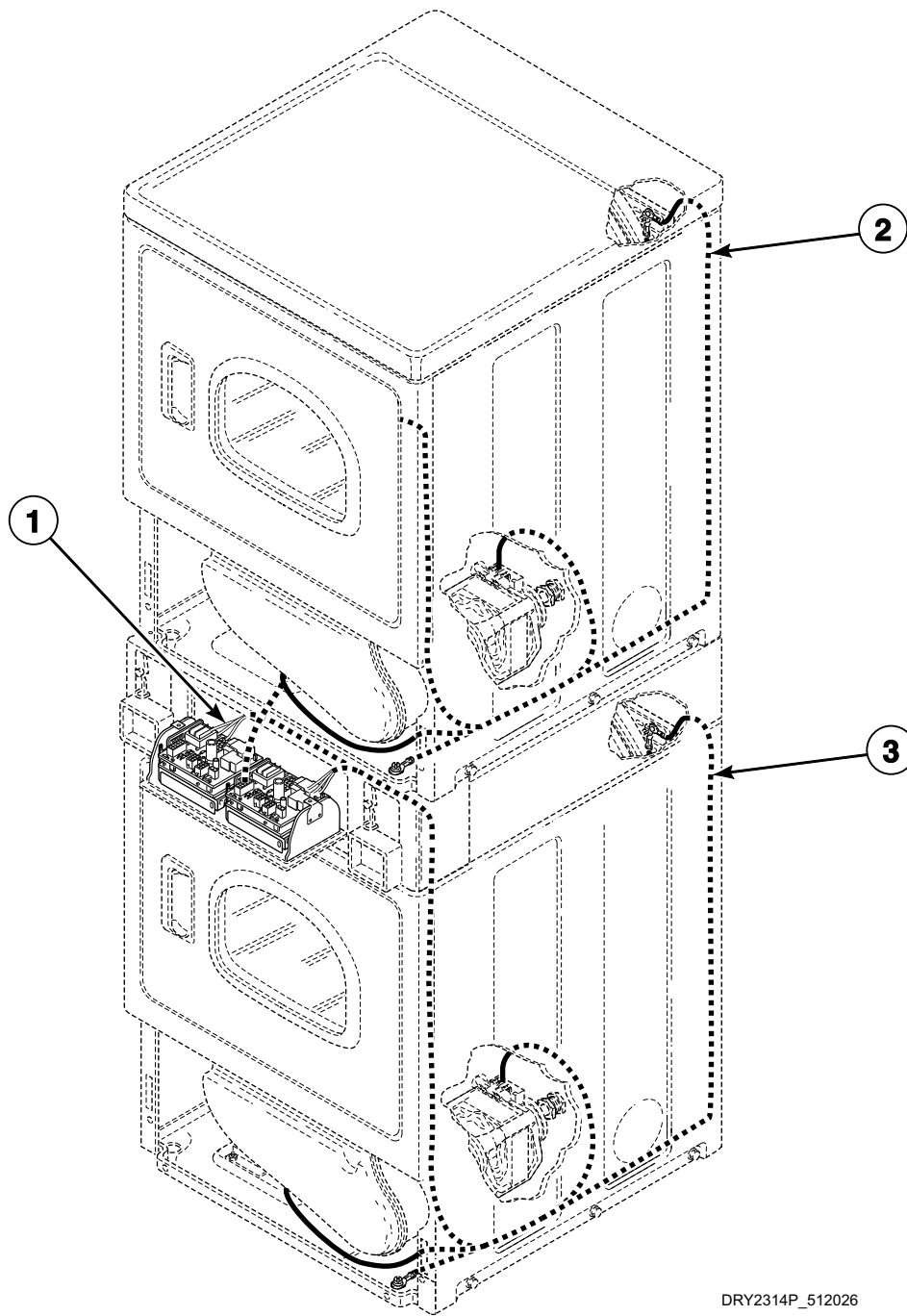
REF	PART NO.	DESCRIPTION	COMMENTS
	45380	12 Gauge Wire	Orange; Order wire by the foot; Order terminals and connectors as required
	45001	18 Gauge Wire	Black; Order wire by the foot; Order terminals and connectors as required
1	D511757	Wire Harness Assembly	
2	D511753	Wire Harness Assembly	Upper
3	D511755	Wire Harness Assembly	Lower; Models JSGBEFGW301EW01 and SSGX09*M3013
	D511823P	Security Cabinet Harness	Lower; Model JSGBGFGW301EW01

* Add Letter To Designate Color. L - Almond Q - Bisque W - White

NOTE: Individual wires are not available separately. Order complete harness, or order wire by the foot. When applying terminals to wires, it is recommended that the terminals be soldered to the wires.

Wire Harnesses and Wires Starting Serial No. 1401

Models HSGBXFGW121DW01, HSGBXFGW541DW01, JSGBEFGW301EW01, JSGBGFGW301EW01, SSGBXFGW121DW01, SSGBXFGW541DW01 and SSGX09*M3013



DRY2314P_512026

Wire Harnesses and Wires Starting Serial No. 1401

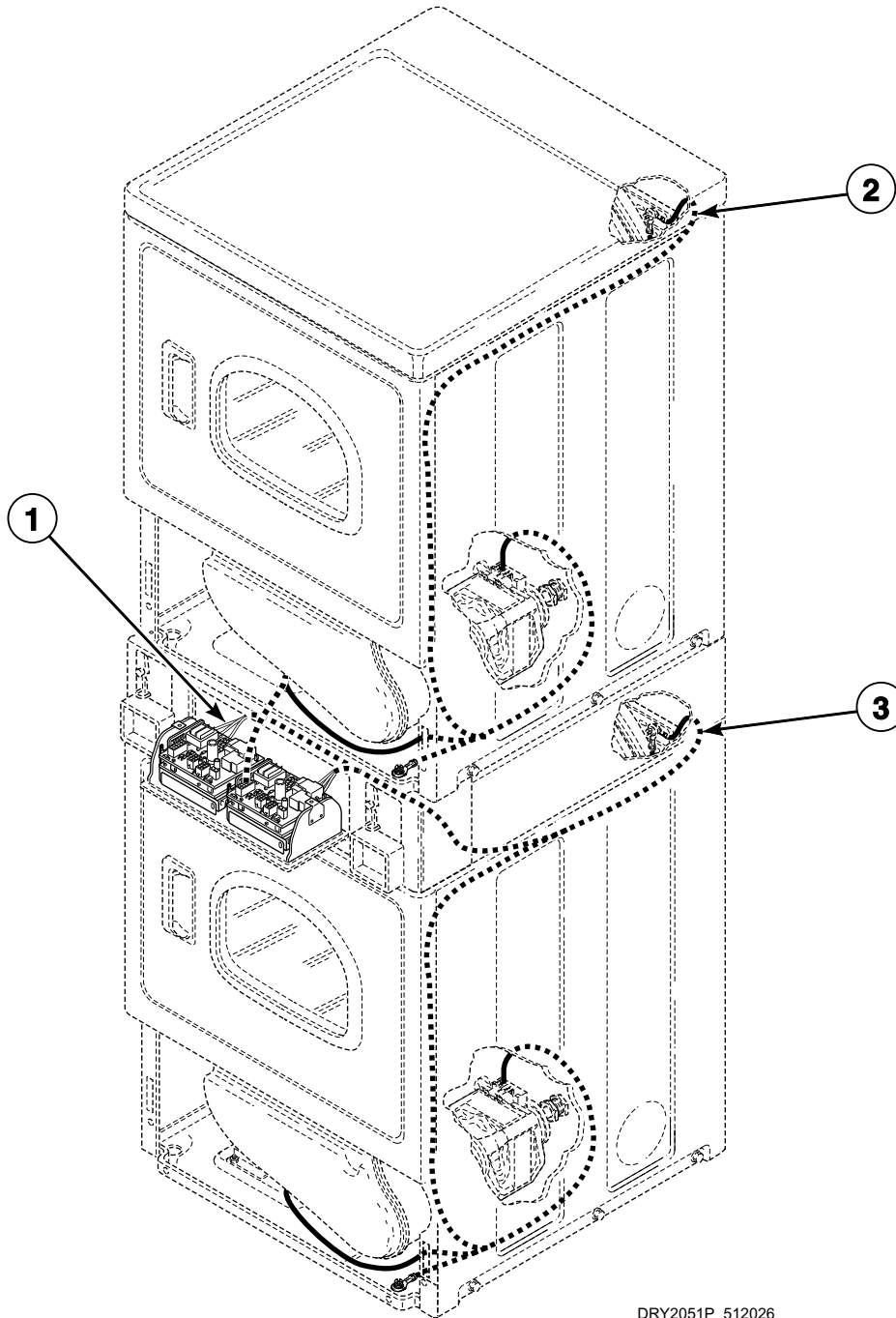
REF	PART NO.	DESCRIPTION	COMMENTS
	45380	12 Gauge Wire	Orange; Order wire by the foot; Order terminals and connectors as required
	45001	18 Gauge Wire	Black; Order wire by the foot; Order terminals and connectors as required
1	D512422P	Wire Harness Assembly	Models HSGBXFGW121DW01, HSGBXFGW541DW01, SSGBXFGW121DW01 and SSGBXFGW541DW01
	D511757	Wire Harness Assembly	All other models
2	D513833	Electronic Harness	Upper; Models HSGBXFGW121DW01 and SSGBXFGW121DW01
	D513841	Wire Harness Assembly	Upper; Models HSGBXFGW541DW01 and SSGBXFGW541DW01
	D513825	Wire Harness Assembly	Upper; All other models
3	D513835	Electronic Harness	Lower; Models HSGBXFGW121DW01 and SSGBXFGW121DW01
	D513843	Wire Harness Assembly	Lower; Models HSGBXFGW541DW01 and SSGBXFGW541DW01
	D513827	Wire Harness Assembly	Lower; Models JSGBEFGW301EW01 and SSGX09*M3013
	D513813	Security Cabinet Harness	Lower; Model JSGBGFGW301EW01

* Add Letter To Designate Color. L - Almond Q - Bisque W - White

NOTE: Individual wires are not available separately. Order complete harness, or order wire by the foot. When applying terminals to wires, it is recommended that the terminals be soldered to the wires.

Wire Harnesses and Wires - Coin Drop Card Reader Models Through Serial No. 0904

Models BSGBXFGW301AW01, HSER17*F2802, HSER17*F2902, HSET17*F2802, HSET17*F2902, HSEX17*F2802, HSEX17*F2902, HSEY17*F2802, HSEY17*F2902, HSEY17*F99N2, HSGR19*F0902, HSGT19*F0902, HSGX19*F0902, HSGY19*F0902, SSEX07*G3018 and SSGX19*F3060



DRY2051P_512026

Wire Harnesses and Wires - Coin Drop Card Reader Models Through Serial No. 0904

REF	PART NO.	DESCRIPTION	COMMENTS
	45380	12 Gauge Wire	Orange; Order wire by the foot; Order terminals and connectors as required
	45001	18 Gauge Wire	Black; Order wire by the foot; Order terminals and connectors as required
1	N/A	Security Cabinet Wire Harness Assembly	Models HSGR19*F0902, HSGT19*F0902, HSGX19*F0902 and HSGY19*F0902
	D510498P	Wire Harness Assembly	Models HSER17*F2802, HSER17*F2902, HSET17*F2802, HSET17*F2902, HSEX17*F2802, HSEX17*F2902, HSEY17*F2802, HSEY17*F2902 and HSEY17*F99N2
	D511318P	Wire Harness Assembly	Model SSEX07*G3018
	D511321P	Wire Harness Assembly	Models BSGBXFGW301AW01 and SSGX19*F3060
2	N/A	Upper Wire Harness Assembly	Models HSGR19*F0902, HSGT19*F0902, HSGX19*F0902 and HSGY19*F0902
	D510440P	Wire Harness Assembly	Upper; Models HSER17*F2802, HSER17*F2902, HSET17*F2802, HSET17*F2902, HSEX17*F2802, HSEX17*F2902, HSEY17*F2802, HSEY17*F2902 and HSEY17*F99N2
	D511314P	Wire Harness Assembly	Upper; Model SSEX07*G3018
	D511347	Wire Harness Assembly	Upper; Models BSGBXFGW301AW01 and SSGX19*F3060
3	D510489	Wire Harness Assembly	Lower; Models HSGR19*F0902, HSGT19*F0902, HSGX19*F0902 and HSGY19*F0902
	D510490	Wire Harness Assembly	Lower; Models HSER17*F2802, HSER17*F2902, HSET17*F2802, HSET17*F2902, HSEX17*F2802, HSEX17*F2902, HSEY17*F2802, HSEY17*F2902 and HSEY17*F99N2
	D511316	Wire Harness Assembly	Lower; Model SSEX07*G3018
	D511349	Wire Harness Assembly	Lower; Models BSGBXFGW301AW01 and SSGX19*F3060

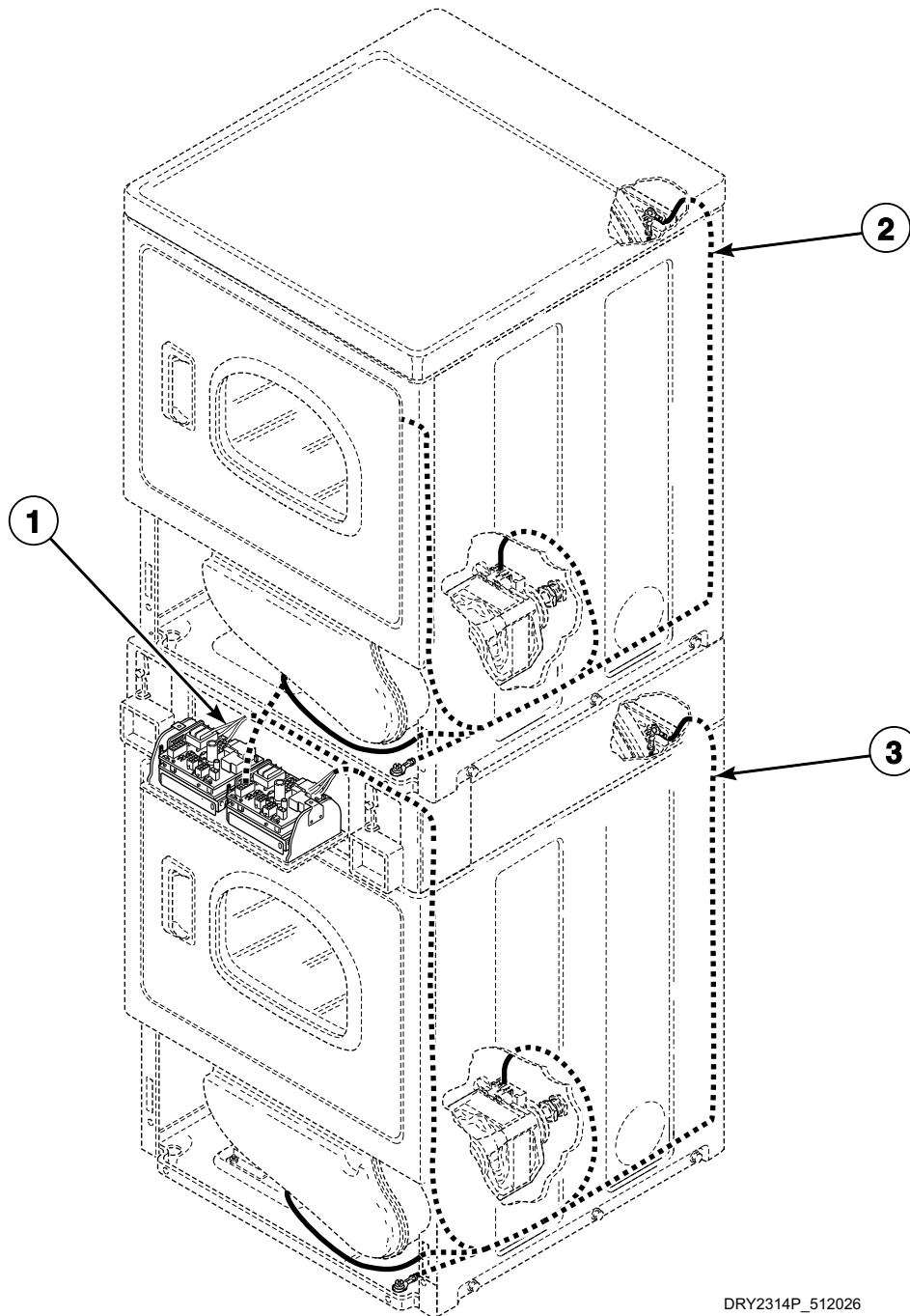
* Add Letter To Designate Color. L - Almond Q - Bisque W - White

N/A = Part no longer available

NOTE: Individual wires are not available separately. Order complete harness, or order wire by the foot. When applying terminals to wires, it is recommended that the terminals be soldered to the wires.

Wire Harnesses and Wires - Coin Drop Card Reader Models Through Serial No. 1401

Models BSGBXFGW301AW01, HSER17*F2802, HSER17*F2902, HSET17*F2802, HSET17*F2902, HSEX17*F2802, HSEX17*F2902, HSEY17*F2802, HSEY17*F2902, HSEY17*F99N2, HSGR19*F0902, HSGT19*F0902, HSGX19*F0902, HSGY19*F0902, SSEX07*G3018 and SSGX19*F3060



DRY2314P_512026

Wire Harnesses and Wires - Coin Drop Card Reader Models Through Serial No. 1401

REF	PART NO.	DESCRIPTION	COMMENTS
	45380	12 Gauge Wire	Orange; Order wire by the foot; Order terminals and connectors as required
	45001	18 Gauge Wire	Black; Order wire by the foot; Order terminals and connectors as required
1	N/A	Security Cabinet Wire Harness Assembly	Models HSGR19*F0902, HSGT19*F0902, HSGX19*F0902 and HSGY19*F0902
	D510498P	Wire Harness Assembly	Models HSER17*F2802, HSER17*F2902, HSET17*F2802, HSET17*F2902, HSEX17*F2802, HSEX17*F2902, HSEY17*F2802, HSEY17*F2902 and HSEY17*F99N2
	D511318P	Wire Harness Assembly	Model SSEX07*G3018
	D511321P	Wire Harness Assembly	Models BSGBXFGW301AW01 and SSGX19*F3060
2	D513833	Electronic Harness	Models HSGR19*F0902, HSGT19*F0902, HSGX19*F0902 and HSGY19*F0902
	D514094	Electronic Harness	Upper; Models HSER17*F2802, HSER17*F2902, HSET17*F2802, HSET17*F2902, HSEX17*F2802, HSEX17*F2902, HSEY17*F2802, HSEY17*F2902 and HSEY17*F99N2
	D513828	Electronic Harness	Upper; Model SSEX07*G3018
	D513837	Wire Harness Assembly	Upper; Models BSGBXFGW301AW01 and SSGX19*F3060
3	D513835	Electronic Harness	Lower; Models HSGR19*F0902, HSGT19*F0902, HSGX19*F0902 and HSGY19*F0902
	D514096	Electronic Harness	Lower; Models HSER17*F2802, HSER17*F2902, HSET17*F2802, HSET17*F2902, HSEX17*F2802, HSEX17*F2902, HSEY17*F2802, HSEY17*F2902 and HSEY17*F99N2
	D513830	Electronic Harness	Lower; Model SSEX07*G3018
	D513839	Wire Harness Assembly	Lower; Models BSGBXFGW301AW01 and SSGX19*F3060

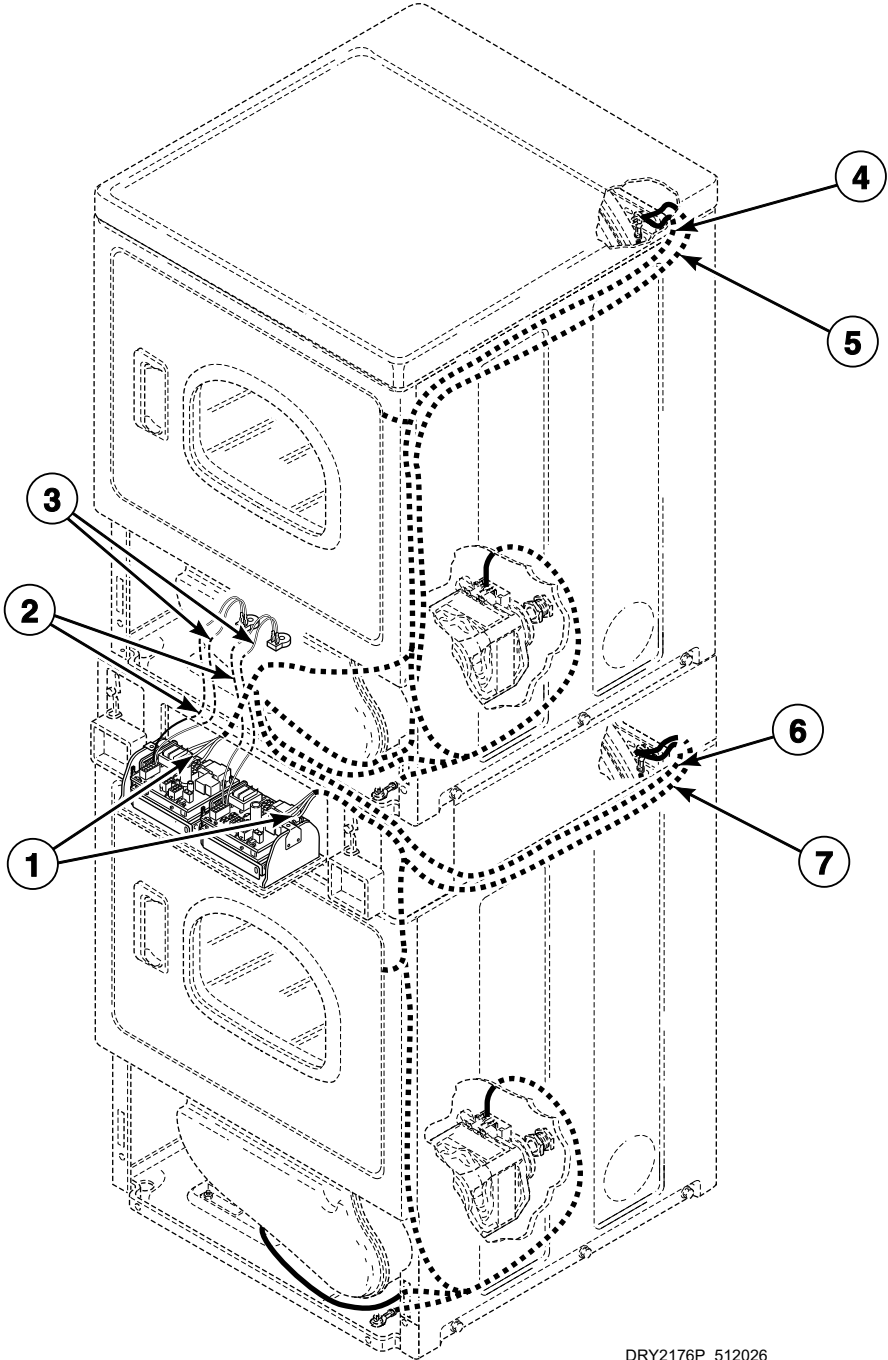
* Add Letter To Designate Color. L - Almond Q - Bisque W - White

N/A = Part no longer available

NOTE: Individual wires are not available separately. Order complete harness, or order wire by the foot. When applying terminals to wires, it is recommended that the terminals be soldered to the wires.

Wire Harnesses and Wires - Coin Drop, Card Reader and OPL Models Starting Serial No. 0904 and Continuing Through Serial No. 1401

Models BSGBXFGW301AW01, HSER17*F2802, HSET17*F2802, HSEX17*F2802, HSEX17*F2902, HSEY17*F99N2, HSGR19*F0902, HSGT19*F0902, HSGX19*F0902, HSGY19*F0902, JSEBFGW301EW01, JSEBFGW301EW01, NSGBXFGW301NW22, SSEX07*G3018 and SSGX19*F3060



DRY2176P_512026

Wire Harnesses and Wires - Coin Drop, Card Reader and OPL Models Starting Serial No. 0904 and Continuing Through Serial No. 1401

REF	PART NO.	DESCRIPTION	COMMENTS
	45380	12 Gauge Wire	Orange; Order wire by the foot; Order terminals and connectors as required
	45001	18 Gauge Wire	Black; Order wire by the foot; Order terminals and connectors as required
	D513246P	Jumper Assembly	Connect one jumper assembly to each pair of resistors per control; Models BSGBXFGW301AW01, JSEBEFGW301EW01, JSEBGFGW301EW01, NSGBXFGW301NW22, SSEX07*G3018 and SSGX19*F3060
1	D512422P	Wire Harness Assembly	
2	D512273P	Wire Configuration Assembly	
3	D512275P	Wire Configuration Assembly	
4	D511793P	Electronic Harness	Models HSGR19*F0902, HSGT19*F0902, HSGX19*F0902 and HSGY19*F0902
	D512644	Wire Harness Assembly	Models HSER17*F2802, HSET17*F2802, HSEX17*F2802, HSEX17*F2902 and HSEY17*F99N2
	D511792P	Electronic Harness	Models JSEBEFGW301EW01, JSEBGFGW301EW01 and SSEX07*G3018
	D512285	Wire Harness Assembly	Models BSGBXFGW301AW01 and SSGX19*F3060
	D512289	Wire Harness Assembly	Model NSGBXFGW301NW22
5	D512890P	Power Wire Harness Assembly	Models HSER17*F2802, HSET17*F2802, HSEX17*F2802, HSEX17*F2902 and HSEY17*F99N2
	D512643P	Wire Harness Assembly	Models HSGR19*F0902, HSGT19*F0902, HSGX19*F0902 and HSGY19*F0902
6	D512645	Wire Harness Assembly	Models HSGR19*F0902, HSGT19*F0902, HSGX19*F0902 and HSGY19*F0902
	D512892	Wire Harness Assembly	Models HSER17*F2802, HSET17*F2802, HSEX17*F2802, HSEX17*F2902 and HSEY17*F99N2
7	D512642	Wire Harness Assembly	Models HSER17*F2802, HSET17*F2802, HSEX17*F2802, HSEX17*F2902 and HSEY17*F99N2
	D511795P	Electronic Harness	Models HSGR19*F0902, HSGT19*F0902, HSGX19*F0902 and HSGY19*F0902
	D511794P	Electronic Harness	Models JSEBEFGW301EW01 and SSEX07*G3018
	D513270P	Wire Harness Assembly	Model JSEBGFGW301EW01
	D512287	Wire Harness Assembly	Models BSGBXFGW301AW01 and SSGX19*F3060
	D512291	Wire Harness Assembly	Model NSGBXFGW301NW22

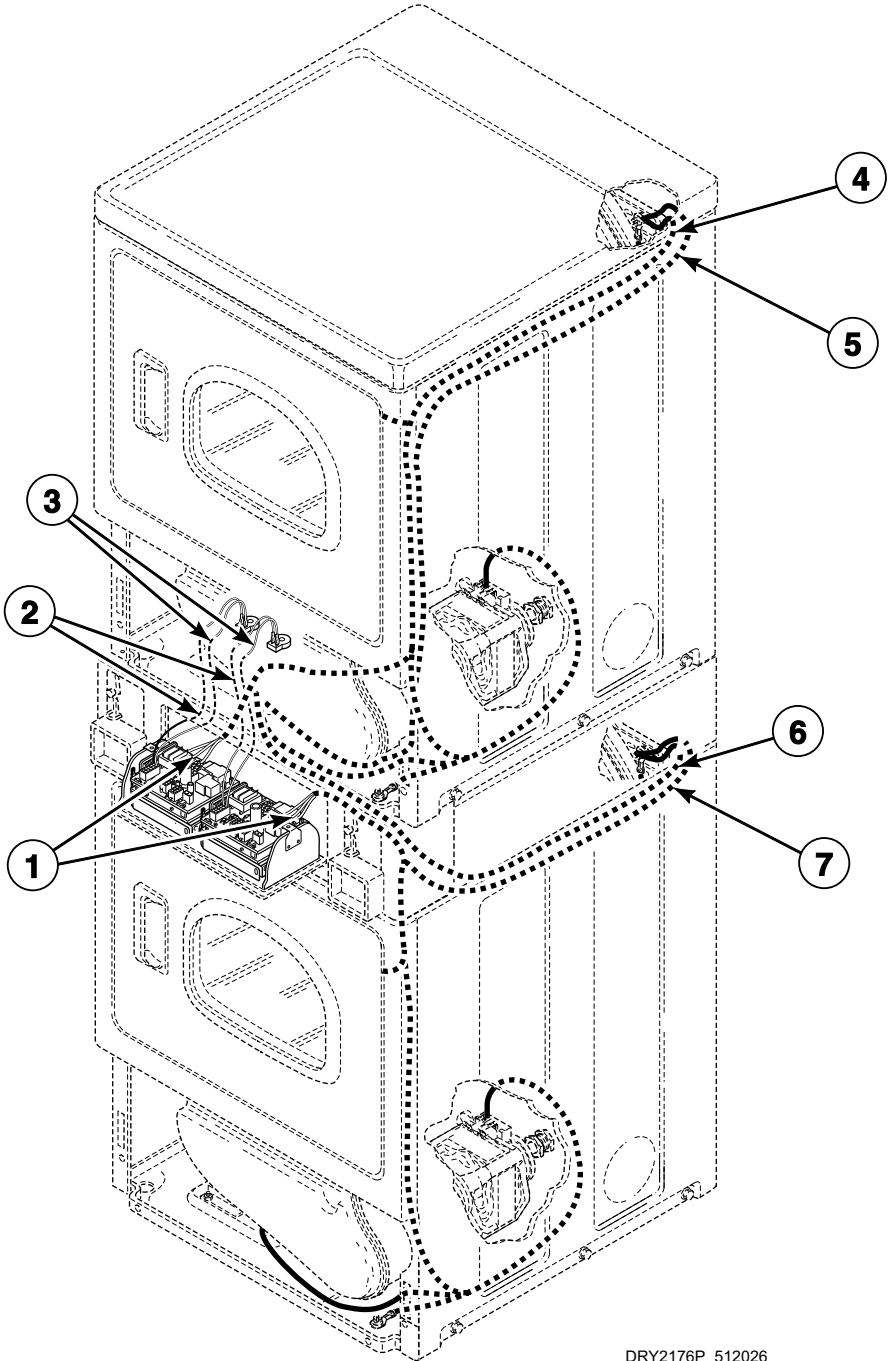
* Add Letter To Designate Color. L - Almond Q - Bisque W - White

NOTE: Individual wires are not available separately. Order complete harness, or order wire by the foot. When applying terminals to wires, it is recommended that the terminals be soldered to the wires.

NOTE: Some models built after Serial No. 0904 may come equipped with one harness. If replacement of harness is necessary, replace with harness listed for model on *Wire Harnesses and Wires - Coin Drop and Card Reader Models Through Serial No. 0904*.

Wire Harnesses and Wires - Coin Drop, Card Reader and OPL Models Starting Serial No. 0904 and Continuing Through Serial No. 1303025314

Models HSEBXFGW171FW28, HSER17*F2902, HSET17*F2902, HSEY17*F2802, HSEY17*F2902 and NSEBXFGW301NW22



DRY2176P_512026

Wire Harnesses and Wires - Coin Drop, Card Reader and OPL Models Starting Serial No. 0904 and Continuing Through Serial No. 1303025314

REF	PART NO.	DESCRIPTION	COMMENTS
	45380	12 Gauge Wire	Orange; Order wire by the foot; Order terminals and connectors as required
	45001	18 Gauge Wire	Black; Order wire by the foot; Order terminals and connectors as required
	D513246P	Jumper Assembly	Connect one jumper assembly to each pair of resistors per control; Model NSEBXFGW301NW22
1	D512422P	Wire Harness Assembly	
2	D512273P	Wire Configuration Assembly	
3	D512275P	Wire Configuration Assembly	
4	D512644	Wire Harness Assembly	Models HSER17*F2902, HSET17*F2902, HSEY17*F2802 and HSEY17*F2902
	D511792P	Electronic Harness	Models HSEBXFGW171FW28 and NSEBXFGW301NW22
5	D512890P	Power Wire Harness Assembly	Models HSER17*F2902, HSET17*F2902, HSEY17*F2802 and HSEY17*F2902
6	D512892	Wire Harness Assembly	Models HSER17*F2902, HSET17*F2902, HSEY17*F2802 and HSEY17*F2902
7	D512642	Wire Harness Assembly	Models HSER17*F2902, HSET17*F2902, HSEY17*F2802 and HSEY17*F2902
	D511794P	Electronic Harness	Models HSEBXFGW171FW28 and NSEBXFGW301NW22

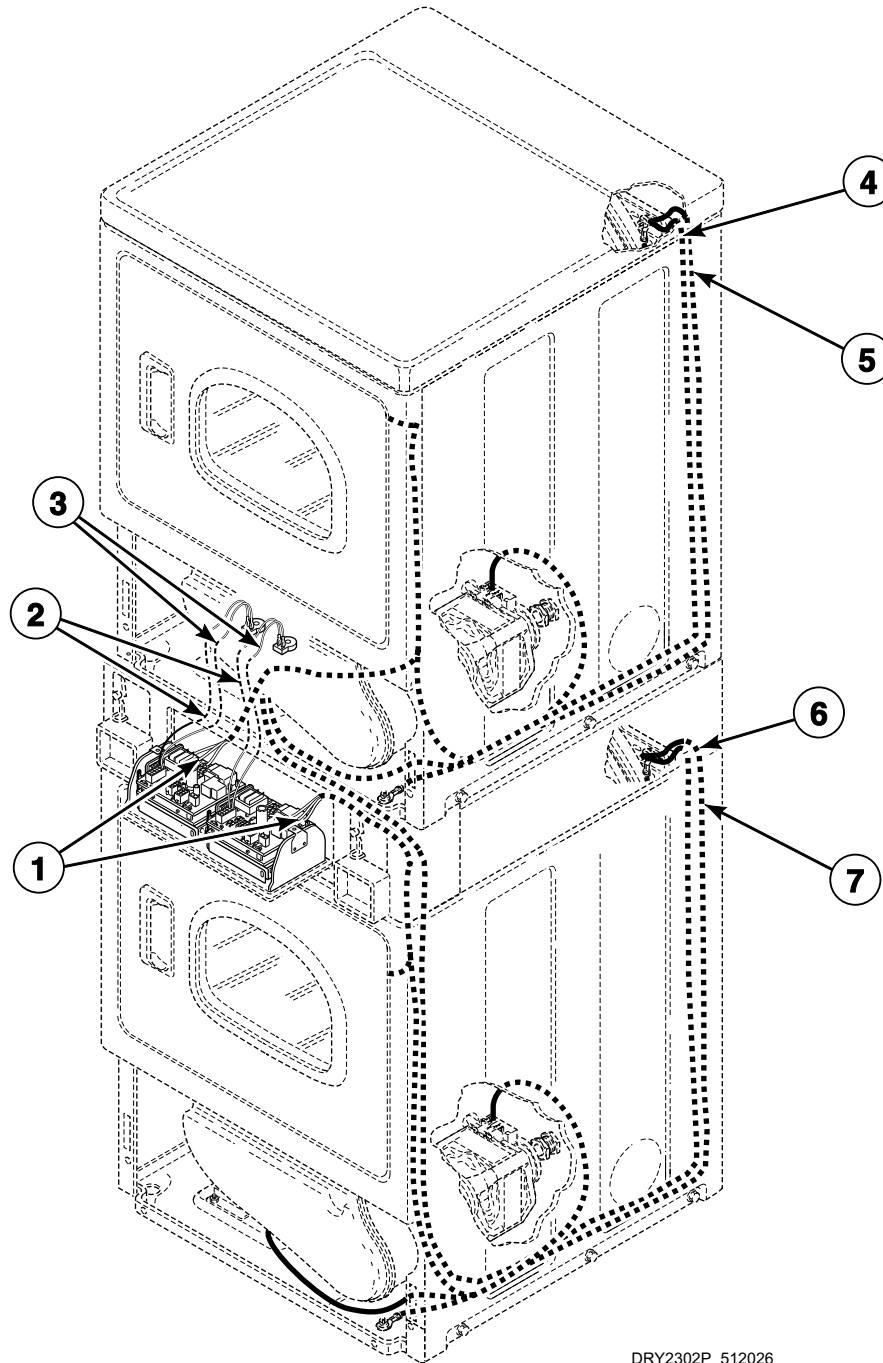
* Add Letter To Designate Color. L - Almond Q - Bisque W - White

NOTE: Individual wires are not available separately. Order complete harness, or order wire by the foot. When applying terminals to wires, it is recommended that the terminals be soldered to the wires.

NOTE: Some models built after Serial No. 0904 may come equipped with one harness. If replacement of harness is necessary, replace with harness listed for model on *Wire Harnesses and Wires - Coin Drop and Card Reader Models Through Serial No. 0904*.

Wire Harnesses and Wires - Coin Drop, Card Reader and OPL Models Starting Serial No. 1303025315

Models HSEBXFGW131DW01, HSEBXFGW171FW28, HSEBXFGW541DW01, HSER17*F2902, HSET17*F2902, HSEY17*F2802, HSEY17*F2902, NSEBXFGW301NW22, SSEBXFGW131DW01 and SSEBXFGW541DW01



DRY2302P_512026

Wire Harnesses and Wires - Coin Drop, Card Reader and OPL Models Starting Serial No. 1303025315

REF	PART NO.	DESCRIPTION	COMMENTS
	45380	12 Gauge Wire	Orange; Order wire by the foot; Order terminals and connectors as required
	45001	18 Gauge Wire	Black; Order wire by the foot; Order terminals and connectors as required
	D513246P	Jumper Assembly	Connect one jumper assembly to each pair of resistors per control; Model NSEBXFGW301NW22
1	D512422P	Wire Harness Assembly	
2	D512273P	Wire Configuration Assembly	
3	D512275P	Wire Configuration Assembly	
4	D514094	Electronic Harness	
5	D514080	Wire Harness Assembly	Models HSER17*F2902, HSET17*F2902, HSEY17*F2802 and HSEY17*F2902
6	D514082	Wire Harness Assembly	Models HSER17*F2902, HSET17*F2902, HSEY17*F2802 and HSEY17*F2902
7	D514096	Electronic Harness	

* Add Letter To Designate Color. L - Almond Q - Bisque W - White

NOTE: Individual wires are not available separately. Order complete harness, or order wire by the foot. When applying terminals to wires, it is recommended that the terminals be soldered to the wires.

NOTE: Some models built after Serial No. 0904 may come equipped with one harness. If replacement of harness is necessary, replace with harness listed for model on *Wire Harnesses and Wires - Coin Drop and Card Reader Models Through Serial No. 0904*.

Parts Index

A

Access Panel	
D510069LP	37
Access Panel and Guard Assembly	
D514252Q	37
Access Panel Assembly	
D514250Q	37
D514250WP	37
Access Panel Plate	
D510903	57
Accumulator Replacement Kit	
D510628P	29
D510629P	29
D510631P	29
Adhesive	
D511637P	45, 47
Air Duct Assembly	
D510151W	45
D515805LG	45
Anti-Seize Compound	
27604P	41
Audit Switch Bracket	
800379	13
800380	13

B

Blower and Fan Kit	
D510717P	41
Blower Fan Assembly	
D510139P	41
Blower Housing	
D511969WP	41
Blower Housing Seal	
D510238P	41
Bolt	
D512505	23
29651	9, 11
Booster and Holding Coil	
58804A	53
59063A	53
Bracket	
D510146	61
Bumper Pad	
56128	57
Burner Assembly	
D510149P	53, 55

C

Cabinet Rear Panel	
D514632P	57
Cabinet Side Panel	
D510001LP	57
D510001QP	57
D510001WP	57
D510002LP	57

D510002QP	57
D510002WP	57
Card Insert Overlay	
D511548	25
Card Reader	
D512473	23
Card Reader and Bracket Assembly	
D510068P	25
Card Reader Bracket	
D510045	25
Card Reader Instruction Overlay	
38192	23
Card Reader Kit	
875P3	23
Card Reader Overlay	
800230	25
Card Reader Shield	
801101	59
Caution Label	
D500253	37
Central Pay Harness	
D511478	27
Clip	
201572	19
Coin Cabinet Hardware Kit	
547P3	57
Coin Drop	
38963P	17
70441601P	17
Coin Drop Assembly	
CK114	17
38462P	17
38463	17
38464P	17
38467	17
38472	17
38475	17
38519	17
38521	17
39157	17
70441602	17
70482401	17
Coin Drop Kit	
CK077	17
CK123	17
Coin Drop Wire Harness	
201104	19
Coin Funnel Kit	
523P3	9, 11
Coin Identification Paper	
38725	19
Coin Meter Drive	
M400754	29
Coin Slide Extension	
D503455	11
Coin Slide Guard	
58181	9, 11
Combustion Duct	
D510131	51
D510132	51

N/A items do not appear in index.

Connector, 2 Circuit 58799	65
Connector, 3 Circuit 58800	67
Contactora 70323701P	59
Contactora Bracket D511859	59
Control Assembly D511867P	15, 27
D513139P	9
Control Cabinet Bottom 801777	27
Control Kit D505905P	15
M411883P	15
M414050P	15
Control Overlay D513147	7, 9
Control Panel and Bracket Assembly D500228L	7, 9, 11
D500228Q	7, 9, 11
D500228W	7, 9, 11
D510076B	15
D510076W	15
D512098W	27
Cylinder Assembly D510265LGP	45
D510265WP	45
Cylinder Baffle D510102LG	45
D510102W	45
Cylinder Belt D511255P	41
Cylinder Glide D513710	45
Cylinder Glide Bracket D510145	45
Cylinder Roller D510708P	47
Cylinder Roller Bracket D510100	47
Cylinder Seal Assembly D510207P	45, 47

D

Damper 58786	57
Diagnostic Wire Harness Assembly 800680	27
Din Rail M412693	59
Directional Exhaust Kit 528P3	57
Door and Liner Assembly D511636QP	35
Door Assembly D516737Q	33
D516737W	33, 35
Door Catch Assembly D510177	37

Door Handle Wedge D510129W	31, 33
Door Liner Grill D503870LG	33
D503870W	33
Door Pull and Wedge Kit D510103LP	31, 33
D510103QP	31, 33
D510103WP	31, 33
Door Strike D510181	31, 33
Door Strike Mount D510127	31, 33
Door Switch Bracket 38087	21
Drip Shield D514327	37
Dryer Base D514245	59
Dryer Door D510013LP	31
D510013QP	31
D510013WP	31
D510082LP	33
D510082QP	33
D510082WP	33
Dryer Door Window D503982P	33
Dual Overlay 39073	21

E

Elbow Shut-Off Valve D510205	53, 55
Electric Clearance Label D511005	57
Electronic Coin Drop Assembly 70294103P	19
70294104	19
70294106	19
70294107	19
70294109	19
70294110	19
70294111	19
70294120	19
70294121	19
70294122	19
Electronic Coin Drop Kit CK099	19
CK100	19
CK101	19
CK103	19
CK106	19
CK108	19
CK109	19
CK110	19
CK113	19
CK115	19
CK120	19
CK121	19
Electronic Harness D511792P	71, 79, 93, 95
D511793P	71, 93
D511794P	73, 79, 93, 95

N/A items do not appear in index.

D511795P	73, 93
D513828	75, 91
D513830	77, 91
D513833	75, 87, 91
D513835	77, 87, 91
D514094	81, 91, 97
D514096	81, 91
514096	97
End Stop	
70121001	59
Exhaust Duct	
D516196	57
Exhaust Warning Label	
D500497	57
Expansion Clip	
70030501	27
Extractor Tool	
128P4	69
190P4	69

F

Fabric Selector Switch	
61512	7, 11
Felt Pad	
D510189	45
Female Piggyback Terminal	
00361	65
Female Pin Terminal	
00117	67
00128	67
00130	67
Female Spade Terminal	
00112	65
00114	65
00115	65
00121	65
00124	65
00156	65
00189	65
00223	65
Female Tab Terminal	
00344	65
Female Terminal	
00188	69
00255	69
00256	69
Flexible Venting Kit	
521P3	57
Front Bulkhead Assembly	
D510266P	45
Front Panel	
D510066LP	37
D510066QP	37
D510066WP	37
Front Panel Assembly	
D513781WP	39
Front Panel Seal	
D511056	37

G

Gas Clearance Label	
D511004	57
Gas Valve Assembly	
D502478P	55
D510506P	53
60353P	53
Gas Valve Mounting Bracket	
D510128	53, 55
Glide Kit	
RB170003	45
Graphic Overlay	
D504117	15
D504590	7, 11
D505382	15
D510064	15
D510074	15
D513249	27
Grounding Clip	
00161	65

H

Harness	
D512501	23
Harness Assembly	
D511327	59
802904P	17
802905	17, 19
Harness Replacement Kit	
D510647P	71, 75
Harness Strap	
55881	67
Heat Duct Shroud	
D510101	51
Heater Assembly	
D510324P	49
D510326P	49
D510327P	49
D510329P	49
D510330P	49
Heater Duct Assembly	
D510025P	49, 51
Heater Kit	
964P3	49
965P3	49
Heater Kit Assembly	
61927	49
61929	49
61930	49
Hinge	
D511036	31, 33
Hold Down Kit	
526P3	59
Housing, 10 Position	
D500338	69

N/A items do not appear in index.

I

Idler Lever	
D516310	41
Idler Lever and Wheel Assembly	
D516792	41
Idler Spring	
D510185	41
Idler Wheel and Bearing Assembly	
D510142P	41
Igniter and Bracket Assembly	
D510184P	53
Igniter And Sensor Assembly	
D502995P	55
Igniter Control	
D502994P	55
Ignition Control Bracket	
D502425	55
Instruction Label	
D511903	37
Insulated Female Spade Terminal	
00359	65
00360	67
Insulated Female Terminal	
00165	65

J

Jumper Assembly	
D513246P	93, 95, 97
Jumper Configuration Assembly	
M413507	13, 27

K

Key	
54612	7, 9, 11, 15

L

Label	
D513372	57
Lead-In Cord	
D512019	63
D513329	63
59373	63
Lead-In Cord Assembly	
D503597	63
D514222	63
D514289	63
Lead-In Cord Kit	
61605P	63
Lead-In Pipe Assembly	
D510204	53, 55
Left Control Cabinet Side	
800900WP	27
Leveling Leg	
D510135	59

Light	
32464	7, 11
32519	7
801431	9
Limit Thermostat	
D510701	49
D510702	51
Liner and Seal Assembly	
D510098W	33
Liner Door Seal	
D510147P	31, 33
Liner, Seal and Grill Assembly	
D510163WP	31
Lint Filter	
D503980LG	45
D503980W	45
Lint Filter Label	
D502804	37
Lock Cam	
27261	7, 9, 11, 15
Lock Kit	
27260P	7, 9, 11, 15
Lower Wire Harness Assembly	
D510435	73, 77
L.P. Conversion Kit	
458P3	53, 55
600P3	53

M

Main and Redundant Coil	
D502423A	55
Male Pin Terminal	
00116	67
00127	67
00129	67
Male Tab Terminal	
00139	65
Manual Reset Thermostat	
M411941	43
Motor and Pulley Assembly	
D505843P	41
D505869P	41
D511629P	41
Motor Hub Ring Kit	
590P3	41
Motor Mount	
D510060	41
Motor Mount Clamp	
D510180	41
Motor Pulley	
D500011	41
D500222	41
Mounting Tool Kit	
CK096	19

N

Nut	
201216	19
24205	7, 9, 11
28447	47

N/A items do not appear in index.

29786	17
29796	9, 11
44071201	35
52566	41
52947	7, 9, 11
56156	41, 47
80077	11, 21
800931	27
N.G. Conversion Kit	
459P3	53, 55

O

Outlet Cover	
D500820	49, 51
Overlay	
D502655	11
D502927	7
D505381	11
D511428	15
D511430	15
D511485	15
D512493	7, 9
D512494	9
D512678	7, 9
D513250	15
D513546	15
D514275	15
201091	21

P

Panel Locator	
56079	37, 57
Plug	
23040	67
54522	65
Plug, 1 Circuit	
26302	65
Plug, 2 Circuit	
56266	67
56448	67
Plug, 6 Circuit	
23041	65
Plug, 9 Circuit	
23033	65
Porcelain Touch-Up Paint	
122P4P	57
215P4P	57
370P4P	57
Power Cord Assembly	
D505945	63
D506081	63
57397	63
58992	63
Power Supply	
D512496	23
Power Wire Harness Assembly	
D512890P	93, 95
Programming Card	
D512499P	23

R

Ratchet Extension Tool	
310P4	69
Ratchet Wheel	
53239	29
Rear Bulkhead Assembly	
D511082P	47
Rear Control Cabinet	
801058	27
Receptacle Housing	
90789	65
Receptacle, 1 Circuit	
26301	65
Receptacle, 10 Circuit	
34596	65
Receptacle, 12 Circuit	
D501333	65
56855	65
Receptacle, 2 Circuit	
56265	67
56451	67
Receptacle, 3 Circuit	
23039	67
36170	65
Receptacle, 6 Circuit	
26708	65
Receptacle, 9 Circuit	
26163	65
Resistor	
210100	9, 13, 27
Retaining Ring	
23748	41, 47
Right Control Cabinet Side	
800915W	27
Ring Terminal	
00110	65
00111	65
Roller Kit	
RB170002	47
Rubber Foot	
D501855	59

S

Screw	
D500226	31, 33, 45
D500824	41
D501285	45, 47
D501524	15
D502431	7, 9, 11, 21, 23, 25
D502535	43, 55
D503661	9, 61
D503688	7, 9, 11, 13, 21, 23, 25, 27, 37, 41, 45, 47, 49, 51, 53, 55, 57, 61
D505870	33
03203	11
20530	63
23008	27
23222	49, 53
27328	7, 9
28448	47
31260	41

N/A items do not appear in index.

33562	9, 11, 37
36048	61
39733	37, 57
51782	9, 51, 53, 55
52864	45
56124	53, 55
61199	47
62588	45
62853	37
70240301	27
800930	27
Seal Kit	
RB170001	45, 47
Secondary Coil	
58804B	53
59063B	53
Security Cabinet Front	
D500225LP	7
D500225QP	7
D500225WP	7
Security Cabinet Front Assembly	
D503428W	23
D505227W	23
D511208L	25
D511208Q	25
D511208W	25
D511522LP	9, 11
D511522QP	9, 11
D511522WP	9, 11
D511632B	21
D511632L	21
D511632Q	21
D511632WP	21
Security Cabinet Harness	
D511823P	85
D513813	87
Security Cabinet Harness Assembly	
D510626	71, 75
Security Cabinet Wire Harness Assembly	
D510654P	71, 75
D510655P	71, 75
D511765	71, 75
Sensor	
D510213	53
Shaft	
56461P	41, 47
Shield	
56751	11
Single Drop Overlay	
803476	21
Single Overlay	
38717	21
Slide Extension Kit	
201915	9
Spade Terminal	
00245	65
Speed Clip	
28835	37
Spring	
53261	29
Strain Relief	
D502500	63
38384	63
52113	63
Strain Relief Adapter	
D502496	63

N/A items do not appear in index.

Switch	
D512973	13, 21, 37
201952	9
Switch Assembly	
55882	7, 9, 11
Switch Knob	
39897	7, 9, 11
Switch Mount Assembly	
201917P	9

T

Temperature Selector Switch	
D511711	9
Terminal	
00252	65
00347	65
Terminal Block Assembly	
D510190P	47
Terminal Block Shield	
D505768	47
D510237	47
Terminal Extractor Tool	
283P4	69
Thermal Fuse Assembly	
D511412	49
Thermistor Assembly	
D502366	43
D510523	43
Thermostat	
D504515	43
D510703	51
D511887	43
D512005	43
Timer	
D510525P	7
D511985P	7
Timer Bracket	
D503017	11
Timer Knob	
54678	7
Timer Motor	
D512017P	29
Timer Overlay	
D500814	7
Timing Cam	
53240	29
53241	29
53242	29
53243	29
Top Hinge	
D510136	61
Top Kit	
D510032LP	61
D510032QP	61
D510032WP	61
Torx Bit	
281P4	69
282P4	69
292P4	69
Torx Drive Tool	
93501	69

Transformer	
201375P	13, 19
201587P	9
201616P	9
210018P	13
803527P	13, 27
Transformer Kit	
D511658P	59

U

Upper Harness Assembly	
D510445P	71, 75

V

Valve Assembly	
60443P	53

W

Warning Label	
D502825	37
D512263	37
D514226	37
Warning/Caution Label	
D500281	37
Washer	
D501307	61
D504082	47
03815	9
25820	7, 9, 11
28449	47
52549	41, 47
91176	7, 9, 11
Window Clip	
D513958	35
Window Trim	
D503981L	35
D503981Q	35
D503981W	35
D513960Q	35
Wire Assembly	
D510527	49
D510528	49
Wire Clip	
D504034	67
687500	67
Wire Configuration Assembly	
D512273P	93, 95, 97
D512275P	93, 95, 97
Wire Guard	
201595P	17
Wire Harness	
D512913	71
D512915	73, 77
D513849	75
Wire Harness Assembly	
D510440P	83, 89
D510448	83
D510449P	71, 75
D510450	83

D510451	73, 77
D510468P	71, 75
D510470	73, 77
D510489	83, 89
D510490	83, 89
D510498P	83, 89, 91
D511303	59
D511314P	83, 89
D511316	83, 89
D511318P	83, 89, 91
D511321P	83, 89, 91
D511341	71, 75
D511343	73, 77
D511347	83, 89
D511349	83, 89
D511753	85
D511755	85
D511757	85, 87
D511761	71, 75
D511763	73, 77
D512142	71, 75, 79, 81
D512285	71, 93
D512287	73, 77, 93
D512289	71, 93
D512291	73, 77, 93
D512422P	87, 93, 95, 97
D512642	73, 93, 95
D512643P	93
D512644	71, 93, 95
D512645	93
D512660	73
D512892	93, 95
D513270P	93
D513825	87
D513827	87
D513832	75
D513834	77
D513837	75, 91
D513838	77
D513839	91
D513841	75, 87
D513843	87
D514080	97
D514082	97
Wire Tie	
38663	67
Wire, 12 Gauge	
45380	71, 73, 75, 77, 79, 81, 83, 85, 87, 89, 91, 93, 95, 97
Wire, 18 Gauge	
45001	71, 73, 75, 77, 79, 81, 83, 85, 87, 89, 91, 93, 95, 97
Wrapper and Channel Assembly	
D505753QP	7, 9, 11, 21, 23, 25
D505753WP	7, 9, 11, 21, 23, 25

N/A items do not appear in index.

