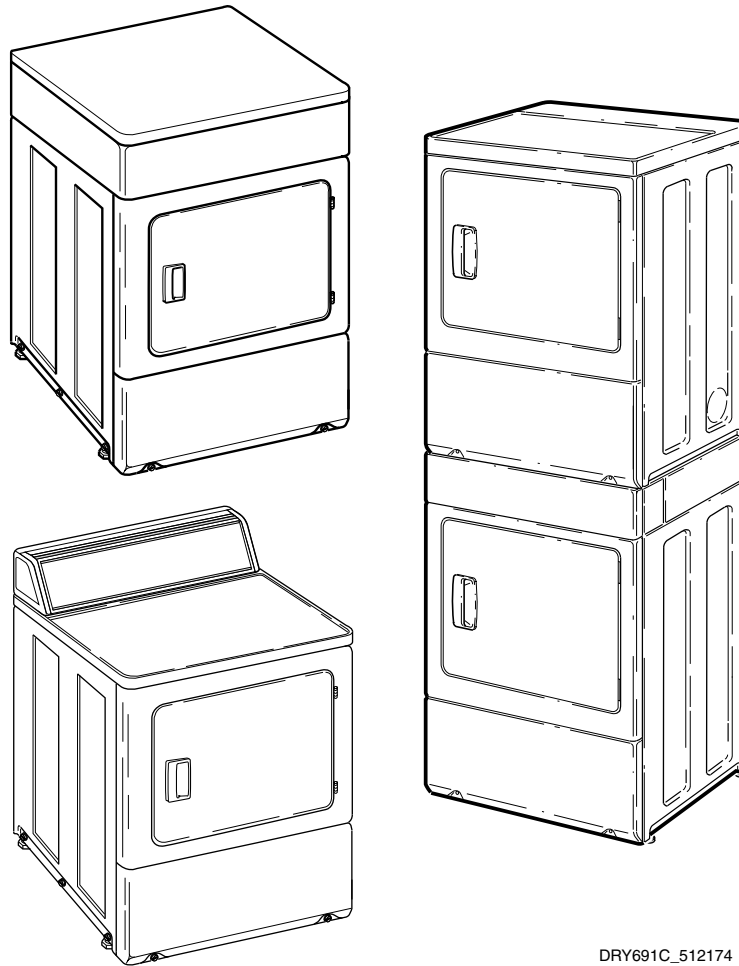


Home Dryers

Refer to Page 3 for Model Numbers



DRY691C_512174

Table of Contents

Title	Page
Parts Ordering Information.....	2
Serial Plate Location	2
Model Identification	3
Control Panel and Controls - Rear Control	4
Control Panel and Controls - Front Control.....	6
Control Cabinet and Controls.....	8
Control Panel and Controls - Stacked Models	10
Loading Door - Without Window (Drawing 1 of 2).....	12
Loading Door - Without Window (Drawing 2 of 2).....	14
Loading Door - With Window	16
Access Panel, Front Panel and Seal	18
Motor, Exhaust Fan and Belt	20
Front Bulkhead, Air Duct, Felt Seal and Cylinder with Light	22
Front Bulkhead, Air Duct, Felt Seal and Cylinder without Light	24
Rear Bulkhead, Felt Seal, Cylinder Roller and Terminal Block.....	26
Heater Duct and Element Assembly	28
Heater Duct Assembly	30
Gas Valve, Igniter and Gas Conversion Kits.....	32
Burner Orifice Spuds - For Higher Elevations	34
Cabinet, Exhaust Duct and Base - Single Dryers	36
Cabinet, Exhaust Duct and Base - Stacked Dryers	38
Lead-In Cord	40
Terminal Block and Terminals	42
Terminals	44
Terminals and Terminal Extractor Tools	46
Wire Harnesses and Wires - Stacked Models.....	48
Wire Harnesses and Wires - Stacked Models Through Serial No. 1303025314	50
Wire Harnesses and Wires - Stacked Models Starting Serial No. 1303025315	52
Wire Harnesses and Wires - Front Control Models.....	54
Wire Harnesses and Wires - Front Control Models Through Serial No. 1303025314	56
Wire Harnesses and Wires - Front Control Models Starting Serial No. 1303025315	58
Wire Harnesses and Wires - Rear Control Models Through Serial No. 1207	60
Wire Harnesses and Wires - Rear Control Models Starting Serial No. 1207	62
Parts Index.....	65

© Copyright 2020, Alliance Laundry Systems LLC

All rights reserved. No part of the contents of this book may be reproduced or transmitted in any form or by any means without the expressed written consent of the publisher.

Parts Ordering Information

If literature or replacement parts are required, contact the source from whom the machine was purchased or contact Alliance Laundry Systems at (920) 748-3950 for the name and address of the nearest authorized parts distributor.

For technical assistance, call the number listed below:

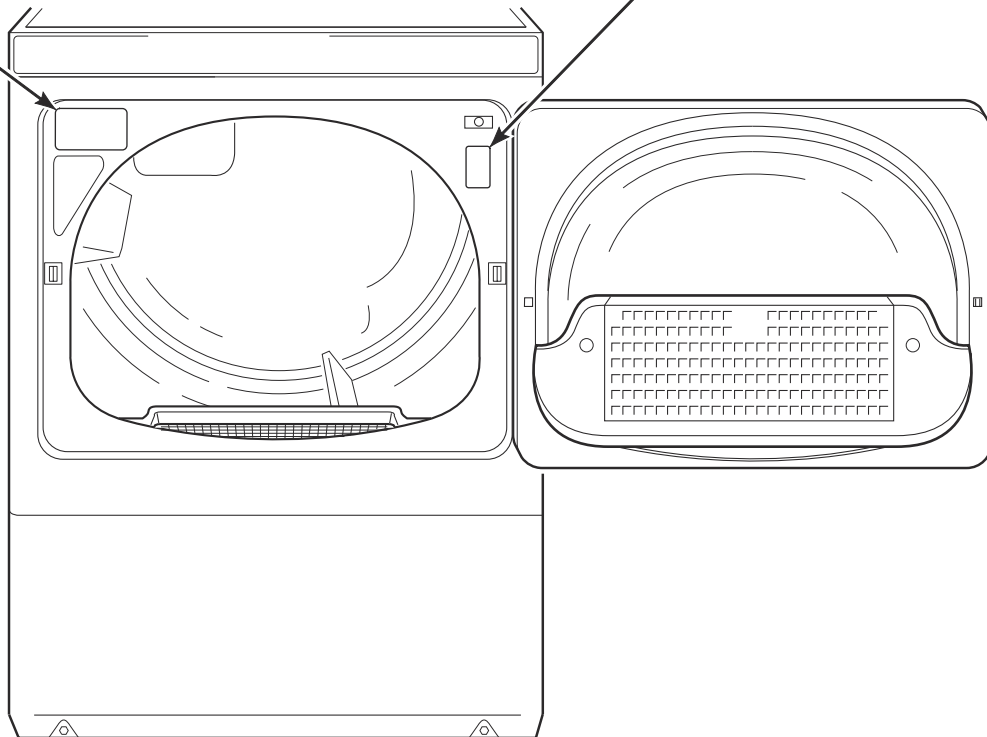
(920) 748-3121 Ripon, Wisconsin

Serial Plate Location

When calling or writing about your product, be sure to mention model and serial numbers. Model and serial numbers are located on serial plate(s) as shown.

SERIAL PLATE
(Models starting Serial No. 1206025810)

SERIAL PLATE
(Models through Serial No. 1206025809)



DRY2283P_512174

Model Identification

Information in this manual is applicable to these dryer models:

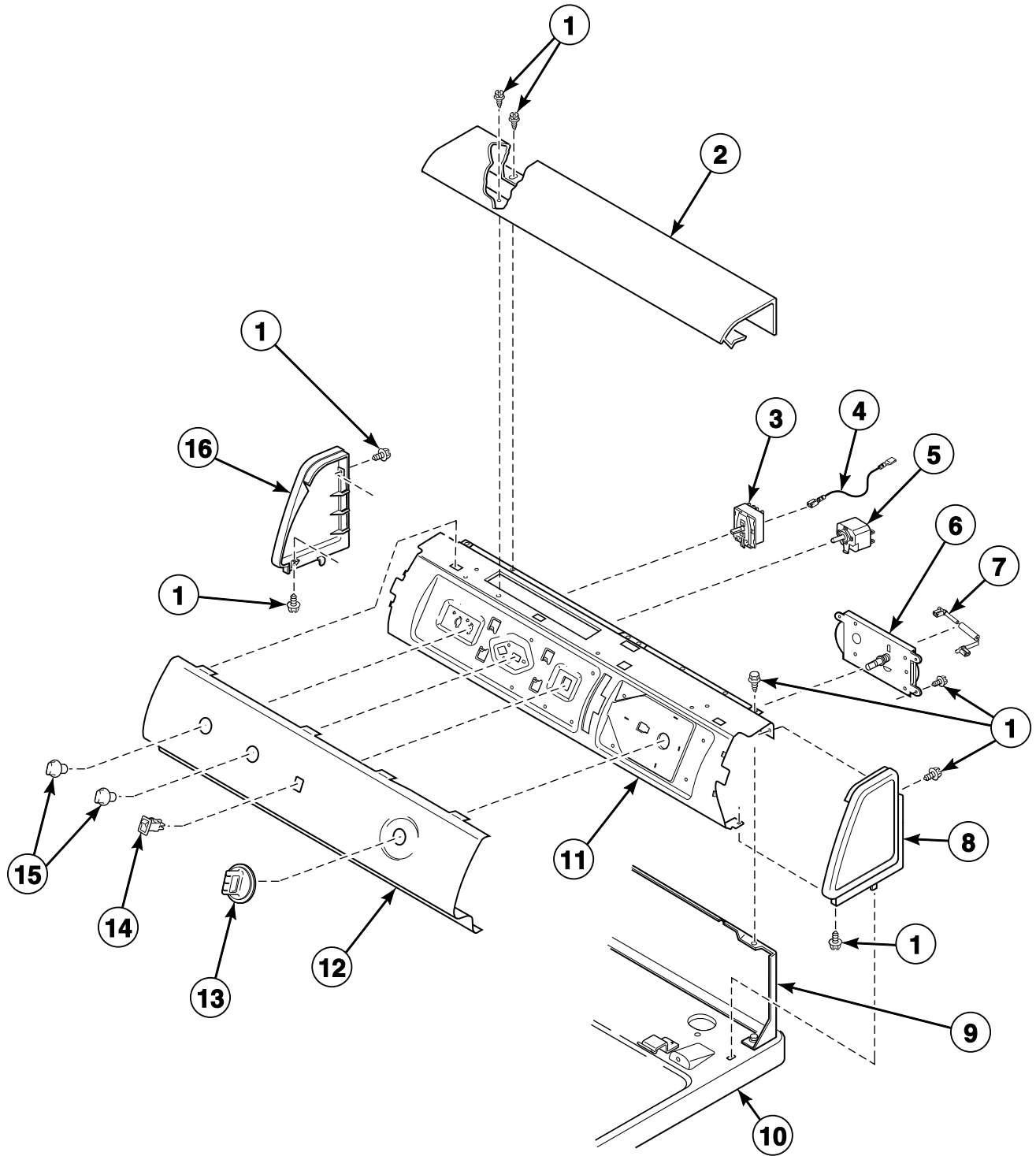
ADE30RGS171TW01
ADE3LRGS171TW01
ADE41FSS171TN01
ADE4BFGS171TW01
ADE4BRGS171TW01
ADE4BRGS171TWAH
ADG30RGS111TW01
ADG3LRGS111TW01
ADG41FSS111TN01
ADG4BFGS111TW01
ADG4BRGS111TW01
ADG4BRGS111TWAH

AES17AWF
AES20AWF
AES28AWF
AES28AWF1500
AES68AWF
AES68AWF1500
AGS17AWF
AGS20AWF
AGS28AWF
AGS68AWF
ASE30FGW171TW01
ASG30FGW111TW01

CES68AWF
CES68AWF1500
CGS68AWF
KES18AWF
KES18AWF1500
KGS18AWF

Control Panel and Controls - Rear Control

Models ADE30RGS171TW01, ADE3LRGS171TW01, ADE4BRGS171TW01, ADE4BRGS171TWAH, ADG30RGS111TW01, ADG3LRGS111TW01, ADG4BRGS111TW01, ADG4BRGS111TWAH, AES17AWF, AES20AWF, AES28AWF, AES28AWF1500, AES68AWF, AES68AWF1500, AGS17AWF, AGS20AWF, AGS28AWF and AGS68AWF



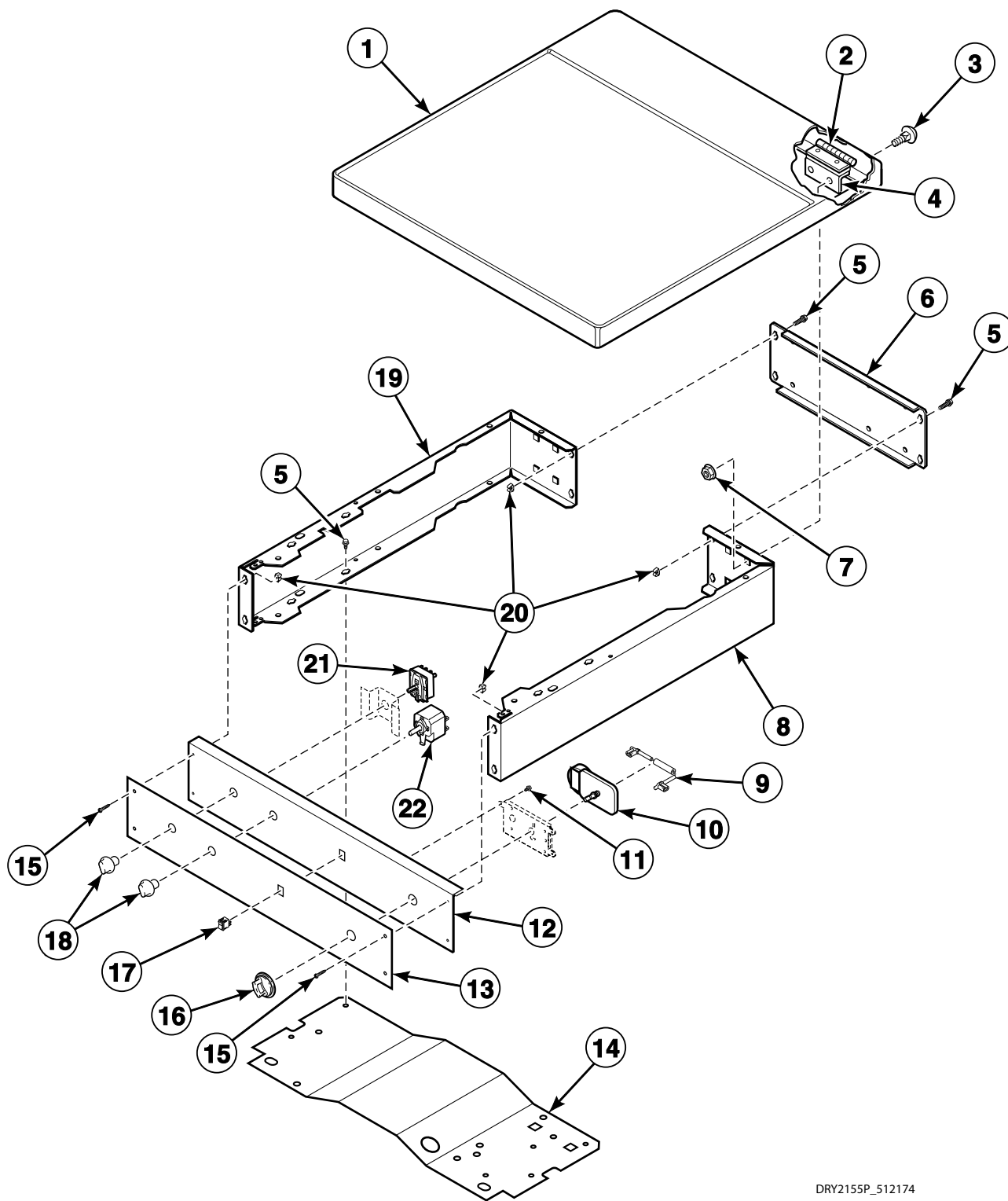
DRY2279P_512174

Control Panel and Controls - Rear Control

REF	PART NO.	DESCRIPTION	COMMENTS
	D511148	Wire Assembly	Extra tumble; Models ADE4BRGS171TW01, ADE4BRGS171TWAH, ADG4BRGS111TW01, ADG4BRGS111TWAH, AES68AWF, AES68AWF1500 and AGS68AWF; Use with item 14
1	D501086	Screw	
2	D505808W	Top Cover	
3	D513505	Fabric Selector Switch	Models ADE30RGS171TW01, ADE3LRGS171TW01, ADG30RGS111TW01, ADG3LRGS111TW01, AES17AWF, AES20AWF, AES28AWF, AES28AWF1500, AGS17AWF, AGS20AWF and AGS28AWF
	D513506	Fabric Selector Switch	Models ADE4BRGS171TW01, ADE4BRGS171TWAH, ADG4BRGS111TW01, ADG4BRGS111TWAH, AES68AWF, AES68AWF1500 and AGS68AWF
4	D510540	Wire Assembly	Fabric selector switch to timer; Electric models
5	D510211	Buzzer	Models ADE3LRGS171TW01, ADE4BRGS171TW01, ADE4BRGS171TWAH, ADG3LRGS111TW01, ADG4BRGS111TW01, ADG4BRGS111TWAH, AES28AWF, AES28AWF1500, AES68AWF, AES68AWF1500, AGS28AWF and AGS68AWF
6	D505797P	Timer and Harness Kit	Models ADE30RGS171TW01, ADE3LRGS171TW01, AES17AWF, AES20AWF, AES28AWF and AES28AWF1500
	D505794P	Timer	Models ADG30RGS111TW01, ADG3LRGS111TW01, AGS17AWF, AGS20AWF and AGS28AWF
	D511150P	Timer	Models ADE4BRGS171TW01, ADE4BRGS171TWAH, AES68AWF and AES68AWF1500
	D511149P	Timer	Models ADG4BRGS111TW01, ADG4BRGS111TWAH and AGS68AWF
7	D511277	Resistor Assembly	Electric models
8	D504008WP	End Panel	Right
9	D510099	Hood Back Panel	
10	D510029WP	Top Panel Kit	
11	D503901	Control Support Panel	
12	D512211W	Graphic Panel	Models AES20AWF, AES28AWF, AES28AWF1500, AGS20AWF and AGS28AWF
	D512213W	Graphic Panel	Models AES68AWF, AES68AWF1500 and AGS68AWF
	D512179W	Graphic Panel	Models AES17AWF and AGS17AWF
	D513015W	Graphic Panel	Models ADE4BRGS171TW01 and ADG4BRGS111TW01
	D513011W	Graphic Panel	Models ADE30RGS171TW01 and ADG30RGS111TW01
	D513012W	Graphic Panel	Models ADE3LRGS171TW01 and ADG3LRGS111TW01
	D514304W	Graphic Panel	Models ADE4BRGS171TWAH and ADG4BRGS111TWAH
13	803168P	Knob Assembly	Models ADE30RGS171TW01, ADE3LRGS171TW01, ADE4BRGS171TW01, ADG30RGS111TW01, ADG3LRGS111TW01 and ADG4BRGS111TW01
	804720	Knob Assembly	Models ADE4BRGS171TWAH and ADG4BRGS111TWAH
	D512117W	Timer Knob Assembly	All other models
14	38424W	Rocker Switch	Models ADE4BRGS171TW01, ADE4BRGS171TWAH, ADG4BRGS111TW01, ADG4BRGS111TWAH, AES68AWF, AES68AWF1500 and AGS68AWF
15	803119P	Control Knob Assembly	Models ADE30RGS171TW01, ADE3LRGS171TW01, ADE4BRGS171TW01, ADG30RGS111TW01, ADG3LRGS111TW01 and ADG4BRGS111TW01
	804719	Control Knob Assembly	Models ADE4BRGS171TWAH and ADG4BRGS111TWAH
	36701W	Knob Assembly	All other models
16	D504009WP	End Panel	Left

Control Panel and Controls - Front Control

Models ADE4BFGS171TW01, ADG4BFGS111TW01, CES68AWF, CES68AWF1500 and CGS68AWF



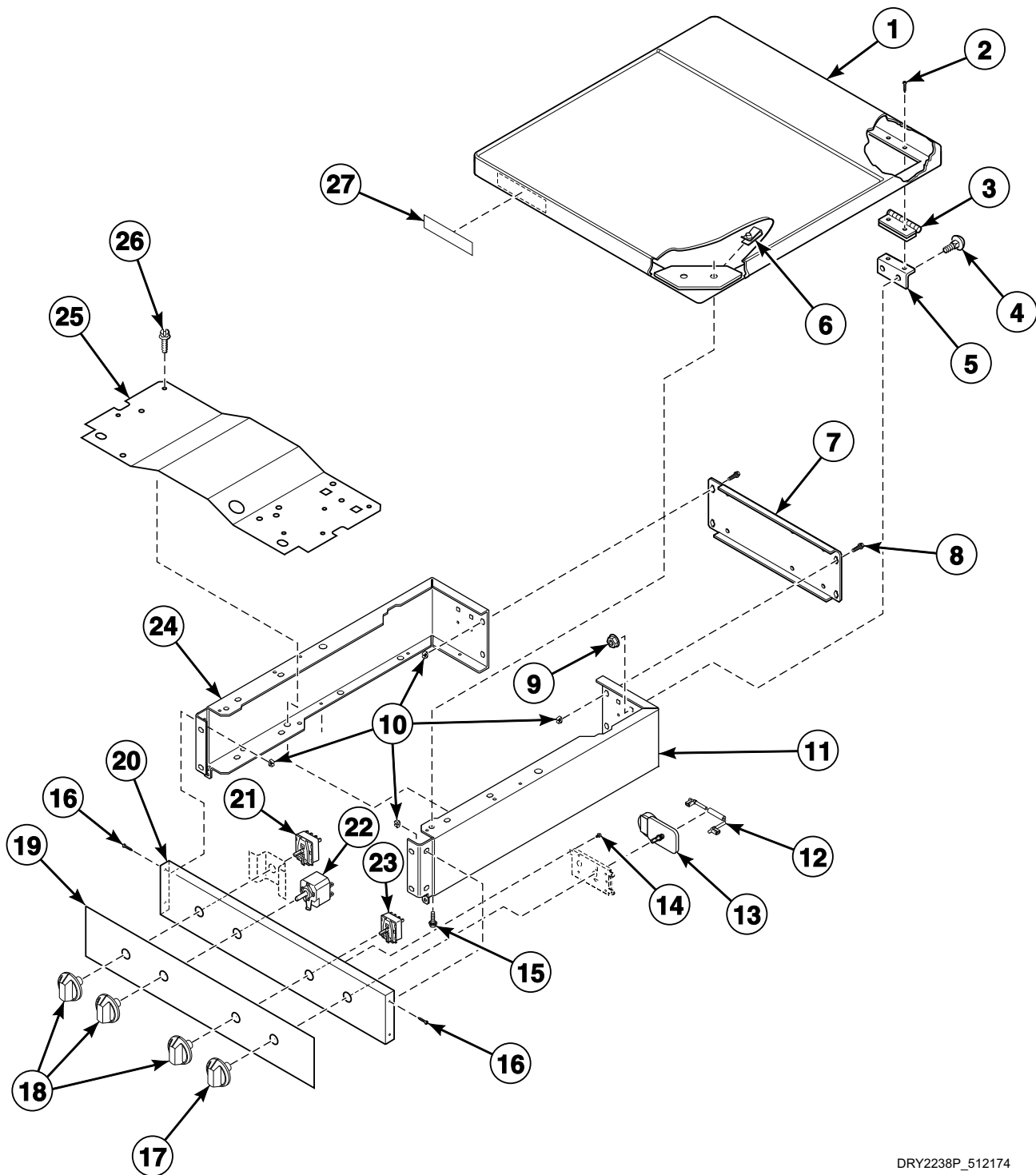
DRY2155P_512174

Control Panel and Controls - Front Control

REF	PART NO.	DESCRIPTION	COMMENTS
	D511148	Wire Assembly	Extra tumble; Use with item 17
1	802247WP	Top and Gusset Assembly	
2	D511036	Hinge	
3	29651	Bolt	4 required
4	D504228	Top Mounting Bracket	
5	70240301	Screw	8 required
6	800867	Control Cabinet Rear	
7	44087201	Nut	4 required
8	800915W	Right Control Cabinet Side	
9	D511277	Resistor Assembly	Use with 511150 4 Cycle Timer; Models ADE4BFGS171TW01, ADG4BFGS111TW01, CES68AWF and CES68AWF1500
10	D511149P	Timer	Models ADG4BFGS111TW01 and CGS68AWF
	D511150P	Timer	Models ADE4BFGS171TW01, CES68AWF and CES68AWF1500
11	D501086	Screw	
12	D512067W	Control Panel Assembly	
13	D513014	Graphic Overlay	Models ADE4BFGS171TW01 and ADG4BFGS111TW01
	D512214	Graphic Overlay	All other models
14	801777	Control Cabinet Bottom	
15	800930	Screw	4 required
16	803118P	Knob Assembly	Models ADE4BFGS171TW01 and ADG4BFGS111TW01
	D512117W	Timer Knob Assembly	All other models
17	38424W	Rocker Switch	
18	803119P	Control Knob Assembly	Models ADE4BFGS171TW01 and ADG4BFGS111TW01
	36701W	Knob Assembly	All other models
19	800900WP	Left Control Cabinet Side	
20	70030501	Expansion Clip	12 required
21	D513506	Fabric Selector Switch	
22	D510211	Buzzer	

Control Cabinet and Controls

Models ADE41FSS171TN01 and ADG41FSS111TN01



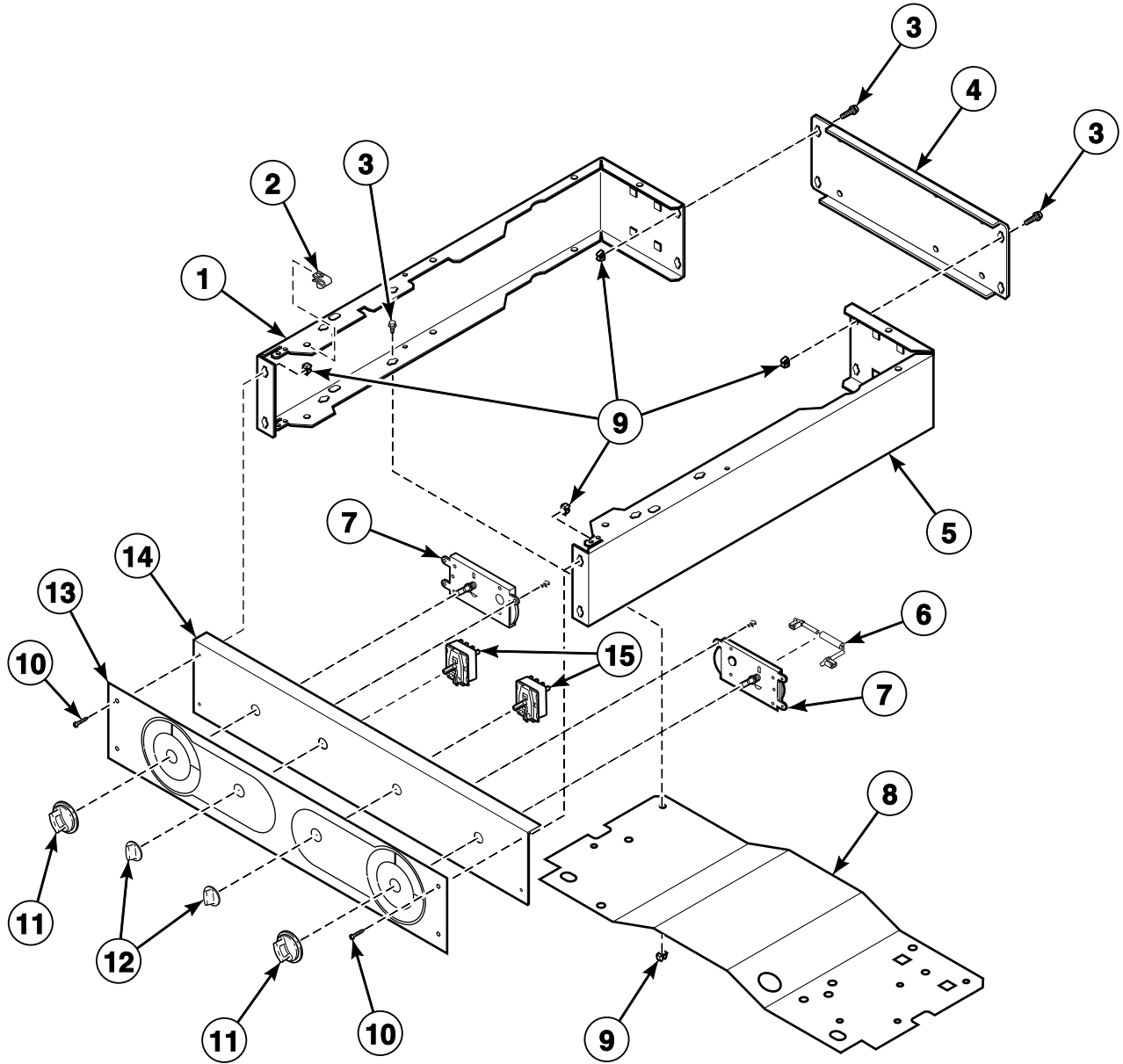
DRY2238P_512174

Control Cabinet and Controls

REF	PART NO.	DESCRIPTION	COMMENTS
	D513170P	Wire Assembly	Extra tumble
1	803144P	Top Kit	
2	685847	Pop Rivet	
3	D511036	Hinge	
4	29651	Bolt	
5	D504228	Top Mounting Bracket	
6	36020	Nut	
7	801058	Rear Control Cabinet	
8	70240301	Screw	
9	44087201	Nut	
10	70030501	Expansion Clip	
11	803141	Control Cabinet	Right; Stainless steel
	D513701G	Control Cabinet	Right; Gray
12	D511277	Resistor Assembly	Use with 511150 4 Cycle Timer; Model ADE41FSS171TN01
13	D511149P	Timer	Model ADG41FSS111TN01
	D511150P	Timer	Model ADE41FSS171TN01
14	D501086	Screw	
15	23008	Screw	
16	F430956	Screw	
17	803098P	Timer Knob Assembly	
18	803099P	Control Knob Assembly	
19	D513112	Panel	
20	D513161	Control Panel Assembly	
21	D513506	Fabric Selector Switch	
22	D510211	Buzzer	
23	803568	Selector Switch	
24	803142	Control Cabinet	Left; Stainless steel
	D513702G	Control Cabinet	Left; Gray
25	801777	Control Cabinet Bottom	
26	M405188	Screw	Use with stainless steel side panels
	D503661	Screw	Use with painted side panels
27	803013	Badge	

Control Panel and Controls - Stacked Models

Models ASE30FGW171TW01, ASG30FGW111TW01, KES18AWF, KES18AWF1500 and KGS18AWF



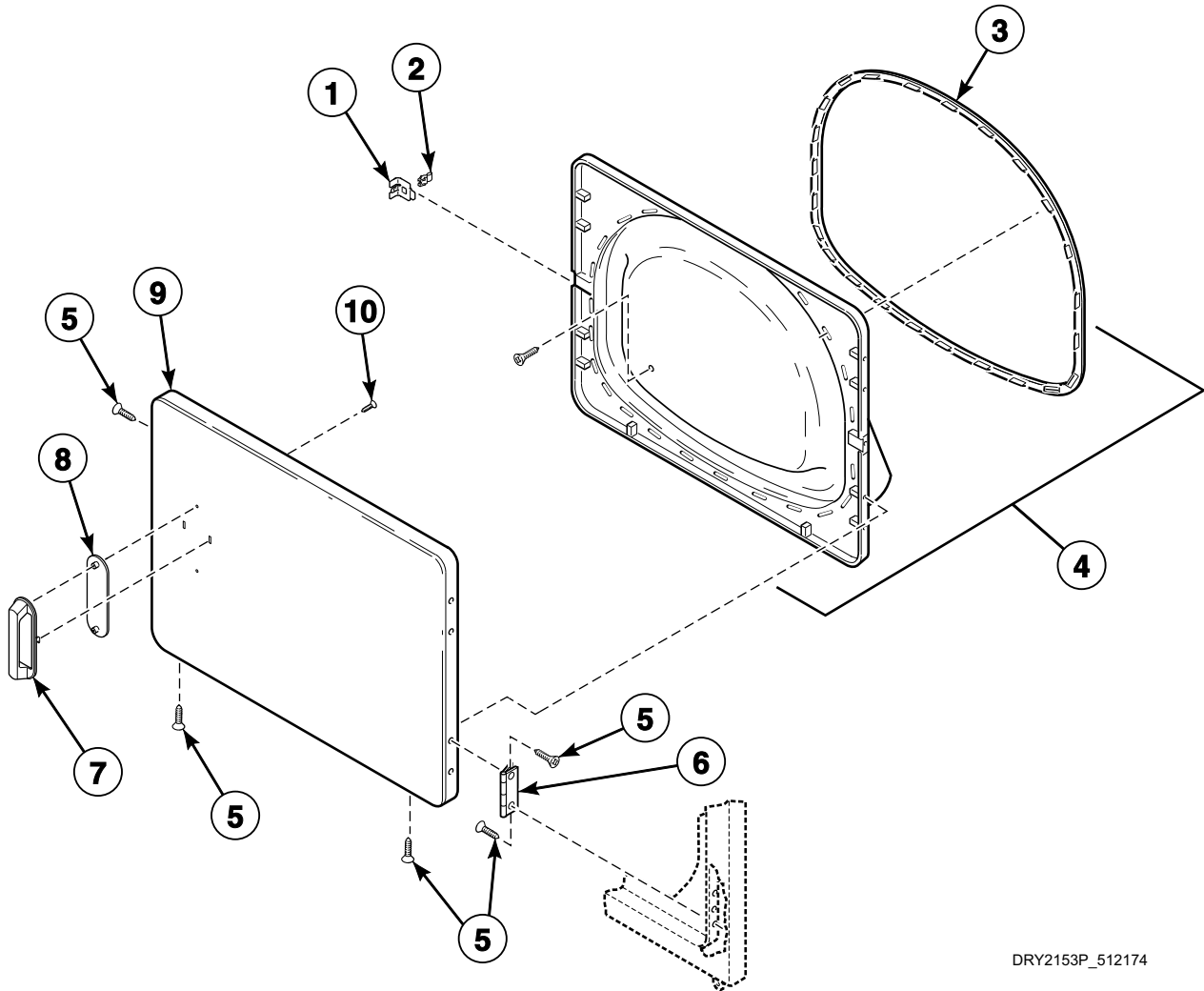
DRY2137P_512174

Control Panel and Controls - Stacked Models

REF	PART NO.	DESCRIPTION	COMMENTS
1	800900WP	Left Control Cabinet Side	
2	800931	Nut	
3	430497	Screw	
4	801058	Rear Control Cabinet	
5	800915W	Right Control Cabinet Side	
6	D511277	Resistor Assembly	Use with 505797 Timer; Models ASE30FGW171TW01, KES18AWF and KES18AWF1500
7	D505797P	Timer and Harness Kit	Models ASE30FGW171TW01, KES18AWF and KES18AWF1500
	D505794P	Timer	Models ASG30FGW111TW01 and KGS18AWF
8	801777	Control Cabinet Bottom	
9	70030501	Expansion Clip	
10	800930	Screw	
11	803118P	Knob Assembly	Models ASE30FGW171TW01 and ASG30FGW111TW01
	D512117W	Timer Knob Assembly	All other models
12	803119P	Control Knob Assembly	Models ASE30FGW171TW01 and ASG30FGW111TW01
	36701W	Knob Assembly	All other models
13	D513013	Graphic Overlay	Models ASE30FGW171TW01 and ASG30FGW111TW01
	D512212	Graphic Overlay	All other models
14	D512034W	Control Panel Assembly	
15	D513505	Fabric Selector Switch	

Loading Door - Without Window (Drawing 1 of 2)

Models ADE41FSS171TN01 and ADG41FSS111TN01



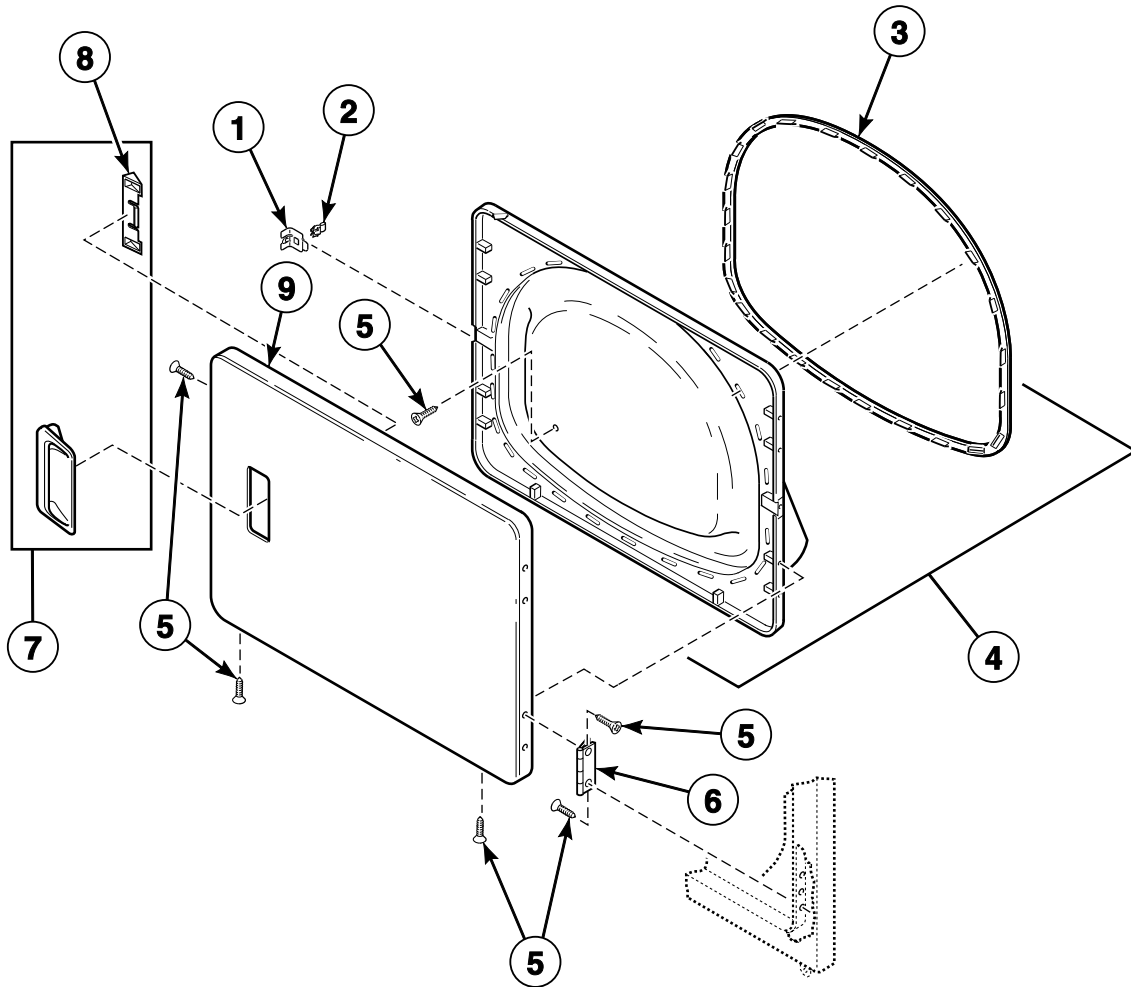
DRY2153P_512174

Loading Door - Without Window (Drawing 1 of 2)

REF	PART NO.	DESCRIPTION	COMMENTS
1	D510127	Door Strike Mount	
2	D510181	Door Strike	
3	D510147P	Liner Door Seal	
4	D516510WP	Door Assembly	Gray
5	D500226	Screw	
6	D511036	Hinge	
7	803095	Door Handle	
8	803094P	Handle Cover	
9	D513156	Dryer Door	
10	800548	Screw	

Loading Door - Without Window (Drawing 2 of 2)

Models ADE30RGS171TW01, ADE3LRGS171TW01, ADE4BFGS171TW01, ADE4BRGS171TW01, ADE4BRGS171TWAH, ADG30RGS111TW01, ADG3LRGS111TW01, ADG4BFGS111TW01, ADG4BRGS111TW01, ADG4BRGS111TWAH, AES17AWF, AES20AWF, AES28AWF, AES28AWF1500, AES68AWF, AES68AWF1500, AGS17AWF, AGS20AWF, AGS28AWF, AGS68AWF, CES68AWF, CES68AWF1500 and CGS68AWF



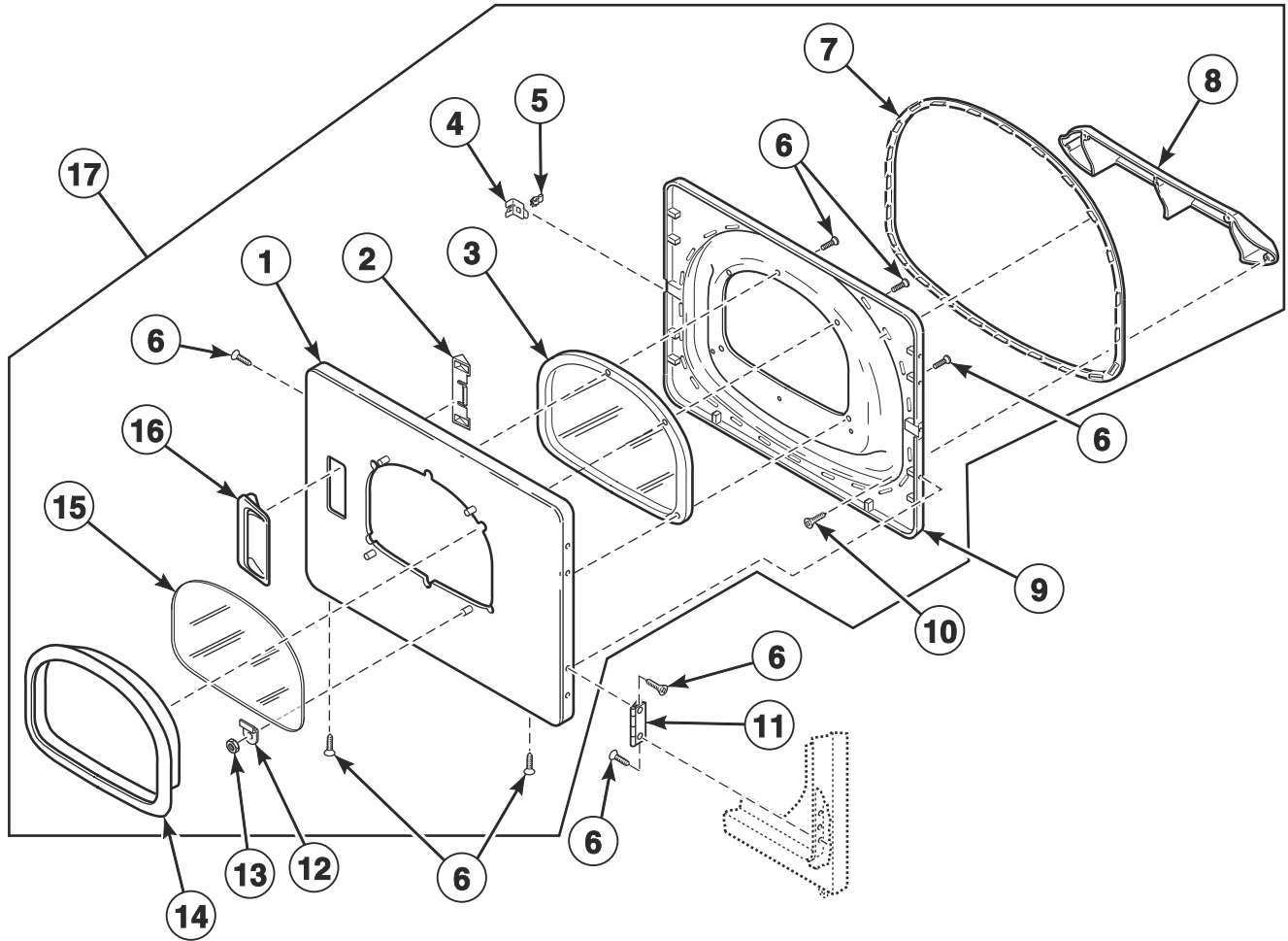
DRY1876P_512174

Loading Door - Without Window (Drawing 2 of 2)

REF	PART NO.	DESCRIPTION	COMMENTS
1	D510127	Door Strike Mount	
2	D510181	Door Strike	
3	D510147P	Liner Door Seal	
4	D516510WP	Door Assembly	Gray; Includes item 3; Models ADE30RGS171TW01, ADE3LRGS171TW01, ADE4BFGS171TW01, ADE4BRGS171TW01 and ADE4BRGS171TWAH starting Serial No. 1303025315
	D510163WP	Liner, Seal and Grill Assembly	Includes item 3; Models ADE30RGS171TW01, ADE3LRGS171TW01, ADE4BFGS171TW01, ADE4BRGS171TW01 and ADE4BRGS171TWAH through Serial No. 1303025314; All other models
5	D500226	Screw	
6	D511036	Hinge	
7	D510103WP	Door Pull and Wedge Kit	Includes item 8
8	D510129W	Door Handle Wedge	
9	D510013WP	Dryer Door	

Loading Door - With Window

Models ASE30FGW171TW01, ASG30FGW111TW01, KES18AWF, KES18AWF1500 and KGS18AWF

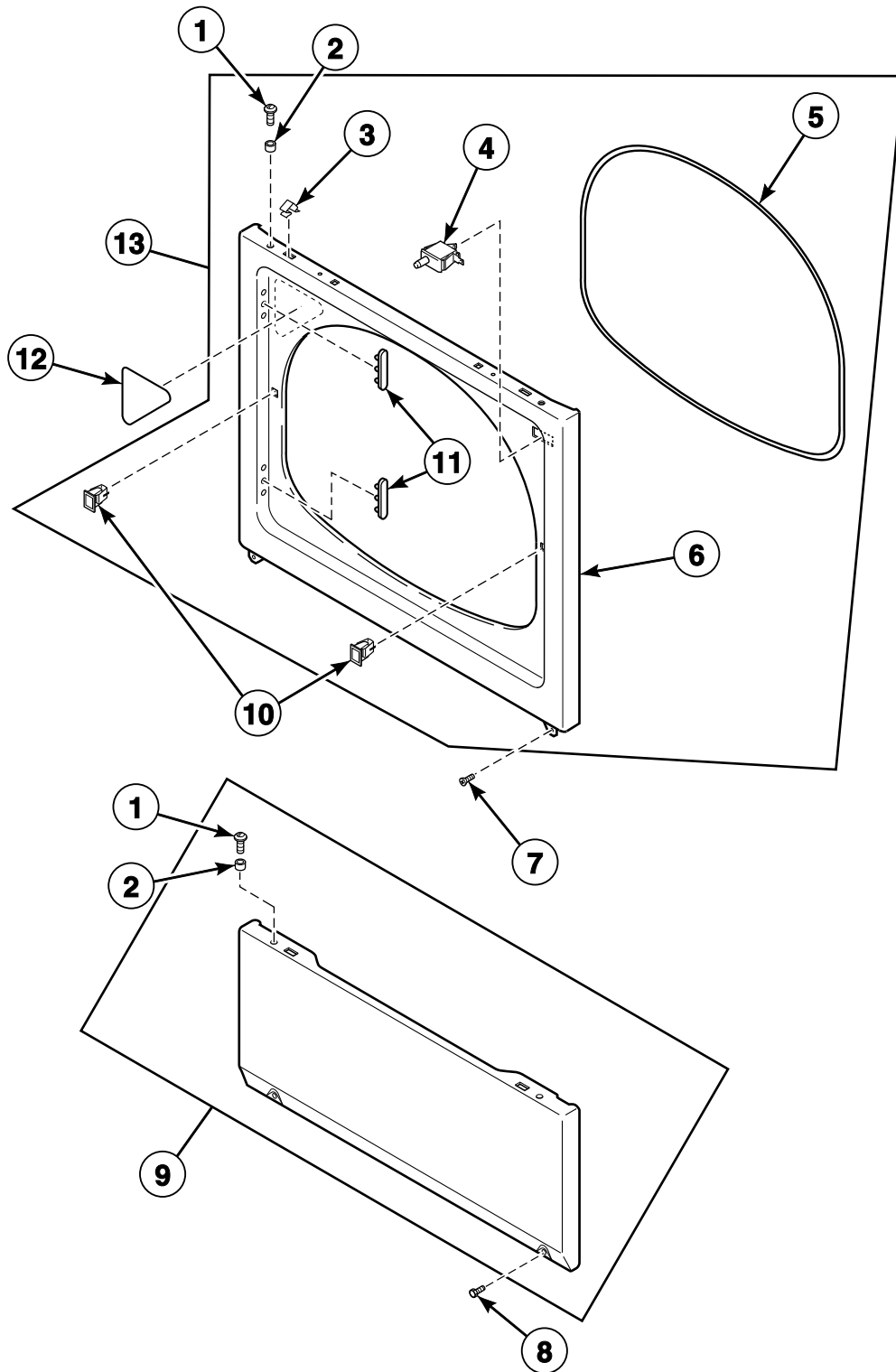


DRY2296P_512174

Loading Door - With Window

REF	PART NO.	DESCRIPTION	COMMENTS
1	D516737W	Door Assembly	Model ASE30FGW171TW01 starting Serial No. 1303025315
	D510082WP	Dryer Door	Model ASE30FGW171TW01 through Serial No. 1303025314; All other models
2	D510129W	Door Handle Wedge	
3	D503982P	Dryer Door Window	
4	D510127	Door Strike Mount	
5	D510181	Door Strike	
6	D500226	Screw	
7	D510147P	Liner Door Seal	
8	D503870LG	Door Liner Grill	Model ASE30FGW171TW01 starting Serial No. 1303025315
	D503870W	Door Liner Grill	Model ASE30FGW171TW01 through Serial No. 1303025314; All other models
9	D516737W	Door Assembly	Includes item 7; Model ASE30FGW171TW01 starting Serial No. 1303025315
	D510098W	Liner and Seal Assembly	Includes item 7; Model ASE30FGW171TW01 through Serial No. 1303025314; All other models
10	D505870	Screw	
11	D511036	Hinge	
12	D513958	Window Clip	Model ASE30FGW171TW01 starting Serial No. 1303025315
13	44071201	Nut	Model ASE30FGW171TW01 starting Serial No. 1303025315
14	D516737W	Door Assembly	Model ASE30FGW171TW01 starting Serial No. 1303025315
	D503981W	Window Trim	Model ASE30FGW171TW01 through Serial No. 1303025314; All other models
15	D516737W	Door Assembly	Model ASE30FGW171TW01 starting Serial No. 1303025315
16	D510103WP	Door Pull and Wedge Kit	Includes item 2
17	D516737W	Door Assembly	White; Includes items 1-10, 15 and 17; Model ASE30FGW171TW01 through Serial No. 1303025314; All other models

Access Panel, Front Panel and Seal

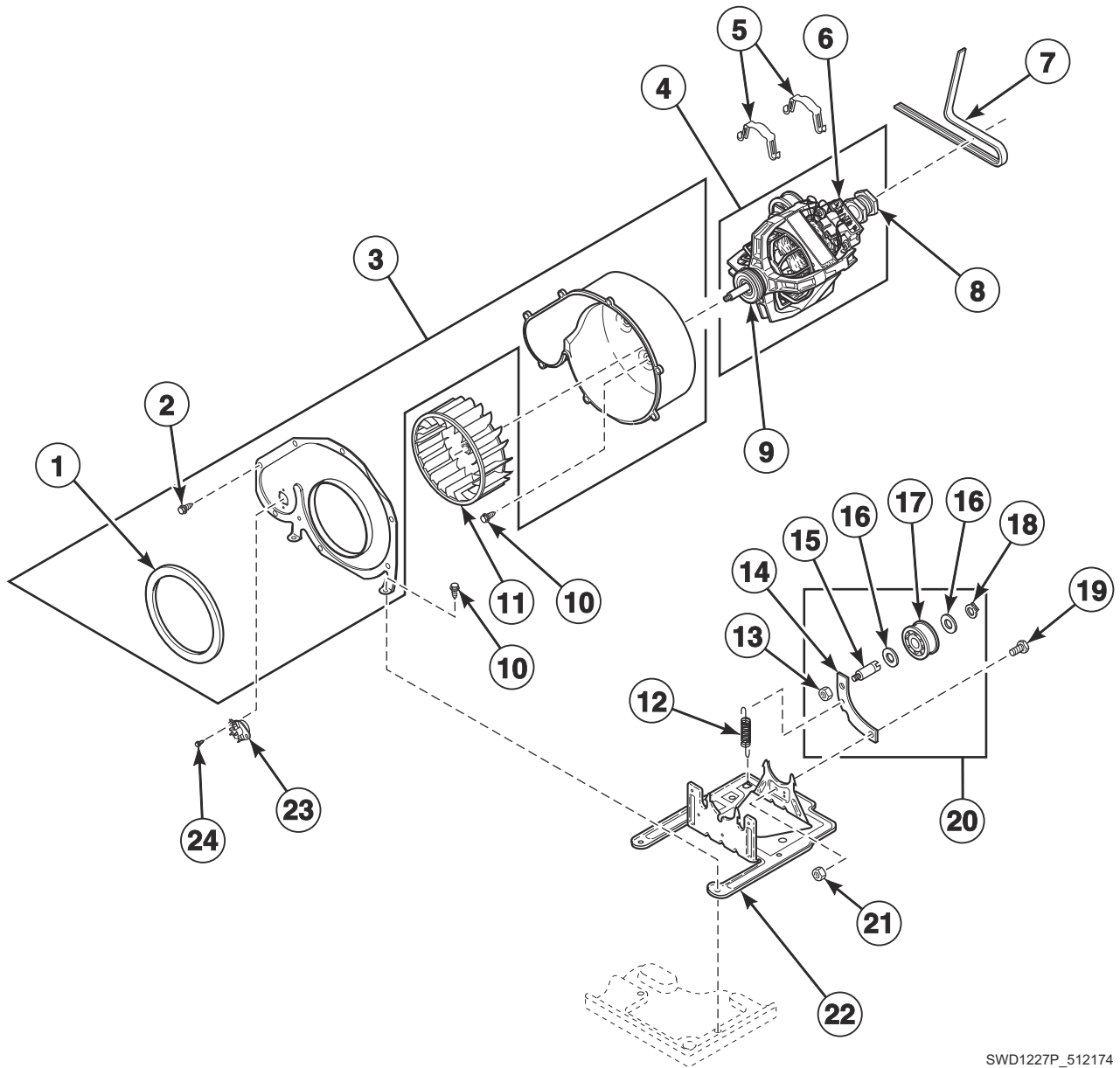


DRY1785P_512174

Access Panel, Front Panel and Seal

REF	PART NO.	DESCRIPTION	COMMENTS
1	39733	Screw	
2	56079	Panel Locator	
3	28835	Speed Clip	
4	D512973	Switch	
5	D511056	Front Panel Seal	
6	D512542	Front Panel	Stainless steel; Models ADE41FSS171TN01 and ADG41FSS111TN01
	D510066WP	Front Panel	All other models
7	D503688	Screw	
8	33562	Screw	
9	D514251	Access Panel Assembly	Stainless steel; Models ADE41FSS171TN01 and ADG41FSS111TN01
	D514250WP	Access Panel Assembly	White; All other models
10	D510177	Door Catch Assembly	
11	D510186	Hinge Hole Plug	
12	D500281	Warning/Caution Label	
13	D513781WP	Front Panel Assembly	Includes items 1-6, 10, 11, 511636WP Door Assembly, (2) 511036 Hinge and (8) 500226 Screw; Models ASE30FGW171TW01, ASG30FGW111TW01, KES18AWF, KES18AWF1500 and KGS18AWF

Motor, Exhaust Fan and Belt



SWD1227P_512174

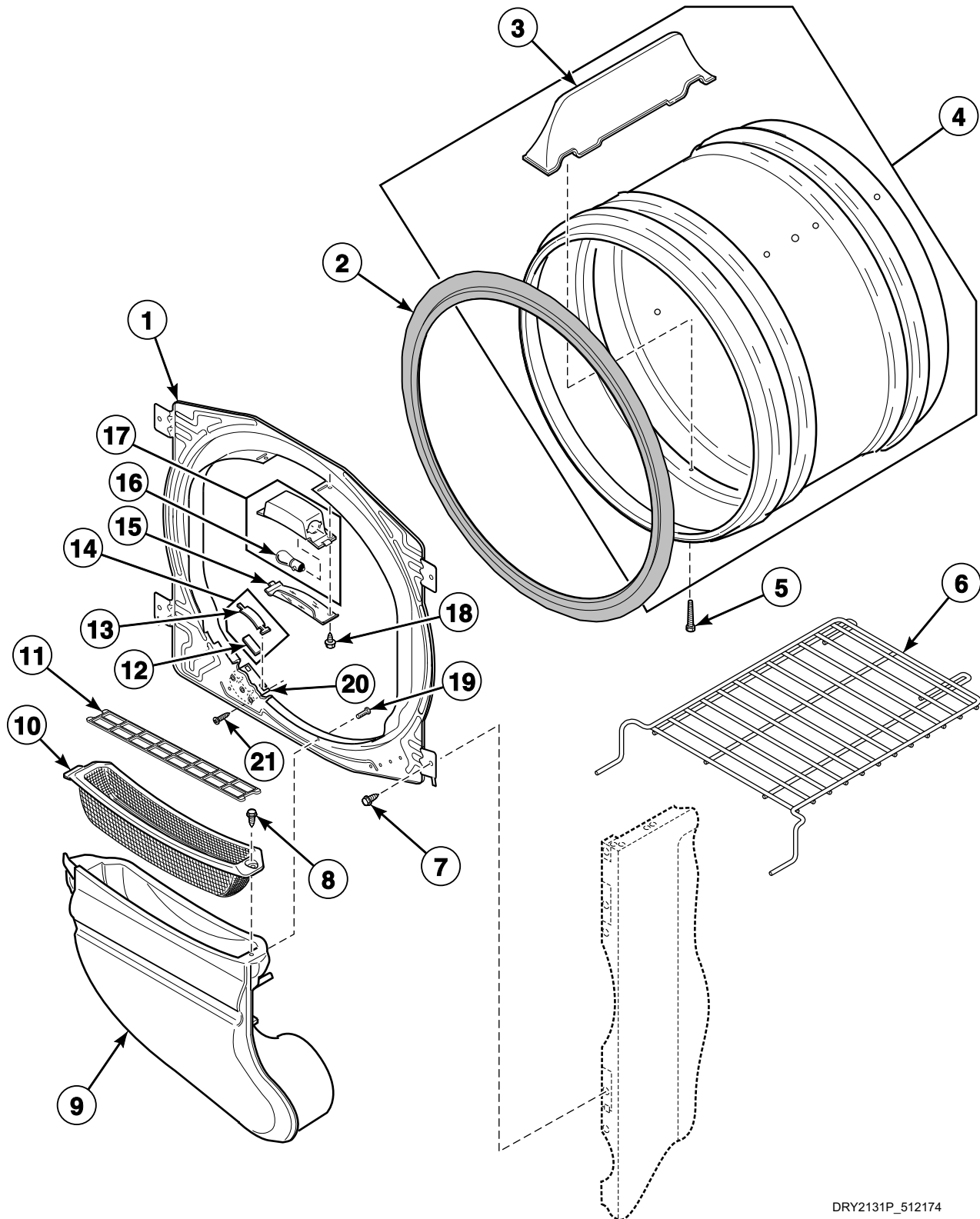
Motor, Exhaust Fan and Belt

REF	PART NO.	DESCRIPTION	COMMENTS
	27604P	Anti-Seize Compound	Apply to motor shaft when installing blower fan assembly
1	D510238P	Blower Housing Seal	
2	31260	Screw	
3	D511969WP	Blower Housing	Includes items 1 and 2
4	D511629P	Motor and Pulley Assembly	120 Volt/60 Hertz; Includes items 6, 8 and 9; Apply anti-seize compound to motor shaft when installing blower fan assembly
5	D510180	Motor Mount Clamp	
6	N/A	Motor Switch Kit	Does not include thermal protector
7	D511255P	Cylinder Belt	
8	D500011	Motor Pulley	60 Hertz
9	590P3	Motor Hub Ring Kit	
10	D503688	Screw	
11	D510139P	Blower Fan Assembly	
12	D510185	Idler Spring	
13	56156	Nut	
14	D516310	Idler Lever	
15	56461P	Shaft	
16	52549	Washer	
17	D510142P	Idler Wheel and Bearing Assembly	
18	23748	Retaining Ring	
19	D500824	Screw	
20	D516792	Idler Lever and Wheel Assembly	Includes items 13-18
21	52566	Nut	
22	D510060	Motor Mount	
23	D504515	Thermostat	Green; Models ADE30RGS171TW01, ADE3LRGS171TW01, ADE41FSS171TN01, ADE4BFGS171TW01, ADE4BRGS171TW01, ADE4BRGS171TWAH, AES17AWF, AES20AWF, AES28AWF, AES28AWF1500, AES68AWF, AES68AWF1500, ASE30FGW171TW01, CES68AWF, CES68AWF1500, KES18AWF and KES18AWF1500
	D510707P	Thermostat	Pink/White; Models ADG30RGS111TW01, ADG3LRGS111TW01, ADG41FSS111TN01, ADG4BFGS111TW01, ADG4BRGS111TW01, ADG4BRGS111TWAH, AGS17AWF, AGS20AWF, AGS28AWF, AGS68AWF, ASG30FGW111TW01, CGS68AWF and KGS18AWF
24	D502535	Screw	

N/A = Part no longer available

Front Bulkhead, Air Duct, Felt Seal and Cylinder with Light

Models ADE3LRGS171TW01, ADE41FSS171TN01, ADE4BFGS171TW01, ADE4BRGS171TW01, ADE4BRGS171TWAH, ADG3LRGS111TW01, ADG41FSS111TN01, ADG4BFGS111TW01, ADG4BRGS111TW01, ADG4BRGS111TWAH, AES20AWF, AES28AWF, AES28AWF1500, AES68AWF, AES68AWF1500, AGS20AWF, AGS28AWF, AGS68AWF, CES68AWF, CES68AWF1500 and CGS68AWF



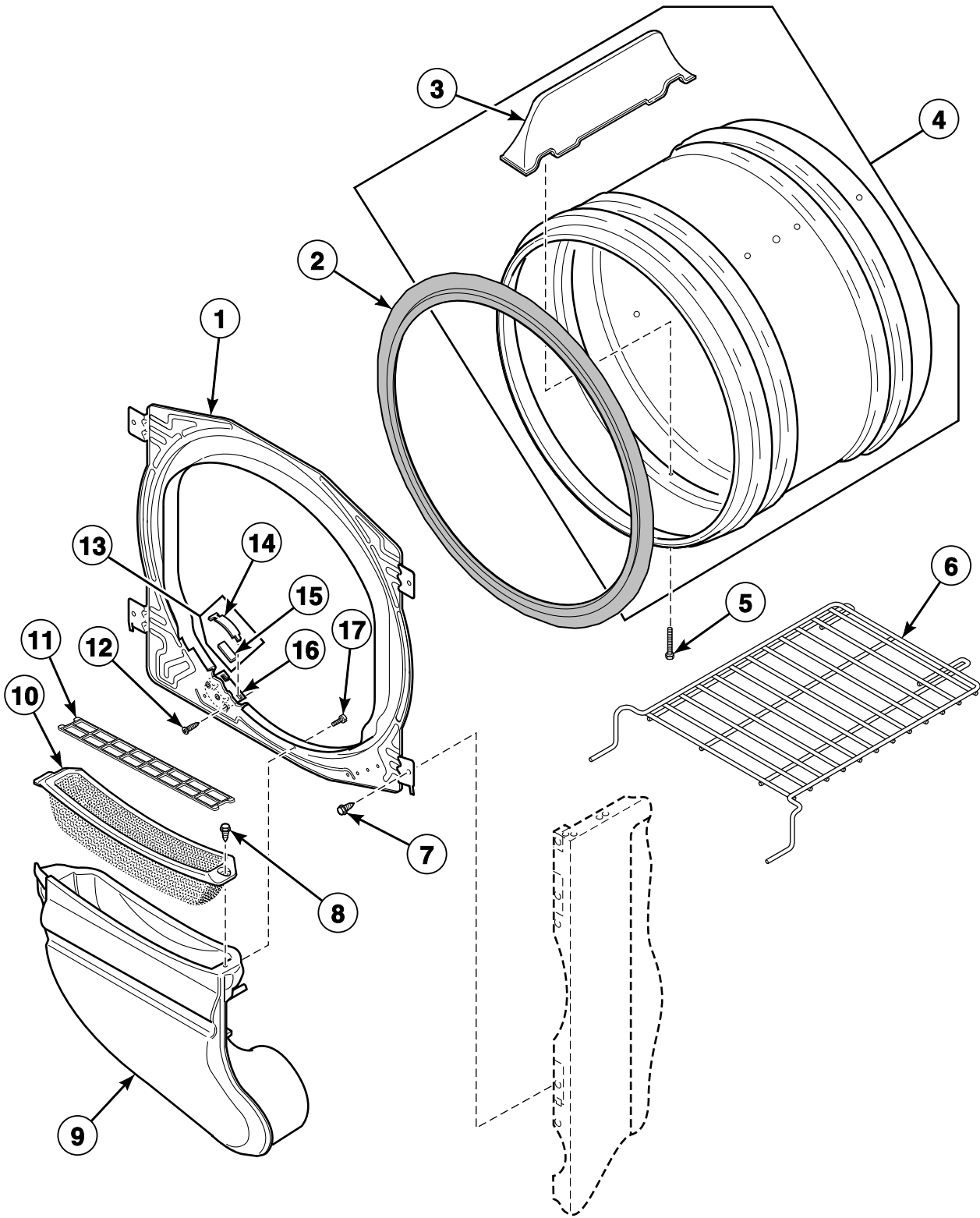
DRY2131P_512174

Front Bulkhead, Air Duct, Felt Seal and Cylinder with Light

REF	PART NO.	DESCRIPTION	COMMENTS
1	D512476	Front Bulkhead Assembly	Galvanized; Punched with light; Includes items 2 and 12-19
	D505899WP	Bulkhead Assembly	White; Punched with light; Includes items 2 and 12-19
2	D510207P	Cylinder Seal Assembly	
	D511637P	Adhesive	Apply to cylinder seal
	RB170001	Seal Kit	Includes 2 cylinder seals, 510238P Blower Housing Seal and 511637P Adhesive
3	D510102LG	Cylinder Baffle	3 required; Light gray; Models ADE41FSS171TN01 and ADG41FSS111TN01; Models ADE3LRGS171TW01, ADE4BFGS171TW01, ADE4BRGS171TW01 and ADE4BRGS171TWAH starting Serial No. 1303025315
	D510102W	Cylinder Baffle	3 required; Models ADE3LRGS171TW01, ADE4BFGS171TW01, ADE4BRGS171TW01 and ADE4BRGS171TWAH through Serial No. 1303025314; All other models
4	D505929LGP	Cylinder Assembly	Stainless steel; Models ADE41FSS171TN01 and ADG41FSS111TN01
	D510265LGP	Cylinder Assembly	Models ADE3LRGS171TW01, ADE4BFGS171TW01, ADE4BRGS171TW01 and ADE4BRGS171TWAH starting Serial No. 1303025315
	D510265WP	Cylinder Assembly	Includes item 3; Models ADE3LRGS171TW01, ADE4BFGS171TW01, ADE4BRGS171TW01 and ADE4BRGS171TWAH through Serial No. 1303025314; All other models
	D510159WP	Cylinder Assembly	White
5	62588	Screw	
6	D512082P	Drying Rack	
7	D503688	Screw	Use with painted side panels
	M405188	Screw	Use with stainless steel side panels
8	D501285	Screw	
9	D515805LG	Air Duct Assembly	Models ADE41FSS171TN01 and ADG41FSS111TN01; Models ADE3LRGS171TW01, ADE4BFGS171TW01, ADE4BRGS171TW01 and ADE4BRGS171TWAH starting Serial No. 1303025315
	D510151W	Air Duct Assembly	Models ADE3LRGS171TW01, ADE4BFGS171TW01, ADE4BRGS171TW01 and ADE4BRGS171TWAH through Serial No. 1303025314; All other models
10	D503980LG	Lint Filter	Light gray; Models ADE41FSS171TN01 and ADG41FSS111TN01; Models ADE3LRGS171TW01, ADE4BFGS171TW01, ADE4BRGS171TW01 and ADE4BRGS171TWAH starting Serial No. 1303025315
	D503980W	Lint Filter	Models ADE3LRGS171TW01, ADE4BFGS171TW01, ADE4BRGS171TW01 and ADE4BRGS171TWAH through Serial No. 1303025314; All other models
11	D510502LG	Lint Filter Cover	Models ADE3LRGS171TW01, ADE41FSS171TN01, ADE4BFGS171TW01, ADE4BRGS171TW01 and ADE4BRGS171TWAH starting Serial No. 1303025315
	D510502W	Lint Filter Cover	Models ADE3LRGS171TW01, ADE41FSS171TN01, ADE4BFGS171TW01, ADE4BRGS171TW01 and ADE4BRGS171TWAH through Serial No. 1303025314; All other models
12	D510189	Felt Pad	2 required
13	D513710	Cylinder Glide	2 required
14	RB170003	Glide Kit	Includes 2 of items 12 and 13
15	D512106	Cylinder Light Lens	
16	60954	Drum Light Lamp	
17	D512108	Light Housing Assembly	120 Volt; Includes item 16
18	D500227	Screw	
19	D501086	Screw	
20	D510145	Cylinder Glide Bracket	2 required
21	D500226	Screw	

Front Bulkhead, Air Duct, Felt Seal and Cylinder without Light

Models ADE30RGS171TW01, ADG30RGS111TW01, AES17AWF, AGS17AWF, ASE30FGW171TW01, ASG30FGW111TW01, KES18AWF, KES18AWF1500 and KGS18AWF

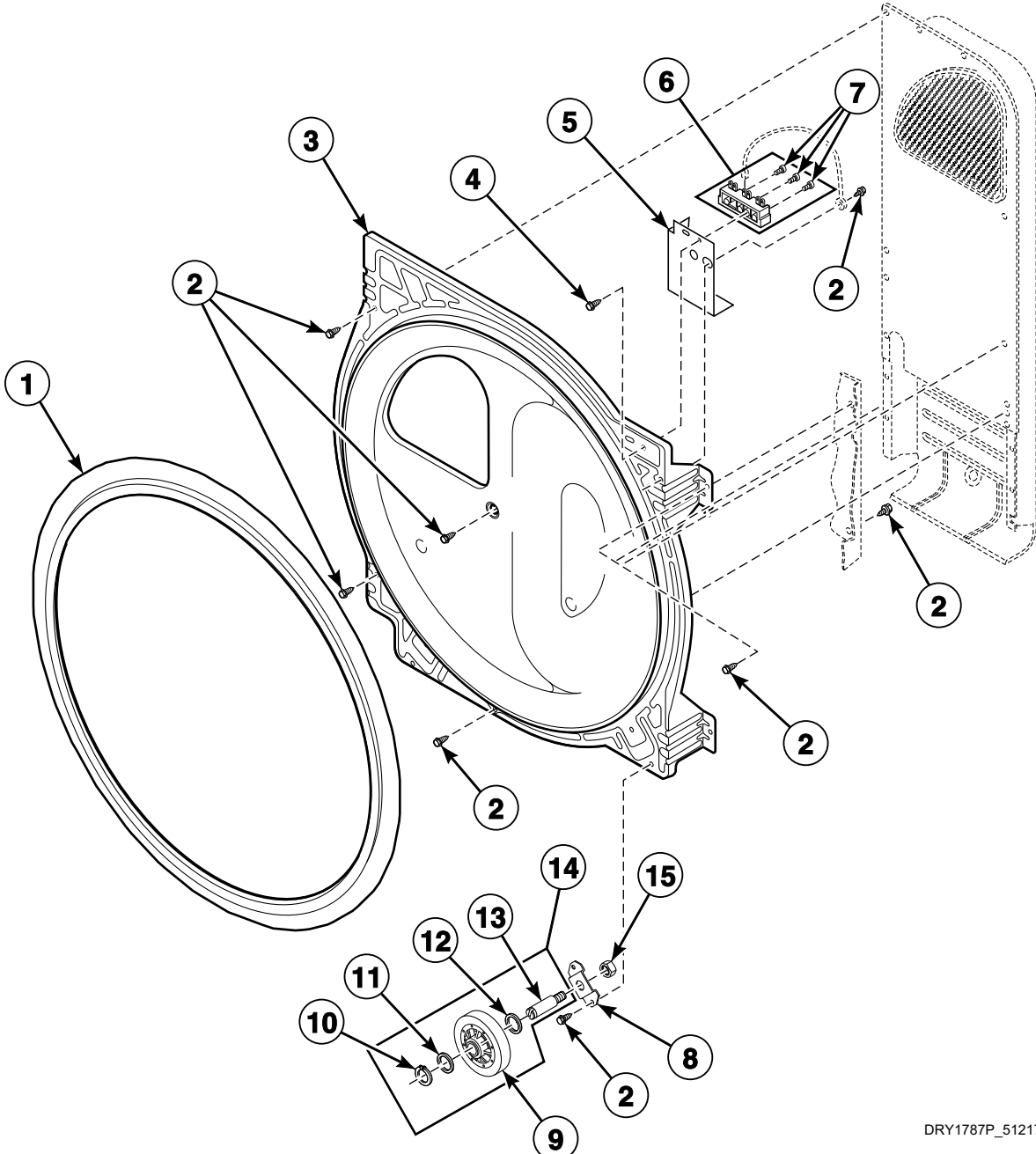


DRY2130P_512174

Front Bulkhead, Air Duct, Felt Seal and Cylinder without Light

REF	PART NO.	DESCRIPTION	COMMENTS
1	D510266P	Front Bulkhead Assembly	Includes items 2 and 12-16
	D511033WP	Front Bulkhead Assembly	White; Includes items 2 and 12-16
2	D510207P	Cylinder Seal Assembly	
	D511637P	Adhesive	Apply to cylinder seal
	RB170001	Seal Kit	Includes 2 cylinder seals, 510238P Blower Housing Seal and 511637P Adhesive
3	D510102LG	Cylinder Baffle	3 required; Models ADE30RGS171TW01 and ASE30FGW171TW01 starting Serial No. 1303025315
	D510102W	Cylinder Baffle	3 required; Models ADE30RGS171TW01 and ASE30FGW171TW01 through Serial No. 1303025314; All other models
4	D510265LGP	Cylinder Assembly	Includes item 3; Models ADE30RGS171TW01 and ASE30FGW171TW01 starting Serial No. 1303025315
	D510265WP	Cylinder Assembly	Includes item 3; Models ADE30RGS171TW01 and ASE30FGW171TW01 through Serial No. 1303025314; All other models
	D510159WP	Cylinder Assembly	White; Includes item 3
5	62588	Screw	
6	D512082P	Drying Rack	
7	D503688	Screw	
8	D501285	Screw	
9	D515805LG	Air Duct Assembly	Models ADE30RGS171TW01 and ASE30FGW171TW01 starting Serial No. 1303025315
	D510151W	Air Duct Assembly	Models ADE30RGS171TW01 and ASE30FGW171TW01 through Serial No. 1303025314; All other models
10	D503980LG	Lint Filter	Models ADE30RGS171TW01 and ASE30FGW171TW01 starting Serial No. 1303025315
	D503980W	Lint Filter	Models ADE30RGS171TW01 and ASE30FGW171TW01 through Serial No. 1303025314; All other models
11	D510502LG	Lint Filter Cover	Models ADE30RGS171TW01 and ASE30FGW171TW01 starting Serial No. 1303025315
	D510502W	Lint Filter Cover	Models ADE30RGS171TW01 and ASE30FGW171TW01 through Serial No. 1303025314; All other models
12	52864	Screw	
13	RB170003	Glide Kit	Includes 2 of items 14 and 15
14	D513710	Cylinder Glide	2 required
15	D510189	Felt Pad	2 required
16	D510145	Cylinder Glide Bracket	2 required
17	D500226	Screw	

Rear Bulkhead, Felt Seal, Cylinder Roller and Terminal Block



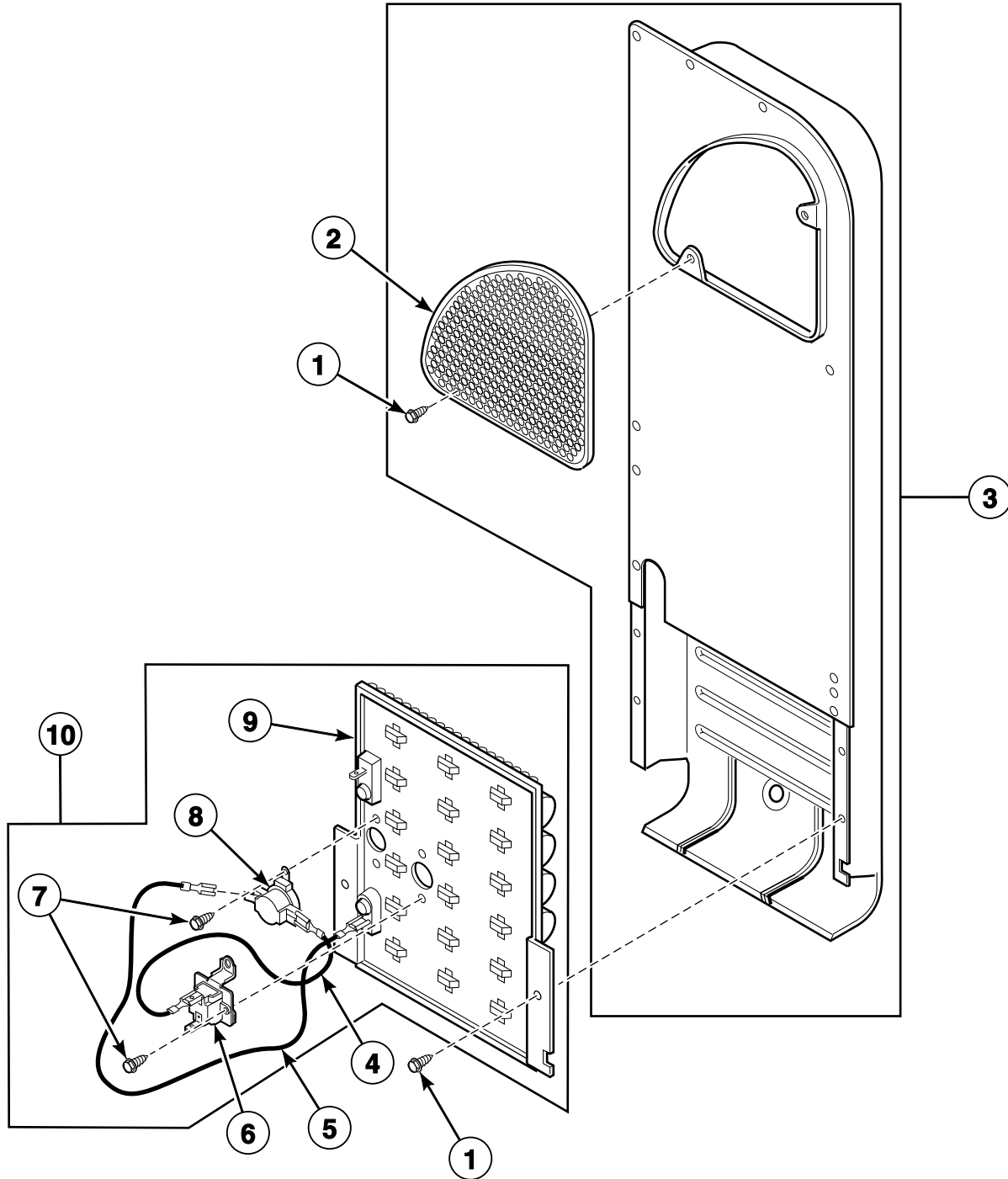
DRY1787P_512174

Rear Bulkhead, Felt Seal, Cylinder Roller and Terminal Block

REF	PART NO.	DESCRIPTION	COMMENTS
1	D510207P	Cylinder Seal Assembly	
	D511637P	Adhesive	Apply to cylinder seal
	RB170001	Seal Kit	Includes 2 cylinder seals, 510238P Blower Housing Seal and 511637P Adhesive
2	D503688	Screw	
3	D505246	Rear Bulkhead Assembly	Includes item 1; Models ADE41FSS171TN01 and ADG41FSS111TN01
	D511082P	Rear Bulkhead Assembly	Includes item 1; All other models
	D510905WP	Rear Bulkhead Assembly	White; Includes item 1
4	D501285	Screw	Electric models
5	D510237	Terminal Block Shield	Electric models
6	D510190P	Terminal Block Assembly	Includes 3 of item 7; Electric models
7	61199	Screw	
8	D510100	Cylinder Roller Bracket	
9	D510708P	Cylinder Roller	
10	23748	Retaining Ring	
11	52549	Washer	
12	D504082	Washer	
13	56461P	Shaft	
14	RB170002	Roller Kit	Includes 2 of items 9-13
15	56156	Nut	

Heater Duct and Element Assembly

Electric Models



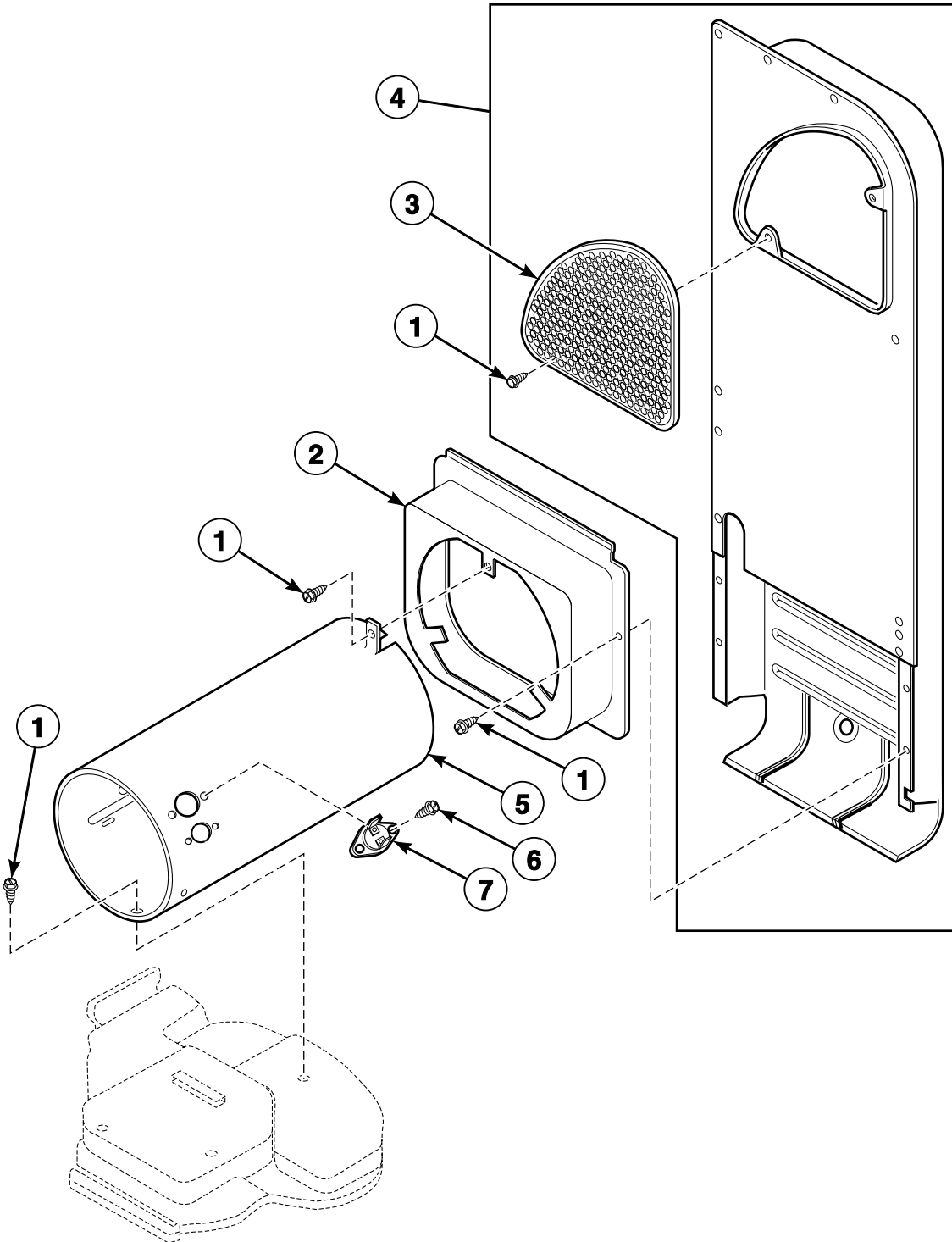
DRY1789P_512174

Heater Duct and Element Assembly

REF	PART NO.	DESCRIPTION	COMMENTS
1	D503688	Screw	
2	D500820	Outlet Cover	Aluminized steel
	D515573	Outlet Cover	Black; Nitrocarburized
3	D510025P	Heater Duct Assembly	Includes items 1 and 2
4	D510528	Wire Assembly	Orange; Thermostat jumper; Attaches to heater assembly
5	D510527	Wire Assembly	Black; Fuse jumper; Attaches to heater assembly
6	D511412	Thermal Fuse Assembly	
7	23222	Screw	
8	D510701	Limit Thermostat	
9	D510325P	Heater	4.75 kW; 208 Volt; Models AES28AWF1500, AES68AWF1500, CES68AWF1500 and KES18AWF1500
	D510329P	Heater Assembly	5.35 kW; 240 Volt; All other models
10	61928	Heater Kit Assembly	4.75 kW; 208 Volt; Includes items 4-8 and 510325P 208 Volt Heater; 208 Volt Heater not available on 240 Volt models as a warranty replacement. Where 208 Volt applications exist, customer is responsible for replacement of heater. DO NOT install 208 Volt Heater in 240 Volt applications.
	964P3	Heater Kit	5.35 kW; 240 Volt; Includes items 4-9

Heater Duct Assembly

Gas Models



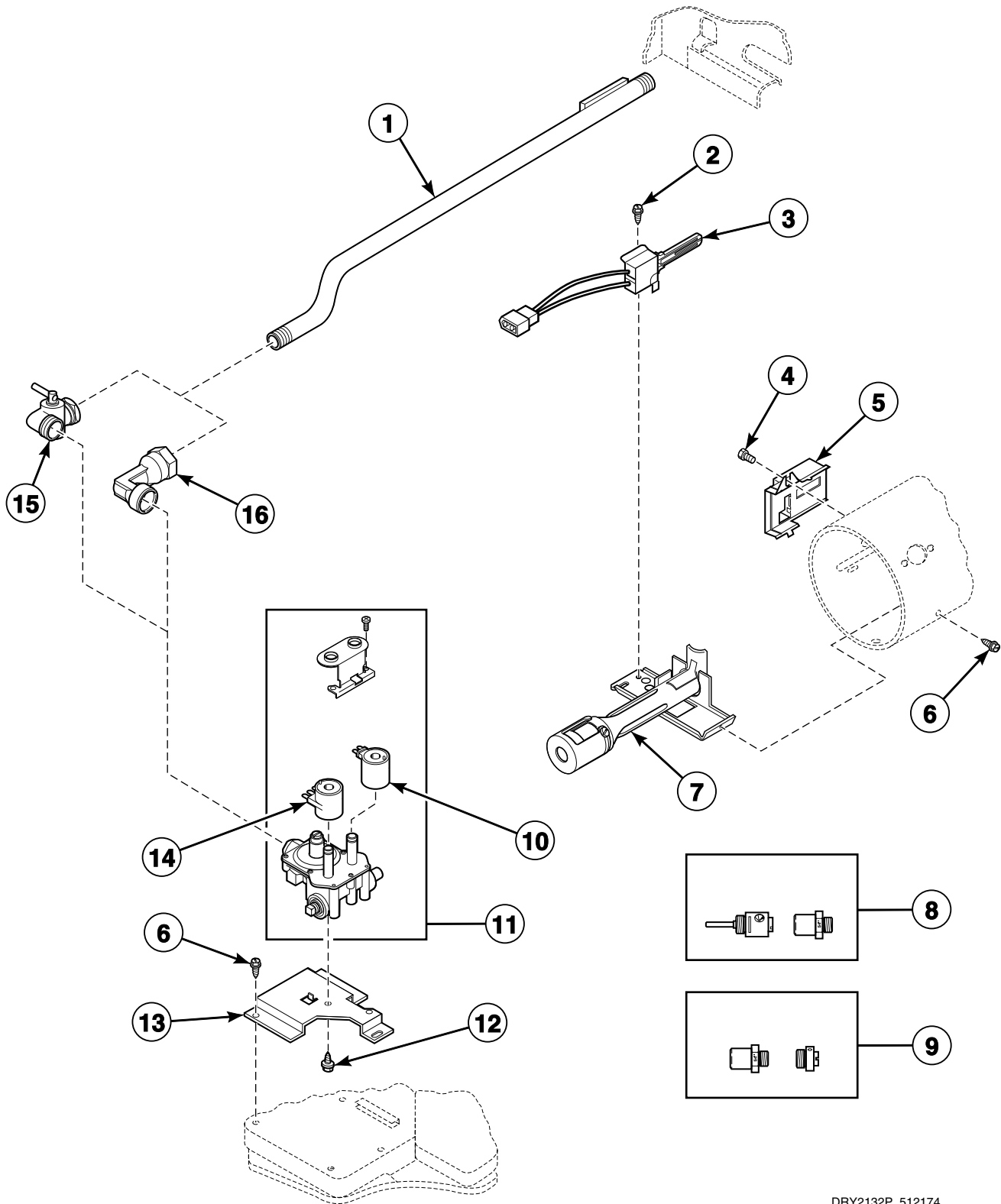
DRY2145P_512174

Heater Duct Assembly

REF	PART NO.	DESCRIPTION	COMMENTS
1	D503688	Screw	
2	D510101	Heat Duct Shroud	
3	D500820	Outlet Cover	
4	D510025P	Heater Duct Assembly	Includes items 1 and 3
5	D510131	Combustion Duct	
6	51782	Screw	
7	D510702	Limit Thermostat	Black; Auto reset

Gas Valve, Igniter and Gas Conversion Kits

Gas Models



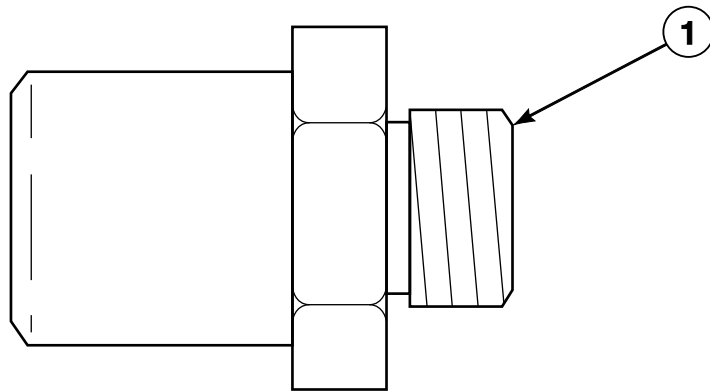
DRY2132P_512174

Gas Valve, Igniter and Gas Conversion Kits

REF	PART NO.	DESCRIPTION	COMMENTS
1	D510204	Lead-In Pipe Assembly	
2	51782	Screw	
3	D510184P	Igniter and Bracket Assembly	
4	23222	Screw	
5	D510213	Sensor	
6	D503688	Screw	
7	D510149P	Burner Assembly	
8	649P3	L.P. Conversion Kit	Used to convert dryers from Natural Gas (N.G.) or Mixed Gas to Liquid Petroleum Gas (L.P.); 22,500 Btu
9	650P3	N.G. Conversion Kit	Used to convert dryers from L.P. to N.G. or Mixed Gas; 22,500 Btu
10	58804B	Secondary Coil	
11	D510506P	Gas Valve Assembly	22,500 Btu; Includes items 10 and 14
12	56124	Screw	
13	D510128	Gas Valve Mounting Bracket	
14	58804A	Booster and Holding Coil	
15	D510205	Elbow Shut-Off Valve	Models through Serial No. 080600
16	D513072	Elbow	Models starting Serial No. 080601

Burner Orifice Spuds - For Higher Elevations

Gas Models



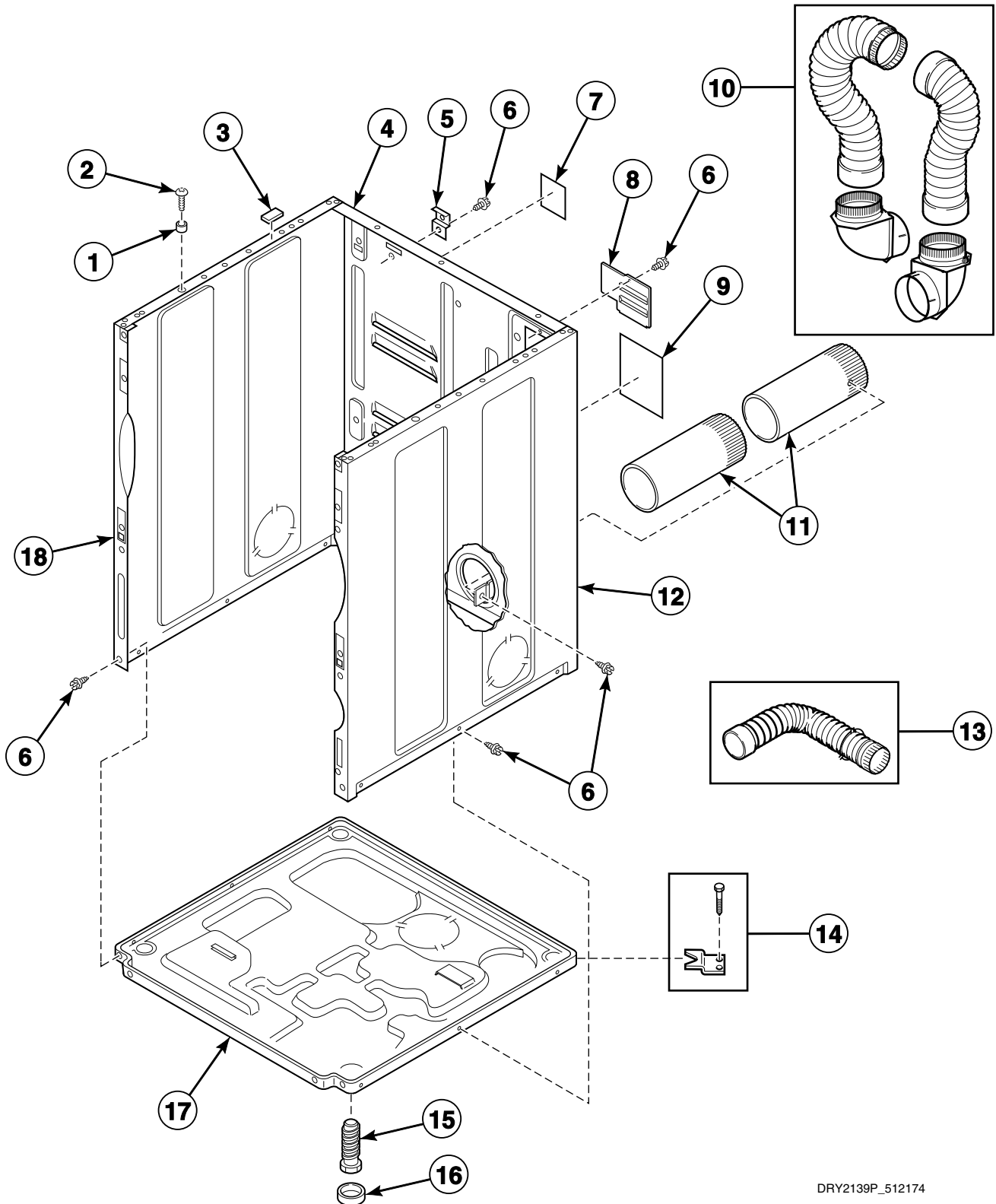
DRY2266P_512174

Burner Orifice Spuds - For Higher Elevations

REF	PART NO.	DESCRIPTION	COMMENTS
1	58755	L.P. Orifice	22,500 Btu; 3000-7999 feet (915-2439 m)
	D503786	L.P. Orifice	22,500 Btu; 8000 feet (2440 m) and higher
	D503778	N.G. Orifice	22,500 Btu; 3000-5999 feet (915-1829 m)
	58719	Screw Orifice	N.G.; 22,500 Btu; 6000-7999 feet (1830-2439 m)
	D503779	N.G. Orifice	22,500 Btu; 8000-8999 feet (2440-2739 m)
	D503780	N.G. Orifice	22,500 Btu; 9000-9999 feet (2740-3049 m)
	D503781	N.G. Orifice	22,500 Btu; 10,000 feet (3050 m) and higher

Cabinet, Exhaust Duct and Base - Single Dryers

Models ADE30RGS171TW01, ADE3LRGS171TW01, ADE41FSS171TN01, ADE4BFGS171TW01, ADE4BRGS171TW01, ADE4BRGS171TWAH, ADG30RGS111TW01, ADG3LRGS111TW01, ADG41FSS111TN01, ADG4BFGS111TW01, ADG4BRGS111TW01, ADG4BRGS111TWAH, AES17AWF, AES20AWF, AES28AWF, AES28AWF1500, AES68AWF, AES68AWF1500, AGS17AWF, AGS20AWF, AGS28AWF, AGS68AWF, CES68AWF, CES68AWF1500 and CGS68AWF



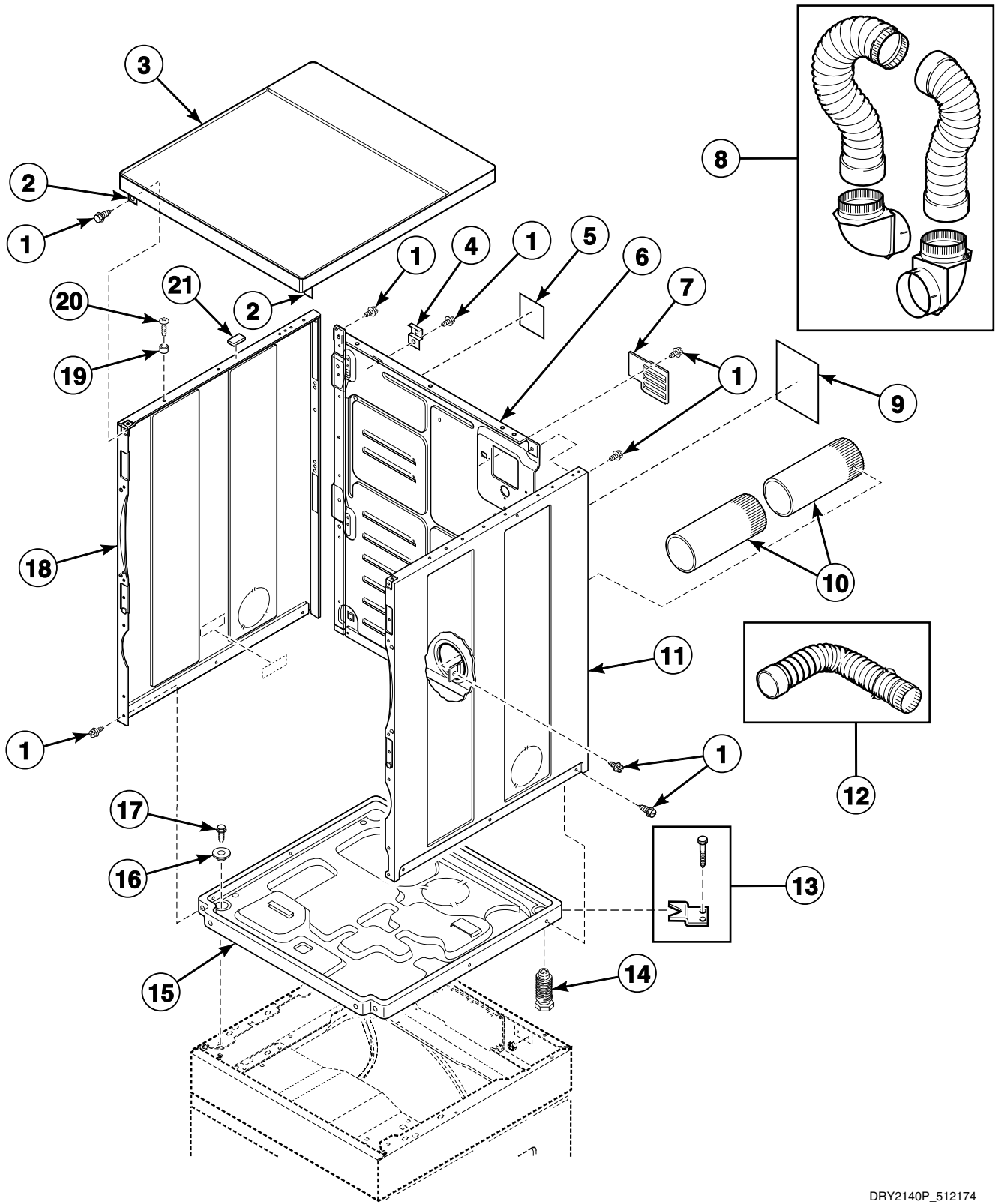
DRY2139P_512174

Cabinet, Exhaust Duct and Base - Single Dryers

REF	PART NO.	DESCRIPTION	COMMENTS
1	56079	Panel Locator	
2	D512921	Screw	Use with stainless steel side panels
	39733	Screw	Use with painted side panels
3	56128	Bumper Pad	
4	D514632P	Cabinet Rear Panel	
5	D510136	Top Hinge	
6	D503688	Screw	
7	D511004	Gas Clearance Label	Gas models
8	D510903	Access Panel Plate	
9	D511005	Electric Clearance Label	Electric models
10	521P3	Flexible Venting Kit	
11	D516196	Exhaust Duct	Each dryer requires 2 pieces
12	D512952	Cabinet Side Panel	Right; Models ADE41FSS171TN01 and ADG41FSS111TN01
	D510002WP	Cabinet Side Panel	Right; All other models
13	528P3	Directional Exhaust Kit	Used to vent dryer out the sides or bottom
14	526P3	Hold Down Kit	For mobile home installations
15	D510135	Leveling Leg	
16	D501855	Rubber Foot	
17	D514245	Dryer Base	
18	D512951	Cabinet Side Panel	Left; Models ADE41FSS171TN01 and ADG41FSS111TN01
	D510001WP	Cabinet Side Panel	Left; All other models

Cabinet, Exhaust Duct and Base - Stacked Dryers

Models ASE30FGW171TW01, ASG30FGW111TW01, KES18AWF, KES18AWF1500 and KGS18AWF



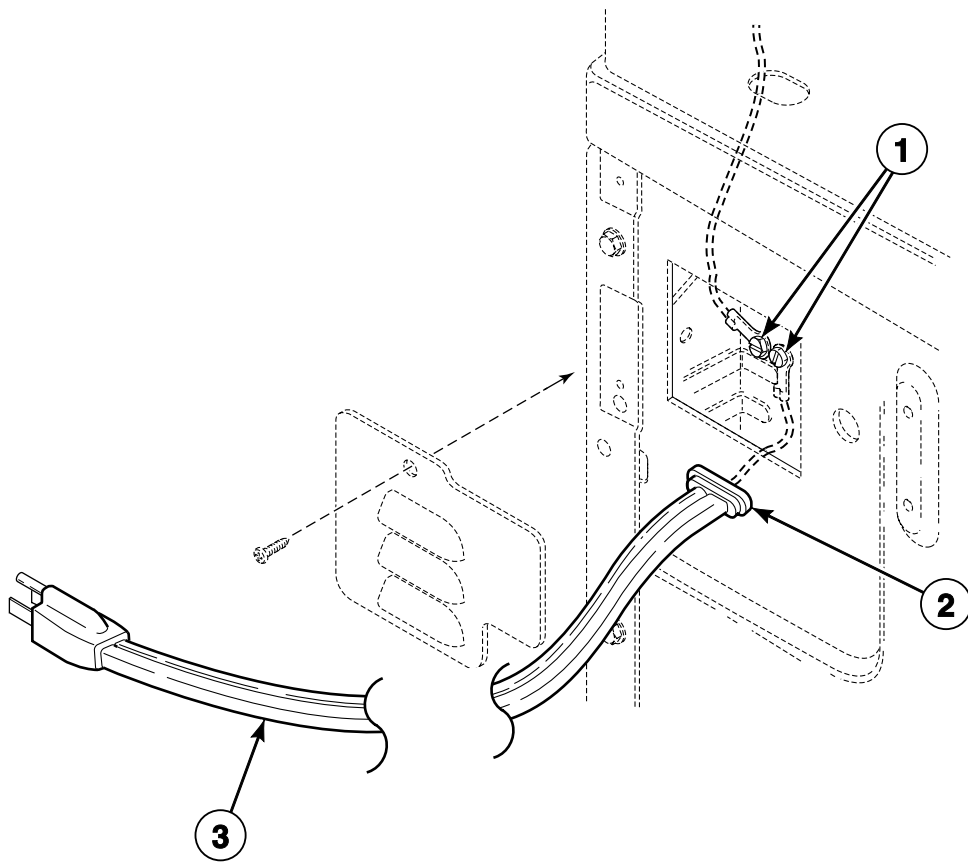
DRY2140P_512174

Cabinet, Exhaust Duct and Base - Stacked Dryers

REF	PART NO.	DESCRIPTION	COMMENTS
	122P4P	Porcelain Touch-Up Paint	
1	D503688	Screw	
2	D510146	Bracket	
3	D510032WP	Top Kit	
4	D510136	Top Hinge	
5	D511004	Gas Clearance Label	Models ASG30FGW111TW01 and KGS18AWF
6	D514632P	Cabinet Rear Panel	
7	D510903	Access Panel Plate	
8	521P3	Flexible Venting Kit	
9	D511005	Electric Clearance Label	Models ASE30FGW171TW01, KES18AWF and KES18AWF1500
10	D516196	Exhaust Duct	Each dryer requires 2 pieces
11	D510002WP	Cabinet Side Panel	Right
12	528P3	Directional Exhaust Kit	Used to vent dryer out the sides
13	526P3	Hold Down Kit	For mobile home installations
14	D510135	Leveling Leg	
15	D514245	Dryer Base	
16	26509	Washer	
17	36048	Screw	
18	D510001WP	Cabinet Side Panel	Left
19	56079	Panel Locator	
20	39733	Screw	
21	56128	Bumper Pad	

Lead-In Cord

Gas Models

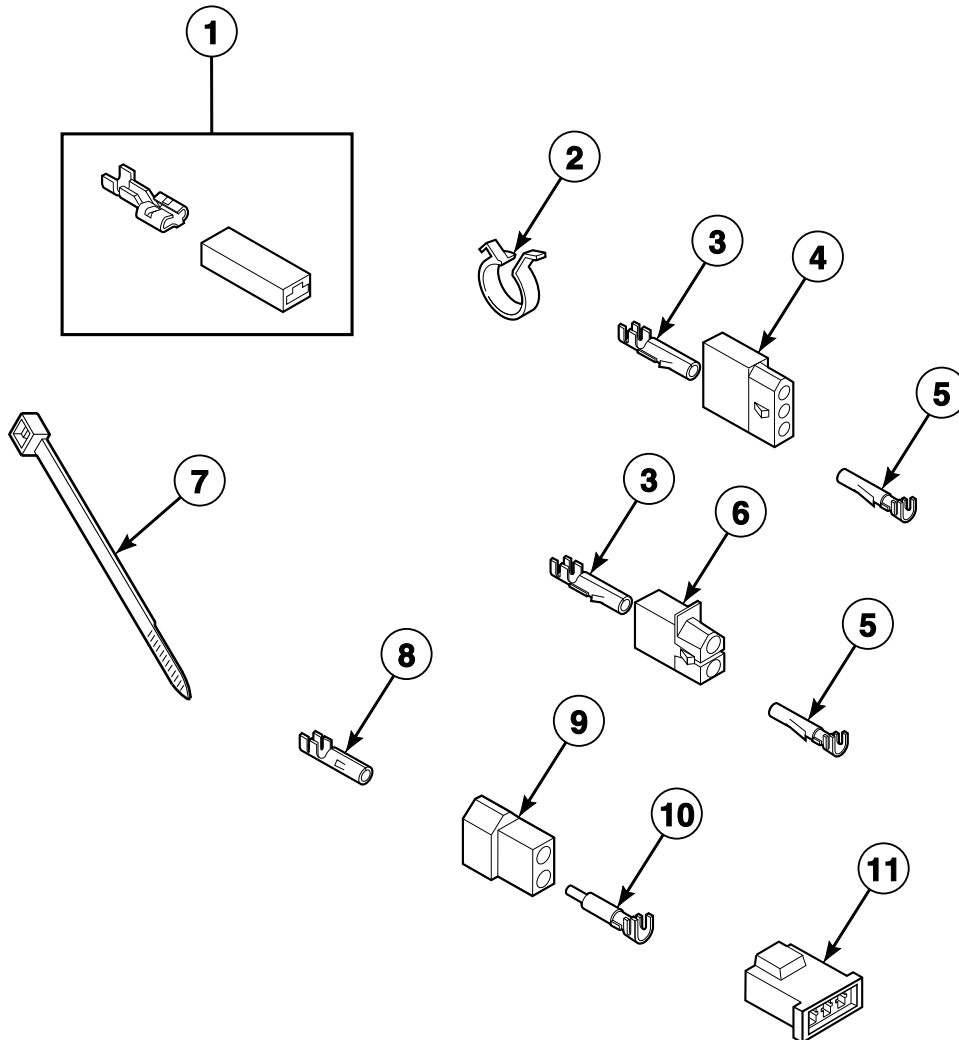


DRY1790P_512174

Lead-In Cord

REF	PART NO.	DESCRIPTION	COMMENTS
1	20530	Screw	
2	38384	Strain Relief	
3	59308	Lead-In Cord	Models ASG30FGW111TW01 and KGS18AWF
	56222	Lead-In Cord	All other models

Terminal Block and Terminals

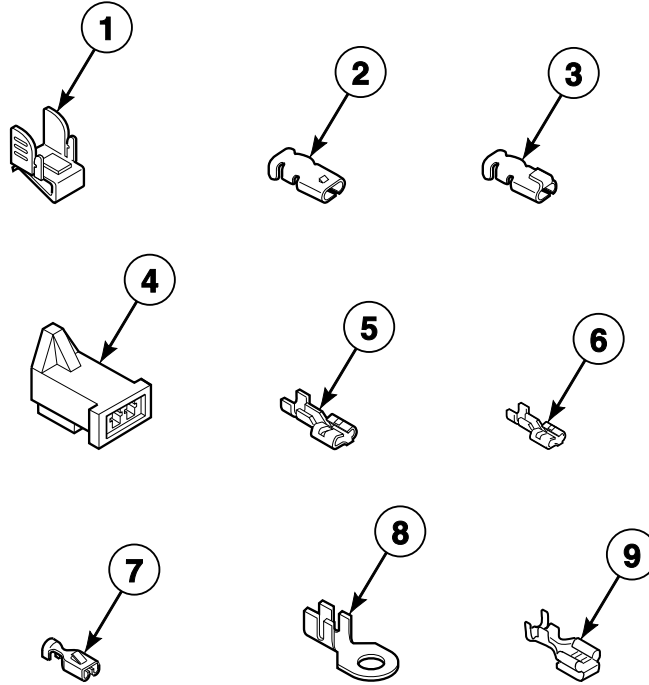


DRY1873P_512174

Terminal Block and Terminals

REF	PART NO.	DESCRIPTION	COMMENTS
1	00360	Insulated Female Spade Terminal	
2	D504034	Wire Clip	11/16 inch
	687500	Wire Clip	1 inch
3	00117	Female Pin Terminal	Gas models
	00128	Female Pin Terminal	1/8 inch; Models ADE41FSS171TN01, ADE4BFGS171TW01, ASE30FGW171TW01, CES68AWF, CES68AWF1500, KES18AWF and KES18AWF1500
4	23039	3 Circuit Receptacle	Models ASG30FGW111TW01 and KGS18AWF
5	00116	Male Pin Terminal	Models ADG41FSS111TN01, ADG4BFGS111TW01, ASG30FGW111TW01, CGS68AWF and KGS18AWF
	00129	Male Pin Terminal	1/8 inch; Models ADE41FSS171TN01, ADE4BFGS171TW01, ADG30RGS111TW01, ADG3LRGS111TW01, ADG41FSS111TN01, ADG4BFGS111TW01, ADG4BRGS111TW01, ADG4BRGS111TWAH, AGS17AWF, AGS20AWF, AGS28AWF, AGS68AWF, ASE30FGW171TW01, ASG30FGW111TW01, CES68AWF, CES68AWF1500, CGS68AWF, KES18AWF, KES18AWF1500 and KGS18AWF
6	56451	2 Circuit Receptacle	Gas models
	56855	12 Circuit Receptacle	Models ADE41FSS171TN01, ADE4BFGS171TW01, ASE30FGW171TW01, CES68AWF, CES68AWF1500, KES18AWF and KES18AWF1500
7	55881	Harness Strap	
8	00130	Female Pin Terminal	1/8 inch; Models ADE41FSS171TN01, ADE4BFGS171TW01, ADG30RGS111TW01, ADG3LRGS111TW01, ADG41FSS111TN01, ADG4BFGS111TW01, ADG4BRGS111TW01, ADG4BRGS111TWAH, AGS17AWF, AGS20AWF, AGS28AWF, AGS68AWF, ASE30FGW171TW01, ASG30FGW111TW01, CES68AWF, CES68AWF1500, CGS68AWF, KES18AWF, KES18AWF1500 and KGS18AWF
9	56266	2 Circuit Plug	Gas models
10	00127	Male Pin Terminal	1/8 inch; Models ADE41FSS171TN01, ADE4BFGS171TW01, ADG30RGS111TW01, ADG3LRGS111TW01, ADG41FSS111TN01, ADG4BFGS111TW01, ADG4BRGS111TW01, ADG4BRGS111TWAH, AGS17AWF, AGS20AWF, AGS28AWF, AGS68AWF, ASE30FGW171TW01, ASG30FGW111TW01, CES68AWF, CES68AWF1500, CGS68AWF, KES18AWF, KES18AWF1500 and KGS18AWF
11	58800	3 Circuit Connector	Gas models

Terminals



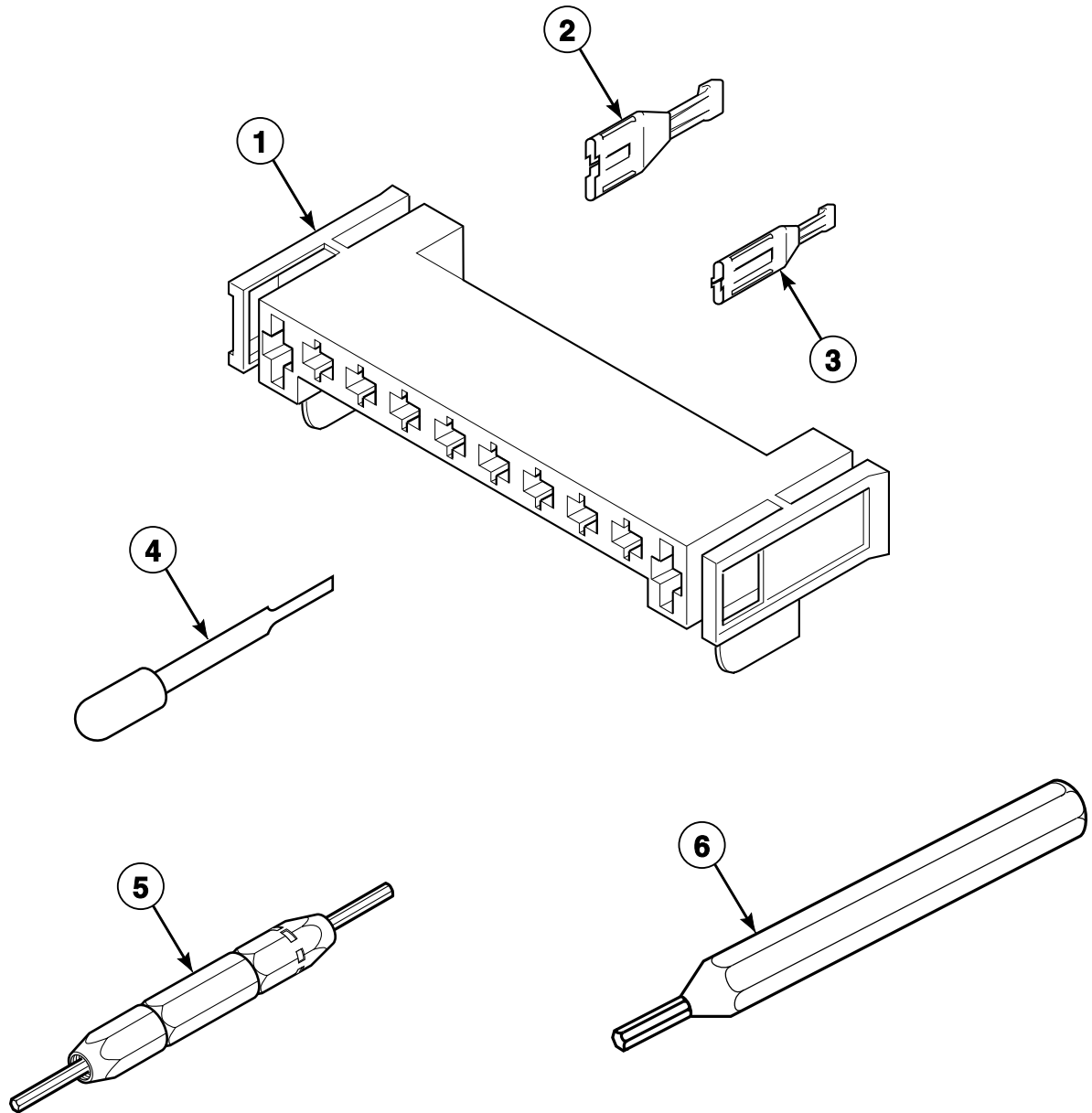
DRY1765P_512174

Terminals

REF	PART NO.	DESCRIPTION	COMMENTS
1	00161	Grounding Clip	
2	00189	Female Spade Terminal	1/8 inch; Gas models
3	00361	Female Piggyback Terminal	Gas models
4	58799	2 Circuit Connector	Gas models
5	00223	Female Spade Terminal	1/4 inch; (1) 18 gauge wire
6	N/A	Terminal	Gas models
7	N/A	Female Spade Terminal	1/4 inch; (2) 18 gauge wires or (1) 12 gauge wire
8	00110	Ring Terminal	10 stud; (1) 18 gauge wire; Gas models
9	00344	Female Tab Terminal	1/4 inch; Electric models

N/A = Part no longer available

Terminals and Terminal Extractor Tools



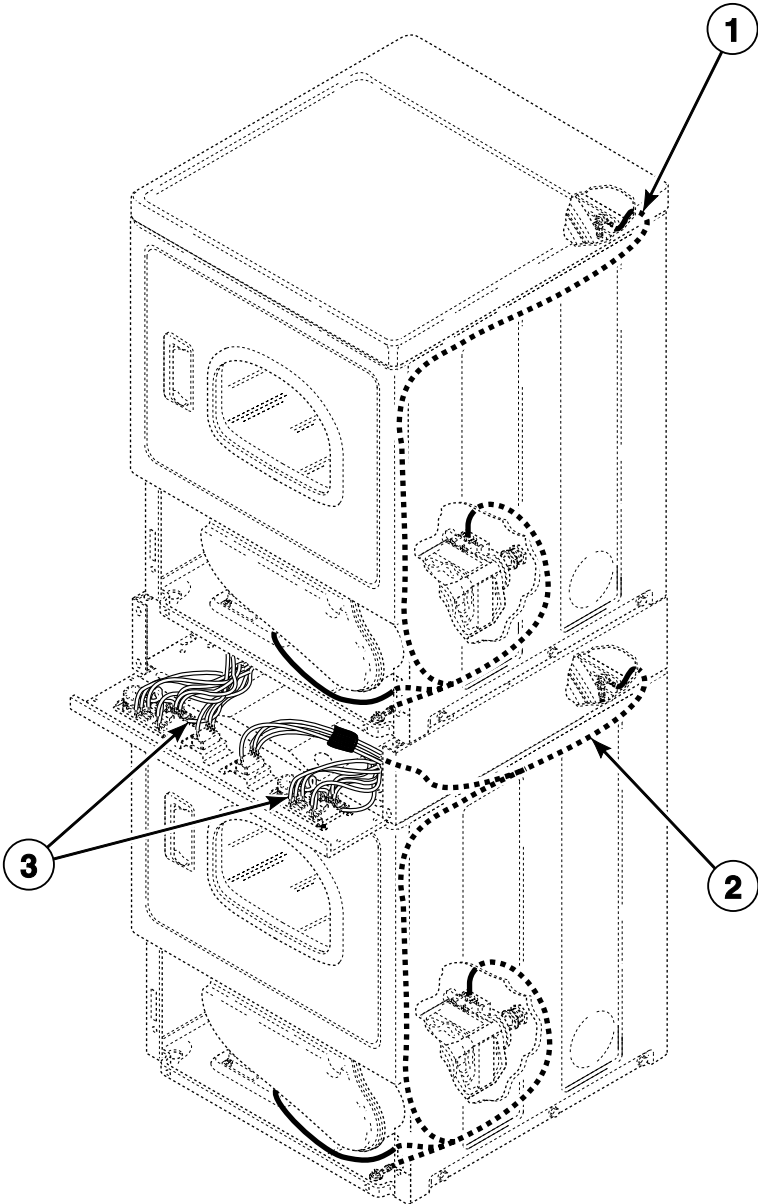
DRY1767P_512174

Terminals and Terminal Extractor Tools

REF	PART NO.	DESCRIPTION	COMMENTS
1	D500338	10 Position Housing	
2	00255	Female Terminal	1/4 inch; (1) 12 gauge wire; Electric models
	00256	Female Terminal	1/4 inch; (1) or (2) 18 gauge wires; Gas models
3	00188	Female Terminal	For 1 or 2 wire application
4	283P4	Terminal Extractor Tool	For use on Molex connectors
5	190P4	Extractor Tool	For use on electric dryer terminals
6	128P4	Extractor Tool	For use on gas dryer terminals

Wire Harnesses and Wires - Stacked Models

Models ASG30FGW111TW01, KES18AWF, KES18AWF1500 and KGS18AWF



DRY2273P_512174

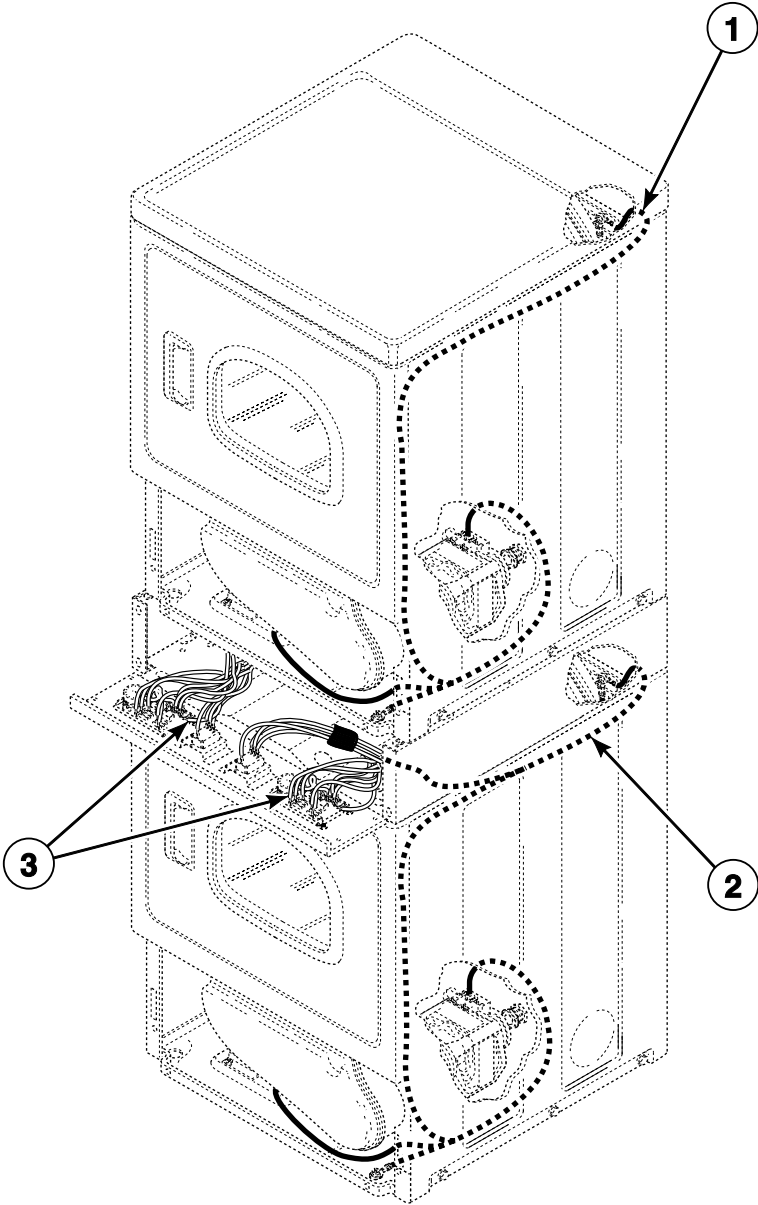
Wire Harnesses and Wires - Stacked Models

REF	PART NO.	DESCRIPTION	COMMENTS
	45380	12 Gauge Wire	Orange; Order wire by the foot; Order terminals and connectors as required
	45001	18 Gauge Wire	Black; Order wire by the foot; Order terminals and connectors as required
1	D511322P	Upper Harness Assembly	Main harness for upper dryer; Models KES18AWF and KES18AWF1500
	D511325P	Upper Harness Assembly	Main harness for upper dryer; Models ASG30FGW111TW01 and KGS18AWF
2	D511329	Wire Harness Assembly	Main harness for lower dryer; Models ASG30FGW111TW01 and KGS18AWF
	D511330	Wire Harness Assembly	Main harness for lower dryer; Models KES18AWF and KES18AWF1500
3	D511323	Security Cabinet Harness Assembly	Control cabinet to main harness; Models ASG30FGW111TW01 and KGS18AWF
	D511324P	Security Cabinet Harness	Control cabinet to main harness; Models KES18AWF and KES18AWF1500

NOTE: Individual wires are not available separately. Order complete wire harness, or order wire by the foot. When applying terminals to wires, it is recommended that the terminals be soldered to the wires.

Wire Harnesses and Wires - Stacked Models Through Serial No. 1303025314

Model ASE30FGW171TW01



DRY2273P_512174

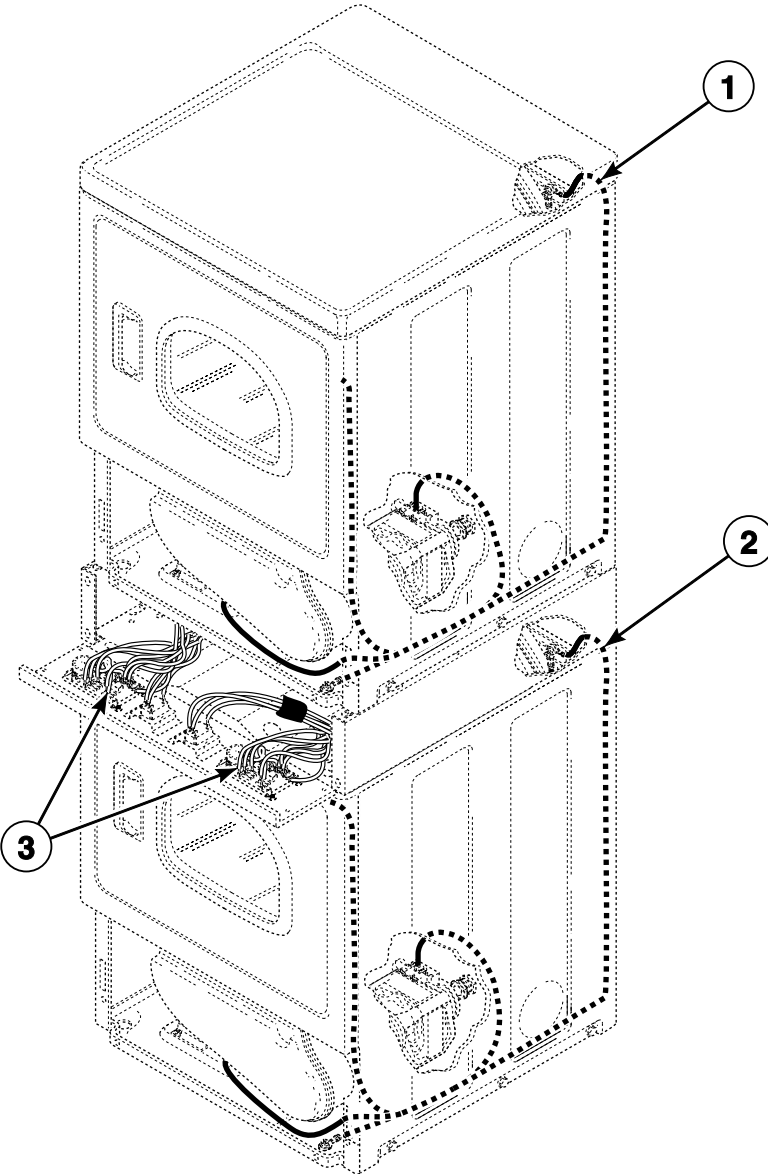
Wire Harnesses and Wires - Stacked Models Through Serial No. 1303025314

REF	PART NO.	DESCRIPTION	COMMENTS
	45380	12 Gauge Wire	Orange; Order wire by the foot; Order terminals and connectors as required
	45001	18 Gauge Wire	Black; Order wire by the foot; Order terminals and connectors as required
1	D511322P	Upper Harness Assembly	Main harness for upper dryer
2	D511330	Wire Harness Assembly	Main harness for lower dryer
3	D511324P	Security Cabinet Harness	Control cabinet to main harness

NOTE: Individual wires are not available separately. Order complete wire harness, or order wire by the foot. When applying terminals to wires, it is recommended that the terminals be soldered to the wires.

Wire Harnesses and Wires - Stacked Models Starting Serial No. 1303025315

Model ASE30FGW171TW01



DRY2289P_512174

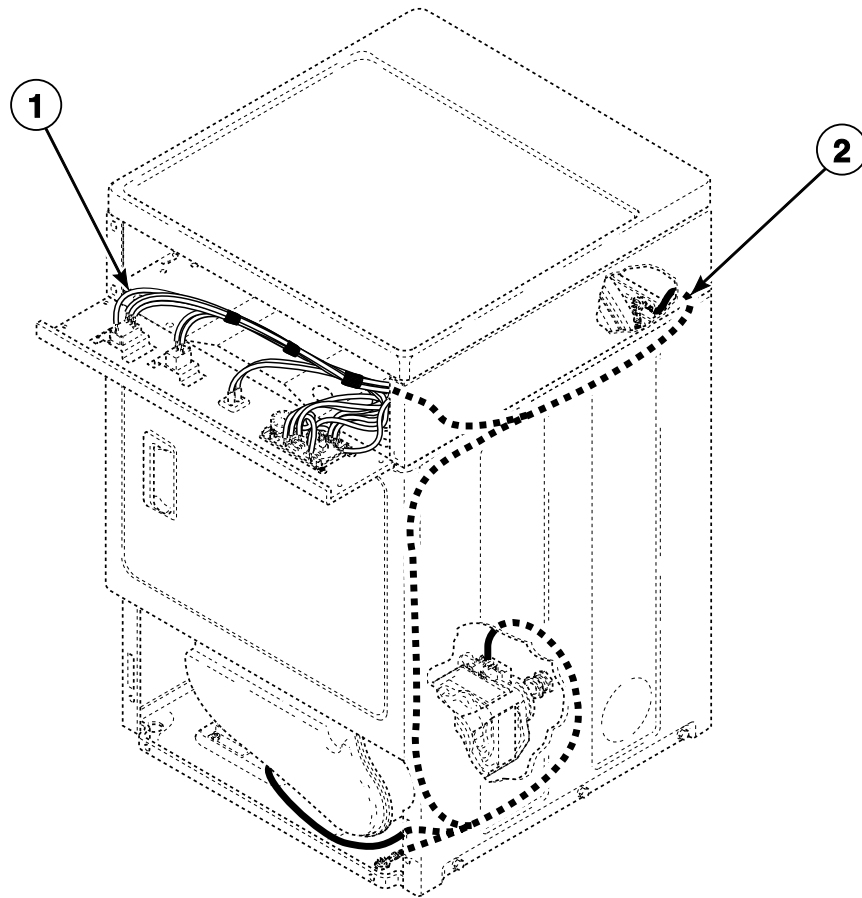
Wire Harnesses and Wires - Stacked Models Starting Serial No. 1303025315

REF	PART NO.	DESCRIPTION	COMMENTS
	45380	12 Gauge Wire	Orange; Order wire by the foot; Order terminals and connectors as required
	45001	18 Gauge Wire	Black; Order wire by the foot; Order terminals and connectors as required
1	D513946	Wire Harness	Main harness for upper dryer
2	D513826	Wire Harness Assembly	Main harness for lower dryer
3	D511324P	Security Cabinet Harness	Control cabinet to main harness

NOTE: Individual wires are not available separately. Order complete wire harness, or order wire by the foot. When applying terminals to wires, it is recommended that the terminals be soldered to the wires.

Wire Harnesses and Wires - Front Control Models

Models ADG41FSS111TN01, ADG4BFGS111TW01, CES68AWF, CES68AWF1500 and CGS68AWF



DRY2046P_512174

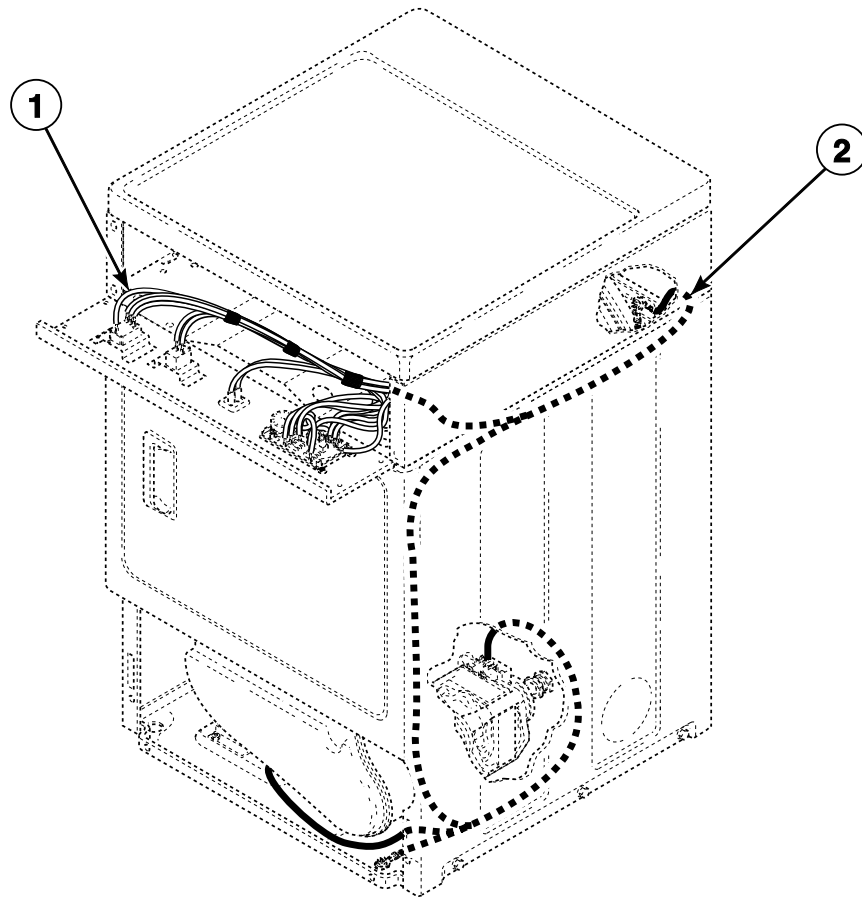
Wire Harnesses and Wires - Front Control Models

REF	PART NO.	DESCRIPTION	COMMENTS
	45380	12 Gauge Wire	Orange; Order wire by the foot; Order terminals and connectors as required
	45001	18 Gauge Wire	Black; Order wire by the foot; Order terminals and connectors as required
1	D511771	Security Cabinet Harness Assembly	Control cabinet to main harness; Models ADG41FSS111TN01, ADG4BFGS111TW01 and CGS68AWF
	D511770	Security Cabinet Harness Assembly	Control cabinet to main harness; Models CES68AWF and CES68AWF1500
2	D511769P	Wire Harness Assembly	Main harness; Models ADG41FSS111TN01, ADG4BFGS111TW01 and CGS68AWF
	D511768P	Wire Harness Assembly	Main harness; Models CES68AWF and CES68AWF1500

NOTE: Individual wires are not available separately. Order complete wire harness, or order wire by the foot. When applying terminals to wires, it is recommended that the terminals be soldered to the wires.

Wire Harnesses and Wires - Front Control Models Through Serial No. 1303025314

Models ADE41FSS171TN01 and ADE4BFGS171TW01



DRY2046P_512174

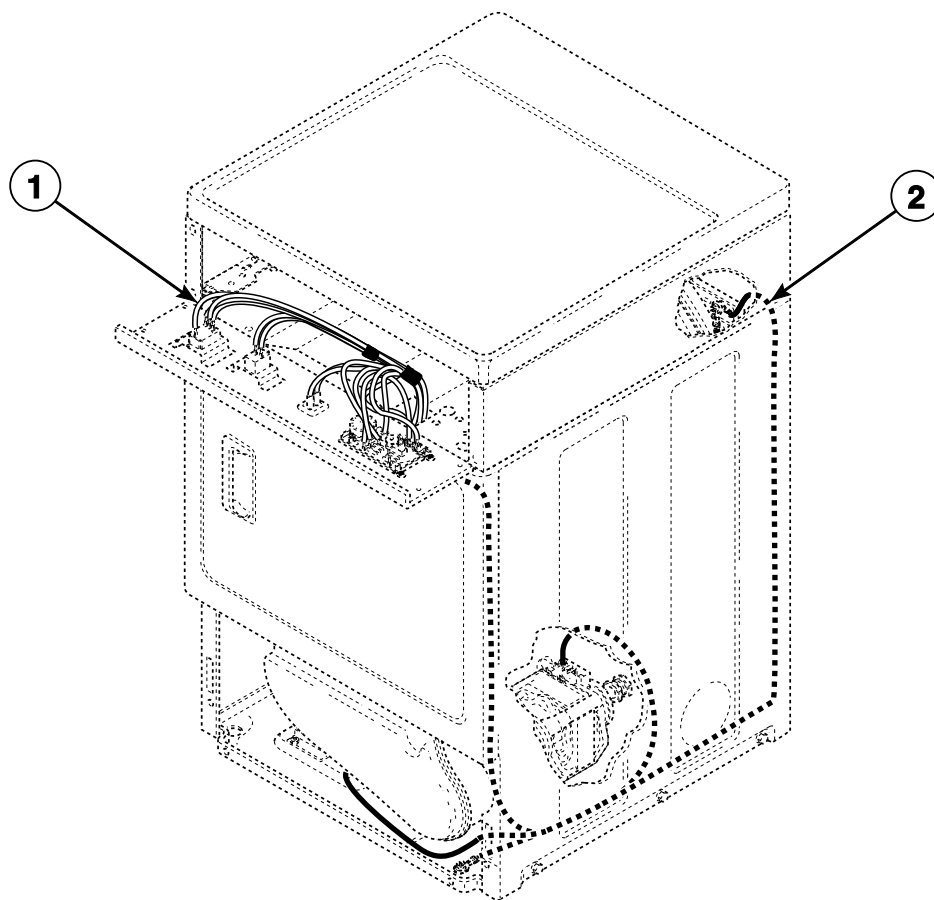
Wire Harnesses and Wires - Front Control Models Through Serial No. 1303025314

REF	PART NO.	DESCRIPTION	COMMENTS
	45380	12 Gauge Wire	Orange; Order wire by the foot; Order terminals and connectors as required
	45001	18 Gauge Wire	Black; Order wire by the foot; Order terminals and connectors as required
1	D511770	Security Cabinet Harness Assembly	Control cabinet to main harness
2	D511768P	Wire Harness Assembly	Main harness

NOTE: Individual wires are not available separately. Order complete wire harness, or order wire by the foot. When applying terminals to wires, it is recommended that the terminals be soldered to the wires.

Wire Harnesses and Wires - Front Control Models Starting Serial No. 1303025315

Models ADE41FSS171TN01 and ADE4BFGS171TW01



DRY2290P_512174

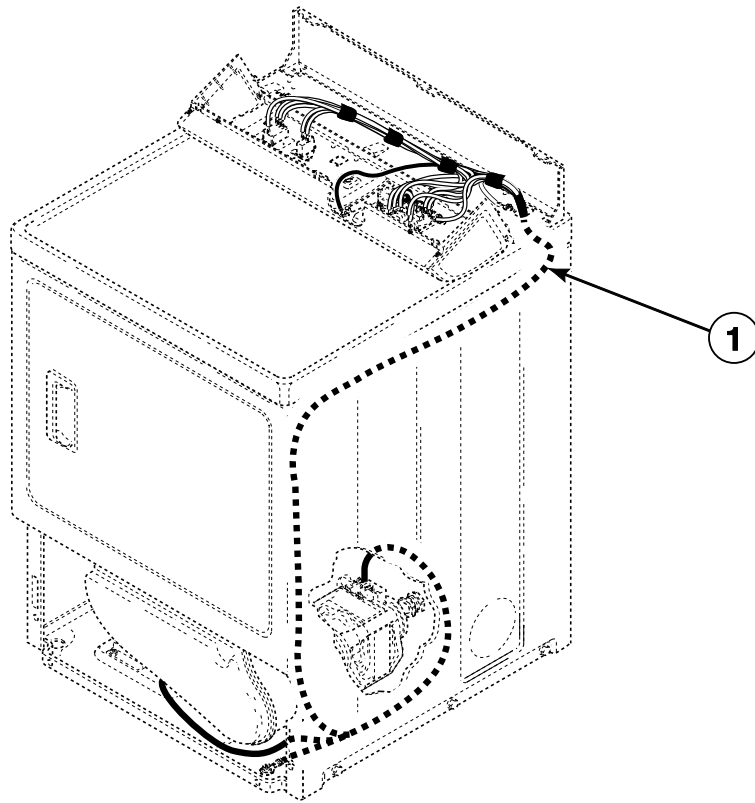
Wire Harnesses and Wires - Front Control Models Starting Serial No. 1303025315

REF	PART NO.	DESCRIPTION	COMMENTS
	45380	12 Gauge Wire	Orange; Order wire by the foot; Order terminals and connectors as required
	45001	18 Gauge Wire	Black; Order wire by the foot; Order terminals and connectors as required
1	D511770	Security Cabinet Harness Assembly	Control cabinet to main harness
2	D513808	Wire Harness Assembly	Main harness

NOTE: Individual wires are not available separately. Order complete wire harness, or order wire by the foot. When applying terminals to wires, it is recommended that the terminals be soldered to the wires.

Wire Harnesses and Wires - Rear Control Models Through Serial No. 1207

Models ADE30RGS171TW01, ADE3LRGS171TW01, ADE4BRGS171TW01, ADE4BRGS171TWAH, ADG30RGS111TW01, ADG3LRGS111TW01, ADG4BRGS111TW01, ADG4BRGS111TWAH, AES17AWF, AES20AWF, AES28AWF, AES28AWF1500, AES68AWF, AES68AWF1500, AGS17AWF, AGS20AWF, AGS28AWF and AGS68AWF



DRY2047P_512174

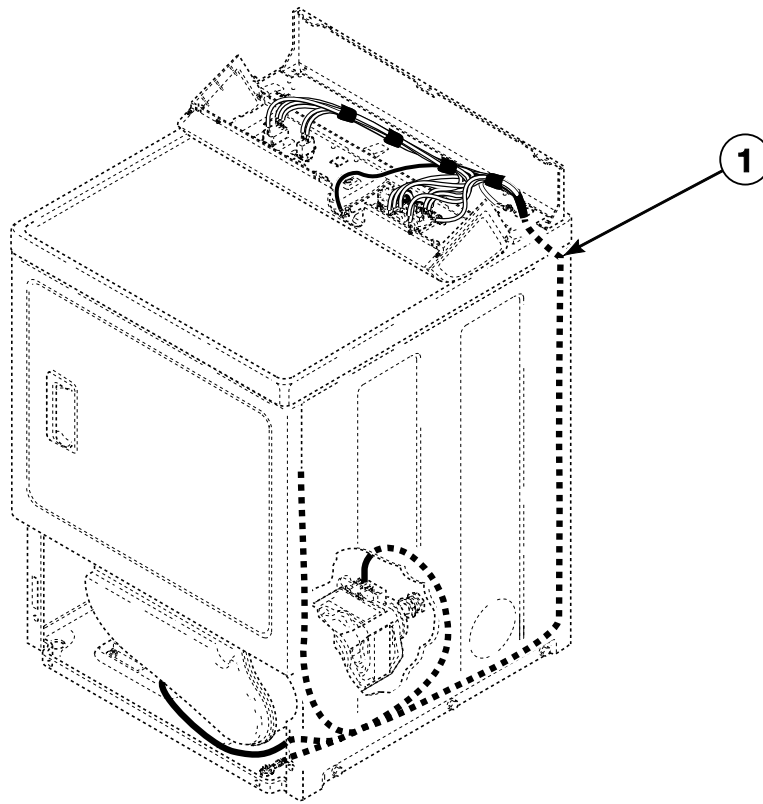
Wire Harnesses and Wires - Rear Control Models Through Serial No. 1207

REF	PART NO.	DESCRIPTION	COMMENTS
	45380	12 Gauge Wire	Orange; Order wire by the foot; Order terminals and connectors as required
	45001	18 Gauge Wire	Black; Order wire by the foot; Order terminals and connectors as required
1	D510444	Wire Harness Assembly	Main harness; Models ADE3LRGS171TW01, ADE4BRGS171TW01, ADE4BRGS171TWAH, AES20AWF, AES28AWF, AES28AWF1500, AES68AWF and AES68AWF1500
	D511777	Wire Harness Assembly	Main harness; Models ADG3LRGS111TW01, AGS20AWF and AGS28AWF
	D510424P	Wire Harness Assembly	Main harness; Models ADE30RGS171TW01 and AES17AWF
	D510425P	Wire Harness Assembly	Main harness; Models ADG30RGS111TW01 and AGS17AWF
	D510443P	Wire Harness Assembly	Main harness; Models ADG4BRGS111TW01, ADG4BRGS111TWAH and AGS68AWF

NOTE: Individual wires are not available separately. Order complete wire harness, or order wire by the foot. When applying terminals to wires, it is recommended that the terminals be soldered to the wires.

Wire Harnesses and Wires - Rear Control Models Starting Serial No. 1207

Models ADE30RGS171TW01, ADE3LRGS171TW01, ADE4BRGS171TW01, ADE4BRGS171TWAH,
ADG30RGS111TW01, ADG3LRGS111TW01, ADG4BRGS111TW01 and ADG4BRGS111TWAH



DRY2268P_512174

Wire Harnesses and Wires - Rear Control Models Starting Serial No. 1207

REF	PART NO.	DESCRIPTION	COMMENTS
	45380	12 Gauge Wire	Orange; Order wire by the foot; Order terminals and connectors as required
	45001	18 Gauge Wire	Black; Order wire by the foot; Order terminals and connectors as required
1	D513660	Wire Harness Assembly	Main harness; Models ADE3LRGS171TW01, ADE4BRGS171TW01 and ADE4BRGS171TWAH
	D513665	Wire Harness Assembly	Main harness; Model ADG3LRGS111TW01
	D513658	Wire Harness Assembly	Main harness; Model ADE30RGS171TW01
	D513655	Wire Harness Assembly	Main harness; Model ADG30RGS111TW01
	D513659	Wire Harness Assembly	Main harness; Models ADG4BRGS111TW01 and ADG4BRGS111TWAH

NOTE: Individual wires are not available separately. Order complete wire harness, or order wire by the foot. When applying terminals to wires, it is recommended that the terminals be soldered to the wires.

Parts Index

A

Access Panel Assembly	
D514250WP	19
D514251	19
Access Panel Plate	
D510903	37, 39
Adhesive	
D511637P	23, 25, 27
Air Duct Assembly	
D510151W	23, 25
D515805LG	23
Air Duct Assembly D515805LG25	
Anti-Seize Compound	
27604P	21

B

Badge	
803013	9
Blower Fan Assembly	
D510139P	21
Blower Housing	
D511969WP	21
Blower Housing Seal	
D510238P	21
Bolt	
29651	7, 9
Booster and Holding Coil	
58804A	33
Bracket	
D510146	39
Bulkhead Assembly	
D505899WP	23
Bumper Pad	
56128	37, 39
Burner Assembly	
D510149P	33
Buzzer	
D510211	5, 7, 9

C

Cabinet Rear Panel	
D514632P	37, 39
Cabinet Side Panel	
D510001WP	37, 39
D510002WP	37, 39
D512951	37
D512952	37
Combustion Duct	
D510131	31
Connector, 2 Circuit	
58799	45
Connector, 3 Circuit	
58800	43

Control Cabinet	
D513701G	9
D513702G	9
803141	9
803142	9
Control Cabinet Bottom	
801777	7, 9, 11
Control Cabinet Rear	
800867	7
Control Knob Assembly	
803099P	9
803119P	5, 7, 11
804719	5
Control Panel Assembly	
D512034W	11
D512067W	7
D513161	9
Control Support Panel	
D503901	5
Cylinder Assembly	
D505929LGP	23
D510159WP	23, 25
D510265LGP	23, 25
D510265WP	23, 25
Cylinder Baffle	
D510102LG	23, 25
D510102W	23, 25
Cylinder Belt	
D511255P	21
Cylinder Glide	
D513710	23, 25
Cylinder Glide Bracket	
D510145	23, 25
Cylinder Light Lens	
D512106	23
Cylinder Roller	
D510708P	27
Cylinder Roller Bracket	
D510100	27
Cylinder Seal Assembly	
D510207P	23, 25, 27

D

Directional Exhaust Kit	
528P3	37, 39
Door Assembly	
D516510WP	13, 15
D516737W	17
Door Catch Assembly	
D510177	19
Door Handle Wedge	
D510129W	15, 17
Door Liner Grill	
D503870LG	17
D503870W	17
Door Pull and Wedge Kit	
D510103WP	15, 17
803095	13

N/A items do not appear in index.

Door Strike	
D510181	13, 15, 17
Door Strike Mount	
D510127	13, 15, 17
Drum Light Lamp	
60954	23
Dryer Base	
D514245	37, 39
Dryer Door	
D510013WP	15
D510082WP	17
D513156	13
Dryer Door Window	
D503982P	17
Drying Rack	
D512082P	23, 25

E

Elbow	
D513072	33
Elbow Shut-Off Valve	
D510205	33
Electric Clearance Label	
D511005	37, 39
End Panel	
D504008W	5
D504009WP	5
Exhaust Duct	
D516196	37, 39
Expansion Clip	
70030501	7, 9, 11
Extractor Tool	
128P4	47
190P4	47

F

Fabric Selector Switch	
D513505	5, 11
D513506	5, 7, 9
Felt Pad	
D510189	23, 25
Female Piggyback Terminal	
00361	45
Female Pin Terminal	
00117	43
00128	43
00130	43
Female Spade Terminal	
00189	45
00223	45
Female Tab Terminal	
00344	45
Female Terminal	
00188	47
00255	47
00256	47
Flexible Venting Kit	
521P3	37, 39
Front Bulkhead Assembly	
D510266P	25

N/A items do not appear in index.

D511033WP	25
D512476	23
Front Panel	
D510066WP	19
D512542	19
Front Panel Assembly	
D513781WP	19
Front Panel Seal	
D511056	19

G

Gas Clearance Label	
D511004	37, 39
Gas Valve Assembly	
D510506P	33
Gas Valve Mounting Bracket	
D510128	33
Glide Kit	
RB170003	23, 25
Graphic Overlay	
D512212	11
D512214	7
D513013	11
D513014	7
Graphic Panel	
D512179W	5
D512211W	5
D512213W	5
D513011W	5
D513012W	5
D513015W	5
D514304W	5
Grounding Clip	
00161	45

H

Handle Cover	
803094P	13
Harness Strap	
55881	43
Heat Duct Shroud	
D510101	31
Heater	
D510325P	29
Heater Assembly	
D510329P	29
Heater Duct Assembly	
D510025P	29, 31
Heater Kit	
964P3	29
Heater Kit Assembly	
61928	29
Hinge	
D511036	7, 9, 13, 15, 17
Hinge Hole Plug	
D510186	19
Hold Down Kit	
526P3	37, 39
Hood Back Panel	
D510099	5

Housing, 10 Position D500338	47
---------------------------------------	----

I

Idler Lever D516310	21
Idler Lever and Wheel Assembly D516792	21
Idler Spring D510185	21
Idler Wheel and Bearing Assembly D510142P	21
Igniter and Bracket Assembly D510184P	33
Insulated Female Spade Terminal 00360	43

K

Knob Assembly	
36701W	5, 7, 11
803118P	7, 11
803168P	5
804720	5

L

Lead-In Cord 56222	41
59308	41
Lead-In Pipe Assembly D510204	33
Left Control Cabinet Side 800900WP	7, 11
Leveling Leg D510135	37, 39
Light Housing Assembly D512108	23
Limit Thermostat D510701	29
D510702	31
Liner and Seal Assembly D510098W	17
Liner Door Seal D510147P	13, 15, 17
Liner, Seal and Grill Assembly D510163WP	15
Lint Filter D503980LG	23, 25
D503980W	23, 25
Lint Filter Cover D510502LG	23, 25
D510502W	23, 25
L.P. Conversion Kit 649P3	33
L.P. Orifice D503786	35
58755	35

M

Male Pin Terminal 00116	43
00127	43
00129	43
Motor and Pulley Assembly D511629P	21
Motor Hub Ring Kit 590P3	21
Motor Mount D510060	21
Motor Mount Clamp D510180	21
Motor Pulley D500011	21

N

Nut	
36020	9
44071201	17
44087201	7, 9
52566	21
56156	21, 27
800931	11
N.G. Conversion Kit 650P3	33
N.G. Orifice D503778	35
D503779	35
D503780	35
D503781	35

O

Outlet Cover D500820	29, 31
D515573	29

P

Panel D513112	9
Panel Locator 56079	19, 37, 39
Plug, 2 Circuit 56266	43
Pop Rivet 685847	9
Porcelain Touch-Up Paint 122P4P	39

R

Rear Bulkhead Assembly D505246	27
D510905WP	27
D511082P	27

N/A items do not appear in index.

Rear Control Cabinet 801058	9, 11
Receptacle, 12 Circuit 56855	43
Receptacle, 2 Circuit 56451	43
Receptacle, 3 Circuit 23039	43
Resistor Assembly D511277	5, 7, 9, 11
Retaining Ring 23748	21, 27
Right Control Cabinet Side 800915W	7, 11
Ring Terminal 00110	45
Rocker Switch 38424W	5, 7
Roller Kit RB170002	27
Rubber Foot D501855	37

S

Screw	
D500226	13, 15, 17, 23, 25
D500227	23
D500824	21
D501086	5, 7, 9, 23
D501285	23, 25, 27
D502535	21
D503661	9
D503688	19, 21, 23, 25, 27, 29, 31, 33, 37, 39
D505870	17
D512921	37
F430956	9
M405188	9, 23
20530	41
23008	9
23222	29, 33
31260	21
33562	19
36048	39
39733	19, 37, 39
430497	11
51782	31, 33
52864	25
56124	33
61199	27
62588	23, 25
70240301	7, 9
800548	13
800930	7, 11
Screw Orifice 58719	35
Seal Kit RB170001	23, 25, 27
Secondary Coil 58804B	33
Security Cabinet Harness D511324P	49, 51, 53
Security Cabinet Harness Assembly D511323	49
D511770	55, 57, 59

N/A items do not appear in index.

D511771	55
Selector Switch 803568	9
Sensor D510213	33
Shaft 56461P	21, 27
Speed Clip 28835	19
Strain Relief 38384	41
Switch D512973	19

T

Terminal Block Assembly D510190P	27
Terminal Block Shield D510237	27
Terminal Extractor Tool 283P4	47
Thermal Fuse Assembly D511412	29
Thermostat D504515	21
D510707P	21
Timer D505794P	5, 11
D511149P	5, 7, 9
D511150P	5, 7, 9
Timer and Harness Kit D505797P	5, 11
Timer Knob Assembly D512117W	5, 7, 11
803098P	9
Top and Gusset Assembly 802247WP	7
Top Cover D505808W	5
Top Hinge D510136	37, 39
Top Kit D510032WP	39
803144P	9
Top Mounting Bracket D504228	7, 9
Top Panel Kit D510029WP	5

U

Upper Harness Assembly D511322P	49, 51
D511325P	49

W

Warning/Caution Label D500281	19
--	----

Washer	
D504082	27
26509	39
52549	21, 27
Window Clip	
D513958	17
Window Trim	
D503981W	17
Wire Assembly	
D510527	29
D510528	29
D510540	5
D511148	5, 7
D513170P	9
Wire Clip	
D504034	43
687500	43
Wire Harness	
D513946	53
Wire Harness Assembly	
D510424P	61
D510425P	61
D510443P	61
D510444	61
D511329	49
D511330	49, 51
D511768P	55, 57
D511769P	55
D511777	61
D513655	63
D513658	63
D513659	63
D513660	63
D513665	63
D513808	59
D513826	53
Wire, 12 Gauge	
45380	49, 51, 53, 55, 57, 59, 61, 63
Wire, 18 Gauge	
45001	49, 51, 53, 55, 57, 59, 61, 63
