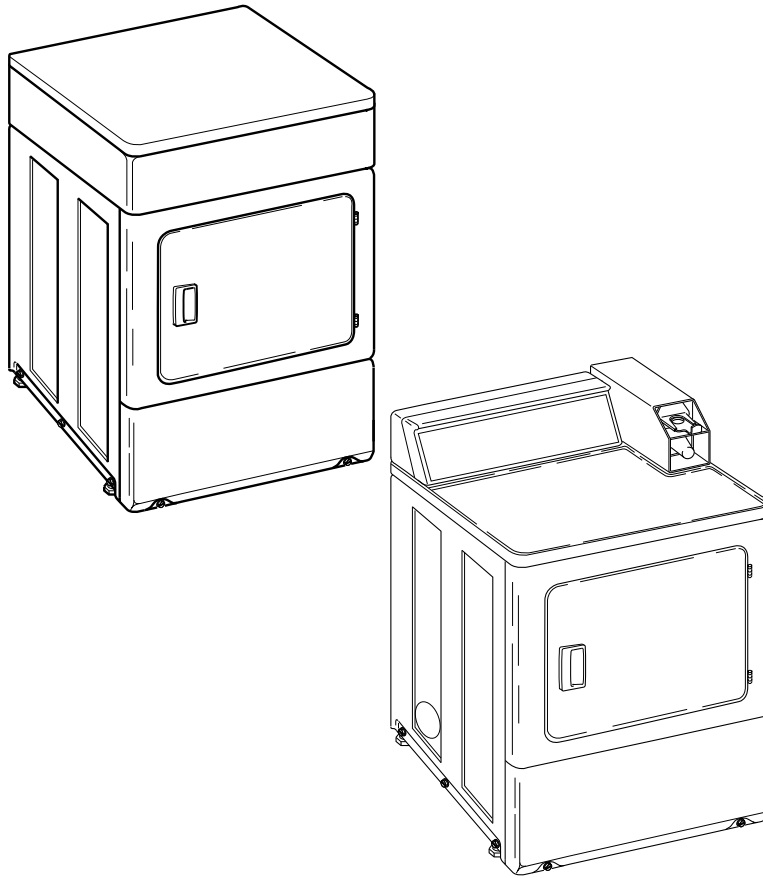


Commercial Dryers

Metered and Nonmetered
Refer to Page 3 for Model Numbers



DRY692C_513379

Table of Contents

Title	Page
Parts Ordering Information.....	2
Serial Plate Location	2
Model Identification	3
Control and Control Panel - Rear Control Coin Drop Models	4
Control and Control Panel - Rear Control Card Ready Models	6
Meter Case - Rear Control Coin Drop Models	8
Non-Electronic Coin Drop - Rear Control Coin Drop Models.....	10
Electronic Coin Drop - Rear Control Coin Drop Models.....	12
Cabinet Top - Rear Control Models	14
Control Panel and Controls - Coin Drop and Card Front Control Models	16
Control Cabinet Controls - Front Control Coin Drop Models.....	18
Non-Electronic Coin Drop - Front Control Models.....	20
Electronic Coin Drop - Front Control Models	22
Control Cabinet Controls - Front Control Card Ready Models.....	24
Cabinet Top - Front Control Models.....	26
Loading Door without Window	28
Loading Door with Window	30
Access Panel, Front Panel and Seal	32
Motor, Exhaust Fan and Belt	34
Front Bulkhead, Air Duct and Felt Seal.....	36
Cylinder Assembly	38
Rear Bulkhead, Felt Seal, Cylinder Roller and Terminal Block.....	40
Heater Duct and Element Assembly - Electric Model Dryers.....	42
Heater Duct Assembly - Gas Model Dryers	44
Gas Valve, Igniter and Gas Conversion Kits.....	46
Burner Orifice Spuds - For Higher Elevations.....	48
Cabinet, Exhaust Duct and Base	50
Power Cord	52
Terminal Block and Terminals (Drawing 1 of 2).....	54
Terminal Block and Terminals (Drawing 2 of 2).....	56
Terminals and Terminal Extractor Tools	58
Wire Harnesses and Wires - Front Control Models.....	60
Wire Harnesses and Wires - Front Control Models Through Serial No. 1303025314	62
Wire Harnesses and Wires - Front Control Models Starting Serial No. 1303025315	64
Wire Harnesses and Wires - Rear Control Models Through Serial No. 1207	66
Wire Harnesses and Wires - Rear Control Models Starting Serial No. 1207	68
Label Location on Rear of Cabinet	70
Parts Index.....	73

© Copyright 2018, Alliance Laundry Systems LLC

All rights reserved. No part of the contents of this book may be reproduced or transmitted in any form or by any means without the expressed written consent of the publisher.

Parts Ordering Information

If literature or replacement parts are required, contact the source from whom the machine was purchased or contact Alliance Laundry Systems at (920) 748-3950 for the name and address of the nearest authorized parts distributor.

For technical assistance, call the number listed below:

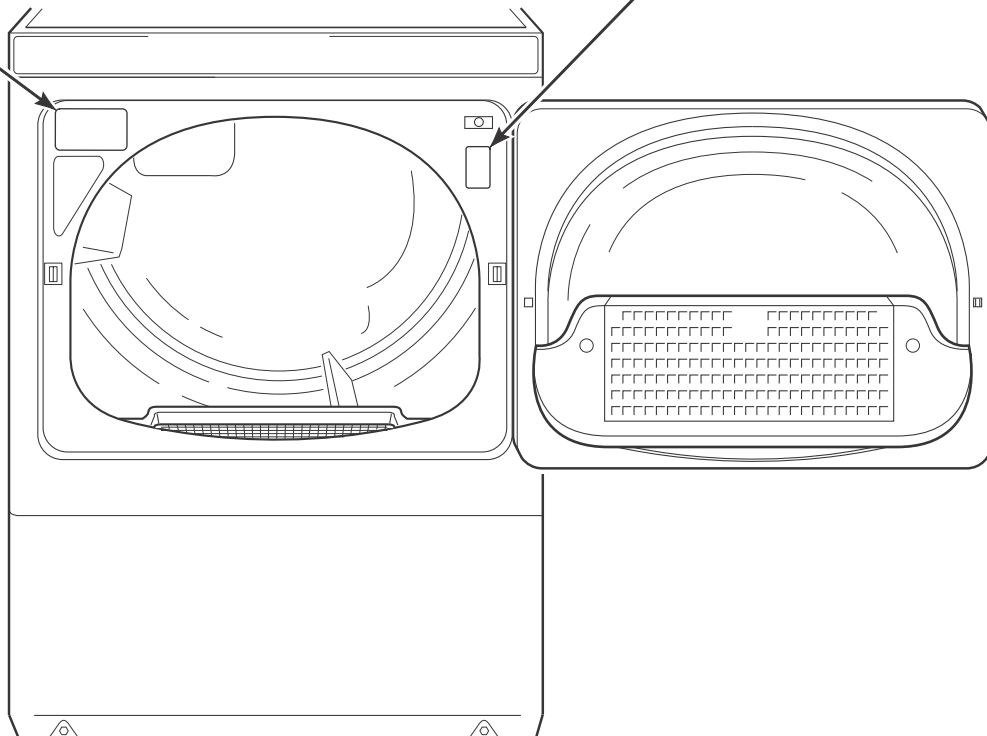
(920) 748-3121 Ripon, Wisconsin

Serial Plate Location

When calling or writing about your product, be sure to mention model and serial numbers. Model and serial numbers are located on serial plate(s) as shown.

SERIAL PLATE
(Models starting Serial No. 1206025810)

SERIAL PLATE
(Models through Serial No. 1206025809)



DRY2283P_513379

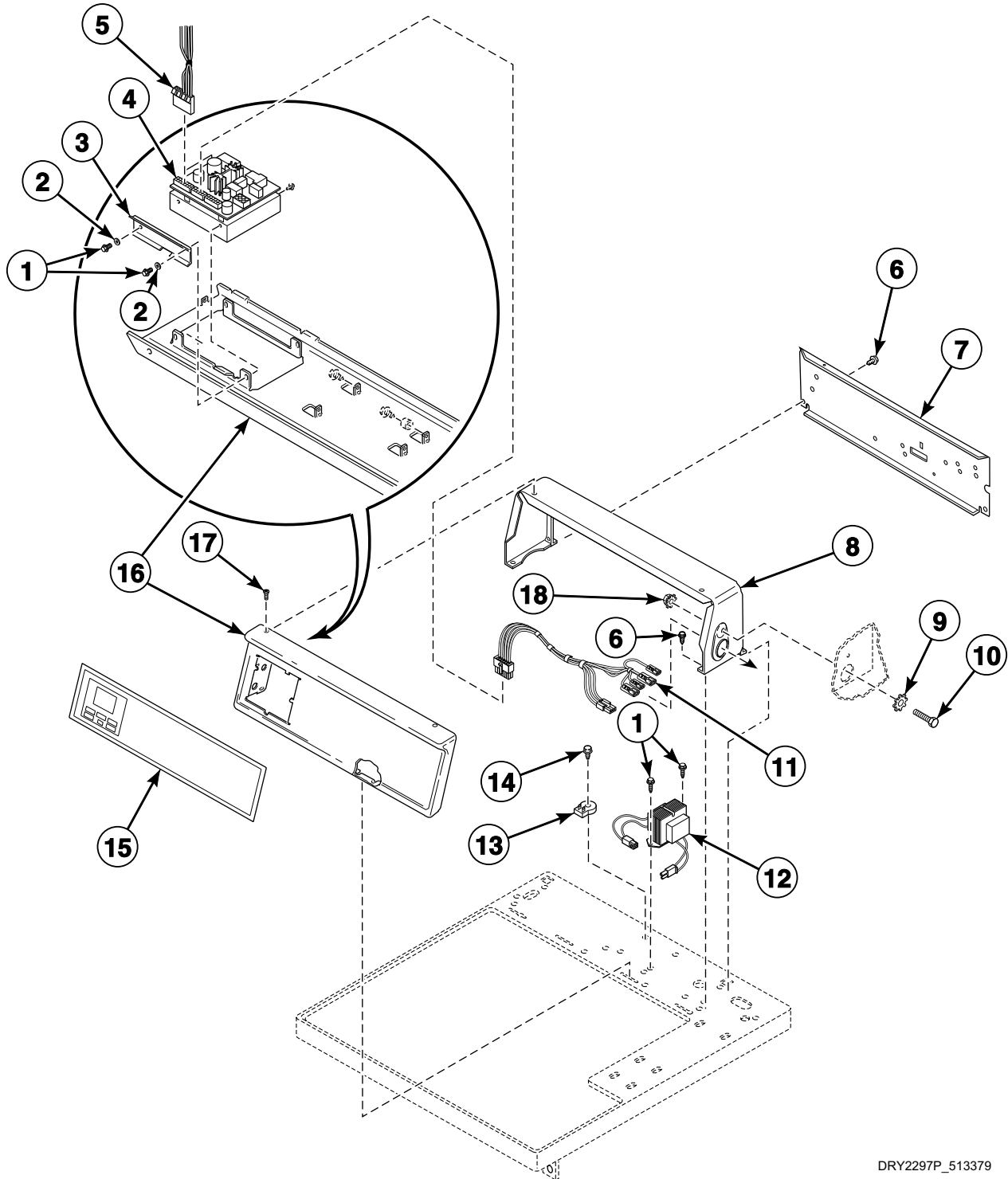
Model Identification

Information in this manual is applicable to these dryer models:

SDELFCFGS171TW01	SDGLCFGS111TW01
SDELFCFGW171TN01	SDGLCFGW111TN01
SDELFCFSW171TN01	SDGLCFSW111TN01
SDELRCRGS151TW01	SDGLRCRGS111TW01
SDELRCRGS171TW01	SDGLRCRGS111TW02
SDELRCRGS171TW02	SDGLRCRGS111TWNA
SDELRCRGS171TWNA	SDGLXRGS111TW01
SDELXRGS171TW01	SDGLXRGS111TW02
SDELXRGS171TW02	SDGLYFGS111TW01
SDELYFGS151TW01	SDGLYFGS111TWNA
SDELYFGS171TW01	SDGLYFGW111TN01
SDELYFGW171TN01	SDGLYFSW111TN01
SDELYFSW171TN01	SDGLYRGS111TW01
SDELYRGS151TW01	SDGLYRGS111TWNA
SDELYRGS171TW01	

Control and Control Panel - Rear Control Coin Drop Models

Models SDELCRGS151TW01, SDELCRGS171TW01, SDELCRGS171TW02, SDELCRGS171TWNA,
SDELXRG171TW01, SDELXRG171TW02, SDGLCRGS111TW01, SDGLCRGS111TW02,
SDGLCRGS111TWNA, SDGLXRG111TW01 and SDGLXRG111TW02



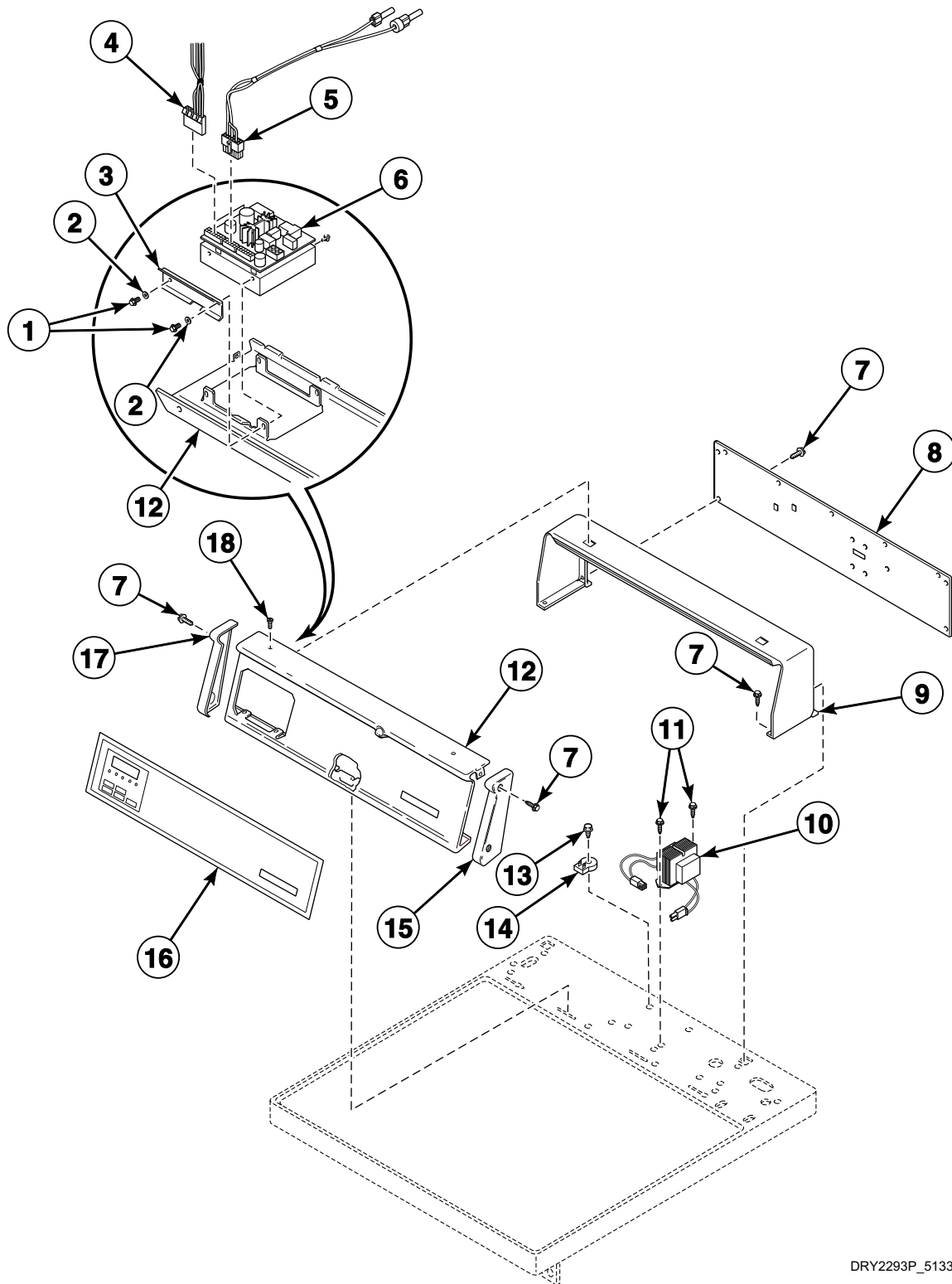
DRY2297P_513379

Control and Control Panel - Rear Control Coin Drop Models

REF	PART NO.	DESCRIPTION	COMMENTS
	NK201	Network Retrofit Kit	Wired
	NK301	Wireless Network Kit	
	NK220	Network Controller Kit	Wired
	NK320	Ethernet Gateway Kit	Wireless
	NK330	USB Gateway Kit	Wireless
	905P3	Security Kit	Secures front panel to rear panel
1	D503688	Screw	
2	200608	Washer	
3	D510083	Control Shield	
4	D513534P	Control Assembly	
5	D511478	Central Pay Harness	
6	D501086	Screw	
7	D505798	Hood Back Plate	
8	D502567W	Control Hood	White
	D502567Q	Control Hood	Bisque
9	M400017	Washer	
10	02916	Screw	
11	802904P	Harness Assembly	Models SDELCRGS151TW01, SDELCRGS171TW01, SDELCRGS171TW02, SDELCRGS171TWNA, SDGLCRGS111TW01, SDGLCRGS111TW02 and SDGLCRGS111TWNA
	802905	Harness Assembly	Models SDELXRG171TW01, SDELXRG171TW02, SDGLXRG111TW01 and SDGLXRG111TW02
12	201375P	Transformer	Some models may have jumper wire attached to transformer. Discard jumper wire when replacing transformer; Models SDELXRG171TW01, SDELXRG171TW02, SDGLXRG111TW01 and SDGLXRG111TW02
	210018P	Transformer	All other models
13	210100	Resistor	
14	D503661	Screw	
15	D512936	Control Overlay	
16	D510067W	Control Panel	White
	D510067Q	Control Panel	Bisque
17	52864	Screw	Phillips head
	35528	Screw	Torx head
18	52566	Nut	

Control and Control Panel - Rear Control Card Ready Models

Models SDELYRGS151TW01, SDELYRGS171TW01, SDGLYRGS111TW01 and SDGLYRGS111TWNA



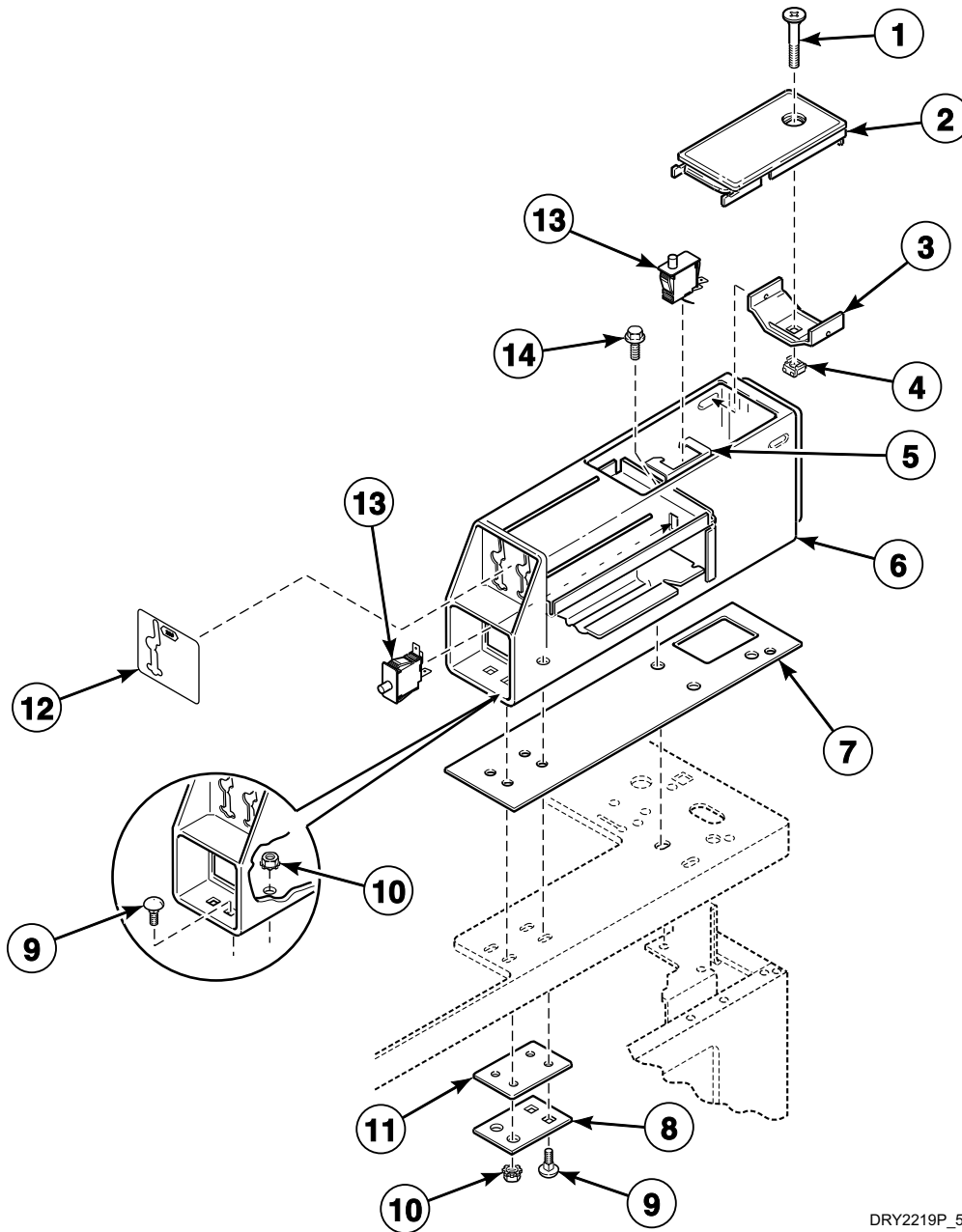
DRY2293P_513379

Control and Control Panel - Rear Control Card Ready Models

REF	PART NO.	DESCRIPTION	COMMENTS
	NK201	Network Retrofit Kit	Wired
	NK301	Wireless Network Kit	
	NK220	Network Controller Kit	Wired
	NK320	Ethernet Gateway Kit	Wireless
	NK330	USB Gateway Kit	Wireless
1	23222	Screw	
2	200608	Washer	
3	D510083	Control Shield	
4	D511478	Central Pay Harness	
5	800680	Diagnostic Wire Harness Assembly	
6	D513534P	Control Assembly	
7	D501086	Screw	
8	D511254	Rear Panel	
9	D511253W	Control Hood	White
	D511253Q	Control Hood	Bisque
10	201375P	Transformer	Some models may have jumper wire attached to transformer. Discard jumper wire when replacing transformer
11	D503688	Screw	
12	D511055W	Control Panel	White
	D511055Q	Control Panel	Bisque
13	D503661	Screw	
14	210100	Resistor	
15	210108W	End Cap	Right
16	D513031	Control Overlay	
17	210109W	End Cap	Left
18	52864	Screw	Phillips head
	35528	Screw	Torx head

Meter Case - Rear Control Coin Drop Models

Models SDELCRGS151TW01, SDELCRGS171TW01, SDELCRGS171TW02, SDELCRGS171TWNA,
SDELXRG171TW01, SDELXRG171TW02, SDGLCRGS111TW01, SDGLCRGS111TW02,
SDGLCRGS111TWNA, SDGLXRG111TW01 and SDGLXRG111TW02



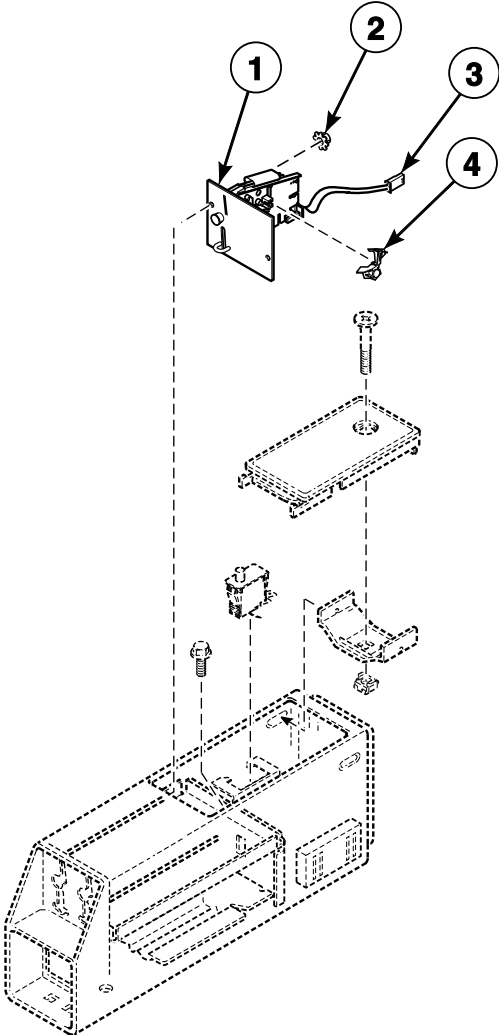
DRY2219P_513379

Meter Case - Rear Control Coin Drop Models

REF	PART NO.	DESCRIPTION	COMMENTS
1	D503673	Screw	All models except SDELCRGS171TW02, SDELXRGs171TW02, SDGLCRGS111TW02 and SDGLXRGs111TW02 through Serial No. 1009024164
2	803043WP	Service Door Assembly	Models SDELCRGS171TW02, SDELXRGs171TW02, SDGLCRGS111TW02 and SDGLXRGs111TW02 through Serial No. 1009024164
	39874WP	Service Door Assembly	White; All other models
	39874QP	Service Door Assembly	Bisque; All other models
3	30642	Meter Case Locking Bracket	All models except SDELCRGS171TW02, SDELXRGs171TW02, SDGLCRGS111TW02 and SDGLXRGs111TW02 through Serial No. 1009024164
4	30647	Nut	All models except SDELCRGS171TW02, SDELXRGs171TW02, SDGLCRGS111TW02 and SDGLXRGs111TW02 through Serial No. 1009024164
5	38087	Door Switch Bracket	
6	803063WP	Meter Case Assembly Kit	Models SDELCRGS171TW02, SDELXRGs171TW02, SDGLCRGS111TW02 and SDGLXRGs111TW02
	803578P	Coin Box Extension Kit	Use with 803063W Meter Case Assembly to extend shorter 7 inch coin boxes; Models SDELCRGS171TW02, SDELXRGs171TW02, SDGLCRGS111TW02 and SDGLXRGs111TW02 starting Serial No. 1009024165
	38724W	Meter Case Assembly	White; All other models
	38724Q	Meter Case Assembly	Bisque; All other models
7	26354	Meter Case Gasket	
8	35525	Meter Case Lockdown Bracket	
9	02505	Bolt	
10	29786	Nut	
11	35526	Meter Case Bracket Gasket	
12	202123	Single Overlay	Models SDELCRGS171TW02 and SDGLCRGS111TW02 through Serial No. 1009024164
	38717	Single Overlay	Models SDELCRGS171TW02 and SDGLCRGS111TW02 starting Serial No. 1009024165; Models SDELCRGS151TW01, SDELCRGS171TW01, SDELCRGS171TWNA, SDGLCRGS111TW01 and SDGLCRGS111TWNA
13	D512973	Switch	
14	36048	Screw	

Non-Electronic Coin Drop - Rear Control Coin Drop Models

Models SDELCRGS151TW01, SDELCRGS171TW01, SDELCRGS171TW02, SDELCRGS171TWNA,
SDELXRG171TW01, SDELXRG171TW02, SDGLCRGS111TW01, SDGLCRGS111TW02,
SDGLCRGS111TWNA, SDGLXRG111TW01 and SDGLXRG111TW02



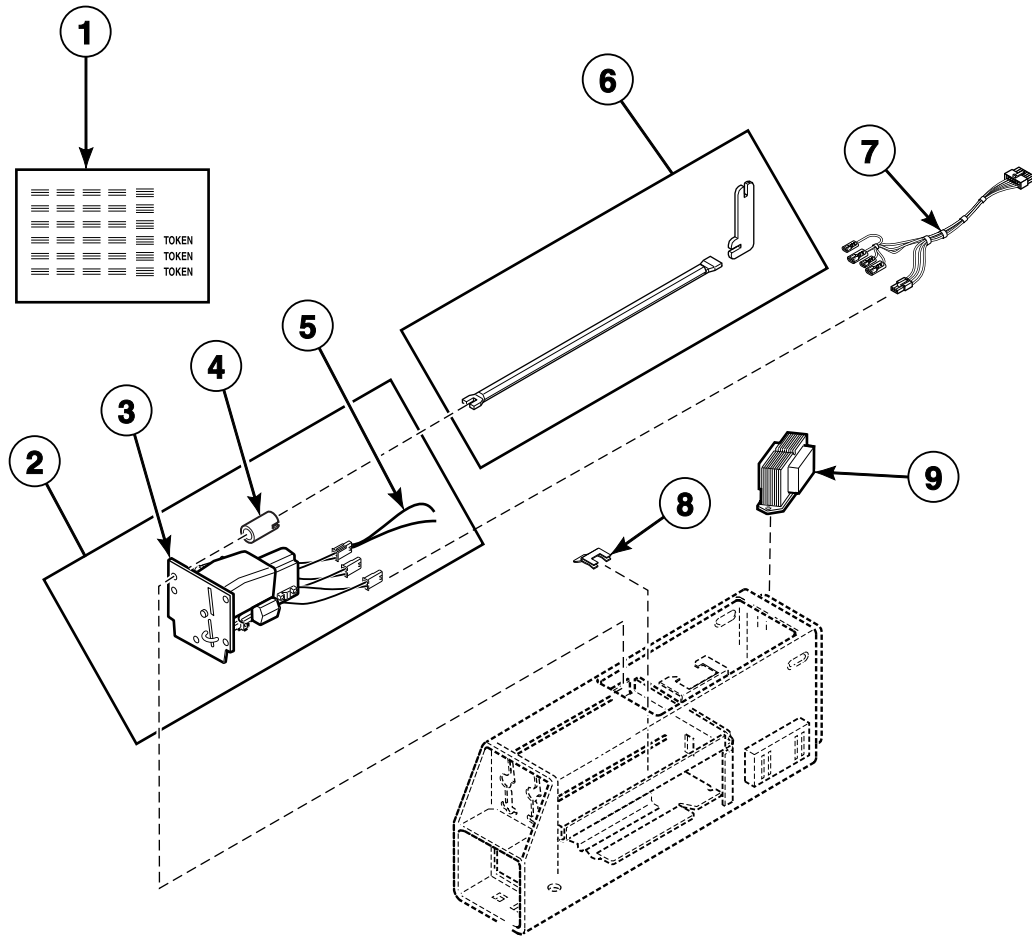
DRY2170P_513379

Non-Electronic Coin Drop - Rear Control Coin Drop Models

REF	PART NO.	DESCRIPTION	COMMENTS
1	38462P	Coin Drop Assembly	Token; 118-1 mzp
	38463	Coin Drop Assembly	Token; 118-5 mzp
	70441601P	Coin Drop	U.S.; \$.25
	38963P	Coin Drop	Token 118-16 not available; Replacement for 38963P Coin Drop only
2	29786	Nut	
3	200674P	Opto Coupler	
4	201595P	Wire Guard	Anti-stringing security device

Electronic Coin Drop - Rear Control Coin Drop Models

Models SDELCRGS151TW01, SDELCRGS171TW01, SDELCRGS171TW02, SDELCRGS171TWNA,
SDELXRG171TW01, SDELXRG171TW02, SDGLCRGS111TW01, SDGLCRGS111TW02,
SDGLCRGS111TWNA, SDGLXRG111TW01 and SDGLXRG111TW02



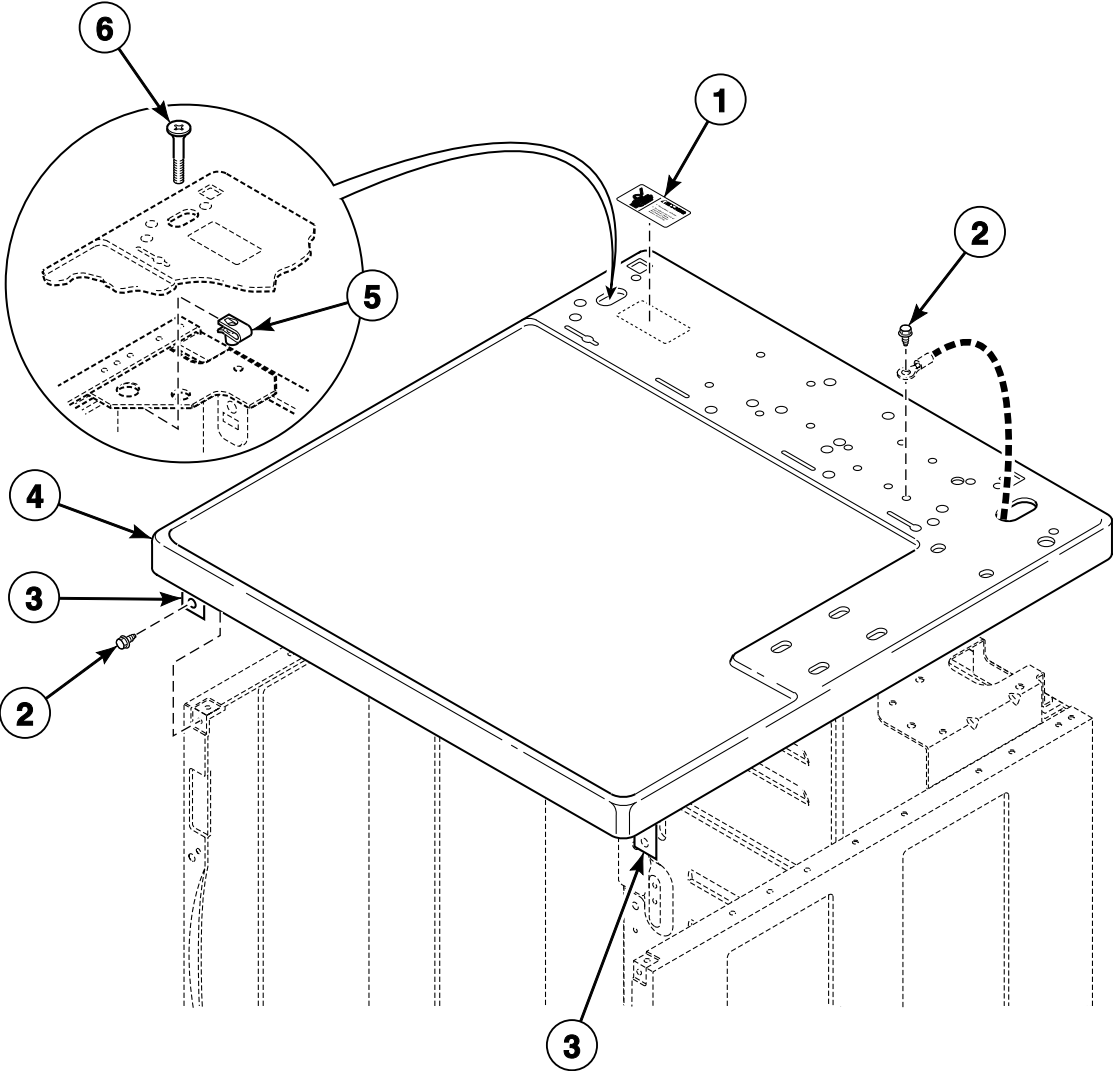
DRY2156P_513379

Electronic Coin Drop - Rear Control Coin Drop Models

REF	PART NO.	DESCRIPTION	COMMENTS
1	38725	Coin Identification Paper	For use with item 2
2	CK113	Electronic Coin Drop Kit	Includes items 3-5; Japan and Taiwan coins
	CK115	Electronic Coin Drop Kit	Includes items 3-5; United States and Canada coins
3	70294114	Electronic Coin Drop Assembly	For use with item 2; Japan and Taiwan coins
	70294115	Electronic Coin Drop Assembly	For use with item 2; United States and Canada coins
4	201216	Nut	For use with item 2
5	201104	Coin Drop Wire Harness	For use with item 2
6	CK096	Mounting Tool Kit	For use with item 2
7	802905	Harness Assembly	If adding electronic coin drop this harness must be used; Models SDELCRGS151TW01, SDELCRGS171TW01, SDELCRGS171TW02, SDELCRGS171TWNA, SDGLCRGS111TW01, SDGLCRGS111TW02 and SDGLCRGS111TWNA
8	201572	Clip	For use with item 2
9	201375P	Transformer	If adding electronic coin drop this transformer must be used; Models SDELCRGS151TW01, SDELCRGS171TW01, SDELCRGS171TW02, SDELCRGS171TWNA, SDGLCRGS111TW01, SDGLCRGS111TW02 and SDGLCRGS111TWNA

Cabinet Top - Rear Control Models

Models SDELCRGS151TW01, SDELCRGS171TW01, SDELCRGS171TW02, SDELCRGS171TWNA, SDELXRG171TW01, SDELXRG171TW02, SDELYRGS151TW01, SDELYRGS171TW01, SDGLCRGS111TW01, SDGLCRGS111TW02, SDGLCRGS111TWNA, SDGLXRG111TW01, SDGLXRG111TW02, SDGLYRGS111TW01 and SDGLYRGS111TWNA



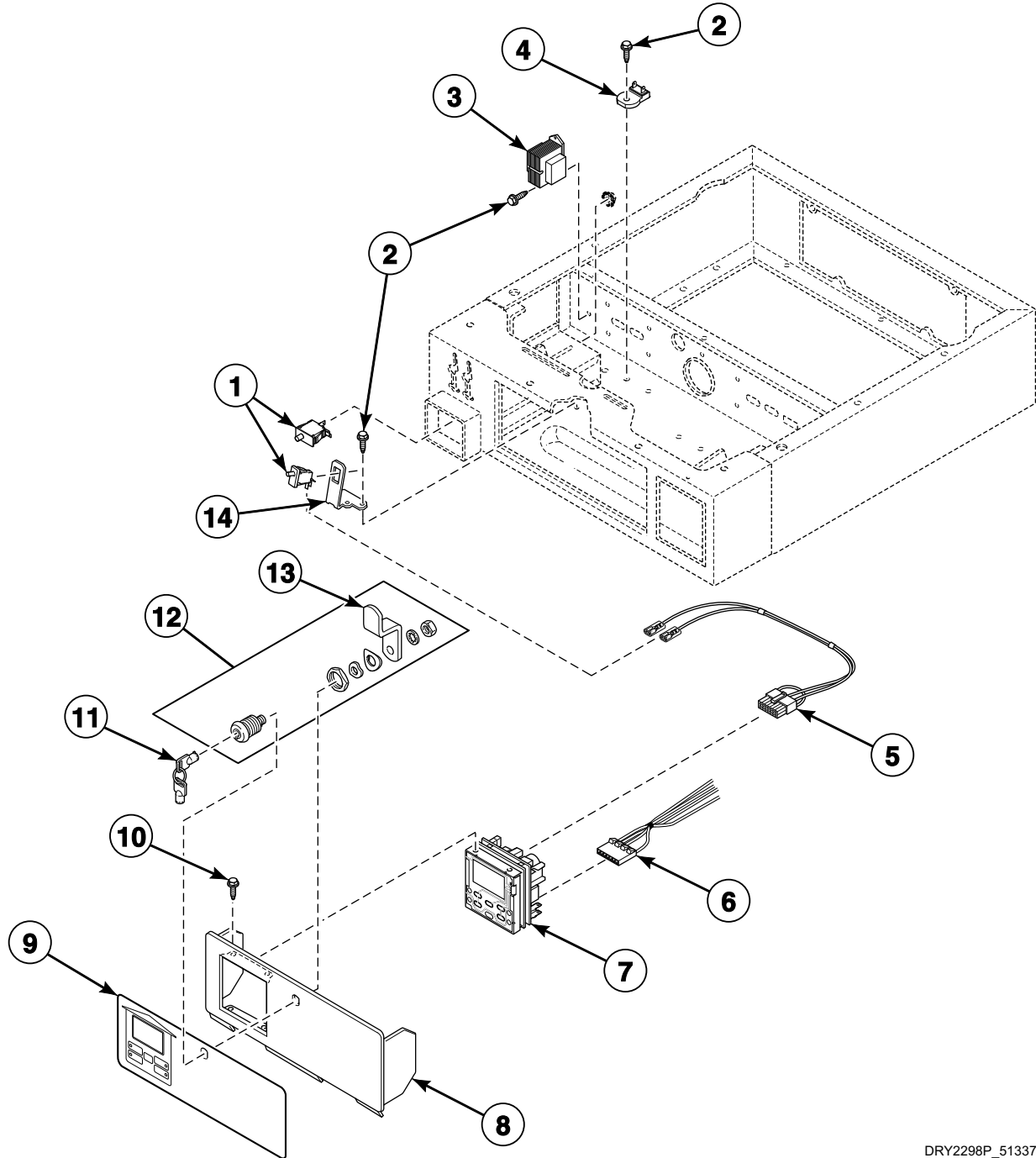
DRY1894P_513379

Cabinet Top - Rear Control Models

REF	PART NO.	DESCRIPTION	COMMENTS
1	D505281	Disconnect Power Warning Label	
2	D503688	Screw	
3	D510146	Bracket	
4	D511530WP	Top Panel Kit	White; Includes item 3; Models SDELYRGS151TW01, SDELYRGS171TW01, SDGLYRGS111TW01 and SDGLYRGS111TWNA
	D511527WP	Top Kit	White; Includes item 3; All other models
	D511527QP	Top Kit	Bisque; Includes item 3; All other models
5	27222	Nut	
6	D503673	Screw	

Control Panel and Controls - Coin Drop and Card Front Control Models

Models SDELFCFGS171TW01, SDELFCFGW171TN01, SDELFCFSW171TN01, SDELYFGS151TW01, SDELYFGS171TW01, SDELYFGW171TN01, SDELYFSW171TN01, SDGLCFGS111TW01, SDGLCFGW111TN01, SDGLCFSW111TN01, SDGLYFGS111TW01, SDGLYFGS111TWNA, SDGLYFGW111TN01 and SDGLYFSW111TN01



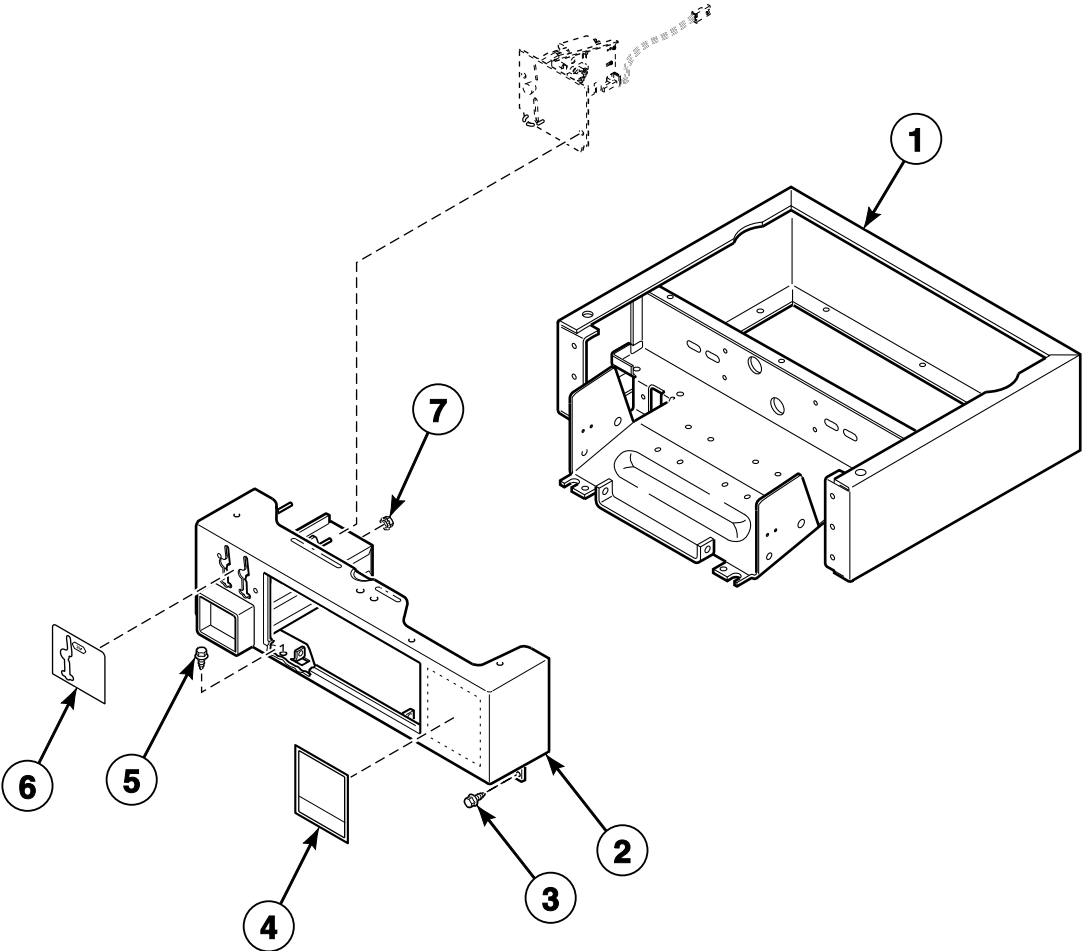
DRY2298P_513379

Control Panel and Controls - Coin Drop and Card Front Control Models

REF	PART NO.	DESCRIPTION	COMMENTS
	NK202	Network Retrofit Kit	Wired
	NK301	Wireless Network Kit	
	NK220	Network Controller Kit	Wired
	NK320	Ethernet Gateway Kit	Wireless
	NK330	USB Gateway Kit	Wireless
1	D512973	Switch	
2	D503688	Screw	
3	201375P	Transformer	Some models may have jumper wire attached to transformer. Discard jumper wire when replacing transformer; Models SDELYFGS151TW01, SDELYFGS171TW01, SDELYFGW171TN01, SDELYFSW171TN01, SDGLYFGS111TW01, SDGLYFGS111TWNA, SDGLYFGW111TN01 and SDGLYFSW111TN01
	210018P	Transformer	Models SDELFCFGS171TW01, SDELFCGW171TN01, SDELFCFSW171TN01, SDGLCFGS111TW01, SDGLCFGW111TN01 and SDGLCFSW111TN01
4	210100	Resistor	
5	800374	Diagnostic Wire Harness Assembly	Models SDELYFGS151TW01, SDELYFGS171TW01, SDELYFGW171TN01, SDELYFSW171TN01, SDGLYFGS111TW01, SDGLYFGS111TWNA, SDGLYFGW111TN01 and SDGLYFSW111TN01
6	D511478	Central Pay Harness	
7	D513534P	Control Assembly	
8	D510077B	Control Panel and Bracket Assembly	Models SDELFCGW171TN01, SDELFCFSW171TN01, SDELYFGW171TN01, SDELYFSW171TN01, SDGLCFGW111TN01, SDGLCFSW111TN01, SDGLYFGW111TN01 and SDGLYFSW111TN01
	D510077W	Control Panel and Bracket Assembly	All other models
9	D512939	Control Overlay	
10	D501524	Screw	
11	54612	Key	800
12	27260P	Lock Kit	Includes item 13
13	27261	Lock Cam	
14	800379	Audit Switch Bracket	

Control Cabinet Controls - Front Control Coin Drop Models

Models SDELCFGS171TW01, SDELCFGW171TN01, SDELCFSW171TN01, SDGLCFGS111TW01, SDGLCFGW111TN01 and SDGLCFSW111TN01



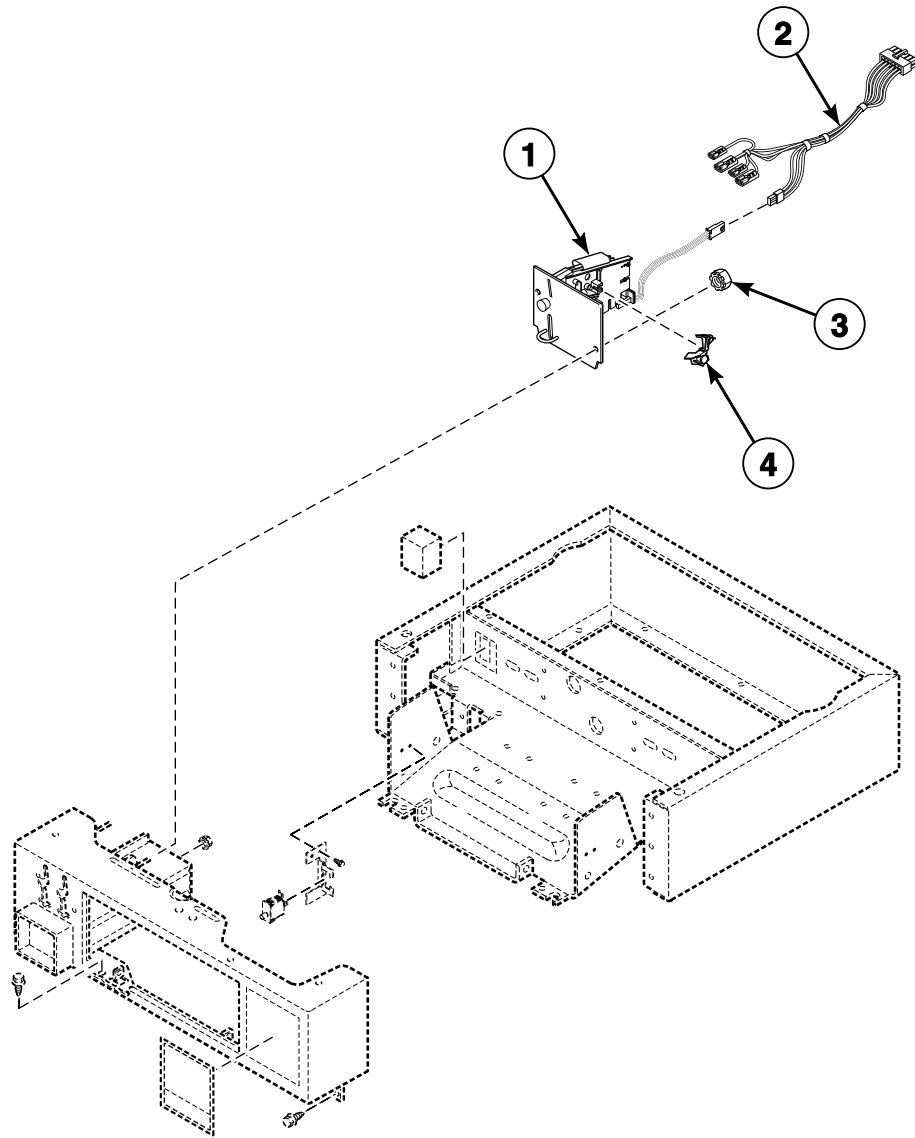
DRY2212P_513379

Control Cabinet Controls - Front Control Coin Drop Models

REF	PART NO.	DESCRIPTION	COMMENTS
1	D505753BP	Wrapper and Channel Assembly	Models SDELFCGW171TN01, SDELFCFSW171TN01, SDGLCFGW111TN01 and SDGLCFSW111TN01
	D505753WP	Wrapper and Channel Assembly	White; All other models
	D505753QP	Wrapper and Channel Assembly	Bisque; All other models
2	D511633B	Security Cabinet Front Assembly	Models SDELFCGW171TN01, SDELFCFSW171TN01, SDGLCFGW111TN01 and SDGLCFSW111TN01
	D511633WP	Security Cabinet Front Assembly	White; All other models
	D511633QP	Security Cabinet Front Assembly	Bisque; All other models
3	D503688	Screw	
4	D504585	Instruction Overlay	
5	D502431	Screw	
6	38717	Single Overlay	
7	80077	Nut	

Non-Electronic Coin Drop - Front Control Models

Models SDELFCFGS171TW01, SDELFCFGW171TN01, SDELFCFSW171TN01, SDGLFCFGS111TW01, SDGLFCFGW111TN01 and SDGLCFSW111TN01



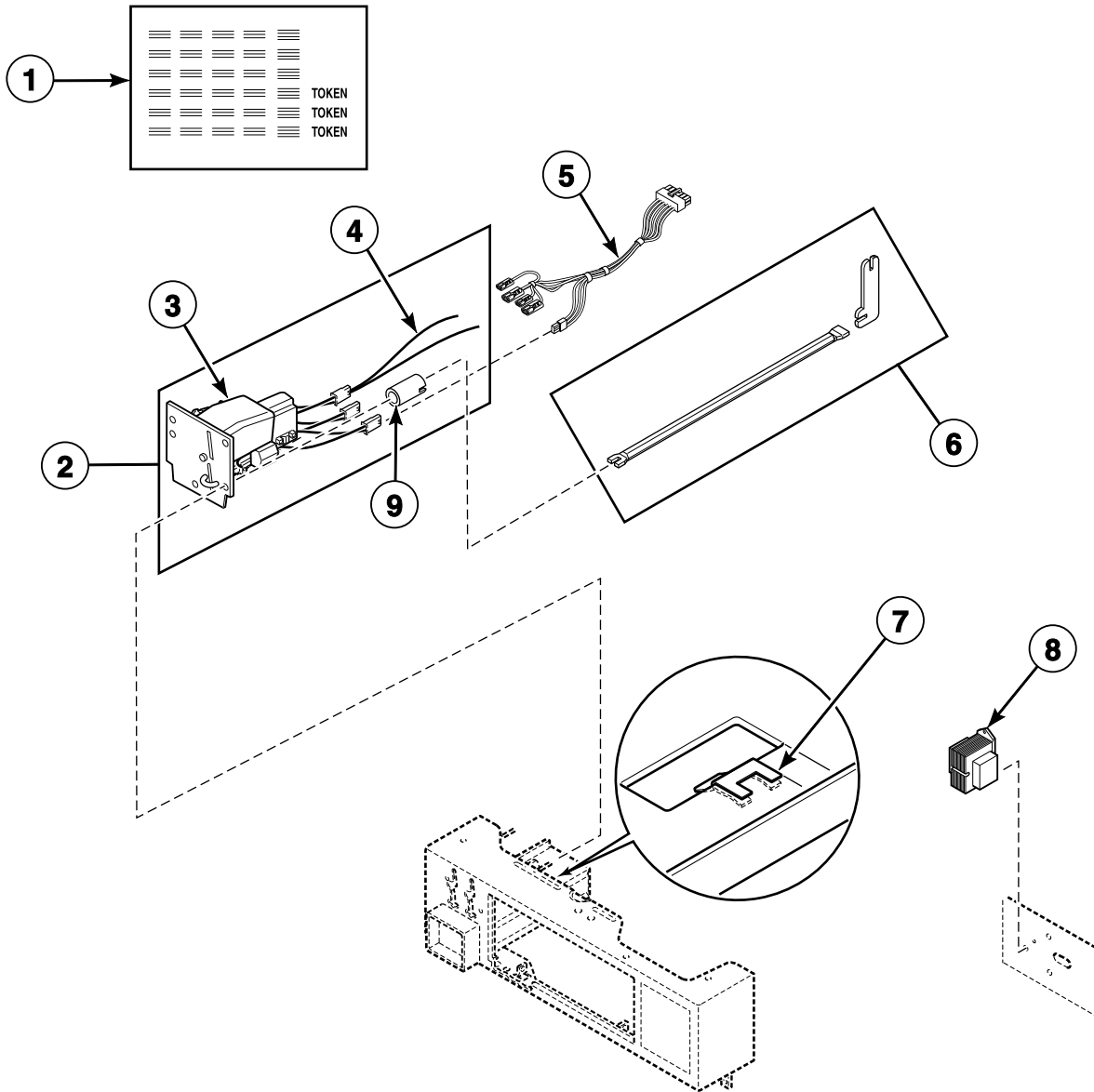
DRY2172P_513379

Non-Electronic Coin Drop - Front Control Models

REF	PART NO.	DESCRIPTION	COMMENTS
1	38462P	Coin Drop Assembly	Token; 118-1 mzp
	38463	Coin Drop Assembly	Token; 118-5 mzp
	70441601P	Coin Drop	U.S.; \$.25
	38963P	Coin Drop	Token 118-16 not available; Replacement for 38963P Coin Drop only
2	802904P	Harness Assembly	
3	29786	Nut	
4	201595P	Wire Guard	Anti-stringing security device

Electronic Coin Drop - Front Control Models

Models SDELFCFGS171TW01, SDELFCFGW171TN01, SDELFCFSW171TN01, SDGLFCFGS111TW01, SDGLFCFGW111TN01 and SDGLCFSW111TN01



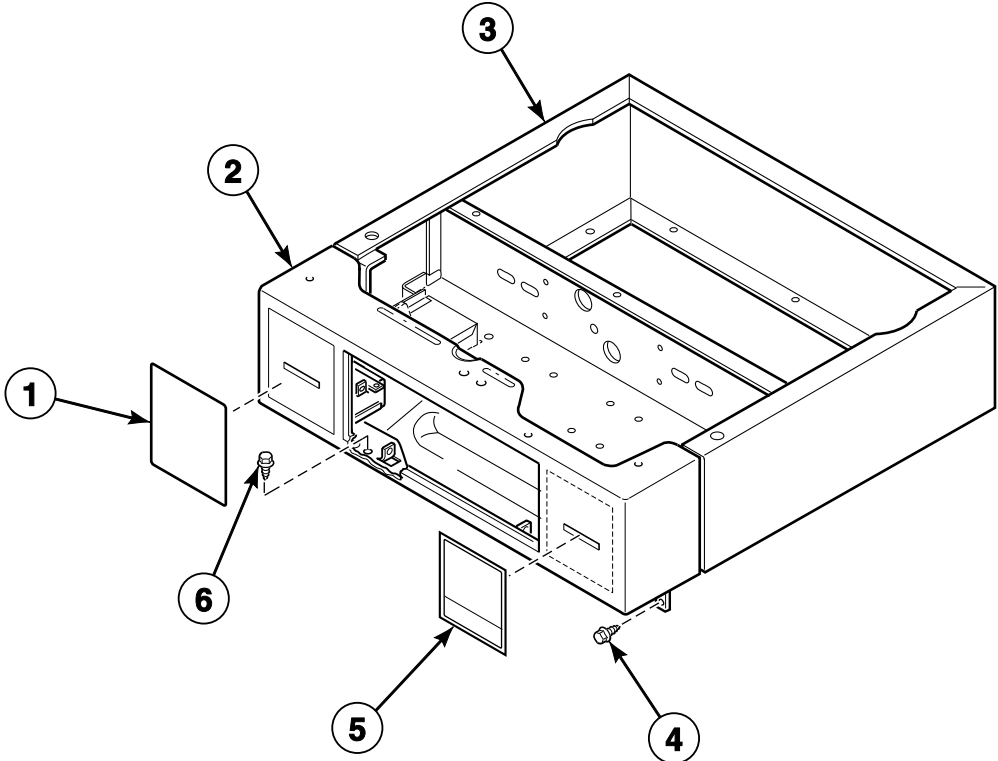
DRY2159P_513379

Electronic Coin Drop - Front Control Models

REF	PART NO.	DESCRIPTION	COMMENTS
1	38725	Coin Identification Paper	
2	CK113	Electronic Coin Drop Kit	Includes items 3-5; Japan and Taiwan coins
	CK115	Electronic Coin Drop Kit	Includes items 3-5; United States and Canada coins
3	70294114	Electronic Coin Drop Assembly	For use with item 2; Japan and Taiwan coins
	70294115	Electronic Coin Drop Assembly	For use with item 2; United States and Canada coins
4	201104	Coin Drop Wire Harness	
5	802905	Harness Assembly	If adding electronic coin drop this harness must be used
6	CK096	Mounting Tool Kit	
7	201572	Clip	
8	201375P	Transformer	If adding electronic coin drop this transformer must be used
9	201216	Nut	Slotted nut; Use with front assemblies with guide rods; Models through Serial No. 1007022688
	29786	Nut	Hex nut; Use on front assemblies without guide rods; Models starting Serial No. 1007022689

Control Cabinet Controls - Front Control Card Ready Models

Models SDELYFGS151TW01, SDELYFGS171TW01, SDELYFGW171TN01, SDELYFSW171TN01, SDGLYFGS111TW01, SDGLYFGS111TWNA, SDGLYFGW111TN01 and SDGLYFSW111TN01



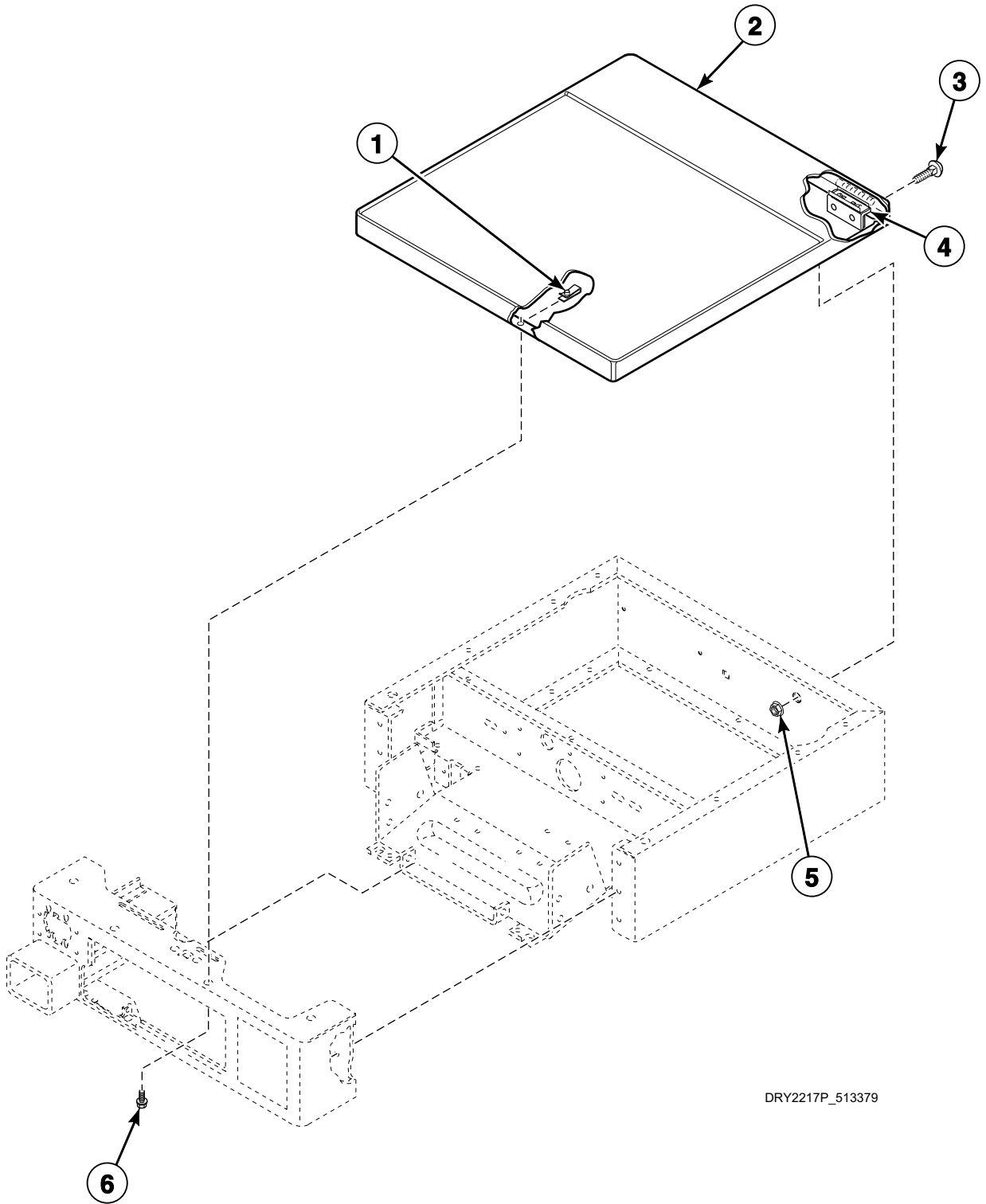
DRY2202P_513379

Control Cabinet Controls - Front Control Card Ready Models

REF	PART NO.	DESCRIPTION	COMMENTS
1	D511544	Card Insert Overlay	
2	D511209BP	Security Cabinet Front Assembly	Models SDELYFGW171TN01, SDELYFSW171TN01, SDGLYFGW111TN01 and SDGLYFSW111TN01
	D511209WP	Security Cabinet Front Assembly	White; All other models
	D511209Q	Security Cabinet Front Assembly	Bisque; All other models
3	D505753BP	Wrapper and Channel Assembly	Models SDELYFGW171TN01, SDELYFSW171TN01, SDGLYFGW111TN01 and SDGLYFSW111TN01
	D505753WP	Wrapper and Channel Assembly	White; All other models
	D505753QP	Wrapper and Channel Assembly	Bisque; All other models
4	D503688	Screw	
5	D504585	Instruction Overlay	
6	D502431	Screw	

Cabinet Top - Front Control Models

Models SDELCFGS171TW01, SDELCFGW171TN01, SDELCFSW171TN01, SDELYFGS151TW01, SDELYFGS171TW01, SDELYFGW171TN01, SDELYFSW171TN01, SDGLCFGS111TW01, SDGLCFGW111TN01, SDGLCFSW111TN01, SDGLYFGS111TW01, SDGLYFGS111TWNA, SDGLYFGW111TN01 and SDGLYFSW111TN01



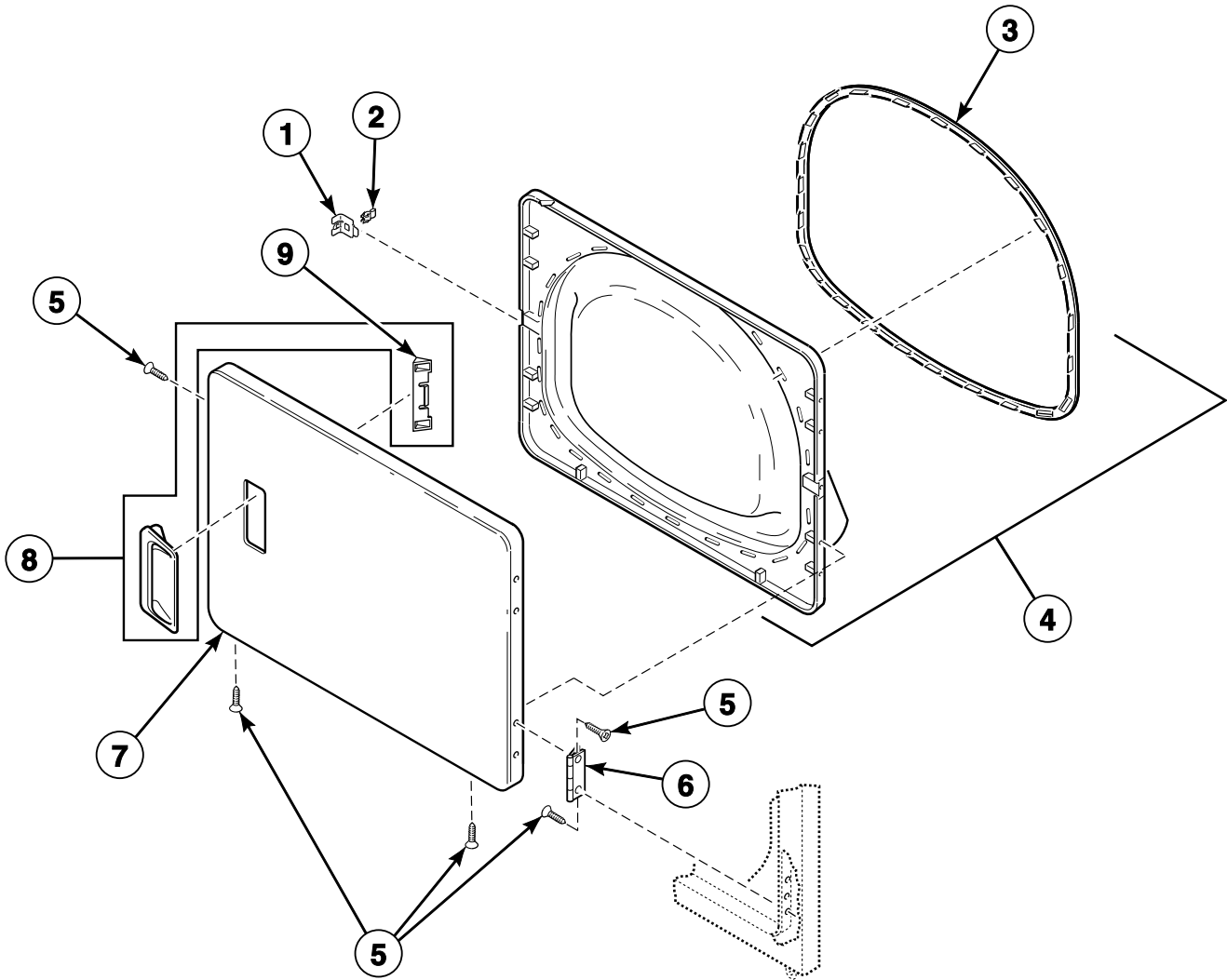
DRY2217P_513379

Cabinet Top - Front Control Models

REF	PART NO.	DESCRIPTION	COMMENTS
1	36020	Nut	
2	D512967	Stainless Steel Top	Models SDELCFSW171TN01, SDELYFSW171TN01, SDGLCFSW111TN01 and SDGLYFSW111TN01
	803144P	Top Kit	Includes 2 of item 1, 4 of items 3 and 5, 2 of 511036 Hinge and 4 each of 22649 Screw and 51236 Nut; Models SDELCFGW171TN01, SDELYFGW171TN01, SDGLCFGW111TN01 and SDGLYFGW111TN01
	802247WP	Top and Gusset Assembly	White; Includes item 4, 10 of 02788 Nut, 10 of 34337 Screw, 2 of 510146 Bracket and 2 of 511036 Hinge; All other models
	802247QP	Top and Gusset Assembly	Bisque; Includes item 4, 10 of 02788 Nut, 10 of 34337 Screw, 2 of 510146 Bracket and 2 of 511036 Hinge; All other models
3	29651	Bolt	
4	D504228	Top Mounting Bracket	
5	44087201	Nut	
6	23008	Screw	

Loading Door without Window

All Models Except SDELFCGW171TN01, SDELFCFSW171TN01, SDELYFGW171TN01, SDELYFSW171TN01, SDGLCFGW111TN01, SDGLCFSW111TN01, SDGLYFGW111TN01 and SDGLYFSW111TN01



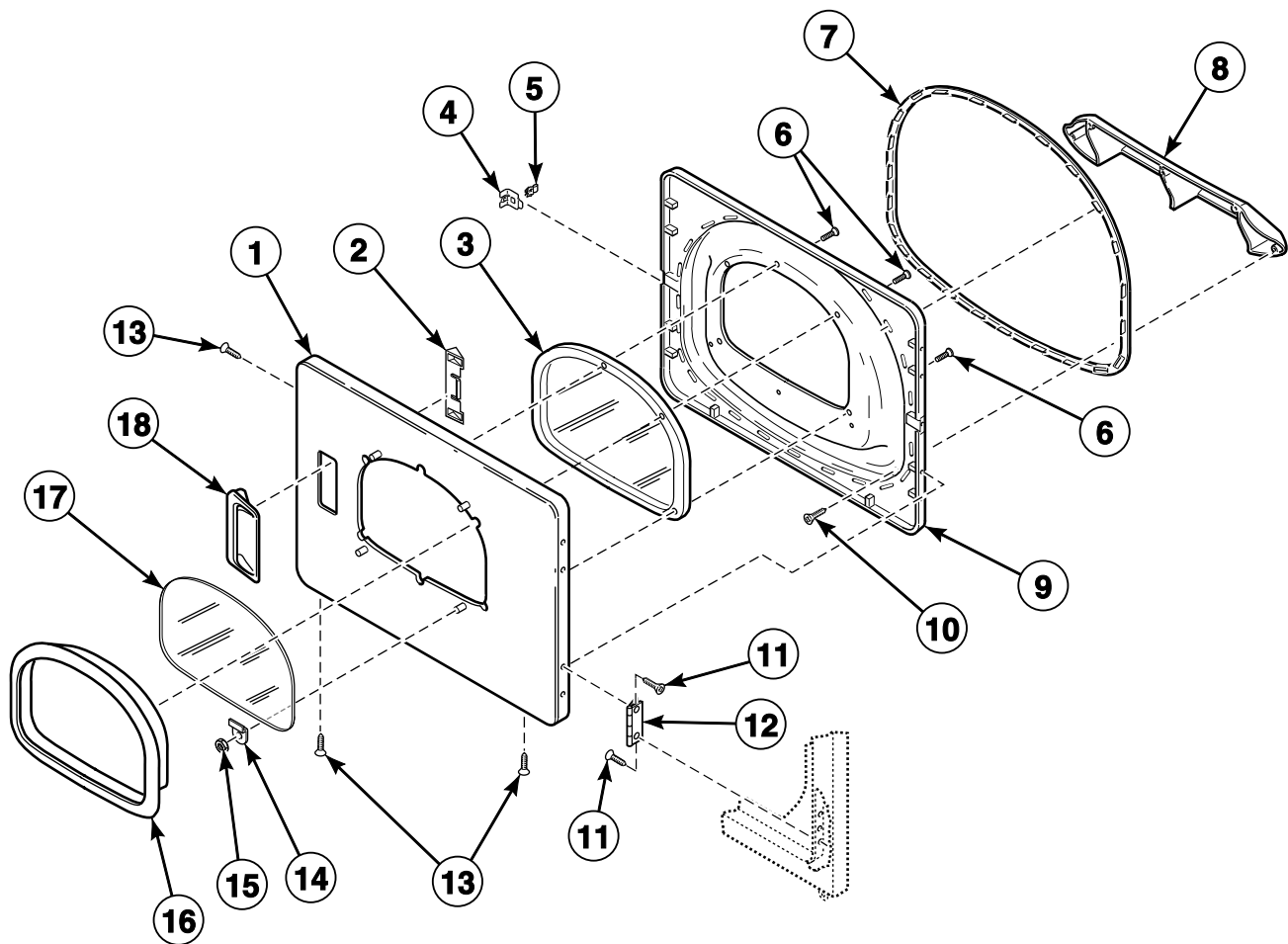
DRY1857P_513379

Loading Door without Window

REF	PART NO.	DESCRIPTION	COMMENTS
1	D510127	Door Strike Mount	
2	D510181	Door Strike	
3	D510147P	Liner Door Seal	
4	D510163WP	Liner, Seal and Grill Assembly	Models SDELCFGS171TW01, SDELCRGS151TW01, SDELCRGS171TW01, SDELCRGS171TW02, SDELXRGS171TW01, SDELXRGS171TW02, SDELYFGS151TW01, SDELYFGS171TW01, SDELYRGS151TW01 and SDELYRGS171TW01 through Serial No. 1303025314; All other models
	D513109P	Liner, Seal and Grill Assembly	Models SDELCFGS171TW01, SDELCRGS151TW01, SDELCRGS171TW01, SDELCRGS171TW02, SDELXRGS171TW01, SDELXRGS171TW02, SDELYFGS151TW01, SDELYFGS171TW01, SDELYRGS151TW01 and SDELYRGS171TW01 starting Serial No. 1303025315
5	D514461	Screw	
6	D511036	Hinge	
7	D510013WP	Dryer Door	White
	D510013QP	Dryer Door	Bisque
8	D510103WP	Door Pull and Wedge Kit	White; Includes item 9
	D510103QP	Door Pull and Wedge Kit	Bisque; Includes item 9
9	D510129	Door Handle Wedge	

Loading Door with Window

Models SDELCFGW171TN01, SDELCFSW171TN01, SDELYFGW171TN01, SDELYFSW171TN01, SDGLCFGW111TN01, SDGLCFSW111TN01, SDGLYFGW111TN01 and SDGLYFSW111TN01

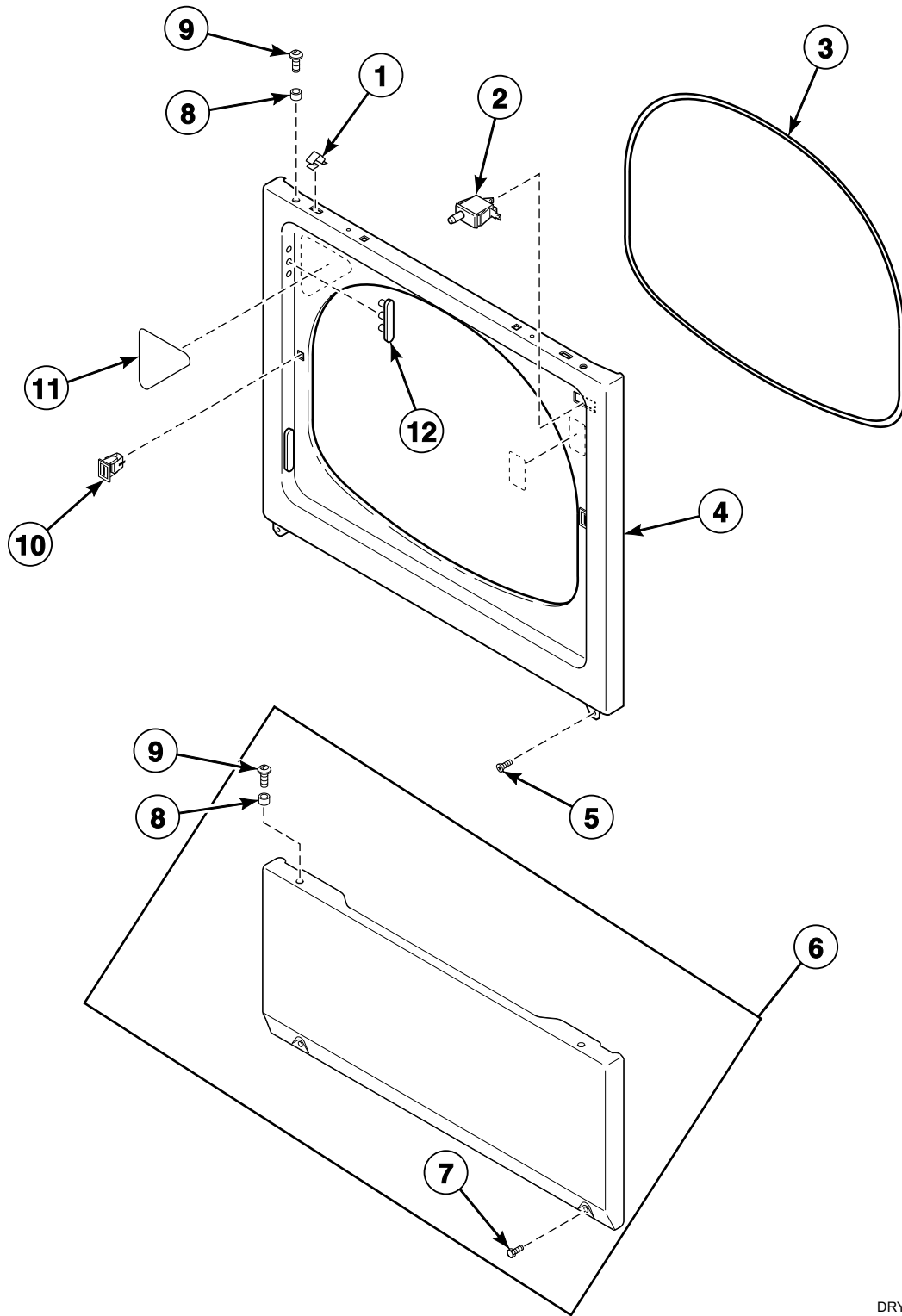


DRY2296P_513379

Loading Door with Window

REF	PART NO.	DESCRIPTION	COMMENTS
1	D514168	Dryer Door Assembly	Models SDELFCGW171TN01 and SDELYFGW171TN01 starting Serial No. 1303025315
	D513225	Dryer Door	Models SDELFCGW171TN01 and SDELYFGW171TN01 through Serial No. 1303025314; All other models
2	D510129	Door Handle Wedge	
3	D503982P	Dryer Door Window	
4	D510127	Door Strike Mount	
5	D510181	Door Strike	
6	D505870	Screw	
7	D510147P	Liner Door Seal	
8	D503870LG	Door Liner Grill	Includes items 7 and 9
9	D510098LG	Liner and Seal Assembly	Includes item 7
10	D505870	Screw	
11	D514461	Screw	
12	D511036	Hinge	
13	D500226	Screw	
14	D513958	Window Clip	Models SDELFCGW171TN01 and SDELYFGW171TN01 starting Serial No. 1303025315
15	44071201	Nut	Models SDELFCGW171TN01 and SDELYFGW171TN01 starting Serial No. 1303025315
16	D512633	Window Trim	Models SDELFCGW171TN01 and SDELYFGW171TN01 through Serial No. 1303025314; All other models
	D513959	Window Trim	Models SDELFCGW171TN01 and SDELYFGW171TN01 starting Serial No. 1303025315
17	D513910	Glass Door Window	Models SDELFCGW171TN01 and SDELYFGW171TN01 starting Serial No. 1303025315
18	D512947	Door Pull	

Access Panel, Front Panel and Seal

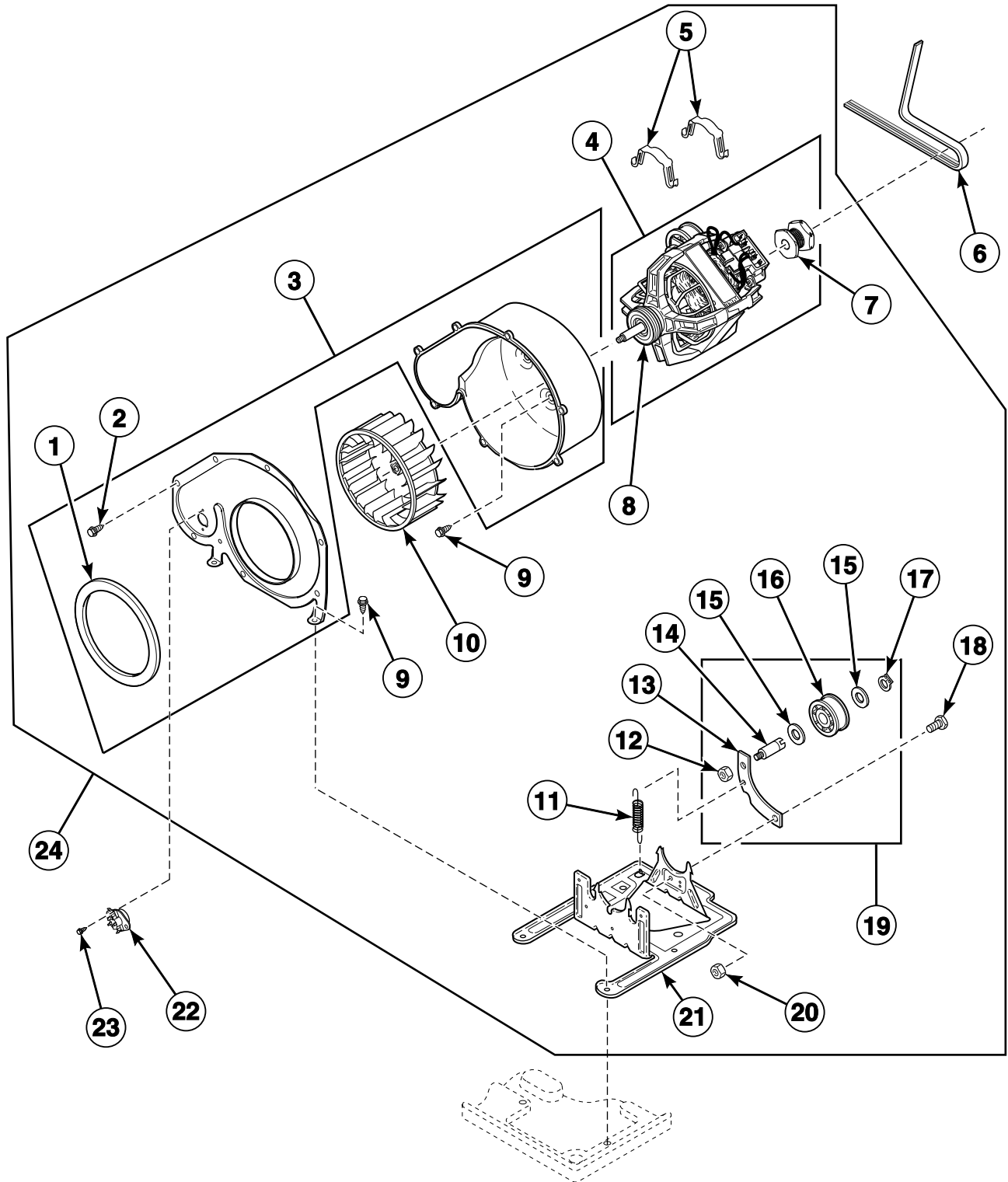


DRY1824P_513379

Access Panel, Front Panel and Seal

REF	PART NO.	DESCRIPTION	COMMENTS
1	28835	Speed Clip	1 per side
2	D512973	Switch	
3	D511056	Front Panel Seal	
4	D512542	Front Panel	Models SDELFCFGW171TN01, SDELFCFSW171TN01, SDELYFGW171TN01, SDELYFSW171TN01, SDGLCFGW111TN01, SDGLCFSW111TN01, SDGLYFGW111TN01 and SDGLYFSW111TN01
	D510066WP	Front Panel	White; All other models
	D510066QP	Front Panel	Bisque; All other models
5	M405188	Screw	Use with stainless steel side panels
	D503688	Screw	Use with painted side panels
6	D514251	Access Panel Assembly	Models SDELFCFGW171TN01 and SDELYFGW171TN01 through Serial No. 1303025314; Models SDELFCFSW171TN01, SDELYFSW171TN01, SDGLCFGW111TN01, SDGLCFSW111TN01, SDGLYFGW111TN01 and SDGLYFSW111TN01
	D514250WP	Access Panel Assembly	White; Models SDELFCFGS171TW01, SDELCRGS151TW01, SDELCRGS171TW01, SDELCRGS171TW02, SDELXRGs171TW01, SDELXRGs171TW02, SDELYFGS151TW01, SDELYFGS171TW01, SDELYRGS151TW01 and SDELYRGS171TW01 through Serial No. 1303025314; All other models
	D514250Q	Access Panel Assembly	Bisque; Models SDELFCFGS171TW01, SDELCRGS151TW01, SDELCRGS171TW01, SDELCRGS171TW02, SDELXRGs171TW01, SDELXRGs171TW02, SDELYFGS151TW01, SDELYFGS171TW01, SDELYRGS151TW01 and SDELYRGS171TW01 through Serial No. 1303025314; All other models
	D514253	Access Panel and Guard Assembly	Models SDELFCFGW171TN01 and SDELYFGW171TN01 starting Serial No. 1303025315
	D514252W	Access Panel and Guard Assembly	Models SDELCRGS151TW01, SDELCRGS171TW01, SDELCRGS171TW02, SDELXRGs171TW01, SDELXRGs171TW02, SDELYFGS151TW01, SDELYFGS171TW01 and SDELYRGS171TW01 starting Serial No. 1303025315
	D514252Q	Access Panel and Guard Assembly	Models SDELFCFGS171TW01, SDELCRGS151TW01, SDELCRGS171TW01, SDELCRGS171TW02, SDELXRGs171TW01, SDELXRGs171TW02, SDELYFGS151TW01, SDELYFGS171TW01, SDELYRGS151TW01 and SDELYRGS171TW01 starting Serial No. 1303025315
7	33562	Screw	Slotted hex head
	62853	Screw	Torx head; Optional for added security
8	56079	Panel Locator	1 per side
9	D512921	Screw	Models SDELFCFGW171TN01, SDELFCFSW171TN01, SDELYFGW171TN01, SDELYFSW171TN01, SDGLCFGW111TN01, SDGLCFSW111TN01, SDGLYFGW111TN01 and SDGLYFSW111TN01
	39733	Screw	1 per side; All other models
10	D510177	Door Catch Assembly	
11	D500281	Warning/Caution Label	
12	D510186	Hinge Hole Plug	

Motor, Exhaust Fan and Belt

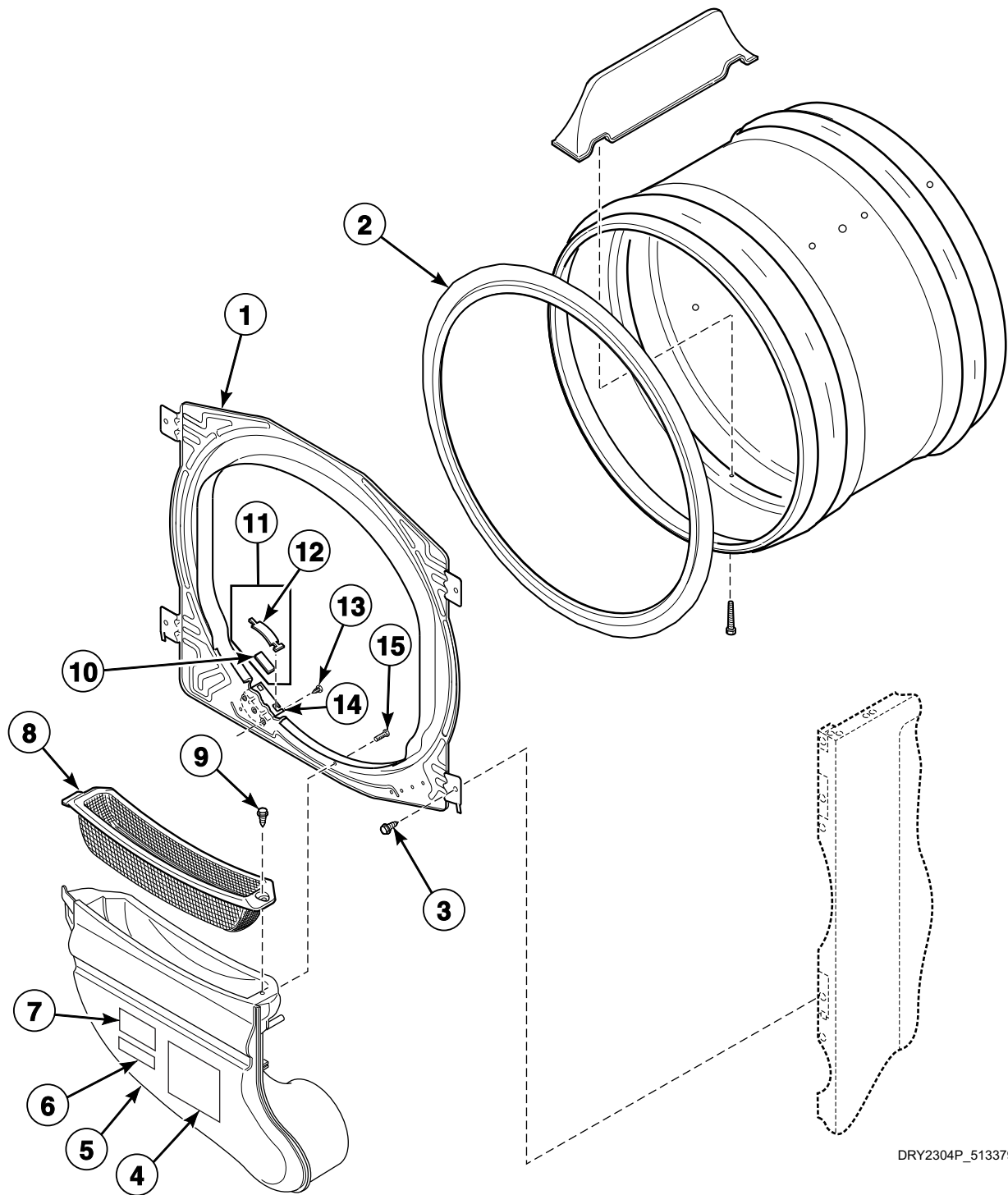


DRY2084P_513379

Motor, Exhaust Fan and Belt

REF	PART NO.	DESCRIPTION	COMMENTS
	27604P	Anti-Seize Compound	Apply to motor shaft when installing blower fan assembly
1	D510238P	Blower Housing Seal	
2	31260	Screw	
3	D511969WP	Blower Housing	Includes items 1 and 2
4	D511629P	Motor and Pulley Assembly	120 Volt/60 Hertz; Apply anti-seize compound to motor shaft when installing blower fan assembly; Includes items 7 and 8
5	D510180	Motor Mount Clamp	
6	D511255P	Cylinder Belt	
7	D500011	Motor Pulley	60 Hertz
8	590P3	Motor Hub Ring Kit	
9	D503688	Screw	
10	D510139P	Blower Fan Assembly	Apply anti-seize compound to motor shaft when installing blower fan assembly
11	D510185	Idler Spring	
12	56156	Nut	
13	D510133	Idler Lever	
14	56461P	Shaft	
15	52549	Washer	
16	D510142P	Idler Wheel and Bearing Assembly	
17	23748	Retaining Ring	
18	D500824	Screw	
19	D510158	Idler Lever and Wheel Assembly	Includes items 12-17
20	52566	Nut	
21	D510060	Motor Mount	
22	D510523	Thermistor Assembly	Black
23	D502535	Screw	
24	D510717P	Blower and Fan Kit	Includes items 1-5 and 7-21

Front Bulkhead, Air Duct and Felt Seal

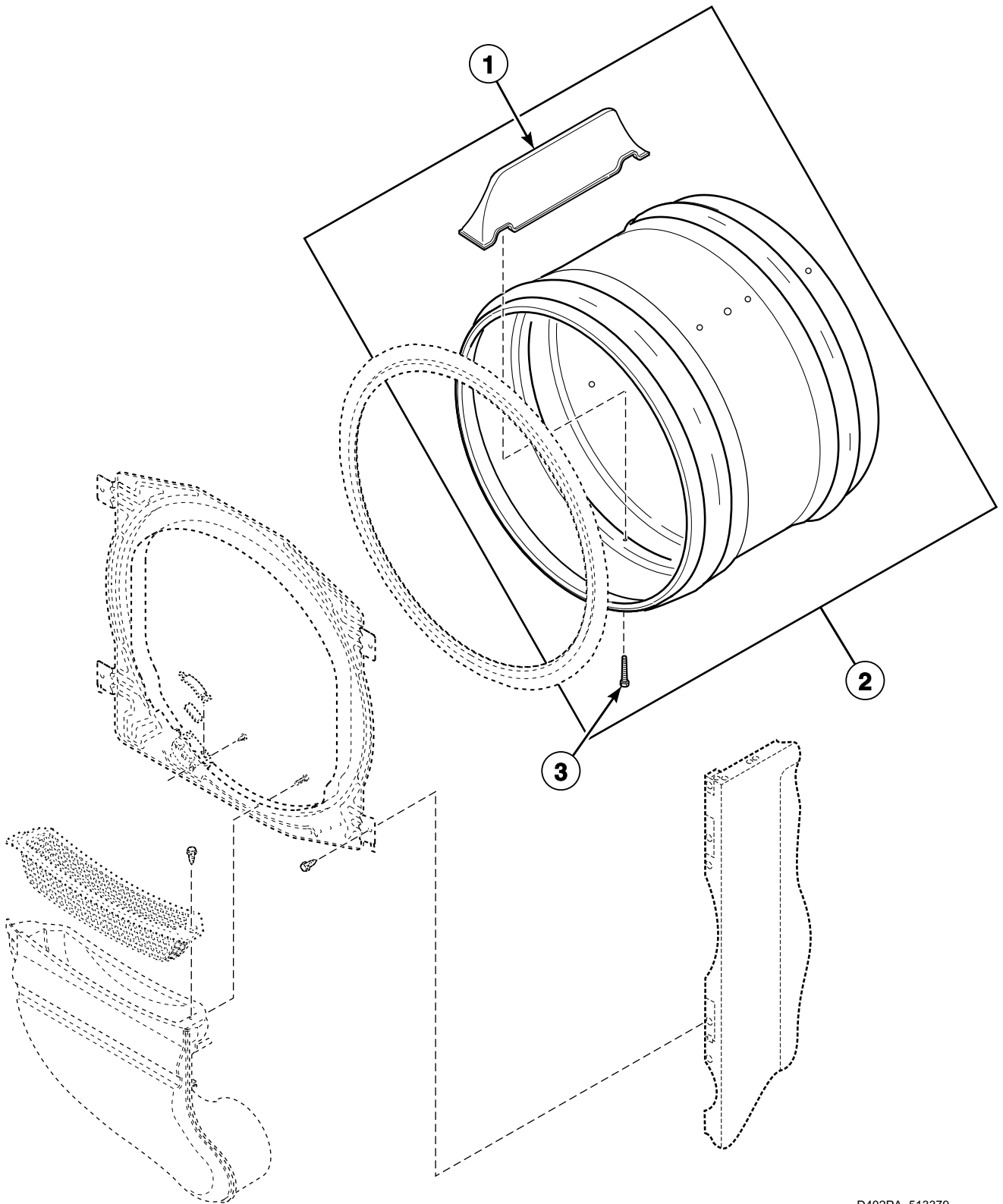


DRY2304P_513379

Front Bulkhead, Air Duct and Felt Seal

REF	PART NO.	DESCRIPTION	COMMENTS
1	D510266P	Front Bulkhead Assembly	Unpainted; Includes item 2 and 7-10
2	D510207P	Cylinder Seal Assembly	
	D511637P	Adhesive	Apply to cylinder seal
	RB170001	Seal Kit	Includes 2 cylinder seals, 510238P Blower Housing Seal and 511637P Adhesive
3	M405188	Screw	Use with stainless steel side panels
	D503688	Screw	Use with painted side panels
4	D511004	Gas Clearance Label	Gas models
5	D510151LG	Air Duct Assembly	Models SDELCFGS171TW01, SDELCRGS151TW01, SDELCRGS171TW01, SDELCRGS171TW02, SDELXRGs171TW01, SDELXRGs171TW02, SDELYFGS151TW01, SDELYFGS171TW01, SDELYRGS151TW01 and SDELYRGS171TW01 starting Serial No. 1303025315; Models SDELFCFGW171TN01, SDELFCFSW171TN01, SDELYFGW171TN01, SDELYFSW171TN01, SDGLCFGW111TN01, SDGLCFSW111TN01, SDGLYFGW111TN01 and SDGLYFSW111TN01
	D510151W	Air Duct Assembly	Models SDELCFGS171TW01, SDELCRGS151TW01, SDELCRGS171TW01, SELCRGS171TW02, SDELXRGs171TW01, SDELXRGs171TW02, SDELYFGS151TW01, SDELYFGS171TW01, SDELYRGS151TW01 and SDELYRGS171TW01 through Serial No. 1303025314; All other models
6	61294	Fuse Notice Label	Electric models
7	D500049	Warning Label	
8	D503980LG	Lint Filter	Models SDELCFGS171TW01, SDELCRGS151TW01, SDELCRGS171TW01, SDELCRGS171TW02, SDELXRGs171TW01, SDELXRGs171TW02, SDELYFGS151TW01, SDELYFGS171TW01, SDELYRGS151TW01 and SDELYRGS171TW01 starting Serial No. 1303025315; Models SDELFCFGW171TN01, SDELFCFSW171TN01, SDELYFGW171TN01, SDELYFSW171TN01, SDGLCFGW111TN01, SDGLCFSW111TN01, SDGLYFGW111TN01 and SDGLYFSW111TN01
	D503980W	Lint Filter	Models SDELCFGS171TW01, SDELCRGS151TW01, SDELCRGS171TW01, SELCRGS171TW02, SDELXRGs171TW01, SDELXRGs171TW02, SDELYFGS151TW01, SDELYFGS171TW01, SDELYRGS151TW01 and SDELYRGS171TW01 through Serial No. 1303025314; All other models
9	D501285	Screw	
10	D510189	Felt Pad	1 per side
11	RB170003	Glide Kit	Includes 2 of items 7 and 9
12	D513710	Cylinder Glide	1 per side
13	52864	Screw	2 per side
14	D510145	Cylinder Glide Bracket	1 per side
15	D514461	Screw	1 per side

Cylinder Assembly

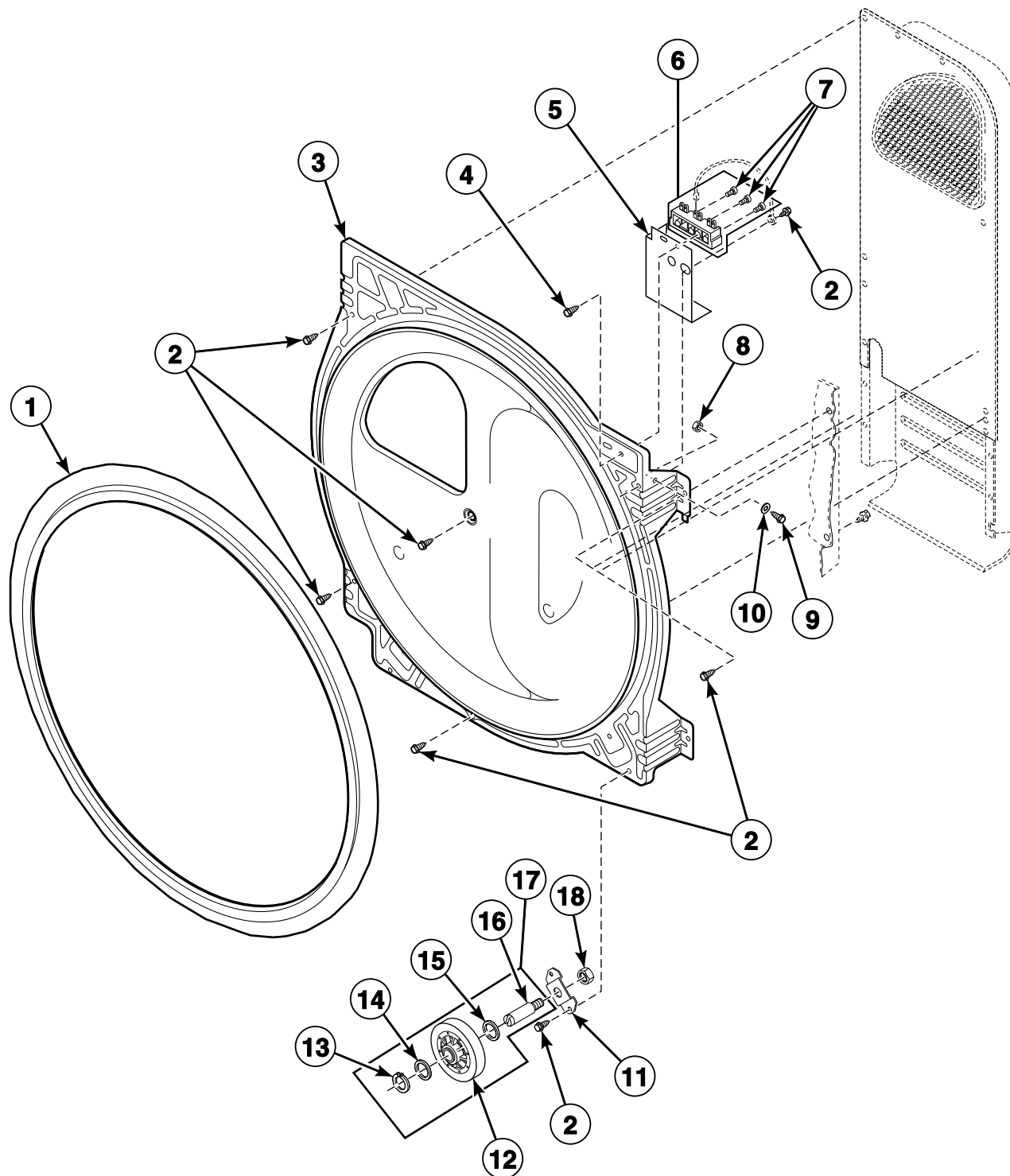


D402PA_513379

Cylinder Assembly

REF	PART NO.	DESCRIPTION	COMMENTS
1	D510102LG	Cylinder Baffle	Models SDELFCFGS171TW01, SDELCRGS151TW01, SDELCRGS171TW01, SDELCRGS171TW02, SDELXRGs171TW01, SDELXRGs171TW02, SDELYFGS151TW01, SDELYFGS171TW01, SDELYRGS151TW01 and SDELYRGS171TW01 starting Serial No. 1303025315; Models SDELFCFGW171TN01, SDELFCFSW171TN01, SDELYFGW171TN01, SDELYFSW171TN01, SDGLCFGW111TN01, SDGLCFSW111TN01, SDGLYFGW111TN01 and SDGLYFSW111TN01
	D510102W	Cylinder Baffle	Models SDELFCFGS171TW01, SDELCRGS151TW01, SDELCRGS171TW01, SDELCRGS171TW02, SDELXRGs171TW01, SDELXRGs171TW02, SDELYFGS171TW01, SDELYRGS151TW01 and SDELYRGS171TW01 SDELFCFGS171TW01, SDELCRGS151TW01, SDELCRGS171TW01, SDELCRGS171TW02, SDELXRGs171TW01, SDELXRGs171TW02, SDELYFGS151TW01, SDELYFGS171TW01, SDELYRGS151TW01 and SDELYRGS171TW01 through Serial No. 1303025314; All other models
2	D510265LGP	Cylinder Assembly	Galvanized; Includes 3 of item 1 and 6 of item 3; Models SDELFCFGS171TW01, SDELCRGS151TW01, SDELCRGS171TW01, SDELCRGS171TW02, SDELXRGs171TW01, SDELXRGs171TW02, SDELYFGS151TW01, SDELYFGS171TW01, SDELYRGS151TW01 and SDELYRGS171TW01 starting Serial No. 1303025315; Models SDELFCFGW171TN01, SDELYFGW171TN01, SDGLCFGW111TN01 and SDGLYFGW111TN01
	D505929LGP	Cylinder Assembly	Stainless steel; Includes 3 of item 1 and 6 of item 3; Models SDELFCFSW171TN01, SDELYFSW171TN01, SDGLCFSW111TN01 and SDGLYFSW111TN01
	D510265WP	Cylinder Assembly	Galvanized; Includes 3 of item 1 and 6 of item 3; Models SDELFCFGS171TW01, SDELCRGS151TW01, SDELCRGS171TW01, SDELCRGS171TW02, SDELXRGs171TW01, SDELXRGs171TW02, SDELYFGS171TW01, SDELYRGS151TW01 and SDELYRGS171TW01 SDELFCFGS171TW01, SDELCRGS151TW01, SDELCRGS171TW01, SDELCRGS171TW02, SDELXRGs171TW01, SDELXRGs171TW02, SDELYFGS151TW01, SDELYFGS171TW01, SDELYRGS151TW01 and SDELYRGS171TW01 through Serial No. 1303025314; All other models
3	62588	Screw	

Rear Bulkhead, Felt Seal, Cylinder Roller and Terminal Block

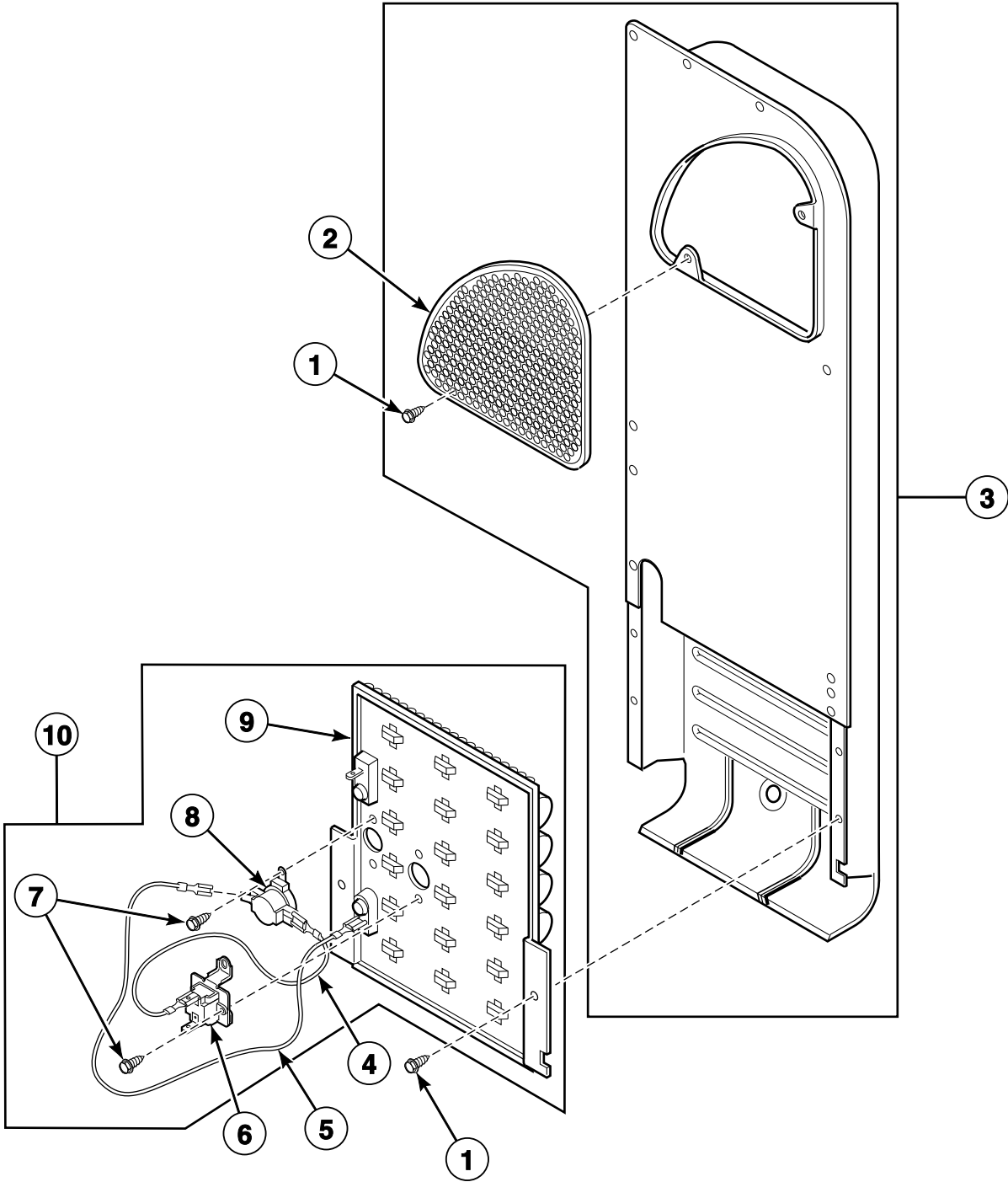


DRY1774P_513379

Rear Bulkhead, Felt Seal, Cylinder Roller and Terminal Block

REF	PART NO.	DESCRIPTION	COMMENTS
1	D510207P	Cylinder Seal Assembly	
	D511637P	Adhesive	Apply to cylinder seal
	RB170001	Seal Kit	Includes 2 cylinder seals, 510238P Blower Housing Seal and 511637P Adhesive
2	M405188	Screw	Models SDELCFSW171TN01, SDELYFSW171TN01, SDGLCFSW111TN01 and SDGLYFSW111TN01
	D503688	Screw	All other models
3	D505246	Rear Bulkhead Assembly	Stainless steel; Includes item 1; Models SDELCFSW171TN01, SDELYFSW171TN01, SDGLCFSW111TN01 and SDGLYFSW111TN01
	D511082P	Rear Bulkhead Assembly	Galvanized; Includes item 1; All other models
4	D501285	Screw	Electric models
5	D505768	Terminal Block Shield	Models SDELCRGS151TW01, SDELCRGS171TW01, SDELCRGS171TW02, SDELCRGS171TWNA, SDELXRG171TW01, SDELXRG171TW02, SDELYRGS151TW01 and SDELYRGS171TW01
	D510237	Terminal Block Shield	Models SDELCFGS171TW01, SDELCFGW171TN01, SDELCFSW171TN01, SDELYFGS151TW01, SDELYFGS171TW01, SDELYFGW171TN01 and SDELYFSW171TN01
6	D510190P	Terminal Block Assembly	Includes 3 of item 7; Electric models
7	61199	Screw	
8	28447	Nut	
9	28448	Screw	
10	28449	Washer	
11	D510100	Cylinder Roller Bracket	
12	D510708P	Cylinder Roller	
13	23748	Retaining Ring	
14	52549	Washer	
15	D504082	Washer	
16	56461P	Shaft	
17	RB170002	Roller Kit	Includes items 12-16
18	56156	Nut	

Heater Duct and Element Assembly - Electric Model Dryers

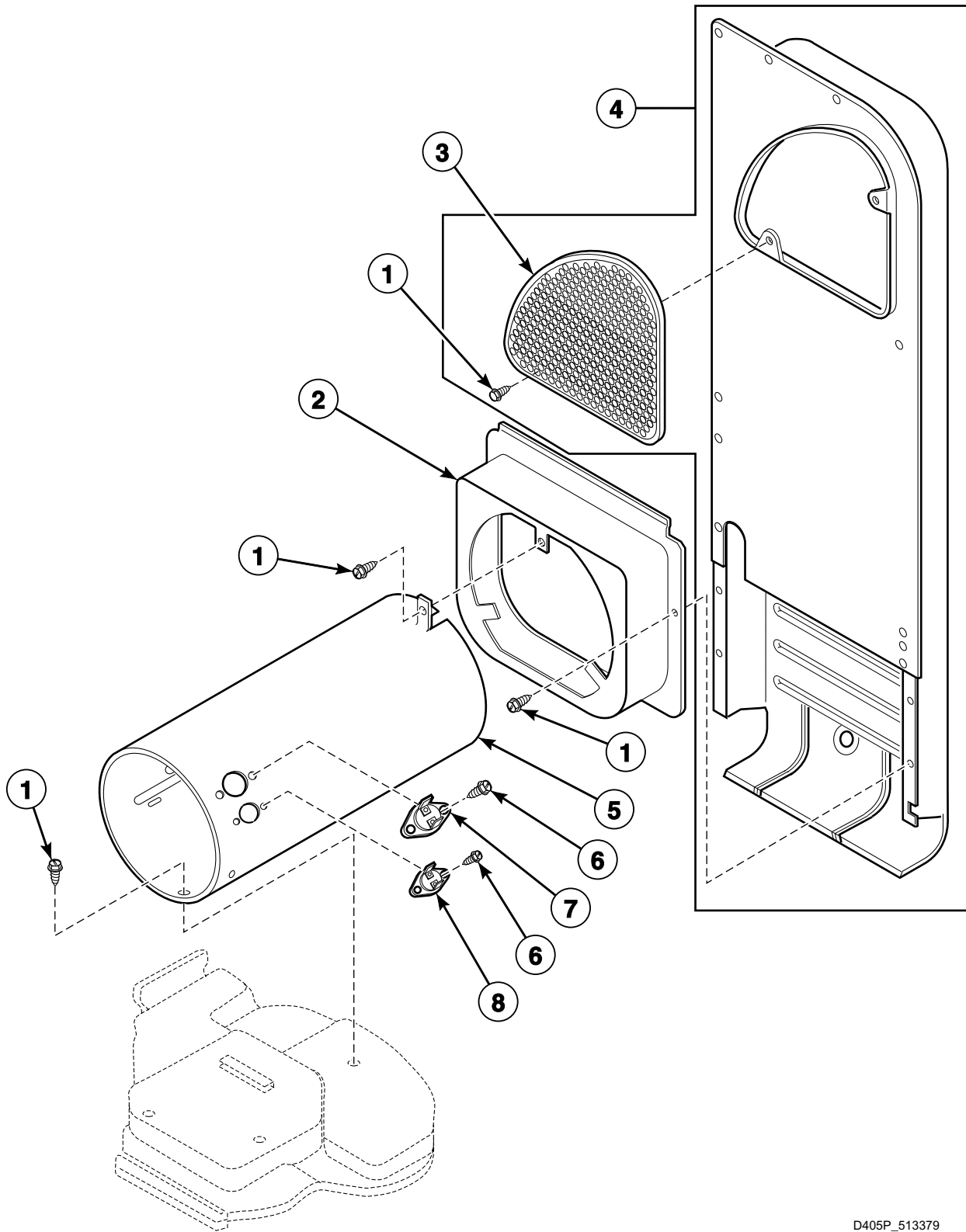


DRY1789P_513379

Heater Duct and Element Assembly - Electric Model Dryers

REF	PART NO.	DESCRIPTION	COMMENTS
1	D503688	Screw	
2	D500820	Outlet Cover	
3	D510025P	Heater Duct and Screw Assembly	Includes items 1 and 2
4	D510528	Wire Assembly	Orange; Thermostat jumper; Attaches to heater assembly
5	D510527	Wire Assembly	Black; Fuse jumper; Attaches to heater assembly
6	D511412	Thermal Fuse Assembly	
7	23222	Screw	
8	D510701	Limit Thermostat	
9	D510325P	Heater	4.75 kW; 208 Volt; Models SDELCRGS151TW01, SDELYFGS151TW01 and SDELYRGS151TW01
	D510329P	Heater Assembly	5.35 kW; 240 Volt; All other models
10	61928	Heater Kit Assembly	4.75 kW; 208 Volt
	964P3	Heater Kit	5.35 kW; 240 Volt

Heater Duct Assembly - Gas Model Dryers



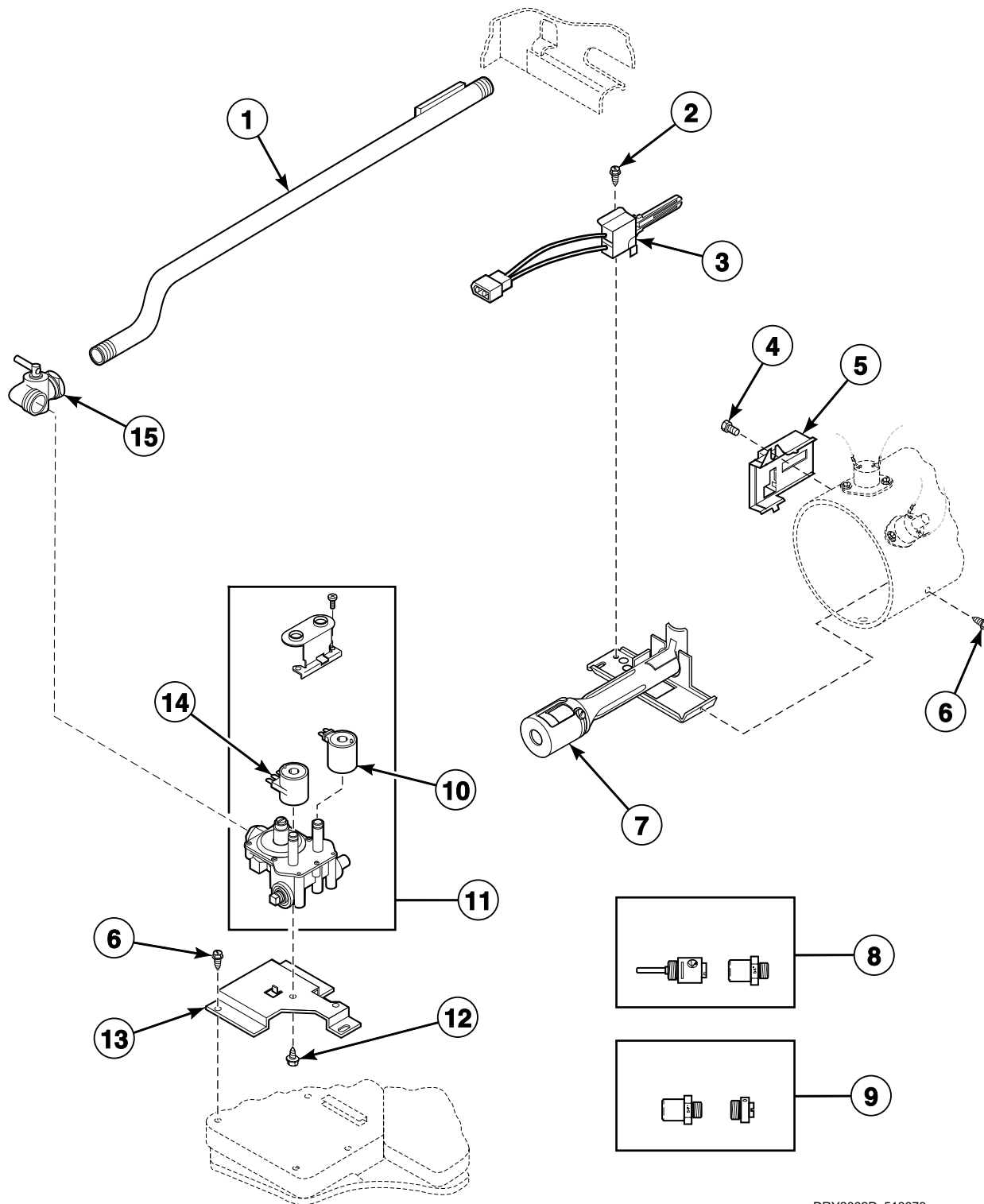
D405P_513379

Heater Duct Assembly - Gas Model Dryers

REF	PART NO.	DESCRIPTION	COMMENTS
1	D503688	Screw	
2	D510101	Heat Duct Shroud	
3	D500820	Outlet Cover	
4	D510025P	Heater Duct and Screw Assembly	Includes items 1 and 3
5	D510132	Combustion Duct	
6	51782	Screw	
7	D510702	Limit Thermostat	Black; Auto reset
8	D510703	Thermostat	

Gas Valve, Igniter and Gas Conversion Kits

Gas Models



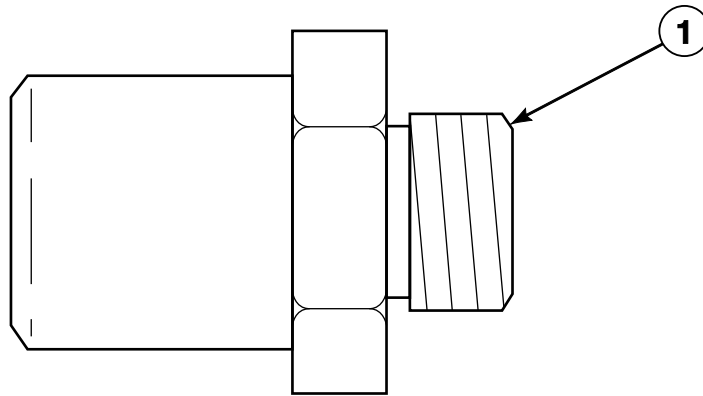
DRY2062P_513379

Gas Valve, Igniter and Gas Conversion Kits

REF	PART NO.	DESCRIPTION	COMMENTS
1	D510204	Lead-In Pipe Assembly	
2	51782	Screw	
3	D510184P	Igniter and Bracket Assembly	
4	23222	Screw	
5	D510213	Sensor	
6	D503688	Screw	
7	D510149P	Burner Assembly	
8	458P3	L.P. Conversion Kit	Used to convert dryers from Natural Gas (N.G.) or Mixed Gas to Liquid Petroleum Gas (L.P.) for 25,000 Btu
9	459P3	N.G. Conversion Kit	Used to convert dryers from L.P. to N.G. or Mixed Gas for 25,000 Btu
10	58804B	Secondary Coil	
11	60353P	Gas Valve Assembly	25,000 Btu; Includes items 10 and 14
12	56124	Screw	
13	D510128	Gas Valve Mounting Bracket	
14	58804A	Booster and Holding Coil	
15	D510205	Elbow Shut-Off Valve	

Burner Orifice Spuds - For Higher Elevations

Gas Models

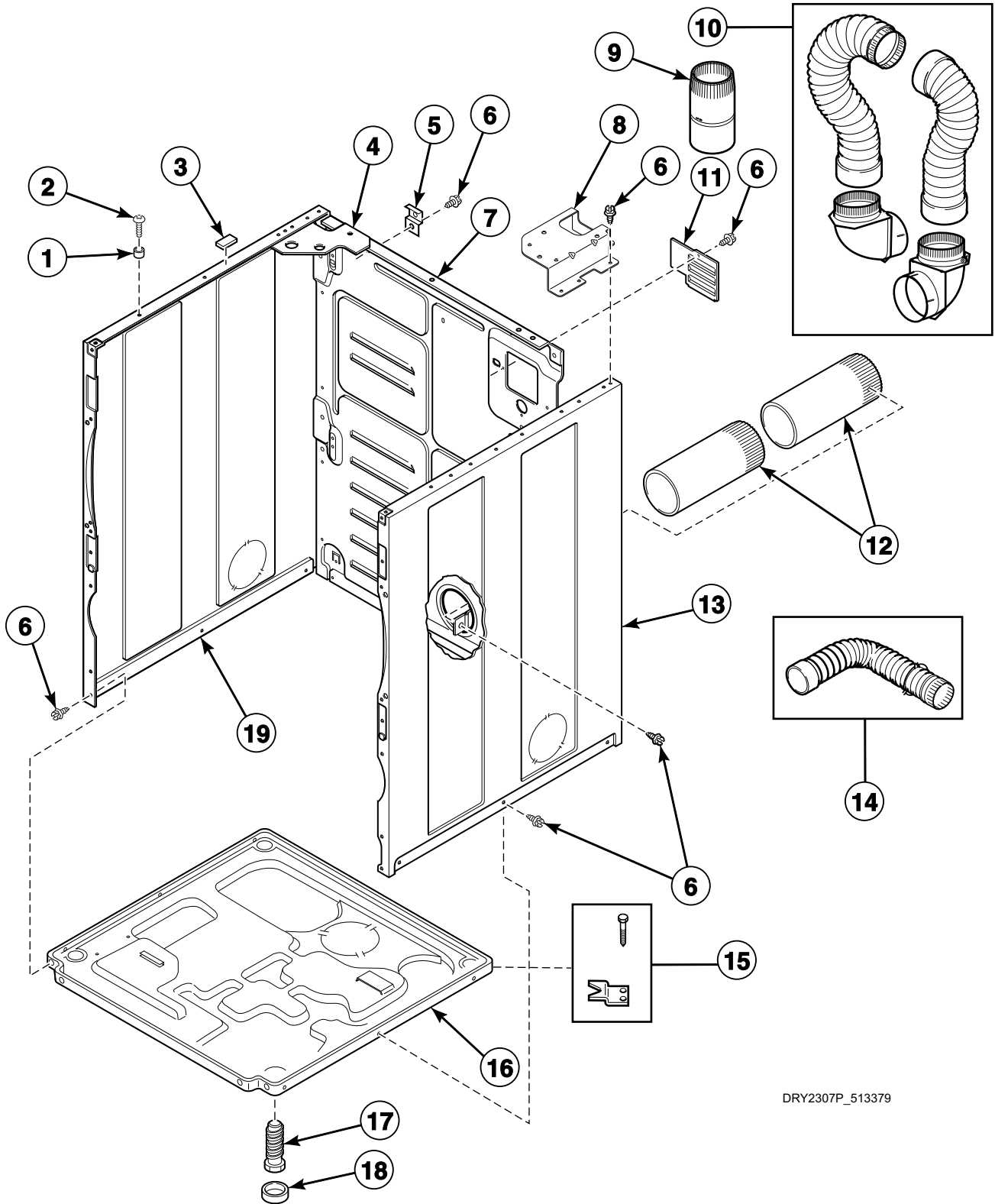


DRY2266P_513379

Burner Orifice Spuds - For Higher Elevations

REF	PART NO.	DESCRIPTION	COMMENTS
1	58755	L.P. Orifice	Liquid Petroleum Gas (L.P.); 7500-10999 feet (2290-3354 m)
	D503786	L.P. Orifice	L.P.; 11000 feet (3355 m) and higher
	D503776	N.G. Orifice	Natural Gas (N.G.); 2000-2999 feet (610-914 m)
	D510517	N.G. Orifice	N.G.; 3000-5499 feet (915-1679 m)
	D503778	N.G. Orifice	N.G.; 5500-6999 feet (1680-2134 m)
	58719	Screw Orifice	N.G.; 7000-8999 feet (2135-2744 m)
	D503779	N.G. Orifice	N.G.; 9000-10499 feet (2745-3199 m)
	D503780	N.G. Orifice	N.G.; 10500 feet (3200 m) and higher

Cabinet, Exhaust Duct and Base

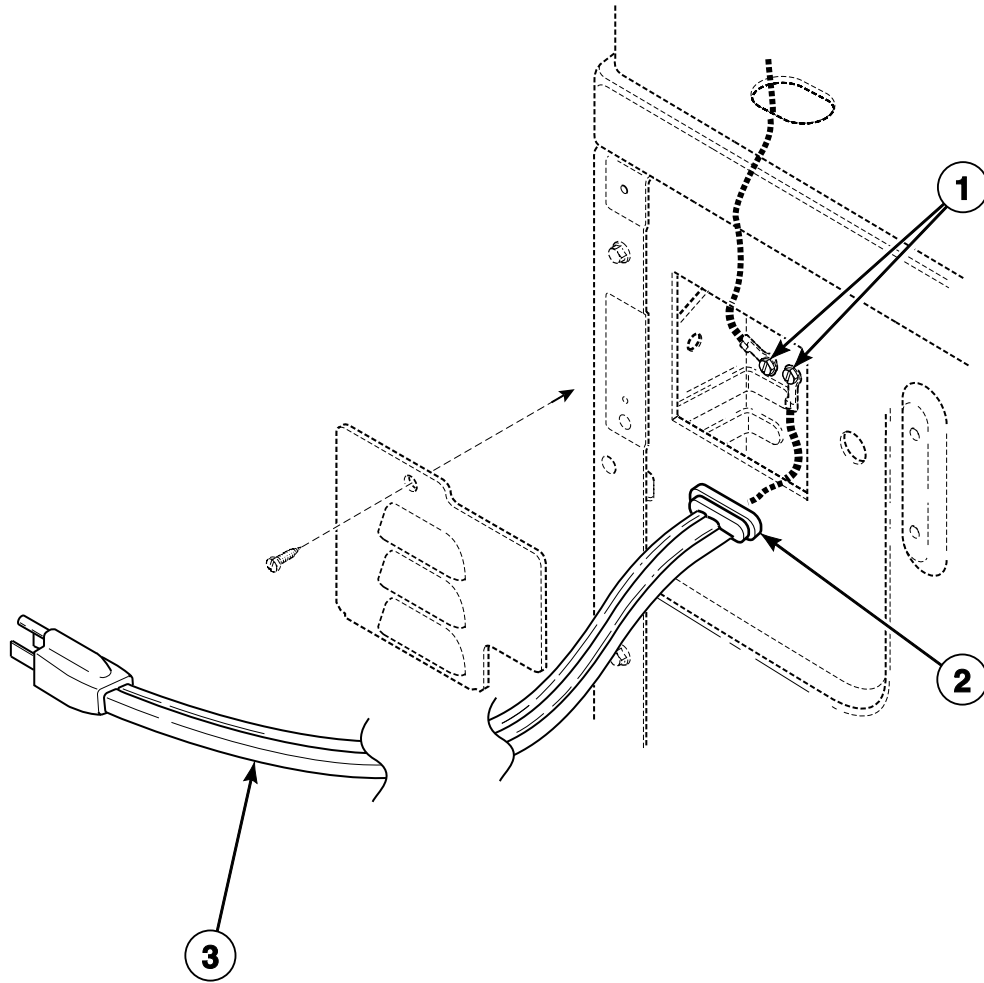


DRY2307P_513379

Cabinet, Exhaust Duct and Base

REF	PART NO.	DESCRIPTION	COMMENTS
1	56079	Panel Locator	
2	D512921	Screw	Use with stainless steel side panels
	39733	Screw	Use with painted side panels
3	56128	Bumper Pad	
4	D510337	Frame Gusset	
5	D510136	Top Hinge	
6	D503688	Screw	
7	D510005P	Cabinet Rear Panel	
8	547P3	Coin Cabinet Hardware Kit	
9	58786	Damper	Use when connecting to a manifold vent system
10	521P3	Flexible Venting Kit	
11	D510903	Access Panel Plate	
12	D510137	Exhaust Duct	Each dryer requires 2 pieces
13	D512952	Cabinet Side Panel	Right; Stainless steel; Models SDELFCFGW171TN01, SDELFCFSW171TN01, SDELYFGW171TN01, SDELYFSW171TN01, SDGLCFGW111TN01, SDGLCFSW111TN01, SDGLYFGW111TN01 and SDGLYFSW111TN01
	D510002GP	Cabinet Side Panel	Right; Gray; Models SDELFCFGW171TN01, SDELFCFSW171TN01, SDELYFGW171TN01, SDELYFSW171TN01, SDGLCFGW111TN01, SDGLCFSW111TN01, SDGLYFGW111TN01 and SDGLYFSW111TN01
	D510002WP	Cabinet Side Panel	White; Right; All other models
	D510002QP	Cabinet Side Panel	Bisque; Right; All other models
14	528P3	Directional Exhaust Kit	Used to vent dryer out the sides or bottom
15	526P3	Hold Down Kit	For mobile home installations
16	D513901	Dryer Base	
17	D510135	Leveling Leg	
18	D501855	Rubber Foot	
19	D512951	Cabinet Side Panel	Left; Stainless steel; Models SDELFCFGW171TN01, SDELFCFSW171TN01, SDELYFGW171TN01, SDELYFSW171TN01, SDGLCFGW111TN01, SDGLCFSW111TN01, SDGLYFGW111TN01 and SDGLYFSW111TN01
	D510001GP	Cabinet Side Panel	Left; Gray; Models SDELFCFGW171TN01, SDELFCFSW171TN01, SDELYFGW171TN01, SDELYFSW171TN01, SDGLCFGW111TN01, SDGLCFSW111TN01, SDGLYFGW111TN01 and SDGLYFSW111TN01
	D510001WP	Cabinet Side Panel	White; Left; All other models
	D510001QP	Cabinet Side Panel	Bisque; Left; All other models

Power Cord

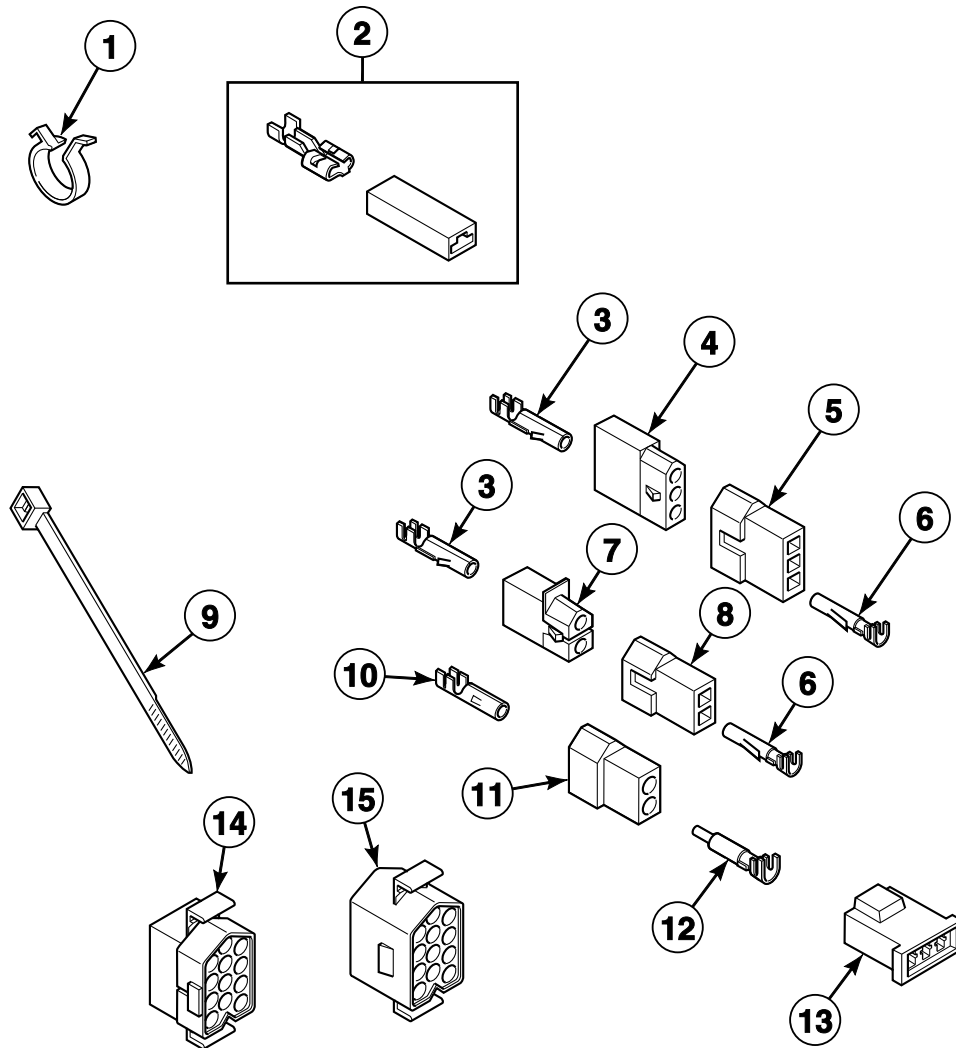


DRY1879P_513379

Power Cord

REF	PART NO.	DESCRIPTION	COMMENTS
1	D513071	Screw	Models SDELCFSW171TN01, SDELYFSW171TN01, SDGLCFSW111TN01 and SDGLYFSW111TN01
	20530	Screw	All other models
2	38384	Strain Relief	Gas models
3	56222	Lead-In Cord	Gas models

Terminal Block and Terminals (Drawing 1 of 2)

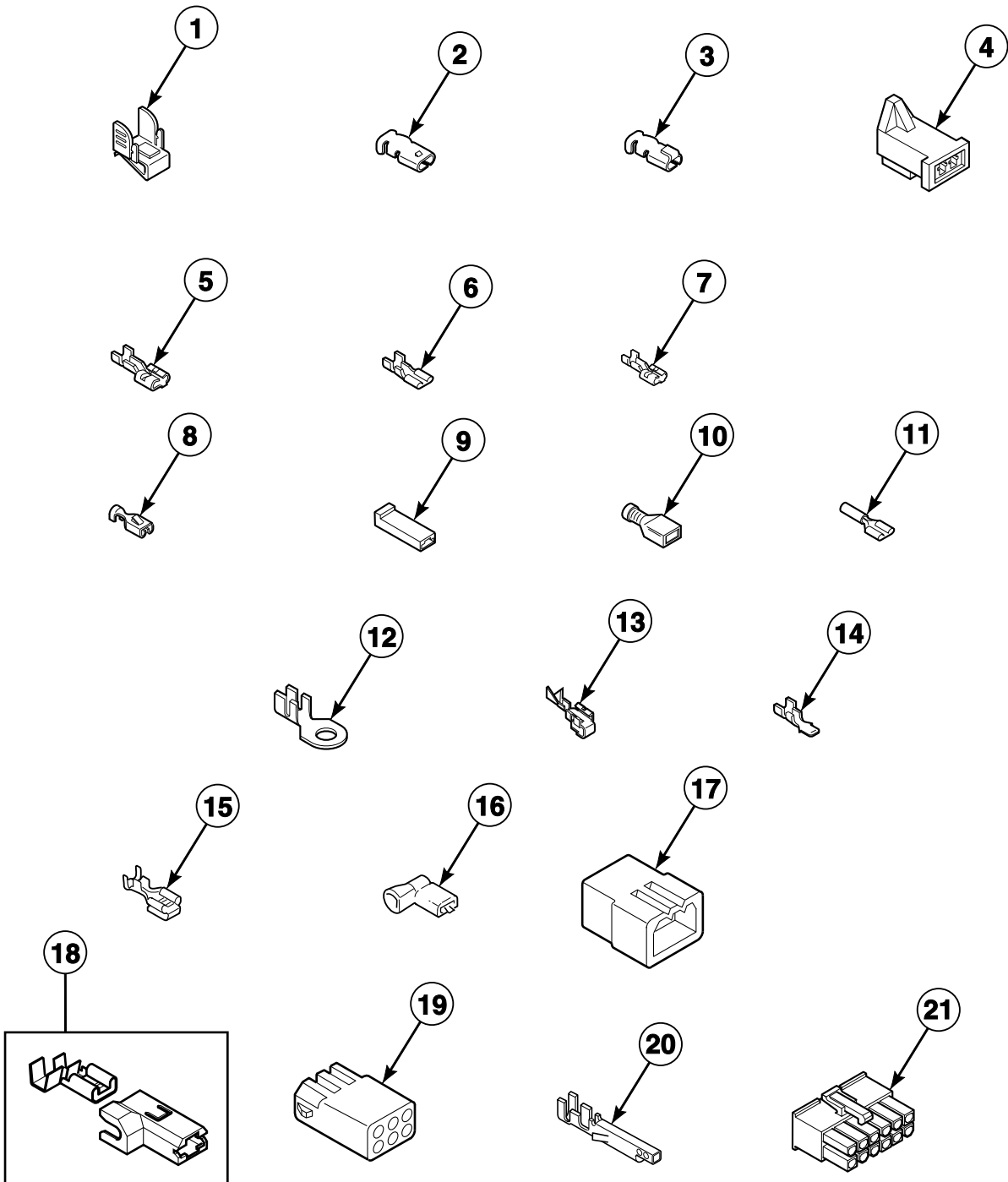


DRY2038P_513379

Terminal Block and Terminals (Drawing 1 of 2)

REF	PART NO.	DESCRIPTION	COMMENTS
1	D504034	Wire Clip	11/16 inch
	687500	Wire Clip	1 inch
2	00360	Insulated Female Spade Terminal	(1) 12 gauge wire or (2) 18 gauge wires
3	00117	Female Pin Terminal	
4	23039	3 Circuit Receptacle	
5	23040	Plug	3 circuit
6	00116	Male Pin Terminal	
7	56451	2 Circuit Receptacle	
8	56448	2 Circuit Plug	
9	55881	Harness Strap	
10	00128	Female Pin Terminal	1/8 inch; 10-14 gauge wire
	00130	Female Pin Terminal	1/8 inch; 16-18 gauge wire
11	56266	2 Circuit Plug	
12	00127	Male Pin Terminal	1/8 inch; 10-14 gauge wire
	00129	Male Pin Terminal	1/8 inch; 16-18 gauge wire
13	58800	3 Circuit Connector	
14	54522	Plug	
15	56855	12 Circuit Receptacle	

Terminal Block and Terminals (Drawing 2 of 2)



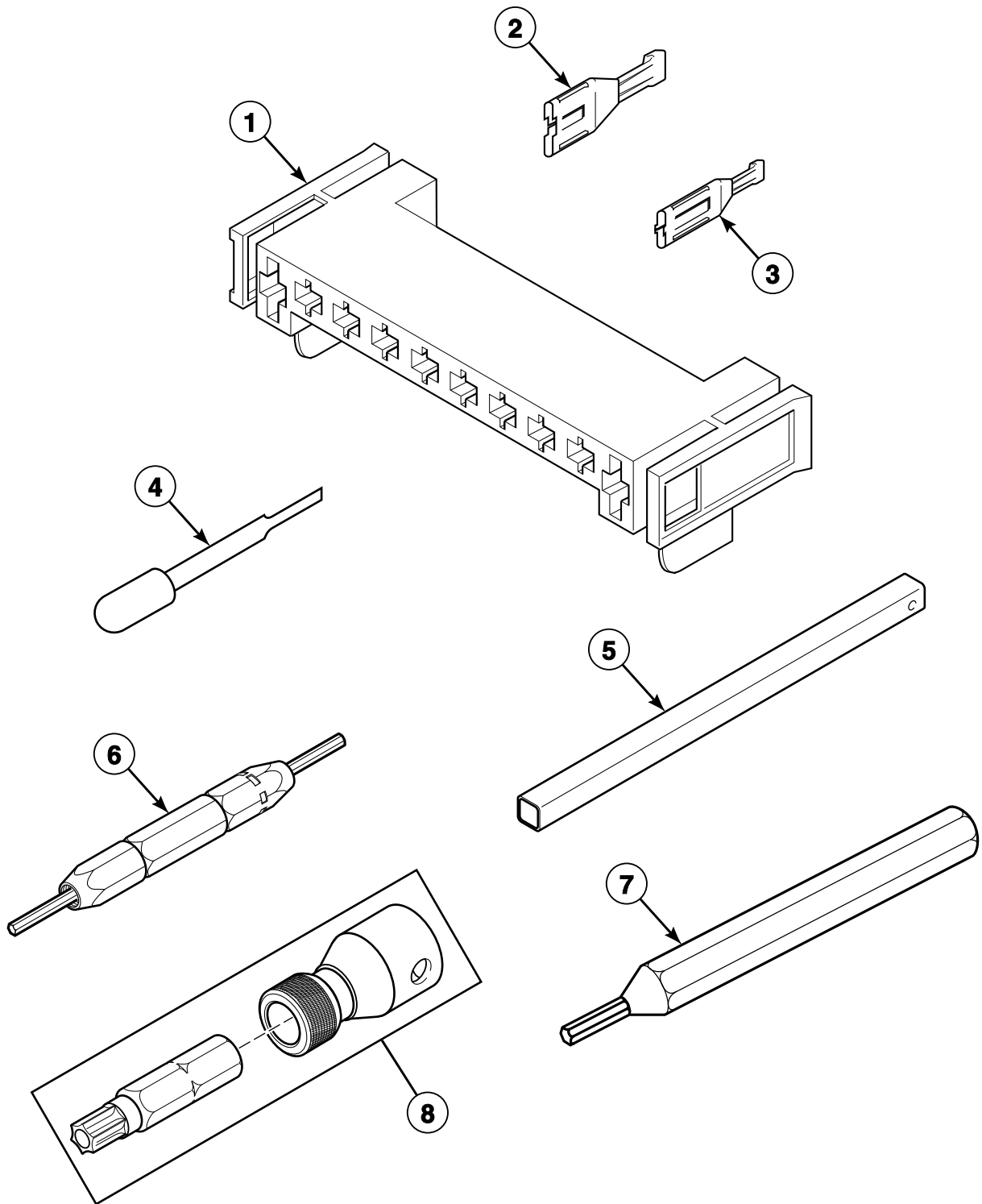
DRY1893P_513379

Terminal Block and Terminals (Drawing 2 of 2)

REF	PART NO.	DESCRIPTION	COMMENTS
1	00161	Grounding Clip	
2	00189	Female Spade Terminal	1/8 inch
3	00361	Female Piggyback Terminal	
4	58799	2 Circuit Connector	
5	00223	Female Spade Terminal	1/4 inch; (1) 18 gauge wire
	00121	Female Spade Terminal	1/4 inch; (2) 18 gauge wires or (1) 12 gauge wire
	00245	Spade Terminal	1/4 inch; (1) 22 gauge wire
6	00124	Female Spade Terminal	3/16 inch; (1) 18 gauge wire; .020 tab
7	00222	Female Spade Terminal	1/4 inch
8	00115	Female Spade Terminal	1/4 inch; (1) 18 gauge wire
	N/A	Female Spade Terminal	1/4 inch; (2) 18 gauge wires or (1) 12 gauge wire
9	90789	Receptacle Housing	
10	00359	Insulated Female Spade Terminal	1/4 inch
11	N/A	Pre-Insulated Spade Terminal	1/4 inch; (1) 18 gauge wire or (1) 12 gauge wire
12	00110	Ring Terminal	No. 10; (1) 18 gauge wire
	N/A	Ring Terminal	No. 14; 18 gauge
13	00114	Female Spade Terminal	1/4 inch; Double connector
14	00139	Male Tab Terminal	1/4 inch; (2) 18 gauge wires or (1) 12 gauge wire
15	00344	Female Tab Terminal	1/4 inch
16	N/A	Flag Insulated Terminal	3/16 inch
17	23033	9 Circuit Plug	
	26302	1 Circuit Plug	
18	00221	Insulated Female Flag Terminal	
19	26708	6 Circuit Receptacle	
	26301	1 Circuit Receptacle	
20	00252	Terminal	
21	34596	10 Circuit Receptacle	
	D501333	12 Circuit Receptacle	

N/A = Part no longer available

Terminals and Terminal Extractor Tools



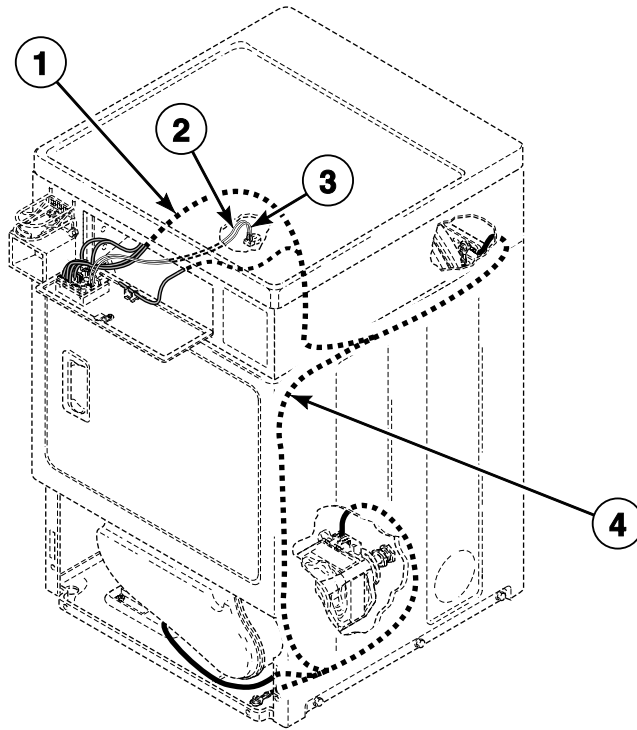
DRY2066P_513379

Terminals and Terminal Extractor Tools

REF	PART NO.	DESCRIPTION	COMMENTS
1	D500338	10 Position Housing	
2	00255	Female Terminal	1/4 inch; (1) 12 gauge wire; Electric models
	00256	Female Terminal	1/4 inch; (1) or (2) 18 gauge wires
3	00188	Female Terminal	For 1 or 2 wire application
4	283P4	Terminal Extractor Tool	For use on Molex connectors
5	310P4	Ratchet Extension Tool	1/4 inch; For coin drop installation
6	190P4	Extractor Tool	For use on electric dryer terminals
7	128P4	Extractor Tool	For use on gas dryer terminals
8	281P4	Torx Bit	T15 Tamper Resistant Bit
	282P4	Torx Bit	Use with 62853 Screw on access panel; T25 Tamper Resistant Bit
	292P4	Torx Bit	T20 Standard Bit
	93501	Torx Drive Tool	T10 Standard Bit

Wire Harnesses and Wires - Front Control Models

Models SDELCFSW171TN01, SDELYFSW171TN01, SDGLCFGW111TW01, SDGLCFGW111TN01, SDGLCFSW111TN01, SDGLYFGS111TW01, SDGLYFGS111TWNA, SDGLYFGW111TN01 and SDGLYFSW111TN01



DRY2165P_513379

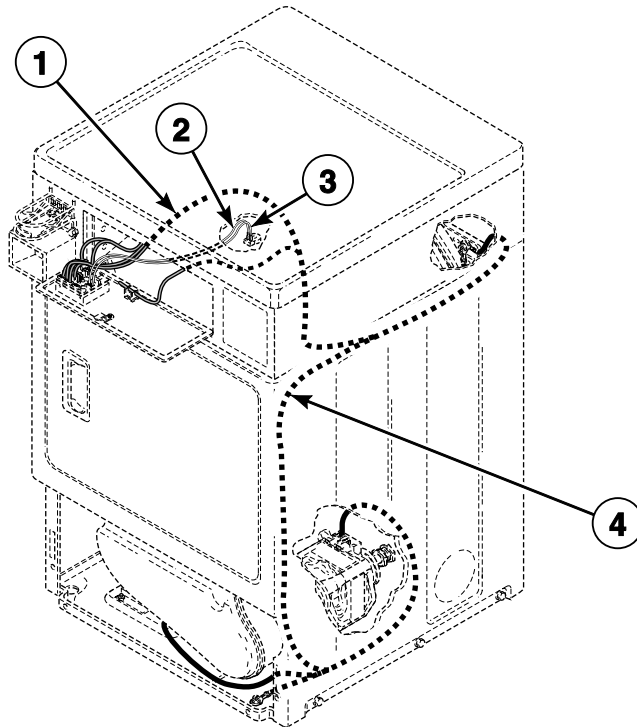
Wire Harnesses and Wires - Front Control Models

REF	PART NO.	DESCRIPTION	COMMENTS
	45001	18 Gauge Wire	Black; Order wire by foot; Order terminals and connectors as required
	45380	12 Gauge Wire	Orange; Order wire by foot; Order terminals and connectors as required
1	D512422P	Wire Harness Assembly	
2	D512273P	Wire Configuration Assembly	
3	D512275P	Wire Configuration Assembly	
4	D511795P	Electronic Harness	Models SDGLCFGS111TW01, SDGLCFGW111TN01, SDGLCFSW111TN01, SDGLYFGS111TW01, SDGLYFGS111TWNA, SDGLYFGW111TN01 and SDGLYFSW111TN01
	D511794P	Electronic Harness	Models SDELCSW171TN01 and SDELYFSW171TN01

NOTE: Individual wires are not available separately. Order complete harness, or order wire by the foot. When applying terminals to wires, it is recommended that the terminals be soldered to the wires.

Wire Harnesses and Wires - Front Control Models Through Serial No. 1303025314

Models SDELCFGS171TW01, SDELCFGW171TN01, SDELYFGS151TW01, SDELYFGS171TW01 and SDELYFGW171TN01



DRY2165P_513379

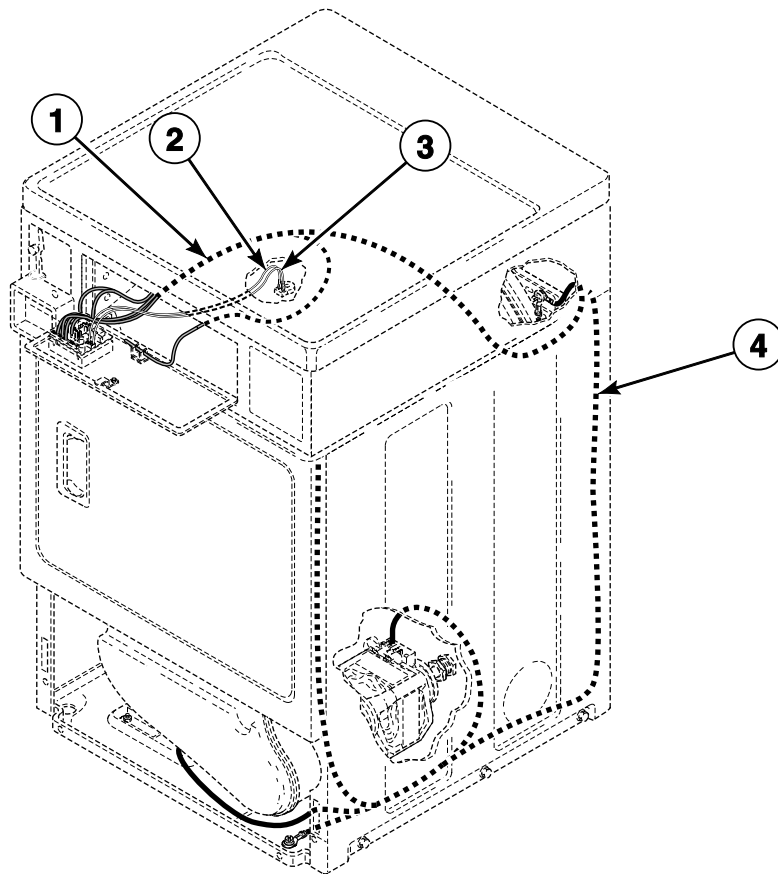
Wire Harnesses and Wires - Front Control Models Through Serial No. 1303025314

REF	PART NO.	DESCRIPTION	COMMENTS
	45001	18 Gauge Wire	Black; Order wire by foot; Order terminals and connectors as required
	45380	12 Gauge Wire	Orange; Order wire by foot; Order terminals and connectors as required
1	D512422P	Wire Harness Assembly	
2	D512273P	Wire Configuration Assembly	
3	D512275P	Wire Configuration Assembly	
4	D511794P	Electronic Harness	

NOTE: Individual wires are not available separately. Order complete harness, or order wire by the foot. When applying terminals to wires, it is recommended that the terminals be soldered to the wires.

Wire Harnesses and Wires - Front Control Models Starting Serial No. 1303025315

Models SDELCFGS171TW01, SDELCFGW171TN01, SDELYFGS151TW01, SDELYFGS171TW01 and SDELYFGW171TN01



DRY2285P_513379

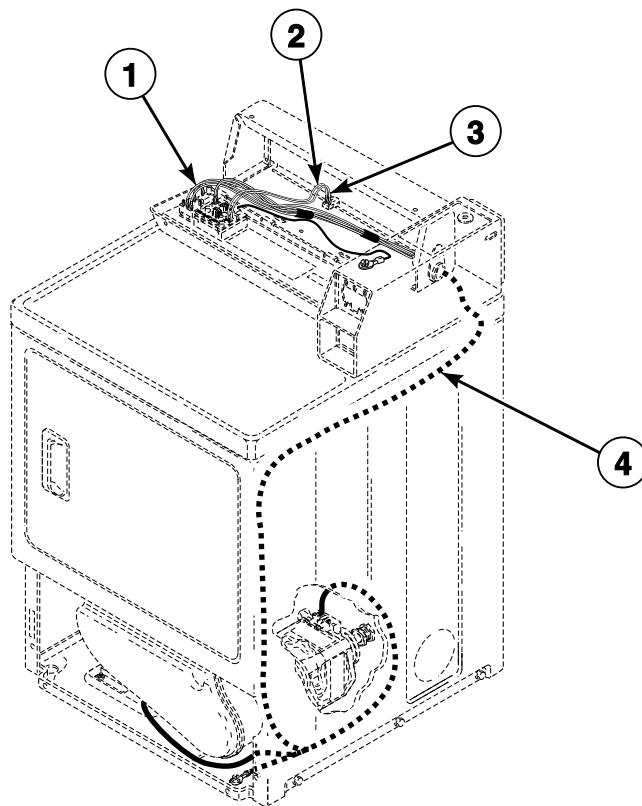
Wire Harnesses and Wires - Front Control Models Starting Serial No. 1303025315

REF	PART NO.	DESCRIPTION	COMMENTS
	45001	18 Gauge Wire	Black; Order wire by foot; Order terminals and connectors as required
	45380	12 Gauge Wire	Orange; Order wire by foot; Order terminals and connectors as required
1	D512422P	Wire Harness Assembly	
2	D512273P	Wire Configuration Assembly	
3	D512275P	Wire Configuration Assembly	
4	D514096	Electronic Harness	

NOTE: Individual wires are not available separately. Order complete harness, or order wire by the foot. When applying terminals to wires, it is recommended that the terminals be soldered to the wires.

Wire Harnesses and Wires - Rear Control Models Through Serial No. 1207

Models SDELCRGS151TW01, SDELCRGS171TW01, SDELCRGS171TW02, SDELCRGS171TWNA,
SDELXRG171TW01, SDELXRG171TW02, SDELYRGS151TW01, SDELYRGS171TW01,
SDGLCRGS111TW01, SDGLCRGS111TW02, SDGLCRGS111TWNA, SDGLXRG111TW01,
SDGLXRG111TW02, SDGLYRGS111TW01 and SDGLYRGS111TWNA



DRY2164P_513379

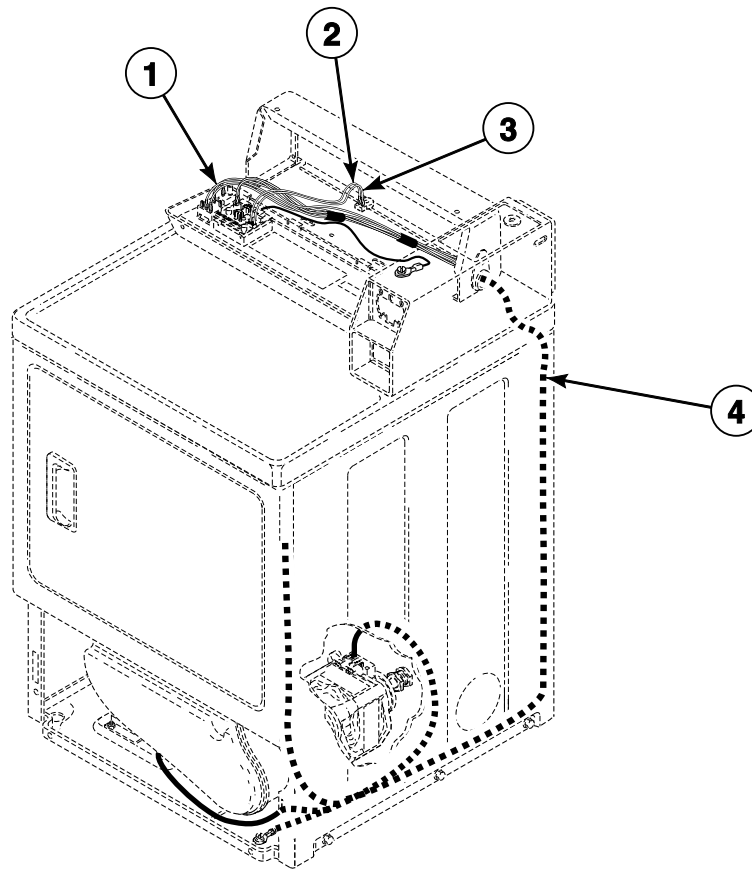
Wire Harnesses and Wires - Rear Control Models Through Serial No. 1207

REF	PART NO.	DESCRIPTION	COMMENTS
	45001	18 Gauge Wire	Black; Order wire by foot; Order terminals and connectors as required
	45380	12 Gauge Wire	Orange; Order wire by foot; Order terminals and connectors as required
1	D512422P	Wire Harness Assembly	
2	D512273P	Wire Configuration Assembly	
3	D512275P	Wire Configuration Assembly	
4	D511789P	Electronic Harness	Models SDGLCRGS111TW01, SDGLCRGS111TW02, SDGLCRGS111TWNA, SDGLXRGs111TW01, SDGLXRGs111TW02, SDGLYRGs111TW01 and SDGLYRGs111TWNA
	D511790P	Electronic Harness	All other models

NOTE: Individual wires are not available separately. Order complete harness, or order wire by the foot. When applying terminals to wires, it is recommended that the terminals be soldered to the wires.

Wire Harnesses and Wires - Rear Control Models Starting Serial No. 1207

Models SDELCRGS151TW01, SDELCRGS171TW01, SDELCRGS171TW02, SDELXRGs171TW01,
SDELXRGs171TW02, SDELYRGS151TW01, SDELYRGS171TW01, SDGLCRGS111TW01,
SDGLCRGS111TW02, SDGLXRGs111TW01, SDGLXRGs111TW02 and SDGLYRGS111TW01



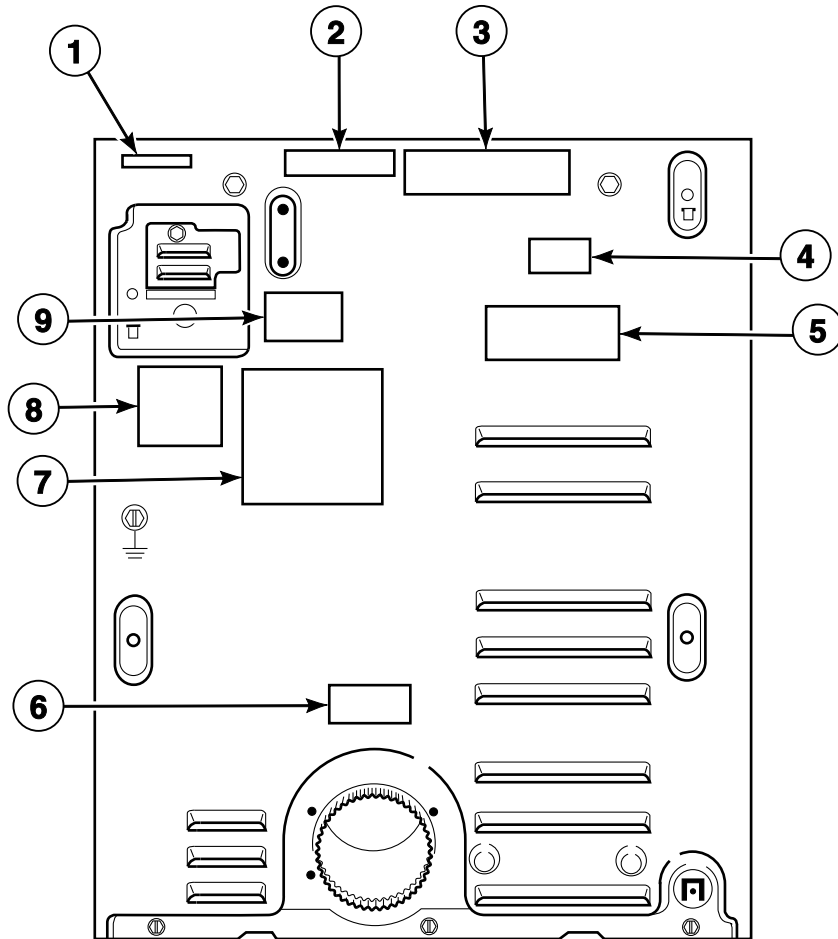
DRY2267P_513379

Wire Harnesses and Wires - Rear Control Models Starting Serial No. 1207

REF	PART NO.	DESCRIPTION	COMMENTS
	45001	18 Gauge Wire	Black; Order wire by foot; Order terminals and connectors as required
	45380	12 Gauge Wire	Orange; Order wire by foot; Order terminals and connectors as required
1	D512422P	Wire Harness Assembly	
2	D512273P	Wire Configuration Assembly	
3	D512275P	Wire Configuration Assembly	
4	D513669	Electronic Harness	Models SDGLCRGS111TW01, SDGLCRGS111TW02, SDGLXRGs111TW01, SDGLXRGs111TW02 and SDGLYRGs111TW01
	D513668	Electronic Harness	Models SDELCRGS151TW01, SDELCRGS171TW01, SDELCRGS171TW02, SDELXRGs171TW01, SDELXRGs171TW02, SDELYRGs151TW01 and SDELYRGs171TW01 through Serial No. 1303025314
	D513944	Electronic Harness	Models SDELCRGS151TW01, SDELCRGS171TW01, SDELCRGS171TW02, SDELXRGs171TW01, SDELXRGs171TW02, SDELYRGs151TW01 and SDELYRGs171TW01 starting Serial No. 1303025315

NOTE: Individual wires are not available separately. Order complete harness, or order wire by the foot. When applying terminals to wires, it is recommended that the terminals be soldered to the wires.

Label Location on Rear of Cabinet



DRY2303P_513379

Label Location on Rear of Cabinet

REF	PART NO.	DESCRIPTION	COMMENTS
1	D501288	Terminal Block Label	
2	D505281	Disconnect Power Warning Label	
3	44127701	Warning Label	
4	D501140	Natural Gas Notice Label	
5	D502791	Venting Instruction Label	
6	D500497	Exhaust Warning Label	
7	62104	Voltage Warning Label	Model SDELYFGS151TW01
	D511005	Electric Clearance Label	All other models
8	D500496	20 Amp Notice Label	
9	803260	Warning Label	

Parts Index

A

Access Panel and Guard Assembly	
D514252Q.....	33
D514252W.....	33
D514253.....	33
Access Panel Assembly	
D514250Q.....	33
D514250WP.....	33
D514251.....	33
Access Panel Plate	
D510903.....	51
Adhesive	
D511637P.....	37, 41
Air Duct Assembly	
D510151LG.....	37
D510151W.....	37
Anti-Seize Compound	
27604P.....	35
Audit Switch Bracket	
800379.....	17

B

Blower and Fan Kit	
D510717P.....	35
Blower Fan Assembly	
D510139P.....	35
Blower Housing	
D511969WP.....	35
Blower Housing Seal	
D510238P.....	35
Bolt	
02505.....	9
29651.....	27
Booster and Holding Coil	
58804A.....	47
Bracket	
D510146.....	15
Bumper Pad	
56128.....	51
Burner Assembly	
D510149P.....	47

C

Cabinet Rear Panel	
D510005P.....	51
Cabinet Side Panel	
D510001GP.....	51
D510001QP.....	51
D510001WP.....	51
D510002GP.....	51
D510002QP.....	51
D510002WP.....	51
D512951.....	51
D512952.....	51

Card Insert Overlay	
D511544.....	25
Central Pay Harness	
D511478.....	5, 7, 17
Clip	
201572.....	13, 23
Coin Box Extension Kit	
803578P.....	9
Coin Cabinet Hardware Kit	
547P3.....	51
Coin Drop	
38963P.....	11, 21
70441601P.....	11, 21
Coin Drop Assembly	
38462P.....	11, 21
38463.....	11, 21
Coin Drop Wire Harness	
201104.....	13, 23
Coin Identification Paper	
38725.....	13, 23
Combustion Duct	
D510132.....	45
Connector, 2 Circuit	
58799.....	57
Connector, 3 Circuit	
58800.....	55
Control Assembly	
D513534P.....	5, 7, 17
Control Hood	
D502567Q.....	5
D502567W.....	5
D511253Q.....	7
D511253W.....	7
Control Overlay	
D512936.....	5
D512939.....	17
D513031.....	7
Control Panel	
D510067Q.....	5
D510067W.....	5
D511055Q.....	7
D511055W.....	7
Control Panel and Bracket Assembly	
D510077B.....	17
D510077W.....	17
Control Shield	
D510083.....	5, 7
Cylinder Assembly	
D505929LGP.....	39
D510265LGP.....	39
D510265WP.....	39
Cylinder Baffle	
D510102LG.....	39
D510102W.....	39
Cylinder Belt	
D511255P.....	35
Cylinder Glide	
D513710.....	37
Cylinder Glide Bracket	
D510145.....	37

N/A items do not appear in index.

Cylinder Roller	
D510708P	41
Cylinder Roller Bracket	
D510100	41
Cylinder Seal Assembly	
D510207P	37, 41

D

Damper	
58786	51
Diagnostic Wire Harness Assembly	
800374	17
800680	7
Directional Exhaust Kit	
528P3	51
Disconnect Power Warning Label	
D505281	15, 71
Door Catch Assembly	
D510177	33
Door Handle Wedge	
D510129	29, 31
Door Liner Grill	
D503870LG	31
Door Pull	
D512947	31
Door Pull and Wedge Kit	
D510103QP	29
D510103WP	29
Door Strike	
D510181	29, 31
Door Strike Mount	
D510127	29, 31
Door Switch Bracket	
38087	9
Dryer Base	
D513901	51
Dryer Door	
D510013QP	29
D510013WP	29
D513225	31
Dryer Door Assembly	
D514168	31
Dryer Door Window	
D503982P	31

E

Elbow Shut-Off Valve	
D510205	47
Electric Clearance Label	
D511005	71
Electronic Coin Drop Assembly	
70294114	13, 23
70294115	13, 23
Electronic Coin Drop Kit	
CK113	13, 23
CK115	13, 23
Electronic Harness	
D511789P	67
D511790P	67
D511794P	61, 63

N/A items do not appear in index.

D511795P	61
D513668	69
D513669	69
D513944	69
D514096	65
End Cap	
210108W	7
210109W	7
Ethernet Gateway Kit	
NK320	5, 7, 17
Exhaust Duct	
D510137	51
Exhaust Warning Label	
D500497	71
Extractor Tool	
128P4	59
190P4	59

F

Felt Pad	
D510189	37
Female Piggyback Terminal	
00361	57
Female Pin Terminal	
00117	55
00128	55
00130	55
Female Spade Terminal	
00114	57
00115	57
00121	57
00124	57
00189	57
00222	57
00223	57
Female Tab Terminal	
00344	57
Female Terminal	
00188	59
00255	59
00256	59
Flexible Venting Kit	
521P3	51
Frame Gusset	
D510337	51
Front Bulkhead Assembly	
D510266P	37
Front Panel	
D510066QP	33
D510066WP	33
D512542	33
Front Panel Seal	
D511056	33
Fuse Notice Label	
61294	37

G

Gas Clearance Label	
D511004	37

Gas Valve Assembly 60353P.....	47
Gas Valve Mounting Bracket D510128	47
Glass Door Window D513910	31
Glide Kit RB170003	37
Grounding Clip 00161	57

H

Harness Assembly 802904P.....	5, 21
802905	5, 13, 23
Harness Strap 55881	55
Heat Duct Shroud D510101	45
Heater D510325P	43
Heater Assembly D510329P	43
Heater Duct and Screw Assembly D510025P	43, 45
Heater Kit 964P3.....	43
Heater Kit Assembly 61928	43
Hinge D511036.....	29, 31
Hinge Hole Plug D510186	33
Hold Down Kit 526P3.....	51
Hood Back Plate D505798	5
Housing, 10 Position D500338	59

I

Idler Lever D510133	35
Idler Lever and Wheel Assembly D510158	35
Idler Spring D510185	35
Idler Wheel and Bearing Assembly D510142P	35
Igniter and Bracket Assembly D510184P	47
Instruction Overlay D504585	19, 25
Insulated Female Flag Terminal 00221	57
Insulated Female Spade Terminal 00359	57
00360	55

K

Key 54612	17
--------------------	----

L

Label, 20 Amp Notice D500496.....	71
Lead-In Cord 56222	53
Lead-In Pipe Assembly D510204.....	47
Leveling Leg D510135.....	51
Limit Thermostat D510701.....	43
D510702.....	45
Liner and Seal Assembly D510098LG	31
Liner Door Seal D510147P	29, 31
Liner, Seal and Grill Assembly D510163WP	29
D513109P	29
Lint Filter D503980LG	37
D503980W	37
Lock Cam 27261	17
Lock Kit 27260P	17
L.P. Conversion Kit 458P3.....	47
L.P. Orifice D503786.....	49
58755	49

M

Male Pin Terminal 00116.....	55
00127	55
00129	55
Male Tab Terminal 00139	57
Meter Case Assembly 38724Q.....	9
38724W	9
Meter Case Assembly Kit 803063WP	9
Meter Case Bracket Gasket 35526	9
Meter Case Gasket 26354	9
Meter Case Lockdown Bracket 35525	9
Meter Case Locking Bracket 30642	9

N/A items do not appear in index.

Motor and Pulley Assembly D511629P	35
Motor Hub Ring Kit 590P3	35
Motor Mount D510060	35
Motor Mount Clamp D510180	35
Motor Pulley D500011	35
Mounting Tool Kit CK096	13, 23

N

Natural Gas Notice Label D501140	71
Network Controller Kit NK220	5, 7, 17
Network Retrofit Kit NK201	5, 7
NK202	17
Nut 201216	13, 23
27222	15
28447	41
29786	9, 11, 21, 23
30647	9
36020	27
44071201	31
44087201	27
52566	5, 35
56156	35, 41
80077	19
N.G. Conversion Kit 459P3	47
N.G. Orifice D503776	49
D503778	49
D503779	49
D503780	49
D510517	49

O

Opto Coupler 200674P	11
Outlet Cover D500820	43, 45

P

Panel Locator 56079	33, 51
Plug 23040	55
54522	55
Plug, 1 Circuit 26302	57
Plug, 2 Circuit 56266	55

56448	55
Plug, 9 Circuit 23033	57

R

Ratchet Extension Tool 310P4	59
Rear Bulkhead Assembly D505246	41
D511082P	41
Rear Panel D511254	7
Receptacle Housing 90789	57
Receptacle, 1 Circuit 26301	57
Receptacle, 10 Circuit 34596	57
Receptacle, 12 Circuit D501333	57
56855	55
Receptacle, 2 Circuit 56451	55
Receptacle, 3 Circuit 23039	55
Receptacle, 6 Circuit 26708	57
Resistor 210100	5, 7, 17
Retaining Ring 23748	35, 41
Ring Terminal 00110	57
Roller Kit RB170002	41
Rubber Foot D501855	51

S

Screw D500226	31
D500824	35
D501086	5, 7
D501285	37, 41
D501524	17
D502431	19, 25
D502535	35
D503661	5, 7
D503673	9, 15
D503688	5, 7, 15, 17, 19, 25, 33, 35, 37, 41, 43, 45, 47, 51
D505870	31
D512921	33, 51
D513071	53
D514461	29, 31, 37
M405188	33, 37, 41
02916	5
20530	53
23008	27
23222	7, 43, 47
28448	41

N/A items do not appear in index.

31260	35
33562	33
35528	5, 7
36048	9
39733	33, 51
51782	45, 47
52864	5, 7, 37
56124	47
61199	41
62588	39
62853	33
Screw Orifice	
58719	49
Seal Kit	
RB170001	37, 41
Secondary Coil	
58804B	47
Security Cabinet Front Assembly	
D511209BP	25
D511209Q	25
D511209WP	25
D511633B	19
D511633QP	19
D511633WP	19
Security Kit	
905P3	5
Sensor	
D510213	47
Service Door Assembly	
39874QP	9
39874WP	9
803043WP	9
Shaft	
56461P	35, 41
Single Overlay	
202123	9
38717	9, 19
Spade Terminal	
00245	57
Speed Clip	
28835	33
Stainless Steel Top	
D512967	27
Strain Relief	
38384	53
Switch	
D512973	9, 17, 33

T

Terminal	
00252	57
Terminal Block Assembly	
D510190P	41
Terminal Block Label	
D501288	71
Terminal Block Shield	
D505768	41
D510237	41
Terminal Extractor Tool	
283P4	59
Thermal Fuse Assembly	
D511412	43

Thermistor Assembly	
D510523	35
Thermostat	
D510703	45
Top and Gusset Assembly	
802247QP	27
802247WP	27
Top Hinge	
D510136	51
Top Kit	
D511527QP	15
D511527WP	15
803144P	27
Top Mounting Bracket	
D504228	27
Top Panel Kit	
D511530WP	15
Torx Bit	
281P4	59
282P4	59
292P4	59
Torx Drive Tool	
93501	59
Transformer	
201375P	5, 7, 13, 17, 23
210018P	5, 17

U

USB Gateway Kit	
NK330	5, 7, 17

V

Venting Instruction Label	
D502791	71
Voltage Warning Label	
62104	71

W

Warning Label	
D500049	37
44127701	71
803260	71
Warning/Caution Label	
D500281	33
Washer	
D504082	41
M400017	5
200608	5, 7
28449	41
52549	35, 41
Window Clip	
D513958	31
Window Trim	
D512633	31
D513959	31
Wire Assembly	
D510527	43
D510528	43

N/A items do not appear in index.

Wire Clip	
D504034	55
687500	55
Wire Configuration Assembly	
D512273P	61, 63, 65, 67, 69
D512275P	61, 63, 65, 67, 69
Wire Guard	
201595P	11, 21
Wire Harness Assembly	
D512422P	61, 63, 65, 67, 69
Wireless Network Kit	
NK301	5, 7, 17
Wire, 12 Gauge	
45380	61, 63, 65, 67, 69
Wire, 18 Gauge	
45001	61, 63, 65, 67, 69
Wrapper and Channel Assembly	
D505753BP	19, 25
D505753QP	19, 25
D505753WP	19, 25
