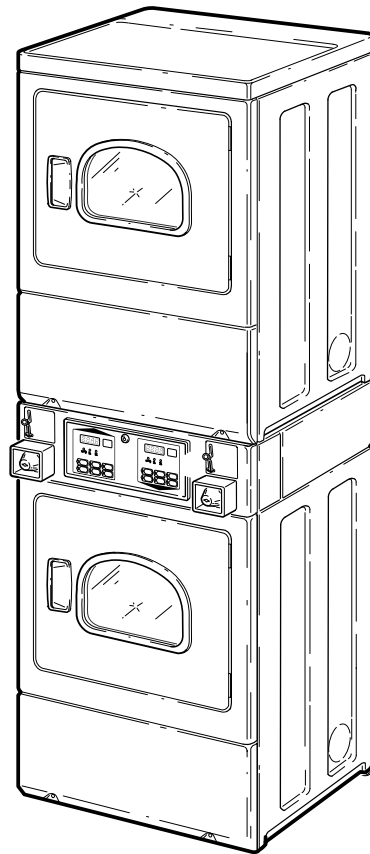


Commercial Dryers

Metered and Nonmetered
Refer to Page 3 for Model Numbers



DRY712C_513381

Table of Contents

Title	Page
Parts Ordering Information.....	2
Serial Plate Location	2
Model Identification	3
Control Panel and Controls - Coin Drop Models.....	4
Control Panel and Controls - Card Models	6
Control Cabinet Controls - Coin Drop Models.....	8
Control Cabinet Controls - Card Ready Models.....	10
Loading Door without Window	12
Loading Door with Window	14
Access Panel, Front Panel and Seal	16
Motor, Exhaust Fan and Belt	18
Front Bulkhead, Air Duct, Felt Seal and Cylinder	20
Rear Bulkhead, Felt Seal, Cylinder Roller and Terminal Block.....	22
Heater Duct and Element Assembly - Electric Model Dryers.....	24
Heater Duct Assembly - Gas Model Dryers	26
Gas Valve, Igniter and Gas Conversion Kits.....	28
Cabinet, Exhaust Duct and Base	30
Cabinet Top	32
Power Cord	34
Terminal Block and Terminals	36
Terminals	38
Terminals and Terminal Extractor Tools	40
Wires and Wire Harnesses - Gas Models	42
Wires and Wire Harnesses - Electric Models Through Serial No. 1303025314.....	44
Wires and Wire Harnesses - Electric Models Starting Serial No. 1303025315.....	46
Label Location on Rear of Cabinet	48
Parts Index.....	51

© Copyright 2018, Alliance Laundry Systems LLC

All rights reserved. No part of the contents of this book may be reproduced or transmitted in any form or by any means without the expressed written consent of the publisher.

Parts Ordering Information

If literature or replacement parts are required, contact the source from whom the machine was purchased or contact Alliance Laundry Systems at (920) 748-3950 for the name and address of the nearest authorized parts distributor.

For technical assistance, call the number listed below:

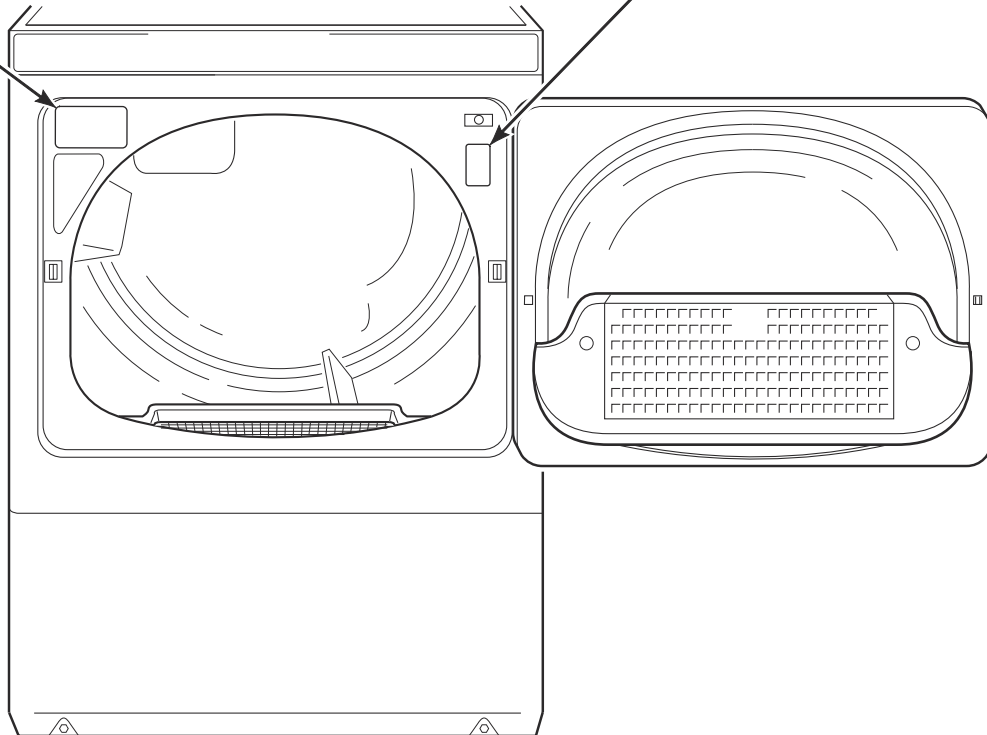
(920) 748-3121 Ripon, Wisconsin

Serial Plate Location

When calling or writing about your product, be sure to mention model and serial numbers. Model and serial numbers are located on serial plate(s) as shown.

SERIAL PLATE
(Models starting Serial No. 1206025810)

SERIAL PLATE
(Models through Serial No. 1206025809)



DRY2283P_513381

Model Identification

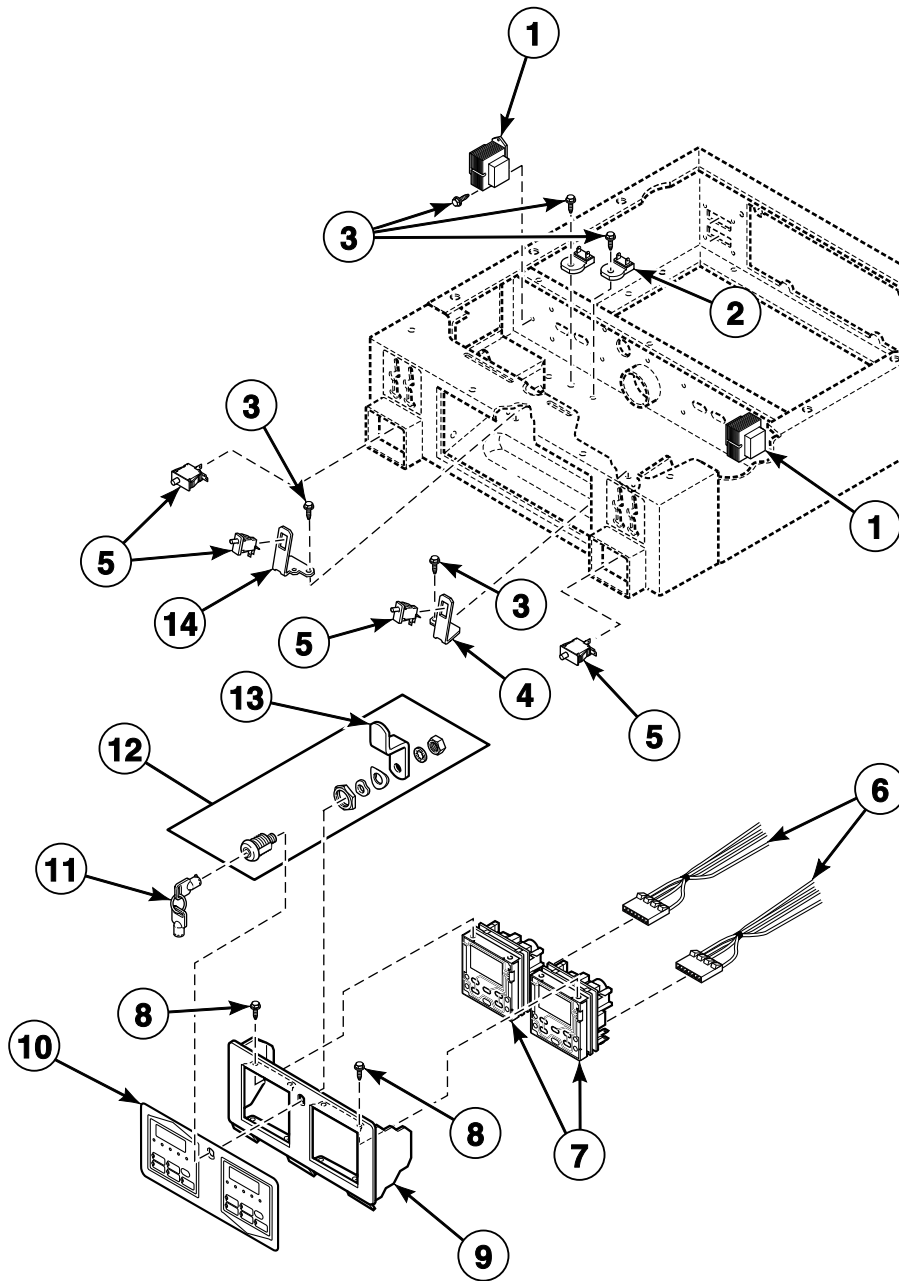
Information in this manual is applicable to these dryer models:

SSELCFGS151TW01
SSELCFGS171TW01
SSELCFGW151TW01
SSELCFGW171TN01
SSELCFGW171TW01
SSELXFGW171TW01
SSELYFGS151TW01
SSELYFGS171TW01
SSELYFGW171TN01
SSELYFGW171TW01
SSELYFGW171TWNA

SSGLCFGS111TW01
SSGLCFGS111TWNA
SSGLCFGW111TN01
SSGLCFGW111TW01
SSGLCFGW111TWNA
SSGLXFGW111TW01
SSGLYFGS111TW01
SSGLYFGS111TWNA
SSGLYFGW111TN01
SSGLYFGW111TW01
SSGLYFGW111TWNA

Control Panel and Controls - Coin Drop Models

Models SSELFCGS151TW01, SSELFCGS171TW01, SSELFCGW151TW01, SSELFCGW171TN01, SSELFCGW171TW01, SSELXFGW171TW01, SSGLFCGS111TW01, SSGLFCGS111TWNA, SSGLFCGW111TN01, SSGLFCGW111TW01, SSGLFCGW111TWNA and SSGLXFGW111TW01



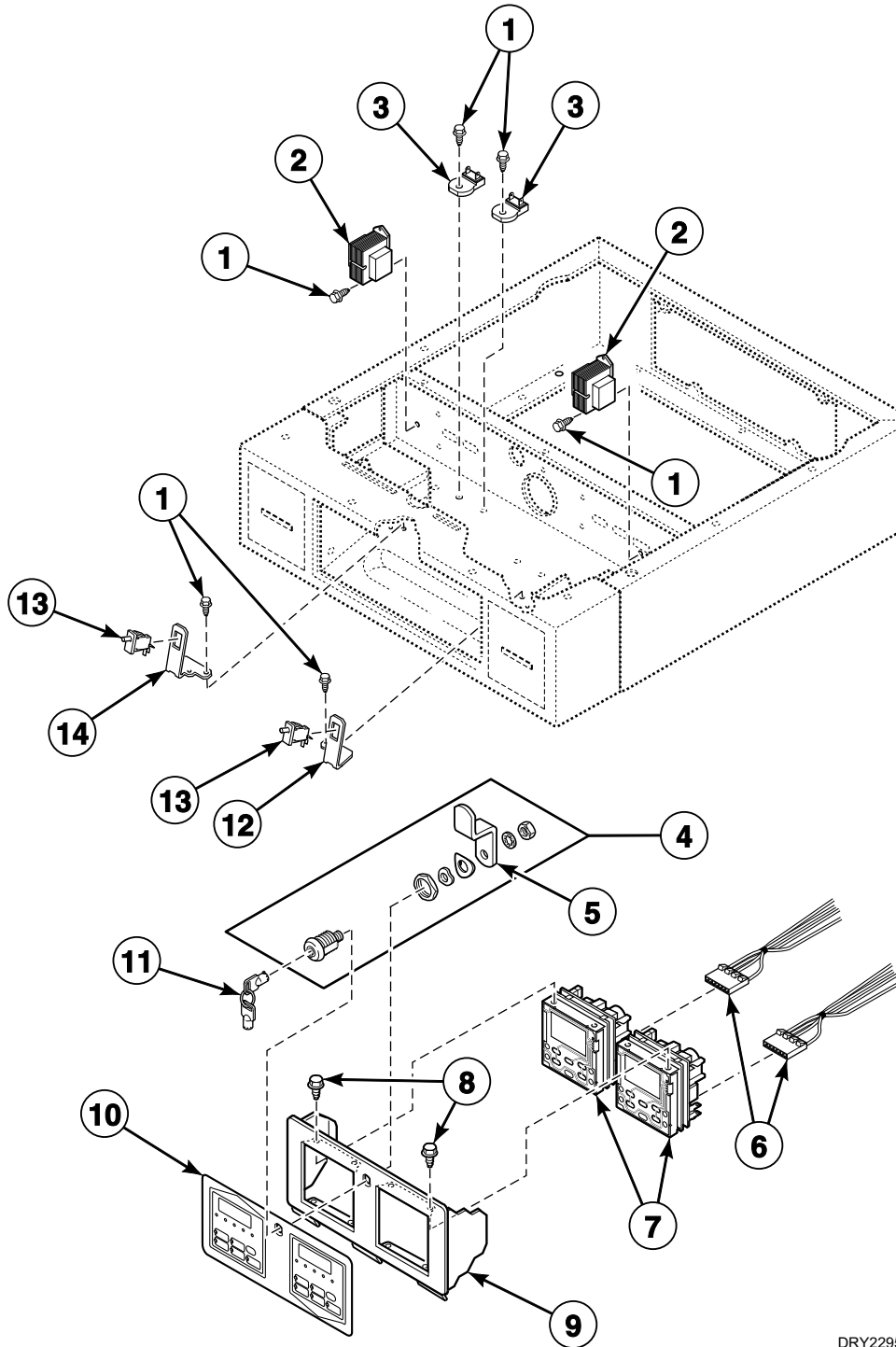
DRY2294P_513381

Control Panel and Controls - Coin Drop Models

REF	PART NO.	DESCRIPTION	COMMENTS
	NK203	Network Retrofit Kit	Wired
	NK220	Network Controller Kit	Wired
	NK301	Wireless Network Kit	
	NK320	Ethernet Gateway Kit	Wireless
	NK330	USB Gateway Kit	Wireless
1	201375P	Transformer	120 Volt; Some models may have jumper wire attached to transformer. Discard jumper wire when replacing transformer; Models SSELXFGW171TW01 and SSSLXFGW111TW01
	210018P	Transformer	All other models
2	210100	Resistor	For use with item 1
3	D503688	Screw	
4	800380	Audit Switch Bracket	Right
5	D512973	Switch	
6	D511478	Central Pay Harness	
7	D513534P	Control Assembly	
8	D501524	Screw	
9	D510076W	Control Panel and Bracket Assembly	White
	D510076Q	Control Panel and Bracket Assembly	Bisque
	D510076B	Control Panel and Bracket Assembly	Black
10	D512938	Control Overlay	
11	54612	Key	800
12	27260P	Lock Kit	Includes item 13
13	27261	Lock Cam	
14	800379	Audit Switch Bracket	Left

Control Panel and Controls - Card Models

Models SSELYFGS151TW01, SSELYFGS171TW01, SSELYFGW171TN01, SSELYFGW171TW01, SSELYFGW171TWNA, SSGLYFGS111TW01, SSGLYFGS111TWNA, SSGLYFGW111TN01, SSGLYFGW111TW01 and SSGLYFGW111TWNA



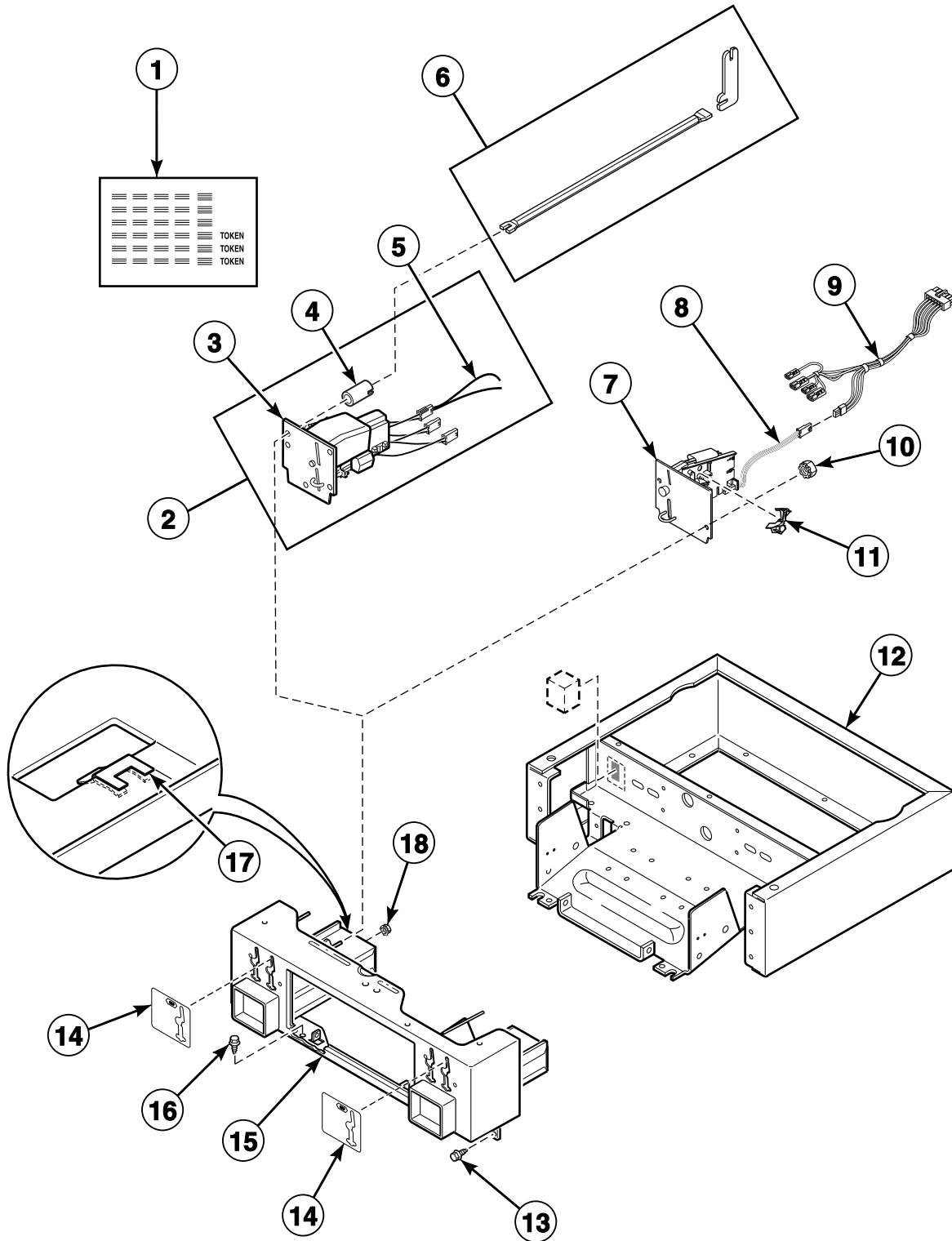
DRY2295P_513381

Control Panel and Controls - Card Models

REF	PART NO.	DESCRIPTION	COMMENTS
	NK203	Network Retrofit Kit	Wired
	NK220	Network Controller Kit	Wired
	NK301	Wireless Network Kit	
	NK320	Ethernet Gateway Kit	Wireless
	NK330	USB Gateway Kit	Wireless
1	D503688	Screw	
2	201375P	Transformer	120 Volt; Some models may have jumper wire attached to transformer. Discard jumper wire when replacing transformer
3	210100	Resistor	For use with item 2
4	27260P	Lock Kit	Includes item 5
5	27261	Lock Cam	
6	D511478	Central Pay Harness	
7	D513534P	Control Assembly	
8	D501524	Screw	
9	D510076W	Control Panel and Bracket Assembly	White
	D510076Q	Control Panel and Bracket Assembly	Bisque
	D510076B	Control Panel and Bracket Assembly	Black
10	D512938	Control Overlay	
11	54612	Key	800
12	800380	Audit Switch Bracket	Right
13	D512973	Switch	
14	800379	Audit Switch Bracket	Left

Control Cabinet Controls - Coin Drop Models

Models SSELFCGS151TW01, SSELFCGS171TW01, SSELFCGW151TW01, SSELFCGW171TN01, SSELFCGW171TW01, SSELXFGW171TW01, SSGLFCGS111TW01, SSGLFCGS111TWNA, SSGLFCGW111TN01, SSGLFCGW111TW01, SSGLFCGW111TWNA and SSGLXFGW111TW01



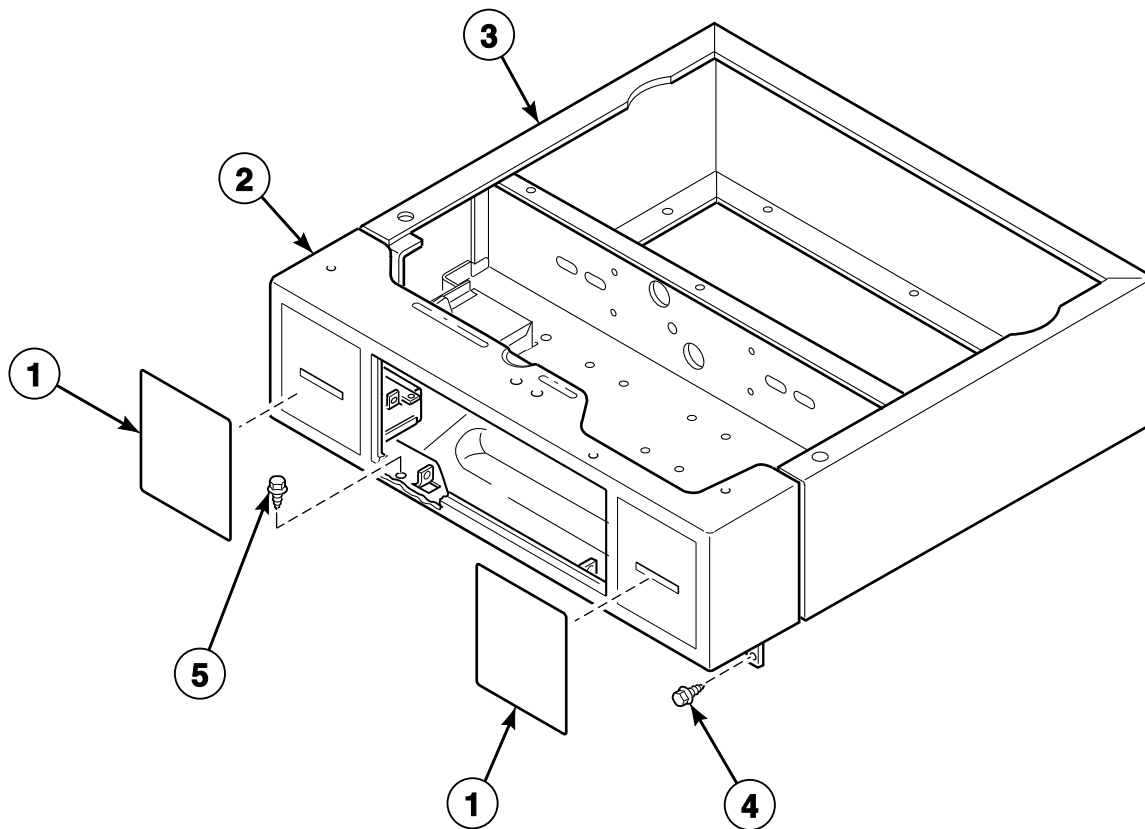
DRY2205P_513381

Control Cabinet Controls - Coin Drop Models

REF	PART NO.	DESCRIPTION	COMMENTS
1	38725	Coin Identification Paper	For use with items 2 and 3
2	CK095	Electronic Coin Drop Kit	Includes items 3-5; United States, Canada, Japan and Taiwan coins
3	CK115	Electronic Coin Drop Kit	For use with item 2; United States and Canada coins
4	201216	Nut	For use with items 2 and 3
5	201104	Coin Drop Wire Harness	For use with items 2 and 3
6	CK096	Mounting Tool Kit	For use with items 2 and 3
7	38462P	Coin Drop Assembly	Token; 118-1 mzp
	38463	Coin Drop Assembly	Token; 118-5 mzp
	70441601P	Coin Drop	USA; \$0.25
	38963P	Coin Drop	Token 118-16 not available; Replacement for 38963P Coin Drop only
8	200674P	Opto Coupler	
9	802905	Harness Assembly	
10	29786	Nut	
11	201595P	Wire Guard	Anti-stringing security device
12	D505753WP	Wrapper and Channel Assembly	White
	D505753QP	Wrapper and Channel Assembly	Bisque
	D505753BP	Wrapper and Channel Assembly	Black
13	M405188	Screw	Use with stainless steel side panels
	D503688	Screw	Use with painted side panels
14	38717	Single Overlay	
15	D511632WP	Security Cabinet Front Assembly	White
	D511632Q	Security Cabinet Front Assembly	Bisque
	D511632B	Security Cabinet Front Assembly	Black
16	D502431	Screw	
17	201572	Clip	For use with item 2
18	80077	Nut	

Control Cabinet Controls - Card Ready Models

Models SSELYFGS151TW01, SSELYFGS171TW01, SSELYFGW171TN01, SSELYFGW171TW01, SSELYFGW171TWNA, SSGLYFGS111TW01, SSGLYFGS111TWNA, SSGLYFGW111TN01, SSGLYFGW111TW01 and SSGLYFGW111TWNA



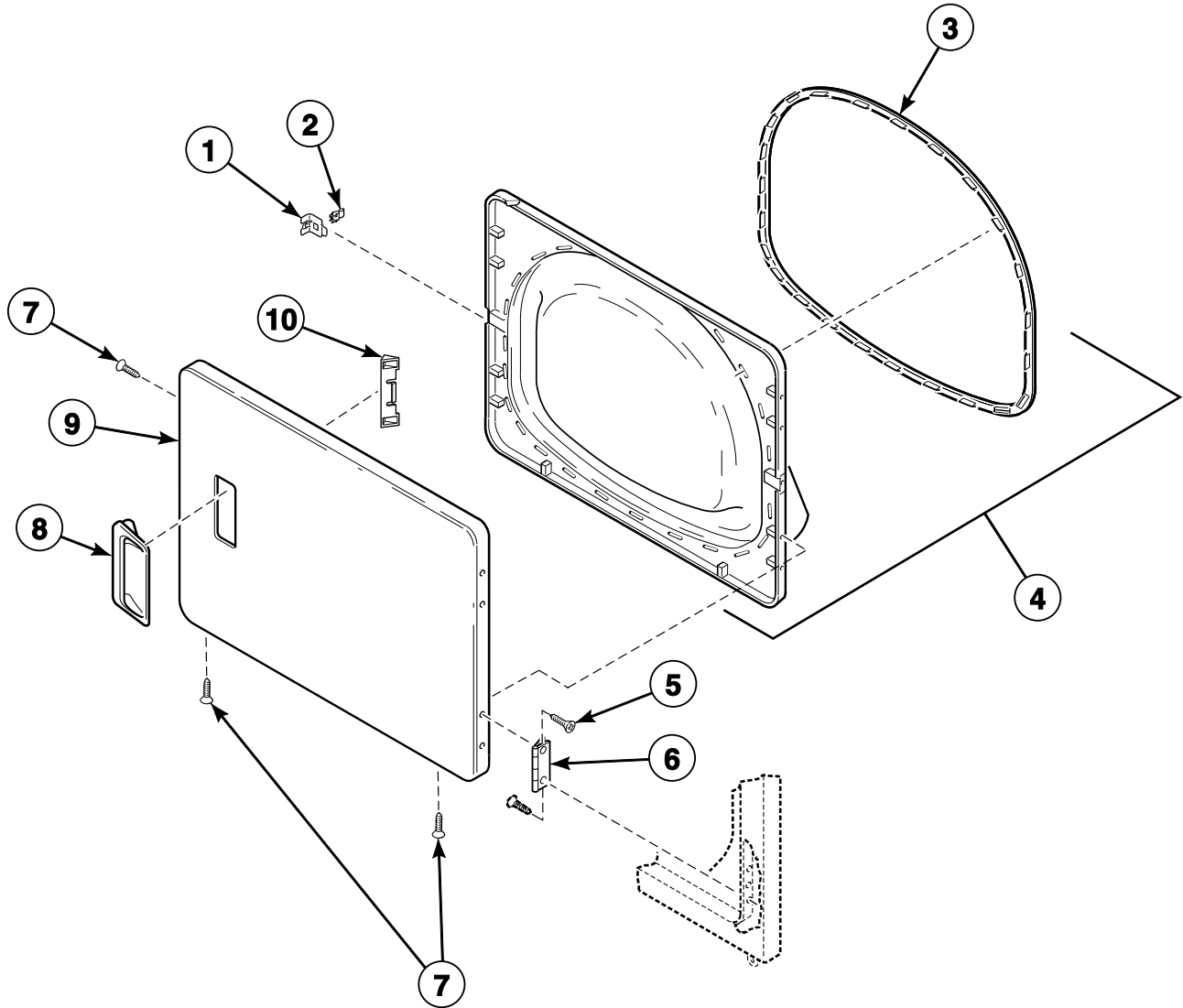
DRY2206P_513381

Control Cabinet Controls - Card Ready Models

REF	PART NO.	DESCRIPTION	COMMENTS
1	D511544	Card Insert Overlay	
2	D511208W	Security Cabinet Front Assembly	White
	D511208Q	Security Cabinet Front Assembly	Bisque
	D511208B	Security Cabinet Front Assembly	Black
3	D505753WP	Wrapper and Channel Assembly	White
	D505753QP	Wrapper and Channel Assembly	Bisque
	D505753BP	Wrapper and Channel Assembly	Black
4	M405188	Screw	Use with stainless steel side panels
	D503688	Screw	Use with painted side panels
5	D502431	Screw	

Loading Door without Window

Models SSELFCFGS151TW01, SSELFCFGS171TW01, SSELYFGS151TW01, SSELYFGS171TW01, SSGLFCFGS111TW01, SSGLFCFGS111TWNA, SSGLYFGS111TW01 and SSGLYFGS111TWNA



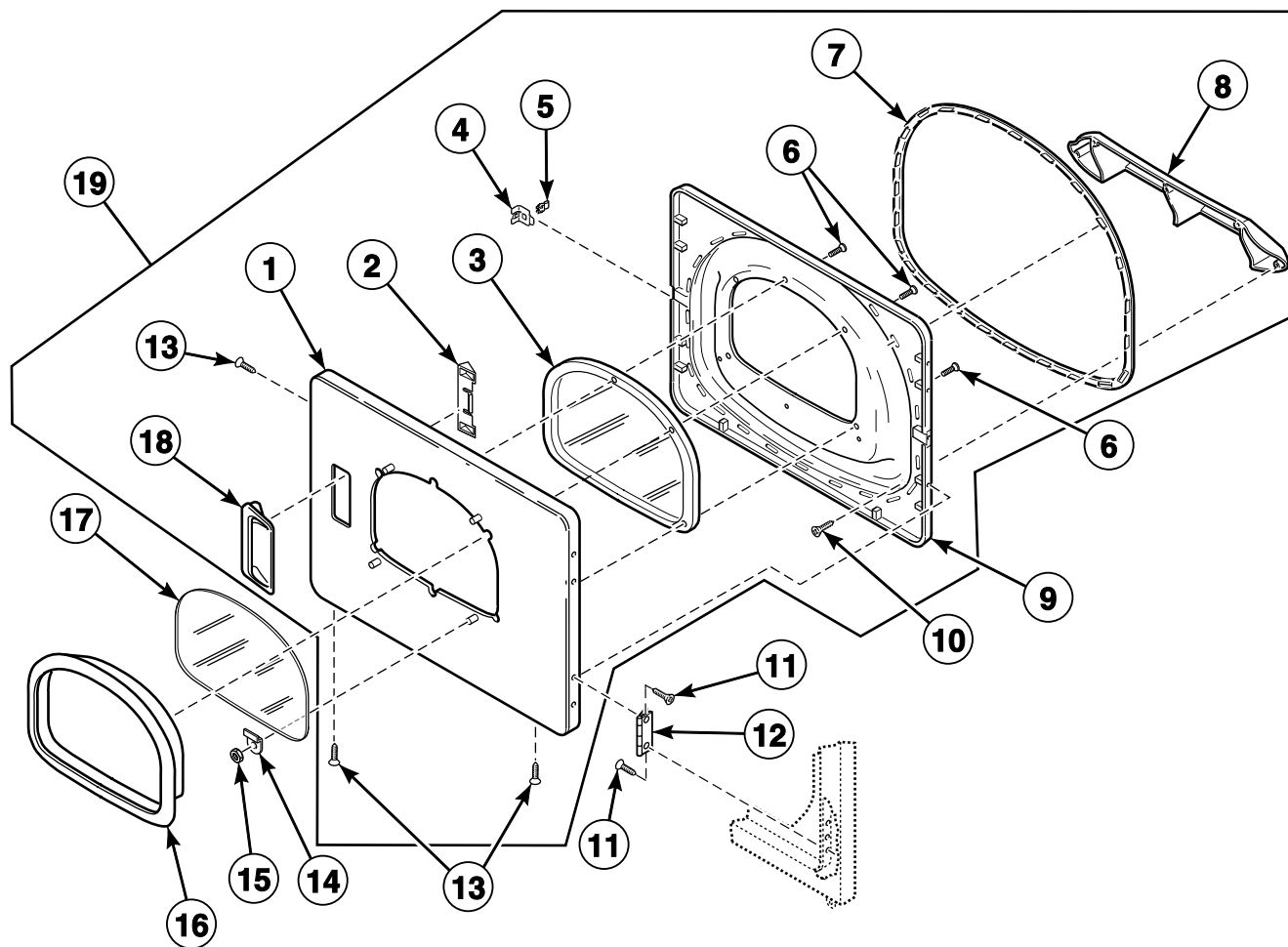
DRY1775P_513381

Loading Door without Window

REF	PART NO.	DESCRIPTION	COMMENTS
1	D510127	Door Strike Mount	
2	D510181	Door Strike	
3	D510147P	Liner Door Seal	
4	D510163WP	Liner, Seal and Grill Assembly	Includes item 3; Models SSELFCFGS151TW01, SSELFCFGS171TW01, SSELYFGS151TW01 and SSELYFGS171TW01 through Serial No. 1303025314; Models SSGLCFGS111TW01, SSGLCFGS111TWNA, SSGLYFGS111TW01 and SSGLYFGS111TWNA
	D513109P	Liner, Seal and Grill Assembly	Gray; Includes item 3; Models SSELFCFGS151TW01, SSELFCFGS171TW01, SSELYFGS151TW01 and SSELYFGS171TW01 starting Serial No. 1303025315
5	D514461	Screw	
6	D511036	Hinge	
7	D500226	Screw	
8	D510103WP	Door Pull and Wedge Kit	White; Includes item 9
	D510103QP	Door Pull and Wedge Kit	Bisque; Includes item 9
9	D510013WP	Dryer Door	White
	D510013QP	Dryer Door	Bisque
10	D510129	Door Handle Wedge	

Loading Door with Window

Models SSELCFGW151TW01, SSELCFGW171TN01, SSELCFGW171TW01, SSELXFGW171TW01, SSELYFGW171TN01, SSELYFGW171TW01, SSELYFGW171TWNA, SSGLCFGW111TN01, SSGLCFGW111TW01, SSGLCFGW111TWNA, SSGLXFGW111TW01, SSGLYFGW111TN01, SSGLYFGW111TW01 and SSGLYFGW111TWNA

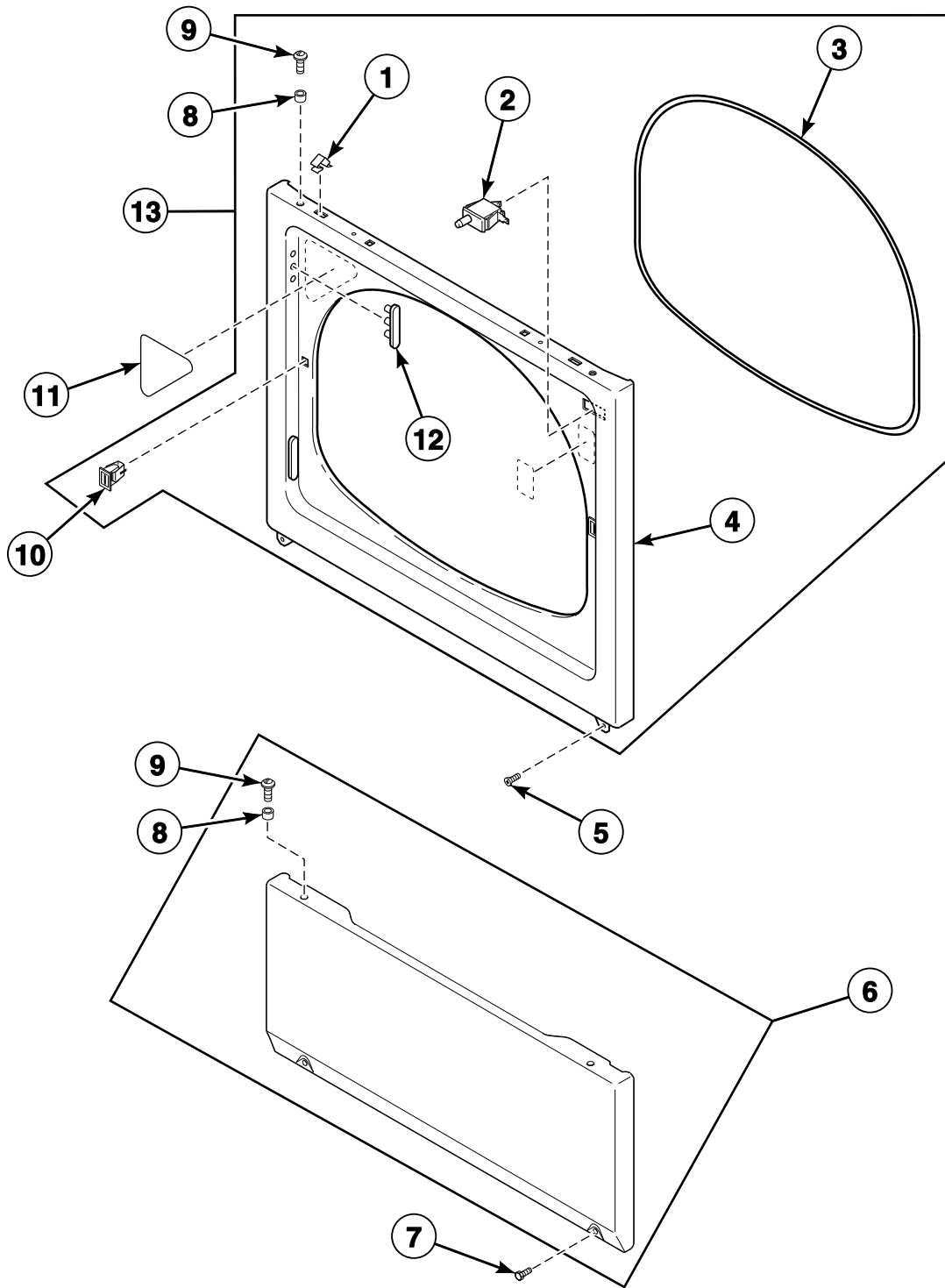


DRY2296P_513381

Loading Door with Window

REF	PART NO.	DESCRIPTION	COMMENTS
1	D513225	Dryer Door	Models SSELCFGW171TN01 and SSELYFGW171TN01 through Serial No. 1303025314; Models SGLCFGW111TN01 and SSGLYFGW111TN01
	D510082WP	Dryer Door	White; Models SSELCFGW151TW01, SSELCFGW171TW01, SSELXFGW171TW01 and SSELYFGW171TW01 through Serial No. 1303025314; All other models
	D514114W	Dryer Door Assembly	Models SSELCFGW151TW01, SSELCFGW171TW01, SSELXFGW171TW01 and SSELYFGW171TW01 starting Serial No. 1303025315
	D514168	Dryer Door Assembly	Models SSELCFGW171TN01 and SSELYFGW171TN01 starting Serial No. 1303025315
2	D510129	Door Handle Wedge	
3	D503982P	Dryer Door Window	
4	D510127	Door Strike Mount	
5	D510181	Door Strike	
6	D505870	Screw	
7	D510147P	Liner Door Seal	
8	D503870LG	Door Liner Grill	Models SSELCFGW151TW01, SSELCFGW171TW01, SSELXFGW171TW01 and SSELYFGW171TW01 starting Serial No. 1303025315; Models SSELCFGW171TN01, SSELYFGW171TN01, SGLCFGW111TN01 and SGLYFGW111TN01
	D503870W	Door Liner Grill	Models SSELCFGW151TW01, SSELCFGW171TW01, SSELXFGW171TW01 and SSELYFGW171TW01 through Serial No. 1303025314; All other models
9	D510098LG	Liner and Seal Assembly	Includes item 7; Models SSELCFGW151TW01, SSELCFGW171TW01, SSELXFGW171TW01 and SSELYFGW171TW01 starting Serial No. 1303025315; Models SSELCFGW171TN01, SSELYFGW171TN01, SGLCFGW111TN01 and SGLYFGW111TN01
	D510098W	Liner and Seal Assembly	Includes item 7; Models SSELCFGW151TW01, SSELCFGW171TW01, SSELXFGW171TW01 and SSELYFGW171TW01 through Serial No. 1303025314; All other models
10	D505870	Screw	
11	D514461	Screw	
12	D511036	Hinge	
13	D500226	Screw	
14	D513958	Window Clip	Models SSELCFGW151TW01, SSELCFGW171TN01, SSELCFGW171TW01, SSELXFGW171TW01, SSELYFGW171TN01 and SSELYFGW171TW01 starting Serial No. 1303025315
15	44071201	Nut	Models SSELCFGW151TW01, SSELCFGW171TN01, SSELCFGW171TW01, SSELXFGW171TW01, SSELYFGW171TN01 and SSELYFGW171TW01 starting Serial No. 1303025315
16	D512633	Window Trim	Models SSELCFGW171TN01 and SSELYFGW171TN01 through Serial No. 1303025314; Models SGLCFGW111TN01 and SGLYFGW111TN01
	D503981W	Window Trim	White; Models SSELCFGW151TW01, SSELCFGW171TW01, SSELXFGW171TW01 and SSELYFGW171TW01 through Serial No. 1303025314; All other models
	D513960W	Window Trim	Models SSELCFGW151TW01, SSELCFGW171TW01, SSELXFGW171TW01 and SSELYFGW171TW01 starting Serial No. 1303025315
	D513959	Window Trim	Models SSELCFGW171TN01 and SSELYFGW171TN01 starting Serial No. 1303025315
17	D513910	Glass Door Window	Models SSELCFGW151TW01, SSELCFGW171TN01, SSELCFGW171TW01, SSELXFGW171TW01, SSELYFGW171TN01 and SSELYFGW171TW01 starting Serial No. 1303025315
18	D512947	Door Pull	Models SSELCFGW171TN01, SSELYFGW171TN01, SGLCFGW111TN01 and SGLYFGW111TN01
	D510103WP	Door Pull and Wedge Kit	White; Includes item 2; All other models
19	D511636WP	Door and Liner Assembly	White; Includes items 1-10, 13, 15 and 18

Access Panel, Front Panel and Seal

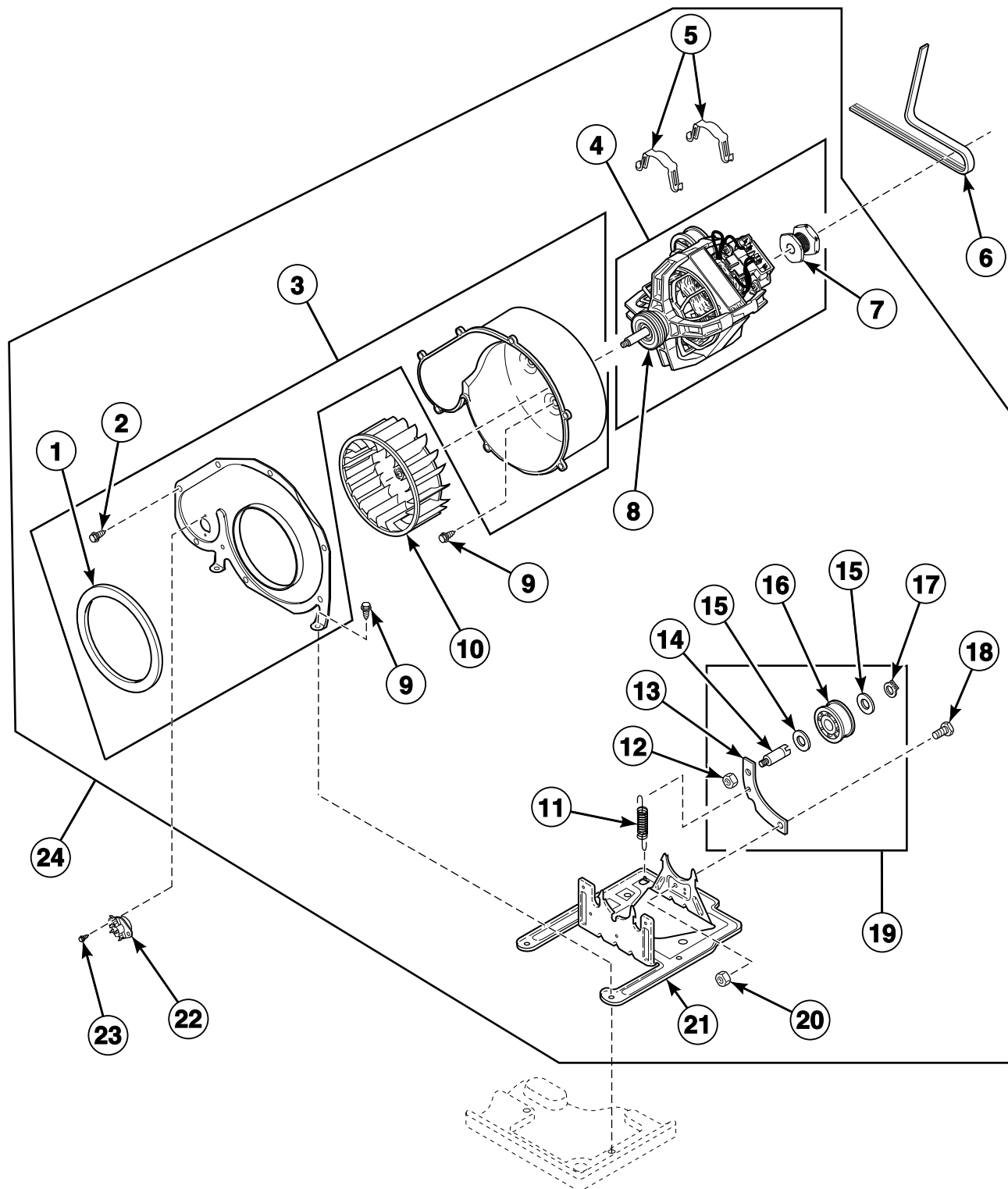


DRY1824P_513381

Access Panel, Front Panel and Seal

REF	PART NO.	DESCRIPTION	COMMENTS
1	28835	Speed Clip	1 per side
2	D512973	Switch	
3	D511056	Front Panel Seal	
4	D512542	Front Panel	Models SSELCFGW171TN01, SSELYFGW171TN01, SGLCFGW111TN01 and SGLYFGW111TN01
	D510066WP	Front Panel	White; All other models
5	D503688	Screw	
6	D514251	Access Panel Assembly	Models SSELCFGW171TN01 and SSELYFGW171TN01 through Serial No. 1303025314; Models SGLCFGW111TN01 and SGLYFGW111TN01
	D514250WP	Access Panel Assembly	White; Models SSELCFGWS151TW01, SSELCFGWS171TW01, SSELCFGW151TW01, SSELCFGW171TW01, SSELXFGW171TW01, SSELYFGS151TW01, SSELYFGS171TW01 and SSELYFGW171TW01 through Serial No. 1303025314; All other models
	D514252W	Access Panel and Guard Assembly	Models SSELCFGWS151TW01, SSELCFGWS171TW01, SSELCFGW151TW01, SSELCFGW171TW01, SSELXFGW171TW01, SSELYFGS151TW01, SSELYFGS171TW01 and SSELYFGW171TW01 starting Serial No. 1303025315
	D514253	Access Panel and Guard Assembly	Models SSELCFGW171TN01 and SSELYFGW171TN01 starting Serial No. 1303025315
7	33562	Screw	Slotted hex head
	62853	Screw	Torx head; Optional for added security
8	56079	Panel Locator	1 per side
9	D512921	Screw	1 per side; Models SSELCFGW171TN01, SSELYFGW171TN01, SGLCFGW111TN01 and SGLYFGW111TN01
	39733	Screw	1 per side; All other models
10	D510177	Door Catch Assembly	
11	D500281	Warning/Caution Label	
12	D510186	Hinge Hole Plug	
13	D513781WP	Front Panel Assembly	Includes items 1-4, 8-10, 12, D511636WP Door Assembly, (2) of D511036 Door Hinge and (8) screws; Models SSELCFGWS151TW01, SSELCFGW171TW01, SSELXFGW171TW01, SSELYFGW171TW01, SSELYFGW171TWNA, SGLCFGW111TW01, SGLCFGW111TWNA, SGLXFGW111TW01, SGLYFGW111TW01 and SGLYFGW111TWNA

Motor, Exhaust Fan and Belt

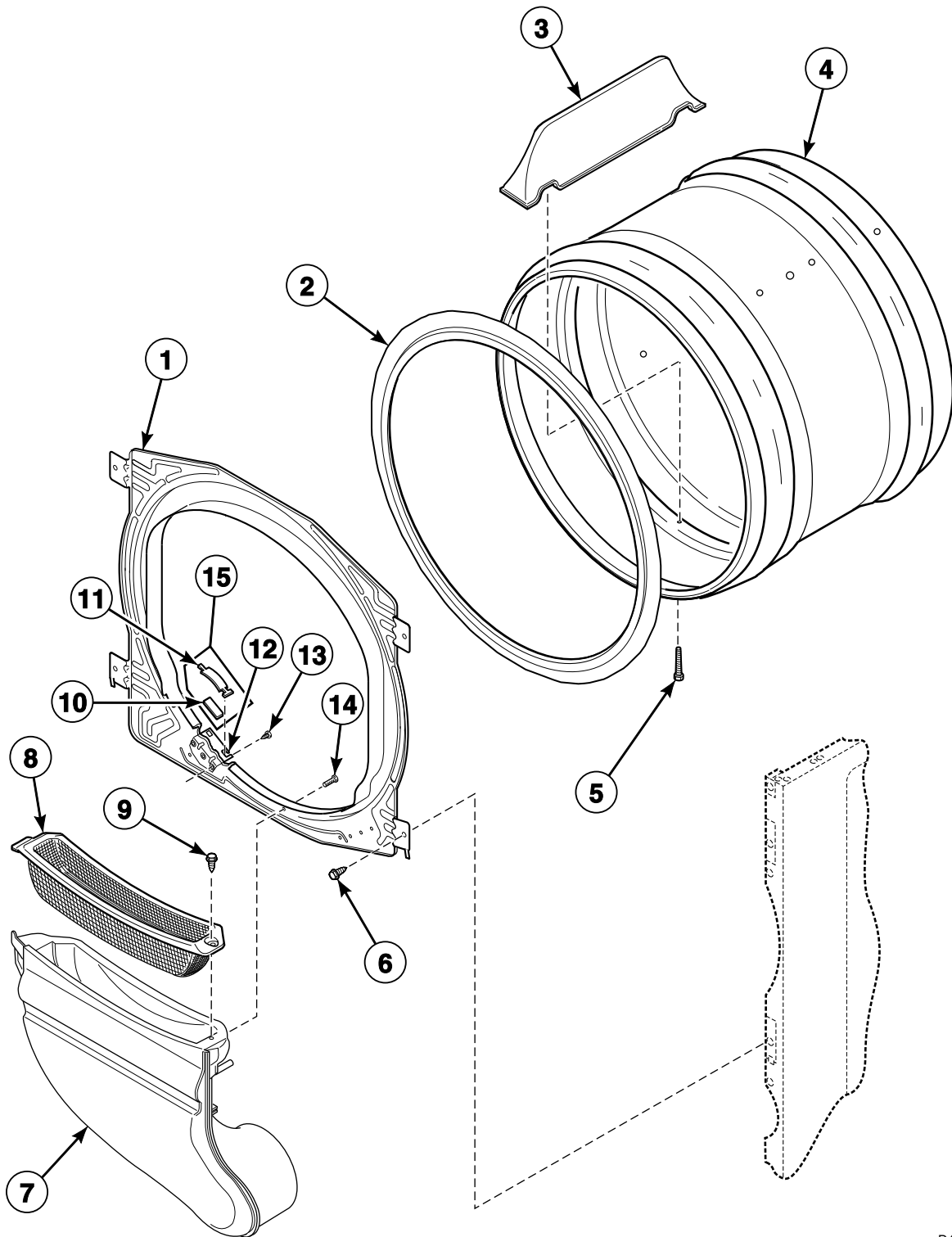


DRY2084P_513381

Motor, Exhaust Fan and Belt

REF	PART NO.	DESCRIPTION	COMMENTS
	27604P	Anti-Seize Compound	Apply to motor shaft when installing blower fan assembly
1	D510238P	Blower Housing Seal	
2	31260	Screw	
3	D511969WP	Blower Housing	Includes items 1 and 2
4	D511629P	Motor and Pulley Assembly	120 Volt/60 Hertz; Apply anti-seize compound to motor shaft when installing blower fan assembly; Includes items 7 and 8
5	D510180	Motor Mount Clamp	
6	D511255P	Cylinder Belt	
7	D500011	Motor Pulley	60 Hertz
8	590P3	Motor Hub Ring Kit	
9	D503688	Screw	
10	D510139P	Blower Fan Assembly	Apply anti-seize compound to motor shaft when installing blower fan assembly
11	D510185	Idler Spring	
12	56156	Nut	
13	D510133	Idler Lever	
14	56461P	Shaft	
15	52549	Washer	
16	D510142P	Idler Wheel and Bearing Assembly	
17	23748	Retaining Ring	
18	D500824	Screw	
19	D510158	Idler Lever and Wheel Assembly	Includes items 12-17
20	52566	Nut	
21	D510060	Motor Mount	
22	D510523	Thermistor Assembly	Black
23	D502535	Screw	
24	D510717P	Blower and Fan Kit	Includes items 1-5 and 7-21

Front Bulkhead, Air Duct, Felt Seal and Cylinder

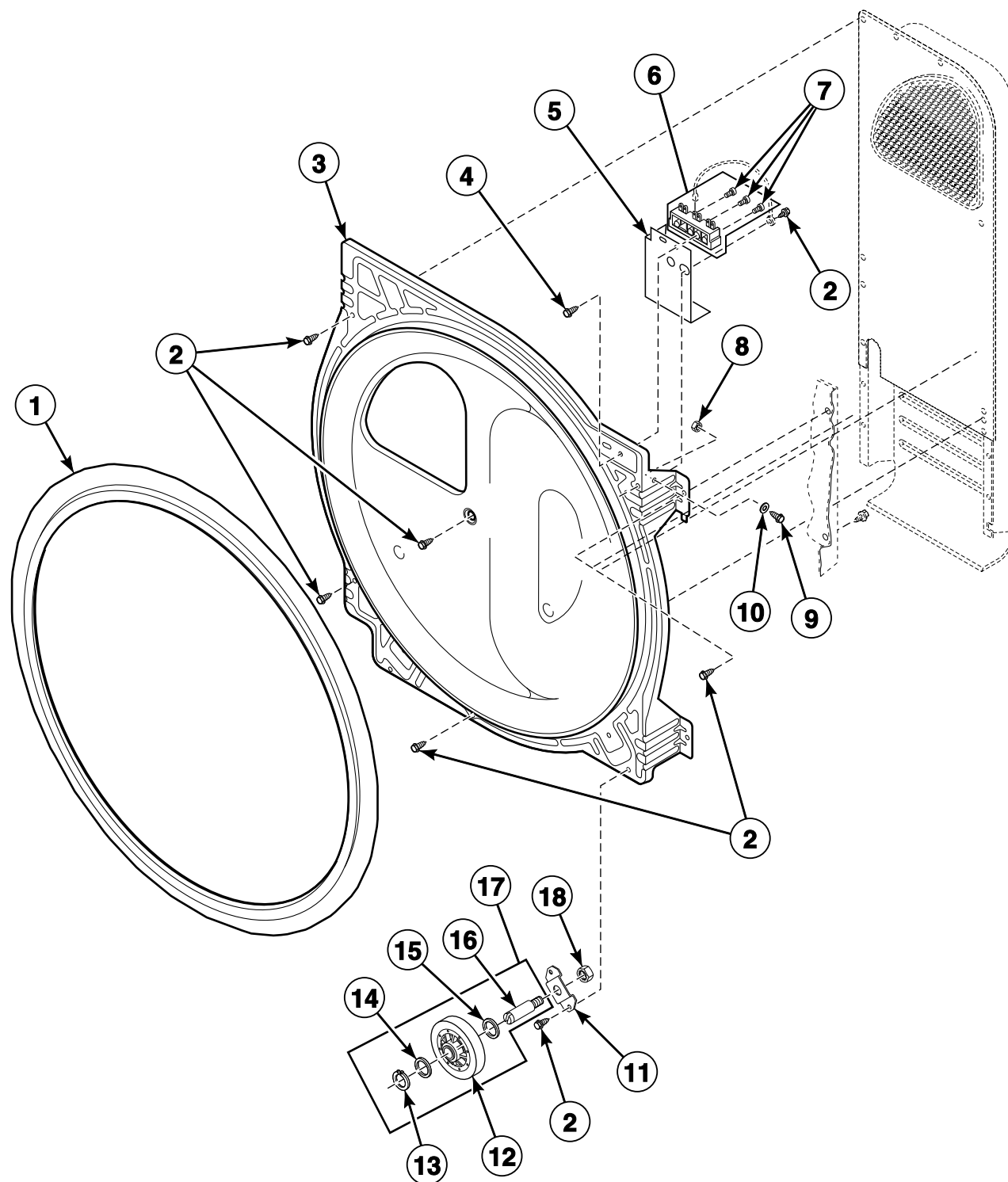


D402P_513381

Front Bulkhead, Air Duct, Felt Seal and Cylinder

REF	PART NO.	DESCRIPTION	COMMENTS
1	D510266P	Front Bulkhead Assembly	Unpainted; Includes items 2 and 10-13
2	D510207P	Cylinder Seal Assembly	
	D511637P	Adhesive	Apply to cylinder seal
	RB170001	Seal Kit	Includes 2 cylinder seals, D510238P Blower Housing Seal and adhesive
3	D510102LG	Cylinder Baffle	Models SSELCFGW171TN01, SSELYFGW171TN01, SSGLCFGW111TN01 and SSGLYFGW111TN01; Models SSELCFGS151TW01, SSELCFGS171TW01, SSELCFGW151TW01, SSELCFGW171TW01, SSELXFGW171TW01, SSELYFGS151TW01, SSELYFGS171TW01 and SSELYFGW171TW01 starting Serial No. 1303025315
	D510102W	Cylinder Baffle	Models SSELCFGS151TW01, SSELCFGS171TW01, SSELCFGW151TW01, SSELCFGW171TW01, SSELXFGW171TW01, SSELYFGS151TW01, SSELYFGS171TW01 and SSELYFGW171TW01 through Serial No. 1303025314; All other models
4	D510265LGP	Cylinder Assembly	Models SSELCFGW171TN01, SSELYFGW171TN01, SSGLCFGW111TN01 and SSGLYFGW111TN01; Models SSELCFGS151TW01, SSELCFGS171TW01, SSELCFGW151TW01, SSELCFGW171TW01, SSELXFGW171TW01, SSELYFGS151TW01, SSELYFGS171TW01 and SSELYFGW171TW01 starting Serial No. 1303025315
	D510265WP	Cylinder Assembly	Galvanized; Includes item 3; Models SSELCFGS151TW01, SSELCFGS171TW01, SSELCFGW151TW01, SSELCFGW171TW01, SSELXFGW171TW01, SSELYFGS151TW01, SSELYFGS171TW01 and SSELYFGW171TW01 through Serial No. 1303025314; All other models
5	62588	Screw	
6	M405188	Screw	Use with stainless steel side panels
	D503688	Screw	Use with painted side panels
7	D510151LG	Air Duct Assembly	Models SSELCFGW171TN01, SSELYFGW171TN01, SSGLCFGW111TN01 and SSGLYFGW111TN01; Models SSELCFGS151TW01, SSELCFGS171TW01, SSELCFGW151TW01, SSELCFGW171TW01, SSELXFGW171TW01, SSELYFGS151TW01, SSELYFGS171TW01 and SSELYFGW171TW01 starting Serial No. 1303025315
	D510151W	Air Duct Assembly	Models SSELCFGS151TW01, SSELCFGS171TW01, SSELCFGW151TW01, SSELCFGW171TW01, SSELXFGW171TW01, SSELYFGS151TW01, SSELYFGS171TW01 and SSELYFGW171TW01 through Serial No. 1303025314; All other models
8	D503980LG	Lint Filter	Models SSELCFGW171TN01, SSELYFGW171TN01, SSGLCFGW111TN01 and SSGLYFGW111TN01; Models SSELCFGS151TW01, SSELCFGS171TW01, SSELCFGW151TW01, SSELCFGW171TW01, SSELXFGW171TW01, SSELYFGS151TW01, SSELYFGS171TW01 and SSELYFGW171TW01 starting Serial No. 1303025315
	D503980W	Lint Filter	Models SSELCFGS151TW01, SSELCFGS171TW01, SSELCFGW151TW01, SSELCFGW171TW01, SSELXFGW171TW01, SSELYFGS151TW01, SSELYFGS171TW01 and SSELYFGW171TW01 through Serial No. 1303025314; All other models
9	D501285	Screw	
10	D510189	Felt Pad	1 per side
11	D513710	Cylinder Glide	1 per side
12	D510145	Cylinder Glide Bracket	1 per side
13	D52864	Screw	2 per side
14	D514461	Screw	
15	RB170003	Glide Kit	Includes 2 of items 10 and 11

Rear Bulkhead, Felt Seal, Cylinder Roller and Terminal Block

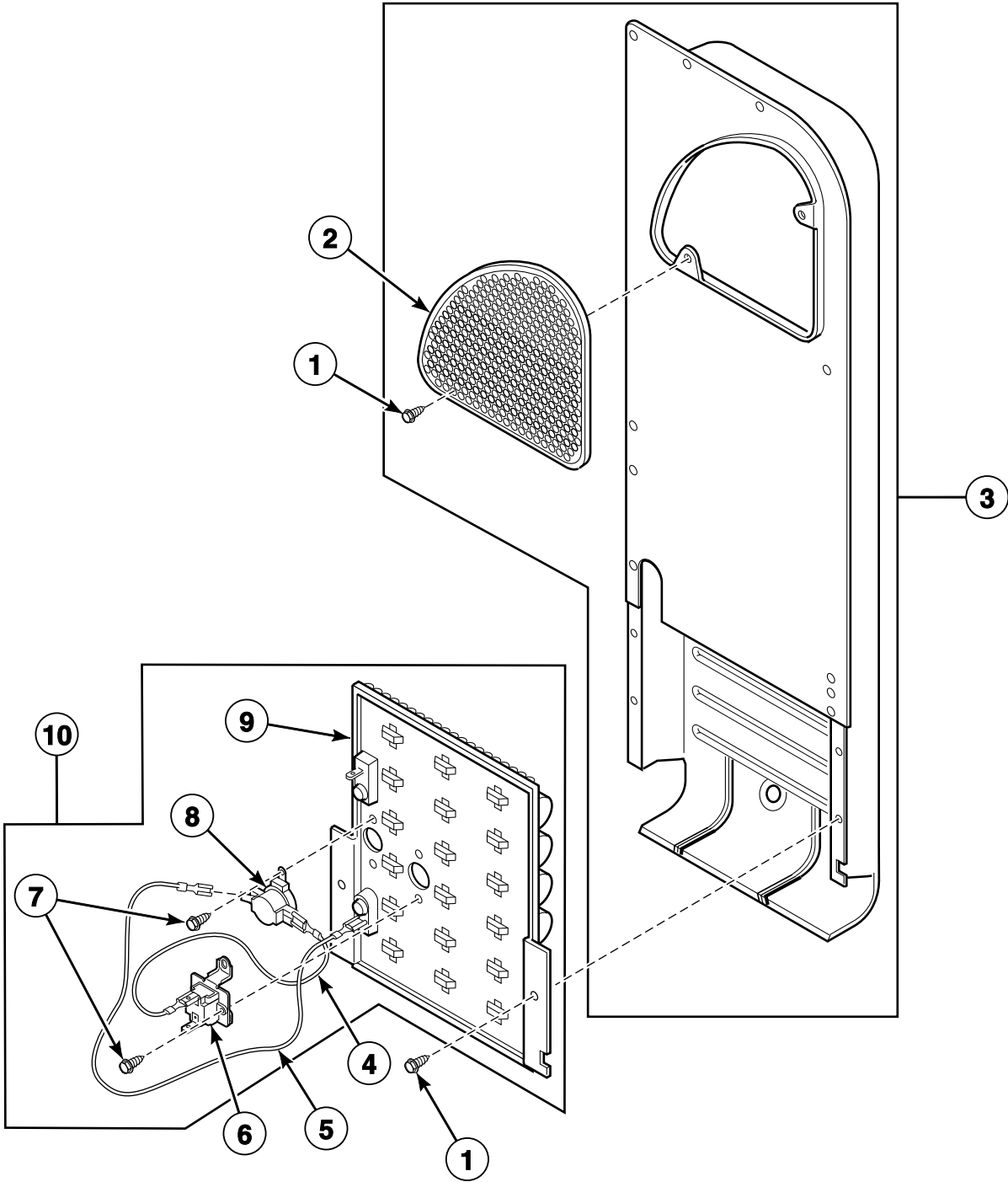


DRY1774P_513381

Rear Bulkhead, Felt Seal, Cylinder Roller and Terminal Block

REF	PART NO.	DESCRIPTION	COMMENTS
1	D510207P	Cylinder Seal Assembly	
	D511637P	Adhesive	Apply to cylinder seal
	RB170001	Seal Kit	Includes 2 cylinder seals, 510238P Blower Housing Seal and 511637P Adhesive
2	D503688	Screw	
3	D511082P	Rear Bulkhead Assembly	Galvanized; Includes item 1
4	D501285	Screw	Electric models
5	D510237	Terminal Block Shield	Electric models
6	D510190P	Terminal Block Assembly	Electric models; Includes 3 of item 7
7	61199	Screw	
8	28447	Nut	
9	28448	Screw	
10	28449	Washer	
11	D510100	Cylinder Roller Bracket	
12	D510708P	Cylinder Roller	
13	23748	Retaining Ring	
14	52549	Washer	
15	D504082	Washer	
16	56461P	Shaft	
17	RB170002	Roller Kit	Includes items 12-16
18	56156	Nut	

Heater Duct and Element Assembly - Electric Model Dryers

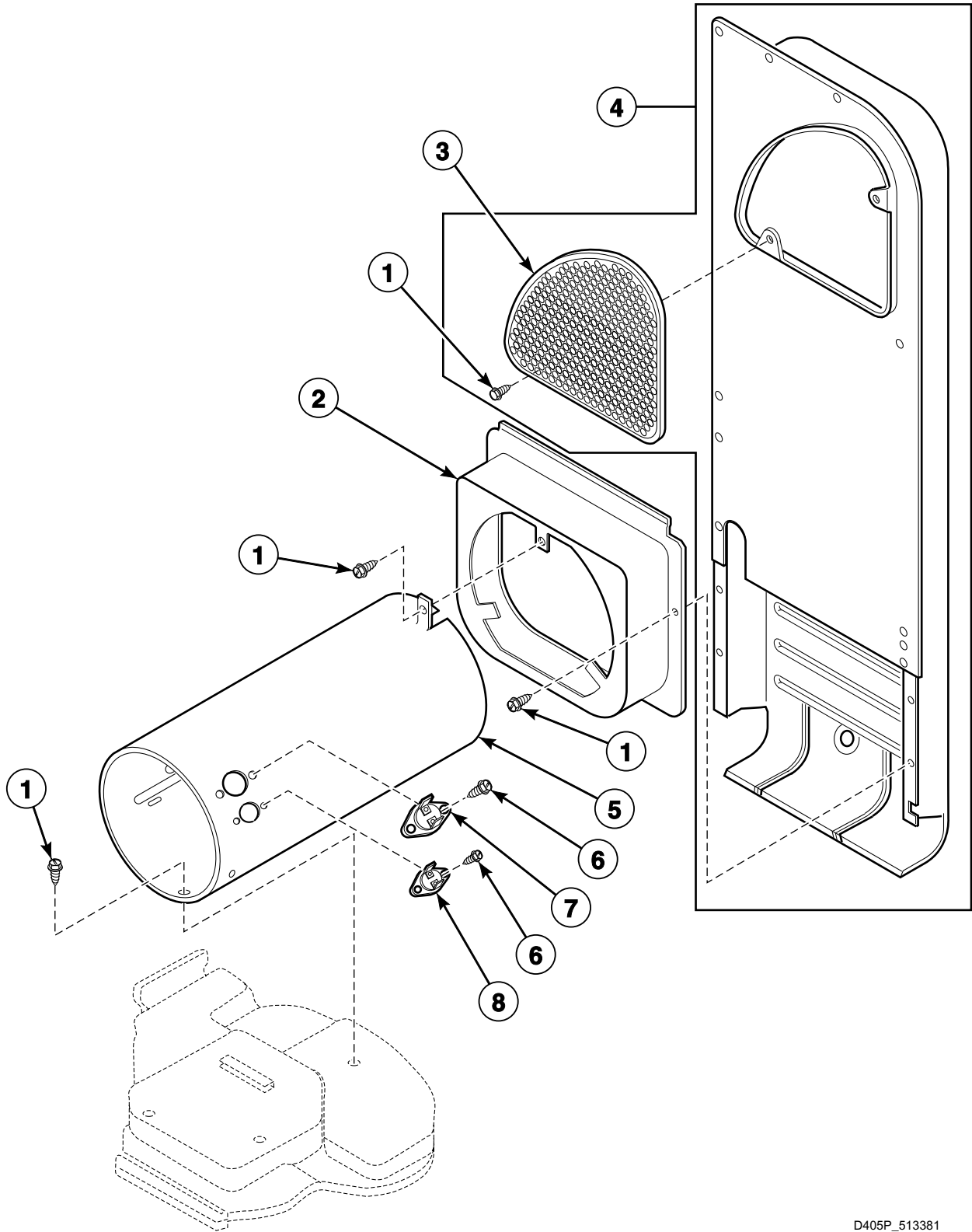


DRY1789P_513381

Heater Duct and Element Assembly - Electric Model Dryers

REF	PART NO.	DESCRIPTION	COMMENTS
1	D503688	Screw	
2	D500820	Outlet Cover	
3	D510025P	Heater Duct and Screw Assembly	Includes items 1 and 2
4	D510528	Wire Assembly	Orange; Thermostat jumper; Attaches to heater assembly
5	D510527	Wire Assembly	Black; Fuse jumper; Attaches to heater assembly
6	D511412	Thermal Fuse Assembly	
7	23222	Screw	
8	D510701	Limit Thermostat	
9	D510325P	Heater	4.75 kW; 208 Volt; Models SSELFCFGS151TW01, SSELFCFGW151TW01 and SSELYFGS151TW01
	D510329P	Heater Assembly	5.35 kW; 240 Volt; All other models
10	61928	Heater Kit Assembly	4.75 kW; 208 Volt
	964P3	Heater Kit	5.35 kW; 240 Volt

Heater Duct Assembly - Gas Model Dryers



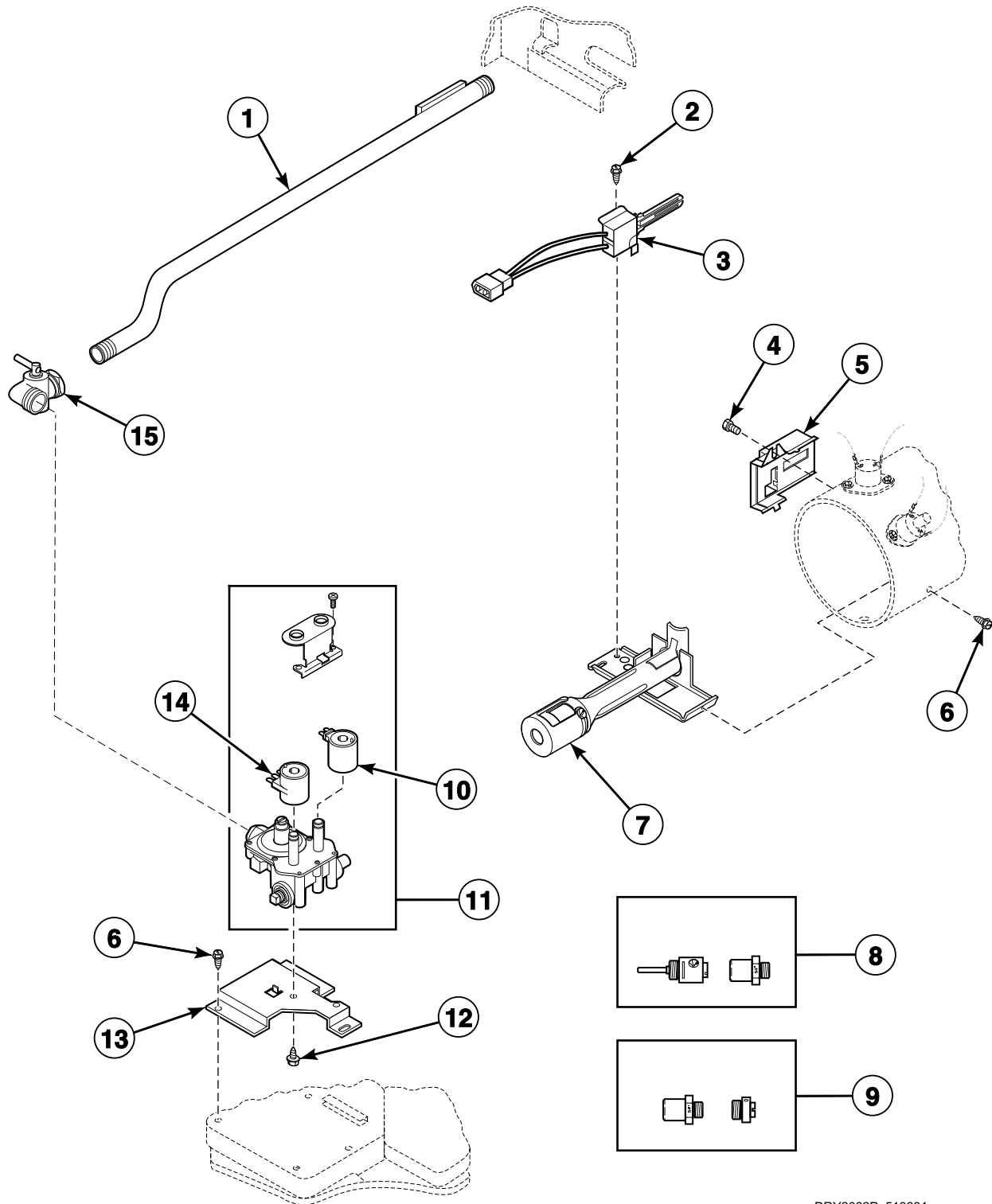
D405P_513381

Heater Duct Assembly - Gas Model Dryers

REF	PART NO.	DESCRIPTION	COMMENTS
1	D503688	Screw	
2	D510101	Heat Duct Shroud	
3	D500820	Outlet Cover	
4	D510025P	Heater Duct and Screw Assembly	Includes items 1 and 3
5	D510132	Combustion Duct	
6	51782	Screw	
7	D510702	Limit Thermostat	Black; Auto reset
8	D510703	Thermostat	

Gas Valve, Igniter and Gas Conversion Kits

Gas Models

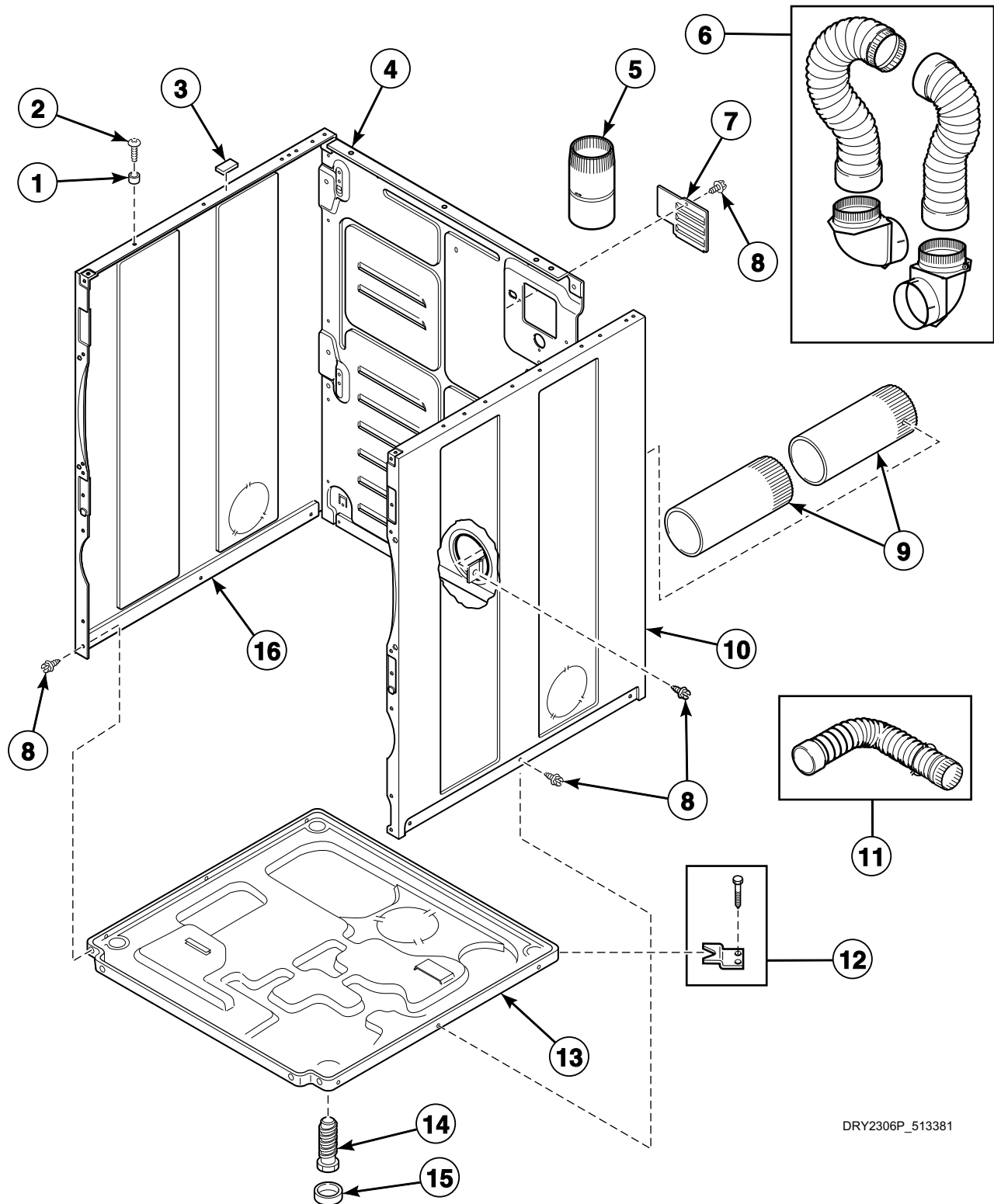


DRY2062P_513381

Gas Valve, Igniter and Gas Conversion Kits

REF	PART NO.	DESCRIPTION	COMMENTS
1	D510204	Lead-In Pipe Assembly	
2	51782	Screw	
3	D510184P	Igniter and Bracket Assembly	
4	23222	Screw	
5	D510213	Sensor	
6	D503688	Screw	
7	D510149P	Burner Assembly	
8	458P3	L.P. Conversion Kit	Used to convert dryers from Natural Gas (N.G.) or Mixed Gas to Liquid Petroleum Gas (L.P.); For 25,000 Btu
9	459P3	N.G. Conversion Kit	Used to convert dryers from L.P. to N.G. or Mixed Gas; For 25,000 Btu
10	58804B	Secondary Coil	
11	60353P	Gas Valve Assembly	25,000 Btu; Includes items 10 and 14
12	56124	Screw	
13	D510128	Gas Valve Mounting Bracket	
14	58804A	Booster and Holding Coil	
15	D510205	Elbow Shut-Off Valve	

Cabinet, Exhaust Duct and Base

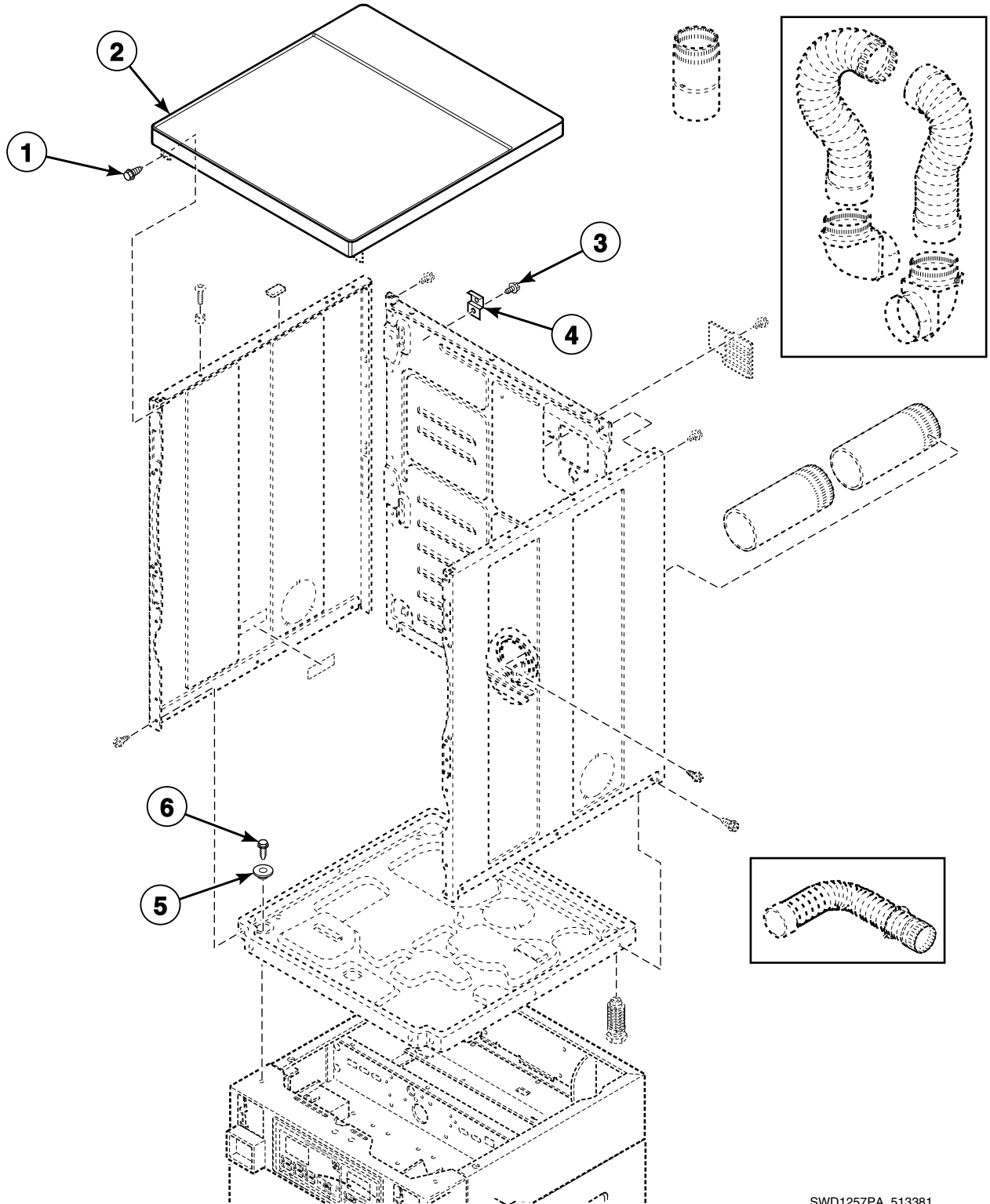


DRY2306P_513381

Cabinet, Exhaust Duct and Base

REF	PART NO.	DESCRIPTION	COMMENTS
	122P4P	Porcelain Touch-Up Paint	White
	370P4P	Porcelain Touch-Up Paint	Bisque
1	56079	Panel Locator	
2	D512921	Screw	Use with stainless steel side panels
	39733	Screw	Use with painted side panels
3	56128	Bumper Pad	
4	D514632P	Cabinet Rear Panel	
5	58786	Damper	Use when connecting to a manifold vent system.
6	521P3	Flexible Venting Kit	
7	D510903	Access Panel Plate	
8	D503688	Screw	
9	D510137	Exhaust Duct	Each dryer requires 2 pieces
10	D512952	Cabinet Side Panel	Right; Models SSELCFGW171TN01, SSELYFGW171TN01, SSGLCFGW111TN01 and SSGLYFGW111TN01
	D510002GP	Cabinet Side Panel	Gray; Right; Models SSELCFGW171TN01, SSELYFGW171TN01, SSGLCFGW111TN01 and SSGLYFGW111TN01
	D510002WP	Cabinet Side Panel	White; Right; All other models
	D510002QP	Cabinet Side Panel	Bisque; Right; All other models
11	528P3	Directional Exhaust Kit	Used to vent dryer out the sides or bottom
12	526P3	Hold Down Kit	For mobile home installations
13	D513901	Dryer Base	
14	D510135	Leveling Leg	
15	D501855	Rubber Foot	
16	D512951	Cabinet Side Panel	Left; Models SSELCFGW171TN01, SSELYFGW171TN01, SSGLCFGW111TN01 and SSGLYFGW111TN01
	D510001GP	Cabinet Side Panel	Gray; Left; Models SSELCFGW171TN01, SSELYFGW171TN01, SSGLCFGW111TN01 and SSGLYFGW111TN01
	D510001WP	Cabinet Side Panel	White; Left; All other models
	D510001QP	Cabinet Side Panel	Bisque; Left; All other models

Cabinet Top



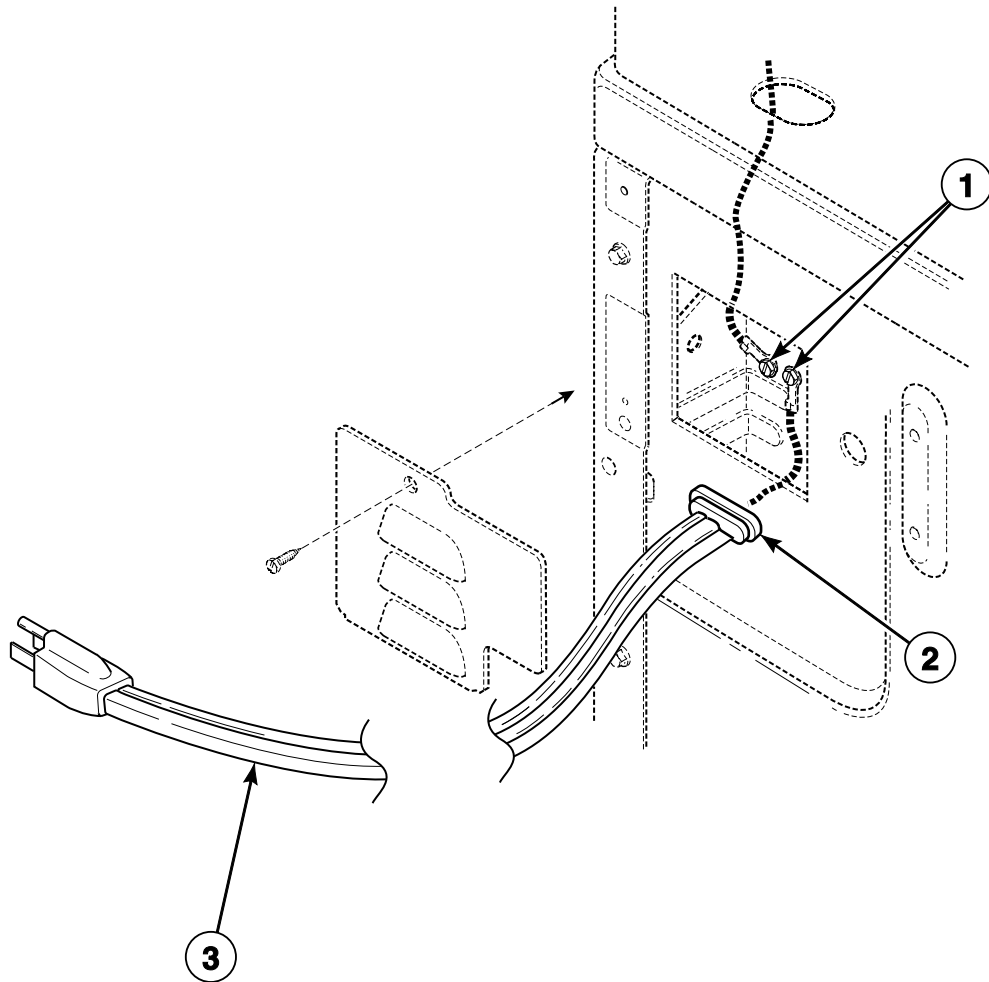
SWD1257PA_513381

Cabinet Top

REF	PART NO.	DESCRIPTION	COMMENTS
1	D503661	Screw	
2	803144P	Top Kit	Models SSELCFGW171TN01, SSELYFGW171TN01, SSGLCFGW111TN01 and SSGLYFGW111TN01
	D510032WP	Top Kit	White; All other models
	D510032QP	Top Kit	Bisque; All other models
3	D503688	Screw	
4	D510136	Top Hinge	
5	D501307	Washer	
6	36048	Screw	

Power Cord

Gas Models

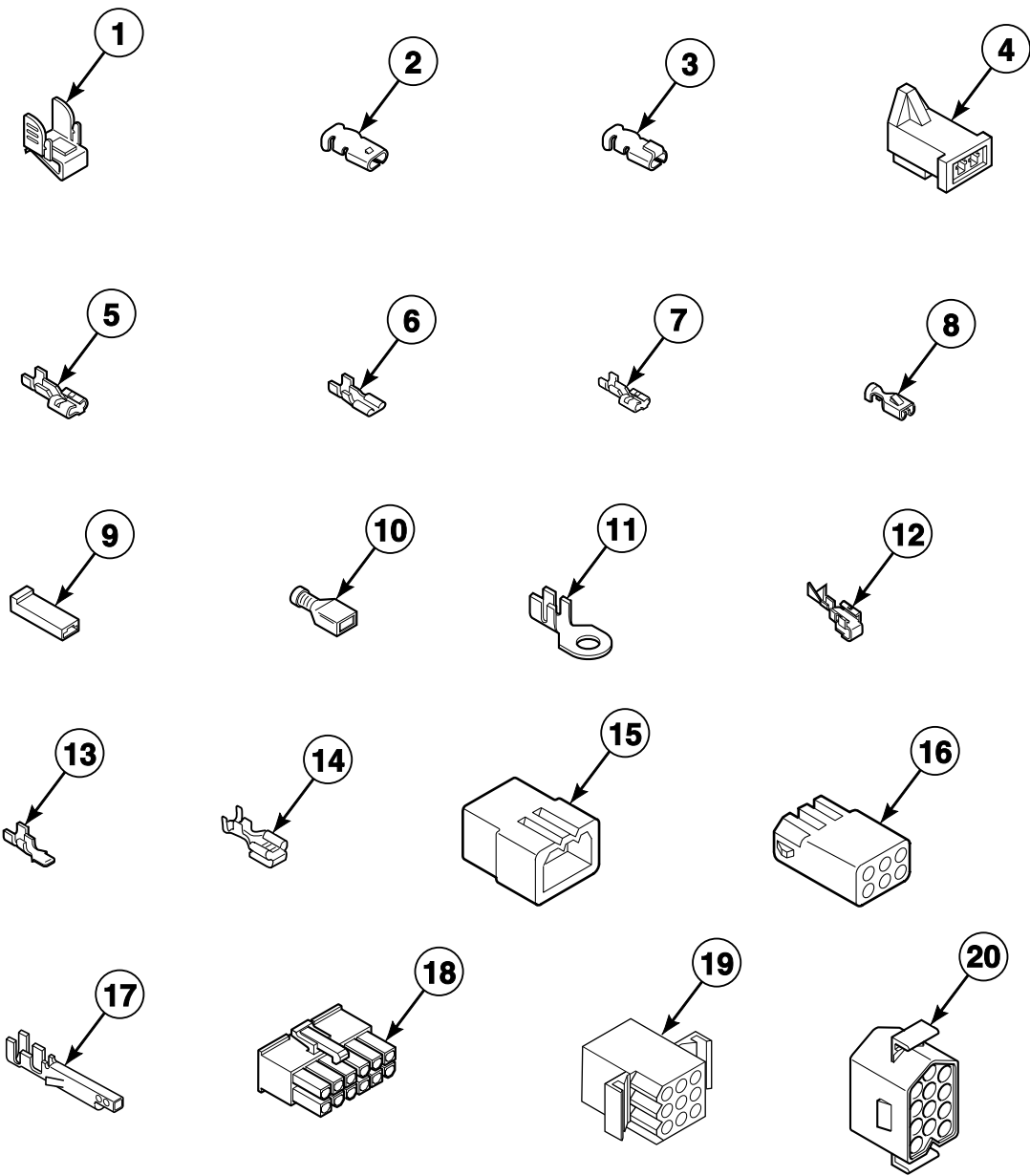


DRY1879P_513381

Power Cord

REF	PART NO.	DESCRIPTION	COMMENTS
1	20530	Screw	
2	38384	Strain Relief	
3	59308	Lead-In Cord	

Terminal Block and Terminals



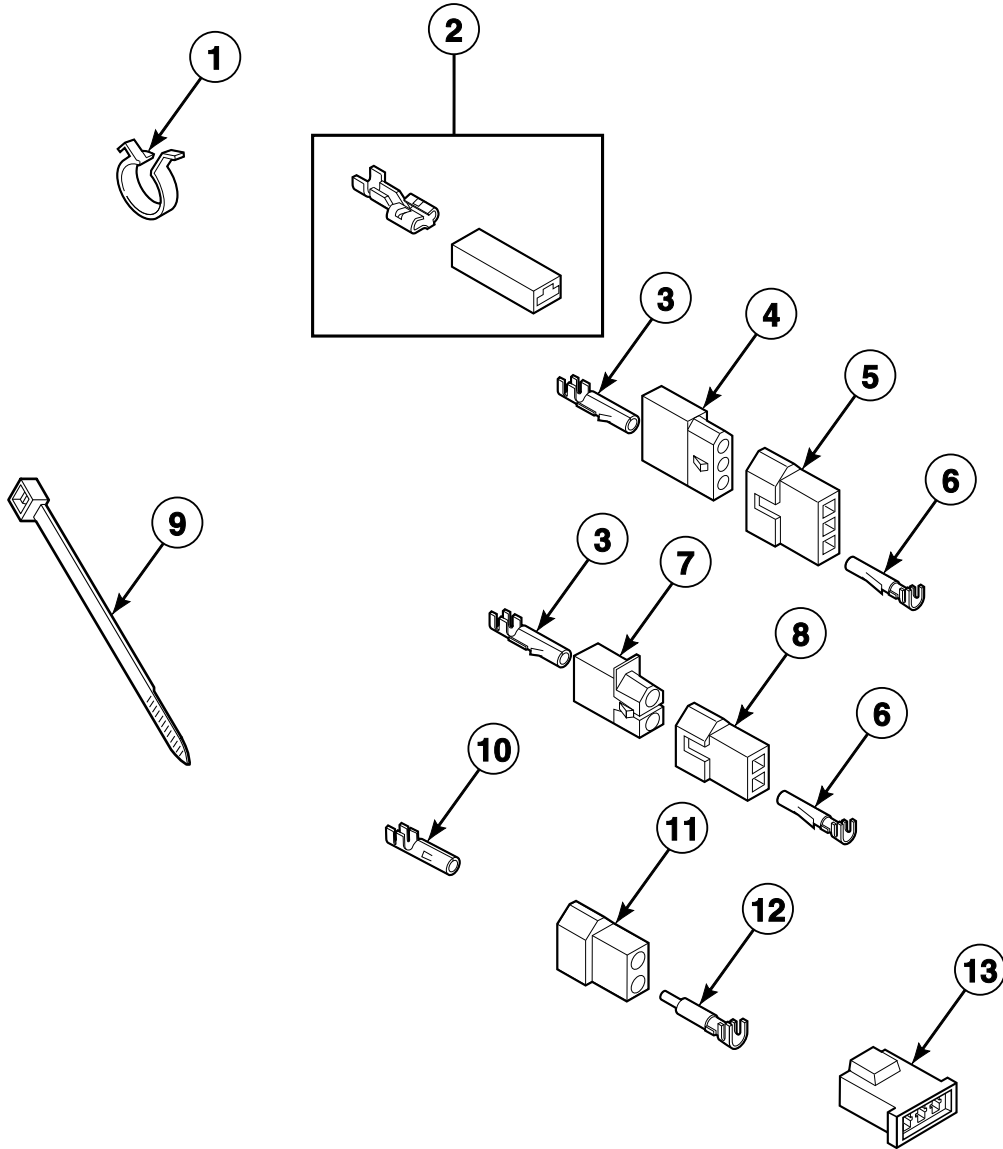
DRY2208P_513381

Terminal Block and Terminals

REF	PART NO.	DESCRIPTION	COMMENTS
1	00161	Grounding Clip	
2	00189	Female Spade Terminal	1/8 inch
3	00361	Female Piggyback Terminal	
4	58799	2 Circuit Connector	
5	00223	Female Spade Terminal	1/4 inch; (1) 18 gauge wire
	00121	Female Spade Terminal	1/4 inch; (2) 18 gauge wires or (1) 12 gauge wire
	00245	Spade Terminal	1/4 inch; (1) 22 gauge wire
6	00124	Female Spade Terminal	3/16 inch; (1) 18 gauge wire; .020 tab
7	N/A	Female Spade Terminal	1/4 inch
8	00115	Female Spade Terminal	1/4 inch; (1) 18 gauge wire
	N/A	Female Spade Terminal	1/4 inch; (2) 18 gauge wires or (1) 12 gauge wire
9	90789	Receptacle Housing	
10	00359	Insulated Female Spade Terminal	1/4 inch
11	00110	Ring Terminal	No. 10; (1) 18 gauge wire
12	00114	Female Spade Terminal	1/4 inch; Double connector
13	00139	Male Tab Terminal	1/4 inch; (2) 18 gauge wires or (1) 12 gauge wire
14	00344	Female Tab Terminal	1/4 inch
15	23033	9 Circuit Plug	
	26302	1 Circuit Plug	
16	26708	6 Circuit Receptacle	
	26301	1 Circuit Receptacle	
17	00252	Terminal	
18	34596	10 Circuit Receptacle	
	D501333	12 Circuit Receptacle	
19	56855	12 Circuit Receptacle	
20	54522	Plug	

N/A = Part no longer available

Terminals

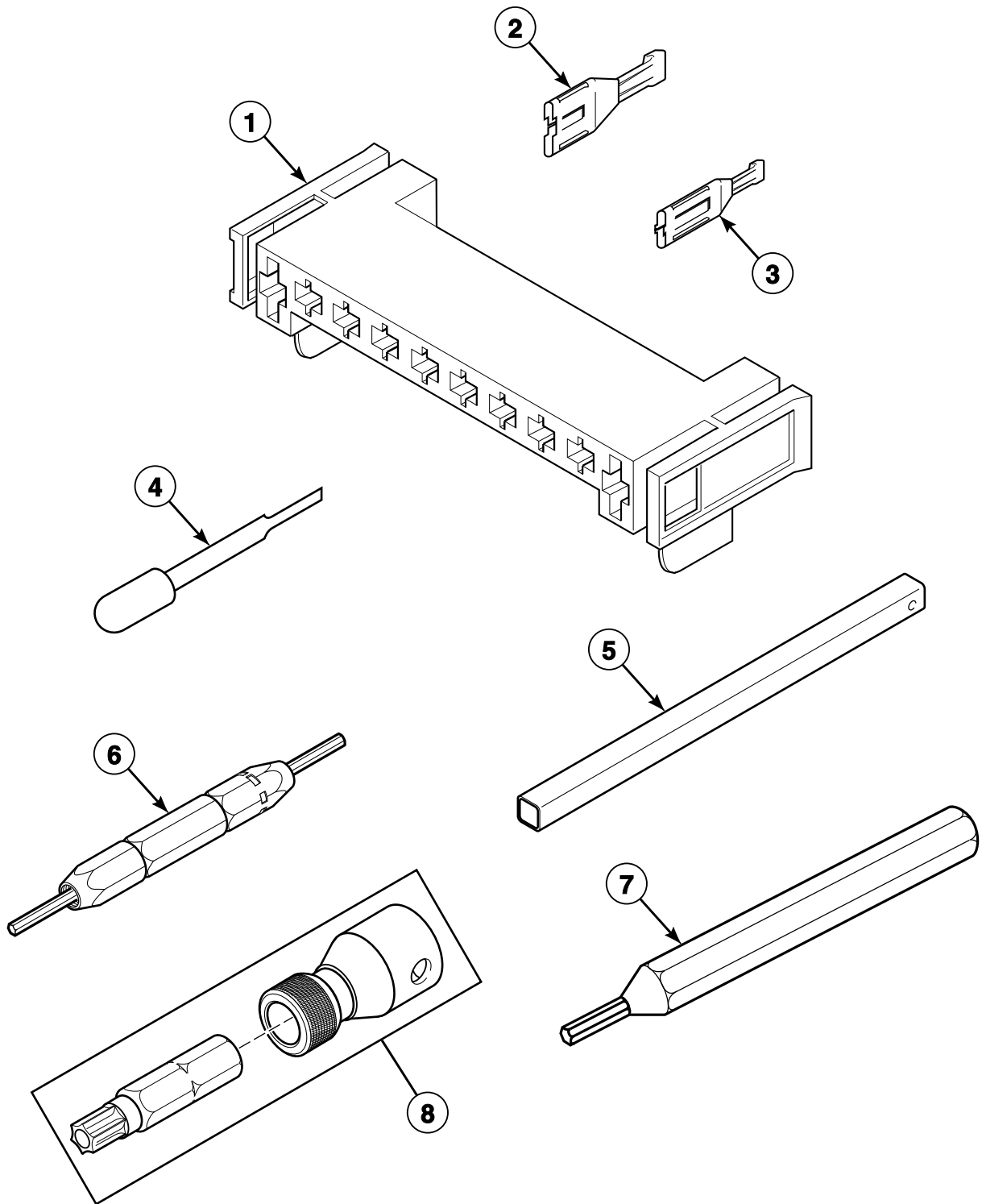


DRY1769P_513381

Terminals

REF	PART NO.	DESCRIPTION	COMMENTS
1	D04034	Wire Clip	11/16 inch
	687500	Wire Clip	1 inch
2	00360	Insulated Female Spade Terminal	(1) 12 gauge wire or (2) 18 gauge wires
3	00117	Female Pin Terminal	
4	23039	3 Circuit Receptacle	
5	23040	Plug	
6	00116	Male Pin Terminal	
7	56451	2 Circuit Receptacle	
8	56448	2 Circuit Plug	
9	55881	Harness Strap	
10	00130	Female Pin Terminal	1/8 inch; 16-18 gauge wire
	00128	Female Pin Terminal	1/8 inch; 10-14 gauge wire
11	56266	2 Circuit Plug	
12	00127	Male Pin Terminal	1/8 inch
13	58800	3 Circuit Connector	

Terminals and Terminal Extractor Tools

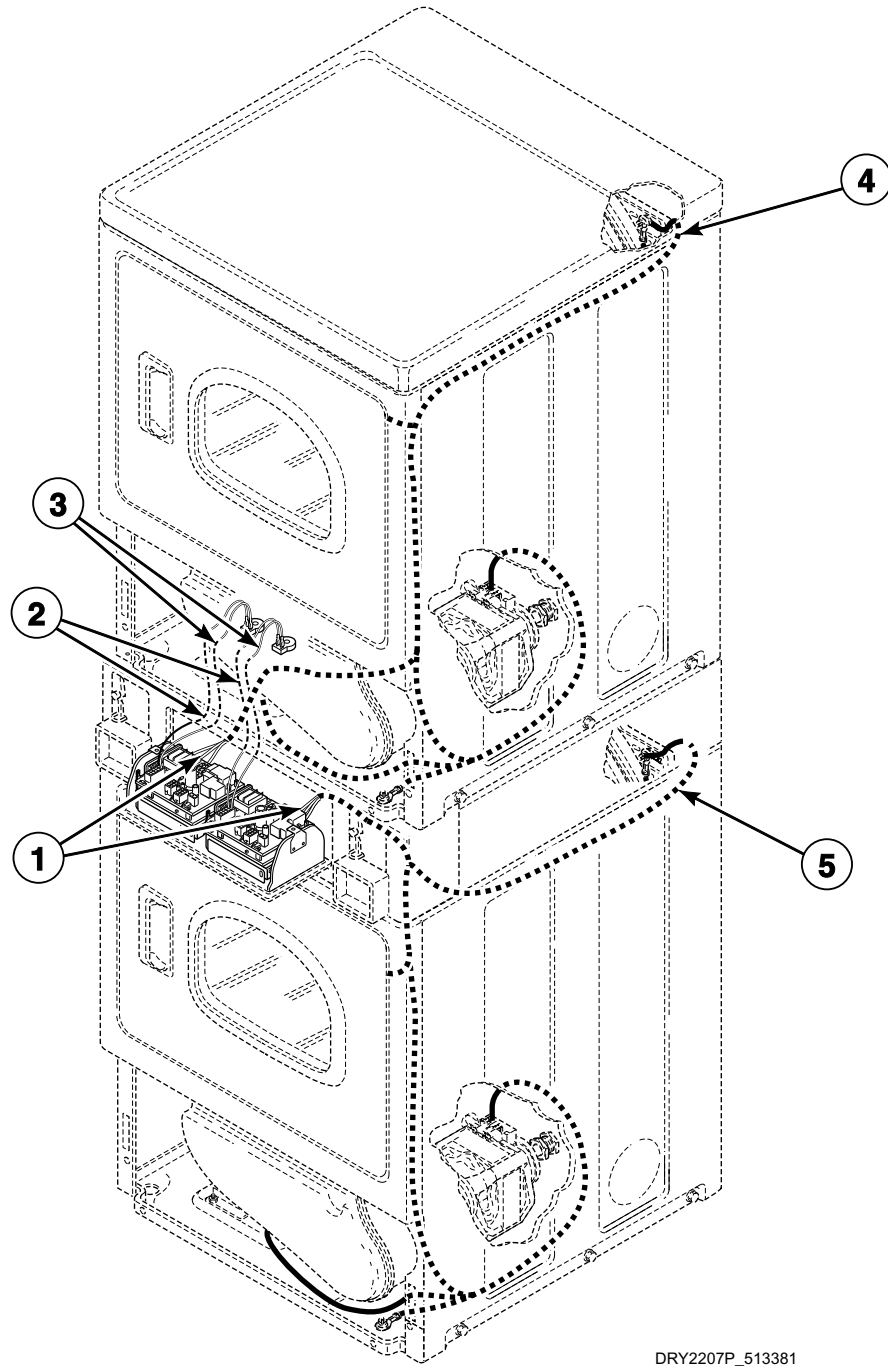


DRY2066P_513381

Terminals and Terminal Extractor Tools

REF	PART NO.	DESCRIPTION	COMMENTS
1	D500338	10 Position Housing	
2	00255	Female Terminal	1/4 inch; (1) 12 gauge wire; Electric models
	00256	Female Terminal	1/4 inch; (1) or (2) 18 gauge wires
3	00188	Female Terminal	For 1 or 2 wire application
4	283P4	Terminal Extractor Tool	For use on Molex connectors
5	310P4	Ratchet Extension Tool	1/4 inch; For coin drop installation
6	190P4	Extractor Tool	For use on electric dryer terminals
7	128P4	Extractor Tool	For use on gas dryer terminals
8	281P4	Torx Bit	T15 Tamper Resistant Bit
	282P4	Torx Bit	Use with 62853 Screw on access panel; T25 Tamper Resistant Bit
	292P4	Torx Bit	T20 Standard Bit
	93501	Torx Drive Tool	T10 Standard Bit

Wires and Wire Harnesses - Gas Models



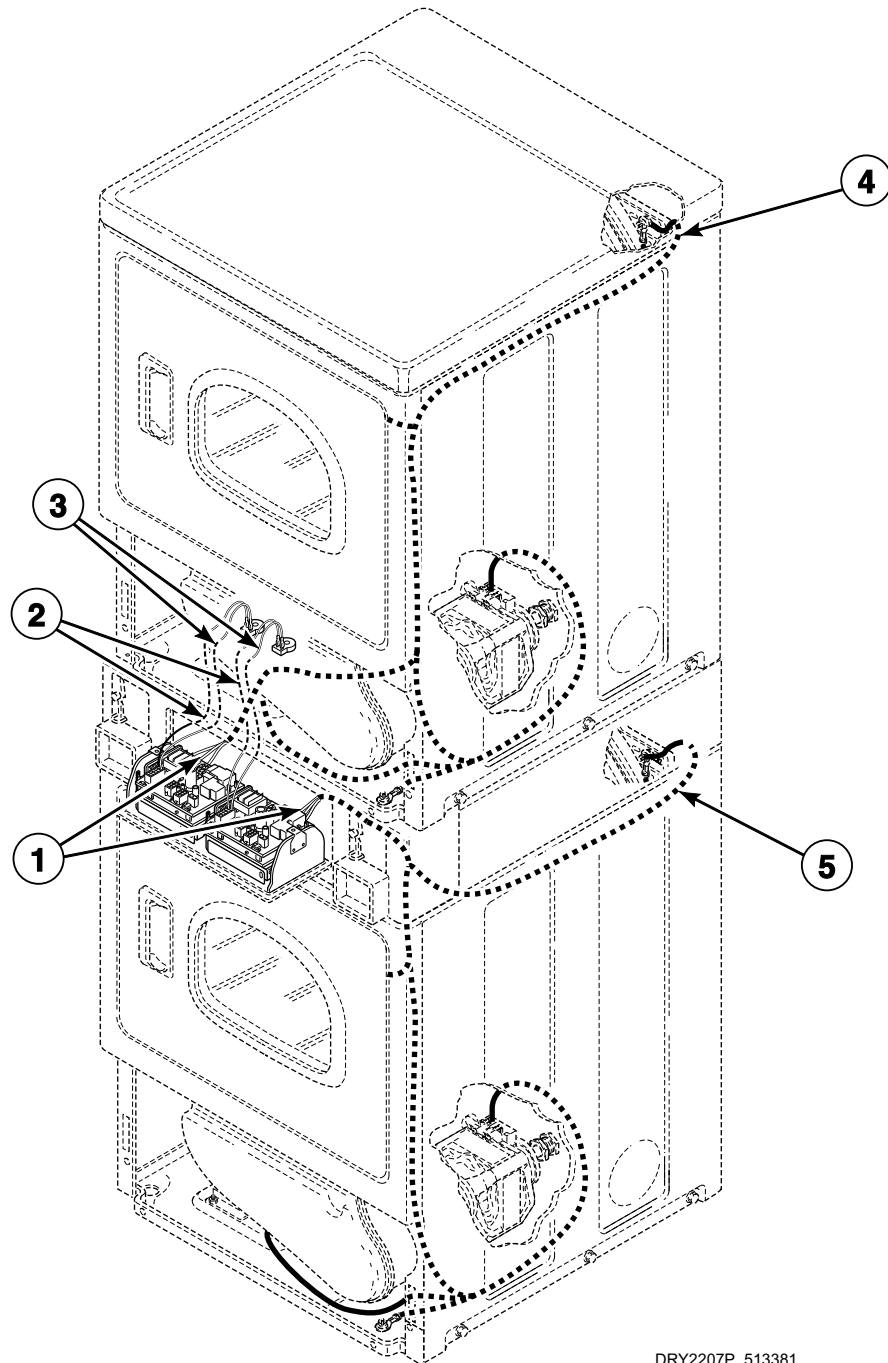
DRY2207P_513381

Wires and Wire Harnesses - Gas Models

REF	PART NO.	DESCRIPTION	COMMENTS
	45001	18 Gauge Wire	Black; Order wire by the foot; Order terminals and connectors as required
	45380	12 Gauge Wire	Orange; Order wire by the foot; Order terminals and connectors as required
1	D512422P	Wire Harness Assembly	
2	D512273P	Wire Configuration Assembly	
3	D512275P	Wire Configuration Assembly	
4	D511793P	Electronic Harness	Upper
5	D511795P	Electronic Harness	Lower

NOTE: Individual wires are not available separately. Order complete harness, or order wire by the foot. When applying terminals to wires, it is recommended that the terminals be soldered to the wires.

Wires and Wire Harnesses - Electric Models Through Serial No. 1303025314



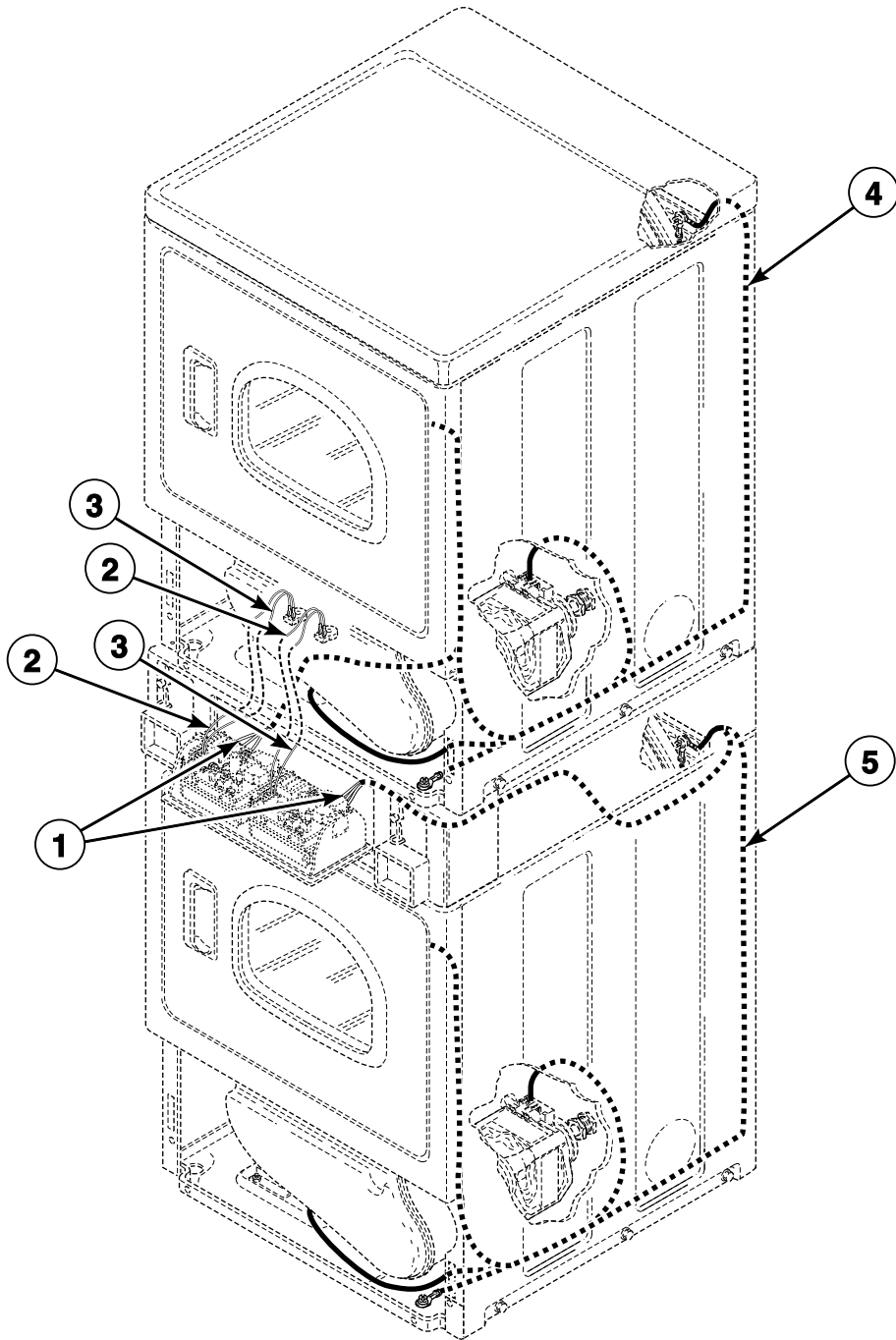
DRY2207P_513381

Wires and Wire Harnesses - Electric Models Through Serial No. 1303025314

REF	PART NO.	DESCRIPTION	COMMENTS
	45001	18 Gauge Wire	Black; Order wire by the foot; Order terminals and connectors as required
	45380	12 Gauge Wire	Orange; Order wire by the foot; Order terminals and connectors as required
1	D512422P	Wire Harness Assembly	
2	D512273P	Wire Configuration Assembly	
3	D512275P	Wire Configuration Assembly	
4	D511792P	Electronic Harness	Upper
5	D511794P	Electronic Harness	Lower

NOTE: Individual wires are not available separately. Order complete harness, or order wire by the foot. When applying terminals to wires, it is recommended that the terminals be soldered to the wires.

Wires and Wire Harnesses - Electric Models Starting Serial No. 1303025315



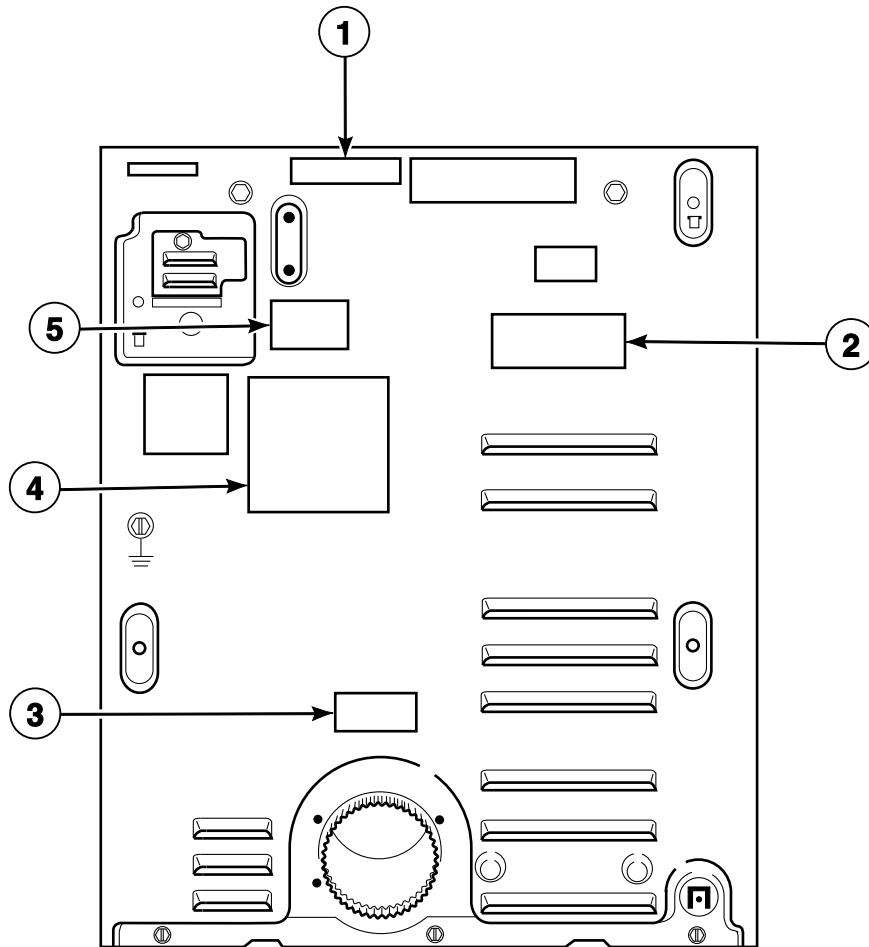
DRY2288P_513381

Wires and Wire Harnesses - Electric Models Starting Serial No. 1303025315

REF	PART NO.	DESCRIPTION	COMMENTS
	45001	18 Gauge Wire	Black; Order wire by the foot; Order terminals and connectors as required
	45380	12 Gauge Wire	Orange; Order wire by the foot; Order terminals and connectors as required
1	D512422P	Wire Harness Assembly	
2	D512273P	Wire Configuration Assembly	
3	D512275P	Wire Configuration Assembly	
4	D514094	Electronic Harness	Upper
5	D514096	Electronic Harness	Lower

NOTE: Individual wires are not available separately. Order complete harness, or order wire by the foot. When applying terminals to wires, it is recommended that the terminals be soldered to the wires.

Label Location on Rear of Cabinet



DRY2303P_513381

Label Location on Rear of Cabinet

REF	PART NO.	DESCRIPTION	COMMENTS
1	D505281	Disconnect Power Warning Label	
2	D502791	Venting Instruction Label	
3	D500497	Exhaust Warning Label	
4	62104	Voltage Warning Label	Model SSELYFGS151TW01
	D511005	Electric Clearance Label	All other models
5	803260	Warning Label	

Parts Index

A

Access Panel and Guard Assembly	
D514252W	17
D514253	17
Access Panel Assembly	
D514250WP	17
D514251	17
Access Panel Plate	
D510903	31
Adhesive	
D511637P	21, 23
Air Duct Assembly	
D510151LG	21
D510151W	21
Anti-Seize Compound	
D27604P	19
Audit Switch Bracket	
800379	5, 7
800380	5, 7

B

Blower and Fan Kit	
D510717P	19
Blower Fan Assembly	
D510139P	19
Blower Housing	
D511969WP	19
Blower Housing Seal	
D510238P	19
Booster and Holding Coil	
58804A	29
Bumper Pad	
56128	31
Burner Assembly	
D510149P	29

C

Cabinet Rear Panel	
D514632P	31
Cabinet Side Panel	
D510001GP	31
D510001QP	31
D510001WP	31
D510002GP	31
D510002QP	31
D510002WP	31
D512951	31
D512952	31
Card Insert Overlay	
D511544	11
Central Pay Harness	
D511478	5, 7
Clip	
201572	9

Coin Drop	
38963P	9
70441601P	9
Coin Drop Assembly	
38462P	9
38463	9
Coin Drop Wire Harness	
201104	9
Coin Identification Paper	
38725	9
Combustion Duct	
D510132	27
Connector, 2 Circuit	
58799	37
Connector, 3 Circuit	
58800	39
Control Assembly	
D513534P	5, 7
Control Overlay	
D512938	5, 7
Control Panel and Bracket Assembly	
D510076B	5, 7
D510076Q	5, 7
D510076W	5, 7
Cylinder Assembly	
D510265LGP	21
D510265WP	21
Cylinder Baffle	
D510102LG	21
D510102W	21
Cylinder Belt	
D511255P	19
Cylinder Glide	
D513710	21
Cylinder Glide Bracket	
D510145	21
Cylinder Roller	
D510708P	23
Cylinder Roller Bracket	
D510100	23
Cylinder Seal Assembly	
D510207P	21, 23

D

Damper	
58786	31
Directional Exhaust Kit	
528P3	31
Disconnect Power Warning Label	
D505281	49
Door and Liner Assembly	
D511636WP	15
Door Catch Assembly	
D510177	17
Door Handle Wedge	
D510129	13, 15
Door Liner Grill	
D503870LG	15
D503870W	15

N/A items do not appear in index.

Door Pull	
D512947	15
Door Pull and Wedge Kit	
D510103QP	13
D510103WP	13, 15
Door Strike	
D510181	13, 15
Door Strike Mount	
D510127	13, 15
Dryer Base	
D513901	31
Dryer Door	
D510013QP	13
D510013WP	13
D510082WP	15
D513225	15
Dryer Door Assembly	
D514114W	15
D514168	15
Dryer Door Window	
D503982P	15

E

Elbow Shut-Off Valve	
D510205	29
Electric Clearance Label	
D511005	49
Electronic Coin Drop Kit	
CK095	9
CK115	9
Electronic Harness	
D511792P	45
D511793P	43
D511794P	45
D511795P	43
D514094	47
D514096	47
Ethernet Gateway Kit	
NK320	5, 7
Exhaust Duct	
D510137	31
Exhaust Warning Label	
D500497	49
Extractor Tool	
128P4	41
190P4	41

F

Felt Pad	
D510189	21
Female Piggyback Terminal	
00361	37
Female Pin Terminal	
00117	39
00128	39
00130	39
Female Spade Terminal	
00114	37
00115	37
00121	37
00124	37

N/A items do not appear in index.

00189	37
00223	37
Female Tab Terminal	
00344	37
Female Terminal	
00188	41
00255	41
00256	41
Flexible Venting Kit	
521P3	31
Front Bulkhead Assembly	
D510266P	21
Front Panel	
D510066WP	17
D512542	17
Front Panel Assembly	
D513781WP	17
Front Panel Seal	
D511056	17

G

Gas Valve Assembly	
60353P	29
Gas Valve Mounting Bracket	
D510128	29
Glass Door Window	
D513910	15
Glide Kit	
RB170003	21
Grounding Clip	
00161	37

H

Harness Assembly	
802905	9
Harness Strap	
55881	39
Heat Duct Shroud	
D510101	27
Heater	
D510325P	25
Heater Assembly	
D510329P	25
Heater Duct and Screw Assembly	
D510025P	25, 27
Heater Kit	
964P3	25
Heater Kit Assembly	
61928	25
Hinge	
D511036	13, 15
Hinge Hole Plug	
D510186	17
Hold Down Kit	
526P3	31
Housing, 10 Position	
D500338	41

I

Idler Lever	
D510133	19
Idler Lever and Wheel Assembly	
D510158	19
Idler Spring	
D510185	19
Idler Wheel and Bearing Assembly	
D510142P	19
Igniter and Bracket Assembly	
D510184P	29
Insulated Female Spade Terminal	
00359	37
00360	39

K

Key	
54612	5, 7

L

Lead-In Cord	
59308	35
Lead-In Pipe Assembly	
D510204	29
Leveling Leg	
D510135	31
Limit Thermostat	
D510701	25
D510702	27
Liner and Seal Assembly	
D510098LG	15
D510098W	15
Liner Door Seal	
D510147P	13, 15
Liner, Seal and Grill Assembly	
D510163WP	13
D513109P	13
Lint Filter	
D503980LG	21
D503980W	21
Lock Cam	
27261	5, 7
Lock Kit	
27260P	5, 7
L.P. Conversion Kit	
458P3	29

M

Male Pin Terminal	
00116	39
00127	39
Male Tab Terminal	
00139	37
Motor and Pulley Assembly	
D511629P	19

Motor Hub Ring Kit	
590P3	19
Motor Mount	
D510060	19
Motor Mount Clamp	
D510180	19
Motor Pulley	
D500011	19
Mounting Tool Kit	
CK096	9

N

Network Controller Kit	
NK220	5, 7
Network Retrofit Kit	
NK203	5, 7
Nut	
201216	9
28447	23
29786	9
44071201	15
52566	19
56156	19, 23
80077	9
N.G. Conversion Kit	
459P3	29

O

Opto Coupler	
200674P	9
Outlet Cover	
D500820	25, 27

P

Panel Locator	
56079	17, 31
Plug	
23040	39
54522	37
Plug, 1 Circuit	
26302	37
Plug, 2 Circuit	
56266	39
56448	39
Plug, 9 Circuit	
23033	37
Porcelain Touch-Up Paint	
122P4P	31
370P4P	31

R

Ratchet Extension Tool	
310P4	41
Rear Bulkhead Assembly	
D511082P	23

N/A items do not appear in index.

Receptacle Housing 90789	37
Receptacle, 1 Circuit 26301	37
Receptacle, 10 Circuit 34596	37
Receptacle, 12 Circuit D501333	37
56855	37
Receptacle, 2 Circuit 56451	39
Receptacle, 3 Circuit 23039	39
Receptacle, 6 Circuit 26708	37
Resistor 210100	5, 7
Retaining Ring 23748	19, 23
Ring Terminal 00110	37
Roller Kit RB170002	23
Rubber Foot D501855	31

S

Screw	
D500226	13, 15
D500824	19
D501285	21, 23
D501524	5, 7
D502431	9, 11
D502535	19
D503661	33
D503688	5, 7, 9, 11, 17, 19, 21, 23, 25, 27, 29, 31, 33
D505870	15
D512921	17, 31
D514461	13, 15, 21
D52864	21
M405188	9, 11, 21
20530	35
23222	25, 29
28448	23
31260	19
33562	17
36048	33
39733	17, 31
51782	27, 29
56124	29
61199	23
62588	21
62853	17
Seal Kit RB170001	21, 23
Secondary Coil 58804B	29
Security Cabinet Front Assembly	
D511208B	11
D511208Q	11
D511208W	11
D511632B	9
D511632Q	9

N/A items do not appear in index.

D511632WP	9
Sensor D510213	29
Shaft 56461P	19, 23
Single Overlay 38717	9
Spade Terminal 00245	37
Speed Clip 28835	17
Strain Relief 38384	35
Switch D512973	5, 7, 17

T

Terminal 00252	37
Terminal Block Assembly D510190P	23
Terminal Block Shield D510237	23
Terminal Extractor Tool 283P4	41
Thermal Fuse Assembly D511412	25
Thermistor Assembly D510523	19
Thermostat D510703	27
Top Hinge D510136	33
Top Kit D510032QP	33
D510032WP	33
803144P	33
Torx Bit 281P4	41
282P4	41
292P4	41
Torx Drive Tool 93501	41
Transformer 201375P	5, 7
210018P	5

U

USB Gateway Kit NK330	5, 7
--------------------------------	------

V

Venting Instruction Label D502791	49
Voltage Warning Label 62104	49

W

Warning Label	
803260	49
Warning/Caution Label	
D500281	17
Washer	
D501307	33
D504082	23
28449	23
52549	19, 23
Window Clip	
D513958	15
Window Trim	
D503981W	15
D512633	15
D513959	15
D513960W	15
Wire Assembly	
D510527	25
D510528	25
Wire Clip	
D504034	39
687500	39
Wire Configuration Assembly	
D512273P	43, 45, 47
D512275P	43, 45, 47
Wire Guard	
201595P	9
Wire Harness Assembly	
D512422P	45, 47
512422P	43
Wireless Network Kit	
NK301	5, 7
Wire, 12 Gauge	
45380	43, 45, 47
Wire, 18 Gauge	
45001	43, 45, 47
Wrapper and Channel Assembly	
D505753BP	9, 11
D505753QP	9, 11
D505753WP	9, 11
