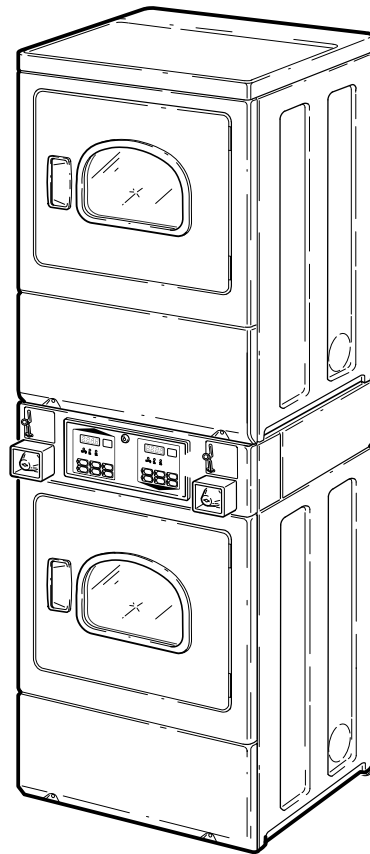


Commercial Dryers

Metered and Nonmetered
Refer to Page 3 for Model Numbers



DRY712C_513382

Table of Contents

Title	Page
Parts Ordering Information.....	2
Serial Plate Location	2
Model Identification	3
Control Panel and Controls.....	4
Non-Electronic Coin Drop - Coin Drop Models	6
Electronic Coin Drop - Coin Drop Models	8
Control Cabinet Controls - Coin Drop Models.....	10
Control Cabinet - Card Reader Ready Models	12
Loading Door with Window	14
Access Panel, Front Panel and Seal	16
Motor, Exhaust Fan and Belt	18
Front Bulkhead, Airduct, Felt Seal and Cylinder	20
Rear Bulkhead, Felt Seal, Cylinder Roller and Terminal Block.....	22
Heater Duct and Element Assembly - Electric Model Dryers.....	24
Heater Duct Assembly - Gas Model Dryers	26
Gas Valve, Igniter and Gas Conversion Kits - Gas Model Dryers.....	28
Burner Orifice Spuds - For Higher Elevations.....	30
Cabinet, Exhaust Duct and Base	32
Cabinet Top	34
Power Cord.....	36
Terminal Block and Terminals	38
Terminals	40
Terminals and Terminal Extractor Tools	42
Wire Harnesses and Wires (Drawing 1 of 3).....	44
Wire Harnesses and Wires (Drawing 2 of 3).....	46
Wire Harnesses and Wires (Drawing 3 of 3).....	48
Parts Index.....	51

© Copyright 2018, Alliance Laundry Systems LLC

All rights reserved. No part of the contents of this book may be reproduced or transmitted in any form or by any means without the expressed written consent of the publisher.

Parts Ordering Information

If literature or replacement parts are required, contact the source from whom the machine was purchased or contact Alliance Laundry Systems at (920) 748-3950 for the name and address of the nearest authorized parts distributor.

For technical assistance, call the number listed below:

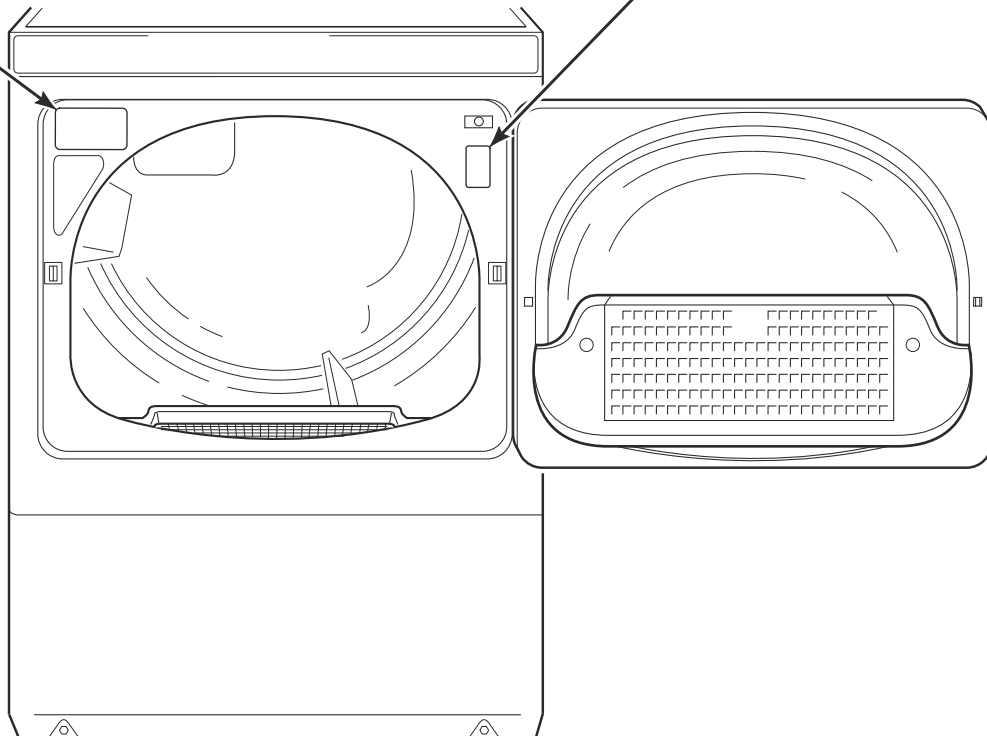
(920) 748-3121 Ripon, Wisconsin

Serial Plate Location

When calling or writing about your product, be sure to mention model and serial numbers. Model and serial numbers are located on serial plate(s) as shown.

Serial Plate
(Models starting Serial No. 1206025810)

Serial Plate
(Models through Serial No. 1206025809)



DRY2283P_513382

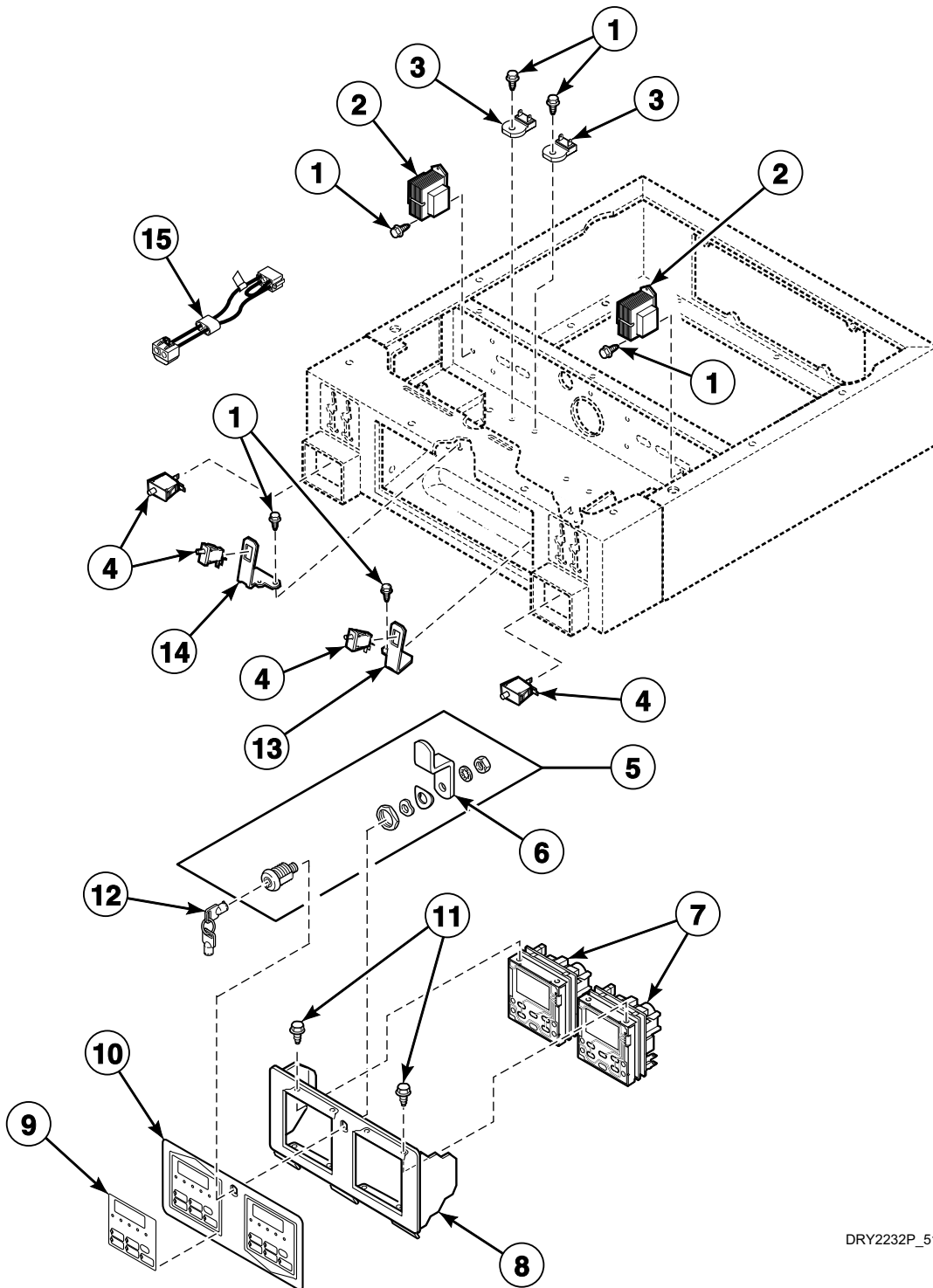
Model Identification

Information in this manual is applicable to these dryer models:

HSELXFGW131DW01
HSELXFGW281CW01
HSELXFGW291CW01
HSELXFGW541DW01
HSELYFGW281CW01
HSELYFGW291CW01
HSGLXFGW091CW01
HSGLXFGW121DW01
HSGLXFGW541DW01
HSGLYFGW091CW01

SSELXFGW131DW01
SSELXFGW431AW01
SSELXFGW541DW01
SSGLXFGW121DW01
SSGLXFGW301AW01
SSGLXFGW541DW01
SLLXFGW541NW23

Control Panel and Controls



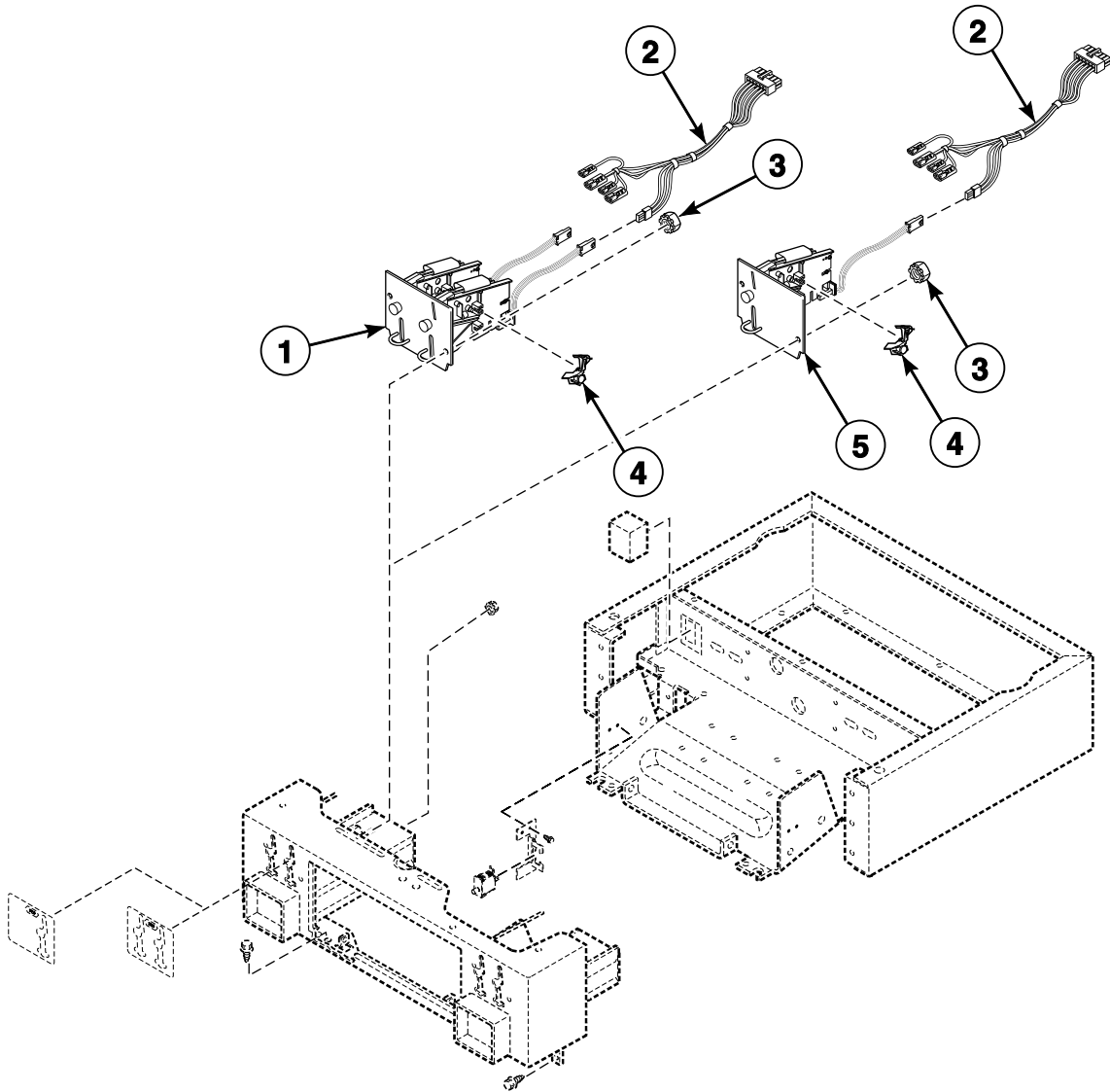
DRY2232P_513382

Control Panel and Controls

REF	PART NO.	DESCRIPTION	COMMENTS
	NK220	Network Controller Kit	Wired
	NK301	Wireless Network Kit	
	NK203	Network Retrofit Kit	Wired
	NK320	Ethernet Gateway Kit	Wireless
	NK330	USB Gateway Kit	Wireless
1	D503688	Screw	
2	803527P	Transformer	Models HSELXFGW541DW01, HSGLXFGW541DW01, SSELXFGW431AW01, SSGLXFGW301AW01 and SLLXFGW541NW23
	201375P	Transformer	All other models; Some models may have jumper wire attached to transformer. Discard jumper wire when replacing transformer
3	210100	Resistor	Models HSELXFGW131DW01, HSELXFGW541DW01, HSGLXFGW121DW01, HSGLXFGW541DW01, SSELXFGW131DW01, SSELXFGW431AW01, SSELXFGW541DW01, SSGLXFGW121DW01, SSGLXFGW301AW01, SSGLXFGW541DW01 and SLLXFGW541NW23
4	D512973	Switch	
5	27260P	Lock Kit	Includes item 6
6	27261	Lock Cam	
7	D513534P	Control Assembly	
8	D510076W	Control Panel and Bracket Assembly	White
9	D513545	Control Overlay	French/English; Models HSELXFGW281CW01, HSELXFGW291CW01, HSELYFGW281CW01, HSELYFGW291CW01, HSGLXFGW091CW01, HSGLYFGW091CW01 and SSGLXFGW541DW01
10	D512938	Control Overlay	Models SSELXFGW431AW01, SSGLXFGW301AW01 and SLLXFGW541NW23
	D513030	Graphic Overlay	All other models
11	D501524	Screw	
12	54612	Key	800
13	800380	Audit Switch Bracket	Right
14	800379	Audit Switch Bracket	Left
15	M413507	Jumper Configuration Assembly	Models HSELXFGW131DW01, HSELXFGW541DW01, HSGLXFGW121DW01, HSGLXFGW541DW01, SSELXFGW131DW01, SSELXFGW431AW01, SSELXFGW541DW01, SSGLXFGW121DW01, SSGLXFGW301AW01, SSGLXFGW541DW01 and SLLXFGW541NW23

Non-Electronic Coin Drop - Coin Drop Models

Models HSELXFGW131DW01, HSELXFGW281CW01, HSELXFGW291CW01, HSELXFGW541DW01, HSLXFGW091CW01, HSLXFGW121DW01, HSLXFGW541DW01, SSELXFGW131DW01, SSELXFGW431AW01, SSELXFGW541DW01, SSSLXFGW121DW01, SSSLXFGW301AW01, SSSLXFGW541DW01 and SSSLXFGW541NW23



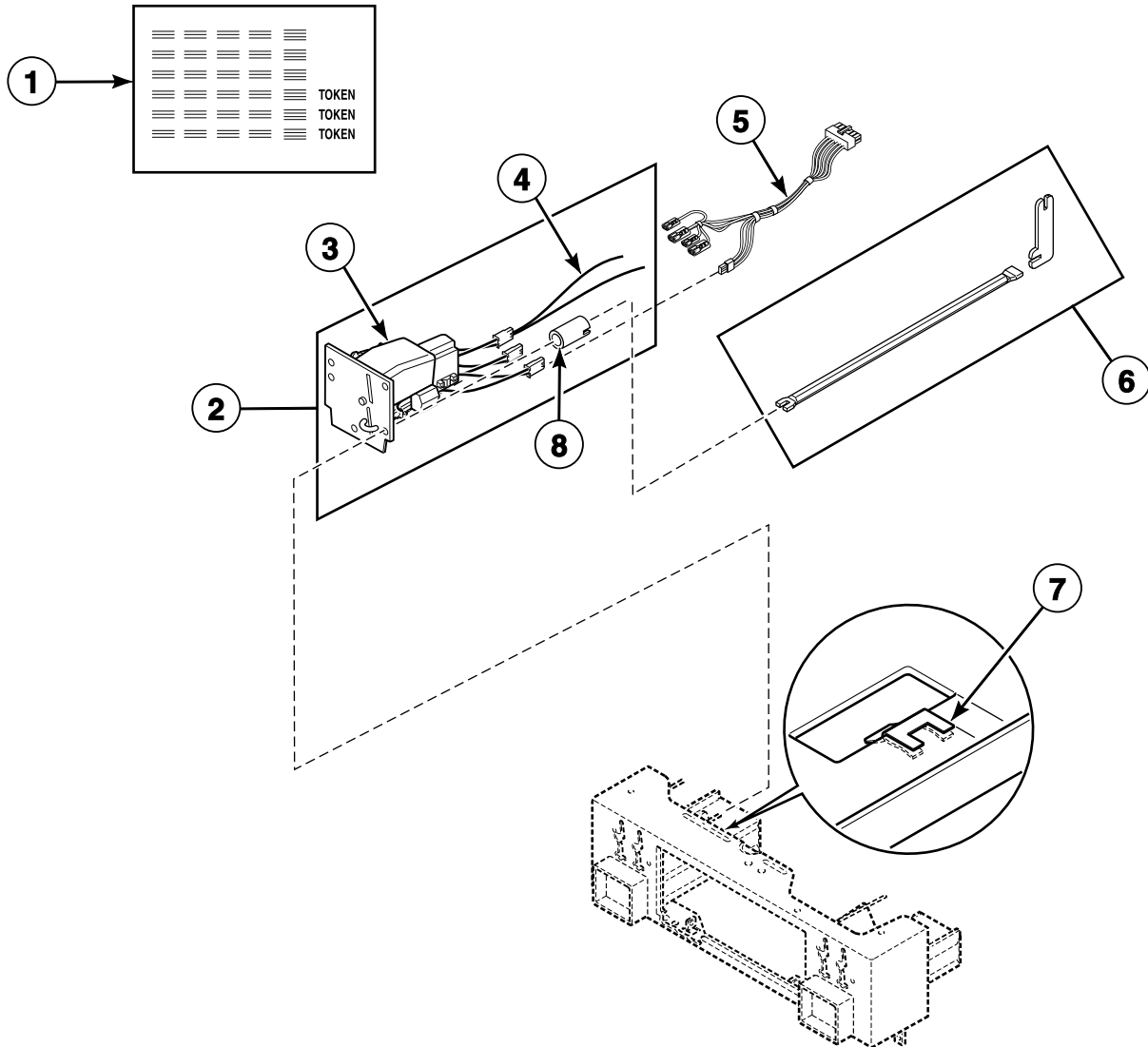
DRY2117P_513382

Non-Electronic Coin Drop - Coin Drop Models

REF	PART NO.	DESCRIPTION	COMMENTS
1	70441602	Coin Drop Assembly	Canada; 0.25 and 1.00
	38467	Coin Drop Assembly	Australia; 0.20 and 1.00
	38472	Coin Drop Assembly	England; 20p and 1 pound
	38519	Coin Drop Assembly	Japan; 100 yen and 500 yen
	38521	Coin Drop Assembly	Korea; 100 won and 500 won
	39157	Coin Drop Assembly	Israel; 1 shekel and 5 shekel
	2	802905	Harness Assembly
3	29786	Nut	
4	201595P	Wire Guard	Anti-stringing security device; Add to coin drops beginning January 2005
5	38462P	Coin Drop Assembly	Token; 118-1 mzp; .880 diameter x .079 thick; Brass
	38463	Coin Drop Assembly	Token; 118-5 mzp; .990 diameter x .081 thick; Silver
	38464P	Coin Drop Assembly	Canada; 0.25
	38475	Coin Drop Assembly	Japan; 100 yen
	CK077	Coin Drop Kit	Taiwan; 10 NT
	70441601P	Coin Drop	USA; \$0.25
	38963P	Coin Drop	Token 118-16 not available; Replacement for 38963P Coin Drop only
	CK114	Coin Drop Assembly	Singapore; Old 1.00
	CK123	Coin Drop Assembly	Singapore; New 1.00

Electronic Coin Drop - Coin Drop Models

Models HSELXFGW131DW01, HSELXFGW281CW01, HSELXFGW291CW01, HSELXFGW541DW01, HSGLXFGW091CW01, HSGLXFGW121DW01, HSGLXFGW541DW01, SSELXFGW131DW01, SSELXFGW431AW01, SSELXFGW541DW01, SSGLXFGW121DW01, SSGLXFGW301AW01, SSGLXFGW541DW01 and SLLXFGW541NW23



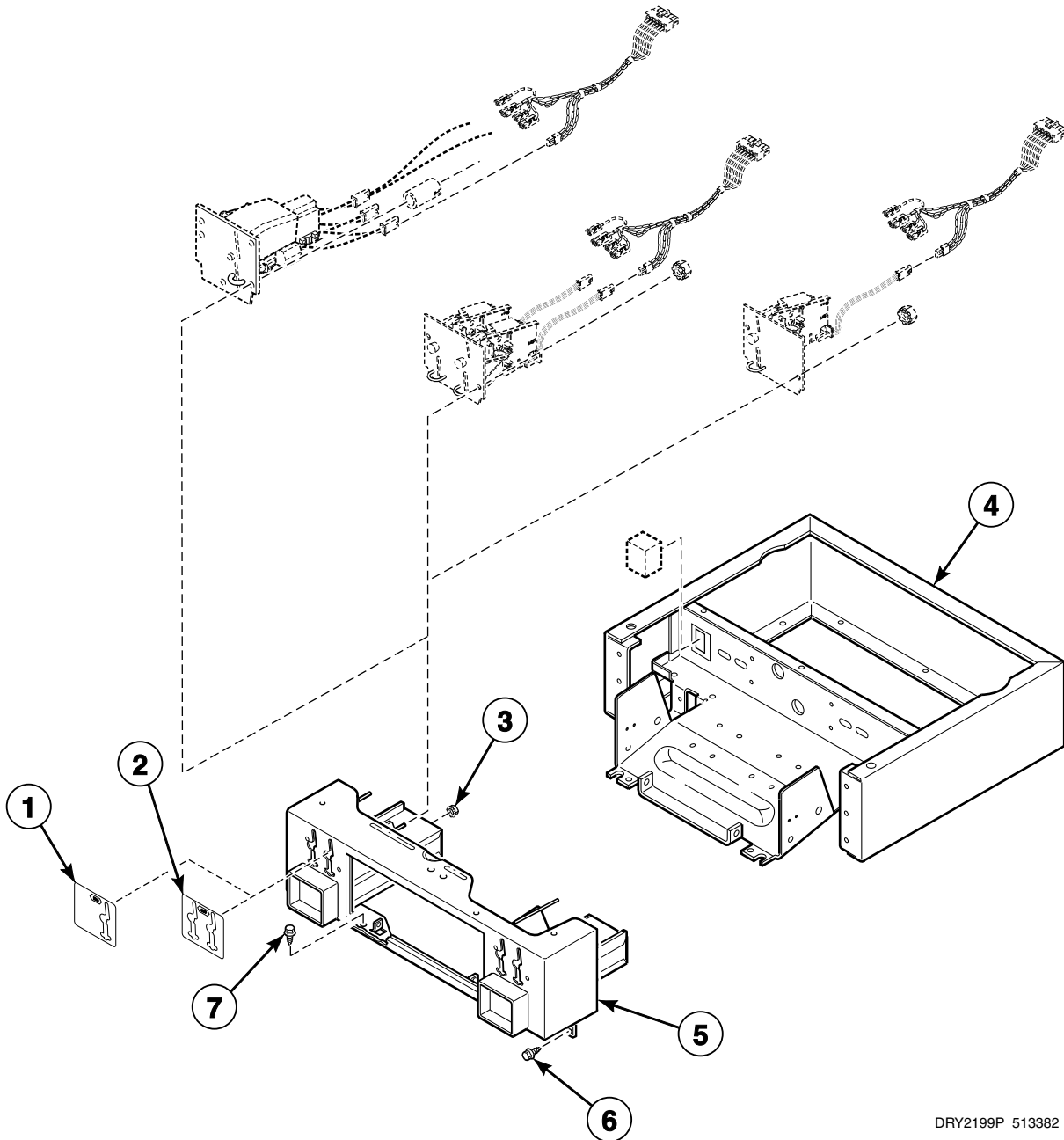
DRY2118P_513382

Electronic Coin Drop - Coin Drop Models

REF	PART NO.	DESCRIPTION	COMMENTS
1	38725	Coin Identification Paper	For use with items 2 and 3
2	CK115	Electronic Coin Drop Kit	Includes items 3-5; United States and Canada
	CK113	Electronic Coin Drop Kit	Includes items 3-5; Japan and Taiwan coins
	CK099	Electronic Coin Drop Kit	Includes items 3-5; Australia, New Zealand, Hong Kong and South Korea coins
	CK100	Electronic Coin Drop Kit	Includes items 3-5; Euro and Great Britain coins
	CK101	Electronic Coin Drop Kit	Includes items 3-5; Euro, Denmark and Norway coins
	CK103	Electronic Coin Drop Kit	Includes items 3-5; Euro, Lithuania and Latvia coins
	CK108	Electronic Coin Drop Kit	Includes items 3-5; South Africa coins
	CK109	Electronic Coin Drop Kit	Includes items 3-5; Euro coins
	CK110	Electronic Coin Drop Kit	Includes items 3-5; Mexico, Ecuador and United States coins
	CK116	Electronic Coin Drop Kit	Includes items 3-5; Malaysia, China and Singapore coins
	CK117	Electronic Coin Drop Kit	Includes items 3-5; Russia coins
CK118	Electronic Coin Drop Kit	Includes items 3-5; Philippine coins	
3	70294105P	Electronic Coin Drop Assembly	Australia, New Zealand, Hong Kong and South Korea coins
	70294103P	Electronic Coin Drop Assembly	Euro and Great Britain coins
	70294104	Electronic Coin Drop Assembly	Euro, Denmark and Norway coins
	70294106	Electronic Coin Drop Assembly	Mexico, Ecuador and United States coins
	70294107	Electronic Coin Drop Assembly	Euro, Lithuania and Latvia coins
	70294110	Electronic Coin Drop Assembly	South Africa coins
	70294111	Electronic Coin Drop Assembly	Euro coins
	70294112	Electronic Coin Drop Assembly	Euro, Great Britain and token coins
	70294116	Electronic Coin Drop Assembly	Malaysia, China and Singapore coins
	70294117	Electronic Coin Drop Assembly	Russia coins
4	201104	Coin Drop Wire Harness	For use with items 2 and 3
5	802905	Harness Assembly	
6	CK096	Mounting Tool Kit	For use with items 2 and 3
7	201572	Clip	For use with items 2 and 3
8	201216	Nut	For use with items 2 and 3

Control Cabinet Controls - Coin Drop Models

Models HSELXFGW131DW01, HSELXFGW281CW01, HSELXFGW291CW01, HSELXFGW541DW01, HSLXFGW091CW01, HSLXFGW121DW01, HSLXFGW541DW01, SSELXFGW131DW01, SSELXFGW431AW01, SSELXFGW541DW01, SSSLXFGW121DW01, SSSLXFGW301AW01, SSSLXFGW541DW01 and SSSLXFGW541NW23



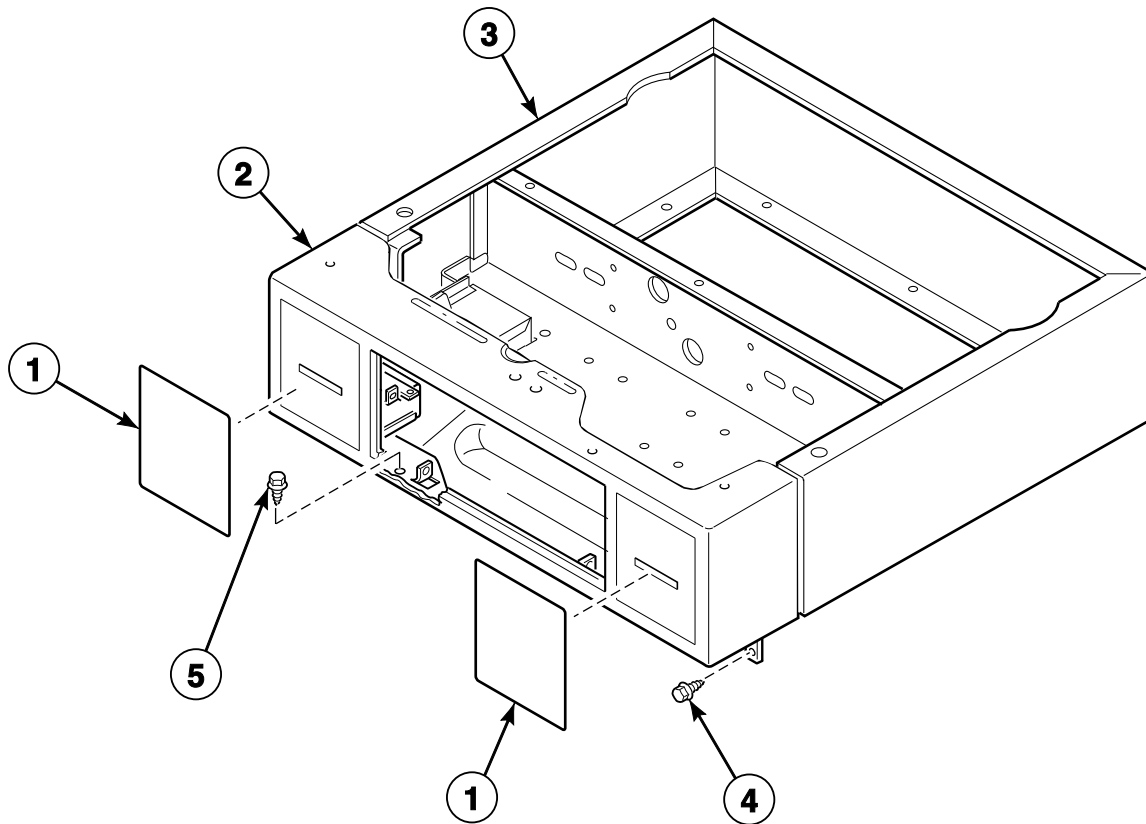
DRY2199P_513382

Control Cabinet Controls - Coin Drop Models

REF	PART NO.	DESCRIPTION	COMMENTS
1	38717	Single Overlay	For use with non-electronic coin drops
	201091	Overlay	For use with electronic coin drops
2	39073	Dual Overlay	
3	80077	Nut	
4	D505753WP	Wrapper and Channel Assembly	
5	D511632WP	Security Cabinet Front Assembly	
6	D503688	Screw	
7	D502431	Screw	

Control Cabinet - Card Reader Ready Models

Models HSELYFGW281CW01, HSELYFGW291CW01 and HSGLYFGW091CW01

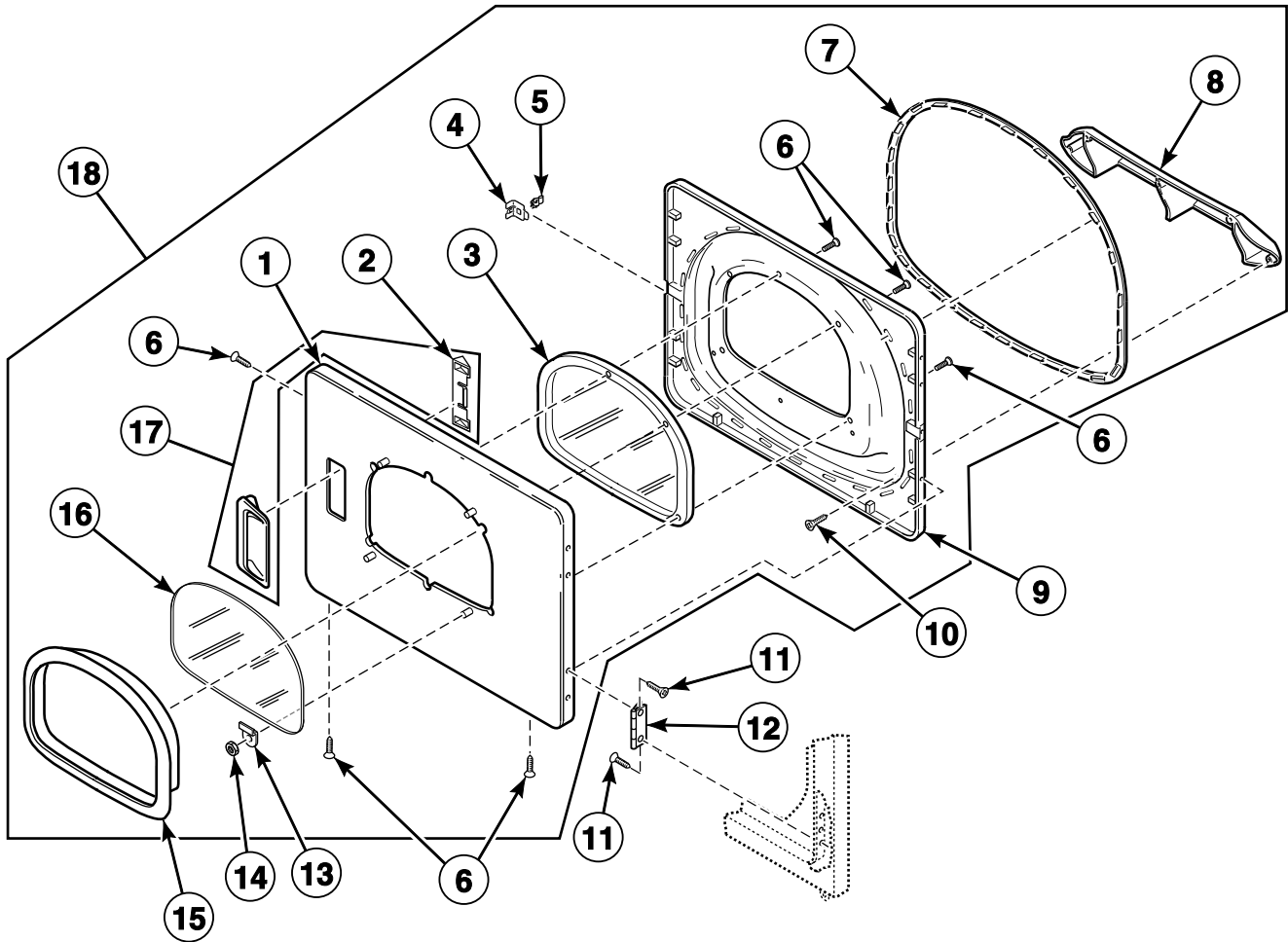


DRY2190P_513382

Control Cabinet - Card Reader Ready Models

REF	PART NO.	DESCRIPTION	COMMENTS
1	D511548	Card Insert Overlay	
2	D511208W	Security Cabinet Front Assembly	
3	D505753WP	Wrapper and Channel Assembly	
4	D503688	Screw	
5	D502431	Screw	

Loading Door with Window

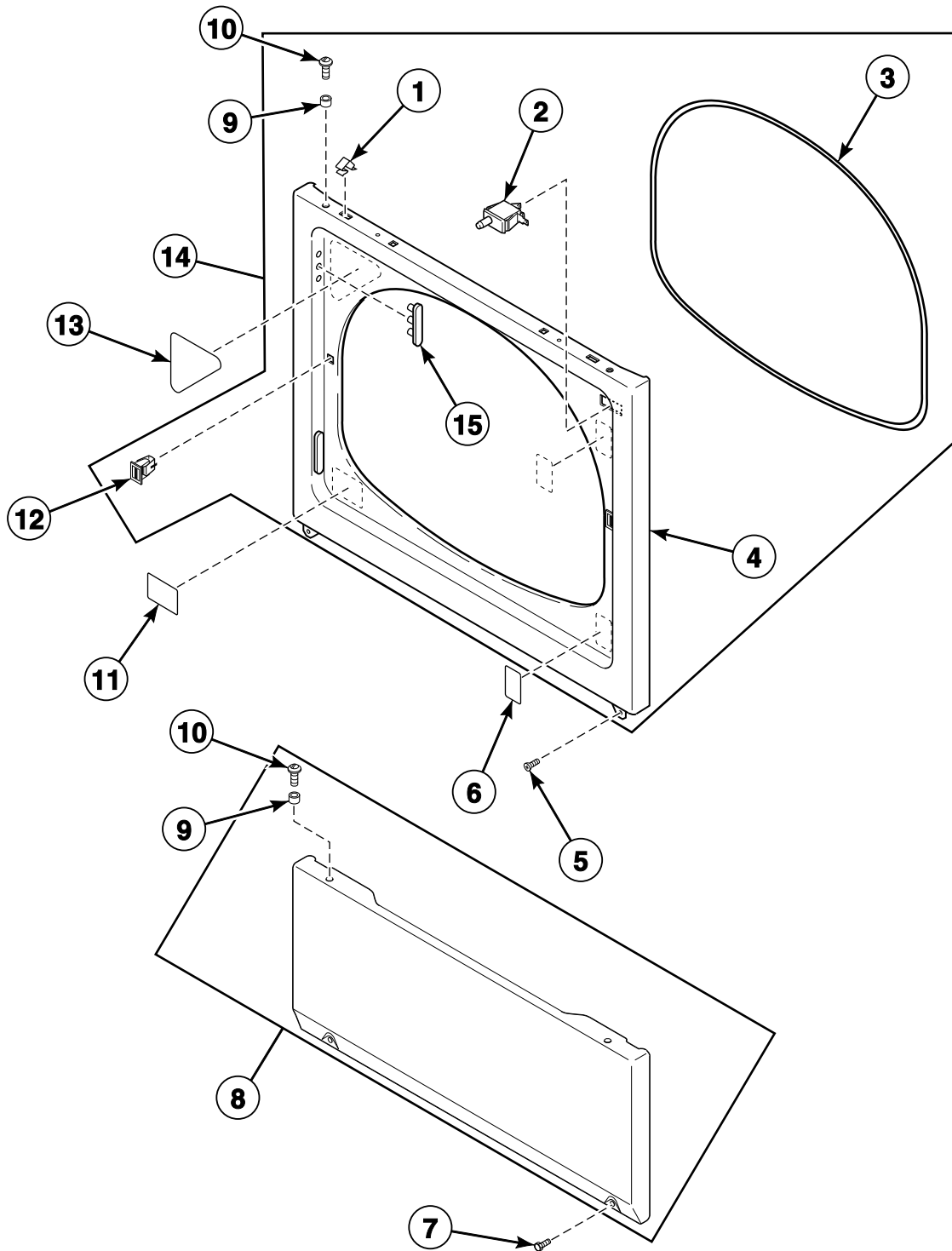


DRY2296P_513382

Loading Door with Window

REF	PART NO.	DESCRIPTION	COMMENTS
1	D514114W	Dryer Door Assembly	Models HSELXFGW281CW01, HSELXFGW291CW01, HSELYFGW281CW01 and HSELYFGW291CW01 starting Serial No. 1303025315
	D510082WP	Dryer Door	HSELXFGW281CW01, HSELXFGW291CW01, HSELYFGW281CW01 AND HSELYFGW291CW01 through Serial No. 1303025314; All other models
2	D510129	Door Handle Wedge	
3	D503982P	Dryer Door Window	
4	D510127	Door Strike Mount	
5	D510181	Door Strike	
6	D500226	Screw	
7	D510147P	Liner Door Seal	
8	D503870LG	Door Liner Grill	Models HSELXFGW281CW01, HSELXFGW291CW01, HSELYFGW281CW01 and HSELYFGW291CW01 starting Serial No. 1303025315
	D503870W	Door Liner Grill	HSELXFGW281CW01, HSELXFGW291CW01, HSELYFGW281CW01 AND HSELYFGW291CW01 through Serial No. 1303025314; All other models
9	D510098LG	Liner and Seal Assembly	Models HSELXFGW281CW01, HSELXFGW291CW01, HSELYFGW281CW01 and HSELYFGW291CW01 starting Serial No. 1303025315
	D510098W	Liner and Seal Assembly	Includes item 7; HSELXFGW281CW01, HSELXFGW291CW01, HSELYFGW281CW01 AND HSELYFGW291CW01 through Serial No. 1303025314; All other models
10	D505870	Screw	
11	D505295	Screw	
12	D511036	Hinge	
13	D513958	Window Clip	Models HSELXFGW281CW01, HSELXFGW291CW01, HSELYFGW281CW01 and HSELYFGW291CW01 starting Serial No. 1303025315
14	44071201	Nut	Models HSELXFGW281CW01, HSELXFGW291CW01, HSELYFGW281CW01 and HSELYFGW291CW01 starting Serial No. 1303025315
15	D503981LG	Window Trim	Models HSELXFGW281CW01, HSELXFGW291CW01, HSELYFGW281CW01 and HSELYFGW291CW01 starting Serial No. 1303025315
	D503981W	Window Trim	HSELXFGW281CW01, HSELXFGW291CW01, HSELYFGW281CW01 AND HSELYFGW291CW01 through Serial No. 1303025314; All other models
16	D513910	Glass Door Window	Models HSELXFGW281CW01, HSELXFGW291CW01, HSELYFGW281CW01 and HSELYFGW291CW01 starting Serial No. 1303025315
17	D510103WP	Door Pull and Wedge Kit	Includes item 2
18	D511636WP	Door and Liner Assembly	Includes items 1-10, 13 and 14; HSELXFGW281CW01, HSELXFGW291CW01, HSELYFGW281CW01 AND HSELYFGW291CW01 through Serial No. 1303025314; All other models

Access Panel, Front Panel and Seal

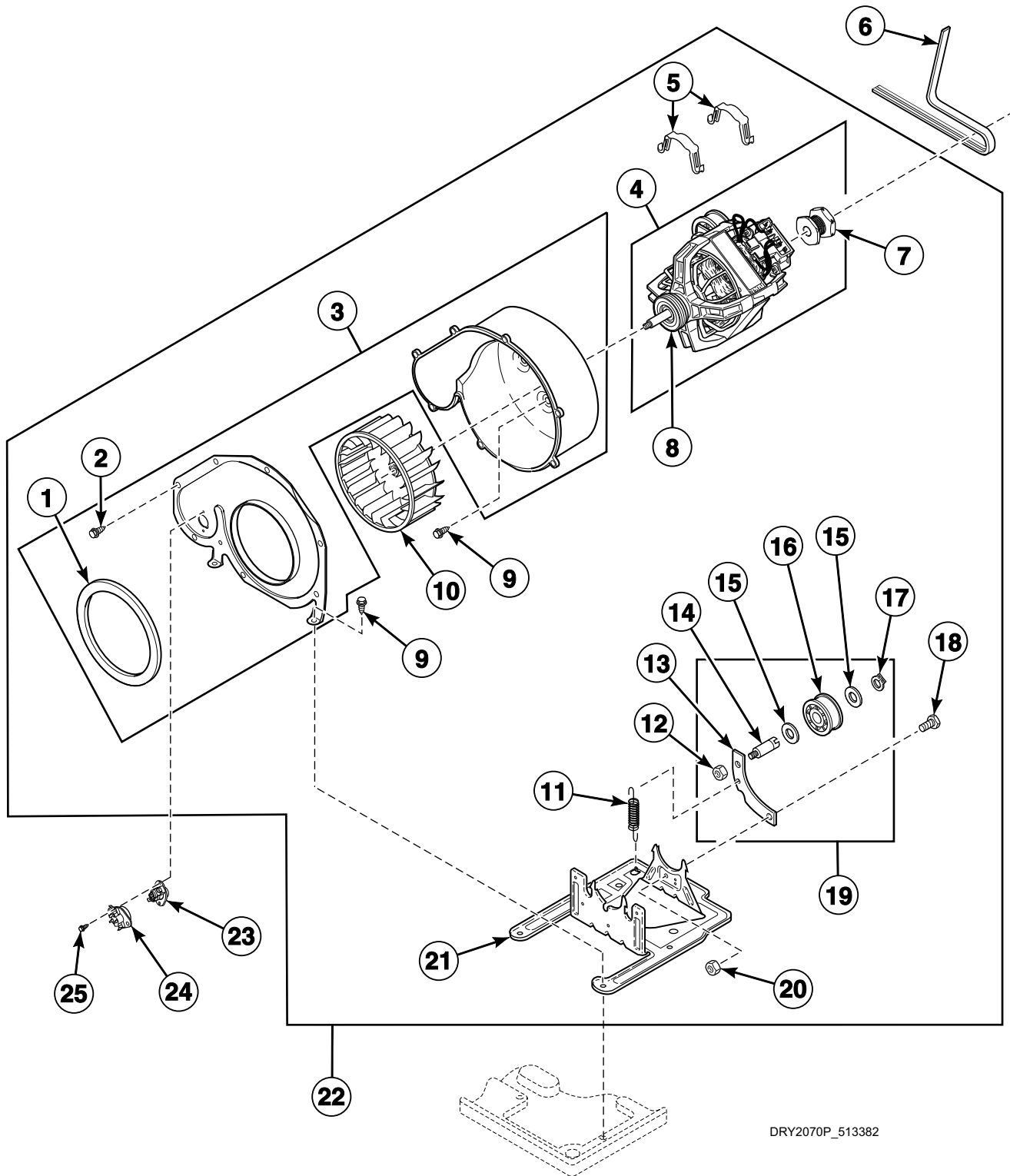


DRY1776P_513382

Access Panel, Front Panel and Seal

REF	PART NO.	DESCRIPTION	COMMENTS
1	28835	Speed Clip	
2	D512973	Switch	
3	D511056	Front Panel Seal	
4	D510066WP	Front Panel	
5	D503688	Screw	
6	D512263	Warning Label	Models HSELXFGW131DW01, HSELXFGW541DW01, HSGLXFGW121DW01, HSGLXFGW541DW01, SSELXFGW131DW01, SSELXFGW431AW01, SSELXFGW541DW01, SSGLXFGW121DW01, SSGLXFGW301AW01 and SSGLXFGW541DW01
7	33562	Screw	Slotted hex head
	62853	Screw	Torx head; Optional for added security
8	D514252W	Access Panel and Guard Assembly	Models HSELXFGW281CW01, HSELXFGW291CW01, HSELYFGW281CW01 and HSELYFGW291CW01 starting Serial No. 1303025315
	D514250WP	Access Panel Assembly	HSELXFGW281CW01, HSELXFGW291CW01, HSELYFGW281CW01 AND HSELYFGW291CW01 through Serial No. 1303025314; All other models
9	56079	Panel Locator	
10	39733	Screw	
11	D502804	Clean Lint Label	Models HSELXFGW131DW01, HSELXFGW541DW01, HSGLXFGW121DW01, HSGLXFGW541DW01, SSELXFGW131DW01, SSELXFGW431AW01, SSELXFGW541DW01, SSGLXFGW121DW01, SSGLXFGW301AW01 and SSGLXFGW541DW01
12	D510177	Door Catch Assembly	
13	D500281	Warning/Caution Label	Models HSELXFGW131DW01, HSELXFGW541DW01, HSGLXFGW121DW01, HSGLXFGW541DW01, SSELXFGW131DW01, SSELXFGW431AW01, SSELXFGW541DW01, SSGLXFGW121DW01, SSGLXFGW301AW01, SSGLXFGW541DW01 and SLLXFGW541NW23
	D500253	Caution Label	English/French; All other models
14	D513781W	Front Panel Assembly	Includes items 1-4, 9, 10, 12, 15 and D511636WP Door Assembly, (2) of D511036 Door Hinge and (8) of D500226 Screw
15	D510186	Hinge Hole Plug	

Motor, Exhaust Fan and Belt

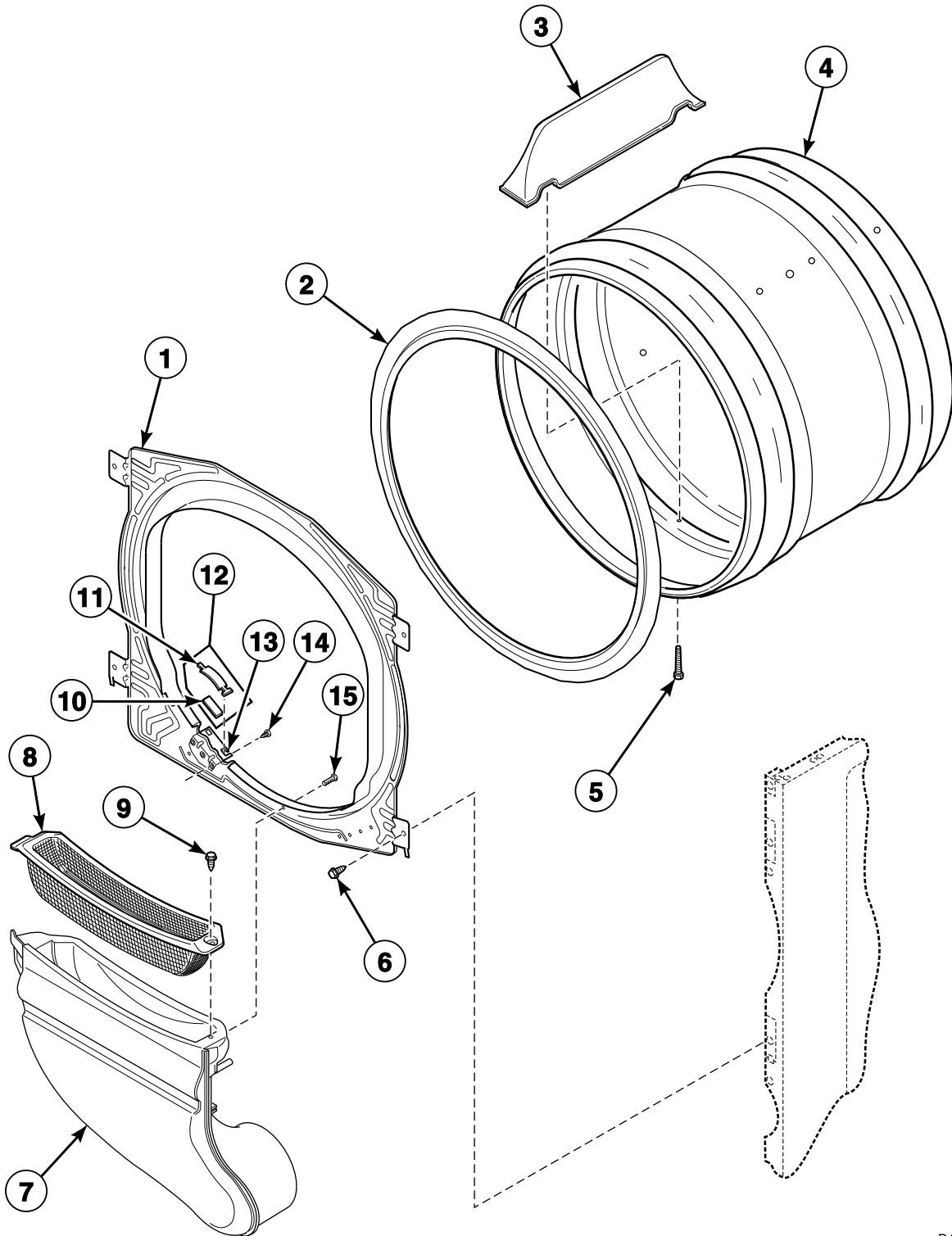


DRY2070P_513382

Motor, Exhaust Fan and Belt

REF	PART NO.	DESCRIPTION	COMMENTS
	27604P	Anti-Seize Compound	Apply to motor shaft when installing blower fan assembly
1	D510238P	Blower Housing Seal	
2	31260	Screw	
3	D511969WP	Blower Housing	Includes items 1 and 2
4	D505843P	Motor and Pulley Assembly	240 Volt/50 Hertz; Apply anti-seize compound to motor shaft when installing blower fan assembly; Includes items 7 and 8; Models SSELXFGW431AW01 and SSSLXFGW301AW01
	D505869P	Motor and Pulley Assembly	240 Volt/60 Hertz; Includes items 7 and 8; Apply anti-seize compound to motor shaft when installing blower fan assembly; Models HSELXFGW541DW01, HSGLXFGW541DW01, SSELXFGW541DW01, SSSLXFGW541DW01 and SSSLXFGW541NW23
	D511629P	Motor and Pulley Assembly	120 Volt/60 Hertz; Apply anti-seize compound to motor shaft when installing blower fan assembly; Includes items 7 and 8; All other models
5	D510180	Motor Mount Clamp	
6	D511255P	Cylinder Belt	
7	D500222	Motor Pulley	50 Hertz; Models HSELXFGW131DW01, HSELXFGW541DW01, HSGLXFGW121DW01, HSGLXFGW541DW01, SSELXFGW131DW01, SSELXFGW431AW01, SSELXFGW541DW01, SSSLXFGW121DW01, SSSLXFGW301AW01 and SSSLXFGW541DW01
	D500011	Motor Pulley	60 Hertz; All other models
8	590P3	Motor Hub Ring Kit	
9	D503688	Screw	
10	D510139P	Blower Fan Assembly	Apply anti-seize compound to motor shaft when installing blower fan assembly
11	D510185	Idler Spring	
12	56156	Nut	
13	D510133	Idler Lever	
14	56461P	Shaft	
15	52549	Washer	
16	D510142P	Idler Wheel and Bearing Assembly	
17	23748	Retaining Ring	
18	D500824	Screw	
19	D510158	Idler Lever and Wheel Assembly	Includes items 12-17
20	52566	Nut	
21	D510060	Motor Mount	
22	D510717P	Blower and Fan Kit	Includes items 1-5 and 7-21
23	M411941	Manual Reset Thermostat	Models HSGLXFGW121DW01, HSGLXFGW541DW01, SSSLXFGW121DW01, SSSLXFGW301AW01 and SSSLXFGW541DW01
24	D502366	Thermistor Assembly	Models SSELXFGW431AW01 and SSSLXFGW301AW01
	D510523	Thermistor Assembly	Black; All other models
25	D502535	Screw	

Front Bulkhead, Airduct, Felt Seal and Cylinder

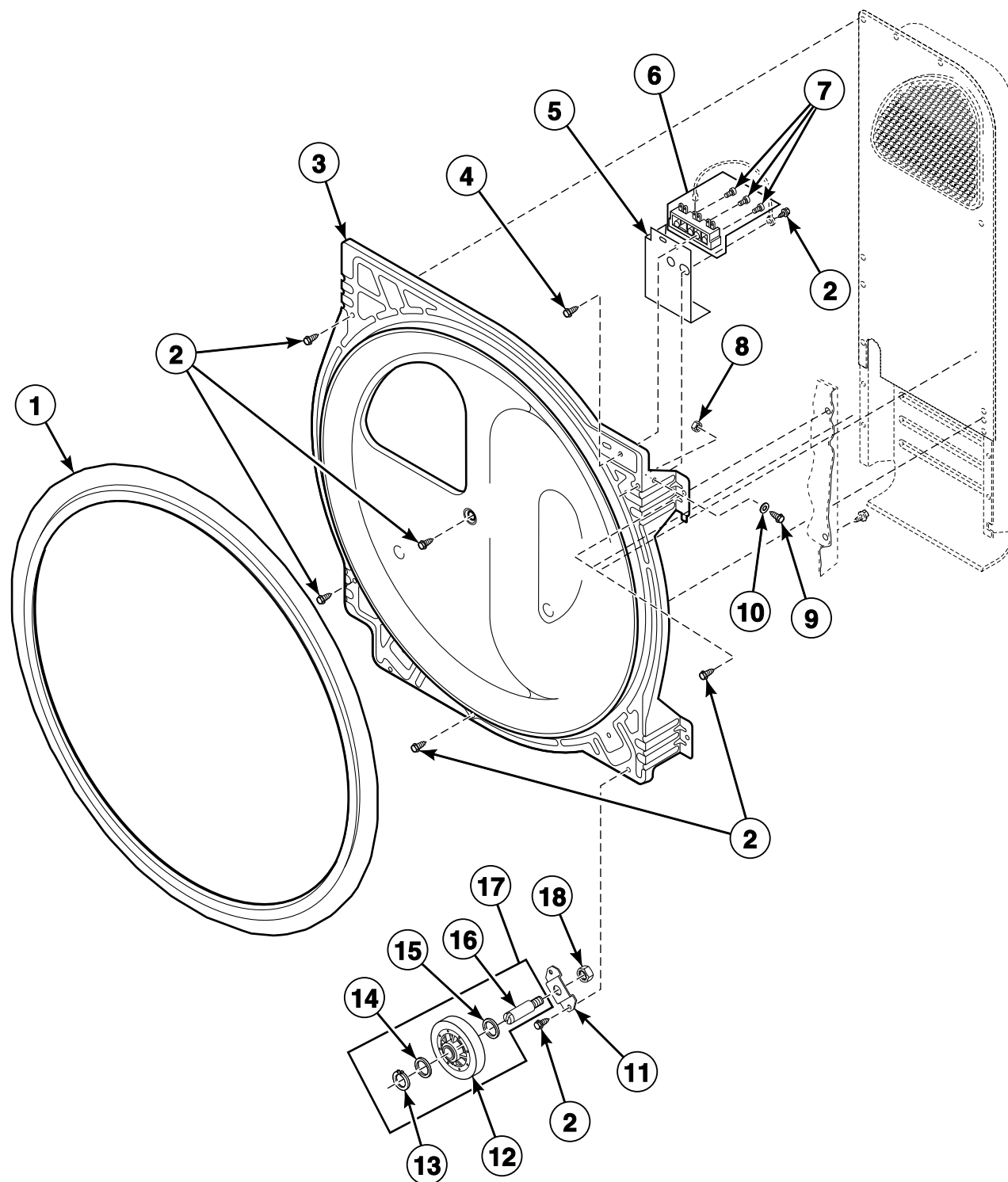


D402P_513382

Front Bulkhead, Airduct, Felt Seal and Cylinder

REF	PART NO.	DESCRIPTION	COMMENTS
1	D510266P	Front Bulkhead Assembly	Unpainted; Includes items 2 and 10-14
2	D510207P	Cylinder Seal Assembly	
	D511637P	Adhesive	Apply to cylinder seal
	RB170001	Seal Kit	Includes 2 cylinder seals, D510238P Blower Housing Seal and Adhesive
3	D510102LG	Cylinder Baffle	Models HSELXFGW281CW01, HSELXFGW291CW01, HSELYFGW281CW01 and HSELYFGW291CW01 starting Serial No. 1303025315
	D510102W	Cylinder Baffle	HSELXFGW281CW01, HSELXFGW291CW01, HSELYFGW281CW01 AND HSELYFGW291CW01 through Serial No. 1303025314; All other models
4	D510265LGP	Cylinder Assembly	Models HSELXFGW281CW01, HSELXFGW291CW01, HSELYFGW281CW01 and HSELYFGW291CW01 starting Serial No. 1303025315
	D510265WP	Cylinder Assembly	Galvanized; Includes item 3; HSELXFGW281CW01, HSELXFGW291CW01, HSELYFGW281CW01 AND HSELYFGW291CW01 through Serial No. 1303025314; All other models
5	62588	Screw	
6	D503688	Screw	
7	D510151LG	Air Duct Assembly	Models HSELXFGW281CW01, HSELXFGW291CW01, HSELYFGW281CW01 and HSELYFGW291CW01 starting Serial No. 1303025315
	D510151W	Air Duct Assembly	HSELXFGW281CW01, HSELXFGW291CW01, HSELYFGW281CW01 AND HSELYFGW291CW01 through Serial No. 1303025314; All other models
8	D503980LG	Lint Filter	Models HSELXFGW281CW01, HSELXFGW291CW01, HSELYFGW281CW01 and HSELYFGW291CW01 starting Serial No. 1303025315
	D503980W	Lint Filter	HSELXFGW281CW01, HSELXFGW291CW01, HSELYFGW281CW01 AND HSELYFGW291CW01 through Serial No. 1303025314; All other models
9	D501285	Screw	
10	D510189	Felt Pad	
11	D513710	Cylinder Glide	
12	RB170003	Glide Kit	Includes items 10 and 11
13	D510145	Cylinder Glide Bracket	
14	52864	Screw	
15	D505295	Screw	

Rear Bulkhead, Felt Seal, Cylinder Roller and Terminal Block



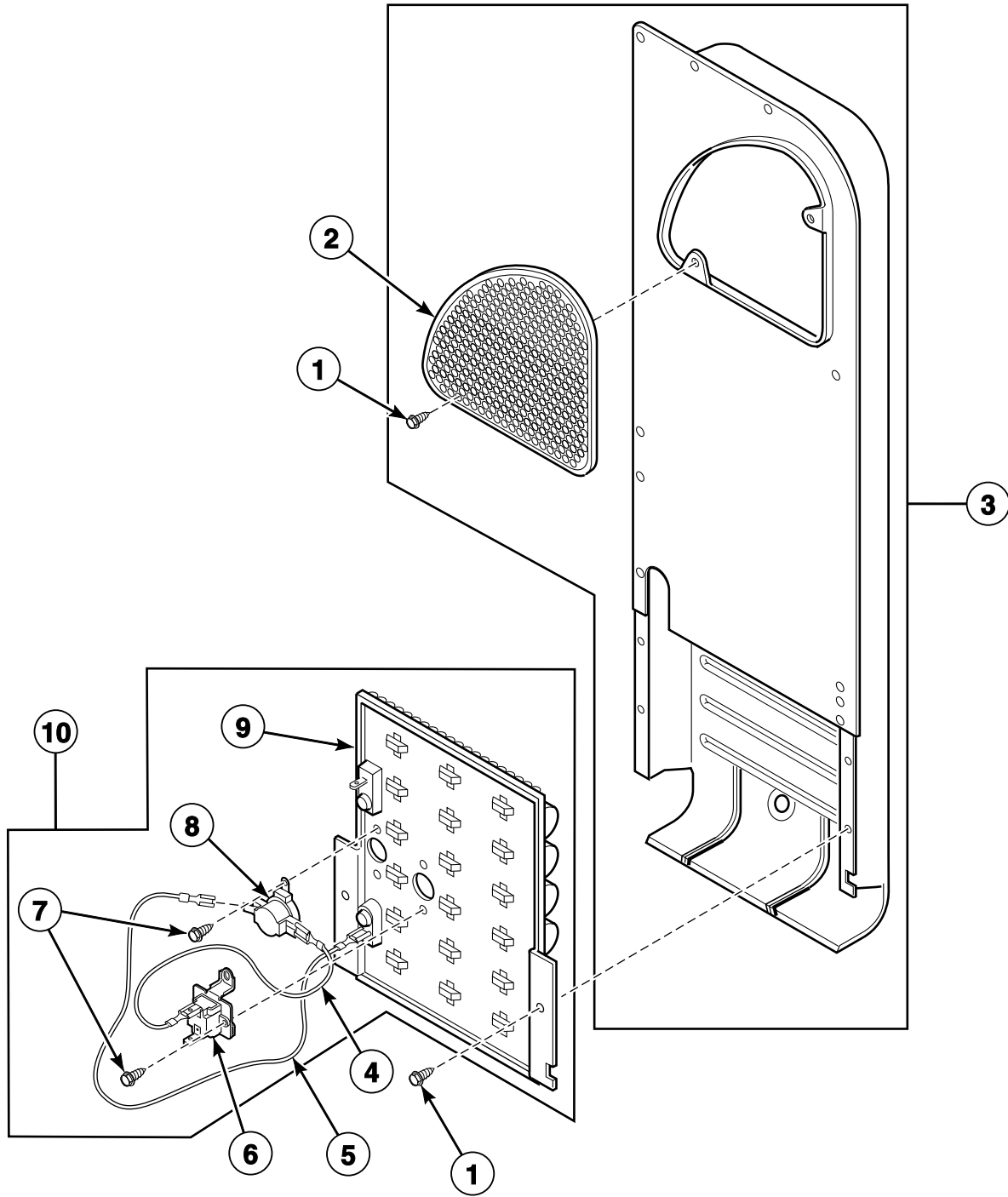
DRY1774P_513382

Rear Bulkhead, Felt Seal, Cylinder Roller and Terminal Block

REF	PART NO.	DESCRIPTION	COMMENTS
1	D510207P	Cylinder Seal Assembly	
	D511637P	Adhesive	Apply to cylinder seal
	RB170001	Seal Kit	Includes 2 cylinder seals, D510238P Blower Housing Seal and Adhesive
2	D503688	Screw	
3	D511082P	Rear Bulkhead Assembly	Galvanized; Includes item 1
4	D501285	Screw	Electric models
5	D510237	Terminal Block Shield	Electric models
6	D510190P	Terminal Block Assembly	Includes 3 of item 7; Electric models
7	61199	Screw	
8	28447	Nut	
9	28448	Screw	
10	28449	Washer	
11	D510100	Cylinder Roller Bracket	
12	D510708P	Cylinder Roller	
13	23748	Retaining Ring	
14	52549	Washer	
15	D504082	Washer	
16	56461P	Shaft	
17	RB170002	Roller Kit	Includes items 12-16
18	56156	Nut	

Heater Duct and Element Assembly - Electric Model Dryers

Models HSELXFGW131DW01, HSELXFGW281CW01, HSELXFGW291CW01, HSELXFGW541DW01, HSELYFGW281CW01, HSELYFGW291CW01, SSELXFGW131DW01, SSELXFGW431AW01 and SSELXFGW541DW01



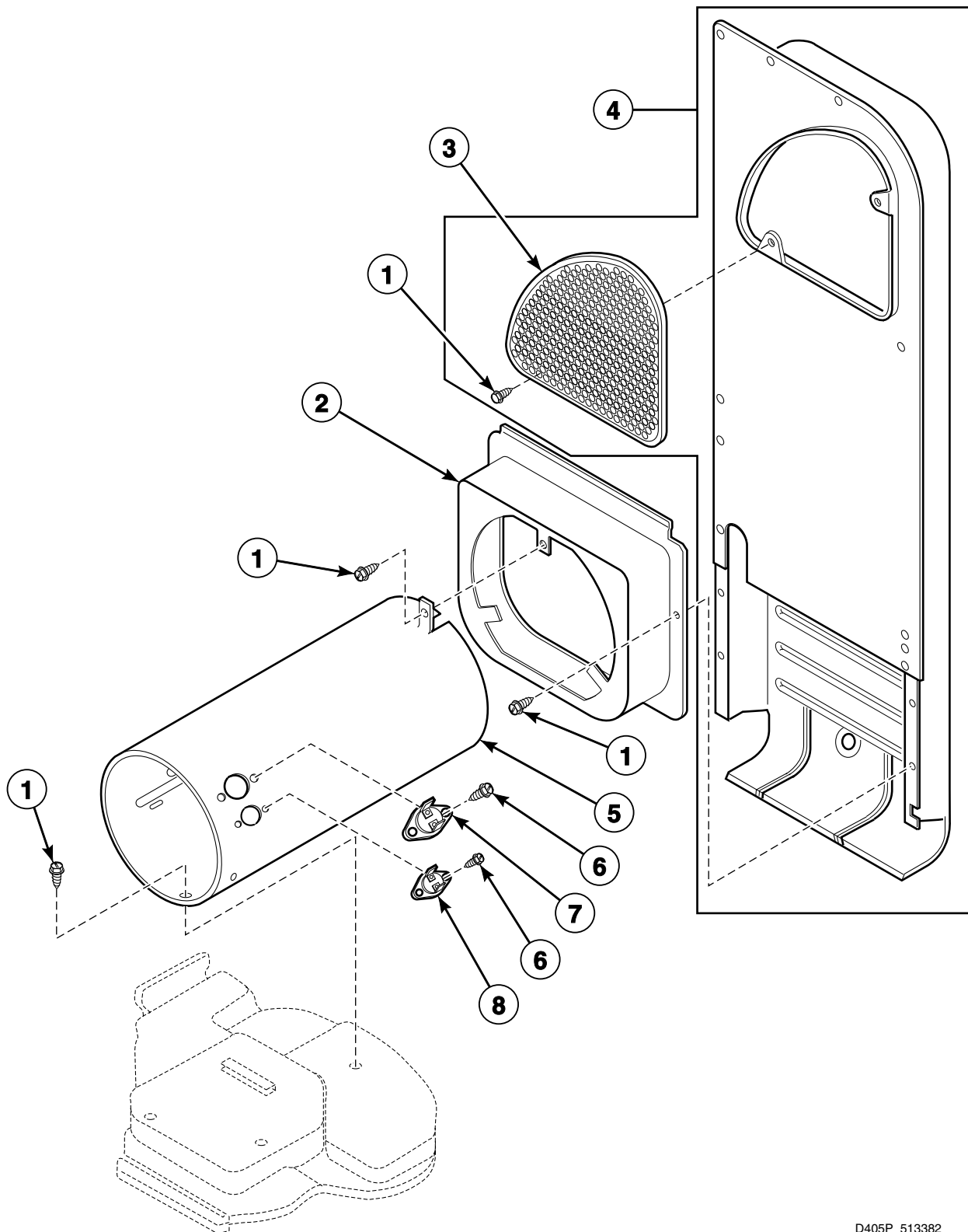
DRY1789P_513382

Heater Duct and Element Assembly - Electric Model Dryers

REF	PART NO.	DESCRIPTION	COMMENTS
1	D503688	Screw	
2	D500820	Outlet Cover	
3	D510025P	Heater Duct and Screw Assembly	Includes items 1 and 2
4	D510528	Wire Assembly	Orange; Thermostat jumper; Attaches to heater assembly
5	D510527	Wire Assembly	Black; Fuse jumper; Attaches to heater assembly
6	D511412	Thermal Fuse Assembly	
7	23222	Screw	
8	D510701	Limit Thermostat	
9	D510330P	Heater Assembly	208 Volt/60 Hertz; 4.25 kW; Models HSELXFGW291CW01 and HSELYFGW291CW01
	D510327P	Heater Assembly	240 Volt/50 Hertz; 4 kW; Model SSELXFGW431AW01
	D510324P	Heater Assembly	240 Volt/60 Hertz; 5 kW; Models HSELXFGW281CW01 and HSELYFGW281CW01
	D510329P	Heater Assembly	240 Volt/60 Hertz; 5.35 kW; Models HSELXFGW131DW01, HSELXFGW541DW01, SSELXFGW131DW01 and SSELXFGW541DW01
10	965P3	Heater Kit	208 Volt/60 Hertz; 4.25 kW; Includes items 4-9; Models HSELXFGW291CW01 and HSELYFGW291CW01
	61927	Heater Kit Assembly	240 Volt/60 Hertz; 5 kW; Models HSELXFGW281CW01 and HSELYFGW281CW01
	61930	Heater Kit Assembly	240 Volt/50 Hertz; 4 kW; Model SSELXFGW431AW01

Heater Duct Assembly - Gas Model Dryers

Models HSGLXFGW091CW01, HSGLXFGW121DW01, HSGLXFGW541DW01, HSGLYFGW091CW01, SSGLXFGW121DW01, SSGLXFGW301AW01, SSGLXFGW541DW01 and SSSLXFGW541NW23



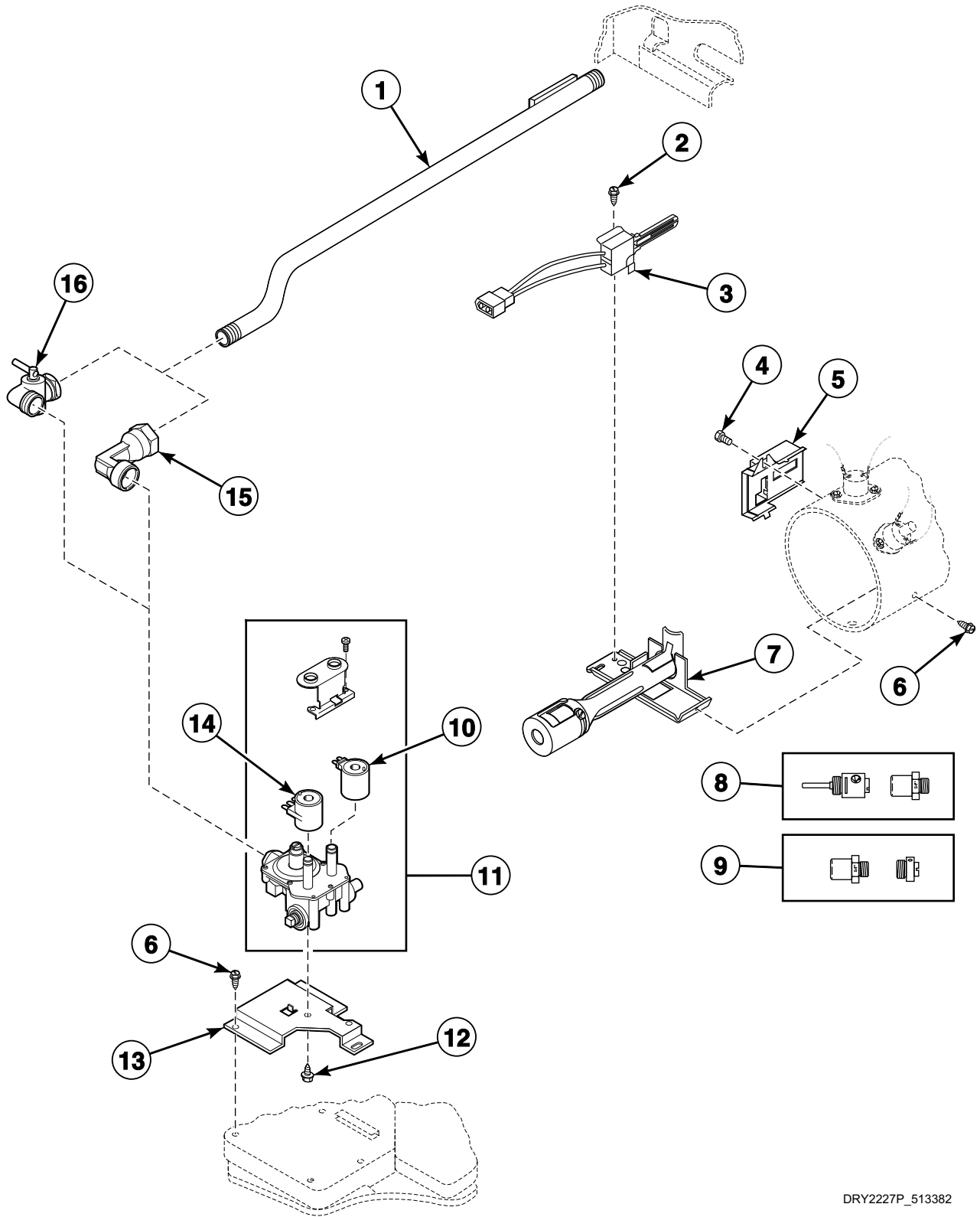
D405P_513382

Heater Duct Assembly - Gas Model Dryers

REF	PART NO.	DESCRIPTION	COMMENTS
1	D503688	Screw	
2	D510101	Heat Duct Shroud	
3	D500820	Outlet Cover	
4	D510025P	Heater Duct and Screw Assembly	Includes items 1 and 3
5	D510131	Combustion Duct	Models SSGLXFGW301AW01 and SLLXFGW541NW23
	D510132	Combustion Duct	All other models
6	51782	Screw	
7	D510702	Limit Thermostat	Black; Auto reset
8	D510703	Thermostat	Manual reset; All models except SSGLXFGW301AW01 and SLLXFGW541NW23

Gas Valve, Igniter and Gas Conversion Kits - Gas Model Dryers

Models HSGLXFGW091CW01, HSGLXFGW121DW01, HSGLXFGW541DW01, HSGLYFGW091CW01, SSGLXFGW121DW01, SSGLXFGW301AW01, SSGLXFGW541DW01 and SSLLXFGW541NW23



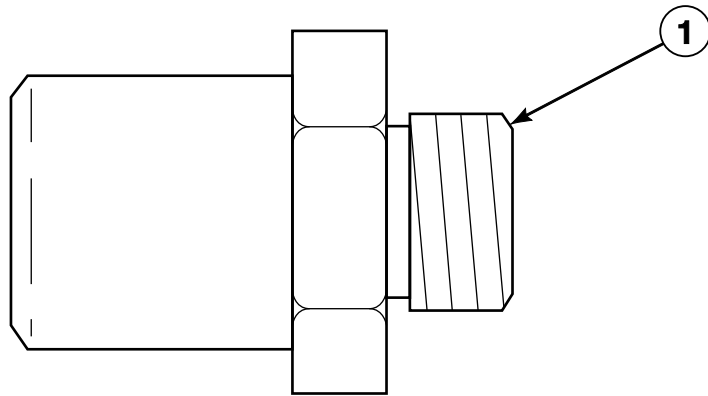
DRY2227P_513382

Gas Valve, Igniter and Gas Conversion Kits - Gas Model Dryers

REF	PART NO.	DESCRIPTION	COMMENTS
1	D510204	Lead-In Pipe Assembly	
2	51782	Screw	
3	D510184P	Igniter and Bracket Assembly	
4	23222	Screw	
5	D510213	Sensor	
6	D503688	Screw	
7	D510149P	Burner Assembly	
8	649P3	L.P. Conversion Kit	Used to convert dryers from N.G. or Mixed Gas to L.P.; 22,500 Btu; Model SSSLXFGW541NW23
	458P3	L.P. Conversion Kit	Used to convert dryers from N.G. or Mixed Gas to L.P. for 25,000 Btu; All other models
9	650P3	N.G. Conversion Kit	Used to convert dryers from L.P. to N.G. or Mixed Gas; 22,500 Btu; Model SSSLXFGW541NW23
	459P3	N.G. Conversion Kit	Used to convert dryers from L.P. to N.G. or Mixed Gas for 25,000 Btu; All other models
10	59063B	Secondary Coil	50 Hertz; Models HSGLXFGW121DW01, HSGLXFGW541DW01, SSSLXFGW121DW01, SSSLXFGW301AW01 and SSSLXFGW541DW01
	58804B	Secondary Coil	60 Hertz; All other models
11	60443P	Valve Assembly	Model SSSLXFGW301AW01; 50 Hertz; 25,000 Btu; Includes items 10 and 14
	D513631	Gas Valve Assembly	Model SSSLXFGW541NW23; 60 Hertz; 22,500 Btu; Includes items 10 and 14
	D510506P	Gas Valve Assembly	Models HSGLXFGW121DW01, HSGLXFGW541DW01, SSSLXFGW121DW01, SSSLXFGW541DW01 and SSSLXFGW541NW23; 60 Hertz; 22,500 Btu; Includes items 10 and 14
	60353P	Gas Valve Assembly	All other models; 60 Hertz; 25,000 Btu; Includes items 10 and 14
12	56124	Screw	
13	D504235	Gas Valve Mounting Bracket	Models HSGLXFGW121DW01, HSGLXFGW541DW01, SSSLXFGW121DW01 and SSSLXFGW541DW01
	D510128	Gas Valve Mounting Bracket	All other models
14	59063A	Booster and Holding Coil	Models HSGLXFGW121DW01, HSGLXFGW541DW01, SSSLXFGW121DW01, SSSLXFGW301AW01 and SSSLXFGW541DW01; 50 Hertz
	58804A	Booster and Holding Coil	All other models; 60 Hertz
15	D513072	Elbow	Model SSSLXFGW541NW23
16	D510205	Elbow Shut-Off Valve	Models HSGLXFGW091CW01, HSGLYFGW091CW01 and SSSLXFGW301AW01

Burner Orifice Spuds - For Higher Elevations

Gas Models

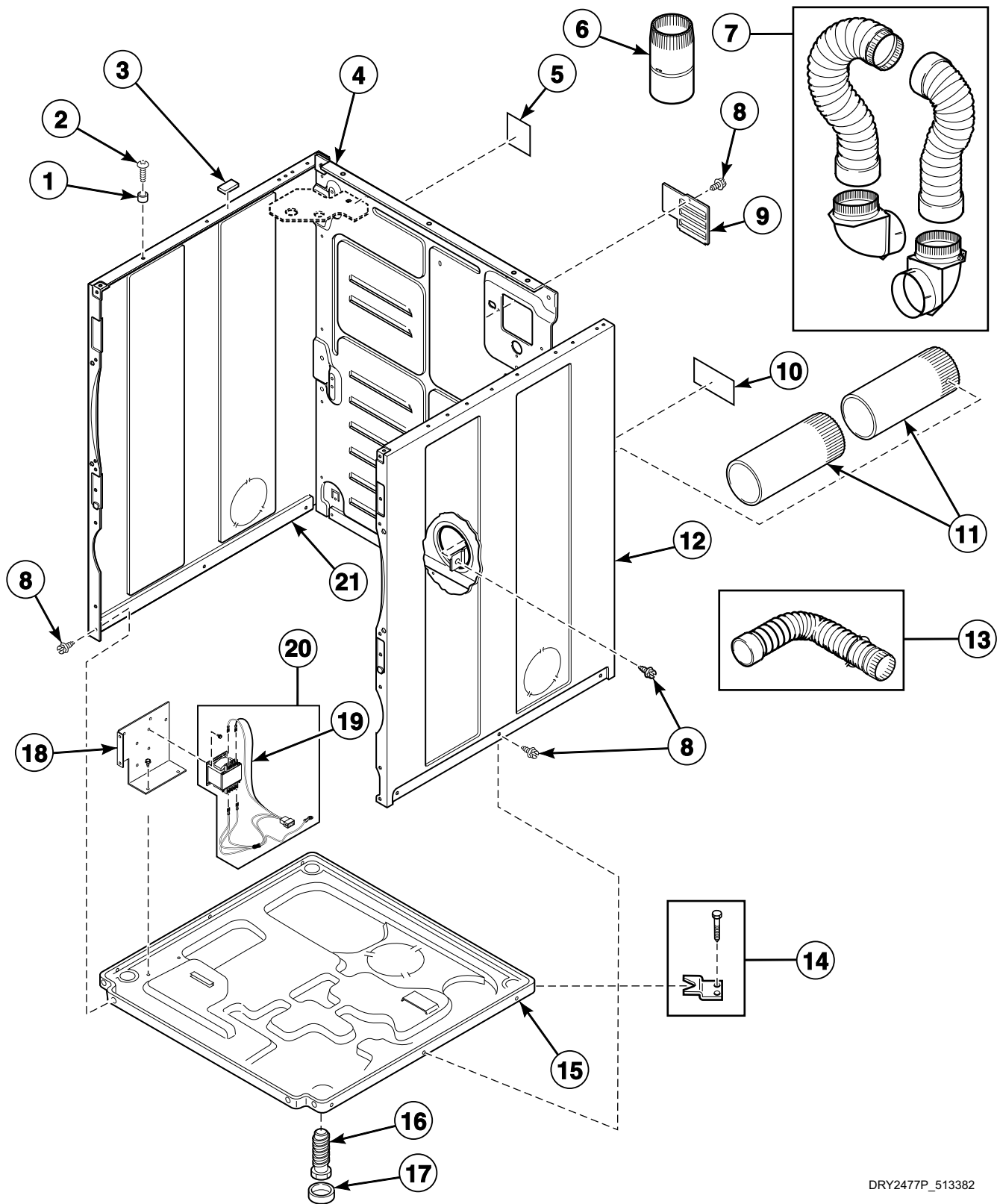


DRY2266P_513382

Burner Orifice Spuds - For Higher Elevations

REF	PART NO.	DESCRIPTION	COMMENTS
1	58755	L.P. Orifice	Liquid Petroleum Gas (L.P.); Model SSSLXFGW541NW23 3000-7999 feet (915-2439 m); 22,500 Btu; Models HSGLXFGW091CW01, HSGLYFGW091CW01 and SSGLXFGW301AW01 7500-10999 feet (2290-3354 m); 25,000 Btu
	D503786	L.P. Orifice	L.P.; Model SSSLXFGW541NW23 8000 feet (2440 m) and higher; 22,500 Btu; Models HSGLXFGW091CW01, HSGLYFGW091CW01 and SSGLXFGW301AW01 11000 feet (3355 m) and higher; 25,000 Btu
	D503776	N.G. Orifice	Natural Gas (N.G.); 2000-2999 feet (610-914 m); All models except SSSLXFGW541NW23
	D510517	N.G. Orifice	N.G.; 3000-5499 feet (915-1679 m); All models except SSSLXFGW541NW23
	D503778	N.G. Orifice	N.G.; SSSLXFGW541NW23 3000-5999 feet (915-1829 m); 22,500 Btu; All other models 5500-6999 feet (1680-2134 m); 25,000 Btu
	58719	Screw Orifice	N.G.; SSSLXFGW541NW23 6000-7999 feet (1830-2439 m); 22,500 Btu; All other models 7000-8999 feet (2135-2744 m); 25,000 Btu
	D503779	N.G. Orifice	N.G.; SSSLXFGW541NW23 8000-8999 feet (2440-2739 m); 22,500 Btu; All other models 9000-10499 feet (2745-3199 m); 25,000 Btu
	D503780	N.G. Orifice	N.G.; SSSLXFGW541NW23 9000-9999 feet (2740-3049 m); 22,500 Btu; All other models 10500 feet (3200 m) and higher; 25,000 Btu
	D503781	N.G. Orifice	N.G.; Model SSSLXFGW541NW23 10,000 feet (3050 m) and higher; 22,500 Btu

Cabinet, Exhaust Duct and Base

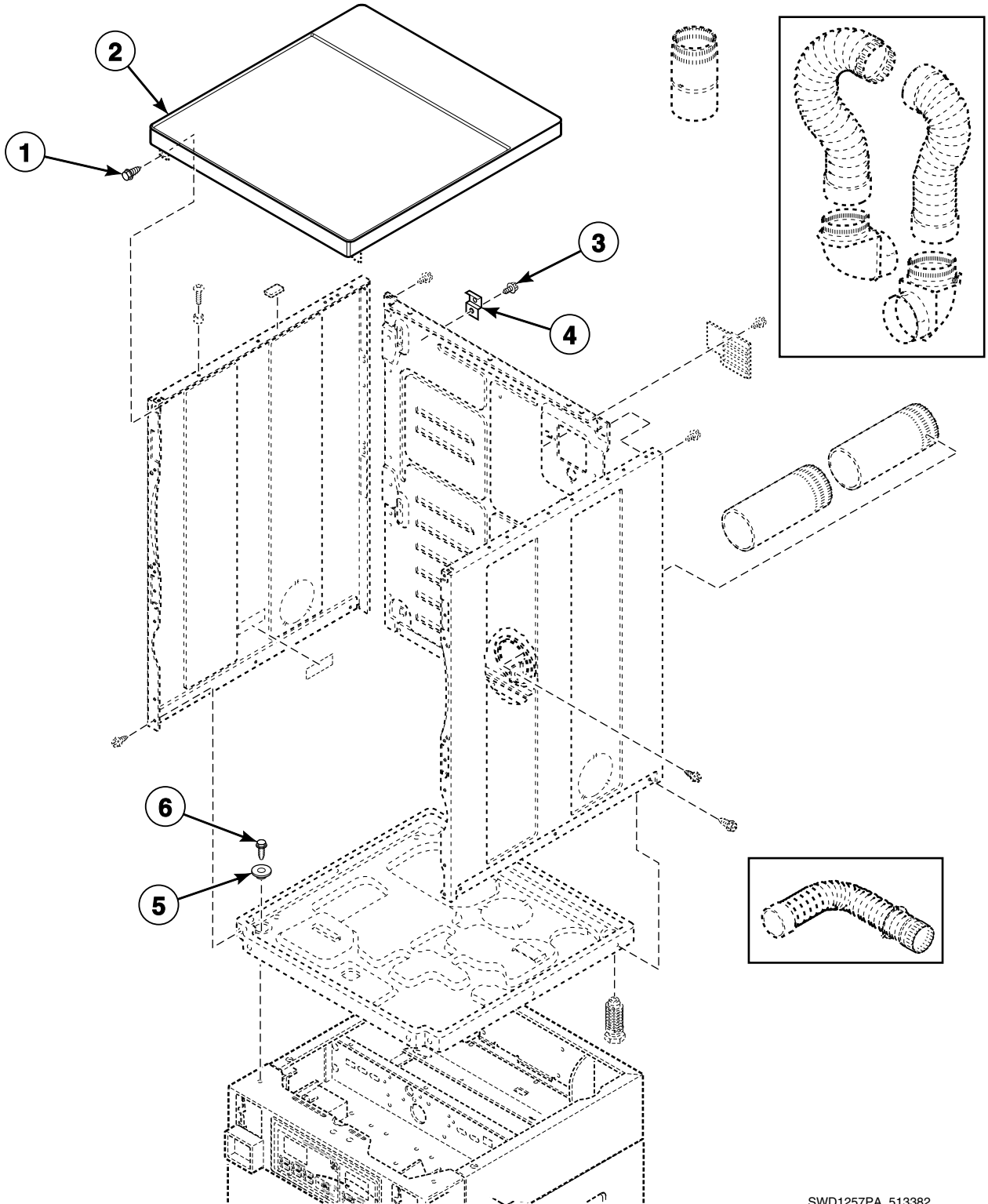


DRY2477P_513382

Cabinet, Exhaust Duct and Base

REF	PART NO.	DESCRIPTION	COMMENTS
	122P4P	Porcelain Touch-Up Paint	
1	56079	Panel Locator	
2	39733	Screw	
3	56128	Bumper Pad	
4	D514632P	Cabinet Rear Panel	
5	D511004	Gas Clearance Label	Models HSGLXFGW091CW01, HSGLXFGW121DW01, HSGLXFGW541DW01, HSGLYFGW091CW01, SSGLXFGW121DW01, SSGLXFGW301AW01 and SSGLXFGW541DW01
6	58786	Damper	Use when connecting to a manifold vent system
7	521P3	Flexible Venting Kit	
8	D503688	Screw	
9	D510903	Access Panel Plate	
10	D500497	Exhaust Warning Label	
11	D510137	Exhaust Duct	Each dryer requires 2 pieces
12	D510002WP	Cabinet Side Panel	Right
13	528P3	Directional Exhaust Kit	Used to vent dryer out the sides or bottom
14	526P3	Hold Down Kit	For mobile home installations
15	D513901	Dryer Base	
16	D510135	Leveling Leg	
17	D501855	Rubber Foot	
18	D511859	Contactoer Bracket	Models HSGLXFGW121DW01, HSGLXFGW541DW01, SSGLXFGW121DW01, SSGLXFGW301AW01, SSGLXFGW541DW01 and SLLXFGW541NW23
19	D511303	Wire Harness Assembly	Models HSGLXFGW121DW01, HSGLXFGW541DW01, SSGLXFGW121DW01, SSGLXFGW301AW01, SSGLXFGW541DW01 and SLLXFGW541NW23
20	D511658P	Transformer Kit	Models HSGLXFGW121DW01, HSGLXFGW541DW01, SSGLXFGW121DW01, SSGLXFGW301AW01, SSGLXFGW541DW01 and SLLXFGW541NW23; Includes item 19
21	D510001WP	Cabinet Side Panel	Left

Cabinet Top

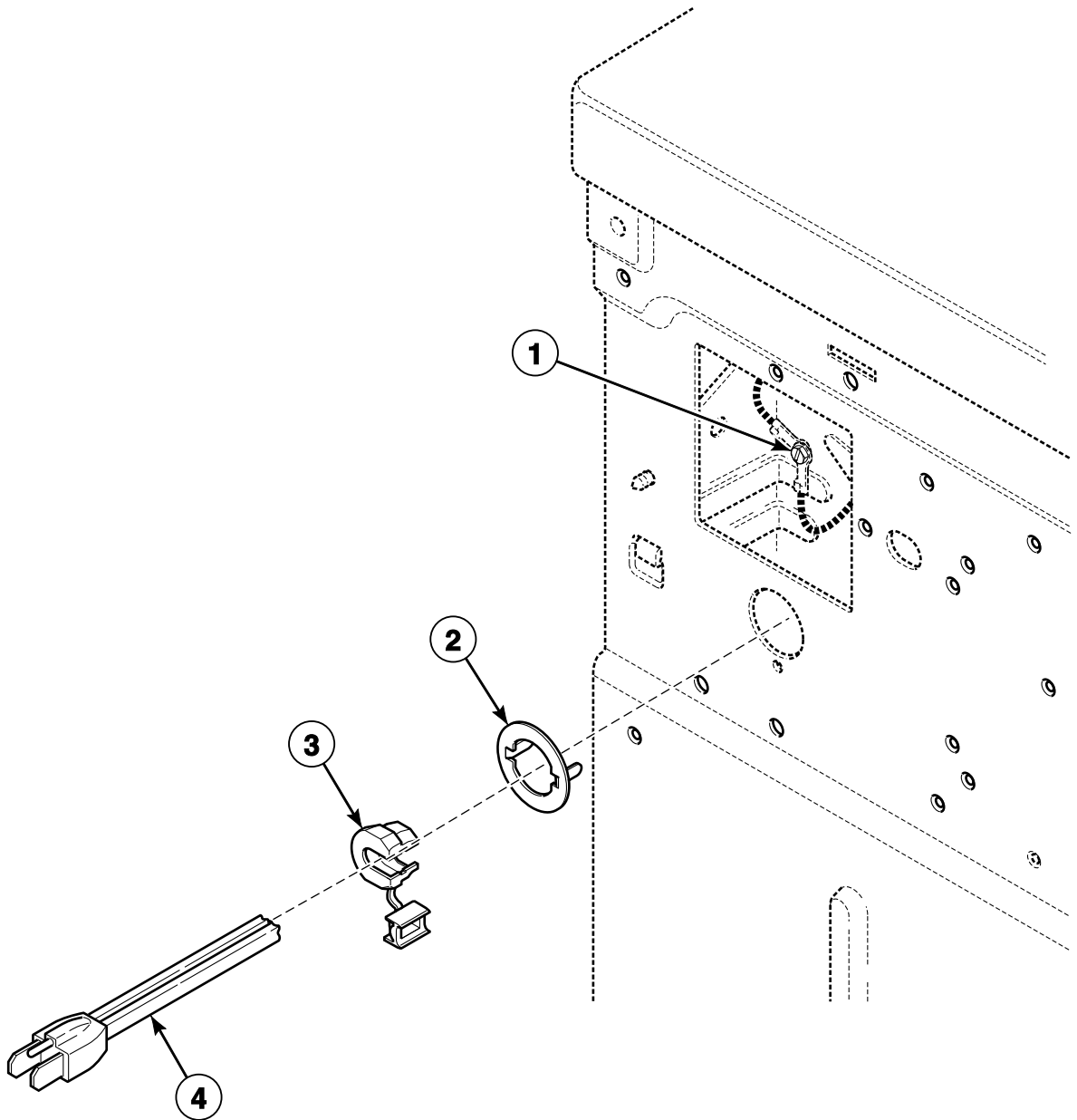


SWD1257PA_513382

Cabinet Top

REF	PART NO.	DESCRIPTION	COMMENTS
1	D503661	Screw	
2	D510032WP	Top Kit	
3	D503688	Screw	
4	D510136	Top Hinge	
5	D501307	Washer	
6	36048	Screw	

Power Cord

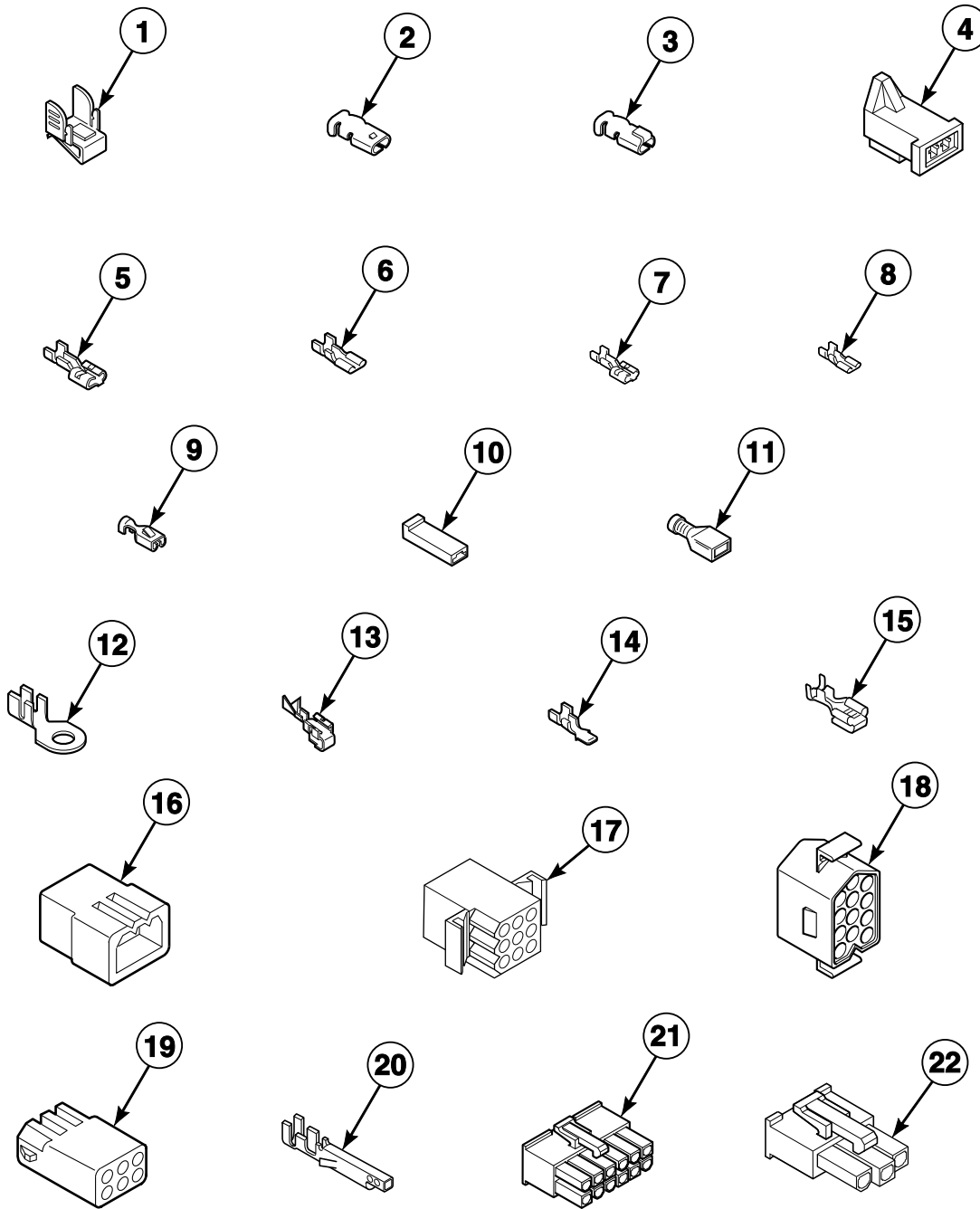


DRY2263P_513382

Power Cord

REF	PART NO.	DESCRIPTION	COMMENTS
1	20530	Screw	
2	D502496	Strain Relief Adapter	Models HSELXFGW131DW01, HSELXFGW541DW01, HSGLXFGW091CW01, HSGLXFGW121DW01, HSGLXFGW541DW01, HSGLYFGW091CW01, SSELXFGW131DW01, SSELXFGW431AW01, SSELXFGW541DW01, SSGLXFGW121DW01, SSGLXFGW301AW01 and SSGLXFGW541DW01
3	52151	Strain Relief	Models HSGLXFGW091CW01 and HSGLYFGW091CW01
	38384	Strain Relief	Models HSGLXFGW121DW01, HSGLXFGW541DW01, SSGLXFGW121DW01 and SSGLXFGW541DW01
	52113	Strain Relief	Models SSELXFGW431AW01 and SLLXFGW541NW23
	60298	Strain Relief	Model SSGLXFGW301AW01
4	58992	Power Cord Assembly	Models HSGLXFGW091CW01 and HSGLYFGW091CW01
	57397	Power Cord Assembly	Models HSELXFGW281CW01, HSELXFGW291CW01, HSELYFGW281CW01 and HSELYFGW291CW01
	61605P	Lead-In Cord Kit	Model SSELXFGW431AW01
	D514222	Lead-In Cord Assembly	Models HSGLXFGW121DW01 and SSGLXFGW121DW01
	D514289	Lead-In Cord Assembly	Models HSGLXFGW541DW01 and SSGLXFGW541DW01
	D512019	Lead-In Cord	Model SSGLXFGW301AW01
	59373	Lead-In Cord	Model SLLXFGW541NW23

Terminal Block and Terminals

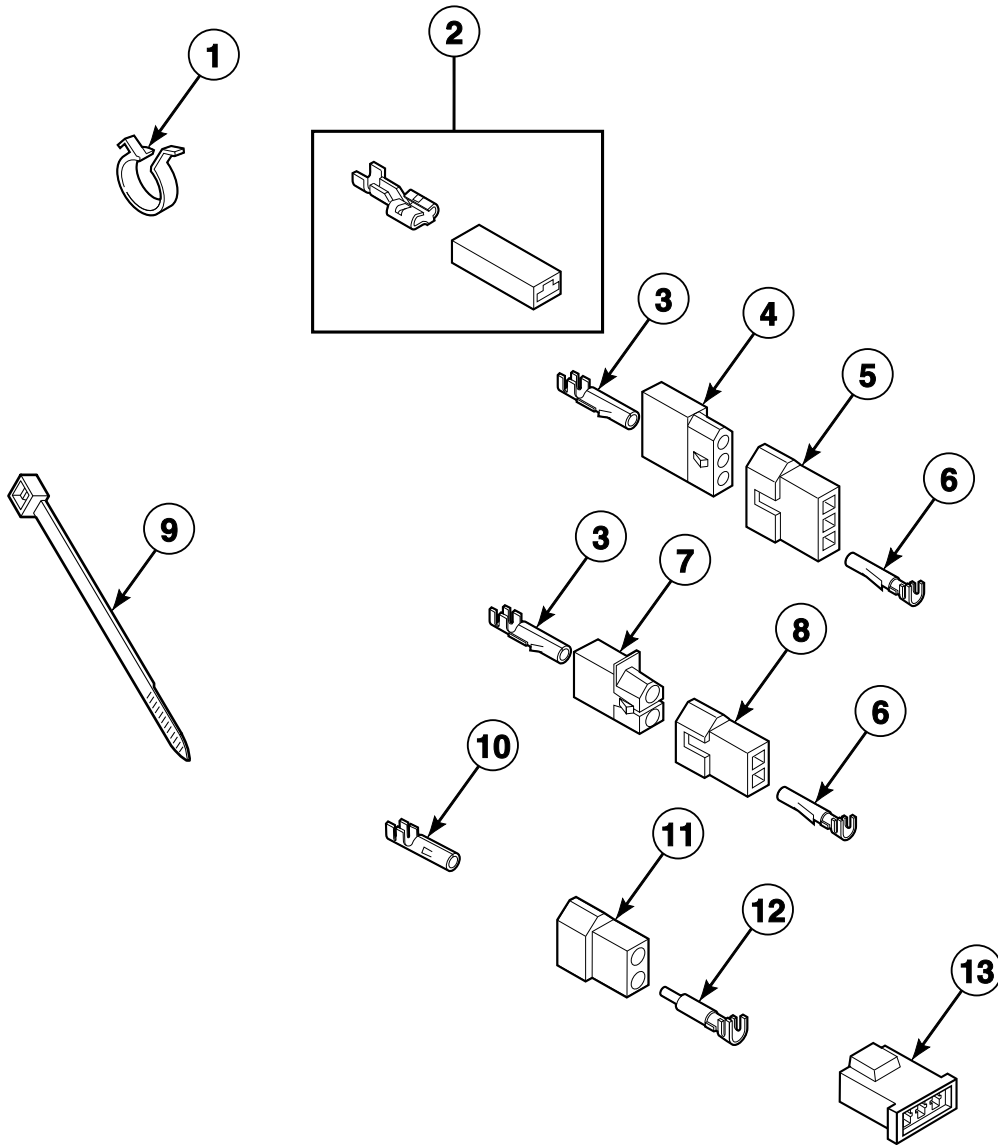


DRY2209P_513382

Terminal Block and Terminals

REF	PART NO.	DESCRIPTION	COMMENTS
1	00161	Grounding Clip	
2	00189	Female Spade Terminal	1/8 inch
3	00361	Female Piggyback Terminal	
4	58799	2 Circuit Connector	
5	00223	Female Spade Terminal	1/4 inch; (1) 18 gauge wire
	00121	Female Spade Terminal	1/4 inch; (2) 18 gauge wires or (1) 12 gauge wire
	00245	Spade Terminal	1/4 inch; (1) 22 gauge wire
6	00124	Female Spade Terminal	3/16 inch; (1) 18 gauge wire; .020 tab
	00156	Female Spade Terminal	3/16 inch; Thermostat wire; .032 tab
	00112	Female Spade Terminal	3/16 inch; .020 tab
7	00222	Female Spade Terminal	1/4 inch
8	00347	Terminal	
9	00115	Female Spade Terminal	1/4 inch; (1) 18 gauge wire
10	90789	Receptacle Housing	
11	00359	Insulated Female Spade Terminal	1/4 inch
	00165	Insulated Female Terminal	3/16 inch
12	00110	Ring Terminal	No. 10; (1) 18 gauge wire
	00111	Ring Terminal	No. 10; (2) 18 gauge wires or (1) 12 gauge wire
13	00114	Female Spade Terminal	1/4 inch; Double connector
14	00139	Male Tab Terminal	1/4 inch; (2) 18 gauge wires or (1) 12 gauge wire
15	00344	Female Tab Terminal	1/4 inch
16	26302	1 Circuit Plug	
	23033	9 Circuit Plug	
	23041	6 Circuit Plug	
17	26163	9 Circuit Receptacle	
	56855	12 Circuit Receptacle	
18	54522	Plug	
19	26301	1 Circuit Receptacle	
	26708	6 Circuit Receptacle	
20	00252	Terminal	
21	34596	10 Circuit Receptacle	
	D501333	12 Circuit Receptacle	
22	36170	3 Circuit Receptacle	

Terminals

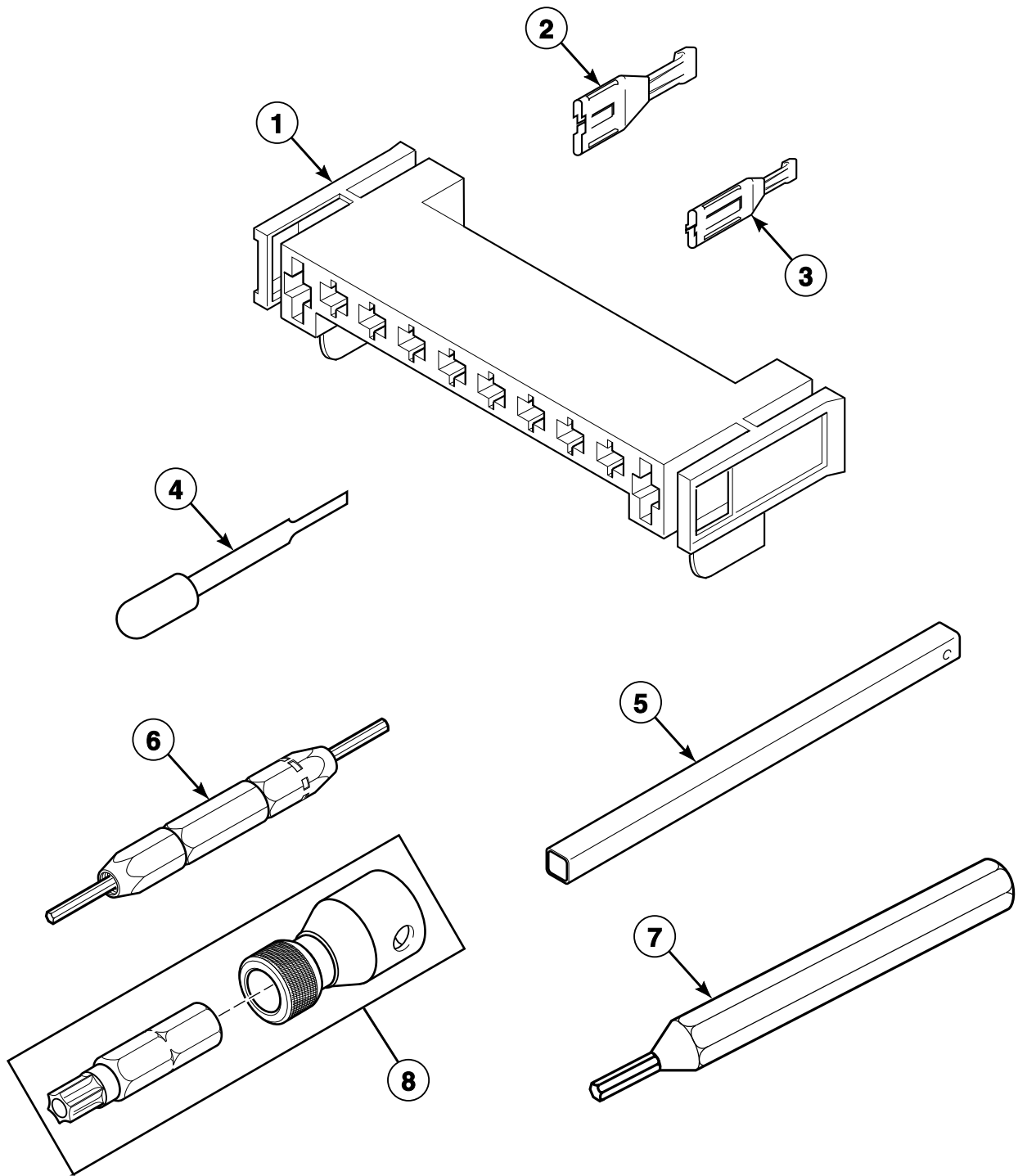


DRY1769P_513382

Terminals

REF	PART NO.	DESCRIPTION	COMMENTS
1	D504034	Wire Clip	11/16 inch
	687500	Wire Clip	1 inch
2	00360	Insulated Female Spade Terminal	(1) 12 gauge wire or (2) 18 gauge wires
3	00117	Female Pin Terminal	
4	56265	2 Circuit Receptacle	
	23039	3 Circuit Receptacle	
5	23040	Plug	
6	00116	Male Pin Terminal	
7	56451	2 Circuit Receptacle	
8	56448	2 Circuit Plug	
9	55881	Harness Strap	
10	00128	Female Pin Terminal	1/8 inch; 10-14 gauge wire
	00130	Female Pin Terminal	1/8 inch; 16-18 gauge wire
11	56266	2 Circuit Plug	
12	00129	Male Pin Terminal	.12 insulation diameter
	00127	Male Pin Terminal	.18 insulation diameter
13	58800	3 Circuit Connector	

Terminals and Terminal Extractor Tools



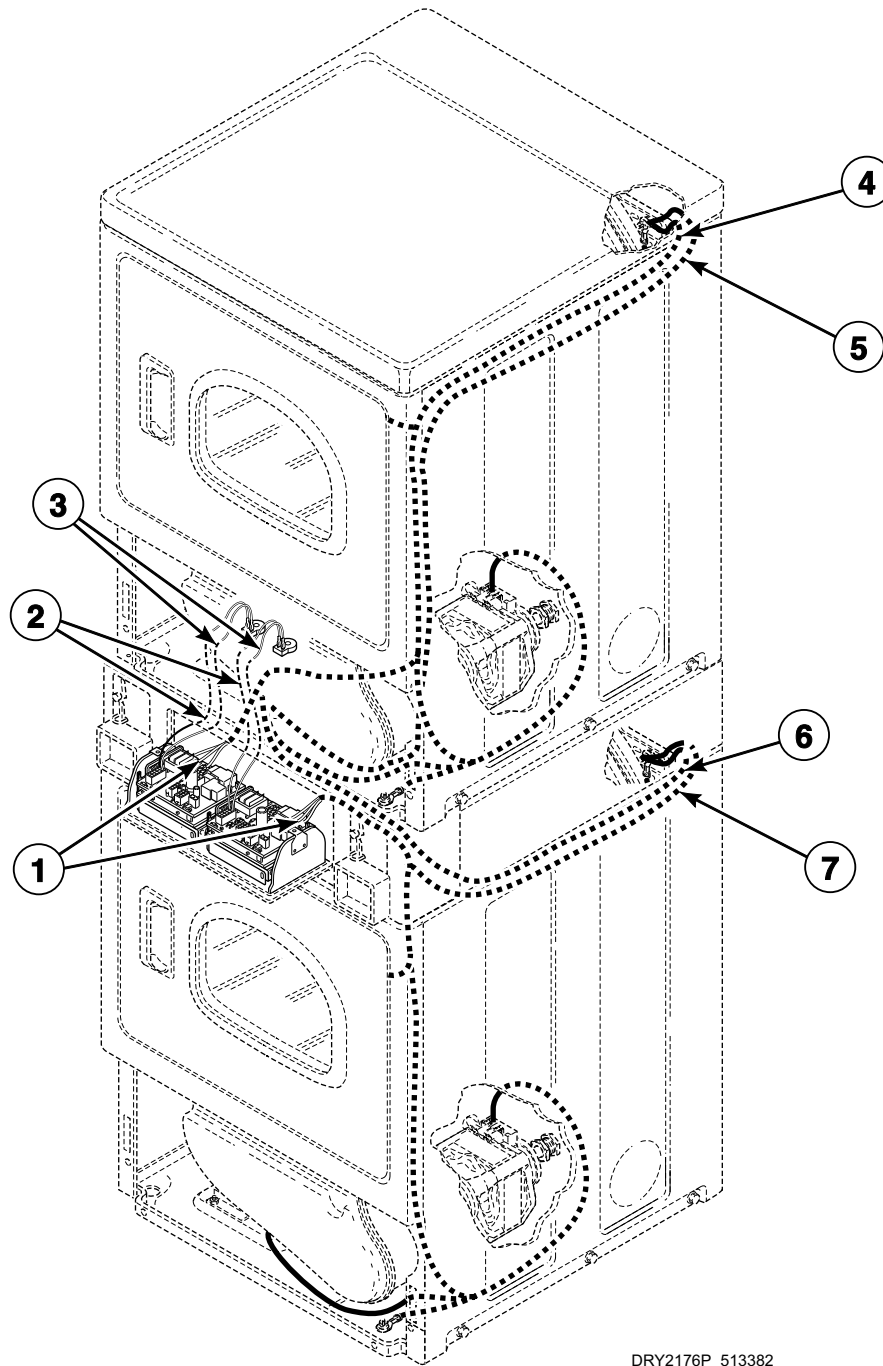
DRY2081P_513382

Terminals and Terminal Extractor Tools

REF	PART NO.	DESCRIPTION	COMMENTS
1	D500338	10 Position Housing	
2	00255	Female Terminal	1/4 inch; (1) 12 gauge wire
	00256	Female Terminal	1/4 inch; (1) or (2) 18 gauge wires
3	00188	Female Terminal	For 1 or 2 wire application
4	283P4	Terminal Extractor Tool	For use on Molex connectors
5	310P4	Ratchet Extension Tool	1/4 inch; For coin drop installation
6	190P4	Extractor Tool	For use on electric dryer terminals
7	128P4	Extractor Tool	For use on gas dryer terminals
8	281P4	Torx Bit	T15 Tamper Resistant Bit
	282P4	Torx Bit	Use with 62853 Screw on access panel; T25 Tamper Resistant Bit
	292P4	Torx Bit	T20 Standard Bit
	93501	Torx Drive Tool	T10 Standard Bit

Wire Harnesses and Wires (Drawing 1 of 3)

Models HSGLXFGW091CW01, HSGLXFGW121DW01, HSGLXFGW541DW01, HSGLYFGW091CW01, SSSLXFGW121DW01, SSSLXFGW301AW01, SSSLXFGW541DW01 and SSSLXFGW541NW23



DRY2176P_513382

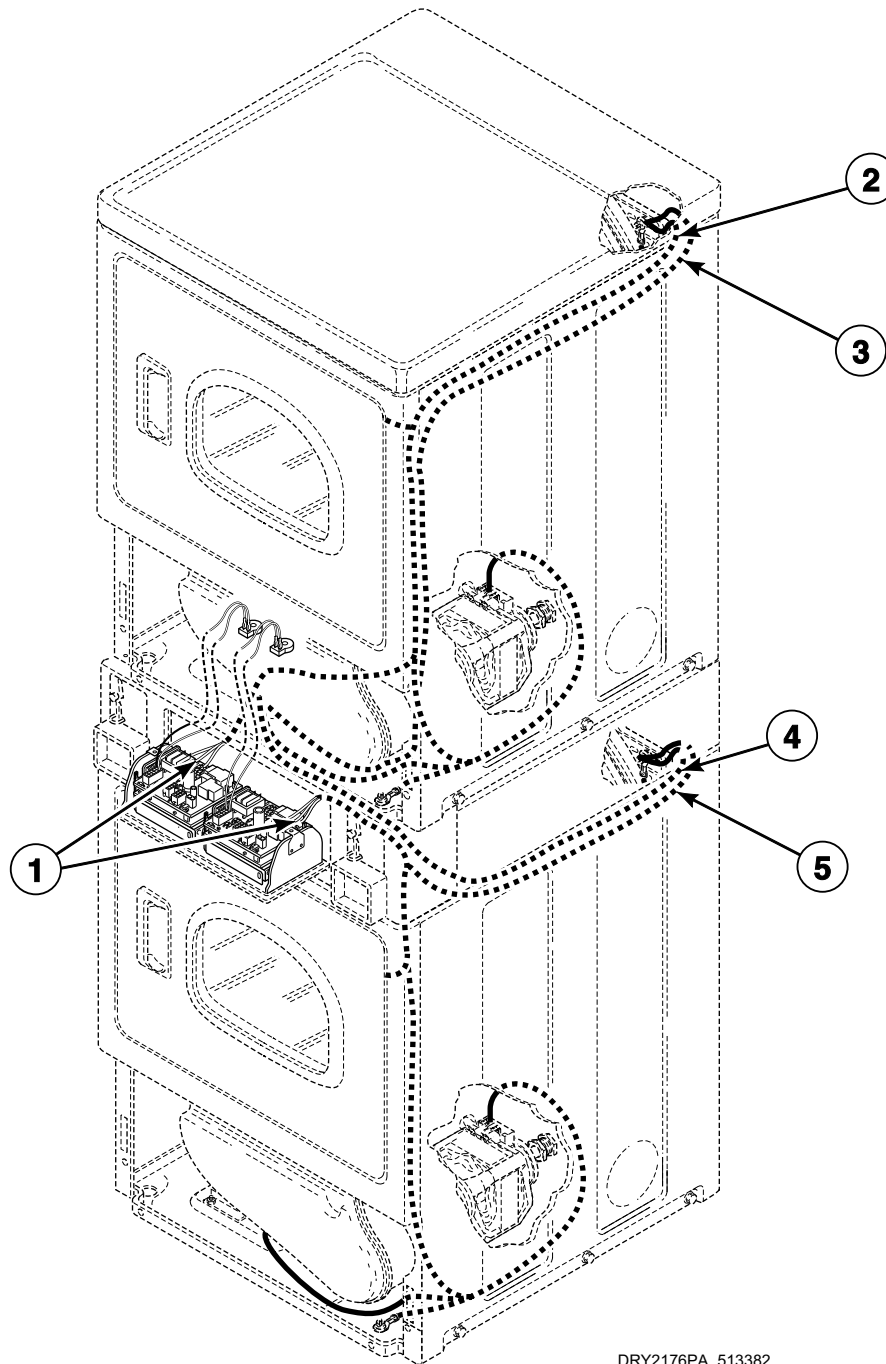
Wire Harnesses and Wires (Drawing 1 of 3)

REF	PART NO.	DESCRIPTION	COMMENTS
	45001	18 Gauge Wire	Black; Order wire by the foot; Order terminals and connectors as required
	45380	12 Gauge Wire	Orange; Order wire by the foot; Order terminals and connectors as required
1	D512422P	Wire Harness Assembly	
2	D512273P	Wire Configuration Assembly	Models HSGLXFGW121DW01, HSGLXFGW541DW01, SSGLXFGW121DW01, SSGLXFGW301AW01, SSGLXFGW541DW01 and SLLXFGW541NW23
3	D512275P	Wire Configuration Assembly	Models HSGLXFGW121DW01, HSGLXFGW541DW01, SSGLXFGW121DW01, SSGLXFGW301AW01, SSGLXFGW541DW01 and SLLXFGW541NW23
4	D512285	Wire Harness Assembly	Model SSGLXFGW301AW01
	D511793P	Electronic Harness	Models HSGLXFGW091CW01 and HSGLYFGW091CW01
	D513833	Electronic Harness	Models HSGLXFGW121DW01 and SSGLXFGW121DW01
	D513841	Wire Harness Assembly	Models HSGLXFGW541DW01 and SSGLXFGW541DW01
	D512289	Wire Harness Assembly	Model SLLXFGW541NW23
5	D512643P	Wire Harness Assembly	Models HSGLXFGW091CW01 and HSGLYFGW091CW01
6	D512645	Wire Harness Assembly	Models HSGLXFGW091CW01 and HSGLYFGW091CW01
7	D511795P	Electronic Harness	Models HSGLXFGW091CW01 and HSGLYFGW091CW01
	D513835	Electronic Harness	Models HSGLXFGW121DW01 and SSGLXFGW121DW01
	D513843	Wire Harness Assembly	Models HSGLXFGW541DW01 and SSGLXFGW541DW01
	D512287	Wire Harness Assembly	Model SSGLXFGW301AW01
	D512291	Wire Harness Assembly	Model SLLXFGW541NW23

NOTE: Individual wires are not available separately. Order complete harness, or order wire by the foot. When applying terminals to wires, it is recommended that the terminals be soldered to the wires.

Wire Harnesses and Wires (Drawing 2 of 3)

Models HSELXFGW281CW01, HSELXFGW291CW01, HSELYFGW281CW01 and HSELYFGW291CW01
Models Through Serial No. 1303025314



DRY2176PA_513382

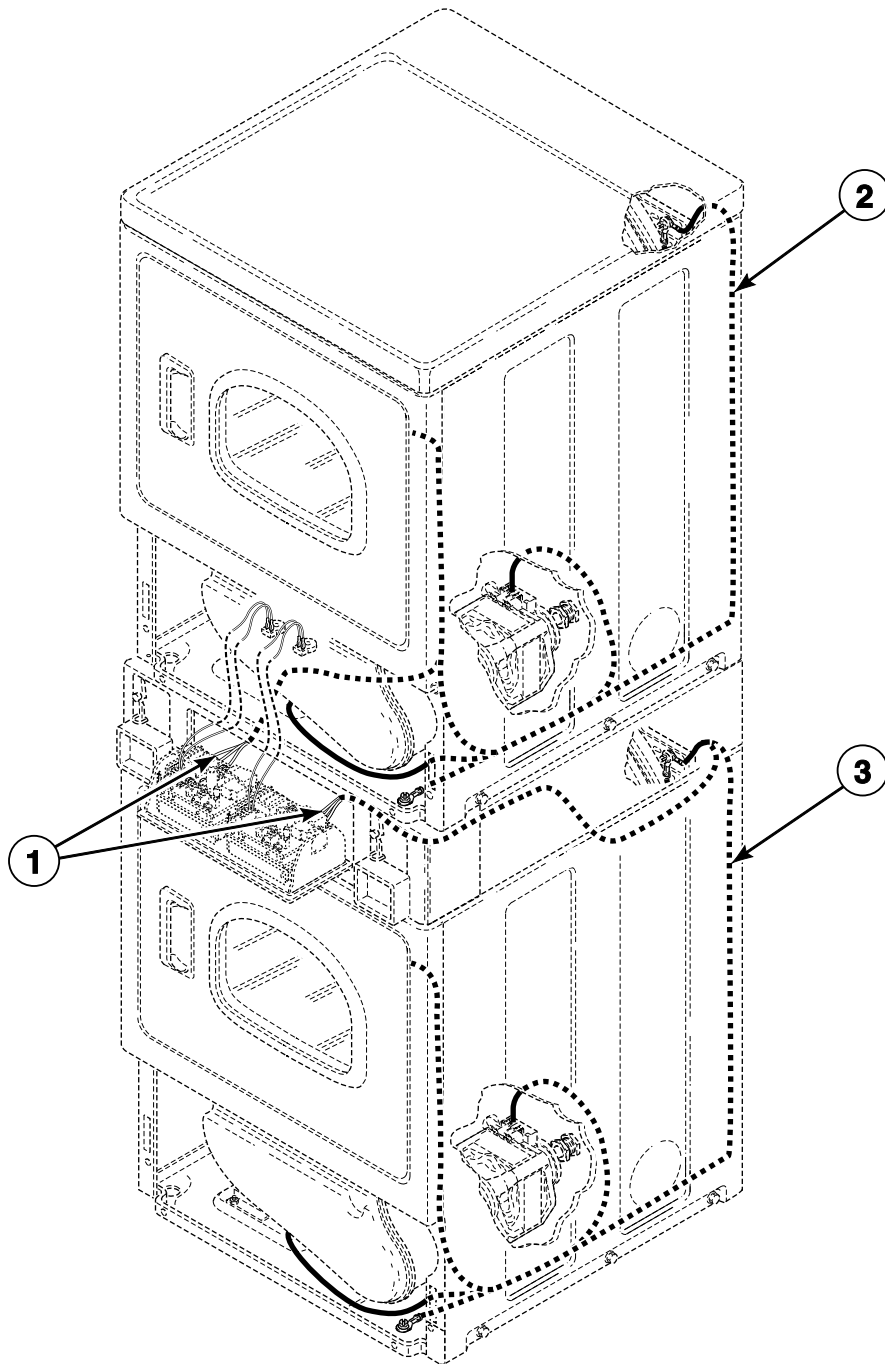
Wire Harnesses and Wires (Drawing 2 of 3)

REF	PART NO.	DESCRIPTION	COMMENTS
	45001	18 Gauge Wire	Black; Order wire by the foot; Order terminals and connectors as required
	45380	12 Gauge Wire	Orange; Order wire by the foot; Order terminals and connectors as required
1	D512422P	Wire Harness Assembly	
2	D512644	Wire Harness Assembly	
3	D512890P	Power Wire Harness Assembly	
4	D512892	Wire Harness Assembly	
5	D512642	Wire Harness Assembly	

NOTE: Individual wires are not available separately. Order complete harness, or order wire by the foot. When applying terminals to wires, it is recommended that the terminals be soldered to the wires.

Wire Harnesses and Wires (Drawing 3 of 3)

Models HSELXFGW131DW01, HSELXFGW281CW01, HSELXFGW291CW01, HSELXFGW541DW01, HSELYFGW281CW01, HSELYFGW291CW01, SSELXFGW131DW01, SSELXFGW431AW01 and SSELXFGW541DW01



DRY2288P_513382

Wire Harnesses and Wires (Drawing 3 of 3)

REF	PART NO.	DESCRIPTION	COMMENTS
	45001	18 Gauge Wire	Black; Order wire by the foot; Order terminals and connectors as required
	45380	12 Gauge Wire	Orange; Order wire by the foot; Order terminals and connectors as required
1	D512422P	Wire Harness Assembly	
2	D514094	Electronic Harness	
3	D514096	Electronic Harness	

NOTE: Individual wires are not available separately. Order complete harness, or order wire by the foot. When applying terminals to wires, it is recommended that the terminals be soldered to the wires.

Parts Index

A

Access Panel and Guard Assembly D514252W	17
Access Panel Assembly D514250WP	17
Access Panel Plate D510903	33
Adhesive D511637P	21, 23
Air Duct Assembly D510151LG	21
D510151W	21
Anti-Seize Compound 27604P	19
Audit Switch Bracket 800379	5
800380	5

B

Blower and Fan Kit D510717P	19
Blower Fan Assembly D510139P	19
Blower Housing D511969WP	19
Blower Housing Seal D510238P	19
Booster and Holding Coil 58804A	29
59063A	29
Bumper Pad 56128	33
Burner Assembly D510149P	29

C

Cabinet Rear Panel D514632P	33
Cabinet Side Panel D510001WP	33
D510002WP	33
Card Insert Overlay D511548	13
Caution Label D500253	17
Clean Lint Label D502804	17
Clip 201572	9
Coin Drop 38963P	7
70441601P	7
Coin Drop Assembly CK114	7

CK123	7
38462P	7
38463	7
38464P	7
38467	7
38472	7
38475	7
38519	7
38521	7
39157	7
70441602	7
Coin Drop Kit CK077	7
Coin Drop Wire Harness 201104	9
Coin Identification Paper 38725	9
Combustion Duct D510131	27
D510132	27
Connector, 2 Circuit 58799	39
Connector, 3 Circuit 58800	41
Contacto Bracket D511859	33
Control Assembly D513534P	5
Control Overlay D512938	5
D513545	5
Control Panel and Bracket Assembly D510076W	5
Cylinder Assembly D510265LGP	21
D510265WP	21
Cylinder Baffle D510102LG	21
D510102W	21
Cylinder Belt D511255P	19
Cylinder Glide D513710	21
Cylinder Glide Bracket D510145	21
Cylinder Roller D510708P	23
Cylinder Roller Bracket D510100	23
Cylinder Seal Assembly D510207P	21, 23

D

Damper 58786	33
Directional Exhaust Kit 528P3	33
Door and Liner Assembly D511636WP	15

N/A items do not appear in index.

Door Catch Assembly D510177	17
Door Handle Wedge D510129	15
Door Liner Grill D503870LG	15
D503870W	15
Door Pull and Wedge Kit D510103WP	15
Door Strike D510181	15
Door Strike Mount D510127	15
Dryer Base D513901	33
Dryer Door D510082WP	15
Dryer Door Assembly D514114W	15
Dryer Door Window D503982P	15
Dual Overlay 39073	11

E

Elbow D513072	29
Elbow Shut-Off Valve D510205	29
Electronic Coin Drop Assembly 70294103P	9
70294104	9
70294105P	9
70294106	9
70294107	9
70294110	9
70294111	9
70294112	9
70294116	9
70294117	9
Electronic Coin Drop Kit CK099	9
CK100	9
CK101	9
CK103	9
CK108	9
CK109	9
CK110	9
CK113	9
CK115	9
CK116	9
CK117	9
CK118	9
Electronic Harness D511793P	45
D511795P	45
D513833	45
D513835	45
D514094	49
D514096	49
Ethernet Gateway Kit NK320	5

Exhaust Duct D510137	33
Exhaust Warning Label D500497	33
Extractor Tool 128P4	43
190P4	43

F

Felt Pad D510189	21
Female Piggyback Terminal 00361	39
Female Pin Terminal 00117	41
00128	41
00130	41
Female Spade Terminal 00112	39
00114	39
00115	39
00121	39
00124	39
00156	39
00189	39
00222	39
00223	39
Female Tab Terminal 00344	39
Female Terminal 00188	43
00255	43
00256	43
Flexible Venting Kit 521P3	33
Front Bulkhead Assembly D510266P	21
Front Panel D510066WP	17
Front Panel Assembly D513781W	17
Front Panel Seal D511056	17

G

Gas Clearance Label D511004	33
Gas Valve Assembly D510506P	29
D513631	29
60353P	29
Gas Valve Mounting Bracket D504235	29
D510128	29
Glass Door Window D513910	15
Glide Kit RB170003	21
Graphic Overlay D513030	5

N/A items do not appear in index.

Grounding Clip 00161	39
-------------------------------	----

H

Harness Assembly 802905	7, 9
Harness Strap 55881	41
Heat Duct Shroud D510101	27
Heater Assembly D510324P	25
D510327P	25
D510329P	25
D510330P	25
Heater Duct and Screw Assembly D510025P	25, 27
Heater Kit 965P3	25
Heater Kit Assembly 61927	25
61930	25
Hinge D511036	15
Hinge Hole Plug D510186	17
Hold Down Kit 526P3	33
Housing, 10 Position D500338	43

I

Idler Lever D510133	19
Idler Lever and Wheel Assembly D510158	19
Idler Spring D510185	19
Idler Wheel and Bearing Assembly D510142P	19
Igniter and Bracket Assembly D510184P	29
Insulated Female Spade Terminal 00359	39
00360	41
Insulated Female Terminal 00165	39

J

Jumper Configuration Assembly 413507	5
---	---

K

Key 54612	5
--------------------	---

L

Lead-In Cord D512019	37
59373	37
Lead-In Cord Assembly D514222	37
D514289	37
Lead-In Cord Kit 61605P	37
Lead-In Pipe Assembly 510204	29
Leveling Leg D510135	33
Limit Thermostat D510701	25
D510702	27
Liner and Seal Assembly D510098LG	15
D510098W	15
Liner Door Seal D510147P	15
Lint Filter D503980LG	21
D503980W	21
Lock Cam 27261	5
Lock Kit 27260P	5
L.P. Conversion Kit 458P3	29
649P3	29
L.P. Orifice D503786	31
58755	31

M

Male Pin Terminal 00116	41
00127	41
00129	41
Male Tab Terminal 00139	39
Manual Reset Thermostat M411941	19
Motor and Pulley Assembly D511629P	19
505843P	19
505869P	19
Motor Hub Ring Kit 590P3	19
Motor Mount D510060	19
Motor Mount Clamp D510180	19
Motor Pulley D500011	19
D500222	19
Mounting Tool Kit CK096	9

N/A items do not appear in index.

N

Network Controller Kit	
NK220	5
Network Retrofit Kit	
NK203	5
Nut	
201216	9
28447	23
29786	7
44071201	15
52566	19
56156	19, 23
80077	11
N.G. Conversion Kit	
459P3	29
650P3	29
N.G. Orifice	
D503776	31
D503778	31
D503779	31
D503780	31
D503781	31
D510517	31

O

Outlet Cover	
D500820	25, 27
Overlay	
201091	11

P

Panel Locator	
56079	17, 33
Plug	
23040	41
54522	39
Plug, 1 Circuit	
26302	39
Plug, 2 Circuit	
56266	41
56448	41
Plug, 6 Circuit	
23041	39
Plug, 9 Circuit	
23033	39
Porcelain Touch-Up Paint	
122P4P	33
Power Cord Assembly	
57397	37
58992	37
Power Wire Harness Assembly	
D512890P	47

R

Ratchet Extension Tool	
310P4	43

Rear Bulkhead Assembly	
D511082P	23
Receptacle Housing	
90789	39
Receptacle, 1 Circuit	
26301	39
Receptacle, 10 Circuit	
34596	39
Receptacle, 12 Circuit	
D501333	39
56855	39
Receptacle, 2 Circuit	
56265	41
56451	41
Receptacle, 3 Circuit	
23039	41
36170	39
Receptacle, 6 Circuit	
26708	39
Receptacle, 9 Circuit	
26163	39
Resistor	
210100	5
Retaining Ring	
23748	19, 23
Ring Terminal	
00110	39
00111	39
Roller Kit	
RB170002	23
Rubber Foot	
D501855	33

S

Screw	
D500226	15
D500824	19
D501285	21, 23
D501524	5
D502431	11, 13
D502535	19
D503661	35
D503688	5, 11, 13, 17, 19, 21, 23, 25, 27, 29, 33, 35
D505295	15, 21
D505870	15
20530	37
23222	25, 29
28448	23
31260	19
33562	17
36048	35
39733	17, 33
500226	15
51782	27, 29
52864	21
56124	29
61199	23
62588	21
62853	17
Screw Orifice	
58719	31
Seal Kit	
RB170001	21, 23

N/A items do not appear in index.

Secondary Coil	
58804B.....	29
59063B.....	29
Security Cabinet Front Assembly	
D511208W	13
D511632WP	11
Sensor	
D510213	29
Shaft	
56461P.....	19, 23
Single Overlay	
38717	11
Spade Terminal	
00245	39
Speed Clip	
28835	17
Strain Relief	
38384	37
52113	37
52151	37
60298	37
Strain Relief Adapter	
D502496	37
Switch	
D512973	5, 17

T

Terminal	
00252	39
00347	39
Terminal Block Assembly	
D510190P	23
Terminal Block Shield	
D510237	23
Terminal Extractor Tool	
283P4.....	43
Thermal Fuse Assembly	
D511412.....	25
Thermistor Assembly	
D502366	19
D510523	19
Thermostat	
D510703	27
Top Hinge	
D510136	35
Top Kit	
D510032WP.....	35
Torx Bit	
281P4.....	43
282P4.....	43
292P4.....	43
Torx Drive Tool	
93501	43
Transformer	
201375P.....	5
803527P.....	5
Transformer Kit	
D511658P	33

U

USB Gateway Kit	
NK330	5

V

Valve Assembly	
60443P	29

W

Warning Label	
D512263.....	17
Warning/Caution Label	
D500281	17
Washer	
D501307	35
D504082.....	23
28449	23
52549	19, 23
Window Clip	
D513958.....	15
Window Trim	
D503981LG	15
D503981W	15
Wire Assembly	
D510527.....	25
D510528	25
Wire Clip	
D504034.....	41
687500	41
Wire Configuration Assembly	
D512273P.....	45
D512275P	45
Wire Guard	
201595P	7
Wire Harness Assembly	
D511303	33
D512285.....	45
D512287.....	45
D512289.....	45
D512291.....	45
D512422P	45, 47, 49
D512642.....	47
D512643P	45
D512644.....	47
D512645.....	45
D512892.....	47
D513841.....	45
D513843.....	45
Wireless Network Kit	
NK301	5
Wire, 12 Gauge	
45380	45, 47, 49
Wire, 18 Gauge	
45001	45, 47, 49

N/A items do not appear in index.

Wrapper and Channel Assembly
D505753WP..... 11, 13
