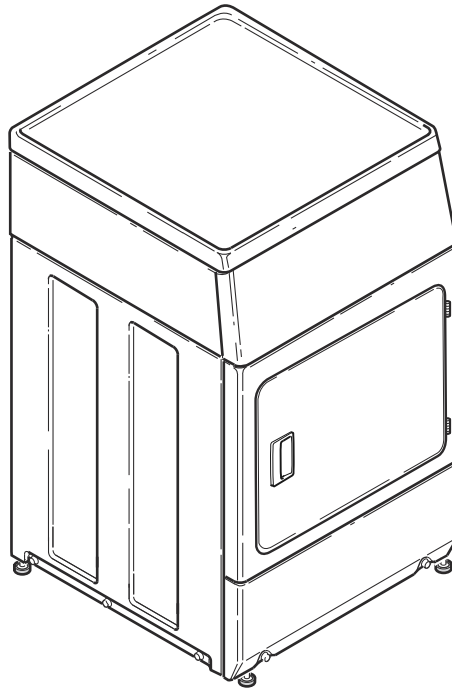


Commercial Dryers

Metered and Nonmetered
Refer to Page 5 for Model Numbers



DRY721C_515152

Table of Contents

Title	Page
Parts Ordering Information.....	3
Serial Plate Location	3
Model Identification	5
Control Panel and Controls - Coin Drop and Card Models (Drawing 1 of 2).....	6
Control Panel and Controls - Coin Drop and Card Models (Drawing 2 of 2).....	8
Non-Electronic Coin Drop	10
Electronic Coin Drop	12
Control Cabinet Controls - Coin Drop Models.....	14
Control Cabinet Controls - Card Reader Models	16
Cabinet Top - Coin Slide Ready, Coin Drop Ready, Coin Drop Installed and Card Reader Ready Models.....	18
Control Cabinet - Non-Vend Models	20
Loading Door with Window (Drawing 1 of 3).....	22
Loading Door with Window (Drawing 2 of 3).....	24
Loading Door with Window (Drawing 3 of 3).....	26
Loading Door without Window	28
Access Panel	30
Front Panel and Seal	32
Motor and Belt.....	34
Exhaust Fan and Idler Assembly	36
Thermistor and Thermostat.....	38
Front Bulkhead, Air Duct, Felt Seal and Cylinder with Light (Drawing 1 of 2).....	40
Front Bulkhead, Air Duct, Felt Seal and Cylinder with Light (Drawing 2 of 2).....	42
Front Bulkhead, Air Duct, Felt Seal and Cylinder without Light	44
Air Duct Label	46
Rear Bulkhead, Felt Seal and Cylinder Roller	48
Terminal Block - Gas and 1 Phase Electric Models	50
Terminal Block - 3 Phase Electric Models.....	52
Heater Duct Assembly - 3 Phase Electric Models.....	54
Heater Duct and Element Assembly - 1 Phase Electric Models	56
Heater Duct Assembly	58
Gas Valve	60
Burner Orifice Spuds - For Higher Elevations.....	62
Igniter and Gas Conversion Kits	64
Exhaust Duct and Base	66
Cabinet.....	68
Contactors and Transformer.....	70
Power Cord	72
Strain Relief	74
Terminal Block and Terminals	76
Terminals	78
Motor Connection Block and Tools	80

© Copyright 2019, Alliance Laundry Systems LLC

All rights reserved. No part of the contents of this book may be reproduced or transmitted in any form or by any means without the expressed written consent of the publisher.

Wire Harnesses and Wires - (Drawing 1 of 2).....	82
Wire Harnesses and Wires - (Drawing 2 of 2).....	84
Parts Index.....	87

Parts Ordering Information

If literature or replacement parts are required, contact the source from whom the machine was purchased or contact Alliance Laundry Systems at (920) 748-3950 for the name and address of the nearest authorized parts distributor.

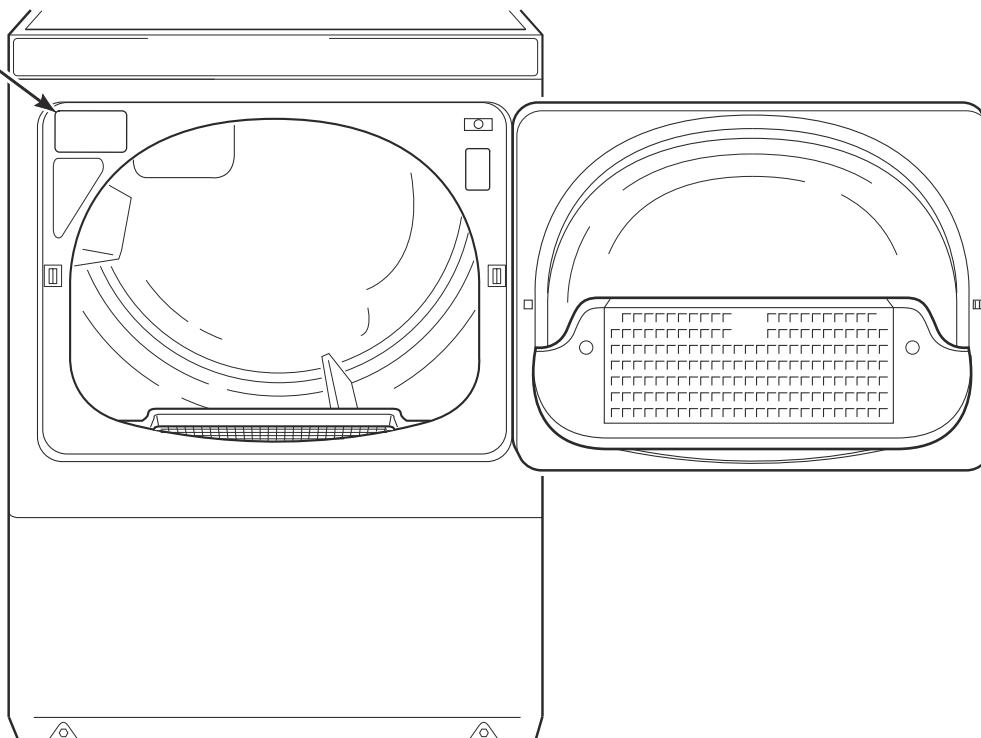
For technical assistance, call the number listed below:

(920) 748-3121 Ripon, Wisconsin

Serial Plate Location

When calling or writing about your product, be sure to mention model and serial numbers. Model and serial numbers are located on serial plate(s) as shown.

SERIAL PLATE



DRY2283P_515152

Model Identification

Information in this manual is applicable to these dryer models:

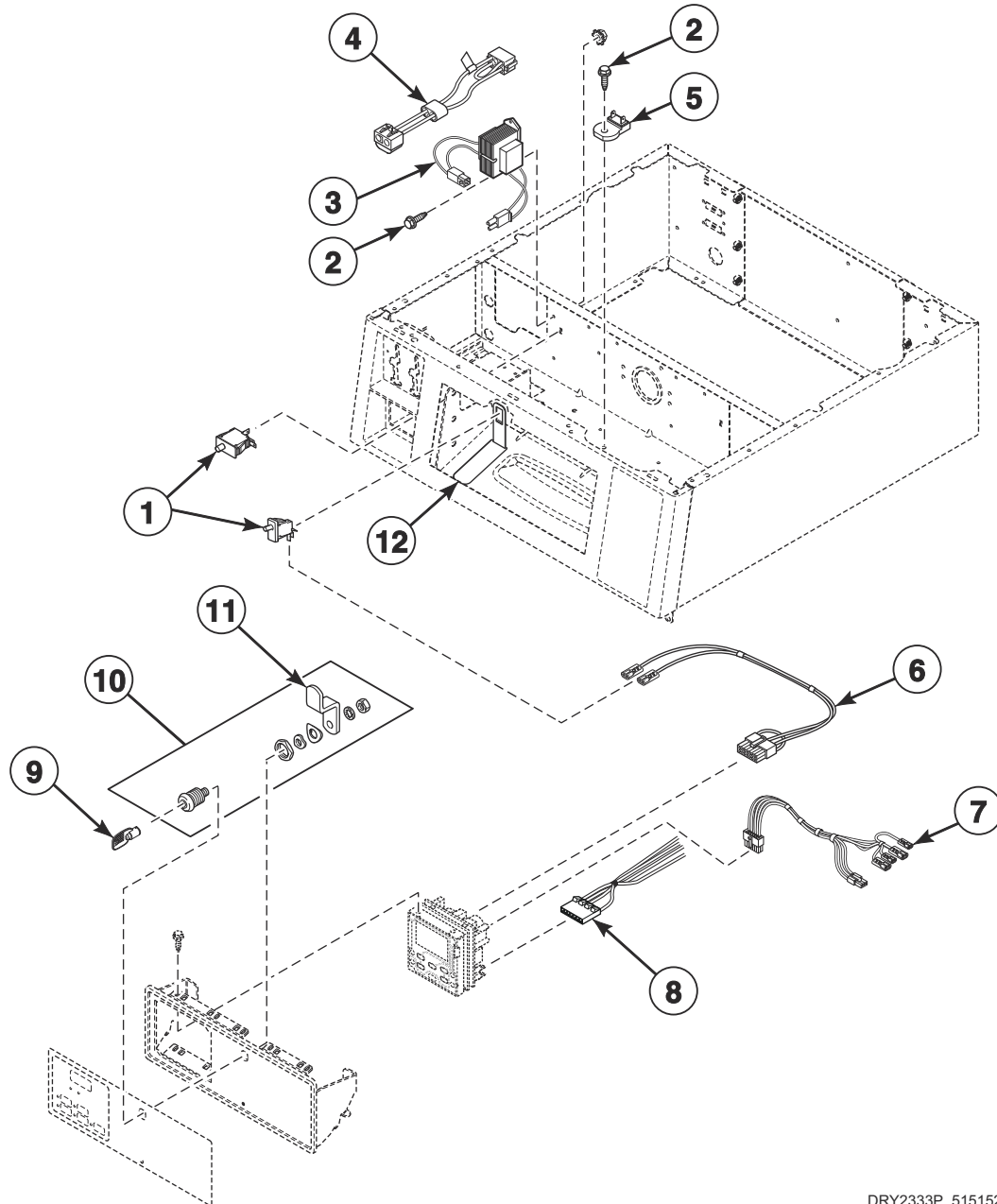
BDEBEAGS171CN01
BDEBEAGS171CW01
BDEBLBGS431AW01
BDEBXAGS431AW01
BDGBEAGS111CW01
BDGBLBGS301AW01
BDGBLBGW541NW01
BDGBXAGS301AW01
BDGBXAGW301AW01
GDEBGABW301UN01
GDEBGABW401UN01
GDEBXABW301UN01
GDEBXABW401UN01
GDGBGABW301UN01
GDGBXABW301UN01

HDEBXAGS131DW01
HDEBXAGS171CW01
HDEBXAGS171FW28
HDEBXAGS541DW01
HDEBYAGS171CW01
HDGBXAGS111CW01
HDGBXAGS111FW28
HDGBXAGS121DW01
HDGBXAGS541DW01
HDGBYAGS111CW01
KDEBCACW171CN01
KDEBGACW171CN01
KDGBCACW111CN01
KDGBGACW111CN01
KDGBXACW301UN01

NDEBLBGS401UW01
NDEBXAGS301UW01
NDEBXAGS401UW01
NDGBLBGS301ET01
NDGBLBGS301EW01
NDGBXAGS301EW01
SDEBLBSS401UN01
SDEBXAGS131DW01
SDEBXAGS301UW01
SDEBXAGS401UW01
SDEBXAGS431AW01
SDEBXAGS541DW01
SDGBLBSS301EN01
SDGBXAGS111FW28
SDGBXAGS121DW01
SDGBXAGS541DW01
TDEBXAGS401UW01

Control Panel and Controls - Coin Drop and Card Models (Drawing 1 of 2)

All Models Except BDEBLBGS431AW01, BDGBLBGS301AW01, BDGBLBGW541NW01, NDEBLBGS401UW01, NDGBLBGS301ET01, NDGBLBGS301EW01, SDEBLBSS401UN01 and SDGBLBSS301EN01



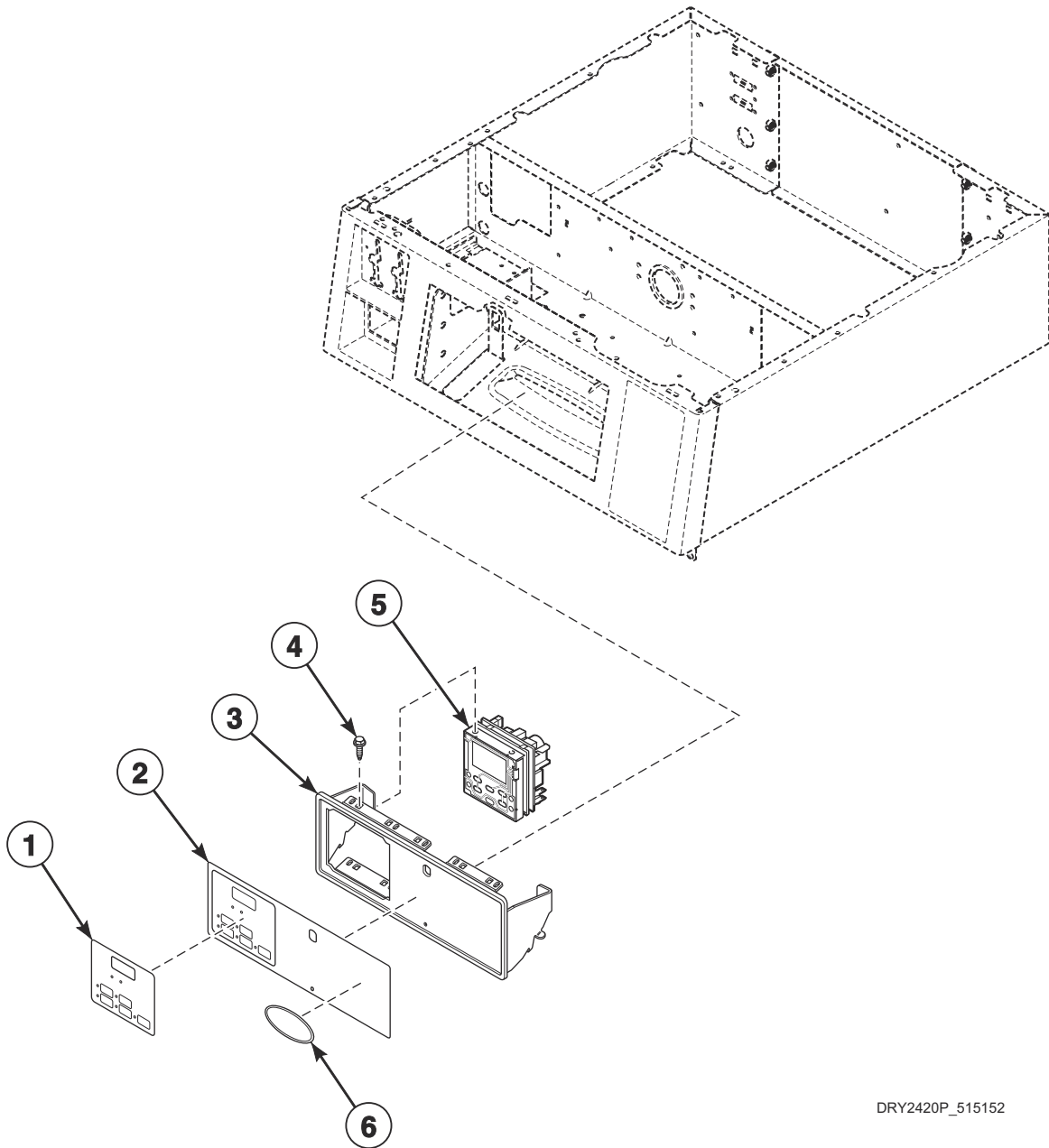
DRY2333P_515152

Control Panel and Controls - Coin Drop and Card Models (Drawing 1 of 2)

REF	PART NO.	DESCRIPTION	COMMENTS
1	D512973	Switch	
2	D503688	Screw	
3	210018P	Transformer	Models KDEBCACW171CN01 and KDGBACW111CN01
	201375P	Transformer	Some models may have jumper wire attached to transformer. Discard jumper wire when replacing transformer; Models BDEBEAGS171CN01, BDEBEAGS171CW01, BDGBEAGS111CW01, HDEBXAGS131DW01, HDEBXAGS171CW01, HDEBXAGS171FW28, HDEBYAGS171CW01, HDGBXAGS111CW01, HDGBXAGS111FW28, HDGBXAGS121DW01, HDGBYAGS111CW01, KDEBGACW171CN01, KDGBGACW111CN01, SDEBXAGS131DW01, SDGBXAGS111FW28 and SDGBXAGS121DW01
	803527P	Transformer	All other models
4	M413507	Jumper Configuration Assembly	Models BDEBXAGS431AW01, BDGBXAGS301AW01, BDGBXAGW301AW01, GDEBGABW301UN01, GDEBGABW401UN01, GDEBXABW301UN01, GDEBXABW401UN01, GDGBGABW301UN01, GDGBXABW301UN01, HDEBXAGS541DW01, HDGBXAGS541DW01, KDGBXACW301UN01, NDEBXAGS301UW01, NDEBXAGS401UW01, NDGBXAGS301EW01, SDEBXAGS301UW01, SDEBXAGS401UW01, SDEBXAGS431AW01, SDEBXAGS541DW01 and SDGBXAGS541DW01
5	210100	Resistor	
6	800374	Diagnostic Wire Harness Assembly	Models GDEBGABW301UN01, GDEBGABW401UN01, GDGBGABW301UN01, HDEBYAGS171CW01, HDGBYAGS111CW01, KDEBGACW171CN01 and KDGBGACW111CN01
7	802905	Harness Assembly	Coin drop; Models BDEBXAGS431AW01, BDGBXAGS301AW01, BDGBXAGW301AW01, GDEBXABW301UN01, GDEBXABW401UN01, GDGBXABW301UN01, HDEBXAGS541DW01, HDGBXAGS541DW01, KDGBXACW301UN01, NDEBXAGS301UW01, NDEBXAGS401UW01, NDGBXAGS301EW01, SDEBXAGS301UW01, SDEBXAGS401UW01, SDEBXAGS431AW01, SDEBXAGS541DW01 and SDGBXAGS541DW01
8	D511478	Central Pay Harness	From control to customer supplied pay unit; Models GDEBGABW301UN01, GDEBGABW401UN01, GDGBGABW301UN01, KDEBGACW171CN01 and KDGBGACW111CN01
9	54612	Key	800
10	27260P	Lock Kit	Includes item 11
11	804338	Lock Cam	
12	800379	Audit Switch Bracket	

Control Panel and Controls - Coin Drop and Card Models (Drawing 2 of 2)

All Models Except BDEBLBGS431AW01, BDGBLBGS301AW01, BDGBLBGW541NW01, NDEBLBGS401UW01, NDGBLBGS301ET01, NDGBLBGS301EW01, SDEBLBSS401UN01 and SDGBLBSS301EN01



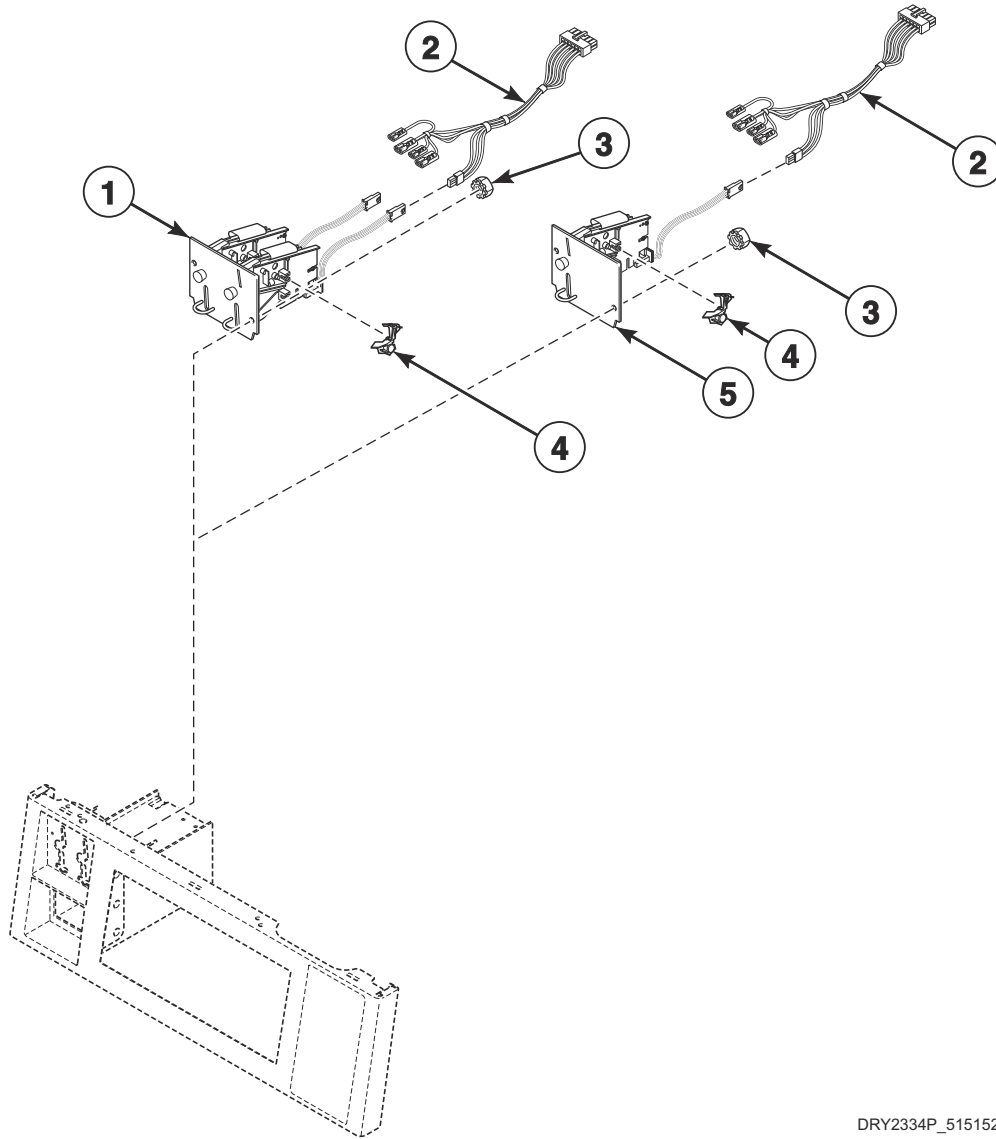
DRY2420P_515152

Control Panel and Controls - Coin Drop and Card Models (Drawing 2 of 2)

REF	PART NO.	DESCRIPTION	COMMENTS
1	D513546	Overlay	French/English; Models HDEBXAGS171CW01, HDEBXAGS171FW28, HDGBXAGS111CW01 and HDGBXAGS111FW28
2	D514638	Graphic Overlay	Models SDEBXAGS301UW01 and SDEBXAGS401UW01
	D514637	Graphic Overlay	Models SDEBXAGS131DW01, SDEBXAGS431AW01, SDEBXAGS541DW01, SDGBXAGS111FW28, SDGBXAGS121DW01 and SDGBXAGS541DW01
	D514640	Graphic Overlay	Models HDEBXAGS131DW01, HDEBXAGS171CW01, HDEBXAGS171FW28, HDEBXAGS541DW01, HDEBYAGS171CW01, HDGBXAGS111CW01, HDGBXAGS111FW28, HDGBXAGS121DW01, HDGBXAGS541DW01 and HDGBYAGS111CW01
	D514641	Graphic Overlay	Models BDEBEAGS171CN01, BDEBEAGS171CW01, BDEBXAGS431AW01, BDGBEAGS111CW01, BDGBXAGS301AW01 and BDGBXAGW301AW01
	D514643	Graphic Overlay	Models NDEBXAGS301UW01, NDEBXAGS401UW01, NDGBXAGS301EW01 and TDEBXAGS401UW01
	D514645	Graphic Overlay	Models GDEBGABW301UN01, GDEBGABW401UN01, GDEBXABW301UN01, GDEBXABW401UN01, GDGBGABW301UN01, GDGBXABW301UN01, KDEBCACW171CN01, KDEBGACW171CN01, KDGBCACW111CN01, KDGBGACW111CN01 and KDGBXACW301UN01
3	D513777B	Control Panel and Bracket Assembly	Black; Model BDEBEAGS171CN01
	D515215	Control Panel Assembly	Gray; Models GDEBGABW301UN01, GDEBGABW401UN01, GDEBXABW301UN01, GDEBXABW401UN01, GDGBGABW301UN01, GDGBXABW301UN01, KDEBCACW171CN01, KDEBGACW171CN01, KDGBCACW111CN01, KDGBGACW111CN01 and KDGBXACW301UN01
	D513777W	Control Panel and Bracket Assembly	White; All other models
4	D501524	Screw	
5	D514273P	Control Assembly	Models BDEBEAGS171CN01, BDEBEAGS171CW01, BDEBXAGS431AW01, BDGBEAGS111CW01, BDGBXAGS301AW01 and BDGBXAGW301AW01
	D511867P	Control Assembly	All other models
6	805914	Label	Model TDEBXAGS401UW01

Non-Electronic Coin Drop

Coin Models



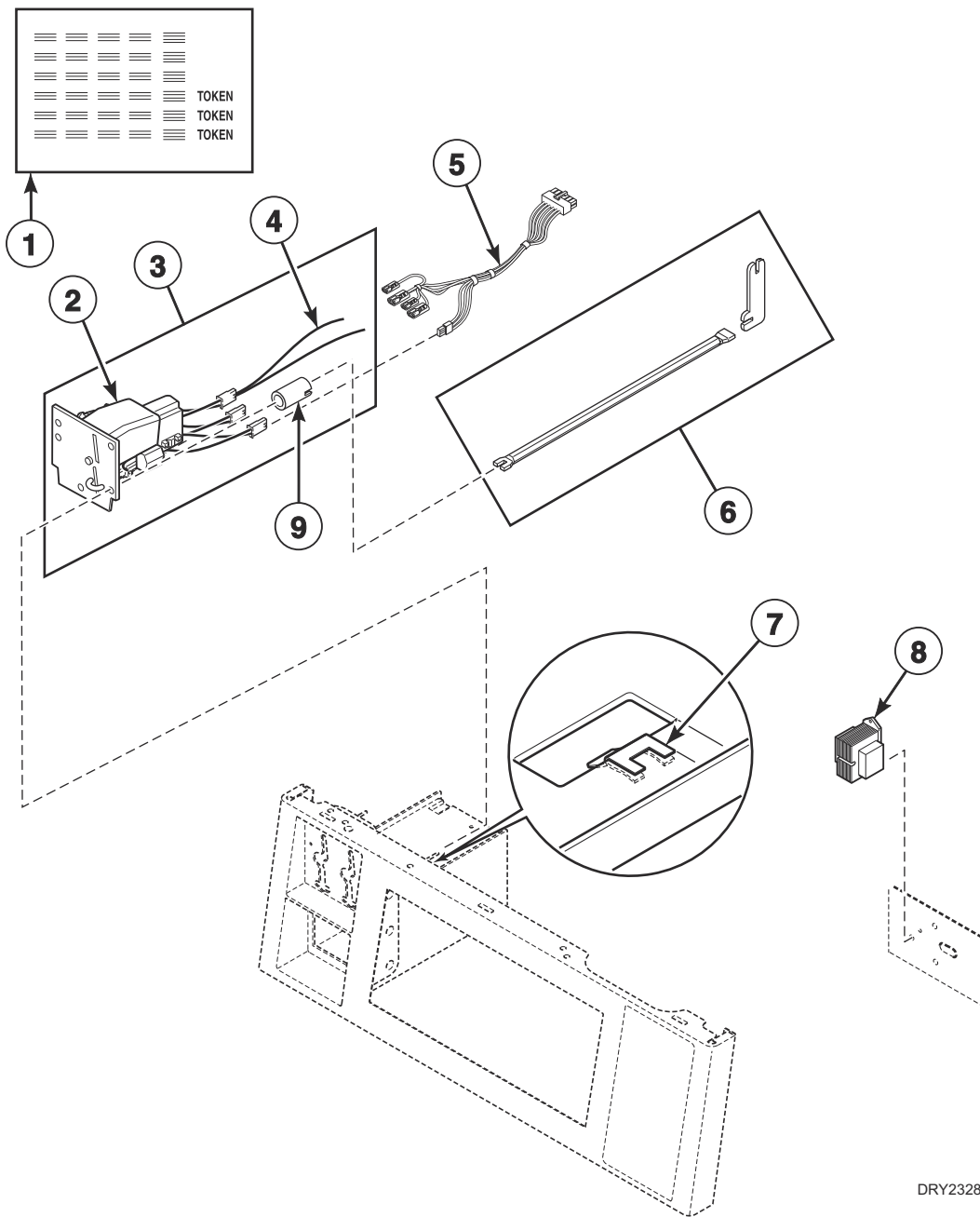
DRY2334P_515152

Non-Electronic Coin Drop

REF	PART NO.	DESCRIPTION	COMMENTS
1	70441602	Coin Drop Assembly	Canada; .25 and 1.00
	38467	Coin Drop Assembly	Australia; .20 and 1.00
	38472	Coin Drop Assembly	England; 20 pence and 1 pound
	38519	Coin Drop Assembly	Japan; 100 and 500 yen
	38521	Coin Drop Assembly	Korea; 100 and 500 won
	70482401	Coin Drop Assembly	New Zealand; 1.00 and 2.00
	39157	Coin Drop Assembly	Israel; 1 and 5 shekel
2	802904P	Harness Assembly	Models KDEBCACW171CN01 and KDGBACW111CN01
	802905	Harness Assembly	Coin drop; Models BDEBXAGS431AW01, BDGBXAGS301AW01, BDGBXAGW301AW01, GDEBXABW301UN01, GDEBXABW401UN01, GDGBXABW301UN01, HDEBXAGS131DW01, HDEBXAGS541DW01, HDGBXAGS121DW01, HDGBXAGS541DW01, NDEBXAGS301UW01, NDEBXAGS401UW01, NDGBXAGS301EW01, SDEBXAGS131DW01, SDEBXAGS301UW01, SDEBXAGS401UW01, SDEBXAGS431AW01, SDEBXAGS541DW01, SDGBXAGS111FW28, SDGBXAGS121DW01, SDGBXAGS541DW01 and TDEBXAGS401UW01
3	29786	Nut	
4	201595P	Wire Guard	Anti-stringing security device; Add to coin drops beginning January 2005
5	38462P	Coin Drop Assembly	Token; 118-1 mzp
	38463	Coin Drop Assembly	Token; 118-5 mzp
	38464P	Coin Drop Assembly	Canada; .25
	38475	Coin Drop Assembly	Japan; 100 yen
	CK077	Coin Drop Kit	Taiwan; 10 NT
	70441601P	Coin Drop	U.S.; \$.25
	38963P	Coin Drop	Token 118-16 not available; Replacement for 38963P Coin Drop only
	CK114	Coin Drop Assembly	Singapore; Old 1.00
CK123	Coin Drop Kit	Singapore; New 1.00	

Electronic Coin Drop

Coin Models



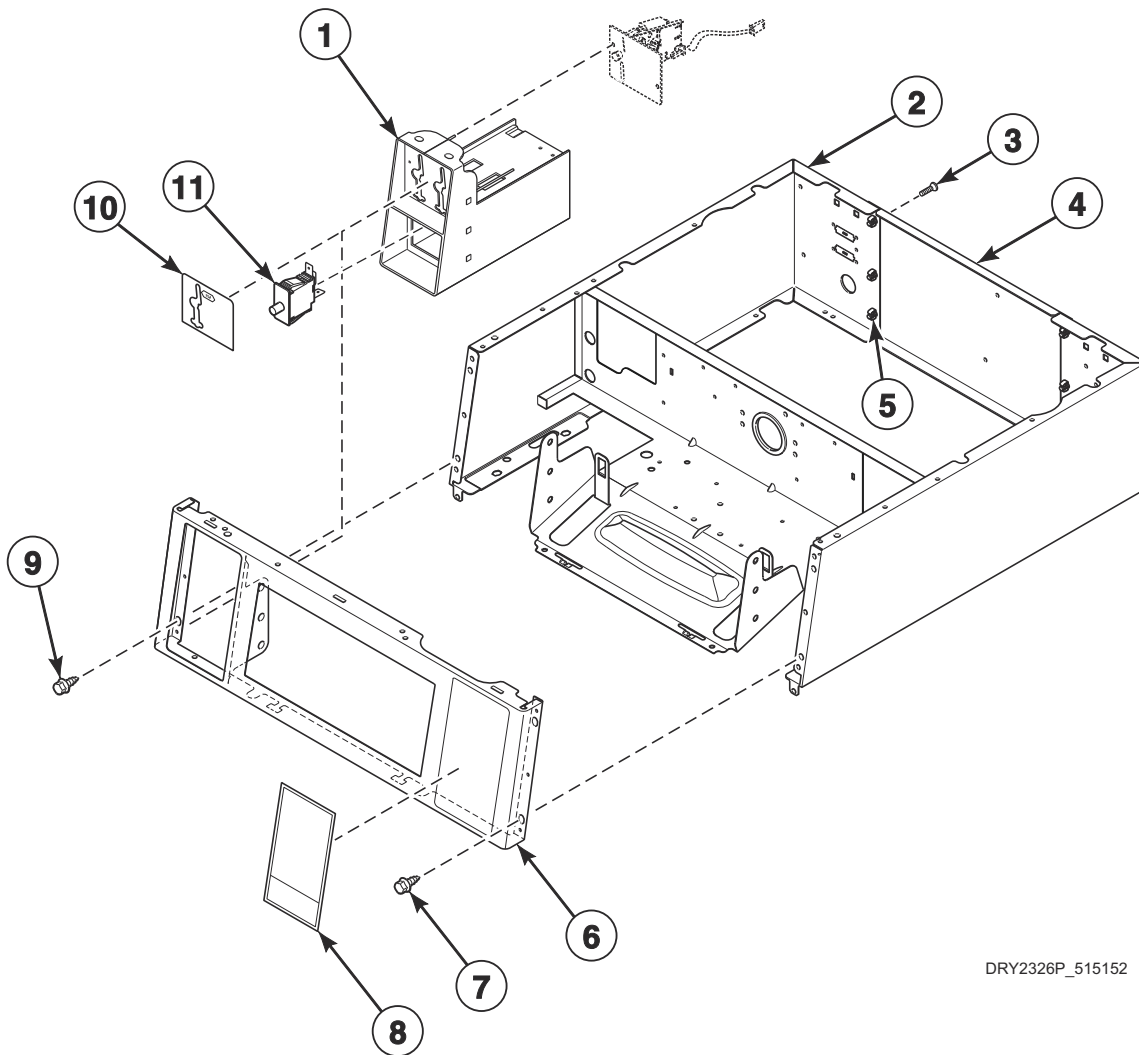
DRY2328P_515152

Electronic Coin Drop

REF	PART NO.	DESCRIPTION	COMMENTS
1	38725	Coin Identification Paper	For use with items 2 and 3
2	70294103P	Electronic Coin Drop Assembly	Euro and Great Britain coins
	70294104	Electronic Coin Drop Assembly	Euro, Denmark and Norway coins
	70294107	Electronic Coin Drop Assembly	Euro, Lithuania and Latvia coins
	70294109	Electronic Coin Drop Assembly	Malaysia, Russia, China and Singapore coins
	70294110	Electronic Coin Drop Assembly	South Africa coins
	70294111	Electronic Coin Drop Assembly	Euro coins
	70294120	Electronic Coin Drop Assembly	Chile coins
	70294121	Electronic Coin Drop Assembly	Singapore coins
3	CK099	Electronic Coin Drop Kit	Includes items 2, 4 and 9; Australia, New Zealand, Hong Kong and South Korea coins
	CK100	Electronic Coin Drop Kit	Includes items 2, 4 and 9; Euro and Great Britain coins
	CK101	Electronic Coin Drop Kit	Includes items 2, 4 and 9; Euro, Denmark and Norway coins
	CK103	Electronic Coin Drop Kit	Includes items 2, 4 and 9; Euro, Lithuania and Latvia coins
	CK106	Electronic Coin Drop Kit	Includes items 2, 4 and 9; Malaysia, Russia, China and Singapore coins
	CK108	Electronic Coin Drop Kit	Includes items 2, 4 and 9; South Africa coins
	CK109	Electronic Coin Drop Kit	Includes items 2, 4 and 9; Euro coins
	CK113	Electronic Coin Drop Kit	Includes items 2, 4 and 9; Japan and Taiwan coins
	CK115	Electronic Coin Drop Kit	Includes items 2, 4 and 9; United States and Canada coins
	CK120	Electronic Coin Drop Kit	Includes items 2, 4 and 9; Chile coins
	CK121	Electronic Coin Drop Kit	Includes items 2, 4 and 9; Singapore coins
4	201104	Coin Drop Wire Harness	For use with items 2 and 3; Models GDEBXABW301UN01, GDEBXABW401UN01, GDGBXABW301UN01, KDEBCACW171CN01, KDGBCACW111CN01 and KDGBXACW301UN01
5	802905	Harness Assembly	Electronic coin drop requires this harness. If unit is not factory-equipped with this harness, it must be ordered separately.
6	CK096	Mounting Tool Kit	For use with items 2 and 3
7	201572	Clip	For use with items 2 and 3
8	201375P	Transformer	Electronic coin drop requires this transformer. If unit is not factory-equipped with this transformer, it must be ordered separately.
9	29786	Nut	Hex nut; Use with front assemblies without guide rods

Control Cabinet Controls - Coin Drop Models

Coin Models



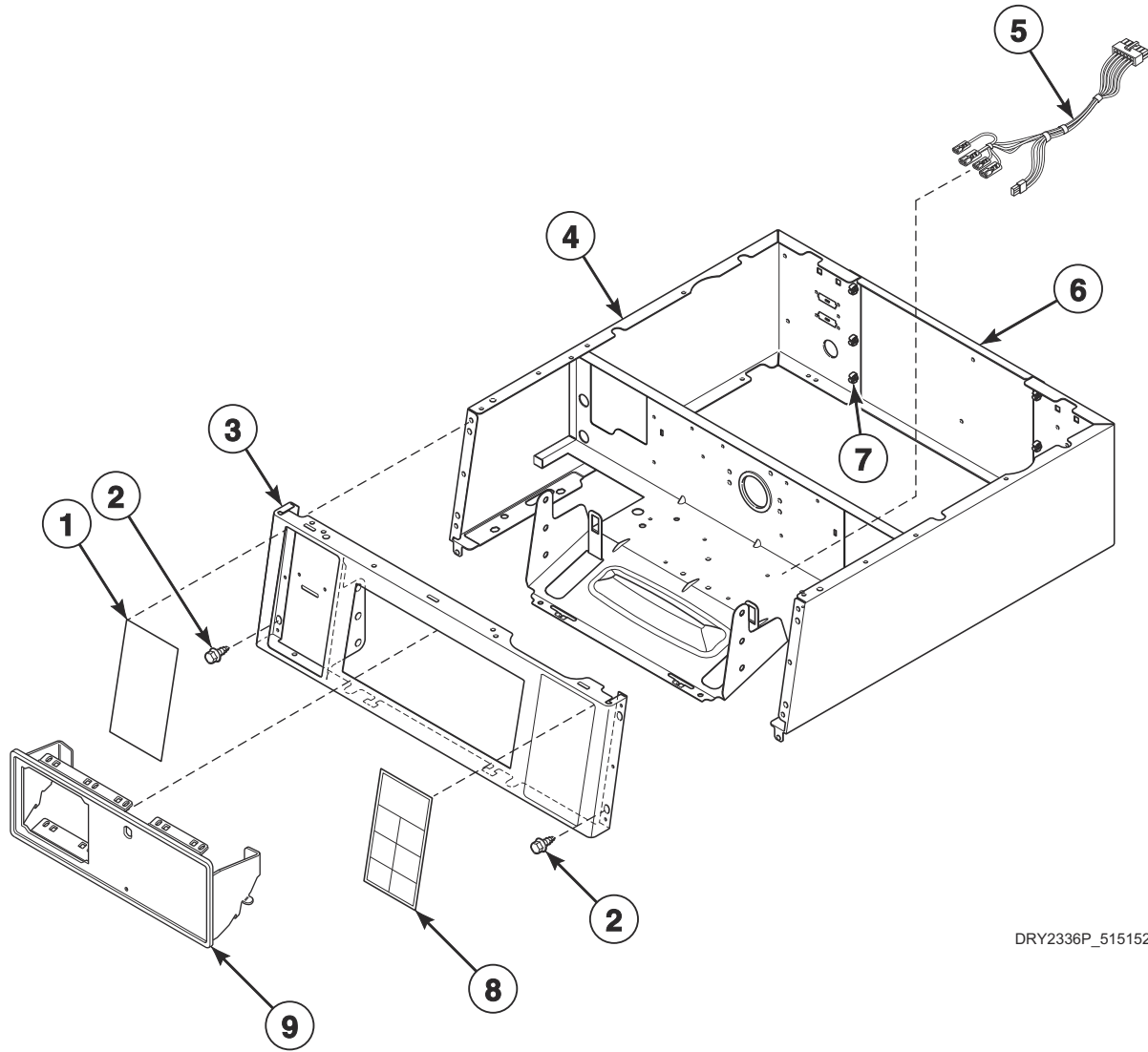
DRY2326P_515152

Control Cabinet Controls - Coin Drop Models

REF	PART NO.	DESCRIPTION	COMMENTS
1	807396B	Meter Case Assembly	Requires high capacity coin vault; Model BDEBEAGS171CN01
	D515219	Meter Case Assembly	Requires high capacity coin vault; Models GDEBXABW301UN01, GDEBXABW401UN01, GDGBXABW301UN01, KDEBCACW171CN01, KDGBCACW111CN01 and KDGBXACW301UN01
	807396W	Meter Case Assembly	Requires high capacity coin vault; All other models
2	804104B	Wrapper Assembly	Black; Model BDEBEAGS171CN01
	D515216	Security Wrapper Assembly	Models GDEBXABW301UN01, GDEBXABW401UN01, GDGBXABW301UN01, KDEBCACW171CN01, KDGBCACW111CN01 and KDGBXACW301UN01
	804104W	Wrapper Assembly	White; All other models
3	70240301	Screw	6 required
4	803998	Rear Access Panel	
5	70030501	Expansion Clip	6 required
6	803962BP	Control Panel	Black; Model BDEBEAGS171CN01
	D515218	Control Panel	Models GDEBXABW301UN01, GDEBXABW401UN01, GDGBXABW301UN01, KDEBCACW171CN01, KDGBCACW111CN01 and KDGBXACW301UN01
	803962WP	Control Panel	White; All other models
7	M405188	Screw	Models BDEBEAGS171CN01, GDEBXABW301UN01, GDEBXABW401UN01 and GDGBXABW301UN01
	D503688	Screw	All other models
8	D513544	Instruction Label	French/English; Models HDEBXAGS171CW01, HDEBXAGS171FW28, HDGBXAGS111CW01 and HDGBXAGS111FW28
	D515213	Operating Instruction Label	Models GDEBXABW301UN01, GDEBXABW401UN01, GDGBXABW301UN01, KDEBCACW171CN01, KDGBCACW111CN01 and KDGBXACW301UN01
	D514393	Operating Instructions Label	Models BDEBEAGS171CN01, BDEBEAGS171CW01, BDEBXAGS431AW01, BDGBEAGS111CW01, BDGBXAGS301AW01, BDGBXAGW301AW01, HDEBXAGS171CW01, HDEBXAGS171FW28, HDGBXAGS111CW01, HDGBXAGS111FW28 and SDEBXAGS431AW01
	D514392	Operating Instructions Label	All other models
9	29651	Bolt	2 required; Use with 2 of 44087201 Nut to attach; Models BDEBEAGS171CN01, BDEBEAGS171CW01, BDEBXAGS431AW01, BDGBEAGS111CW01, BDGBXAGS301AW01, BDGBXAGW301AW01, HDEBXAGS541DW01, HDGBXAGS541DW01, NDEBXAGS301UW01, NDEBXAGS401UW01, SDEBXAGS301UW01, SDEBXAGS401UW01, SDEBXAGS431AW01, SDEBXAGS541DW01, SDGBXAGS541DW01 and TDEBXAGS401UW01
10	D512821	Single Overlay	Models GDEBXABW301UN01, GDEBXABW401UN01, GDGBXABW301UN01, KDEBCACW171CN01, KDGBCACW111CN01 and KDGBXACW301UN01
	201091	Overlay	Models BDEBEAGS171CN01, BDEBEAGS171CW01 and BDGBEAGS111CW01
11	D512973	Switch	

Control Cabinet Controls - Card Reader Models

Models GDEBGABW301UN01, GDEBGABW401UN01, GDGBGABW301UN01, HDEBYAGS171CW01, HDGBYAGS111CW01, KDEBGACW171CN01 and KDGBGACW111CN01



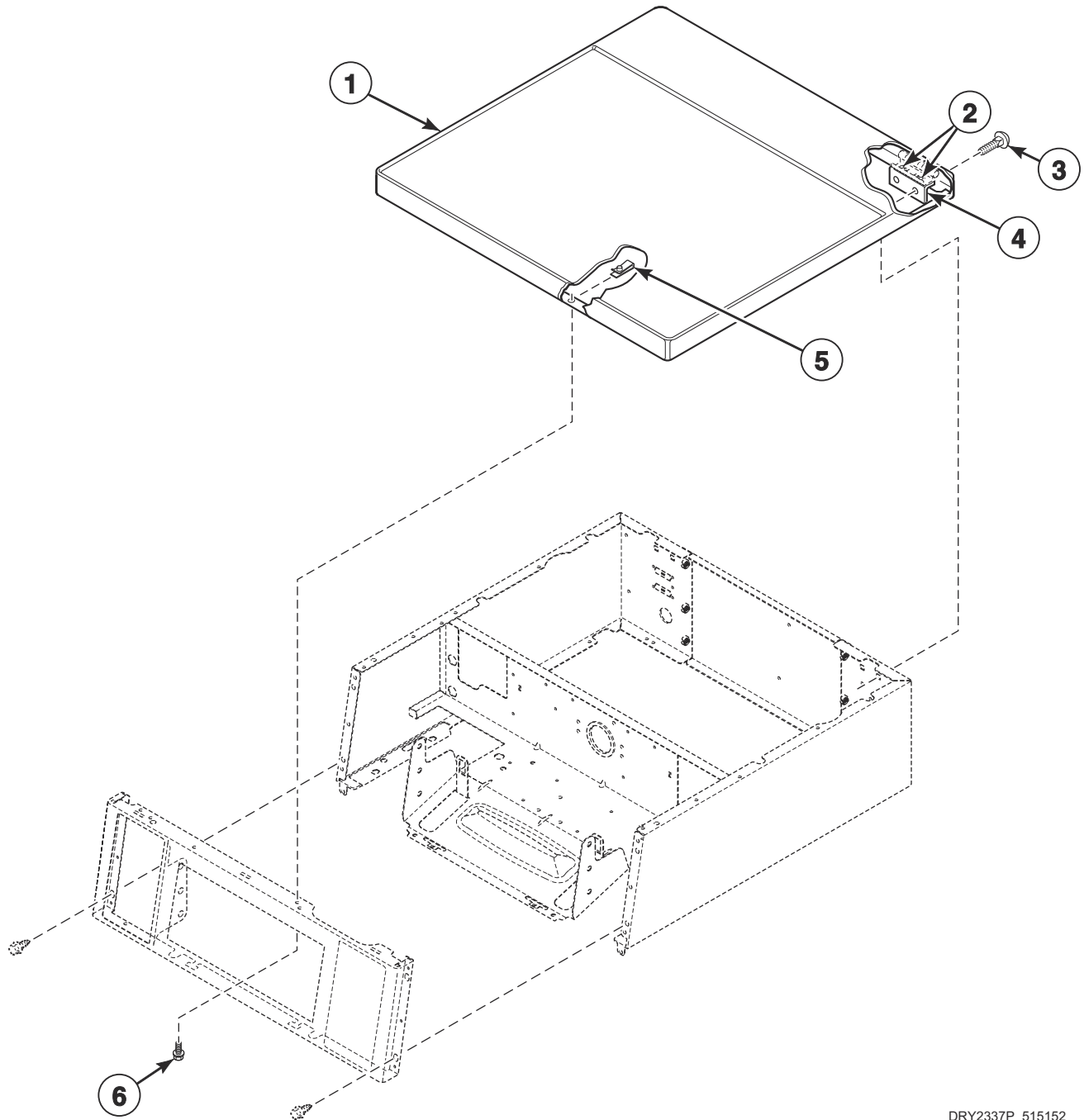
DRY2336P_515152

Control Cabinet Controls - Card Reader Models

REF	PART NO.	DESCRIPTION	COMMENTS
	70240301	Screw	Use with item 7; 6 required
1	D514873	Overlay	Models HDEBYAGS171CW01 and HDGBYAGS111CW01
	D514940	Blank Instruction Label	All other models
2	D503688	Screw	Models GDEBGABW301UN01, KDEBGACW171CN01 and KDGBGACW111CN01
3	803966W	Control Panel	Models HDEBYAGS171CW01 and HDGBYAGS111CW01
	D515217	Control Panel	All other models
4	804111W	Wrapper Assembly	Models HDEBYAGS171CW01 and HDGBYAGS111CW01
	D515216	Security Wrapper Assembly	All other models
5	802905	Harness Assembly	Models GDEBGABW301UN01 and GDEBGABW401UN01
6	803998	Rear Access Panel	
7	70030501	Expansion Clip	6 required
8	D514393	Operating Instructions Label	Models HDEBYAGS171CW01 and HDGBYAGS111CW01
	D515211	Instruction Overlay	All other models
9	D513777W	Control Panel and Bracket Assembly	Models HDEBYAGS171CW01 and HDGBYAGS111CW01
	D515215	Control Panel Assembly	All other models

Cabinet Top - Coin Slide Ready, Coin Drop Ready, Coin Drop Installed and Card Reader Ready Models

All Models Except BDEBLBGS431AW01, BDGBLBGS301AW01, BDGBLBGW541NW01, NDEBLBGS401UW01, NDGBLBGS301ET01, NDGBLBGS301EW01, SDEBLBSS401UN01 and SDGBLBSS301EN01



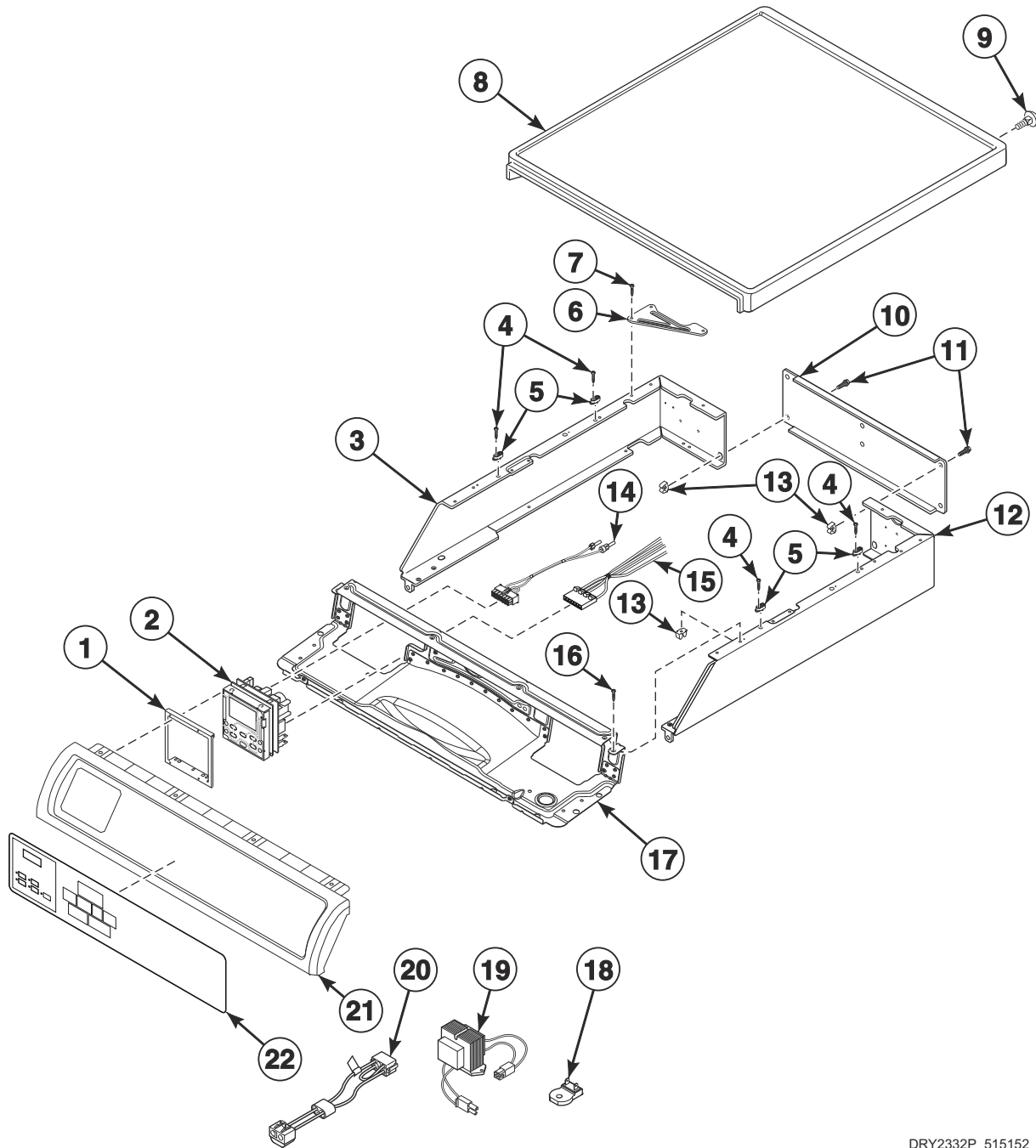
DRY2337P_515152

Cabinet Top - Coin Slide Ready, Coin Drop Ready, Coin Drop Installed and Card Reader Ready Models

REF	PART NO.	DESCRIPTION	COMMENTS
1	803869	Top Panel	Stainless steel; Models BDEBEAGS171CN01, GDEBGABW301UN01, GDEBGABW401UN01, GDEBXABW301UN01, GDEBXABW401UN01, GDGBGABW301UN01, GDGBXABW301UN01, KDEBCACW171CN01, KDEBGACW171CN01, KDGBCACW111CN01, KDGBGACW111CN01 and KDGBXACW301UN01
	803868WP	Top Panel	White; All other models
2	685847	Pop Rivet	
3	29651	Bolt	
4	D504228	Top Mounting Bracket	
5	36020	Nut	
6	23008	Screw	

Control Cabinet - Non-Vend Models

Models BDEBLBGS431AW01, BDGBLBGS301AW01, BDGBLBGW541NW01, NDEBLBGS401UW01, NDGBLBGS301ET01, NDGBLBGS301EW01, SDEBLBSS401UN01 and SDGBLBSS301EN01



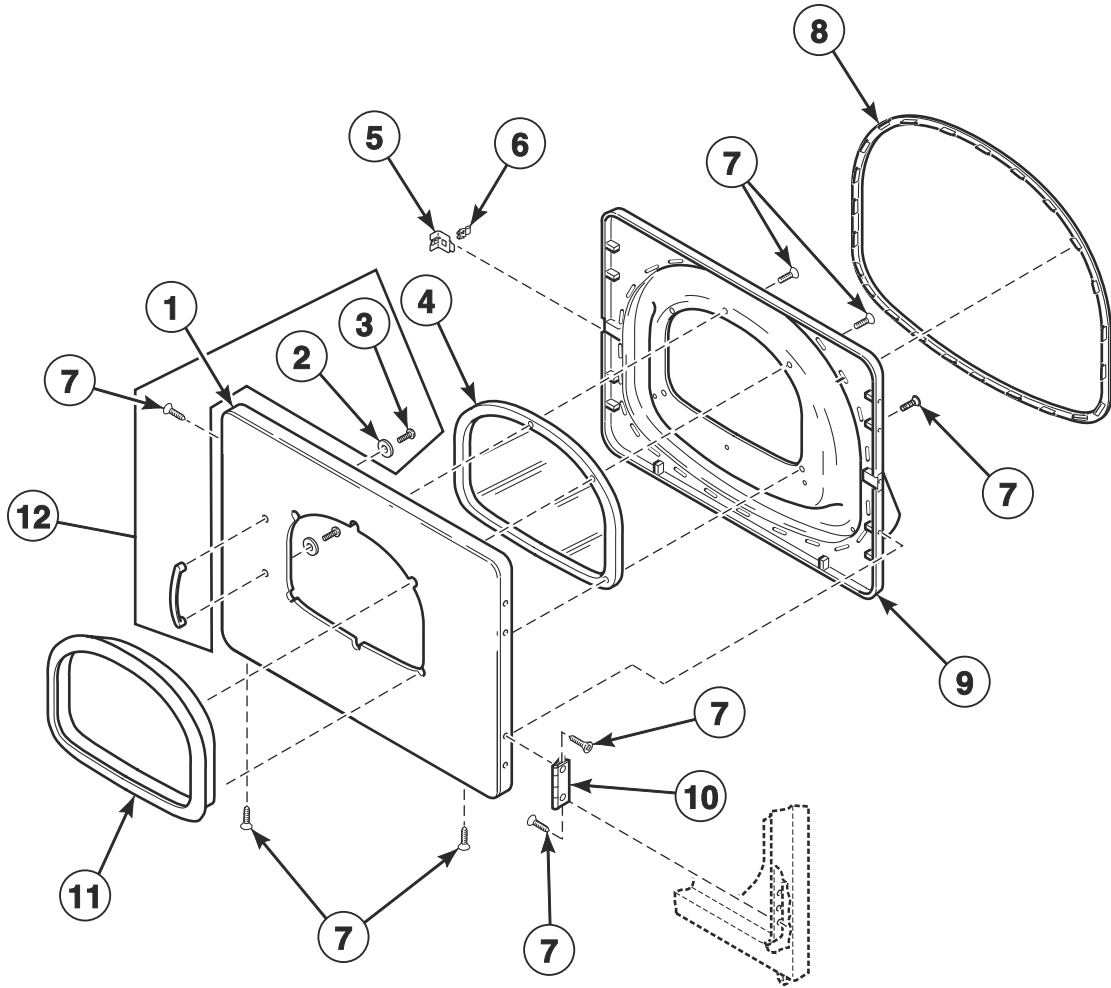
DRY2332P_515152

Control Cabinet - Non-Vend Models

REF	PART NO.	DESCRIPTION	COMMENTS
	36226	Bumper Pad	4 required
1	D514261	Control Bracket	
2	D514273P	Control Assembly	Models BDEBLBGS431AW01, BDGBLBGS301AW01 and BDGBLBGW541NW01
	D511867P	Control Assembly	All other models
3	804627W	Control Wrapper	White; Left; Models BDEBLBGS431AW01, BDGBLBGS301AW01, BDGBLBGW541NW01, NDEBLBGS401UW01, NDGBLBGS301ET01 and NDGBLBGS301EW01
	804627B	Control Wrapper	Black; Left; Models SDEBLBSS401UN01 and SDGBLBSS301EN01
4	39733	Screw	4 required
5	803761	Top Panel Guide	4 required
6	805345	Rear Wrapper Brace	2 required
7	D503688	Screw	6 required
8	804684	Top Panel	Stainless steel; Models NDGBLBGS301ET01, SDEBLBSS401UN01 and SDGBLBSS301EN01
	804685WP	Top Panel	White; Models BDEBLBGS431AW01, BDGBLBGS301AW01, BDGBLBGW541NW01, NDEBLBGS401UW01 and NDGBLBGS301EW01
9	29651	Bolt	
10	804614	Rear Access Panel	
11	D503688	Screw	
12	804630W	Control Wrapper	White; Right; Models BDEBLBGS431AW01, BDGBLBGS301AW01, BDGBLBGW541NW01, NDEBLBGS401UW01, NDGBLBGS301ET01 and NDGBLBGS301EW01
	804630B	Control Wrapper	Black; Right; Models SDEBLBSS401UN01 and SDGBLBSS301EN01
13	70030501	Expansion Clip	
14	800680	Diagnostic Wire Harness Assembly	
15	D511478	Central Pay Harness	
16	804667	Screw	
17	804613	Top Panel Brace Assembly	
18	210100	Resistor	
19	803527P	Transformer	
20	M413507	Jumper Configuration Assembly	Attaches to 210019P Transformer
21	D514454	Control Panel Assembly	Models BDEBLBGS431AW01, BDGBLBGS301AW01, BDGBLBGW541NW01, NDEBLBGS401UW01, NDGBLBGS301ET01 and NDGBLBGS301EW01
	D514455	Control Panel Assembly	Models SDEBLBSS401UN01 and SDGBLBSS301EN01
22	D514639	Graphic Overlay	Models SDEBLBSS401UN01 and SDGBLBSS301EN01
	D514642	Graphic Overlay	Models BDEBLBGS431AW01, BDGBLBGS301AW01 and BDGBLBGW541NW01
	D514644	Graphic Overlay	Models NDEBLBGS401UW01, NDGBLBGS301ET01 and NDGBLBGS301EW01

Loading Door with Window (Drawing 1 of 3)

Models GDEBGABW301UN01, GDEBGABW401UN01, GDEBXABW301UN01, GDEBXABW401UN01, GDGBGABW301UN01, GDGBXABW301UN01, KDGBACW111CN01, KDGBGACW111CN01 and KDGBXACW301UN01



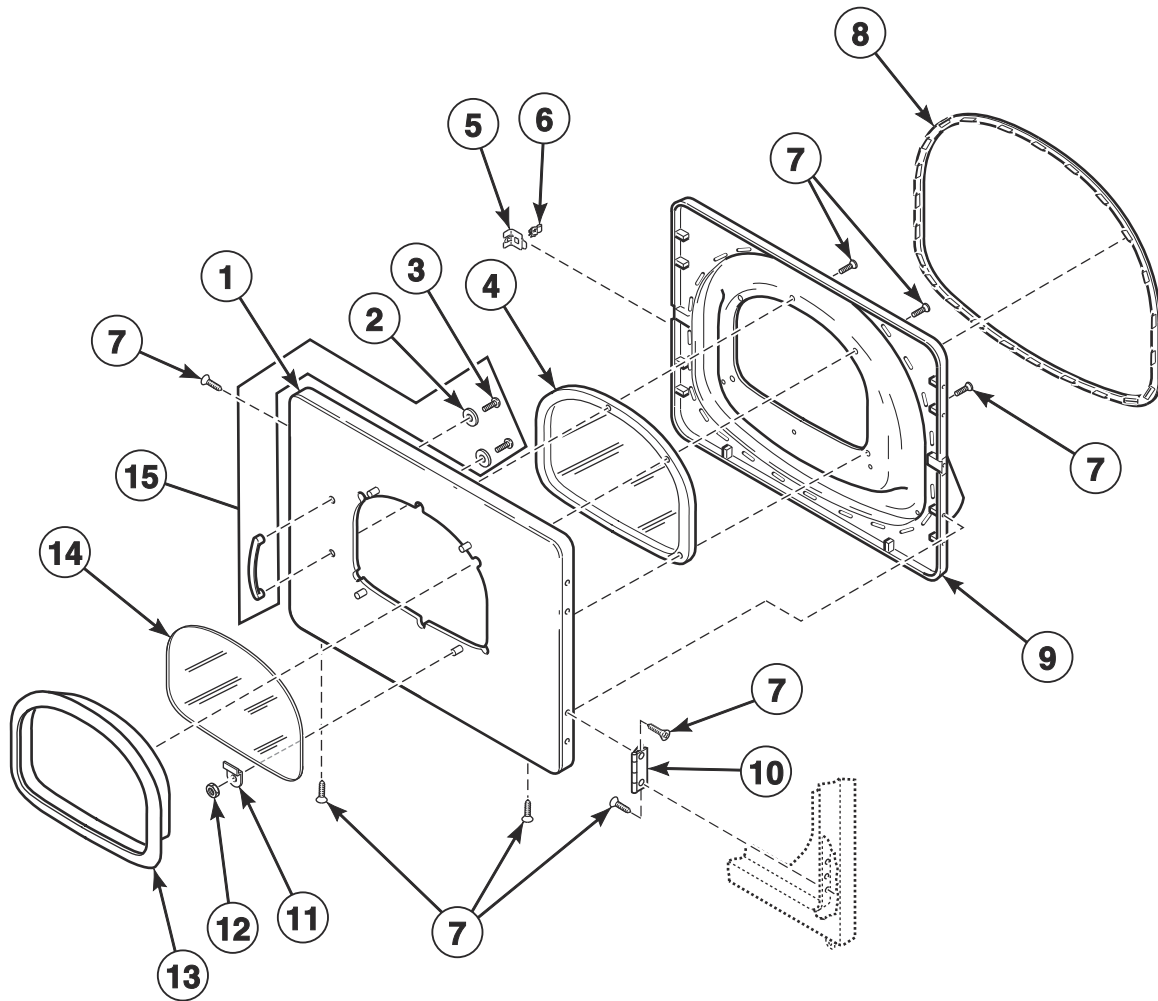
DRY2041P_515152

Loading Door with Window (Drawing 1 of 3)

REF	PART NO.	DESCRIPTION	COMMENTS
1	D512699	Dryer Door	
2	29260	Washer	
3	D512631	Screw	
4	D503982P	Dryer Door Window	
5	D510127	Door Strike Mount	
6	D510181	Door Strike	
7	D500226	Screw	
8	D510147P	Liner Door Seal	
9	D512914DG	Liner, Seal and Grill Assembly	
10	D511036	Hinge	
11	D512632	Window Trim	Gray
12	D515656	Door Pull Kit	Includes items 2 and 3

Loading Door with Window (Drawing 2 of 3)

Models KDEBCACW171CN01 and KDEBGACW171CN01



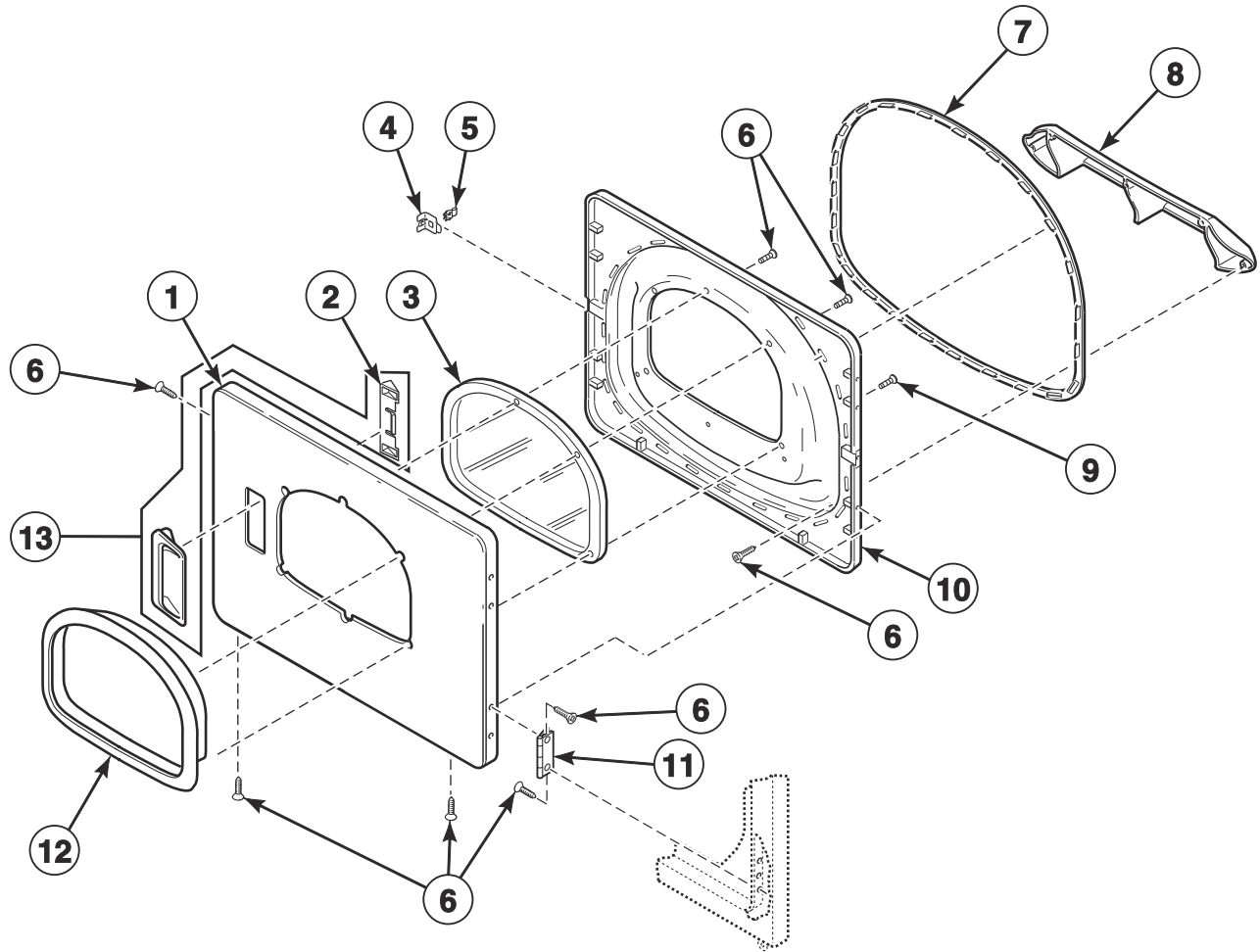
DRY2291P_515152

Loading Door with Window (Drawing 2 of 3)

REF	PART NO.	DESCRIPTION	COMMENTS
1	D514167	Dryer Door Assembly	
2	29260	Washer	
3	D512631	Screw	
4	D503982P	Dryer Door Window	
5	D510127	Door Strike Mount	
6	D510181	Door Strike	
7	D500226	Screw	
8	D510147P	Liner Door Seal	
9	D512914DG	Liner, Seal and Grill Assembly	
10	D511036	Hinge	
11	D513958	Window Clip	
12	44071201	Nut	
13	D514258	Window Trim	
14	D516737W	Door Assembly	
15	D515656	Door Pull Kit	Includes items 2 and 3

Loading Door with Window (Drawing 3 of 3)

Model BDGBLBGW541NW01



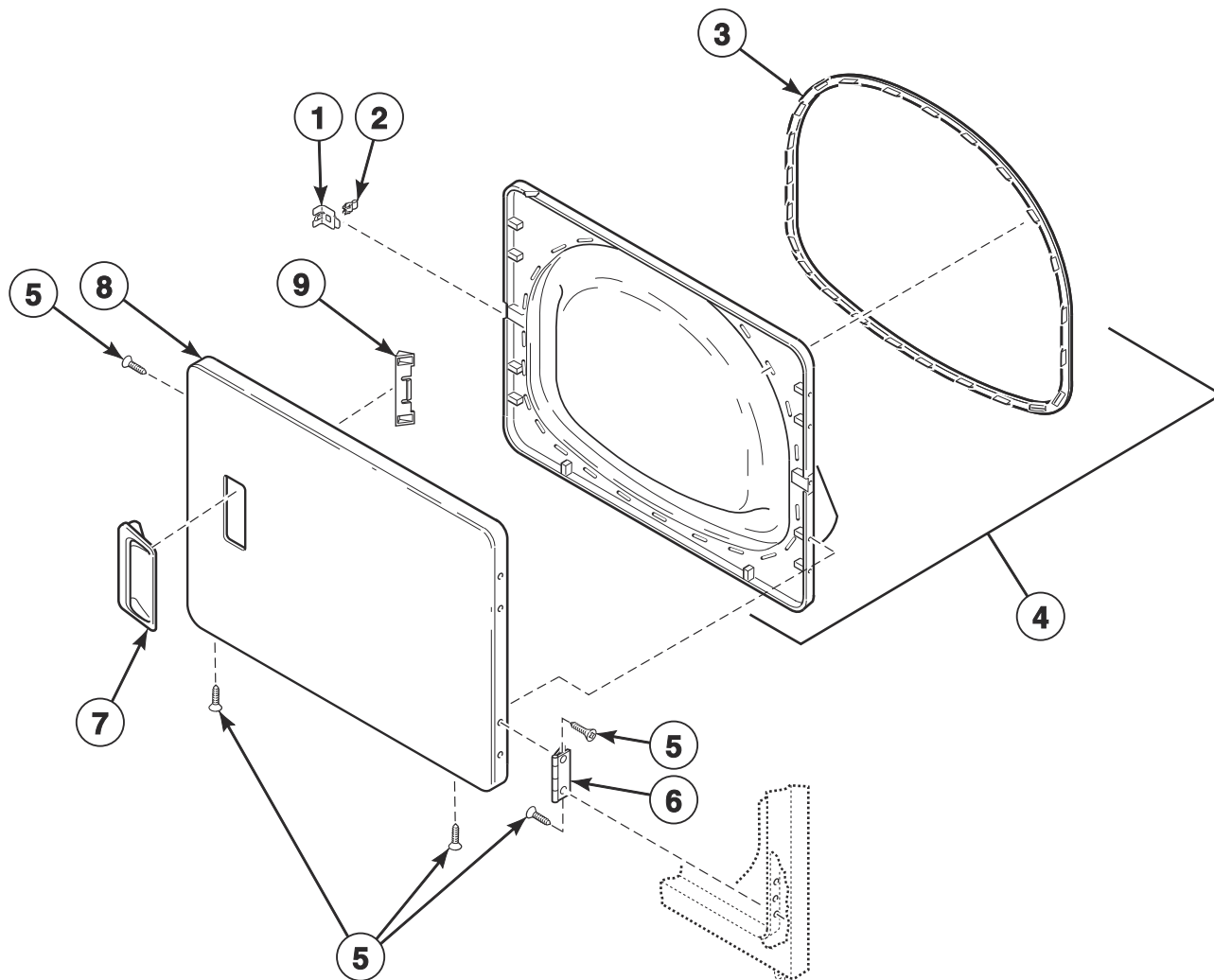
D427P_515152

Loading Door with Window (Drawing 3 of 3)

REF	PART NO.	DESCRIPTION	COMMENTS
1	D510082WP	Dryer Door	White
2	D510129W	Door Handle Wedge	
3	D503982P	Dryer Door Window	
4	D510127	Door Strike Mount	
5	D510181	Door Strike	
6	D500226	Screw	
7	D510147P	Liner Door Seal	
8	D503870W	Door Liner Grill	
9	D505870	Screw	
10	D510098W	Liner and Seal Assembly	Includes item 7
11	D511036	Hinge	
12	D503981W	Window Trim	White
13	D510103WP	Door Pull and Wedge Kit	White; Includes item 2

Loading Door without Window

All Models Except BDGBLBGW541NW01, GDEBGABW301UN01, GDEBGABW401UN01, GDEBXABW301UN01, GDEBXABW401UN01, GDGBGABW301UN01, GDGBXABW301UN01, KDEBCACW171CN01, KDEBGACW171CN01, KDGBCACW111CN01, KDGBGACW111CN01, KDGBXACW301UN01 and NDGBLBGS301ET01

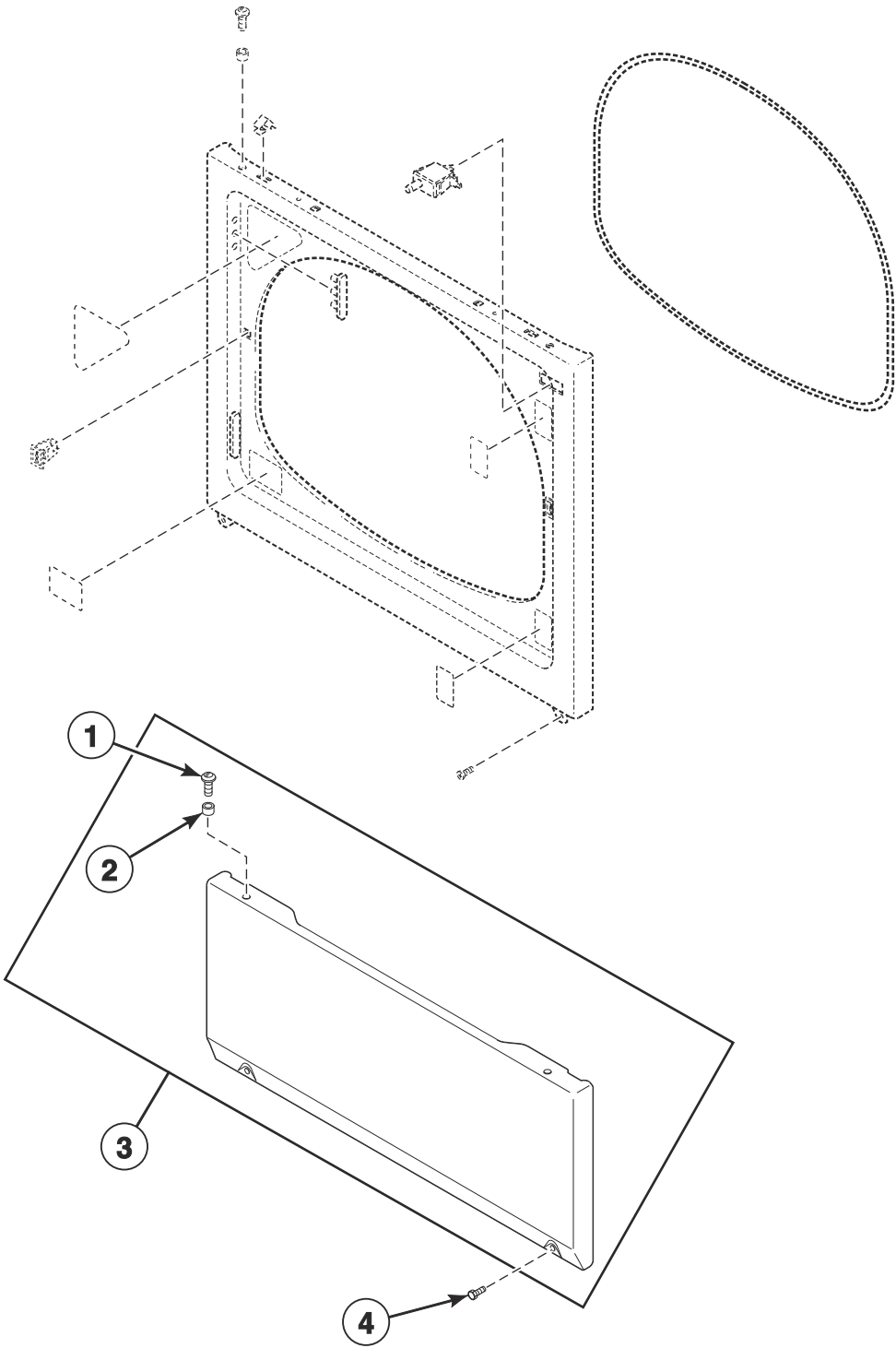


DRY1857P_515152

Loading Door without Window

REF	PART NO.	DESCRIPTION	COMMENTS
1	D510127	Door Strike Mount	
2	D510181	Door Strike	
3	D510147P	Liner Door Seal	
4	D516510WP	Liner, Seal and Grill Assembly	Gray; Models BDEBEAGS171CN01, BDEBEAGS171CW01 and HDEBXAGS171CW01
	D516508	Door Liner Assembly	Model HDEBYAGS171CW01
	D510097W	Door Liner	Model HDEBXAGS171FW28
	D503870LG	Door Liner Grill	Model HDEBYAGS171CW01
	D503870W	Door Liner Grill	Model HDEBXAGS171FW28
	D510163WP	Liner, Seal and Grill Assembly	White; Includes item 3; All other models
5	D500226	Screw	
6	D511036	Hinge	
7	D510103WP	Door Pull and Wedge Kit	White; Includes item 9
	D512947	Door Pull	Light gray
8	D510013WP	Dryer Door	White
	D510013GP	Dryer Door	Gray
	D512969	Dryer Door	Stainless steel; Includes item 9
9	D510129W	Door Handle Wedge	

Access Panel

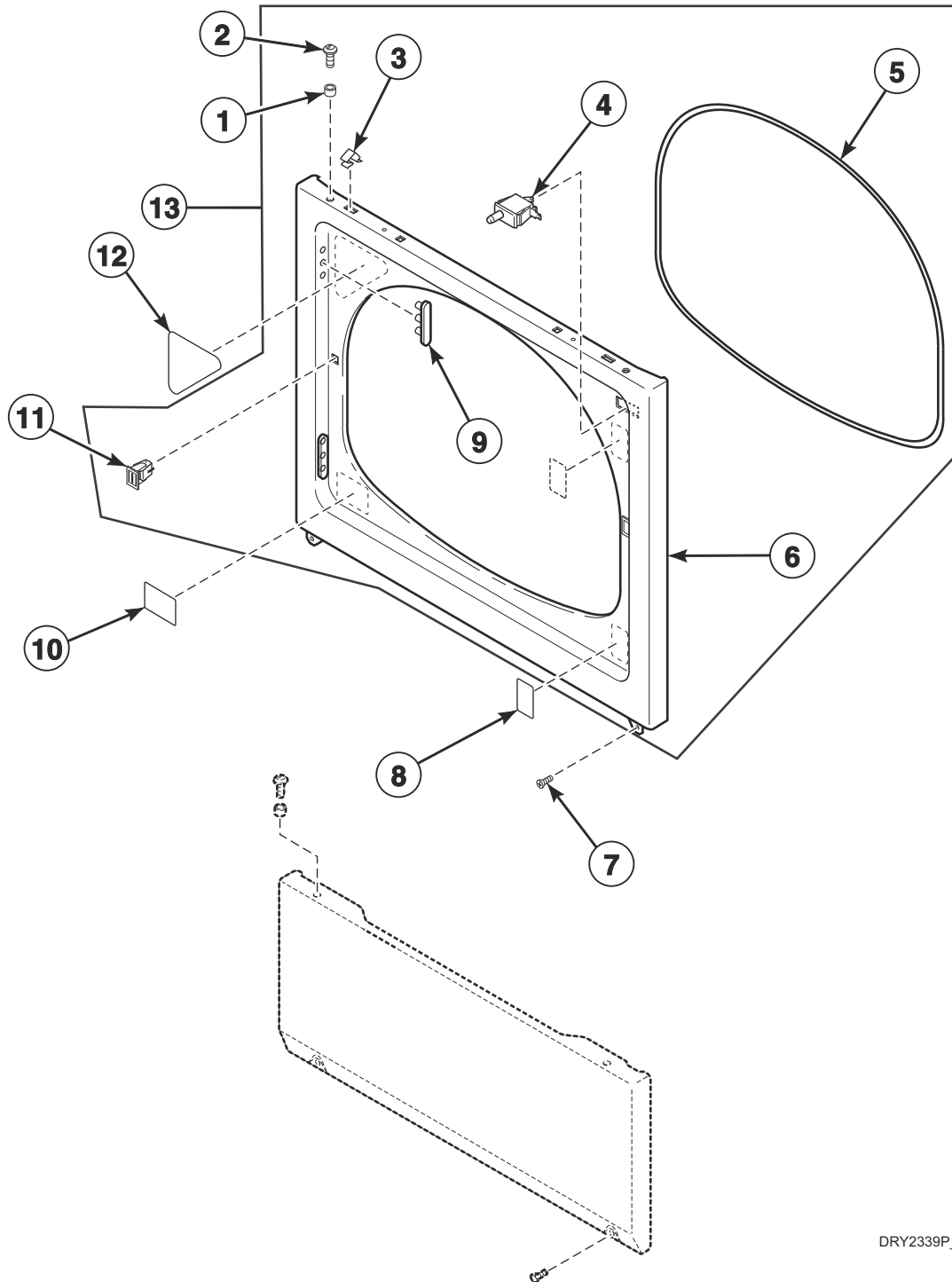


DRY1776PA_515152

Access Panel

REF	PART NO.	DESCRIPTION	COMMENTS
1	39733	Screw	
2	56079	Panel Locator	
3	D514251	Access Panel Assembly	Stainless steel; Models BDEBEAGS171CN01, GDEBGABW301UN01, GDEBGABW401UN01, GDEBXABW301UN01, GDEBXABW401UN01, GDGBGABW301UN01, GDGBXABW301UN01, KDEBCACW171CN01, KDEBGACW171CN01, KDGBCACW111CN01, KDGBGACW111CN01, KDGBXACW301UN01, SDEBLBSS401UN01, SDEBXAGS401UW01 and SDGBLBSS301EN01
	D514252G	Access Panel with Guard Assembly	Gray; Models BDEBEAGS171CN01, BDEBEAGS171CW01, HDEBXAGS131DW01 and HDEBXAGS171CW01
	D514250WP	Access Panel Assembly	White; Models BDEBEAGS171CN01, BDEBEAGS171CW01, BDEBLBGS431AW01, BDEBXAGS431AW01, BDGBEAGS111CW01, BDGBLBGS301AW01, BDGBLBGW541NW01, BDGBXAGS301AW01, HDEBXAGS131DW01, HDEBXAGS171CW01, HDEBXAGS171FW28, HDEBXAGS541DW01, HDEBYAGS171CW01, HDGBXAGS111CW01, HDGBXAGS111FW28, HDGBXAGS121DW01, HDGBXAGS541DW01, HDGBYAGS111CW01, NDEBLBGS401UW01, NDEBXAGS301UW01, NDEBXAGS401UW01, NDGBLBGS301ET01, NDGBLBGS301EW01, NDGBXAGS301EW01, SDEBXAGS131DW01, SDEBXAGS301UW01, SDEBXAGS431AW01, SDEBXAGS541DW01, SDGBXAGS111FW28, SDGBXAGS121DW01, SDGBXAGS541DW01 and TDEBXAGS401UW01
4	33562	Screw	
	62853	Screw	Optional for added security

Front Panel and Seal

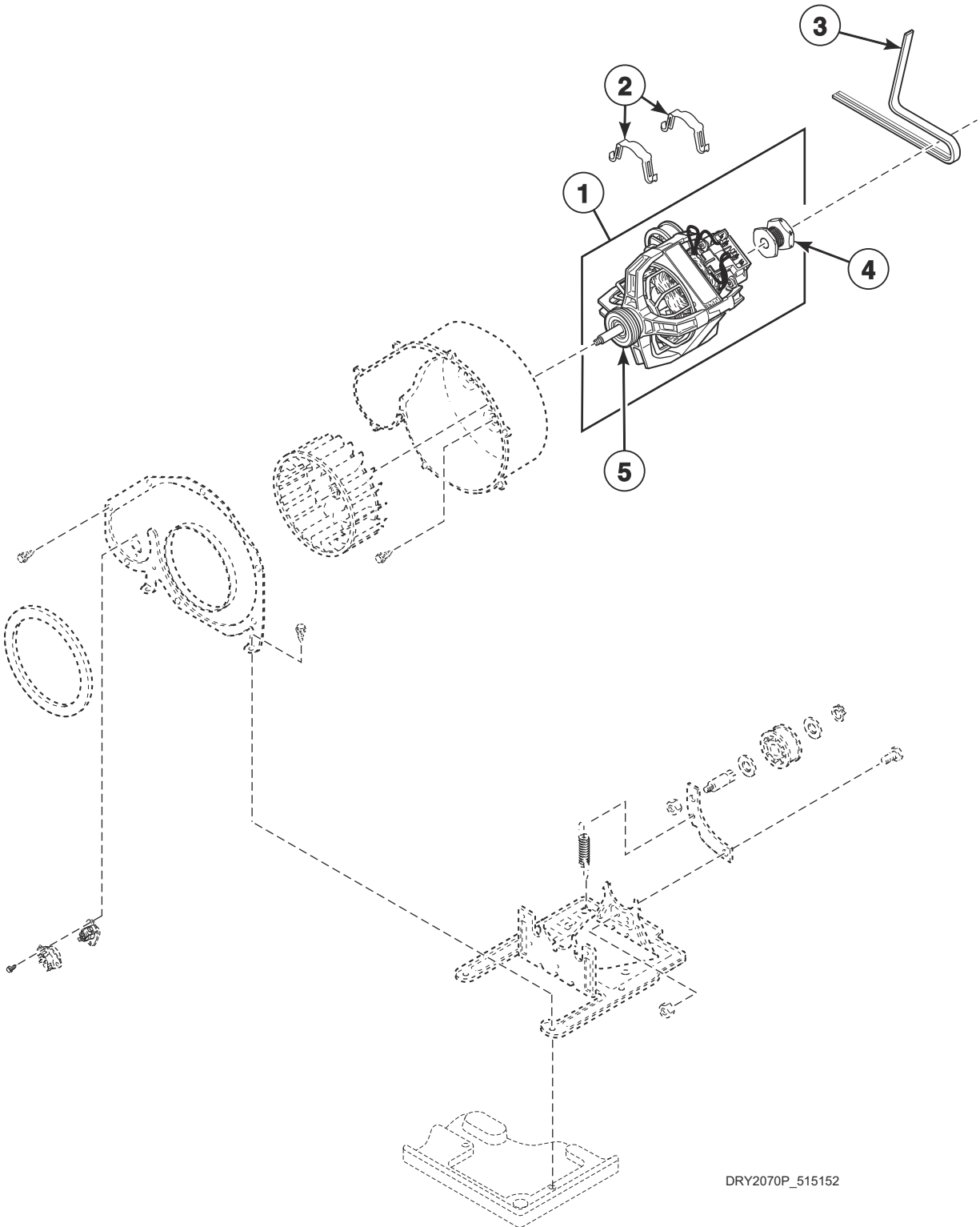


DRY2339P_515152

Front Panel and Seal

REF	PART NO.	DESCRIPTION	COMMENTS
1	56079	Panel Locator	
2	39733	Screw	Use with painted front panel
	D512921	Screw	Use with stainless steel front panel
3	28835	Speed Clip	
4	D512973	Switch	
5	D511056	Front Panel Seal	
6	D512542	Front Panel	Stainless steel
	D510066WP	Front Panel	White
	D510066GP	Front Panel	Gray
7	M405188	Screw	Use with stainless steel side panels
	D503688	Screw	Use with painted side panels
8	D512263	Warning Label	Models BDEBLBGS431AW01, BDEBXAGS431AW01, BDGBLBGS301AW01, BDGBXAGS301AW01, BDGBXAGW301AW01 and SDEBXAGS431AW01
9	D510186	Hinge Hole Plug	
10	D502804	Lint Filter Label	Models BDEBLBGS431AW01, BDEBXAGS431AW01, BDGBLBGS301AW01, BDGBXAGS301AW01, BDGBXAGW301AW01 and SDEBXAGS431AW01
11	D510177	Door Catch Assembly	
12	D500253	Caution Label	Models BDEBEAGS171CN01, BDEBEAGS171CW01, BDGBEAGS111CW01, HDEBXAGS171CW01, HDEBXAGS171FW28, HDEBYAGS171CW01, HDGBXAGS111CW01, HDGBXAGS111FW28, HDGBYAGS111CW01, KDEBCACW171CN01, KDEBGACW171CN01, KDGBCACW111CN01 and KDGBGACW111CN01
	D514226	Warning Label	Models HDEBXAGS131DW01, HDEBXAGS541DW01, HDGBXAGS121DW01, HDGBXAGS541DW01, SDEBXAGS131DW01, SDEBXAGS541DW01, SDGBXAGS111FW28, SDGBXAGS121DW01 and SDGBXAGS541DW01
	D500281	Warning/Caution Label	All other models
13	D513781WP	Front Panel Assembly	Includes items 1-3, 5-7, 10, 11 and D511636WP Door Assembly, (2) D511036 Door Hinge and (8) D500226 Screw; Model BDGBLBGW541NW01

Motor and Belt

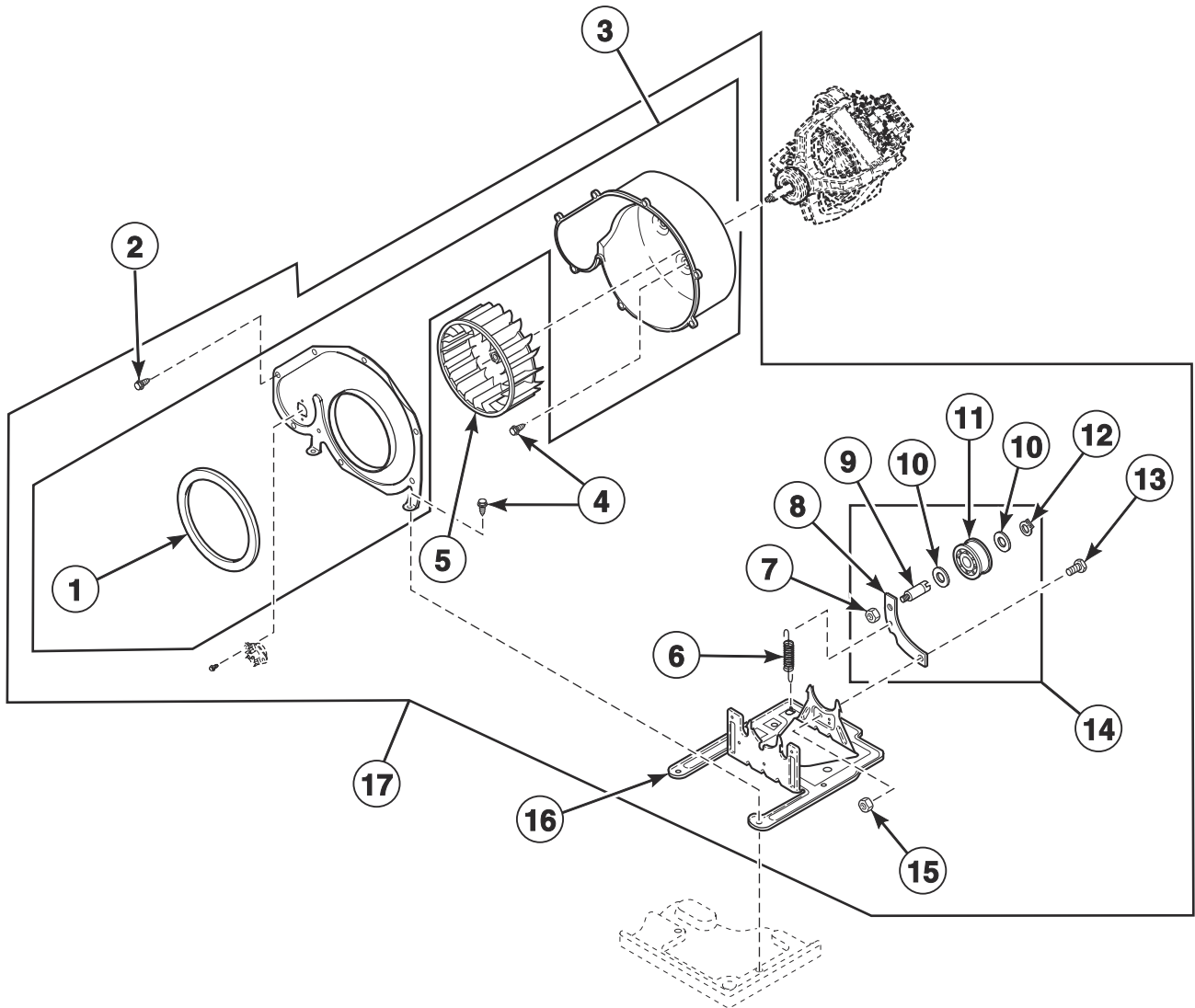


DRY2070P_515152

Motor and Belt

REF	PART NO.	DESCRIPTION	COMMENTS
	27604P	Anti-Seize Compound	Apply to motor shaft when installing blower fan assembly
1	D511629P	Motor and Pulley Assembly	120 Volt/60 Hertz; Includes items 5 and 6; Apply anti-seize compound to motor shaft when installing blower fan assembly; Models BDGBLBGW541NW01, HDEBXAGS131DW01, HDEBXAGS541DW01, HDGBXAGS121DW01, HDGBXAGS541DW01, KDEBCACW171CN01, KDEBGACW171CN01, KDGBACW111CN01, KDGBGACW111CN01, SDEBXAGS131DW01, SDEBXAGS541DW01, SDGBXAGS111FW28, SDGBXAGS121DW01 and SDGBXAGS541DW01
	D505869P	Motor and Pulley Assembly	240 Volt/60 Hertz; Includes items 5 and 6; Apply anti-seize compound to motor shaft when installing blower fan assembly; Models BDGBLBGW541NW01, HDEBXAGS541DW01, HDGBXAGS541DW01, SDEBXAGS541DW01 and SDGBXAGS541DW01
	D505843P	Motor and Pulley Assembly	240 Volt/50 Hertz; Includes items 5 and 6; Apply anti-seize compound to motor shaft when installing blower fan assembly; All other models
2	D510180	Motor Mount Clamp	
3	D511255P	Cylinder Belt	
4	D500011	Motor Pulley	Use with D511629P and D505869P Motor and Pulley Assemblies; 60 Hertz; Models BDEBEAGS171CN01, BDEBEAGS171CW01, BDGBEAGS111CW01, BDGBLBGW541NW01, HDEBXAGS131DW01, HDEBXAGS171CW01, HDEBXAGS171FW28, HDEBXAGS541DW01, HDEBYAGS171CW01, HDGBXAGS111CW01, HDGBXAGS111FW28, HDGBXAGS121DW01, HDGBXAGS541DW01, HDGBYAGS111CW01, KDEBCACW171CN01, KDEBGACW171CN01, KDGBACW111CN01, KDGBGACW111CN01, SDEBXAGS131DW01, SDEBXAGS541DW01, SDGBXAGS111FW28, SDGBXAGS121DW01 and SDGBXAGS541DW01
	D500222	Motor Pulley	Use with 505843P Motor and Pulley Assembly; 50 Hertz; All other models
5	590P3	Motor Hub Ring Kit	

Exhaust Fan and Idler Assembly

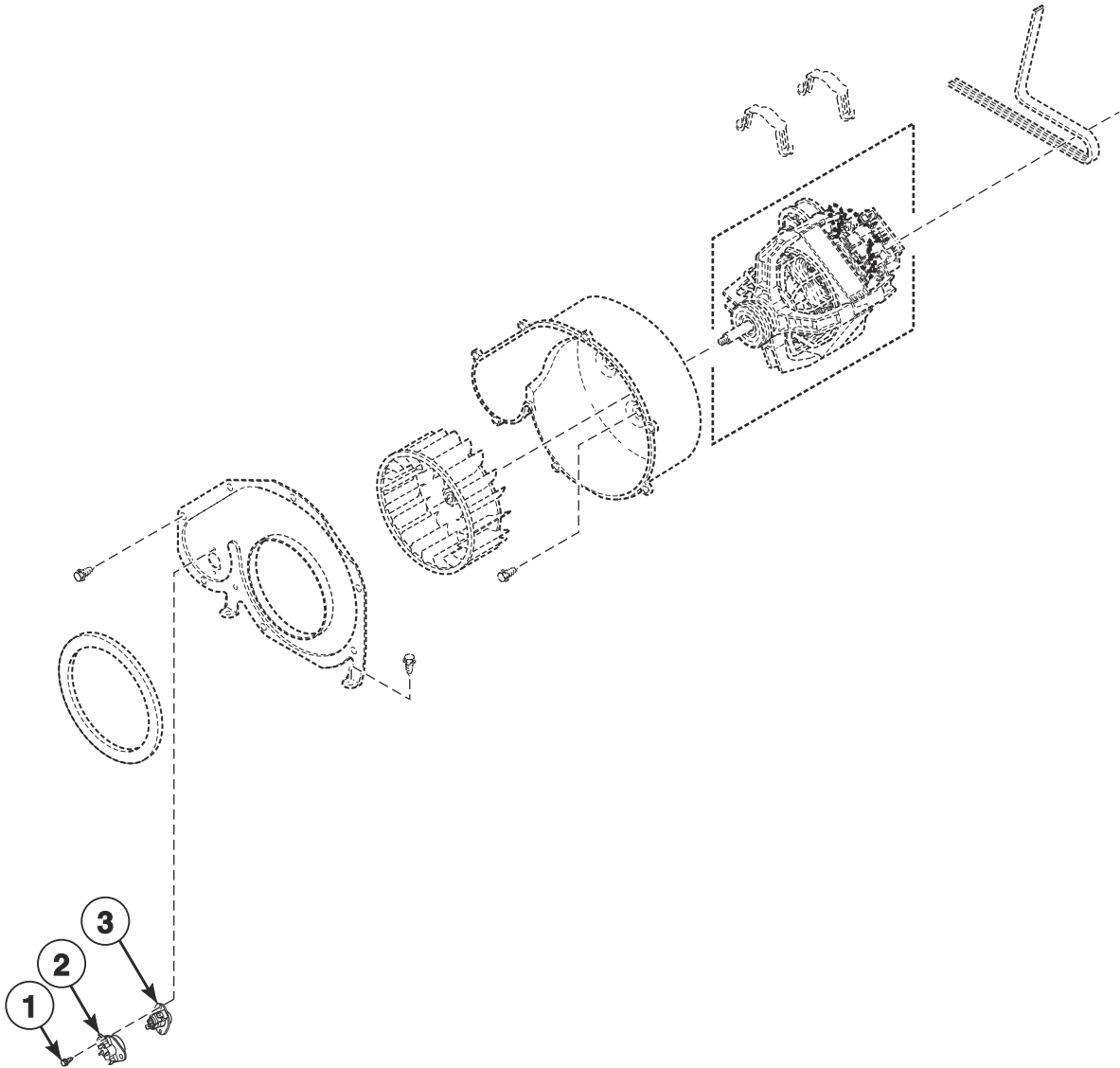


DRY2340P_515152

Exhaust Fan and Idler Assembly

REF	PART NO.	DESCRIPTION	COMMENTS
	27604P	Anti-Seize Compound	Apply to motor shaft when installing blower fan assembly
1	D510238P	Blower Housing Seal	
2	31260	Screw	
3	D511969LG	Blower Housing	Model HDEBYAGS171CW01
	D511969WP	Blower Housing	Includes items 1 and 2; All other models
4	D503688	Screw	
5	D510139P	Blower Fan Assembly	Apply anti-seize compound to motor shaft when installing blower fan assembly
6	D510185	Idler Spring	
7	56156	Nut	
8	D510133	Idler Lever	
9	56461P	Shaft	
10	52549	Washer	
11	D510142P	Idler Wheel and Bearing Assembly	
12	23748	Retaining Ring	
13	D500824	Screw	
14	D510158	Idler Lever and Wheel Assembly	Includes items 7-12
15	52566	Nut	
16	D510060	Motor Mount	
17	D510717P	Blower and Fan Kit	Includes items 1, 2, 3-16, motor mount clamp, motor hub rings and motor and pulley assembly; Models BDEBEAGS171CN01, BDEBEAGS171CW01, BDGBEAGS111CW01, HDEBXAGS131DW01, HDEBXAGS171CW01, HDEBXAGS171FW28, HDGBXAGS111CW01, HDGBXAGS111FW28, HDGBXAGS121DW01, KDEBCACW171CN01, KDEBGACW171CN01, KDGBCACW111CN01, KDGBGACW111CN01, SDEBXAGS131DW01, SDGBXAGS111FW28 and SDGBXAGS121DW01

Thermistor and Thermostat



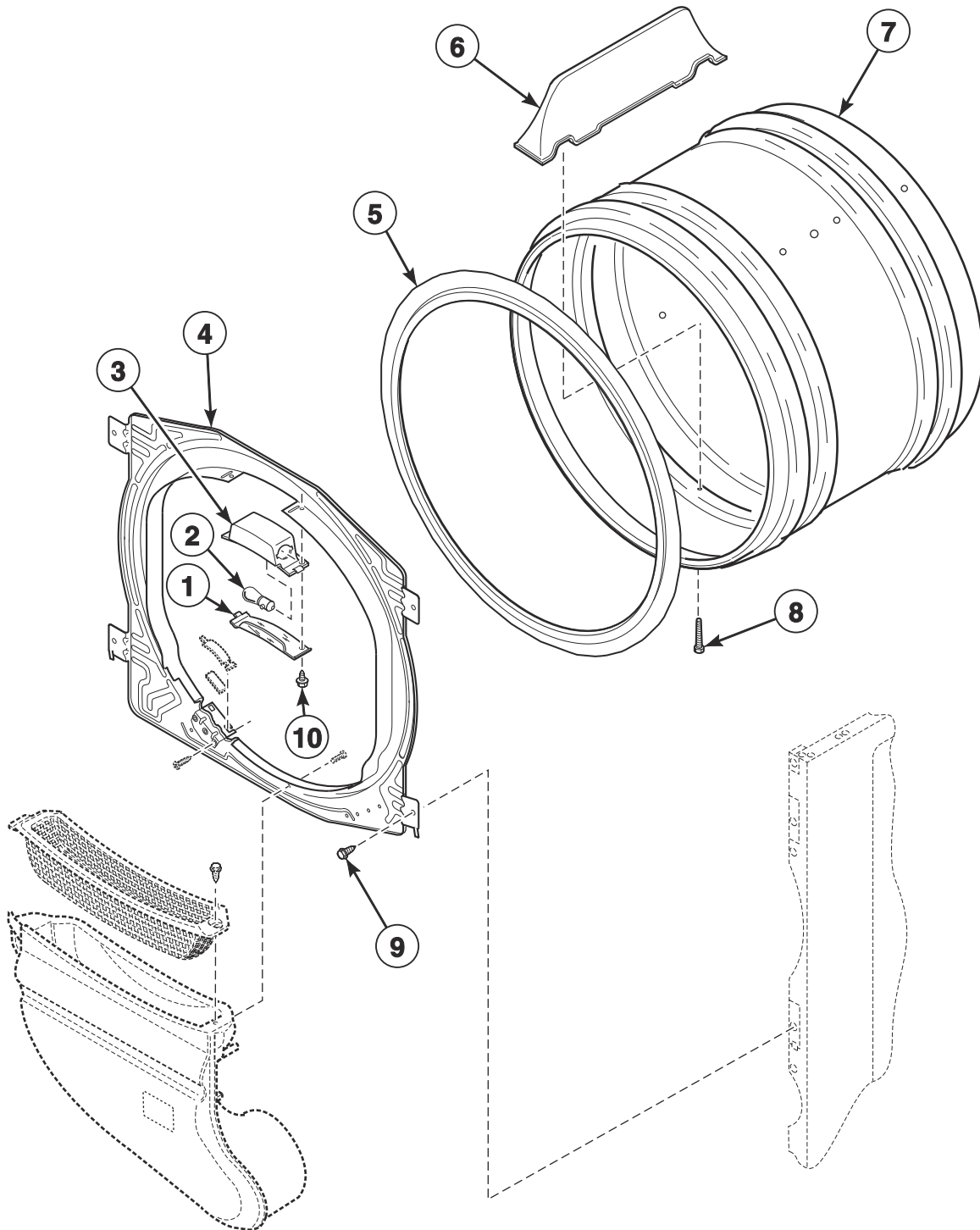
DRY1850P_515152

Thermistor and Thermostat

REF	PART NO.	DESCRIPTION	COMMENTS
1	D502535	Screw	
2	D510523	Thermistor Assembly	Models BDEBEAGS171CN01, BDEBEAGS171CW01, BDGBEAGS111CW01, HDEBXAGS131DW01, HDEBXAGS171CW01, HDEBXAGS171FW28, HDEBXAGS541DW01, HDEBYAGS171CW01, HDGBXAGS111CW01, HDGBXAGS111FW28, HDGBXAGS121DW01, HDGBXAGS541DW01, HDGBYAGS111CW01, KDEBCACW171CN01, KDEBGACW171CN01, KDGBCACW111CN01, KDGBGACW111CN01, SDEBXAGS131DW01, SDEBXAGS541DW01, SDGBXAGS111FW28, SDGBXAGS121DW01 and SDGBXAGS541DW01
	D502366	Thermistor Assembly	Models BDEBLBGS431AW01, BDEBXAGS431AW01, BDGBLBGS301AW01, BDGBLBGW541NW01, BDGBXAGS301AW01, BDGBXAGW301AW01, GDEBGABW301UN01, GDEBGABW401UN01, GDEBXABW301UN01, GDEBXABW401UN01, GDGBGABW301UN01, GDGBXABW301UN01, NDEBLBGS401UW01, NDEBXAGS301UW01, NDEBXAGS401UW01, NDGBLBGS301ET01, NDGBLBGS301EW01, NDGBXAGS301EW01, SDEBLBSS401UN01, SDEBXAGS301UW01, SDEBXAGS401UW01, SDEBXAGS431AW01, SDGBLBSS301EN01 and TDEBXAGS401UW01
3	M411941	Manual Reset Thermostat	Models BDGBLBGS301AW01, BDGBLBGW541NW01, BDGBXAGS301AW01 and BDGBXAGW301AW01

Front Bulkhead, Air Duct, Felt Seal and Cylinder with Light (Drawing 1 of 2)

Models GDEBGABW301UN01, GDEBGABW401UN01, GDEBXABW301UN01, GDEBXABW401UN01, GDGBGABW301UN01, GDGBXABW301UN01, KDEBCACW171CN01, KDEBGACW171CN01, KDGBCACW111CN01, KDGBGACW111CN01, KDGBXACW301UN01, NDEBLBGS401UW01, NDGBLBGS301ET01 and NDGBLBGS301EW01



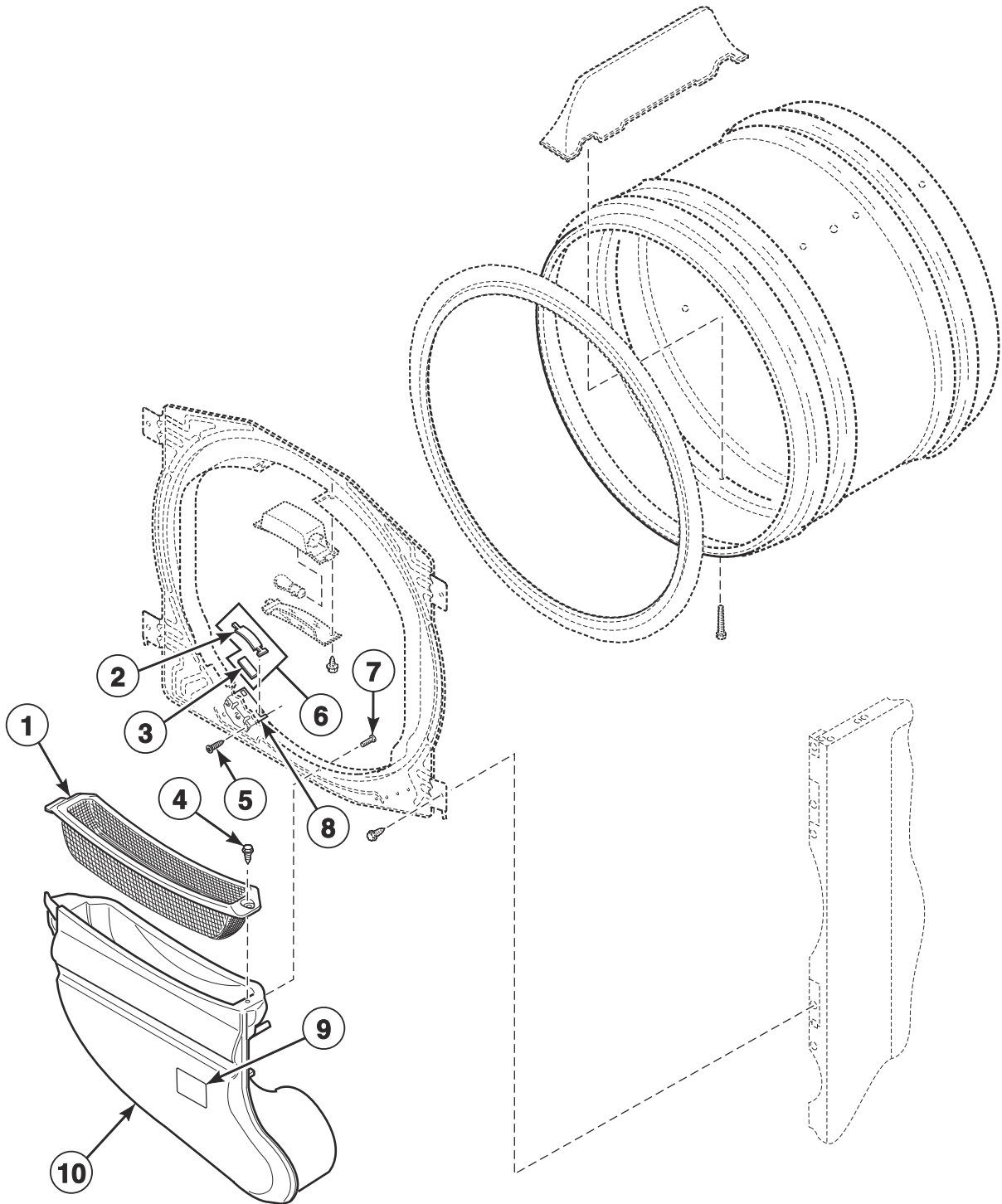
DRY2136P_515152

Front Bulkhead, Air Duct, Felt Seal and Cylinder with Light (Drawing 1 of 2)

REF	PART NO.	DESCRIPTION	COMMENTS
1	D512106	Cylinder Light Lens	
2	D512563	Drum Light Lamp	24 Volt; Models GDGBGABW301UN01, GDGBXABW301UN01, KDGBXACW301UN01, NDGBLBGS301ET01 and NDGBLBGS301EW01
	60954	Drum Light Lamp	120 Volt; Models KDEBCACW171CN01, KDEBGACW171CN01, KDGBACW111CN01 and KDGBGACW111CN01
	D503579	Drum Light Lamp	240 Volt; Models GDEBGABW301UN01, GDEBGABW401UN01, GDEBXABW301UN01, GDEBXABW401UN01 and NDEBLBGS401UW01
3	D512564	Cylinder Light Assembly	24 Volt; Models GDGBGABW301UN01, GDGBXABW301UN01, KDGBXACW301UN01, NDGBLBGS301ET01 and NDGBLBGS301EW01
	D512108	Light Housing Assembly	120 Volt; Includes lamp; Models KDEBCACW171CN01, KDEBGACW171CN01, KDGBACW111CN01 and KDGBGACW111CN01
	D517422	Cylinder Light Assembly	240 Volt; Models GDEBGABW301UN01, GDEBGABW401UN01, GDEBXABW301UN01, GDEBXABW401UN01 and NDEBLBGS401UW01
4	D512476	Front Bulkhead Assembly	Galvanized; Includes items 3, 5, 13, 14 and 16; 24 Volt and 240 Volt Cylinder Light Assemblies and Lamps must be ordered separately. Drum Light lens must be ordered separately for models NDEBLBGS401UW01, NDGBLBGS301EW01 and NDGBLBGS301ET01
5	D510207P	Cylinder Seal Assembly	Apply adhesive when installing
	D511637P	Adhesive	Apply to cylinder seal
	RB170001	Seal Kit	Includes 2 cylinder seals, D510238P Blower Housing Seal and Adhesive
6	D510102W	Cylinder Baffle	White; Models NDEBLBGS401UW01, NDGBLBGS301ET01 and NDGBLBGS301EW01
	D510102DG	Cylinder Baffle	Gray; All other models
7	D510265WP	Cylinder Assembly	Galvanized; Includes item 6; Models NDEBLBGS401UW01, NDGBLBGS301ET01 and NDGBLBGS301EW01
	D512999DG	Cylinder Assembly	Stainless steel; Models GDEBGABW301UN01, GDEBGABW401UN01, GDEBXABW301UN01, GDEBXABW401UN01, GDGBGABW301UN01 and GDGBXABW301UN01
	D510265DGP	Cylinder Assembly	Galvanized; Includes 3 of item 6 and 6 of item 8; Models KDEBCACW171CN01, KDEBGACW171CN01, KDGBACW111CN01, KDGBGACW111CN01 and KDGBXACW301UN01
8	62588	Screw	
9	D503688	Screw	Models NDEBLBGS401UW01, NDGBLBGS301ET01 and NDGBLBGS301EW01
	M405188	Screw	All other models
10	D500227	Screw	

Front Bulkhead, Air Duct, Felt Seal and Cylinder with Light (Drawing 2 of 2)

Models GDEBGABW301UN01, GDEBGABW401UN01, GDEBXABW301UN01, GDEBXABW401UN01, GDGBGABW301UN01, GDGBXABW301UN01, KDEBCACW171CN01, KDEBGACW171CN01, KDGBCACW111CN01, KDGBGACW111CN01, KDGBXACW301UN01, NDEBLBGS401UW01, NDGBLBGS301ET01 and NDGBLBGS301EW01



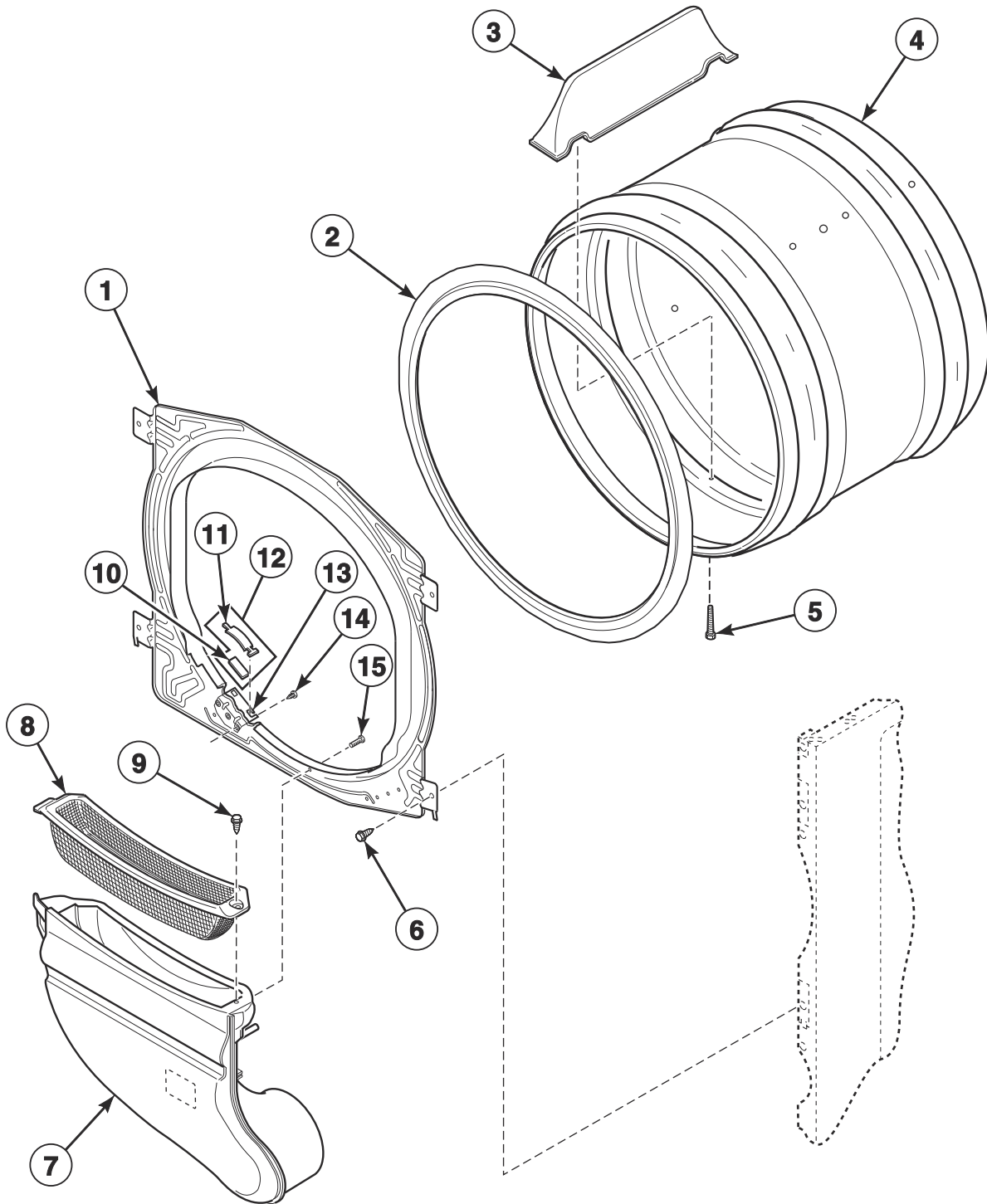
DRY2136PA_515152

Front Bulkhead, Air Duct, Felt Seal and Cylinder with Light (Drawing 2 of 2)

REF	PART NO.	DESCRIPTION	COMMENTS
1	D503980W	Lint Filter	White; Models NDEBLBGS401UW01, NDGBLBGS301ET01 and NDGBLBGS301EW01
	D503980DG	Lint Filter	Gray; All other models
2	D513710	Cylinder Glide	
3	D510189	Felt Pad	
4	D501285	Screw	
5	D501086	Screw	
6	RB170003	Glide Kit	Includes 2 of items 13 and 14
7	D500226	Screw	
8	D510145	Cylinder Glide Bracket	
9	D500314	Warning Label	Models KDEBCACW171CN01, KDEBGACW171CN01, KDGBACW111CN01 and KDGBGACW111CN01
10	D510151W	Air Duct Assembly	White; Models NDEBLBGS401UW01, NDGBLBGS301ET01 and NDGBLBGS301EW01
	D510151DG	Air Duct Assembly	Gray; All other models

Front Bulkhead, Air Duct, Felt Seal and Cylinder without Light

All Models Except GDEBGABW301UN01, GDEBGABW401UN01, GDEBXABW301UN01, GDEBXABW401UN01, GDGBGABW301UN01, GDGBXABW301UN01, KDEBCACW171CN01, KDEBGACW171CN01, KDGBACW111CN01, KDGBGACW111CN01, KDGBXACW301UN01, NDEBLBGS401UW01, NDGBLBGS301ET01 and NDGBLBGS301EW01



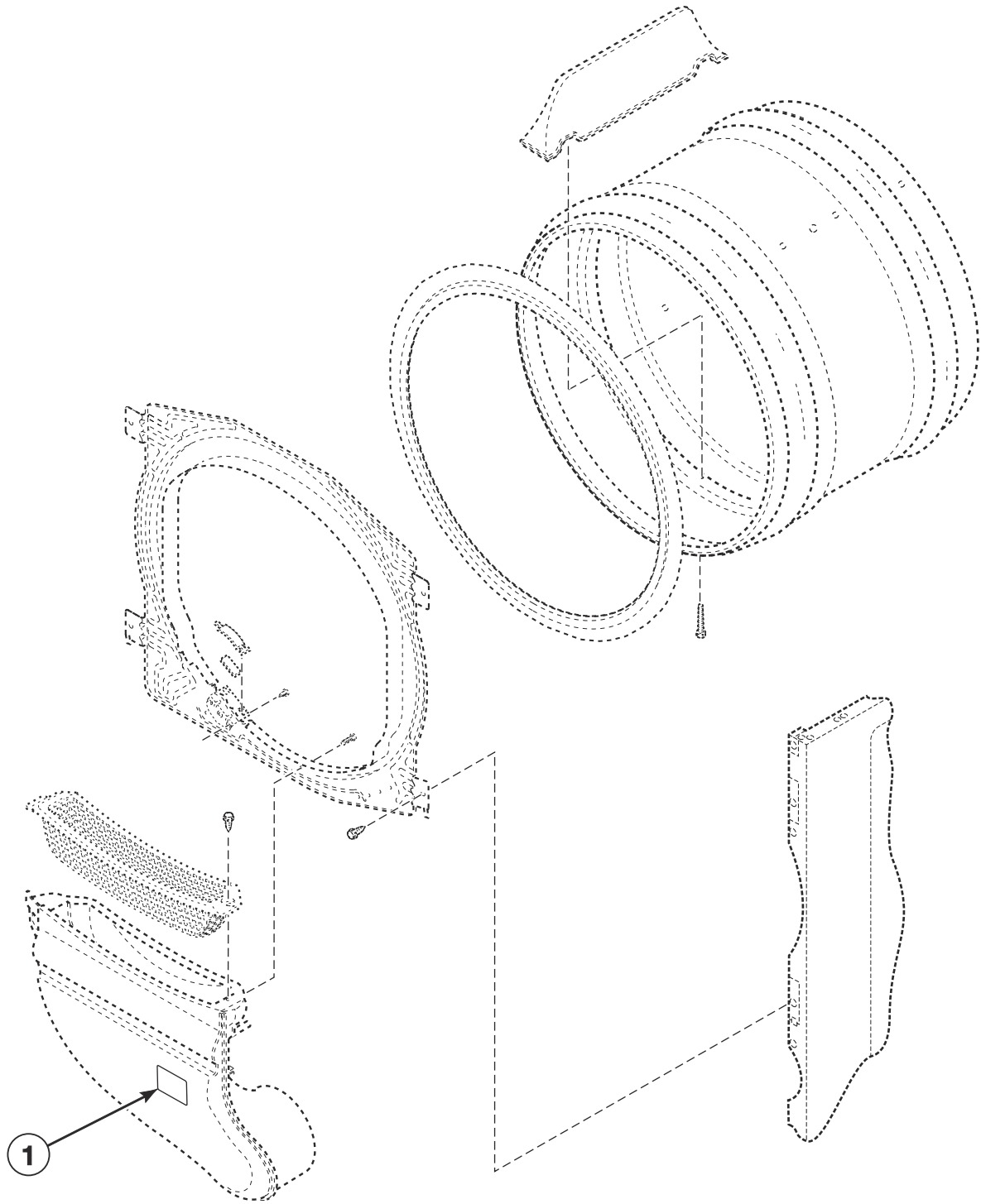
DRY1910P_515152

Front Bulkhead, Air Duct, Felt Seal and Cylinder without Light

REF	PART NO.	DESCRIPTION	COMMENTS
1	D510266P	Front Bulkhead Assembly	Unpainted; Includes items 12-14 and felt seal
2	D510207P	Cylinder Seal Assembly	Apply adhesive when installing
	D511637P	Adhesive	Apply to cylinder seal
	RB170001	Seal Kit	Includes 2 cylinder seals, D510238P Blower Housing Seal and Adhesive
3	D510102LG	Cylinder Baffle	Light gray; Models BDEBEAGS171CN01, BDEBEAGS171CW01, HDEBXAGS171CW01 and HDEBYAGS171CW01
	D510102W	Cylinder Baffle	White; All other models
4	D510265LGP	Cylinder Assembly	Galvanized; Includes item 2 in light gray; Models BDEBEAGS171CN01, BDEBEAGS171CW01, HDEBXAGS171CW01 and HDEBYAGS171CW01
	D510265WP	Cylinder Assembly	Galvanized; Includes item 2 in white; All other models
	D505929LGP	Cylinder Assembly	Stainless steel; Includes item 2 in light gray
5	62588	Screw	
6	D503688	Screw	
7	D515805LG	Air Duct Assembly	Light gray; Models BDEBEAGS171CN01, BDEBEAGS171CW01, HDEBXAGS171CW01 and HDEBYAGS171CW01
	D510151W	Air Duct Assembly	White; All other models
8	D503980LG	Lint Filter	Light gray; Models BDEBEAGS171CN01, BDEBEAGS171CW01, HDEBXAGS171CW01 and HDEBYAGS171CW01
	D503980W	Lint Filter	White; All other models
9	D501285	Screw	
10	D510189	Felt Pad	
11	D513710	Cylinder Glide	
12	RB170003	Glide Kit	Includes 2 of items 10 and 11
13	D510145	Cylinder Glide Bracket	
14	52864	Screw	
15	D500226	Screw	

Air Duct Label

All Models Except GDEBGABW301UN01, GDEBGABW401UN01, GDEBXABW301UN01, GDEBXABW401UN01, GDGBGABW301UN01, GDGBXABW301UN01, KDEBCACW171CN01, KDEBGACW171CN01, KDGBACW111CN01, KDGBGACW111CN01, KDGBXACW301UN01, NDEBLBGS401UW01, NDGBLBGS301ET01 and NDGBLBGS301EW01

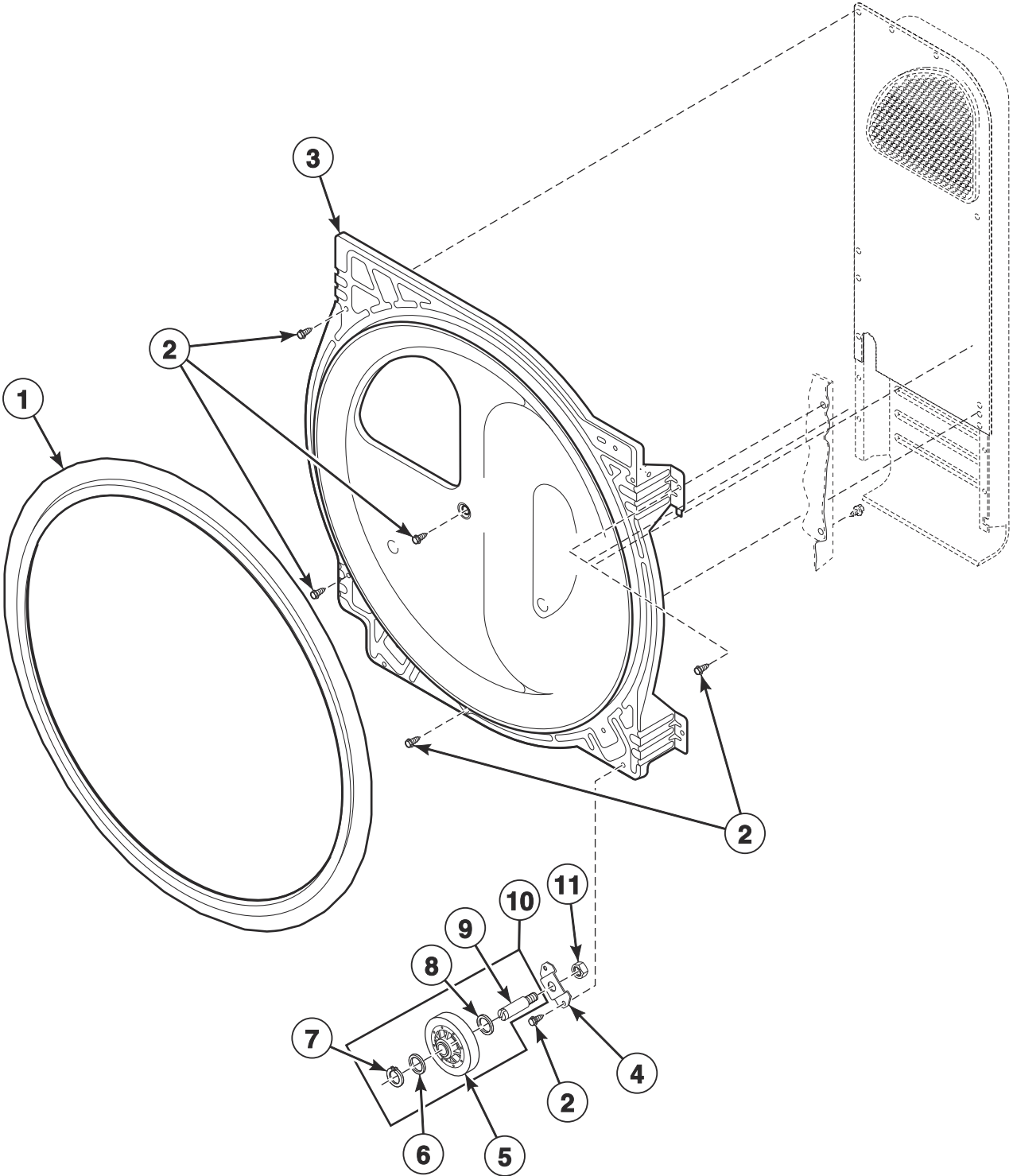


DRY1910PA_515152

Air Duct Label

REF	PART NO.	DESCRIPTION	COMMENTS
1	D500314	Warning Label	Models BDEBEAGS171CN01, BDEBEAGS171CW01, BDGBEAGS111CW01, HDEBXAGS171CW01, HDEBXAGS171FW28, HDEBYAGS171CW01, HDGBXAGS111CW01, HDGBXAGS111FW28 and HDGBYAGS111CW01
	F8211201	Electrical Shock Label	Models HDEBXAGS131DW01, HDEBXAGS171FW28, HDEBXAGS541DW01, HDGBXAGS111FW28, HDGBXAGS121DW01, HDGBXAGS541DW01, NDEBXAGS301UW01, NDEBXAGS401UW01, NDGBXAGS301EW01, SDEBLBSS401UN01, SDEBXAGS131DW01, SDEBXAGS301UW01, SDEBXAGS401UW01, SDEBXAGS541DW01, SDGBLBSS301EN01, SDGBXAGS111FW28, SDGBXAGS121DW01, SDGBXAGS541DW01 and TDEBXAGS401UW01
	F8615701	Pinch Warning Label	Models HDEBXAGS131DW01, HDEBXAGS171FW28, HDEBXAGS541DW01, HDGBXAGS111FW28, HDGBXAGS121DW01, HDGBXAGS541DW01, NDEBXAGS301UW01, NDEBXAGS401UW01, NDGBXAGS301EW01, SDEBLBSS401UN01, SDEBXAGS131DW01, SDEBXAGS301UW01, SDEBXAGS401UW01, SDEBXAGS541DW01, SDGBLBSS301EN01, SDGBXAGS111FW28, SDGBXAGS121DW01, SDGBXAGS541DW01 and TDEBXAGS401UW01
	D500049	Warning Label	Models BDEBLBGS431AW01, BDEBXAGS431AW01, BDGBLBGS301AW01, BDGBLBGW541NW01, BDGBXAGS301AW01, BDGBXAGW301AW01 and SDEBXAGS431AW01

Rear Bulkhead, Felt Seal and Cylinder Roller



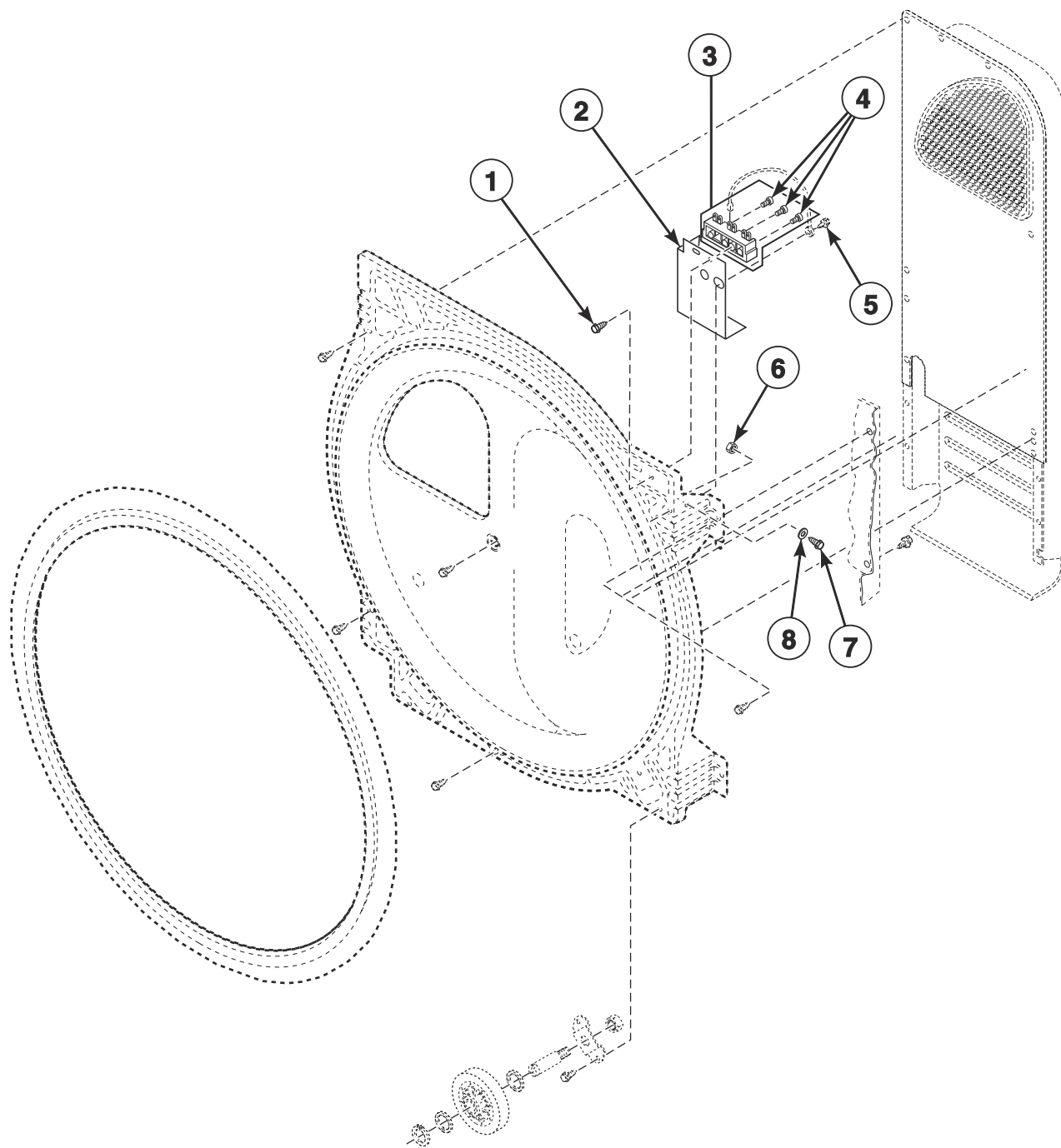
DRY2138P_515152

Rear Bulkhead, Felt Seal and Cylinder Roller

REF	PART NO.	DESCRIPTION	COMMENTS
1	D510207P	Cylinder Seal Assembly	Apply adhesive when installing
	D511637P	Adhesive	Apply to cylinder seal
	RB170001	Seal Kit	Includes 2 cylinder seals, D510238P Blower Housing Seal and Adhesive
2	D503688	Screw	
3	D512698	Rear Bulkhead	Polished; Models GDEBGABW301UN01, GDEBGABW401UN01, GDEBXABW301UN01, GDEBXABW401UN01, GDGBGABW301UN01, GDGBXABW301UN01, KDEBCACW171CN01, KDEBGACW171CN01, KDGBACW111CN01, KDGBGACW111CN01 and KDGBXACW301UN01
	D505246	Rear Bulkhead Assembly	Stainless steel; Includes item 1; All other models
	D511082P	Rear Bulkhead Assembly	Galvanized; Includes item 1; All other models
4	D510100	Cylinder Roller Bracket	
5	D510708P	Cylinder Roller	
6	52549	Washer	
7	23748	Retaining Ring	
8	D504082	Washer	
9	56461P	Shaft	
10	RB170002	Roller Kit	Includes items 5-9
11	56156	Nut	

Terminal Block - Gas and 1 Phase Electric Models

All Models Except GDEBGABW401UN01, GDEBXABW401UN01, NDEBLBGS401UW01, NDEBXAGS401UW01, NDGBLBGS301ET01, SDEBLBSS401UN01, SDEBXAGS401UW01 and TDEBXAGS401UW01



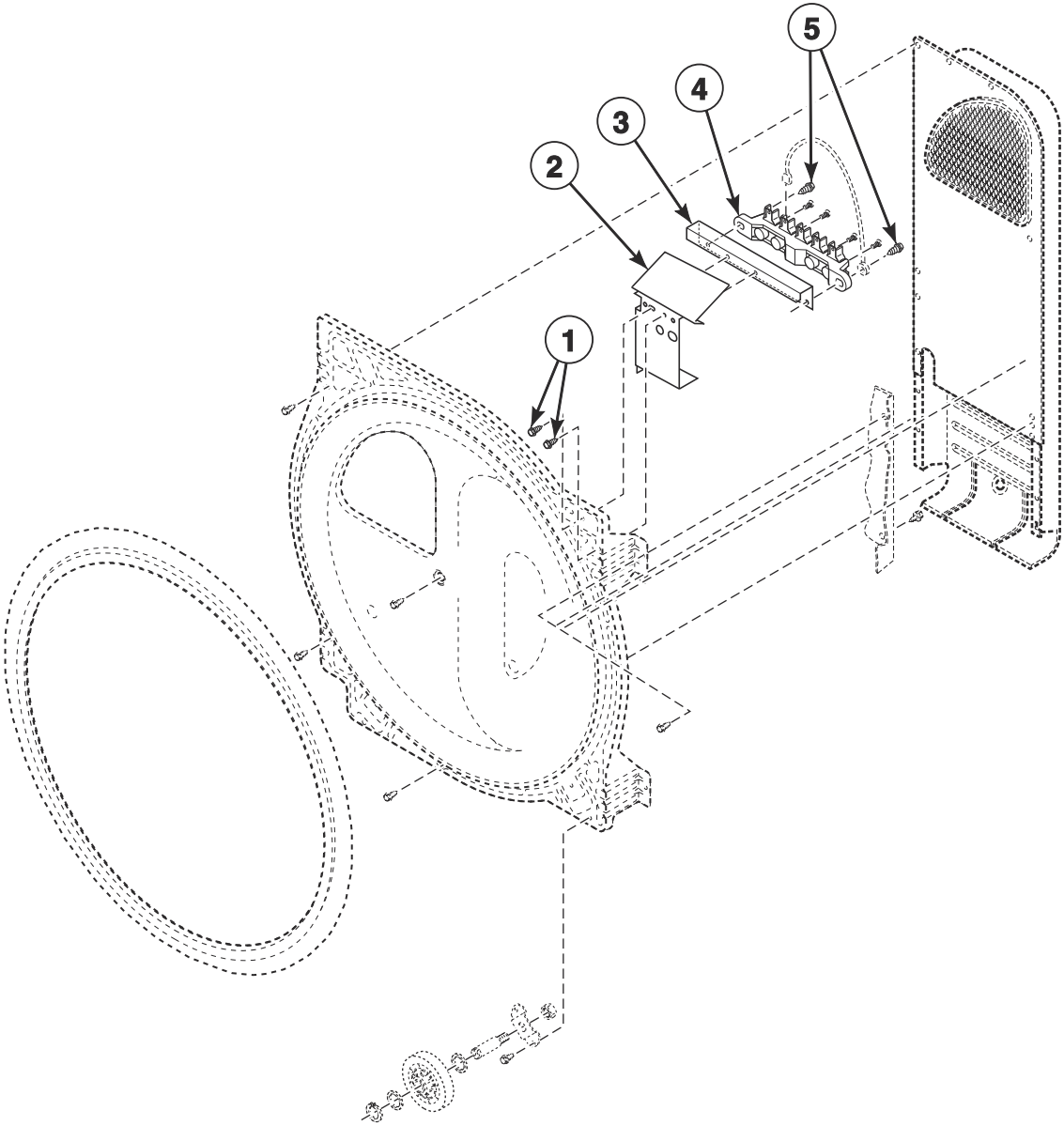
DRY1774P_515152

Terminal Block - Gas and 1 Phase Electric Models

REF	PART NO.	DESCRIPTION	COMMENTS
1	D501285	Screw	
2	D505768	Terminal Block Shield	Models GDEBGABW301UN01, GDEBXABW301UN01, GDGBGABW301UN01, GDGBXABW301UN01, KDGBXACW301UN01, NDEBXAGS301UW01, SDEBXAGS301UW01 and SDGBLBSS301EN01
	D510237	Terminal Block Shield	All other models
3	D510190P	Terminal Block Assembly	Includes 3 of item 7
4	61199	Screw	
5	D503688	Screw	
6	28447	Nut	
7	28448	Screw	
8	28449	Washer	

Terminal Block - 3 Phase Electric Models

Models GDEBGABW401UN01, GDEBXABW401UN01, NDEBLBGS401UW01, NDEBXAGS401UW01, SDEBLBSS401UN01, SDEBXAGS401UW01 and TDEBXAGS401UW01



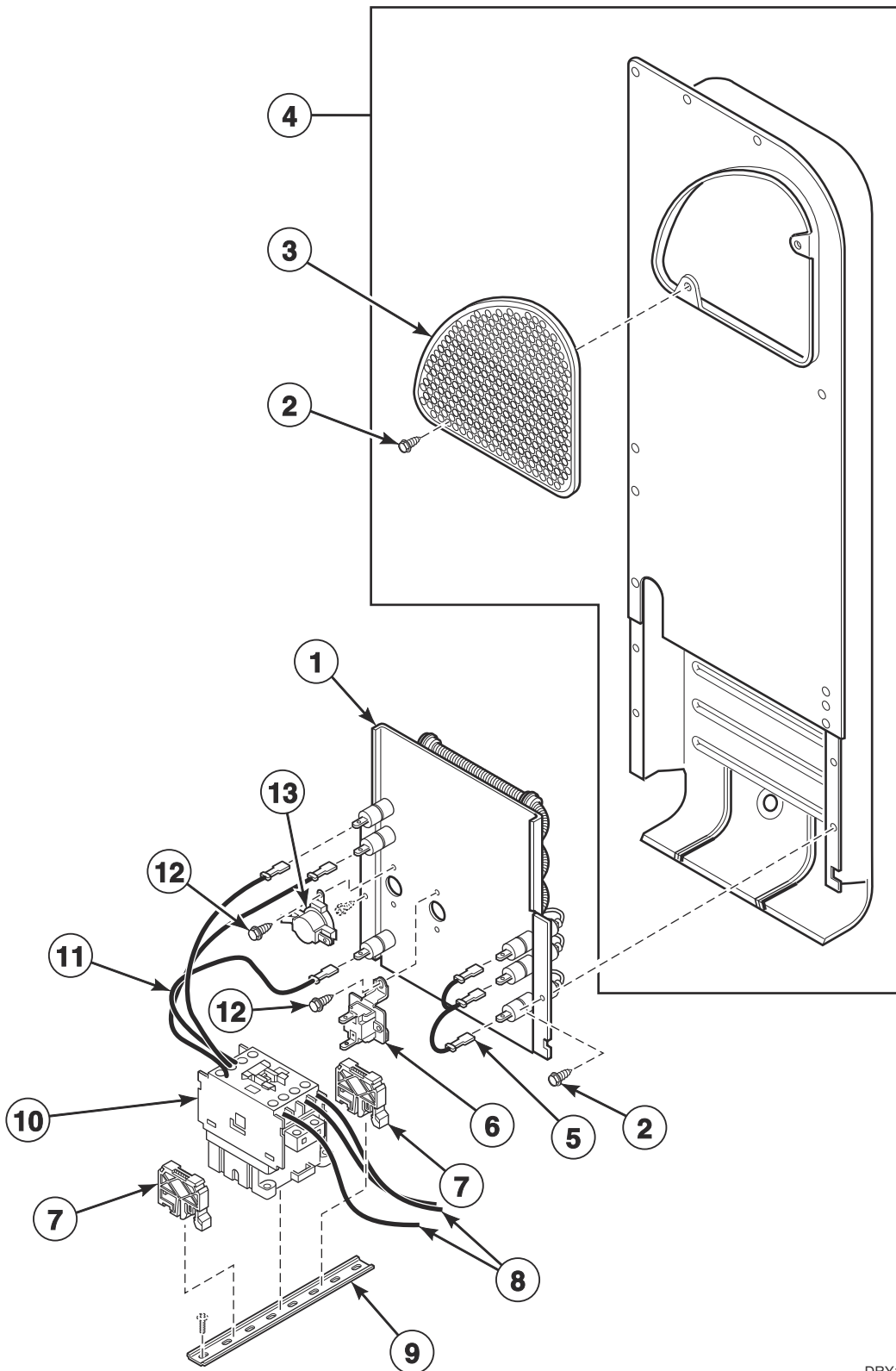
DRY9B_515152

Terminal Block - 3 Phase Electric Models

REF	PART NO.	DESCRIPTION	COMMENTS
1	D501285	Screw	
2	D505768	Terminal Block Shield	
3	D505875	Terminal Block Support Bracket	
4	D505876	Terminal Block Assembly	
5	D503661	Screw	

Heater Duct Assembly - 3 Phase Electric Models

Models GDEBGABW401UN01, GDEBXABW401UN01, HDEBXAGS171FW28, NDEBLBGS401UW01, NDEBXAGS401UW01, SDEBLBSS401UN01, SDEBXAGS401UW01 and TDEBXAGS401UW01

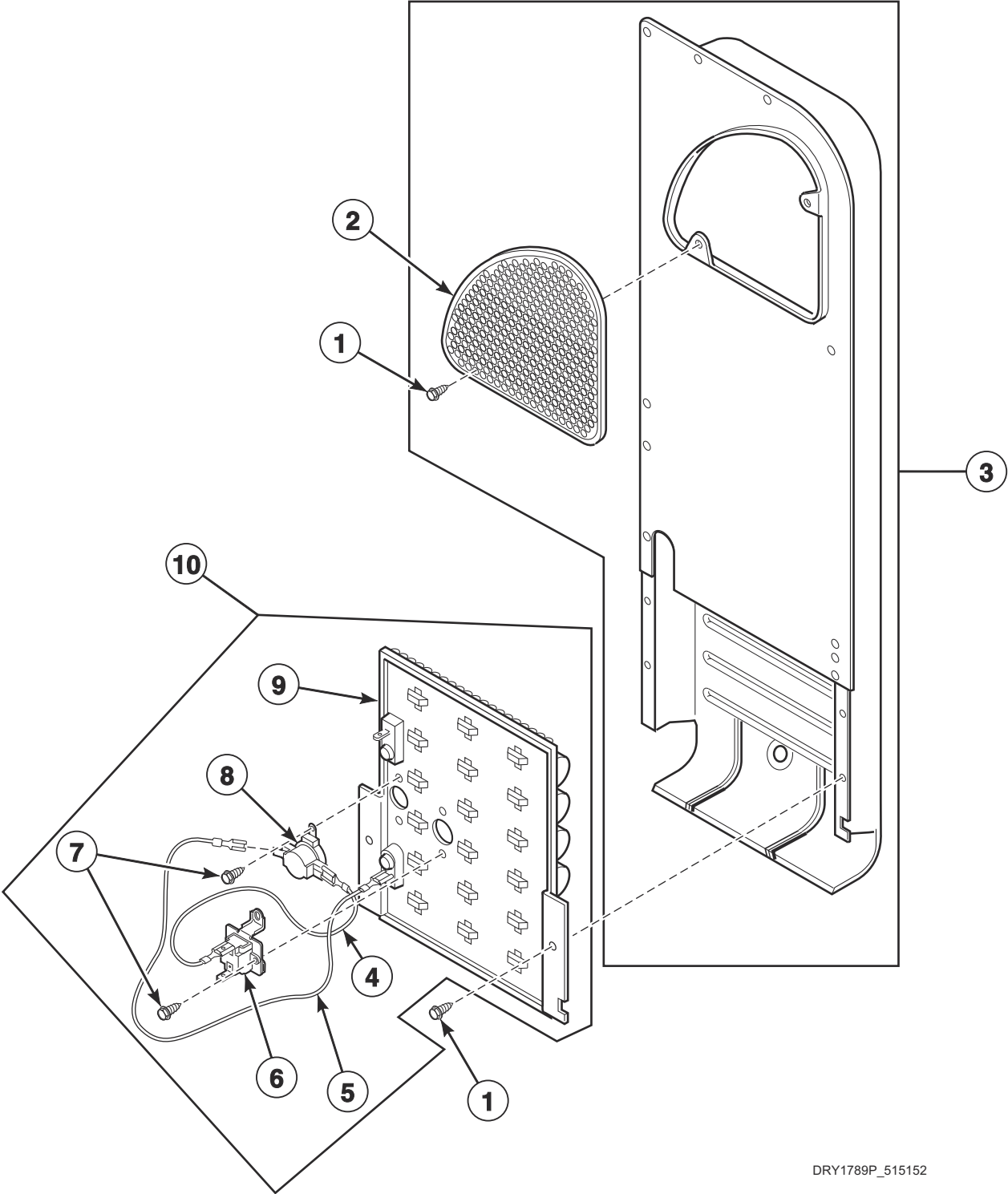


DRY1807P_515152

Heater Duct Assembly - 3 Phase Electric Models

REF	PART NO.	DESCRIPTION	COMMENTS
	756P3	Conversion Kit	400 Volt, 4 wire WYE to 240 Volt, 3 wire Delta
1	D511014P	Heater	400 Volt/3 Phase
2	D503688	Screw	
3	D500820	Outlet Cover	
	D515573	Outlet Cover	Black
4	D510025P	Heater Duct Assembly	Includes items 2 and 3
5	D511270	Jumper Wire Assembly	3 Phase
6	D511412	Thermal Fuse Assembly	
7	70121001	End Stop	
8	D511112P	Block to Relay Harness	Terminal block to contactor
9	M412693	Din Rail	
10	F330177P	Contactor	
11	D511114P	Relay to Heater Harness	Contactor to heater
12	23222	Screw	
13	D510701	Limit Thermostat	

Heater Duct and Element Assembly - 1 Phase Electric Models



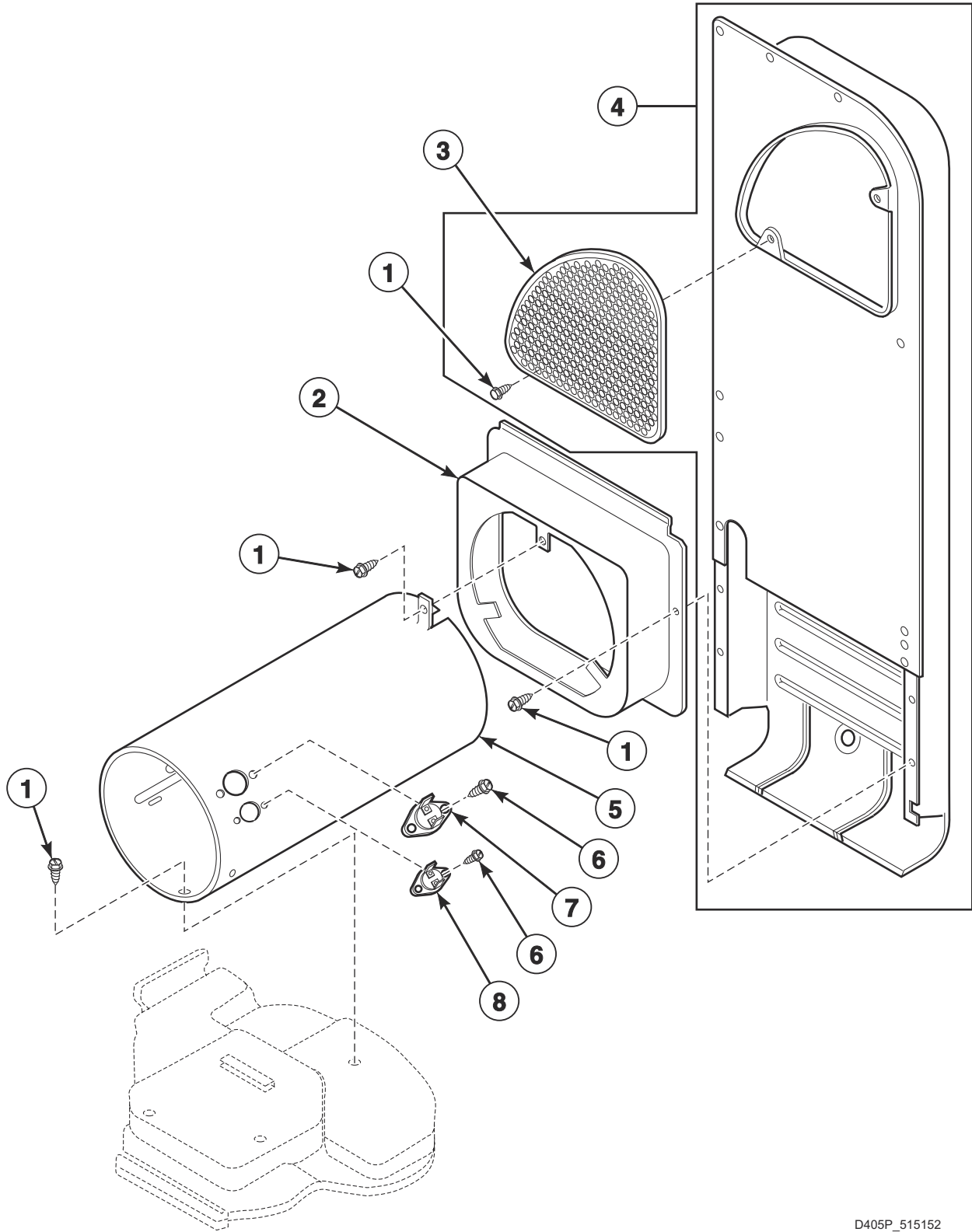
DRY1789P_515152

Heater Duct and Element Assembly - 1 Phase Electric Models

REF	PART NO.	DESCRIPTION	COMMENTS
1	D503688	Screw	
2	D500820	Outlet Cover	
	D515573	Outlet Cover	Black
3	D510025P	Heater Duct Assembly	Includes items 1 and 2
4	D510528	Wire Assembly	Orange; Thermostat jumper; Attaches to heater assembly
5	D510527	Wire Assembly	Black; Fuse jumper; Attaches to heater assembly
6	D511412	Thermal Fuse Assembly	
7	23222	Screw	
8	D510701	Limit Thermostat	
9	D510324P	Heater Assembly	5 kW; 240 Volt/60 Hertz; Models BDEBEAGS171CN01, BDEBEAGS171CW01, HDEBXAGS171CW01, HDEBYAGS171CW01, KDEBCACW171CN01 and KDEBGACW171CN01
	D510327P	Heater Assembly	4 kW; 240 Volt/50 Hertz; Models BDEBLBGS431AW01, BDEBXAGS431AW01 and SDEBXAGS431AW01
	D510329P	Heater Assembly	5.35 kW; 240 Volt/60 Hertz; Models HDEBXAGS131DW01, HDEBXAGS171FW28, HDEBXAGS541DW01, SDEBXAGS131DW01 and SDEBXAGS541DW01
	D510326P	Heater Assembly	4.8 kW; 240 Volt/50 Hertz; Models GDEBGABW301UN01, GDEBXABW301UN01, NDEBXAGS301UW01 and SDEBXAGS301UW01
10	61930	Heater Kit Assembly	4 kW; 240 Volt/50 Hertz; Includes items 4-9; Models BDEBLBGS431AW01, BDEBXAGS431AW01 and SDEBXAGS431AW01
	61927	Heater Kit Assembly	5 kW; 240 Volt/60 Hertz; Includes items 4-9; Models BDEBEAGS171CN01, BDEBEAGS171CW01, HDEBXAGS171CW01, HDEBXAGS171FW28, HDEBYAGS171CW01, KDEBCACW171CN01 and KDEBGACW171CN01
	964P3	Heater Kit	5.35 kW; 240 Volt/60 Hertz; Models HDEBXAGS131DW01, HDEBXAGS541DW01, SDEBXAGS131DW01 and SDEBXAGS541DW01
	61929	Heater Kit Assembly	4.8 kW; 240 Volt/50 Hertz; Includes items 4-9; Models GDEBGABW301UN01, GDEBXABW301UN01, NDEBXAGS301UW01 and SDEBXAGS301UW01

Heater Duct Assembly

Gas Models



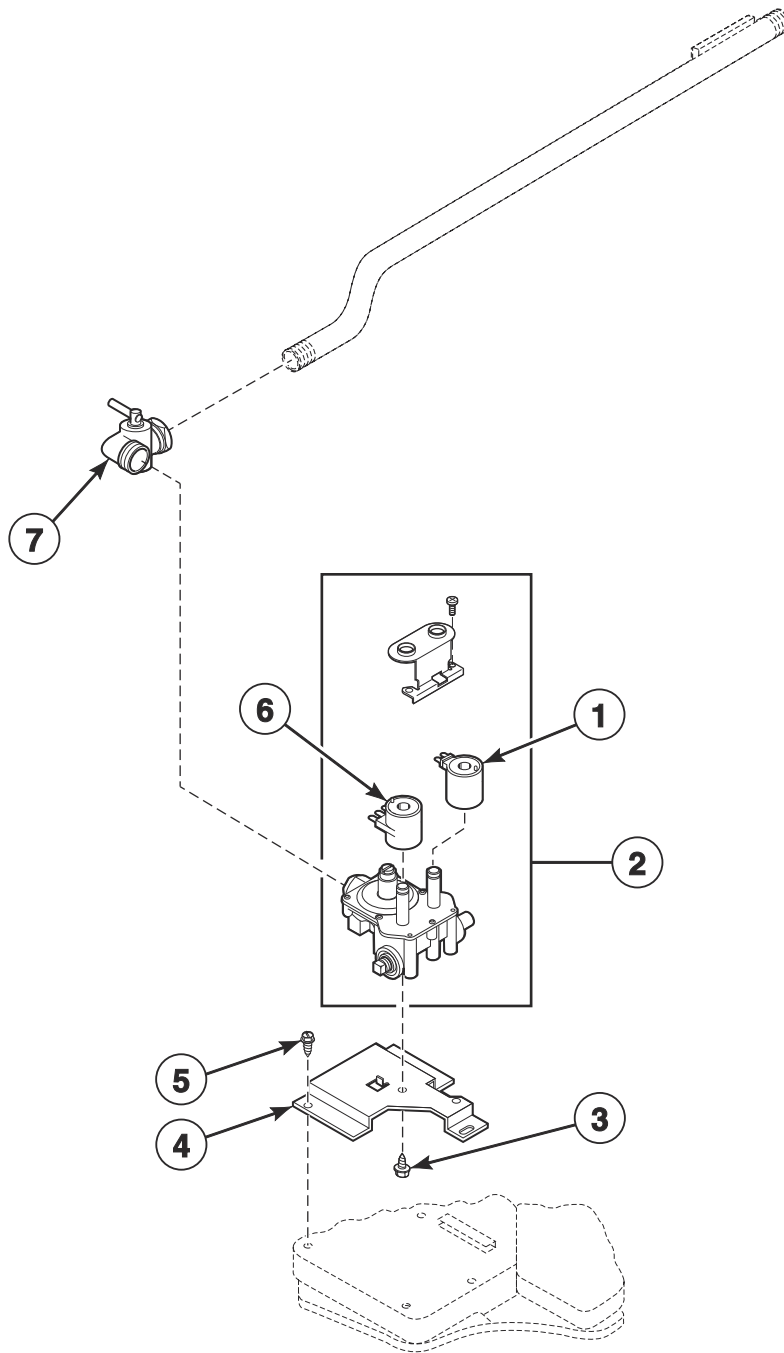
D405P_515152

Heater Duct Assembly

REF	PART NO.	DESCRIPTION	COMMENTS
1	D503688	Screw	
2	D510101	Heat Duct Shroud	
3	D500820	Outlet Cover	
	D515573	Outlet Cover	Black
4	D510025P	Heater Duct Assembly	Includes items 1 and 3
5	D510132	Combustion Duct	Models BDGBEAGS111CW01, HDGBXAGS111CW01, HDGBXAGS111FW28, HDGBXAGS121DW01, HDGBXAGS541DW01, HDGBYAGS111CW01, KDGBCACW111CN01, KDGBGACW111CN01, SDGBXAGS121DW01 and SDGBXAGS541DW01
	D510131	Combustion Duct	Models BDGBLBGS301AW01, BDGBLBGW541NW01, BDGBXAGS301AW01, BDGBXAGW301AW01, GDGBGABW301UN01, GDGBXABW301UN01, KDGBXACW301UN01, NDGBLBGS301ET01, NDGBLBGS301EW01, NDGBXAGS301EW01 and SDGBLBSS301EN01
6	51782	Screw	
7	D510702	Limit Thermostat	Black
8	D510703	Thermostat	Models BDGBEAGS111CW01, HDGBXAGS111CW01, HDGBXAGS111FW28, HDGBXAGS121DW01, HDGBXAGS541DW01, HDGBYAGS111CW01, KDGBCACW111CN01, KDGBGACW111CN01, SDGBXAGS121DW01 and SDGBXAGS541DW01

Gas Valve

Gas Models



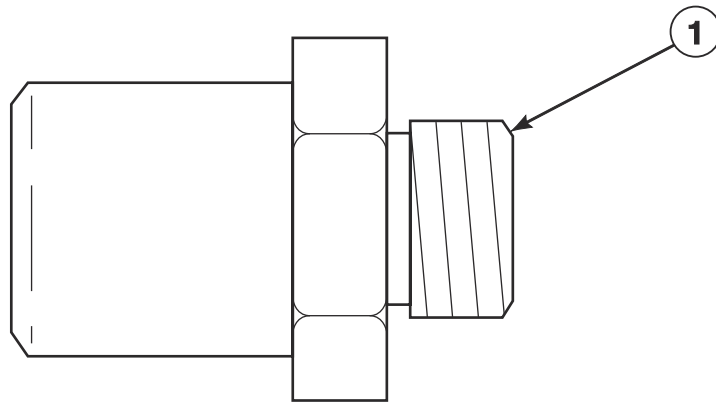
DRY2341P_515152

Gas Valve

REF	PART NO.	DESCRIPTION	COMMENTS
1	58804B	Secondary Coil	60 Hertz; Models BDGBEAGS111CW01, BDGBLBGW541NW01, HDGBXAGS111CW01, HDGBXAGS111FW28, HDGBYAGS111CW01, KDGBCACW111CN01 and KDGBGACW111CN01
	59063B	Secondary Coil	50 Hertz; All other models
2	60353P	Gas Valve Assembly	60 Hertz; 25,000 Btu; Models BDGBEAGS111CW01, BDGBLBGW541NW01, HDGBXAGS111CW01, HDGBXAGS111FW28, HDGBYAGS111CW01, KDGBCACW111CN01, KDGBGACW111CN01 and SDGBXAGS111FW28
	D510506P	Gas Valve Assembly	60 Hertz; 22,500 Btu; Models HDGBXAGS121DW01, HDGBXAGS541DW01, SDGBXAGS121DW01 and SDGBXAGS541DW01
	60443P	Valve Assembly	50 Hertz; 25,000 Btu; Models BDGBLBGS301AW01, BDGBXAGS301AW01, BDGBXAGW301AW01, GDGBGABW301UN01, GDGBXABW301UN01, KDGBXACW301UN01, NDGBLBGS301ET01, NDGBLBGS301EW01, NDGBXAGS301EW01 and SDGBLBSS301EN01
3	56124	Screw	
4	D510128	Gas Valve Mounting Bracket	
5	D503688	Screw	
6	58804A	Booster and Holding Coil	60 Hertz; Models BDGBEAGS111CW01, BDGBLBGW541NW01, HDGBXAGS111CW01, HDGBXAGS111FW28, HDGBXAGS121DW01, HDGBXAGS541DW01, HDGBYAGS111CW01, KDGBCACW111CN01, KDGBGACW111CN01, SDGBXAGS111FW28, SDGBXAGS121DW01 and SDGBXAGS541DW01
	59063A	Booster and Holding Coil	50 Hertz; Models BDGBLBGS301AW01, BDGBXAGS301AW01, BDGBXAGW301AW01, GDGBGABW301UN01, GDGBXABW301UN01, KDGBXACW301UN01, NDGBLBGS301ET01, NDGBLBGS301EW01, NDGBXAGS301EW01 and SDGBLBSS301EN01
7	D510205	Elbow Shut-Off Valve	

Burner Orifice Spuds - For Higher Elevations

Natural Gas Models



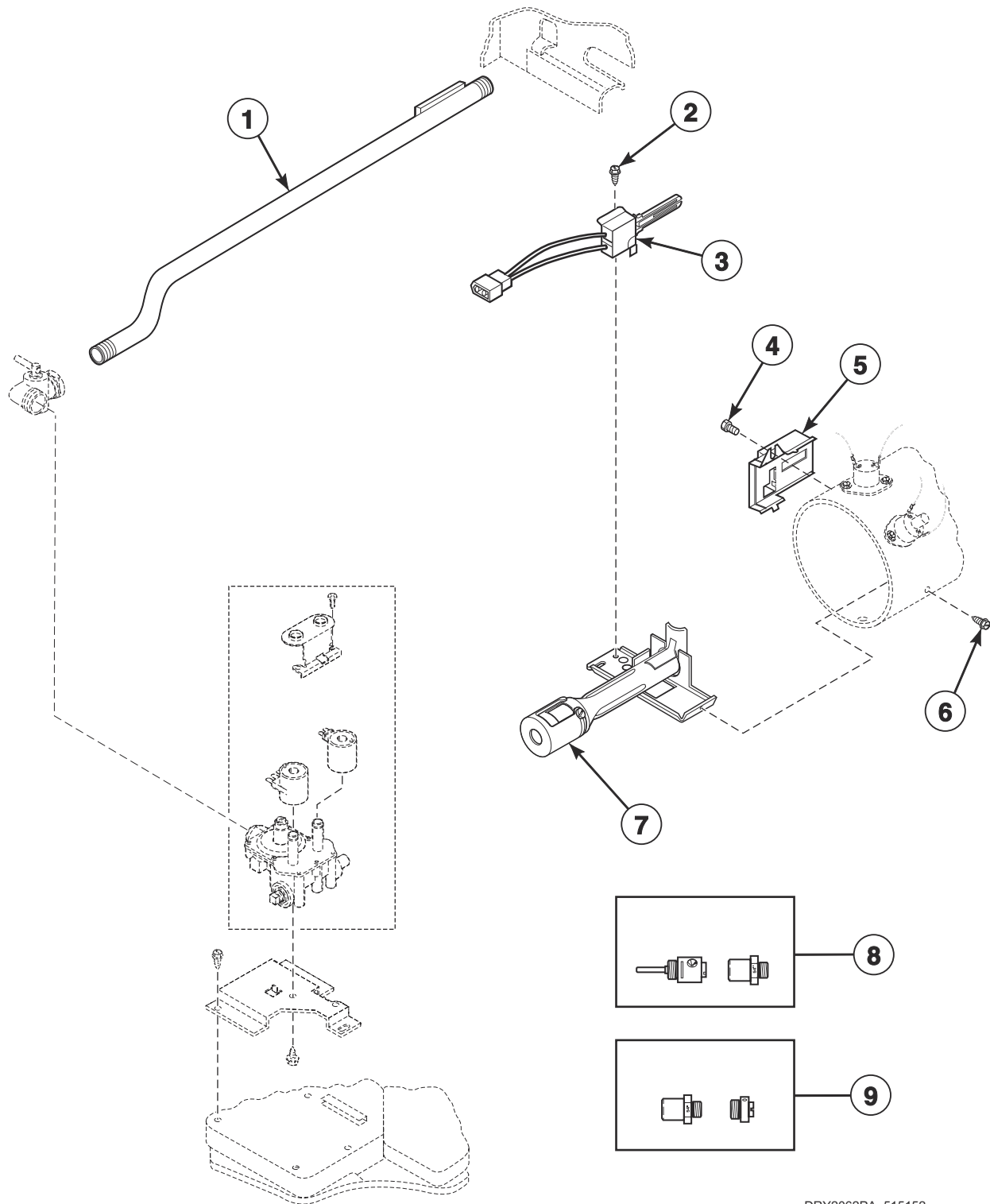
DRY2266P_515152

Burner Orifice Spuds - For Higher Elevations

REF	PART NO.	DESCRIPTION	COMMENTS
1	D503778	N.G. Orifice	Models HDGBXAGS121DW01, HDGBXAGS541DW01, HDGBYAGS111CW01, SDGBXAGS121DW01, SDGBXAGS111FW28 and SDGBXAGS541DW01; 22,500 Btu; 3,000-5999 feet (915-1829 m); All other models; 25,000 Btu; 5500-6999 feet (1680-2134 m)
	58719	Screw Orifice	Models HDGBXAGS121DW01, HDGBXAGS541DW01, HDGBYAGS111CW01, SDGBXAGS111FW28, SDGBXAGS121DW01 and SDGBXAGS541DW01; 22,500 Btu; 6000-7999 feet (1830-2439 m); All other models; 25,000 Btu; 7000-8999 feet (2135-2744 m)
	D503779	N.G. Orifice	Models HDGBXAGS121DW01, HDGBXAGS541DW01, HDGBYAGS111CW01, SDGBXAGS111FW28, SDGBXAGS121DW01 and SDGBXAGS541DW01; 22,500 Btu; 8000-8999 feet (2440-2739 m); All other models; 25,000 Btu; 9000-10,499 feet (2745-3199 m)
	D503780	N.G. Orifice	Models HDGBXAGS121DW01, HDGBXAGS541DW01, HDGBYAGS111CW01, SDGBXAGS111FW28, SDGBXAGS121DW01 and SDGBXAGS541DW01; 22,500 Btu; 9000-9999 feet (2740-3049 m); All other models; 25,000 Btu; 10,500 feet (3200 m) and higher
	D503781	N.G. Orifice	22,500 Btu; 10,000 feet (3050 m) and higher; Models HDGBXAGS121DW01, HDGBXAGS541DW01, HDGBYAGS111CW01, SDGBXAGS111FW28, SDGBXAGS121DW01 and SDGBXAGS541DW01
	D503776	N.G. Orifice	25,000 Btu; 2000-2999 feet (610-914 m); Models BDGBLBGW541NW01, BDGBXAGS301AW01, BDGBXAGW301AW01, GDGBGABW301UN01, GDGBXABW301UN01, KDGBCACW111CN01, KDGBGACW111CN01, KDGBXACW301UN01, NDGBLBGS301ET01, NDGBLBGS301EW01, NDGBXAGS301EW01, SDGBXAGS111FW28, SDGBXAGS121DW01 and SDGBXAGS541DW01
	D510517	N.G. Orifice	25,000 Btu; 3000-5499 feet (915-1679 m); Models BDGBLBGW541NW01, BDGBXAGS301AW01, BDGBXAGW301AW01, GDGBGABW301UN01, GDGBXABW301UN01, KDGBCACW111CN01, KDGBGACW111CN01, KDGBXACW301UN01, NDGBLBGS301ET01, NDGBLBGS301EW01, NDGBXAGS301EW01, SDGBXAGS111FW28, SDGBXAGS121DW01 and SDGBXAGS541DW01

Igniter and Gas Conversion Kits

Gas Models

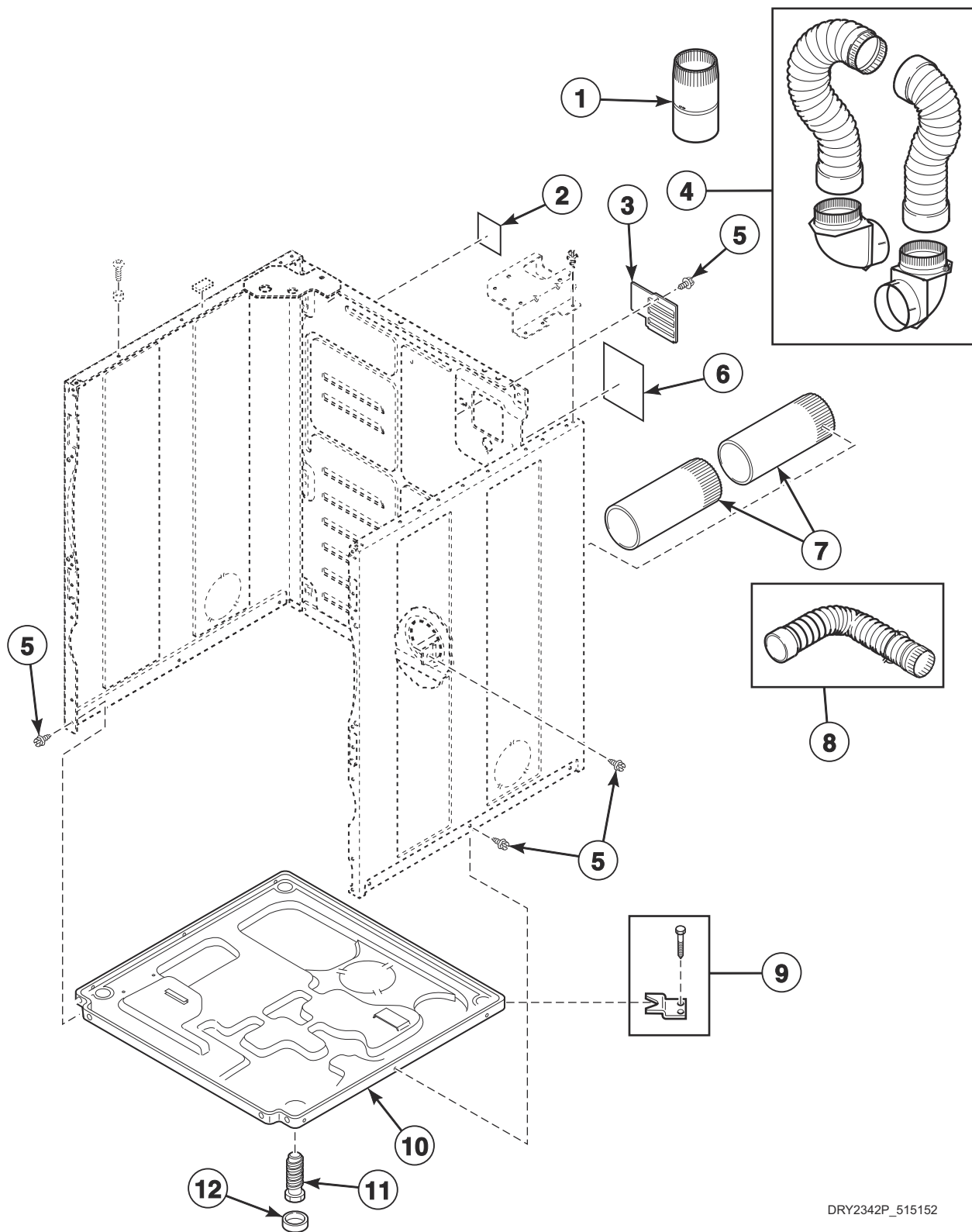


DRY2062PA_515152

Igniter and Gas Conversion Kits

REF	PART NO.	DESCRIPTION	COMMENTS
1	D510204	Lead-In Pipe Assembly	
2	51782	Screw	
3	D510184P	Igniter and Bracket Assembly	
4	23222	Screw	
5	D510213	Sensor	
6	D503688	Screw	
7	D510149P	Burner Assembly	
8	600P3	L.P. Conversion Kit	Used to convert dryers from Natural Gas (N.G.) or Mixed Gas to Liquid Petroleum Gas (L.P.) for 25,000 Btu; Models GDGBGABW301UN01, GDGBXABW301UN01, KDGBXACW301UN01, NDGBLBGS301ET01, NDGBLBGS301EW01, NDGBXAGS301EW01 and SDGBLBSS301EN01
	458P3	L.P. Conversion Kit	Used to convert dryers from N.G. or Mixed Gas to L.P. for 25,000 Btu; All other models
9	459P3	N.G. Conversion Kit	Used to convert dryers from L.P. to N.G. or Mixed Gas for 25,000 Btu; Models BDGBEAGS111CW01, BDGBLBGS301AW01, BDGBLBGW541NW01, BDGBXAGS301AW01, BDGBXAGW301AW01, HDGBXAGS111CW01, HDGBXAGS111FW28, HDGBXAGS121DW01, HDGBXAGS541DW01, HDGBYAGS111CW01, KDGBCACW111CN01, KDGBGACW111CN01, SDGBXAGS111FW28, SDGBXAGS121DW01 and SDGBXAGS541DW01

Exhaust Duct and Base

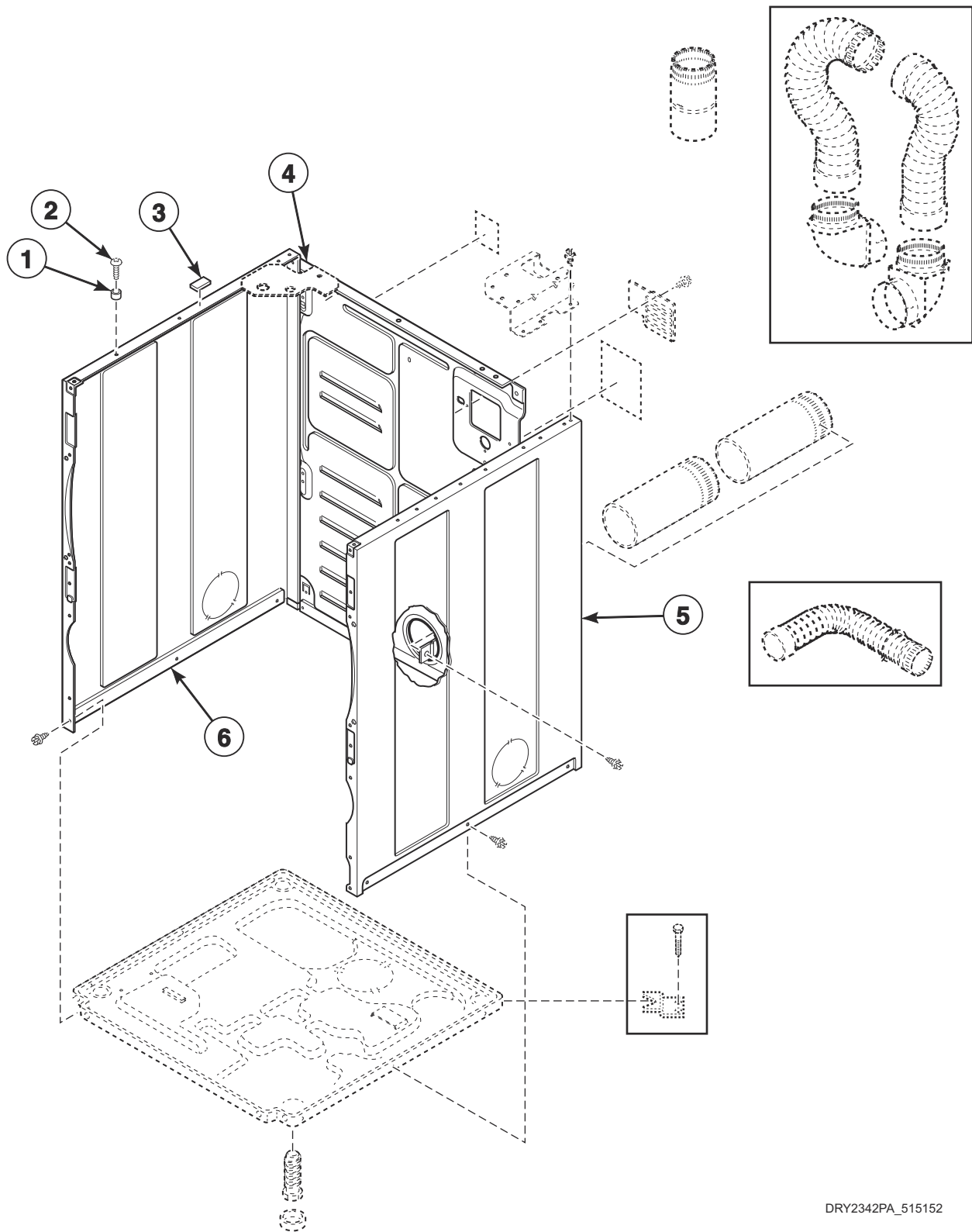


DRY2342P_515152

Exhaust Duct and Base

REF	PART NO.	DESCRIPTION	COMMENTS
	122P4P	Porcelain Touch-Up Paint	White
1	58786	Damper	Use when connecting to a manifold vent system
2	D502791	Venting Instruction Label	
3	D510903	Access Panel Plate	
4	521P3	Flexible Venting Kit	
5	D503688	Screw	
6	D511005	Electric Clearance Label	Electric models
7	D516196	Exhaust Duct	Each dryer requires 2 pieces
8	528P3	Directional Exhaust Kit	Used to vent dryer out the sides or bottom
9	526P3	Hold Down Kit	For mobile home installations
10	D514245	Dryer Base	
11	D510135	Leveling Leg	
12	D501855	Rubber Foot	

Cabinet



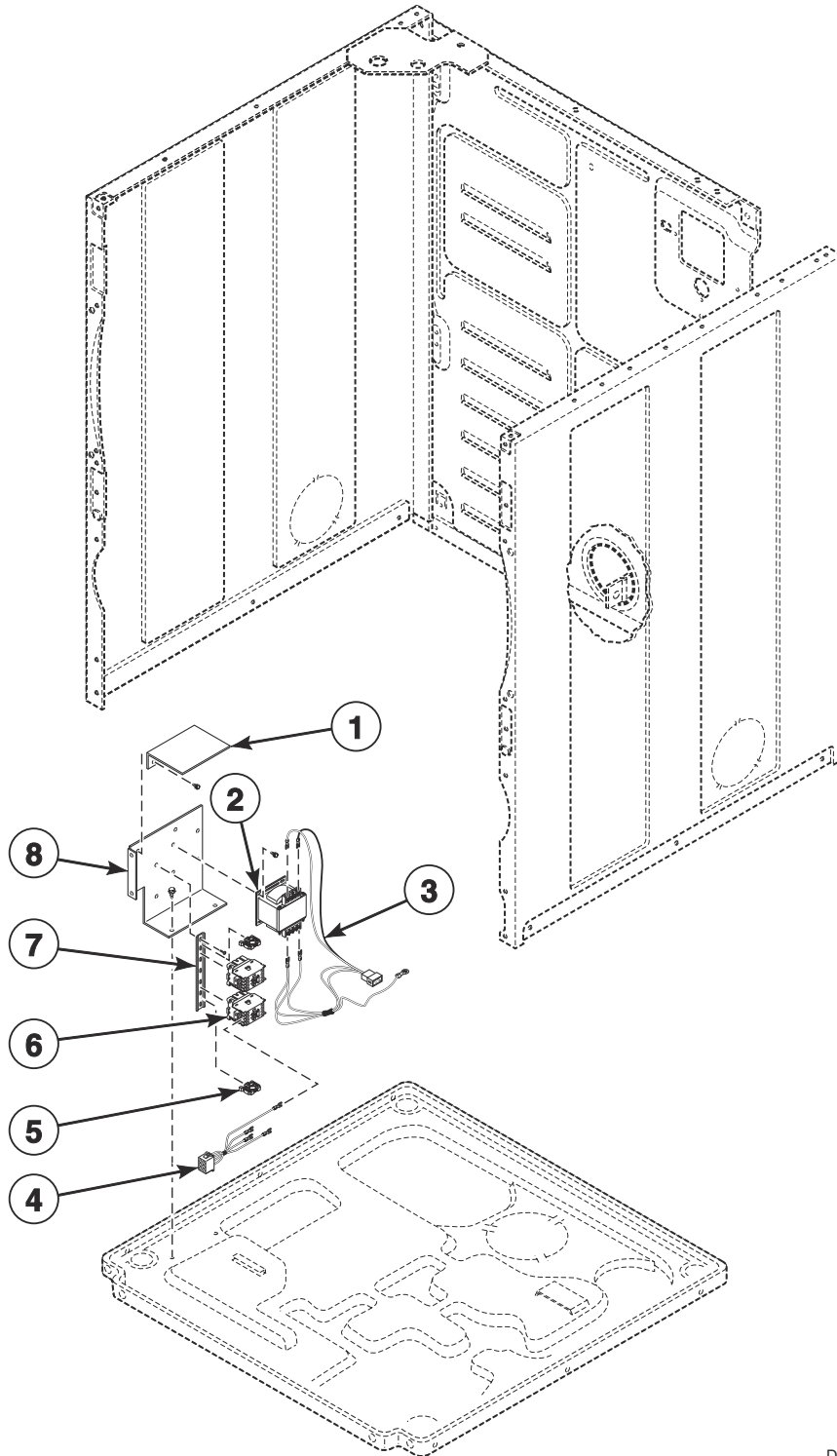
DRY2342PA_515152

Cabinet

REF	PART NO.	DESCRIPTION	COMMENTS
	122P4P	Porcelain Touch-Up Paint	White
1	56079	Panel Locator	
2	D512921	Screw	Use with stainless steel panels
	39733	Screw	Use with painted panels
3	56128	Bumper Pad	
4	D514632P	Cabinet Rear Panel	
5	D510002DGP	Cabinet Side Panel	Gray; Right; Models BDEBEAGS171CN01, GDEBGABW301UN01, GDEBGABW401UN01, GDEBXABW301UN01, GDEBXABW401UN01, GDGBGABW301UN01, GDGBXABW301UN01, KDEBCACW171CN01, KDEBGACW171CN01, KDGBCACW111CN01, KDGBGACW111CN01, KDGBXACW301UN01, SDEBLBSS401UN01 and SDGLBSS301EN01
	D512539	Cabinet Side Panel	Stainless steel; Right; Models BDEBEAGS171CN01, GDEBGABW301UN01, GDEBGABW401UN01, GDEBXABW301UN01, GDEBXABW401UN01, GDGBGABW301UN01, GDGBXABW301UN01, KDEBCACW171CN01, KDEBGACW171CN01, KDGBCACW111CN01, KDGBGACW111CN01, KDGBXACW301UN01, SDEBLBSS401UN01 and SDGLBSS301EN01
	D510002WP	Cabinet Side Panel	White; Right; All models except GDEBGABW301UN01, GDEBGABW401UN01, GDEBXABW301UN01, GDEBXABW401UN01, GDGBGABW301UN01, GDGBXABW301UN01, KDEBCACW171CN01, KDEBGACW171CN01, KDGBCACW111CN01, KDGBGACW111CN01 and KDGBXACW301UN01
6	D510001DGP	Cabinet Side Panel	Gray; Left; Models BDEBEAGS171CN01, KDEBCACW171CN01, KDEBGACW171CN01, KDGBCACW111CN01, KDGBGACW111CN01 and KDGBXACW301UN01
	D512538	Cabinet Side Panel	Stainless steel; Left; Models BDEBEAGS171CN01, GDEBGABW301UN01, GDEBGABW401UN01, GDEBXABW301UN01, GDEBXABW401UN01, GDGBGABW301UN01, GDGBXABW301UN01, KDEBCACW171CN01, KDEBGACW171CN01, KDGBCACW111CN01, KDGBGACW111CN01, KDGBXACW301UN01, SDEBLBSS401UN01 and SDGLBSS301EN01
	D510001WP	Cabinet Side Panel	White; Left; All models except GDEBGABW301UN01, GDEBGABW401UN01, GDEBXABW301UN01, GDEBXABW401UN01, GDGBGABW301UN01, GDGBXABW301UN01, KDEBCACW171CN01, KDEBGACW171CN01, KDGBCACW111CN01, KDGBGACW111CN01 and KDGBXACW301UN01

Contactor and Transformer

Models BDGBLBS301AW01, BDGBLBGW541NW01, BDGBXAGS301AW01, BDGBXAGW301AW01, GDGBGABW301UN01, GDGBXABW301UN01, HDGBXAGS541DW01, KDGBXACW301UN01, NDGBLBS301ET01, NDGBLBS301EW01, NDGBXAGS301EW01, SDGBLBS301EN01 and SDGBXAGS541DW01



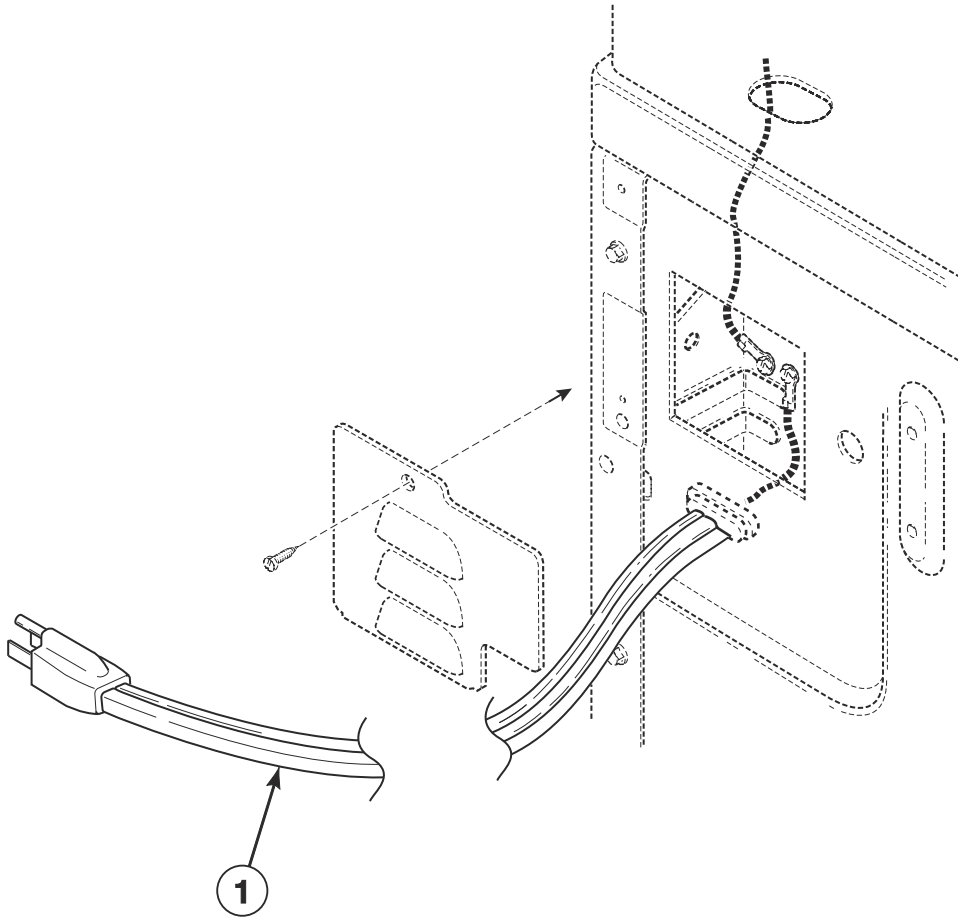
DRY2098P_515152

Contactor and Transformer

REF	PART NO.	DESCRIPTION	COMMENTS
1	801101	Card Reader Shield	Models GDGBGABW301UN01, GDGBXABW301UN01, KDGBXACW301UN01, NDGBLBGS301ET01, NDGBLBGS301EW01, NDGBXAGS301EW01 and SDGBLBSS301EN01
2	D511658P	Transformer Kit	Includes item 3; Models BDGBLBGS301AW01, BDGBLBGW541NW01, BDGBXAGS301AW01, BDGBXAGW301AW01, HDGBXAGS541DW01, KDGBXACW301UN01, NDGBLBGS301ET01, NDGBLBGS301EW01, SDGBLBSS301EN01 and SDGBXAGS541DW01
3	D511303	Wire Harness Assembly	To transformer; Includes D502592 Fuse (3.15 Amp, 250 Volt); Models BDGBLBGS301AW01, BDGBLBGW541NW01, BDGBXAGS301AW01, BDGBXAGW301AW01, HDGBXAGS541DW01, KDGBXACW301UN01, NDGBLBGS301ET01, NDGBLBGS301EW01, SDGBLBSS301EN01 and SDGBXAGS541DW01
4	D511327	Harness Assembly	Models GDGBGABW301UN01, GDGBXABW301UN01, KDGBXACW301UN01, NDGBLBGS301ET01, NDGBLBGS301EW01, NDGBXAGS301EW01 and SDGBLBSS301EN01
5	70121001	End Stop	Models GDGBGABW301UN01, GDGBXABW301UN01, KDGBXACW301UN01, NDGBXAGS301EW01 and SDGBLBSS301EN01
6	70323701P	Contactor	Models GDGBGABW301UN01, GDGBXABW301UN01, KDGBXACW301UN01, NDGBLBGS301ET01, NDGBLBGS301EW01, NDGBXAGS301EW01 and SDGBLBSS301EN01
7	M412693	Din Rail	Models GDGBGABW301UN01, GDGBXABW301UN01, KDGBXACW301UN01, NDGBXAGS301EW01 and SDGBLBSS301EN01
8	D511859	Contactor Bracket	Models BDGBLBGS301AW01, BDGBLBGW541NW01, BDGBXAGS301AW01, BDGBXAGW301AW01, HDGBXAGS541DW01, KDGBXACW301UN01, NDGBLBGS301ET01, NDGBLBGS301EW01, SDGBLBSS301EN01 and SDGBXAGS541DW01

Power Cord

All Models Except GDEBGABW401UN01, GDEBXABW401UN01, HDEBXAGS131DW01, HDEBXAGS541DW01, NDEBLBGS401UW01, NDEBXAGS401UW01, SDEBLBSS401UN01, SDEBXAGS131DW01, SDEBXAGS401UW01, SDEBXAGS541DW01 and TDEBXAGS401UW01



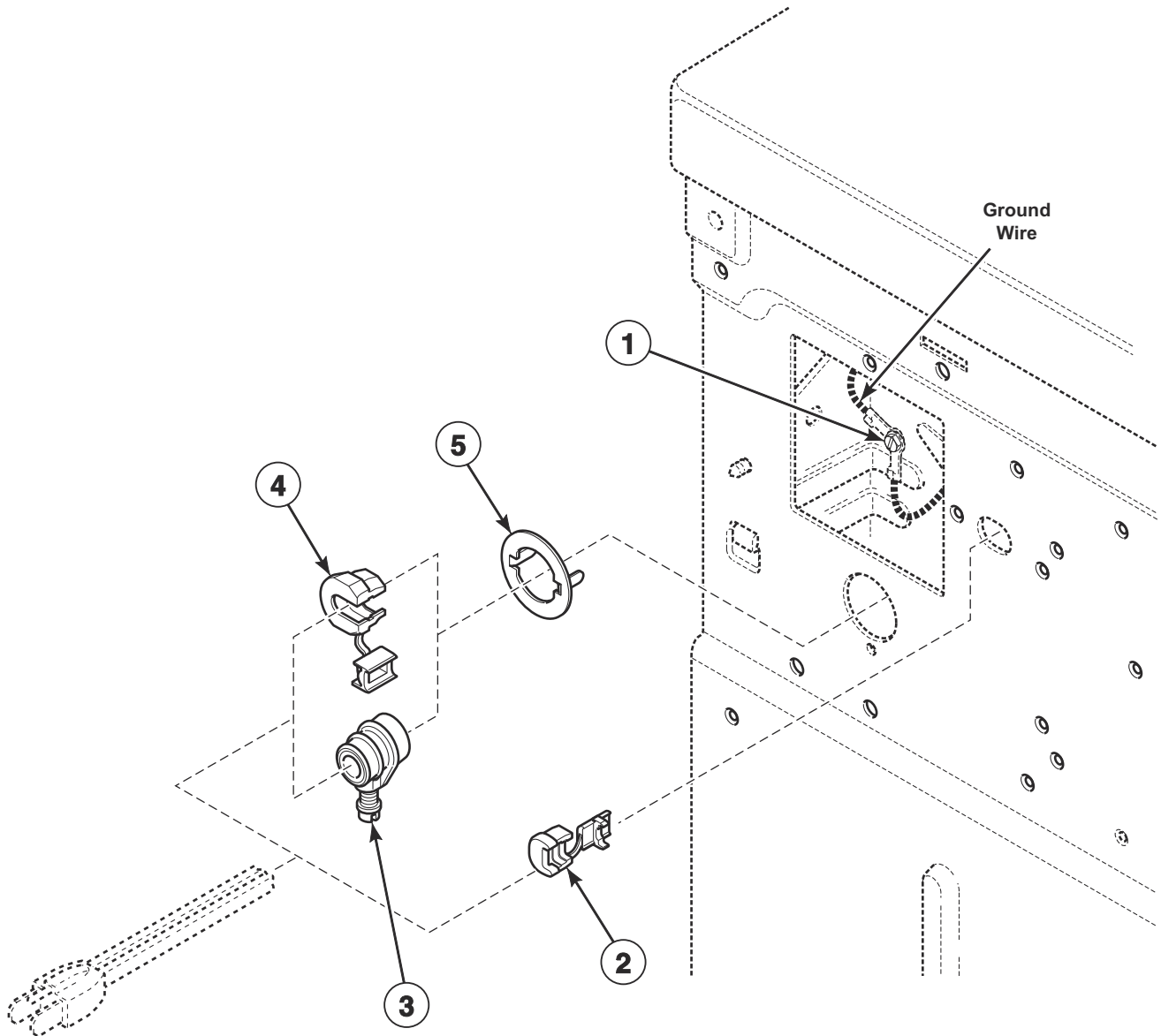
DRY1856PA_515152

Power Cord

REF	PART NO.	DESCRIPTION	COMMENTS
1	D510505P	Lead-In Cord Assembly	Models BDEBEAGS171CN01, BDEBEAGS171CW01, HDEBXAGS171CW01, HDEBXAGS171FW28, HDEBYAGS171CW01, KDEBCACW171CN01 and KDEBGACW171CN01
	61605P	Lead-In Cord Kit	Includes item 2; Models BDEBLBGS431AW01, BDEBXAGS431AW01 and SDEBXAGS431AW01
	D512019	Lead-In Cord	Models BDGBLBGS301AW01, BDGBXAGS301AW01 and BDGBXAGW301AW01
	D503597	Lead-In Cord Assembly	Models GDEBGABW301UN01, GDEBXABW301UN01, NDEBXAGS301UW01 and SDEBXAGS301UW01
	56222	Lead-In Cord	Models BDGBEAGS111CW01, HDGBXAGS111CW01, HDGBYAGS111CW01, KDGBCACW111CN01 and KDGBGACW111CN01
	D506081	Power Cord Assembly	Models NDGBLBGS301ET01, NDGBLBGS301EW01, NDGBXAGS301EW01 and SDGBLBSS301EN01
	59373	Lead-In Cord	Models BDGBLBGW541NW01, GDGBGABW301UN01, GDGBXABW301UN01 and KDGBXACW301UN01
	D514222	Lead-In Cord Assembly	Models HDGBXAGS121DW01 and SDGBXAGS121DW01
	D514289	Lead-In Cord Assembly	Models HDGBXAGS541DW01 and SDGBXAGS541DW01
	D515312	Lead-In Cord	Models HDGBXAGS111FW28 and SDGBXAGS111FW28

Strain Relief

All Models Except BDEBEAGS171CN01, BDEBEAGS171CW01, HDEBXAGS131DW01, HDEBXAGS171CW01, HDEBXAGS171FW28, HDEBXAGS541DW01, HDEBYAGS171CW01, KDEBGACW171CN01, NDEBLBGS401UW01, NDEBXAGS401UW01, SDEBXAGS131DW01, SDEBXAGS541DW01 and TDEBXAGS401UW01

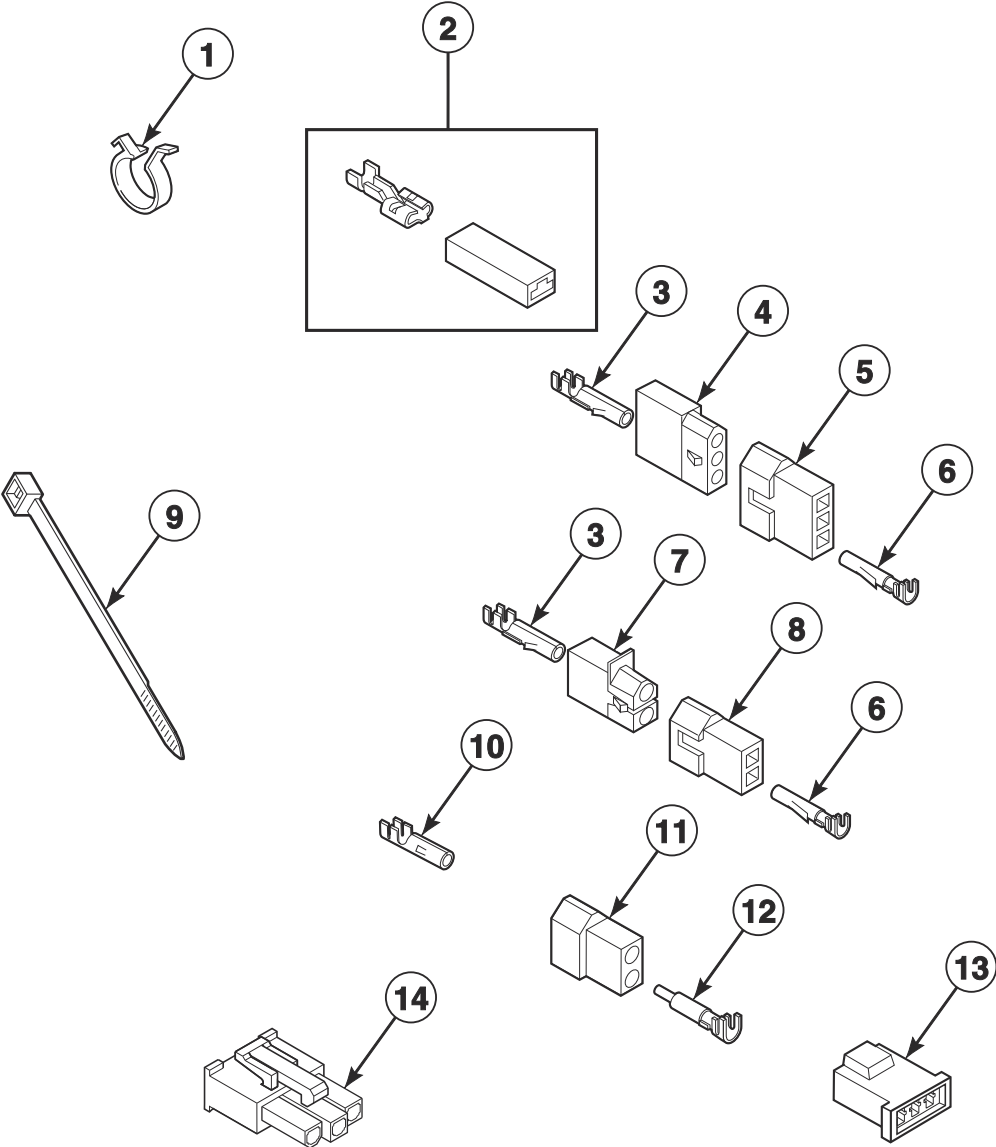


SWD1230P_515152

Strain Relief

REF	PART NO.	DESCRIPTION	COMMENTS
1	D513071	Screw	Stainless steel only; Models GDEBXABW301UN01, GDEBXABW401UN01, GDGBXABW301UN01, KDEBCACW171CN01, KDGBACW111CN01, KDGBXACW301UN01, SDEBLBSS401UN01, SDEBXAGS401UW01 and SDGBLBSS301EN01
	20530	Screw	Models BDGBLBGW541NW01, BDGBXAGS301AW01, GDEBGABW301UN01, GDEBGABW401UN01, GDGBGABW301UN01, HDGBXAGS111CW01, HDGBXAGS111FW28, HDGBXAGS121DW01, HDGBXAGS541DW01, HDGBYAGS111CW01, NDGBXAGS301EW01 and SDEBXAGS301UW01
2	38384	Strain Relief	Models BDGBEAGS111CW01, HDGBXAGS111CW01, HDGBXAGS111FW28, HDGBXAGS121DW01, HDGBXAGS541DW01, HDGBYAGS111CW01, KDGBACW111CN01, KDGBGACW111CN01, SDGBXAGS111FW28, SDGBXAGS121DW01 and SDGBXAGS541DW01
3	D502500	Strain Relief	Models GDGBGABW301UN01, GDGBXABW301UN01, KDGBXACW301UN01, NDGBLBGS301ET01, NDGBLBGS301EW01, NDGBXAGS301EW01 and SDGBLBSS301EN01
4	52113	Strain Relief	Models BDEBLBGS431AW01, BDEBXAGS431AW01, BDGBLBGW541NW01, GDEBGABW301UN01, GDEBXABW301UN01, NDEBXAGS301UW01, SDEBXAGS301UW01 and SDEBXAGS431AW01
	60298	Strain Relief	Models BDGBLBGS301AW01, BDGBXAGS301AW01 and BDGBXAGW301AW01
5	D502496	Strain Relief Adapter	Use with 59373 Lead-In Cord, D503597 Lead-In Cord Assembly, D506081 Power Cord Assembly and D512019 Lead-In Cord

Terminal Block and Terminals

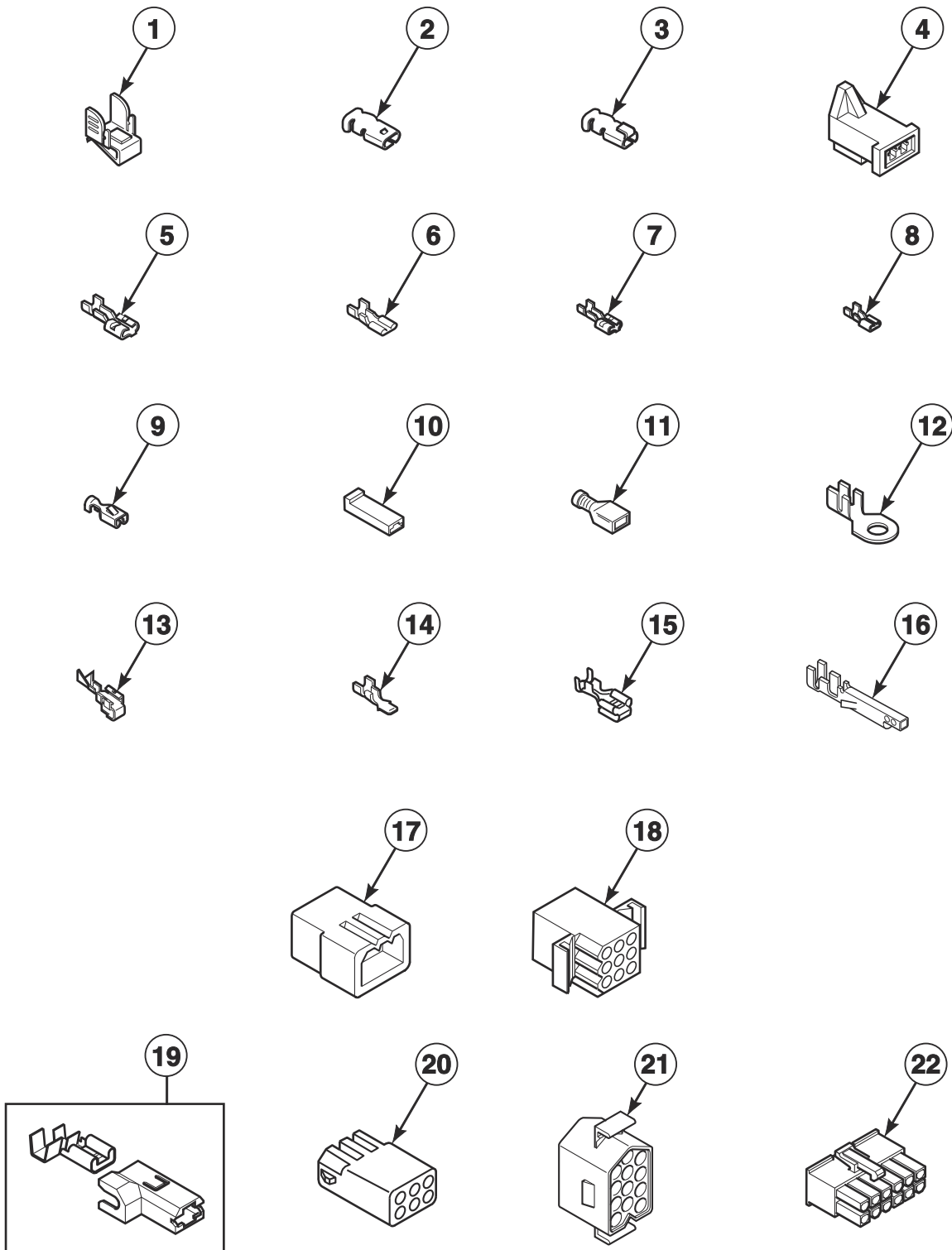


DRY2064P_515152

Terminal Block and Terminals

REF	PART NO.	DESCRIPTION	COMMENTS
1	D504034	Wire Clip	11/16 inch
	687500	Wire Clip	1 inch
2	00360	Insulated Female Spade Terminal	(1) 12 gauge wire or (2) 18 gauge wires
3	00117	Female Pin Terminal	
4	23039	3 Circuit Receptacle	
	56265	2 Circuit Receptacle	
5	23040	Plug	3 circuit
6	00116	Male Pin Terminal	
7	56451	2 Circuit Receptacle	
8	56448	2 Circuit Plug	
9	55881	Harness Strap	
10	00130	Female Pin Terminal	1/8 inch; 16-18 gauge wire
	00128	Female Pin Terminal	1/8 inch; 10-14 gauge wire
11	56266	2 Circuit Plug	
12	00127	Male Pin Terminal	0.18 insulation diameter
	00129	Male Pin Terminal	0.12 insulation diameter
13	58800	3 Circuit Connector	
14	36170	3 Circuit Receptacle	

Terminals

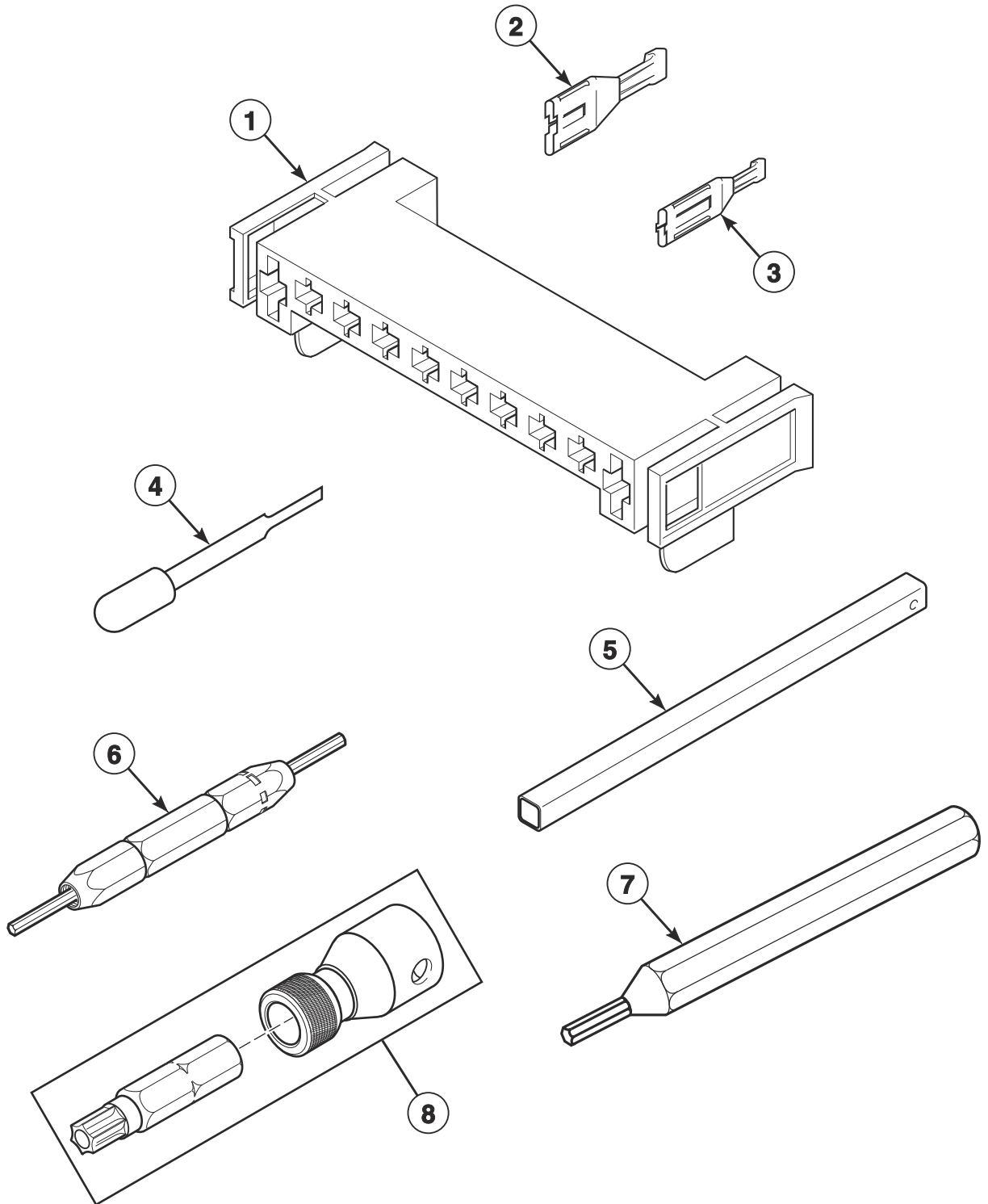


DRY2343P_515152

Terminals

REF	PART NO.	DESCRIPTION	COMMENTS
1	00161	Grounding Clip	
2	00189	Female Spade Terminal	
3	00361	Female Piggyback Terminal	
4	58799	2 Circuit Connector	
5	00223	Female Spade Terminal	1/4 inch; (1) 18 gauge wire
	00121	Female Spade Terminal	1/4 inch; (2) 18 gauge wires or (1) 12 gauge wire
	00245	Spade Terminal	1/4 inch; (1) 22 gauge wire
6	00124	Female Spade Terminal	3/16 inch; (1) 18 gauge wire; 0.020 tab
	00156	Female Spade Terminal	3/16 inch; Thermostat wire; 0.032 tab
7	00222	Female Spade Terminal	1/4 inch
8	00347	Terminal	
9	00115	Female Spade Terminal	1/4 inch; (1) 18 gauge wire
10	90789	Receptacle Housing	
11	00359	Insulated Female Spade Terminal	1/4 inch
	00165	Insulated Female Terminal	3/16 inch
12	00110	Ring Terminal	(1) 18 gauge wire
	00111	Ring Terminal	(2) 18 gauge wires or (1) 12 gauge wire
	00319	Ring Terminal	(2) 18 gauge wires or (1) 14 gauge wire
13	00114	Female Spade Terminal	1/4 inch; Double connector
14	00139	Male Tab Terminal	1/4 inch; (2) 18 gauge wires or (1) 12 gauge wire
15	00344	Female Tab Terminal	
16	00252	Terminal	
17	26302	1 Circuit Plug	
	23033	9 Circuit Plug	
	23041	6 Circuit Plug	
18	26163	9 Circuit Receptacle	
	56855	12 Circuit Receptacle	
19	00221	Insulated Female Flag Terminal	1/4 inch
20	26708	6 Circuit Receptacle	
	26301	1 Circuit Receptacle	
21	54522	Plug	
22	D501333	12 Circuit Receptacle	
	34596	10 Circuit Receptacle	

Motor Connection Block and Tools



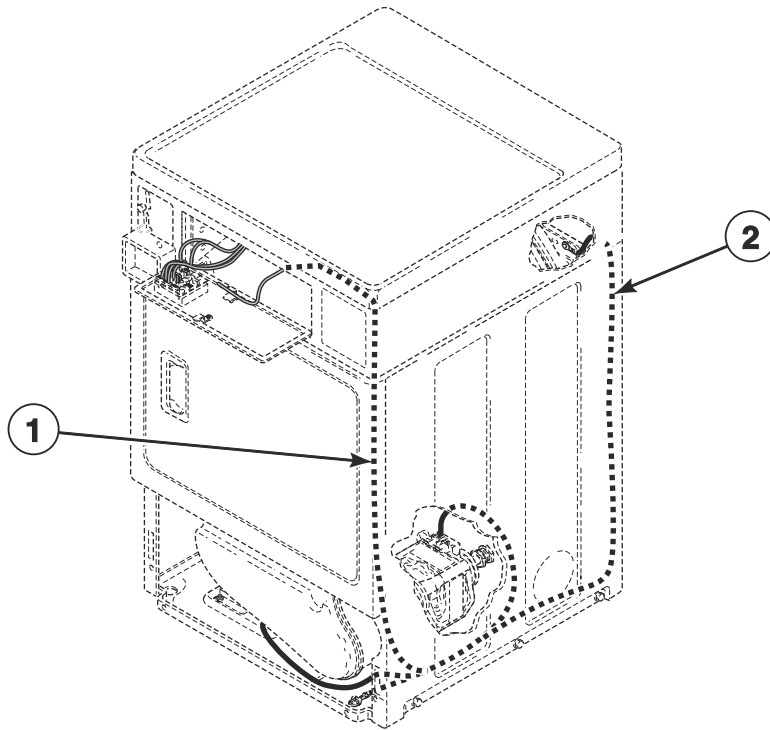
DRY2066P_515152

Motor Connection Block and Tools

REF	PART NO.	DESCRIPTION	COMMENTS
1	D500338	10 Position Housing	
2	00255	Female Terminal	1/4 inch; For (1) 12 gauge wire
	00256	Female Terminal	1/4 inch; For (1) or (2) 18 gauge wires
3	00188	Female Terminal	For 1 or 2 wire application
4	283P4	Terminal Extractor Tool	For use on Molex connectors
5	310P4	Ratchet Extension Tool	1/4 inch; For coin drop installation
6	190P4	Extractor Tool	For use on electric dryer terminals
7	128P4	Extractor Tool	For use on gas dryer terminals
8	281P4	Torx Bit	T15 Tamper Resistant Bit
	282P4	Torx Bit	Use with 62853 Screw on access panel; T25 Tamper Resistant Bit
	292P4	Torx Bit	T20 Standard Bit
	93501	Torx Drive Tool	T10 Standard Bit

Wire Harnesses and Wires - (Drawing 1 of 2)

Models GDEBGABW301UN01, GDEBGABW401UN01, GDEBXABW301UN01, GDEBXABW401UN01, GDGBGABW301UN01, GDGBXABW301UN01, KDEBCACW171CN01, KDEBGACW171CN01, KDGBACW111CN01, KDGBGACW111CN01, KDGBXACW301UN01, NDGBLBS301ET01, NDGBLBS301EW01, NDGBXAGS301EW01 and SDGBLBSS301EN01



DRY2365P_515152

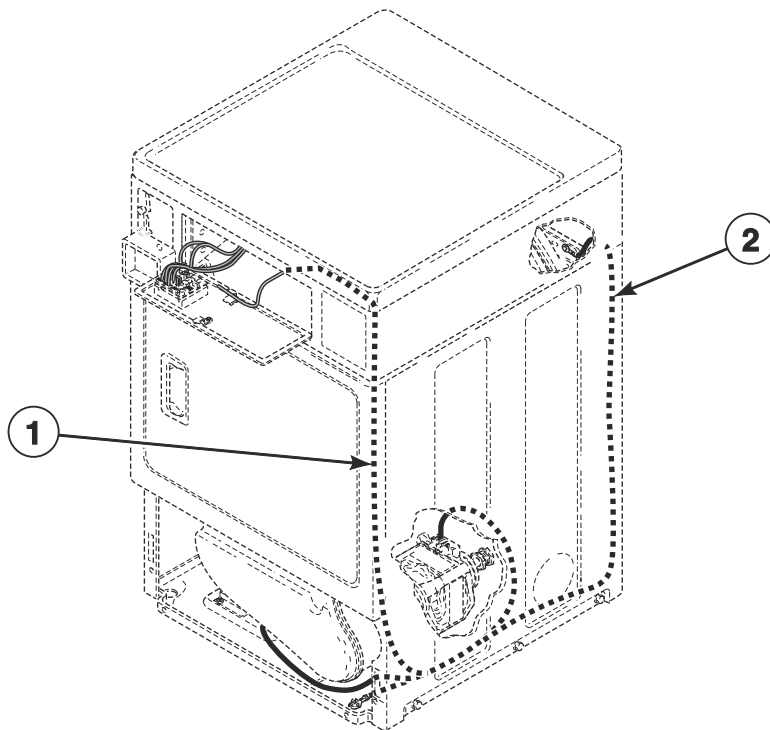
Wire Harnesses and Wires - (Drawing 1 of 2)

REF	PART NO.	DESCRIPTION	COMMENTS
	45380	12 Gauge Wire	Orange; Order wire by foot; Order terminals and connectors as required
	45001	18 Gauge Wire	Black; Order wire by foot; Order terminals and connectors as required
1	D513813	Security Cabinet Harness	Model SDGBLBSS301EN01
	D511825	Wire Harness Assembly	Models NDGBLBGS301ET01 and NDGBLBGS301EW01
2	D511755	Wire Harness Assembly	Model NDGBXAGS301EW01
	D513814	Electronic Wire Harness Assembly	Models GDEBGABW301UN01 and GDEBXABW301UN01
	D512731P	Wire Harness Assembly	Models GDGBGABW301UN01, GDGBXABW301UN01 and KDGBXACW301UN01
	D513809	Wire Harness Assembly	Models KDGBCACW111CN01 and KDGBGACW111CN01
	D513810	Front Control Harness Assembly	3 Phase; Models GDEBGABW401UN01 and GDEBXABW401UN01
	D514092	Electronic Harness	Models KDEBCACW171CN01 and KDEBGACW171CN01

NOTE: Individual wires are not available separately. Order complete harness, or order wire by the foot. When applying terminals to wires, it is recommended that the terminals be soldered to the wires.

Wire Harnesses and Wires - (Drawing 2 of 2)

Models BDEBEAGS171CN01, BDEBEAGS171CW01, BDEBLBGS431AW01, BDEBXAGS431AW01, BDGBEAGS111CW01, BDGBLBGS301AW01, BDGBLBGW541NW01, BDGBXAGS301AW01, BDGBXAGW301AW01, HDEBXAGS131DW01, HDEBXAGS171CW01, HDEBXAGS171FW28, HDEBXAGS541DW01, HDEBYAGS171CW01, HDGBXAGS111CW01, HDGBXAGS111FW28, HDGBXAGS121DW01, HDGBXAGS541DW01, HDGBYAGS111CW01, NDEBLBGS401UW01, NDEBXAGS301UW01, NDEBXAGS401UW01, SDEBLBSS401UN01, SDEBXAGS131DW01, SDEBXAGS301UW01, SDEBXAGS401UW01, SDEBXAGS431AW01, SDEBXAGS541DW01, SDGBXAGS111FW28, SDGBXAGS121DW01, SDGBXAGS541DW01 and TDEBXAGS401UW01



DRY2365P_515152

Wire Harnesses and Wires - (Drawing 2 of 2)

REF	PART NO.	DESCRIPTION	COMMENTS
	45380	12 Gauge Wire	Orange; Order wire by foot; Order terminals and connectors as required
	45001	18 Gauge Wire	Black; Order wire by foot; Order terminals and connectors as required
	D513246P	Jumper Assembly	For models with two resistors, connect jumper wire to each resistor; Models BDEBLBGS431AW01, BDEBXAGS431AW01, BDGBLBGS301AW01, BDGBLBGW541NW01, BDGBXAGS301AW01, BDGBXAGW301AW01, NDEBLBGS401UW01, NDEBXAGS301UW01, NDEBXAGS401UW01, SDEBLBSS401UN01, SDEBXAGS301UW01, SDEBXAGS401UW01, SDEBXAGS431AW01 and TDEBXAGS401UW01
1	D512422P	Wire Harness Assembly	
2	D513835	Electronic Harness	Models BDGBEAGS111CW01, HDGBXAGS111CW01, HDGBXAGS111FW28, HDGBXAGS121DW01 and HDGBYAGS111CW01
	D514855	Electronic Harness	Models SDGBXAGS111FW28 and SDGBXAGS121DW01
	D513830	Electronic Harness	Models BDEBXAGS431AW01, NDEBXAGS301UW01, SDEBXAGS301UW01 and SDEBXAGS431AW01
	D513817	Electronic Harness	Models BDGBLBGS301AW01 and BDGBLBGW541NW01
	D513839	Wire Harness Assembly	Models BDGBXAGS301AW01 and BDGBXAGW301AW01
	D513816	Wire Harness Assembly	Model SDEBLBSS401UN01
	D513818	Wire Harness Assembly	Model NDEBLBGS401UW01
	D513840	Wire Harness Assembly	Model BDEBLBGS431AW01
	D513820	Wire Harness Assembly	Models NDEBXAGS401UW01, SDEBXAGS401UW01 and TDEBXAGS401UW01
	D513843	Wire Harness Assembly	Models HDGBXAGS541DW01 and SDGBXAGS541DW01
	D514096	Electronic Harness	Models BDEBEAGS171CN01, BDEBEAGS171CW01, HDEBXAGS131DW01, HDEBXAGS171CW01, HDEBXAGS171FW28, HDEBXAGS541DW01, HDEBYAGS171CW01, SDEBXAGS131DW01 and SDEBXAGS541DW01

NOTE: Individual wires are not available separately. Order complete harness, or order wire by the foot. When applying terminals to wires, it is recommended that the terminals be soldered to the wires.

Parts Index

A

Access Panel Assembly	
D514250WP	31
D514251	31
Access Panel Plate	
D510903	67
Access Panel with Guard Assembly	
D514252G	31
Adhesive	
D511637P	41, 45, 49
Air Duct Assembly	
D510151DG	43
D510151W	43, 45
D515805LG	45
Anti-Seize Compound	
27604P	35, 37
Audit Switch Bracket	
800379	7

B

Blank Instruction Label	
D514940	17
Block to Relay Harness	
D511112P	55
Blower and Fan Kit	
D510717P	37
Blower Fan Assembly	
D510139P	37
Blower Housing	
D511969LG	37
D511969WP	37
Blower Housing Seal	
D510238P	37
Bolt	
29651	15, 19, 21
Booster and Holding Coil	
58804A	61
59063A	61
Bumper Pad	
36226	21
56128	69
Burner Assembly	
D510149P	65

C

Cabinet Rear Panel	
D514632P	69
Cabinet Side Panel	
D510001GP	69
D510001WP	69
D510002GP	69
D510002WP	69
D512538	69
D512539	69

Card Reader Shield	
801101	71
Caution Label	
D500253	33
Central Pay Harness	
D511478	7, 21
Clip	
201572	13
Coin Drop	
38963P	11
70441601P	11
Coin Drop Assembly	
CK114	11
38462P	11
38463	11
38464P	11
38467	11
38472	11
38475	11
38519	11
38521	11
39157	11
70441602	11
70482401	11
Coin Drop Kit	
CK077	11
CK123	11
Coin Drop Wire Harness	
201104	13
Coin Identification Paper	
38725	13
Combustion Duct	
D510131	59
D510132	59
Connector, 2 Circuit	
58799	79
Connector, 3 Circuit	
58800	77
Contactora	
F330177P	55
70323701P	71
Contactora Bracket	
D511859	71
Control Assembly	
D511867P	9, 21
D514273P	9, 21
Control Bracket	
D514261	21
Control Panel	
D515217	17
D515218	15
803962BP	15
803962WP	15
803966W	17
Control Panel and Bracket Assembly	
D513777B	9
D513777W	9, 17
Control Panel Assembly	
D514454	21
D514455	21
D515215	9, 17

N/A items do not appear in index.

Control Wrapper	
804627B.....	21
804627W.....	21
804630B.....	21
804630W.....	21
Conversion Kit	
756P3.....	55
Cylinder Assembly	
D505929LGP.....	45
D510265DGP.....	41
D510265LGP.....	45
D510265WP.....	41, 45
D512999DG.....	41
Cylinder Baffle	
D510102DG.....	41
D510102LG.....	45
D510102W.....	41, 45
Cylinder Belt	
D511255P.....	35
Cylinder Glide	
D513710.....	43, 45
Cylinder Glide Bracket	
D510145.....	43, 45
Cylinder Light Assembly	
D512564.....	41
D517422.....	41
Cylinder Light Lens	
D512106.....	41
Cylinder Roller	
D510708P.....	49
Cylinder Roller Bracket	
D510100.....	49
Cylinder Seal Assembly	
D510207P.....	41, 45, 49

D

Damper	
58786.....	67
Diagnostic Wire Harness Assembly	
800374.....	7
800680.....	21
Din Rail	
M412693.....	55, 71
Directional Exhaust Kit	
528P3.....	67
Door Assembly	
D516737W.....	25
Door Catch Assembly	
D510177.....	33
Door Handle Wedge	
D510129W.....	27, 29
Door Liner	
D510097W.....	29
Door Liner Assembly	
D516508.....	29
Door Liner Grill	
D503870LG.....	29
D503870W.....	27, 29
Door Pull	
D512947.....	29
Door Pull and Wedge Kit	
D510103WP.....	27, 29

Door Pull Kit	
D515656.....	23, 25
Door Strike	
D510181.....	23, 25, 27, 29
Door Strike Mount	
D510127.....	23, 25, 27, 29
Drum Light Lamp	
D503579.....	41
D512563.....	41
60954.....	41
Dryer Base	
D514245.....	67
Dryer Door	
D510013GP.....	29
D510013WP.....	29
D510082WP.....	27
D512699.....	23
D512969.....	29
Dryer Door Assembly	
D514167.....	25
Dryer Door Window	
D503982P.....	23, 25, 27

E

Elbow Shut-Off Valve	
D510205.....	61
Electric Clearance Label	
D511005.....	67
Electrical Shock Label	
F8211201.....	47
Electronic Coin Drop Assembly	
70294103P.....	13
70294104.....	13
70294107.....	13
70294109.....	13
70294110.....	13
70294111.....	13
70294120.....	13
70294121.....	13
Electronic Coin Drop Kit	
CK099.....	13
CK100.....	13
CK101.....	13
CK103.....	13
CK106.....	13
CK108.....	13
CK109.....	13
CK113.....	13
CK115.....	13
CK120.....	13
CK121.....	13
Electronic Harness	
D513817.....	85
D513830.....	85
D513835.....	85
D514092.....	83
D514096.....	85
D514855.....	85
Electronic Wire Harness Assembly	
D513814.....	83
End Stop	
70121001.....	55, 71
Exhaust Duct	
D516196.....	67

N/A items do not appear in index.

Expansion Clip	
70030501	15, 17, 21
Extractor Tool	
128P4	81
190P4	81

D514643	9
D514644	21
D514645	9
Grounding Clip	
00161	79

F

Felt Pad	
D510189	43, 45
Female Piggyback Terminal	
00361	79
Female Pin Terminal	
00117	77
00128	77
00130	77
Female Spade Terminal	
00114	79
00115	79
00121	79
00124	79
00156	79
00189	79
00222	79
00223	79
Female Tab Terminal	
00344	79
Female Terminal	
00188	81
00255	81
00256	81
Flexible Venting Kit	
521P3	67
Front Bulkhead Assembly	
D510266P	45
D512476	41
Front Control Harness Assembly	
D513810	83
Front Panel	
D510066GP	33
D510066WP	33
D512542	33
Front Panel Assembly	
D513781WP	33
Front Panel Seal	
D511056	33

G

Gas Valve Assembly	
D510506P	61
60353P	61
Gas Valve Mounting Bracket	
D510128	61
Glide Kit	
RB170003	43, 45
Graphic Overlay	
D514637	9
D514638	9
D514639	21
D514640	9
D514641	9
D514642	21

H

Harness Assembly	
D511327	71
802904P	11
802905	7, 11, 13, 17
Harness Strap	
55881	77
Heat Duct Shroud	
D510101	59
Heater	
D511014P	55
Heater Assembly	
D510324P	57
D510326P	57
D510327P	57
D510329P	57
Heater Duct Assembly	
D510025P	55, 57, 59
Heater Kit	
964P3	57
Heater Kit Assembly	
61927	57
61929	57
61930	57
Hinge	
D511036	23, 25, 27, 29
Hinge Hole Plug	
D510186	33
Hold Down Kit	
526P3	67
Housing, 10 Position	
D500338	81

I

Idler Lever	
D510133	37
Idler Lever and Wheel Assembly	
D510158	37
Idler Spring	
D510185	37
Idler Wheel and Bearing Assembly	
D510142P	37
Igniter and Bracket Assembly	
D510184P	65
Instruction Label	
D513544	15
Instruction Overlay	
D515211	17
Insulated Female Flag Terminal	
00221	79
Insulated Female Spade Terminal	
00359	79
00360	77

N/A items do not appear in index.

Insulated Female Terminal 00165	79
--	----

J

Jumper Assembly D513246P	85
Jumper Configuration Assembly M413507	7, 21
Jumper Wire Assembly D511270	55

K

Key 54612	7
--------------------	---

L

Label 805914	9
Lead-In Cord D512019	73
D515312	73
56222	73
59373	73
Lead-In Cord Assembly D503597	73
D510505P	73
D514222	73
D514289	73
Lead-In Cord Kit 61605P	73
Lead-In Pipe Assembly D510204	65
Leveling Leg D510135	67
Light Housing Assembly D512108	41
Limit Thermostat D510701	55, 57
D510702	59
Liner and Seal Assembly D510098W	27
Liner Door Seal D510147P	23, 25, 27, 29
Liner, Seal and Grill Assembly D510163WP	29
D512914DG	23, 25
D516510WP	29
Lint Filter D503980DG	43
D503980LG	45
D503980W	43, 45
Lint Filter Label D502804	33
Lock Cam 804338	7
Lock Kit 27260P	7

L.P. Conversion Kit 458P3	65
600P3	65

M

Male Pin Terminal 00116	77
00127	77
00129	77
Male Tab Terminal 00139	79
Manual Reset Thermostat M411941	39
Meter Case Assembly D515219	15
807396B	15
807396W	15
Motor and Pulley Assembly D505843P	35
D505869P	35
D511629P	35
Motor Hub Ring Kit 590P3	35
Motor Mount D510060	37
Motor Mount Clamp D510180	35
Motor Pulley D500011	35
D500222	35
Mounting Tool Kit CK096	13

N

Nut 28447	51
29786	11, 13
36020	19
44071201	25
52566	37
56156	37, 49
N.G. Conversion Kit 459P3	65
N.G. Orifice D503776	63
D503778	63
D503779	63
D503780	63
D503781	63
D510517	63

O

Operating Instruction Label D515213	15
Operating Instructions Label D514392	15
D514393	15, 17
Outlet Cover D500820	55, 57, 59

N/A items do not appear in index.

D515573	55, 57, 59
Overlay	
D513546	9
D514873	17
201091	15

P

Panel Locator	
56079	31, 33, 69
Pinch Warning Label	
F8615701	47
Plug	
23040	77
54522	79
Plug, 1 Circuit	
26302	79
Plug, 2 Circuit	
56266	77
56448	77
Plug, 6 Circuit	
23041	79
Plug, 9 Circuit	
23033	79
Pop Rivet	
685847	19
Porcelain Touch-Up Paint	
122P4P	67, 69
Power Cord Assembly	
D506081	73

R

Ratchet Extension Tool	
310P4	81
Rear Access Panel	
803998	15, 17
804614	21
Rear Bulkhead	
D512698	49
Rear Bulkhead Assembly	
D505246	49
D511082P	49
Rear Wrapper Brace	
805345	21
Receptacle Housing	
90789	79
Receptacle, 1 Circuit	
26301	79
Receptacle, 10 Circuit	
34596	79
Receptacle, 12 Circuit	
D501333	79
56855	79
Receptacle, 2 Circuit	
56265	77
56451	77
Receptacle, 3 Circuit	
23039	77
36170	77
Receptacle, 6 Circuit	
26708	79

Receptacle, 9 Circuit	
26163	79
Relay to Heater Harness	
D511114P	55
Resistor	
210100	7, 21
Retaining Ring	
23748	37, 49
Ring Terminal	
00110	79
00111	79
00319	79
Roller Kit	
RB170002	49
Rubber Foot	
D501855	67

S

Screw	
D500226	23, 25, 27, 29, 43, 45
D500227	41
D500824	37
D501086	43
D501285	43, 45, 51, 53
D501524	9
D502535	39
D503661	53
D503688	7, 15, 17, 21, 33, 37, 41, 45, 49, 51, 55, 57, 59, 61, 65, 67
D505870	27
D512631	23, 25
D512921	33, 69
D513071	75
M405188	15, 33, 41
20530	75
23008	19
23222	55, 57, 65
28448	51
31260	37
33562	31
39733	21, 31, 33, 69
51782	59, 65
52864	45
56124	61
61199	51
62588	41, 45
62853	31
70240301	15, 17
804667	21
Screw Orifice	
58719	63
Seal Kit	
RB170001	41, 45, 49
Secondary Coil	
58804B	61
59063B	61
Security Cabinet Harness	
D513813	83
Security Wrapper Assembly	
D515216	15, 17
Sensor	
D510213	65
Shaft	
56461P	37, 49

N/A items do not appear in index.

Single Overlay D512821	15
Spade Terminal 00245	79
Speed Clip 28835	33
Strain Relief D502500	75
38384	75
52113	75
60298	75
Strain Relief Adapter D502496	75
Switch D512973	7, 15, 33

T

Terminal 00252	79
00347	79
Terminal Block Assembly D505876	53
D510190P	51
Terminal Block Shield D505768	51, 53
D510237	51
Terminal Block Support Bracket D505875	53
Terminal Extractor Tool 283P4	81
Thermal Fuse Assembly D511412	55, 57
Thermistor Assembly D502366	39
D510523	39
Thermostat D510703	59
Top Mounting Bracket D504228	19
Top Panel 803868WP	19
803869	19
804684	21
804685WP	21
Top Panel Brace Assembly 804613	21
Top Panel Guide 803761	21
Torx Bit 281P4	81
282P4	81
292P4	81
Torx Drive Tool 93501	81
Transformer 201375P	7, 13
210018P	7
803527P	7, 21
Transformer Kit D511658P	71

V

Valve Assembly 60443P	61
Venting Instruction Label D502791	67

W

Warning Label D500049	47
D500314	43, 47
D512263	33
D514226	33
Warning/Caution Label D500281	33
Washer D504082	49
28449	51
29260	23, 25
52549	37, 49
Window Clip D513958	25
Window Trim D503981W	27
D512632	23
D514258	25
Wire Assembly D510527	57
D510528	57
Wire Clip D504034	77
687500	77
Wire Guard 201595P	11
Wire Harness Assembly D511303	71
D511755	83
D511825	83
D512422P	85
D512731P	83
D513809	83
D513816	85
D513818	85
D513820	85
D513839	85
D513840	85
D513843	85
Wire, 12 Gauge 45380	83, 85
Wire, 18 Gauge 45001	83, 85
Wrapper Assembly 804104B	15
804104W	15
804111W	17

N/A items do not appear in index.