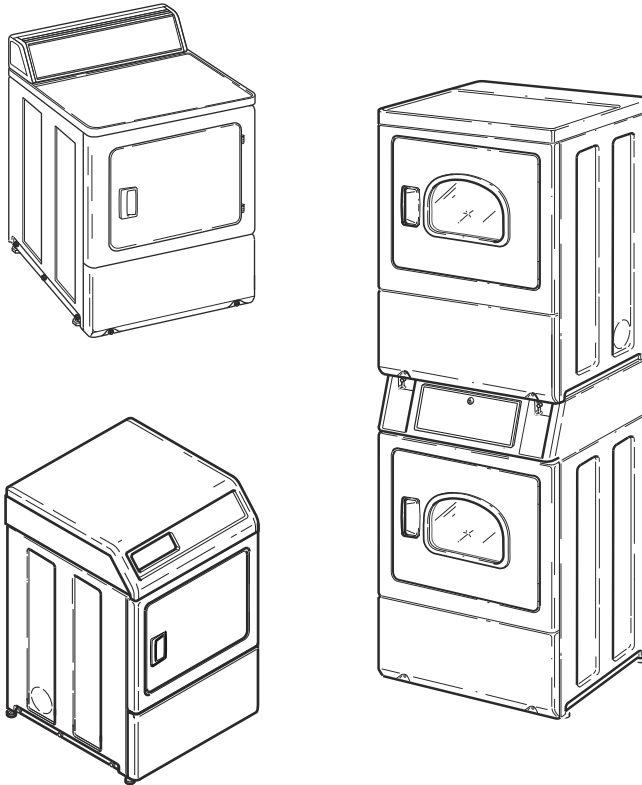


# Home Dryers

Refer to Page 3 for Model Numbers



DRY726C\_515153



# Table of Contents

Title	Page
Parts Ordering Information.....	2
Serial Plate Location .....	2
Model Identification .....	3
Control Panel and Controls - Rear Control (Drawing 1 of 2).....	4
Control Panel and Controls - Rear Control (Drawing 2 of 2).....	6
Control Panel and Controls - Front Control (Drawing 1 of 2).....	8
Control Panel and Controls - Front Control (Drawing 2 of 2).....	10
Control Panel and Controls - Stacked Models .....	12
Loading Door - Without Window .....	14
Loading Door - With Window .....	16
Access Panel, Front Panel and Seal .....	18
Motor, Exhaust Fan and Belt (Drawing 1 of 2).....	20
Motor, Exhaust Fan and Belt (Drawing 2 of 2).....	22
Cylinder .....	24
Front Bulkhead, Air Duct and Felt Seal.....	26
Rear Bulkhead, Felt Seal, Cylinder Roller and Terminal Block.....	28
Heater Duct and Element Assembly .....	30
Heater Duct Assembly .....	32
Gas Valve, Igniter and Gas Conversion Kits.....	34
Burner Orifice Spuds - For Higher Elevations.....	36
Cabinet, Exhaust Duct and Base - Single Dryers .....	38
Cabinet, Exhaust Duct and Base - Stacked Dryers .....	40
Power Cord .....	42
Lead-In Cord .....	44
Junction Box .....	46
Junction Box Filter and Harnesses .....	48
Terminal Block and Terminals .....	50
Terminals .....	52
Terminals and Terminal Extractor Tools .....	54
Wire Harnesses and Wires - Model ASGE8AGW113TW01 .....	56
Wire Harnesses and Wires - Model ASEE8AGW173TW01.....	58
Wire Harnesses and Wires - Front Control Models (Drawing 1 of 2).....	60
Wire Harnesses and Wires - Front Control Models (Drawing 2 of 2).....	62
Wire Harnesses and Wires - Rear Control Models .....	64
Parts Index.....	67

© Copyright 2023, Alliance Laundry Systems LLC

All rights reserved. No part of the contents of this book may be reproduced or transmitted in any form or by any means without the expressed written consent of the publisher.

## Parts Ordering Information

If literature or replacement parts are required, contact the source from whom the machine was purchased or contact Alliance Laundry Systems at (920) 748-3950 for the name and address of the nearest authorized parts distributor.

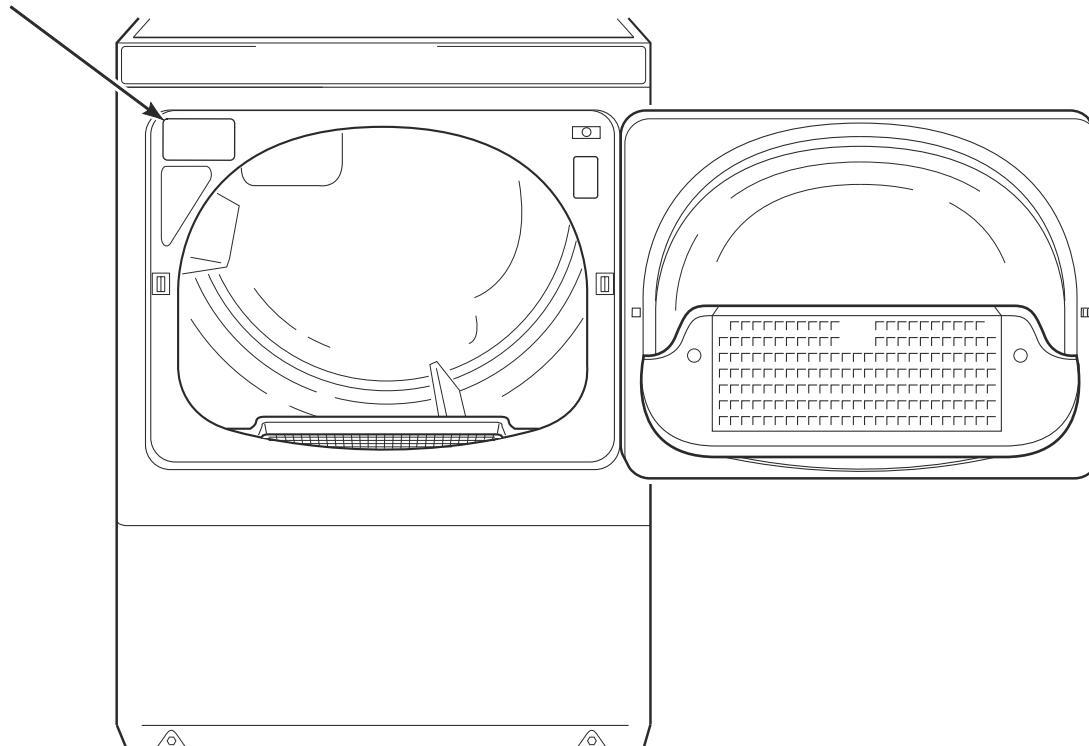
For technical assistance, call the number listed below:

(920) 748-3121 Ripon, Wisconsin

## Serial Plate Location

When calling or writing about your product, be sure to mention model and serial numbers. Model and serial numbers are located on serial plate(s) as shown.

Serial Plate



DRY2283P\_515153

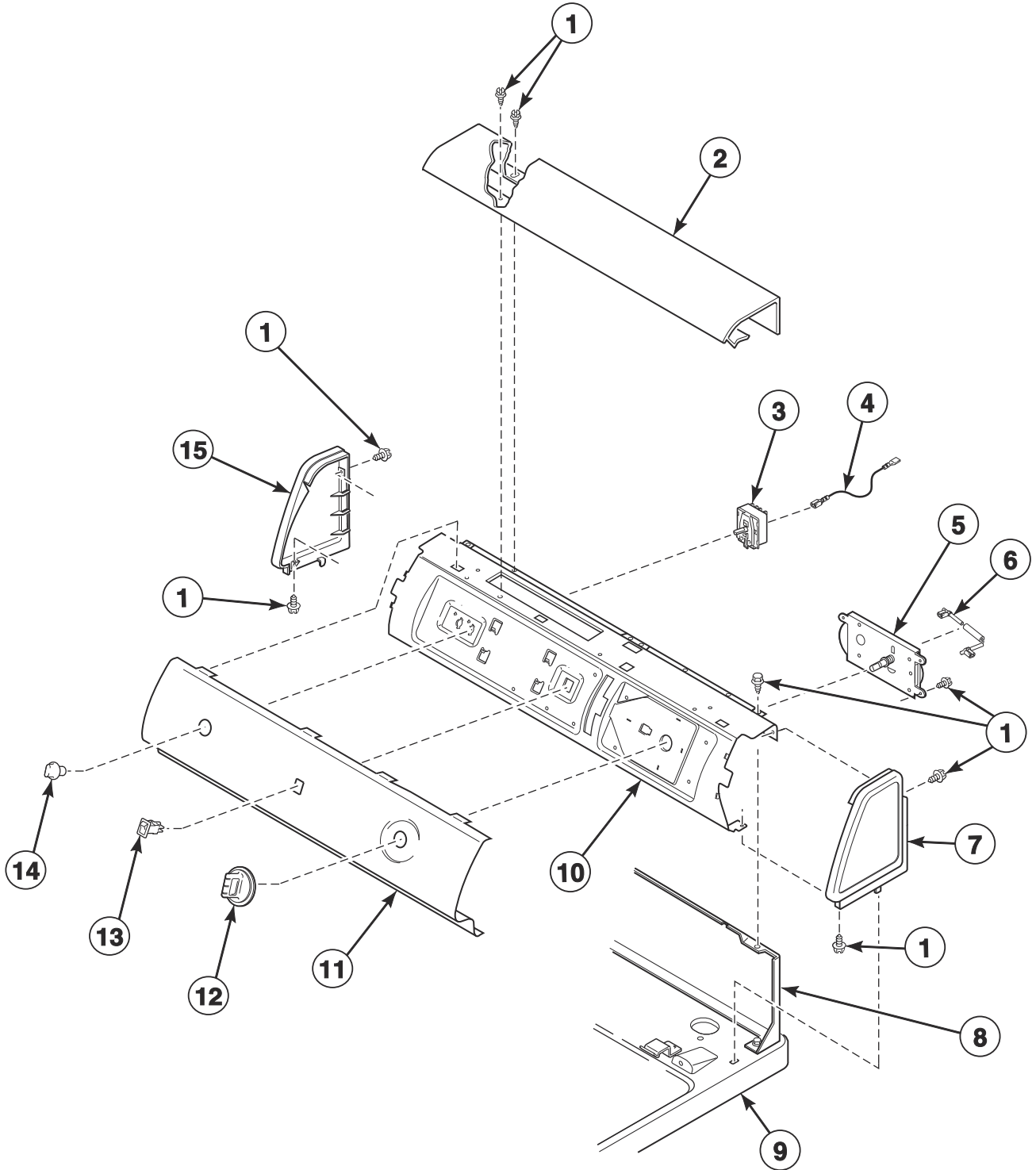
## Model Identification

Information in this manual is applicable to these dryer models:

ADE3SRGS173CW01	ZDE3SRGS173CW01
ADE3SRGS173TW01	ZDE3SRGS173FW28
ADEE8RGS173CW01	ZDEE8RGS173CW01
ADEE8RGS173TW01	ZDEE8RGS543FW01
ADEE9BGS173CW01	ZDEE9BGS173CW01
ADEE9BGS173TW01	ZDEE9BGS543FN01
ADEE9BSS173CN01	ZDEE9BGS543FW01
ADEE9BSS173TN01	ZDEE9BSS173CN01
ADEE9BSS543FN01	ZDEE9BSS543FN01
ADEE9RGS173CW01	ZDEE9RGS173CW01
ADEE9RGS173TW01	ZDEE9RGS543FW01
ADEE9RGS543FW01	ZDG3SRGS113CW01
ADG3SRGS113CW01	ZDG3SRGS113FW28
ADG3SRGS113TW01	ZDGE8RGS113CW01
ADGE8RGS113CW01	ZDGE8RGS113FW01
ADGE8RGS113TW01	ZDGE9BGS113CW01
ADGE9BGS113CW01	ZDGE9BGS113FN01
ADGE9BGS113TW01	ZDGE9BGS113FW01
ADGE9BSS113CN01	ZDGE9BSS113CN01
ADGE9BSS113FN01	ZDGE9BSS113FN01
ADGE9BSS113TN01	ZDGE9RGS113CW01
ADGE9RGS113CW01	ZDGE9RGS113FW01
ADGE9RGS113FW01	
ADGE9RGS113TW01	
ASEE8AGW173TW01	
ASGE8AGW113TW01	

# Control Panel and Controls - Rear Control (Drawing 1 of 2)

Models ADE3SRGS173CW01, ADE3SRGS173TW01, ADG3SRGS113CW01, ADG3SRGS113TW01, ZDE3SRGS173CW01, ZDE3SRGS173FW28, ZDG3SRGS113CW01 and ZDG3SRGS113FW28



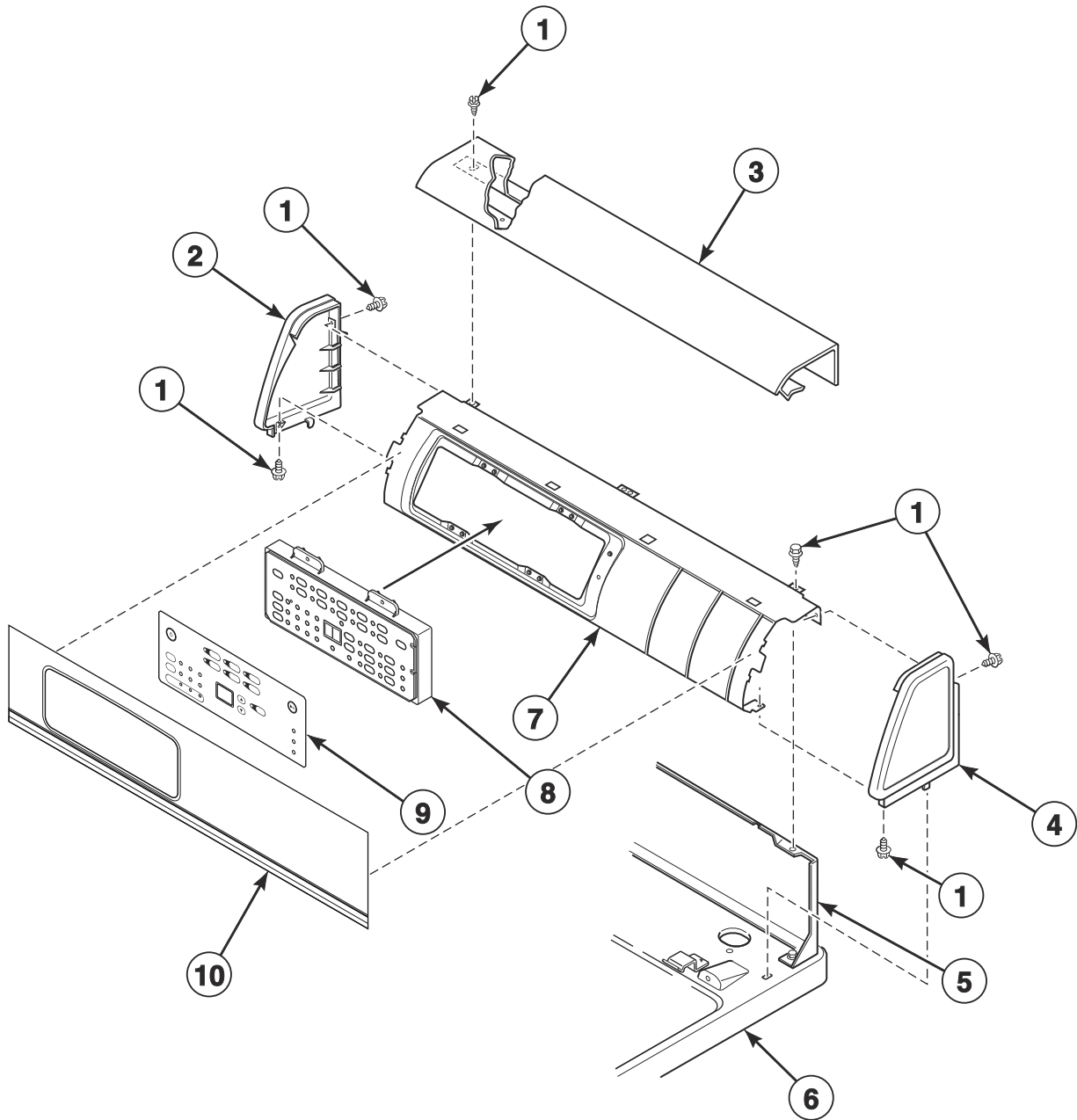
DRY2559P\_515153

## Control Panel and Controls - Rear Control (Drawing 1 of 2)

REF	PART NO.	DESCRIPTION	COMMENTS
1	D501086	Screw	
2	D505808W	Top Cover	
3	D513505	Fabric Selector Switch	
4	D518708	Wire Assembly	Fabric selector switch to timer; Models ADE3SRGS173CW01, ADE3SRGS173TW01, ZDE3SRGS173CW01 and ZDE3SRGS173FW28
5	D505797P	Timer and Harness Kit	Models ADE3SRGS173CW01, ADE3SRGS173TW01 and ZDE3SRGS173CW01; Model ZDE3SRGS173FW28 through 6/30/22
	D519030	Timer Conversion Kit	Models ADE3SRGS173CW01, ADE3SRGS173TW01 and ZDE3SRGS173CW01; Model ZDE3SRGS173FW28 through 6/30/22; Replaces D505797P Timer and Harness Kit
	D517557	Timer	Model ZDE3SRGS173FW28 starting 7/1/22; Model ZDG3SRGS113FW28 starting 11/15/20
	D505794P	Timer	Models ADG3SRGS113CW01, ADG3SRGS113TW01 and ZDG3SRGS113CW01; Model ZDG3SRGS113FW28 through 11/14/20
	D519034	Timer Conversion Kit	Models ADG3SRGS113CW01, ADG3SRGS113TW01 and ZDG3SRGS113CW01; Model ZDG3SRGS113FW28 through 11/14/20; Replaces D505794P Timer
6	D511277	Resistor Assembly	Models ADE3SRGS173CW01, ADE3SRGS173TW01, ZDE3SRGS173CW01 and ZDE3SRGS173FW28
7	D504008WP	End Panel	Right
8	D510099	Hood Back Panel	
9	D510029WP	Top Panel Kit	
10	D503901	Control Support Panel	
11	D513016W	Graphic Panel	Models ZDE3SRGS173CW01 and ZDG3SRGS113CW01; Model ZDE3SRGS173FW28 through 6/30/22; Model ZDG3SRGS113FW28 through 11/14/20
	D513011W	Graphic Panel	Models ADE3SRGS173TW01 and ADG3SRGS113TW01
	D516066W	Graphic Panel	Models ADE3SRGS173CW01 and ADG3SRGS113CW01
	D517553	Graphic Panel	Model ZDE3SRGS173FW28 starting 7/1/22; Model ZDG3SRGS113FW28 starting 11/15/20
12	803168P	Knob Assembly	All other models; Model ZDE3SRGS113FW28 starting 7/1/22; Model ZDG3SRGS113FW28 starting 11/15/20
	D517776	Knob Assembly	Model ZDE3SRGS173FW28 starting 7/1/22; Model ZDG3SRGS113FW28 starting 11/15/20
13	D517616	Push Button Switch	Model ZDG3SRGS113FW28 starting Serial No. 2012000001; Model ZDE3SRGS173FW28 starting 7/1/22
14	803119P	Control Knob Assembly	
15	D504009WP	End Panel	Left

# Control Panel and Controls - Rear Control (Drawing 2 of 2)

Models ADEE8RGS173CW01, ADEE8RGS173TW01, ADEE9RGS173CW01, ADEE9RGS173TW01, ADEE9RGS543FW01, ADGE8RGS113CW01, ADGE8RGS113TW01, ADGE9RGS113CW01, ADGE9RGS113FW01, ADGE9RGS113TW01, ZDEE8RGS173CW01, ZDEE8RGS543FW01, ZDEE9RGS173CW01, ZDEE9RGS543FW01, ZDGE8RGS113CW01, ZDGE8RGS113FW01, ZDGE9RGS113CW01 and ZDGE9RGS113FW01



DRY2323P\_515153

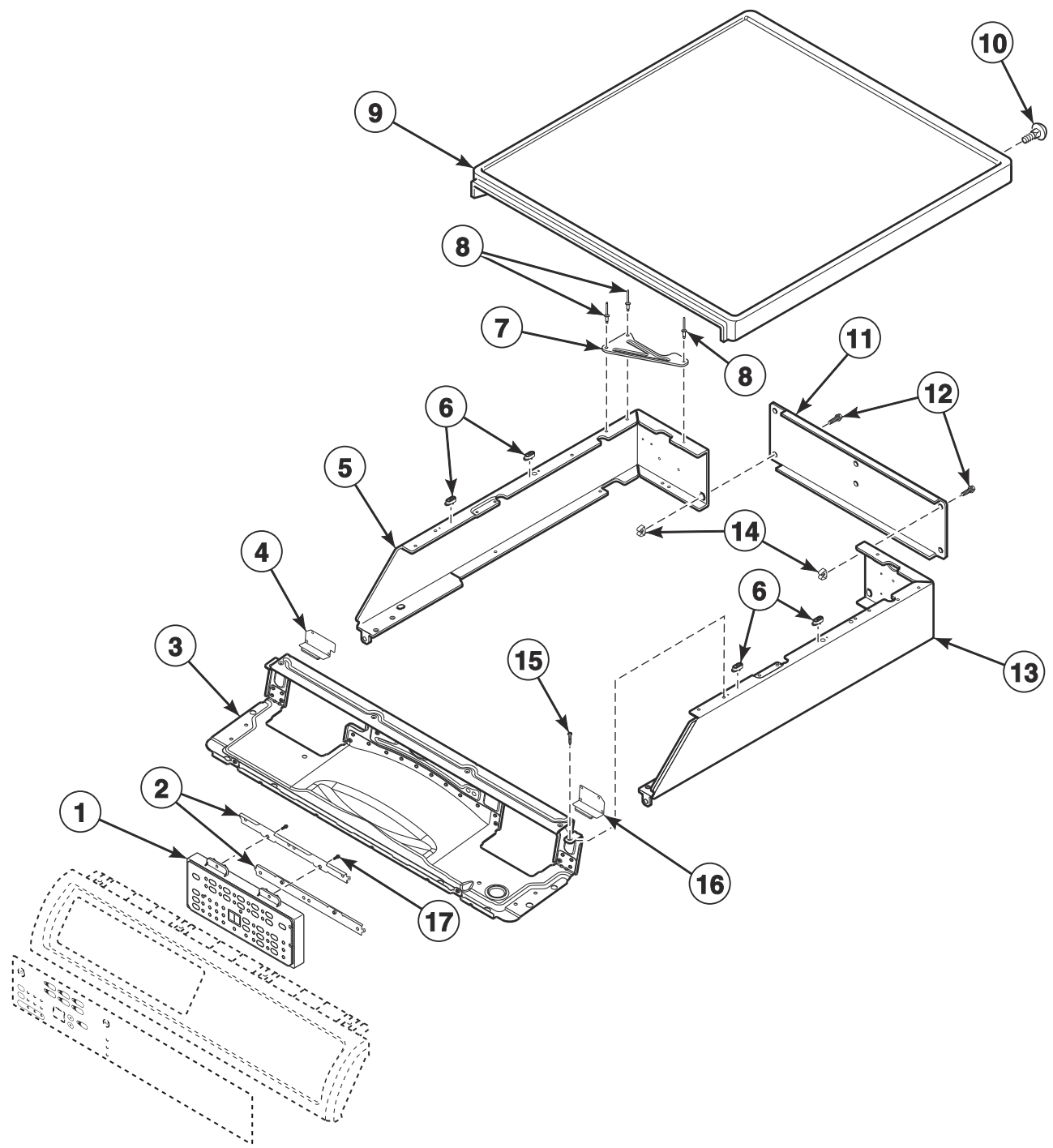


## Control Panel and Controls - Rear Control (Drawing 2 of 2)

REF	PART NO.	DESCRIPTION	COMMENTS
1	D501086	Screw	
2	D504009WP	End Panel	Left
3	D505808W	Top Cover	
4	D504008WP	End Panel	Right
5	804169	Hood Back Panel	
6	D510029WP	Top Panel Kit	
7	804836	Control Support Panel	
8	D515501P	Control Assembly	Includes item 9; Models ADEE9RGS173TW01 and ADGE9RGS113TW01
	D515502	Control Assembly	Includes item 9; Models ADEE9RGS173CW01, ADGE9RGS113CW01, ZDEE9RGS173CW01, ZDEE9RGS543FW01, ZDGE9RGS113CW01 and ZDGE9RGS113FW01
	D515503P	Control Assembly	Includes item 9; Models ADEE8RGS173TW01 and ADGE8RGS113TW01
	D515504P	Control Assembly	Includes item 9; Models ADEE8RGS173CW01, ADGE8RGS113CW01, ZDEE8RGS173CW01, ZDEE8RGS543FW01, ZDGE8RGS113CW01 and ZDGE8RGS113FW01
	D517585	Control Assembly	Model ADEE9RGS543FW01
	D514121	Control Assembly	Model ADGE9RGS113FW01
9	D513779	Overlay	Models ADEE9RGS173TW01, ADEE9RGS543FW01, ADGE9RGS113FW01 and ADGE9RGS113TW01
	D514192	Control Overlay	Models ADEE9RGS173CW01, ADGE9RGS113CW01, ZDEE9RGS173CW01, ZDEE9RGS543FW01, ZDGE9RGS113CW01 and ZDGE9RGS113FW01
	D514189	Control Overlay	Models ADEE8RGS173TW01 and ADGE8RGS113TW01
	D514191	Control Overlay	Models ADEE8RGS173CW01, ADGE8RGS113CW01, ZDEE8RGS173CW01, ZDEE8RGS543FW01, ZDGE8RGS113CW01 and ZDGE8RGS113FW01
10	805450	Graphic Panel	Models ZDEE8RGS173CW01, ZDEE8RGS543FW01, ZDEE9RGS173CW01, ZDEE9RGS543FW01, ZDGE8RGS113CW01, ZDGE8RGS113FW01, ZDGE9RGS113CW01 and ZDGE9RGS113FW01
	804565	Graphic Panel	Models ADEE8RGS173CW01, ADEE8RGS173TW01, ADEE9RGS173CW01, ADEE9RGS173TW01, ADEE9RGS543FW01, ADGE8RGS113CW01, ADGE8RGS113TW01, ADGE9RGS113CW01, ADGE9RGS113FW01 and ADGE9RGS113TW01

# Control Panel and Controls - Front Control (Drawing 1 of 2)

Models ADEE9BGS173CW01, ADEE9BGS173TW01, ADEE9BSS173CN01, ADEE9BSS173TN01, ADEE9BSS543FN01, ADGE9BGS113CW01, ADGE9BGS113TW01, ADGE9BSS113CN01, ADGE9BSS113FN01, ADGE9BSS113TN01, ZDEE9BGS173CW01, ZDEE9BGS543FN01, ZDEE9BGS543FW01, ZDEE9BSS173CN01, ZDEE9BSS543FN01, ZDGE9BGS113CW01, ZDGE9BGS113CW01, ZDGE9BGS113FN01, ZDGE9BSS113CN01 and ZDGE9BSS113FN01



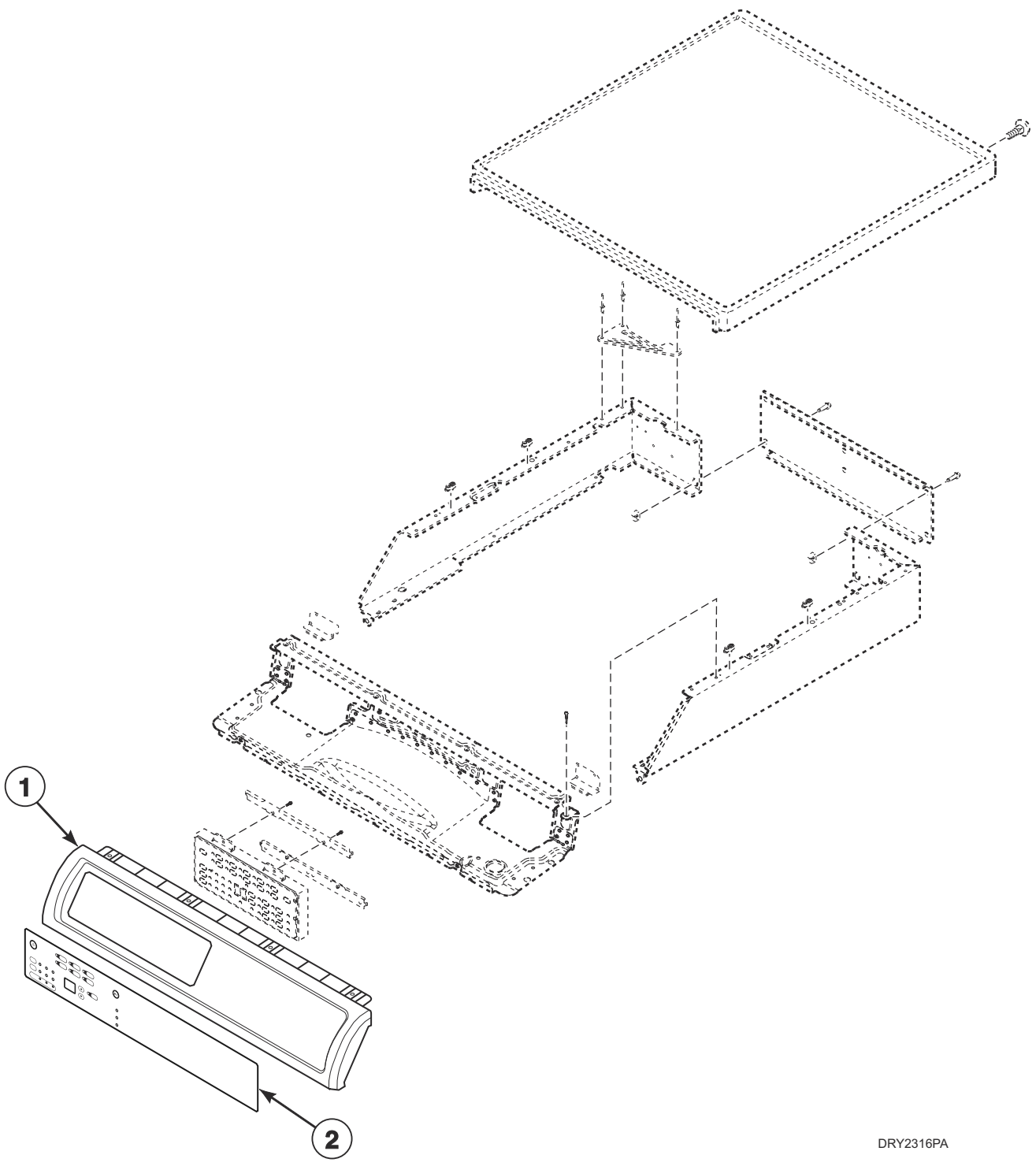
DRY2316P

## Control Panel and Controls - Front Control (Drawing 1 of 2)

REF	PART NO.	DESCRIPTION	COMMENTS
1	D517585	Control Assembly	Models ADEE9BSS543FN01 and ADGE9BSS113FN01
	D514121P	Control Assembly	All other models
2	804611	Control Bracket	2 required
3	804613	Top Panel Brace Assembly	
4	804741	Control Access Panel	Left; Models ADEE9BGS173CW01, ADEE9BGS173TW01, ADEE9BSS173CN01, ADEE9BSS173TN01, ADEE9BSS543FN01, ZDEE9BGS173CW01, ZDEE9BGS543FW01, ZDEE9BSS173CN01 and ZDEE9BSS543FN01
5	804627W	Control Wrapper	Left; Models ADEE9BGS173CW01, ADEE9BGS173TW01, ADGE9BGS113CW01, ADGE9BGS113TW01, ZDEE9BGS173CW01, ZDEE9BGS543FN01, ZDEE9BGS543FW01, ZDGE9BGS113CW01 and ZDGE9BGS113CW01
	804627B	Control Wrapper	Left; Models ADEE9BSS173CN01, ADEE9BSS173TN01, ADEE9BSS543FN01, ADGE9BSS113CN01, ADGE9BSS113FN01, ADGE9BSS113TN01, ZDEE9BSS173CN01, ZDEE9BSS543FN01, ZDGE9BGS113FN01, ZDGE9BSS113CN01 and ZDGE9BSS113FN01
6	803761	Top Panel Guide	4 required; Use 39733 Screw to attach
7	805345	Rear Wrapper Brace	
8	685847	Pop Rivet	
9	804685WP	Top Panel	Models ADEE9BGS173CW01, ADEE9BGS173TW01, ADGE9BGS113CW01, ADGE9BGS113TN01, ZDEE9BGS173CW01, ZDEE9BGS543FN01, ZDEE9BGS543FW01, ZDGE9BGS113CW01 and ZDGE9BGS113CW01
	804684	Top Panel	Models ADEE9BSS173CN01, ADEE9BSS173TN01, ADEE9BSS543FN01, ADGE9BSS113CN01, ADGE9BSS113FN01, ADGE9BSS113TN01, ZDEE9BSS173CN01, ZDEE9BSS543FN01, ZDGE9BGS113FN01, ZDGE9BSS113CN01 and ZDGE9BSS113FN01
10	29651	Bolt	4 required
11	804614	Rear Access Panel	
12	70240301	Screw	8 required
13	804630W	Control Wrapper	Right; Models ADEE9BGS173CW01, ADEE9BGS173TW01, ADGE9BGS113CW01, ADGE9BGS113TN01, ZDEE9BGS173CW01, ZDEE9BGS543FN01, ZDEE9BGS543FW01, ZDGE9BGS113CW01 and ZDGE9BGS113CW01
	804630B	Control Wrapper	Right; Models ADEE9BSS173CN01, ADEE9BSS173TN01, ADEE9BSS543FN01, ADGE9BSS113CN01, ADGE9BSS113FN01, ADGE9BSS113TN01, ZDEE9BSS173CN01, ZDEE9BSS543FN01, ZDGE9BGS113FN01, ZDGE9BSS113CN01 and ZDGE9BSS113FN01
14	70030501	Expansion Clip	
15	D503688	Screw	
16	804793	Control Access Panel	Right; Models ADEE9BGS173TW01, ADEE9BSS173TN01, ZDEE9BGS173CW01, ZDEE9BGS543FW01, ZDEE9BSS173CN01 and ZDEE9BSS543FN01
17	804608	Screw	

# Control Panel and Controls - Front Control (Drawing 2 of 2)

Models ADEE9BGS173CW01, ADEE9BGS173TW01, ADEE9BSS173CN01, ADEE9BSS173TN01, ADEE9BSS543FN01, ADGE9BGS113CW01, ADGE9BGS113TW01, ADGE9BSS113CN01, ADGE9BSS113FN01, ADGE9BSS113TN01, ZDEE9BGS173CW01, ZDEE9BGS543FN01, ZDEE9BGS543FW01, ZDEE9BSS173CN01, ZDEE9BSS543FN01, ZDGE9BGS113CW01, ZDGE9BGS113FN01, ZDGE9BGS113FW01, ZDGE9BSS113CN01 and ZDGE9BSS113FN01



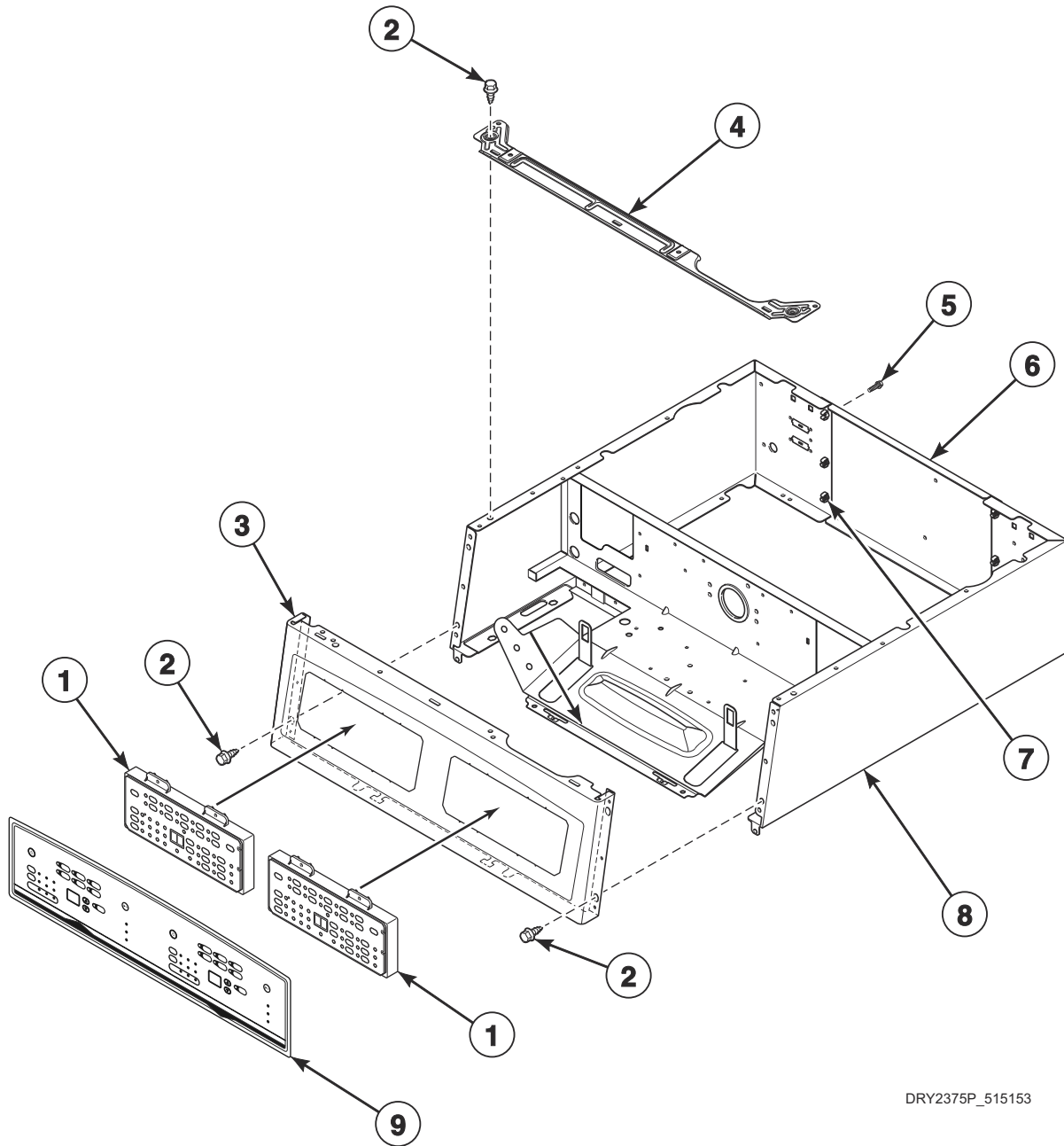
DRY2316PA

## Control Panel and Controls - Front Control (Drawing 2 of 2)

REF	PART NO.	DESCRIPTION	COMMENTS
1	804960	Control Panel Assembly	Use 804667 Screw to attach; Models ZDEE9BGS543FN01, ZDEE9BGS543FW01 and ZDGE9BGS113FW01
	804961	Control Panel Assembly	Use 804667 Screw to attach; Models ADEE9BSS543FN01, ADGE9BSS113FN01, ZDEE9BSS543FN01, ZDGE9BGS113FN01 and ZDGE9BSS113FN01
	804659W	Control Panel Assembly	Use 804667 Screw to attach; Models ADEE9BGS173CW01, ADEE9BGS173TW01, ADGE9BGS113CW01, ADGE9BGS113TW01, ZDEE9BGS173CW01, ZDEE9BGS543FW01, ZDGE9BGS113CW01 and ZDGE9BGS113FW01
	804660	Control Panel Assembly	Use 804667 Screw to attach; Models ADEE9BSS173CN01, ADEE9BSS173TN01, ADGE9BSS113CN01, ADGE9BSS113TN01, ZDEE9BSS173CN01, ZDEE9BSS543FN01, ZDGE9BSS113CN01 and ZDGE9BSS113FN01
2	D515062	Control Overlay	Models ADEE9BGS173CW01, ADGE9BGS113CW01, ZDEE9BGS173CW01, ZDEE9BGS543FN01, ZDEE9BGS543FW01, ZDGE9BGS113CW01 and ZDGE9BGS113FW01
	D515634	Control Overlay	Models ADEE9BSS173CN01, ADGE9BSS113CN01, ZDEE9BSS173CN01, ZDEE9BSS543FN01, ZDGE9BGS113FN01, ZDGE9BSS113CN01 and ZDGE9BSS113FN01
	D514186	Control Overlay	Models ADEE9BGS173TW01 and ADGE9BGS113TW01
	D515630	Control Overlay	Models ADEE9BSS173TN01, ADEE9BSS543FN01 and ADGE9BSS113TN01
	D515633	Control Overlay	Models ADEE9BSS173CN01, ADGE9BSS113CN01 and ADGE9BSS113FN01
	D514316	Control Overlay	Models ADEE9BGS173CW01 and ADGE9BGS113CW01

# Control Panel and Controls - Stacked Models

Models ASEE8AGW173TW01 and ASGE8AGW113TW01



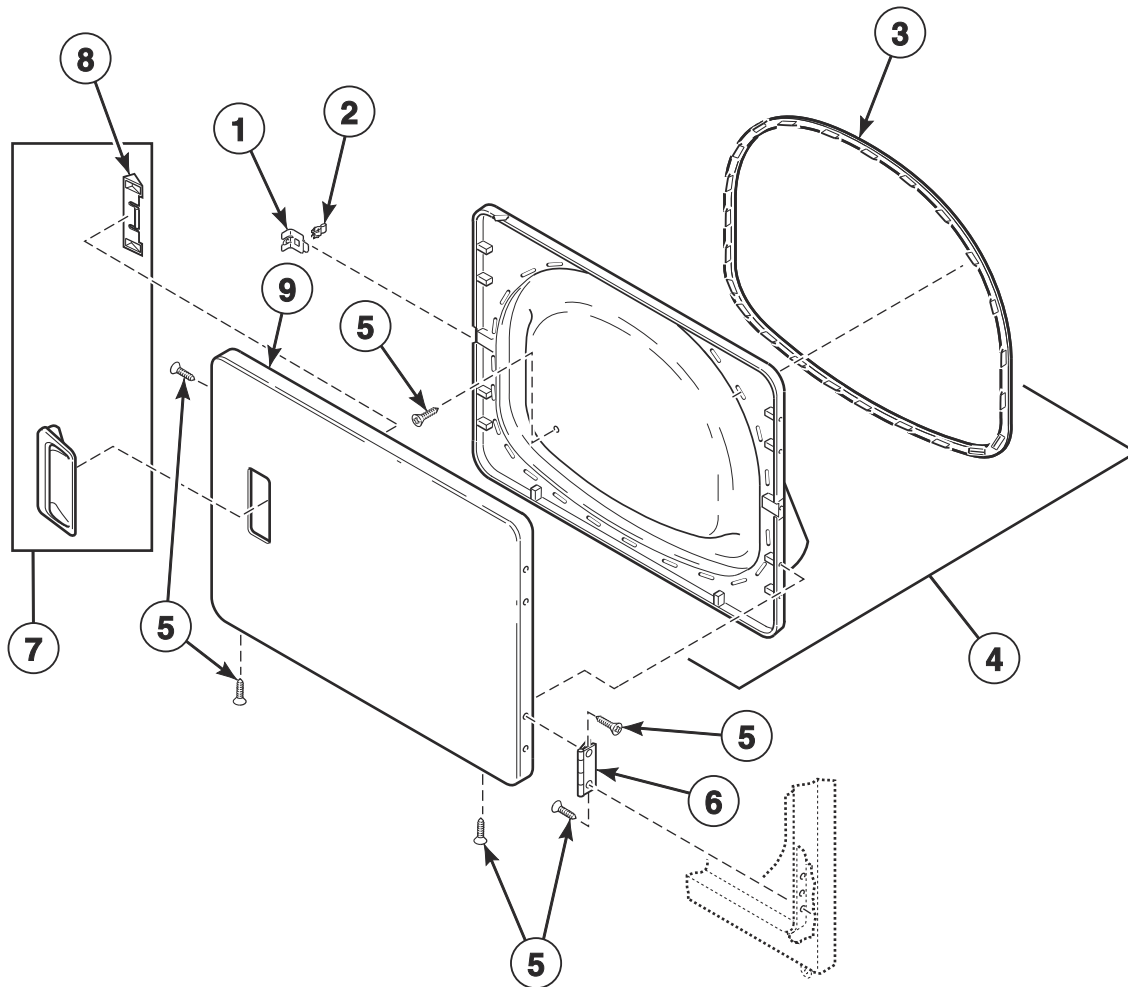
DRY2375P\_515153

## Control Panel and Controls - Stacked Models

REF	PART NO.	DESCRIPTION	COMMENTS
1	D514338P	Control	2 required
2	D503688	Screw	
3	803960WP	Control Panel	
4	804018	Shield Bracket	
5	70240301	Screw	
6	803998	Rear Access Panel	
7	70030501	Expansion Clip	
8	804112W	Wrapper Assembly	
9	D514683	Overlay	

# Loading Door - Without Window

All Models Except ASEE8AGW173TW01 and ASGE8AGW113TW01



DRY1876P\_515153

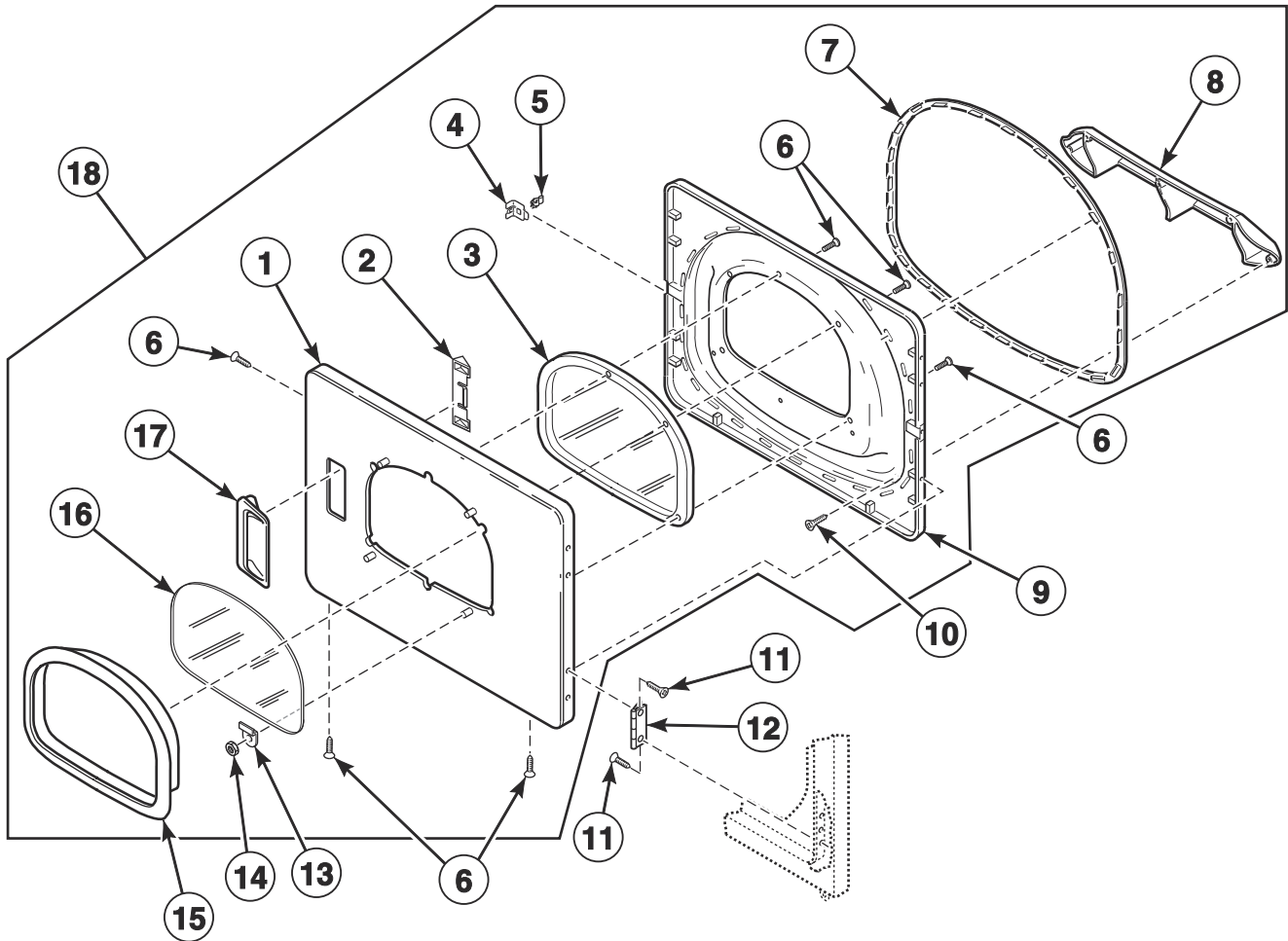


## Loading Door - Without Window

REF	PART NO.	DESCRIPTION	COMMENTS
1	D510127	Door Strike Mount	
2	D510181	Door Strike	
3	D510147P	Liner Door Seal	
4	D510163WP	Liner, Seal and Grill Assembly	White; Includes item 3; Models ADG3SRGS113CW01, ADG3SRGS113TW01, ADGE8RGS113CW01, ADGE8RGS113TW01, ADGE9BGS113CW01, ADGE9BGS113TW01, ADGE9BSS113CN01, ADGE9BSS113FN01, ADGE9RGS113TW01, ZDG3SRGS113CW01, ZDGE8RGS113CW01, ZDGE9BGS113CW01 and ZDGE9RGS113CW01
	D510097W	Door Liner	Models ZDEE8RGS543FW01, ZDEE9BGS543FW01, ZDEE9RGS543FW01, ZDGE8RGS113FW01, ZDGE9BGS113FW01 and ZDGE9RGS113FW01
	D503870W	Door Liner Grill	White; Models ZDEE8RGS543FW01, ZDEE9BGS543FW01, ZDEE9RGS543FW01, ZDGE8RGS113FW01, ZDGE9BGS113FW01 and ZDGE9RGS113FW01
	D516508	Liner and Seal Assembly	White; Includes item 3; Models ZDE3SRGS173FW28, ZDEE8RGS543FW01, ZDEE9BGS543FN01, ZDEE9BGS543FW01, ZDEE9RGS543FW01, ZDG3SRGS113FW28, ZDGE8RGS113FW01, ZDGE9BGS113FW01 and ZDGE9RGS113FW01
	D503870LG	Door Liner Grill	Light gray; Models ZDEE8RGS543FW01, ZDEE9BGS543FW01, ZDEE9RGS543FW01, ZDGE8RGS113FW01, ZDGE9BGS113FW01 and ZDGE9RGS113FW01
	D516510WP	Liner, Seal and Grill Assembly	Gray; Includes item 3; All other models
5	D500226	Screw	
6	D511036	Hinge	
7	D510103WP	Door Pull and Wedge Kit	White; Includes item 8
	D511213P	Door Pull and Wedge Kit	Black; Includes item 8
8	D510129W	Door Handle Wedge	All models except ZDEE9BSS543FN01 and ZDGE9BSS113FN01
9	D510013WP	Dryer Door	White
	D512969	Dryer Door	Stainless steel

# Loading Door - With Window

Models ASEE8AGW173TW01 and ASGE8AGW113TW01

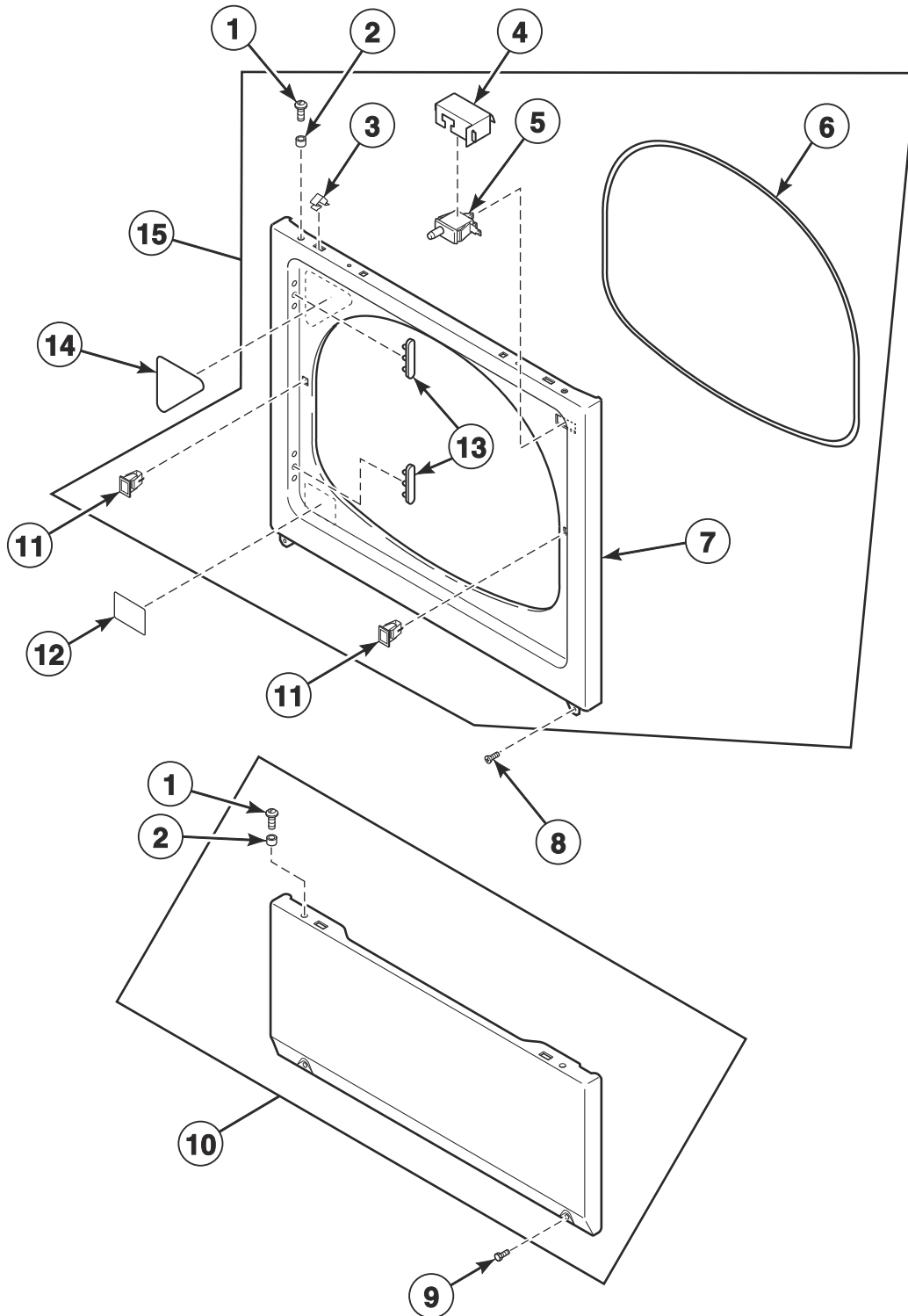


DRY2296P\_515153

## Loading Door - With Window

REF	PART NO.	DESCRIPTION	COMMENTS
1	D515961	Dryer Door	Model ASEE8AGW173TW01
	D510082WP	Dryer Door	Model ASGE8AGW113TW01
2	D510129W	Door Handle Wedge	
3	D503982P	Dryer Door Window	
4	D510127	Door Strike Mount	
5	D510181	Door Strike	
6	D500226	Screw	
7	D510147P	Liner Door Seal	
8	D503870LG	Door Liner Grill	Model ASEE8AGW173TW01
	D503870W	Door Liner Grill	Model ASGE8AGW113TW01
9	D516737W	Door Assembly	Includes item 7; Model ASEE8AGW173TW01
	D516509	Liner and Seal Assembly	Includes item 7; Model ASGE8AGW113TW01
10	D505870	Screw	
11	D500226	Screw	
12	D511036	Hinge	
13	D513958	Window Clip	Model ASEE8AGW173TW01
14	44071201	Nut	Model ASEE8AGW173TW01
15	D516737W	Door Assembly	Model ASEE8AGW173TW01
	D503981W	Window Trim	Model ASGE8AGW113TW01
16	D516737W	Door Assembly	Model ASEE8AGW173TW01
17	D510103WP	Door Pull and Wedge Kit	Includes item 2
18	D516737W	Door Assembly	White; Includes items 1-10 and 13-17; Model ASEE8AGW173TW01

# Access Panel, Front Panel and Seal

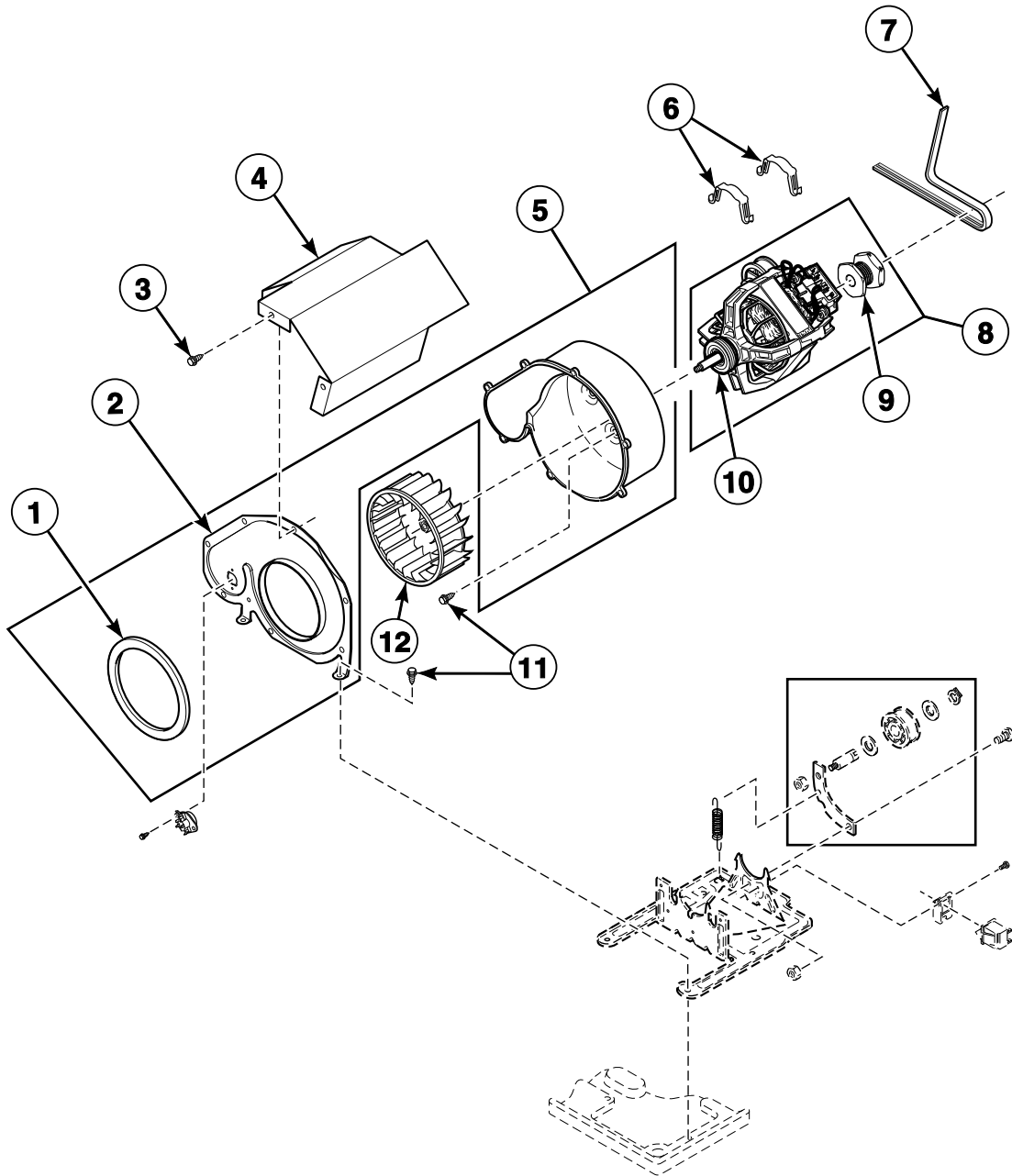


DRY2463P\_515153

## Access Panel, Front Panel and Seal

REF	PART NO.	DESCRIPTION	COMMENTS
1	39733	Screw	
2	56079	Panel Locator	
3	28835	Speed Clip	
4	D514327	Drip Shield	Gray; Models ADEE9BSS543FN01, ADEE9RGS543FW01, ADGE9BSS113FN01, ADGE9RGS113FW01, ZDEE8RGS543FW01, ZDEE9BGS543FW01, ZDEE9BSS543FN01, ZDEE9RGS543FW01, ZDGE8RGS113FW01, ZDGE9BGS113FW01, ZDGE9BSS113FN01 and ZDGE9RGS113FW01
5	D512973	Switch	
6	D511056	Front Panel Seal	
7	D512542	Front Panel	Stainless steel; Models ADEE9BSS173TN01, ADEE9BSS543FN01, ADGE9BSS113CN01, ADGE9BSS113FN01, ADGE9BSS113TN01, ZDEE9BSS173CN01, ZDEE9BSS543FN01, ZDGE9BSS113CN01 and ZDGE9BSS113FN01
	D510066WP	Front Panel	All other models
8	D503688	Screw	
9	33562	Screw	
10	D514251	Access Panel Assembly	Stainless steel; Models ADEE9BSS173CN01, ADEE9BSS173TN01, ADEE9BSS543FN01, ADGE9BSS113CN01, ADGE9BSS113FN01, ADGE9BSS113TN01, ZDEE9BSS173CN01, ZDEE9BSS543FN01, ZDGE9BGS113FN01, ZDGE9BSS113CN01 and ZDGE9BSS113FN01
	D514250WP	Access Panel Assembly	White; All other models
11	D510177	Door Catch Assembly	
12	D502781	Lint Filter Label	Models ADEE9BSS543FN01, ADEE9RGS543FW01, ADGE9BSS113FN01, ADGE9RGS113FW01, ZDEE8RGS543FW01, ZDEE9BGS543FW01, ZDEE9BSS543FN01, ZDEE9RGS543FW01, ZDGE8RGS113FW01, ZDGE9BGS113FW01, ZDGE9BSS113FN01 and ZDGE9RGS113FW01
13	D510186	Hinge Hole Plug	
14	D500281	Warning/Caution Label	
	D514863	Front Panel Label	Chinese; Models ZDEE8RGS543FW01, ZDEE9BGS543FW01, ZDEE9BSS543FN01, ZDEE9RGS543FW01, ZDGE8RGS113FW01, ZDGE9BGS113FW01, ZDGE9BSS113FN01 and ZDGE9RGS113FW01
15	D513781WP	Front Panel Assembly	Includes items 1-7, 11, 13, D511636WP Door Assembly, (2) D511036 Hinge and (8) D500226 Screw; Models ASEE8AGW173TW01 and ASGE8AGW113TW01

# Motor, Exhaust Fan and Belt (Drawing 1 of 2)



DRY2568P

## Motor, Exhaust Fan and Belt (Drawing 1 of 2)

REF	PART NO.	DESCRIPTION	COMMENTS
	27604P	Anti-Seize Compound	Apply to motor shaft when installing blower fan assembly
1	D510238P	Blower Housing Seal	
2	D510394	Blower Housing Cover Assembly	Models ADE3SRGS173CW01, ADE3SRGS173TW01, ZDE3SRGS173CW01 and ZDE3SRGS173FW28
	D510282	Blower Housing Cover Assembly	Models ADG3SRGS113CW01, ADG3SRGS113TW01, ZDG3SRGS113CW01 and ZDG3SRGS113FW28
	D510250	Blower Housing Cover Assembly	All other models
3	31260	Screw	
4	D514602	Motor Shield	Gray; Models ADEE9BSS543FN01, ADEE9RGS543FW01, ADGE9BSS113FN01, ADGE9RGS113FW01, ZDEE8RGS173CW01, ZDEE9BSS543FN01, ZDEE9RGS543FW01, ZDGE8RGS113FW01, ZDGE9BGS113FW01, ZDGE9BSS113FN01 and ZDGE9RGS113FW01
5	D511969WP	Blower Housing	White; Includes items 1 and 2; Models ADG3SRGS113CW01, ADG3SRGS113TW01, ADGE8RGS113CW01, ADGE8RGS113TW01, ADGE9BGS113CW01, ADGE9BGS113TW01, ADGE9BSS113CN01, ADGE9BSS113TN01, ADGE9RGS113CW01, ADGE9RGS113FW01, ADGE9RGS113TW01, ASGE8AGW113TW01, ZDE3SRGS173FW28, ZDEE8RGS543FW01, ZDEE9BGS543FN01, ZDEE9BGS543FW01, ZDEE9BSS543FN01, ZDEE9RGS543FW01, ZDG3SRGS113CW01, ZDG3SRGS113FW28, ZDGE8RGS113CW01, ZDGE8RGS113FW01, ZDGE9BGS113CW01, ZDGE9BGS113FN01, ZDGE9BGS113FW01, ZDGE9BSS113CN01, ZDGE9BSS113FN01, ZDGE9RGS113CW01 and ZDGE9RGS113FW01
	D511969LG	Blower Housing	Includes items 1 and 2; All other models
6	D510180	Motor Mount Clamp	
7	D511255P	Cylinder Belt	
8	D505869P	Motor and Pulley Assembly	240 Volt/60 Hertz; Includes items 6, 9 and 10; Models ADEE9BSS543FN01, ADEE9RGS543FW01, ZDEE8RGS543FW01, ZDEE9BGS543FN01, ZDEE9BGS543FW01, ZDEE9BSS543FN01 and ZDEE9RGS543FW01
	D511629P	Motor and Pulley Assembly	120 Volt/60 Hertz; Includes items 6, 9 and 10; Apply anti-seize compound to motor shaft when installing blower fan assembly; All other models
9	D500011	Motor Pulley	60 Hertz
10	590P3	Motor Hub Ring Kit	
11	D503688	Screw	
12	D510139P	Blower Fan Assembly	

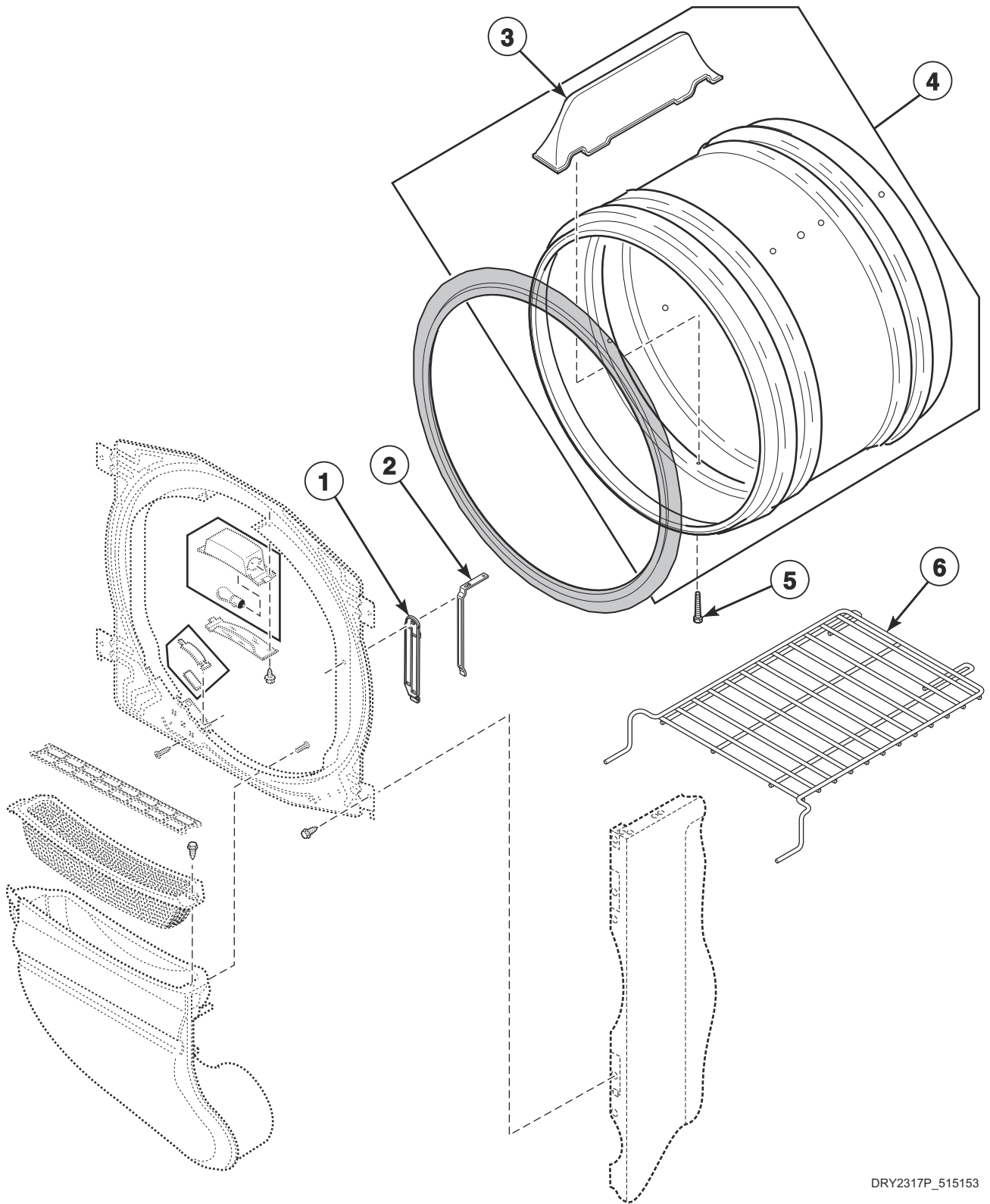




## Motor, Exhaust Fan and Belt (Drawing 2 of 2)

REF	PART NO.	DESCRIPTION	COMMENTS
1	D510185	Idler Spring	
2	56156	Nut	
3	D516310	Idler Lever	
4	56461P	Shaft	
5	52549	Washer	
6	D510142P	Idler Wheel and Bearing Assembly	
7	23748	Retaining Ring	
8	D516792	Idler Lever and Wheel Assembly	Includes items 2-7
9	D500824	Screw	
10	D517942	Broken Belt Switch	Model ZDE3SRGS173FW28 starting 7/1/22; Model ZDG3SRGS113FW28 starting 11/15/20
11	D516311	Bracket	Model ZDE3SRGS173FW28 starting 7/1/22; Model ZDG3SRGS113FW28 starting 11/15/20
12	52566	Nut	
13	D518517	Motor Mount	
14	D504515	Thermostat	Green; Models ADE3SRGS173CW01, ADE3SRGS173TW01, ZDE3SRGS173CW01 and ZDE3SRGS173FW28
	D510707P	Thermostat	Pink/White; Models ADG3SRGS113CW01, ADG3SRGS113TW01, ZDG3SRGS113CW01 and ZDG3SRGS113FW28
	D510523	Thermostat Assembly	Black; All other models
15	D502535	Screw	

# Cylinder

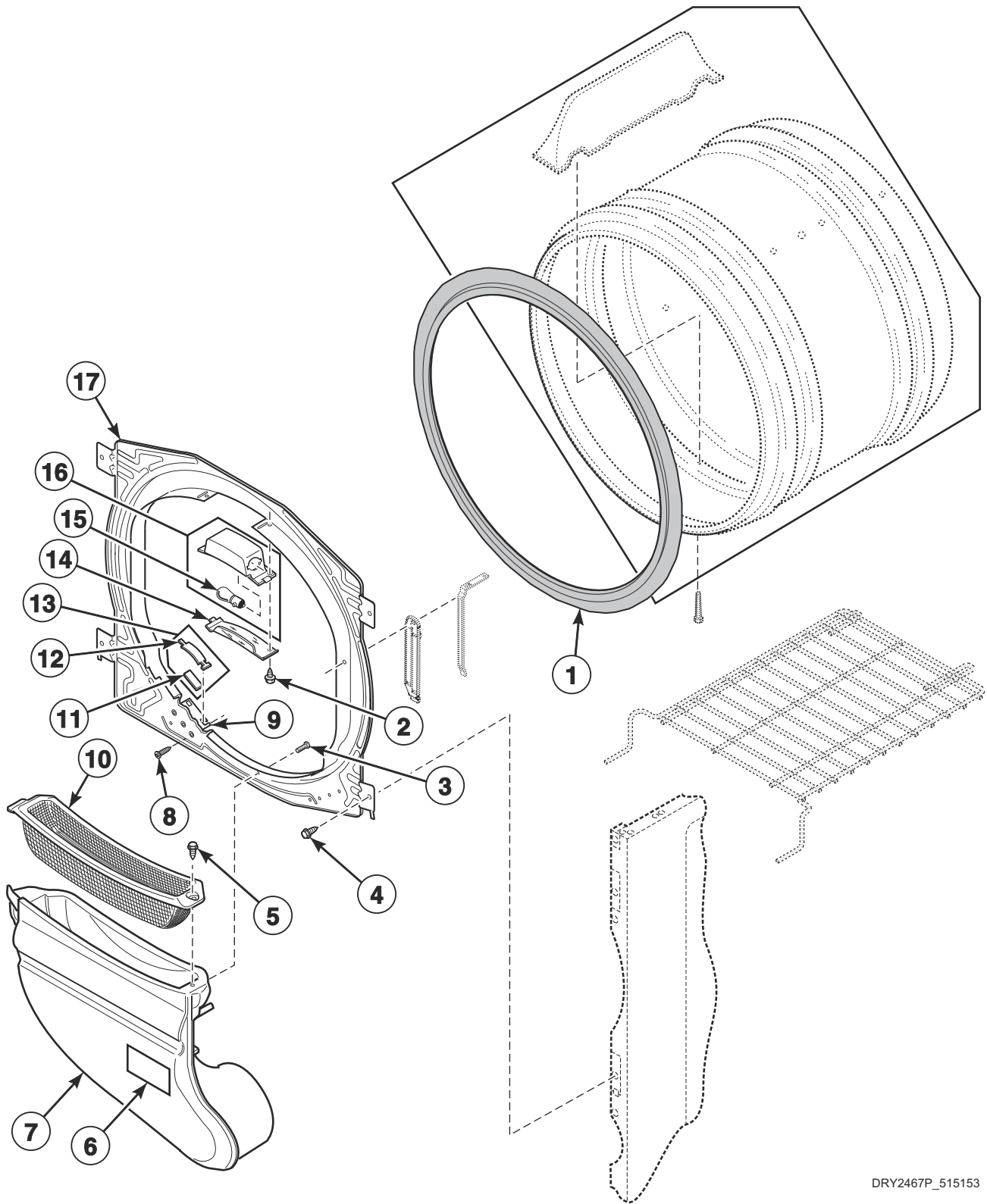


DRY2317P\_515153

# Cylinder

REF	PART NO.	DESCRIPTION	COMMENTS
1	D513738	Moisture Sensor Base	All models except ADE3SRGS173TW01, ADG3SRGS113TW01, ZDE3SRGS173CW01 and ZDG3SRGS113CW01
2	D513737	Bar Sensor	2 required; All models except ADE3SRGS173TW01, ADEE9BSS543FN01, ADEE9RGS543FW01, ADG3SRGS113TW01, ADGE9BSS113FN01, ADGE9RGS113FW01, ZDE3SRGS173CW01 and ZDG3SRGS113CW01
3	D510102W	Cylinder Baffle	3 required; Models ADG3SRGS113CW01, ADG3SRGS113TW01, ADGE8RGS113CW01, ADGE8RGS113TW01, ADGE9BGS113CW01, ADGE9BGS113TW01, ADGE9BSS113CN01, ADGE9BSS113FN01, ADGE9RGS113CW01, ADGE9RGS113FW01, ADGE9RGS113TW01, ASGE8AGW113TW01, ZDG3SRGS113CW01, ZDGE8RGS113CW01, ZDGE8RGS113FW01, ZDGE9BGS113CW01, ZDGE9BGS113FW01, ZDGE9RGS113CW01 and ZDGE9RGS113FW01
	D510102LG	Cylinder Baffle	3 required; Light gray; All other models
4	D505929LGP	Cylinder Assembly	Stainless steel; Models ADEE9BSS173TN01, ADEE9BSS543FN01, ADGE9BSS113TN01, ZDEE9BSS173CN01, ZDEE9BSS543FN01, ZDGE9BSS113CN01 and ZDGE9BSS113FN01
	D510265LGP	Cylinder Assembly	Models ADE3SRGS173CW01, ADE3SRGS173TW01, ADEE8RGS173CW01, ADEE8RGS173TW01, ADEE9BGS173CW01, ADEE9BGS173TW01, ADEE9BSS173CN01, ADEE9RGS173CW01, ADEE9RGS173TW01, ADEE9RGS543FW01, ASEE8AGW173TW01, ZDE3SRGS173CW01, ZDEE8RGS173CW01, ZDEE8RGS543FW01, ZDEE9BGS173CW01, ZDEE9BGS543FN01, ZDEE9BGS543FW01, ZDEE9RGS173CW01, ZDEE9RGS543FW01 and ZDGE9BGS113FN01
	D510265WP	Cylinder Assembly	All other models
	D510159WP	Cylinder Assembly	White
5	62588	Screw	
6	D512082P	Drying Rack	

# Front Bulkhead, Air Duct and Felt Seal

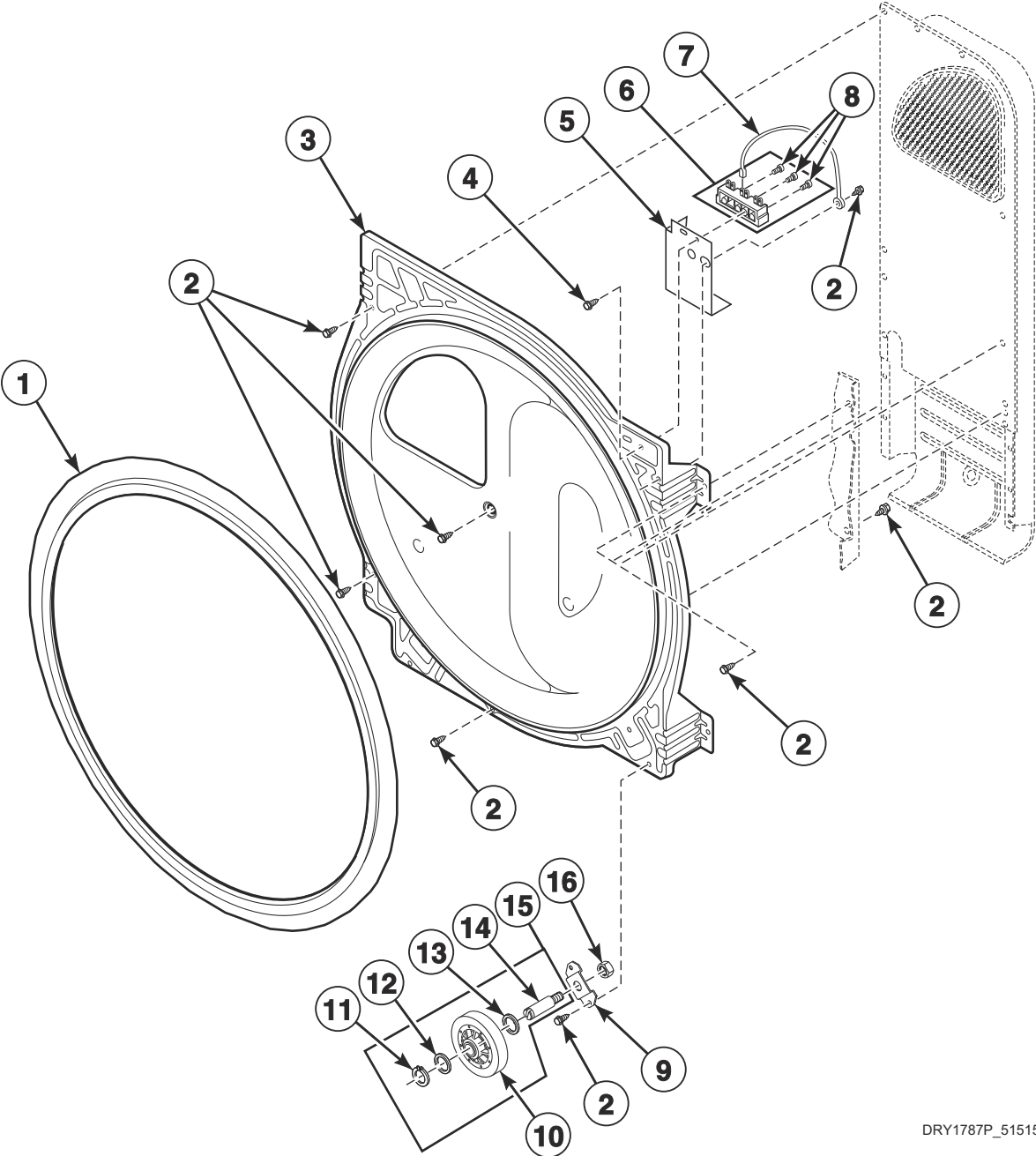


DRY2467P\_515153

## Front Bulkhead, Air Duct and Felt Seal

REF	PART NO.	DESCRIPTION	COMMENTS
1	D510207P	Cylinder Seal Assembly	
	D511637P	Adhesive	Apply to cylinder seal
	RB170001	Seal Kit	Includes 2 cylinder seals, D510238P Blower Housing Seal and Adhesive
2	D500227	Screw	
3	D501086	Screw	
4	D503688	Screw	Use with painted side panels
	M405188	Screw	Use with stainless steel side panels
5	D501285	Screw	
6	F8211201	Electrical Shock Label	Models ZDEE8RGS543FW01, ZDEE9BGS543FW01, ZDEE9BSS543FN01, ZDEE9RGS543FW01, ZDGE8RGS113FW01, ZDGE9BGS113FW01, ZDGE9BSS113FN01 and ZDGE9RGS113FW01
	F8615701	Pinch Warning Label	Models ADEE9BSS543FN01, ADEE9RGS543FW01, ADGE9BSS113FN01, ADGE9RGS113FW01, ZDEE8RGS543FW01, ZDEE9BGS543FW01, ZDEE9BSS543FN01, ZDEE9RGS543FW01, ZDGE8RGS113FW01, ZDGE9BGS113FW01, ZDGE9BSS113FN01 and ZDGE9RGS113FW01
7	D518432	Air Duct Assembly	Models ADG3SRGS113CW01, ADG3SRGS113TW01, ADGE8RGS113CW01, ADGE8RGS113TW01, ADGE9BGS113CW01, ADGE9BGS113TW01, ADGE9BSS113CN01, ADGE9BSS113FN01, ADGE9RGS113CW01, ADGE9RGS113TW01, ASGE8AGW113TW01, ZDEE8RGS543FW01, ZDEE9BGS543FW01, ZDEE9RGS543FW01, ZDG3SRGS113CW01, ZDGE8RGS113CW01, ZDGE8RGS113FW01, ZDGE9BGS113CW01, ZDGE9BGS113FW01, ZDGE9RGS113CW01 and ZDGE9RGS113FW01
	D518431	Air Duct Assembly	Models ADEE9RGS543FW01, ADGE9RGS113FW01, ZDE3SRGS173FW28, ZDEE8RGS543FW01, ZDEE9BGS543FW01, ZDEE9RGS543FW01, ZDG3SRGS113FW28, ZDGE8RGS113FW01, ZDGE9BGS113FW01 and ZDGE9RGS113FW01
	D518430	Air Duct Assembly	Model ZDEE9BGS543FN01
	D518433	Air Duct Assembly	All other models
8	D500226	Screw	
9	D510145	Cylinder Glide Bracket	2 required
10	D503980W	Lint Filter	Models ADG3SRGS113CW01, ADG3SRGS113TW01, ADGE8RGS113CW01, ADGE8RGS113TW01, ADGE9BGS113CW01, ADGE9BGS113TW01, ADGE9BSS113CN01, ADGE9BSS113FN01, ADGE9RGS113CW01, ADGE9RGS113FW01, ADGE9RGS113TW01, ASGE8AGW113TW01, ZDE3SRGS173FW28, ZDEE8RGS543FW01, ZDEE9BGS543FN01, ZDEE9BGS543FW01, ZDEE9RGS543FW01, ZDG3SRGS113CW01, ZDG3SRGS113FW28, ZDGE8RGS113CW01, ZDGE8RGS113FW01, ZDGE9BGS113CW01, ZDGE9BGS113FW01, ZDGE9RGS113CW01 and ZDGE9RGS113FW01
	D503980LG	Lint Filter	Light gray; All other models
11	D510189	Felt Pad	2 required
12	D513710	Cylinder Glide	2 required
13	RB170003	Glide Kit	Includes items 11 and 12
14	D512106	Cylinder Light Lens	
15	60954	Drum Light Lamp	
16	D512108	Light Housing Assembly	120 Volt; Includes item 15
	D512109	Cylinder Light Assembly	240 Volt; Includes item 15; Models ZDEE8RGS543FW01, ZDEE9BGS543FW01, ZDEE9BSS543FN01 and ZDEE9RGS543FW01
	D518796	Cylinder Light Assembly	LED; Models ADEE9BSS543FN01, ADEE9RGS543FW01, ZDEE8RGS543FW01, ZDEE9BGS543FW01, ZDEE9BSS543FN01 and ZDEE9RGS543FW01
17	D512476P	Front Bulkhead Assembly	Galvanized; Models ADE3SRGS173TW01, ADG3SRGS113TW01, ZDE3SRGS173CW01 and ZDG3SRGS113CW01
	D515533P	Front Bulkhead Assembly	All other models
	D505899WP	Bulkhead Assembly	Models without an E in the 4th digit of the model number; White; Includes items 1-3 and 11-17
	D515544WP	Bulkhead Assembly	Models with an E in the 4th digit of the model number; White; Includes items 1-3 and 11-17

# Rear Bulkhead, Felt Seal, Cylinder Roller and Terminal Block



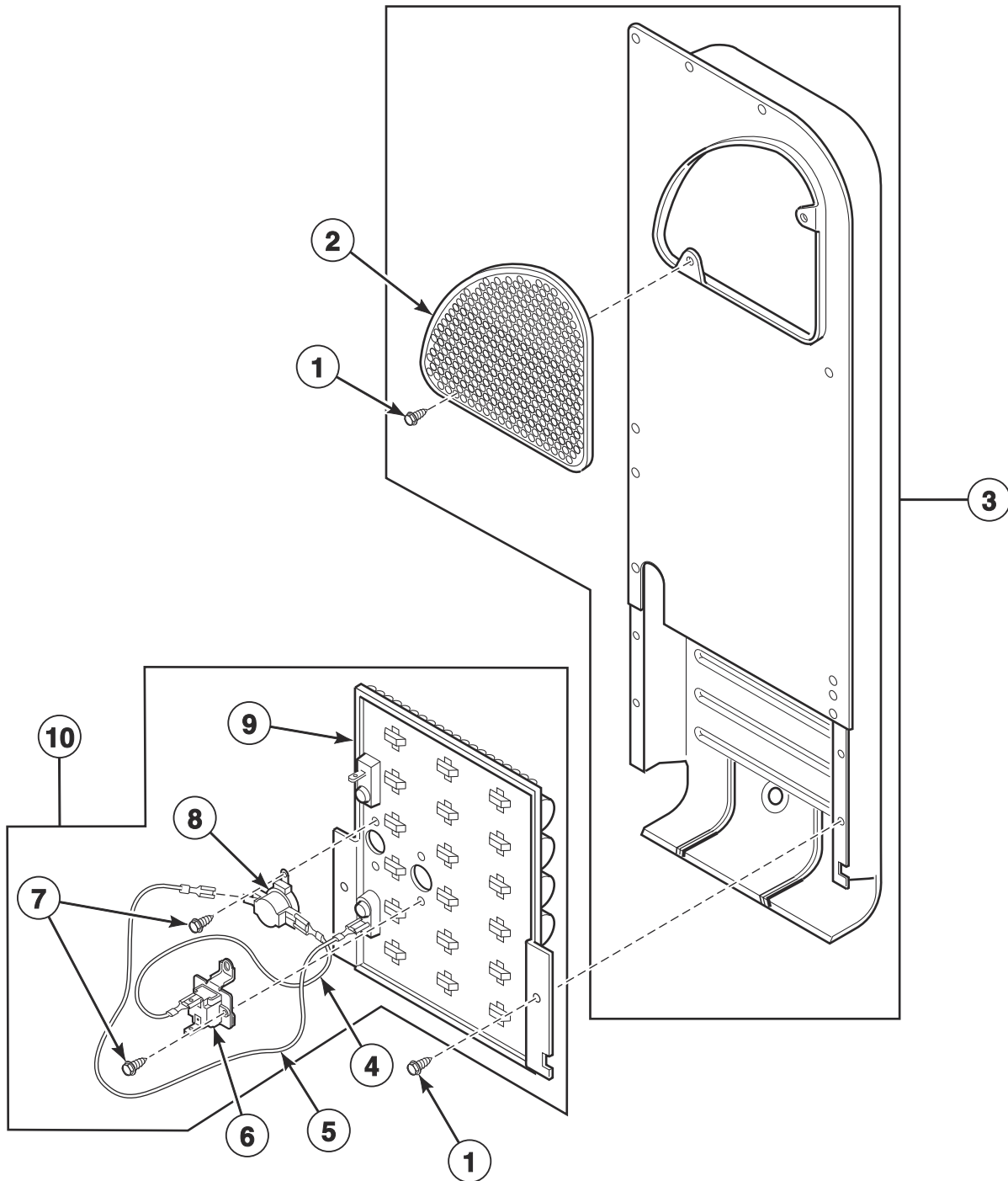
DRY1787P\_515153

## Rear Bulkhead, Felt Seal, Cylinder Roller and Terminal Block

REF	PART NO.	DESCRIPTION	COMMENTS
1	D510207P	Cylinder Seal Assembly	
	D511637P	Adhesive	Apply to cylinder seal
	RB170001	Seal Kit	Includes 2 cylinder seals, D510238P Blower Housing Seal and Adhesive
2	D503688	Screw	
3	D518128	Rear Bulkhead Assembly	Includes item 1; Models ADEE9BSS173CN01, ADEE9BSS173TN01, ADEE9BSS543FN01, ADGE9BSS113CN01, ADGE9BSS113FN01, ADGE9BSS113TN01, ZDEE9BSS173CN01, ZDEE9BSS543FN01, ZDGE9BSS113CN01 and ZDGE9BSS113FN01
	D511082P	Rear Bulkhead Assembly	Includes item 1; All other models
	D510905WP	Rear Bulkhead Assembly	White; Includes item 1
4	D501285	Screw	Electric models
5	D517715	Terminal Block Shield	Models ZDEE9BGS543FN01, ZDEE9BGS543FW01, ZDEE9BSS543FN01 and ZDEE9RGS543FW01
	D517715	Terminal Block Shield	Models ADEE9BSS543FN01 and ADEE9RGS543FW01
	D510237	Terminal Block Shield	All other electric models
6	D510190P	Terminal Block Assembly	Includes 3 of item 8; Electric models
7	D510550	Ground Wire Assembly	
8	61199	Screw	
9	D510100	Cylinder Roller Bracket	
10	D510708P	Cylinder Roller	
11	23748	Retaining Ring	
12	52549	Washer	
13	D504082	Washer	
14	56461P	Shaft	
15	RB170002	Roller Kit	Includes 2 each of items 10-14
16	56156	Nut	

# Heater Duct and Element Assembly

Electric Models



DRY1789P\_515153

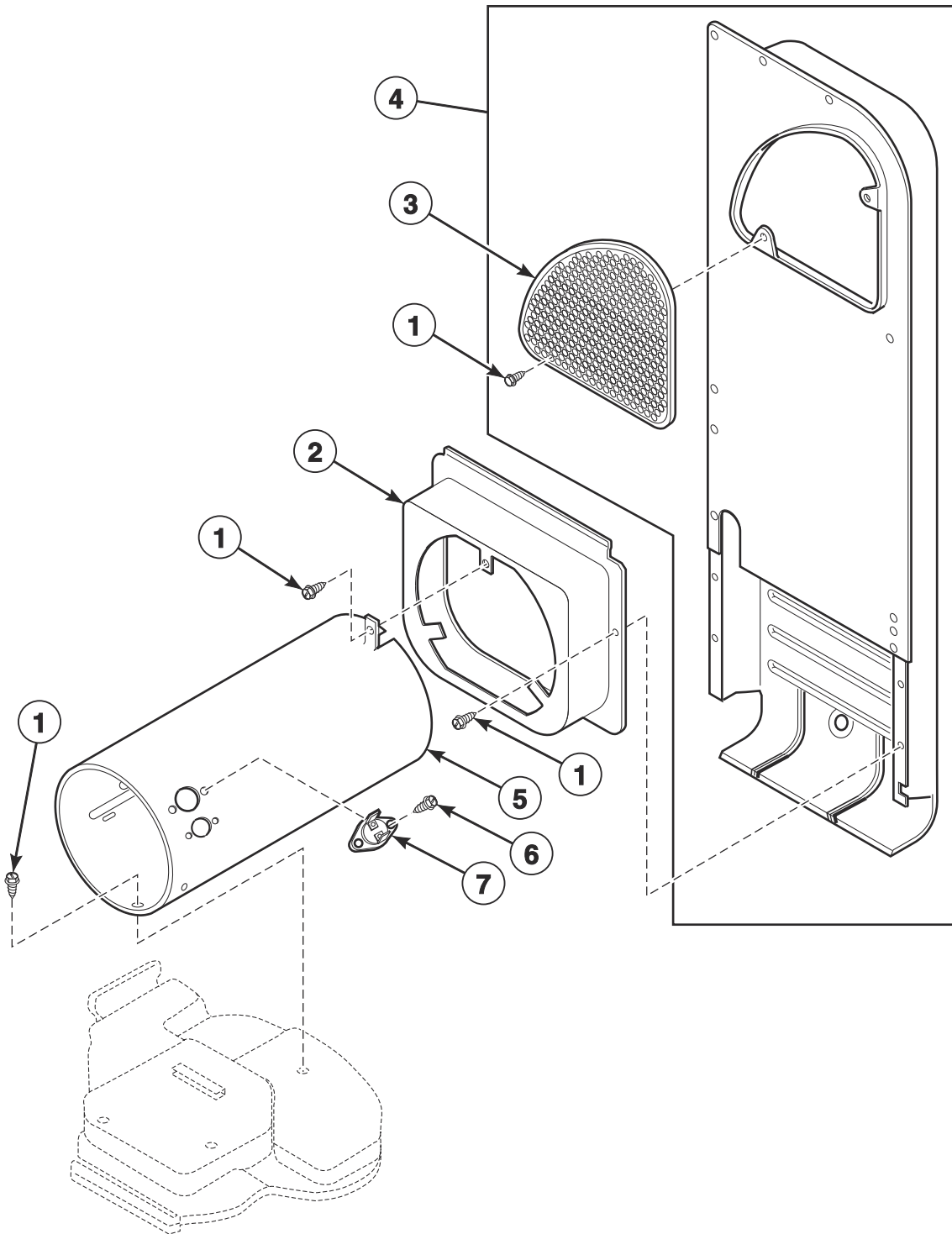


## Heater Duct and Element Assembly

REF	PART NO.	DESCRIPTION	COMMENTS
1	D503688	Screw	
2	D500820	Outlet Cover	
	D518524	Outlet Cover	Black
3	D510025P	Heater Duct Assembly	Includes items 1 and 2
4	D518256	Wire Assembly	Orange; Thermostat jumper; Attaches to heater assembly
5	D518255	Wire Assembly	Black; Fuse jumper; Attaches to heater assembly
6	D518542	Thermal Fuse Assembly	
7	23222	Screw	
8	D510701	Limit Thermostat	
9	D510324P	Heater Assembly	5 kW; 240 Volt; Models ADE3SRGS173CW01, ADEE8RGS173CW01, ADEE9BGS173CW01, ADEE9BSS173CN01, ADEE9RGS173CW01, ZDE3SRGS173CW01, ZDEE8RGS173CW01, ZDEE9BGS173CW01, ZDEE9BSS173CN01 and ZDEE9RGS173CW01
	D510329P	Heater Assembly	5.35 kW; 240 Volt; Models ADE3SRGS173TW01, ADEE8RGS173TW01, ADEE9BGS173TW01, ADEE9BSS173TN01, ADEE9BSS543FN01, ADEE9RGS173TW01, ADEE9RGS543FW01, ASEE8AGW173TW01, ZDE3SRGS173FW28, ZDEE8RGS543FW01, ZDEE9BGS543FN01, ZDEE9BGS543FW01, ZDEE9BSS543FN01 and ZDEE9RGS543FW01
10	61928	Heater Kit Assembly	4.75 kW; 208 Volt; Optional
	61927	Heater Kit Assembly	5 kW; 240 Volt/60 Hertz; Includes items 4-9
	964P3	Heater Kit	5.35 kW; 240 Volt; Includes items 4-9

# Heater Duct Assembly

Gas Models



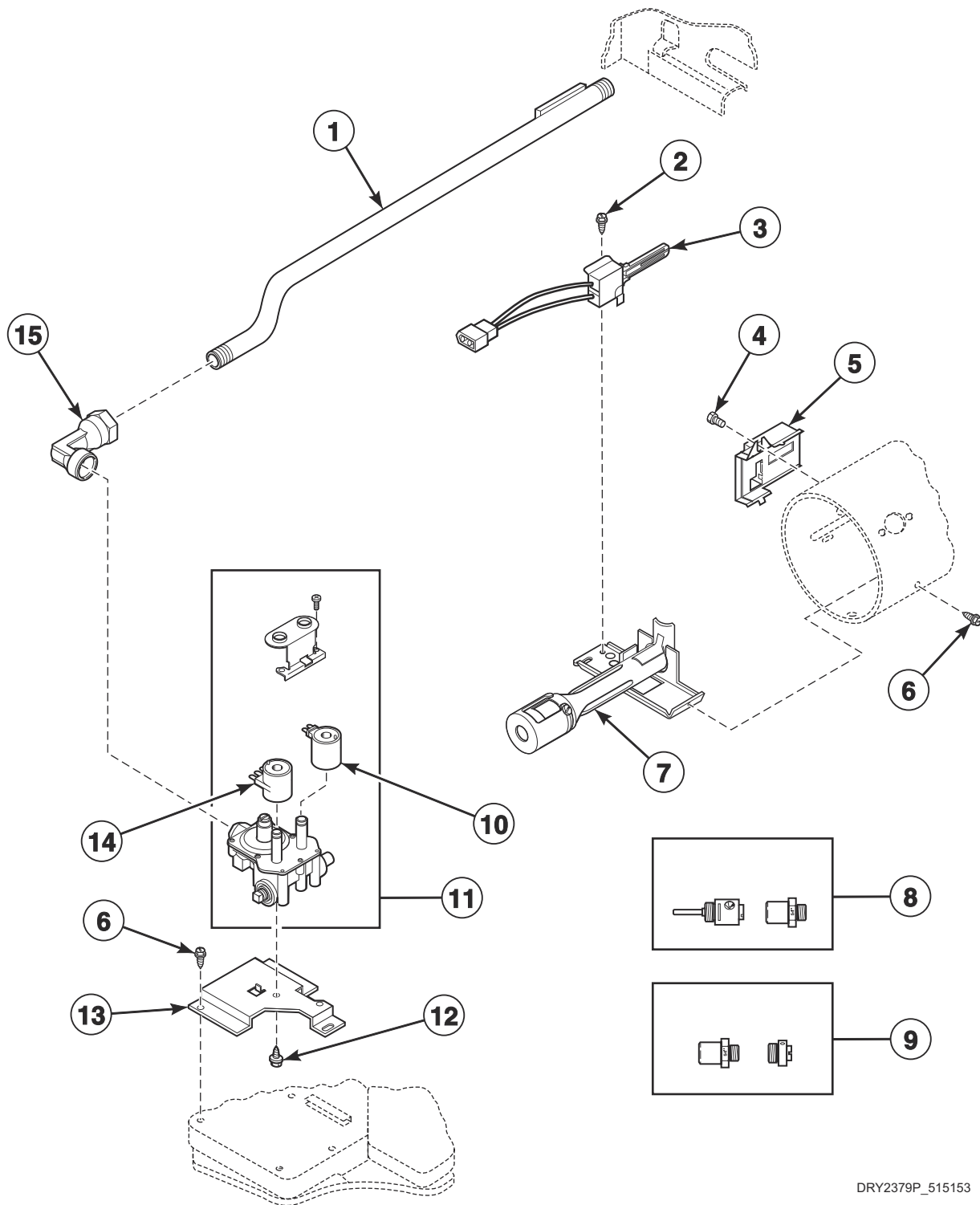
DRY2145P\_515153

# Heater Duct Assembly

REF	PART NO.	DESCRIPTION	COMMENTS
1	D503688	Screw	
2	D510101	Heat Duct Shroud	
3	D500820	Outlet Cover	
	D518524	Outlet Cover	Black
4	D510025P	Heater Duct Assembly	Includes items 1 and 3
5	D510132	Combustion Duct	Models ZDGE8RGS113FW01, ZDGE9BGS113FN01, ZDGE9BGS113FW01, ZDGE9BSS113FN01 and ZDGE9RGS113FW01 starting Serial no. 0803010126
	D510131	Combustion Duct	All other models
6	51782	Screw	
7	D510703	Thermostat	Models ZDGE8RGS113FW01, ZDGE9BGS113FN01, ZDGE9BGS113FW01, ZDGE9BSS113FN01 and ZDGE9RGS113FW01 starting Serial no. 0803010126
	D510702	Limit Thermostat	Black; Auto reset; All other models

# Gas Valve, Igniter and Gas Conversion Kits

Gas Models



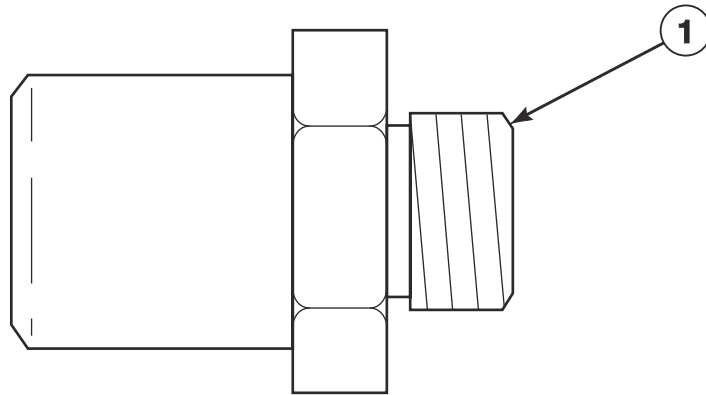
DRY2379P\_515153

## Gas Valve, Igniter and Gas Conversion Kits

REF	PART NO.	DESCRIPTION	COMMENTS
1	D510204	Lead-In Pipe Assembly	
2	51782	Screw	
3	D510184P	Igniter and Bracket Assembly	
4	23222	Screw	
5	D510213	Sensor	
6	D503688	Screw	
7	D510149P	Burner Assembly	
8	649P3	L.P. Conversion Kit	Used to convert dryers from Natural Gas (N.G.) or Mixed Gas to Liquid Petroleum Gas (L.P.); 22,500 Btu
9	650P3	N.G. Conversion Kit	Used to convert dryers from L.P. to N.G. or Mixed Gas; 22,500 Btu
10	58804B	Secondary Coil	
11	D510506P	Gas Valve Assembly	22,500 Btu; Includes items 10 and 14
12	56124	Screw	
13	D510128	Gas Valve Mounting Bracket	
14	58804A	Booster and Holding Coil	
15	D513072	Elbow	

# Burner Orifice Spuds - For Higher Elevations

Gas Models



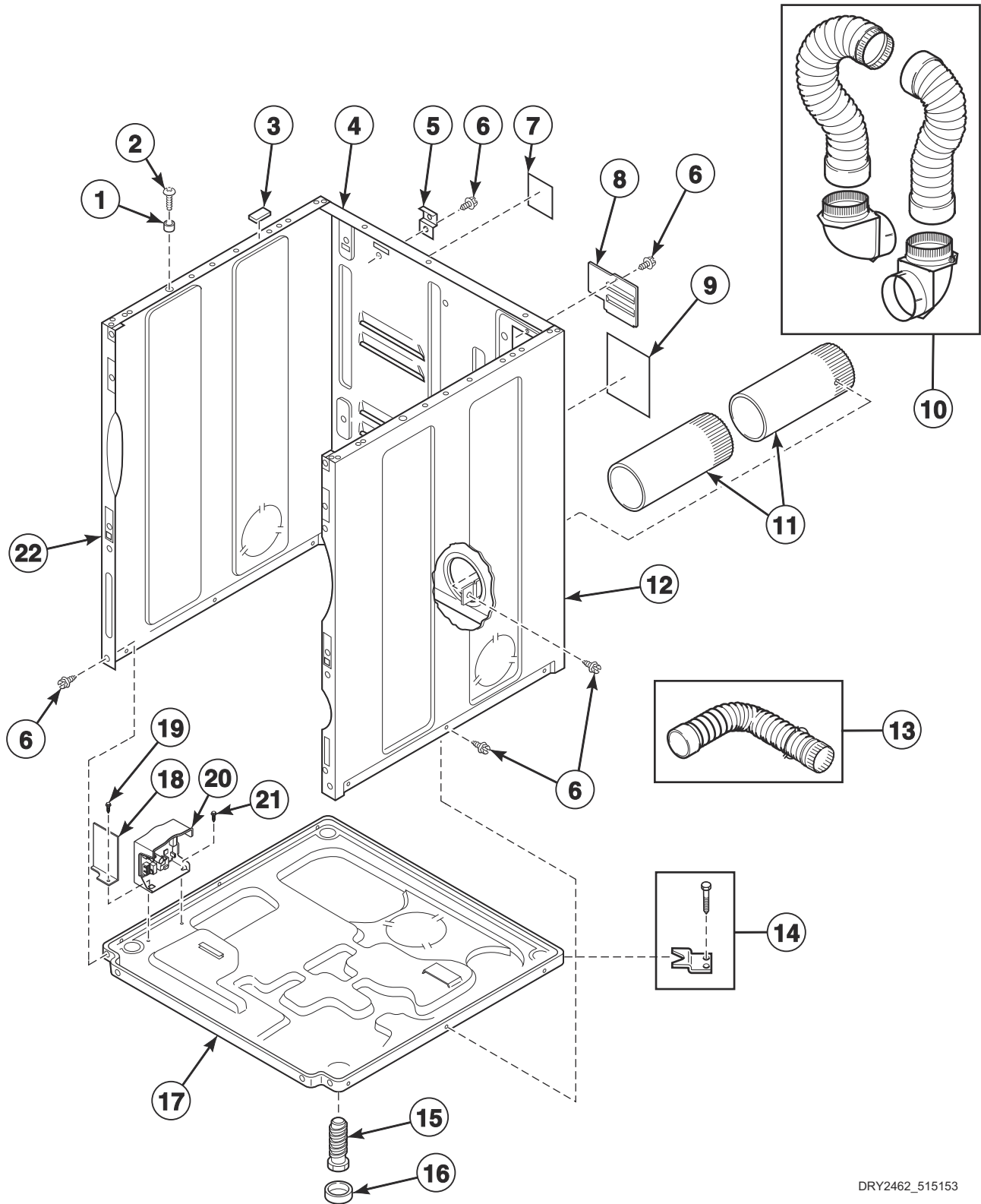
DRY2266P\_515153

## Burner Orifice Spuds - For Higher Elevations

REF	PART NO.	DESCRIPTION	COMMENTS
1	58755	L.P. Orifice	22,500 Btu; 3000-7999 feet (915-2439 m)
	D503786	L.P. Orifice	22,500 Btu; 8000 feet (2440 m) and higher
	D503778	N.G. Orifice	22,500 Btu; 3000-5999 feet (915-1829 m)
	58719	Screw Orifice	N.G.; 22,500 Btu; 6000-7999 feet (1830-2439 m)
	D503779	N.G. Orifice	22,500 Btu; 8000-8999 feet (2440-2739 m)
	D503780	N.G. Orifice	22,500 Btu; 9000-9999 feet (2740-3049 m)
	D503781	N.G. Orifice	22,500 Btu; 10,000 feet (3050 m) and higher

# Cabinet, Exhaust Duct and Base - Single Dryers

All Models Except ASEE8AGW173TW01 and ASGE8AGW113TW01



DRY2462\_515153

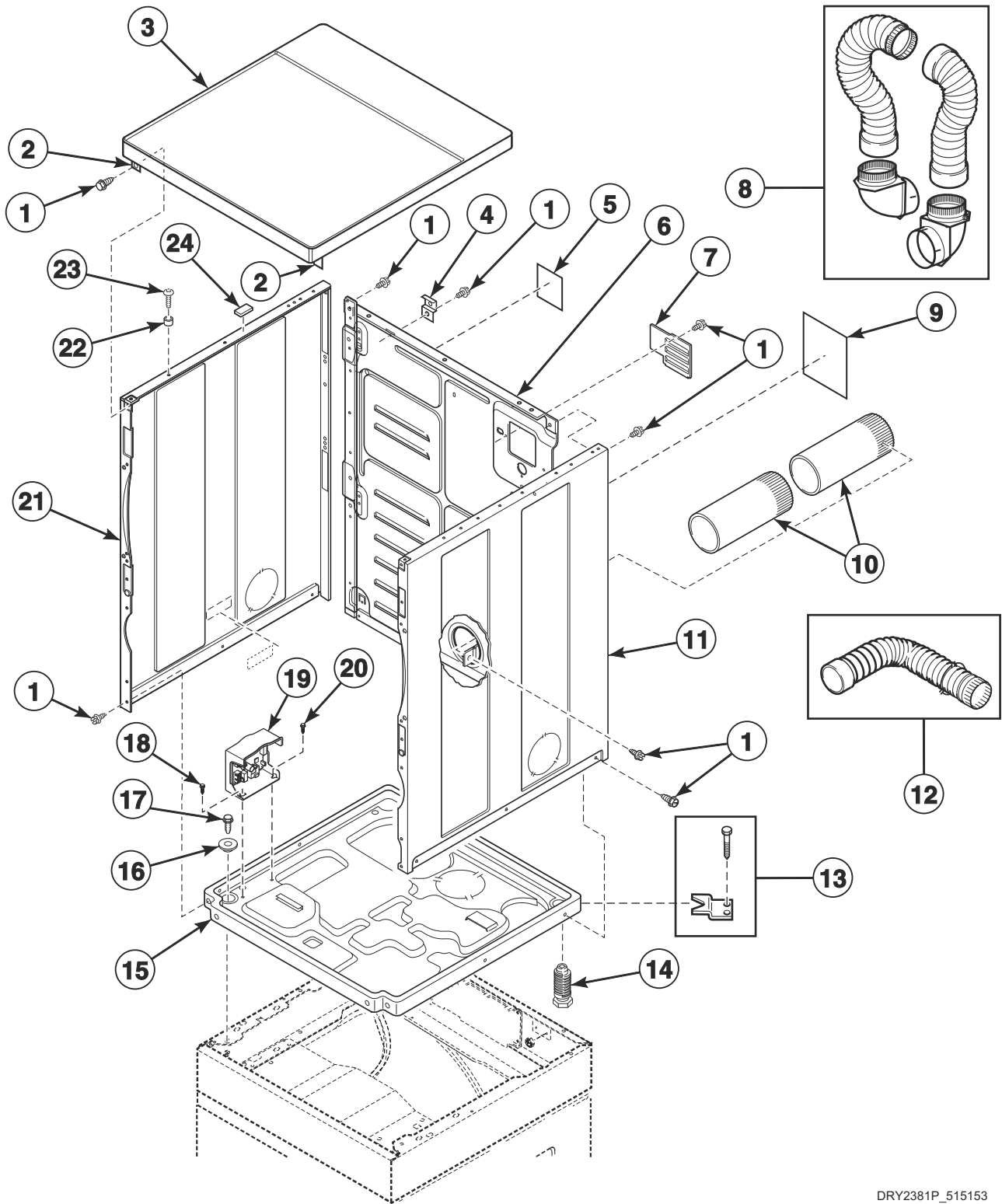


## Cabinet, Exhaust Duct and Base - Single Dryers

REF	PART NO.	DESCRIPTION	COMMENTS
1	56079	Panel Locator	
2	D512921	Screw	Use with stainless steel side panels
	39733	Screw	Use with painted side panels
3	56128	Bumper Pad	
4	D514632P	Cabinet Rear Panel	
5	D510136	Top Hinge	
6	D503688	Screw	
7	D511004	Gas Clearance Label	Gas models
8	D519356	Access Panel Plate	Models ADEE9BSS543FN01, ADEE9RGS543FW01 and ADGE9BSS113FN01
	D510903	Access Panel Plate	All other models
9	D511005	Electric Clearance Label	Electric models
10	521P3	Flexible Venting Kit	
11	D516196	Exhaust Duct	
12	D512539	Cabinet Side Panel	Right; Stainless steel; Models ADEE9BSS173CN01, ADEE9BSS173TN01, ADEE9BSS543FN01, ADGE9BSS113CN01, ADGE9BSS113FN01, ADGE9BSS113TN01, ZDEE9BGS543FN01, ZDEE9BSS173CN01, ZDEE9BSS543FN01, ZDGE9BGS113FN01, ZDGE9BSS113CN01 and ZDGE9BSS113FN01
	D510002WP	Cabinet Side Panel	Right; White; All other models
13	528P3	Directional Exhaust Kit	Used to vent dryer out the sides or bottom
14	526P3	Hold Down Kit	For mobile home installations
15	D510135	Leveling Leg	
16	D501855	Rubber Foot	
17	D514245	Dryer Base	
18	D514420	Output Board Shield	Models ADEE9BSS543FN01, ADEE9RGS543FW01, ADGE9BSS113FN01, ZDEE8RGS543FW01, ZDEE9BGS543FW01, ZDEE9BSS543FN01, ZDEE9RGS543FW01, ZDGE8RGS113FW01, ZDGE9BGS113FN01, ZDGE9BGS113FW01, ZDGE9BSS113FN01 and ZDGE9RGS113FW01
19	D514428	Screw	All models except ADE3SRGS173CW01, ADE3SRGS173TW01, ADEE9BSS543FN01, ADEE9RGS543FW01, ADG3SRGS113CW01, ADG3SRGS113TW01, ADGE9BSS113FN01, ZDE3SRGS173CW01, ZDE3SRGS173FW28, ZDEE9BGS543FN01, ZDG3SRGS113CW01 and ZDG3SRGS113FW28
20	D513797P	Output Control Assembly	All models except ADE3SRGS173CW01, ADE3SRGS173TW01, ADEE9BSS543FN01, ADEE9RGS543FW01, ADG3SRGS113CW01, ADG3SRGS113TW01, ADGE9BSS113FN01, ZDE3SRGS173CW01, ZDE3SRGS173FW28, ZDG3SRGS113CW01 and ZDG3SRGS113FW28
	D517319	Output Control Assembly	Models ADEE9BSS543FN01, ADEE9RGS543FW01 and ADGE9BSS113FN01
21	804667	Screw	All models except ADE3SRGS173CW01, ADE3SRGS173TW01, ADG3SRGS113CW01, ADG3SRGS113TW01, ADGE9RGS113FW01, ZDE3SRGS173CW01, ZDE3SRGS173FW28, ZDEE9BGS543FN01, ZDG3SRGS113CW01 and ZDG3SRGS113FW28
22	D512538	Cabinet Side Panel	Left; Stainless steel; Models ADEE9BSS173CN01, ADEE9BSS173TN01, ADEE9BSS543FN01, ADGE9BSS113CN01, ADGE9BSS113FN01, ADGE9BSS113TN01, ZDEE9BGS543FN01, ZDEE9BSS173CN01, ZDEE9BSS543FN01, ZDGE9BGS113FN01, ZDGE9BSS113CN01 and ZDGE9RGS113CW01
	D510001WP	Cabinet Side Panel	Left; White; All other models

# Cabinet, Exhaust Duct and Base - Stacked Dryers

Models ASEE8AGW173TW01 and ASGE8AGW113TW01



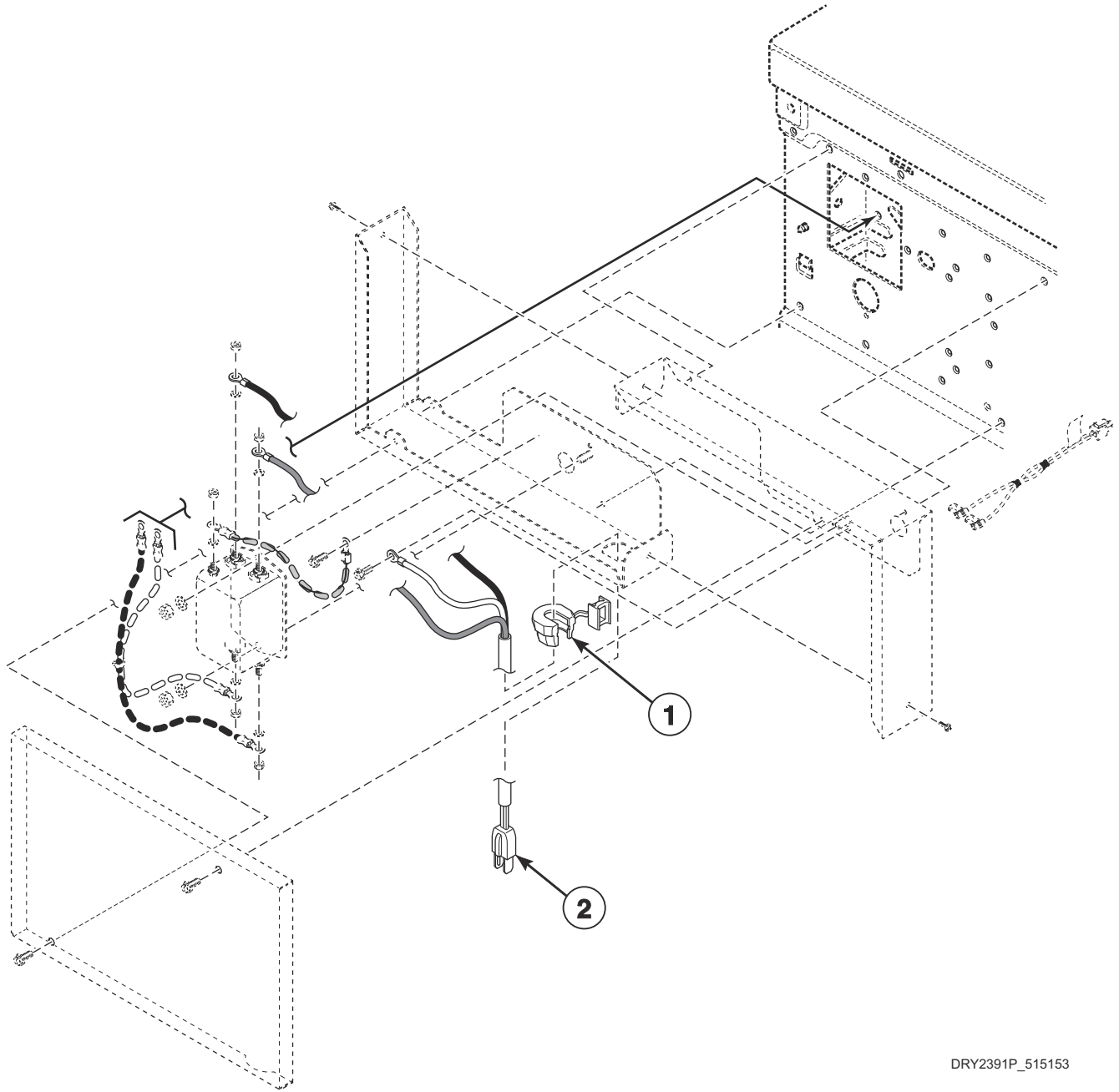
DRY2381P\_515153

## Cabinet, Exhaust Duct and Base - Stacked Dryers

REF	PART NO.	DESCRIPTION	COMMENTS
	122P4P	Porcelain Touch-Up Paint	White
1	D503688	Screw	
2	D510146	Bracket	
3	D510032WP	Top Kit	
4	D510136	Top Hinge	
5	D511004	Gas Clearance Label	Model ASGE8AGW113TW01
6	D514632P	Cabinet Rear Panel	
7	D510903	Access Panel Plate	
8	521P3	Flexible Venting Kit	
9	D511005	Electric Clearance Label	Model ASEE8AGW173TW01
10	D516196	Exhaust Duct	
11	D510002WP	Cabinet Side Panel	Right
12	528P3	Directional Exhaust Kit	Used to vent dryer out the sides
13	526P3	Hold Down Kit	For mobile home installations
14	D510135	Leveling Leg	
15	D514245	Dryer Base	
16	26509	Washer	
17	D502431	Screw	
18	D514428	Screw	
19	D513797P	Output Control Assembly	
20	804667	Screw	
21	D510001WP	Cabinet Side Panel	Left
22	56079	Panel Locator	
23	39733	Screw	
24	56128	Bumper Pad	

# Power Cord

Models ZDEE8RGS543FW01, ZDEE9BGS543FN01, ZDEE9BGS543FW01, ZDEE9BSS543FN01, ZDEE9RGS543FW01, ZDGE8RGS113FW01, ZDGE9BGS113FN01, ZDGE9BGS113FW01, ZDGE9BSS113FN01 and ZDGE9RGS113FW01



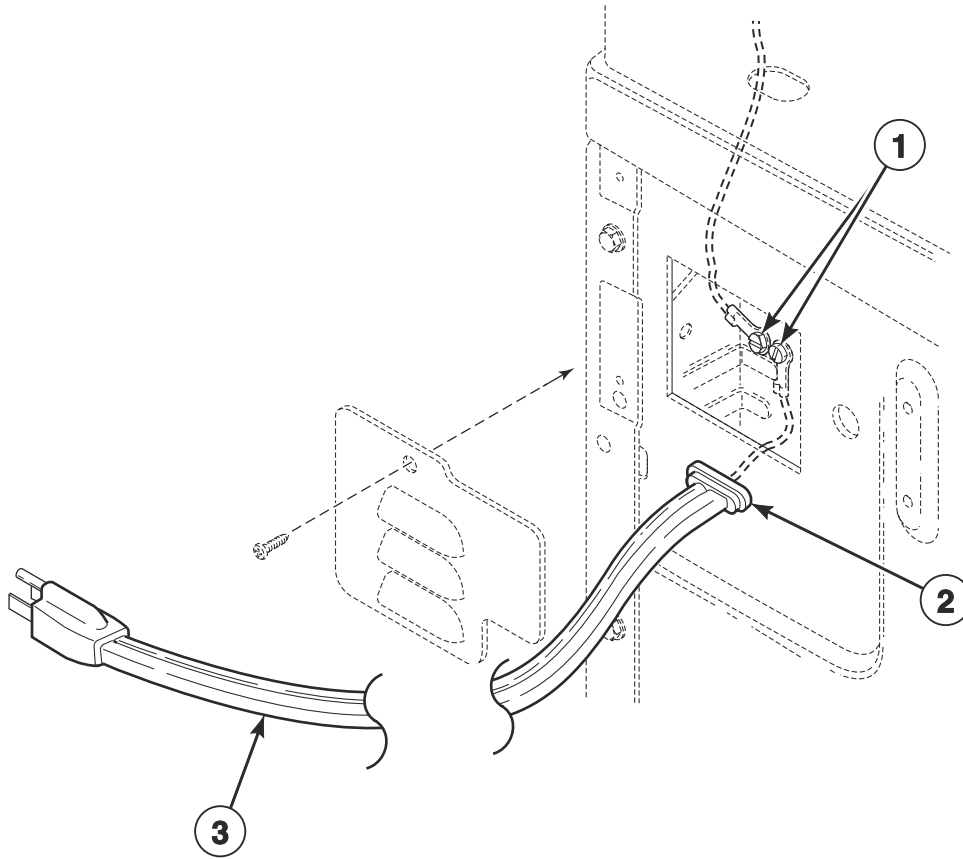
DRY2391P\_515153

# Power Cord

REF	PART NO.	DESCRIPTION	COMMENTS
1	52113	Strain Relief	Models ZDEE8RGS543FW01, ZDEE9BGS543FN01, ZDEE9BGS543FW01, ZDEE9BSS543FN01 and ZDEE9RGS543FW01
	60298	Strain Relief	Models ZDGE8RGS113FW01, ZDGE9BGS113FN01, ZDGE9BSS113FN01 and ZDGE9RGS113FW01
2	D502599	Lead-In Cord	European; Models ZDEE8RGS543FW01, ZDEE9BGS543FW01, ZDEE9BSS543FN01 and ZDEE9RGS543FW01
	D516747	Lead-In Cord	Models ZDEE8RGS543FW01, ZDEE9BGS543FN01, ZDEE9BGS543FW01, ZDEE9BSS543FN01 and ZDEE9RGS543FW01
	D514953	Lead-In Cord	Models ZDGE8RGS113FW01, ZDGE9BGS113FN01, ZDGE9BGS113FW01, ZDGE9BSS113FN01 and ZDGE9RGS113FW01

# Lead-In Cord

Gas Models



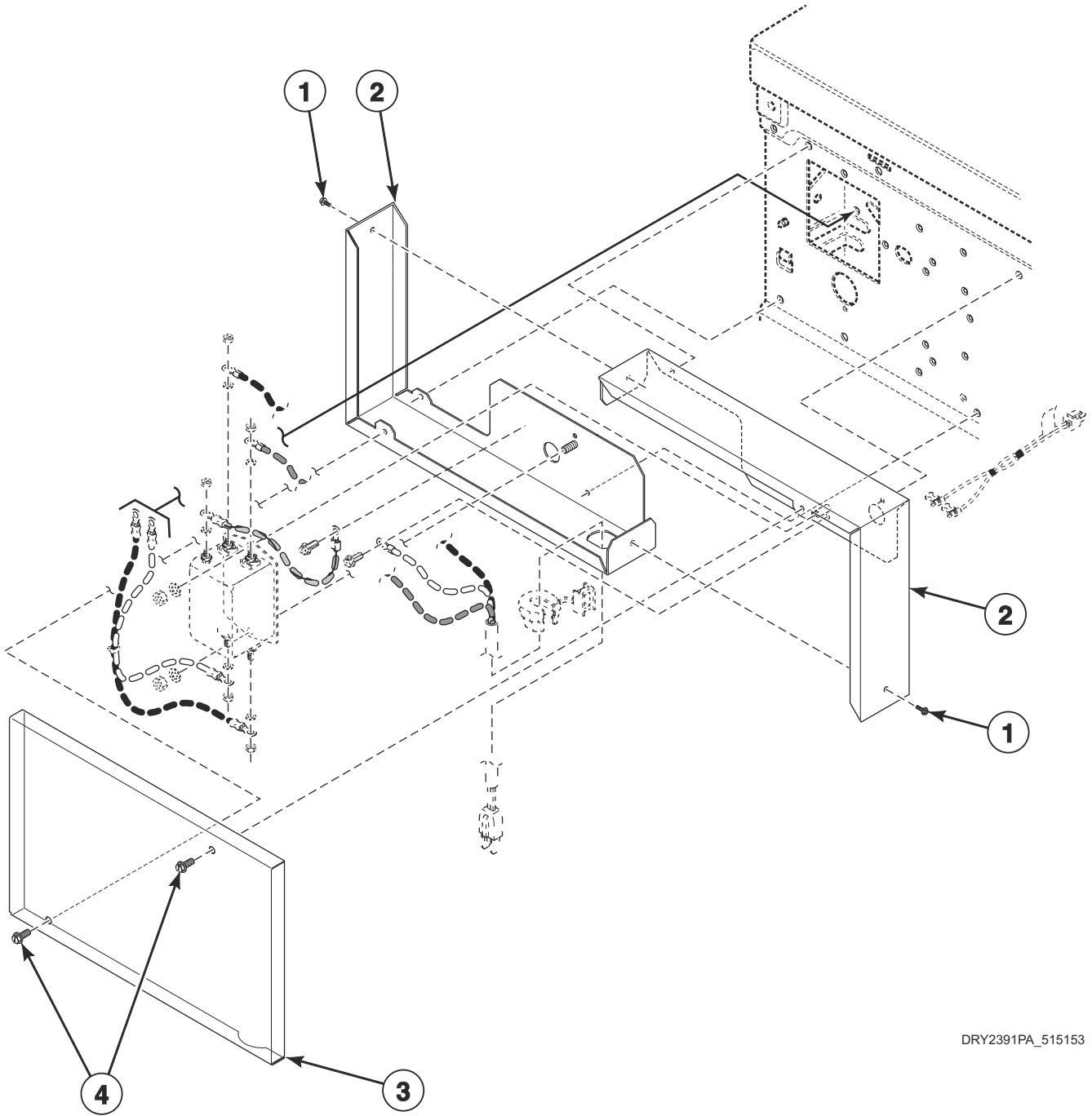
DRY1790P\_515153

# Lead-In Cord

REF	PART NO.	DESCRIPTION	COMMENTS
1	20530	Screw	
2	38384	Strain Relief	
3	56222	Lead-In Cord	Models ADG3SRGS113TW01, ADGE9BGS113CW01 and ZDG3SRGS113CW01
	201439	Lead-In Cord	Model ZDG3SRGS113FW28
	D518387	Lead-In Cord	All other models

# Junction Box

Models ADGE9RGS113FW01, ZDEE8RGS543FW01, ZDEE9BGS543FN01, ZDEE9BGS543FW01, ZDEE9BSS543FN01, ZDEE9RGS543FW01, ZDGE8RGS113FW01, ZDGE9BGS113FN01, ZDGE9BGS113FW01, ZDGE9BSS113FN01 and ZDGE9RGS113FW01



DRY2391PA\_515153

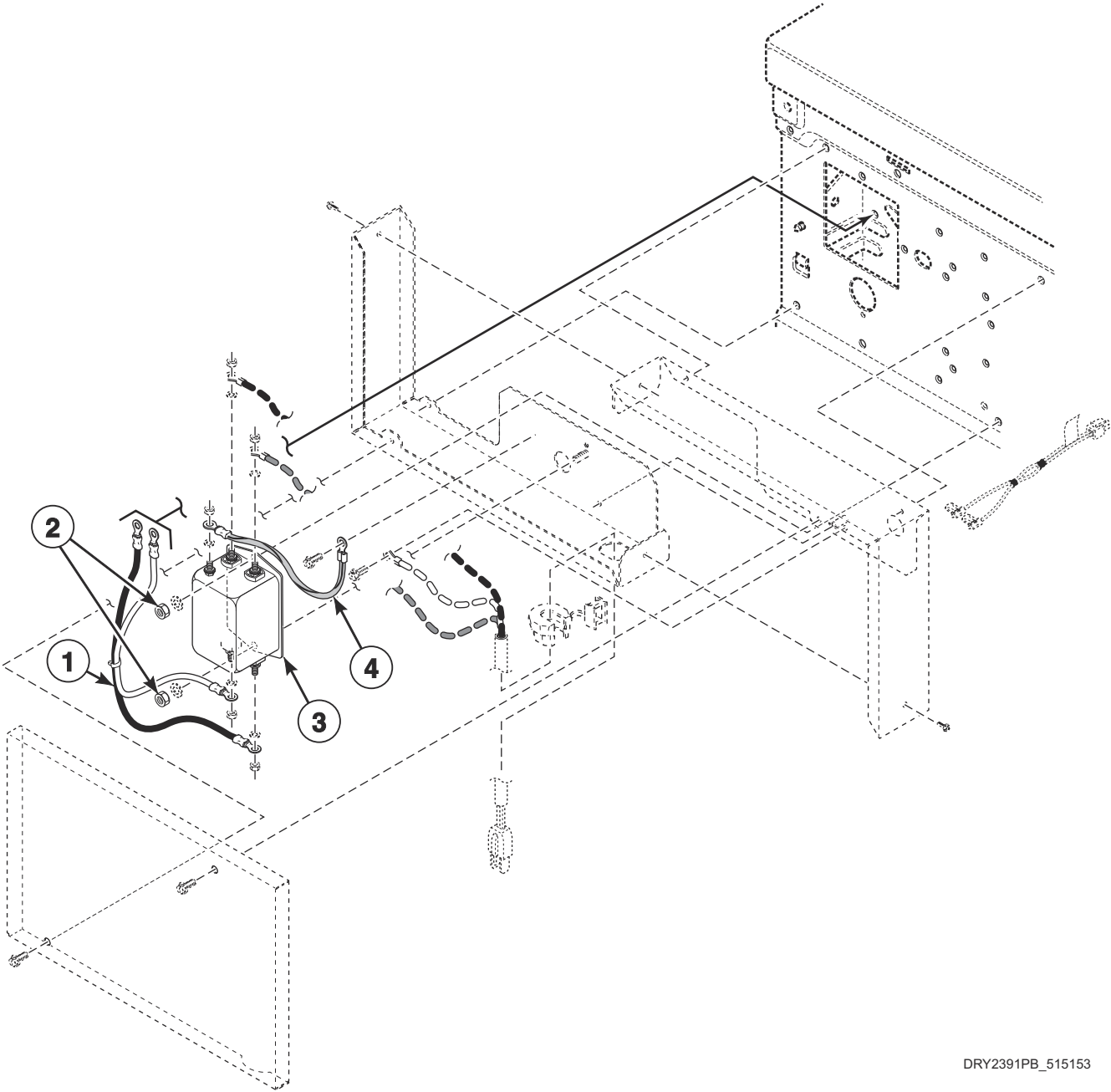


# Junction Box

REF	PART NO.	DESCRIPTION	COMMENTS
	D503688	Screw	4 required
	D514379P	Junction Box Seal	2 required
	D514390	Junction Box Assembly	Models ADGE9RGS113FW01, ZDGE8RGS113FW01, ZDGE9BGS113FN01, ZDGE9BGS113FW01, ZDGE9BSS113FN01 and ZDGE9RGS113FW01
	D514389P	Junction Box Assembly	All other models
	D514618	Terminal Block Label	Models ZDGE8RGS113FW01, ZDGE9BGS113FN01, ZDGE9BGS113FW01, ZDGE9BSS113FN01 and ZDGE9RGS113FW01
<b>1</b>	61199	Screw	2 required
<b>2</b>	D516152	Junction Box Assembly	Models ADGE9RGS113FW01, ZDGE8RGS113FW01, ZDGE9BGS113FN01, ZDGE9BGS113FW01, ZDGE9BSS113FN01 and ZDGE9RGS113FW01
	D516153	Junction Box Assembly	All other models
<b>3</b>	D514363	Junction Box Cover	
<b>4</b>	D503661	Screw	2 required

# Junction Box Filter and Harnesses

Models ADGE9RGS113FW01, ZDEE8RGS543FW01, ZDEE9BGS543FN01, ZDEE9BGS543FW01, ZDEE9BSS543FN01, ZDEE9RGS543FW01, ZDGE8RGS113FW01, ZDGE9BGS113FN01, ZDGE9BGS113FW01, ZDGE9BSS113FN01 and ZDGE9RGS113FW01

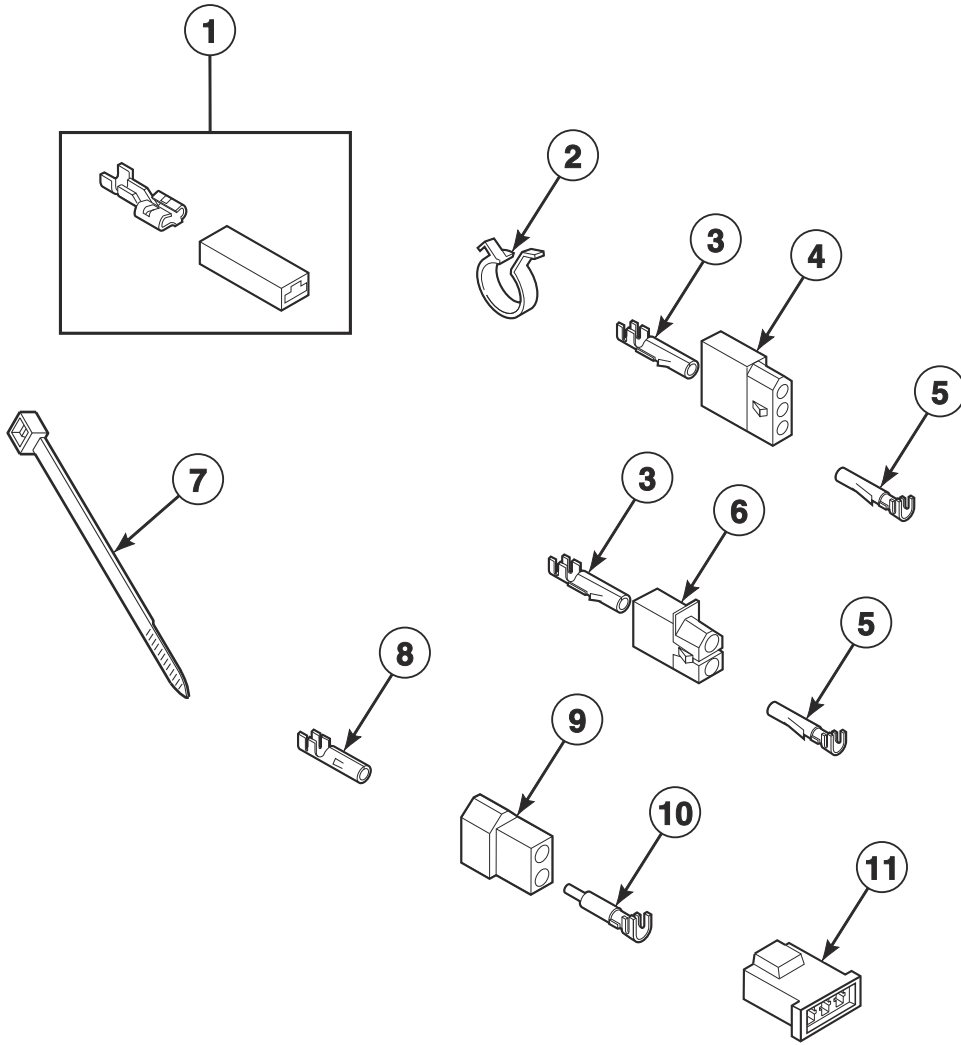


DRY2391PB\_515153

## Junction Box Filter and Harnesses

REF	PART NO.	DESCRIPTION	COMMENTS
1	D518533	Filter Harness	Models ADGE9RGS113FW01, ZDGE8RGS113FW01, ZDGE9BGS113FN01, ZDGE9BGS113FW01, ZDGE9BSS113FN01 and ZDGE9RGS113FW01
	D518532	Filter Harness	All other models
2	29787	Nut	2 required
3	804864	Line Filter	Models ADGE9RGS113FW01, ZDGE8RGS113FW01, ZDGE9BGS113FN01, ZDGE9BGS113FW01, ZDGE9BSS113FN01 and ZDGE9RGS113FW01
	804844	Line Filter	All other models
4	D514039	Ground Filter Harness	Models ZDGE8RGS113FW01, ZDGE9BGS113FN01, ZDGE9BGS113FW01, ZDGE9BSS113FN01 and ZDGE9RGS113FW01
	D518534	Ground Filter Harness	All other models

# Terminal Block and Terminals

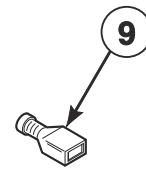
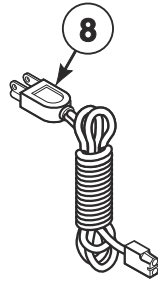
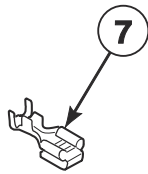
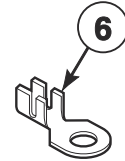
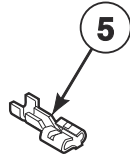
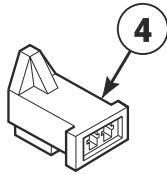
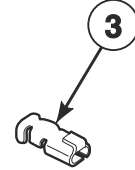
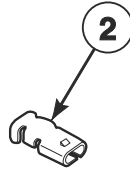
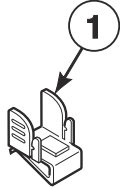


DRY1873P\_515153

## Terminal Block and Terminals

REF	PART NO.	DESCRIPTION	COMMENTS
1	00360	Insulated Female Spade Terminal	
2	D504034	Wire Clip	11/16 inch
	687500	Wire Clip	1 inch
3	00117	Female Pin Terminal	Gas models
	00128	Female Pin Terminal	1/8 inch; Models ADEE9BGS173CW01, ADEE9BGS173TW01, ADEE9BSS173CN01, ADEE9BSS173TN01, ASEE8AGW173TW01, ZDEE9BGS173CW01, ZDEE9BGS543FN01, ZDEE9BGS543FW01, ZDEE9BSS173CN01 and ZDEE9BSS543FN01
4	23039	3 Circuit Receptacle	Model ASGE8AGW113TW01
5	00116	Male Pin Terminal	Models ADGE9BGS113CW01, ADGE9BGS113TW01, ADGE9BSS113CN01, ADGE9BSS113FN01, ADGE9BSS113TN01, ASGE8AGW113TW01, ZDGE9BGS113CW01, ZDGE9BGS113FN01, ZDGE9BGS113FW01, ZDGE9BSS113CN01 and ZDGE9BSS113FN01
	00129	Male Pin Terminal	1/8 inch; Models ADEE9BGS173CW01, ADEE9BGS173TW01, ADEE9BSS173CN01, ADEE9BSS173TN01, ADEE9BSS543FN01, ADG3SRGS113CW01, ADG3SRGS113TW01, ADGE8RGS113CW01, ADGE8RGS113TW01, ADGE9BGS113CW01, ADGE9BGS113TW01, ADGE9BSS113CN01, ADGE9BSS113TN01, ADGE9RGS113CW01, ADGE9RGS113FW01, ADGE9RGS113TW01, ASEE8AGW173TW01, ASGE8AGW113TW01, ZDEE9BGS173CW01, ZDEE9BGS543FN01, ZDEE9BGS543FW01, ZDEE9BSS173CN01, ZDEE9BSS543FN01, ZDG3SRGS113CW01, ZDG3SRGS113FW28, ZDGE8RGS113CW01, ZDGE8RGS113FW01, ZDGE9BGS113CW01, ZDGE9BGS113FN01, ZDGE9BGS113FW01, ZDGE9BSS113CN01, ZDGE9BSS113FN01, ZDGE9RGS113CW01 and ZDGE9RGS113FW01
6	56451	2 Circuit Receptacle	Gas models
	56855	12 Circuit Receptacle	Models ADEE9BGS173CW01, ADEE9BGS173TW01, ADEE9BSS173CN01, ADEE9BSS173TN01, ASEE8AGW173TW01, ZDEE9BGS173CW01, ZDEE9BGS543FN01, ZDEE9BGS543FW01, ZDEE9BSS173CN01 and ZDEE9BSS543FN01
7	55881	Harness Strap	
8	00130	Female Pin Terminal	1/8 inch; Models ADEE9BGS173CW01, ADEE9BGS173TW01, ADEE9BSS173CN01, ADEE9BSS173TN01, ADEE9BSS543FN01, ADG3SRGS113CW01, ADG3SRGS113TW01, ADGE8RGS113CW01, ADGE8RGS113TW01, ADGE9BGS113CW01, ADGE9BGS113TN01, ADGE9BSS113CN01, ADGE9BSS113FN01, ADGE9BSS113TN01, ADGE9RGS113CW01, ADGE9RGS113FW01, ADGE9RGS113TW01, ASEE8AGW173TW01, ASGE8AGW113TW01, ZDEE9BGS173CW01, ZDEE9BGS543FN01, ZDEE9BSS173CN01, ZDEE9BSS543FN01, ZDG3SRGS113CW01, ZDG3SRGS113FW28, ZDGE8RGS113CW01, ZDGE8RGS113FW01, ZDGE9BGS113CW01, ZDGE9BGS113FN01, ZDGE9BGS113FW01, ZDGE9BSS113CN01, ZDGE9BSS113FN01, ZDGE9RGS113CW01 and ZDGE9RGS113FW01
9	56266	2 Circuit Plug	Gas models
10	00127	Male Pin Terminal	1/8 inch; Models ADEE9BGS173CW01, ADEE9BGS173TW01, ADEE9BSS173CN01, ADEE9BSS173TN01, ADG3SRGS113CW01, ADG3SRGS113TW01, ADGE8RGS113CW01, ADGE8RGS113TW01, ADGE9BGS113CW01, ADGE9BGS113TN01, ADGE9BSS113CN01, ADGE9BSS113FN01, ADGE9BSS113TN01, ADGE9RGS113CW01, ADGE9RGS113TW01, ASEE8AGW173TW01, ASGE8AGW113TW01, ZDEE9BGS173CW01, ZDEE9BGS543FN01, ZDEE9BSS173CN01, ZDEE9BSS543FN01, ZDG3SRGS113CW01, ZDG3SRGS113FW28, ZDGE8RGS113CW01, ZDGE8RGS113FW01, ZDGE9BGS113CW01, ZDGE9BGS113FN01, ZDGE9BGS113FW01, ZDGE9BSS113CN01, ZDGE9BSS113FN01, ZDGE9RGS113CW01 and ZDGE9RGS113FW01
11	58800	3 Circuit Connector	Gas models

# Terminals

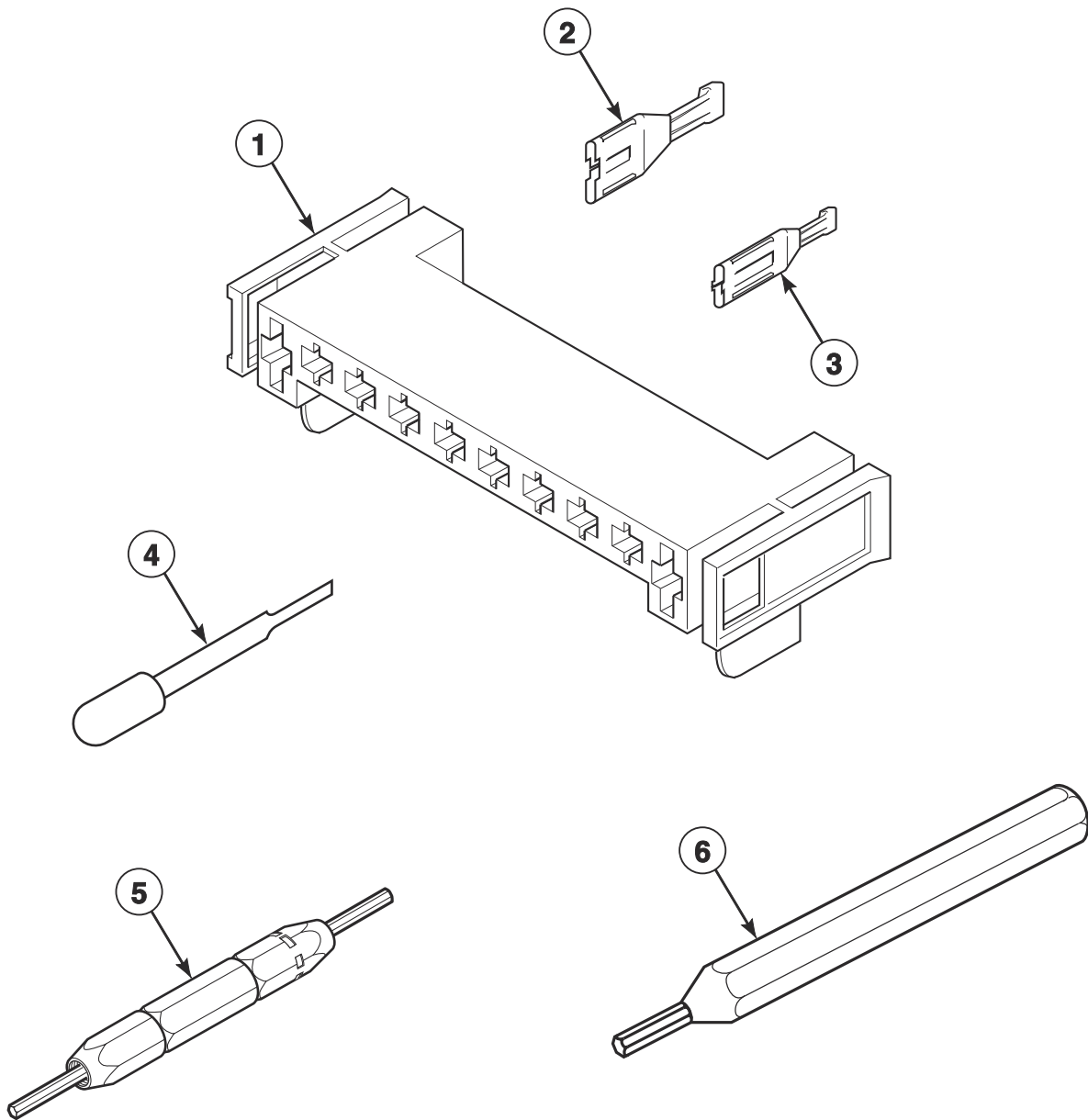


DRY2464P\_515153

# Terminals

REF	PART NO.	DESCRIPTION	COMMENTS
1	00161	Grounding Clip	
2	00189	Female Spade Terminal	1/8 inch; Gas models
3	00361	Female Piggyback Terminal	Gas models
4	58799	2 Circuit Connector	Gas models
5	00223	Female Spade Terminal	1/4 inch; (1) 18 gauge wire
	00222	Female Spade Terminal	1/4 inch; Models ZDEE8RGS543FW01, ZDEE9BGS543FN01, ZDEE9BGS543FW01, ZDEE9BSS543FN01 and ZDEE9RGS543FW01
6	00110	Ring Terminal	10 stud; (1) 18 gauge wire; Gas models
	00111	Ring Terminal	10 stud; (2) 18 gauge wires or (1) 12 gauge wire; Models ZDEE8RGS543FW01, ZDEE9BGS543FN01, ZDEE9BGS543FW01, ZDEE9BSS543FN01 and ZDEE9RGS543FW01
	00319	Ring Terminal	(2) 18 gauge wires or (1) 14 gauge wire; Models ZDGE8RGS113FW01, ZDGE9BGS113FN01, ZDGE9BGS113FW01, ZDGE9BSS113FN01 and ZDGE9RGS113FW01
7	00344	Female Tab Terminal	1/4 inch; Electric models
8	D510505P	Lead-In Cord Assembly	Models ADE3SRGS173CW01, ADEE8RGS173CW01, ADEE9BGS173CW01, ADEE9BSS173CN01, ADEE9RGS173CW01, ZDE3SRGS173CW01, ZDE3SRGS173FW28, ZDEE8RGS173CW01, ZDEE8RGS543FW01, ZDEE9BGS173CW01, ZDEE9BGS543FN01, ZDEE9BGS543FW01, ZDEE9BSS173CN01, ZDEE9BSS543FN01, ZDEE9RGS173CW01 and ZDEE9RGS543FW01
	D516747	Lead-In Cord	Models ADEE9BSS543FN01 and ADEE9RGS543FW01
	204781	Lead-In Cord	Model ADGE9BSS113FN01
	D514953	Lead-In Cord	Model ADGE9RGS113FW01
9	00359	Insulated Female Spade Terminal	1/4 inch

# Terminals and Terminal Extractor Tools



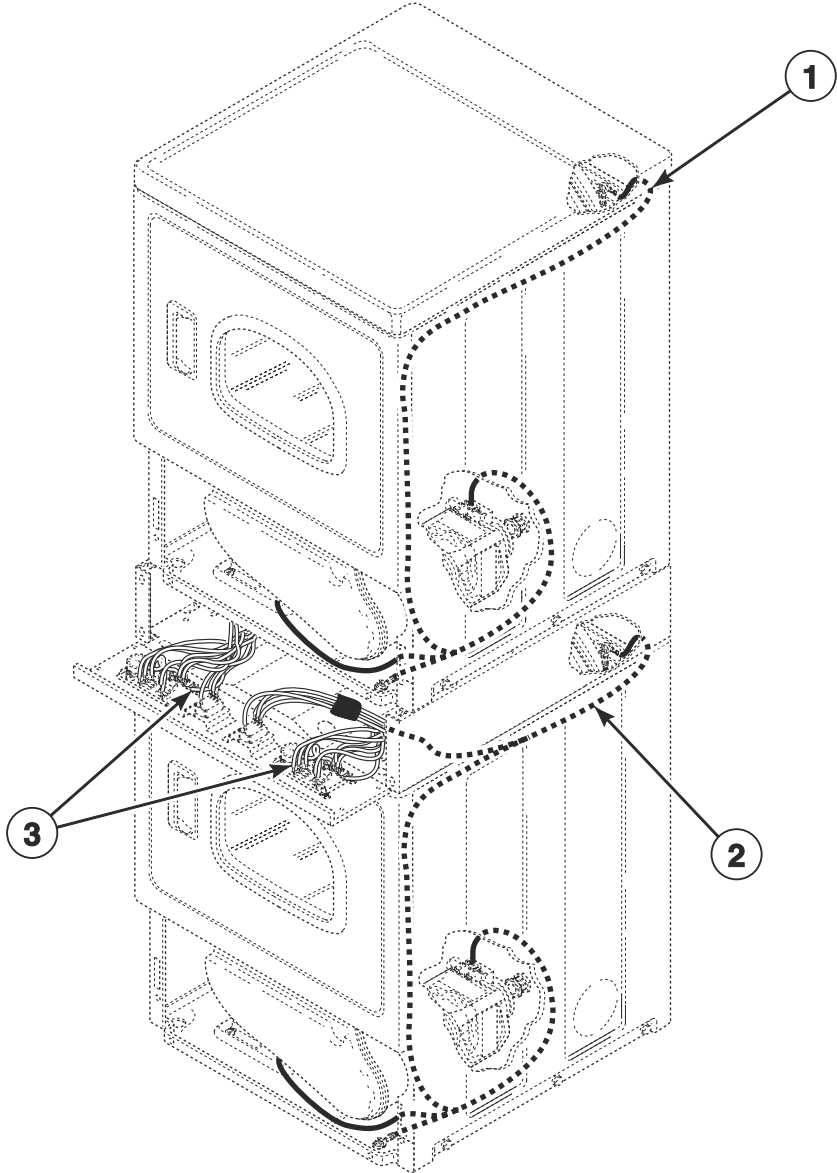
DRY1767P\_515153



## Terminals and Terminal Extractor Tools

REF	PART NO.	DESCRIPTION	COMMENTS
1	D500338	10 Position Housing	
2	00255	Female Terminal	1/4 inch; (1) 12 gauge wire; Electric models
	00256	Female Terminal	1/4 inch; (1) or (2) 18 gauge wires; Gas models
3	00188	Female Terminal	For 1 or 2 wire application
4	283P4	Terminal Extractor Tool	For use on Molex connectors
5	190P4	Extractor Tool	For use on electric dryer terminals
6	128P4	Extractor Tool	For use on gas dryer terminals

# Wire Harnesses and Wires - Model ASGE8AGW113TW01



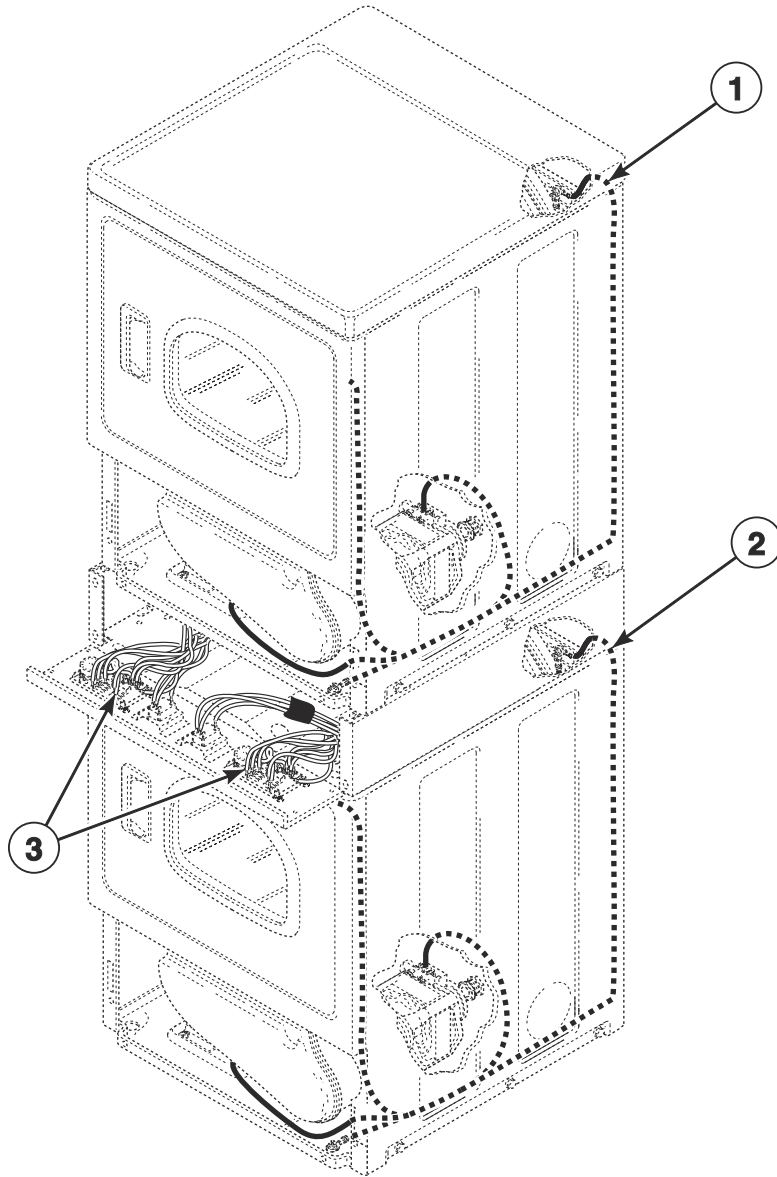
DRY2273P\_515153

## Wire Harnesses and Wires - Model ASGE8AGW113TW01

REF	PART NO.	DESCRIPTION	COMMENTS
	45380	12 Gauge Wire	Orange; Order wire by the foot; Order terminals and connectors as required
	45001	18 Gauge Wire	Black; Order wire by the foot; Order terminals and connectors as required
1	D517096	Gas Harness	Main harness for upper dryer
2	D517097	Gas Harness	Main harness for lower dryer
3	D513991	Security Cabinet Harness	Control cabinet to main harness

**NOTE: Individual wires are not available separately. Order complete wire harness, or order wire by the foot. When applying terminals to wires, it is recommended that the terminals be soldered to the wires.**

# Wire Harnesses and Wires - Model ASEE8AGW173TW01



DRY2289P\_515153

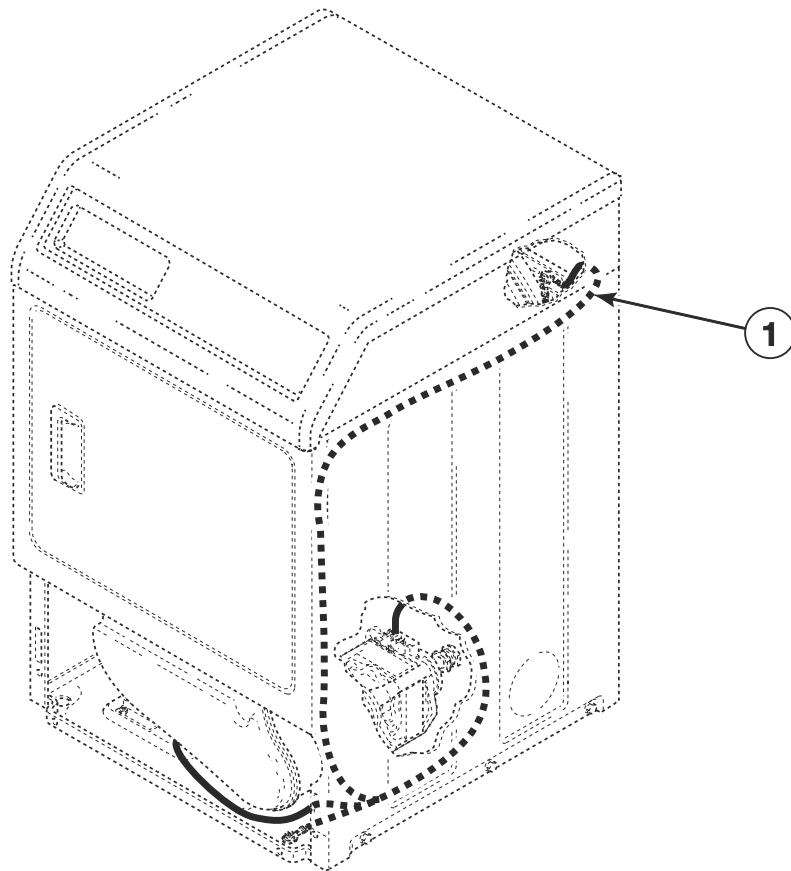
## Wire Harnesses and Wires - Model ASEE8AGW173TW01

REF	PART NO.	DESCRIPTION	COMMENTS
	45380	12 Gauge Wire	Orange; Order wire by the foot; Order terminals and connectors as required
	45001	18 Gauge Wire	Black; Order wire by the foot; Order terminals and connectors as required
1	D517242	Upper Electric Harness	Main harness for upper dryer
2	D517244	Electric Harness	Main harness for lower dryer
3	D513991	Security Cabinet Harness	Control cabinet to main harness

**NOTE: Individual wires are not available separately. Order complete wire harness, or order wire by the foot. When applying terminals to wires, it is recommended that the terminals be soldered to the wires.**

# Wire Harnesses and Wires - Front Control Models (Drawing 1 of 2)

Models ADGE9BGS113CW01, ADGE9BGS113TW01, ADGE9BSS113CN01, ADGE9BSS113FN01, ADGE9BSS113TN01, ZDEE9BSS543FN01, ZDGE9BGS113CW01, ZDGE9BGS113FN01, ZDGE9BGS113FW01, ZDGE9BSS113CN01 and ZDGE9BSS113FN01



DRY2399P\_515153

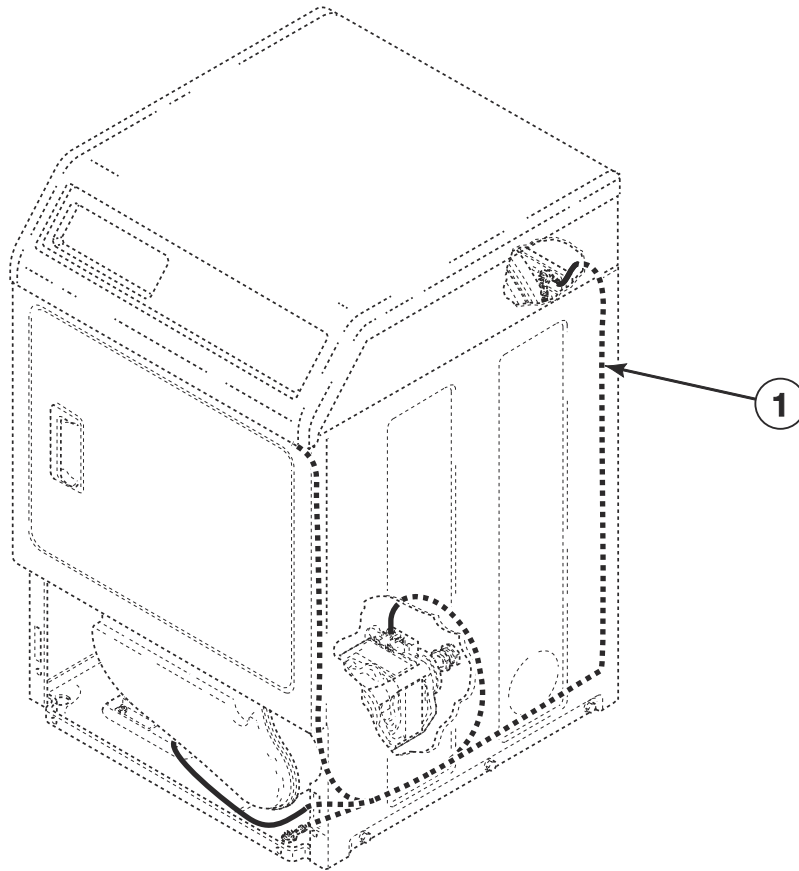
## Wire Harnesses and Wires - Front Control Models (Drawing 1 of 2)

REF	PART NO.	DESCRIPTION	COMMENTS
	45380	12 Gauge Wire	Orange; Order wire by the foot; Order terminals and connectors as required; Model ZDEE9BSS543FN01
	45001	18 Gauge Wire	Black; Order wire by the foot; Order terminals and connectors as required; Models ZDGE9BGS113FN01, ZDGE9BGS113FW01 and ZDGE9BSS113FN01
1	D517479	Gas Harness	Model ADGE9BSS113FN01
	D517097	Gas Harness	All other models

**NOTE: Individual wires are not available separately. Order complete wire harness, or order wire by the foot. When applying terminals to wires, it is recommended that the terminals be soldered to the wires.**

# Wire Harnesses and Wires - Front Control Models (Drawing 2 of 2)

Models ADEE9BGS173CW01, ADEE9BGS173TW01, ADEE9BSS173CN01, ADEE9BSS173TN01, ADEE9BSS543FN01, ZDEE9BGS173CW01, ZDEE9BGS543FN01, ZDEE9BGS543FW01, ZDEE9BSS173CN01 and ZDEE9BSS543FN01



DRY2400P\_515153



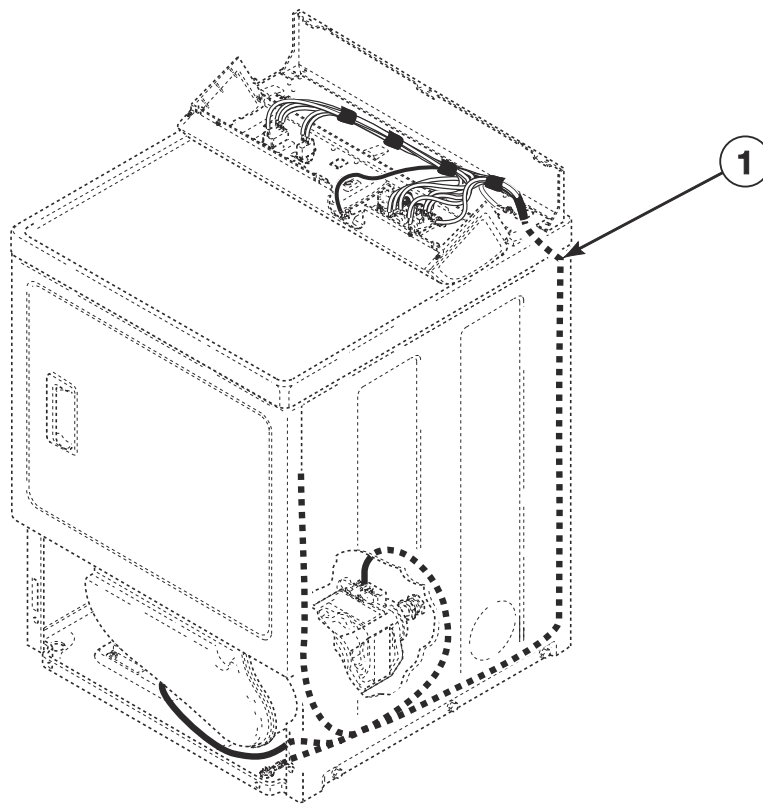
## Wire Harnesses and Wires - Front Control Models (Drawing 2 of 2)

REF	PART NO.	DESCRIPTION	COMMENTS
	45380	12 Gauge Wire	Orange; Order wire by the foot; Order terminals and connectors as required
	45477	12 Gauge Wire	Green/yellow stripe; Order wire by the foot; Order terminals and connectors as required
	45001	18 Gauge Wire	Black; Order wire by the foot; Order terminals and connectors as required
1	D517478	Electric Harness	Model ADEE9BSS543FN01
	D517244	Electric Harness	Main harness; All other models

**NOTE: Individual wires are not available separately. Order complete wire harness, or order wire by the foot. When applying terminals to wires, it is recommended that the terminals be soldered to the wires.**

## Wire Harnesses and Wires - Rear Control Models

Models ADE3SRGS173CW01, ADE3SRGS173TW01, ADEE8RGS173CW01, ADEE8RGS173TW01, ADEE9RGS173CW01, ADEE9RGS173TW01, ADEE9RGS543FW01, ADG3SRGS113CW01, ADG3SRGS113TW01, ADGE8RGS113CW01, ADGE8RGS113TW01, ADGE9RGS113CW01, ADGE9RGS113FW01, ADGE9RGS113TW01, ZDE3SRGS173CW01, ZDE3SRGS173FW28, ZDEE8RGS173CW01, ZDEE8RGS543FW01, ZDEE9RGS173CW01, ZDEE9RGS543FW01, ZDG3SRGS113FW28, ZDGE8RGS113CW01, ZDGE8RGS113FW01, ZDGE9RGS113CW01 and ZDGE9RGS113FW01



DRY2268P\_515153

## Wire Harnesses and Wires - Rear Control Models

REF	PART NO.	DESCRIPTION	COMMENTS
	45380	12 Gauge Wire	Orange; Order wire by the foot; Order terminals and connectors as required; Model ZDEE8RGS543FW01
	45477	12 Gauge Wire	Green/yellow stripe; Order wire by the foot; Order terminals and connectors as required; Models ZDEE8RGS543FW01 and ZDEE9RGS543FW01
	45001	18 Gauge Wire	Black; Order wire by the foot; Order terminals and connectors as required; Models ZDGE8RGS113FW01 and ZDGE9RGS113FW01
	D517634	Electric Hood Harness	Model ZDE3SRGS173FW28 starting 7/1/22
	D517635	Gas Hood Harness	Model ZDG3SRGS113FW28 starting 11/15/20
1	D517256	Electric Harness	Main harness; Models ADEE8RGS173CW01, ADEE8RGS173TW01, ADEE9RGS173CW01, ADEE9RGS173TW01, ADEE9RGS543FW01, ZDEE8RGS173CW01, ZDEE8RGS543FW01, ZDEE9RGS173CW01 and ZDEE9RGS543FW01
	D513665	Wire Harness Assembly	Main harness; Models ADG3SRGS113CW01 and ADG3SRGS113TW01; Model ZDG3SRGS113FW28 through 11/14/20
	D513660	Wire Harness Assembly	Main harness; Models ADE3SRGS173CW01, ADE3SRGS173TW01 and ZDE3SRGS173CW01; Model ZDE3SRGS173FW28 through 6/30/22
	D517103	Gas Harness Assembly	Main Harness; Models ADGE8RGS113CW01, ADGE8RGS113TW01, ADGE9RGS113CW01, ADGE9RGS113FW01, ADGE9RGS113TW01, ZDGE8RGS113CW01, ZDGE8RGS113FW01, ZDGE9RGS113CW01 and ZDGE9RGS113FW01
	D517474	Electric Harness	Model ADEE9RGS543FW01
	D517624	Electric Harness	Model ZDE3SRGS173FW28 starting 7/1/22
	D517625	Gas Harness	Model ZDG3SRGS113FW28 starting 11/15/20

**NOTE: Individual wires are not available separately. Order complete wire harness, or order wire by the foot. When applying terminals to wires, it is recommended that the terminals be soldered to the wires.**



# Parts Index

## A

Access Panel Assembly	
D514250WP .....	19
D514251 .....	19
Access Panel Plate	
D510903 .....	39, 41
D519356 .....	39
Adhesive	
D511637P .....	27, 29
Air Duct Assembly	
D518431 .....	27
D518432 .....	27
D518433 .....	27
Anti-Seize Compound	
27604P .....	21

## B

Bar Sensor	
D513737 .....	25
Blower Fan Assembly	
D510139P .....	21
Blower Housing	
D511969LG .....	21
D511969WP .....	21
Blower Housing Cover Assembly	
D510250 .....	21
D510282 .....	21
D510394 .....	21
Blower Housing Seal	
D510238P .....	21
Bolt	
29651 .....	9
Booster and Holding Coil	
58804A .....	35
Bracket	
D510146 .....	41
516311 .....	23
Broken Belt Switch	
D517942 .....	23
Bulkhead Assembly	
D505899WP .....	27
D515544WP .....	27
Bumper Pad	
56128 .....	39, 41
Burner Assembly	
D510149P .....	35

## C

Cabinet Rear Panel	
D514632P .....	39, 41
Cabinet Side Panel	
D510001WP .....	39, 41
D510002WP .....	39, 41
D512538 .....	39
D512539 .....	39

Combustion Duct	
D510131 .....	33
D510132 .....	33
Connector, 2 Circuit	
58799 .....	53
Connector, 3 Circuit	
58800 .....	51
Control	
D514338P .....	13
Control Access Panel	
804741 .....	9
804793 .....	9
Control Assembly	
D514121 .....	7
D514121P .....	9
D515501P .....	7
D515502 .....	7
D515503P .....	7
D515504P .....	7
D517585 .....	7, 9
Control Bracket	
804611 .....	9
Control Knob Assembly	
803119P .....	5
Control Overlay	
Dd515630 .....	11
D514186 .....	11
D514189 .....	7
D514191 .....	7
D514192 .....	7
D514316 .....	11
D515062 .....	11
D515633 .....	11
D515634 .....	11
Control Panel	
803960WP .....	13
Control Panel Assembly	
804659W .....	11
804660 .....	11
804960 .....	11
804961 .....	11
Control Support Panel	
D503901 .....	5
804836 .....	7
Control Wrapper	
804627B .....	9
804627W .....	9
804630B .....	9
804630W .....	9
Cylinder Assembly	
D505929LGP .....	25
D510159WP .....	25
D510265LG .....	25
D510265WP .....	25
Cylinder Baffle	
D510102LG .....	25
D510102W .....	25
Cylinder Belt	
D511255P .....	21
Cylinder Glide	
D513710 .....	27
Cylinder Glide Bracket	
D510145 .....	27

N/A items do not appear in index.

Cylinder Light Assembly	
D512109 .....	27
D518796 .....	27
Cylinder Light Lens	
D512106 .....	27
Cylinder Roller	
D510708P .....	29
Cylinder Roller Bracket	
D510100 .....	29
Cylinder Seal Assembly	
D510207P .....	27, 29

## D

Directional Exhaust Kit	
528P3 .....	39, 41
Door Assembly	
D516737W .....	17
Door Catch Assembly	
D510177 .....	19
Door Handle Wedge	
D510129W .....	15, 17
Door Liner	
D510097W .....	15
Door Liner Grill	
D503870LG .....	15, 17
D503870W .....	15, 17
Door Pull and Wedge Kit	
D510103WP .....	15, 17
D511213P .....	15
Door Strike	
D510181 .....	15, 17
Door Strike Mount	
D510127 .....	15, 17
Drip Shield	
D514327 .....	19
Drum Light Lamp	
60954 .....	27
Dryer Base	
D514245 .....	39, 41
Dryer Door	
D510013WP .....	15
D510082WP .....	17
D512969 .....	15
D515961 .....	17
Dryer Door Window	
D503982P .....	17
Drying Rack	
D512082P .....	25

## E

Elbow	
D513072 .....	35
Electric Clearance Label	
D511005 .....	39, 41
Electric Harness	
D517244 .....	59, 63
D517256 .....	65
D517474 .....	65
D517478 .....	63
D517624 .....	65

Electric Hood Harness	
D517634 .....	65
Electrical Shock Label	
F8211201 .....	27
End Panel	
D504008W .....	5, 7
D504009WP .....	5, 7
Exhaust Duct	
D516196 .....	39, 41
Expansion Clip	
70030501 .....	9, 13
Extractor Tool	
128P4 .....	55
190P4 .....	55

## F

Fabric Selector Switch	
D513505 .....	5
Felt Pad	
D510189 .....	27
Female Piggyback Terminal	
00361 .....	53
Female Pin Terminal	
00117 .....	51
00128 .....	51
00130 .....	51
Female Spade Terminal	
00189 .....	53
00222 .....	53
00223 .....	53
Female Tab Terminal	
00344 .....	53
Female Terminal	
00188 .....	55
00255 .....	55
00256 .....	55
Filter Harness	
D518532 .....	49
D518533 .....	49
Flexible Venting Kit	
521P3 .....	39, 41
Front Bulkhead Assembly	
D512476P .....	27
D515533P .....	27
Front Panel	
D510066WP .....	19
D512542 .....	19
Front Panel Assembly	
D513781WP .....	19
Front Panel Label	
D514863 .....	19
Front Panel Seal	
D511056 .....	19

## G

Gas Clearance Label	
D511004 .....	39, 41
Gas Harness	
D517096 .....	57
D517097 .....	57, 61

N/A items do not appear in index.

D517479 .....	61
D517625 .....	65
Gas Harness Assembly	
D517103 .....	65
Gas Hood Harness	
D517635 .....	65
Gas Valve Assembly	
D510506P .....	35
Gas Valve Mounting Bracket	
D510128 .....	35
Glide Kit	
RB170003 .....	27
Graphic Panel	
D513011W .....	5
D513016W .....	5
D516066W .....	5
D517553 .....	5
804565 .....	7
805450 .....	7
Ground Filter Harness	
D514039 .....	49
D518534 .....	49
Ground Wire Assembly	
D510550 .....	29
Grounding Clip	
00161 .....	53

## H

Harness Strap	
55881 .....	51
Heat Duct Shroud	
D510101 .....	33
Heater Assembly	
D510324P .....	31
D510329P .....	31
Heater Duct Assembly	
D510025P .....	31, 33
Heater Kit	
964P3 .....	31
Heater Kit Assembly	
61927 .....	31
61928 .....	31
Hinge	
D511036 .....	15, 17
Hinge Hole Plug	
D510186 .....	19
Hold Down Kit	
526P3 .....	39, 41
Hood Back Panel	
D510099 .....	5
804169 .....	7
Housing, 10 Position	
D500338 .....	55

## I

Idler Lever	
D516310 .....	23
Idler Lever and Wheel Assembly	
D516792 .....	23

Idler Spring	
D510185 .....	23
Idler Wheel and Bearing Assembly	
D510142P .....	23
Igniter and Bracket Assembly	
D510184P .....	35
Insulated Female Spade Terminal	
00359 .....	53
00360 .....	51

## J

Junction Box Assembly	
D514389P .....	47
D514390 .....	47
D516152 .....	47
D516153 .....	47
Junction Box Cover	
D514363 .....	47
Junction Box Seal	
D514379P .....	47

## K

Knob Assembly	
D517776 .....	5
803168P .....	5

## L

Lead-In Cord	
D502599 .....	43
D514953 .....	43, 53
D516747 .....	43, 53
D518387 .....	45
201439 .....	45
204781 .....	53
56222 .....	45
Lead-In Cord Assembly	
D510505P .....	53
Lead-In Pipe Assembly	
D510204 .....	35
Leveling Leg	
D510135 .....	39, 41
Light Housing Assembly	
D512108 .....	27
Limit Thermostat	
D510701 .....	31
D510702 .....	33
Line Filter	
804844 .....	49
804864 .....	49
Liner and Seal Assembly	
D516508 .....	15
D516509 .....	17
Liner Door Seal	
D510147P .....	15, 17
Liner, Seal and Grill Assembly	
D510163WP .....	15
D516510WP .....	15

N/A items do not appear in index.

Lint Filter	
D503980LG.....	27
D503980W.....	27
Lint Filter Label	
D502781.....	19
L.P. Conversion Kit	
649P3.....	35
L.P. Orifice	
D503786.....	37
58755.....	37

## M

Male Pin Terminal	
00116.....	51
00127.....	51
00129.....	51
Moisture Sensor Base	
D513738.....	25
Motor and Pulley Assembly	
D505869P.....	21
D511629P.....	21
Motor Hub Ring Kit	
590P3.....	21
Motor Mount	
D518517.....	23
Motor Mount Clamp	
D510180.....	21
Motor Pulley	
D500011.....	21
Motor Shield	
D514602.....	21

## N

Nut	
29787.....	49
44071201.....	17
52566.....	23
56156.....	23, 29
N.G. Conversion Kit	
650P3.....	35
N.G. Orifice	
D503778.....	37
D503779.....	37
D503780.....	37
D503781.....	37

## O

Outlet Cover	
D500820.....	31, 33
D518524.....	31, 33
Output Board Shield	
D514420.....	39
Output Control Assembly	
D513797P.....	39, 41
D517319.....	39
Overlay	
D513779.....	7
D514683.....	13

N/A items do not appear in index.

## P

Panel Locator	
56079.....	19, 39, 41
Pinch Warning Label	
F8615701.....	27
Plug, 2 Circuit	
56266.....	51
Pop Rivet	
685847.....	9
Porcelain Touch-Up Paint	
122P4P.....	41
Push Button Switch	
D517616.....	5

## R

Rear Access Panel	
803998.....	13
804614.....	9
Rear Bulkhead Assembly	
D510905WP.....	29
D511082P.....	29
D518128.....	29
Rear Wrapper Brace	
805345.....	9
Receptacle, 12 Circuit	
56855.....	51
Receptacle, 2 Circuit	
56451.....	51
Receptacle, 3 Circuit	
23039.....	51
Resistor Assembly	
D511277.....	5
Retaining Ring	
23748.....	23, 29
Ring Terminal	
00110.....	53
00111.....	53
00319.....	53
Roller Kit	
RB170002.....	29
Rubber Foot	
D501855.....	39

## S

Screw	
D500226.....	15, 17, 27
D500227.....	27
D500824.....	23
D501086.....	5, 7, 27
D501285.....	27, 29
D502431.....	41
D502535.....	23
D503661.....	47
D503688.....	9, 13, 19, 21, 27, 29, 31, 33, 35, 39, 41, 47
D505870.....	17
D512921.....	39
D514428.....	39, 41
M405188.....	27
20530.....	45



23222	31, 35
31260	21
33562	19
39733	19, 39, 41
51782	33, 35
56124	35
61199	29, 47
62588	25
70240301	9, 13
804608	9
804667	39, 41
Screw Orifice	
58719	37
Seal Kit	
RB170001	27, 29
Secondary Coil	
58804B	35
Security Cabinet Harness	
D513991	57, 59
Security Wrapper Assembly	
804112W	13
Sensor	
D510213	35
Shaft	
56461P	23, 29
Shield Bracket	
804018	13
Speed Clip	
28835	19
Strain Relief	
38384	45
52113	43
60298	43
Switch	
D512973	19

## T

Terminal Block Assembly	
D510190P	29
Terminal Block Label	
D514618	47
Terminal Block Shield	
D510237	29
D517715	29
Terminal Extractor Tool	
283P4	55
Thermal Fuse Assembly	
D518542	31
Thermostat	
D504515	23
D510703	33
D510707P	23
Timer	
D505794P	5
D517557	5
Timer and Harness Kit	
D505797P	5
Timer Conversion Kit	
D519030	5
Top Cover	
D505808W	5, 7

Top Hinge	
D510136	39, 41
Top Kit	
D510032WP	41
Top Panel	
804684	9
804685WP	9
Top Panel Brace Assembly	
804613	9
Top Panel Guide	
803761	9
Top Panel Kit	
D510029WP	5, 7

## U

Upper Electric Harness	
D517242	59

## W

Warning/Caution Label	
D500281	19
Washer	
D504082	29
26509	41
52549	23, 29
Window Clip	
D513958	17
Window Trim	
D503981W	17
Wire Assembly	
D518255	31
D518256	31
D518708	5
Wire Clip	
D504034	51
687500	51
Wire Harness Assembly	
D513660	65
D513665	65
Wire, 12 Gauge	
45380	57, 59, 61, 63, 65
45477	63, 65
Wire, 18 Gauge	
45001	57, 59, 61, 63, 65

N/A items do not appear in index.

