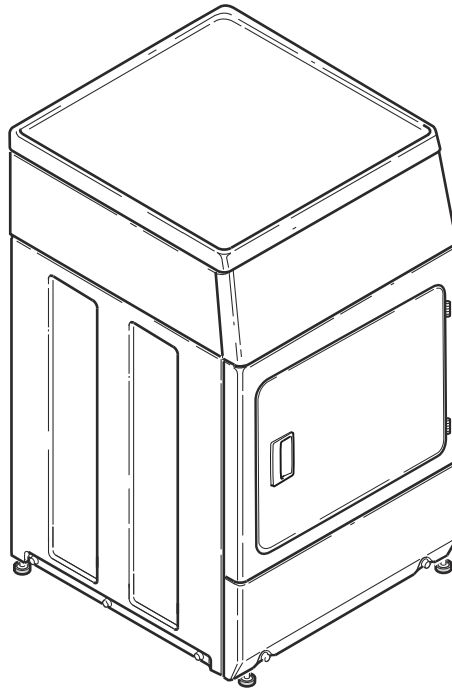


# Commercial Dryers

Metered and Nonmetered  
Refer to Page 3 for Model Numbers



DRY721C\_515202



# Table of Contents

| Title   | Page |
|---|------|
| Parts Ordering Information.....                                   | 2    |
| Serial Plate Location .....                                       | 2    |
| Model Identification .....  | 3    |
| Control Panel and Controls - Coin Drop and Card Models .....      | 4    |
| Control Cabinet Controls - Coin Drop Models.....                  | 6    |
| Non-Electronic Coin Drop .....                                    | 8    |
| Electronic Coin Drop .....  | 10   |
| Integrated Card Reader Installed and Ready Models.....            | 12   |
| Cabinet Top .....   | 14   |
| Loading Door without Window .....                                 | 16   |
| Loading Door with Window .....                                    | 18   |
| Access Panel, Front Panel and Seal .....                          | 20   |
| Motor, Exhaust Fan and Belt .....                                 | 22   |
| Front Bulkhead, Air Duct and Felt Seal.....                       | 24   |
| Cylinder Assembly without Light .....                             | 26   |
| Front Bulkhead, Air Duct, Felt Seal and Cylinder with Light ..... | 28   |
| Rear Bulkhead, Felt Seal, Cylinder Roller and Terminal Block..... | 30   |
| Heater Duct and Element Assembly - Electric Model Dryers.....     | 32   |
| Heater Duct Assembly - Gas Model Dryers .....                     | 34   |
| Gas Valve, Igniter and Gas Conversion Kits.....                   | 36   |
| Burner Orifice Spuds - For Higher Elevations.....                 | 38   |
| Cabinet, Exhaust Duct and Base .....                              | 40   |
| Power Cord .....  | 42   |
| Terminal Block and Terminals (Drawing 1 of 2).....                | 44   |
| Terminal Block and Terminals (Drawing 2 of 2).....                | 46   |
| Terminals and Terminal Extractor Tools .....                      | 48   |
| Wire Harnesses and Wires .....                                    | 50   |
| Parts Index.....  | 53   |

© Copyright 2019, Alliance Laundry Systems LLC

All rights reserved. No part of the contents of this book may be reproduced or transmitted in any form or by any means without the expressed written consent of the publisher.

## Parts Ordering Information

If literature or replacement parts are required, contact the source from whom the machine was purchased or contact Alliance Laundry Systems at (920) 748-3950 for the name and address of the nearest authorized parts distributor.

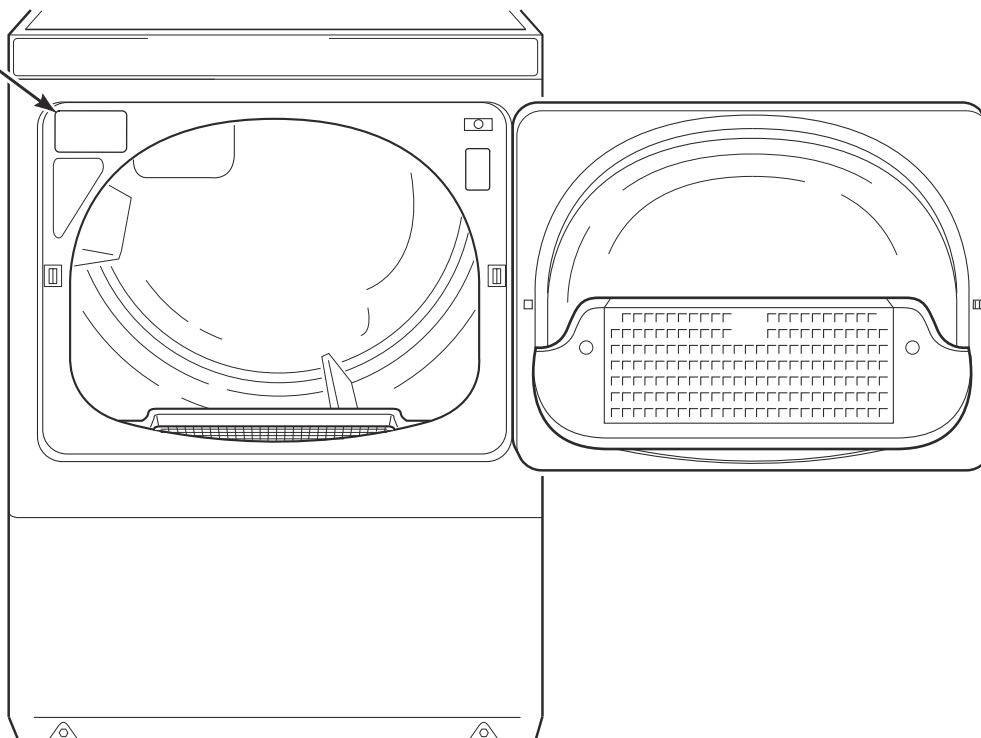
For technical assistance, call the number listed below:

(920) 748-3121 Ripon, Wisconsin

## Serial Plate Location

When calling or writing about your product, be sure to mention model and serial numbers. Model and serial numbers are located on serial plate(s) as shown.

Serial Plate



DRY2283P\_515202

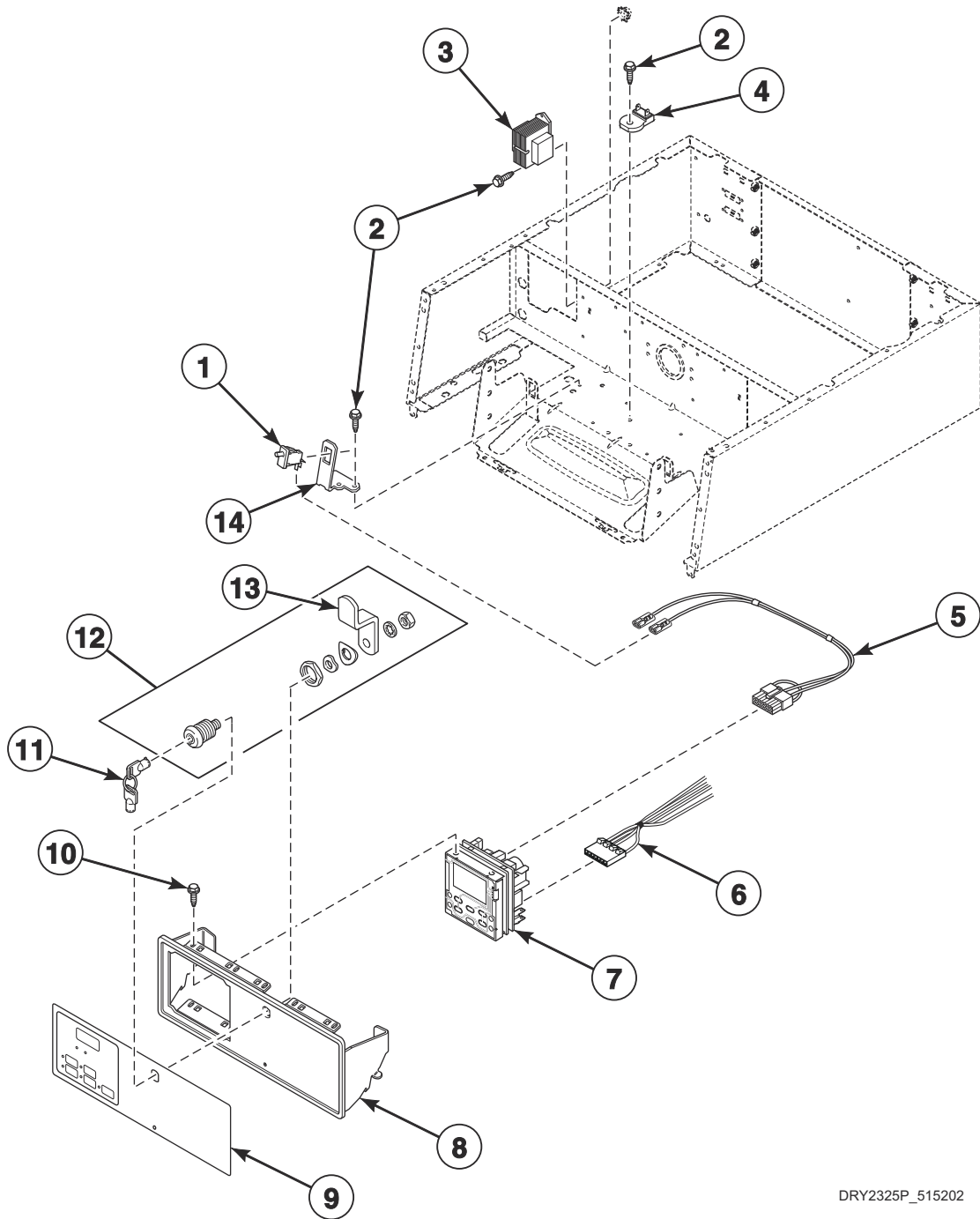
## Model Identification

Information in this manual is applicable to these dryer models:

BDEBCAGS171TN01  
BDEBCAGS171TW01  
BDEBXAGS171TW01  
BDGBCAGS111TN01  
BDGBCAGS111TW01  
BDGBXAGS111TW01  
HDEBCAGS171TW01  
HDGBCAGS111TW01  
KDEBCACW171TN01  
KDEBGACW171TN01  
KDGBCACW111TN01  
KDGBGACW111TN01

SDEBCAGS171TQ01  
SDEBCAGS171TW01  
SDEBXAGS171TW01  
SDEBYAGS171TW01  
SDGBCAGS111TQ01  
SDGBCAGS111TW01  
SDGBXAGS111TW01  
SDGBYAGS111TW01

# Control Panel and Controls - Coin Drop and Card Models



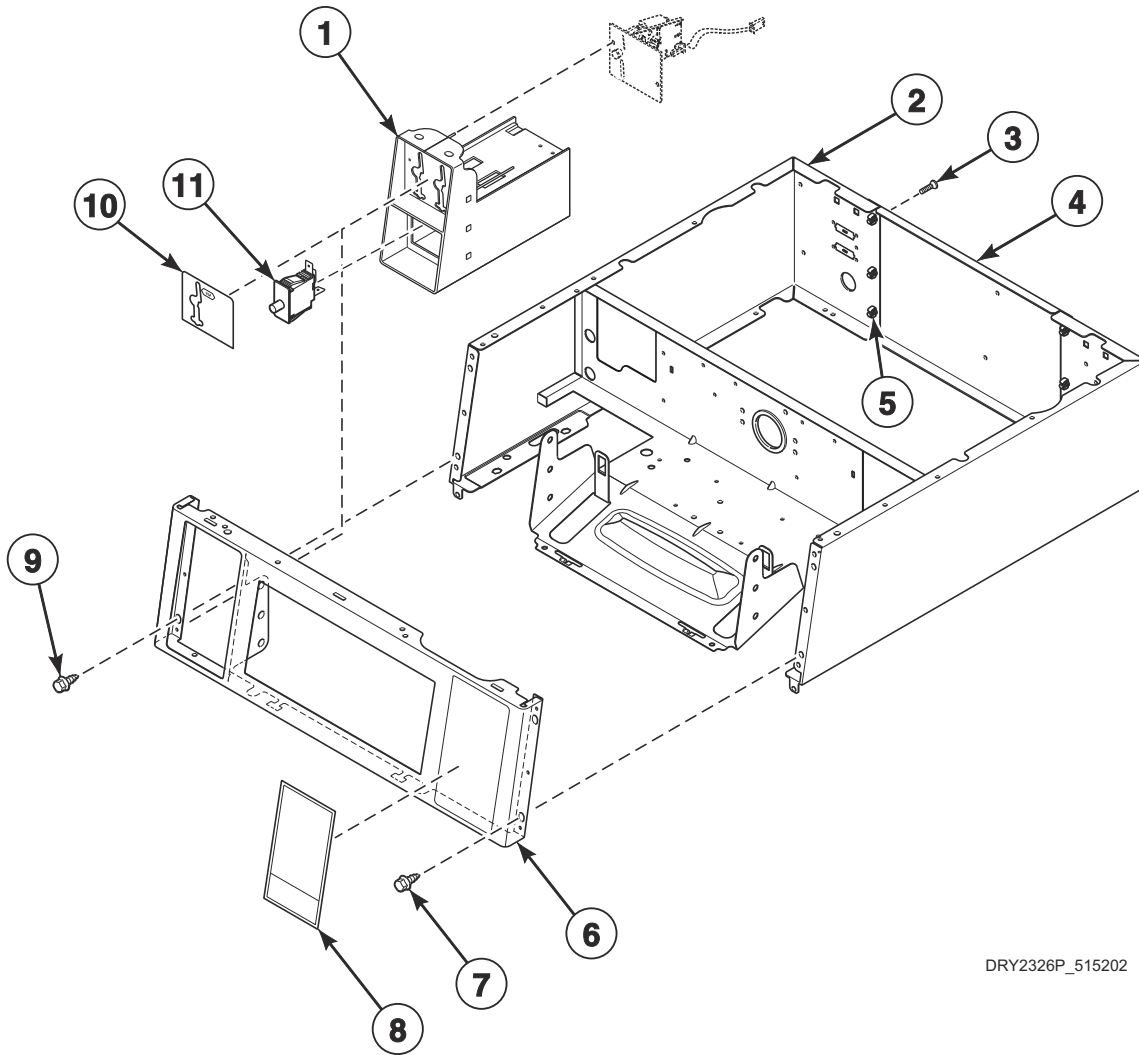
DRY2325P\_515202

## Control Panel and Controls - Coin Drop and Card Models

| REF | PART NO. | DESCRIPTION                        | COMMENTS   |
|-----|----------|------------------------------------|--|
| 1   | D512973  | Switch                             |  |
| 2   | D503688  | Screw                              |  |
| 3   | 201375P  | Transformer                        | Some models may have jumper wire attached to transformer. Discard jumper wire when replacing transformer; Models BDEBXAGS171TW01, BDGBXAGS111TW01, KDEBGACW171TN01, KDGBGACW111TN01, SDEBXAGS171TW01, SDEBYAGS171TW01, SDGBXAGS111TW01 and SDGBYAGS111TW01 |
|     | 210018P  | Transformer                        | All other models   |
| 4   | 210100   | Resistor                           |  |
| 5   | 800374   | Diagnostic Wire Harness Assembly   | Models KDEBGACW171TN01, KDGBGACW111TN01, SDEBYAGS171TW01 and SDGBYAGS111TW01   |
| 6   | D511478  | Central Pay Harness                | From MDC control to customer supplied pay unit   |
| 7   | D514273P | Control Assembly                   | Models BDEBCAGS171TN01, BDEBCAGS171TW01, BDEBXAGS171TW01, BDGBCAGS111TN01, BDGBCAGS111TW01 and BDGBXAGS111TW01   |
|     | D511867P | Control Assembly                   | All other models   |
| 8   | D513777G | Control Panel Assembly             | Gray; Models KDEBGACW171TN01 and KDGBGACW111TN01   |
|     | D515215  | Control Panel Assembly             | Gray; Models KDEBCACW171TN01 and KDGBCACW111TN01   |
|     | D513777Q | Control Panel and Bracket Assembly | Bisque; Models SDEBCAGS171TQ01 and SDGBCAGS111TQ01   |
|     | D513777W | Control Panel and Bracket Assembly | White; Models BDEBCAGS171TW01, BDEBXAGS171TW01, BDGBCAGS111TW01, BDGBXAGS111TW01, HDEBCAGS171TW01, HDGBCAGS111TW01, SDEBCAGS171TW01, SDEBXAGS171TW01, SDEBYAGS171TW01, SDGBCAGS111TW01, SDGBXAGS111TW01 and SDGBYAGS111TW01                                |
|     | D513777B | Control Panel and Bracket Assembly | Black; Models BDEBCAGS171TN01 and BDGBCAGS111TN01  |
| 9   | D514637  | Graphic Overlay                    | Models SDEBCAGS171TQ01, SDEBCAGS171TW01, SDEBXAGS171TW01, SDEBYAGS171TW01, SDGBCAGS111TQ01, SDGBCAGS111TW01, SDGBXAGS111TW01 and SDGBYAGS111TW01   |
|     | D514645  | Graphic Overlay                    | Models KDEBCACW171TN01, KDEBGACW171TN01, KDGBCACW111TN01 and KDGBGACW111TN01   |
|     | D514641  | Graphic Overlay                    | Models BDEBCAGS171TN01, BDEBCAGS171TW01, BDEBXAGS171TW01, BDGBCAGS111TN01, BDGBCAGS111TW01 and BDGBXAGS111TW01   |
|     | D514640  | Graphic Overlay                    | Models HDEBCAGS171TW01 and HDGBCAGS111TW01   |
| 10  | D501524  | Screw                              |  |
| 11  | 54612    | Key                                | 800  |
| 12  | 27260P   | Lock Kit                           | Includes item 13   |
| 13  | 804338   | Lock Cam                           |  |
| 14  | 800379   | Audit Switch Bracket               |  |

# Control Cabinet Controls - Coin Drop Models

Coin Models



DRY2326P\_515202

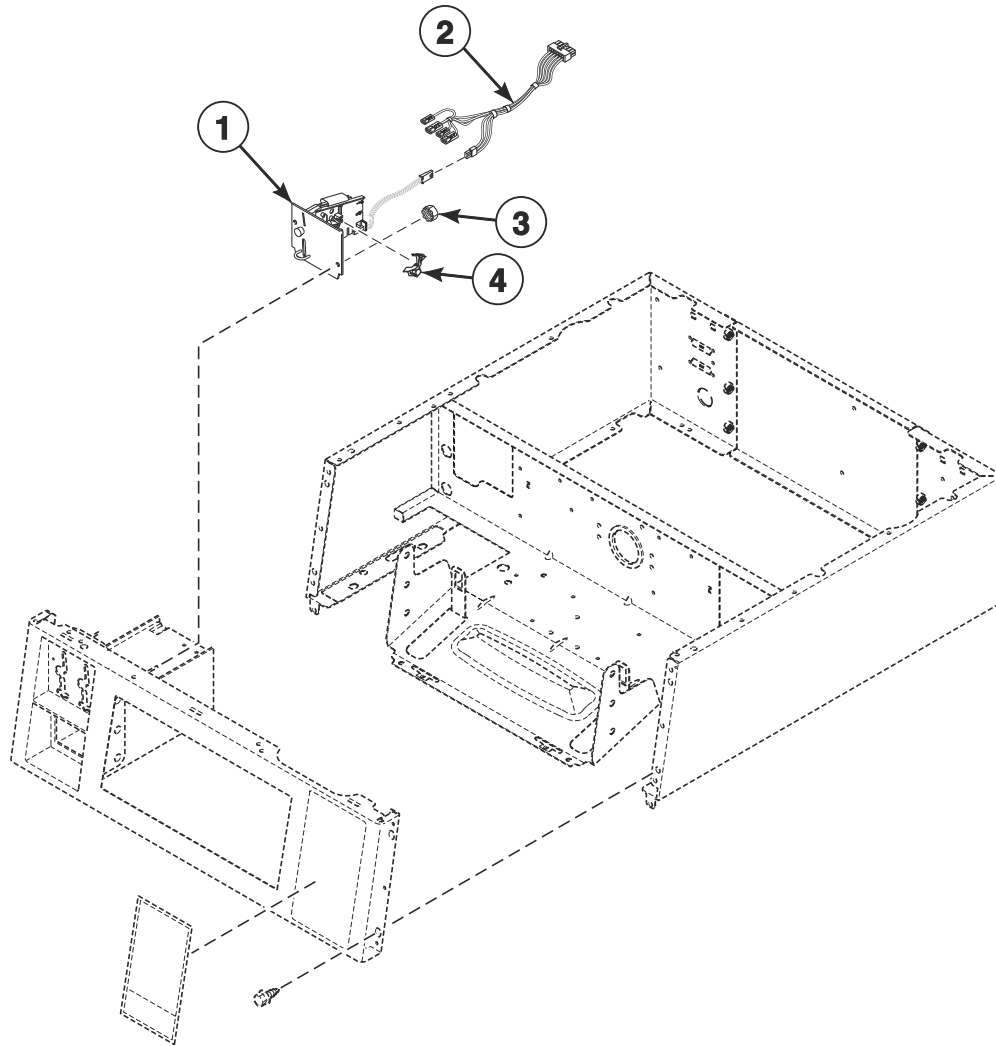


## Control Cabinet Controls - Coin Drop Models

| REF | PART NO. | DESCRIPTION                  | COMMENTS   |
|-----|----------|------------------------------|--|
|     | 44087201 | Nut                          | Use with item 9; 2 required; Models BDEBCAGS171TN01, BDEBCAGS171TW01, BDGBCAGS111TN01, BDGBCAGS111TW01, HDEBCAGS171TW01, HDGBCAGS111TW01, SDEBCAGS171TQ01, SDEBCAGS171TW01, SDGBCAGS111TQ01 and SDGBCAGS111TW01              |
| 1   | D515219  | Meter Case Assembly          | Requires high capacity coin vault; Gray; Models KDEBCACW171TN01 and KDGBCACW111TN01  |
|     | 807396W  | Meter Case Assembly          | Requires high capacity coin vault; White; Models BDEBCAGS171TW01, BDEBXAGS171TW01, BDGBCAGS111TW01, BDGBXAGS111TW01, HDEBCAGS171TW01, HDGBCAGS111TW01, SDEBCAGS171TW01, SDEBXAGS171TW01, SDGBCAGS111TW01 and SDGBXAGS111TW01 |
|     | 804009Q  | Meter Case Assembly          | Requires high capacity coin vault; Bisque; Models SDEBCAGS171TQ01 and SDGBCAGS111TQ01  |
|     | 807396B  | Meter Case Assembly          | Requires high capacity coin vault; Black; Models BDEBCAGS171TN01 and BDGBCAGS111TN01   |
| 2   | D515216  | Security Wrapper Assembly    | Gray; Models KDEBCACW171TN01 and KDGBCACW111TN01   |
|     | 804104W  | Wrapper Assembly             | White; Models BDEBCAGS171TW01, BDEBXAGS171TW01, BDGBCAGS111TW01, BDGBXAGS111TW01, HDEBCAGS171TW01, HDGBCAGS111TW01, SDEBCAGS171TW01, SDEBXAGS171TW01, SDGBCAGS111TW01 and SDGBXAGS111TW01                                    |
|     | 804104Q  | Wrapper Assembly             | Bisque; Models SDEBCAGS171TQ01 and SDGBCAGS111TQ01   |
|     | 804104B  | Wrapper Assembly             | Black; Models BDEBCAGS171TN01 and BDGBCAGS111TN01  |
| 3   | 70240301 | Screw                        | 6 required   |
| 4   | 803998   | Rear Access Panel            |  |
| 5   | 70030501 | Expansion Clip               | 6 required   |
| 6   | D515218  | Control Panel                | Gray; Models KDEBCACW171TN01 and KDGBCACW111TN01   |
|     | 803962WP | Control Panel                | White; Models BDEBCAGS171TW01, BDEBXAGS171TW01, BDGBCAGS111TW01, BDGBXAGS111TW01, HDEBCAGS171TW01, HDGBCAGS111TW01, SDEBCAGS171TW01, SDEBXAGS171TW01, SDGBCAGS111TW01 and SDGBXAGS111TW01                                    |
|     | 803962Q  | Control Panel                | Bisque; Models SDEBCAGS171TQ01 and SDGBCAGS111TQ01   |
|     | 803962BP | Control Panel                | Black; Models BDEBCAGS171TN01 and BDGBCAGS111TN01  |
| 7   | M405188  | Screw                        | Models BDEBCAGS171TN01, BDGBCAGS111TN01, KDEBCACW171TN01 and KDGBCACW111TN01   |
|     | D503688  | Screw                        | All other models   |
| 8   | D515213  | Operating Instruction Label  | Models KDEBCACW171TN01 and KDGBCACW111TN01   |
|     | D514393  | Operating Instructions Label | All other models   |
| 9   | 29651    | Bolt                         | 2 required; Models BDEBCAGS171TN01, BDEBCAGS171TW01, BDGBCAGS111TN01, BDGBCAGS111TW01, HDEBCAGS171TW01, HDGBCAGS111TW01, SDEBCAGS171TQ01, SDEBCAGS171TW01, SDGBCAGS111TQ01 and SDGBCAGS111TW01                               |
| 10  | 38717    | Single Overlay               | Models BDEBCAGS171TN01, BDEBCAGS171TW01, BDGBCAGS111TN01, BDGBCAGS111TW01, HDEBCAGS171TW01, HDGBCAGS111TW01, SDEBCAGS171TQ01, SDEBCAGS171TW01, SDGBCAGS111TQ01 and SDGBCAGS111TW01   |
|     | D512821  | Single Overlay               | Models KDEBCACW171TN01 and KDGBCACW111TN01   |
| 11  | D512973  | Switch                       |  |

# Non-Electronic Coin Drop

Coin Models



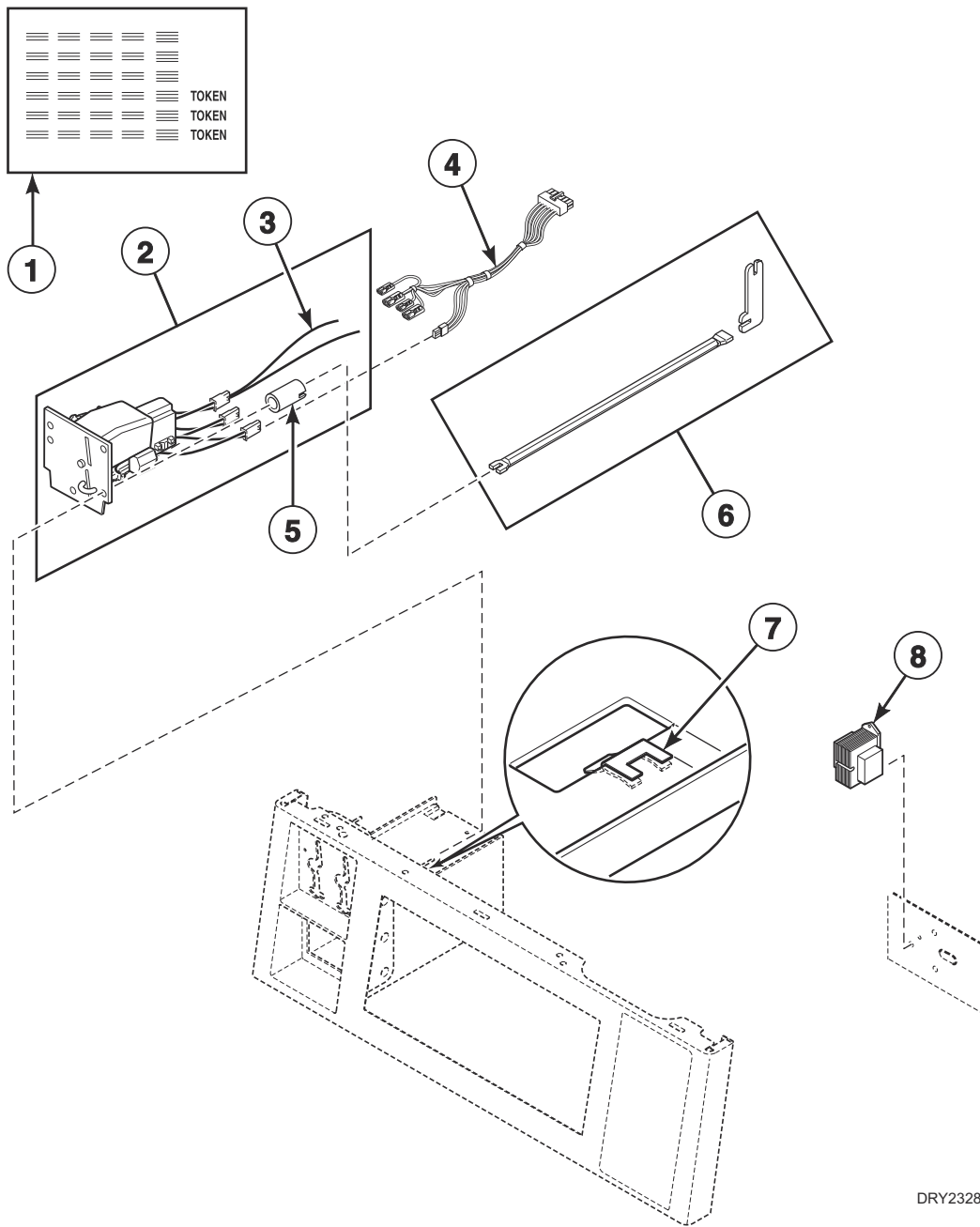
DRY2327P\_515202

## Non-Electronic Coin Drop

| REF | PART NO.  | DESCRIPTION        | COMMENTS   |
|-----|-----------|--------------------|--|
| 1   | 38462P    | Coin Drop Assembly | Token; 118-1 mzp; .880 diameter x .079 thick; Brass  |
|     | 38463     | Coin Drop Assembly | Token; 118-5 mzp; .990 diameter x .081 thick; Silver   |
|     | 70441601P | Coin Drop          | U.S.; \$.25  |
|     | 38963P    | Coin Drop          | Token; 118-16 not available; Replacement for 38963P Coin Drop only   |
| 2   | 802904P   | Harness Assembly   | Models BDEBCAGS171TN01, BDEBCAGS171TW01, BDGBCAGS111TN01, BDGBCAGS111TW01, HDEBCAGS171TW01, HDGBCAGS111TW01, KDEBCACW171TN01, KDGBCACW111TN01, SDEBCAGS171TQ01, SDEBCAGS171TW01, SDGBCAGS111TQ01 and SDGBCAGS111TW01 |
|     | 802905    | Harness Assembly   | All other models   |
| 3   | 29786     | Nut                |  |
| 4   | 201595P   | Wire Guard         | Anti-stringing security device; Add to coin drops  |

# Electronic Coin Drop

Coin Models



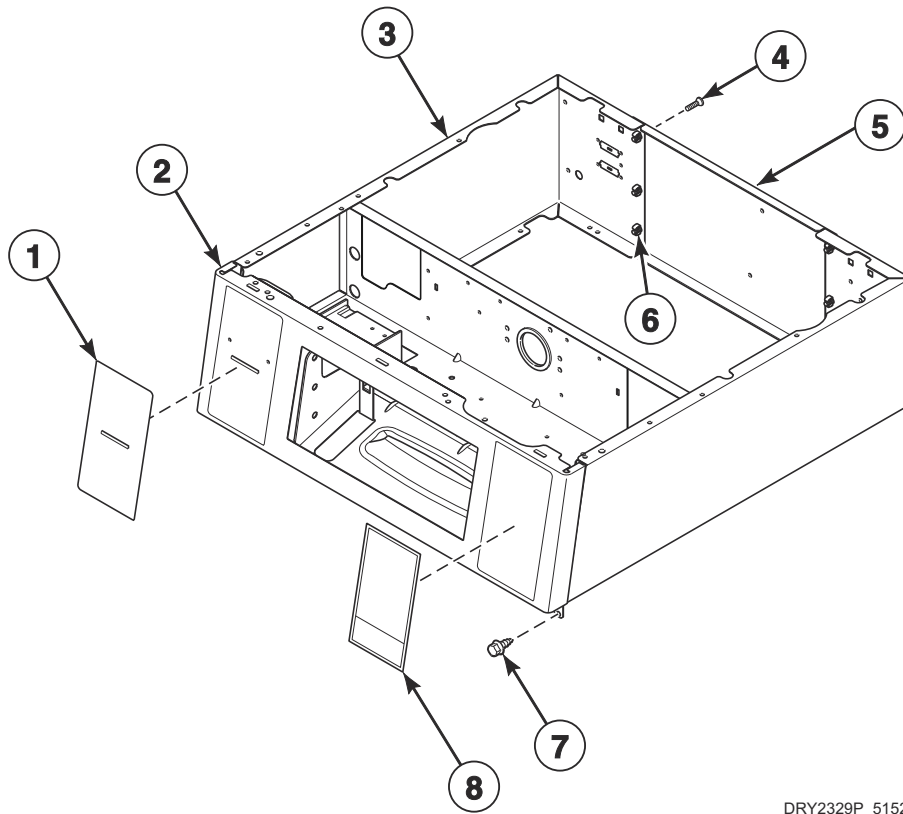
DRY2328P\_515202

# Electronic Coin Drop

| REF | PART NO. | DESCRIPTION               | COMMENTS  |
|-----|----------|---------------------------|---|
| 1   | 38725    | Coin Identification Paper |   |
| 2   | CK115    | Electronic Coin Drop Kit  | Includes items 1, 3, 5 and 7; United States and Canada coins  |
| 3   | 201104   | Coin Drop Wire Harness    |   |
| 4   | 802905   | Harness Assembly          | Electronic coin drop requires this harness. If unit is not factory-equipped with this harness, it must be ordered separately.         |
| 5   | 29786    | Nut                       | Hexnut; Used with front assemblies without guide rods   |
| 6   | CK096    | Mounting Tool Kit         |   |
| 7   | 201572   | Clip                      |   |
| 8   | 201375P  | Transformer               | Electronic coin drop requires this transformer. If unit is not factory-equipped with this transformer, it must be ordered separately. |

# Integrated Card Reader Installed and Ready Models

Models KDEBGACW171TN01, KDGBGACW111TN01, SDEBYAGS171TW01 and SDGBYAGS111TW01

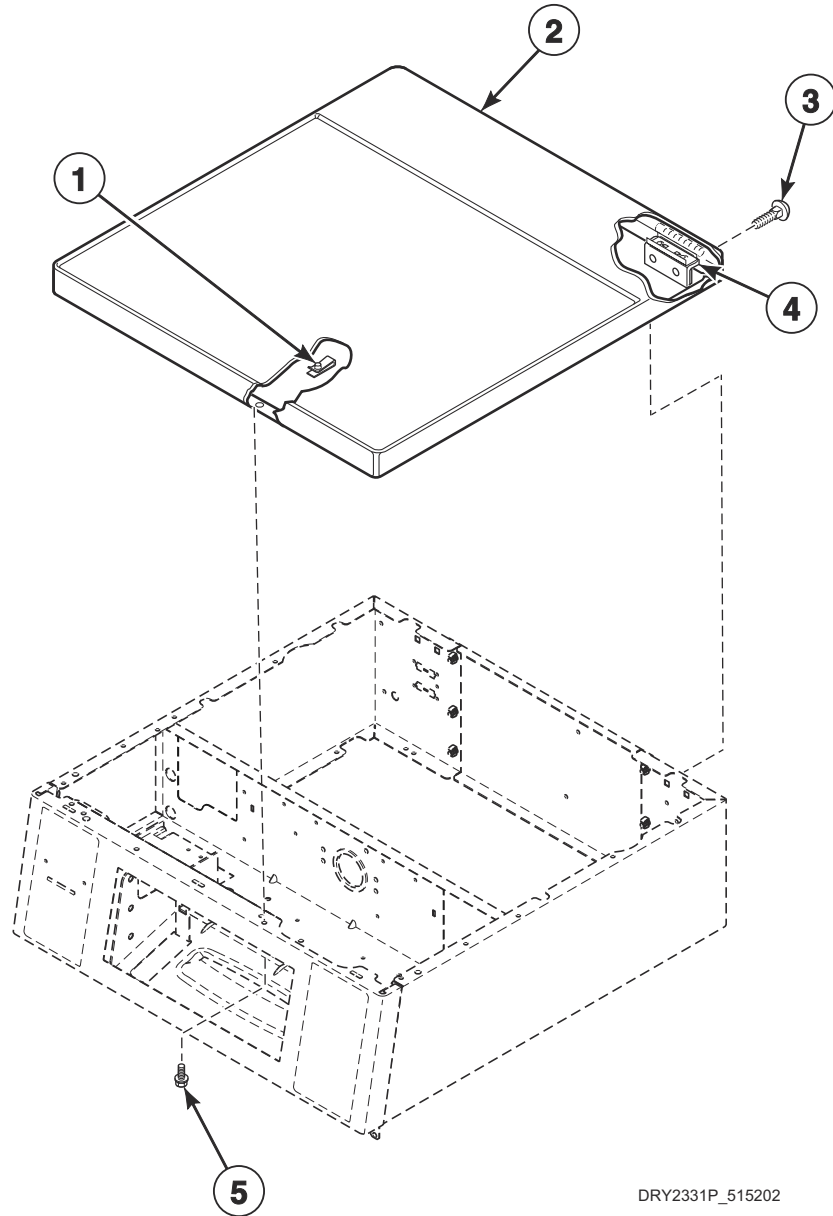


DRY2329P\_515202

## Integrated Card Reader Installed and Ready Models

| REF | PART NO. | DESCRIPTION                  | COMMENTS  |
|-----|----------|------------------------------|---|
| 1   | D514391  | Card Insert Overlay          | Models SDEBYAGS171TW01 and SDGBYAGS111TW01        |
|     | D512824  | Blank Black Label            | Models KDEBGACW171TN01 and KDGBGACW111TN01        |
| 2   | D515217  | Control Panel                | Gray; Models KDEBGACW171TN01 and KDGBGACW111TN01  |
|     | 804149WP | Security Cabinet Assembly    | White; Models SDEBYAGS171TW01 and SDGBYAGS111TW01 |
| 3   | D515216  | Security Wrapper Assembly    | Gray; Models KDEBGACW171TN01 and KDGBGACW111TN01  |
|     | 804111W  | Wrapper Assembly             | White; Models SDEBYAGS171TW01 and SDGBYAGS111TW01 |
| 4   | 70240301 | Screw                        | 6 required; Model SDEBYAGS171TW01                 |
| 5   | 803998   | Rear Access Panel            |   |
| 6   | 70030501 | Expansion Clip               | 6 required; Model SDEBYAGS171TW01                 |
| 7   | M405188  | Screw                        | Use with stainless steel side panels              |
|     | D503688  | Screw                        | Use with painted side panels                      |
| 8   | D514990  | Operating Instruction Label  | Models KDEBGACW171TN01 and KDGBGACW111TN01        |
|     | D514393  | Operating Instructions Label | Models SDEBYAGS171TW01 and SDGBYAGS111TW01        |

# Cabinet Top



DRY2331P\_515202

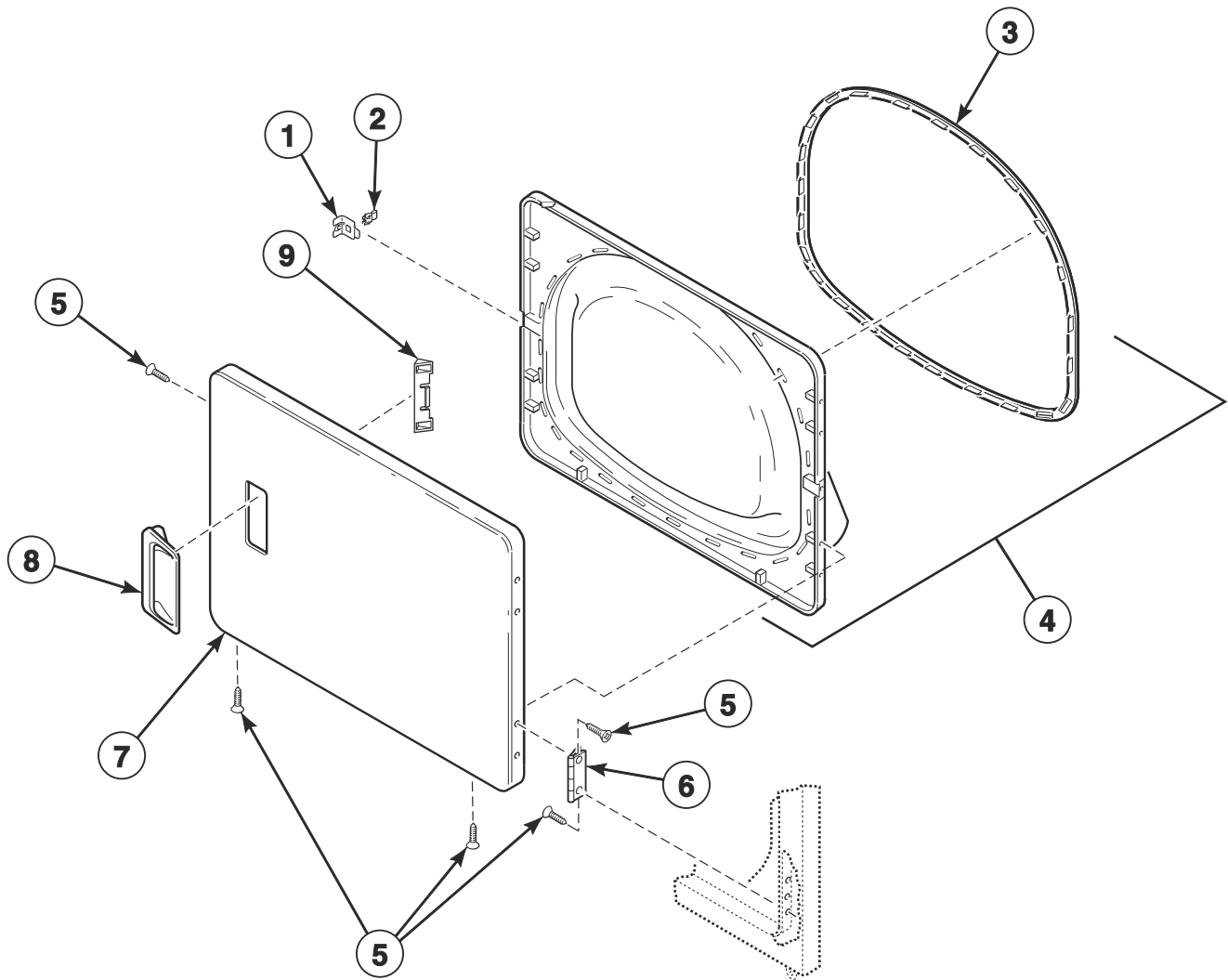


# Cabinet Top

| REF | PART NO. | DESCRIPTION          | COMMENTS  |
|-----|----------|----------------------|---|
| 1   | 36020    | Nut                  |   |
| 2   | 803869   | Top Panel            | Stainless steel; Models BDEBCAGS171TN01, BDGBCAGS111TN01, KDEBCACW171TN01, KDEBGACW171TN01, KDGBCACW111TN01 and KDGBGACW111TN01 |
|     | 803868WP | Top Panel            | White; Includes item 4; All other models  |
| 3   | 29651    | Bolt                 |   |
| 4   | D504228  | Top Mounting Bracket |   |
| 5   | 23008    | Screw                |   |

# Loading Door without Window

All Models Except KDEBCACW171TN01, KDEBGACW171TN01, KDGBACW111TN01 and KDGBGACW111TN01



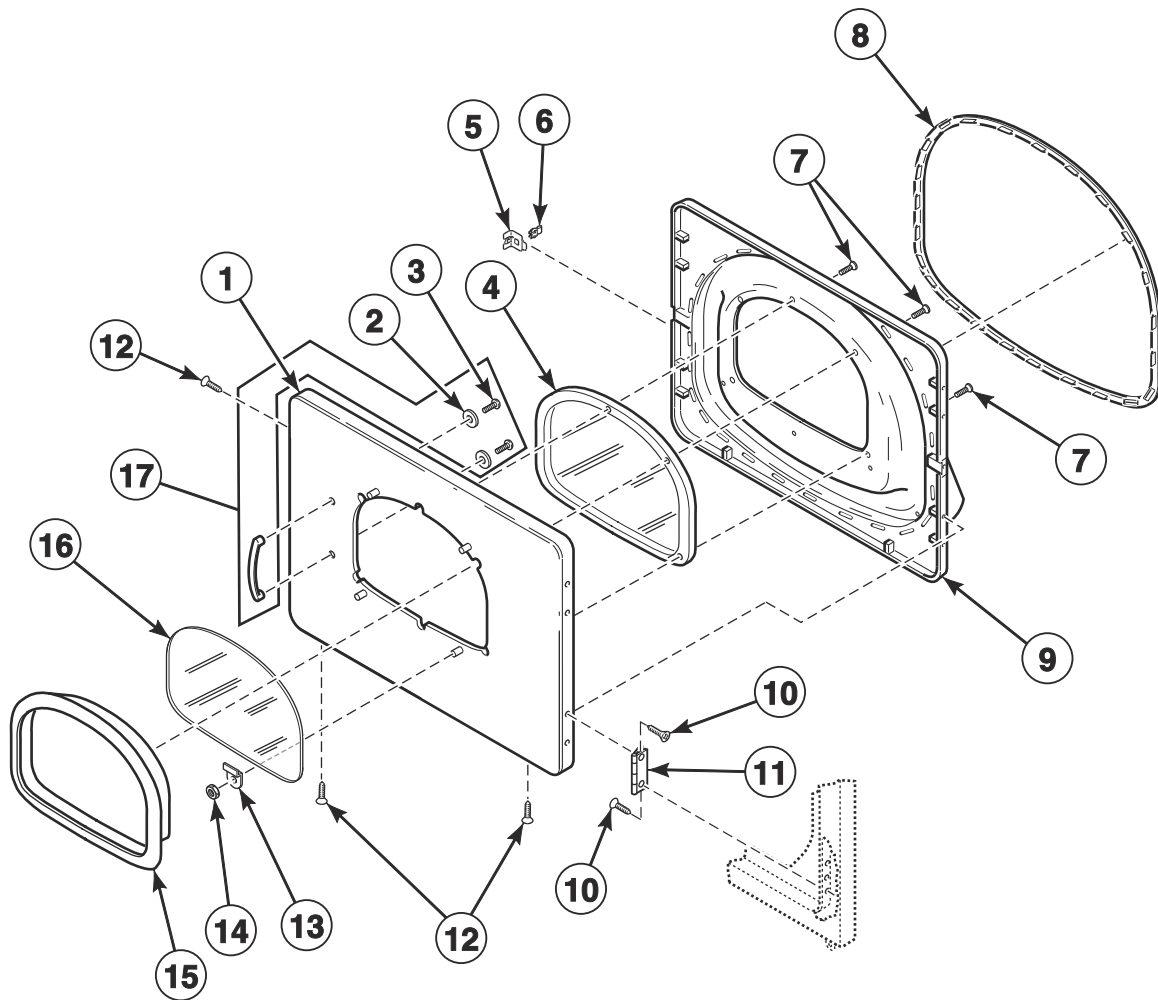
DRY1857P\_515202

## Loading Door without Window

| REF | PART NO.  | DESCRIPTION                    | COMMENTS                         |
|-----|-----------|--------------------------------|----------------------------------|
| 1   | D510127   | Door Strike Mount              |                                  |
| 2   | D510181   | Door Strike                    |                                  |
| 3   | D510147P  | Liner Door Seal                |                                  |
| 4   | D516510WP | Door Assembly                  | Electric models                  |
|     | D510163WP | Liner, Seal and Grill Assembly | White; Gas models                |
| 5   | D500226   | Screw                          |                                  |
| 6   | D511036   | Hinge                          |                                  |
| 7   | D510013WP | Dryer Door                     | White                            |
|     | D510013QP | Dryer Door                     | Bisque                           |
|     | D512969   | Dryer Door                     | Stainless steel; Includes item 9 |
| 8   | D510103WP | Door Pull and Wedge Kit        | White; Includes item 9           |
|     | D510103QP | Door Pull and Wedge Kit        | Bisque; Includes item 9          |
|     | D512947   | Door Pull                      | Light gray                       |
| 9   | D510129W  | Door Handle Wedge              |                                  |

# Loading Door with Window

Models KDEBCACW171TN01, KDEBGACW171TN01, KDGBACW111TN01 and KDGBGACW111TN01

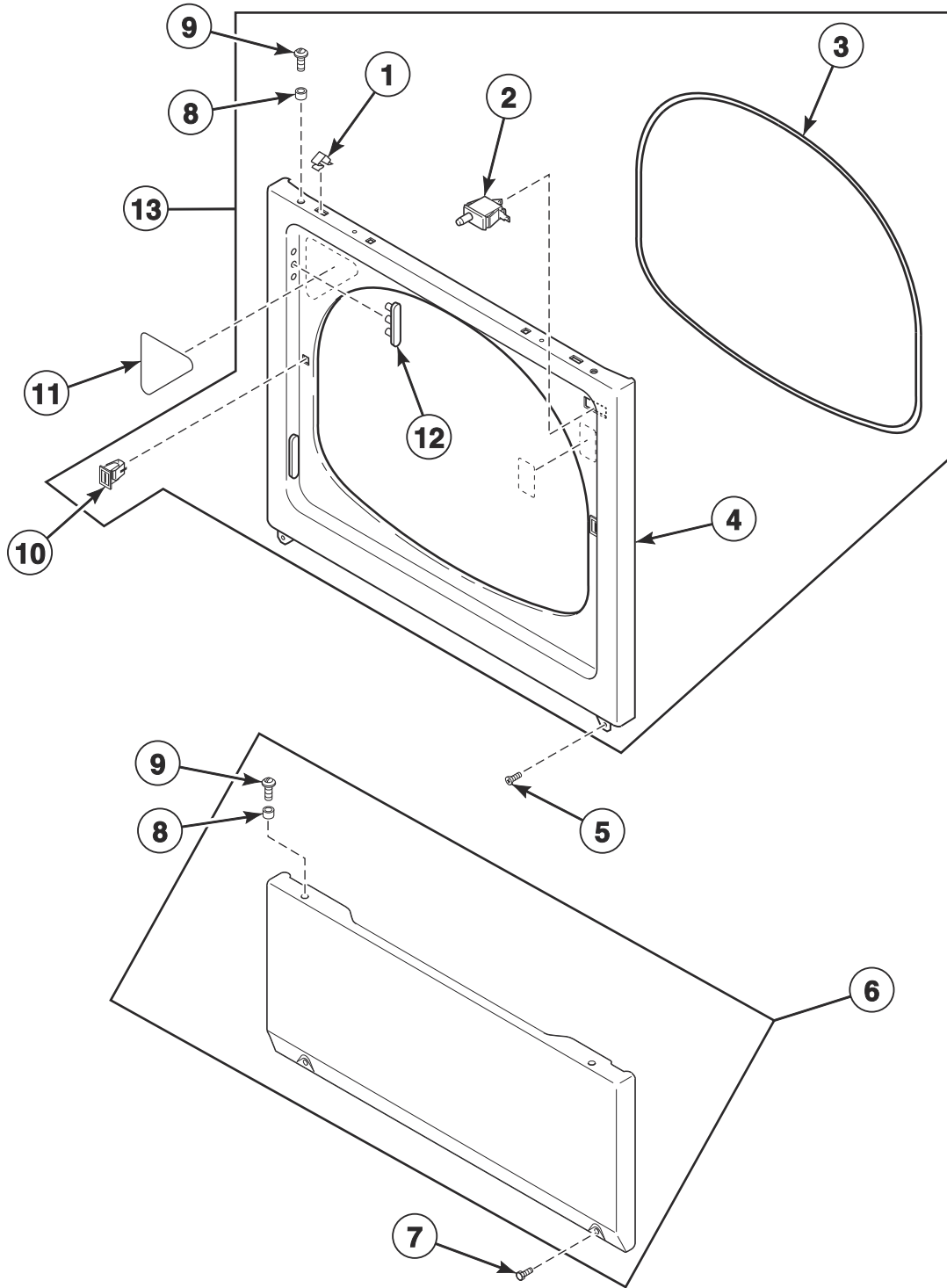


DRY2291P\_515202

## Loading Door with Window

| REF | PART NO. | DESCRIPTION         | COMMENTS                                   |
|-----|----------|---------------------|--|
| 1   | D512699  | Dryer Door          | Models KDGBCACW111TN01 and KDGBGACW111TN01 |
|     | D514167  | Dryer Door Assembly | Models KDEBCACW171TN01 and KDEBGACW171TN01 |
| 2   | 29260    | Washer              |  |
| 3   | D512631  | Screw               |  |
| 4   | D503982P | Dryer Door Window   |  |
| 5   | D510127  | Door Strike Mount   |  |
| 6   | D510181  | Door Strike         |  |
| 7   | D505870  | Screw               |  |
| 8   | D510147P | Liner Door Seal     |  |
| 9   | D516508  | Door Liner Assembly |  |
| 10  | D500226  | Screw               |  |
| 11  | D511036  | Hinge               |  |
| 12  | D500226  | Screw               |  |
| 13  | D513958  | Window Clip         | Models KDEBCACW171TN01 and KDEBGACW171TN01 |
| 14  | 44071201 | Nut                 | Models KDEBCACW171TN01 and KDEBGACW171TN01 |
| 15  | D512632  | Window Trim         | Models KDGBCACW111TN01 and KDGBGACW111TN01 |
|     | D514258  | Window Trim         | Models KDEBCACW171TN01 and KDEBGACW171TN01 |
| 16  | D516737W | Door Assembly       | Models KDEBCACW171TN01 and KDEBGACW171TN01 |
| 17  | D512620P | Door Pull Kit       | Includes items 2 and 3                     |

# Access Panel, Front Panel and Seal

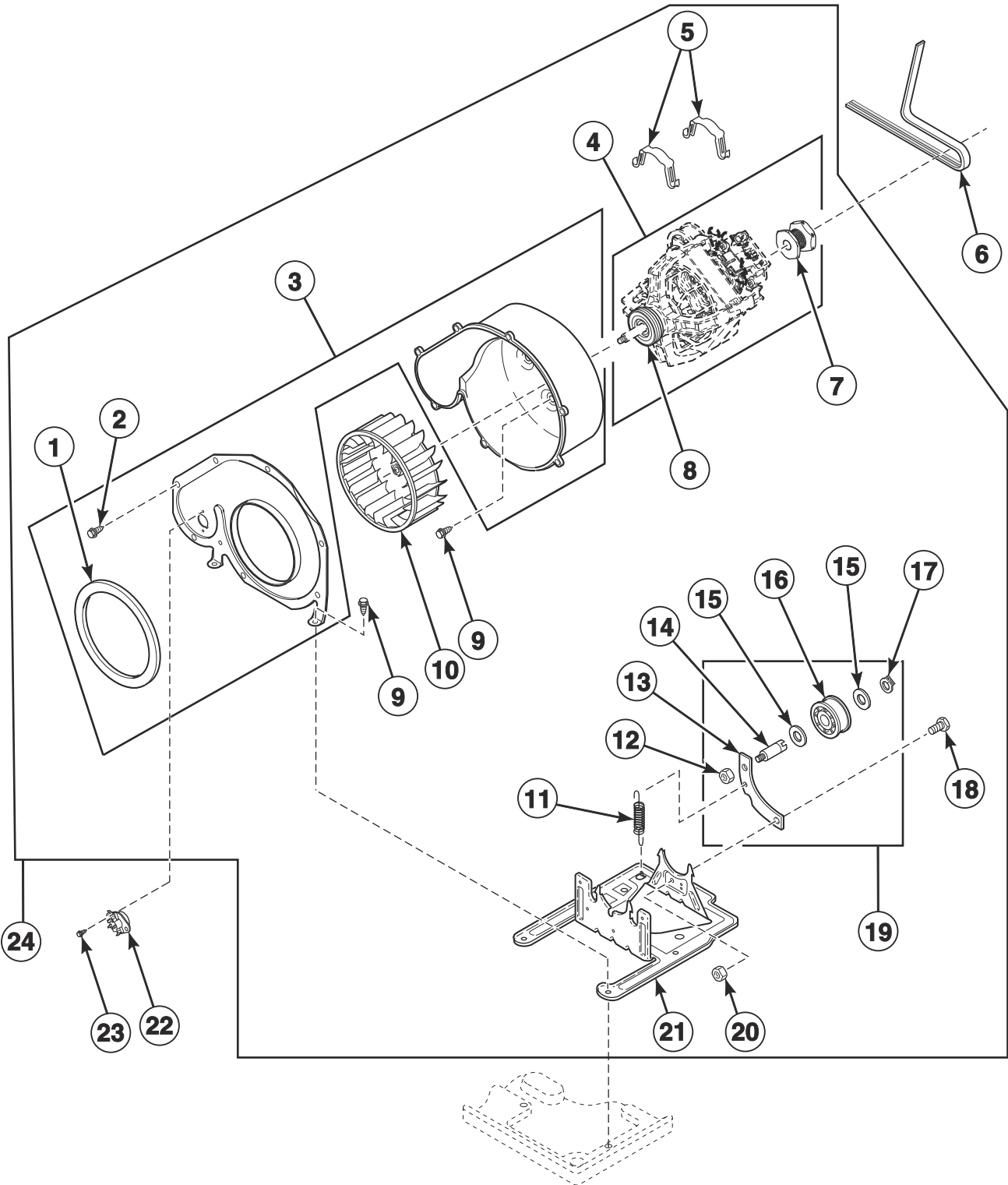


DRY1824P\_515202

## Access Panel, Front Panel and Seal

| REF | PART NO.  | DESCRIPTION                     | COMMENTS  |
|-----|-----------|---------------------------------|---|
| 1   | 28835     | Speed Clip                      | 1 per side  |
| 2   | D512973   | Switch                          |   |
| 3   | D511056   | Front Panel Seal                |   |
| 4   | D512542   | Front Panel                     | Stainless steel; Models BDEBCAGS171TN01, BDGBCAGS111TN01, KDEBCACW171TN01, KDEBGACW171TN01, KDGBCACW111TN01 and KDGBGACW111TN01   |
|     | D510066WP | Front Panel                     | White; Models BDEBCAGS171TW01, BDEBXAGS171TW01, BDGBCAGS111TW01, BDGBXAGS111TW01, HDEBCAGS171TW01, HDGBCAGS111TW01, SDEBCAGS171TW01, SDEBXAGS171TW01, SDEBYAGS171TW01, SDGBCAGS111TW01, SDGBXAGS111TW01 and SDGBYAGS111TW01 |
|     | D510066QP | Front Panel                     | Bisque; Models SDEBCAGS171TQ01 and SDGBCAGS111TQ01  |
| 5   | M405188   | Screw                           | Use with stainless steel side panels  |
|     | D503688   | Screw                           | Use with painted side panels  |
| 6   | D514251   | Access Panel Assembly           | Stainless steel; Models BDGBCAGS111TN01, KDGBCACW111TN01 and KDGBGACW111TN01  |
|     | D514251   | Access Panel Assembly           | Stainless steel; Models BDEBCAGS171TN01, KDEBCACW171TN01 and KDEBGACW171TN01  |
|     | D514252Q  | Access Panel and Guard Assembly | Bisque; Model SDEBCAGS171TQ01   |
|     | D514250WP | Access Panel Assembly           | White; Models BDEBCAGS171TW01, BDEBXAGS171TW01, BDGBCAGS111TW01, BDGBXAGS111TW01, HDEBCAGS171TW01, HDGBCAGS111TW01, SDEBCAGS171TW01, SDEBXAGS171TW01, SDEBYAGS171TW01, SDGBCAGS111TW01, SDGBXAGS111TW01 and SDGBYAGS111TW01 |
|     | D514250Q  | Access Panel Assembly           | Bisque; Model SDGBCAGS111TQ01   |
| 7   | 33562     | Screw                           | Slotted hex head  |
|     | 62853     | Screw                           | Torx head; Optional for added security  |
| 8   | 56079     | Panel Locator                   | 1 per side  |
| 9   | 39733     | Screw                           | 1 per side  |
| 10  | D510177   | Door Catch Assembly             |   |
| 11  | D500281   | Warning/Caution Label           |   |
| 12  | D510186   | Hinge Hole Plug                 |   |

# Motor, Exhaust Fan and Belt



DRY2084P\_515202

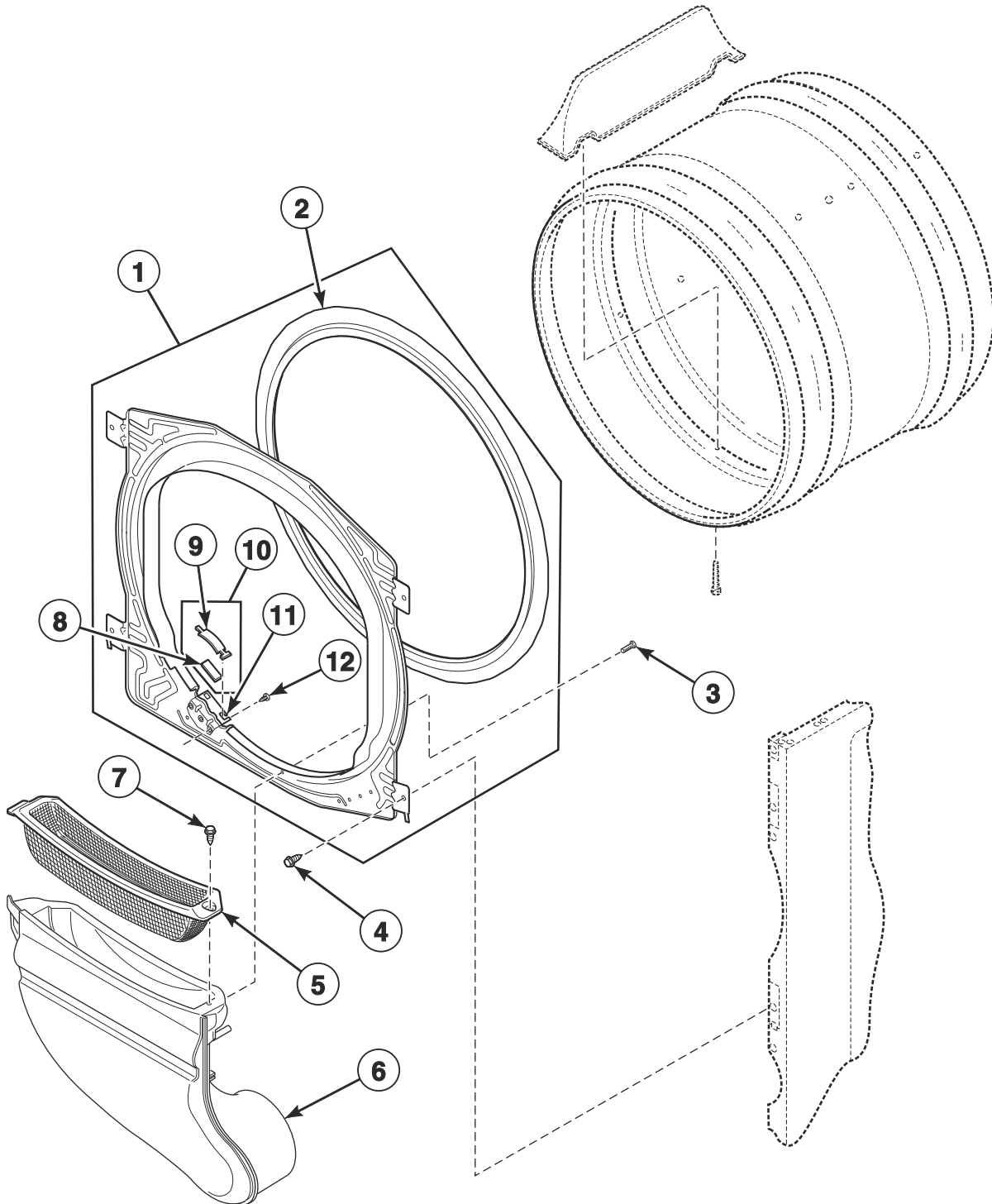


## Motor, Exhaust Fan and Belt

| REF | PART NO.  | DESCRIPTION                      | COMMENTS  |
|-----|-----------|----------------------------------|---|
|     | 27604P    | Anti-Seize Compound              | Apply to motor shaft when installing blower fan assembly  |
| 1   | D510238P  | Blower Housing Seal              |   |
| 2   | 31260     | Screw                            |   |
| 3   | D511969WP | Blower Housing                   | Includes items 1 and 2  |
| 4   | D511629P  | Motor and Pulley Assembly        | 120 Volt/60 Hertz; Apply anti-seize compound to motor shaft when installing blower fan assembly; Includes items 7-9 |
| 5   | D510180   | Motor Mount Clamp                |   |
| 6   | D511255P  | Cylinder Belt                    |   |
| 7   | D500011   | Motor Pulley                     | 60 Hertz  |
| 8   | 590P3     | Motor Hub Ring Kit               |   |
| 9   | D503688   | Screw                            |   |
| 10  | D510139P  | Blower Fan Assembly              | Apply anti-seize compound to motor shaft when installing blower fan assembly  |
| 11  | D510185   | Idler Spring                     |   |
| 12  | 56156     | Nut                              |   |
| 13  | D516310   | Idler Lever                      |   |
| 14  | D56461P   | Shaft                            |   |
| 15  | 52549     | Washer                           |   |
| 16  | D510142P  | Idler Wheel and Bearing Assembly |   |
| 17  | 23748     | Retaining Ring                   |   |
| 18  | D500824   | Screw                            |   |
| 19  | D516792   | Idler Lever and Wheel Assembly   | Includes items 12-17  |
| 20  | 52566     | Nut                              |   |
| 21  | D510060   | Motor Mount                      |   |
| 22  | D510523   | Thermistor Assembly              | Black   |
| 23  | D502535   | Screw                            |   |
| 24  | D510717P  | Blower and Fan Kit               | Includes items 1-5 and 7-21   |

# Front Bulkhead, Air Duct and Felt Seal

All Models Except KDEBCACW171TN01, KDEBGACW171TN01, KDGBCACW111TN01 and KDGBGACW111TN01



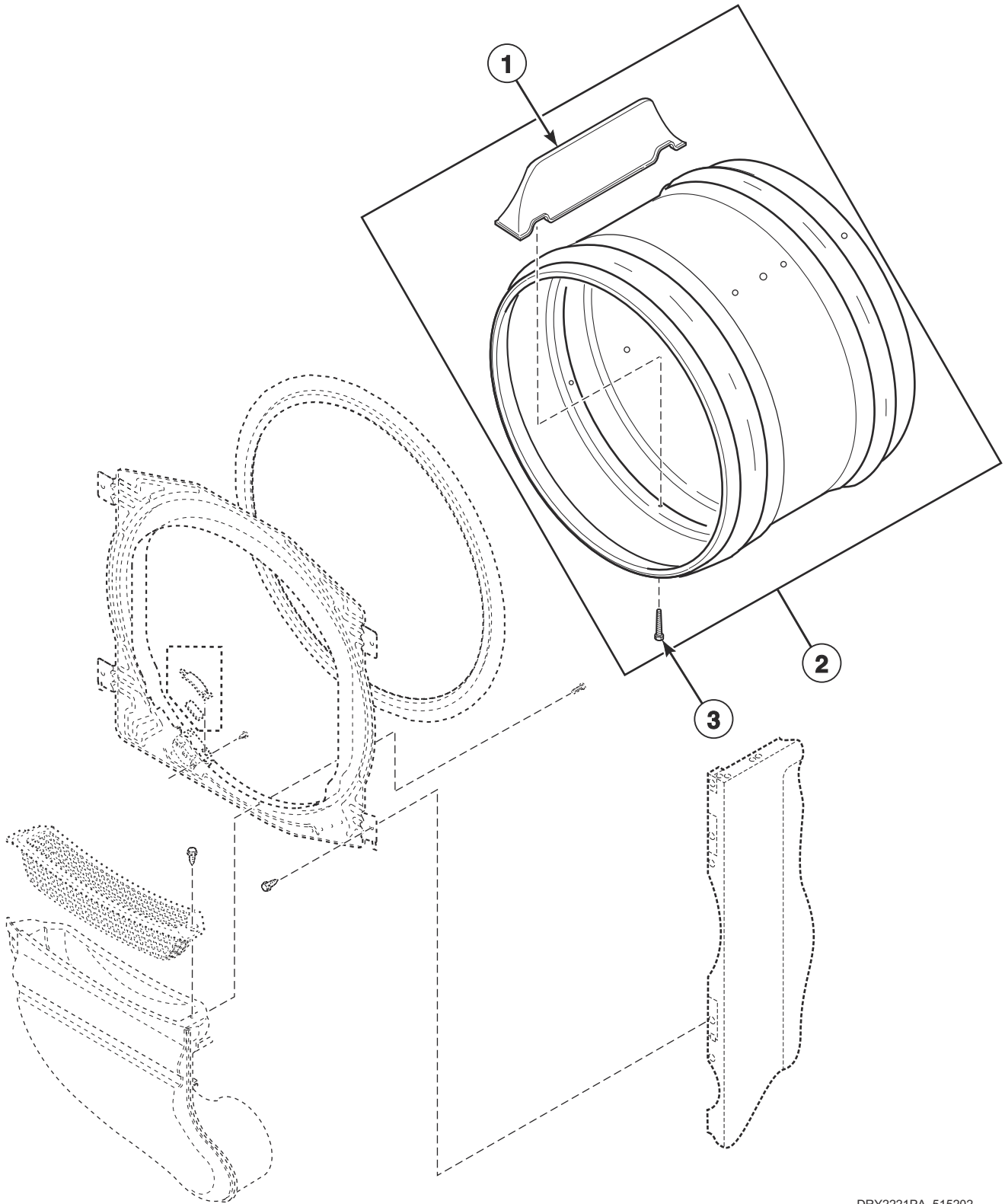
DRY2221P\_515202

## Front Bulkhead, Air Duct and Felt Seal

| REF | PART NO.  | DESCRIPTION             | COMMENTS  |
|-----|-----------|-------------------------|---|
| 1   | D510266P  | Front Bulkhead Assembly | Unpainted; Includes items 2 and 8-12  |
| 2   | D510207P  | Cylinder Seal Assembly  |   |
|     | D511637P  | Adhesive                | Apply to cylinder seal  |
|     | RB170001  | Seal Kit                | Includes 2 cylinder seals, D510238P Blower Housing Seal and adhesive  |
| 3   | D500226   | Screw                   | 1 per side  |
| 4   | M405188   | Screw                   | Use with stainless steel side panels  |
|     | D503688   | Screw                   | Use with painted side panels  |
| 5   | D503980LG | Lint Filter             | Gray; Models BDEBCAGS171TN01, BDEBCAGS171TW01, BDEBXAGS171TW01, HDEBCAGS171TW01, SDEBCAGS171TQ01, SDEBCAGS171TW01, SDEBXAGS171TW01 and SDEBYAGS171TW01  |
|     | D503980W  | Lint Filter             | White; Models BDGBCAGS111TN01, BDGBCAGS111TW01, BDGBXAGS111TW01, HDGBCAGS111TW01, SDGBCAGS111TQ01, SDGBCAGS111TW01, SDGBXAGS111TW01 and SDGBYAGS111TW01 |
| 6   | D515805LG | Air Duct Assembly       | Gray; Models BDEBCAGS171TN01, BDEBCAGS171TW01, BDEBXAGS171TW01, HDEBCAGS171TW01, SDEBCAGS171TQ01, SDEBCAGS171TW01, SDEBXAGS171TW01 and SDEBYAGS171TW01  |
|     | D510151W  | Air Duct Assembly       | White; Models BDGBCAGS111TN01, BDGBCAGS111TW01, BDGBXAGS111TW01, HDGBCAGS111TW01, SDGBCAGS111TQ01, SDGBCAGS111TW01, SDGBXAGS111TW01 and SDGBYAGS111TW01 |
| 7   | D501285   | Screw                   |   |
| 8   | D510189   | Felt Pad                | 1 per side  |
| 9   | D513710   | Cylinder Glide          | 1 per side  |
| 10  | RB170003  | Glide Kit               | Includes (2) of items 8 and 9   |
| 11  | D510145   | Cylinder Glide Bracket  | 1 per side  |
| 12  | 52864     | Screw                   | 2 per side  |

# Cylinder Assembly without Light

All Models Except KDEBCACW171TN01, KDEBGACW171TN01, KDGBACW111TN01 and KDGBGACW111TN01



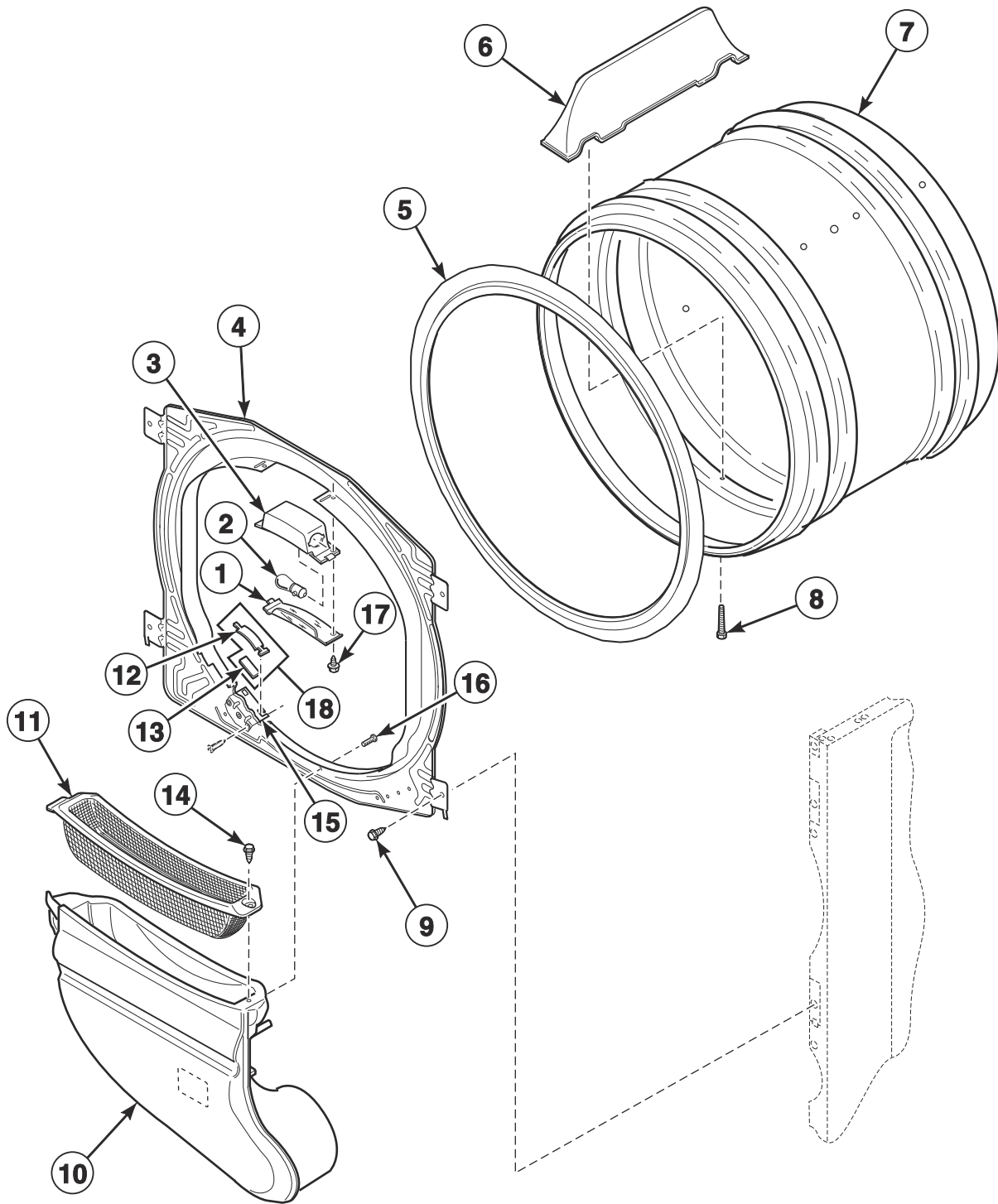
DRY2221PA\_515202

# Cylinder Assembly without Light

| REF | PART NO.   | DESCRIPTION       | COMMENTS   |
|-----|------------|-------------------|--|
| 1   | D510102LG  | Cylinder Baffle   | Gray; Models BDEBCAGS171TN01, BDEBCAGS171TW01, BDEBXAGS171TW01, HDEBCAGS171TW01, SDEBCAGS171TQ01, SDEBCAGS171TW01, SDEBXAGS171TW01 and SDEBYAGS171TW01   |
|     | D510102W   | Cylinder Baffle   | White; Models BDGBCAGS111TN01, BDGBCAGS111TW01, BDGBXAGS111TW01, HDGBCAGS111TW01, SDGBCAGS111TQ01, SDGBCAGS111TW01, SDGBXAGS111TW01 and SDGBYAGS111TW01  |
| 2   | D510265LGP | Cylinder Assembly | Galvanized; Includes 3 of item 1 and 6 of item 3; Models BDEBCAGS171TN01, BDEBCAGS171TW01, BDEBXAGS171TW01, HDEBCAGS171TW01, SDEBCAGS171TQ01, SDEBCAGS171TW01, SDEBXAGS171TW01 and SDEBYAGS171TW01 |
|     | D510265WP  | Cylinder Assembly | Galvanized; Includes 3 of item 1 and 6 of item 3; Models BDGBCAGS111TN01, BDGBCAGS111TW01, BDGBXAGS111TW01, HDGBCAGS111TW01, SDGBCAGS111TQ01, SDGBCAGS111TW01, SDGBXAGS111TW01 and SDGBYAGS111TW01 |
| 3   | 62588      | Screw             |  |

# Front Bulkhead, Air Duct, Felt Seal and Cylinder with Light

Models KDEBCACW171TN01, KDEBGACW171TN01, KDGBCACW111TN01 and KDGBGACW111TN01

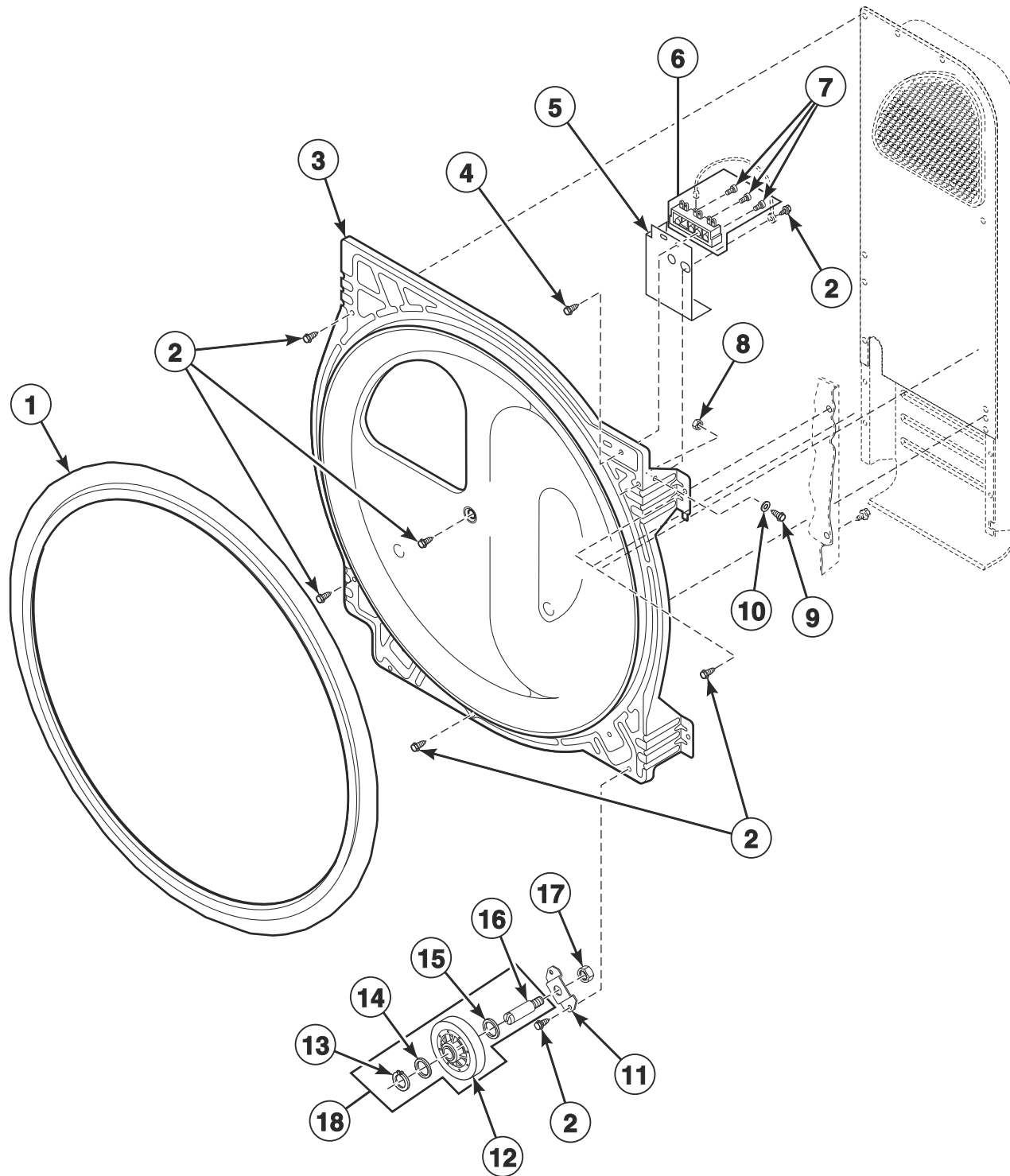


DRY2136P\_515202

## Front Bulkhead, Air Duct, Felt Seal and Cylinder with Light

| REF | PART NO.   | DESCRIPTION             | COMMENTS   |
|-----|------------|-------------------------|--|
| 1   | D512106    | Cylinder Light Lens     |  |
| 2   | 60954      | Drum Light Lamp         |  |
| 3   | D512108    | Light Housing Assembly  | Includes item 2  |
| 4   | D512476    | Front Bulkhead Assembly | Galvanized; Includes item 5  |
| 5   | D510207P   | Cylinder Seal Assembly  |  |
|     | D511637P   | Adhesive                | Apply to cylinder seal   |
|     | RB170001   | Seal Kit                | Includes 2 cylinder seals, D510238P Blower Housing Seal and adhesive |
| 6   | D510102DG  | Cylinder Baffle         |  |
| 7   | D510265DGP | Cylinder Assembly       | Galvanized; Includes (3) of item 6 and (6) of item 8                 |
| 8   | 62588      | Screw                   |  |
| 9   | M405188    | Screw                   | Use with stainless steel side panels                                 |
|     | D503688    | Screw                   | Use with painted side panels   |
| 10  | D510151DG  | Air Duct Assembly       |  |
| 11  | D503980DG  | Lint Filter             |  |
| 12  | D513710    | Cylinder Glide          |  |
| 13  | D510189    | Felt Pad                |  |
| 14  | D501285    | Screw                   |  |
| 15  | D510145    | Cylinder Glide Bracket  |  |
| 16  | 52864      | Screw                   |  |
| 17  | D500227    | Screw                   |  |
| 18  | RB170003   | Glide Kit               | Includes (2) of items 12 and 13                                      |

# Rear Bulkhead, Felt Seal, Cylinder Roller and Terminal Block



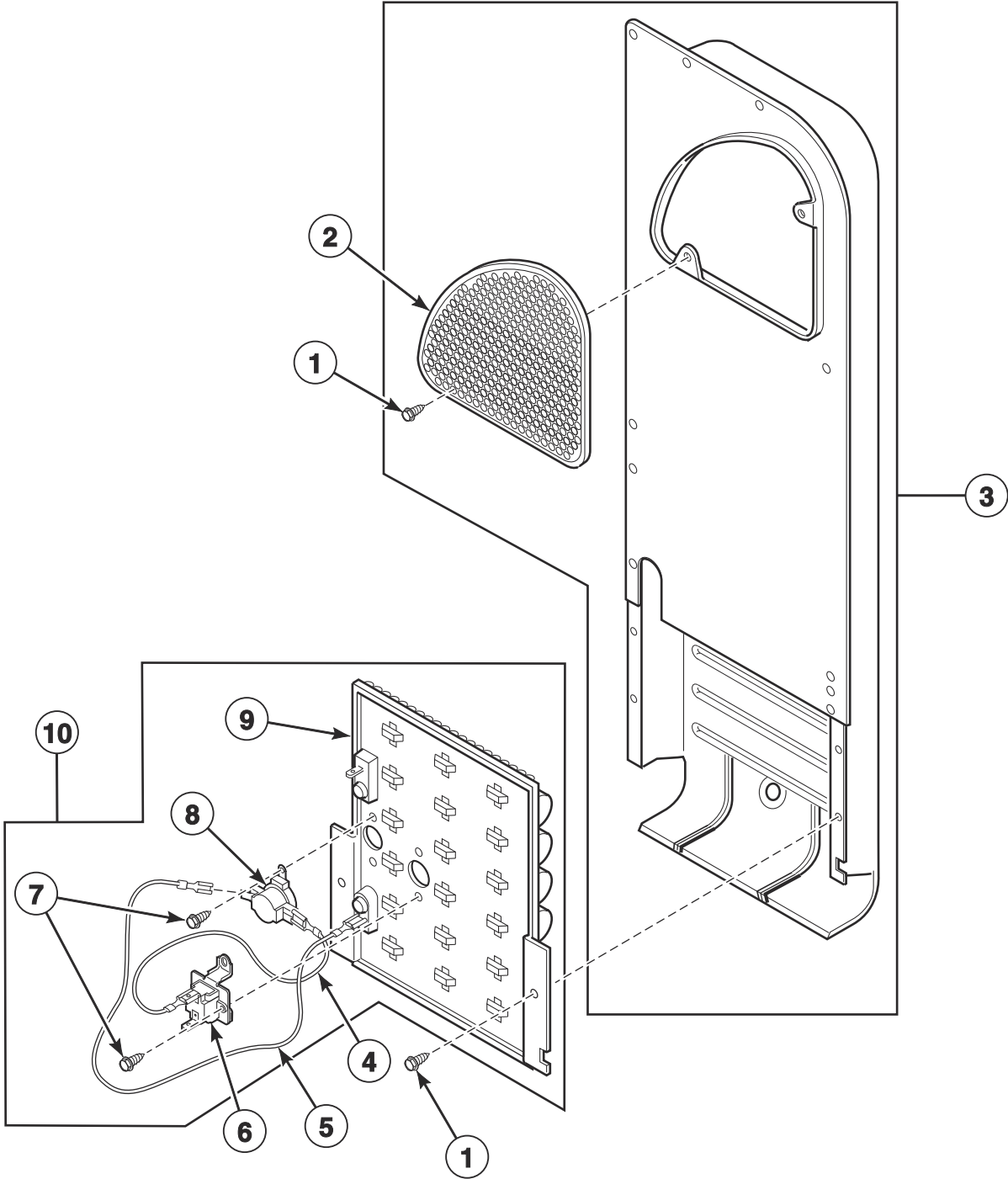
DRY1774P\_515202



## Rear Bulkhead, Felt Seal, Cylinder Roller and Terminal Block

| REF | PART NO. | DESCRIPTION             | COMMENTS   |
|-----|----------|-------------------------|--|
| 1   | D510207P | Cylinder Seal Assembly  |  |
|     | D511637P | Adhesive                | Apply to cylinder seal   |
|     | RB170001 | Seal Kit                | Includes 2 cylinder seals, D510238P Blower Housing Seal and adhesive   |
| 2   | M405188  | Screw                   | Models BDEBCAGS171TN01, BDGBCAGS111TN01, KDEBCACW171TN01, KDEBGACW171TN01, KDGBCACW111TN01 and KDGBGACW111TN01   |
|     | D503688  | Screw                   | All other models   |
| 3   | D512698  | Rear Bulkhead           | Polished; Models KDEBCACW171TN01, KDEBGACW171TN01, KDGBCACW111TN01 and KDGBGACW111TN01   |
|     | D511082P | Rear Bulkhead Assembly  | Galvanized; Includes item 1; All other models  |
| 4   | D501285  | Screw                   | Electric models  |
| 5   | D510237  | Terminal Block Shield   | Electric models; Through Serial No. 1903000001   |
| 6   | D510190P | Terminal Block Assembly | Includes 3 of item 7; Electric models<br>BDEBCAGS171TN01, BDEBCAGS171TW01,<br>BDEBXAGS171TW01, HDEBCAGS171TW01,<br>KDEBCACW171TN01, KDEBGACW171TN01,<br>SDEBCAGS171TQ01, SDEBCAGS171TW01,<br>SDEBXAGS171TW01 and SDEBYAGS171TW01 |
| 7   | 61199    | Screw                   |  |
| 8   | 28447    | Nut                     |  |
| 9   | 28448    | Screw                   |  |
| 10  | 28449    | Washer                  |  |
| 11  | D510100  | Cylinder Roller Bracket |  |
| 12  | D510708P | Cylinder Roller         |  |
| 13  | 23748    | Retaining Ring          |  |
| 14  | 52549    | Washer                  |  |
| 15  | D504082  | Washer                  |  |
| 16  | 56461P   | Shaft                   |  |
| 17  | 56156    | Nut                     |  |
| 18  | RB170002 | Roller Kit              | Includes item 12-16  |

# Heater Duct and Element Assembly - Electric Model Dryers

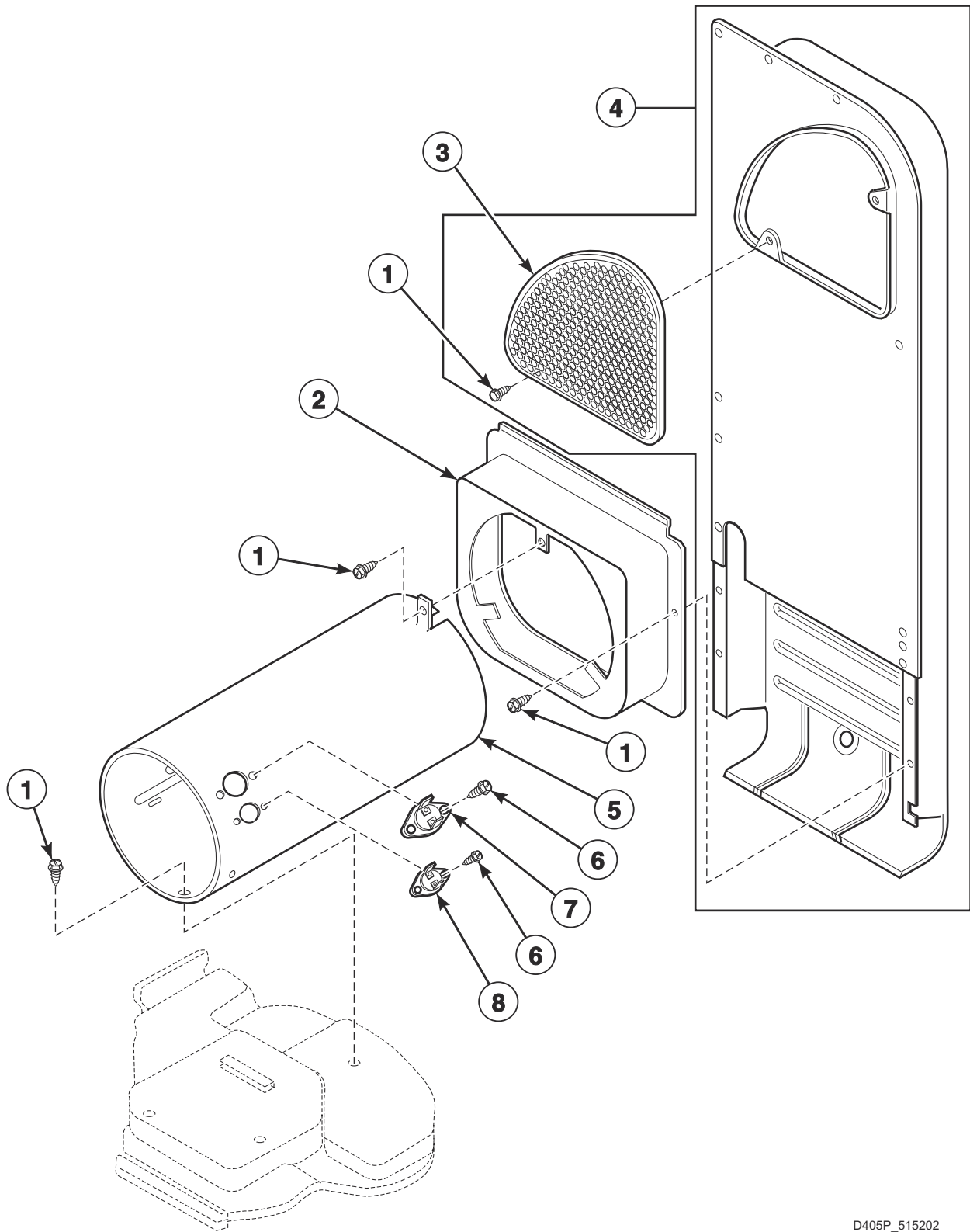


DRY1789P\_515202

## Heater Duct and Element Assembly - Electric Model Dryers

| REF | PART NO. | DESCRIPTION           | COMMENTS   |
|-----|----------|-----------------------|--|
| 1   | D503688  | Screw                 |  |
| 2   | D500820  | Outlet Cover          |  |
|     | D515573  | Outlet Cover          | Black  |
| 3   | D510025P | Heater Duct Assembly  | Includes items 1 and 2                                 |
| 4   | D510528  | Wire Assembly         | Orange; Thermostat jumper; Attaches to heater assembly |
| 5   | D510527  | Wire Assembly         | Black; Fuse jumper; Attaches to heater assembly        |
| 6   | D511412  | Thermal Fuse Assembly |  |
| 7   | 23222    | Screw                 |  |
| 8   | D510701  | Limit Thermostat      |  |
| 9   | D510329P | Heater Assembly       | 5.35 kW; 240 Volt                                      |
| 10  | 61928    | Heater Kit Assembly   | 4.75 kW; 208 Volt; Optional                            |
|     | 964P3    | Heater Kit            | 5.35 kW; 240 Volt                                      |

# Heater Duct Assembly - Gas Model Dryers



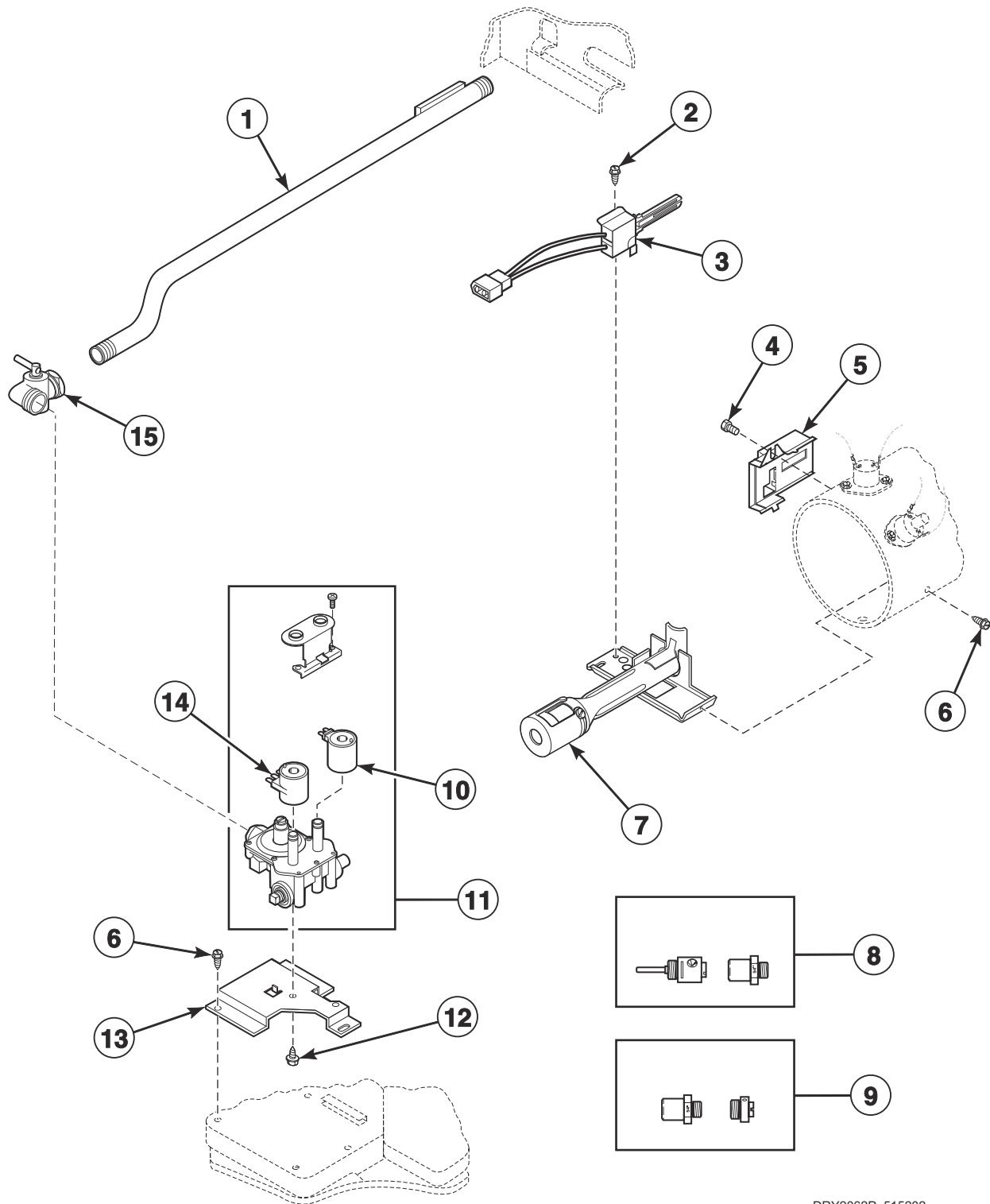
D405P\_515202

## Heater Duct Assembly - Gas Model Dryers

| REF | PART NO. | DESCRIPTION          | COMMENTS               |
|-----|----------|----------------------|------------------------|
| 1   | D503688  | Screw                |                        |
| 2   | D510101  | Heat Duct Shroud     |                        |
| 3   | D500820  | Outlet Cover         |                        |
|     | D515573  | Outlet Cover         | Black                  |
| 4   | D510025P | Heater Duct Assembly | Includes items 1 and 3 |
| 5   | D510132  | Combustion Duct      |                        |
| 6   | 51782    | Screw                |                        |
| 7   | D510702  | Limit Thermostat     | Black; Auto reset      |
| 8   | D510703  | Thermostat           |                        |

# Gas Valve, Igniter and Gas Conversion Kits

Gas Models



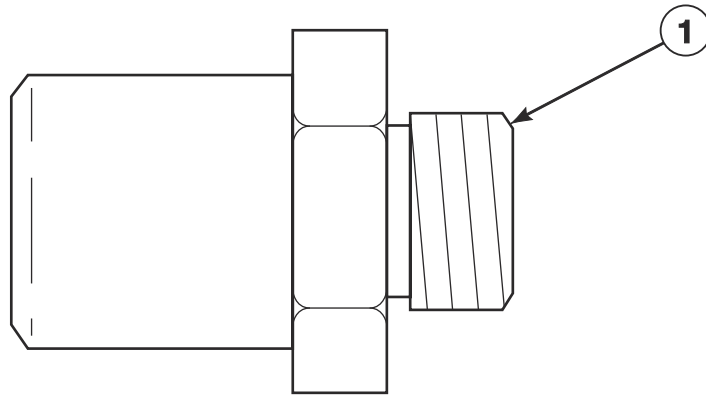
DRY2062P\_515202

## Gas Valve, Igniter and Gas Conversion Kits

| REF | PART NO. | DESCRIPTION                  | COMMENTS  |
|-----|----------|------------------------------|---|
| 1   | D510204  | Lead-In Pipe Assembly        |   |
| 2   | 51782    | Screw                        |   |
| 3   | D510184P | Igniter and Bracket Assembly |   |
| 4   | 23222    | Screw                        |   |
| 5   | D510213  | Sensor                       |   |
| 6   | D503688  | Screw                        |   |
| 7   | D510149P | Burner Assembly              |   |
| 8   | 458P3    | L.P. Conversion Kit          | Used to convert dryers from Natural Gas (N.G.) or Mixed Gas to Liquid Petroleum Gas (L.P.) for 25,000 Btu |
| 9   | 459P3    | N.G. Conversion Kit          | Used to convert dryers from L.P. to N.G. or Mixed Gas for 25,000 Btu                                      |
| 10  | 58804B   | Secondary Coil               |   |
| 11  | 60353P   | Gas Valve Assembly           | 25,000 Btu; Includes items 10 and 14  |
| 12  | 56124    | Screw                        |   |
| 13  | D510128  | Gas Valve Mounting Bracket   |   |
| 14  | 58804A   | Booster and Holding Coil     |   |
| 15  | D510205  | Elbow Shut-Off Valve         |   |

# Burner Orifice Spuds - For Higher Elevations

Gas Models



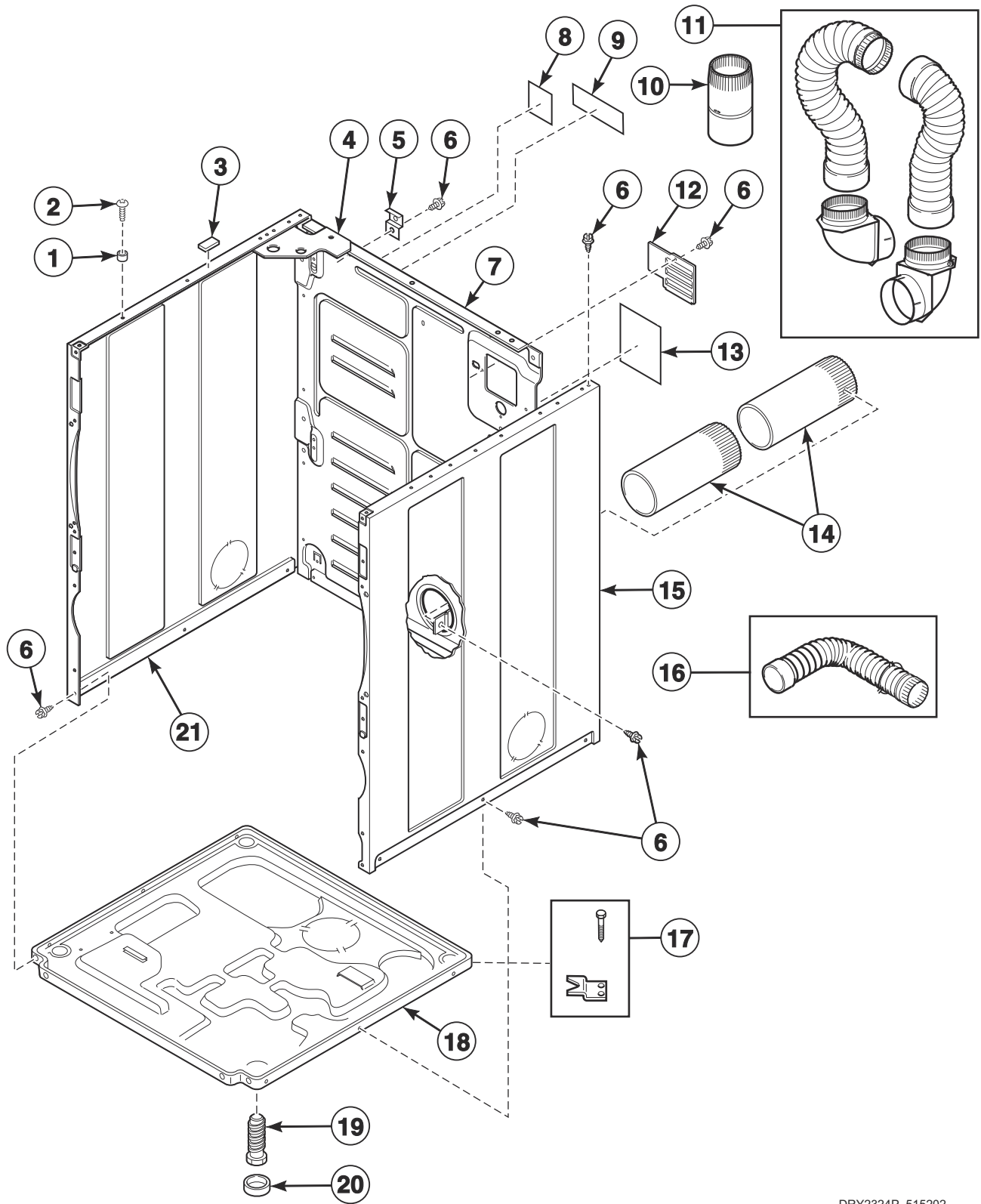
DRY2266P\_515202



## Burner Orifice Spuds - For Higher Elevations

| REF | PART NO. | DESCRIPTION   | COMMENTS   |
|-----|----------|---------------|--|
| 1   | 58755    | L.P. Orifice  | Liquid Petroleum Gas (L.P.); 7500-10999 feet (2290-3354 m) |
|     | D503786  | L.P. Orifice  | L.P.; 11000 feet (3355 m) and higher                       |
|     | D503776  | N.G. Orifice  | Natural Gas (N.G.); 2000-2999 feet (610-914 m)             |
|     | D510517  | N.G. Orifice  | N.G.; 3000-5499 feet (915-1679 m)                          |
|     | D503778  | N.G. Orifice  | N.G.; 5500-6999 feet (1680-2134 m)                         |
|     | 58719    | Screw Orifice | N.G.; 7000-8999 feet (2135-2744 m)                         |
|     | D503779  | N.G. Orifice  | N.G.; 9000-10499 feet (2745-3199 m)                        |
|     | D503780  | N.G. Orifice  | N.G.; 10500 feet (3200 m) and higher                       |

# Cabinet, Exhaust Duct and Base

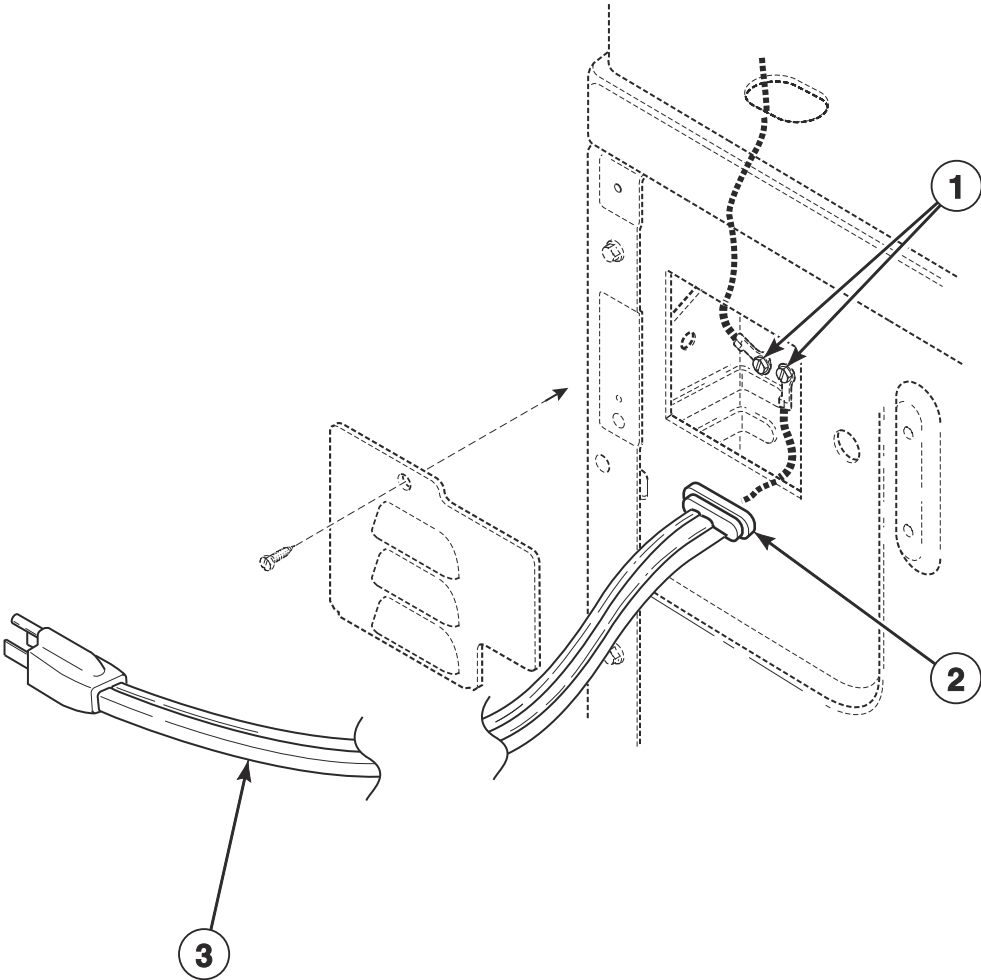


DRY2324P\_515202

## Cabinet, Exhaust Duct and Base

| REF | PART NO.   | DESCRIPTION               | COMMENTS  |
|-----|------------|---------------------------|---|
| 1   | 56079      | Panel Locator             |   |
| 2   | D512921    | Screw                     | Use with stainless steel panels   |
|     | 39733      | Screw                     | Use with painted panels   |
| 3   | 56128      | Bumper Pad                |   |
| 4   | D510337    | Frame Gusset              |   |
| 5   | D510136    | Top Hinge                 |   |
| 6   | D503688    | Screw                     |   |
| 7   | D514632P   | Cabinet Rear Panel        |   |
| 8   | D511004    | Gas Clearance Label       | Gas models  |
| 9   | D502791    | Venting Instruction Label |   |
| 10  | 58786      | Damper                    | Use when connecting to a manifold vent system   |
| 11  | 521P3      | Flexible Venting Kit      |   |
| 12  | D510903    | Access Panel Plate        |   |
| 13  | D511005    | Electric Clearance Label  | Electric models   |
| 14  | D516196    | Exhaust Duct              | Each dryer requires 2 pieces  |
| 15  | D510002DGP | Cabinet Side Panel        | Dark gray; Right; Models KDEBCACW171TN01, KDEBGACW171TN01, KDGBACW111TN01 and KDGBGACW111TN01 |
|     | D510002QP  | Cabinet Side Panel        | Bisque; Right; Models SDEBCAGS171TQ01 and SDGBCAGS111TQ01                                     |
|     | D510002GP  | Cabinet Side Panel        | Gray; Right; All other models   |
|     | D512952    | Cabinet Side Panel        | Stainless steel; Right; All other models  |
|     | D510002WP  | Cabinet Side Panel        | White; Right; All other models  |
| 16  | 528P3      | Directional Exhaust Kit   | Used to vent dryer out the sides or bottom  |
| 17  | 526P3      | Hold Down Kit             | For mobile home installations   |
| 18  | D514245    | Dryer Base                |   |
| 19  | D510135    | Leveling Leg              |   |
| 20  | D501855    | Rubber Foot               |   |
| 21  | D510001DGP | Cabinet Side Panel        | Dark gray; Left; Models KDEBCACW171TN01, KDEBGACW171TN01, KDGBACW111TN01 and KDGBGACW111TN01  |
|     | D510001QP  | Cabinet Side Panel        | Bisque; Left; Models SDEBCAGS171TQ01 and SDGBCAGS111TQ01                                      |
|     | D510001GP  | Cabinet Side Panel        | Gray; Left; All other models  |
|     | D512951    | Cabinet Side Panel        | Stainless steel; Left; All other models   |
|     | D510001WP  | Cabinet Side Panel        | White; Left; All other models   |

# Power Cord

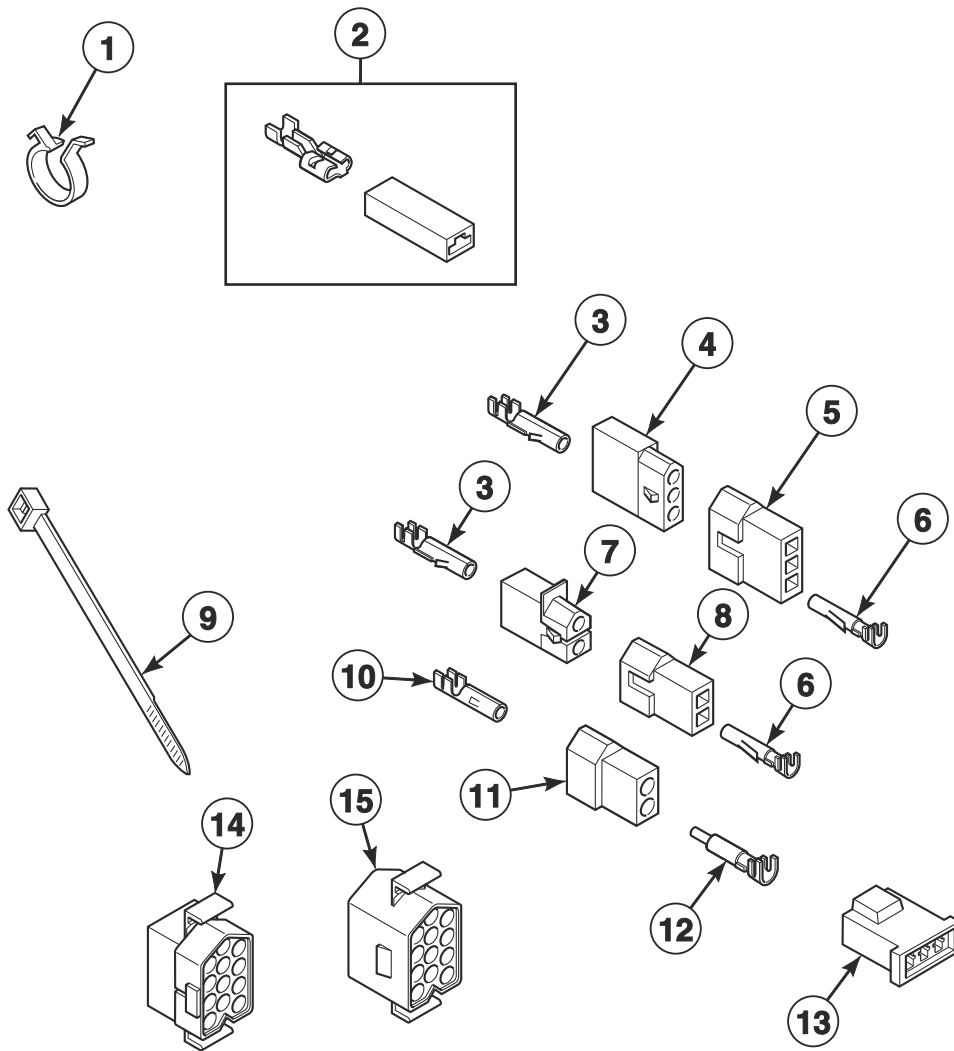


DRY1879P\_515202

# Power Cord

| REF | PART NO. | DESCRIPTION   | COMMENTS   |
|-----|----------|---------------|--|
| 1   | D513071  | Screw         | Models BDEBCAGS171TN01, BDGBCAGS111TN01, KDEBCACW171TN01 and KDGBCACW111TN01 |
|     | 20530    | Screw         | All other models   |
| 2   | 38384    | Strain Relief | Gas models   |
| 3   | 56222    | Lead-In Cord  | Gas models   |

# Terminal Block and Terminals (Drawing 1 of 2)

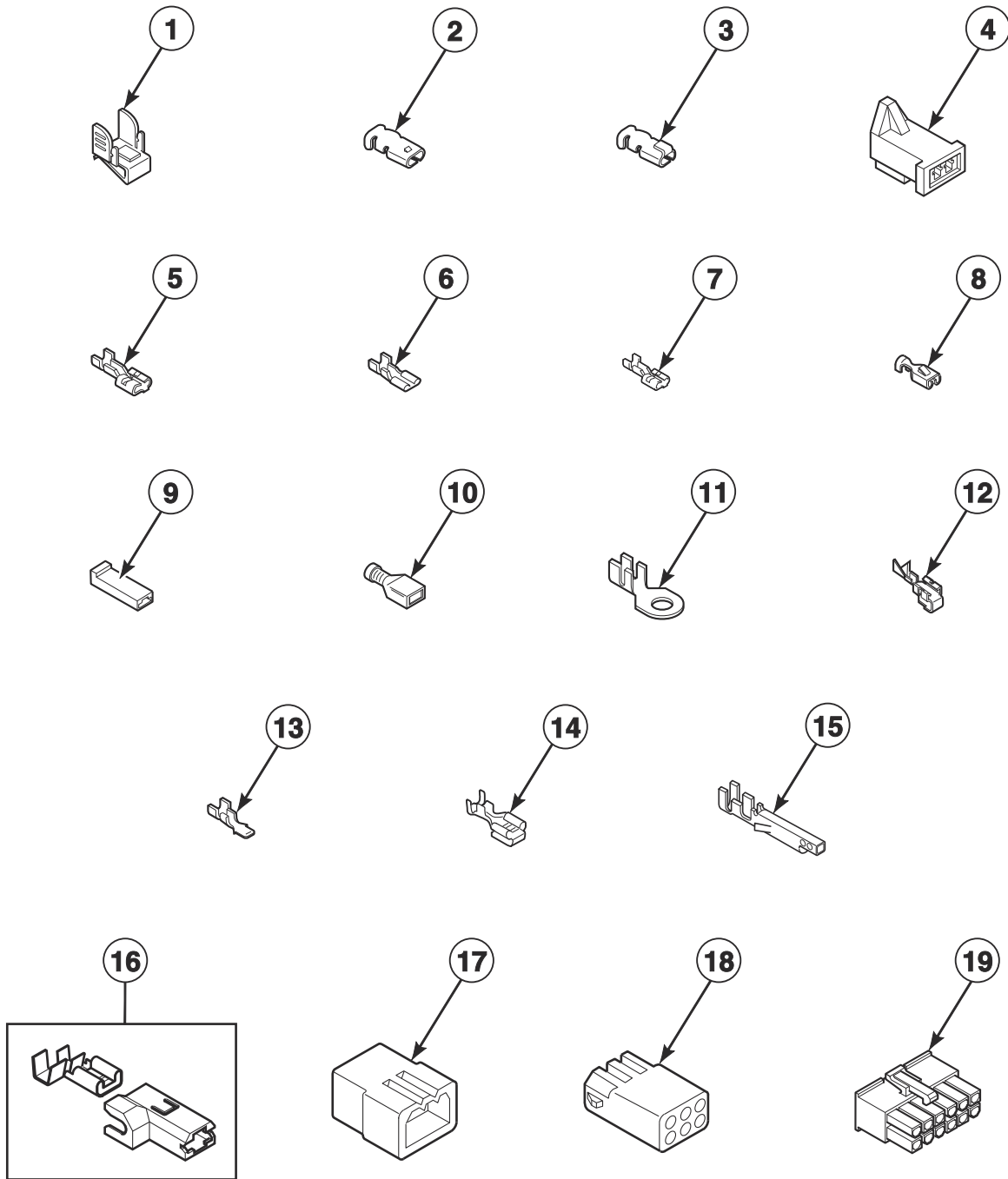


DRY2038P\_515202

## Terminal Block and Terminals (Drawing 1 of 2)

| REF | PART NO. | DESCRIPTION                     | COMMENTS                                |
|-----|----------|---------------------------------|---|
| 1   | D504034  | Wire Clip                       | 11/16 inch                              |
|     | 687500   | Wire Clip                       | 1 inch                                  |
| 2   | 00360    | Insulated Female Spade Terminal | (1) 12 gauge wire or (2) 18 gauge wires |
| 3   | 00117    | Female Pin Terminal             |   |
| 4   | 23039    | 3 Circuit Receptacle            |   |
| 5   | 23040    | Plug                            | 3 circuit                               |
| 6   | 00116    | Male Pin Terminal               |   |
| 7   | 56451    | 2 Circuit Receptacle            |   |
| 8   | 56448    | 2 Circuit Plug                  |   |
| 9   | 55881    | Harness Strap                   |   |
| 10  | 00128    | Female Pin Terminal             | 1/8 inch; 10-14 gauge wire              |
|     | 00130    | Female Pin Terminal             | 1/8 inch; 16-18 gauge wire              |
| 11  | 56266    | 2 Circuit Plug                  |   |
| 12  | 00127    | Male Pin Terminal               | 1/8 inch; 10-14 gauge wire              |
|     | 00129    | Male Pin Terminal               | 1/8 inch; 16-18 gauge wire              |
| 13  | 58800    | 3 Circuit Connector             |   |
| 14  | 54522    | Plug                            |   |
| 15  | 56855    | 12 Circuit Receptacle           |   |

## Terminal Block and Terminals (Drawing 2 of 2)



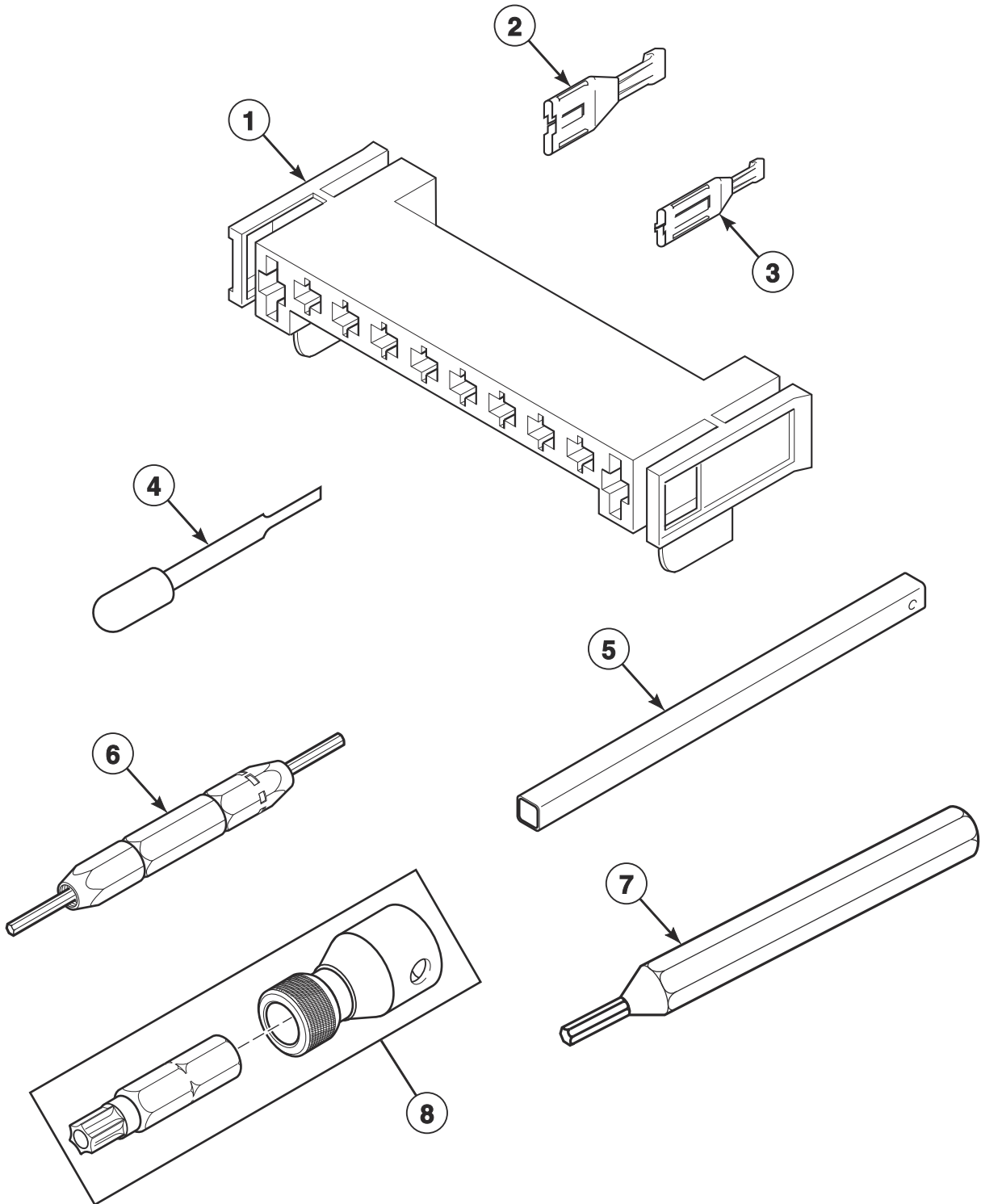
DRY2338P\_515202



## Terminal Block and Terminals (Drawing 2 of 2)

| REF | PART NO. | DESCRIPTION                     | COMMENTS  |
|-----|----------|---------------------------------|---|
| 1   | 00161    | Grounding Clip                  |   |
| 2   | 00189    | Female Spade Terminal           | 1/8 inch  |
| 3   | 00361    | Female Piggyback Terminal       |   |
| 4   | 58799    | 2 Circuit Connector             |   |
| 5   | 00223    | Female Spade Terminal           | 1/4 inch; (1) 18 gauge wire                       |
|     | 00121    | Female Spade Terminal           | 1/4 inch; (2) 18 gauge wires or (1) 12 gauge wire |
|     | 00245    | Spade Terminal                  | 1/4 inch; (1) 22 gauge wire                       |
| 6   | 00124    | Female Spade Terminal           | 3/16 inch; (1) 18 gauge wire; .020 tab            |
| 7   | 00222    | Female Spade Terminal           | 1/4 inch  |
| 8   | 00115    | Female Spade Terminal           | 1/4 inch; (1) 18 gauge wire                       |
| 9   | 90789    | Receptacle Housing              |   |
| 10  | 00359    | Insulated Female Spade Terminal | 1/4 inch  |
| 11  | 00110    | Ring Terminal                   | No. 10; (1) 18 gauge wire                         |
| 12  | 00114    | Female Spade Terminal           | 1/4 inch; Double connector                        |
| 13  | 00139    | Male Tab Terminal               | 1/4 inch; (2) 18 gauge wires or (1) 12 gauge wire |
| 14  | 00344    | Female Tab Terminal             | 1/4 inch  |
| 15  | 00252    | Terminal                        |   |
| 16  | 00221    | Insulated Female Flag Terminal  |   |
| 17  | 23033    | 9 Circuit Plug                  |   |
|     | 26302    | 1 Circuit Plug                  |   |
| 18  | 26708    | 6 Circuit Receptacle            |   |
|     | 26301    | 1 Circuit Receptacle            |   |
| 19  | 34596    | 10 Circuit Receptacle           |   |
|     | D501333  | 12 Circuit Receptacle           |   |

# Terminals and Terminal Extractor Tools

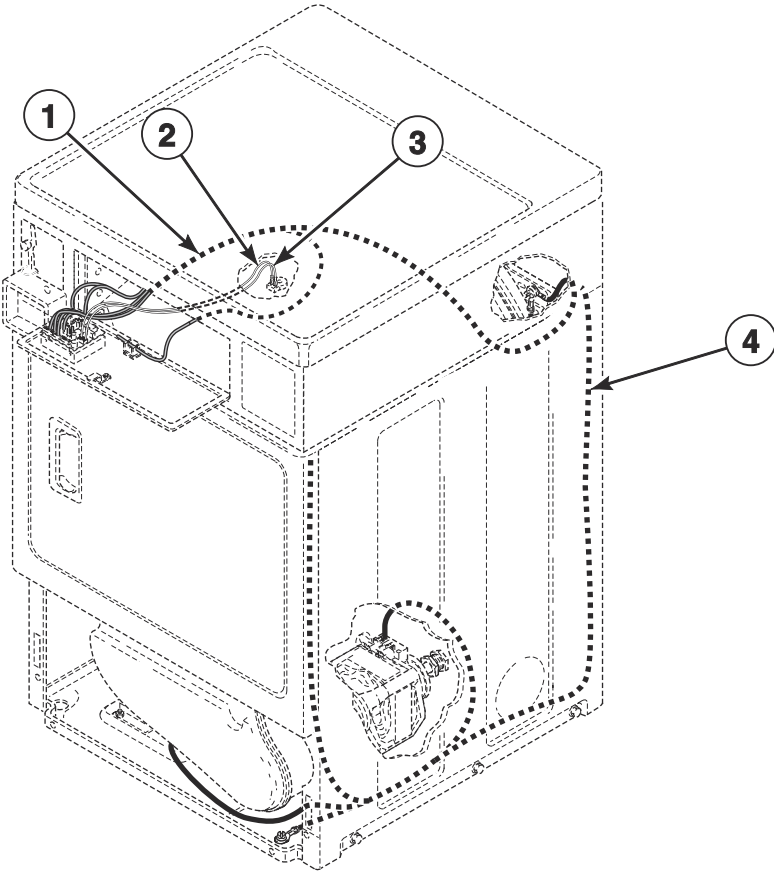


DRY2066P\_515202

## Terminals and Terminal Extractor Tools

| REF | PART NO. | DESCRIPTION             | COMMENTS   |
|-----|----------|-------------------------|--|
| 1   | D500338  | 10 Position Housing     |  |
| 2   | 00255    | Female Terminal         | 1/4 inch; (1) 12 gauge wire; Electric models                   |
|     | 00256    | Female Terminal         | 1/4 inch; (1) or (2) 18 gauge wires                            |
| 3   | 00188    | Female Terminal         | For 1 or 2 wire application                                    |
| 4   | 283P4    | Terminal Extractor Tool | For use on Molex connectors                                    |
| 5   | 310P4    | Ratchet Extension Tool  | 1/4 inch; For coin drop installation                           |
| 6   | 190P4    | Extractor Tool          | For use on electric dryer terminals                            |
| 7   | 128P4    | Extractor Tool          | For use on gas dryer terminals                                 |
| 8   | 281P4    | Torx Bit                | T15 Tamper Resistant Bit                                       |
|     | 282P4    | Torx Bit                | Use with 62853 Screw on access panel; T25 Tamper Resistant Bit |
|     | 292P4    | Torx Bit                | T20 Standard Bit   |
|     | 93501    | Torx Drive Tool         | T10 Standard Bit   |

# Wire Harnesses and Wires



DRY2285P\_515202

## Wire Harnesses and Wires

| REF | PART NO. | DESCRIPTION                 | COMMENTS   |
|-----|----------|-----------------------------|--|
|     | 45001    | 18 Gauge Wire               | Black; Order wire by foot; Order terminals and connectors as required  |
|     | 45380    | 12 Gauge Wire               | Orange; Order wire by foot; Order terminals and connectors as required   |
| 1   | D512422P | Wire Harness Assembly       | Models BDEBCAGS171TN01, BDEBCAGS171TW01, BDEBXAGS171TW01, BDGBXAGS111TW01, HDEBCAGS171TW01, SDEBCAGS171TQ01, SDEBCAGS171TW01, SDEBXAGS171TW01, SDEBYAGS171TW01, SDGBCAGS111TQ01, SDGBCAGS111TW01, SDGBXAGS111TW01 and SDGBYAGS111TW01                  |
|     | D517102  | Gas Harness                 | Models BDGBCAGS111TN01, BDGBCAGS111TW01, BDGBXAGS111TW01, HDGBCAGS111TW01, KDGBCACW111TN01, KDGBGACW111TN01 and SDGBXAGS111TW01  |
| 2   | D512273P | Wire Configuration Assembly | Models BDEBCAGS171TN01, BDEBCAGS171TW01, BDEBXAGS171TW01, BDGBXAGS111TW01, HDEBCAGS171TW01, HDGBCAGS111TW01, SDEBCAGS171TQ01, SDEBCAGS171TW01, SDEBXAGS171TW01, SDEBYAGS171TW01, SDGBCAGS111TQ01, SDGBCAGS111TW01, SDGBXAGS111TW01 and SDGBYAGS111TW01 |
| 3   | D512275P | Wire Configuration Assembly | Models BDEBCAGS171TN01, BDEBCAGS171TW01, BDEBXAGS171TW01, BDGBXAGS111TW01, HDEBCAGS171TW01, HDGBCAGS111TW01, SDEBCAGS171TQ01, SDEBCAGS171TW01, SDEBXAGS171TW01, SDEBYAGS171TW01, SDGBCAGS111TQ01, SDGBCAGS111TW01, SDGBXAGS111TW01 and SDGBYAGS111TW01 |
| 4   | D514096  | Electronic Harness          | Models BDEBCAGS171TN01, BDEBCAGS171TW01, BDEBXAGS171TW01, BDGBXAGS111TW01, HDEBCAGS171TW01, SDEBCAGS171TQ01, SDEBCAGS171TW01, SDEBXAGS171TW01 and SDEBYAGS171TW01  |
|     | D514855  | Electronic Harness          | Models BDGBCAGS111TN01, BDGBCAGS111TW01, HDGBCAGS111TW01, SDGBCAGS111TQ01, SDGBCAGS111TW01, SDGBXAGS111TW01 and SDGBYAGS111TW01  |
|     | D514092  | Electronic Harness          | Models KDEBCACW171TN01 and KDEBGACW171TN01   |
|     | D515073  | Wire Harness Assembly       | Models KDGBCACW111TN01 and KDGBGACW111TN01   |

**NOTE: Individual wires are not available separately. Order complete harness, or order wire by the foot. When applying terminals to wires, it is recommended that the terminals be soldered to the wires.**



# Parts Index

## A

|                                 |            |
|---------------------------------|------------|
| Access Panel and Guard Assembly |            |
| D514252Q.....                   | 21         |
| D514253.....                    | 21         |
| Access Panel Assembly           |            |
| D514250Q.....                   | 21         |
| D514250WP.....                  | 21         |
| D514251.....                    | 21         |
| Access Panel Plate              |            |
| D510903.....                    | 41         |
| Adhesive                        |            |
| D511637P.....                   | 25, 29, 31 |
| Air Duct Assembly               |            |
| D510151DG.....                  | 29         |
| D510151W.....                   | 25         |
| D515805LG.....                  | 25         |
| Anti-Seize Compound             |            |
| 27604P.....                     | 23         |
| Audit Switch Bracket            |            |
| 800379.....                     | 5          |

## B

|                          |       |
|--------------------------|-------|
| Blank Black Label        |       |
| D512824.....             | 13    |
| Blower and Fan Kit       |       |
| D510717P.....            | 23    |
| Blower Fan Assembly      |       |
| D510139P.....            | 23    |
| Blower Housing           |       |
| D511969WP.....           | 23    |
| Blower Housing Seal      |       |
| D510238P.....            | 23    |
| Bolt                     |       |
| 29651.....               | 7, 15 |
| Booster and Holding Coil |       |
| 58804A.....              | 37    |
| Bumper Pad               |       |
| 56128.....               | 41    |
| Burner Assembly          |       |
| D510149P.....            | 37    |

## C

|                    |    |
|--------------------|----|
| Cabinet Rear Panel |    |
| D514632P.....      | 41 |
| Cabinet Side Panel |    |
| D510001DGP.....    | 41 |
| D510001GP.....     | 41 |
| D510001QP.....     | 41 |
| D510001WP.....     | 41 |
| D510002DGP.....    | 41 |
| D510002GP.....     | 41 |
| D510002QP.....     | 41 |
| D510002WP.....     | 41 |
| D512951.....       | 41 |
| D512952.....       | 41 |

|                                    |            |
|------------------------------------|------------|
| Card Insert Overlay                |            |
| D514391.....                       | 13         |
| Central Pay Harness                |            |
| D511478.....                       | 5          |
| Clip                               |            |
| 201572.....                        | 11         |
| Coin Drop                          |            |
| 38963P.....                        | 9          |
| 70441601P.....                     | 9          |
| Coin Drop Assembly                 |            |
| 38462P.....                        | 9          |
| 38463.....                         | 9          |
| Coin Drop Wire Harness             |            |
| 201104.....                        | 11         |
| Coin Identification Paper          |            |
| 38725.....                         | 11         |
| Combustion Duct                    |            |
| D510132.....                       | 35         |
| Connector, 2 Circuit               |            |
| 58799.....                         | 47         |
| Connector, 3 Circuit               |            |
| 58800.....                         | 45         |
| Control Assembly                   |            |
| D511867P.....                      | 5          |
| D514273P.....                      | 5          |
| Control Panel                      |            |
| D515217.....                       | 13         |
| D515218.....                       | 7          |
| 803962BP.....                      | 7          |
| 803962Q.....                       | 7          |
| 803962WP.....                      | 7          |
| Control Panel and Bracket Assembly |            |
| D513777B.....                      | 5          |
| D513777Q.....                      | 5          |
| D513777W.....                      | 5          |
| Control Panel Assembly             |            |
| D513777G.....                      | 5          |
| D515215.....                       | 5          |
| Cylinder Assembly                  |            |
| D510265DGP.....                    | 29         |
| D510265LGP.....                    | 27         |
| D510265WP.....                     | 27         |
| Cylinder Baffle                    |            |
| D510102DG.....                     | 29         |
| D510102LG.....                     | 27         |
| D510102W.....                      | 27         |
| Cylinder Belt                      |            |
| D511255P.....                      | 23         |
| Cylinder Glide                     |            |
| D513710.....                       | 25, 29     |
| Cylinder Glide Bracket             |            |
| D510145.....                       | 25, 29     |
| Cylinder Light Lens                |            |
| D512106.....                       | 29         |
| Cylinder Roller                    |            |
| D510708P.....                      | 31         |
| Cylinder Roller Bracket            |            |
| D510100.....                       | 31         |
| Cylinder Seal Assembly             |            |
| D510207P.....                      | 25, 29, 31 |

N/A items do not appear in index.

---

**D**

|                                  |        |
|----------------------------------|--------|
| Damper                           |        |
| 58786 .....                      | 41     |
| Diagnostic Wire Harness Assembly |        |
| 800374 .....                     | 5      |
| Directional Exhaust Kit          |        |
| 528P3 .....                      | 41     |
| Door Assembly                    |        |
| D516510WP .....                  | 17     |
| D516737W .....                   | 19     |
| Door Catch Assembly              |        |
| D510177 .....                    | 21     |
| Door Handle Wedge                |        |
| D510129W .....                   | 17     |
| Door Pull                        |        |
| D512947 .....                    | 17     |
| Door Pull and Wedge Kit          |        |
| D510103QP .....                  | 17     |
| D510103WP .....                  | 17     |
| Door Pull Kit                    |        |
| D512620P .....                   | 19     |
| Door Strike                      |        |
| D510181 .....                    | 17, 19 |
| Door Strike Mount                |        |
| D510127 .....                    | 17, 19 |
| Drum Light Lamp                  |        |
| 60954 .....                      | 29     |
| Dryer Base                       |        |
| D514245 .....                    | 41     |
| Dryer Door                       |        |
| D510013QP .....                  | 17     |
| D510013WP .....                  | 17     |
| D512699 .....                    | 19     |
| D512969 .....                    | 17     |
| Dryer Door Assembly              |        |
| D514167 .....                    | 19     |
| Dryer Door Window                |        |
| D503982 .....                    | 19     |

---

**E**

|                          |       |
|--------------------------|-------|
| Elbow Shut-Off Valve     |       |
| D510205 .....            | 37    |
| Electric Clearance Label |       |
| D511005 .....            | 41    |
| Electronic Coin Drop Kit |       |
| CK115 .....              | 11    |
| Electronic Harness       |       |
| D514092 .....            | 51    |
| D514096 .....            | 51    |
| D514855 .....            | 51    |
| Exhaust Duct             |       |
| D516196 .....            | 41    |
| Expansion Clip           |       |
| 70030501 .....           | 7, 13 |
| Extractor Tool           |       |
| 128P4 .....              | 49    |
| 190P4 .....              | 49    |

---

**F**

|                           |        |
|---------------------------|--------|
| Felt Pad                  |        |
| D510189 .....             | 25, 29 |
| Female Piggyback Terminal |        |
| 00361 .....               | 47     |
| Female Pin Terminal       |        |
| 00117 .....               | 45     |
| 00128 .....               | 45     |
| 00130 .....               | 45     |
| Female Spade Terminal     |        |
| 00114 .....               | 47     |
| 00115 .....               | 47     |
| 00121 .....               | 47     |
| 00124 .....               | 47     |
| 00189 .....               | 47     |
| 00222 .....               | 47     |
| 00223 .....               | 47     |
| Female Tab Terminal       |        |
| 00344 .....               | 47     |
| Female Terminal           |        |
| 00188 .....               | 49     |
| 00255 .....               | 49     |
| 00256 .....               | 49     |
| Flexible Venting Kit      |        |
| 521P3 .....               | 41     |
| Frame Gusset              |        |
| D510337 .....             | 41     |
| Front Bulkhead Assembly   |        |
| D510266P .....            | 25     |
| D512476 .....             | 29     |
| Front Panel               |        |
| D510066QP .....           | 21     |
| D510066WP .....           | 21     |
| D512542 .....             | 21     |
| Front Panel Seal          |        |
| D511056 .....             | 21     |

---

**G**

|                            |        |
|----------------------------|--------|
| Gas Clearance Label        |        |
| D511004 .....              | 41     |
| Gas Harness                |        |
| D517102 .....              | 51     |
| Gas Valve Assembly         |        |
| 60353P .....               | 37     |
| Gas Valve Mounting Bracket |        |
| D510128 .....              | 37     |
| Glide Kit                  |        |
| RB170003 .....             | 25, 29 |
| Graphic Overlay            |        |
| D514637 .....              | 5      |
| D514640 .....              | 5      |
| D514641 .....              | 5      |
| D514645 .....              | 5      |
| Grounding Clip             |        |
| 00161 .....                | 47     |



---

**H**

|                      |        |
|----------------------|--------|
| Harness Assembly     |        |
| 802904P .....        | 9      |
| 802905 .....         | 9, 11  |
| Harness Strap        |        |
| 55881 .....          | 45     |
| Heat Duct Shroud     |        |
| D510101 .....        | 35     |
| Heater Assembly      |        |
| D510329P .....       | 33     |
| Heater Duct Assembly |        |
| D510025P .....       | 33, 35 |
| Heater Kit           |        |
| 964P3 .....          | 33     |
| Heater Kit Assembly  |        |
| 61928 .....          | 33     |
| Hinge                |        |
| D511036 .....        | 17, 19 |
| Hinge Hole Plug      |        |
| D510186 .....        | 21     |
| Hold Down Kit        |        |
| 526P3 .....          | 41     |
| Housing, 10 Position |        |
| D500338 .....        | 49     |

---

**I**

|                                  |    |
|----------------------------------|----|
| Idler Lever                      |    |
| D516310 .....                    | 23 |
| Idler Lever and Wheel Assembly   |    |
| D516792 .....                    | 23 |
| Idler Spring                     |    |
| D510185 .....                    | 23 |
| Idler Wheel and Bearing Assembly |    |
| D510142P .....                   | 23 |
| Igniter and Bracket Assembly     |    |
| D510184P .....                   | 37 |
| Insulated Female Flag Terminal   |    |
| 00221 .....                      | 47 |
| Insulated Female Spade Terminal  |    |
| 00359 .....                      | 47 |
| 00360 .....                      | 45 |

---

**K**

|             |   |
|-------------|---|
| Key         |   |
| 54612 ..... | 5 |

---

**L**

|                        |    |
|------------------------|----|
| Lead-In Cord           |    |
| 56222 .....            | 43 |
| Lead-In Pipe Assembly  |    |
| D510204 .....          | 37 |
| Leveling Leg           |    |
| D510135 .....          | 41 |
| Light Housing Assembly |    |
| D512108 .....          | 29 |

|                                |        |
|--------------------------------|--------|
| Limit Thermostat               |        |
| D510701 .....                  | 33     |
| D510702 .....                  | 35     |
| Liner Door Seal                |        |
| D510147P .....                 | 17, 19 |
| Liner, Seal and Grill Assembly |        |
| D510163WP .....                | 17     |
| D512914DG .....                | 19     |
| Lint Filter                    |        |
| D503980DG .....                | 29     |
| D503980LG .....                | 25     |
| D503980W .....                 | 25     |
| Lock Cam                       |        |
| 804338 .....                   | 5      |
| Lock Kit                       |        |
| 27260P .....                   | 5      |
| L.P. Conversion Kit            |        |
| 458P3 .....                    | 37     |
| L.P. Orifice                   |        |
| D503786 .....                  | 39     |
| D58755 .....                   | 39     |

---

**M**

|                           |    |
|---------------------------|----|
| Male Pin Terminal         |    |
| 00116 .....               | 45 |
| 00127 .....               | 45 |
| 00129 .....               | 45 |
| Male Tab Terminal         |    |
| 00139 .....               | 47 |
| Meter Case Assembly       |    |
| D515219 .....             | 7  |
| 804009Q .....             | 7  |
| 807396B .....             | 7  |
| 807396W .....             | 7  |
| Motor and Pulley Assembly |    |
| D511629P .....            | 23 |
| Motor Hub Ring Kit        |    |
| 590P3 .....               | 23 |
| Motor Mount               |    |
| D510060 .....             | 23 |
| Motor Mount Clamp         |    |
| D510180 .....             | 23 |
| Motor Pulley              |    |
| D500011 .....             | 23 |
| Mounting Tool Kit         |    |
| CK096 .....               | 11 |

---

**N**

|                     |        |
|---------------------|--------|
| Nut                 |        |
| 28447 .....         | 31     |
| 29786 .....         | 9, 11  |
| 36020 .....         | 15     |
| 44071201 .....      | 19     |
| 44087201 .....      | 7      |
| 52566 .....         | 23     |
| 56156 .....         | 23, 31 |
| N.G. Conversion Kit |        |
| 459P3 .....         | 37     |
| N.G. Orifice        |        |
| D503776 .....       | 39     |

N/A items do not appear in index.

|               |    |
|---------------|----|
| D503778 ..... | 39 |
| D503779 ..... | 39 |
| D503780 ..... | 39 |
| D510517 ..... | 39 |

## O

|                              |        |
|------------------------------|--------|
| Operating Instruction Label  |        |
| D514990 .....                | 13     |
| D515213 .....                | 7      |
| Operating Instructions Label |        |
| D514393 .....                | 7, 13  |
| Outlet Cover                 |        |
| D500820 .....                | 33, 35 |
| D515573 .....                | 33, 35 |

## P

|                 |        |
|-----------------|--------|
| Panel Locator   |        |
| 56079 .....     | 21, 41 |
| Plug            |        |
| 23040 .....     | 45     |
| 54522 .....     | 45     |
| Plug, 1 Circuit |        |
| 26302 .....     | 47     |
| Plug, 2 Circuit |        |
| 56266 .....     | 45     |
| 56448 .....     | 45     |
| Plug, 9 Circuit |        |
| 23033 .....     | 47     |

## R

|                        |        |
|------------------------|--------|
| Ratchet Extension Tool |        |
| 310P4 .....            | 49     |
| Rear Access Panel      |        |
| 803998 .....           | 7, 13  |
| Rear Bulkhead          |        |
| D512698 .....          | 31     |
| Rear Bulkhead Assembly |        |
| D511082P .....         | 31     |
| Receptacle Housing     |        |
| 90789 .....            | 47     |
| Receptacle, 1 Circuit  |        |
| 26301 .....            | 47     |
| Receptacle, 10 Circuit |        |
| 34596 .....            | 47     |
| Receptacle, 12 Circuit |        |
| D501333 .....          | 47     |
| 56855 .....            | 45     |
| Receptacle, 2 Circuit  |        |
| 56451 .....            | 45     |
| Receptacle, 3 Circuit  |        |
| 23039 .....            | 45     |
| Receptacle, 6 Circuit  |        |
| 26708 .....            | 47     |
| Resistor               |        |
| 210100 .....           | 5      |
| Retaining Ring         |        |
| 23748 .....            | 23, 31 |

|                |    |
|----------------|----|
| Ring Terminal  |    |
| 00110 .....    | 47 |
| Roller Kit     |    |
| RB170002 ..... | 31 |
| Rubber Foot    |    |
| D501855 .....  | 41 |

## S

|                           |  |
|---------------------------|--|
| Screw                     |  |
| D500226 .....             | 17, 19, 25                               |
| D500227 .....             | 29                                       |
| D500824 .....             | 23                                       |
| D501285 .....             | 25, 29, 31                               |
| D501524 .....             | 5  |
| D502535 .....             | 23                                       |
| D503688 .....             | 5, 7, 13, 21, 23, 25, 29, 31, 33, 35, 37 |
| D505870 .....             | 19                                       |
| D512631 .....             | 19                                       |
| D512921 .....             | 41                                       |
| D513071 .....             | 43                                       |
| M405188 .....             | 7, 13, 21, 25, 29, 31                    |
| 20530 .....               | 43                                       |
| 23008 .....               | 15                                       |
| 23222 .....               | 33, 37                                   |
| 28448 .....               | 31                                       |
| 31260 .....               | 23                                       |
| 33562 .....               | 21                                       |
| 39733 .....               | 21, 41                                   |
| 51782 .....               | 35, 37                                   |
| 52864 .....               | 25, 29                                   |
| 56124 .....               | 37                                       |
| 61199 .....               | 31                                       |
| 62588 .....               | 27, 29                                   |
| 62853 .....               | 21                                       |
| 70240301 .....            | 7, 13                                    |
| Screw Orifice             |  |
| 58719 .....               | 39                                       |
| ScrewD                    |  |
| 503688 .....              | 41                                       |
| Seal Kit                  |  |
| RB170001 .....            | 25, 29, 31                               |
| Secondary Coil            |  |
| 58804B .....              | 37                                       |
| Security Cabinet Assembly |  |
| 804149WP .....            | 13                                       |
| Security Wrapper Assembly |  |
| D515216 .....             | 7, 13                                    |
| Sensor                    |  |
| D510213 .....             | 37                                       |
| Shaft                     |  |
| D56461P .....             | 23                                       |
| 56461P .....              | 31                                       |
| Single Overlay            |  |
| D512821 .....             | 7  |
| 38717 .....               | 7  |
| Spade Terminal            |  |
| 00245 .....               | 47                                       |
| Speed Clip                |  |
| 28835 .....               | 21                                       |
| Strain Relief             |  |
| 38384 .....               | 43                                       |
| Switch                    |  |
| D512973 .....             | 5, 7, 21                                 |

N/A items do not appear in index.

---

## T

|                         |       |
|-------------------------|-------|
| Terminal                |       |
| 00252 .....             | 47    |
| Terminal Block Assembly |       |
| D510190P .....          | 31    |
| Terminal Block Shield   |       |
| D510237 .....           | 31    |
| Terminal Extractor Tool |       |
| 283P4 .....             | 49    |
| Thermal Fuse Assembly   |       |
| D511412 .....           | 33    |
| Thermistor Assembly     |       |
| D510523 .....           | 23    |
| Thermostat              |       |
| D510703 .....           | 35    |
| Top Hinge               |       |
| D510136 .....           | 41    |
| Top Mounting Bracket    |       |
| D504228 .....           | 15    |
| Top Panel               |       |
| 803868WP .....          | 15    |
| 803869 .....            | 15    |
| Torx Bit                |       |
| 281P4 .....             | 49    |
| 282P4 .....             | 49    |
| 292P4 .....             | 49    |
| Torx Drive Tool         |       |
| 93501 .....             | 49    |
| Transformer             |       |
| 201375P .....           | 5, 11 |
| 210018P .....           | 5     |

---

## V

|                           |    |
|---------------------------|----|
| Venting Instruction Label |    |
| D502791 .....             | 41 |

---

## W

|                             |        |
|-----------------------------|--------|
| Warning/ Caution Label      |        |
| D500281 .....               | 21     |
| Washer                      |        |
| D504082 .....               | 31     |
| 28449 .....                 | 31     |
| 29260 .....                 | 19     |
| 52549 .....                 | 23, 31 |
| Window Clip                 |        |
| D513958 .....               | 19     |
| Window Trim                 |        |
| D512632 .....               | 19     |
| D514258 .....               | 19     |
| Wire Assembly               |        |
| D510527 .....               | 33     |
| D510528 .....               | 33     |
| Wire Clip                   |        |
| D504034 .....               | 45     |
| 687500 .....                | 45     |
| Wire Configuration Assembly |        |
| D512273P .....              | 51     |
| D512275P .....              | 51     |

|                       |    |
|-----------------------|----|
| Wire Guard            |    |
| 201595P .....         | 9  |
| Wire Harness Assembly |    |
| D512422P .....        | 51 |
| D515073 .....         | 51 |
| Wire, 12 Gauge        |    |
| 45380 .....           | 51 |
| Wire, 18 Gauge        |    |
| 45001 .....           | 51 |
| Wrapper Assembly      |    |
| 804104B .....         | 7  |
| 804104Q .....         | 7  |
| 804104W .....         | 7  |
| 804111W .....         | 13 |

---

N/A items do not appear in index.

