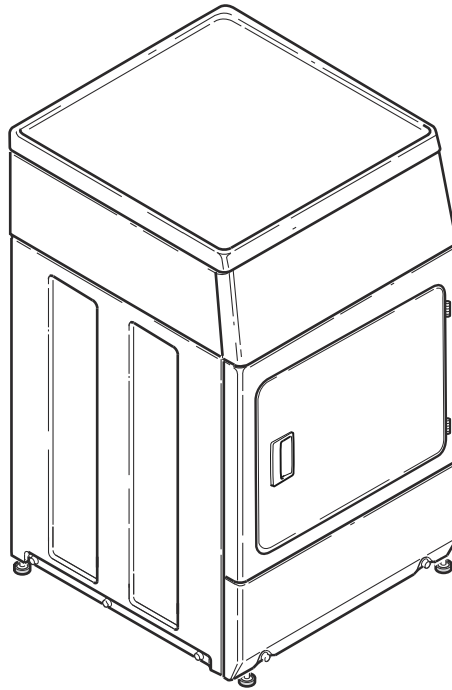


Commercial Dryers

Metered and Nonmetered
Refer to Page 3 for Model Numbers



DRY721C_516214

Table of Contents

Title	Page
Parts Ordering Information.....	2
Serial Plate Location	2
Model Identification	3
Control and Control Panel - Rear Control Models.....	4
Cabinet Top - Rear Control Models	6
Control Panel and Controls - Front Control Models	8
Control Cabinet Controls - Front Control Models	10
Cabinet Top - Front Control Models.....	12
Loading Door	14
Access Panel, Front Panel and Seal	16
Motor, Exhaust Fan and Belt	18
Front Bulkhead, Felt Seal, Cylinder and Air Duct Assemblies	20
Rear Bulkhead, Felt Seal, Cylinder Roller and Terminal Block.....	22
Heater Duct and Element Assembly - Electric Models.....	24
Heater Duct Assembly - Gas Models.....	26
Gas Valve, Igniter and Gas Conversion Kits.....	28
Burner Orifice Spuds - For Higher Elevations.....	30
Cabinet, Exhaust Duct and Base	32
Power Cord	34
Terminal Block and Terminals (Drawing 1 of 2).....	36
Terminal Block and Terminals (Drawing 2 of 2).....	38
Terminals and Terminal Extractor Tools	40
Wire Harnesses and Wires - Front Control Models.....	42
Wire Harnesses and Wires - Rear Control Models	44
Label Location on Rear of Cabinet	46
Parts Index.....	49

© Copyright 2018, Alliance Laundry Systems LLC

All rights reserved. No part of the contents of this book may be reproduced or transmitted in any form or by any means without the expressed written consent of the publisher.

Parts Ordering Information

If literature or replacement parts are required, contact the source from whom the machine was purchased or contact Alliance Laundry Systems at (920) 748-3950 for the name and address of the nearest authorized parts distributor.

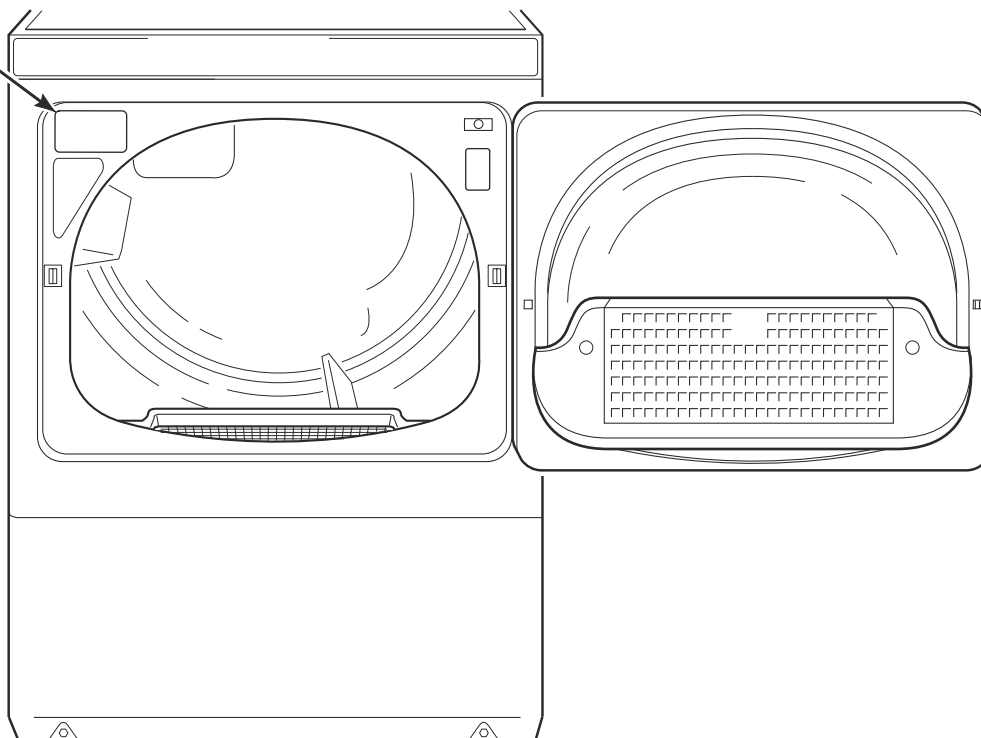
For technical assistance, call the number listed below:

(920) 748-3121 Ripon, Wisconsin

Serial Plate Location

When calling or writing about your product, be sure to mention model and serial numbers. Model and serial numbers are located on serial plate(s) as shown.

Serial Plate



DRY2283P_516214

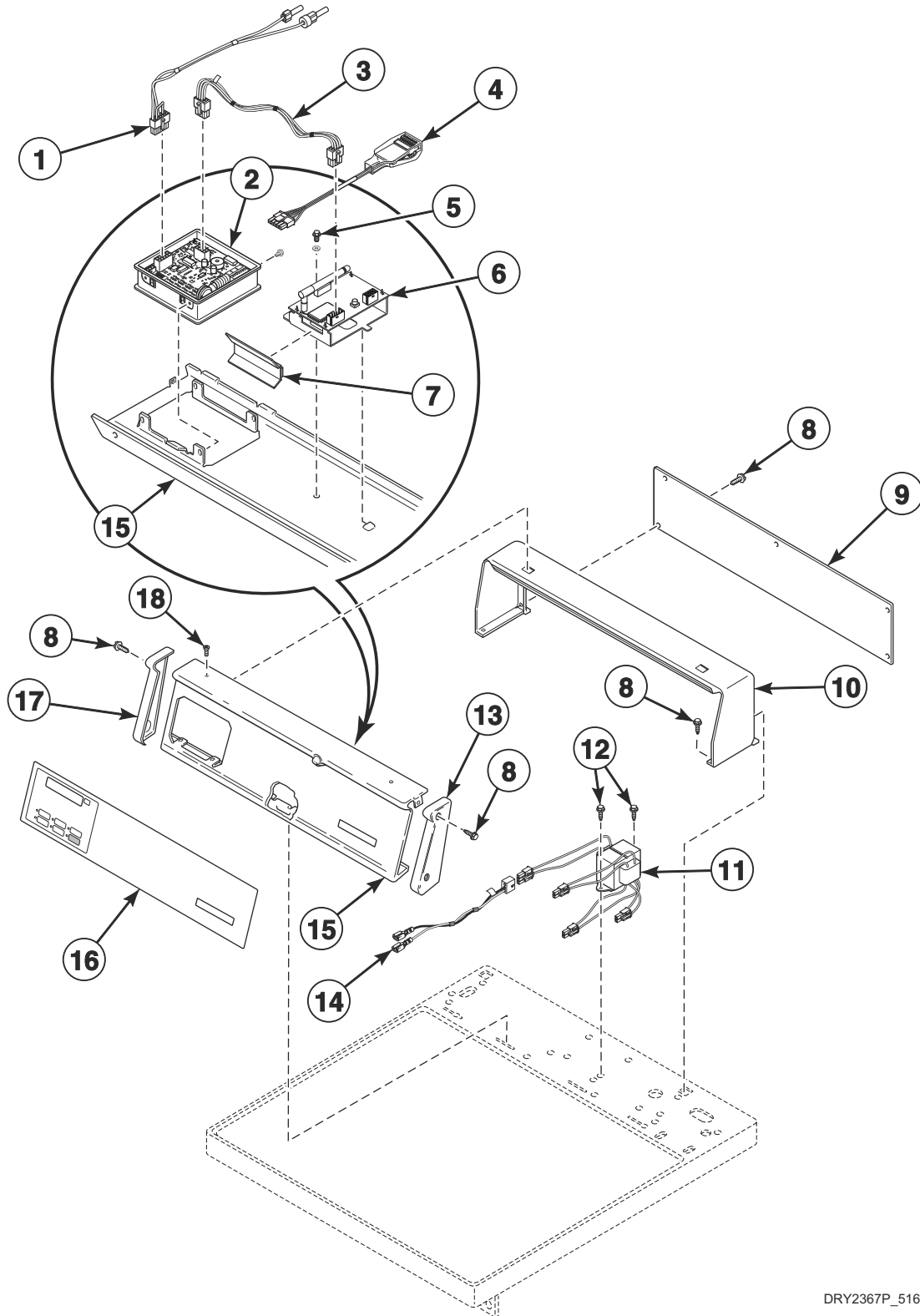
Model Identification

Information in this manual is applicable to these dryer models:

BD3DXAGS403UW01
SDGDCRGS113TW01
SDGDXRGS113JW01
SDGDYBGS113TW01

Control and Control Panel - Rear Control Models

Models SDGDCRGS113TW01 and SDGDXRGS113JW01



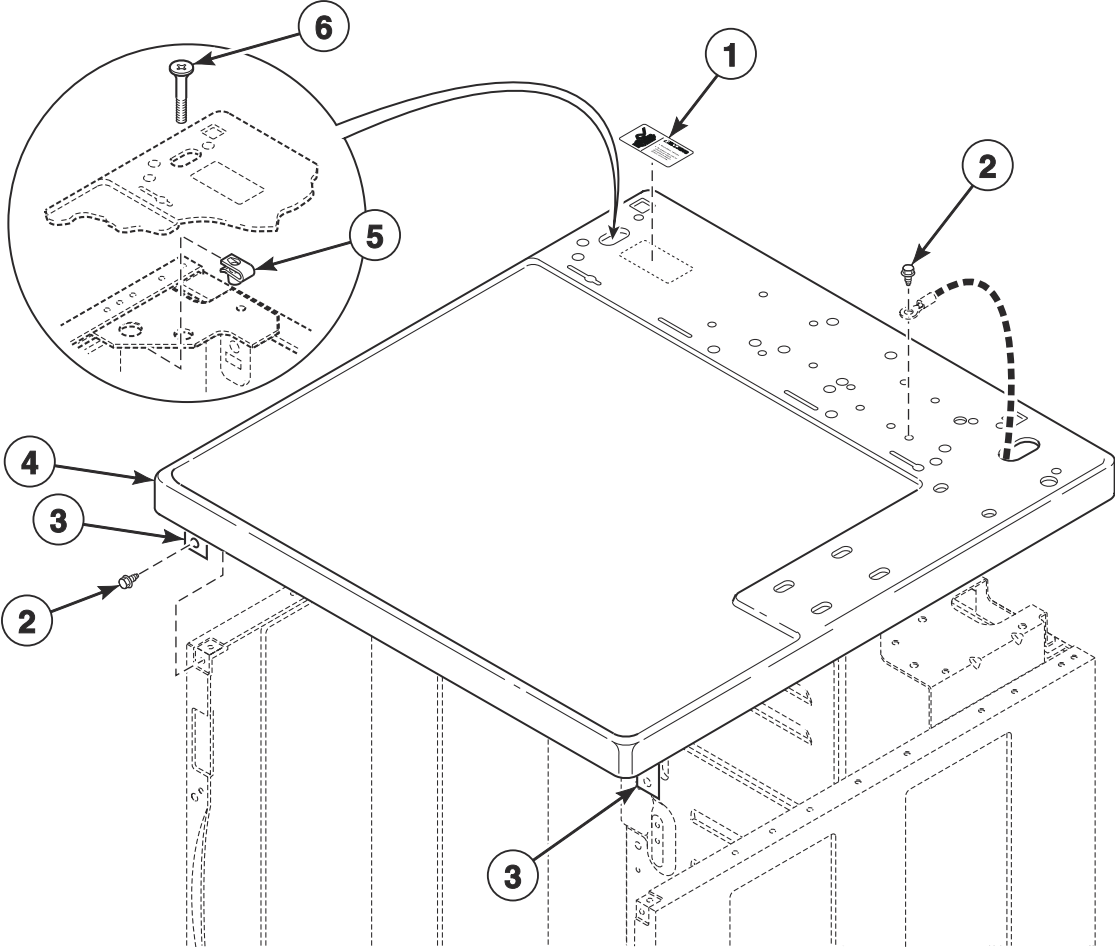
DRY2367P_516214

Control and Control Panel - Rear Control Models

REF	PART NO.	DESCRIPTION	COMMENTS
	203328	Network Retrofit Kit	Wired
	203346	USB IR Interface Kit	
	NK220	Network Controller Kit	Wired
	NK320	Ethernet Gateway Kit	Wireless
	NK330	USB Gateway Kit	Wireless
1	202869	Wiring Harness Assembly	
2	D514138P	Control Assembly	
3	F8536002	Wireless Network Board Harness	
4	203361P	Machine ID Control Assembly	Model or serial number is required when ordering
5	804608	Screw	
6	203327	Wireless Network Kit	
7	D501441	Electronic Control Shield	
8	D501086	Screw	
9	804884	Rear Panel	
10	D511253W	Control Hood	
11	202757	Transformer	
12	D503688	Screw	
13	210108W	End Cap	Right
14	804832	Harness	
15	D510220W	Control Panel	
16	D514368	Control Overlay	
17	210109W	End Cap	Left
18	52864	Screw	Phillips head
	35528	Screw	Torx head

Cabinet Top - Rear Control Models

Models SDGDCRGS113TW01 and SDGDXRGS113JW01



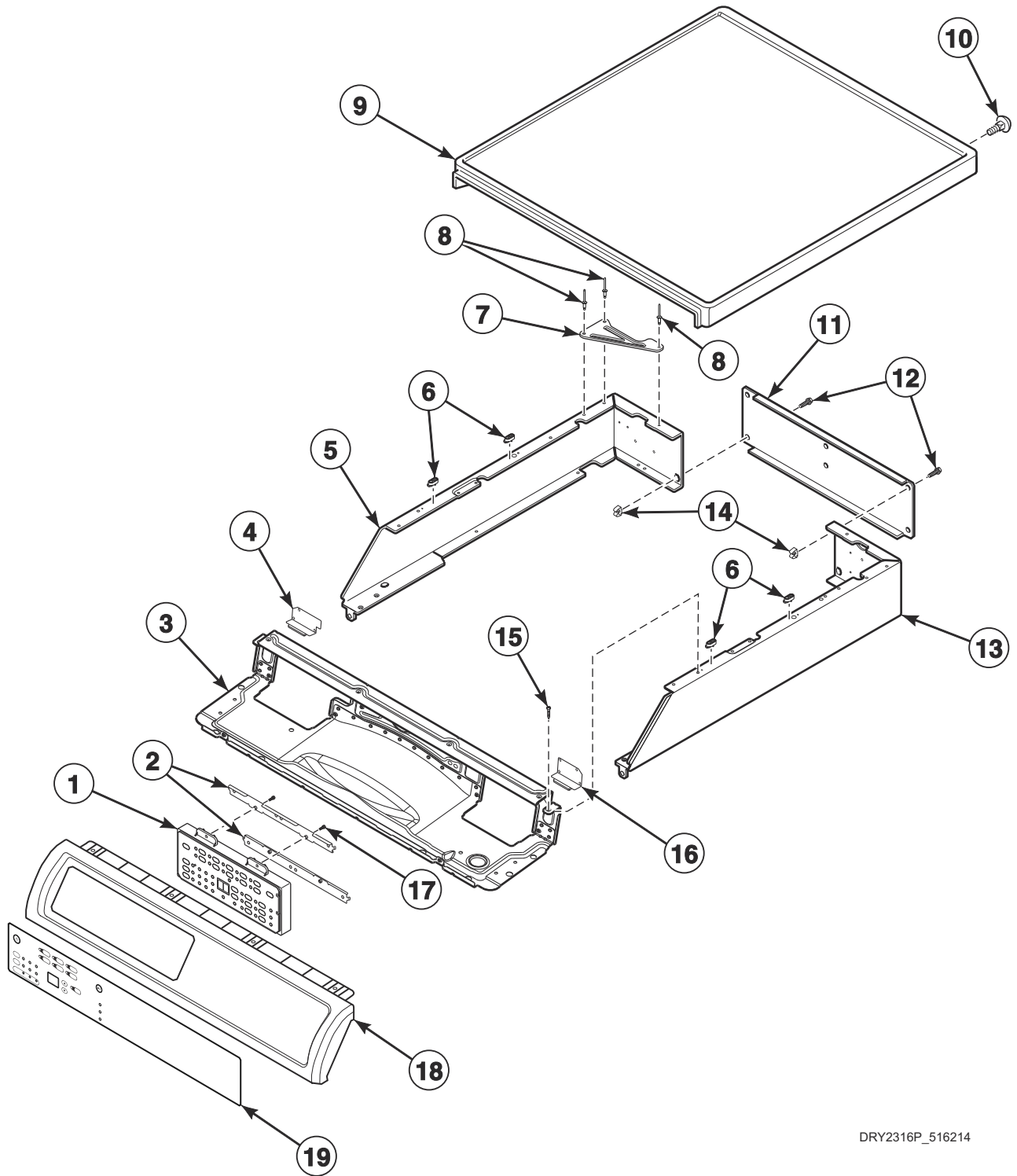
DRY1894P_516214

Cabinet Top - Rear Control Models

REF	PART NO.	DESCRIPTION	COMMENTS
1	D505281	Disconnect Power Warning Label	
2	D503688	Screw	
3	D510146	Bracket	
4	D511527WP	Top Kit	White; Includes item 3
5	27222	Nut	
6	D503673	Screw	

Control Panel and Controls - Front Control Models

Models BD3DXAGS403UW01 and SDGDYBGS113TW01



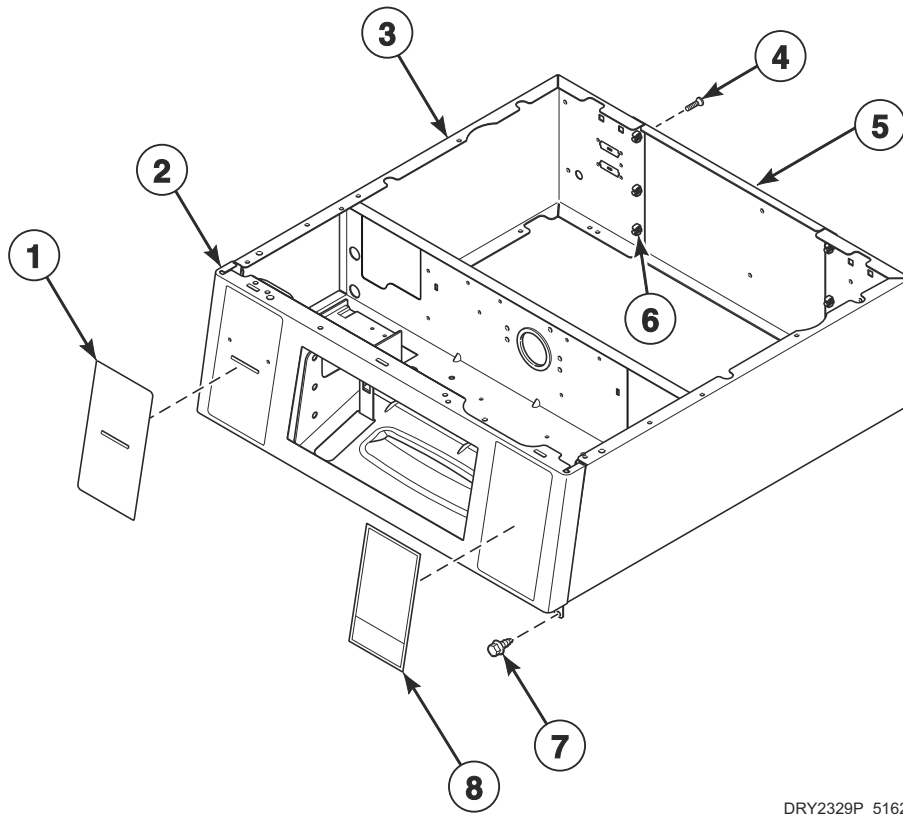
DRY2316P_516214

Control Panel and Controls - Front Control Models

REF	PART NO.	DESCRIPTION	COMMENTS
1	D514138P	Control Assembly	
2	D514261	Control Bracket	2 required
3	804613	Top Panel Brace Assembly	
4	804741	Control Access Panel	Left
5	804627W	Control Wrapper	Left
6	803761	Top Panel Guide	4 required; Use 39733 Screw to attach
7	805345	Rear Wrapper Brace	
8	685847	Pop Rivet	
9	804684	Top Panel	
10	D503661	Screw	2 required
11	804614	Rear Access Panel	
12	70240301	Screw	4 required
13	804630W	Control Wrapper	Right
14	70030501	Expansion Clip	
15	D503688	Screw	
16	804793	Control Access Panel	Right
17	804608	Screw	
18	804657W	Control Panel Assembly	
19	D515001	Control Overlay	

Control Cabinet Controls - Front Control Models

Models BD3DXAGS403UW01 and SDGDYBGS113TW01



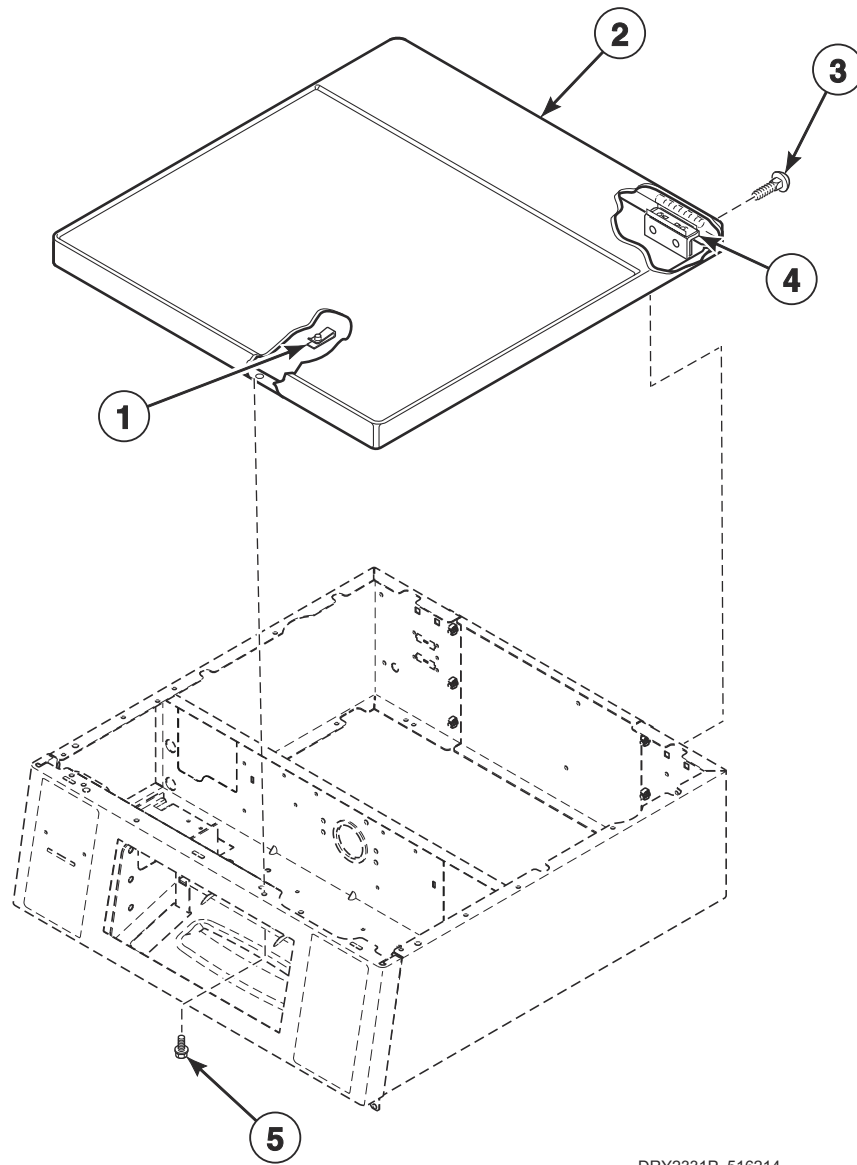
DRY2329P_516214

Control Cabinet Controls - Front Control Models

REF	PART NO.	DESCRIPTION	COMMENTS
1	D514391	Card Insert Overlay	
2	804149WP	Security Cabinet Assembly	White
3	804112W	Wrapper Assembly	White
4	70240301	Screw	6 required
5	803998	Rear Access Panel	
6	70030501	Expansion Clip	6 required
7	D503688	Screw	
8	D514393	Operating Instructions Label	

Cabinet Top - Front Control Models

Models BD3DXAGS403UW01 and SDGDYBGS113TW01

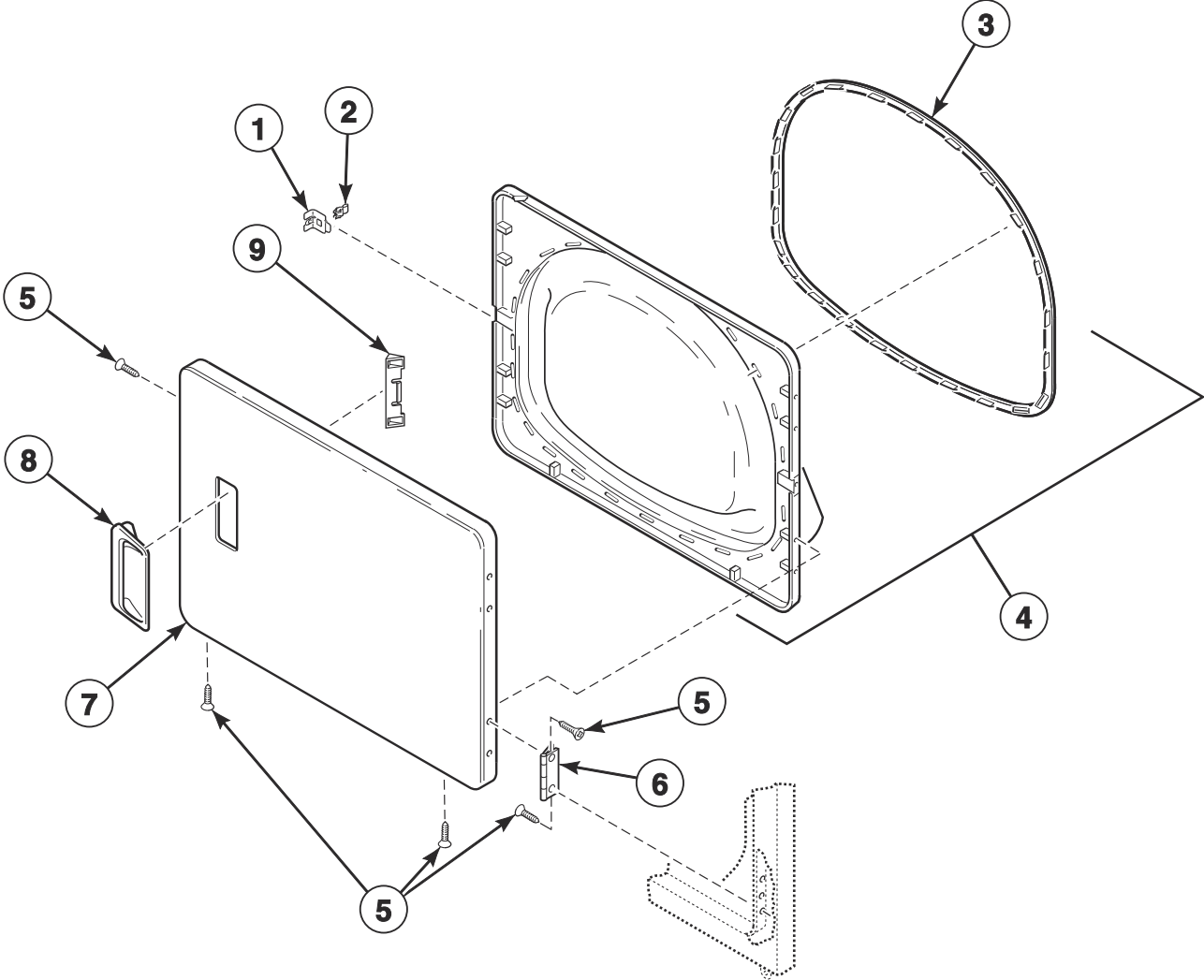


DRY2331P_516214

Cabinet Top - Front Control Models

REF	PART NO.	DESCRIPTION	COMMENTS
1	36020	Nut	
2	803868WP	Top Panel	White
3	29651	Bolt	
4	D504228	Top Mounting Bracket	
5	23008	Screw	

Loading Door

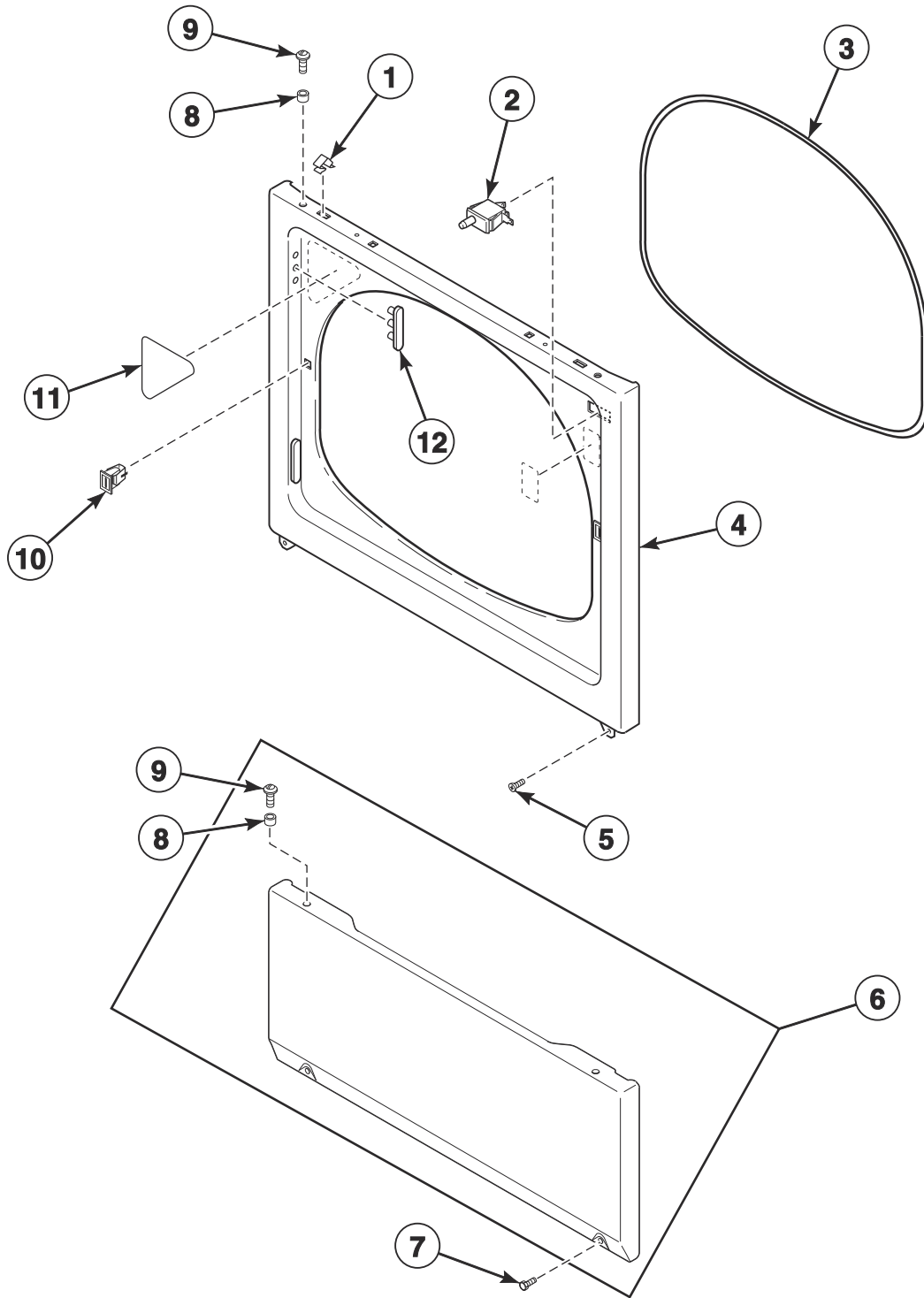


DRY1857P_516214

Loading Door

REF	PART NO.	DESCRIPTION	COMMENTS
1	D510127	Door Strike Mount	
2	D510181	Door Strike	
3	D510147P	Liner Door Seal	
4	D510163WP	Liner, Seal and Grill Assembly	
5	D505295	Screw	
6	D511036	Hinge	
7	D510013WP	Dryer Door	White
	D512969	Dryer Door	Stainless steel
8	D510103WP	Door Pull and Wedge Kit	Includes item 9; White
	D511213P	Door Pull and Wedge Kit	Includes item 9; Black
9	D510129	Door Handle Wedge	

Access Panel, Front Panel and Seal

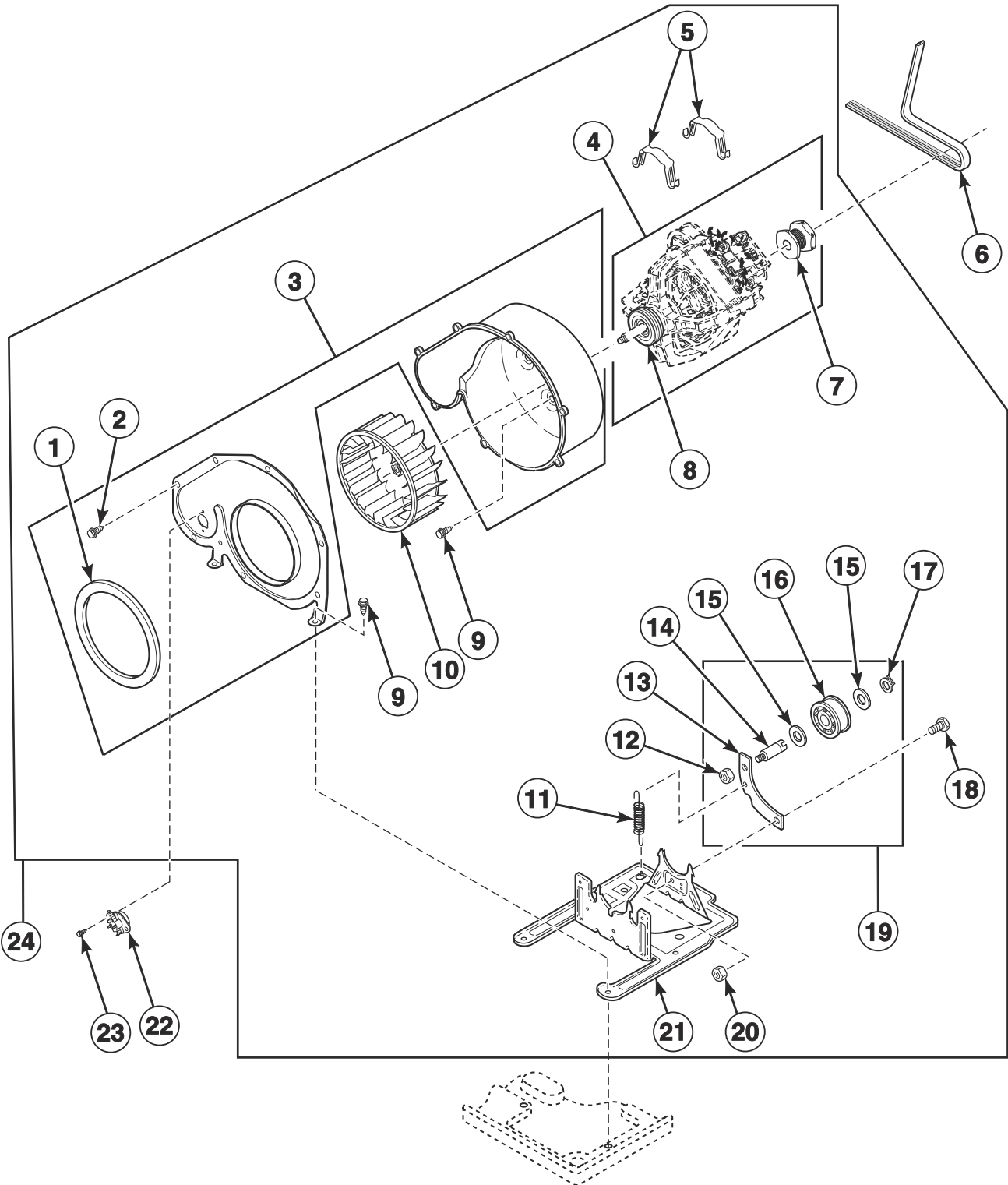


DRY1824P_516214

Access Panel, Front Panel and Seal

REF	PART NO.	DESCRIPTION	COMMENTS
1	28835	Speed Clip	1 per side
2	D512973	Switch	
3	D511056	Front Panel Seal	
4	D510066WP	Front Panel	White
5	D503688	Screw	
6	D514250WP	Access Panel Assembly	White
7	33562	Screw	Slotted hex head
	62853	Screw	Torx head; Optional for added security
8	56079	Panel Locator	1 per side
9	39733	Screw	1 per side
10	D510177	Door Catch Assembly	
11	D500281	Warning/Caution Label	
12	D510186	Hinge Hole Plug	

Motor, Exhaust Fan and Belt

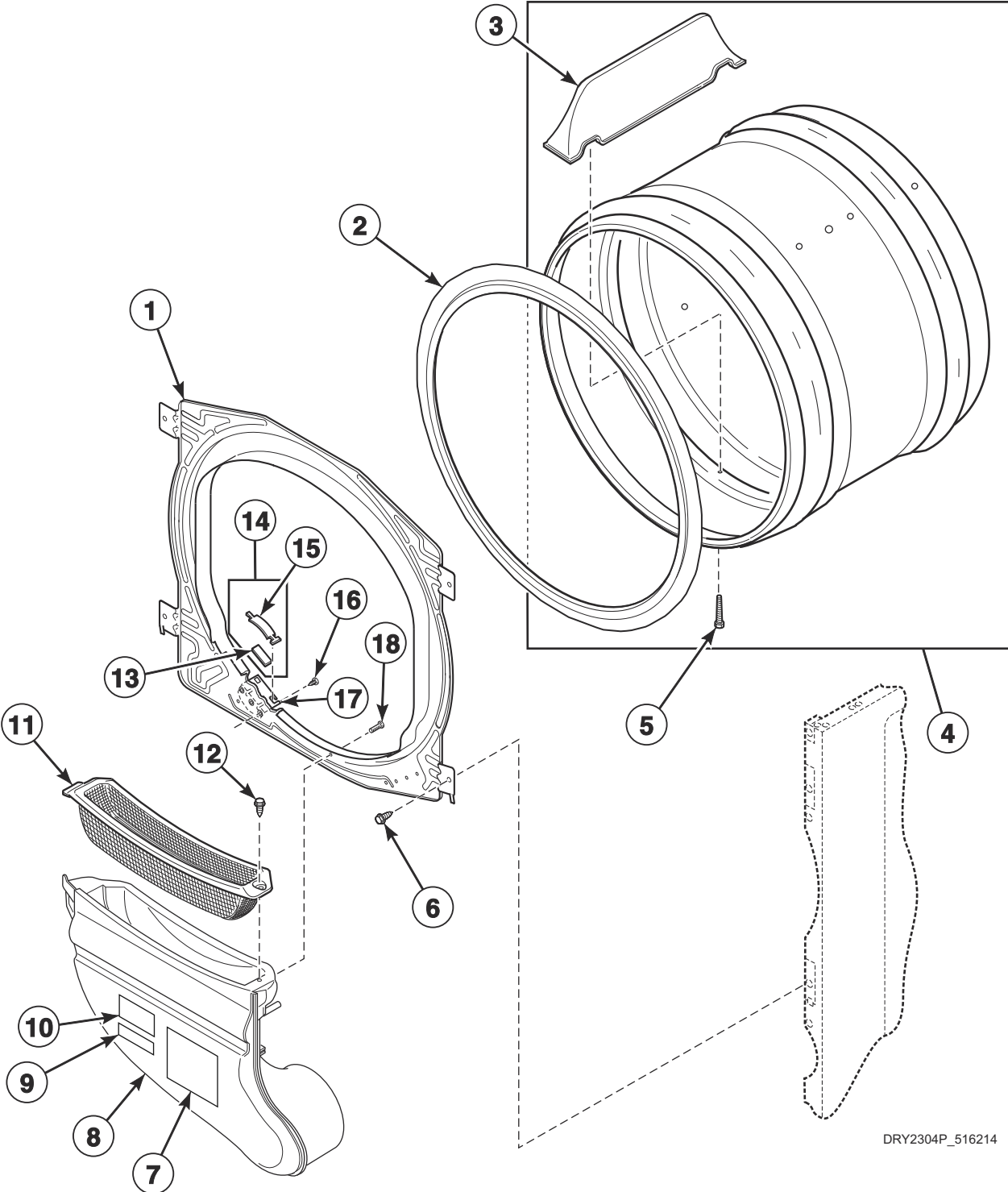


DRY2084P_516214

Motor, Exhaust Fan and Belt

REF	PART NO.	DESCRIPTION	COMMENTS
	27604P	Anti-Seize Compound	Apply to motor shaft when installing blower fan assembly
1	D510238P	Blower Housing Seal	
2	31260	Screw	
3	D511969WP	Blower Housing	Includes items 1 and 2; White
4	D511629P	Motor and Pulley Assembly	120 Volt/60 Hertz; Apply anti-seize compound to motor shaft when installing blower fan assembly; Includes items 7 and 8
5	D510180	Motor Mount Clamp	
6	D511255P	Cylinder Belt	
7	D500011	Motor Pulley	60 Hertz
8	590P3	Motor Hub Ring Kit	
9	D503688	Screw	
10	D510139P	Blower Fan Assembly	Apply anti-seize compound to motor shaft when installing blower fan assembly
11	D510185	Idler Spring	
12	56156	Nut	
13	D510133	Idler Lever	
14	56461P	Shaft	
15	52549	Washer	
16	D510142P	Idler Wheel and Bearing Assembly	
17	23748	Retaining Ring	
18	D500824	Screw	
19	D510158	Idler Lever and Wheel Assembly	Includes items 12-17
20	52566	Nut	
21	D510060	Motor Mount	
22	D510523	Thermistor Assembly	Black
23	D502535	Screw	
24	D510717P	Blower and Fan Kit	Includes items 1-5 and 7-21

Front Bulkhead, Felt Seal, Cylinder and Air Duct Assemblies

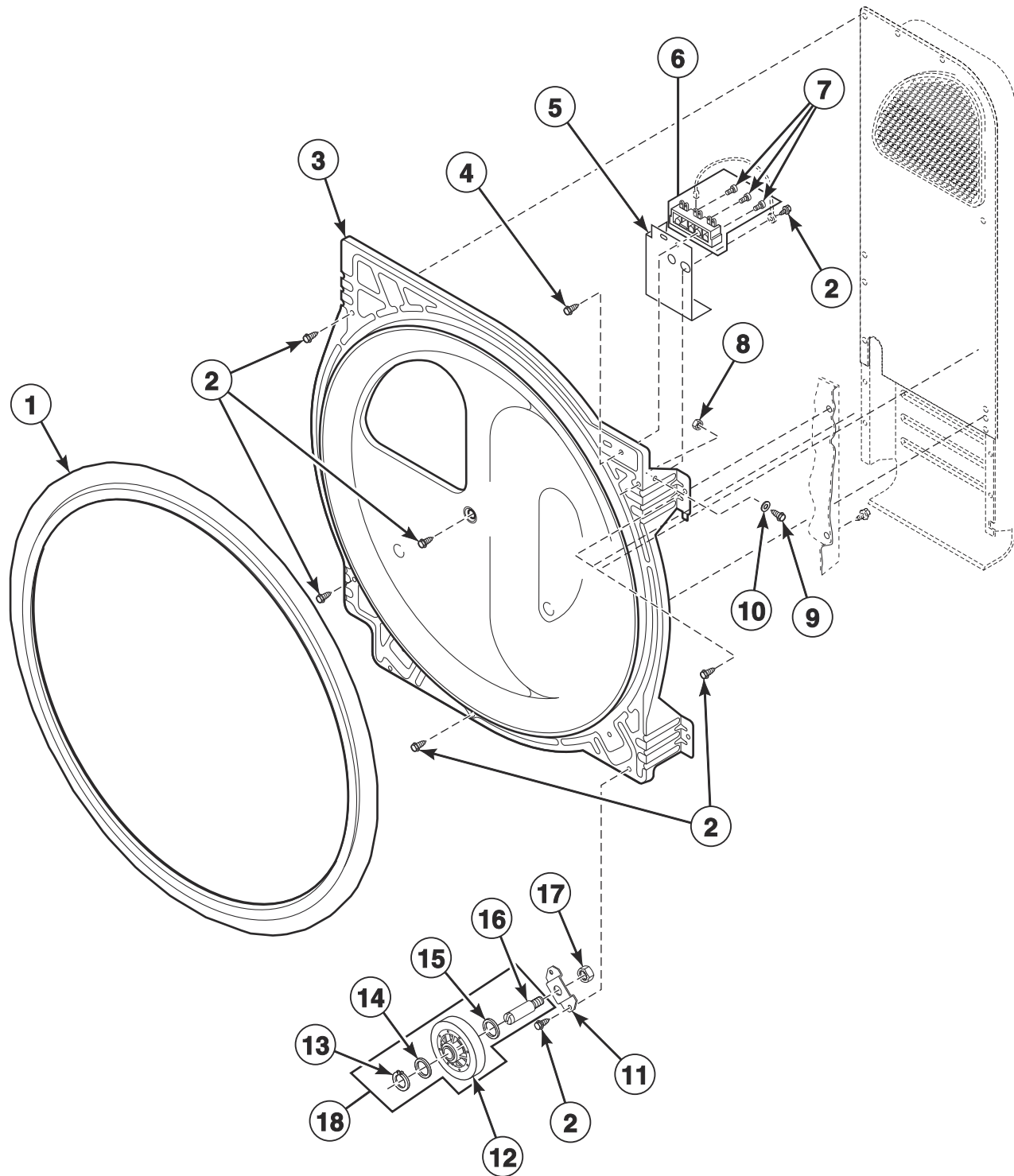


DRY2304P_516214

Front Bulkhead, Felt Seal, Cylinder and Air Duct Assemblies

REF	PART NO.	DESCRIPTION	COMMENTS
1	D510266P	Front Bulkhead Assembly	Unpainted; Includes item 2 and 7-10
2	D510207P	Cylinder Seal Assembly	
	D511637P	Adhesive	Apply to cylinder seal
	RB170001	Seal Kit	Includes 2 cylinder seals, D510238P Blower Housing Seal and Adhesive
3	D510102W	Cylinder Baffle	
4	D510265WP	Cylinder Assembly	Galvanized; Includes 3 of item 3 and 6 of item 5
5	62588	Screw	
6	M405188	Screw	Use with stainless steel side panels
	D503688	Screw	Use with painted side panels
7	D511004	Gas Clearance Label	Gas models
8	D510151W	Air Duct Assembly	
9	61294	Fuse Notice Label	Electric models
10	D500049	Warning Label	
11	D503980W	Lint Filter	
12	D501285	Screw	
13	D510189	Felt Pad	1 per side
14	RB170003	Glide Kit	Includes items 7 and 9; Quantity: 2 of each item
15	D513710	Cylinder Glide	1 per side
16	52864	Screw	2 per side
17	D510145	Cylinder Glide Bracket	1 per side
18	D505295	Screw	1 per side

Rear Bulkhead, Felt Seal, Cylinder Roller and Terminal Block

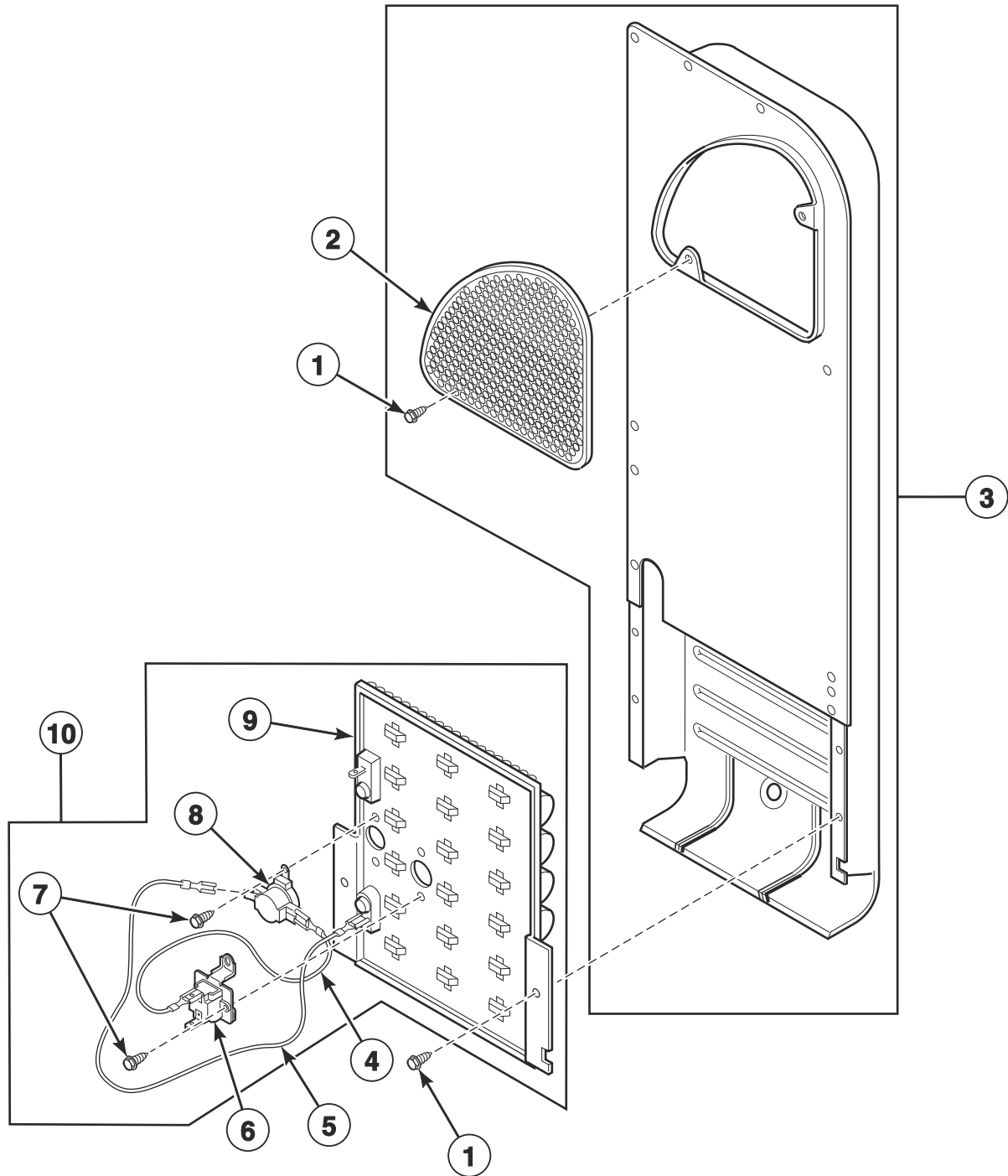


DRY1774P_516214

Rear Bulkhead, Felt Seal, Cylinder Roller and Terminal Block

REF	PART NO.	DESCRIPTION	COMMENTS
1	D510207P	Cylinder Seal Assembly	
	D511637P	Adhesive	Apply to cylinder seal
	RB170001	Seal Kit	Includes 2 cylinder seals, D510238P Blower Housing Seal and Adhesive
2	D503688	Screw	
3	D511082P	Rear Bulkhead Assembly	Galvanized; Includes item 1
4	D501285	Screw	Electric models
5	D510237	Terminal Block Shield	Electric models
6	D510190P	Terminal Block Assembly	Includes 3 of item 7; Electric models
7	61199	Screw	
8	28447	Nut	
9	28448	Screw	
10	28449	Washer	
11	D510100	Cylinder Roller Bracket	
12	D510708P	Cylinder Roller	
13	23748	Retaining Ring	
14	52549	Washer	
15	D504082	Washer	
16	56461P	Shaft	
17	RB170002	Roller Kit	Includes items 12-16
18	56156	Nut	

Heater Duct and Element Assembly - Electric Models

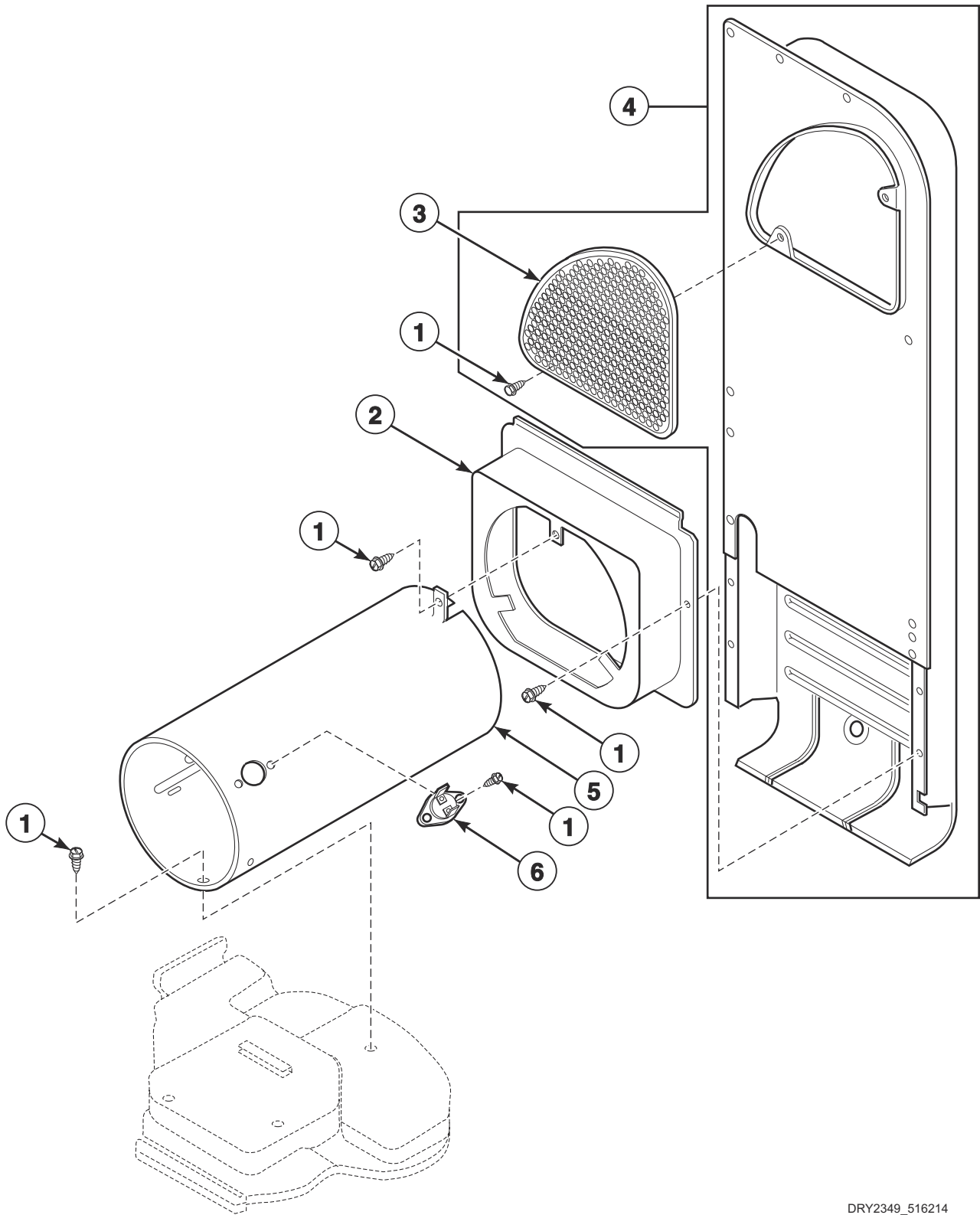


DRY1789P_516214

Heater Duct and Element Assembly - Electric Models

REF	PART NO.	DESCRIPTION	COMMENTS
1	D503688	Screw	
2	D500820	Outlet Cover	
3	D510025P	Heater Duct and Screw Assembly	Includes items 1 and 2
4	D510528	Wire Assembly	Orange; Thermostat jumper; Attaches to heater assembly
5	D510527	Wire Assembly	Black; Fuse jumper; Attaches to heater assembly
6	D511412	Thermal Fuse Assembly	
7	23222	Screw	
8	D510701	Limit Thermostat	
9	D510329P	Heater Assembly	5.35 kW; 240 Volt
10	61928	Heater Kit Assembly	4.75 kW; 208 Volt; Includes items 4-9
	964P3	Heater Kit	5.35 kW; 240 Volt; Includes items 4-9

Heater Duct Assembly - Gas Models



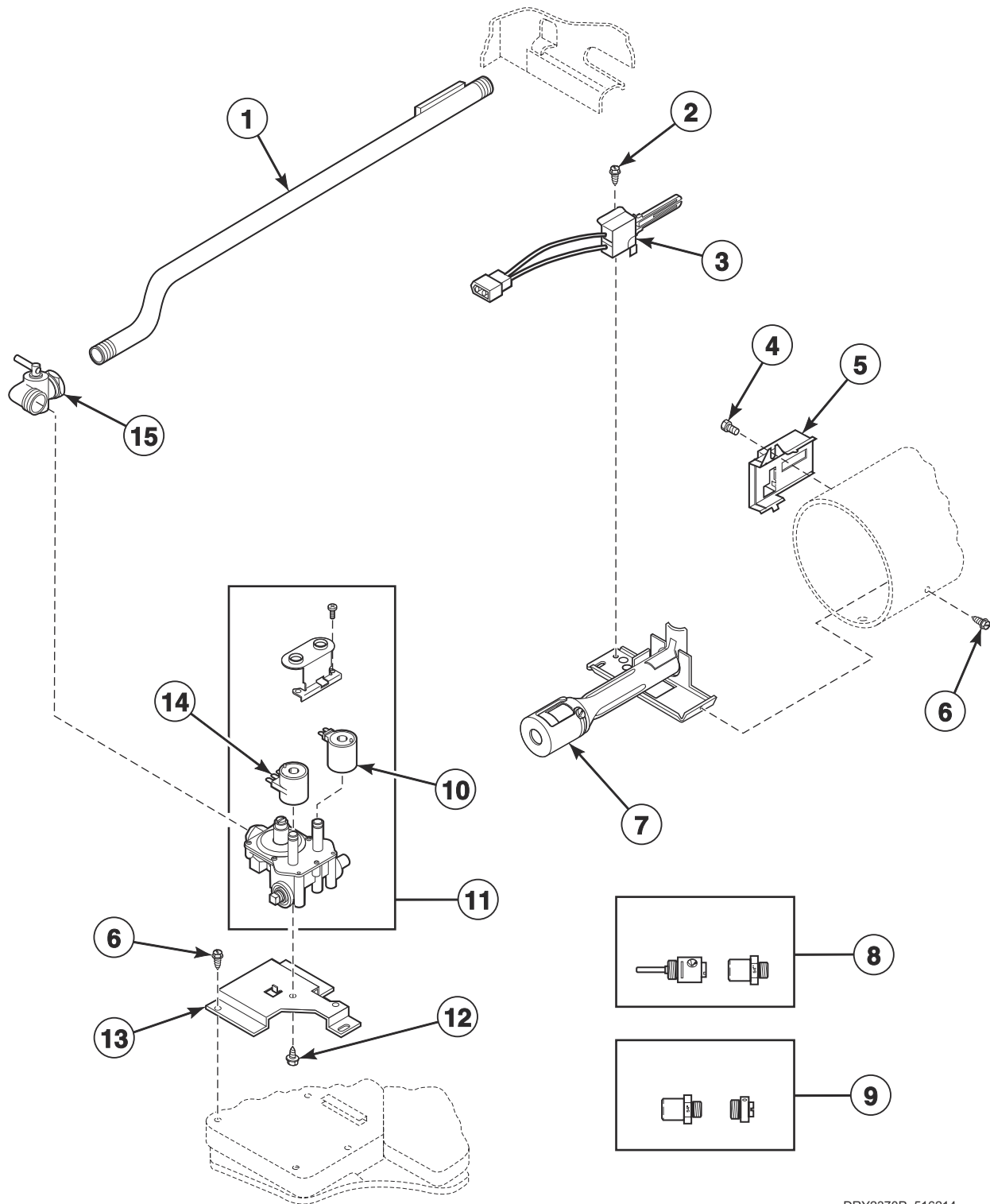
DRY2349_516214

Heater Duct Assembly - Gas Models

REF	PART NO.	DESCRIPTION	COMMENTS
1	51782	Screw	
2	D510101	Heat Duct Shroud	
3	D500820	Outlet Cover	
4	D510025P	Heater Duct and Screw Assembly	Includes items 1 and 3
5	D510131	Combustion Duct	
6	D510702	Limit Thermostat	Black; Auto reset

Gas Valve, Igniter and Gas Conversion Kits

Gas Models



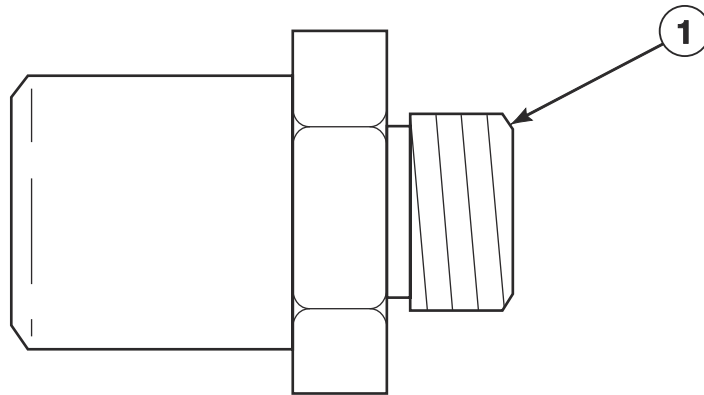
DRY2370P_516214

Gas Valve, Igniter and Gas Conversion Kits

REF	PART NO.	DESCRIPTION	COMMENTS
1	D510204	Lead-In Pipe Assembly	
2	51782	Screw	
3	D510184P	Igniter and Bracket Assembly	
4	23222	Screw	
5	D510213	Sensor	
6	D503688	Screw	
7	D510149P	Burner Assembly	
8	458P3	L.P. Conversion Kit	Used to convert dryers from Natural Gas (N.G.) or Mixed Gas to Liquid Petroleum Gas (L.P.) for 25,000 Btu
9	459P3	N.G. Conversion Kit	Used to convert dryers from L.P. to N.G. or Mixed Gas for 25,000 Btu
10	58804B	Secondary Coil	
11	60353P	Gas Valve Assembly	25,000 Btu; Includes items 10 and 14
12	56124	Screw	
13	D510128	Gas Valve Mounting Bracket	
14	58804A	Booster and Holding Coil	
15	D510205	Elbow Shut-Off Valve	

Burner Orifice Spuds - For Higher Elevations

Gas Models

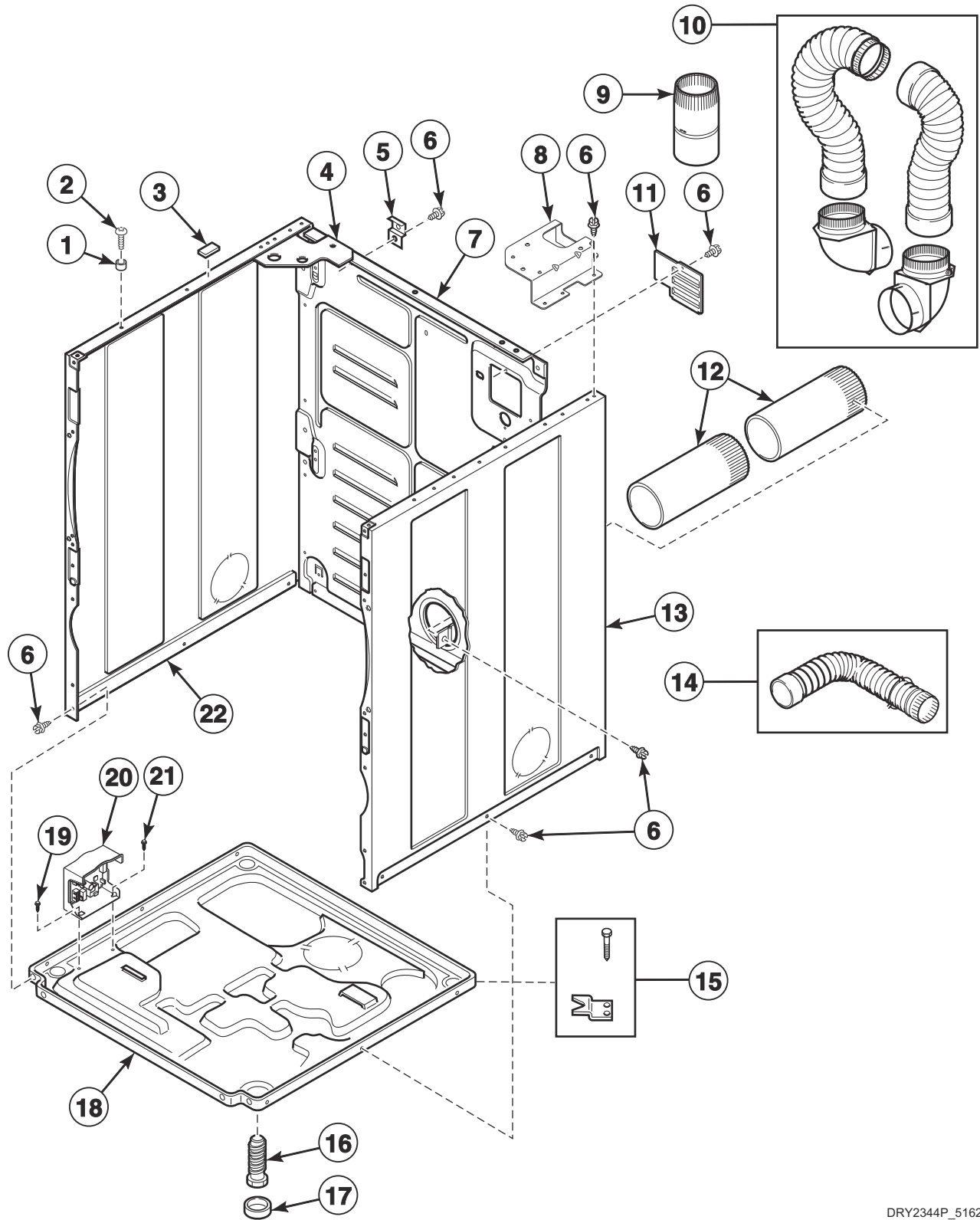


DRY2266P_516214

Burner Orifice Spuds - For Higher Elevations

REF	PART NO.	DESCRIPTION	COMMENTS
1	58755	L.P. Orifice	Liquid Petroleum Gas (L.P.); 7500-10999 feet (2290-3354 m)
	D503786	L.P. Orifice	L.P.; 11000 feet (3355 m) and higher
	D503776	N.G. Orifice	Natural Gas (N.G.); 2000-2999 feet (610-914 m)
	D510517	N.G. Orifice	N.G.; 3000-5499 feet (915-1679 m)
	D503778	N.G. Orifice	N.G.; 5500-6999 feet (1680-2134 m)
	58719	Screw Orifice	N.G.; 7000-8999 feet (2135-2744 m)
	D503779	N.G. Orifice	N.G.; 9000-10499 feet (2745-3199 m)
	D503780	N.G. Orifice	N.G.; 10500 feet (3200 m) and higher

Cabinet, Exhaust Duct and Base

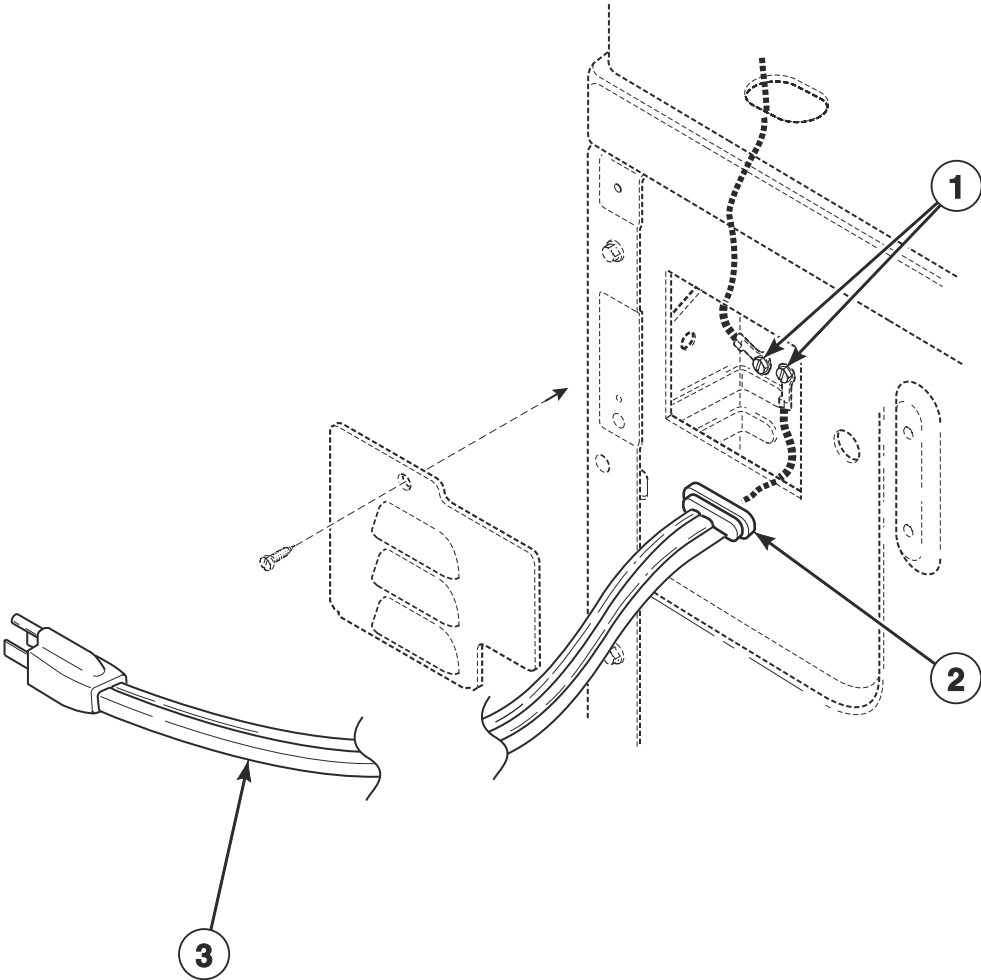


DRY2344P_516214

Cabinet, Exhaust Duct and Base

REF	PART NO.	DESCRIPTION	COMMENTS
1	56079	Panel Locator	
2	D512921	Screw	Use with stainless steel side panels
	39733	Screw	Use with painted side panels
3	56128	Bumper Pad	
4	D510337	Frame Gusset	
5	D510136	Top Hinge	
6	D503688	Screw	
7	D514632P	Cabinet Rear Panel	
8	547P3	Coin Cabinet Hardware Kit	
9	58786	Damper	Use when connecting to a manifold vent system
10	521P3	Flexible Venting Kit	
11	D510903	Access Panel Plate	
12	D510137	Exhaust Duct	Each dryer requires 2 pieces
13	D510002WP	Cabinet Side Panel	White; Right
14	528P3	Directional Exhaust Kit	Used to vent dryer out the sides or bottom
15	526P3	Hold Down Kit	For mobile home installations
16	D510135	Leveling Leg	
17	D501855	Rubber Foot	
18	D514245	Dryer Base	
19	D514428	Screw	
20	D513797P	Output Control Assembly	
21	804667	Screw	
22	D510001WP	Cabinet Side Panel	White; Left

Power Cord

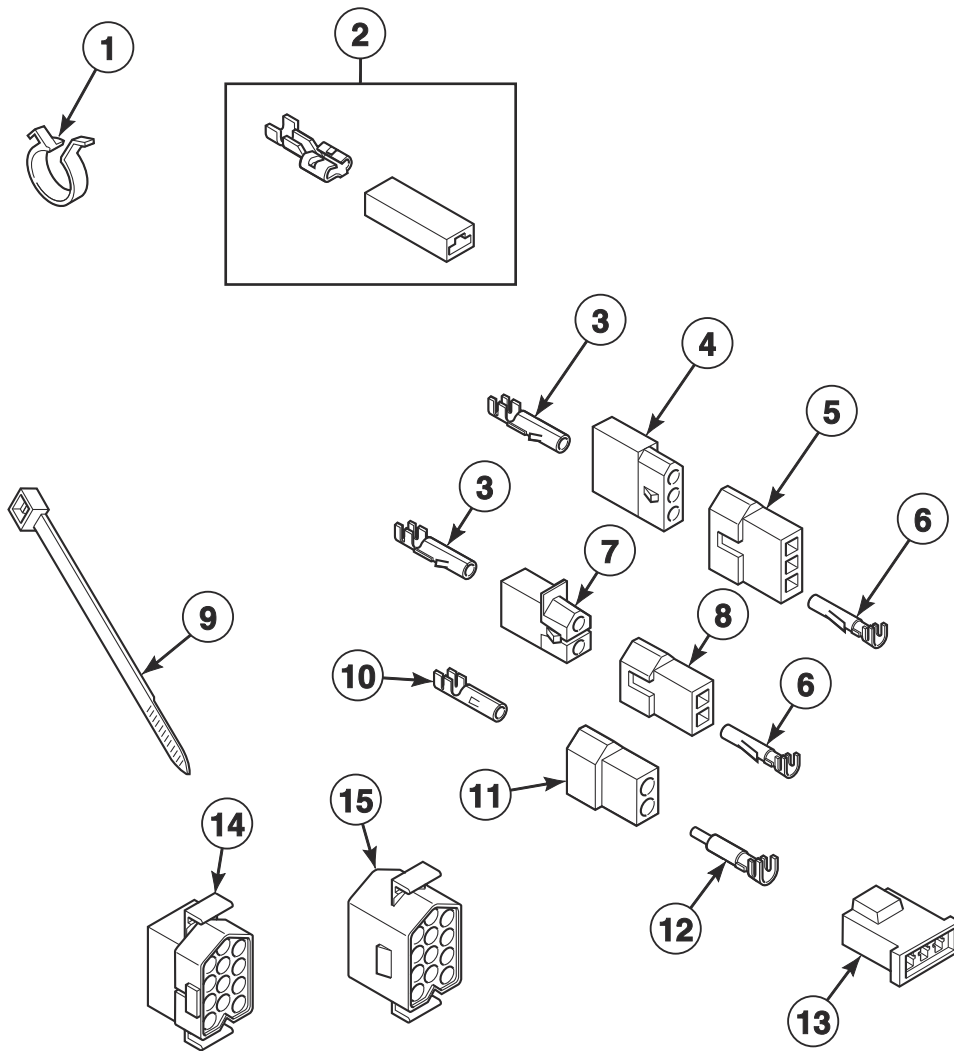


DRY1879P_516214

Power Cord

REF	PART NO.	DESCRIPTION	COMMENTS
1	20530	Screw	
2	38384	Strain Relief	Gas models
3	202777	Lead-In Cord	Gas models

Terminal Block and Terminals (Drawing 1 of 2)

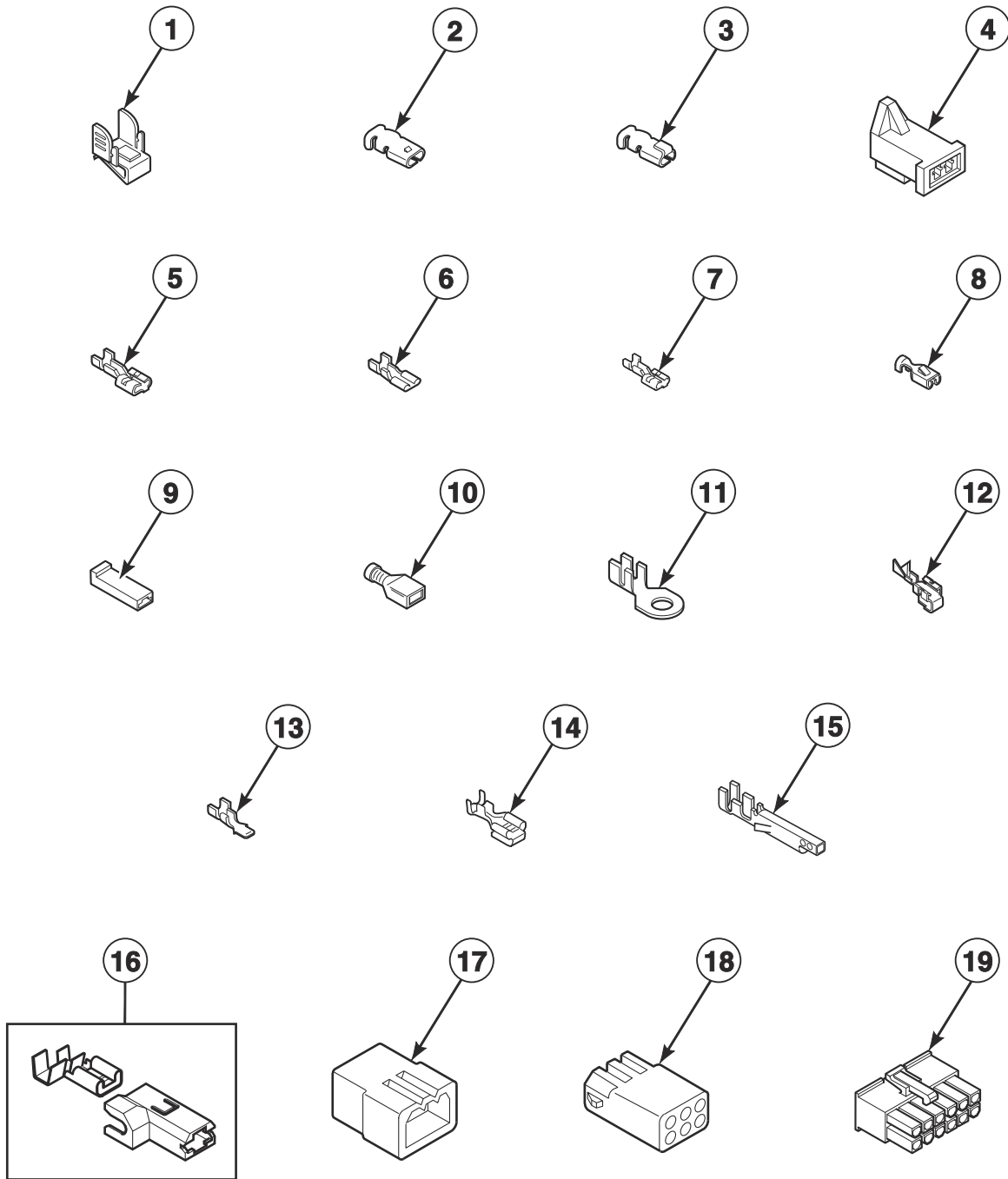


DRY2038P_516214

Terminal Block and Terminals (Drawing 1 of 2)

REF	PART NO.	DESCRIPTION	COMMENTS
1	D504034	Wire Clip	11/16 inch
	687500	Wire Clip	1 inch
2	00360	Insulated Female Spade Terminal	(1) 12 gauge wire or (2) 18 gauge wires
3	00117	Female Pin Terminal	
4	23039	3 Circuit Receptacle	
5	23040	Plug	3 circuit
6	00116	Male Pin Terminal	
7	56451	2 Circuit Receptacle	
8	56448	2 Circuit Plug	
9	55881	Harness Strap	
10	00128	Female Pin Terminal	1/8 inch; 10-14 gauge wire
	00130	Female Pin Terminal	1/8 inch; 16-18 gauge wire
11	56266	2 Circuit Plug	
12	00127	Male Pin Terminal	1/8 inch; 10-14 gauge wire
	00129	Male Pin Terminal	1/8 inch; 16-18 gauge wire
13	58800	3 Circuit Connector	
14	54522	Plug	
15	56855	12 Circuit Receptacle	

Terminal Block and Terminals (Drawing 2 of 2)

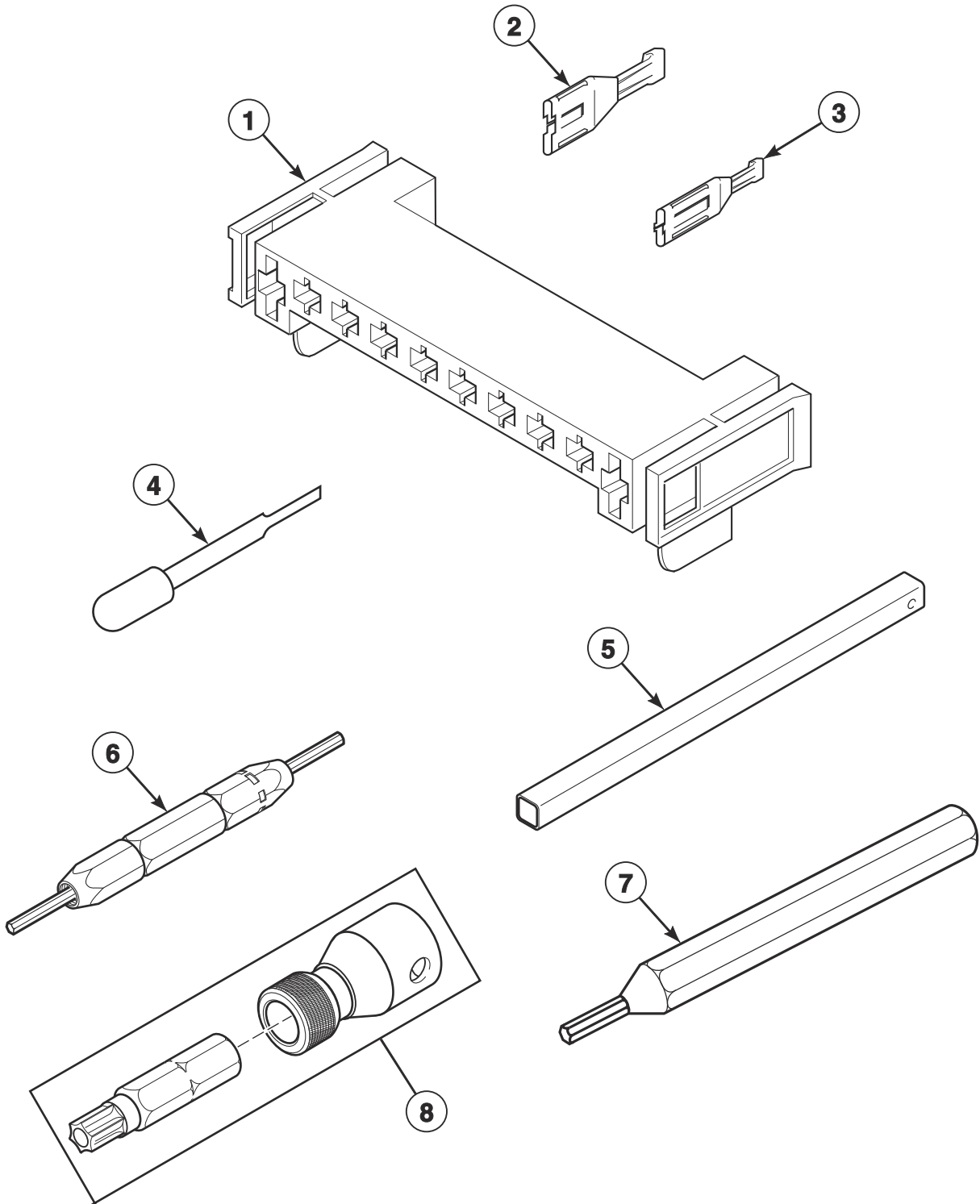


DRY2338P_516214

Terminal Block and Terminals (Drawing 2 of 2)

REF	PART NO.	DESCRIPTION	COMMENTS
1	00161	Grounding Clip	
2	00189	Female Spade Terminal	1/8 inch
3	00361	Female Piggyback Terminal	
4	58799	2 Circuit Connector	
5	00223	Female Spade Terminal	1/4 inch; (1) 18 gauge wire
	00121	Female Spade Terminal	1/4 inch; (2) 18 gauge wires or (1) 12 gauge wire
	00245	Spade Terminal	1/4 inch; (1) 22 gauge wire
6	00124	Female Spade Terminal	3/16 inch; (1) 18 gauge wire; .020 tab
7	00222	Female Spade Terminal	1/4 inch
8	00115	Female Spade Terminal	1/4 inch; (1) 18 gauge wire
9	90789	Receptacle Housing	
10	00359	Insulated Female Spade Terminal	1/4 inch
11	00110	Ring Terminal	No. 10; (1) 18 gauge wire
12	00114	Female Spade Terminal	1/4 inch; Double connector
13	00139	Male Tab Terminal	1/4 inch; (2) 18 gauge wires or (1) 12 gauge wire
14	00344	Female Tab Terminal	1/4 inch
15	00252	Terminal	
16	00221	Insulated Female Flag Terminal	
17	23033	9 Circuit Plug	
	26302	1 Circuit Plug	
18	26708	6 Circuit Receptacle	
	26301	1 Circuit Receptacle	
19	34596	10 Circuit Receptacle	
	D501333	12 Circuit Receptacle	

Terminals and Terminal Extractor Tools



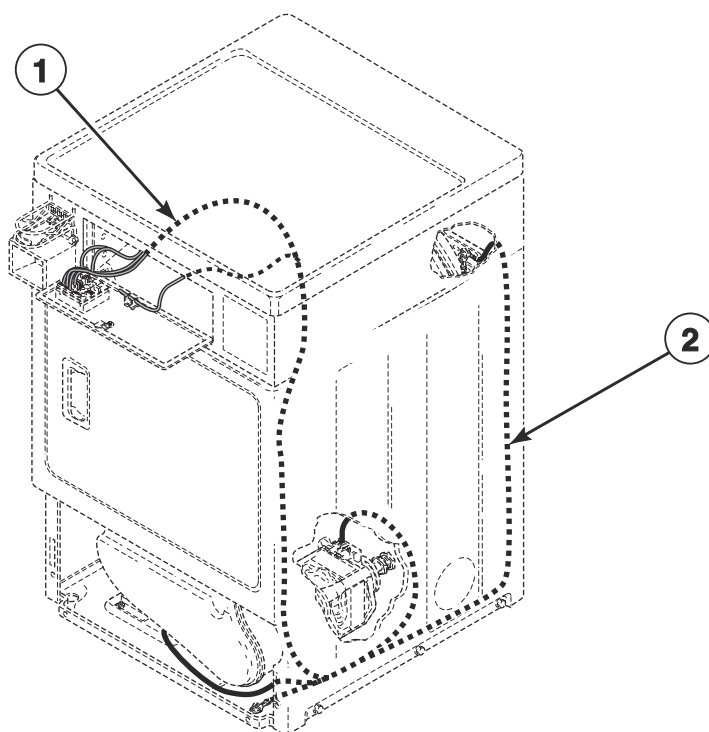
DRY2066P_516214

Terminals and Terminal Extractor Tools

REF	PART NO.	DESCRIPTION	COMMENTS
1	D500338	10 Position Housing	
2	00255	Female Terminal	1/4 inch; (1) 12 gauge wire; Electric models
	00256	Female Terminal	1/4 inch; (1) or (2) 18 gauge wires
3	00188	Female Terminal	For 1 or 2 wire application
4	283P4	Terminal Extractor Tool	For use on Molex connectors
5	310P4	Ratchet Extension Tool	1/4 inch; For coin drop installation
6	190P4	Extractor Tool	For use on electric dryer terminals
7	128P4	Extractor Tool	For use on gas dryer terminals
8	281P4	Torx Bit	T15 Tamper Resistant Bit
	282P4	Torx Bit	Use with 62853 Screw on access panel; T25 Tamper Resistant Bit
	292P4	Torx Bit	T20 Standard Bit
	93501	Torx Drive Tool	T10 Standard Bit

Wire Harnesses and Wires - Front Control Models

Models BD3DXAGS403UW01 and SDGDYBGS113TW01



DRY2371P_516214

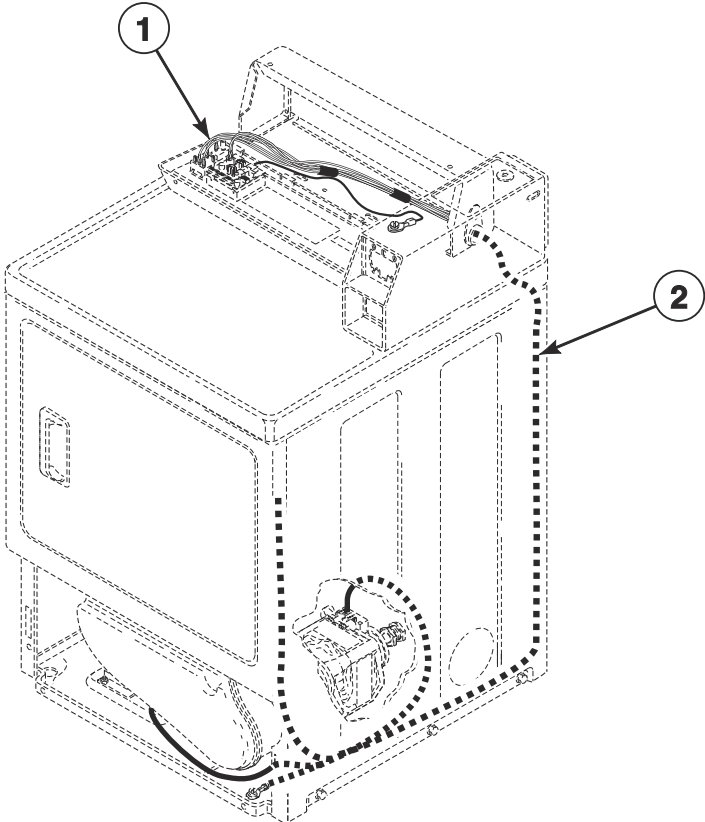
Wire Harnesses and Wires - Front Control Models

REF	PART NO.	DESCRIPTION	COMMENTS
	45001	18 Gauge Wire	Black; Order wire by foot; Order terminals and connectors as required
	45380	12 Gauge Wire	Orange; Order wire by foot; Order terminals and connectors as required
1	D512422P	Wire Harness Assembly	
2	D513969	Gas Harness	

NOTE: Individual wires are not available separately. Order complete harness, or order wire by the foot. When applying terminals to wires, it is recommended that the terminals be soldered to the wires.

Wire Harnesses and Wires - Rear Control Models

Models SDGDCRGS113TW01 and SDGDXRGS113JW01



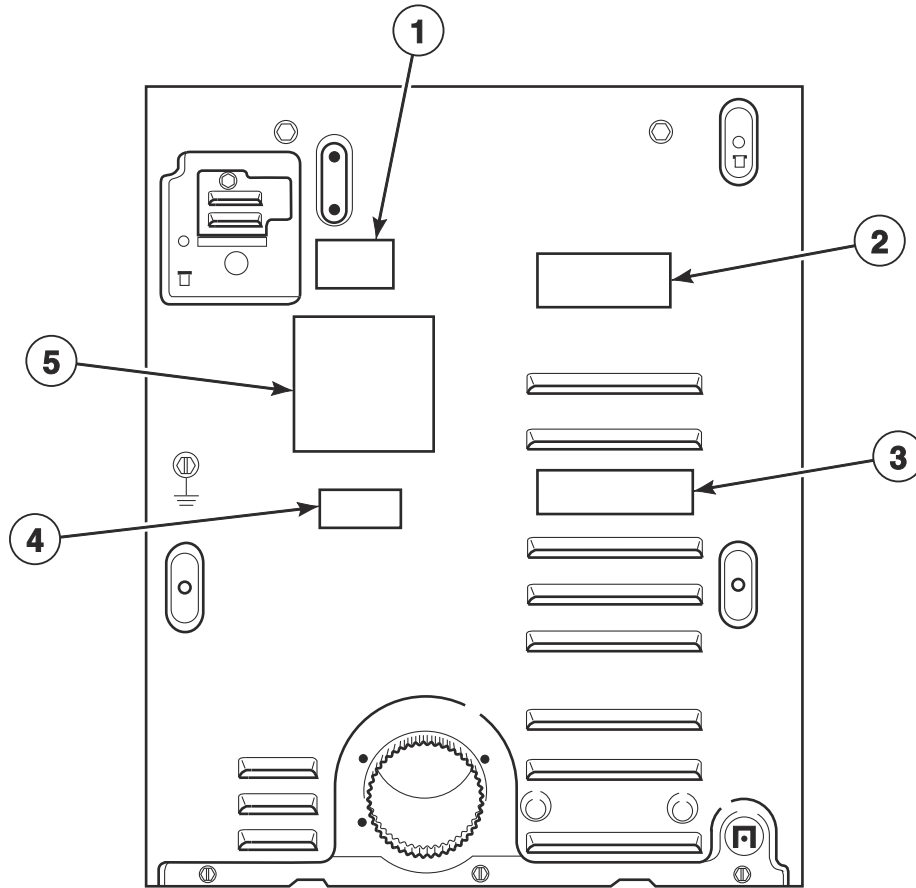
DRY2373P_516214

Wire Harnesses and Wires - Rear Control Models

REF	PART NO.	DESCRIPTION	COMMENTS
	45001	18 Gauge Wire	Black; Order wire by foot; Order terminals and connectors as required
	45380	12 Gauge Wire	Orange; Order wire by foot; Order terminals and connectors as required
1	D512422P	Wire Harness Assembly	
2	D513983	Gas Harness	

NOTE: Individual wires are not available separately. Order complete harness, or order wire by the foot. When applying terminals to wires, it is recommended that the terminals be soldered to the wires.

Label Location on Rear of Cabinet



DRY2374P_516214

Label Location on Rear of Cabinet

REF	PART NO.	DESCRIPTION	COMMENTS
1	803260	Warning Label	
2	D502791	Venting Instruction Label	
3	62104	Voltage Warning Label	208 Volt
	D505215	Gas Label	
4	D500497	Exhaust Warning Label	
5	D511005	Electric Clearance Label	Electric models
	D511004	Gas Clearance Label	Gas models

Parts Index

A

Access Panel Assembly D514250WP	17
Access Panel Plate D510903	33
Adhesive D511637P	21, 23
Air Duct Assembly D510151W	21
Anti-Seize Compound 27604P	19

B

Blower and Fan Kit D510717P	19
Blower Fan Assembly D510139P	19
Blower Housing D511969WP	19
Blower Housing Seal D510238P	19
Bolt 29651	13
Booster and Holding Coil 58804A	29
Bracket D510146	7
Bumper Pad 56128	33
Burner Assembly D510149P	29

C

Cabinet Rear Panel D514632P	33
Cabinet Side Panel D510001WP	33
D510002WP	33
Card Insert Overlay D514391	11
Coin Cabinet Hardware Kit 547P3	33
Combustion Duct D510131	27
Connector, 2 Circuit 58799	39
Connector, 3 Circuit 58800	37
Control Access Panel 804741	9
804793	9
Control Assembly D514138P	5, 9

Control Bracket D514261	9
Control Hood D511253W	5
Control Overlay D514368	5
D515001	9
Control Panel D510220W	5
Control Panel Assembly 804657W	9
Control Wrapper 804627W	9
804630W	9
Cylinder Assembly D510265WP	21
Cylinder Baffle D510102W	21
Cylinder Belt D511255P	19
Cylinder Glide D513710	21
Cylinder Glide Bracket D510145	21
Cylinder Roller D510708P	23
Cylinder Roller Bracket D510100	23
Cylinder Seal Assembly D510207P	21, 23

D

Damper 58786	33
Directional Exhaust Kit 528P3	33
Disconnect Power Warning Label D505281	7
Door Catch Assembly D510177	17
Door Handle Wedge D510129	15
Door Pull and Wedge Kit D510103WP	15
D511213P	15
Door Strike D510181	15
Door Strike Mount D510127	15
Dryer Base D514245	33
Dryer Door D510013WP	15
D512969	15

N/A items do not appear in index.

E

Elbow Shut-Off Valve D510205	29
Electric Clearance Label D511005	47
Electronic Control Shield D501441	5
End Cap 210108W	5
210109W	5
Ethernet Gateway Kit NK320	5
Exhaust Duct D510137	33
Exhaust Warning Label D500497	47
Expansion Clip 70030501	9, 11
Extractor Tool 128P4	41
190P4	41

F

Felt Pad D510189	21
Female Piggyback Terminal 00361	39
Female Pin Terminal 00117	37
00128	37
00130	37
Female Spade Terminal 00114	39
00115	39
00121	39
00124	39
00189	39
00222	39
00223	39
Female Tab Terminal 00344	39
Female Terminal 00188	41
00255	41
00256	41
Flexible Venting Kit 521P3	33
Frame Gusset D510337	33
Front Bulkhead Assembly D510266P	21
Front Panel D510066WP	17
Front Panel Seal D511056	17
Fuse Notice Label 61294	21

G

Gas Clearance Label D511004	21, 47
Gas Harness D513969	43
D513983	45
Gas Label D505215	47
Gas Valve Assembly 60353P	29
Gas Valve Mounting Bracket D510128	29
Glide Kit RB170003	21
Grounding Clip 00161	39

H

Harness 804832	5
Harness Strap 55881	37
Heat Duct Shroud D510101	27
Heater Assembly D510329P	25
Heater Duct and Screw Assembly D510025P	25, 27
Heater Kit 964P3	25
Heater Kit Assembly 61928	25
Hinge D511036	15
Hinge Hole Plug D510186	17
Hold Down Kit 526P3	33
Housing, 10 Position D500338	41

I

Idler Lever D510133	19
Idler Lever and Wheel Assembly D510158	19
Idler Spring D510185	19
Idler Wheel and Bearing Assembly D510142P	19
Igniter and Bracket Assembly D510184P	29
Insulated Female Flag Terminal 00221	39
Insulated Female Spade Terminal 00359	39
00360	37

N/A items do not appear in index.

L	
Lead-In Cord 202777	35
Lead-In Pipe Assembly D510204	29
Leveling Leg D510135	33
Limit Thermostat D510701	25
D510702	27
Liner Door Seal D510147P	15
Liner, Seal and Grill Assembly D510163WP	15
Lint Filter D503980W	21
L.P. Conversion Kit 458P3	29
L.P. Orifice D503786	31
58755	31

M

Machine ID Control Assembly 203361P	5
Male Pin Terminal 00116	37
00127	37
00129	37
Male Tab Terminal 00139	39
Motor and Pulley Assembly D511629P	19
Motor Hub Ring Kit 590P3	19
Motor Mount D510060	19
Motor Mount Clamp D510180	19
Motor Pulley D500011	19

N

Network Controller Kit NK220	5
Network Retrofit Kit 203328	5
Nut 27222	7
28447	23
36020	13
52566	19
56156	19, 23
N.G. Conversion Kit 459P3	29
N.G. Orifice D503776	31
D503778	31

D503780	31
D510517	31
503779	31

O

Operating Instructions Label D514393	11
Outlet Cover D500820	25, 27
Output Control Assembly D513797P	33

P

Panel Locator 56079	17, 33
Plug 23040	37
54522	37
Plug, 1 Circuit 26302	39
Plug, 2 Circuit 56266	37
56448	37
Plug, 9 Circuit 23033	39
Pop Rivet 685847	9

R

Ratchet Extension Tool 310P4	41
Rear Access Panel 803998	11
804614	9
Rear Bulkhead Assembly D511082P	23
Rear Panel 804884	5
Rear Wrapper Brace 805345	9
Receptacle Housing 90789	39
Receptacle, 1 Circuit 26301	39
Receptacle, 10 Circuit 34596	39
Receptacle, 12 Circuit D501333	39
56855	37
Receptacle, 2 Circuit 56451	37
Receptacle, 3 Circuit 23039	37
Receptacle, 6 Circuit 26708	39
Retaining Ring 23748	19, 23

N/A items do not appear in index.

Ring Terminal	
00110	39
Roller Kit	
RB170002	23
Rubber Foot	
D501855	33

S

ScREW	
804667	33
Screw	
D500824	19
D501086	5
D501285	21, 23
D502535	19
D503661	9
D503673	7
D503688	5, 7, 9, 11, 17, 19, 21, 23, 25, 29, 33
D505295	15, 21
D512921	33
D514428	33
M405188	21
20530	35
23008	13
23222	25, 29
28448	23
31260	19
33562	17
35528	5
39733	17, 33
51782	27, 29
52864	5, 21
56124	29
61199	23
62588	21
62853	17
70240301	9, 11
804608	5, 9
Screw Orifice	
58719	31
Seal Kit	
RB170001	21, 23
Secondary Coil	
58804B	29
Security Cabinet Assembly	
804149WP	11
Sensor	
D510213	29
Shaft	
56461P	19, 23
Spade Terminal	
00245	39
Speed Clip	
28835	17
Strain Relief	
38384	35
Switch	
D512973	17

T

Terminal	
00252	39
Terminal Block Assembly	
D510190P	23
Terminal Block Shield	
D510237	23
Terminal Extractor Tool	
283P4	41
Thermal Fuse Assembly	
511412	25
Thermistor Assembly	
D510523	19
Top Hinge	
D510136	33
Top Kit	
D511527WP	7
Top Mounting Bracket	
D504228	13
Top Panel	
803868WP	13
804684	9
Top Panel Brace Assembly	
804613	9
Top Panel Guide	
803761	9
Torx Bit	
281P4	41
282P4	41
292P4	41
Torx Drive Tool	
93501	41
Transformer	
202757	5

U

USB Gateway Kit	
NK330	5
USB IR Interface Kit	
203346	5

V

Venting Instruction Label	
D502791	47
Voltage Warning Label	
62104	47

W

Warning Label	
D500049	21
803260	47
Warning/Caution Label	
D500281	17
Washer	
D504082	23

N/A items do not appear in index.

28449	23
52549	19, 23
Wire Assembly	
D510527	25
D510528	25
Wire Clip	
D504034	37
687500	37
Wire Harness Assembly	
D512422P	43, 45
Wireless Network Board Harness	
F8536002	5
Wireless Network Kit	
203327	5
Wire, 12 Gauge	
45380	43, 45
Wire, 18 Gauge	
45001	43, 45
Wiring Harness Assembly	
202869	5
Wrapper Assembly	
804112W	11
