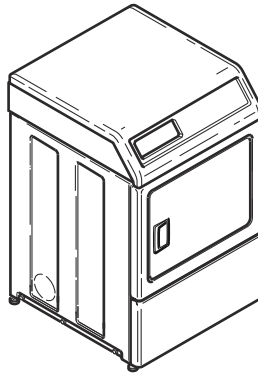
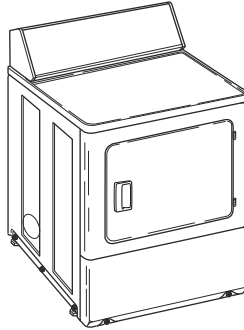


Home Dryers

Models Through Serial No. 1912999999

Refer to Page 3 for Model Numbers



DRY731C_D517186

Table of Contents

Title	Page
Parts Ordering Information.....	2
Serial Plate Location	2
Model Identification	3
Graphic Panel, Control Support Panel and Controls - Rear Control (Drawing 1 of 3)	4
Graphic Panel, Control Support Panel and Controls - Rear Control (Drawing 2 of 3)	6
Graphic Panel, Control Support Panel and Controls - Rear Control (Drawing 3 of 3)	8
Cabinet Top and Control Hood Back Panel	10
Control Panel and Controls - Front Control.....	12
Loading Door	14
Access Panel, Front Panel and Seal	16
Motor, Exhaust Fan and Belt	18
Cylinder	20
Front Bulkhead, Air Duct and Felt Seal.....	22
Rear Bulkhead, Felt Seal, Cylinder Roller and Terminal Block.....	24
Heater Duct and Element Assembly	26
Heater Duct Assembly	28
Gas Valve, Igniter and Gas Conversion Kits Through Serial No. 1908000001.....	30
Gas Valve, Igniter and Gas Conversion Kits Starting Serial No. 1908000001.....	32
Burner Orifice Spuds - For Higher Elevations	34
Cabinet, Exhaust Duct and Base	36
Lead-In Cord	38
Wire Harnesses and Wires - Front Control Models.....	40
Wire Harnesses and Wires - Rear Control Models	42
Parts Index.....	45

© Copyright 2023, Alliance Laundry Systems LLC

All rights reserved. No part of the contents of this book may be reproduced or transmitted in any form or by any means without the expressed written consent of the publisher.

Parts Ordering Information

If literature or replacement parts are required, contact the source from whom the machine was purchased or contact Alliance Laundry Systems at (920) 748-3950 for the name and address of the nearest authorized parts distributor.

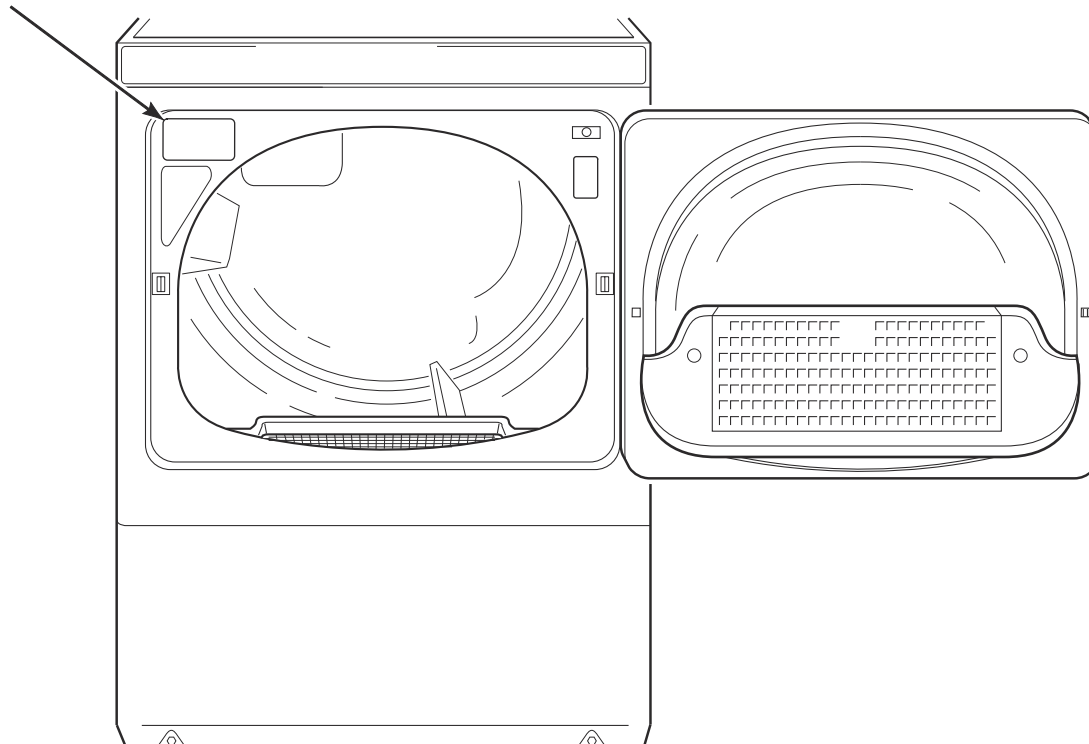
For technical assistance, call the number listed below:

(920) 748-3121 Ripon, Wisconsin

Serial Plate Location

When calling or writing about your product, be sure to mention model and serial numbers. Model and serial numbers are located on serial plate(s) as shown.

Serial Plate



DRY2283P_D517186

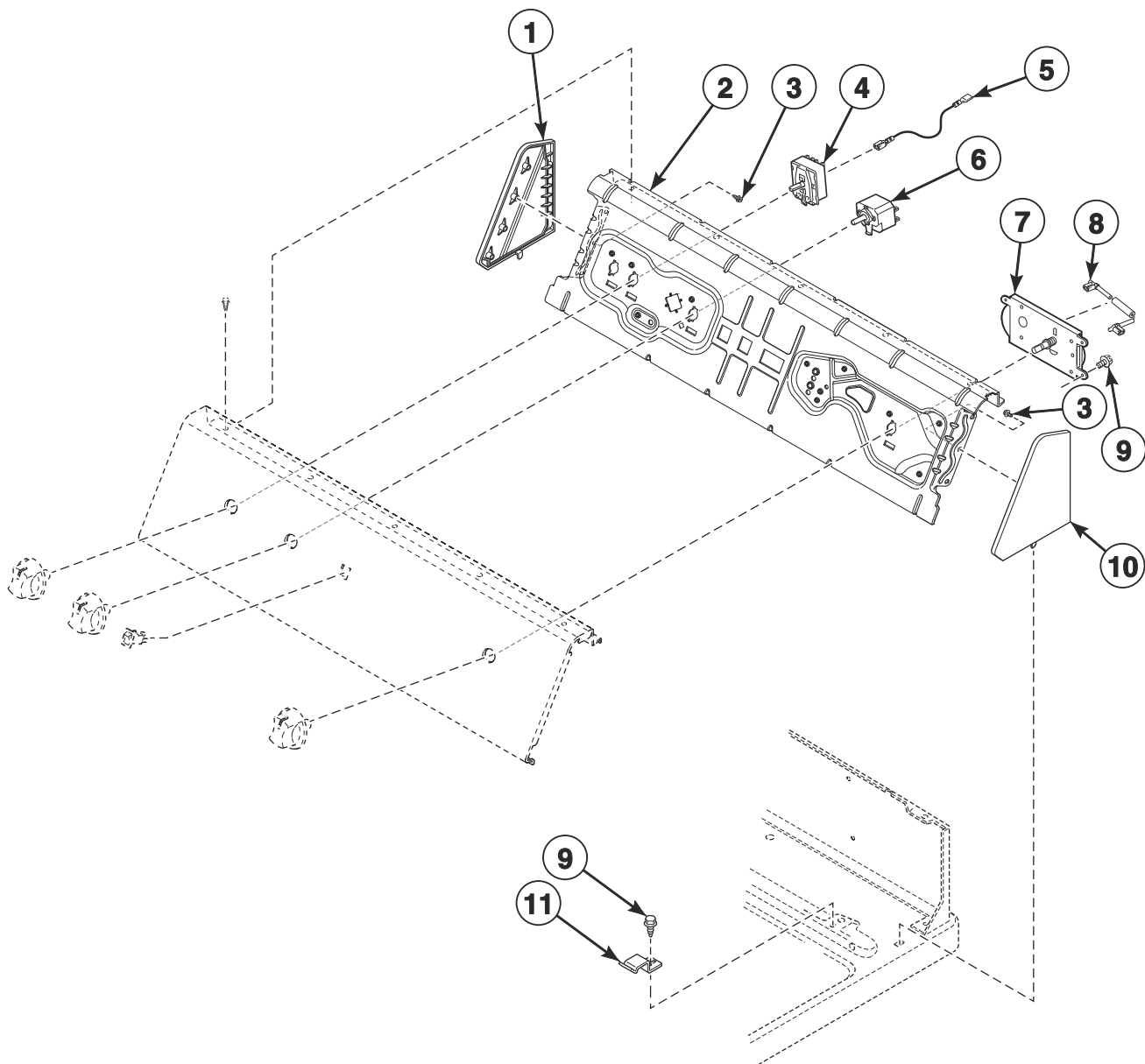
Model Identification

Information in this manual is applicable to these dryer models:

ADE3SRGS175CW01	ADG3SRGS115CW01	ZDE3SRGS175CW01
ADE3SRGS175CW14	ADG3SRGS115CW14	ZDE4BRGS175CW01
ADE3SRGS175TW01	ADG3SRGS115TW01	ZDE4BRGS176CW01
ADE4BRGS175CW01	ADG4BRGS115CW01	ZDEE9BGS175CW01
ADE4BRGS175CW14	ADG4BRGS115CW14	ZDEE9BSS175CN01
ADE4BRGS175TW01	ADG4BRGS115TW01	ZDEE9RGS175CW01
ADE4BRGS176CW01	ADG4BRGS116CW01	ZDG3SRGS115CW01
ADE4BRGS176CW14	ADG4BRGS116CW14	ZDG4BRGS115CW01
ADE4BRGS176TW01	ADG4BRGS116TW01	ZDG4BRGS116CW01
ADEE9BGS175CW01	ADGE9BGS115CW01	ZDGE9BGS115CW01
ADEE9BGS175CW14	ADGE9BGS115CW14	ZDGE9BSS115CN01
ADEE9BGS175TW01	ADGE9BGS115TW01	ZDGE9RGS115CW01
ADEE9BSS175CN01	ADGE9BSS115CN01	
ADEE9BSS175CN14	ADGE9BSS115CN14	
ADEE9BSS175TN01	ADGE9BSS115TN01	
ADEE9RGS175CW01	ADGE9RGS115CW01	
ADEE9RGS175CW14	ADGE9RGS115CW14	
ADEE9RGS175TW01	ADGE9RGS115TW01	

Graphic Panel, Control Support Panel and Controls - Rear Control (Drawing 1 of 3)

Models ADE3SRGS175CW01, ADE3SRGS175CW14, ADE3SRGS175TW01, ADE4BRGS175CW01, ADE4BRGS175CW14, ADE4BRGS175TW01, ADE4BRGS176CW01, ADE4BRGS176CW14, ADE4BRGS176TW01, ADG3SRGS115CW01, ADG3SRGS115CW14, ADG3SRGS115TW01, ADG4BRGS115CW01, ADG4BRGS115CW14, ADG4BRGS115TW01, ADG4BRGS116CW01, ADG4BRGS116CW14, ADG4BRGS116TW01, ZDE3SRGS175CW01, ZDE4BRGS175CW01, ZDE4BRGS176CW01, ZDG3SRGS115CW01, ZDG4BRGS115CW01 and ZDG4BRGS116CW01



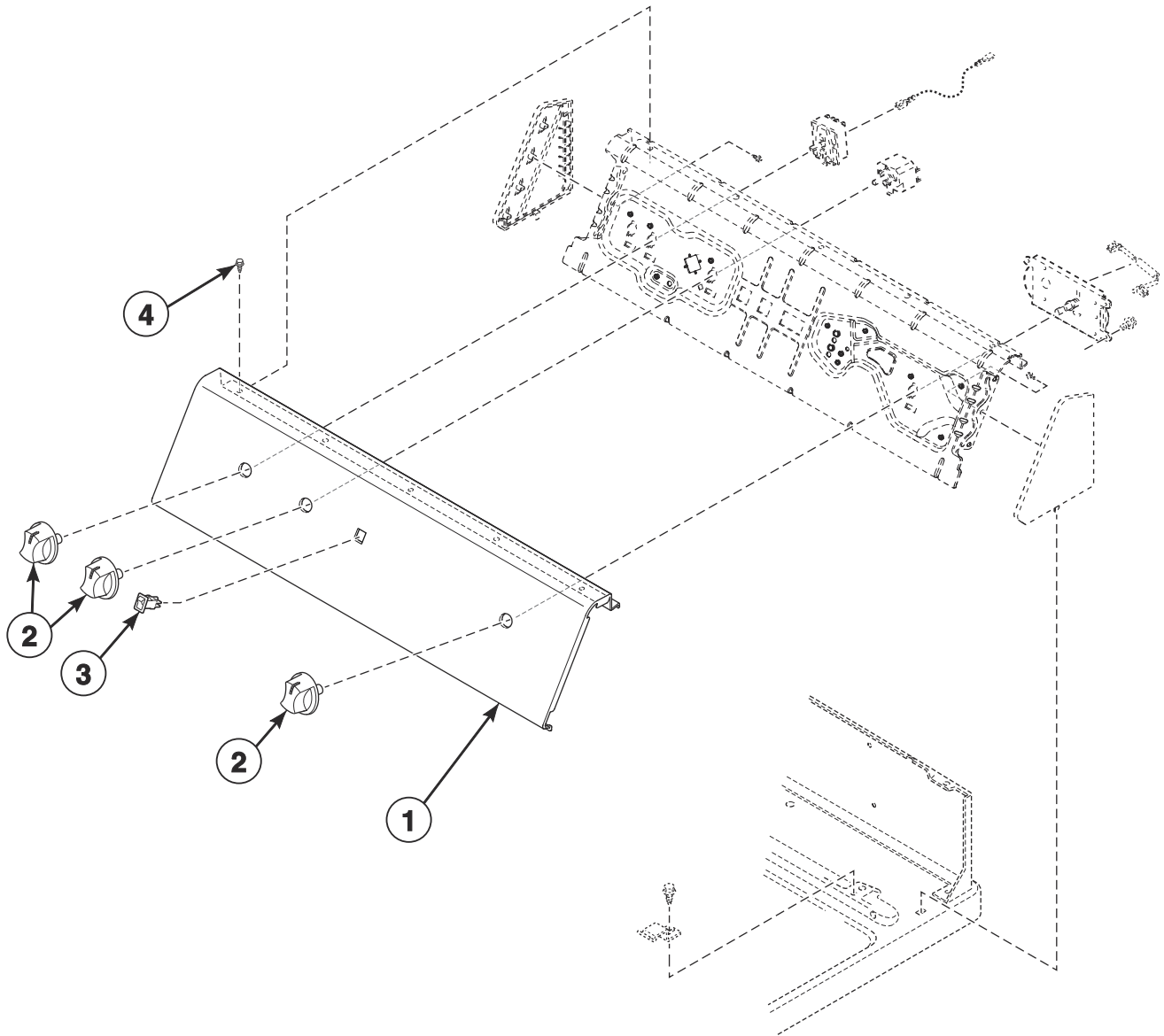
DRY2513P_D517186

Graphic Panel, Control Support Panel and Controls - Rear Control (Drawing 1 of 3)

REF	PART NO.	DESCRIPTION	COMMENTS
	D510537	Jumper Wire Assembly	Timer L3 to Neutral
1	203730W	End Cap	Left
2	806547	Control Support Panel	
3	203799	Screw	
4	D513505	Fabric Selector Switch	Models ADE3SRGS175CW01, ADE3SRGS175CW14, ADE3SRGS175TW01, ADG3SRGS115CW01, ADG3SRGS115CW14, ADG3SRGS115TW01, ZDE3SRGS175CW01 and ZDG3SRGS115CW01
	D513506	Fabric Selector Switch	All other models
5	D518708	Wire Assembly	Fabric selector switch to timer; Models ADE3SRGS175CW01, ADE3SRGS175CW14, ADE3SRGS175TW01, ADE4BRGS175CW01, ADE4BRGS175CW14, ADE4BRGS175TW01, ADE4BRGS176CW01, ADE4BRGS176CW14, ADE4BRGS176TW01, ZDE3SRGS175CW01, ZDE4BRGS175CW01 and ZDE4BRGS176CW01
6	D510211	Buzzer	Models ADE4BRGS175CW01, ADE4BRGS175CW14, ADE4BRGS175TW01, ADE4BRGS176CW01, ADE4BRGS176CW14, ADE4BRGS176TW01, ADG4BRGS115CW01, ADG4BRGS115CW14, ADG4BRGS115TW01, ADG4BRGS116CW01, ADG4BRGS116CW14, ADG4BRGS116TW01, ZDE4BRGS175CW01, ZDE4BRGS176CW01, ZDG4BRGS115CW01 and ZDG4BRGS116CW01
7	D516411	Timer	Models ADE3SRGS175CW01, ADE3SRGS175CW14, ADE3SRGS175TW01 and ZDE3SRGS175CW01
	D516415	Timer	Models ADE4BRGS175CW01, ADE4BRGS175CW14, ADE4BRGS175TW01, ADE4BRGS176CW01, ADE4BRGS176CW14, ADE4BRGS176TW01, ZDE4BRGS175CW01 and ZDE4BRGS176CW01
	D516408	Timer	Models ADG3SRGS115CW01, ADG3SRGS115CW14, ADG3SRGS115TW01 and ZDG3SRGS115CW01
	D516412	Timer	Models ADG4BRGS115CW01, ADG4BRGS115CW14, ADG4BRGS115TW01, ADG4BRGS116CW01, ADG4BRGS116CW14, ADG4BRGS116TW01, ZDG4BRGS115CW01 and ZDG4BRGS116CW01
	D518899	Timer Conversion Kit	Model ADE4BRGS175CW01; Replaces Timer D516415; Includes Main Electric Wire Harness D517624, Broken Belt Switch Service Assembly D518904, Screw D503688 and Service Hood Assembly D518903
	D518905	Timer Conversion Kit	Model ADE4BRGS176CW01; Replaces Timer D516415; Includes Main Electric Wire Harness D517624, Broken Belt Switch Service Assembly D518904, Screw D503688 and Service Hood Assembly D518900
8	D511277	Resistor Assembly	Electric models
9	D501086	Screw	
10	203729W	End Cap	Right
11	35358	Hold-Down Clip	

Graphic Panel, Control Support Panel and Controls - Rear Control (Drawing 2 of 3)

Models ADE3SRGS175CW01, ADE3SRGS175CW14, ADE3SRGS175TW01, ADE4BRGS175CW01, ADE4BRGS175CW14, ADE4BRGS175TW01, ADE4BRGS176CW01, ADE4BRGS176CW14, ADE4BRGS176TW01, ADG3SRGS115CW01, ADG3SRGS115CW14, ADG3SRGS115TW01, ADG4BRGS115CW01, ADG4BRGS115CW14, ADG4BRGS115TW01, ADG4BRGS116CW01, ADG4BRGS116CW14, ADG4BRGS116TW01, ZDE3SRGS175CW01, ZDE4BRGS175CW01, ZDE4BRGS176CW01, ZDG3SRGS115CW01, ZDG4BRGS115CW01 and ZDG4BRGS116CW01



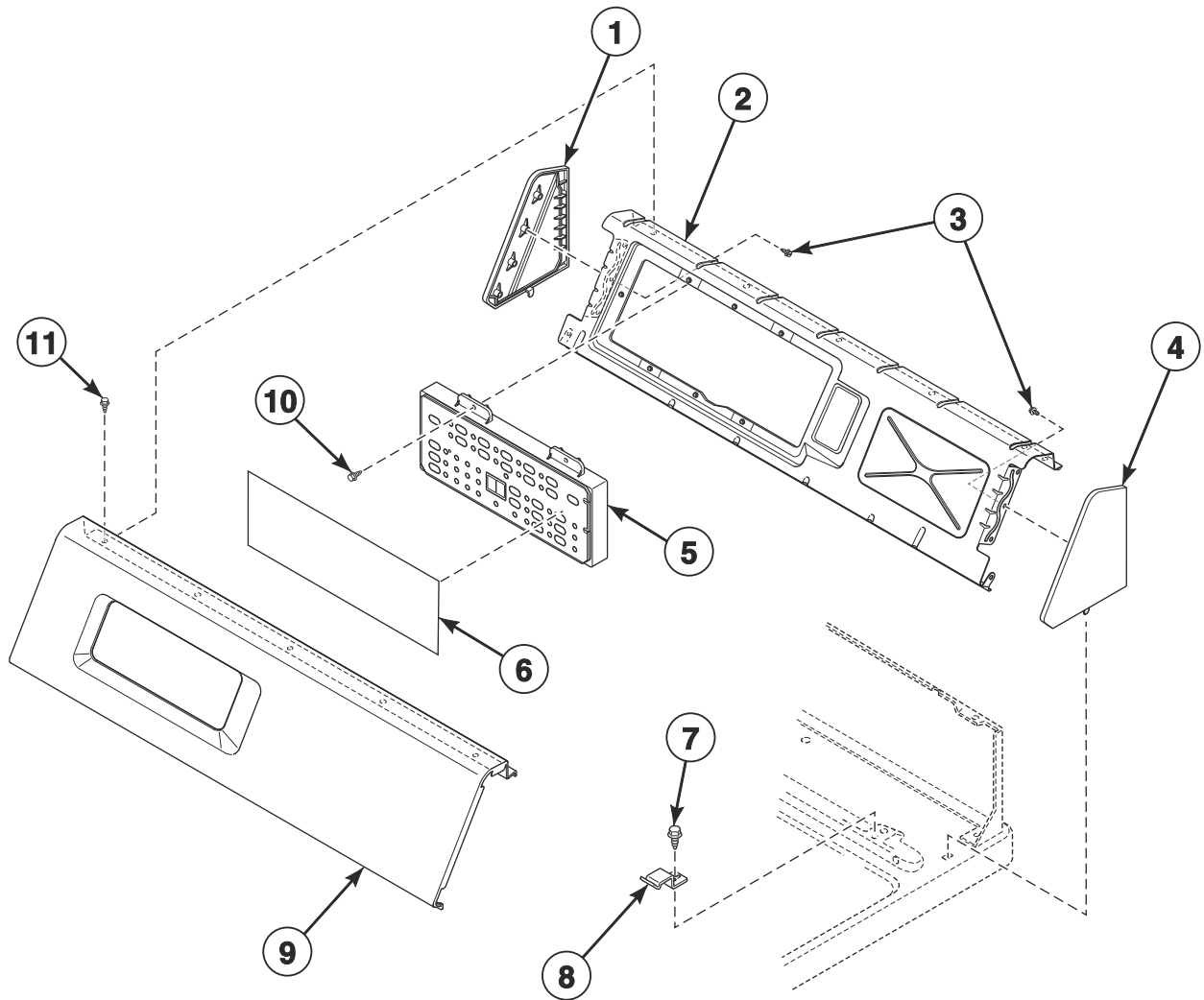
DRY2513PA_D517186

Graphic Panel, Control Support Panel and Controls - Rear Control (Drawing 2 of 3)

REF	PART NO.	DESCRIPTION	COMMENTS
	D510537	Jumper Wire Assembly	Timer L3 to Neutral
1	D516436	Graphic Panel	Models ADE4BRGS175CW01, ADE4BRGS175TW01, ADG4BRGS115CW01 and ADG4BRGS115TW01
	D516435	Graphic Panel	Models ADE3SRGS175CW01, ADE3SRGS175TW01, ADG3SRGS115CW01 and ADG3SRGS115TW01
	D516068	Graphic Panel	Models ADE3SRGS175CW14 and ADG3SRGS115CW14
	D517545	Graphic Panel	Models ADE4BRGS175CW14 and ADG4BRGS115CW14
	D517601	Graphic Panel	Models ADE4BRGS176CW01, ADE4BRGS176TW01, ADG4BRGS116CW01 and ADG4BRGS116TW01
	D517602	Graphic Panel	Models ADE4BRGS176CW14 and ADG4BRGS116CW14
	D517816	Graphic Panel	Models ZDE3SRGS175CW01 and ZDG3SRGS115CW01
	D517817	Graphic Panel	Models ZDE4BRGS175CW01 and ZDG4BRGS115CW01
	D517818	Graphic Panel	Models ZDE4BRGS176CW01 and ZDG4BRGS116CW01
2	806597	Knob Assembly	
3	203934	Rocker Switch	Models ADE4BRGS175CW01, ADE4BRGS175CW14, ADE4BRGS175TW01, ADE4BRGS176CW01, ADE4BRGS176CW14, ADE4BRGS176TW01, ADG4BRGS115CW01, ADG4BRGS115CW14, ADG4BRGS115TW01, ADG4BRGS116CW01, ADG4BRGS116CW14, ADG4BRGS116TW01, ZDE4BRGS175CW01, ZDE4BRGS176CW01, ZDG4BRGS115CW01 and ZDG4BRGS116CW01
4	807075	Screw	

Graphic Panel, Control Support Panel and Controls - Rear Control (Drawing 3 of 3)

Models ADEE9RGS175CW01, ADEE9RGS175CW14, ADEE9RGS175TW01, ADGE9RGS115CW01, ADGE9RGS115CW14, ADGE9RGS115TW01, ZDEE9RGS175CW01 and ZDGE9RGS115CW01



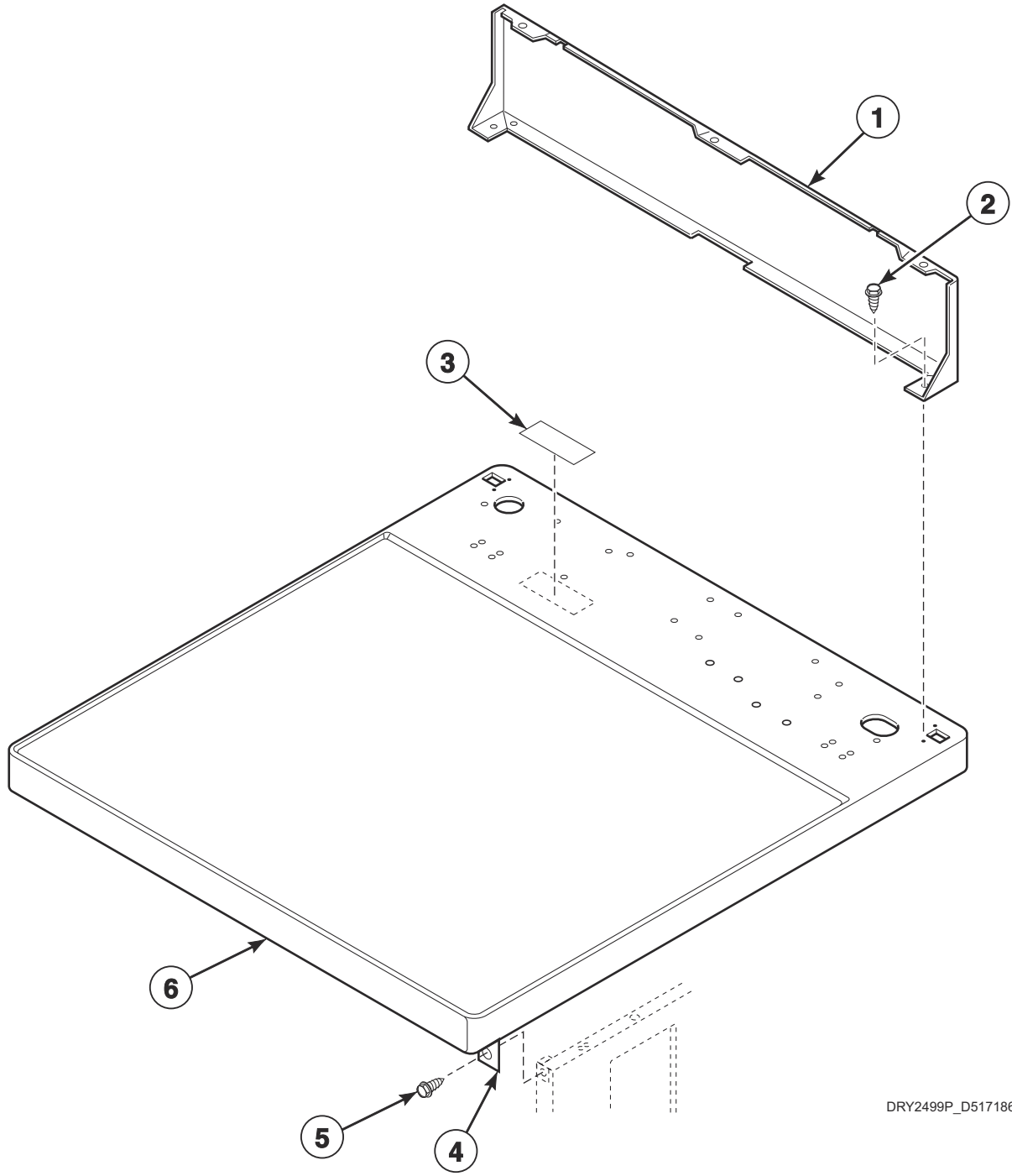
DRY2497P_D517186

Graphic Panel, Control Support Panel and Controls - Rear Control (Drawing 3 of 3)

REF	PART NO.	DESCRIPTION	COMMENTS
1	203730W	End Cap	Left
2	806430	Control Support Panel	
3	203799	Screw	
4	203729W	End Cap	Right
5	D514567P	Control	
6	D516236	Control Overlay	Models ADEE9RGS175CW14 and ADGE9RGS115CW14
	D516225	Control Overlay	All other models
7	D501086	Screw	
8	35358	Hold-Down Clip	
9	806448	Graphic Panel	Models ZDEE9RGS175CW01 and ZDGE9RGS115CW01
	806715	Graphic Panel	
10	804667	Screw	
11	807075	Screw	

Cabinet Top and Control Hood Back Panel

Models ADE3SRGS175CW01, ADE3SRGS175CW14, ADE3SRGS175TW01, ADE4BRGS175CW01, ADE4BRGS175CW14, ADE4BRGS175TW01, ADE4BRGS176CW01, ADE4BRGS176CW14, ADE4BRGS176TW01, ADEE9RGS175CW01, ADEE9RGS175CW14, ADEE9RGS175TW01, ADG3SRGS115CW01, ADG3SRGS115CW14, ADG3SRGS115TW01, ADG4BRGS115CW01, ADG4BRGS115CW14, ADG4BRGS115TW01, ADG4BRGS116CW01, ADG4BRGS116CW14, ADG4BRGS116TW01, ADGE9RGS115CW01, ADGE9RGS115CW14, ADGE9RGS115TW01, ZDE3SRGS175CW01, ZDE4BRGS175CW01, ZDE4BRGS176CW01, ZDEE9RGS175CW01, ZDG3SRGS115CW01, ZDG4BRGS115CW01, ZDG4BRGS116CW01 and ZDGE9RGS115CW01



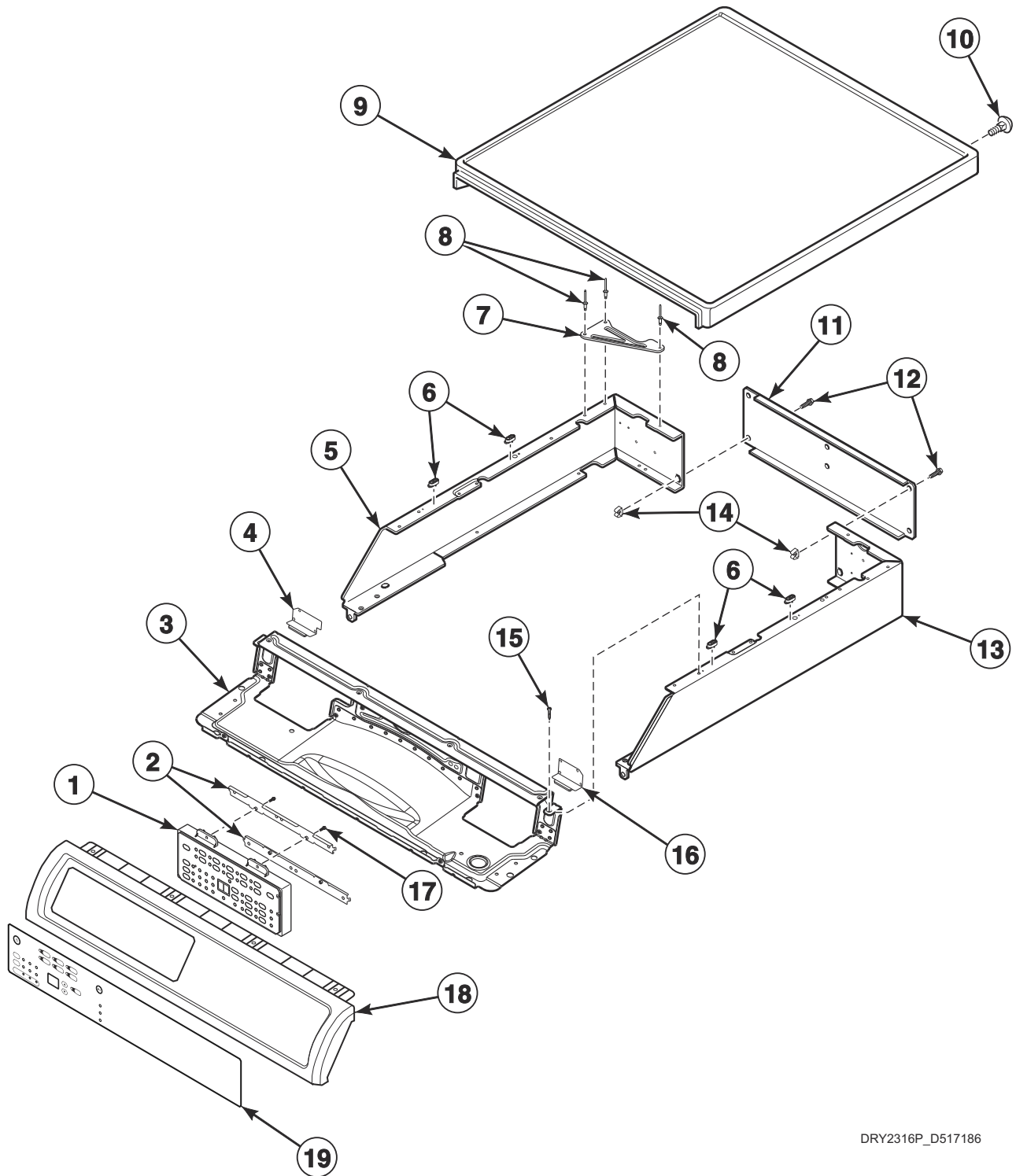
DRY2499P_D517186

Cabinet Top and Control Hood Back Panel

REF	PART NO.	DESCRIPTION	COMMENTS
1	806585	Hood Back Panel	
2	D501086	Screw	
3	D505281	Disconnect Power Warning Label	English
	D500316	Warning Label	English/French
4	D510146	Bracket	
5	D503688	Screw	
6	D510029WP	Top Panel Kit	

Control Panel and Controls - Front Control

Models ADEE9BGS175CW01, ADEE9BGS175CW14, ADEE9BGS175TW01, ADEE9BSS175CN01, ADEE9BSS175CN14, ADEE9BSS175TN01, ADGE9BGS115CW01, ADGE9BGS115CW14, ADGE9BGS115TW01, ADGE9BSS115CN01, ADGE9BSS115CN14, ADGE9BSS115TN01, ZDEE9BGS175CW01, ZDEE9BSS175CN01, ZDGE9BGS115CW01 and ZDGE9BSS115CN01

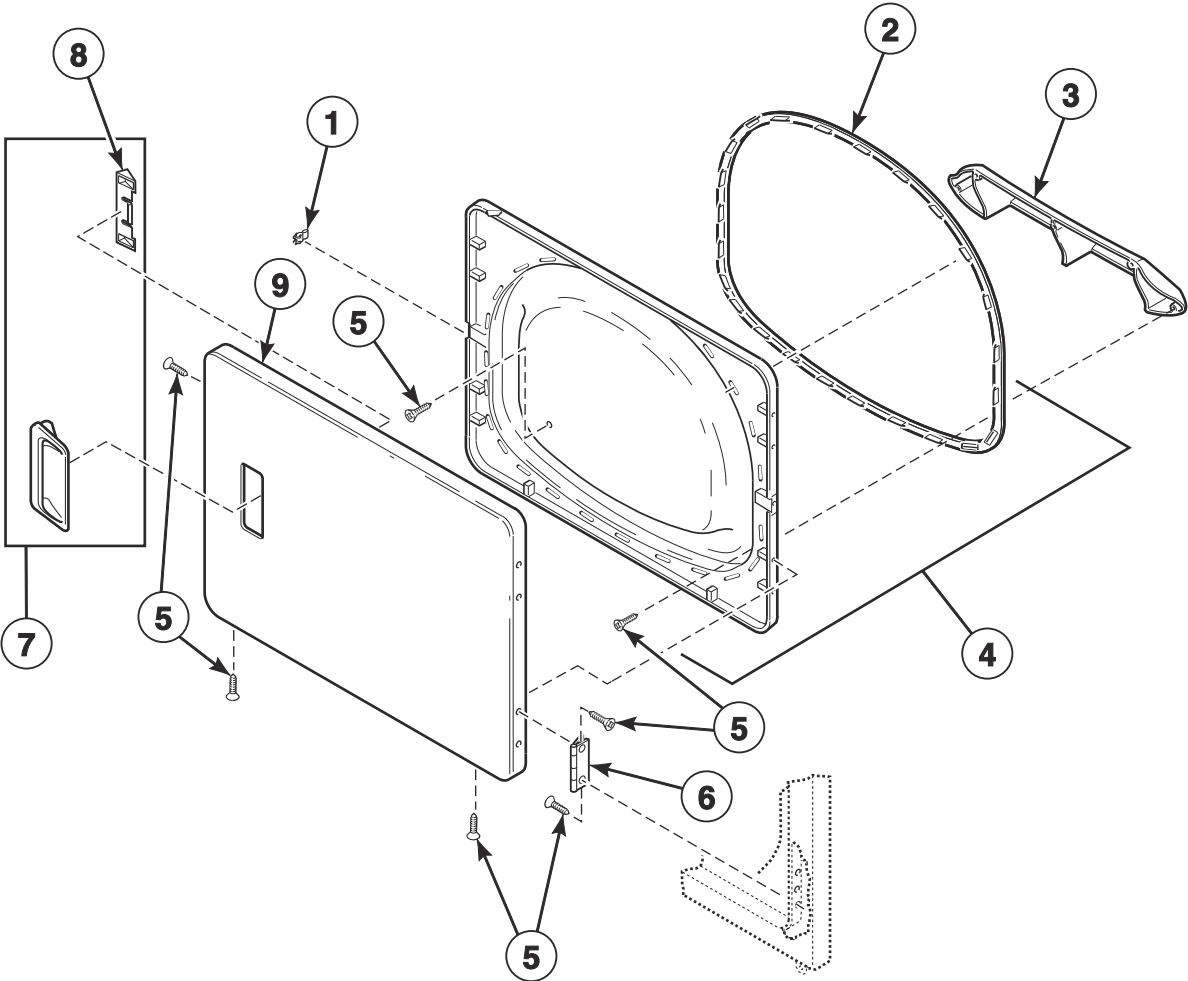


DRY2316P_D517186

Control Panel and Controls - Front Control

REF	PART NO.	DESCRIPTION	COMMENTS
1	D514121P	Control Assembly	
2	804611	Control Bracket	2 required
3	804613	Top Panel Brace Assembly	
4	804741	Control Access Panel	Left
5	804627W	Control Wrapper	Left; White
	804627B	Control Wrapper	Left; Black
6	803761	Top Panel Guide	4 required; Use 39733 Screw to attach
7	805345	Rear Wrapper Brace	
8	685847	Pop Rivet	
9	804685WP	Top Panel	White
	804684	Top Panel	Stainless steel
10	29651	Bolt	4 required
11	804614	Rear Access Panel	
12	70240301	Screw	8 required
13	804630W	Control Wrapper	Right; White
	804630B	Control Wrapper	Right: Black
14	70030501	Expansion Clip	
15	D503688	Screw	
16	804793	Control Access Panel	Right
17	804608	Screw	
18	804659W	Control Panel Assembly	White; Use 804667 Screw to attach
	804660	Control Panel Assembly	Black; Use 804667 Screw to attach
19	D515633	Control Overlay	Models ADEE9BGS175CW14, ADEE9BSS175CN14, ADGE9BGS115CW14 and ADGE9BSS115CN14
	D517819	Control Overlay	Models ZDEE9BGS175CW01, ZDEE9BSS175CN01, ZDGE9BGS115CW01 and ZDGE9BSS115CN01
	D515630	Control Overlay	All other models

Loading Door

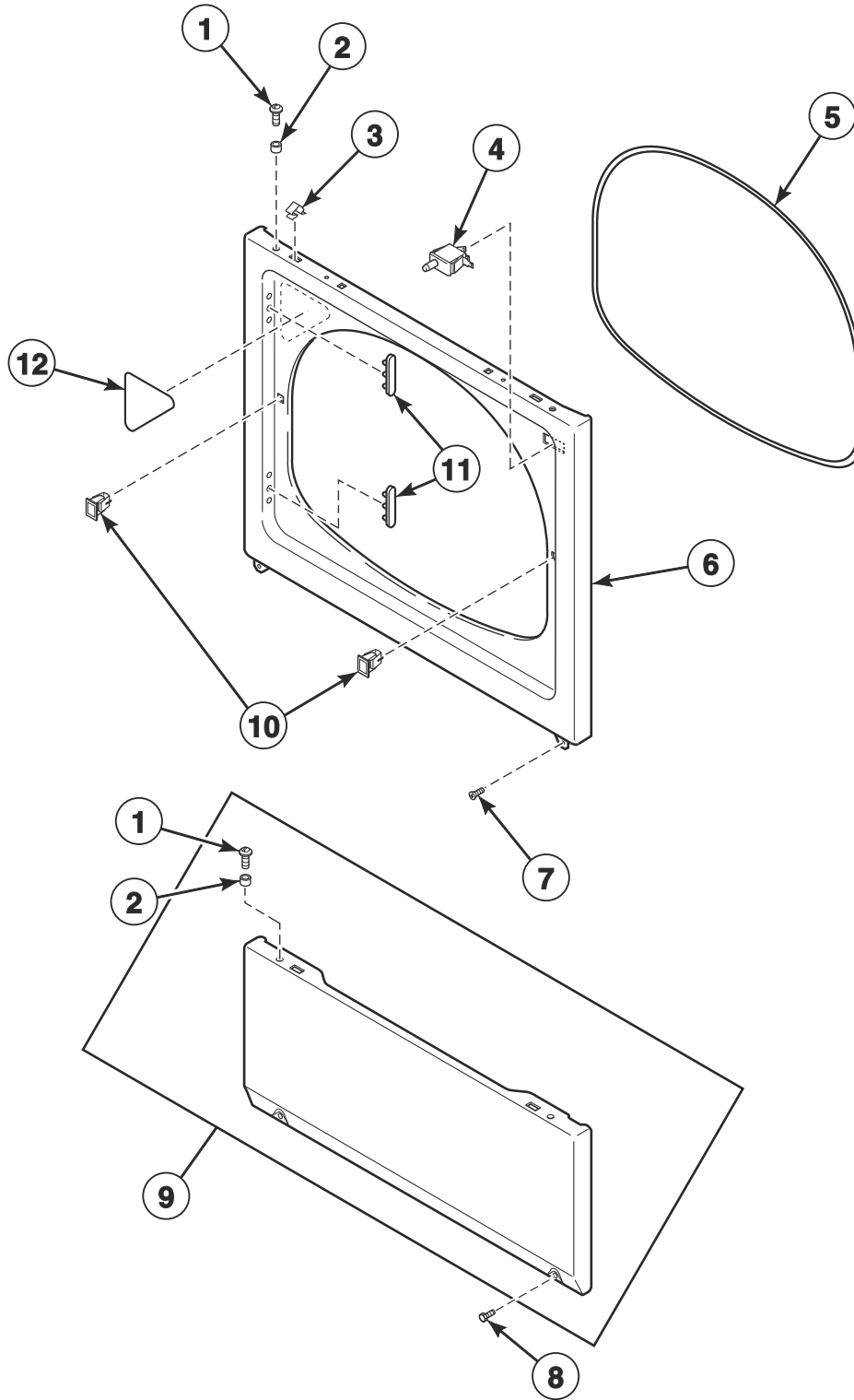


DRY2500P_D517186

Loading Door

REF	PART NO.	DESCRIPTION	COMMENTS
1	D510181	Door Strike	
2	D515709	Liner Door Seal	
3	D503870W	Door Liner Grill	White
	D503870LG	Door Liner Grill	Light gray
4	D516508	Door Liner Assembly	Includes item 2
5	D500226	Screw	
6	D511036	Hinge	
7	D510103WP	Door Pull and Wedge Kit	White; Includes item 8
	D511213P	Door Pull and Wedge Kit	Black; Includes item 8
8	D510129W	Door Handle Wedge	
9	D515960W	Dryer Door	White
	D515963	Dryer Door	Stainless steel

Access Panel, Front Panel and Seal

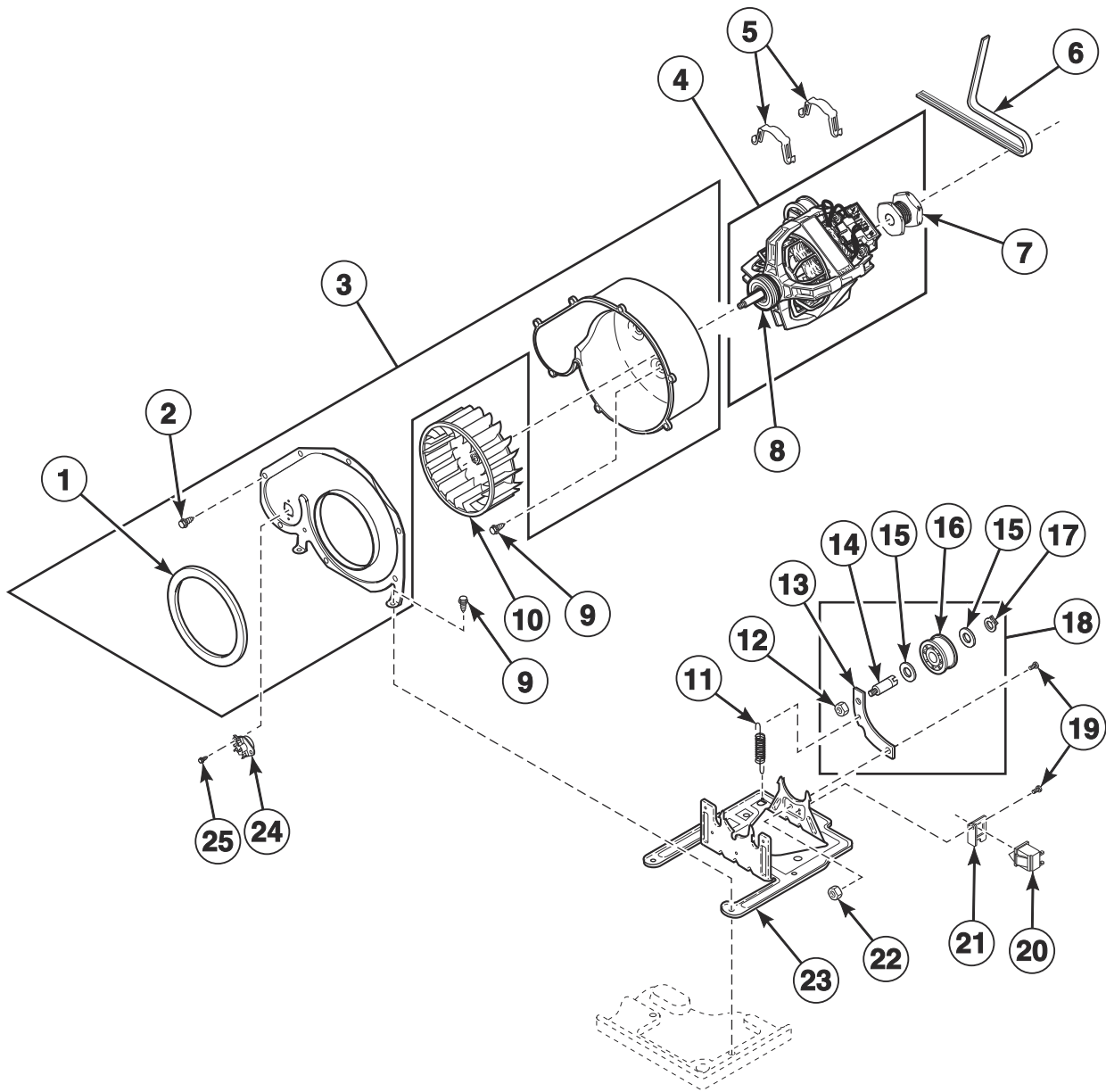


DRY1785P_D517186

Access Panel, Front Panel and Seal

REF	PART NO.	DESCRIPTION	COMMENTS
1	39733	Screw	
2	56079	Panel Locator	
3	28835	Speed Clip	
4	D512973	Switch	
5	D511056	Front Panel Seal	
6	D512542	Front Panel	Stainless steel
	D510066WP	Front Panel	White
7	D503688	Screw	
8	33562	Screw	
9	D514251	Access Panel Assembly	Stainless steel
	D514250WP	Access Panel Assembly	White
10	D510177	Door Catch Assembly	
11	D510186	Hinge Hole Plug	
12	D500281	Warning/Caution Label	English
	D516243	Warning Label	French

Motor, Exhaust Fan and Belt

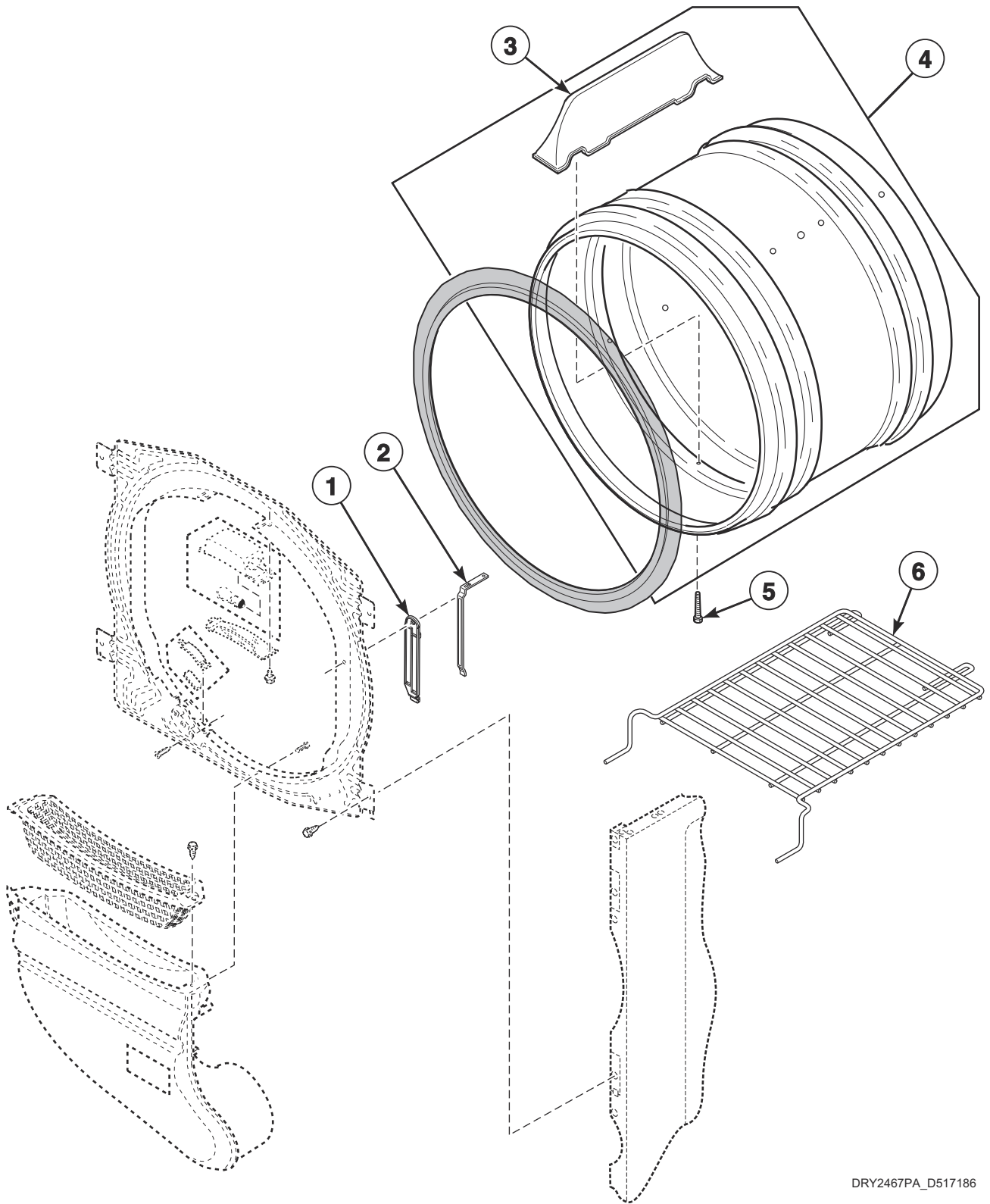


DRY2523P_D517186

Motor, Exhaust Fan and Belt

REF	PART NO.	DESCRIPTION	COMMENTS
	27604P	Anti-Seize Compound	Apply to motor shaft when installing blower fan assembly
1	D510238P	Blower Housing Seal	
2	31260	Screw	
3	D511969WP	Blower Housing	Includes items 1 and 2
4	D511629P	Motor and Pulley Assembly	120 Volt/60 Hertz; Includes items 5, 7 and 8; Apply anti-seize compound to motor shaft when installing blower fan assembly
5	D510180	Motor Mount Clamp	
6	D511255P	Cylinder Belt	
7	D500011	Motor Pulley	60 Hertz
8	590P3	Motor Hub Ring Kit	
9	D503688	Screw	
10	D510139P	Blower Fan Assembly	
11	D510185	Idler Spring	
12	56156	Nut	
13	D516310	Idler Lever	
14	56461P	Shaft	
15	52549	Washer	
16	D510142P	Idler Wheel and Bearing Assembly	
17	23748	Retaining Ring	
18	D516792	Idler Lever and Wheel Assembly	Includes items 12 -17
19	D500824	Screw	
20	D516391	Switch	Starting Serial No. 1903000001
21	D516311	Motor Switch Bracket	Starting Serial No. 1903000001
22	52566	Nut	
23	D518517	Motor Mount	
24	D504515	Thermostat	Green; Models ADE3SRGS175CW01, ADE3SRGS175CW14, ADE3SRGS175TW01, ADE4BRGS175CW01, ADE4BRGS175CW14, ADE4BRGS175TW01, ADE4BRGS176CW01, ADE4BRGS176CW14, ADE4BRGS176TW01, ZDE3SRGS175CW01, ZDE4BRGS175CW01 and ZDE4BRGS176CW01
	D510707P	Thermostat	Pink/White; Models ADG3SRGS115CW01, ADG3SRGS115CW14, ADG3SRGS115TW01, ADG4BRGS115CW01, ADG4BRGS115CW14, ADG4BRGS115TW01, ADG4BRGS116CW01, ADG4BRGS116CW14, ADG4BRGS116TW01, ZDG4BRGS115CW01 and ZDG4BRGS116CW01
	D510523	Thermistor Assembly	Black; All other models
25	D502535	Screw	

Cylinder

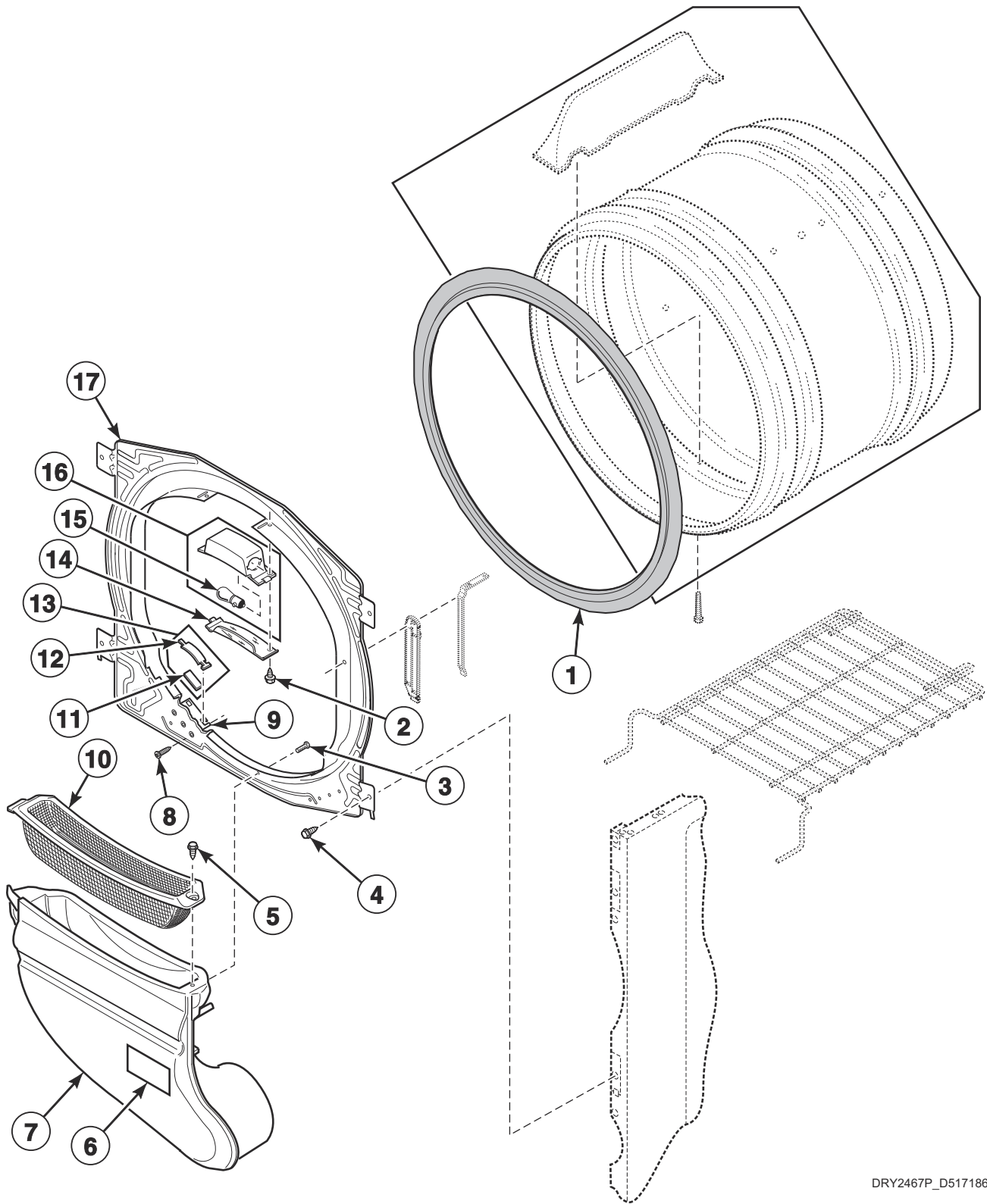


DRY2467PA_D517186

Cylinder

REF	PART NO.	DESCRIPTION	COMMENTS
1	D513738	Moisture Sensor Base	Models ADEE9BGS175CW01, ADEE9BGS175CW14, ADEE9BGS175TW01, ADEE9BSS175CN01, ADEE9BSS175CN14, ADEE9BSS175TN01, ADEE9RGS175CW01, ADEE9RGS175CW14, ADEE9RGS175TW01, ADGE9BGS115CW01, ADGE9BGS115CW14, ADGE9BGS115TW01, ADGE9BSS115CN01, ADGE9BSS115CN14, ADGE9BSS115TN01, ADGE9RGS115CW01, ADGE9RGS115CW14, ADGE9RGS115TW01, ZDEE9BGS175CW01, ZDEE9BSS175CN01, ZDEE9RGS175CW01, ZDGE9BGS115CW01, ZDGE9BSS115CN01 and ZDGE9RGS115CW01
2	D513737	Bar Sensor	2 required; Models ADEE9BGS175CW01, ADEE9BGS175CW14, ADEE9BGS175TW01, ADEE9BSS175CN01, ADEE9BSS175CN14, ADEE9BSS175TN01, ADEE9RGS175CW01, ADEE9RGS175CW14, ADEE9RGS175TW01, ADGE9BGS115CW01, ADGE9BGS115CW14, ADGE9BGS115TW01, ADGE9BSS115CN01, ADGE9BSS115CN14, ADGE9BSS115TN01, ADGE9RGS115CW01, ADGE9RGS115CW14, ADGE9RGS115TW01, ZDEE9BGS175CW01, ZDEE9BSS175CN01, ZDEE9RGS175CW01, ZDGE9BGS115CW01, ZDGE9BSS115CN01 and ZDGE9RGS115CW01
3	D510102W	Cylinder Baffle	3 required; White
	D510102LG	Cylinder Baffle	3 required; Light gray
4	D505929LGP	Cylinder Assembly	Stainless steel
	D510265WP	Cylinder Assembly	Galvanized
	D510159WP	Cylinder Assembly	White
5	62588	Screw	
6	D512082P	Drying Rack	

Front Bulkhead, Air Duct and Felt Seal

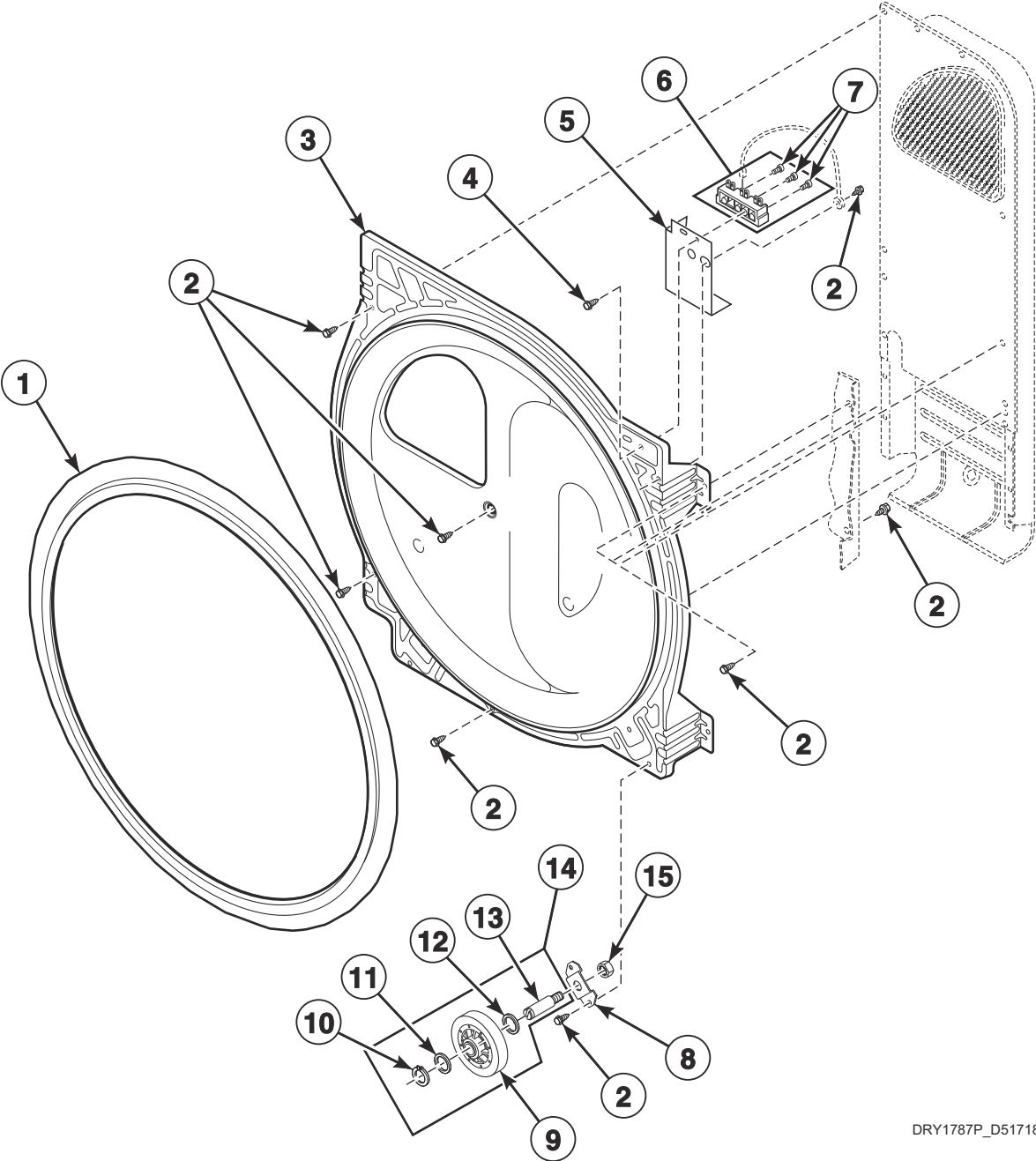


DRY2467P_D517186

Front Bulkhead, Air Duct and Felt Seal

REF	PART NO.	DESCRIPTION	COMMENTS
1	D510207P	Cylinder Seal Assembly	
	D511637P	Adhesive	Apply to cylinder seal
	RB170001	Seal Kit	Includes 2 cylinder seals, D510238P Blower Housing Seal and Adhesive
2	D500227	Screw	
3	D505295	Screw	
4	D503688	Screw	Use with painted side panels
	M405188	Screw	Use with stainless steel side panels
5	D501285	Screw	
6	44324001	Warning Label	English/French
7	D518433	Air Duct Assembly	
8	D500226	Screw	
9	D510145	Cylinder Glide Bracket	2 required
10	D503980W	Lint Filter	White
	D503980LG	Lint Filter	Light gray
11	D510189	Felt Pad	2 required
12	D513710	Cylinder Glide	2 required
13	RB170003	Glide Kit	Includes items 11 and 12
14	D512106	Cylinder Light Lens	
15	60954	Drum Light Lamp	
16	D512108	Light Housing Assembly	120 Volt; Includes item 15
17	D512476P	Front Bulkhead Assembly	Galvanized; Models ADE3SRGS175CW01, ADE3SRGS175CW14, ADE3SRGS175TW01, ADE4BRGS175CW01, ADE4BRGS175CW14, ADE4BRGS175TW01, ADE4BRGS176CW01, ADE4BRGS176CW14, ADE4BRGS176TW01, ADG3SRGS115CW01, ADG3SRGS115CW14, ADG3SRGS115TW01, ADG4BRGS115CW01, ADG4BRGS115CW14, ADG4BRGS115TW01, ADG4BRGS116CW01, ADG4BRGS116CW14, ADG4BRGS116TW01, ZDE3SRGS175CW01, ZDE4BRGS175CW01, ZDE4BRGS176CW01, ZDG3SRGS115CW01, ZDG4BRGS115CW01 and ZDG4BRGS116CW01
	D505899WP	Bulkhead Assembly	Models ADE3SRGS175CW01, ADE3SRGS175CW14, ADE3SRGS175TW01, ADE4BRGS175CW01, ADE4BRGS175CW14, ADE4BRGS175TW01, ADE4BRGS176CW01, ADE4BRGS176CW14, ADE4BRGS176TW01, ADG3SRGS115CW01, ADG3SRGS115CW14, ADG3SRGS115TW01, ADG4BRGS115CW01, ADG4BRGS115CW14, ADG4BRGS115TW01, ADG4BRGS116CW01, ADG4BRGS116CW14, ADG4BRGS116TW01, ZDE3SRGS175CW01, ZDE4BRGS175CW01, ZDE4BRGS176CW01, ZDG3SRGS115CW01, ZDG4BRGS115CW01 and ZDG4BRGS116CW01; White; Includes items 1-3 and 11-17
	D515533P	Front Bulkhead Assembly	Galvanized; All other models
	D515544WP	Bulkhead Assembly	All other models; White; Includes items 1-3 and 11-17

Rear Bulkhead, Felt Seal, Cylinder Roller and Terminal Block



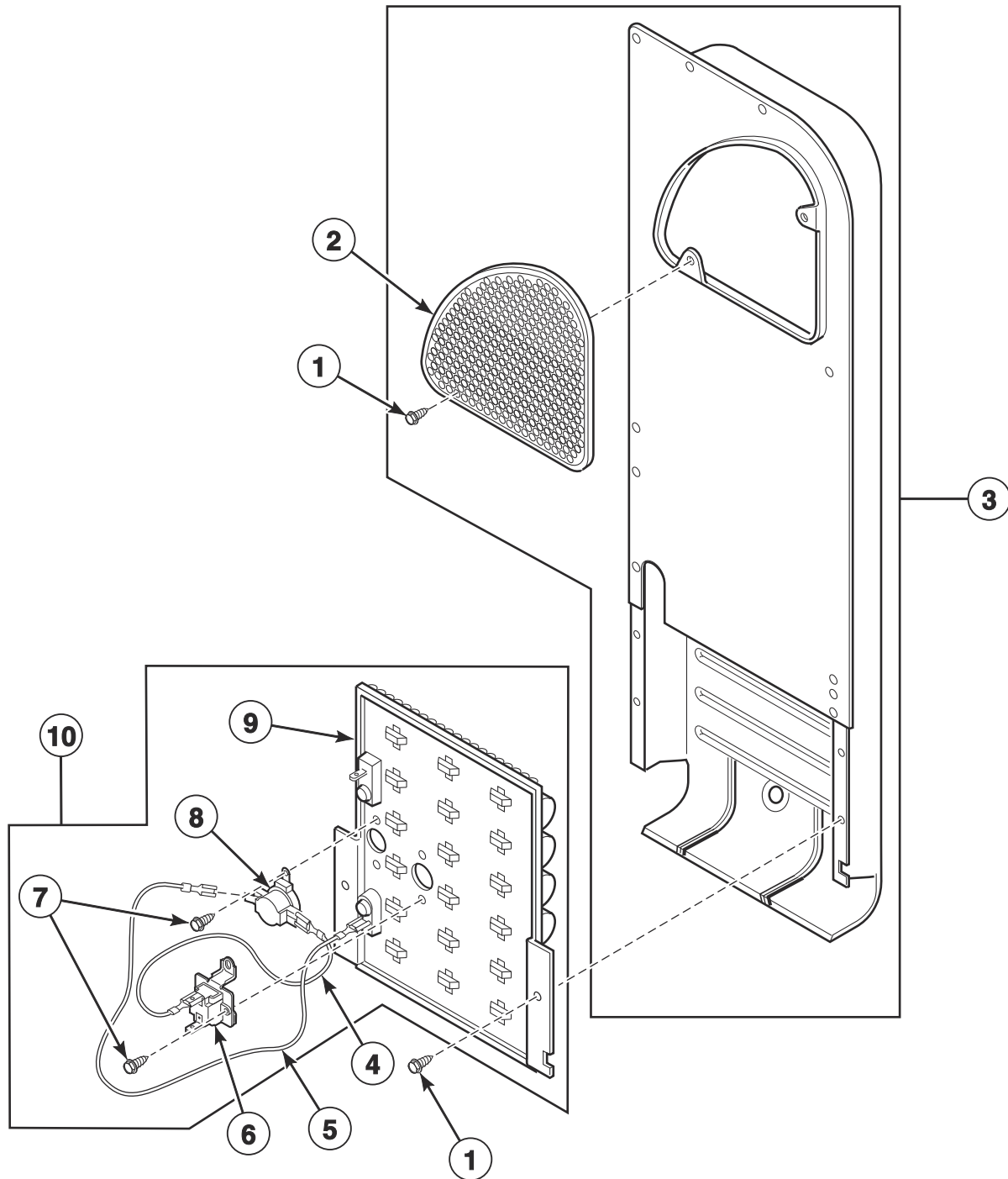
DRY1787P_D517186

Rear Bulkhead, Felt Seal, Cylinder Roller and Terminal Block

REF	PART NO.	DESCRIPTION	COMMENTS
1	D510207P	Cylinder Seal Assembly	
	D511637P	Adhesive	Apply to cylinder seal
	RB170001	Seal Kit	Includes 2 cylinder seals, D510238P Blower Housing Seal and Adhesive
2	D503688	Screw	
3	D518128	Rear Bulkhead	Includes item 1; Stainless steel
	D511082P	Rear Bulkhead Assembly	Includes item 1; Galvanized
	D510905WP	Rear Bulkhead Assembly	White; Includes item 1
4	D501285	Screw	Electric models
5	D510237	Terminal Block Shield	Electric models; Through Serial No. 1903000001
6	D510190P	Terminal Block Assembly	Includes 3 of item 7; Electric models
7	61199	Screw	
8	D510100	Cylinder Roller Bracket	
9	D510708P	Cylinder Roller	
10	23748	Retaining Ring	
11	52549	Washer	
12	D504082	Washer	
13	56461P	Shaft	
14	RB170002	Roller Kit	Includes 2 each of items 9-13
15	56156	Nut	

Heater Duct and Element Assembly

Electric Models



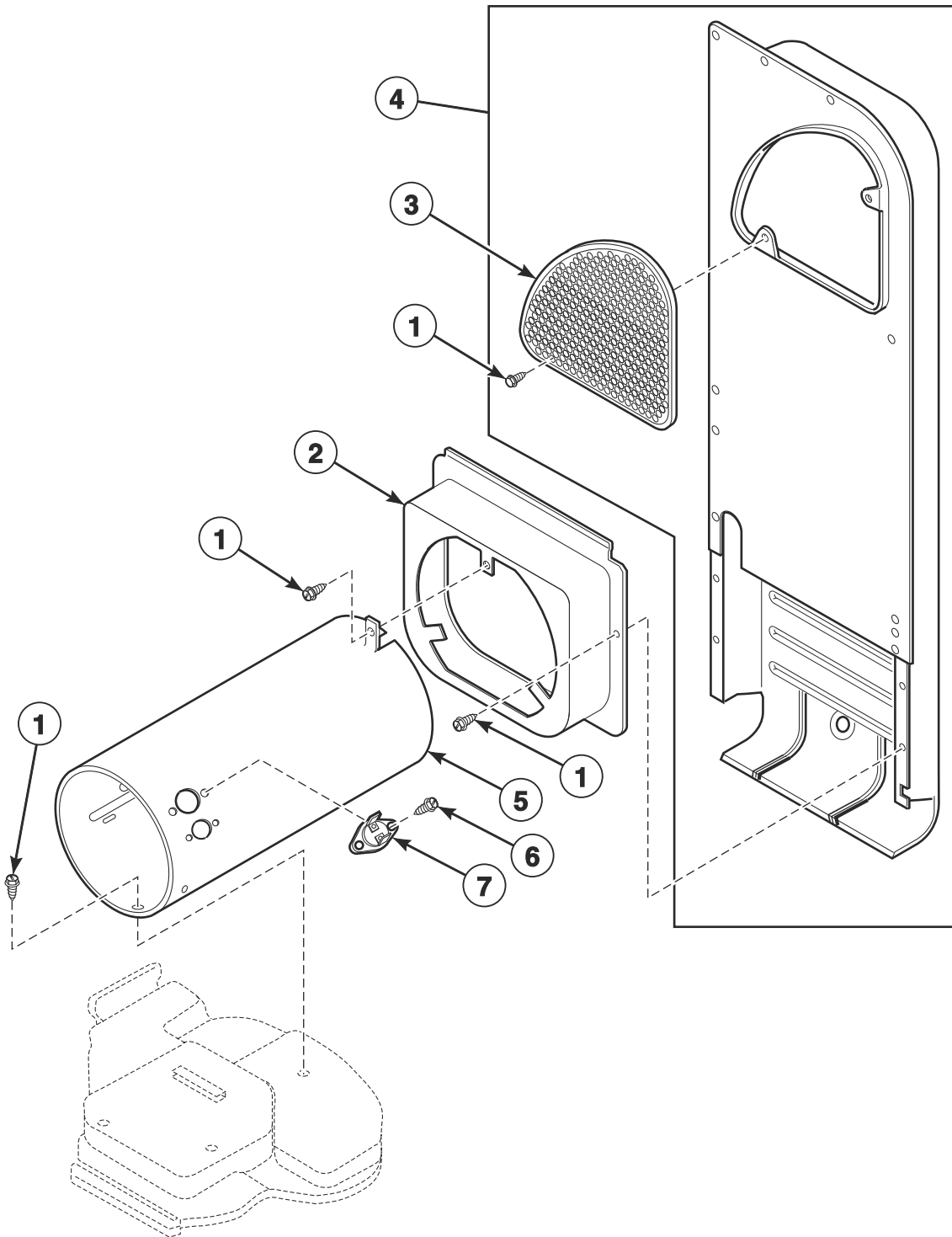
DRY1789P_D517186

Heater Duct and Element Assembly

REF	PART NO.	DESCRIPTION	COMMENTS
1	D503688	Screw	
2	D500820	Outlet Cover	Aluminized steel
	D518524	Outlet Cover	Black; Nitrocarburized
3	D510025P	Heater Duct Assembly	Includes items 1 and 2
4	D518256	Wire Assembly	Orange; Thermostat jumper; Attaches to heater assembly
5	D518255	Wire Assembly	Black; Fuse jumper; Attaches to heater assembly
6	D518542	Thermal Fuse Assembly	
7	23222	Screw	
8	D510701	Limit Thermostat	
9	D510329P	Heater Assembly	5.35 kW; 240 Volt/60 Hertz; Models ADE3SRGS175TW01, ADE4BRGS175TW01, ADE4BRGS176TW01, ADEE9BGS175TW01, ADEE9BSS175TN01 and ADEE9RGS175TW01
	D510324P	Heater Assembly	5 kW; 240 Volt; All other models
10	964P3	Heater Kit	5.35 kW; 240 Volt/60 Hertz; Includes items 4-9; Models ADE3SRGS175TW01, ADE4BRGS175TW01, ADE4BRGS176TW01, ADEE9BGS175TW01, ADEE9BSS175TN01 and ADEE9RGS175TW01 includes factory-installed heater
	61927	Heater Kit Assembly	5 kW; 240 Volt/60 Hertz; Includes items 4-9; All other models
	61928	Heater Kit Assembly	4.75 kW; 208 Volt/60 Hertz; Includes items 4-9; Optional conversion

Heater Duct Assembly

Gas Models



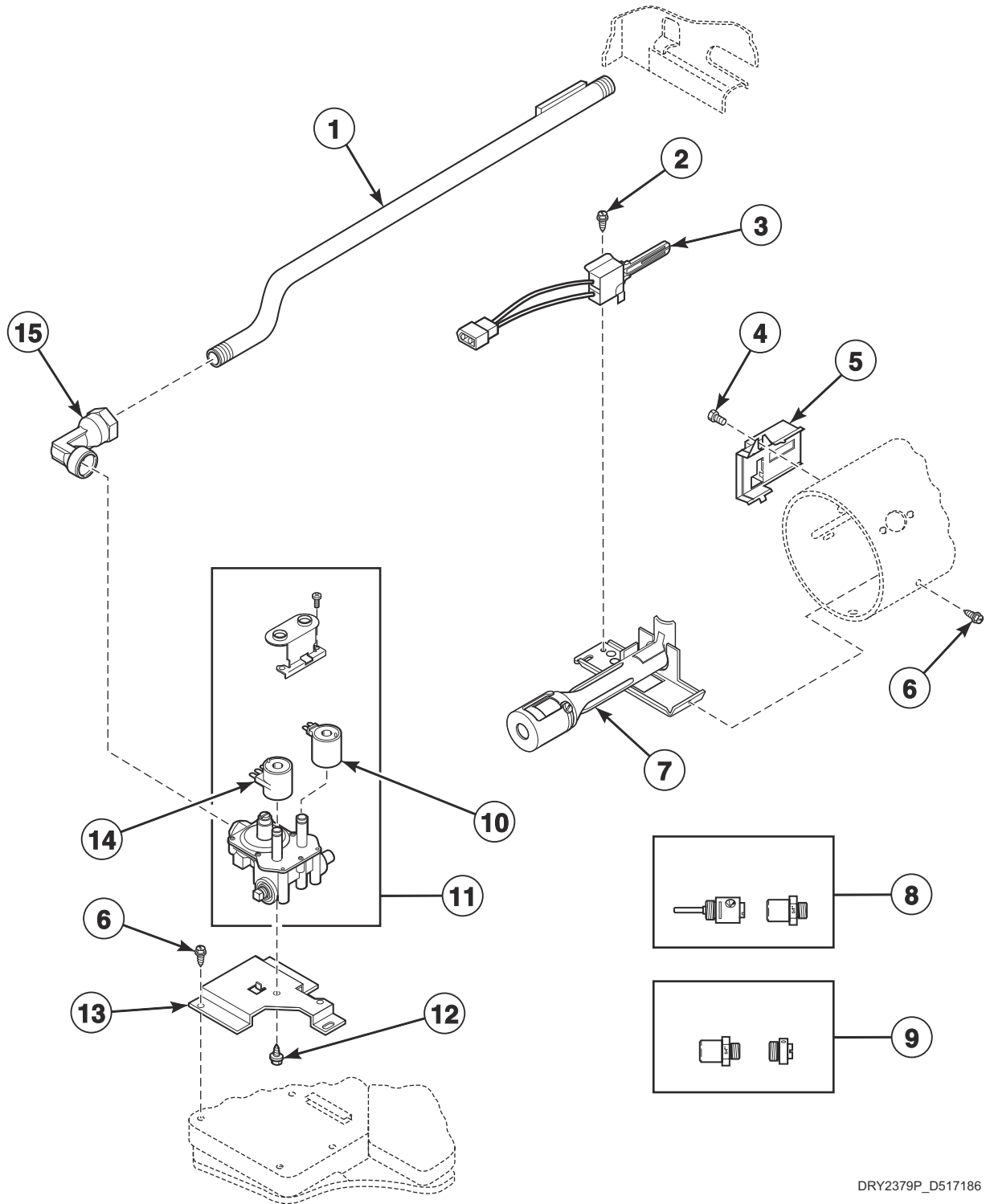
DRY2145P_D517186

Heater Duct Assembly

REF	PART NO.	DESCRIPTION	COMMENTS
1	D503688	Screw	
2	D510101	Heat Duct Shroud	
3	D500820	Outlet Cover	
	D518524	Outlet Cover	Black
4	D510025P	Heater Duct Assembly	Includes items 1 and 3
5	D510131	Combustion Duct	
6	51782	Screw	
7	D510702	Limit Thermostat	Black; Auto reset

Gas Valve, Igniter and Gas Conversion Kits Through Serial No. 190800001

Gas Models



DRY2379P_D517186

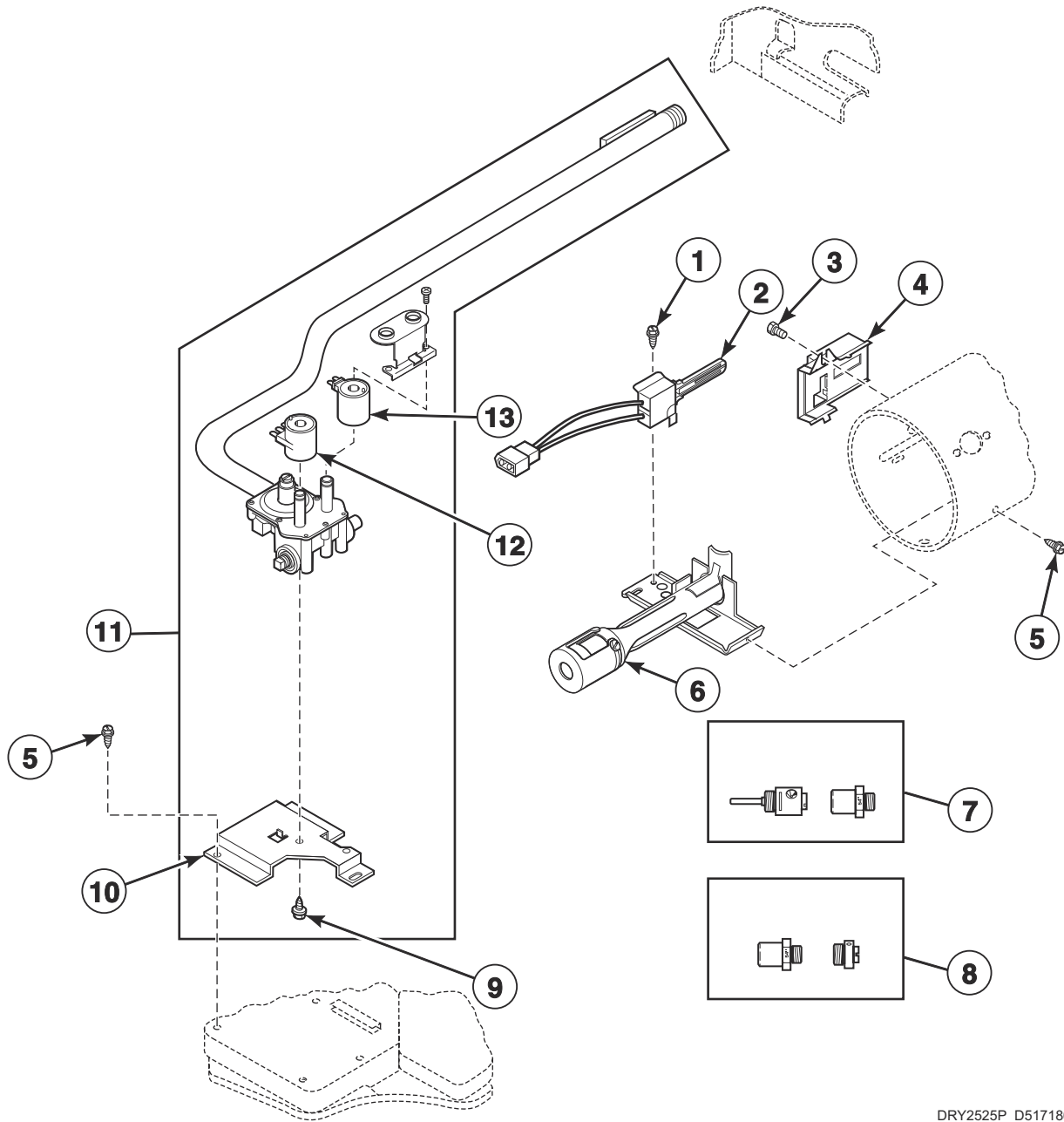
Gas Valve, Igniter and Gas Conversion Kits Through Serial No. 1908000001

REF	PART NO.	DESCRIPTION	COMMENTS
1	D510204	Lead-In Pipe Assembly	
2	51782	Screw	
3	D510184P	Igniter and Bracket Assembly	
4	23222	Screw	
5	D510213	Sensor	
6	D503688	Screw	
7	D510149P	Burner Assembly	
8	649P3	L.P. Conversion Kit	Used to convert dryers from Natural Gas (N.G.) or Mixed Gas to Liquid Petroleum Gas (L.P.); 22,500 Btu
9	650P3	N.G. Conversion Kit	Used to convert dryers from L.P. to N.G. or Mixed Gas; 22,500 Btu
10	58804B	Secondary Coil	
11	D510506P	Gas Valve Assembly	60 Hertz; 22,500 Btu; N.G.; Includes items 9-10, 12 and 13
12	56124	Screw	
13	D510128	Gas Valve Mounting Bracket	
14	58804A	Booster and Holding Coil	
15	D513072	Elbow	

Gas Valve, Igniter and Gas Conversion Kits

Starting Serial No. 1908000001

Gas Models



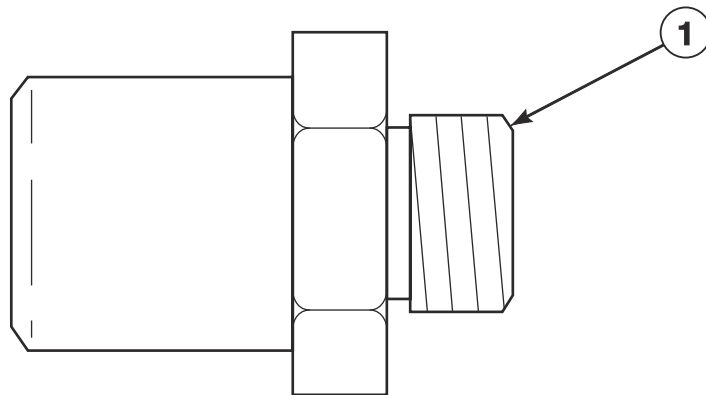
DRY2525P_D517186

Gas Valve, Igniter and Gas Conversion Kits Starting Serial No. 1908000001

REF	PART NO.	DESCRIPTION	COMMENTS
1	51782	Screw	
2	D510184P	Igniter and Bracket Assembly	
3	23222	Screw	
4	D510213	Sensor	
5	D503688	Screw	
6	D510149P	Burner Assembly	
7	649P3	L.P. Conversion Kit	Used to convert dryers from Natural Gas (N.G.) or Mixed Gas to Liquid Petroleum Gas (L.P.); 22,500 Btu
8	650P3	N.G. Conversion Kit	Used to convert dryers from L.P. to N.G. or Mixed Gas; 22,500 Btu
9	56124	Screw	
10	D510128	Gas Valve Mounting Bracket	
11	D517609	Gas Valve, Bracket and Pipe Assembly	60 Hertz; 22,500 Btu; N.G.; Includes items 9-13
12	58804A	Booster and Holding Coil	
13	58804B	Secondary Coil	

Burner Orifice Spuds - For Higher Elevations

Gas Models

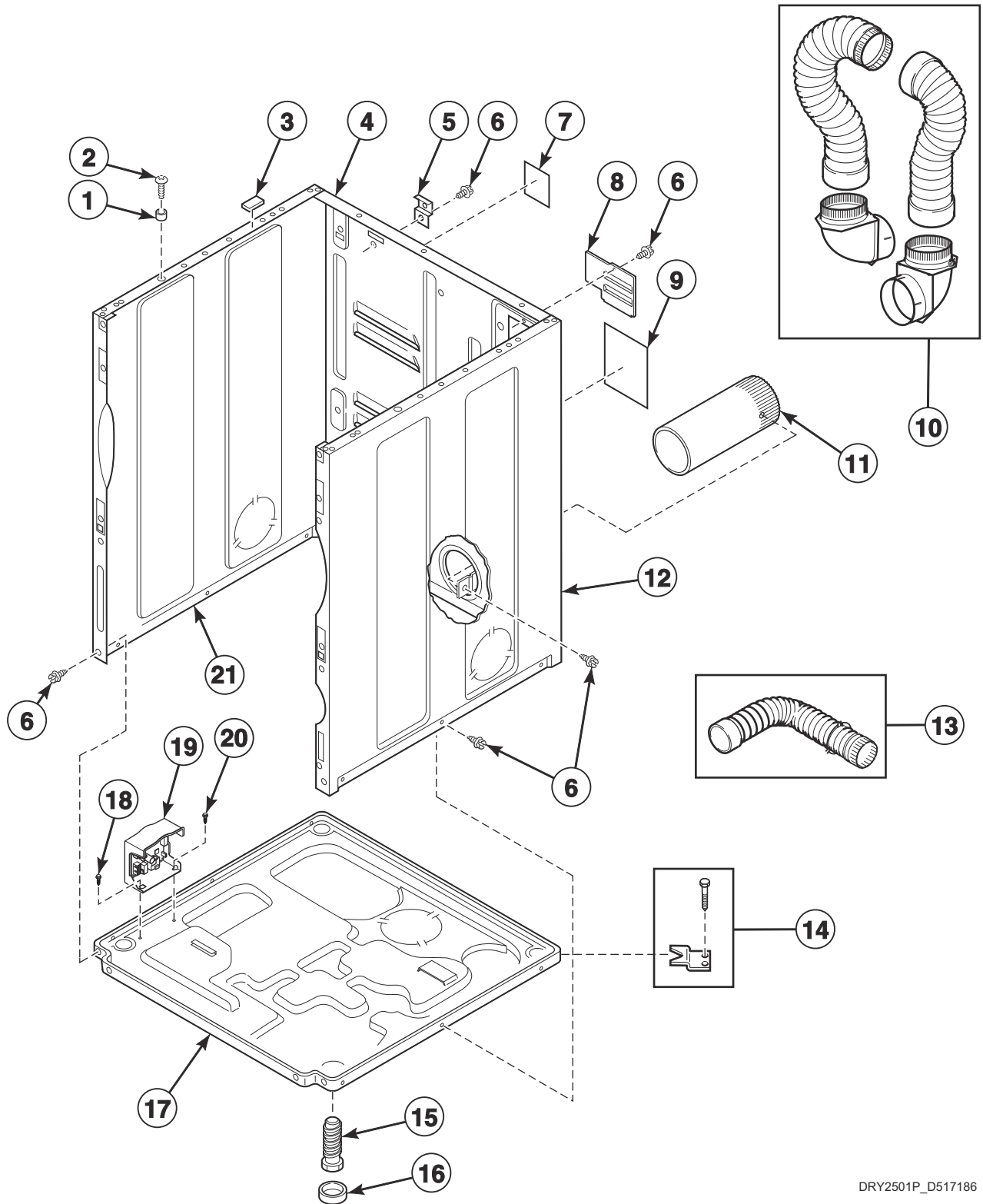


DRY2266P_D517186

Burner Orifice Spuds - For Higher Elevations

REF	PART NO.	DESCRIPTION	COMMENTS
1	58755	L.P. Orifice	22,500 Btu; 3000-7999 feet (915-2439 m)
	D503786	L.P. Orifice	22,500 Btu; 8000 feet (2440 m) and higher
	D503778	N.G. Orifice	22,500 Btu; 3000-5999 feet (915-1829 m)
	58719	Screw Orifice	N.G.; 22,500 Btu; 6000-7999 feet (1830-2439 m)
	D503779	N.G. Orifice	22,500 Btu; 8000-8999 feet (2440-2739 m)
	D503780	N.G. Orifice	22,500 Btu; 9000-9999 feet (2740-3049 m)
	D503781	N.G. Orifice	22,500 Btu; 10,000 feet (3050 m) and higher

Cabinet, Exhaust Duct and Base



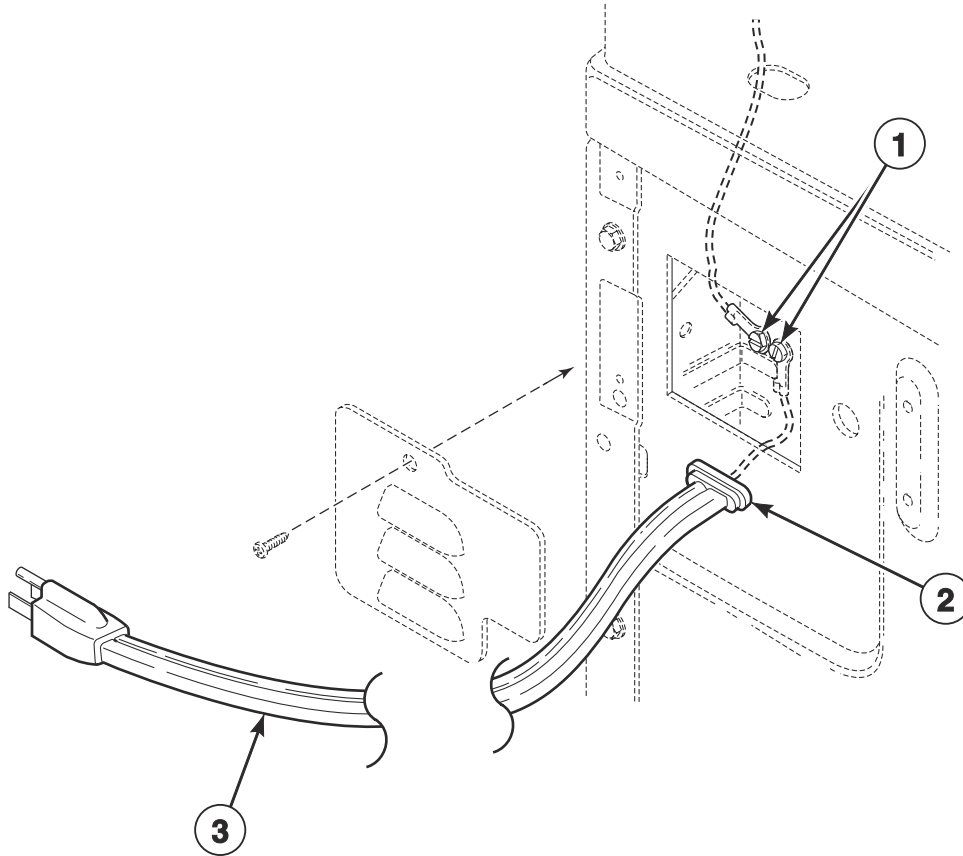
DRY2501P_D517186

Cabinet, Exhaust Duct and Base

REF	PART NO.	DESCRIPTION	COMMENTS
1	56079	Panel Locator	
2	D512921	Screw	Use with stainless steel side panels
	39733	Screw	Use with painted side panels
3	56128	Bumper Pad	
4	D514632P	Cabinet Rear Panel	
5	D510136	Top Hinge	
6	D503688	Screw	
7	D511004	Gas Clearance Label	Gas models
8	D510903	Access Panel Plate	
9	D505984	Clearance Warning Label	Models ADE3SRGS175CW01, ADE3SRGS175CW14, ADE4BRGS175CW01, ADE4BRGS175CW14, ADE4BRGS176CW01, ADE4BRGS176CW14, ADEE9BGS175CW01, ADEE9BGS175CW14, ADEE9BSS175CN01, ADEE9BSS175CN14, ADEE9RGS175CW01, ADEE9RGS175CW14, ZDE3SRGS175CW01, ZDE4BRGS175CW01, ZDE4BRGS176CW01, ZDEE9BGS175CW01, ZDEE9BSS175CN01 and ZDEE9RGS175CW01
	D511005	Electric Clearance Label	All other electric models
10	521P3	Flexible Venting Kit	
11	D516196	Exhaust Duct	
12	D512539	Cabinet Side Panel	Right; Stainless steel
	D510002WP	Cabinet Side Panel	Right; White
13	528P3	Directional Exhaust Kit	Used to vent dryer out the sides or bottom
14	526P3	Hold Down Kit	For mobile home installations
15	D510135	Leveling Leg	
16	D501855	Rubber Foot	
17	D514245	Dryer Base	
18	D514428	Screw	Models ADEE9BGS175CW01, ADEE9BGS175CW14, ADEE9BGS175TW01, ADEE9BSS175CN01, ADEE9BSS175CN14, ADEE9BSS175TN01, ADEE9RGS175CW01, ADEE9RGS175CW14, ADEE9RGS175TW01, ADGE9BGS115CW01, ADGE9BGS115CW14, ADGE9BGS115TW01, ADGE9BSS115CN01, ADGE9BSS115CN14, ADGE9BSS115TN01, ADGE9RGS115CW01, ADGE9RGS115CW14, ADGE9RGS115TW01, ZDEE9BGS175CW01, ZDEE9BSS175CN01, ZDEE9RGS175CW01, ZDGE9BGS115CW01, ZDGE9BSS115CN01 and ZDGE9RGS115CW01
19	D513797P	Output Control Assembly	Models ADEE9BGS175CW01, ADEE9BGS175CW14, ADEE9BGS175TW01, ADEE9BSS175CN01, ADEE9BSS175CN14, ADEE9BSS175TN01, ADEE9RGS175CW01, ADEE9RGS175CW14, ADEE9RGS175TW01, ADGE9BGS115CW01, ADGE9BGS115CW14, ADGE9BGS115TW01, ADGE9BSS115CN01, ADGE9BSS115CN14, ADGE9BSS115TN01, ADGE9RGS115CW01, ADGE9RGS115CW14, ADGE9RGS115TW01, ZDEE9BGS175CW01, ZDEE9BSS175CN01, ZDEE9RGS175CW01, ZDGE9BGS115CW01, ZDGE9BSS115CN01 and ZDGE9RGS115CW01
20	804667	Screw	Models ADEE9BGS175CW01, ADEE9BGS175CW14, ADEE9BGS175TW01, ADEE9BSS175CN01, ADEE9BSS175CN14, ADEE9BSS175TN01, ADEE9RGS175CW01, ADEE9RGS175CW14, ADEE9RGS175TW01, ADGE9BGS115CW01, ADGE9BGS115CW14, ADGE9BGS115TW01, ADGE9BSS115CN01, ADGE9BSS115CN14, ADGE9BSS115TN01, ADGE9RGS115CW01, ADGE9RGS115CW14, ADGE9RGS115TW01, ZDEE9BGS175CW01, ZDEE9BSS175CN01, ZDEE9RGS175CW01, ZDGE9BGS115CW01, ZDGE9BSS115CN01 and ZDGE9RGS115CW01
21	D512538	Cabinet Side Panel	Left; Stainless steel
	D510001WP	Cabinet Side Panel	Left; White

Lead-In Cord

All Models Except ADE3SRGS175TW01, ADE4BRGS175TW01, ADE4BRGS176TW01, ADEE9BGS175TW01, ADEE9BSS175TN01, ADEE9RGS175TW01, ZDE3SRGS175CW01, ZDE4BRGS175CW01, ZDE4BRGS176CW01, ZDEE9BGS175CW01, ZDEE9BSS175CN01 and ZDEE9RGS175CW01



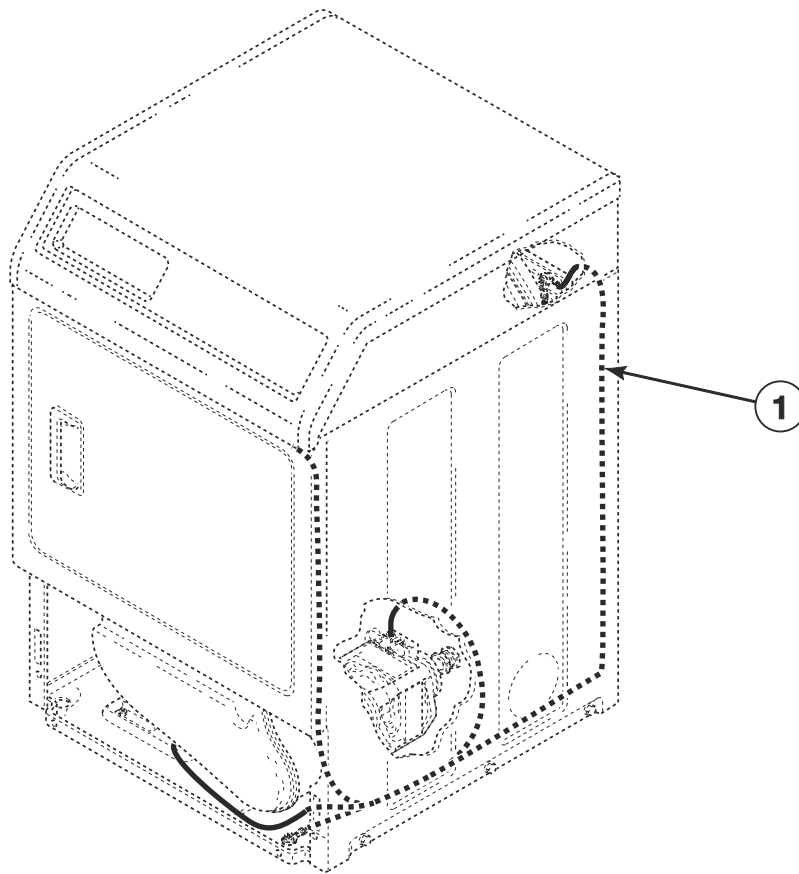
DRY1790P_D517186

Lead-In Cord

REF	PART NO.	DESCRIPTION	COMMENTS
1	20530	Screw	Earth/Ground
2	38384	Strain Relief	
3	56222	Lead-In Cord	Models ADG3SRGS115CW01, ADG3SRGS115CW14, ADG3SRGS115TW01, ADG4BRGS115CW01, ADG4BRGS115CW14, ADG4BRGS115TW01, ADG4BRGS116CW01, ADG4BRGS116CW14, ADG4BRGS116TW01, ZDG3SRGS115CW01, ZDG4BRGS115CW01 and ZDG4BRGS116CW01
	D510505P	Lead-In Cord Assembly	Models ADE3SRGS175CW01, ADE3SRGS175CW14, ADE4BRGS175CW01, ADE4BRGS175CW14, ADE4BRGS176CW01, ADE4BRGS176CW14, ADEE9BGS175CW01, ADEE9BGS175CW14, ADEE9BSS175CN01, ADEE9BSS175CN14, ADEE9RGS175CW01 and ADEE9RGS175CW14
	202777	Lead-In Cord	All other models

Wire Harnesses and Wires - Front Control Models

Models ADEE9BGS175CW01, ADEE9BGS175CW14, ADEE9BGS175TW01, ADEE9BSS175CN01, ADEE9BSS175CN14, ADEE9BSS175TN01, ADGE9BGS115CW01, ADGE9BGS115CW14, ADGE9BGS115TW01, ADGE9BSS115CN01, ADGE9BSS115CN14, ADGE9BSS115TN01, ZDEE9BGS175CW01, ZDEE9BSS175CN01, ZDGE9BGS115CW01 and ZDGE9BSS115CN01



DRY2400P_D517186

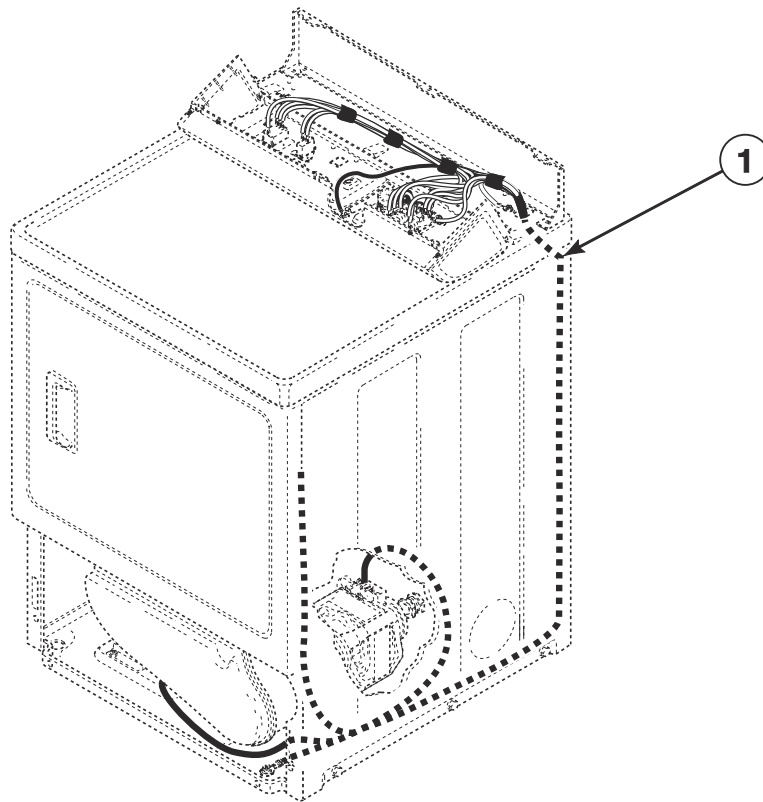
Wire Harnesses and Wires - Front Control Models

REF	PART NO.	DESCRIPTION	COMMENTS
	45380	12 Gauge Wire	Orange; Order wire by the foot; Order terminals and connectors as required
	45477	12 Gauge Wire	Green/yellow stripe; Order wire by the foot; Order terminals and connectors as required
	45001	18 Gauge Wire	Black; Order wire by the foot; Order terminals and connectors as required
	D517236	Broken Belt Harness	Starting Serial No. 1903000001
1	D517244	Electric Harness	Models ADEE9BGS175CW01, ADEE9BGS175CW14, ADEE9BGS175TW01, ADEE9BSS175CN01, ADEE9BSS175CN14 and ADEE9BSS175TN01; Through Serial No. 1903000001
	D517210	Electric Harness	Models ADEE9BGS175CW01, ADEE9BGS175CW14, ADEE9BGS175TW01, ADEE9BSS175CN01, ADEE9BSS175CN14, ADEE9BSS175TN01, ZDEE9BGS175CW01 and ZDEE9BSS175CN01; Starting Serial No. 1903000001
	D517097	Gas Harness	Models ADGE9BGS115CW01, ADGE9BGS115CW14, ADGE9BGS115TW01, ADGE9BSS115CN01, ADGE9BSS115CN14 and ADGE9BSS115TN01; Through Serial No. 1903000001
	D517243	Gas Harness	Models ADGE9BGS115CW01, ADGE9BGS115CW14, ADGE9BGS115TW01, ADGE9BSS115CN01, ADGE9BSS115CN14, ADGE9BSS115TN01, ZDGE9BGS115CW01 and ZDGE9BSS115CN01; Starting Serial No. 1903000001

NOTE: Individual wires are not available separately. Order complete wire harness, or order wire by the foot. When applying terminals to wires, it is recommended that the terminals be soldered to the wires.

Wire Harnesses and Wires - Rear Control Models

Models ADE3SRGS175CW01, ADE3SRGS175CW14, ADE3SRGS175TW01, ADE4BRGS175CW01, ADE4BRGS175CW14, ADE4BRGS175TW01, ADE4BRGS176CW01, ADE4BRGS176CW14, ADE4BRGS176TW01, ADEE9RGS175CW01, ADEE9RGS175CW14, ADEE9RGS175TW01, ADG3SRGS115CW01, ADG3SRGS115CW14, ADG3SRGS115TW01, ADG4BRGS115CW01, ADG4BRGS115CW14, ADG4BRGS115TW01, ADG4BRGS116CW01, ADG4BRGS116CW14, ADG4BRGS116TW01, ADGE9RGS115CW01, ADGE9RGS115CW14, ADGE9RGS115TW01, ZDE3SRGS175CW01, ZDE4BRGS175CW01, ZDE4BRGS176CW01, ZDEE9RGS175CW01, ZDG3SRGS115CW01, ZDG4BRGS115CW01, ZDG4BRGS116CW01 and ZDGE9RGS115CW01



DRY2268P_D517186

Wire Harnesses and Wires - Rear Control Models

REF	PART NO.	DESCRIPTION	COMMENTS
	45380	12 Gauge Wire	Orange; Order wire by the foot; Order terminals and connectors as required
	45477	12 Gauge Wire	Green/yellow stripe; Order wire by the foot; Order terminals and connectors as required
	45001	18 Gauge Wire	Black; Order wire by the foot; Order terminals and connectors as required
	D517236	Broken Belt Harness	Starting Serial No. 1903000001
1	D517256	Electric Harness	Main harness; Models ADEE9RGS175CW01, ADEE9RGS175CW14 and ADEE9RGS175TW01; Through Serial No. 1903000001
	D517222	Electric Harness	Main harness; Models ADEE9RGS175CW01, ADEE9RGS175CW14, ADEE9RGS175TW01 and ZDEE9RGS175CW01; Starting Serial No. 1903000001
	D513665	Wire Harness Assembly	Main harness; Models ADG3SRGS115CW01, ADG3SRGS115CW14 and ADG3SRGS115TW01; Through Serial No. 1903000001
	D517439	Harness	Main harness; Models ADG3SRGS115CW01, ADG3SRGS115CW14, ADG3SRGS115TW01, ADG4BRGS115CW01, ADG4BRGS115CW14, ADG4BRGS115TW01, ADG4BRGS116CW01, ADG4BRGS116CW14, ADG4BRGS116TW01, ZDG3SRGS115CW01, ZDG4BRGS115CW01 and ZDG4BRGS116CW01; Starting Serial No. 1903000001
	D513660	Wire Harness Assembly	Main harness; Models ADE3SRGS175CW01, ADE3SRGS175CW14, ADE3SRGS175TW01, ADE4BRGS175CW01, ADE4BRGS175CW14, ADE4BRGS175TW01, ADE4BRGS176CW01, ADE4BRGS176CW14 and ADE4BRGS176TW01; Through Serial No. 1903000001
	D517438	Harness	Main harness; Models ADE3SRGS175CW01, ADE3SRGS175CW14, ADE3SRGS175TW01, ADE4BRGS175CW01, ADE4BRGS175CW14, ADE4BRGS175TW01, ADE4BRGS176CW01, ADE4BRGS176CW14, ADE4BRGS176TW01, ZDE3SRGS175CW01, ZDE4BRGS175CW01 and ZDE4BRGS176CW01; Starting Serial No. 1903000001
	D517103	Gas Harness Assembly	Main Harness; Models ADGE9RGS115CW01, ADGE9RGS115CW14 and ADGE9RGS115TW01; Through Serial No. 1903000001
	D517255	Gas Harness Assembly	Main Harness; Models ADGE9RGS115CW01, ADGE9RGS115CW14, ADGE9RGS115TW01 and ZDGE9RGS115CW01; Starting Serial No. 1903000001
	D513659	Wire Harness Assembly	Main Harness; Models ADG4BRGS115CW01, ADG4BRGS115CW14, ADG4BRGS115TW01, ADG4BRGS116CW01, ADG4BRGS116CW14 and ADG4BRGS116TW01; Through Serial No. 1903000001

NOTE: Individual wires are not available separately. Order complete wire harness, or order wire by the foot. When applying terminals to wires, it is recommended that the terminals be soldered to the wires.

Parts Index

A

Access Panel Assembly	
D514250WP	17
D514251	17
Access Panel Plate	
D510903	37
Adhesive	
D511637P	23, 25
Air Duct Assembly	
D518433	23
Anti-Seize Compound	
27604P	19

B

Bar Sensor	
D513737	21
Blower Fan Assembly	
D510139P	19
Blower Housing	
D511969WP	19
Blower Housing Seal	
D510238P	19
Bolt	
29651	13
Booster and Holding Coil	
58804A	31, 33
Bracket	
D510146	11
Broken Belt Harness	
D517236	41, 43
Bulkhead Assembly	
D505899WP	23
D515544WP	23
Bumper Pad	
56128	37
Burner Assembly	
D510149P	31, 33
Buzzer	
D510211	5

C

Cabinet Rear Panel	
D514632P	37
Cabinet Side Panel	
D510001WP	37
D510002WP	37
D512538	37
D512539	37
Clearance Warning Label	
D511005	37
Combustion Duct	
D510131	29
Control	
D514567P	9

Control Access Panel	
804741	13
804793	13
Control Assembly	
D514121P	13
Control Bracket	
804611	13
Control Overlay	
Dd515630	13
D515633	13
D516225	9
D516236	9
D517819	13
Control Panel Assembly	
804659W	13
804660	13
Control Support Panel	
806430	9
806547	5
Control Wrapper	
804627B	13
804627W	13
804630B	13
804630W	13
Cylinder Assembly	
D505929LGP	21
D510159WP	21
D510265WP	21
Cylinder Baffle	
D510102LG	21
D510102W	21
Cylinder Belt	
D511255P	19
Cylinder Glide	
D513710	23
Cylinder Glide Bracket	
D510145	23
Cylinder Light Lens	
D512106	23
Cylinder Roller	
D510708P	25
Cylinder Roller Bracket	
D510100	25
Cylinder Seal Assembly	
D510207P	23, 25

D

Directional Exhaust Kit	
528P3	37
Disconnect Power Warning Label	
D505281	11
Door Catch Assembly	
D510177	17
Door Handle Wedge	
D510129W	15
Door Liner Assembly	
D516508	15
Door Liner Grill	
D503870LG	15

N/A items do not appear in index.

D503870W	15
Door Pull and Wedge Kit	
D510103WP	15
D511213P	15
Door Strike	
D510181	15
Drum Light Lamp	
60954	23
Dryer Base	
D514245	37
Dryer Door	
D515960W	15
D515963	15
Drying Rack	
D512082P	21

E

Elbow	
D513072	31
Electric Clearance Label	
D511005	37
Electric Harness	
D517210	41
D517222	43
D517244	41
D517256	43
End Cap	
203729W	5, 9
203730W	5, 9
Exhaust Duct	
D516196	37
Expansion Clip	
70030501	13

F

Fabric Selector Switch	
D513505	5
D513506	5
Felt Pad	
D510189	23
Flexible Venting Kit	
521P3	37
Front Bulkhead Assembly	
D512476P	23
D515533P	23
Front Panel	
D510066WP	17
D512542	17
Front Panel Seal	
D511056	17

G

Gas Clearance Label	
D511004	37
Gas Harness	
D517097	41
D517243	41

Gas Harness Assembly	
D517103	43
D517255	43
Gas Valve Assembly	
D510506P	31
Gas Valve Mounting Bracket	
D510128	31, 33
Gas Valve, Bracket and Pipe Assembly	
D517609	33
Glide Kit	
RB170003	23
Graphic Panel	
D516068	7
D516435	7
D516436	7
D517545	7
D517601	7
D517602	7
D517816	7
D517817	7
D517818	7
806448	9
806715	9

H

Harness	
D517438	43
D517439	43
Heat Duct Shroud	
D510101	29
Heater Assembly	
D510324P	27
D510329P	27
Heater Duct Assembly	
D510025P	27, 29
Heater Kit	
964P3	27
Heater Kit Assembly	
61927	27
61928	27
Hinge	
D511036	15
Hinge Hole Plug	
D510186	17
Hold Down Kit	
526P3	37
Hold-Down Clip	
35358	5, 9
Hood Back Panel	
806585	11

I

Idler Lever	
D516310	19
Idler Lever and Wheel Assembly	
D516792	19
Idler Spring	
D510185	19
Idler Wheel and Bearing Assembly	
D510142P	19

N/A items do not appear in index.

Igniter and Bracket Assembly D510184P	31, 33
--	--------

J

Jumper Wire Assembly D510537	5, 7
---------------------------------------	------

K

Knob Assembly 806597	7
-------------------------------	---

L

Lead-In Cord 202777	39
56222	39
Lead-In Cord Assembly D510505P	39
Lead-In Pipe Assembly D510204	31
Leveling Leg D510135	37
Light Housing Assembly D512108	23
Limit Thermostat D510701	27
D510702	29
Liner Door Seal D515709	15
Lint Filter D503980LG	23
D503980W	23
L.P. Conversion Kit 649P3	31, 33
L.P. Orifice D503786	35
58755	35

M

Moisture Sensor Base D513738	21
Motor and Pulley Assembly D511629P	19
Motor Hub Ring Kit 590P3	19
Motor Mount D518517	19
Motor Mount Clamp D510180	19
Motor Pulley D500011	19
Motor Switch Bracket D516311	19

N

Nut 52566	19
56156	19, 25
N.G. Conversion Kit 650P3	31, 33
N.G. Orifice D503778	35
D503779	35
D503780	35
D503781	35

O

Outlet Cover D500820	27, 29
D518524	27, 29
Output Control Assembly D513797P	37

P

Panel Locator 56079	17, 37
Pop Rivet 685847	13

R

Rear Access Panel 804614	13
Rear Bulkhead D518128	25
Rear Bulkhead Assembly D510905WP	25
D511082P	25
Rear Wrapper Brace 805345	13
Resistor Assembly D511277	5
Retaining Ring 23748	19, 25
Rocker Switch 203934	7
Roller Kit RB170002	25
Rubber Foot D501855	37

S

Screw D500226	15, 23
D500227	23
D500824	19
D501086	5, 9, 11
D501285	23, 25
D502535	19

N/A items do not appear in index.

D503688 11, 13, 17, 19, 23, 25, 27, 29, 31, 33, 37
D505295 23
D512921 37
D514428 37
M405188 23
203799 5, 9
20530 39
23222 27, 31, 33
31260 19
33562 17
39733 17, 37
51782 29, 31, 33
56124 31, 33
61199 25
62588 21
70240301 13
804608 13
804667 9, 37
807075 7, 9
Screw Orifice	
58719 35
Seal Kit	
RB170001 23, 25
Secondary Coil	
58804B 31, 33
Sensor	
D510213 31, 33
Shaft	
56461P 19, 25
Speed Clip	
28835 17
Strain Relief	
38384 39
Switch	
D512973 17
D516391 19

T

Terminal Block Assembly	
D510190P 25
Terminal Block Shield	
D510237 25
Thermal Fuse Assembly	
D518542 27
Thermistor Assembly	
D510523 19
Thermostat	
D504515 19
D510707P 19
Timer	
D516408 5
D516411 5
D516412 5
D516415 5
Timer Conversion Kit	
D518899 5
D518905 5
Top Hinge	
D510136 37
Top Panel	
804684 13
804685WP 13

Top Panel Brace Assembly	
804613 13
Top Panel Guide	
803761 13
Top Panel Kit	
D510029WP 11

W

Warning Label	
D500316 11
D516243 17
44324001 23
Warning/Caution Label	
D500281 17
Washer	
D504082 25
52549 19, 25
Wire Assembly	
D518255 27
D518256 27
D518708 5
Wire Harness Assembly	
D513659 43
D513660 43
D513665 43
Wire, 12 Gauge	
45380 41, 43
45477 41, 43
Wire, 18 Gauge	
45001 41, 43

N/A items do not appear in index.