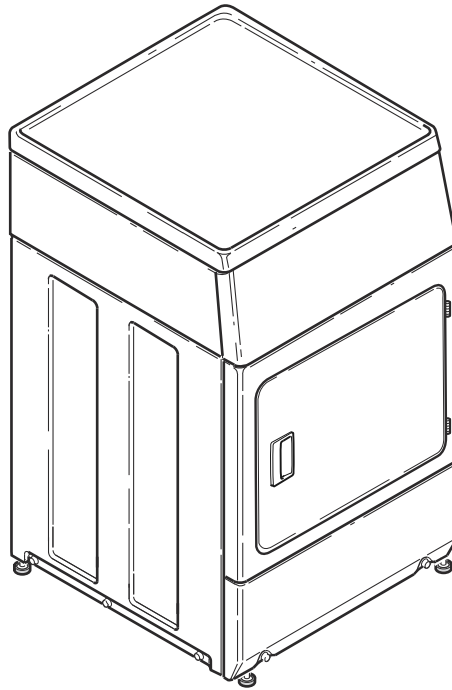


Commercial Dryers

Metered and Nonmetered
Refer to Page 3 for Model Numbers



DRY721C_D517198

Table of Contents

Title	Page
Parts Ordering Information.....	2
Serial Plate Location	2
Model Identification	3
Control and Control Panel - Rear Control Coin Drop Models	4
Control and Control Panel - Rear Control Card Ready Models	6
Meter Case - Rear Control Coin Drop Models	8
Cabinet Top - Rear Control Models	10
Non-Electronic Coin Drop	12
Electronic Coin Drop	14
Control Panel and Controls - 10 Degree Front Control Models	16
Network Board Assembly.....	18
Control Cabinet - Front Control Coin Drop Models	20
Control Cabinet Controls - Front Control Card Ready Models.....	22
Cabinet Top - 10 Degree Front Control Models.....	24
Control Panel and Controls - 45 Degree Front Control Models	26
Loading Door	28
Access Panel, Front Panel and Seal	30
Motor, Exhaust Fan and Belt	32
Front Bulkhead, Air Duct and Felt Seal.....	34
Cylinder Assembly	36
Rear Bulkhead, Felt Seal, Cylinder Roller and Terminal Block.....	38
Heater Duct and Element Assembly	40
Heater Duct Assembly	42
Gas Valve, Igniter and Gas Conversion Kits Gas Models Through Serial No. 1908000001	44
Gas Valve, Igniter and Gas Conversion Kits Gas Models Starting Serial No. 1908000001	46
Burner Orifice Spuds - For Higher Elevations.....	48
Cabinet, Exhaust Duct and Base	50
Label Location on Rear of Cabinet	52
Power Cord	54
Terminal Block and Terminals (Drawing 1 of 2).....	56
Terminal Block and Terminals (Drawing 2 of 2).....	58
Terminals and Terminal Extractor Tools	60
Wire Harnesses and Wires (Drawing 1 of 2).....	62
Wire Harnesses and Wires (Drawing 2 of 2).....	64
Parts Index.....	67

© Copyright 2023, Alliance Laundry Systems LLC

All rights reserved. No part of the contents of this book may be reproduced or transmitted in any form or by any means without the expressed written consent of the publisher.

Parts Ordering Information

If literature or replacement parts are required, contact the source from whom the machine was purchased or contact Alliance Laundry Systems at (920) 748-3950 for the name and address of the nearest authorized parts distributor.

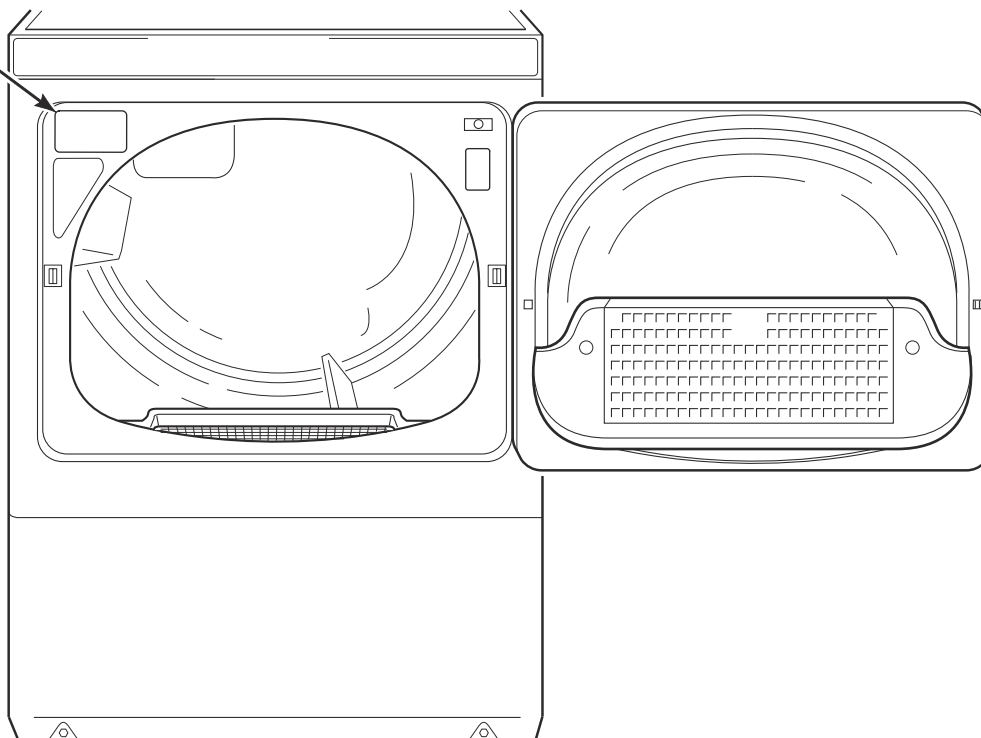
For technical assistance, call the number listed below:

(920) 748-3121 Ripon, Wisconsin

Serial Plate Location

When calling or writing about your product, be sure to mention model and serial numbers. Model and serial numbers are located on serial plate(s) as shown.

SERIAL PLATE



DRY2283P_D517198

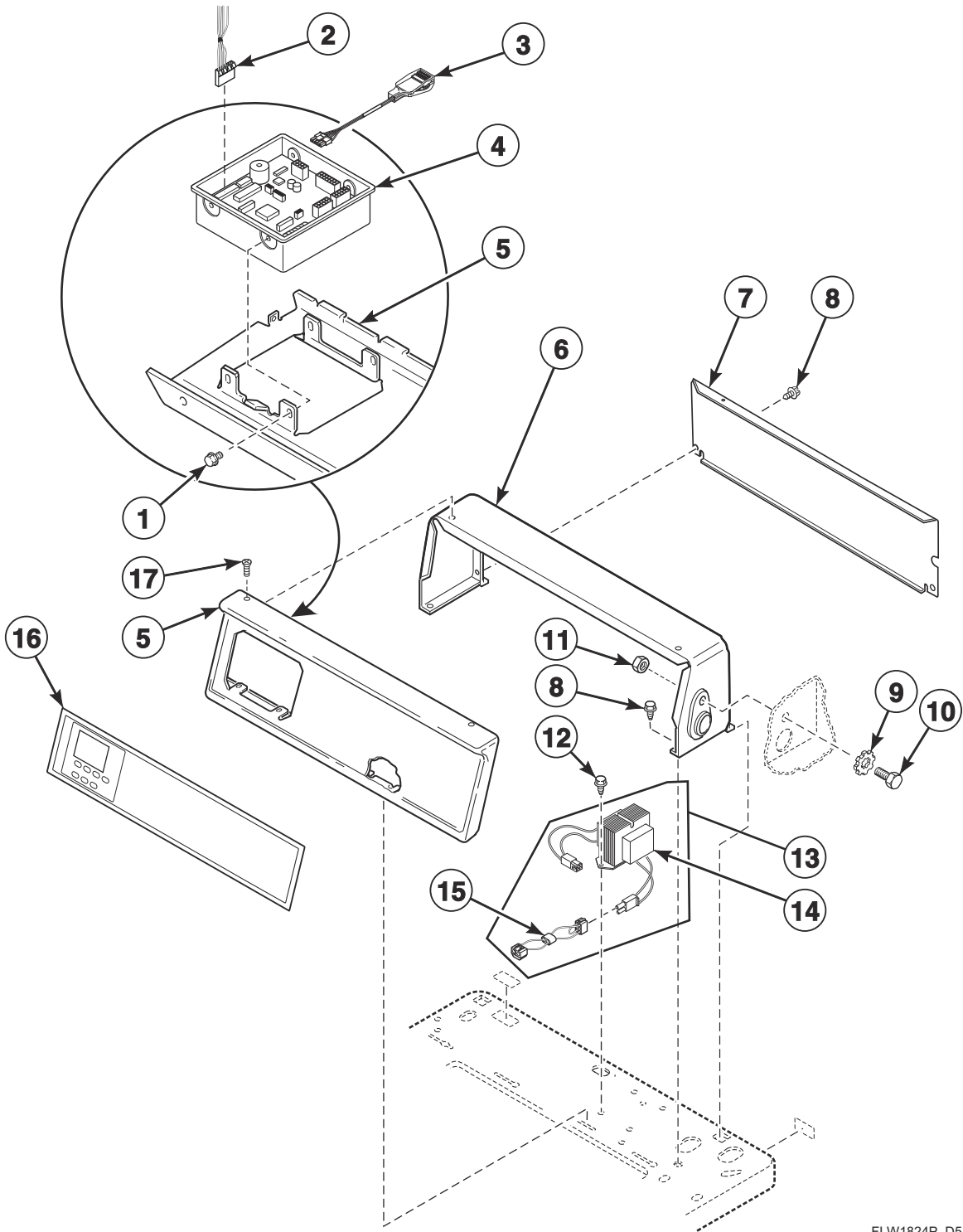
Model Identification

Information in this manual is applicable to these dryer models:

SDEDCAGS173TN01	SDEDYRGS173CW01
SDEDCAGS173TW01	SDEDYRGS173TW01
SDEDCRGS153TW02	SDEYYAGS153CW01
SDEDCRGS173TW02	SDEYYAGS153TW01
SDEDEAGS153CW01	SDEYYAGS173CW01
SDEDEAGS173CW01	SDEYYAGS173TW01
SDEDERGS153CW02	SDGDCAGS113TN01
SDEDERGS173CW02	SDGDCAGS113TW01
SDEDXAGS153CW01	SDGDCRGS113TW02
SDEDXAGS173CW01	SDGDEAGS113CW01
SDEDXRGS153CW02	SDGDERGS113CW02
SDEDXRGS173CW02	SDGDXAGS113CW01
SDEDXRGS173TW02	SDGDXRGS113CW02
SDEDYAGS153TW01	SDGDXRGS113TW02
SDEDYAGS173TN01	SDGDYAGS113TN01
SDEDYAGS173TW01	SDGDYAGS113TW01
SDEDYBGS173CW01	SDGDYBGS113CW01
SDEDYBGS173TW01	SDGDYBGS113TW01
SDEDYRGS153CW01	SDGDYRGS113CW01
SDEDYRGS153TW01	SDGDYRGS113TW01
	SDGYAGS113CW01

Control and Control Panel - Rear Control Coin Drop Models

Models SDEDCRGS153TW02, SDEDCRGS173TW02, SDEDERGS153CW02, SDEDERGS173CW02, SDEDXRGS153CW02, SDEDXRGS173CW02, SDEDXRGS173TW02, SDGDCRGS113TW02, SDGDERGS113CW02, SDGDXRGS113CW02 and SDGDXRGS113TW02



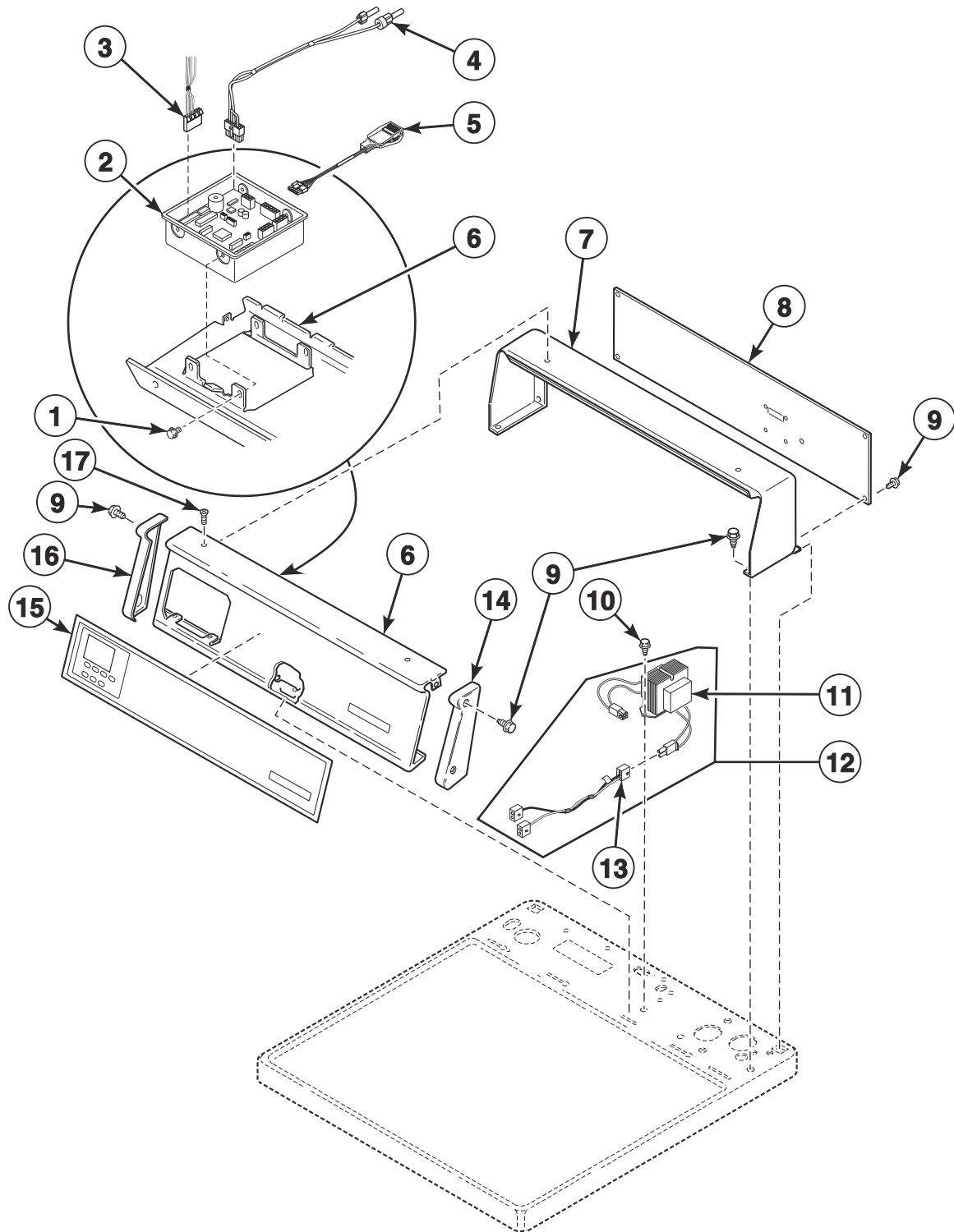
FLW1824P_D517198

Control and Control Panel - Rear Control Coin Drop Models

REF	PART NO.	DESCRIPTION	COMMENTS
	203328	Network Retrofit Kit	Wired
	204689	Wireless Network Kit	
	203346	USB IR Interface Kit	
	NK220	Network Controller Kit	Wired
	NK320	Ethernet Gateway Kit	Wireless
	NK330	USB Gateway Kit	Wireless
1	804608	Screw	
2	805427	Central Pay Harness	
3	203361P	Machine ID Control Assembly	Model or serial number is required when ordering
4	D516096	Control Assembly	
5	D510067W	Control Panel	
6	D502567W	Control Hood	
7	804886	Hood Back Panel	
8	D501086	Screw	
9	M400017	Washer	
10	02916	Screw	
11	29786	Nut	
12	D503688	Screw	
13	203423	Transformer Kit	Includes items 14 and 15
14	202757	Transformer	
15	D514073	Transformer Harness	
16	D515685	Control Overlay	
17	52864	Screw	Phillips head
	35528	Screw	Torx head

Control and Control Panel - Rear Control Card Ready Models

Models SDEDYRGS153CW01, SDEDYRGS153TW01, SDEDYRGS173CW01, SDEDYRGS173TW01,
SDGDYRGS113CW01 and SDGDYRGS113TW01



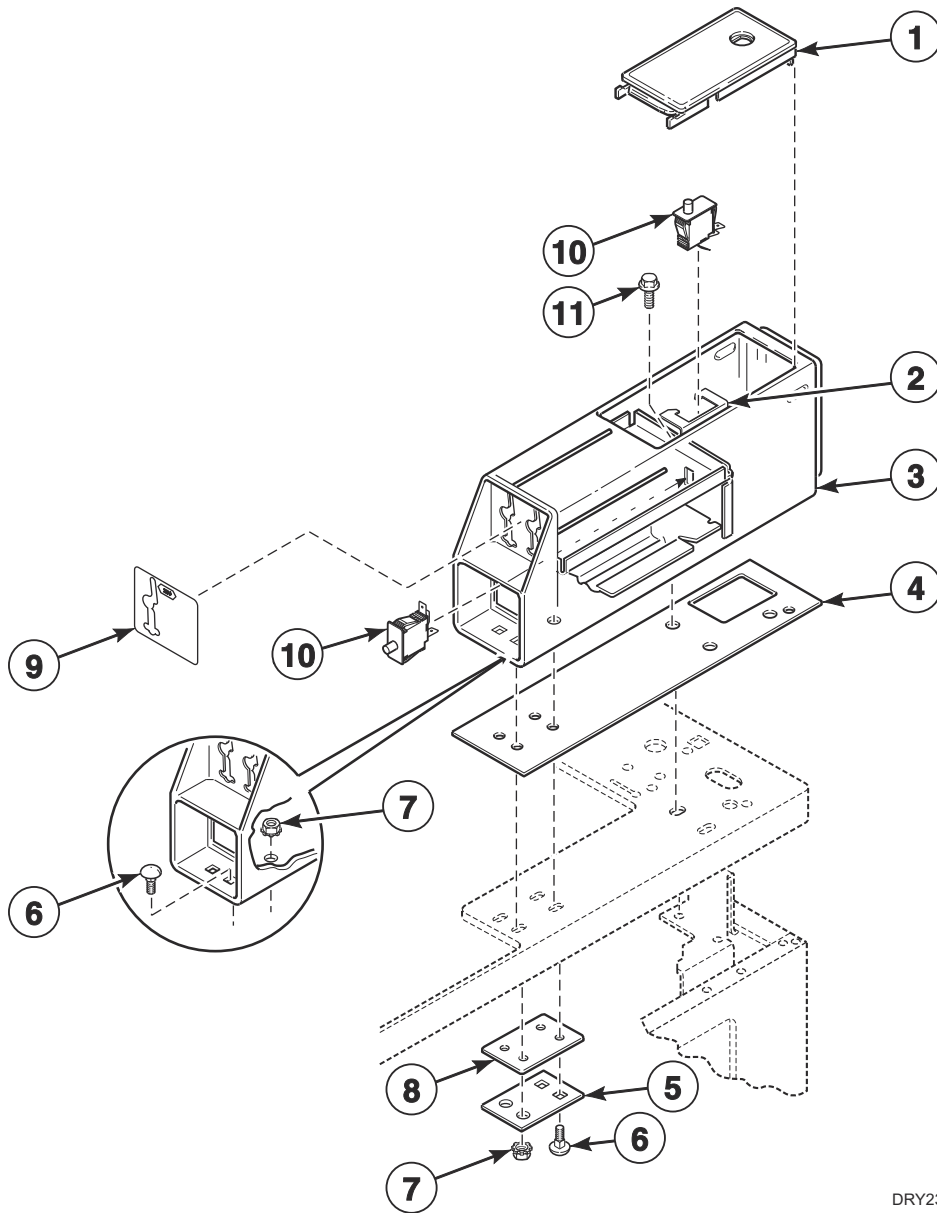
DRY2508P_D517198

Control and Control Panel - Rear Control Card Ready Models

REF	PART NO.	DESCRIPTION	COMMENTS
	204689	Wireless Network Kit	
	203328	Network Retrofit Kit	Wired
	203346	USB IR Interface Kit	
	NK220	Network Controller Kit	Wired
	NK320	Ethernet Gateway Kit	Wireless
	NK330	USB Gateway Kit	Wireless
1	804608	Screw	
2	D516096	Control Assembly	
3	805427	Central Pay Harness	
4	202869	Wiring Harness Assembly	Diagnostic
5	203361P	Machine ID Control Assembly	Model or serial number is required when ordering
6	D511055W	Control Panel	
7	D511253W	Control Hood	
8	804884	Rear Panel	
9	D501086	Screw	
10	D503688	Screw	
11	202757	Transformer	
12	203423	Transformer Kit	Includes items 11 and 13
13	D514073	Transformer Harness	
14	210108W	End Cap	Right
15	D517156	Control Overlay	
16	210109W	End Cap	Left
17	52864	Screw	Phillips head
	35528	Screw	Torx head

Meter Case - Rear Control Coin Drop Models

Models SDEDCRGS153TW02, SDEDCRGS173TW02, SDEDERGS153CW02, SDEDERGS173CW02, SDEDXRGS153CW02, SDEDXRGS173CW02, SDEDXRGS173TW02, SDGDCRGS113TW02, SDGDERGS113CW02, SDGDXRGS113CW02 and SDGDXRGS113TW02



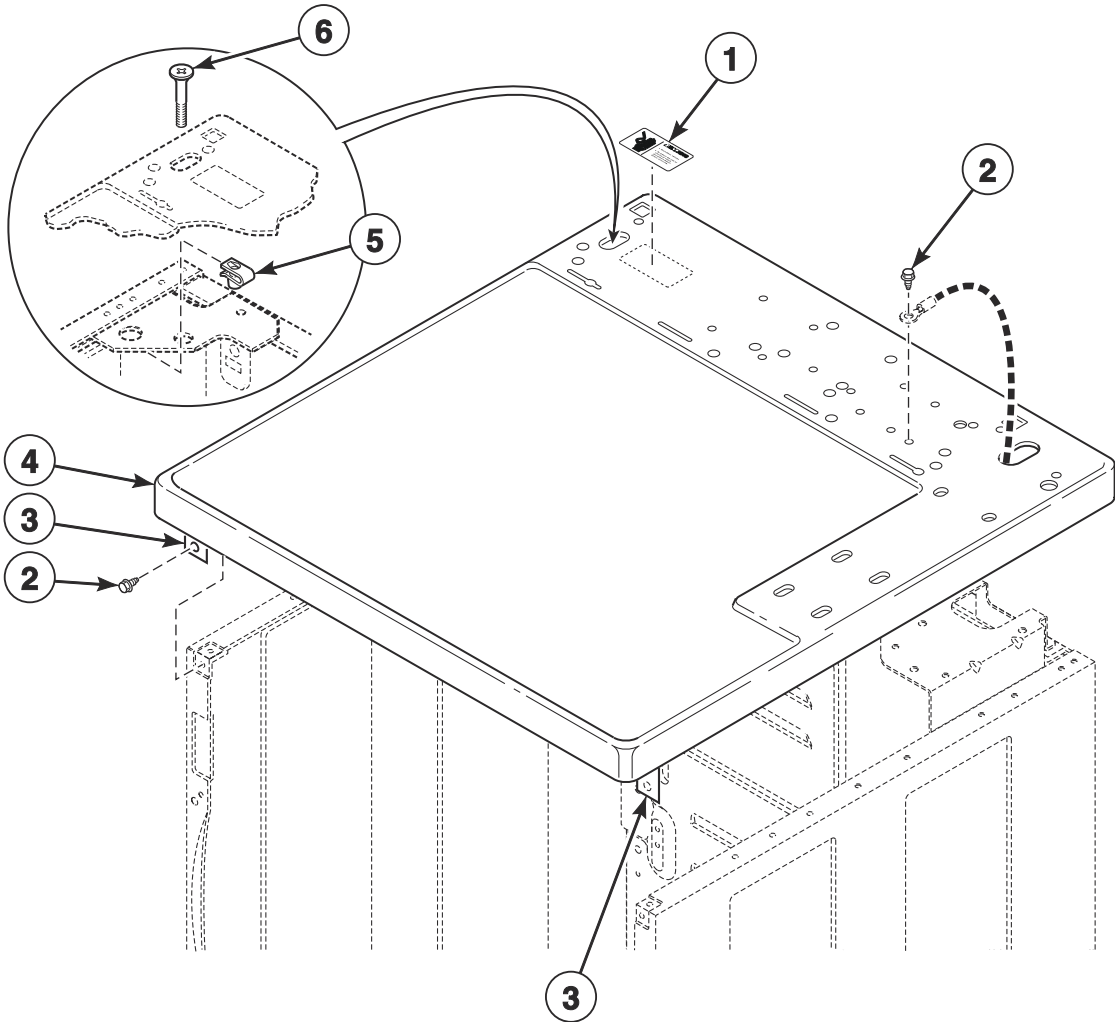
DRY2346P_D517198

Meter Case - Rear Control Coin Drop Models

REF	PART NO.	DESCRIPTION	COMMENTS
1	39874WP	Service Door Assembly	White
2	38087	Door Switch Bracket	
3	803050W	Meter Case Assembly	White; Models SDEDERGS153CW02, SDEDERGS173CW02 and SDGDERGS113CW02
	807401W	Meter Case Assembly Kit	All other models
	803578P	Coin Box Extension Kit	Use to extend shorter 7 inch coin boxes
4	26354	Meter Case Gasket	
5	35525	Meter Case Lockdown Bracket	
6	203798	Bolt	
7	29786	Nut	
8	35526	Meter Case Bracket Gasket	
9	201091	Overlay	Models SDEDERGS153CW02, SDEDERGS173CW02 and SDGDERGS113CW02
	38717	Single Overlay	All other models
10	D512973	Switch	
11	36048	Screw	

Cabinet Top - Rear Control Models

Models SDEDCRGS153TW02, SDEDCRGS173TW02, SDEDERGS153CW02, SDEDERGS173CW02, SDEDXRGS153CW02, SDEDXRGS173CW02, SDEDXRGS173TW02, SDEDYRGS153CW01, SDEDYRGS153TW01, SDEDYRGS173CW01, SDEDYRGS173TW01, SDGDCRGS113TW02, SDGDERGS113CW02, SDGDXRGS113CW02, SDGDXRGS113TW02, SDGDYRGS113CW01 and SDGDYRGS113TW01



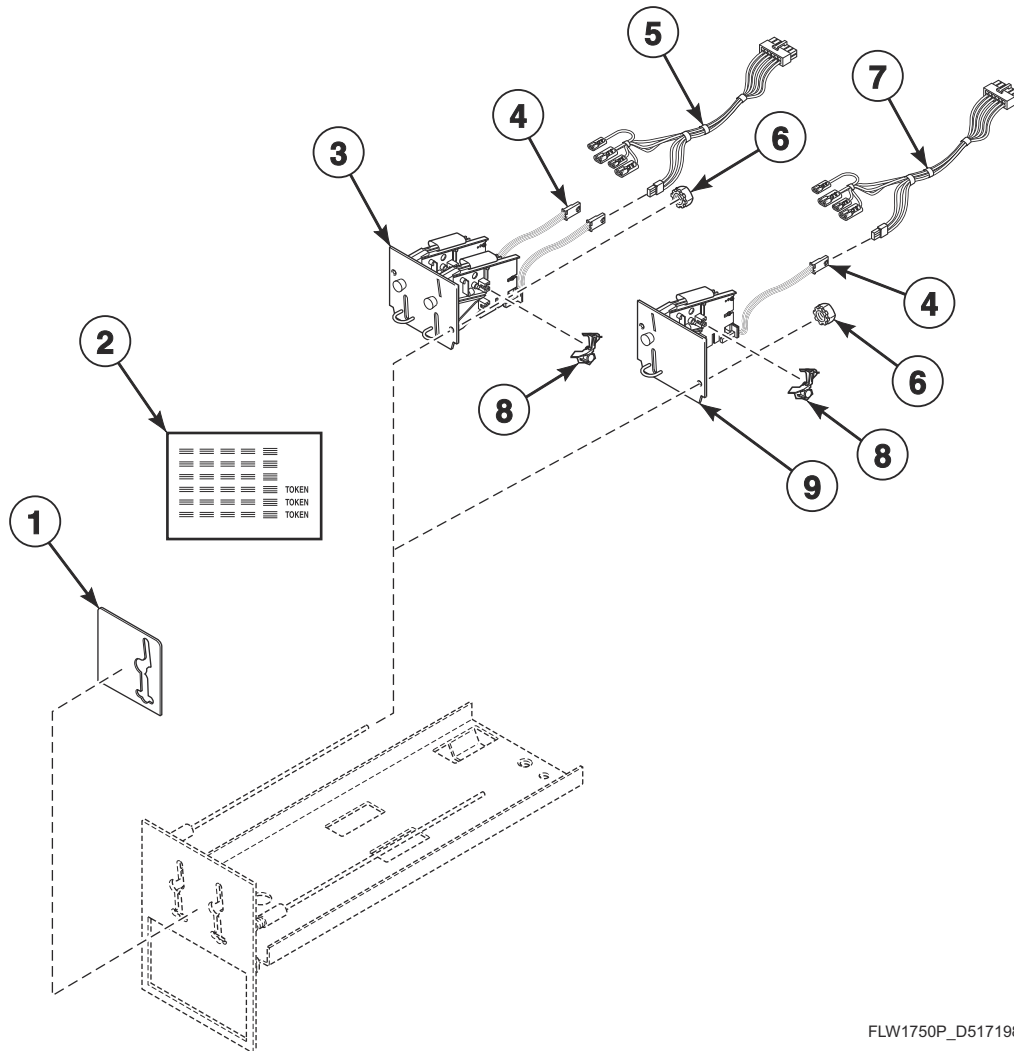
DRY1894P_D517198

Cabinet Top - Rear Control Models

REF	PART NO.	DESCRIPTION	COMMENTS
1	D505281	Disconnect Power Warning Label	English
	D500316	Warning Label	English/French
2	D503688	Screw	
3	D510146	Bracket	
4	D511530WP	Top Panel Kit	White; Includes item 3; Models SDEDYRGS153CW01, SDEDYRGS153TW01, SDEDYRGS173CW01, SDEDYRGS173TW01, SDGDYRGS113CW01 and SDGDYRGS113TW01
	D511527WP	Top Kit	White; Includes item 3; All other models
5	27222	Nut	
6	D503673	Screw	

Non-Electronic Coin Drop

Coin Models



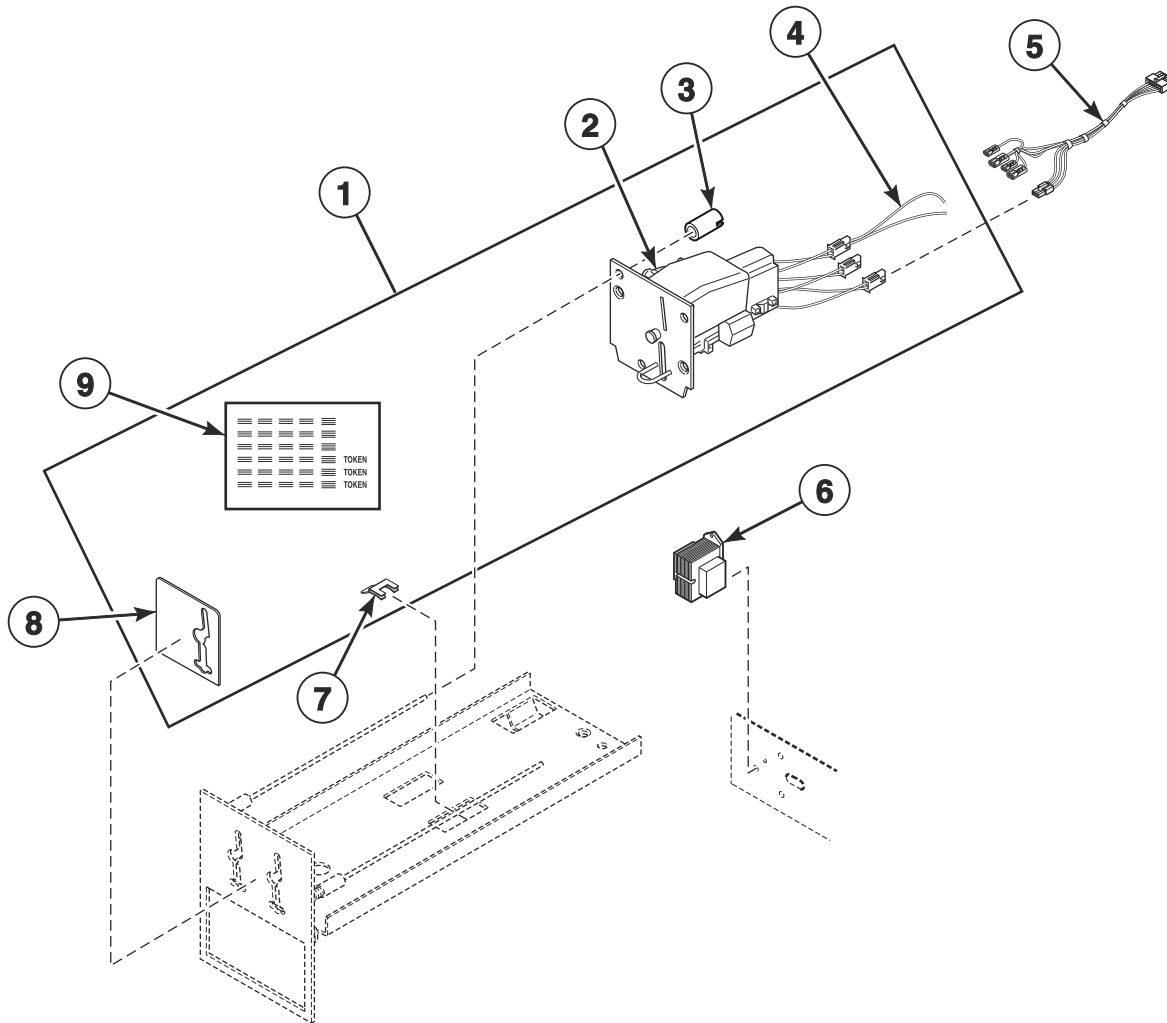
FLW1750P_D517198

Non-Electronic Coin Drop

REF	PART NO.	DESCRIPTION	COMMENTS
1	38717	Single Overlay	
2	38725	Coin Identification Paper	
3	70441602	Coin Drop Assembly	Canada; 0.25 and 1.00
	70441603	Coin Drop	U.S.A.; \$0.25 and \$1.00
4	200674P	Opto Coupler	
5	202871	Dual Coin Harness Assembly	
6	29786	Nut	
7	202870	Single Coin Harness Assembly	
8	201595P	Wire Guard	Anti-stringing security device
9	70441601P	Coin Drop	U.S.A.; \$0.25
	38464P	Coin Drop Assembly	Canada; 0.25
	38462P	Coin Drop Assembly	Token; STD-118-1
	38463	Coin Drop Assembly	Token; STD-118-5
	38963P	Coin Drop	Token 118-16 not available; Replacement for 38963P Con Drop only

Electronic Coin Drop

Coin Models



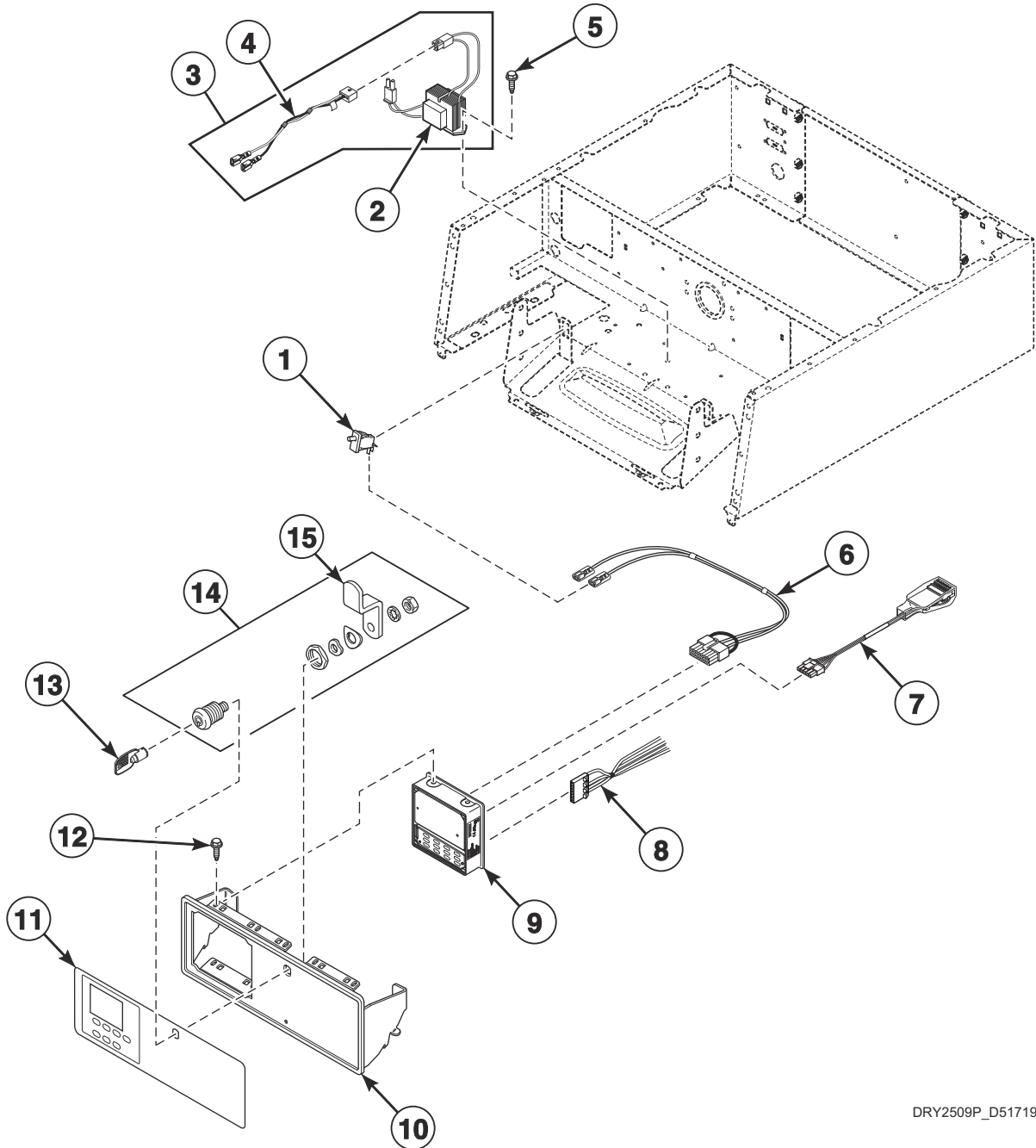
FLW1005P_D517197

Electronic Coin Drop

REF	PART NO.	DESCRIPTION	COMMENTS
1	CK110	Electronic Coin Drop Kit	Includes items 2-3 and 7-9; Mexico, Ecuador and United States coins
	CK115	Electronic Coin Drop Kit	Includes items 2-3 and 7-9; United States and Canada coins
2	70513306	Electronic Coin Drop Assembly	Mexico, Ecuador and Unites States coins
	70294122	Electronic Coin Drop Assembly	Great Britain and token coins
3	201216	Nut	
	29786	Nut	Use on front control models with no guide rods
4	201104	Coin Drop Wire Harness	
5	802905	Harness Assembly	Electronic coin drop requires this harness. If unit is not factory-equipped with this harness, it must be ordered separately.
6	201375P	Transformer	Electronic coin drop requires this transformer. If unit is not factory-equipped with this transformer, it must be ordered separately.
7	201572	Clip	
8	201091	Overlay	
9	38725	Coin Identification Paper	

Control Panel and Controls - 10 Degree Front Control Models

Models SDEDCAGS173TN01, SDEDCAGS173TW01, SDEDEAGS153CW01, SDEDEAGS173CW01, SDEDXAGS153CW01, SDEDXAGS173CW01, SDEDYAGS153TW01, SDEDYAGS173TN01, SDEDYAGS173TW01, SDEYYAGS153CW01, SDEYYAGS153TW01, SDEYYAGS173CW01, SDEYYAGS173TN01, SDGDCAGS113TN01, SDGDCAGS113TW01, SDGDEAGS113CW01, SDGDXAGS113CW01, SDGDYAGS113TN01, SDGDYAGS113TW01 and SDGYAGS113CW01



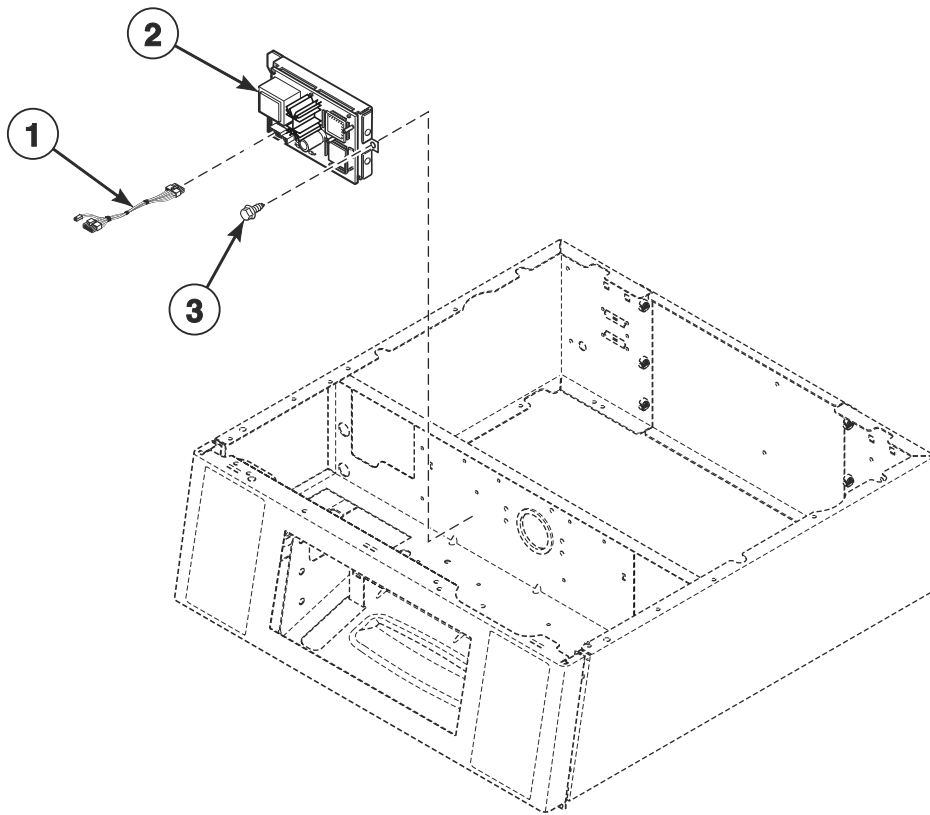
DRY2509P_D517198

Control Panel and Controls - 10 Degree Front Control Models

REF	PART NO.	DESCRIPTION	COMMENTS
	203328	Network Retrofit Kit	Wired
	203346	USB IR Interface Kit	
	204689	Wireless Network Kit	
	NK220	Network Controller Kit	Wired
	NK320	Ethernet Gateway Kit	Wireless
	NK330	USB Gateway Kit	Wireless
1	D512973	Switch	
2	202757	Transformer	
3	203423	Transformer Kit	Includes items 2 and 4
4	804795	Transformer Harness	
5	D503688	Screw	
6	202868	Wiring Harness Assembly	Diagnostic
7	203361P	Machine ID Control Assembly	Model or serial number is required when ordering
8	805427	Central Pay Harness	
9	D516096	Control Assembly	
10	D513777B	Control Panel and Bracket Assembly	Models SDEDCAGS173TN01, SDEDYAGS173TN01, SDGDCAGS113TN01 and SDGDYAGS113TN01
	D513777W	Control Panel and Bracket Assembly	All other models
11	D517155	Control Overlay	
12	804608	Screw	
13	54612	Key	800
14	27260P	Lock Kit	Includes item 15
15	804338	Lock Cam	

Network Board Assembly

Models SDEYYAGS153CW01, SDEYYAGS153TW01, SDEYYAGS173CW01, SDEYYAGS173TW01 and SDGYAGS113CW01



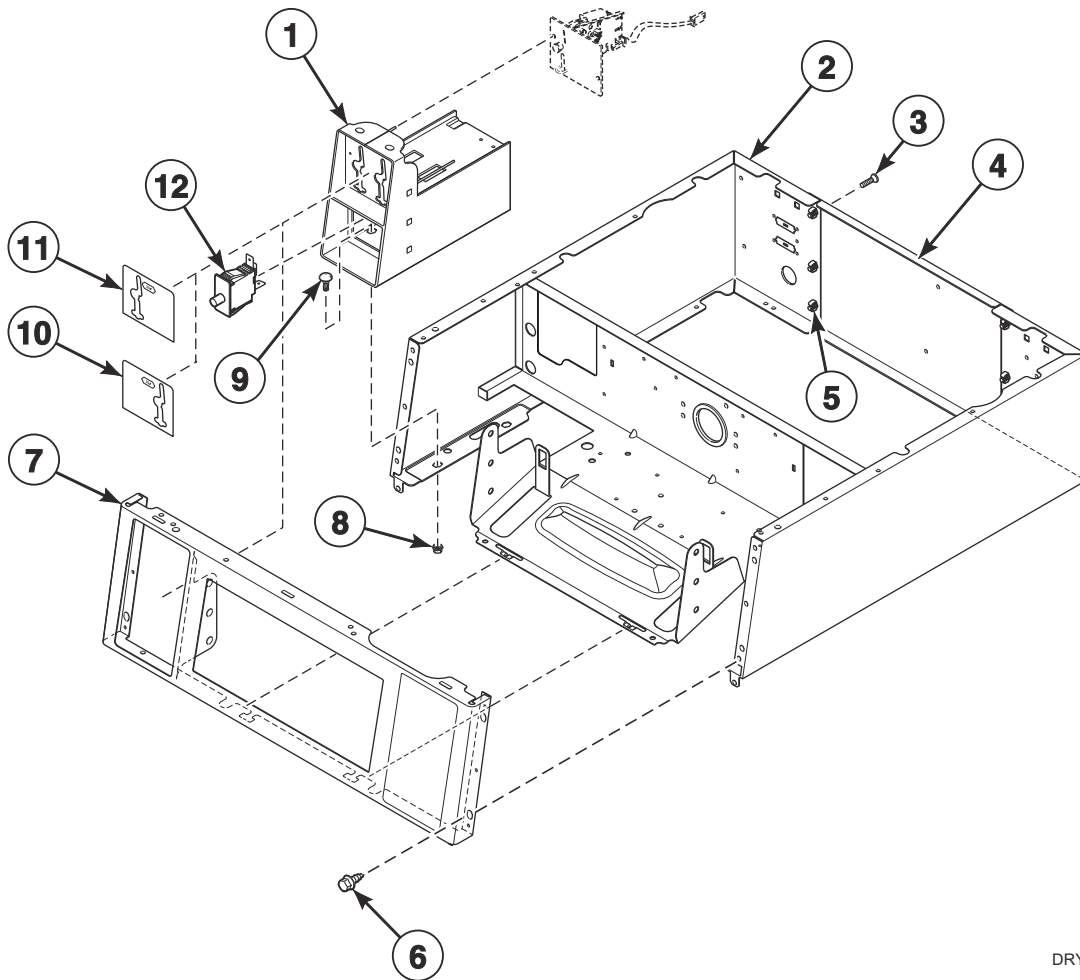
FLW1813P_D517198

Network Board Assembly

REF	PART NO.	DESCRIPTION	COMMENTS
1	F8536002	Wireless Network Board Harness	Through Serial No. 1902000001
	F8674006	Wireless Network Harness	Starting Serial No. 1902000001
2	203532	Wireless Network Control Assembly	Through Serial No. 1902000001
	807211	Wireless Network Control Assembly	Starting Serial No. 1902000001
3	D503661	Screw	

Control Cabinet - Front Control Coin Drop Models

Models SDEDCAGS173TN01, SDEDCAGS173TW01, SDEDEAGS153CW01, SDEDEAGS173CW01, SDEDXAGS153CW01, SDEDXAGS173CW01, SDGDCAGS113TN01, SDGDCAGS113TW01, SDGDEAGS113CW01 and SDGDXAGS113CW01



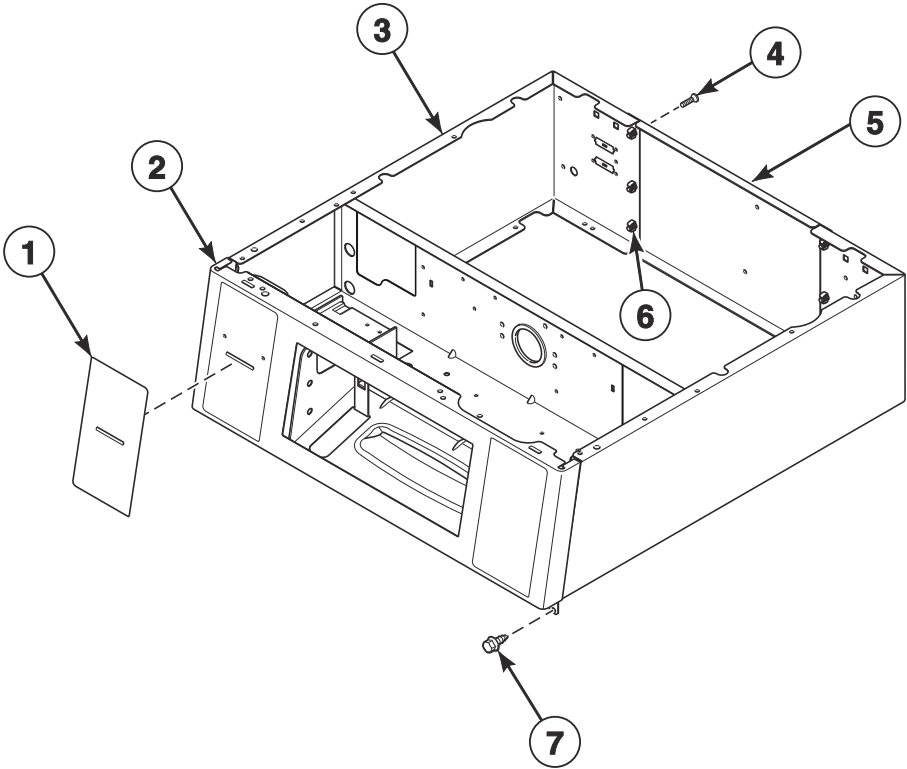
DRY2510P_D517198

Control Cabinet - Front Control Coin Drop Models

REF	PART NO.	DESCRIPTION	COMMENTS
1	807396B	Meter Case Assembly	Models SDEDCAGS173TN01 and SDGDCAGS113TN01; Requires high capacity coin vault
	807396W	Meter Case Assembly	All other models; Requires high capacity coin vault
2	804104B	Wrapper Assembly	Black; Models SDEDCAGS173TN01 and SDGDCAGS113TN01
	804104W	Wrapper Assembly	White; All other models
3	70240301	Screw	6 required
4	803998	Rear Access Panel	
5	70030501	Expansion Clip	6 required
6	D503688	Screw	
7	806541B	Control Panel	Black; Models SDEDCAGS173TN01 and SDGDCAGS113TN01
	806541W	Control Panel	White; All other models
8	44087201	Nut	2 required; Use with item 9
9	29651	Bolt	2 required
10	38717	Single Overlay	\$0.25
11	201091	Overlay	For electronic coin drops
12	D512973	Switch	

Control Cabinet Controls - Front Control Card Ready Models

Models SDEDYAGS153TW01, SDEDYAGS173TN01, SDEDYAGS173TW01, SDEYYAGS153CW01, SDEYYAGS153TW01, SDEYYAGS173CW01, SDEYYAGS173TW01, SDGDYAGS113TN01, SDGDYAGS113TW01 and SDGYYAGS113CW01



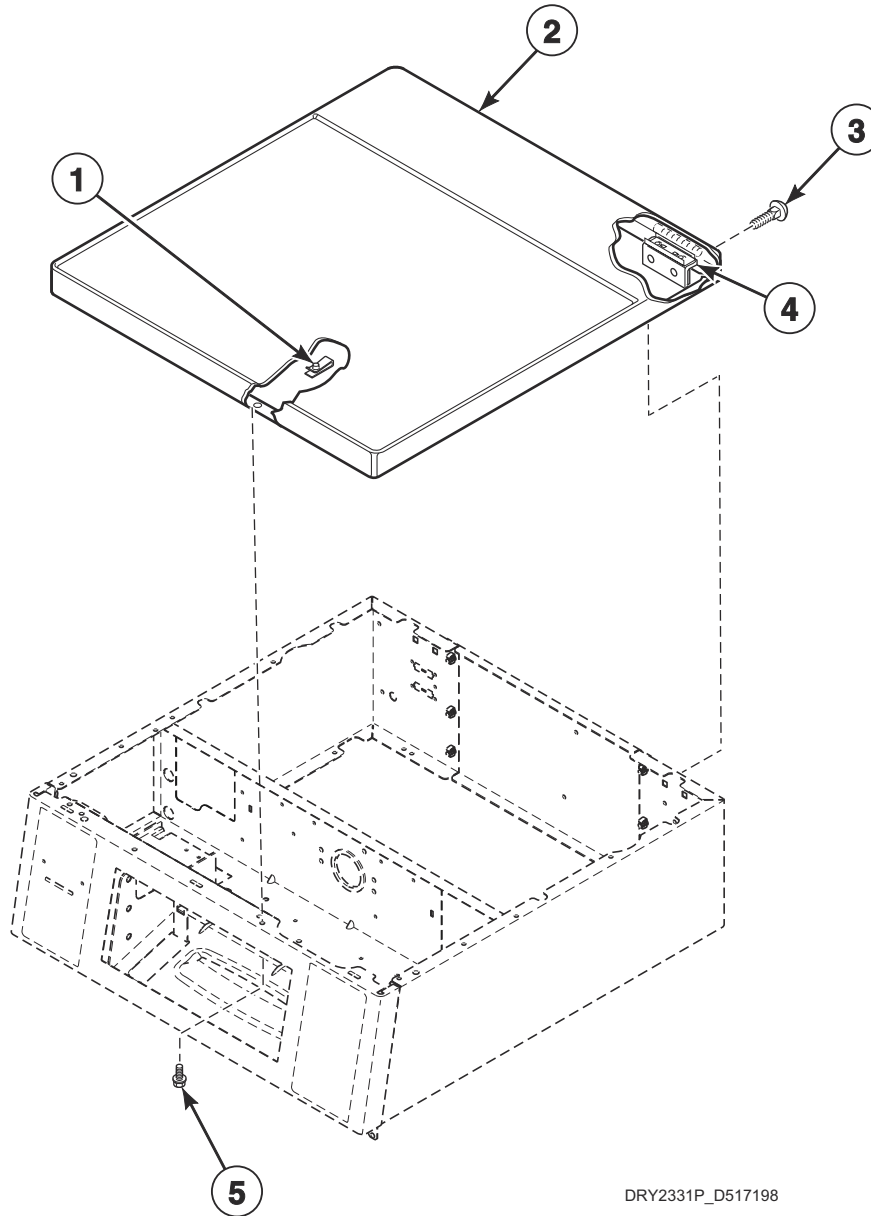
FLW1814P_D517198

Control Cabinet Controls - Front Control Card Ready Models

REF	PART NO.	DESCRIPTION	COMMENTS
1	D514391	Card Insert Overlay	
2	806543B	Front Assembly	Models SDEDYAGS173TN01 and SDGDYAGS113TN01
	806543W	Front	White; All other models
3	804112B	Wrapper Assembly	Models SDEDYAGS173TN01 and SDGDYAGS113TN01
	804112W	Wrapper Assembly	White; All other models
4	70240301	Screw	6 required
5	803998	Rear Access Panel	
6	70030501	Expansion Clip	6 required
7	D503688	Screw	

Cabinet Top - 10 Degree Front Control Models

Models SDEDCAGS173TN01, SDEDCAGS173TW01, SDEDEAGS153CW01, SDEDEAGS173CW01, SDEDXAGS153CW01, SDEDXAGS173CW01, SDEYAGS153TW01, SDEYAGS173TN01, SDEYAGS173TW01, SDEYYAGS153CW01, SDEYYAGS153TW01, SDEYYAGS173CW01, SDEYYAGS173TW01, SDGDCAGS113TN01, SDGDCAGS113TW01, SDGDEAGS113CW01, SDGDXAGS113CW01, SDGDYAGS113TN01, SDGDYAGS113TW01 and SDGYAGS113CW01



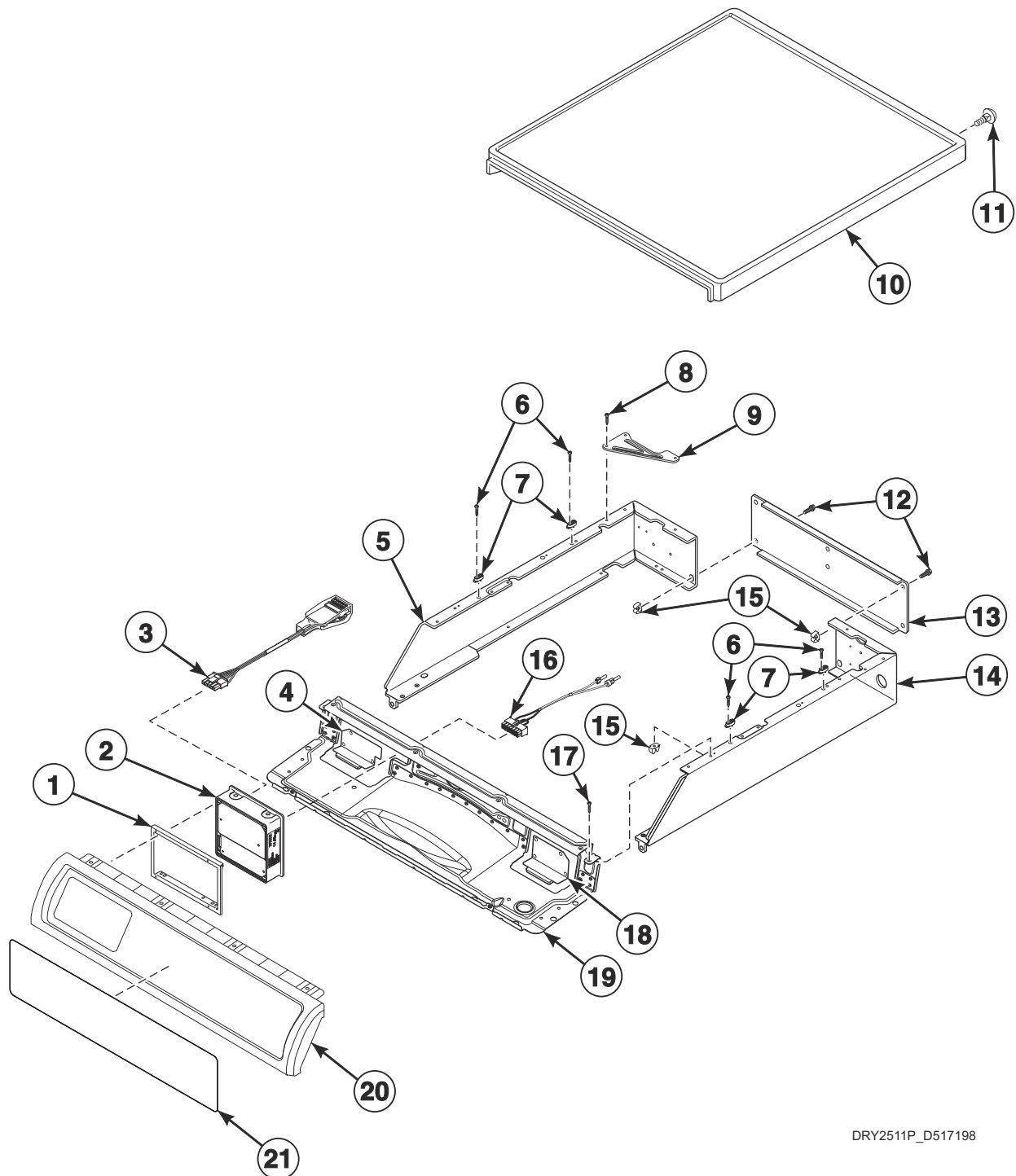
DRY2331P_D517198

Cabinet Top - 10 Degree Front Control Models

REF	PART NO.	DESCRIPTION	COMMENTS
1	36020	Nut	
2	803869	Top Panel	Models SDEDCAGS173TN01, SDEDYAGS173TN01, SDGDCAGS113TN01 and SDGDYAGS113TN01
	803868WP	Top Panel	White; All other models
3	29651	Bolt	
4	D504228	Top Mounting Bracket	
5	23008	Screw	

Control Panel and Controls - 45 Degree Front Control Models

Models SDEDYBGS173CW01, SDEDYBGS173TW01, SDGDYBGS113CW01 and SDGDYBGS113TW01

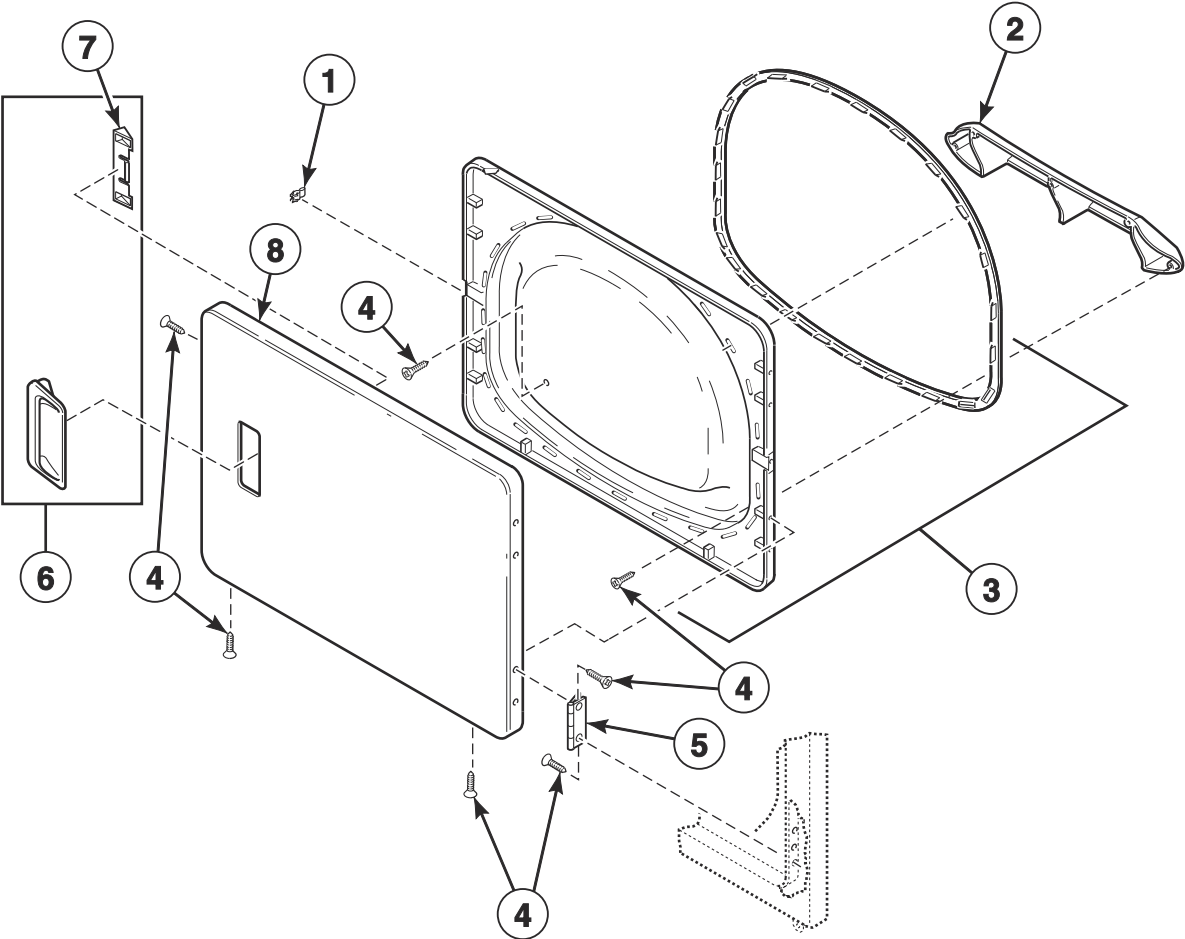


DRY2511P_D517198

Control Panel and Controls - 45 Degree Front Control Models

REF	PART NO.	DESCRIPTION	COMMENTS
1	D514261	Control Bracket	
2	D516096	Control Assembly	
3	203361P	Machine ID Control Assembly	
4	804741	Control Access Panel	Left
5	804627W	Control Wrapper	Left
6	39733	Screw	
7	803761	Top Panel Guide	4 required; Use 39733 Screw to attach
8	685847	Pop Rivet	
9	805345	Rear Wrapper Brace	
10	804685WP	Top Panel	
11	D503661	Screw	2 required
12	70240301	Screw	4 required
13	804614	Rear Access Panel	
14	804630W	Control Wrapper	Right
15	70030501	Expansion Clip	
16	202869	Wiring Harness Assembly	Diagnostic
17	D503688	Screw	
18	804793	Control Access Panel	Right
19	804613	Top Panel Brace Assembly	
20	804657W	Control Panel Assembly	
21	D517157	Control Overlay	

Loading Door

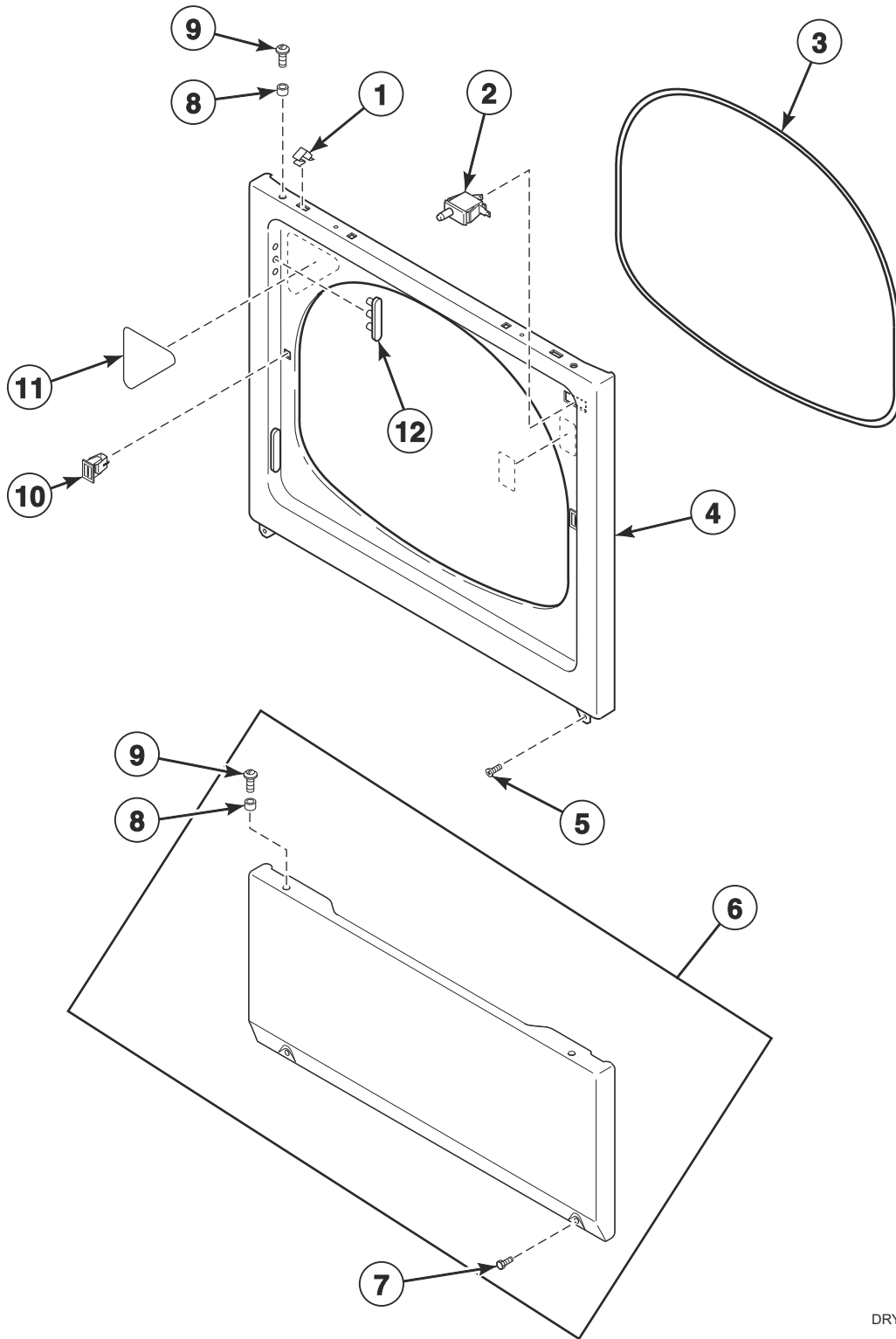


DRY2500P_D517198

Loading Door

REF	PART NO.	DESCRIPTION	COMMENTS
1	D510181	Door Strike	
2	D503870W	Door Liner Grill	White
	D503870LG	Door Liner Grill	Light gray
3	D516508	Door Liner Assembly	Includes door seal
4	D500226	Screw	
5	D511036	Hinge	
6	D510103WP	Door Pull and Wedge Kit	White; Includes item 7
	D511213P	Door Pull and Wedge Kit	Black; Includes item 7
7	D510129W	Door Handle Wedge	
8	D515963	Dryer Door	Stainless steel; Models SDEDCAGS173TN01, SDEDYAGS173TN01, SDGDCAGS113TN01 and SDGDYAGS113TN01
	D515960W	Dryer Door	White; All other models

Access Panel, Front Panel and Seal

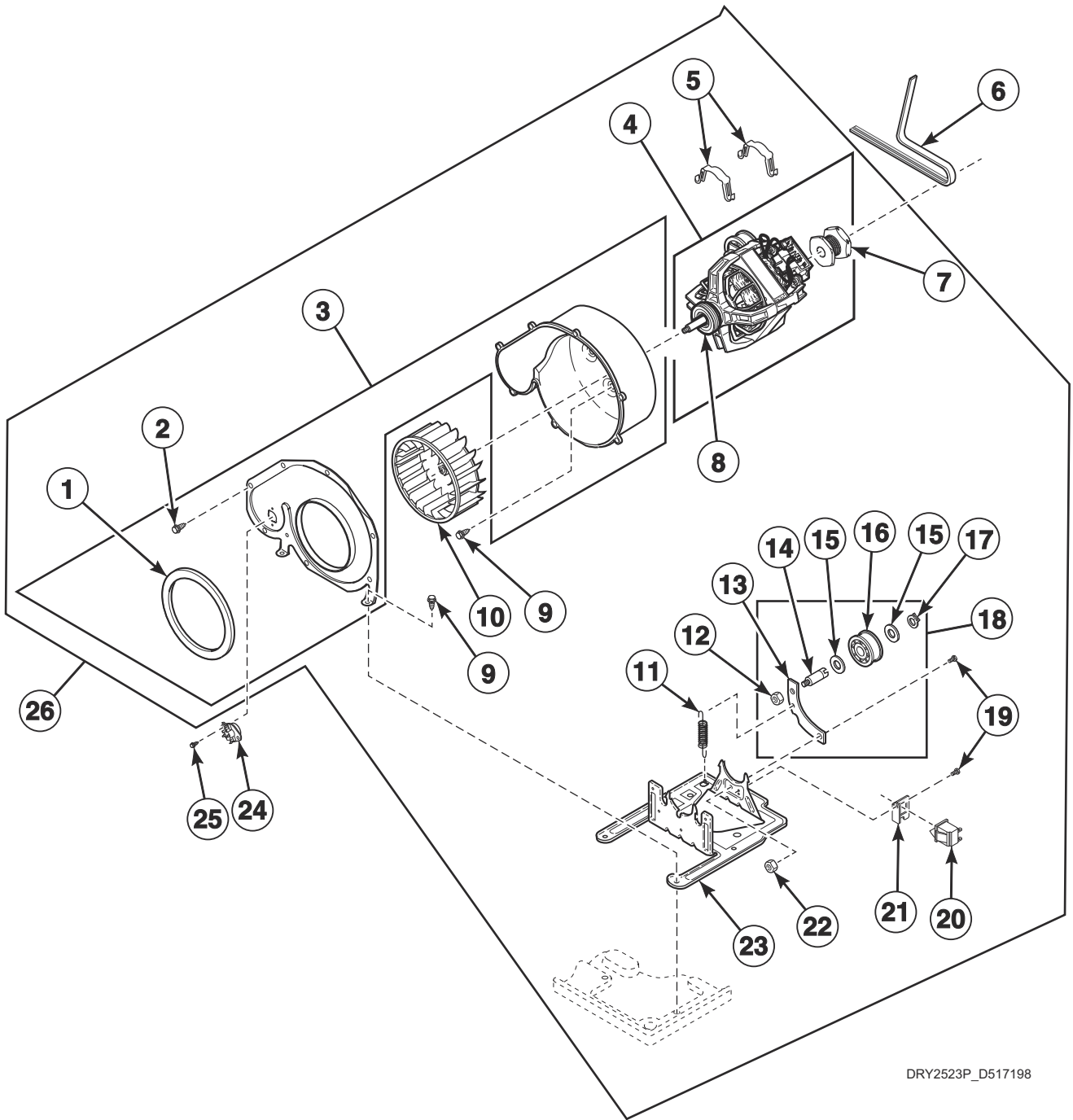


DRY1824P_D517198

Access Panel, Front Panel and Seal

REF	PART NO.	DESCRIPTION	COMMENTS
1	28835	Speed Clip	1 per side
2	D512973	Switch	
3	D511056	Front Panel Seal	
4	D512542	Front Panel	Stainless steel; Models SDEDCAGS173TN01, SDEDYAGS173TN01, SDGDCAGS113TN01 and SDGDYAGS113TN01
	D510066WP	Front Panel	White; All other models
5	D503688	Screw	
6	D514251	Access Panel Assembly	Models SDEDCAGS173TN01, SDEDYAGS173TN01, SDGDCAGS113TN01 and SDGDYAGS113TN01
	D514250WP	Access Panel Assembly	White; All other models
7	33562	Screw	Slotted hex head
	62853	Screw	Torx head; Optional for added security
8	56079	Panel Locator	1 per side
9	D512921	Screw	Models SDEDCAGS173TN01, SDEDYAGS173TN01, SDGDCAGS113TN01 and SDGDYAGS113TN01
	39733	Screw	1 per side; All other models
10	D510177	Door Catch Assembly	
11	D500281	Warning/Caution Label	
12	D510186	Hinge Hole Plug	

Motor, Exhaust Fan and Belt

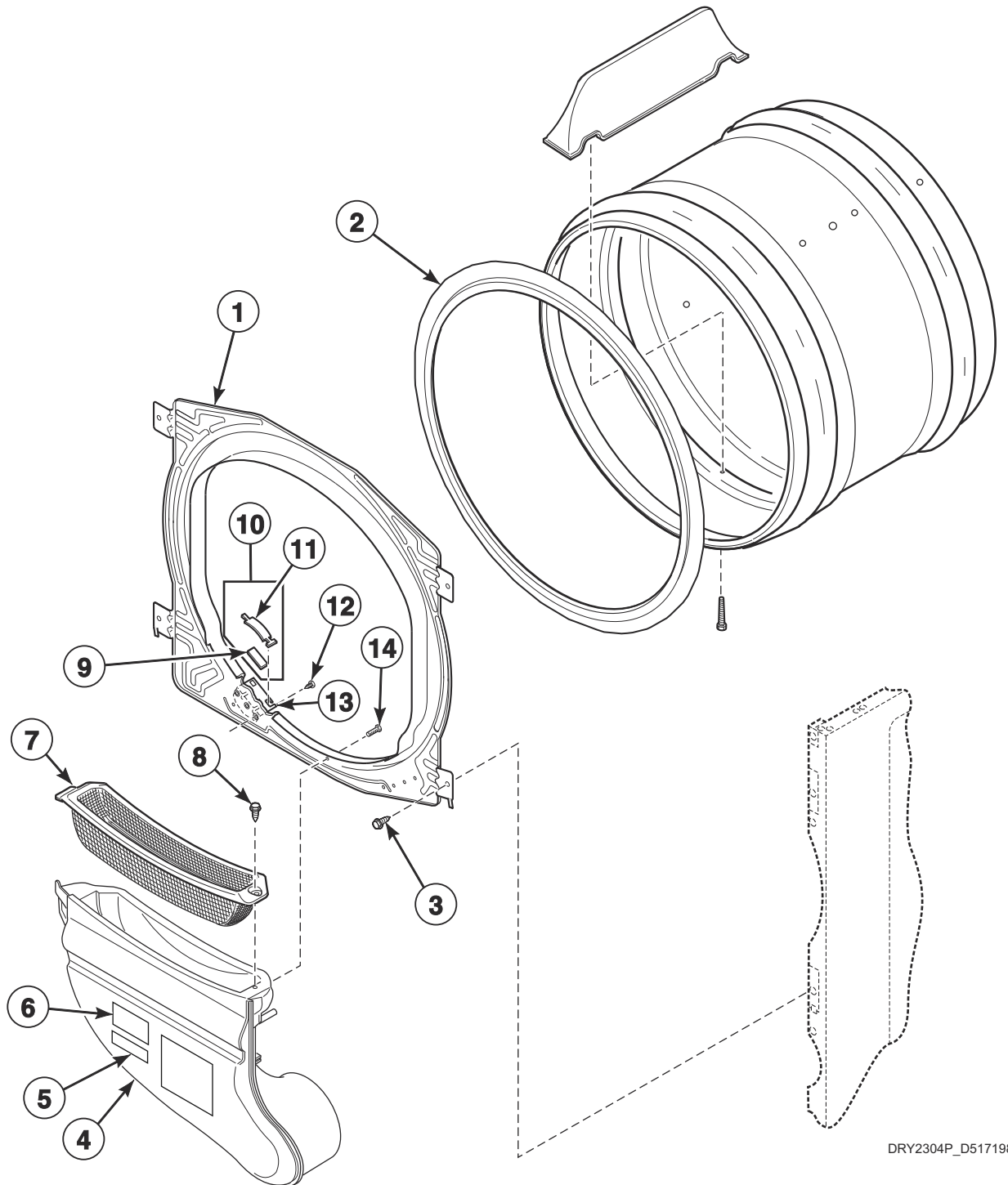


DRY2523P_D517198

Motor, Exhaust Fan and Belt

REF	PART NO.	DESCRIPTION	COMMENTS
	27604P	Anti-Seize Compound	Apply to motor shaft when installing blower fan assembly
1	D510238P	Blower Housing Seal	
2	31260	Screw	
3	D511969WP	Blower Housing	Includes items 1 and 2; White
4	D511629P	Motor and Pulley Assembly	120 Volt/60 Hertz; Apply anti-seize compound to motor shaft when installing blower fan assembly; Includes items 7 and 8
5	D510180	Motor Mount Clamp	
6	D511255P	Cylinder Belt	
7	D500011	Motor Pulley	
8	590P3	Motor Hub Ring Kit	
9	D503688	Screw	
10	D510139P	Blower Fan Assembly	Apply anti-seize compound to motor shaft when installing blower fan assembly
11	D510185	Idler Spring	
12	56156	Nut	
13	D516310	Idler Lever	
14	56461P	Shaft	
15	52549	Washer	
16	D510142P	Idler Wheel and Bearing Assembly	
17	23748	Retaining Ring	
18	D516792	Idler Lever and Wheel Assembly	Includes items 12-17
19	D500824	Screw	
20	D516391	Switch	Starting Serial No. 1903000001
21	D516311	Motor Switch Bracket	Starting Serial No. 1903000001
22	52566	Nut	
23	D518517	Motor Mount	
24	D510523	Thermistor Assembly	Black
25	D502535	Screw	
26	D510717P	Blower and Fan Kit	Includes items 1-5, 7-19, 22 and 23

Front Bulkhead, Air Duct and Felt Seal

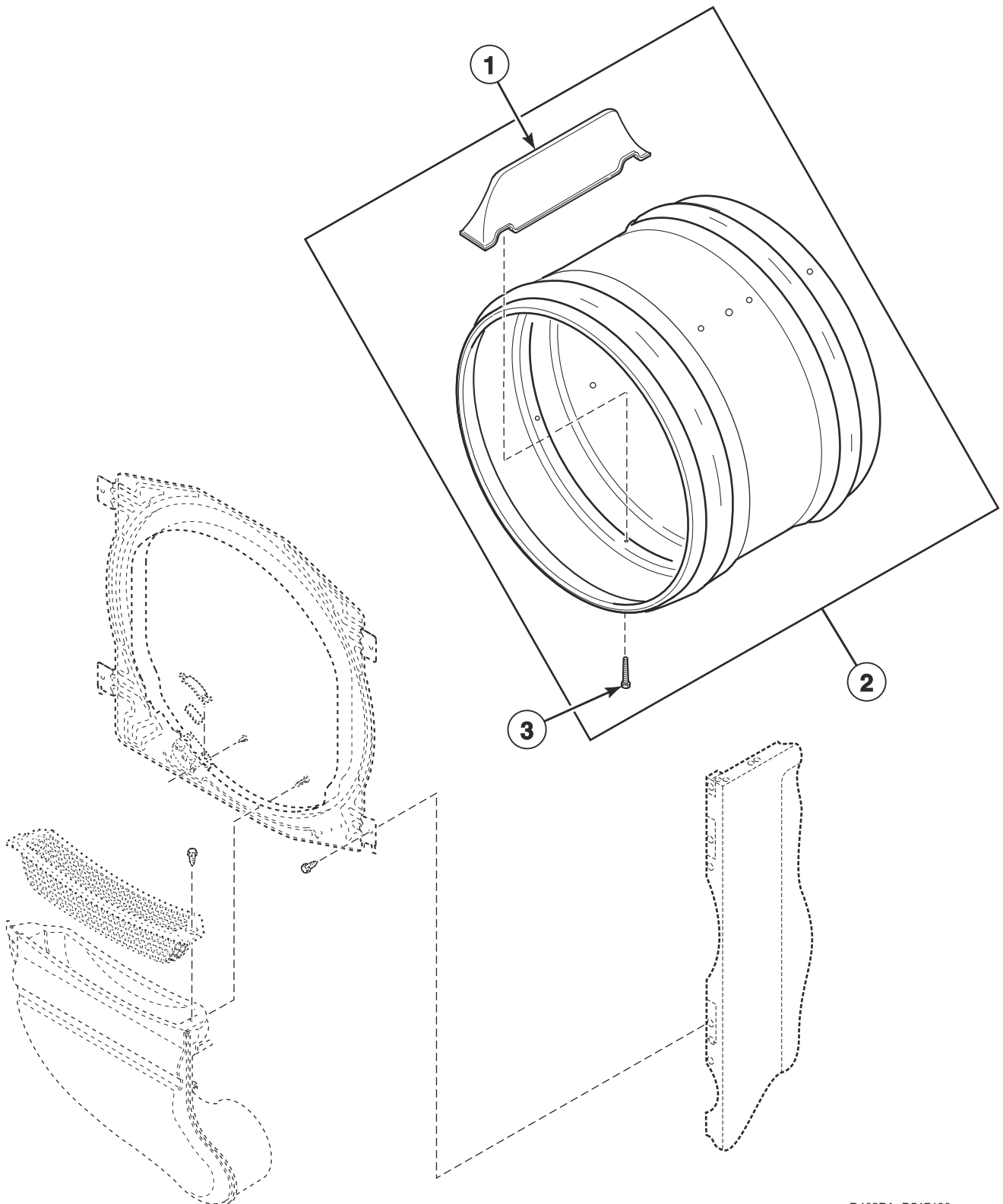


DRY2304P_D517198

Front Bulkhead, Air Duct and Felt Seal

REF	PART NO.	DESCRIPTION	COMMENTS
1	D510266P	Front Bulkhead Assembly	Unpainted; Includes item 2 and 9-13
2	D510207P	Cylinder Seal Assembly	
	D511637P	Adhesive	Apply to cylinder seal
	RB170001	Seal Kit	Includes 2 cylinder seals, blower housing seal and adhesive
3	M405188	Screw	Use with stainless steel side panels
	D503688	Screw	Use with painted side panels
4	D518433	Air Duct Assembly	
5	61294	Fuse Notice Label	Electric models
6	D500049	Warning Label	
7	D503980LG	Lint Filter	Models SDEDCAGS173TN01, SDEDYAGS173TN01, SDGDCAGS113TN01 and SDGDYAGS113TN01
	D503980W	Lint Filter	All other models
8	D501285	Screw	
9	D510189	Felt Pad	1 per side
10	RB170003	Glide Kit	Includes items 6 and 8; Quantity: 2 of each item
11	D513710	Cylinder Glide	1 per side
12	52864	Screw	2 per side
13	D510145	Cylinder Glide Bracket	1 per side
14	D505295	Screw	1 per side

Cylinder Assembly

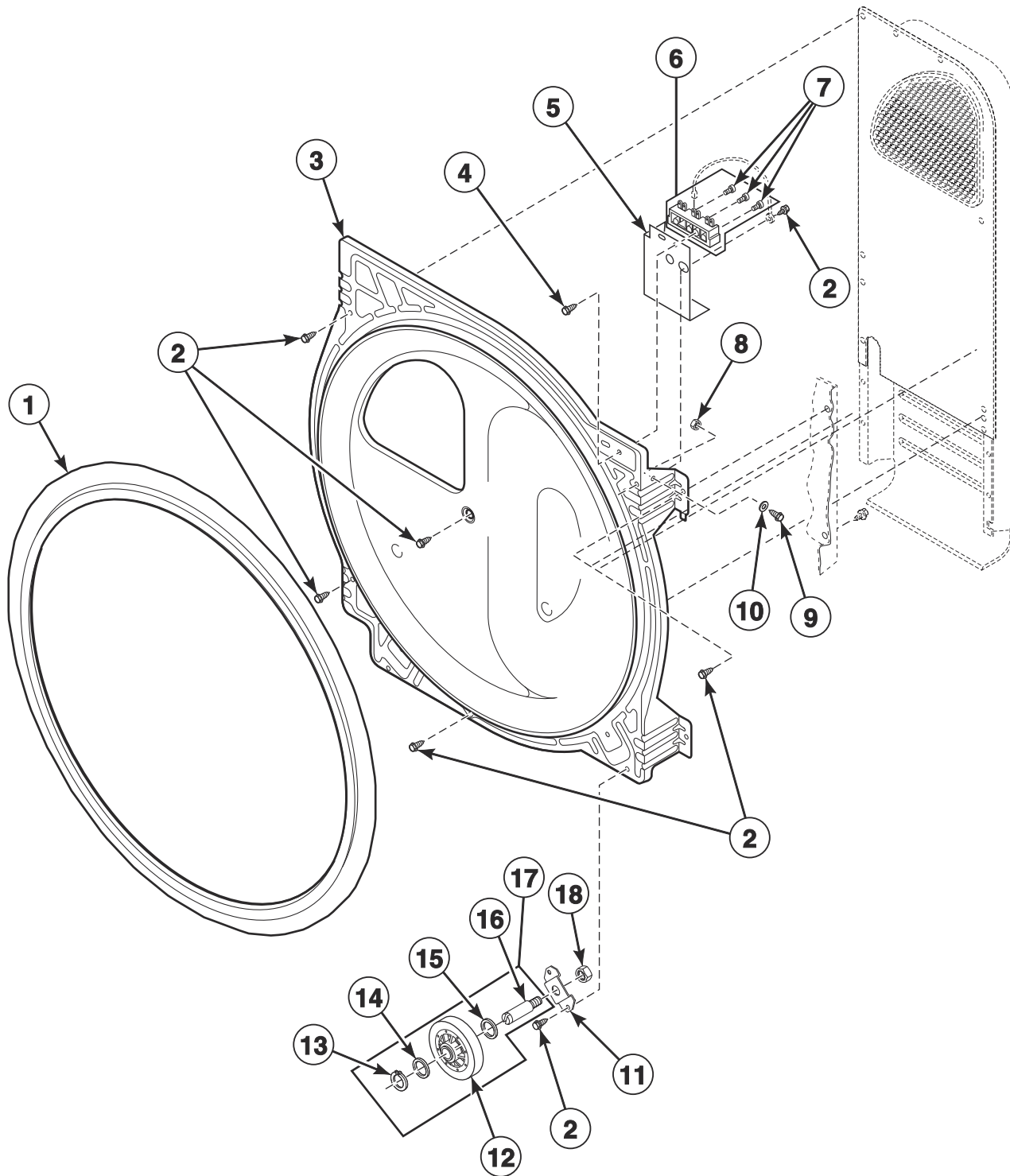


D402PA_D517198

Cylinder Assembly

REF	PART NO.	DESCRIPTION	COMMENTS
1	D510102LG	Cylinder Baffle	Models SDEDCAGS173TN01, SDEDYAGS173TN01, SDGDCAGS113TN01 and SDGDYAGS113TN01
	D510102W	Cylinder Baffle	All other models
2	D510265LGP	Cylinder Assembly	Galvanized; Includes 3 of item 1 and 6 of item 3; Models SDEDCAGS173TN01, SDEDYAGS173TN01, SDGDCAGS113TN01 and SDGDYAGS113TN01
	D510265WP	Cylinder Assembly	Galvanized; Includes 3 of item 1 and 6 of item 3; All other models
3	62588	Screw	

Rear Bulkhead, Felt Seal, Cylinder Roller and Terminal Block



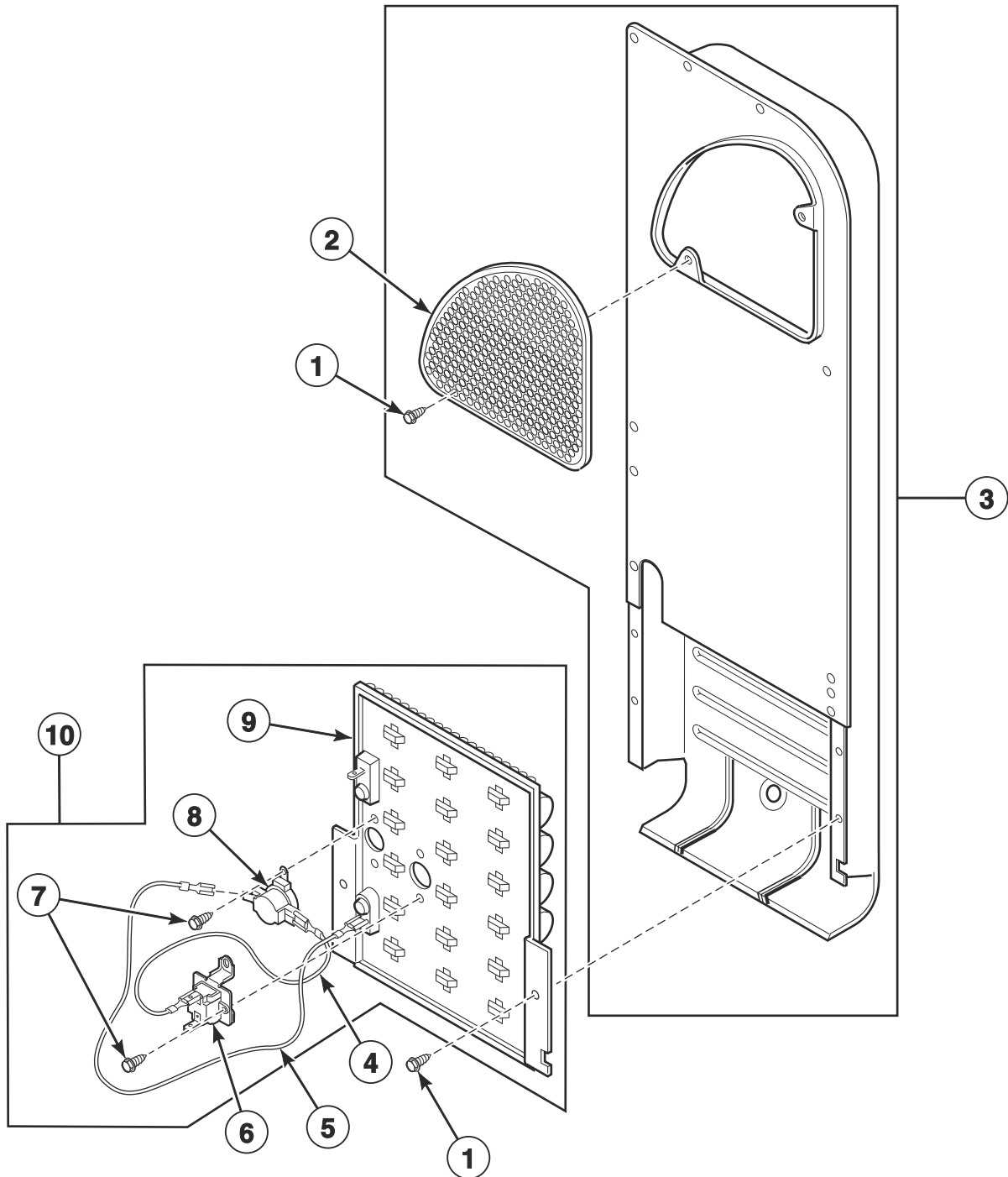
DRY1774P_D517198

Rear Bulkhead, Felt Seal, Cylinder Roller and Terminal Block

REF	PART NO.	DESCRIPTION	COMMENTS
1	D510207P	Cylinder Seal Assembly	
	D511637P	Adhesive	Apply to cylinder seal
	RB170001	Seal Kit	Includes 2 cylinder seals, blower housing seal and adhesive
2	D503688	Screw	
3	D518128	Rear Bulkhead	Stainless steel; Includes item 1; Models SDEDCAGS173TN01, SDEDYAGS173TN01, SDGDCAGS113TN01 and SDGDYAGS113TN01
	D511082P	Rear Bulkhead Assembly	Galvanized; Includes item 1; All other models
4	D501285	Screw	Electric models
5	D510237	Terminal Block Shield	Electric models; Through Serial No. 1903000001
6	D510190P	Terminal Block Assembly	Includes 3 of item 7; Electric models
7	61199	Screw	
8	28447	Nut	
9	28448	Screw	
10	28449	Washer	
11	D510100	Cylinder Roller Bracket	
12	D510708P	Cylinder Roller	
13	23748	Retaining Ring	
14	52549	Washer	
15	D504082	Washer	
16	56461P	Shaft	
17	RB170002	Roller Kit	Includes items 12-16
18	56156	Nut	

Heater Duct and Element Assembly

Electric Models



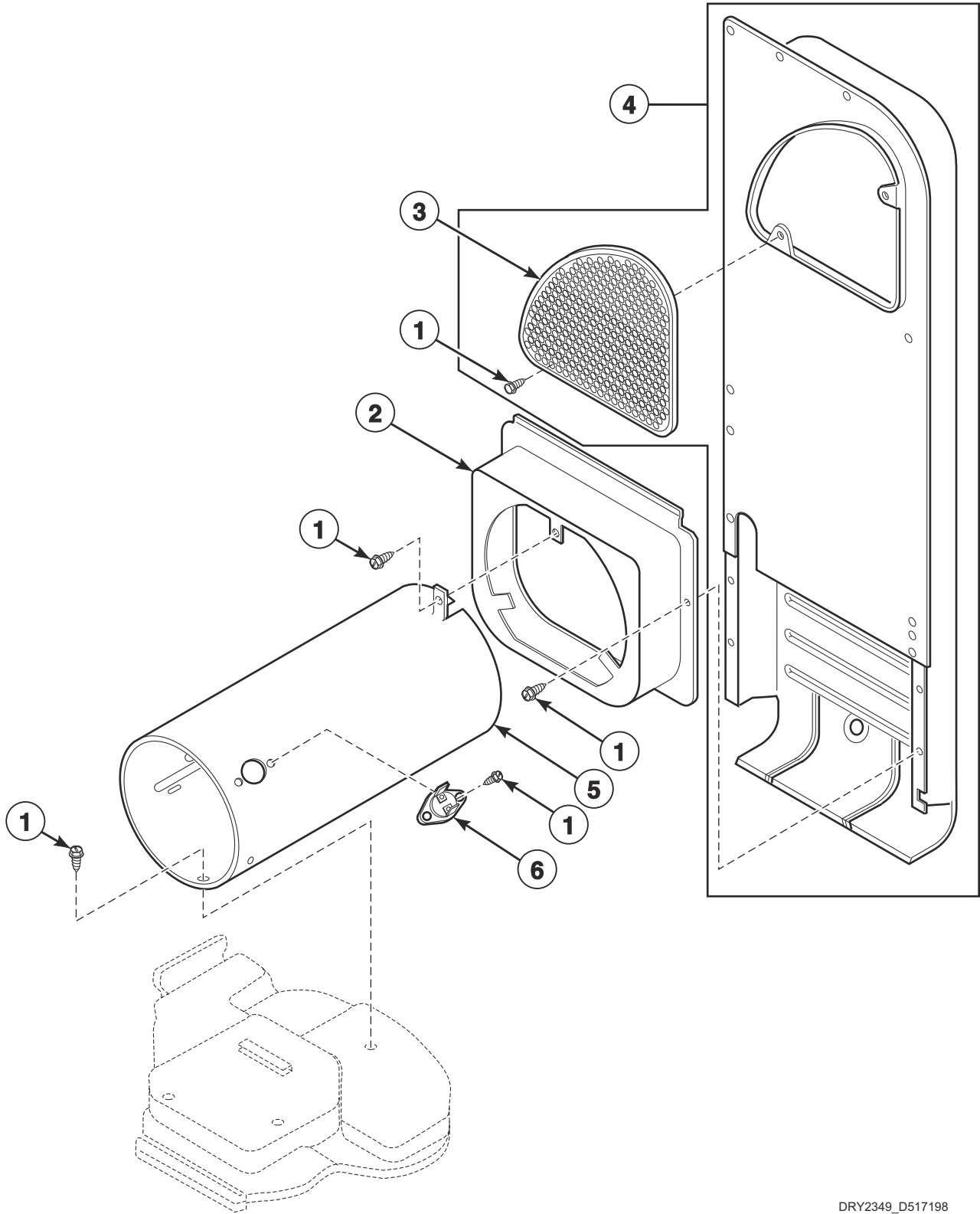
DRY1789P_D517198

Heater Duct and Element Assembly

REF	PART NO.	DESCRIPTION	COMMENTS
1	D503688	Screw	
2	D500820	Outlet Cover	Aluminized steel
	D518524	Outlet Cover	Black; Nitrocarburized
3	D510025P	Heater Duct Assembly	Includes items 1 and 2
4	D518256	Wire Assembly	Orange; Thermostat jumper; Attaches to heater assembly
5	D518255	Wire Assembly	Black; Fuse jumper; Attaches to heater assembly
6	D518542	Thermal Fuse Assembly	
7	23222	Screw	
8	D510701	Limit Thermostat	
9	D510325P	Heater	4.75 kW; 208 Volt; Models SDEDCRGS153TW02, SDEYAGS153TW01, SDEYRGS153TW01 and SDEYYAGS153TW01
	D510324P	Heater Assembly	5 kW; 240 Volt/60 Hertz; Models SDEDEAGS173CW01, SDEDERGS173CW02, SDEDXAGS173CW01, SDEDXRGS173CW02, SDEYBGS173CW01, SDEYRGS173CW01 and SDEYYAGS173CW01
	D510330P	Heater Assembly	4.25 kW; 208 Volt/60 Hertz; Models SDEDEAGS153CW01, SDEDERGS153CW02, SDEDXAGS153CW01, SDEDXRGS153CW02, SDEYRGS153CW01 and SDEYYAGS153CW01
	D510329P	Heater Assembly	5.35 kW; 240 Volt; All other models
10	61928	Heater Kit Assembly	4.75 kW; 208 Volt; Includes items 4-9; Models SDEDCRGS153TW02, SDEYAGS153TW01, SDEYRGS153TW01 and SDEYYAGS153TW01
	61927	Heater Kit Assembly	5 kW; 240 Volt-60 Hertz; Includes items 4-9; Models SDEDEAGS173CW01, SDEDERGS173CW02, SDEDXAGS173CW01, SDEDXRGS173CW02, SDEYBGS173CW01, SDEYRGS173CW01 and SDEYYAGS173CW01
	965P3	Heater Kit	4.25 kW; 208 Volt/60 Hertz; Includes items 4-9; Models SDEDEAGS153CW01, SDEDERGS153CW02, SDEDXAGS153CW01, SDEDXRGS153CW02, SDEYRGS153CW01 and SDEYYAGS153CW01
	964P3	Heater Kit	5.35 kW; 240 Volt; Includes items 4-9; All other models; Includes factory-installed heater
	61928	Heater Kit Assembly	4.75 kW; 208 Volt; Includes items 4-9; All other models; Optional conversion

Heater Duct Assembly

Gas Models

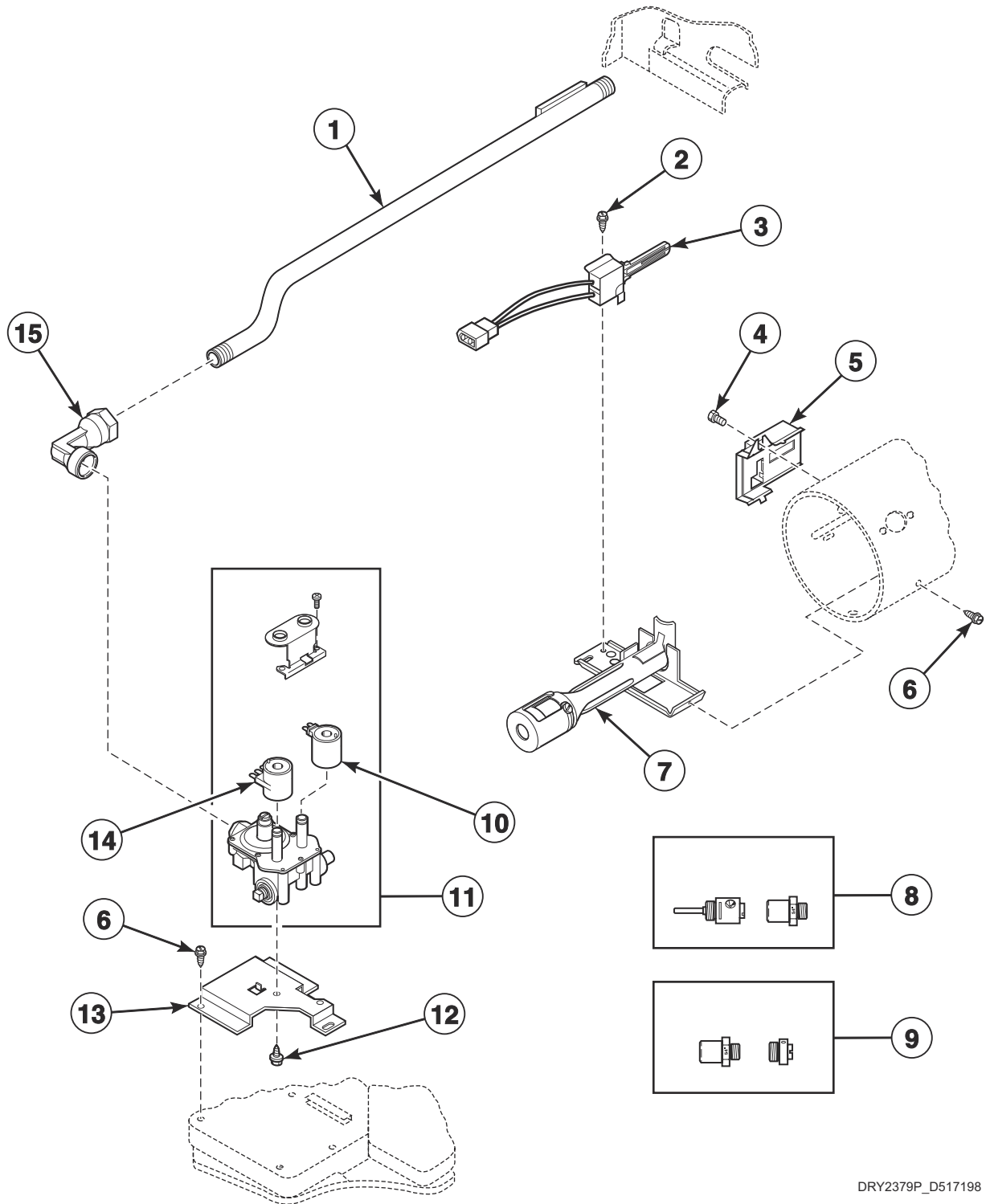


DRY2349_D517198

Heater Duct Assembly

REF	PART NO.	DESCRIPTION	COMMENTS
1	51782	Screw	
2	D510101	Heat Duct Shroud	
3	D500820	Outlet Cover	Aluminized steel
	D518524	Outlet Cover	Black; Nitrocarburized
4	D510025P	Heater Duct Assembly	Includes items 1 and 3
5	D510131	Combustion Duct	
6	D510702	Limit Thermostat	Black; Auto reset

Gas Valve, Igniter and Gas Conversion Kits Gas Models Through Serial No. 190800001

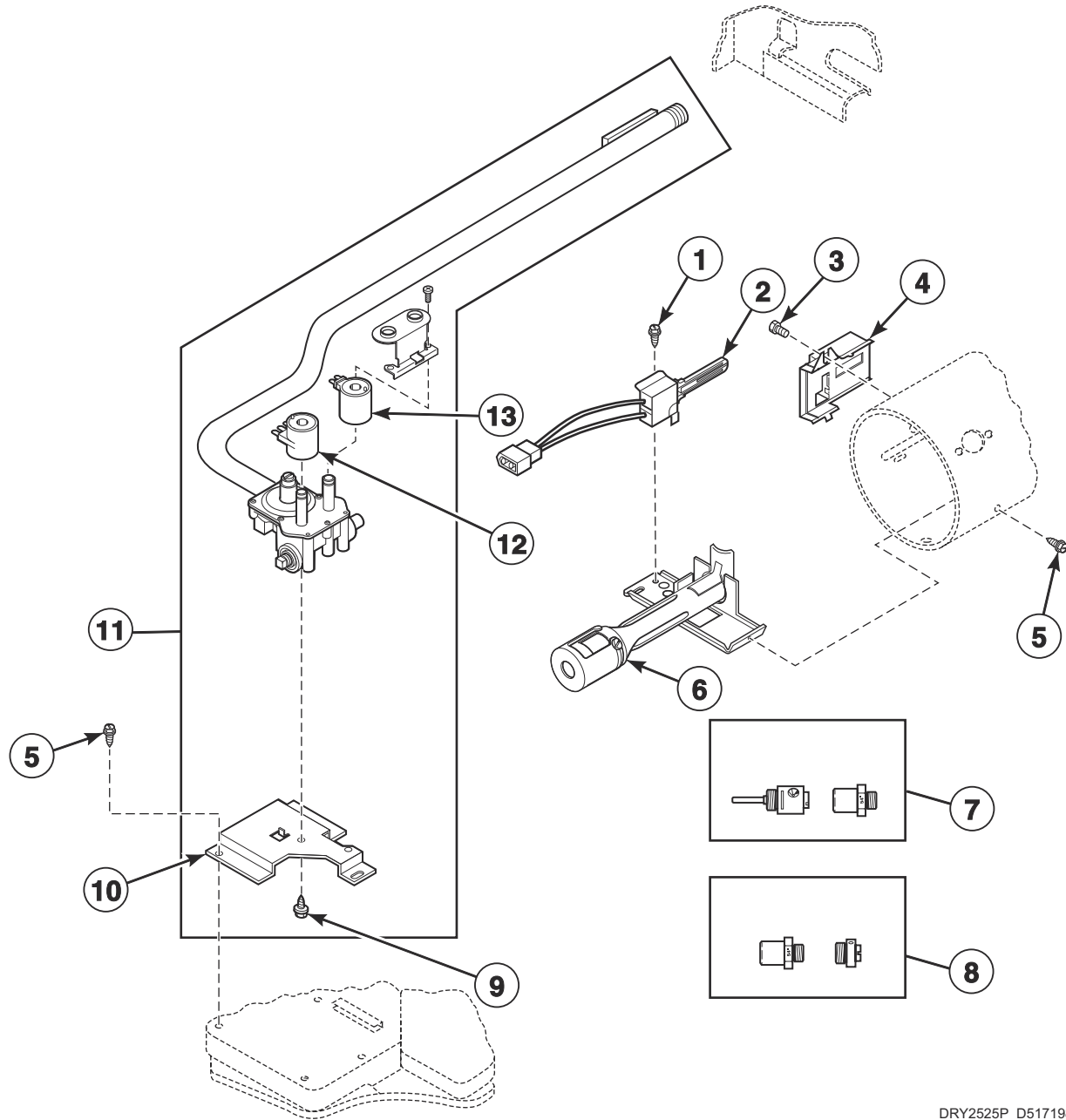


DRY2379P_D517198

Gas Valve, Igniter and Gas Conversion Kits Gas Models Through Serial No. 1908000001

REF	PART NO.	DESCRIPTION	COMMENTS
1	D510204	Lead-In Pipe Assembly	
2	51782	Screw	
3	D510184P	Igniter and Bracket Assembly	
4	23222	Screw	
5	D510213	Sensor	
6	D503688	Screw	
7	D510149P	Burner Assembly	
8	458P3	L.P. Conversion Kit	Used to convert dryers from Natural Gas (N.G.) or Mixed Gas to Liquid Petroleum Gas (L.P.) for 25,000 Btu
9	459P3	N.G. Conversion Kit	Used to convert dryers from L.P. to N.G. or Mixed Gas for 25,000 Btu
10	58804B	Secondary Coil	
11	60353P	Gas Valve Assembly	60 Hertz; 25,000 Btu; N.G.; Includes items 10 and 14
12	56124	Screw	
13	D510128	Gas Valve Mounting Bracket	
14	58804A	Booster and Holding Coil	
15	D513072	Elbow	

Gas Valve, Igniter and Gas Conversion Kits Gas Models Starting Serial No. 1908000001



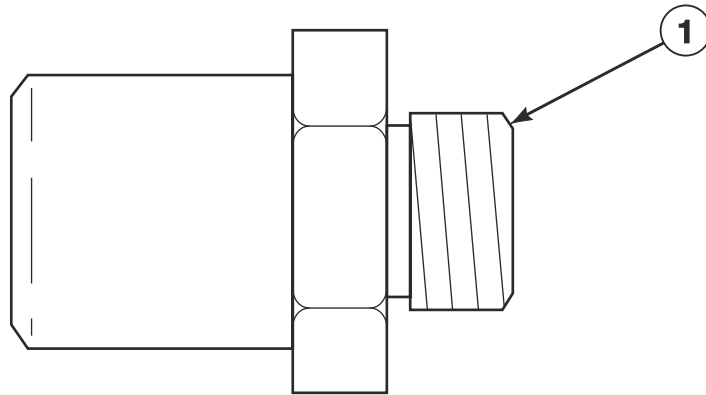
DRY2525P_D517198

Gas Valve, Igniter and Gas Conversion Kits Gas Models Starting Serial No. 1908000001

REF	PART NO.	DESCRIPTION	COMMENTS
1	51782	Screw	
2	D510184P	Igniter and Bracket Assembly	
3	23222	Screw	
4	D510213	Sensor	
5	D503688	Screw	
6	D510149P	Burner Assembly	
7	458P3	L.P. Conversion Kit	Used to convert dryers from Natural Gas (N.G.) or Mixed Gas to Liquid Petroleum Gas (L.P.) for 25,000 Btu
8	459P3	N.G. Conversion Kit	Used to convert dryers from L.P. to N.G. or Mixed Gas for 25,000 Btu
9	56124	Screw	
10	D510128	Gas Valve Mounting Bracket	
11	D517606	Gas Valve, Bracket and Pipe Assembly	60 Hertz; 25,000 Btu; N.G.; Includes items 9, 10, 12 and 13
12	58804A	Booster and Holding Coil	
13	58804B	Secondary Coil	

Burner Orifice Spuds - For Higher Elevations

Gas Models

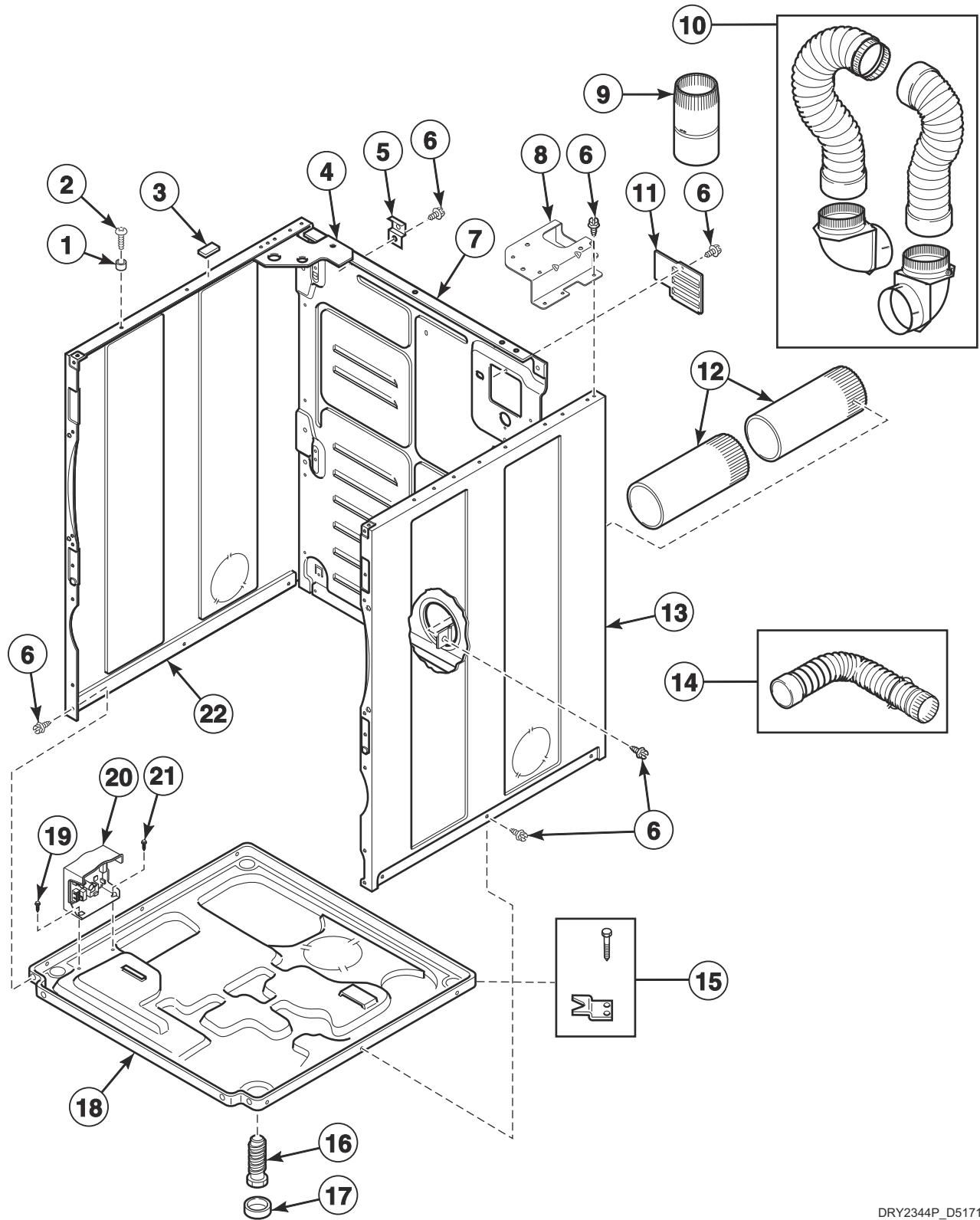


DRY2266P_D517198

Burner Orifice Spuds - For Higher Elevations

REF	PART NO.	DESCRIPTION	COMMENTS
1	58755	L.P. Orifice	Liquid Petroleum Gas (L.P.); 7500-10999 feet (2290-3354 m)
	D503786	L.P. Orifice	L.P.; 11000 feet (3355 m) and higher
	D503776	N.G. Orifice	Natural Gas (N.G.); 2000-2999 feet (610-914 m)
	D510517	N.G. Orifice	N.G.; 3000-5499 feet (915-1679 m)
	D503778	N.G. Orifice	N.G.; 5500-6999 feet (1680-2134 m)
	58719	Screw Orifice	N.G.; 7000-8999 feet (2135-2744 m)
	D503779	N.G. Orifice	N.G.; 9000-10499 feet (2745-3199 m)
	D503780	N.G. Orifice	N.G.; 10500 feet (3200 m) and higher

Cabinet, Exhaust Duct and Base

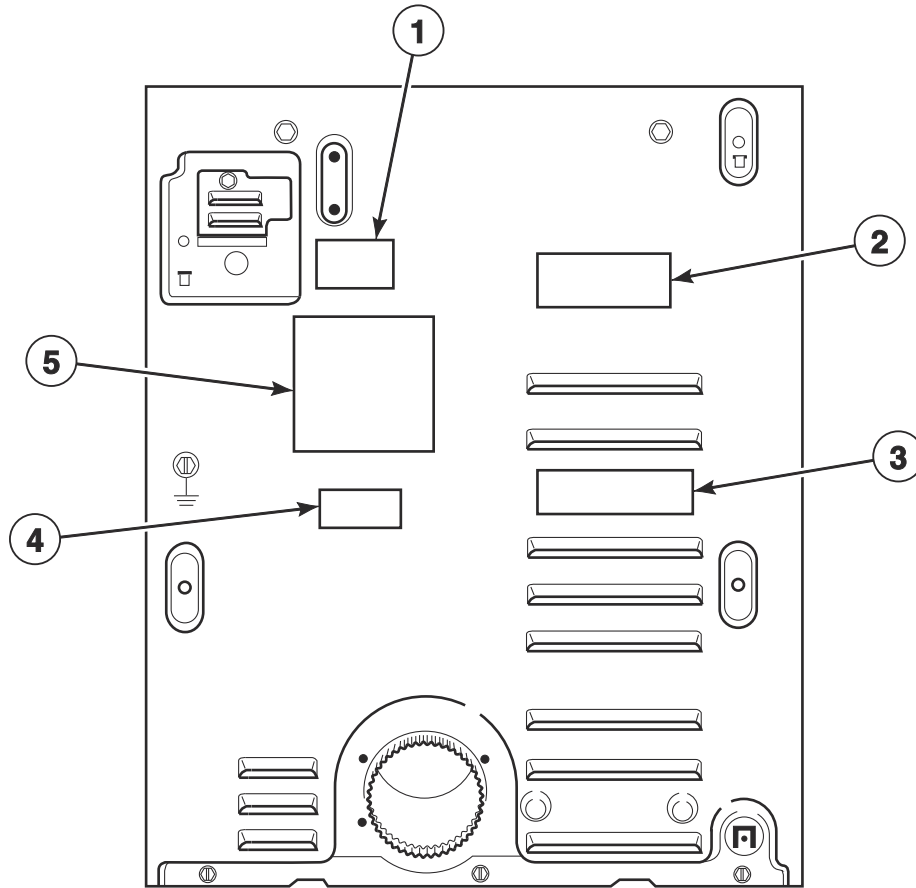


DRY2344P_D517198

Cabinet, Exhaust Duct and Base

REF	PART NO.	DESCRIPTION	COMMENTS
1	56079	Panel Locator	
2	D512921	Screw	Use with stainless steel side panels
	39733	Screw	Use with painted side panels
3	56128	Bumper Pad	
4	D510337	Frame Gusset	
5	D510136	Top Hinge	
6	D503688	Screw	
7	D514632P	Cabinet Rear Panel	
8	547P3	Coin Cabinet Hardware Kit	
9	58786	Damper	Use when connecting to a manifold vent system
10	521P3	Flexible Venting Kit	
11	D510903	Access Panel Plate	
12	D516196	Exhaust Duct	Each dryer requires 2 pieces
13	D510002DGP	Cabinet Side Panel	Right; Gray; Models SDEDCAGS173TN01, SDEDYAGS173TN01, SDGDCAGS113TN01 and SDGDYAGS113TN01
	D510002WP	Cabinet Side Panel	White; Right; All other models
14	528P3	Directional Exhaust Kit	Used to vent dryer out the sides or bottom
15	526P3	Hold Down Kit	For mobile home installations
16	D510135	Leveling Leg	
17	D501855	Rubber Foot	
18	D514245	Dryer Base	
19	D514428	Screw	
20	D513797P	Output Control Assembly	
21	804667	Screw	
22	D510001DGP	Cabinet Side Panel	Left; Gray; Models SDEDCAGS173TN01, SDEDYAGS173TN01, SDGDCAGS113TN01 and SDGDYAGS113TN01
	D510001WP	Cabinet Side Panel	White; Left; All other models

Label Location on Rear of Cabinet



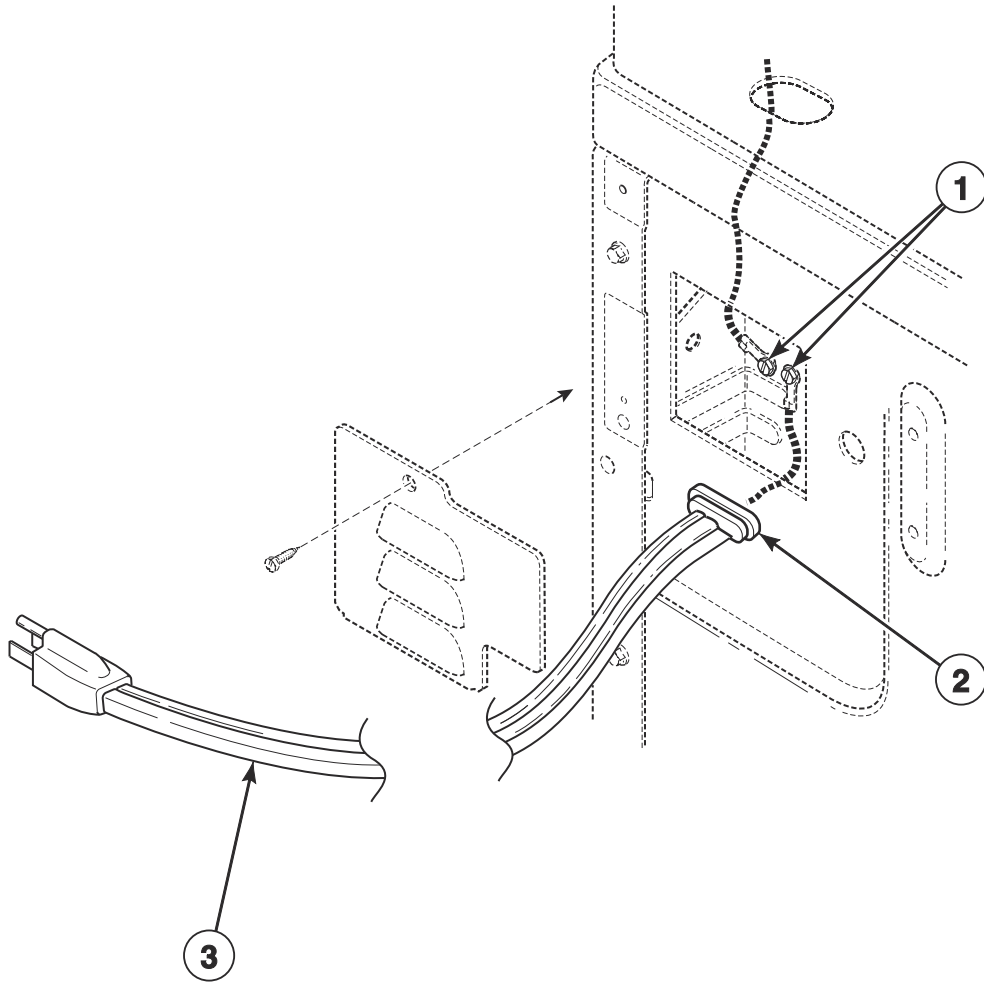
DRY2374P_D517198

Label Location on Rear of Cabinet

REF	PART NO.	DESCRIPTION	COMMENTS
1	803260	Warning Label	
2	D502791	Venting Instruction Label	
3	62104	Voltage Warning Label	208 Volt
	D505215	Gas Label	
4	D500497	Exhaust Warning Label	
5	D511005	Electric Clearance Label	Electric models
	D511004	Gas Clearance Label	Gas models

Power Cord

Gas Models

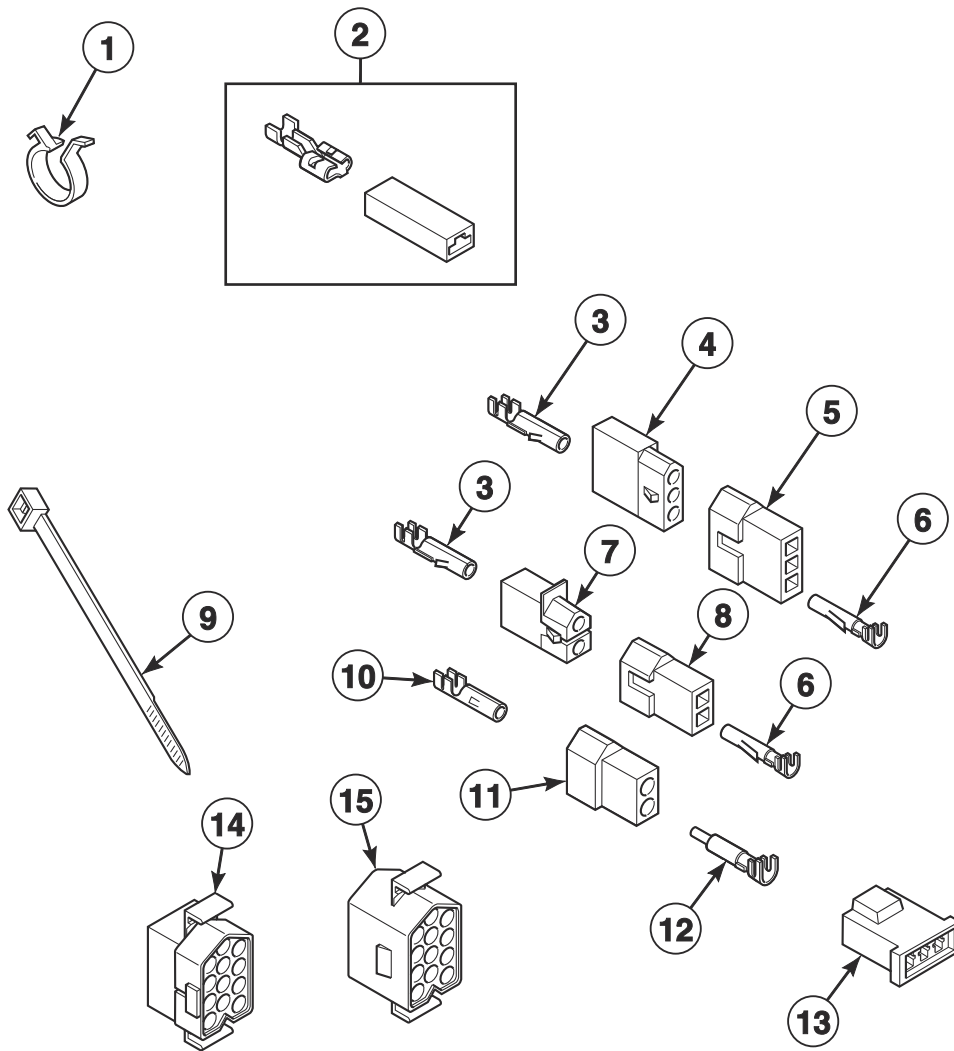


DRY1879P_D517198

Power Cord

REF	PART NO.	DESCRIPTION	COMMENTS
1	20530	Screw	
2	38384	Strain Relief	
3	D518387	Lead-In Cord	

Terminal Block and Terminals (Drawing 1 of 2)

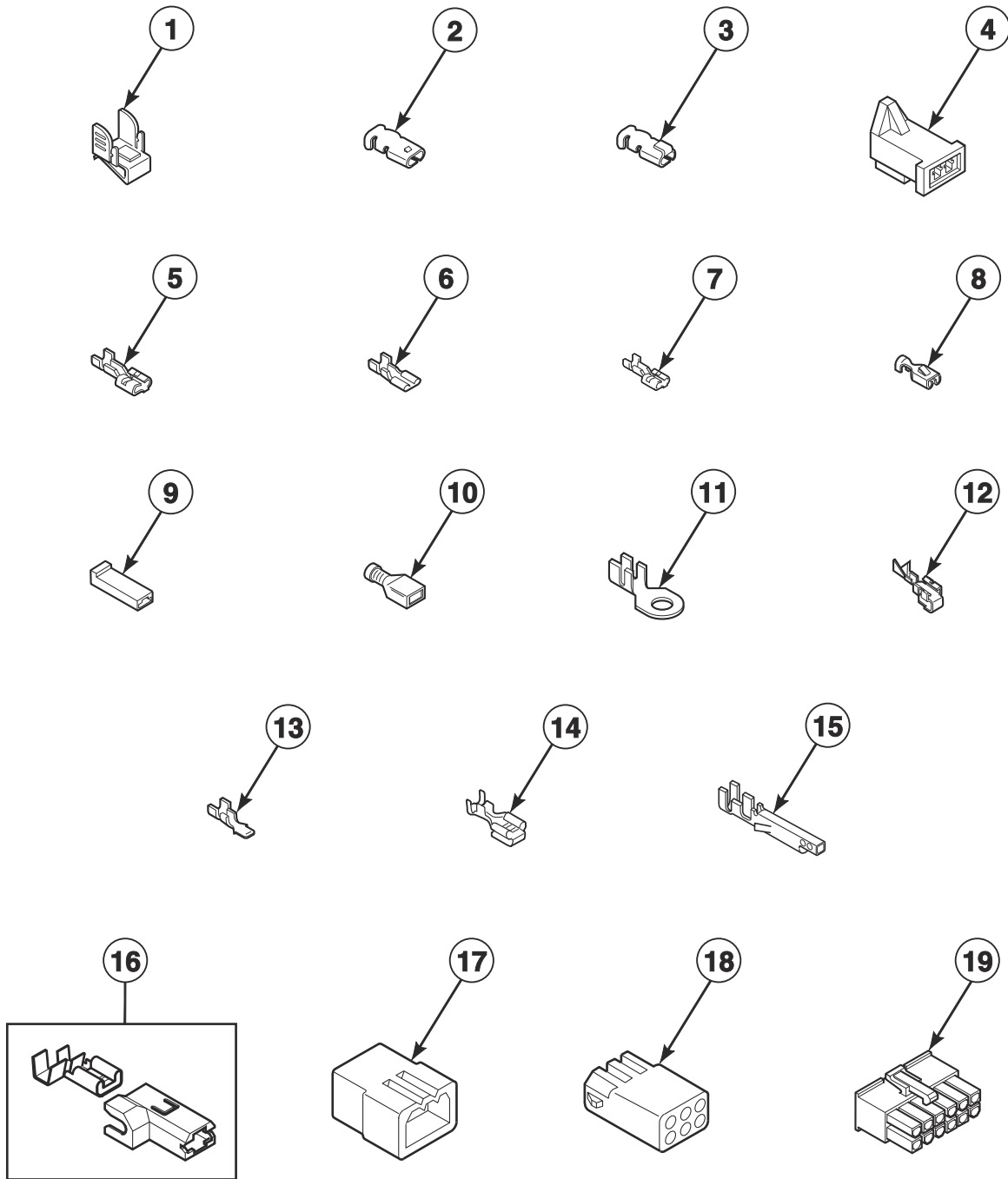


DRY2038P_D517198

Terminal Block and Terminals (Drawing 1 of 2)

REF	PART NO.	DESCRIPTION	COMMENTS
1	D504034	Wire Clip	11/16 inch
	687500	Wire Clip	1 inch
2	00360	Insulated Female Spade Terminal	(1) 12 gauge wire or (2) 18 gauge wires
3	00117	Female Pin Terminal	
4	23039	3 Circuit Receptacle	
5	23040	Plug	3 circuit
6	00116	Male Pin Terminal	
7	56451	2 Circuit Receptacle	
8	56448	2 Circuit Plug	
9	55881	Harness Strap	
10	00128	Female Pin Terminal	1/8 inch; 10-14 gauge wire
	00130	Female Pin Terminal	1/8 inch; 16-18 gauge wire
11	56266	2 Circuit Plug	
12	00127	Male Pin Terminal	1/8 inch; 10-14 gauge wire
	00129	Male Pin Terminal	1/8 inch; 16-18 gauge wire
13	58800	3 Circuit Connector	
14	54522	Plug	
15	56855	12 Circuit Receptacle	

Terminal Block and Terminals (Drawing 2 of 2)

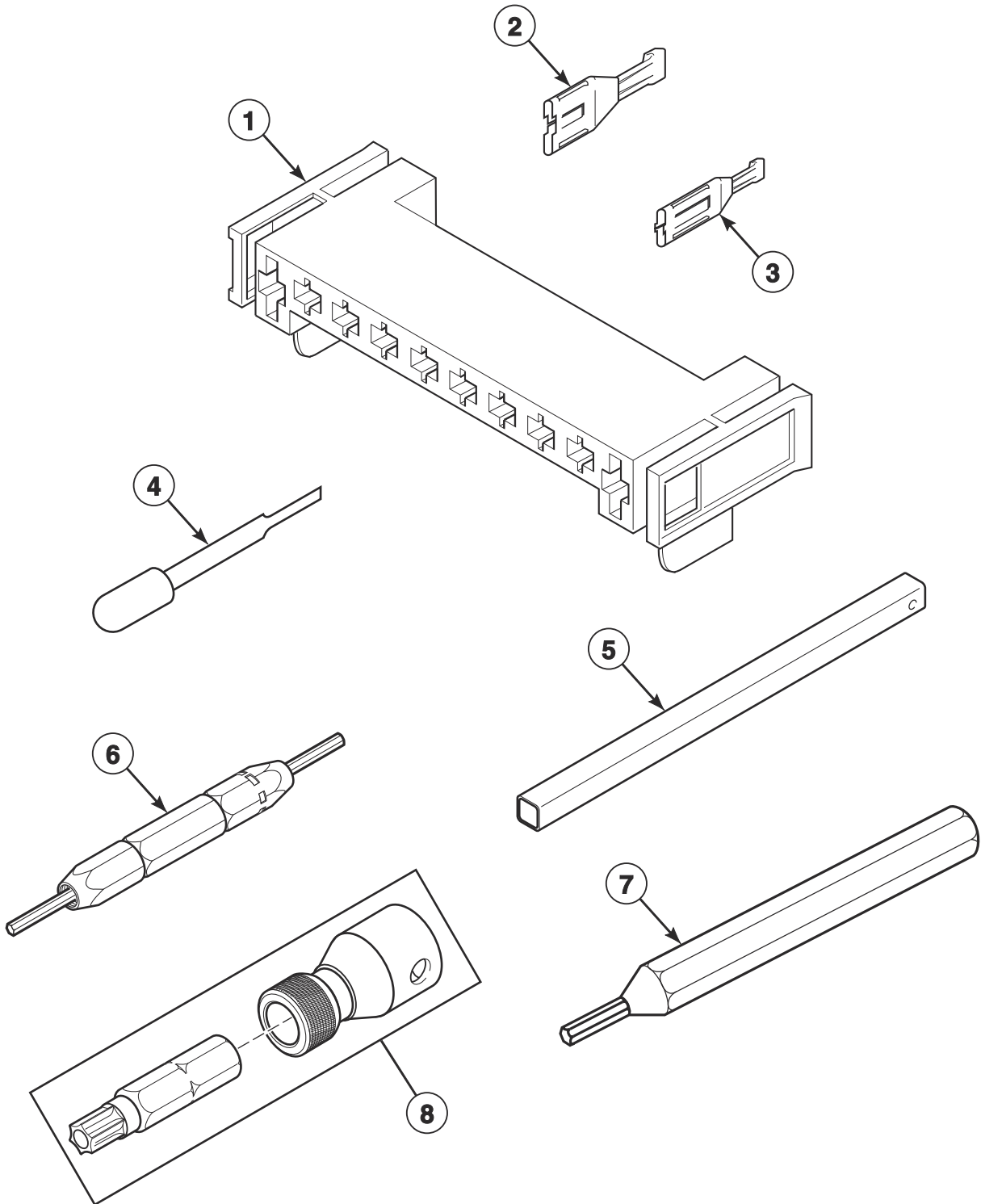


DRY2338P_D517198

Terminal Block and Terminals (Drawing 2 of 2)

REF	PART NO.	DESCRIPTION	COMMENTS
1	00161	Grounding Clip	
2	00189	Female Spade Terminal	1/8 inch
3	00361	Female Piggyback Terminal	
4	58799	2 Circuit Connector	
5	00223	Female Spade Terminal	1/4 inch; (1) 18 gauge wire
	00121	Female Spade Terminal	1/4 inch; (2) 18 gauge wires or (1) 12 gauge wire
	00245	Spade Terminal	1/4 inch; (1) 22 gauge wire
6	00124	Female Spade Terminal	3/16 inch; (1) 18 gauge wire; 0.020 tab
7	00222	Female Spade Terminal	1/4 inch
8	00115	Female Spade Terminal	1/4 inch; (1) 18 gauge wire
9	90789	Receptacle Housing	
10	00359	Insulated Female Spade Terminal	1/4 inch
11	00110	Ring Terminal	No. 10; (1) 18 gauge wire
12	00114	Female Spade Terminal	1/4 inch; Double connector
13	00139	Male Tab Terminal	1/4 inch; (2) 18 gauge wires or (1) 12 gauge wire
14	00344	Female Tab Terminal	1/4 inch
15	00252	Terminal	
16	00221	Insulated Female Flag Terminal	
17	23033	9 Circuit Plug	
	44370401	1 Circuit Plug	
18	26708	6 Circuit Receptacle	
	26301	1 Circuit Receptacle	
19	34596	10 Circuit Receptacle	
	D501333	12 Circuit Receptacle	

Terminals and Terminal Extractor Tools



DRY2066P_D517198

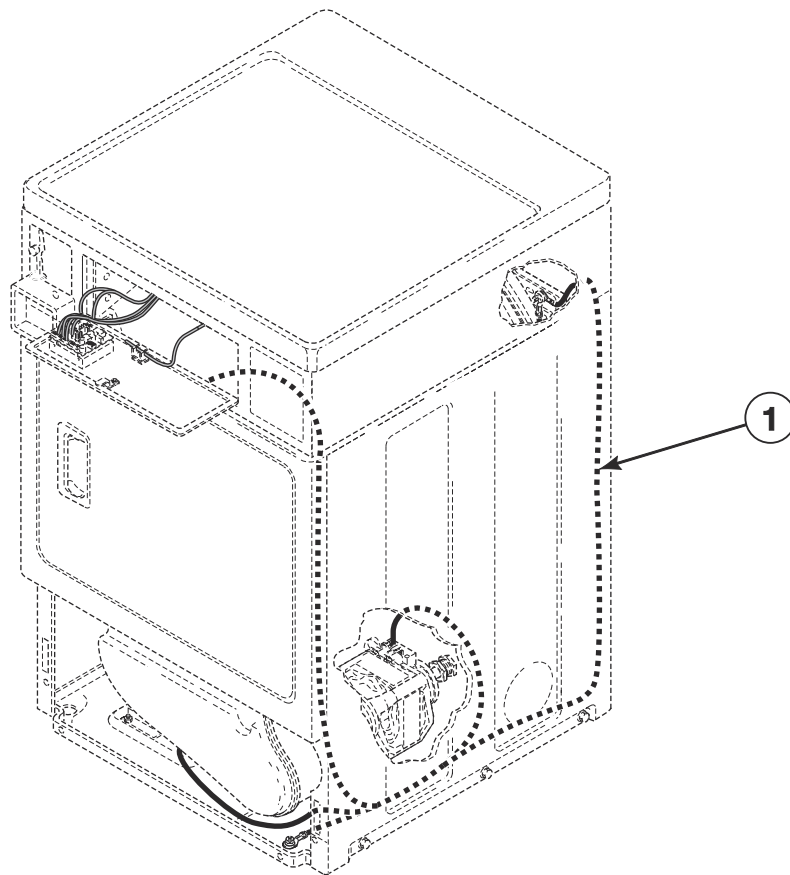
Terminals and Terminal Extractor Tools

REF	PART NO.	DESCRIPTION	COMMENTS
1	D500338	10 Position Housing	
2	00255	Female Terminal	1/4 inch; (1) 12 gauge wire; Electric models
	00256	Female Terminal	1/4 inch; (1) or (2) 18 gauge wires
3	00188	Female Terminal	For 1 or 2 wire application
4	283P4	Terminal Extractor Tool	For use on Molex connectors
5	310P4	Ratchet Extension Tool	1/4 inch; For coin drop installation
6	190P4	Extractor Tool	For use on electric dryer terminals
7	128P4	Extractor Tool	For use on gas dryer terminals
8	281P4	Torx Bit	T15 Tamper Resistant Bit
	282P4	Torx Bit	Use with 62853 Screw on access panel; T25 Tamper Resistant Bit
	292P4	Torx Bit	T20 Standard Bit
	93501	Torx Drive Tool	T10 Standard Bit

Wire Harnesses and Wires (Drawing 1 of 2)

Front Control Models

Models SDEDCAGS173TN01, SDEDCAGS173TW01, SDEDEAGS153CW01, SDEDEAGS173CW01, SDEDXAGS153CW01, SDEDXAGS173CW01, SDEYAGS153TW01, SDEYAGS173TN01, SDEYAGS173TW01, SDEYBGS173CW01, SDEYBGS173TW01, SDEYYAGS153CW01, SDEYYAGS153TW01, SDEYYAGS173CW01, SDEYYAGS173TW01, SDGDCAGS113TN01, SDGDCAGS113TW01, SDGDEAGS113CW01, SDGDXAGS113CW01, SDGDYAGS113TN01, SDGDYAGS113TW01, SDGDYBGS113CW01, SDGDYBGS113TW01 and SDGYAGS113CW01



DRY2372P_D517198

Wire Harnesses and Wires (Drawing 1 of 2)

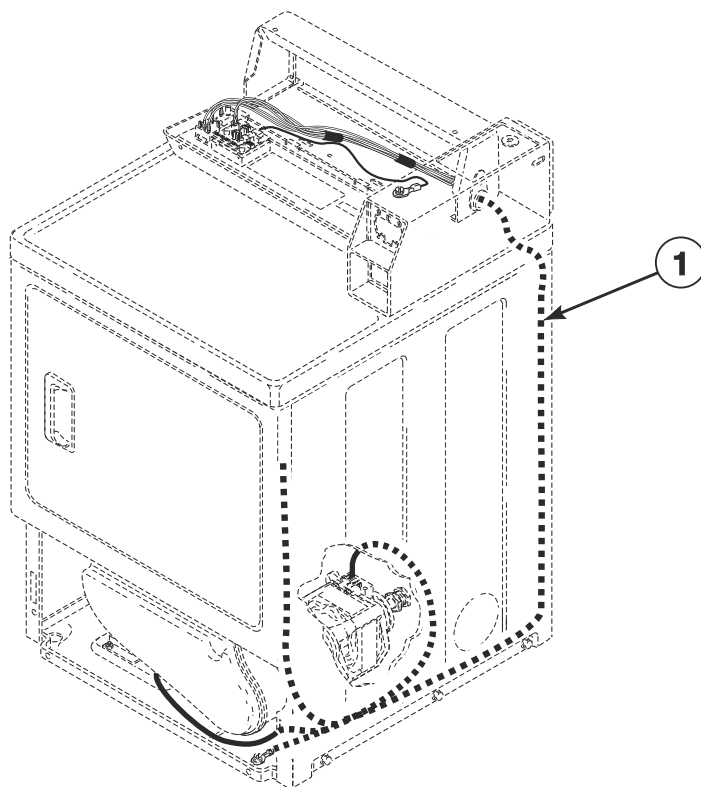
REF	PART NO.	DESCRIPTION	COMMENTS
	45001	18 Gauge Wire	Black; Order wire by foot; Order terminals and connectors as required
	45380	12 Gauge Wire	Orange; Order wire by foot; Order terminals and connectors as required
1	D517240	Electronic Harness	Electric models
	D517095	Gas Harness	Gas models

NOTE: Individual wires are not available separately. Order complete harness, or order wire by the foot. When applying terminals to wires, it is recommended that the terminals be soldered to the wires.

Wire Harnesses and Wires (Drawing 2 of 2)

Rear Control Models

Models SDEDCRGS153TW02, SDEDCRGS173TW02, SDEDERGS153CW02, SDEDERGS173CW02, SDEDXRGS153CW02, SDEDXRGS173CW02, SDEDXRGS173TW02, SDEDYRGS153CW01, SDEDYRGS153TW01, SDEDYRGS173CW01, SDEDYRGS173TW01, SDGDCRGS113TW02, SDGDERGS113CW02, SDGDXRGS113CW02, SDGDXRGS113TW02, SDGDYRGS113CW01 and SDGDYRGS113TW01



DRY2373P_D517198

Wire Harnesses and Wires (Drawing 2 of 2)

REF	PART NO.	DESCRIPTION	COMMENTS
	45001	18 Gauge Wire	Black; Order wire by foot; Order terminals and connectors as required
	45380	12 Gauge Wire	Orange; Order wire by foot; Order terminals and connectors as required
1	D517102	Gas Harness	Gas models
	D517254	Electric Harness	Electric models

NOTE: Individual wires are not available separately. Order complete harness, or order wire by the foot. When applying terminals to wires, it is recommended that the terminals be soldered to the wires.

Parts Index

A

Access Panel Assembly	
D514250WP	31
D514251	31
Access Panel Plate	
D510903	51
Adhesive	
D511637P	35, 39
Air Duct Assembly	
D518433	35
Anti-Seize Compound	
27604P	33

B

Blower and Fan Kit	
D510717P	33
Blower Fan Assembly	
D510139P	33
Blower Housing	
D511969WP	33
Blower Housing Seal	
D510238P	33
Bolt	
203798	9
29651	21, 25
Booster and Holding Coil	
58804A	45, 47
Bracket	
D510146	11
Bumper Pad	
56128	51
Burner Assembly	
D510149P	45, 47

C

Cabinet Rear Panel	
D514632P	51
Cabinet Side Panel	
D510001DGP	51
D510001WP	51
D510002DGP	51
D510002WP	51
Card Insert Overlay	
D514391	23
Central Pay Harness	
805427	5, 7, 17
Clip	
201572	15
Coin Box Extension Kit	
803578P	9
Coin Cabinet Hardware Kit	
547P3	51
Coin Drop	
38963P	13

70441601P	13
70441603	13
Coin Drop Assembly	
38462P	13
38463	13
38464P	13
70441602	13
Coin Drop Wire Harness	
201104	15
Coin Identification Paper	
38725	13, 15
Combustion Duct	
D510131	43
Connector, 2 Circuit	
58799	59
Connector, 3 Circuit	
58800	57
Control Access Panel	
804741	27
804793	27
Control Assembly	
D516096	5, 7, 17, 27
Control Bracket	
D514261	27
Control Hood	
D502567W	5
D511253W	7
Control Overlay	
D515685	5
D517155	17
D517156	7
D517157	27
Control Panel	
D510067W	5
D511055W	7
806541B	21
806541W	21
Control Panel and Bracket Assembly	
D513777B	17
D513777W	17
Control Panel Assembly	
804657W	27
Control Wrapper	
804627W	27
804630W	27
Cylinder Assembly	
D510265LGP	37
D510265WP	37
Cylinder Baffle	
D510102LG	37
D510102W	37
Cylinder Belt	
D511255P	33
Cylinder Glide	
D513710	35
Cylinder Glide Bracket	
D510145	35
Cylinder Roller	
D510708P	39
Cylinder Roller Bracket	
D510100	39

N/A items do not appear in index.

Cylinder Seal Assembly	
D510207P	35, 39

D

Damper	
58786	51
Directional Exhaust Kit	
528P3	51
Disconnect Power Warning Label	
D505281	11
Door Catch Assembly	
D510177	31
Door Handle Wedge	
D510129W	29
Door Liner Assembly	
D516508	29
Door Liner Grill	
D503870LG	29
D503870W	29
Door Pull and Wedge Kit	
D510103WP	29
D511213P	29
Door Strike	
D510181	29
Door Switch Bracket	
38087	9
Dryer Base	
D514245	51
Dryer Door	
D515960W	29
D515963	29
Dual Coin Harness Assembly	
202871	13

E

Elbow	
D513072	45
Electric Clearance Label	
D511005	53
Electric Harness	
D517254	65
Electronic Coin Drop Assembly	
70294122	15
70513306	15
Electronic Coin Drop Kit	
CK110	15
CK115	15
Electronic Harness	
D517240	63
End Cap	
210108W	7
210109W	7
Ethernet Gateway Kit	
NK320	5, 7, 17
Exhaust Duct	
D516196	51
Exhaust Warning Label	
D500497	53
Expansion Clip	
70030501	21, 23, 27

N/A items do not appear in index.

Extractor Tool	
128P4	61
190P4	61

F

Felt Pad	
D510189	35
Female Piggyback Terminal	
00361	59
Female Pin Terminal	
00117	57
00128	57
00130	57
Female Spade Terminal	
00114	59
00115	59
00121	59
00124	59
00189	59
00222	59
00223	59
Female Tab Terminal	
00344	59
Female Terminal	
00188	61
00255	61
00256	61
Flexible Venting Kit	
521P3	51
Frame Gusset	
D510337	51
Front	
806543W	23
Front Assembly	
806543B	23
Front Bulkhead Assembly	
D510266P	35
Front Panel	
D510066WP	31
D512542	31
Front Panel Seal	
D511056	31
Fuse Notice Label	
61294	35

G

Gas Clearance Label	
D511004	53
Gas Harness	
D517095	63
D517102	65
Gas Label	
D505215	53
Gas Valve Assembly	
60353P	45
Gas Valve Mounting Bracket	
D510128	45, 47
Gas Valve, Bracket and Pipe Assembly	
D517606	47

Glide Kit	
RB170003	35
Grounding Clip	
00161	59

H

Harness Assembly	
802905	15
Harness Strap	
55881	57
Heat Duct Shroud	
D510101	43
Heater	
D510325P	41
Heater Assembly	
D510324P	41
D510329P	41
D510330P	41
Heater Duct Assembly	
D510025P	41, 43
Heater Kit	
964P3	41
965P3	41
Heater Kit Assembly	
61927	41
61928	41
Hinge	
D511036	29
Hinge Hole Plug	
D510186	31
Hold Down Kit	
526P3	51
Hood Back Panel	
804886	5
Housing, 10 Position	
D500338	61

I

Idler Lever	
D516310	33
Idler Lever and Wheel Assembly	
D516792	33
Idler Spring	
D510185	33
Idler Wheel and Bearing Assembly	
D510142P	33
Igniter and Bracket Assembly	
D510184P	45, 47
Insulated Female Flag Terminal	
00221	59
Insulated Female Spade Terminal	
00359	59
00360	57

K

Key	
54612	17

L

Lead-In Cord	
D518387	55
Lead-In Pipe Assembly	
D510204	45
Leveling Leg	
D510135	51
Limit Thermostat	
D510701	41
D510702	43
Lint Filter	
D503980LG	35
D503980W	35
Lock Cam	
804338	17
Lock Kit	
27260P	17
L.P. Conversion Kit	
458P3	45, 47
L.P. Orifice	
D503786	49
58755	49

M

Machine ID Control Assembly	
203361P	5, 7, 17, 27
Male Pin Terminal	
00116	57
00127	57
00129	57
Male Tab Terminal	
00139	59
Meter Case Assembly	
803050W	9
807396B	21
807396W	21
Meter Case Assembly Kit	
807401W	9
Meter Case Bracket Gasket	
35526	9
Meter Case Gasket	
26354	9
Meter Case Lockdown Bracket	
35525	9
Motor and Pulley Assembly	
D511629P	33
Motor Hub Ring Kit	
590P3	33
Motor Mount	
D518517	33
Motor Mount Clamp	
D510180	33
Motor Pulley	
D500011	33
Motor Switch Bracket	
D516311	33

N/A items do not appear in index.

N

Network Controller Kit	
NK220	5, 7, 17
Network Retrofit Kit	
203328	5, 7, 17
Nut	
201216	15
27222	11
28447	39
29786	5, 9, 13, 15
36020	25
44087201	21
52566	33
56156	33, 39
N.G. Conversion Kit	
459P3	45, 47
N.G. Orifice	
D503776	49
D503778	49
D503779	49
D503780	49
D510517	49

O

Opto Coupler	
200674P	13
Outlet Cover	
D500820	41, 43
D518524	41, 43
Output Control Assembly	
D513797P	51
Overlay	
201091	9, 15, 21

P

Panel Locator	
56079	31, 51
Plug	
23040	57
54522	57
Plug, 1 Circuit	
44370401	59
Plug, 2 Circuit	
56266	57
56448	57
Plug, 9 Circuit	
23033	59
Pop Rivet	
685847	27

R

Ratchet Extension Tool	
310P4	61
Rear Access Panel	
803998	21, 23
804614	27

Rear Bulkhead	
D518128	39
Rear Bulkhead Assembly	
D511082P	39
Rear Panel	
804884	7
Rear Wrapper Brace	
805345	27
Receptacle Housing	
90789	59
Receptacle, 1 Circuit	
26301	59
Receptacle, 10 Circuit	
34596	59
Receptacle, 12 Circuit	
D501333	59
56855	57
Receptacle, 2 Circuit	
56451	57
Receptacle, 3 Circuit	
23039	57
Receptacle, 6 Circuit	
26708	59
Retaining Ring	
23748	33, 39
Ring Terminal	
00110	59
Roller Kit	
RB170002	39
Rubber Foot	
D501855	51

S

Screw	
D500226	29
D500824	33
D501086	5, 7
D501285	35, 39
D502535	33
D503661	19, 27
D503673	11
D503688	5, 7, 11, 17, 21, 23, 27, 31, 33, 35, 39, 41, 45, 47, 51
D505295	35
D512921	31, 51
D514428	51
M405188	35
02916	5
20530	55
23008	25
23222	41, 45, 47
28448	39
31260	33
33562	31
35528	5, 7
36048	9
39733	27, 31, 51
51782	43, 45, 47
52864	5, 7, 35
56124	45, 47
61199	39
62588	37
62853	31
70240301	21, 23, 27

N/A items do not appear in index.

804608	5, 7, 17
804667	51
Screw Orifice	
58719	49
Seal Kit	
RB170001	35, 39
Secondary Coil	
58804B	45, 47
Sensor	
D510213	45, 47
Service Door Assembly	
39874WP	9
Shaft	
56461P	33, 39
Single Coin Harness Assembly	
202870	13
Single Overlay	
38717	9, 13, 21
Spade Terminal	
00245	59
Speed Clip	
28835	31
Strain Relief	
38384	55
Switch	
D512973	9, 17, 21, 31
D516391	33

T

Terminal	
00252	59
Terminal Block Assembly	
D510190P	39
Terminal Block Shield	
D510237	39
Terminal Extractor Tool	
283P4	61
Thermal Fuse Assembly	
D518542	41
Thermistor Assembly	
D510523	33
Top Hinge	
D510136	51
Top Kit	
D511527WP	11
Top Mounting Bracket	
D504228	25
Top Panel	
803868WP	25
803869	25
804685WP	27
Top Panel Brace Assembly	
804613	27
Top Panel Guide	
803761	27
Top Panel Kit	
D511530WP	11
Torx Bit	
281P4	61
282P4	61
292P4	61

Torx Drive Tool	
93501	61
Transformer	
201375P	15
202757	5, 7, 17
Transformer Harness	
D514073	5, 7
804795	17
Transformer Kit	
203423	5, 7, 17

U

USB Gateway Kit	
NK330	5, 7, 17
USB IR Interface Kit	
203346	5, 7, 17

V

Venting Instruction Label	
D502791	53
Voltage Warning Label	
62104	53

W

Warning Label	
D500049	35
D500316	11
803260	53
Warning/Caution Label	
D500281	31
Washer	
D504082	39
M400017	5
28449	39
52549	33, 39
Wire Assembly	
D518255	41
D518256	41
Wire Clip	
D504034	57
687500	57
Wire Guard	
201595P	13
Wireless Network Board Harness	
F8536002	19
Wireless Network Control Assembly	
203532	19
807211	19
Wireless Network Harness	
F8674006	19
Wireless Network Kit	
204689	5, 7, 17
Wire, 12 Gauge	
45380	63, 65
Wire, 18 Gauge	
45001	63, 65
Wiring Harness Assembly	
202868	17

N/A items do not appear in index.

202869	7, 27
Wrapper Assembly	
804104B.....	21
804104W.....	21
804112B.....	23
804112W.....	23
