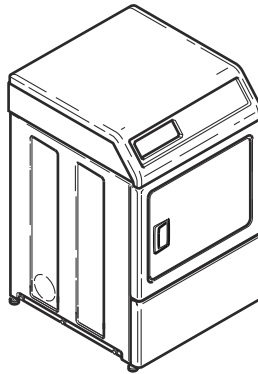
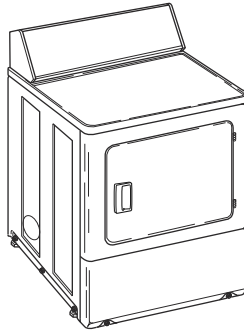


Home Dryers

Refer to Page 3 for Model Numbers



DRY731C_D517263

Table of Contents

Title	Page
Parts Ordering Information.....	2
Serial Plate Location	2
Model Identification	3
Graphic Panel, Control Support Panel and Controls - Rear Control (Drawing 1 of 2)	4
Graphic Panel, Control Support Panel and Controls - Rear Control (Drawing 2 of 2)	6
Cabinet Top and Control Hood Back Panel	8
Control Panel and Controls - Front Control.....	10
Loading Door	12
Access Panel, Front Panel and Seal	14
Motor, Exhaust Fan and Belt	16
Motor Bracket and Idler Assembly	18
Cylinder and Air Duct	20
Front Bulkhead and Felt Seal	22
Cylinder Light	24
Rear Bulkhead, Felt Seal, Cylinder Roller and Terminal Block.....	26
Heater Duct and Element Assembly (Drawing 1 of 2).....	28
Heater Duct and Element Assembly (Drawing 2 of 2).....	30
Heater Duct Assembly	32
Gas Valve, Igniter and Gas Conversion Kits Gas Models Through Serial No. 1908000001	34
Gas Valve, Igniter and Gas Conversion Kits Gas Models Starting Serial No. 1908000001	36
Burner Orifice Spuds - For Higher Elevations.....	38
Cabinet, Exhaust Duct and Base (Drawing 1 of 2)	40
Cabinet, Exhaust Duct and Base (Drawing 2 of 2)	42
Junction Box	44
Junction Box Filter and Harnesses (Drawing 1 of 2).....	46
Junction Box Filter and Harnesses (Drawing 2 of 2).....	48
Lead-In Cord	50
Label Location on Rear of Cabinet	52
Wire Harnesses and Wires - Front Control Models.....	54
Wire Harnesses and Wires - Rear Control Models	56
Parts Index.....	59

© Copyright 2020, Alliance Laundry Systems LLC

All rights reserved. No part of the contents of this book may be reproduced or transmitted in any form or by any means without the expressed written consent of the publisher.

Parts Ordering Information

If literature or replacement parts are required, contact the source from whom the machine was purchased or contact Alliance Laundry Systems at (920) 748-3950 for the name and address of the nearest authorized parts distributor.

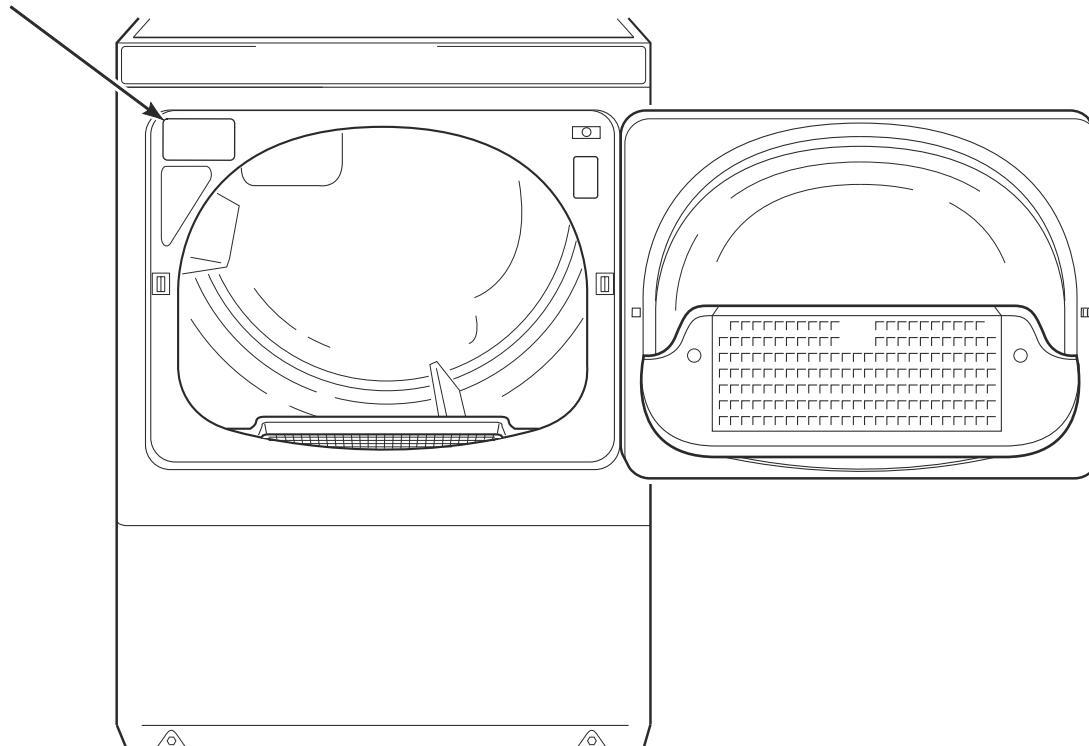
For technical assistance, call the number listed below:

(920) 748-3121 Ripon, Wisconsin

Serial Plate Location

When calling or writing about your product, be sure to mention model and serial numbers. Model and serial numbers are located on serial plate(s) as shown.

Serial Plate



DRY2283P_D517263

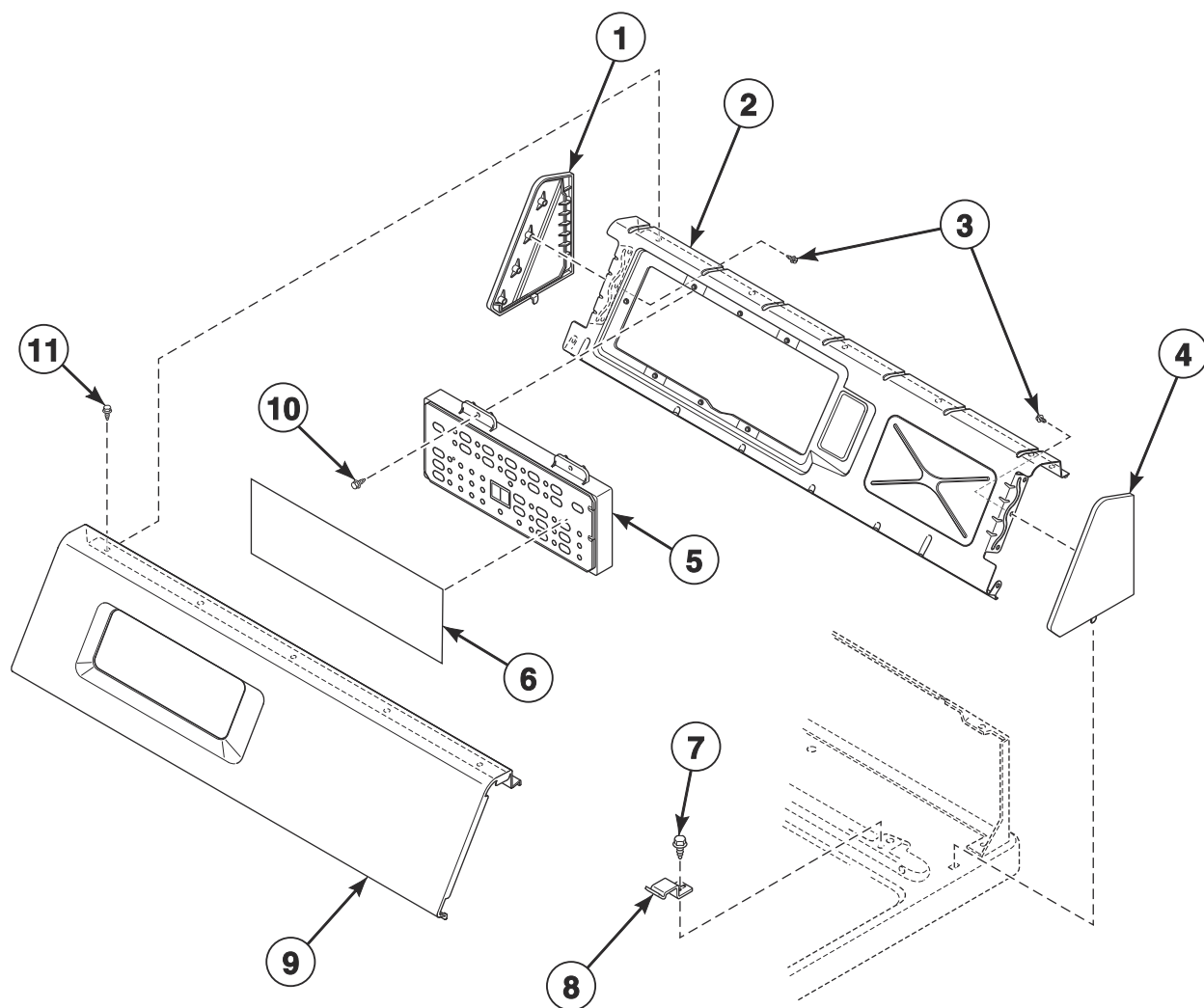
Model Identification

Information in this manual is applicable to these dryer models:

ADE3TRGS435AW01	ADG3TRGS305AW01	ZDEE8RGS545FW01
ADE3TRGS455LW01	ADGE8BGS305AW01	ZDEE8RGS545RW01
ADE3TRGS455NW29	ADGE8BWS305AW01	ZDEE8RWS545RW01
ADE3TRGS465AW01	ADGE9BGS125DW01	ZDEE9BGS435NW29
ADE3TRGS565XW01	ADGE9BGS305NW29	ZDEE9BGS545FW01
ADEE8BGS435AW01	ADGE9BGS545DW01	ZDEE9RGS455NW29
ADEE8BWS435AW01	ADGE9RGS115FW01	ZDEE9RGS545FW01
ADEE8RGS455SW01	ADGE9RGS305AW01	ZDGE8RGS115FW01
ADEE8RGS545RW01	ADGE9RGS305XW01	ZDGE9BGS115FW01
ADEE8RWS455SW01	ADLE9BGS305XW34	ZDGE9RGS115FW01
ADEE8RWS545RW01	ADLE9RGS305XW34	
ADEE9BGS435NW29		
ADEE9BGS435XW34		
ADEE9BGS455NW36		
ADEE9BGS545DW01		
ADEE9BGS545RW01		
ADEE9BSS455LW01		
ADEE9RGS435AW01		
ADEE9RGS435XW34		
ADEE9RGS455LW01		
ADEE9RGS455NW29		
ADEE9RGS455NW36		
ADEE9RGS455SW01		
ADEE9RGS465AW01		
ADEE9RGS545FW01		
ADEE9RGS565XW01		
ADEE9RGS565XW34		

Graphic Panel, Control Support Panel and Controls - Rear Control (Drawing 1 of 2)

Models ADEE8RGS455SW01, ADEE8RGS545RW01, ADEE8RWS455SW01, ADEE8RWS545RW01, ADEE9RGS435AW01, ADEE9RGS435XW34, ADEE9RGS455LW01, ADEE9RGS455NW29, ADEE9RGS455NW36, ADEE9RGS455SW01, ADEE9RGS465AW01, ADEE9RGS545FW01, ADEE9RGS565XW01, ADEE9RGS565XW34, ADGE9RGS115FW01, ADGE9RGS305AW01, ADGE9RGS305XW01, ADLE9RGS305XW34, ZDEE8RGS545FW01, ZDEE8RGS545RW01, ZDEE8RWS545RW01, ZDEE9RGS455NW29, ZDEE9RGS545FW01, ZDGE8RGS115FW01 and ZDGE9RGS115FW01



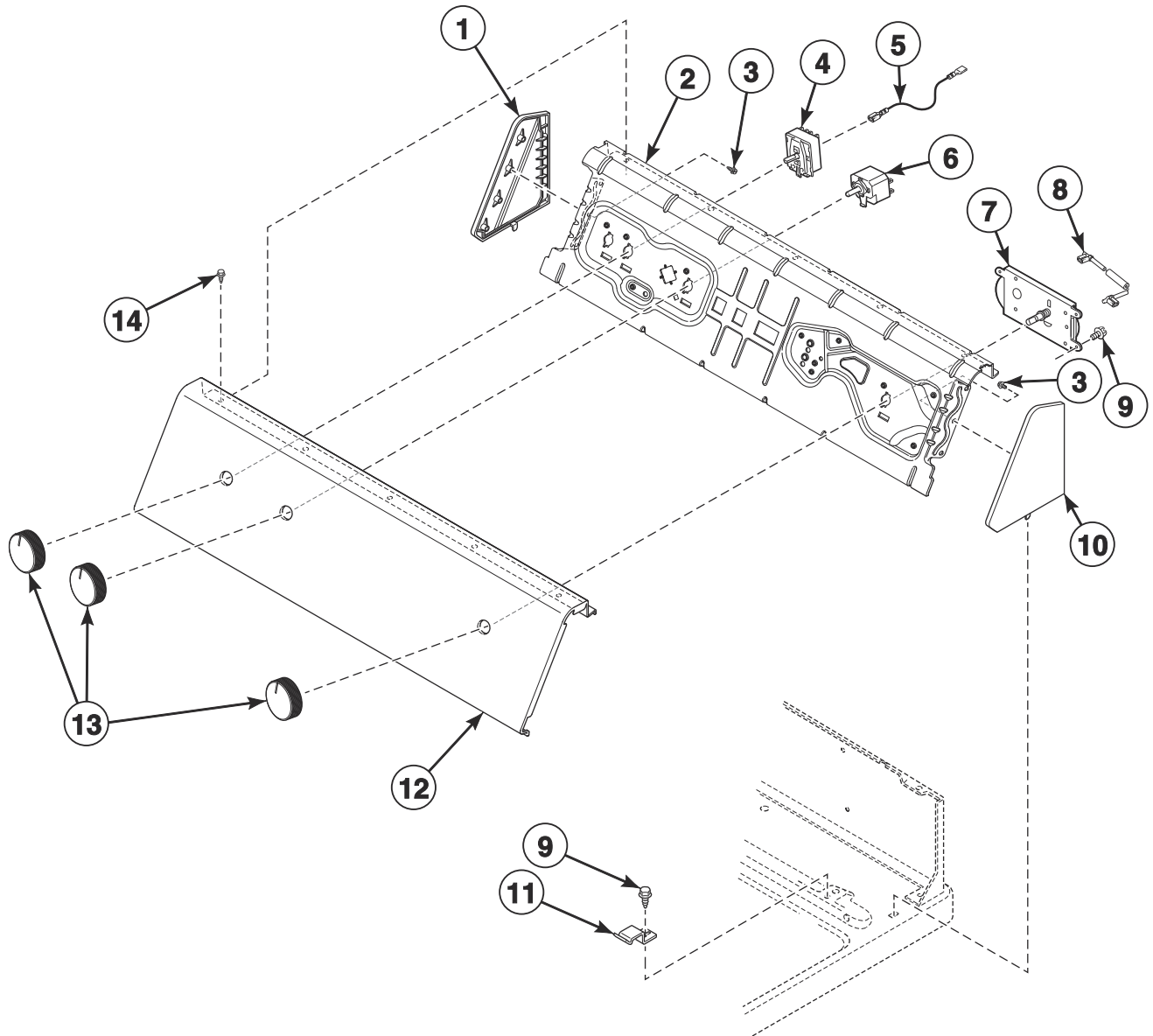
DRY2497P_D517263

Graphic Panel, Control Support Panel and Controls - Rear Control (Drawing 1 of 2)

REF	PART NO.	DESCRIPTION	COMMENTS
1	203962	End Cap	Left
2	806430	Control Support Panel	
3	203799	Screw	
4	203961	End Cap	Right
5	D514338P	Control	Models ADEE8RGS455SW01, ADEE8RGS545RW01, ADEE8RWS455SW01, ADEE8RWS545RW01, ZDEE8RGS545FW01, ZDEE8RGS545RW01, ZDEE8RWS545RW01 and ZDGE8RGS115FW01
	D514567P	Control	All other models
6	D516236	Control Overlay	Models ZDEE9RGS545FW01 and ZDGE9RGS115FW01
	D516539	Control Overlay	Models ADEE8RGS455SW01, ADEE8RGS545RW01, ADEE8RWS455SW01 and ADEE8RWS545RW01
	D516540	Control Overlay	Models ZDEE8RGS545FW01, ZDEE8RGS545RW01, ZDEE8RWS545RW01 and ZDGE8RGS115FW01
	D516225	Control Overlay	All other models
7	D501086	Screw	
8	35358	Hold-Down Clip	
9	806448	Graphic Panel	Model ZDEE9RGS455NW29
	806715	Graphic Panel	All other models
10	804667	Screw	
11	807075	Screw	

Graphic Panel, Control Support Panel and Controls - Rear Control (Drawing 2 of 2)

Models ADE3TRGS435AW01, ADE3TRGS455LW01, ADE3TRGS455NW29, ADE3TRGS465AW01,
ADE3TRGS565XW01 and ADG3TRGS305AW01



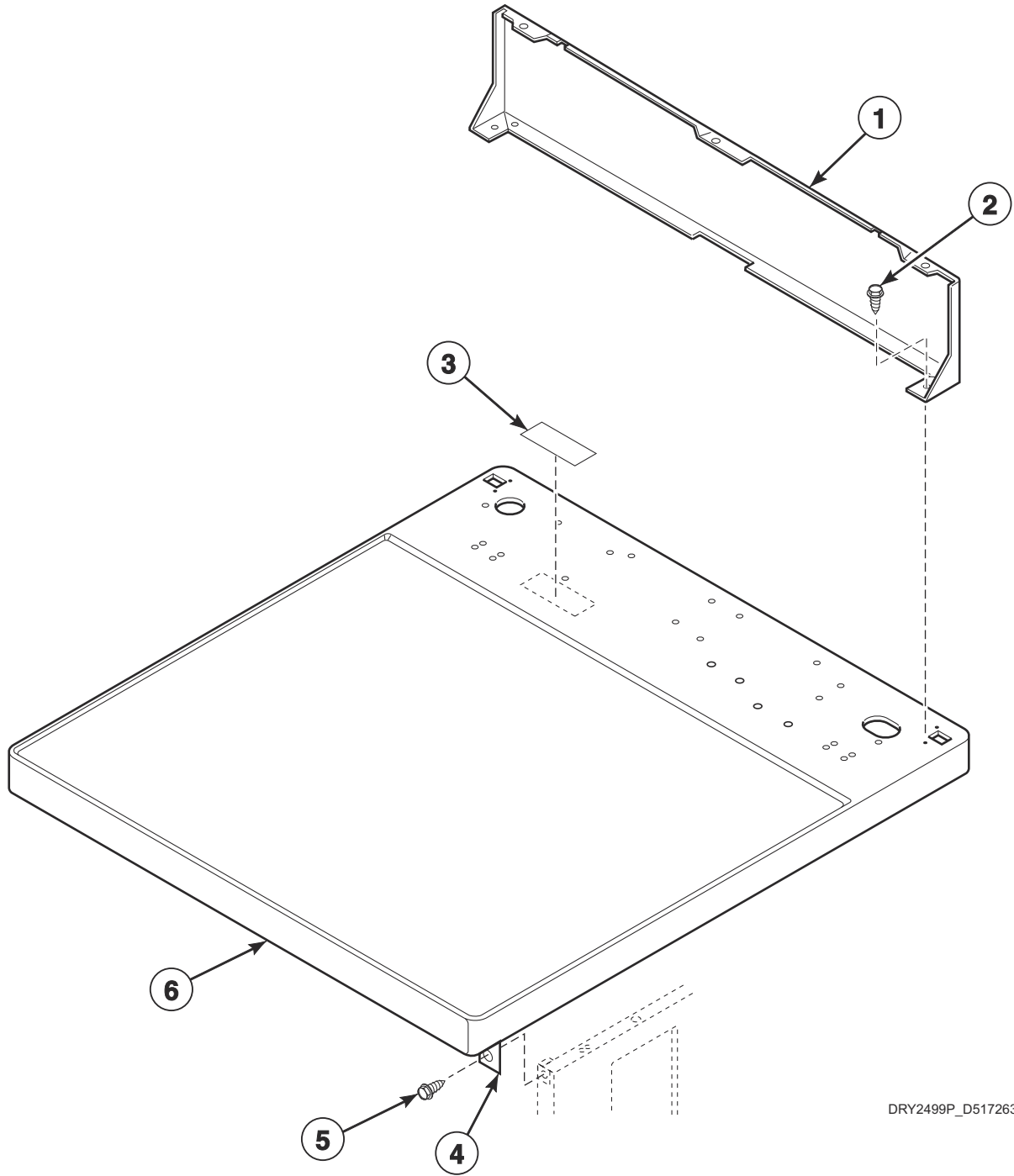
DRY2521P_D517263

Graphic Panel, Control Support Panel and Controls - Rear Control (Drawing 2 of 2)

REF	PART NO.	DESCRIPTION	COMMENTS
1	203962	End Cap	Left
2	806547	Control Support Panel	
3	203799	Screw	
4	D513505	Fabric Selector Switch	
5	D510540	Wire Assembly	
6	D504103	Adjustable Buzzer	
7	D516409	Timer	
8	D511277	Resistor Assembly	
9	D501086	Screw	
10	203961	End Cap	Right
11	35358	Hold-Down Clip	
12	D517809	Graphic Panel	Model ADE3TRGS455NW29
	D516069	Graphic Panel	All other models
13	204046	Knob Assembly	
14	807075	Screw	

Cabinet Top and Control Hood Back Panel

Models ADE3TRGS435AW01, ADE3TRGS455LW01, ADE3TRGS455NW29, ADE3TRGS465AW01, ADE3TRGS565XW01, ADEE8RGS455SW01, ADEE8RGS545RW01, ADEE8RWS455SW01, ADEE8RWS545RW01, ADEE9RGS435AW01, ADEE9RGS435XW34, ADEE9RGS455LW01, ADEE9RGS455NW29, ADEE9RGS455NW36, ADEE9RGS455SW01, ADEE9RGS465AW01, ADEE9RGS545FW01, ADEE9RGS565XW01, ADEE9RGS565XW34, ADG3TRGS305AW01, ADGE9RGS115FW01, ADGE9RGS305AW01, ADGE9RGS305XW01, ADLE9RGS305XW34, ZDEE8RGS545FW01, ZDEE8RGS545RW01, ZDEE8RWS545RW01, ZDEE9RGS455NW29, ZDEE9RGS545FW01, ZDGE8RGS115FW01 and ZDGE9RGS115FW01



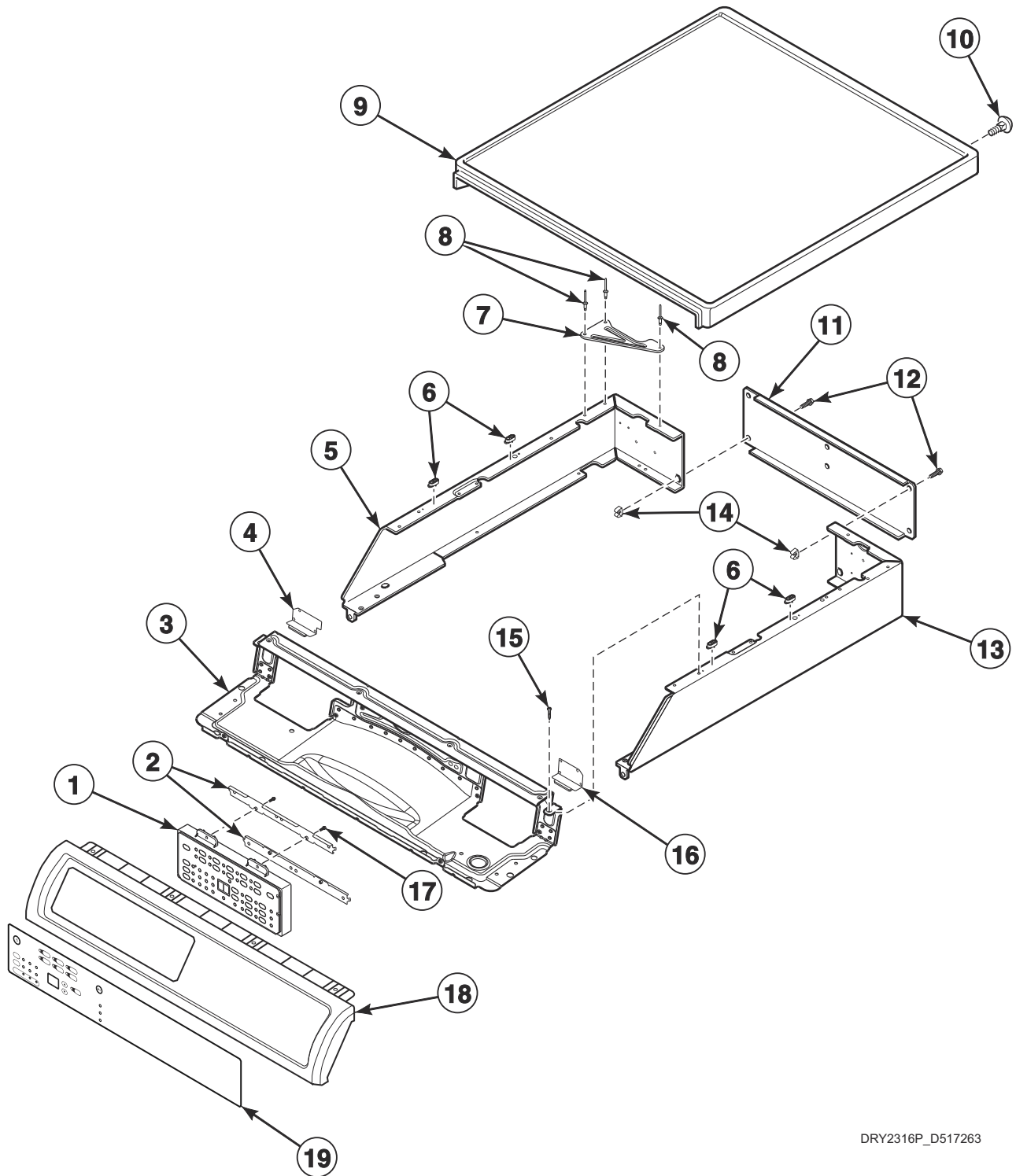
DRY2499P_D517263

Cabinet Top and Control Hood Back Panel

REF	PART NO.	DESCRIPTION	COMMENTS
1	806585	Hood Back Panel	
2	D501086	Screw	
3	F8614201	Shock Warning Label	
4	D510146	Bracket	
5	D503688	Screw	
6	D510029WP	Top Panel Kit	

Control Panel and Controls - Front Control

Models ADEE8BGS435AW01, ADEE8BWS435AW01, ADEE9BGS435NW29, ADEE9BGS435XW34, ADEE9BGS455NW36, ADEE9BGS545DW01, ADEE9BGS545RW01, ADEE9BSS455LW01, ADGE8BGS305AW01, ADGE8BWS305AW01, ADGE9BGS125DW01, ADGE9BGS305NW29, ADGE9BGS545DW01, ADLE9BGS305XW34, ZDEE9BGS435NW29, ZDEE9BGS545FW01 and ZDGE9BGS115FW01

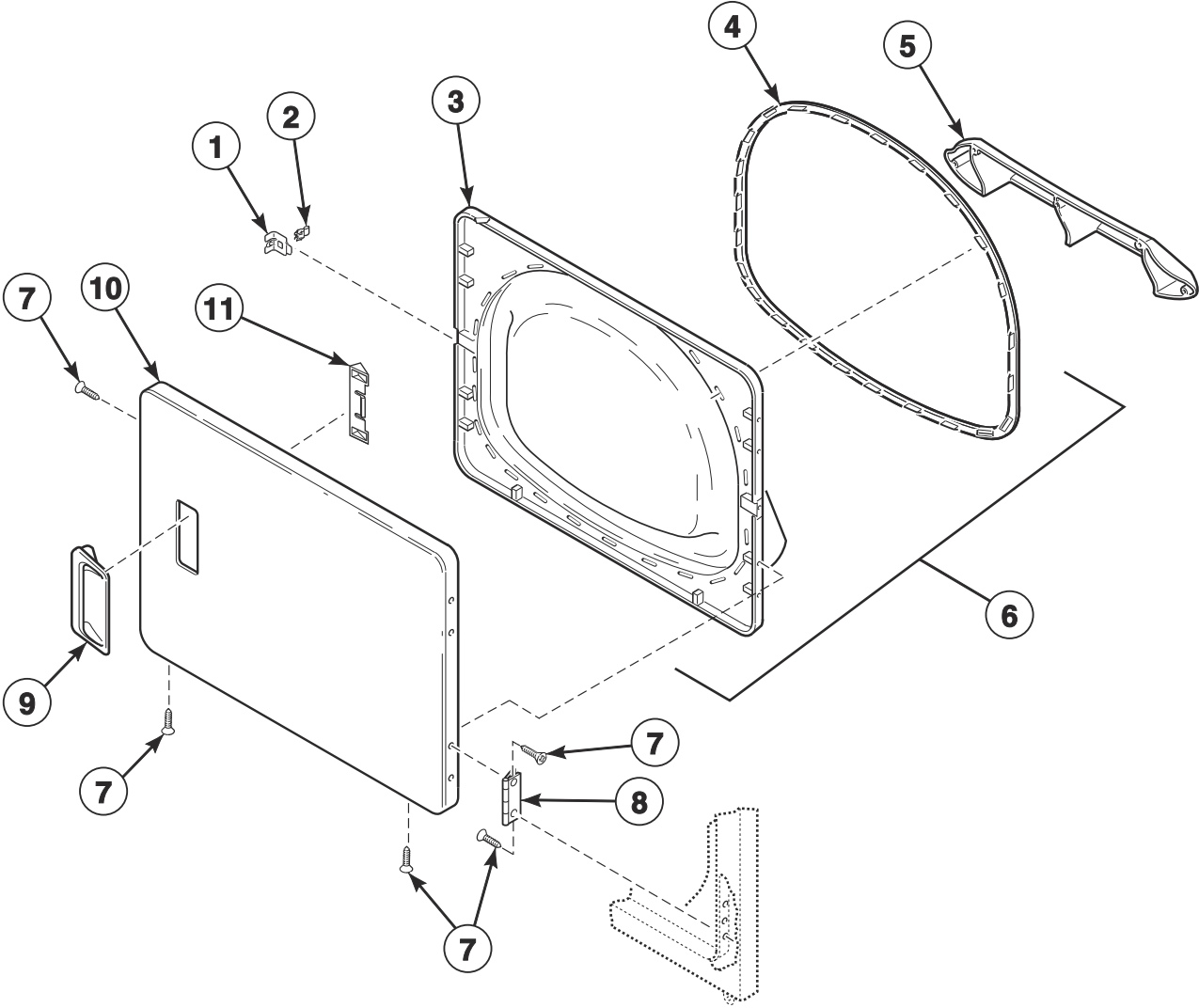


DRY2316P_D517263

Control Panel and Controls - Front Control

REF	PART NO.	DESCRIPTION	COMMENTS
1	D514338P	Control	Models ADEE8BGS435AW01, ADEE8BWS435AW01, ADGE8BGS305AW01 and ADGE8BWS305AW01
	D514121P	Control Assembly	All other models
2	804611	Control Bracket	2 required
3	804613	Top Panel Brace Assembly	
4	804741	Control Access Panel	Left
5	804627W	Control Wrapper	Left; White
	804627B	Control Wrapper	Left; Black
6	803761	Top Panel Guide	4 required; Use 39733 Screw to attach
7	805345	Rear Wrapper Brace	
8	685847	Pop Rivet	
9	804685WP	Top Panel	White
	804684	Top Panel	Stainless steel
10	29651	Bolt	4 required
11	804614	Rear Access Panel	
12	70240301	Screw	8 required
13	804630W	Control Wrapper	Right; White
	804630B	Control Wrapper	Right: Black
14	70030501	Expansion Clip	
15	D503688	Screw	
16	804793	Control Access Panel	Right
17	804608	Screw	
18	804960	Control Panel Assembly	Use 804667 Screw to attach
19	D516542	Control Overlay	Models ADEE8BGS435AW01, ADEE8BWS435AW01, ADGE8BGS305AW01 and ADGE8BWS305AW01
	D516870	Control Overlay	Models ADEE9BGS435NW29 and ADGE9BGS305NW29
	D517116	Control Overlay	Models ADEE9BGS545DW01 and ADGE9BGS545DW01
	D515634	Control Overlay	Models ZDEE9BGS545FW01 and ZDGE9BGS115FW01
	D515633	Control Overlay	Model ADEE9BGS545RW01
	D517990	Control Overlay	Model ZDEE9BGS435NW29
	D515630	Control Overlay	All other models

Loading Door

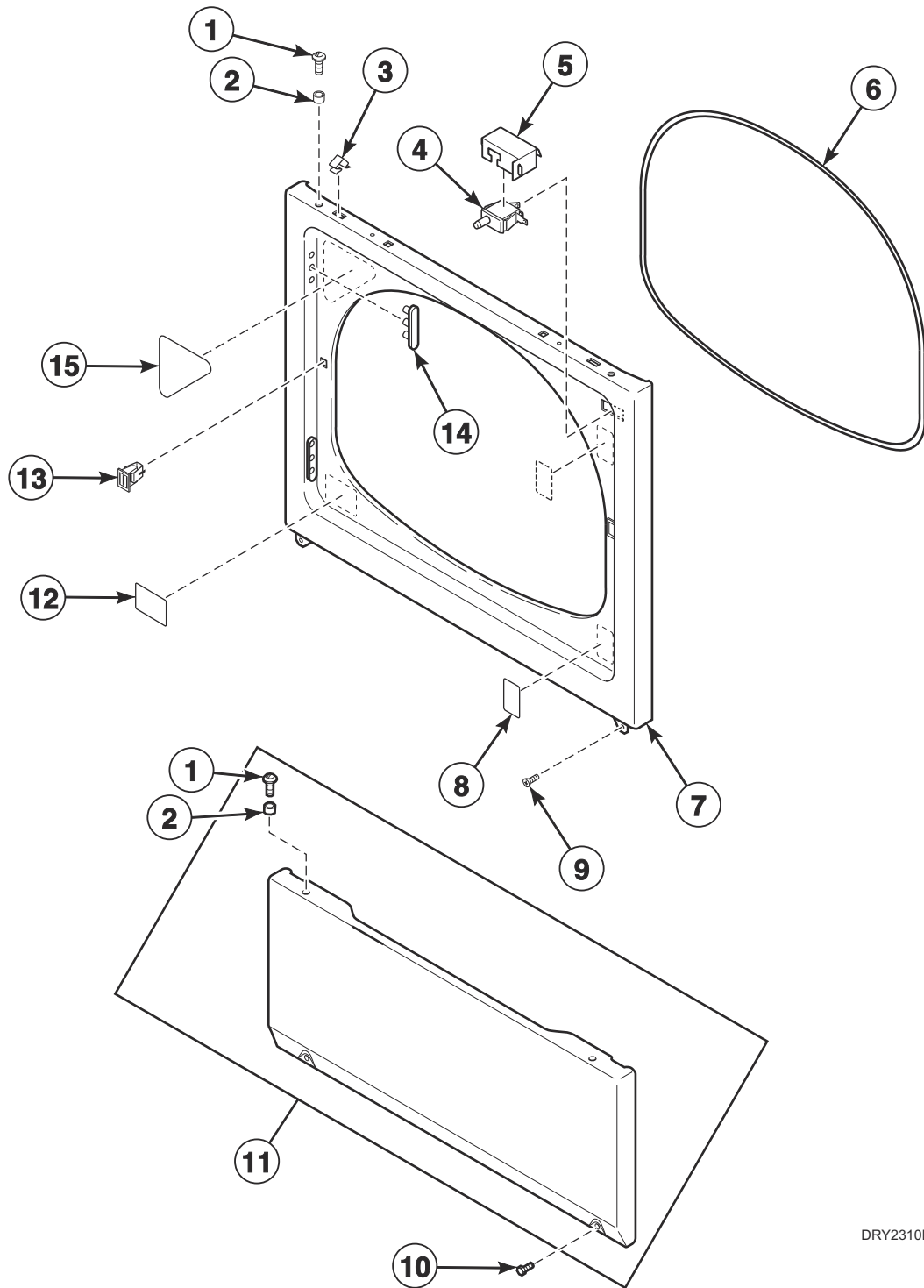


DRY2468P_D517263

Loading Door

REF	PART NO.	DESCRIPTION	COMMENTS
1	D510127	Door Strike Mount	
2	D510181	Door Strike	
3	D510097W	Door Liner	
4	D510147P	Liner Door Seal	
5	D503870W	Door Liner Grill	White
	D503870LG	Door Liner Grill	Light gray
6	D510289W	Liner and Seal Assembly	Includes item 4
7	D500226	Screw	
8	D511036	Hinge	
9	D510103WP	Door Pull and Wedge Kit	White; Includes item 11
	D511213P	Door Pull and Wedge Kit	Black; Includes item 11
10	D510013WP	Dryer Door	White
11	D510129W	Door Handle Wedge	

Access Panel, Front Panel and Seal

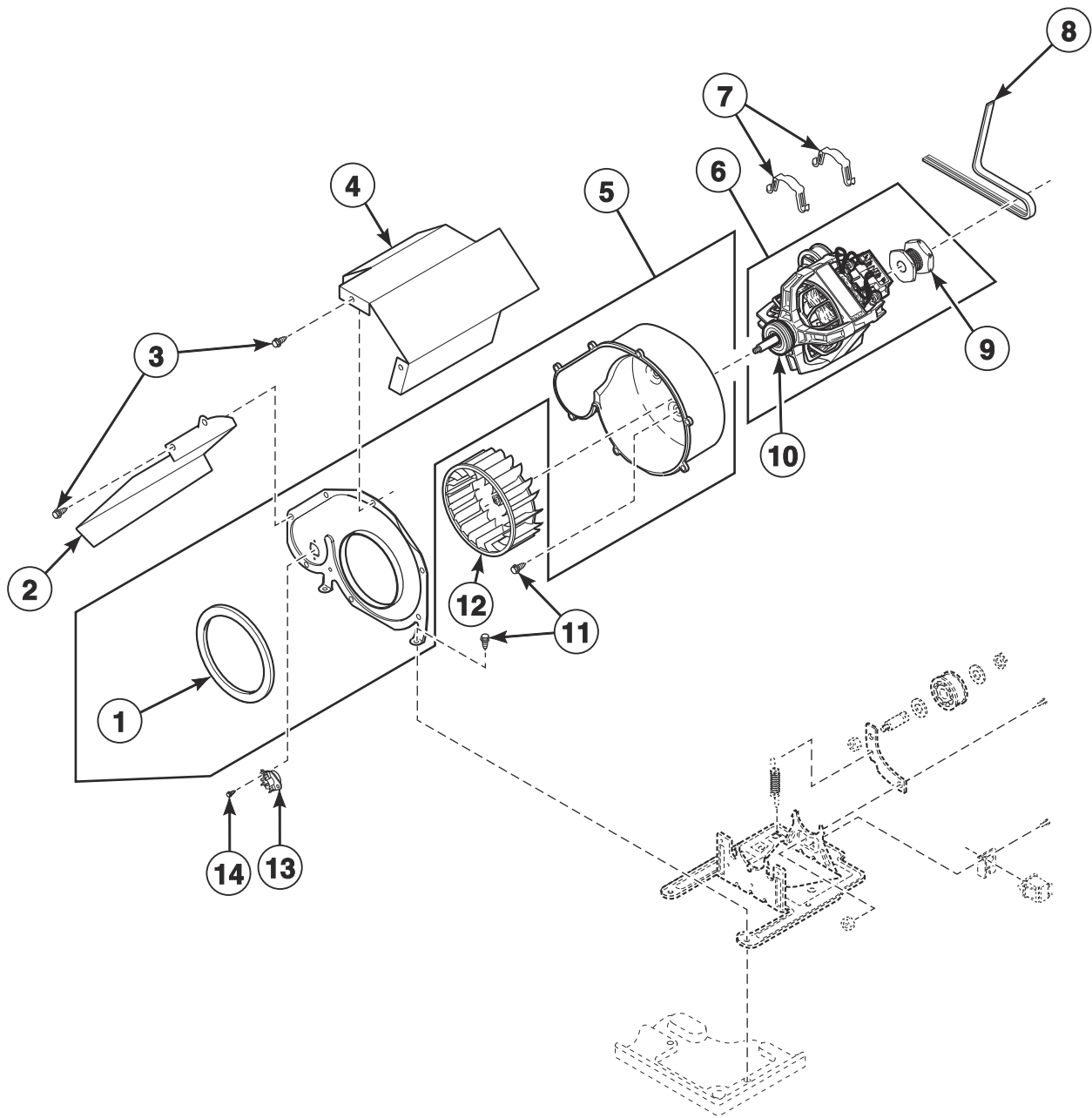


DRY2310P_D517263

Access Panel, Front Panel and Seal

REF	PART NO.	DESCRIPTION	COMMENTS
1	39733	Screw	
2	56079	Panel Locator	
3	28835	Speed Clip	
4	D512973	Switch	
5	D514327	Drip Shield	
6	D511056	Front Panel Seal	
7	D510066WP	Front Panel	White
8	D512263	Warning Label	Models ADE3TRGS435AW01, ADE3TRGS465AW01, ADEE8BGS435AW01, ADEE8BWS435AW01, ADEE9RGS435AW01, ADEE9RGS465AW01, ADG3TRGS305AW01, ADGE8BGS305AW01 and ADGE8BWS305AW01
9	D503688	Screw	
10	33562	Screw	
11	D514250WP	Access Panel Assembly	White
12	D502804	Lint Filter Label	Models ADE3TRGS435AW01, ADE3TRGS465AW01, ADEE8BGS435AW01, ADEE8BWS435AW01, ADEE9RGS435AW01, ADEE9RGS465AW01, ADG3TRGS305AW01, ADGE8BGS305AW01 and ADGE8BWS305AW01
	D502781	Lint Filter Label	All other models
13	D510177	Door Catch Assembly	
14	D510186	Hinge Hole Plug	
15	D514410	Warning Label	Arabic; Models ADEE8RGS545RW01, ADEE8RWS545RW01, ADEE9BGS545RW01, ZDEE8RGS545RW01 and ZDEE8RWS545RW01
	D514226	Warning Label	Brazilian Portuguese; Models ADEE9BGS545DW01, ADGE9BGS125DW01 and ADGE9BGS545DW01
	D517262	Warning/Caution Label	Chinese; Models ADGE9RGS115FW01, ZDEE8RGS545FW01, ZDEE9BGS545FW01, ZDEE9RGS545FW01, ZDGE8RGS115FW01, ZDGE9BGS115FW01 and ZDGE9RGS115FW01
	D500281	Warning/Caution Label	English; All other models

Motor, Exhaust Fan and Belt

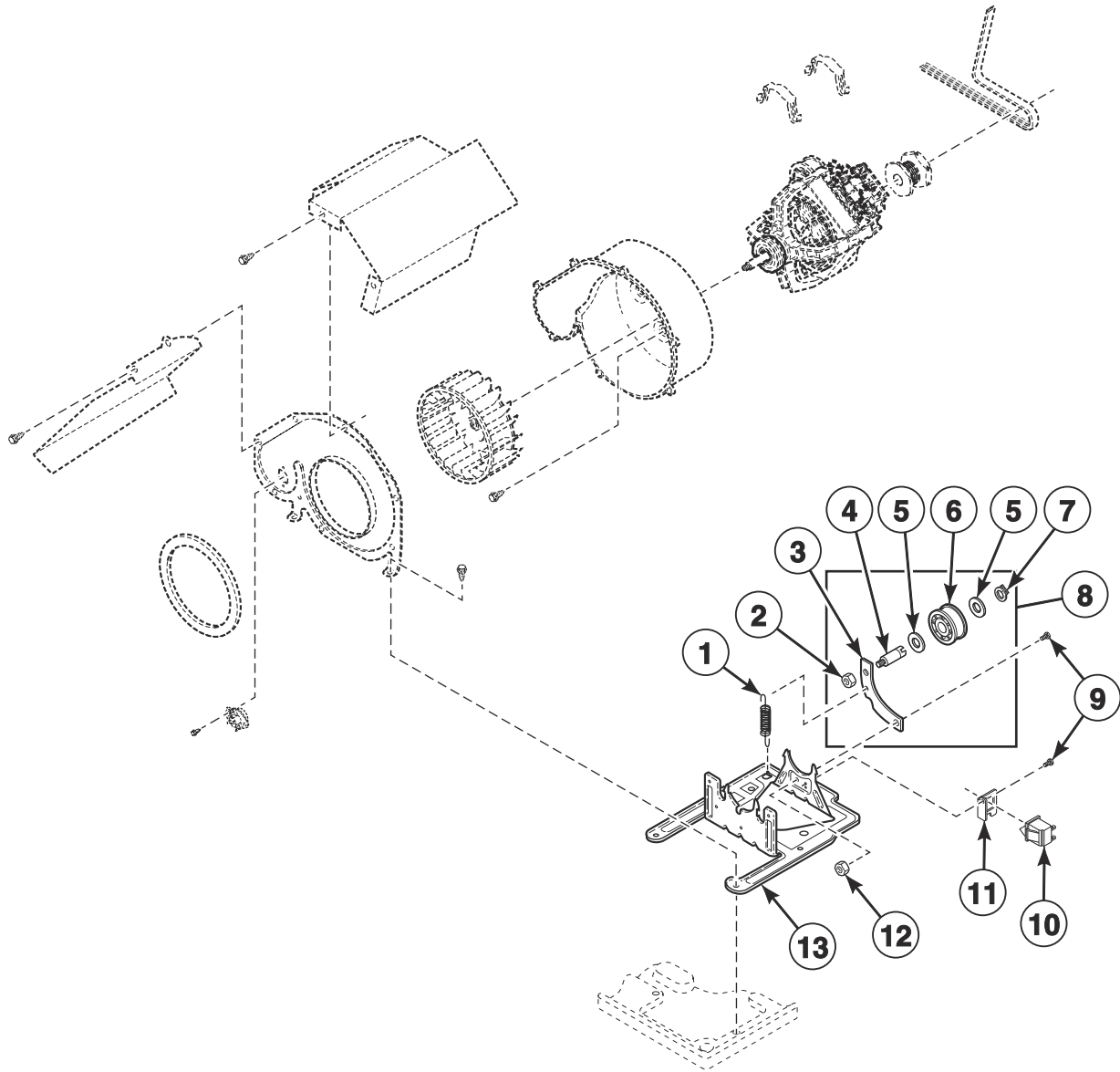


DRY2519P_D517263

Motor, Exhaust Fan and Belt

REF	PART NO.	DESCRIPTION	COMMENTS
	27604P	Anti-Seize Compound	Apply to motor shaft when installing blower fan assembly
1	D510238P	Blower Housing Seal	
2	D514325	Thermostat Shield	Models ADE3TRGS435AW01, ADE3TRGS455LW01, ADE3TRGS455NW29, ADE3TRGS465AW01, ADE3TRGS565XW01 and ADG3TRGS305AW01
3	31260	Screw	
4	D514602	Motor Shield	
5	D511969WP	Blower Housing	Includes items 1 and 3
6	D511629P	Motor and Pulley Assembly	120 Volt/60 Hertz; Includes items 9 and 10; Apply anti-seize compound to motor shaft when installing blower fan assembly; Models ADGE9BGS125DW01, ADGE9RGS115FW01, ZDEE8RGS545FW01, ZDEE8RGS545RW01, ZDEE8RWS545RW01, ZDEE9BGS545FW01, ZDEE9RGS545FW01, ZDGE8RGS115FW01, ZDGE9BGS115FW01 and ZDGE9RGS115FW01
	D505869P	Motor and Pulley Assembly	240 Volt/60 Hertz; Includes items 9 and 10; Apply anti-seize compound to motor shaft when installing blower fan assembly; Models ADEE8RGS545RW01, ADEE8RWS545RW01, ADEE9BGS545DW01, ADEE9BGS545RW01, ADEE9RGS545FW01 and ADGE9BGS545DW01
	D505843P	Motor and Pulley Assembly	240 Volt/50 Hertz; Includes items 9 and 10; Apply anti-seize compound to motor shaft when installing blower fan assembly; All other models
7	D510180	Motor Mount Clamp	
8	D511255P	Cylinder Belt	
9	D500222	Motor Pulley	50 Hertz
	D500011	Motor Pulley	60 Hertz
10	590P3	Motor Hub Ring Kit	
11	D503688	Screw	
12	D510139P	Blower Fan Assembly	
13	D511957	Thermostat	Models ADE3TRGS435AW01, ADE3TRGS455LW01, ADE3TRGS455NW29, ADE3TRGS465AW01, ADE3TRGS565XW01 and ADG3TRGS305AW01
	D510523	Thermistor Assembly	Black; Models ADEE8RGS545RW01, ADEE8RWS545RW01, ADEE9BGS545DW01, ADEE9BGS545RW01, ADEE9RGS545FW01, ADGE9BGS125DW01, ADGE9BGS545DW01, ADGE9RGS115FW01, ZDEE8RGS545FW01, ZDEE8RGS545RW01, ZDEE8RWS545RW01, ZDEE9BGS545FW01, ZDEE9RGS545FW01, ZDGE8RGS115FW01, ZDGE9BGS115FW01 and ZDGE9RGS115FW01
	D502366	Thermistor Assembly	All other models
14	D502535	Screw	

Motor Bracket and Idler Assembly

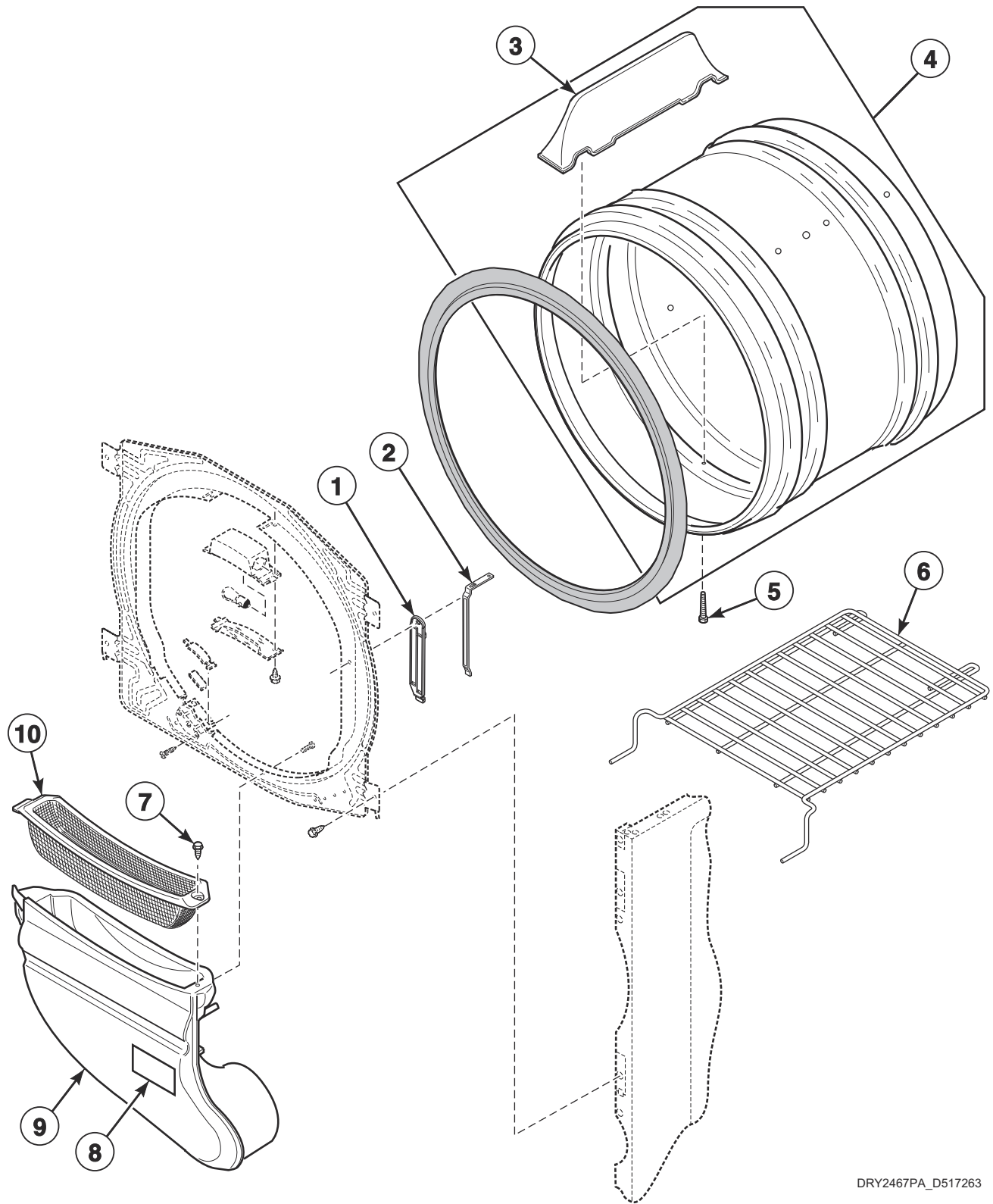


DRY2519PA_D517263

Motor Bracket and Idler Assembly

REF	PART NO.	DESCRIPTION	COMMENTS
	27604P	Anti-Seize Compound	Apply to motor shaft when installing blower fan assembly
1	D510185	Idler Spring	
2	56156	Nut	
3	D516310	Idler Lever	
4	56461P	Shaft	
5	52549	Washer	
6	D510142P	Idler Wheel and Bearing Assembly	
7	23748	Retaining Ring	
8	D516792	Idler Lever and Wheel Assembly	Includes items 2 -7
9	D500824	Screw	
10	D516391	Switch	All models except ADE3TRGS435AW01, ADE3TRGS455NW29, ADE3TRGS465AW01 and ADG3TRGS305AW01
11	D516311	Motor Switch Bracket	All models except ADE3TRGS435AW01, ADE3TRGS455NW29, ADE3TRGS465AW01 and ADG3TRGS305AW01
12	52566	Nut	
13	D510060	Motor Mount	

Cylinder and Air Duct

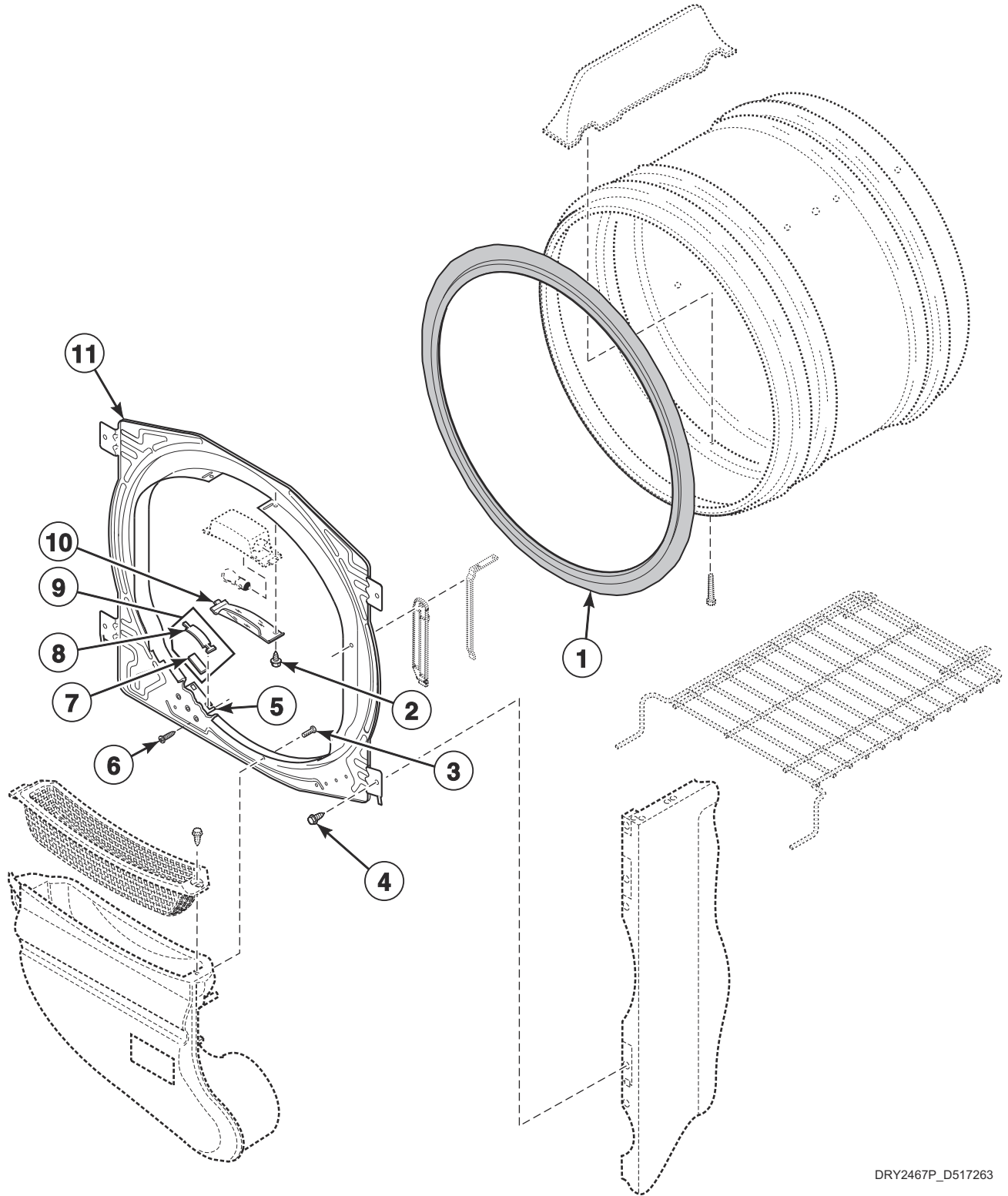


DRY2467PA_D517263

Cylinder and Air Duct

REF	PART NO.	DESCRIPTION	COMMENTS
1	D513738	Moisture Sensor Base	
2	D513737	Bar Sensor	
3	D510102W	Cylinder Baffle	3 required; White
4	D510265WP	Cylinder Assembly	Galvanized
	D510159WP	Cylinder Assembly	White
5	62588	Screw	
6	D512082P	Drying Rack	
7	D501285	Screw	
8	F8614201	Shock Warning Label	
	F8615701	Pinch Warning Label	
9	D510151W	Air Duct Assembly	
10	D503980W	Lint Filter	White
	D503980LG	Lint Filter	Light gray

Front Bulkhead and Felt Seal



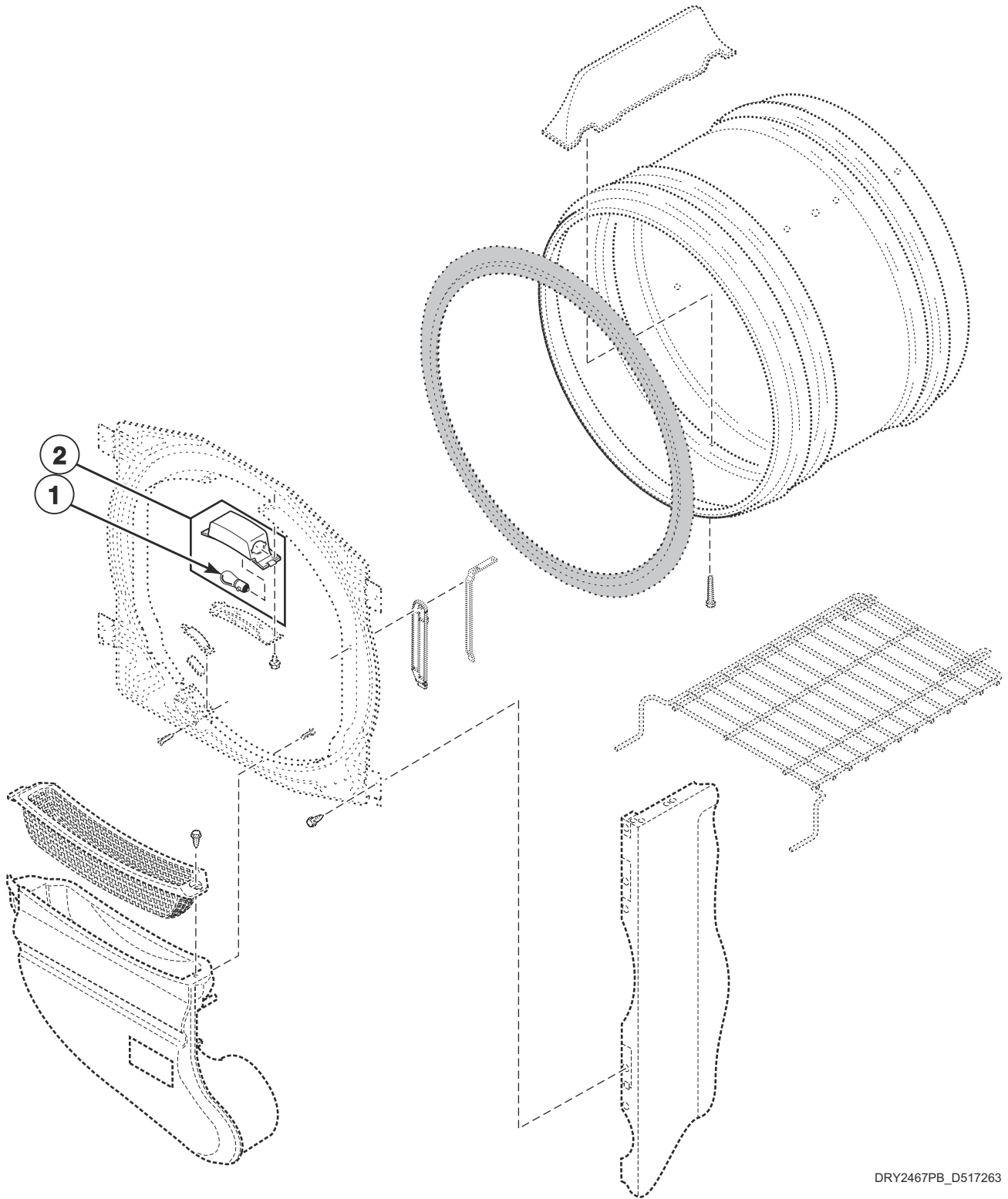
DRY2467P_D517263

Front Bulkhead and Felt Seal

REF	PART NO.	DESCRIPTION	COMMENTS
1	D510207P	Cylinder Seal Assembly	
	D511637P	Adhesive	Apply to cylinder seal
	RB170001	Seal Kit	Includes 2 cylinder seals, D510238P Blower Housing Seal and Adhesive
2	D500227	Screw	
3	D501086	Screw	
4	D503688	Screw	Use with painted side panels
	M405188	Screw	Use with stainless steel side panels
5	D510145	Cylinder Glide Bracket	2 required
6	D500226	Screw	
7	D510189	Felt Pad	2 required
8	D513710	Cylinder Glide	2 required
9	RB170003	Glide Kit	Includes items 7 and 8
10	D512106	Cylinder Light Lens	All models except ADE3TRGS435AW01, ADE3TRGS455LW01, ADE3TRGS455NW29, ADE3TRGS465AW01, ADE3TRGS565XW01, ADEE8BWS435AW01, ADEE8RGS455SW01, ADEE8RGS545RW01, ADEE8RWS455SW01, ADEE8RWS545RW01, ADG3TRGS305AW01, ADGE8BWS305AW01, ZDEE8RGS545FW01, ZDEE8RGS545RW01, ZDEE8RWS545RW01 and ZDGE8RGS115FW01
11	D513639W	Front Bulkhead	White; Models ADEE8RGS455SW01, ADEE8RGS545RW01, ADEE8RWS455SW01, ADEE8RWS545RW01 and ZDEE8RWS545RW01
	D510061	Front Bulkhead Assembly	Galvanized; Models ADE3TRGS435AW01, ADE3TRGS455LW01, ADE3TRGS455NW29, ADE3TRGS465AW01, ADE3TRGS565XW01 and ADG3TRGS305AW01
	D513638	Front Bulkhead	Galvanized; Models ADEE9BGS545RW01, ADEE9RGS455SW01 and ZDEE8RGS545RW01
	D513641	Front Bulkhead	Galvanized; All other models
	D513640W	Front Bulkhead	White; All other models

Cylinder Light

All Models Except ADE3TRGS435AW01, ADE3TRGS455LW01, ADE3TRGS455NW29, ADE3TRGS465AW01 and ADE3TRGS565XW01

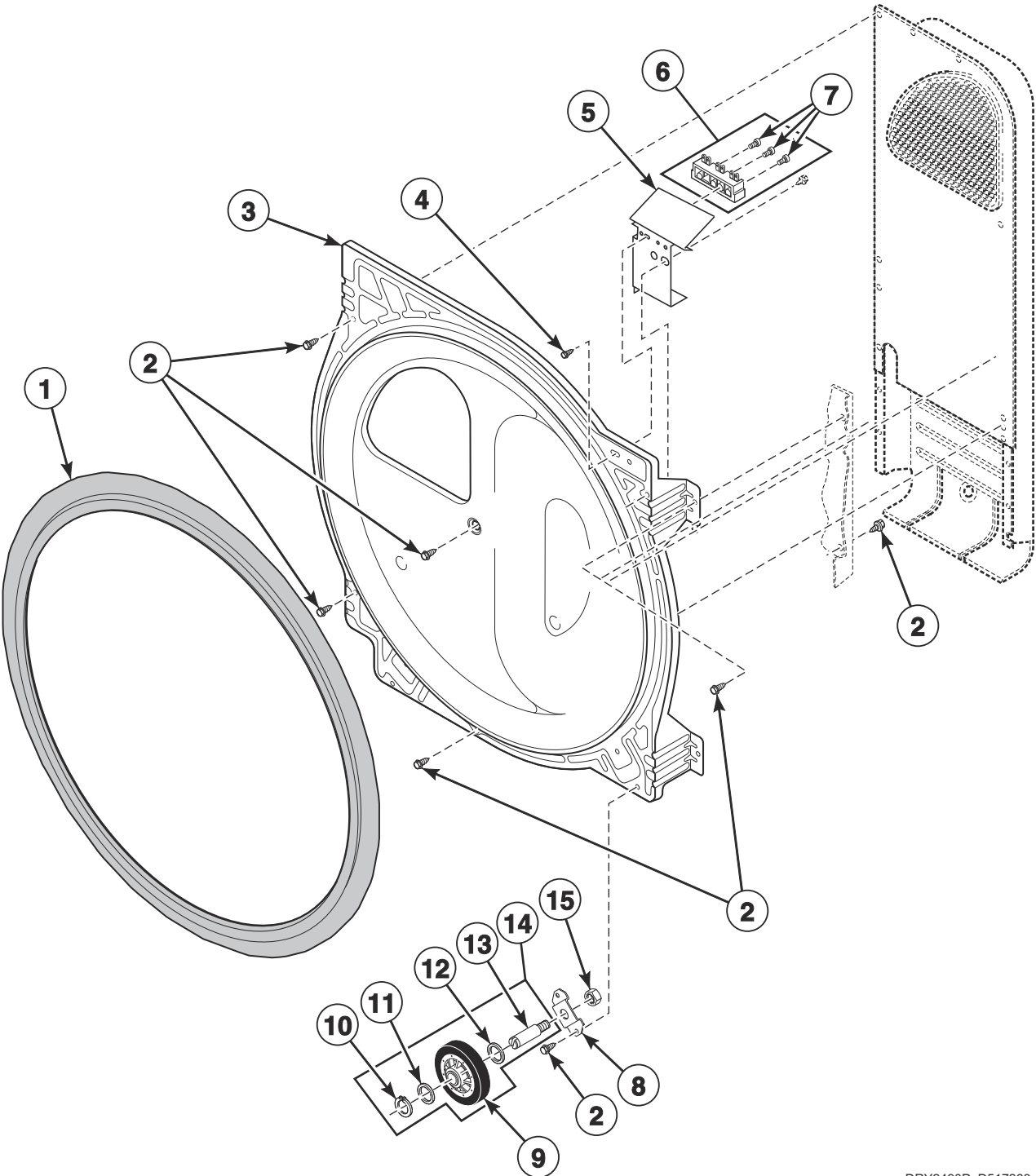


DRY2467PB_D517263

Cylinder Light

REF	PART NO.	DESCRIPTION	COMMENTS
1	60954	Drum Light Lamp	120V; Models ADGE9BGS125DW01, ADGE9RGS115FW01, ZDGE9BGS115FW01 and ZDGE9RGS115FW01
	D503579	Drum Light Lamp	240 Volt; Models ADEE8BGS435AW01, ADEE9BGS435NW29, ADEE9BGS435XW34, ADEE9BGS455NW36, ADEE9BGS545DW01, ADEE9BGS545RW01, ADEE9BSS455LW01, ADEE9RGS435AW01, ADEE9RGS435XW34, ADEE9RGS455LW01, ADEE9RGS455NW29, ADEE9RGS455NW36, ADEE9RGS455SW01, ADEE9RGS465AW01, ADEE9RGS545FW01, ADEE9RGS565XW01, ADEE9RGS565XW34, ADGE8BGS305AW01, ADGE9BGS305NW29, ADGE9BGS545DW01, ADGE9RGS305XW01, ADLE9BGS305XW34, ADLE9RGS305XW34, ZDEE9BGS435NW29, ZDEE9BGS545FW01, ZDEE9RGS455NW29 and ZDEE9RGS545FW01
2	D512108	Light Housing Assembly	120 Volt; Includes item 1; Models ADEE8BWS435AW01, ADGE9BGS125DW01, ADGE9RGS115FW01, ZDGE8RGS115FW01 and ZDGE9BGS115FW01
	D512109	Cylinder Light Assembly	240 Volt; Includes item 1; Models ADEE8BGS435AW01, ADEE8BWS435AW01, ADEE8RWS455SW01, ADEE8RWS545RW01, ADEE9BGS435NW29, ADEE9BGS435XW34, ADEE9BGS455NW36, ADEE9BGS545DW01, ADEE9BGS545RW01, ADEE9BSS455LW01, ADEE9RGS435AW01, ADEE9RGS435XW34, ADEE9RGS455LW01, ADEE9RGS455NW29, ADEE9RGS455NW36, ADEE9RGS455SW01, ADEE9RGS465AW01, ADEE9RGS545FW01, ADEE9RGS565XW01, ADEE9RGS565XW34, ADGE8BGS305AW01, ADGE8BWS305AW01, ADGE9BGS305NW29, ADGE9BGS545DW01, ADGE9RGS305XW01, ADLE9BGS305XW34, ADLE9RGS305XW34, ZDEE8RGS545FW01, ZDEE8RWS545RW01, ZDEE9BGS435NW29, ZDEE9BGS545FW01, ZDEE9RGS455NW29, ZDEE9RGS545FW01 and ZDGE9RGS115FW01

Rear Bulkhead, Felt Seal, Cylinder Roller and Terminal Block



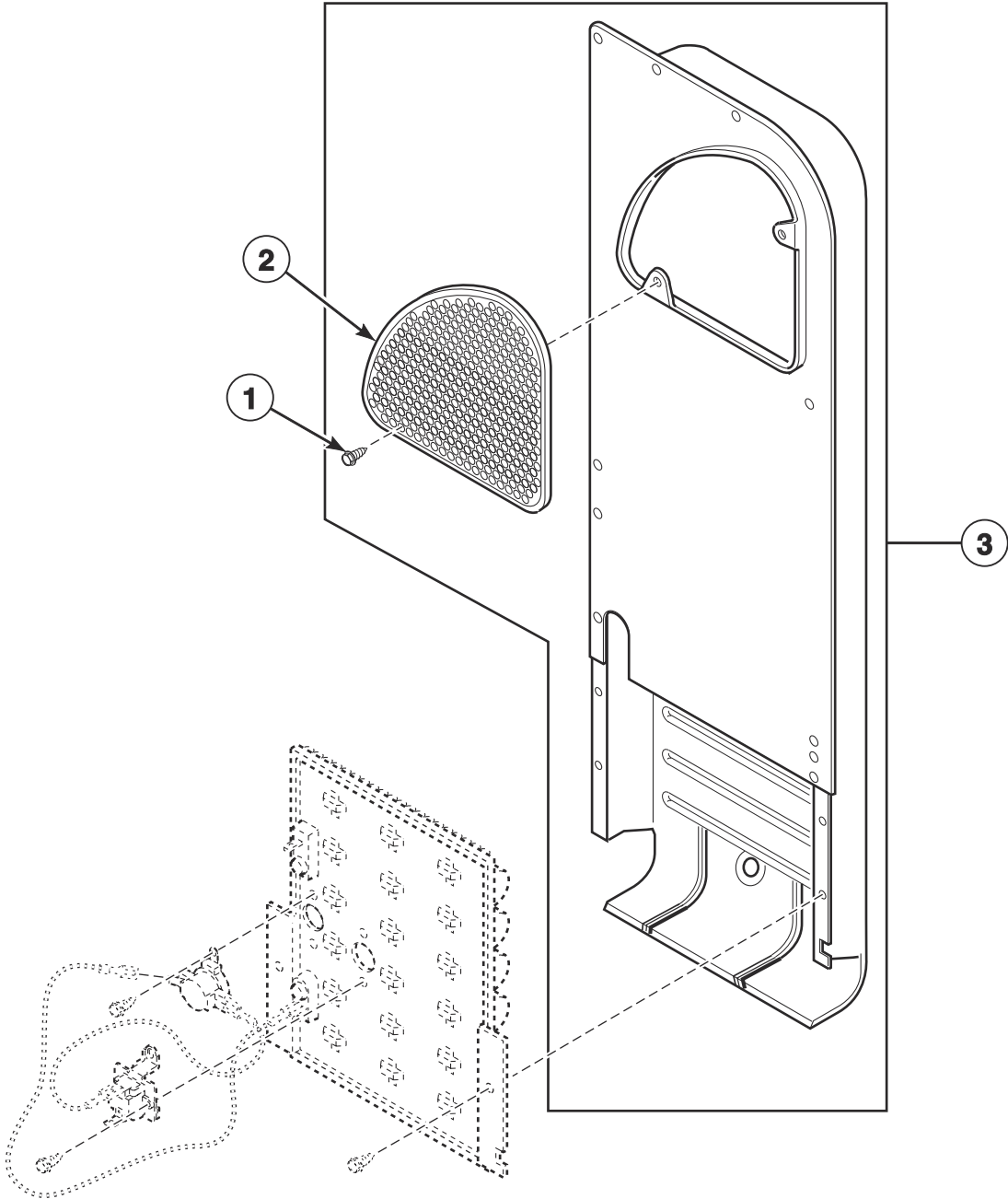
DRY2490P_D517263

Rear Bulkhead, Felt Seal, Cylinder Roller and Terminal Block

REF	PART NO.	DESCRIPTION	COMMENTS
1	D510207P	Cylinder Seal Assembly	
	D511637P	Adhesive	Apply to cylinder seal
	RB170001	Seal Kit	Includes 2 cylinder seals, D510238P Blower Housing Seal and Adhesive
2	D503688	Screw	
3	D511082P	Rear Bulkhead Assembly	Includes item 1; Galvanized
	D510905WP	Rear Bulkhead Assembly	White; Includes item 1
4	D501285	Screw	Electric models
5	D517715	Terminal Block Shield	Electric models
6	D510190P	Terminal Block Assembly	Includes 3 of item 7; Electric models and model ADGE9BGS305NW29
7	61199	Screw	
8	D510100	Cylinder Roller Bracket	
9	D510708P	Cylinder Roller	
10	23748	Retaining Ring	
11	52549	Washer	
12	D504082	Washer	
13	56461P	Shaft	
14	RB170002	Roller Kit	Includes 2 each of items 9-13
15	56156	Nut	

Heater Duct and Element Assembly (Drawing 1 of 2)

Electric Models



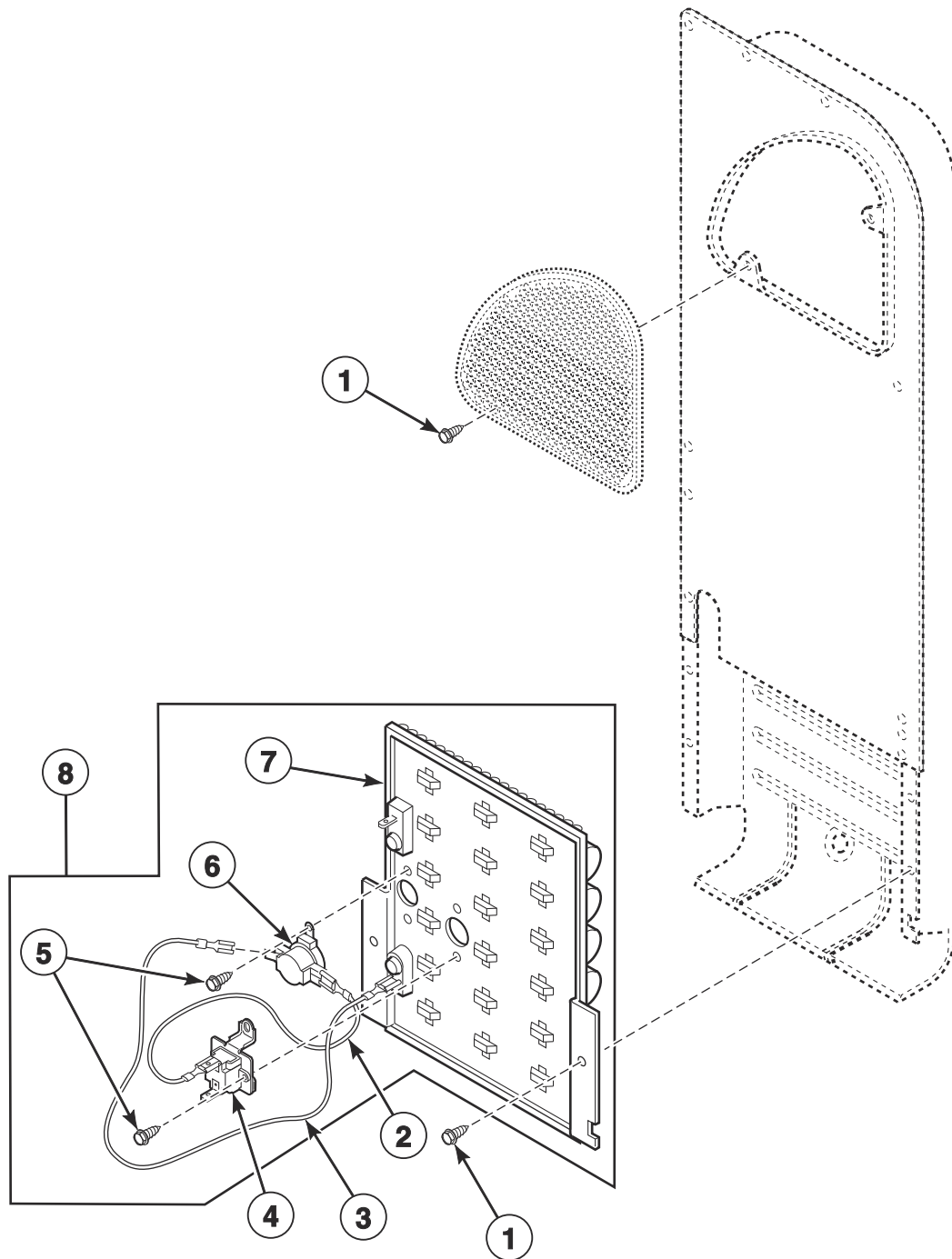
DRY1789P_D517263

Heater Duct and Element Assembly (Drawing 1 of 2)

REF	PART NO.	DESCRIPTION	COMMENTS
1	D503688	Screw	
2	D514475	Outlet Cover	Models ADEE8BGS435AW01, ADEE8BWS435AW01, ADEE9BGS435NW29, ADEE9BGS435XW34, ADEE9RGS435AW01, ADEE9RGS435XW34, ADEE9RGS465AW01 and ZDEE9BGS435NW29
	D500820	Outlet Cover	Aluminized steel; All other models
	D515573	Outlet Cover	Black; Nitrocarburized; All other models
3	D510025P	Heater Duct Assembly	Includes items 1 and 2
	D514476	Heater Duct Assembly	Models ADEE8BWS435AW01, ADEE9BGS435NW29, ADEE9BGS435XW34, ADEE9RGS435XW34, ADEE9RGS465AW01 and ZDEE9BGS435NW29; Includes items 1 and 2

Heater Duct and Element Assembly (Drawing 2 of 2)

Electric Models



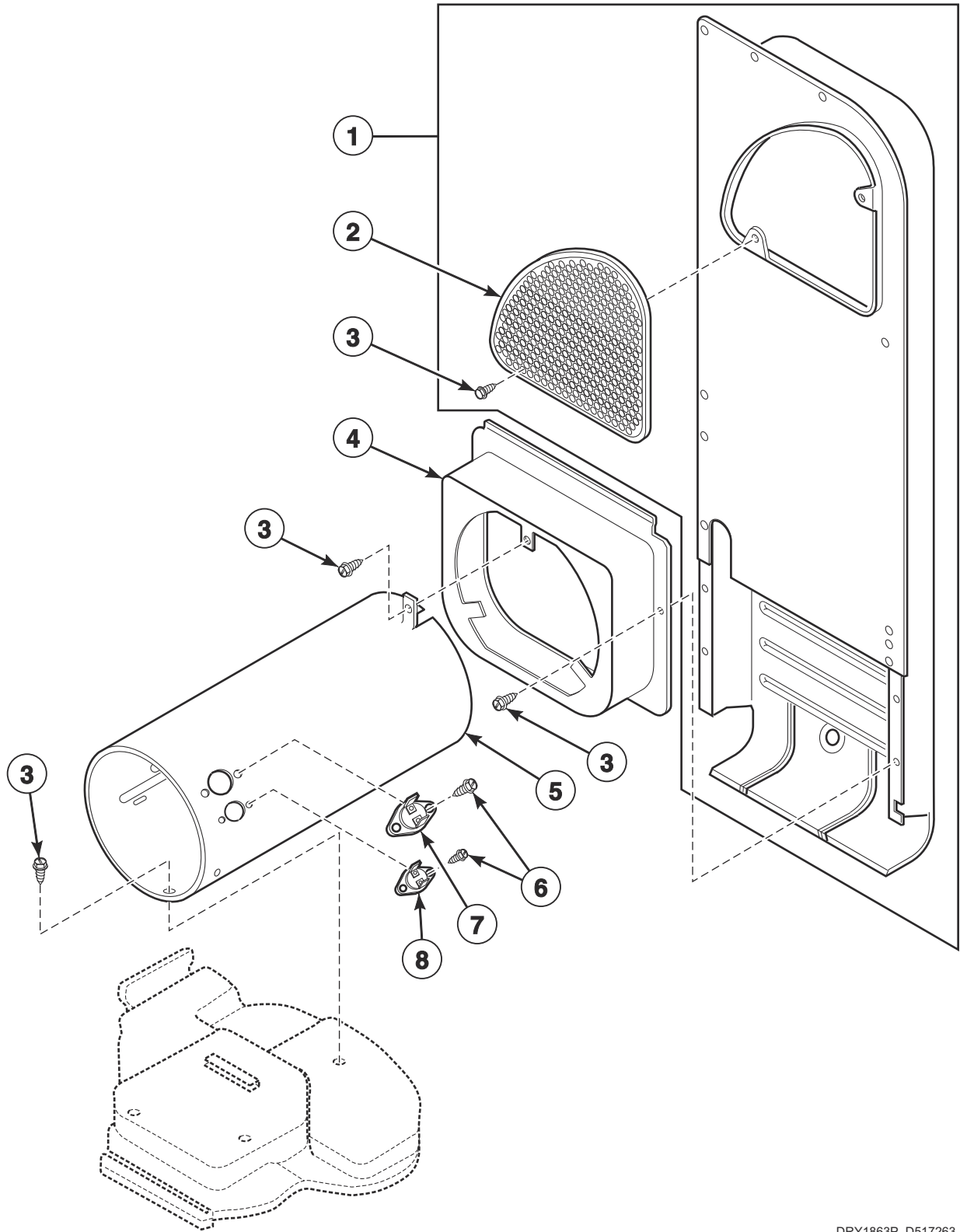
DRY1789PA_D517263

Heater Duct and Element Assembly (Drawing 2 of 2)

REF	PART NO.	DESCRIPTION	COMMENTS
1	D503688	Screw	
2	D510528	Wire Assembly	Orange; Thermostat jumper; Attaches to heater assembly
3	D510527	Wire Assembly	Black; Fuse jumper; Attaches to heater assembly
4	D516193	Limit Thermostat	Manual reset 165°F; Models ADE3TRGS465AW01 and ADEE9RGS465AW01
	D511412	Thermal Fuse Assembly	All other models
5	23222	Screw	
6	D510700	Limit Thermostat	Models ADEE8RGS455SW01, ADEE8RWS455SW01, ADEE9BGS455NW36, ADEE9BSS455LW01, ADEE9RGS455LW01, ADEE9RGS455NW29, ADEE9RGS455NW36, ADEE9RGS455SW01, ADEE9RGS565XW01, ADEE9RGS565XW34 and ZDEE9RGS455NW29
	D516192	Limit Thermostat	Models ADE3TRGS465AW01 and ADEE9RGS465AW01
	D510701	Limit Thermostat	All other models
7	D510329P	Heater Assembly	5.35 kW; 240 Volt/60 Hertz; Model ZDEE8RGS545FW01
	D510327P	Heater Assembly	4 kW; 240 Volt; Models ADE3TRGS435AW01, ADEE8BGS435AW01, ADEE8BWS435AW01, ADEE9BGS435NW29, ADEE9BGS435XW34, ADEE9RGS435AW01, ADEE9RGS435XW34 and ZDEE9BGS435NW29
	D510328P	Heater Assembly	3.1 kW; 240 Volt; Models ADEE8RGS455SW01, ADEE8RWS455SW01, ADEE9BGS455NW36, ADEE9BSS455LW01, ADEE9RGS455LW01, ADEE9RGS455NW29, ADEE9RGS455NW36, ADEE9RGS455SW01 and ZDEE9RGS455NW29
	D511503P	Heater Assembly	2.8 kW; 240 Volt; Models ADEE9RGS565XW01 and ADEE9RGS565XW34
	D516123	Heater Assembly	1.9 kW; 240 Volt; Models ADE3TRGS465AW01 and ADEE9RGS465AW01
	D510324P	Heater Assembly	5 kW; 240 Volt; All other models
8	964P3	Heater Kit	5.35 kW; 240 Volt/60 Hertz; Includes items 4-9; Model ZDEE8RGS545FW01
	61930	Heater Kit Assembly	4 kW; 240 Volt; Includes items 2-7; Models ADE3TRGS435AW01, ADEE8BGS435AW01, ADEE8BWS435AW01, ADEE9BGS435NW29, ADEE9BGS435XW34, ADEE9RGS435AW01, ADEE9RGS435XW34 and ZDEE9BGS435NW29
	61931	Heater Kit Assembly	3.1 kW; 240 Volt; Includes items 2-7; Models ADEE8RGS455SW01, ADEE8RWS455SW01, ADEE9BGS455NW36, ADEE9BSS455LW01, ADEE9RGS455LW01, ADEE9RGS455NW29, ADEE9RGS455NW36, ADEE9RGS455SW01 and ZDEE9RGS455NW29
	966P3	Heater Kit	2.8 kW; 240 Volt; Includes items 2-7; Models ADEE9RGS565XW01 and ADEE9RGS565XW34
	61927	Heater Kit Assembly	5 kW; 240 Volt/60 Hertz; Includes items 2-7; All other models except ADE3TRGS465AW01 and ADEE9RGS465AW01

Heater Duct Assembly

Gas Models

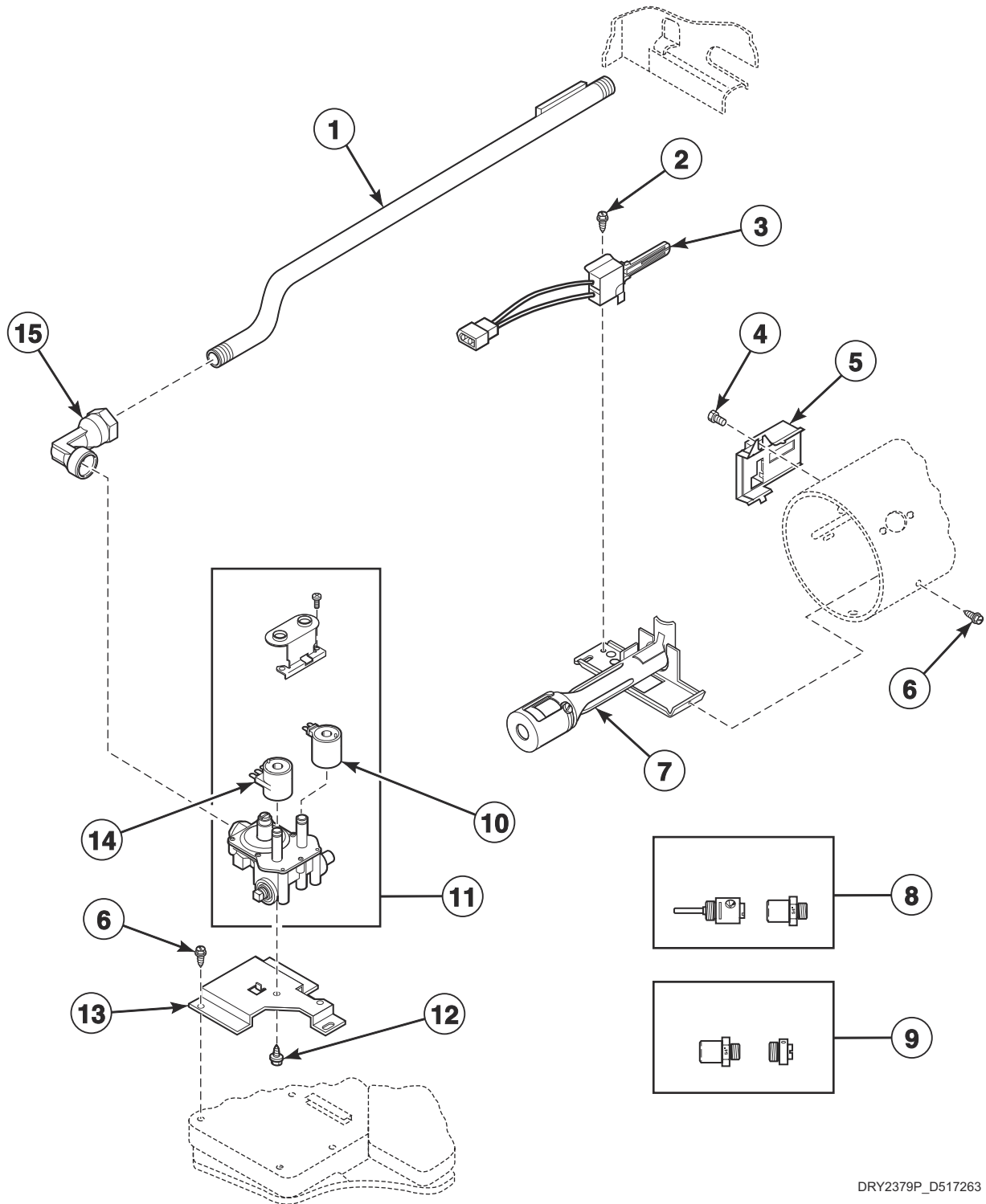


DRY1863P_D517263

Heater Duct Assembly

REF	PART NO.	DESCRIPTION	COMMENTS
1	D510025P	Heater Duct Assembly	Includes items 1 and 3
2	D500820	Outlet Cover	
	D515573	Outlet Cover	Black
3	D503688	Screw	
4	D510101	Heat Duct Shroud	
5	D510132	Combustion Duct	
6	51782	Screw	
7	D510702	Limit Thermostat	Black; Auto reset
8	D510703	Thermostat	

Gas Valve, Igniter and Gas Conversion Kits Gas Models Through Serial No. 190800001



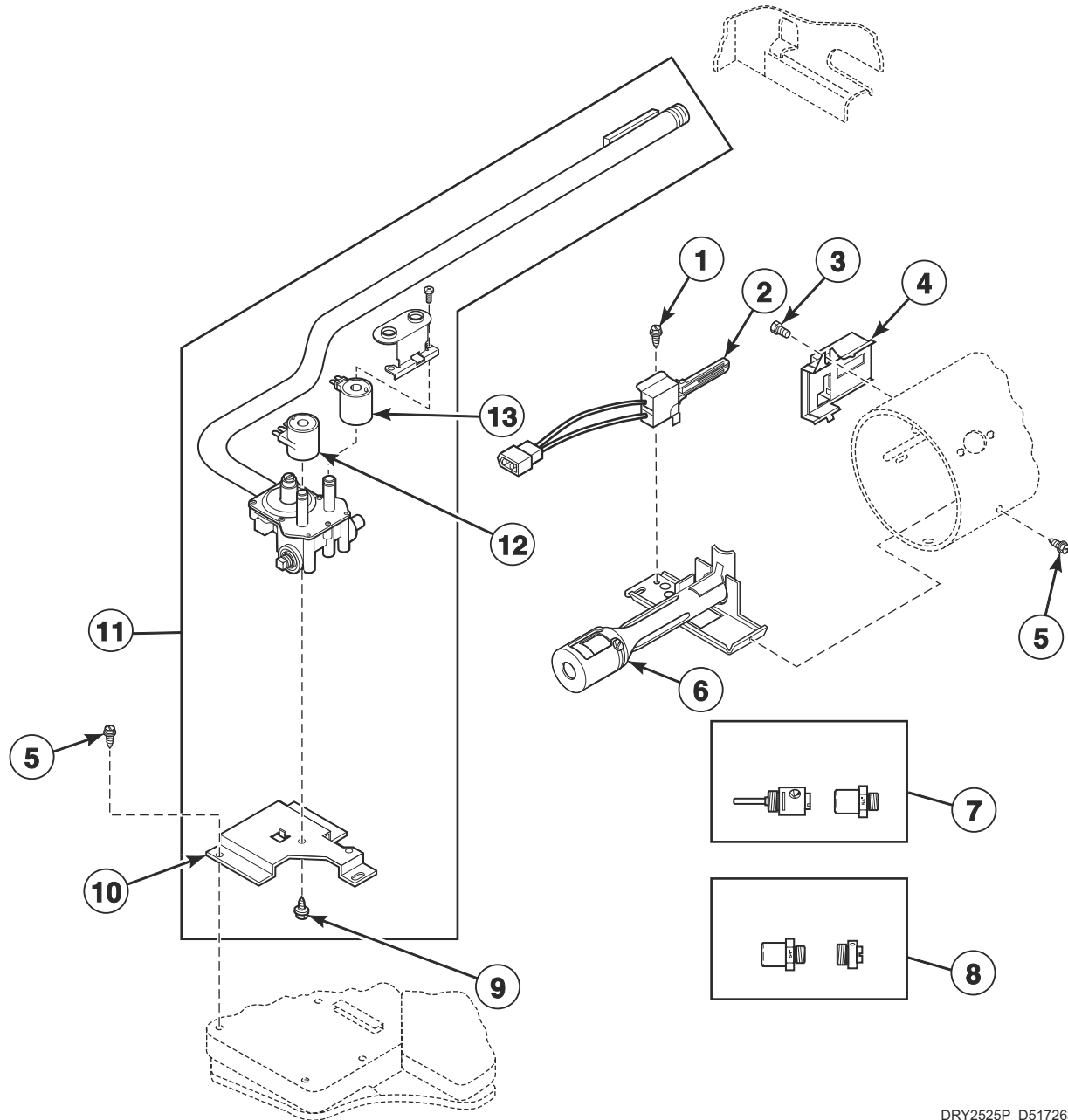
DRY2379P_D517263

Gas Valve, Igniter and Gas Conversion Kits Gas Models Through Serial No. 1908000001

REF	PART NO.	DESCRIPTION	COMMENTS
1	D510204	Lead-In Pipe Assembly	
2	51782	Screw	
3	D510184P	Igniter and Bracket Assembly	
4	23222	Screw	
5	D510213	Sensor	
6	D503688	Screw	
7	D510149P	Burner Assembly	
8	401P3	L.P. Conversion Kit	Used to convert dryers from Natural Gas (N.G.) or Mixed Gas to Liquid Petroleum Gas (L.P.); 20,000 Btu; Models ADG3TRGS305AW01, ADGE8BGS305AW01, ADGE8BWS305AW01, ADGE9BGS305NW29, ADGE9RGS305AW01, ADGE9RGS305XW01, ADLE9BGS305XW34 and ADLE9RGS305XW34
	649P3	L.P. Conversion Kit	Used to convert dryers from N.G. or Mixed Gas to L.P.; 22,500 Btu; All other models
9	402P3	N.G. Conversion Kit	Used to convert dryers from L.P. to N.G. or Mixed Gas; 20,000 Btu; Models ADG3TRGS305AW01, ADGE8BGS305AW01, ADGE8BWS305AW01, ADGE9BGS305NW29, ADGE9RGS305AW01, ADGE9RGS305XW01, ADLE9BGS305XW34 and ADLE9RGS305XW34
	650P3	N.G. Conversion Kit	Used to convert dryers from L.P. to N.G. or Mixed Gas; 22,500 Btu; All other models
10	59063B	Secondary Coil	50 Hertz; Models ADG3TRGS305AW01, ADGE8BGS305AW01, ADGE8BWS305AW01, ADGE9BGS305NW29, ADGE9RGS305AW01, ADGE9RGS305XW01, ADLE9BGS305XW34 and ADLE9RGS305XW34
	58804B	Secondary Coil	60 Hertz; All other models
11	59063P	Gas Valve Assembly	50 Hertz; 20,000 Btu; N.G.; Includes items 10 and 14; Models ADG3TRGS305AW01, ADGE8BGS305AW01, ADGE8BWS305AW01, ADGE9BGS305NW29, ADGE9RGS305AW01 and ADGE9RGS305XW01
	D513630	Gas Valve Assembly	50 Hertz; 20,000 Btu; L.P.; Includes items 10 and 14; Models ADLE9BGS305XW34 and ADLE9RGS305XW34
	D510506P	Gas Valve Assembly	60 Hertz; 22,500 Btu; N.G.; Includes items 10 and 14; All other models
12	56124	Screw	
13	D510128	Gas Valve Mounting Bracket	
14	59063A	Booster and Holding Coil	50 Hertz; Models ADG3TRGS305AW01, ADGE8BGS305AW01, ADGE8BWS305AW01, ADGE9BGS305NW29, ADGE9RGS305AW01, ADGE9RGS305XW01, ADLE9BGS305XW34 and ADLE9RGS305XW34
	58804A	Booster and Holding Coil	60 Hertz; All other models
15	D513072	Elbow	

Gas Valve, Igniter and Gas Conversion Kits

Gas Models Starting Serial No. 1908000001



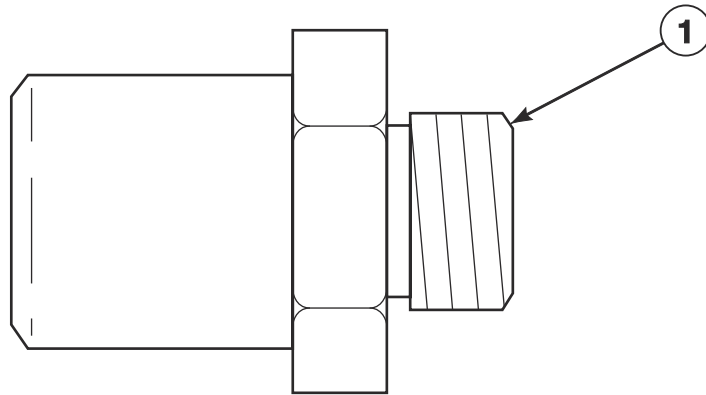
DRY2525P_D517263

Gas Valve, Igniter and Gas Conversion Kits Gas Models Starting Serial No. 1908000001

REF	PART NO.	DESCRIPTION	COMMENTS
1	51782	Screw	
2	D510184P	Igniter and Bracket Assembly	
3	23222	Screw	
4	D510213	Sensor	
5	D503688	Screw	
6	D510149P	Burner Assembly	
7	401P3	L.P. Conversion Kit	Used to convert dryers from Natural Gas (N.G.) or Mixed Gas to Liquid Petroleum Gas (L.P.); 20,000 Btu; Models ADG3TRGS305AW01, ADGE8BGS305AW01, ADGE8BWS305AW01, ADGE9BGS305NW29, ADGE9RGS305AW01, ADGE9RGS305XW01, ADLE9BGS305XW34 and ADLE9RGS305XW34
	649P3	L.P. Conversion Kit	Used to convert dryers from N.G. or Mixed Gas to L.P.; 22,500 Btu; All other models
8	402P3	N.G. Conversion Kit	Used to convert dryers from L.P. to N.G. or Mixed Gas; 20,000 Btu; Models ADG3TRGS305AW01, ADGE8BGS305AW01, ADGE8BWS305AW01, ADGE9BGS305NW29, ADGE9RGS305AW01, ADGE9RGS305XW01, ADLE9BGS305XW34 and ADLE9RGS305XW34
	650P3	N.G. Conversion Kit	Used to convert dryers from L.P. to N.G. or Mixed Gas; 22,500 Btu; All other models
9	56124	Screw	
10	D510128	Gas Valve Mounting Bracket	
11	D517607	Gas Valve, Bracket and Pipe Assembly	50 Hertz; 20,000 Btu; N.G.; Includes items 9-13; Models ADG3TRGS305AW01, ADGE8BGS305AW01, ADGE8BWS305AW01, ADGE9BGS305NW29, ADGE9RGS305AW01 and ADGE9RGS305XW01
	D517611	Gas Valve, Bracket and Pipe Assembly	50 Hertz; 20,000 Btu; L.P.; Includes items 9-13; Models ADLE9BGS305XW34 and ADLE9RGS305XW34
	D517609	Gas Valve, Bracket and Pipe Assembly	60 Hertz; 22,500 Btu; N.G.; Includes items 9-13; All other models
12	59063A	Booster and Holding Coil	50 Hertz; Models ADG3TRGS305AW01, ADGE8BGS305AW01, ADGE8BWS305AW01, ADGE9BGS305NW29, ADGE9RGS305AW01, ADGE9RGS305XW01, ADLE9BGS305XW34 and ADLE9RGS305XW34
	58804A	Booster and Holding Coil	60 Hertz; All other models
13	59063B	Secondary Coil	50 Hertz; Models ADG3TRGS305AW01, ADGE8BGS305AW01, ADGE8BWS305AW01, ADGE9BGS305NW29, ADGE9RGS305AW01, ADGE9RGS305XW01, ADLE9BGS305XW34 and ADLE9RGS305XW34
	58804B	Secondary Coil	60 Hertz; All other models

Burner Orifice Spuds - For Higher Elevations

Gas Models

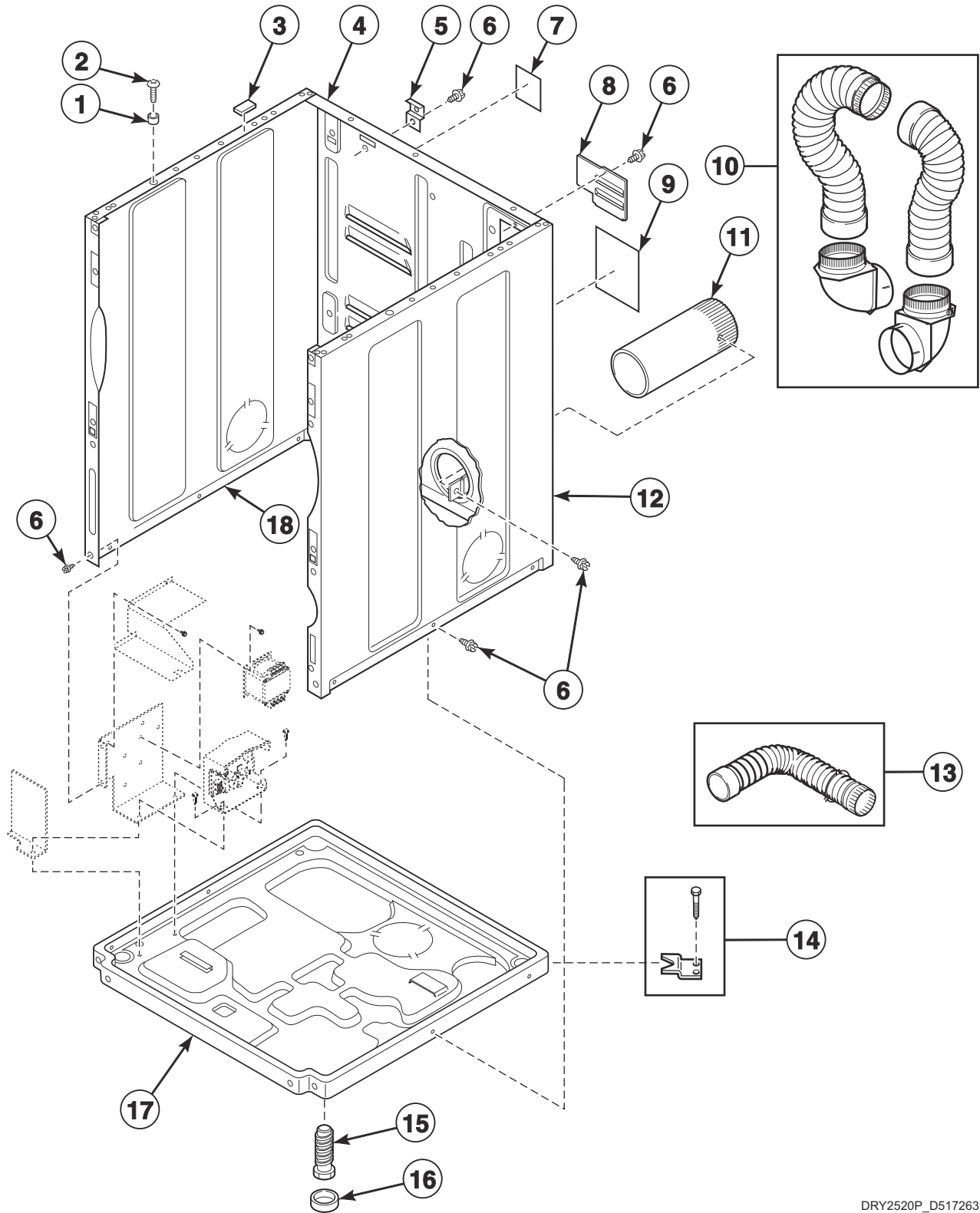


DRY2266P_D517263

Burner Orifice Spuds - For Higher Elevations

REF	PART NO.	DESCRIPTION	COMMENTS
1	D503786	L.P. Orifice	#56 (1.2mm); 20,000 Btu, 4500-9499 feet (1370-2999 m) for models ADG3TRGS305AW01, ADGE8BGS305AW01, ADGE8BWS305AW01, ADGE9BGS305NW29, ADGE9RGS305AW01, ADGE9RGS305XW01, ADLE9BGS305XW34 and ADLE9RGS305XW34; 22,500 Btu, 8000 feet (2440 m) and higher for all other models
	60941	L.P. Orifice	#57 (1.1mm); 20,000 Btu; 9500 feet (3000 m) and higher; Models ADG3TRGS305AW01, ADGE8BGS305AW01, ADGE8BWS305AW01, ADGE9BGS305NW29, ADGE9RGS305AW01, ADGE9RGS305XW01, ADLE9BGS305XW34 and ADLE9RGS305XW34
	D503778	N.G. Orifice	#43; 22,500 Btu; 3000-5999 feet (915-1829 m); Models ADGE9BGS125DW01, ADGE9BGS545DW01, ADGE9RGS115FW01, ZDGE8RGS115FW01, ZDGE9BGS115FW01 and ZDGE9RGS115FW01
	58719	Screw Orifice	#44; 22,500 Btu; 6000-7999 feet (1830-2439 m); Models ADGE9BGS125DW01, ADGE9BGS545DW01, ADGE9RGS115FW01, ZDGE8RGS115FW01, ZDGE9BGS115FW01 and ZDGE9RGS115FW01
	D503779	N.G. Orifice	#45; 20,000 Btu, 2500-4499 feet (760-1369 m) for models ADG3TRGS305AW01, ADGE8BGS305AW01, ADGE8BWS305AW01, ADGE9BGS305NW29, ADGE9RGS305AW01, ADGE9RGS305XW01, ADLE9BGS305XW34 and ADLE9RGS305XW34; 22,500 Btu, 8000-8999 feet (2440-2739 m) for all other models
	D503780	N.G. Orifice	#46; 20,000 Btu, 4500-5999 feet (1370-1829 m) for models ADG3TRGS305AW01, ADGE8BGS305AW01, ADGE8BWS305AW01, ADGE9BGS305NW29, ADGE9RGS305AW01, ADGE9RGS305XW01, ADLE9BGS305XW34 and ADLE9RGS305XW34; 22,500 Btu, 9000-9999 feet (2740-3049 m) for all other models
	D503781	N.G. Orifice	#47; 20,000 Btu, 6000-7499 feet (1830-2289 m) for models ADG3TRGS305AW01, ADGE8BGS305AW01, ADGE8BWS305AW01, ADGE9BGS305NW29, ADGE9RGS305AW01, ADGE9RGS305XW01, ADLE9BGS305XW34 and ADLE9RGS305XW34; 22,500 Btu, 10,000 feet (3050 m) and higher for all other models
	D503782	N.G. Orifice	#48; 20,000 Btu; 7500-9499 feet (2290-2899 m); Models ADG3TRGS305AW01, ADGE8BGS305AW01, ADGE8BWS305AW01, ADGE9BGS305NW29, ADGE9RGS305AW01, ADGE9RGS305XW01, ADLE9BGS305XW34 and ADLE9RGS305XW34

Cabinet, Exhaust Duct and Base (Drawing 1 of 2)

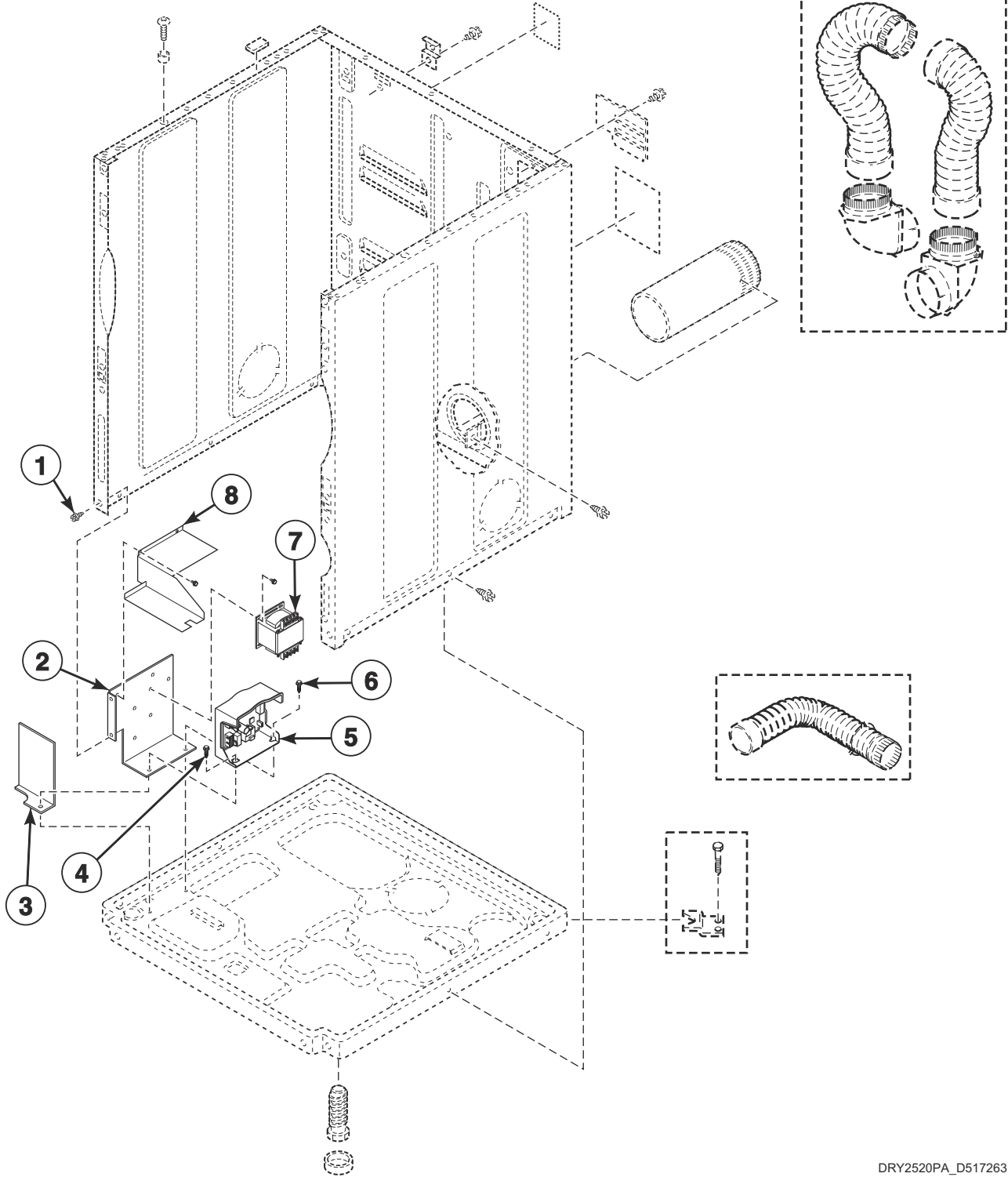


DRY2520P_D517263

Cabinet, Exhaust Duct and Base (Drawing 1 of 2)

REF	PART NO.	DESCRIPTION	COMMENTS
1	56079	Panel Locator	
2	39733	Screw	Use with painted side panels
3	56128	Bumper Pad	
4	D514632P	Cabinet Rear Panel	
5	D510136	Top Hinge	
6	D503688	Screw	
7	D511004	Gas Clearance Label	Gas models
8	D514356	Access Cover Plate	Models ADE3TRGS435AW01, ADE3TRGS455LW01, ADE3TRGS455NW29, ADE3TRGS465AW01, ADE3TRGS565XW01, ADEE9RGS455NW29, ADEE9RGS455SW01, ADEE9RGS465AW01, ADEE9RGS565XW34, ADG3TRGS305AW01, ADGE9BGS305NW29 and ZDEE9RGS455NW29
	D510903	Access Panel Plate	All other models
9	D511005	Electric Clearance Label	Electric models
10	521P3	Flexible Venting Kit	
11	D516196	Exhaust Duct	
12	D510002WP	Cabinet Side Panel	Right; White
13	528P3	Directional Exhaust Kit	Used to vent dryer out the sides or bottom
14	526P3	Hold Down Kit	For mobile home installations
15	D510135	Leveling Leg	
16	D501855	Rubber Foot	
17	D514245	Dryer Base	
18	D510001WP	Cabinet Side Panel	Left; White

Cabinet, Exhaust Duct and Base (Drawing 2 of 2)



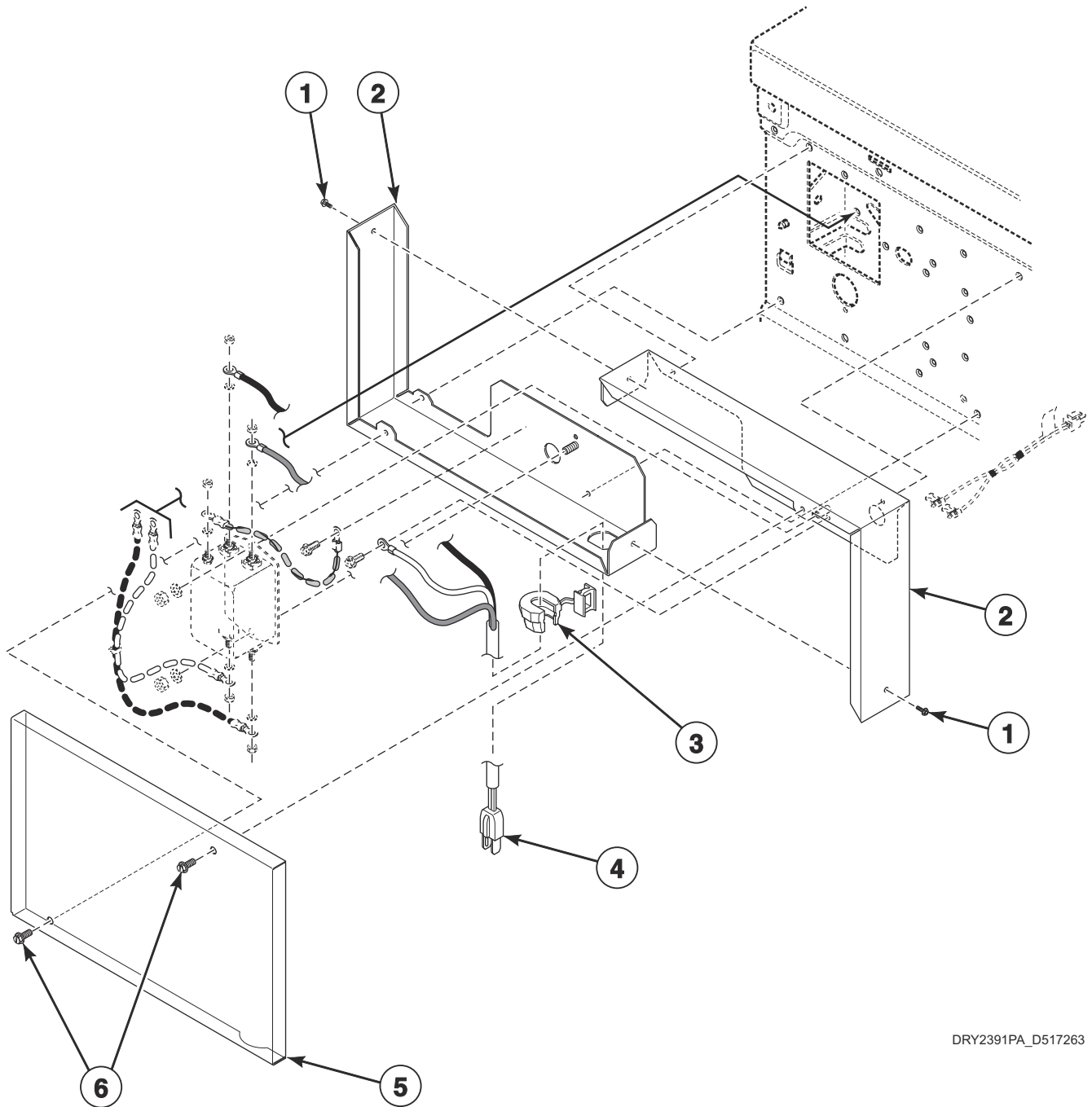
DRY2520PA_D517263

Cabinet, Exhaust Duct and Base (Drawing 2 of 2)

REF	PART NO.	DESCRIPTION	COMMENTS
1	D503688	Screw	
2	D511859	Contactora Bracket	Models ADG3TRGS305AW01, ADGE8BGS305AW01, ADGE8BWS305AW01, ADGE9BGS305NW29, ADGE9BGS545DW01, ADGE9RGS305AW01, ADGE9RGS305XW01, ADLE9BGS305XW34 and ADLE9RGS305XW34
3	D514334	Transformer Shield	Models ADG3TRGS305AW01, ADGE8BGS305AW01, ADGE8BWS305AW01, ADGE9BGS305NW29, ADGE9BGS545DW01, ADGE9RGS305AW01, ADGE9RGS305XW01, ADLE9BGS305XW34 and ADLE9RGS305XW34
4	D514428	Screw	
5	D517269	Output Control Assembly	Models ADEE9BGS435NW29, ADEE9BGS455NW36, ADEE9RGS455NW29, ADEE9RGS455NW36, ADEE9RGS455SW01, ZDEE9BGS435NW29 and ZDEE9RGS455NW29
	D513797P	Output Control Assembly	All other models except ADE3TRGS435AW01, ADE3TRGS455LW01, ADE3TRGS455NW29, ADE3TRGS465AW01, ADE3TRGS565XW01, ADEE9BGS435NW29, ADEE9BGS455NW36, ADEE9RGS455NW29, ADEE9RGS455NW36, ADEE9RGS455SW01, ADG3TRGS305AW01, ADEE9RGS455SW01, ADG3TRGS305AW01, ZDEE9BGS435NW29 and ZDEE9RGS455NW29
6	804667	Screw	
7	D513763P	Transformer	Models ADG3TRGS305AW01, ADGE8BGS305AW01, ADGE8BWS305AW01, ADGE9BGS545DW01, ADGE9RGS305AW01, ADGE9RGS305XW01, ADLE9BGS305XW34 and ADLE9RGS305XW34
	D511286	Transformer	Model ADGE9BGS305NW29
8	D514420	Output Board Shield	All models except ADE3TRGS435AW01, ADE3TRGS455LW01, ADE3TRGS455NW29, ADE3TRGS465AW01, ADE3TRGS565XW01, ADG3TRGS305AW01, ADGE8BGS305AW01, ADGE8BWS305AW01, ADGE9BGS305NW29, ADGE9BGS545DW01, ADGE9RGS305AW01, ADGE9RGS305XW01, ADLE9BGS305XW34 and ADLE9RGS305XW34

Junction Box

All Models Except ADE3TRGS435AW01, ADE3TRGS455LW01, ADE3TRGS455NW29, ADE3TRGS465AW01, ADE3TRGS565XW01, ADEE9BGS435NW29, ADEE9BGS455NW36, ADEE9RGS455NW29, ADEE9RGS455NW36, ADG3TRGS305AW01, ADGE9BGS305NW29, ZDEE9BGS435NW29 and ZDEE9RGS455NW29



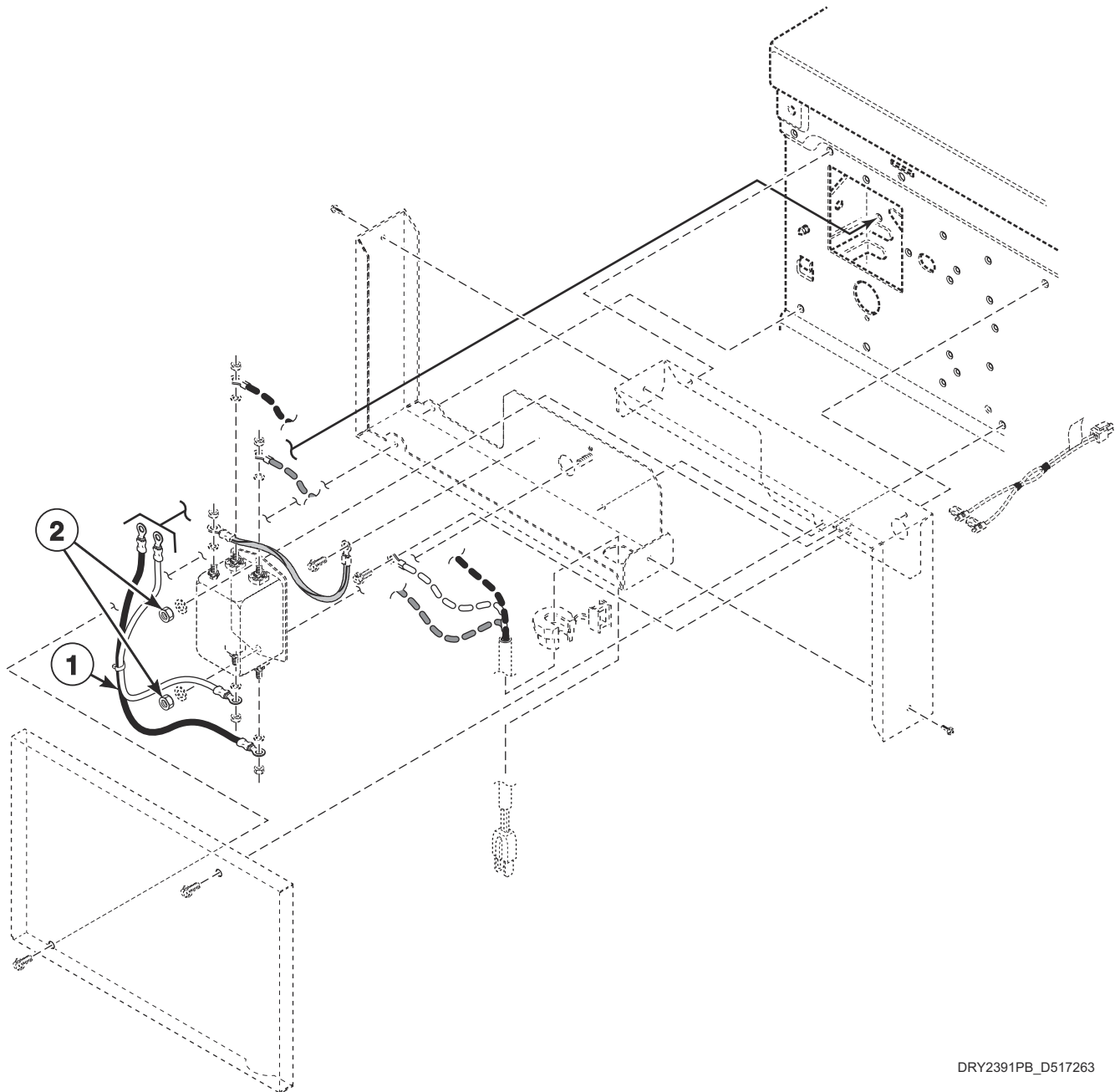
DRY2391PA_D517263

Junction Box

REF	PART NO.	DESCRIPTION	COMMENTS
	D503688	Screw	4 required
	D514379P	Junction Box Seal	4 required
1	D503688	Screw	2 required
2	D516152	Junction Box Assembly	Models ADGE8BGS305AW01, ADGE8BWS305AW01, ADGE9BGS125DW01, ADGE9BGS545DW01, ADGE9RGS115FW01, ADGE9RGS305AW01, ADGE9RGS305XW01, ADLE9BGS305XW34, ADLE9RGS305XW34, ZDGE8RGS115FW01, ZDGE9BGS115FW01 and ZDGE9RGS115FW01
	D516153	Junction Box Assembly	Models ADEE8BGS435AW01, ADEE8BWS435AW01, ADEE8RGS455SW01, ADEE8RGS545RW01, ADEE8RWS455SW01, ADEE8RWS545RW01, ADEE9BGS435XW34, ADEE9BGS545DW01, ADEE9BGS545RW01, ADEE9BSS455LW01, ADEE9RGS435AW01, ADEE9RGS435XW34, ADEE9RGS455LW01, ADEE9RGS455SW01, ADEE9RGS465AW01, ADEE9RGS545FW01, ADEE9RGS565XW01, ADEE9RGS565XW34, ZDEE8RGS545FW01, ZDEE8RGS545RW01, ZDEE8RWS545RW01, ZDEE9BGS545FW01 and ZDEE9RGS545FW01
3	52113	Strain Relief	Models ADEE8BWS435AW01, ADEE8RGS455SW01, ADEE8RGS545RW01, ADEE8RWS455SW01, ADEE8RWS545RW01, ADEE9BGS435XW34, ADEE9BGS545DW01, ADEE9BGS545RW01, ADEE9RGS435AW01, ADEE9RGS435XW34, ADEE9RGS455SW01, ADEE9RGS465AW01, ADEE9RGS545FW01 and ZDEE8RGS545FW01
	60298	Strain Relief	All other models
4	D514953	Lead-In Cord	Models ADGE9RGS115FW01, ZDGE8RGS115FW01, ZDGE9BGS115FW01 and ZDGE9RGS115FW01
	203119	Power Cord Assembly	Models ADGE9RGS305XW01, ADLE9BGS305XW34 and ADLE9RGS305XW34
	D514061	Lead-In Cord	Models ADGE9BGS125DW01 and ADGE9BGS545DW01
	D516390	Lead-In Cord	Models ADEE9RGS465AW01, ADEE9RGS565XW01 and ADEE9RGS565XW34
	61605P	Lead-In Cord Kit	Model ADEE8BWS435AW01
	D513632	Lead-In Cord	Models ADEE8RGS455SW01, ADEE8RWS455SW01 and ADEE9RGS455SW01
	D516162	Lead-In Cord	Models ADEE9BSS455LW01 and ADEE9RGS455LW01
	202926	Lead-In Cord	Models ADGE8BWS305AW01 and ADGE9RGS305AW01
	D516747	Lead-In Cord Assembly	All other models
5	D514363	Junction Box Cover	
6	D503661	Screw	2 required

Junction Box Filter and Harnesses (Drawing 1 of 2)

All Models Except ADE3TRGS435AW01, ADE3TRGS455LW01, ADE3TRGS455NW29, ADE3TRGS465AW01, ADE3TRGS565XW01, ADEE9BGS435NW29, ADEE9BGS455NW36, ADEE9RGS455NW29, ADEE9RGS455NW36, ADG3TRGS305AW01, ADGE9BGS305NW29, ZDEE9BGS435NW29 and ZDEE9RGS455NW29



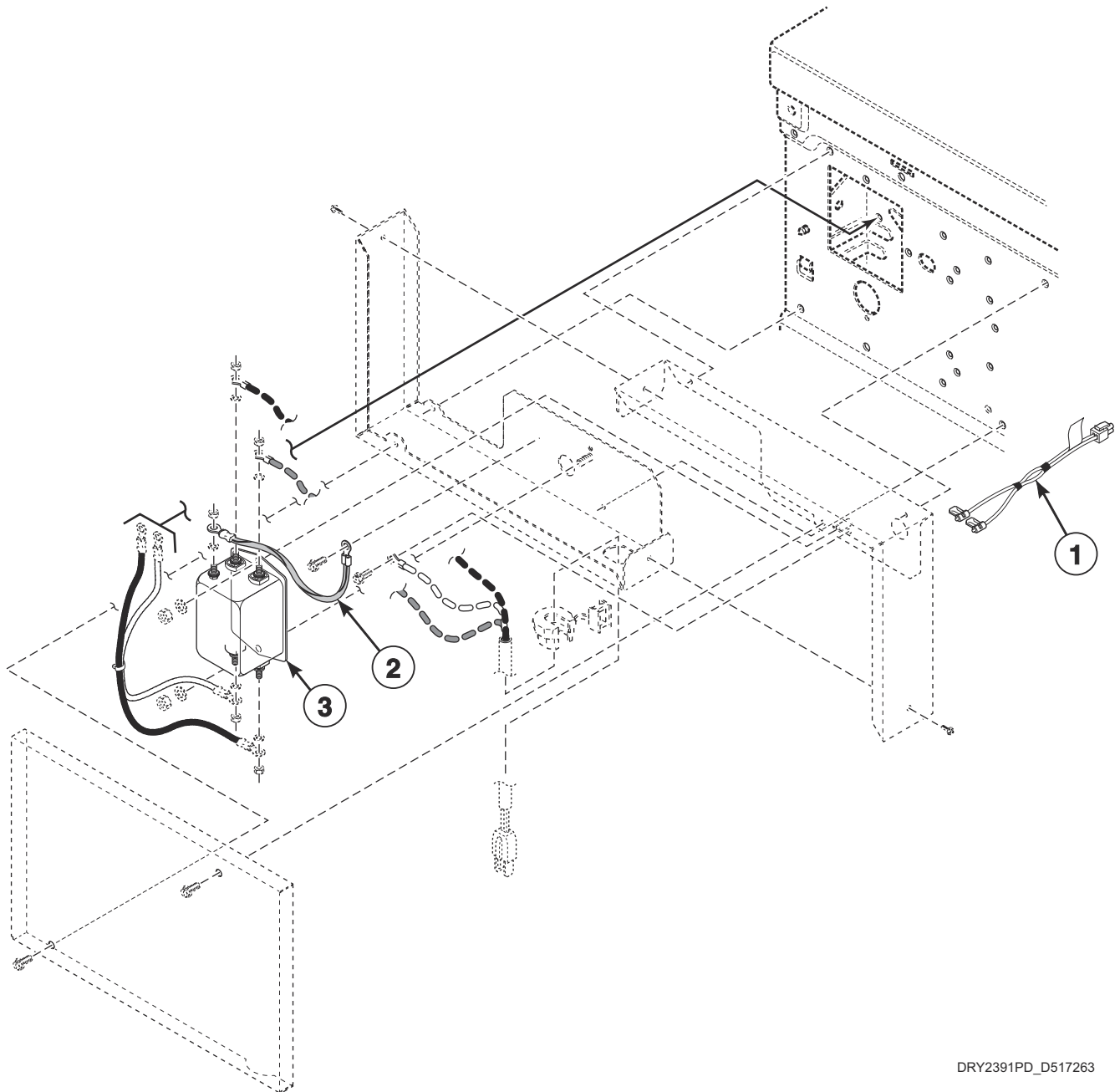
DRY2391PB_D517263

Junction Box Filter and Harnesses (Drawing 1 of 2)

REF	PART NO.	DESCRIPTION	COMMENTS
	D503688	Screw	
1	D514037	Filter Harness	10A; Models ADGE8BGS305AW01, ADGE8BWS305AW01, ADGE9BGS125DW01, ADGE9BGS545DW01, ADGE9RGS115FW01, ADGE9RGS305AW01, ZDGE8RGS115FW01, ZDGE9BGS115FW01 and ZDGE9RGS115FW01
	D514036	Filter Harness	30A; Models ADEE8BGS435AW01, ADEE8BWS435AW01, ADEE8RGS455SW01, ADEE8RGS545RW01, ADEE8RWS455SW01, ADEE8RWS545RW01, ADEE9BGS435XW34, ADEE9BGS545DW01, ADEE9BGS545RW01, ADEE9BSS455LW01, ADEE9RGS435AW01, ADEE9RGS435XW34, ADEE9RGS455LW01, ADEE9RGS455SW01, ADEE9RGS465AW01, ADEE9RGS545FW01, ADEE9RGS565XW01, ADEE9RGS565XW34, ZDEE8RGS545FW01, ZDEE8RGS545RW01, ZDEE8RWS545RW01, ZDEE9BGS545FW01 and ZDEE9RGS545FW01
2	29787	Nut	2 required

Junction Box Filter and Harnesses (Drawing 2 of 2)

All Models Except ADE3TRGS435AW01, ADE3TRGS455LW01, ADE3TRGS455NW29, ADE3TRGS465AW01, ADE3TRGS565XW01, ADEE9BGS435NW29, ADEE9BGS455NW36, ADEE9RGS455NW29, ADEE9RGS455NW36, ADG3TRGS305AW01, ADGE9BGS305NW29, ZDEE9BGS435NW29 and ZDEE9RGS455NW29



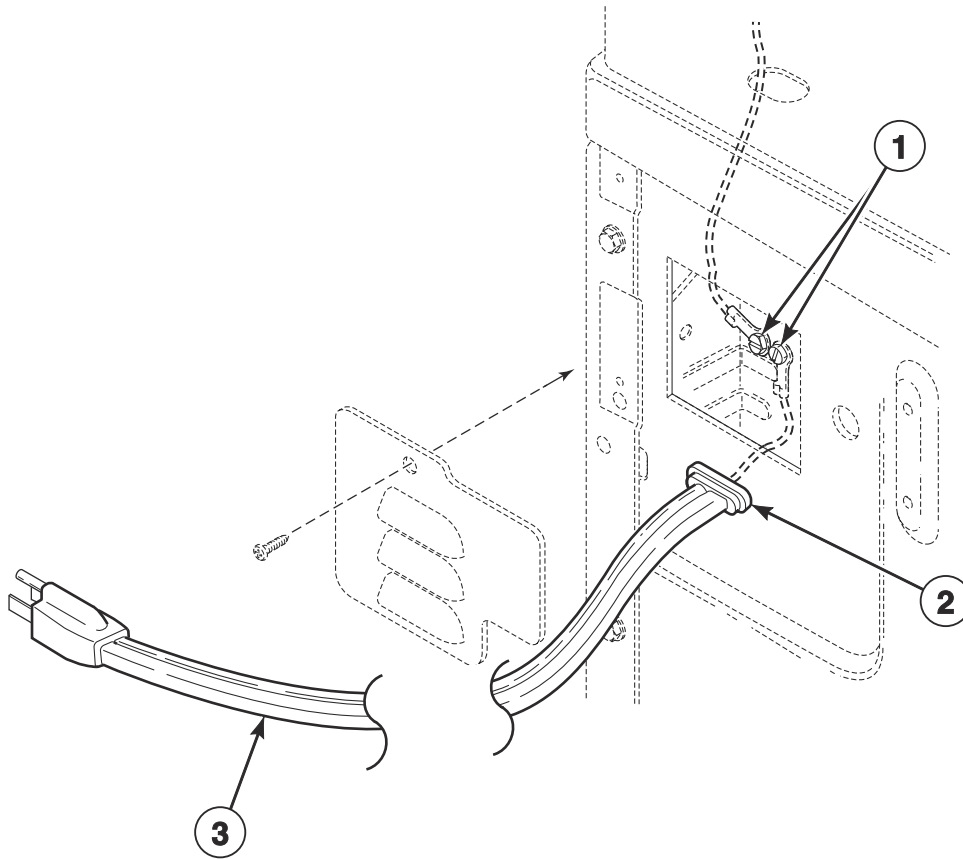
DRY2391PD_D517263

Junction Box Filter and Harnesses (Drawing 2 of 2)

REF	PART NO.	DESCRIPTION	COMMENTS
1	804396	Filter Harness	Models ADGE9RGS305XW01, ADLE9BGS305XW34 and ADLE9RGS305XW34
2	D514039	Ground Filter Harness	10A; Models ADGE8BGS305AW01, ADGE8BWS305AW01, ADGE9BGS125DW01, ADGE9BGS545DW01, ADGE9RGS115FW01, ADGE9RGS305AW01, ZDGE8RGS115FW01, ZDGE9BGS115FW01 and ZDGE9RGS115FW01
	D514038	Ground Filter Harness	30A; Models ADEE8BGS435AW01, ADEE8BWS435AW01, ADEE8RGS455SW01, ADEE8RGS545RW01, ADEE8RWS455SW01, ADEE8RWS545RW01, ADEE9BGS435XW34, ADEE9BGS545DW01, ADEE9BGS545RW01, ADEE9BSS455LW01, ADEE9RGS435AW01, ADEE9RGS435XW34, ADEE9RGS455LW01, ADEE9RGS455SW01, ADEE9RGS465AW01, ADEE9RGS545FW01, ADEE9RGS565XW01, ADEE9RGS565XW34, ZDEE8RGS545FW01, ZDEE8RGS545RW01, ZDEE8RWS545RW01, ZDEE9BGS545FW01 and ZDEE9RGS545FW01
3	804864	Line Filter	10A; Models ADGE8BGS305AW01, ADGE8BWS305AW01, ADGE9BGS125DW01, ADGE9BGS545DW01, ADGE9RGS115FW01, ADGE9RGS305AW01, ADGE9RGS305XW01, ADLE9BGS305XW34, ADLE9RGS305XW34, ZDGE8RGS115FW01, ZDGE9BGS115FW01 and ZDGE9RGS115FW01
	804844	Line Filter	30A; Models ADEE8BGS435AW01, ADEE8BWS435AW01, ADEE8RGS455SW01, ADEE8RGS545RW01, ADEE8RWS455SW01, ADEE8RWS545RW01, ADEE9BGS435XW34, ADEE9BGS545DW01, ADEE9BGS545RW01, ADEE9BSS455LW01, ADEE9RGS435AW01, ADEE9RGS435XW34, ADEE9RGS455LW01, ADEE9RGS455SW01, ADEE9RGS465AW01, ADEE9RGS545FW01, ADEE9RGS565XW01, ADEE9RGS565XW34, ZDEE8RGS545FW01, ZDEE8RGS545RW01, ZDEE8RWS545RW01, ZDEE9BGS545FW01 and ZDEE9RGS545FW01

Lead-In Cord

Models ADE3TRGS435AW01, ADE3TRGS455LW01, ADE3TRGS455NW29, ADE3TRGS465AW01, ADE3TRGS565XW01, ADEE8BGS435AW01, ADEE9BGS435NW29, ADEE9BGS455NW36, ADEE9RGS435AW01, ADEE9RGS455NW29, ADEE9RGS455NW36, ADEE9RGS465AW01, ADG3TRGS305AW01, ADGE9BGS305NW29, ZDEE9BGS435NW29 and ZDEE9RGS455NW29

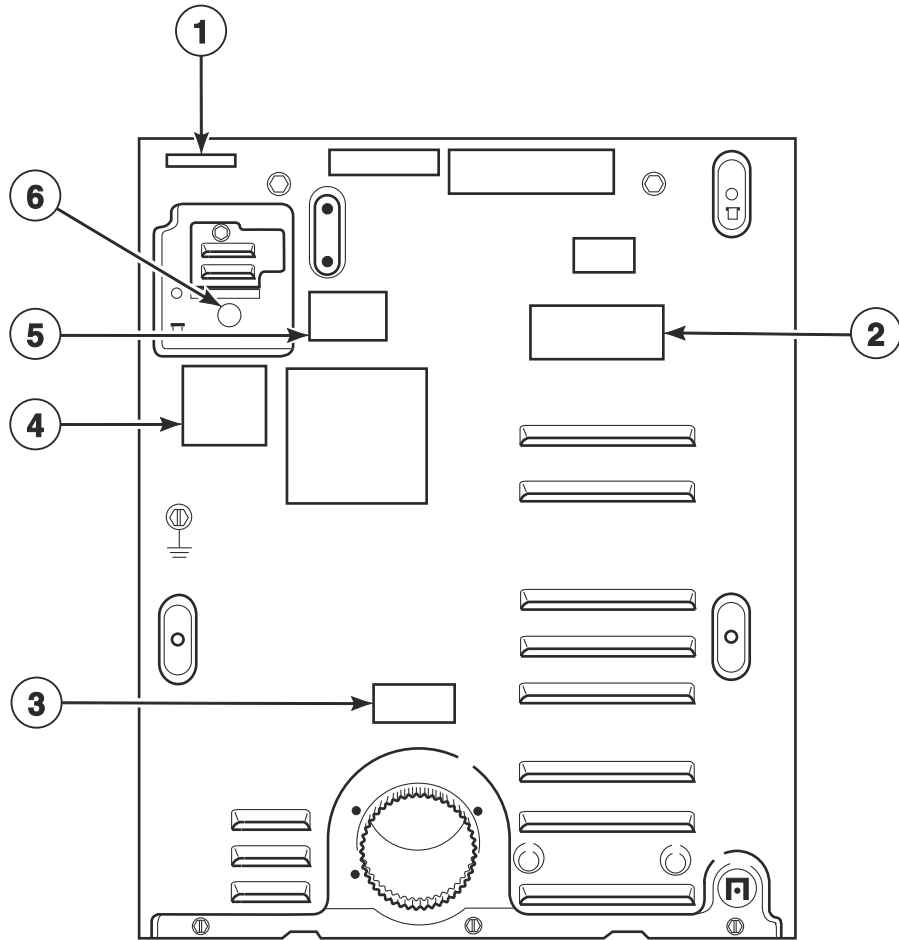


DRY1790P_D517263

Lead-In Cord

REF	PART NO.	DESCRIPTION	COMMENTS
1	20530	Screw	Earth/Ground
2	52113	Strain Relief	
	D502496	Strain Relief Adapter	
3	D516747	Lead-In Cord Assembly	Models ADEE9BGS435NW29 and ZDEE9BGS435NW29
	D513632	Lead-In Cord	Models ADEE9BGS455NW36 and ADEE9RGS455NW36
	D515971	Lead-In Cord	Models ADE3TRGS455NW29, ADEE9RGS455NW29 and ZDEE9RGS455NW29
	61605P	Lead-In Cord Kit	Models ADE3TRGS435AW01, ADEE8BGS435AW01 and ADEE9RGS435AW01
	D516389	Lead-In Cord	Models ADE3TRGS465AW01, ADEE9RGS465AW01, ADG3TRGS305AW01 and ADGE9BGS305NW29
	D516162	Lead-In Cord	Model ADE3TRGS455LW01
	D516390	Lead-In Cord	Model ADE3TRGS565XW01

Label Location on Rear of Cabinet



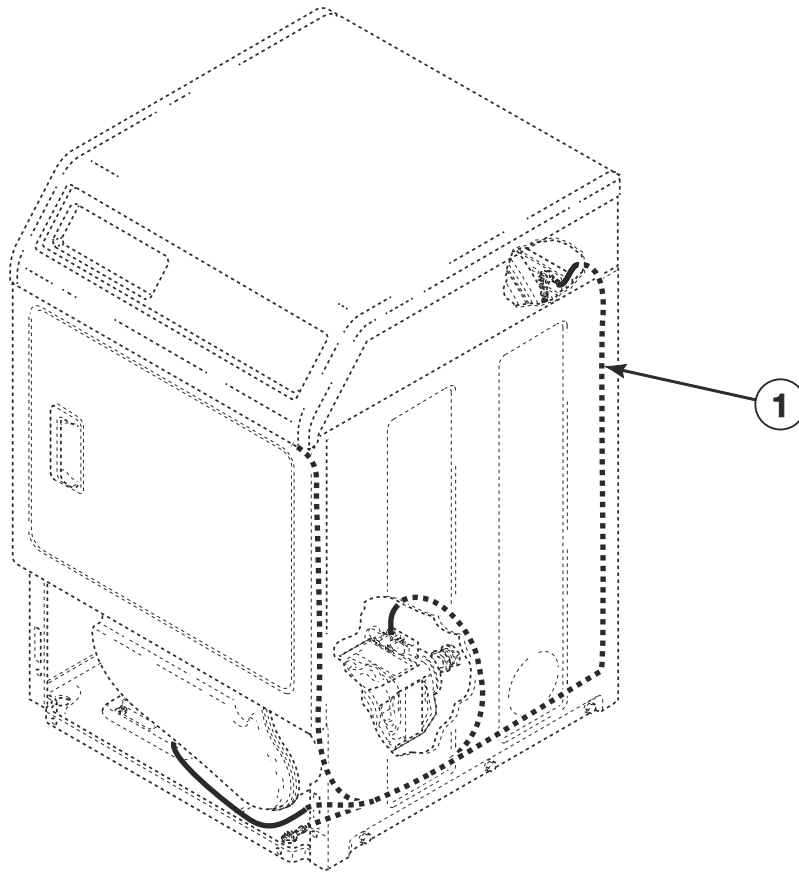
DRY2303P_D517263

Label Location on Rear of Cabinet

REF	PART NO.	DESCRIPTION	COMMENTS
1	D501288	Terminal Block Label	GND N A
	D505329	Terminal Block Label	N-L
	D506072	Terminal Block Label	L N GND
	D514618	Terminal Block Label	
2	D502791	Venting Instruction Label	
3	D502507	Exhaust Warning Label	Icon
	44321601	Warning Label	Icon
4	D516073	Notice Label	Read instructions
5	F8614201	Shock Warning Label	Icon
6	D516100	Label	

Wire Harnesses and Wires - Front Control Models

Models ADEE8BGS435AW01, ADEE8BWS435AW01, ADEE9BGS435NW29, ADEE9BGS435XW34, ADEE9BGS455NW36, ADEE9BGS545DW01, ADEE9BGS545RW01, ADEE9BSS455LW01, ADGE8BGS305AW01, ADGE8BWS305AW01, ADGE9BGS125DW01, ADGE9BGS305NW29, ADGE9BGS545DW01, ADLE9BGS305XW34, ZDEE9BGS435NW29, ZDEE9BGS545FW01 and ZDGE9BGS115FW01



DRY2400P_D517263

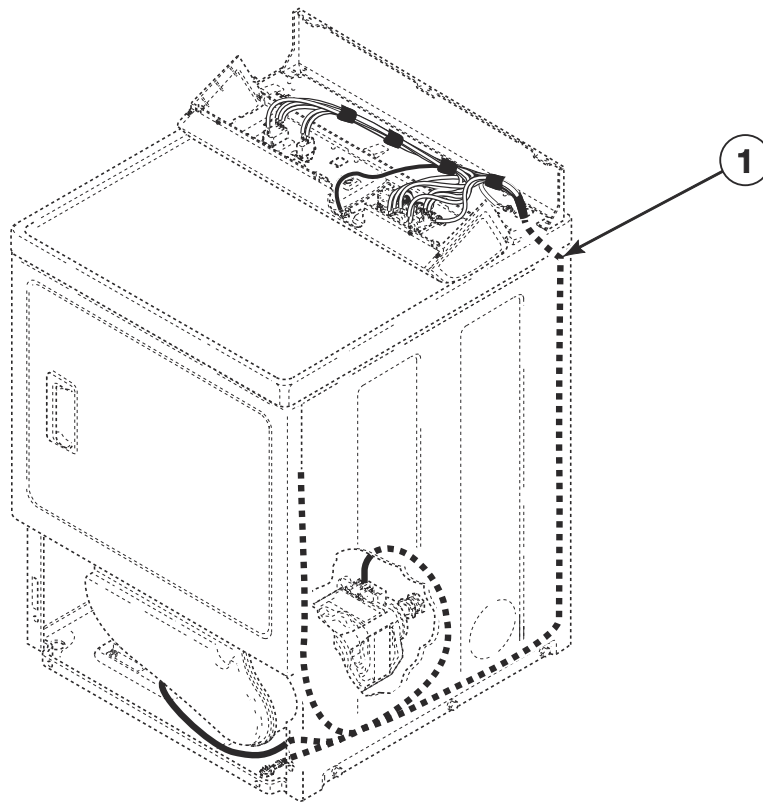
Wire Harnesses and Wires - Front Control Models

REF	PART NO.	DESCRIPTION	COMMENTS
	D515039	Power Harness	Model ADGE9BGS305NW29
	D510550	Ground Wire Assembly	Model ADGE9BGS305NW29
	45380	12 Gauge Wire	Orange; Order wire by the foot; Order terminals and connectors as required
	45477	12 Gauge Wire	Green/yellow stripe; Order wire by the foot; Order terminals and connectors as required
	45001	18 Gauge Wire	Black; Order wire by the foot; Order terminals and connectors as required
1	D517097	Gas Harness	Models ADGE8BGS305AW01, ADGE8BWS305AW01 and ADGE9BGS305NW29
	D516760	Electric Harness	Models ADEE8BGS435AW01, ADEE8BWS435AW01, ADEE9BGS435NW29, ADEE9BGS435XW34, ADEE9BGS455NW36, ADEE9BGS545DW01, ADEE9BSS455LW01, ZDEE9BGS435NW29 and ZDEE9BGS545FW01
	D517206	Electric Harness	Model ADEE9BGS545RW01
	D516759	Gas Harness	Models ADGE9BGS125DW01 and ZDGE9BGS115FW01
	D516767	Gas Harness	Models ADGE9BGS545DW01 and ADLE9BGS305XW34

NOTE: Individual wires are not available separately. Order complete wire harness, or order wire by the foot. When applying terminals to wires, it is recommended that the terminals be soldered to the wires.

Wire Harnesses and Wires - Rear Control Models

Models ADE3TRGS435AW01, ADE3TRGS455LW01, ADE3TRGS455NW29, ADE3TRGS465AW01, ADE3TRGS565XW01, ADEE8RGS455SW01, ADEE8RGS545RW01, ADEE8RWS455SW01, ADEE8RWS545RW01, ADEE9RGS435AW01, ADEE9RGS435XW34, ADEE9RGS455LW01, ADEE9RGS455NW29, ADEE9RGS455NW36, ADEE9RGS455SW01, ADEE9RGS465AW01, ADEE9RGS545FW01, ADEE9RGS565XW01, ADEE9RGS565XW34, ADG3TRGS305AW01, ADGE9RGS115FW01, ADGE9RGS305AW01, ADGE9RGS305XW01, ADLE9RGS305XW34, ZDEE8RGS545FW01, ZDEE8RGS545RW01, ZDEE8RWS545RW01, ZDEE9RGS455NW29, ZDEE9RGS545FW01, ZDGE8RGS115FW01 and ZDGE9RGS115FW01



DRY2268P_D517263

Wire Harnesses and Wires - Rear Control Models

REF	PART NO.	DESCRIPTION	COMMENTS
	45380	12 Gauge Wire	Orange; Order wire by the foot; Order terminals and connectors as required
	45477	12 Gauge Wire	Green/yellow stripe; Order wire by the foot; Order terminals and connectors as required
	45001	18 Gauge Wire	Black; Order wire by the foot; Order terminals and connectors as required
1	D516770	Electric Harness	Main harness; Models ADEE8RGS455SW01, ADEE8RGS545RW01, ADEE8RWS455SW01, ADEE8RWS545RW01, ZDEE8RGS545RW01 and ZDEE8RWS545RW01
	D517256	Electric Harness	Main harness; Models ADEE9RGS435AW01 and ADEE9RGS465AW01
	D516772	Electric Harness	Main harness; Models ADEE9RGS435XW34, ADEE9RGS455LW01, ADEE9RGS455NW29, ADEE9RGS455NW36, ADEE9RGS545FW01, ADEE9RGS565XW01, ADEE9RGS565XW34, ZDEE8RGS545FW01, ZDEE9RGS455NW29 and ZDEE9RGS545FW01
	D517220	Electric Harness	Model ADEE9RGS455SW01
	D516771	Gas Harness	Main harness; Models ADGE9RGS115FW01, ZDGE8RGS115FW01 and ZDGE9RGS115FW01
	D516775	Gas Harness	Main Harness; Models ADGE9RGS305AW01, ADGE9RGS305XW01 and ADLE9RGS305XW34
	D513654	Wire Harness Assembly	Models ADE3TRGS435AW01 and ADE3TRGS465AW01
	D516778	Wire Harness Assembly	Models ADE3TRGS455LW01, ADE3TRGS455NW29 and ADE3TRGS565XW01
	D513663	Wire Harness Assembly	Model ADG3TRGS305AW01

NOTE: Individual wires are not available separately. Order complete wire harness, or order wire by the foot. When applying terminals to wires, it is recommended that the terminals be soldered to the wires.

Parts Index

A

Access Cover Plate D514356	41
Access Panel Assembly D514250WP	15
Access Panel Plate D510903	41
Adhesive D511637P	23, 27
Adjustable Buzzer D504103	7
Air Duct Assembly D510151W	21
Anti-Seize Compound 27604P	17, 19

B

Bar Sensor D513737	21
Blower Fan Assembly D510139P	17
Blower Housing D511969WP	17
Blower Housing Seal D510238P	17
Bolt 29651	11
Booster and Holding Coil 58804A	35, 37
59063A	35, 37
Bracket D510146	9
Bumper Pad 56128	41
Burner Assembly D510149P	35, 37

C

Cabinet Rear Panel D514632P	41
Cabinet Side Panel D510001WP	41
D510002WP	41
Combustion Duct D510132	33
Contactoer Bracket D511859	43
Control D514338P	5, 11
D514567P	5
Control Access Panel 804741	11
804793	11

Control Assembly D514121P	11
Control Bracket 804611	11
Control Overlay Dd515630	11
D515633	11
D515634	11
D516225	5
D516236	5
D516539	5
D516540	5
D516542	11
D516870	11
D517116	11
D517990	11
Control Panel Assembly 804960	11
Control Support Panel 806430	5
806547	7
Control Wrapper 804627B	11
804627W	11
804630B	11
804630W	11
Cylinder Assembly D510159WP	21
D510265WP	21
Cylinder Baffle D510102W	21
Cylinder Belt D511255P	17
Cylinder Glide D513710	23
Cylinder Glide Bracket D510145	23
Cylinder Light Assembly D512109	25
Cylinder Light Lens D512106	23
Cylinder Roller D510708P	27
Cylinder Roller Bracket D510100	27
Cylinder Seal Assembly D510207P	23, 27

D

Directional Exhaust Kit 528P3	41
Door Catch Assembly D510177	15
Door Handle Wedge D510129W	13
Door Liner D510097W	13
Door Liner Grill D503870LG	13
D503870W	13

N/A items do not appear in index.

Door Pull and Wedge Kit	
D510103WP	13
D511213P	13
Door Strike	
D510181	13
Door Strike Mount	
D510127	13
Drip Shield	
D514327	15
Drum Light Lamp	
D503579	25
60954	25
Dryer Base	
D514245	41
Dryer Door	
D510013WP	13
Drying Rack	
D512082P	21

E

Elbow	
D513072	35
Electric Clearance Label	
D511005	41
Electric Harness	
D516760	55
D516770	57
D516772	57
D517206	55
D517220	57
D517256	57
End Cap	
203961	5, 7
203962	5, 7
Exhaust Duct	
D516196	41
Exhaust Warning Label	
D502507	53
Expansion Clip	
70030501	11

F

Fabric Selector Switch	
D513505	7
Felt Pad	
D510189	23
Filter Harness	
D514036	47
D514037	47
804396	49
Flexible Venting Kit	
521P3	41
Front Bulkhead	
D513640W	23
Front Bulkhead Assembly	
D510061	23
Front Bulkhead Moisture Sensor	
D513638	23
D513639W	23
D513641	23

Front Panel	
D510066WP	15
Front Panel Seal	
D511056	15

G

Gas Clearance Label	
D511004	41
Gas Harness	
D516759	55
D516767	55
D516771	57
D516775	57
D517097	55
Gas Valve Assembly	
D510506P	35
D513630	35
59063P	35
Gas Valve Mounting Bracket	
D510128	35, 37
Gas Valve, Bracket and Pipe Assembly	
D517607	37
D517609	37
D517611	37
Glide Kit	
RB170003	23
Graphic Panel	
D516069	7
D517809	7
806448	5
806715	5
Ground Filter Harness	
D514038	49
D514039	49
Ground Wire Assembly	
D510550	55

H

Heat Duct Shroud	
D510101	33
Heater Assembly	
D510324P	31
D510327P	31
D510328P	31
D510329P	31
D511503P	31
D516123	31
Heater Duct Assembly	
D510025P	29, 33
D514476	29
Heater Kit	
964P3	31
966P3	31
Heater Kit Assembly	
61927	31
61930	31
61931	31
Hinge	
D511036	13
Hinge Hole Plug	
D510186	15

N/A items do not appear in index.

Hold Down Kit 526P3	41
Hold-Down Clip 35358	5, 7
Hood Back Panel 806585	9

I

Idler Lever D516310	19
Idler Lever and Wheel Assembly D516792	19
Idler Spring D510185	19
Idler Wheel and Bearing Assembly D510142P	19
Igniter and Bracket Assembly D510184P	35, 37

J

Junction Box Assembly D516152	45
D516153	45
Junction Box Cover D514363	45
Junction Box Seal D514379P	45

K

Knob Assembly 204046	7
-------------------------------	---

L

Label D516100	53
Lead-In Cord D513632	45, 51
D514061	45
D514953	45
D515971	51
D516162	45, 51
D516389	51
D516390	45, 51
202926	45
Lead-In Cord Assembly D516747	45, 51
Lead-In Cord Kit 61605P	45, 51
Lead-In Pipe Assembly D510204	35
Leveling Leg D510135	41
Light Housing Assembly D512108	25

Limit Thermostat D510700	31
D510701	31
D510702	33
D516192	31
D516193	31

Line Filter 804844	49
804864	49

Liner and Seal Assembly D510289W	13
---	----

Liner Door Seal D510147P	13
-----------------------------------	----

Lint Filter D503980LG	21
D503980W	21

Lint Filter Label D502781	15
D502804	15

L.P. Conversion Kit 401P3	35, 37
649P3	35, 37

L.P. Orifice D503786	39
60941	39

M

Moisture Sensor Base D513738	21
---------------------------------------	----

Motor and Pulley Assembly D505843P	17
D505869P	17
D511629P	17

Motor Hub Ring Kit 590P3	17
-----------------------------------	----

Motor Mount D510060	19
------------------------------	----

Motor Mount Clamp D510180	17
------------------------------------	----

Motor Pulley D500011	17
D500222	17

Motor Shield D514602	17
-------------------------------	----

Motor Switch Bracket D516311	19
---------------------------------------	----

N

Notice Label D516073	53
-------------------------------	----

Nut 29787	47
52566	19
56156	19, 27

N.G. Conversion Kit 402P3	35, 37
650P3	35, 37

N.G. Orifice D503778	39
D503779	39

N/A items do not appear in index.

D503780	39
D503781	39
D503782	39

O

Outlet Cover	
D500820	29, 33
D514475	29
D515573	29, 33
Output Board Shield	
D514420	43
Output Control Assembly	
D513797P	43
D517269	43

P

Panel Locator	
56079	15, 41
Pinch Warning Label	
F8615701	21
Pop Rivet	
685847	11
Power Cord Assembly	
203119	45
Power Harness	
D515039	55

R

Rear Access Panel	
804614	11
Rear Bulkhead Assembly	
D510905WP	27
D511082P	27
Rear Wrapper Brace	
805345	11
Resistor Assembly	
D511277	7
Retaining Ring	
23748	19, 27
Roller Kit	
RB170002	27
Rubber Foot	
D501855	41

S

Screw	
D500226	13, 23
D500227	23
D500824	19
D501086	5, 7, 9, 23
D501285	21, 27
D502535	17
D503661	45
D503688	9, 11, 15, 17, 23, 27, 29, 31, 33, 35, 37, 41, 43, 45, 47
D514428	43

M405188	23
203799	5, 7
20530	51
23222	31, 35, 37
31260	17
33562	15
39733	15, 41
51782	33, 35, 37
56124	35, 37
61199	27
62588	21
70240301	11
804608	11
804667	5, 43
807075	5, 7

Screw Orifice	
58719	39
Seal Kit	
RB170001	23, 27
Secondary Coil	
58804B	35, 37
59063B	35, 37
Sensor	
D510213	35, 37
Shaft	
56461P	19, 27
Shock Warning Label	
F8614201	9, 21, 53
Speed Clip	
28835	15
Strain Relief	
52113	45, 51
60298	45
Strain Relief Adapter	
D502496	51
Switch	
D512973	15
D516391	19

T

Terminal Block Assembly	
D510190P	27
Terminal Block Label	
D501288	53
D505329	53
D506072	53
D514618	53
Terminal Block Shield	
D517715	27
Thermal Fuse Assembly	
D511412	31
Thermistor Assembly	
D502366	17
D510523	17
Thermostat	
D510703	33
D511957	17
Thermostat Shield	
D514325	17
Timer	
D516409	7
Top Hinge	
D510136	41

N/A items do not appear in index.

Top Panel	
804684	11
804685WP	11
Top Panel Brace Assembly	
804613	11
Top Panel Guide	
803761	11
Top Panel Kit	
D510029WP	9
Transformer	
D511286	43
D513763P	43
Transformer Shield	
D514334	43

V

Venting Instruction Label	
D502791	53

W

Warning Label	
D502508	53
D512263	15
D514226	15
D514410	15
Warning/Caution Label	
D500281	15
D517262	15
Washer	
D504082	27
52549	19, 27
Wire Assembly	
D510527	31
D510528	31
D510540	7
Wire Harness Assembly	
D513654	57
D513663	57
D516778	57
Wire, 12 Gauge	
45380	55, 57
45477	55, 57
Wire, 18 Gauge	
45001	55, 57
