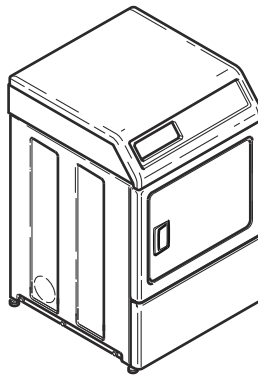
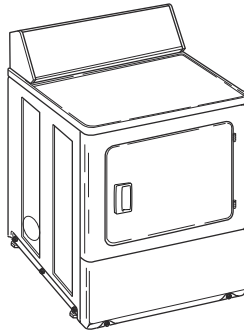


Home Dryers

Models Starting Serial No. 2001000001

Refer to Page 3 for Model Numbers



DRY731C_D518094

Table of Contents

Title	Page
Parts Ordering Information.....	2
Serial Plate Location	2
Model Identification	3
Graphic Panel, Control Support Panel and Controls - Rear Control (Drawing 1 of 4)	4
Graphic Panel, Control Support Panel and Controls - Rear Control (Drawing 2 of 4)	6
Graphic Panel, Control Support Panel and Controls - Rear Control (Drawing 3 of 4)	8
Graphic Panel, Control Support Panel and Controls - Rear Control (Drawing 4 of 4)	10
Cabinet Top and Control Hood Back Panel	12
Control Panel and Controls - Front Control.....	14
Loading Door	16
Access Panel, Front Panel and Seal	18
Motor, Exhaust Fan and Belt	20
Cylinder	22
Front Bulkhead, Air Duct and Felt Seal.....	24
Rear Bulkhead, Felt Seal, Cylinder Roller and Terminal Block.....	26
Heater Duct and Element Assembly - Steam Models	28
Heater Duct and Element Assembly	30
Heater Duct Assembly	32
Gas Valve, Igniter and Gas Conversion Kits.....	34
Burner Orifice Spuds - For Higher Elevations.....	36
Cabinet, Exhaust Duct and Base (Drawing 1 of 2)	38
Cabinet, Exhaust Duct and Base (Drawing 2 of 2)	40
Lead-In Cord	42
Wire Harnesses and Wires - Front Control Models.....	44
Wire Harnesses and Wires - Rear Control Models (Drawing 1 of 2).....	46
Wire Harnesses and Wires - Rear Control Models (Drawing 2 of 2).....	48
Parts Index.....	51

© Copyright 2023, Alliance Laundry Systems LLC

All rights reserved. No part of the contents of this book may be reproduced or transmitted in any form or by any means without the expressed written consent of the publisher.

Parts Ordering Information

If literature or replacement parts are required, contact the source from whom the machine was purchased or contact Alliance Laundry Systems at (920) 748-3950 for the name and address of the nearest authorized parts distributor.

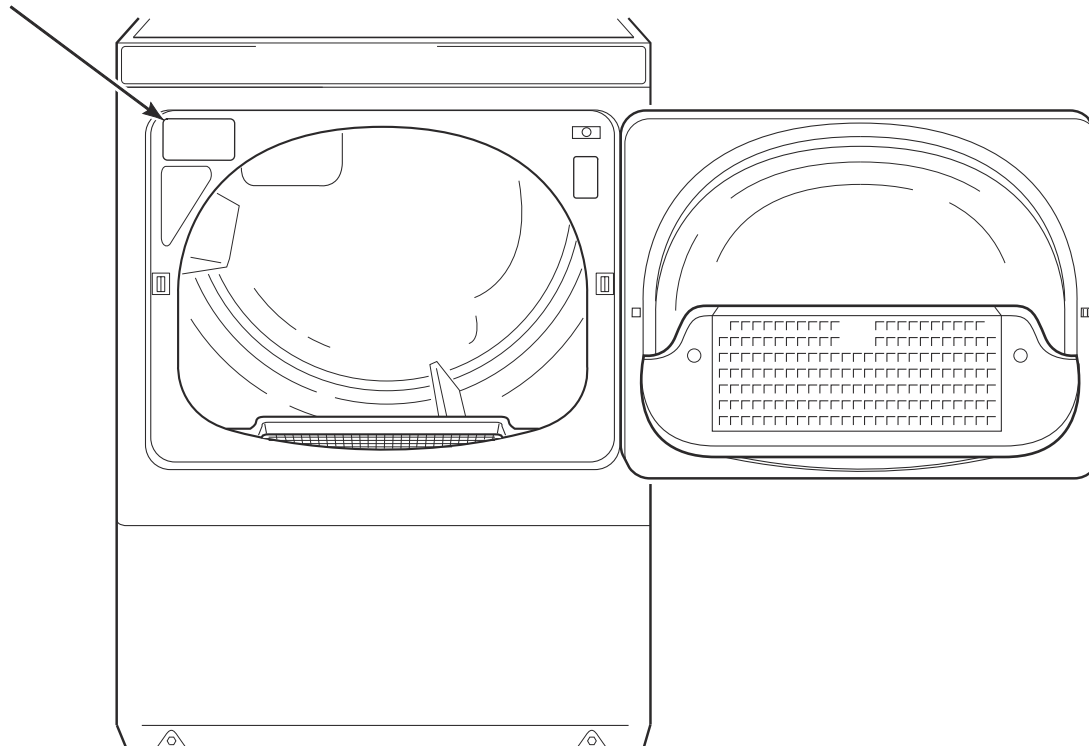
For technical assistance, call the number listed below:

(920) 748-3121 Ripon, Wisconsin

Serial Plate Location

When calling or writing about your product, be sure to mention model and serial numbers. Model and serial numbers are located on serial plate(s) as shown.

Serial Plate



DRY2283P_D518094

Model Identification

Information in this manual is applicable to these dryer models:

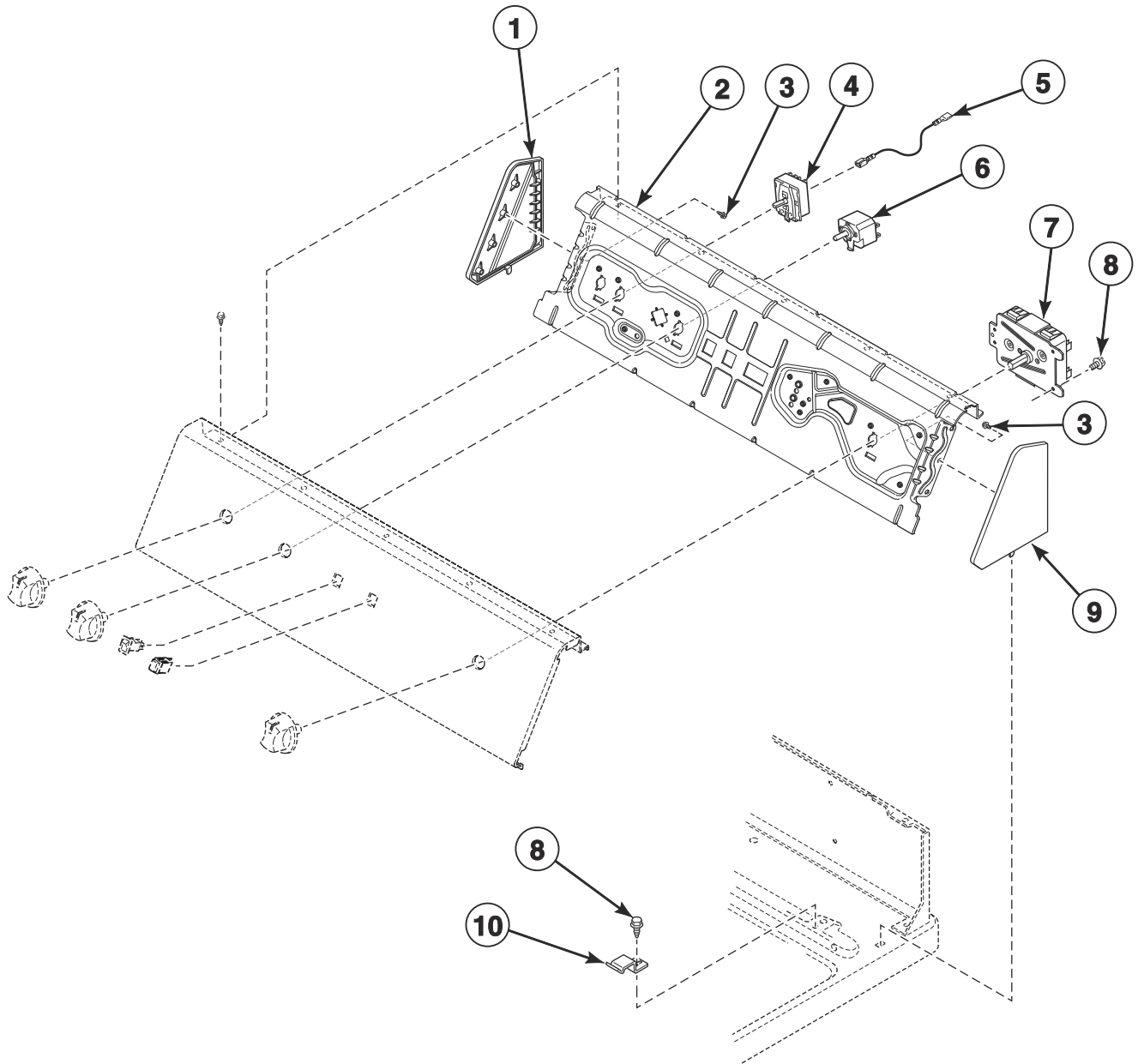
ADE3SRGS175TW01
ADE3SRGS177TW01
ADE3SRGS177TW02
ADE4BRGS175TW01
ADE4BRGS176TW01
ADE4BRGS177TW01
ADE6HRYS177TW01
ADE6HRYS178TW01
ADEE9BGS175TW01
ADEE9BSS175TN01
ADEE9BYS177TW01
ADEE9BYS178TW01
ADEE9RGS175TW01
ADEE9RYS177TW01
ADEE9RYS178TW01

ADG3SRGS115TW01
ADG3SRGS117TW01
ADG3SRGS117TW02
ADG4BRGS115TW01
ADG4BRGS116TW01
ADG4BRGS117TW01
ADG6HRYS117TW01
ADG6HRYS118TW01
ADGE9BGS115TW01
ADGE9BSS115TN01
ADGE9BYS117TW01
ADGE9BYS118TW01
ADGE9RGS115TW01
ADGE9RYS117TW01
ADGE9RYS118TW01
FDE4ZRGs175TW01
FDG4ZRGs115TW01
LDE4ZRGs175TW01
LDG4ZRGs115TW01

ZDE3SRGS175CW01
ZDE4BRGS175CW01
ZDE4BRGS176CW01
ZDE4BRGS177CW01
ZDE6HRYS177CW01
ZDE6HRYS178CW01
ZDEE9BGS175CW01
ZDEE9BSS175CN01
ZDEE9RGS175CW01
ZDEE9RYS177CW01
ZDEE9RYS178CW01
ZDG3SRGS115CW01
ZDG4BRGS115CW01
ZDG4BRGS116CW01
ZDG6HRYS117CW01
ZDG6HRYS118CW01
ZDGE9BGS115CW01
ZDGE9BSS115CN01
ZDGE9RGS115CW01

Graphic Panel, Control Support Panel and Controls - Rear Control (Drawing 1 of 4)

Models ADE3SRGS175TW01, ADE3SRGS177TW01, ADE3SRGS177TW02, ADE4BRGS175TW01, ADE4BRGS176TW01, ADE4BRGS177TW01, ADG3SRGS115TW01, ADG3SRGS117TW01, ADG3SRGS117TW02, ADG4BRGS115TW01, ADG4BRGS116TW01, ADG4BRGS117TW01, FDE4ZRGs175TW01, FDG4ZRGs115TW01, LDE4ZRGs175TW01, LDG4ZRGs115TW01, ZDE3SRGS175CW01, ZDE4BRGS175CW01, ZDE4BRGS176CW01, ZDE4BRGS177CW01, ZDG3SRGS115CW01, ZDG4BRGS115CW01 and ZDG4BRGS116CW01



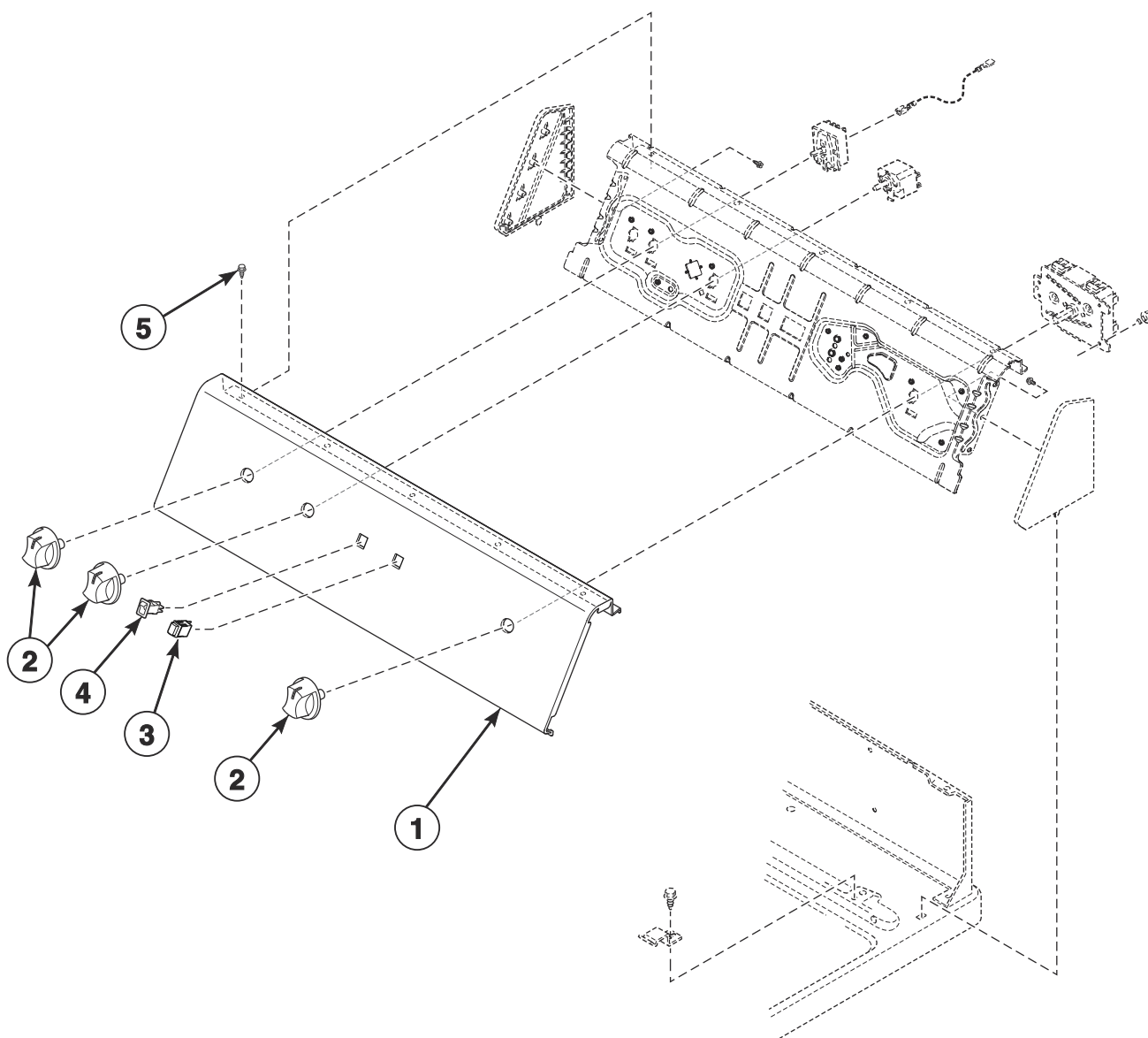
DRY2569P

Graphic Panel, Control Support Panel and Controls - Rear Control (Drawing 1 of 4)

REF	PART NO.	DESCRIPTION	COMMENTS
1	203730W	End Cap	Left
2	806547	Control Support Panel	
3	203799	Screw	
4	D513505	Fabric Selector Switch	Models ADE3SRGS175TW01, ADE3SRGS177TW01, ADE3SRGS177TW02, ADG3SRGS115TW01, ADG3SRGS117TW01, ADG3SRGS117TW02, ZDE3SRGS175CW01 and ZDG3SRGS115CW01
	D513506	Fabric Selector Switch	All models except FDE4ZRG175TW01, FDG4ZRG115TW01, LDE4ZRG175TW01 and LDG4ZRG115TW01
5	D518708	Wire Assembly	Fabric selector switch to timer; Models ADE3SRGS175TW01, ADE3SRGS177TW01, ADE3SRGS177TW02, ADE4BRGS175TW01, ADE4BRGS176TW01, ADE4BRGS177TW01, FDE4ZRG175TW01, LDE4ZRG175TW01, ZDE3SRGS175CW01, ZDE4BRGS175CW01, ZDE4BRGS176CW01 and ZDE4BRGS177CW01
6	D510211	Buzzer	Models ADE4BRGS175TW01, ADE4BRGS176TW01, ADE4BRGS177TW01, ADG4BRGS115TW01, ADG4BRGS116TW01, ADG4BRGS117TW01, FDG4ZRG115TW01, LDG4ZRG115TW01, ZDE4BRGS175CW01, ZDE4BRGS176CW01, ZDE4BRGS177CW01, ZDG4BRGS115CW01 and ZDG4BRGS116CW01
7	D517559	Timer	Models ADE3SRGS175TW01, ADE3SRGS177TW01, ADE3SRGS177TW02 and ZDE3SRGS175CW01
	D517562	Timer	Models ADE4BRGS175TW01, ADE4BRGS176TW01, ADE4BRGS177TW01, ZDE4BRGS175CW01, ZDE4BRGS176CW01 and ZDE4BRGS177CW01
	D517557	Timer	Models ADG3SRGS115TW01, ADG3SRGS117TW01, ADG3SRGS117TW02 and ZDG3SRGS115CW01
	D517560	Timer	Models ADG4BRGS115TW01, ADG4BRGS116TW01, ADG4BRGS117TW01, ZDG4BRGS115CW01 and ZDG4BRGS116CW01
	D518247	Timer	Models FDG4ZRG115TW01 and LDG4ZRG115TW01
	D518248	Timer	Models FDE4ZRG175TW01 and LDE4ZRG175TW01
	D518899	Timer Conversion Kit	Model ADE4BRGS175TW01; Replaces Timer D517562; Includes Main Electric Wire Harness D517624, Broken Belt Switch Service Assembly D518904, Screw D503688, and Service Hood Assembly D518903
	D518905	Timer Conversion Kit	Model ADE4BRGS176TW01; Replaces Timer D517562; Includes Main Electric Wire Harness D517624, Broken Belt Switch Service Assembly D518904, Screw D503688, and Service Hood Assembly D518900
	D518906	Timer Conversion Kit	Model ZDE4BRGS175CW01; Replaces Timer D517562; Includes Main Electric Wire Harness D517624, Broken Belt Switch Service Assembly D518904, Screw D503688, and Service Hood Assembly D518903
	D518907	Timer Conversion Kit	Model ZDE4BRGS176CW01; Replaces Timer D517562; Includes Main Electric Wire Harness D517624, Broken Belt Switch Service Assembly D518904, Screw D503688, and Service Hood Assembly D518902
8	D501086	Screw	
9	203729W	End Cap	Right
10	35358	Hold-Down Clip	

Graphic Panel, Control Support Panel and Controls - Rear Control (Drawing 2 of 4)

Models ADE3SRGS175TW01, ADE3SRGS177TW01, ADE3SRGS177TW02, ADE4BRGS175TW01, ADE4BRGS176TW01, ADE4BRGS177TW01, ADG3SRGS115TW01, ADG3SRGS117TW01, ADG3SRGS117TW02, ADG4BRGS115TW01, ADG4BRGS116TW01, ADG4BRGS117TW01, FDE4ZRGs175TW01, FDG4ZRGs115TW01, LDE4ZRGs175TW01, LDG4ZRGs115TW01, ZDE3SRGS175CW01, ZDE4BRGS175CW01, ZDE4BRGS176CW01, ZDE4BRGS177CW01, ZDG3SRGS115CW01, ZDG4BRGS115CW01 and ZDG4BRGS116CW01



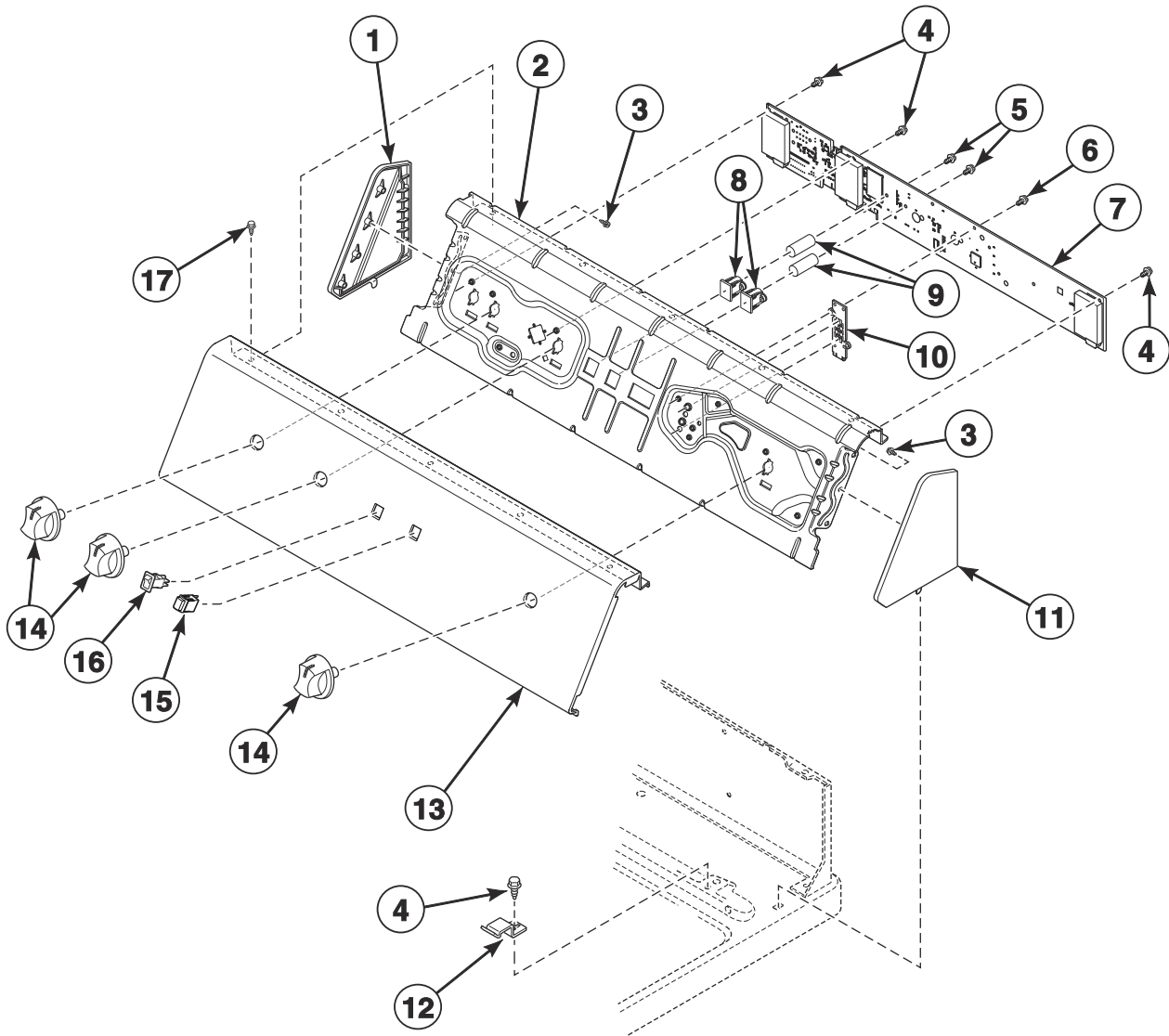
DRY2570P

Graphic Panel, Control Support Panel and Controls - Rear Control (Drawing 2 of 4)

REF	PART NO.	DESCRIPTION	COMMENTS
1	D517537	Graphic Panel	Models ADE4BRGS175TW01 and ADG4BRGS115TW01
	D517548	Graphic Panel	Models ADE3SRGS175TW01 and ADG3SRGS115TW01
	D517953	Graphic Panel	Models ADE4BRGS176TW01 and ADG4BRGS116TW01
	D518568	Graphic Panel	Models ADE3SRGS177TW01 and ADG3SRGS117TW01
	D518816	Graphic Panel	Models ADE4BRGS177TW01 and ADG4BRGS117TW01
	D518815	Graphic Panel	Model ZDE4BRGS177CW01
	D517945	Graphic Panel	Models ZDE3SRGS175CW01 and ZDG3SRGS115CW01
	D517946	Graphic Panel	Models ZDE4BRGS175CW01 and ZDG4BRGS115CW01
	D517947	Graphic Panel	Models ZDE4BRGS176CW01 and ZDG4BRGS116CW01
	D518844	Graphic Panel	Models ADE3SRGS177TW02 and ADG3SRGS117TW02
	D518245	Graphic Panel	Models FDE4ZRGs175TW01 and FDG4ZRGs115TW01
	D518244	Graphic Panel	Models LDE4ZRGs175TW01 and LDG4ZRGs115TW01
2	205106	Knob Assembly	Models FDE4ZRGs175TW01, FDG4ZRGs115TW01, LDE4ZRGs175TW01 and LDG4ZRGs115TW01
	806597	Knob Assembly	All other models
3	D517617	Push Button Switch	
4	203934	Rocker Switch	Models ADE4BRGS175TW01, ADE4BRGS176TW01, ADE4BRGS177TW01, ADG4BRGS115TW01, ADG4BRGS116TW01, ADG4BRGS117TW01, FDE4ZRGs175TW01, FDG4ZRGs115TW01, LDE4ZRGs175TW01, LDG4ZRGs115TW01, ZDE4BRGS175CW01, ZDE4BRGS176CW01, ZDE4BRGS177CW01, ZDG4BRGS115CW01 and ZDG4BRGS116CW01
5	807075	Screw	

Graphic Panel, Control Support Panel and Controls - Rear Control (Drawing 3 of 4)

Models ADE6HRYS177TW01, ADE6HRYS178TW01, ADG6HRYS117TW01, ADG6HRYS118TW01, ZDE6HRYS177CW01, ZDE6HRYS178CW01, ZDG6HRYS117CW01 and ZDG6HRYS118CW01



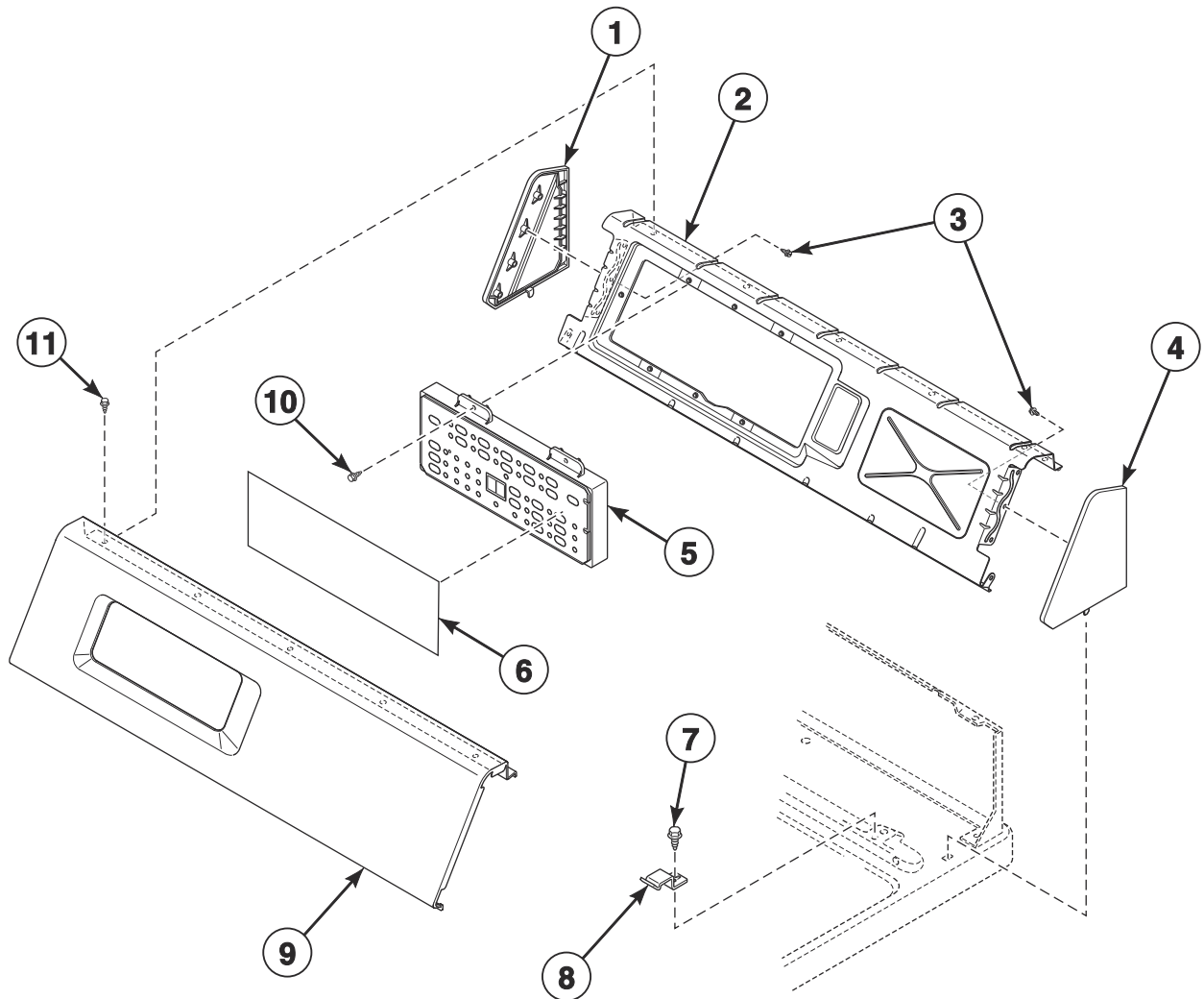
DRY2554P_D518094

Graphic Panel, Control Support Panel and Controls - Rear Control (Drawing 3 of 4)

REF	PART NO.	DESCRIPTION	COMMENTS
1	203730W	End Cap	Left
2	806547	Control Support Panel	
3	203799	Screw	
4	204342	Screw	
5	800548	Screw	
6	204503	Screw	
7	D518382	Control Assembly	Models ADE6HRYS177TW01, ADE6HRYS178TW01, ZDE6HRYS177CW01 and ZDE6HRYS178CW01
	D518210	Control Assembly	Models ADG6HRYS117TW01, ADG6HRYS118TW01, ZDG6HRYS117CW01 and ZDG6HRYS118CW01
8	204266	Capacitive Touch Switch	
9	204365	Foam	
10	204488	LED Display Assembly	
11	203729W	End Cap	Right
12	35358	Hold-Down Clip	
13	D518569	Graphic Panel	Models ADE6HRYS177TW01, ADE6HRYS178TW01, ADG6HRYS117TW01 and ZDE6HRYS178CW01
	D518570	Graphic Panel	Models ADG6HRYS118TW01, ZDE6HRYS177CW01, ZDG6HRYS117CW01 and ZDG6HRYS118CW01
14	806597	Knob Assembly	
15	D517617	Push Button Switch	
16	203934	Rocker Switch	
17	807075	Screw	

Graphic Panel, Control Support Panel and Controls - Rear Control (Drawing 4 of 4)

Models ADEE9RGS175TW01, ADEE9RYS177TW01, ADEE9RYS178TW01, ADGE9RGS115TW01, ADGE9RYS117TW01, ADGE9RYS118TW01, ZDEE9RGS175CW01, ZDEE9RYS177CW01, ZDEE9RYS178CW01 and ZDGE9RGS115CW01



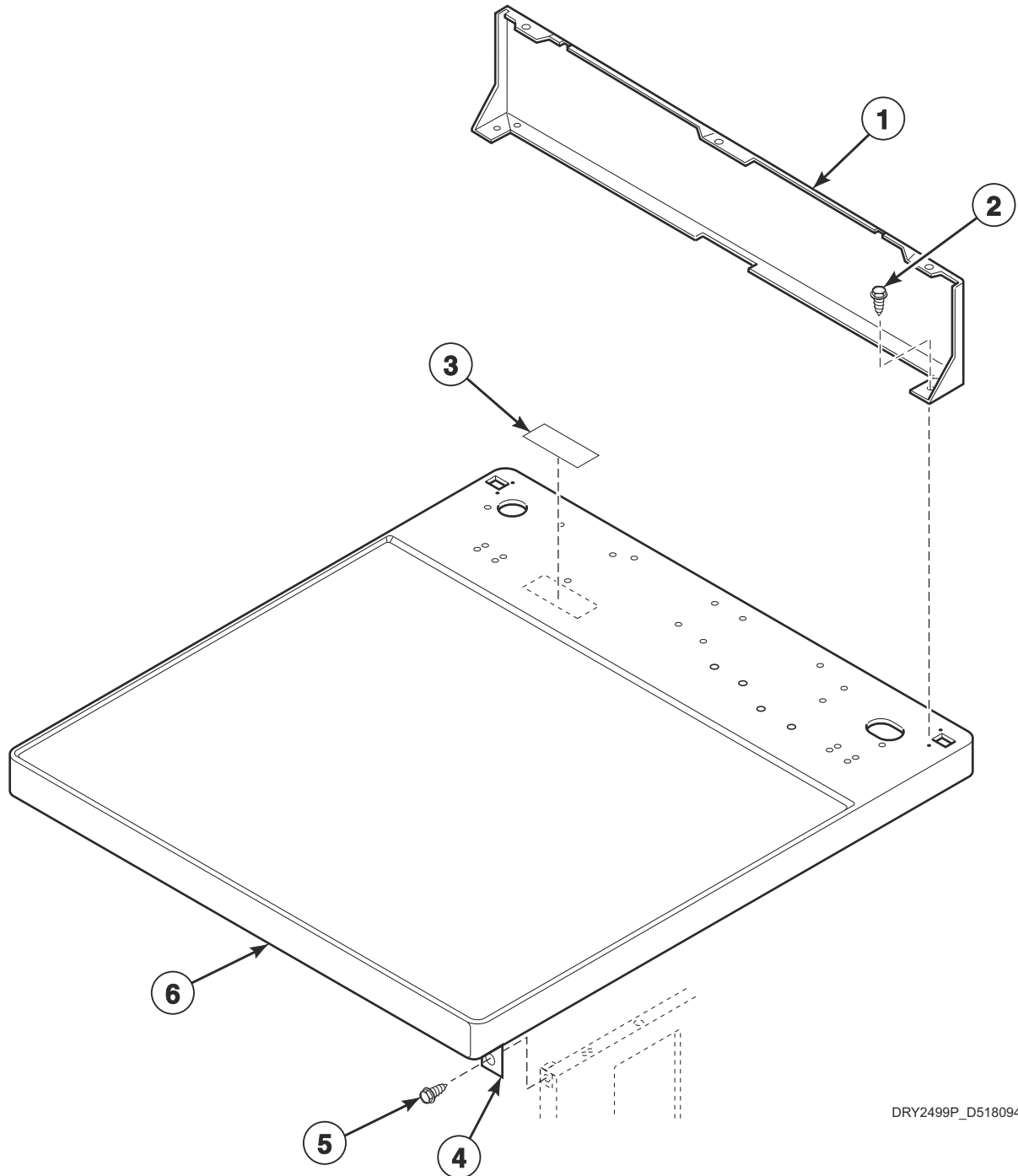
DRY2497P_D518094

Graphic Panel, Control Support Panel and Controls - Rear Control (Drawing 4 of 4)

REF	PART NO.	DESCRIPTION	COMMENTS
1	203730W	End Cap	Left
2	806430	Control Support Panel	
3	203799	Screw	
4	203729W	End Cap	Right
5	D518225	Control Assembly	Models ADEE9RYS177TW01, ADEE9RYS178TW01, ADGE9RYS117TW01, ADGE9RYS118TW01, ZDEE9RYS177CW01 and ZDEE9RYS178CW01
	D517585	Control Assembly	All other models
6	D518566	Control Overlay	Models ADEE9RYS177TW01, ADEE9RYS178TW01, ADGE9RYS117TW01, ADGE9RYS118TW01, ZDEE9RYS177CW01 and ZDEE9RYS178CW01
	D516225	Control Overlay	All other models
7	D501086	Screw	
8	35358	Hold-Down Clip	
9	806448	Graphic Panel	Models ZDEE9RGS175CW01 and ZDGE9RGS115CW01
	D518572	Graphic Panel	Models ADEE9RYS177TW01, ADEE9RYS178TW01, ADGE9RYS117TW01 and ADGE9RYS118TW01
	D518571	Graphic Panel	Models ZDEE9RYS177CW01 and ZDEE9RYS178CW01
	806715	Graphic Panel	All other models
10	804667	Screw	
11	807075	Screw	

Cabinet Top and Control Hood Back Panel

Models ADE3SRGS175TW01, ADE3SRGS177TW01, ADE3SRGS177TW02, ADE4BRGS175TW01, ADE4BRGS176TW01, ADE4BRGS177TW01, ADE6HRYS177TW01, ADEE9RGS175TW01, ADEE9RYS177TW01, ADG3SRGS115TW01, ADG3SRGS117TW01, ADG3SRGS117TW02, ADG4BRGS115TW01, ADG4BRGS116TW01, ADG4BRGS117TW01, ADG6HRYS117TW01, ADGE9RGS115TW01, ADGE9RYS117TW01, FDE4ZRG175TW01, FDG4ZRG115TW01, LDE4ZRG175TW01, LDG4ZRG115TW01, ZDE3SRGS175CW01, ZDE4BRGS175CW01, ZDE4BRGS176CW01, ZDE4BRGS177CW01, ZDE6HRYS177CW01, ZDEE9RGS175CW01, ZDEE9RYS177CW01, ZDEE9RYS178CW01, ZDG3SRGS115CW01, ZDG4BRGS115CW01, ZDG4BRGS116CW01, ZDG6HRYS117CW01 and ZDGE9RGS115CW01



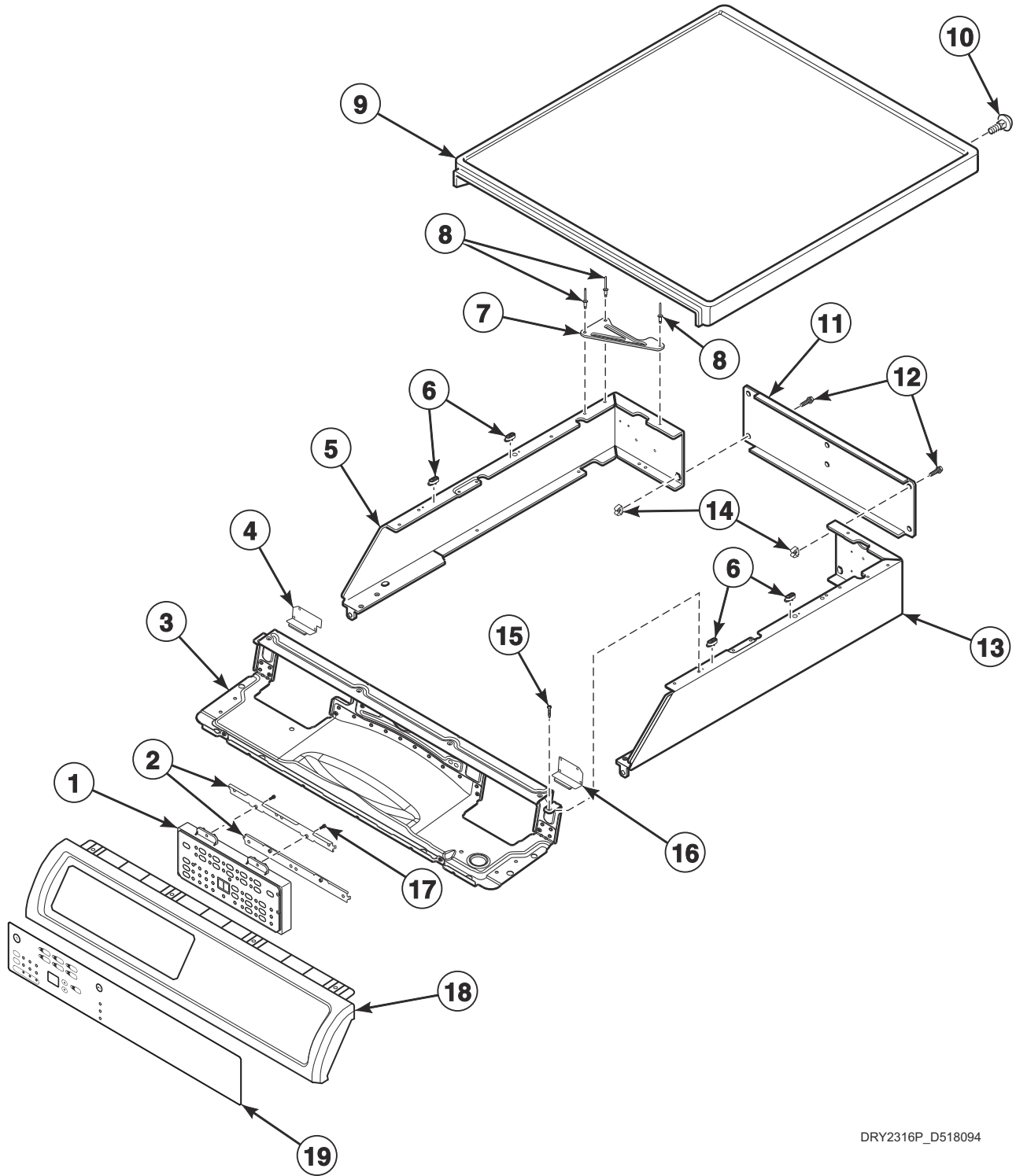
DRY2499P_D518094

Cabinet Top and Control Hood Back Panel

REF	PART NO.	DESCRIPTION	COMMENTS
1	806585	Hood Back Panel	
2	D501086	Screw	
3	D505281	Disconnect Power Warning Label	English
	D500316	Warning Label	English/French
4	D510146	Bracket	
5	D503688	Screw	
6	D510029WP	Top Panel Kit	

Control Panel and Controls - Front Control

Models ADEE9BGS175TW01, ADEE9BSS175TN01, ADEE9BYS177TW01, ADEE9BYS178TW01, ADGE9BGS115TW01, ADGE9BSS115TN01, ADGE9BYS117TW01, ADGE9BYS118TW01, ZDEE9BGS175CW01, ZDEE9BSS175CN01, ZDGE9BGS115CW01 and ZDGE9BSS115CN01

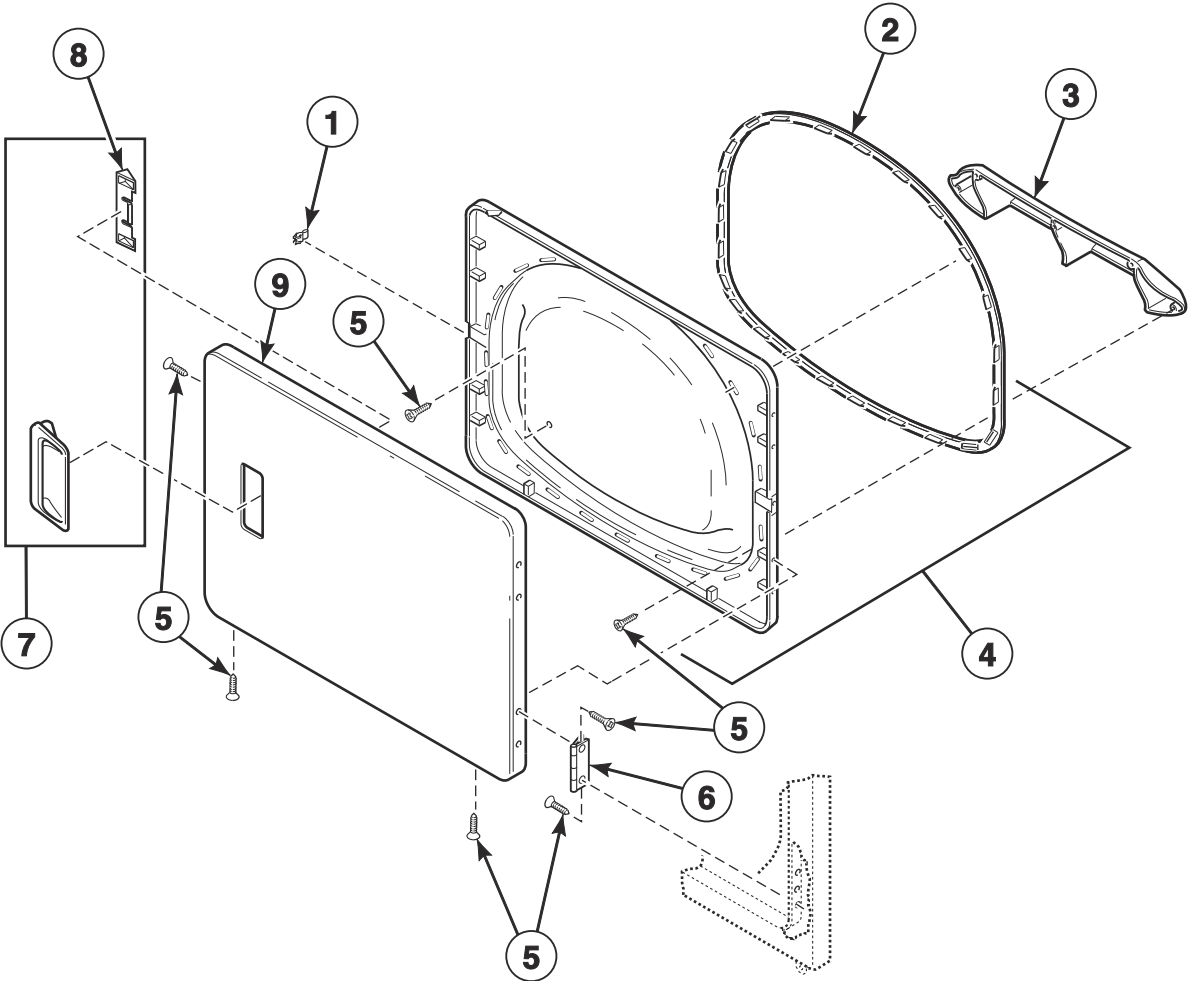


DRY2316P_D518094

Control Panel and Controls - Front Control

REF	PART NO.	DESCRIPTION	COMMENTS
1	D518225	Control Assembly	Models ADEE9BYS177TW01, ADEE9BYS178TW01, ADGE9BYS117TW01 and ADGE9BYS118TW01
	D517585	Control Assembly	All other models
2	804611	Control Bracket	2 required
3	804613	Top Panel Brace Assembly	
4	804741	Control Access Panel	Left
5	804627W	Control Wrapper	Left; White
	804627B	Control Wrapper	Left; Black
6	803761	Top Panel Guide	4 required; Use 39733 Screw to attach
7	805345	Rear Wrapper Brace	
8	685847	Pop Rivet	
9	804685WP	Top Panel	White
	804684	Top Panel	Stainless steel
10	29651	Bolt	4 required
11	804614	Rear Access Panel	
12	70240301	Screw	8 required
13	804630W	Control Wrapper	Right; White
	804630B	Control Wrapper	Right: Black
14	70030501	Expansion Clip	
15	D503688	Screw	
16	804793	Control Access Panel	Right
17	804608	Screw	
18	804659W	Control Panel Assembly	White; Use 804667 Screw to attach
	804660	Control Panel Assembly	Black; Use 804667 Screw to attach
19	D517819	Control Overlay	Models ZDEE9BGS175CW01, ZDEE9BSS175CN01, ZDGE9BGS115CW01 and ZDGE9BSS115CN01
	D518797	Control Overlay	Models ADEE9BYS177TW01, ADEE9BYS178TW01, ADGE9BYS117TW01 and ADGE9BYS118TW01
	D515630	Control Overlay	All other models

Loading Door

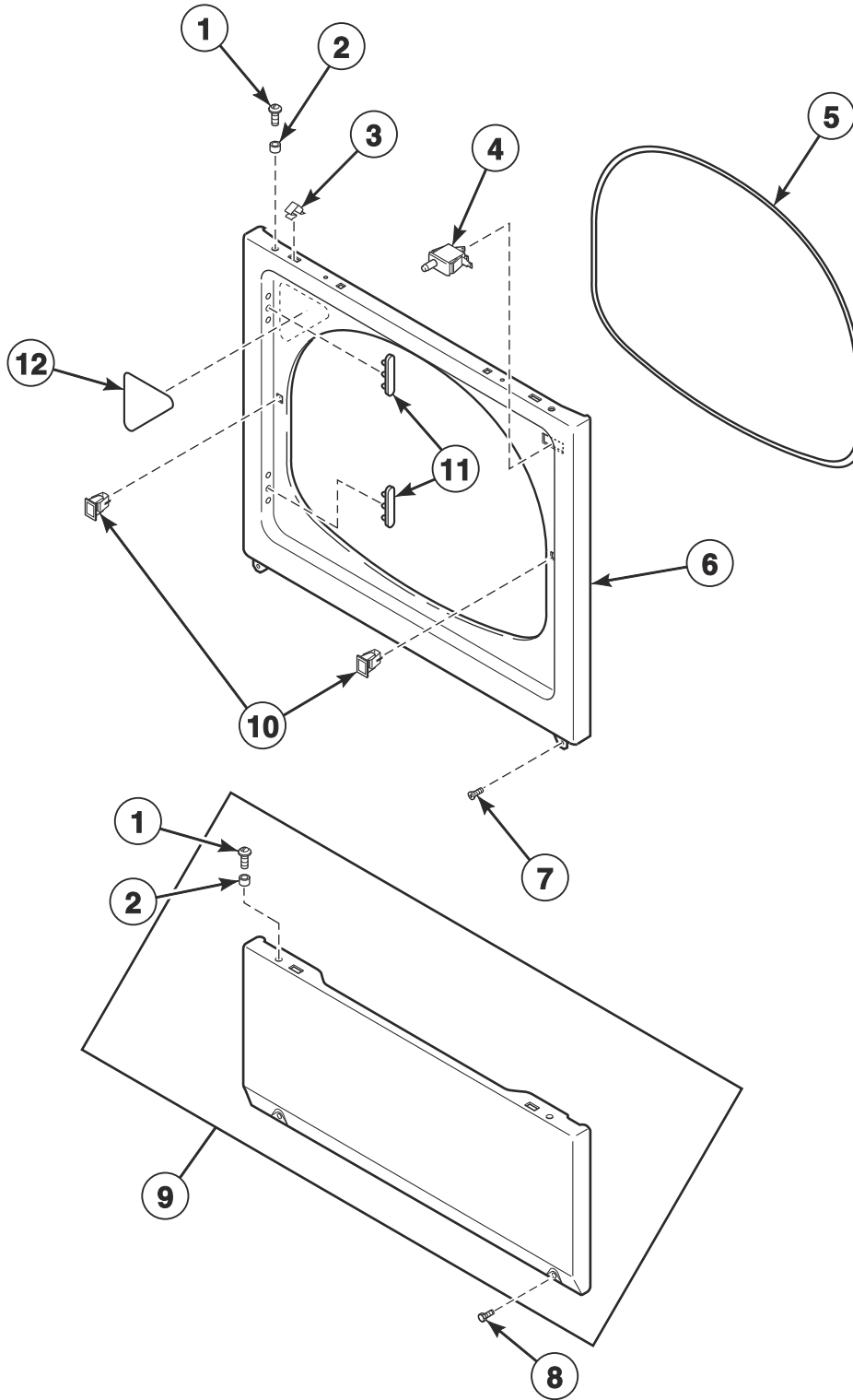


DRY2500P_D518094

Loading Door

REF	PART NO.	DESCRIPTION	COMMENTS
1	D510181	Door Strike	
2	D515709	Liner Door Seal	
3	D503870W	Door Liner Grill	White
	D503870LG	Door Liner Grill	Light gray
4	D516508	Door Liner Assembly	Includes item 2
5	D500226	Screw	
6	D511036	Hinge	
7	D510103WP	Door Pull and Wedge Kit	White; Includes item 8
	D511213P	Door Pull and Wedge Kit	Black; Includes item 8
8	D510129W	Door Handle Wedge	
9	D515960W	Dryer Door	White
	D515963	Dryer Door	Stainless steel

Access Panel, Front Panel and Seal

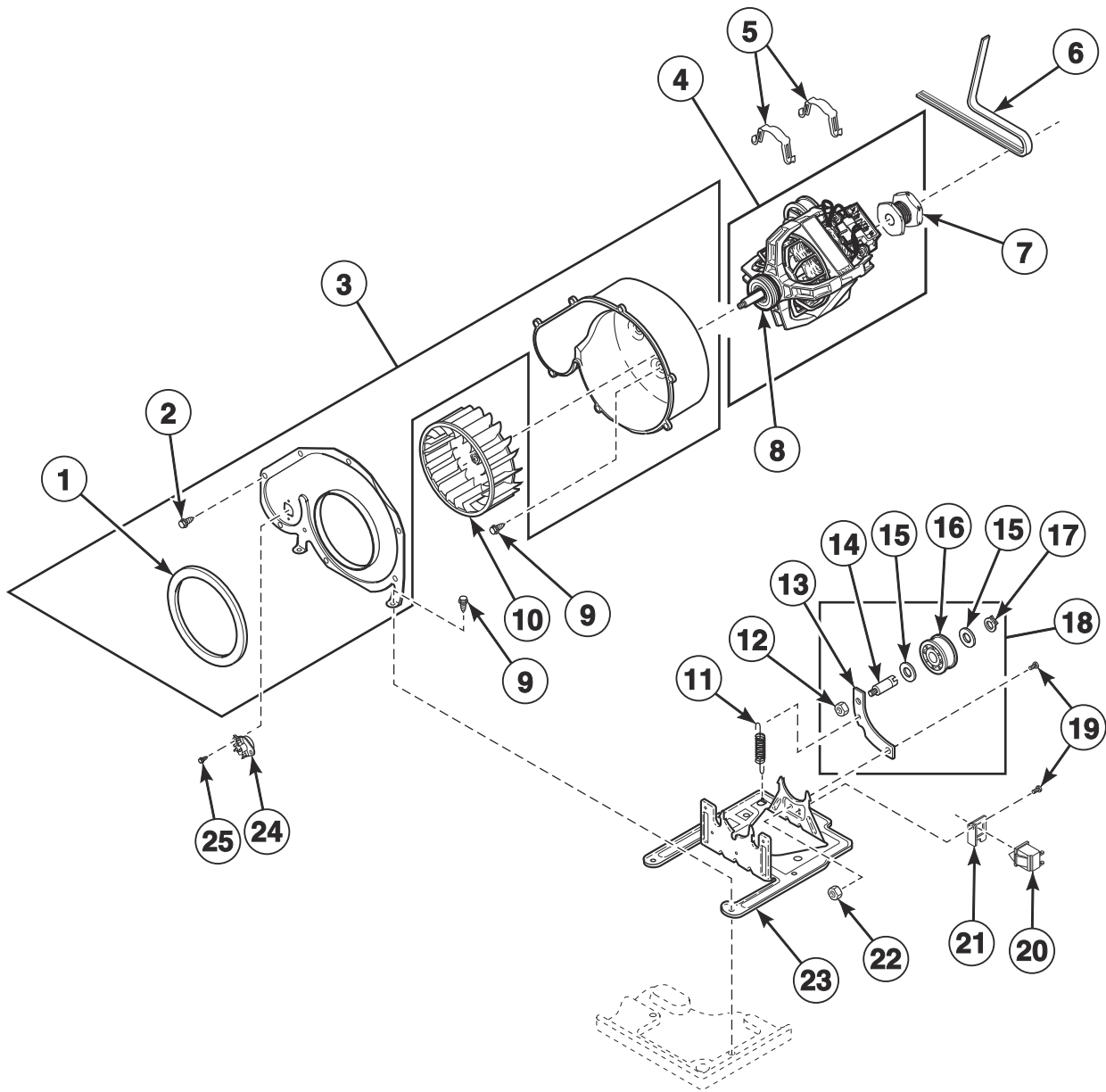


DRY1785P_D518094

Access Panel, Front Panel and Seal

REF	PART NO.	DESCRIPTION	COMMENTS
1	39733	Screw	
2	56079	Panel Locator	
3	28835	Speed Clip	
4	D512973	Switch	
5	D511056	Front Panel Seal	
6	D512542	Front Panel	Stainless steel
	D510066WP	Front Panel	White
7	D503688	Screw	
8	33562	Screw	
9	D514251	Access Panel Assembly	Stainless steel
	D514250WP	Access Panel Assembly	White
10	D510177	Door Catch Assembly	
11	D510186	Hinge Hole Plug	
12	D500281	Warning/Caution Label	English
	D516243	Warning Label	French

Motor, Exhaust Fan and Belt

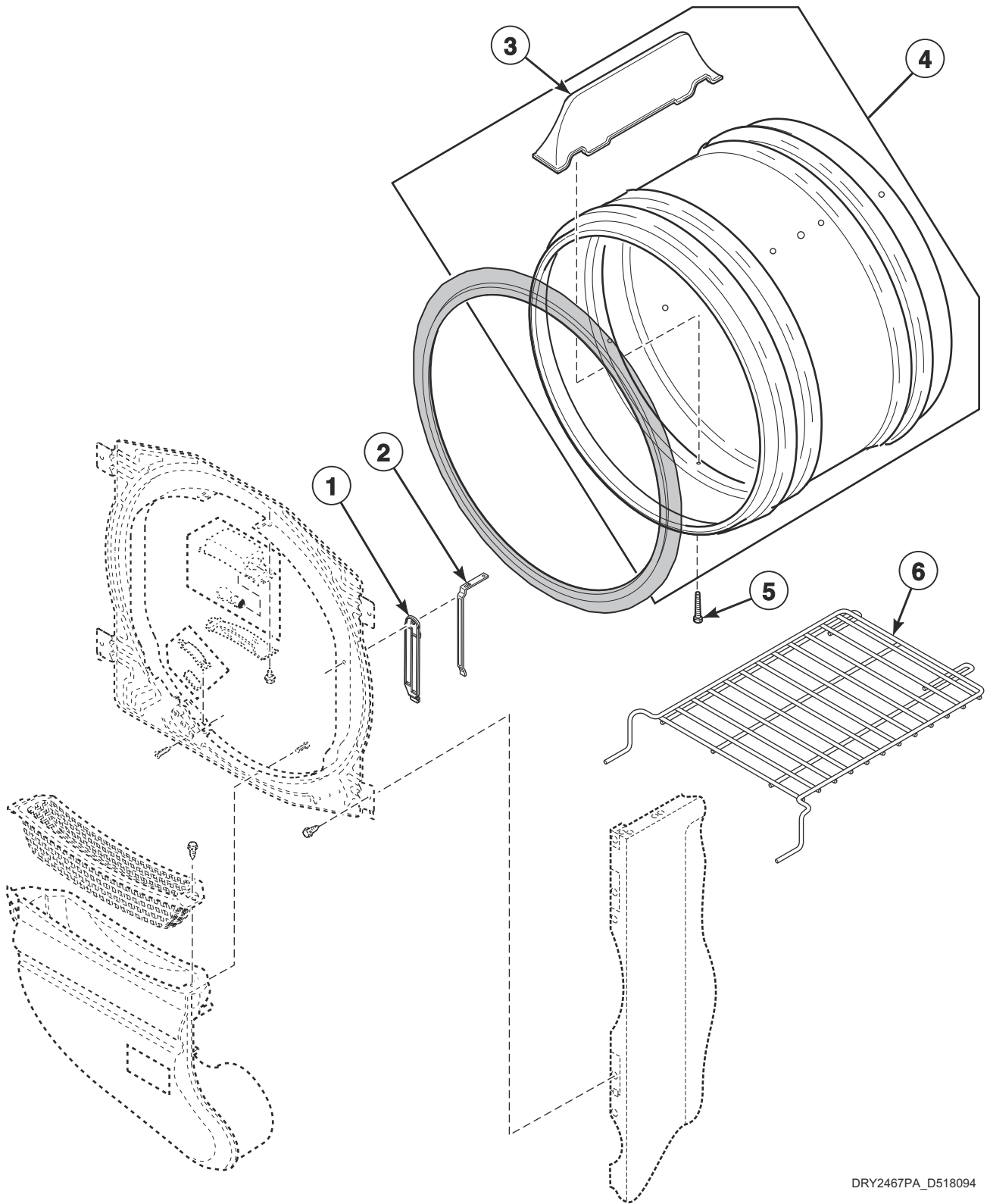


DRY2523P_D518094

Motor, Exhaust Fan and Belt

REF	PART NO.	DESCRIPTION	COMMENTS
	27604P	Anti-Seize Compound	Apply to motor shaft when installing blower fan assembly
1	D510238P	Blower Housing Seal	
2	31260	Screw	
3	D511969WP	Blower Housing	Includes items 1 and 2
4	D511629P	Motor and Pulley Assembly	120 Volt/60 Hertz; Includes items 5, 7 and 8; Apply anti-seize compound to motor shaft when installing blower fan assembly
5	D510180	Motor Mount Clamp	
6	D511255P	Cylinder Belt	
7	D500011	Motor Pulley	60 Hertz
8	590P3	Motor Hub Ring Kit	
9	D503688	Screw	
10	D510139P	Blower Fan Assembly	
11	D510185	Idler Spring	
12	44087301	Nut	
13	D516310	Idler Lever	
14	56461P	Shaft	
15	52549	Washer	
16	D510142P	Idler Wheel and Bearing Assembly	
17	23748	Retaining Ring	
18	D516792	Idler Lever and Wheel Assembly	Includes items 12 -17
19	D500824	Screw	
20	D516391	Switch	
21	D516311	Motor Switch Bracket	
22	52566	Nut	
23	D518517	Motor Mount	
24	D504515	Thermostat	Green; Models ADE3SRGS175TW01, ADE3SRGS177TW01, ADE3SRGS177TW02, ADE4BRGS175TW01, ADE4BRGS176TW01, ADE4BRGS177TW01, FDE4ZRGs175TW01, LDE4ZRGs175TW01, ZDE3SRGS175CW01, ZDE4BRGS175CW01, ZDE4BRGS176CW01 and ZDE4BRGS177CW01
	D510707P	Thermostat	Pink/White; Models ADG3SRGS115TW01, ADG3SRGS117TW01, ADG3SRGS117TW02, ADG4BRGS115TW01, ADG4BRGS116TW01, ADG4BRGS117TW01, FDG4ZRGs115TW01, LDG4ZRGs115TW01, ZDG4BRGS115CW01 and ZDG4BRGS116CW01
	D510523	Thermistor Assembly	Black; All other models
25	D502535	Screw	

Cylinder

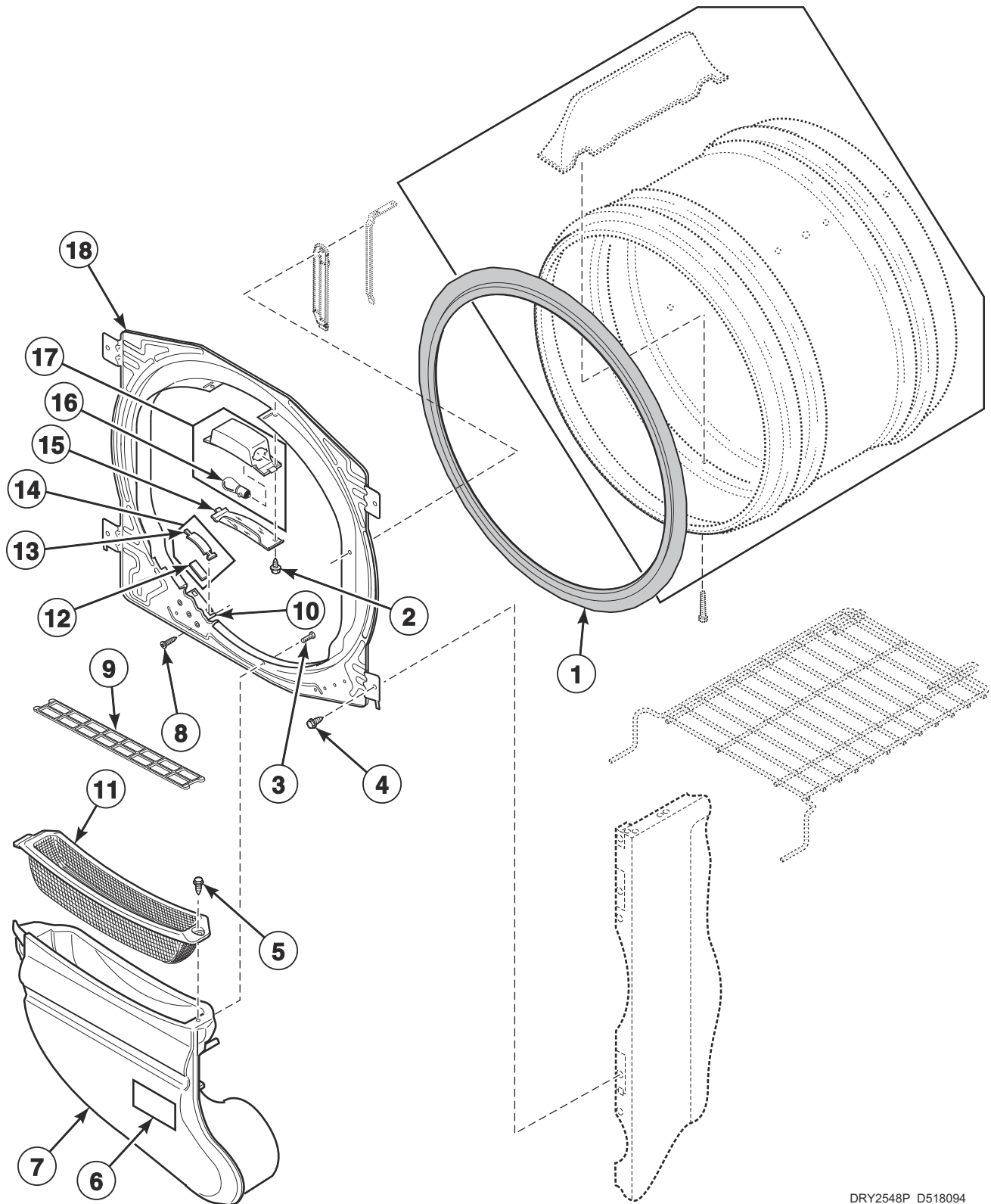


DRY2467PA_D518094

Cylinder

REF	PART NO.	DESCRIPTION	COMMENTS
1	D513738	Moisture Sensor Base	Models ADEE9BGS175TW01, ADEE9BSS175TN01, ADEE9BYS177TW01, ADEE9BYS178TW01, ADEE9RGS175TW01, ADGE9BGS115TW01, ADGE9BSS115TN01, ADGE9BYS117TW01, ADGE9BYS118TW01, ADGE9RGS115TW01, ZDEE9BGS175CW01, ZDEE9BSS175CN01, ZDEE9RGS175CW01, ZDGE9BGS115CW01, ZDGE9BSS115CN01 and ZDGE9RGS115CW01
	D518154	Moisture Sensor Base	Models ADE6HRYS177TW01, ADE6HRYS178TW01, ADEE9BYS178TW01, ADEE9RYS177TW01, ADEE9RYS178TW01, ADG6HRYS117TW01, ADG6HRYS118TW01, ADGE9RYS117TW01, ADGE9RYS118TW01, ZDE6HRYS177CW01, ZDE6HRYS178CW01, ZDEE9RYS177CW01, ZDEE9RYS178CW01, ZDG6HRYS117CW01 and ZDG6HRYS118CW01
2	D513737	Bar Sensor	2 required; Models ADEE9BGS175TW01, ADEE9BSS175TN01, ADEE9RGS175TW01, ADGE9BGS115TW01, ADGE9BSS115TN01, ADGE9RGS115TW01, ZDEE9BGS175CW01, ZDEE9BSS175CN01, ZDEE9RGS175CW01, ZDGE9BGS115CW01, ZDGE9BSS115CN01 and ZDGE9RGS115CW01
	D518155	Bar Sensor	Models ADE6HRYS177TW01, ADE6HRYS178TW01, ADEE9RYS177TW01, ADEE9RYS178TW01, ADG6HRYS117TW01, ADG6HRYS118TW01, ADGE9RYS117TW01, ADGE9RYS118TW01, ZDE6HRYS177CW01, ZDE6HRYS178CW01, ZDEE9RYS177CW01, ZDEE9RYS178CW01, ZDG6HRYS117CW01 and ZDG6HRYS118CW01
	D518565	Moisture Bar Assembly	Models ADEE9BYS177TW01, ADEE9BYS178TW01, ADGE9BYS117TW01 and ADGE9BYS118TW01
3	D510102W	Cylinder Baffle	3 required; White
	D510102LG	Cylinder Baffle	3 required; Light gray
4	D505929LGP	Cylinder Assembly	Stainless steel
	D510265WP	Cylinder Assembly	Galvanized
	D510159WP	Cylinder Assembly	White
5	62588	Screw	
6	D512082P	Drying Rack	

Front Bulkhead, Air Duct and Felt Seal

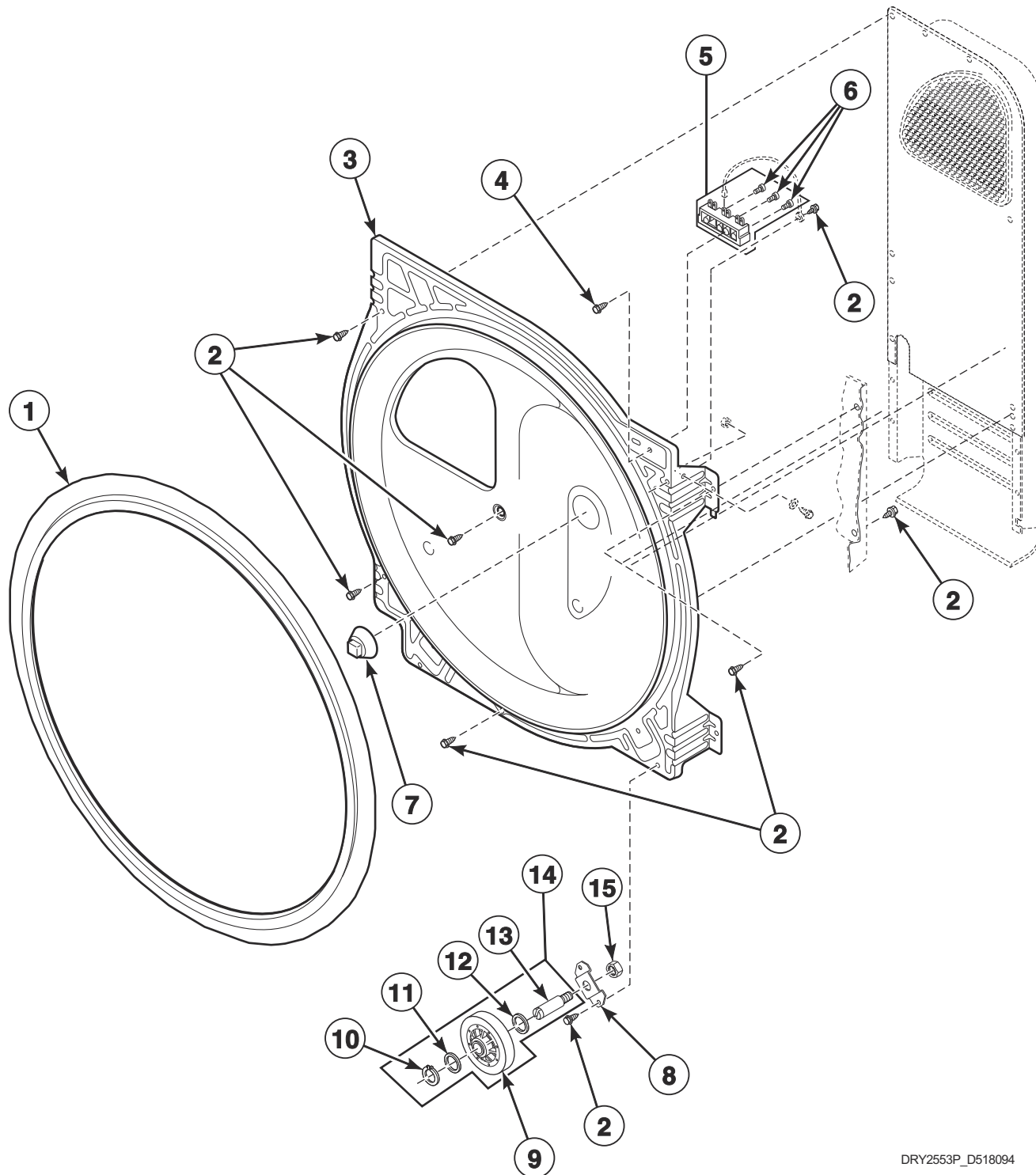


DRY2548P_D518094

Front Bulkhead, Air Duct and Felt Seal

REF	PART NO.	DESCRIPTION	COMMENTS
1	D510207P	Cylinder Seal Assembly	
	D511637P	Adhesive	Apply to cylinder seal
	RB170001	Seal Kit	Includes 2 cylinder seals, D510238P Blower Housing Seal and Adhesive
2	D500227	Screw	
3	D505295	Screw	
4	D503688	Screw	Use with painted side panels
	M405188	Screw	Use with stainless steel side panels
5	D501285	Screw	
6	44324001	Warning Label	English/French
7	D518433	Air Duct Assembly	
8	D500226	Screw	
9	D510502W	Lint Filter Cover	White
	D510502LG	Lint Filter Cover	Light gray
10	D510145	Cylinder Glide Bracket	2 required
11	D503980W	Lint Filter	White
	D503980LG	Lint Filter	Light gray
12	D510189	Felt Pad	2 required
13	D513710	Cylinder Glide	2 required
14	RB170003	Glide Kit	Includes items 12 and 13
15	D512106	Cylinder Light Lens	
16	60954	Drum Light Lamp	Incandescent; Through Serial No. 2008035761
	D517574	Light Assembly	LED; Starting Serial No. 2008035762 through 12/31/21
	D518795	Light Assembly	LED; Starting 1/1/22
17	D512108	Light Housing Assembly	120 Volt; Includes item 16
18	D512476P	Front Bulkhead Assembly	Galvanized; Models ADE3SRGS175TW01, ADE3SRGS177TW01, ADE4BRGS175TW01, ADE4BRGS176TW01, ADE4BRGS177TW01, ADG3SRGS115TW01, ADG4BRGS115TW01, ADG4BRGS116TW01, ADG4BRGS117TW01, FDG4ZRGs115TW01, LDE4ZRGs175TW01, LDG4ZRGs115TW01, ZDE3SRGS175CW01, ZDE4BRGS175CW01, ZDE4BRGS176CW01, ZDG3SRGS115CW01, ZDG4BRGS115CW01 and ZDG4BRGS116CW01
	D518678	Front Bulkhead	Galvanized; Models ADE6HRYS177TW01, ADE6HRYS178TW01, ADEE9RYS177TW01, ADEE9RYS178TW01, ADG6HRYS117TW01, ADG6HRYS118TW01, ADGE9RYS117TW01, ADGE9RYS118TW01, ZDE6HRYS177CW01, ZDE6HRYS178CW01, ZDEE9RYS177CW01, ZDEE9RYS178CW01, ZDG6HRYS117CW01 and ZDG6HRYS118CW01
	D510266P	Front Bulkhead Assembly	Galvanized; Models ADG3SRGS117TW01, ADG3SRGS117TW02, LDE4ZRGs175TW01, LDG4ZRGs115TW01 and ZDE4BRGS177CW01
	D505899WP	Bulkhead Assembly	White; Includes items 1-3 and 12-18; Models ADE3SRGS175TW01, ADE4BRGS175TW01, ADE4BRGS176TW01, ADG3SRGS115TW01, ADG4BRGS115TW01, ADG4BRGS116TW01, ZDE3SRGS175CW01, ZDE4BRGS175CW01, ZDE4BRGS176CW01, ZDG3SRGS115CW01, ZDG4BRGS115CW01 and ZDG4BRGS116CW01
	D518678	Front Bulkhead	Galvanized; Models ADEE9BYS177TW01, ADEE9BYS178TW01, ADGE9BYS117TW01 and ADGE9BYS118TW01
	D515533P	Front Bulkhead	Galvanized; All other models; Includes D515533 Front Bulkhead Assembly, D517943 Light Harness Adaptive Kit and D517922 Cylinder Light Retrofit Harness
	D515544WP	Bulkhead Assembly	White; Includes items 1-3 and 12-18; All other models

Rear Bulkhead, Felt Seal, Cylinder Roller and Terminal Block



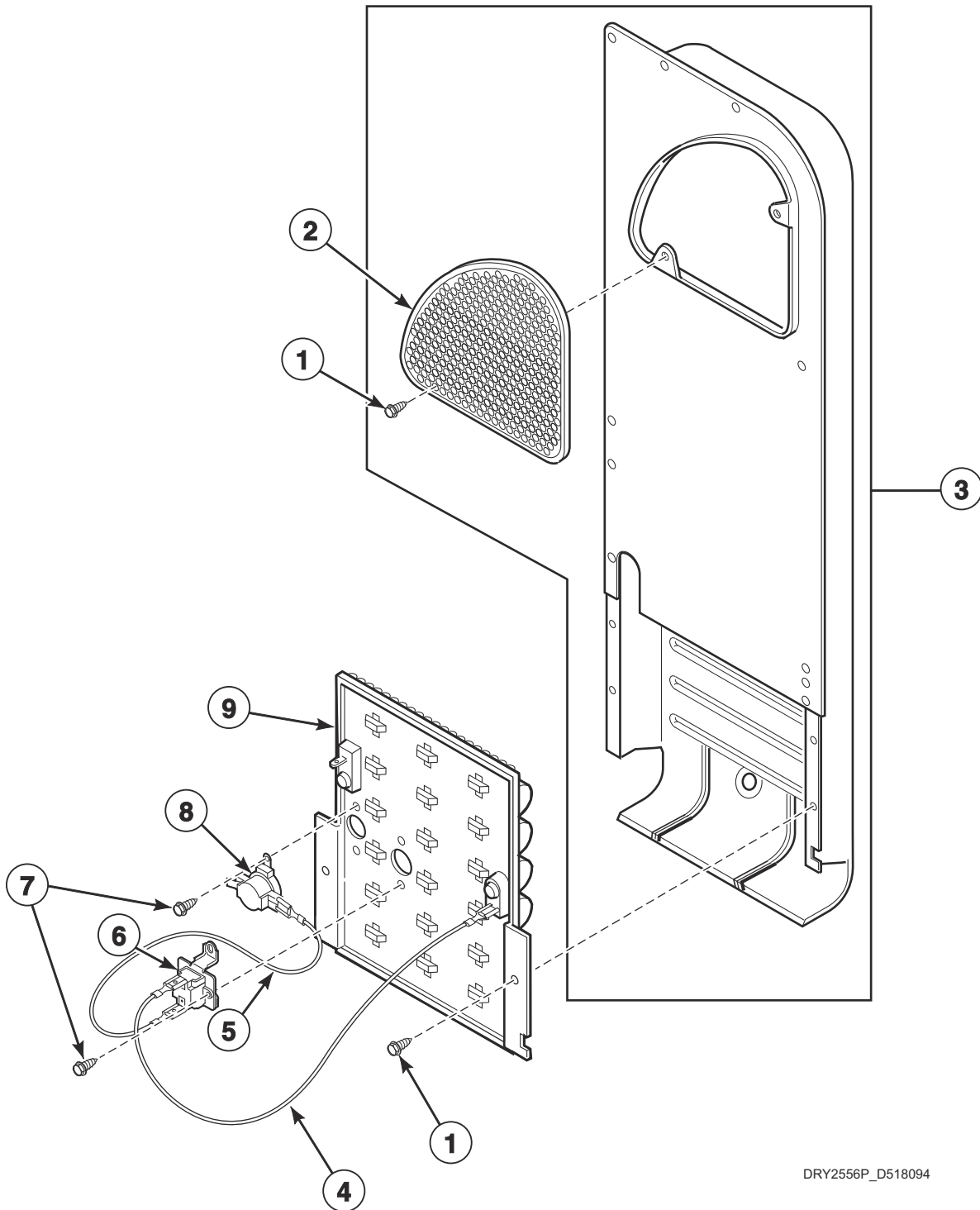
DRY2553P_D518094

Rear Bulkhead, Felt Seal, Cylinder Roller and Terminal Block

REF	PART NO.	DESCRIPTION	COMMENTS
1	D510207P	Cylinder Seal Assembly	
	D511637P	Adhesive	Apply to cylinder seal
	RB170001	Seal Kit	Includes 2 cylinder seals, D510238P Blower Housing Seal and Adhesive
2	D503688	Screw	
3	D518212	Rear Bulkhead Assembly	Steam models ADE6HRYS177TW01, ADE6HRYS178TW01, ADEE9BYS177TW01, ADEE9BYS178TW01, ADEE9RYS177TW01, ADG6HRYS117TW01, ADG6HRYS118TW01, ADGE9BYS117TW01, ADGE9BYS118TW01, ADGE9RYS117TW01, ADGE9RYS118TW01, ZDE6HRYS177CW01, ZDE6HRYS178CW01, ZDEE9RYS177CW01, ZDEE9RYS178CW01, ZDG6HRYS117CW01 and ZDG6HRYS118CW01
	D518128	Rear Bulkhead	Includes item 1; Stainless steel; All other models
	D511082P	Rear Bulkhead Assembly	Includes item 1; Galvanized; All other models
	D510905WP	Rear Bulkhead Assembly	White; Includes item 1; All other models
	4	D501285	Screw
5	D510190P	Terminal Block Assembly	Includes 3 of item 6; Electric models
6	61199	Screw	
7	D518192	Dryer Steam Nozzle	Models ADE6HRYS177TW01, ADE6HRYS178TW01, ADEE9BYS177TW01, ADEE9BYS178TW01, ADEE9RYS177TW01, ADEE9RYS178TW01, ADG6HRYS117TW01, ADG6HRYS118TW01, ADGE9BYS117TW01, ADGE9BYS118TW01, ADGE9RYS117TW01, ADGE9RYS118TW01, ZDE6HRYS177CW01, ZDE6HRYS178CW01, ZDEE9RYS177CW01, ZDEE9RYS178CW01, ZDG6HRYS117CW01 and ZDG6HRYS118CW01
8	D510100	Cylinder Roller Bracket	
9	D510708P	Cylinder Roller	
10	23748	Retaining Ring	
11	52549	Washer	
12	D504082	Washer	
13	56461P	Shaft	
14	RB170002	Roller Kit	Includes 2 each of items 9-13
15	44087301	Nut	

Heater Duct and Element Assembly - Steam Models

Electric Models



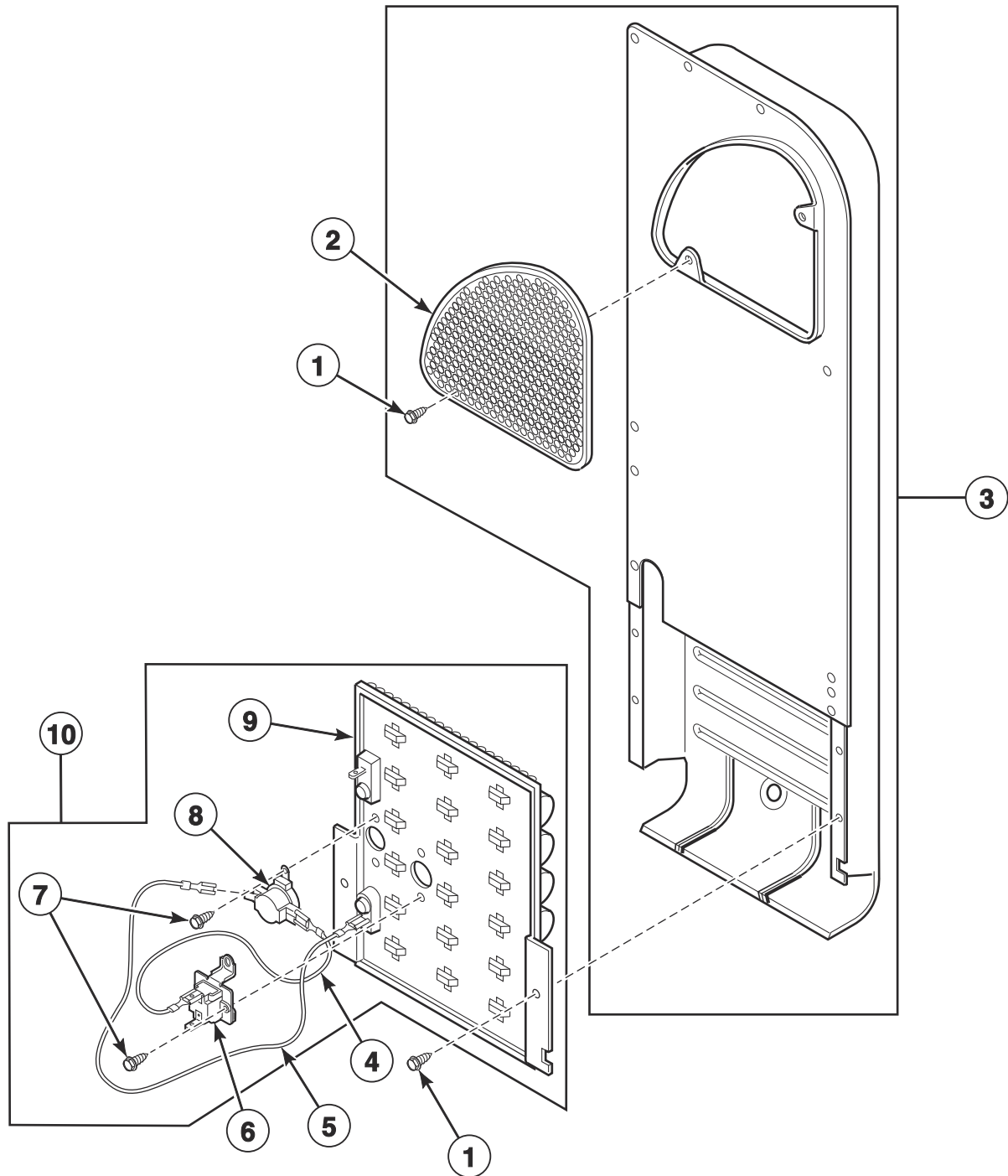
DRY2556P_D518094

Heater Duct and Element Assembly - Steam Models

REF	PART NO.	DESCRIPTION	COMMENTS
1	D503688	Screw	
2	D500820	Outlet Cover	Aluminized steel
	D518524	Outlet Cover	Black; Nitrocarburized
3	D510025P	Heater Duct Assembly	Includes items 1 and 2
4	D518307	Wire Assembly	Orange; Fuse jumper; Attaches to heater assembly
5	D518256	Wire Assembly	Orange; Thermostat jumper; Attaches to heater assembly
6	D518542	Thermal Fuse Assembly	
7	23222	Screw	
8	D515873	Limit Thermostat	
9	D518838	Heater Assembly	5.35 kW; 240 Volt; Models ADE6HRYS177TW01 and ADEE9RYS177TW01
	D518839	Heater Assembly	5 kW; 240 Volt; Models ZDE6HRYS177CW01 and ZDEE9RYS177CW01; Optional lower wattage for models ADE6HRYS177TW01 and ADEE9RYS177TW01

Heater Duct and Element Assembly

Electric Models



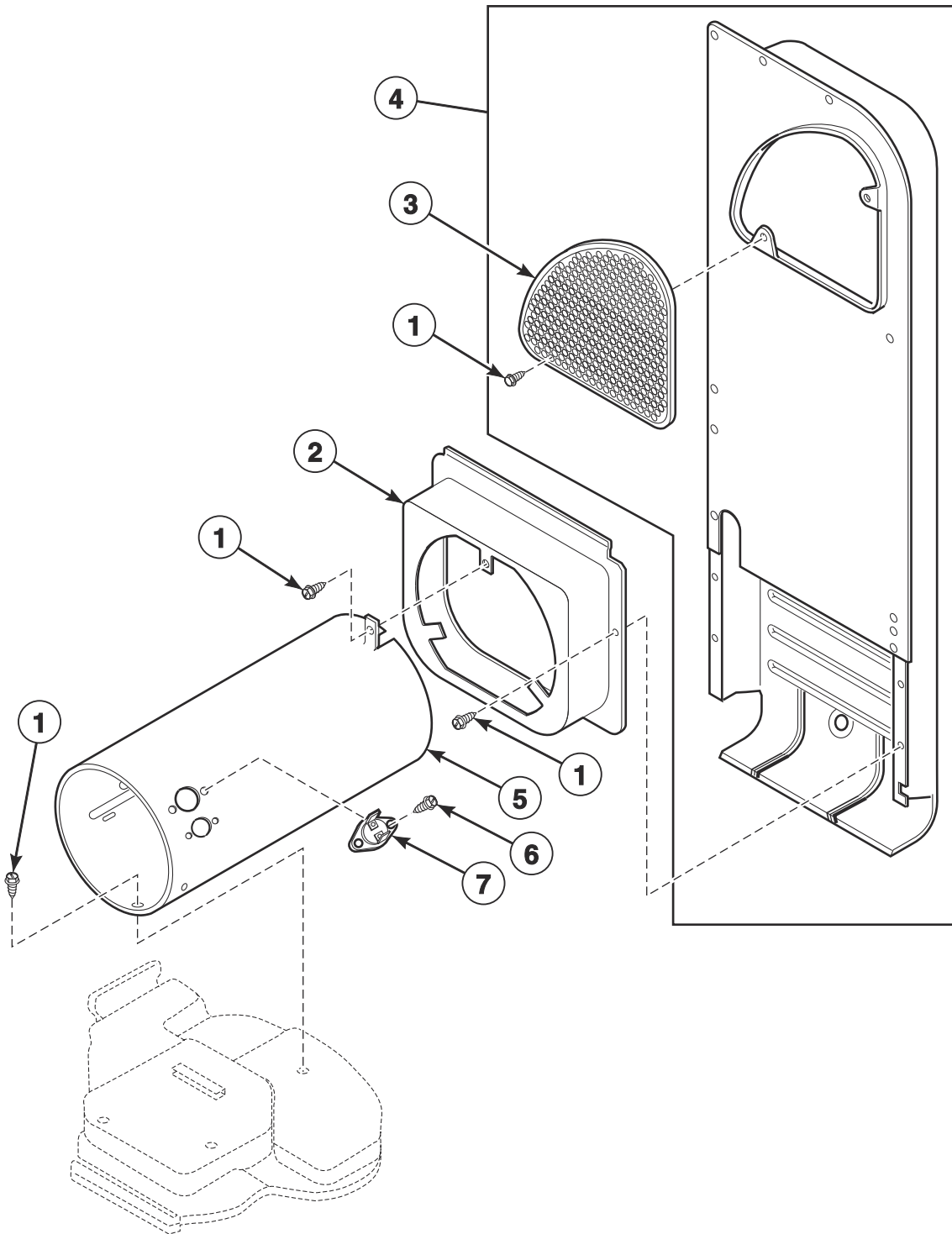
DRY1789P_D518094

Heater Duct and Element Assembly

REF	PART NO.	DESCRIPTION	COMMENTS
1	D503688	Screw	
2	D500820	Outlet Cover	Aluminized steel
	D518524	Outlet Cover	Black; Nitrocarburized
3	D510025P	Heater Duct Assembly	Includes items 1 and 2
4	D518256	Wire Assembly	Orange; Fuse jumper; Attaches to heater assembly
5	D518255	Wire Assembly	Orange; Thermostat jumper; Attaches to heater assembly
6	D518542	Thermal Fuse Assembly	
7	23222	Screw	
8	D515873	Limit Thermostat	Models ADE6HRYS178TW01, ADEE9BYS178TW01, ADEE9RYS178TW01 and ZDEE9RYS178CW01
	D510701	Limit Thermostat	All other models
9	D510329P	Heater Assembly	5.35 kW; 240 Volt/60 Hertz; Models ADE3SRGS175TW01, ADE4BRGS175TW01, ADE4BRGS176TW01, ADE6HRYS178TW01, ADEE9BGS175TW01, ADEE9BSS175TN01, ADEE9BYS178TW01, ADEE9RGS175TW01, ADEE9RYS178TW01 and ZDEE9RYS178CW01
	D510324P	Heater Assembly	5 kW; 240 Volt; All other models
10	964P3	Heater Kit	5.35 kW; 240 Volt/60 Hertz; Includes items 4-9; Models ADE3SRGS175TW01, ADE4BRGS175TW01, ADE4BRGS176TW01, ADEE9BGS175TW01, ADEE9BSS175TN01, ADEE9BYS178TW01, ADEE9RGS175TW01, FDE4ZRG175TW01 and LDE4ZRG175TW01 includes factory-installed heater
	61927	Heater Kit Assembly	5 kW; 240 Volt/60 Hertz; Includes items 4-9; All other models
	61928	Heater Kit Assembly	4.75 kW; 208 Volt/60 Hertz; Includes items 4-9; Optional conversion

Heater Duct Assembly

Gas Models



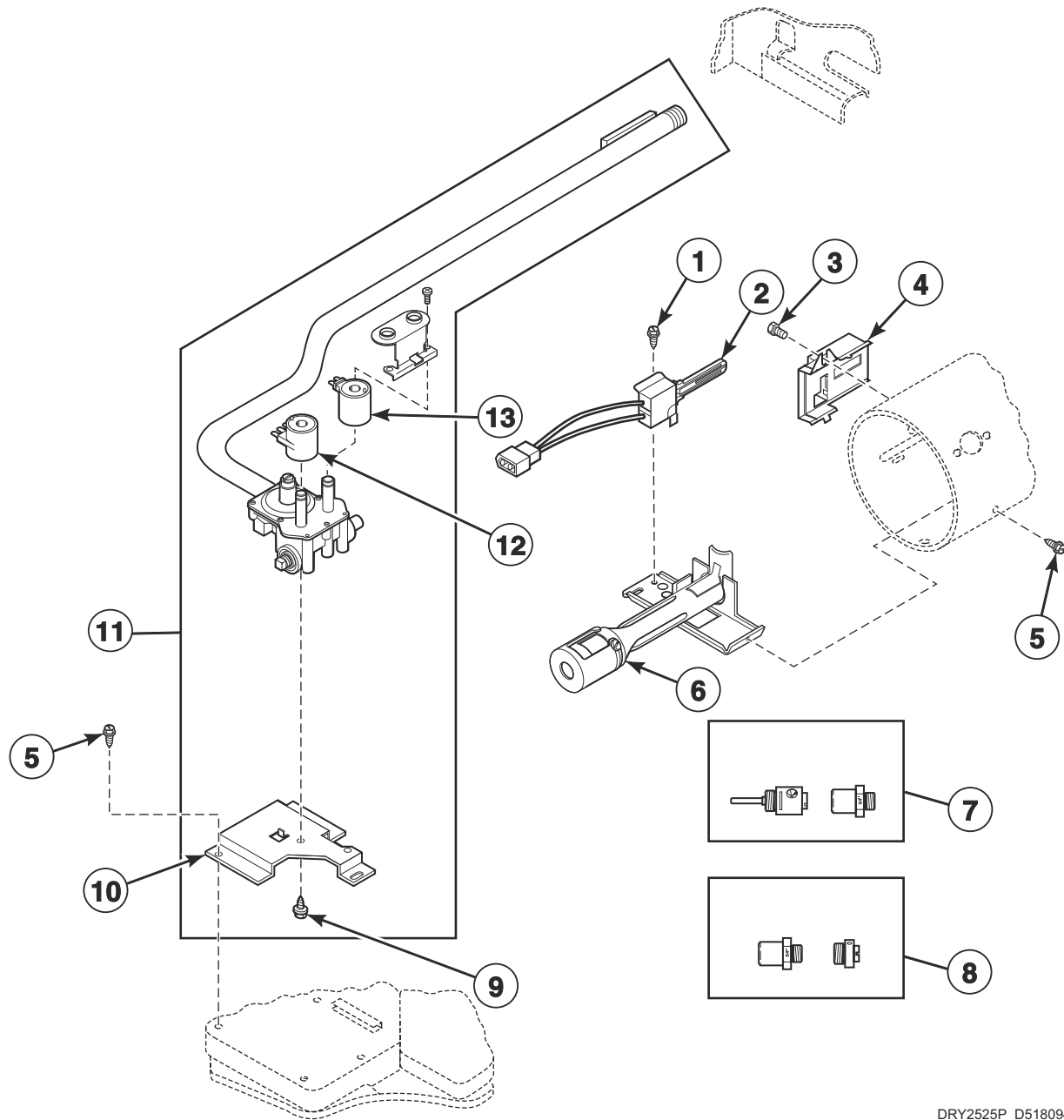
DRY2145P_D518094

Heater Duct Assembly

REF	PART NO.	DESCRIPTION	COMMENTS
1	D503688	Screw	
2	D510101	Heat Duct Shroud	
3	D500820	Outlet Cover	
	D518524	Outlet Cover	Black
4	D510025P	Heater Duct Assembly	Includes items 1 and 3
5	D510131	Combustion Duct	
6	51782	Screw	
7	D510702	Limit Thermostat	Black; Auto reset

Gas Valve, Igniter and Gas Conversion Kits

Gas Models



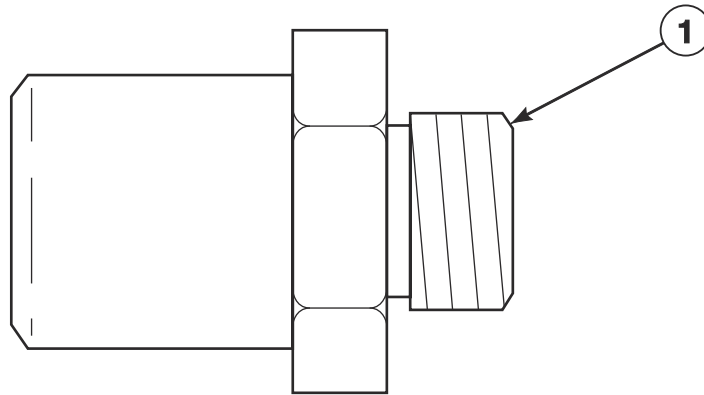
DRY2525P_D518094

Gas Valve, Igniter and Gas Conversion Kits

REF	PART NO.	DESCRIPTION	COMMENTS
1	51782	Screw	
2	D510184P	Igniter and Bracket Assembly	
3	23222	Screw	
4	D510213	Sensor	
5	D503688	Screw	
6	D510149P	Burner Assembly	
7	649P3	L.P. Conversion Kit	Used to convert dryers from Natural Gas (N.G.) or Mixed Gas to Liquid Petroleum Gas (L.P.); 22,500 Btu
8	650P3	N.G. Conversion Kit	Used to convert dryers from L.P. to N.G. or Mixed Gas; 22,500 Btu
9	56124	Screw	
10	D510128	Gas Valve Mounting Bracket	
11	D517609	Gas Valve, Bracket and Pipe Assembly	60 Hertz; 22,500 Btu; N.G.; Includes items 9-13
12	58804A	Booster and Holding Coil	
13	58804B	Secondary Coil	

Burner Orifice Spuds - For Higher Elevations

Gas Models

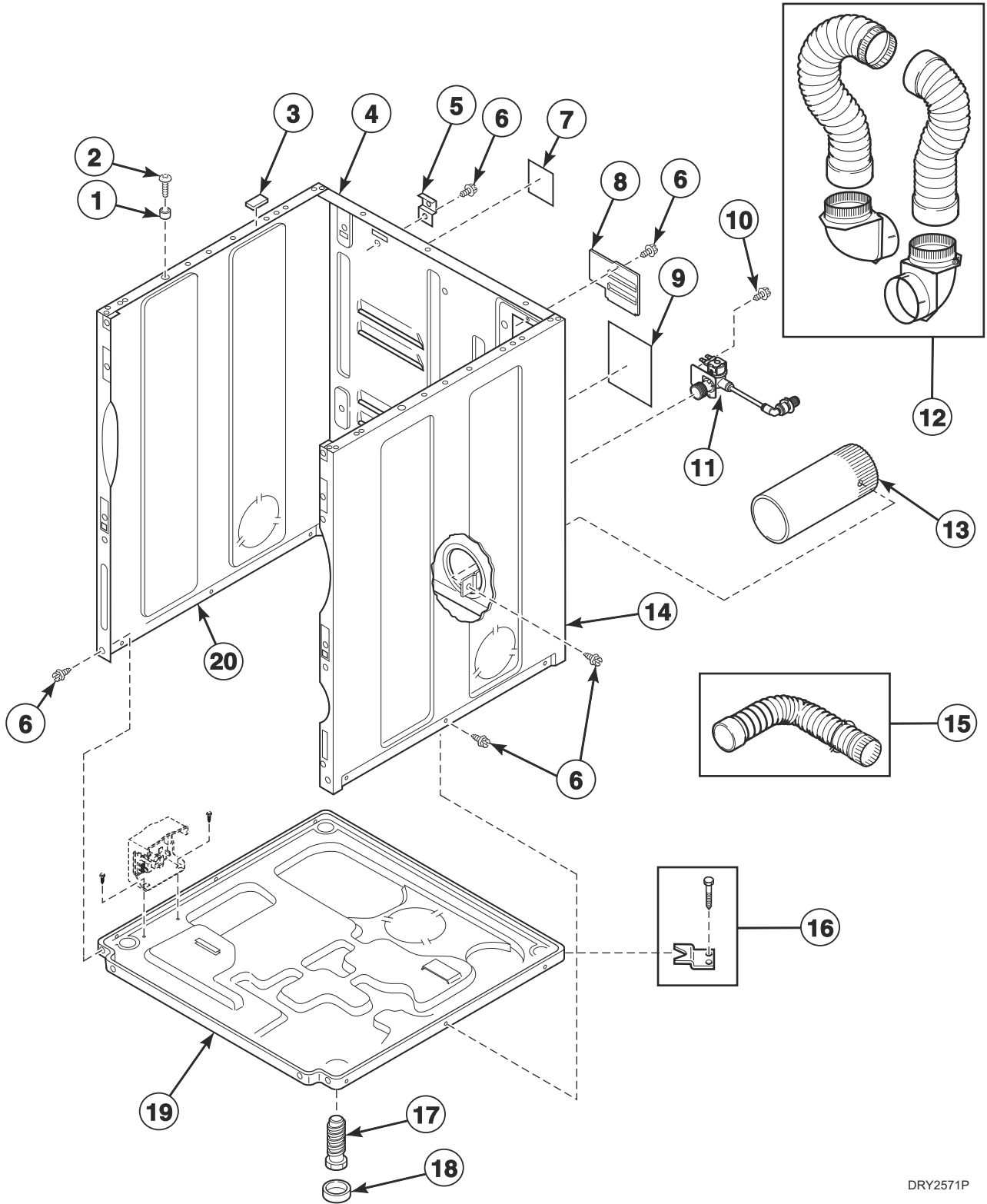


DRY2266P_D518094

Burner Orifice Spuds - For Higher Elevations

REF	PART NO.	DESCRIPTION	COMMENTS
1	58755	L.P. Orifice	22,500 Btu; 3000-7999 feet (915-2439 m)
	D503786	L.P. Orifice	22,500 Btu; 8000 feet (2440 m) and higher
	D503778	N.G. Orifice	22,500 Btu; 3000-5999 feet (915-1829 m)
	58719	Screw Orifice	N.G.; 22,500 Btu; 6000-7999 feet (1830-2439 m)
	D503779	N.G. Orifice	22,500 Btu; 8000-8999 feet (2440-2739 m)
	D503780	N.G. Orifice	22,500 Btu; 9000-9999 feet (2740-3049 m)
	D503781	N.G. Orifice	22,500 Btu; 10,000 feet (3050 m) and higher

Cabinet, Exhaust Duct and Base (Drawing 1 of 2)

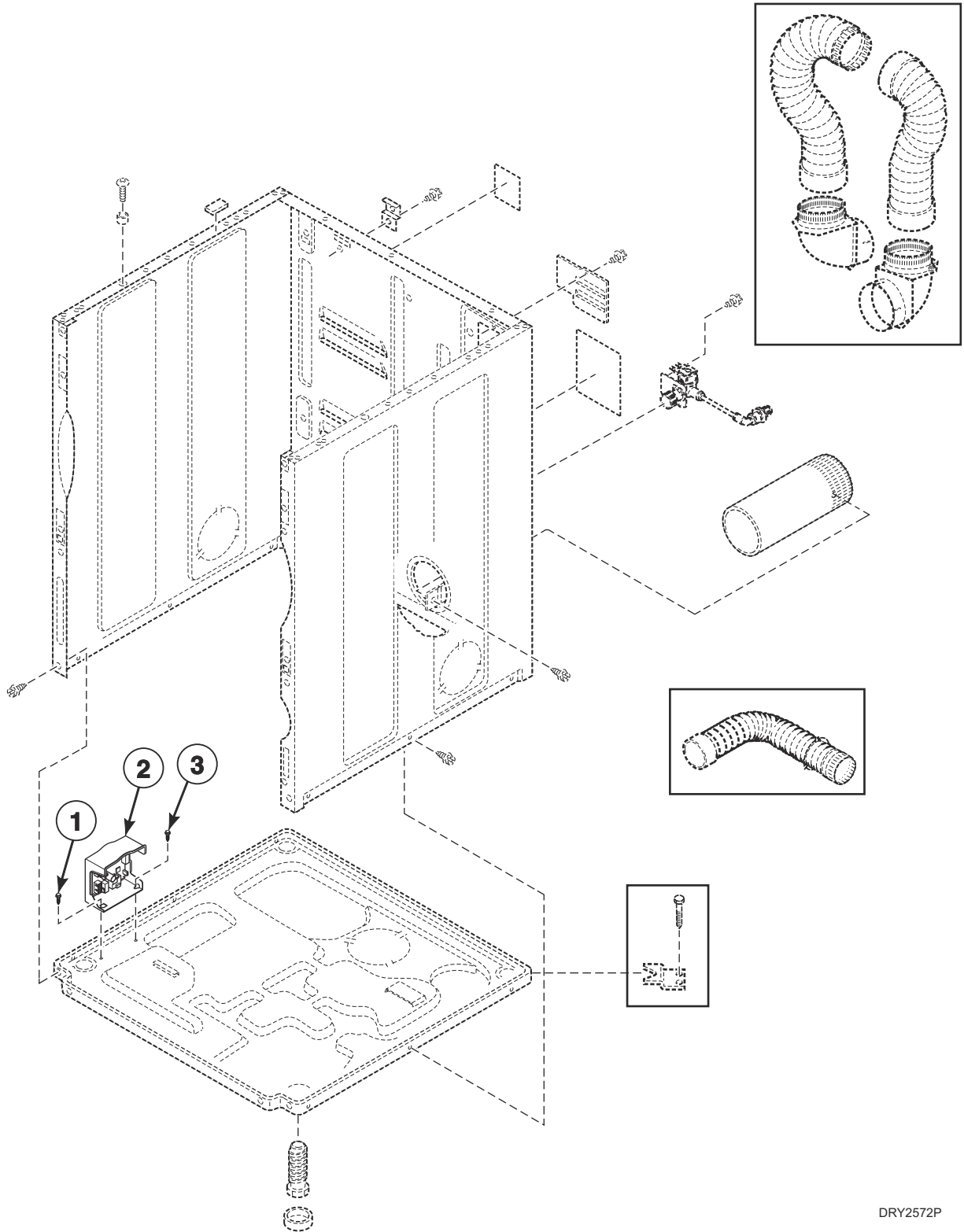


DRY2571P

Cabinet, Exhaust Duct and Base (Drawing 1 of 2)

REF	PART NO.	DESCRIPTION	COMMENTS
1	56079	Panel Locator	
2	D512921	Screw	Use with stainless steel side panels
	39733	Screw	Use with painted side panels
3	56128	Bumper Pad	
4	D518204	Cabinet Rear Panel	Steam prep; Models ADE6HRYS177TW01, ADEE9BYS177TW01, ADEE9BYS178TW01, ADEE9RYS177TW01, ADEE9RYS178TW01, ADG6HRYS117TW01, ADG6HRYS118TW01, ADGE9BYS117TW01, ADGE9RYS117TW01, ZDE6HRYS177CW01, ZDE6HRYS178CW01, ZDEE9RYS177CW01, ZDEE9RYS178CW01 and ZDG6HRYS117CW01
	D517566	Cabinet Rear Panel	All other models
5	D510136	Top Hinge	
6	D503688	Screw	
7	D511004	Gas Clearance Label	Gas models
8	D510903	Access Panel Plate	
9	D505984	Clearance Warning Label	Models ZDE3SRGS175CW01, ZDE4BRGS175CW01, ZDE4BRGS176CW01, ZDE4BRGS177CW01, ZDE6HRYS177CW01, ZDE6HRYS178CW01, ZDEE9BGS175CW01, ZDEE9BSS175CN01, ZDEE9RGS175CW01, ZDEE9RYS177CW01 and ZDEE9RYS178CW01
	D511005	Electric Clearance Label	All other electric models
10	39397	Screw	Models ADE6HRYS177TW01, ADE6HRYS178TW01, ADEE9RYS177TW01, ADEE9RYS178TW01, ADG6HRYS117TW01, ADG6HRYS118TW01, ADGE9RYS117TW01, ADGE9RYS118TW01, ZDE6HRYS177CW01, ZDE6HRYS178CW01, ZDEE9RYS177CW01, ZDG6HRYS117CW01 and ZDG6HRYS118CW01
11	D518230	Dryer Steam Assembly	Models ADE6HRYS177TW01, ADE6HRYS178TW01, ADEE9BYS177TW01, ADEE9BYS178TW01, ADEE9RYS177TW01, ADEE9RYS178TW01, ADG6HRYS117TW01, ADG6HRYS118TW01, ADGE9BYS117TW01, ADGE9RYS117TW01, ADGE9RYS118TW01, ZDE6HRYS177CW01, ZDE6HRYS178CW01, ZDEE9RYS177CW01, ZDEE9RYS178CW01, ZDG6HRYS117CW01 and ZDG6HRYS118CW01
12	521P3	Flexible Venting Kit	
13	D516196	Exhaust Duct	
14	D512539	Cabinet Side Panel	Right; Stainless steel
	D510002WP	Cabinet Side Panel	Right; White
15	528P3	Directional Exhaust Kit	Used to vent dryer out the sides or bottom
16	526P3	Hold Down Kit	For mobile home installations
17	D510135	Leveling Leg	
18	D501855	Rubber Foot	
19	D514245	Dryer Base	
20	D512538	Cabinet Side Panel	Left; Stainless steel
	D510001WP	Cabinet Side Panel	Left; White

Cabinet, Exhaust Duct and Base (Drawing 2 of 2)



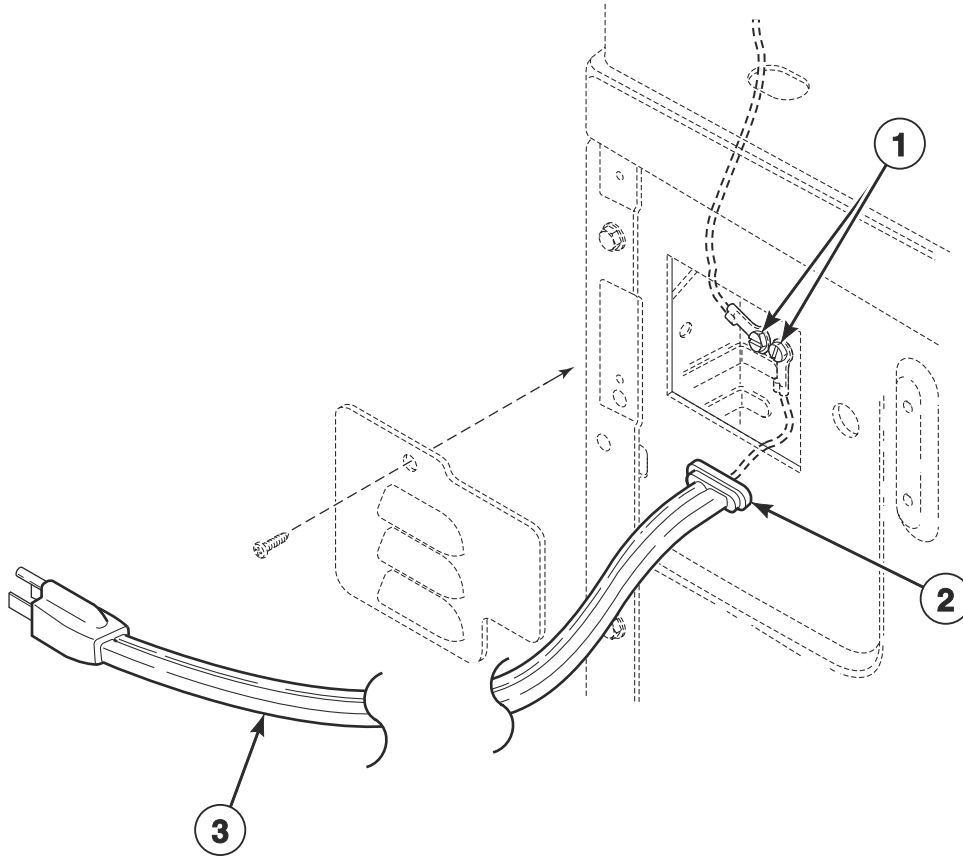
DRY2572P

Cabinet, Exhaust Duct and Base (Drawing 2 of 2)

REF	PART NO.	DESCRIPTION	COMMENTS
1	D514428	Screw	Models ADEE9BGS175TW01, ADEE9BSS175TN01, ADEE9RGS175TW01, ADEE9RYS177TW01, ADEE9RYS178TW01, ADGE9BGS115TW01, ADGE9BSS115TN01, ADGE9RGS115TW01, ADGE9RYS117TW01, ADGE9RYS118TW01, ZDEE9BGS175CW01, ZDEE9BSS175CN01, ZDEE9RGS175CW01, ZDEE9RYS177CW01, ZDEE9RYS178CW01, ZDGE9BGS115CW01, ZDGE9BSS115CN01 and ZDGE9RGS115CW01
2	D517191P	Output Control Assembly	Models ADEE9BGS175TW01, ADEE9BSS175TN01, ADEE9RGS175TW01, ADGE9BGS115TW01, ADGE9BSS115TN01, ADGE9RGS115TW01, ZDEE9BGS175CW01, ZDEE9BSS175CN01, ZDEE9RGS175CW01, ZDGE9BGS115CW01, ZDGE9BSS115CN01 and ZDGE9RGS115CW01
	D518191	Output Control Assembly	Models ADE6HRYS177TW01, ADEE9BYS177TW01, ADEE9RYS177TW01, ADG6HRYS117TW01, ADGE9BYS117TW01, ADGE9RYS117TW01, ZDE6HRYS177CW01, ZDEE9RYS177CW01 and ZDG6HRYS117CW01
	D518862	Dryer Output Control Assembly	Models ADE6HRYS178TW01, ADEE9BYS178TW01, ADEE9RYS178TW01, ADG6HRYS118TW01, ADGE9BYS118TW01, ADGE9RYS118TW01, ZDE6HRYS178CW01, ZDEE9RYS178CW01 and ZDG6HRYS118CW01
3	804667	Screw	Models ADEE9BGS175TW01, ADEE9BSS175TN01, ADEE9BYS177TW01, ADEE9BYS178TW01, ADEE9RGS175TW01, ADEE9RYS177TW01, ADEE9RYS178TW01, ADGE9BGS115TW01, ADGE9BSS115TN01, ADGE9BYS117TW01, ADGE9RGS115TW01, ADGE9RYS117TW01, ADGE9RYS118TW01, ZDEE9BGS175CW01, ZDEE9BSS175CN01, ZDEE9RGS175CW01, ZDEE9RYS177CW01, ZDEE9RYS178CW01, ZDGE9BGS115CW01, ZDGE9BSS115CN01 and ZDGE9RGS115CW01

Lead-In Cord

All Models Except ADE3SRGS175TW01, ADE3SRGS177TW01, ADE3SRGS177TW02, ADE4BRGS175TW01, ADE4BRGS176TW01, ADE4BRGS177TW01, ADE6HRYS177TW01, ADEE9BGS175TW01, ADEE9BSS175TN01, ADEE9RGS175TW01 and ADEE9RYS177TW01



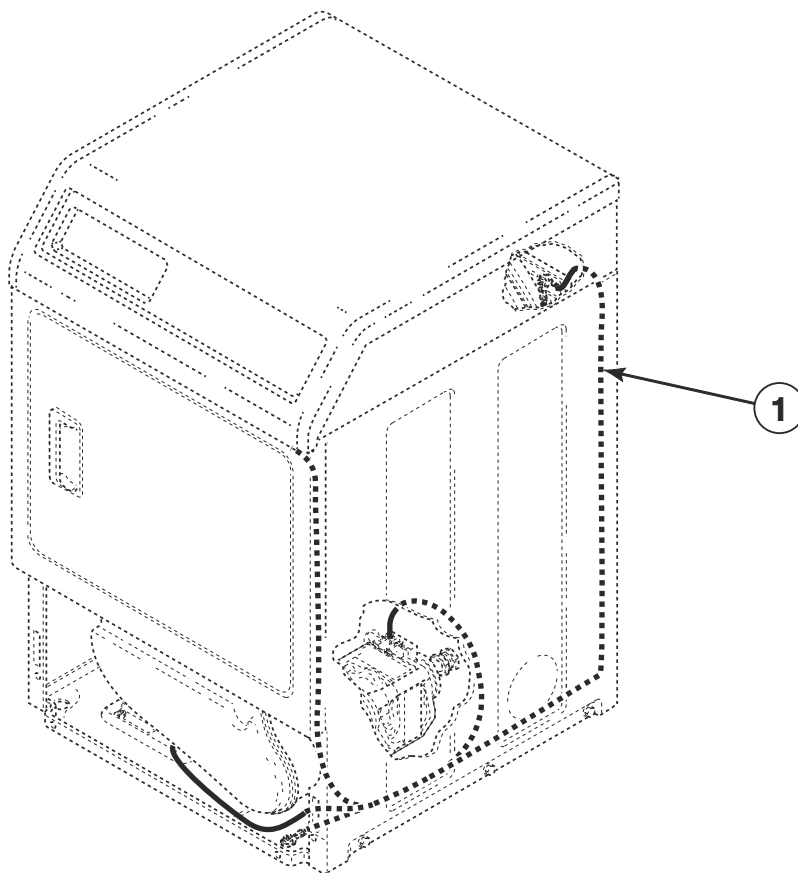
DRY1790P_D518094

Lead-In Cord

REF	PART NO.	DESCRIPTION	COMMENTS
1	20530	Screw	Earth/Ground
2	D517490	Strain Relief	
3	202777	Lead-In Cord	Models ADG3SRGS115TW01, ADG3SRGS117TW01, ADG3SRGS117TW02, ADG4BRGS115TW01, ADG4BRGS116TW01, ADG4BRGS117TW01, ADG6HRYS117TW01, ADG6HRYS118TW01, ADGE9BGS115TW01, ADGE9BSS115TN01, ADGE9BYS117TW01, ADGE9RGS115TW01, ADGE9RYS117TW01, ADGE9RYS118TW01, FDE4ZRGs175TW01, FDG4ZRGs115TW01, LDG4ZRGs115TW01, ZDG3SRGS115CW01, ZDG4BRGS115CW01, ZDG4BRGS116CW01, ZDG6HRYS117CW01, ZDGE9BGS115CW01, ZDGE9BSS115CN01 and ZDGE9RGS115CW01
	D510505P	Lead-In Cord Assembly	Models ZDE3SRGS175CW01, ZDE4BRGS175CW01, ZDE4BRGS176CW01, ZDE4BRGS177CW01, ZDE6HRYS177CW01, ZDE6HRYS178CW01, ZDEE9BGS175CW01, ZDEE9BSS175CN01, ZDEE9RGS175CW01, ZDEE9RYS177CW01, ZDEE9RYS178CW01 and ZDG6HRYS118CW01

Wire Harnesses and Wires - Front Control Models

Models ADEE9BGS175TW01, ADEE9BSS175TN01, ADEE9BYS177TW01, ADEE9BYS178TW01, ADGE9BGS115TW01, ADGE9BSS115TN01, ADGE9BYS117TW01, ADGE9BYS118TW01, ZDEE9BGS175CW01, ZDEE9BSS175CN01, ZDGE9BGS115CW01 and ZDGE9BSS115CN01



DRY2400P_D518094

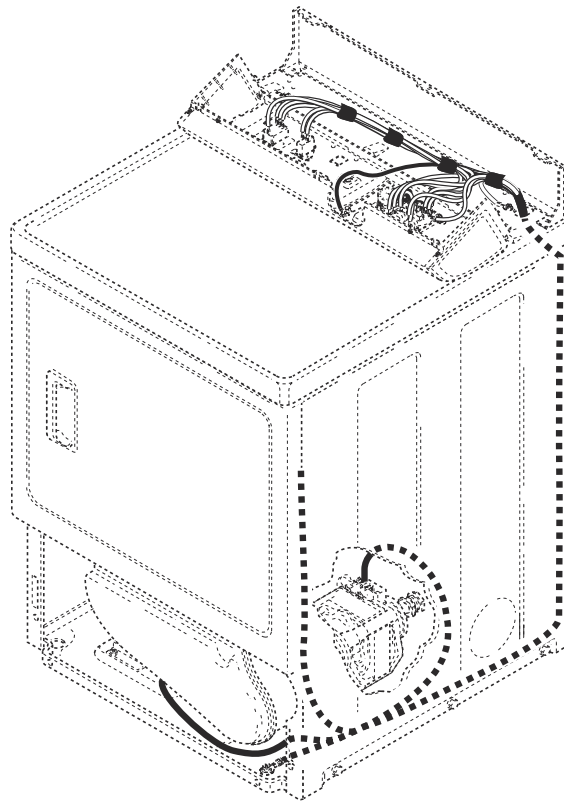
Wire Harnesses and Wires - Front Control Models

REF	PART NO.	DESCRIPTION	COMMENTS
	45380	12 Gauge Wire	Orange; Order wire by the foot; Order terminals and connectors as required
	45477	12 Gauge Wire	Green/yellow stripe; Order wire by the foot; Order terminals and connectors as required
	45001	18 Gauge Wire	Black; Order wire by the foot; Order terminals and connectors as required
	D517236	Broken Belt Harness	
1	D517478	Electric Harness	Models ADEE9BGS175TW01, ADEE9BSS175TN01, ZDEE9BGS175CW01 and ZDEE9BSS175CN01
	D518174	Electric Harness	Model ADEE9BYS177TW01
	D518856	Electric Harness	Model ADEE9BYS178TW01
	D517479	Gas Harness	Models ADGE9BGS115TW01, ADGE9BSS115TN01, ZDGE9BGS115CW01 and ZDGE9BSS115CN01
	D518173	Gas Harness	Model ADGE9BYS117TW01
	D518855	Gas Harness	Model ADGE9BYS118TW01

NOTE: Individual wires are not available separately. Order complete wire harness, or order wire by the foot. When applying terminals to wires, it is recommended that the terminals be soldered to the wires.

Wire Harnesses and Wires - Rear Control Models (Drawing 1 of 2)

Models ADE3SRGS175TW01, ADE3SRGS177TW01, ADE3SRGS177TW02, ADE4BRGS175TW01, ADE4BRGS176TW01, ADE4BRGS177TW01, ADE6HRYS177TW01, ADE6HRYS178TW01, ADEE9RGS175TW01, ADEE9RYS177TW01, ADEE9RYS178TW01, ADG3SRGS115TW01, ADG3SRGS117TW01, ADG3SRGS117TW02, ADG4BRGS115TW01, ADG4BRGS116TW01, ADG4BRGS117TW01, ADG6HRYS117TW01, ADG6HRYS118TW01, ADGE9RGS115TW01, ADGE9RYS117TW01, ADGE9RYS118TW01, FDE4ZRG175TW01, FDG4ZRG115TW01, LDE4ZRG175TW01, LDG4ZRG115TW01, ZDE3SRGS175CW01, ZDE4BRGS175CW01, ZDE4BRGS176CW01, ZDE4BRGS177CW01, ZDE6HRYS177CW01, ZDE6HRYS178CW01, ZDEE9RGS175CW01, ZDEE9RYS177CW01, ZDEE9RYS178CW01, ZDG3SRGS115CW01, ZDG4BRGS115CW01, ZDG4BRGS116CW01, ZDG6HRYS117CW01, ZDG6HRYS118CW01 and ZDGE9RGS115CW01



DRY2268PA

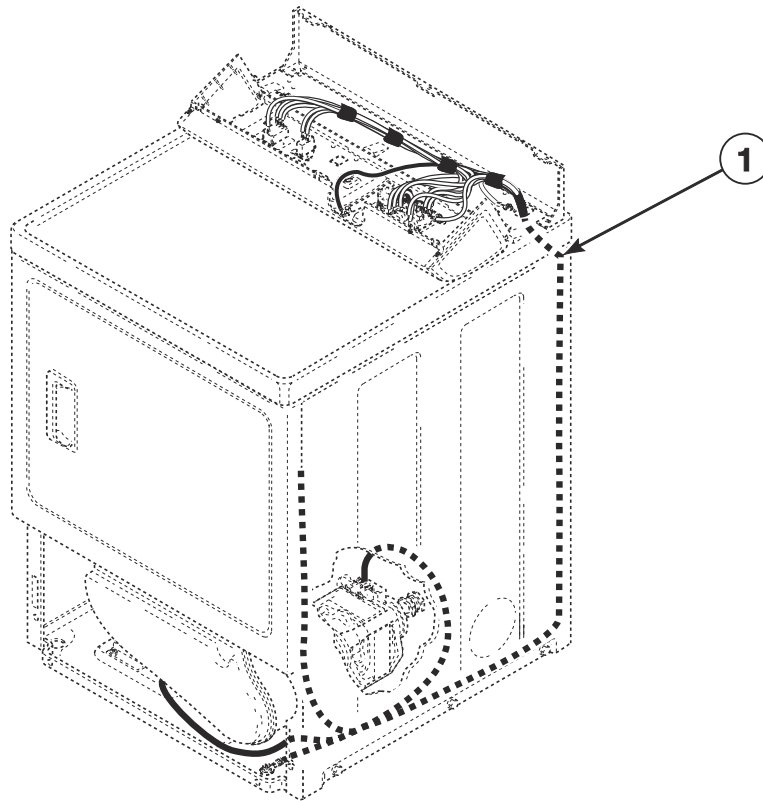
Wire Harnesses and Wires - Rear Control Models (Drawing 1 of 2)

REF	PART NO.	DESCRIPTION	COMMENTS
	45380	12 Gauge Wire	Orange; Order wire by the foot; Order terminals and connectors as required
	45477	12 Gauge Wire	Green/yellow stripe; Order wire by the foot; Order terminals and connectors as required
	45001	18 Gauge Wire	Black; Order wire by the foot; Order terminals and connectors as required
	D517236	Broken Belt Harness	
	D516363	Cylinder Light Harness	Models ADE3SRGS175TW01, ADE3SRGS177TW01, ADE3SRGS177TW02, ADE4BRGS175TW01, ADE4BRGS176TW01, ADE4BRGS177TW01, ADG3SRGS115TW01, ADG3SRGS117TW01, ADG3SRGS117TW02, ADG4BRGS115TW01, ADG4BRGS116TW01, ADG4BRGS117TW01, ADG6HRYS117TW01, ADG6HRYS118TW01, FDE4ZRGs175TW01, FDG4ZRGs115TW01, LDE4ZRGs175TW01, LDG4ZRGs115TW01, ZDE3SRGS175CW01, ZDE4BRGS175CW01, ZDE4BRGS176CW01, ZDE4BRGS177CW01, ZDE6HRYS177CW01, ZDE6HRYS178CW01, ZDG3SRGS115CW01, ZDG4BRGS115CW01, ZDG4BRGS116CW01, ZDG6HRYS117CW01 and ZDG6HRYS118CW01
	D516367	Gas Valve Harness	Models ADG3SRGS115TW01, ADG3SRGS117TW01, ADG3SRGS117TW02, ADG4BRGS115TW01, ADG4BRGS116TW01, ADG4BRGS117TW01, ADG6HRYS117TW01, ADG6HRYS118TW01, ADGE9RYS117TW01, ADGE9RYS118TW01, FDG4ZRGs115TW01, LDG4ZRGs115TW01, ZDG3SRGS115CW01, ZDG4BRGS115CW01, ZDG4BRGS116CW01, ZDG6HRYS117CW01 and ZDG6HRYS118CW01
	D517635	Gas Hood Harness	3 cycle; Models ADG3SRGS115TW01, ADG3SRGS117TW01, ADG3SRGS117TW02, ADG4BRGS116TW01 and ZDG3SRGS115CW01
	D517631	Gas Hood Harness	4 cycle; Models ADG4BRGS115TW01, ADG4BRGS117TW01, ADG6HRYS117TW01, ADG6HRYS118TW01, ZDG4BRGS115CW01, ZDG4BRGS116CW01, ZDG6HRYS117CW01 and ZDG6HRYS118CW01
	D518261	Gas Hood Harness	Models FDG4ZRGs115TW01 and LDG4ZRGs115TW01
	D517634	Electric Hood Harness	3 cycle; Models ADE3SRGS175TW01, ADE3SRGS177TW01, ADE3SRGS177TW02 and ZDE3SRGS175CW01
	D517630	Electric Hood Harness	4 cycle; Models ADE4BRGS175TW01, ADE4BRGS176TW01, ADE4BRGS177TW01, ZDE4BRGS175CW01, ZDE4BRGS176CW01, ZDE4BRGS177CW01, ZDE6HRYS177CW01 and ZDE6HRYS178CW01
	D518260	Electric Hood Harness	Models FDE4ZRGs175TW01 and LDE4ZRGs175TW01

NOTE: Individual wires are not available separately. Order complete wire harness, or order wire by the foot. When applying terminals to wires, it is recommended that the terminals be soldered to the wires.

Wire Harnesses and Wires - Rear Control Models (Drawing 2 of 2)

Models ADE3SRGS175TW01, ADE3SRGS177TW01, ADE3SRGS177TW02, ADE4BRGS175TW01, ADE4BRGS176TW01, ADE4BRGS177TW01, ADE6HRYS177TW01, ADE6HRYS178TW01, ADEE9RGS175TW01, ADEE9RYS177TW01, ADEE9RYS178TW01, ADG3SRGS115TW01, ADG3SRGS117TW01, ADG3SRGS117TW02, ADG4BRGS115TW01, ADG4BRGS116TW01, ADG4BRGS117TW01, ADG6HRYS117TW01, ADG6HRYS118TW01, ADGE9RGS115TW01, ADGE9RYS117TW01, ADGE9RYS118TW01, FDE4ZRG175TW01, FDG4ZRG115TW01, LDE4ZRG175TW01, LDG4ZRG115TW01, ZDE3SRGS175CW01, ZDE4BRGS175CW01, ZDE4BRGS176CW01, ZDE4BRGS177CW01, ZDE6HRYS177CW01, ZDE6HRYS178CW01, ZDEE9RGS175CW01, ZDEE9RYS177CW01, ZDEE9RYS178CW01, ZDG3SRGS115CW01, ZDG4BRGS115CW01, ZDG4BRGS116CW01, ZDG6HRYS117CW01, ZDG6HRYS118CW01 and ZDGE9RGS115CW01



DRY2268P_D518094

Wire Harnesses and Wires - Rear Control Models (Drawing 2 of 2)

REF	PART NO.	DESCRIPTION	COMMENTS
1	D517474	Electric Harness	Main harness; Models ADEE9RGS175TW01 and ZDEE9RGS175CW01
	D517624	Electric Harness	Main harness; Models ADE3SRGS175TW01, ADE3SRGS177TW01, ADE3SRGS177TW02, ADE4BRGS175TW01, ADE4BRGS176TW01, ADE4BRGS177TW01, FDE4ZRGs175TW01, LDE4ZRGs175TW01, ZDE3SRGS175CW01, ZDE4BRGS175CW01, ZDE4BRGS176CW01 and ZDE4BRGS177CW01
	D518170	Electric Harness	Models ADE6HRYS177TW01, ADEE9RYS177TW01, ZDE6HRYS177CW01 and ZDEE9RYS177CW01
	D518852	Electric Harness	Models ADE6HRYS178TW01, ADEE9RYS178TW01, ZDE6HRYS178CW01 and ZDEE9RYS178CW01
	D517625	Gas Harness	Main harness; Models ADG3SRGS115TW01, ADG3SRGS117TW01, ADG3SRGS117TW02, ADG4BRGS115TW01, ADG4BRGS116TW01, ADG4BRGS117TW01, FDG4ZRGs115TW01, LDG4ZRGs115TW01, ZDG3SRGS115CW01, ZDG4BRGS115CW01 and ZDG4BRGS116CW01
	D517475	Gas Harness	Main Harness; Models ADGE9RGS115TW01 and ZDGE9RGS115CW01
	D518169	Gas Harness	Models ADG6HRYS117TW01, ADGE9RGS115TW01, ADGE9RYS117TW01, ZDG6HRYS117CW01 and ZDGE9RGS115CW01
	D518851	Gas Harness	Models ADG6HRYS118TW01, ADGE9RYS118TW01 and ZDG6HRYS118CW01

NOTE: Individual wires are not available separately. Order complete wire harness, or order wire by the foot. When applying terminals to wires, it is recommended that the terminals be soldered to the wires.

Parts Index

A

Access Panel Assembly	
D514250WP	19
D514251	19
Access Panel Plate	
D510903	39
Adhesive	
D511637P	25, 27
Air Duct Assembly	
D518433	25
Anti-Seize Compound	
27604P	21

B

Bar Sensor	
D513737	23
D518155	23
Blower Fan Assembly	
D510139P	21
Blower Housing	
D511969WP	21
Blower Housing Seal	
D510238P	21
Bolt	
29651	15
Booster and Holding Coil	
58804A	35
Bracket	
D510146	13
Broken Belt Harness	
D517236	45, 47
Bulkhead Assembly	
D505899WP	25
D515544WP	25
Bumper Pad	
56128	39
Burner Assembly	
D510149P	35
Buzzer	
D510211	5

C

Cabinet Rear Panel	
D517566	39
D518204	39
Cabinet Side Panel	
D510001WP	39
D510002WP	39
D512538	39
D512539	39
Capacitive Touch Switch	
204266	9
Clearance Warning Label	
D511005	39

Combustion Duct	
D510131	33
Control Access Panel	
804741	15
804793	15
Control Assembly	
D517585	11, 15
D518210	9
D518225	11, 15
D518382	9
Control Bracket	
804611	15
Control Overlay	
Dd515630	15
D516225	11
D517819	15
D518566	11
D518797	15
Control Panel Assembly	
804659W	15
804660	15
Control Support Panel	
806430	11
806547	5, 9
Control Wrapper	
804627B	15
804627W	15
804630B	15
804630W	15
Cylinder Assembly	
D505929LGP	23
D510159WP	23
D510265WP	23
Cylinder Baffle	
D510102LG	23
D510102W	23
Cylinder Belt	
D511255P	21
Cylinder Glide	
D513710	25
Cylinder Glide Bracket	
D510145	25
Cylinder Light Harness	
D516363	47
Cylinder Light Lens	
D512106	25
Cylinder Roller	
D510708P	27
Cylinder Roller Bracket	
D510100	27
Cylinder Seal Assembly	
D510207P	25, 27

D

Directional Exhaust Kit	
528P3	39
Disconnect Power Warning Label	
D505281	13
Door Catch Assembly	
D510177	19

N/A items do not appear in index.

Door Handle Wedge D510129W	17
Door Liner Assembly D516508	17
Door Liner Grill D503870LG	17
D503870W	17
Door Pull and Wedge Kit D510103WP	17
D511213P	17
Door Strike D510181	17
Drum Light Lamp 60954	25
Dryer Base D514245	39
Dryer Door D515960W	17
D515963	17
Dryer Output Control Assembly D518862	41
Dryer Steam Assembly D518230	39
Dryer Steam Nozzle D518192	27
Drying Rack D512082P	23

E

Electric Clearance Label D511005	39
Electric Harness D517474	49
D517478	45
D517624	49
D518170	49
D518174	45
D518852	49
D518856	45
Electric Hood Harness D517630	47
D517634	47
D518260	47
End Cap 203729W	5, 9, 11
203730W	5, 9, 11
Exhaust Duct D516196	39
Expansion Clip 70030501	15

F

Fabric Selector Switch D513505	5
D513506	5
Felt Pad D510189	25
Flexible Venting Kit 521P3	39

Foam 204365	9
Front Bulkhead D515533P	25
D518156	25
D518678	25
Front Bulkhead Assembly D510266P	25
D512476P	25
Front Panel D510066WP	19
D512542	19
Front Panel Seal D511056	19

G

Gas Clearance Label D511004	39
Gas Harness D517475	49
D517479	45
D517625	49
D518169	49
D518173	45
D518851	49
D518855	45
Gas Hood Harness D517631	47
D517635	47
D518261	47
Gas Valve Harness D516367	47
Gas Valve Mounting Bracket D510128	35
Gas Valve, Bracket and Pipe Assembly D517609	35
Glide Kit RB170003	25
Graphic Panel D517537	7
D517548	7
D517945	7
D517946	7
D517947	7
D517953	7
D518244	7
D518245	7
D518568	7
D518569	9
D518570	9
D518571	11
D518572	11
D518815	7
D518816	7
D518844	7
806448	11
806715	11

H

Heat Duct Shroud D510101	33
-----------------------------------	----

N/A items do not appear in index.

Heater Assembly	
D510324P	31
D510329P	31
D518838	29
D518839	29
Heater Duct Assembly	
D510025P	29, 31, 33
Heater Kit	
964P3	31
Heater Kit Assembly	
61927	31
61928	31
Hinge	
D511036	17
Hinge Hole Plug	
D510186	19
Hold Down Kit	
526P3	39
Hold-Down Clip	
35358	5, 9, 11
Hood Back Panel	
806585	13

I

Idler Lever	
D516310	21
Idler Lever and Wheel Assembly	
D516792	21
Idler Spring	
D510185	21
Idler Wheel and Bearing Assembly	
D510142P	21
Igniter and Bracket Assembly	
D510184P	35

K

Knob Assembly	
205106	7
806597	7, 9

L

Lead-In Cord	
202777	43
Lead-In Cord Assembly	
D510505P	43
LED Display Assembly	
204488	9
Leveling Leg	
D510135	39
Light Assembly	
D517574	25
D518795	25
Light Housing Assembly	
D512108	25
Limit Thermostat	
D510701	31
D510702	33
D515873	29, 31

Liner Door Seal	
D515709	17
Lint Filter	
D503980LG	25
D503980W	25
Lint Filter Cover	
D510502LG	25
D510502W	25
L.P. Conversion Kit	
649P3	35
L.P. Orifice	
D503786	37
58755	37

M

Moisture Bar Assembly	
D518565	23
Moisture Sensor Base	
D513738	23
D518154	23
Motor and Pulley Assembly	
D511629P	21
Motor Hub Ring Kit	
590P3	21
Motor Mount	
D518517	21
Motor Mount Clamp	
D510180	21
Motor Pulley	
D500011	21
Motor Switch Bracket	
D516311	21

N

Nut	
44087301	21, 27
52566	21
N.G. Conversion Kit	
650P3	35
N.G. Orifice	
D503778	37
D503779	37
D503780	37
D503781	37

O

Outlet Cover	
D500820	29, 31, 33
D518524	29, 31, 33
Output Control Assembly	
D517191P	41
D518191	41

P

Panel Locator	
56079	19, 39

N/A items do not appear in index.

Pop Rivet	
685847	15
Push Button Switch	
D517617	7, 9

R

Rear Access Panel	
804614	15
Rear Bulkhead	
D518128	27
Rear Bulkhead Assembly	
D510905WP	27
D511082P	27
D518212	27
Rear Wrapper Brace	
805345	15
Retaining Ring	
23748	21, 27
Rocker Switch	
203934	7, 9
Roller Kit	
RB170002	27
Rubber Foot	
D501855	39

S

Screw	
D500226	17, 25
D500227	25
D500824	21
D501086	5, 11, 13
D501285	25, 27
D502535	21
D503688	13, 15, 19, 21, 25, 27, 29, 31, 33, 35, 39
D505295	25
D512921	39
D514428	41
M405188	25
203799	5, 9, 11
204342	9
204503	9
20530	43
23222	29, 31, 35
31260	21
33562	19
39397	39
39733	19, 39
51782	33, 35
56124	35
61199	27
62588	23
70240301	15
800548	9
804608	15
804667	11, 41
807075	7, 9, 11
Screw Orifice	
58719	37
Seal Kit	
RB170001	25, 27
Secondary Coil	
58804B	35

N/A items do not appear in index.

Sensor	
D510213	35
Shaft	
56461P	21, 27
Speed Clip	
28835	19
Strain Relief	
D517490	43
Switch	
D512973	19
D516391	21

T

Terminal Block Assembly	
D510190P	27
Thermal Fuse Assembly	
D518542	29, 31
Thermistor Assembly	
D510523	21
Thermostat	
D504515	21
D510707P	21
Timer	
D517557	5
D517559	5
D517560	5
D517562	5
D518247	5
D518248	5
Timer Conversion Kit	
D518899	5
D518905	5
D518906	5
D518907	5
Top Hinge	
D510136	39
Top Panel	
804684	15
804685WP	15
Top Panel Brace Assembly	
804613	15
Top Panel Guide	
803761	15
Top Panel Kit	
D510029WP	13

W

Warning Label	
D500316	13
D516243	19
44324001	25
Warning/Caution Label	
D500281	19
Washer	
D504082	27
52549	21, 27
Wire Assembly	
D518255	31
D518256	29, 31
D518307	29
D518708	5

Wire, 12 Gauge	
45380	45, 47
45477	45, 47
Wire, 18 Gauge	
45001	45, 47
