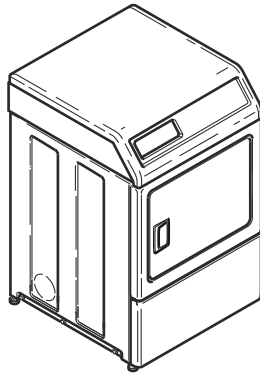
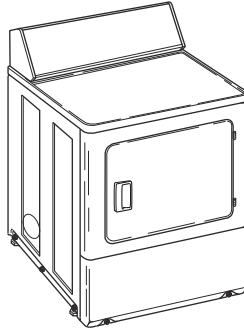


Home Dryers

Models Starting Serial No. 2001000001

Refer to Page 3 for Model Numbers



DRY731C_D518119

Table of Contents

Title	Page
Parts Ordering Information.....	2
Serial Plate Location	2
Model Identification	3
Graphic Panel, Control Support Panel and Controls - Rear Control (Drawing 1 of 2)	4
Graphic Panel, Control Support Panel and Controls - Rear Control (Drawing 2 of 2)	6
Cabinet Top and Control Hood Back Panel	8
Control Panel and Controls - Front Control.....	10
Loading Door	12
Access Panel, Front Panel and Seal	14
Motor, Exhaust Fan and Belt	16
Motor Bracket and Idler Assembly	18
Cylinder and Air Duct	20
Front Bulkhead and Felt Seal	22
Cylinder Light	24
Rear Bulkhead, Felt Seal, Cylinder Roller and Terminal Block.....	26
Heater Duct and Element Assembly (Drawing 1 of 2).....	28
Heater Duct and Element Assembly (Drawing 2 of 2).....	30
Heater Duct Assembly	32
Gas Valve, Igniter and Gas Conversion Kits.....	34
Burner Orifice Spuds - For Higher Elevations.....	36
Cabinet, Exhaust Duct and Base (Drawing 1 of 2)	38
Cabinet, Exhaust Duct and Base (Drawing 2 of 2)	40
Lead-In Cord	42
Label Location on Rear of Cabinet	44
Wire Harnesses and Wires - Front Control Models.....	46
Wire Harnesses and Wires - Rear Control Models	48
Parts Index.....	51

© Copyright 2021, Alliance Laundry Systems LLC

All rights reserved. No part of the contents of this book may be reproduced or transmitted in any form or by any means without the expressed written consent of the publisher.

Parts Ordering Information

If literature or replacement parts are required, contact the source from whom the machine was purchased or contact Alliance Laundry Systems at (920) 748-3950 for the name and address of the nearest authorized parts distributor.

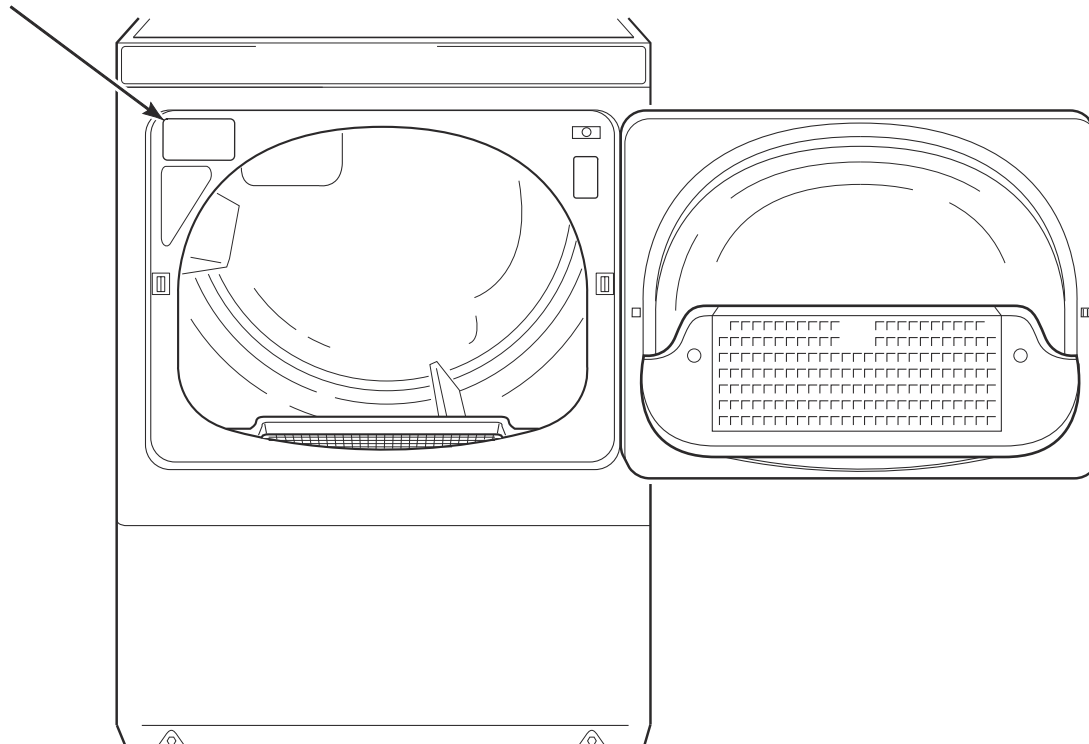
For technical assistance, call the number listed below:

(920) 748-3121 Ripon, Wisconsin

Serial Plate Location

When calling or writing about your product, be sure to mention model and serial numbers. Model and serial numbers are located on serial plate(s) as shown.

Serial Plate



DRY2283P_D518119

Model Identification

Information in this manual is applicable to these dryer models:

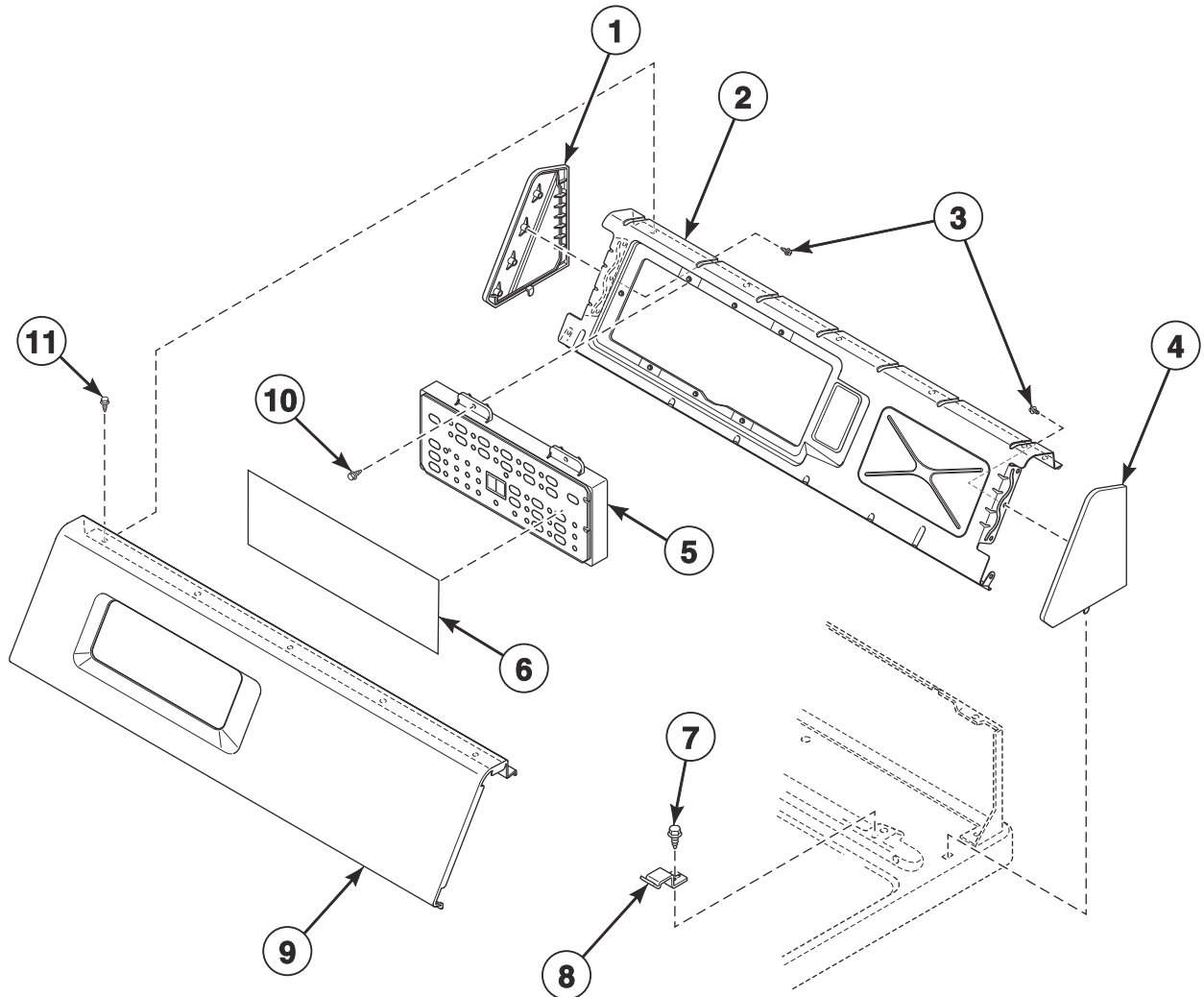
ADE3TRGS435AW01
ADE3TRGS455LW01
ADE3TRGS455NW29
ADE3TRGS455NW49
ADE3TRGS465AW01
ADE3TRGS565XW01
ADEE8BGS435AW01
ADEE8RGS455SW01
ADEE9BGS435NW29
ADEE9BGS435XW34
ADEE9BGS455NW36
ADEE9BGS545DW01
ADEE9BGS545RW01
ADEE9RGS435AW01
ADEE9RGS435XW34
ADEE9RGS455LW01
ADEE9RGS455NW29
ADEE9RGS455NW36
ADEE9RGS455SW01
ADEE9RGS465AW01
ADEE9RGS565XW01
ADEE9RGS565XW34

ADG3TRGS305AW01
ADGE8BGS305AW01
ADGE9BGS125DW01
ADGE9BGS305NW29
ADGE9BGS545DW01
ADGE9RGS305AW01
ADGE9RGS305XW01
ADLE9BGS305XW34
ADLE9RGS305XW34

ZDEE9BGS435NW29
ZDEE9RGS455NW29

Graphic Panel, Control Support Panel and Controls - Rear Control (Drawing 1 of 2)

Models ADEE8RGS455SW01, ADEE9RGS435AW01, ADEE9RGS435XW34, ADEE9RGS455LW01, ADEE9RGS455NW29, ADEE9RGS455NW36, ADEE9RGS455SW01, ADEE9RGS465AW01, ADEE9RGS565XW01, ADEE9RGS565XW34, ADGE9RGS305AW01, ADGE9RGS305XW01, ADLE9RGS305XW34 and ZDEE9RGS455NW29



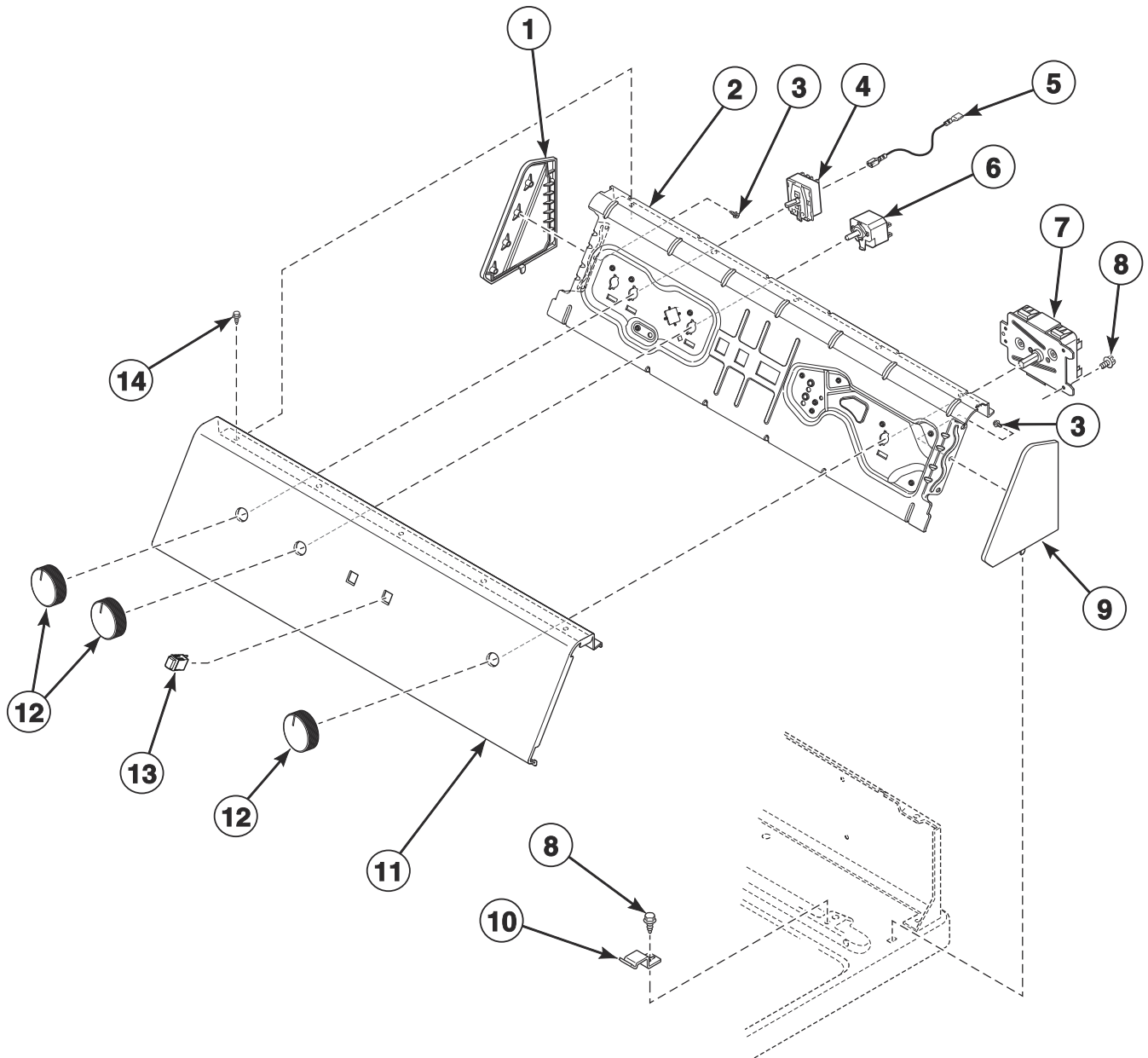
DRY2497P_D518119

Graphic Panel, Control Support Panel and Controls - Rear Control (Drawing 1 of 2)

REF	PART NO.	DESCRIPTION	COMMENTS
1	203962	End Cap	Left
2	806430	Control Support Panel	
3	203799	Screw	
4	203961	End Cap	Right
5	D517585	Control Assembly	
6	D516539	Control Overlay	Model ADEE8RGS455SW01
	D516225	Control Overlay	All other models
7	D505295	Screw	
8	35358	Hold-Down Clip	
9	806448	Graphic Panel	Model ZDEE9RGS455NW29
	806715	Graphic Panel	All other models
10	804667	Screw	
11	807075	Screw	

Graphic Panel, Control Support Panel and Controls - Rear Control (Drawing 2 of 2)

Models ADE3TRGS435AW01, ADE3TRGS455LW01, ADE3TRGS455NW29, ADE3TRGS455NW49,
ADE3TRGS465AW01, ADE3TRGS565XW01 and ADG3TRGS305AW01



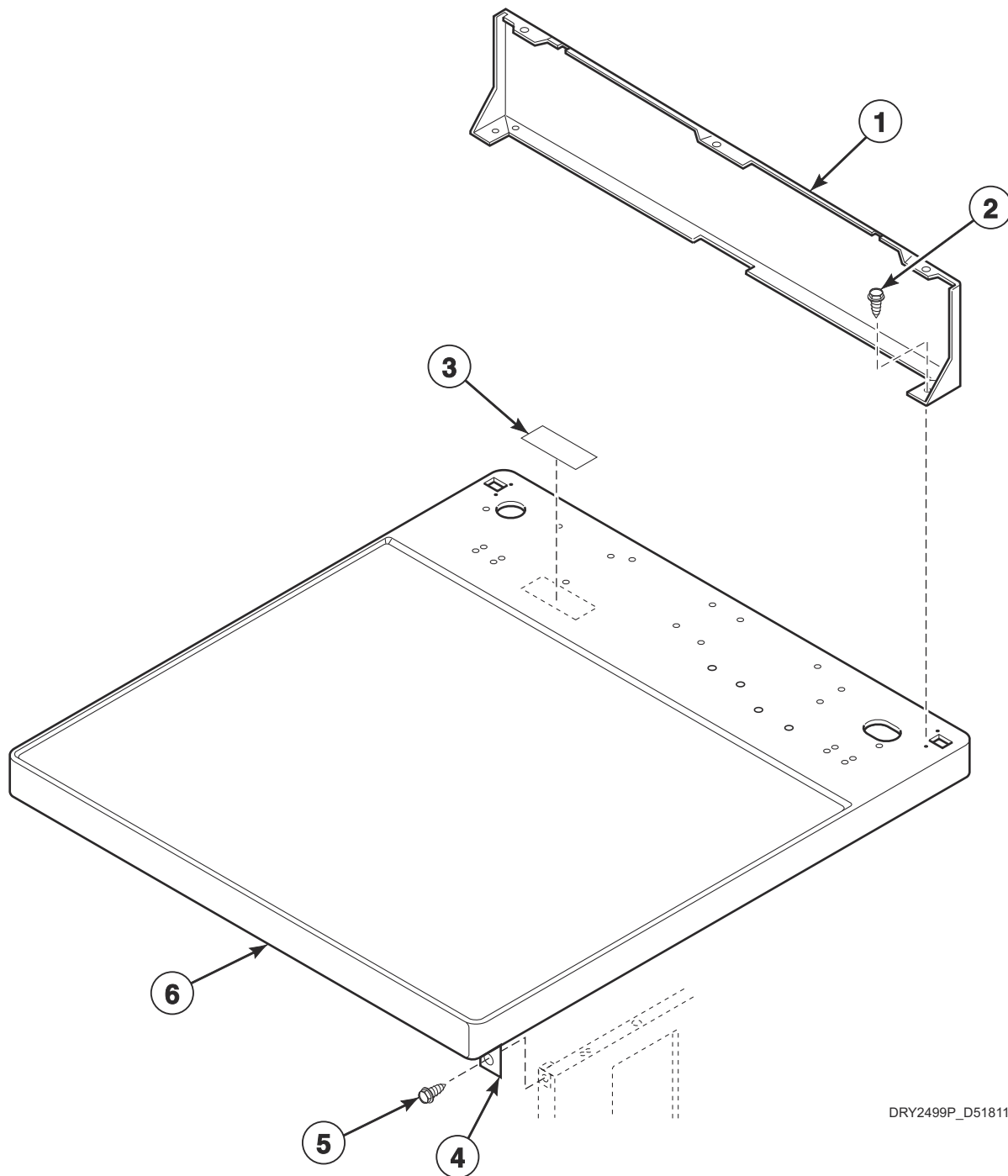
DRY2537P_D518119

Graphic Panel, Control Support Panel and Controls - Rear Control (Drawing 2 of 2)

REF	PART NO.	DESCRIPTION	COMMENTS
1	203962	End Cap	Left
2	806547	Control Support Panel	
3	203799	Screw	
4	D513505	Fabric Selector Switch	
5	D510540	Wire Assembly	
6	D504103	Adjustable Buzzer	
7	D517558	Timer	
8	D505295	Screw	
9	203961	End Cap	Right
10	35358	Hold-Down Clip	
11	D517809	Graphic Panel	Models ADE3TRGS455NW29 and ADE3TRGS455NW49
	D517546	Graphic Panel	All other models
12	806597	Knob Assembly	Model ADE3TRGS455NW49
	204046	Knob Assembly	All other models
13	D517617	Push Button Switch	
14	807075	Screw	

Cabinet Top and Control Hood Back Panel

Models ADE3TRGS435AW01, ADE3TRGS455LW01, ADE3TRGS455NW29, ADE3TRGS455NW49, ADE3TRGS465AW01, ADE3TRGS565XW01, ADEE8RGS455SW01, ADEE9RGS435AW01, ADEE9RGS435XW34, ADEE9RGS455LW01, ADEE9RGS455NW29, ADEE9RGS455NW36, ADEE9RGS455SW01, ADEE9RGS465AW01, ADEE9RGS565XW01, ADEE9RGS565XW34, ADG3TRGS305AW01, ADGE9RGS305AW01, ADGE9RGS305XW01, ADLE9RGS305XW34 and ZDEE9RGS455NW29



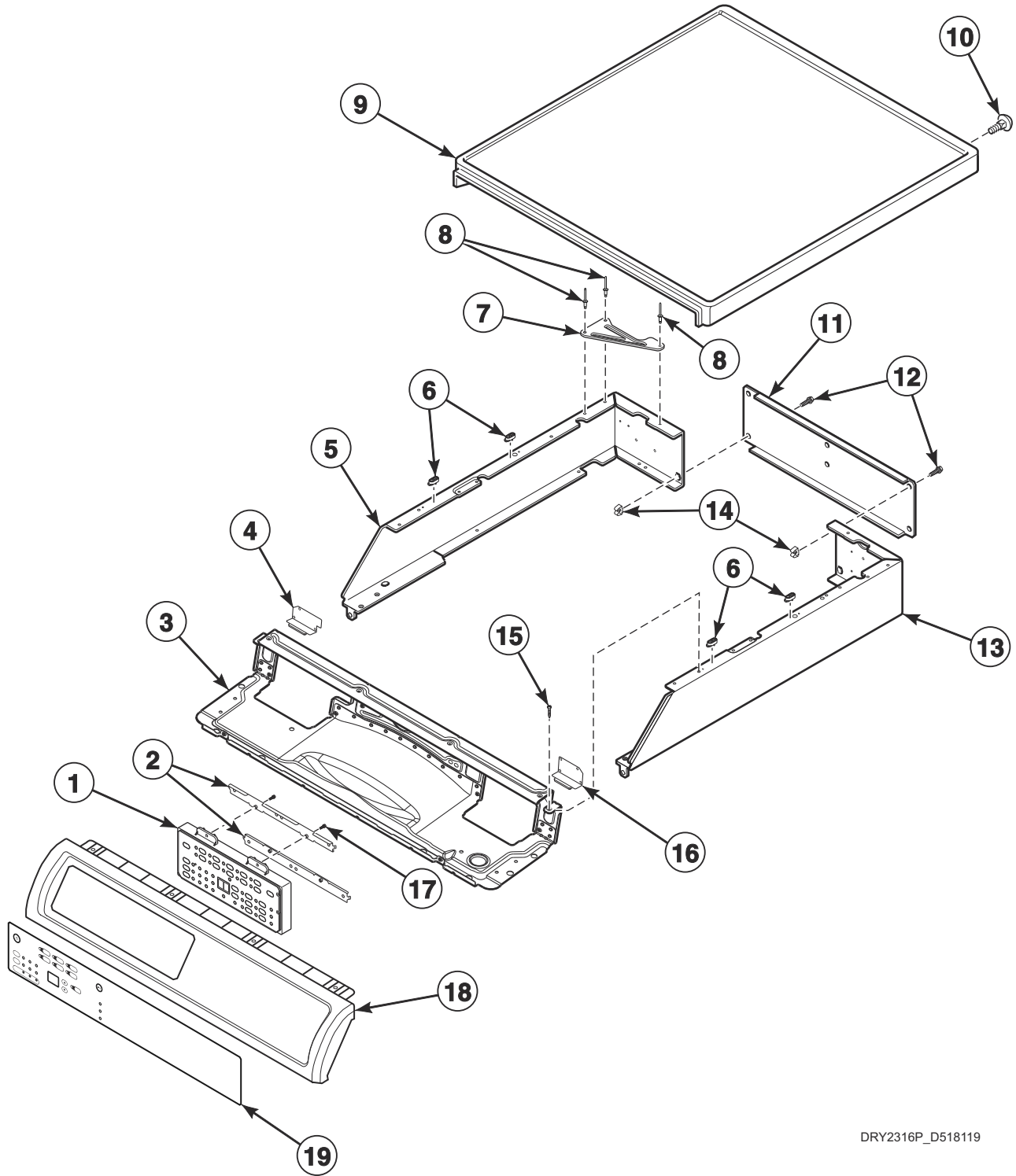
DRY2499P_D518119

Cabinet Top and Control Hood Back Panel

REF	PART NO.	DESCRIPTION	COMMENTS
1	806585	Hood Back Panel	
2	D505295	Screw	
3	F8614201	Shock Warning Label	
4	D510146	Bracket	
5	D503688	Screw	
6	D510029WP	Top Panel Kit	

Control Panel and Controls - Front Control

Models ADEE8BGS435AW01, ADEE9BGS435NW29, ADEE9BGS435XW34, ADEE9BGS455NW36, ADEE9BGS545DW01, ADEE9BGS545RW01, ADGE8BGS305AW01, ADGE9BGS125DW01, ADGE9BGS305NW29, ADGE9BGS545DW01, ADLE9BGS305XW34 and ZDEE9BGS435NW29

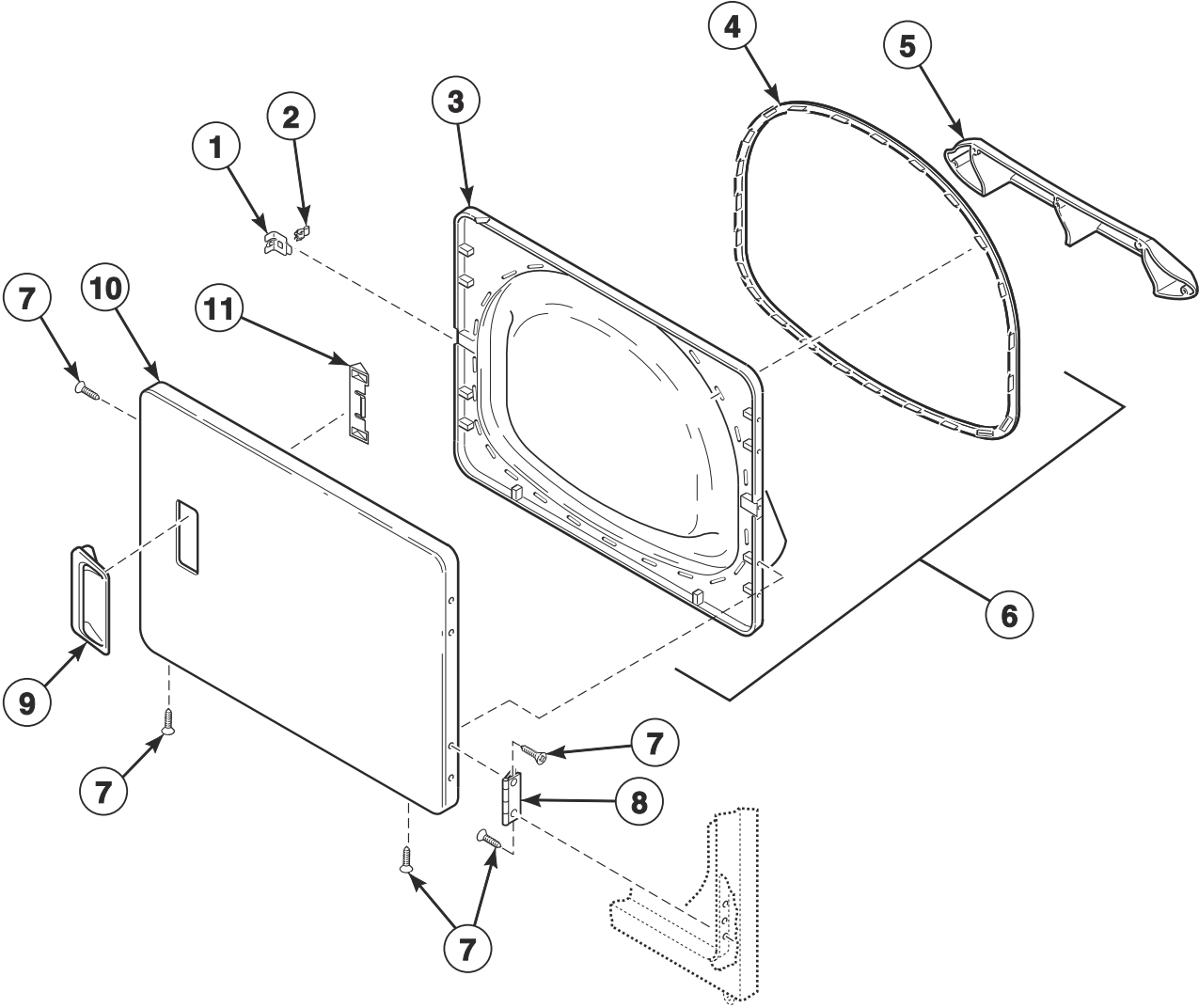


DRY2316P_D518119

Control Panel and Controls - Front Control

REF	PART NO.	DESCRIPTION	COMMENTS
1	D517583	Control Assembly	Models ADEE8BGS435AW01, ADGE8BGS305AW01 and ADGE9BGS305NW29
	D517585	Control Assembly	All other models
2	804611	Control Bracket	2 required
3	804613	Top Panel Brace Assembly	
4	804741	Control Access Panel	Left
5	804627W	Control Wrapper	Left; White
	804627B	Control Wrapper	Left; Black
6	803761	Top Panel Guide	4 required; Use 39733 Screw to attach
7	805345	Rear Wrapper Brace	
8	685847	Pop Rivet	
9	804685WP	Top Panel	White
	804684	Top Panel	Stainless steel
10	29651	Bolt	4 required
11	804614	Rear Access Panel	
12	70240301	Screw	8 required
13	804630W	Control Wrapper	Right; White
	804630B	Control Wrapper	Right: Black
14	70030501	Expansion Clip	
15	D503688	Screw	
16	804793	Control Access Panel	Right
17	804608	Screw	
18	804960	Control Panel Assembly	Use 804667 Screw to attach
19	D516542	Control Overlay	Models ADEE8BGS435AW01 and ADGE8BGS305AW01
	D516870	Control Overlay	Models ADEE9BGS435NW29 and ADGE9BGS305NW29
	D517116	Control Overlay	Models ADEE9BGS545DW01 and ADGE9BGS545DW01
	D515633	Control Overlay	Model ADEE9BGS545RW01
	D517990	Control Overlay	Model ZDEE9BGS435NW29
	D515630	Control Overlay	All other models

Loading Door

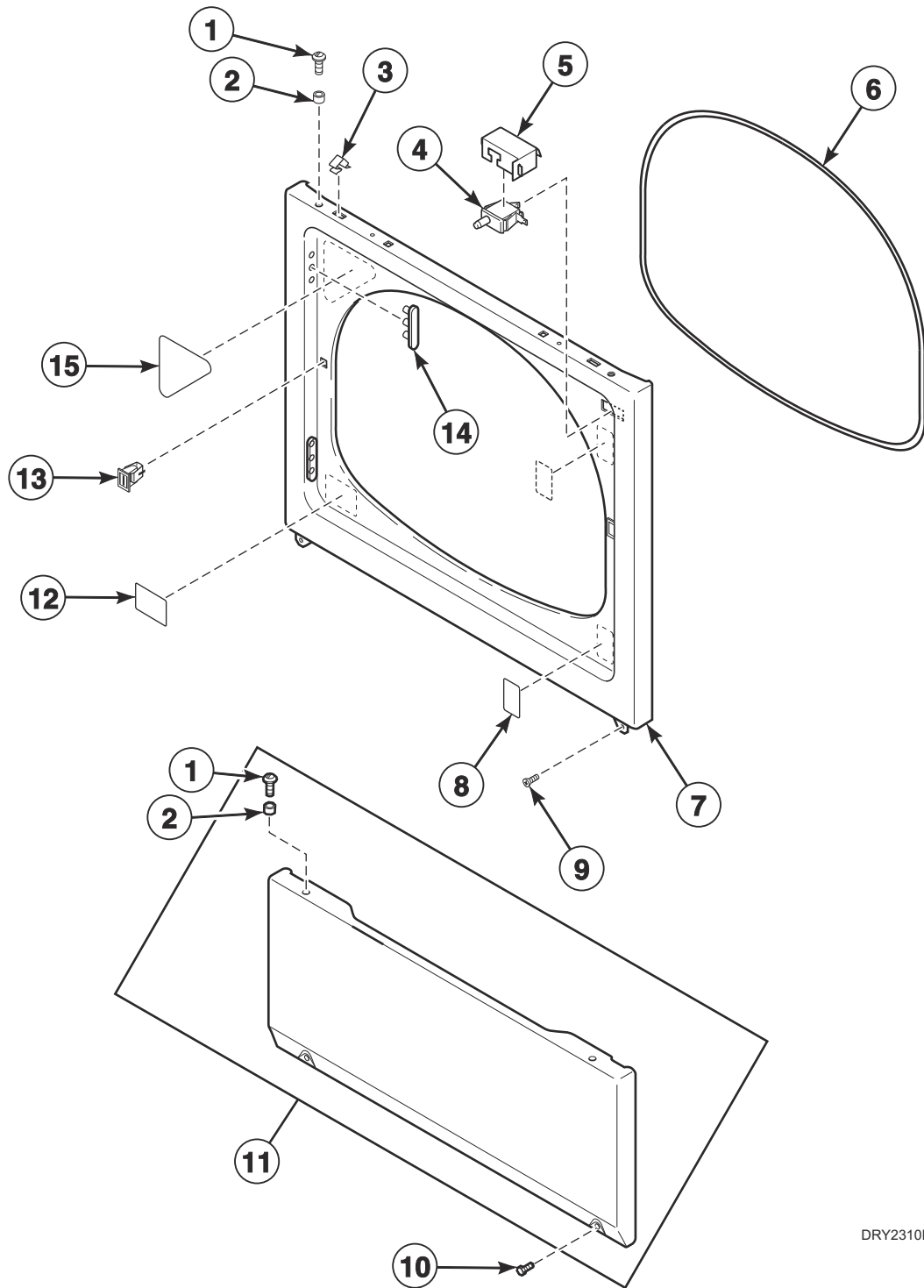


DRY2468P_D518119

Loading Door

REF	PART NO.	DESCRIPTION	COMMENTS
1	D510127	Door Strike Mount	
2	D510181	Door Strike	
3	D516508	Door Liner Assembly	
4	D510147P	Liner Door Seal	
5	D503870W	Door Liner Grill	White
	D503870LG	Door Liner Grill	Light gray
6	D518508	Door Liner Assembly	Includes item 4
7	D500226	Screw	
8	D511036	Hinge	
9	D510103WP	Door Pull and Wedge Kit	White; Includes item 11
	D511213P	Door Pull and Wedge Kit	Black; Includes item 11
10	D510013WP	Dryer Door	White
11	D510129W	Door Handle Wedge	

Access Panel, Front Panel and Seal

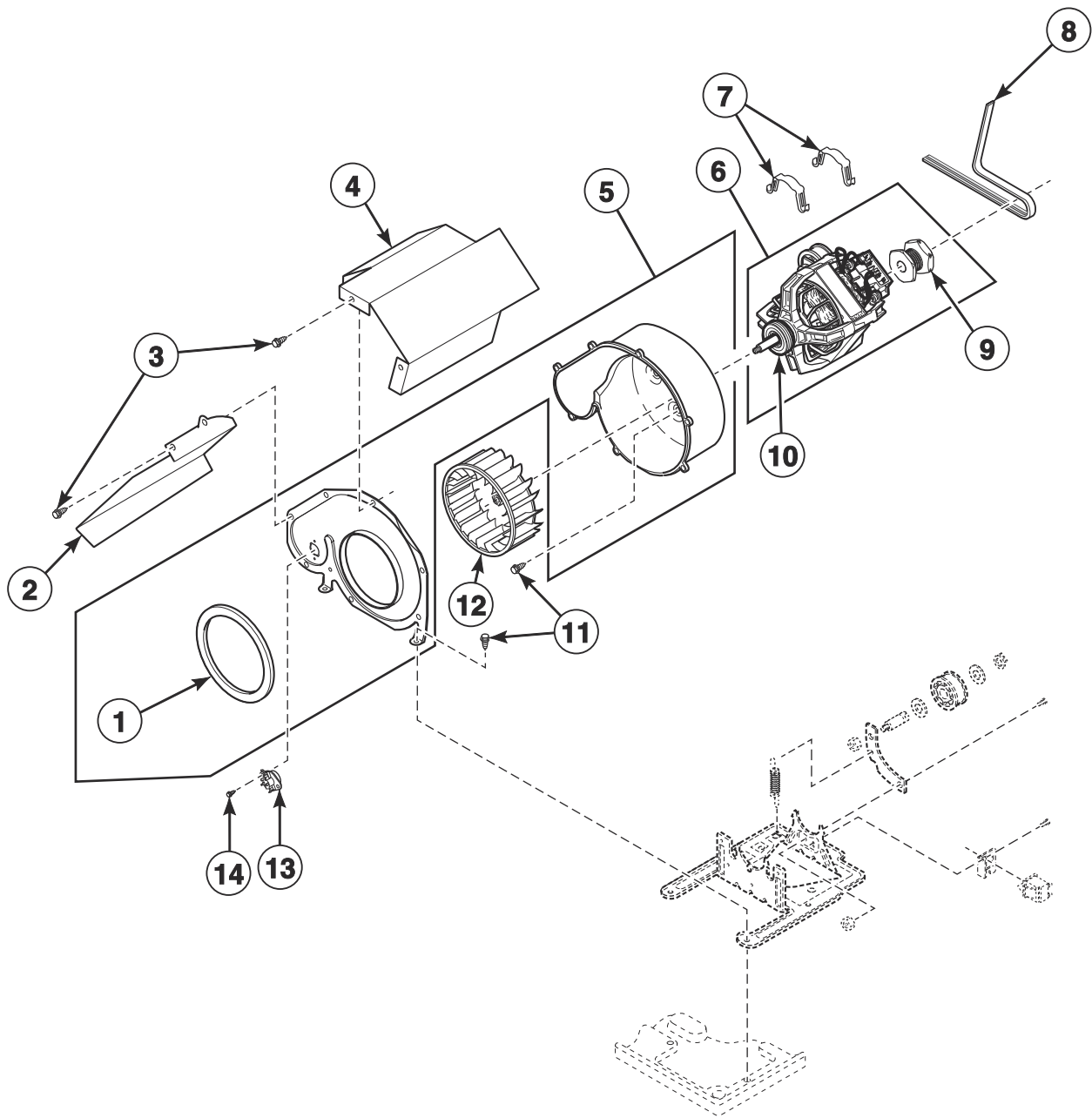


DRY2310P_D518119

Access Panel, Front Panel and Seal

REF	PART NO.	DESCRIPTION	COMMENTS
1	39733	Screw	
2	56079	Panel Locator	
3	28835	Speed Clip	
4	D512973	Switch	
5	D514327	Drip Shield	
6	D511056	Front Panel Seal	
7	D510066WP	Front Panel	White
8	D512263	Warning Label	Models ADE3TRGS435AW01, ADE3TRGS465AW01, ADEE8BGS435AW01, ADEE9RGS435AW01, ADEE9RGS465AW01, ADG3TRGS305AW01 and ADGE8BGS305AW01
9	D503688	Screw	
10	33562	Screw	
11	D514250WP	Access Panel Assembly	White
12	D502804	Lint Filter Label	Models ADE3TRGS435AW01, ADE3TRGS465AW01, ADEE8BGS435AW01, ADEE9RGS435AW01, ADEE9RGS465AW01, ADG3TRGS305AW01 and ADGE8BGS305AW01
	D502781	Lint Filter Label	All other models
13	D510177	Door Catch Assembly	
14	D510186	Hinge Hole Plug	
15	D514410	Warning Label	Arabic; Model ADEE9BGS545RW01
	D514226	Warning Label	Brazilian Portuguese; Models ADEE9BGS545DW01, ADGE9BGS125DW01 and ADGE9BGS545DW01
	D500281	Warning/Caution Label	English; All other models

Motor, Exhaust Fan and Belt

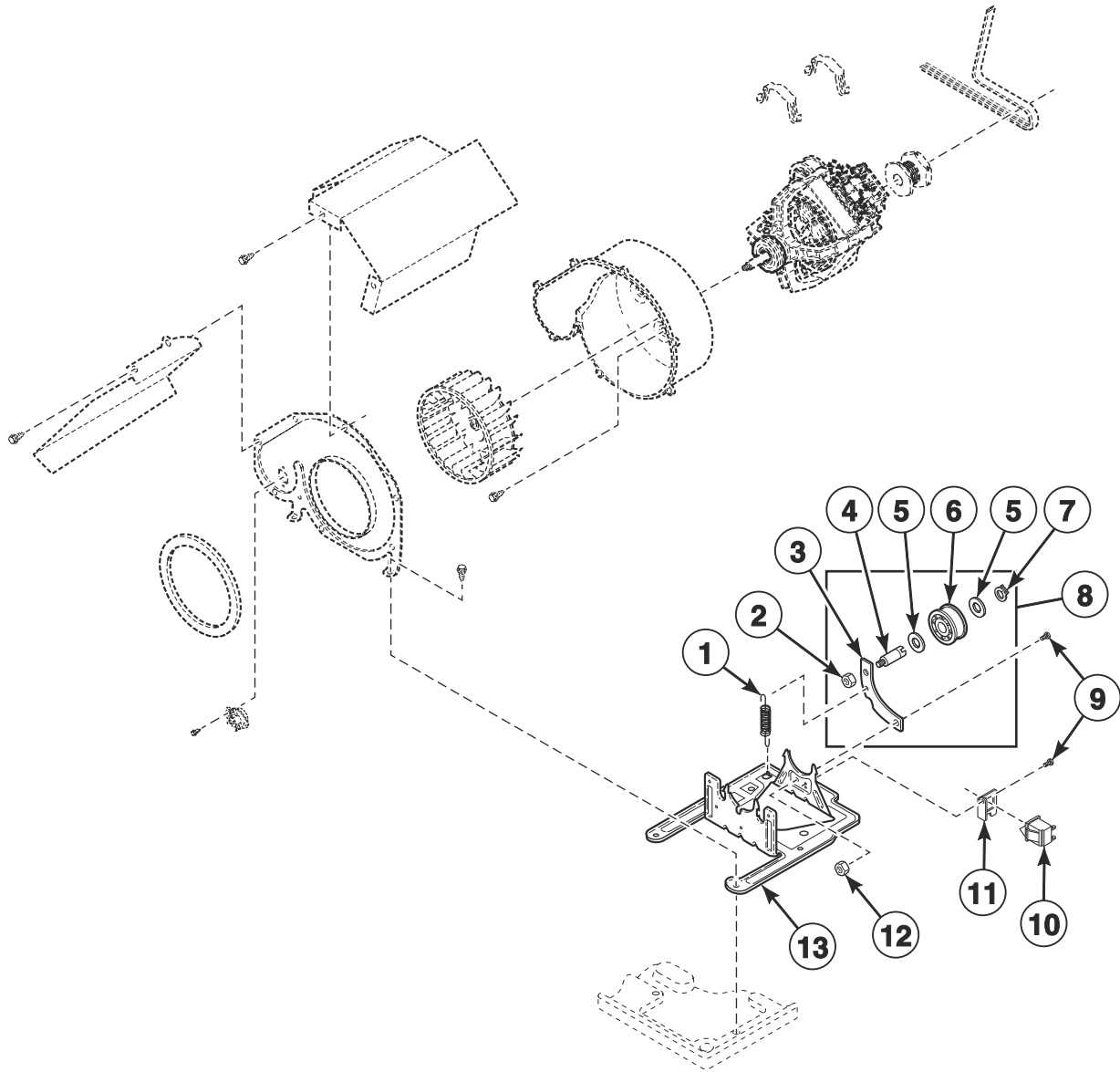


DRY2519P_D518119

Motor, Exhaust Fan and Belt

REF	PART NO.	DESCRIPTION	COMMENTS
	27604P	Anti-Seize Compound	Apply to motor shaft when installing blower fan assembly
	29443	Washer	
1	D510238P	Blower Housing Seal	
2	D514325	Thermostat Shield	Models ADE3TRGS435AW01, ADE3TRGS455LW01, ADE3TRGS455NW29, ADE3TRGS455NW49, ADE3TRGS465AW01, ADE3TRGS565XW01 and ADG3TRGS305AW01
3	31260	Screw	
4	D514602	Motor Shield	
5	D511969WP	Blower Housing	Includes items 1 and 3
6	D511629P	Motor and Pulley Assembly	120 Volt/60 Hertz; Includes items 9 and 10; Apply anti-seize compound to motor shaft when installing blower fan assembly; Model ADGE9BGS125DW01
	D505869P	Motor and Pulley Assembly	240 Volt/60 Hertz; Includes items 9 and 10; Apply anti-seize compound to motor shaft when installing blower fan assembly; Models ADEE9BGS545DW01, ADEE9BGS545RW01 and ADGE9BGS545DW01
	D517938	Motor Assembly	240 Volt/50 Hertz; Includes items 9 and 10; Apply anti-seize compound to motor shaft when installing blower fan assembly; All other models
7	D510180	Motor Mount Clamp	
8	D511255P	Cylinder Belt	
9	D500222	Motor Pulley	50 Hertz
	D500011	Motor Pulley	60 Hertz
10	590P3	Motor Hub Ring Kit	
11	D503688	Screw	
12	D510139P	Blower Fan Assembly	
13	D511887	Thermostat	Models ADE3TRGS435AW01, ADE3TRGS455LW01, ADE3TRGS455NW29, ADE3TRGS455NW49, ADE3TRGS465AW01, ADE3TRGS565XW01 and ADG3TRGS305AW01
	D510523	Thermistor Assembly	Black; Models ADEE9BGS545DW01, ADEE9BGS545RW01, ADGE9BGS125DW01 and ADGE9BGS545DW01
	M414704	Thermistor	Model ADEE9RGS435AW01
	D502366	Thermistor Assembly	All other models
14	D502535	Screw	

Motor Bracket and Idler Assembly

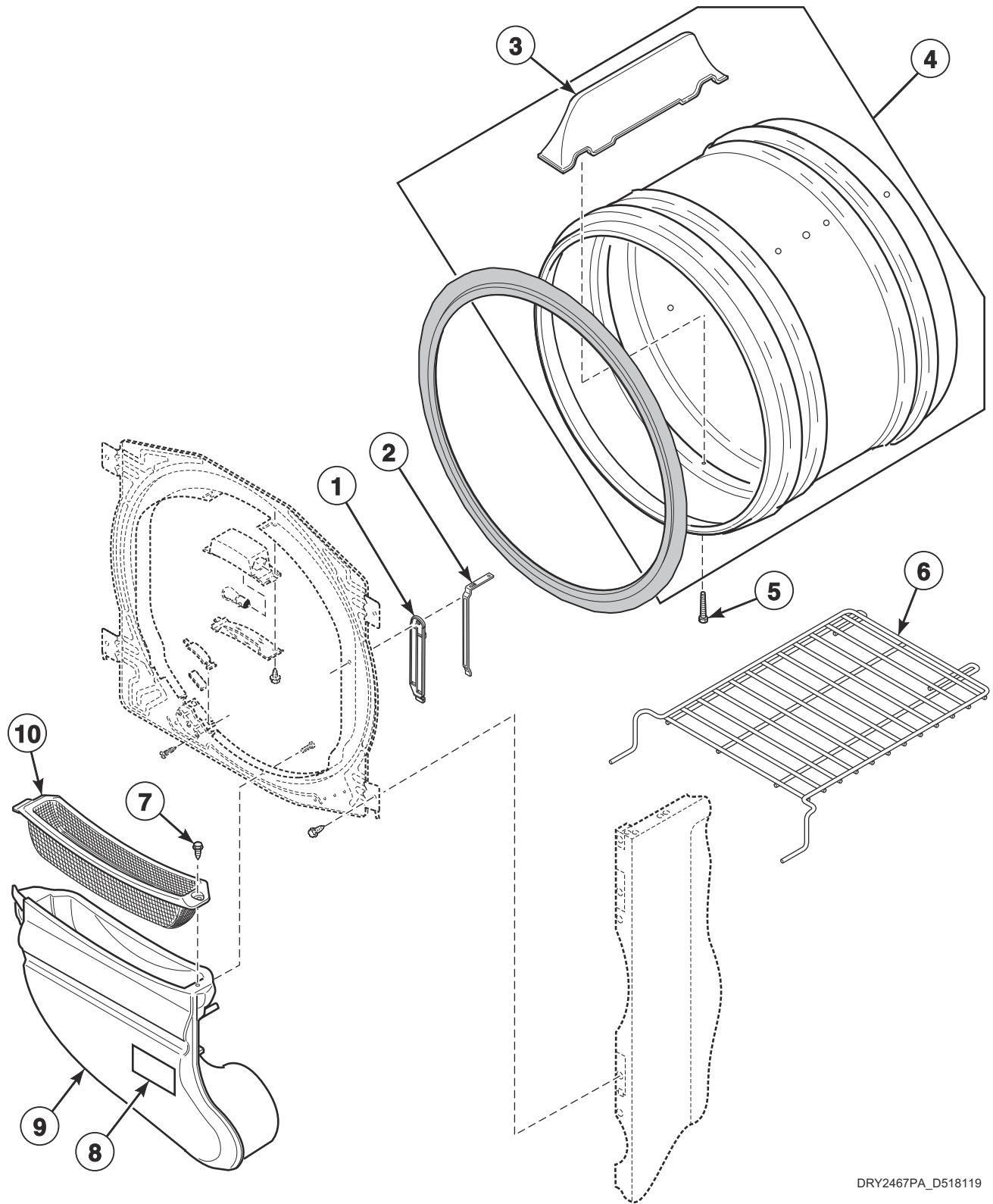


DRY2519PA_D518119

Motor Bracket and Idler Assembly

REF	PART NO.	DESCRIPTION	COMMENTS
	27604P	Anti-Seize Compound	Apply to motor shaft when installing blower fan assembly
1	D510185	Idler Spring	
2	44087301	Nut	
3	D516310	Idler Lever	
4	56461P	Shaft	
5	52549	Washer	
6	D510142P	Idler Wheel and Bearing Assembly	
7	23748	Retaining Ring	
8	D516792	Idler Lever and Wheel Assembly	Includes items 2 -7
9	D500824	Screw	
10	D516391	Switch	All models except ADE3TRGS435AW01, ADE3TRGS455NW29, ADE3TRGS455NW49, ADE3TRGS465AW01 and ADG3TRGS305AW01
11	D516311	Motor Switch Bracket	All models except ADE3TRGS435AW01, ADE3TRGS455NW29, ADE3TRGS455NW49, ADE3TRGS465AW01 and ADG3TRGS305AW01
12	52566	Nut	
13	D510060	Motor Mount	

Cylinder and Air Duct

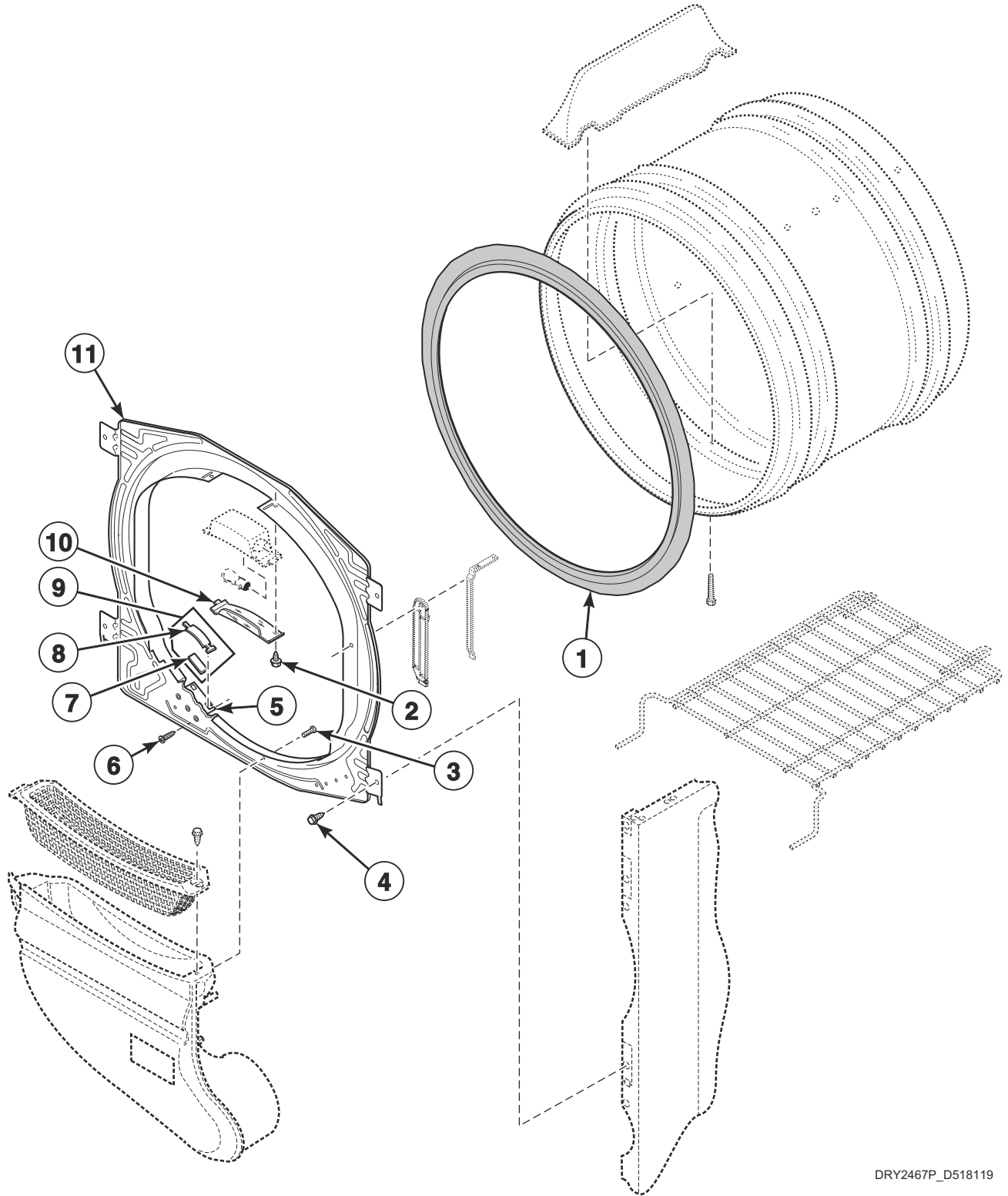


DRY2467PA_D518119

Cylinder and Air Duct

REF	PART NO.	DESCRIPTION	COMMENTS
1	D513738	Moisture Sensor Base	
2	D513737	Bar Sensor	
3	D510102W	Cylinder Baffle	3 required; White
4	D510265WP	Cylinder Assembly	Galvanized
	D510159WP	Cylinder Assembly	White
5	62588	Screw	
6	D512082P	Drying Rack	
7	D501285	Screw	
8	F8614201	Shock Warning Label	
	F8615701	Pinch Warning Label	
9	D518432	Air Duct Assembly	
10	D503980W	Lint Filter	White
	D503980LG	Lint Filter	Light gray

Front Bulkhead and Felt Seal



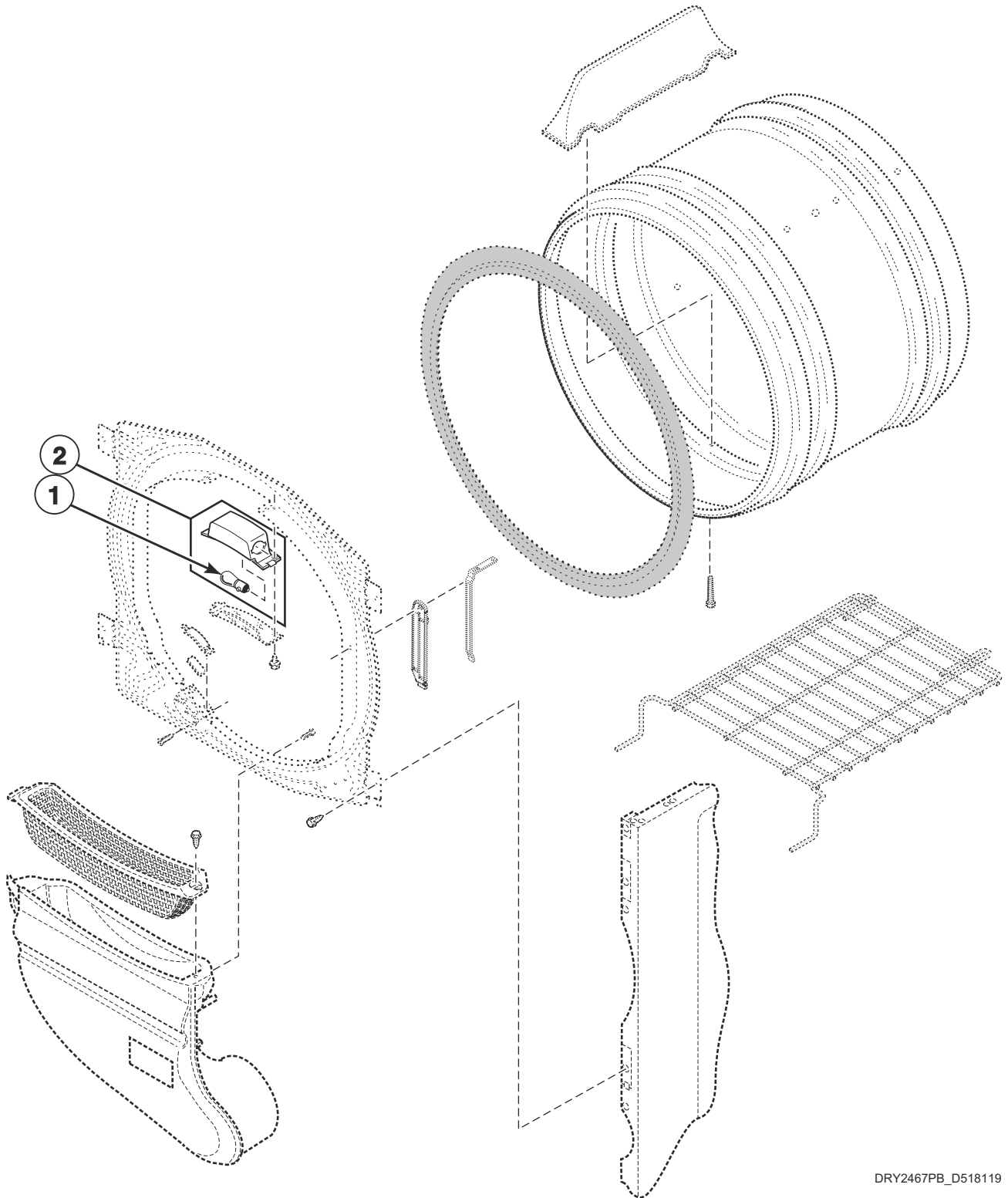
DRY2467P_D518119

Front Bulkhead and Felt Seal

REF	PART NO.	DESCRIPTION	COMMENTS
1	D510207P	Cylinder Seal Assembly	
	D511637P	Adhesive	Apply to cylinder seal
	RB170001	Seal Kit	Includes 2 cylinder seals, D510238P Blower Housing Seal and Adhesive
2	D500227	Screw	
3	D505295	Screw	
4	D503688	Screw	Use with painted side panels
	M405188	Screw	Use with stainless steel side panels
5	D510145	Cylinder Glide Bracket	2 required
6	D500226	Screw	
7	D510189	Felt Pad	2 required
8	D513710	Cylinder Glide	2 required
9	RB170003	Glide Kit	Includes items 7 and 8
10	D512106	Cylinder Light Lens	All models except ADE3TRGS435AW01, ADE3TRGS455LW01, ADE3TRGS455NW29, ADE3TRGS455NW49, ADE3TRGS465AW01, ADE3TRGS565XW01, ADEE8RGS455SW01 and ADG3TRGS305AW01
11	D515535WP	Front Bulkhead	White; Model ADEE8RGS455SW01
	D510266P	Front Bulkhead Assembly	Galvanized; Models ADE3TRGS435AW01, ADE3TRGS455LW01, ADE3TRGS455NW29, ADE3TRGS455NW49, ADE3TRGS465AW01, ADE3TRGS565XW01 and ADG3TRGS305AW01
	D515532	Front Bulkhead Assembly	Galvanized; Models ADEE9BGS545RW01 and ADEE9RGS455SW01
	D513641	Front Bulkhead	Galvanized; All other models
	D513640W	Front Bulkhead	White; All other models

Cylinder Light

All Models Except ADE3TRGS435AW01, ADE3TRGS455LW01, ADE3TRGS455NW29, ADE3TRGS455NW49, ADE3TRGS465AW01 and ADE3TRGS565XW01

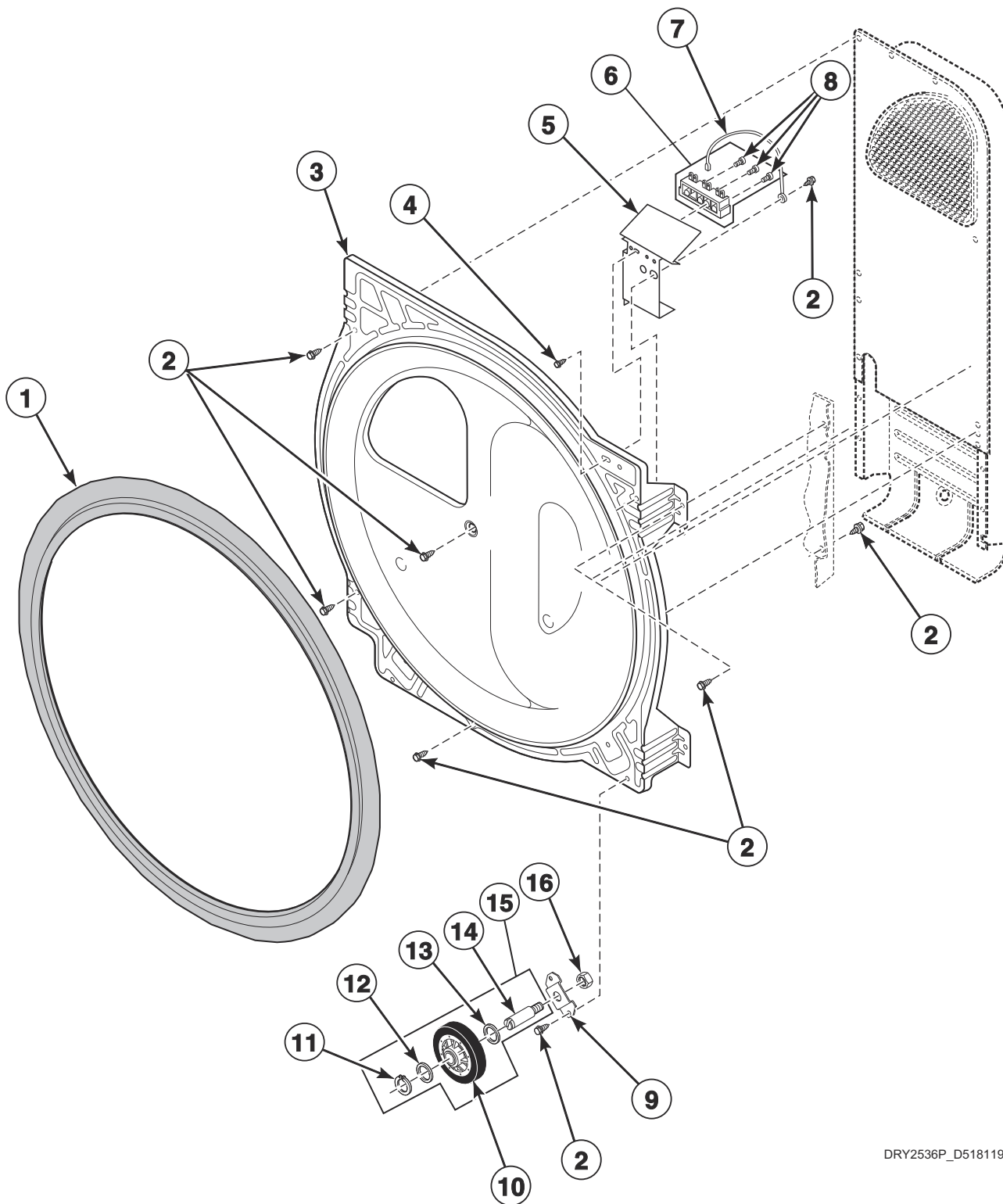


DRY2467PB_D518119

Cylinder Light

REF	PART NO.	DESCRIPTION	COMMENTS
1	60954	Drum Light Lamp	120V; Model ADGE9BGS125DW01
	D503579	Drum Light Lamp	240 Volt; Models ADEE8BGS435AW01, ADEE9BGS435NW29, ADEE9BGS435XW34, ADEE9BGS455NW36, ADEE9BGS545DW01, ADEE9BGS545RW01, ADEE9RGS435AW01, ADEE9RGS435XW34, ADEE9RGS455LW01, ADEE9RGS455NW29, ADEE9RGS455NW36, ADEE9RGS455SW01, ADEE9RGS465AW01, ADEE9RGS565XW01, ADEE9RGS565XW34, ADGE8BGS305AW01, ADGE9BGS305NW29, ADGE9BGS545DW01, ADGE9RGS305XW01, ADLE9BGS305XW34, ADLE9RGS305XW34, ZDEE9BGS435NW29 and ZDEE9RGS455NW29
2	D512108	Light Housing Assembly	120 Volt; Includes item 1; Model ADGE9BGS125DW01
	D512109	Cylinder Light Assembly	240 Volt; Includes item 1; Models ADEE8BGS435AW01, ADEE9BGS435NW29, ADEE9BGS435XW34, ADEE9BGS455NW36, ADEE9BGS545DW01, ADEE9BGS545RW01, ADEE9RGS435AW01, ADEE9RGS435XW34, ADEE9RGS455LW01, ADEE9RGS455NW29, ADEE9RGS455NW36, ADEE9RGS455SW01, ADEE9RGS465AW01, ADEE9RGS565XW01, ADEE9RGS565XW34, ADGE8BGS305AW01, ADGE9BGS305NW29, ADGE9BGS545DW01, ADGE9RGS305XW01, ADLE9BGS305XW34, ADLE9RGS305XW34, ZDEE9BGS435NW29 and ZDEE9RGS455NW29

Rear Bulkhead, Felt Seal, Cylinder Roller and Terminal Block



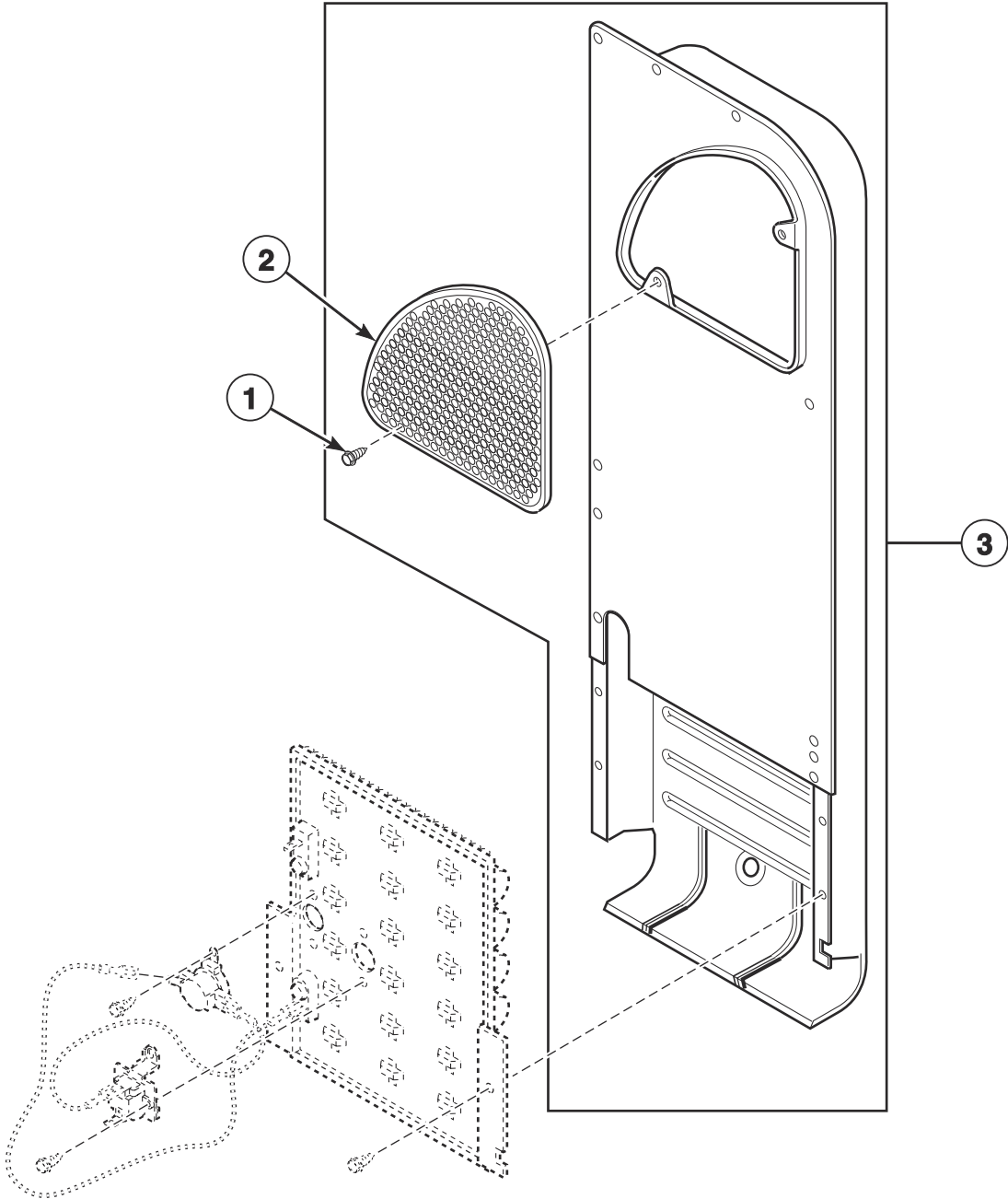
DRY2536P_D518119

Rear Bulkhead, Felt Seal, Cylinder Roller and Terminal Block

REF	PART NO.	DESCRIPTION	COMMENTS
1	D510207P	Cylinder Seal Assembly	
	D511637P	Adhesive	Apply to cylinder seal
	RB170001	Seal Kit	Includes 2 cylinder seals, D510238P Blower Housing Seal and Adhesive
2	D503688	Screw	
3	D511082P	Rear Bulkhead Assembly	Includes item 1; Galvanized
	D510905WP	Rear Bulkhead Assembly	White; Includes item 1
4	44023301	Screw	Electric models ADEE8BGS435AW01, ADEE8RGS455SW01, ADEE9BGS435NW29, ADEE9RGS455LW01, ADEE9RGS465AW01, ADEE9RGS565XW01, ADEE9RGS565XW34 and ZDEE9BGS435NW29
	D501285	Screw	All other Electric models
5	D517715	Terminal Block Shield	Electric models
6	D510190P	Terminal Block Assembly	Includes 3 of item 8; Electric models and model ADGE9BGS305NW29
7	D510550	Ground Wire Assembly	
8	61199	Screw	
9	D510100	Cylinder Roller Bracket	
10	D510708P	Cylinder Roller	
11	23748	Retaining Ring	
12	52549	Washer	
13	D504082	Washer	
14	56461P	Shaft	
15	RB170002	Roller Kit	Includes 2 each of items 10-14
16	44087301	Nut	

Heater Duct and Element Assembly (Drawing 1 of 2)

Electric Models



DRY1789P_D518119

Heater Duct and Element Assembly (Drawing 1 of 2)

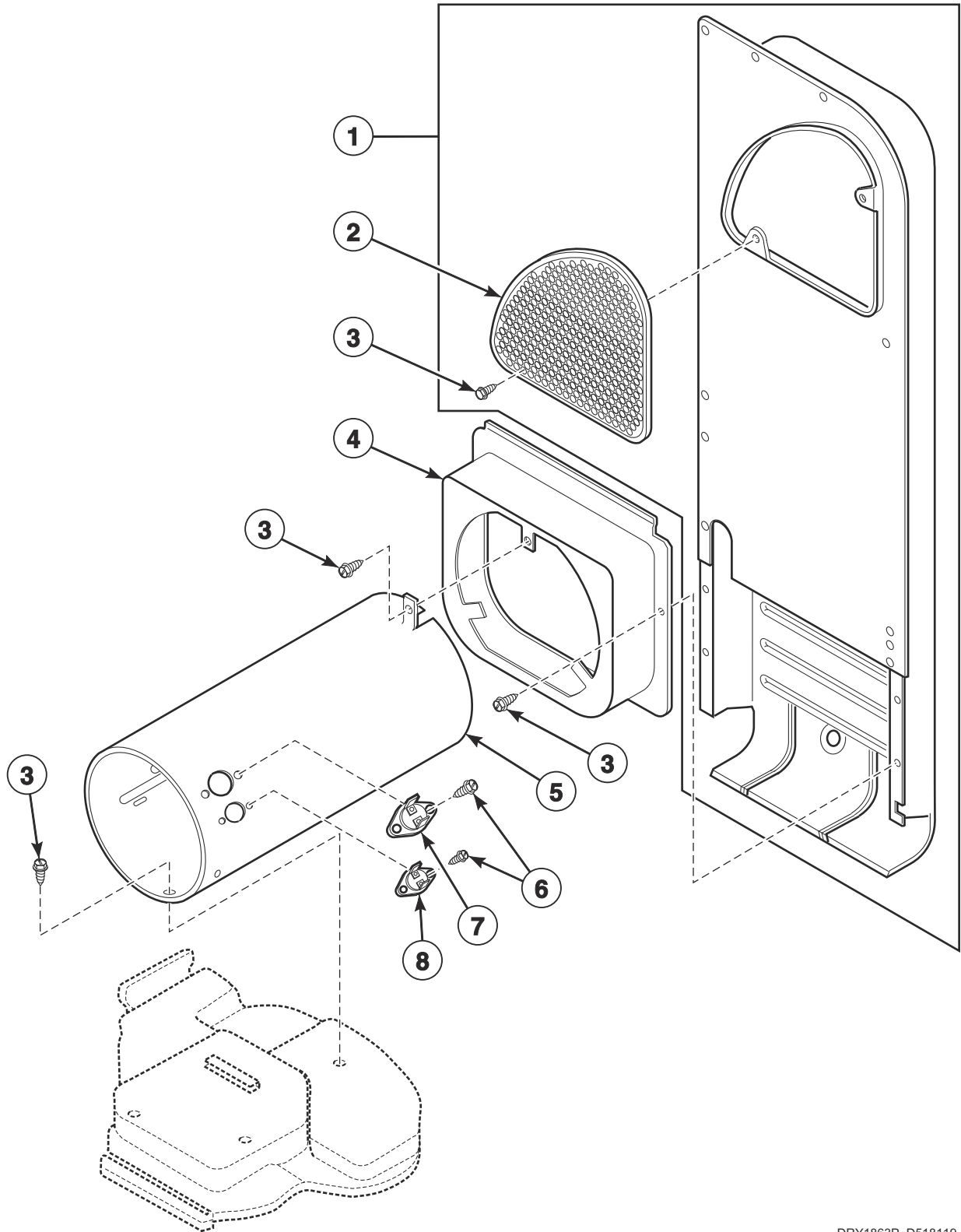
REF	PART NO.	DESCRIPTION	COMMENTS
1	D503688	Screw	
2	D514475	Outlet Cover	Models ADEE8BGS435AW01, ADEE9BGS435NW29, ADEE9BGS435XW34, ADEE9RGS435AW01, ADEE9RGS435XW34, ADEE9RGS465AW01 and ZDEE9BGS435NW29
	D500820	Outlet Cover	Aluminized steel; All other models
	D518524	Outlet Cover	Black; Nitrocarburized; All other models
3	D510025P	Heater Duct Assembly	Includes items 1 and 2
	D514476	Heater Duct Assembly	Models ADEE9BGS435NW29, ADEE9BGS435XW34, ADEE9RGS435XW34, ADEE9RGS465AW01 and ZDEE9BGS435NW29; Includes items 1 and 2

Heater Duct and Element Assembly (Drawing 2 of 2)

REF	PART NO.	DESCRIPTION	COMMENTS
1	D503688	Screw	
2	D518256	Wire Assembly	Orange; Thermostat jumper; Attaches to heater assembly
3	D518255	Wire Assembly	Black; Fuse jumper; Attaches to heater assembly
4	D516193	Limit Thermostat	Manual reset 165°F; Models ADE3TRGS465AW01 and ADEE9RGS465AW01
	D518542	Thermal Fuse Assembly	All other models
5	23222	Screw	
6	D510700	Limit Thermostat	Models ADEE8RGS455SW01, ADEE9BGS455NW36, ADEE9RGS455LW01, ADEE9RGS455NW29, ADEE9RGS455NW36, ADEE9RGS455SW01, ADEE9RGS565XW01, ADEE9RGS565XW34 and ZDEE9RGS455NW29
	D516192	Limit Thermostat	Models ADE3TRGS465AW01 and ADEE9RGS465AW01
	D510701	Limit Thermostat	All other models
7	D510327P	Heater Assembly	4 kW; 240 Volt; Models ADE3TRGS435AW01, ADEE8BGS435AW01, ADEE9BGS435NW29, ADEE9BGS435XW34, ADEE9RGS435AW01, ADEE9RGS435XW34 and ZDEE9BGS435NW29
	D510328P	Heater Assembly	3.1 kW; 240 Volt; Models ADEE8RGS455SW01, ADEE9BGS455NW36, ADEE9RGS455LW01, ADEE9RGS455NW29, ADEE9RGS455NW36, ADEE9RGS455SW01 and ZDEE9RGS455NW29
	D511503P	Heater Assembly	2.8 kW; 240 Volt; Models ADEE9RGS565XW01 and ADEE9RGS565XW34
	D516123	Heater Assembly	1.9 kW; 240 Volt; Models ADE3TRGS465AW01 and ADEE9RGS465AW01
	D510324P	Heater Assembly	5 kW; 240 Volt; All other models
8	61930	Heater Kit Assembly	4 kW; 240 Volt; Includes items 2-7; Models ADE3TRGS435AW01, ADEE8BGS435AW01, ADEE9BGS435NW29, ADEE9BGS435XW34, ADEE9RGS435AW01, ADEE9RGS435XW34 and ZDEE9BGS435NW29
	61931	Heater Kit Assembly	3.1 kW; 240 Volt; Includes items 2-7; Models ADEE8RGS455SW01, ADEE9BGS455NW36, ADEE9RGS455LW01, ADEE9RGS455NW29, ADEE9RGS455NW36, ADEE9RGS455SW01 and ZDEE9RGS455NW29
	966P3	Heater Kit	2.8 kW; 240 Volt; Includes items 2-7; Models ADEE9RGS565XW01 and ADEE9RGS565XW34
	61927	Heater Kit Assembly	5 kW; 240 Volt/60 Hertz; Includes items 2-7; Models ADE3TRGS455LW01, ADE3TRGS455NW29, ADE3TRGS455NW49, ADE3TRGS565XW01, ADEE9BGS545DW01 and ADEE9BGS545RW01

Heater Duct Assembly

Gas Models



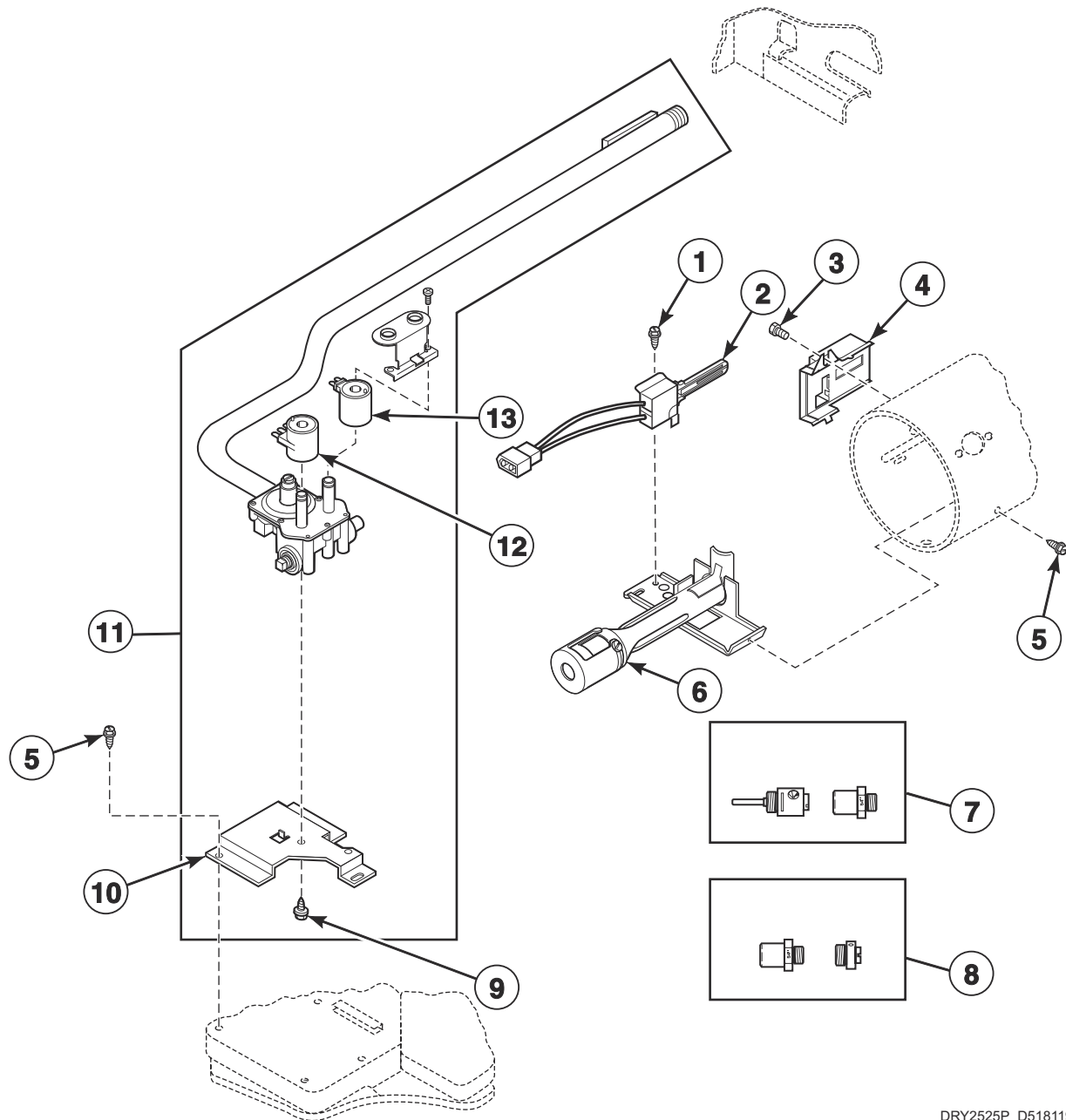
DRY1863P_D518119

Heater Duct Assembly

REF	PART NO.	DESCRIPTION	COMMENTS
1	D510025P	Heater Duct Assembly	Includes items 1 and 3
2	D500820	Outlet Cover	
	D518524	Outlet Cover	Black
3	D503688	Screw	
4	D510101	Heat Duct Shroud	
5	D510132	Combustion Duct	
6	51782	Screw	
7	D510702	Limit Thermostat	Black; Auto reset
8	D510703	Thermostat	

Gas Valve, Igniter and Gas Conversion Kits

Gas Models



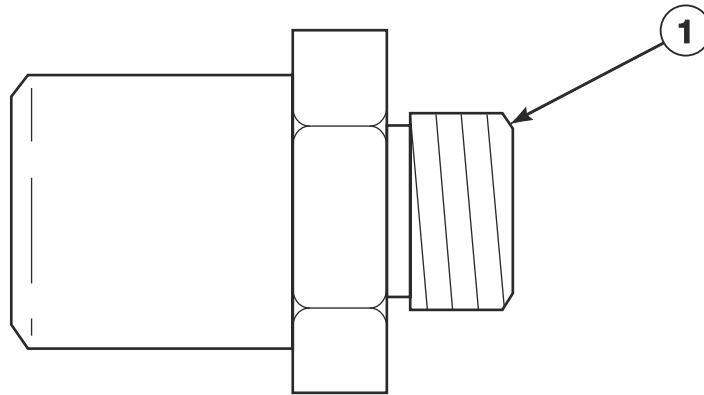
DRY2525P_D518119

Gas Valve, Igniter and Gas Conversion Kits

REF	PART NO.	DESCRIPTION	COMMENTS
1	51782	Screw	
2	D510184P	Igniter and Bracket Assembly	
3	23222	Screw	
4	D510213	Sensor	
5	D503688	Screw	
6	D510149P	Burner Assembly	
7	401P3	L.P. Conversion Kit	Used to convert dryers from Natural Gas (N.G.) or Mixed Gas to Liquid Petroleum Gas (L.P.); 20,000 Btu; Models ADG3TRGS305AW01, ADGE8BGS305AW01, ADGE9BGS305NW29, ADGE9RGS305AW01, ADGE9RGS305XW01, ADLE9BGS305XW34 and ADLE9RGS305XW34
	649P3	L.P. Conversion Kit	Used to convert dryers from N.G. or Mixed Gas to L.P.; 22,500 Btu; All other models
8	402P3	N.G. Conversion Kit	Used to convert dryers from L.P. to N.G. or Mixed Gas; 20,000 Btu; Models ADG3TRGS305AW01, ADGE8BGS305AW01, ADGE9BGS305NW29, ADGE9RGS305AW01, ADGE9RGS305XW01, ADLE9BGS305XW34 and ADLE9RGS305XW34
	650P3	N.G. Conversion Kit	Used to convert dryers from L.P. to N.G. or Mixed Gas; 22,500 Btu; All other models
9	56124	Screw	
10	D510128	Gas Valve Mounting Bracket	
11	D517607	Gas Valve, Bracket and Pipe Assembly	50 Hertz; 20,000 Btu; N.G.; Includes items 9-13; Models ADG3TRGS305AW01, ADGE8BGS305AW01, ADGE9BGS305NW29, ADGE9RGS305AW01 and ADGE9RGS305XW01
	D517611	Gas Valve, Bracket and Pipe Assembly	50 Hertz; 20,000 Btu; L.P.; Includes items 9-13; Models ADLE9BGS305XW34 and ADLE9RGS305XW34
	D517609	Gas Valve, Bracket and Pipe Assembly	60 Hertz; 22,500 Btu; N.G.; Includes items 9-13; All other models
12	59063A	Booster and Holding Coil	50 Hertz; Models ADG3TRGS305AW01, ADGE8BGS305AW01, ADGE9BGS305NW29, ADGE9RGS305AW01, ADGE9RGS305XW01, ADLE9BGS305XW34 and ADLE9RGS305XW34
	58804A	Booster and Holding Coil	60 Hertz; All other models
13	59063B	Secondary Coil	50 Hertz; Models ADG3TRGS305AW01, ADGE8BGS305AW01, ADGE9BGS305NW29, ADGE9RGS305AW01, ADGE9RGS305XW01, ADLE9BGS305XW34 and ADLE9RGS305XW34
	58804B	Secondary Coil	60 Hertz; All other models

Burner Orifice Spuds - For Higher Elevations

Gas Models

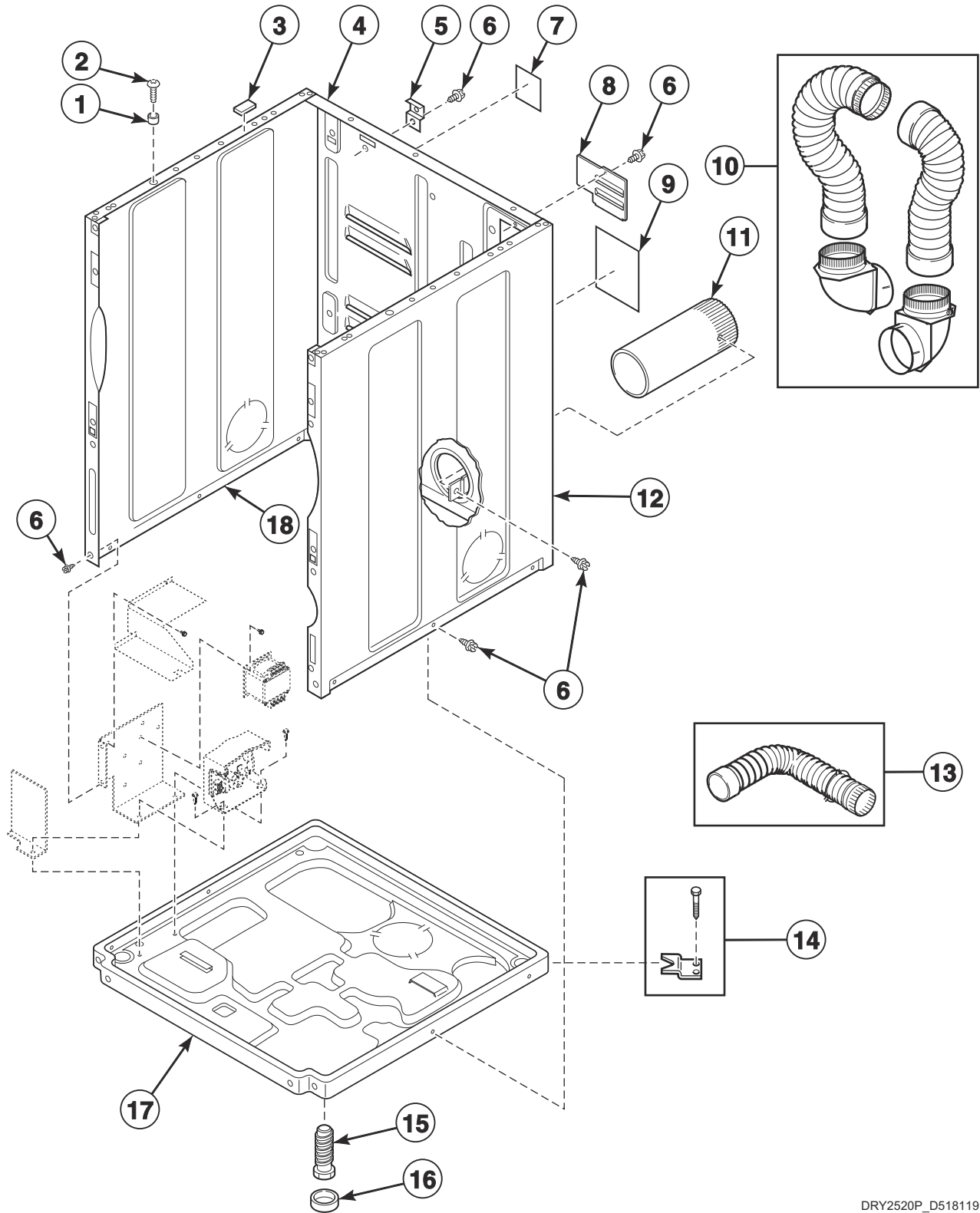


DRY2266P_D518119

Burner Orifice Spuds - For Higher Elevations

REF	PART NO.	DESCRIPTION	COMMENTS
1	D503786	L.P. Orifice	#56 (1.2mm); 20,000 Btu, 4500-9499 feet (1370-2999 m) for models ADG3TRGS305AW01, ADGE8BGS305AW01, ADGE9BGS305NW29, ADGE9RGS305AW01, ADGE9RGS305XW01, ADLE9BGS305XW34 and ADLE9RGS305XW34; 22,500 Btu, 8000 feet (2440 m) and higher for all other models
	60941	L.P. Orifice	#57 (1.1mm); 20,000 Btu; 9500 feet (3000 m) and higher; Models ADG3TRGS305AW01, ADGE8BGS305AW01, ADGE9BGS305NW29, ADGE9RGS305AW01, ADGE9RGS305XW01, ADLE9BGS305XW34 and ADLE9RGS305XW34
	D503778	N.G. Orifice	#43; 22,500 Btu; 3000-5999 feet (915-1829 m); Models ADGE9BGS125DW01 and ADGE9BGS545DW01
	58719	Screw Orifice	#44; 22,500 Btu; 6000-7999 feet (1830-2439 m); Models ADGE9BGS125DW01 and ADGE9BGS545DW01
	D503779	N.G. Orifice	#45; 20,000 Btu, 2500-4499 feet (760-1369 m) for models ADG3TRGS305AW01, ADGE8BGS305AW01, ADGE9BGS305NW29, ADGE9RGS305AW01, ADGE9RGS305XW01, ADLE9BGS305XW34 and ADLE9RGS305XW34; 22,500 Btu, 8000-8999 feet (2440-2739 m) for all other models
	D503780	N.G. Orifice	#46; 20,000 Btu, 4500-5999 feet (1370-1829 m) for models ADG3TRGS305AW01, ADGE8BGS305AW01, ADGE9BGS305NW29, ADGE9RGS305AW01, ADGE9RGS305XW01, ADLE9BGS305XW34 and ADLE9RGS305XW34; 22,500 Btu, 9000-9999 feet (2740-3049 m) for all other models
	D503781	N.G. Orifice	#47; 20,000 Btu, 6000-7499 feet (1830-2289 m) for models ADG3TRGS305AW01, ADGE8BGS305AW01, ADGE9BGS305NW29, ADGE9RGS305AW01, ADGE9RGS305XW01, ADLE9BGS305XW34 and ADLE9RGS305XW34; 22,500 Btu, 10,000 feet (3050 m) and higher for all other models
	D503782	N.G. Orifice	#48; 20,000 Btu; 7500-9499 feet (2290-2899 m); Models ADG3TRGS305AW01, ADGE8BGS305AW01, ADGE9BGS305NW29, ADGE9RGS305AW01, ADGE9RGS305XW01, ADLE9BGS305XW34 and ADLE9RGS305XW34

Cabinet, Exhaust Duct and Base (Drawing 1 of 2)

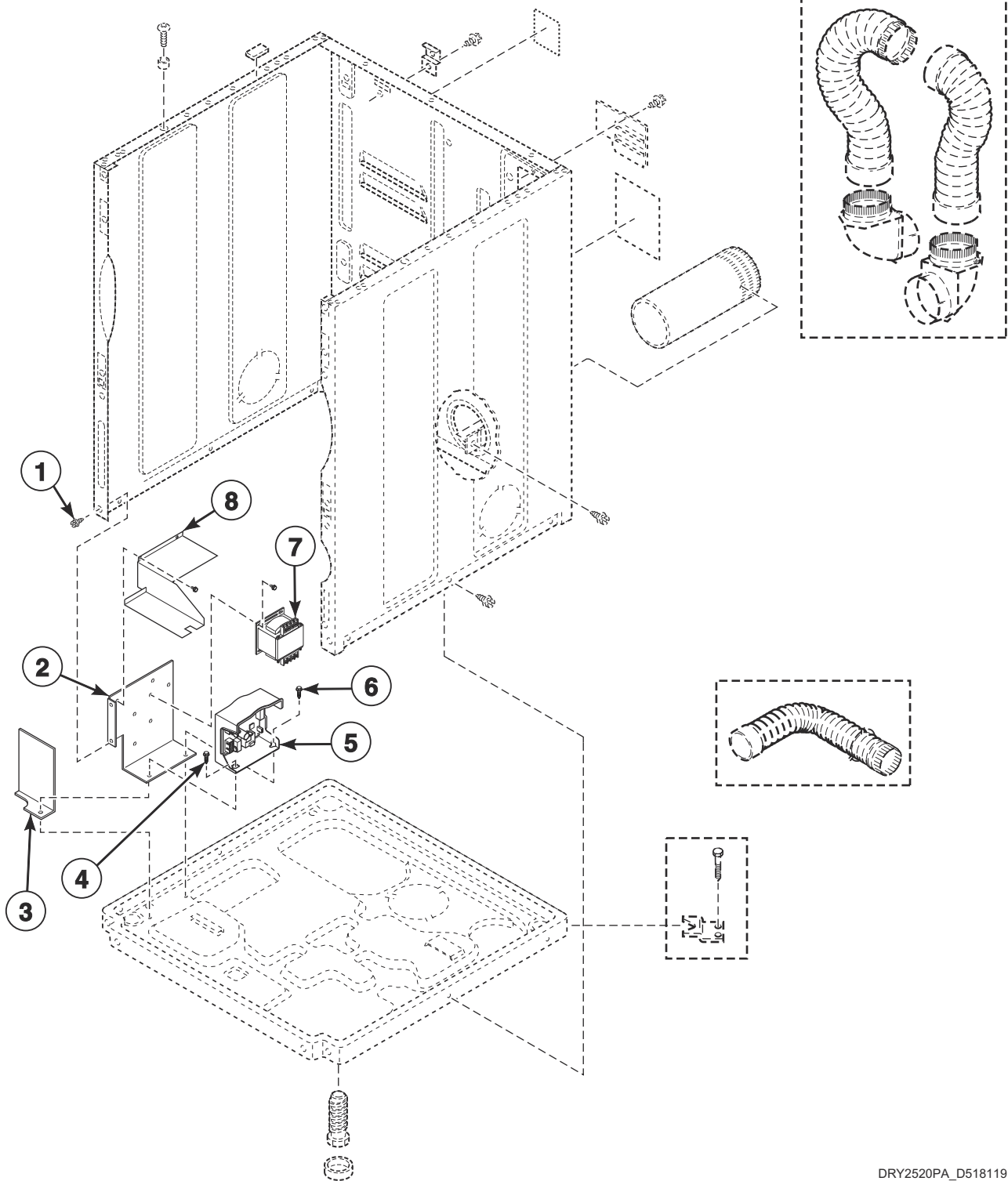


DRY2520P_D518119

Cabinet, Exhaust Duct and Base (Drawing 1 of 2)

REF	PART NO.	DESCRIPTION	COMMENTS
1	56079	Panel Locator	
2	39733	Screw	Use with painted side panels
3	56128	Bumper Pad	
4	D517566	Cabinet Rear Panel	
5	D510136	Top Hinge	
6	D503688	Screw	
7	D511004	Gas Clearance Label	Gas models
8	D514356	Access Cover Plate	
9	D511005	Electric Clearance Label	Electric models
10	521P3	Flexible Venting Kit	
11	D516196	Exhaust Duct	
12	D510002WP	Cabinet Side Panel	Right; White
13	528P3	Directional Exhaust Kit	Used to vent dryer out the sides or bottom
14	526P3	Hold Down Kit	For mobile home installations
15	D510135	Leveling Leg	
16	D501855	Rubber Foot	
17	D514245	Dryer Base	
18	D510001WP	Cabinet Side Panel	Left; White

Cabinet, Exhaust Duct and Base (Drawing 2 of 2)

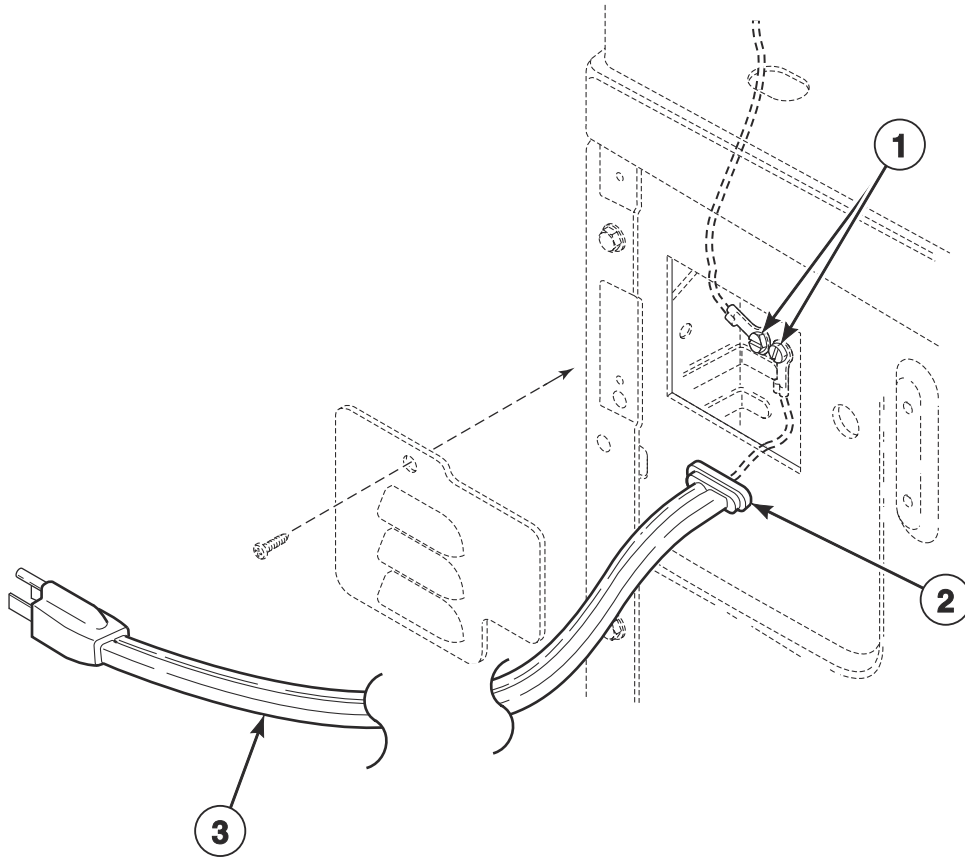


DRY2520PA_D518119

Cabinet, Exhaust Duct and Base (Drawing 2 of 2)

REF	PART NO.	DESCRIPTION	COMMENTS
1	D503688	Screw	
2	D511859	Contactoer Bracket	Models ADG3TRGS305AW01, ADGE8BGS305AW01, ADGE9BGS305NW29, ADGE9BGS545DW01, ADGE9RGS305AW01, ADGE9RGS305XW01, ADLE9BGS305XW34 and ADLE9RGS305XW34
	D514351	Bracket Assembly	Model ADGE9BGS305NW29
3	D514334	Transformer Shield	Models ADG3TRGS305AW01, ADGE8BGS305AW01, ADGE9BGS305NW29, ADGE9BGS545DW01, ADGE9RGS305AW01, ADGE9RGS305XW01, ADLE9BGS305XW34 and ADLE9RGS305XW34
4	D514428	Screw	
5	D517191P	Output Control Assembly	Models ADEE9BGS435NW29, ADEE9BGS455NW36, ADEE9RGS455NW29, ADEE9RGS455NW36, ADEE9RGS455SW01, ZDEE9BGS435NW29 and ZDEE9RGS455NW29
	D517319	Output Control Assembly	All models except ADE3TRGS435AW01, ADE3TRGS455LW01, ADE3TRGS455NW29, ADE3TRGS455NW49, ADE3TRGS465AW01, ADE3TRGS565XW01 and ADG3TRGS305AW01
6	804667	Screw	
7	D513463P	Transformer	Models ADG3TRGS305AW01, ADGE8BGS305AW01, ADGE9BGS305NW29, ADGE9BGS545DW01, ADGE9RGS305AW01, ADGE9RGS305XW01, ADLE9BGS305XW34 and ADLE9RGS305XW34
8	D514420	Output Board Shield	All models except ADE3TRGS435AW01, ADE3TRGS455LW01, ADE3TRGS455NW29, ADE3TRGS455NW49, ADE3TRGS465AW01, ADE3TRGS565XW01, ADG3TRGS305AW01, ADGE8BGS305AW01, ADGE9BGS305NW29, ADGE9BGS545DW01, ADGE9RGS305AW01, ADGE9RGS305XW01, ADLE9BGS305XW34 and ADLE9RGS305XW34

Lead-In Cord

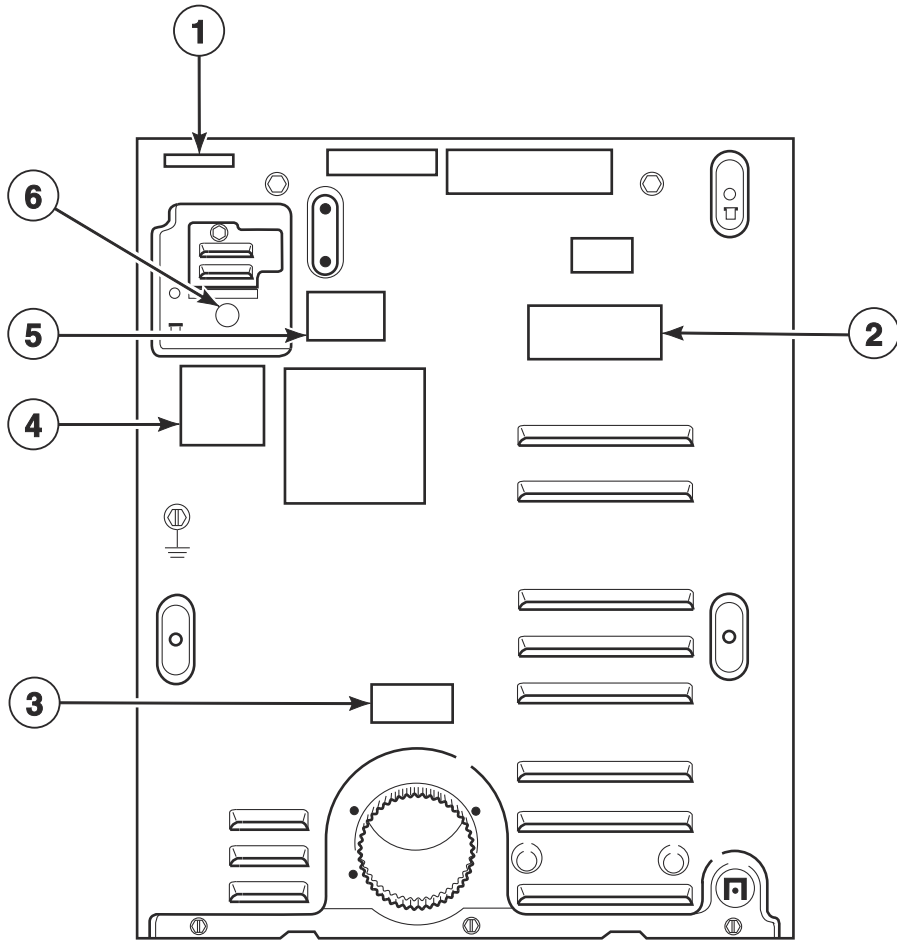


DRY1790P_D518119

Lead-In Cord

REF	PART NO.	DESCRIPTION	COMMENTS
1	20530	Screw	Earth/Ground
2	D517492	Strain Relief	
	D517491	Strain Relief	
3	D516747	Lead-In Cord Assembly	Models ADEE9BGS435NW29, ADEE9BGS435XW34, ADEE9BGS545DW01, ADEE9BGS545RW01, ADEE9RGS435XW34 and ZDEE9BGS435NW29
	D513632	Lead-In Cord	Models ADEE8RGS455SW01, ADEE9BGS455NW36, ADEE9RGS455NW36 and ADEE9RGS455SW01
	D515971	Lead-In Cord	Models ADE3TRGS455NW29, ADE3TRGS455NW49, ADEE9RGS455NW29 and ZDEE9RGS455NW29
	61605P	Lead-In Cord Kit	Models ADE3TRGS435AW01, ADEE8BGS435AW01 and ADEE9RGS435AW01
	D516389	Lead-In Cord	Models ADE3TRGS465AW01 and ADEE9RGS465AW01
	D516162	Lead-In Cord	Models ADE3TRGS455LW01 and ADEE9RGS455LW01
	D516390	Lead-In Cord	Models ADE3TRGS565XW01, ADEE9RGS565XW01 and ADEE9RGS565XW34
	D515579	Lead-In Cord	Models ADG3TRGS305AW01, ADGE8BGS305AW01, ADGE9BGS305NW29 and ADGE9RGS305AW01
	D516705	Lead-In Cord	Models ADGE9BGS125DW01 and ADGE9BGS545DW01
	D517577	Lead-In Cord	Models ADGE9RGS305XW01, ADLE9BGS305XW34 and ADLE9RGS305XW34

Label Location on Rear of Cabinet



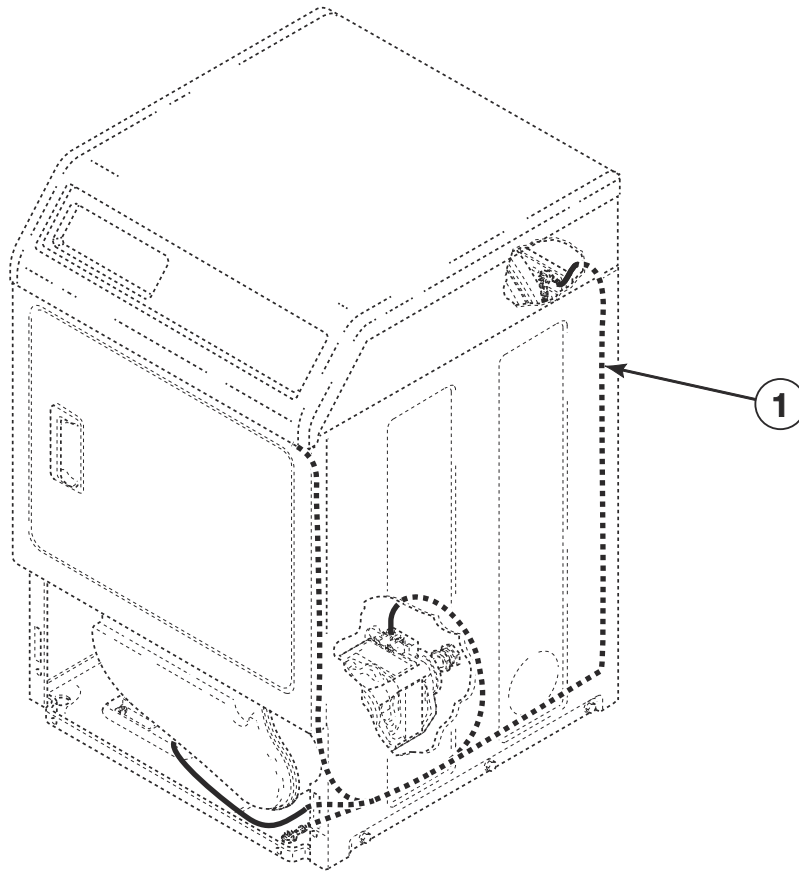
DRY2303P_D518119

Label Location on Rear of Cabinet

REF	PART NO.	DESCRIPTION	COMMENTS
1	D501288	Terminal Block Label	GND N A
	D505329	Terminal Block Label	N-L
	D506072	Terminal Block Label	L N GND
	D514618	Terminal Block Label	
2	D502791	Venting Instruction Label	
3	D502507	Exhaust Warning Label	Icon
	44321601	Warning Label	Icon
4	D516073	Notice Label	Read instructions
5	F8614201	Shock Warning Label	Icon
6	D516100	Label	

Wire Harnesses and Wires - Front Control Models

Models ADEE8BGS435AW01, ADEE9BGS435NW29, ADEE9BGS435XW34, ADEE9BGS455NW36, ADEE9BGS545DW01, ADEE9BGS545RW01, ADGE8BGS305AW01, ADGE9BGS125DW01, ADGE9BGS305NW29, ADGE9BGS545DW01, ADLE9BGS305XW34 and ZDEE9BGS435NW29



DRY2400P_D518119

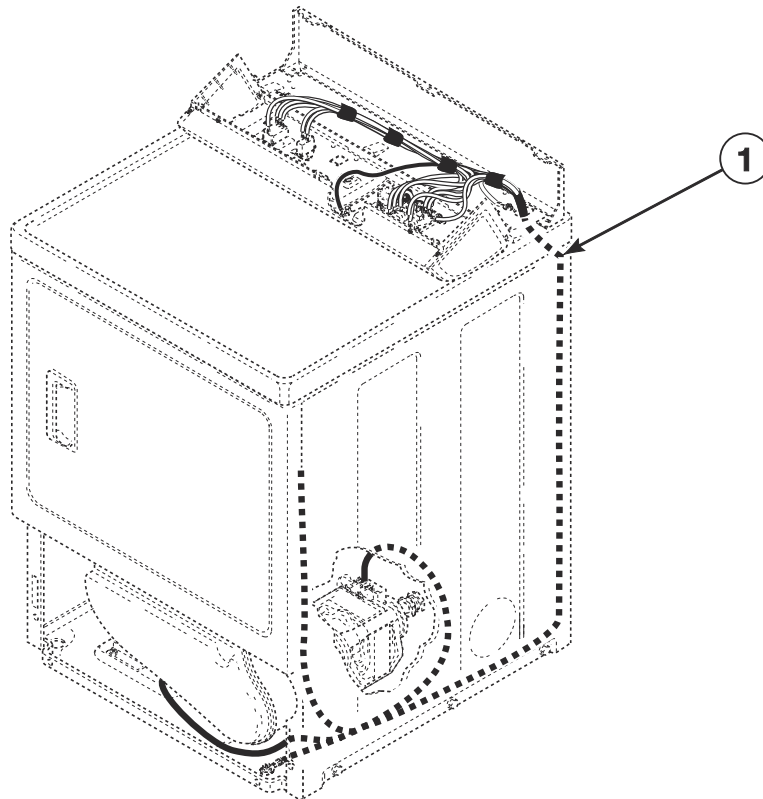
Wire Harnesses and Wires - Front Control Models

REF	PART NO.	DESCRIPTION	COMMENTS
	D515039	Power Harness	Model ADGE9BGS305NW29
	D510550	Ground Wire Assembly	Model ADGE9BGS305NW29
	D517702	Gas Valve Harness	Models ADGE9BGS305NW29 and ADGE9BGS545DW01
	D516363	Cylinder Light Harness	Models ADGE8BGS305AW01, ADGE9BGS305NW29, ADGE9BGS545DW01 and ADLE9BGS305XW34
	45380	12 Gauge Wire	Orange; Order wire by the foot; Order terminals and connectors as required
	45477	12 Gauge Wire	Green/yellow stripe; Order wire by the foot; Order terminals and connectors as required
	45001	18 Gauge Wire	Black; Order wire by the foot; Order terminals and connectors as required
1	D517479	Gas Harness	
	D517478	Electric Harness	

NOTE: Individual wires are not available separately. Order complete wire harness, or order wire by the foot. When applying terminals to wires, it is recommended that the terminals be soldered to the wires.

Wire Harnesses and Wires - Rear Control Models

Models ADE3TRGS435AW01, ADE3TRGS455LW01, ADE3TRGS455NW29, ADE3TRGS455NW49, ADE3TRGS465AW01, ADE3TRGS565XW01, ADEE8RGS455SW01, ADEE9RGS435AW01, ADEE9RGS435XW34, ADEE9RGS455LW01, ADEE9RGS455NW29, ADEE9RGS455NW36, ADEE9RGS455SW01, ADEE9RGS465AW01, ADEE9RGS565XW01, ADEE9RGS565XW34, ADG3TRGS305AW01, ADGE9RGS305AW01, ADGE9RGS305XW01, ADLE9RGS305XW34 and ZDEE9RGS455NW29



DRY2268P_D518119

Wire Harnesses and Wires - Rear Control Models

REF	PART NO.	DESCRIPTION	COMMENTS
	45380	12 Gauge Wire	Orange; Order wire by the foot; Order terminals and connectors as required
	45477	12 Gauge Wire	Green/yellow stripe; Order wire by the foot; Order terminals and connectors as required
	45001	18 Gauge Wire	Black; Order wire by the foot; Order terminals and connectors as required
	D517632	Electric Hood Harness	Models ADE3TRGS435AW01, ADE3TRGS455LW01, ADE3TRGS455NW29, ADE3TRGS455NW49, ADE3TRGS465AW01 and ADE3TRGS565XW01
	D517633	Gas Hood Harness	Model ADG3TRGS305AW01
	D517702	Gas Valve Harness	Models ADG3TRGS305AW01, ADGE9RGS305XW01 and ADLE9RGS305XW34
	D516363	Cylinder Light Harness	Models ADEE9RGS435AW01, ADEE9RGS465AW01, ADGE9RGS305AW01, ADGE9RGS305XW01 and ADLE9RGS305XW34
1	D517475	Gas Harness	Main Harness; Models ADGE9RGS305AW01, ADGE9RGS305XW01 and ADLE9RGS305XW34
	D517625	Gas Harness	Model ADG3TRGS305AW01
	D517624	Electric Harness	Models ADE3TRGS435AW01, ADE3TRGS455LW01, ADE3TRGS455NW29, ADE3TRGS455NW49, ADE3TRGS465AW01 and ADE3TRGS565XW01
	D517474	Electric Harness	Main harness; All other electric models

NOTE: Individual wires are not available separately. Order complete wire harness, or order wire by the foot. When applying terminals to wires, it is recommended that the terminals be soldered to the wires.

Parts Index

A

Access Cover Plate D514356	39
Access Panel Assembly D514250WP	15
Adhesive D511637P	23, 27
Adjustable Buzzer D504103	7
Air Duct Assembly D518432	21
Anti-Seize Compound 27604P	17, 19

B

Bar Sensor D513737	21
Blower Fan Assembly D510139P	17
Blower Housing D511969WP	17
Blower Housing Seal D510238P	17
Bolt 29651	11
Booster and Holding Coil 58804A	35
59063A	35
Bracket D510146	9
Bracket Assembly D514351	41
Bumper Pad 56128	39
Burner Assembly D510149P	35

C

Cabinet Rear Panel D517566	39
Cabinet Side Panel D510001WP	39
D510002WP	39
Combustion Duct D510132	33
Contactoer Bracket D511859	41
Control Access Panel 804741	11
804793	11
Control Assembly D517583	11
D517585	5, 11

Control Bracket 804611	11
Control Overlay Dd515630	11
D515633	11
D516225	5
D516539	5
D516542	11
D516870	11
D517116	11
D517990	11
Control Panel Assembly 804960	11
Control Support Panel 806430	5
806547	7
Control Wrapper 804627B	11
804627W	11
804630B	11
804630W	11
Cylinder Assembly D510159WP	21
D510265WP	21
Cylinder Baffle D510102W	21
Cylinder Belt D511255P	17
Cylinder Glide D513710	23
Cylinder Glide Bracket D510145	23
Cylinder Light Assembly D512109	25
Cylinder Light Harness D516363	47, 49
Cylinder Light Lens D512106	23
Cylinder Roller D510708P	27
Cylinder Roller Bracket D510100	27
Cylinder Seal Assembly D510207P	23, 27

D

Directional Exhaust Kit 528P3	39
Door Catch Assembly D510177	15
Door Handle Wedge D510129W	13
Door Liner Assembly D516508	13
D518508	13
Door Liner Grill D503870LG	13
D503870W	13

N/A items do not appear in index.

Door Pull and Wedge Kit	
D510103WP	13
D511213P	13
Door Strike	
D510181	13
Door Strike Mount	
D510127	13
Drip Shield	
D514327	15
Drum Light Lamp	
D503579	25
60954	25
Dryer Base	
D514245	39
Dryer Door	
D510013WP	13
Drying Rack	
D512082P	21

E

Electric Clearance Label	
D511005	39
Electric Harness	
D517624	49
Electric Harness	
D517474	49
D517478	47
Electric Hood Harness	
D517632	49
End Cap	
203961	5, 7
203962	5, 7
Exhaust Duct	
D516196	39
Exhaust Warning Label	
D502507	45
Expansion Clip	
70030501	11

F

Fabric Selector Switch	
D513505	7
Felt Pad	
D510189	23
Flexible Venting Kit	
521P3	39
Front Bulkhead	
D513640W	23
D515535WP	23
Front Bulkhead Assembly	
D510266P	23
D515532	23
Front Bulkhead Moisture Sensor	
D513641	23
Front Panel	
D510066WP	15
Front Panel Seal	
D511056	15

G

Gas Clearance Label	
D511004	39
Gas Harness	
D517475	49
D517479	47
D517625	49
Gas Hood Harness	
D517633	49
Gas Valve Harness	
D517702	47, 49
Gas Valve Mounting Bracket	
D510128	35
Gas Valve, Bracket and Pipe Assembly	
D517607	35
D517609	35
D517611	35
Glide Kit	
RB170003	23
Graphic Panel	
D517546	7
D517809	7
806448	5
806715	5
Ground Wire Assembly	
D510550	27, 47

H

Heat Duct Shroud	
D510101	33
Heater Assembly	
D510324P	31
D510327P	31
D510328P	31
D511503P	31
D516123	31
Heater Duct Assembly	
D510025P	29, 33
D514476	29
Heater Kit	
966P3	31
Heater Kit Assembly	
61927	31
61930	31
61931	31
Hinge	
D511036	13
Hinge Hole Plug	
D510186	15
Hold Down Kit	
526P3	39
Hold-Down Clip	
35358	5, 7
Hood Back Panel	
806585	9

N/A items do not appear in index.

I

Idler Lever	
D516310	19
Idler Lever and Wheel Assembly	
D516792	19
Idler Spring	
D510185	19
Idler Wheel and Bearing Assembly	
D510142P	19
Igniter and Bracket Assembly	
D510184P	35

K

Knob Assembly	
204046	7
806597	7

L

Label	
D516100	45
Lead-In Cord	
D513632	43
D515579	43
D515971	43
D516162	43
D516389	43
D516390	43
D516705	43
D517577	43
Lead-In Cord Assembly	
D516747	43
Lead-In Cord Kit	
61605P	43
Leveling Leg	
D510135	39
Light Housing Assembly	
D512108	25
Limit Thermostat	
D510700	31
D510701	31
D510702	33
D516192	31
D516193	31
Liner Door Seal	
D510147P	13
Lint Filter	
D503980LG	21
D503980W	21
Lint Filter Label	
D502781	15
D502804	15
L.P. Conversion Kit	
401P3	35
649P3	35
L.P. Orifice	
D503786	37
60941	37

M

Moisture Sensor Base	
D513738	21
Motor and Pulley Assembly	
D505869P	17
D511629P	17
Motor Assembly	
D517938	17
Motor Hub Ring Kit	
590P3	17
Motor Mount	
D510060	19
Motor Mount Clamp	
D510180	17
Motor Pulley	
D500011	17
D500222	17
Motor Shield	
D514602	17
Motor Switch Bracket	
D516311	19

N

Notice Label	
D516073	45
Nut	
44087301	19, 27
52566	19
N.G. Conversion Kit	
402P3	35
650P3	35
N.G. Orifice	
D503778	37
D503779	37
D503780	37
D503781	37
D503782	37

O

Outlet Cover	
D500820	29, 33
D514475	29
D518524	29, 33
Output Board Shield	
D514420	41
Output Control Assembly	
D517191P	41
D517319	41

P

Panel Locator	
56079	15, 39
Pinch Warning Label	
F8615701	21
Pop Rivet	
685847	11

N/A items do not appear in index.

Power Harness	
D515039	47
Push Button Switch	
D517617	7

R

Rear Access Panel	
804614	11
Rear Bulkhead Assembly	
D510905WP	27
D511082P	27
Rear Wrapper Brace	
805345	11
Retaining Ring	
23748	19, 27
Roller Kit	
RB170002	27
Rubber Foot	
D501855	39

S

Screw	
D500226	13, 23
D500227	23
D500824	19
D501285	21, 27
D502535	17
D503688	9, 11, 15, 17, 23, 27, 29, 31, 33, 35, 39, 41
D505295	5, 7, 9, 23
D514428	41
M405188	23
203799	5, 7
20530	43
23222	31, 35
31260	17
33562	15
39733	15, 39
44023301	27
51782	33, 35
56124	35
61199	27
62588	21
70240301	11
804608	11
804667	5, 41
807075	5, 7
Screw Orifice	
58719	37
Seal Kit	
RB170001	23, 27
Secondary Coil	
58804B	35
59063B	35
Sensor	
D510213	35
Shaft	
56461P	19, 27
Shock Warning Label	
F8614201	9, 21, 45

Speed Clip	
28835	15
Strain Relief	
D517491	43
D517492	43
Switch	
D512973	15
D516391	19

T

Terminal Block Assembly	
D510190P	27
Terminal Block Label	
D501288	45
D505329	45
D506072	45
D514618	45
Terminal Block Shield	
D517715	27
Thermal Fuse Assembly	
D518542	31
Thermistor	
M414704	17
Thermistor Assembly	
D502366	17
D510523	17
Thermostat	
D510703	33
D511887	17
Thermostat Shield	
D514325	17
Timer	
D517558	7
Top Hinge	
D510136	39
Top Panel	
804684	11
804685WP	11
Top Panel Brace Assembly	
804613	11
Top Panel Guide	
803761	11
Top Panel Kit	
D510029WP	9
Transformer	
D513463P	41
Transformer Shield	
D514334	41

V

Venting Instruction Label	
D502791	45

W

Warning Label	
D502508	45
D512263	15
D514226	15

N/A items do not appear in index.

D514410	15
Warning/Caution Label	
D500281	15
Washer	
D504082	27
29443	17
52549	19, 27
Wire Assembly	
D510540	7
D518255	31
D518526	31
Wire, 12 Gauge	
45380	47, 49
45477	47, 49
Wire, 18 Gauge	
45001	47, 49
