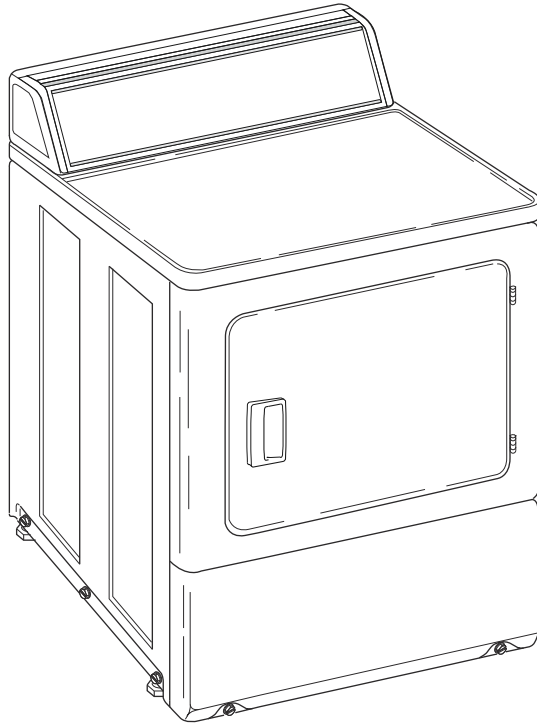


Homestyle Dryers

Models Starting Serial No. 2001000001

Refer to Page 3 for Model Numbers



D715I_D518229

Table of Contents

Title	Page
Parts Ordering Information.....	2
Serial Plate Location	2
Model Identification	3
Graphic Panel	4
Control Panel and Knobs	6
Controls (Drawing 1 of 2).....	8
Controls (Drawing 2 of 2).....	10
Cabinet Top and Control Hood Rear Panel	12
Loading Door	14
Loading Door with Window	16
Front Panel and Seal	18
Access Panel	20
Motor, Exhaust Fan and Belt (Drawing 1 of 2).....	22
Motor, Exhaust Fan and Belt (Drawing 2 of 2).....	24
Thermostat.....	26
Front Bulkhead and Seal	28
Air Duct - Without Front Bulkhead Light.....	30
Cylinder, Baffles and Drying Rack	32
Rear Bulkhead, Felt Seal, Cylinder Roller and Terminal Block - 1 Phase Models.....	34
Rear Bulkhead, Felt Seal, Cylinder Roller and Terminal Block - 3 Phase Models.....	36
Heater Duct and Element Assembly - 1 Phase Models	38
Heater Kit Assembly - 1 Phase Models	40
Heater Duct and Element Assembly - 3 Phase Models	42
Heater Duct Assembly	44
Gas Valve and Igniter	46
Gas Conversion Kits	48
Burner Orifice Spuds - For Higher Elevations.....	50
Cabinet, Exhaust Duct and Base	52
Contactors	54
Cabinet Labels	56
Power Cord	58
Strain Relief	60
Terminal Block and Terminals	62
Terminals	64
Motor Connection Block, Terminal Extractor Tools.....	66
Wire Harnesses and Wires (Drawing 1 of 2).....	68
Wire Harnesses and Wires (Drawing 2 of 2).....	70
Parts Index.....	73

© Copyright 2023, Alliance Laundry Systems LLC

All rights reserved. No part of the contents of this book may be reproduced or transmitted in any form or by any means without the expressed written consent of the publisher.

Parts Ordering Information

If literature or replacement parts are required, contact the source from whom the machine was purchased or contact Alliance Laundry Systems at (920) 748-3950 for the name and address of the nearest authorized parts distributor.

For technical assistance, call the number listed below:

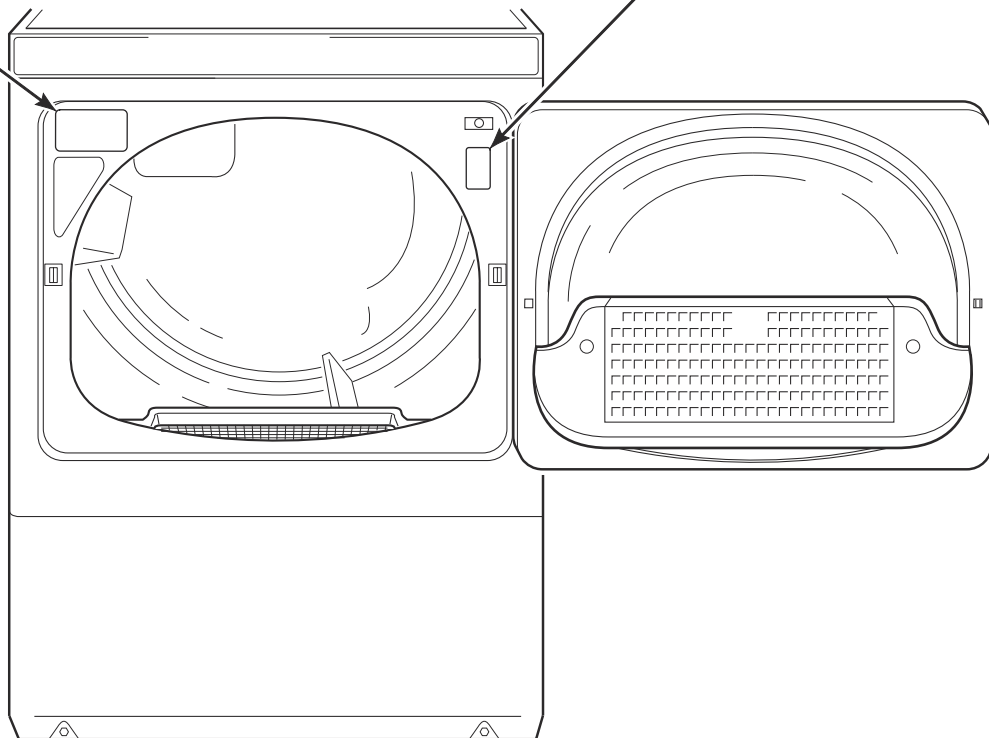
(920) 748-3121 Ripon, Wisconsin

Serial Plate Location

When calling or writing about your product, be sure to mention model and serial numbers. Model and serial numbers are located on serial plate(s) as shown.

SERIAL PLATE
(Models starting Serial No. 1206025810)

SERIAL PLATE
(Models through Serial No. 1206025809)



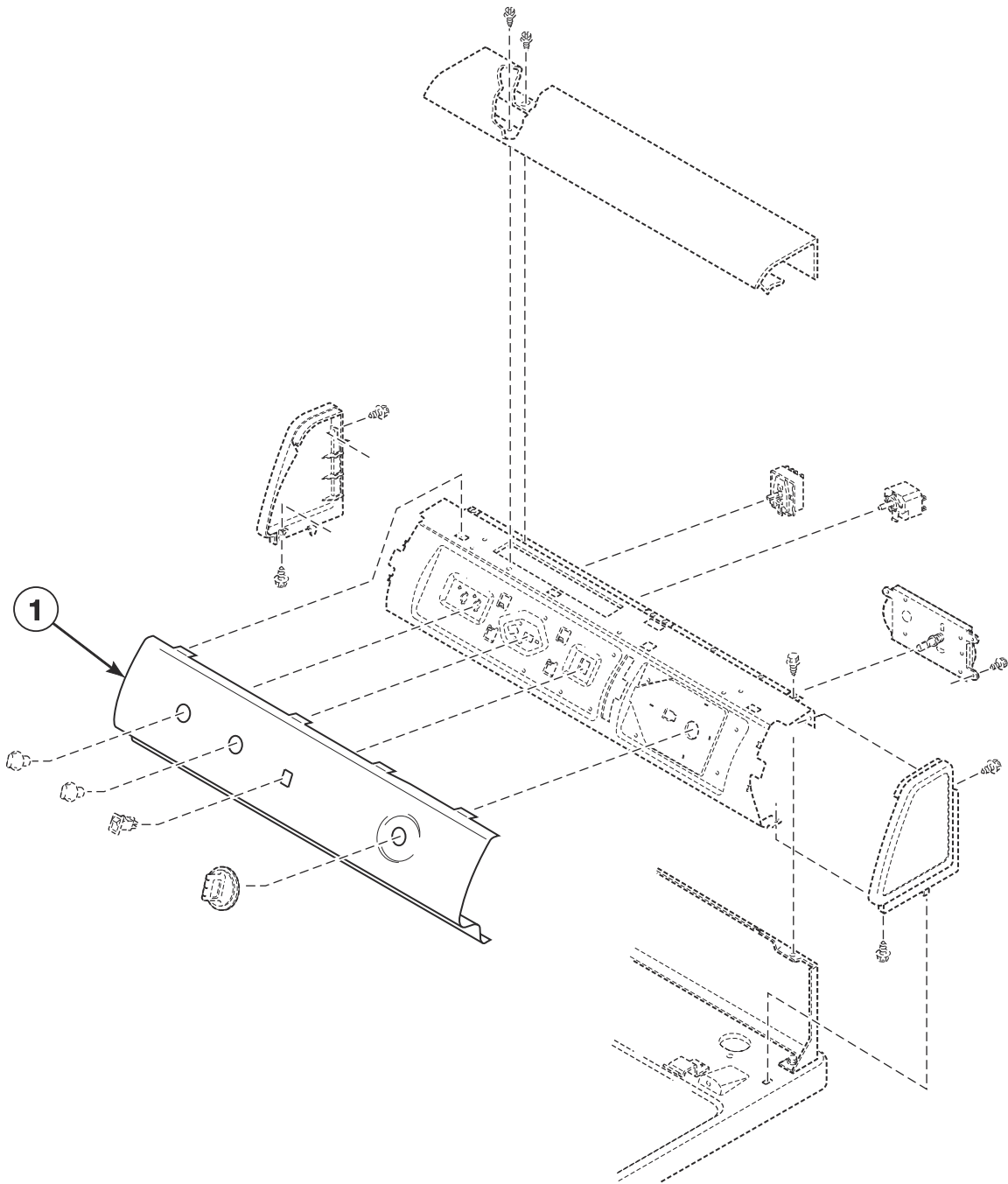
DRY2283P_D518229

Model Identification

Information in this manual is applicable to these dryer models:

EDE3TRGS543PW01	FDE3TRGS301NG10	LDE30RGS153TW01	YDE3TRGS171CW01
EDL3TRGS541NW23	FDE3TRGS301NW10	LDE30RGS173MW33	YDG30RGS301NW21
	FDE3TRGS401NG22	LDE30RGS173TW01	YDG3TRGS111CW01
	FDE3TRGS401NW22	LDE30RGS543MW01	
	FDE3TRGS433LW01	LDE3TRGS301NG10	
	FDG3TRGS301NW10	LDE3TRGS401NG22	
	FDL3TRGW301NW10	LDE3TRGS431AW01	
		LDE3TRGS451NW22	
		LDE3TRGS451SW01	
		LDE3TRGS461NW22	
		LDE3TRGS541NW22	
		LDE3TRGS551NW22	
		LDG30RGS113TW01	
		LDG3TRGS301AW01	
		LDG3TRGS301BW01	
		LDG3TRGS301NW22	
		LDL30RGS113MW33	
		LDL3TRGS301NW22	
		LDL3TRGS541NW22	
		LDL3TRGW301NW22	

Graphic Panel

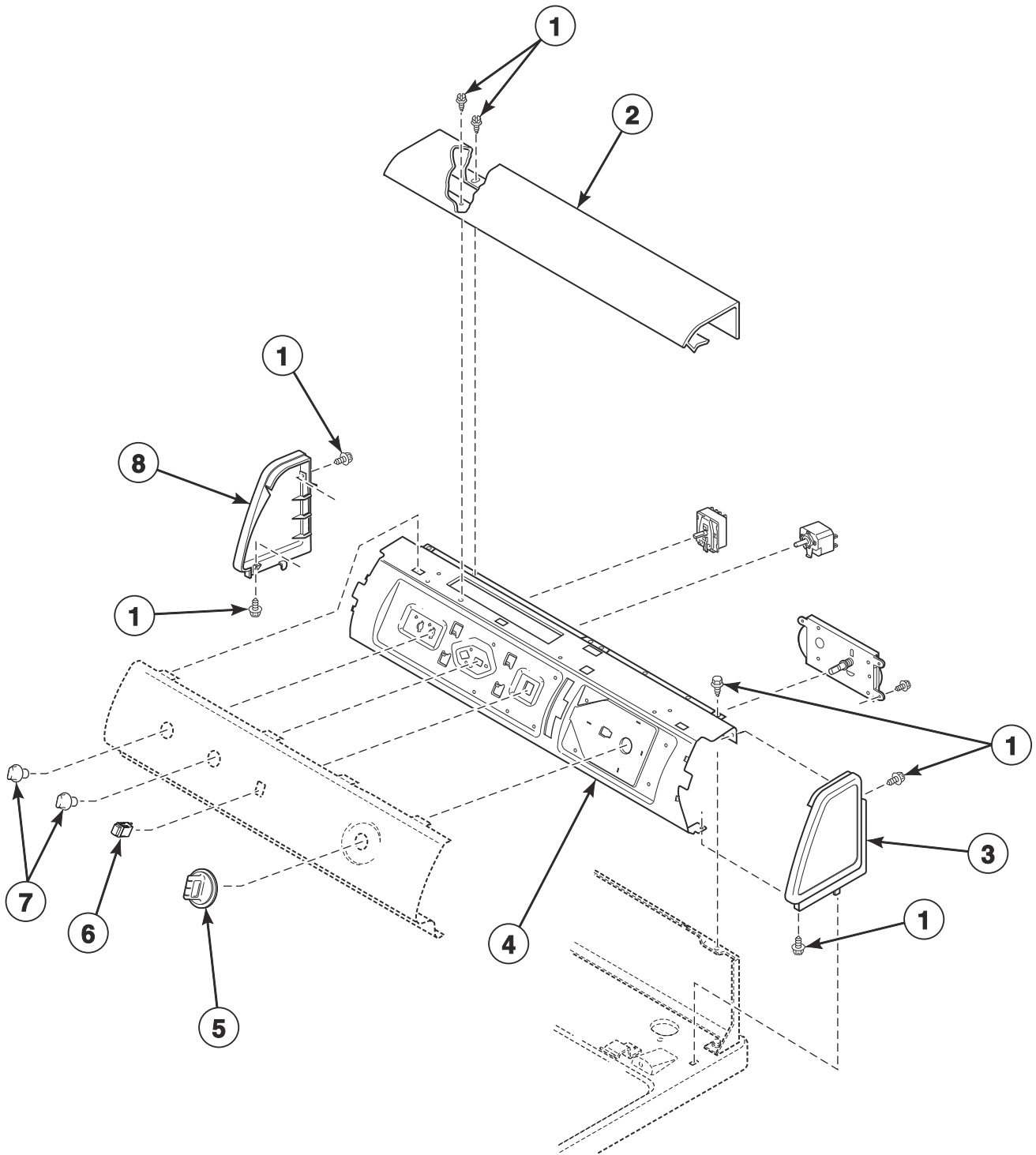


DRY1868P_D518229

Graphic Panel

REF	PART NO.	DESCRIPTION	COMMENTS
1	D517956	Graphic Panel	Model YDG30RGS301NW21
	D517948	Graphic Panel	Model LDE3TRGS451SW01
	D517989	Graphic Panel	Models YDE3TRGS171CW01 and YDG3TRGS111CW01
	D517556	Graphic Panel	Models LDE30RGS173MW33 and LDL30RGS113MW33
	D517551	Graphic Panel	Models EDE3TRGS543PW01 and EDL3TRGS541NW23
	D517552	Graphic Panel	Model FDE3TRGS401NW22
	D517954	Graphic Panel	Models LDE30RGS153TW01, LDE30RGS173TW01 and LDG30RGS113TW01
	D517554	Graphic Panel	Models FDE3TRGS301NW10, FDE3TRGS433LW01, FDG3TRGS301NW10, FDL3TRGW301NW10, LDE3TRGS301NG10 and LDE3TRGS401NG22
	D518400	Graphic Panel	Model FDE3TRGS301NG10
	D517995	Graphic Panel	Models FDE3TRGS401NG22 and LDG3TRGS301BW01
	D518711	Graphic Panel	Model LDE30RGS543MW01
	D517549	Graphic Panel	All other models

Control Panel and Knobs

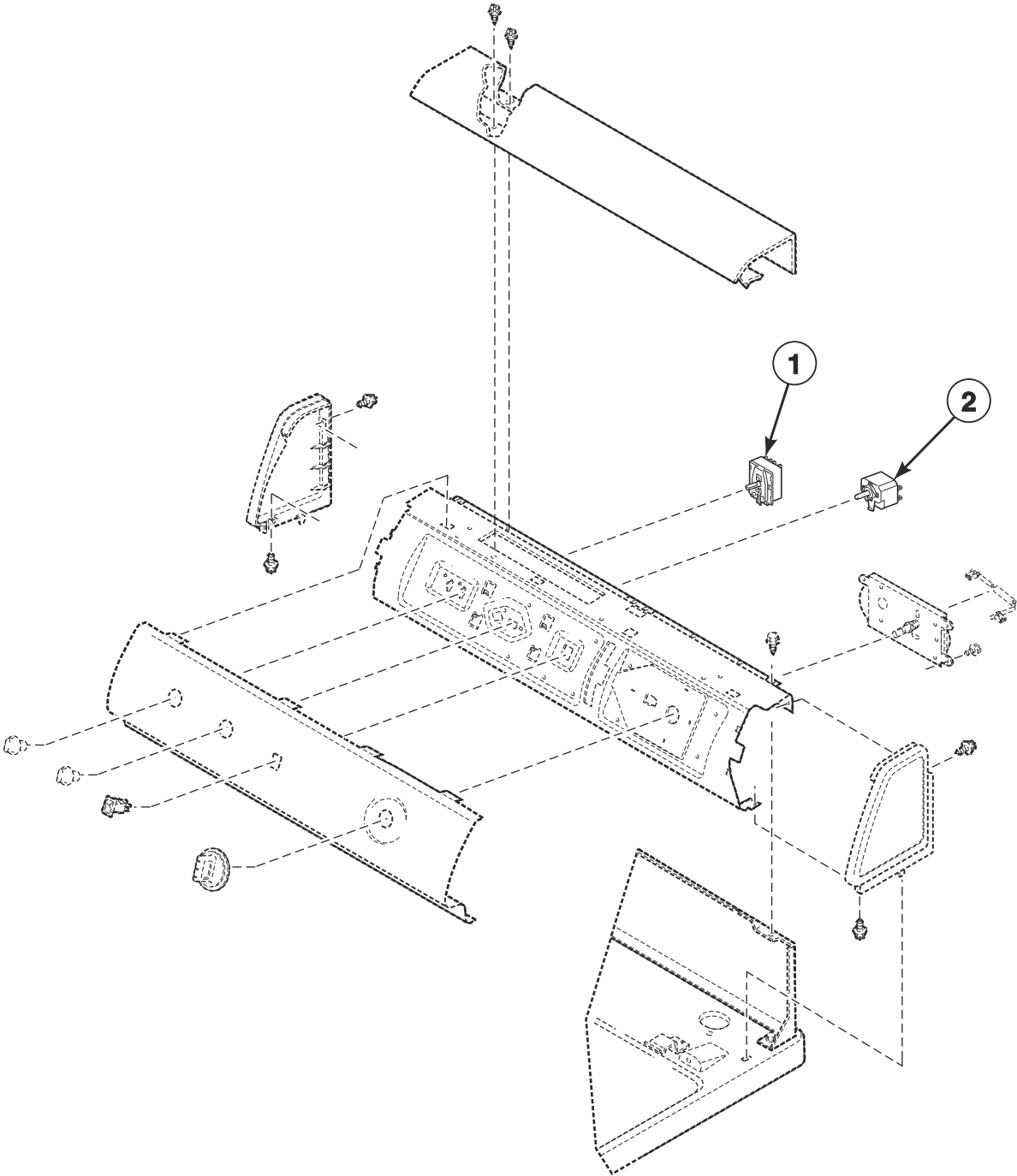


DRY2539P_D518229

Control Panel and Knobs

REF	PART NO.	DESCRIPTION	COMMENTS
1	D501086	Screw	
2	D505808W	Top Cover	White
	D505808DG	Top Cover	Gray
3	D504008WP	End Panel	White
	D516857	End Panel	Black
4	D503901	Control Support Panel	
5	D517774W	Timer Knob Assembly	White
6	D517616	Push Button Switch	
7	36701W	Knob Assembly	White
8	D504009WP	End Panel	White
	D516858	End Panel	Black

Controls (Drawing 1 of 2)

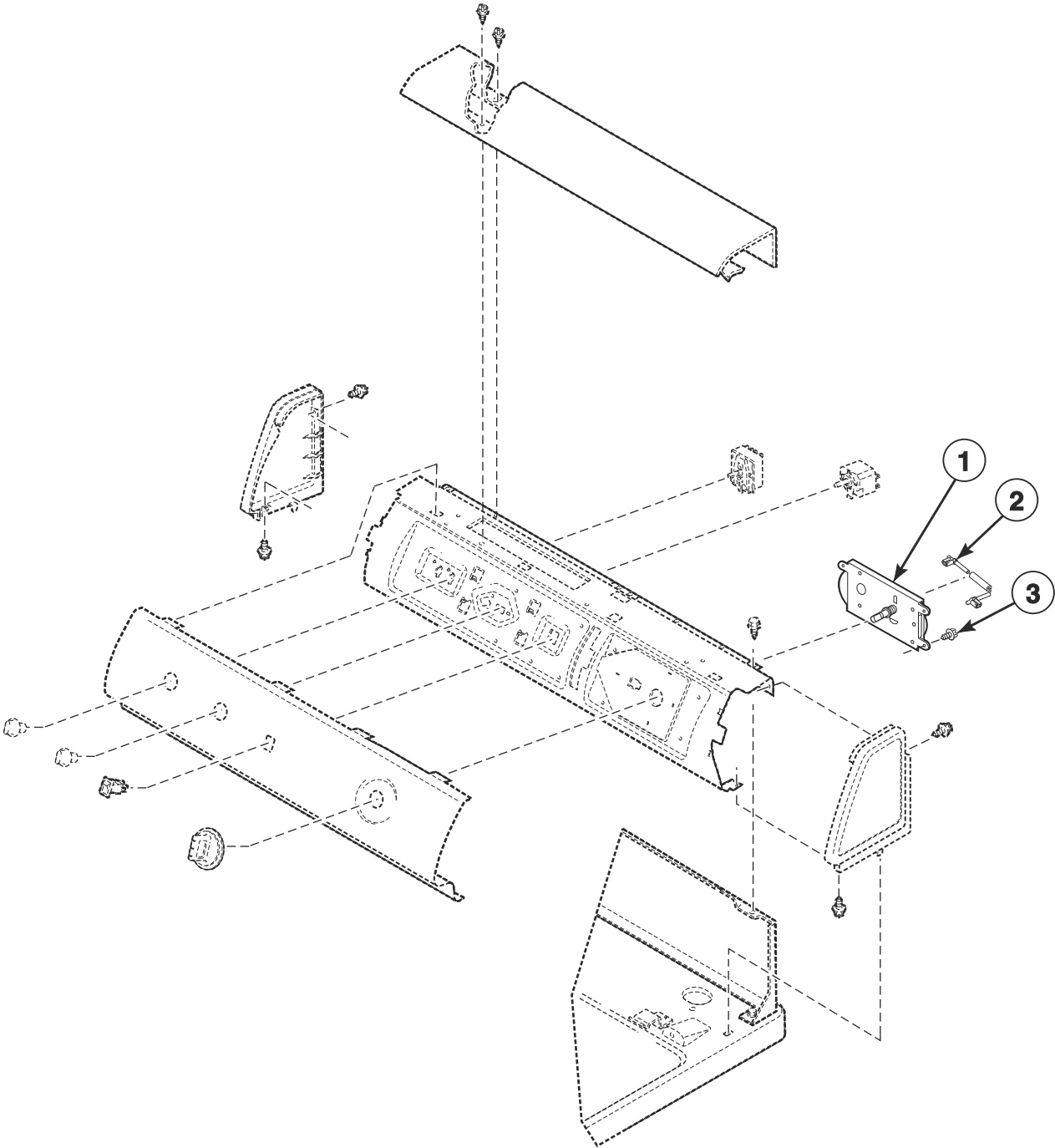


DRY2573P

Controls (Drawing 1 of 2)

REF	PART NO.	DESCRIPTION	COMMENTS
1	D513505	Fabric Selector Switch	
2	D510211	Buzzer	Models YDE3TRGS171CW01 and YDG3TRGS111CW01
	D504103	Adjustable Buzzer	All models except LDE30RGS173MW33, LDE30RGS543MW01, LDL30RGS113MW33, LDL3TRGS541NW22, LDL3TRGW301NW22 and YDG30RGS301NW21

Controls (Drawing 2 of 2)

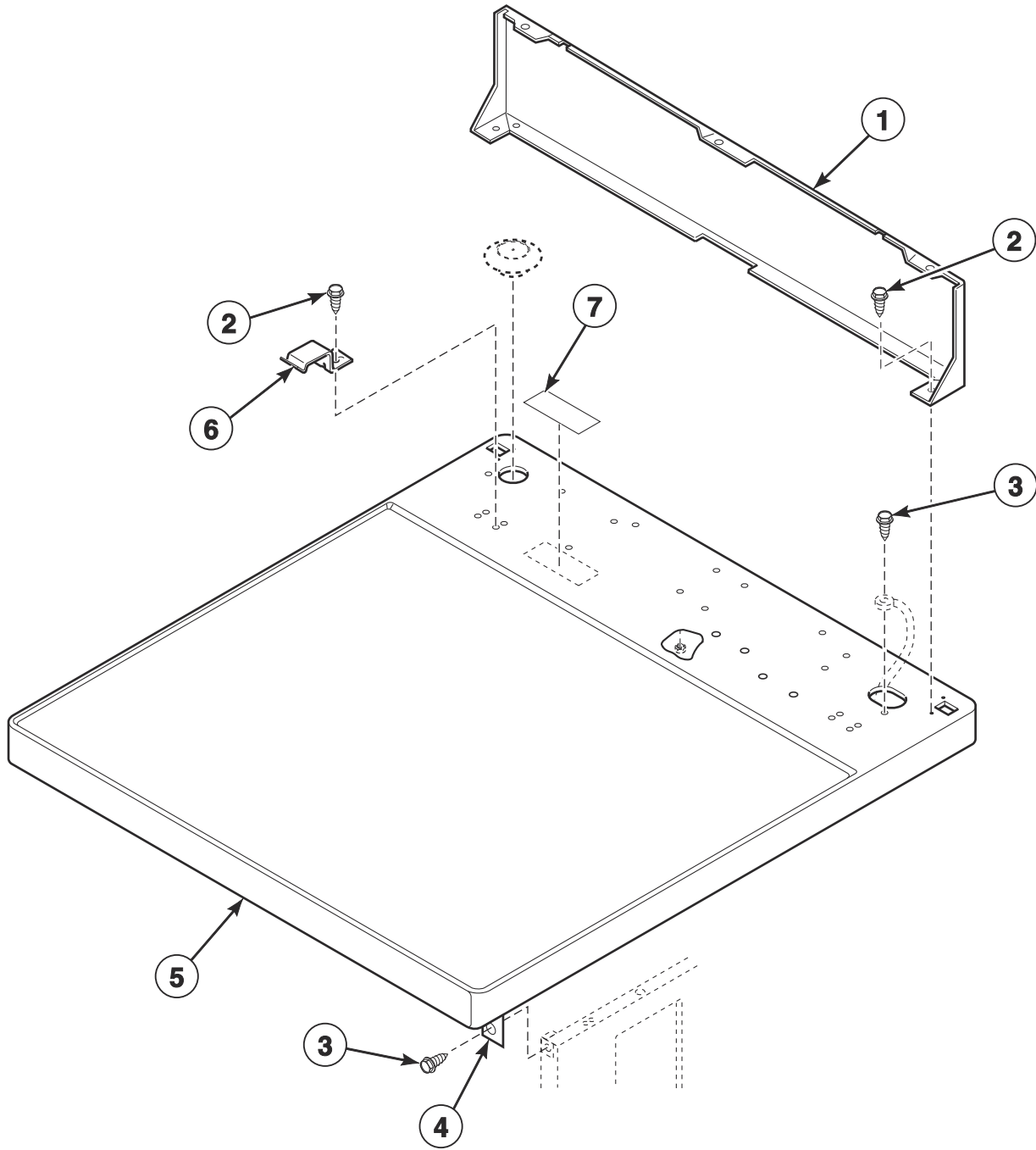


DRY2574P

Controls (Drawing 2 of 2)

REF	PART NO.	DESCRIPTION	COMMENTS
1	D517557	Timer	Models LDG30RGS113TW01, LDL30RGS113MW33 and YDG3TRGS111CW01
	D517559	Timer	Models EDE3TRGS543PW01, EDL3TRGS541NW23, LDE30RGS153TW01, LDE30RGS173TW01, LDE30RGS543MW01, LDE3TRGS541NW22, LDE3TRGS551NW22 and LDL3TRGS541NW22
	D518950	Timer Conversion Kit	Model LDE30RGS173MW33
	D518952	Timer Conversion Kit	Model YDE3TRGS171CW01
	D517558	Timer	All other models
2	D511277	Resistor Assembly	
3	D501086	Screw	

Cabinet Top and Control Hood Rear Panel



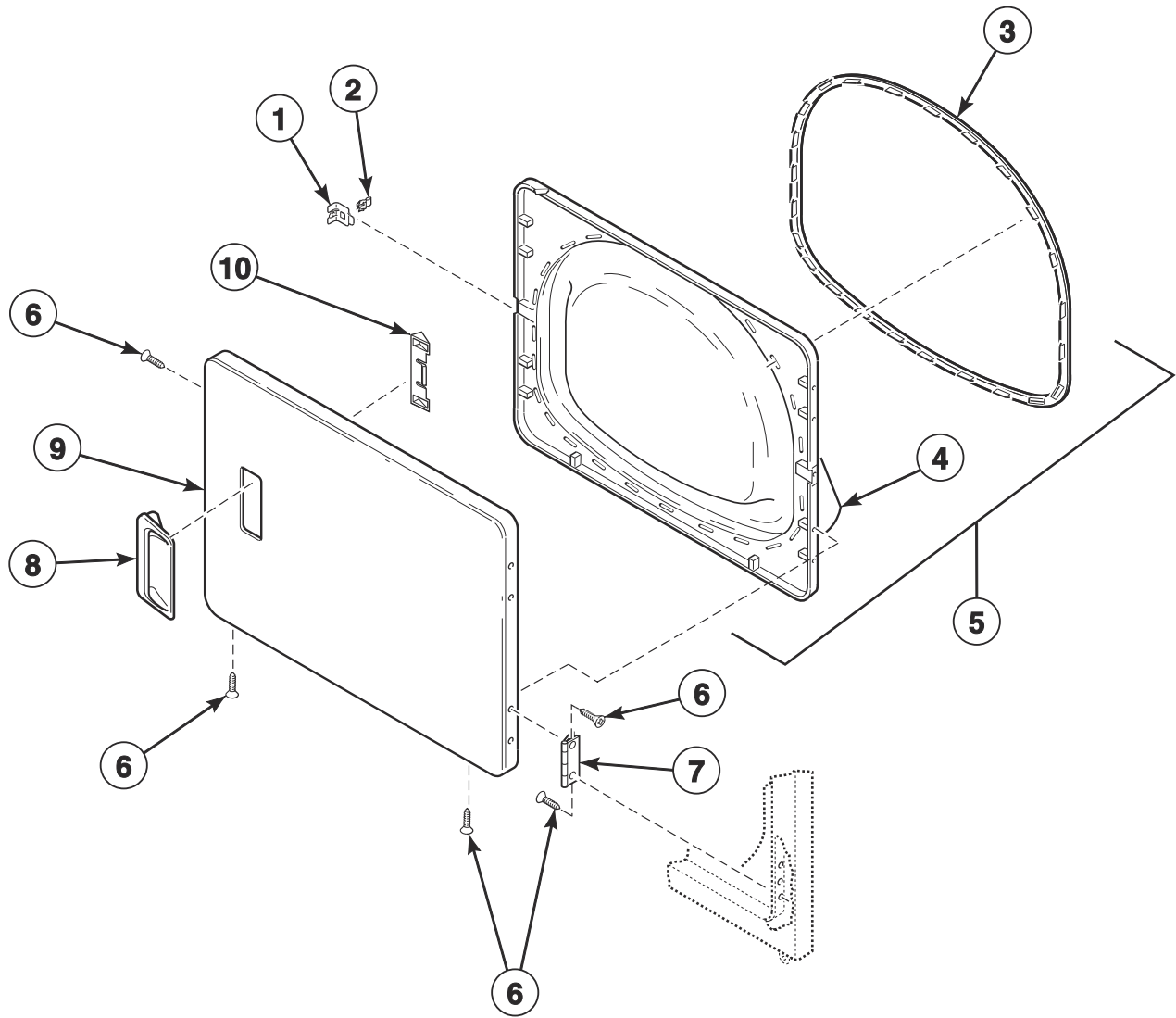
DRY2541P_D518229

Cabinet Top and Control Hood Rear Panel

REF	PART NO.	DESCRIPTION	COMMENTS
	D511303	Wire Harness Assembly	Transformer adapter; Includes D502592 Fuse (3.15 Amp, 250 Volt); Model EDL3TRGS541NW23
1	D510099	Hood Back Panel	
2	D501086	Screw	
3	D503688	Screw	
4	D510146	Bracket	
5	D510029WP	Top Panel Kit	White
	D510029DG	Top Panel	Gray
6	35358	Hold-Down Clip	
7	D505281	Disconnect Power Warning Label	English
	F8614201	Shock Warning Label	Icon

Loading Door

All Models Except LDL3TRGW301NW22



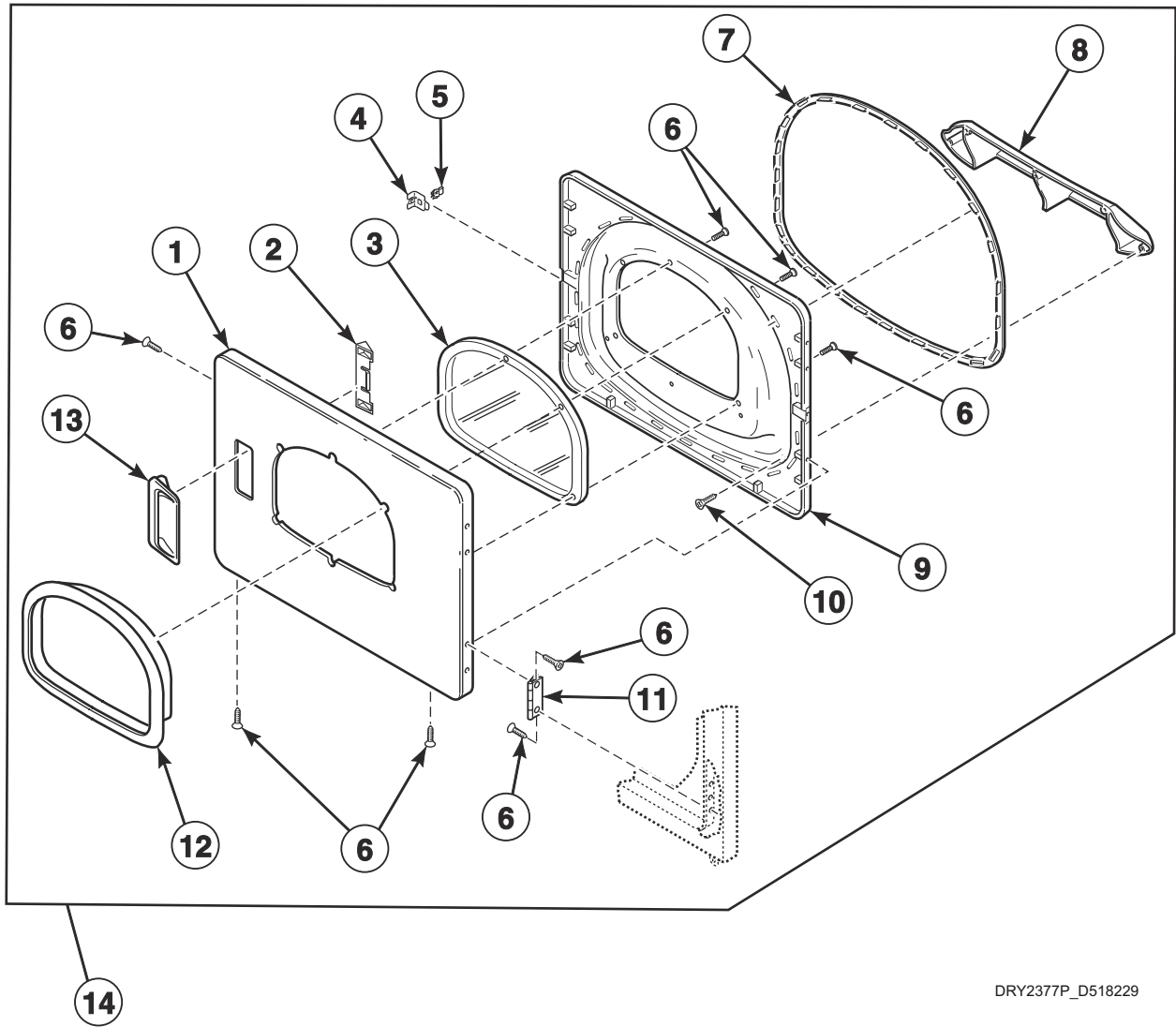
DRY1874P_D518229

Loading Door

REF	PART NO.	DESCRIPTION	COMMENTS
1	D510127	Door Strike Mount	
2	D510181	Door Strike	
3	D510147P	Liner Door Seal	
4	D503870LG	Door Liner Grill	Models FDE3TRGS401NG22, LDE3TRGS451NW22, LDE3TRGS461NW22, LDE3TRGS551NW22 and LDL3TRGS541NW22
5	D516510WP	Door Assembly	Includes items 2, 3, 4 and 6-10; Models FDE3TRGS401NG22, LDE3TRGS451NW22, LDE3TRGS461NW22, LDE3TRGS551NW22 and LDL3TRGS541NW22
	D516508	Door Liner Assembly	All other models
6	D500226	Screw	
7	D511036	Hinge	
8	D510103WP	Door Pull and Wedge Kit	White; Includes item 9
	D511213P	Door Pull and Wedge Kit	Black
9	D515960W	Dryer Door	White
	D515960DG	Dryer Door	Gray
10	D510129W	Door Handle Wedge	

Loading Door with Window

Models FDL3TRGW301NW10 and LDL3TRGW301NW22

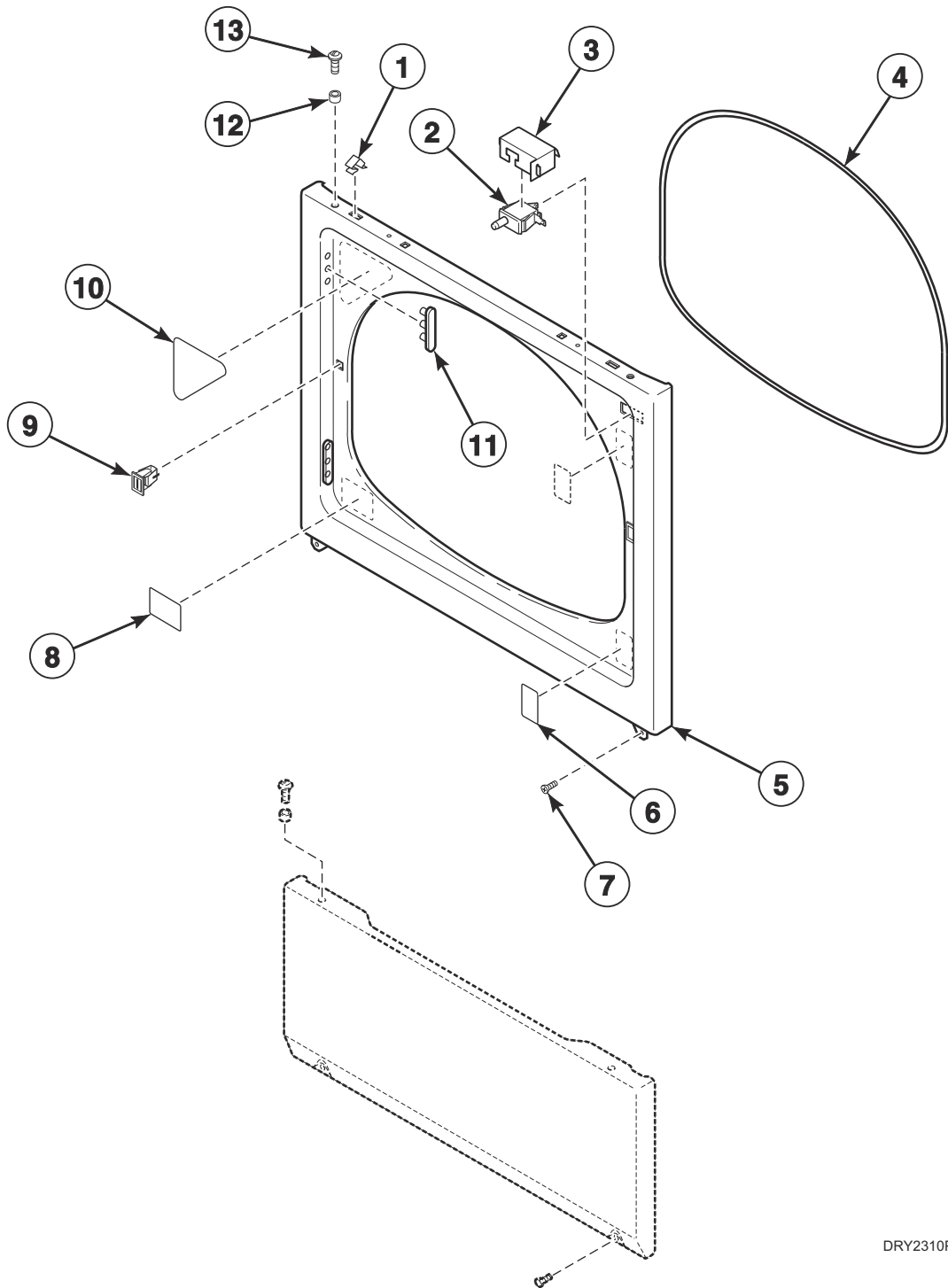


DRY2377P_D518229

Loading Door with Window

REF	PART NO.	DESCRIPTION	COMMENTS
1	D515961W	Dryer Door	Model FDL3TRGW301NW10
	D510082	Dryer Door	Model LDL3TRGW301NW22
2	D510103WP	Door Pull and Wedge Kit	
	D510129W	Door Handle Wedge	
3	D515681	Dryer Door Window	
4	D510127	Door Strike Mount	
5	D510181	Door Strike	
6	D515967	Screw	Model FDL3TRGW301NW10
	D500226	Screw	Model LDL3TRGW301NW22
7	D510147P	Liner Door Seal	
	D510097W	Door Liner	White
8	D503870LG	Door Liner Grill	
	D503870W	Door Liner Grill	
9	D516509	Liner and Seal Assembly	Includes item 7
10	D505870	Screw	
11	D511036	Hinge	
12	D515956W	Window Trim	
13	D512947	Door Pull	
14	D516737W	Door Assembly	

Front Panel and Seal

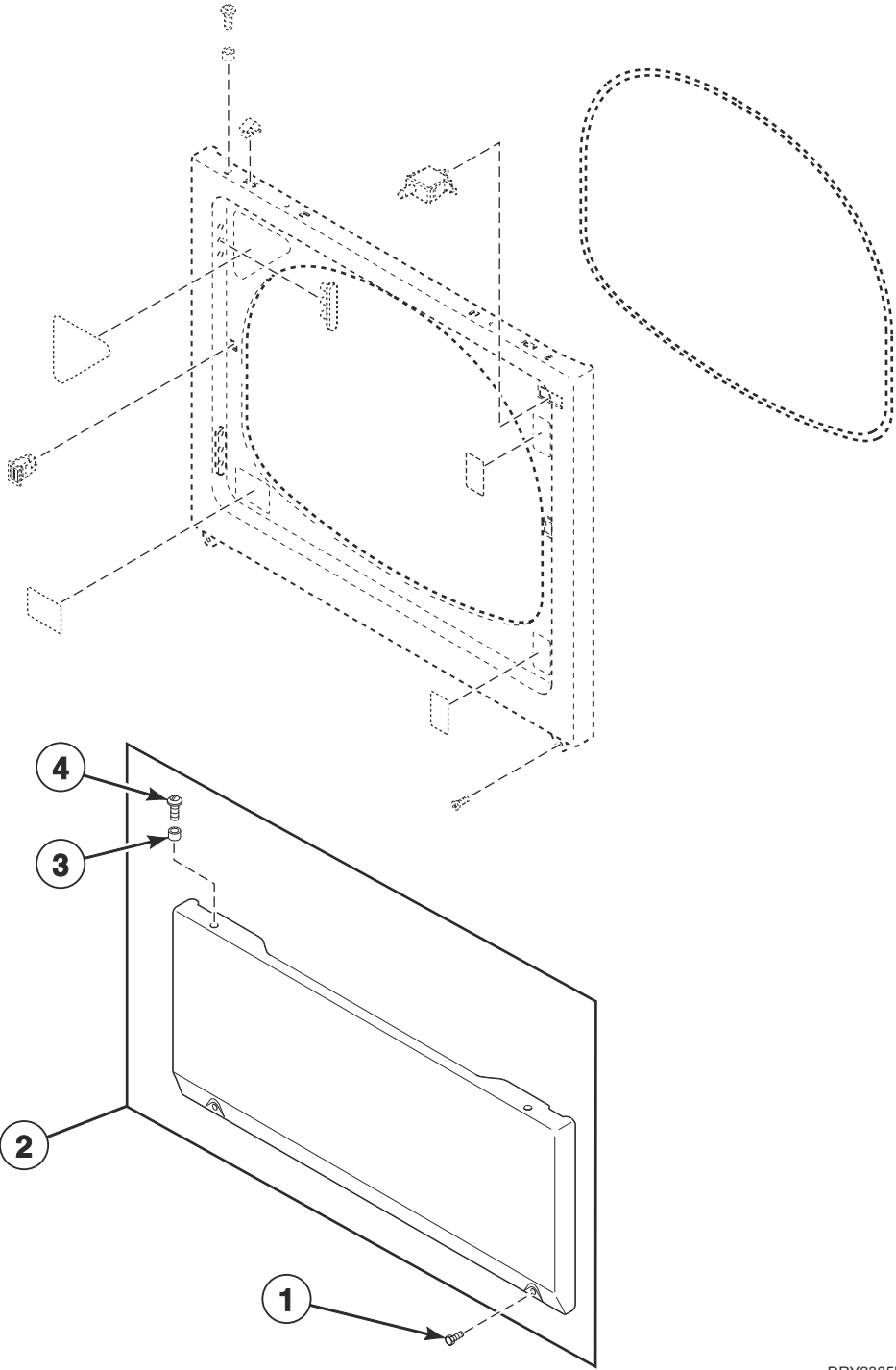


DRY2310P_D518229

Front Panel and Seal

REF	PART NO.	DESCRIPTION	COMMENTS
1	28835	Speed Clip	
2	D512973	Switch	
3	D514327	Drip Shield	Models LDE3TRGS431AW01, LDE3TRGS451SW01, LDG3TRGS301AW01 and LDG3TRGS301BW01
4	D511056	Front Panel Seal	
5	D510066WP	Front Panel	White
	D510066DG	Front Panel	Gray
6	D512263	Warning Label	Models LDE3TRGS431AW01, LDG3TRGS301AW01 and LDG3TRGS301BW01
7	D503688	Screw	
8	D502804	Lint Filter Label	Models LDE3TRGS431AW01 and LDG3TRGS301AW01
	D502781	Lint Filter Label	Models LDE30RGS173MW33, LDE30RGS543MW01, LDG3TRGS301BW01, LDL30RGS113MW33, LDL3TRGS301NW22, LDL3TRGS541NW22 and LDL3TRGW301NW22
9	D510177	Door Catch Assembly	
10	D516513	Caution Label	French
	D516514	Warning Label	Spanish
	D514863	Front Panel Label	Chinese
	D514867	Warning Label	Thai
	D516512	Warning/Caution Label	English
11	D510186	Hinge Hole Plug	
12	56079	Panel Locator	
13	39733	Screw	

Access Panel

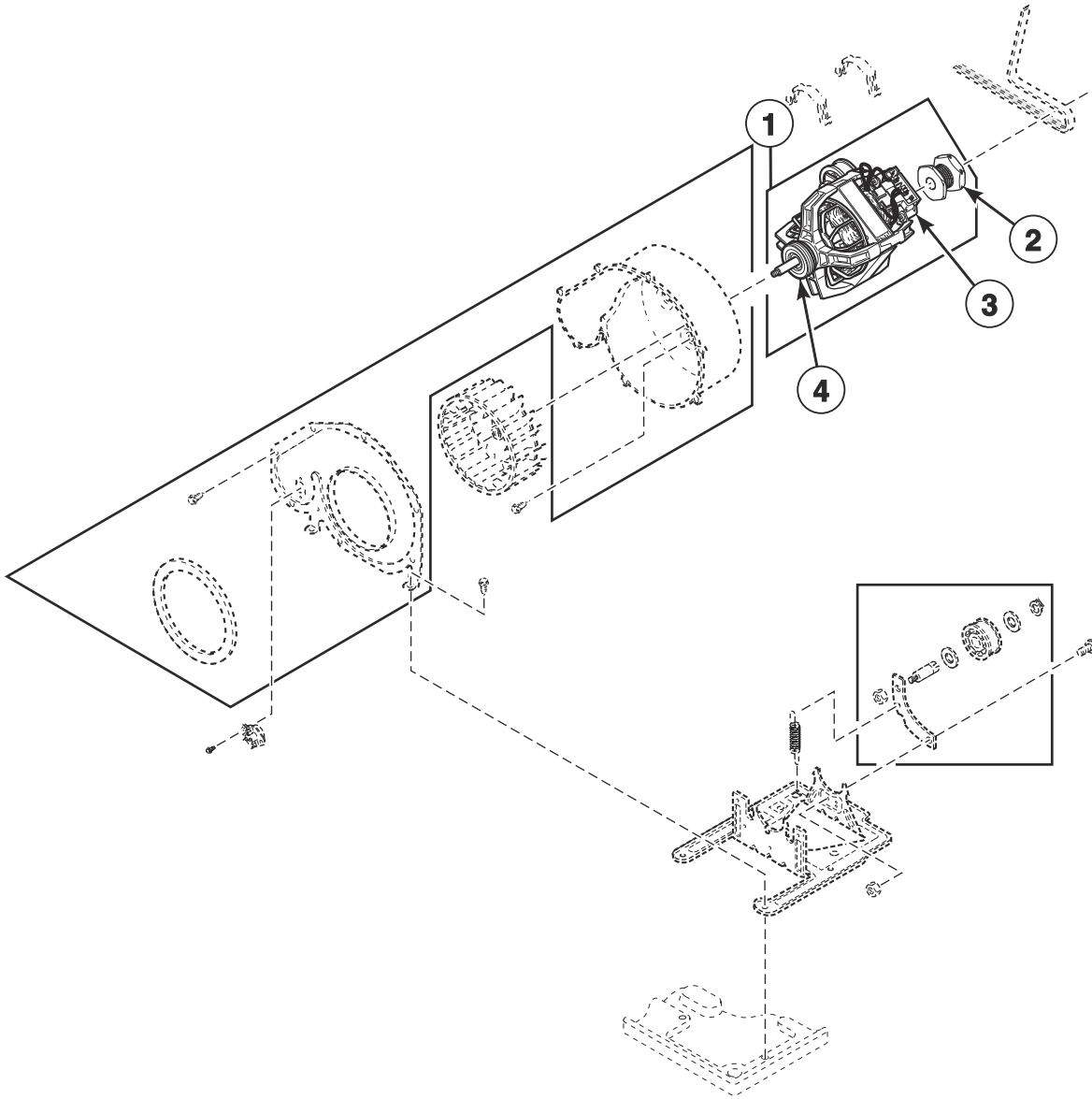


DRY2305PA_D518229

Access Panel

REF	PART NO.	DESCRIPTION	COMMENTS
1	33562	Screw	Slotted hex head
2	D514250WP	Access Panel Assembly	White
	D514250DG	Access Panel Assembly	Gray
3	56079	Panel Locator	
4	39733	Screw	

Motor, Exhaust Fan and Belt (Drawing 1 of 2)

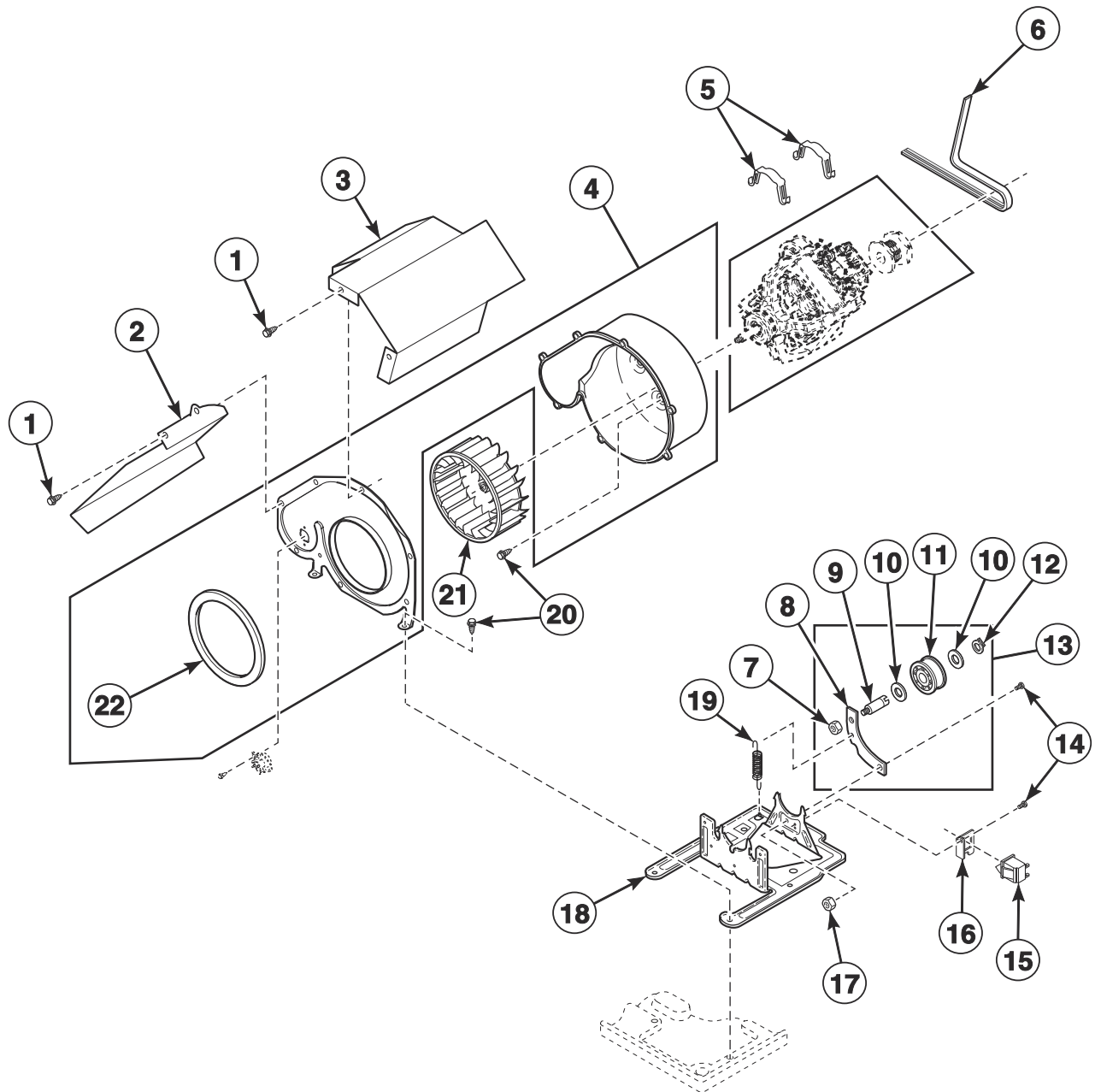


DRY2105P_D518229

Motor, Exhaust Fan and Belt (Drawing 1 of 2)

REF	PART NO.	DESCRIPTION	COMMENTS
	27604P	Anti-Seize Compound	Apply to motor shaft when installing blower fan assembly
1	D511629P	Motor and Pulley Assembly	120 Volt/60 Hertz; Includes items 2 and 3; Apply anti-seize compound to motor shaft when installing blower fan assembly; Models LDE30RGS173MW33, YDE3TRGS171CW01 and YDG3TRGS111CW01
	D505869P	Motor and Pulley Assembly	240 Volt/60 Hertz; Includes items 2 and 3; Apply anti-seize compound to motor shaft when installing blower fan assembly; Models EDE3TRGS543PW01, EDL3TRGS541NW23, LDE30RGS543MW01, LDE3TRGS541NW22 and LDE3TRGS551NW22
	D511629P	Motor and Pulley Assembly	Models LDE30RGS173TW01 and LDG30RGS113TW01
	D505843P	Motor and Pulley Assembly	240 Volt/50 Hertz; Includes items 2 and 3; Apply anti-seize compound to motor shaft when installing blower fan assembly; All other models
2	D500011	Motor Pulley	60 Hertz; Use with D511629P, D505869P or D511574 Motor and Pulley Assemblies; Models EDE3TRGS543PW01, EDL3TRGS541NW23, FDE3TRGS401NG22, LDE30RGS173MW33, LDE30RGS543MW01, LDE3TRGS451NW22, LDE3TRGS461NW22, LDE3TRGS541NW22, LDE3TRGS551NW22, LDG30RGS113TW01, LDL30RGS113MW33, LDL3TRGS541NW22, LDL3TRGW301NW22, YDE3TRGS171CW01 and YDG3TRGS111CW01
	D500222	Motor Pulley	50 Hertz; Use with Motor and Pulley Assembly; All other models
3	N/A	Motor Switch Kit	Does not include thermal protector
4	590P3	Motor Hub Ring Kit	

Motor, Exhaust Fan and Belt (Drawing 2 of 2)

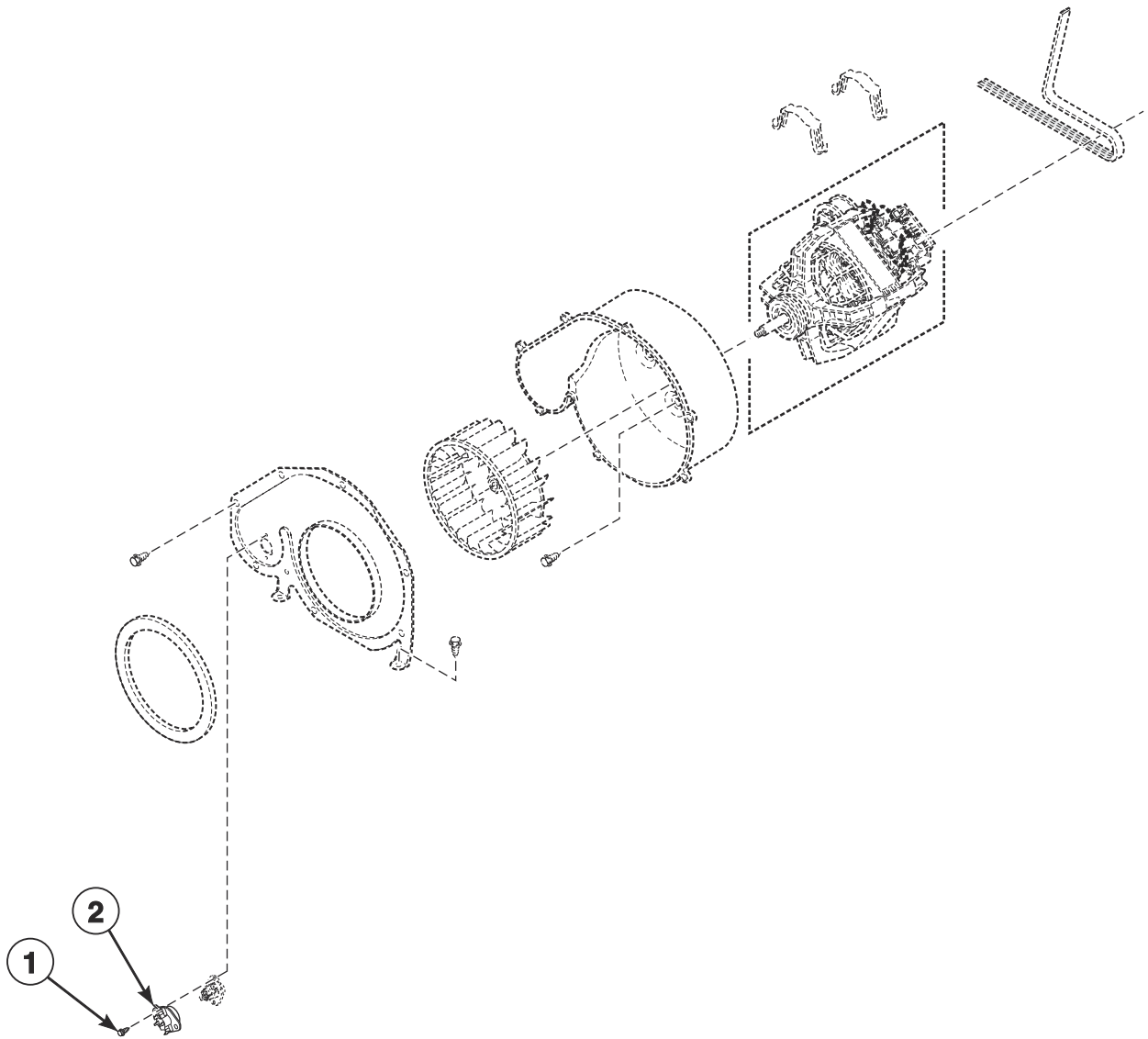


DRY2519P_D518229

Motor, Exhaust Fan and Belt (Drawing 2 of 2)

REF	PART NO.	DESCRIPTION	COMMENTS
	27604P	Anti-Seize Compound	Apply to motor shaft when installing blower fan assembly
1	31260	Screw	
2	D514325	Thermostat Shield	Models LDE3TRGS431AW01, LDE3TRGS451SW01, LDG3TRGS301AW01 and LDG3TRGS301BW01
3	D514602	Motor Shield	Models LDE3TRGS431AW01, LDE3TRGS451SW01, LDG3TRGS301AW01 and LDG3TRGS301BW01
4	D511969WP	Blower Housing	Includes items 1 and 22
	D511969LG	Blower Housing	Includes items 1 and 22
5	D510180	Motor Mount Clamp	
6	D511255P	Cylinder Belt	
7	44087301	Nut	
8	D516310	Idler Lever	
9	56461P	Shaft	
10	52549	Washer	
11	D510142P	Idler Wheel and Bearing Assembly	
12	23748	Retaining Ring	
13	D516792	Idler Lever and Wheel Assembly	Includes items 7-12
14	D500824	Screw	
15	D516391	Switch	
16	D516311	Motor Switch Bracket	
17	52566	Nut	
18	D518517	Motor Mount	
19	D510185	Idler Spring	
20	D503688	Screw	
21	D510139P	Blower Fan Assembly	Apply anti-seize compound to motor shaft when installing blower fan assembly
22	D510238P	Blower Housing Seal	

Thermostat

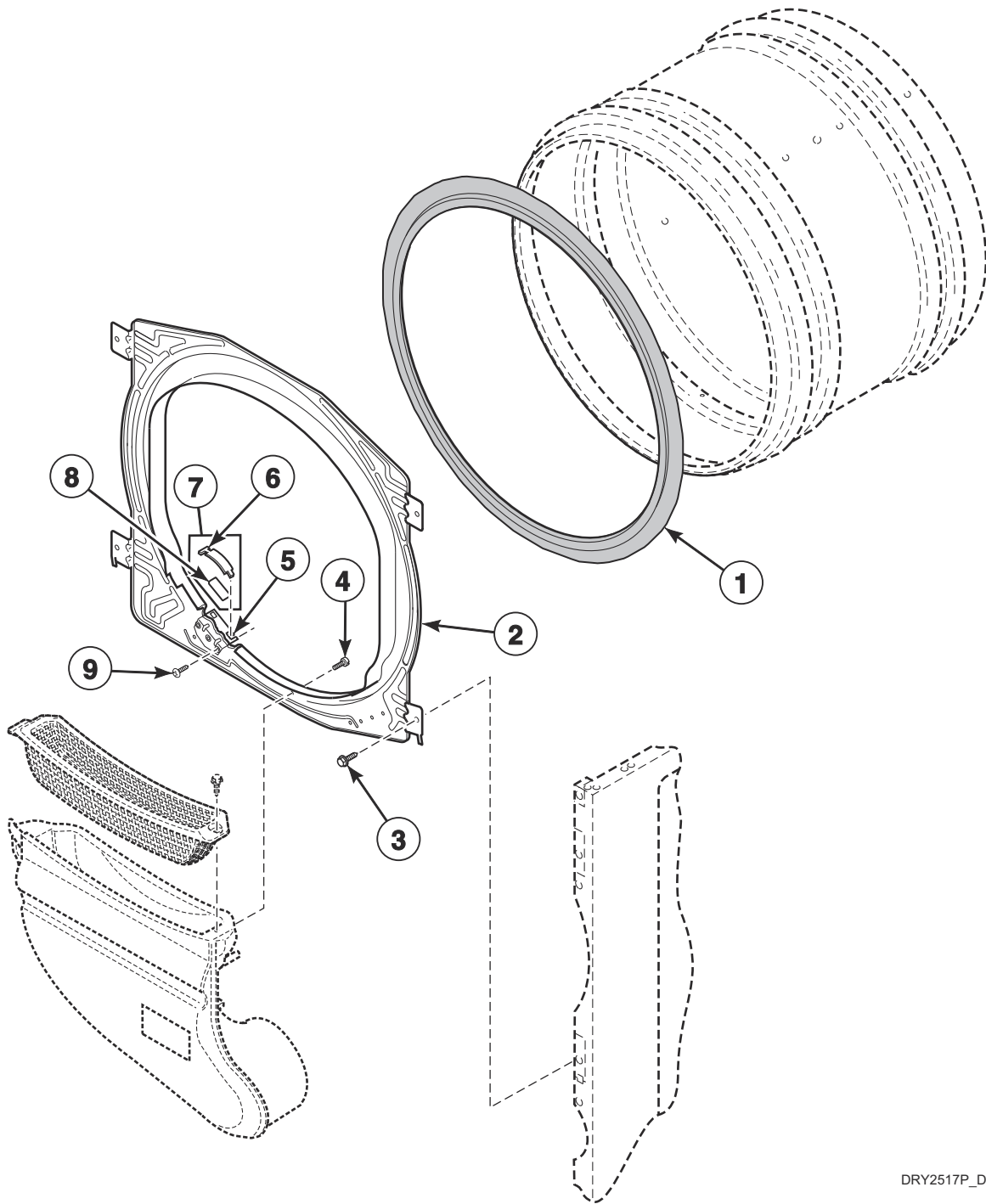


DRY1850P_D518229

Thermostat

REF	PART NO.	DESCRIPTION	COMMENTS
1	D502535	Screw	
2	D504515	Thermostat	Green; Models LDE30RGS173MW33 and YDE3TRGS171CW01
	D510707P	Thermostat	Pink/White; Models LDL30RGS113MW33 and YDG3TRGS111CW01
	D511887	Thermostat	Models FDE3TRGS301NG10, FDE3TRGS301NW10, FDE3TRGS401NG22, FDE3TRGS433LW01, LDE30RGS543MW01, LDE3TRGS301NG10, LDE3TRGS401NG22, LDE3TRGS431AW01, LDE3TRGS451NW22, LDE3TRGS451SW01, LDE3TRGS461NW22, LDE3TRGS541NW22 and LDE3TRGS551NW22
	D511957	Thermostat	White; All other models

Front Bulkhead and Seal

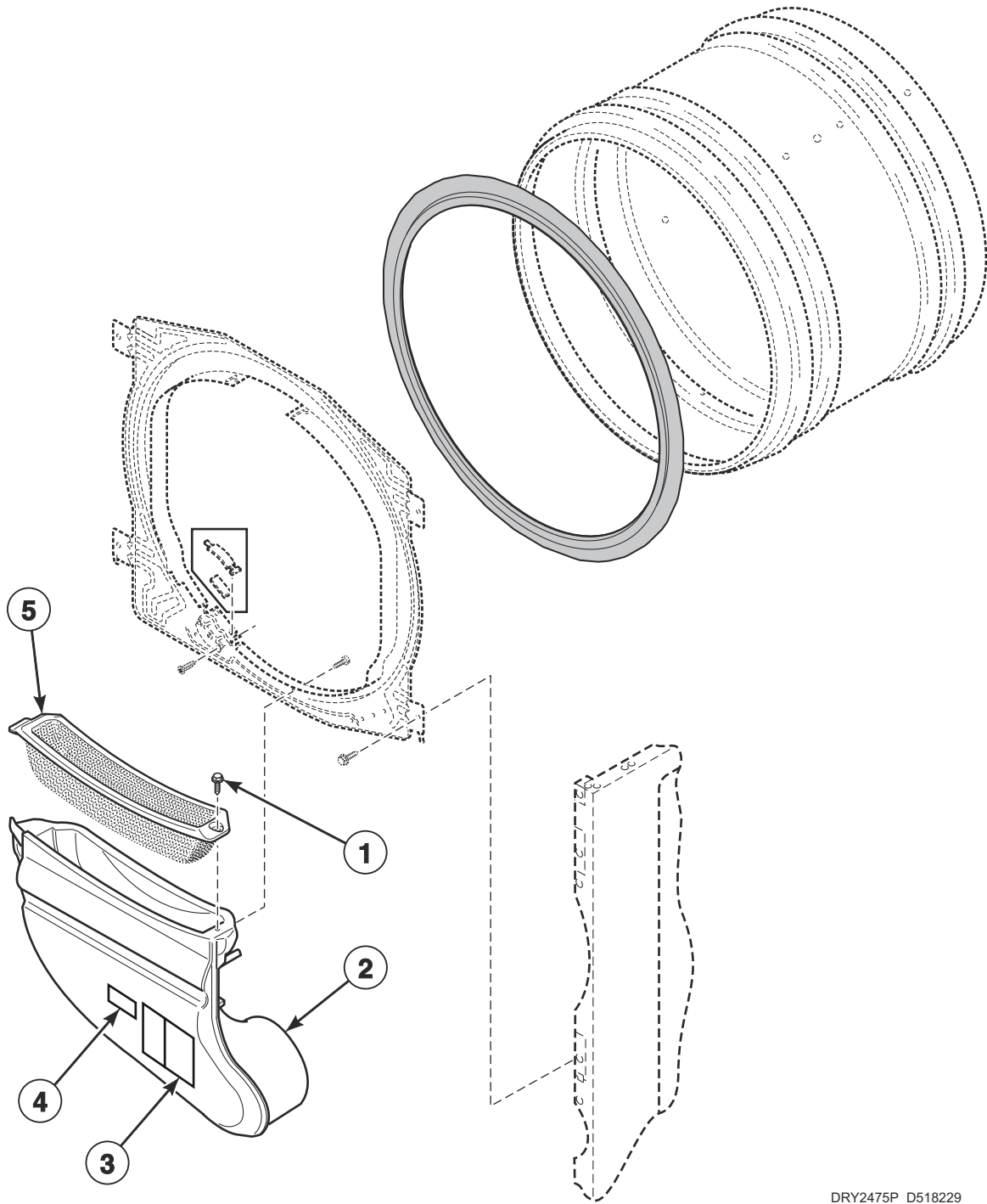


DRY2517P_D518229

Front Bulkhead and Seal

REF	PART NO.	DESCRIPTION	COMMENTS
1	D510207P	Cylinder Seal Assembly	
	D511637P	Adhesive	For cylinder seal
	RB170001	Seal Kit	Includes 2 cylinder seals, D510238P Blower Housing Seal and Adhesive
2	D510266P	Front Bulkhead Assembly	Unpainted; Includes items 2 and 9-12; Models EDE3TRGS543PW01, EDL3TRGS541NW23, FDE3TRGS401NG22, FDE3TRGS401NW22, FDE3TRGS433LW01, LDE30RGS173MW33, LDE30RGS173TW01, LDE30RGS543MW01, LDE3TRGS431AW01, LDE3TRGS451NW22, LDE3TRGS451SW01, LDE3TRGS461NW22, LDE3TRGS541NW22, LDE3TRGS551NW22, LDG3TRGS301AW01, LDG3TRGS301BW01, LDG3TRGS301NW22, LDL30RGS113MW33, LDL3TRGS541NW22, LDL3TRGW301NW22, YDE3TRGS171CW01, YDG30RGS301NW21 and YDG3TRGS111CW01
	D511033WP	Front Bulkhead Assembly	White; Includes items 2 and 9-12; All other models
3	D503688	Screw	
4	D500226	Screw	
5	D510145	Cylinder Glide Bracket	
6	D513710	Cylinder Glide	
7	RB170003	Glide Kit	Includes items 9 and 10
8	D510189	Felt Pad	
9	52864	Screw	

Air Duct - Without Front Bulkhead Light

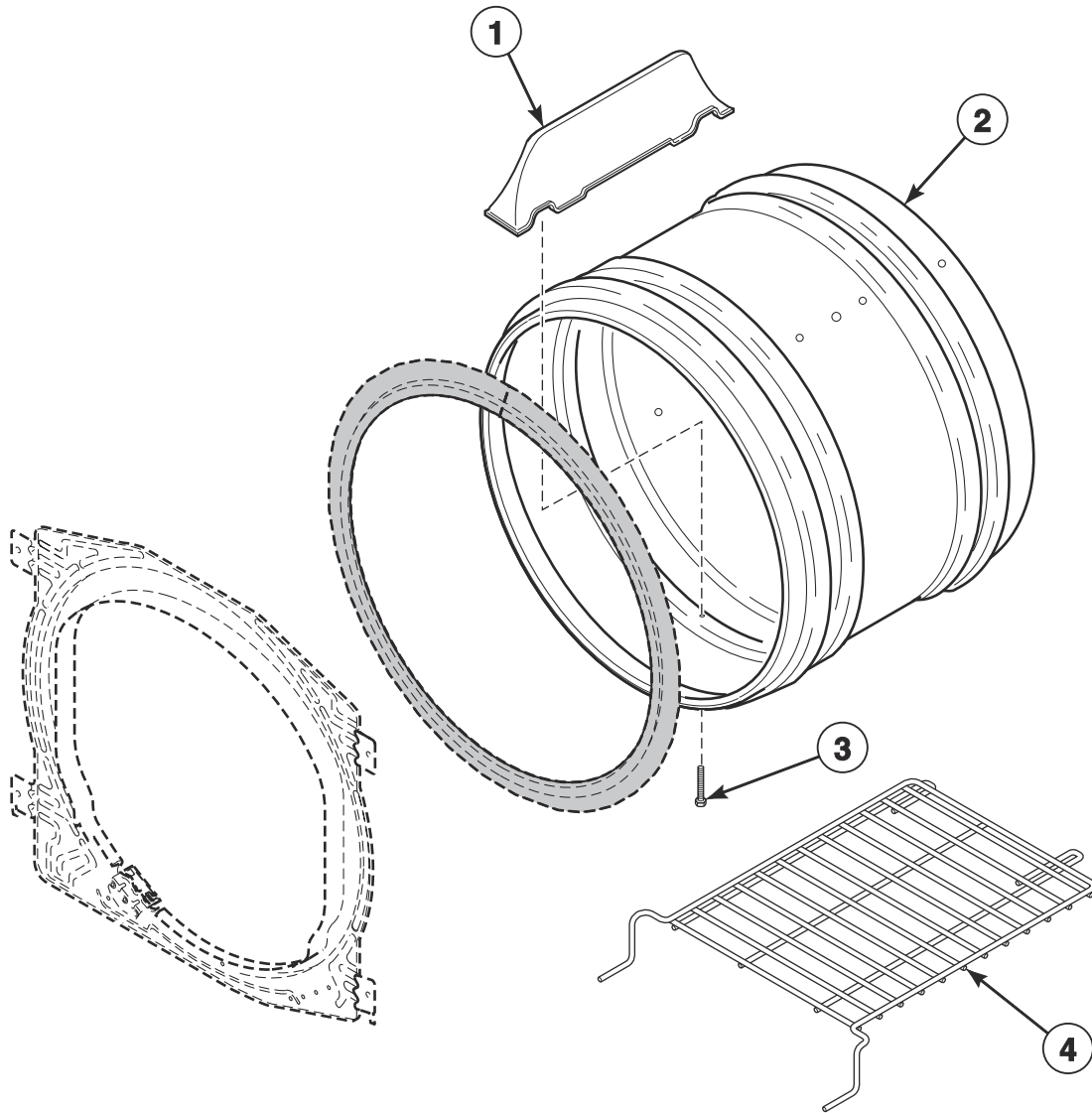


DRY2475P_D518229

Air Duct - Without Front Bulkhead Light

REF	PART NO.	DESCRIPTION	COMMENTS
1	D501285	Screw	
2	D518433	Air Duct Assembly	Light gray; Models FDE3TRGS401NG22, LDE30RGS173MW33, LDE3TRGS451NW22, LDE3TRGS461NW22, LDE3TRGS551NW22, LDL30RGS113MW33, LDL3TRGS541NW22, LDL3TRGW301NW22, YDE3TRGS171CW01 and YDG3TRGS111CW01
	D518432	Air Duct Assembly	All other models
3	D502506	Pinched Fingers Label	
4	F8211201	Electrical Shock Label	Models LDL3TRGS541NW22 and LDL3TRGW301NW22
	F8615701	Pinch Warning Label	Models LDL3TRGS541NW22 and LDL3TRGW301NW22
5	D503980LG	Lint Filter	Light gray; Models FDE3TRGS401NG22, LDE30RGS173MW33, LDE30RGS543MW01, LDE3TRGS451NW22, LDE3TRGS461NW22, LDE3TRGS551NW22, LDL30RGS113MW33, LDL3TRGS541NW22, LDL3TRGW301NW22, YDE3TRGS171CW01 and YDG3TRGS111CW01
	D503980W	Lint Filter	All other models

Cylinder, Baffles and Drying Rack



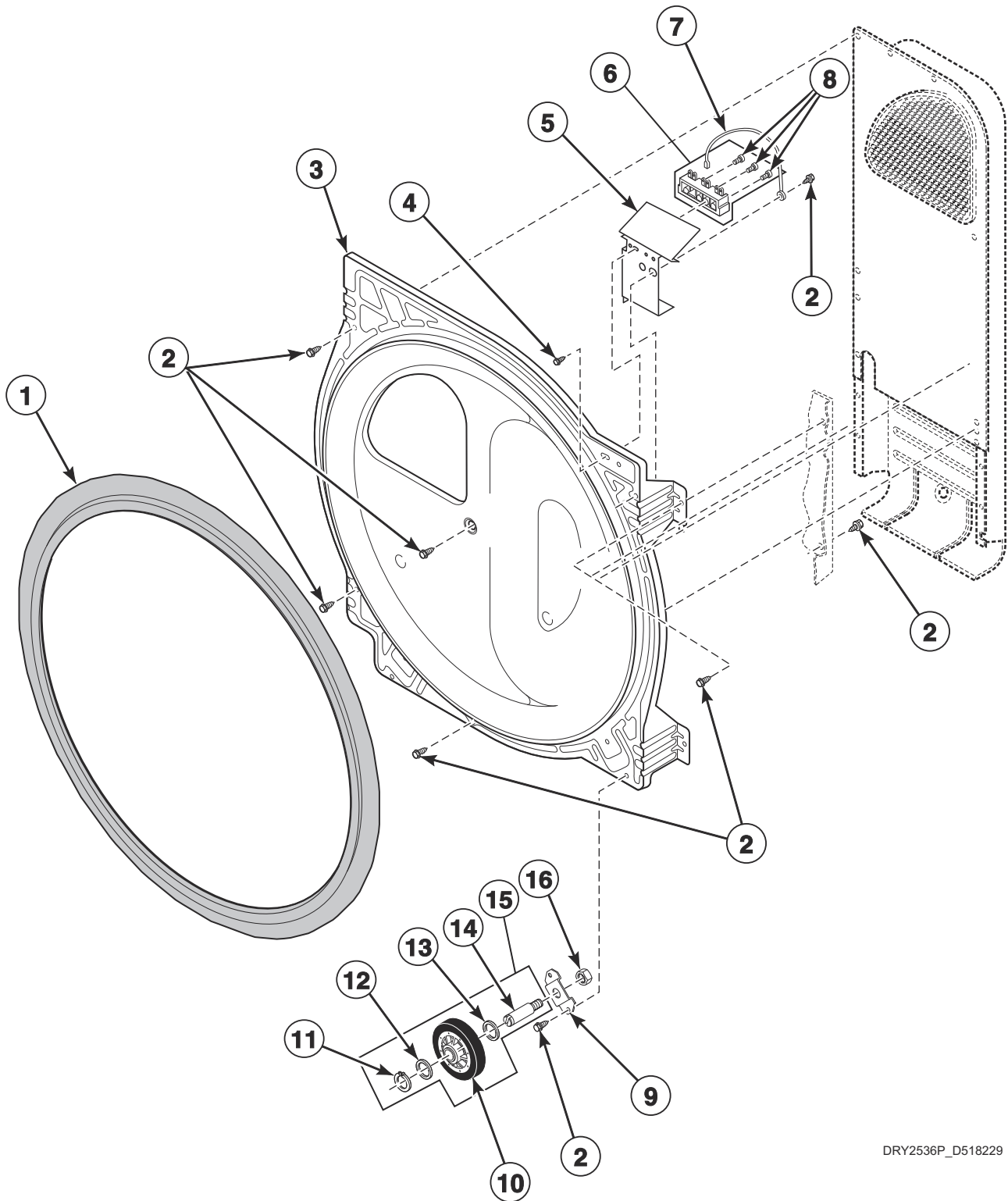
DRY2161P_D518229

Cylinder, Baffles and Drying Rack

REF	PART NO.	DESCRIPTION	COMMENTS
1	D510102LG	Cylinder Baffle	3 required; Light gray; Models FDE3TRGS401NG22, LDE3TRGS451NW22, LDE3TRGS461NW22 and LDE3TRGS551NW22
2	D510265WP	Cylinder Assembly	Galvanized; Includes (3) of item 1 and (6) of item 3; Models EDE3TRGS543PW01, EDL3TRGS541NW23, FDE3TRGS401NW22, FDE3TRGS433LW01, FDG3TRGS301NW10, FDL3TRGW301NW10, LDE30RGS173MW33, LDE30RGS173TW01, LDE30RGS543MW01, LDE3TRGS431AW01, LDE3TRGS451NW22, LDE3TRGS451SW01, LDE3TRGS461NW22, LDE3TRGS541NW22, LDG3TRGS301AW01, LDG3TRGS301BW01, LDG3TRGS301NW22, LDL30RGS113MW33, LDL3TRGS541NW22, LDL3TRGW301NW22 and YDG30RGS301NW21
	D510159LGP	Cylinder Assembly	Models FDE3TRGS401NG22, LDE3TRGS451NW22, LDE3TRGS461NW22 and LDE3TRGS551NW22
	D510159WP	Cylinder Assembly	White; Includes (3) of item 1 and (6) of item 3; All other models
3	62588	Screw	
4	D512082P	Drying Rack	

Rear Bulkhead, Felt Seal, Cylinder Roller and Terminal Block - 1 Phase Models

All Models Except FDE3TRGS401NW22



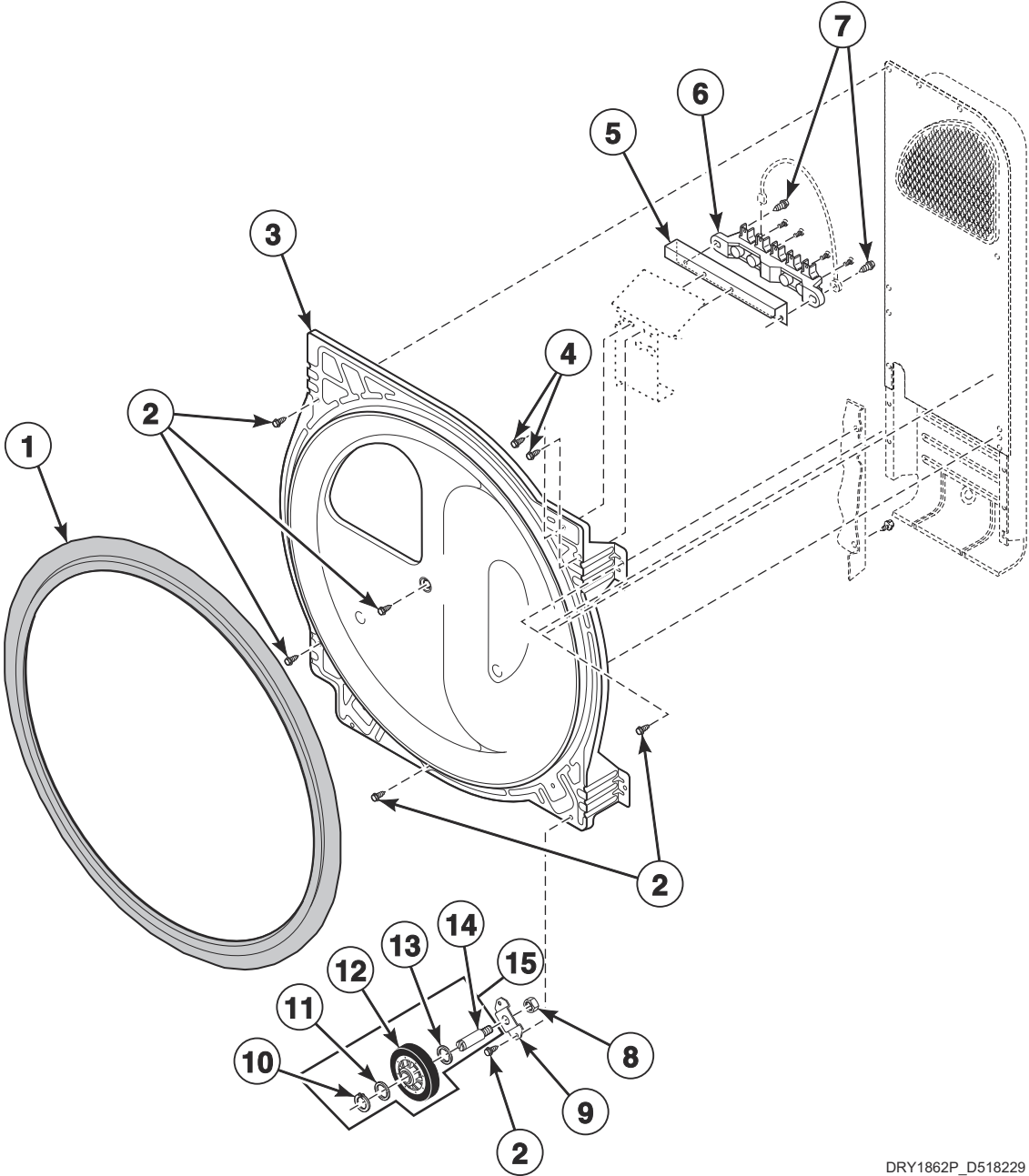
DRY2536P_D518229

Rear Bulkhead, Felt Seal, Cylinder Roller and Terminal Block - 1 Phase Models

REF	PART NO.	DESCRIPTION	COMMENTS
1	D510207P	Cylinder Seal Assembly	
	D511637P	Adhesive	For cylinder seal
	RB170001	Seal Kit	Includes 2 cylinder seals, D510238P Blower Housing Seal and Adhesive
2	D503688	Screw	
3	D511082P	Rear Bulkhead Assembly	Galvanized; Includes item 1; Models EDE3TRGS543PW01, EDL3TRGS541NW23, FDE3TRGS301NG10, FDE3TRGS301NW10, FDE3TRGS401NG22, FDE3TRGS433LW01, FDG3TRGS301NW10, FDL3TRGW301NW10, LDE30RGS173MW33, LDE30RGS543MW01, LDE3TRGS301NG10, LDE3TRGS401NG22, LDE3TRGS431AW01, LDE3TRGS451NW22, LDE3TRGS451SW01, LDE3TRGS461NW22, LDE3TRGS541NW22, LDE3TRGS551NW22, LDG3TRGS301AW01, LDG3TRGS301BW01, LDG3TRGS301NW22, LDL30RGS113MW33, LDL3TRGS541NW22, LDL3TRGW301NW22, YDE3TRGS171CW01, YDG30RGS301NW21 and YDG3TRGS111CW01
	D510905WP	Rear Bulkhead Assembly	White; Includes item 1; All other models
4	44023301	Screw	
5	D517715	Terminal Block Shield	Models FDG3TRGS301NW10, FDL3TRGW301NW10, LDE3TRGS431AW01, LDE3TRGS451SW01, LDG3TRGS301NW22 and LDL3TRGS541NW22
6	D510190P	Terminal Block Assembly	Includes 3 of item 4; All models except EDL3TRGS541NW23, LDE30RGS153TW01, LDE3TRGS451NW22, LDG3TRGS301AW01, LDG3TRGS301BW01, LDL30RGS113MW33 and YDG30RGS301NW21
7	D518257	Ground Wire Assembly	
8	61199	Screw	
9	D510100	Cylinder Roller Bracket	
10	D510708P	Cylinder Roller	
11	23748	Retaining Ring	
12	52549	Washer	
13	D504082	Washer	
14	56461P	Shaft	
15	RB170002	Roller Kit	Includes items 10-14; (Quantity: 2 of each item)
16	44087301	Nut	

Rear Bulkhead, Felt Seal, Cylinder Roller and Terminal Block - 3 Phase Models

Models FDE3TRGS401NG22 and FDE3TRGS401NW22



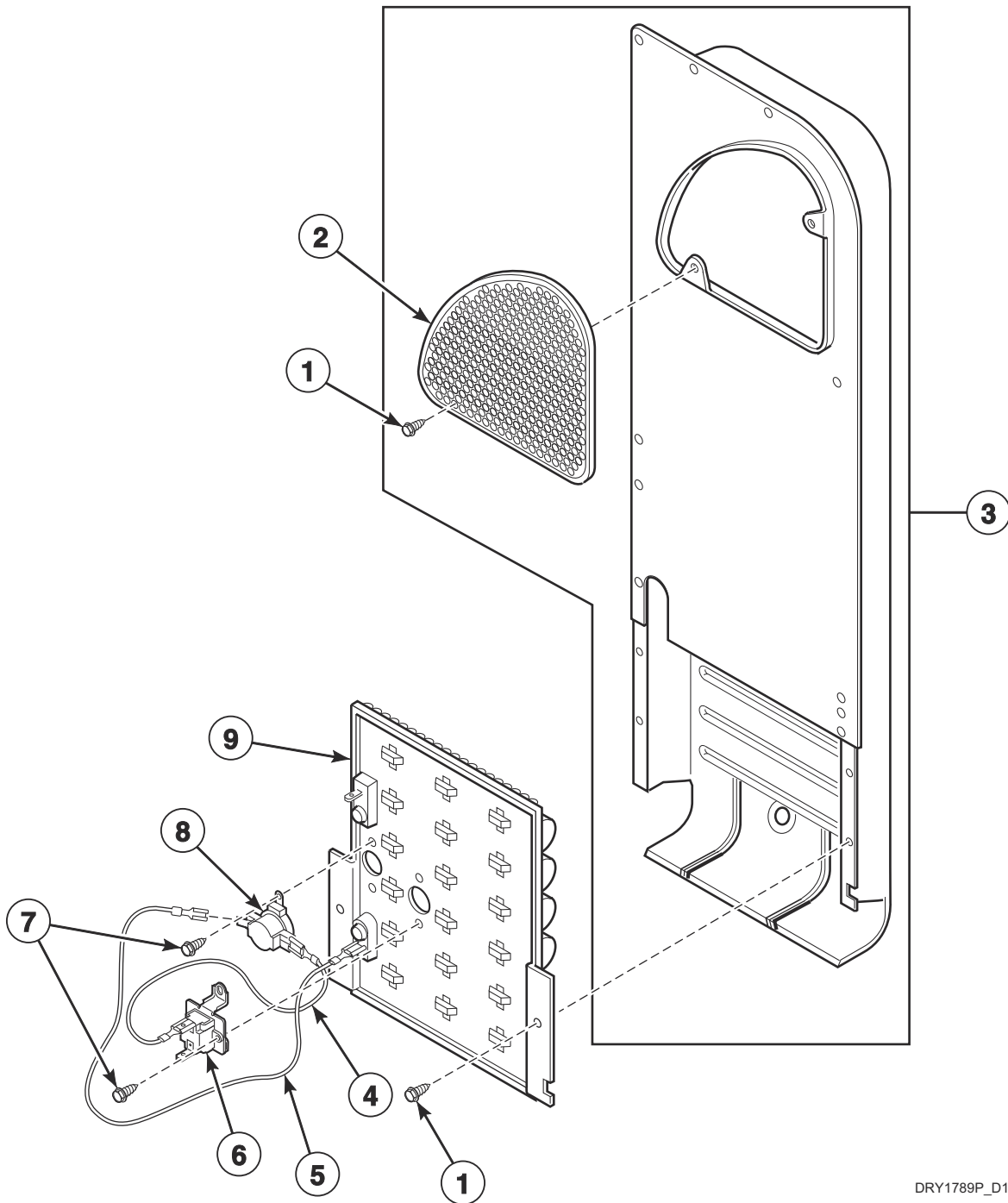
DRY1862P_D518229

Rear Bulkhead, Felt Seal, Cylinder Roller and Terminal Block - 3 Phase Models

REF	PART NO.	DESCRIPTION	COMMENTS
1	D510207P	Cylinder Seal Assembly	
	D511637P	Adhesive	For cylinder seal
	RB170001	Seal Kit	Includes 2 cylinder seals, D510238P Blower Housing Seal and Adhesive
2	D503688	Screw	
3	D511082P	Rear Bulkhead Assembly	Galvanized; Includes item 1
4	D501285	Screw	
5	D505875	Terminal Block Support Bracket	
6	D505876	Terminal Block Assembly	
7	D503661	Screw	
8	56156	Nut	
9	D510100	Cylinder Roller Bracket	
10	23748	Retaining Ring	
11	52549	Washer	
12	D510708P	Cylinder Roller	
13	D504082	Washer	
14	56461P	Shaft	
15	RB170002	Roller Kit	Includes items 10-14; (Quantity: 2 of each item)

Heater Duct and Element Assembly - 1 Phase Models

All Electric Models Except FDE3TRGS401NW22



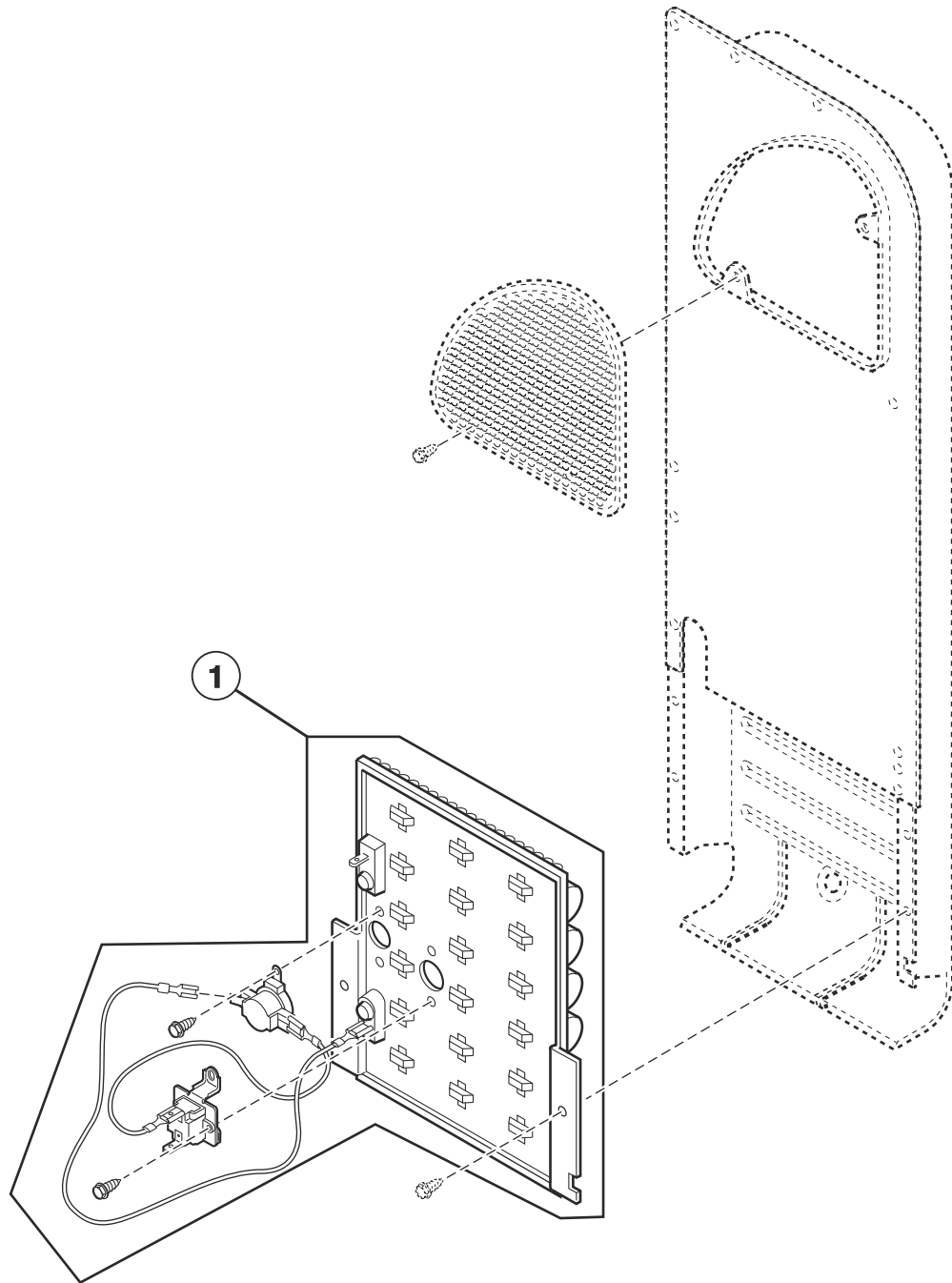
DRY1789P_D18229

Heater Duct and Element Assembly - 1 Phase Models

REF	PART NO.	DESCRIPTION	COMMENTS
1	D503688	Screw	
2	D500820	Outlet Cover	
3	D510025P	Heater Duct Assembly	Includes items 1 and 2
4	D518256	Wire Assembly	Orange; Thermostat jumper; Attaches to heater assembly
5	D518255	Wire Assembly	Black; Fuse jumper; Attaches to heater assembly
6	D518649	Thermal Fuse Assembly	
	D516193	Limit Thermostat	Models FDE3TRGS401NG22 and LDE3TRGS461NW22
7	23222	Screw	
8	D510700	Limit Thermostat	Models LDE3TRGS451NW22 and LDE3TRGS551NW22
	D516192	Limit Thermostat	Pink; Models FDE3TRGS401NG22 and LDE3TRGS461NW22
	D510701	Limit Thermostat	All other models
9	D516123	Heater Assembly	240 Volt; 1900 W; Models FDE3TRGS401NG22 and LDE3TRGS461NW22
	D510326P	Heater Assembly	240 Volt/50 Hertz; 4.8 kW; Models FDE3TRGS301NG10, FDE3TRGS301NW10, LDE3TRGS301NG10 and LDE3TRGS401NG22
	D510327P	Heater Assembly	240 Volt/50 Hertz; 4 kW; Models FDE3TRGS433LW01, LDE3TRGS431AW01 and LDE3TRGS451SW01
	D510328P	Heater Assembly	240 Volt/50 or 60 Hertz; 3.1 kW; Models LDE3TRGS451NW22 and LDE3TRGS551NW22
	D510329P	Heater Assembly	240 Volt/60 Hertz; 5.35 kW; Models LDE30RGS173MW33 and LDE30RGS543MW01
	61928	Heater Kit Assembly	Model LDE30RGS173TW01; 4.75 kW; 208 Volt; Includes items 4-8 and 510325P 208 Volt Heater; 208 Volt Heater not available on 240 Volt models as a warranty replacement. Where 208 Volt applications exist, customer is responsible for replacement of heater. DO NOT install 208 Volt Heater in 240 Volt applications.
	D510324P	Heater Assembly	240 Volt/60 Hertz; 5 kW; All other models

Heater Kit Assembly - 1 Phase Models

All Electric Models Except FDE3TRGS401NW22



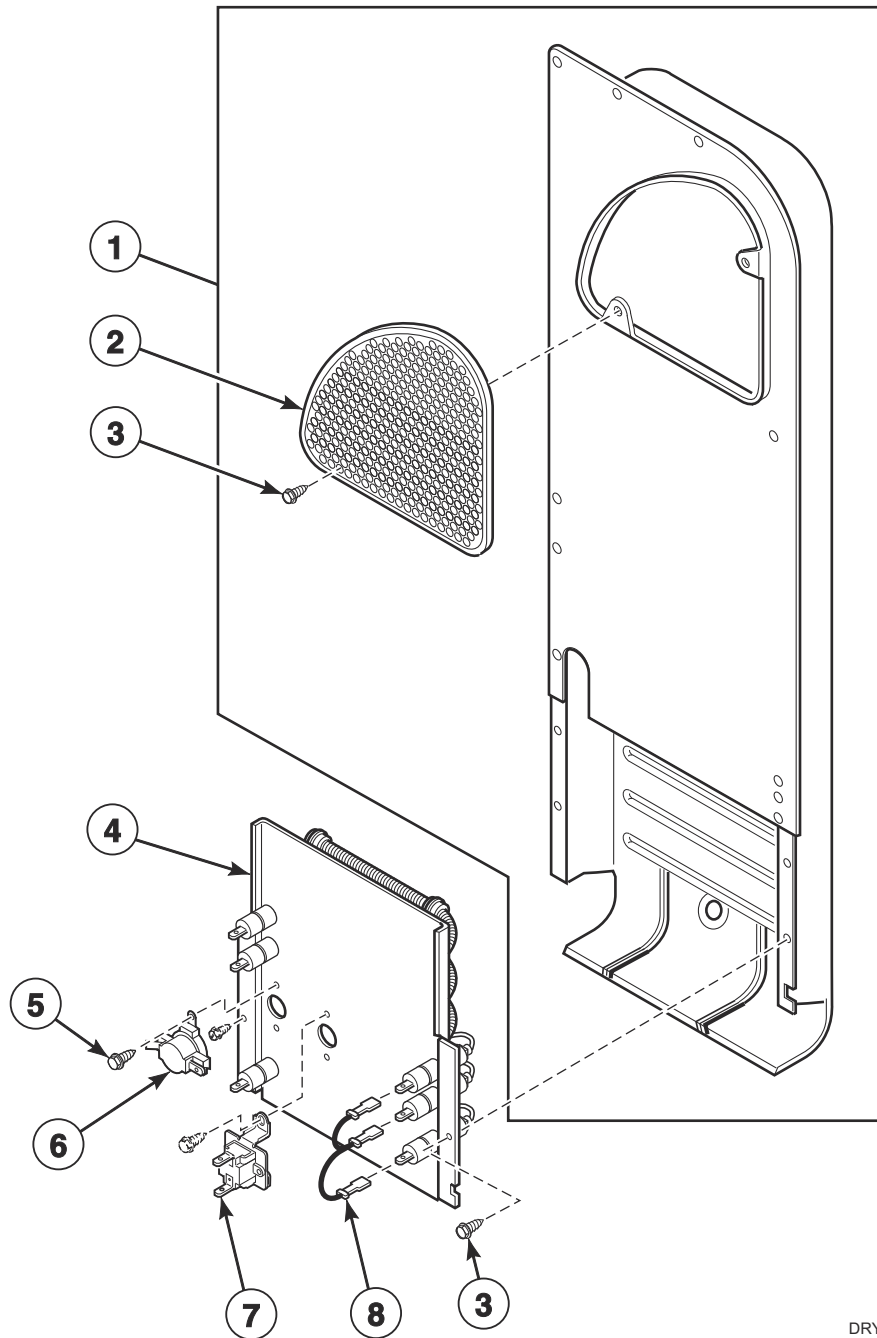
DRY1789PA_D518229

Heater Kit Assembly - 1 Phase Models

REF	PART NO.	DESCRIPTION	COMMENTS
1	61929	Heater Kit Assembly	240 Volt/50 Hertz; 4.8 kW; Includes thermostat, fuse and wiring; Models FDE3TRGS301NG10, FDE3TRGS301NW10, LDE3TRGS301NG10, LDE3TRGS401NG22 and YDE3TRGS171CW01
	61930	Heater Kit Assembly	240 Volt/50 Hertz; 4 kW; Includes thermostat, fuse and wiring; Models FDE3TRGS433LW01, LDE3TRGS431AW01 and LDE3TRGS451SW01
	61927	Heater Kit Assembly	240 Volt/60 Hertz; 5 kW; Includes thermostat, fuse and wiring; Models EDE3TRGS543PW01 and LDE3TRGS541NW22
	964P3	Heater Kit	240 Volt/60 Hertz; 5.35 kW; Includes thermostat, fuse and wiring; Models LDE30RGS173MW33 and LDE30RGS543MW01

Heater Duct and Element Assembly - 3 Phase Models

Models FDE3TRGS401NG22, FDE3TRGS401NW22 and LDE3TRGS401NG22



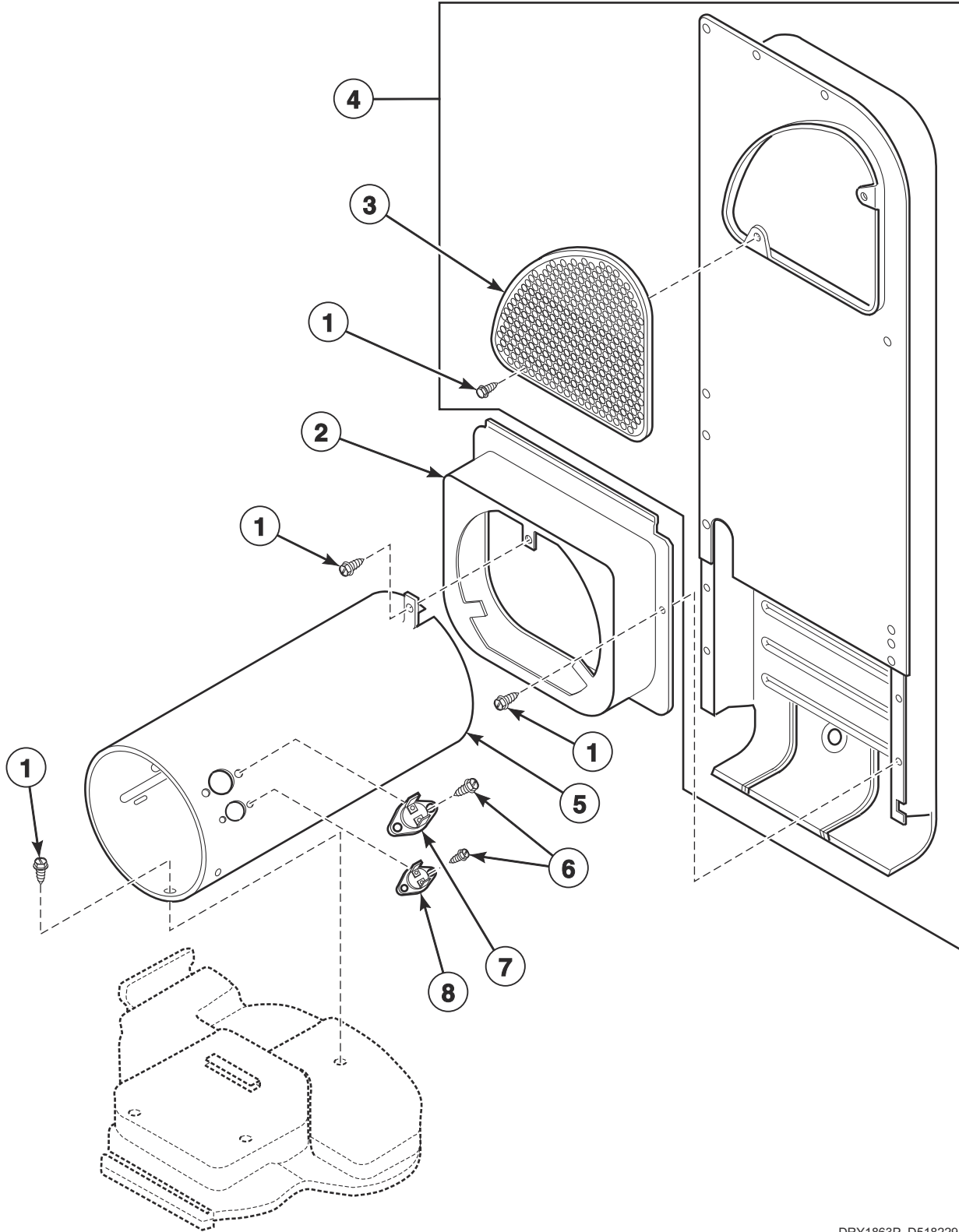
DRY2389P_D518229

Heater Duct and Element Assembly - 3 Phase Models

REF	PART NO.	DESCRIPTION	COMMENTS
	756P3	Conversion Kit	400 Volt, 4 wire WYE to 240 Volt, 3 wire Delta
1	D518526	Heater Duct Assembly	Includes items 1 and 3; Models FDE3TRGS401NG22 and LDE3TRGS401NG22
	D510025P	Heater Duct Assembly	Includes items 1 and 3; All other models
2	D500820	Outlet Cover	Aluminized steel
	D518524	Outlet Cover	Black; Nitrocarburized
3	D503688	Screw	
4	D511014P	Heater	400 Volt/3 Phase
5	23222	Screw	
6	D510701	Limit Thermostat	
7	D518649	Thermal Fuse Assembly	
8	D518529	Jumper Wire Assembly	3 Phase; Models FDE3TRGS401NG22 and LDE3TRGS401NG22
	D518529	Jumper Wire Assembly	3 Phase; All other models

Heater Duct Assembly

Gas Models



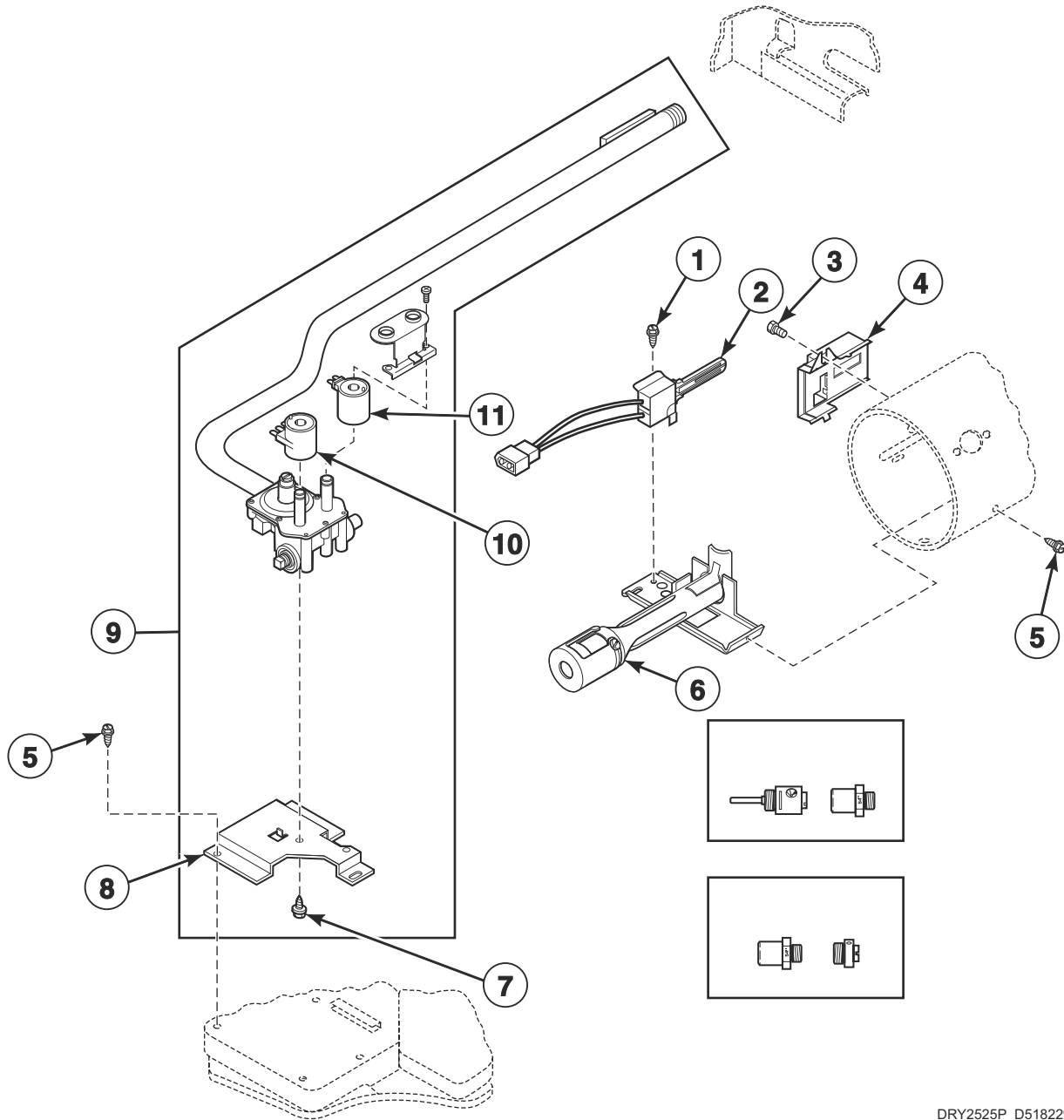
DRY1863P_D518229

Heater Duct Assembly

REF	PART NO.	DESCRIPTION	COMMENTS
1	D503688	Screw	
2	D510101	Heat Duct Shroud	
3	D500820	Outlet Cover	
4	D510025P	Heater Duct Assembly	Includes items 1 and 3
5	D510132	Combustion Duct	Models FDG3TRGS301NW10, FDL3TRGW301NW10, LDL3TRGS541NW22 and LDL3TRGW301NW22
	D510131	Combustion Duct	All other models
6	51782	Screw	
7	D510702	Limit Thermostat	Auto reset; Black
8	D510703	Thermostat	Manual reset; Models FDG3TRGS301NW10, FDL3TRGW301NW10, LDL3TRGS541NW22 and LDL3TRGW301NW22

Gas Valve and Igniter

Gas Models



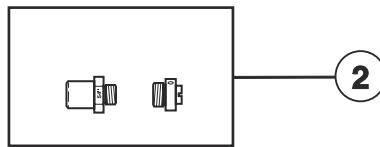
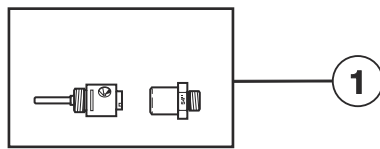
DRY2525P_D518229

Gas Valve and Igniter

REF	PART NO.	DESCRIPTION	COMMENTS
1	51782	Screw	
2	D510184P	Igniter and Bracket Assembly	
3	23222	Screw	
4	D510213	Sensor	
5	D503688	Screw	
6	D510149P	Burner Assembly	
7	56124	Screw	
8	D510128	Gas Valve Mounting Bracket	
9	D517609	Gas Valve, Bracket and Pipe Assembly	60 Hertz; 22,500 Btu; Natural Gas (N.G.); Includes items 7-11; Models EDL3TRGS541NW23, LDG30RGS113TW01 and YDG3TRGS111CW01
	D517612	Gas Valve, Bracket and Pipe Assembly	60 Hertz; 22,500 Btu; Liquid Petroleum gas (L.P.); Includes items 7-11; Models LDL30RGS113MW33 and LDL3TRGS541NW22
	D517611	Gas Valve, Bracket and Pipe Assembly	50 Hertz; 20,000 Btu; L.P.; Includes items 7-11; Model LDL3TRGW301NW22
	D517607	Gas Valve, Bracket and Pipe Assembly	50 Hertz; 20,000 Btu; N.G.; Includes items 7-11; For L.P. models, order 401P3 L.P. Conversion Kit when ordering gas valve assembly; All other models
10	58804A	Booster and Holding Coil	60 Hertz; Models EDL3TRGS541NW23 and LDL30RGS113MW33
	59063A	Booster and Holding Coil	50 Hertz; All other models
11	58804B	Secondary Coil	60 Hertz; Models EDL3TRGS541NW23 and LDL30RGS113MW33
	59063B	Secondary Coil	50 Hertz; All other models

Gas Conversion Kits

Gas Models



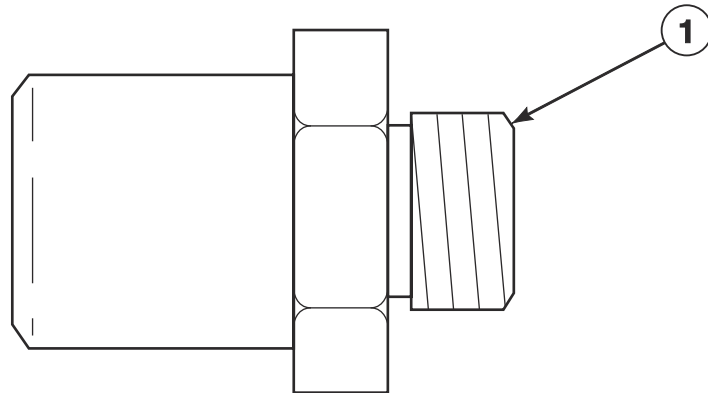
DRY2151P_D518229

Gas Conversion Kits

REF	PART NO.	DESCRIPTION	COMMENTS
1	401P3	L.P. Conversion Kit	Used to convert dryers from N.G. or Mixed Gas to L.P. for 20,000 Btu; Models FDG3TRGS301NW10, FDL3TRGW301NW10, LDG3TRGS301AW01, LDG3TRGS301BW01, LDL3TRGW301NW22 and YDG3TRGS111CW01
	649P3	L.P. Conversion Kit	Used to convert dryers from N.G. or Mixed Gas to L.P. for 22,500 Btu; All other models
2	402P3	N.G. Conversion Kit	Used to convert dryers from L.P. to N.G. or Mixed Gas for 20,000 Btu; Models FDG3TRGS301NW10, FDL3TRGW301NW10, LDG3TRGS301AW01, LDG3TRGS301BW01, LDL3TRGW301NW22 and YDG3TRGS111CW01
	650P3	N.G. Conversion Kit	Used to convert dryers from L.P. to N.G. or Mixed Gas for 22,500 Btu; Models EDL3TRGS541NW23, LDG3TRGS301NW22, LDL30RGS113MW33, LDL3TRGS541NW22 and YDG30RGS301NW21

Burner Orifice Spuds - For Higher Elevations

Gas Models

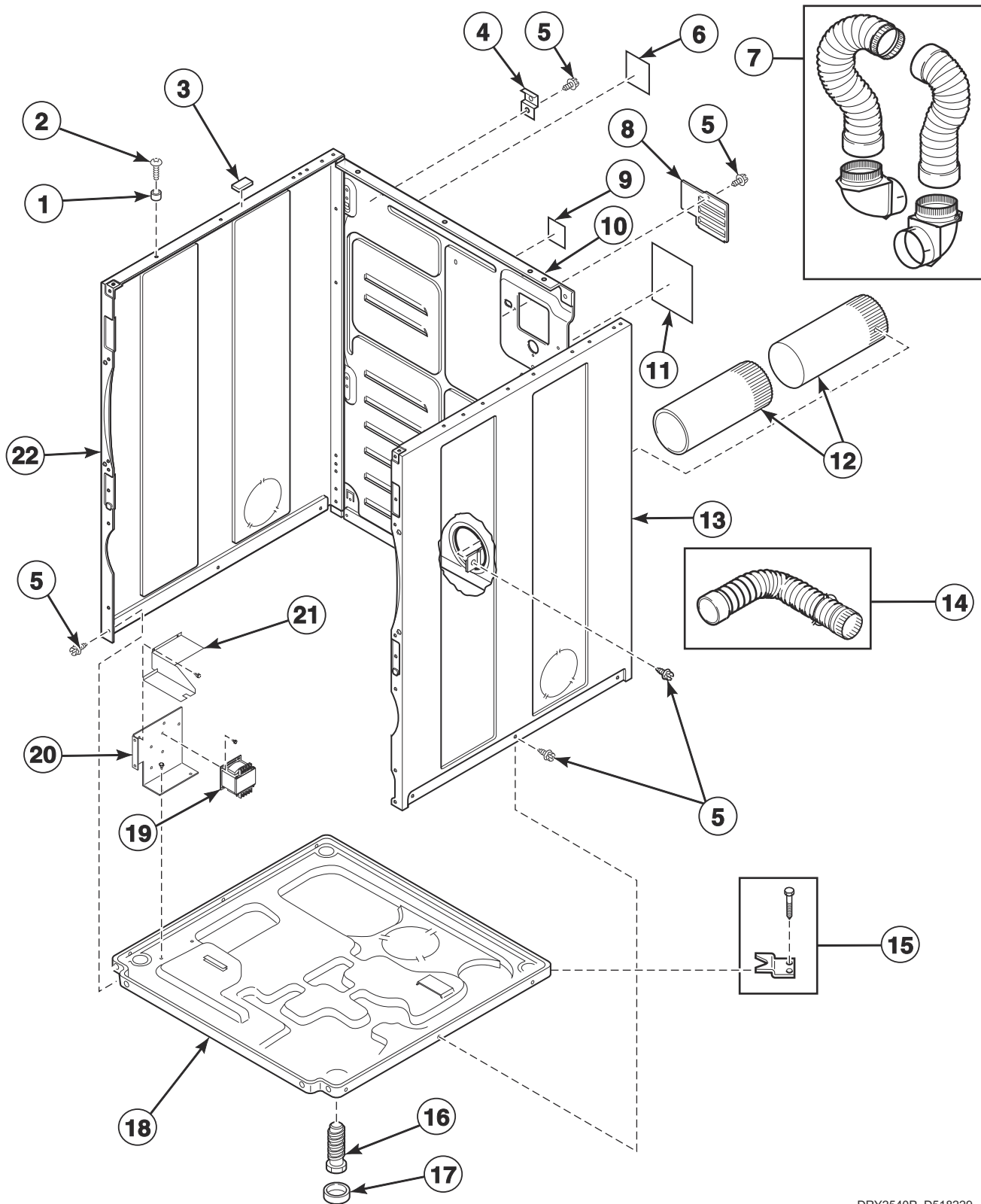


DRY2266P_D518229

Burner Orifice Spuds - For Higher Elevations

REF	PART NO.	DESCRIPTION	COMMENTS
1	D503779	N.G. Orifice	20,000 Btu; 2500-4499 feet (1760-1369m)
	D503780	N.G. Orifice	20,000 Btu; 4500-5999 feet (1370-1829 m)
	D503781	N.G. Orifice	20,000 Btu; 6000-7499 feet (1830-2289 m)
	D503782	N.G. Orifice	20,000 Btu; 7500-9499 feet (2290-2899 m)
	60941	L.P. Orifice	20,000 Btu; 9500 feet (3000 m) and higher; All models except EDL3TRGS541NW23
	D503786	L.P. Orifice	22,500 Btu; 8000 feet (2400 m) and higher; Model EDL3TRGS541NW23; All other models 20,000 Btu; 4500-9499 feet (1370-2999 m)

Cabinet, Exhaust Duct and Base



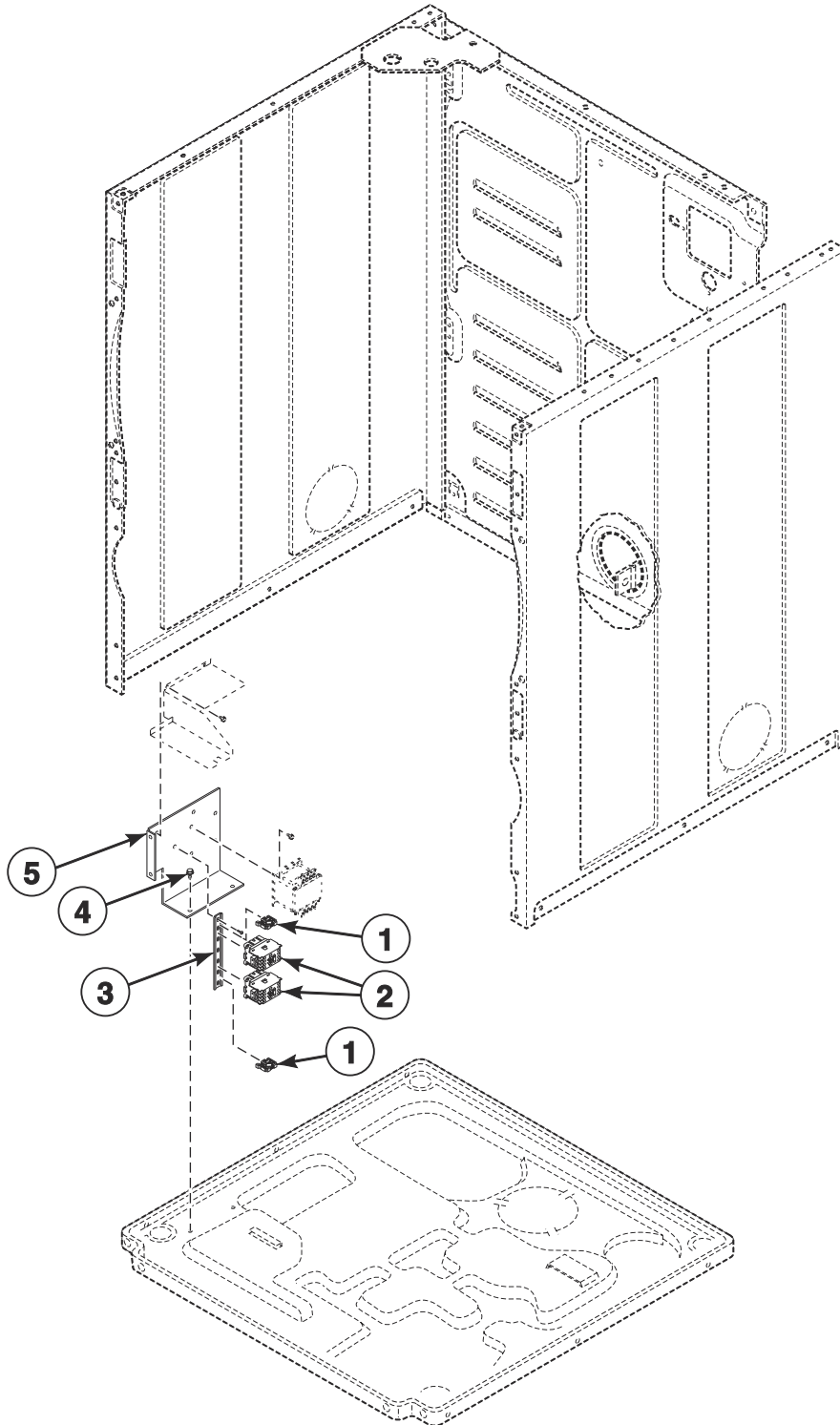
DRY2540P_D518229

Cabinet, Exhaust Duct and Base

REF	PART NO.	DESCRIPTION	COMMENTS
	122P4P	Porcelain Touch-Up Paint	White
1	56079	Panel Locator	
2	39733	Screw	
3	56128	Bumper Pad	
4	D510136	Top Hinge	
5	D503688	Screw	
6	D511004	Gas Clearance Label	Gas models
7	521P3	Flexible Venting Kit	
8	D514356	Access Cover Plate	Models EDL3TRGS541NW23, FDE3TRGS401NG22, FDE3TRGS401NW22, FDE3TRGS433LW01, LDE30RGS543MW01, LDE3TRGS401NG22, LDE3TRGS451NW22, LDE3TRGS451SW01, LDE3TRGS461NW22, LDE3TRGS551NW22, LDL3TRGS541NW22, LDL3TRGW301NW22 and YDG30RGS301NW21
	D510903	Access Panel Plate	All other models
9	807561	Warning Label	Disconnect power
10	D517566	Cabinet Rear Panel	
11	D511005	Electric Clearance Label	Electric models
12	D516196	Exhaust Duct	
13	D510002WP	Cabinet Side Panel	White; Right
	D510002DGP	Cabinet Side Panel	Gray; Right
14	528P3	Directional Exhaust Kit	Used to vent dryer out the sides or bottom
15	526P3	Hold Down Kit	For mobile home installations
16	D510135	Leveling Leg	
17	D501855	Rubber Foot	
18	D514245	Dryer Base	
19	D513763P	Transformer	Models EDL3TRGS541NW23, FDG3TRGS301NW10, FDL3TRGW301NW10, LDG3TRGS301AW01, LDG3TRGS301BW01, LDG3TRGS301NW22, LDL3TRGS541NW22, LDL3TRGW301NW22 and YDG30RGS301NW21
20	D511859	Contacto Bracket	Models EDL3TRGS541NW23, FDE3TRGS401NW22, FDG3TRGS301NW10, FDL3TRGW301NW10, LDG3TRGS301AW01, LDG3TRGS301BW01, LDG3TRGS301NW22, LDL3TRGS541NW22, LDL3TRGW301NW22 and YDG30RGS301NW21
21	D514334	Transformer Shield	Models EDL3TRGS541NW23, FDG3TRGS301NW10, FDL3TRGW301NW10, LDG3TRGS301AW01, LDG3TRGS301BW01, LDG3TRGS301NW22, LDL3TRGS541NW22, LDL3TRGW301NW22 and YDG30RGS301NW21
22	D510001WP	Cabinet Side Panel	White; Left
	D510001DGP	Cabinet Side Panel	Gray; Left

Contactor

Models FDE3TRGS401NG22, FDE3TRGS401NW22 and LDE3TRGS401NG22

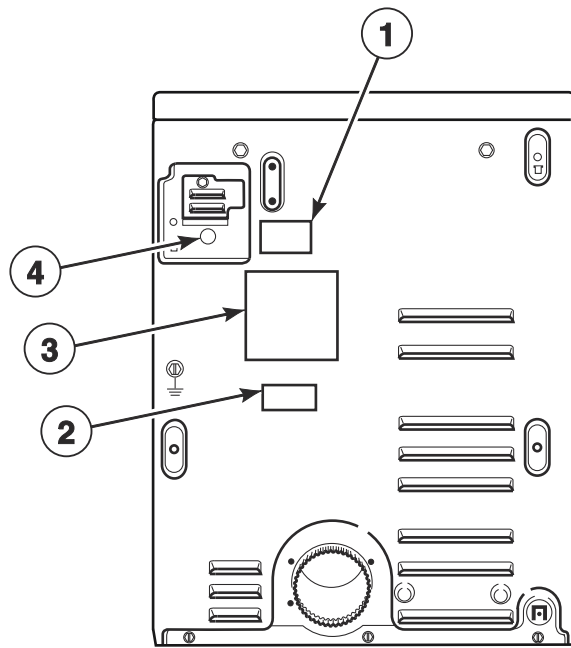


DRY2353P_D518229

Contactor

REF	PART NO.	DESCRIPTION	COMMENTS
	D517689	Power Harness	Used between item 2 and filter
	D518531	Heater Harness	Used between item 2 and heating element
	D518531	Heater Harness	Used between item 2 and heating element; Models FDE3TRGS401NG22 and LDE3TRGS401NG22
	D518535	Dual Contactor Harness	Used with item 2; Models FDE3TRGS401NG22 and LDE3TRGS401NG22
1	F8449801	End Stop	
2	70482603	Contactor	
3	M412693	Din Rail	
4	D503688	Screw	
5	D511859	Contactor Bracket	

Cabinet Labels



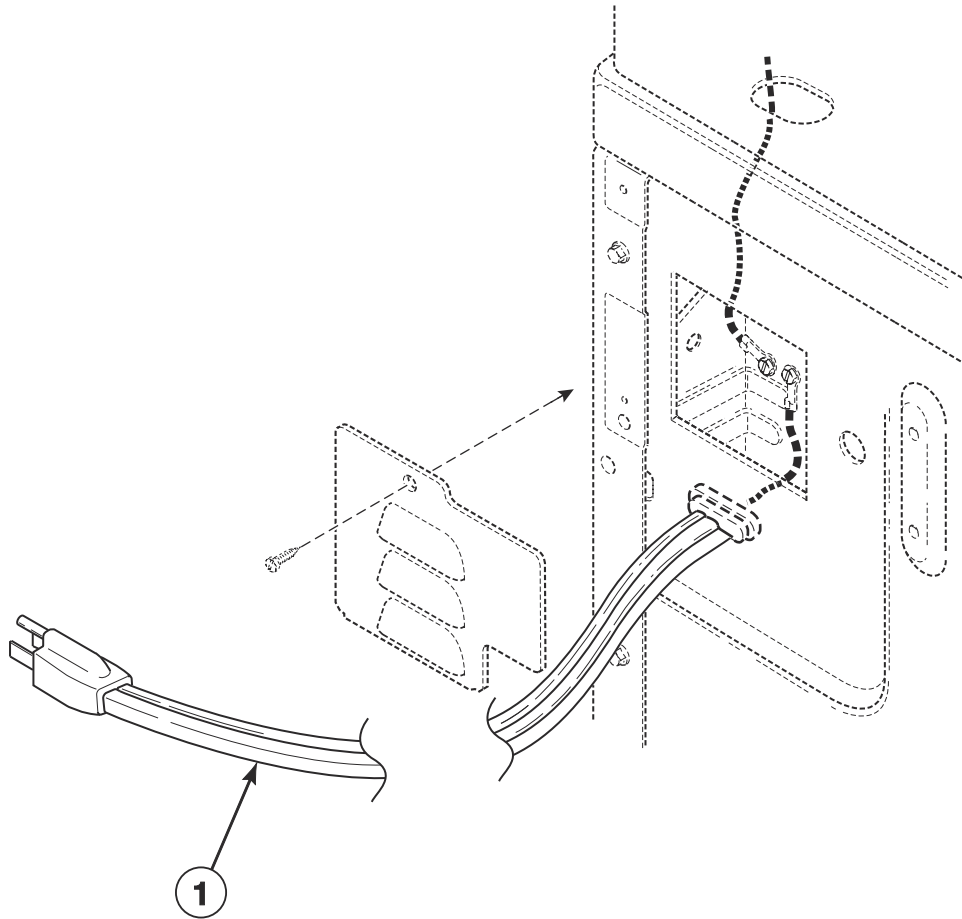
DRY2474P_D518229

Cabinet Labels

REF	PART NO.	DESCRIPTION	COMMENTS
	D515445	Terminal Block Label	L1 L2 L3 N GND; Models FDE3TRGS401NG22 and LDE3TRGS401NG22
	D506072	Terminal Block Label	LN GND; All other models
1	803260	Warning Label	Models FDE3TRGS301NG10, FDE3TRGS301NW10, FDE3TRGS401NW22, LDE3TRGS301NG10, LDE3TRGS401NG22 and YDE3TRGS171CW01
2	D502507	Exhaust Warning Label	Models LDE30RGS173MW33, LDE30RGS543MW01, LDL30RGS113MW33, LDL3TRGS541NW22 and LDL3TRGW301NW22
	44321601	Warning Label	Risk of fire; Models LDE30RGS173MW33, LDE30RGS543MW01, LDL30RGS113MW33, LDL3TRGS541NW22 and LDL3TRGW301NW22
3	D511005	Electric Clearance Label	All models except LDE30RGS543MW01, LDL3TRGS541NW22 and LDL3TRGW301NW22
4	D516073	Notice Label	Read Instructions

Power Cord

All Models Except EDE3TRGS543PW01, LDE3TRGS541NW22 and LDG3TRGS301NW22

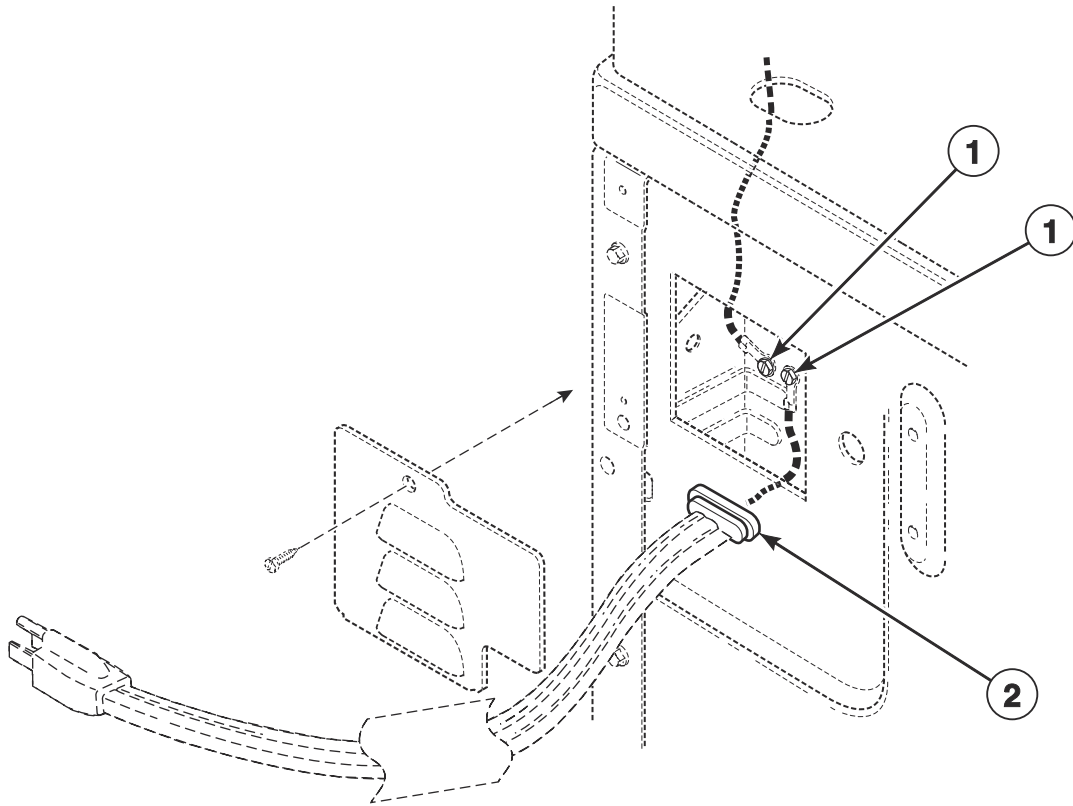


DRY1866PA_D518229

Power Cord

REF	PART NO.	DESCRIPTION	COMMENTS
1	D510505P	Lead-In Cord Assembly	Models LDE30RGS173MW33 and YDE3TRGS171CW01
	61605P	Lead-In Cord Kit	Model LDE3TRGS431AW01
	D518387	Lead-In Cord	Models LDG30RGS113TW01, LDL30RGS113MW33 and YDG3TRGS111CW01
	D513632	Lead-In Cord	Model LDE3TRGS451SW01
	59373	Lead-In Cord	Models EDL3TRGS541NW23, LDE3TRGS451NW22, LDE3TRGS461NW22 and LDE3TRGS551NW22
	D515441	Lead-In Cord	Models FDE3TRGS401NG22 and LDE3TRGS401NG22
	D516705	Lead-In Cord	Models LDG3TRGS301AW01 and LDG3TRGS301BW01
	D516389	Lead-In Cord	Model YDG30RGS301NW21
	203344	Lead-In Cord	Models LDL3TRGS301NW22, LDL3TRGS541NW22 and LDL3TRGW301NW22
	D517699	Lead-In Cord	Model FDE3TRGS401NW22
	D516747	Lead-In Cord Assembly	Models FDE3TRGS433LW01 and LDE30RGS543MW01

Strain Relief

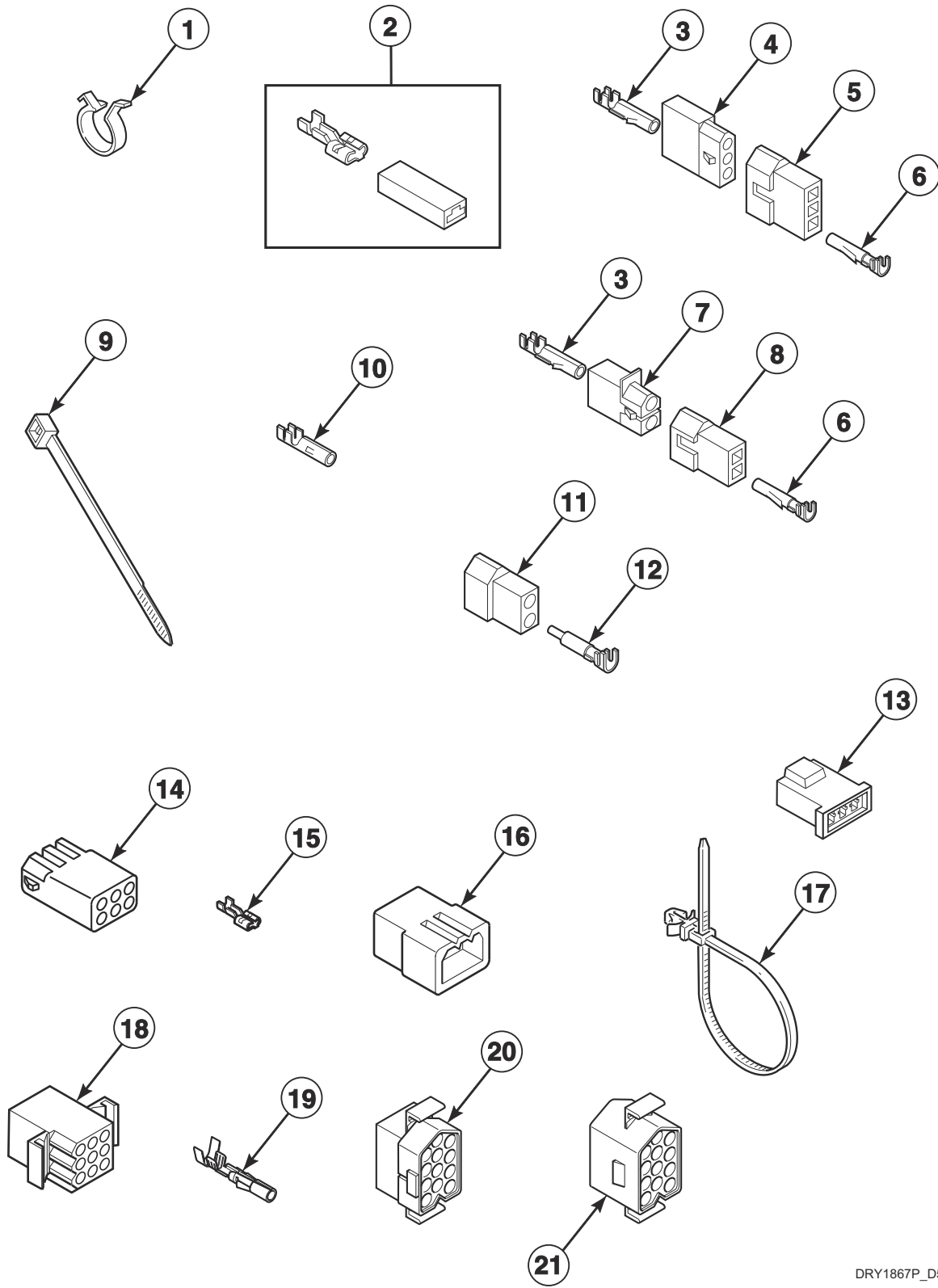


DRY1866PB_D518229

Strain Relief

REF	PART NO.	DESCRIPTION	COMMENTS
	D502496	Strain Relief Adapter	Models LDE3TRGS451NW22, LDE3TRGS461NW22, LDE3TRGS551NW22 and YDG30RGS301NW21
1	20530	Screw	
2	D517491	Strain Relief	Models EDL3TRGS541NW23, LDG3TRGS301AW01, LDG3TRGS301BW01, LDL3TRGS541NW22, LDL3TRGW301NW22 and YDG30RGS301NW21
	D517492	Strain Relief	Models FDE3TRGS433LW01, LDE30RGS543MW01, LDE3TRGS431AW01, LDE3TRGS451NW22, LDE3TRGS451SW01, LDE3TRGS461NW22 and LDE3TRGS551NW22
	D517490	Strain Relief	Models LDG30RGS113TW01, LDL30RGS113MW33 and YDG3TRGS111CW01
	D511628	Strain Relief Connector	Models FDE3TRGS401NG22 and LDE3TRGS401NG22

Terminal Block and Terminals

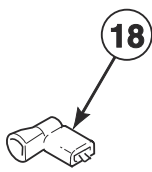
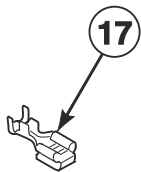
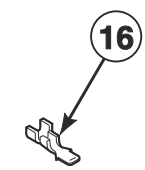
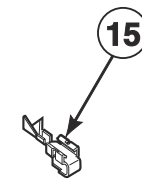
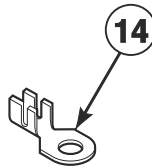
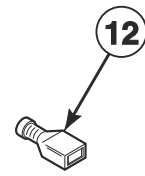
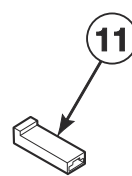
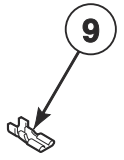
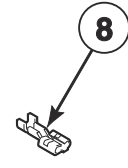
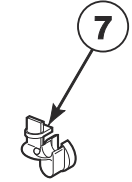
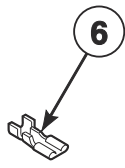
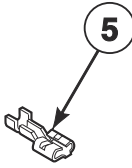
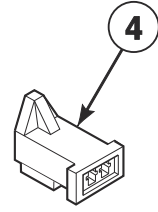
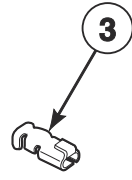
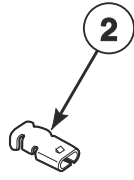
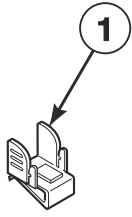


DRY1867P_D518229

Terminal Block and Terminals

REF	PART NO.	DESCRIPTION	COMMENTS
1	D504034	Wire Clip	11/16 inch
	687500	Wire Clip	1 inch
2	00360	Insulated Female Spade Terminal	(1) 12 gauge wire or (2) 18 gauge wires
3	00117	Female Pin Terminal	
4	23039	3 Circuit Receptacle	
5	23040	Plug	
6	00116	Male Pin Terminal	
7	56451	2 Circuit Receptacle	
8	56448	2 Circuit Plug	
9	55881	Harness Strap	
10	00130	Female Pin Terminal	1/8 inch
11	56266	2 Circuit Plug	
12	00127	Male Pin Terminal	1/8 inch
13	58800	3 Circuit Connector	
14	26708	6 Circuit Receptacle	
15	00222	Female Spade Terminal	1/4 inch
16	23033	9 Circuit Plug	
17	38663	Wire Tie	
18	26163	9 Circuit Receptacle	
19	00128	Female Pin Terminal	1/8 inch
	00129	Male Pin Terminal	1/8 inch
20	54522	Plug	
21	56855	12 Circuit Receptacle	

Terminals

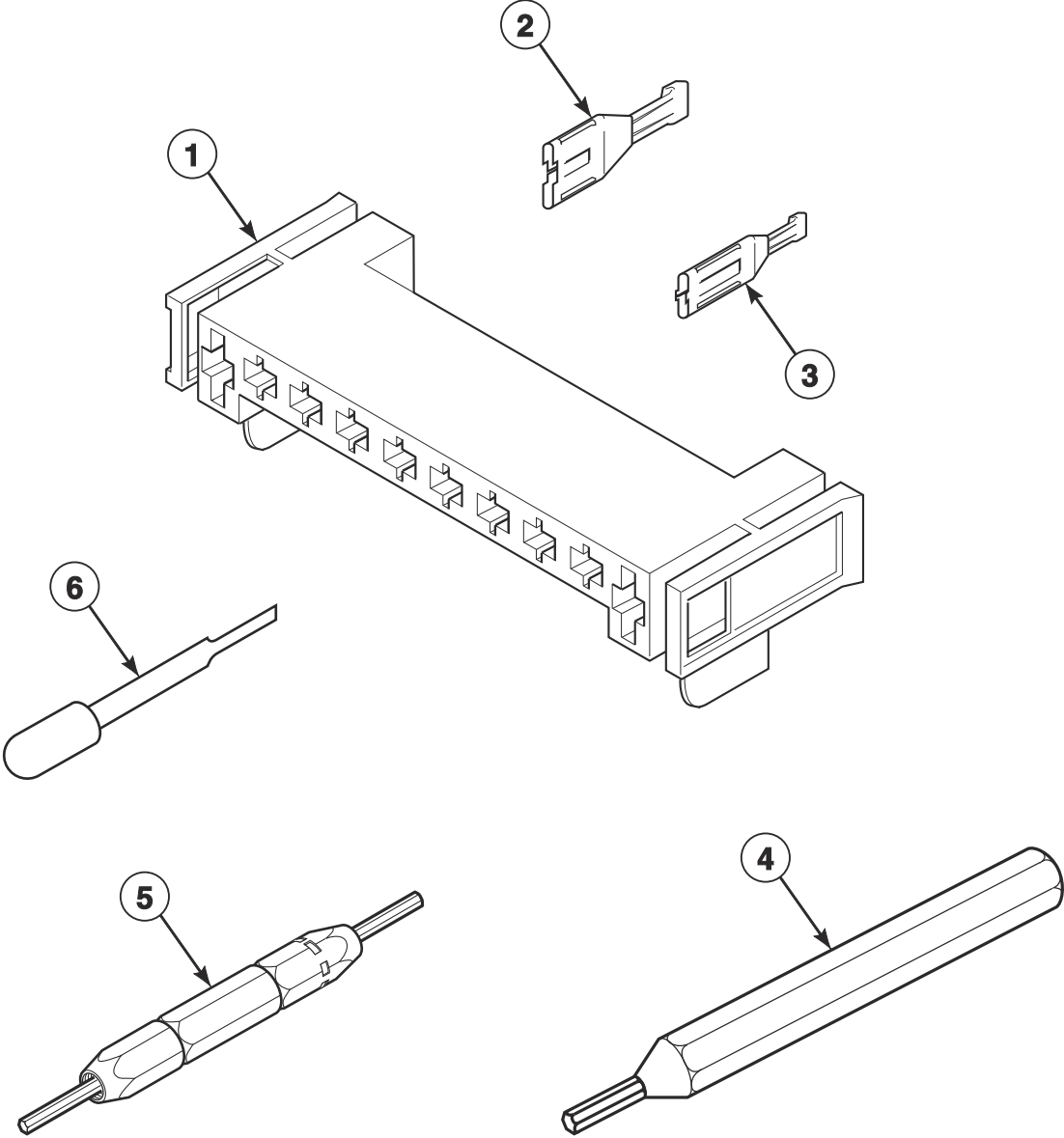


D322P_D518229

Terminals

REF	PART NO.	DESCRIPTION	COMMENTS
1	00161	Grounding Clip	
2	00189	Female Spade Terminal	
3	00361	Female Piggyback Terminal	Receptacle connector
4	58799	2 Circuit Connector	
5	00223	Female Spade Terminal	1/4 inch; (1) 18 gauge wire
	00121	Female Spade Terminal	1/4 inch; (2) 18 gauge wires or (1) 12 gauge wire
	00245	Spade Terminal	1/4 inch; (1) 22 gauge wire
6	00124	Female Spade Terminal	3/16 inch; (1) 18 gauge wire; .020 tab
	00156	Female Spade Terminal	3/16 inch; Thermostat wire; .032 tab
	N/A	Female Spade Terminal	3/16 inch; (2) 18 gauge wires; .020 tab
7	D517491	Strain Relief	
8	N/A	Terminal	
9	00347	Terminal	
10	00115	Female Spade Terminal	1/4 inch; (1) 18 gauge wire
	N/A	Female Spade Terminal	1/4 inch; (2) 18 gauge wires or (1) 12 gauge wire
11	90789	Receptacle Housing	
12	00359	Insulated Female Spade Terminal	1/4 inch
	00165	Insulated Female Terminal	3/16 inch
13	N/A	Pre-Insulated Spade Terminal	1/4 inch; 12 gauge and 18 gauge wire
14	00110	Ring Terminal	10 stud; (1) 18 gauge wire
	00111	Ring Terminal	10 stud; (2) 18 gauge wires or (1) 12 gauge wire
15	00114	Female Spade Terminal	1/4 inch; Double connector
16	00139	Male Tab Terminal	1/4 inch; (2) 18 gauge wires or (1) 12 gauge wire
17	00344	Female Tab Terminal	
18	N/A	Flag Insulated Terminal	

Motor Connection Block, Terminal Extractor Tools

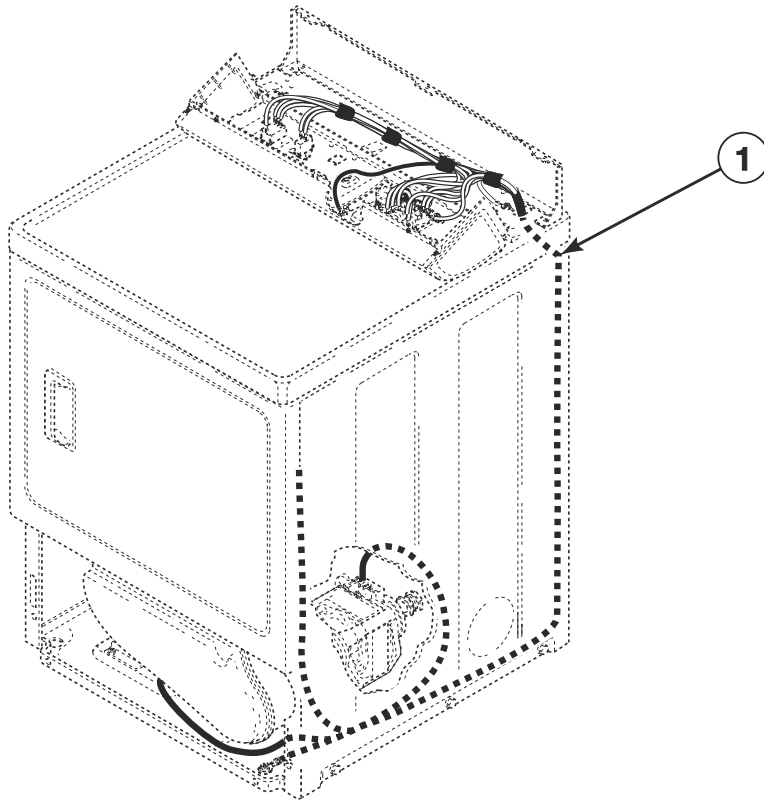


DRY1877P_D518229

Motor Connection Block, Terminal Extractor Tools

REF	PART NO.	DESCRIPTION	COMMENTS
1	D500338	10 Position Housing	
2	00255	Female Terminal	1/4 inch; For (1) 12 gauge wire
	00256	Female Terminal	1/4 inch; For (1) or (2) 18 gauge wires
3	00188	Female Terminal	For 1 or 2 wire application
4	128P4	Extractor Tool	For use on gas dryer terminals
5	190P4	Extractor Tool	For use on electric dryer terminals
6	283P4	Terminal Extractor Tool	For use on Molex connectors

Wire Harnesses and Wires (Drawing 1 of 2)

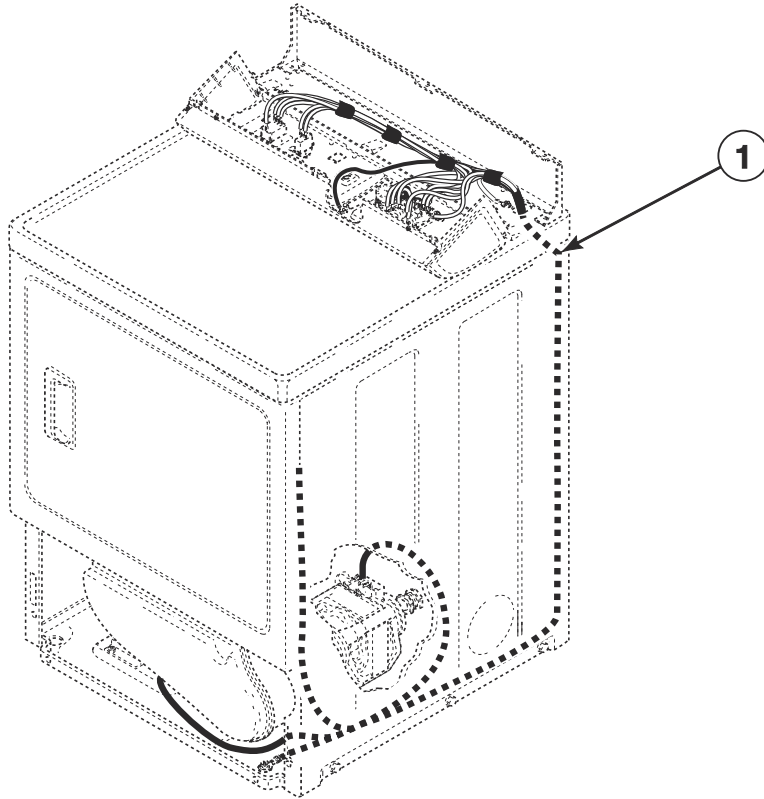


DRY2268P_D518229

Wire Harnesses and Wires (Drawing 1 of 2)

REF	PART NO.	DESCRIPTION	COMMENTS
	45380	12 Gauge Wire	Orange; Order wire by the foot; Order terminals and connectors as required
	45477	12 Gauge Wire	Green/yellow stripe; Order wire by the foot; Order terminals and connectors as required
	45001	18 Gauge Wire	Black; Order wire by the foot; Order terminals and connectors as required
	D515039	Power Harness	Models FDG3TRGS301NW10, FDL3TRGW301NW10 and LDL3TRGS541NW22
	D516367	Gas Valve Harness	Models LDG30RGS113TW01 and YDG3TRGS111CW01
	D517632	Electric Hood Harness	Models EDE3TRGS543PW01, FDE3TRGS401NG22, FDE3TRGS433LW01, LDE3TRGS431AW01, LDE3TRGS451SW01, LDE3TRGS461NW22, LDE3TRGS541NW22, LDE3TRGS551NW22 and YDE3TRGS171CW01
1	D513651	Wire Harness Assembly	Models LDL3TRGW301NW22 and YDG3TRGS111CW01
	D513652	Wire Harness Assembly	Model YDE3TRGS171CW01
	D517445	Harness Assembly	Model LDL30RGS113MW33
	D513664	Wire Harness Assembly	Model FDE3TRGS401NW22
	D513663	Wire Harness Assembly	Models LDG3TRGS301AW01 and LDG3TRGS301BW01
	D510420P	Wire Harness Assembly	Model LDE3TRGS431AW01

Wire Harnesses and Wires (Drawing 2 of 2)



DRY2268P_D518229

Wire Harnesses and Wires (Drawing 2 of 2)

REF	PART NO.	DESCRIPTION	COMMENTS
	45380	12 Gauge Wire	Orange; Order wire by the foot; Order terminals and connectors as required
	45477	12 Gauge Wire	Green/yellow stripe; Order wire by the foot; Order terminals and connectors as required
	45001	18 Gauge Wire	Black; Order wire by the foot; Order terminals and connectors as required
	D515039	Power Harness	Model LDL3TRGS541NW22
	D517634	Electric Hood Harness	Models LDE30RGS153TW01, LDE30RGS173MW33, LDE30RGS173TW01 and LDE30RGS543MW01
	D517632	Electric Hood Harness	All other models
	D517635	Gas Hood Harness	Models LDG30RGS113TW01, LDL30RGS113MW33 and YDG30RGS301NW21
	D517633	Gas Hood Harness	All other models
1	D517625	Gas Harness	Models LDG30RGS113TW01, LDL30RGS113MW33 and YDG3TRGS111CW01
	D518043	Gas Harness	All other models
	D517638	Electric Harness	3 phase; Models FDE3TRGS401NG22, FDE3TRGS401NW22 and LDE3TRGS401NG22
	D517624	Electric Harness	All other models

Parts Index

A

Access Cover Plate D514356	53
Access Panel Assembly D514250DG	21
D514250WP	21
Access Panel Plate D510903	53
Adhesive D511637P	29, 35, 37
Adjustable Buzzer D504103	9
Air Duct Assembly D518432	31
D518433	31
Anti-Seize Compound 27604P	23, 25

B

Blower Fan Assembly D510139P	25
Blower Housing D511969LG	25
D511969WP	25
Blower Housing Seal D510238P	25
Booster and Holding Coil 58804A	47
59063A	47
Bracket D510146	13
Bumper Pad 56128	53
Burner Assembly D510149P	47
Buzzer D510211	9

C

Cabinet Rear Panel D517566	53
Cabinet Side Panel D510001DGP	53
D510001WP	53
D510002DGP	53
D510002WP	53
Caution Label D516513	19
Combustion Duct D510131	45
D510132	45
Connector, 2 Circuit 58799	65
Connector, 3 Circuit 58800	63

Contactors 70482603	55
Contactors Bracket D511859	53, 55
Control Support Panel D503901	7
Conversion Kit 756P3	43
Cylinder Assembly D510159LGP	33
D510159WP	33
D510265WP	33
Cylinder Baffle D510102LG	33
Cylinder Belt D511255P	25
Cylinder Glide D513710	29
Cylinder Glide Bracket D510145	29
Cylinder Roller D510708P	35, 37
Cylinder Roller Bracket D510100	35, 37
Cylinder Seal Assembly D510207P	29, 35, 37

D

Din Rail M412693	55
Directional Exhaust Kit 528P3	53
Disconnect Power Warning Label D505281	13
Door Assembly D516510WP	15
D516737W	17
Door Catch Assembly D510177	19
Door Handle Wedge D510129W	15, 17
Door Liner D510097W	17
Door Liner Assembly D516508	15
Door Liner Grill D503870LG	15, 17
D503870W	17
Door Pull D512947	17
Door Pull and Wedge Kit D510103WP	15, 17
D511213P	15
Door Strike D510181	15, 17
Door Strike Mount D510127	15, 17
Drip Shield D514327	19

N/A items do not appear in index.

Dryer Base	
D514245	53
Dryer Door	
D510082	17
D515960DG	15
D515960W	15
D515961W	17
Dryer Door Window	
D515681	17
Drying Rack	
D512082P	33
Dual Contactor Harness	
D518535	55

E

Electric Clearance Label	
D511005	53, 57
Electric Harness	
D517624	71
D517638	71
Electric Hood Harness	
D517632	69, 71
D517633	71
D517634	71
D517635	71
Electrical Shock Label	
F8211201	31
End Panel	
D504008WP	7
D504009WP	7
D516857	7
D516858	7
End Stop	
F8449801	55
Exhaust Duct	
D516196	53
Exhaust Warning Label	
D502507	57
Extractor Tool	
128P4	67
190P4	67

F

Fabric Selector Switch	
D513505	9
Felt Pad	
D510189	29
Female Piggyback Terminal	
00361	65
Female Pin Terminal	
00117	63
00128	63
00130	63
Female Spade Terminal	
00114	65
00115	65
00121	65
00124	65
00156	65
00189	65
00222	63

00223	65
Female Tab Terminal	
00344	65
Female Terminal	
00188	67
00255	67
00256	67
Flexible Venting Kit	
521P3	53
Front Bulkhead Assembly	
D510266P	29
D511033WP	29
Front Panel	
D510066DG	19
D510066WP	19
Front Panel Label	
D514863	19
Front Panel Seal	
D511056	19

G

Gas Clearance Label	
D511004	53
Gas Harness	
D517625	71
D518043	71
Gas Valve Harness	
D516367	69
Gas Valve Mounting Bracket	
D510128	47
Gas Valve, Bracket and Pipe Assembly	
D517607	47
D517609	47
D517611	47
D517612	47
Glide Kit	
RB170003	29
Graphic Panel	
D517549	5
D517551	5
D517552	5
D517554	5
D517556	5
D517948	5
D517954	5
D517956	5
D517989	5
D517995	5
D518400	5
D518711	5
Ground Wire Assembly	
D518257	35
Grounding Clip	
00161	65

H

Harness Assembly	
D517445	69
Harness Strap	
55881	63

N/A items do not appear in index.

Heat Duct Shroud	
D510101	45
Heater	
D511014P	43
Heater Assembly	
D510324P	39
D510326P	39
D510327P	39
D510328P	39
D510329P	39
D516123	39
Heater Duct Assembly	
D510025P	39, 43, 45
D518526	43
Heater Harness	
D518531	55
Heater Kit	
964P3	41
Heater Kit Assembly	
61927	41
61928	39
61929	41
61930	41
Hinge	
D511036	15, 17
Hinge Hole Plug	
D510186	19
Hold Down Kit	
526P3	53
Hold-Down Clip	
35358	13
Hood Back Panel	
D510099	13
Housing, 10 Position	
D500338	67

I

Idler Lever	
D516310	25
Idler Lever and Wheel Assembly	
D516792	25
Idler Spring	
D510185	25
Idler Wheel and Bearing Assembly	
D510142P	25
Igniter and Bracket Assembly	
D510184P	47
Insulated Female Spade Terminal	
00359	65
00360	63
Insulated Female Terminal	
00165	65

J

Jumper Wire Assembly	
D518529	43

K

Knob Assembly	
36701W	7

L

Lead-In Cord	
D513632	59
D515441	59
D516389	59
D516705	59
D517699	59
D518387	59
203344	59
59373	59
Lead-In Cord Assembly	
D510505P	59
D516747	59
Lead-In Cord Kit	
61605P	59
Leveling Leg	
D510135	53
Limit Thermostat	
D510700	39
D510701	39, 43
D510702	45
D516192	39
D516193	39
Liner and Seal Assembly	
D516509	17
Liner Door Seal	
D510147P	15, 17
Lint Filter	
D503980LG	31
D503980W	31
Lint Filter Label	
D502781	19
D502804	19
L.P. Conversion Kit	
401P3	49
649P3	49
L.P. Orifice	
D503786	51
60941	51

M

Male Pin Terminal	
00116	63
00127	63
00129	63
Male Tab Terminal	
00139	65
Motor and Pulley Assembly	
D505843P	23
D505869P	23
D511629P	23
Motor Hub Ring Kit	
590P3	23
Motor Mount	
D518517	25

N/A items do not appear in index.

Motor Mount Clamp	
D510180	25
Motor Pulley	
D500011	23
D500222	23
Motor Shield	
D514602	25
Motor Switch Bracket	
D516311	25

N

Notice Label	
D516073	57
Nut	
44087301	25, 35
52566	25
56156	37
N.G. Conversion Kit	
402P3	49
650P3	49
N.G. Orifice	
D503779	51
D503780	51
D503781	51
D503782	51

O

Outlet Cover	
D500820	39, 43, 45
D518524	43

P

Panel Locator	
56079	19, 21, 53
Pinch Warning Label	
F8615701	31
Pinched Fingers Label	
D502506	31
Plug	
23040	63
54522	63
Plug, 2 Circuit	
56266	63
56448	63
Plug, 9 Circuit	
23033	63
Porcelain Touch-Up Paint	
122P4P	53
Power Harness	
D515039	69, 71
D517689	55
Push Button Switch	
D517616	7

R

Rear Bulkhead Assembly	
D510905WP	35
D511082P	35, 37
Receptacle Housing	
90789	65
Receptacle, 12 Circuit	
56855	63
Receptacle, 2 Circuit	
56451	63
Receptacle, 3 Circuit	
23039	63
Receptacle, 6 Circuit	
26708	63
Receptacle, 9 Circuit	
26163	63
Resistor Assembly	
D511277	11
Retaining Ring	
23748	25, 35, 37
Ring Terminal	
00110	65
00111	65
Roller Kit	
RB170002	35, 37
Rubber Foot	
D501855	53

S

Screw	
D500226	15, 17, 29
D500824	25
D501086	7, 11, 13
D501285	31, 37
D502535	27
D503661	37
D503688	13, 19, 25, 29, 35, 37, 39, 43, 45, 47, 53, 55
D505870	17
D515967	17
20530	61
23222	39, 43, 47
31260	25
33562	21
39733	19, 21, 53
44023301	35
51782	45, 47
52864	29
56124	47
61199	35
62588	33
Seal Kit	
RB170001	29, 35, 37
Secondary Coil	
58804B	47
59063B	47
Sensor	
D510213	47
Shaft	
56461P	25, 35, 37

N/A items do not appear in index.

Shock Warning Label F8614201	13
Spade Terminal 00245	65
Speed Clip 28835	19
Strain Relief D517490	61
D517491	61, 65
D517492	61
Strain Relief Adapter D502496	61
Strain Relief Connector D511628	61
Switch D512973	19
D516391	25

T

Terminal 00347	65
Terminal Block Assembly D505876	37
D510190P	35
Terminal Block Label D506072	57
D515445	57
Terminal Block Shield D517715	35
Terminal Block Support Bracket D505875	37
Terminal Extractor Tool 283P4	67
Thermal Fuse Assembly D518649	39, 43
Thermostat D504515	27
D510703	45
D510707P	27
D511887	27
D511957	27
Thermostat Shield D514325	25
Timer D517557	11
D517558	11
D517559	11
Timer Conversion Kit D518950	11
D518952	11
Timer Knob Assembly D517774W	7
Top Cover D505808DG	7
D505808W	7
Top Hinge D510136	53
Top Panel D510029DG	13
Top Panel Kit D510029WP	13

Transformer D513763P	53
Transformer Shield D514334	53

W

Warning Label D512263	19
D514867	19
D516514	19
44321601	57
803260	57
807561	53
Warning/Caution Label D516512	19
Washer D504082	35, 37
52549	25, 35, 37
Window Trim D515956W	17
Wire Assembly D518255	39
D518256	39
Wire Clip D504034	63
687500	63
Wire Harness Assembly D510420P	69
D511303	13
D513651	69
D513652	69
D513663	69
D513664	69
Wire Tie 38663	63
Wire, 12 Gauge 45380	69, 71
45477	69, 71
Wire, 18 Gauge 45001	69, 71

N/A items do not appear in index.

