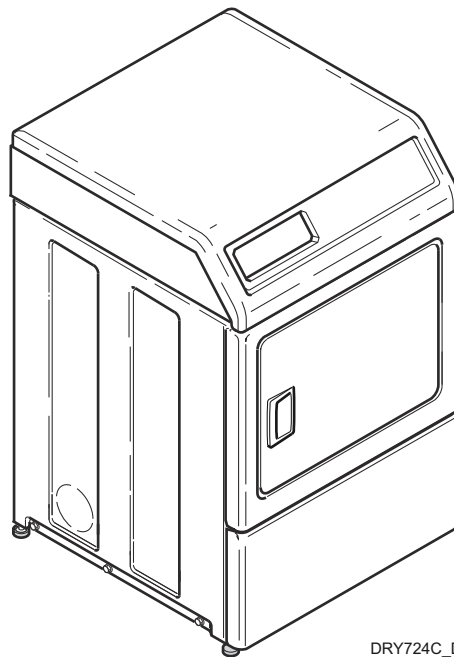


Homestyle Dryer

Models Starting Serial No. 2001000001

Refer to Page 5 for Model Numbers



DRY724C_D518590

Table of Contents

Title	Page
Parts Ordering Information.....	3
Serial Plate Location	3
Model Identification	5
Control Panel and Controls - Rear Control Models (Drawing 1 of 3)	6
Control Panel and Controls - Rear Control Models (Drawing 2 of 3)	8
Control Panel and Controls - Rear Control Models (Drawing 3 of 3)	10
Control Cabinet and Control - Front Control Models (Drawing 1 of 2)	12
Control Cabinet and Control - Front Control Models (Drawing 2 of 2)	14
Loading Door	16
Front Panel and Seal	18
Access Panel	20
Motor, Exhaust Fan and Belt (Drawing 1 of 2).....	22
Motor, Exhaust Fan and Belt (Drawing 2 of 2).....	24
Thermistor.....	26
Front Bulkhead and Seal - Without Light	28
Front Bulkhead and Seal - With Light	30
Air Duct	32
Cylinder and Baffles.....	34
Rear Bulkhead, Felt Seal and Cylinder Roller	36
Terminal Block and Shield (Drawing 1 of 2).....	38
Terminal Block and Shield (Drawing 2 of 2).....	40
Ground Wire.....	42
Heater Duct and Element Assembly - 1 Phase Models	44
Heater Duct and Element Assembly - 3 Phase Models	46
Heater Duct Assembly	48
Gas Valve and Igniter	50
Gas Conversion Kits	52
Burner Orifice Spuds - For Higher Elevations.....	54
Cabinet, Exhaust Duct and Base (Drawing 1 of 2)	56
Cabinet, Exhaust Duct and Base (Drawing 2 of 2)	58
Contactors and Transformer.....	60
Power Cord (Drawing 1 of 2)	62
Power Cord (Drawing 2 of 2)	64
Junction Box	66
Junction Box Filter and Harnesses (Drawing 1 of 3).....	68
Junction Box Filter and Harnesses (Drawing 2 of 3).....	70
Junction Box Filter and Harnesses (Drawing 3 of 3).....	72
Terminal Block and Terminals	74
Terminals	76
Motor Connection Block, Terminal Extractor Tools.....	78
Wire Harnesses and Wires - Front Control Models.....	80

© Copyright 2023, Alliance Laundry Systems LLC

All rights reserved. No part of the contents of this book may be reproduced or transmitted in any form or by any means without the expressed written consent of the publisher.

Wire Harnesses and Wires - Rear Control Models 82
Parts Index 85

Parts Ordering Information

If literature or replacement parts are required, contact the source from whom the machine was purchased or contact Alliance Laundry Systems at (920) 748-3950 for the name and address of the nearest authorized parts distributor.

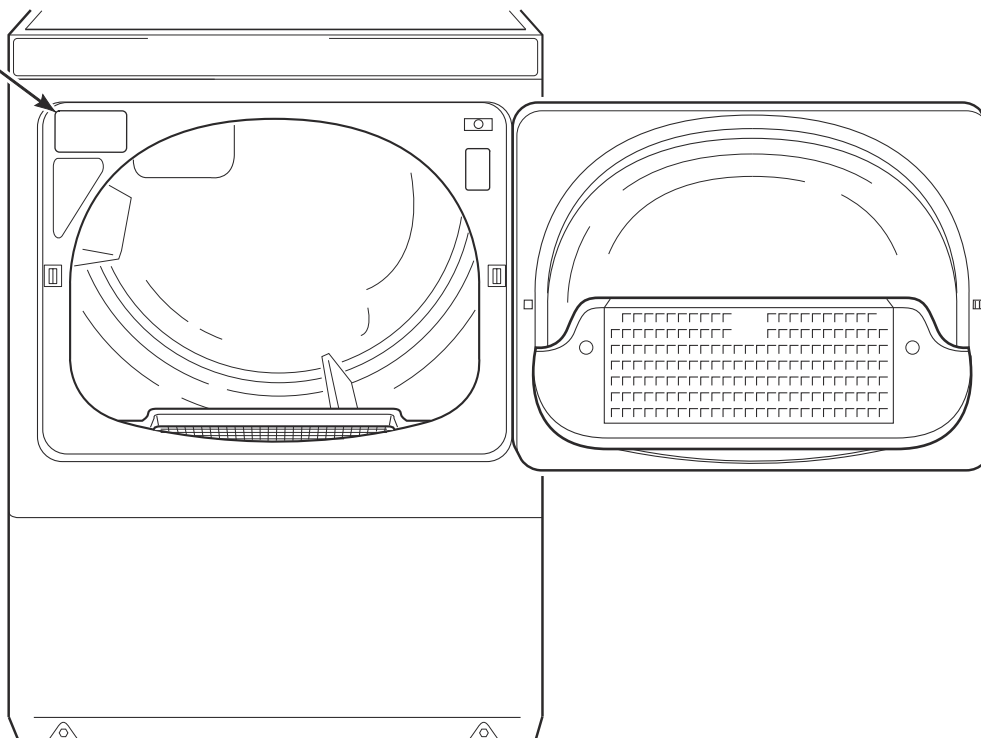
For technical assistance, call the number listed below:

(920) 748-3121 Ripon, Wisconsin

Serial Plate Location

When calling or writing about your product, be sure to mention model and serial numbers. Model and serial numbers are located on serial plate(s) as shown.

SERIAL PLATE



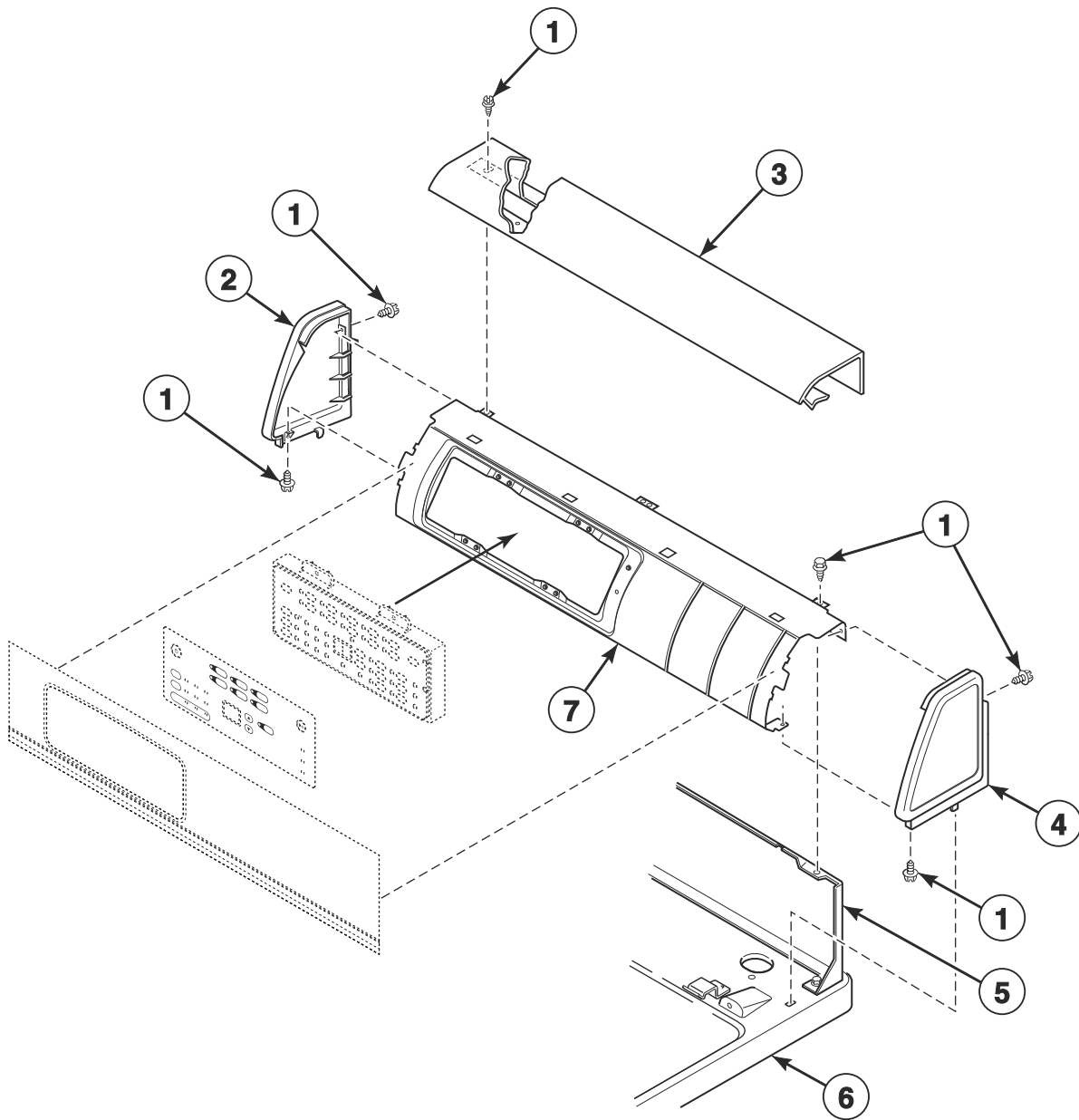
DRY2283P_D518590

Model Identification

Information in this manual is applicable to these dryer models:

ADEE9BGS433AN01	LDEE5BGS303UG01	PDEE4RGS303UG01
ADEE9BGS433NN29	LDEE5BGS303ZW30	PDEE4RGS403UG01
ADEE9BSS433AN01	LDEE5BGS333ZW01	PDEE4RGS433AG01
ADEE9BSS433NN29	LDEE5BGS403UG01	PDEE4RGS443UG16
ADEE9BSS543DN01	LDEE5BGS433AW01	PDGE4RGS303AG01
ADGE9BGS303AN01	LDEE5BGS543RW01	YDEE7RGS303EW01
ADGE9BSS123DN01	LDEE5RGS303ZW01	YDEE7RGS303UW01
ADGE9BSS303AN01	LDEE5RGS453UW01	YDEE7RGS303WW01
ADGE9BSS543DN01	LDEE7RGS303BW01	YDEE7RGS303ZW01
FDEE5BGS303UG01	LDEE7RGS303UG01	YDEE7RGS403UW01
FDEE5BGS303UW01	LDEE7RGS303UW01	YDGE7RGS303EW01
FDEE5BGS403UG01	LDEE7RGS303WW01	YDLE7RGS303NW26
FDEE5BGS403UW01	LDEE7RGS303ZW01	
FDEE7RGS303UG01	LDEE7RGS403UG01	
FDEE7RGS303UW01	LDEE7RGS403UW01	
FDEE7RGS303WW01	LDEE7RGS433AW01	
FDEE7RGS403UG01	LDEE7RGS433UG16	
FDEE7RGS403UW01	LDEE7RGS443UG16	
FDEE7RGS443UW16	LDEE7RGS453UW01	
FDGE5BGS303UG01	LDEE7RGS543ZW01	
FDGE5BGS303UW01	LDGE5BGS303AW01	
FDGE7RGS303EW01	LDGE5BGS303UG01	
FDGE7RGS303UG01	LDGE7RGS303AW01	
FDGE7RGS303UW01	LDGE7RGS303BW80	
FDLE7RGS303NW26	LDGE7RGS303EG80	
	LDGE7RGS303EW80	
	LDGE7RGS303UG01	
	LDGE7RGS303UW01	
	LDGE7RSS303UW01	
	LDLE5RGS303NW35	
	LDLE7RGS303NW26	

Control Panel and Controls - Rear Control Models (Drawing 1 of 3)

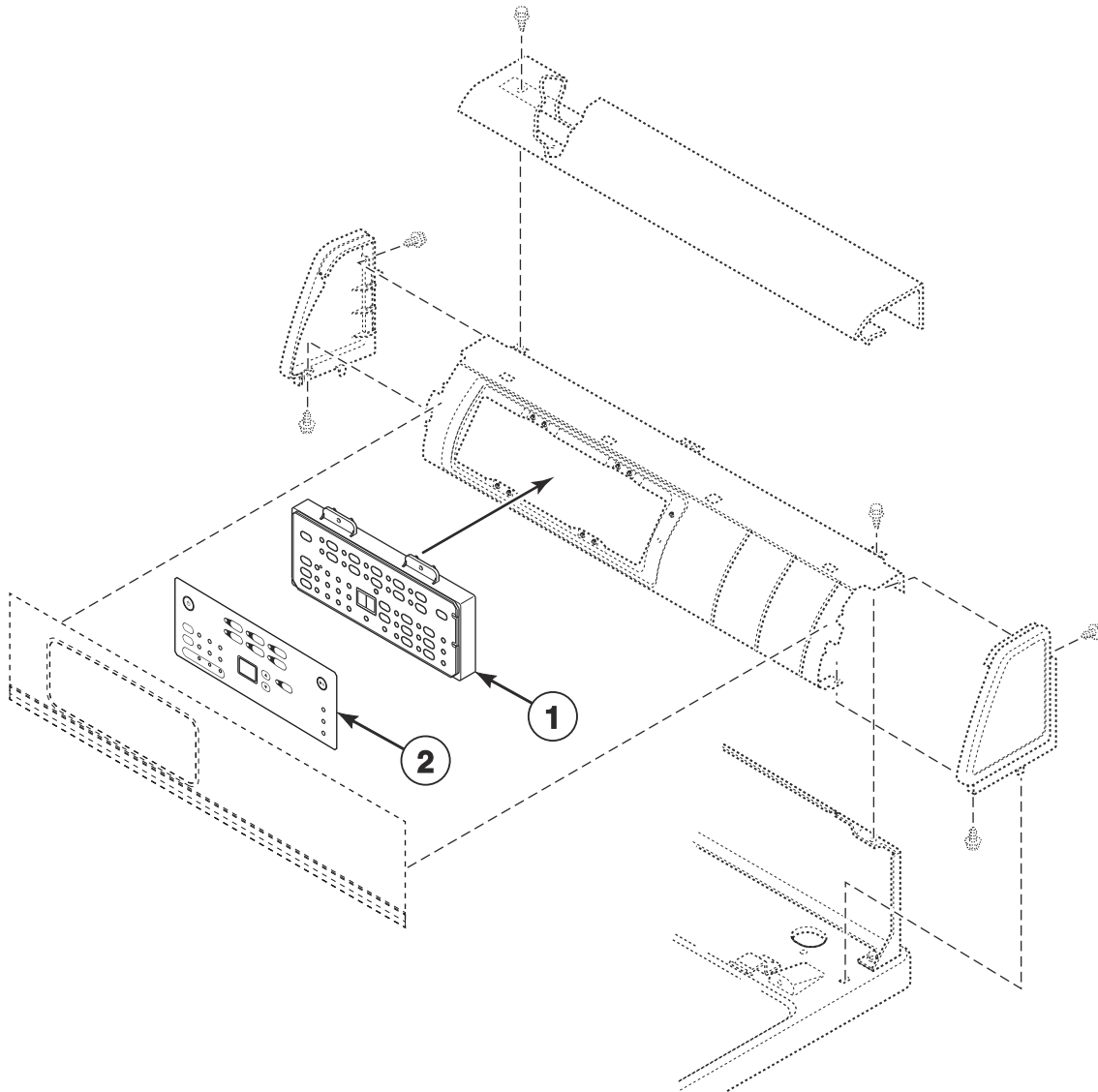


DRY2323P_D518590

Control Panel and Controls - Rear Control Models (Drawing 1 of 3)

REF	PART NO.	DESCRIPTION	COMMENTS
1	D501086	Screw	
2	D504007P	End Panel	Left; Models PDEE4RGS303UG01, PDEE4RGS403UG01, PDEE4RGS433AG01 and PDEE4RGS443UG16
	D516858	End Panel	Black; Left; Models FDEE7RGS303UG01, FDEE7RGS403UG01, FDGE7RGS303UG01, LDEE7RGS303UG01, LDEE7RGS403UG01, LDEE7RGS443UG16, LDGE7RGS303EG80 and LDGE7RGS303UG01
	D504009WP	End Panel	Left; All other models
3	D505808DG	Top Cover	Models FDEE7RGS303UG01, FDEE7RGS403UG01, FDGE7RGS303UG01, LDEE7RGS303UG01, LDEE7RGS403UG01, LDEE7RGS443UG16, LDGE7RGS303EG80, LDGE7RGS303UG01, PDEE4RGS303UG01, PDEE4RGS403UG01, PDEE4RGS433AG01 and PDEE4RGS443UG16
	D505808W	Top Cover	All other models
4	D504006P	End Panel	Right; Models PDEE4RGS303UG01, PDEE4RGS403UG01, PDEE4RGS433AG01 and PDEE4RGS443UG16
	D516857	End Panel	Black; Right; Models FDEE7RGS303UG01, FDEE7RGS403UG01, FDGE7RGS303UG01, LDEE7RGS303UG01, LDEE7RGS403UG01, LDEE7RGS443UG16, LDGE7RGS303EG80 and LDGE7RGS303UG01
	D504008WP	End Panel	Right; All other models
5	804169	Hood Back Panel	
6	D510029DG	Top Panel	Models FDEE7RGS303UG01, FDEE7RGS403UG01, FDGE7RGS303UG01, LDEE7RGS303UG01, LDEE7RGS403UG01, LDEE7RGS443UG16, LDGE7RGS303EG80, LDGE7RGS303UG01, PDEE4RGS303UG01, PDEE4RGS403UG01, PDEE4RGS433AG01 and PDEE4RGS443UG16
	D510029WP	Top Panel Kit	All other models
7	804836	Control Support Panel	

Control Panel and Controls - Rear Control Models (Drawing 2 of 3)



DRY2323PA_D518590

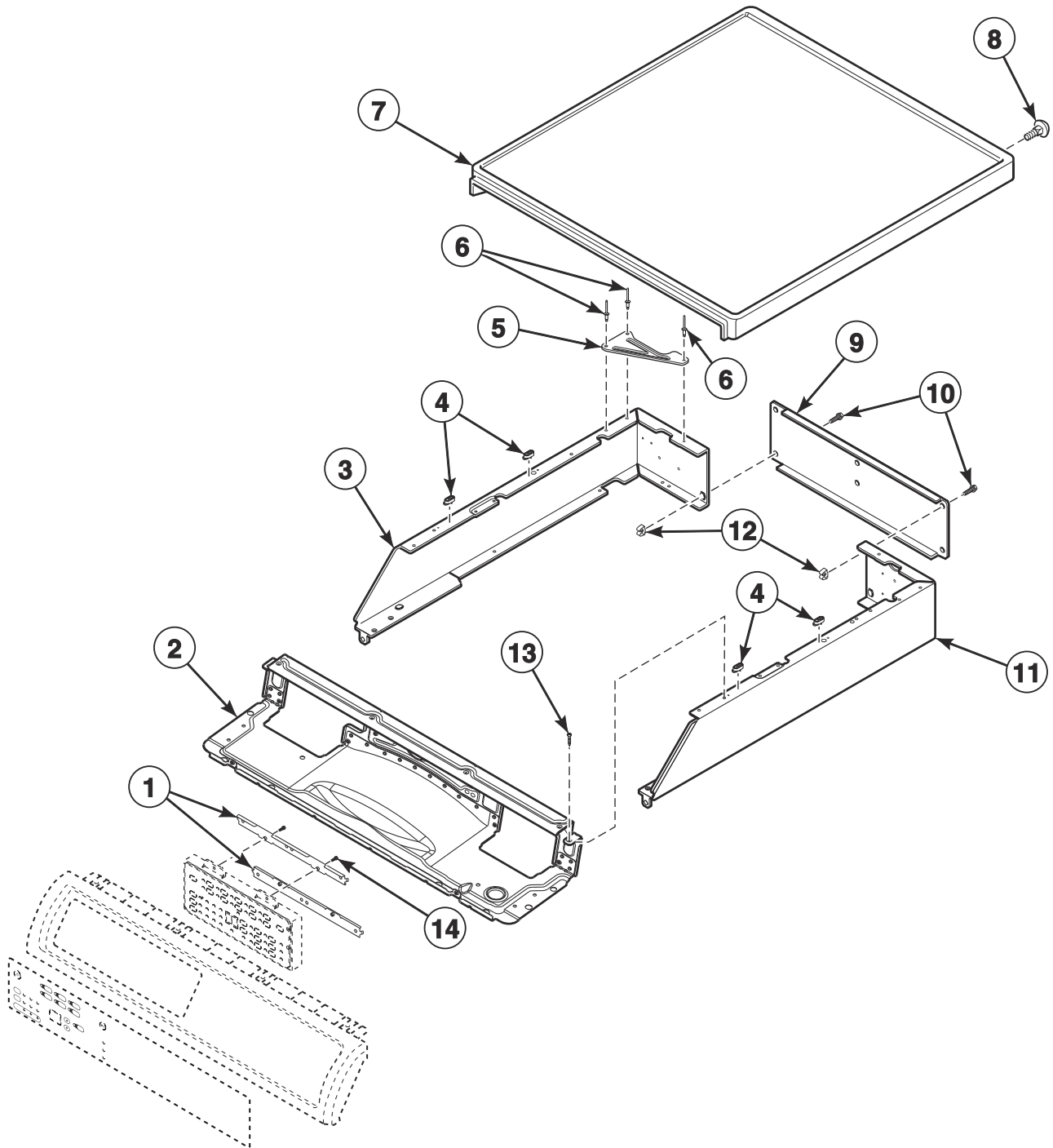
Control Panel and Controls - Rear Control Models (Drawing 2 of 3)

REF	PART NO.	DESCRIPTION	COMMENTS
1	D517587	Control	Models PDEE4RGS303UG01, PDEE4RGS403UG01, PDEE4RGS433AG01, PDEE4RGS443UG16 and PDGE4RGS303AG01
	D517582	Control Assembly	Models FDEE7RGS303UG01, FDEE7RGS303UW01, FDEE7RGS303WW01, FDEE7RGS403UG01, FDEE7RGS403UW01, FDEE7RGS443UW16, FDGE7RGS303EW01, FDGE7RGS303UG01, FDGE7RGS303UW01, FDLE7RGS303NW26, LDEE7RGS303BW01, LDEE7RGS303UG01, LDEE7RGS303UW01, LDEE7RGS303WW01, LDEE7RGS303ZW01, LDEE7RGS403UG01, LDEE7RGS403UW01, LDEE7RGS433AW01, LDEE7RGS443UG16, LDEE7RGS453UW01, LDEE7RGS543ZW01, LDGE7RGS303AW01, LDGE7RGS303BW80, LDGE7RGS303EG80, LDGE7RGS303EW80, LDGE7RGS303UG01, LDGE7RGS303UW01, LDGE7RSS303UW01, LDLE7RGS303NW26, YDEE7RGS303EW01, YDEE7RGS303UW01, YDEE7RGS303WW01, YDEE7RGS303ZW01, YDEE7RGS403UW01, YDGE7RGS303EW01 and YDLE7RGS303NW26
	D517584	Control Assembly	Models LDEE5RGS303ZW01, LDEE5RGS453UW01 and LDLE5RGS303NW35
2	D514189	Control Overlay	Models FDEE7RGS303WW01, FDLE7RGS303NW26, LDEE7RGS303WW01, LDEE7RGS433AW01, LDGE7RGS303AW01, LDGE7RGS303EG80, LDGE7RGS303EW80, LDGE7RSS303UW01, YDEE7RGS303EW01, YDEE7RGS303WW01, YDGE7RGS303EW01 and YDLE7RGS303NW26
	D515055	Control Overlay	Models PDEE4RGS303UG01, PDEE4RGS403UG01, PDEE4RGS433AG01 and PDEE4RGS443UG16
	D514190	Control Overlay	Models LDEE5RGS303ZW01 and LDEE5RGS453UW01
	D514191	Control Overlay	Models FDEE7RGS303UG01, FDEE7RGS303UW01, FDEE7RGS403UG01, FDEE7RGS403UW01, FDEE7RGS443UW16, FDGE7RGS303EW01, FDGE7RGS303UG01, FDGE7RGS303UW01, LDEE7RGS303BW01, LDEE7RGS303UG01, LDEE7RGS303UW01, LDEE7RGS303ZW01, LDEE7RGS403UG01, LDEE7RGS403UW01, LDEE7RGS443UG16, LDEE7RGS453UW01, LDEE7RGS543ZW01, LDGE7RGS303BW80, LDGE7RGS303EG80, LDGE7RGS303UG01, LDGE7RGS303UW01, LDLE7RGS303NW26, YDEE7RGS303UW01, YDEE7RGS303ZW01 and YDEE7RGS403UW01
	D514188	Control Overlay	Model LDLE5RGS303NW35
	D515678	Control Overlay	Model PDGE4RGS303AG01

Control Panel and Controls - Rear Control Models (Drawing 3 of 3)

REF	PART NO.	DESCRIPTION	COMMENTS
1	805608	Graphic Panel	Models PDEE4RGS303UG01, PDEE4RGS403UG01, PDEE4RGS433AG01 and PDEE4RGS443UG16
	805449	Graphic Panel	Models FDEE7RGS303UG01, FDEE7RGS303UW01, FDEE7RGS303WW01, FDEE7RGS403UG01, FDEE7RGS403UW01, FDEE7RGS443UW16, FDGE7RGS303EW01, FDGE7RGS303UG01, FDGE7RGS303UW01 and FDLE7RGS303NW26
	805448	Graphic Panel	Models YDEE7RGS303UW01, YDEE7RGS303WW01, YDEE7RGS303ZW01, YDEE7RGS403UW01, YDGE7RGS303EW01 and YDLE7RGS303NW26
	804565	Graphic Panel	Models LDEE7RGS303UG01, LDEE7RGS403UG01, LDEE7RGS443UG16, LDGE7RGS303EG80 and LDGE7RGS303UG01
	805406	Graphic Panel	All other models

Control Cabinet and Control - Front Control Models (Drawing 1 of 2)

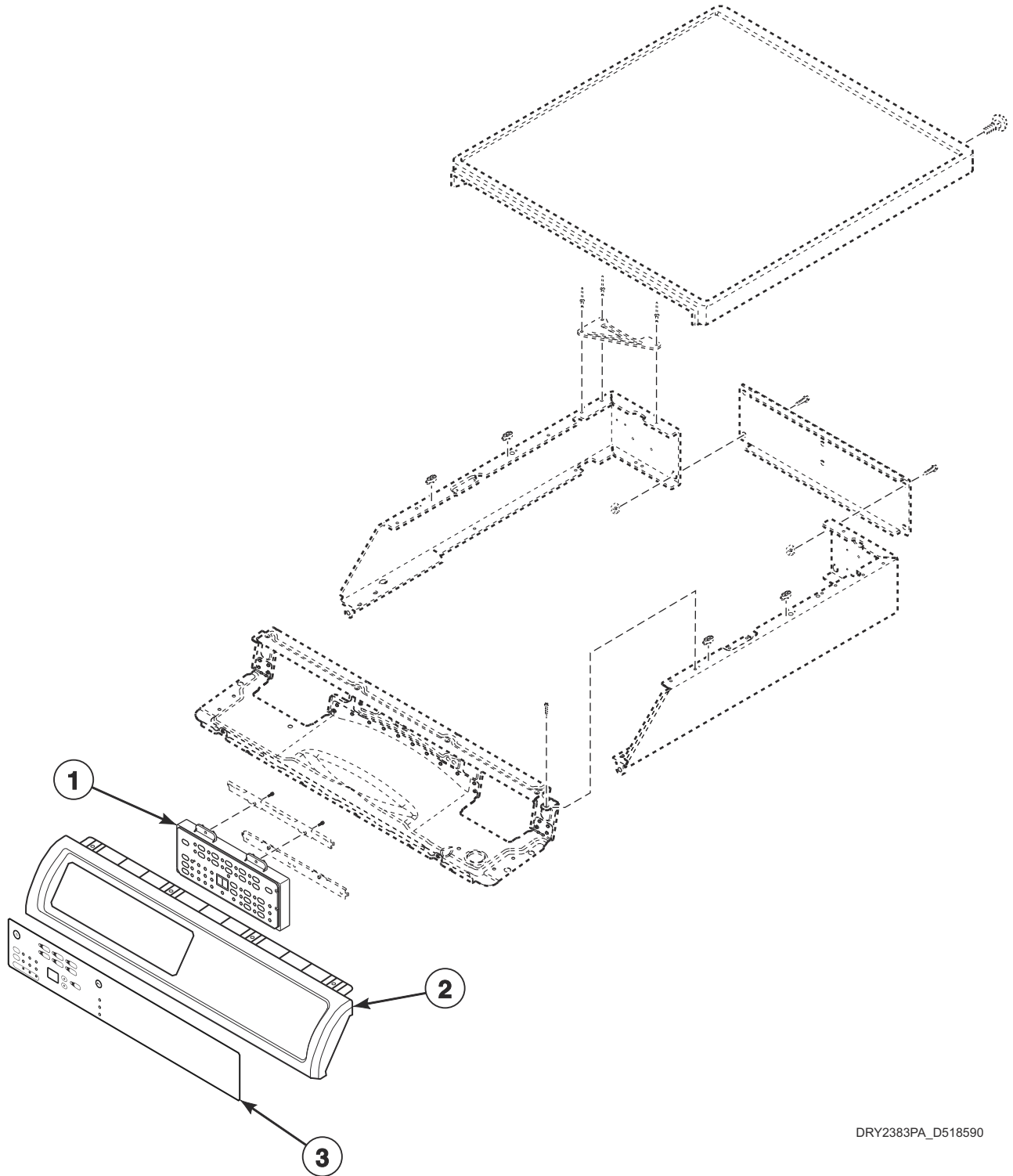


DRY2383P_D518590

Control Cabinet and Control - Front Control Models (Drawing 1 of 2)

REF	PART NO.	DESCRIPTION	COMMENTS
1	804611	Control Bracket	2 required
2	804613	Top Panel Brace Assembly	
3	804627B	Control Wrapper	Left; Black; Models ADEE9BGS433AN01, ADEE9BGS433NN29, ADEE9BSS433AN01, ADEE9BSS433NN29, ADGE9BGS303AN01, ADGE9BSS123DN01, ADGE9BSS303AN01 and ADGE9BSS543DN01
	804627DG	Control Wrapper	Left; Gray; Models FDEE5BGS303UG01, FDEE5BGS403UG01, FDGE5BGS303UG01, LDEE5BGS303UG01, LDEE5BGS403UG01 and LDGE5BGS303UG01
	804627W	Control Wrapper	Left; White; All other models
4	803761	Top Panel Guide	4 required; Use 39733 Screw to attach
5	805345	Rear Wrapper Brace	
6	685847	Pop Rivet	
7	804684	Top Panel	Black; Models ADEE9BGS433AN01, ADEE9BGS433NN29, ADEE9BSS433AN01, ADEE9BSS433NN29, ADGE9BGS303AN01, ADGE9BSS123DN01, ADGE9BSS303AN01 and ADGE9BSS543DN01
	804685DG	Top Panel	Gray; Models FDEE5BGS303UG01, FDEE5BGS403UG01, FDGE5BGS303UG01, LDEE5BGS303UG01, LDEE5BGS403UG01 and LDGE5BGS303UG01
	804685WP	Top Panel	White; All other models
8	D503661	Screw	2 required
9	804614	Rear Access Panel	
10	70240301	Screw	4 required
11	804630B	Control Wrapper	Right; Black; Models ADEE9BGS433AN01, ADEE9BGS433NN29, ADEE9BSS433AN01, ADEE9BSS433NN29, ADGE9BGS303AN01, ADGE9BSS123DN01, ADGE9BSS303AN01 and ADGE9BSS543DN01
	804630DG	Control Wrapper	Right; Gray; Models FDEE5BGS303UG01, FDEE5BGS403UG01, FDGE5BGS303UG01, LDEE5BGS303UG01, LDEE5BGS403UG01 and LDGE5BGS303UG01
	804630W	Control Wrapper	Right; White; All other models
12	70030501	Expansion Clip	
13	D503688	Screw	
14	804608	Screw	

Control Cabinet and Control - Front Control Models (Drawing 2 of 2)

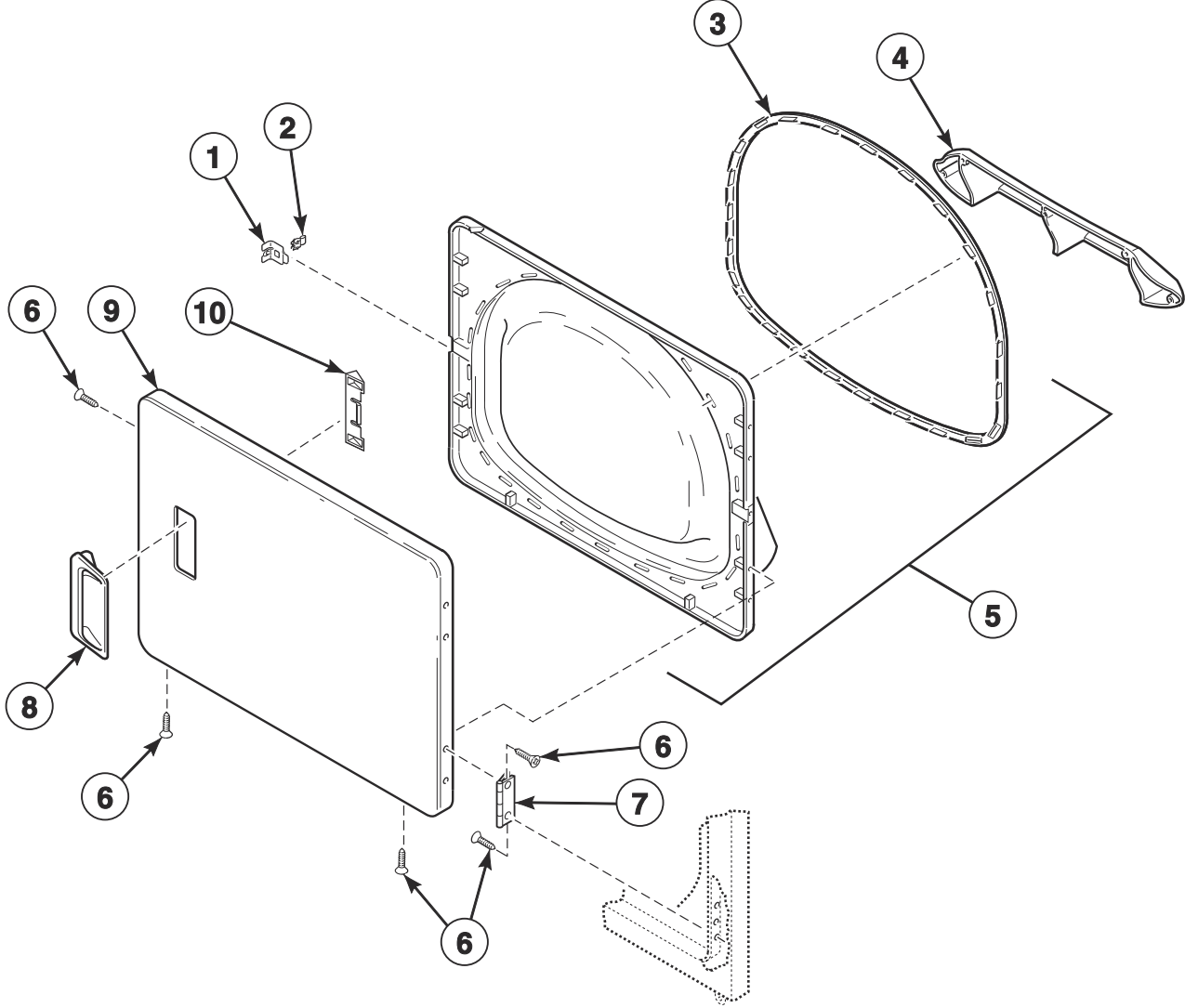


DRY2383PA_D518590

Control Cabinet and Control - Front Control Models (Drawing 2 of 2)

REF	PART NO.	DESCRIPTION	COMMENTS
1	D517585	Control Assembly	Models ADEE9BGS433AN01, ADEE9BGS433NN29, ADEE9BSS433AN01, ADEE9BSS433NN29, ADEE9BSS543DN01, ADGE9BGS303AN01, ADGE9BSS123DN01, ADGE9BSS303AN01 and ADGE9BSS543DN01
	D517584	Control Assembly	All other models
2	804961	Control Panel Assembly	Use 804667 Screw to attach; Models ADEE9BGS433AN01, ADEE9BGS433NN29, ADEE9BSS433AN01, ADEE9BSS433NN29, ADEE9BSS543DN01, ADGE9BGS303AN01, ADGE9BSS123DN01, ADGE9BSS303AN01 and ADGE9BSS543DN01
	805006	Control Panel Assembly	Models FDEE5BGS303UG01, FDEE5BGS403UG01 and FDGE5BGS303UG01
	804960	Control Panel Assembly	Use 804667 Screw to attach; All other models
3	D515539	Control Overlay	Models ADEE9BGS433NN29 and ADEE9BSS433NN29
	D514482	Control Overlay	Models FDEE5BGS303UW01, FDEE5BGS403UW01 and FDGE5BGS303UW01
	805406	Graphic Panel	Model LDEE5BGS333ZW01
	D515633	Control Overlay	Models ADEE9BSS543DN01, ADGE9BSS123DN01 and ADGE9BSS543DN01
	D515630	Control Overlay	Models ADEE9BGS433AN01, ADEE9BSS433AN01, ADGE9BGS303AN01 and ADGE9BSS303AN01
	D518401	Control Overlay	Models FDEE5BGS303UG01, FDEE5BGS403UG01 and FDGE5BGS303UG01
	D514483	Control Overlay	Models LDEE5BGS303UG01, LDEE5BGS403UG01 and LDGE5BGS303UG01
	D514925	Control Overlay	Models LDEE5BGS303ZW30, LDEE5BGS433AW01, LDEE5BGS543RW01 and LDGE5BGS303AW01

Loading Door

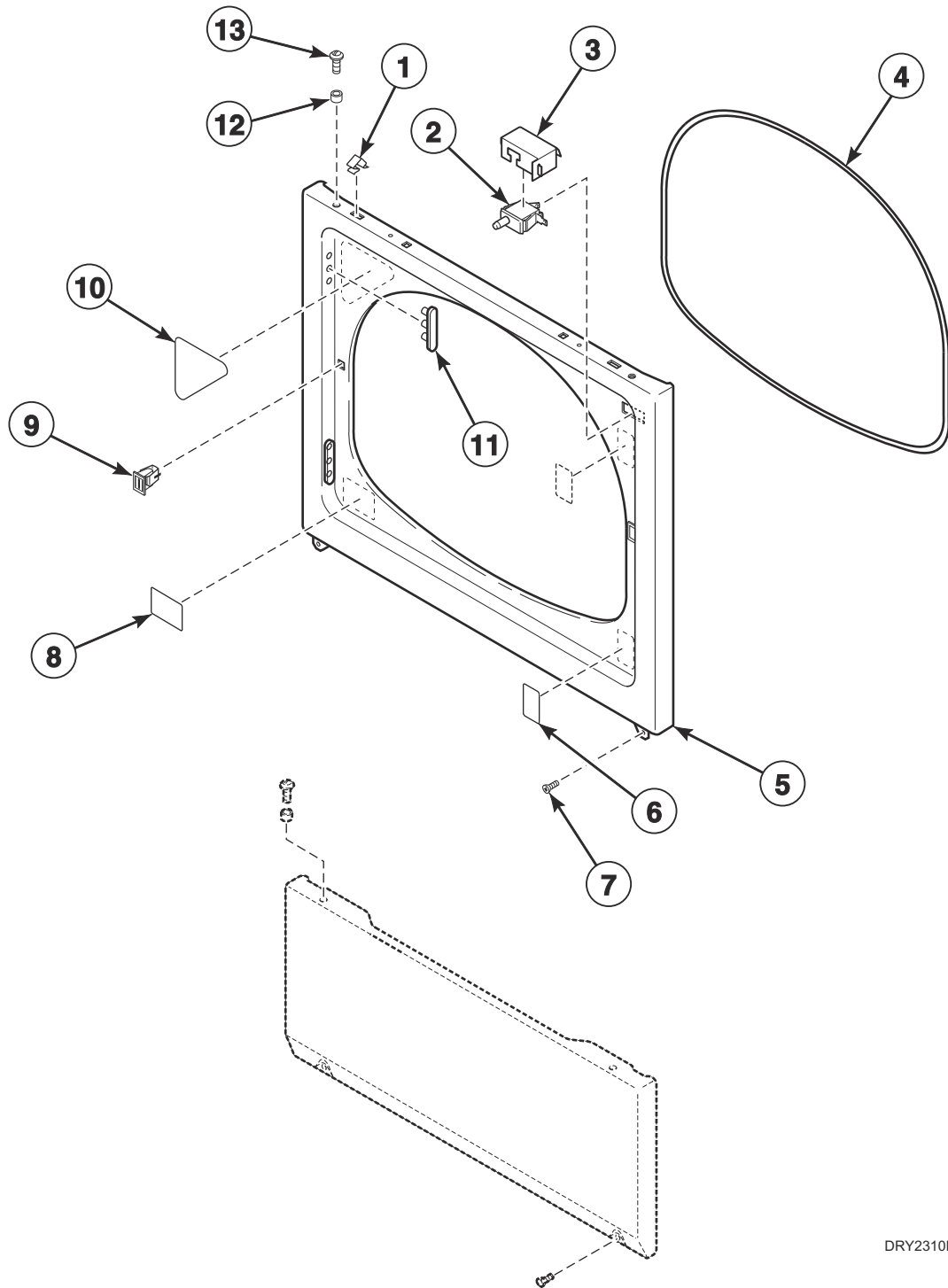


DRY2468P_D518590

Loading Door

REF	PART NO.	DESCRIPTION	COMMENTS
1	D510127	Door Strike Mount	
2	D510181	Door Strike	
3	D516508	Door Liner Assembly	Gray; Model ADEE9BSS543DN01
	D510147P	Liner Door Seal	All other models
4	D503870LG	Door Liner Grill	Gray; Model ADEE9BSS543DN01
5	D516510WP	Door Assembly	Gray; Models ADEE9BGS433AN01, ADEE9BGS433NN29, ADEE9BSS433AN01, ADEE9BSS433NN29, ADGE9BGS303AN01, ADGE9BSS123DN01, ADGE9BSS303AN01 and ADGE9BSS543DN01
	D516508	Door Liner Assembly	Gray; Model ADEE9BSS543DN01
	D510163WP	Liner, Seal and Grill Assembly	All other models
6	D500226	Screw	
7	D511036	Hinge	
8	D511213P	Door Pull and Wedge Kit	Black; Includes item 10; Models ADEE9BGS433AN01, ADEE9BGS433NN29, ADEE9BSS433AN01, ADEE9BSS433NN29, ADGE9BGS303AN01, ADGE9BSS123DN01, ADGE9BSS303AN01, ADGE9BSS543DN01, FDEE5BGS303UG01, FDEE5BGS403UG01, FDEE7RGS303UG01, FDEE7RGS403UG01, FDGE5BGS303UG01, FDGE7RGS303UG01, LDEE5BGS303UG01, LDEE5BGS403UG01, LDEE7RGS303UG01, LDEE7RGS403UG01, LDEE7RGS403UW01, LDEE7RGS443UG16, LDGE5BGS303UG01, LDGE7RGS303EG80, LDGE7RGS303UG01, PDEE4RGS303UG01, PDEE4RGS403UG01, PDEE4RGS433AG01 and PDGE4RGS303AG01
	D510103WP	Door Pull and Wedge Kit	White; Includes item 10; All other models
9	D512969	Dryer Door	Stainless steel; Models ADEE9BGS433AN01, ADEE9BGS433NN29, ADEE9BSS433AN01, ADEE9BSS433NN29, ADGE9BGS303AN01, ADGE9BSS123DN01, ADGE9BSS303AN01 and ADGE9BSS543DN01
	D510013DG	Dryer Door	Gray; Models PDEE4RGS303UG01, PDEE4RGS403UG01, PDEE4RGS433AG01, PDEE4RGS443UG16 and PDGE4RGS303AG01
	D515960DG	Dryer Door	Gray; Models FDEE5BGS303UG01, FDEE5BGS403UG01, FDEE7RGS303UG01, FDEE7RGS403UG01, FDGE5BGS303UG01, FDGE7RGS303UG01, LDEE5BGS303UG01, LDEE5BGS403UG01, LDEE7RGS303UG01, LDEE7RGS403UG01, LDEE7RGS443UG16, LDGE5BGS303UG01, LDGE7RGS303EG80 and LDGE7RGS303UG01
	D510013WP	Dryer Door	White; All other models
10	D510103WP	Door Pull and Wedge Kit	Gray; Models ADEE9BGS433AN01, ADEE9BGS433NN29, ADEE9BSS433AN01, ADEE9BSS433NN29, ADGE9BGS303AN01, ADGE9BSS123DN01, ADGE9BSS303AN01 and ADGE9BSS543DN01
	D510129W	Door Handle Wedge	White; All other models

Front Panel and Seal

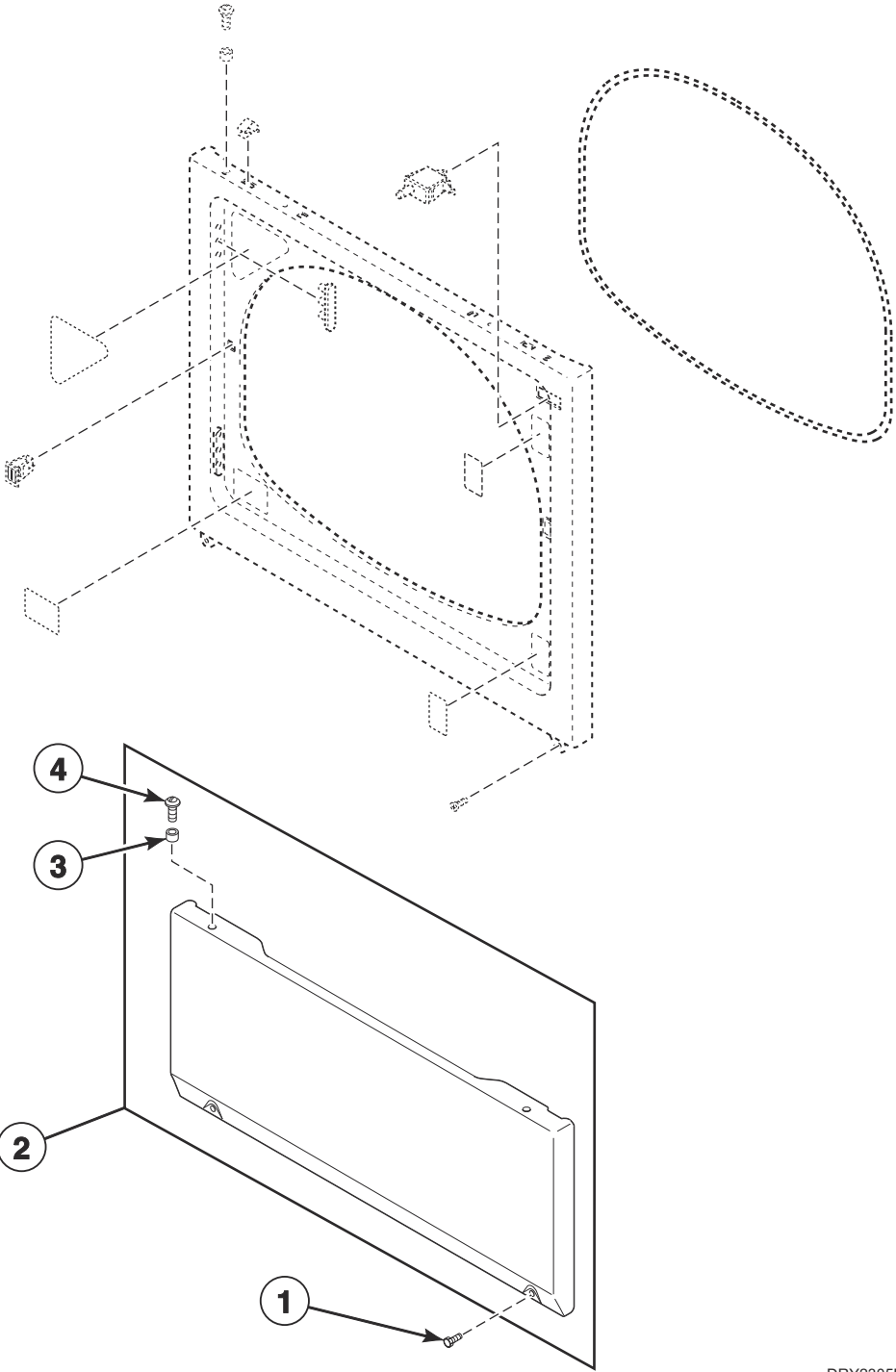


DRY2310P_D518590

Front Panel and Seal

REF	PART NO.	DESCRIPTION	COMMENTS
1	28835	Speed Clip	All models except ADEE9BSS433AN01, ADEE9BSS433NN29, ADEE9BSS543DN01, ADGE9BSS123DN01, ADGE9BSS303AN01, ADGE9BSS543DN01, FDEE5BGS303UW01, FDEE5BGS403UW01, FDGE5BGS303UG01, FDGE5BGS303UW01, LDEE5BGS303ZW30, LDEE5BGS333ZW01, LDEE5BGS433AW01, LDEE5BGS543RW01, LDGE5BGS303AW01 and LDGE5BGS303UG01
2	D512973	Switch	
3	D514327	Drip Shield	Model ADEE9BSS433NN29
4	D511056	Front Panel Seal	
5	D512542	Front Panel	Stainless steel; Models ADEE9BGS433AN01, ADEE9BGS433NN29, ADEE9BSS433AN01, ADEE9BSS433NN29, ADGE9BGS303AN01, ADGE9BSS123DN01, ADGE9BSS303AN01 and ADGE9BSS543DN01
	D510066DG	Front Panel	Gray; Models FDEE5BGS303UG01, FDEE5BGS403UG01, FDEE7RGS303UG01, FDEE7RGS403UG01, FDGE5BGS303UG01, FDGE7RGS303UG01, LDEE5BGS303UG01, LDEE5BGS403UG01, LDEE7RGS303UG01, LDEE7RGS403UG01, LDEE7RGS443UG16, LDGE5BGS303UG01, LDGE7RGS303EG80, LDGE7RGS303UG01, PDDE4RGS303UG01, PDDE4RGS403UG01, PDDE4RGS433AG01, PDDE4RGS443UG16 and PDGE4RGS303AG01
	D510066WP	Front Panel	White; All other models
6	D512263	Warning Label	Australian; Models ADEE9BSS433AN01, ADGE9BSS303AN01, LDEE5BGS433AW01, LDEE7RGS433AW01, LDGE5BGS303AW01, LDGE7RGS303AW01 and PDGE4RGS303AG01
7	D503688	Screw	
8	D502804	Lint Filter Label	Australian; Models ADEE9BGS433AN01, ADEE9BSS433AN01, ADGE9BGS303AN01, ADGE9BSS303AN01, LDEE5BGS433AW01, LDEE7RGS433AW01, LDGE5BGS303AW01, LDGE7RGS303AW01 and PDGE4RGS303AG01
	D502781	Lint Filter Label	All other models
9	D510177	Door Catch Assembly	
10	D514410	Warning Label	Arabic; Models FDEE7RGS303WW01, LDEE5BGS333ZW01, LDEE7RGS303WW01 and YDEE7RGS303WW01
	D516514	Warning Label	Spanish; Models LDEE5BGS333ZW01, LDEE5RGS303ZW01, LDEE7RGS303BW01, LDEE7RGS303ZW01, LDEE7RGS543ZW01, LDGE7RGS303BW80 and YDEE7RGS303ZW01
	D514866	Warning Label	Japanese; Model LDEE5BGS303ZW30
	D514863	Front Panel Label	Chinese; Models ADEE9BGS433NN29, ADEE9BSS433NN29 and LDEE5BGS333ZW01
	D516513	Caution Label	Quebec French; Models LDEE5BGS333ZW01, LDEE5RGS303ZW01, LDEE7RGS303ZW01, LDEE7RGS543ZW01 and YDEE7RGS303ZW01
	D516515	Warning/Caution Label	Portuguese; Models LDEE5BGS333ZW01, LDEE5RGS303ZW01, LDEE7RGS303ZW01, LDEE7RGS543ZW01 and YDEE7RGS303ZW01
	D516512	Warning/Caution Label	English; All other models
11	D510186	Hinge Hole Plug	
12	56079	Panel Locator	
13	39733	Screw	Use with painted panels
	D512921	Screw	Use with stainless steel panels

Access Panel

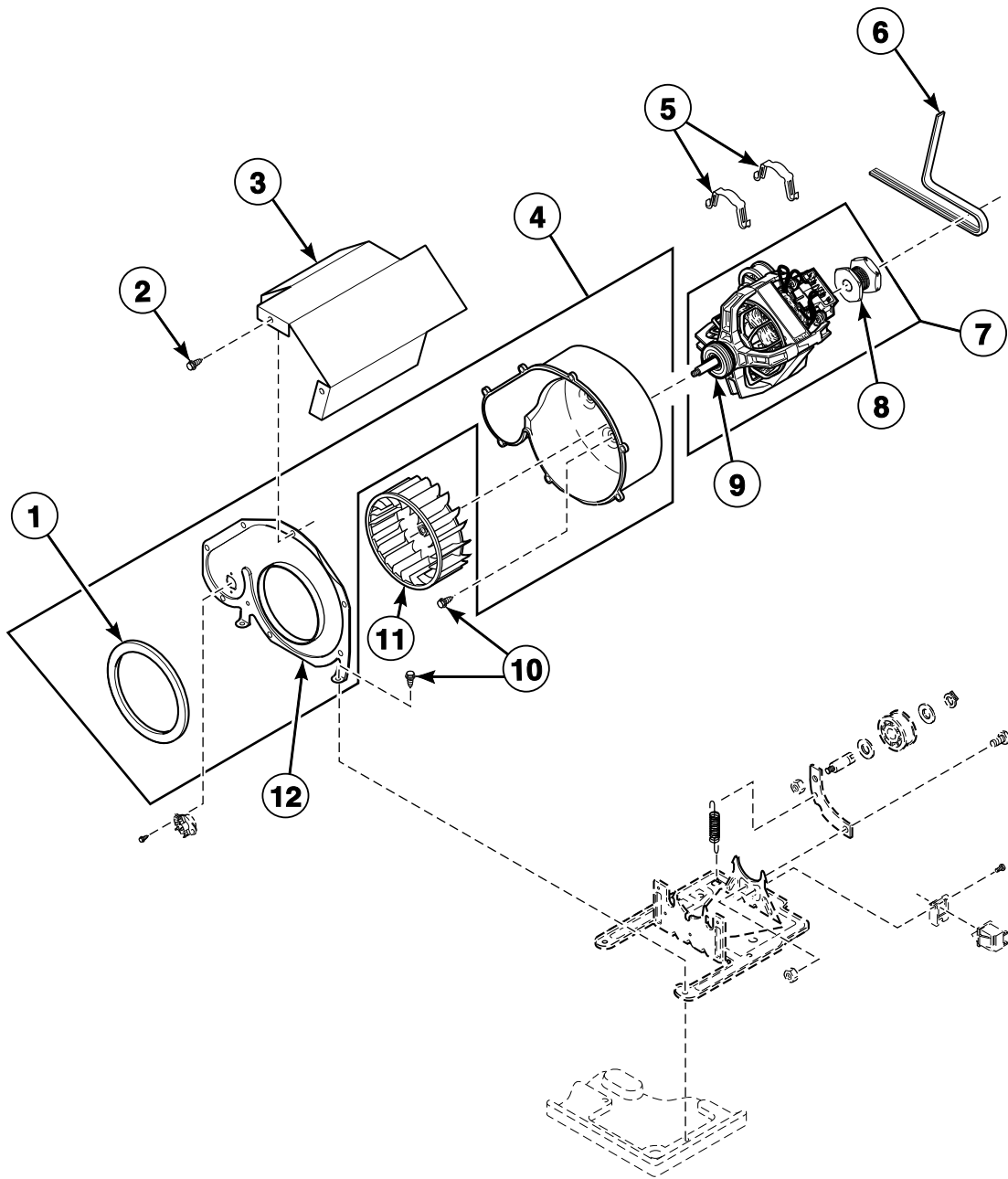


DRY2305PA_D518590

Access Panel

REF	PART NO.	DESCRIPTION	COMMENTS
1	33562	Screw	Slotted hex head
2	D514251	Access Panel Assembly	Stainless steel; Models ADEE9BGS433AN01, ADEE9BGS433NN29, ADEE9BSS433AN01, ADEE9BSS433NN29, ADEE9BSS543DN01, ADGE9BGS303AN01, ADGE9BSS123DN01, ADGE9BSS303AN01 and ADGE9BSS543DN01
	D514250DG	Access Panel Assembly	Gray; Models FDEE5BGS303UG01, FDEE5BGS403UG01, FDEE7RGS303UG01, FDEE7RGS403UG01, FDGE5BGS303UG01, FDGE7RGS303UG01, LDEE5BGS303UG01, LDEE5BGS403UG01, LDEE7RGS303UG01, LDEE7RGS403UG01, LDEE7RGS443UG16, LDGE5BGS303UG01, LDGE7RGS303EG80, LDGE7RGS303UG01, PDEE4RGS303UG01, PDEE4RGS403UG01, PDEE4RGS433AG01, PDEE4RGS443UG16 and PDGE4RGS303AG01
	D514250WP	Access Panel Assembly	White; All other models
3	56079	Panel Locator	
4	39733	Screw	

Motor, Exhaust Fan and Belt (Drawing 1 of 2)

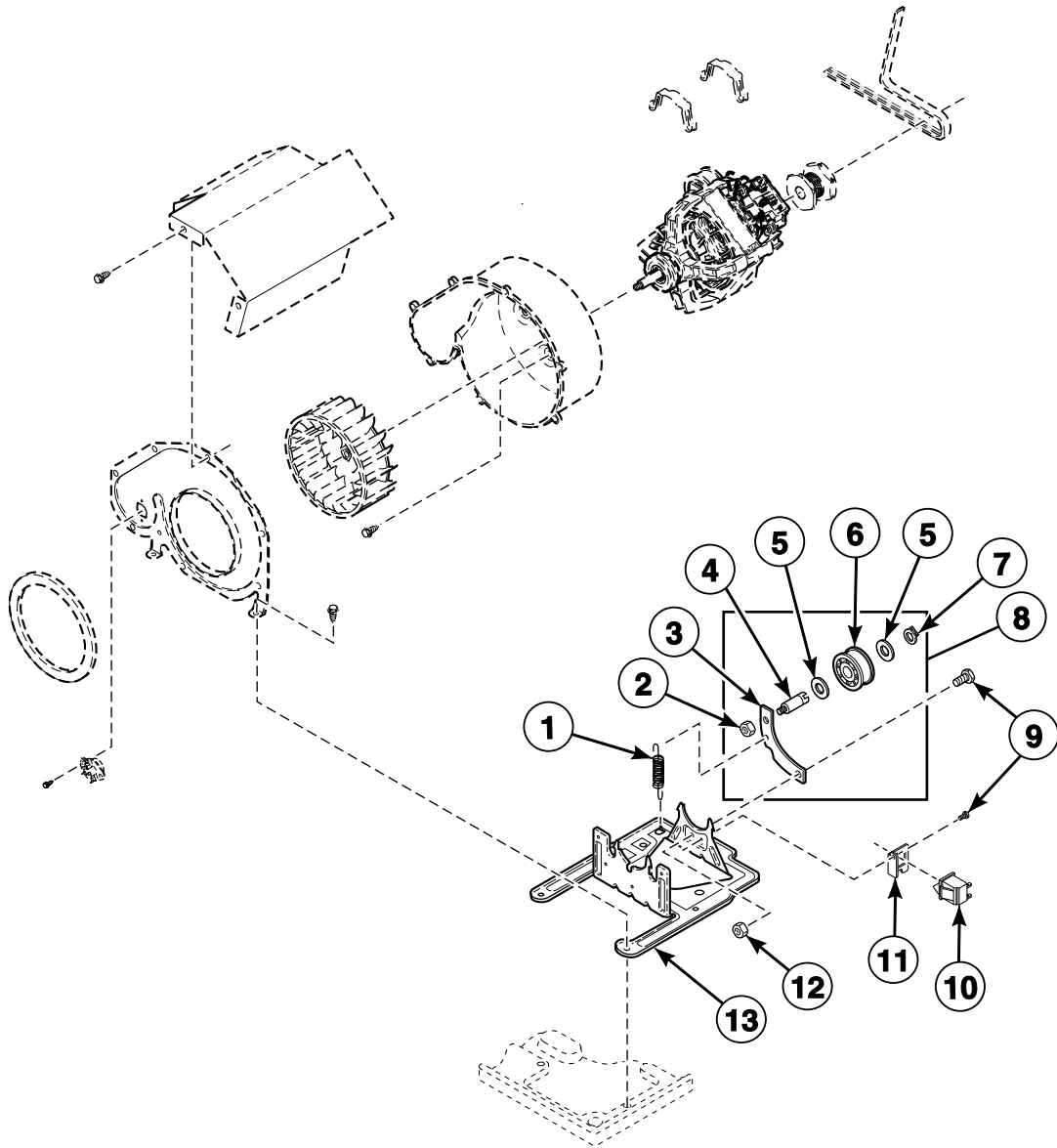


DRY2558P_D518590

Motor, Exhaust Fan and Belt (Drawing 1 of 2)

REF	PART NO.	DESCRIPTION	COMMENTS
	27604P	Anti-Seize Compound	Apply to motor shaft when installing blower fan assembly
1	D510238P	Blower Housing Seal	
2	31260	Screw	
3	D514602	Motor Shield	All models except ADEE9BSS433NN29
4	D511969WP	Blower Housing	Includes items 1 and 2
5	D510180	Motor Mount Clamp	
6	D511255P	Cylinder Belt	
7	D505869P	Motor and Pulley Assembly	240 Volt/60 Hertz; Includes item 8; Apply anti-seize compound to motor shaft when installing blower fan assembly; Models ADEE9BSS543DN01, ADGE9BSS543DN01, FDEE7RGS443UW16, LDEE5BGS333ZW01, LDEE5BGS543RW01, LDEE7RGS443UG16, LDEE7RGS543ZW01 and PDEE4RGS443UG16
	D511629P	Motor and Pulley Assembly	120 Volt/60 Hertz; Includes item 8; Apply anti-seize compound to motor shaft when installing blower fan assembly; Model ADGE9BSS123DN01
	D505843P	Motor and Pulley Assembly	240 Volt/50 Hertz; Includes item 8; Apply anti-seize compound to motor shaft when installing blower fan assembly; All other models
8	D500011	Motor Pulley	60 Hertz; Use with D505869P Motor and Pulley Assembly; Models ADEE9BSS543DN01, ADGE9BSS123DN01, ADGE9BSS543DN01, FDEE7RGS443UW16, LDEE5BGS333ZW01, LDEE5BGS543RW01, LDEE7RGS443UG16, LDEE7RGS543ZW01 and PDEE4RGS443UG16
	D500222	Motor Pulley	50 Hertz; Use with D505843P Motor and Pulley Assembly; All other models
9	590P3	Motor Hub Ring Kit	
10	D503688	Screw	
11	D510139P	Blower Fan Assembly	Apply anti-seize compound to motor shaft when installing blower fan assembly
12	D516834	Blower Housing Cover	

Motor, Exhaust Fan and Belt (Drawing 2 of 2)

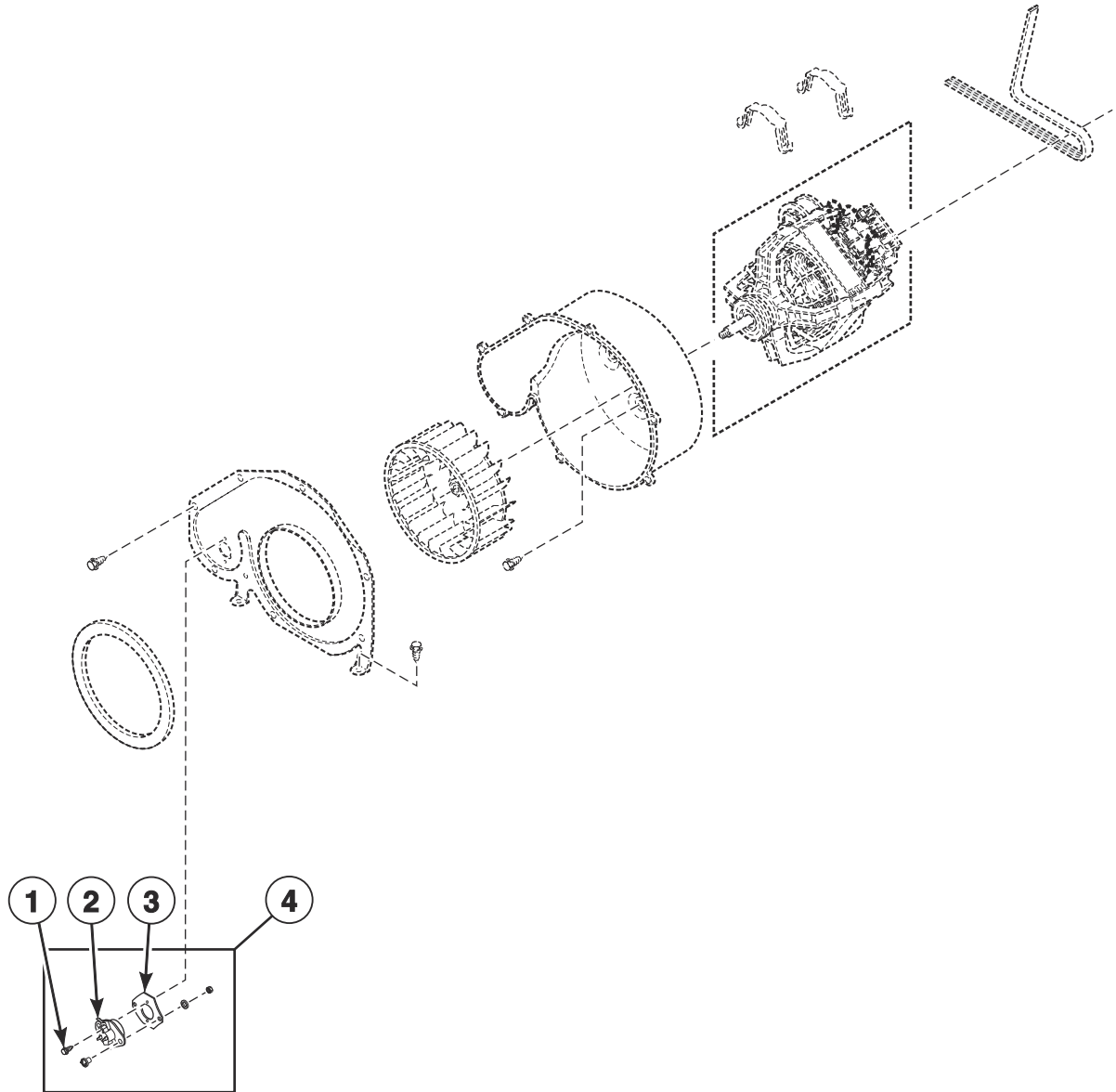


DRY2558PA_D518590

Motor, Exhaust Fan and Belt (Drawing 2 of 2)

REF	PART NO.	DESCRIPTION	COMMENTS
1	D510185	Idler Spring	
2	56156	Nut	
3	D516310	Idler Lever	
4	56461P	Shaft	
5	52549	Washer	
6	D510142P	Idler Wheel and Bearing Assembly	
7	23748	Retaining Ring	
8	D516792	Idler Lever and Wheel Assembly	Includes items 2-7
9	D500824	Screw	
10	D516391	Switch	Models ADEE9BGS433NN29, ADEE9BSS433AN01, ADEE9BSS433NN29, ADEE9BSS543DN01, ADGE9BSS123DN01, ADGE9BSS303AN01 and ADGE9BSS543DN01
11	D516311	Motor Switch Bracket	Models ADEE9BGS433NN29, ADEE9BSS433AN01, ADEE9BSS433NN29, ADEE9BSS543DN01, ADGE9BSS123DN01, ADGE9BSS303AN01 and ADGE9BSS543DN01
12	52566	Nut	
13	D518517	Motor Mount	

Thermistor



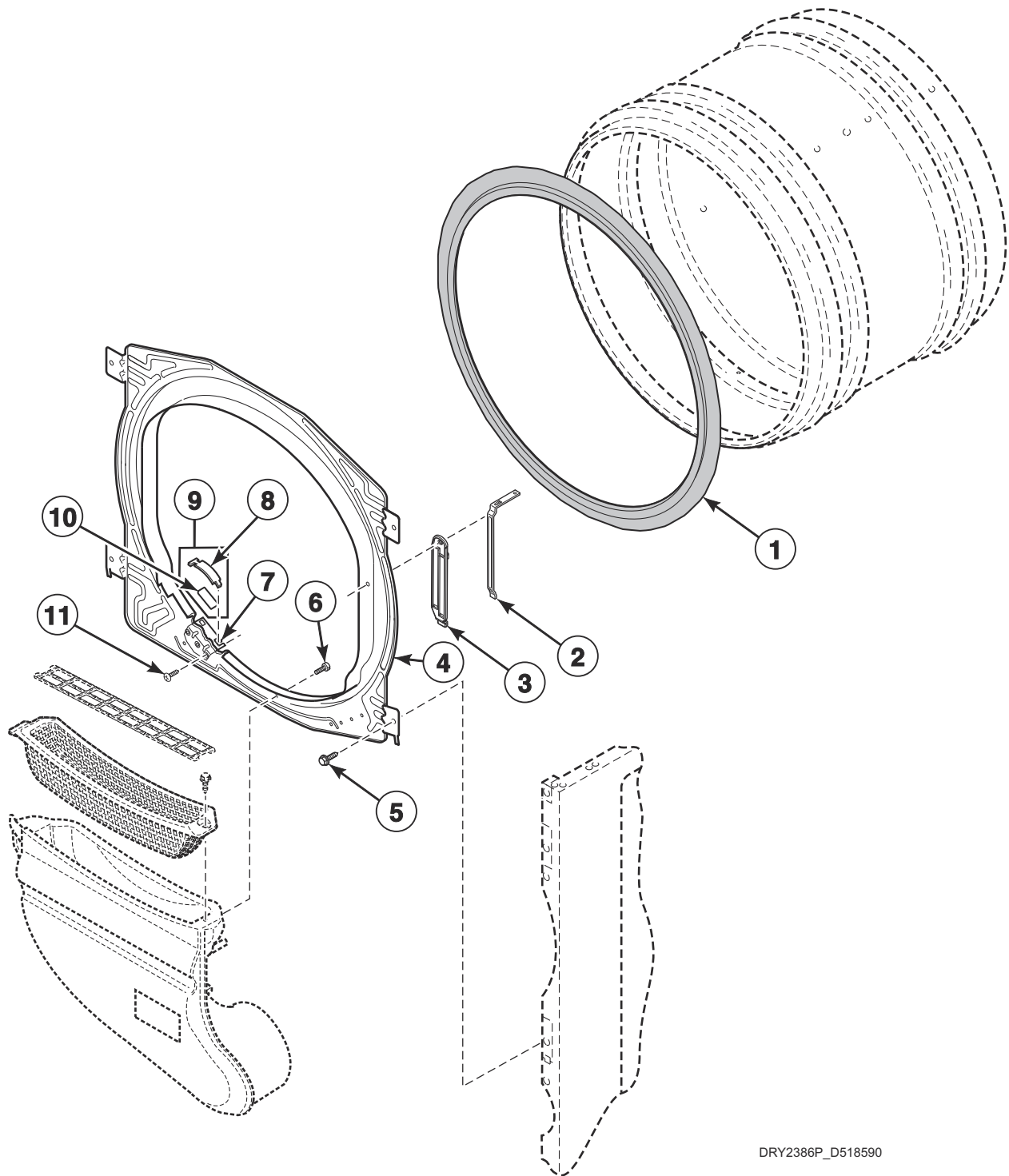
DRY2486P_D518590

Thermistor

REF	PART NO.	DESCRIPTION	COMMENTS
	29443	Washer	
	44087301	Nut	
1	D502535	Screw	
2	M414704	Thermistor	
3	D502194	Thermostat Cover	
4	D510523	Thermistor Assembly	Models ADEE9BSS543DN01, ADGE9BSS123DN01, ADGE9BSS543DN01, FDEE7RGS443UW16, LDEE5BGS333ZW01, LDEE5BGS543RW01, LDEE7RGS443UG16, LDEE7RGS543ZW01 and PDEE4RGS443UG16
	D502366	Thermistor Assembly	All other models; Includes items 1-3

Front Bulkhead and Seal - Without Light

All Models Except ADEE9BGS433AN01, ADEE9BGS433NN29, ADEE9BSS433AN01, ADEE9BSS433NN29, ADEE9BSS543DN01, ADGE9BGS303AN01, ADGE9BSS123DN01, ADGE9BSS303AN01, ADGE9BSS543DN01, LDEE7RGS403UW01, LDGE7RGS303AW01, LDGE7RGS303UW01, LDGE7RSS303UW01 and PDGE4RGS303AG01



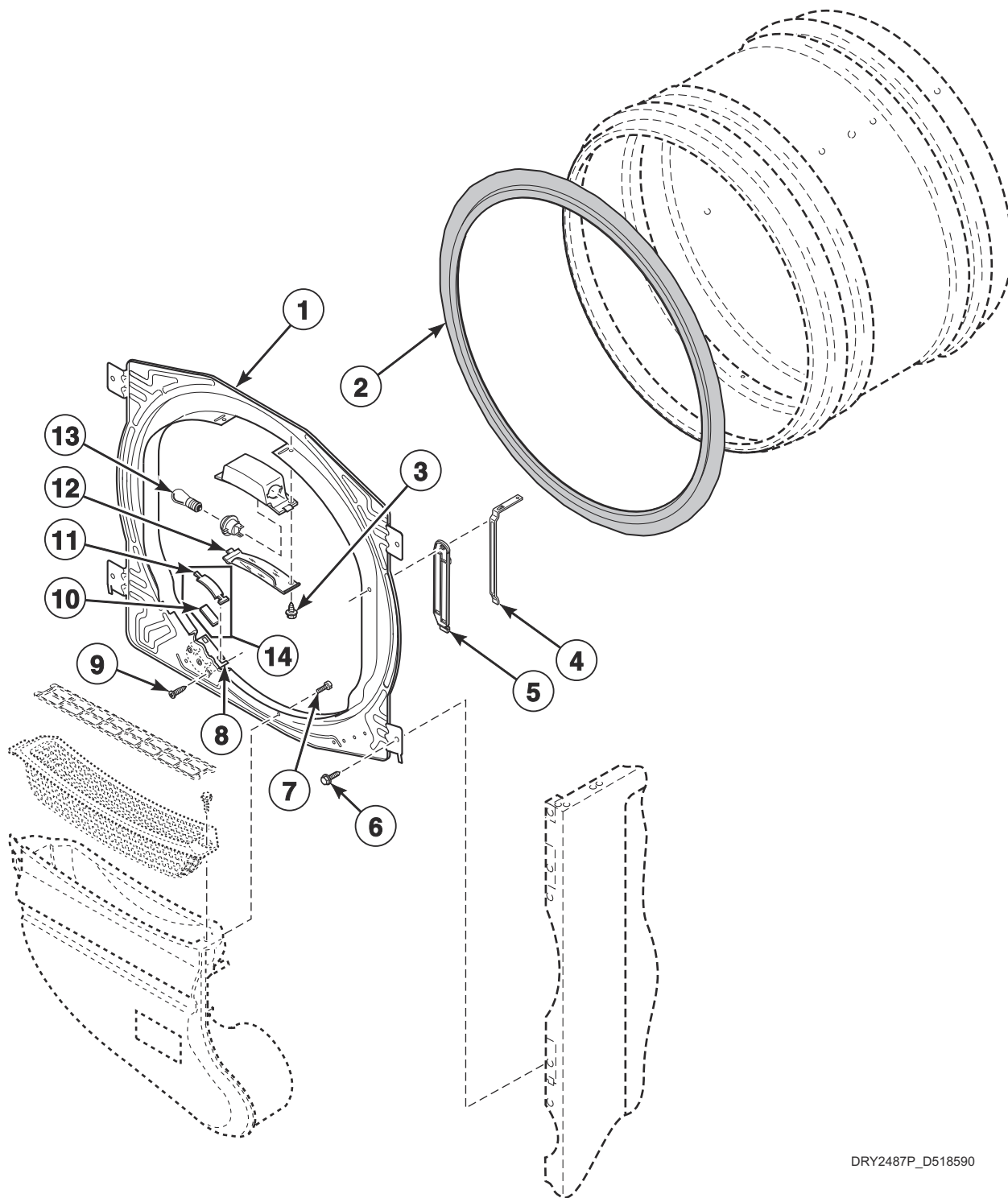
DRY2386P_D518590

Front Bulkhead and Seal - Without Light

REF	PART NO.	DESCRIPTION	COMMENTS
1	D510207P	Cylinder Seal Assembly	
	D511637P	Adhesive	For cylinder seal
	RB170001	Seal Kit	Includes 2 cylinder seals, D510238P Blower Housing Seal and D511637P Adhesive
2	D513737	Bar Sensor	2 required
3	D513738	Moisture Sensor Base	
4	D515532	Front Bulkhead Assembly	
5	D503688	Screw	
6	D500226	Screw	
7	D510145	Cylinder Glide Bracket	
8	D513710	Cylinder Glide	2 required
9	RB170003	Glide Kit	Includes two of items 8 and 10
10	D510189	Felt Pad	2 required
11	52864	Screw	

Front Bulkhead and Seal - With Light

Models ADEE9BGS433AN01, ADEE9BGS433NN29, ADEE9BSS433AN01, ADEE9BSS433NN29, ADEE9BSS543DN01, ADGE9BGS303AN01, ADGE9BSS123DN01, ADGE9BSS303AN01, ADGE9BSS543DN01, LDEE7RGS403UW01, LDGE7RGS303AW01, LDGE7RGS303UW01, LDGE7RSS303UW01 and PDGE4RGS303AG01

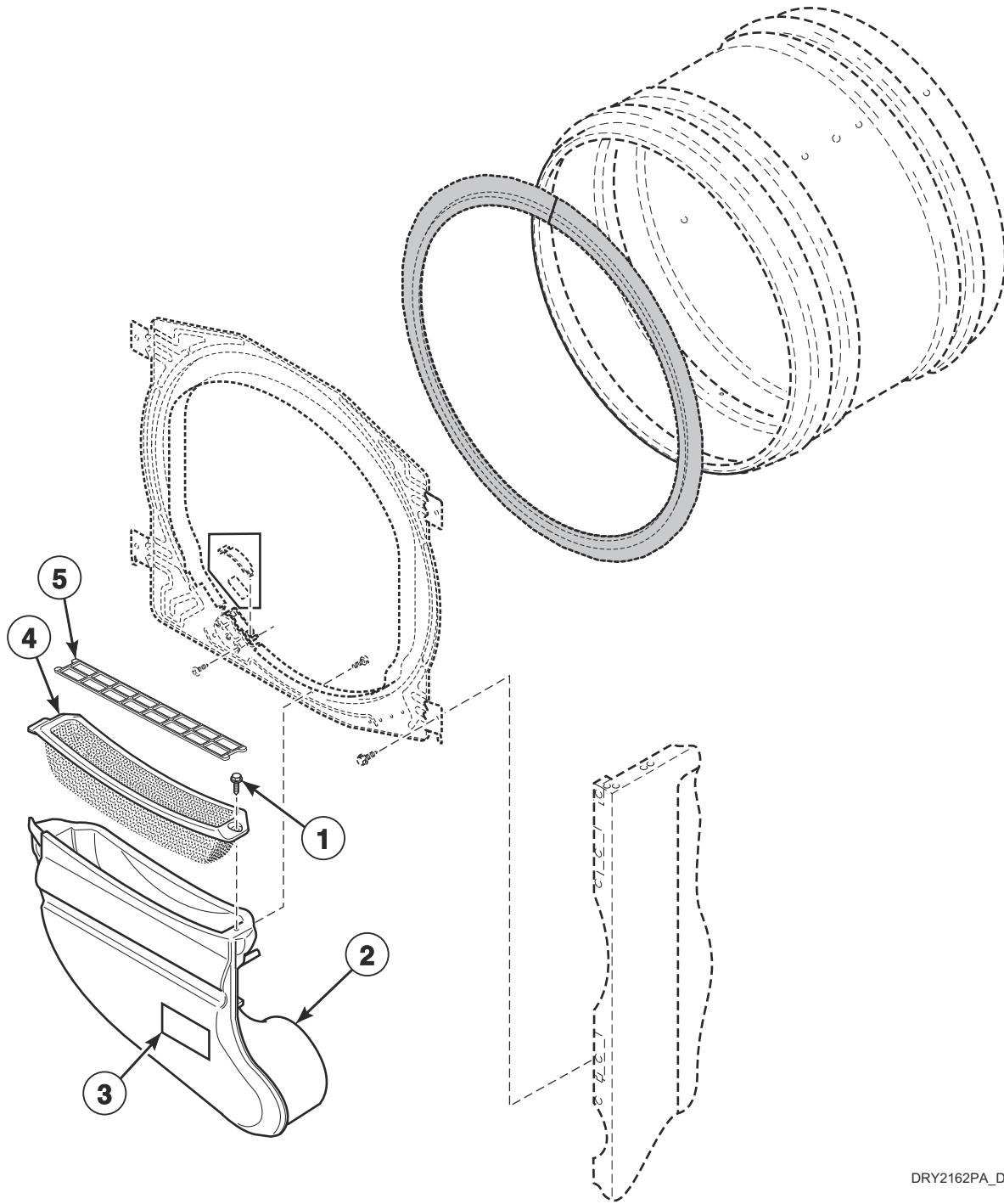


DRY2487P_D518590

Front Bulkhead and Seal - With Light

REF	PART NO.	DESCRIPTION	COMMENTS
1	D517573	Front Bulkhead	
2	D510207P	Cylinder Seal Assembly	
	D511637P	Adhesive	For cylinder seal
	RB170001	Seal Kit	Includes 2 cylinder seals, D510238P Blower Housing Seal and D511637P Adhesive
3	D500227	Screw	
4	D513737	Bar Sensor	2 required
5	D513738	Moisture Sensor Base	
6	D503688	Screw	
7	D500226	Screw	
8	D510145	Cylinder Glide Bracket	
9	D501086	Screw	
10	D510189	Felt Pad	2 required
11	D513710	Cylinder Glide	2 required
12	D512106	Cylinder Light Lens	
13	D503579	Drum Light Lamp	240 Volt; Incandescent; Models LDGE7RGS303AW01 and PDGE4RGS303AG01 through Serial No. 2008035761
	D517574	Light Assembly	120 Volt; LED; Model ADGE9BSS123DN01 starting Serial No. 2008035762 through 12/31/21
	D518795	Light Assembly	120 Volt; LED; Model ADGE9BSS123DN01 starting 1/1/22
	D517763	Cylinder Light Assembly	240 Volt; LED; All models except ADGE9BSS123DN01, LDGE7RGS303AW01 and PDGE4RGS303AG01 starting Serial No. 2008035762 through 12/31/21
	D518796	Cylinder Light Assembly	240 Volt; LED; All models except ADGE9BSS123DN01, LDGE7RGS303AW01 and PDGE4RGS303AG01 starting 1/1/22
14	RB170003	Glide Kit	Includes two of items 10 and 11

Air Duct

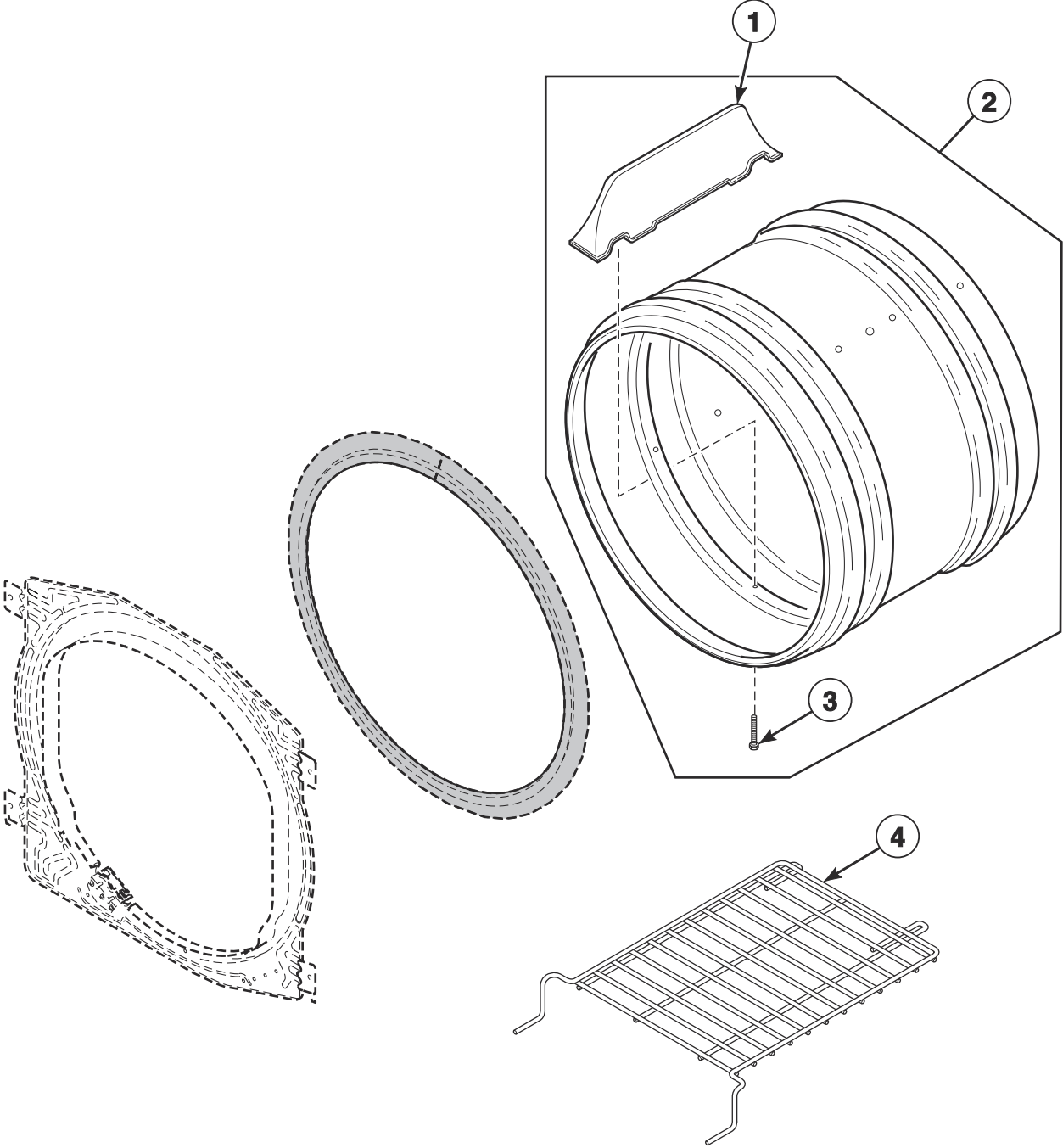


DRY2162PA_D518590

Air Duct

REF	PART NO.	DESCRIPTION	COMMENTS
1	D501285	Screw	
2	D518433	Air Duct Assembly	Models ADEE9BGS433AN01, ADEE9BGS433NN29, ADEE9BSS433AN01, ADEE9BSS433NN29, ADEE9BSS543DN01, ADGE9BGS303AN01, ADGE9BSS123DN01, ADGE9BSS303AN01 and ADGE9BSS543DN01
	D518431	Air Duct Assembly	All other models
3	202256	Warning Label	Models FDLE7RGS303NW26, LDEE7RGS303BW01, LDGE7RGS303BW80, LDLE7RGS303NW26 and YDLE7RGS303NW26
	F8614201	Shock Warning Label	All other models
	F8615701	Pinch Warning Label	All other models
4	D503980LG	Lint Filter	Models ADEE9BGS433AN01, ADEE9BGS433NN29, ADEE9BSS433AN01, ADEE9BSS433NN29, ADEE9BSS543DN01, ADGE9BGS303AN01, ADGE9BSS123DN01, ADGE9BSS303AN01 and ADGE9BSS543DN01
	D503980W	Lint Filter	All other models
5	D510502LG	Lint Filter Cover	Models ADEE9BGS433AN01, ADEE9BGS433NN29, ADEE9BSS433AN01, ADEE9BSS433NN29, ADEE9BSS543DN01, ADGE9BGS303AN01, ADGE9BSS123DN01, ADGE9BSS303AN01 and ADGE9BSS543DN01
	D510502W	Lint Filter Cover	All other models

Cylinder and Baffles

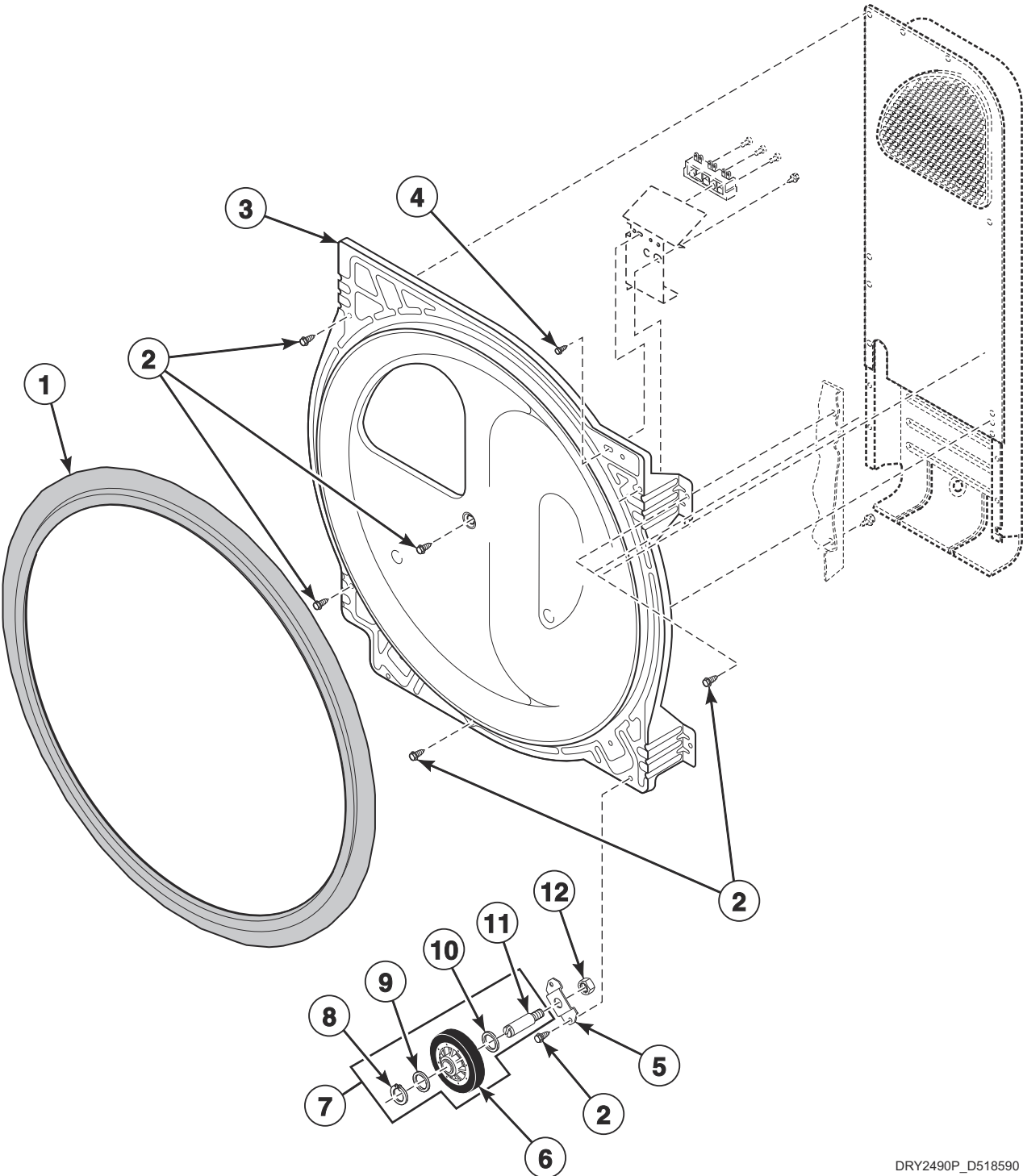


DRY2488P_D518590

Cylinder and Baffles

REF	PART NO.	DESCRIPTION	COMMENTS
1	D510102LG	Cylinder Baffle	3 required; Light gray; Models ADEE9BGS433AN01, ADEE9BGS433NN29, ADEE9BSS433AN01, ADEE9BSS433NN29, ADEE9BSS543DN01, ADGE9BGS303AN01, ADGE9BSS123DN01, ADGE9BSS303AN01 and ADGE9BSS543DN01
	D510102W	Cylinder Baffle	All other models
2	D510265WP	Cylinder Assembly	Galvanized; Includes (3) of item 1 and (6) of item 3; Models ADEE9BGS433AN01, ADEE9BGS433NN29, ADGE9BGS303AN01, FDEE5BGS303UG01, FDEE5BGS303UW01, FDEE5BGS403UG01, FDEE5BGS403UW01, FDEE7RGS303UG01, FDEE7RGS303UW01, FDEE7RGS303WW01, FDEE7RGS403UG01, FDEE7RGS403UW01, FDEE7RGS443UW16, FDGE5BGS303UG01, FDGE5BGS303UW01, FDGE7RGS303EW01, FDGE7RGS303UG01, FDGE7RGS303UW01, FDLE7RGS303NW26, LDEE5BGS303UG01, LDEE5BGS303ZW30, LDEE5BGS333ZW01, LDEE5BGS403UG01, LDEE5BGS433AW01, LDEE5BGS543RW01, LDEE5RGS303ZW01, LDEE5RGS453UW01, LDEE7RGS303BW01, LDEE7RGS303UG01, LDEE7RGS303UW01, LDEE7RGS303WW01, LDEE7RGS303ZW01, LDEE7RGS403UG01, LDEE7RGS403UW01, LDEE7RGS433AW01, LDEE7RGS443UG16, LDEE7RGS453UW01, LDEE7RGS543ZW01, LDGE5BGS303AW01, LDGE5BGS303UG01, LDGE7RGS303AW01, LDGE7RGS303BW80, LDGE7RGS303EG80, LDGE7RGS303EW80, LDGE7RGS303UG01, LDGE7RGS303UW01, LDLE5RGS303NW35, LDLE7RGS303NW26, PDEE4RGS303UG01, PDEE4RGS403UG01, PDEE4RGS433AG01, PDEE4RGS443UG16, PDGE4RGS303AG01, YDEE7RGS303EW01, YDEE7RGS303UW01, YDEE7RGS303WW01, YDEE7RGS303ZW01, YDEE7RGS403UW01, YDGE7RGS303EW01 and YDLE7RGS303NW26
	D505929WP	Cylinder Assembly	Stainless steel; Includes (3) of item 1 and (6) of item 3; Model LDGE7RSS303UW01
	D505929LGP	Cylinder Assembly	Stainless steel; Includes (3) of item 1 and (6) of item 3; Models ADEE9BSS433AN01, ADEE9BSS433NN29, ADEE9BSS543DN01, ADGE9BSS123DN01, ADGE9BSS303AN01 and ADGE9BSS543DN01
3	62588	Screw	6 required
4	D512082P	Drying Rack	

Rear Bulkhead, Felt Seal and Cylinder Roller

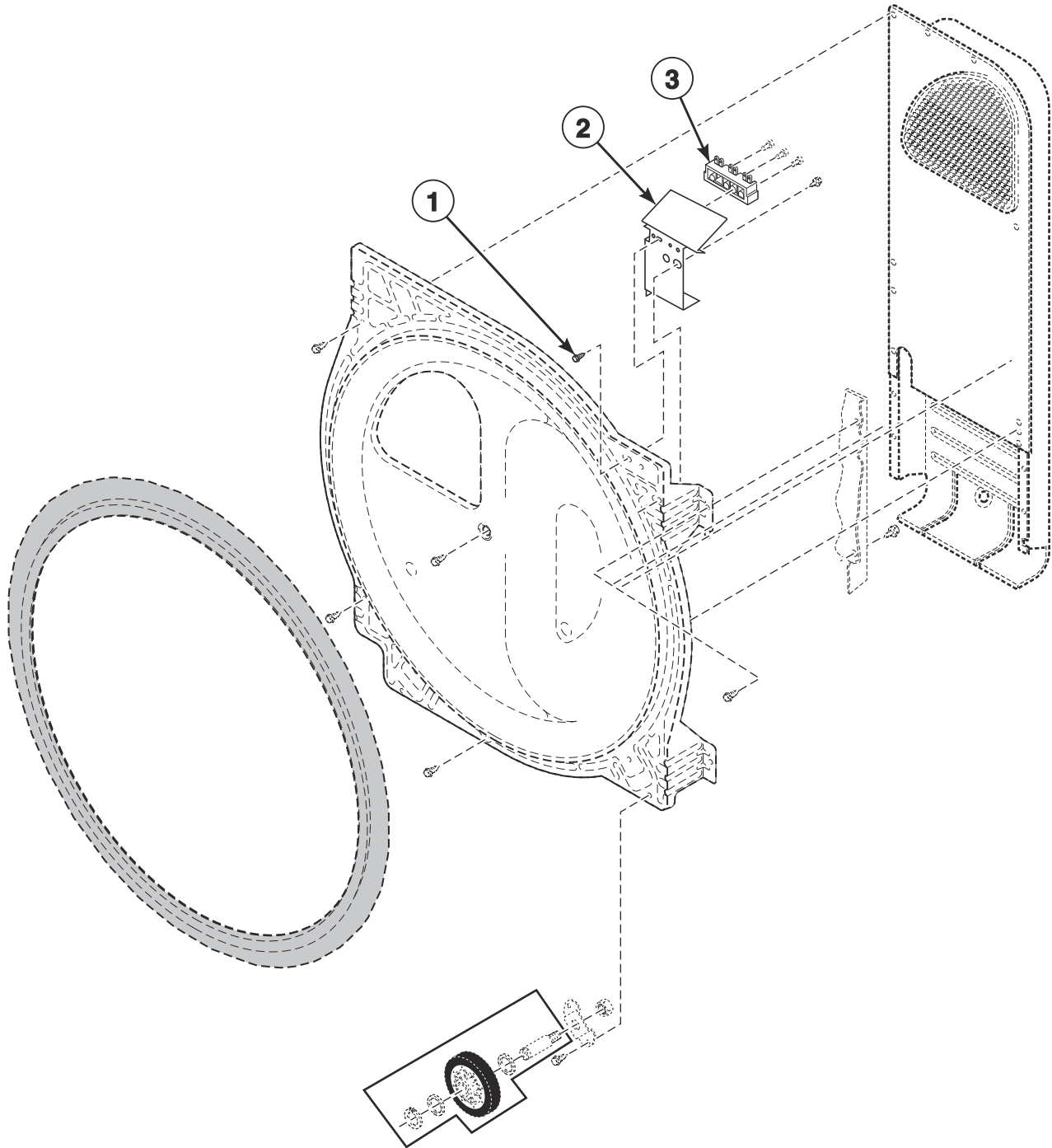


DRY2490P_D518590

Rear Bulkhead, Felt Seal and Cylinder Roller

REF	PART NO.	DESCRIPTION	COMMENTS
	D511637P	Adhesive	For cylinder seal
	RB170001	Seal Kit	Includes 2 cylinder seals, D510238P Blower Housing Seal and D511637P Adhesive
1	D510207P	Cylinder Seal Assembly	
2	D503688	Screw	Use with painted panels
	M405188	Screw	Use with stainless steel panels
3	D518128	Rear Bulkhead	Stainless steel; Includes item 1; Models ADEE9BSS433AN01, ADEE9BSS433NN29, ADGE9BSS123DN01, ADGE9BSS303AN01, ADGE9BSS543DN01 and LDGE7RSS303UW01
	D511082P	Rear Bulkhead Assembly	Galvanized; Includes item 1; All other models
4	D501285	Screw	
5	D510100	Cylinder Roller Bracket	
6	D510708P	Cylinder Roller	
7	RB170002	Roller Kit	Includes items 6-11
8	23748	Retaining Ring	
9	52549	Washer	
10	D504082	Washer	
11	56461P	Shaft	
12	56156	Nut	

Terminal Block and Shield (Drawing 1 of 2)

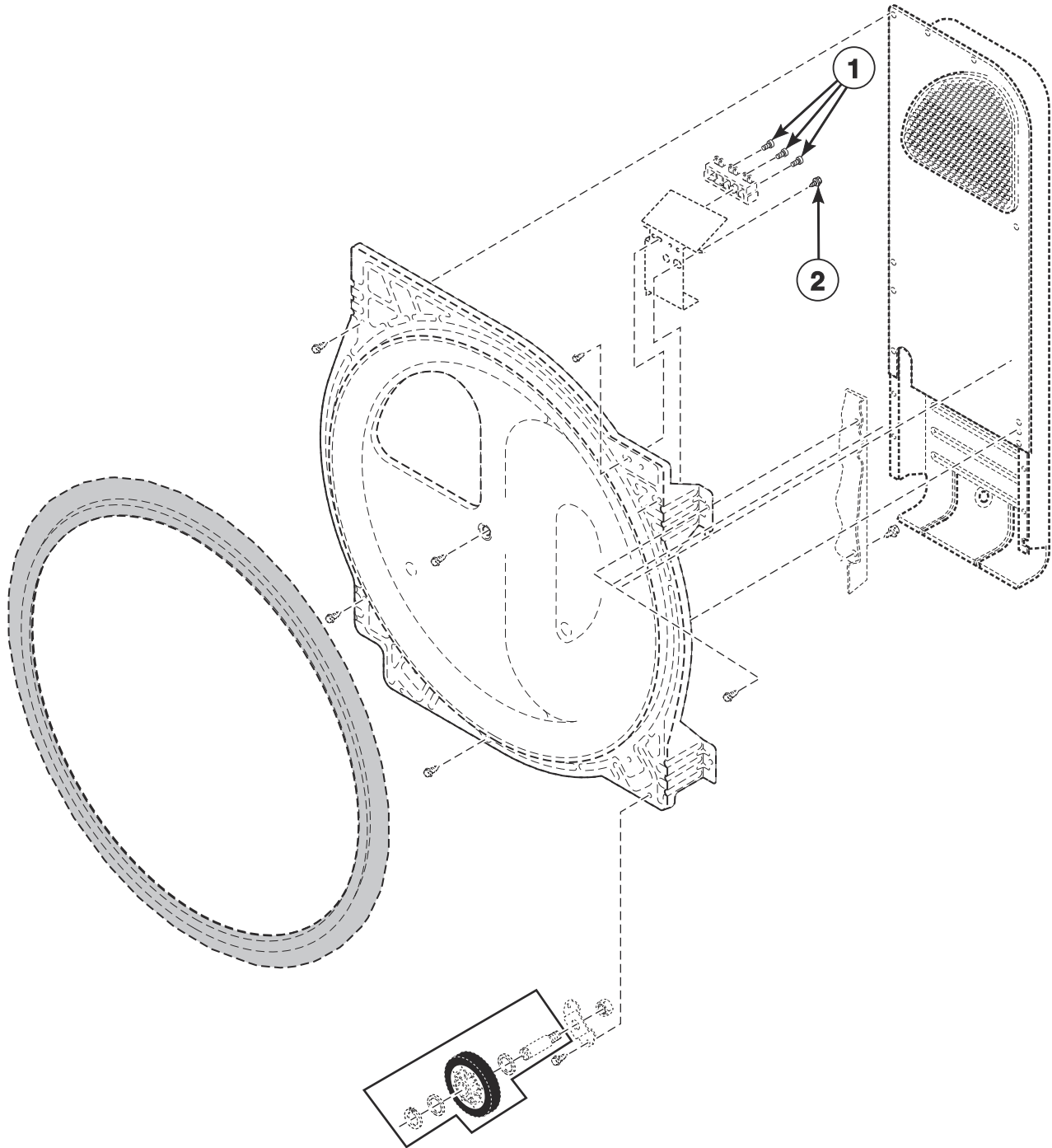


DRY2490PA_D518590

Terminal Block and Shield (Drawing 1 of 2)

REF	PART NO.	DESCRIPTION	COMMENTS
	D506072	Terminal Block Label	L N GND; Models ADEE9BGS433NN29, ADEE9BSS433NN29, ADEE9BSS543DN01, FDEE5BGS303UG01, FDEE5BGS303UW01, FDEE7RGS303UG01, FDEE7RGS303UW01, FDEE7RGS303WW01, LDEE5BGS303UG01, LDEE5BGS303ZW30, LDEE5BGS333ZW01, LDEE5BGS543RW01, LDEE5RGS303ZW01, LDEE5RGS453UW01, LDEE7RGS303BW01, LDEE7RGS303UG01, LDEE7RGS303UW01, LDEE7RGS303WW01, LDEE7RGS303ZW01, LDEE7RGS453UW01, LDEE7RGS543ZW01, PDEE4RGS303UG01, YDEE7RGS303EW01, YDEE7RGS303UW01, YDEE7RGS303WW01 and YDEE7RGS303ZW01
	D515445	Terminal Block Label	L1 L2 L3 N GND; Models FDEE5BGS403UG01, FDEE5BGS403UW01, FDEE7RGS403UG01, FDEE7RGS403UW01, LDEE5BGS403UG01, LDEE7RGS403UG01, LDEE7RGS403UW01, PDEE4RGS403UG01 and YDEE7RGS403UW01
1	D501285	Screw	
2	D517715	Terminal Block Shield	Models ADEE9BGS433AN01, ADEE9BGS433NN29, ADEE9BSS433AN01, ADEE9BSS433NN29, ADEE9BSS543DN01, FDEE5BGS303UG01, FDEE5BGS303UW01, FDEE7RGS303UG01, FDEE7RGS303UW01, FDEE7RGS303WW01, FDEE7RGS443UW16, LDEE5BGS303UG01, LDEE5BGS303ZW30, LDEE5BGS333ZW01, LDEE5BGS433AW01, LDEE5BGS543RW01, LDEE5RGS303ZW01, LDEE5RGS453UW01, LDEE7RGS303BW01, LDEE7RGS303UG01, LDEE7RGS303UW01, LDEE7RGS303WW01, LDEE7RGS303ZW01, LDEE7RGS433AW01, LDEE7RGS443UG16, LDEE7RGS453UW01, LDEE7RGS543ZW01, PDEE4RGS303UG01, PDEE4RGS433AG01, PDEE4RGS443UG16, YDEE7RGS303EW01, YDEE7RGS303UW01, YDEE7RGS303WW01 and YDEE7RGS303ZW01
3	D505875	Terminal Block Support Bracket	Models FDEE5BGS403UG01, FDEE5BGS403UW01, FDEE7RGS403UG01, FDEE7RGS403UW01, FDEE7RGS443UW16, LDEE5BGS403UG01, LDEE7RGS403UG01, LDEE7RGS403UW01, LDEE7RGS443UG16, PDEE4RGS403UG01, PDEE4RGS443UG16 and YDEE7RGS403UW01
	D505876	Terminal Block Assembly	Models FDEE5BGS403UG01, FDEE5BGS403UW01, FDEE7RGS403UG01, FDEE7RGS403UW01, FDEE7RGS443UW16, LDEE5BGS403UG01, LDEE7RGS403UG01, LDEE7RGS403UW01, LDEE7RGS443UG16, PDEE4RGS403UG01, PDEE4RGS443UG16 and YDEE7RGS403UW01
	D510190P	Terminal Block Assembly	Models ADEE9BGS433AN01, ADEE9BGS433NN29, ADEE9BSS433AN01, ADEE9BSS433NN29, ADEE9BSS543DN01, FDEE5BGS303UG01, FDEE5BGS303UW01, FDEE7RGS303UG01, FDEE7RGS303UW01, FDEE7RGS303WW01, LDEE5BGS303UG01, LDEE5BGS303ZW30, LDEE5BGS333ZW01, LDEE5BGS433AW01, LDEE5BGS543RW01, LDEE5RGS303ZW01, LDEE5RGS453UW01, LDEE7RGS303BW01, LDEE7RGS303UG01, LDEE7RGS303UW01, LDEE7RGS303WW01, LDEE7RGS303ZW01, LDEE7RGS433AW01, LDEE7RGS453UW01, LDEE7RGS543ZW01, LDLE5RGS303NW35, PDEE4RGS303UG01, PDEE4RGS433AG01, PDEE4RGS443UG16, YDEE7RGS303EW01, YDEE7RGS303UW01, YDEE7RGS303WW01 and YDEE7RGS303ZW01

Terminal Block and Shield (Drawing 2 of 2)



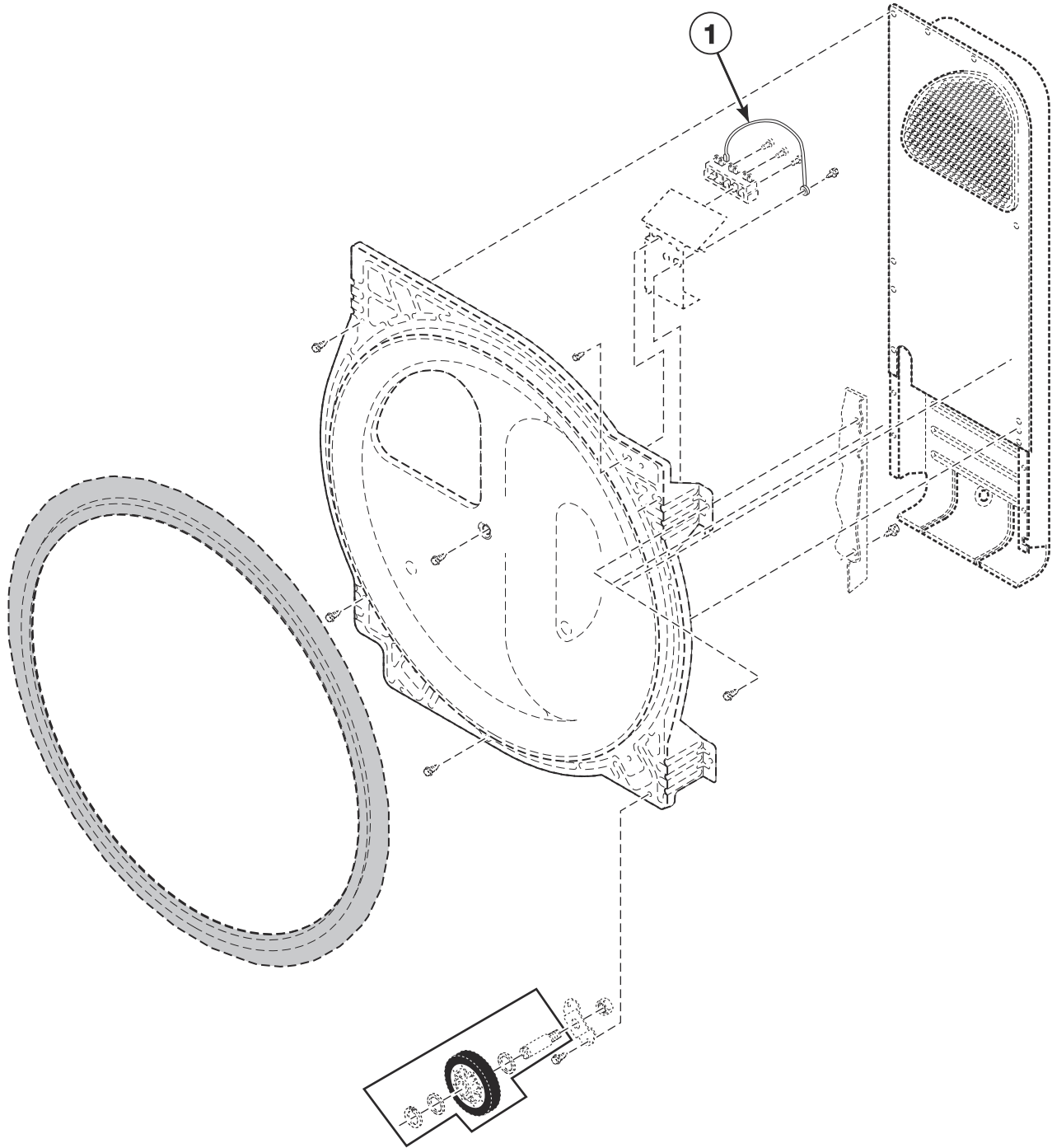
DRY2490PB_D518590

Terminal Block and Shield (Drawing 2 of 2)

REF	PART NO.	DESCRIPTION	COMMENTS
1	D503661	Screw	Models FDEE7RGS443UW16, LDEE7RGS443UG16 and PDEE4RGS443UG16
	61199	Screw	Models ADEE9BGS433AN01, ADEE9BGS433NN29, ADEE9BSS433AN01, ADEE9BSS433NN29, ADEE9BSS543DN01, FDEE5BGS303UG01, FDEE5BGS303UW01, FDEE7RGS303UG01, FDEE7RGS303UW01, FDEE7RGS303WW01, FDEE7RGS443UW16, LDEE5BGS303UG01, LDEE5BGS303ZW30, LDEE5BGS333ZW01, LDEE5BGS433AW01, LDEE5BGS543RW01, LDEE5RGS303ZW01, LDEE5RGS453UW01, LDEE7RGS303BW01, LDEE7RGS303UG01, LDEE7RGS303UW01, LDEE7RGS303WW01, LDEE7RGS303ZW01, LDEE7RGS433AW01, LDEE7RGS453UW01, LDEE7RGS543ZW01, PDEE4RGS303UG01, PDEE4RGS433AG01, PDEE4RGS443UG16, YDEE7RGS303EW01, YDEE7RGS303UW01, YDEE7RGS303WW01 and YDEE7RGS303ZW01
2	D503688	Screw	

Ground Wire

All Models Except ADGE9BGS303AN01, ADGE9BSS123DN01, ADGE9BSS303AN01, ADGE9BSS543DN01, FDGE5BGS303UG01, FDGE5BGS303UW01, FDGE7RGS303EW01, FDGE7RGS303UG01, FDGE7RGS303UW01, FDLE7RGS303NW26, LDGE5BGS303AW01, LDGE5BGS303UG01, LDGE7RGS303AW01, LDGE7RGS303BW80, LDGE7RGS303EG80, LDGE7RGS303EW80, LDGE7RGS303UG01, LDGE7RGS303UW01, LDGE7RSS303UW01, LDLE5RGS303NW35, LDLE7RGS303NW26, PDGE4RGS303AG01, YDGE7RGS303EW01 and YDLE7RGS303NW26



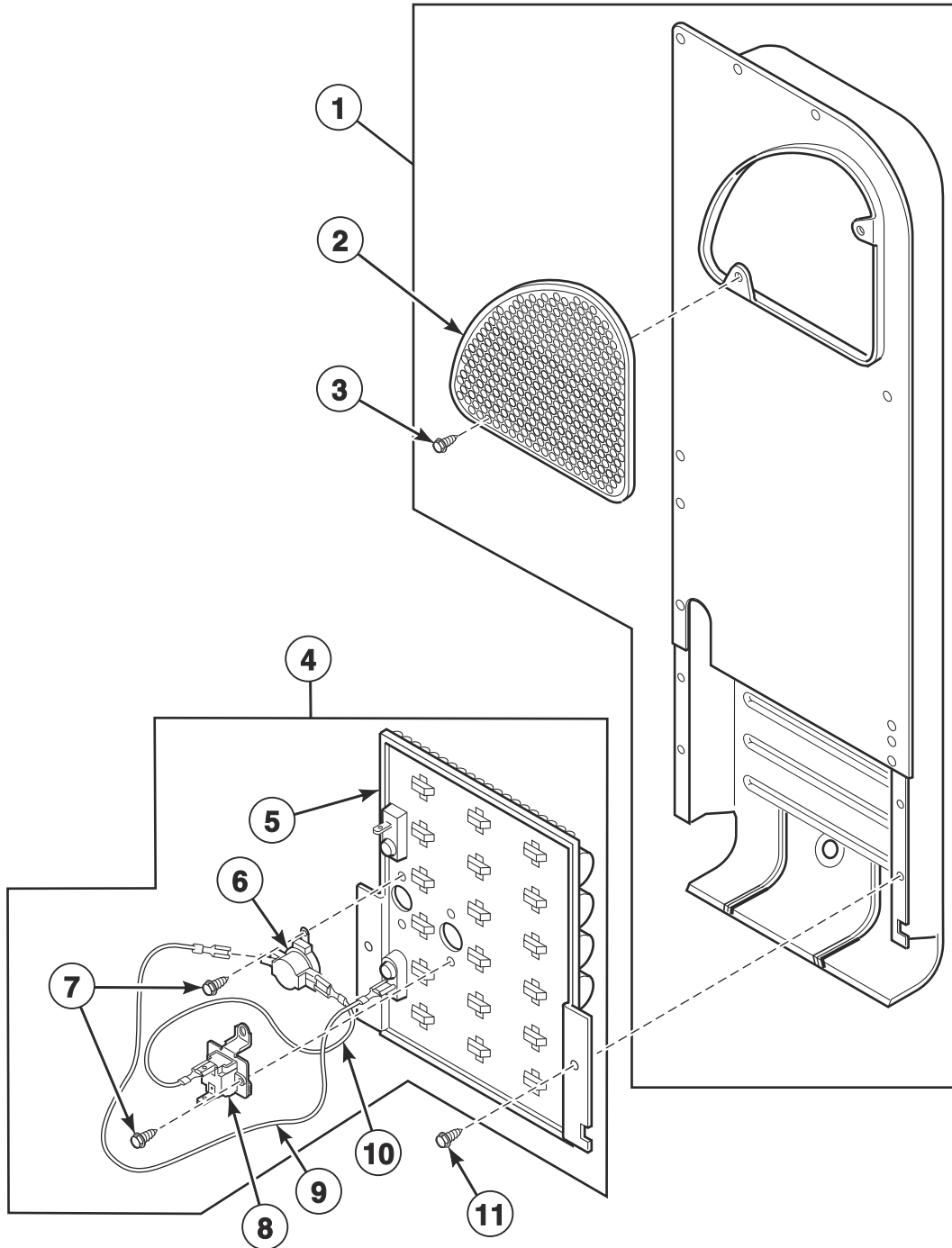
DRY2555P_D518590

Ground Wire

REF	PART NO.	DESCRIPTION	COMMENTS
1	D518257	Ground Wire Assembly	

Heater Duct and Element Assembly - 1 Phase Models

Models ADEE9BGS433AN01, ADEE9BGS433NN29, ADEE9BSS433AN01, ADEE9BSS433NN29, ADEE9BSS543DN01, FDEE5BGS303UG01, FDEE5BGS303UW01, FDEE7RGS303UG01, FDEE7RGS303UW01, FDEE7RGS303WW01, LDEE5BGS303UG01, LDEE5BGS303ZW30, LDEE5BGS333ZW01, LDEE5BGS433AW01, LDEE5BGS543RW01, LDEE5RGS303ZW01, LDEE5RGS453UW01, LDEE7RGS303BW01, LDEE7RGS303UG01, LDEE7RGS303UW01, LDEE7RGS303WW01, LDEE7RGS303ZW01, LDEE7RGS433AW01, LDEE7RGS453UW01, LDEE7RGS543ZW01, PDEE4RGS303UG01, PDEE4RGS433AG01, YDEE7RGS303EW01, YDEE7RGS303UW01, YDEE7RGS303WW01 and YDEE7RGS303ZW01



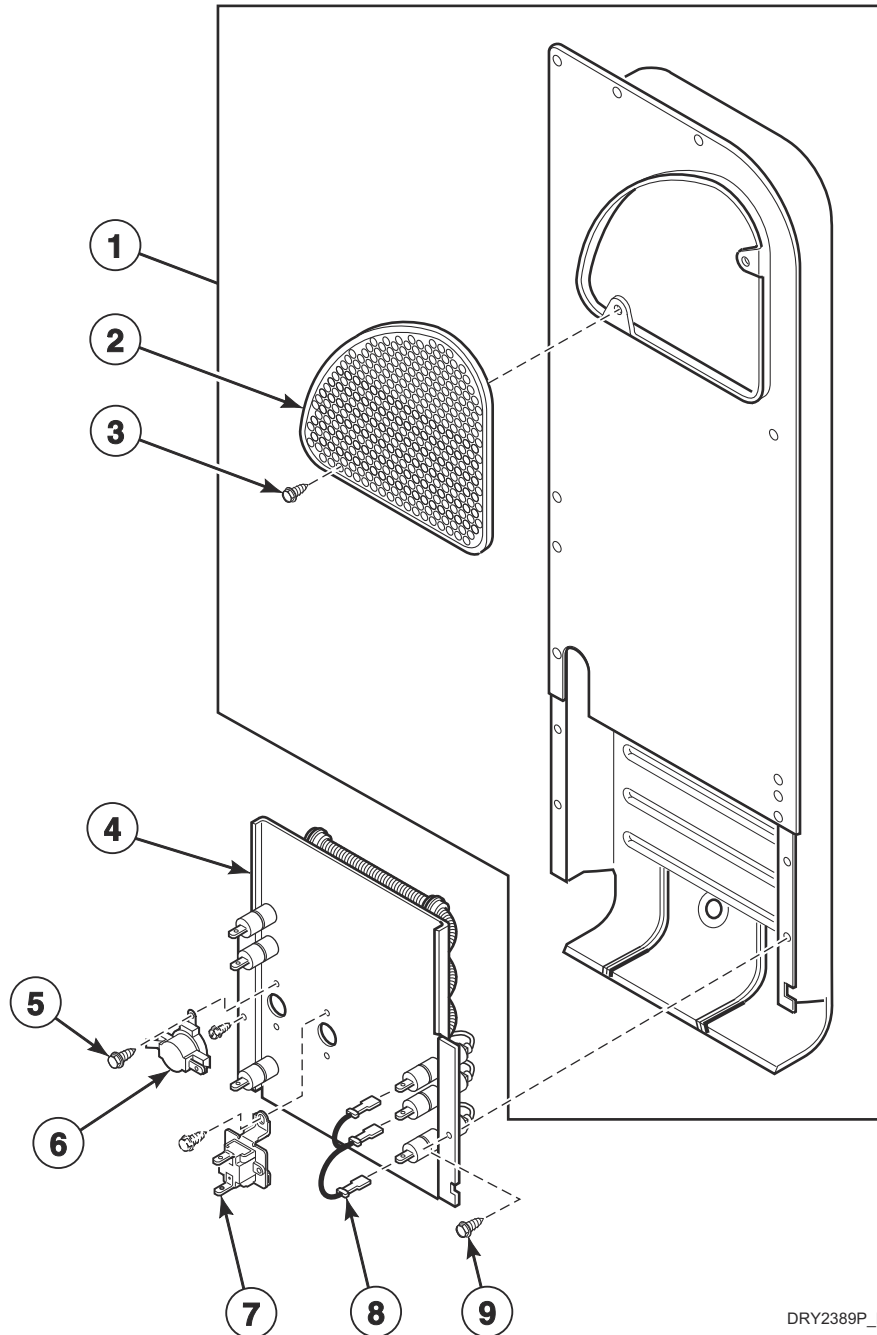
DRY1789P_D518590

Heater Duct and Element Assembly - 1 Phase Models

REF	PART NO.	DESCRIPTION	COMMENTS
1	D514476	Heater Duct Assembly	Includes items 1 and 2; Models ADEE9BGS433AN01, ADEE9BGS433NN29, ADEE9BSS433AN01, ADEE9BSS433NN29, LDEE5BGS433AW01, LDEE7RGS433AW01 and PDEE4RGS433AG01
	D510025P	Heater Duct Assembly	Includes items 1 and 2; All other models
2	D514475	Outlet Cover	Models ADEE9BGS433AN01, ADEE9BSS433AN01, LDEE5BGS433AW01, LDEE7RGS433AW01 and PDEE4RGS433AG01
	D500820	Outlet Cover	All other models
	D518524	Outlet Cover	Black (nitrocarburized)
3	D503661	Screw	2 required
4	61930	Heater Kit Assembly	240 Volt; 4 kW; Includes thermostat, fuse and wiring; Models ADEE9BGS433AN01, ADEE9BGS433NN29, ADEE9BSS433AN01, ADEE9BSS433NN29, LDEE5BGS433AW01, LDEE7RGS433AW01 and PDEE4RGS433AG01
	61931	Heater Kit Assembly	240 Volt; 3.1 kW; Includes thermostat, fuse and wiring; Models LDEE5RGS453UW01 and LDEE7RGS453UW01
	61927	Heater Kit Assembly	240 Volt; 5 kW; Includes thermostat, fuse and wiring; Model LDEE5BGS333ZW01
	964P3	Heater Kit	240 Volt; 5.35 kW; Includes thermostat, fuse and wiring; Models ADEE9BSS543DN01, LDEE5BGS543RW01 and LDEE7RGS543ZW01
	61929	Heater Kit Assembly	240 Volt; 4.8 kW; Includes thermostat, fuse and wiring; All other models
5	D510327P	Heater Assembly	240 Volt; 4 kW; Models ADEE9BGS433AN01, ADEE9BGS433NN29, ADEE9BSS433AN01, ADEE9BSS433NN29, LDEE5BGS433AW01, LDEE7RGS433AW01 and PDEE4RGS433AG01
	D510328P	Heater Assembly	240 Volt; 3.1 kW; Models LDEE5RGS453UW01 and LDEE7RGS453UW01
	D510329P	Heater Assembly	240 Volt; 5.35 kW; Models ADEE9BSS543DN01, LDEE5BGS543RW01 and LDEE7RGS543ZW01
	D510324P	Heater Assembly	240 Volt; 5 kW; Model LDEE5BGS333ZW01
	D510326P	Heater Assembly	240 Volt; 4.8 kW; All other models
6	D510700	Limit Thermostat	Models LDEE5RGS453UW01 and LDEE7RGS453UW01
	D510701	Limit Thermostat	All other models
7	23222	Screw	
8	D518542	Thermal Fuse Assembly	
9	D518255	Wire Assembly	Black; Fuse jumper; Attaches to heater assembly
10	D518256	Wire Assembly	Orange; Thermostat jumper; Attaches to heater assembly
11	D503688	Screw	

Heater Duct and Element Assembly - 3 Phase Models

Models FDEE5BGS403UG01, FDEE5BGS403UW01, FDEE7RGS403UG01, FDEE7RGS403UW01, FDEE7RGS443UW16, LDEE5BGS403UG01, LDEE7RGS403UG01, LDEE7RGS403UW01, LDEE7RGS443UG16, PDEE4RGS403UG01, PDEE4RGS443UG16 and YDEE7RGS403UW01



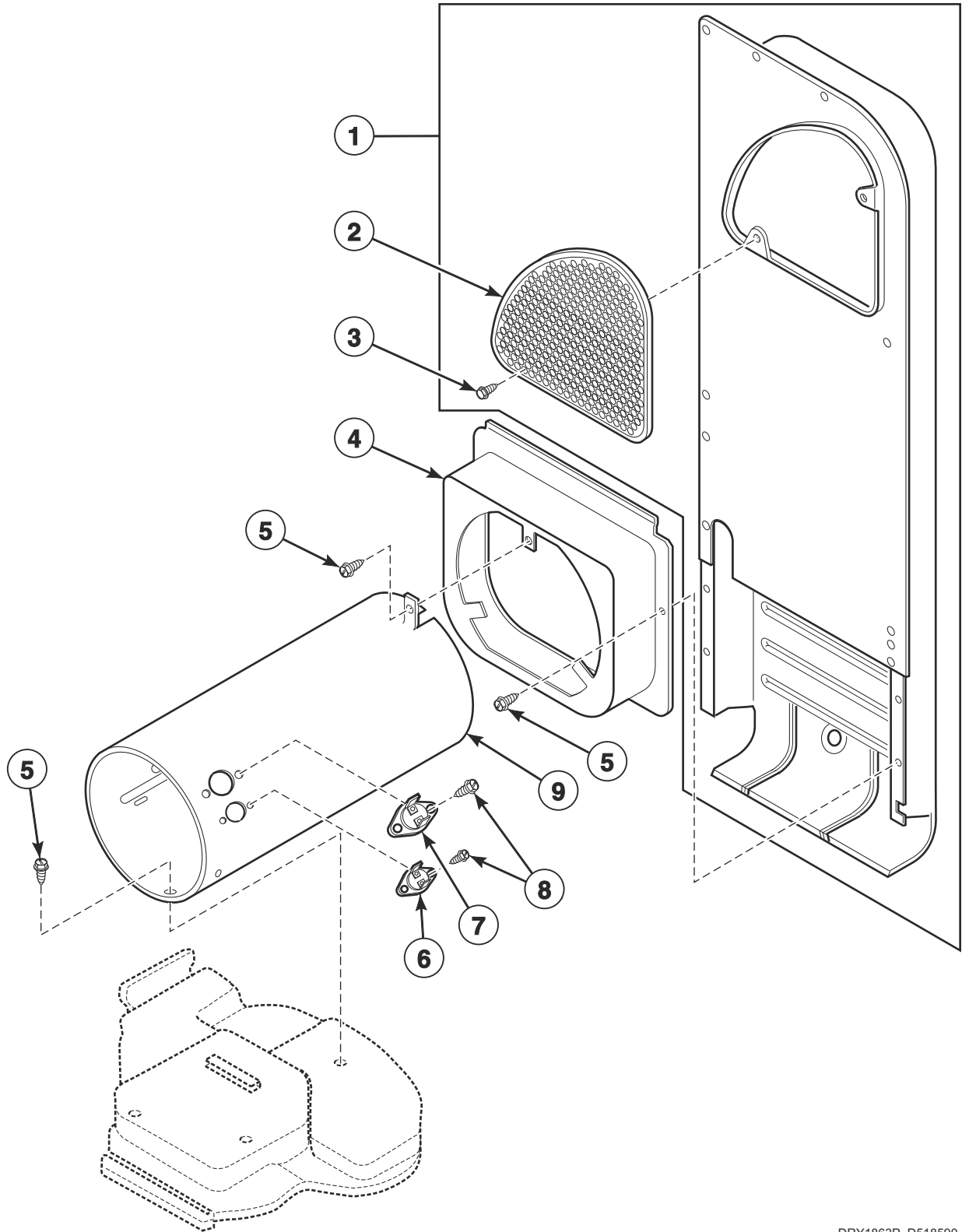
DRY2389P_D518590

Heater Duct and Element Assembly - 3 Phase Models

REF	PART NO.	DESCRIPTION	COMMENTS
	756P3	Conversion Kit	400 Volt, 4 wire WYE to 240 Volt, 3 wire Delta
1	D510025P	Heater Duct Assembly	Includes items 2 and 3
2	D500820	Outlet Cover	
	D518524	Outlet Cover	Black (nitrocarburized)
3	D503661	Screw	2 required
4	D511014P	Heater	380 Volt; 4.5 kW; 3 Phase; Models FDEE5BGS403UG01, FDEE5BGS403UW01, FDEE7RGS403UG01, FDEE7RGS403UW01, LDEE5BGS403UG01, LDEE7RGS403UG01, LDEE7RGS403UW01, PDEE4RGS403UG01 and YDEE7RGS403UW01
	D515647	Heater Assembly	380 Volt; 3.7 kW; 3 Phase; Models FDEE7RGS443UW16, LDEE7RGS443UG16 and PDEE4RGS443UG16
5	23222	Screw	
6	D510701	Limit Thermostat	225°F; Red; Models FDEE5BGS403UG01, FDEE5BGS403UW01, FDEE7RGS403UG01, FDEE7RGS403UW01, LDEE5BGS403UG01, LDEE7RGS403UG01, LDEE7RGS403UW01, PDEE4RGS403UG01 and YDEE7RGS403UW01
	D515873	Limit Thermostat	205°F; Green; Models FDEE7RGS443UW16, LDEE7RGS443UG16 and PDEE4RGS443UG16
7	D518542	Thermal Fuse Assembly	
8	D518529	Jumper Wire Assembly	
9	D503688	Screw	

Heater Duct Assembly

Gas Models



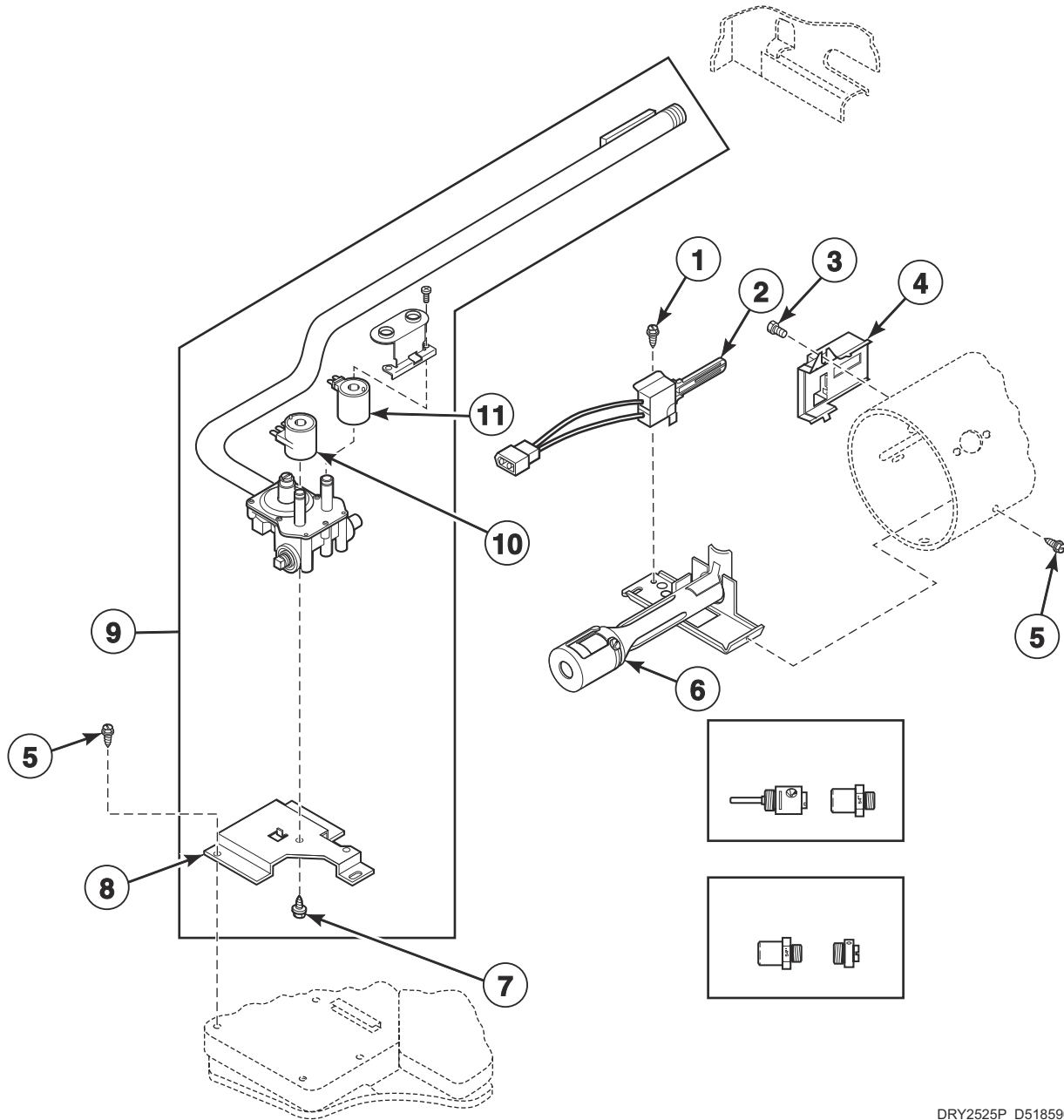
DRY1863P_D518590

Heater Duct Assembly

REF	PART NO.	DESCRIPTION	COMMENTS
1	D510025P	Heater Duct Assembly	Includes items 2 and 3
2	D500820	Outlet Cover	
	D518524	Outlet Cover	Black (nitrocarburized)
3	D503661	Screw	
4	D510101	Heat Duct Shroud	
5	D503688	Screw	
6	D510703	Thermostat	Manual reset; Models ADGE9BSS123DN01, ADGE9BSS303AN01, ADGE9BSS543DN01, FDGE5BGS303UG01, FDLE7RGS303NW26, LDGE5BGS303AW01, LDGE5BGS303UG01, LDGE7RGS303AW01, LDGE7RGS303BW80, LDGE7RGS303EW80, LDGE7RGS303UW01, LDGE7RSS303UW01, LDLE5RGS303NW35, LDLE7RGS303NW26, PDGE4RGS303AG01, YDGE7RGS303EW01 and YDLE7RGS303NW26
7	D510702	Limit Thermostat	Auto reset; Black
8	51782	Screw	
9	D510132	Combustion Duct	

Gas Valve and Igniter

Gas Models



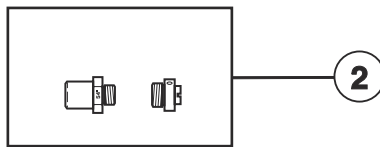
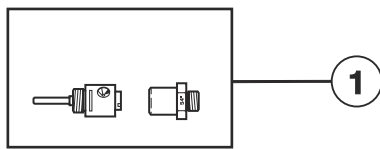
DRY2525P_D518590

Gas Valve and Igniter

REF	PART NO.	DESCRIPTION	COMMENTS
1	51782	Screw	
2	D510184P	Igniter and Bracket Assembly	
3	23222	Screw	
4	D510213	Sensor	
5	D503688	Screw	
6	D510149P	Burner Assembly	
7	56124	Screw	
8	D510128	Gas Valve Mounting Bracket	
9	D517609	Gas Valve, Bracket and Pipe Assembly	60 Hertz; 22,500 Btu; Natural Gas (N.G); Includes items 7, 8, 10 and 11; Models ADGE9BSS123DN01 and ADGE9BSS543DN01
	D517607	Gas Valve, Bracket and Pipe Assembly	50 Hertz; 20,000 Btu; N.G.; Includes items 7, 8, 10 and 11; Order 401P3 L.P. Conversion Kit when ordering gas valve assembly; Models ADGE9BGS303AN01, ADGE9BSS303AN01, FDGE5BGS303UG01, FDGE5BGS303UW01, FDGE7RGS303EW01, FDGE7RGS303UG01, FDGE7RGS303UW01, LDGE5BGS303AW01, LDGE5BGS303UG01, LDGE7RGS303AW01, LDGE7RGS303BW80, LDGE7RGS303EG80, LDGE7RGS303EW80, LDGE7RGS303UG01, LDGE7RGS303UW01, LDGE7RSS303UW01, PDGE4RGS303AG01 and YDGE7RGS303EW01
	D517611	Gas Valve, Bracket and Pipe Assembly	50 Hertz; 20,000 Btu; N.G.; Includes items 7, 8, 10 and 11; Models FDLE7RGS303NW26, LDLE5RGS303NW35, LDLE7RGS303NW26 and YDLE7RGS303NW26
10	58804A	Booster and Holding Coil	60 Hertz; Models ADGE9BSS123DN01 and ADGE9BSS543DN01
	59063A	Booster and Holding Coil	50 Hertz; All other models
11	58804B	Secondary Coil	60 Hertz; Models ADGE9BSS123DN01 and ADGE9BSS543DN01
	59063B	Secondary Coil	50 Hertz; All other models

Gas Conversion Kits

Gas Models



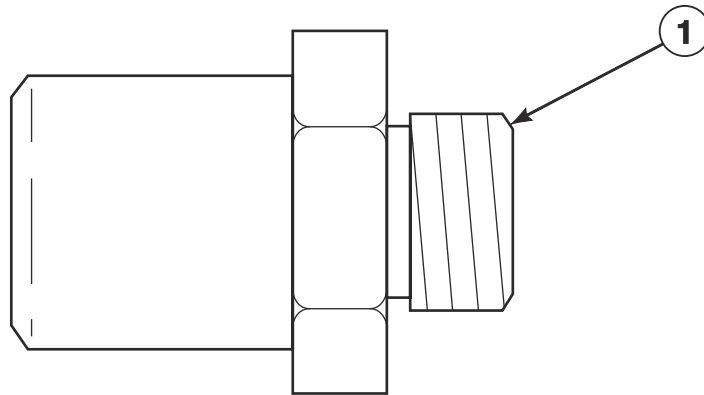
DRY2151P_D518590

Gas Conversion Kits

REF	PART NO.	DESCRIPTION	COMMENTS
1	599P3	L.P. Conversion Kit	GAD; Used to convert dryers from Natural Gas (N.G.) or Mixed Gas to Liquid Petroleum Gas (L.P.) for 20,000 Btu; Models FDGE5BGS303UW01, FDGE7RGS303EW01, FDGE7RGS303UG01, FDGE7RGS303UW01, LDGE7RGS303EG80, LDGE7RGS303EW80, LDGE7RGS303UG01, LDGE7RGS303UW01, LDGE7RSS303UW01, LDLE5RGS303NW35 and YDGE7RGS303EW01
	401P3	L.P. Conversion Kit	Used to convert dryers from N.G. or Mixed Gas to L.P. for 20,000 Btu; Models ADGE9BGS303AN01, ADGE9BSS303AN01, FDGE5BGS303UG01, FDLE7RGS303NW26, LDGE5BGS303AW01, LDGE5BGS303UG01, LDGE7RGS303AW01, LDGE7RGS303BW80, LDLE7RGS303NW26, PDGE4RGS303AG01 and YDLE7RGS303NW26
	649P3	L.P. Conversion Kit	Used to convert dryers from N.G. or Mixed Gas to L.P. for 22,500 Btu; Models ADGE9BSS123DN01 and ADGE9BSS543DN01
2	402P3	N.G. Conversion Kit	Used to convert dryers from L.P. to N.G. or Mixed Gas for 20,000 Btu; Models ADGE9BGS303AN01, ADGE9BSS303AN01, FDGE5BGS303UG01, FDGE5BGS303UW01, FDGE7RGS303EW01, FDGE7RGS303UG01, FDGE7RGS303UW01, FDLE7RGS303NW26, LDGE5BGS303AW01, LDGE5BGS303UG01, LDGE7RGS303AW01, LDGE7RGS303BW80, LDGE7RGS303EG80, LDGE7RGS303EW80, LDGE7RGS303UG01, LDGE7RGS303UW01, LDGE7RSS303UW01, LDLE5RGS303NW35, LDLE7RGS303NW26, PDGE4RGS303AG01, YDGE7RGS303EW01 and YDLE7RGS303NW26
	650P3	N.G. Conversion Kit	Used to convert dryers from L.P. to N.G. or Mixed Gas for 22,500 Btu; Models ADGE9BSS123DN01, ADGE9BSS543DN01 and LDLE5RGS303NW35

Burner Orifice Spuds - For Higher Elevations

Gas Models

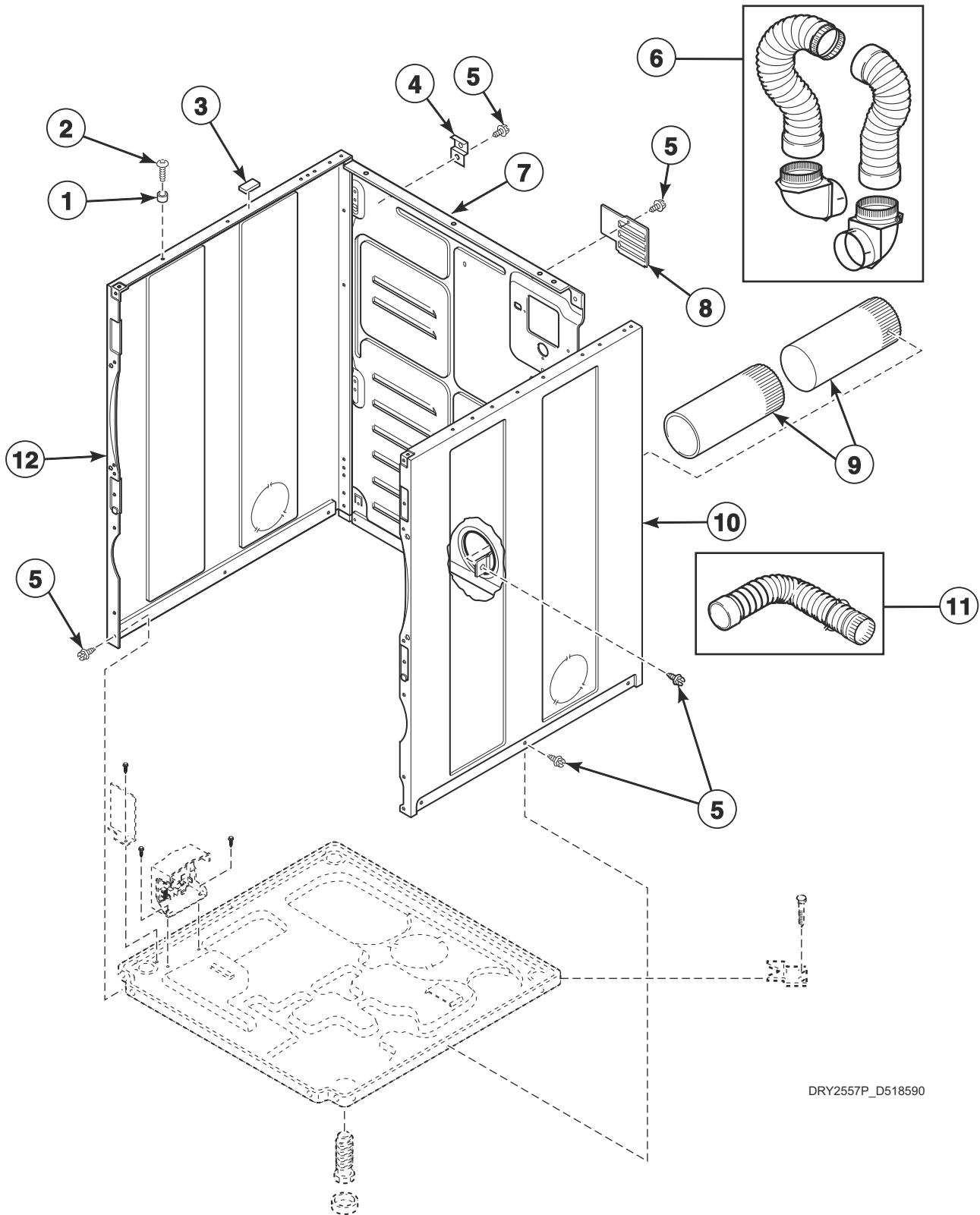


DRY2266P_D518590

Burner Orifice Spuds - For Higher Elevations

REF	PART NO.	DESCRIPTION	COMMENTS
1	D503786	L.P. Orifice	#56 (1.2mm); 22,500 Btu, 8000 feet (2440 m) and higher for models ADGE9BSS123DN01 and ADGE9BSS543DN01; 20,000 Btu, 4500-9499 feet (1370-2999 m) for all other models
60941	L.P. Orifice	L.P. Orifice	#57 (1.1mm); 20,000 Btu; 9500 feet (3000 m) and higher; Models ADGE9BGS303AN01, ADGE9BSS303AN01, FDGE5BGS303UG01, FDGE5BGS303UW01, FDGE7RGS303EW01, FDGE7RGS303UG01, FDGE7RGS303UW01, FDLE7RGS303NW26, LDGE5BGS303AW01, LDGE5BGS303UG01, LDGE7RGS303AW01, LDGE7RGS303BW80, LDGE7RGS303EG80, LDGE7RGS303EW80, LDGE7RGS303UG01, LDGE7RGS303UW01, LDGE7RSS303UW01, LDLE5RGS303NW35, LDLE7RGS303NW26, YDGE7RGS303EW01 and YDLE7RGS303NW26
D503778	N.G. Orifice	N.G. Orifice	#43; 22,500 Btu; 3000-5999 feet (915-1829 m); Models ADGE9BSS123DN01 and ADGE9BSS543DN01
58719	Screw Orifice	Screw Orifice	#44; 22,500 Btu; 6000-7999 feet (1830-2439 m); Models ADGE9BSS123DN01 and ADGE9BSS543DN01
D503779	N.G. Orifice	N.G. Orifice	#45; 22,500 Btu, 8000-8999 feet (2440-2739 m) for models ADGE9BSS123DN01 and ADGE9BSS543DN01; 20,000 Btu, 2500-4499 feet (760-1369 m) for all other models
D503780	N.G. Orifice	N.G. Orifice	#46; 22,500 Btu, 9000-9999 feet (2740-3049 m) for models ADGE9BSS123DN01 and ADGE9BSS543DN01; 20,000 Btu, 4500-5999 feet (1370-1829 m) for all other models
D503781	N.G. Orifice	N.G. Orifice	#47; 22,500 Btu, 10,000 feet (3050 m) and higher for models ADGE9BSS123DN01 and ADGE9BSS543DN01; 20,000 Btu, 6000-7499 feet (1830-2289 m) for all other models
D503782	N.G. Orifice	N.G. Orifice	#48; 20,000 Btu; 7500-9499 feet (2290-2899 m); Models ADGE9BGS303AN01, ADGE9BSS303AN01, FDGE5BGS303UG01, FDGE5BGS303UW01, FDGE7RGS303EW01, FDGE7RGS303UG01, FDGE7RGS303UW01, FDLE7RGS303NW26, LDGE5BGS303AW01, LDGE5BGS303UG01, LDGE7RGS303AW01, LDGE7RGS303BW80, LDGE7RGS303EG80, LDGE7RGS303EW80, LDGE7RGS303UG01, LDGE7RGS303UW01, LDGE7RSS303UW01, LDLE5RGS303NW35, LDLE7RGS303NW26, PDGE4RGS303AG01, YDGE7RGS303EW01 and YDLE7RGS303NW26

Cabinet, Exhaust Duct and Base (Drawing 1 of 2)

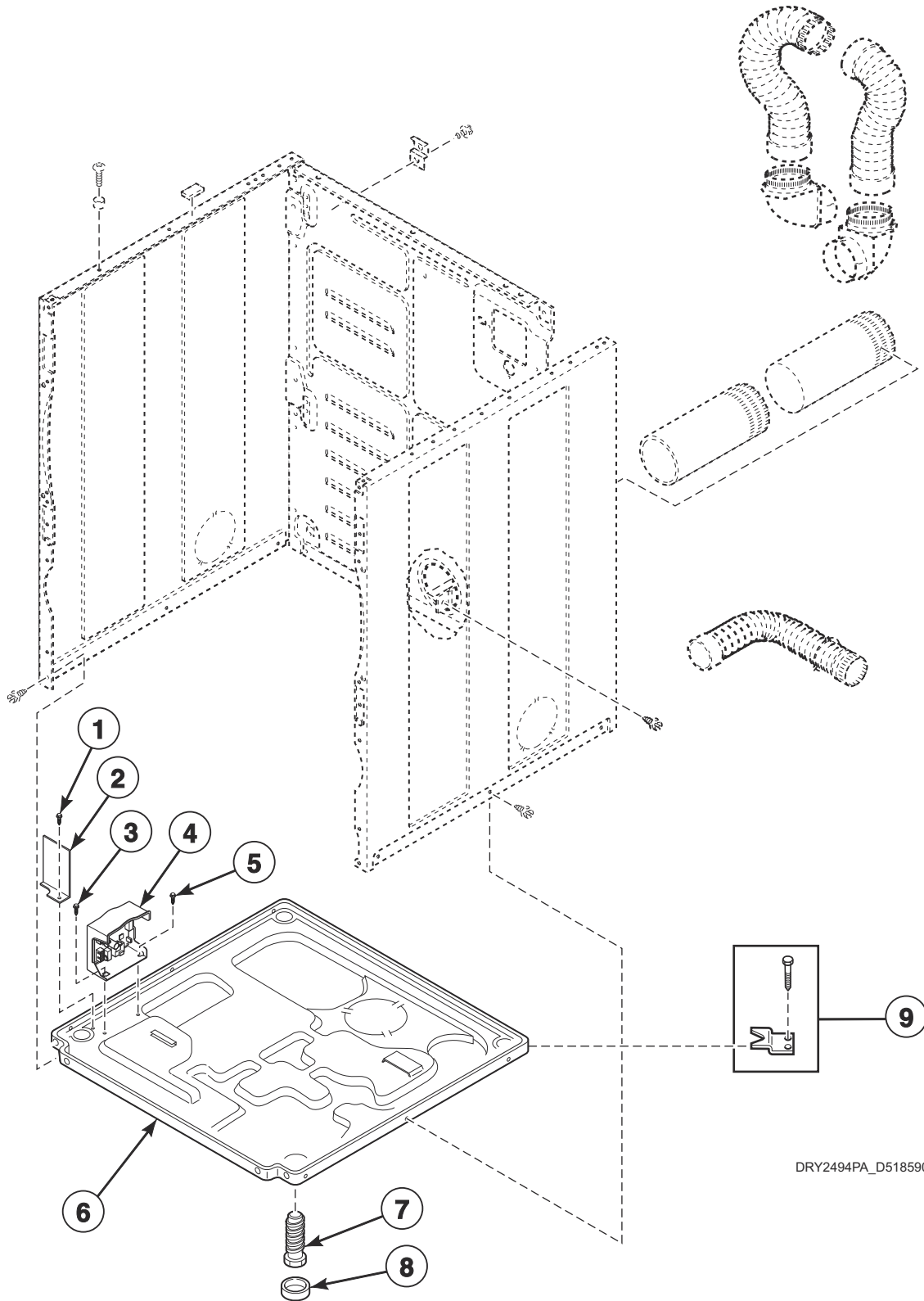


DRY2557P_D518590

Cabinet, Exhaust Duct and Base (Drawing 1 of 2)

REF	PART NO.	DESCRIPTION	COMMENTS
	122P4P	Porcelain Touch-Up Paint	White
	370P4P	Porcelain Touch-Up Paint	Bisque
1	56079	Panel Locator	
2	D512921	Screw	Use with stainless steel panels
	39733	Screw	Use with painted panels
3	56128	Bumper Pad	
4	D510136	Top Hinge	
5	D503688	Screw	
6	521P3	Flexible Venting Kit	
7	D517566	Cabinet Rear Panel	
8	D514356	Access Cover Plate	
9	D516196	Exhaust Duct	
10	D512539	Cabinet Side Panel	Stainless steel; Right; Models ADEE9BGS433AN01, ADEE9BGS433NN29, ADEE9BSS433AN01, ADEE9BSS433NN29, ADEE9BSS543DN01, ADGE9BGS303AN01, ADGE9BSS123DN01, ADGE9BSS303AN01 and ADGE9BSS543DN01
	D510002DGP	Cabinet Side Panel	Gray; Right; Models FDEE5BGS303UG01, FDEE5BGS403UG01, FDEE7RGS303UG01, FDEE7RGS403UG01, FDGE5BGS303UG01, FDGE7RGS303UG01, LDEE5BGS303UG01, LDEE5BGS403UG01, LDEE7RGS303UG01, LDEE7RGS403UG01, LDEE7RGS443UG16, LDGE5BGS303UG01, LDGE7RGS303EG80, LDGE7RGS303UG01, PDEE4RGS303UG01, PDEE4RGS403UG01, PDEE4RGS433AG01, PDEE4RGS443UG16 and PDGE4RGS303AG01
	D510002WP	Cabinet Side Panel	White; Right; All other models
11	528P3	Directional Exhaust Kit	Used to vent dryer out the sides or bottom
12	D512538	Cabinet Side Panel	Stainless steel; Left; Models ADEE9BGS433AN01, ADEE9BGS433NN29, ADEE9BSS433AN01, ADEE9BSS433NN29, ADEE9BSS543DN01, ADGE9BGS303AN01, ADGE9BSS123DN01, ADGE9BSS303AN01 and ADGE9BSS543DN01
	D510001DGP	Cabinet Side Panel	Gray; Left; Models FDEE5BGS303UG01, FDEE5BGS403UG01, FDEE7RGS303UG01, FDEE7RGS403UG01, FDGE5BGS303UG01, FDGE7RGS303UG01, LDEE5BGS303UG01, LDEE5BGS403UG01, LDEE7RGS303UW01, LDEE7RGS403UG01, LDGE5BGS303UG01, LDGE7RGS303EG80, LDGE7RGS303UG01, PDEE4RGS303UG01, PDEE4RGS403UG01, PDEE4RGS433AG01, PDEE4RGS443UG16 and PDGE4RGS303AG01
	D510001WP	Cabinet Side Panel	White; Left; All other models

Cabinet, Exhaust Duct and Base (Drawing 2 of 2)



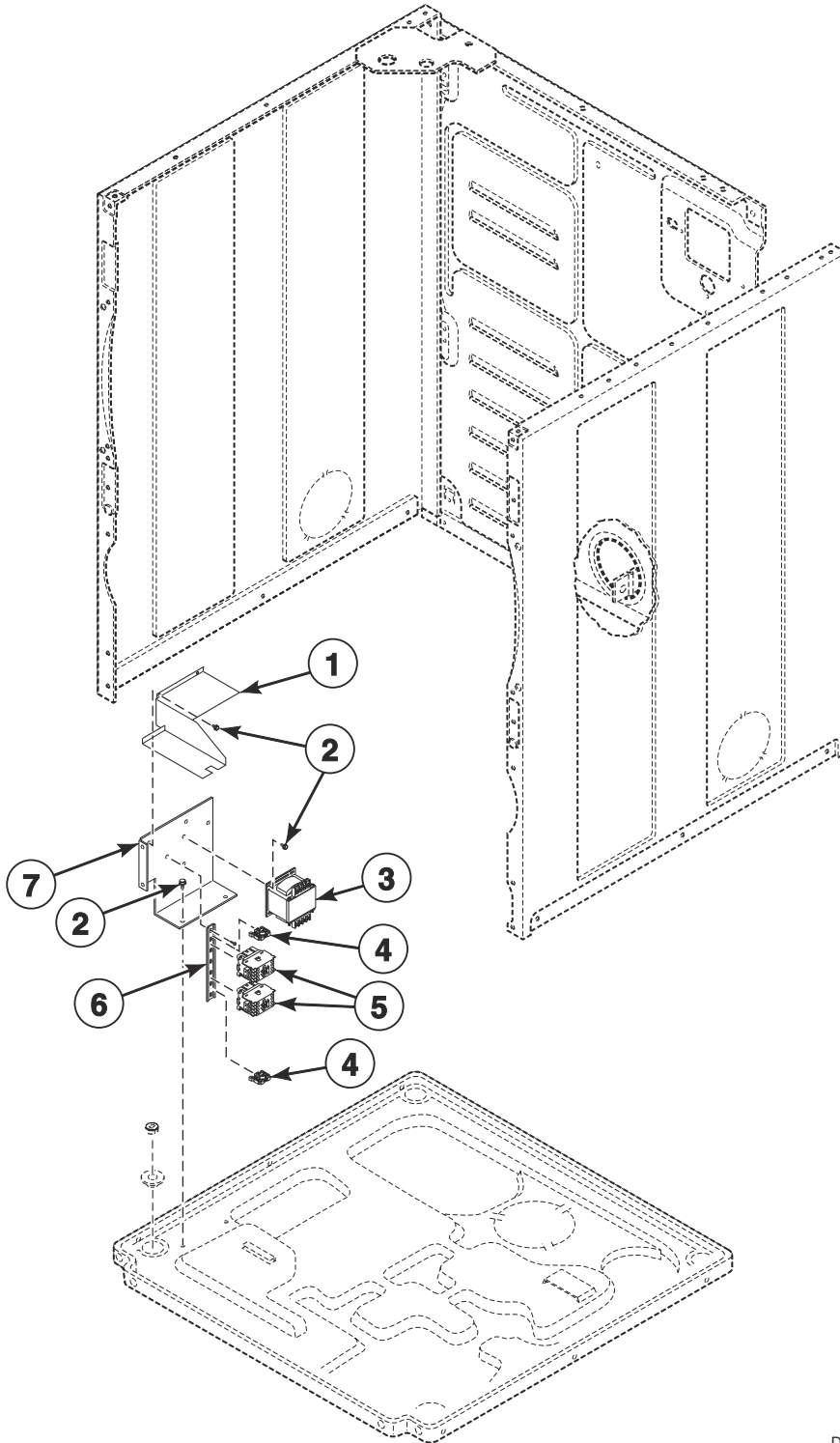
DRY2494PA_D518590

Cabinet, Exhaust Duct and Base (Drawing 2 of 2)

REF	PART NO.	DESCRIPTION	COMMENTS
1	D503688	Screw	
2	D514420	Output Board Shield	Models ADEE9BSS433AN01, ADEE9BSS433NN29, ADEE9BSS543DN01, ADGE9BSS123DN01, FDEE5BGS303UG01, FDEE5BGS303UW01, FDEE5BGS403UG01, FDEE5BGS403UW01, FDEE7RGS303UG01, FDEE7RGS303UW01, FDEE7RGS303WW01, FDEE7RGS403UG01, FDEE7RGS403UW01, FDEE7RGS443UW16, LDEE5BGS303UG01, LDEE5BGS303ZW30, LDEE5BGS333ZW01, LDEE5BGS403UG01, LDEE5BGS433AW01, LDEE5BGS543RW01, LDEE5RGS303ZW01, LDEE5RGS453UW01, LDEE7RGS303BW01, LDEE7RGS303UG01, LDEE7RGS303UW01, LDEE7RGS303WW01, LDEE7RGS303ZW01, LDEE7RGS403UG01, LDEE7RGS403UW01, LDEE7RGS433AW01, LDEE7RGS443UG16, LDEE7RGS453UW01, LDEE7RGS543ZW01, PDEE4RGS303UG01, PDEE4RGS403UG01, PDEE4RGS433AG01, PDEE4RGS443UG16, YDEE7RGS303EW01, YDEE7RGS303UW01, YDEE7RGS303WW01, YDEE7RGS303ZW01 and YDEE7RGS403UW01
3	804667	Screw	
4	D517191P	Output Control Assembly	Models ADEE9BGS433NN29, ADEE9BSS433NN29 and LDLE5RGS303NW35
	D517319	Output Control Assembly	All other models
5	D514428	Screw	
6	D514245	Dryer Base	
7	D510135	Leveling Leg	
8	D501855	Rubber Foot	
9	526P3	Hold Down Kit	For mobile home installations

Contactor and Transformer

Models ADGE9BGS303AN01, ADGE9BSS303AN01, ADGE9BSS543DN01, FDEE5BGS403UG01, FDEE5BGS403UW01, FDEE7RGS403UG01, FDEE7RGS403UW01, FDEE7RGS443UW16, FDGE5BGS303UG01, FDGE5BGS303UW01, FDGE7RGS303EW01, FDGE7RGS303UG01, FDGE7RGS303UW01, FDLE7RGS303NW26, LDEE5BGS403UG01, LDEE7RGS403UG01, LDEE7RGS403UW01, LDEE7RGS443UG16, LDGE5BGS303AW01, LDGE5BGS303UG01, LDGE7RGS303AW01, LDGE7RGS303BW80, LDGE7RGS303EG80, LDGE7RGS303EW80, LDGE7RGS303UG01, LDGE7RGS303UW01, LDGE7RSS303UW01, LDLE5RGS303NW35, LDLE7RGS303NW26, PDEE4RGS403UG01, PDEE4RGS443UG16, PDGE4RGS303AG01, YDEE7RGS403UW01, YDGE7RGS303EW01 and YDLE7RGS303NW26

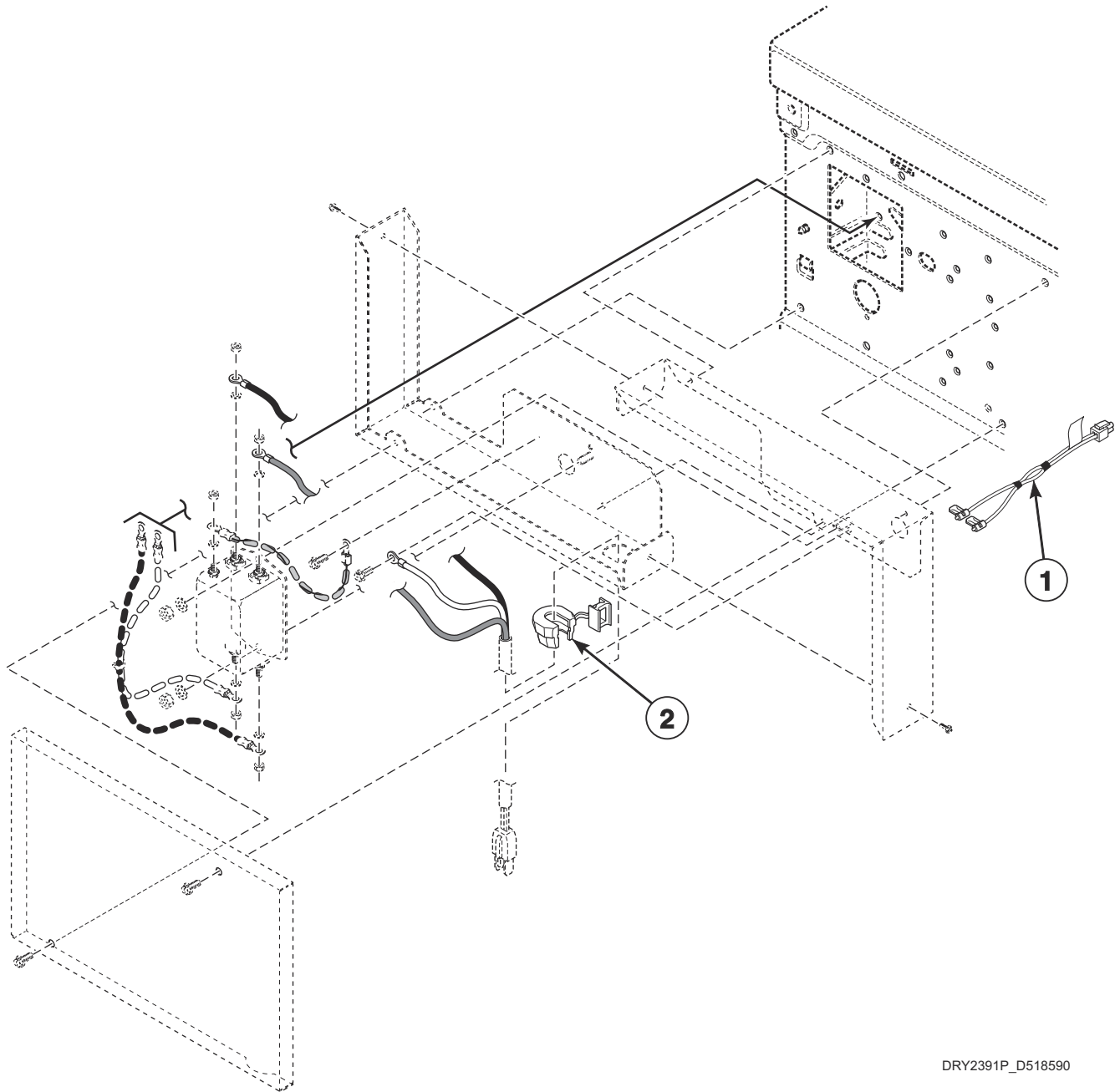


DRY2493P_D518590

Contactor and Transformer

REF	PART NO.	DESCRIPTION	COMMENTS
	D517689	Power Harness	3 Phase; Used between item 5 and 804844, 804864 or D514834P Filter; Models FDEE5BGS403UG01, FDEE5BGS403UW01, FDEE7RGS403UG01, FDEE7RGS403UW01, LDEE5BGS403UG01, LDEE7RGS403UG01, LDEE7RGS403UW01, PDEE4RGS403UG01 and YDEE7RGS403UW01
	D517784	Power Harness	3 Phase; Used between item 5 and D505876 Terminal Block; Models FDEE7RGS443UW16, LDEE7RGS443UG16 and PDEE4RGS443UG16
	D518531	Heater Harness	Used between item 5 and heating element; Models FDEE5BGS403UG01, FDEE5BGS403UW01, FDEE7RGS403UG01, FDEE7RGS403UW01, FDEE7RGS443UW16, LDEE5BGS403UG01, LDEE7RGS403UG01, LDEE7RGS403UW01, LDEE7RGS443UG16, PDEE4RGS403UG01, PDEE4RGS443UG16 and YDEE7RGS403UW01
	D518535	Dual Contactor Harness	Used with item 5; Models FDEE5BGS403UG01, FDEE5BGS403UW01, FDEE7RGS403UG01, FDEE7RGS403UW01, FDEE7RGS443UW16, LDEE5BGS403UG01, LDEE7RGS403UG01, LDEE7RGS403UW01, LDEE7RGS443UG16, PDEE4RGS403UG01, PDEE4RGS443UG16 and YDEE7RGS403UW01
	D518061	Transformer Harness	Models ADGE9BGS303AN01, ADGE9BSS303AN01, ADGE9BSS543DN01, FDGE5BGS303UG01, FDGE5BGS303UW01, FDGE7RGS303EW01, FDGE7RGS303UG01, FDGE7RGS303UW01, FDLE7RGS303NW26, LDGE5BGS303AW01, LDGE5BGS303UG01, LDGE7RGS303AW01, LDGE7RGS303EG80 and LDGE7RGS303UG01
	D515812	Bolt	Models FDEE7RGS443UW16, LDEE7RGS443UG16 and PDEE4RGS443UG16
	D515702	Transformer	Models FDEE7RGS443UW16, LDEE7RGS443UG16 and PDEE4RGS443UG16
	26509	Washer	Models FDEE7RGS443UW16, LDEE7RGS443UG16 and PDEE4RGS443UG16
	44087101	Nut	Models FDEE7RGS443UW16, LDEE7RGS443UG16 and PDEE4RGS443UG16
1	D514334	Transformer Shield	Models ADGE9BGS303AN01, ADGE9BSS303AN01, ADGE9BSS543DN01, FDGE5BGS303UG01, FDGE5BGS303UW01, FDGE7RGS303EW01, FDGE7RGS303UG01, FDGE7RGS303UW01, FDLE7RGS303NW26, LDGE5BGS303AW01, LDGE5BGS303UG01, LDGE7RGS303AW01, LDGE7RGS303BW80, LDGE7RGS303EG80, LDGE7RGS303EW80, LDGE7RGS303UG01, LDGE7RGS303UW01, LDGE7RSS303UW01, LDLE5RGS303NW35, LDLE7RGS303NW26, PDGE4RGS303AG01, YDGE7RGS303EW01 and YDLE7RGS303NW26
2	D503688	Screw	
3	D513763P	Transformer	Models ADGE9BGS303AN01, ADGE9BSS303AN01, ADGE9BSS543DN01, FDGE5BGS303UG01, FDGE5BGS303UW01, FDGE7RGS303EW01, FDGE7RGS303UG01, FDGE7RGS303UW01, FDLE7RGS303NW26, LDGE5BGS303AW01, LDGE5BGS303UG01, LDGE7RGS303AW01, LDGE7RGS303BW80, LDGE7RGS303EG80, LDGE7RGS303EW80, LDGE7RGS303UG01, LDGE7RGS303UW01, LDGE7RSS303UW01, LDLE5RGS303NW35, LDLE7RGS303NW26, PDGE4RGS303AG01, YDGE7RGS303EW01 and YDLE7RGS303NW26
4	F8449801	End Stop	Models FDEE5BGS403UG01, FDEE5BGS403UW01, FDEE7RGS403UG01, FDEE7RGS403UW01, FDEE7RGS443UW16, LDEE5BGS403UG01, LDEE7RGS403UG01, LDEE7RGS403UW01, LDEE7RGS443UG16, PDEE4RGS403UG01, PDEE4RGS443UG16 and YDEE7RGS403UW01
5	70482603	Contactor	Models FDEE5BGS403UG01, FDEE5BGS403UW01, FDEE7RGS403UG01, FDEE7RGS403UW01, FDEE7RGS443UW16, LDEE5BGS403UG01, LDEE7RGS403UG01, LDEE7RGS403UW01, LDEE7RGS443UG16, PDEE4RGS403UG01, PDEE4RGS443UG16 and YDEE7RGS403UW01
6	M412693	Din Rail	Models FDEE5BGS403UG01, FDEE5BGS403UW01, FDEE7RGS403UG01, FDEE7RGS403UW01, LDEE5BGS403UG01, LDEE7RGS403UG01, LDEE7RGS403UW01, PDEE4RGS403UG01, PDEE4RGS443UG16 and YDEE7RGS403UW01
7	D511859	Contactor Bracket	

Power Cord (Drawing 1 of 2)

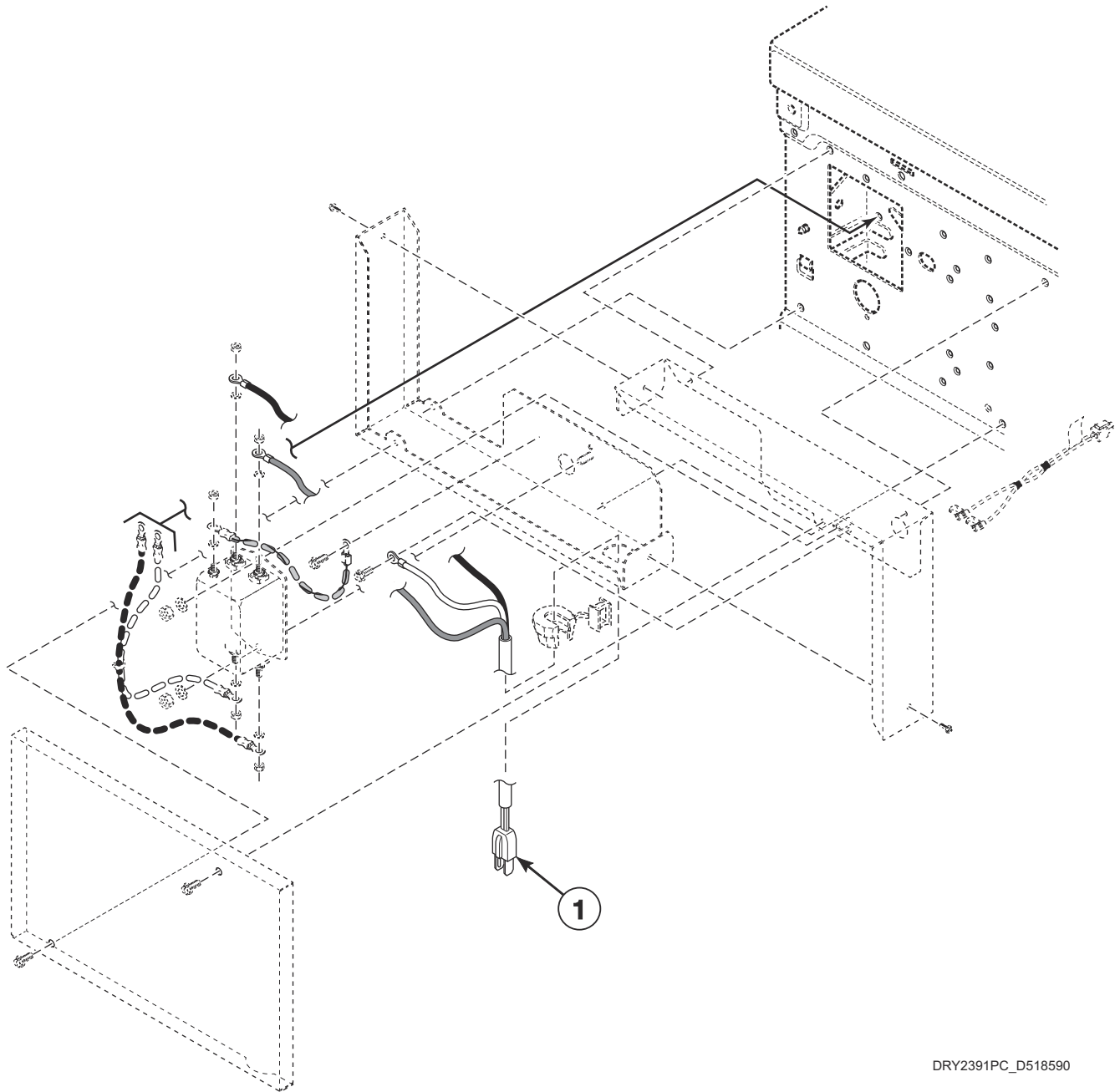


DRY2391P_D518590

Power Cord (Drawing 1 of 2)

REF	PART NO.	DESCRIPTION	COMMENTS
1	D515039	Power Harness	Model LDLE5RGS303NW35
2	D517492	Strain Relief	For 0.370-.430 power cord; Models ADEE9BGS433AN01, ADEE9BGS433NN29, ADEE9BSS433AN01, ADEE9BSS433NN29, ADEE9BSS543DN01, FDEE5BGS303UG01, FDEE5BGS303UW01, FDEE7RGS303UG01, FDEE7RGS303UW01, FDEE7RGS303WW01, LDEE5BGS303UG01, LDEE5BGS303ZW30, LDEE5BGS333ZW01, LDEE5BGS433AW01, LDEE5BGS543RW01, LDEE5RGS303ZW01, LDEE5RGS453UW01, LDEE7RGS303BW01, LDEE7RGS303UG01, LDEE7RGS303UW01, LDEE7RGS303WW01, LDEE7RGS303ZW01, LDEE7RGS433AW01, LDEE7RGS453UW01, LDEE7RGS543ZW01, PDEE4RGS303UG01, PDEE4RGS433AG01, YDEE7RGS303EW01, YDEE7RGS303UW01, YDEE7RGS303WW01 and YDEE7RGS303ZW01
D517491	Strain Relief	For 0.325-.360 power cord; Models ADGE9BGS303AN01, ADGE9BSS123DN01, ADGE9BSS303AN01, ADGE9BSS543DN01, FDEE7RGS443UW16, FDGE5BGS303UG01, FDGE5BGS303UW01, FDGE7RGS303EW01, FDGE7RGS303UG01, FDGE7RGS303UW01, FDLE7RGS303NW26, LDEE7RGS443UG16, LDGE5BGS303AW01, LDGE5BGS303UG01, LDGE7RGS303AW01, LDGE7RGS303BW80, LDGE7RGS303EG80, LDGE7RGS303EW80, LDGE7RGS303UG01, LDGE7RGS303UW01, LDGE7RSS303UW01, LDLE5RGS303NW35, LDLE7RGS303NW26, PDEE4RGS443UG16, PDGE4RGS303AG01, YDGE7RGS303EW01 and YDLE7RGS303NW26	
52151	Strain Relief	For 0.530-.600 power cord; Models FDEE5BGS403UG01, FDEE5BGS403UW01, FDEE7RGS403UG01, FDEE7RGS403UW01, LDEE5BGS403UG01, LDEE7RGS403UG01, LDEE7RGS403UW01, PDEE4RGS403UG01 and YDEE7RGS403UW01	
D511628	Strain Relief Connector	For 0.460-.720 power cord; Models FDEE7RGS443UW16, LDEE7RGS443UG16 and PDEE4RGS443UG16	

Power Cord (Drawing 2 of 2)



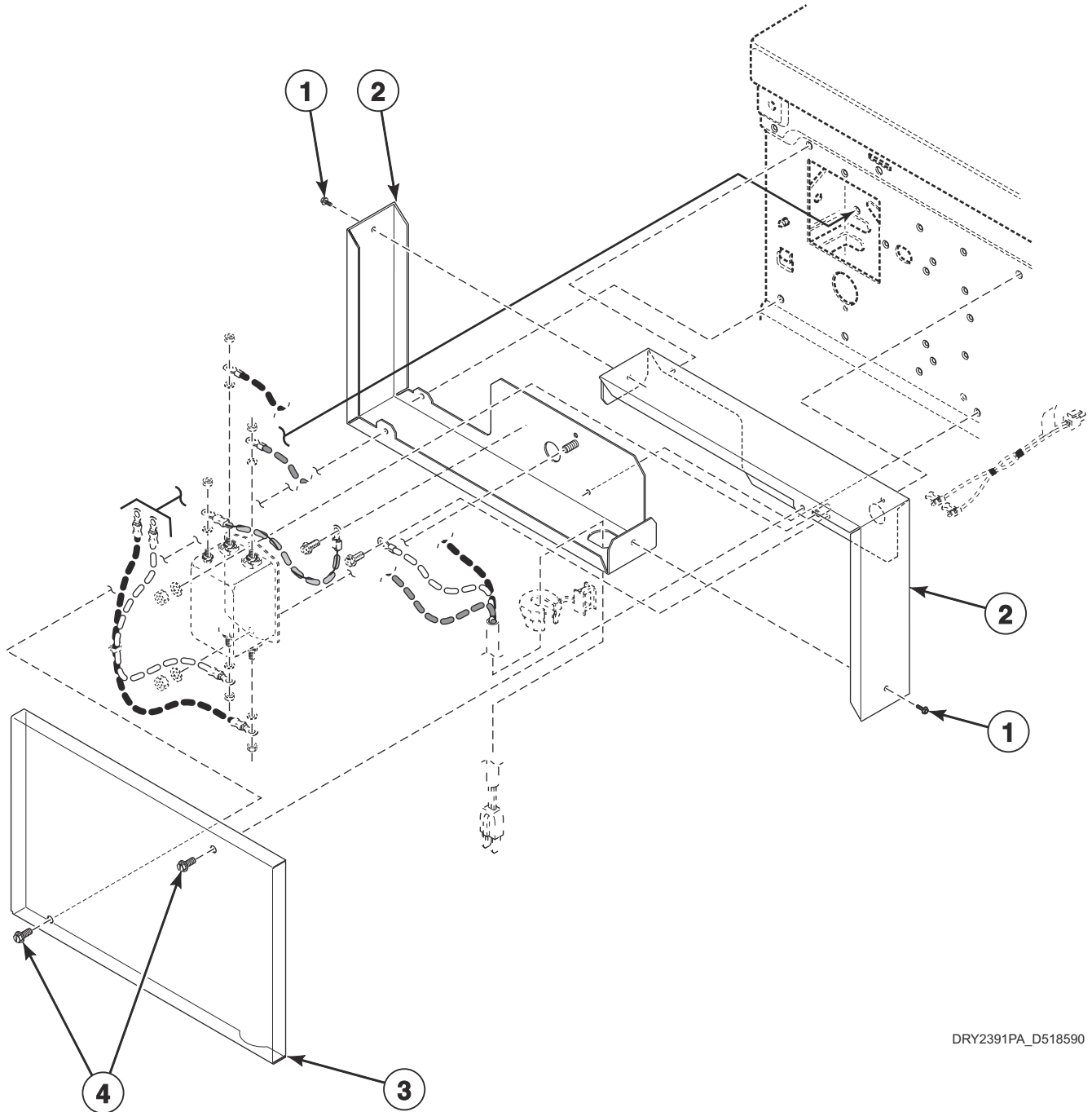
DRY2391PC_D518590

Power Cord (Drawing 2 of 2)

REF	PART NO.	DESCRIPTION	COMMENTS
1	61605P	Lead-In Cord Kit	Models ADEE9BGS433AN01, ADEE9BSS433AN01, LDEE5BGS433AW01, LDEE7RGS433AW01 and PDEE4RGS433AG01
	D516747	Lead-In Cord Assembly	Models ADEE9BGS433NN29, ADEE9BSS433NN29, ADEE9BSS543DN01, FDEE5BGS303UG01, FDEE5BGS303UW01, FDEE7RGS303UG01, FDEE7RGS303UW01, FDEE7RGS303WW01, LDEE5BGS303UG01, LDEE5BGS303ZW30, LDEE5BGS333ZW01, LDEE5BGS543RW01, LDEE5RGS303ZW01, LDEE5RGS453UW01, LDEE7RGS303BW01, LDEE7RGS303UG01, LDEE7RGS303UW01, LDEE7RGS303WW01, LDEE7RGS303ZW01, LDEE7RGS453UW01, LDEE7RGS543ZW01, PDEE4RGS303UG01, YDEE7RGS303EW01, YDEE7RGS303UW01, YDEE7RGS303WW01 and YDEE7RGS303ZW01
	D502599	Lead-In Cord	Models FDEE5BGS303UG01, FDEE5BGS303UW01, FDEE7RGS303UG01, FDEE7RGS303UW01, LDEE5BGS303UG01, LDEE5BGS303ZW30, LDEE5BGS333ZW01, LDEE5BGS543RW01, LDEE5RGS303ZW01, LDEE5RGS453UW01, LDEE7RGS303BW01, LDEE7RGS303UG01, LDEE7RGS303UW01, LDEE7RGS303ZW01, LDEE7RGS453UW01, LDEE7RGS543ZW01, PDEE4RGS303UG01, YDEE7RGS303EW01 and YDEE7RGS303ZW01
	D517579	Lead-In Cord	Models ADGE9BSS123DN01 and ADGE9BSS543DN01
	203344	Lead-In Cord	Models FDGE5BGS303UG01, FDGE5BGS303UW01, FDGE7RGS303UG01, FDGE7RGS303UW01, FDLE7RGS303NW26, LDGE5BGS303UG01, LDGE7RGS303EG80, LDGE7RGS303UG01, LDGE7RGS303UW01, LDGE7RSS303UW01, LDLE7RGS303NW26 and YDLE7RGS303NW26
	D517580	Power Cord Assembly	Model LDGE7RGS303BW80
	D516705	Lead-In Cord	Models ADGE9BGS303AN01, ADGE9BSS303AN01, FDGE5BGS303UG01, LDGE5BGS303AW01, LDGE5BGS303UG01, LDGE7RGS303AW01 and PDGE4RGS303AG01
	D517699	Lead-In Cord	Models FDEE5BGS403UG01, FDEE5BGS403UW01, FDEE7RGS403UG01, FDEE7RGS403UW01, LDEE5BGS403UG01, LDEE7RGS403UG01, LDEE7RGS403UW01, PDEE4RGS403UG01 and YDEE7RGS403UW01
	D517577	Lead-In Cord	Models FDGE7RGS303EW01, LDGE7RGS303EG80, LDGE7RGS303EW80, LDLE5RGS303NW35 and YDGE7RGS303EW01
	D517700	Lead-In Cord	Models FDEE7RGS443UW16, LDEE7RGS443UG16 and PDEE4RGS443UG16

Junction Box

All Models Except ADEE9BGS433NN29, ADEE9BSS433NN29, FDEE7RGS443UW16, LDEE7RGS443UG16, LDLE5RGS303NW35 and PDEE4RGS443UG16



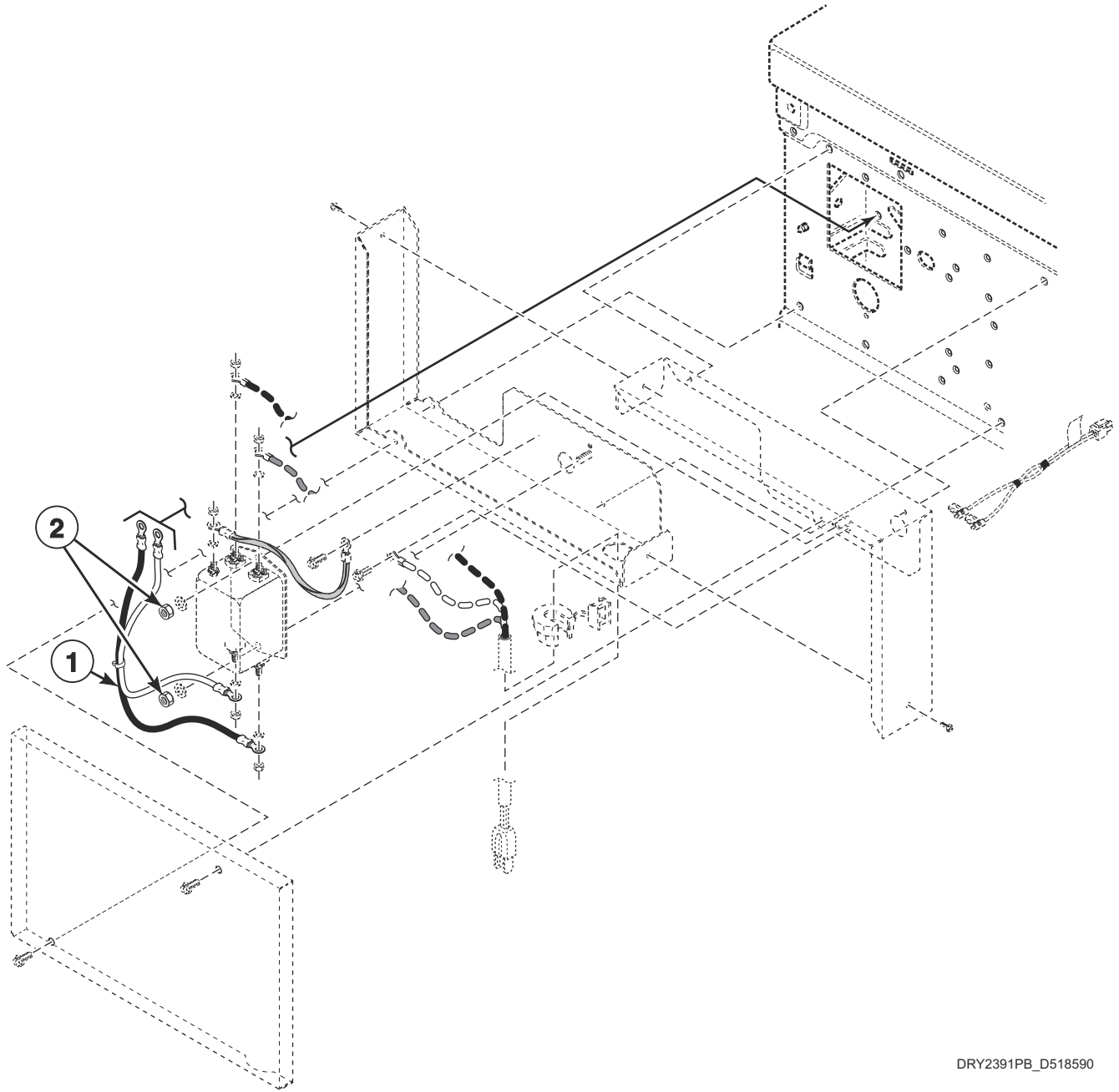
DRY2391PA_D518590

Junction Box

REF	PART NO.	DESCRIPTION	COMMENTS
	D503688	Screw	4 required
	D514379P	Junction Box Seal	4 required
	D514394P	Junction Box Assembly	With 3 Phase filter; Models FDEE5BGS403UG01, FDEE5BGS403UW01, FDEE7RGS403UG01, FDEE7RGS403UW01, LDEE5BGS403UG01, LDEE7RGS403UG01, LDEE7RGS403UW01 and YDEE7RGS403UW01
	D514390	Junction Box Assembly	With 10 Amp filter; Models ADGE9BGS303AN01, ADGE9BSS123DN01, ADGE9BSS303AN01, ADGE9BSS543DN01, FDGE5BGS303UG01, FDGE5BGS303UW01, FDGE7RGS303EW01, FDGE7RGS303UG01, FDGE7RGS303UW01, FDLE7RGS303NW26, LDGE5BGS303AW01, LDGE5BGS303UG01, LDGE7RGS303AW01, LDGE7RGS303BW80, LDGE7RGS303EG80, LDGE7RGS303EW80, LDGE7RGS303UG01, LDGE7RGS303UW01, LDGE7RSS303UW01, LDLE7RGS303NW26, PDGE4RGS303AG01, YDGE7RGS303EW01 and YDLE7RGS303NW26
	D514389P	Junction Box Assembly	With 30 Amp filter; All other models
1	D503688	Screw	2 required
2	D516154	Junction Box Assembly	Without filter; Models FDEE5BGS403UG01, FDEE5BGS403UW01, FDEE7RGS403UG01, FDEE7RGS403UW01, LDEE5BGS403UG01, LDEE7RGS403UG01, LDEE7RGS403UW01, PDEE4RGS403UG01 and YDEE7RGS403UW01
	D516152	Junction Box Assembly	Without filter; Models ADGE9BGS303AN01, ADGE9BSS123DN01, ADGE9BSS303AN01, ADGE9BSS543DN01, FDGE5BGS303UG01, FDGE5BGS303UW01, FDGE7RGS303EW01, FDGE7RGS303UG01, FDGE7RGS303UW01, FDLE7RGS303NW26, LDGE5BGS303AW01, LDGE5BGS303UG01, LDGE7RGS303AW01, LDGE7RGS303BW80, LDGE7RGS303EG80, LDGE7RGS303EW80, LDGE7RGS303UG01, LDGE7RGS303UW01, LDGE7RSS303UW01, LDLE7RGS303NW26, PDGE4RGS303AG01, YDGE7RGS303EW01 and YDLE7RGS303NW26
	D516153	Junction Box Assembly	Without filter; Models ADEE9BGS433AN01, ADEE9BSS433AN01, ADEE9BSS543DN01, FDEE5BGS303UG01, FDEE5BGS303UW01, FDEE5BGS403UG01, FDEE5BGS403UW01, FDEE7RGS303UG01, FDEE7RGS303UW01, LDEE5BGS303UG01, LDEE5BGS303ZW30, LDEE5BGS333ZW01, LDEE5BGS403UG01, LDEE5BGS433AW01, LDEE5BGS543RW01, LDEE5RGS303ZW01, LDEE5RGS453UW01, LDEE7RGS303BW01, LDEE7RGS303UG01, LDEE7RGS303UW01, LDEE7RGS303ZW01, LDEE7RGS403UW01, LDEE7RGS433AW01, LDEE7RGS453UW01, LDEE7RGS543ZW01, PDEE4RGS303UG01, PDEE4RGS433AG01 and YDEE7RGS303EW01
3	D516186	Junction Box Cover	Models FDEE7RGS303WW01, LDEE7RGS303WW01 and YDEE7RGS303WW01
	D514363	Junction Box Cover	All other models
4	D503661	Screw	2 required

Junction Box Filter and Harnesses (Drawing 1 of 3)

All Models Except ADEE9BGS433NN29, ADEE9BSS433NN29, FDEE7RGS443UW16, LDEE7RGS443UG16, LDLE5RGS303NW35 and PDEE4RGS443UG16



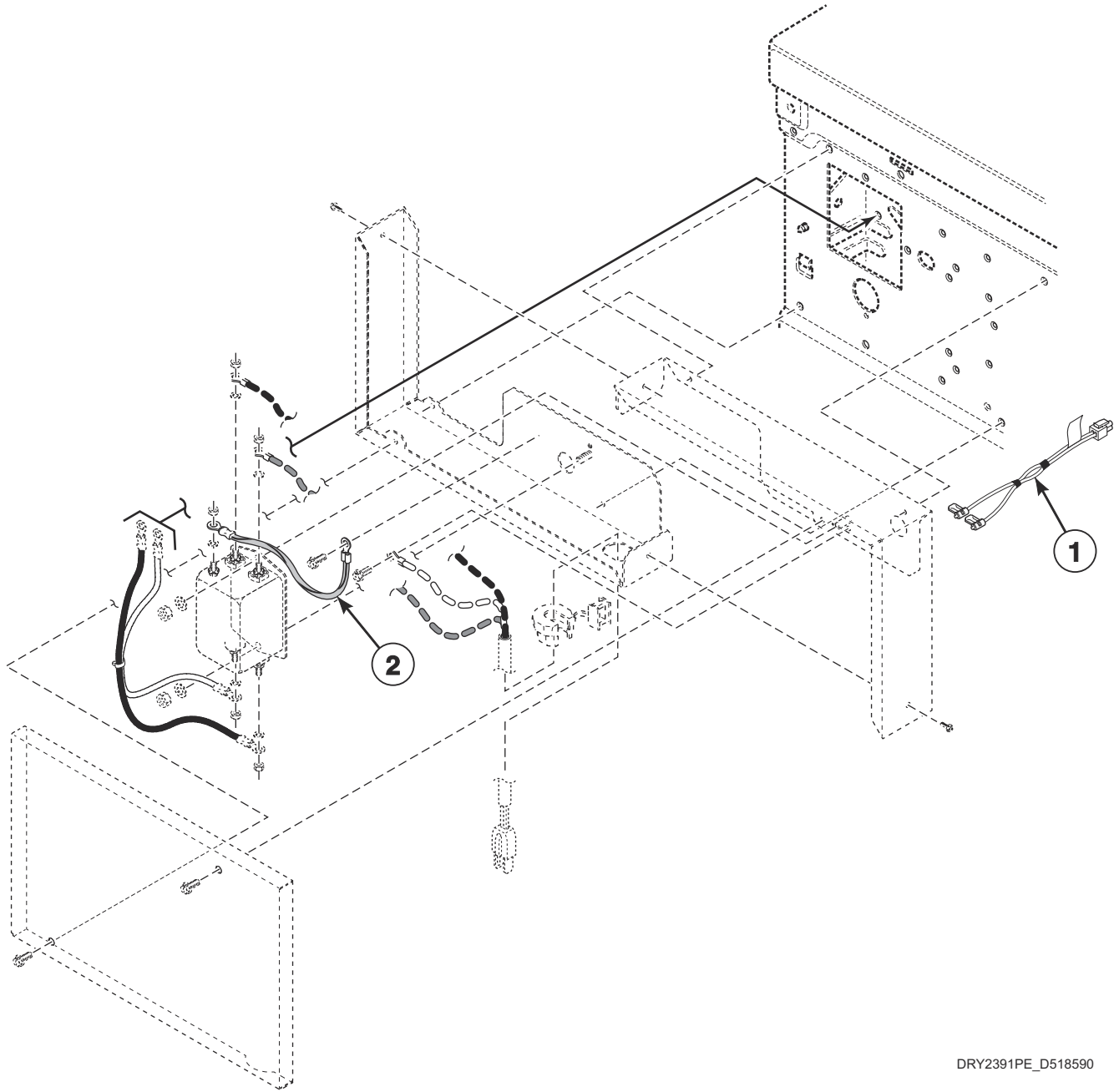
DRY2391PB_D518590

Junction Box Filter and Harnesses (Drawing 1 of 3)

REF	PART NO.	DESCRIPTION	COMMENTS
	D503688	Screw	
1	D516110	Filter Harness	3 Phase; Models FDEE5BGS403UG01, FDEE5BGS403UW01, FDEE7RGS403UG01, FDEE7RGS403UW01, LDEE5BGS403UG01, LDEE7RGS403UG01, LDEE7RGS403UW01, PDEE4RGS403UG01 and YDEE7RGS403UW01
	D518533	Filter Harness	10A; Models ADGE9BGS303AN01, ADGE9BSS123DN01, ADGE9BSS303AN01, ADGE9BSS543DN01, FDGE5BGS303UG01, FDGE5BGS303UW01, FDGE7RGS303EW01, FDGE7RGS303UG01, FDGE7RGS303UW01, FDLE7RGS303NW26, LDGE5BGS303AW01, LDGE5BGS303UG01, LDGE7RGS303AW01, LDGE7RGS303BW80, LDGE7RGS303EG80, LDGE7RGS303EW80, LDGE7RGS303UG01, LDGE7RGS303UW01, LDGE7RSS303UW01, LDLE7RGS303NW26, PDGE4RGS303AG01, YDGE7RGS303EW01 and YDLE7RGS303NW26
	D518532	Filter Harness	30A; Models ADEE9BGS433AN01, ADEE9BSS433AN01, ADEE9BSS543DN01, FDEE5BGS303UG01, FDEE5BGS303UW01, FDEE5BGS403UG01, FDEE5BGS403UW01, FDEE7RGS303UG01, FDEE7RGS303UW01, FDEE7RGS303WW01, LDEE5BGS303UG01, LDEE5BGS303ZW30, LDEE5BGS333ZW01, LDEE5BGS403UG01, LDEE5BGS433AW01, LDEE5BGS543RW01, LDEE5RGS303ZW01, LDEE5RGS453UW01, LDEE7RGS303BW01, LDEE7RGS303UG01, LDEE7RGS303UW01, LDEE7RGS303WW01, LDEE7RGS303ZW01, LDEE7RGS403UW01, LDEE7RGS433AW01, LDEE7RGS453UW01, LDEE7RGS543ZW01, PDEE4RGS303UG01, PDEE4RGS433AG01, YDEE7RGS303EW01 and YDEE7RGS303WW01
2	29787	Nut	2 required; All other models
	44071201	Nut	4 required; Models FDEE5BGS403UG01, FDEE5BGS403UW01, FDEE7RGS403UG01, FDEE7RGS403UW01, LDEE5BGS403UG01, LDEE7RGS403UG01, LDEE7RGS403UW01, PDEE4RGS403UG01 and YDEE7RGS403UW01

Junction Box Filter and Harnesses (Drawing 2 of 3)

All Models Except ADEE9BGS433NN29, ADEE9BSS433NN29, FDEE7RGS443UW16, LDEE7RGS443UG16, LDLE5RGS303NW35 and PDEE4RGS443UG16



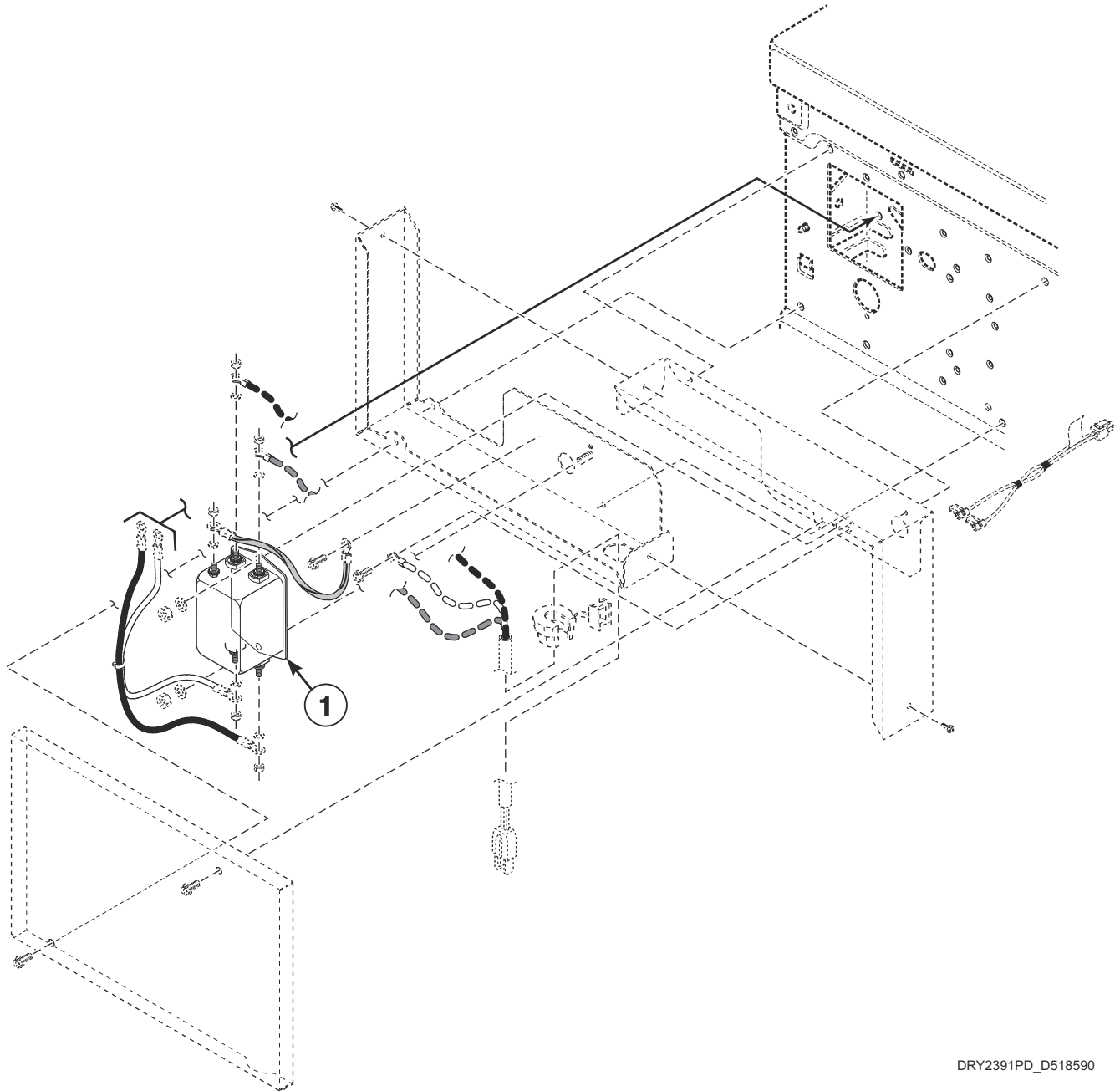
DRY2391PE_D518590

Junction Box Filter and Harnesses (Drawing 2 of 3)

REF	PART NO.	DESCRIPTION	COMMENTS
1	804396	Filter Harness	Models FDGE7RGS303EW01 and LDGE7RGS303EW80
2	D514039	Ground Filter Harness	10A; Models ADGE9BGS303AN01, ADGE9BSS123DN01, ADGE9BSS303AN01, ADGE9BSS543DN01, FDGE5BGS303UG01, FDGE5BGS303UW01, FDGE7RGS303EW01, FDGE7RGS303UG01, FDGE7RGS303UW01, FDLE7RGS303NW26, LDGE5BGS303AW01, LDGE5BGS303UG01, LDGE7RGS303AW01, LDGE7RGS303BW80, LDGE7RGS303EG80, LDGE7RGS303EW80, LDGE7RGS303UG01, LDGE7RGS303UW01, LDGE7RSS303UW01, LDLE7RGS303NW26, PDGE4RGS303AG01, YDGE7RGS303EW01 and YDLE7RGS303NW26
	D518534	Ground Filter Harness	30A; Models ADEE9BGS433AN01, ADEE9BSS433AN01, ADEE9BSS543DN01, FDEE5BGS303UG01, FDEE5BGS303UW01, FDEE5BGS403UG01, FDEE5BGS403UW01, FDEE7RGS303UG01, FDEE7RGS303UW01, FDEE7RGS303WW01, LDEE5BGS303UG01, LDEE5BGS303ZW30, LDEE5BGS333ZW01, LDEE5BGS403UG01, LDEE5BGS433AW01, LDEE5BGS543RW01, LDEE5RGS303ZW01, LDEE5RGS453UW01, LDEE7RGS303BW01, LDEE7RGS303UG01, LDEE7RGS303UW01, LDEE7RGS303WW01, LDEE7RGS303ZW01, LDEE7RGS403UW01, LDEE7RGS433AW01, LDEE7RGS453UW01, LDEE7RGS543ZW01, PDEE4RGS303UG01, PDEE4RGS433AG01, YDEE7RGS303EW01 and YDEE7RGS303WW01

Junction Box Filter and Harnesses (Drawing 3 of 3)

All Models Except ADEE9BGS433NN29, ADEE9BSS433NN29, FDEE7RGS443UW16, LDEE7RGS443UG16, LDLE5RGS303NW35 and PDEE4RGS443UG16

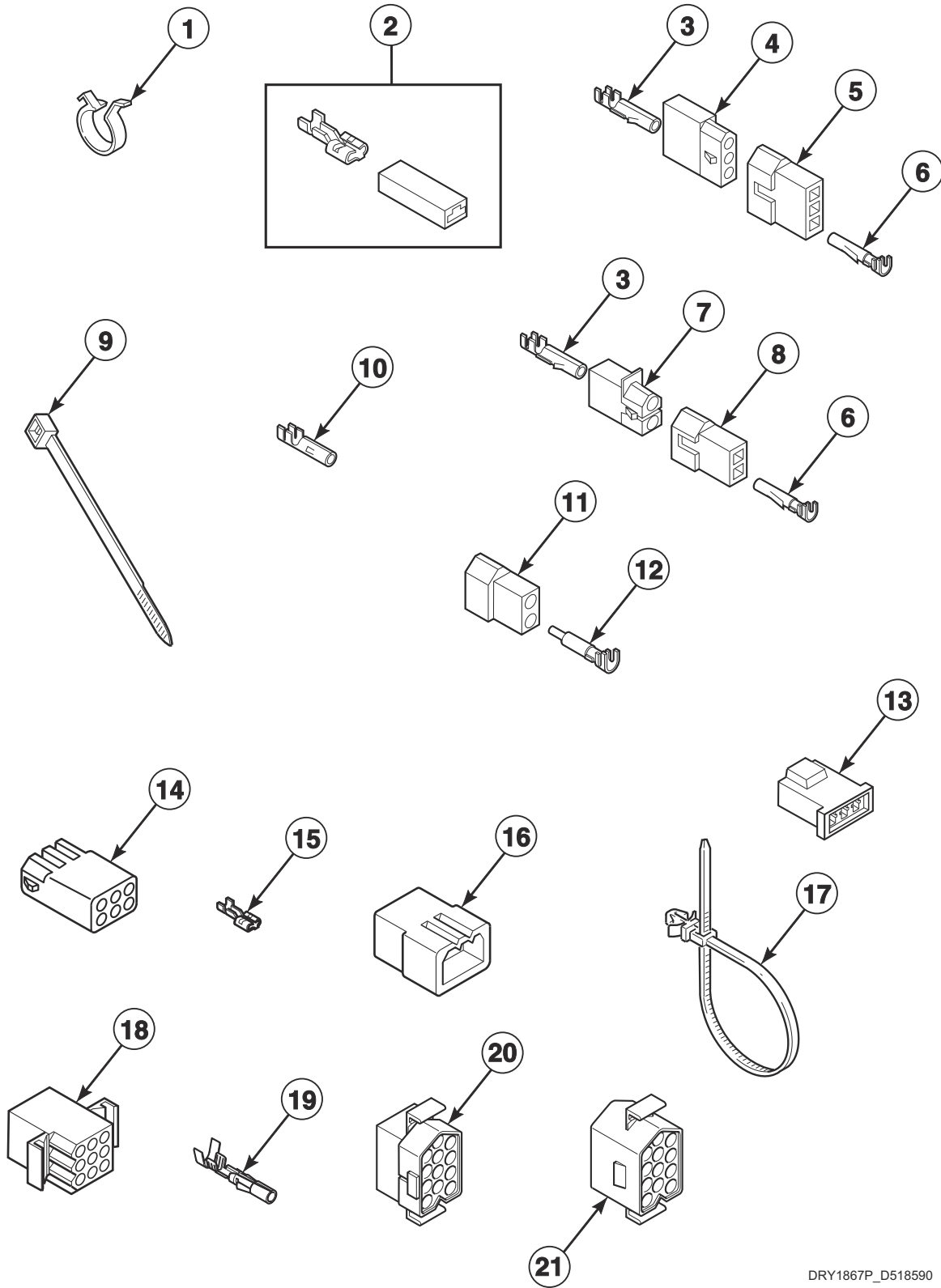


DRY2391PD_D518590

Junction Box Filter and Harnesses (Drawing 3 of 3)

REF	PART NO.	DESCRIPTION	COMMENTS
1	D515813	Filter	3 Phase; With faston terminals; Models FDEE5BGS403UG01, FDEE5BGS403UW01, FDEE7RGS403UG01, FDEE7RGS403UW01, LDEE5BGS403UG01, LDEE7RGS403UG01, LDEE7RGS403UW01, PDEE4RGS403UG01 and YDEE7RGS403UW01
	804864	Line Filter	10A; Models ADGE9BGS303AN01, ADGE9BSS123DN01, ADGE9BSS303AN01, ADGE9BSS543DN01, FDGE5BGS303UG01, FDGE5BGS303UW01, FDGE7RGS303EW01, FDGE7RGS303UG01, FDGE7RGS303UW01, FDLE7RGS303NW26, LDGE5BGS303AW01, LDGE5BGS303UG01, LDGE7RGS303AW01, LDGE7RGS303BW80, LDGE7RGS303EG80, LDGE7RGS303EW80, LDGE7RGS303UG01, LDGE7RGS303UW01, LDGE7RSS303UW01, LDLE7RGS303NW26, PDGE4RGS303AG01, YDGE7RGS303EW01 and YDLE7RGS303NW26
	804844	Line Filter	30A; Models ADEE9BGS433AN01, ADEE9BSS433AN01, ADEE9BSS543DN01, FDEE5BGS303UG01, FDEE5BGS303UW01, FDEE5BGS403UG01, FDEE5BGS403UW01, FDEE7RGS303UG01, FDEE7RGS303UW01, FDEE7RGS303WW01, LDEE5BGS303UG01, LDEE5BGS303ZW30, LDEE5BGS333ZW01, LDEE5BGS403UG01, LDEE5BGS433AW01, LDEE5BGS543RW01, LDEE5RGS303ZW01, LDEE5RGS453UW01, LDEE7RGS303BW01, LDEE7RGS303UG01, LDEE7RGS303UW01, LDEE7RGS303WW01, LDEE7RGS303ZW01, LDEE7RGS403UW01, LDEE7RGS433AW01, LDEE7RGS453UW01, LDEE7RGS543ZW01, PDEE4RGS303UG01, PDEE4RGS433AG01, YDEE7RGS303EW01 and YDEE7RGS303WW01

Terminal Block and Terminals

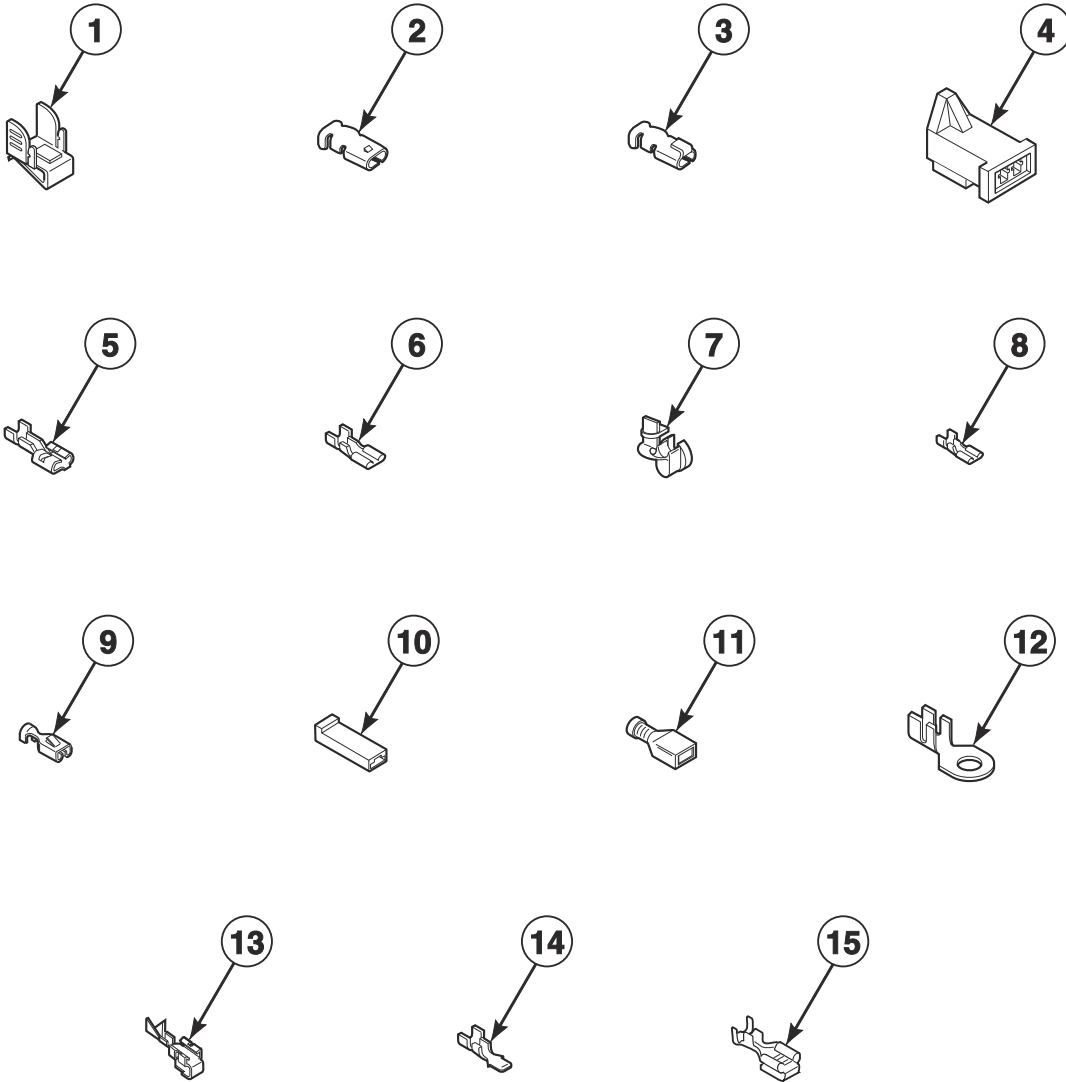


DRY1867P_D518590

Terminal Block and Terminals

REF	PART NO.	DESCRIPTION	COMMENTS
1	D504034	Wire Clip	11/16 inch
	687500	Wire Clip	1 inch
2	00360	Insulated Female Spade Terminal	(1) 12 gauge wire or (2) 18 gauge wires
3	00117	Female Pin Terminal	
4	23039	3 Circuit Receptacle	
5	23040	Plug	
6	00116	Male Pin Terminal	
7	56451	2 Circuit Receptacle	
8	56448	2 Circuit Plug	
9	55881	Harness Strap	
10	00130	Female Pin Terminal	1/8 inch
11	56266	2 Circuit Plug	
12	00127	Male Pin Terminal	1/8 inch
13	58800	3 Circuit Connector	
14	26708	6 Circuit Receptacle	
15	00222	Female Spade Terminal	1/4 inch
16	23033	9 Circuit Plug	
17	38663	Wire Tie	
18	26163	9 Circuit Receptacle	
19	00128	Female Pin Terminal	1/8 inch
	00129	Male Pin Terminal	1/8 inch
20	54522	Plug	
21	56855	12 Circuit Receptacle	

Terminals

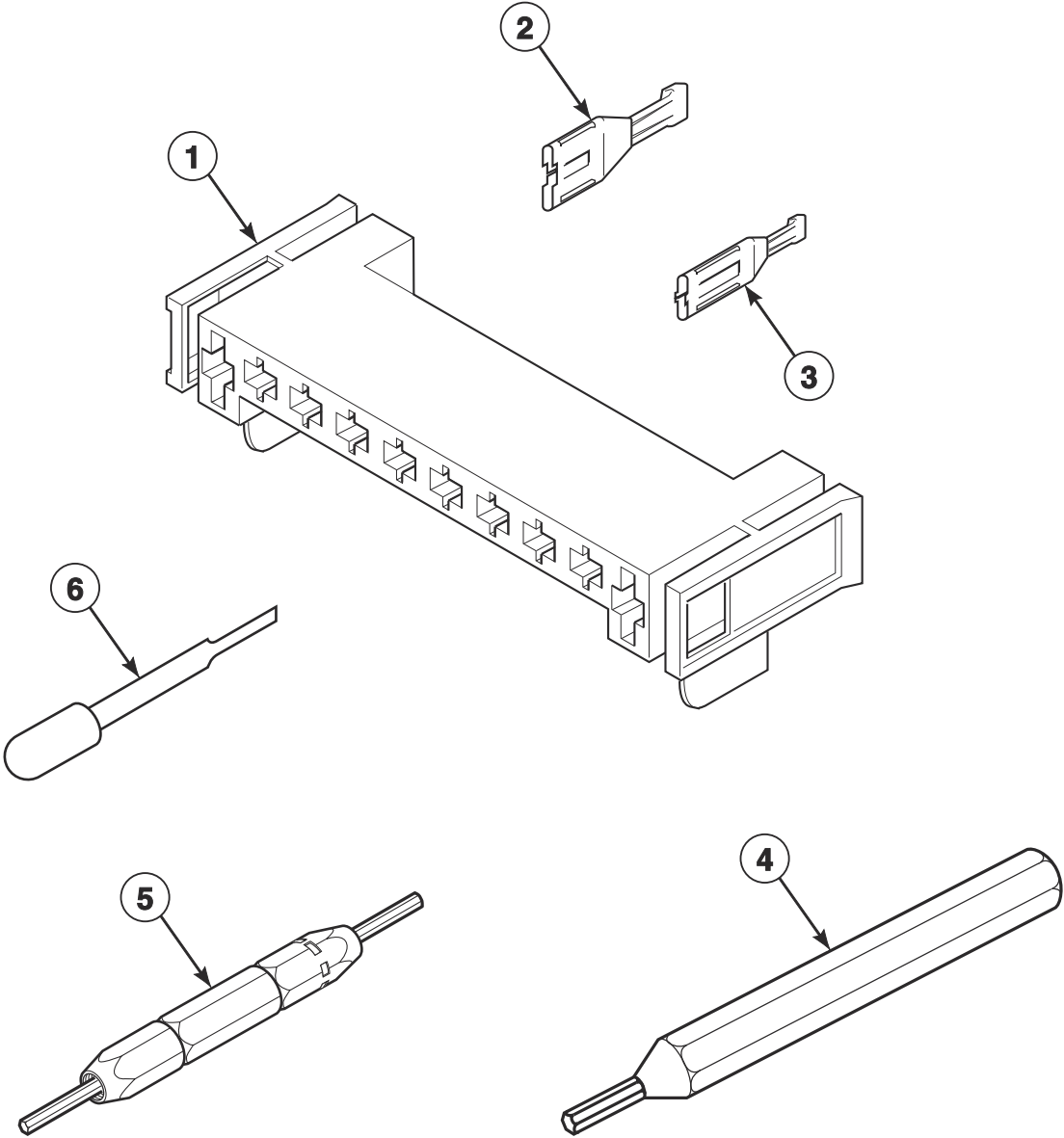


DRY2392P_D518590

Terminals

REF	PART NO.	DESCRIPTION	COMMENTS
1	00161	Grounding Clip	
2	00189	Female Spade Terminal	
3	00361	Female Piggyback Terminal	Receptacle connector
4	58799	2 Circuit Connector	
5	00223	Female Spade Terminal	1/4 inch; (1) 18 gauge wire
	00121	Female Spade Terminal	1/4 inch; (2) 18 gauge wires or (1) 12 gauge wire
	00245	Spade Terminal	1/4 inch; (1) 22 gauge wire
6	00124	Female Spade Terminal	3/16 inch; (1) 18 gauge wire; .020 tab
	00156	Female Spade Terminal	3/16 inch; Thermostat wire; .032 tab
7	38384	Strain Relief	
8	00347	Terminal	
9	00115	Female Spade Terminal	1/4 inch; (1) 18 gauge wire
10	90789	Receptacle Housing	
11	00359	Insulated Female Spade Terminal	1/4 inch
	00165	Insulated Female Terminal	3/16 inch
12	00110	Ring Terminal	10 stud; (1) 18 gauge wire
	00111	Ring Terminal	10 stud; (2) 18 gauge wires or (1) 12 gauge wire
13	00114	Female Spade Terminal	1/4 inch; Double connector
14	00139	Male Tab Terminal	1/4 inch; (2) 18 gauge wires or (1) 12 gauge wire
15	00344	Female Tab Terminal	

Motor Connection Block, Terminal Extractor Tools



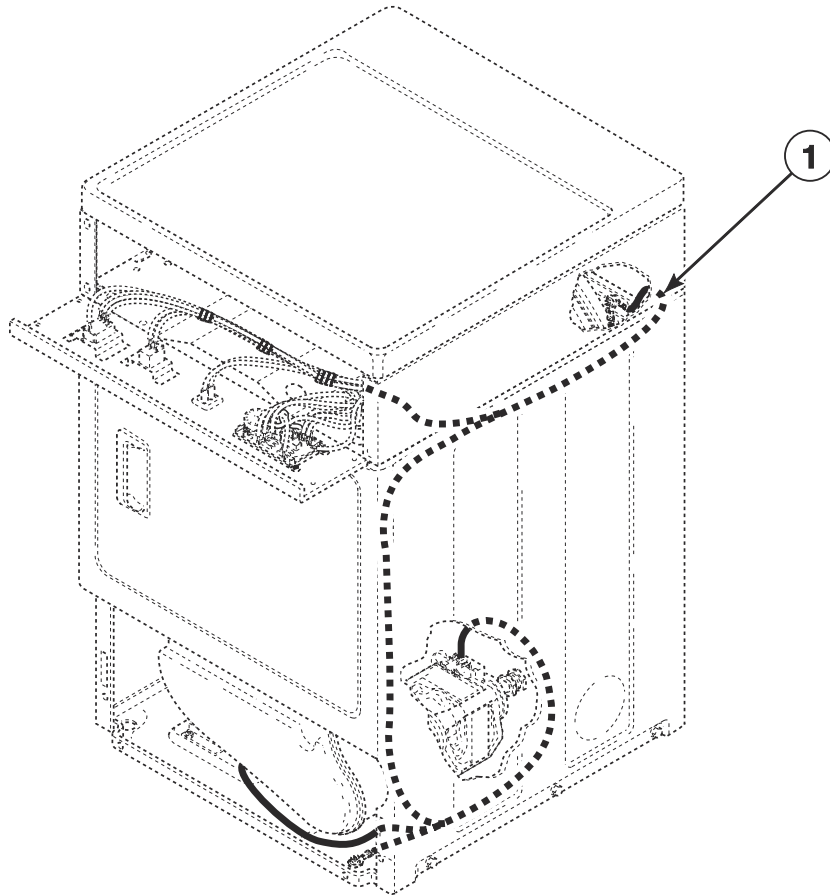
DRY1877P_D518590

Motor Connection Block, Terminal Extractor Tools

REF	PART NO.	DESCRIPTION	COMMENTS
1	D500338	10 Position Housing	
2	00255	Female Terminal	1/4 inch; For (1) 12 gauge wire
	00256	Female Terminal	1/4 inch; For (1) or (2) 18 gauge wires
3	00188	Female Terminal	For 1 or 2 wire application
4	128P4	Extractor Tool	For use on gas dryer terminals
5	190P4	Extractor Tool	For use on electric dryer terminals
6	283P4	Terminal Extractor Tool	For use on Molex connectors

Wire Harnesses and Wires - Front Control Models

Models ADEE9BGS433AN01, ADEE9BGS433NN29, ADEE9BSS433AN01, ADEE9BSS433NN29, ADEE9BSS543DN01, ADGE9BGS303AN01, ADGE9BSS123DN01, ADGE9BSS303AN01, ADGE9BSS543DN01, FDEE5BGS303UG01, FDEE5BGS303UW01, FDEE5BGS403UG01, FDEE5BGS403UW01, FDGE5BGS303UG01, FDGE5BGS303UW01, LDEE5BGS303UG01, LDEE5BGS303ZW30, LDEE5BGS333ZW01, LDEE5BGS403UG01, LDEE5BGS433AW01, LDEE5BGS543RW01, LDGE5BGS303AW01 and LDGE5BGS303UG01



DRY2046P_D518590

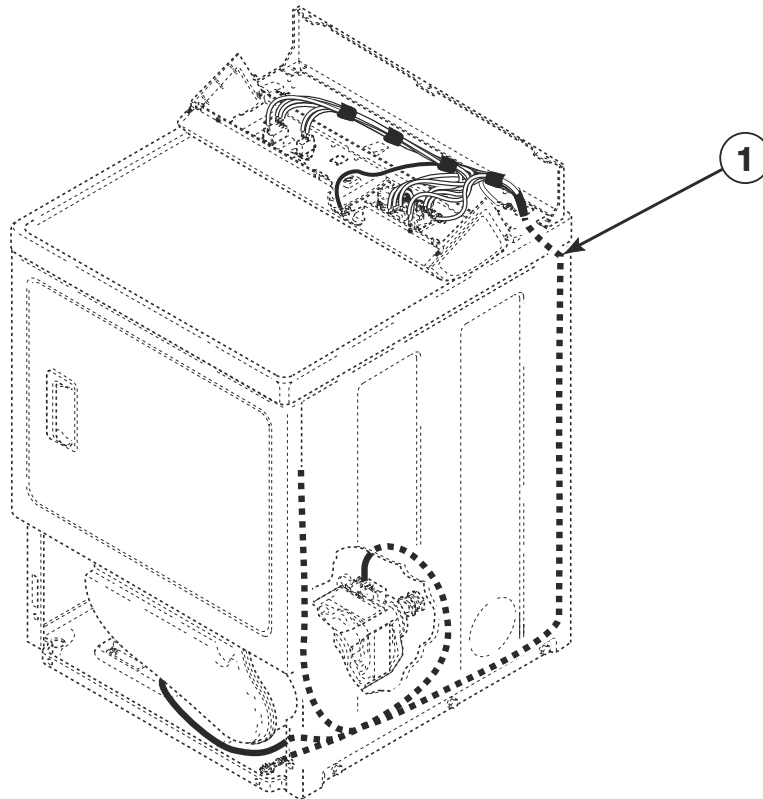
Wire Harnesses and Wires - Front Control Models

REF	PART NO.	DESCRIPTION	COMMENTS
	45380	12 Gauge Wire	Orange; Order wire by the foot; Order terminals and connectors as required
	45001	18 Gauge Wire	Black; Order wire by the foot; Order terminals and connectors as required
	D516367	Gas Valve Harness	120 Volt; Model ADGE9BSS123DN01
	D517702	Gas Valve Harness	240 Volt; Models ADGE9BGS303AN01, ADGE9BSS303AN01, ADGE9BSS543DN01, FDGE5BGS303UG01, FDGE5BGS303UW01, LDGE5BGS303AW01 and LDGE5BGS303UG01
1	D517484	Electric Harness	Models FDEE5BGS403UG01, FDEE5BGS403UW01 and LDEE5BGS403UG01
	D517478	Electric Harness	With cylinder light; Models ADEE9BGS433AN01, ADEE9BGS433NN29, ADEE9BSS433AN01, ADEE9BSS433NN29, ADEE9BSS543DN01, FDEE5BGS303UG01, FDEE5BGS303UW01, LDEE5BGS303UG01, LDEE5BGS303ZW30, LDEE5BGS333ZW01, LDEE5BGS433AW01 and LDEE5BGS543RW01
	D513981	Wire Harness Assembly	240 Volt; With cylinder light; Models ADGE9BGS303AN01, ADGE9BSS303AN01 and ADGE9BSS543DN01
	D517479	Gas Harness	120/240 Volt; Models ADGE9BGS303AN01, ADGE9BSS123DN01, ADGE9BSS303AN01, ADGE9BSS543DN01, FDGE5BGS303UG01, FDGE5BGS303UW01, LDGE5BGS303AW01 and LDGE5BGS303UG01

NOTE: Individual wires are not available separately. Order complete harness, or order wire by the foot. When applying terminals to wires, it is recommended that the terminals be soldered to the wires.

Wire Harnesses and Wires - Rear Control Models

All Models Except ADEE9BSS433AN01, ADEE9BSS433NN29, ADEE9BSS543DN01, ADGE9BSS123DN01, ADGE9BSS303AN01, ADGE9BSS543DN01, FDEE5BGS303UG01, FDEE5BGS303UW01, FDEE5BGS403UG01, FDEE5BGS403UW01, FDGE5BGS303UG01, FDGE5BGS303UW01, LDEE5BGS303UG01, LDEE5BGS303ZW30, LDEE5BGS333ZW01, LDEE5BGS403UG01, LDEE5BGS433AW01, LDEE5BGS543RW01, LDGE5BGS303AW01 and LDGE5BGS303UG01



DRY2268P_D518590

Wire Harnesses and Wires - Rear Control Models

REF	PART NO.	DESCRIPTION	COMMENTS
	45380	12 Gauge Wire	Orange; Order wire by the foot; Order terminals and connectors as required
	45477	12 Gauge Wire	Green/yellow stripe; Order wire by the foot; Order terminals and connectors as required
	45001	18 Gauge Wire	Black; Order wire by the foot; Order terminals and connectors as required
	D517702	Gas Valve Harness	240 Volt; Models FDGE7RGS303EW01, FDGE7RGS303UG01, FDGE7RGS303UW01, FDLE7RGS303NW26, LDGE7RGS303AW01, LDGE7RGS303BW80, LDGE7RGS303EG80, LDGE7RGS303EW80, LDGE7RGS303UG01, LDGE7RGS303UW01, LDGE7RSS303UW01, LDLE5RGS303NW35, LDLE7RGS303NW26, PDGE4RGS303AG01, YDGE7RGS303EW01 and YDLE7RGS303NW26
1	D517475	Gas Harness	120/240 Volt; Models FDGE7RGS303EW01, FDGE7RGS303UG01, FDGE7RGS303UW01, FDLE7RGS303NW26, LDGE7RGS303AW01, LDGE7RGS303BW80, LDGE7RGS303EG80, LDGE7RGS303EW80, LDGE7RGS303UG01, LDGE7RGS303UW01, LDGE7RSS303UW01, LDLE5RGS303NW35, LDLE7RGS303NW26, PDGE4RGS303AG01, YDGE7RGS303EW01 and YDLE7RGS303NW26
	D517480	Harness	3 Phase; Models FDEE7RGS403UG01, FDEE7RGS403UW01, FDEE7RGS443UW16, LDEE7RGS403UG01, LDEE7RGS403UW01, LDEE7RGS443UG16, PDEE4RGS403UG01, PDEE4RGS443UG16 and YDEE7RGS403UW01
	D513989	Wire Harness Assembly	240 Volt; With cylinder light; Models LDGE7RGS303AW01 and PDGE4RGS303AG01
	D517474	Electric Harness	240 Volt; Models FDEE7RGS303UG01, FDEE7RGS303UW01, FDEE7RGS303WW01, LDEE5RGS303ZW01, LDEE5RGS453UW01, LDEE7RGS303BW01, LDEE7RGS303UG01, LDEE7RGS303UW01, LDEE7RGS303WW01, LDEE7RGS303ZW01, LDEE7RGS403UW01, LDEE7RGS433AW01, LDEE7RGS453UW01, LDEE7RGS543ZW01, PDEE4RGS303UG01, PDEE4RGS433AG01, YDEE7RGS303EW01, YDEE7RGS303UW01, YDEE7RGS303WW01 and YDEE7RGS303ZW01

NOTE: Individual wires are not available separately. Order complete harness, or order wire by the foot. When applying terminals to wires, it is recommended that the terminals be soldered to the wires.

Parts Index

A

Access Cover Plate D514356	57
Access Panel Assembly D514250DG	21
D514250WP	21
D514251	21
Adhesive D511637P	29, 31, 37
Air Duct Assembly D518431	33
D518433	33
Anti-Seize Compound 27604P	23

B

Bar Sensor D513737	29, 31
Blower Fan Assembly D510139P	23
Blower Housing D511969WP	23
Blower Housing Cover D516834	23
Blower Housing Seal D510238P	23
Bolt D515812	61
Booster and Holding Coil 58804A	51
59063A	51
Bumper Pad 56128	57
Burner Assembly D510149P	51

C

Cabinet Rear Panel D517566	57
Cabinet Side Panel D510001DGP	57
D510001WP	57
D510002DGP	57
D510002WP	57
D512538	57
D512539	57
Caution Label D516513	19
Combustion Duct D510132	49
Connector, 2 Circuit 58799	77
Connector, 3 Circuit 58800	75

Contactors 70482603	61
Contactors Bracket D511859	61
Control D517587	9
Control Assembly D517582	9
D517584	9, 15
D517585	15
Control Bracket 804611	13
Control Overlay D514188	9
D514189	9
D514190	9
D514191	9
D514482	15
D514483	15
D514925	15
D515055	9
D515539	15
D515630	15
D515633	15
D515678	9
D518401	15
Control Panel Assembly 804960	15
804961	15
805006	15
Control Support Panel 804836	7
Control Wrapper 804267B	13
804267DG	13
804267W	13
804630B	13
804630DG	13
804630W	13
Conversion Kit 756P3	47
Cylinder Assembly D505929LGP	35
D505929WP	35
D510265WP	35
Cylinder Baffle D510102LG	35
D510102W	35
Cylinder Belt D511255P	23
Cylinder Glide D513710	29, 31
Cylinder Glide Bracket D510145	29, 31
Cylinder Light Assembly D517763	31
D518796	31
Cylinder Light Lens D512106	31
Cylinder Roller D510708P	37

N/A items do not appear in index.

Cylinder Roller Bracket D510100	37
Cylinder Seal Assembly D510207P	29, 31, 37

D

Din Rail M412693	61
Directional Exhaust Kit 528P3	57
Door Assembly D516510WP	17
Door Catch Assembly D510177	19
Door Handle Wedge D510129W	17
Door Liner Assembly D516508	17
Door Liner Grill D503870LG	17
Door Pull and Wedge Kit D510103WP	17
D511213P	17
Door Strike D510181	17
Door Strike Mount D510127	17
Drip Shield D514327	19
Drum Light Lamp D503579	31
Dryer Base D514245	59
Dryer Door D510013DG	17
D510013WP	17
D512969	17
D515960DG	17
Drying Rack D512082P	35
Dual Contactor Harness D518535	61

E

Electric Harness D517474	83
D517478	81
D517484	81
End Panel D16858	7
D504006P	7
D504007P	7
D504008WP	7
D504009WP	7
D516857	7
End Stop F8449801	61
Exhaust Duct D516196	57

Expansion Clip 70030501	13
Extractor Tool 128P4	79
190P4	79

F

Felt Pad D510189	29, 31
Female Piggyback Terminal 00361	77
Female Pin Terminal 00117	75
00128	75
00130	75
Female Spade Terminal 00114	77
00115	77
00121	77
00124	77
00156	77
00189	77
00222	75
00223	77
Female Tab Terminal 00344	77
Female Terminal 00188	79
00255	79
00256	79
Filter D515813	73
Filter Harness D516110	69
D518532	69
D518533	69
804396	71
Flexible Venting Kit 521P3	57
Front Bulkhead D517573	31
Front Bulkhead Assembly D515532	29
Front Panel D510066DG	19
D510066WP	19
D512542	19
Front Panel Label D514863	19
Front Panel Seal D511056	19

G

Gas Harness D517475	83
D517479	81
Gas Valve Harness D516367	81
D517702	81, 83
Gas Valve Mounting Bracket D510128	51

N/A items do not appear in index.

Gas Valve, Bracket and Pipe Assembly	
D517607	51
D517609	51
D517611	51
Glide Kit	
RB170003	29, 31
Graphic Panel	
804565	11
805406	11, 15
805448	11
805449	11
805608	11
Ground Filter Harness	
D514039	71
D518534	71
Ground Wire Assembly	
D518257	43
Grounding Clip	
00161	77

H

Harness	
D517480	83
Harness Strap	
55881	75
Heat Duct Shroud	
D510101	49
Heater	
D511014P	47
Heater Assembly	
D510324P	45
D510326P	45
D510327P	45
D510328P	45
D510329P	45
D515647	47
Heater Duct Assembly	
D510025P	45, 47, 49
D514476	45
Heater Harness	
D518531	61
Heater Kit	
964P3	45
Heater Kit Assembly	
61927	45
61929	45
61930	45
61931	45
Hinge	
D511036	17
Hinge Hole Plug	
D510186	19
Hold Down Kit	
526P3	59
Hood Back Panel	
804169	7
Housing, 10 Position	
D500338	79

I

Idler Lever	
D516310	25
Idler Lever and Wheel Assembly	
D516792	25
Idler Spring	
D510185	25
Idler Wheel and Bearing Assembly	
D510142P	25
Igniter and Bracket Assembly	
D510184P	51
Insulated Female Spade Terminal	
00359	77
00360	75
Insulated Female Terminal	
00165	77

J

Jumper Wire Assembly	
D518529	47
Junction Box Assembly	
D514389P	67
D514390	67
D514394P	67
D516152	67
D516153	67
D516154	67
Junction Box Cover	
D514363	67
D516186	67
Junction Box Seal	
D514379P	67

L

Lead-In Cord	
D502599	65
D516705	65
D517577	65
D517579	65
D517699	65
D517700	65
203344	65
Lead-In Cord Assembly	
D516747	65
Lead-In Cord Kit	
61605P	65
Leveling Leg	
D510135	59
Light Assembly	
D517574	31
D518795	31
Limit Thermostat	
D510700	45
D510701	45, 47
D510702	49
D515873	47
Line Filter	
804844	73

N/A items do not appear in index.

804864	73
Liner Door Seal	
D510147P	17
Liner, Seal and Grill Assembly	
D510163WP	17
Lint Filter	
D503980LG	33
D503980W	33
Lint Filter Cover	
D510502LG	33
D510502W	33
Lint Filter Label	
D502781	19
D502804	19
L.P. Conversion Kit	
401P3	53
599P3	53
649P3	53
L.P. Orifice	
D503786	55
60941	55

M

Male Pin Terminal	
00116	75
00127	75
00129	75
Male Tab Terminal	
00139	77
Moisture Sensor Base	
D513738	29, 31
Motor and Pulley Assembly	
D505843P	23
D505869P	23
D511629P	23
Motor Hub Ring Kit	
590P3	23
Motor Mount	
D518517	25
Motor Mount Clamp	
D510180	23
Motor Pulley	
D500011	23
D500222	23
Motor Shield	
D514602	23
Motor Switch Bracket	
D516311	25

N

Nut	
29787	69
44071201	69
44087101	61
44087301	27
52566	25
56156	25, 37
N.G. Conversion Kit	
402P3	53
650P3	53

N.G. Orifice	
D503778	55
D503779	55
D503780	55
D503781	55
D503782	55

O

Outlet Cover	
D500820	45, 47, 49
D514475	45
D518524	45, 47, 49
Output Board Shield	
D514420	59
Output Control Assembly	
D517191P	59
D517319	59

P

Panel Locator	
56079	19, 21, 57
Pinch Warning Label	
F8615701	33
Plug	
23040	75
54522	75
Plug, 2 Circuit	
56266	75
56448	75
Plug, 9 Circuit	
23033	75
Pop Rivet	
685847	13
Porcelain Touch-Up Paint	
122P4P	57
370P4P	57
Power Cord Assembly	
D517580	65
Power Harness	
D515039	63
D517689	61
D517784	61

R

Rear Access Panel	
804614	13
Rear Bulkhead	
D518128	37
Rear Bulkhead Assembly	
D511082P	37
Rear Wrapper Brace	
805345	13
Receptacle Housing	
90789	77
Receptacle, 12 Circuit	
56855	75
Receptacle, 2 Circuit	
56451	75

N/A items do not appear in index.

Receptacle, 3 Circuit 23039	75
Receptacle, 6 Circuit 26708	75
Receptacle, 9 Circuit 26163	75
Retaining Ring 23748	25, 37
Ring Terminal 00110	77
00111	77
Roller Kit RB170002	37
Rubber Foot D501855	59

S

Screw	
D500226	17, 29, 31
D500227	31
D500824	25
D501086	7, 31
D501285	33, 37, 39
D502535	27
D503661	13, 41, 45, 47, 49, 67
D50368813, 19, 23, 29, 31, 37, 41, 45, 47, 49, 51, 57, 59,	61, 67, 69
D512921	19, 57
D514428	59
M405188	37
23222	45, 47, 51
31260	23
33562	21
39733	19, 21, 57
51782	49, 51
52864	29
56124	51
61199	41
62588	35
70240301	13
804608	13
804667	59
Screw Orifice 58719	55
Seal Kit RB170001	29, 31, 37
Secondary Coil 58804B	51
59063B	51
Sensor D510213	51
Shaft 56461P	25, 37
Shock Warning Label F8614201	33
Spade Terminal 00245	77
Speed Clip 28835	19
Strain Relief D517491	63
D517492	63
38384	77
52151	63

Strain Relief Connector D511628	63
Switch D512973	19
D516391	25

T

Terminal 00347	77
Terminal Block Assembly D505876	39
D510190P	39
Terminal Block Label D506072	39
D515445	39
Terminal Block Shield D517715	39
Terminal Block Support Bracket D505875	39
Terminal Extractor Tool 283P4	79
Thermal Fuse Assembly D518542	45, 47
Thermistor M414704	27
Thermistor Assembly D502366	27
D510523	27
Thermostat D510703	49
Thermostat Cover D502194	27
Top Cover D505808DG	7
D505808W	7
Top Hinge D510136	57
Top Panel D510029DG	7
804684	13
804685DG	13
804685WP	13
Top Panel Brace Assembly 804613	13
Top Panel Guide 803761	13
Top Panel Kit D510029WP	7
Transformer D513763P	61
D515702	61
Transformer Harness D518061	61
Transformer Shield D514334	61

W

Warning Label D512263	19
D514410	19

N/A items do not appear in index.

D514866	19
D516514	19
202256	33
Warning/Caution Label	
D516512	19
D516515	19
Washer	
D504082	37
26509	61
29443	27
52549	25, 37
Wire Assembly	
D518255	45
D518256	45
Wire Clip	
D504034	75
687500	75
Wire Harness Assembly	
D513981	81
D513989	83
Wire Tie	
38663	75
Wire, 12 Gauge	
45380	81, 83
45477	83
Wire, 18 Gauge	
45001	81, 83
