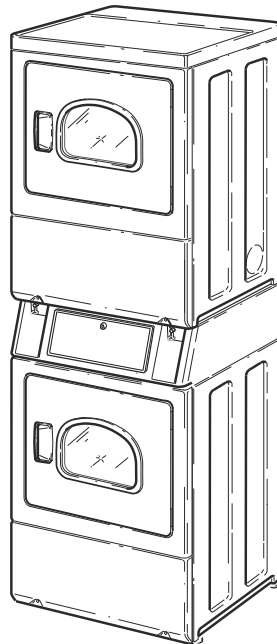


Commercial Dryers

Metered and Nonmetered
Models Starting Serial No. 2001000001

Refer to Page 3 for Model Numbers



DRY727C_D518640

Table of Contents

Title	Page
Parts Ordering Information.....	2
Serial Plate Location	2
Model Identification	3
Control Panel and Controls.....	4
Network Board Assembly.....	6
Non-Electronic Dual Coin Drop.....	8
Non-Electronic Single Coin Drop	10
Electronic Coin Drop	12
Control Cabinet	14
Control Panel and Controls - Nonmetered.....	16
Control Panel and Controls - Coin Slide Models.....	18
Coin Slide Extension Kit.....	20
Loading Door With Window	22
Loading Door Without Window	24
Access Panel, Front Panel and Seal	26
Motor, Exhaust Fan and Belt (Drawing 1 of 2).....	28
Motor, Exhaust Fan and Belt (Drawing 2 of 2).....	30
Front Bulkhead, Air Duct, Felt Seal and Cylinder	32
Rear Bulkhead, Felt Seal, Cylinder Roller and Terminal Block.....	34
Heater Duct and Element Assembly	36
Heater Duct Assembly	38
Gas Valve, Igniter and Gas Conversion Kits.....	40
Burner Orifice Spuds - For Higher Elevations.....	42
Cabinet, Exhaust Duct and Base	44
Contactors and Transformer.....	46
Cabinet Top	48
Power Cord.....	50
Junction Box	52
Junction Box Filter and Harnesses	54
Terminal Block and Terminals	56
Terminals	58
Terminals and Terminal Extractor Tools	60
Wire Harnesses and Wires	62
Wire Harnesses and Wires	64
Parts Index.....	67

© Copyright 2022, Alliance Laundry Systems LLC

All rights reserved. No part of the contents of this book may be reproduced or transmitted in any form or by any means without the expressed written consent of the publisher.

Parts Ordering Information

If literature or replacement parts are required, contact the source from whom the machine was purchased or contact Alliance Laundry Systems at (920) 748-3950 for the name and address of the nearest authorized parts distributor.

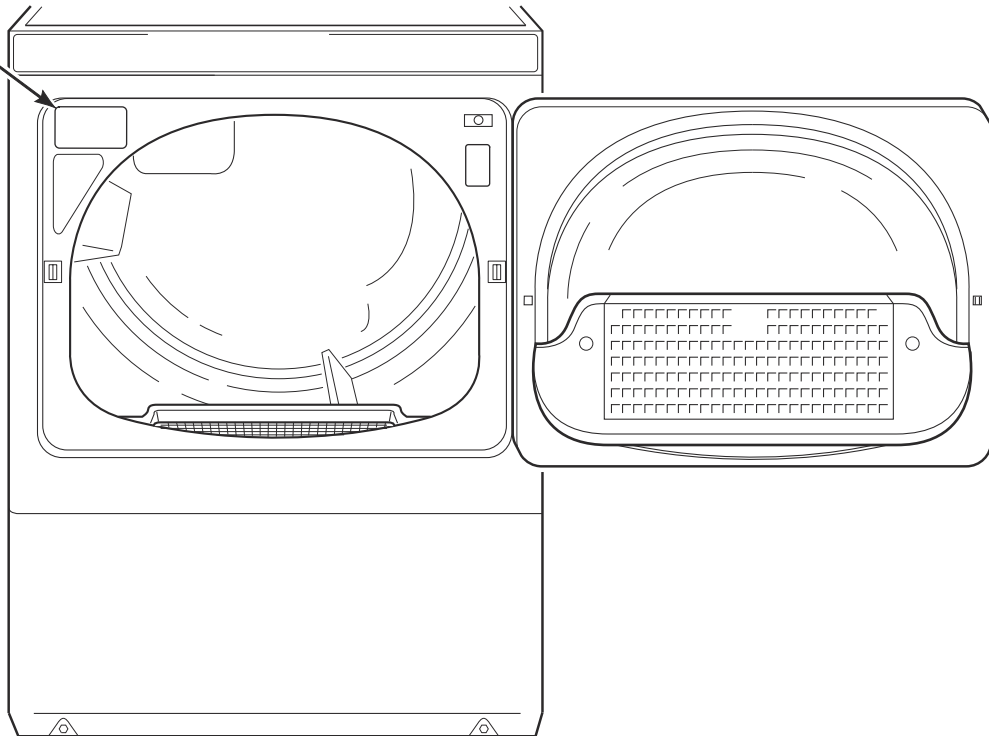
For technical assistance, call the number listed below:

(920) 748-3121 Ripon, Wisconsin

Serial Plate Location

When calling or writing about your product, be sure to mention model and serial numbers. Model and serial numbers are located on serial plate(s) as shown.

SERIAL PLATE



DRY2283P_D518640

Model Identification

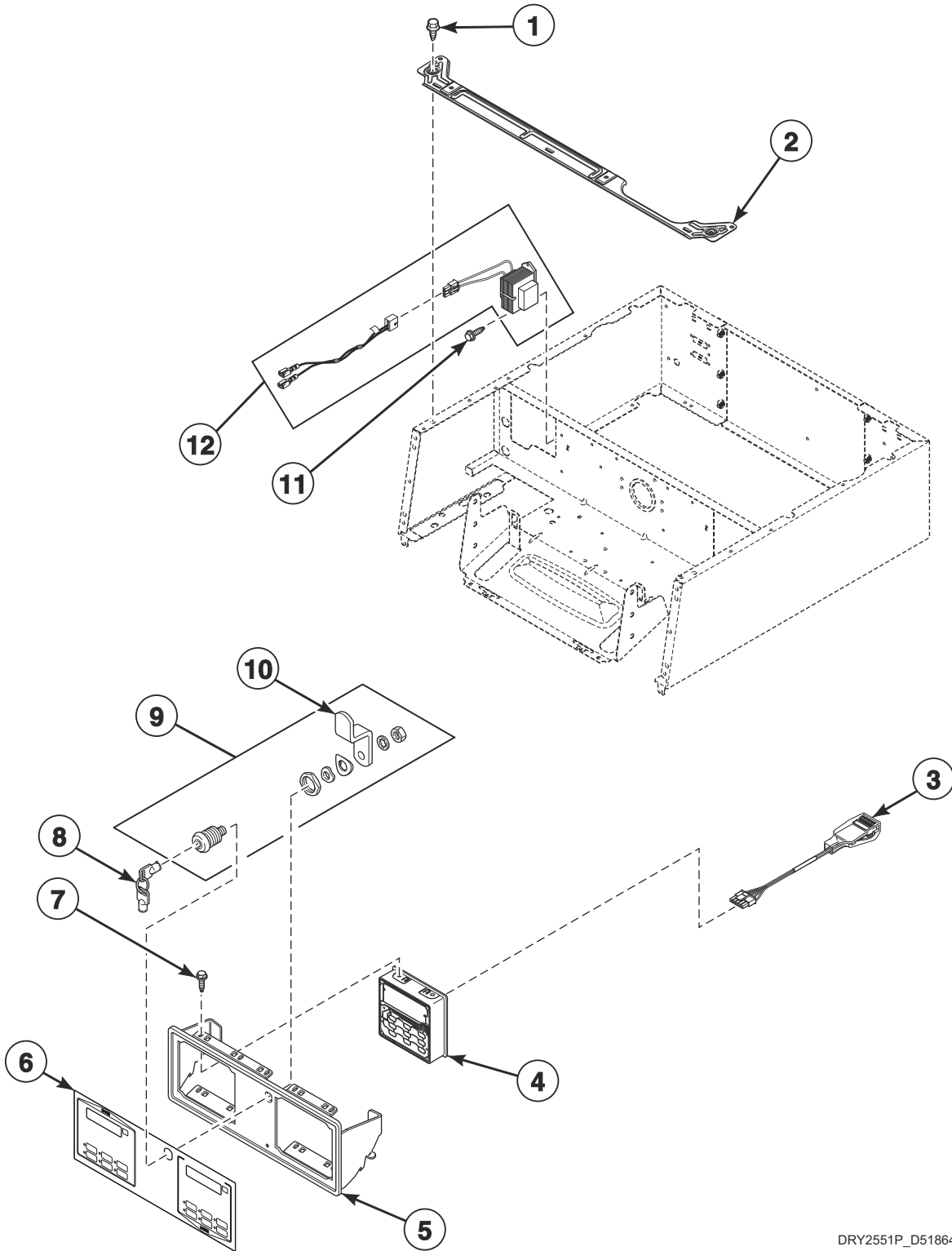
Information in this manual is applicable to these dryer models:

BSGBXAGS303AW01
BSGBXAGW303AW01
KSEMNAGS303BW33
NSGBXAGS303NW22
NSGBXAGW303NW22

SSEBXAGS303UW01
SSEMNAGS303NW01
SSEMNAGS433AW01
SSEWXAGS303BW01
SSEWXAGW303BW01
SSGBXAGS303EW01
SSGSXAGS303BW01
SSGSXAGW303BW01
TSEBXAGW303NW22

Control Panel and Controls

Models BSGBXAGS303AW01, BSGBXAGW303AW01, NSGBXAGS303NW22, NSGBXAGW303NW22, SSEBXAGS303UW01, SSEWXAGS303BW01, SSEWXAGW303BW01, SSGBXAGS303EW01 and TSEBXAGW303NW22



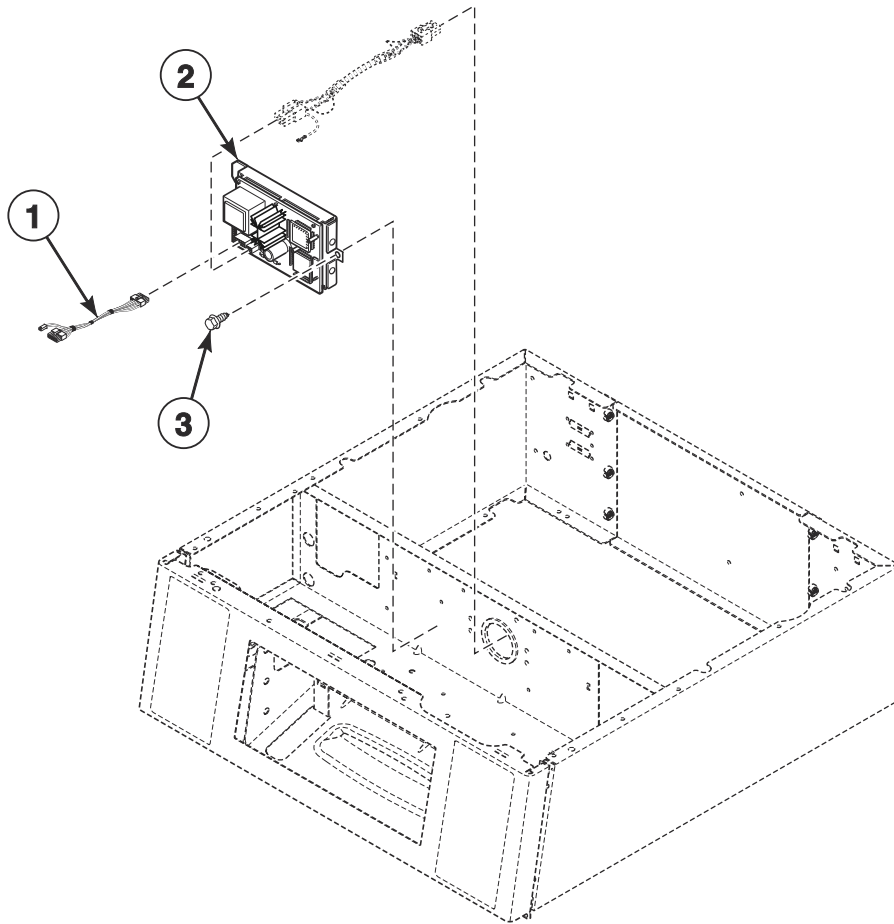
DRY2551P_D518640

Control Panel and Controls

REF	PART NO.	DESCRIPTION	COMMENTS
1	D503688	Screw	
2	804018	Shield Bracket	
3	203361P	Machine ID Control Assembly	Model or serial number is required when ordering
4	D517523	Control Assembly	Models BSGBXAGS303AW01 and BSGBXAGW303AW01
	D517522	Control Assembly	All other models
5	D513778W	Control Panel and Bracket Assembly	White
	D513778Q	Control Panel and Bracket Assembly	Bisque
6	D515543	Control Overlay	Models BSGBXAGS303AW01 and BSGBXAGW303AW01
	D515500	Control Overlay	Models NSGBXAGS303NW22, NSGBXAGW303NW22 and TSEBXAGW303NW22
	D515541	Control Overlay	Model SSEBXAGS303UW01
	D515540	Control Overlay	Model SSGBXAGS303EW01
	D514481	Control Overlay	Models SSEWXAGS303BW01 and SSEWXAGW303BW01
7	D501524	Screw	
8	54612	Key	800
9	27260P	Lock Kit	Includes item 9
10	804338	Lock Cam	
11	D503661	Screw	
12	203423	Transformer Kit	120 Volt
	203424	Transformer Kit	240 Volt

Network Board Assembly

Models SSEWXAGS303BW01 and SSEWXAGW303BW01



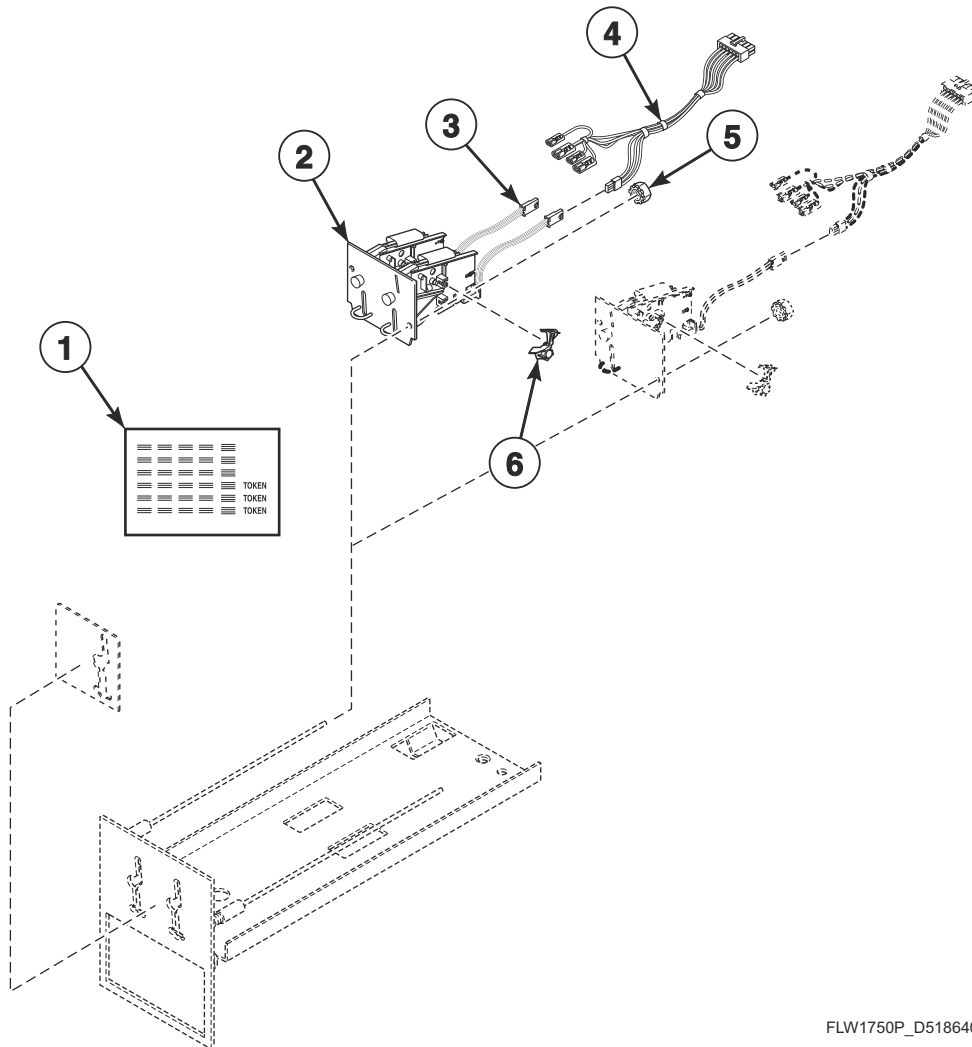
SWD1288P_D518516

Network Board Assembly

REF	PART NO.	DESCRIPTION	COMMENTS
1	F8674006	Wireless Network Harness	
2	807211	Wireless Network Control Assembly	
3	D503661	Screw	

Non-Electronic Dual Coin Drop

Coin Drop Models



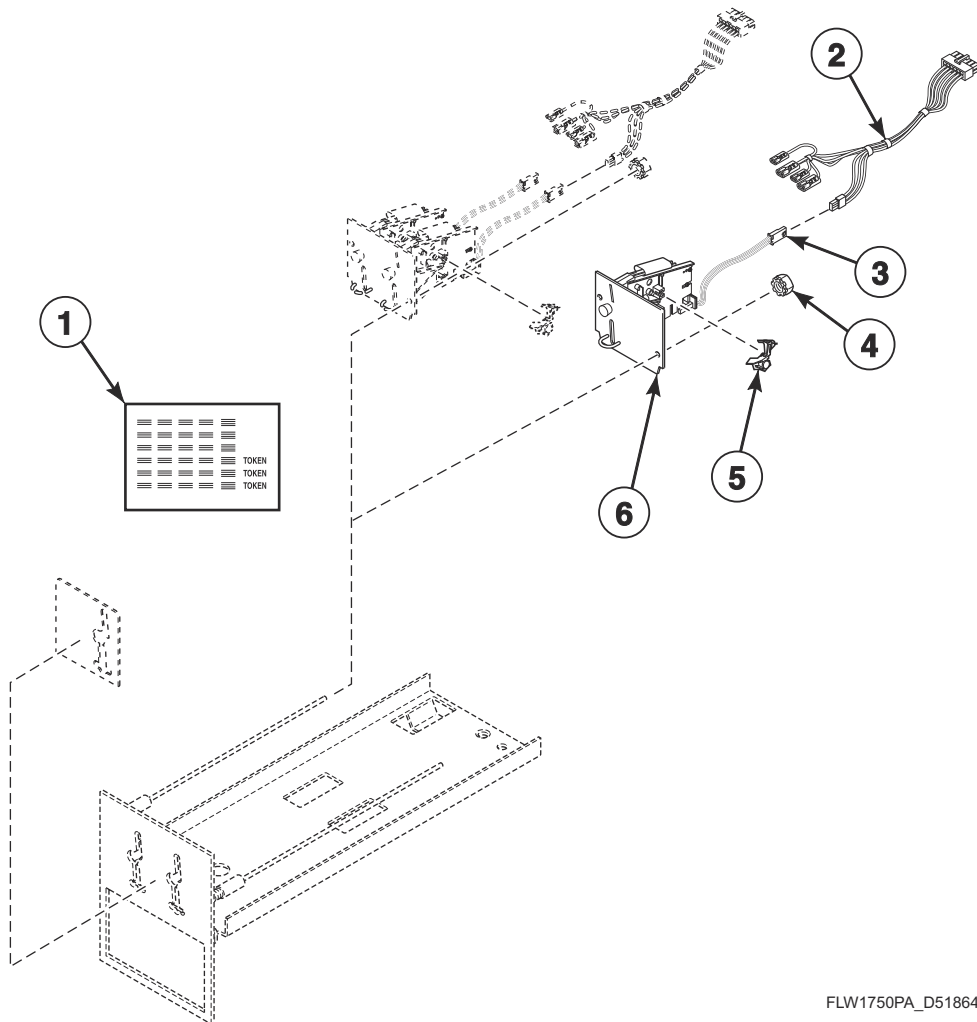
FLW1750P_D518640

Non-Electronic Dual Coin Drop

REF	PART NO.	DESCRIPTION	COMMENTS
1	38725	Coin Identification Paper	
2	70441603	Coin Drop	U.S.A.; \$.25 and \$1.00
	38467	Coin Drop Assembly	Australia; \$0.20 and \$1.00
	70447301	Coin Drop Assembly	Australia; \$1.00 and \$2.00
	70441602	Coin Drop Assembly	Canada; .25 and 1.00
	38472	Coin Drop Assembly	England; 20 pence and 1 pound
	38519	Coin Drop Assembly	Japan; 100 yen and 500 yen
	38521	Coin Drop Assembly	Korea; 100 won and 500 won
	70482401	Coin Drop Assembly	New Zealand; \$1.00 and \$2.00
	553192	Coin Drop Assembly	Danish Crown
	39157	Coin Drop Assembly	Israel; 1 and 5 Shekel
	210195	Coin Drop Assembly	0.20 and 1.00 Euro
	210196	Coin Drop Assembly	0.50 and 1.00 Euro
	70281102	Coin Drop Assembly	Taiwan; 10 and 50 NT
	CK058	Coin Drop Kit	Canada; \$0.25 and \$1.00
	CK060	Coin Drop Kit	Australia; \$0.20 and \$1.00
	CK071	Coin Drop Kit	Japan; 100 yen and 500 yen
	CK086	Coin Drop Kit	Israel; 1 and 5 Shekel
	CK091	Coin Drop Kit	0.20 and 1.00 Euro
	CK107	Coin Drop Kit	Taiwan; 10 and 50 NT
	CK111	Coin Drop Kit	Australia; \$1.00 and \$2.00
	CK122	Coin Drop Kit	New Zealand; \$1.00 and \$2.00
3	200674P	Opto Coupler	
4	806827	Dual Coin Harness Assembly	Models SSEWXAGS303BW01 and SSEWXAGW303BW01
	202871	Dual Coin Harness Assembly	Dual drop; All other models
5	29786	Nut	
6	201595P	Wire Guard	Anti-stringing security device; Add to coin drops

Non-Electronic Single Coin Drop

Coin Drop Models



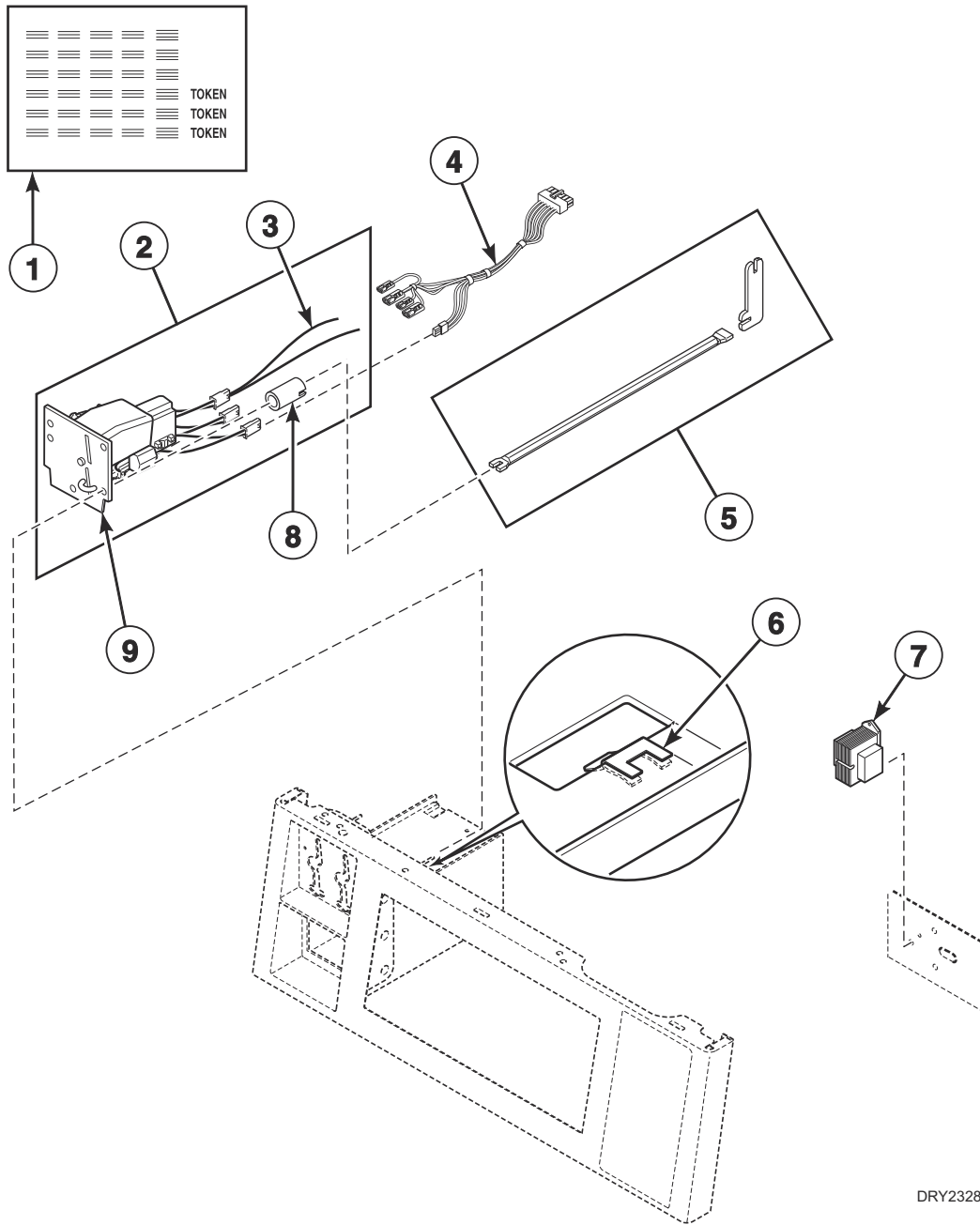
FLW1750PA_D518640

Non-Electronic Single Coin Drop

REF	PART NO.	DESCRIPTION	COMMENTS
1	38725	Coin Identification Paper	
2	202870	Single Coin Harness Assembly	Single drop
3	200674P	Opto Coupler	
4	29786	Nut	
5	201595P	Wire Guard	Anti-stringing security device; Add to coin drops
6	70441601P	Coin Drop	U.S.A.; \$.25
	200731	Coin Drop	U.S.A.; \$1.00
	38464P	Coin Drop Assembly	Canada; .25
	CK114	Coin Drop Assembly	Singapore; Old \$1.00
	CK123	Coin Drop Kit	Singapore; New \$1.00
	38462P	Coin Drop Assembly	Token; STD 118-1
	38463	Coin Drop Assembly	Token; STD 118-5
	38963P	Coin Drop	Token STD 118-16
	38475	Coin Drop Assembly	Japan; 100 yen
	70506901	Coin Drop Assembly	Singapore; \$1.00 NEW
	39748	Coin Drop	Jeton 08MS
	201141	Coin Drop Assembly	Token; Jeton wh121
	CK055	Coin Drop Kit	Token STD 118-1
	CK056	Coin Drop Kit	Token STD 118-5
	CK057	Coin Drop Kit	Canada; \$0.25
	CK077	Coin Drop Kit	Taiwan; 10 NT
	CK078	Coin Drop Kit	U.S.A.; \$0.25
	CK085	Coin Drop Kit	Token STD 118-16
	CK089	Coin Drop Kit	Japan; 100 yen
	CK090	Coin Drop Kit	U.S.A.; \$1.00
CK097	Coin Drop Kit	Token; Jeton 08MS	
CK098	Coin Drop Kit	Token; Jeton wh121	

Electronic Coin Drop

Coin Drop Models



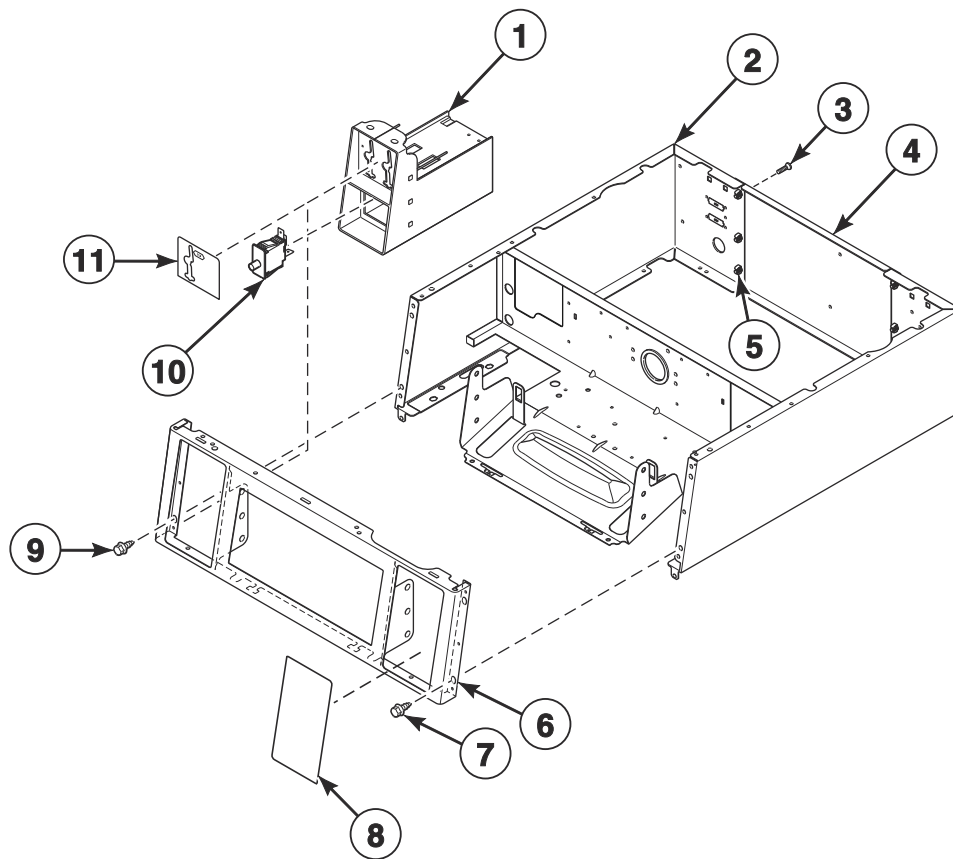
DRY2328P_D518640

Electronic Coin Drop

REF	PART NO.	DESCRIPTION	COMMENTS
1	38725	Coin Identification Paper	
2	CK099	Electronic Coin Drop Kit	Australia, New Zealand, Hong Kong and South Korea; Includes items 1, 3, 6, 8 and 9
	CK100	Electronic Coin Drop Kit	Euro and Great Britain; Includes items 1, 3, 6, 8 and 9
	CK101	Electronic Coin Drop Kit	Euro, Denmark and Norway; Includes items 1, 3, 6, 8 and 9
	CK103	Electronic Coin Drop Kit	Euro, Lithuania and Latvia; Includes items 1, 3, 6, 8 and 9
	CK108	Electronic Coin Drop Kit	South Africa; Includes items 1, 3, 6, 8 and 9
	CK109	Electronic Coin Drop Kit	Euro; Includes items 1, 3, 6, 8 and 9
	CK110	Electronic Coin Drop Kit	Mexico, Ecuador and United States; Includes items 1, 3, 6, 8 and 9
	CK113	Electronic Coin Drop Kit	Japan and Taiwan; Includes items 1, 3, 6, 8 and 9
	CK115	Electronic Coin Drop Kit	United States and Canada; Includes items 1, 3, 6, 8 and 9
	CK116	Electronic Coin Drop Kit	Malaysia and China; Includes items 1, 3, 6, 8 and 9
	CK117	Electronic Coin Drop Kit	Russia; Includes items 1, 3, 6, 8 and 9
	CK118	Electronic Coin Drop Kit	Philippines; Includes items 1, 3, 6, 8 and 9
	CK119	Electronic Coin Drop Kit	Thailand coins; Includes items 1, 3, 6, 8 and 9
	CK120	Electronic Coin Drop Kit	Chile; Includes items 1, 3, 6, 8 and 9
	CK121	Electronic Coin Drop Kit	Singapore; Includes items 1, 3, 6, 8 and 9
3	201104	Coin Drop Wire Harness	
4	806827	Dual Coin Harness Assembly	Models SSEWXAGS303BW01 and SSEWXAGW303BW01
	202871	Dual Coin Harness Assembly	All other models
5	CK096	Mounting Tool Kit	
6	201572	Clip	
7	204380	Transformer	Model SSEBXAGS303UW01
8	201216	Nut	
9	70513302	Electronic Coin Drop Assembly	Euro and Great Britain
	70294104	Electronic Coin Drop Assembly	Euro, Denmark and Norway
	70513306	Electronic Coin Drop Assembly	Mexico, Ecuador and United States
	70294107	Electronic Coin Drop Assembly	Euro, Lithuania and Latvia
	70294110	Electronic Coin Drop Assembly	South Africa
	70294111	Electronic Coin Drop Assembly	Euro
	70294122	Electronic Coin Drop Assembly	Great Britain and token
	70513311	Electronic Coin Drop Assembly	Malaysia and China
	70294117	Electronic Coin Drop Assembly	Russia
	70294120	Electronic Coin Drop Assembly	Chile
	70294121	Electronic Coin Drop Assembly	Singapore
	70294103P	Electronic Coin Drop Assembly	Euro and Great Britain coins
	70294119	Electronic Coin Drop Assembly	Thailand coins

Control Cabinet

Coin Drop Models



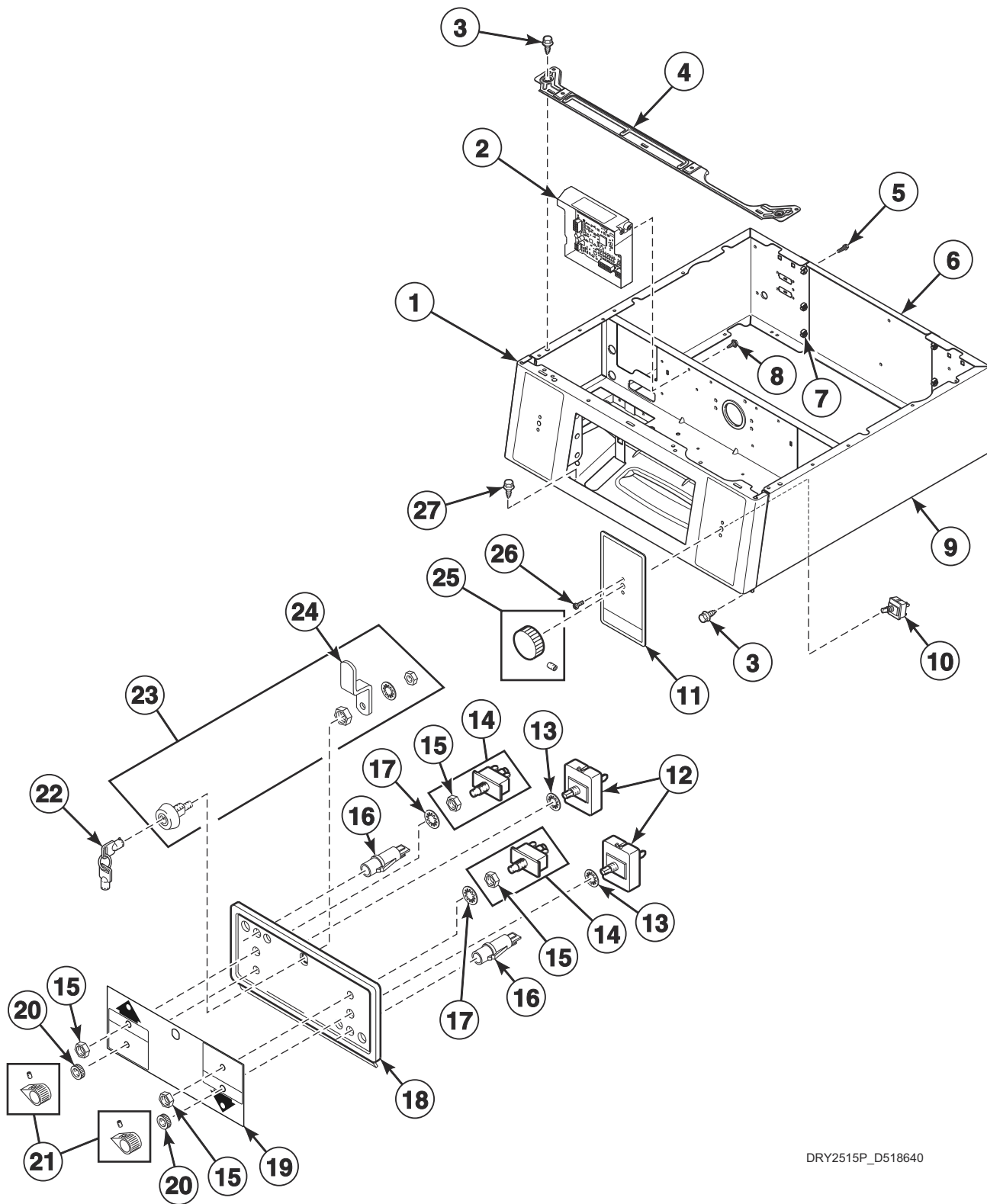
DRY2550P_D518640

Control Cabinet

REF	PART NO.	DESCRIPTION	COMMENTS
	44087201	Nut	4 required; Use with item 9
1	807396W	Meter Case Assembly	White; Requires high capacity coin vault
2	804104W	Wrapper Assembly	White
	804104Q	Wrapper Assembly	Bisque
3	70240301	Screw	6 required
4	807646	Rear Access Panel	
5	70030501	Expansion Clip	6 required
6	803964W	Control Panel	White
	803964Q	Control Panel	Bisque
7	D503688	Screw	
8	D517764	Operating Instructions Label	Model SSEBXAGS303UW01
9	29651	Bolt	4 required
10	70529301	Switch	
11	38717	Single Overlay	For use with non-electronic coin drops
	201091	Overlay	For use with electronic coin drops
	39073	Dual Overlay	

Control Panel and Controls - Nonmetered

Models KSEMNAGS303BW33, SSEMNAGS303NW01 and SSEMNAGS433AW01



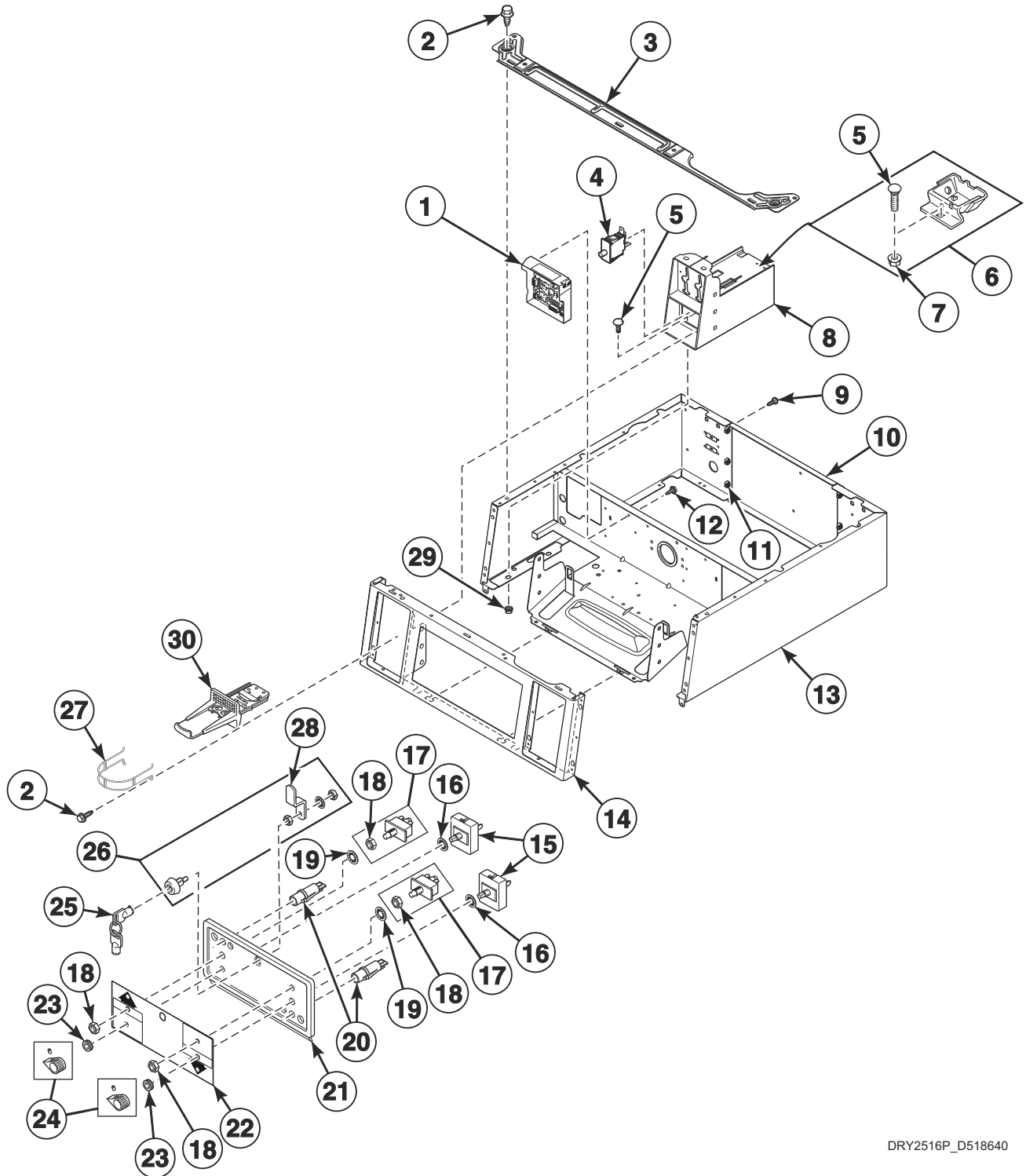
DRY2515P_D518640

Control Panel and Controls - Nonmetered

REF	PART NO.	DESCRIPTION	COMMENTS
1	D514711W	Control Panel	White
2	D517526	Control Assembly	
3	D503688	Screw	
4	804018	Shield Bracket	
5	70240301	Screw	6 required
6	807646	Rear Access Panel	
7	70030501	Expansion Clip	6 required
8	804608	Screw	
9	804112W	Wrapper Assembly	White
10	201686	Cycle Selector Switch	
11	D515998	Timer Overlay	
12	D511711	Temperature Selector Switch	
13	91176	Washer	
14	55882	Switch Assembly	Includes item 15
15	52947	Nut	
16	801431	Light	
17	F430339	Washer	
18	D500228W	Control Panel and Bracket Assembly	White
19	D517289	Control Overlay	Model KSEMNAGS303BW33
	D514371	Overlay	All other models
20	24205	Nut	
21	39897	Switch Knob	
22	54612	Key	800
23	27260P	Lock Kit	Includes items 24
24	804338	Lock Cam	
25	54678	Timer Knob	
26	27328	Screw	
27	D502431	Screw	

Control Panel and Controls - Coin Slide Models

Models SSGSXAGS303BW01 and SSGSXAGW303BW01



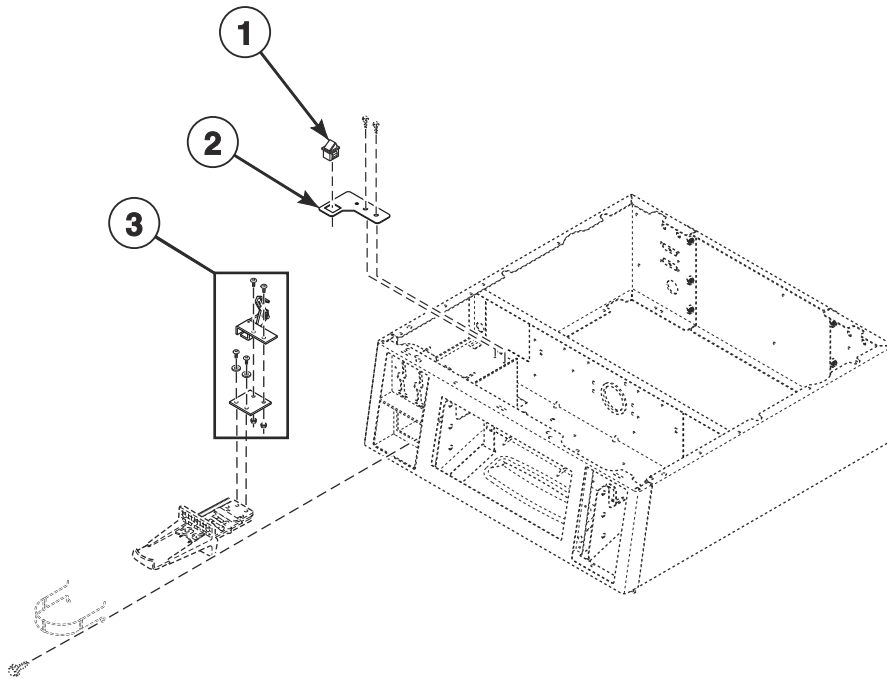
DRY2516P_D518640

Control Panel and Controls - Coin Slide Models

REF	PART NO.	DESCRIPTION	COMMENTS
	D517764	Operating Instructions Label	
1	D517526	Control Assembly	
2	D503688	Screw	
3	804018	Shield Bracket	
4	70529301	Switch	
5	29651	Bolt	
6	523P3	Coin Funnel Kit	Includes items 5 and 7
7	29796	Nut	
8	807255W	Meter Case Assembly	White; Requires high capacity coin vault
	804011Q	Meter Case Assembly	Bisque; Requires high capacity coin vault
9	70240301	Screw	6 required
10	807646	Rear Access Panel	
11	70030501	Expansion Clip	6 required
12	804608	Screw	
13	804104W	Wrapper Assembly	White
	804104Q	Wrapper Assembly	Bisque
14	D514724W	Control Panel	White
	D514724Q	Control Panel	Bisque
15	D511711	Temperature Selector Switch	
16	91176	Washer	
17	55882	Switch Assembly	Includes item 18
18	52947	Nut	
19	F430339	Washer	
20	801431	Light	
21	D500228W	Control Panel and Bracket Assembly	White
	D500228Q	Control Panel and Bracket Assembly	Bisque
22	D514371	Overlay	
23	24205	Nut	
24	39897	Switch Knob	
25	54612	Key	800
26	27260P	Lock Kit	Includes item 28
27	D514726	Coin Slide Guard	
28	804338	Lock Cam	
29	44087201	Nut	4 required
30	CK001	Coin Slide Kit	U.S.A.
	CK009	Coin Slide Kit	STD-118-1 Token
	CK010P	Coin Slide Kit	STD-118-5 Token
	CK011	Coin Slide Kit	STD-118-10 Token
	CK014	Coin Slide Kit	U.S.A.
	CK017	Coin Slide Kit	Chilly Willy
	CK027	Slide	Tokette

Coin Slide Extension Kit

Models SSGSXAGS303BW01 and SSGSXAGW303BW01



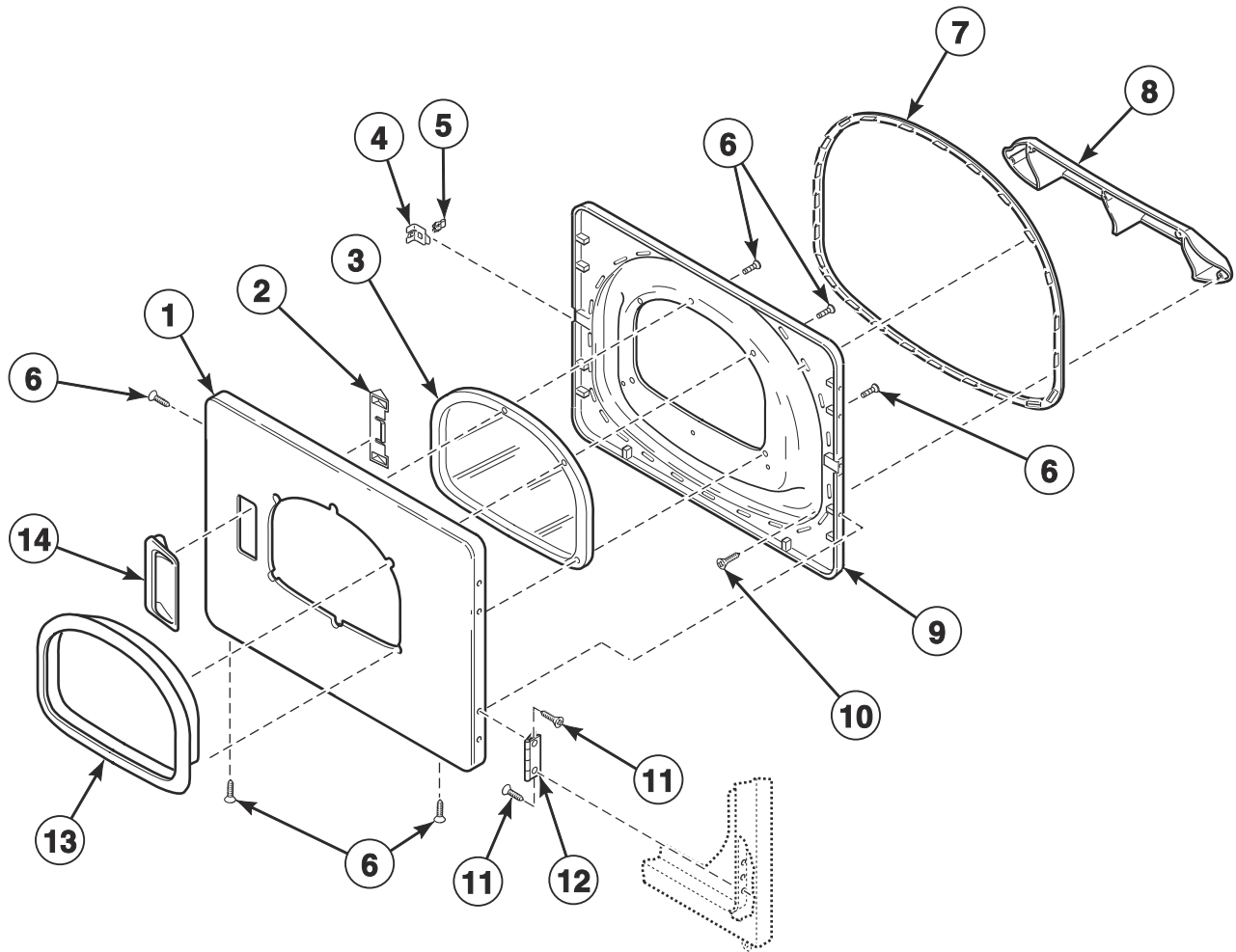
DRY2428P_D518640

Coin Slide Extension Kit

REF	PART NO.	DESCRIPTION	COMMENTS
1	D514105	Switch	
2	803662	Bracket	
3	D514228	Coin Slide Extension Kit	Includes items 1 and 2

Loading Door With Window

Models BSGBXAGW303AW01, NSGBXAGW303NW22, SSEWXAGW303BW01, SSGSXAGW303BW01 and TSEBXAGW303NW22



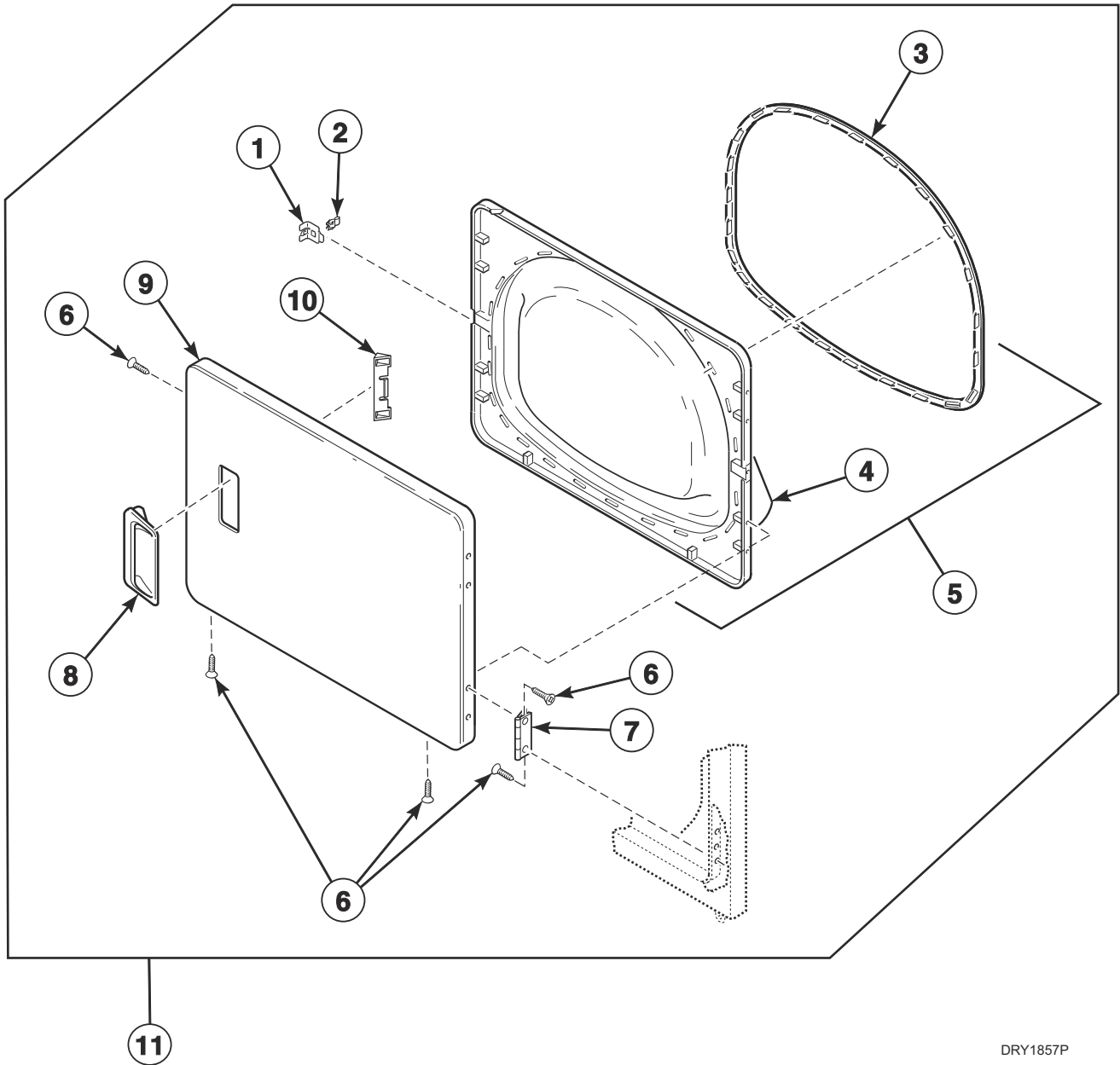
D427P_D518640

Loading Door With Window

REF	PART NO.	DESCRIPTION	COMMENTS
1	D510082WP	Dryer Door	White
	D510082QP	Dryer Door	Bisque
2	D510129W	Door Handle Wedge	
3	D503982P	Dryer Door Window	
4	D510127	Door Strike Mount	
5	D510181	Door Strike	
6	D500226	Screw	
7	D510147P	Liner Door Seal	
8	D503870W	Door Liner Grill	
9	D516509	Liner and Seal Assembly	Includes item 7
10	D505870	Screw	
11	D505295	Screw	
12	D511036	Hinge	
13	D503981W	Window Trim	White
	D503981Q	Window Trim	Bisque
14	D510103WP	Door Pull and Wedge Kit	White; Includes item 2
	D510103QP	Door Pull and Wedge Kit	Bisque; Includes item 2
15	D516737W	Door Assembly	White; Includes items 1-10, 13 and 14
	D511636QP	Door and Liner Assembly	Bisque; Includes items 1-10, 13 and 14

Loading Door Without Window

Models BSGBXAGS303AW01, KSEMNAGS303BW33, NSGBXAGS303NW22, SSEBXAGS303UW01, SSEMNAGS303NW01, SSEMNAGS433AW01, SSEWXAGS303BW01, SSGBXAGS303EW01 and SSGSXAGS303BW01

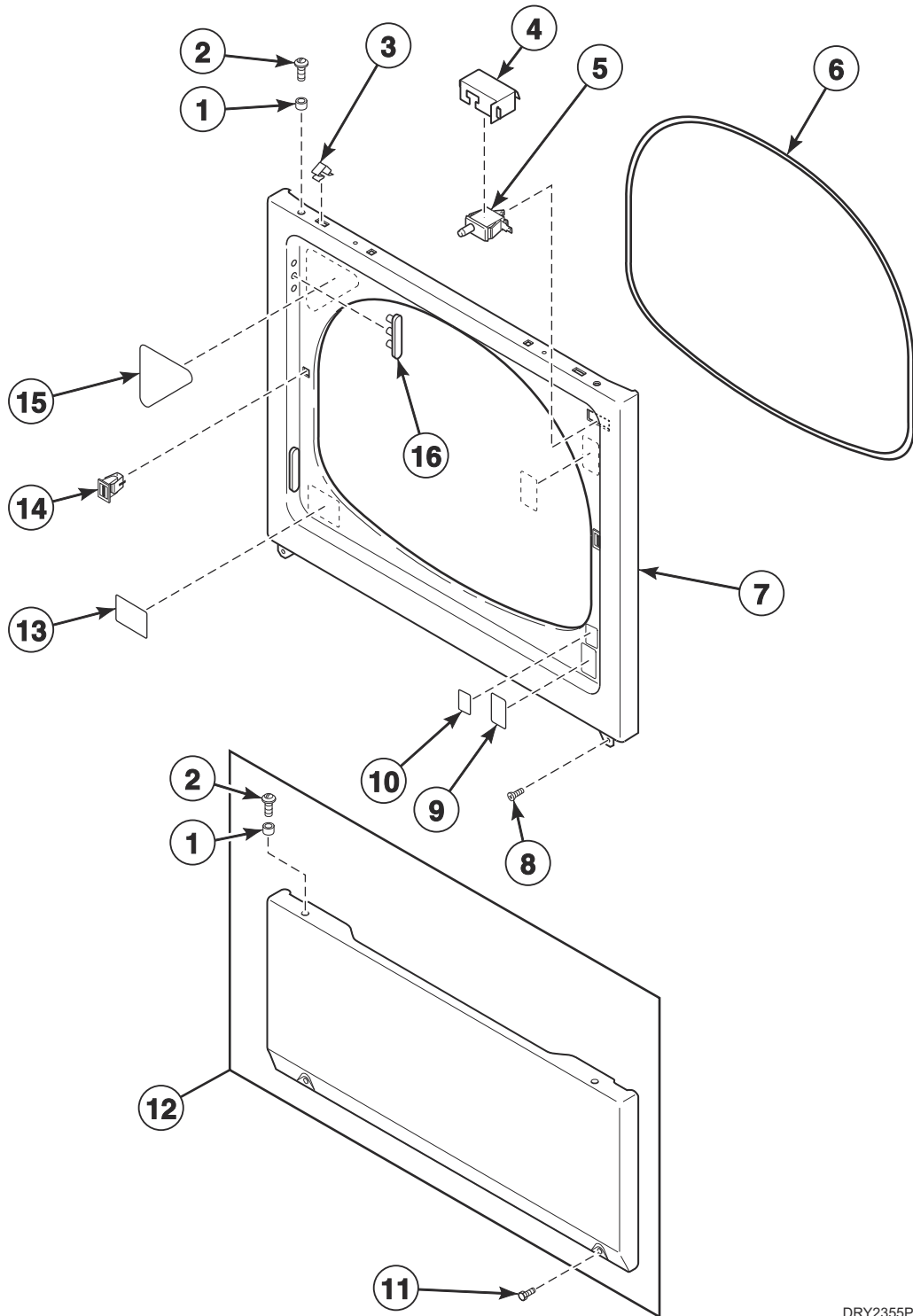


DRY1857P

Loading Door Without Window

REF	PART NO.	DESCRIPTION	COMMENTS
1	D510127	Door Strike Mount	
2	D510181	Door Strike	
3	D510147P	Liner Door Seal	
4	D503870W	Door Liner Grill	
5	D516508	Door Liner Assembly	Includes Door Seal; Models BSGBXAGS303AW01, NSGBXAGS303NW22, SSEWXAGS303BW01 and SSGSXAGS303BW01
	D510163WP	Liner, Seal and Grill Assembly	Includes item 3 and 4; All other models
6	D500226	Screw	
7	D511036	Hinge	
8	D510103QP	Door Pull and Wedge Kit	Bisque; Includes item 9
	D510103WP	Door Pull and Wedge Kit	White; Includes item 9
9	D510013QP	Dryer Door	Bisque
	D515960W	Dryer Door	White; Models BSGBXAGS303AW01, NSGBXAGS303NW22, SSEWXAGS303BW01 and SSGSXAGS303BW01
	D510013WP	Dryer Door	White; All other models
10	D510129W	Door Handle Wedge	
11	D516510W	Door Assembly	White; Includes items 1-10; Models BSGBXAGS303AW01, NSGBXAGS303NW22, SSEWXAGS303BW01 and SSGSXAGS303BW01

Access Panel, Front Panel and Seal

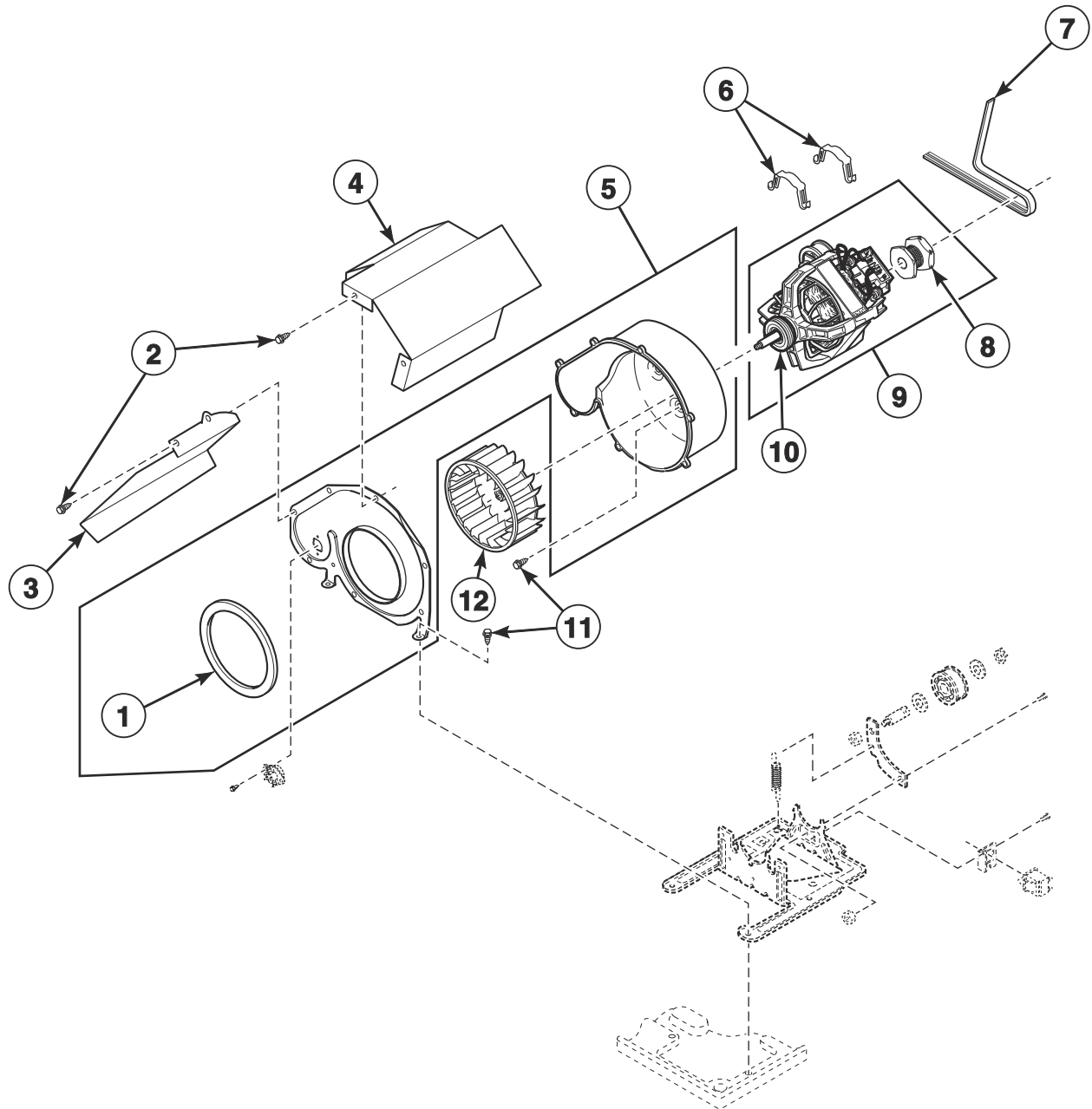


DRY2355P_D518640

Access Panel, Front Panel and Seal

REF	PART NO.	DESCRIPTION	COMMENTS
1	56079	Panel Locator	
2	39733	Screw	
3	28835	Speed Clip	
4	D514327	Drip Shield	Models BSGBXAGS303AW01, BSGBXAGW303AW01, KSEMNAGS303BW33, SSEBXAGS303UW01, SSEMNAGS433AW01, SSEWXAGS303BW01, SSEWXAGW303BW01, SSGBXAGS303EW01, SSGSXAGS303BW01 and SSGSXAGW303BW01
5	D512973	Switch	
6	D511056	Front Panel Seal	
7	D510066WP	Front Panel	White
	D510066QP	Front Panel	Bisque
8	D503688	Screw	
9	D503887	Label	Models BSGBXAGS303AW01, BSGBXAGW303AW01 and SSEMNAGS433AW01
10	D512263	Warning Label	Models BSGBXAGS303AW01, BSGBXAGW303AW01 and SSEMNAGS433AW01
11	33562	Screw	Slotted hex head
	62853	Screw	Torx head; Optional for added security
12	D514250WP	Access Panel Assembly	White
	D514250Q	Access Panel Assembly	Bisque
13	D502804	Lint Filter Label	Models BSGBXAGS303AW01, BSGBXAGW303AW01 and SSEMNAGS433AW01
	D502781	Lint Filter Label	All other models
14	D510177	Door Catch Assembly	
15	D514863	Front Panel Label	Chinese
	D516512	Warning/Caution Label	English
	D514226	Warning Label	Brazilian Portuguese
	D516514	Warning Label	Spanish
16	D510186	Hinge Hole Plug	

Motor, Exhaust Fan and Belt (Drawing 1 of 2)

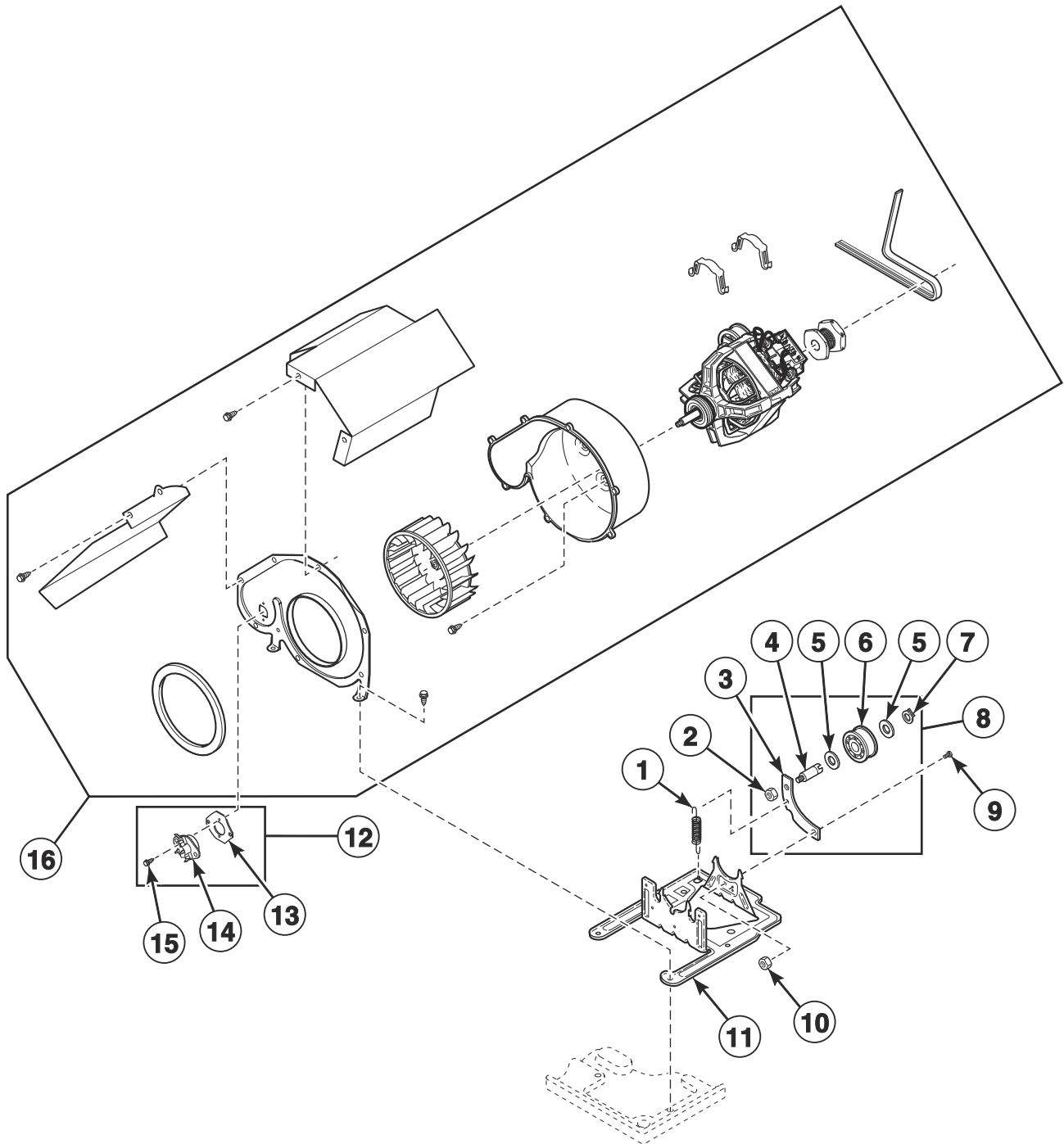


DRY2519P_D518640

Motor, Exhaust Fan and Belt (Drawing 1 of 2)

REF	PART NO.	DESCRIPTION	COMMENTS
	27604P	Anti-Seize Compound	Apply to motor shaft when installing blower fan assembly
1	D510238P	Blower Housing Seal	
2	31260	Screw	
3	D514325	Thermostat Shield	Upper unit only; Models BSGBXAGS303AW01, BSGBXAGW303AW01, KSEMNA303BW33, SSEBXAGS303UW01, SSEMNAGS433AW01, SSEWXAGS303BW01, SSEWXAGW303BW01, SSGBXAGS303EW01, SSGSXAGS303BW01 and SSGSXAGW303BW01
4	D514602	Motor Shield	Models BSGBXAGS303AW01, BSGBXAGW303AW01, KSEMNA303BW33, SSEBXAGS303UW01, SSEMNAGS433AW01, SSEWXAGS303BW01, SSEWXAGW303BW01, SSGBXAGS303EW01, SSGSXAGS303BW01 and SSGSXAGW303BW01
5	D511969WP	Blower Housing	Includes items 1 and 2
6	D510180	Motor Mount Clamp	
7	D511255P	Cylinder Belt	
8	D500222	Motor Pulley	50 Hertz
9	D505843P	Motor and Pulley Assembly	230 Volt/50 Hertz; Includes items 8 and 10; Apply anti-seize compound to motor shaft when installing blower fan assembly
10	590P3	Motor Hub Ring Kit	
11	D503688	Screw	
12	D510139P	Blower Fan Assembly	Apply anti-seize compound to motor shaft when installing blower fan assembly

Motor, Exhaust Fan and Belt (Drawing 2 of 2)

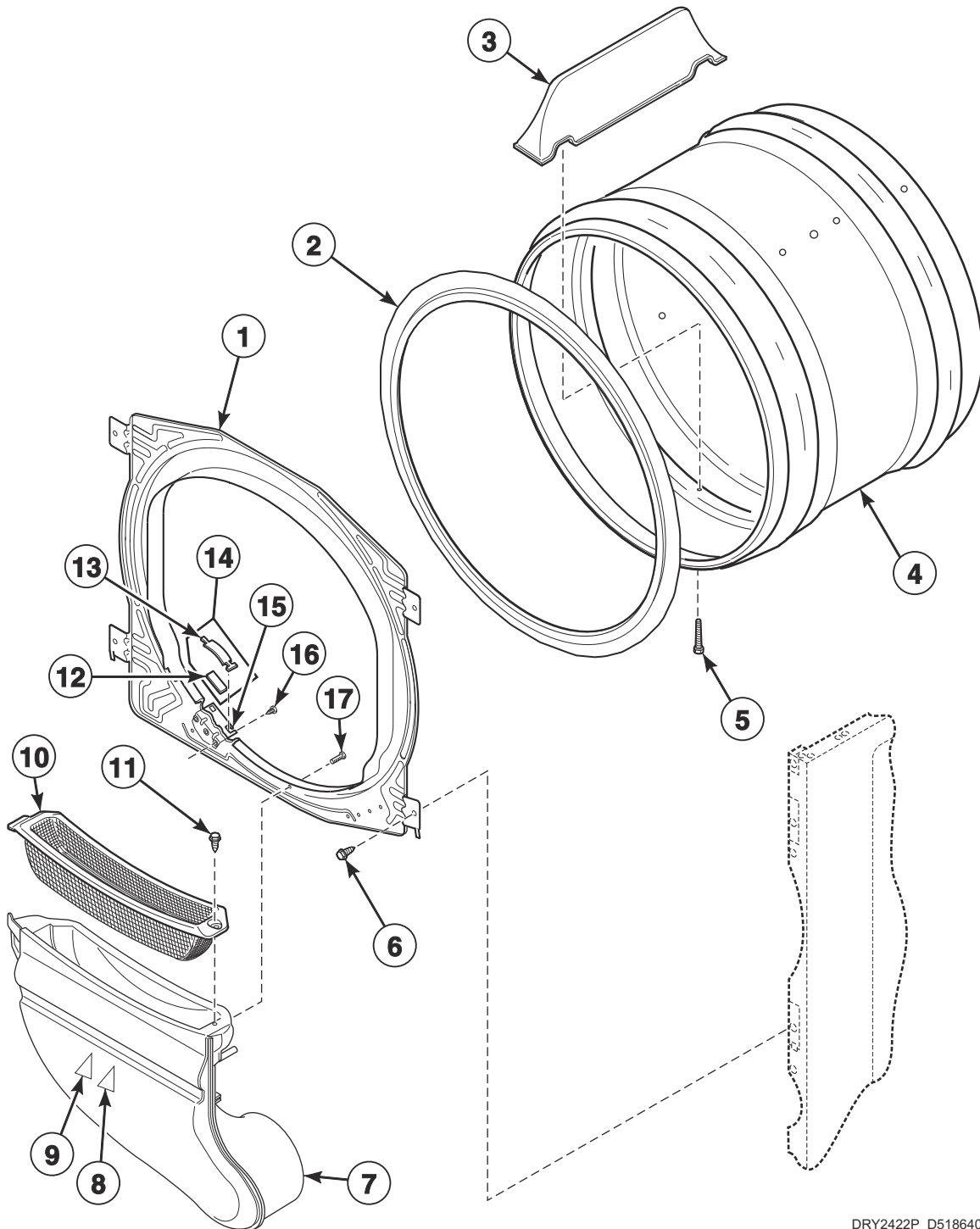


DRY2549P_D518640

Motor, Exhaust Fan and Belt (Drawing 2 of 2)

REF	PART NO.	DESCRIPTION	COMMENTS
	29443	Washer	Models BSGBXAGS303AW01, BSGBXAGW303AW01, KSEMNAGS303BW33, NSGBXAGS303NW22, NSGBXAGW303NW22, SSEBXAGS303UW01, SSEMNAGS303NW01, SSEMNAGS433AW01, SSEWXAGS303BW01, SSEWXAGW303BW01, SSGBXAGS303EW01 and TSEBXAGW303NW22
	44087301	Nut	Models BSGBXAGS303AW01, BSGBXAGW303AW01, KSEMNAGS303BW33, NSGBXAGS303NW22, NSGBXAGW303NW22, SSEBXAGS303UW01, SSEMNAGS303NW01, SSEMNAGS433AW01, SSEWXAGS303BW01, SSEWXAGW303BW01, SSGBXAGS303EW01 and TSEBXAGW303NW22
1	D510185	Idler Spring	
2	56156	Nut	
3	D516310	Idler Lever	
4	56461P	Shaft	
5	52549	Washer	
6	D510142P	Idler Wheel and Bearing Assembly	
7	23748	Retaining Ring	
8	D516792	Idler Lever and Wheel Assembly	
9	D500824	Screw	
10	52566	Nut	
11	D518517	Motor Mount	
12	D502366	Thermistor Assembly	
13	D502194	Thermostat Cover	Models BSGBXAGS303AW01, BSGBXAGW303AW01, KSEMNAGS303BW33, NSGBXAGS303NW22, NSGBXAGW303NW22, SSEBXAGS303UW01, SSEMNAGS303NW01, SSEMNAGS433AW01, SSEWXAGS303BW01, SSEWXAGW303BW01, SSGBXAGS303EW01 and TSEBXAGW303NW22
14	M414704	Thermistor	Models BSGBXAGS303AW01, BSGBXAGW303AW01, KSEMNAGS303BW33, NSGBXAGS303NW22, NSGBXAGW303NW22, SSEBXAGS303UW01, SSEMNAGS303NW01, SSEMNAGS433AW01, SSEWXAGS303BW01, SSEWXAGW303BW01, SSGBXAGS303EW01 and TSEBXAGW303NW22
15	D502535	Screw	
16	D510717P	Blower and Fan Kit	<i>Includes items 1-6 and 8-12 on Motor, Exhaust Fan and Belt (Drawing 1 of 2) page and items 1-9</i>

Front Bulkhead, Air Duct, Felt Seal and Cylinder

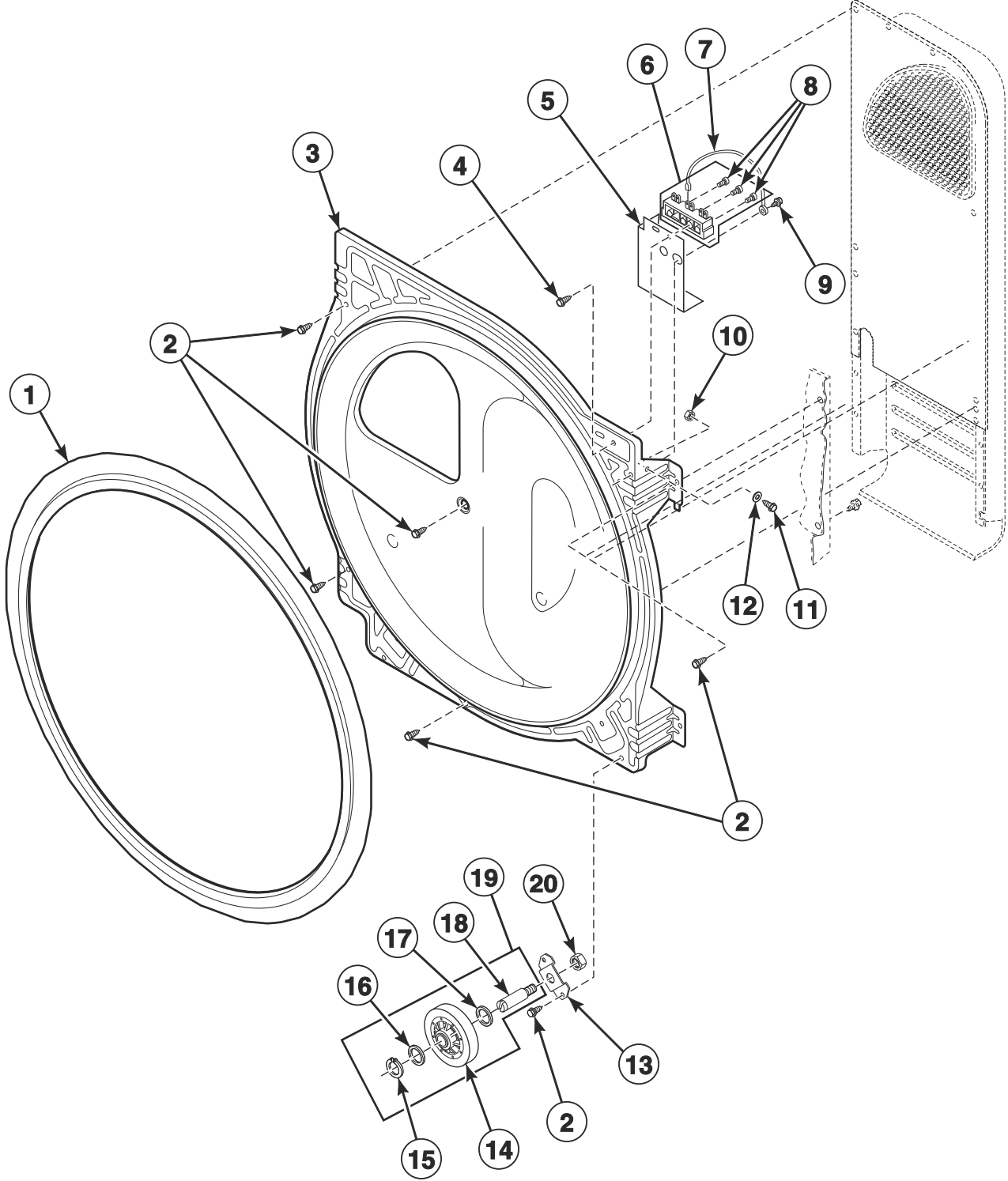


DRY2422P_D518640

Front Bulkhead, Air Duct, Felt Seal and Cylinder

REF	PART NO.	DESCRIPTION	COMMENTS
1	D510266P	Front Bulkhead Assembly	Unpainted; Includes items 2 and 12-16
2	D510207P	Cylinder Seal Assembly	
	D511637P	Adhesive	Apply to cylinder seal
	RB170001	Seal Kit	Includes 2 cylinder seals, D510238P Blower Housing Seal and adhesive
3	D510102W	Cylinder Baffle	
4	D510265WP	Cylinder Assembly	Galvanized; Includes item 3
5	62588	Screw	
6	D503688	Screw	
7	D518431	Air Duct Assembly	
8	F8211201	Electrical Shock Label	
9	F8615701	Pinch Warning Label	
10	D503980W	Lint Filter	
11	D501285	Screw	
12	D510189	Felt Pad	2 required
13	D513710	Cylinder Glide	2 required
14	RB170003	Glide Kit	Includes two of items 12 and 13
15	D510145	Cylinder Glide Bracket	
16	52864	Screw	
17	D505295	Screw	

Rear Bulkhead, Felt Seal, Cylinder Roller and Terminal Block



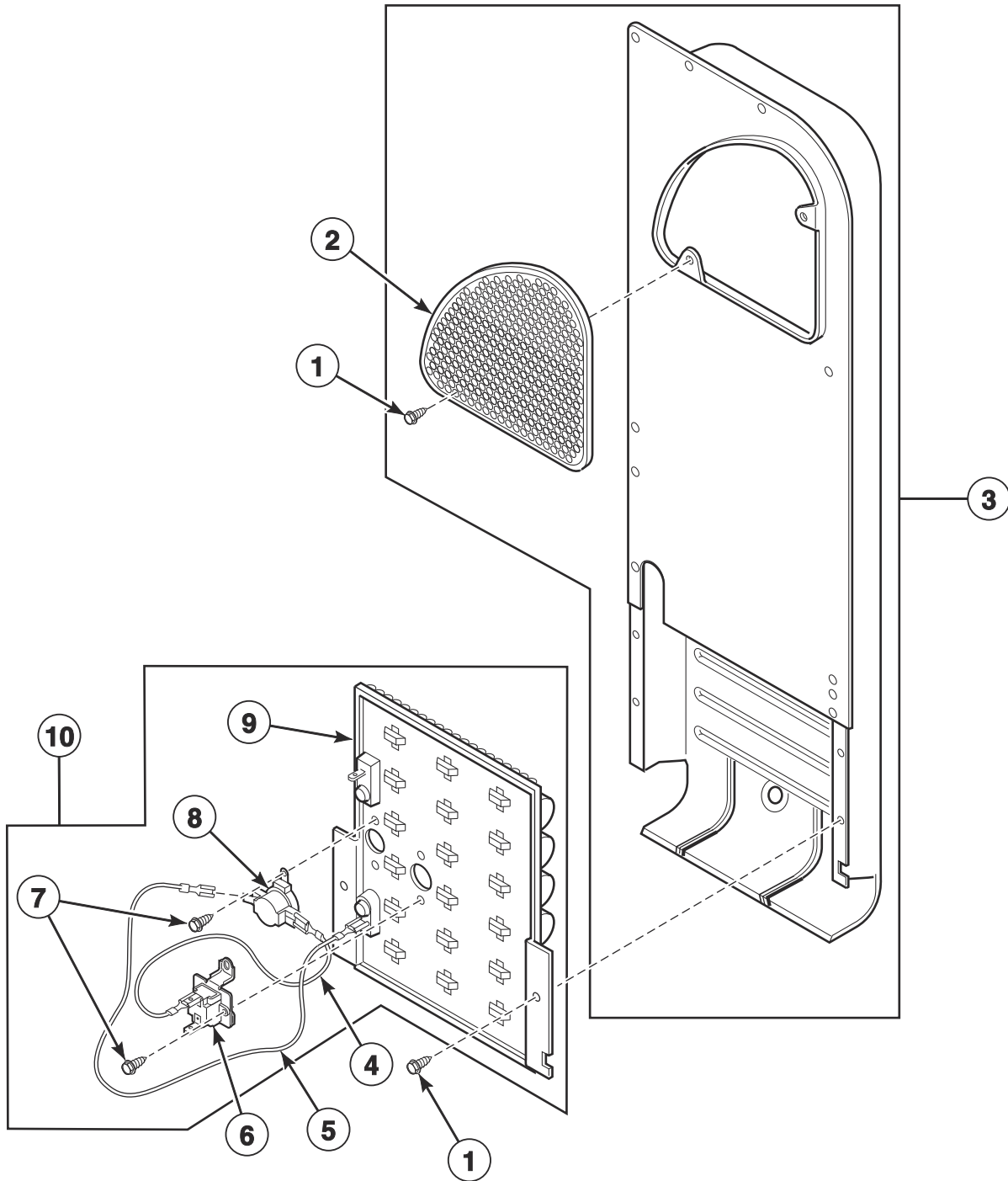
DRY1774P_D518640

Rear Bulkhead, Felt Seal, Cylinder Roller and Terminal Block

REF	PART NO.	DESCRIPTION	COMMENTS
	D506072	Terminal Block Label	L N GND; Models KSEMNAGS303BW33, SSEBXAGS303UW01, SSEWXAGS303BW01 and SSEWXAGW303BW01
1	D510207P	Cylinder Seal Assembly	
	D511637P	Adhesive	Apply to cylinder seal
	RB170001	Seal Kit	Includes 2 cylinder seals, D510238P Blower Housing Seal and adhesive
2	D503688	Screw	
3	D511082P	Rear Bulkhead Assembly	Galvanized; Includes item 1
4	D501285	Screw	
5	D517715	Terminal Block Shield	
6	D510190P	Terminal Block Assembly	Includes 3 of item 7; Models KSEMNAGS303BW33, SSEBXAGS303UW01, SSEMNAGS303NW01, SSEMNAGS433AW01, SSEWXAGS303BW01, SSEWXAGW303BW01 and TSEBXAGW303NW22
7	D518257	Ground Wire Assembly	Models KSEMNAGS303BW33, NSGBXAGS303NW22, NSGBXAGW303NW22, SSEBXAGS303UW01, SSEMNAGS303NW01, SSEMNAGS433AW01, SSEWXAGS303BW01, SSEWXAGW303BW01 and TSEBXAGW303NW22
8	61199	Screw	
9	44023301	Screw	Model SSEMNAGS433AW01
10	28447	Nut	
11	28448	Screw	
12	28449	Washer	
13	D510100	Cylinder Roller Bracket	
14	D510708P	Cylinder Roller	
15	23748	Retaining Ring	
16	52549	Washer	
17	D504082	Washer	
18	56461P	Shaft	
19	RB170002	Roller Kit	Includes items 14-18
20	56156	Nut	

Heater Duct and Element Assembly

Electric Models



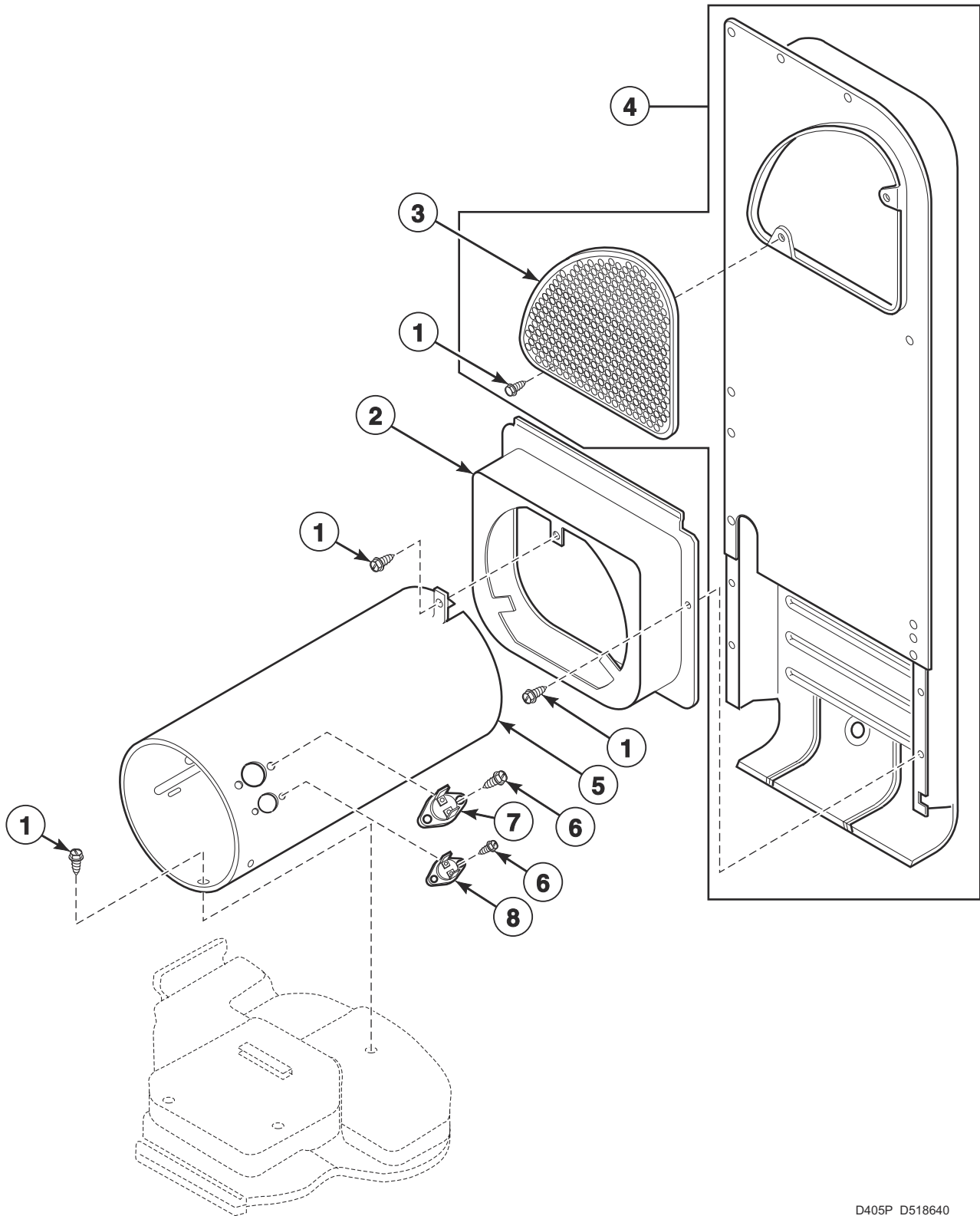
DRY1789P_D518640

Heater Duct and Element Assembly

REF	PART NO.	DESCRIPTION	COMMENTS
1	D503688	Screw	
2	D518121	Outlet Cover	Slotted; Model SSEMNAGS433AW01
	D518524	Outlet Cover	Black; Nitrocarburized; All other models
3	D510025P	Heater Duct Assembly	Includes items 1 and 2
4	D518256	Wire Assembly	Orange; Thermostat jumper; Attaches to heater assembly
5	D518255	Wire Assembly	Black; Fuse jumper; Attaches to heater assembly
6	D518542	Thermal Fuse Assembly	
7	23222	Screw	
8	D510701	Limit Thermostat	
9	D510327P	Heater Assembly	240 Volt/50 Hertz; 4 kW; Model SSEMNAGS433AW01
	D510326P	Heater Assembly	240 Volt/50 Hertz; 4.8 kW; All other models
10	61930	Heater Kit Assembly	240 Volt/50 Hertz; 4 kW; Model SSEMNAGS433AW01
	61929	Heater Kit Assembly	240 Volt/50 Hertz; 4.8 kW; All other models

Heater Duct Assembly

Gas Models



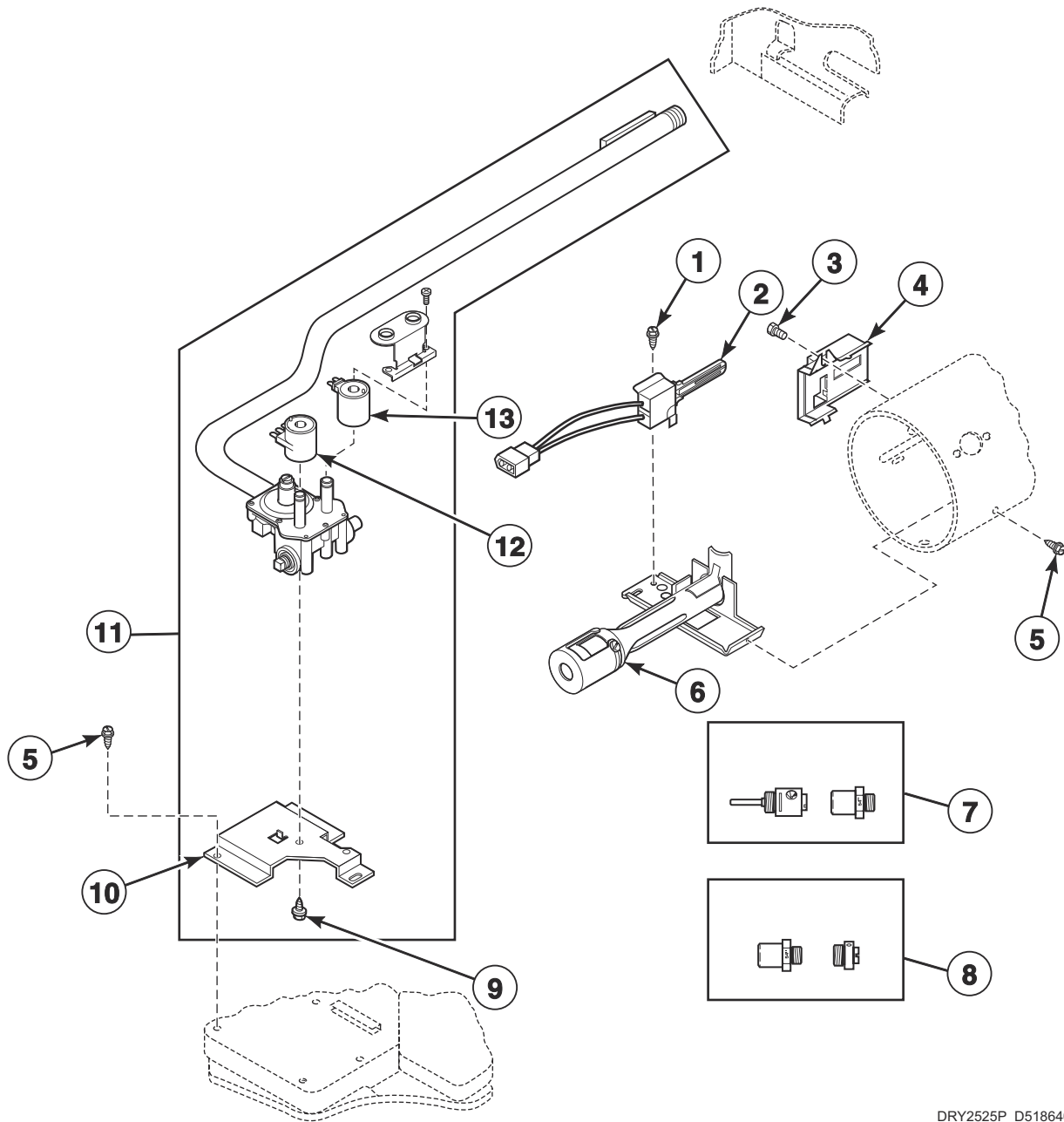
D405P_D518640

Heater Duct Assembly

REF	PART NO.	DESCRIPTION	COMMENTS
1	D503688	Screw	
2	D510101	Heat Duct Shroud	
3	D518524	Outlet Cover	Black
4	D510025P	Heater Duct Assembly	Includes items 1 and 3
5	D510132	Combustion Duct	
6	51782	Screw	
7	D510702	Limit Thermostat	Black; Auto reset
8	D510703	Thermostat	Manual reset

Gas Valve, Igniter and Gas Conversion Kits

Gas Models



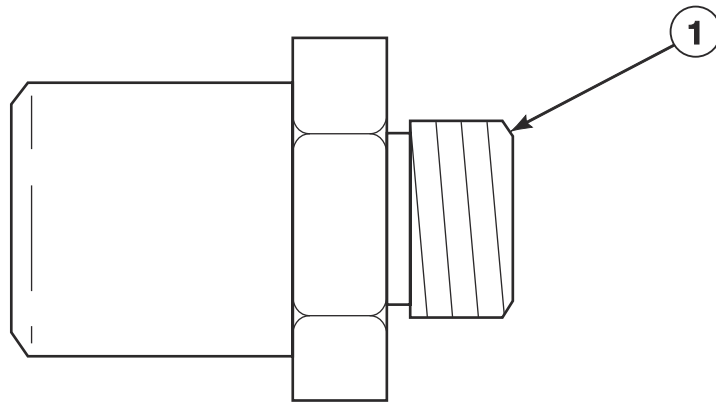
DRY2525P_D518640

Gas Valve, Igniter and Gas Conversion Kits

REF	PART NO.	DESCRIPTION	COMMENTS
1	51782	Screw	
2	D510184P	Igniter and Bracket Assembly	
3	23222	Screw	
4	D510213	Sensor	
5	D503688	Screw	
6	D510149P	Burner Assembly	
7	599P3	L.P. Conversion Kit	Used to convert dryers from Natural Gas (N.G.) or Mixed Gas to Liquid Petroleum (L.P.) for 20,000 Btu; Model SSGBXAGS303EW01
	458P3	L.P. Conversion Kit	Used to convert dryers from N.G. or Mixed Gas to L.P. for 25,000 Btu; All other models
8	402P3	N.G. Conversion Kit	Used to convert dryers from L.P. to N.G. or Mixed Gas for 20,000 Btu; Model SSGBXAGS303EW01
	459P3	N.G. Conversion Kit	Used to convert dryers from L.P. to N.G. or Mixed Gas for 25,000 Btu; All other models
9	56124	Screw	
10	D510128	Gas Valve Mounting Bracket	
11	D517607	Gas Valve, Bracket and Pipe Assembly	50 Hertz; 20,000 Btu; N.G.; Includes items 9-13; Model SSGBXAGS303EW01
	D517608	Gas Valve, Bracket and Pipe Assembly	50 Hertz; 25,000 Btu; N.G.; Includes items 9-13; All other models
12	59063A	Booster and Holding Coil	50 Hertz
13	59063B	Secondary Coil	50 Hertz

Burner Orifice Spuds - For Higher Elevations

Gas Models

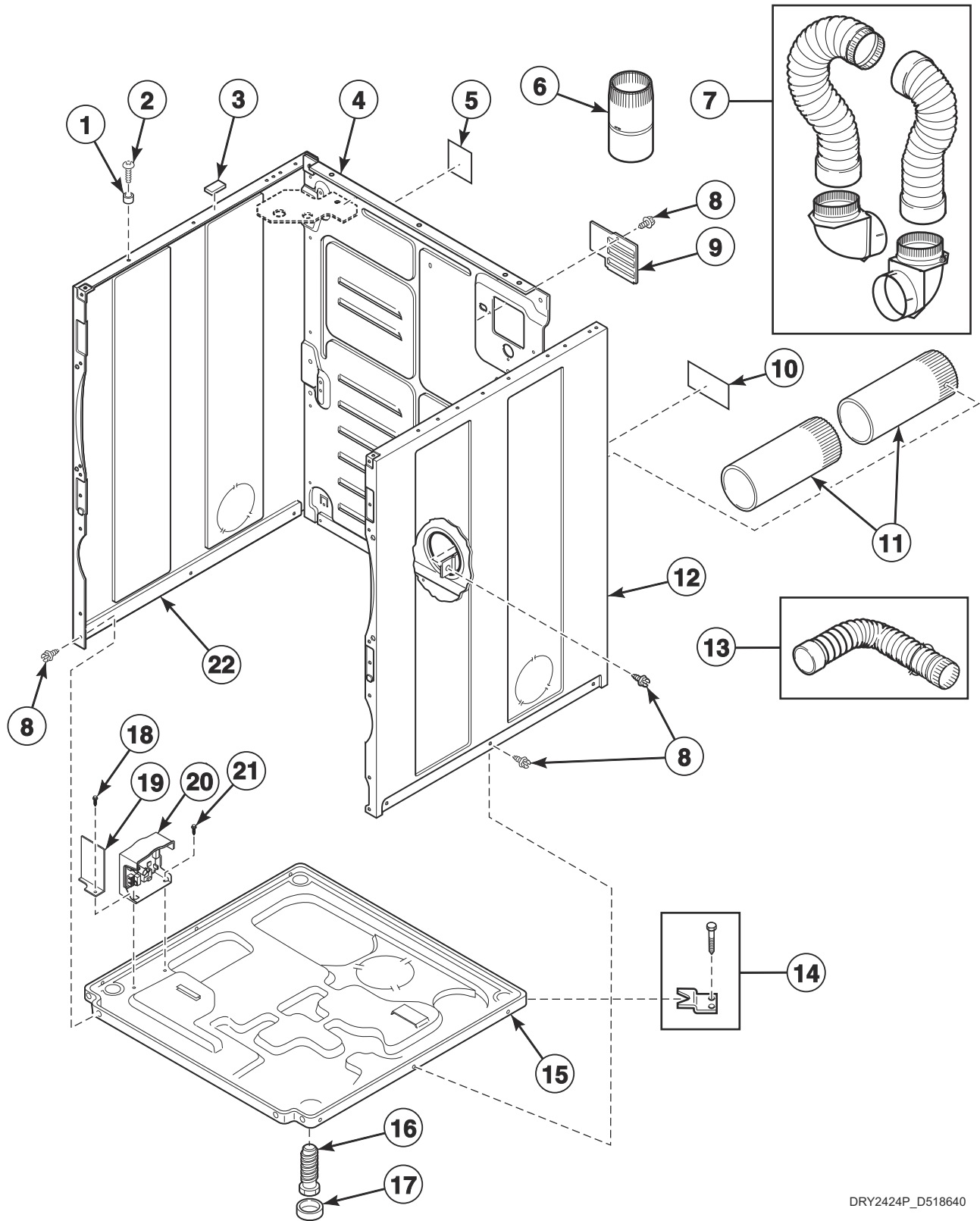


DRY2266P_D518640

Burner Orifice Spuds - For Higher Elevations

REF	PART NO.	DESCRIPTION	COMMENTS
1	58755	L.P. Orifice	Liquid Petroleum Gas (L.P.); 7500-10999 feet (2290-3354 m) 25,000 Btu
	D503786	L.P. Orifice	L.P.; 11000 feet (3355 m) and higher; 25,000 Btu
	D510517	N.G. Orifice	Natural Gas (N.G.); 3000-5499 feet (915-1679 m)
	D503778	N.G. Orifice	N.G.; 5500-6999 feet (1680-2134 m) 25,000 Btu
	58719	Screw Orifice	N.G.; 7000-8999 feet (2135-2744 m) 25,000 Btu
	D503779	N.G. Orifice	N.G.; 9000-10499 feet (2745-3199 m) 25,000 Btu
	D503780	N.G. Orifice	N.G.; 10500 feet (3200 m) and higher; 25,000 Btu

Cabinet, Exhaust Duct and Base



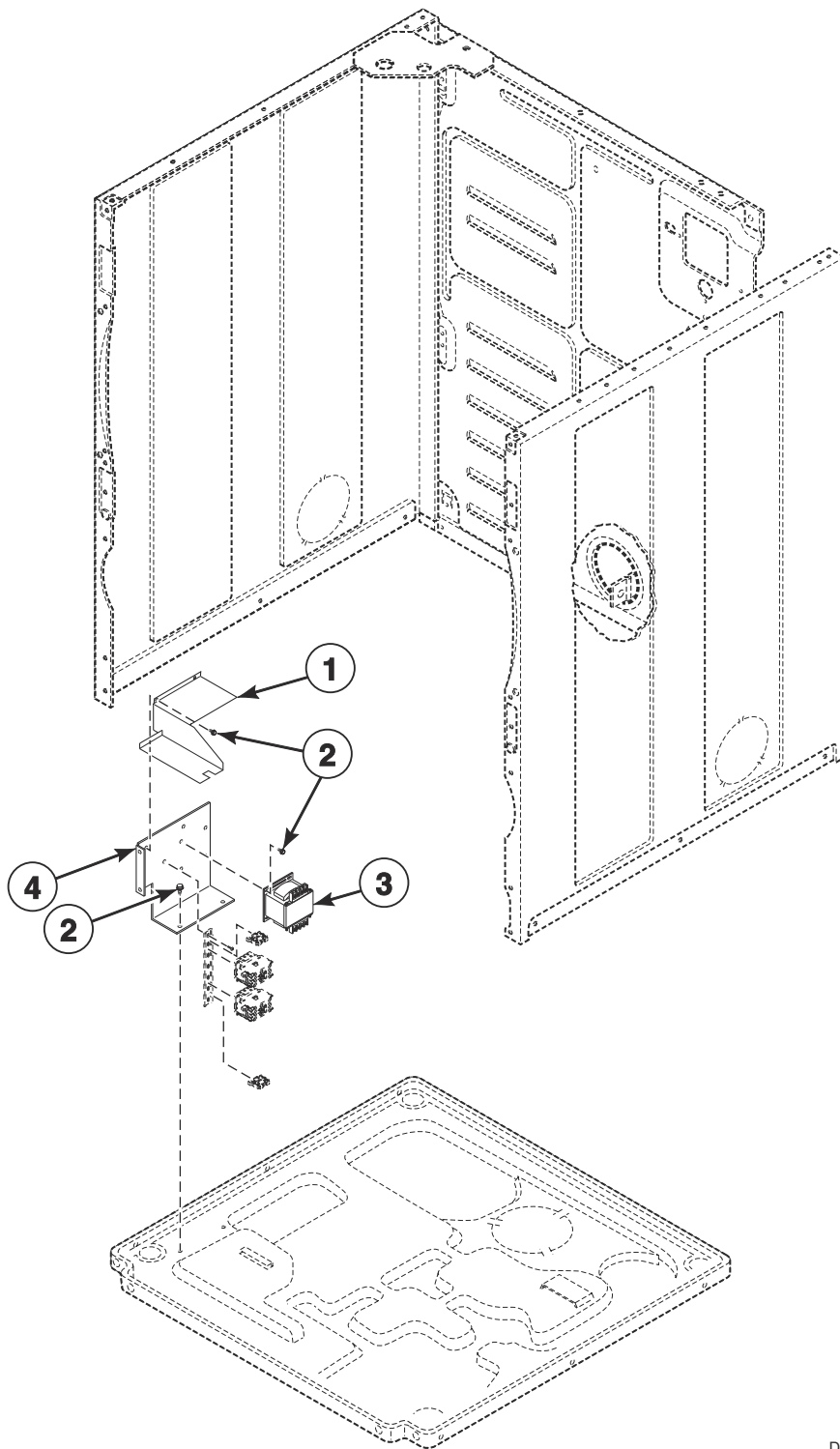
DRY2424P_D518640

Cabinet, Exhaust Duct and Base

REF	PART NO.	DESCRIPTION	COMMENTS
	122P4P	Porcelain Touch-Up Paint	
1	56079	Panel Locator	
2	39733	Screw	
3	56128	Bumper Pad	
4	D517566	Cabinet Rear Panel	
5	F8211201	Electrical Shock Label	
6	58786	Damper	Use when connecting to a manifold vent system
7	521P3	Flexible Venting Kit	
8	D503688	Screw	
9	D514356	Access Cover Plate	Models BSGBXAGS303AW01, BSGBXAGW303AW01, KSEMAGS303BW33, NSGBXAGS303NW22, SSEBXAGS303UW01, SSEMNAGS433AW01, SSEWXAGS303BW01, SSEWXAGW303BW01, SSGBXAGS303EW01, SSGSXAGS303BW01 and SSGSXAGW303BW01
	D510903	Access Panel Plate	Models NSGBXAGW303NW22, SSEMNAGS303NW01 and TSEBXAGW303NW22
10	D500497	Exhaust Warning Label	English, French and Spanish
	D502507	Exhaust Warning Label	Icon
	44321601	Warning Label	Icon
11	D516196	Exhaust Duct	
12	D510002WP	Cabinet Side Panel	White; Right
	D510002QP	Cabinet Side Panel	Bisque: Right
13	528P3	Directional Exhaust Kit	Used to vent dryer out the sides or bottom
14	526P3	Hold Down Kit	For mobile home installations
15	D514245	Dryer Base	
16	D510135	Leveling Leg	
17	D501855	Rubber Foot	
18	D514428	Screw	
19	D514420	Output Board Shield	Models SSEBXAGS303UW01 and SSEMNAGS433AW01
20	D517191P	Output Control Assembly	Models NSGBXAGS303NW22, NSGBXAGW303NW22, SSEMNAGS303NW01 and TSEBXAGW303NW22
	D517319	Output Control Assembly	Models BSGBXAGS303AW01, BSGBXAGW303AW01, KSEMAGS303BW33, SSEBXAGS303UW01, SSEMNAGS433AW01, SSEWXAGS303BW01, SSEWXAGW303BW01, SSGBXAGS303EW01, SSGSXAGS303BW01 and SSGSXAGW303BW01
21	804667	Screw	
22	D510001WP	Cabinet Side Panel	White; Left
	D510001QP	Cabinet Side Panel	Bisque: Left

Contactor and Transformer

Models BSGBXAGS303AW01, BSGBXAGW303AW01, NSGBXAGS303NW22, NSGBXAGW303NW22, SSGBXAGS303EW01, SSGSXAGS303BW01 and SSGSXAGW303BW01

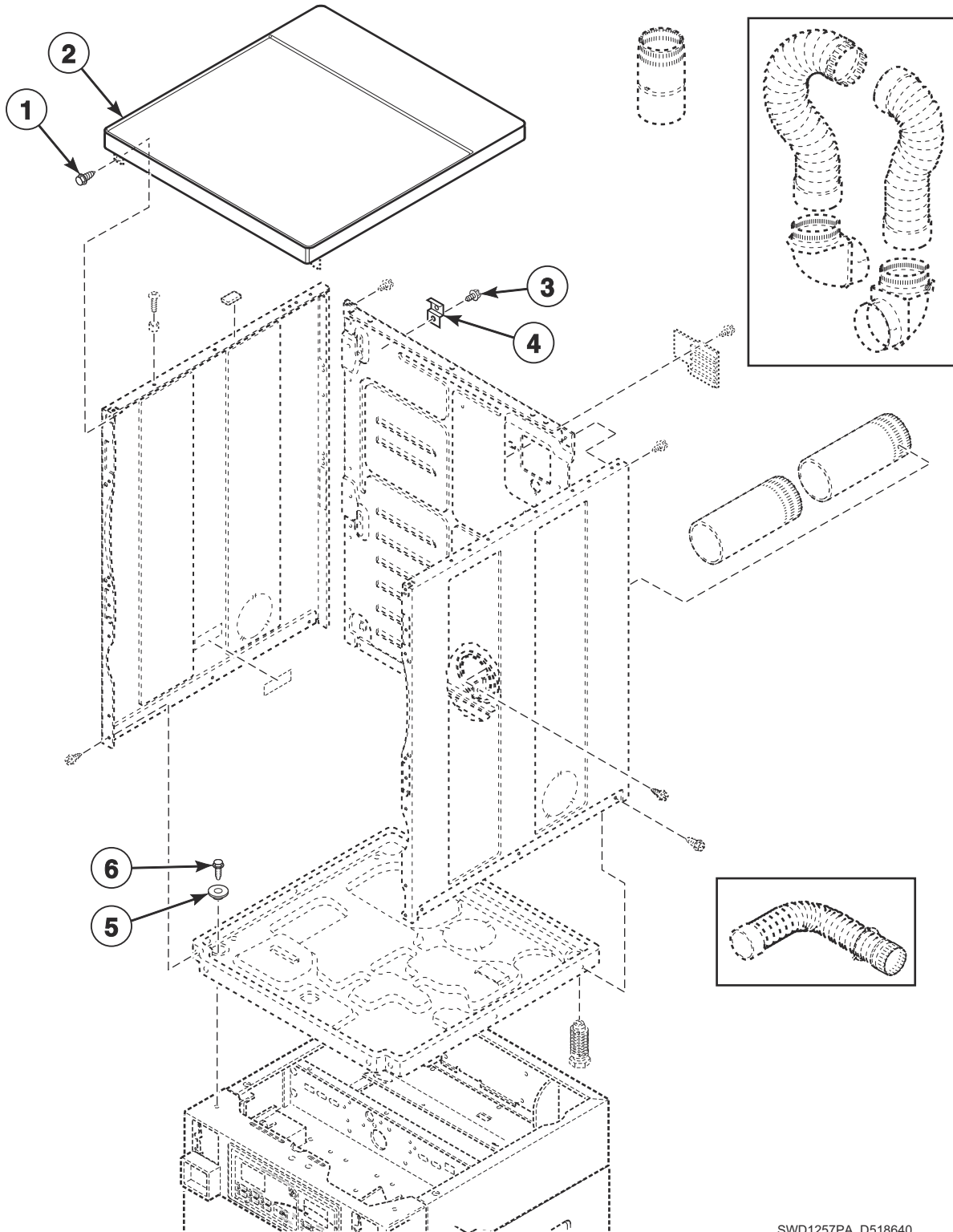


DRY2353P_D518640

Contactor and Transformer

REF	PART NO.	DESCRIPTION	COMMENTS
1	D514334	Transformer Shield	
2	D503688	Screw	
3	D513763P	Transformer	
4	D511859	Contactor Bracket	

Cabinet Top

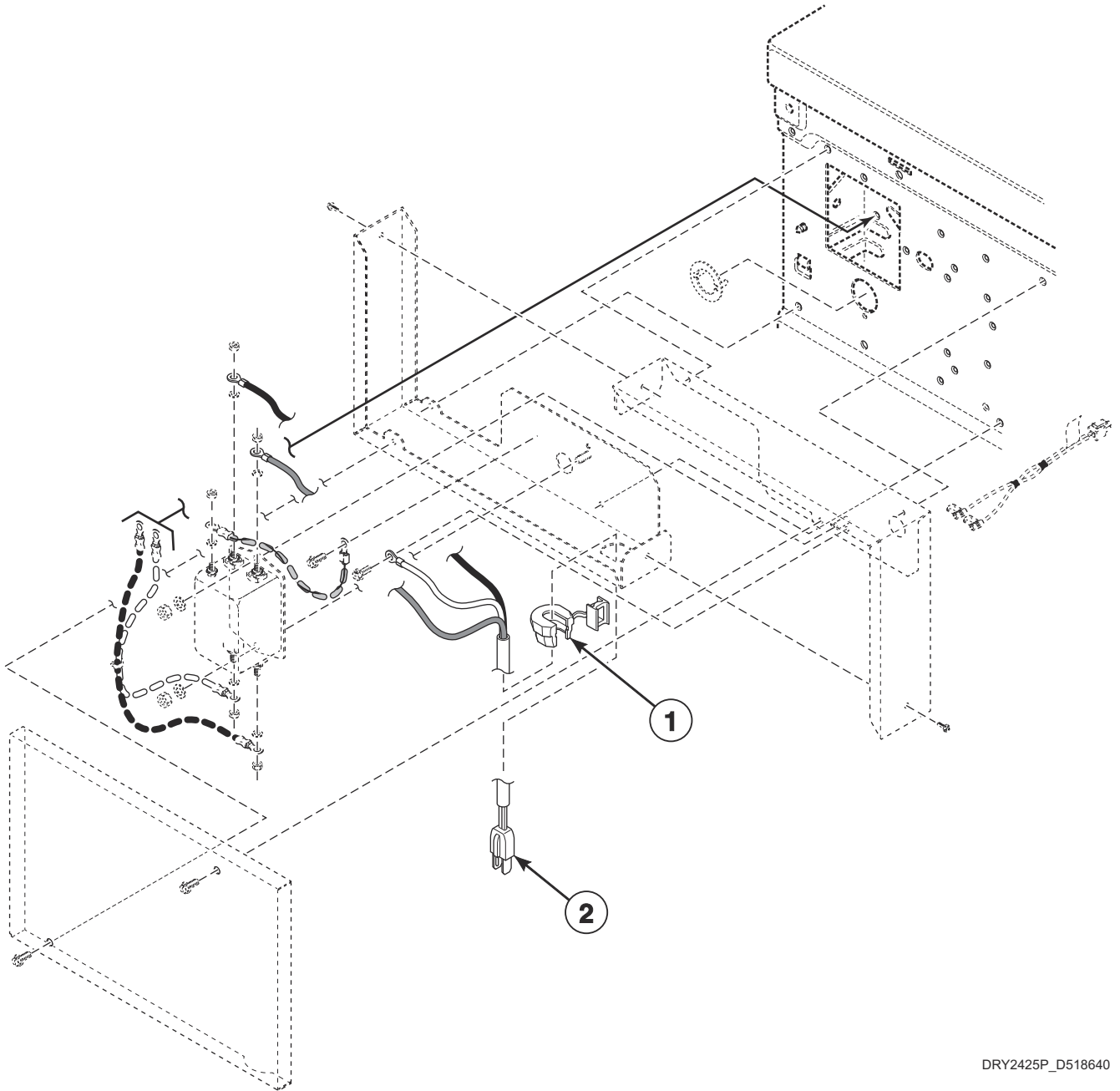


Cabinet Top

REF	PART NO.	DESCRIPTION	COMMENTS
1	D503661	Screw	
2	D510032WP	Top Kit	White
	D510032QP	Top Kit	Bisque
3	D503688	Screw	
4	D510136	Top Hinge	
5	D501307	Washer	
6	36048	Screw	

Power Cord

Models BSGBXAGS303AW01, BSGBXAGW303AW01, KSEMNAGS303BW33, SSEBXAGS303UW01, SSEMNAGS433AW01, SSEWXAGS303BW01, SSEWXAGW303BW01, SSGBXAGS303EW01, SSGSXAGS303BW01 and SSGSXAGW303BW01



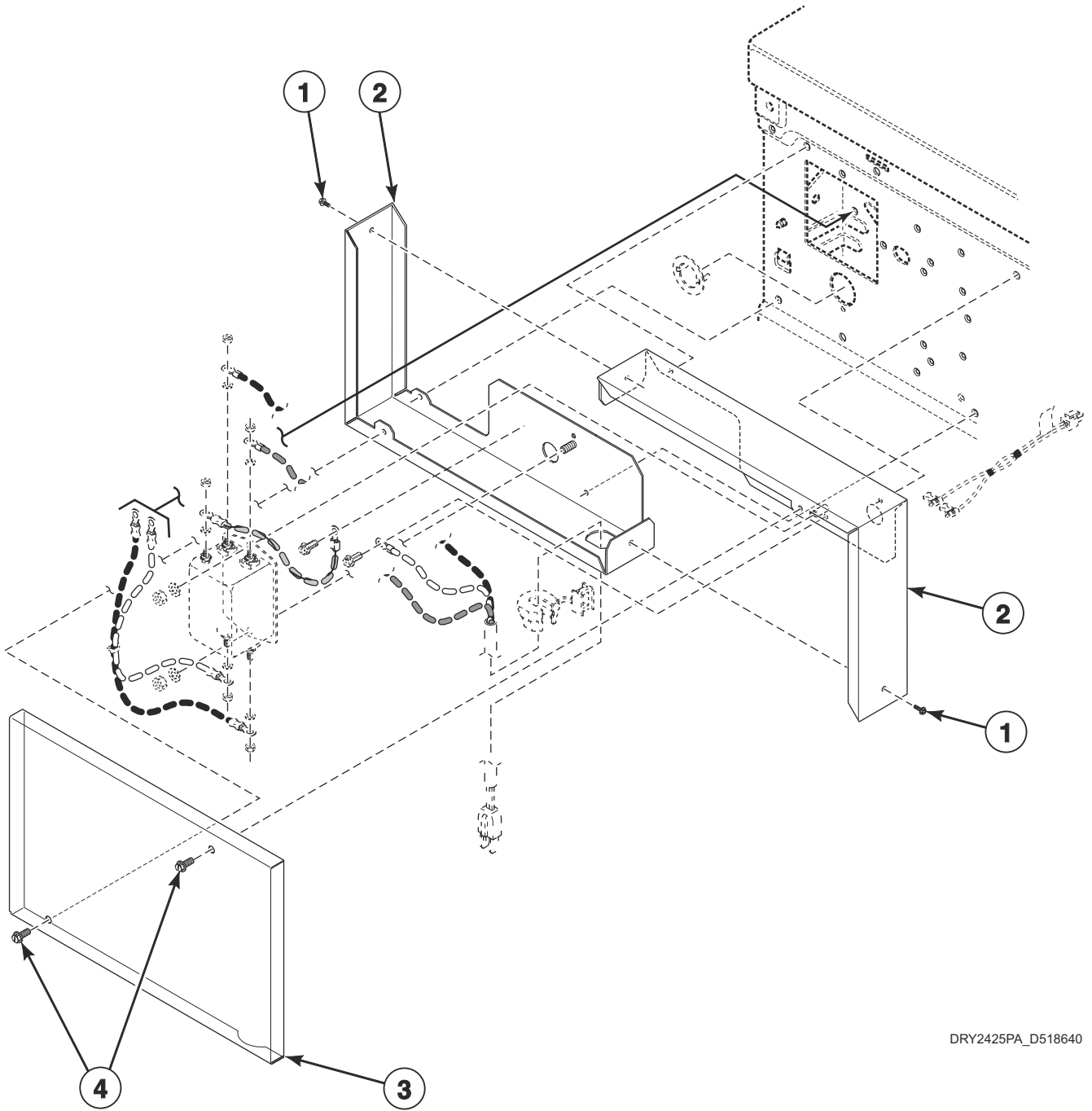
DRY2425P_D518640

Power Cord

REF	PART NO.	DESCRIPTION	COMMENTS
	20530	Screw	
1	D517491	Strain Relief	Models BSGBXAGS303AW01, BSGBXAGW303AW01, SSGBXAGS303EW01, SSGSXAGS303BW01 and SSGSXAGW303BW01
	D517492	Strain Relief	Models KSEMNAGS303BW33, SSEBXAGS303UW01, SSEMNAGS433AW01, SSEWXAGS303BW01 and SSEWXAGW303BW01
2	D516747	Lead-In Cord Assembly	Models KSEMNAGS303BW33, SSEBXAGS303UW01, SSEWXAGS303BW01 and SSEWXAGW303BW01
	D516705	Lead-In Cord	Models BSGBXAGS303AW01 and BSGBXAGW303AW01
	61605P	Lead-In Cord Kit	Model SSEMNAGS433AW01
	D517578	Lead-In Cord	Model SSGBXAGS303EW01
	D517580	Power Cord Assembly	Models SSGSXAGS303BW01 and SSGSXAGW303BW01

Junction Box

Models BSGBXAGS303AW01, BSGBXAGW303AW01, SSEBXAGS303UW01, SSEMNAGS433AW01, SSGBXAGS303EW01, SSGSXAGS303BW01 and SSGSXAGW303BW01



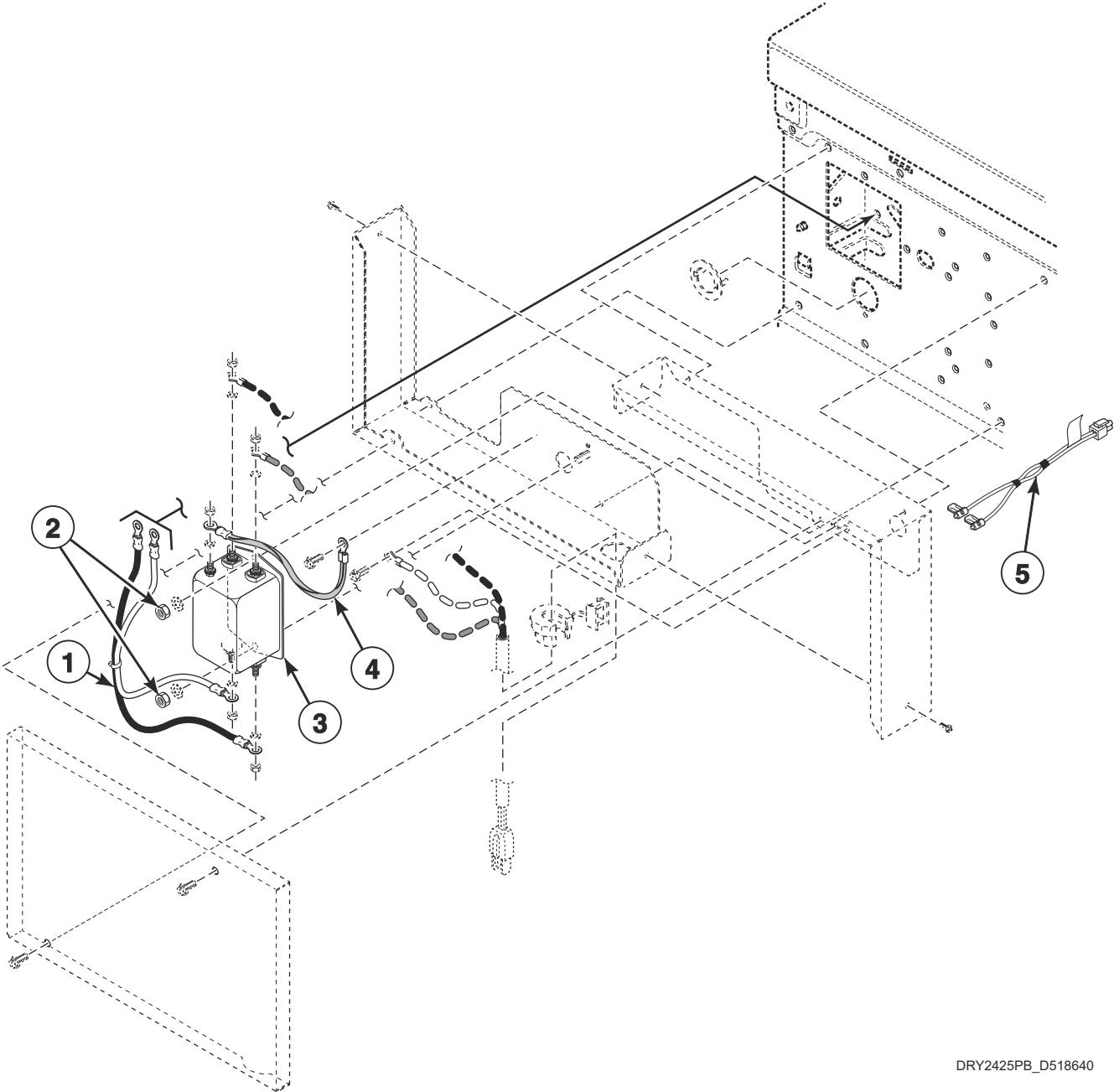
DRY2425PA_D518640

Junction Box

REF	PART NO.	DESCRIPTION	COMMENTS
	D514379P	Junction Box Seal	4 required
1	D503688	Screw	2 required
2	D516153	Junction Box Assembly	Models SSEBXAGS303UW01 and SSEMNAGS433AW01
	D516152	Junction Box Assembly	Models BSGBXAGS303AW01, BSGBXAGW303AW01, SSGBXAGS303EW01, SSGSXAGS303BW01 and SSGSXAGW303BW01
3	D514363	Junction Box Cover	
4	D503688	Screw	2 required

Junction Box Filter and Harnesses

Models BSGBXAGS303AW01, BSGBXAGW303AW01, SSEBXAGS303UW01, SSEMNAGS433AW01, SSGBXAGS303EW01, SSGSXAGS303BW01 and SSGSXAGW303BW01

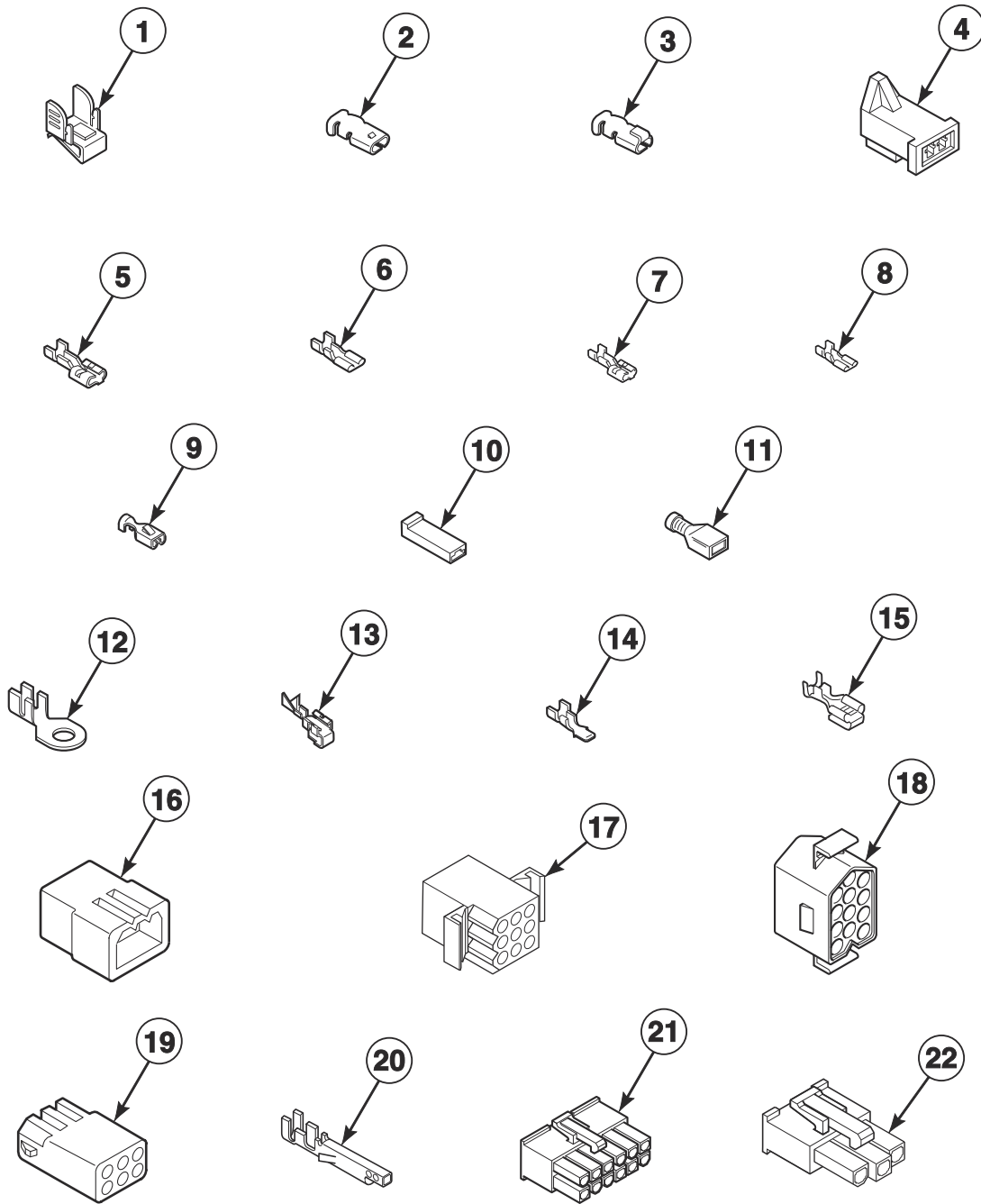


DRY2425PB_D518640

Junction Box Filter and Harnesses

REF	PART NO.	DESCRIPTION	COMMENTS
	D503688	Screw	4 required
1	D518533	Filter Harness	Models BSGBXAGS303AW01, BSGBXAGW303AW01, SSGSXAGS303BW01 and SSGSXAGW303BW01
	D518532	Filter Harness	Models SSEBXAGS303UW01 and SSEMNAGS433AW01
2	29787	Nut	2 required
3	804844	Line Filter	30 Amp; Models SSEBXAGS303UW01 and SSEMNAGS433AW01
	804864	Line Filter	10 Amp; Models BSGBXAGS303AW01, BSGBXAGW303AW01, SSGBXAGS303EW01, SSGSXAGS303BW01 and SSGSXAGW303BW01
4	D518534	Ground Filter Harness	Models SSEBXAGS303UW01 and SSEMNAGS433AW01
	D514039	Ground Filter Harness	Models BSGBXAGS303AW01, BSGBXAGW303AW01, SSGSXAGS303BW01 and SSGSXAGW303BW01
5	804396	Filter Harness	Model SSGBXAGS303EW01

Terminal Block and Terminals

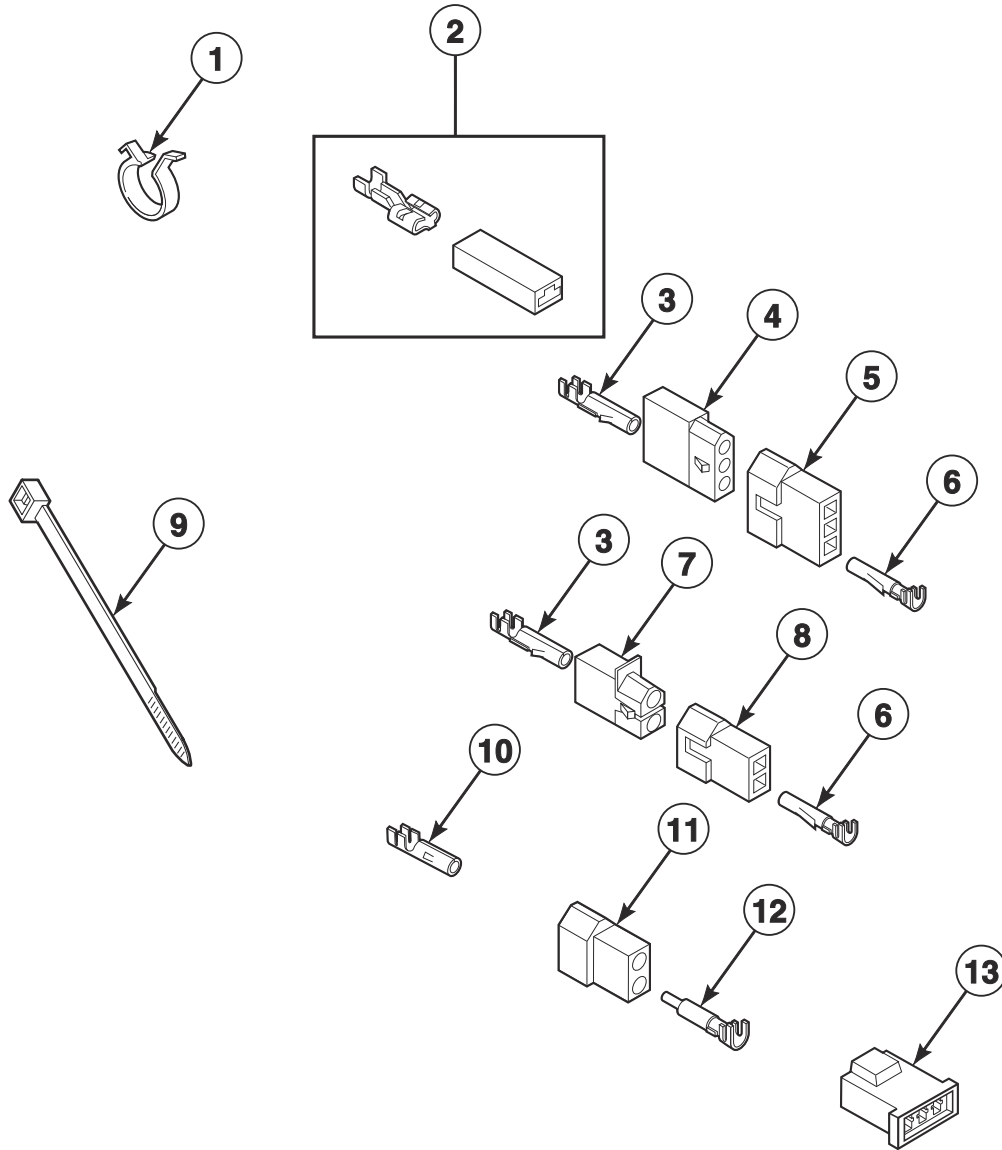


DRY2209P_D518640

Terminal Block and Terminals

REF	PART NO.	DESCRIPTION	COMMENTS
1	00161	Grounding Clip	
2	00189	Female Spade Terminal	1/8 inch
3	00361	Female Piggyback Terminal	
4	58799	2 Circuit Connector	
5	00223	Female Spade Terminal	1/4 inch; (1) 18 gauge wire
	00121	Female Spade Terminal	1/4 inch; (2) 18 gauge wires or (1) 12 gauge wire
	00245	Spade Terminal	1/4 inch; (1) 22 gauge wire
6	00124	Female Spade Terminal	3/16 inch; (1) 18 gauge wire; .020 tab
	00156	Female Spade Terminal	3/16 inch; Thermostat wire; .032 tab
	00112	Female Spade Terminal	3/16 inch; .020 tab
7	00222	Female Spade Terminal	1/4 inch
8	00347	Terminal	
9	00115	Female Spade Terminal	1/4 inch; (1) 18 gauge wire
10	90789	Receptacle Housing	
11	00359	Insulated Female Spade Terminal	1/4 inch
	00165	Insulated Female Terminal	3/16 inch
12	00110	Ring Terminal	No. 10; (1) 18 gauge wire
	00111	Ring Terminal	No. 10; (2) 18 gauge wires or (1) 12 gauge wire
13	00114	Female Spade Terminal	1/4 inch; Double connector
14	00139	Male Tab Terminal	1/4 inch; (2) 18 gauge wires or (1) 12 gauge wire
15	00344	Female Tab Terminal	1/4 inch
16	44370401	1 Circuit Plug	
	23033	9 Circuit Plug	
	23041	6 Circuit Plug	
17	26163	9 Circuit Receptacle	
	56855	12 Circuit Receptacle	
18	54522	Plug	
19	26301	1 Circuit Receptacle	
	26708	6 Circuit Receptacle	
20	00252	Terminal	
21	34596	10 Circuit Receptacle	
	D501333	12 Circuit Receptacle	
22	36170	3 Circuit Receptacle	

Terminals

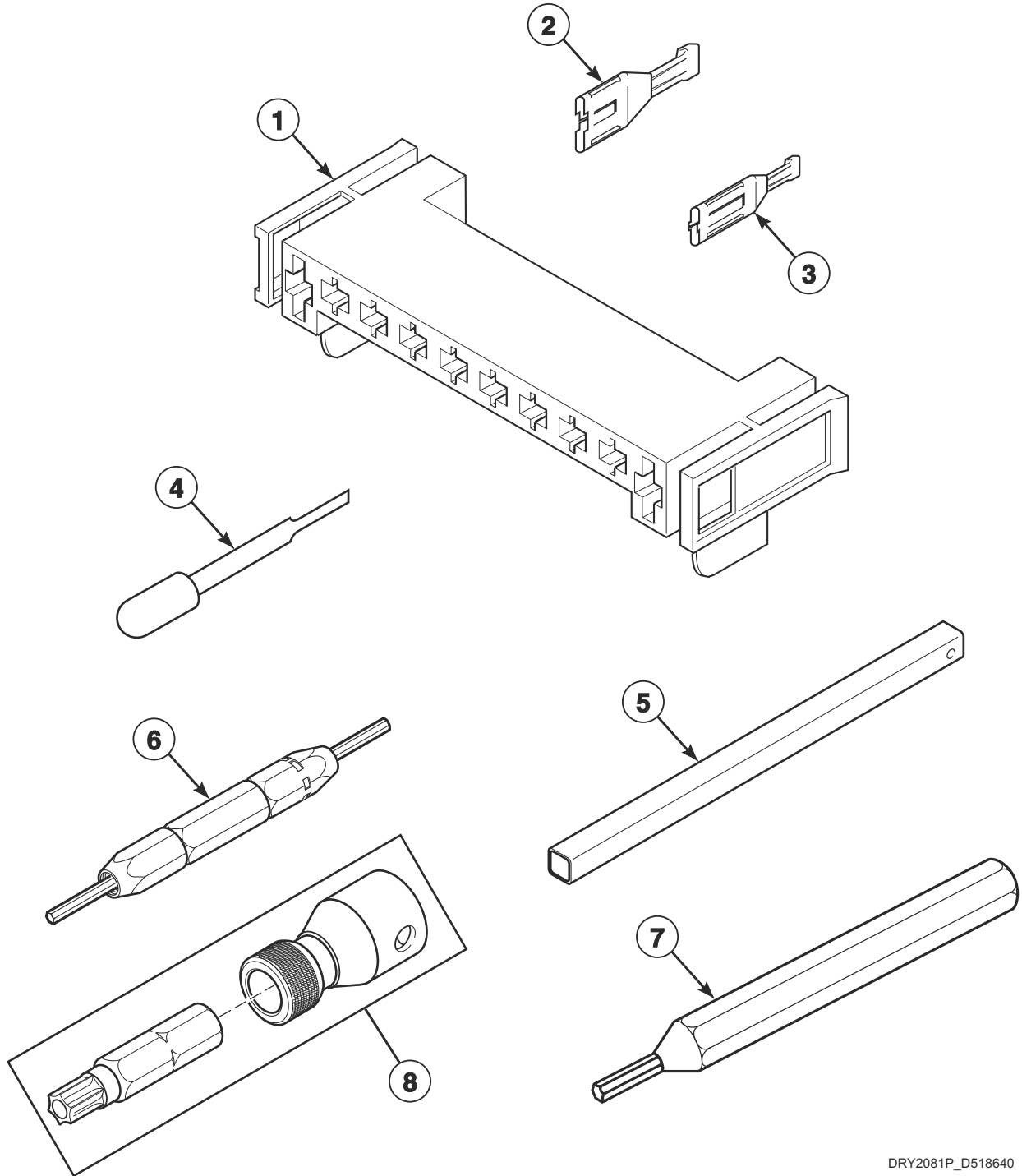


DRY1769P_D518640

Terminals

REF	PART NO.	DESCRIPTION	COMMENTS
1	D504034	Wire Clip	11/16 inch
	687500	Wire Clip	1 inch
2	00360	Insulated Female Spade Terminal	(1) 12 gauge wire or (2) 18 gauge wires
3	00117	Female Pin Terminal	
4	56265	2 Circuit Receptacle	
	23039	3 Circuit Receptacle	
5	23040	Plug	
6	00116	Male Pin Terminal	
7	56451	2 Circuit Receptacle	
8	56448	2 Circuit Plug	
9	55881	Harness Strap	
10	00128	Female Pin Terminal	1/8 inch; 10-14 gauge wire
	00130	Female Pin Terminal	1/8 inch; 16-18 gauge wire
11	56266	2 Circuit Plug	
12	00129	Male Pin Terminal	0.12 insulation diameter
	00127	Male Pin Terminal	0.18 insulation diameter
13	58800	3 Circuit Connector	

Terminals and Terminal Extractor Tools



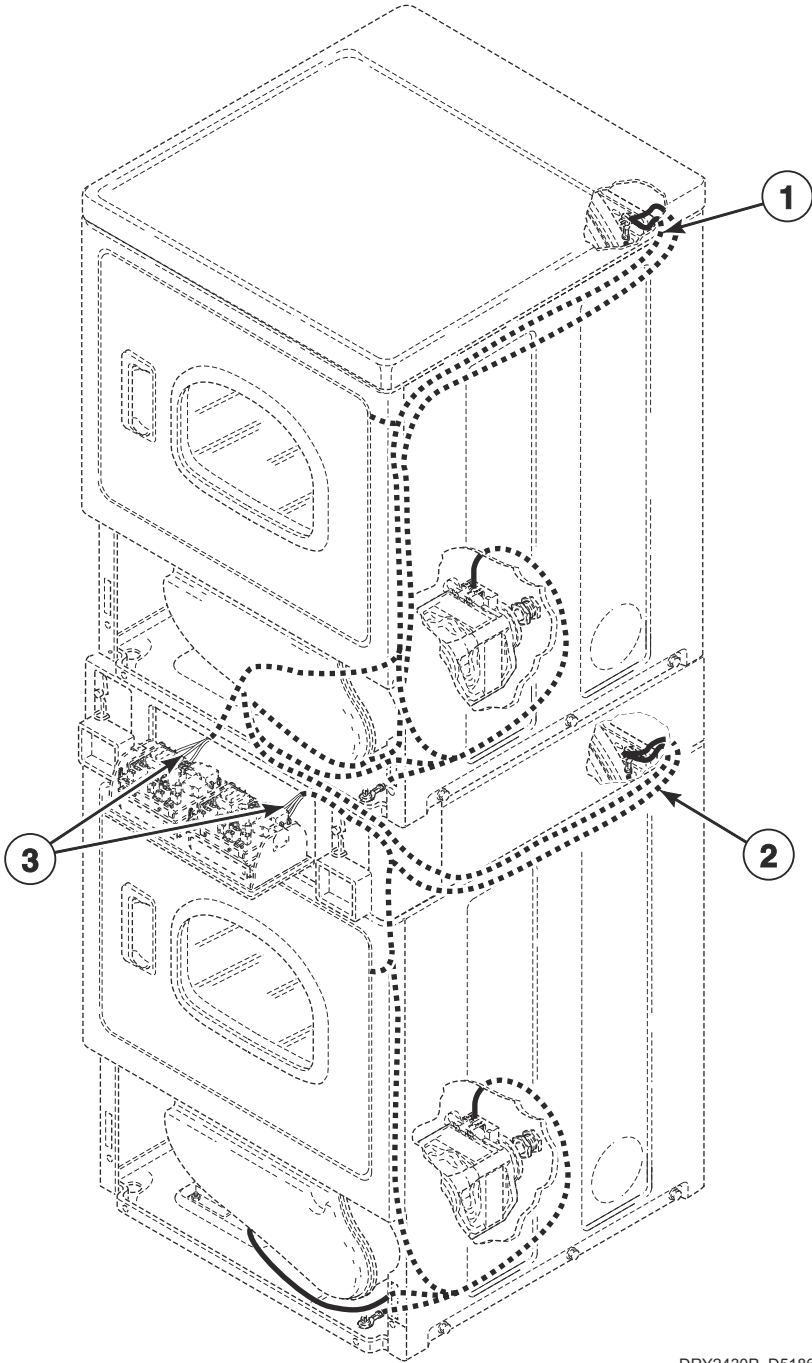
DRY2081P_D518640

Terminals and Terminal Extractor Tools

REF	PART NO.	DESCRIPTION	COMMENTS
1	D500338	10 Position Housing	
2	00255	Female Terminal	1/4 inch; (1) 12 gauge wire
	00256	Female Terminal	1/4 inch; (1) or (2) 18 gauge wires
3	00188	Female Terminal	For 1 or 2 wire application
4	283P4	Terminal Extractor Tool	For use on Molex connectors
5	310P4	Ratchet Extension Tool	1/4 inch; For coin drop installation
6	190P4	Extractor Tool	For use on electric dryer terminals
7	128P4	Extractor Tool	For use on gas dryer terminals
8	281P4	Torx Bit	T15 Tamper Resistant Bit
	282P4	Torx Bit	Use with 62853 Screw on access panel; T25 Tamper Resistant Bit
	292P4	Torx Bit	T20 Standard Bit
	93501	Torx Drive Tool	T10 Standard Bit

Wire Harnesses and Wires

Gas Models



DRY2430P_D518640

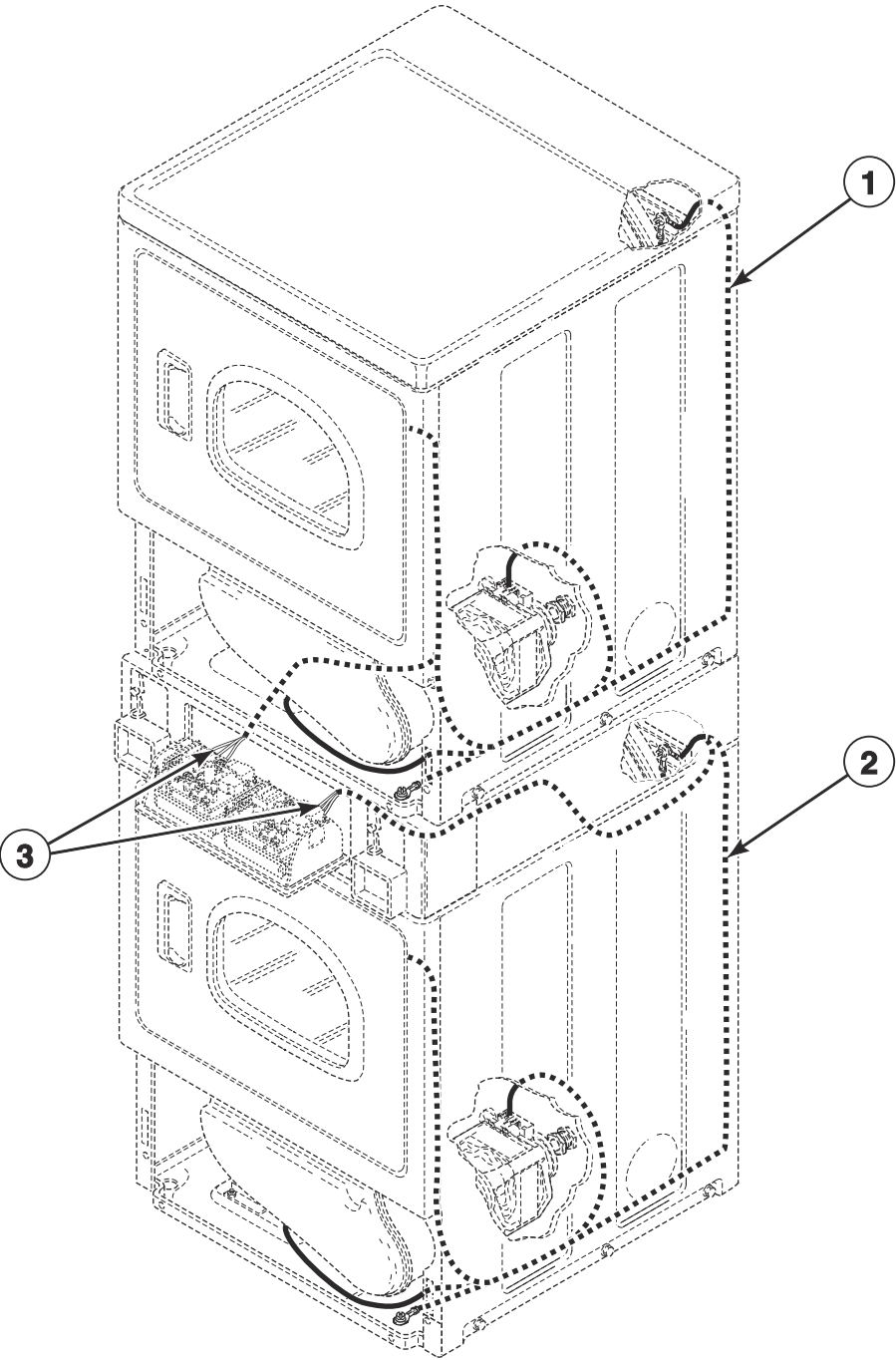
Wire Harnesses and Wires

REF	PART NO.	DESCRIPTION	COMMENTS
	45001	18 Gauge Wire	Black; Order wire by the foot; Order terminals and connectors as required
	45380	12 Gauge Wire	Orange; Order wire by the foot; Order terminals and connectors as required
	D515609	Control Harness	Models SSGSXAGS303BW01 and SSGSXAGW303BW01
	D517702	Gas Valve Harness	240 Volt
1	D517477	Gas Harness	
2	D517479	Gas Harness	Lower
3	D513991	Security Cabinet Harness	

NOTE: Individual wires are not available separately. Order complete harness, or order wire by the foot. When applying terminals to wires, it is recommended that the terminals be soldered to the wires.

Wire Harnesses and Wires

Electric Models



DRY2431P_D518640

Wire Harnesses and Wires

REF	PART NO.	DESCRIPTION	COMMENTS
	45001	18 Gauge Wire	Black; Order wire by the foot; Order terminals and connectors as required
	45380	12 Gauge Wire	Orange; Order wire by the foot; Order terminals and connectors as required
	D514076	Control Harness	Models SSEMNAGS303NW01 and SSEMNAGS433AW01
1	D517476	Upper Electric Harness	
2	D517478	Electric Harness	
3	D513991	Security Cabinet Harness	

NOTE: Individual wires are not available separately. Order complete harness, or order wire by the foot. When applying terminals to wires, it is recommended that the terminals be soldered to the wires.

Parts Index

A

Access Cover Plate D514356	45
Access Panel Assembly D514250WP	27
Access Panel Plate D510903	45
AccessPanel Assembly D514250Q	27
Adhesive D511637P	33, 35
Air Duct Assembly D518431	33
Anti-Seize Compound 27604P	29

B

Blower and Fan Kit D510717P	31
Blower Fan Assembly D510139P	29
Blower Housing D511969WP	29
Blower Housing Seal D510238P	29
Bolt 29651	15, 19
Booster and Holding Coil 59063A	41
Bracket 803662	21
Bumper Pad 56128	45
Burner Assembly D510149P	41

C

Cabinet Rear Panel D517566	45
Cabinet Side Panel D510001QP	45
D510001WP	45
D510002QP	45
D510002WP	45
Clip 201572	13
Coin Drop 200731	11
38963P	11
39748	11
70441601P	11
70441603	9
Coin Drop Assembly CK114	11
201141	11

210195	9
210196	9
38462P	11
38463	11
38464P	11
38467	9
38472	9
38475	11
38519	9
38521	9
39157	9
553192	9
70281102	9
70441602	9
70447301	9
70482401	9
70506901	11
Coin Drop Kit CK055	11
CK056	11
CK057	11
CK058	9
CK060	9
CK071	9
CK077	11
CK078	11
CK085	11
CK086	9
CK089	11
CK090	11
CK091	9
CK097	11
CK098	11
CK107	9
CK111	9
CK122	9
CK123	11
Coin Drop Wire Harness 201104	13
Coin Funnel Kit 523P3	19
Coin Identification Paper 38725	9, 11, 13
Coin Slide Extension Kit D514228	21
Coin Slide Guard D514726	19
Coin Slide Kit CK001	19
CK009	19
CK010P	19
CK011	19
CK014	19
CK017	19
Combustion Duct D510132	39
Connector, 2 Circuit 58799	57
Connector, 3 Circuit 58800	59
Contacto Bracket D511859	47
Control Assembly D517522	5

N/A items do not appear in index.

D517523	5
D517526	17, 19
Control Harness	
D514076	65
D515609	63
Control Overlay	
D514481	5
D515500	5
D515540	5
D515541	5
D515543	5
D517289	17
Control Panel	
D514711W	17
D514724Q	19
D514724W	19
803964Q	15
803964W	15
Control Panel and Bracket Assembly	
D500228Q	19
D500228W	17, 19
D513778Q	5
D513778W	5
Cycle Selector Switch	
201686	17
Cylinder Assembly	
D510265WP	33
Cylinder Baffle	
D510102W	33
Cylinder Belt	
D511255P	29
Cylinder Glide	
D513710	33
Cylinder Glide Bracket	
D510145	33
Cylinder Roller	
D510708P	35
Cylinder Roller Bracket	
D510100	35
Cylinder Seal Assembly	
D510207P	33, 35

D

Damper	
58786	45
Directional Exhaust Kit	
528P3	45
Door and Liner Assembly	
D511636QP	23
Door Assembly	
D516510W	25
D516737W	23
Door Catch Assembly	
D510177	27
Door Handle Wedge	
D510129W	23, 25
Door Liner Assembly	
D516508	25
Door Liner Grill	
D503870W	23, 25
Door Pull and Wedge Kit	
D510103QP	23, 25

D510103WP	23, 25
Door Strike	
D510181	23, 25
Door Strike Mount	
D510127	23, 25
Drip Shield	
D514327	27
Dryer Base	
D514245	45
Dryer Door	
D510013QP	25
D510013WP	25
D510082QP	23
D510082WP	23
D515960W	25
Dryer Door Window	
D503982P	23
Dual Coin Harness Assembly	
202871	9, 13
806827	9, 13
Dual Overlay	
39073	15

E

Electric Harness	
D517478	65
Electrical Shock Label	
F8211201	33, 45
Electronic Coin Drop Assembly	
70294103P	13
70294104	13
70294107	13
70294110	13
70294111	13
70294117	13
70294119	13
70294120	13
70294121	13
70294122	13
70513302	13
70513306	13
70513311	13
Electronic Coin Drop Kit	
CK099	13
CK100	13
CK101	13
CK103	13
CK108	13
CK109	13
CK110	13
CK113	13
CK115	13
CK116	13
CK117	13
CK118	13
CK119	13
CK120	13
CK121	13
Exhaust Duct	
D516196	45
Exhaust Warning Label	
D500497	45
D502507	45

N/A items do not appear in index.

Expansion Clip 70030501	15, 17, 19
Extractor Tool 128P4	61
190P4	61

F

Felt Pad D510189	33
Female Piggyback Terminal 00361	57
Female Pin Terminal 00117	59
00128	59
00130	59
Female Spade Terminal 00112	57
00114	57
00115	57
00121	57
00124	57
00156	57
00189	57
00222	57
00223	57
Female Tab Terminal 00344	57
Female Terminal 00188	61
00255	61
00256	61
Filter Harness D518532	55
D518533	55
804396	55
Flexible Venting Kit 521P3	45
Front Bulkhead Assembly D510266P	33
Front Panel D510066QP	27
D510066WP	27
Front Panel Label D514863	27
Front Panel Seal D511056	27

G

Gas Harness D517477	63
D517479	63
Gas Valve Harness D517702	63
Gas Valve Mounting Bracket D510128	41
Gas Valve, Bracket and Pipe Assembly D517607	41
D517608	41
Glide Kit RB170003	33

Ground Filter Harness D514039	55
D518534	55
Ground Wire Assembly 518257	35
Grounding Clip 00161	57

H

Harness Strap 55881	59
Heat Duct Shroud D510101	39
Heater Assembly D510326P	37
D510327P	37
Heater Duct Assembly D510025P	37, 39
Heater Kit Assembly 61929	37
61930	37
Hinge D511036	23, 25
Hinge Hole Plug D510186	27
Hold Down Kit 526P3	45
Housing, 10 Position D500338	61

I

Idler Lever D516310	31
Idler Lever and Wheel Assembly D516792	31
Idler Spring D510185	31
Idler Wheel and Bearing Assembly D510142P	31
Igniter and Bracket Assembly D510184P	41
Insulated Female Spade Terminal 00359	57
00360	59
Insulated Female Terminal 00165	57

J

Junction Box Assembly D516152	53
D516153	53
Junction Box Cover D514363	53
Junction Box Seal D514379P	53

N/A items do not appear in index.

K

Key	
54612	5, 17, 19

L

Label	
D503887	27
Lead-In Cord	
D516705	51
D517578	51
Lead-In Cord Assembly	
D516747	51
Lead-In Cord Kit	
61605P	51
Leveling Leg	
D510135	45
Light	
801431	17, 19
Limit Thermostat	
D510701	37
D510702	39
Line Filter	
804844	55
804864	55
Liner and Seal Assembly	
D516509	23
Liner Door Seal	
D510147P	23, 25
Liner, Seal and Grill Assembly	
D510163WP	25
Lint Filter	
D503980W	33
Lint Filter Label	
D502781	27
D502804	27
Lock Cam	
804338	5, 17, 19
Lock Kit	
27260P	5, 17, 19
L.P. Conversion Kit	
458P3	41
599P3	41
L.P. Orifice	
D503786	43
D58755	43

M

Machine ID Control Assembly	
203361P	5
Male Pin Terminal	
00116	59
00127	59
00129	59
Male Tab Terminal	
00139	57
Meter Case Assembly	
804011Q	19
807255W	19

N/A items do not appear in index.

807396W	15
Motor and Pulley Assembly	
D505843P	29
Motor Hub Ring Kit	
590P3	29
Motor Mount	
D518517	31
Motor Mount Clamp	
D510180	29
Motor Pulley	
D500222	29
Motor Shield	
D514602	29
Mounting Tool Kit	
CK096	13

N

Nut	
201216	13
24205	17, 19
28447	35
29786	9, 11
29787	55
29796	19
44087201	15, 19
44087301	31
52566	31
52947	17, 19
56156	31, 35
N.G. Conversion Kit	
402P3	41
459P3	41
N.G. Orifice	
D503778	43
D503779	43
D503780	43
D510517	43

O

Operating Instructions Label	
D517764	15, 19
Opto Coupler	
200674P	9, 11
Outlet Cover	
D518121	37
D518524	37, 39
Output Board Shield	
D514420	45
Output Control Assembly	
D517191P	45
D517319	45
Overlay	
D514371	17, 19
201091	15

P

Panel Locator	
56079	27, 45

Pinch Warning Label F8615701	33
Plug	
23040	59
54522	57
Plug, 1 Circuit 44370401	57
Plug, 2 Circuit	
56266	59
56448	59
Plug, 6 Circuit 23041	57
Plug, 9 Circuit 23033	57
Porcelain Touch-Up Paint 122P4P	45
Power Cord Assembly D517580	51

R

Ratchet Extension Tool 310P4	61
Rear Access Panel 807646	15, 17, 19
Rear Bulkhead Assembly D511082P	35
Receptacle Housing 90789	57
Receptacle, 1 Circuit 26301	57
Receptacle, 10 Circuit 34596	57
Receptacle, 12 Circuit	
D501333	57
56855	57
Receptacle, 2 Circuit	
56265	59
56451	59
Receptacle, 3 Circuit	
23039	59
36170	57
Receptacle, 6 Circuit 26708	57
Receptacle, 9 Circuit 26163	57
Retaining Ring 23748	31, 35
Ring Terminal	
00110	57
00111	57
Roller Kit RB170002	35
Rubber Foot D501855	45

S

Screw	
D500226	23, 25
D500824	31
D501285	33, 35

D501524	5
D502431	17
D502535	31
D503661	5, 7, 49
D503688	5, 15, 17, 27, 29, 33, 35, 37, 39 41, 45, 47, 49, 53, 55
D505295	23, 33
D505870	23
D514428	45
20530	51
23222	37, 41
27328	17
28448	35
31260	29
33562	27
36048	49
39733	27, 45
44023301	35
503688	19
51782	39, 41
52864	33
56124	41
61199	35
62588	33
62853	27
70240301	15, 17, 19
804608	17, 19
804667	45
Screw Orifice 58719	43
Seal Kit RB170001	33, 35
Secondary Coil 59063B	41
Security Cabinet Harness D513991	63, 65
Sensor D510213	41
Shaft 56461P	31, 35
Shield Bracket	
8040118	5
804018	17, 19
Single Coin Harness Assembly 202870	11
Single Overlay 38717	15
Slide CK027	19
Spade Terminal 00245	57
Speed Clip 28835	27
Strain Relief	
D517491	51
D517492	51
Switch	
D512973	27
D514105	21
70529301	15, 19
Switch Assembly 55882	17, 19
Switch Knob 39897	17, 19

N/A items do not appear in index.

T

Temperature Selector Switch	
D511711	17, 19
Terminal	
00252	57
00347	57
Terminal Block Assembly	
D510190P	35
Terminal Block Label	
D506072	35
Terminal Block Shield	
D517715	35
Terminal Extractor Tool	
283P4	61
Thermal Fuse Assembly	
D518542	37
Thermistor	
M414704	31
Thermistor Assembly	
D502366	31
Thermostat	
D510703	39
Thermostat Cover	
D502194	31
Thermostat Shield	
D514325	29
Timer Knob	
54678	17
Timer Overlay	
D515998	17
Top Hinge	
D510136	49
Top Kit	
D510032QP	49
D510032WP	49
Torx Bit	
281P4	61
282P4	61
292P4	61
Torx Drive Tool	
93501	61
Transformer	
D513763P	47
204380	13
Transformer Kit	
203423	5
203424	5
Transformer Shield	
D514334	47

U

Upper Electric Harness	
D517476	65

W

Warning Label	
D512263	27
D514226	27

N/A items do not appear in index.

D516514	27
44321601	45
Warning/Caution Label	
D516512	27
Washer	
D501307	49
D504082	35
F430339	17, 19
28449	35
29443	31
52549	31, 35
91176	17, 19
Window Trim	
D503981Q	23
D503981W	23
Wire Assembly	
D518255	37
D518256	37
Wire Clip	
D504034	59
687500	59
Wire Guard	
201595P	9, 11
Wireless Network Control Assembly	
807211	7
Wireless Network Harness	
F8674006	7
Wire, 12 Gauge	
45380	63, 65
Wire, 18 Gauge	
45001	63, 65
Wrapper Assembly	
804104Q	15, 19
804104W	15, 19
804112W	17