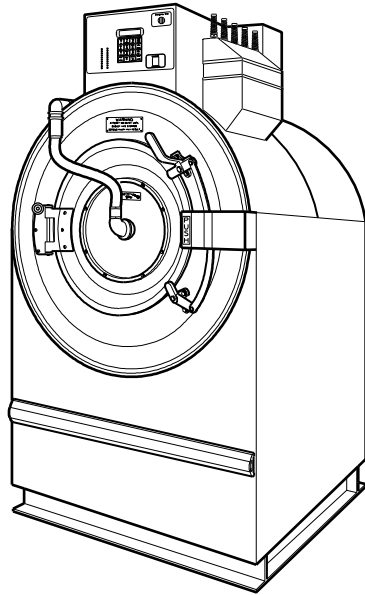


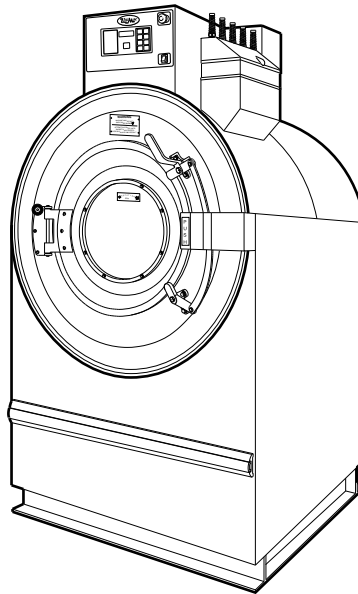
Washer-Extractor

Pocket Hardmount

Refer to Page 5 for Model Numbers



UW60PV



UW60AV and UW60VV

PHM1410C_F232167

Table of Contents

Title	Page
Parts Ordering Information.....	3
Serial Plate Location	3
Model Identification	5
Pocket Hardmount Washer-Extractor Product Overview	6
Product Info - Ordering AC Drives for Models UW60PVQ.....	8
Product Info - Ordering AC Drives for Models UW60PVN or UW60PVP.....	9
Product Info - Ordering AC Drives for Models UW60PVT.....	10
Decals	12
Control Module - Model UW60PV (Drawing 1 of 4)	14
Control Module - Model UW60VV (Drawing 1 of 4)	16
Control Module - Model UW60AV (Drawing 1 of 4)	18
Control Module - Model UW60PV (Drawing 2 of 4)	20
Control Module - Models UW60AV and UW60VV (Drawing 2 of 4).....	22
Control Module (Drawing 3 of 4)	24
Control Module (Drawing 4 of 4)	26
AC Drive - Model UW60PV (Drawing 1 of 2)	28
AC Drive - Model UW60PV (Drawing 2 of 2)	30
AC Drive PowerFlex 40 Drive Kits	32
Balance Switch, Temperature Probe and Rotation Sensor	34
Supply Dispenser.....	36
Hoses to Supply Dispenser.....	38
Spray Plumbing - Design 5 and 6 UW60PV Models.....	40
Spray Plumbing - Design 7 and 8 UW60PV Models.....	42
Fill Plumbing - Design 5 and 6 UW60PV Models Through 2/29/02	44
Fill Plumbing - Design 5 and 6 UW60PV Models Starting 3/1/02	46
Fill Plumbing - Design 7 and 8 UW60PV Models.....	48
Fill Plumbing - Models UW60AV and UW60VV	50
Drain System, Overflow and Vent Pipes	52
Basket, Shell and Frame (Drawing 1 of 2)	54
Basket, Shell and Frame (Drawing 2 of 2)	56
Door and Spray Tube.....	58
Door Lock.....	60
Front, Side and Rear Panels.....	62
Motor and Pulley - Model UW60PV	64
Motor and Pulley - Models UW60AV and UW60VV	66
Electric Heat Option	68
Steam Heat Option and Transformers	70
Water-Saving System Main View - Design 5 and 6 UW60PV Models	72
Water-Saving System Main View - Design 7 and 8 UW60PV Models	74
Water-Saving System Pump Sub-Assembly - Model UW60PV	76
Water-Saving System Control Module Sub-Assembly - Model UW60PV	78

© Copyright 2019, Alliance Laundry Systems LLC

All rights reserved. No part of the contents of this book may be reproduced or transmitted in any form or by any means without the expressed written consent of the publisher.

Auxiliary Water Reuse Inlet - Model UW60PV	80
Wet-Clean Assembly Main View - Model UW60PV	82
Wet-Clean Assembly Control Module - Model UW60PV	84
Security Fasteners	86
Special Tools	88
Motor Manufacturer Part Number Location on the Motor's Serial Plate.....	90
Parts Index.....	93

Parts Ordering Information

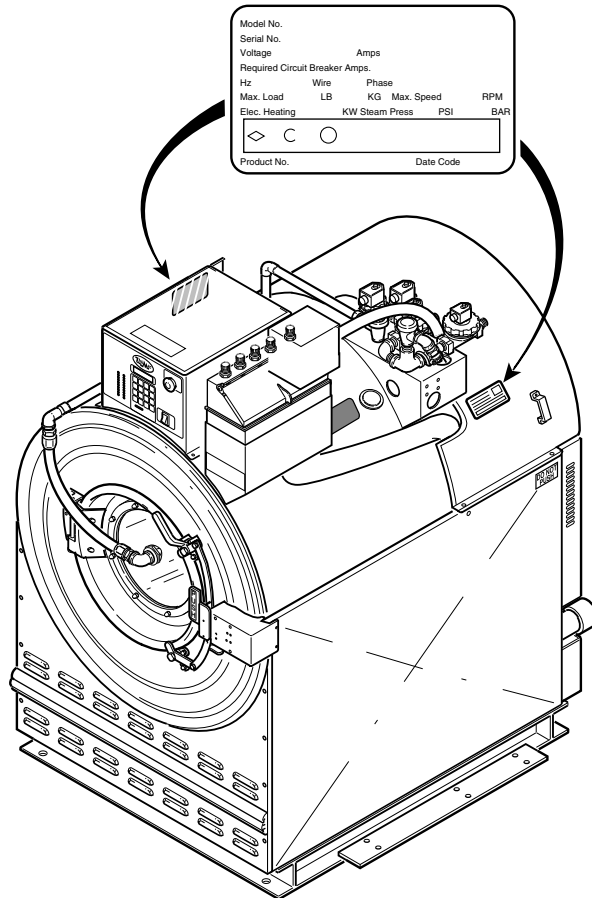
If literature or replacement parts are required, contact the source from whom the machine was purchased or contact Alliance Laundry Systems at (920) 748-3950 for the name and address of the nearest authorized parts distributor.

For technical assistance, call the number listed below:

(920) 748-3121 Ripon, Wisconsin

Serial Plate Location

When calling or writing about your product, be sure to mention model and serial numbers. Model and serial numbers are located on serial plate(s) as shown.



PHM2462P_F232167

Model Identification

Information in this manual is applicable to these washer-extractor models:

UW60AV

UW60PV

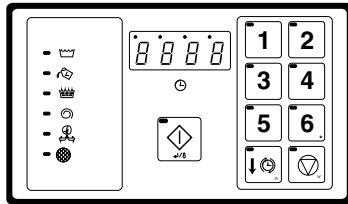
UW60VV

NOTE: This manual applies to models with either 5, 6, 7 or 8 in the 9th position in the model number (e.g. UW60PVQU50001).

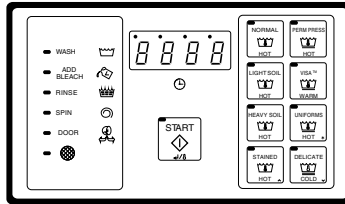
Pocket Hardmount Washer-Extractor Product Overview

Model No. UW60AMXUB0001
 Serial No. 0000000000
 Voltage 200 – 240 Amps 10
 Circuit Breaker 15 Amps
 Hz 50 – 60 Wire 2/3 Phase S 3
 Max. Load 60 LB 27 KG Max. Speed 594 RPM
 Elec. Heating N/A Steam Press. N/A PSI 0.0 BAR

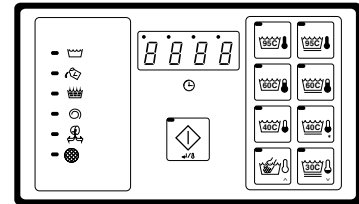
Drawings:
 ETL Listed
 Conforms To ANSI/UL Std. 1206, 3rd Ed
 Certified To CAN/CSA Std. C22.2 No.53-1968



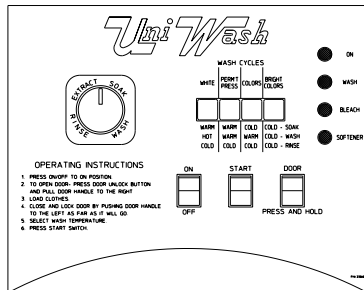
A-Control



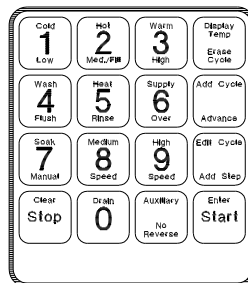
B-Control (Domestic)



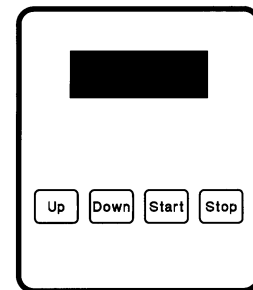
B-Control (International)



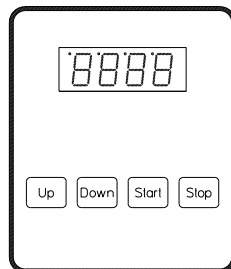
Mechanical Timer



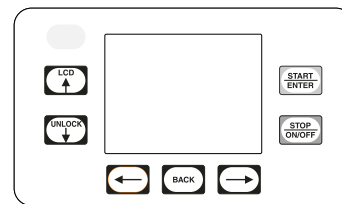
WE-6 Control



S-Computer



V-Computer



UniLinc Control

PHM2979P_F232167

Pocket Hardmount Washer-Extractor Product Overview

REF	PART NO.	DESCRIPTION	COMMENTS
1	-	Product Family	UW
2	-	Capacity (Pounds)	35 60 80 100 125 150
3	-	Control	A (A-Control) B (B-Control) M (Mechanical Timer) P (WE-6 Control) S (S-Computer) V (V-Computer) T (UniLinc Control)
4	-	Speed	2 (2-Speed) 3 (3-Speed) 4 (4-Speed) V (Variable-Speed)
5	-	Voltage	F (440-480/60/3/3) N (440-480/50-60/3/3) O (208-240/60/3/3) P (380-415/60-60/3/3) Q (200-208/220-240/50/60/3ph) R (380-415/440-480/50/60/3ph) X (200-220/220-240/50/60/1-3) Y (208-240/60/1/2)
6	-	OEM	U (Standard Specs)
7	-	Design Series	1-8

Product Info - Ordering AC Drives for Models UW60PVQ

MOTOR (MANUFACTURE R PART NO.)**	DRIVE KIT (PART NO.)	APPLICATION
F220236 (F-391994-61)	160-Series AC Drive Kit (F0370853-792)	Used with machines that have previously been updated from the 1305-series drive to the 160-series drive using either F079892911, F079893110, F079892911 or F079893110 1305 to 160-series AC drive retrofit kit; Requires a 3.2-inch motor pulley. NOTE: If the washer-extractor was updated from the 1305-series drive to the 160-series drive using F079893110 1305 to 160-series AC Drive Retrofit Kit, also order F330284 EMI Filter
F220236 (F-391994-61)	160-Series AC Drive Kit (N/A)	Used with design 5 machines; Requires a 3.4-inch motor pulley; Replaces AC drive F370853
F220236 (F-391994-61)	160-Series AC Drive Kit (N/A)	Used with design 6, 7 or 8 machines; Replaces AC drive F370853
F220214U (G68094)	160-Series AC Drive Kit (N/A)	Used with machines that have previously been updated from the 1305-series drive to the 160-series drive using either F079893800 or F079894600 1305 to 160-series AC drive retrofit kit; Requires a 3.2-inch motor pulley
F220214 (H309)	160-Series AC Drive Kit (N/A)	Used with machines that have previously been updated from the 1305-series drive to the 160-series drive using either F079894000 or F079894800 1305 to 160-series AC drive retrofit kit; Requires a 3.2-inch motor pulley
F220214 (A431)	160-Series AC Drive Kit (N/A)	Used with machines that have previously been updated from the 1305-series drive to the 160-series drive using either F079894200 or F079895000 1305 to 160-series AC drive retrofit kit; Requires a 3.2-inch motor pulley
F220434 (7695)	160-Series AC Drive Kit (N/A)	Used with machines that have previously been updated from the 1305-series drive to the 160-series drive using either F079894400 or F079895200 1305 to 160-series AC drive retrofit kit; Requires a 3.2-inch motor pulley
F220214M (9-391718-60)	160-Series AC Drive Kit (N/A)	Used with design 5 machines; Requires a 3.2-inch motor pulley
F220214U (G68094)	Mitsubishi to PowerFlex 40 Drive Kit (F8171607)	Used with machines with a Mitsubishi A-series drive; Includes AC Drive F8103604
F220214M (9-391718-60)	Mitsubishi to PowerFlex 40 Drive Kit (F8171608)	Used with machines with a Mitsubishi A-series drive; Includes AC Drive F8103607
F220236 (F-391994-61)	Mitsubishi to PowerFlex 40 Drive Kit (F8171609)	Used with machines with a Mitsubishi A-series drive; Includes AC Drive F8103607
F220214U (G68094)	1305-Series to PowerFlex 40 AC Drive Kit (F8171601)	Used with machines with a 1305-series AC drive; Includes AC Drive F8103604
F220214M (9-391718-60)	1305-Series to PowerFlex 40 AC Drive Kit (F8171606)	Used with machines with a 1305-series AC drive; Includes AC Drive F8103607
F220236 (F-391994-61)	1305-Series to PowerFlex 40 AC Drive Kit (F8171610)	Used with machines with a 1305-series AC drive; Includes AC Drive F8103608

**** NOTE: Refer to Motor Manufacturer's Part Number on the Motor's Serial Plate for help with determining your motor's part number.**

N/A = Part no longer available

Product Info - Ordering AC Drives for Models UW60PVN or UW60PVP

MOTOR (MANUFACTURER PART NO.)**	DRIVE KIT (PART NO.)	APPLICATION
F220236 (F-391994-61)	160-Series AC Drive Kit (N/A)	Used with machines that have previously been updated from the 1305-series drive to the 160-series drive using either F079893010, F079893210, F079893010 or F079893210 1305 to 160-series AC drive retrofit kit; Requires a 3.2-inch motor pulley. NOTE: If the washer-extractor was updated from the 1305-series drive to the 160-series drive using F079893210 1305 to 160-series AC Drive Retrofit Kit, also order F330283 EMI Filter
F220236 (F-391994-61)	160-Series AC Drive Kit (N/A)	Used with design 5 machines; Requires a 3.4-inch motor pulley; Replaces AC drive F370844
F220236 (F-391994-61)	160-Series AC Drive Kit (N/A)	Used with design 6, 7 or 8 machines; Replaces AC drive F370844
F220214U (G68094)	160-Series AC Drive Kit (N/A)	Used with machines that have previously been updated from the 1305-series drive to the 160-series drive using either F079893900 or F079894700 1305 to 160-series AC drive retrofit kit; Requires a 3.2-inch motor pulley
F220214 (H309)	160-Series AC Drive Kit (N/A)	Used with machines that have previously been updated from the 1305-series drive to the 160-series drive using either F079894100 or F079894900 1305 to 160-series AC drive retrofit kit; Requires a 3.2-inch motor pulley
F220214 (A431)	160-Series AC Drive Kit (N/A)	Used with machines that have previously been updated from the 1305-series drive to the 160-series drive using either F079894300 or F079895100 1305 to 160-series AC drive retrofit kit; Requires a 3.2-inch motor pulley
F220434 (7695)	160-Series AC Drive Kit (N/A)	Used with machines that have previously been updated from the 1305-series drive to the 160-series drive using either F079894300 or F079895100 1305 to 160-series AC drive retrofit kit; Requires a 3.2-inch motor pulley
F220214M (9-391718-60)	160-Series AC Drive Kit (N/A)	Used with design 5 machines; Requires a 3.4-inch motor pulley
F220214U (G68094)	Mitsubishi to PowerFlex 40 Drive Kit (F8171706)	Used with machines with a Mitsubishi A-series drive; Includes AC Drive F8103704
F220214M (9-391718-60)	Mitsubishi to PowerFlex 40 Drive Kit (F8171710)	Used with machines with a Mitsubishi A-series drive; Includes AC Drive F8103705
F220236 (F-391994-61)	Mitsubishi to PowerFlex 40 Drive Kit (F8171707)	Used with machines with a Mitsubishi A-series drive; Includes AC Drive F8103706
F220214U (G68094)	1305-Series to PowerFlex 40 AC Drive Kit (F8171708)	Used with machines with a 1305-series AC drive; Includes AC Drive F8103704
F220214M (9-391718-60)	1305-Series to PowerFlex 40 AC Drive Kit (F8171711)	Used with machines with a 1305-series AC drive; Includes AC Drive F8103705
F220236 (F-391994-61)	1305-Series to PowerFlex 40 AC Drive Kit (F8171709)	Used with machines with a 1305-series AC drive; Includes AC Drive F8103706

**** NOTE: Refer to Motor Manufacturer's Part Number on the Motor's Serial Plate for help with determining your motor's part number.**

N/A = Part no longer available

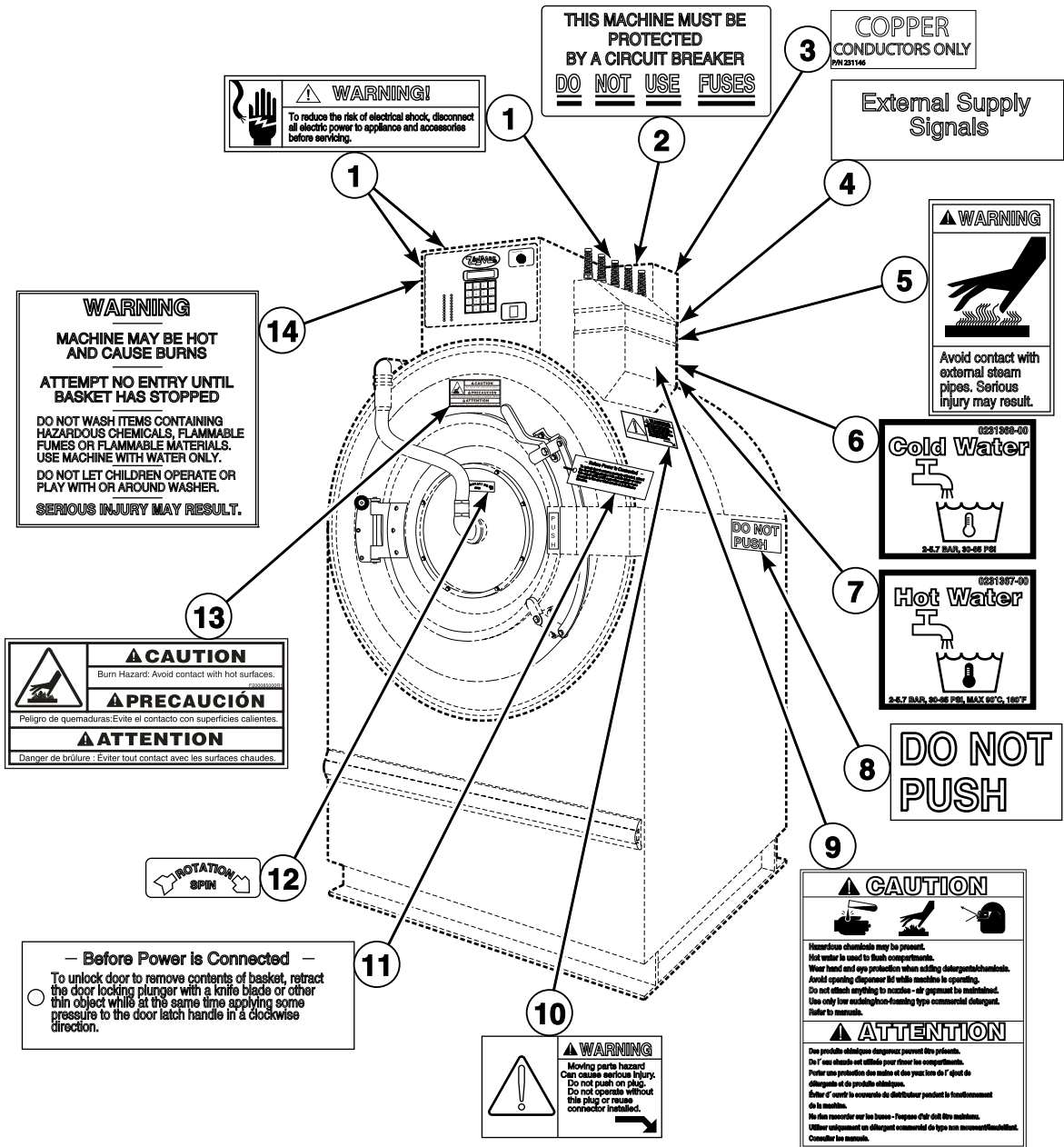
Product Info - Ordering AC Drives for Models UW60PVT

MOTOR (MANUFACTURER PART NO.)**	DRIVE KIT (PART NO.)	APPLICATION
F220214M (9-391718-60)	160-Series AC Drive Kit (N/A)	Used with design 5 machines; Replaced by F8171608 Mitsubishi to Power Flex 40 Drive Kit
F220214M (9-391718-60)	160-Series AC Drive Kit (N/A)	Used with design 6, 7 or 8 machines
F220236 (F-391994-61)	160-Series AC Drive Kit (F391994-61)	Used with design 5 machines; Replaces AC drive F370853
F220236 (F-391994-61)	160-Series AC Drive Kit (N/A)	Used with design 6, 7 or 8 machines; Replaces AC drive F370853
F220214U (G68094)	Mitsubishi to PowerFlex 40 Drive Kit (F8171607)	Used with machines with a Mitsubishi A-series drive; Includes AC Drive F8103604
F220214M (9-391718-60)	Mitsubishi to PowerFlex 40 Drive Kit (F8171608)	Used with machines with a Mitsubishi A-series drive; Includes AC Drive F8103607
F220236 (F-391994-61)	Mitsubishi to PowerFlex 40 Drive Kit (F8171609)	Used with machines with a Mitsubishi A-series drive; Includes AC Drive F8103607
F220214U (G68094)	1305-Series to PowerFlex 40 AC Drive Kit (F8171601)	Used with machines with a 1305-series AC drive; Includes AC Drive F8103604
F220214M (9-391718-60)	1305-Series to PowerFlex 40 AC Drive Kit (F8171606)	Used with machines with a 1305-series AC drive; Includes AC Drive F8103607
F220236 (F-391994-61)	1305-Series to PowerFlex 40 AC Drive Kit (F8171610)	Used with machines with a Mitsubishi A-series drive; Includes AC Drive F8103608

**** NOTE: Refer to *Motor Manufacturer's Part Number on the Motor's Serial Plate* for help with determining your motor's part number.**

N/A = Part no longer available

Decals

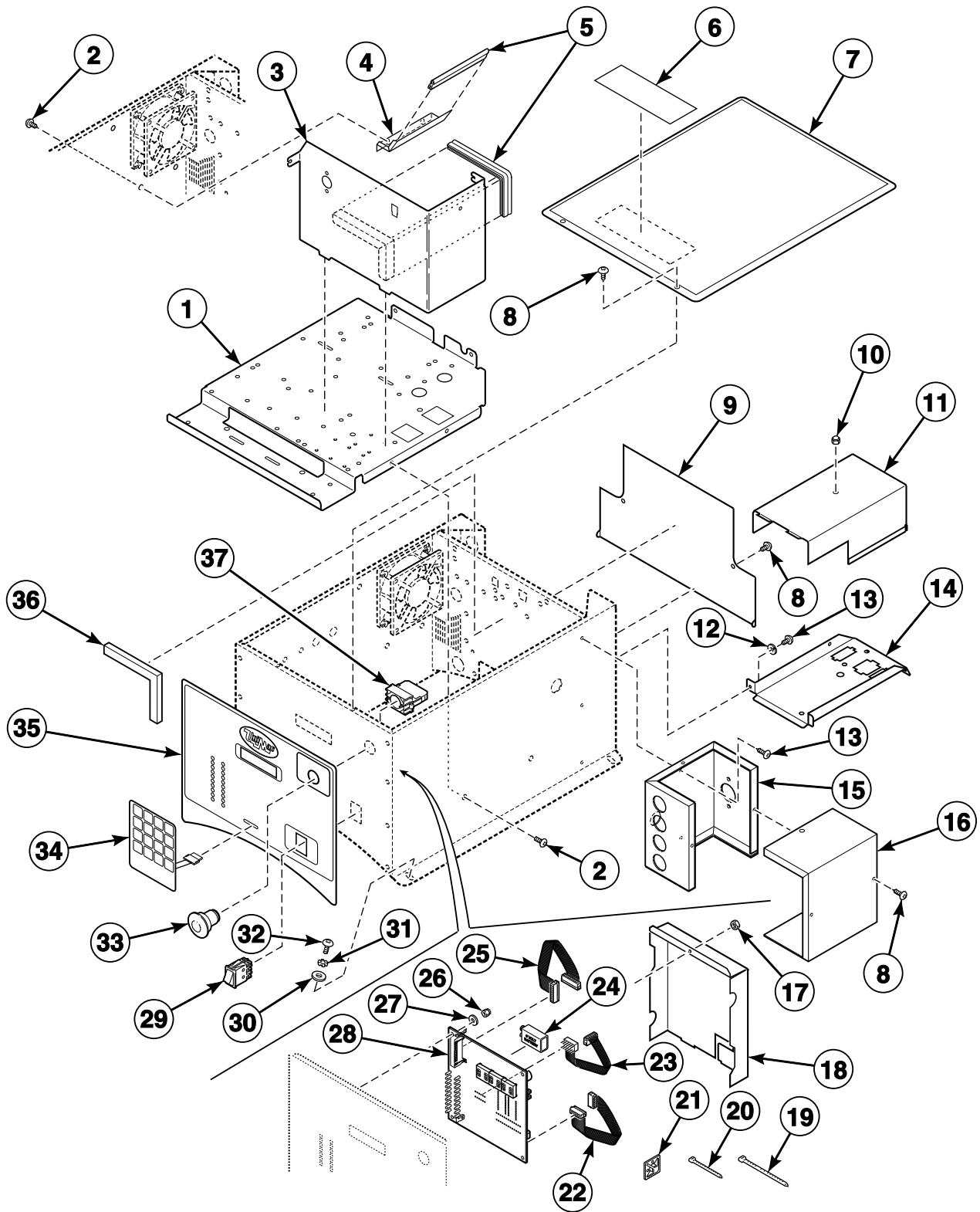


PHM2896P_F232167

Decals

REF	PART NO.	DESCRIPTION	COMMENTS
1	D505281	Disconnect Power Warning Label	
2	F230301	This Machine Must Be Protected Decal	
3	F231146	Conductor Decal	
4	F231345-4	External Supply Caution Decal	
5	F231380	Hot Surface Warning Decal	
6	F231368	Cold Water Valve Decal	
7	F231367	Hot Water Valve Decal	
8	F230302	Do Not Push Decal	
9	F231436	Supply Dispenser Hazard Caution Decal	
10	F0230112-00	Plug Removal Warning Decal	Model UW60PV
11	F230501	Before Power Is Connected Tag	
12	F230652	Clockwise Spin Rotation Decal	
13	F200085000	Hot Surface Warning Decal	
14	F231065	Personal Injury Warning Decal	

Control Module - Model UW60PV (Drawing 1 of 4)



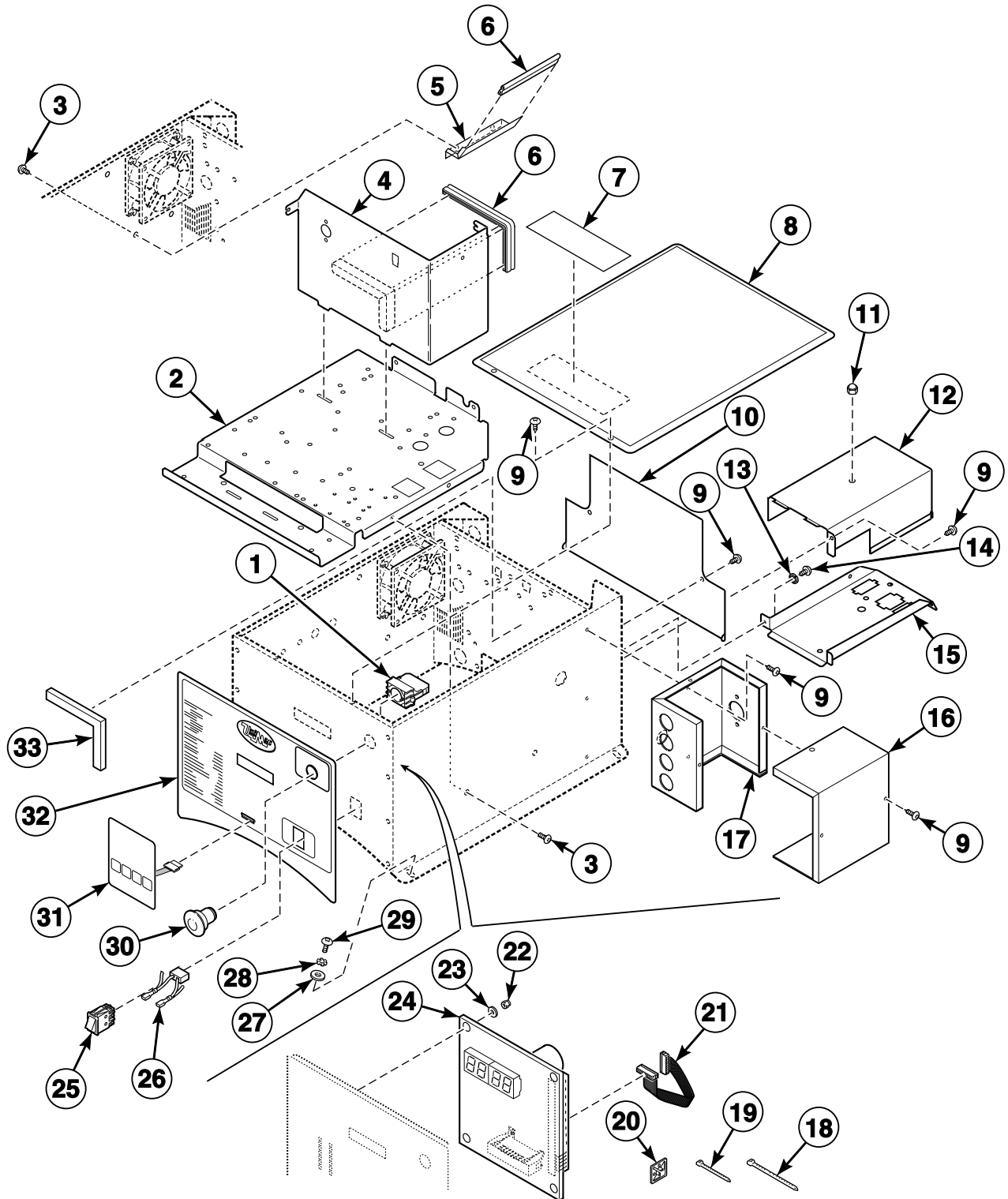
PHM2344P_F232167

Control Module - Model UW60PV (Drawing 1 of 4)

REF	PART NO.	DESCRIPTION	COMMENTS
1	N/A	Control Mounting Panel Assembly	
2	F430928	Screw	
3	F0637753-00	AC Drive Partition Assembly	
4	F0637748-00	Air Flow Ramp Assembly	
5	F170404	Trim	Order 1 foot
6	D505281	Disconnect Power Warning Label	
7	F635456	Control Module Cover	
8	70240301	Screw	
9	F635448	Electrical Access Panel	Design 5 and 6
	F0637549-00	Electrical Access Panel	Design 7 and 8
10	F8549401	Nut	
11	F635476	Cable Tray Cover	
12	F431113	Washer	
13	F430917	Screw	
14	F635615-2	Cable Tray Assembly	
15	F635468	External Supply Box	
16	F635365	External Supply Box Cover	
17	F431000	Nut	
18	F606826	Computer Cover	
19	F140606	Cable Tie	15 inch
20	F140605	Cable Tie	6 inch
21	F140602	Tie Wrap Mounting Clamp	
22	F140218P	Ribbon Cable	16 conductor; 12 inch; From interface cca to computer; J8 plug
23	F140248P	Ribbon Cable	16 conductor; 15 inch; From computer to interface cca; J1 plug; DIP socket
24	F191101	Battery	9 Volt; Backup
25	F140219P	Ribbon Cable	26 conductor; 15 inch; From computer to output cca
26	F430231	Nut	
27	F431125	Washer	
28	F037062441P	WE-6 Computer	
29	F340412	Momentary Switch	Models through 5/26/04
	F200120100	Momentary Switch	Models starting 5/27/04
30	F431123	Washer	
31	F431108	Washer	
32	F8136401	Screw	
33	N/A	Emergency Stop Pushbutton	800E-series; Models through 9/30/07; Order F200233700P Emergency Stop Button Kit
	F200233700P	Emergency Stop Button Kit	Used to convert from 800E-series to 800F-series; Includes F200233500 Emergency Stop Pushbutton and F200233401 Contact Block Switch
	F200233500	Emergency Stop Pushbutton	800F-series; Models starting 10/1/07
34	F230724P	Keypad Decal	
35	F231562	Control Module Decal	
36	N/A	Seal	Order 1 foot; N, P and Q-voltage
	F170151	Seal	Order 1 foot; T and X-voltage
37	F340445	Contact Block Switch	800E-series; Models through 9/30/07; Includes mounting base
	F200299500	Contact Block Switch	800E-series; Models through 9/30/07; Does not include mounting base
	F8069501	Contact Switch	800F-series; Models starting 10/1/07
	F8538101	Contact Base	800F-series; Models starting 10/1/07

N/A = Part no longer available

Control Module - Model UW60VV (Drawing 1 of 4)



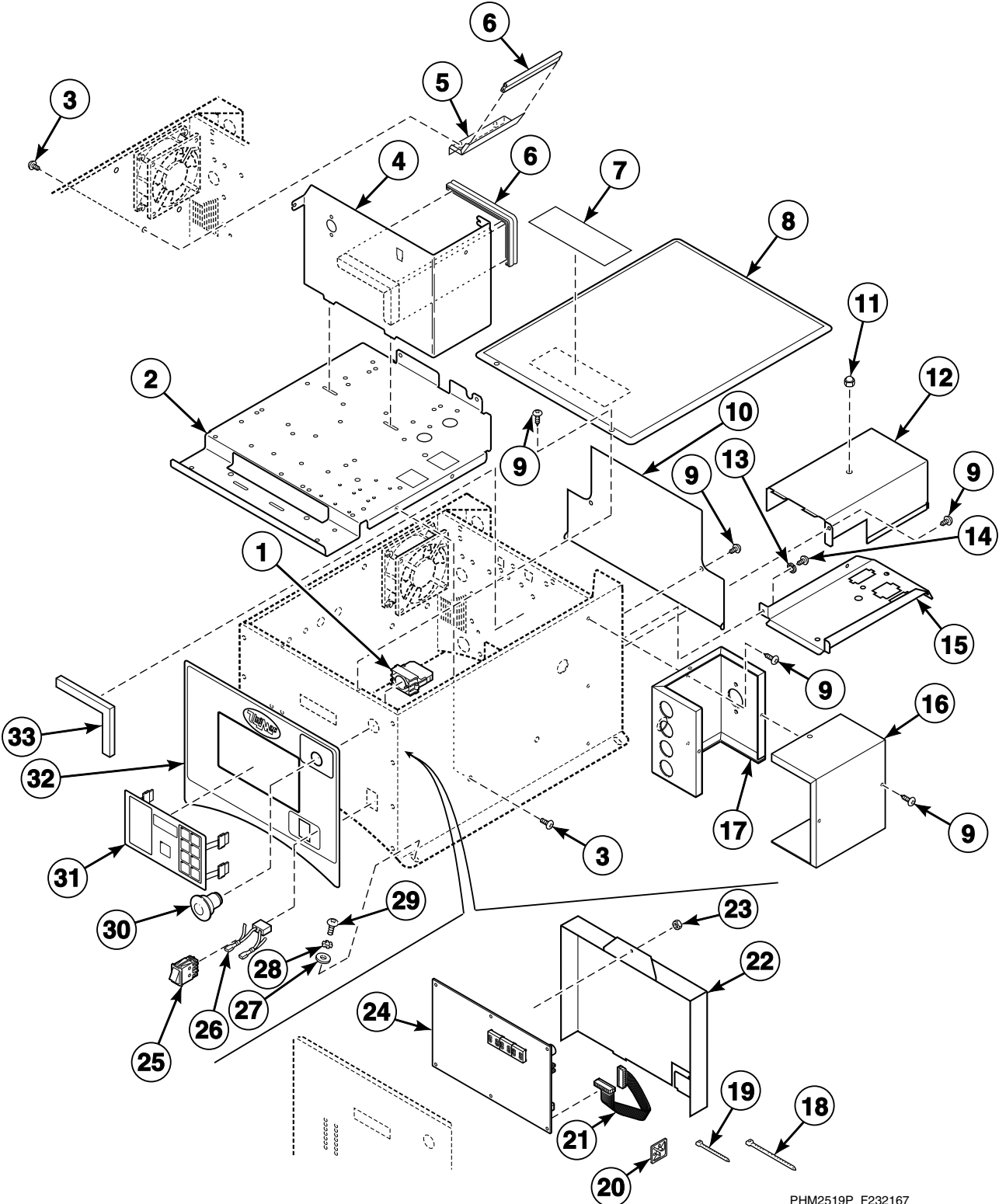
PHM2441P_F232167

Control Module - Model UW60VV (Drawing 1 of 4)

REF	PART NO.	DESCRIPTION	COMMENTS
1	F340445	Contact Block Switch	800E-series; Models through 9/30/07; Includes mounting base
	F200299500	Contact Block Switch	800E-series; Models through 9/30/07; Does not include mounting base
	F8069501	Contact Switch	800F-series; Models starting 10/1/07
	F8538101	Contact Base	800F-series; Models starting 10/1/07
2	N/A	Control Mounting Panel Assembly	
3	F430928	Screw	
4	F635366	AC Drive Partition	
5	F0637748-00	Air Flow Ramp Assembly	
6	F170404	Trim	Order 1 foot
7	D505281	Disconnect Power Warning Label	
8	F634558	Control Module Cover	
9	70240301	Screw	
10	F0637549-00	Electrical Access Panel	
11	F8549401	Nut	
12	F635476	Cable Tray Cover	
13	F431113	Washer	
14	F430917	Screw	
15	F635615-2	Cable Tray Assembly	
16	F635365	External Supply Box Cover	
17	F635468	External Supply Box	
18	F140606	Cable Tie	15 inch
19	F140605	Cable Tie	6 inch
20	F140602	Tie Wrap Mounting Clamp	
21	F140219P	Ribbon Cable	26 conductor; 15 inch; Connects the microcomputer to the output board cca
22	F430231	Nut	
23	F431125	Washer	
24	F0370313-09P	Microcomputer	
25	F340412	Momentary Switch	Models through 5/26/04
	F200120100	Momentary Switch	Models starting 5/27/04
26	F330217P	RC Network Filter	Includes F140627 Connector and F141022 Connector
27	F431123	Washer	
28	F431108	Washer	
29	F8136401	Screw	
30	N/A	Emergency Stop Pushbutton	800E-series; Models through 9/30/07; Order F200233700P Emergency Stop Button Kit
	F200233700P	Emergency Stop Button Kit	Used to convert from 800E-series to 800F-series; Includes F200233500 Emergency Stop Pushbutton and F200233401 Contact Block Switch
	F200233500	Emergency Stop Pushbutton	800F-series; Models starting 10/1/07
31	F370576P	Keypad	
32	F231417	Control Module Decal	
33	N/A	Seal	Order 1 foot

N/A = Part no longer available

Control Module - Model UW60AV (Drawing 1 of 4)



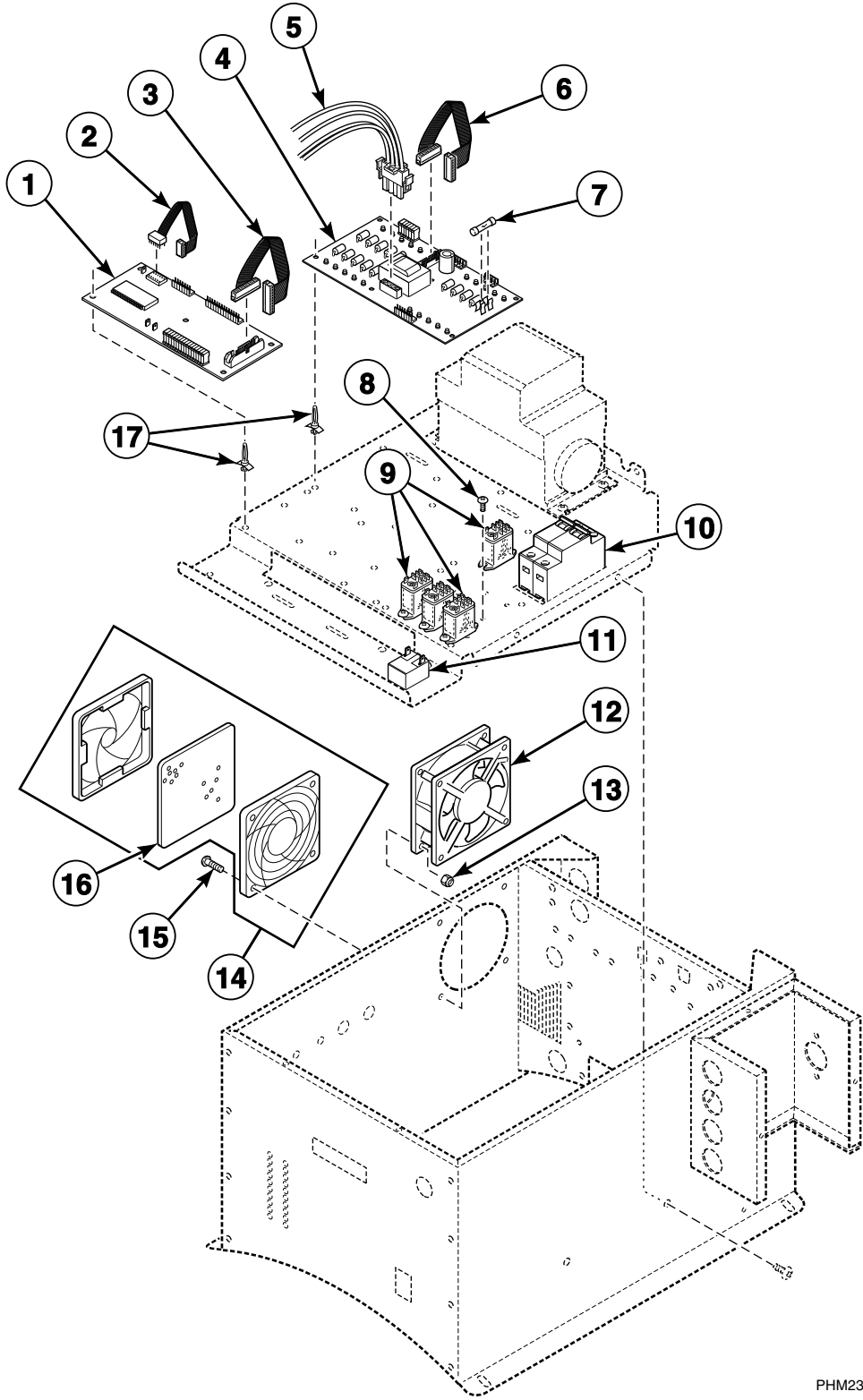
PHM2519P_F232167

Control Module - Model UW60AV (Drawing 1 of 4)

REF	PART NO.	DESCRIPTION	COMMENTS
1	F340445	Contact Block Switch	800E-series; Models through 9/30/07; Includes mounting base
	F200299500	Contact Block Switch	800E-series; Models through 9/30/07; Does not include mounting base
	F8069501	Contact Switch	800F-series; Models starting 10/1/07
	F8538101	Contact Base	800F-series; Models starting 10/1/07
2	N/A	Control Mounting Panel Assembly	
3	F430928	Screw	
4	F635366	AC Drive Partition	
5	F0637748-00	Air Flow Ramp Assembly	
6	F170404	Trim	Order 1 foot
7	D505281	Disconnect Power Warning Label	
8	F634558	Control Module Cover	
9	70240301	Screw	
10	F0637549-00	Electrical Access Panel	
11	F8549401	Nut	
12	F635476	Cable Tray Cover	
13	F431113	Washer	
14	F430917	Screw	
15	F635615-2	Cable Tray Assembly	
16	F635365	External Supply Box Cover	
17	F635468	External Supply Box	
18	F140606	Cable Tie	15 inch
19	F140605	Cable Tie	6 inch
20	F140602	Tie Wrap Mounting Clamp	
21	F140219P	Ribbon Cable	26 conductor; 15 inch; Connects the microcomputer to the output board cca
22	F0636887-00	Control Cover	
23	F430231	Nut	
24	F037047530P	Computer	
25	F200120100	Momentary Switch	
26	F330217P	RC Network Filter	Includes F140627 Connector and F141022 Connector
27	F431123	Washer	
28	F431108	Washer	
29	F8136401	Screw	
30	N/A	Emergency Stop Pushbutton	800E-series; Models through 9/30/07; Order F200233700P Emergency Stop Button Kit
	F200233700P	Emergency Stop Button Kit	Used to convert from 800E-series to 800F-series; Includes F200233500 Emergency Stop Pushbutton and F200233401 Contact Block Switch
	F200233500	Emergency Stop Pushbutton	800F-series; Models starting 10/1/07
31	F023158231P	Keypad	
32	F0231565-00	Control Module Decal	
33	N/A	Seal	Order 1 foot

N/A = Part no longer available

Control Module - Model UW60PV (Drawing 2 of 4)

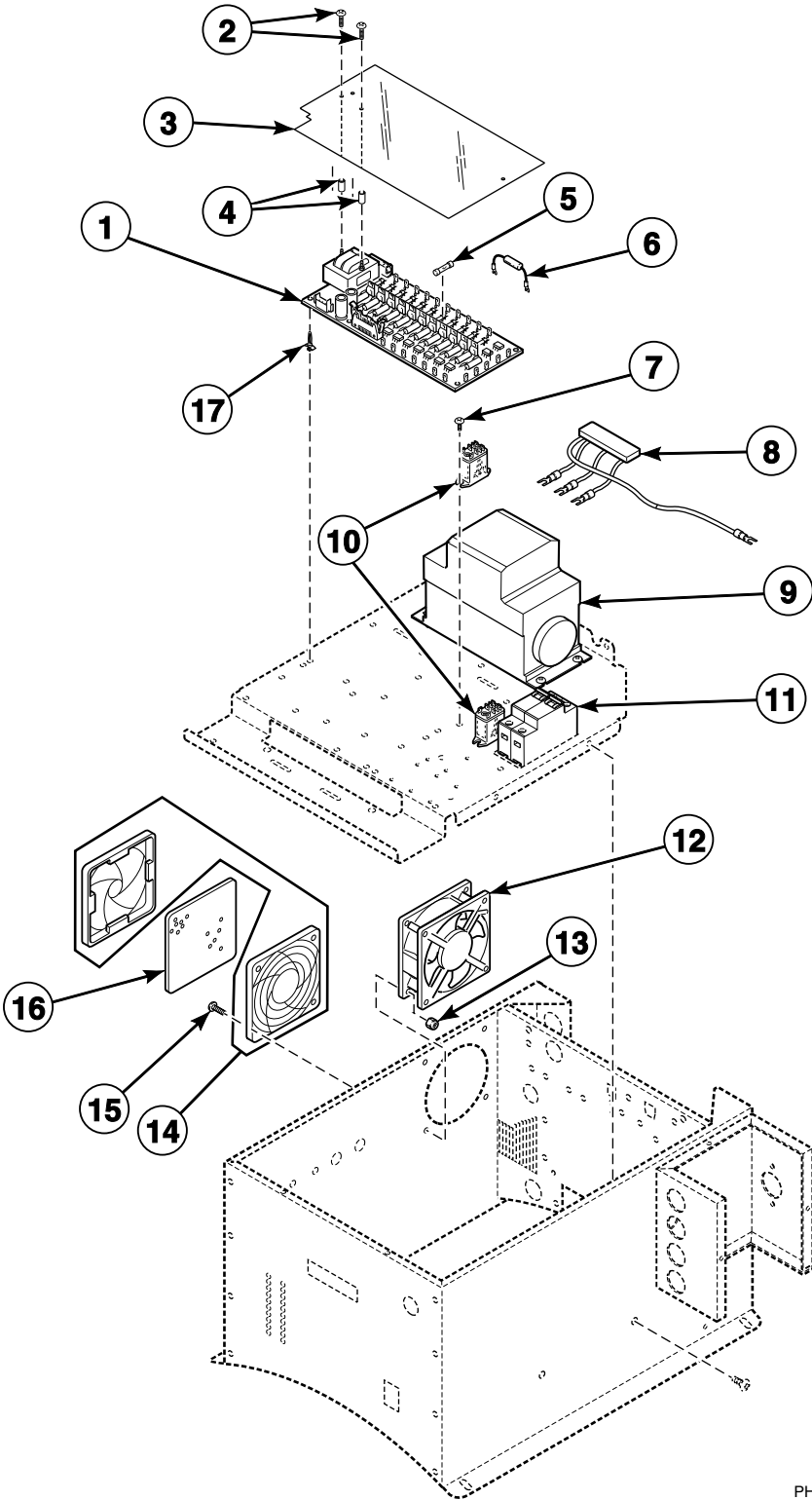


PHM2380P_F232167

Control Module - Model UW60PV (Drawing 2 of 4)

REF	PART NO.	DESCRIPTION	COMMENTS
1	F0370446-21P	WE-6 Interface CCA Kit	2 relay style
2	F140218P	Ribbon Cable	16 conductor; 12 inch; From interface cca to computer; J8 plug
3	F140248P	Ribbon Cable	16 conductor; 15 inch; From interface cca to computer; J1 plug; DIP socket
4	F8321901P	Output CCA	
5	F784003P	Jumper Kit	
6	F140219P	Ribbon Cable	26 conductor; 15 inch; From computer to output cca
7	F350108	Fuse	1/8 Amp; Slo blo
	F350109	Fuse	1/2 Amp; Fast blo
	F350110	Fuse	1 Amp; Slo blo
8	F0430165-00	Screw	
9	F330230	Flange Relay	220 Volt
10	F8303001P	Circuit Breaker	N and P-voltage
11	F300206	Buzzer	220 Volt
12	F110105	Muffin Fan	220 Volt; 4 inch
13	F430231	Nut	
14	F220900	Filter Retainer Guard	Includes item 16
15	F430910	Screw	
16	F200318900P	Filter	
17	F180506	Standoff	

Control Module - Models UW60AV and UW60VV (Drawing 2 of 4)

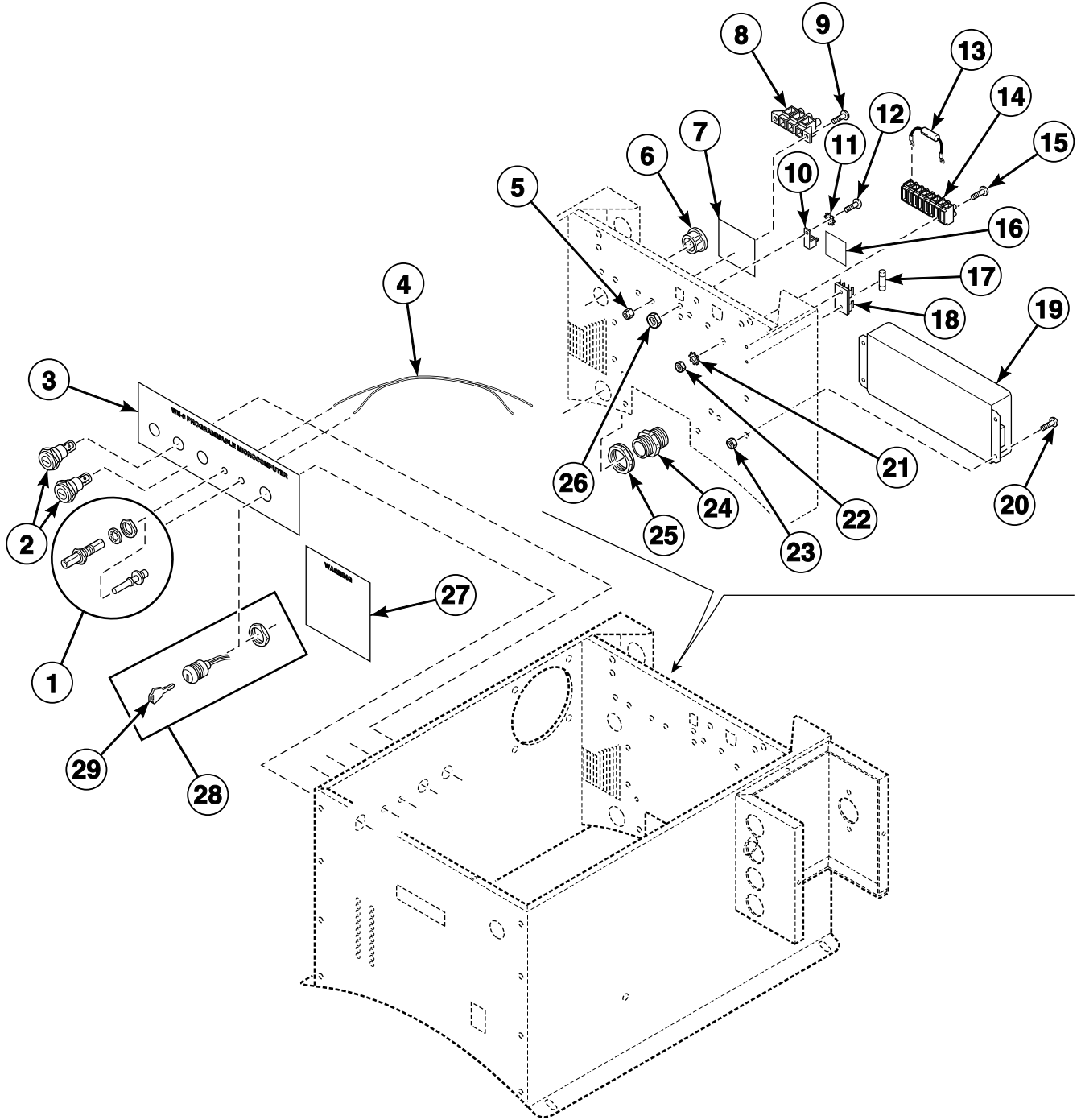


PHM2680P_F232167

Control Module - Models UW60AV and UW60VV (Drawing 2 of 4)

REF	PART NO.	DESCRIPTION	COMMENTS
	F0360160-00P	Line Reactor Kit	Use with F370843 Inverter Drive
	F0360167-00P	Line Reactor Kit	Use with F370844 Inverter Drive
	F200296000P	Computer and Door Lock Harness	Use with F037044860-2 Output CCA
1	F8206502	Output Board CCA	Model UW60VV
	F037044860-2	Output CCA	Model UW60AV
2	F431702	Screw	Model UW60AV
3	F0170427-00	Output Board Cover	Model UW60AV
4	F431806	Nut	Model UW60AV
5	F350108	Fuse	1/8 Amp; Slo blo
	F350109	Fuse	1/2 Amp; Fast blo
	F350110	Fuse	1 Amp; Slo blo
	F350142	Fuse	2 Amp; Slo blo
6	F370116	Resistor	
7	F0430165-00	Screw	
8	F200320900	AC Drive Radio Filter Assembly	
9	F370843	Inverter Drive	X-voltage
	F370844	Inverter Drive	N-voltage
10	F330230	Flange Relay	220 Volt
11	F8303001P	Circuit Breaker	N-voltage
12	F110105	Muffin Fan	220 Volt; 4 inch
13	F430231	Nut	
14	F220900	Filter Retainer Guard	
15	F430910	Screw	
16	F200318900P	Filter	
17	F180506	Standoff	

Control Module (Drawing 3 of 4)



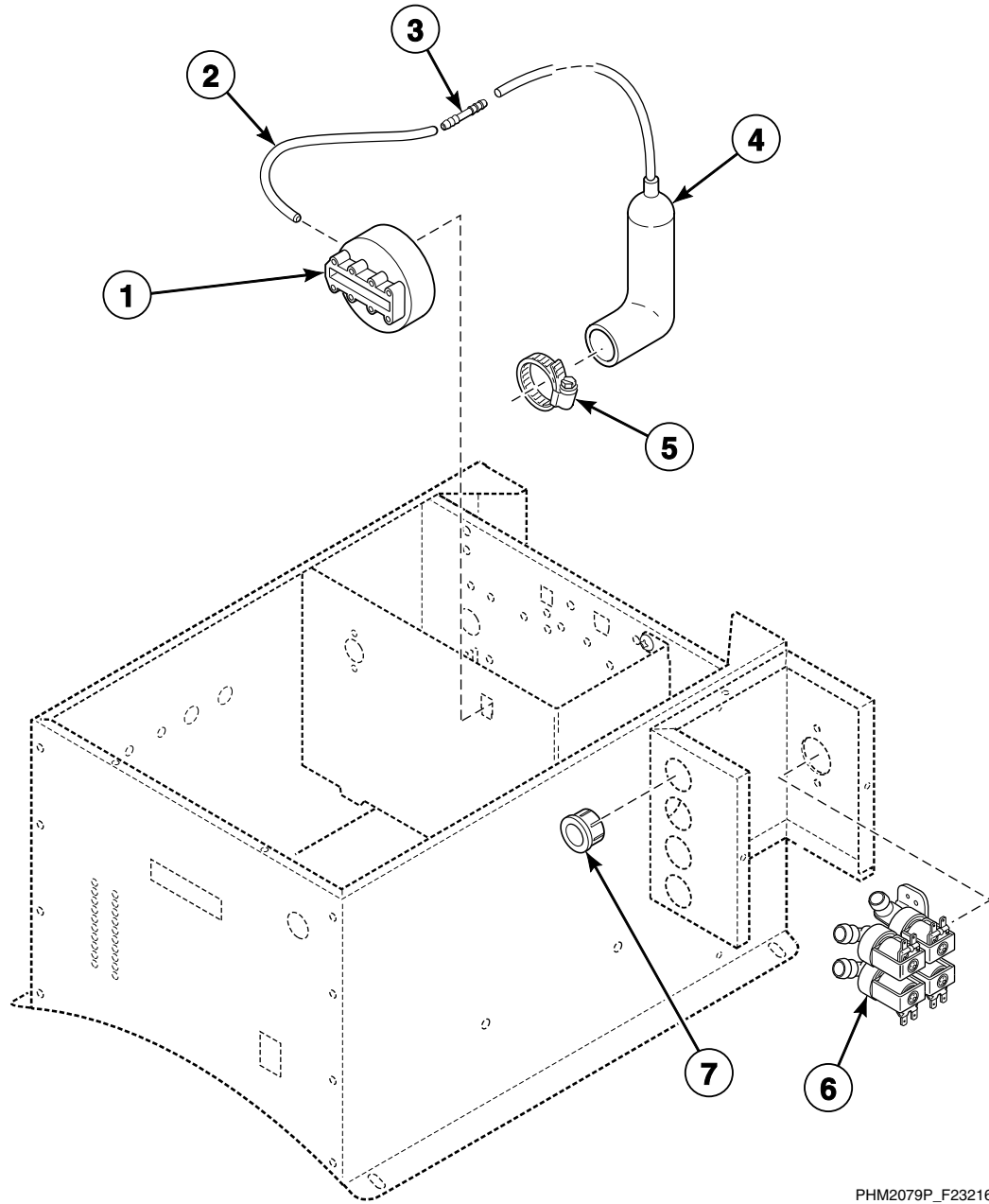
PHM2543P_F232167

Control Module (Drawing 3 of 4)

REF	PART NO.	DESCRIPTION	COMMENTS
1	F140575P	Connector	Model UW60PV; Gray
	F140576P	Connector	Model UW60PV; Blue
2	F350218	Circuit Breaker	1 Amp; Model UW60PV through 5/11/03
	F350210	Circuit Breaker	2 Amp; Model UW60PV through 5/11/03
	F0350313-00P	Fuse Holder	Model UW60PV starting 5/12/03; Model UW60VV
	F350142	Fuse	2 Amp; Slo blo; Model UW60PV starting 5/12/03; Model UW60VV
3	F231564	Switch Mode Decal	Model UW60PV through 5/11/03
	F0231632-00	Switch Mode Decal	Model UW60PV starting 5/12/03
	F0231629-00	Fuse Decal	Model UW60VV
4	F604713	Cable Assembly	Model UW60PV
5	F431022	Nut	
6	F140909	Insulator Bushing	
7	F0231636-00	Input Block Decal	
8	F140794-1	Input Power Block	
9	F430938	Screw	
10	F140734	Ground Terminal Lug	
11	F431106	Washer	
12	F430903	Screw	
13	F370116	Resistor	Model UW60PV
14	F140782	Terminal Block	11 place
15	F430995	Screw	
16	F230630	Ground Decal	
17	F350115	Fuse	3 Amp; Fast blo
18	F0350312-10	Fuse Holder	
19	F330280P	EMI Filter	400 Volt/3 Phase; CE models
	F330284	EMI Filter	200 Volt/3 Phase; CE models
	F8080001P	AC Drive Resistor Assembly	200 Volt; Optional
	F8079901P	AC Drive Resistor Assembly	400 Volt; Optional
20	F430909	Screw	
21	F431108	Washer	
22	F431006	Nut	
23	F431013	Nut	
24	N/A	Connector	CE models; PG21
	F180486	Cap Plug	Used in place of items 25 and 26 on non-CE models
25	F430265	Nut	CE models
26	F431000	Nut	
27	F231065	Personal Injury Warning Decal	Model UW60PV
28	F200174600P	Keymode Assembly	Includes item 29; Model UW60PV; N and P-voltage models starting 10/7/04 and through 1/14/05
	F340800P	Keymode Run/Program Switch	Includes item 29; Model UW60PV; N and P-voltage models through 10/6/04 and starting 1/15/05; All other voltage models
29	F370709	Program Key	Model UW60PV; Key Code A153

N/A = Part no longer available

Control Module (Drawing 4 of 4)

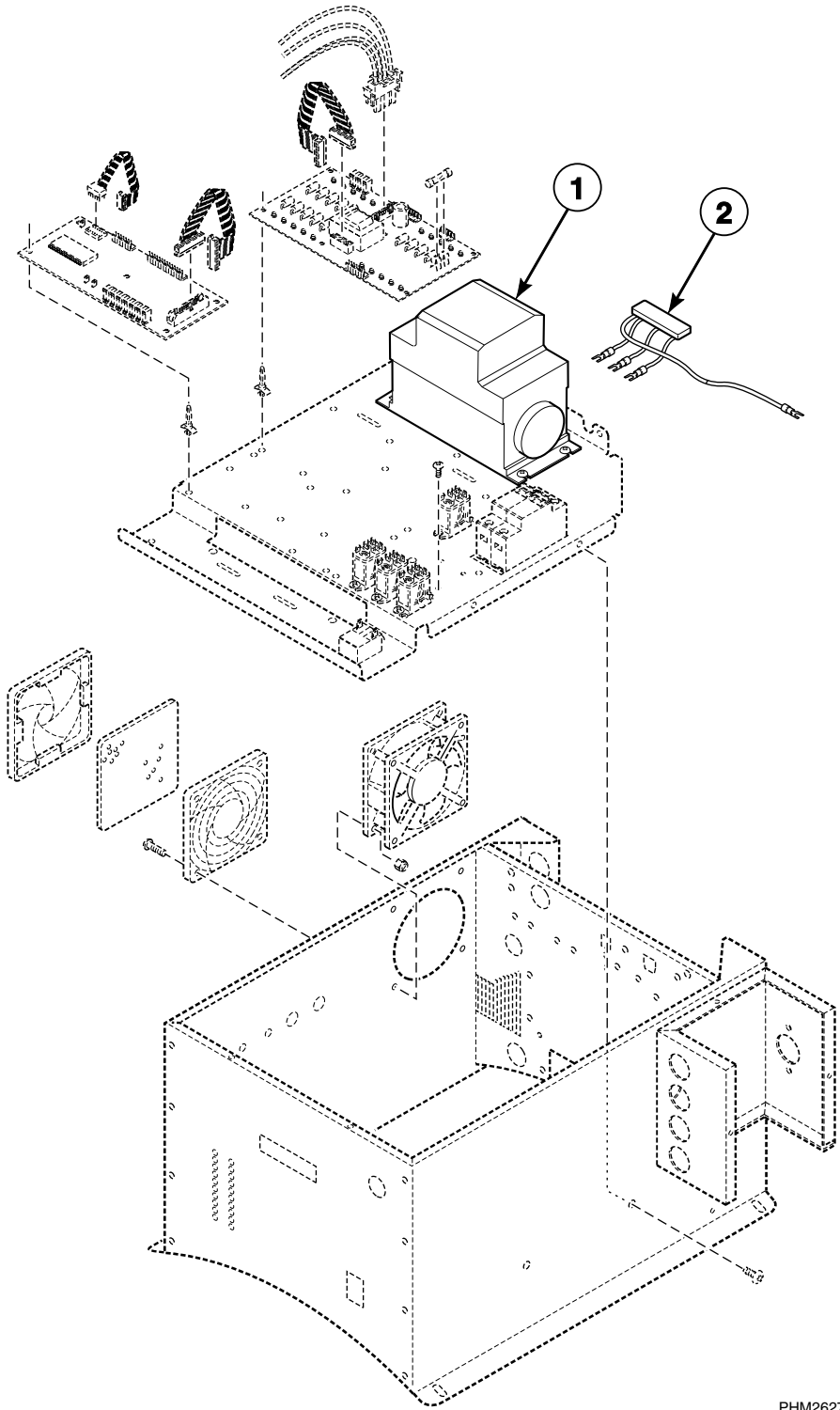


PHM2079P_F232167

Control Module (Drawing 4 of 4)

REF	PART NO.	DESCRIPTION	COMMENTS
1	F0340347-10P	Water Level Switch	
2	F422404P	Tubing	
3	F422500	Connector	
4	F020014200	Air Trap Hose	
5	F200215	Hose Clamp	No. 28
6	F381723P	4-Way Valve	220 Volt
	G582P3	Diaphragm and Guide Kit	
7	F140938	Snap Bushing	

AC Drive - Model UW60PV (Drawing 1 of 2)



PHM2627P_F232167

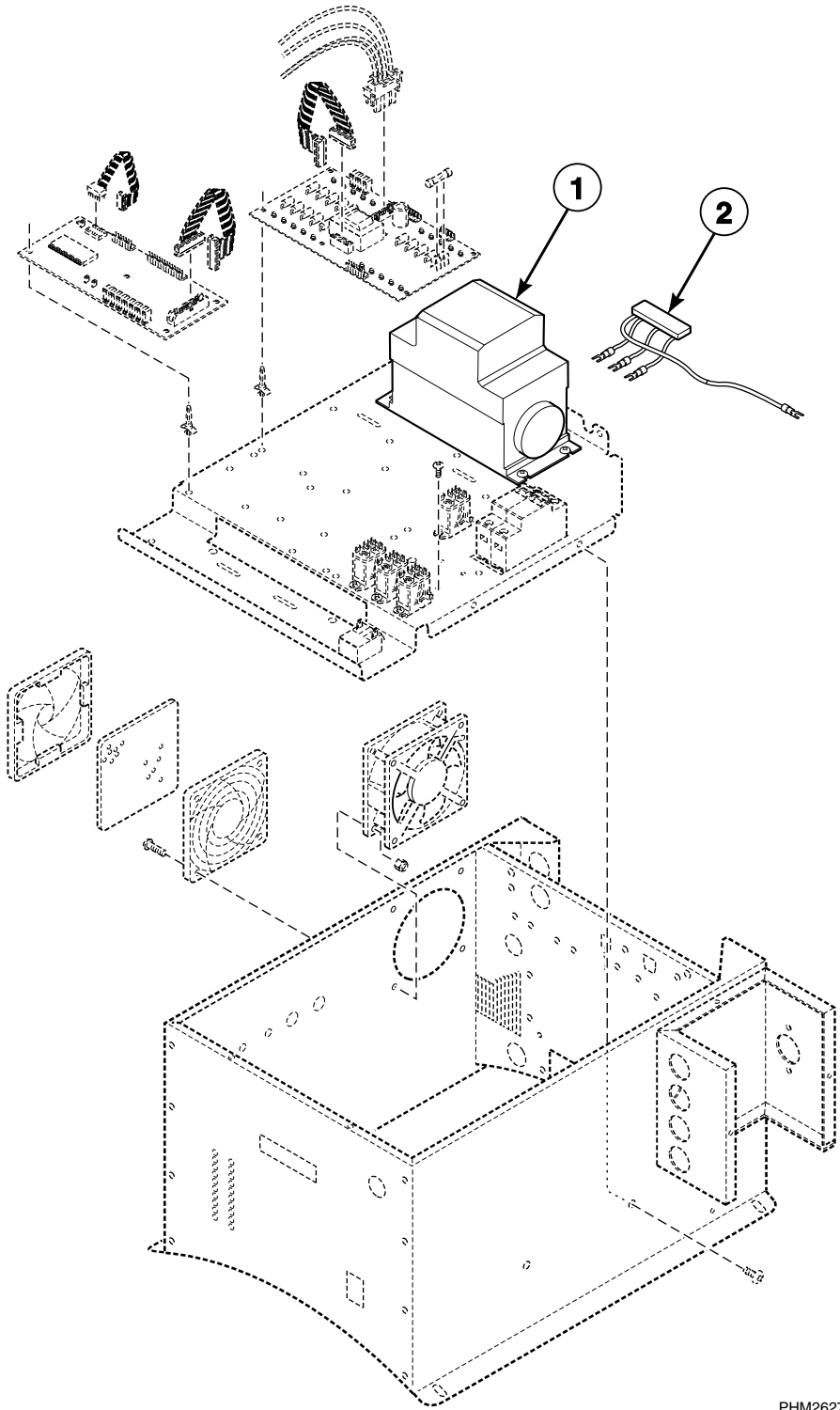
AC Drive - Model UW60PV (Drawing 1 of 2)

REF	PART NO.	DESCRIPTION	COMMENTS
1	F0370853-792	160-Series AC Drive Kit	Q-voltage models that have previously been updated from the 1305-series drive using either F079892911, F079893110, F079892911 or F079893110 1305 to 160-Series AC Drive Retrofit Kit; Used with F220236 Motor (Motor manufacturer Part No. F-391994-61) and a 3.2-inch motor pulley; NOTE: If the washer-extractor was updated from the 1305-series drive to the 160-series drive using F079893110 1305 to 160-Series AC Drive Retrofit Kit, also order F330284 EMI Filter
	F0370853-801	160-Series AC Drive Kit	Q-voltage models that have previously been updated from the 1305-series drive using either F079893800 or F079894600 1305 to 160-Series AC Drive Retrofit Kit; Used with F220214U Motor (Motor manufacturer Part No. G68094) and a 3.2-inch motor pulley
	N/A	160-Series AC Drive Kit	Q-voltage models that have previously been updated from the 1305-series drive to the 160-series drive using either F079894000 or F079894800 1305 to 160-Series AC Drive Retrofit Kit; Used with F220214 Motor (Premium Efficiency; Motor manufacturer Part No. H309) and a 3.2-inch motor pulley
	N/A	160-Series AC Drive Kit	Q-voltage models that have previously been updated from the 1305-series drive to the 160-series drive using either F079894200 or F079895000 1305 to 160-Series AC Drive Retrofit Kit; Used with F220214 Motor (Premium Efficiency; Motor manufacturer Part No. A431) and a 3.2-inch motor pulley
	N/A	160-Series AC Drive Kit	Q-voltage models that have previously been updated from the 1305-series drive to the 160-series drive using either F079894400 or F079895200 1305 to 160-Series AC Drive Retrofit Kit; Used with F220434 Motor (Motor manufacturer Part No. 7695) and a 3.2-inch motor pulley
	F0370853-791	160-Series AC Drive Kit	Q-voltage design 5 models; Replaces F370843 Inverter Drive; Used with F220236 Motor (Motor manufacturer Part No. F-391994-61) and a 3.4-inch motor pulley
	F0370853-793	160-Series AC Drive Kit	Q-voltage design 5 models; Used with F220214M Motor (Motor manufacturer Part No. 9-391718-60); Includes a 3.2-inch motor pulley
	N/A	160-Series AC Drive Kit	Unprogrammed drive
2	F200320900	AC Drive Radio Filter Assembly	

NOTE: Refer to the *Motor Manufacturer Part Number Location on the Motor's Serial Plate* section for motor manufacturer part number location information.

N/A = Part no longer available

AC Drive - Model UW60PV (Drawing 2 of 2)



PHM2627P_F232167

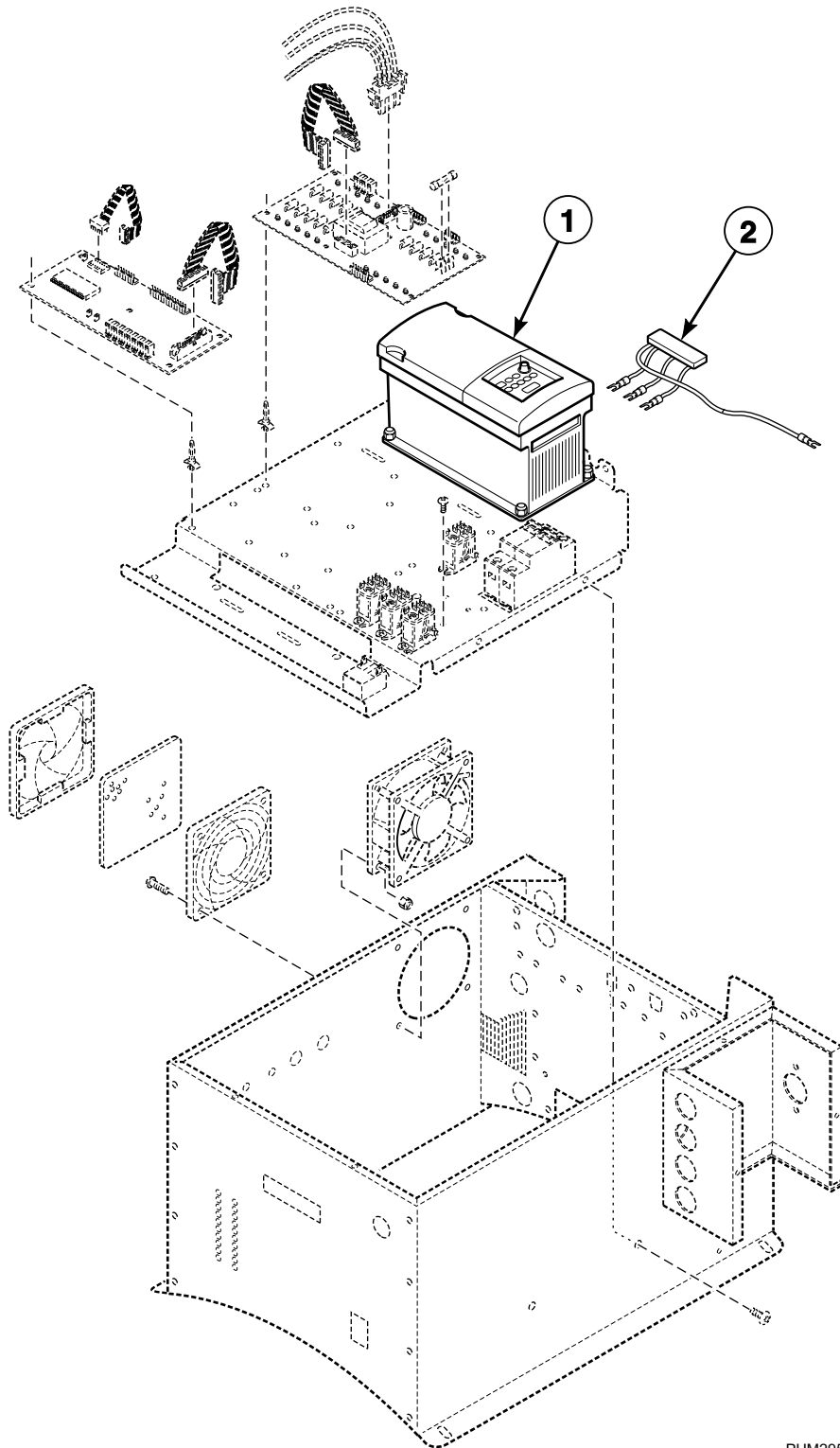
AC Drive - Model UW60PV (Drawing 2 of 2)

REF	PART NO.	DESCRIPTION	COMMENTS
1	F0370854-792	160-Series AC Drive Kit	N and P-voltage models that have previously been updated from the 1305-series drive using either F079893010, F079893210, F079893010 or F079893210 1305 to 160-Series AC Drive Retrofit Kit; Used with F220236 Motor (Motor manufacturer Part No. F-391994-61) and a 3.2-inch motor pulley; NOTE: If the washer-extractor was updated from the 1305-series drive to the 160-series drive using F079893210 1305 to 160-Series AC Drive Retrofit Kit, also order F330283 EMI Filter
	F0370854-801	160-Series AC Drive Kit	N and P-voltage models that have previously been updated from the 1305-series drive using either F079893900 or F079894700 1305 to 160-Series AC Drive Retrofit Kit; Used with F220214U Motor (Motor manufacturer Part No. G68094) and a 3.2-inch motor pulley
	N/A	160-Series AC Drive Kit	N and P-voltage models that have previously been updated from the 1305-series drive to the 160-series drive using either F079894100 or F079894900 1305 to 160-Series AC Drive Retrofit Kit; Used with F220214 Motor (Premium Efficiency; Motor manufacturer Part No. H309) and a 3.2-inch motor pulley
	N/A	160-Series AC Drive Kit	N and P-voltage models that have previously been updated from the 1305-series drive to the 160-series drive using either F079894300 or F079895100 1305 to 160-Series AC Drive Retrofit Kit; Used with F220214 Motor (Premium Efficiency; Motor manufacturer Part No. A431) and a 3.2-inch motor pulley
	N/A	160-Series AC Drive Kit	N and P-voltage models that have previously been updated from the 1305-series drive to the 160-series drive using either F079894500 or F079895300 1305 to 160-Series AC Drive Retrofit Kit; Used with F220434 Motor (Motor manufacturer Part No. 7695) and a 3.2-inch motor pulley
	N/A	160-Series AC Drive Kit	N and P-voltage design 6, 7 or 8 models; Replaces F370844 Inverter Drive; Used with F220236 Motor (Motor manufacturer Part No. F-391994-61); Order F8171704 160 to PowerFlex 40 Drive Kit
	F0370854-791	160-Series AC Drive Kit	N and P-voltage design 5 models; Replaces F370844 Inverter Drive; Used with F220236 Motor (Motor manufacturer Part No. F-391994-61) and a 3.4-inch motor pulley
	F0370854-794	160-Series AC Drive Kit	N and P-voltage design 5 models; Used with F220214M Motor (Motor manufacturer Part No. 9-391718-60) and a 3.4-inch motor pulley
	N/A	160-Series AC Drive Kit	T-voltage design 6, 7 or 8 models; Used with F220214M Motor (Motor manufacturer Part No. 9-391718-60); Order F8171605 160 to PowerFlex 40 Drive Kit
	N/A	160-Series AC Drive Kit	Q, T and X-voltage design 6, 7 or 8 models; Replaces F370853 Inverter Drive; Used with F220236 Motor (Motor manufacturer Part No. F-391994-61); Order F8171604 160 to PowerFlex 40 Drive Kit
	F0370853-781	160-Series AC Drive Kit	T-voltage design 5 models; Replaces F370853 Inverter Drive; Used with F220236 Motor (Motor manufacturer Part No. F-391994-61)
	N/A	160-Series AC Drive Kit	T-voltage design 5 models; Replaces F370853 Inverter Drive; Used with F220214M Motor (Motor manufacturer Part No. 9-391718-60); Replaced by F8171608 Mitsubishi to PowerFlex 40 Drive Kit
	N/A	160-Series AC Drive Kit	Unprogrammed drive; 200 Volt application
	F0370854-STK	160-Series AC Drive Kit	Unprogrammed drive; 400 Volt application
2	F200320900	AC Drive Radio Filter Assembly	

NOTE: Refer to the Motor Manufacturer Part Number Location on the Motor's Serial Plate for motor manufacturer part number location information.

N/A = Part no longer available

AC Drive PowerFlex 40 Drive Kits



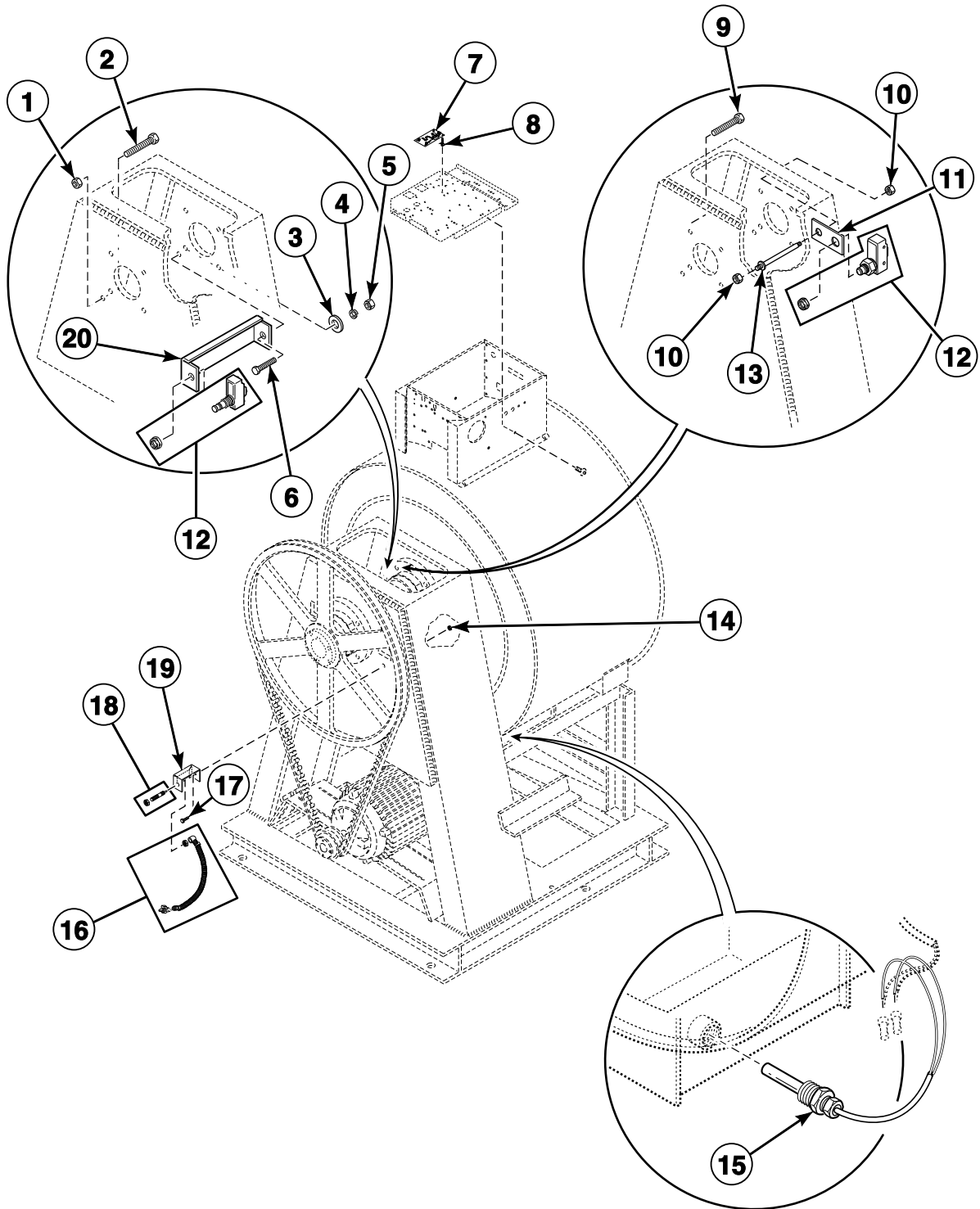
PHM2950P_F232167

AC Drive PowerFlex 40 Drive Kits

REF	PART NO.	DESCRIPTION	COMMENTS
1	F8171617	Mitsubishi to PowerFlex 40 Drive Kit	Model UW60PV; Q and T-voltage models with Mitsubishi A-series drive and Motor F220214U; Includes AC Drive F8103604
	F8171618	Mitsubishi to PowerFlex 40 Drive Kit	Model UW60PV; Q and T-voltage models with Mitsubishi A-series drive and Motor F220214M; Includes AC Drive F8103607
	F8171619	Mitsubishi to PowerFlex 40 Drive Kit	Model UW60PV; Q and T-voltage models with Mitsubishi A-series drive and Motor F220236; Includes AC Drive F8103607
	F8171715	Mitsubishi to PowerFlex 40 Drive Kit	Model UW60PV; N and P-voltage models with Mitsubishi A-series drive and Motor F220214U; Includes AC Drive F8103704
	F8171716	Mitsubishi to PowerFlex 40 Drive Kit	Model UW60PV; N and P-voltage models with Mitsubishi A-series drive and Motor F220236; Includes AC Drive F8103706
	F8171719	Mitsubishi to PowerFlex 40 Drive Kit	Model UW60PV; N and P-voltage models with Mitsubishi A-series drive and Motor F220214M; Includes AC Drive F8103705
	F8171611	1305 to PowerFlex 40 Drive Kit	Model UW60PV; Q and T-voltage models with Allen-Bradley 1305-series drive and Motor F220214U; Includes AC Drive F8103604
	F8171616	1305 to PowerFlex 40 Drive Kit	Model UW60PV; Q and T-voltage models with Allen-Bradley 1305-series drive and Motor F220214M; Includes AC Drive F8103607
	F8171620	1305 to PowerFlex 40 Drive Kit	Model UW60PV; Q and T-voltage models with Allen-Bradley 1305-series drive and Motor F220236; Includes AC Drive F8103608
	F8171717	1305 to PowerFlex 40 Drive Kit	Model UW60PV; N and P-voltage models with Allen-Bradley 1305-series drive and Motor F220214U; Includes AC Drive F8103704
	F8171718	1305 to PowerFlex 40 Drive Kit	Model UW60PV; N and P-voltage models with Allen-Bradley 1305-series drive and Motor F220236; Includes AC Drive F8103706
	F8171720	1305 to PowerFlex 40 Drive Kit	Model UW60PV; N and P-voltage models with Allen-Bradley 1305-series drive and Motor F220214M; Includes AC Drive F8103705
	F8171612	160 to PowerFlex 40 Drive Kit	Model UW60PV; Q and T-voltage design 5 models with Allen-Bradley 160-series drive and Motor F220214M; Includes AC Drive F8103607
	F8171613	160 to PowerFlex 40 Drive Kit	Model UW60PV; Q and T-voltage design 5 models with Allen-Bradley 160-series drive and Motor F220236; Includes AC Drive F8103608
	F8171615	160 to PowerFlex 40 Drive Kit	Model UW60PV; Q, T and X-voltage design 6-8 models with Allen-Bradley 160-series drive and Motor F220214M; Includes AC Drive F8103621
	F8171614	160 to PowerFlex 40 Drive Kit	Model UW60PV; Q, T and X-voltage design 6-8 models with Allen-Bradley 160-series drive and Motor F220236; Includes AC Drive F8103622
	F8171712	160 to PowerFlex 40 Drive Kit	Model UW60PV; P and N-voltage design 5 models with Allen-Bradley 160-series drive and Motor F220214M; Includes AC Drive F8103705
	F8171713	160 to PowerFlex 40 Drive Kit	Model UW60PV; P and N-voltage design 5 models with Allen-Bradley 160-series drive and Motor F220236; Includes AC Drive F8103706
	F8171714	160 to PowerFlex 40 Drive Kit	Model UW60PV; P and N-voltage design 6-8 models with Allen-Bradley 160-series drive and Motor F220236; Includes AC Drive F8103717
	F8255202	160 to PowerFlex 40 Drive Kit	Models UW60AV and UW60VV; X-voltage designs 7 and 8 models with Allen-Bradley 160-series drive; Includes AC Drive F8169615
	F8255302	160 to PowerFlex 40 Drive Kit	Models UW60AV and UW60VV; P and N-voltage designs 7 and 8 models with Allen-Bradley 160-series drive; Includes AC Drive F8169616
2	F200320900	AC Drive Radio Filter Assembly	

NOTE: Refer to the Motor Manufacturer Part Number Location on the Motor's Serial Plate for motor manufacturer part number location information.

Balance Switch, Temperature Probe and Rotation Sensor

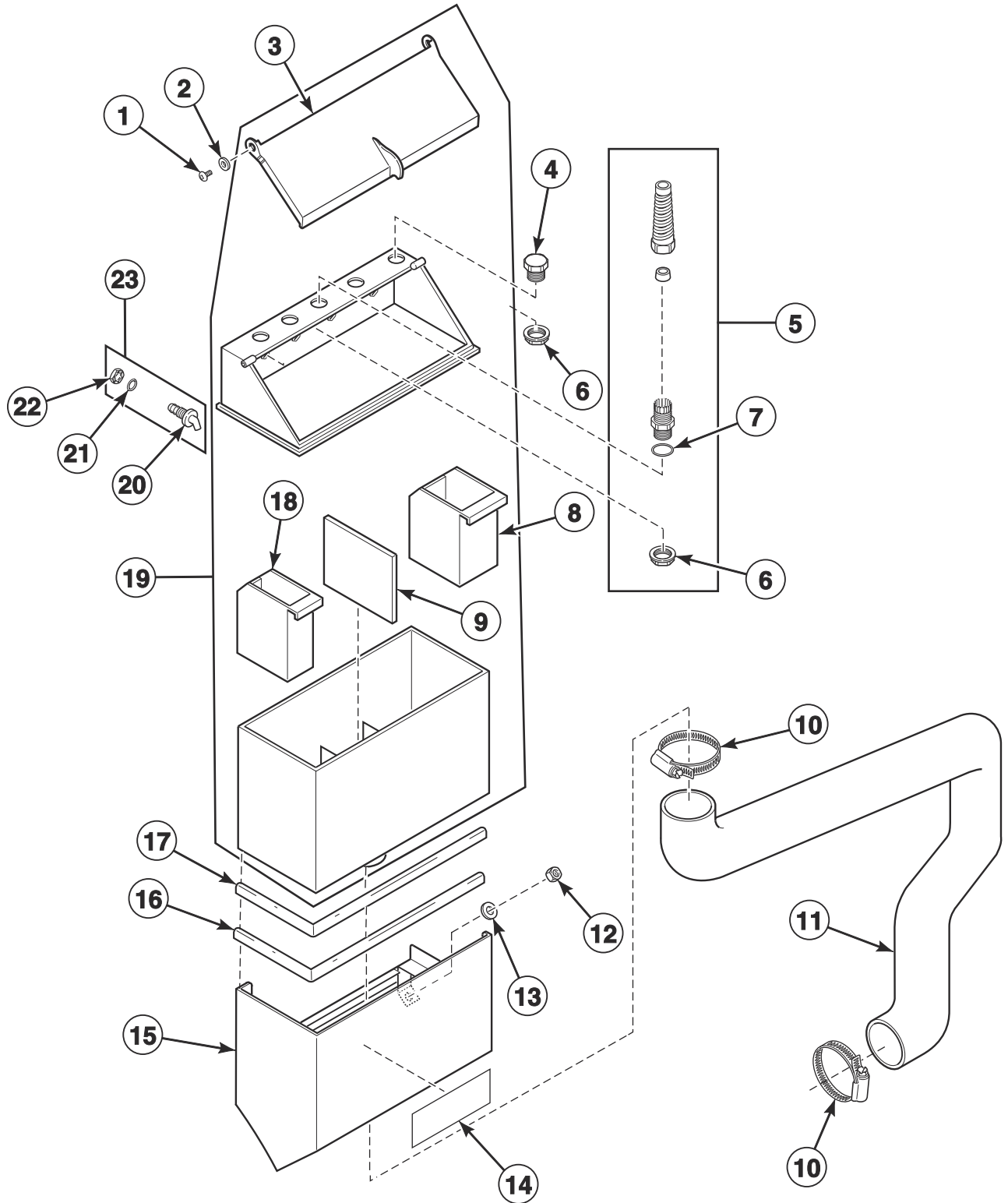


PHM2964P_F232167

Balance Switch, Temperature Probe and Rotation Sensor

REF	PART NO.	DESCRIPTION	COMMENTS
1	H88412101	Nut	Models through 10/7/07
2	F430124	Screw	Models through 10/7/07
3	M400081	Washer	
4	M400014	Washer	
5	20274	Nut	Models through 10/7/07
6	800461	Screw	Models through 10/7/07
7	F200101300P	Rotation Sensor PCB	Model UW60PV
8	F180501	Standoff	Model UW60PV
9	F8122701	Screw	Models starting 10/8/07
10	44087301	Nut	Models starting 10/8/07
11	F8124301	Balance Switch Bracket	Models starting 10/8/07
	F340921	Switch	CE models
12	F340900	Interlock Switch	
	F340924	Switch Extension	CE models; Use with F340921 Switch
13	F8111101	Screw	Models starting 10/8/07
14	F430218	Nut	Model UW60PV
15	F370606P	Temperature Probe	
16	F8066401	Rotation Sensor Harness	Model UW60PV
17	F430927	Screw	Model UW60PV
18	F200126200P	Rotation Sensor Assembly	Model UW60PV
	F079900800	Rotation Sensor Retrofit Kit	Model UW60PV; Includes items 7, 8, 14, 16, 17 and 19
19	F200122502	Rotation Sensor Bracket	Model UW60PV
20	F601750	Balance Switch Bracket	Models through 10/7/07

Supply Dispenser

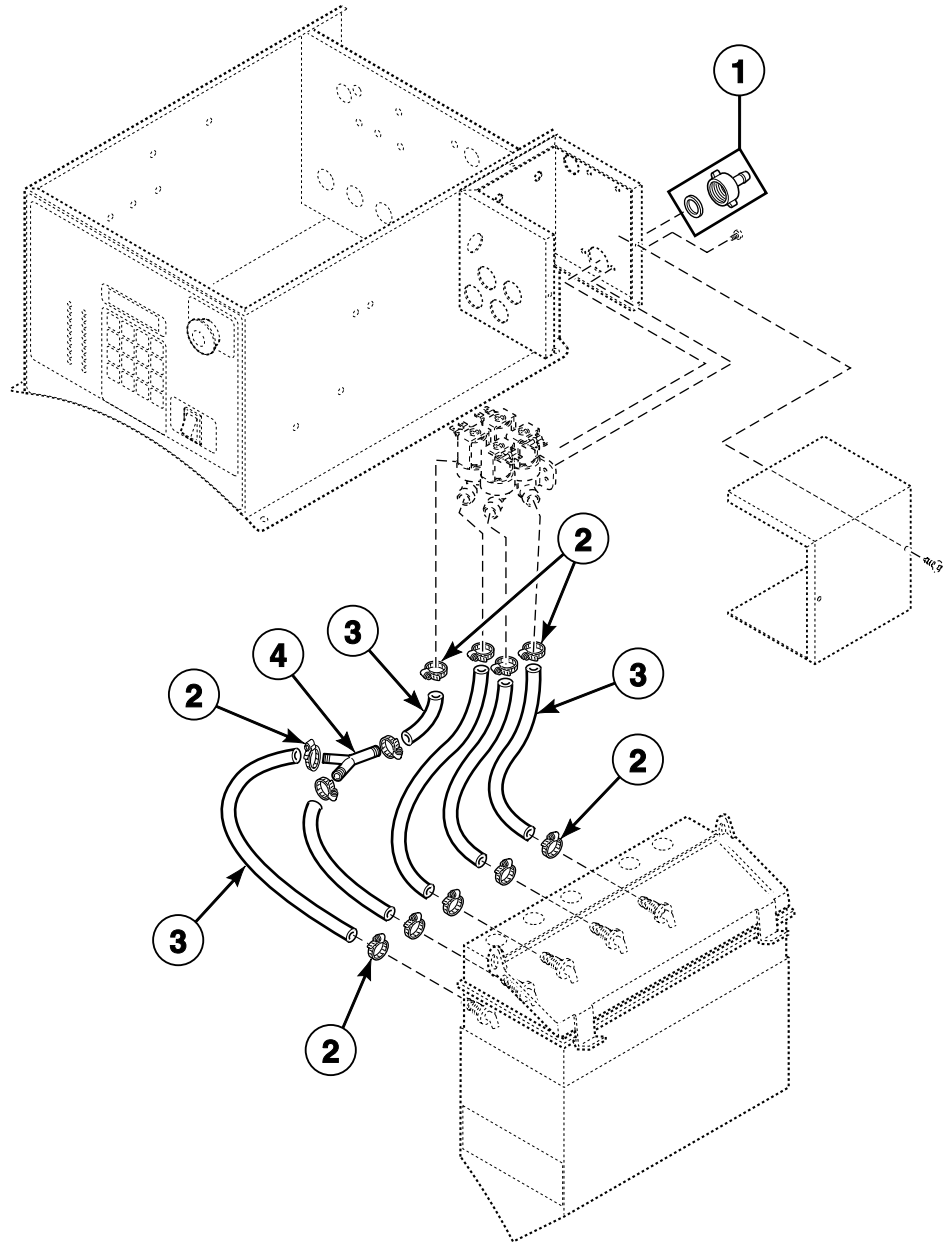


PHM3237P_F232167

Supply Dispenser

REF	PART NO.	DESCRIPTION	COMMENTS
1	F430917	Screw	
2	F8195301	Washer	
3	F0150514-00	Dispenser Lid	
4	F190304	Plug Cap	
5	F749802	Strain Relief Adapter Kit	Includes items 6 and 7
6	F140340P	Strain Relief Connector	Includes F0431160-00 Nut
7	F170215	O-Ring	
8	F150386	Chemical Supply Cup	32 ounce; 2 required
9	F0150525-00	Supply Dispenser Spacer	
10	F200213	Hose Clamp	No. 40
11	F150469	Chemical Supply Hose	
12	F431042	Nut	Loctite 262 required
13	F431147	Washer	
14	F231436	Supply Dispenser Hazard Caution Decal	
15	F8024301	Soap Dispenser Shroud Weldment	
16	F170158P	Gasket	
17	F170400RP	Trim	
18	F150385	Chemical Supply Cup	20 ounce; 3 required
19	F0150512-00P	Dispenser Assembly	Includes items 3, 8, 9 and 18
20	F8322001	Injection Nozzle	
21	801632	O-Ring	
22	802292	Nut	
23	F730168	Injection Nozzle Kit	Includes items 20-22

Hoses to Supply Dispenser

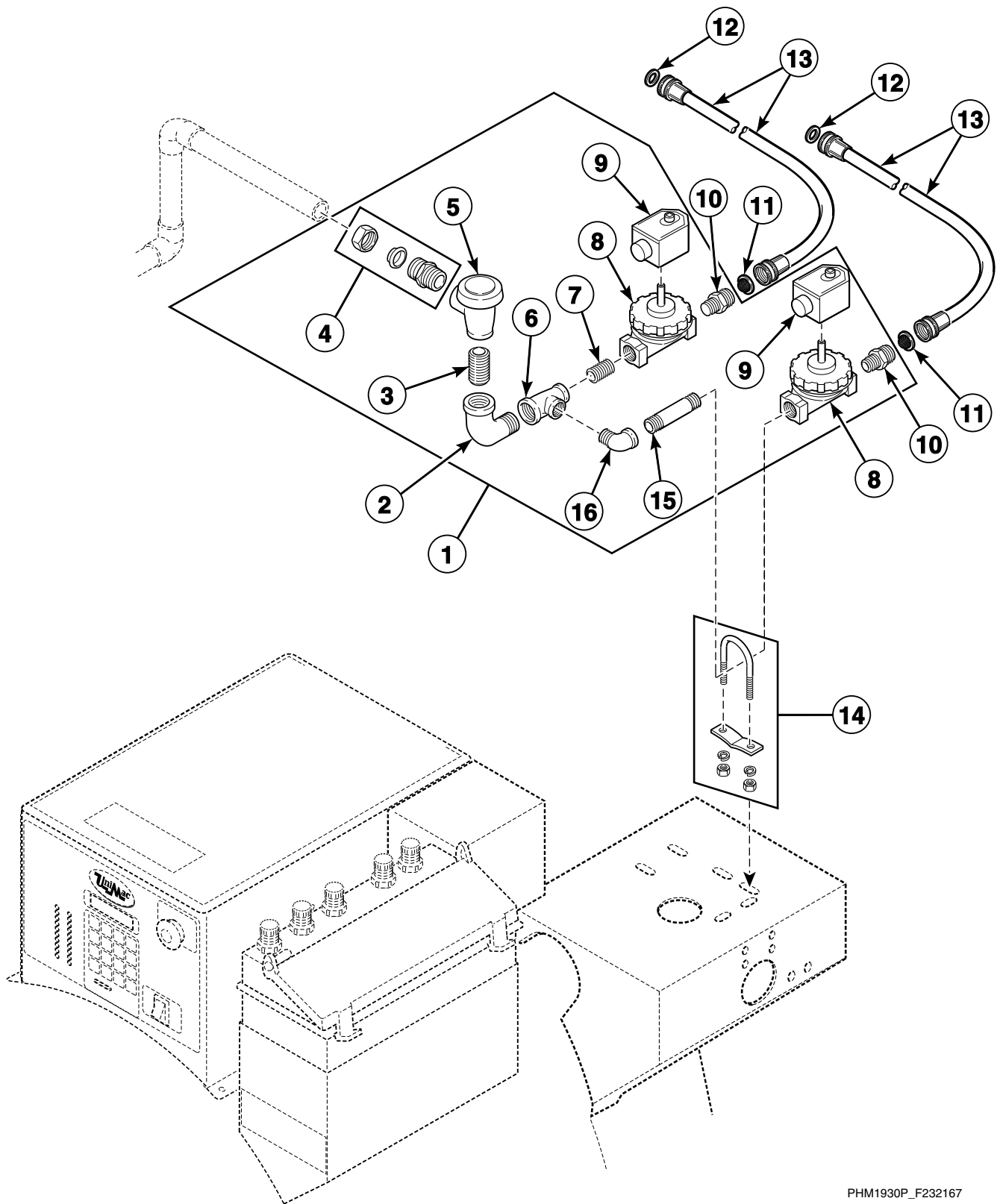


PHM3146P_F232167

Hoses to Supply Dispenser

REF	PART NO.	DESCRIPTION	COMMENTS
1	F200302	Hose Connector	
2	36801	Hose Clamp	No. 6
3	F200110P	Water Hose	
4	F422816	Y Connector	

Spray Plumbing - Design 5 and 6 UW60PV Models

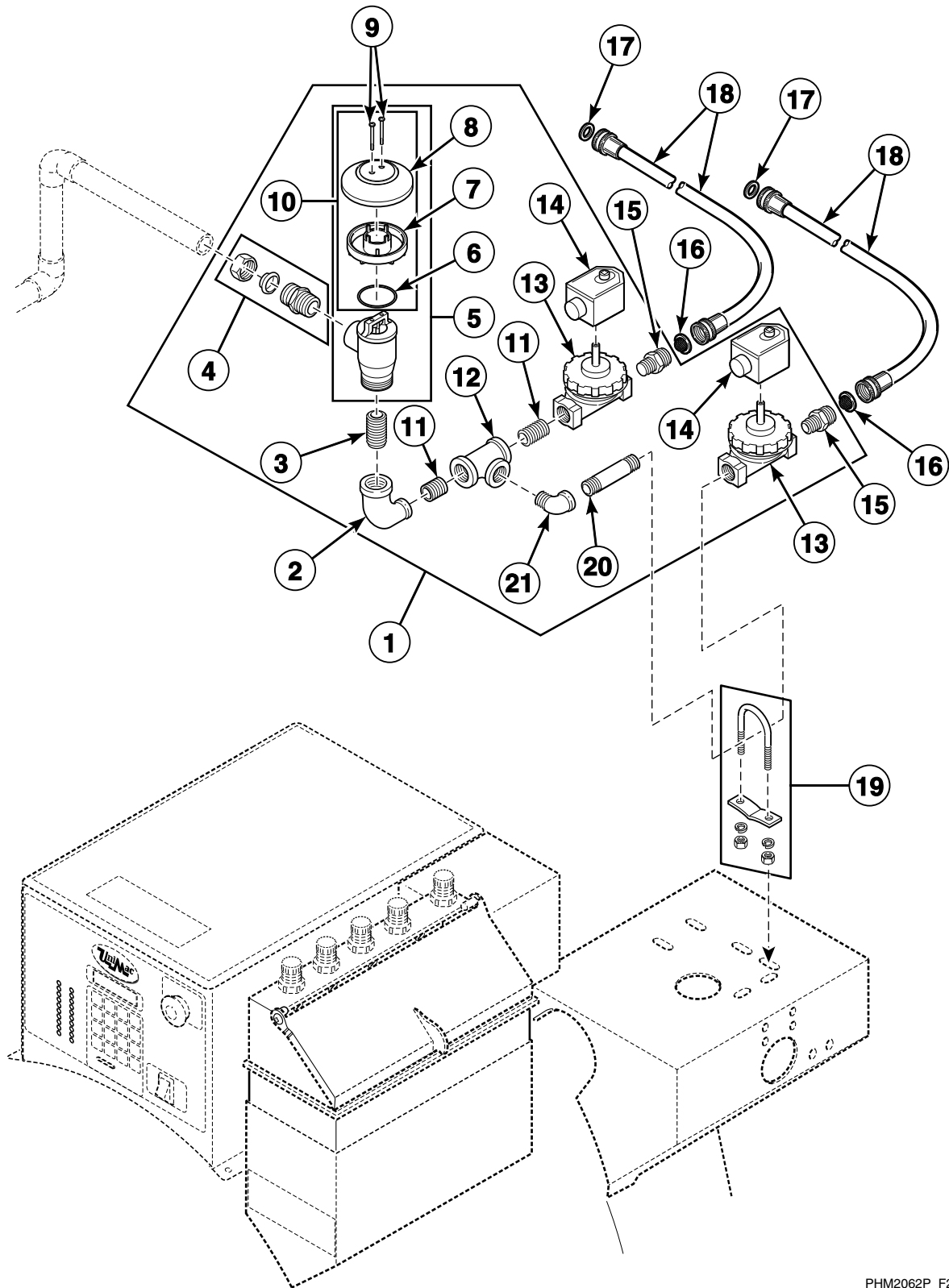


PHM1930P_F232167

Spray Plumbing - Design 5 and 6 UW60PV Models

REF	PART NO.	DESCRIPTION	COMMENTS
	F8514601P	Coil	Use with F8322803 Valve
	F8456201P	Valve Transition Kit	Use with F8322803 Valve
	F8382301	DIN Valve Adapter Kit	Use with F8322803 Valve
1	F633150-1	Spray Plumbing Assembly	220 Volt; Standard thread; Includes items 2-10, 15 and 16
	F633150-5	Spray Plumbing Assembly	220 Volt; Metric thread; Includes items 2-10, 15 and 16
2	F420502	Street Elbow	
3	F420105	Nipple	
4	F422106	Tube Connector	
5	F380800P	Vacuum Breaker Valve	3/4 inch; F380965P Repair Kit
6	F420401	Tee	
7	F420101	Nipple	
8	F8322803P	Valve	Replaces F381703P Valve; Includes F8322803 Valve, F8382301 DIN Valve Adapter Kit and F8514601 Coil
9	F300126P	Solenoid	220 Volt; F141901 DIN Harness
10	F421908	Hose Adapter	Standard thread
	F421949	Nipple	Metric thread
11	803615	Washer	Filter
12	20290	Washer	
13	F200164	Water Hose	Standard thread
	F200166	Water Hose	Metric thread
14	F200401P	U-Bolt Clamp	
15	F420103	Nipple	
16	F420500	Street Elbow	

Spray Plumbing - Design 7 and 8 UW60PV Models

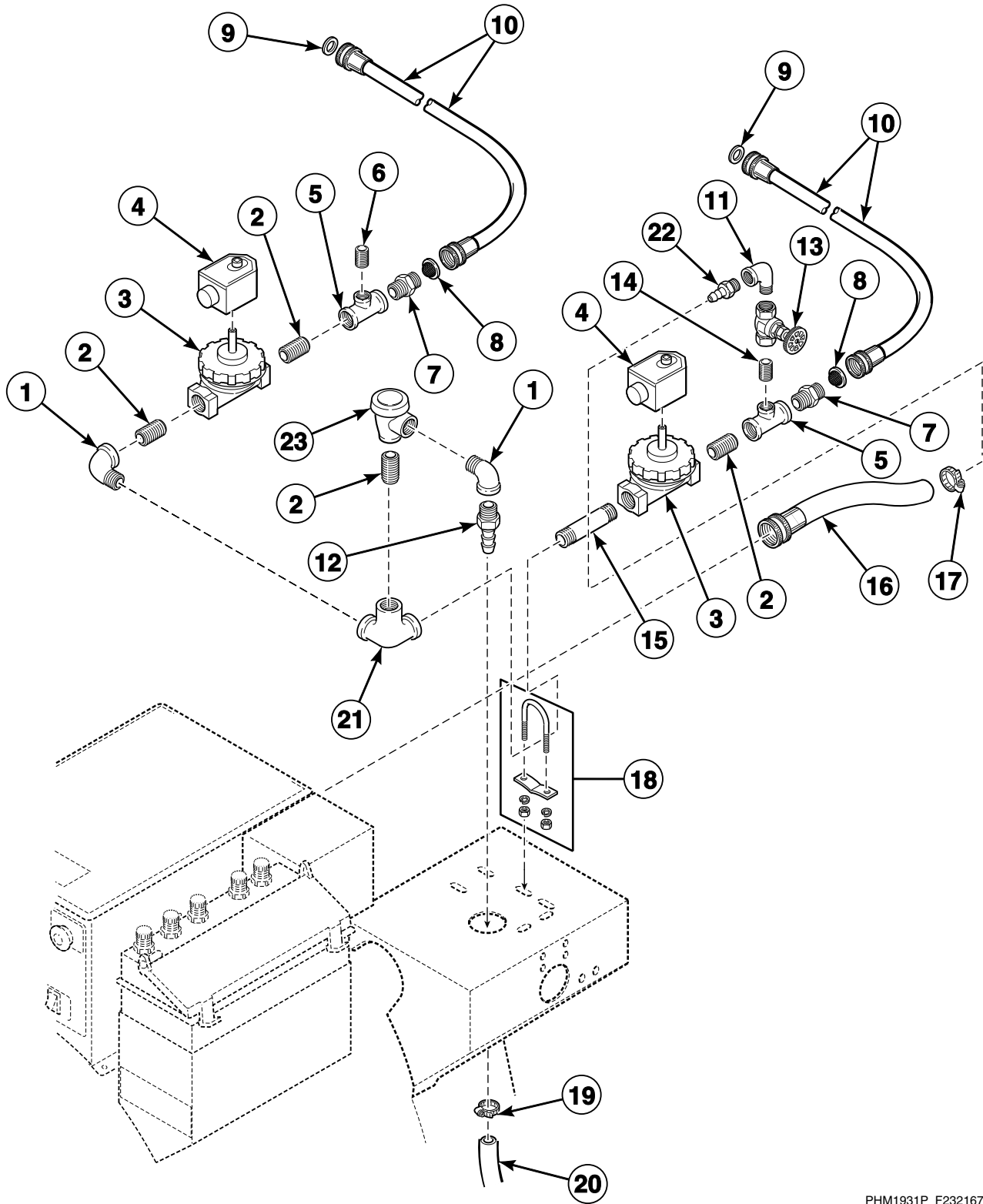


PHM2062P_F232167

Spray Plumbing - Design 7 and 8 UW60PV Models

REF	PART NO.	DESCRIPTION	COMMENTS
	F8514601P	Coil	Use with F8322803 Valve
	F8456201P	Valve Transition Kit	Use with F8322803 Valve
	F8382301	DIN Valve Adapter Kit	Use with F8322803 Valve
	F8379501P	Valve Kit	Use with F8521501 DIN Valve Kit
	F8456202P	Valve Transition Kit	Use with F8521801 DIN Valve Kit
1	F0637633-01	Spray Plumbing Assembly	220 Volt; Includes items 2-5, 11-15, 20 and 21
	F0637633-03	Spray Plumbing Assembly	220 Volt; Metric thread; Includes items 2-5, 11-15, 20 and 21
2	F0422918-00	Elbow	
3	F420105	Nipple	
4	F422106	Tube Connector	
5	F380800P	Vacuum Breaker Valve	3/4 inch; Includes items 6-9; F380965P Repair Kit
6	F0170221-00	O-Ring	
7	F0380809-00	Containment Device	
8	F0380808-00	Vacuum Breaker Cap	
9	F430938	Screw	
10	F0798922-00	Vacuum Breaker Kit	Includes items 6-9 and installation instructions
11	F420101	Nipple	
12	F420400	Tee	
13	F8322803P	Valve	Replaces F381703P Valve; Includes F8322803 Valve, F8382301 DIN Valve Adapter Kit and F8514601 Coil
14	F300126P	Solenoid	220 Volt; F141901 DIN Harness
15	F421908	Hose Adapter	Standard thread
	F421949	Nipple	Metric thread
16	803615	Washer	Filter
17	20290	Washer	
18	F200164	Water Hose	Standard thread
	F200166	Water Hose	Metric thread
19	F200401P	U-Bolt Clamp	
20	F420103	Nipple	
21	F420500	Street Elbow	

Fill Plumbing - Design 5 and 6 UW60PV Models Through 2/29/02

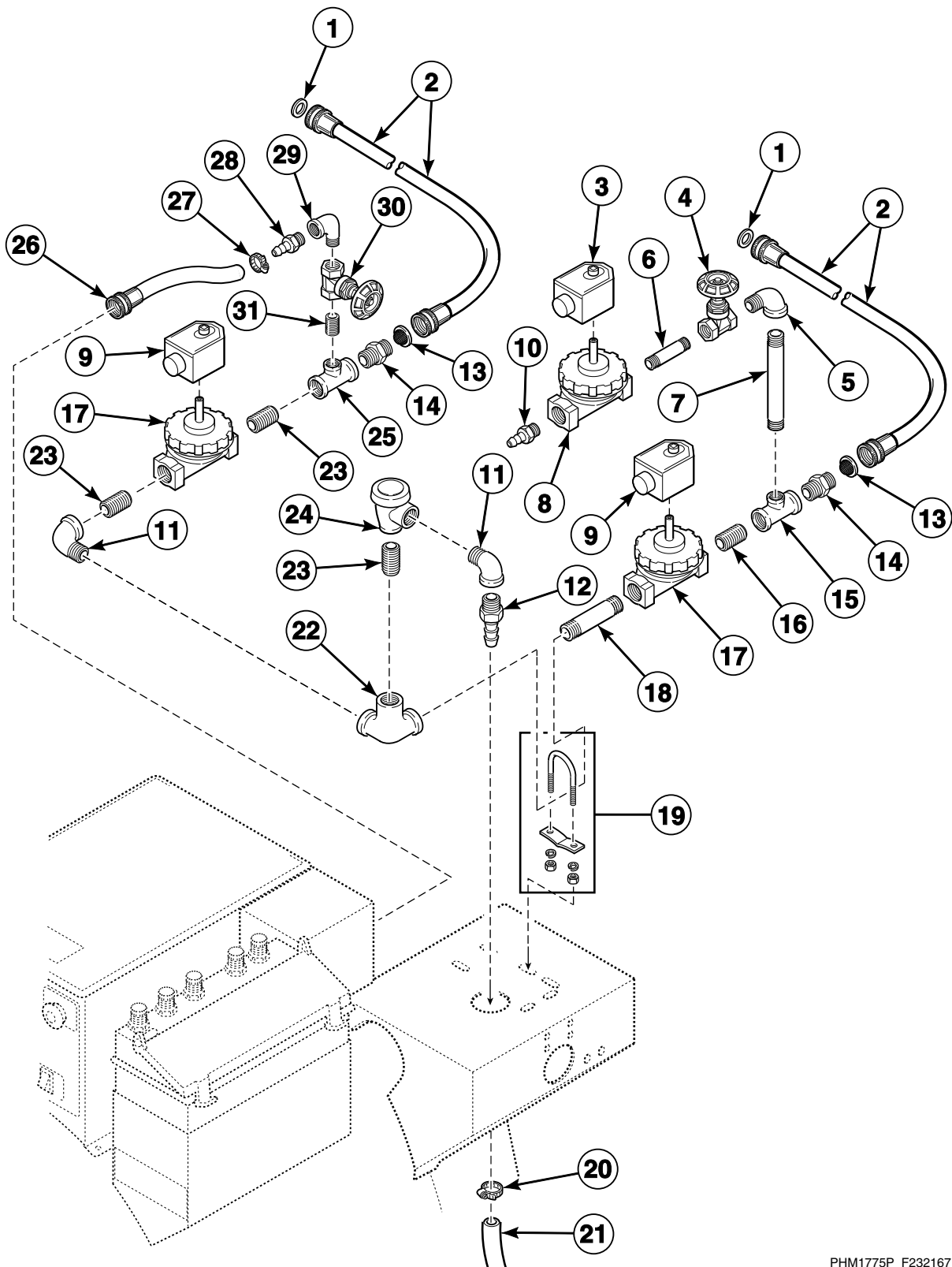


PHM1931P_F232167

Fill Plumbing - Design 5 and 6 UW60PV Models Through 2/29/02

REF	PART NO.	DESCRIPTION	COMMENTS
	F633146-1	Fill Plumbing Assembly	Standard thread; Includes items 3-7, 11-15 and 21-23
	F633419-1	Fill Plumbing Assembly	Standard thread; Starch; Includes items 3-7, 11-15 and 21-23
	F633146-5	Fill Plumbing Assembly	Metric thread; Includes items 3-7, 11-15 and 21-23
	F633419-5	Fill Plumbing Assembly	Metric thread; Starch; Includes items 3-7, 11-15 and 21-23
	F8514601P	Coil	Use with F8322905 Valve
	F8379502	Valve Rebuild Kit	Use with F8322905 Valve
	F8382301	DIN Valve Adapter Kit	Use with F8322905 Valve
	F380091P	Valve Rebuild Kit	Use with F381701P Valve; 3/4 inch
1	F420502	Street Elbow	
2	F420105	Nipple	
3	F8322905P	Valve	Replaces F381701P Valve; Includes F8514601 Coil; For models that have been upgraded with F8521801 DIN Valve Kit
	F8521801	DIN Valve Kit	Replaces F381701P Valve; Includes F8322905 Valve, F8382301 DIN Valve Adapter Kit and F8514601 Coil
4	F300126P	Solenoid	220 Volt; F141901 DIN Harness
5	F420402	Tee	
6	F420408	Plug	
7	F421909	Hose Adapter	Standard thread
	F8265701	Adapter	Metric thread
8	803615	Washer	Filter
9	20290	Washer	
10	F200164	Water Hose	Standard thread
	F200166	Water Hose	Metric thread
11	F420500	Street Elbow	
12	F421951	Hose Barb	
13	F380500	Gate Valve	1/2 inch
14	F420101	Nipple	
15	F420107	Nipple	
16	F200509	Water Hose	
17	F200206	Hose Clamp	No. 4
18	F200401P	U-Bolt Clamp	
19	F200222	Hose Clamp	No. 12
20	F200104P	Hose	
21	F420509	Elbow	
22	F421964	Hose Barb	
23	F380800P	Vacuum Breaker Valve	3/4 inch; Vacuum breaker; F380965P Repair Kit

Fill Plumbing - Design 5 and 6 UW60PV Models Starting 3/1/02



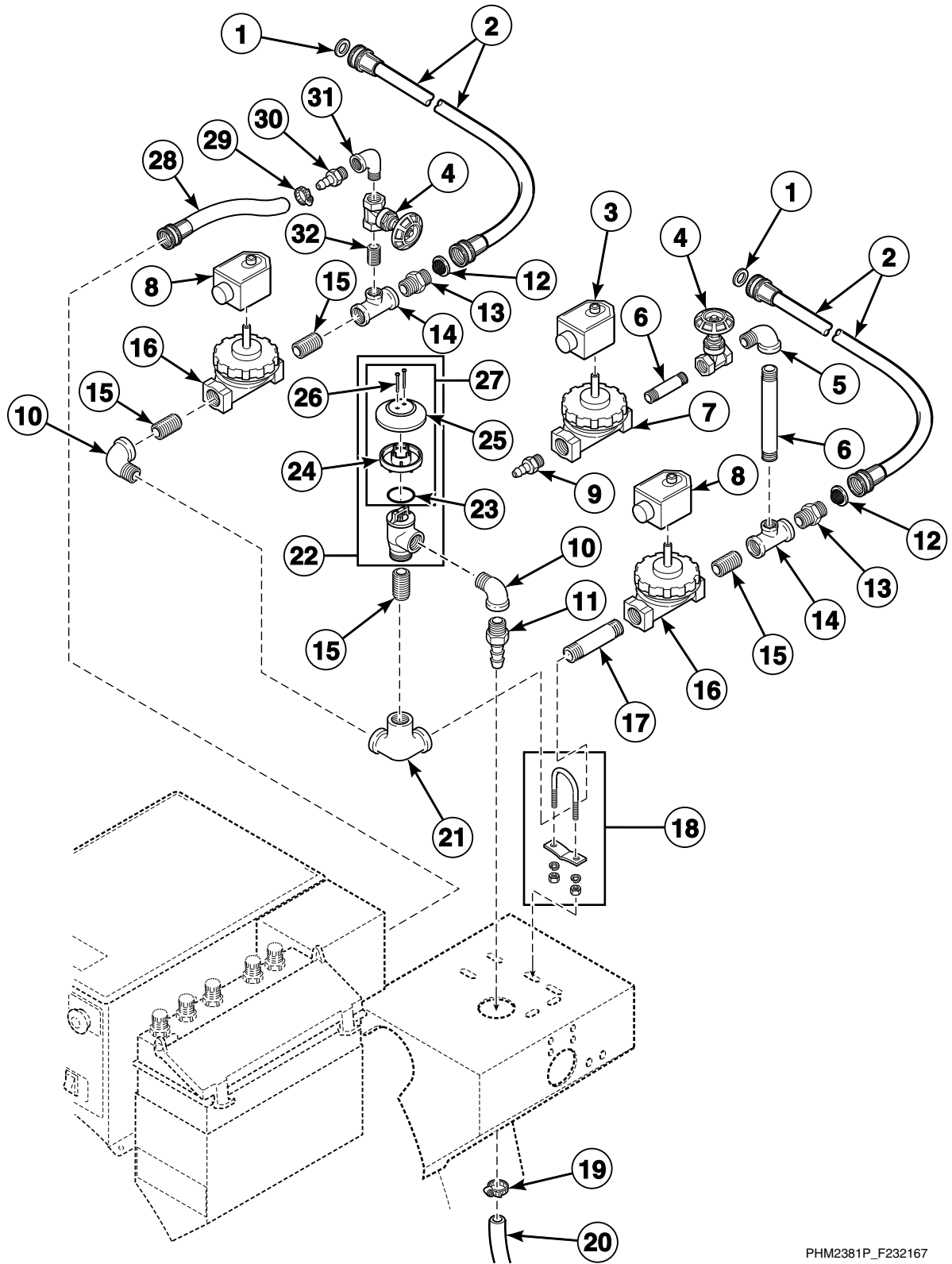
PHM1775P_F232167

Fill Plumbing - Design 5 and 6 UW60PV Models Starting 3/1/02

REF	PART NO.	DESCRIPTION	COMMENTS
	F633146-1	Fill Plumbing Assembly	220 Volt; Standard thread; Includes items 9, 11, 12, 14, 17, 18, 22-25 and 28-31
	F633146-5	Fill Plumbing Assembly	220 Volt; Metric thread; Includes items 9, 11, 12, 14, 17, 18, 22-25 and 28-31
	F633419-1	Fill Plumbing Assembly	220 Volt; Standard thread; Starch; Includes items 3-12, 14-18, 22-25 and 28-31
	F633419-5	Fill Plumbing Assembly	220 Volt; Metric thread; Starch; Includes items 3-12, 14-18, 22-25 and 28-31
	F8514601P	Coil	Use with F8322803 Valve or F8322905 Valve
	F8382301	DIN Valve Adapter Kit	Use with F8322803 Valve or F8322905 Valve
	F8456201P	Valve Transition Kit	Use with F8322803 Valve
	F8379502	Valve Rebuild Kit	Use with F8322905 Valve
	F380993P	Valve Repair Kit	Use with F381703P Valve; Starch models; 1/2 inch
	372P4	Valve Head Tool	Use with F381703P Valve
	F380991P	Water Valve Repair Kit	Use with F381701P Valve; 3/4 inch
	371P4	Valve Head Tool	Use with F381701P Valve
1	20290	Washer	
2	F200164	Water Hose	Standard thread
	F200166	Water Hose	Metric thread
3	F300126P	Solenoid	220 Volt; Starch models; F141901 DIN Harness
4	F380500	Gate Valve	Starch models
5	F420500	Street Elbow	Starch models
6	F420103	Nipple	Starch models
7	N/A	Nipple	Starch models
8	F8322803P	Valve	Replaces F381703P Steam Valve; Includes F8322803 Valve, F8382301 DIN Valve Adapter Kit and F8514601 Coil
9	F300126P	Solenoid	220 Volt; F141901 DIN Harness
10	F421964	Hose Barb	Starch models
11	F420502	Street Elbow	
12	F421951	Hose Barb	
13	803615	Washer	Filter
14	F421909	Hose Adapter	Standard thread
	F8265701	Adapter	Metric thread
15	F420402	Tee	Starch models
16	F420105	Nipple	Starch models
17	F8322905P	Valve	Replaces F381701P Valve; Includes F8514601 Coil; For models that have been upgraded with F8521801 DIN Valve Kit
	F8521801	DIN Valve Kit	Replaces F381701P Valve; Includes F8322905 Valve, F8382301 DIN Valve Adapter Kit and F8514601 Coil
18	F420107	Nipple	
19	F200401P	U-Bolt Clamp	
20	F200222	Hose Clamp	No. 12
21	F200104P	Hose	
22	F420509	Elbow	
23	F420105	Nipple	
24	F380800P	Vacuum Breaker Valve	3/4 inch
	F380965P	Repair Kit	3/4 inch
25	F420402	Tee	
26	F200509	Water Hose	
27	F200206	Hose Clamp	No. 4
28	F421964	Hose Barb	
29	F420500	Street Elbow	
30	F380500	Gate Valve	
31	F420101	Nipple	

N/A = Part no longer available

Fill Plumbing - Design 7 and 8 UW60PV Models



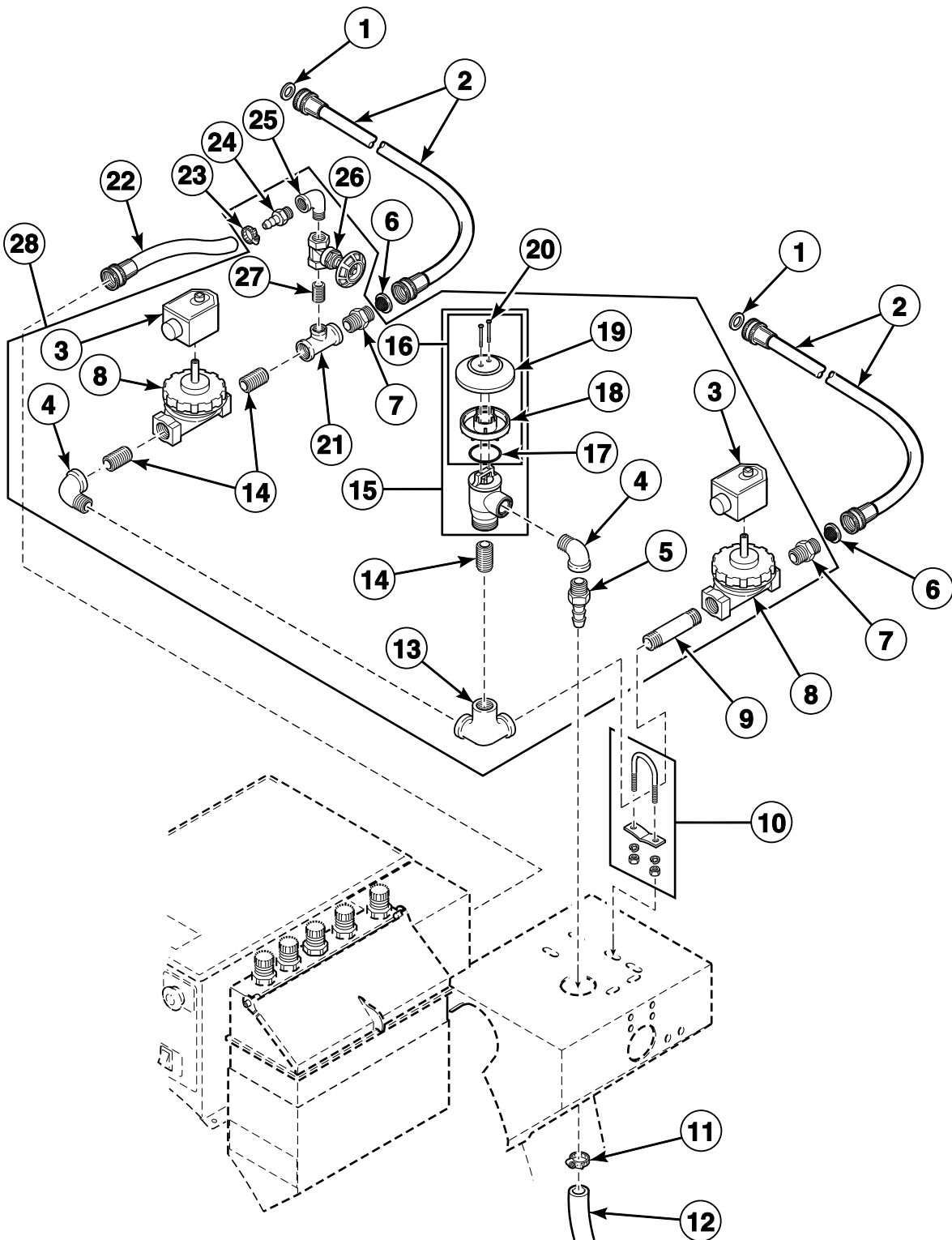
PHM2381P_F232167

Fill Plumbing - Design 7 and 8 UW60PV Models

REF	PART NO.	DESCRIPTION	COMMENTS
	F0637637-01	Fill Plumbing Assembly	220 Volt; Standard thread; Includes items 4, 10, 11, 13-17, 21, 22, 31 and 32
	N/A	Fill Plumbing Assembly	220 Volt; Metric thread; Includes items 4, 10, 11, 13-17, 21, 22, 31 and 32
	N/A	Fill Plumbing Assembly	220 Volt; Standard thread; Starch; Includes items 4-7, 9-11, 13-17, 21, 22, 31 and 32
	N/A	Fill Plumbing Assembly	220 Volt; Metric thread; Starch; Includes items 4-7, 9-11, 13-17, 21, 22, 31 and 32
	F8514601P	Coil	Use with F8322803 Valve or F8322905 Valve
	F8382301	DIN Valve Adapter Kit	Use with F8322803 Valve or F8322905 Valve
	F8456201P	Valve Transition Kit	Use with F8322803 Valve
	F8379502	Valve Rebuild Kit	Use with F8322905 Valve
	F380993P	Valve Repair Kit	Use with F381703P Valve; Starch models; 1/2 inch
	372P4	Valve Head Tool	Use with F381703P Valve
	F380991P	Water Valve Repair Kit	Use with F381701P Valve; 3/4 inch
	371P4	Valve Head Tool	Use with F381701P Valve
1	20290	Washer	
2	F200164	Water Hose	Standard thread
	F200166	Water Hose	Metric thread
3	F300126P	Solenoid	220 Volt; Starch models; F141901 DIN Harness
4	F380500	Gate Valve	
5	F420500	Street Elbow	Starch models
6	F420103	Nipple	Starch models
7	F8322803P	Valve	Replaces F381703P Valve; Includes F8322803 Valve, F8382301 DIN Valve Adapter Kit and F8514601 Coil
8	F300126P	Solenoid	220 Volt; F141901 DIN Harness
9	F421964	Hose Barb	Starch models
10	F420502	Street Elbow	
11	F421951	Hose Barb	
12	803615	Washer	Filter
13	F421909	Hose Adapter	Standard thread
	F8265701	Adapter	Metric thread
14	F420402	Tee	
15	F420105	Nipple	
16	F8322905P	Valve	Replaces F381701P Valve; Includes F8514601 Coil; For models that have been upgraded with F8521801 DIN Valve Kit
	F8521801	DIN Valve Kit	Replaces F381701P Valve; Includes F8322905 Valve, F8382301 DIN Valve Adapter Kit and F8514601 Coil
17	F420107	Nipple	
18	F200401P	U-Bolt Clamp	
19	F200222	Hose Clamp	No. 12
20	F200104P	Hose	
21	F420509	Elbow	
22	F380800P	Vacuum Breaker Valve	3/4 inch; Includes item 27; F380965P Repair Kit
23	F0170221-00	O-Ring	
24	F0380809-00	Containment Device	
25	F0380808-00	Vacuum Breaker Cap	
26	F430938	Screw	
27	F0798922-00	Vacuum Breaker Kit	Includes items 23-26 and installation instructions
28	F200509	Water Hose	
29	F200206	Hose Clamp	No. 4
30	F421964	Hose Barb	
31	F420500	Street Elbow	
32	F420101	Nipple	

N/A = Part no longer available

Fill Plumbing - Models UW60AV and UW60VV



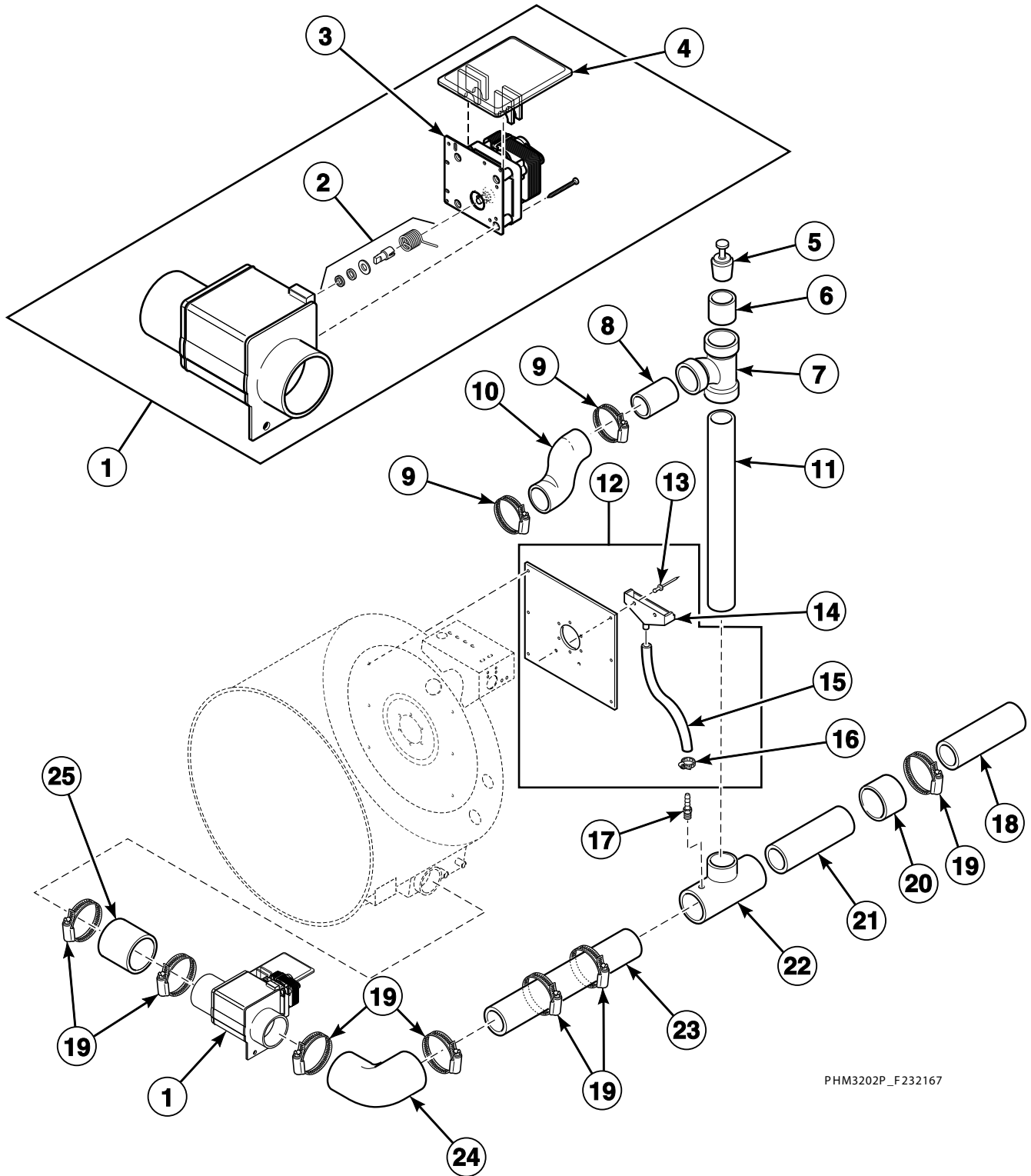
PHM2045P_F232167

Fill Plumbing - Models UW60AV and UW60VV

REF	PART NO.	DESCRIPTION	COMMENTS
	F8514601P	Coil	Use with F8322905 Valve
	F8379502	Valve Rebuild Kit	Use with F8322905 Valve
	F8382301	DIN Valve Adapter Kit	Use with F8322905 Valve
	F380991P	Water Valve Repair Kit	Use with F381701P Valve; 3/4 inch
	371P4	Valve Head Tool	Use with F381701P Valve
1	20290	Washer	
2	F200164	Water Hose	Standard thread
	F200166	Water Hose	Metric thread
3	F300126P	Solenoid	220 Volt
4	F420502	Street Elbow	
5	F421951	Hose Barb	
6	803615	Washer	Filter
7	F421909	Hose Adapter	Standard thread
	F8265701	Adapter	Metric thread
8	F8322905P	Valve	Replaces F381701P Valve; Includes F8514601 Coil; For models that have been upgraded with F8521801 DIN Valve Kit
	F8521801	DIN Valve Kit	Replaces F381701P Valve; Includes F8322905 Valve, F8382301 DIN Valve Adapter Kit and F8514601 Coil
9	F420107	Nipple	
10	F200401P	U-Bolt Clamp	
11	F200222	Hose Clamp	No. 12
12	F200104P	Hose	
13	F420509	Elbow	
14	F420105	Nipple	
15	F380800P	Vacuum Breaker Valve	3/4 inch; Includes item 16; F380965P Repair Kit
16	F0798922-00	Vacuum Breaker Kit	Includes items 17-20
17	F0170221-00	O-Ring	
18	F0380809-00	Containment Device	
19	F0380808-00	Vacuum Breaker Cap	
20	F430938	Screw	
21	F420402	Tee	
22	F200509	Water Hose	
23	F200206	Hose Clamp	No. 4
24	F421964	Hose Barb	
25	F420500	Street Elbow	
26	F380500	Gate Valve	
27	F420101	Nipple	
28	F0637637-01	Fill Plumbing Assembly	220 Volt; Standard thread; Includes items 3-5, 7-9, 13-21 and 23-27
	N/A	Fill Plumbing Assembly	220 Volt; Metric thread; Includes items 3-5, 7-9, 13-21 and 23-27

N/A = Part no longer available

Drain System, Overflow and Vent Pipes



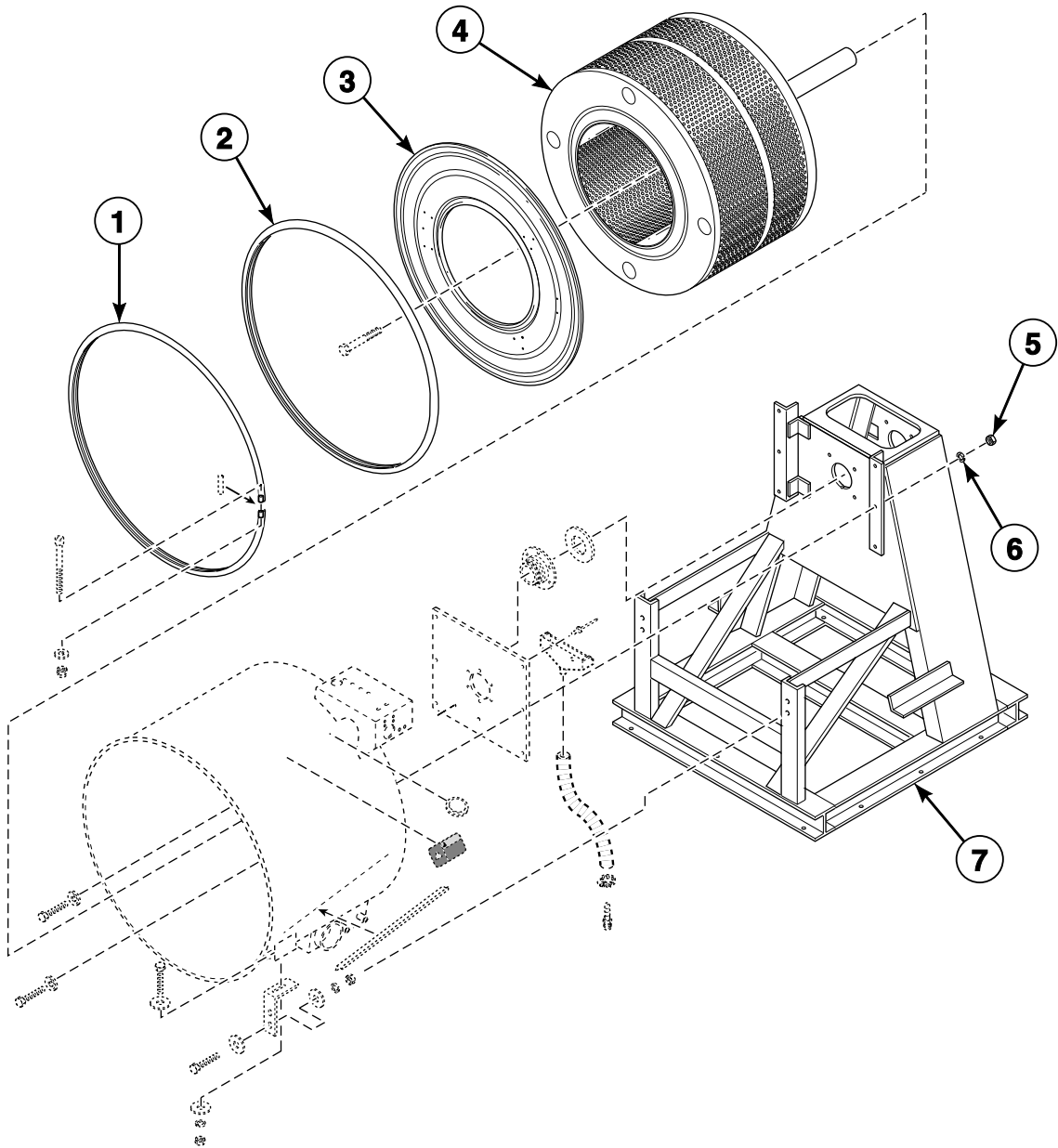
PHM3202P_F232167

Drain System, Overflow and Vent Pipes

REF	PART NO.	DESCRIPTION	COMMENTS
1	F200166402	Drain Valve Kit	220 Volt; Includes items 2 and 3
2	F380918	Main Drive Kit	
3	F380933P	Drain Valve Motor	
4	F200133600	Drain Valve Cover	
5	F380117	Vacuum Breaker	
6	F422508	Adapter	
7	F422801	Tee	
8	N/A	Pipe	
9	F200213	Hose Clamp	No. 40
10	F150309	Soap Dispenser Hose	
11	F0602364-25	Pipe	
12	F8084201	Shell Reinforcement Plate Assembly	Includes items 13-16
13	F431210	Pop Rivet	
14	F150389	Scupper	
15	F200107P	Water Hose	
16	36801	Hose Clamp	No. 6
17	F421929	Hose Barb	
18	F200165100	Drain Hose	
19	F200201	Hose Clamp	No. 56
20	F422602	Reducer Bushing	
21	F0602365-01	Pipe	
22	F422803	Tee	
23	F0602365-22	Pipe	
24	F150438	Drain Hose	Rear
25	F150442	Drain Hose	Front

N/A = Part no longer available

Basket, Shell and Frame (Drawing 1 of 2)



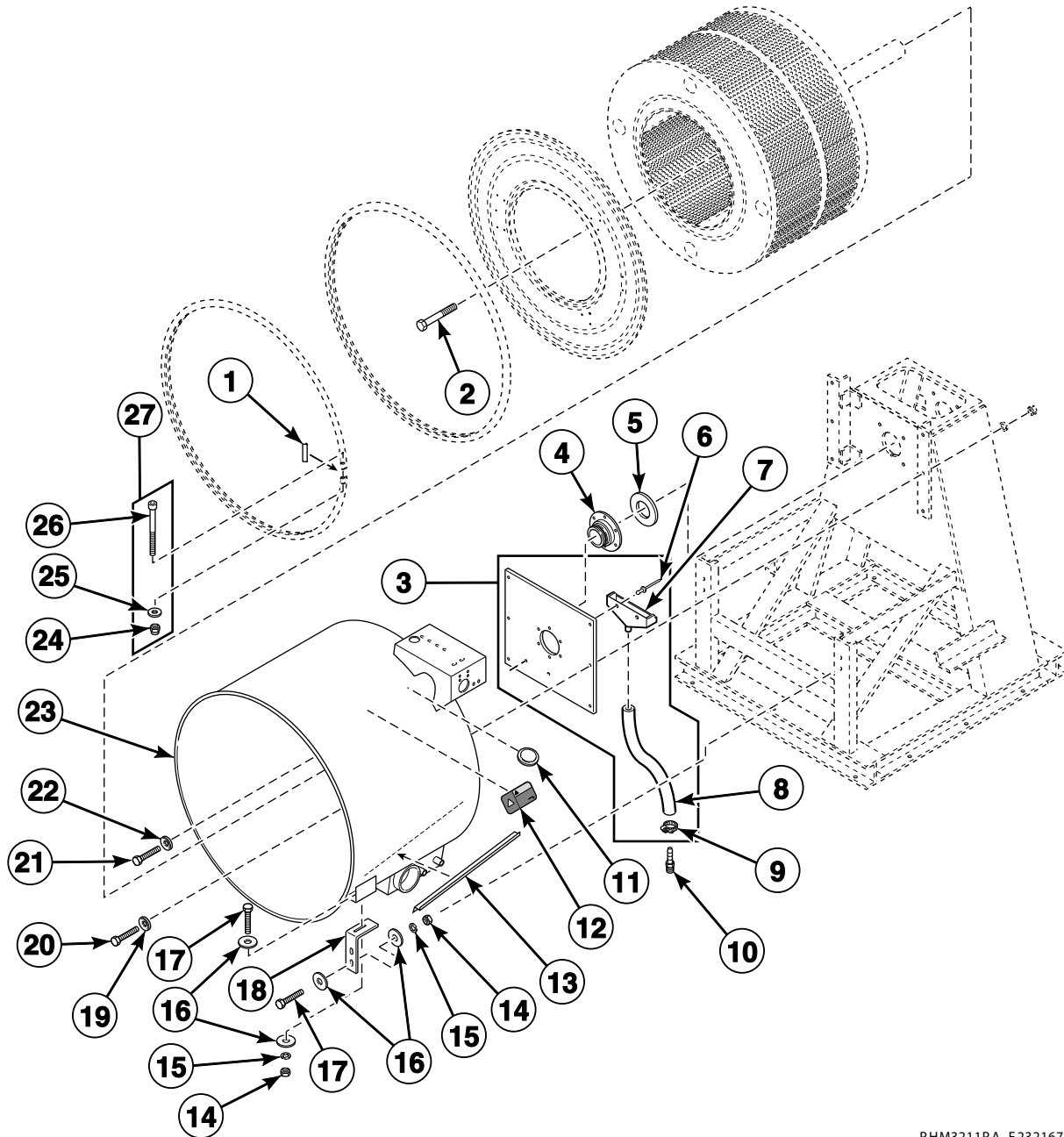
PHM3211P_F232167

Basket, Shell and Frame (Drawing 1 of 2)

REF	PART NO.	DESCRIPTION	COMMENTS
1	F603344P	Shell Band Assembly	
2	F170120RP	Shell Band Gasket	
3	F8135801P	Shell Front Weldment	
	F200119900P	Shell Front Assembly	Includes top latch bracket casting, lower door latch bracket casting, door butt, door butt shim, door latch shim, door bumper bushing and door bumper moulding
4	F632015	Basket Assembly	
5	70142	Nut	
6	M400013	Washer	
7	N/A	Frame Assembly	Model UW60PV
	F633378	Frame Assembly	Models UW60AV and UW60VV; Standard
	F633378-2	Frame Assembly	Models UW60AV and UW60VV; Close mount

N/A = Part no longer available

Basket, Shell and Frame (Drawing 2 of 2)



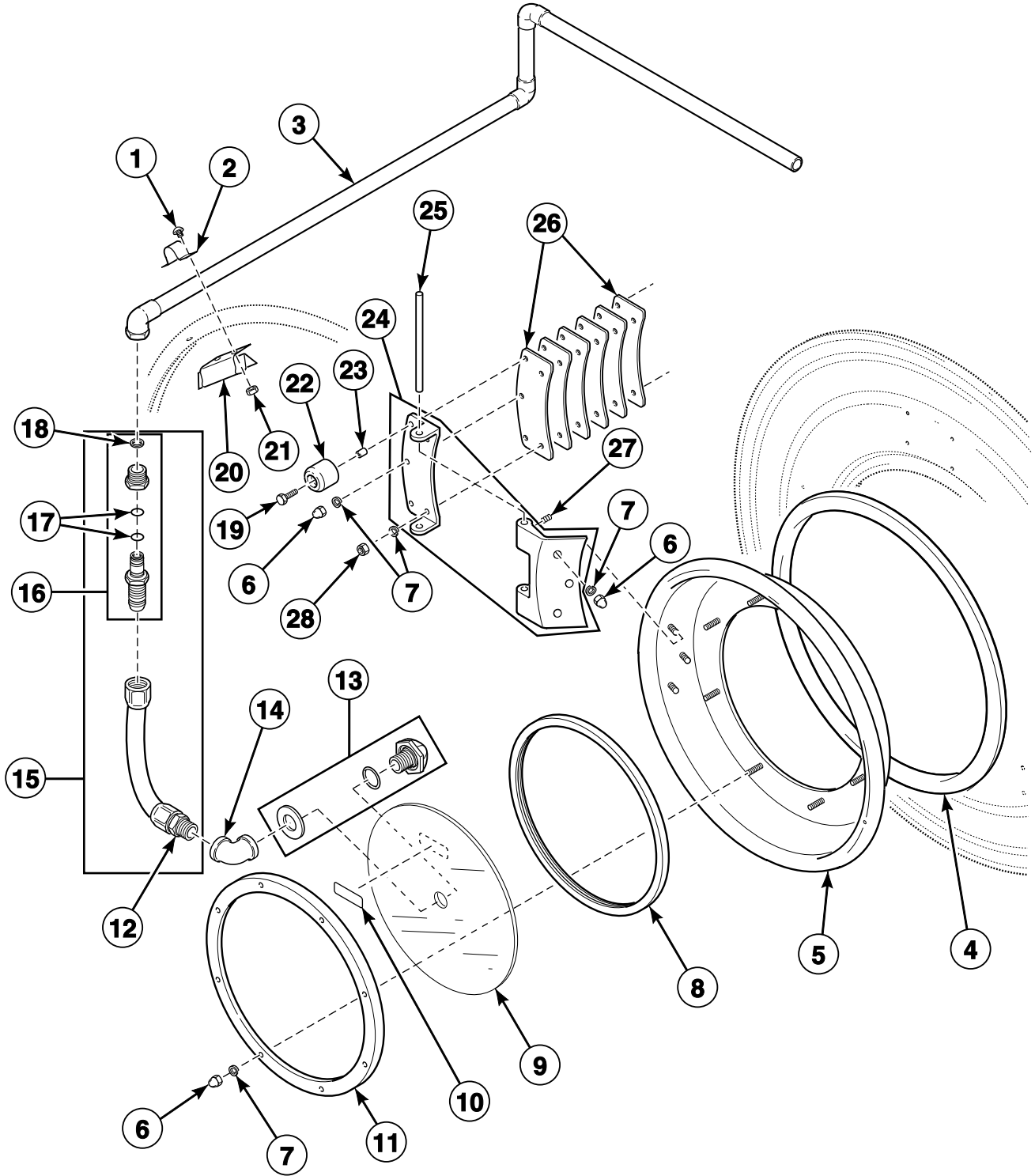
PHM3211PA_F232167

Basket, Shell and Frame (Drawing 2 of 2)

REF	PART NO.	DESCRIPTION	COMMENTS
1	F601216	Shell Gasket Shield	
2	N/A	Screw	
3	F8084201	Shell Reinforcement Plate Assembly	Includes items 6-9
4	F8162101	Face Seal	Standard
	F8162201	Face Seal	Viton
	F798819-00	Seal Kit	Includes items 20-22, 24-26, F170120RP Shell Band Gasket, F410102 Clear Sealant and F431210 Pop Rivet
5	F100203	Slinger	
6	F431210	Pop Rivet	
7	F150389	Scupper	
8	F200107P	Water Hose	
9	36801	Hose Clamp	No. 6
10	F421929	Hose Barb	
11	F0200237-00	Plug	Model UW60PV; Design 7 and 8
12	F0230112-00	Plug Removal Warning Decal	Model UW60PV; Design 7 and 8
13	F150364	Drip Rail	Attach with silicone
14	20274	Nut	
15	M400014	Washer	
16	M400081	Washer	
17	800461	Screw	
18	F601806	Shell Mounting Bracket	
19	F431116	Washer	
20	F430924	Screw	
21	F430935	Screw	
22	F431112	Washer	
23	F634436	Shell Weldment	Model UW60PV; Standard; Order items 11 and 12 when retrofitting onto a design 5 or design 6 model
	F0634436-01	Shell Weldment	Model UW60PV; Standard with starch; Order items 11 and 12 when retrofitting onto a design 5 or 6 model
	F0633208-01	Shell Weldment	Model UW60PV; Electric heat; Order items 11 and 12 when retrofitting onto a design 5 or 6 model
	N/A	Shell Weldment	Model UW60PV; Electric heat with starch; Order items 11 and 12 when retrofitting onto a design 5 or 6 model
	F634438	Shell Assembly	Models UW60AV and UW60VV; Standard
	F0633208-05	Shell Weldment	Models UW60AV and UW60VV; Electric heat
24	F430215	Nut	
25	F430317	Washer	
26	F430500	Screw	
27	F791001	Shell Band Fastener Kit	Includes items 24-26

N/A = Part no longer available

Door and Spray Tube

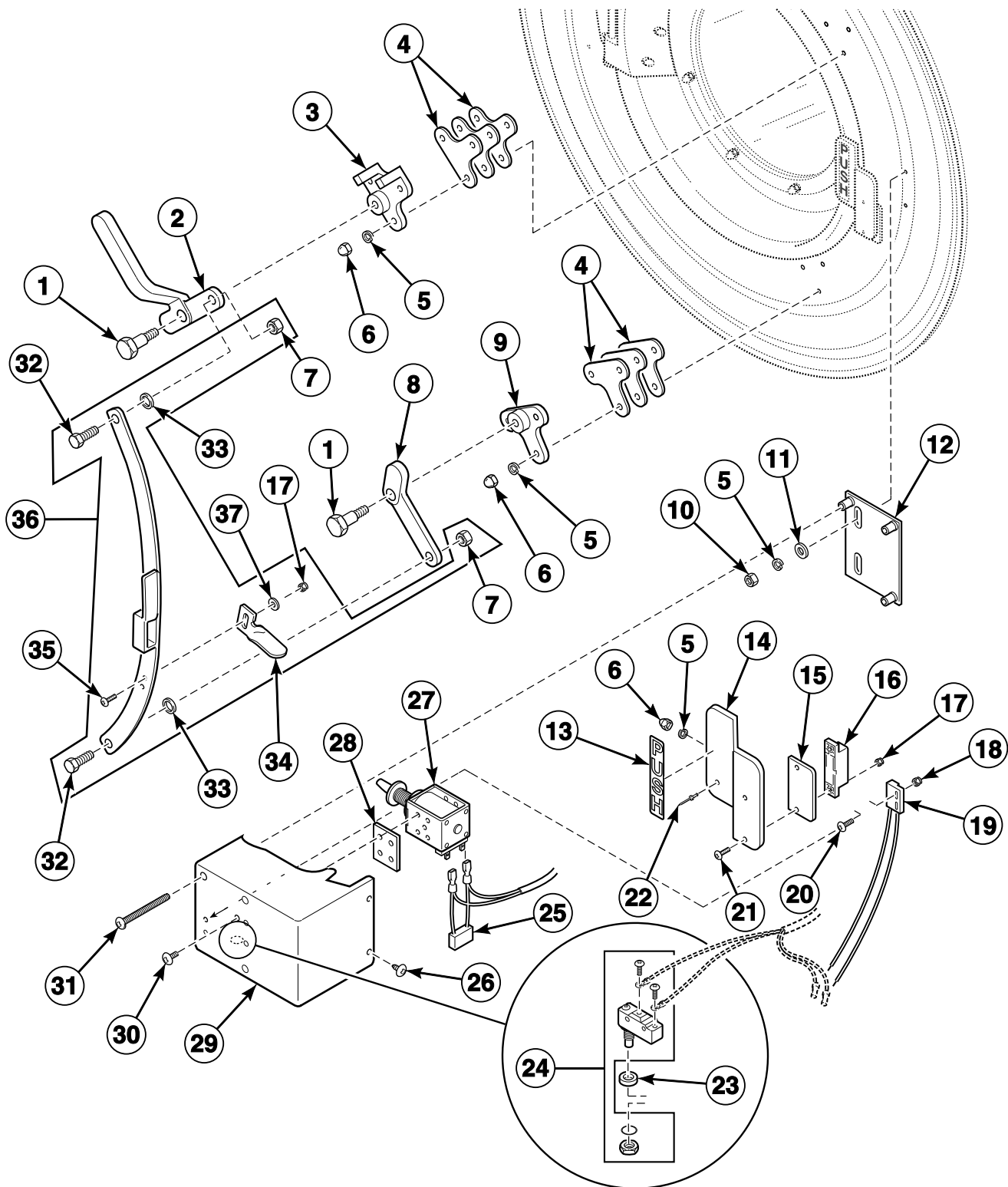


PHM2897P_F232167

Door and Spray Tube

REF	PART NO.	DESCRIPTION	COMMENTS
1	F430917	Screw	Model UW60PV
2	F602880	Spray Rinse Strap	Model UW60PV
3	F603696-9	Spray Rinse Tube Assembly	Model UW60PV
4	F170145	Door Gasket	Black
	F017014501	Door Gasket	Gray
5	F730307	Door Kit	Includes studs
	F730539	Door Kit	Models UW60AV and UW60VV; Includes items 2, 4, 6-9, 11, 27 and F200119700 Door Assembly
6	F8549401	Nut	
7	F431100	Washer	
8	F170117	Door Glass Gasket	
9	F290200P	Door Glass Kit	Model UW60PV; With hole
	F290201P	Glass	Models UW60AV and UW60VV; Without hole
10	F230652	Clockwise Spin Rotation Decal	
11	F601239	Door Glass Retainer	
12	F422109	No-Swivel Coupling	Model UW60PV
13	F730077	Spray Rinse Nozzle Kit	Model UW60PV
14	F422319	Elbow	Model UW60PV
15	F730026	Spray Rinse Hose Assembly	Model UW60PV; Includes items 12 and 16-18
16	F422108	Swivel Coupling	Model UW60PV
17	F170200	O-Ring	Model UW60PV
18	F310206	Ring Retainer	Model UW60PV
19	F430103	Screw	
20	F602901P	Spray Rinse Bracket Assembly	Model UW60PV; Includes items 1 and 21
21	F431022	Nut	Model UW60PV
22	F150366	Door Bumper Moulding	
23	F430416	Door Bumper Bushing	
24	F200030600P	Door Hinge Strap Kit	
25	F601815	Door Hinge Pin	
26	F0610695-00	Door Butt Shim	
27	F430502	Screw	
28	20274	Nut	

Door Lock

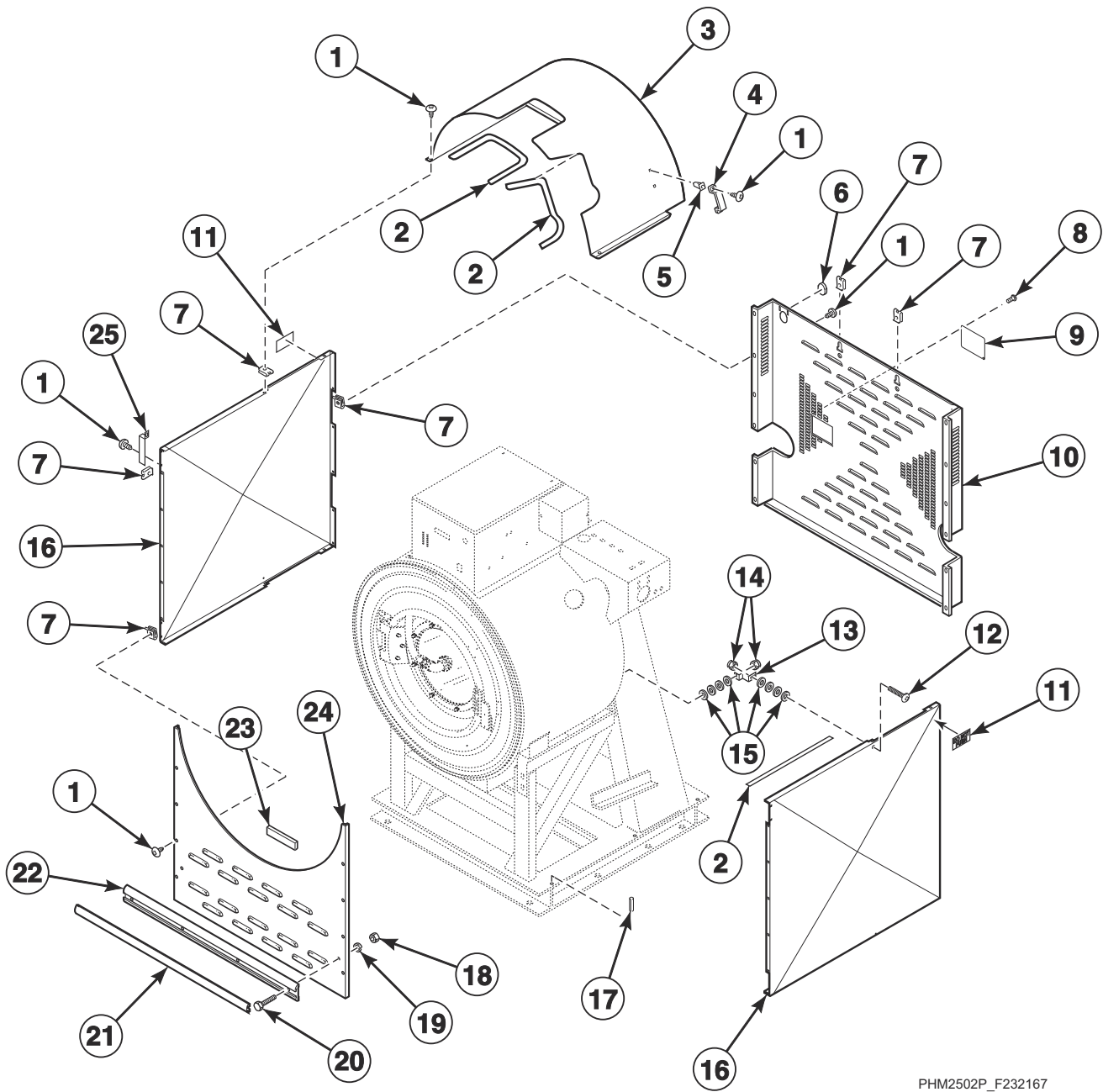


PHM2164P_F232167

Door Lock

REF	PART NO.	DESCRIPTION	COMMENTS
1	F430168	Screw	
2	F150203	Door Handle Casting	
3	F150201P	Top Latch Bracket Casting	
4	F602058	Door Latch Bracket Shim	
5	F431100	Washer	
6	F8549401	Nut	
7	F431002	Nut	
8	F150204	Lower Door Latch Casting	
9	F150202	Lower Door Latch Bracket Casting	
10	F430215	Nut	
11	F431142	Washer	
12	F605525	Door Box Mounting Plate Assembly	
13	F230303	Push Decal	
14	F609427	Handle Weldment	
	F746201-1	Push Handle Kit	Includes items 13, 15-17 and 21
15	F609822	Handle Spacer	Optional
16	F8390801	Magnet	
17	F430231	Nut	
18	F430231	Nut	
19	F200321200	Magnetic Switch Assembly	
20	F430917	Screw	
21	F430909	Screw	
22	F431210	Pop Rivet	
23	F601055	Interlock Switch Spacer	
24	F340900	Interlock Switch	
	F340906	Microswitch	CE models; Includes rubber boot
25	F330217P	RC Network Filter	Includes F140627 Connector and F141022 Connector
26	F430956	Screw	
27	F300129P	Door Lock Solenoid	220 Volt
28	F609728	Solenoid Spacer	
29	F606630	Door Box	
	F603666P	Door Box Assembly	Includes items 18-20, 27 and 30
30	F430995	Screw	
31	F430996	Screw	
32	F430927	Screw	
33	F431118	Washer	
34	F601639	Extension Arm Tab	
35	F430916	Screw	
36	F746803	Extension Arm Kit	Includes items 7, 17, 32-35 and 37
37	F431108	Washer	

Front, Side and Rear Panels

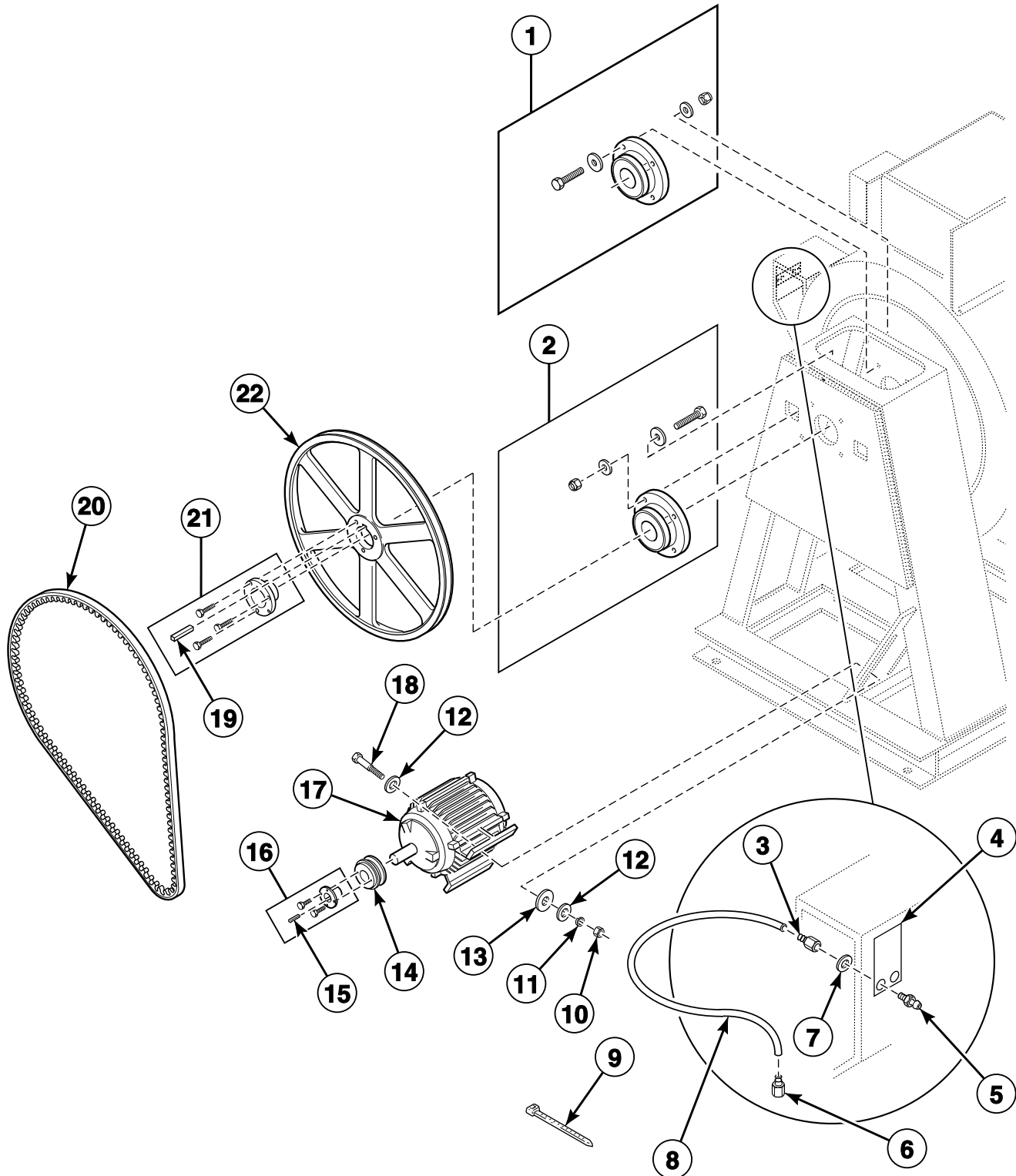


PHM2502P_F232167

Front, Side and Rear Panels

REF	PART NO.	DESCRIPTION	COMMENTS
1	F430956	Screw	
2	F170400RP	Trim	Order 2 feet
3	F635610	Cage Wrap Weldment	Includes items 1, 4 and 5
4	F605324	Hose Strap	
5	F0431807-00	Nut	Plastic insert
6	F180511	Cap Plug	
7	F430264	Nut	Tinnerman
8	70240301	Screw	
9	F200188300	Belt Inspection Port Cover	
10	F200187900P	Rear Panel	
11	F230302	Do Not Push Decal	
12	F432234	Screw	
13	F601982	Side Panel Bracket	
14	F430215	Nut	
15	F430317	Washer	
16	F635648P	Side Panel	Reversible
17	F430415	Pin	
18	F430211	Nut	
19	F431100	Washer	
20	F430921	Screw	
21	F150397	Extrusion Insert	Order 3 feet
22	F150408	Rub Rail	
23	F170110	Sponge	
24	F635649P	Front Panel	
25	F606667	Side Panel Cover	

Motor and Pulley - Model UW60PV

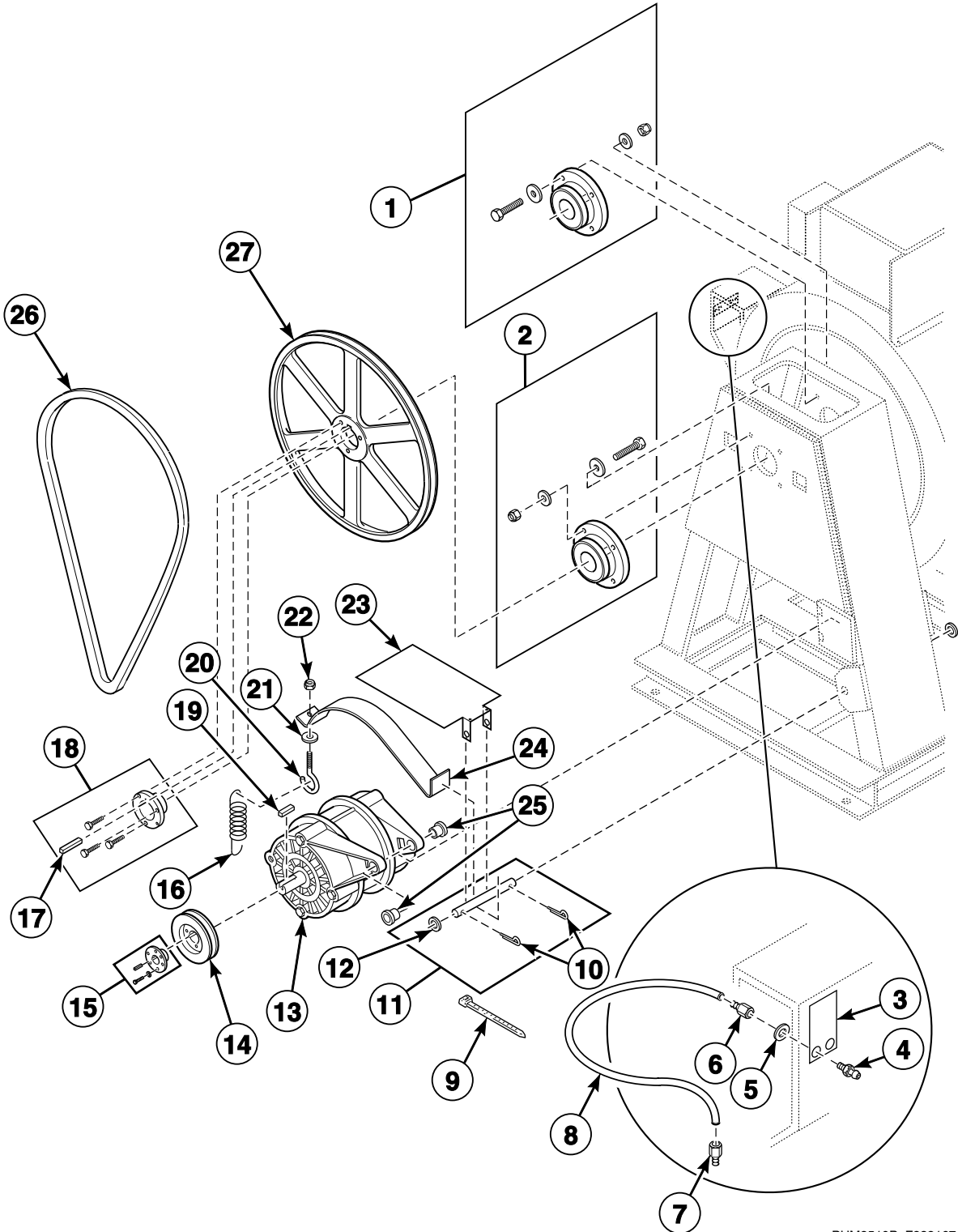


PHM2086P_F232167

Motor and Pulley - Model UW60PV

REF	PART NO.	DESCRIPTION	COMMENTS
	F140225	Cable	
1	F798826-00	Front Bearing Kit	Includes F010029701 Face Seal, F100203 Slinger, F170120R Shell Band Gasket, F170125 Shell Band Seal, F200001600 Shell Band Gasket, F410102 Clear Sealant, F430137 Screw, F430210 Nut, F430211 Nut, F430317 Washer, F430325 Washer, F430500 Screw, F430935 Screw, F431005 Nut, F431100 Washer, F431112 Washer, F431210 Pop Rivet and F704853 Key
	F100150P	Bearing	
2	F745010	Rear Bearing Kit	Includes F430136 Screw, F704854 Key, F430200 Nut and F430327 Washer
	F8637601P	Bearing	
3	F422114	Air Coupling	
4	F231563	Grease Instruction Decal	
5	F190701	Grease Fitting	
6	J1408004	Connector	
7	F430332	Washer	
8	C000628P	Tubing	
9	F140605	Cable Tie	
10	20274	Nut	
11	M400014	Washer	
12	M400081	Washer	
13	F430300	Washer	
14	F280146P	Pulley	Pulley manufacturer part no. BK34H; 3.4 inch OD; 1 groove
	F280182P	Pulley	Pulley manufacturer part no. BK32H; 3.2 inch OD
15	F430802	Key	
16	F280211P	Motor Pulley Bushing	1-1/8 inch
17	F220236P	Motor	Replaces motors F220214U and F220214M; AC drive parameters must be compatible with the motor and motor pulley. Please request the AC drive parameter illustration for parameter verification when ordering a motor.
	F220897P	Motor Bearing	
18	F430993	Screw	
19	F430803	Key	
20	F280353	Belt	BX96
21	F280409P	Bushing	2-7/16 inch; Includes item 19
22	F280410	Pulley	IB255K

Motor and Pulley - Models UW60AV and UW60VV

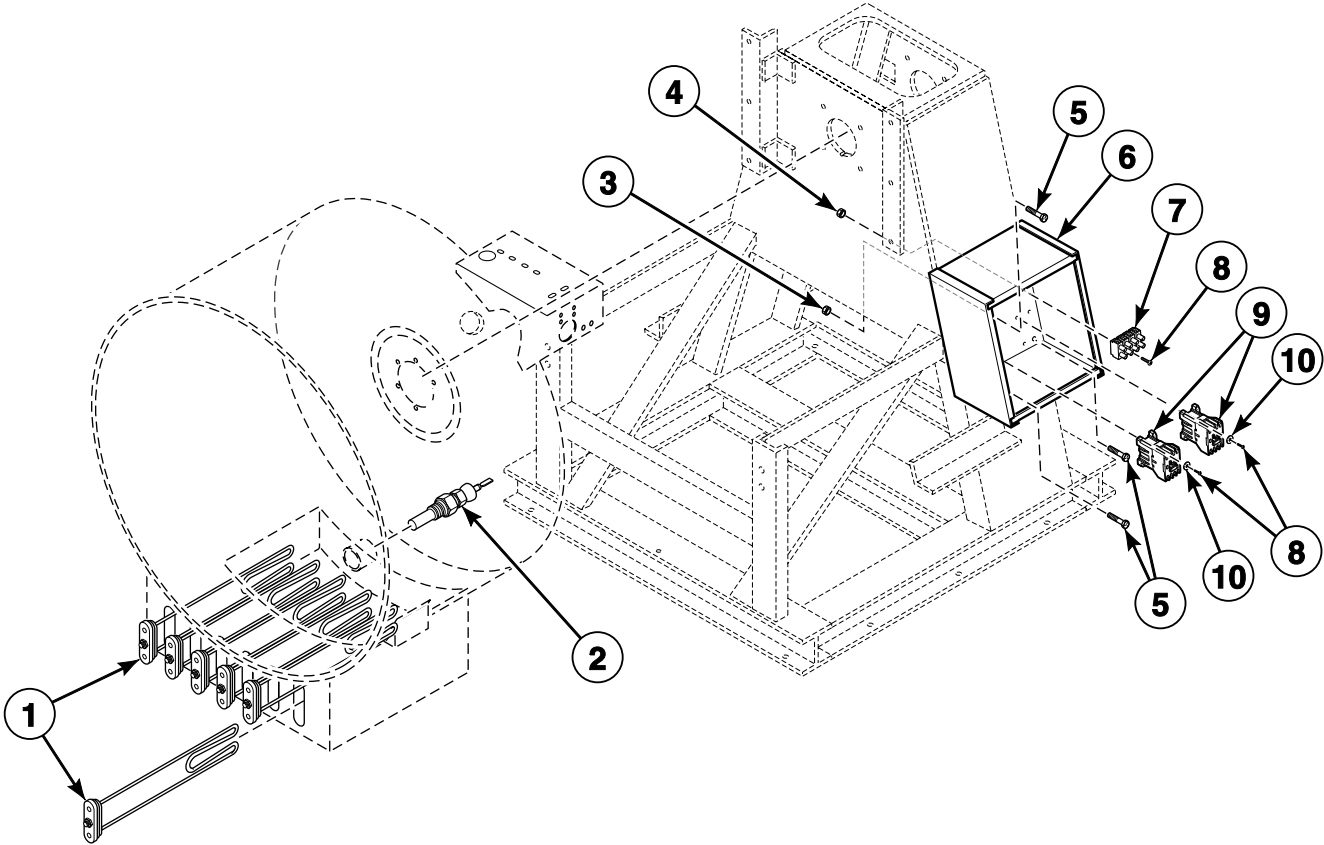


PHM2510P_F232167

Motor and Pulley - Models UW60AV and UW60VV

REF	PART NO.	DESCRIPTION	COMMENTS
1	F798824-00	Front Bearing Kit	Includes F170120 Shell Band Gasket, F410102 Clear Sealant, F170125 Shell Band Seal, F010029701 Face Seal, F100150 Bearing, F100203 Slinger, F430137 Screw, F430201 Nut, F430211 Nut, F430317 Washer, F430325 Washer, F430500 Screw, F430935 Screw, F431005 Nut, F431100 Washer, F431112 Washer, F431210 Pop Rivet and F704853 Key
2	F745010	Rear Bearing Kit	Includes hardware
3	F231563	Grease Instruction Decal	
4	F190701	Grease Fitting	
5	F430332	Washer	
6	F422114	Air Coupling	
7	J1408004	Connector	
8	C000628P	Tubing	
9	F140605	Cable Tie	6 inch
10	F430401	Cotter Pin	
11	F730076	Motor Support Rod Kit	Includes items 10 and 12
12	F430325	Washer	
13	F8329201P	Motor Conversion Kit	208-240 Volt or 440-480 Volt/3 Phase; Includes item 25
14	F0280384-00	Motor Pulley	Poly-V
15	F280209	Motor Pulley Bushing	G 7/8; Includes screws, washers and key
16	F310127	Spring	
17	F430801	Key	
18	F280409P	Bushing	2-7/16; Maska
19	F430802	Key	
20	F0430720-00	Bolt	
21	M400080	Washer	
22	F430233	Nut	
23	F200216900	Motor Drip Shield	
24	F602166	Motor Adjustment Strap	
25	F200186100	Motor Support Bushing	Nylon
26	F0280381-00P	Belt	Poly-V; 10 groove; 980J10-KR150
27	F0280288-01	Basket Pulley	Poly-V; Flat; 2 7/16 hub; 24 inch

Electric Heat Option

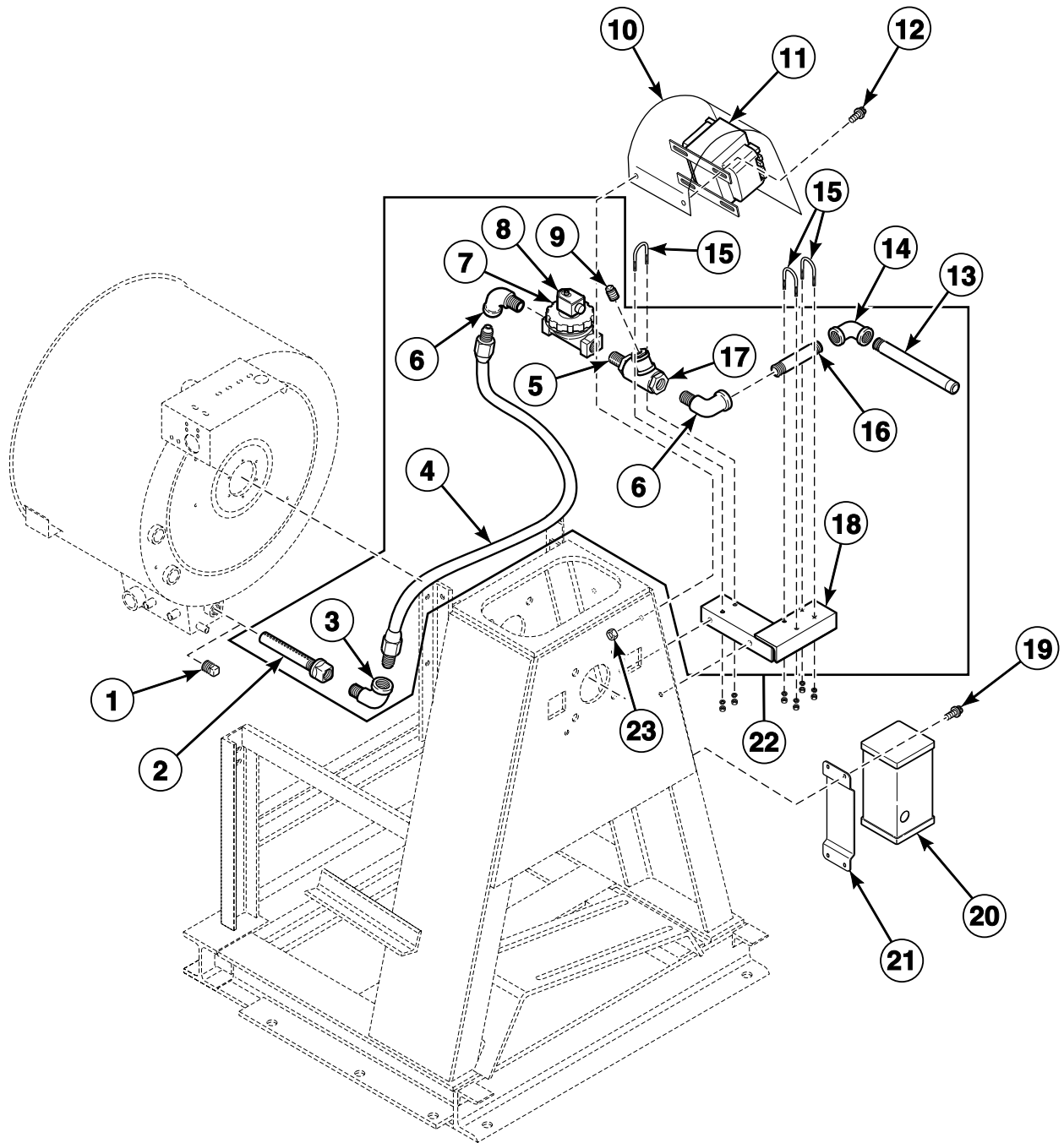


PHM2087P_F232167

Electric Heat Option

REF	PART NO.	DESCRIPTION	COMMENTS
1	F360203P	Heating Element	6 required
2	F370606P	Temperature Probe	
3	F430215	Nut	
4	F430231	Nut	
5	F430938	Screw	
6	F140413	Box	
7	F140747	Input Power Block	N and P-voltage
	M413865	Power Distribution Block	Q-voltage
8	F430107	Screw	
9	F330188P	Contactactor	220 Volt
10	F430311	Washer	

Steam Heat Option and Transformers



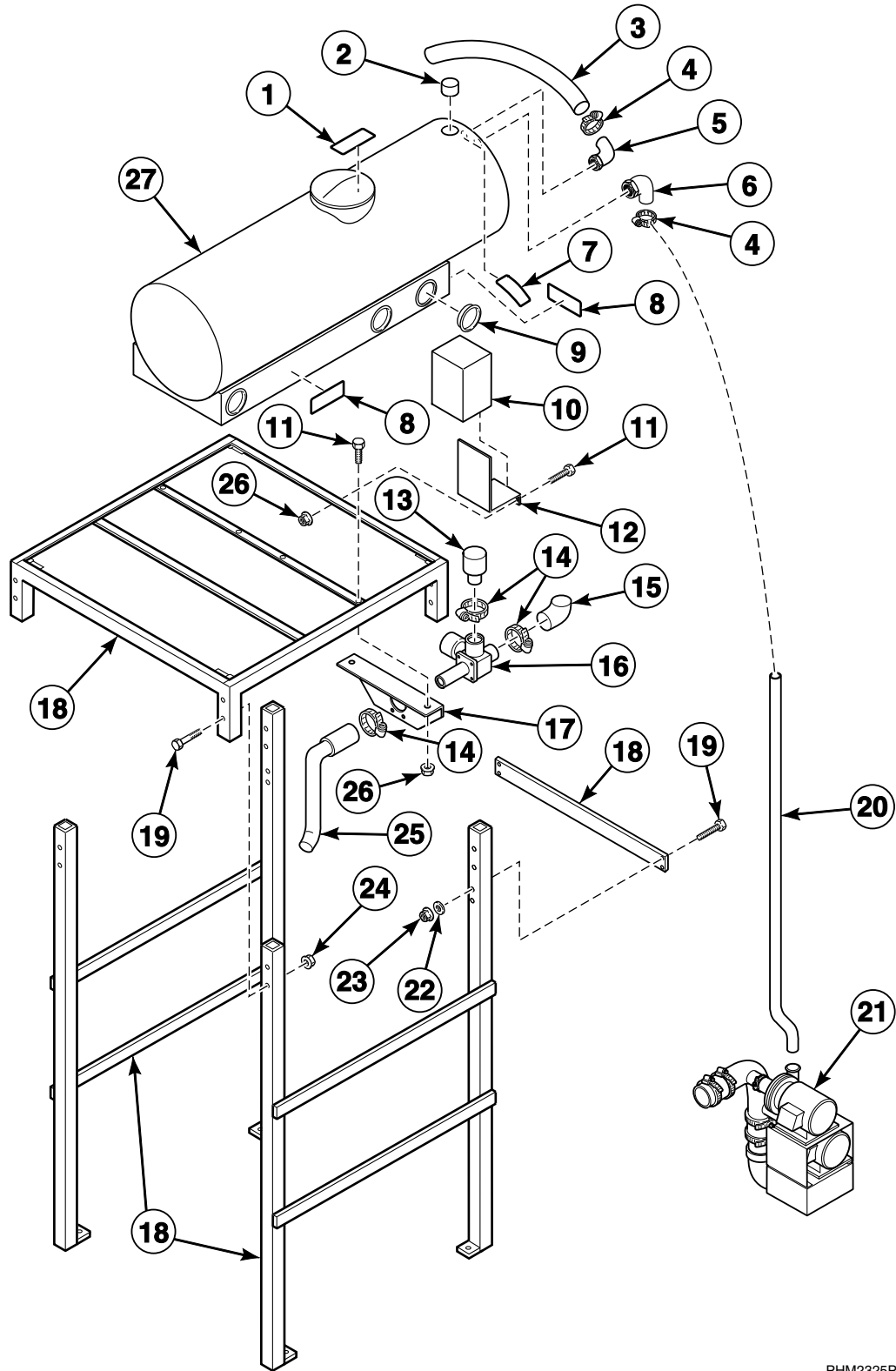
PHM2816P_F232167

Steam Heat Option and Transformers

REF	PART NO.	DESCRIPTION	COMMENTS
	F410300	Pipe Insulation	
	F8514601P	Coil	Use with F8322801P Valve
	F8379501P	Valve Kit	Use with F8322801P Valve
	F8382301	DIN Valve Adapter Kit	Use with F8322801P Valve
1	F200202600	Plug	
2	F8368201	Steam Injector Tube Assembly	
3	F421703	Street Elbow	
4	F200517	Steam Hose	
5	F420708	Nipple	
6	H86070034	Street Elbow	
7	F8322801P	Valve	Replaces F380787P Steam Valve; Includes F8514601 Coil; For models that have been upgraded with F8521601 DIN Valve Kit
	F8521501	DIN Valve Kit	Replaces F380787P Steam Valve; Includes F8322801P Valve, F8382301 DIN Valve Adapter Kit and F8514601 Coil
8	F300126P	Solenoid	220 Volt
9	F420409	Plug	
10	F140425	Control Transformer Cover	
11	F360156P	Transformer	N and P-voltage
12	F430935	Screw	
13	N/A	Nipple	
14	70079601	Elbow	
15	F200401P	U-Bolt Clamp	Includes washers and nuts
16	F420710	Nipple	
17	F270307	Steam Filter	1/2 inch
18	F635634	Steam Bracket Weldment	
19	F430104	Screw	
20	F200031000	Transformer	Buckboost; N-voltage; 2 per machine
21	N/A	Transformer Adapter Plate	N-voltage
22	F635653P	Steam Plumbing Assembly	220 Volt; Includes items 2-9, 13, 14, 16-18 and F410300 Pipe Insulation
23	F430215	Nut	

N/A = Part no longer available

Water-Saving System Main View - Design 5 and 6 UW60PV Models



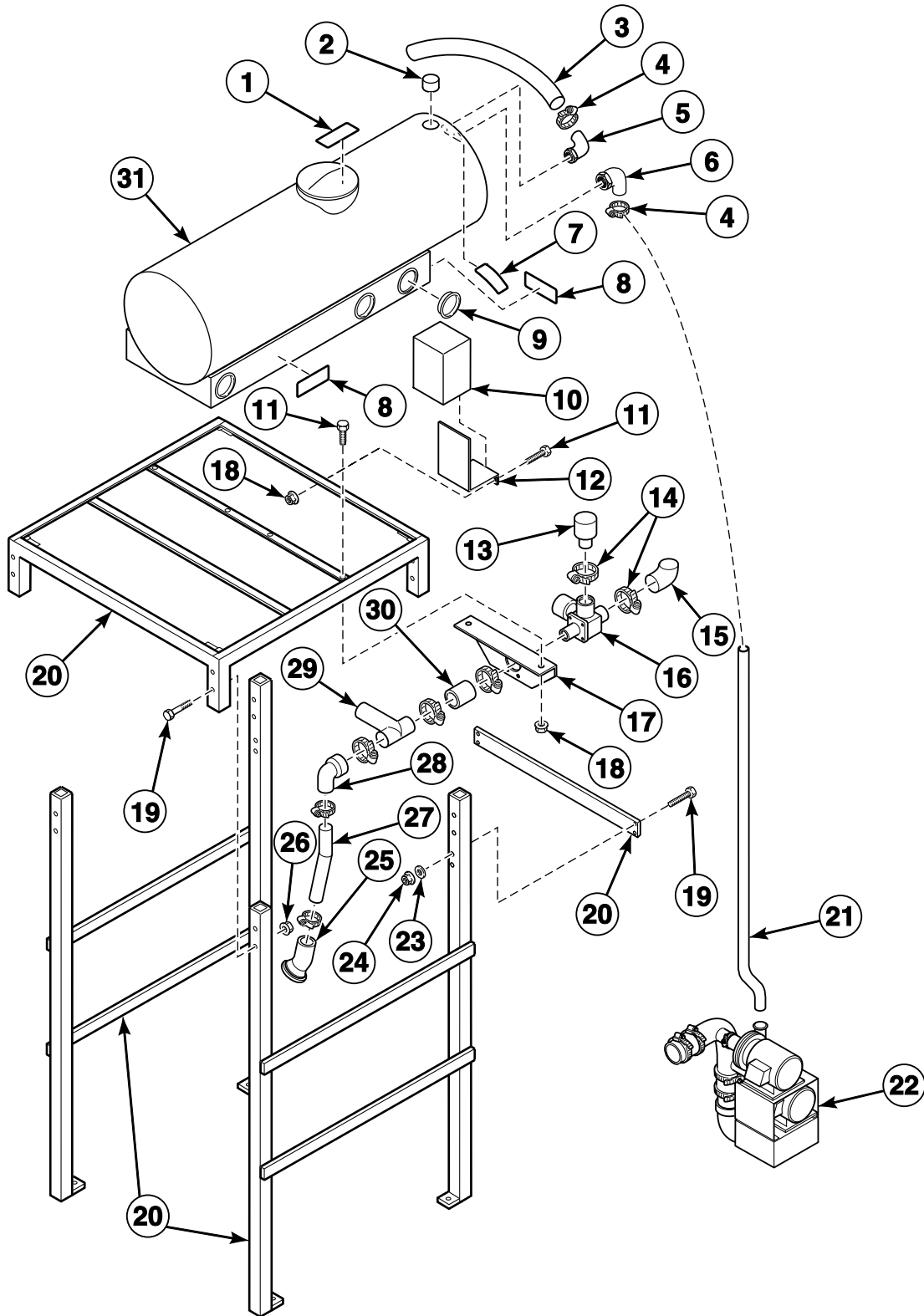
PHM2325P_F232167

Water-Saving System Main View - Design 5 and 6 UW60PV Models

REF	PART NO.	DESCRIPTION	COMMENTS
1	F231420	Top Cover Caution Decal	
2	F380117	Vacuum Breaker	
3	F150484	Reuse Overflow Hose	
4	F200215	Hose Clamp	No. 28
5	N/A	Elbow	
6	N/A	Elbow	
7	F231419	Do Not Obstruct Decal	
8	F231418	Do Not Climb Caution Decal	
9	N/A	Cap Plug	
10	N/A	Control Module Sub-Assembly	120 Volt
	N/A	Control Module Sub-Assembly	220 Volt
11	M400056	Screw	
12	F634191	Reuse Control Enclosure Mounting Bracket	
13	F422520	Reuse Drain Reducer	
14	F200213	Hose Clamp	No. 40
15	F422914	Reuse Drain Elbow	
16	F380635P	Reuse Drain Valve	
17	F634172	Drain Valve Bracket	
18	F634413	Reuse Frame Assembly	
19	F430996	Screw	
20	F200505	Reuse Inlet Hose	
21	F634674	Pump Sub-Assembly	
22	F431100	Washer	
23	F8549401	Nut	
24	F430239	Nut	
25	F0637929-01	Tank Drain Sub-Assembly	
26	F430233	Nut	
27	F191008	Reuse Tank	

N/A = Part no longer available

Water-Saving System Main View - Design 7 and 8 UW60PV Models



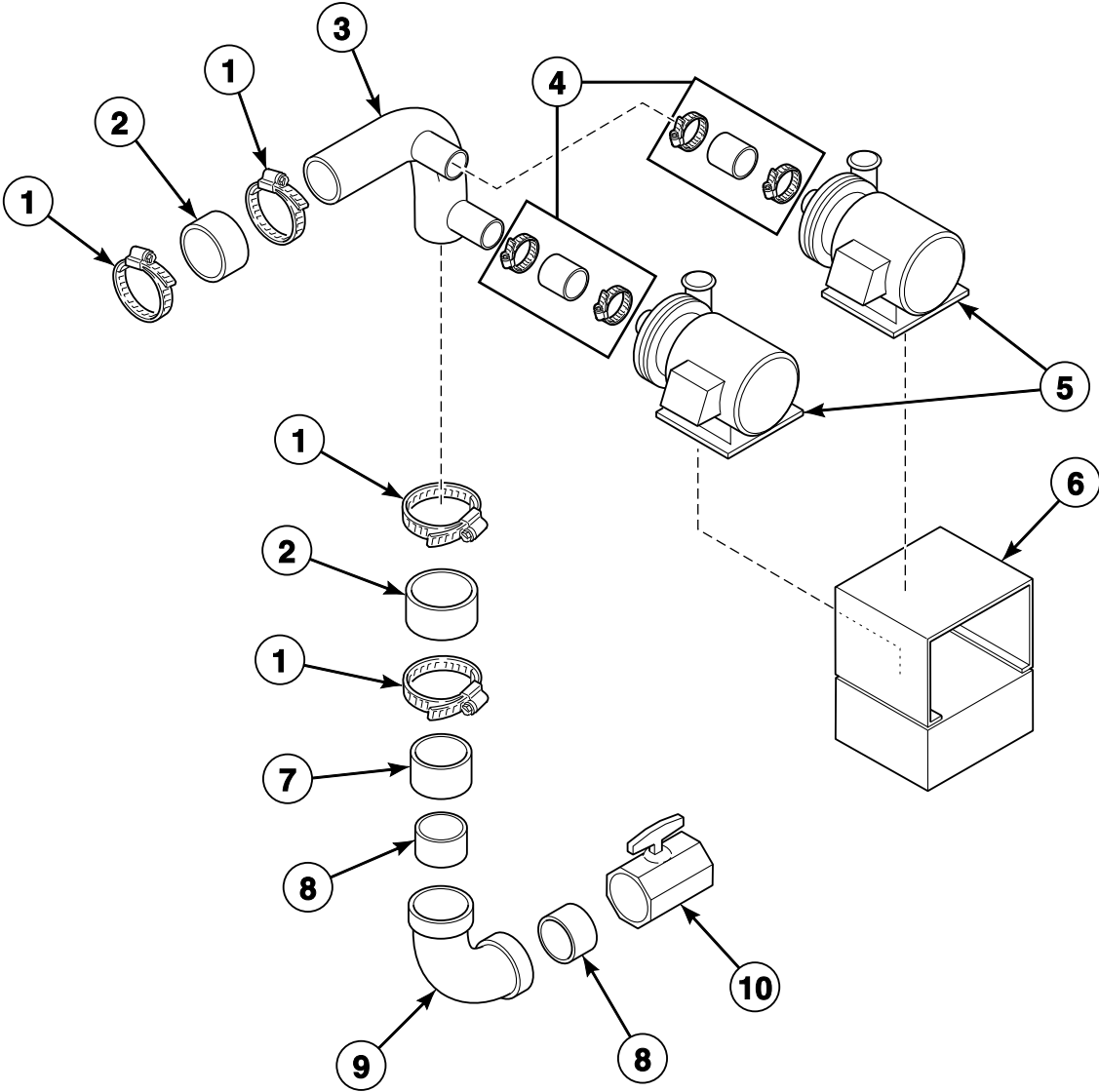
PHM2458P_F232167

Water-Saving System Main View - Design 7 and 8 UW60PV Models

REF	PART NO.	DESCRIPTION	COMMENTS
1	F231420	Top Cover Caution Decal	
2	F380117	Vacuum Breaker	
3	F150484	Reuse Overflow Hose	
4	F200215	Hose Clamp	No. 28
5	N/A	Elbow	
6	N/A	Elbow	
7	F231419	Do Not Obstruct Decal	
8	F231418	Do Not Climb Caution Decal	
9	N/A	Cap Plug	
10	N/A	Control Module Sub-Assembly	120 Volt
	N/A	Control Module Sub-Assembly	220 Volt
11	M400056	Screw	
12	F634191	Reuse Control Enclosure Mounting Bracket	
13	F422520	Reuse Drain Reducer	
14	F200213	Hose Clamp	No. 40
15	F422914	Reuse Drain Elbow	
16	F380635P	Reuse Drain Valve	
17	F634172	Drain Valve Bracket	
18	F430233	Nut	
19	F430996	Screw	
20	F634413	Reuse Frame Assembly	
21	F200505	Reuse Inlet Hose	
22	F634674	Pump Sub-Assembly	
23	F431100	Washer	
24	F8549401	Nut	
25	F0637735-01	Water Reuse Hose	
26	F430239	Nut	
27	F0637736-00	Reuse Hose Adapter Weldment	
28	F0150486-01	Reuse Drain Hose	
29	F0634404-01	Water Reuse Tee Weldment	
30	F0200505-02	Reuse Inlet Hose	
31	F191008	Reuse Tank	

N/A = Part no longer available

Water-Saving System Pump Sub-Assembly - Model UW60PV

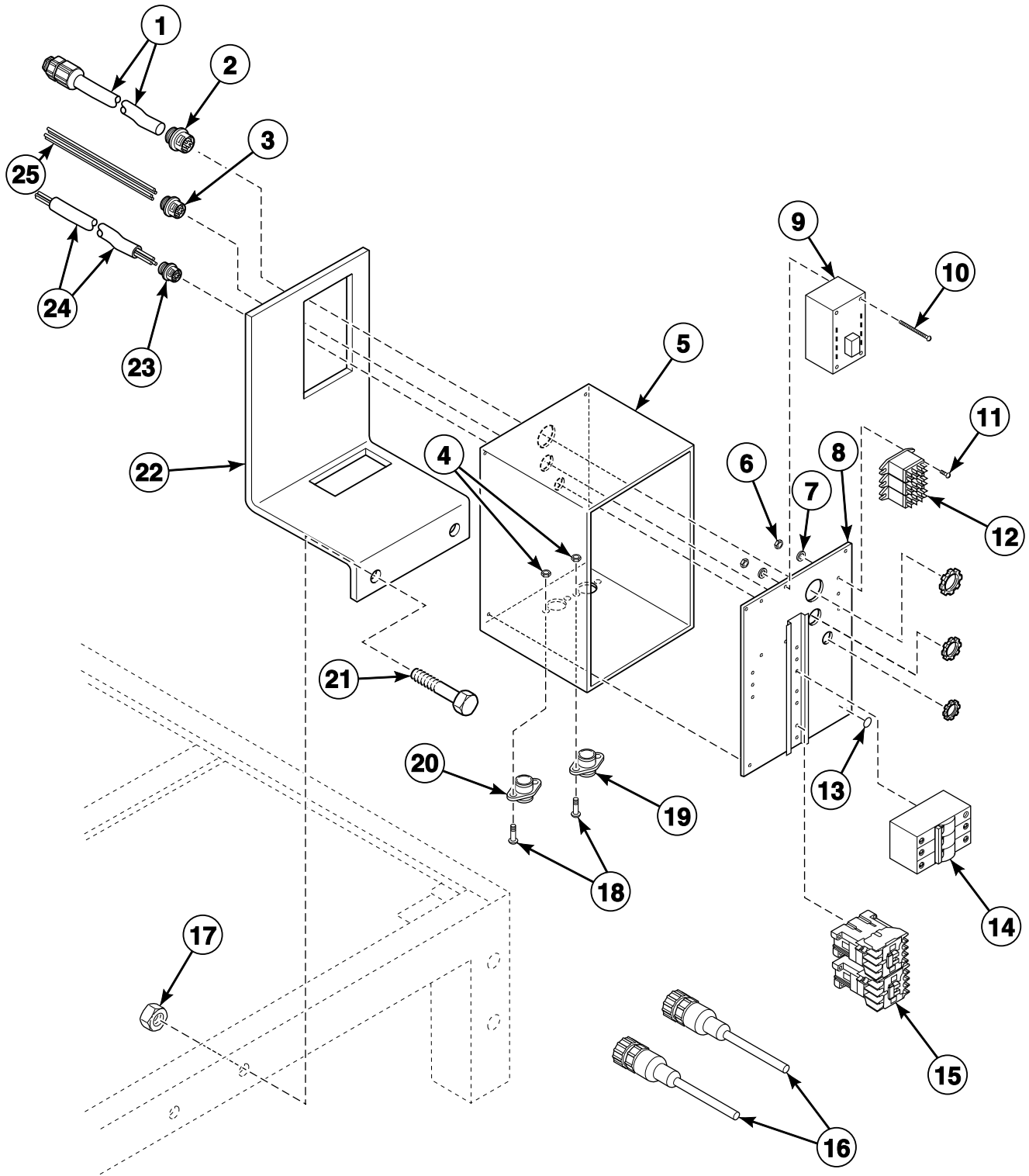


PHM789B_F232167

Water-Saving System Pump Sub-Assembly - Model UW60PV

REF	PART NO.	DESCRIPTION	COMMENTS
1	F200201	Hose Clamp	No. 56
2	F150442	Drain Hose	
3	F250707	Reuse Pump Manifold	
4	F422515	Tube Connector	
5	F270102P	Pump	
6	F634267	Reuse Pump Platform Assembly	
7	F150308	Overflow Hose	
8	F0602364-04	Pipe	
9	F422900	Elbow	
10	F380634	Ball Valve	

Water-Saving System Control Module Sub-Assembly - Model UW60PV



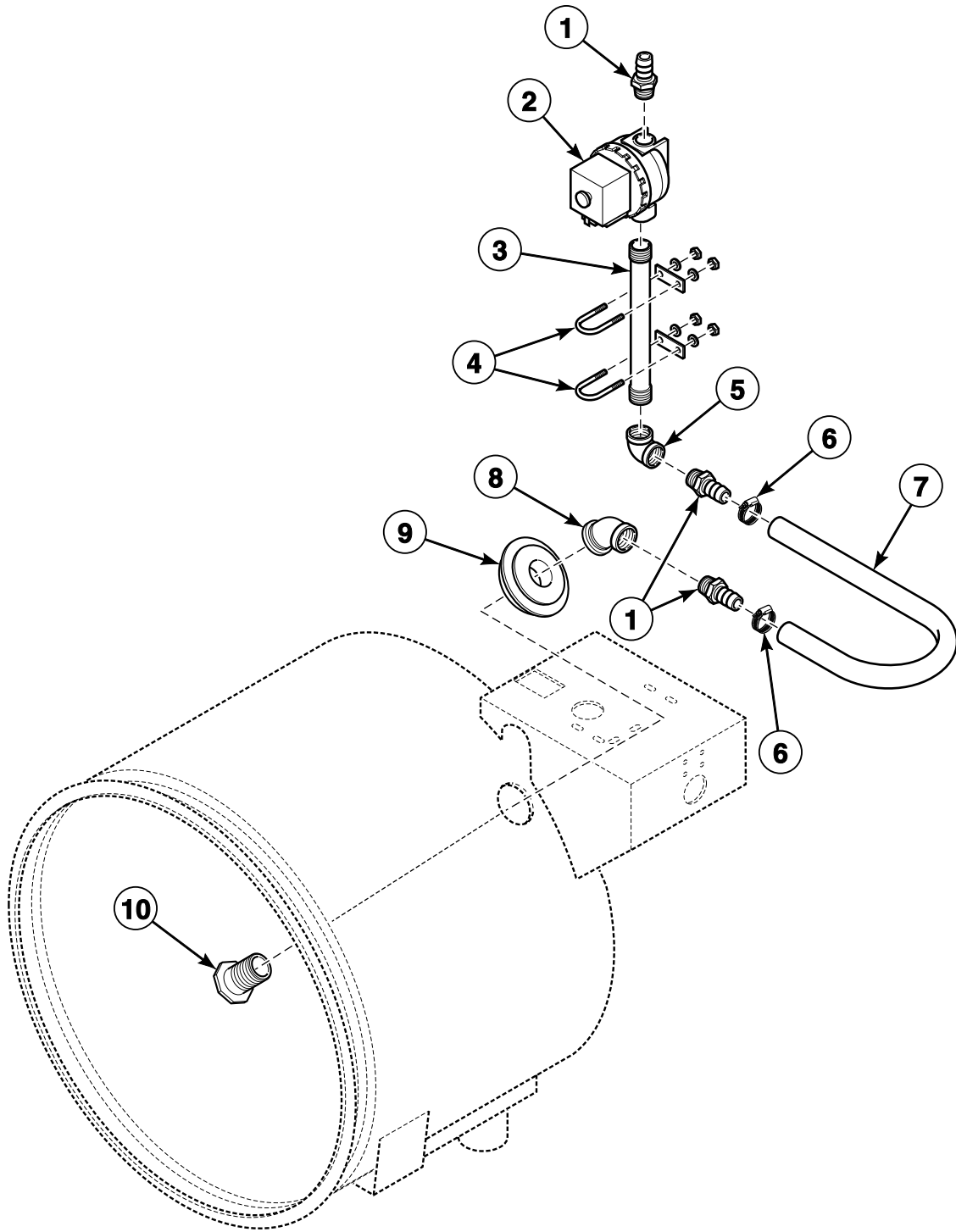
PHM2698P_F232167

Water-Saving System Control Module Sub-Assembly - Model UW60PV

REF	PART NO.	DESCRIPTION	COMMENTS
1	N/A	Reuse Control Cable Assembly	
2	F140331	Strain Relief Connector	Includes nut
3	F140328	Strain Relief Connector	Includes nut
4	F430231	Nut	
5	F140432	Box	
6	F431022	Nut	
7	F431113	Washer	
8	F634278	Control Panel Sub-Assembly	
9	F370438P	Relay CCA	
10	F430910	Screw	
11	F430916	Screw	
12	F0330289-00	Flange Mount Relay	9 vdc
13	F230739	Ground Decal	
14	F350207P	Circuit Breaker	
15	F330177P	Contacto	
16	F140254	Reuse Pump Motor Cable Assembly	B
	F140255	Reuse Pump Motor Cable Assembly	A
17	F430233	Nut	
18	F430928	Screw	
19	N/A	Pump A Harness Assembly	
20	F141876	Pump B Harness Assembly	
21	M400056	Screw	
22	F634191	Reuse Control Enclosure Mounting Bracket	
23	F140330	Strain Relief Connector	Includes nut
24	F140245	Cable	
25	45257	14 Gauge Wire	Order 15 feet; Gray
	N/A	14 Gauge Wire	Order 5 feet; Green/yellow

N/A = Part no longer available

Auxiliary Water Reuse Inlet - Model UW60PV

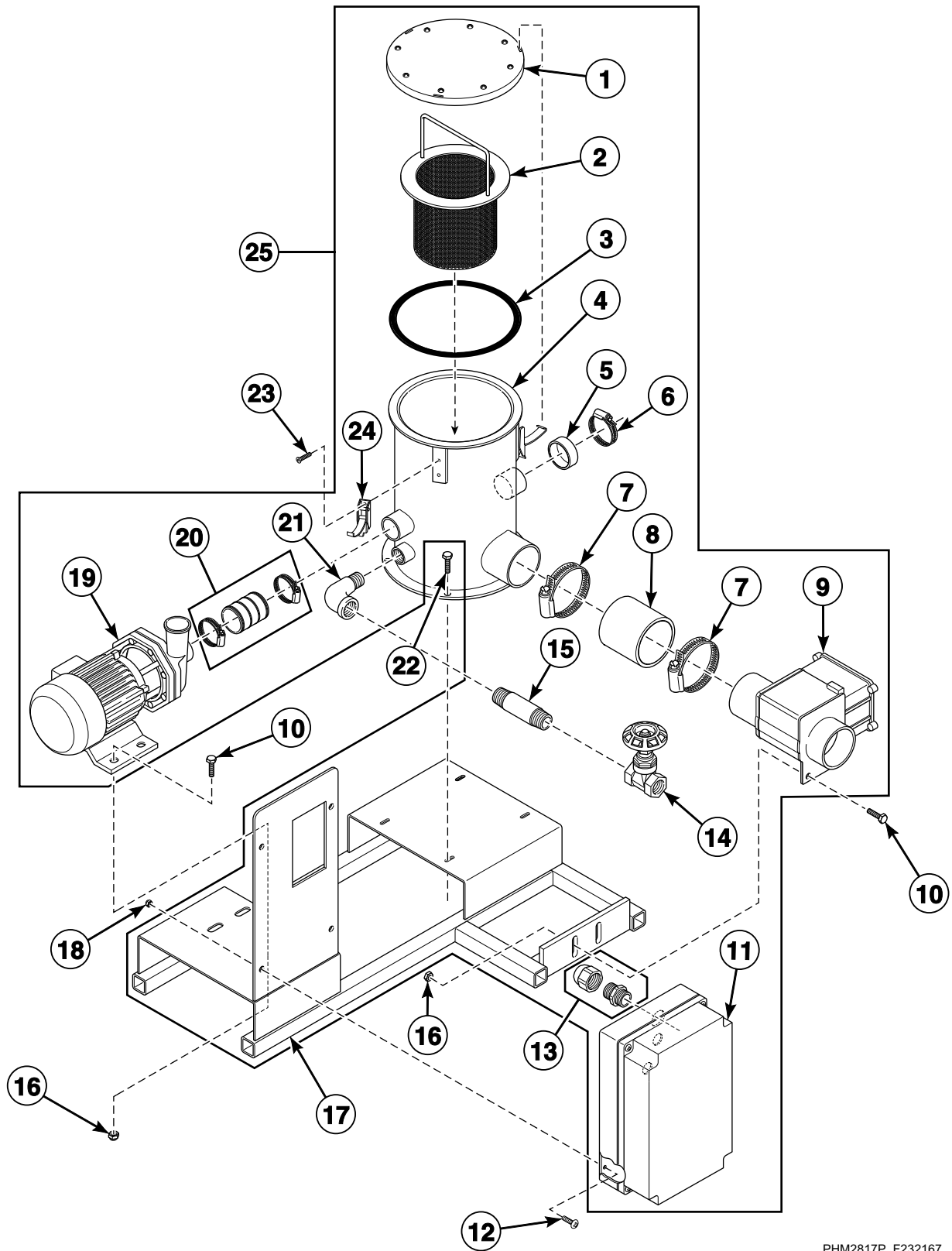


PHM2339P_F232167

Auxiliary Water Reuse Inlet - Model UW60PV

REF	PART NO.	DESCRIPTION	COMMENTS
	F200099900	Auxiliary Water Reuse Inlet	Includes all items on this page
	F200096900	Extra Inlet Assembly	Includes items 1, 5, 9 and 10
	F8514601P	Coil	Use with F8322905 Valve
	F8379502	Valve Rebuild Kit	Use with F8322905 Valve
	F380991P	Water Valve Repair Kit	Use with F381701P Valve; 3/4 inch
	F8382301	DIN Valve Adapter Kit	Use with F8322905 Valve
1	F421951	Hose Barb	
2	F8322905P	Valve	Replaces F381701P Steam Valve; Includes F8514601 Coil; For models that have been upgraded with F8521801 DIN Valve Kit
	F8521801	DIN Valve Kit	Replaces F381701P Steam Valve; Includes F8322905 Valve, F8382301 DIN Valve Adapter Kit and F8514601 Coil
3	F0421970-00	Nipple	
4	F200401P	U-Bolt Clamp	
5	F422314	Elbow	
6	F200222	Hose Clamp	No. 12
7	F200104P	Hose	
8	F422314	Elbow	
9	F200098900	Wet-Clean Inlet Grommet	
10	F200096800	Inlet Compression Weldment	

Wet-Clean Assembly Main View - Model UW60PV



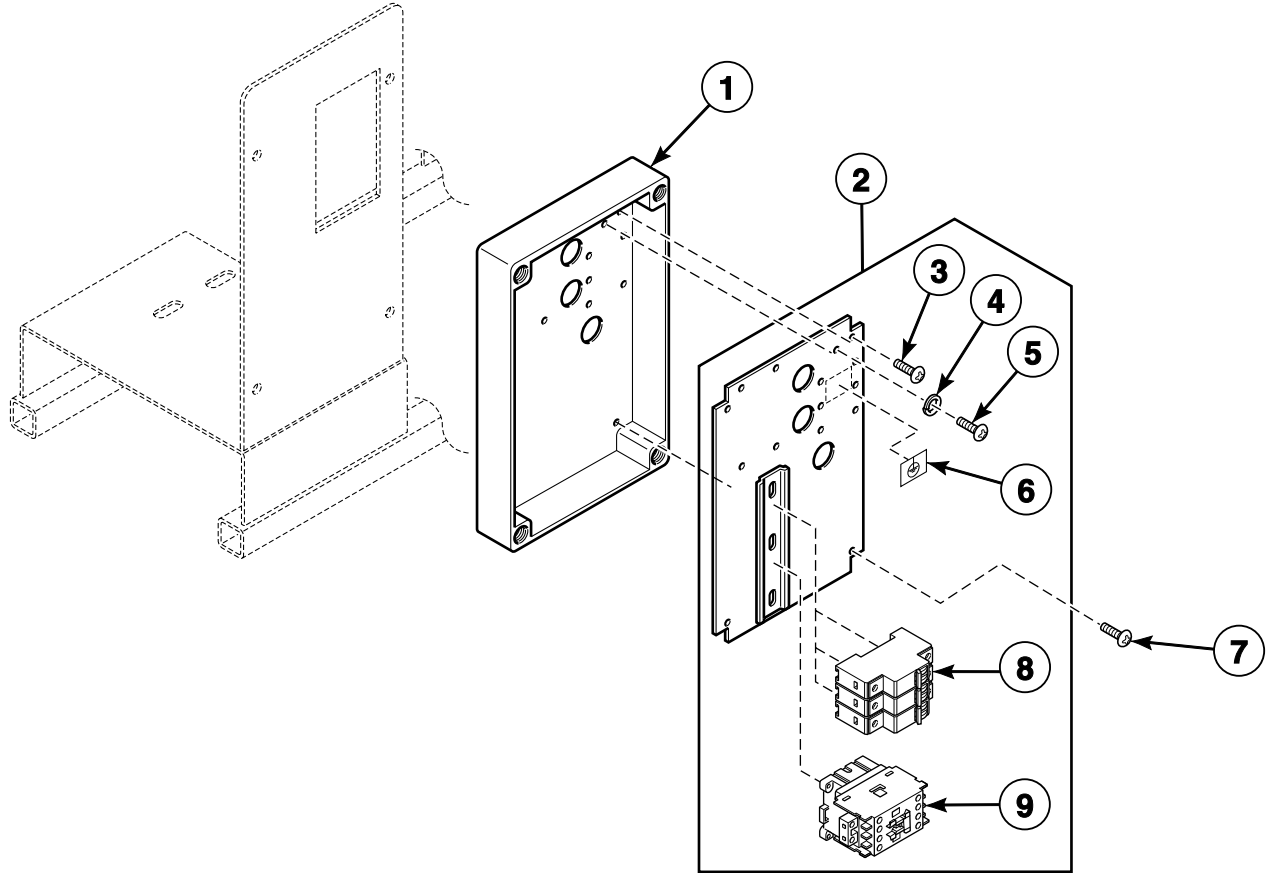
PHM2817P_F232167

Wet-Clean Assembly Main View - Model UW60PV

REF	PART NO.	DESCRIPTION	COMMENTS
1	F630300	Cover Assembly	
2	F630298	Filter Basket Weldment	
3	F170218	Canister Cover O-Ring	
4	F632355	Drain Canister Weldment	
5	F150352	Overflow Plug	
6	F200215	Hose Clamp	No. 28
7	N/A	Hose Clamp	No. 48
8	F150442	Drain Hose	
9	F380636	Ball Valve	
10	F430939	Screw	
11	F635664	Control Module Sub-Assembly	
12	F430932	Screw	
13	F140329	Strain Relief Connector	PG13
14	F380500	Gate Valve	
15	F421915	Nipple	
16	F431024	Nut	
17	F632693-2	Canister Stand Weldment	
18	F430232	Nut	
19	F270102P	Pump	
20	F422515	Tube Connector	
21	F422304	Street Elbow	
22	F430923	Screw	
23	F430903	Screw	
24	F432201	Draw Latch	
25	N/A	Wet-Clean Canister Stand Assembly	Includes items 1-9, 11, 13-15, 17, 19-21 and 24

N/A = Part no longer available

Wet-Clean Assembly Control Module - Model UW60PV



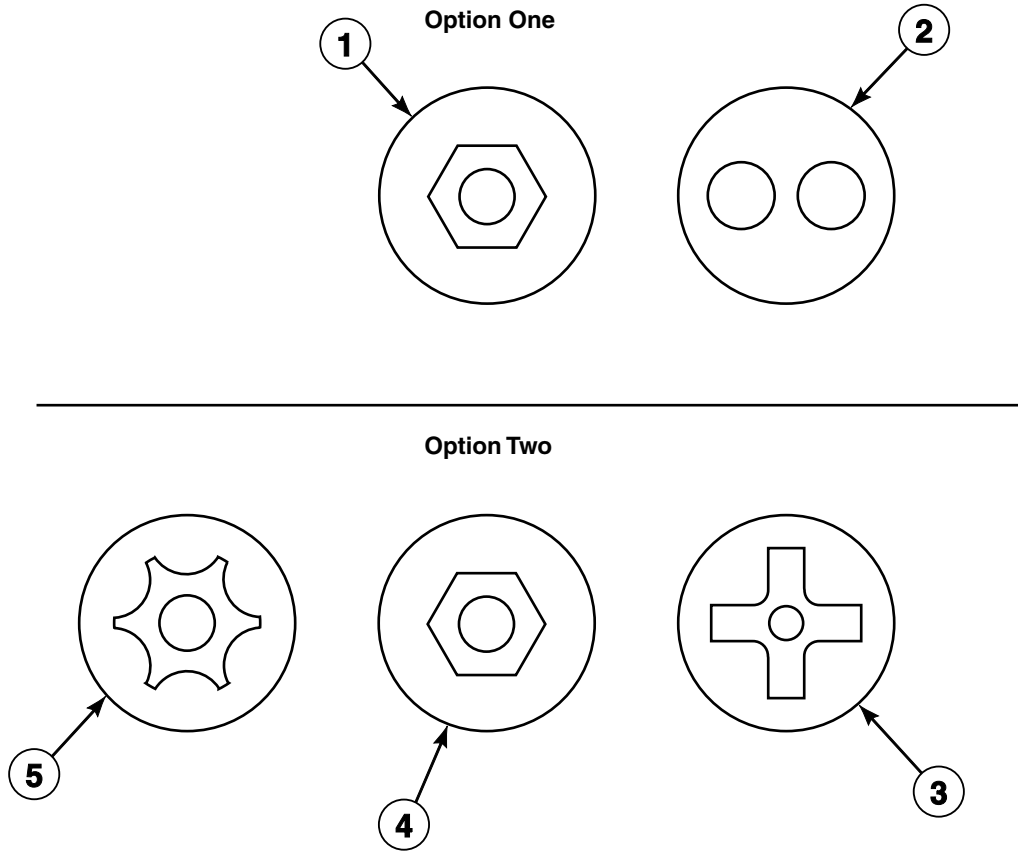
PHM2818P_F232167

Wet-Clean Assembly Control Module - Model UW60PV

REF	PART NO.	DESCRIPTION	COMMENTS
1	F140432	Box	Includes items 3 and 7
2	F634278	Control Panel Sub-Assembly	Includes items 4-6, 8 and 9
3	N/A	Screw	
4	N/A	Washer	
5	F430928	Screw	
6	F230739	Ground Decal	
7	N/A	Screw	
8	F350207P	Circuit Breaker	
9	F330177P	Contacto	

N/A = Part no longer available

Security Fasteners



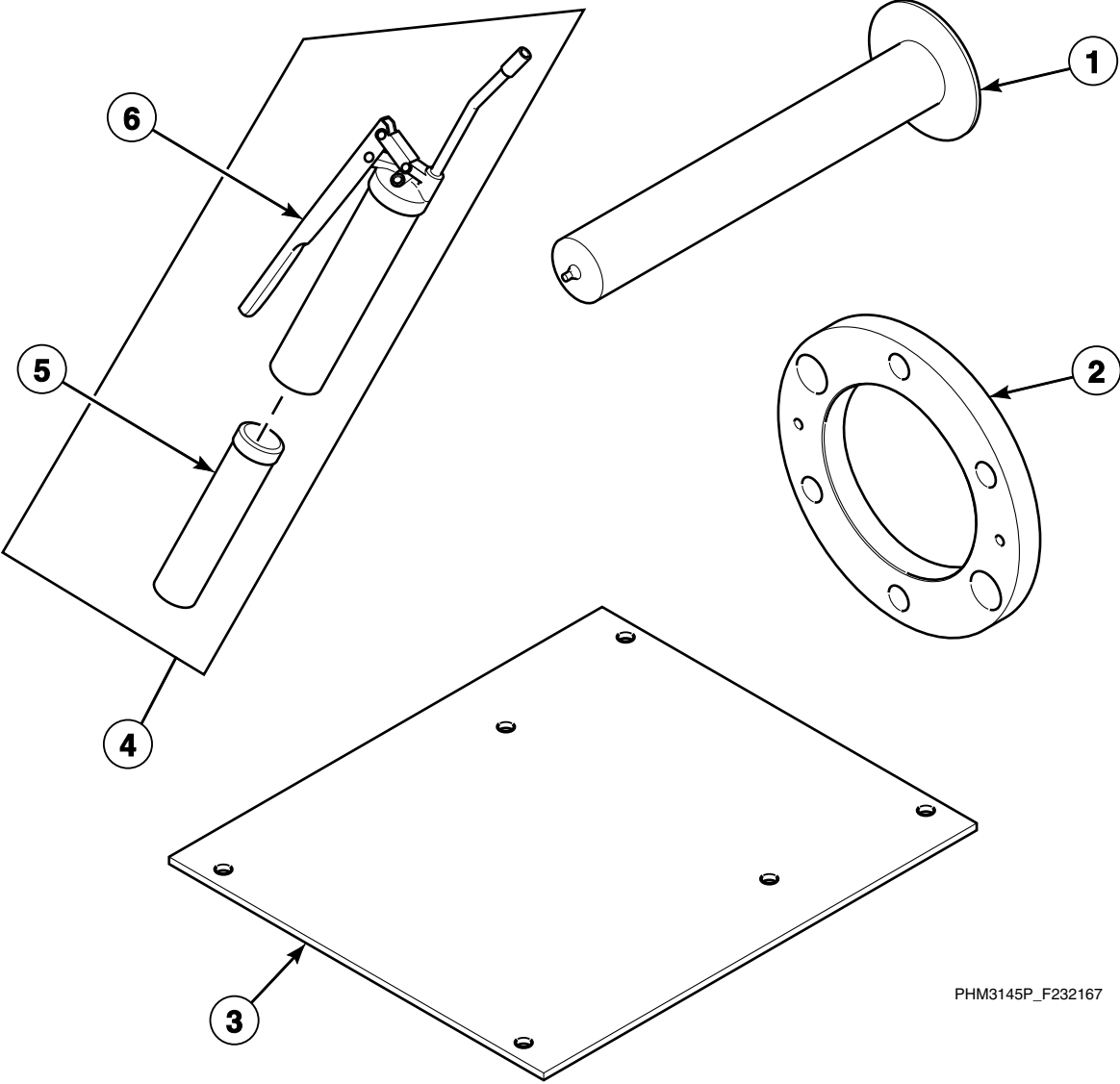
PHM2181P_F232167

Security Fasteners

REF	PART NO.	DESCRIPTION	COMMENTS
1	F0430275-00	Screw	No. 8; 32 x 1/2 inch; Used in place of F430956 Screw; Typical location is the side panels and module cover
	F430960	Screw	No. 10; 32 x 3/8 inch; Used in place of F430904 Screw; Typical location is the module to the shell
	F704906	Hex Bit	
2	F0430273-00	Screw	1/4 inch; 20 x 2-1/2 inch; Used in place of F430996 Screw; Typical location is the door box to the bracket
	F0430272-00	Screw	1/4 inch; 20 x 1-1/2 inch; Used in place of F430921 Screw; Typical location is the side panel to the bracket
	F0430274-00	Screw	1/4 inch; 20 x 1/2 inch; Used in place of F430925 Screw; Typical location is the drive box or the cover
	F704907	Spanner Bit	
3	F432260	Screw	1/4 inch; 20 x 2-1/2 inch; Used in place of F430996 Screw; Typical location is the door box to the bracket
	N/A	Phillips Bit	
4	N/A	Screw	1/4 inch; 20 x 1/2 inch; Used in place of F430925 Screw; Typical location is the drive box or cover
	N/A	Hex Bit	
5	F432259	Screw	No. 8; 32 x 1/2 inch; Used in place of F430956 Screw; Typical location is the side panels and module cover
	281P4	Torx Bit	

N/A = Part no longer available

Special Tools



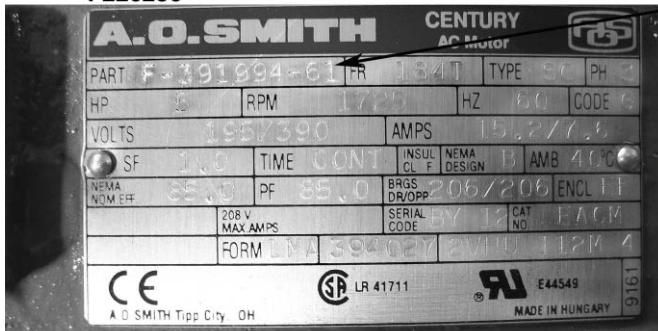
PHM3145P_F232167

Special Tools

REF	PART NO.	DESCRIPTION	COMMENTS
	F370851P	HIM Drive	Used with Allen-Bradley 160-series A and B inverter drives
	F798751	HIM Drive	Used with Allen-Bradley 160-series A, B and C inverter drives
	F730055-1	Mounting Bolt Kit	
	1113P	Concrete Hardware Kit	
1	F633426	Alignment Shaft Assembly	
2	F0100312-00	Shaft Seal Alignment Fixture	
3	F602941	Rebar Frame Template	
4	F798700	Grease Gun Kit	Includes items 5 and 6
5	F210206P	Bearing Grease	
6	F210207P	Grease Gun	

Motor Manufacturer Part Number Location on the Motor's Serial Plate

F220236



Motor
Manufacturer
Part No.
F-391994-61

PHM2364P

F220214U



Motor
Manufacturer
Part No.
G68094

PHM2599P

Motor Manufacturer Part Number Location on the Motor's Serial Plate

F220214 Premium Efficiency



Motor
Manufacturer
Part No.
H309 OR A431

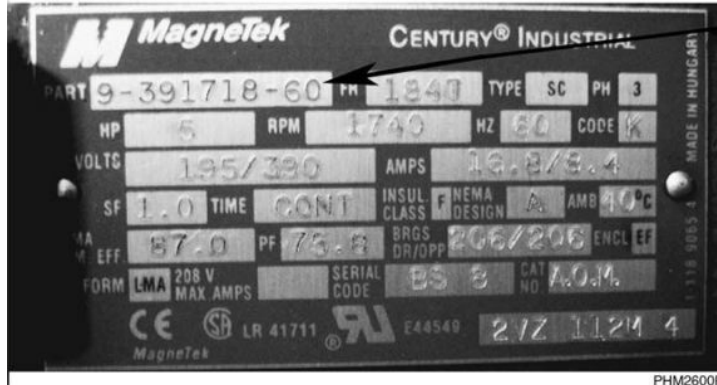
F220434



Motor
Manufacturer
Part No.
7965

Motor Manufacturer Part Number Location on the Motor's Serial Plate

F220214M



Motor
Manufacturer
Part No.
9-391718-60

PHM2600P

Parts Index

A

AC Drive Kit, 160-Series	
F0370853-781	31
F0370853-791	29
F0370853-792	29
F0370853-793	29
F0370853-801	29
F0370854-STK	31
F0370854-791	31
F0370854-792	31
F0370854-794	31
F0370854-801	31
AC Drive Partition	
F635366	17, 19
AC Drive Partition Assembly	
F0637753-00	15
AC Drive Radio Filter Assembly	
F200320900	23, 29, 31, 33
AC Drive Resistor Assembly	
F8079901P	25
F8080001P	25
Adapter	
F422508	53
F8265701	45, 47, 49, 51
Air Coupling	
F422114	65, 67
Air Flow Ramp Assembly	
F0637748-00	15, 17, 19
Air Trap Hose	
F020014200	27
Alignment Shaft Assembly	
F633426	89
Auxiliary Water Reuse Inlet	
F200099900	81

B

Balance Switch Bracket	
F601750	35
F8124301	35
Ball Valve	
F380634	77
F380636	83
Basket Assembly	
F632015	55
Basket Pulley	
F0280288-01	67
Battery	
F191101	15
Bearing	
F100150P	65
F8637601P	65
Bearing Grease	
F210206P	89
Before Power Is Connected Tag	
F230501	13
Belt	
F0280381-00P	67

F280353	65
Belt Inspection Port Cover	
F200188300	63
Bolt	
F0430720-00	67
Box	
F140413	69
F140432	79, 85
Bushing	
F280409P	65, 67
Buzzer	
F300206	21

C

Cable	
F140225	65
F140245	79
Cable Assembly	
F604713	25
Cable Tie	
F140605	15, 17, 19, 65, 67
F140606	15, 17, 19
Cable Tray Assembly	
F635615-2	15, 17, 19
Cable Tray Cover	
F635476	15, 17, 19
Cage Wrap Weldment	
F635610	63
Canister Cover O-Ring	
F170218	83
Canister Stand Weldment	
F632693-2	83
Cap Plug	
F180486	25
F180511	63
Chemical Supply Cup	
F150385	37
F150386	37
Chemical Supply Hose	
F150469	37
Circuit Breaker	
F350207P	79, 85
F350210	25
F350218	25
F8303001P	21, 23
Clockwise Spin Rotation Decal	
F230652	13, 59
Coil	
F8514601P	41, 43, 45, 47, 49, 51, 71, 81
Cold Water Valve Decal	
F231368	13
Computer	
F037047530P	19
Computer and Door Lock Harness	
F200296000P	23
Computer Cover	
F606826	15
Concrete Hardware Kit	
1113P	89

N/A items do not appear in index.

Conductor Decal F231146	13
Connector F140575P	25
F140576P	25
F422500	27
J1408004	65, 67
Contact Base F8538101	15, 17, 19
Contact Block Switch F200299500	15, 17, 19
F340445	15, 17, 19
Contact Switch F8069501	15, 17, 19
Contactactor F330177P	79, 85
F330188P	69
Containment Device F0380809-00	43, 49, 51
Control Cover F0636887-00	19
Control Module Cover F634558	17, 19
F635456	15
Control Module Decal F0231565-00	19
F231417	17
F231562	15
Control Module Sub-Assembly F635664	83
Control Panel Sub-Assembly F634278	79, 85
Control Transformer Cover F140425	71
Cotter Pin F430401	67
Cover Assembly F630300	83

D

Diaphragm and Guide Kit G582P3	27
DIN Valve Adapter Kit F8382301	41, 43, 45, 47, 49, 51, 71, 81
DIN Valve Kit F8521501	71
F8521801	45, 47, 49, 51, 81
Disconnect Power Warning Label D505281	13, 15, 17, 19
Dispenser Assembly F0150512-00P	37
Dispenser Lid F0150514-00	37
Do Not Climb Caution Decal F231418	73, 75
Do Not Obstruct Decal F231419	73, 75
Do Not Push Decal F230302	13, 63
Door Box F606630	61

Door Box Assembly F603666P	61
Door Box Mounting Plate Assembly F605525	61
Door Bumper Bushing F430416	59
Door Bumper Moulding F150366	59
Door Butt Shim F0610695-00	59
Door Gasket F017014501	59
F170145	59
Door Glass Gasket F170117	59
Door Glass Kit F290200P	59
Door Glass Retainer F601239	59
Door Handle Casting F150203	61
Door Hinge Pin F601815	59
Door Hinge Strap Kit F200030600P	59
Door Kit F730307	59
F730539	59
Door Latch Bracket Shim F602058	61
Door Lock Solenoid F300129P	61
Drain Canister Weldment F632355	83
Drain Hose F150438	53
F150442	53, 77, 83
F200165100	53
Drain Valve Bracket F634172	73, 75
Drain Valve Cover F200133600	53
Drain Valve Kit F200166402	53
Drain Valve Motor F380933P	53
Draw Latch F432201	83
Drip Rail F150364	57
Drive Kit, 1305 to PowerFlex 40 F8171611	33
F8171616	33
F8171620	33
F8171717	33
F8171718	33
F8171720	33
Drive Kit, 160 to PowerFlex 40 F8171612	33
F8171613	33
F8171614	33
F8171615	33
F8171712	33
F8171713	33

N/A items do not appear in index.

F8171714.....	33
F8255202.....	33
F8255302.....	33

E

Elbow	
F0422918-00.....	43
F420509.....	45, 47, 49, 51
F422314.....	81
F422319.....	59
F422900.....	77
70079601.....	71
Electrical Access Panel	
F0637549-00.....	15, 17, 19
F635448.....	15
Emergency Stop Button Kit	
F200233700P.....	15, 17, 19
Emergency Stop Pushbutton	
F200233500.....	15, 17, 19
EMI Filter	
F330280P.....	25
F330284.....	25
Extension Arm Kit	
F746803.....	61
Extension Arm Tab	
F601639.....	61
External Supply Box	
F635468.....	15, 17, 19
External Supply Box Cover	
F635365.....	15, 17, 19
External Supply Caution Decal	
F231345-4.....	13
Extra Inlet Assembly	
F200096900.....	81
Extrusion Insert	
F150397.....	63

F

Face Seal	
F8162101.....	57
F8162201.....	57
Fill Plumbing Assembly	
F0637637-01.....	49, 51
F633146-1.....	45, 47
F633146-5.....	45, 47
F633419-1.....	45, 47
F633419-5.....	45, 47
Filter	
F200318900P.....	21, 23
Filter Basket Weldment	
F630298.....	83
Filter Retainer Guard	
F220900.....	21, 23
Flange Mount Relay	
F0330289-00.....	79
Flange Relay	
F330230.....	21, 23
Frame Assembly	
F633378.....	55
F633378-2.....	55

Front Bearing Kit	
F798824-00.....	67
F798826-00.....	65
Front Panel	
F635649P.....	63
Fuse	
F350108.....	21, 23
F350109.....	21, 23
F350110.....	21, 23
F350115.....	25
F350142.....	23, 25
Fuse Decal	
F0231629-00.....	25
Fuse Holder	
F0350312-10.....	25
F0350313-00P.....	25

G

Gasket	
F170158P.....	37
Gate Valve	
F380500.....	45, 47, 49, 51, 83
Glass	
F290201P.....	59
Grease Fitting	
F190701.....	65, 67
Grease Gun	
F210207P.....	89
Grease Gun Kit	
F798700.....	89
Grease Instruction Decal	
F231563.....	65, 67
Ground Decal	
F230630.....	25
F230739.....	79, 85
Ground Terminal Lug	
F140734.....	25

H

Handle Spacer	
F609822.....	61
Handle Weldment	
F609427.....	61
Heating Element	
F360203P.....	69
Hex Bit	
F704906.....	87
HIM Drive	
F370851P.....	89
F798751.....	89
Hose	
F200104P.....	45, 47, 49, 51, 81
Hose Adapter	
F421908.....	41, 43
F421909.....	45, 47, 49, 51
Hose Barb	
F421929.....	53, 57
F421951.....	45, 47, 49, 51, 81
F421964.....	45, 47, 49, 51

N/A items do not appear in index.

Hose Clamp	
F200201	53, 77
F200206	45, 47, 49, 51
F200213	37, 53, 73, 75
F200215	27, 73, 75, 83
F200222	45, 47, 49, 51, 81
36801	39, 53, 57
Hose Connector	
F200302	39
Hose Strap	
F605324	63
Hot Surface Warning Decal	
F200085000	13
F231380	13
Hot Water Valve Decal	
F231367	13

I

Injection Nozzle	
F8322001	37
Injection Nozzle Kit	
F730168	37
Inlet Compression Weldment	
F200096800	81
Input Block Decal	
F0231636-00	25
Input Power Block	
F140747	69
F140794-1	25
Insulator Bushing	
F140909	25
Interlock Switch	
F340900	35, 61
Interlock Switch Spacer	
F601055	61
Inverter Drive	
F370843	23
F370844	23

J

Jumper Kit	
F784003P	21

K

Key	
F430801	67
F430802	65, 67
F430803	65
Keymode Assembly	
F200174600P	25
Keymode Run/Program Switch	
F340800P	25
Keypad	
F023158231P	19
F370576P	17
Keypad Decal	
F230724P	15

L

Line Reactor Kit	
F0360160-00P	23
F0360167-00P	23
Lower Door Latch Bracket Casting	
F150202	61
Lower Door Latch Casting	
F150204	61

M

Magnet	
F8390801	61
Magnetic Switch Assembly	
F200321200	61
Main Drive Kit	
F380918	53
Microcomputer	
F0370313-09P	17
Microswitch	
F340906	61
Mitsubishi to PowerFlex 40 Drive Kit	
F8171617	33
F8171618	33
F8171619	33
F8171715	33
F8171716	33
F8171719	33
Momentary Switch	
F200120100	15, 17, 19
F340412	15, 17
Motor	
F220236P	65
Motor Adjustment Strap	
F602166	67
Motor Bearing	
F220897P	65
Motor Conversion Kit	
F8329201P	67
Motor Drip Shield	
F200216900	67
Motor Pulley	
F0280384-00	67
Motor Pulley Bushing	
F280209	67
F280211P	65
Motor Support Bushing	
F200186100	67
Motor Support Rod Kit	
F730076	67
Mounting Bolt Kit	
F730055-1	89
Muffin Fan	
F110105	21, 23

N

Nipple	
F0421970-00	81
F420101	41, 43, 45, 47, 49, 51

N/A items do not appear in index.

F420103.....	41, 43, 47, 49
F420105.....	41, 43, 45, 47, 49, 51
F420107.....	45, 47, 49, 51
F420708.....	71
F420710.....	71
F421915.....	83
F421949.....	41, 43
No-Swivel Coupling	
F422109.....	59
Nut	
F0431807-00.....	63
F430211.....	63
F430215.....	57, 61, 63, 69, 71
F430218.....	35
F430231.....	15, 17, 19, 21, 23, 61, 69, 79
F430232.....	83
F430233.....	67, 73, 75, 79
F430239.....	73, 75
F430264.....	63
F430265.....	25
F431000.....	15, 25
F431002.....	61
F431006.....	25
F431013.....	25
F431022.....	25, 59, 79
F431024.....	83
F431042.....	37
F431806.....	23
F8549401.....	15, 17, 19, 59, 61, 73, 75
H88412101.....	35
20274.....	35, 57, 59, 65
44087301.....	35
70142.....	55
802292.....	37

F0602365-22.....	53
Pipe Insulation	
F410300.....	71
Plug	
F0200237-00.....	57
F200202600.....	71
F420408.....	45
F420409.....	71
Plug Cap	
F190304.....	37
Plug Removal Warning Decal	
F0230112-00.....	13, 57
Pop Rivet	
F431210.....	53, 57, 61
Power Distribution Block	
M413865.....	69
Program Key	
F370709.....	25
Pulley	
F280146P.....	65
F280182P.....	65
F280410.....	65
Pump	
F270102P.....	77, 83
Pump B Harness Assembly	
F141876.....	79
Pump Sub-Assembly	
F634674.....	73, 75
Push Decal	
F230303.....	61
Push Handle Kit	
F746201-1.....	61

O

O-Ring	
F0170221-00.....	43, 49, 51
F170200.....	59
F170215.....	37
801632.....	37
Output Board CCA	
F8206502.....	23
Output Board Cover	
F0170427-00.....	23
Output CCA	
F037044860-2.....	23
F8321901P.....	21
Overflow Hose	
F150308.....	77
Overflow Plug	
F150352.....	83

P

Personal Injury Warning Decal	
F231065.....	13, 25
Pin	
F430415.....	63
Pipe	
F0602364-04.....	77
F0602364-25.....	53
F0602365-01.....	53

R

RC Network Filter	
F330217P.....	17, 19, 61
Rear Bearing Kit	
F745010.....	65, 67
Rear Panel	
F200187900P.....	63
Rebar Frame Template	
F602941.....	89
Reducer Bushing	
F422602.....	53
Relay CCA	
F370438P.....	79
Repair Kit	
F380965P.....	47
Resistor	
F370116.....	23, 25
Reuse Control Enclosure Mounting Bracket	
F634191.....	73, 75, 79
Reuse Drain Elbow	
F422914.....	73, 75
Reuse Drain Hose	
F0150486-01.....	75
Reuse Drain Reducer	
F422520.....	73, 75
Reuse Drain Valve	
F380635P.....	73, 75

N/A items do not appear in index.

Reuse Frame Assembly	
F634413	73, 75
Reuse Hose Adapter Weldment	
F0637736-00	75
Reuse Inlet Hose	
F0200505-02	75
F200505	73, 75
Reuse Overflow Hose	
F150484	73, 75
Reuse Pump Manifold	
F250707	77
Reuse Pump Motor Cable Assembly	
F140254	79
F140255	79
Reuse Pump Platform Assembly	
F634267	77
Reuse Tank	
F191008	73, 75
Ribbon Cable	
F140218P	15, 21
F140219P	15, 17, 19, 21
F140248P	15, 21
Ring Retainer	
F310206	59
Rotation Sensor Assembly	
F200126200P	35
Rotation Sensor Bracket	
F200122502	35
Rotation Sensor Harness	
F8066401	35
Rotation Sensor PCB	
F200101300P	35
Rotation Sensor Retrofit Kit	
F079900800	35
Rub Rail	
F150408	63

S

Screw

F0430165-00	21, 23
F0430272-00	87
F0430273-00	87
F0430274-00	87
F0430275-00	87
F430103	59
F430104	71
F430107	69
F430124	35
F430168	61
F430500	57
F430502	59
F430903	25, 83
F430909	25, 61
F430910	21, 23, 79
F430916	61, 79
F430917	15, 17, 19, 37, 59, 61
F430921	63
F430923	83
F430924	57
F430927	35, 61
F430928	15, 17, 19, 79, 85
F430932	83
F430935	57, 71
F430938	25, 43, 49, 51, 69

F430939	83
F430956	61, 63
F430960	87
F430993	65
F430995	25, 61
F430996	61, 73, 75
F431702	23
F432234	63
F432259	87
F432260	87
F8111101	35
F8122701	35
F8136401	15, 17, 19
M400056	73, 75, 79
70240301	15, 17, 19, 63
800461	35, 57
Scupper	
F150389	53, 57
Seal	
F170151	15
Seal Kit	
F798819-00	57
Shaft Seal Alignment Fixture	
F0100312-00	89
Shell Assembly	
F634438	57
Shell Band Assembly	
F603344P	55
Shell Band Fastener Kit	
F791001	57
Shell Band Gasket	
F170120RP	55
Shell Front Assembly	
F200119900P	55
Shell Front Weldment	
F8135801P	55
Shell Gasket Shield	
F601216	57
Shell Mounting Bracket	
F601806	57
Shell Reinforcement Plate Assembly	
F8084201	53, 57
Shell Weldment	
F0633208-01	57
F0633208-05	57
F0634436-01	57
F634436	57
Side Panel	
F635648P	63
Side Panel Bracket	
F601982	63
Side Panel Cover	
F606667	63
Slinger	
F100203	57
Snap Bushing	
F140938	27
Soap Dispenser Hose	
F150309	53
Soap Dispenser Shroud Weldment	
F8024301	37
Solenoid	
F300126P	41, 43, 45, 47, 49, 51, 71
Solenoid Spacer	
F609728	61

N/A items do not appear in index.

Spanner Bit F704907	87
Sponge F170110	63
Spray Plumbing Assembly F0637633-01	43
F0637633-03	43
F633150-1	41
F633150-5	41
Spray Rinse Bracket Assembly F602901P	59
Spray Rinse Hose Assembly F730026	59
Spray Rinse Nozzle Kit F730077	59
Spray Rinse Strap F602880	59
Spray Rinse Tube Assembly F603696-9	59
Spring F310127	67
Standoff F180501	35
F180506	21, 23
Steam Bracket Weldment F635634	71
Steam Filter F270307	71
Steam Hose F200517	71
Steam Injector Tube Assembly F8368201	71
Steam Plumbing Assembly F635653P	71
Strain Relief Adapter Kit F749802	37
Strain Relief Connector F140328	79
F140329	83
F140330	79
F140331	79
F140340P	37
Street Elbow F420500	41, 43, 45, 47, 49, 51
F420502	41, 45, 47, 49, 51
F421703	71
F422304	83
H86070034	71
Supply Dispenser Hazard Caution Decal F231436	13, 37
Supply Dispenser Spacer F0150525-00	37
Switch F340921	35
Switch Extension F340924	35
Switch Mode Decal F0231632-00	25
F231564	25
Swivel Coupling F422108	59

T

Tank Drain Sub-Assembly F0637929-01	73
Tee F420400	43
F420401	41
F420402	45, 47, 49, 51
F422801	53
F422803	53
Temperature Probe F370606P	35, 69
Terminal Block F140782	25
This Machine Must Be Protected Decal F230301	13
Tie Wrap Mounting Clamp F140602	15, 17, 19
Top Cover Caution Decal F231420	73, 75
Top Latch Bracket Casting F150201P	61
Torx Bit 281P4	87
Transformer F200031000	71
F360156P	71
Trim F170400RP	37, 63
F170404	15, 17, 19
Tube Connector F422106	41, 43
F422515	77, 83
Tubing C000628P	65, 67
F422404P	27

U

U-Bolt Clamp F200401P	41, 43, 45, 47, 49, 51, 71, 81
--------------------------------	--------------------------------

V

Vacuum Breaker F380117	53, 73, 75
Vacuum Breaker Cap F0380808-00	43, 49, 51
Vacuum Breaker Kit F0798922-00	43, 49, 51
Vacuum Breaker Valve F380800P	41, 43, 45, 47, 49, 51
Valve F8322801P	71
F8322803P	41, 43, 47, 49
F8322905P	45, 47, 49, 51, 81
Valve Head Tool 371P4	47, 49, 51
372P4	47, 49
Valve Kit F8379501P	43, 71

N/A items do not appear in index.

Valve Rebuild Kit	
F380091P	45
F8379502	45, 47, 49, 51, 81
Valve Repair Kit	
F380993P	47, 49
Valve Transition Kit	
F8456201P	41, 43, 47, 49
F8456202P	43
Valve, 4-Way	
F381723P	27

W

Washer	
F430300	65
F430311	69
F430317	57, 63
F430325	67
F430332	65, 67
F431100	59, 61, 63, 73, 75
F431106	25
F431108	15, 17, 19, 25, 61
F431112	57
F431113	15, 17, 19, 79
F431116	57
F431118	61
F431123	15, 17, 19
F431125	15, 17
F431142	61
F431147	37
F8195301	37
M400013	55
M400014	35, 57, 65
M400080	67
M400081	35, 57, 65
20290	41, 43, 45, 47, 49, 51
803615	41, 43, 45, 47, 49, 51
Water Hose	
F200107P	53, 57
F200110P	39
F200164	41, 43, 45, 47, 49, 51
F200166	41, 43, 45, 47, 49, 51
F200509	45, 47, 49, 51
Water Level Switch	
F0340347-10P	27
Water Reuse Hose	
F0637735-01	75
Water Reuse Tee Weldment	
F0634404-01	75
Water Valve Repair Kit	
F380991P	47, 49, 51, 81
Wet-Clean Inlet Grommet	
F200098900	81
WE-6 Computer	
F037062441P	15
WE-6 Interface CCA Kit	
F0370446-21P	21
Wire, 14 Gauge	
45257	79

Y

Y Connector	
F422816	39

N/A items do not appear in index.