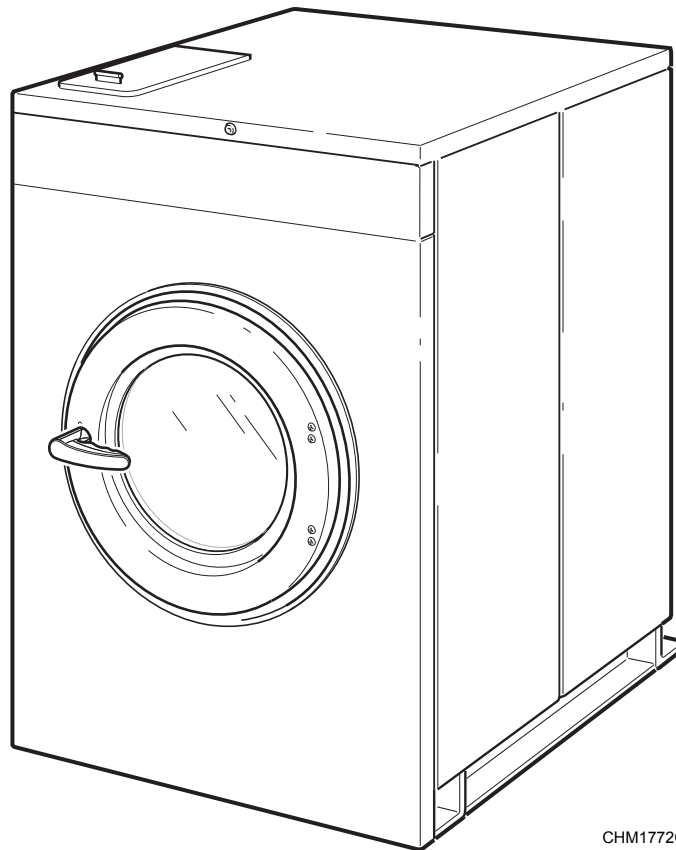


# Washer-Extractor

Cabinet Hardmount

Refer to Page 8 for Model Numbers



CHM1772C

— Troubleshooting —



# Table of Contents

<b>Safety Information</b> .....	2
Explanation of Safety Messages.....	2
General Safety Precautions.....	2
Important Safety Instructions .....	3
Safety Decals .....	5
Operator Safety .....	5
<b>Introduction</b> .....	6
Customer Service.....	6
Nameplate Location.....	6
Model Identification .....	7
<b>Theory of Operation</b> .....	9
Starting the Machine.....	9
Fill.....	9
Supply .....	9
Wash .....	9
Drain .....	9
Extract.....	9
<b>Troubleshooting</b> .....	10
1. “dOO” Displayed at Startup or When Vend Satisfied.....	11
2. Door Does Not Lock at Startup.....	13
3. Door Fails to Unlock at End of the Cycle.....	15
4. No External Supplies .....	17
5. Excessive Vibration and/or Noise During Spin .....	19
6. Machine Does Not Fill with Water .....	21
7. No Display .....	23
8. No Outputs .....	26
9. Excessive Cycle Time.....	30
10. No Keypad Function .....	31
11. Abnormal Operation .....	32
12. No High Extract .....	36
13. No Extract (F and V-speed Models) .....	37
14. No Extract (2 Speed Models).....	39
15. No Basket Rotation (2 Speed Models).....	41
16. No Rotation with Drive Fault.....	42
17. No Rotation without Drive Fault .....	43
18. Unable to Access Manual Mode .....	44
19. EFS Error .....	46
20. Heat Error (Machines with Auxiliary Heat Only) .....	48
21. Control Always in Audit Display Mode .....	49
22. Control Will Not Allow PDA to Download a Machine Cycle it is Currently Running.....	51


© Copyright 2009, Alliance Laundry Systems LLC


All rights reserved. No part of the contents of this book may be reproduced or transmitted in any form or by any means without the expressed written consent of the publisher.


# Safety Information

## Explanation of Safety Messages

Throughout this manual and on machine decals, you will find precautionary statements (“DANGER,” “WARNING,” and “CAUTION”) followed by specific instructions. These precautions are intended for the personal safety of the operator, user, servicer, and those maintaining the machine.

	<b>DANGER</b>
<p>Danger indicates the presence of a hazard that will cause severe personal injury, death or substantial property damage if the danger is ignored.</p>	

	<b>WARNING</b>
<p>Warning indicates the presence of a hazard that can cause severe personal injury, death or substantial property damage if the warning is ignored.</p>	

	<b>CAUTION</b>
<p>Caution indicates the presence of a hazard that will or can cause minor personal injury or property damage if the caution is ignored.</p>	


Additional precautionary statements (“IMPORTANT” and “NOTE”) are followed by specific instructions.


**IMPORTANT:** The word “IMPORTANT” is used to inform the reader of specific procedures where minor machine damage will occur if the procedure is not followed.


**NOTE:** The word “NOTE” is used to communicate installation, operation, maintenance or servicing information that is important but not hazard related.


## General Safety Precautions

In the interest of safety, some general precautions relating to the operation of this machine follow.

	<b>WARNING</b>
<ul style="list-style-type: none"><li>• Failure to install, maintain and/or operate this product according to the manufacturer’s instructions may result in conditions which can produce serious injury, death and/or property damage.</li><li>• Do not repair or replace any part of the product or attempt any servicing unless specifically recommended or published in this Service Manual and unless you understand and have the skills to carry out the servicing.</li><li>• Whenever ground wires are removed during servicing, these ground wires must be reconnected to ensure that the product is properly grounded and to reduce the risk of fire, electric shock, serious injury or death.</li></ul>	
<small>W006R2</small>	


	<b>WARNING</b>
<p>To reduce the risk of electric shock, fire, explosion, serious injury or death:</p> <ul style="list-style-type: none"><li>• Disconnect electric power to the washer-extractor before servicing.</li><li>• Never start the washer-extractor with any guards/panels removed.</li><li>• Whenever ground wires are removed during servicing, these ground wires must be reconnected to ensure that the washer-extractor is properly grounded.</li></ul>	
<small>W460</small>	

	<b>WARNING</b>
<p>Repairs that are made to your products by unqualified persons can result in hazards due to improper assembly or adjustments subjecting you, or the inexperienced person making such repairs, to the risk of serious injury, electrical shock, or death.</p>	
<small>W007</small>	

	<b>WARNING</b>
<p><b>If you or an unqualified person perform service on your product, you must assume the responsibility for any personal injury or property damage which may result. The manufacturer will not be responsible for any injury or property damage arising from improper service and/or service procedures.</b></p>	
W008	

Always contact your dealer, distributor, service agent or the manufacturer about any problems or conditions you do not understand.

### Important Safety Instructions

	<b>WARNING</b>
<p><b>To reduce the risk of fire, electric shock, serious injury or death to persons when using your washer, follow these basic precautions:</b></p>	
W023	

1. Read all instructions before using the washer.
2. Refer to the GROUNDING INSTRUCTIONS in the INSTALLATION manual (supplied with your washer) for the proper grounding of the washer.
3. Do not wash textiles that have been previously cleaned in, washed in, soaked in or spotted with gasoline, kerosene, waxes, cooking oils, dry-cleaning solvents or other flammable or explosive substances. They give off vapors that could ignite or explode.
4. Do not add gasoline, dry-cleaning solvents or other flammable or explosive substances to the wash water. These substances give off vapors that could ignite or explode.
5. Under certain conditions, hydrogen gas may be produced in a hot water system that has not been used for two weeks or more. HYDROGEN GAS IS EXPLOSIVE. If the hot water system has not been used for such a period, before using a washer, turn on all hot water faucets and let the water flow from each for several minutes. This will release any accumulated hydrogen gas. The gas is flammable. Do not smoke or use an open flame during this time.
6. Do not allow children to play on or in a washer. Close supervision of children is necessary when the washer is used near children.
7. Before the washer is removed from service or discarded, remove the door to the washing compartment.
8. Do not reach into the washer if the wash drum is moving.
9. Do not install or store the washer where it will be exposed to water and/or weather.
10. Do not tamper with the controls.
11. Do not repair or replace any part of the washer or attempt any servicing unless specifically recommended in the user-maintenance instructions or in published user-repair instructions that the user understands and has the skills to carry out.
12. To reduce the risk of an electrical shock or fire, DO NOT use an extension cord or an adapter to connect the washer to an electrical power source.
13. Use the washer only for its intended purpose, washing clothes.
14. Never wash machine parts or automotive parts in the machine. This could result in serious damage to the basket.
15. ALWAYS disconnect the washer from its electrical supply before attempting any service.
16. Install the washer according to the INSTALLATION INSTRUCTIONS. All connections for water, drain, electrical power and grounding must comply with local codes and, when required, be made by licensed personnel.
17. To reduce the risk of fire, textiles which have traces of any flammable substances such as vegetable oil, cooking oil, machine oil, flammable chemicals, thinner, etc. or anything containing wax or chemicals such as in mops or cleaning cloths, must not be put into the washer. These flammable substances may cause the fabric to ignite.
18. Do not use fabric softeners or products to eliminate static unless recommended by the manufacturer of the fabric softener or product.
19. Keep the washer in good condition. Bumping or dropping the washer can damage its safety features. If this occurs, have the washer checked by a qualified service person.

## Safety Information

20. If the supply cord is damaged, it must be replaced by a special cord or assembly available from the manufacturer or its service agent.
21. Be sure that water connections have a shut-off valve and that fill hose connections are tight. CLOSE the shut-off valves at the end of each wash day.
22. The loading door MUST BE CLOSED any time the washer is to fill, tumble or spin. DO NOT bypass the loading door switch and permit the washer to operate with the loading door open.
23. Always read and follow the manufacturer's instructions on packages of laundry and cleaning aids. Heed all warnings and precautions. To reduce the risk of poisoning or chemical burns, keep them out of the reach of children at all times (preferably in a locked cabinet).
24. Always follow the fabric care instructions supplied by the textile manufacturer.
25. Never operate the washer with any guards and/or panels removed.
26. DO NOT operate the washer with missing or broken parts.
27. DO NOT bypass any safety devices.
28. Failure to install, maintain and/or operate this washer according to the manufacturer's instructions may result in conditions that can produce bodily injury and/or property damage.

**NOTE: The WARNING and IMPORTANT SAFETY INSTRUCTIONS appearing in this manual are not meant to cover all possible conditions and situations that may occur. Common sense, caution and care must be exercised when installing, maintaining and operating the washer.**

Any problems or conditions not understood should be reported to the dealer, distributor, service agent or the manufacturer.



### WARNING

**This machine must be installed, adjusted, and serviced by qualified electrical maintenance personnel familiar with the construction and operation of this type of machinery. They must also be familiar with the potential hazards involved. Failure to observe this warning may result in personal injury and/or equipment damage, and may void the warranty.**

SW004

**IMPORTANT: Ensure that the recommended clearances for inspection and maintenance are provided. Never allow the inspection and maintenance space to be blocked.**



### WARNING

**Install the machine on a level floor of sufficient strength. Failure to do so may result in conditions which can produce serious injury, death and/or property damage.**

W703



### CAUTION

**Be careful around the open door, particularly when loading from a level below the door. Impact with door edges can cause personal injury.**

SW025



### WARNING

**Never touch internal or external steam pipes, connections, or components. These surfaces can be extremely hot and will cause severe burns. The steam must be turned off and the pipe, connections, and components allowed to cool before the pipe can be touched.**

SW014

## Safety Decals

Safety decals appear at crucial locations on the machine. Failure to maintain legible safety decals could result in injury to the operator or service technician.

To provide personal safety and keep the machine in proper working order, follow all maintenance and safety procedures presented in this manual. If questions regarding safety arise, contact the manufacturer immediately.

Use manufacturer-authorized spare parts to avoid safety hazards.

## Operator Safety


	<b>WARNING</b>
<b>NEVER insert hands or objects into basket until it has completely stopped. Doing so could result in serious injury.</b>	
<small>SW012</small>	

To ensure the safety of machine operators, the following maintenance checks must be performed daily:

1. Prior to operating the machine, verify that all warning signs are present and legible. Missing or illegible signs must be replaced immediately. Make certain that spares are available.
2. Check door interlock before starting operation of the machine:
  - a. Attempt to start the machine with the door open. The machine should not start with the door open.
  - b. Close the door without locking it and attempt to start the machine. The machine should not start with the door unlocked.
  - c. Close and lock the door and start a cycle. Attempt to open the door while the cycle is in progress. The door should not open.

If the door lock and interlock are not functioning properly, call a service technician.
3. Do not attempt to operate the machine if any of the following conditions are present:
  - a. The door does not remain securely locked during the entire cycle.
  - b. Excessively high water level is evident.
  - c. Machine is not connected to a properly grounded circuit.

Do not bypass any safety devices in the machine.

	<b>WARNING</b>
<b>Never operate the machine with a bypassed or disconnected balance system. Operating the machine with severe out-of-balance loads could result in personal injury and serious equipment damage.</b>	
<small>SW039</small>	

# Introduction

## Customer Service

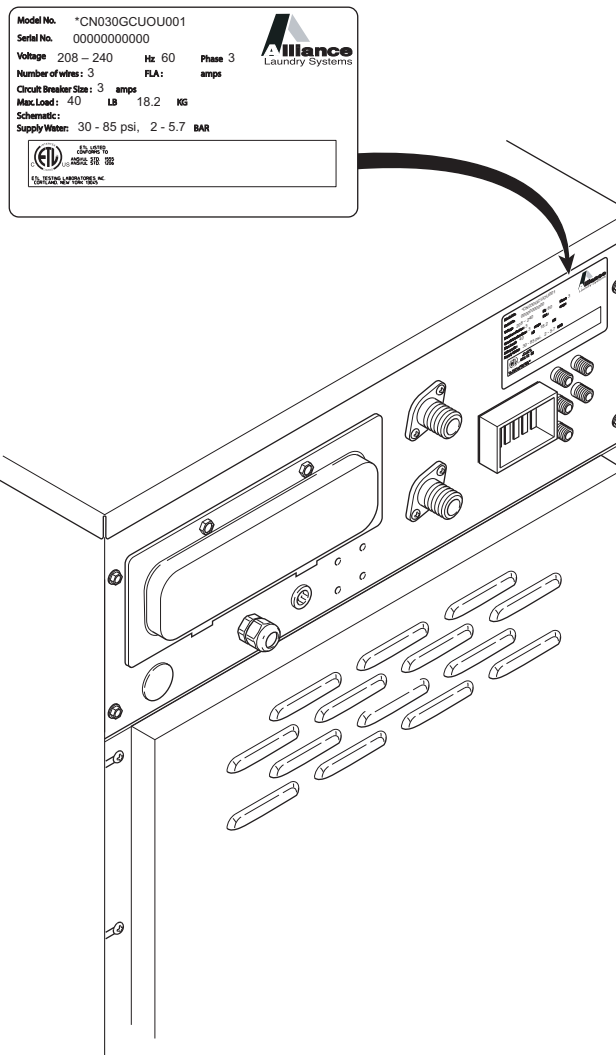
Alliance Laundry Systems is not responsible for personal injury or property damage resulting from improper service. Review all service information before beginning repairs.

If literature or replacement parts are required, contact the source from whom the machine was purchased or contact Alliance Laundry Systems at (920) 748-3950 for the name of the nearest authorized parts distributor.

For technical assistance, call either of these numbers (920) 748-3121 Ripon, Wisconsin or +32 56 41 20 54 Wevelgem, Belgium.

## Nameplate Location

When calling or writing about your product, be sure to mention model and serial numbers. Model and serial numbers are located on nameplate(s) as shown.



CHM3025P



## Model Identification

Information in this manual is applicable to these washers.

HCD020JD2	HCN040HNF	HCU030HX2	SCL040HN2	SCN030JYF
HCD020LD2	HCN040HY2	HCU030KCF	SCL040JC2	SCN030JYV
HCD030LD2	HCN040HYF	HCU030KCV	SCL040JD2	SCN030KN2
HCD040LD2	HCN040KC2	HCU030KE2	SCL040JE2	SCN030KNF
HCD060LD2	HCN040KCF	HCU030KY2	SCL040JEF	SCN030LC2
HCD080LDV	HCN040KCV	HCU030KYF	SCL040JX2	SCN030LCF
HCL020HDF	HCN040KD2	HCU030KYV	SCL040KN2	SCN030LCV
HCL020HN2	HCN040KDV	HCU040HC2	SCL040KNF	SCN030LD2
HCL020KD2	HCN040KEF	HCU040HN2	SCL040LE2	SCN030LY2
HCL020LD2	HCN040KEV	HCU040HNF	SCL060HN2	SCN030LYF
HCL030HDF	HCN040KY2	HCU040HX2	SCL060HNF	SCN030LYV
HCL030HN2	HCN040KYF	HCU040KCF	SCL060JC2	SCN030WC2
HCL030HNF	HCN040KYV	HCU040KCV	SCL060JCF	SCN030WCF
HCL040HDF	HCN060HC2	HCU040KE2	SCL060JE2	SCN030WCV
HCL040HE2	HCN060HCF	HCU040KY2	SCL060KN2	SCN030WD2
HCL040HN2	HCN060HN2	HCU040KYF	SCL060KNV	SCN030WDV
HCL060HN2	HCN060HNF	HCU040KYV	SCL060LE2	SCN030WY2
HCL080HNF	HCN060HY2	HCU060HC2	SCL080HNF	SCN030WYF
HCN020HC2	HCN060HYF	HCU060HN2	SCL080KNV	SCN030WYV
HCN020HCF	HCN060KC2	HCU060HNF	SCL125KNV	SCN040HN2
HCN020HD2	HCN060KCF	HCU060HX2	SCN020HN2	SCN040HNF
HCN020HN2	HCN060KCV	HCU060KCF	SCN020HNF	SCN040JC2
HCN020HNF	HCN060KD2	HCU060KCV	SCN020JC2	SCN040JCF
HCN020HY2	HCN060KDV	HCU060KEV	SCN020JCF	SCN040JCV
HCN020HYF	HCN060KEF	HCU060KEV	SCN020JCV	SCN040JD2
HCN020KC2	HCN060KEV	HCU060KY2	SCN020JY2	SCN040JE2
HCN020KCF	HCN060KY2	HCU060KYF	SCN020JYF	SCN040JEF
HCN020KCV	HCN060KYF	HCU060KYV	SCN020JYV	SCN040JY2
HCN020KD2	HCN060KYV	HCU080HCF	SCN020JYV	SCN040JYF
HCN020KDV	HCN080HCF	HCU080HNF	SCN020KN2	SCN040JYV
HCN020KEF	HCN080HCV	HCU080HXF	SCN020KNF	SCN040JYV
HCN020KEV	HCN080HDF	HCU080KCF	SCN020LC2	SCN040KN2
HCN020KY2	HCN080HNF	HCU080KCV	SCN020LCF	SCN040KNF
HCN020KYF	HCN080HNF	HCU080KYF	SCN020LCV	SCN040KNV
HCN020KYV	HCN080HYF	HCU080KYV	SCN020LD2	SCN040LC2
HCN030HC2	HCN080HYV	HCZ020HN2	SCN020LY2	SCN040LCF
HCN030HCF	HCN080KCF	SCD030LD2	SCN020LYF	SCN040LCV
HCN030HD2	HCN080KCV	SCD040LD2	SCN020LYV	SCN040LD2
HCN030HN2	HCN080KEV	SCD060LD2	SCN020WC2	SCN040LE2
HCN030HNF	HCN080KYF	SCL020HNF	SCN020WCF	SCN040LY2
HCN030HY2	HCN080KYV	SCL020JC2	SCN020WCF	SCN040LY2
HCN030HYF	HCU020HC2	SCL020JD2	SCN020WCV	SCN040LYF
HCN030KC2	HCU020HN2	SCL020JE2	SCN020WDV	SCN040LYV
HCN030KCF	HCU020HNF	SCL020JEF	SCN020WY2	SCN040WC2
HCN030KCV	HCU020HX2	SCL020JX2	SCN020WY2	SCN040WCF
HCN030KD2	HCU020KCF	SCL020JX2	SCN020WYF	SCN040WCV
HCN030KDV	HCU020KCV	SCL030HN2	SCN020WYV	SCN040WDV
HCN030KEF	HCU020KE2	SCL030JC2	SCN030HN2	SCN040WY2
HCN030KY2	HCU020KL2	SCL030JD2	SCN030HNF	SCN040WYF
HCN030KYF	HCU020KY2	SCL030JE2	SCN030JC2	SCN040WYV
HCN030KYV	HCU020KYF	SCL030JEF	SCN030JCF	SCN060HN2
HCN040HC2	HCU020KYV	SCL030JX2	SCN030JCV	SCN060HNF
HCN040HCF	HCU030HC2	SCL030JY2	SCN030JE2	SCN060JC2
HCN040HN2	HCU030HNF	SCL030KN2	SCN030JEF	SCN060JCF
		SCL030LD2	SCN030JX2	SCN060JCV
		SCL030LEV	SCN030JY2	SCN060JD2

(continued)

## Introduction

(continued)

SCN060JDF	SCU020JCF	SCU030KNF	SCU060JX2	UCL125KNV
SCN060JX2	SCU020JCV	SCU030WCV	SCU060JXF	UCN020HN2
SCN060JY2	SCU020JD2	SCU030WE2	SCU060JXV	UCN020HNF
SCN060JYF	SCU020JDF	SCU040HN2	SCU060JY2	UCN020KN2
SCN060JYV	SCU020JDV	SCU040HNF	SCU060JYF	UCN030HN2
SCN060KN2	SCU020JE2	SCU040JC2	SCU060JYV	UCN030HNF
SCN060KNF	SCU020JEF	SCU040JCF	SCU060KN2	UCN030KN2
SCN060KNV	SCU020JEV	SCU040JCV	SCU060KNF	UCN030KNF
SCN060LC2	SCU020JL2	SCU040JD2	SCU060KNV	UCN040HN2
SCN060LCF	SCU020JLF	SCU040JDF	SCU060WEV	UCN040HNF
SCN060LCV	SCU020JLV	SCU040JDV	SCU080HNF	UCN040KN2
SCN060LD2	SCU020JX2	SCU040JE2	SCU080JCF	UCN040KNF
SCN060LDV	SCU020JXF	SCU040JEF	SCU080JCV	UCN040KNV
SCN060LE2	SCU020JXV	SCU040JEV	SCU080JDF	UCN060HN2
SCN060LY2	SCU020JY2	SCU040JL2	SCU080JDV	UCN060HNF
SCN060LYF	SCU020JYF	SCU040JLF	SCU080JEF	UCN060KN2
SCN060LYV	SCU020JYV	SCU040JLV	SCU080JEV	UCN060KNF
SCN060WC2	SCU020KN2	SCU040JX2	SCU080JLF	UCN060KNV
SCN060WCF	SCU020KNF	SCU040JXF	SCU080JLV	UCN080HNF
SCN060WCV	SCU020WEV	SCU040JXV	SCU080JXF	UCN080KNV
SCN060WD2	SCU030HN2	SCU040JY2	SCU080JXV	UCU020HN2
SCN060WDV	SCU030HNF	SCU040JYF	SCU080JYF	UCU020HNF
SCN060WY2	SCU030JC2	SCU040JYV	SCU080JYV	UCU020KN2
SCN060WYF	SCU030JCF	SCU040KN2	SCU080KNV	UCU030HN2
SCN060WYV	SCU030JCV	SCU040KNF	SCU125KNV	UCU030HNF
SCN080HNF	SCU030JD2	SCU040KNV	UCL020HN2	UCU030KN2
SCN080JCF	SCU030JDF	SCU040WEV	UCL020KN2	UCU040HN2
SCN080JCV	SCU030JDV	SCU060HN2	UCL030HN2	UCU040HNF
SCN080JYF	SCU030JE2	SCU060HNF	UCL030HNF	UCU040KN2
SCN080JYV	SCU030JEF	SCU060JC2	UCL040HN2	UCU040KNV
SCN080KNV	SCU030JEV	SCU060JCF	UCL040HNF	UCU060HN2
SCN080LCV	SCU030JL2	SCU060JCV	UCL040KN2	UCU060HNF
SCN080LDV	SCU030JLF	SCU060JD2	UCL040KNF	UCU060KN2
SCN080LYV	SCU030JLV	SCU060JDF	UCL040KNV	UCU060KNV
SCN080WCV	SCU030JX2	SCU060JDV	UCL060HN2	UCU080HNF
SCN080WDV	SCU030JXF	SCU060JE2	UCL060HNF	UCU080KNV
SCN080WYV	SCU030JXV	SCU060JEF	UCL060KN2	UCU125KNV
SCN125KNV	SCU030JY2	SCU060JEV	UCL060KNF	
SCU020HN2	SCU030JYF	SCU060JL2	UCL060KNV	
SCU020HNF	SCU030JYV	SCU060JLF	UCL080HNF	
SCU020JC2	SCU030KN2	SCU060JLV	UCL080KNV	

# Theory of Operation

## Starting the Machine

The door lock will not allow a cycle to be started until the door has been closed.

## Fill

The operator selects a cycle and starts the machine. Water enters the machine through water valves that are controlled by the microcomputer. As water fills the basket, a column of air is trapped in a pressure bulb and hose. The air pressure continues to increase as the basket fills with water. When the desired water level is reached, the water level switch triggers the microcomputer and the water sensor turns off.

A vacuum breaker installed in the inlet plumbing prevents the backflow of water.

## Supply

The operator can either connect external liquid supplies to the machine or fill the supply dispenser with liquid or dry supplies. The supply dispenser's nozzles flush the compartments with water at the appropriate times throughout a cycle.

## Wash

The basket includes ribs that lift the laundry from the wash water. The laundry then tumbles back into the bath.

In 2-speed and variable-speed models, 1 dual-speed motor drives the basket's shaft with a V-belt.

20-60 pound capacity models use 2 bearings that are held in place by a single cast-iron trunnion that is bolted to the frame. 80 and 125-pound capacity models use 2 flange-type bearings that are bolted to the frame.

## Drain

Cabinet Hardmount washer-extractors use a normally open gravity-type drain system. No pump is used. When the drain valve opens, the perforated basket allows water to drain from it.

In the event of a power failure, the drain valve will open automatically and the machine will drain.

## Extract

A final high-speed extract step removes water from the load, which maximizes drying efficiency.

The door lock system will not allow the door to be opened until the cycle has finished.

# Troubleshooting



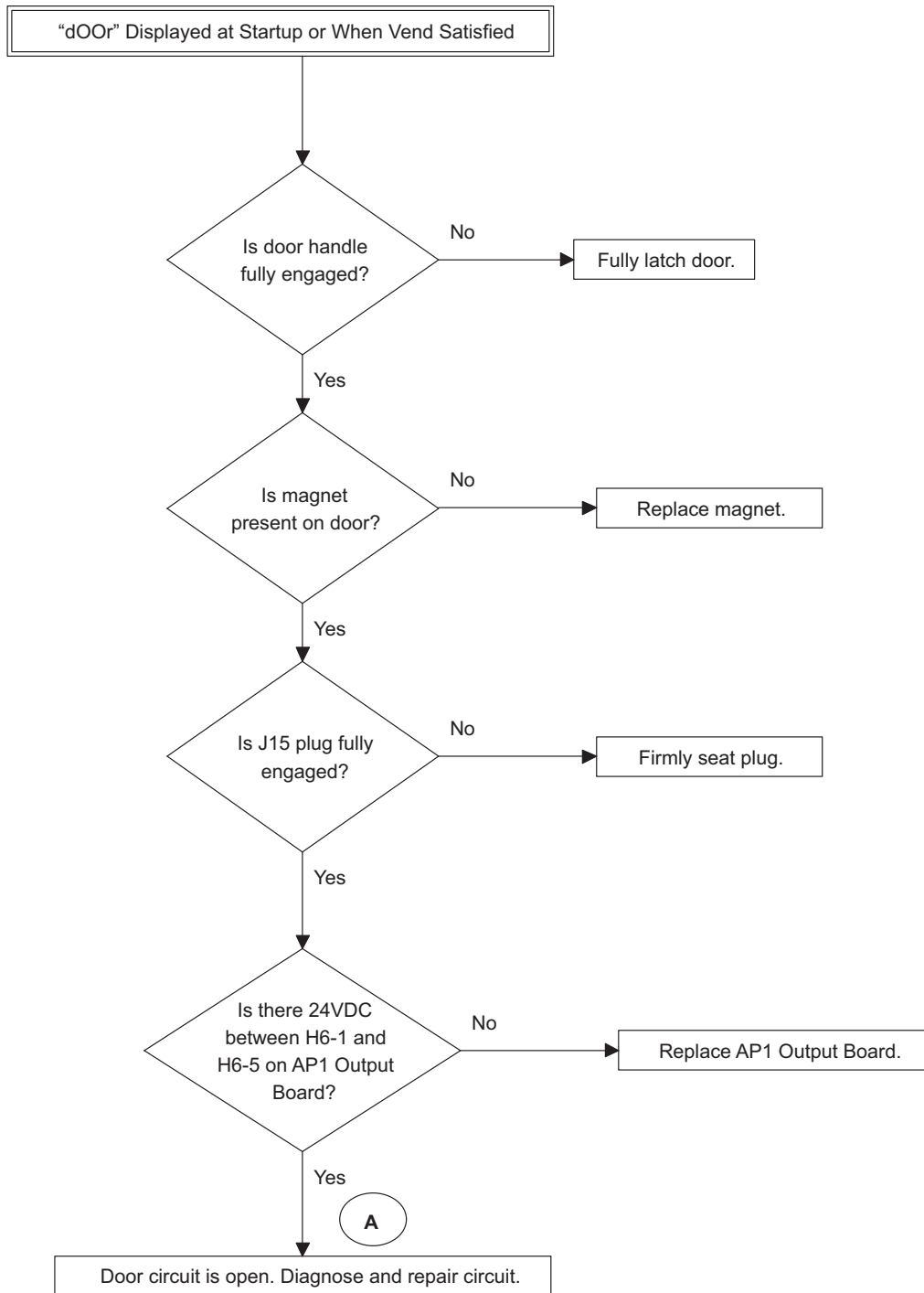
## WARNING

To reduce the risk of electrical shock, fire, explosion, serious injury or death:

- Disconnect electrical power to the washer-extractor before servicing it.
- Close the gas shut-off valve to the washer-extractor (when applicable) before servicing it.
- Never start the washer-extractor with any guards/panels removed.
- Whenever ground wires are removed during servicing, these ground wires must be reconnected to ensure that the washer-extractor is properly grounded.

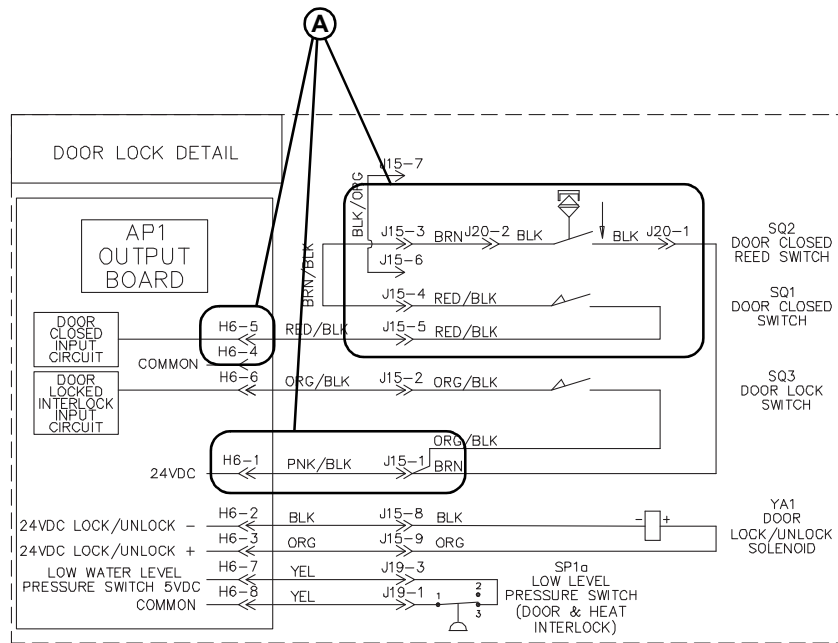
W461R1

# 1. "dOOr" Displayed at Startup or When Vend Satisfied



CHM461S

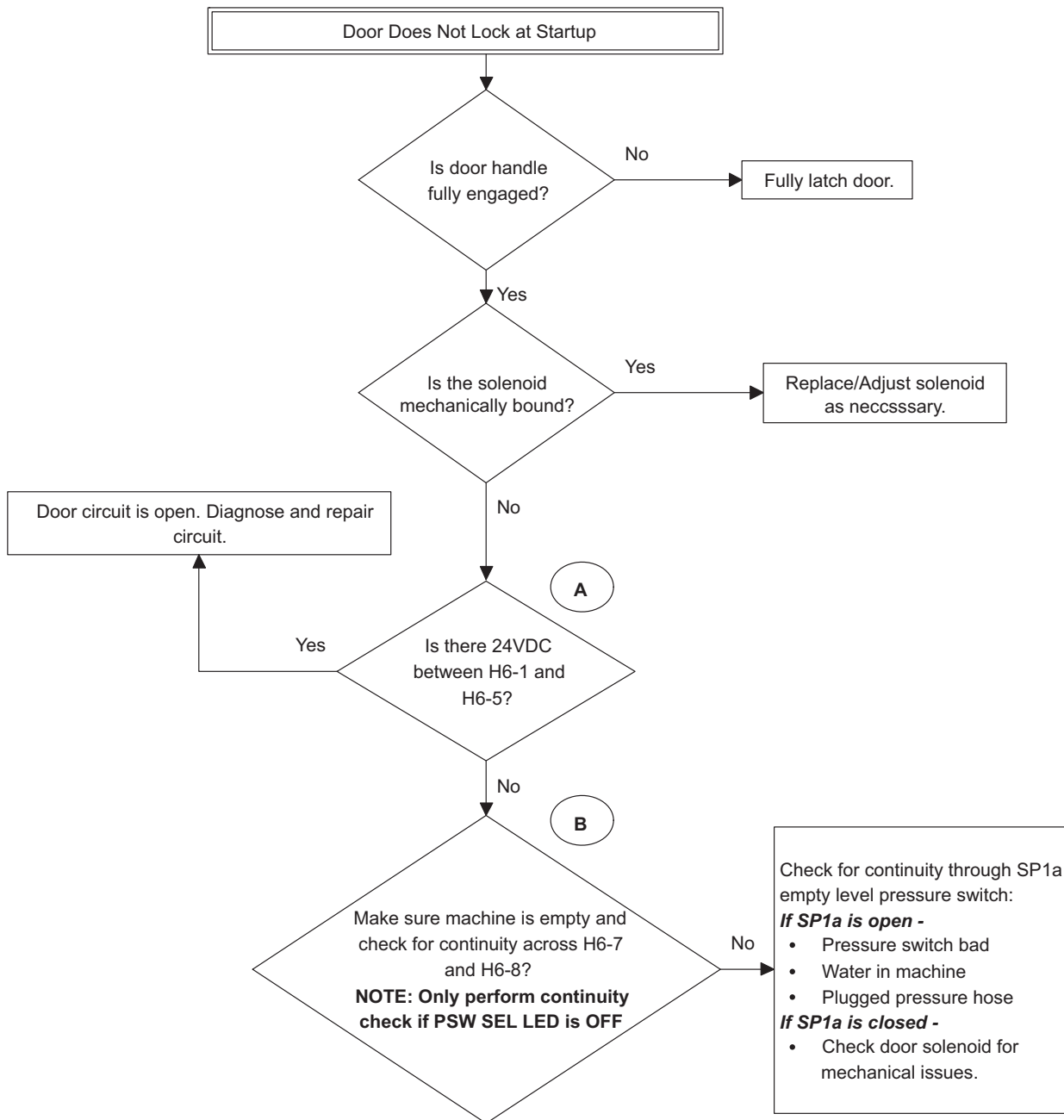
## “dOOr” Displayed at Startup or When Vend Satisfied



CHM504S

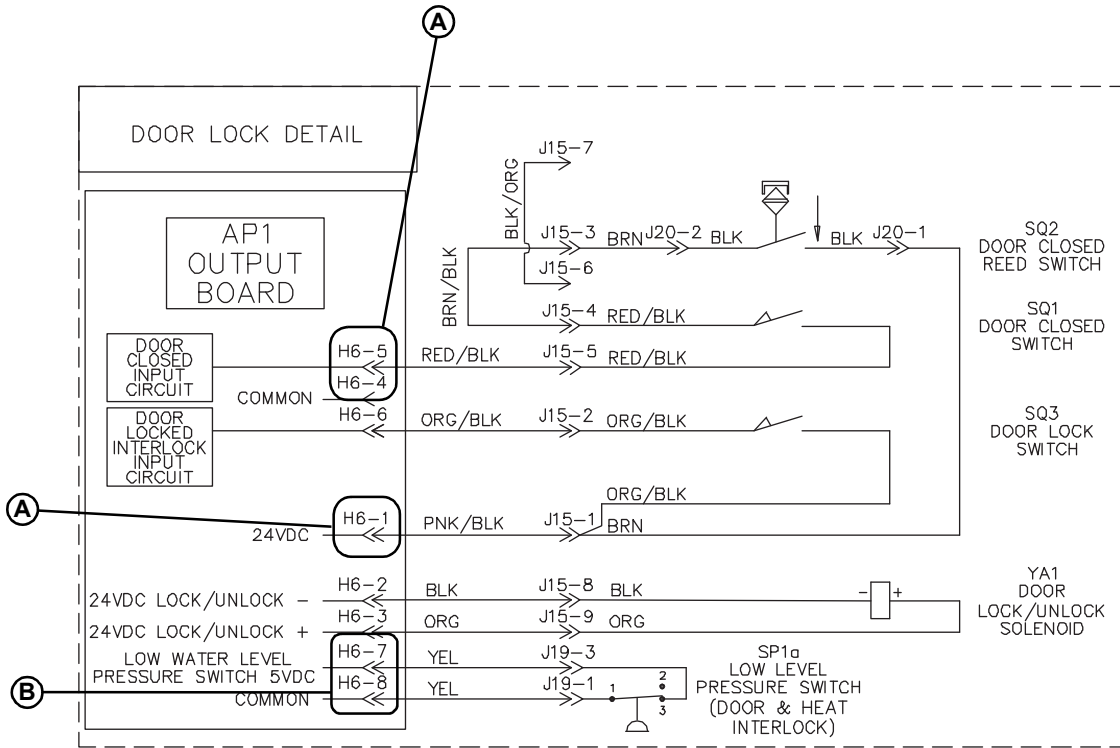
**NOTE: Refer to the wiring diagram supplied with your machine.**

## 2. Door Does Not Lock at Startup



CHM480S

## Door Does Not Lock at Startup

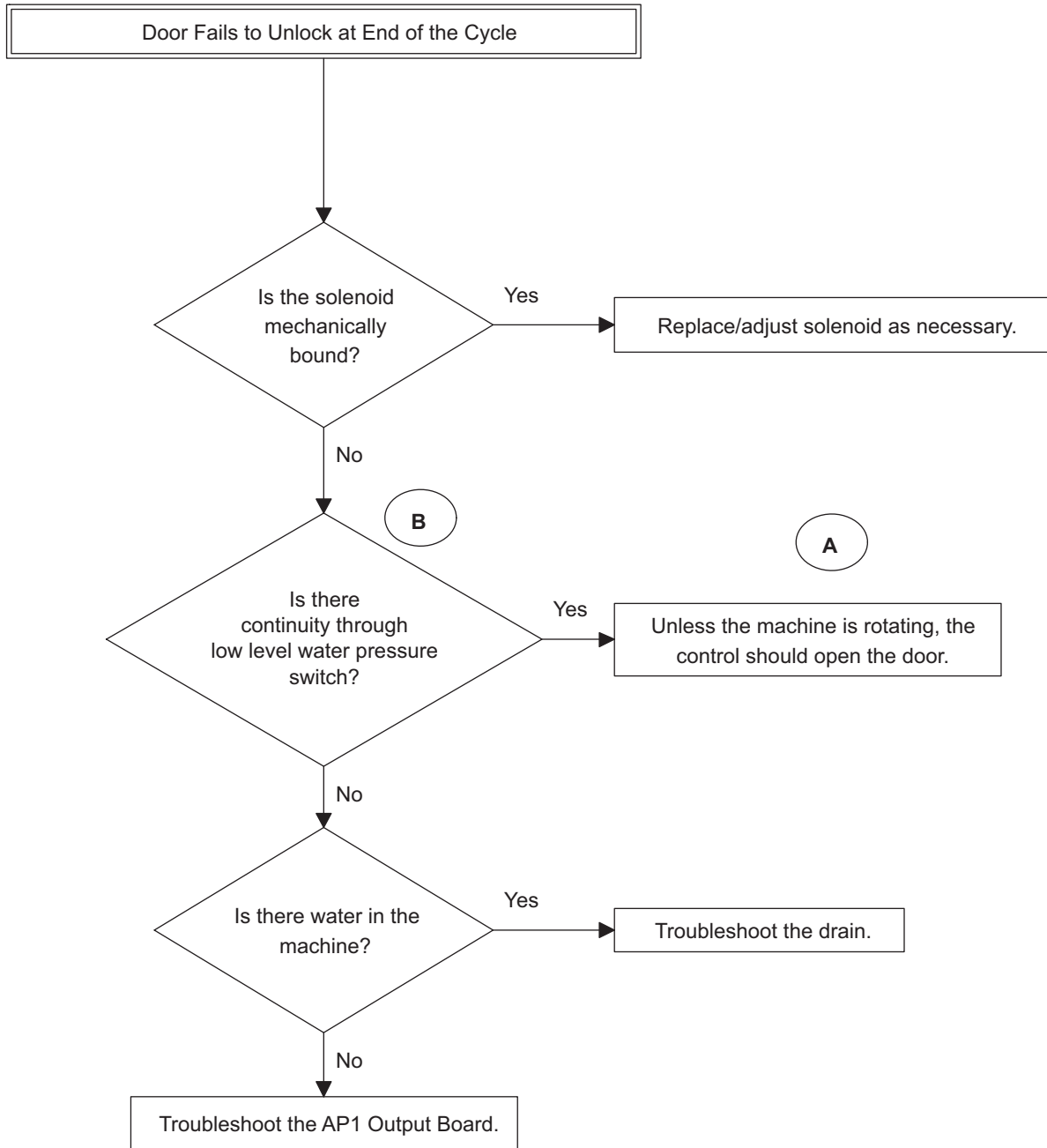


CHM504S

**NOTE: Refer to the wiring diagram supplied with your machine.**

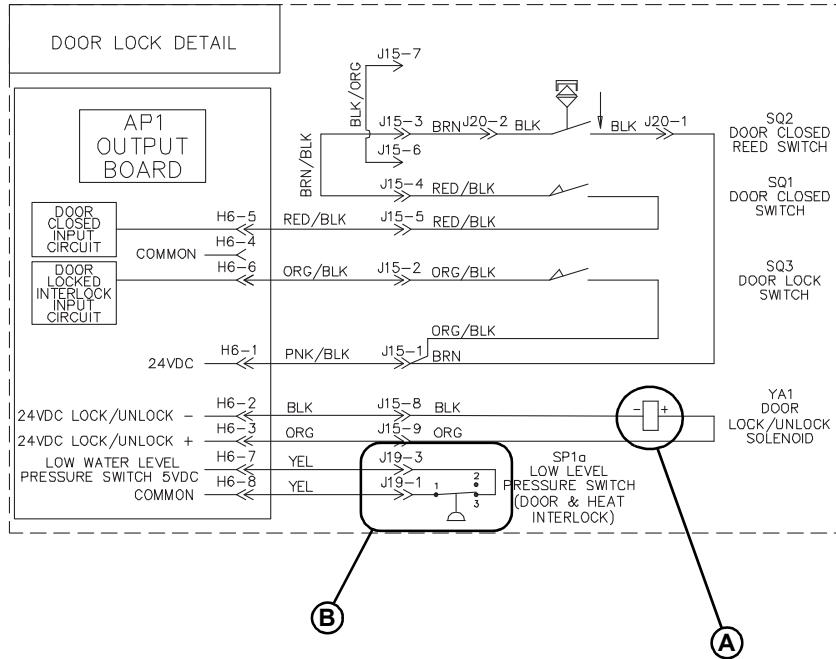


### 3. Door Fails to Unlock at End of the Cycle



CHM462S

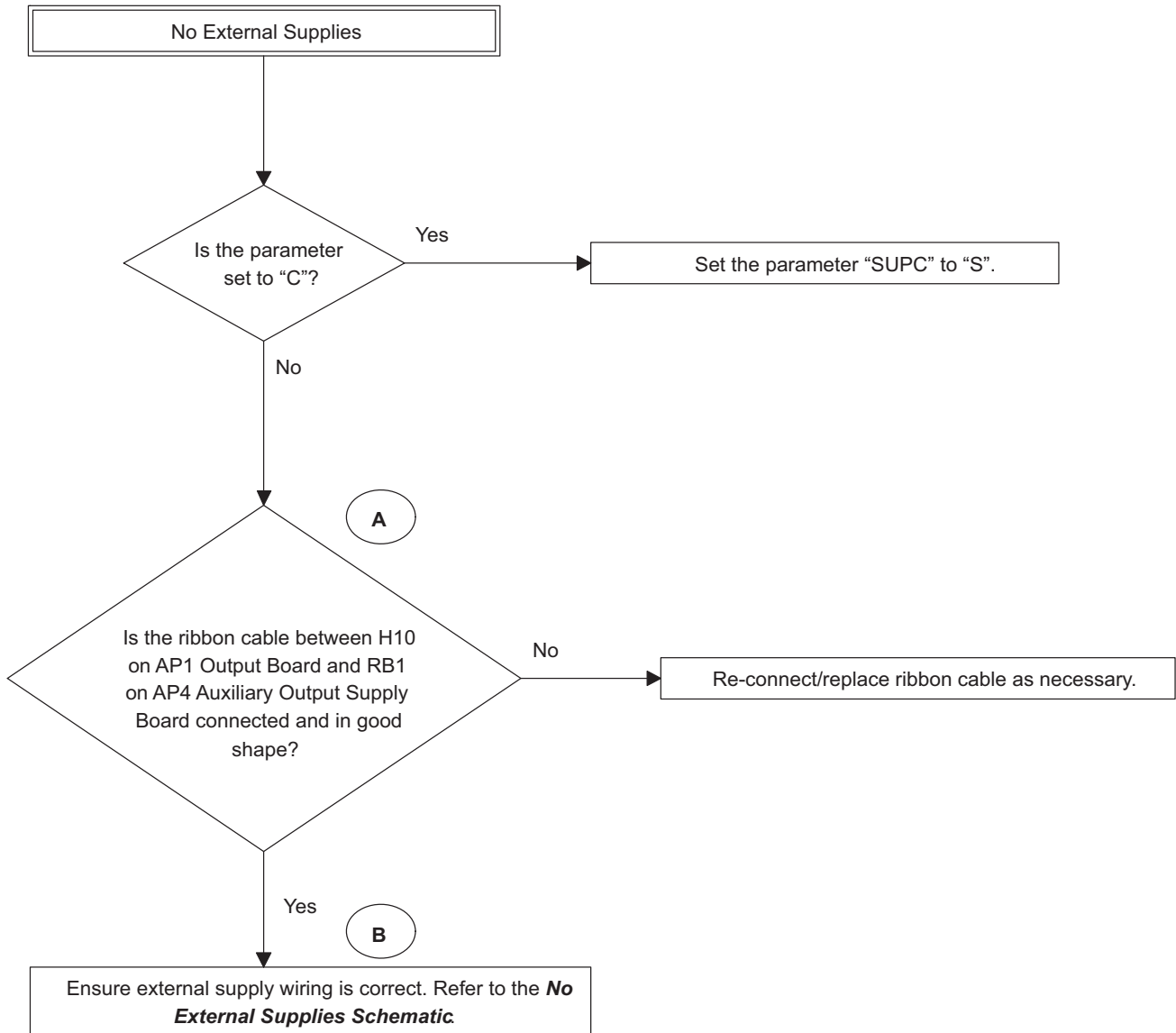
## Door Fails to Unlock at End of the Cycle



CHM504S

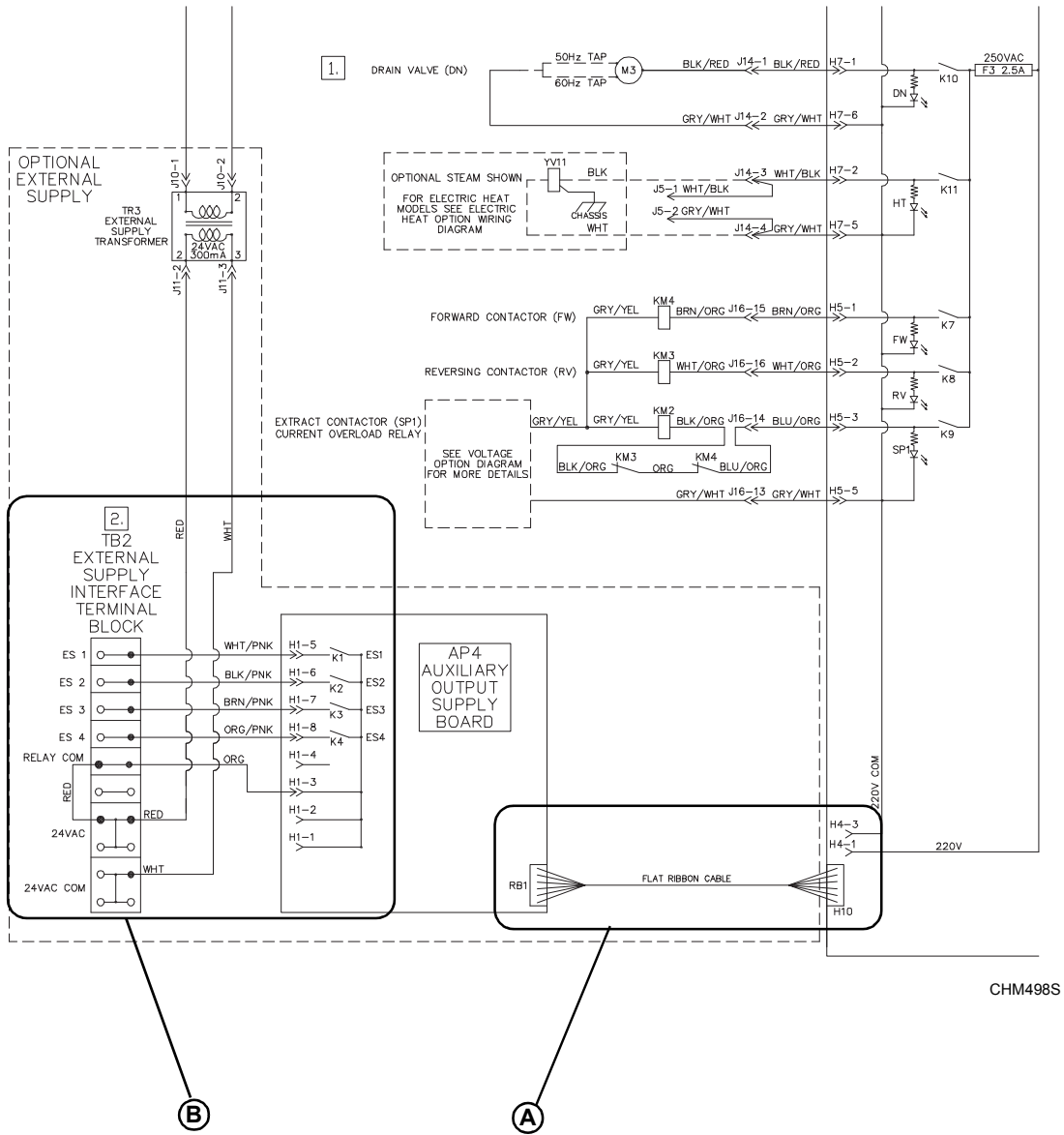
**NOTE: Refer to the wiring diagram supplied with your machine.**

### 4. No External Supplies



CHM473S

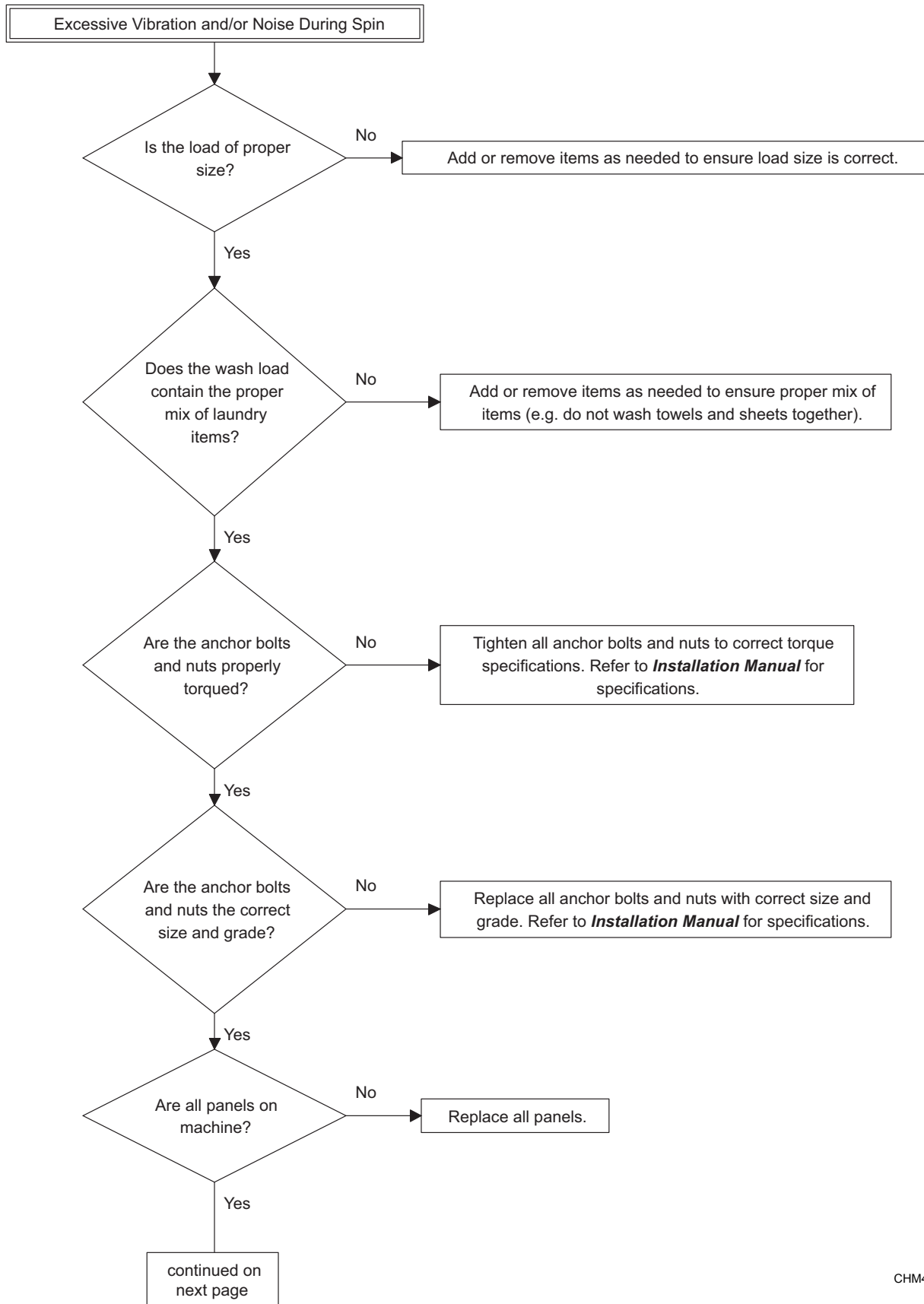
# No External Supplies



CHM498S

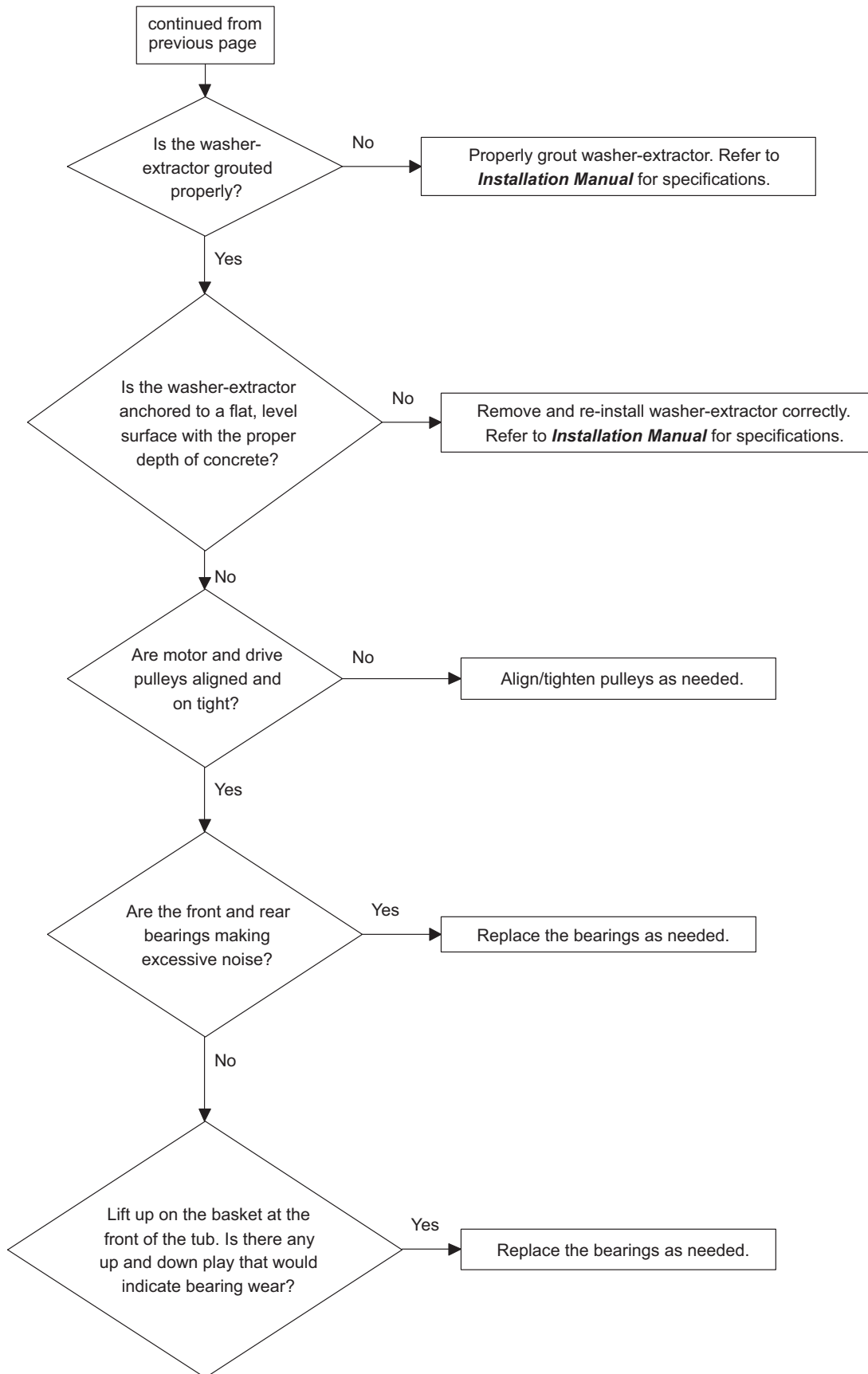
**NOTE: Refer to the wiring diagram supplied with your machine.**

## 5. Excessive Vibration and/or Noise During Spin (Drawing 1 of 2)



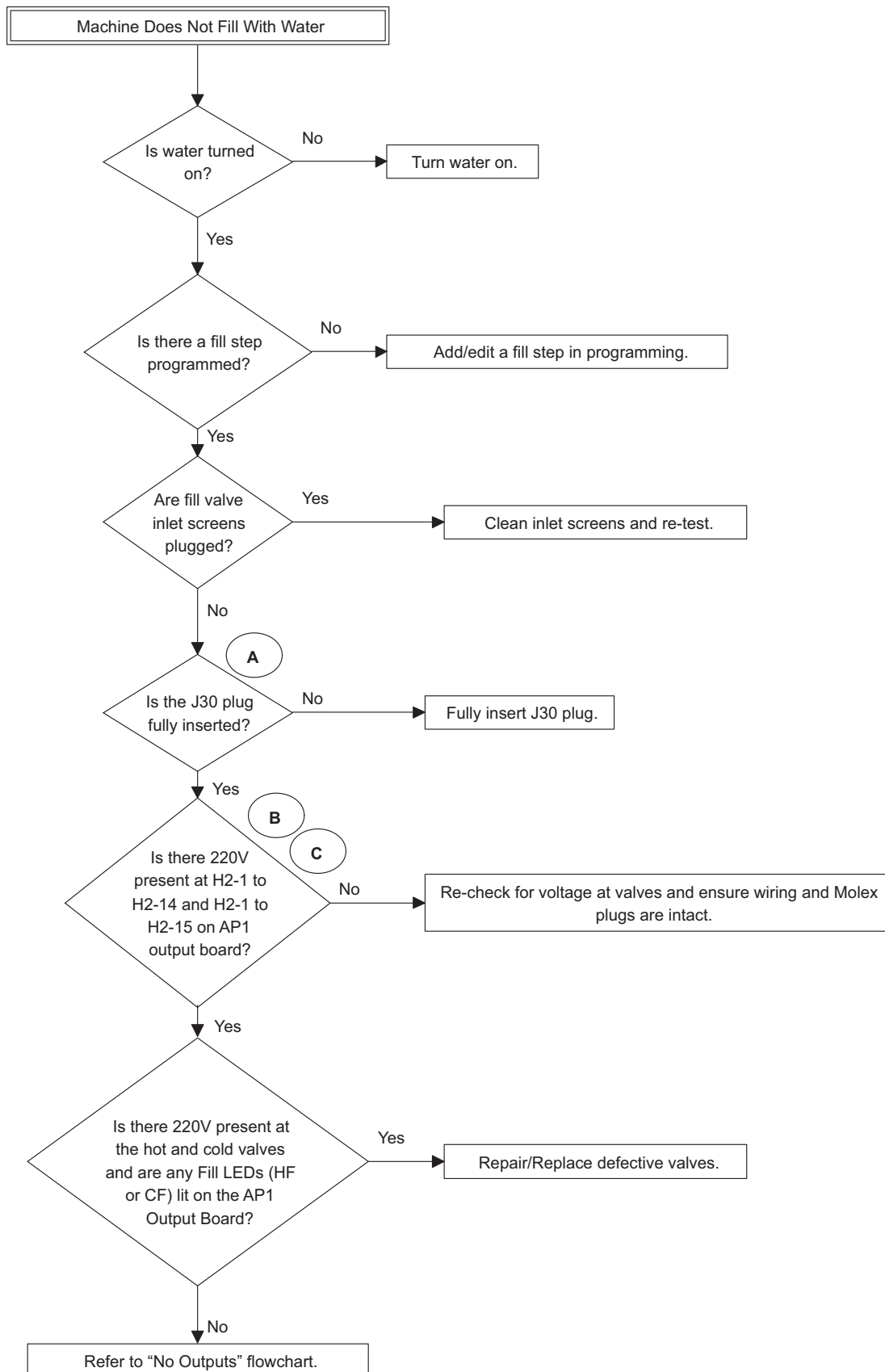
CHM465S-a

### 5. Excessive Vibration and/or Noise During Spin (Drawing 2 of 2)



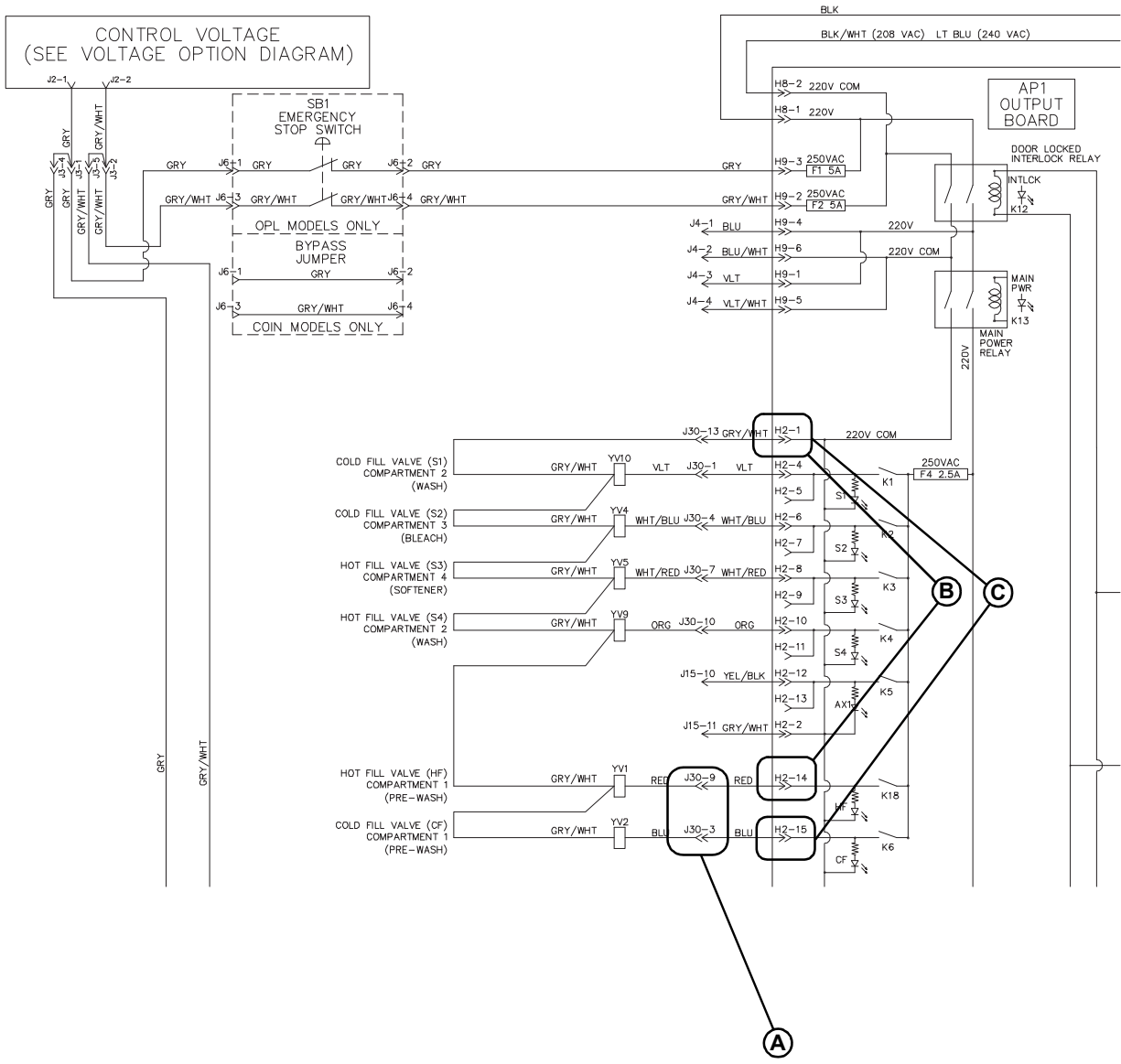
CHM465S-b

## 6. Machine Does Not Fill with Water



CHM459S

# Machine Does Not Fill with Water

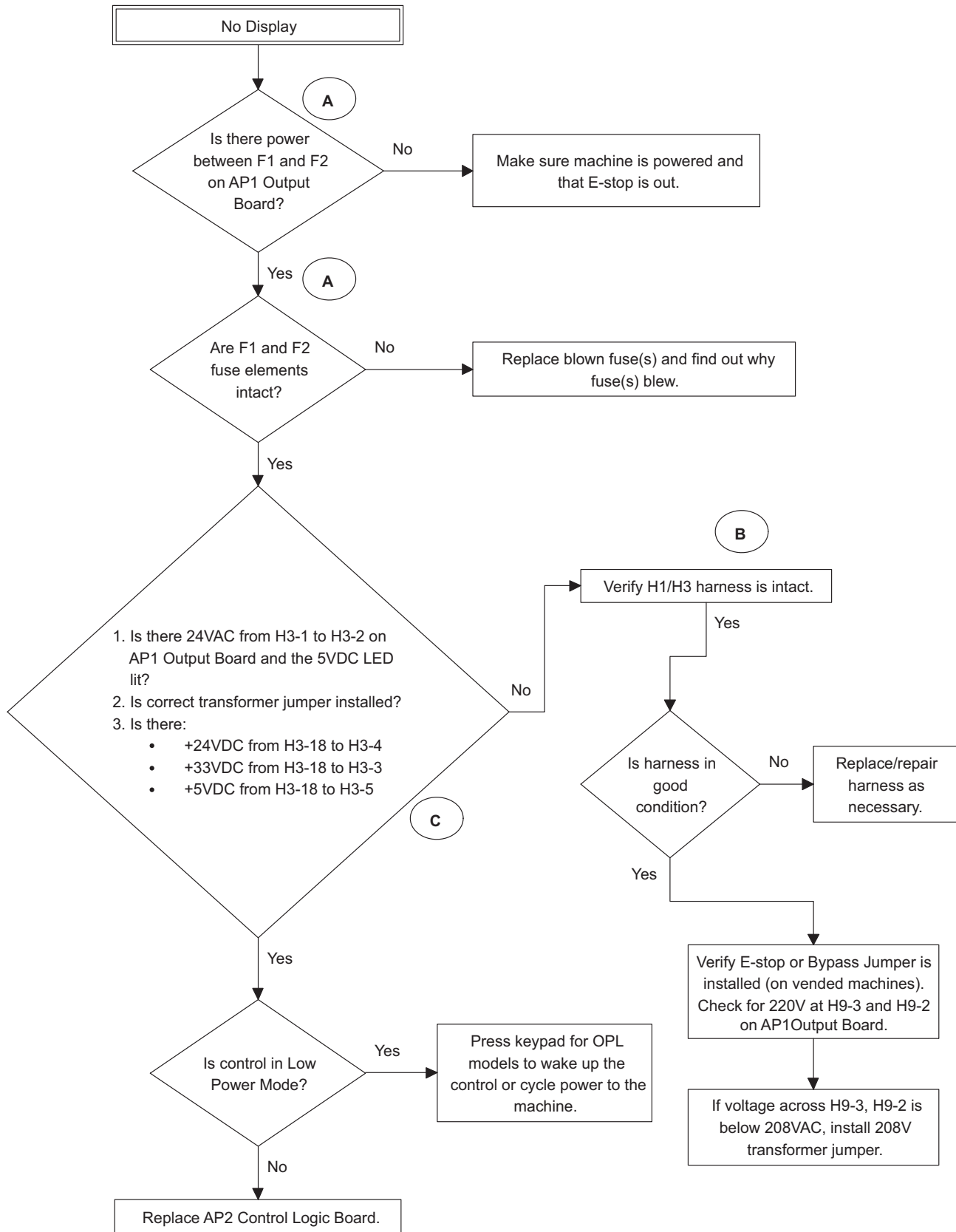


CHM503S

**NOTE:** Refer to the wiring diagram supplied with your machine.

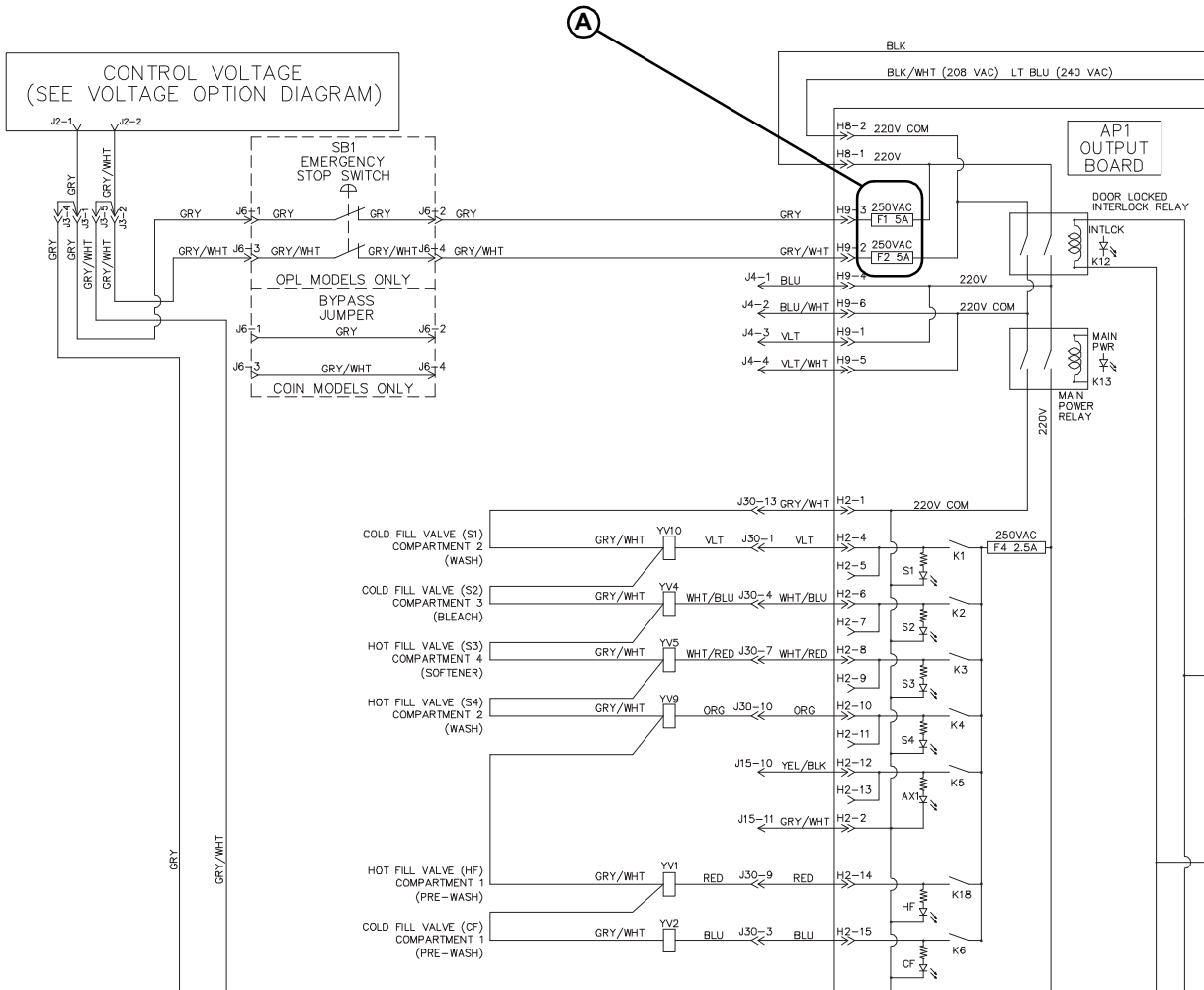


## 7. No Display



CHM458S

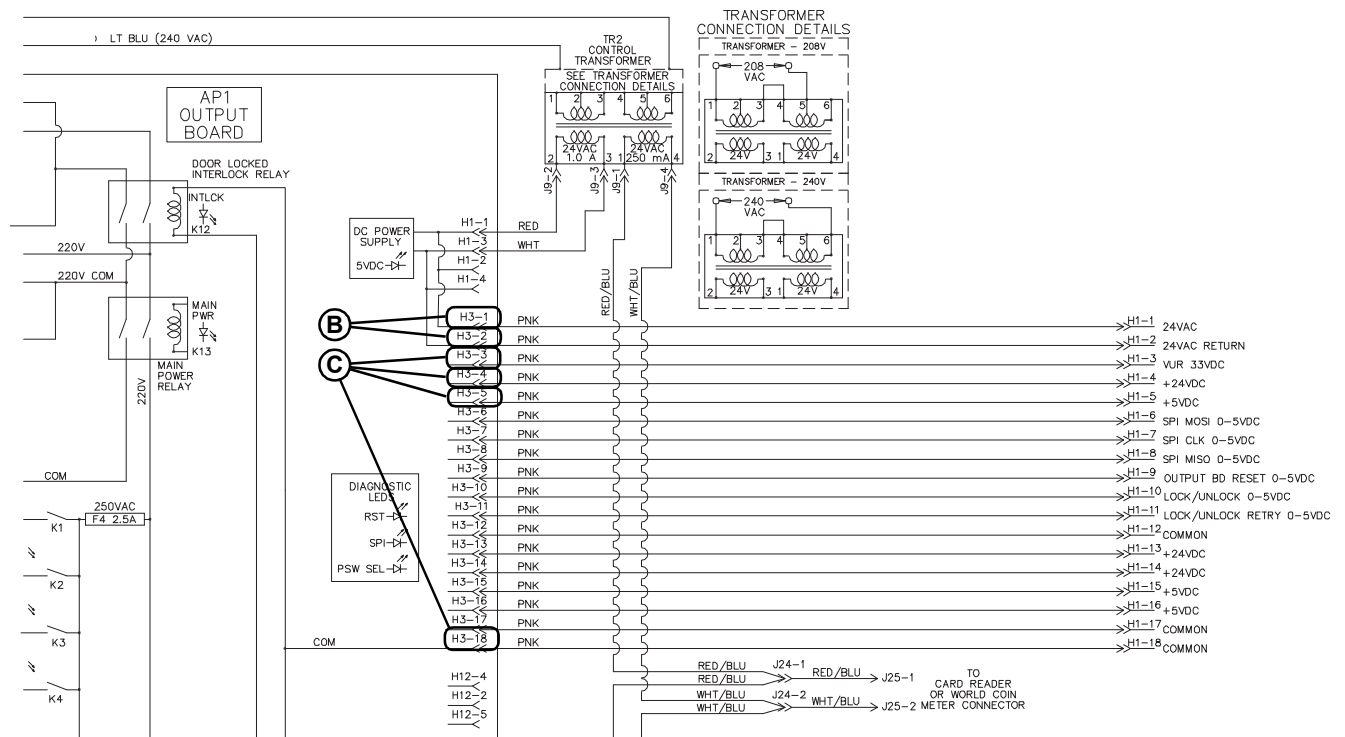
# No Display (Sheet 1 of 2)



CHM503S

**NOTE: Refer to the wiring diagram supplied with your machine.**

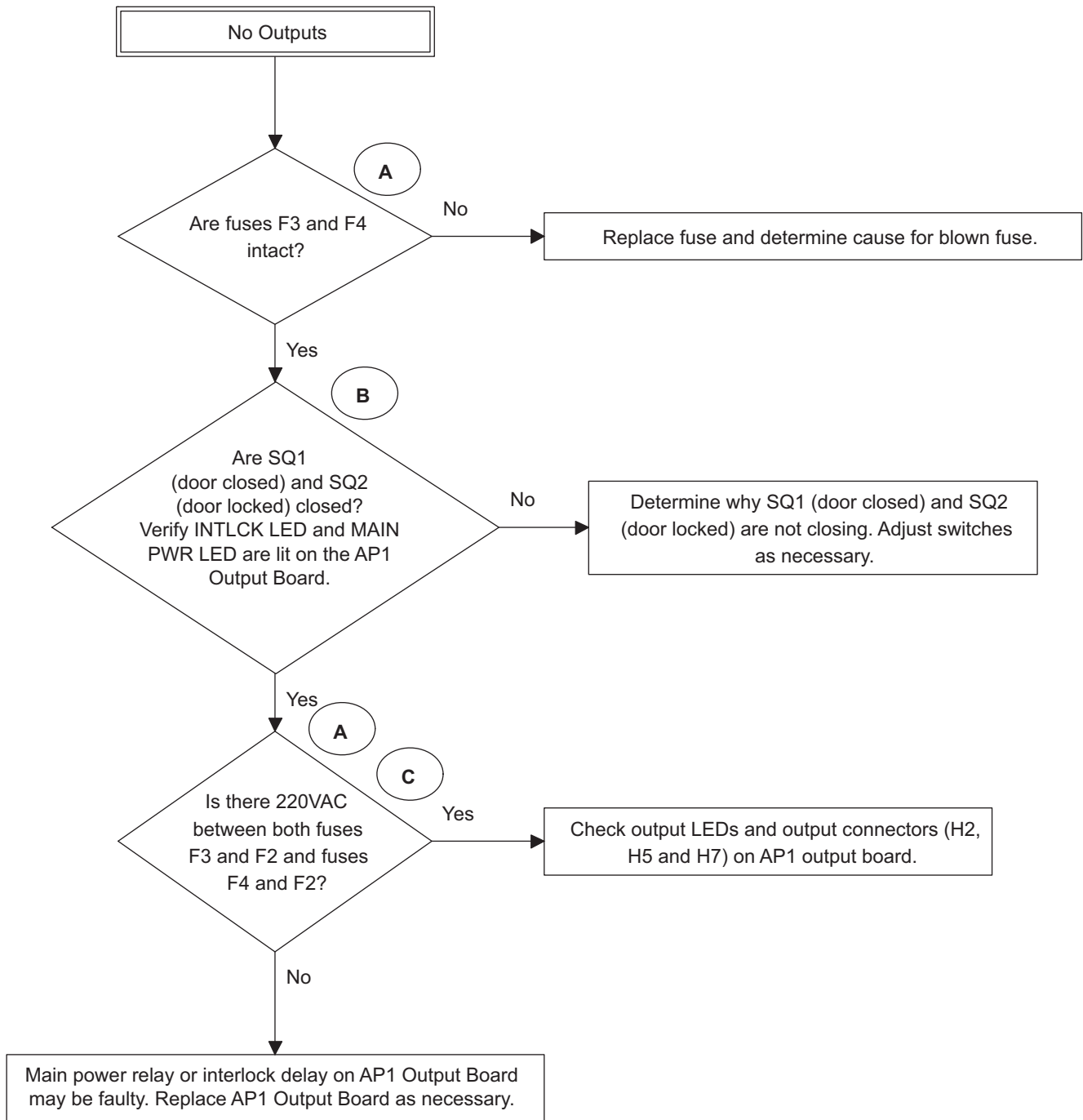
# No Display (Sheet 2 of 2)



CHM502S

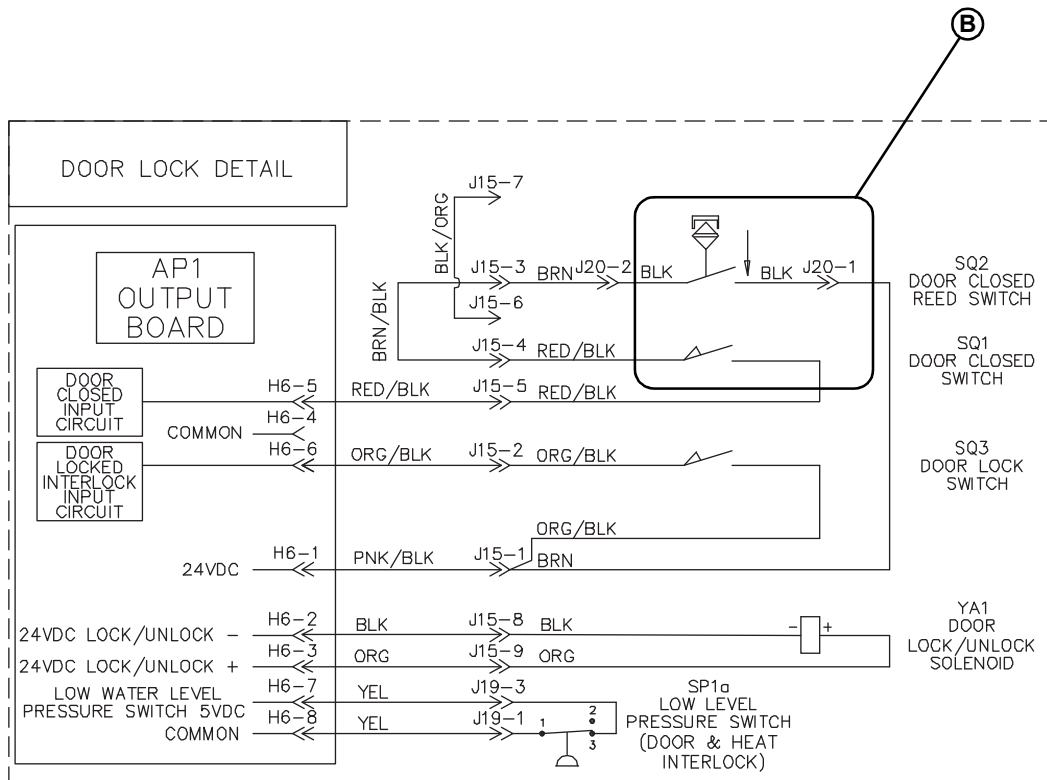
**NOTE: Refer to the wiring diagram supplied with your machine.**

### 8. No Outputs



CHM464S

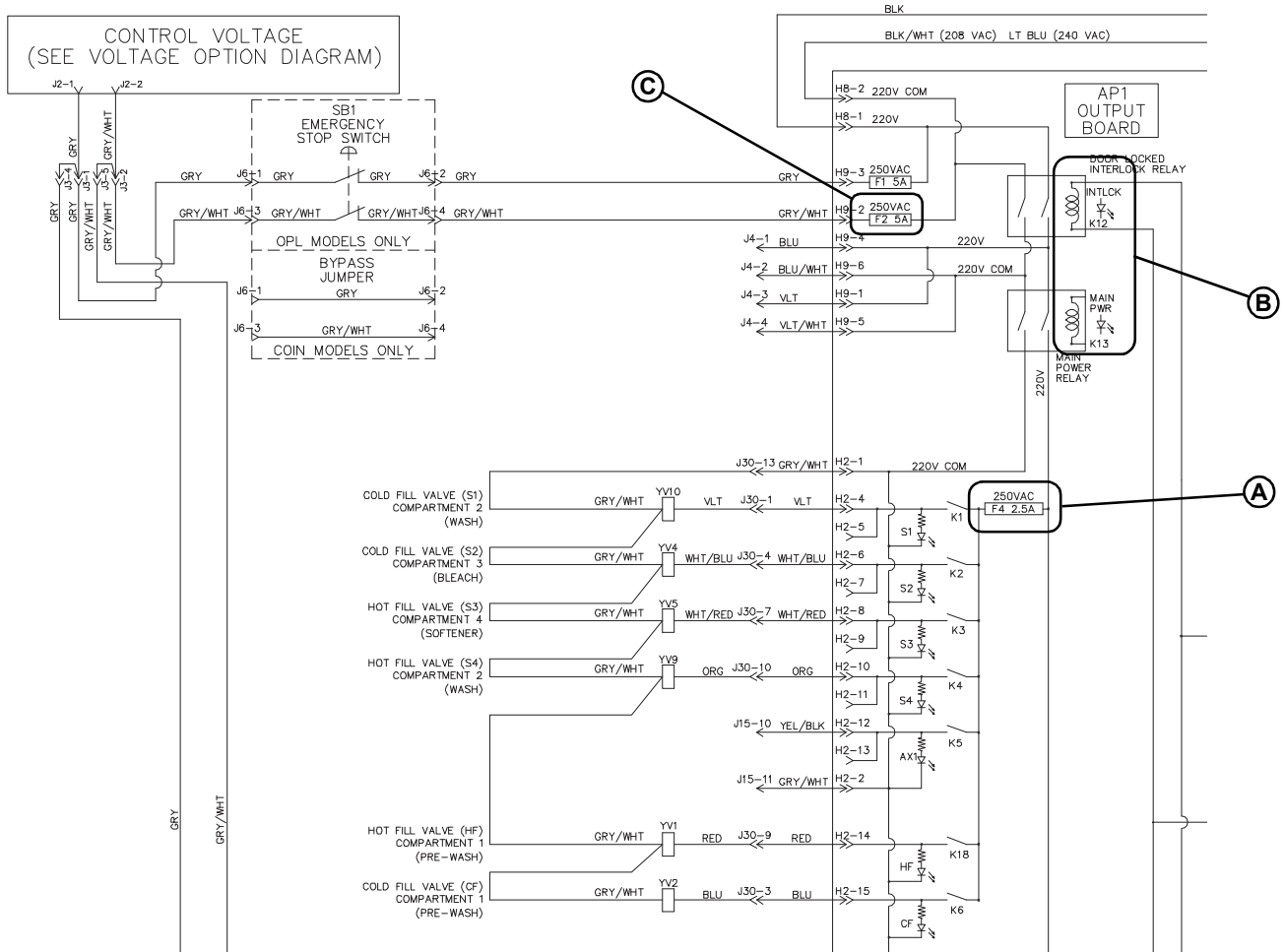
## No Outputs (Sheet 1 of 3)



CHM504S

**NOTE: Refer to the wiring diagram supplied with your machine.**

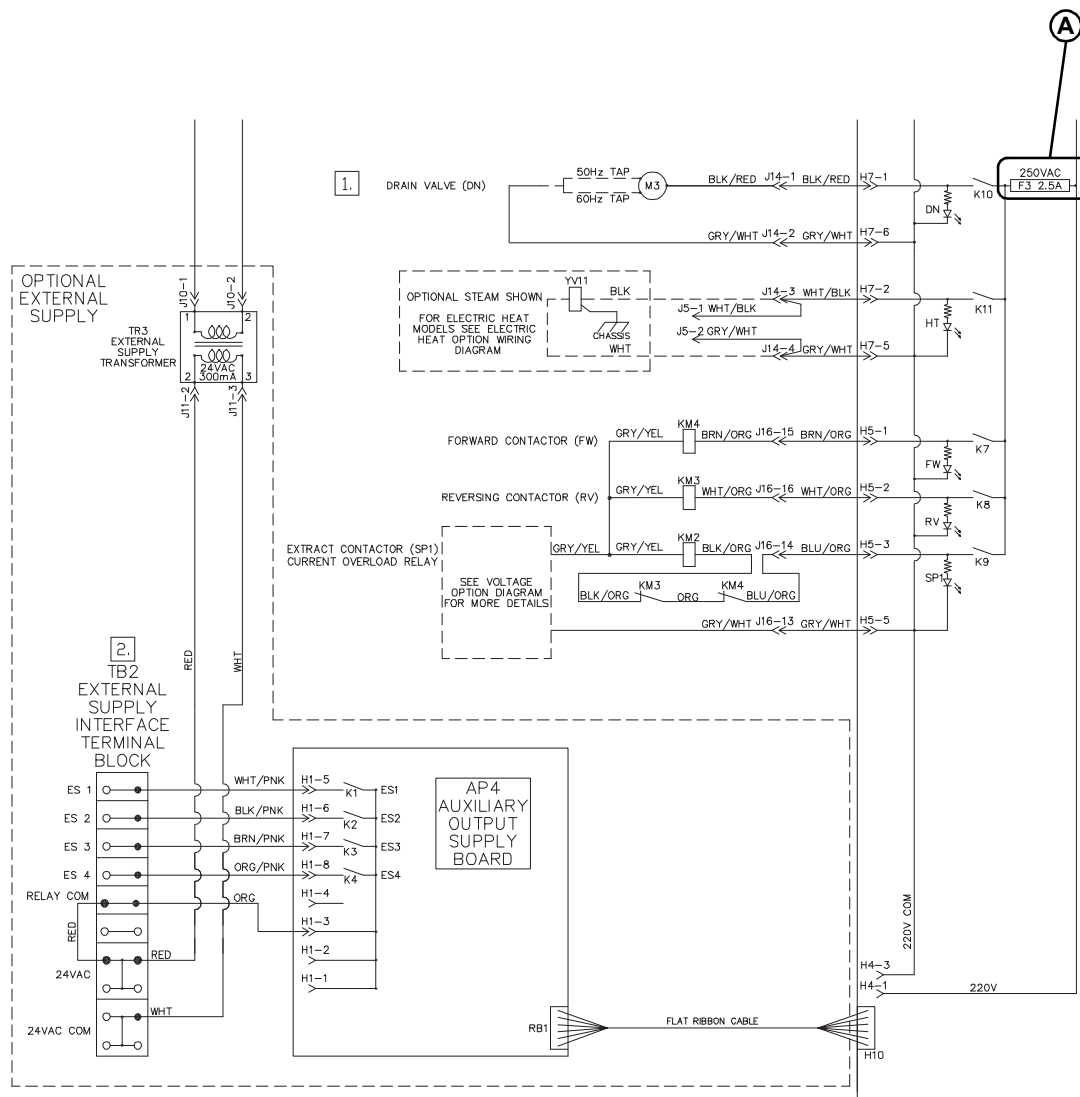
## No Outputs (Sheet 2 of 3)



CHM503S

**NOTE: Refer to the wiring diagram supplied with your machine.**

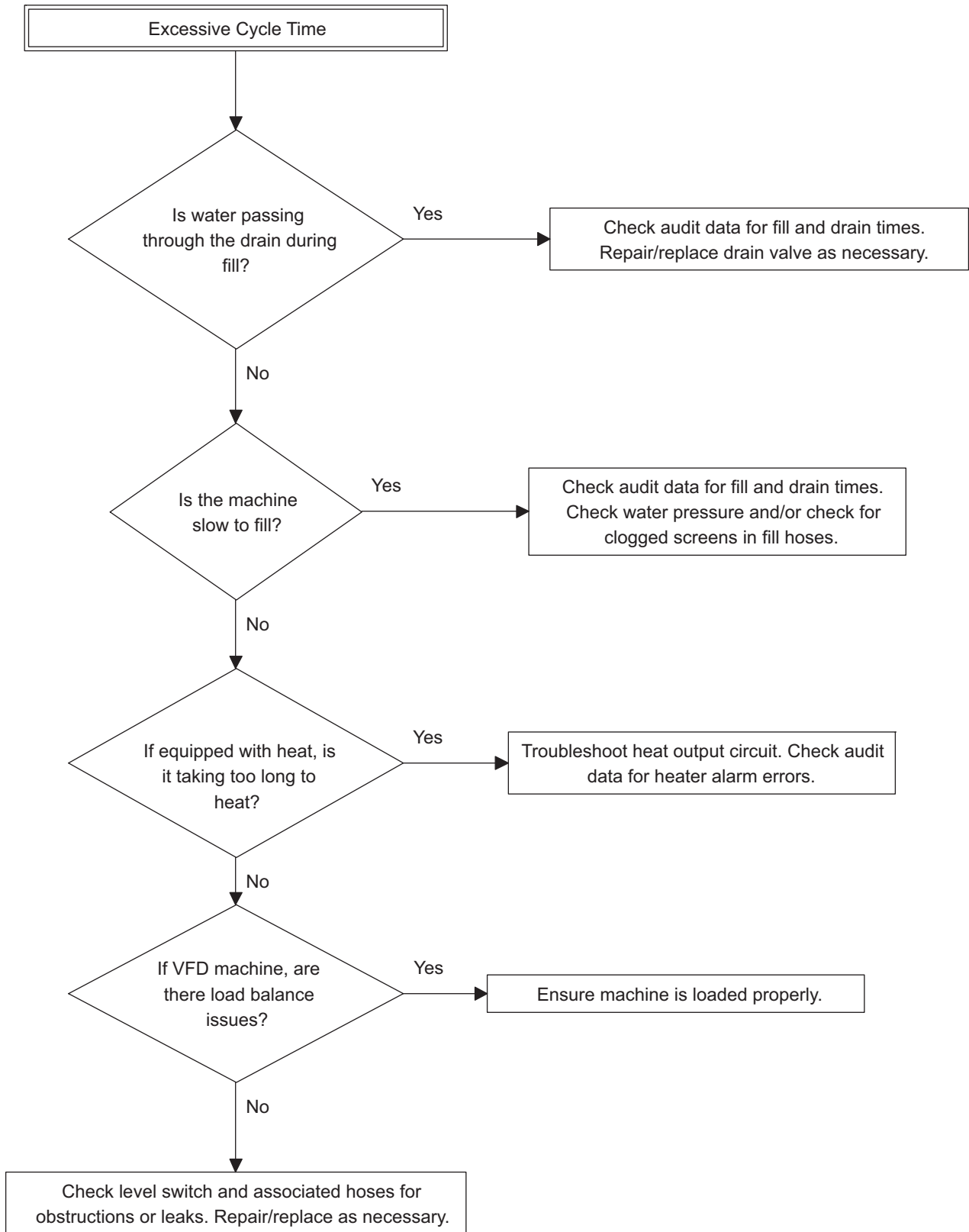
# No Outputs (Sheet 3 of 3)



CHM498S

**NOTE: Refer to the wiring diagram supplied with your machine.**

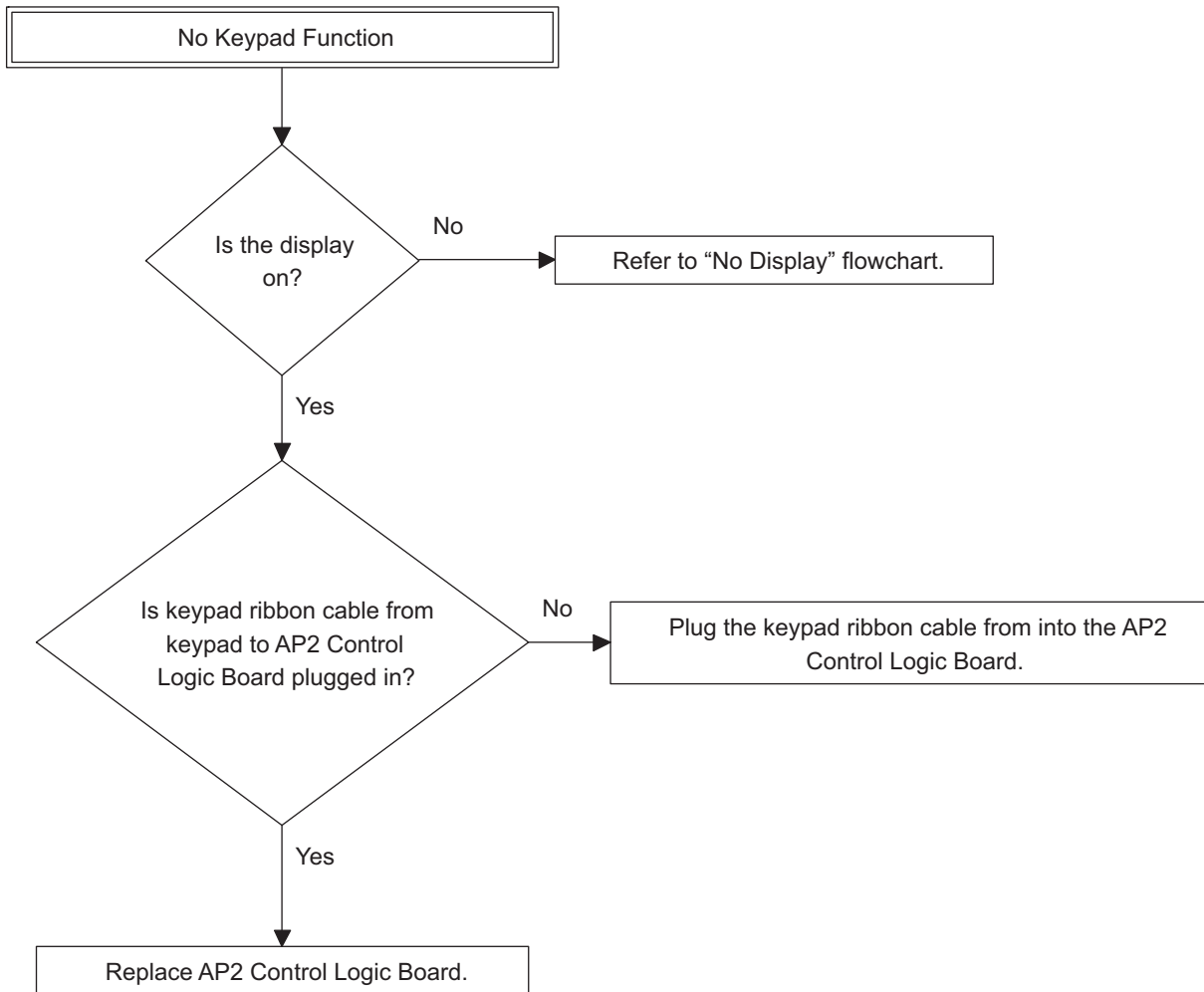
### 9. Excessive Cycle Time



CHM472S

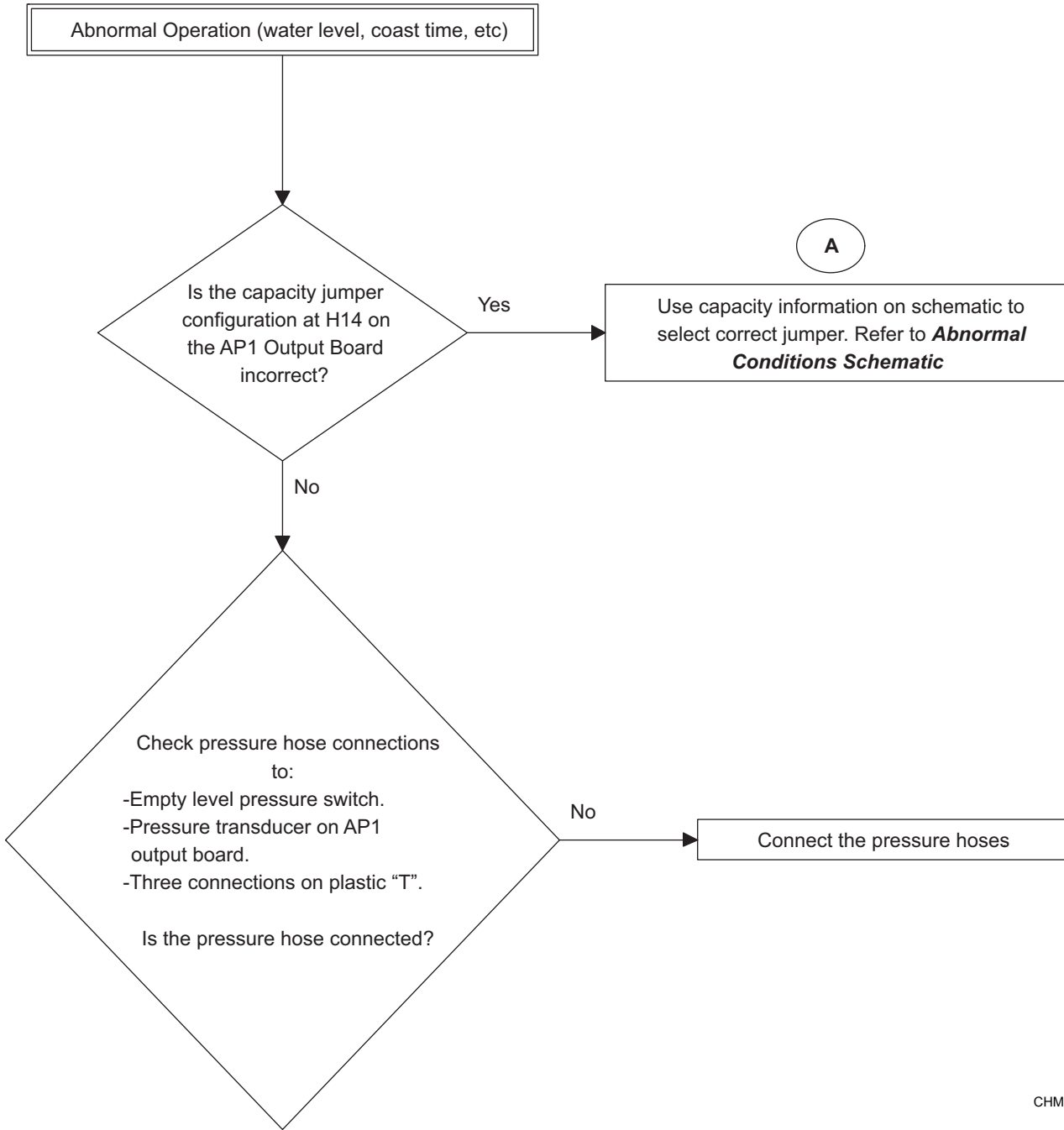


## 10. No Keypad Function



CHM470S

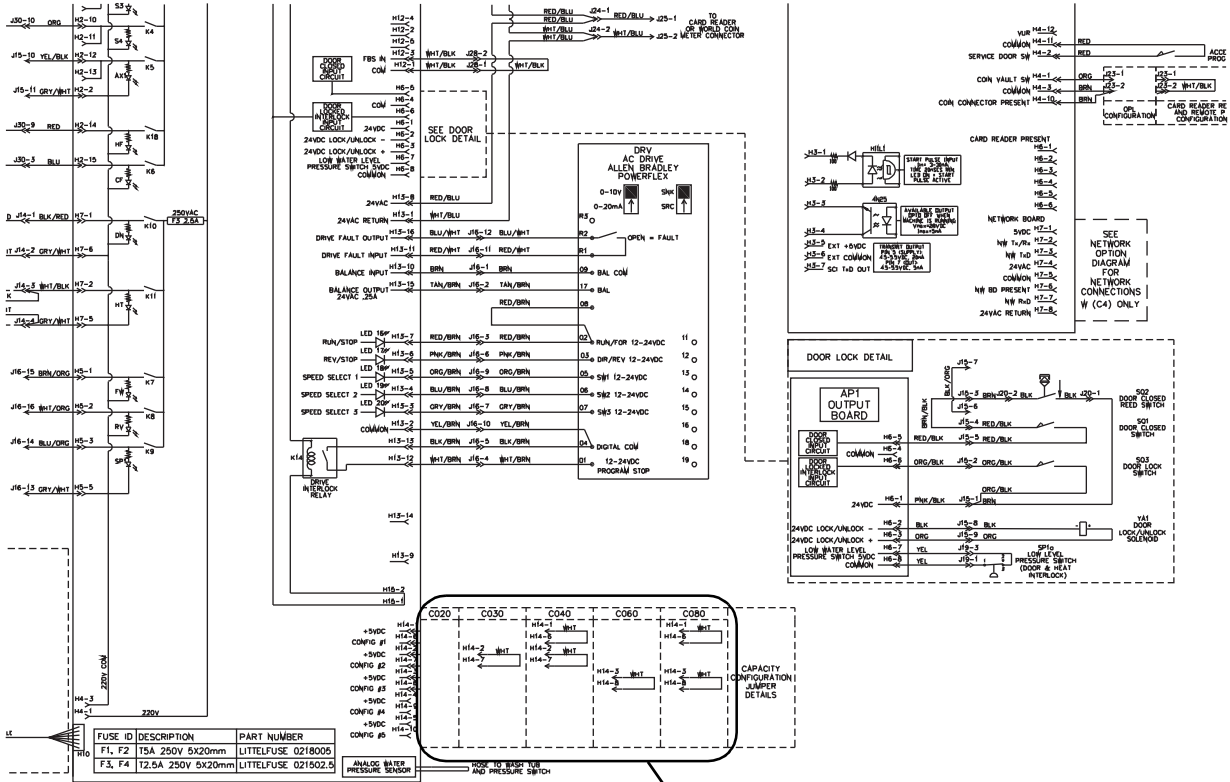
# 11. Abnormal Operation



CHM471S

**Please see following 2 pages for wiring diagram information.**

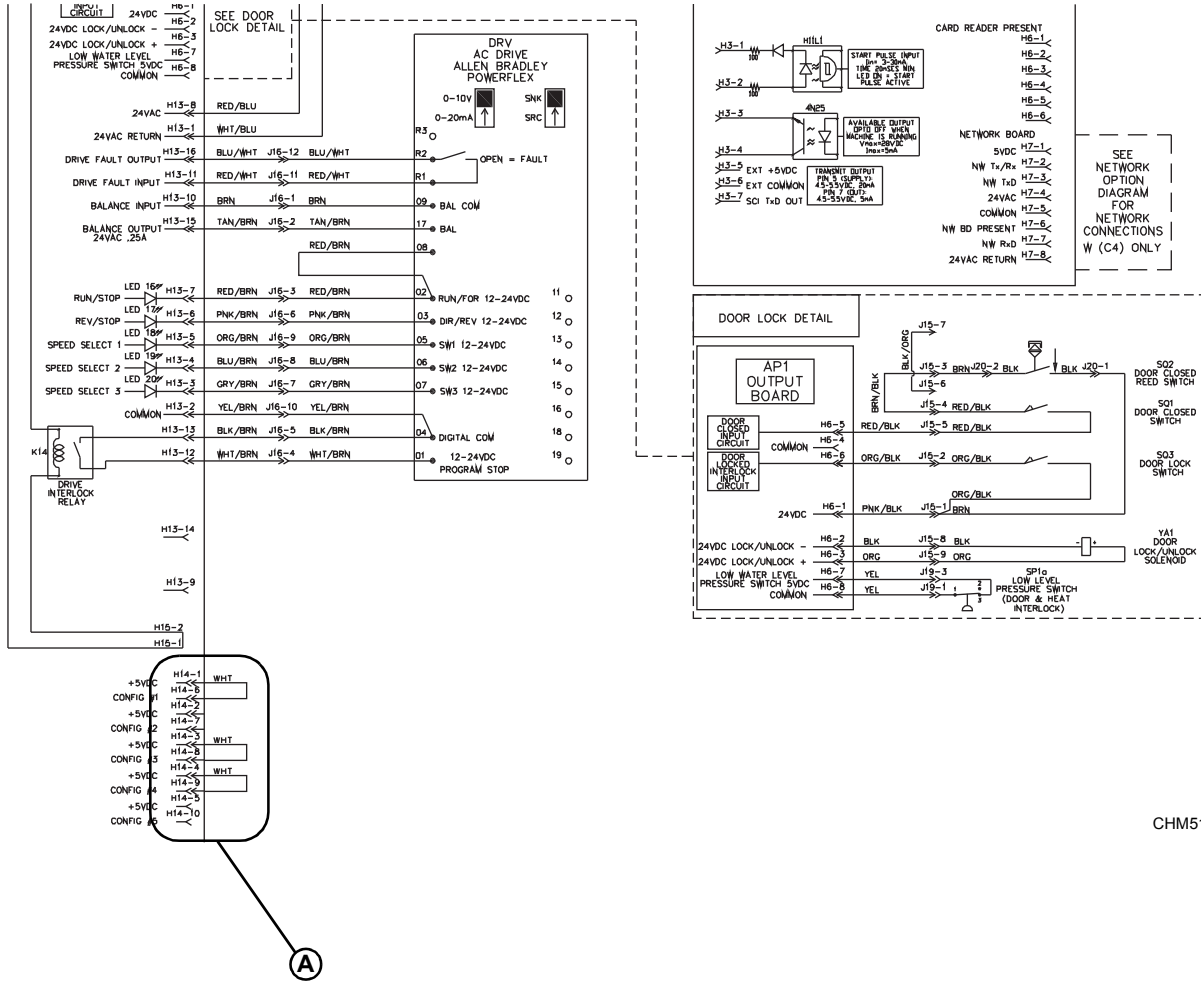
# Abnormal Operation – 20-80 Pound Models (Sheet 1 of 2)



CHM510S

**NOTE:** Refer to the wiring diagram supplied with your machine.

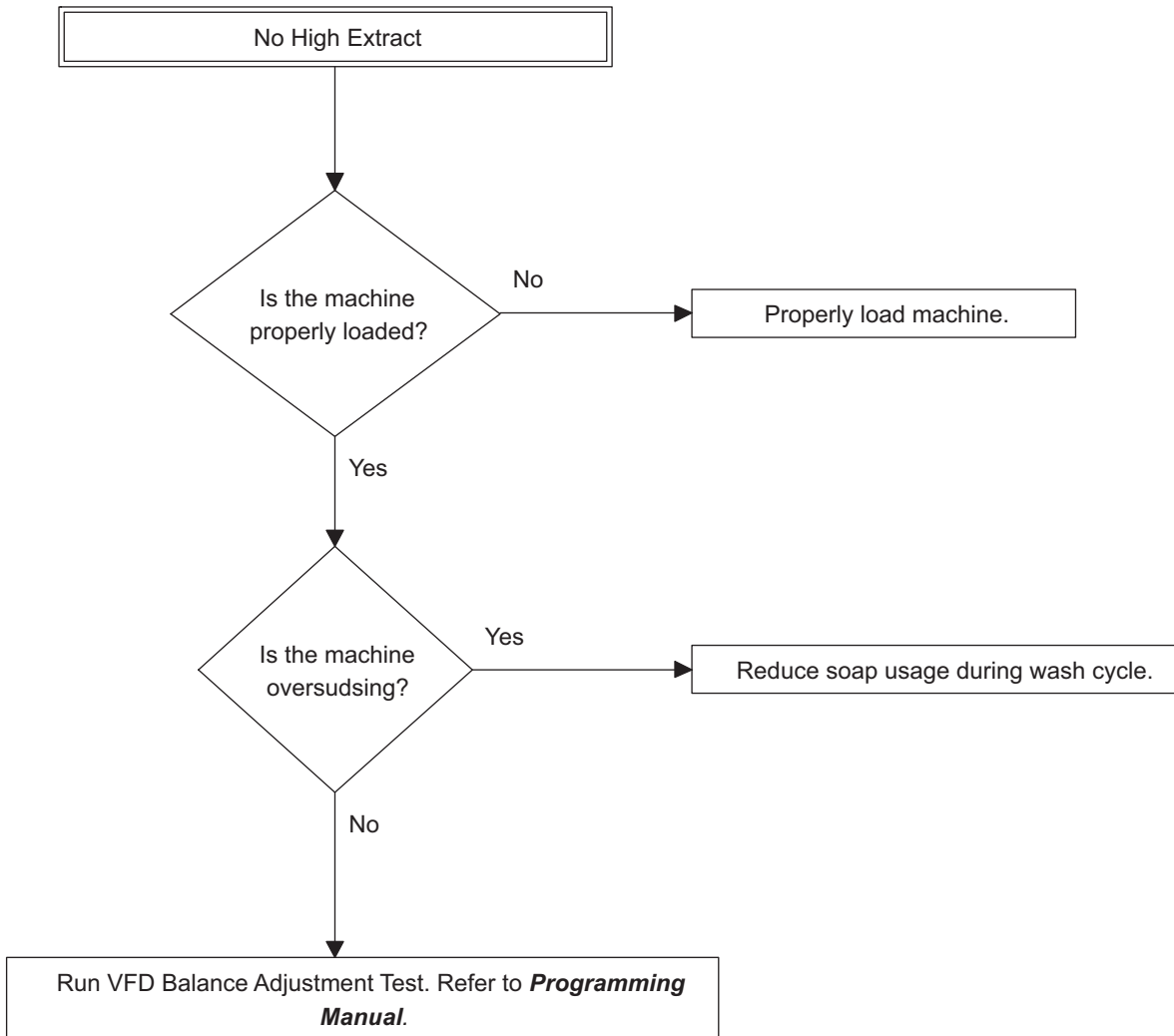
# Abnormal Operation – 125 Pound Models (Sheet 2 of 2)



CHM511S

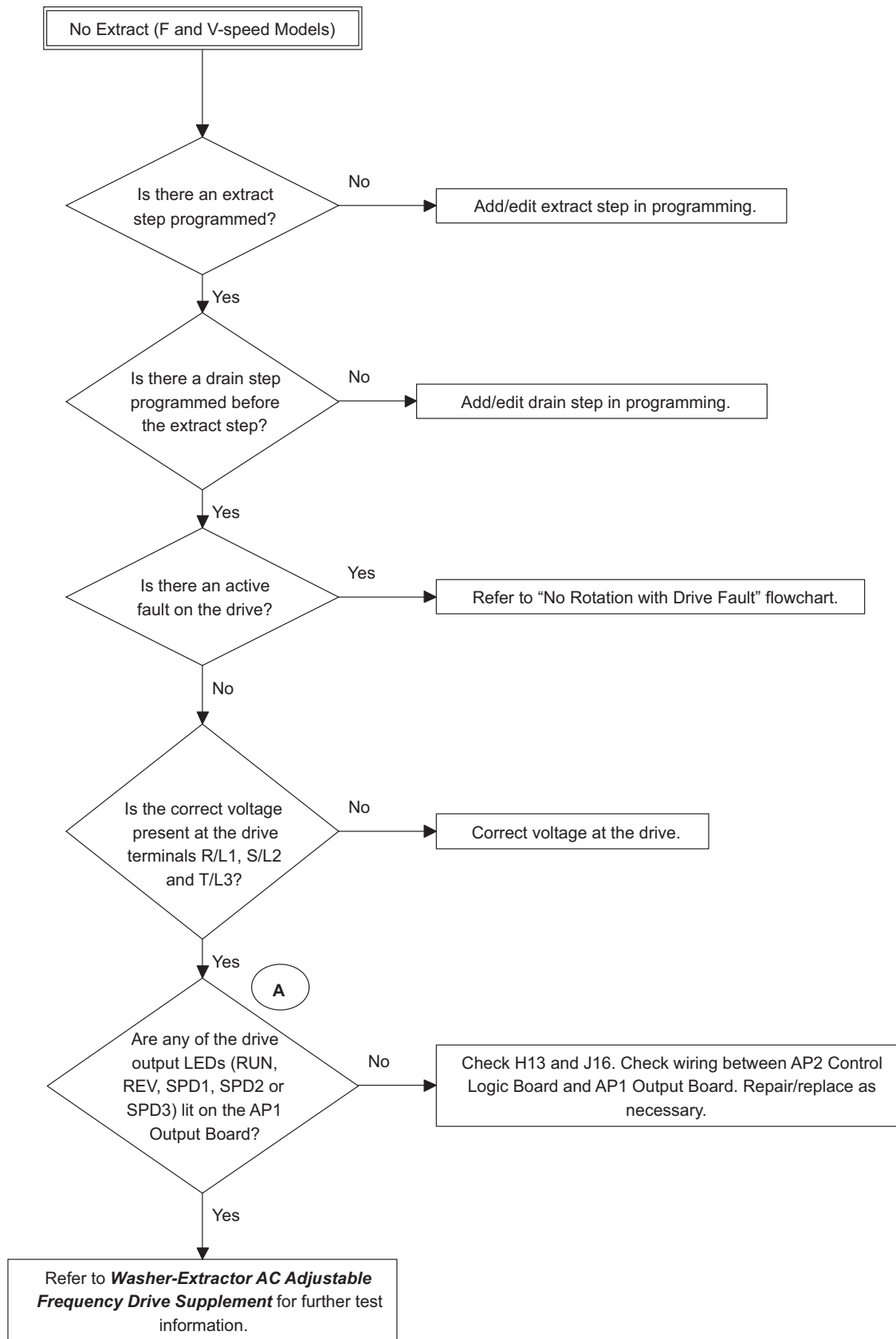
**NOTE: Refer to the wiring diagram supplied with your machine.**

## 12. No High Extract



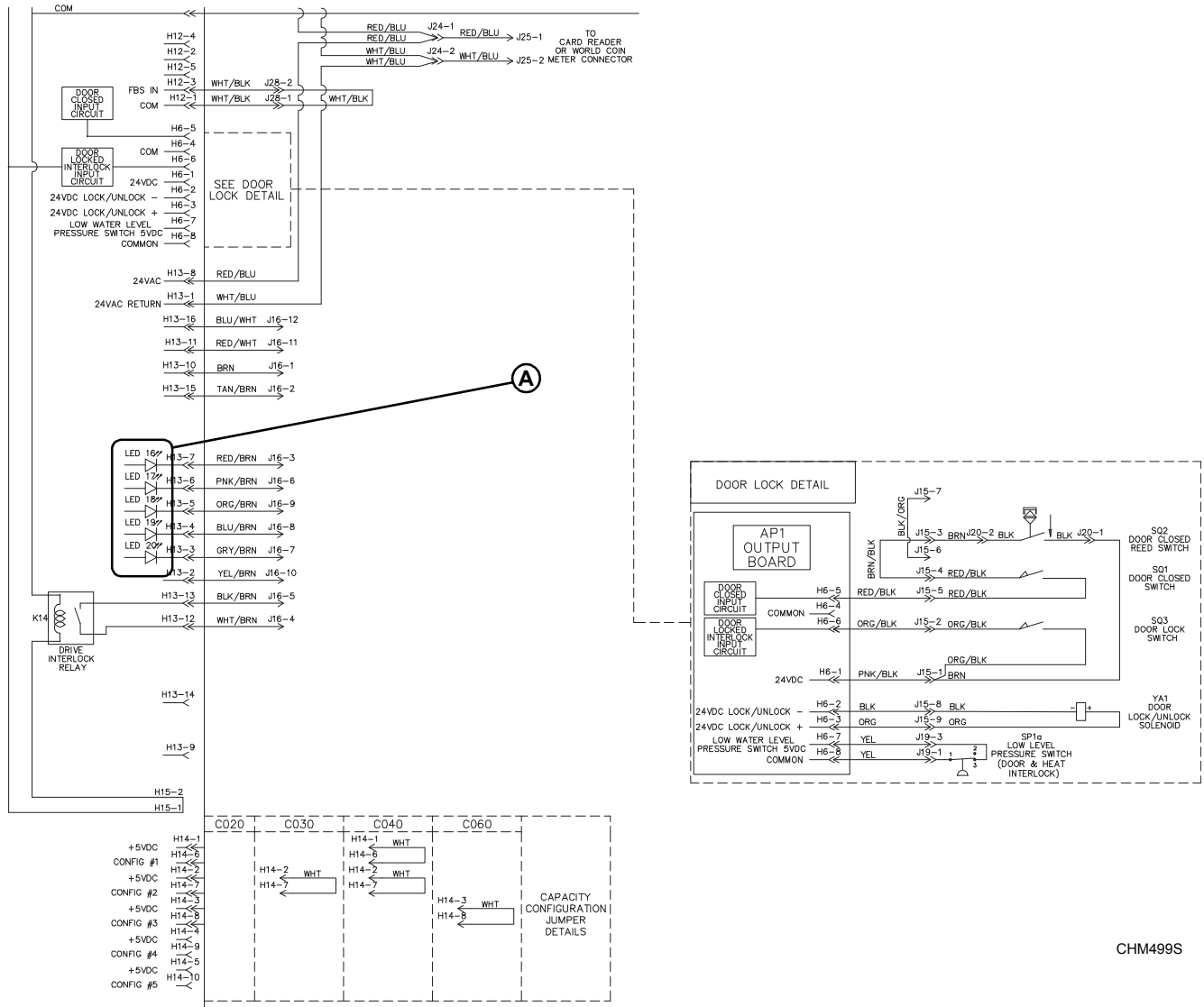
CHM474S

### 13. No Extract (F and V-speed Models)



CHM467S

## No Extract (F and V-speed Models)

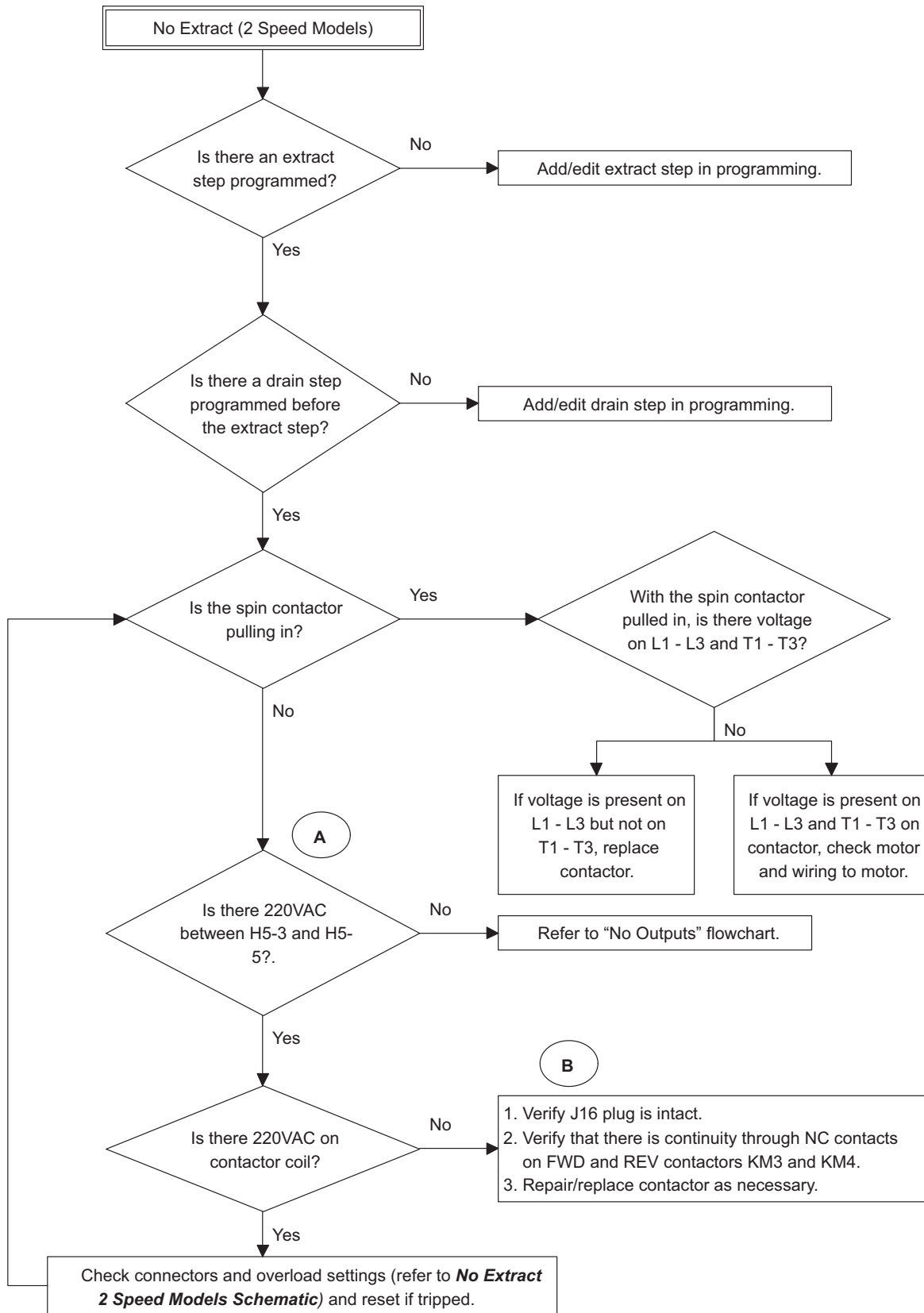


CHM499S

**NOTE: Refer to the wiring diagram supplied with your machine.**

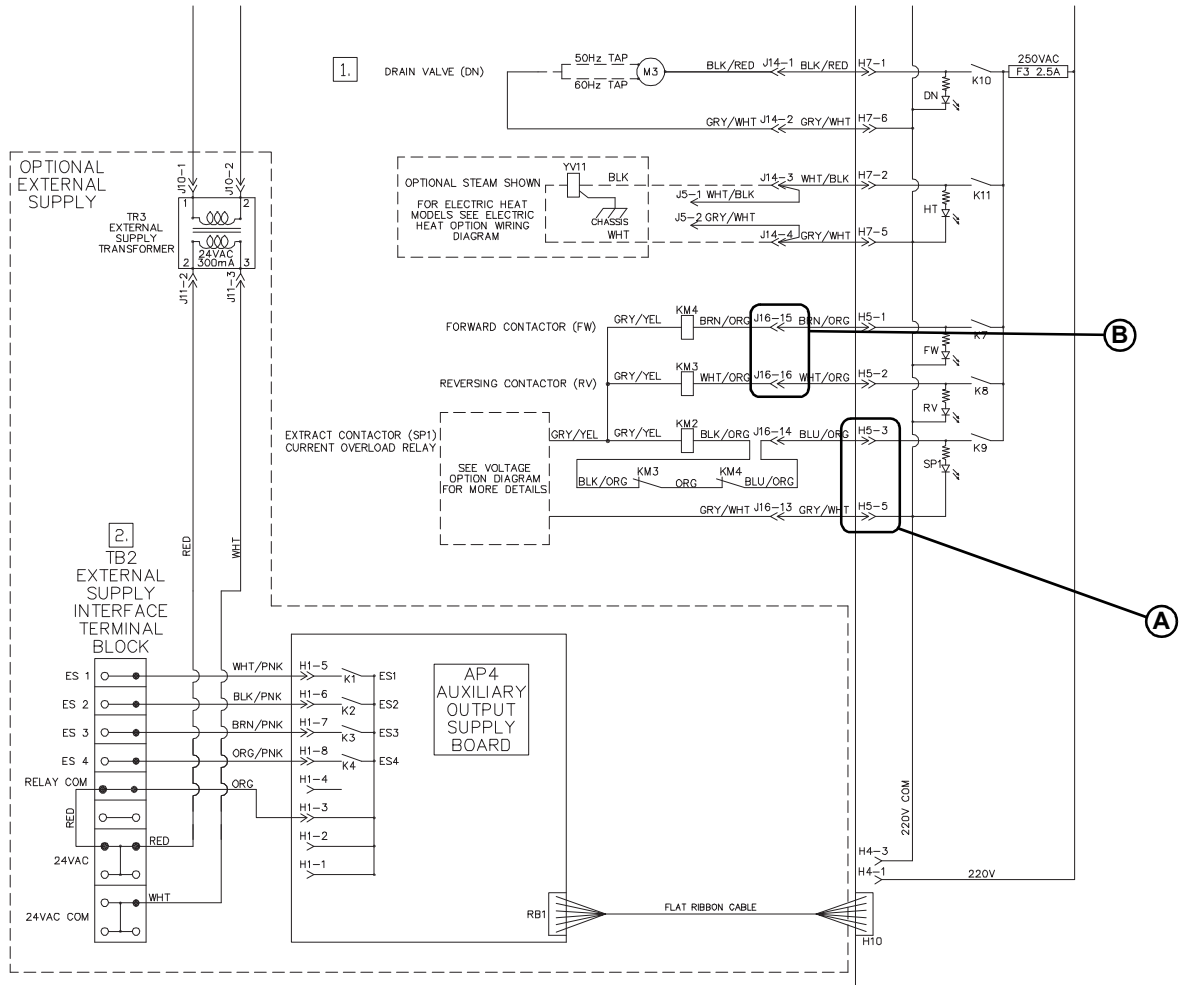


### 14. No Extract (2 Speed Models)



CHM469S

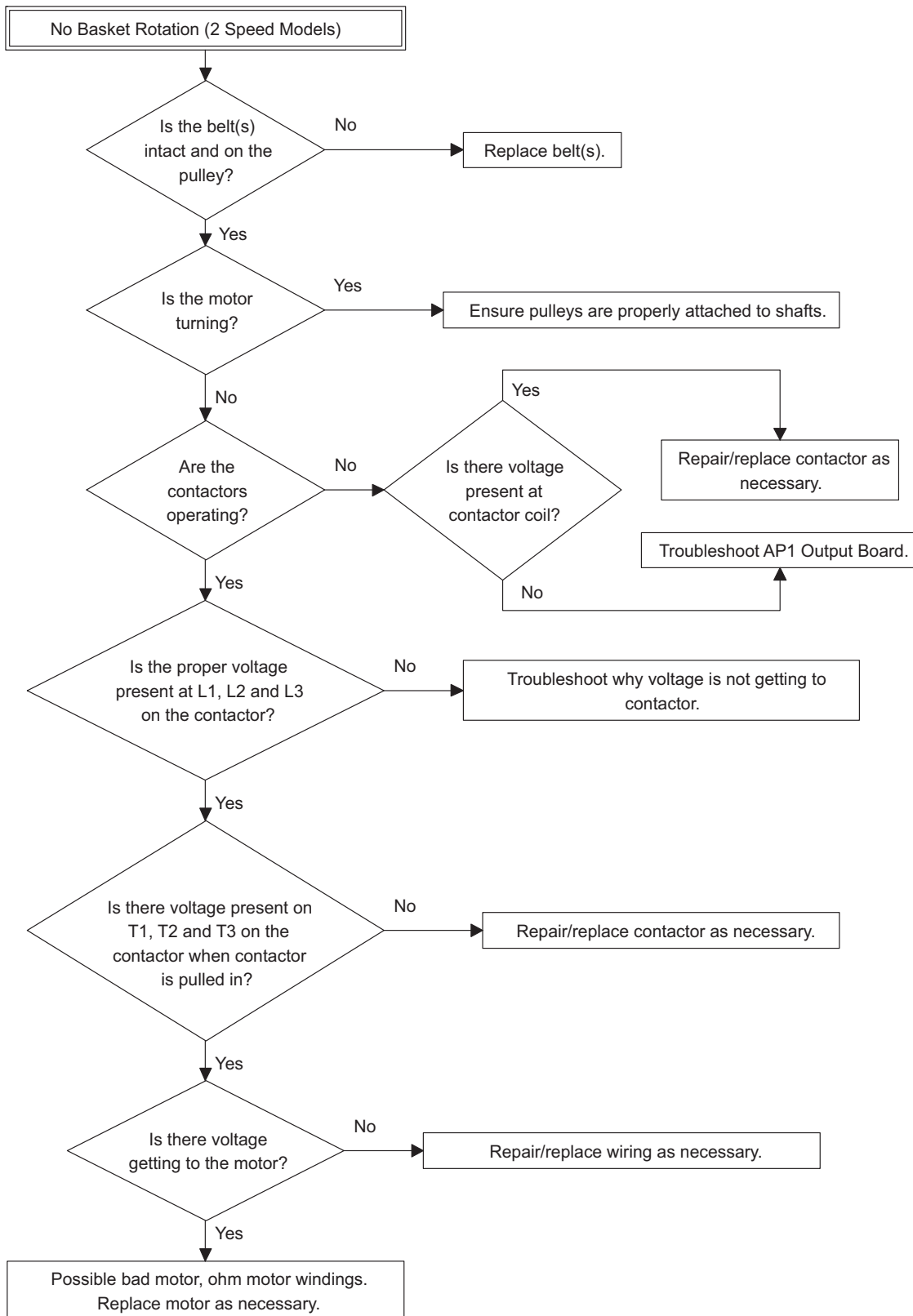
## No Extract (2 Speed Models)



CHM498S

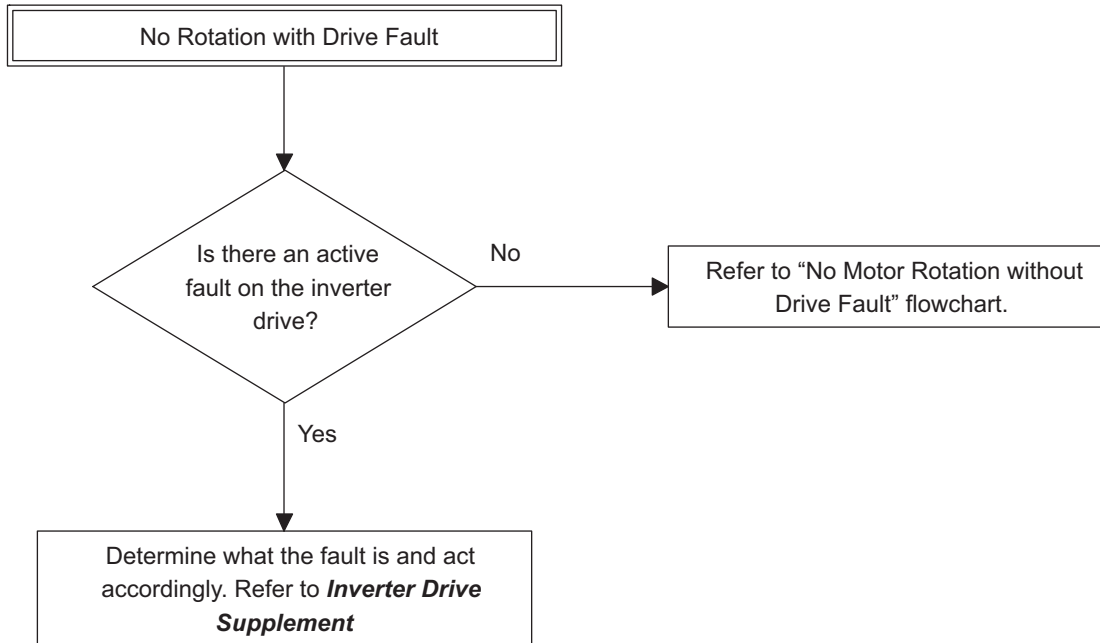
**NOTE: Refer to the wiring diagram supplied with your machine.**

## 15. No Basket Rotation (2 Speed Models)



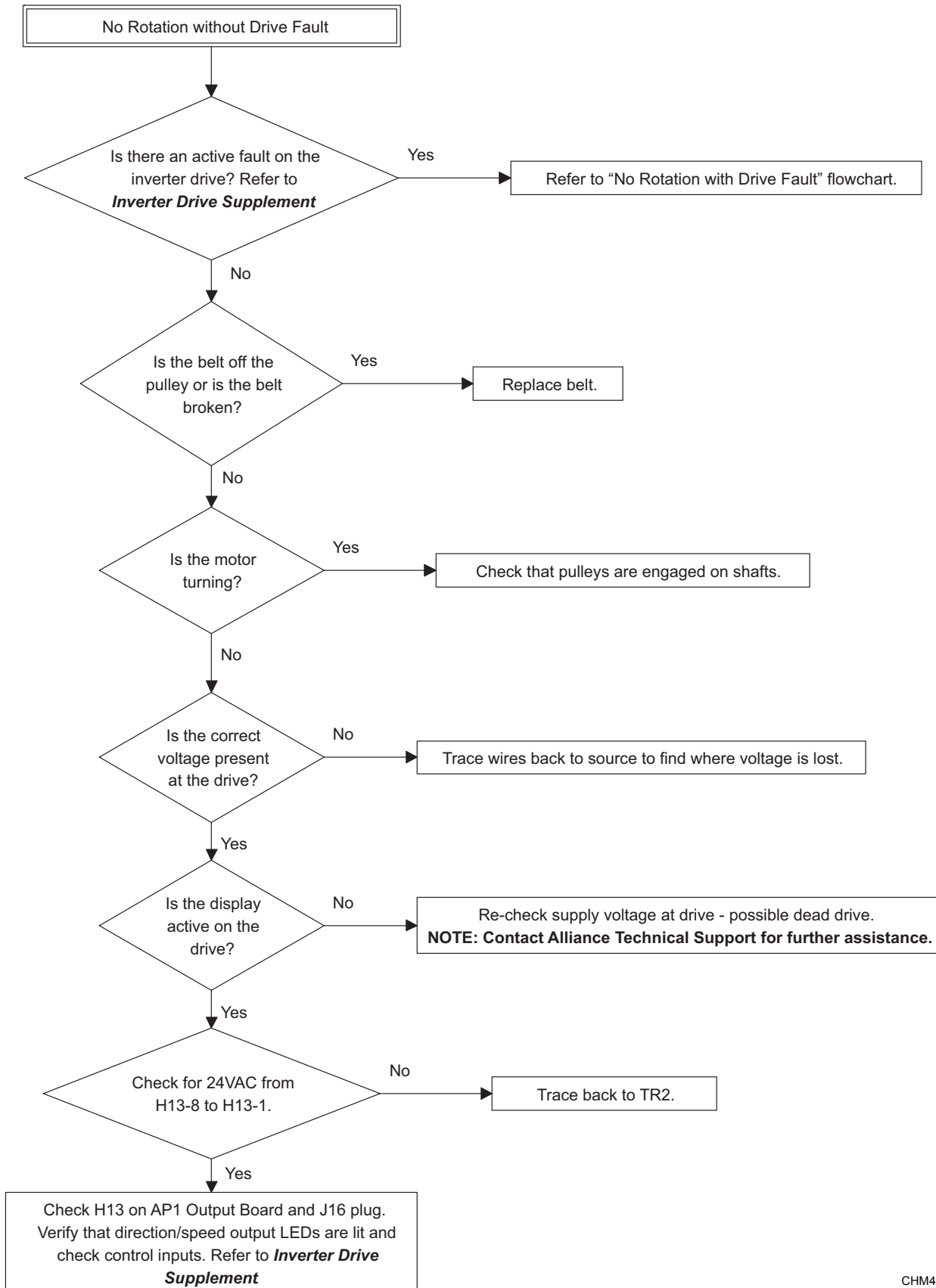
CHM478S

## 16. No Rotation with Drive Fault



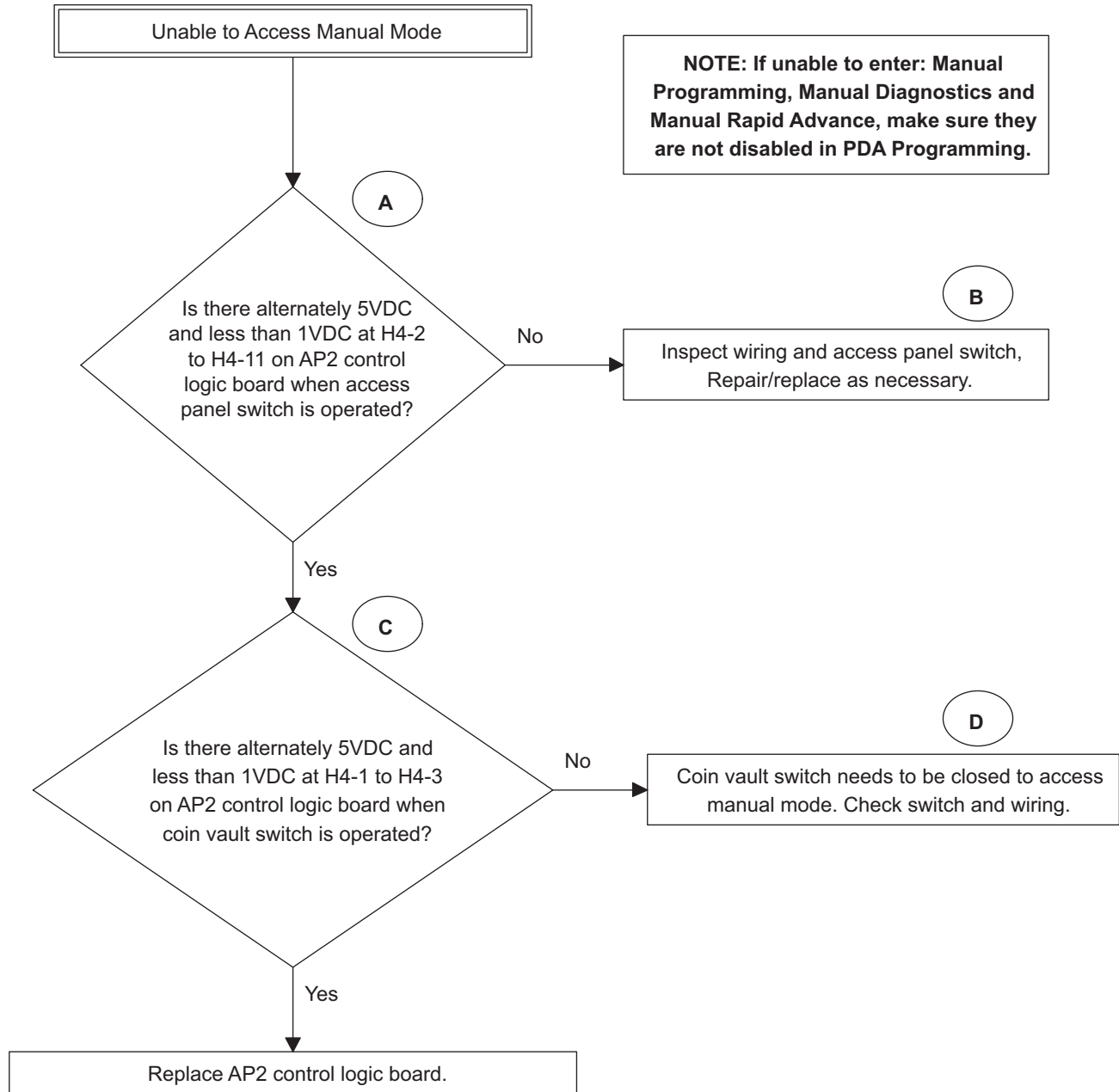
CHM475S

## 17. No Rotation without Drive Fault



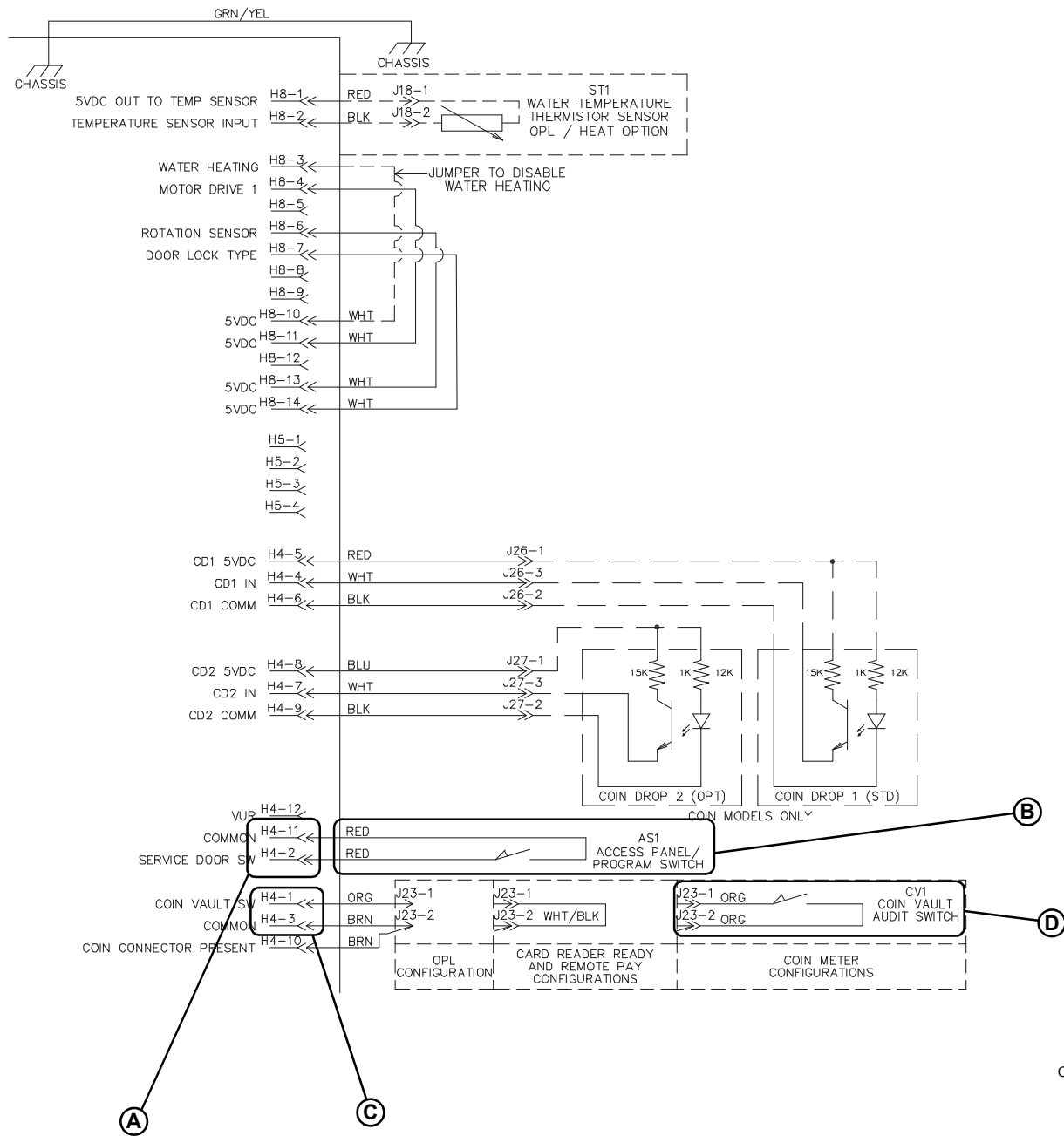
CHM476S

### 18. Unable to Access Manual Mode



CHM466S

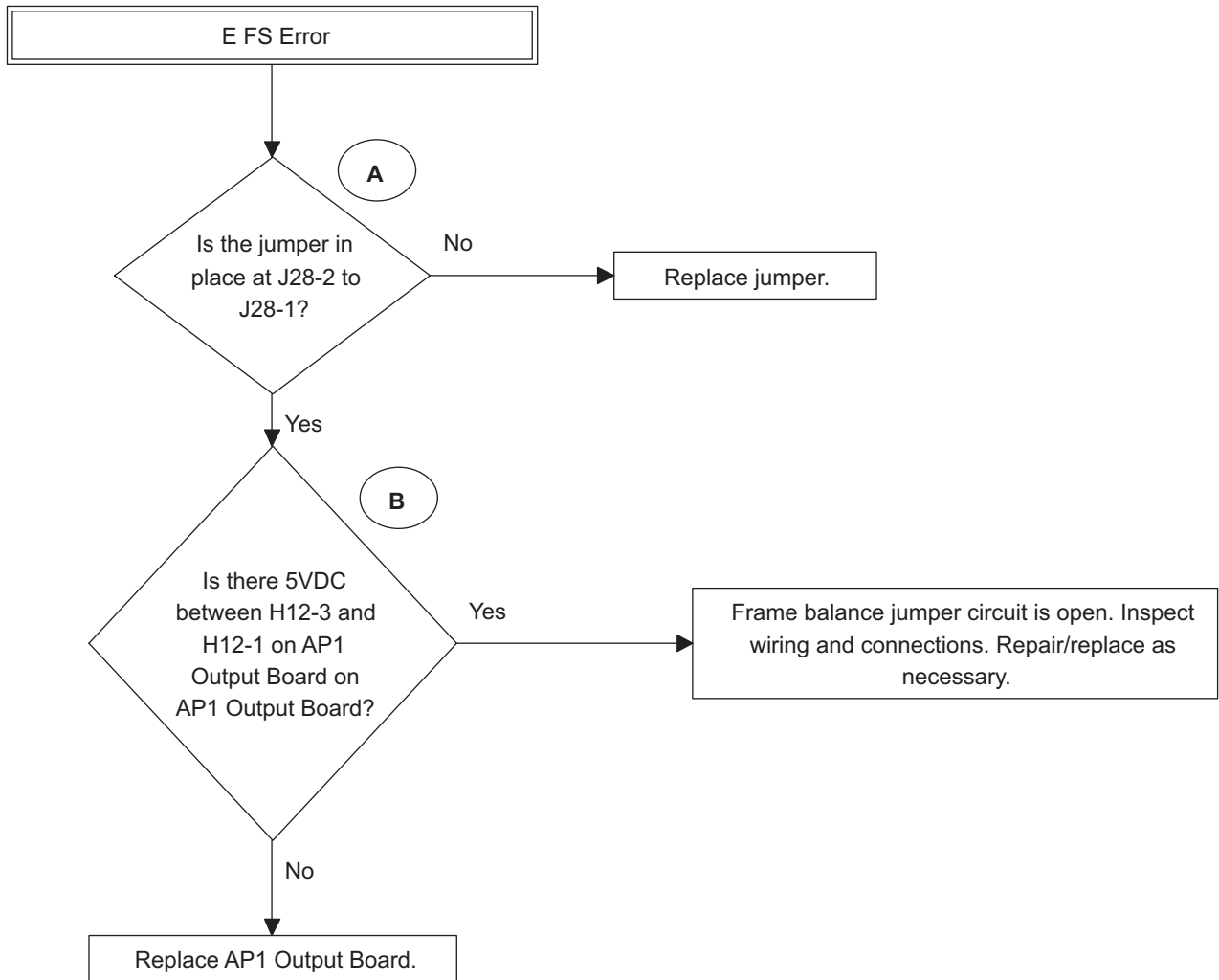
## Unable to Access Manual Mode



CHM501S

**NOTE: Refer to the wiring diagram supplied with your machine.**

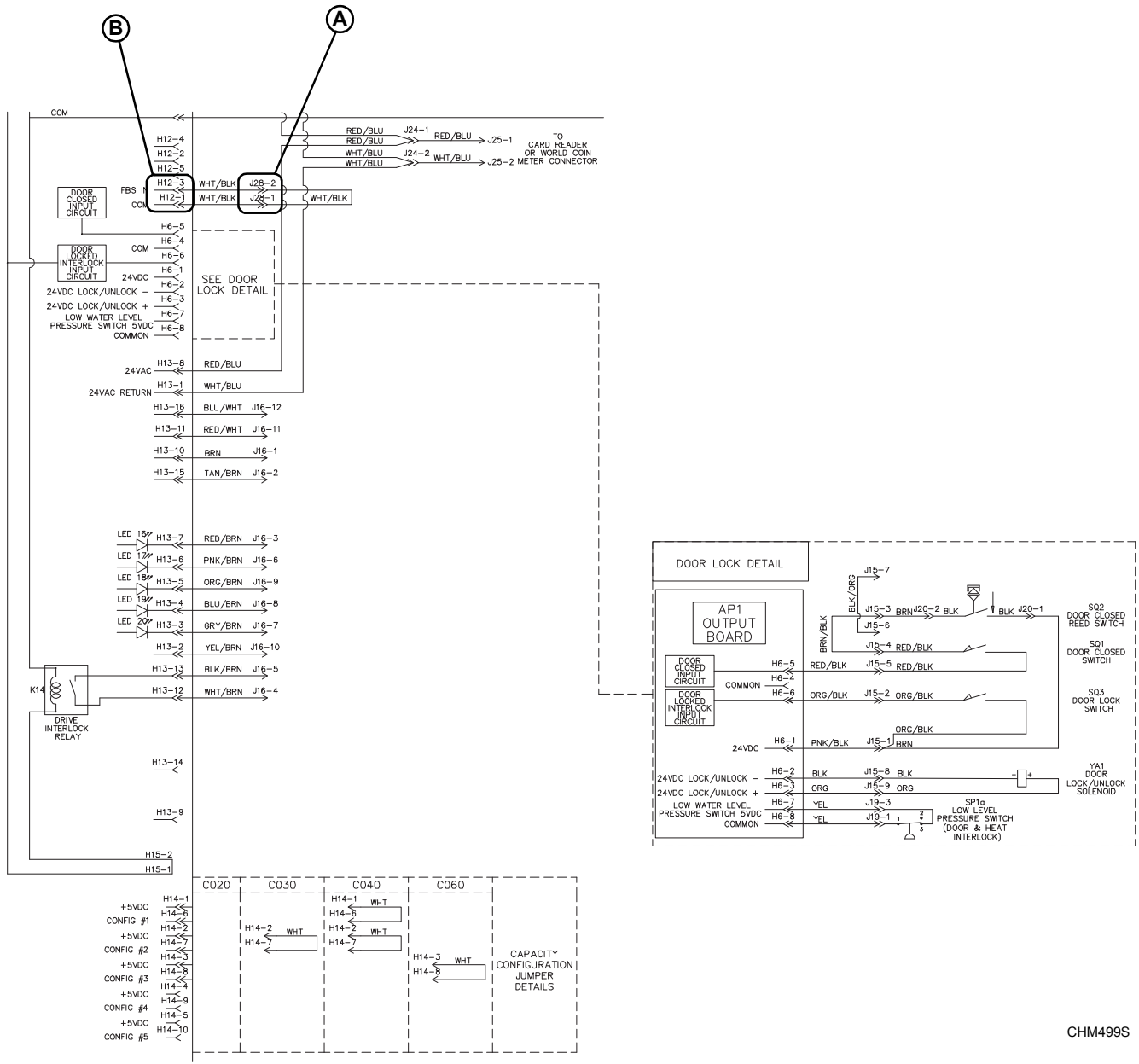
## 19. EFS Error



CHM463S



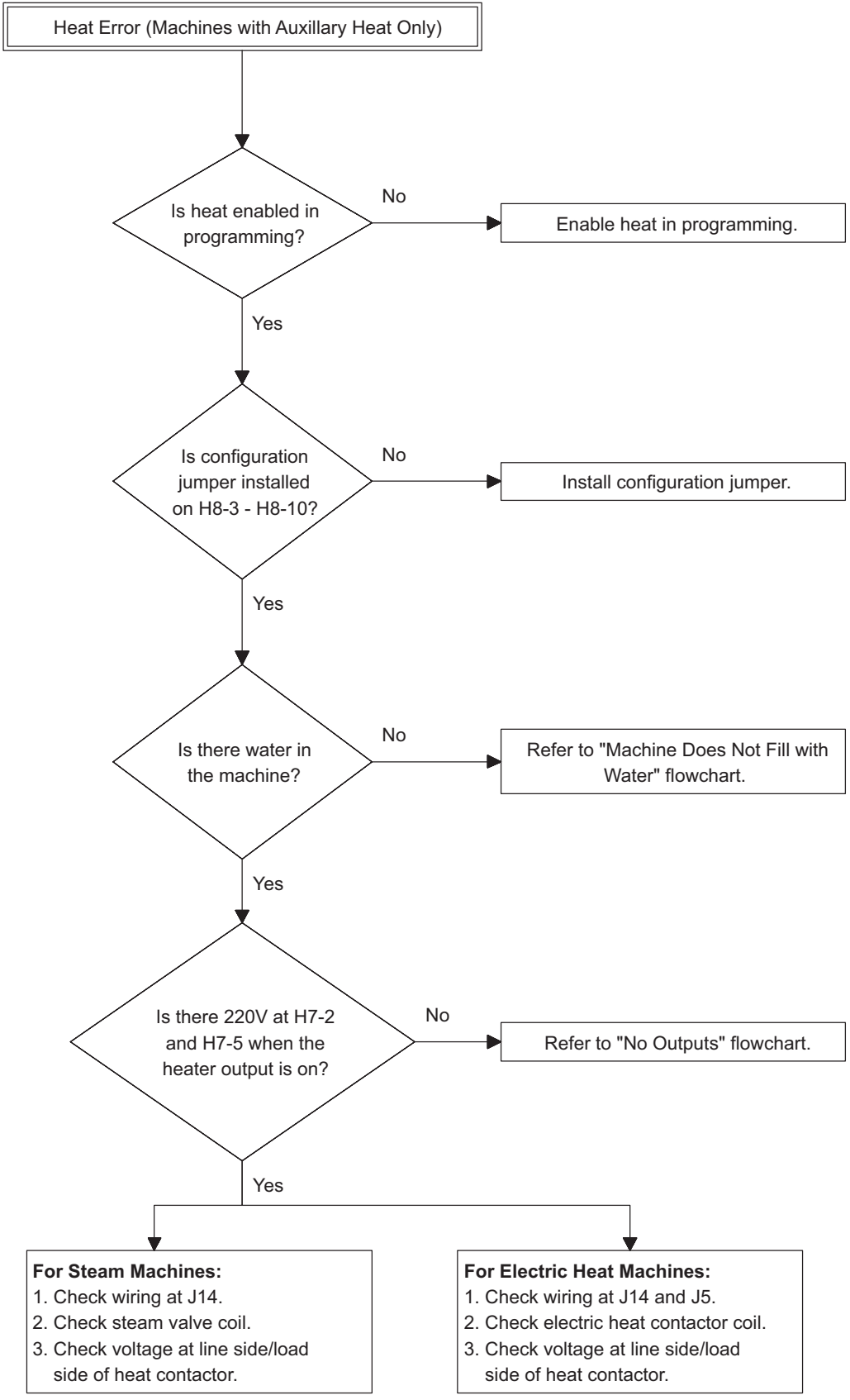
# EFS Error



CHM499S

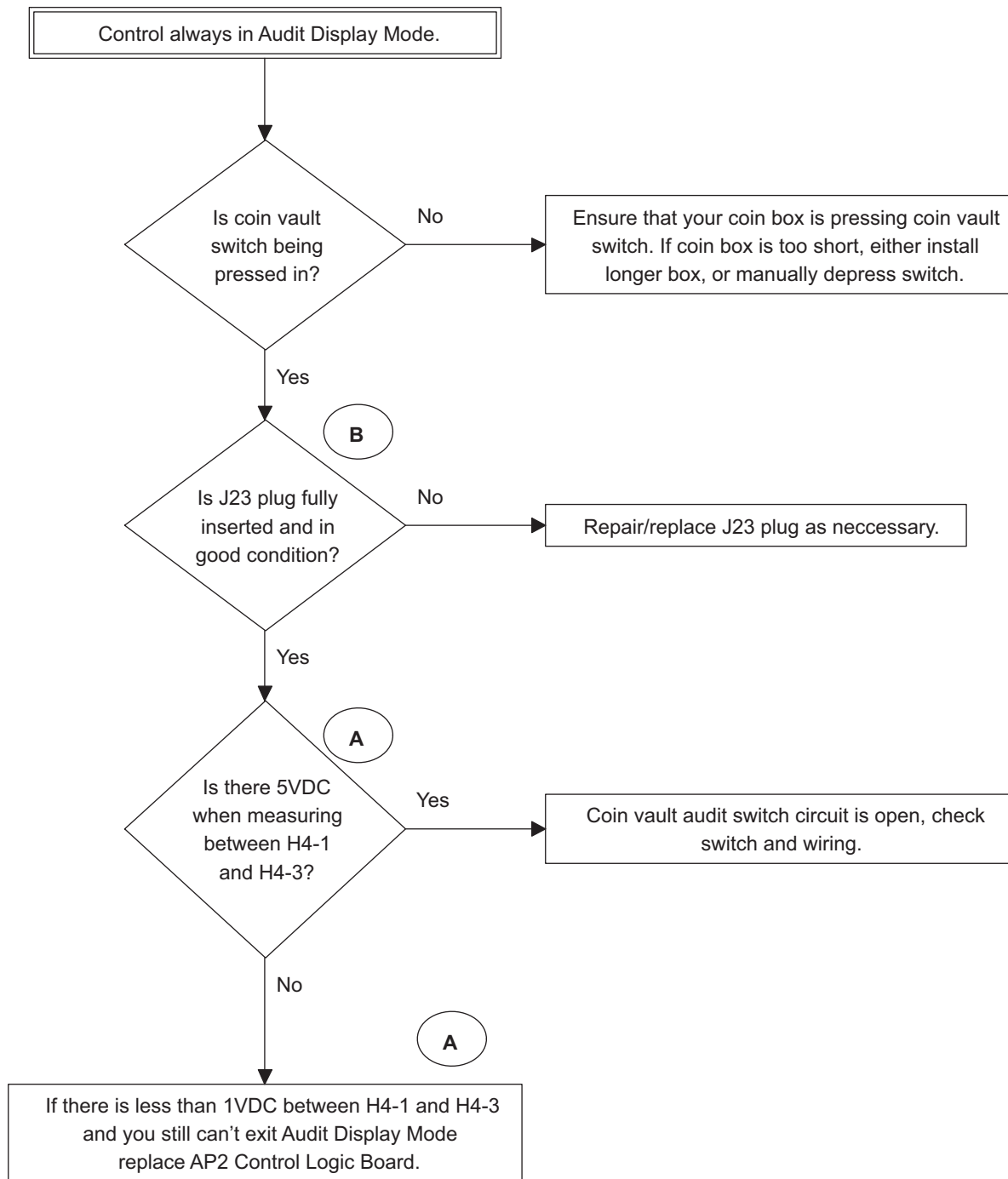
**NOTE: Refer to the wiring diagram supplied with your machine.**

## 20. Heat Error (Machines with Auxillary Heat Only)



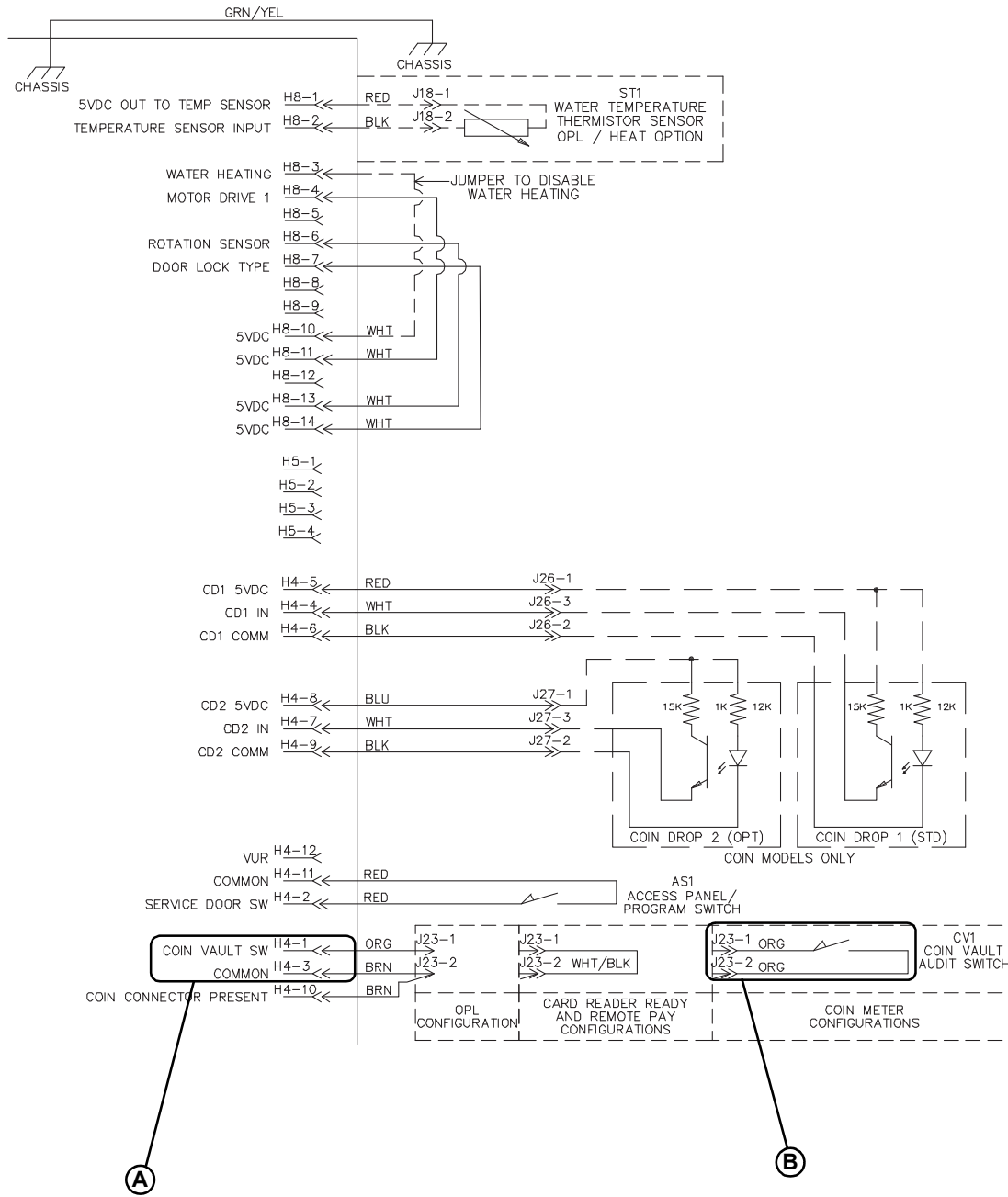
CHM477S

## 21. Control Always in Audit Display Mode



CHM460S

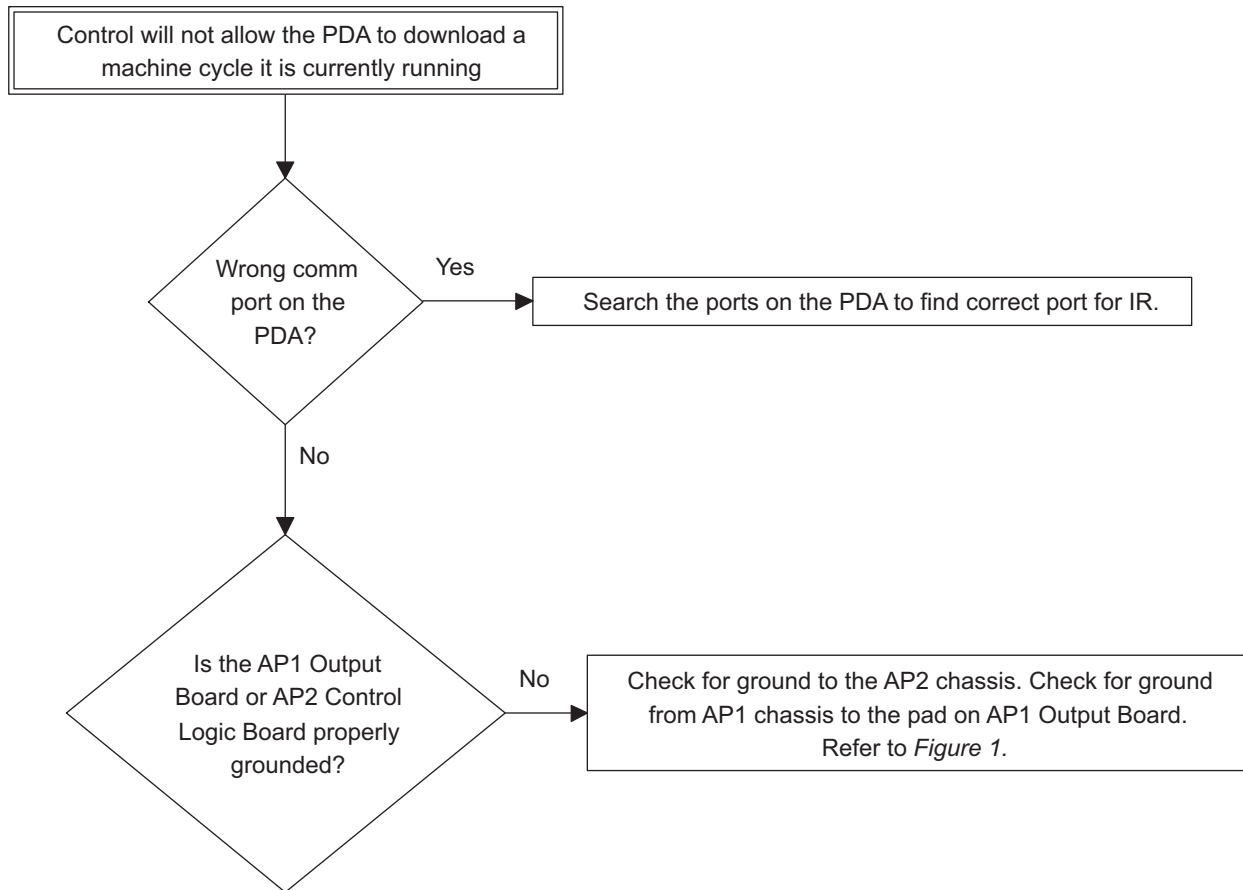
## Control Always in Audit Display Mode



CHM501S

**NOTE: Refer to the wiring diagram supplied with your machine.**

## 22. Control Will Not Allow PDA to Download a Machine Cycle it is Currently Running



CHM468S

## Control Will Not Allow PDA to Download a Machine Cycle it is Currently Running

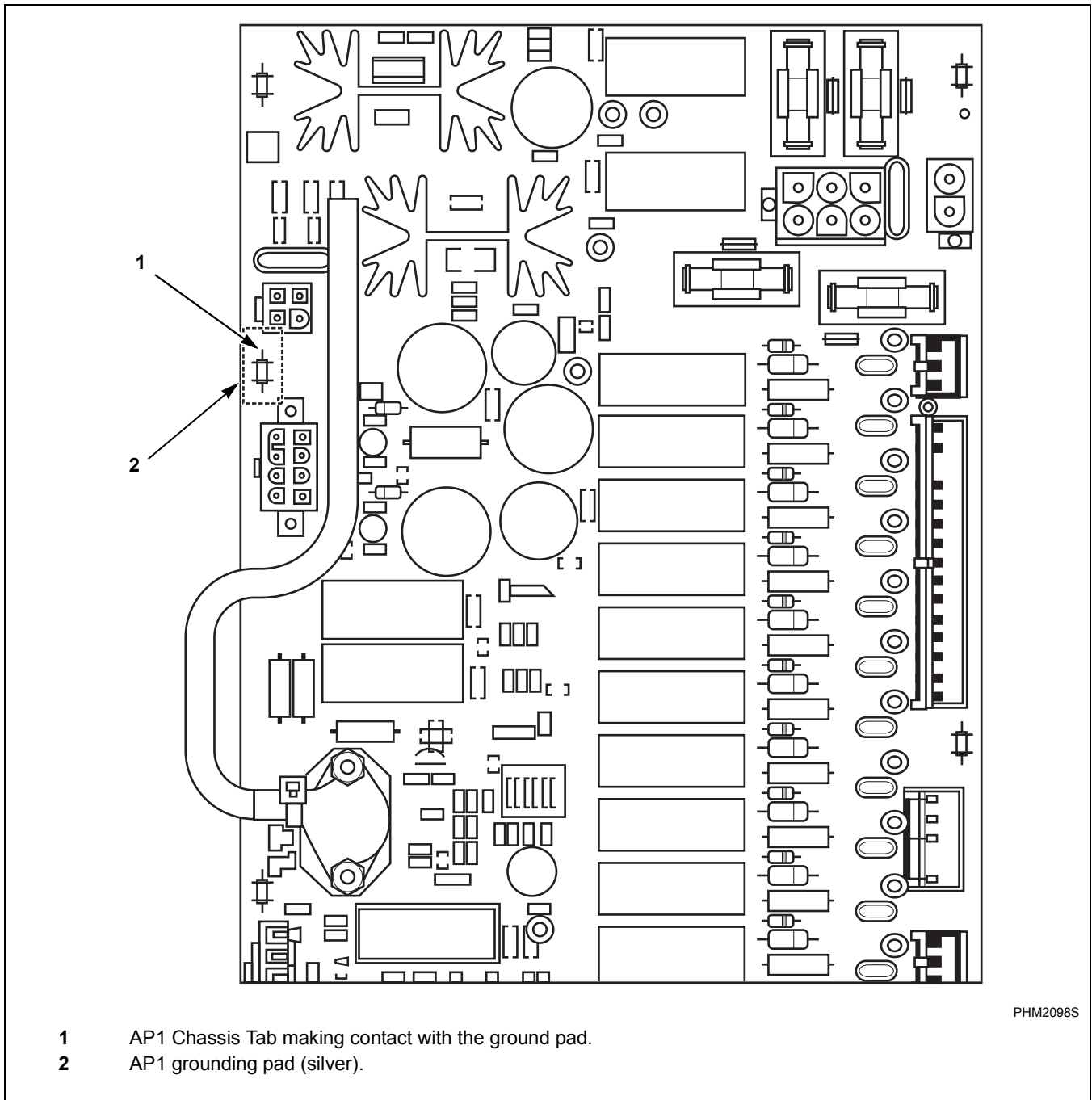


Figure 1