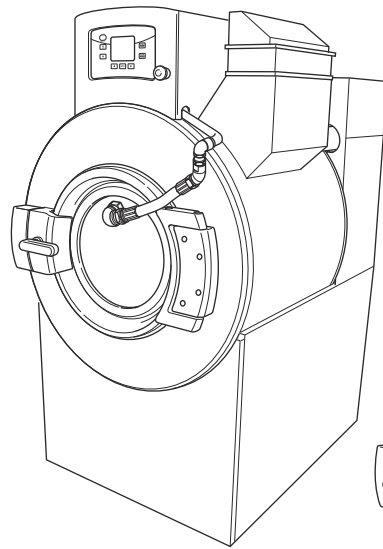


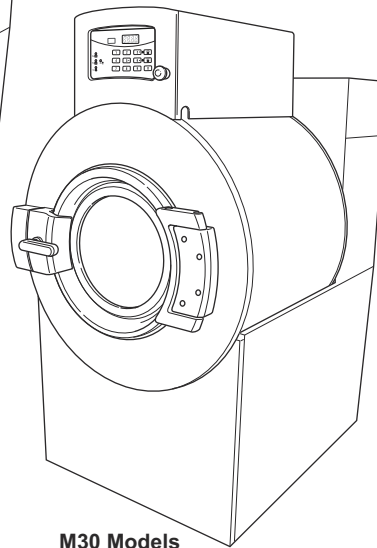
# Washer-Extractor

Pocket Hardmount

Refer to Page 3 for Model Numbers



UniLinc Models



M30 Models

PHM1429C\_F8453401



# Table of Contents

Title	Page
Parts Ordering Information.....	2
Serial Plate Location .....	2
Model Identification .....	3
Pocket Hardmount Washer-Extractor Product Overview .....	4
Control Module (Drawing 1 of 3) .....	6
Control Module (Drawing 2 of 3) .....	8
Control Module (Drawing 3 of 3) .....	10
Inverter Drive Box (Drawing 1 of 2).....	12
Inverter Drive Box (Drawing 2 of 2).....	14
Vibration Switch and Temperature Probe .....	16
Panels .....	18
Drive Box and Water Supply Box.....	20
Spray Tube Assembly .....	22
Door .....	24
Door Lock.....	26
Basket .....	28
Shell and Frame - Models Through Serial No. 1408025253.....	30
Shell and Frame - Models Starting Serial No. 1408025254 Through Serial No. 1408025252.....	32
Shell and Frame - Models Starting Serial No. 1408025253.....	34
Supply Dispenser (Drawing 1 of 2) .....	36
Supply Dispenser (Drawing 2 of 2) .....	38
Chemical Injection.....	40
Water Supply Valve and Hoses to Supply Dispenser .....	42
Fill Plumbing Assembly .....	44
Spray Plumbing Assembly .....	46
Drain .....	48
Motor and Pulley .....	50
Bearing Housing .....	52
Electric Heat Option .....	54
Steam Heat Option .....	56
Special Tools .....	58
Parts Index.....	61

© Copyright 2023, Alliance Laundry Systems LLC

All rights reserved. No part of the contents of this book may be reproduced or transmitted in any form or by any means without the expressed written consent of the publisher.

## Parts Ordering Information

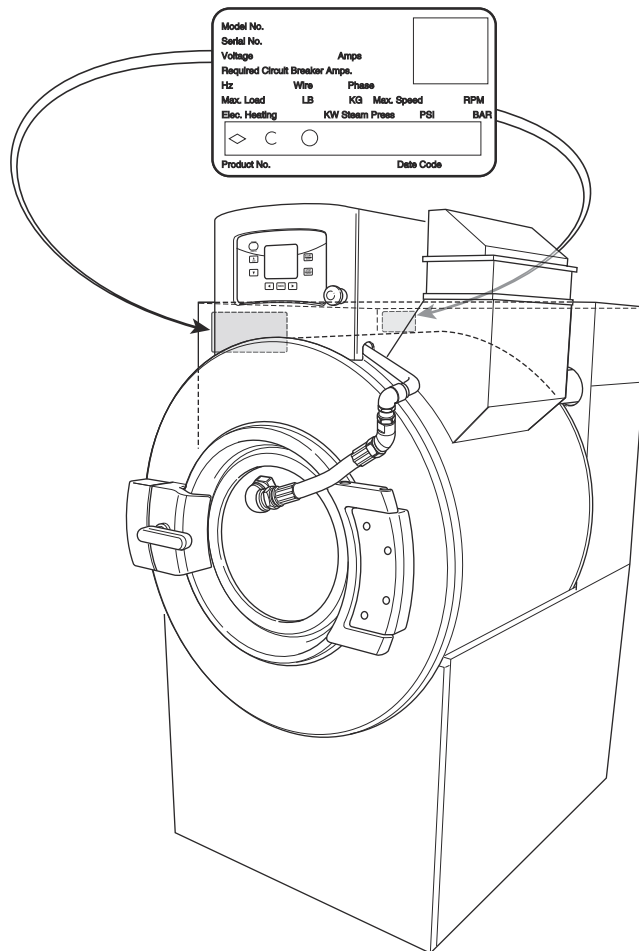
If literature or replacement parts are required, contact the source from whom the machine was purchased or contact Alliance Laundry Systems at (920) 748-3950 for the name and address of the nearest authorized parts distributor.

For technical assistance, call the number listed below:

(920) 748-3121 Ripon, Wisconsin

## Serial Plate Location

When calling or writing about your product, be sure to mention model and serial numbers. Model and serial numbers are located on serial plate(s) as shown.



PHM3254P\_F8453401

## Model Identification

Information in this manual is applicable to these washer-extractor models:

NWL045T3V	UWL045K1L	UWN045K1L	UWU045K1L
NWL045T4V	UWL045K1M	UWN045K1M	UWU045K1M
NWL065T3V	UWL045K2L	UWN045K2L	UWU045K2L
NWL065T4V	UWL045K2M	UWN045K2M	UWU045K2M
UWH045K1L	UWL045T3L	UWN045T3L	UWU045T3L
UWH045K1M	UWL045T3M	UWN045T3V	UWU045T3V
UWH045K2L	UWL045T3V	UWN045T4L	UWU045T4L
UWH045K2M	UWL045T4L	UWN045T4V	UWU045T4V
UWH045T3L	UWL045T4V	UWN065K1L	UWU065K1L
UWH045T3V	UWL065K1L	UWN065K1M	UWU065K1M
UWH045T4L	UWL065K1M	UWN065K2L	UWU065K2L
UWH045T4V	UWL065K2L	UWN065K2M	UWU065K2M
UWH065K1L	UWL065K2M	UWN065T3L	UWU065T3L
UWH065K1M	UWL065T3L	UWN065T3M	UWU065T3M
UWH065K2L	UWL065T3M	UWN065T3V	UWU065T3V
UWH065K2M	UWL065T3V	UWN065T4L	UWU065T4L
UWH065T3L	UWL065T4L	UWN065T4M	UWU065T4M
UWH065T3M	UWL065T4M	UWN065T4V	UWU065T4V
UWH065T3V	UWL065T4V		
UWH065T4L			
UWH065T4M			
UWH065T4V			

# Pocket Hardmount Washer-Extractor Product Overview

Model No. **UWN060T3VXU1001**

Serial No. **0000000000**

Voltage **200 – 240** Hz **50-60** Phase **3**

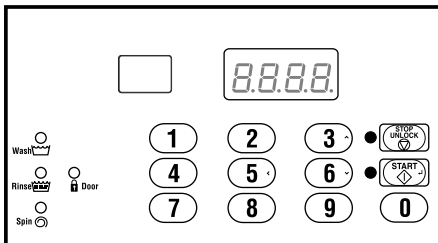
Number of wires : **3** FLA : **19** amps

Circuit Breaker Size : **30** amps

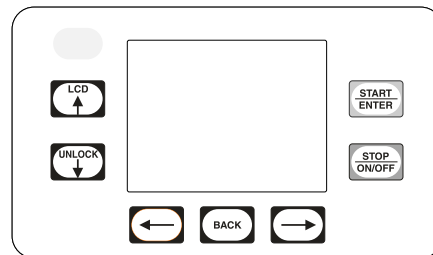
Max. Load : **60** LB **27** KG

Schematic :

Supply Water: **30 - 85** psi, **2 - 5.7** BAR



**M30 Control**



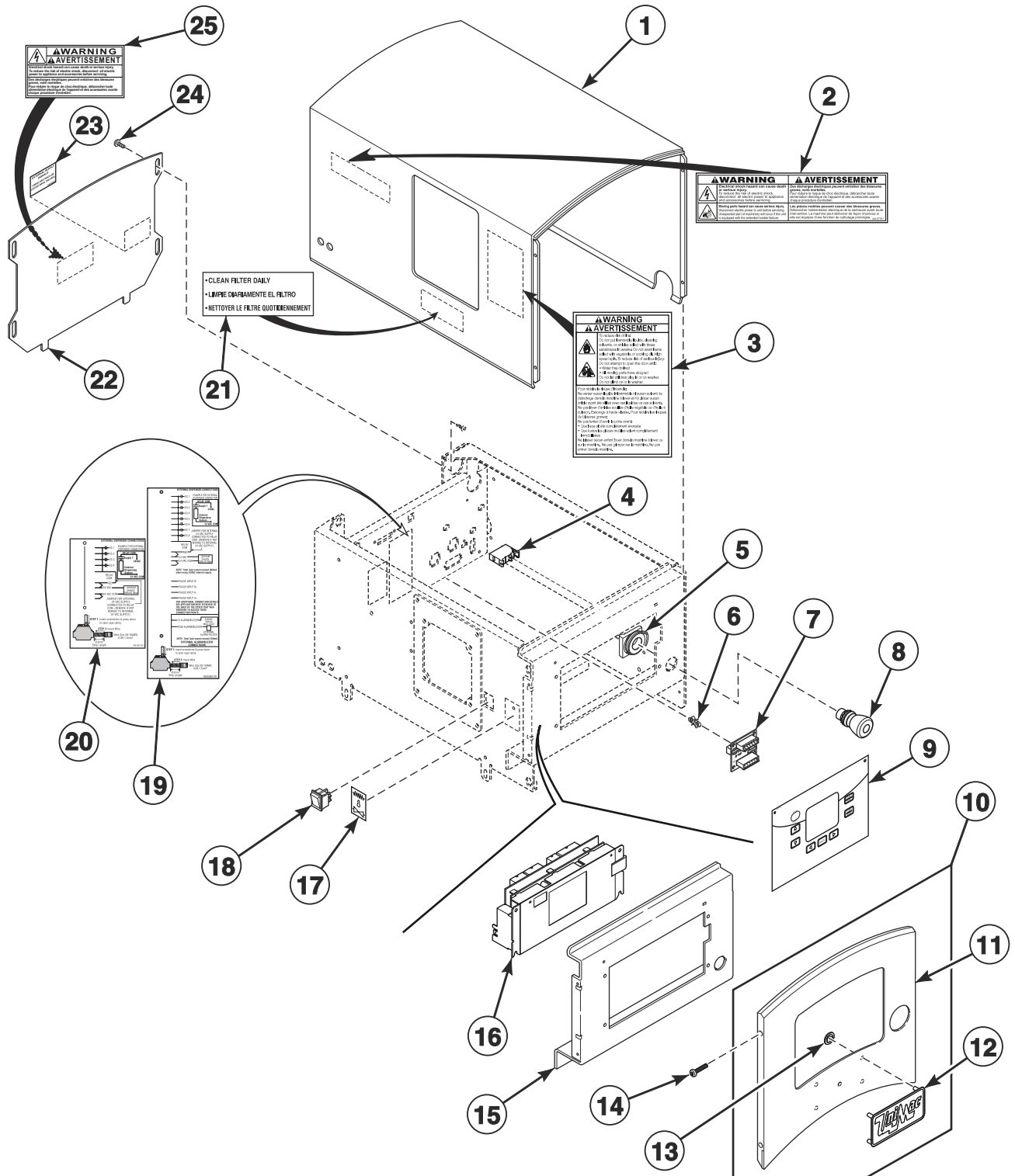
**UniLinc Control**

PHM3063P\_F8453401

# Pocket Hardmount Washer-Extractor Product Overview

REF	PART NO.	DESCRIPTION	COMMENTS
1	-	Product Family	NW UW
2	-	Market Approvals	H (China-ROHS ETL) N (Domestic ETL) L (International ETL) U (International CE/EAC)
3	-	Capacity (Dry Weight in Pounds)	045 065
4	-	Control	K (M30 Control) T (UniLinc Control)
5	-	Spray/Dispenser Feature	1 (No spray but with dispenser) 2 (No spray or dispenser) 3 (With spray and dispenser) 4 (With spray but no dispenser)
6	-	Speed	L (Low-Speed - 100G) M (Medium-Speed - 200G) V (Variable-Speed - 400G)
7	-	Voltage	O (208/220-240/60/3/3) X (200-208/220/240/50/60/1/3) Q (200-208/220-240/50/60/3) P (380-415/50/60/3) N (440-480/50/60/3)
8	-	OEM	U
9	-	Design Series	4
10	-	Heat Feature	0 (Standard) D (Direct steam) E (Electric heat) P (Prep for steam heat)
11	-	Features and Options	

# Control Module (Drawing 1 of 3)



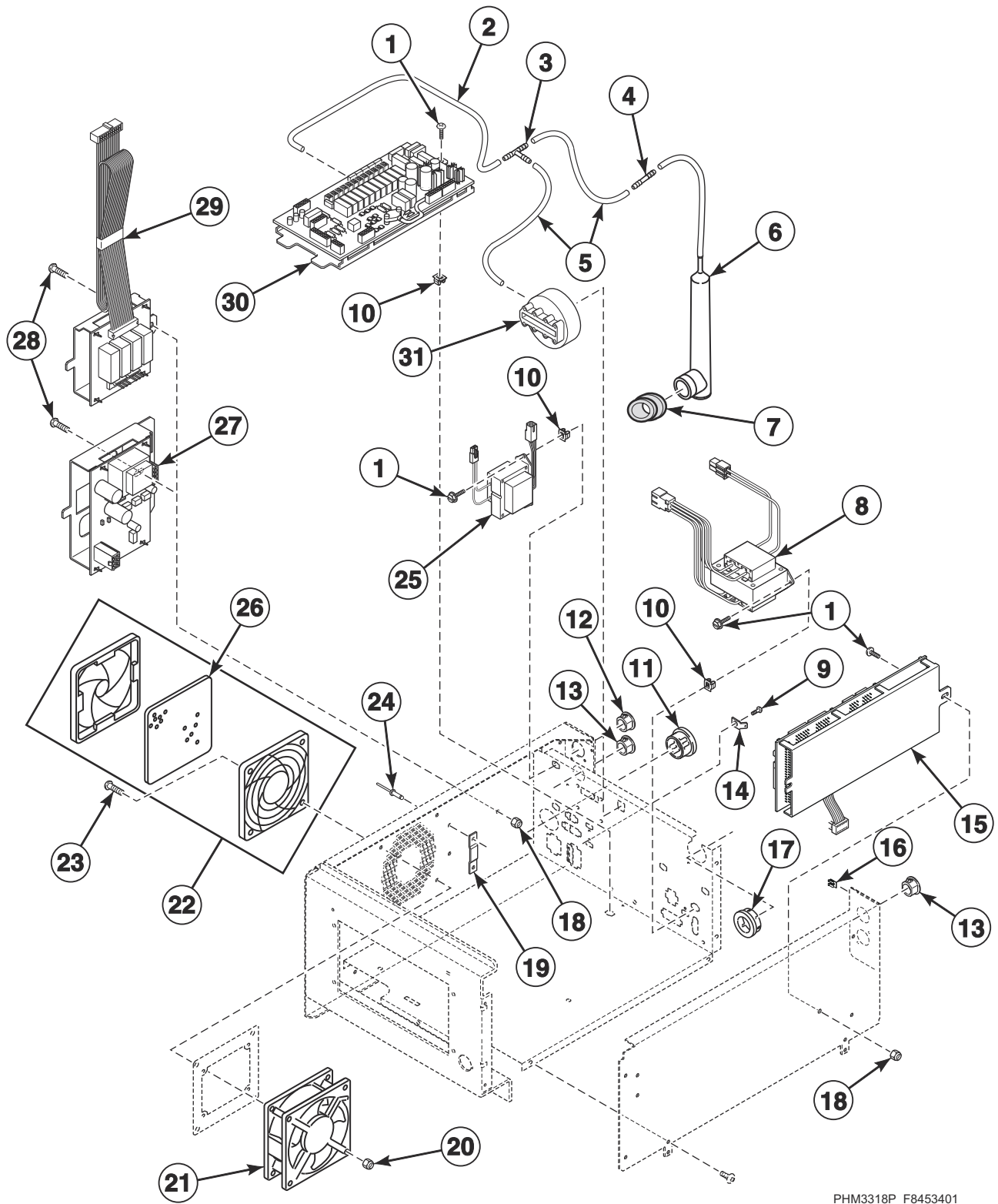
PHM3277P\_F8453401



## Control Module (Drawing 1 of 3)

REF	PART NO.	DESCRIPTION	COMMENTS	
	F8028701	Output/Logic Harness		
1	F8412501P	Module Box Panel Kit	45 pound models; Top; Includes item 3	
	F8412502P	Module Box Panel Kit	65 pound models; Top; Includes item 3	
2	F8211201	Electrical Shock Label	UWU models	
	F8615701	Pinch Warning Label	UWU models	
	44324001	Warning Label	Disconnect power; All other models	
3	F8428701	Warning Label	Reduce fire risk	
4	F8069501	Contact Switch		
5	F8538101	Contact Base		
6	210098	PC Board Standoff	Network models	
7	210095P	Communication Board	Network models	
	NK205	Network Retrofit Kit	Includes item 6, 203028 Network Board Assembly, 210099 Communication Connector, 430497 Screw, 44088501 Network Wire Harness Assembly and 800246 Communication Wire Harness Assembly	
	NK220	Network Controller Kit	Network models	
	NK301	Wireless Network Kit		
	NK320	Ethernet Gateway Kit	Used with NK301 Wireless Network Kit	
	NK330	USB Gateway Kit	Used with NK301 Wireless Network Kit	
	8	F200233500	Emergency Stop Pushbutton	
	9	F8237101	Control Module Decal	UW models with a T in the 7th position
F8383101		Control Module Decal	UW models with a K in the 7th position	
F8551301		Overlay	NW models with a T in the 7th position	
10	F8410301P	Module Box Panel Kit	Front; Includes items 11-13	
11	F8410301	Module Box Panel	Front	
12	F8443101	Logo		
13	M400977	Nut		
14	F8117601	Screw		
15	F8408601	Control Panel Assembly	Front	
16	F119P3	Control Kit	L-speed models with a K in the 7th position	
	F123P3	Control Kit	L-speed models with a T in the 7th position	
	F101P3	Control Kit	M-speed models with a K in the 7th position	
	F122P3	Control Kit	M-speed models with a T in the 7th position	
	F100P3	Control Kit	V-speed models with a T in the 7th position	
17	F8368301	Steam-Electric Switch Label	Dual heat	
18	F8367701	Rocker Switch	Dual heat	
19	F8161701	External Supply Label	Models with a K in the 7th position	
20	F8059801	External Supply Connection Decal	Models with a T in the 7th position	
21	F200061000	Clean Filter Daily Decal		
22	F8408901	Module Box Panel	Rear	
23	F8150201	External Supply Connection Decal		
24	F430174	Screw		
25	F8211201	Electrical Shock Label	UWU models	
	F8233501	Warning Label	Shock; All other models	

# Control Module (Drawing 2 of 3)

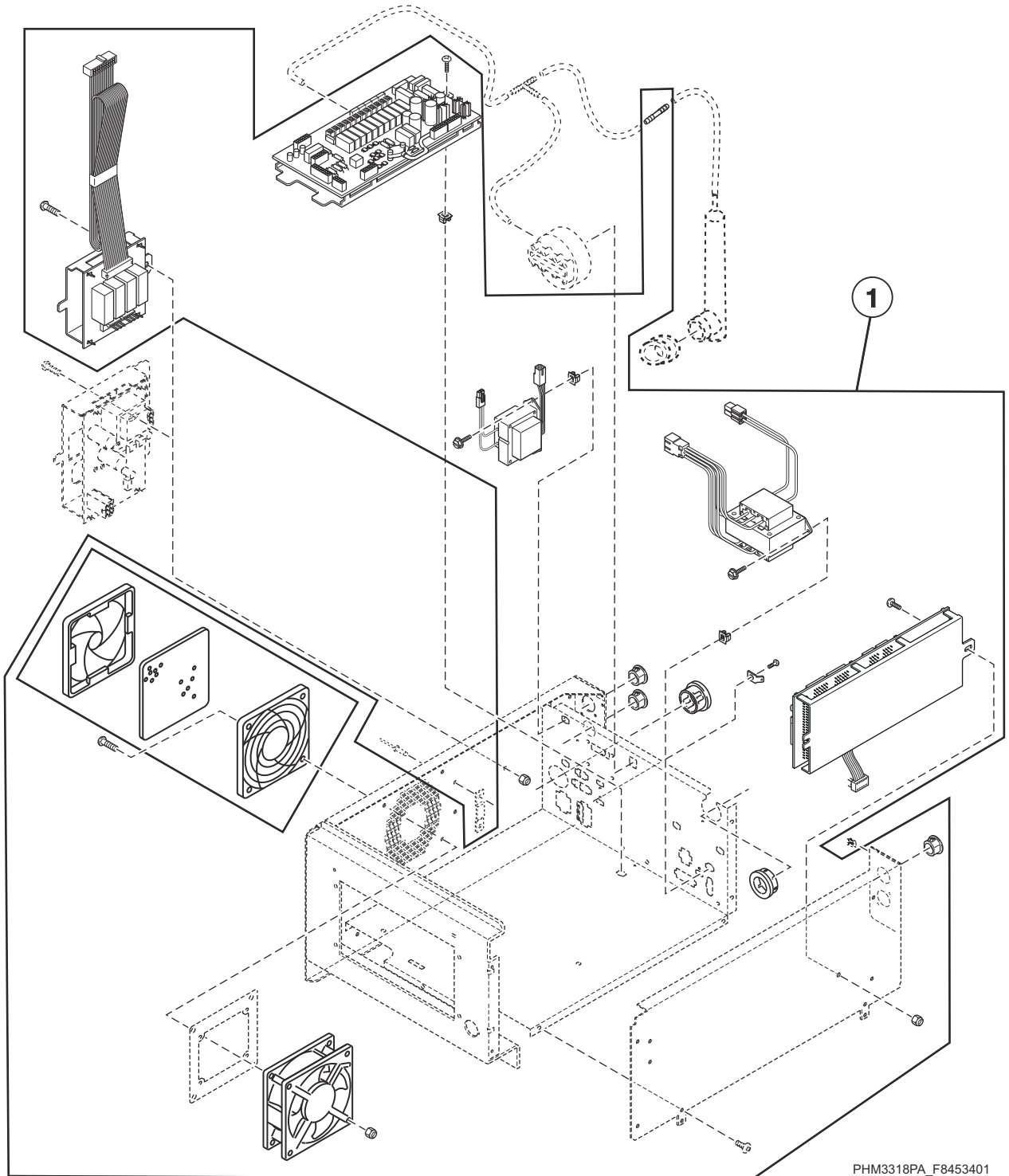


PHM3318P\_F8453401

## Control Module (Drawing 2 of 3)

REF	PART NO.	DESCRIPTION	COMMENTS
	F8385103	Communication Cable	
	F8028109	CFG Harness	
	44088501P	Network Wire Harness Assembly	
	F8367801	Power Harness	Dual heat
	F8060401P	Power Harness	All other models
	F8030101P	Drive Control Harness	
	F8158801P	Interlock Switch Harness	Models with a K in the 7th position
	F8030501P	Interlock Switch Harness	Models with a T in the 7th position
	M413506	Jumper Harness Assembly	208 Volt
	M413507	Jumper Configuration Assembly	240 Volt
	F8028701	Output/Logic Harness	
<b>1</b>	F8206901	Screw	
<b>2</b>	F8153901	Tubing	
<b>3</b>	F8246601	Tee	
<b>4</b>	F422500	Connector	
<b>5</b>	F8339601	Tubing	
<b>6</b>	205241	Pressure Bulb	
<b>7</b>	F8433001	Grommet	
<b>8</b>	803527P	Transformer	Machine control voltage
<b>9</b>	51780	Screw	
<b>10</b>	70030501	Expansion Clip	
<b>11</b>	M402542	Snap Bushing	
<b>12</b>	F8223901	Plug	
<b>13</b>	M400985	Plug	
<b>14</b>	00177	Male Tab Terminal	
<b>15</b>	F8108501P	Output Assembly	
<b>16</b>	M400984	Clip	
<b>17</b>	70346501	Bushing	
<b>18</b>	F430232	Nut	
<b>19</b>	F8079401	Network Board Bracket	
<b>20</b>	F430231	Nut	
<b>21</b>	F110110	Muffin Fan	
<b>22</b>	F220900	Filter Retainer Guard	Includes item 24
<b>23</b>	F8151201	Screw	
<b>24</b>	F431210	Pop Rivet	
<b>25</b>	201616P	Transformer	External supply
<b>26</b>	F200318900P	Filter	Includes 5 filters
<b>27</b>	201341	Network Board Assembly	Network models
<b>28</b>	F430903	Screw	
<b>29</b>	F8189401P	Auxiliary Control Assembly	Models with a K in the 7th position
<b>30</b>	F980P3	Control Assembly Kit	
	802492	Fuse	5 Amp
	802493	Fuse	2.5 Amp
<b>31</b>	F8404401	Water Pressure Switch	

# Control Module (Drawing 3 of 3)

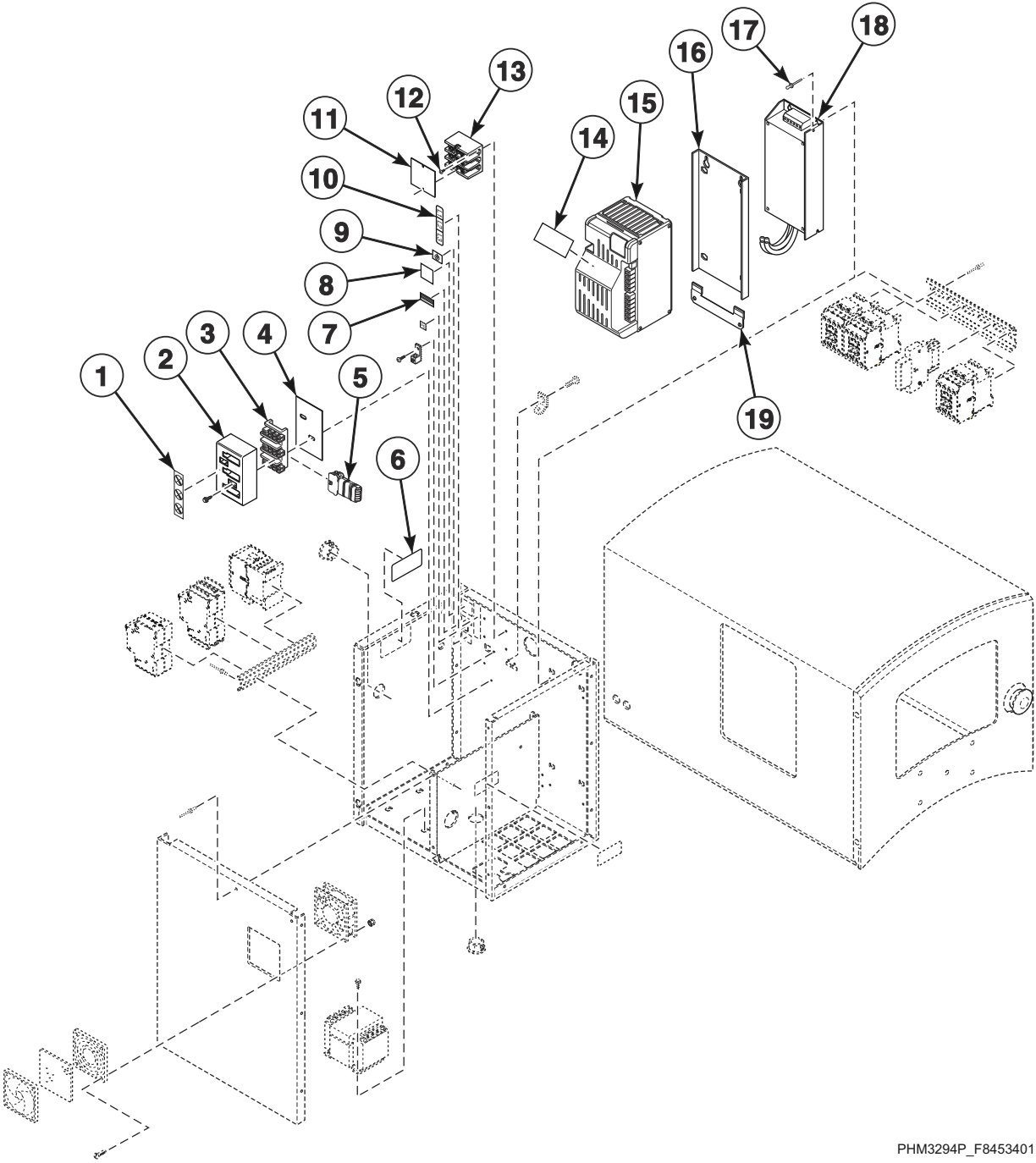


PHM3318PA\_F8453401

## Control Module (Drawing 3 of 3)

REF	PART NO.	DESCRIPTION	COMMENTS
1	F8410402	Module Box Assembly	65 pound M-speed models with a K in the 7th position; Includes F8028701 Output/Logic Harness, F8408601 Control Panel Assembly Front and F8349310 Control Assembly
	F8410401P	Module Box Assembly	65 pound V-speed models with a T in the 7th position; Includes F8028701 Output/Logic Harness, F8408601 Control Panel Assembly Front and F8230101 Control Assembly
	F8410404P	Module Box Assembly	45 pound M-speed models with a K in the 7th position; Includes F8028701 Output/Logic Harness, F8408601 Control Panel Assembly Front and F8349310 Control Assembly
	F8410403P	Module Box Assembly	45 pound V-speed models with a T in the 7th position; Includes F8028701 Output/Logic Harness, F8408601 Control Panel Assembly Front and F8230101 Control Assembly
	F8410405P	Module Box Assembly	65 pound M-speed models with a T in the 7th position; Includes F8028701 Output/Logic Harness, F8408601 Control Panel Assembly Front and F8230102 Control Assembly
	F8410406P	Module Box Assembly	65 pound L-speed models with a K in the 7th position; Includes F8028701 Output/Logic Harness, F8408601 Control Panel Assembly Front and F8349317 Control Assembly
	F8410408P	Module Box Assembly	45 pound L-speed models with a K in the 7th position; Includes F8028701 Output/Logic Harness, F8408601 Control Panel Assembly Front and F8349317 Control Assembly
	F8410409P	Module Box Assembly	65 pound L-speed models with a T in the 7th position; Includes F8028701 Output/Logic Harness, F8408601 Control Panel Assembly Front and F8230103 Control Assembly

# Inverter Drive Box (Drawing 1 of 2)

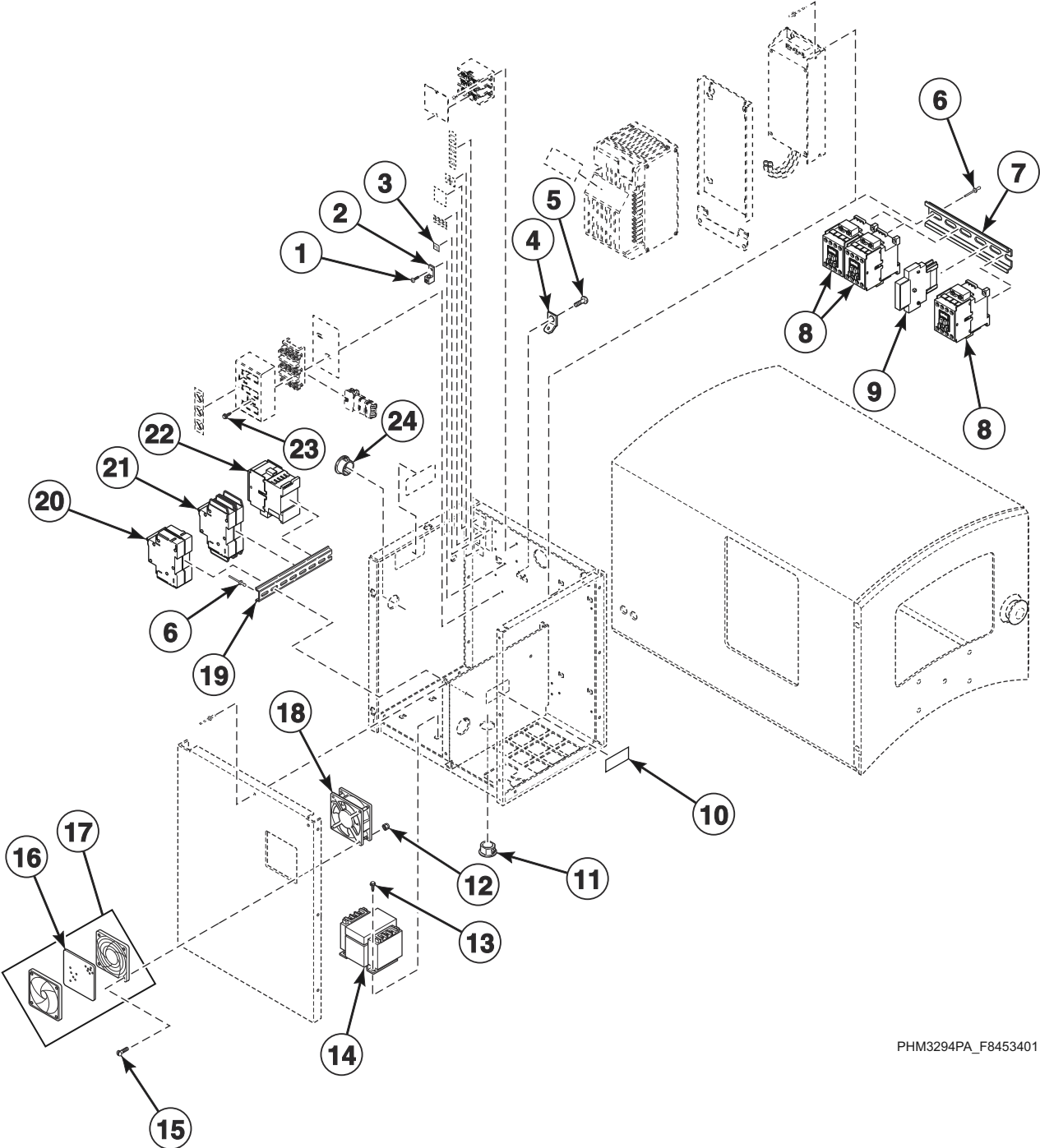


PHM3294P\_F8453401

## Inverter Drive Box (Drawing 1 of 2)

REF	PART NO.	DESCRIPTION	COMMENTS
	F8054601	Electric Heat Harness	Left
	F8054602	Electric Heat Harness	Middle
	F8054603	Electric Heat Harness	Right
	F8060001	Logic Supply Power Harness	
	F8060301	Main Power Harness	
	F8054901	Electric Heat Coils Harness	KM8A
	F8054903	Electric Heat Coils Harness	KM8ABL
	F8385001	Motor Harness	
<b>1</b>	F8345901	Do Not Tamper Label	
<b>2</b>	70333001	Terminal Block Shield	
<b>3</b>	430642	Terminal Block	
<b>4</b>	M413862	Insulator	
<b>5</b>	F8454401	Filter	
	F8454601	Harness	
<b>6</b>	F8211201	Electrical Shock Label	UWU models
	F8615701	Pinch Warning Label	UWU models
	44324001	Warning Label	Shock/pinch; All other models
<b>7</b>	F8242201	Use Copper Conductors Only Caution Label	
<b>8</b>	F230630	Ground Decal	
<b>9</b>	F230739	Ground Decal	
<b>10</b>	70218701	Wire Label	
<b>11</b>	44014901P	Power Distribution Block Cover	Electric heat
<b>12</b>	39733	Screw	Electric heat
<b>13</b>	M413865	Power Distribution Block	Electric heat
<b>14</b>	F8115501	Electric Shock Danger Label	
<b>15</b>	F8204801P	Drive Assembly	240 Volt
	F8303601P	Drive Assembly	480 Volt
	F8385103	Communication Cable	
	F8413401	Main Power Harness	
<b>16</b>	F8386901	Drive Mounting Bracket	Used when item 18 is not present
<b>17</b>	70058501	Pop Rivet	
<b>18</b>	F8053901P	EMI Filter	UWU models; Q and X-voltage
	F8053902	EMI Filter	UWU models; N and P-voltage
	F827P3	EMI Filter Kit	240 Volt
	F828P3	EMI Filter Kit	480 Volt
	F8129001	EMI Filter Power Harness	
<b>19</b>	F8322401	Drive Mounting Bracket	

# Inverter Drive Box (Drawing 2 of 2)



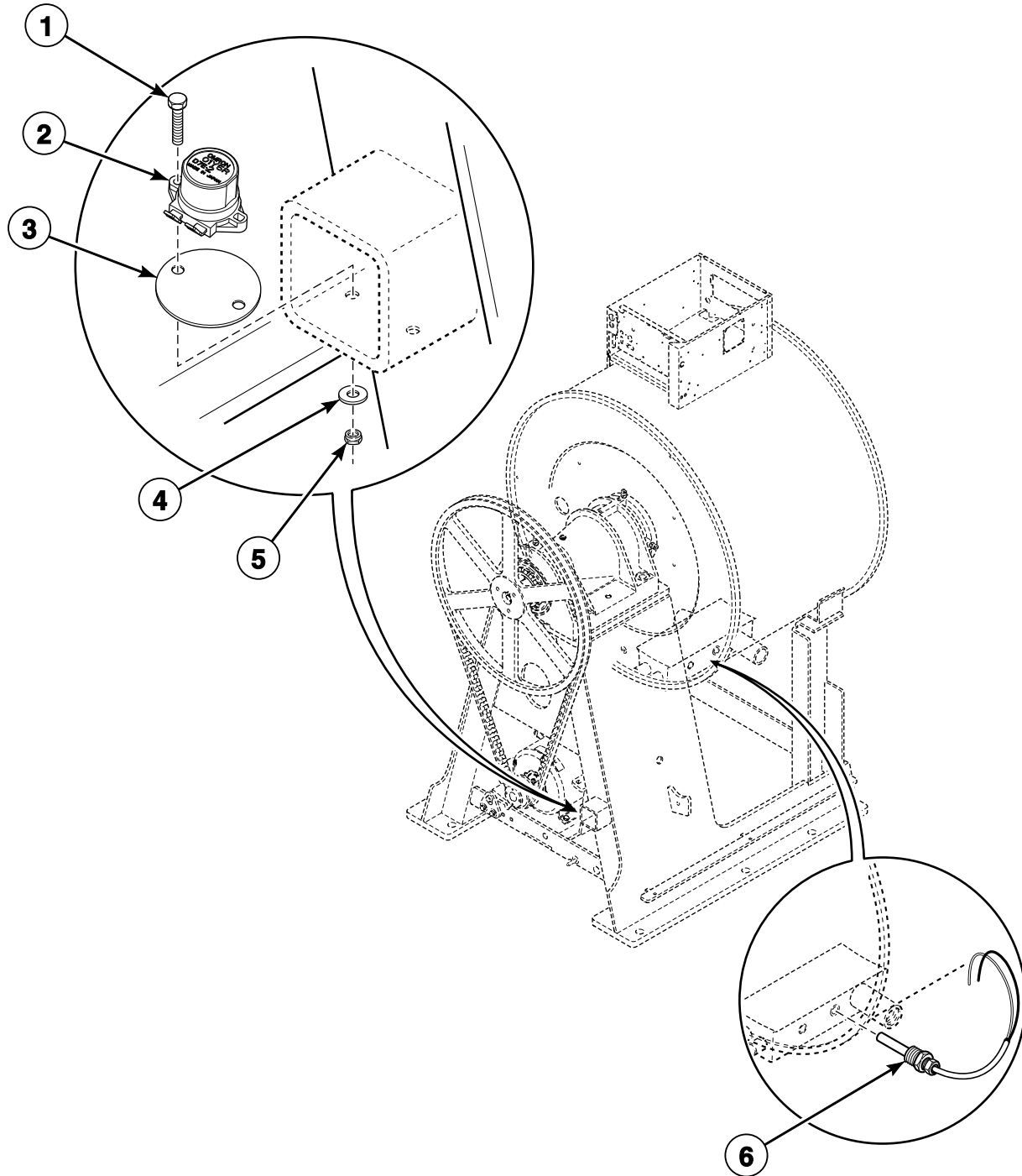
PHM3294PA\_F8453401



## Inverter Drive Box (Drawing 2 of 2)

REF	PART NO.	DESCRIPTION	COMMENTS
1	51780	Screw	
2	00177	Male Tab Terminal	
3	M412096	Earth Terminal Sticker	
4	M411283	Ground Lug Connector	
5	F430903	Screw	
6	70058501	Pop Rivet	
7	F8134101	DIN Rail	
8	F330177P	Contactors	Models with a 2 in the 9th position or a 4 in the 12th position
9	F330186P	Interlock Contactors	
10	F200061000	Clean Filter Daily Decal	
11	F8223901	Plug	
12	F430231	Nut	
13	M411072	Screw	
14	201616P	Transformer	230 Volt
	F8401301	Transformer	240-480 Volt
15	F8151201	Screw	
16	F200318900P	Filter	Includes 5 filters
17	F220900	Filter Retainer Guard	Includes item 16
18	F110110	Muffin Fan	
	F8113901	Drive Fan Harness	
19	F8134001	DIN Rail	
20	F8303001P	Circuit Breaker	Electric heat
	70256901P	Circuit Breaker	Electric heat
	F8030001	Harness	Used with F350216 Circuit Breaker
	F8030002P	Harness	Used with F350216 Circuit Breaker
	F8405101	Step Down Power Harness	Used with 70256901P Circuit Breaker
21	F8303001P	Circuit Breaker	R-voltage
22	F330188P	Contactors	NX208; Q, N and P-voltage; Electric heat
23	51783	Screw	
24	M402542	Snap Bushing	

# Vibration Switch and Temperature Probe

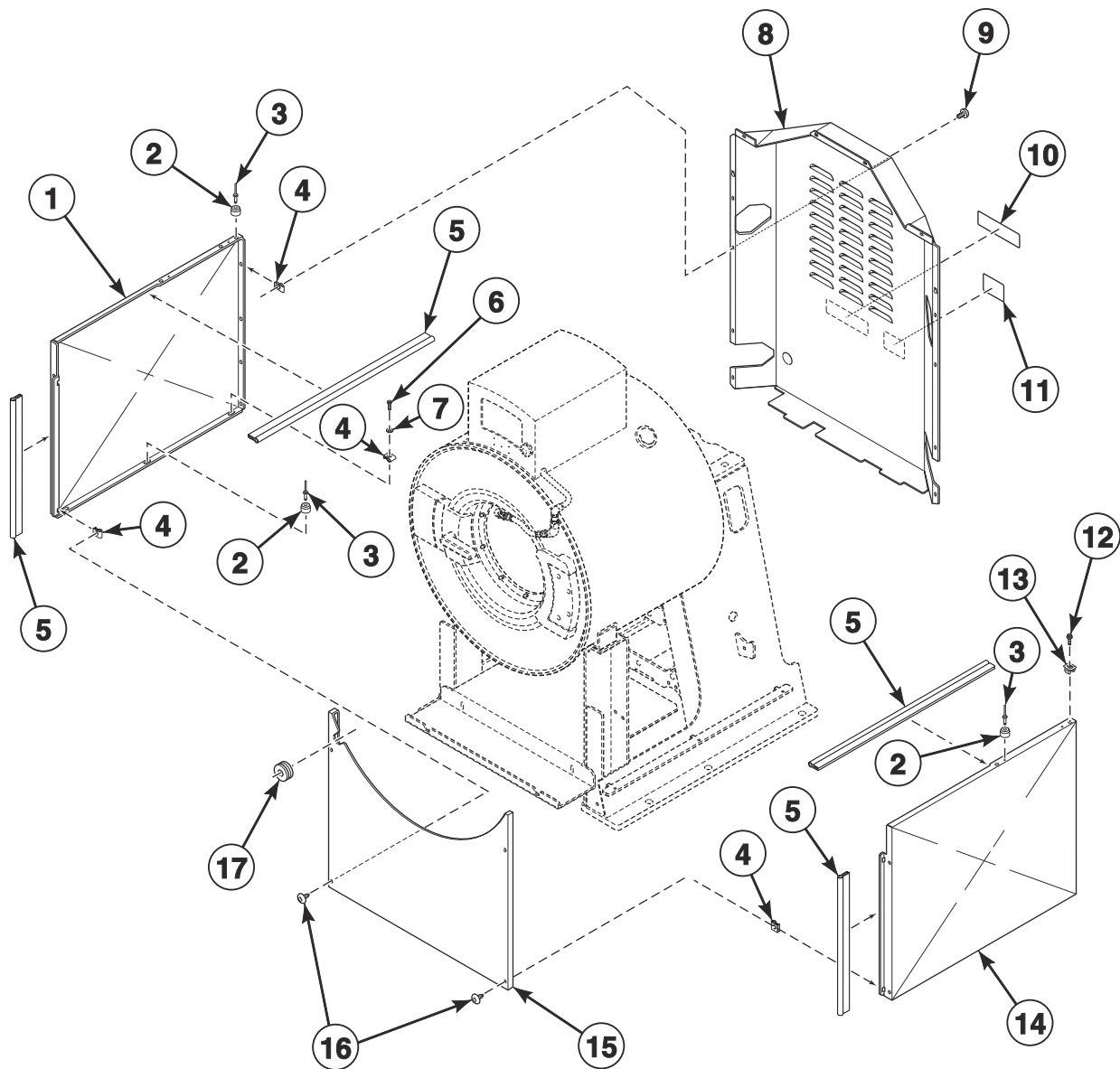


PHM3176P\_F8453401

## Vibration Switch and Temperature Probe

REF	PART NO.	DESCRIPTION	COMMENTS
1	M401938	Screw	
2	F8204001	Vibration Switch	
3	F8337301	Vibration Switch Shield	
4	F431125	Washer	
5	F430225	Nut	
6	F370609	Thermistor Sensor	
	F8028221P	Temperature Harness	Electric heat
	F8028230	Temperature Harness	Standard; Models with a T in the 7th position
	F8028234	Temperature Harness	Standard; Models with a K in the 7th position

# Panels

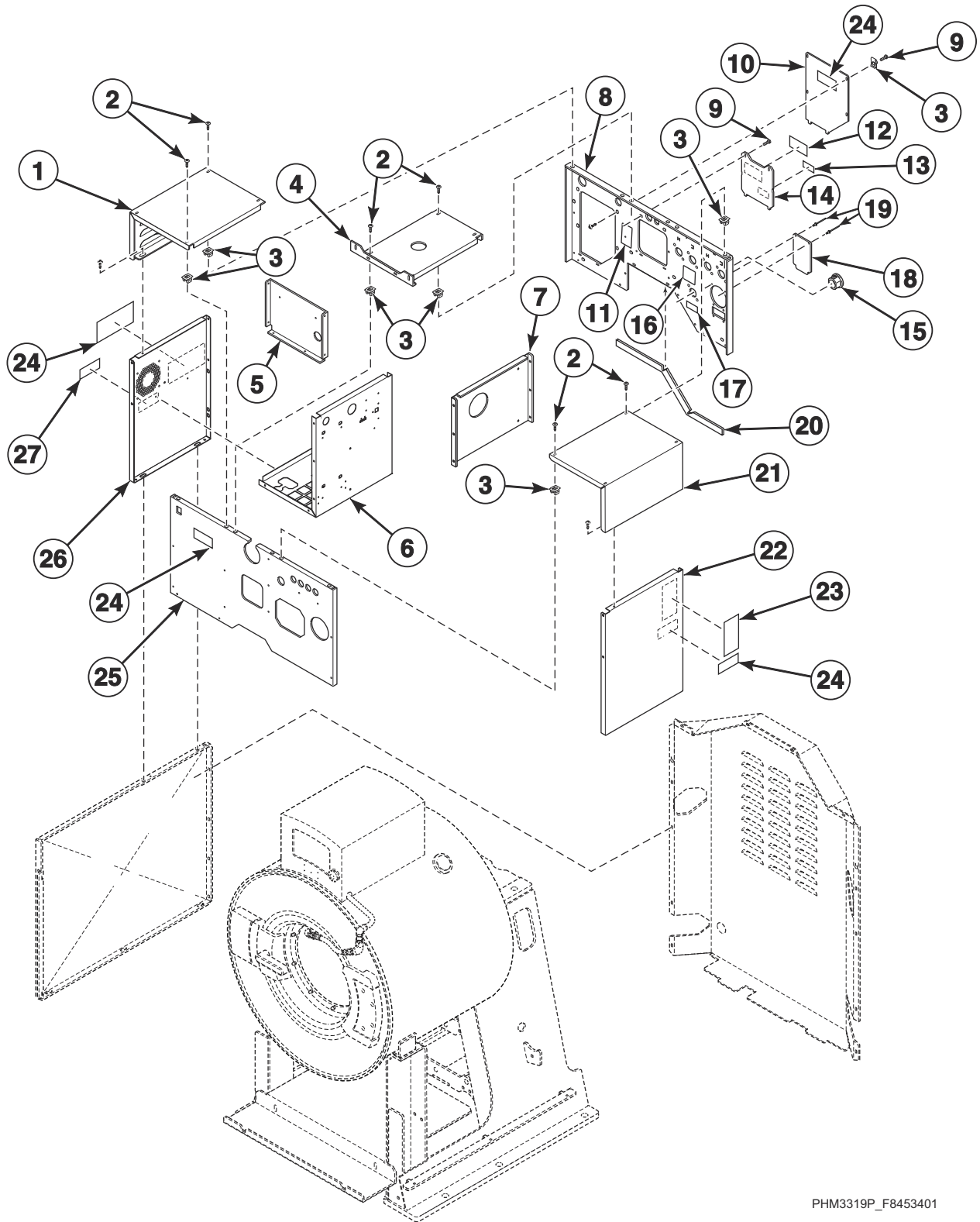


PHM3259P\_F8453401

# Panels

REF	PART NO.	DESCRIPTION	COMMENTS
1	F8407902	Left Side Panel	45 pound models
	F8407904	Left Side Panel	65 pound models
2	56079	Panel Locator	
3	M412763	Rivet	
4	70030401	Nut	
5	F8412802	Trim	
6	20253	Screw	
7	M405535	Washer	
8	F8487901	Belt Guard Assembly	
9	F8117601	Screw	
10	F8211201	Electrical Shock Label	UWU models
	F8615701	Pinch Warning Label	UWU models
	44324001	Warning Label	Shock/pinch; All other models
11	F8246401	Mount on Concrete Warning Label	
12	M411072	Screw	
13	70030501	Expansion Clip	
14	F8407901	Right Side Panel	45 pound models
	F8407903	Right Side Panel	65 pound models
15	F8408001	Front Panel	
16	70182601	Screw	
17	F170604	Grommet	

# Drive Box and Water Supply Box



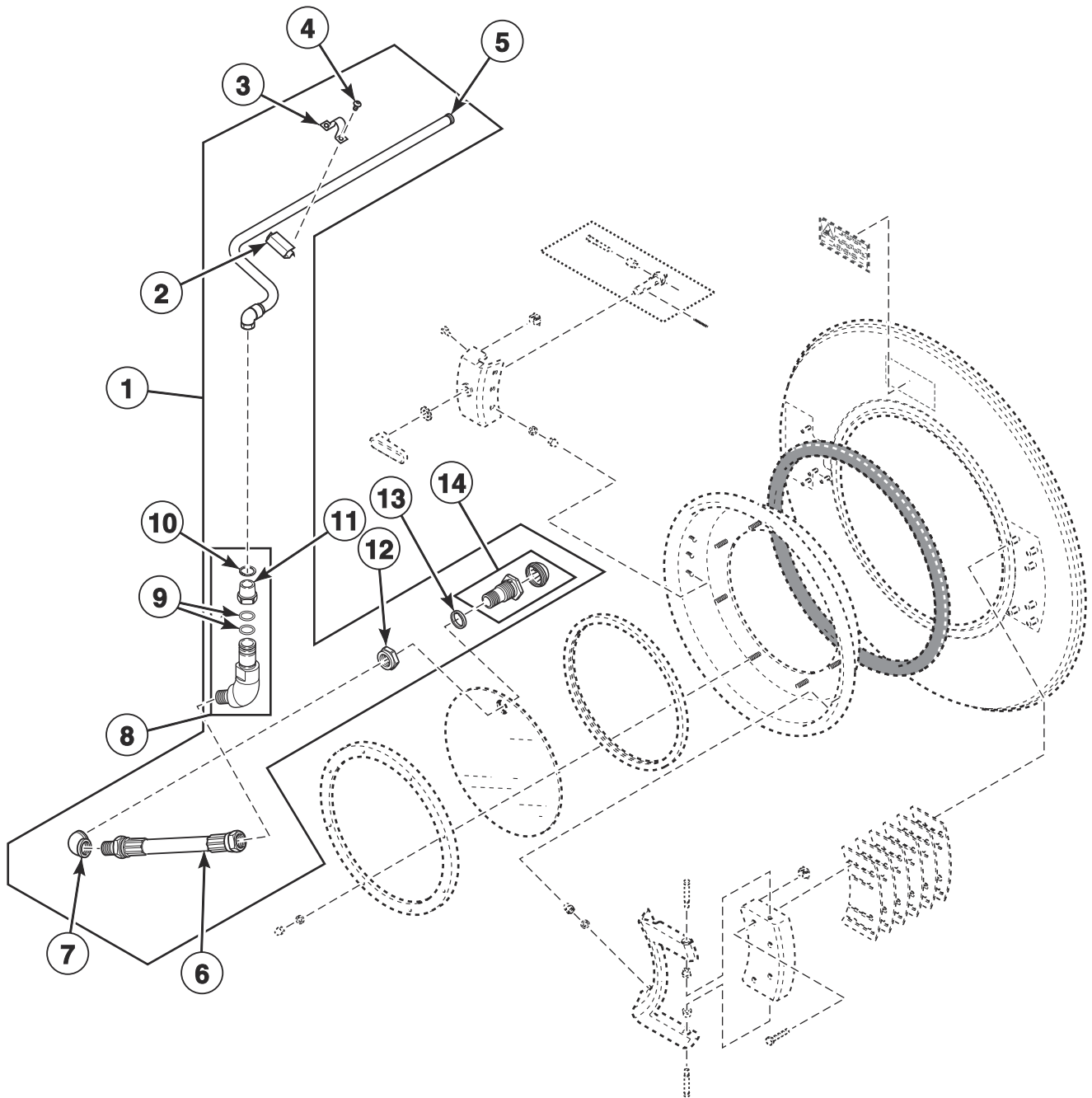
PHM3319P\_F8453401

## Drive Box and Water Supply Box

REF	PART NO.	DESCRIPTION	COMMENTS
1	F8374002	Top Left Cover	
2	F8206901	Screw	
3	70030501	Expansion Clip	
4	F8374101	Top Cover	
5	F8332801	Drive Box Partition	
6	F8324501	Drive Mounting Panel	
7	F8439001	Bulkhead Brace	
8	F8438901	Rear Bulkhead Panel	
9	F8117601	Screw	
10	F8323801	Electrical Access Cover	
11	F8448801	Conversion Label	200-208 VAC
	F8099801	Conversion Label	380-415 VAC
12	F8211201	Electrical Shock Label	UWU models
	F8233501	Warning Label	Shock; All other models
13	F8150201	External Supply Connection Decal	
14	F8447901	Chemical Connection Cover	
15	70180001	Plug	Models without steam heat
16	F8609001	Hot Surface Warning Label	UWU models
	F8614301	Hot Surface Warning Label	All other models
17	F8119401	Label	Steam Heat
18	F8338601	Dispenser Cover	
19	70058501	Pop Rivet	
20	F8439101	Rear Bulkhead Edging	
21	F8374001	Top Right Cover	
22	F8530401	Right Bulkhead Panel	
23	F8428501	Warning Label	
24	F8211201	Electrical Shock Label	UWU models
	F8615701	Pinch Warning Label	UWU models
	44324001	Warning Label	Shock/pinch; All other models
25	F8286501	Front Bulkhead Panel	Models with a 2 or 4 in the 8th position; Models through serial no 1504000259
	F8535301	Front Bulkhead Panel	Models with a 2 or 4 in the 8th position; Models starting serial no 1504000260
	F8286502	Front Bulkhead Panel	Models with a 1 or 3 in the 8th position; Models through serial no 1504000259
	F8535302	Front Bulkhead Panel	Models with a 1 or 3 in the 8th position; Models starting serial no 1504000260
	F8286503	Front Bulkhead Panel	Models with a 2 or 4 in the 8th position; Models with a DH switch; Models through serial no 1504000259
	F8535303	Front Bulkhead Panel	Models with a 2 or 4 in the 8th position; Models with a DH switch; Models starting serial no 1504000260
	F8286504	Front Bulkhead Panel	Models with a 1 or 3 in the 8th position; Models with a DH switch; Models through serial no 1504000259
	F8535304	Front Bulkhead Panel	Models with a 1 or 3 in the 8th position; Models with a DH switch; Models starting serial no 1504000260
26	F8530402	Left Bulkhead Panel	
27	F200061000	Clean Filter Daily Decal	

# Spray Tube Assembly

Models with a 3 or 4 in the 8th position



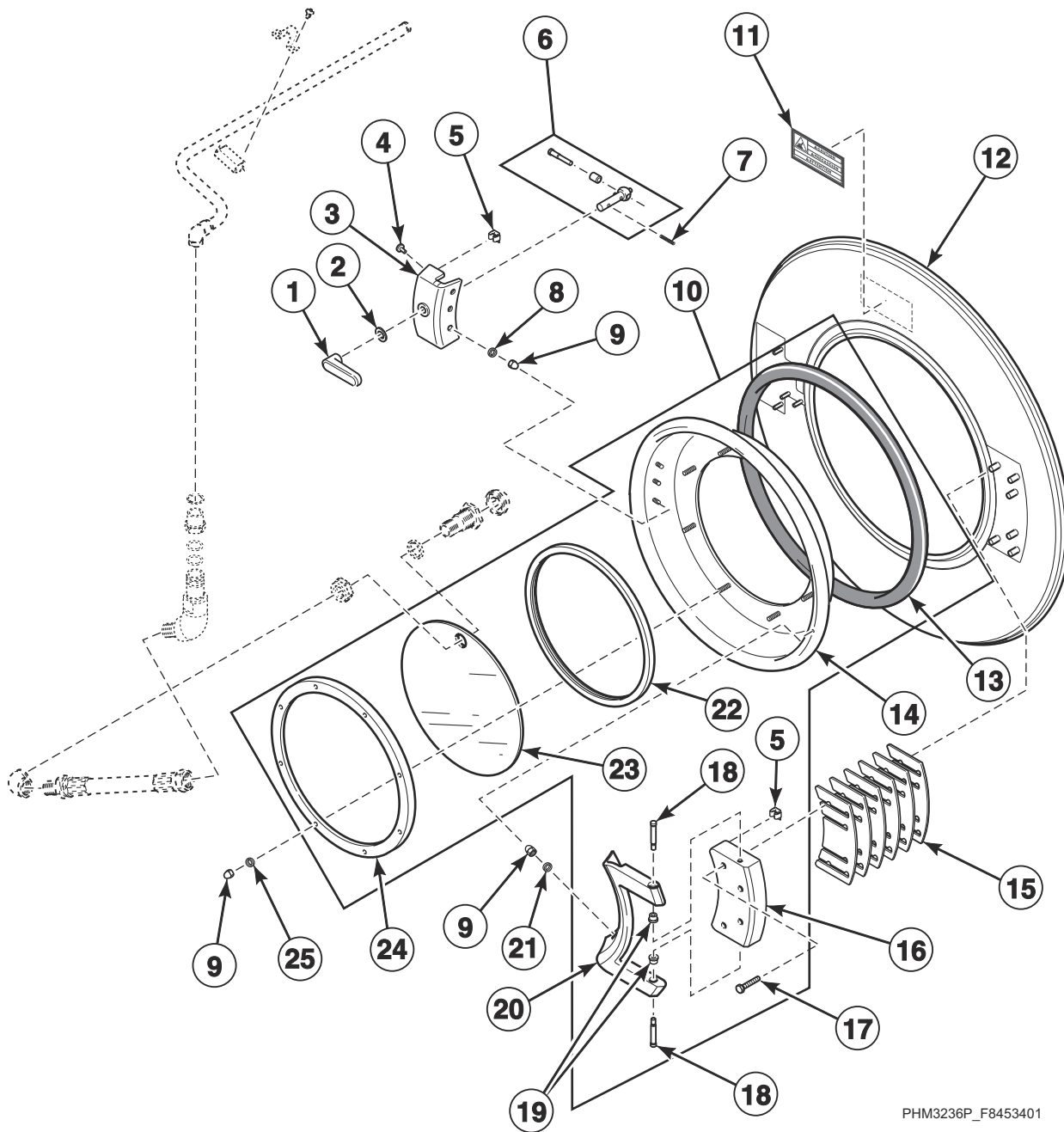
PHM3236PA\_F8453401



# Spray Tube Assembly

REF	PART NO.	DESCRIPTION	COMMENTS
1	F8574801	Spray Rinse Assembly Kit	Includes items 2-15; 45 pound models
	F8510701	Spray Rinse Assembly Kit	Includes items 2-15; 65 pound models
2	F8451101	Spray Rinse Bracket	
3	F8451701	Spray Rinse Strap	
4	431287	Screw	
5	F8332302	Spray Rinse Tube Assembly	45 pound models; Models upgraded with item 1; Models made after serial number no 1310000221
	F8332301	Spray Rinse Tube Assembly	65 pound models; Models upgraded with item 1; Models made after serial number no 1310000221
6	F8508201	Spray Rinse Hose	Models upgraded with item 1; Models made after serial number no 1310000221
7	F8453701	Elbow	Models upgraded with item 1; Models made after serial number no 1310000221
8	F8504001	Swivel Coupling Assembly	Models upgraded with item 1; Models made after serial number no 1310000221
9	F170200	O-Ring	Models upgraded with item 1; Models made after serial number no 1310000221
10	F310206	Ring Retainer	Models upgraded with item 1; Models made after serial number no 1310000221
11	F8453801	Swivel Coupling Bushing	Models upgraded with item 1; Models made after serial number no 1310000221
12	F8322601	Nut	
13	F8322701	Spray Nozzle Gasket	
14	F8356301	Door Spray Nozzle Assembly	

# Door

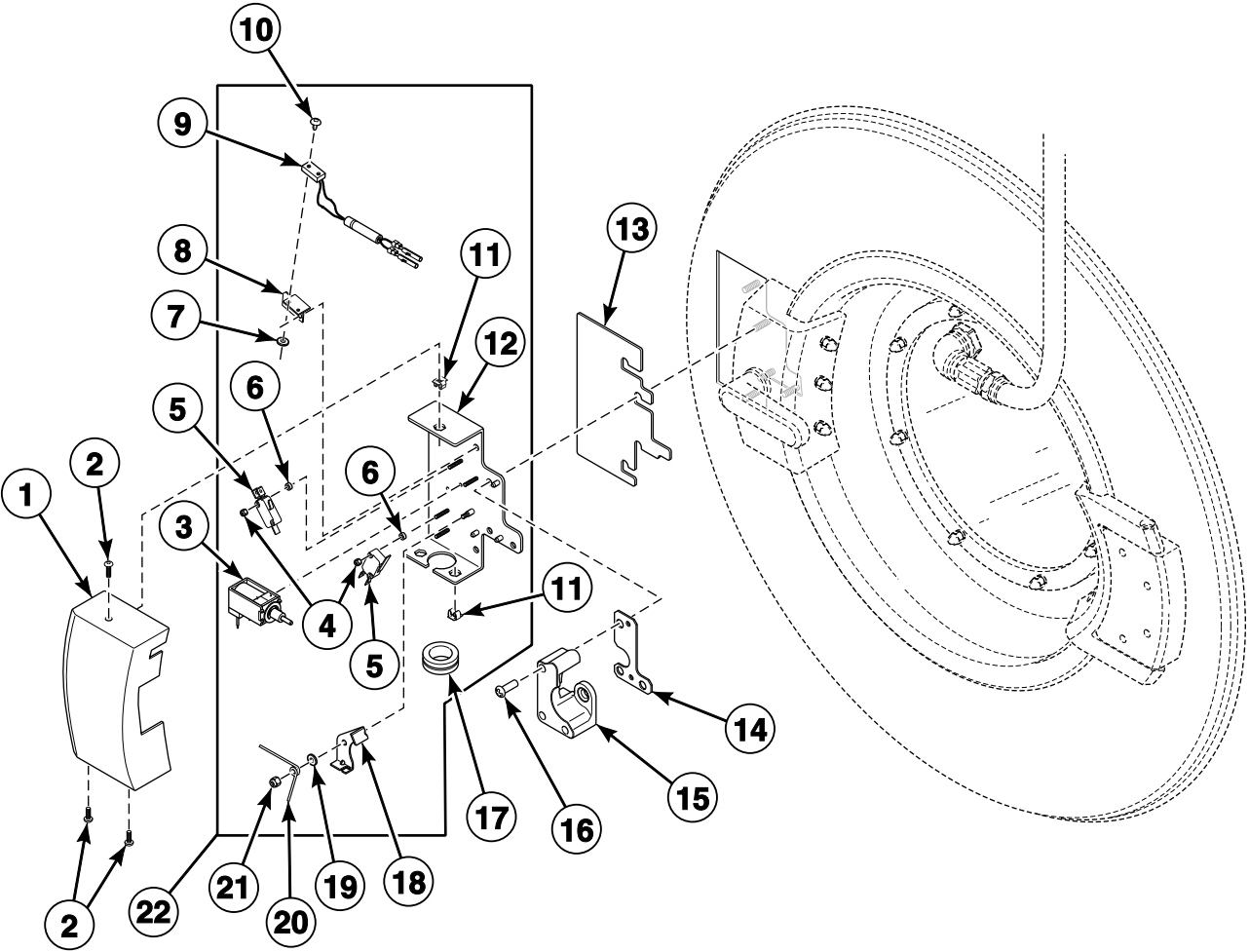


PHM3236P\_F8453401

# Door

REF	PART NO.	DESCRIPTION	COMMENTS
	F825P3	Door Assembly Kit	Includes item 10, 15, 17, F8322601 Nut, F8322701 Spray Nozzle Gasket, F8356301 Door Spray Nozzle Assembly, 70030501 Expansion Clip, F8117601 Screw, F8435801 Door Lock Cover and F8398401 Door Lock Plate; Models with a 3 or 4 in the 8th position
	F826P3	Door Assembly Kit	Includes item 10, 15, 17, 70030501 Expansion Clip, F8117601 Screw, F8435801 Door Lock Cover and F8398401 Door Lock Plate; Models with a 1 or 2 in the 8th position
1	F8435501	Door Handle	
2	F431916	Washer	
3	F8435701	Handle Mount	
4	F8406201	Magnet	
5	70030501	Expansion Clip	
6	F8221403	Door Latch Arm Assembly	
7	F431222	Spring Pin	
8	F431147	Washer	
9	F8549401	Nut	
10	F8531702	Door Assembly	Includes items 1-9, 13, 14, 16 and 18-25; Models with a 3 or 4 in the 8th position
	F8531701	Door Assembly	Includes items 1-9, 13, 14, 16 and 18-25; Models with a 1 or 2 in the 8th position
11	F8609001	Hot Surface Warning Label	UWU models
	F200085000	Hot Surface Warning Decal	All other models
12	F8319901	Shell Front Assembly	Includes F8233201 Stud, F8277001 Shell Front and F8442001 Pin
13	F8508501	Door Gasket	
14	F8308001	Door Weldment	Studded
15	F8398301	Door Hinge Shim	
16	F8435901	Door Lug Hinge	
17	F8270701	Bolt	
18	F8549301	Bolt	
19	F8378701	Bushing	
20	F8436001	Door Hinge	
21	F431147	Washer	
22	F8499901	Door Glass Gasket	
23	F8323401P	Door Glass	Models with a 3 or 4 in the 8th position
	C000191	Door Glass	Models with a 1 or 2 in the 8th position
24	F8323301	Door Glass Retainer	
25	F431100	Washer	

# Door Lock

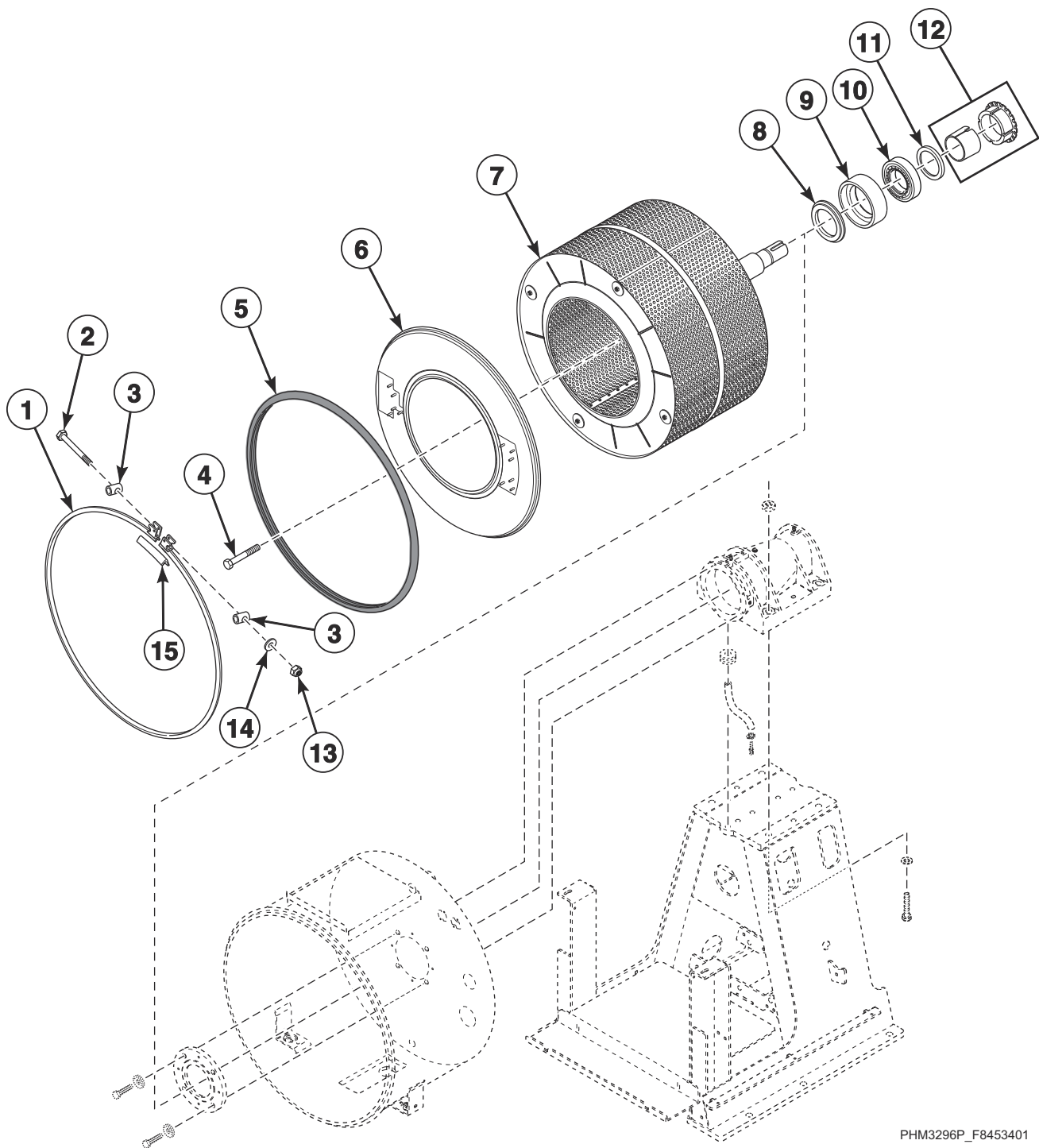


PHM3179P\_F8453401

# Door Lock

REF	PART NO.	DESCRIPTION	COMMENTS
1	F8435801	Door Lock Cover	
2	F8270701	Bolt	
3	F8630601	Solenoid	
4	F430225	Nut	
5	F200203200	Door Lock Microswitch	
6	F431901	Spacer	
7	F431125	Washer	
8	F8402601	Reed Switch Bracket	
9	F8066801P	Reed Switch Assembly	
10	F8245101	Blind Rivet	
11	70030501	Expansion Clip	
12	F8320401	Door Lock Plate Assembly	
13	F8398401	Door Lock Plate Shim	
14	F8484401	Shim	
15	F8344501	Door Lock Catch	
16	F8117601	Screw	
17	F8457801	Grommet	
18	F8223401	Door Lock Switch Lever	
19	F8193101	Washer	
20	F8070301	Torsion/Door Lock Spring	
21	F430232	Nut	
22	F8320501	Door Lock Assembly	Includes items 3-12 and 17-21

# Basket

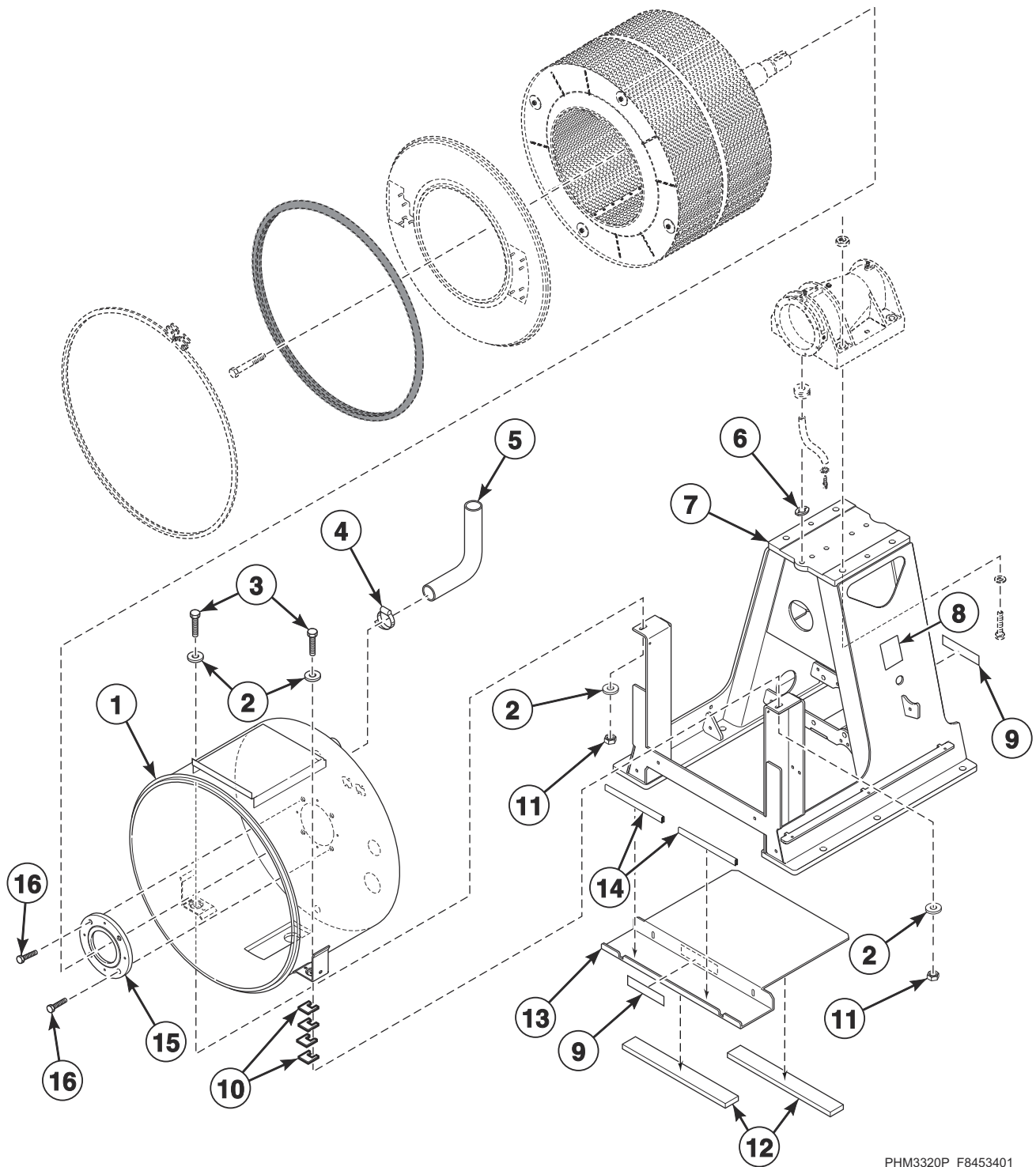


PHM3296P\_F8453401

# Basket

REF	PART NO.	DESCRIPTION	COMMENTS
	F8513501	Shell Front Gasket Kit	Includes F8502307 Gasket, F8510501 Shell Extension Band and F430218 Nut
1	F8388005	Shell Band	
2	800462	Screw	
3	F8302701	Pin	
4	70391101	Screw	
5	F8502305	Shell Band Gasket	
6	F8319901	Shell Front Assembly	
7	F8424202P	Basket Assembly Kit	45 pound models; Includes items 8-12
	F8424302P	Basket Assembly Kit	65 pound models; Includes items 8-12
8	F8527701	Excluder Seal	Viton
9	F8343911	Seal Sleeve	
10	F8280504	Bearing	
11	F8464901	Insertion Sleeve	
12	F8382501	Sleeve Adapter	
13	F430218	Nut	
14	M400080	Washer	
15	F8510501	Shell Extension Band	

# Shell and Frame - Models Through Serial No. 1408025253



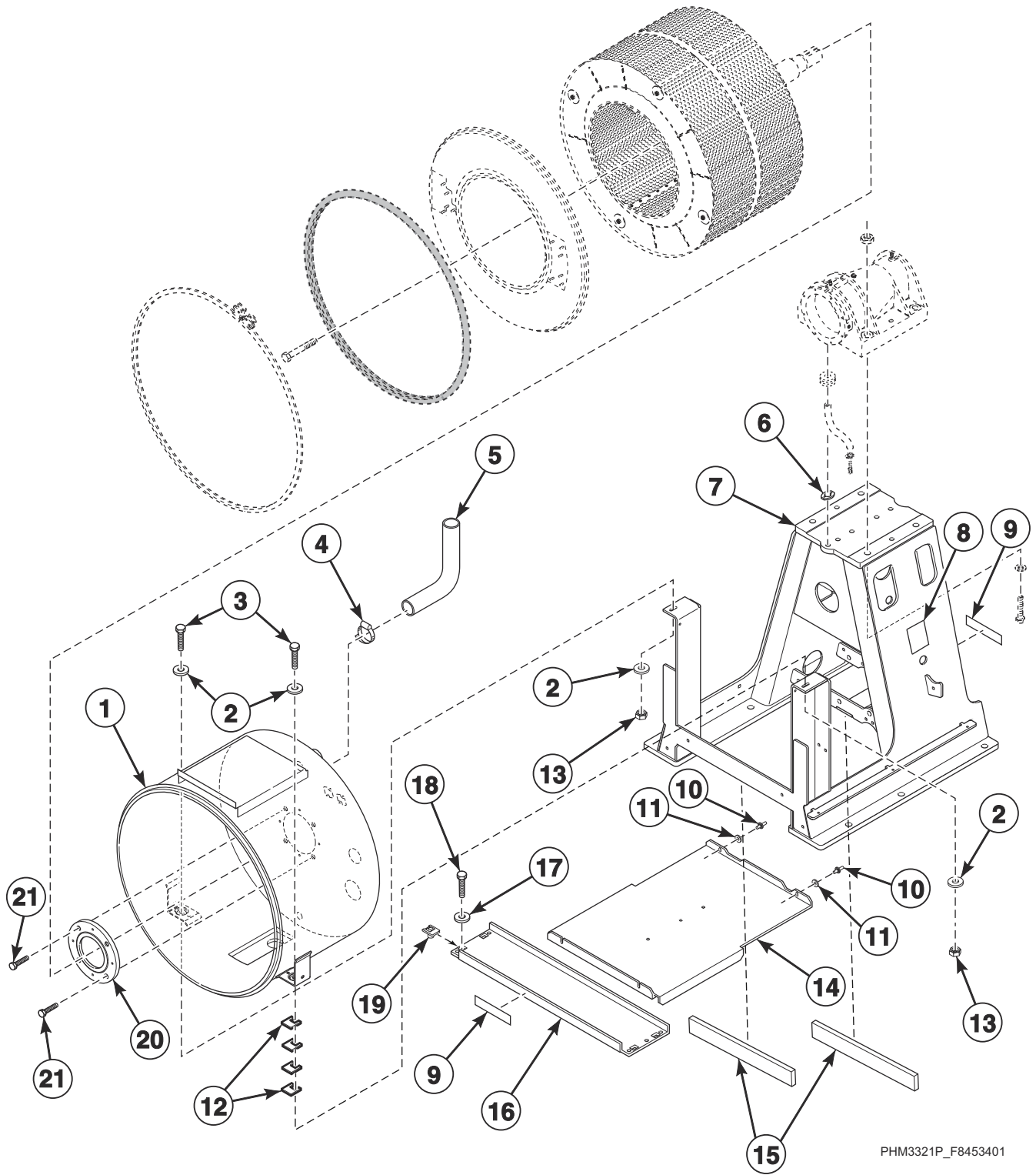
PHM3320P\_F8453401



## Shell and Frame - Models Through Serial No. 1408025253

REF	PART NO.	DESCRIPTION	COMMENTS
	F8351601	Fill Port	
1	F8279201	Shell Assembly	65 pound models with a 2 or 4 in the 8th position; Hot and cold water fill
	F8279202	Shell Assembly	65 pound models with a 2 or 4 in the 8th position; Steam and electric heat
	F8279203	Shell Assembly	65 pound models with a 1 or 3 in the 8th position; Hot and cold water fill
	F8279204	Shell Assembly	65 pound models with a 1 or 3 in the 8th position; Steam and electric heat
	F8419901	Shell Assembly	45 pound models with a 2 or 4 in the 8th position; Hot and cold water fill
	F8419902	Shell Assembly	45 pound models with a 2 or 4 in the 8th position; Steam and electric heat
	F8419903	Shell Assembly	45 pound models with a 1 or 3 in the 8th position; Hot and cold water fill
	F8419904	Shell Assembly	45 pound models with a 1 or 3 in the 8th position; Steam and electric heat
2	M400081	Washer	
3	H88213996	Screw	
4	F200215	Hose Clamp	
5	F8363601	Vent Hose	
6	F8452701	Seal Scupper Pad	
7	F8262001	Frame Weldment	
8	F8615701	Pinch Warning Label	UWU models
	70538401	Pinch Warning Label	All other models
9	F8211201	Electrical Shock Label	UWU models
	F8615701	Pinch Warning Label	UWU models
	44324001	Warning Label	Shock/pinch; All other models
10	F8402701	Washer	
11	44087301	Nut	
12	70414101	Foam Gasket	
13	F8419701	Frame Shield	45 pound models
	F8353901	Frame Shield	65 pound models
14	F8207001	Gasket	
15	F8550101	Seal Wear Plate	
16	F8442702	Screw	

# Shell and Frame - Models Starting Serial No. 1408025254 Through Serial No. 1408025252

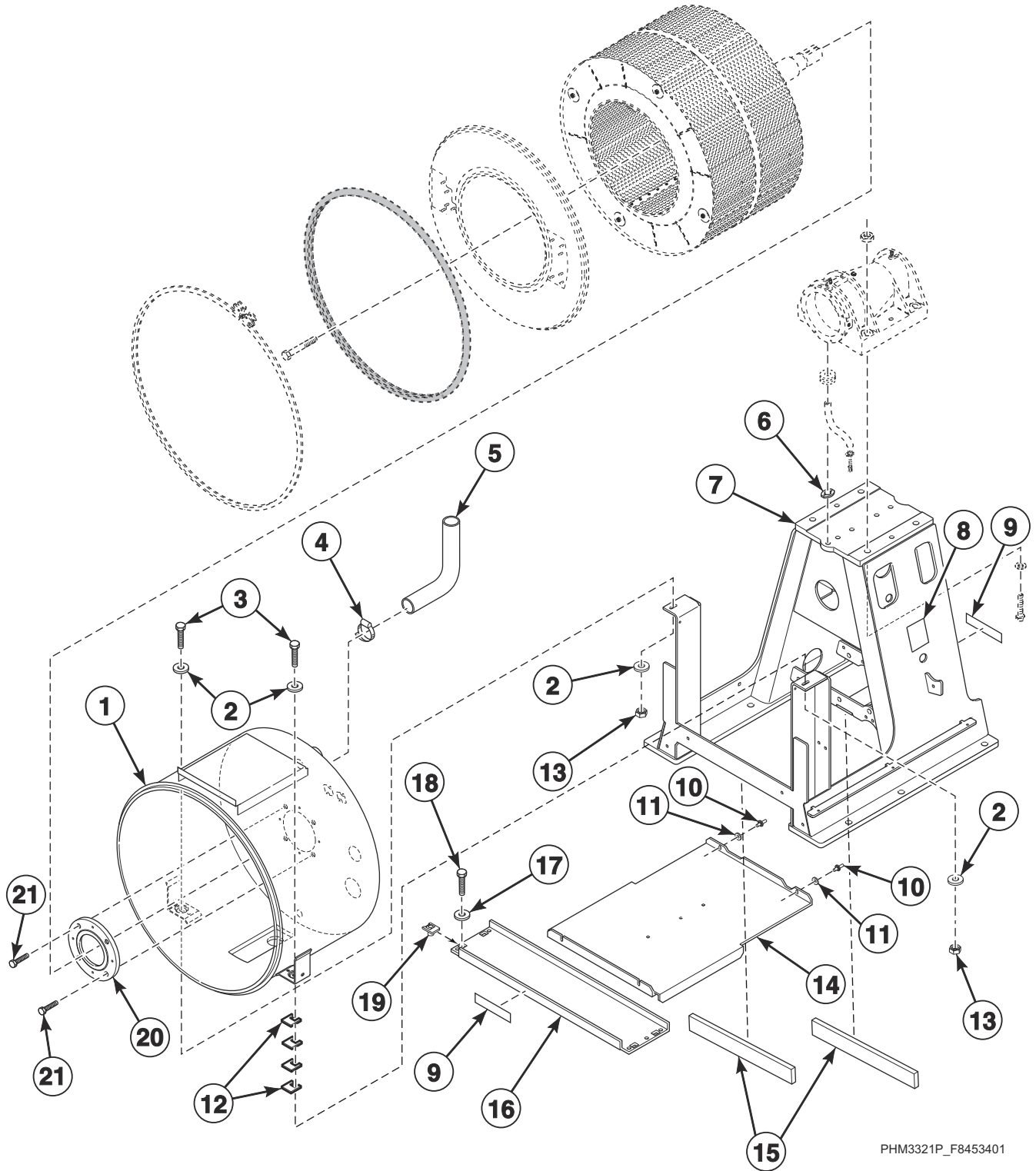


PHM3321P\_F8453401

## Shell and Frame - Models Starting Serial No. 1408025254 Through Serial No. 1408025252

REF	PART NO.	DESCRIPTION	COMMENTS
1	F8279201	Shell Assembly	65 pound models with a 2 or 4 in the 8th position; Hot and cold water fill
	F8279202	Shell Assembly	65 pound models with a 2 or 4 in the 8th position; Steam and electric heat
	F8279203	Shell Assembly	65 pound models with a 1 or 3 in the 8th position; Hot and cold water fill
	F8279204	Shell Assembly	65 pound models with a 1 or 3 in the 8th position; Steam and electric heat
	F8419901	Shell Assembly	45 pound models with a 2 or 4 in the 8th position; Hot and cold water fill
	F8419902	Shell Assembly	45 pound models with a 2 or 4 in the 8th position; Steam and electric heat
	F8419903	Shell Assembly	45 pound models with a 1 or 3 in the 8th position; Hot and cold water fill and steam heat
	F8419904	Shell Assembly	45 pound models with a 1 or 3 in the 8th position; Steam and electric heat
2	M400081	Washer	
3	H88213996	Screw	
4	F200215	Hose Clamp	
5	F8363601	Vent Hose	
6	F8452701	Seal Scupper Pad	
7	F8262002	Frame Weldment	Replaces F8562001 Frame Weldment
8	F8615701	Pinch Warning Label	UWU models
	70538401	Pinch Warning Label	All other models
9	F8211201	Electrical Shock Label	UWU models
	F8615701	Pinch Warning Label	UWU models
	44324001	Warning Label	Shock/pinch; All other models
10	70334702	Stud	
11	M400080	Washer	
12	F8402701	Washer	
13	44087301	Nut	
14	F8509401	Frame Shield	
15	70414101	Foam Gasket	
16	F8480401	Frame Shield	65 pound models
17	M405535	Washer	65 pound models
18	20253	Screw	65 pound models
19	70030401	Nut	65 pound models
20	F8550101	Seal Wear Plate	
21	F8442702	Screw	

# Shell and Frame - Models Starting Serial No. 1408025253



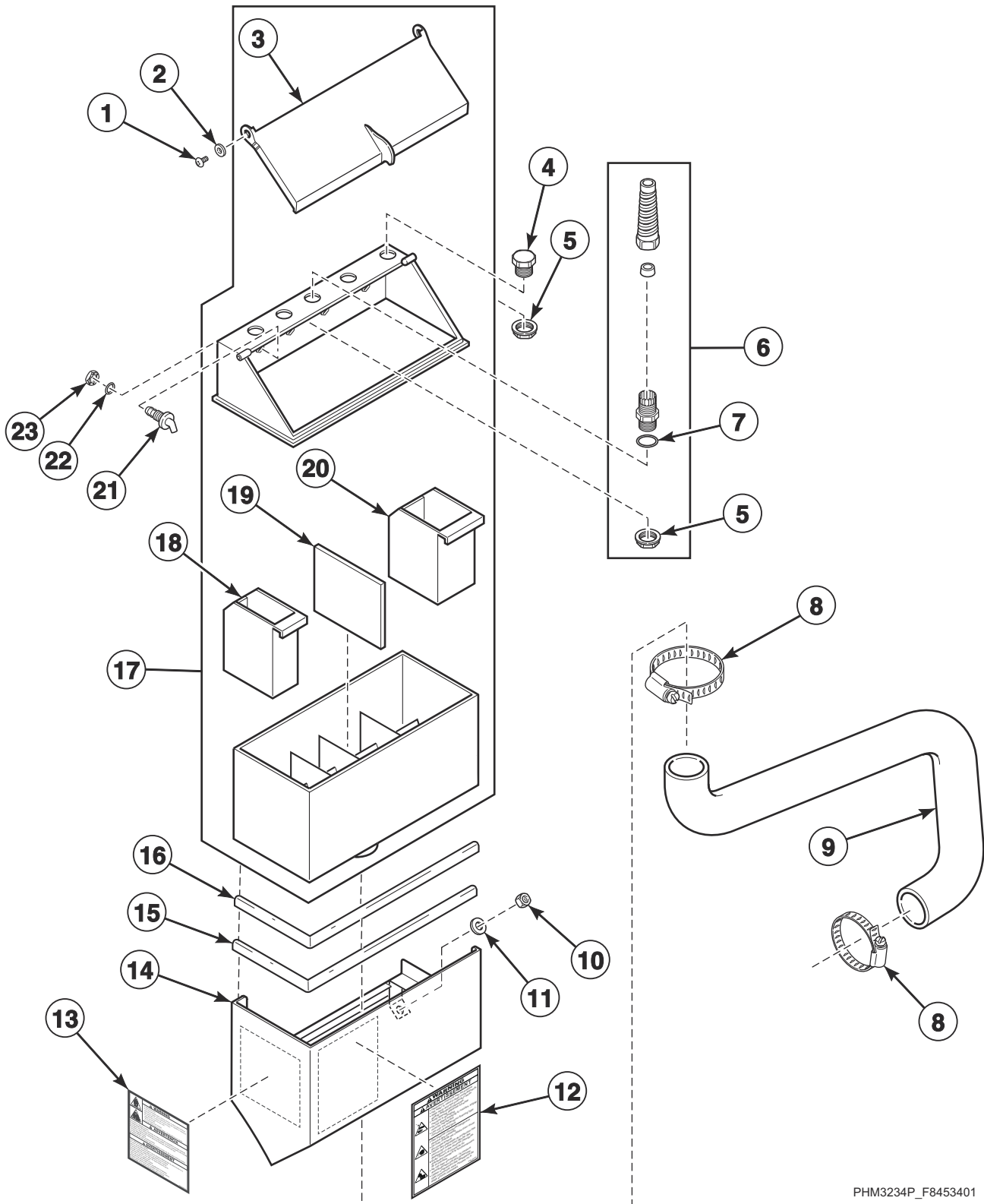
PHM3321P\_F8453401

## Shell and Frame - Models Starting Serial No. 1408025253

REF	PART NO.	DESCRIPTION	COMMENTS
1	F8511501	Shell Assembly	65 pound models with a 2 or 4 in the 8th position; Hot and cold water fill
	F8511502	Shell Assembly	65 pound models with a 2 or 4 in the 8th position; Steam and electric heat
	F8511503	Shell Assembly	65 pound models with a 1 or 3 in the 8th position; Hot and cold water fill
	F8511504	Shell Assembly	65 pound models with a 1 or 3 in the 8th position; Steam and electric heat
	F8536401	Shell Assembly	45 pound models with a 2 or 4 in the 8th position; Hot and cold water fill
	F8536402	Shell Assembly	45 pound models with a 2 or 4 in the 8th position; Steam and electric heat
	F8536403	Shell Assembly	45 pound models with a 1 or 3 in the 8th position; Hot and cold water fill and steam heat
	F8536404	Shell Assembly	45 pound models with a 1 or 3 in the 8th position; Steam and electric heat
2	M400081	Washer	
3	H88213996	Screw	
4	F200215	Hose Clamp	
5	F8363601	Vent Hose	
6	F8452701	Seal Scupper Pad	
7	F8262002	Frame Weldment	Models through 3/31/2015 use with F8562503 Motor Isolation Kit, F8333301 Flanged Bushing and F8382816 Belt
8	F8615701	Pinch Warning Label	UWU models
	70538401	Pinch Warning Label	All other models
9	F8211201	Electrical Shock Label	UWU models
	F8615701	Pinch Warning Label	UWU models
	44324001	Warning Label	Shock/pinch; All other models
10	70334702	Stud	
11	M400080	Washer	
12	F8402701	Washer	
13	44087301	Nut	
14	F8509401	Frame Shield	
15	70414101	Foam Gasket	
16	F8480401	Frame Shield	65 pound models
17	M405535	Washer	65 pound models
18	20253	Screw	65 pound models
19	70030401	Nut	65 pound models
20	F8550101	Seal Wear Plate	
21	F8442702	Screw	

# Supply Dispenser (Drawing 1 of 2)

45 and 65 Pound Models with a 1 or 3 in the 8th Position Through Serial No. 1504000259



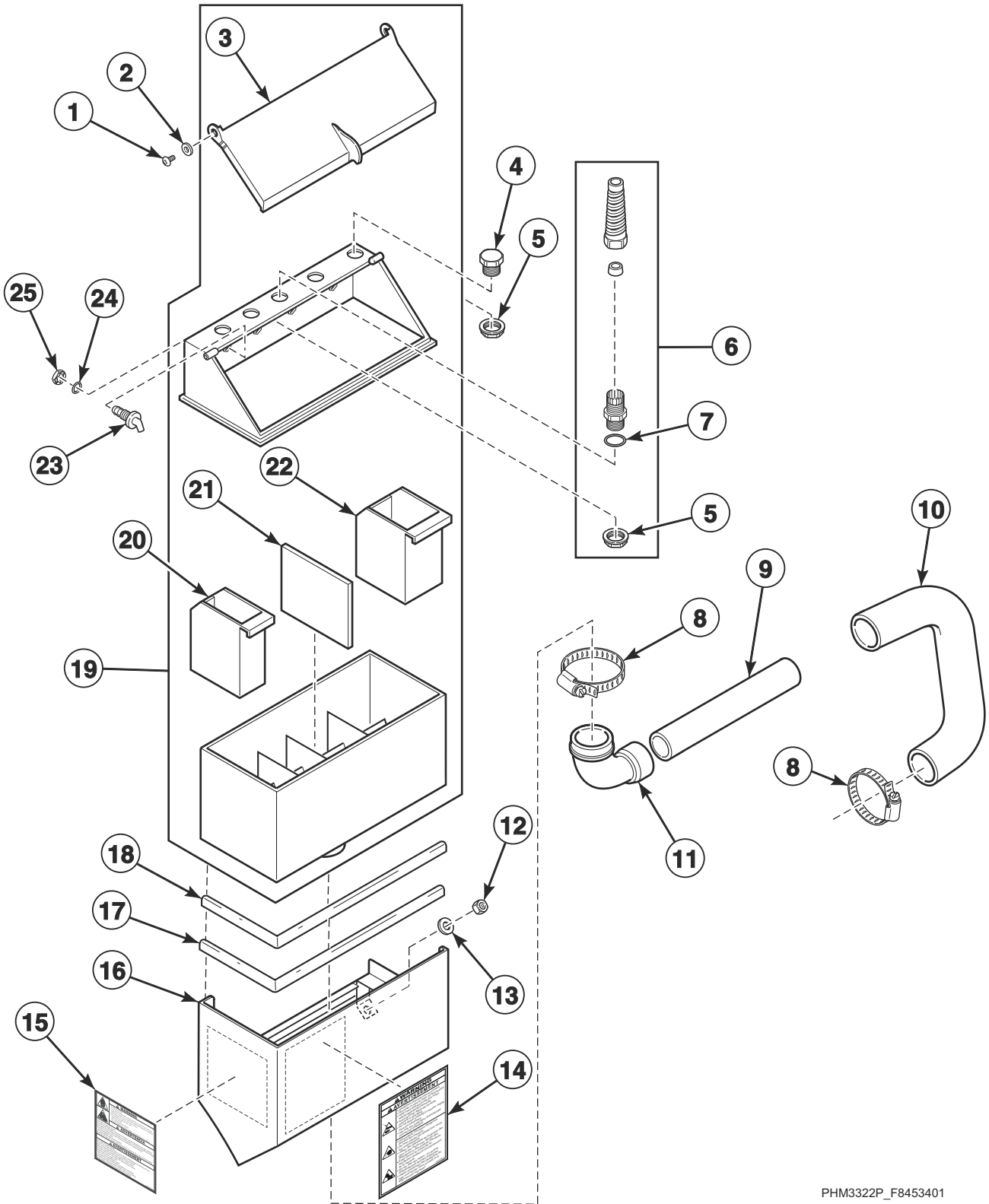
PHM3234P\_F8453401

## Supply Dispenser (Drawing 1 of 2)

REF	PART NO.	DESCRIPTION	COMMENTS
	F8029503	External Supply Harness	
1	F430956	Screw	
2	F8195301	Washer	
3	F0150514-00	Dispenser Lid	
4	F190304	Plug Cap	
5	F140340P	Strain Relief Connector	
6	F749802	Strain Relief Adapter Kit	Includes items 5 and 7
7	F170215	O-Ring	
8	F200213	Hose Clamp	No. 40
9	F8332002	Supply Hose	45 pound models
	F8332001	Supply Hose	65 pound models
10	F431042	Nut	Loctite 262 required
11	F431147	Washer	
12	F8428501	Warning Label	
13	F8428701	Warning Label	
14	F8024304	Soap Dispenser Shroud Weldment	
15	F170400RP	Trim	
16	F170158P	Gasket	
17	F0150512-00P	Dispenser Assembly	Includes items 3 and 18-20
18	F150385	Chemical Supply Cup	3 used; 20 ounce supply cup (12 ounce when titled)
19	F0150525-00	Supply Dispenser Spacer	
20	F150386	Chemical Supply Cup	2 used; 30 ounce supply cup (22 ounce when titled)
21	F8322001	Injection Nozzle	
22	801632	O-Ring	
23	802292	Nut	

# Supply Dispenser (Drawing 2 of 2)

45 and 65 Pound Models with a 1 or 3 in the 8th Position Starting Serial No. 1504000260



PHM3322P\_F8453401

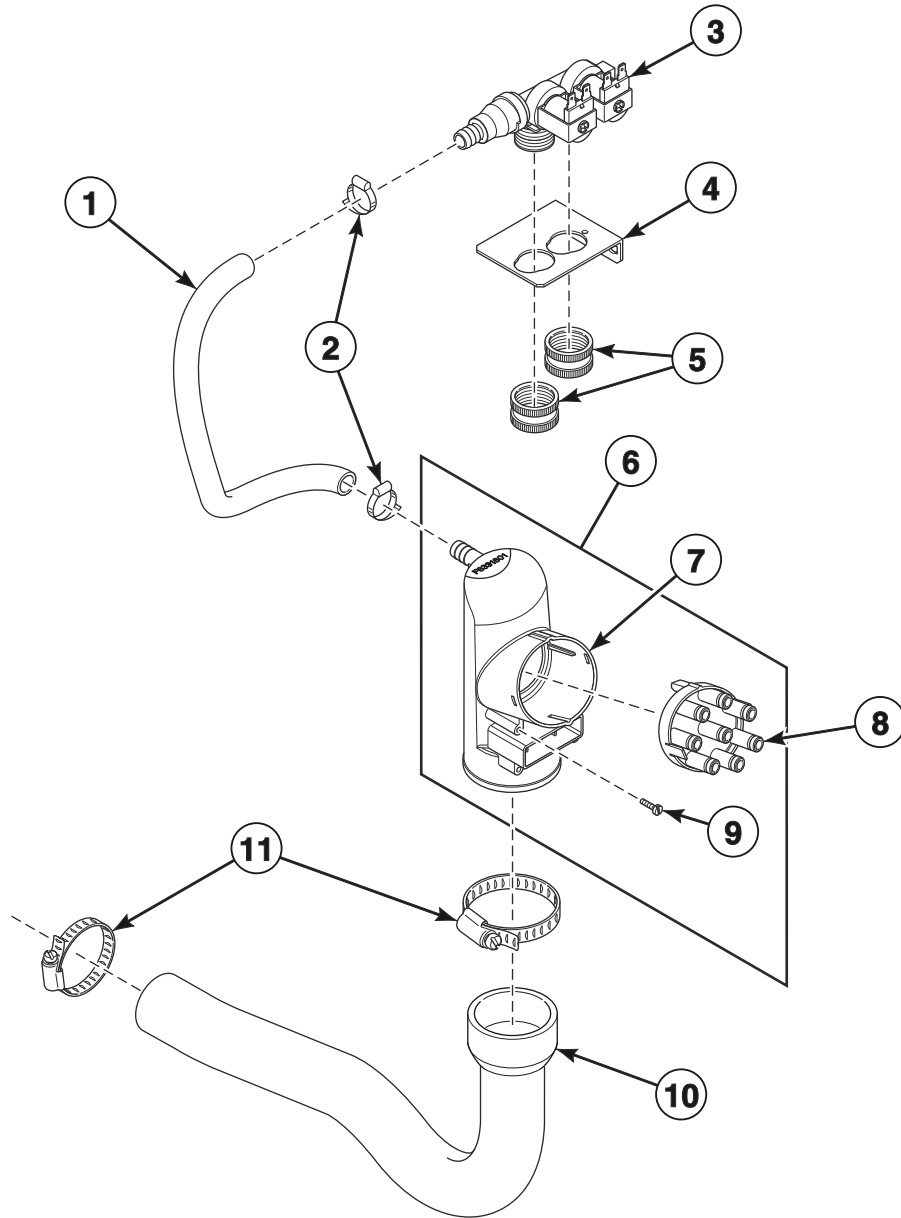


## Supply Dispenser (Drawing 2 of 2)

REF	PART NO.	DESCRIPTION	COMMENTS
	F8029503	External Supply Harness	
1	F430956	Screw	
2	F8195301	Washer	
3	F0150514-00	Dispenser Lid	
4	F190304	Plug Cap	
5	F140340P	Strain Relief Connector	
6	F749802	Strain Relief Adapter Kit	Includes items 5 and 7
7	F170215	O-Ring	
8	F200213	Hose Clamp	No. 40
9	F8551901	Supply Hose	45 pound models
	F8551902	Chemical Supply Hose	65 pound models
10	F8510601	Chemical Supply Drain Hose	
11	F8514301	Elbow	
12	F431042	Nut	Loctite 262 required
13	F431147	Washer	
14	F8428501	Warning Label	
15	F8428701	Warning Label	
16	F8024304	Soap Dispenser Shroud Weldment	
17	F170400RP	Trim	
18	F170158P	Gasket	
19	F0150512-00P	Dispenser Assembly	Includes items 3 and 20-22
20	F150385	Chemical Supply Cup	3 used; 20 ounce supply cup (12 ounce when titled)
21	F0150525-00	Supply Dispenser Spacer	
22	F150386	Chemical Supply Cup	2 used; 30 ounce supply cup (22 ounce when titled)
23	F8322001	Injection Nozzle	
24	801632	O-Ring	
25	802292	Nut	

# Chemical Injection

Models with a 2 or 4 in the 8th Position



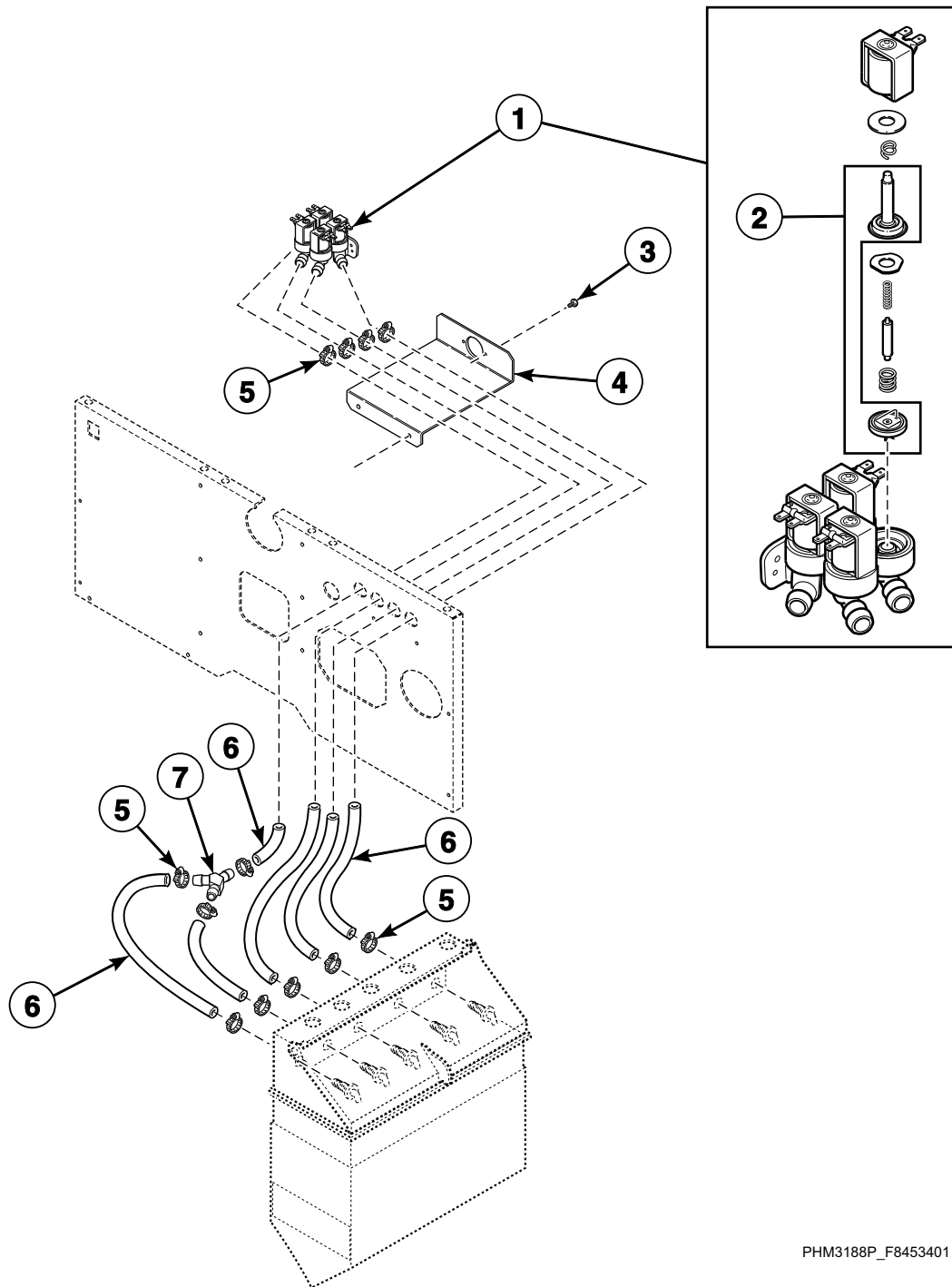
PHM3287P\_F8453401

# Chemical Injection

REF	PART NO.	DESCRIPTION	COMMENTS
	F8029503	External Supply Harness	
1	F200116	Water Hose	
2	36801	Hose Clamp	No. 6
3	202396P	Mixing Valve	
4	F8428901	Water Valve Bracket	
5	F8597201	Cap	
6	F8331801P	Chemical Injection Kit	Includes items 7-9
7	F8331801	Dispenser	
8	F8325101	Dispenser Cap	7 ports
	F8325102	Dispenser Cap	6 ports
9	800548	Screw	
10	F8548801	Dispenser Hose	
11	F200213	Hose Clamp	No. 40

# Water Supply Valve and Hoses to Supply Dispenser

Models with a 1 or 3 in the 8th Position

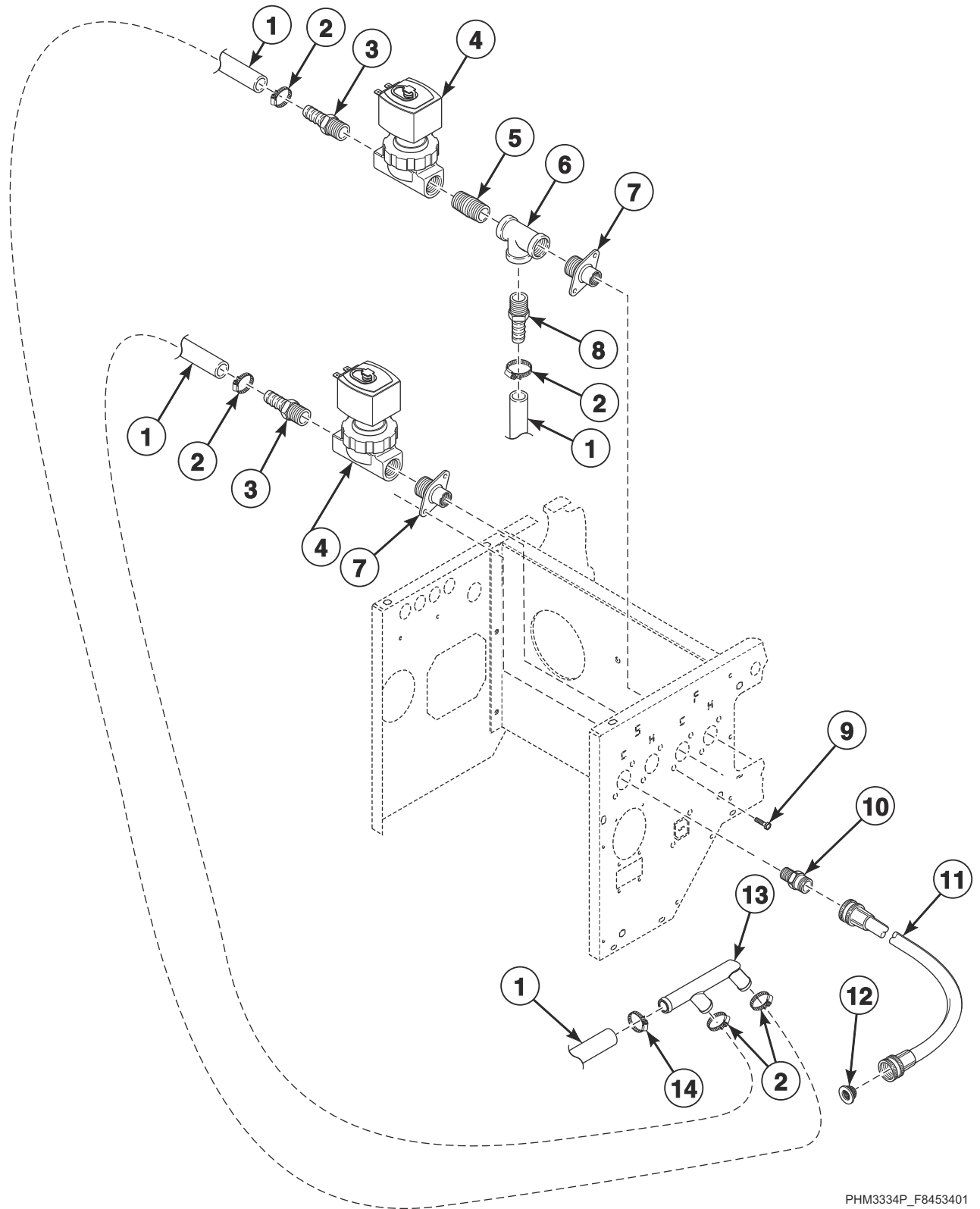


PHM3188P\_F8453401

## Water Supply Valve and Hoses to Supply Dispenser

REF	PART NO.	DESCRIPTION	COMMENTS
1	F8336601	4-Way Valve	240 Volt; Includes regulator
	F8347301	Dispenser Valve Harness	
2	G582P3	Diaphragm and Guide Kit	
3	F430948	Screw	
4	F8331902	Valve Mounting Bracket	
5	36801	Hose Clamp	No. 6
6	F200110P	Water Hose	
7	F422816	Y Connector	

# Fill Plumbing Assembly



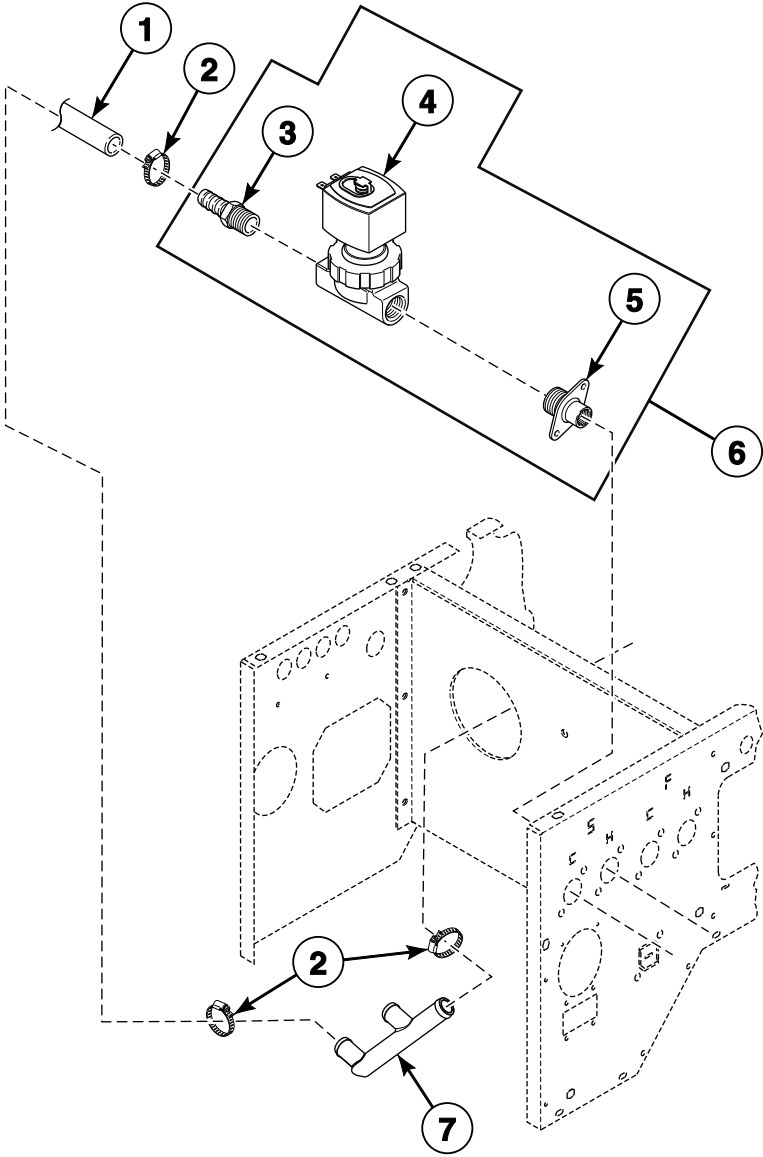
PHM3334P\_F8453401

## Fill Plumbing Assembly

REF	PART NO.	DESCRIPTION	COMMENTS
	F8347501	Fill/Supply Harness	
	F8347101	Fill Valve Harness	
<b>1</b>	F8232006	Hose	
<b>2</b>	36801	Hose Clamp	No. 8
<b>3</b>	F421964	Hose Barb	
<b>4</b>	F8322803P	Valve	1/2 inch; Brass; Use F8456201 Valve Transition Kit to repair
<b>5</b>	F421921	Nipple	1/2 inch; Brass
<b>6</b>	F422208	Tee	
<b>7</b>	F8362701	Coupling	1/2 inch
<b>8</b>	F8110701	Hose Barb	
<b>9</b>	20253	Screw	
<b>10</b>	F421908	Hose Adapter	Standard thread; 3/4 x 1/2 inch
	F8265701	Adapter	Metric thread
<b>11</b>	F200164	Water Hose	Standard thread; 3/4 inch
	F200166	Water Hose	Metric thread; 3/4 inch
	F200185	Water Hose	Standard thread; 1 inch
	F200193	Water Hose	Metric thread; 1 inch
<b>12</b>	803615	Washer	Filter; 3/4 inch
	F8126601	Strainer	1 inch
<b>13</b>	F8333201	Manifold	
<b>14</b>	F200222	Hose Clamp	No. 12

# Spray Plumbing Assembly

Models with a 3 or 4 in the 8th Position



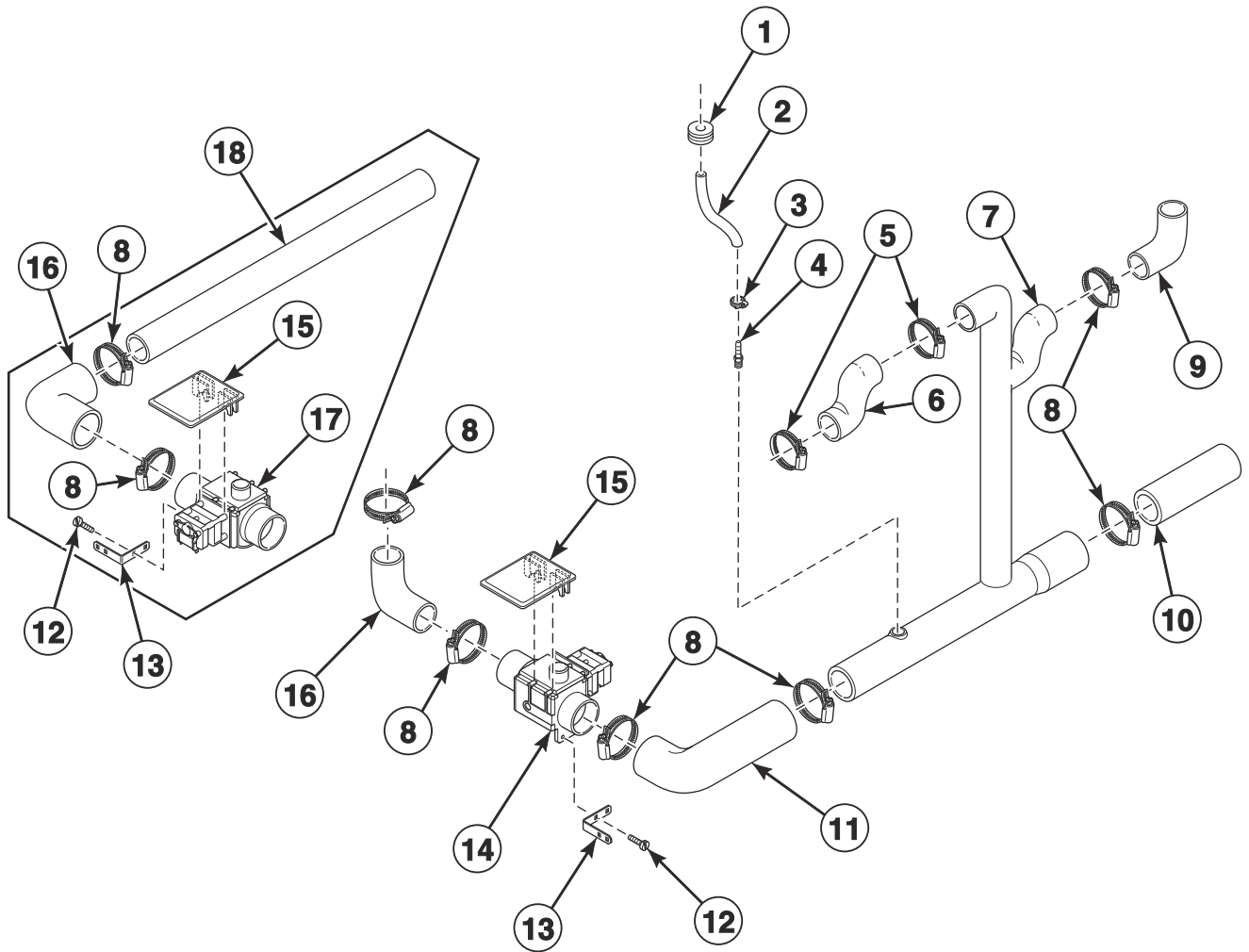
PHM3190P\_F8453401



# Spray Plumbing Assembly

REF	PART NO.	DESCRIPTION	COMMENTS
	F8347401	Fill/Supply Harness	
	F8347101	Fill Valve Harness	
1	F8232006	Hose	
2	36801	Hose Clamp	No. 8
3	F8110701	Hose Barb	
4	F8322803P	Valve	1/2 inch; Brass; Use F8456201 Valve Transition Kit to repair
5	F8362702	Coupling	3/4 inch
6	F8288401	Fill Plumbing Assembly	Includes items 3-5
7	F8333201	Manifold	

# Drain

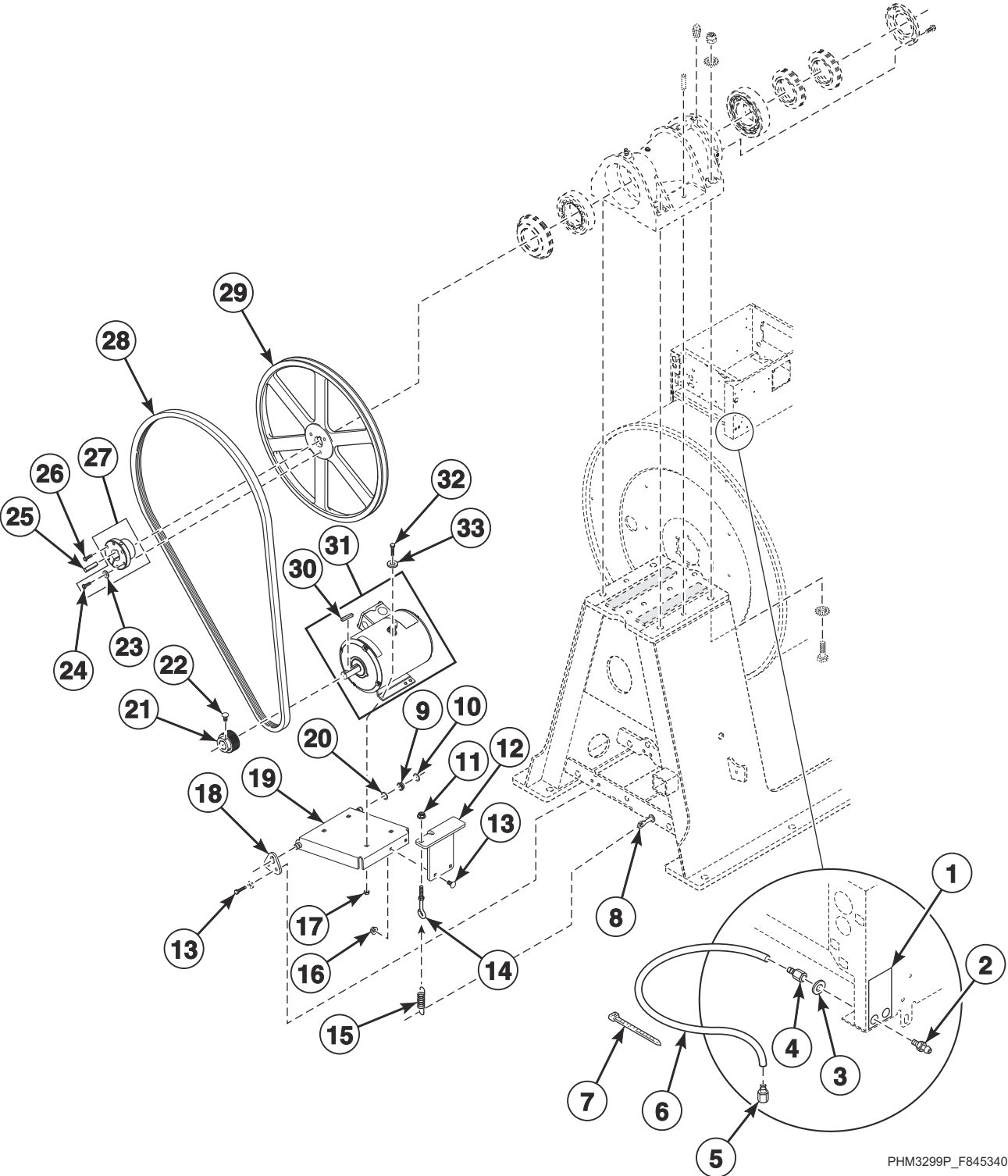


PHM3267P\_F8453401

# Drain

REF	PART NO.	DESCRIPTION	COMMENTS
	F8257001P	Drain Valve Harness	Standard and electric heat
	F8257002	Drain Valve Harness	Steam heat
	F8257101	Dual Drain Harness	
	F8564201	Dual Drain Kit	Models starting August 2012
1	F8410501	Grommet	Through Serial No. 1707000065
2	F8578002	Tubing	Through Serial No. 1707000065
3	36801	Hose Clamp	No. 6; Through Serial No. 1707000065
4	F8402301	Hose Barb	Through Serial No. 1707000065
	F8531401	Plug	Starting Serial No. 1707000066
5	F200215	Hose Clamp	No. 28
6	F0150488-00	Overflow Hose	
7	F8351302	Molded Drain	
8	F200201	Hose Clamp	No. 56
9	F8261303	Drain Hose	
10	F200165100	Drain Hose	
11	F8387301	Drain Elbow Hose	
12	202175	Screw	
13	F8312901	Valve Support Bracket	
14	F8577201	Drain Valve Kit	Includes item 15
15	F200133600	Drain Valve Cover	
16	F8340801	Drain Elbow Hose	
17	F200166402	Drain Valve Kit	Water re-use option; Includes item 15
18	F0602365-27	Pipe	Water re-use option

# Motor and Pulley

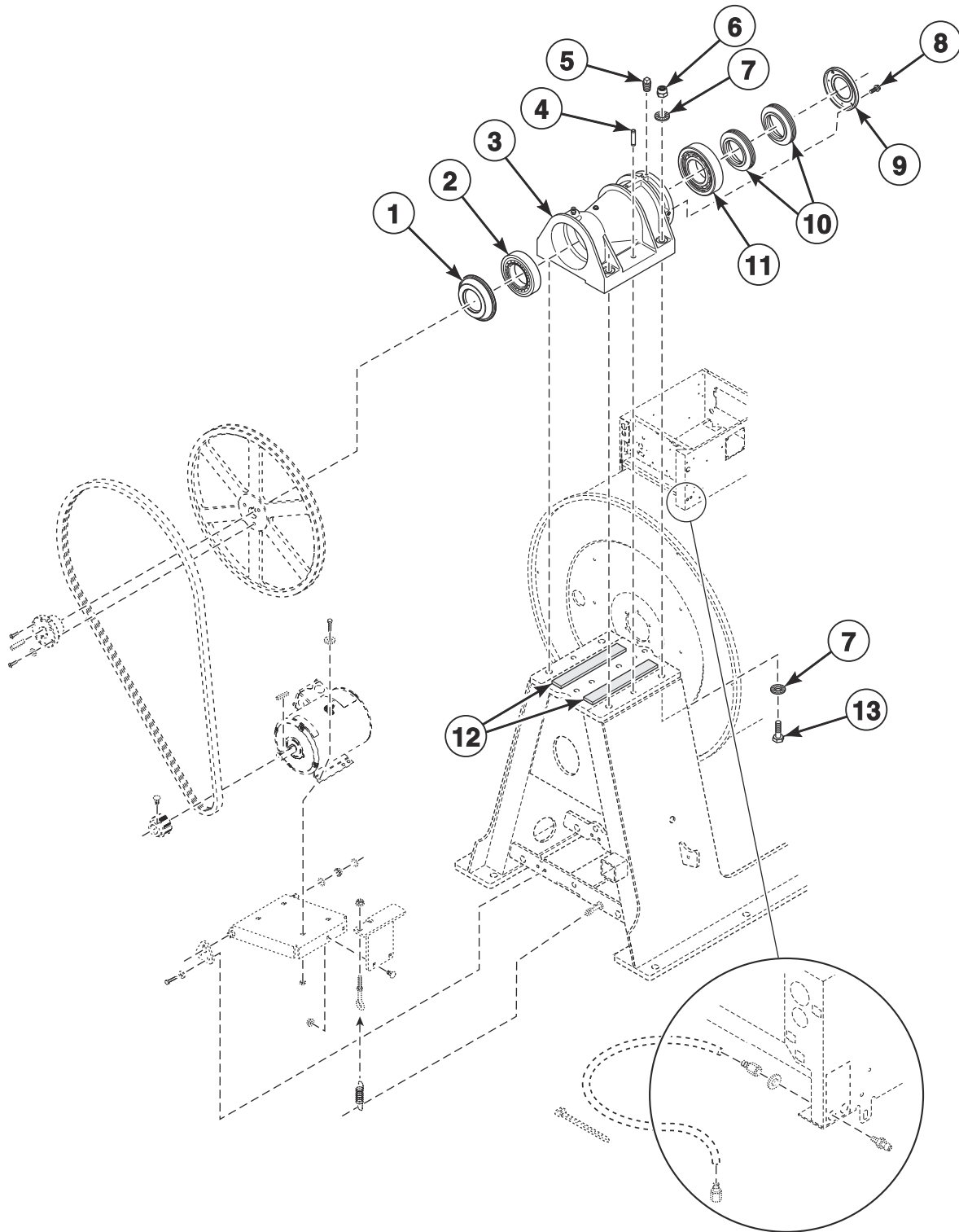


PHM3299P\_F8453401

# Motor and Pulley

REF	PART NO.	DESCRIPTION	COMMENTS
	F824P3	Motor Plate and Spring Assembly Kit	Includes items 8, 10-17, 19, 20, 31-33 and F8351901 Bolt
1	F8422801	Grease Instruction Label	Lubrication
2	F190701	Grease Fitting	
3	70292801	Washer	
4	F422114	Air Coupling	
5	J1408004	Connector	
6	F8245714	Hose	28 inches use on UW45 front bearing; 37 inches used on UW65 rear bearing
	F609601-5	Tubing	32 inches used on UW45 rear bearing; 32 inches used on UW65 front bearing
7	F140605	Cable Tie	6 inch
8	F8748601	Eye Bolt	
9	F8333301	Flanged Bushing	
10	F8451601	Spacer	
11	44087201	Nut	
12	F8342201	Motor Spring Bracket	
13	F8402801	Bolt	
14	F8319503	Eye Bolt	
15	F8440701	Extension Spring	
16	44087301	Nut	
17	F8387601	Nut	
18	F8441101	Motor Rod Plate	
19	F8562503	Motor Isolation Kit	
20	F8441901	O-Ring	
21	F8362601	Motor Pulley	
22	M400077	Screw	
23	M400013	Washer	
24	44079203	Screw	
25	F8649101	Key	
26	44048902	Screw	
27	F8649401	Flanged Bushing	Includes items 23 and 24
28	F8382806	Belt	Models through serial no 1504000002
	F8382816	Belt	Models starting serial no 1504000003
29	F8517801	Basket Pulley	
30	F8487102	Key	
31	F8335201P	Motor	Includes item 30
32	800461	Screw	
33	F8366601	Washer	

# Bearing Housing

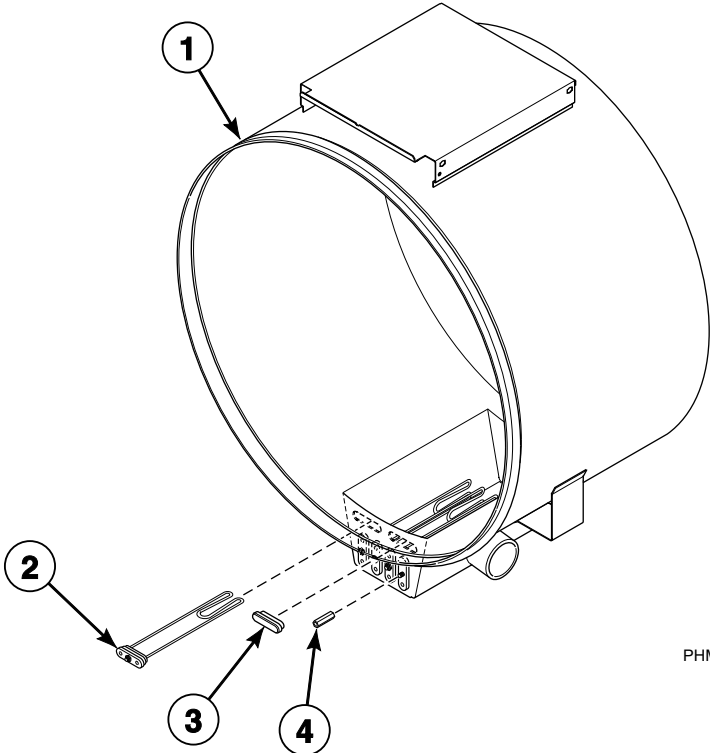


PHM3299PA\_F8453401

# Bearing Housing

REF	PART NO.	DESCRIPTION	COMMENTS
	F822P3	Bearing Housing Kit	Viton; Includes items 1, 4, 6-8, 12, 13, F8474602 Bearing Housing Assembly, F8442702 Screw, F8502306 Shell Band Gasket, F8527701 Excluder Seal, F410102 Sealant and F8382501 Sleeve Adapter; Use with F8599401 Bearing Seal Insertion and Removal Kit; Models starting Serial No. 1407029307
	F8503801	Bearings and Seals Kit	Standard; Includes items 1, 2, 4, 6, 10-13, F8527701 Excluder Seal and F410102 Sealant; Models starting Serial No. 1407029307; Use with F8599401 Bearing Seal Insertion and Removal Kit
	F8503701	Bearings and Seals Kit	Viton; Includes items 1, 2, 4, 6, 10-13, F8527701 Excluder Seal and F410102 Sealant; Models starting Serial No. 1407029307; Use with F8599401 Bearing Seal Insertion and Removal Kit
	F8599401	Bearing Seal Insertion and Removal Kit	
	F8474602	Bearing Housing Assembly	Viton; Includes items 2, 3, 5, 10 and 11
<b>1</b>	F8379301	Seal	Double Lip; Models through Serial No. 1407029306
	F8528501	Radial Lip Seal	Models starting Serial No. 1407029307
<b>2</b>	F8375401	Bearing	Spherical
<b>3</b>	F8744801R	Bearing Housing	
<b>4</b>	F8406502	Dowel Pin	
<b>5</b>	J1408004	Connector	
<b>6</b>	F430248	Nut	
<b>7</b>	F8171201	Washer	
<b>8</b>	F8442802	Screw	
<b>9</b>	F8550101	Seal Wear Plate	
<b>10</b>	F8203807	Radial Seal	Standard; Triple Lip; L and M-speed models
	F8203808	Radial Seal	Viton; Triple Lip; V-speed models
<b>11</b>	F8280504	Bearing	Cylindrical
<b>12</b>	F8502306	Shell Band Gasket	
<b>13</b>	F8313701	Screw	

# Electric Heat Option



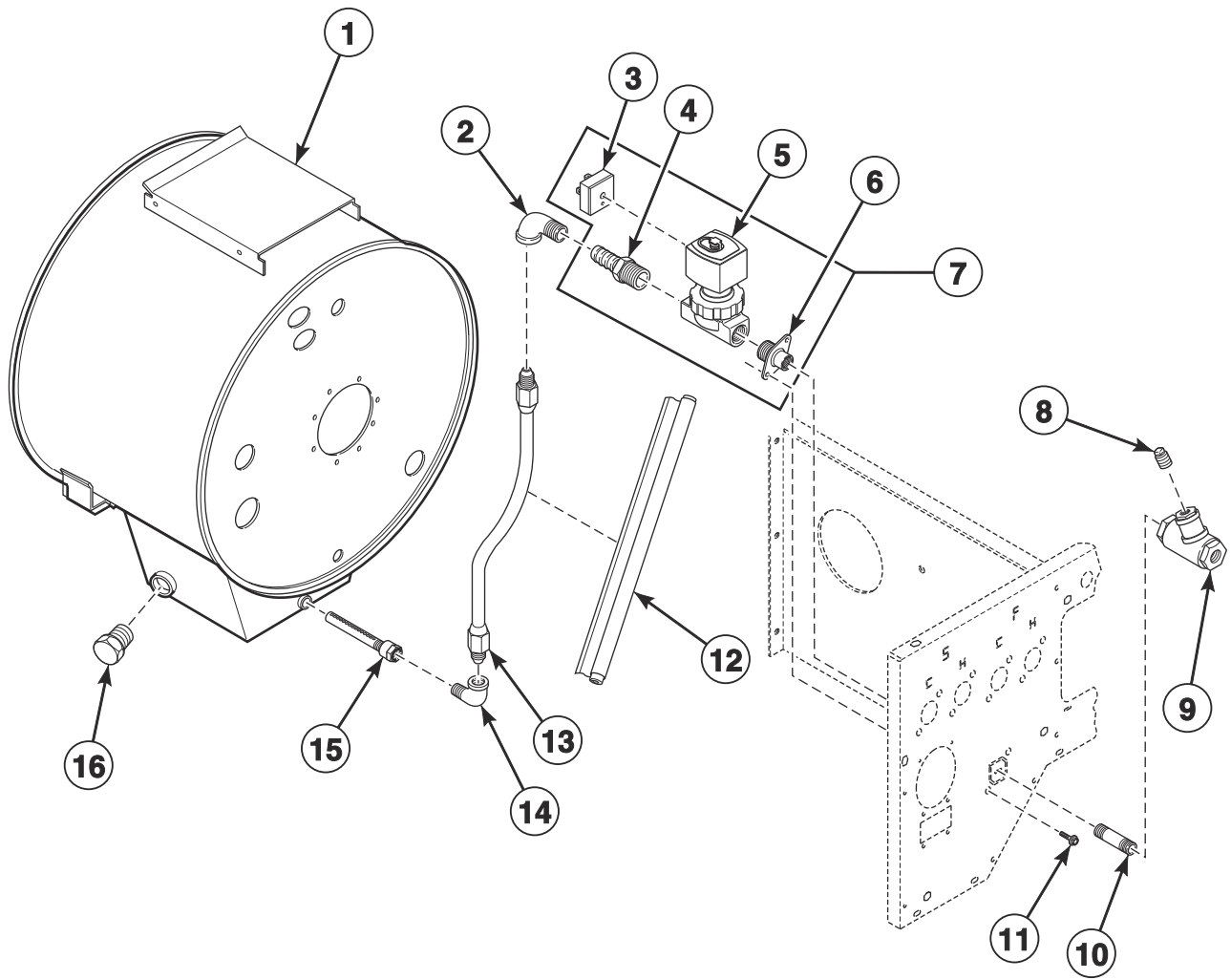
PHM3216P\_F8453401



## Electric Heat Option

REF	PART NO.	DESCRIPTION	COMMENTS
	F8054701P	Electric Heat Harness	N and P-voltage
	F8054702	Electric Heat Harness	Q-voltage
<b>1</b>	F8419904	Shell Assembly	45 pound models with a 1 or 3 in the 8th position
	F8419902	Shell Assembly	45 pound models with a 2 or 4 in the 8th position
	F8279204	Shell Assembly	65 pound models with a 1 or 3 in the 8th position
	F8279202	Shell Assembly	65 pound models with a 2 or 4 in the 8th position
<b>2</b>	F360203P	Heating Element	6 required
	F8056701	Electric Heat Harness	6 required; Element to ground
<b>3</b>	F360202	Heating Element Plug	
<b>4</b>	F8515401	Standoff	45 pound models

# Steam Heat Option

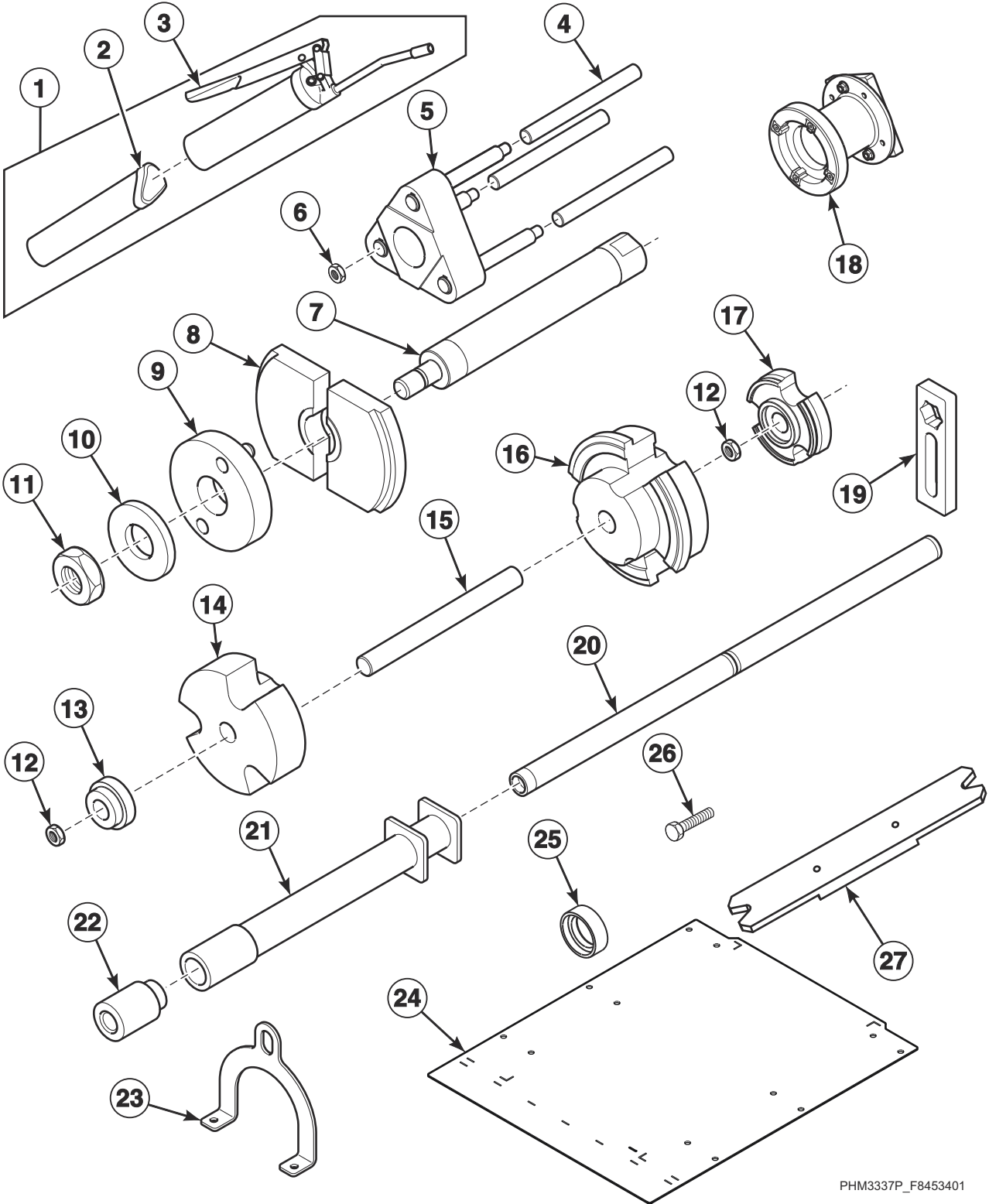


PHM3323P\_F8453401

## Steam Heat Option

REF	PART NO.	DESCRIPTION	COMMENTS
	F8394501	Steam Assembly	Includes items 2-6, 12 and 13
	F943P3	Steam Heat Kit	Includes F8394501 Steam Assembly, F8257002 Drain Valve Harness, F410300 Pipe Insulation and hardware
	F8379501P	Valve Kit	
<b>1</b>	F8419904	Shell Assembly	45 pound models with a 1 or 3 in the 8th position
	F8419902	Shell Assembly	45 pound models with a 2 or 4 in the 8th position
	F8279204	Shell Assembly	65 pound models with a 1 or 3 in the 8th position
	F8279202	Shell Assembly	65 pound models with a 2 or 4 in the 8th position
<b>2</b>	F422304	Street Elbow	
<b>3</b>	F8382301	DIN Valve Adapter Kit	
<b>4</b>	F421930	Hose Barb	
<b>5</b>	F8322801P	Valve	1/2 inch; 220 Volt
<b>6</b>	F8362701	Coupling	
<b>7</b>	F8288403	Steam Valve Assembly	Includes items 2-5
<b>8</b>	F420409	Plug	
<b>9</b>	F270307	Steam Filter	
<b>10</b>	901403	Pipe Nipple	
<b>11</b>	70321501	Screw	
<b>12</b>	F8233703	Insulation	
<b>13</b>	F200197	Steam Hose	
<b>14</b>	F421703	Street Elbow	
<b>15</b>	F8368201	Steam Injector Tube Assembly	
<b>16</b>	F421510	Plug	

# Special Tools



PHM3337P\_F8453401

# Special Tools

REF	PART NO.	DESCRIPTION	COMMENTS
	F8133301	UniLinc PC and PDA Software CD	Models with a T in the 7th position
	F8133701	UniLinc PC and PDA Software CD	Models with a T in the 7th position; Programmer's version
	F923P3	Wet-Clean Kit	
	F924P3	Reuse Kit	
	1112P	Concrete Hardware Kit	
	203346	USB IR Interface Kit	
	F460129P	Basket Puller Tool	
	F8599401	Bearing Seal Insertion and Removal Kit	Purchase; Includes items 4-24, 26, 70350503 Wing Nut and F8313702 Screw
	F8599401-1	Bearing Seal Insertion and Removal Kit	Rental; Includes items 4-24, 26, 70350503 Wing Nut and F8313702 Screw
1	F798700	Grease Gun Kit	Includes items 2 and 3
2	F210206P	Bearing Grease	
3	F210207P	Grease Gun	
4	F8599201	Rod	
5	F8560501	Shaft Support Assembly	
6	F8459101	Nut	
7	F8450401	Bearing Removal Shaft Assembly	
8	F8450601	Bearing Removal Plate	
9	F8455601	Bearing Removal Washer Assembly	
10	F8456101	Washer	
11	F8455801	Nut	
12	F8457701	Nut	
13	F8455701	Bearing Removal Plug	
14	F8515101	Bearing Seal Fixture	Front
15	F8452101	Threaded Rod	
16	F8515301	Seal Press Fixture	
17	F8515201	Bearing Seal Fixture	Rear
18	F8530201	Bearing Sleeve Assembly	
19	F8562801	One Sided Disassembly Fixture	
20	F8534101	Guide Rod Assembly	
21	F8490701	Hammer	
22	F8514401	Hammer Tool Adapter	
23	F8451501	Bearing Housing Lifting Fixture	
24	F8413201	Frame Template	
25	F8537501	Seal Excluder Fixture	
26	M400063	Screw	
27	F8634801	Clamp	



# Parts Index

## A

Adapter	
F8265701 .....	45
Air Coupling	
F422114 .....	51
Auxiliary Control Assembly	
F8189401P .....	9

## B

Basket Assembly Kit	
F8424202P .....	29
F8424302P .....	29
Basket Puller Tool	
F460129P .....	59
Basket Pulley	
F8517801 .....	51
Bearing	
F8280504 .....	29, 53
F8375401 .....	53
Bearing Grease	
F210206P .....	59
Bearing Housing	
F8465001 .....	53
Bearing Housing Assembly	
F8474602 .....	53
Bearing Housing Kit	
F822P3 .....	53
Bearing Housing Lifting Fixture	
F8451501 .....	59
Bearing Removal Plate	
F8450601 .....	59
Bearing Removal Plug	
F8455701 .....	59
Bearing Removal Shaft Assembly	
F8450401 .....	59
Bearing Removal Washer Assembly	
F8455601 .....	59
Bearing Seal Fixture	
F8515101 .....	59
F8515201 .....	59
Bearing Seal Insertion and Removal Kit	
F8599401 .....	53, 59
F8599401-1 .....	59
Bearing Sleeve Assembly	
F8530201 .....	59
Bearings and Seals Kit	
F8503701 .....	53
F8503801 .....	53
Belt	
F8382806 .....	51
F8382816 .....	51
Belt Guard Assembly	
F8487901 .....	19
Blind Rivet	
F8245101 .....	27
Bolt	
F8270701 .....	25, 27

F8402801 .....	51
F8549301 .....	25
Bulkhead Brace	
F8439001 .....	21
Bushing	
F8378701 .....	25
70346501 .....	9

## C

Cable Tie	
F140605 .....	51
Cap	
24145 .....	41
CFG Harness	
F8028109 .....	9
Chemical Connection Cover	
F8447901 .....	21
Chemical Injection Kit	
F8331801P .....	41
Chemical Supply Cup	
F150385 .....	37, 39
F150386 .....	37, 39
Chemical Supply Drain Hose	
F8510601 .....	39
Chemical Supply Hose	
F8551902 .....	39
Circuit Breaker	
F8303001P .....	15
70256901P .....	15
Clamp	
F8634801 .....	59
Clean Filter Daily Decal	
F200061000 .....	7, 15, 21
Clip	
M400984 .....	9
Communication Board	
210095P .....	7
Communication Cable	
F8385103 .....	9, 13
Concrete Hardware Kit	
1112P .....	59
Connector	
F422500 .....	9
J1408004 .....	51, 53
Contact Base	
F8538101 .....	7
Contact Switch	
F8069501 .....	7
Contacto	
F330177P .....	15
F330188P .....	15
Control Assembly Kit	
F980P3 .....	9
Control Kit	
F100P3 .....	7
F101P3 .....	7
F119P3 .....	7
F122P3 .....	7

N/A items do not appear in index.

Control Module Decal	
F8237101 .....	7
F8383101 .....	7
Control Panel Assembly	
F8408601 .....	7
Conversion Label	
F8099801 .....	21
F8448801 .....	21
Coupling	
F8362701 .....	45, 57
F8362702 .....	47

## D

Diaphragm and Guide Kit	
G582P3 .....	43
DIN Rail	
F8134001 .....	15
F8434101 .....	15
DIN Valve Adapter Kit	
F8382301 .....	57
Dispenser	
F8331801 .....	41
Dispenser Assembly	
F0150512-00P .....	37, 39
Dispenser Cap	
F8325101 .....	41
F8325102 .....	41
Dispenser Cover	
F8338601 .....	21
Dispenser Hose	
F8548801 .....	41
Dispenser Lid	
F0150514-00 .....	37, 39
Dispenser Valve Harness	
F8347301 .....	43
Do Not Tamper Label	
F8345901 .....	13
Door Assembly	
F8531701 .....	25
F8531702 .....	25
Door Assembly Kit	
F825P3 .....	25
F826P3 .....	25
Door Gasket	
F8508501 .....	25
Door Glass	
C000191 .....	25
F8323401P .....	25
Door Glass Gasket	
F8499901 .....	25
Door Glass Retainer	
F8323301 .....	25
Door Handle	
F8435501 .....	25
Door Hinge	
F8436001 .....	25
Door Hinge Shim	
F8398301 .....	25
Door Latch Arm Assembly	
F8221403 .....	25
Door Lock Assembly	
F8320501 .....	27

Door Lock Catch	
F8344501 .....	27
Door Lock Cover	
F8435801 .....	27
Door Lock Microswitch	
F200203200 .....	27
Door Lock Plate Assembly	
F8320401 .....	27
Door Lock Plate Shim	
F8398401 .....	27
Door Lock Switch Lever	
F8223401 .....	27
Door Lug Hinge	
F8435901 .....	25
Door Spray Nozzle Assembly	
F8356301 .....	23
Door Weldment	
F8308001 .....	25
Dowel Pin	
F8406502 .....	53
Drain Elbow Hose	
F8340801 .....	49
F8387301 .....	49
Drain Hose	
F200165100 .....	49
F8261303 .....	49
Drain Valve Cover	
F200133600 .....	49
Drain Valve Harness	
F8257001P .....	49
F8257002 .....	49
Drain Valve Kit	
F200166402 .....	49
F8577201 .....	49
Drive Assembly	
F8204801P .....	13
F8303601P .....	13
Drive Box Partition	
F8332801 .....	21
Drive Control Harness	
F8030101P .....	9
Drive Fan Harness	
F8113901 .....	15
Drive Mounting Bracket	
F8322401 .....	13
F8386901 .....	13
Drive Mounting Panel	
F8324501 .....	21
Dual Drain Harness	
F8257101 .....	49
Dual Drain Kit	
F8564201 .....	49

## E

Earth Terminal Sticker	
M412096 .....	15
Elbow	
F8453701 .....	23
F8514301 .....	39
Electric Heat Coils Harness	
F8054901 .....	13
F8054903 .....	13

N/A items do not appear in index.



Electric Heat Harness	
F8054601 .....	13
F8054602 .....	13
F8054603 .....	13
F8054701P .....	55
F8054702 .....	55
F8056701 .....	55
Electric Shock Danger Label	
F8115501 .....	13
Electrical Access Cover	
F8323801 .....	21
Electrical Shock Label	
F8211201 .....	7, 13, 19, 21, 31, 33, 35
Emergency Stop Pushbutton	
F200233500 .....	7
EMI Filter	
F8053901P .....	13
F8053902 .....	13
EMI Filter Kit	
F827P3 .....	13
F828P3 .....	13
EMI Filter Power Harness	
F8129001 .....	13
Ethernet Gateway Kit	
NK320 .....	7
Excluder Seal	
F8527701 .....	29
Expansion Clip	
70030501 .....	9, 19, 21, 25, 27
Extension Spring	
F8440701 .....	51
External Supply Connection Decal	
F8059801 .....	7
F8150201 .....	7, 21
External Supply Harness	
F8029503 .....	37, 39, 41
External Supply Label	
F8161701 .....	7
Eye Bolt	
F8319503 .....	51
F8351902 .....	51

---

## **F**

Fill Plumbing Assembly	
F8288401 .....	47
Fill Port	
F8351601 .....	31
Fill Valve Harness	
F8347101 .....	45, 47
Fill/Supply Harness	
F8347401 .....	47
F8347501 .....	45
Filter	
F200318900P .....	9, 15
F8454401 .....	13
Filter Retainer Guard	
F220900 .....	9, 15
Flanged Bushing	
F8333301 .....	51
F8649401 .....	51
Foam Gasket	
70414101 .....	31, 33, 35

Frame Shield	
F8353901 .....	31
F8419701 .....	31
F8480401 .....	33, 35
F8509401 .....	33, 35
Frame Template	
F8413201 .....	59
Frame Weldment	
F8262001 .....	31
F8262002 .....	33, 35
Front Bulkhead Panel	
F8286501 .....	21
F8286502 .....	21
F8286503 .....	21
F8286504 .....	21
F8535301 .....	21
F8535302 .....	21
F8535303 .....	21
F8535304 .....	21
Front Panel	
F8408001 .....	19
Fuse	
802492 .....	9
802493 .....	9

## **G**

Gasket	
F170158P .....	37, 39
F8207001 .....	31
Grease Fitting	
F190701 .....	51
Grease Gun	
F210207P .....	59
Grease Gun Kit	
F798700 .....	59
Grease Instruction Label	
F8422801 .....	51
Grommet	
F170604 .....	19
F8410501 .....	49
F8433001 .....	9
F8457801 .....	27
Ground Decal	
F230630 .....	13
F230739 .....	13
Ground Lug Connector	
M411283 .....	15
Guide Rod Assembly	
F8534101 .....	59

## **H**

Hammer	
F8490701 .....	59
Hammer Tool Adapter	
F8514401 .....	59
Handle Mount	
F8435701 .....	25
Harness	
F8030001 .....	15
F8030002P .....	15
F8454601 .....	13

N/A items do not appear in index.

Heating Element F360203P .....	55
Heating Element Plug F360202 .....	55
Hose F8232006 .....	45, 47
F8245714 .....	51
Hose Adapter F421908 .....	45
Hose Barb F421930 .....	57
F421964 .....	45
F8110701 .....	45, 47
F8402301 .....	49
Hose Clamp F200201 .....	49
F200213 .....	37, 39, 41
F200215 .....	31, 33, 35, 49
F200222 .....	45
36801 .....	41, 43, 45, 47, 49
Hot Surface Warning Decal F200085000 .....	25
Hot Surface Warning Label F8609001 .....	21, 25
F8614301 .....	21

## I

Injection Nozzle F8322001 .....	37, 39
Insertion Sleeve F8464901 .....	29
Insulation F8233703 .....	57
Insulator M413862 .....	13
Interlock Contactor F330186P .....	15
Interlock Switch Harness F8030501P .....	9
F8158801P .....	9

## J

Jumper Configuration Assembly M413507 .....	9
Jumper Harness Assembly M413506 .....	9

## K

Key F8487102 .....	51
F8649101 .....	51

## L

Label F8119401 .....	21
-------------------------	----

Left Bulkhead Panel F8530402 .....	21
Left Side Panel F8407902 .....	19
F8407904 .....	19
Logic Supply Power Harness F8060001 .....	13
Logo F8443101 .....	7

## M

Magnet F8406201 .....	25
Main Power Harness F8060301 .....	13
F8413401 .....	13
Male Tab Terminal 00177 .....	9, 15
Manifold F8333201 .....	45, 47
Mixing Valve 202396P .....	41
Module Box Assembly F8410401P .....	11
F8410402 .....	11
F8410403 .....	11
F8410404P .....	11
F8410405P .....	11
F8410406P .....	11
F8410408P .....	11
F8410409P .....	11
Module Box Panel F8408901 .....	7
F8410301 .....	7
Module Box Panel Kit F8410301P .....	7
F8412501P .....	7
F8412502P .....	7
Molded Drain F8351302 .....	49
Motor F8335201P .....	51
Motor Harness F8385001 .....	13
Motor Isolation Kit F8562503 .....	51
Motor Plate and Spring Assembly Kit F824P3 .....	51
Motor Pulley F8362601 .....	51
Motor Rod Plate F8441101 .....	51
Motor Spring Bracket F8342201 .....	51
Mount on Concrete Warning Label F8246401 .....	19
Muffin Fan F110110 .....	9, 15

N/A items do not appear in index.

---

## N

Network Board Assembly	
201341 .....	9
Network Board Bracket	
F8079401 .....	9
Network Controller Kit	
NK220 .....	7
Network Retrofit Kit	
NK205 .....	7
Network Wire Harness Assembly	
44088501P .....	9
Nipple	
F421921 .....	45
Nut	
F430218 .....	29
F430225 .....	17, 27
F430231 .....	9, 15
F430232 .....	9, 27
F430248 .....	53
F431042 .....	37, 39
F8322601 .....	23
F8387601 .....	51
F8455801 .....	59
F8457701 .....	59
F8459101 .....	59
F8549401 .....	25
M400977 .....	7
44087201 .....	51
44087301 .....	31, 33, 35, 51
70030401 .....	19, 33, 35
802292 .....	37, 39

---

## O

One Sided Disassembly Fixture	
F8562801 .....	59
O-Ring	
F170200 .....	23
F170215 .....	37, 39
F8441901 .....	51
801632 .....	37, 39
Output Assembly	
F8108501P .....	9
Output/Logic Harness	
F8028701 .....	7, 9
Overflow Hose	
F0150488-00 .....	49
Overlay	
F8551301 .....	7

---

## P

Panel Locator	
56079 .....	19
PC Board Standoff	
210098 .....	7
Pin	
F8302701 .....	29
Pinch Warning Label	
F8615701 .....	7, 13, 19, 21, 31, 33, 35
70538401 .....	31, 33, 35

Pipe	
F0602365-27 .....	49
Pipe Nipple	
901403 .....	57
Pipe Rinse Tube Assembly	
F8332301 .....	23
F8332302 .....	23
Plug	
F420409 .....	57
F421510 .....	57
F8223901 .....	9, 15
F8531401 .....	49
M400985 .....	9
70180001 .....	21
Plug Cap	
F190304 .....	37, 39
Pop Rivet	
F431210 .....	9
70058501 .....	13, 15, 21
Power Distribution Block	
M413865 .....	13
Power Distribution Block Cover	
44014901P .....	13
Power Harness	
F8060401P .....	9
F8367801 .....	9
Pressure Bulb	
30907 .....	9

---

## R

Radial Lip Seal	
F8528501 .....	53
Radial Seal	
F8203807 .....	53
F8203808 .....	53
Rear Bulkhead Edging	
F8439101 .....	21
Rear Bulkhead Panel	
F8438901 .....	21
Reed Switch Assembly	
F8066801P .....	27
Reed Switch Bracket	
F8402601 .....	27
Reuse Kit	
F924P3 .....	59
Right Bulkhead Panel	
F8530401 .....	21
Right Side Panel	
F8407901 .....	19
F8407903 .....	19
Ring Retainer	
F310206 .....	23
Rivet	
M412763 .....	19
Rocker Switch	
F8367701 .....	7
Rod	
F8599201 .....	59

N/A items do not appear in index.

# S

## Screw

F430174	7
F430903	9, 15
F430948	43
F430956	37, 39
F8117601	7, 19, 21
F8151201	9, 15
F8206901	9, 21
F8313701	53
F8412301	27
F8442702	31, 33, 35
F8442802	53
H88213996	31, 33, 35
M400063	59
M400077	51
M401938	17
M411072	15, 19
202175	49
20253	19, 33, 35, 45
39733	13
431287	23
44048902	51
44079203	51
51780	9, 15
51783	15
70182601	19
70321501	57
70391101	29
800461	51
800462	29
800548	41

## Seal

F8379301	53
----------	----

## Seal Excluder Fixture

F8537501	59
----------	----

## Seal Press Fixture

F8515301	59
----------	----

## Seal Scupper Pad

F8452701	31, 33, 35
----------	------------

## Seal Sleeve

F8343911	29
----------	----

## Seal Wear Plate

F8550101	31, 33, 35, 53
----------	----------------

## Shaft Support Assembly

F8560501	59
----------	----

## Shell Assembly

F8279201	31, 33
F8279202	31, 33, 55, 57
F8279203	31, 33
F8279204	31, 33, 55, 57
F8419901	31, 33
F8419902	31, 33, 55, 57
F8419903	31, 33
F8419904	31, 33, 55, 57
F8511501	35
F8511502	35
F8511503	35
F8511504	35
F8536401	35
F8536402	35
F8536403	35
F8536404	35

## Shell Band

F8388005	29
----------	----

## Shell Band Gasket

F8502305	29
F8502306	53

## Shell Extension Band

F8510501	29
----------	----

## Shell Front Assembly

F8319901	25, 29
----------	--------

## Shell Front Gasket Kit

F8513501	29
----------	----

## Shim

F8484401	27
----------	----

## Sleeve Adapter

F8382501	29
----------	----

## Snap Bushing

M402542	9, 15
---------	-------

## Soap Dispenser Shroud Weldment

F8024304	37, 39
----------	--------

## Solenoid

F8630601	27
----------	----

## Spacer

F431901	27
F8451601	51

## Spray Nozzle Gasket

F8322701	23
----------	----

## Spray Rinse Assembly Kit

F8510701	23
F8574801	23

## Spray Rinse Bracket

F8451101	23
----------	----

## Spray Rinse Hose

F8508201	23
----------	----

## Spray Rinse Strap

F8451701	23
----------	----

## Spring Pin

F431222	25
---------	----

## Sreet Elbow

F422304	57
---------	----

## Standoff

F8515401	55
----------	----

## Steam Assembly

F8394501	57
----------	----

## Steam Filter

F270307	57
---------	----

## Steam Heat Kit

F943P3	57
--------	----

## Steam Hose

F200197	57
---------	----

## Steam Injector Tube Assembly

F8368201	57
----------	----

## Steam Valve Assembly

F8288403	57
----------	----

## Steam-Electric Switch Label

F8368301	7
----------	---

## Step Down Power Harness

F8405101	15
----------	----

## Strain Relief Adapter Kit

F749802	37, 39
---------	--------

## Strain Relief Connector

F140340P	37, 39
----------	--------

## Strainer

F8126601	45
----------	----

## Street Elbow

F421703	57
---------	----

N/A items do not appear in index.

Stud		
70334702	.....	33, 35
Supply Dispenser Spacer		
F0150525-00	.....	37, 39
Supply Hose		
F8332001	.....	37
F8332002	.....	37
F8551901	.....	39
Swivel Coupling Assembly		
F8504001	.....	23
Swivel Coupling Body		
F8503901	.....	23
Swivel Coupling Bushing		
F8453801	.....	23

## T

Tee		
F422208	.....	45
F8246601	.....	9
Temperature Harness		
F8028221P	.....	17
F8028230	.....	17
F8028234	.....	17
Terminal Block		
430642	.....	13
Terminal Block Shield		
70333001	.....	13
Thermistor Sensor		
F370609	.....	17
Threaded Rod		
F8452101	.....	59
Top Cover		
F8374101	.....	21
Top Left Cover		
F8374002	.....	21
Top Right Cover		
F8374001	.....	21
Torsion/Door Lock Spring		
F8070301	.....	27
Transformer		
F8401301	.....	15
201616P	.....	9, 15
803527P	.....	9
Trim		
F170400RP	.....	37, 39
F8412802	.....	19
Tubing		
F609601-5	.....	51
F8153901	.....	9
F8339601	.....	9
F8578002	.....	49

## U

UniLinc PC and PDA Software CD		
F8133301	.....	59
F8133701	.....	59
USB Gateway Kit		
NK320	.....	7
USB IR Interface Kit		
203346	.....	59

Use Copper Conductors Only Caution Label		
F8242201	.....	13

## V

Valve		
F8322801P	.....	57
F8322803P	.....	45, 47
Valve Kit		
F8379501P	.....	57
Valve Mounting Bracket		
F8331902	.....	43
Valve Support Bracket		
F8312901	.....	49
Valve, 4-Way		
F8336601	.....	43
Vent Hose		
F8363601	.....	31, 33, 35
Vibration Switch		
F8204001	.....	17
Vibration Switch Shield		
F8337301	.....	17

## W

Warning Label		
F8233501	.....	7, 21
F8428501	.....	21, 37, 39
F8428701	.....	7, 37, 39
44324001	.....	7, 13, 19, 21, 31, 33, 35
Washer		
F431100	.....	25
F431125	.....	17, 27
F431147	.....	25, 37, 39
F431916	.....	25
F8171201	.....	53
F8193101	.....	27
F8195301	.....	37, 39
F8366601	.....	51
F8402701	.....	31, 33, 35
F8456101	.....	59
M400013	.....	51
M400080	.....	29, 33, 35
M400081	.....	31, 33, 35
M405535	.....	19, 33, 35
70292801	.....	51
803615	.....	45
Water Hose		
F200110P	.....	43
F200116	.....	41
F200164	.....	45
F200166	.....	45
F200185	.....	45
F200193	.....	45
Water Pressure Switch		
F8404401	.....	9
Water Valve Bracket		
F8428901	.....	41
Wet-Clean Kit		
F923P3	.....	59
Wire Label		
70218701	.....	13

N/A items do not appear in index.

Wireless Network Kit  
NK301 ..... 7

---

**Y**

Y Connector  
F422816..... 43

---