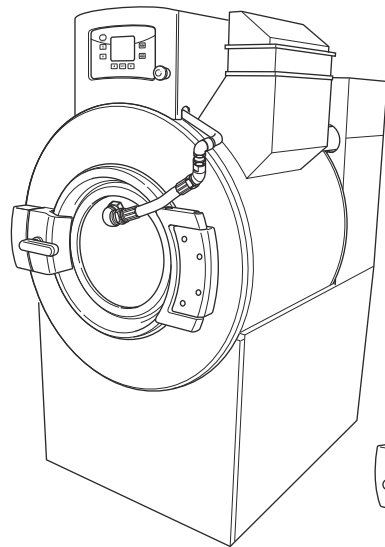


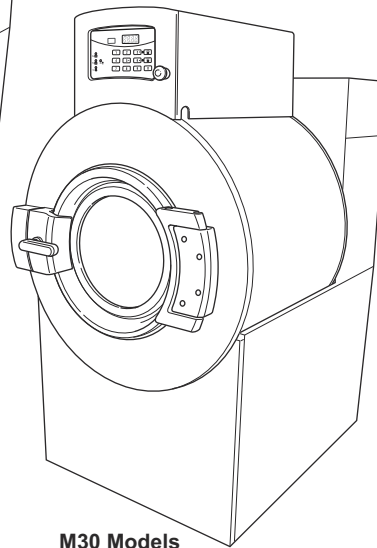
Washer-Extractor

Pocket Hardmount

Refer to Page 3 for Model Numbers



UniLinc Models



M30 Models

PHM1429C_F8570001

Table of Contents

Title	Page
Parts Ordering Information.....	2
Serial Plate Location	2
Model Identification	3
Pocket Hardmount Washer-Extractor Product Overview	4
Control Module (Drawing 1 of 2)	6
Control Module (Drawing 2 of 2)	8
Inverter Drive Box (Drawing 1 of 2).....	10
Inverter Drive Box (Drawing 2 of 2).....	12
Rotation Sensor, Vibration Switch and Temperature Probe	14
Panels	16
Drive Box and Water Supply Box.....	18
Spray Tube Assembly.....	20
Door	22
Door Lock.....	24
Basket	26
Shell and Frame.....	28
Supply Dispenser	30
Chemical Injection.....	32
Water Supply Valve and Hoses to Supply Dispenser	34
Fill Plumbing Assembly	36
Spray Plumbing Assembly	38
Drain Plumbing - Single Drain.....	40
Drain Plumbing - Dual Drain	42
Motor and Pulley	44
Bearing Housing	46
Electric Heat Option	48
Steam Heat Option	50
Special Tools	52
Parts Index.....	55

© Copyright 2018, Alliance Laundry Systems LLC

All rights reserved. No part of the contents of this book may be reproduced or transmitted in any form or by any means without the expressed written consent of the publisher.

Parts Ordering Information

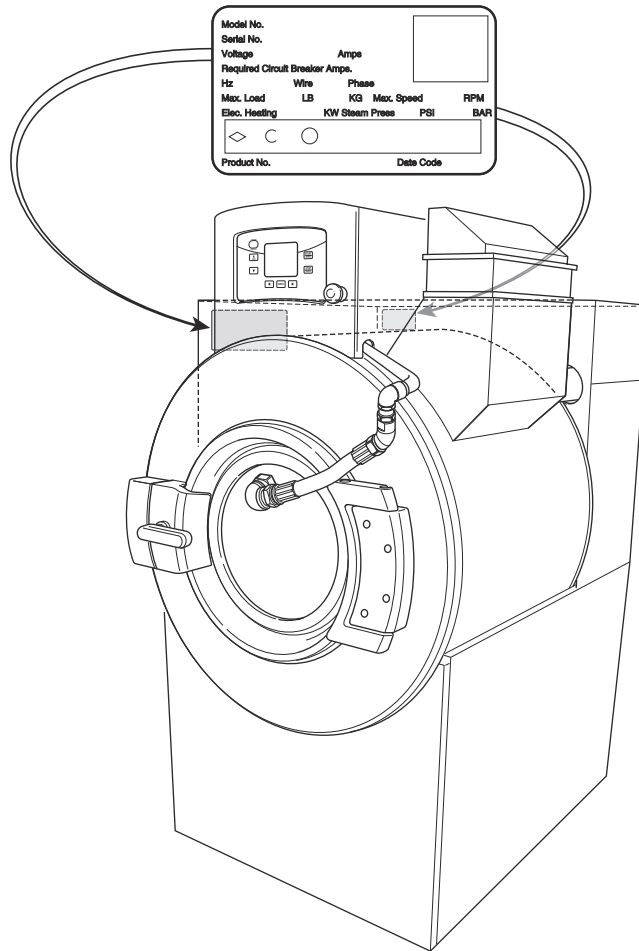
If literature or replacement parts are required, contact the source from whom the machine was purchased or contact Alliance Laundry Systems at (920) 748-3950 for the name and address of the nearest authorized parts distributor.

For technical assistance, call the number listed below:

(920) 748-3121 Ripon, Wisconsin

Serial Plate Location

When calling or writing about your product, be sure to mention model and serial numbers. Model and serial numbers are located on serial plate(s) as shown.



PHM3254P_F8570001

Model Identification

Information in this manual is applicable to these washer-extractor models:

NWL085T3V	UWN085K1M
NWL085T4V	UWN085K2M
NWL105T3V	UWN085T3V
NWL105T4V	UWN085T4V
UWH085K1M	UWN105K1M
UWH085K2M	UWN105K2M
UWH085T3V	UWN105T3V
UWH085T4V	UWN105T4V
UWH105K1M	UWU085K1M
UWH105K2M	UWU085K2M
UWH105T3V	UWU085T3V
UWH105T4V	UWU085T4V
UWL085K1M	UWU105K1M
UWL085K2M	UWU105K2M
UWL085T3V	UWU105T3V
UWL085T4V	UWU105T4V
UWL105K1M	
UWL105K2M	
UWL105T3V	
UWL105T4V	

Pocket Hardmount Washer-Extractor Product Overview

Model No. **UWN060T3VXU1001**

Serial No. **000000000000**

Voltage **200 – 240** Hz **50-60** Phase **3**

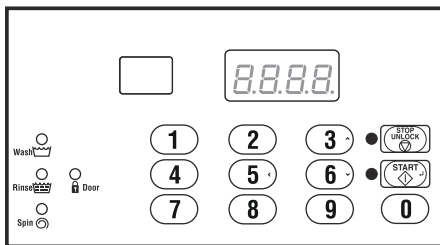
Number of wires : **3** FLA : **19** amps

Circuit Breaker Size : **30** amps

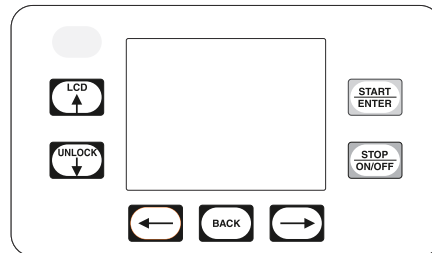
Max. Load : **60** LB **27** KG

Schematic :

Supply Water: **30 - 85** psi, **2 - 5.7** BAR



M30 Control



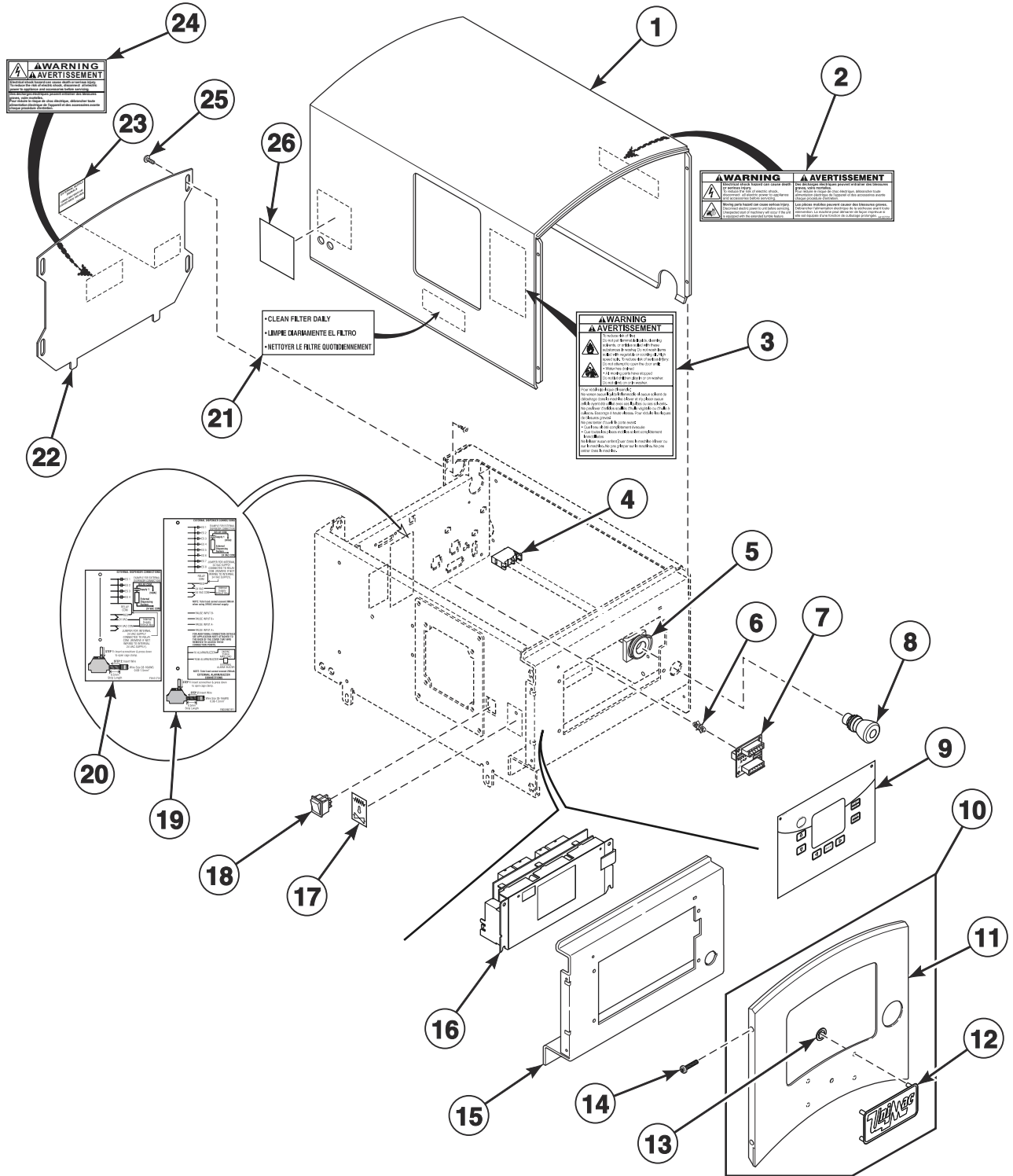
UniLinc Control

PHM3063P_F8570001

Pocket Hardmount Washer-Extractor Product Overview

REF	PART NO.	DESCRIPTION	COMMENTS
1	-	Product Family	NW UW
2	-	Market Approvals	N (Domestic ETL) L (International ETL) U (International CE/EAC) H (China-ROHS ETL)
3	-	Capacity (Dry Weight in Pounds)	045 065 085 105 130 160
4	-	Control	K (M30 Control) T (UniLinc Control)
5	-	Spray/Dispenser Feature	1 (No spray but with dispenser) 2 (No spray or dispenser) 3 (With spray and dispenser) 4 (With spray but no dispenser)
6	-	Speed	L (Low-Speed - 100G) M (Medium-Speed - 200G) V (Variable-Speed - 400G)
7	-	Voltage	O (208/220-240/60/3/3) X (200-208/220/240/50/60/1/3) Q (200-208/220-240/50/60/3) P (380-415/50/60/3) N (440-480/50/60/3)
8	-	OEM	U
9	-	Design Series	4
10	-	Heat Feature	0 (Standard) D (Direct steam) E (Electric heat) P (Prep for steam heat)
11	-	Features and Options	

Control Module (Drawing 1 of 2)

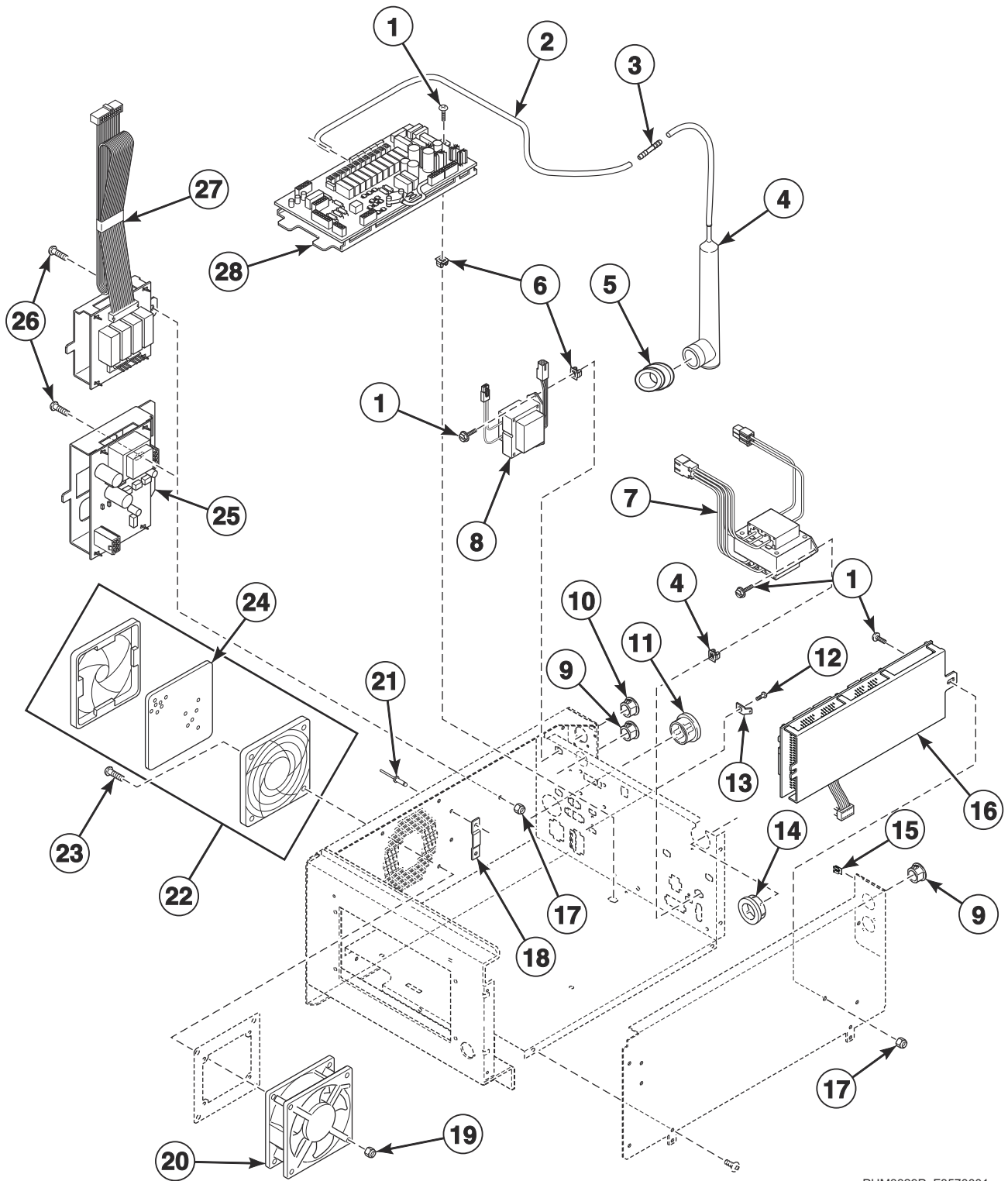


PHM3300P_F8570001

Control Module (Drawing 1 of 2)

REF	PART NO.	DESCRIPTION	COMMENTS
	F8028701	Output/Logic Harness	
1	F8412502P	Module Box Panel Kit	Top; Includes item 3
2	F8211201	Electrical Shock Label	UWU models
	F8615701	Pinch Warning Label	UWU models
	44324001	Warning Label	Shock/pinch; All other models
3	F8428701	Warning Label	Reduce fire risk
4	F8069501	Contact Switch	
5	F8538101	Contact Base	
	F8060501	Emergency Stop Harness	
6	210098	PC Board Standoff	Network models
7	210095P	Communication Board	Network models
	NK205	Network Retrofit Kit	Includes item 6, 203028 Network Board Assembly, 210099 Communication Connector, 430497 Screw, 44088501 Network Wire Harness Assembly and 800246 Communication Wire Harness Assembly
	NK220	Network Controller Kit	Network models
	NK301	Wireless Network Kit	
	NK320	Ethernet Gateway Kit	Used with NK301 Wireless Network Kit
	NK330	USB Gateway Kit	Used with NK301 Wireless Network Kit
8	F200233500	Emergency Stop Pushbutton	
9	F8237101	Control Module Decal	UW models with a T in the 7th position
	F8383101	Control Module Decal	UW models with a K in the 7th position
	F8551301	Overlay	NW models with a T in the 7th position
10	F8575501	Module Box Panel Kit	Front; Includes items 11-13
11	F8410302	Module Box Panel	Front
12	F8443101	Logo	UW models
13	M400977	Nut	
14	F8117601	Screw	
15	F8408601	Control Panel Assembly	Front
16	F8499401P	Control Assembly	Models with a K in the 7th position
	F8499101P	Control Assembly	Models with a T in the 7th position
17	F8368301	Steam-Electric Switch Label	Dual heat
18	F8367701	Rocker Switch	Dual heat
19	F8161701	External Supply Label	Models with a K in the 7th position
20	F8059801	External Supply Connection Decal	Models with a T in the 7th position
21	F200061000	Clean Filter Daily Decal	
22	F8408901	Module Box Panel	Rear
23	F8150201	External Supply Connection Decal	
24	F8211201	Electrical Shock Label	UWU models
	F8233501	Warning Label	Shock; All other models
25	F8206901	Screw	
26	F8422801	Grease Instruction Label	Lubrication

Control Module (Drawing 2 of 2)

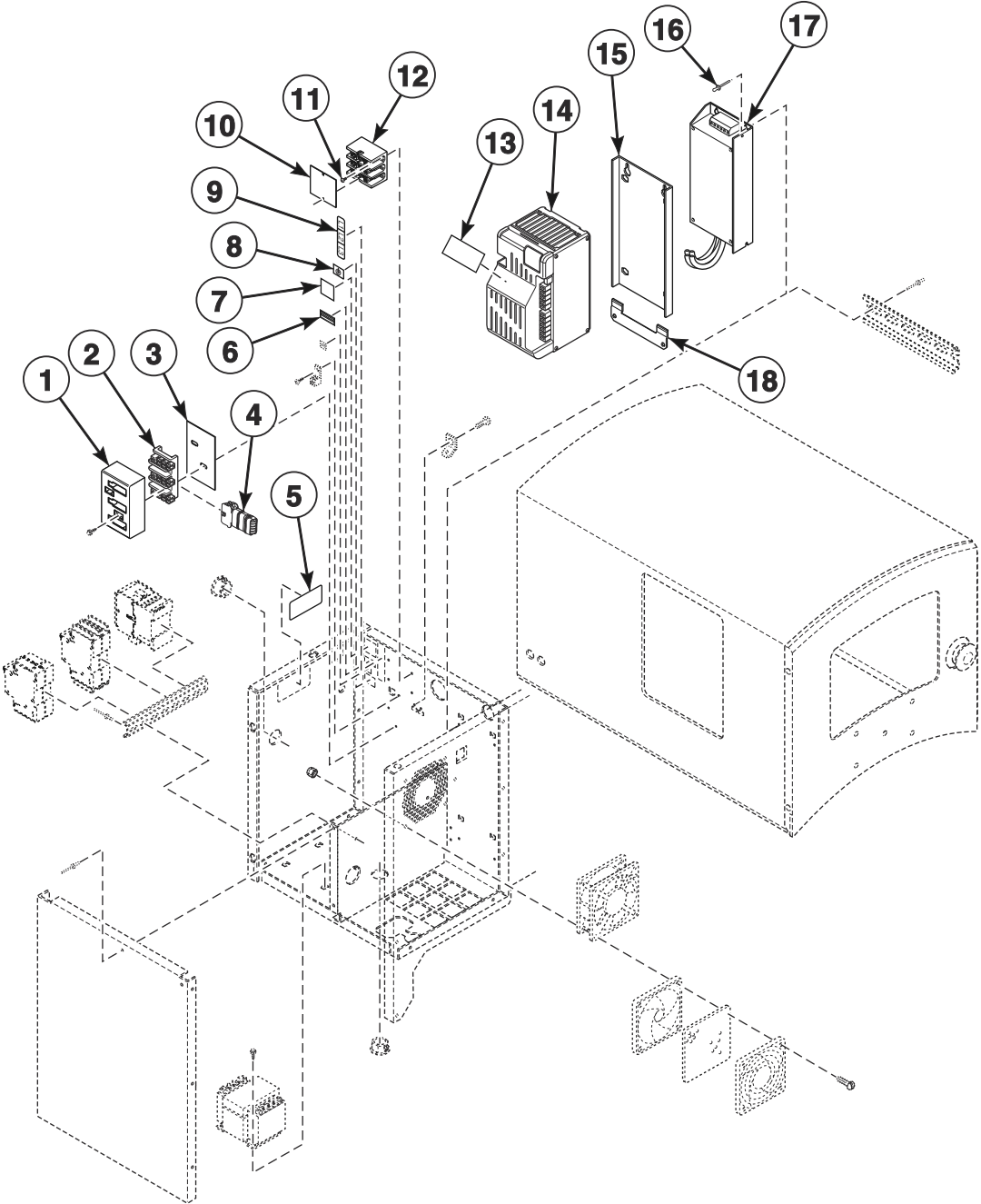


PHM3329P_F8570001

Control Module (Drawing 2 of 2)

REF	PART NO.	DESCRIPTION	COMMENTS
	F8028117	Size Configuration Wiring Harness	85 pound models
	F8028118	Size Configuration Wiring Harness	105 pound models
	44088501P	Network Wire Harness Assembly	
	F8508301	Power Harness	Dual heat
	F8433102	Power Harness	Steam, electric and standard heat
	F8030101P	Drive Control Harness	
	F8385103	Communication Cable	
	M413506	Jumper Harness Assembly	208 Volt
	M413507	Jumper Configuration Assembly	240 Volt
	F8482501	Tray Harness Cover	105 pound models
	F8028109	CFG Harness	
	F8158801P	Interlock Switch Harness	Models with a K in the 7th position
	F8030501P	Interlock Switch Harness	Models with a T in the 7th position
	F8410412	Module Box Assembly	Models with a K in the 7th position; Includes items 2-4, 9-11, 14, 16-22, 24-26, F8408601 Control Panel Assembly Front and F8499401P Control Assembly
	F8410411	Module Box Assembly	Models with a T in the 7th position; Includes items 1, 2-4, 7, 9-11, 14, 16-22, 25, F8408601 Control Panel Assembly Front and F8499401P Control Assembly
	F8412810	Trim	
1	F8117601	Screw	
2	F8339601	Tubing	
3	F422500	Connector	
4	30907	Pressure Bulb	
5	F8433001	Grommet	
6	70030501	Expansion Clip	
7	803527P	Transformer	Machine control voltage
8	201616P	Transformer	External supply
9	M400985	Plug	
10	F8223901	Plug	
11	M402542	Snap Bushing	
12	51780	Screw	
13	00117	Female Pin Terminal	
14	70346501	Bushing	
15	M400984	Clip	
16	F8108501P	Output Assembly	
17	F430232	Nut	
18	F8079401	Network Board Bracket	
19	F430231	Nut	
20	F110110	Muffin Fan	
21	F431210	Pop Rivet	
22	F220900	Filter Retainer Guard	Includes item 24
23	F8151201	Screw	
24	F200318900P	Filter	Includes 5 filters
25	203028	Network Board Assembly	Network models
26	F430903	Screw	
27	F8189401P	Auxiliary Control Assembly	Models with a K in the 7th position
28	F980P3	Control Assembly Kit	
	802492	Fuse	5 Amp
	802493	Fuse	2.5 Amp

Inverter Drive Box (Drawing 1 of 2)

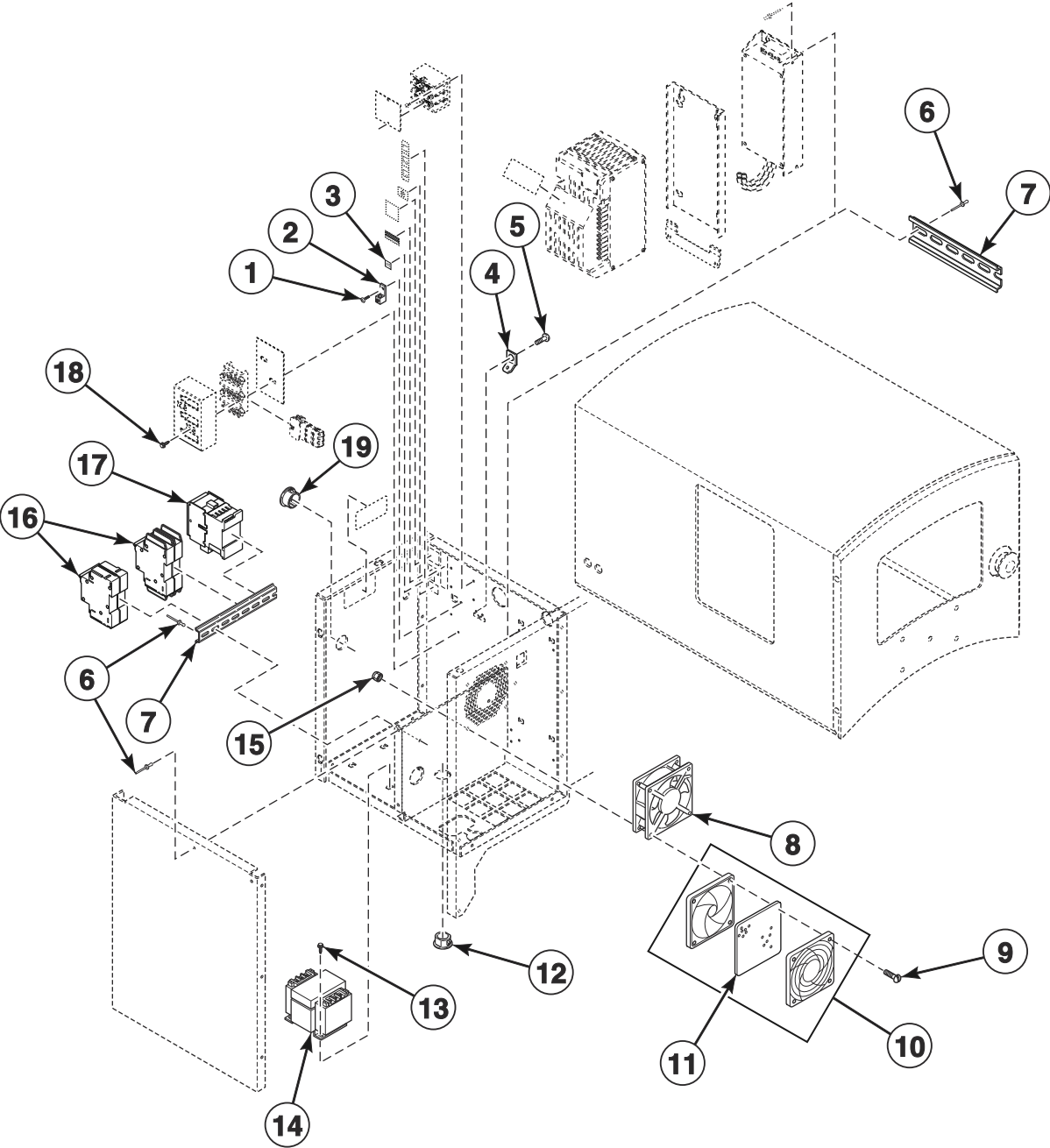


PHM965P_F8570001

Inverter Drive Box (Drawing 1 of 2)

REF	PART NO.	DESCRIPTION	COMMENTS
	F8054601	Electric Heat Harness	Left
	F8054602	Electric Heat Harness	Middle
	F8054603	Electric Heat Harness	Right
	F8389801	Control Power Harness	
	F8508301	Power Harness	
	F8054901	Electric Heat Coils Harness	KM8A
	F8054903	Electric Heat Coils Harness	KM8ABL
	F8385103	Communication Cable	
1	70333001	Terminal Block Shield	
2	430642	Terminal Block	
3	M413862	Insulator	
4	F8454401	Filter	
	F8454601	Harness	
5	F8211201	Electrical Shock Label	UWU models
	F8615701	Pinch Warning Label	UWU models
	44324001	Warning Label	Shock/pinch; All other models
6	F8242201	Use Copper Conductors Only Caution Label	
7	F230630	Ground Decal	
8	F230739	Ground Decal	
9	70218701	Wire Label	
10	44014901P	Power Distribution Block Cover	Electric heat
11	39733	Screw	Electric heat
12	M413865	Power Distribution Block	Electric heat
13	F8115501	Electric Shock Danger Label	
14	F8169690	Inverter Drive	85 pound models; Q-voltage
	F8169691	Inverter Drive	85 pound models; N and P-voltage
	F8169692	Inverter Drive	105 pound models; Q-voltage
	F8169693	Inverter Drive	105 pound models; N and P-voltage
	F8027804	Drive Power Harness	
	F8030201P	Drive Control Harness	
15	F8386902	Drive Mounting Bracket	
16	70058501	Pop Rivet	
17	F8053901P	EMI Filter	UWU models; Q and X-voltage
	F8053902	EMI Filter	UWU models; N and P-voltage
	F8054001	EMI Filter	240 Volt
	F8027804	Drive Power Harness	
18	F8322402	Drive Bracket	

Inverter Drive Box (Drawing 2 of 2)

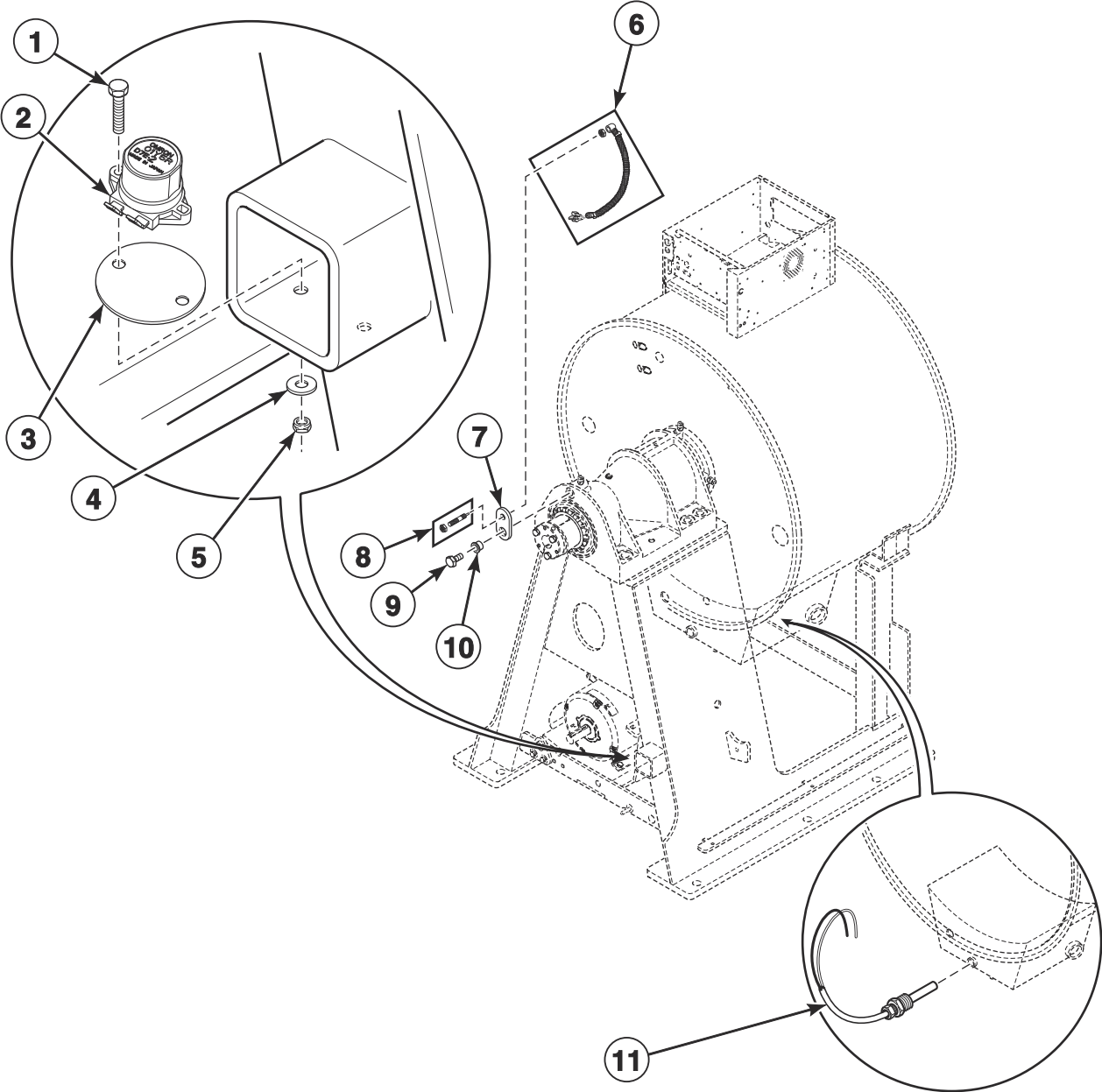


PHM965PA_F8570001

Inverter Drive Box (Drawing 2 of 2)

REF	PART NO.	DESCRIPTION	COMMENTS
1	51780	Screw	
2	00177	Male Tab Terminal	
3	M412096	Earth Terminal Sticker	
4	M411283	Ground Lug Connector	
5	F430903	Screw	
6	70058501	Pop Rivet	
7	F8134101	DIN Rail	
8	F110110	Muffin Fan	
	F8113901	Drive Fan Harness	
9	F8151201	Screw	
10	F220900	Filter Retainer Guard	Includes item 13
11	F200318900P	Filter	Includes 5 filters
12	F8223901	Plug	
13	F8206901	Screw	
14	201616P	Transformer	
15	F430231	Nut	
16	F8303001P	Circuit Breaker	Electric heat
	70256901P	Circuit Breaker	Electric heat
	F8028224	Temperature Wiring Harness	
	F8028117	Size Configuration Wiring Harness	85 pound models
	F8028118	Size Configuration Wiring Harness	105 pound models
	F8405101	Step Down Power Harness	Used with 70256901P Circuit Breaker
17	F330188P	Contactora	NX208; Q, N and P-voltage; Electric heat
18	51783	Screw	
19	M402542	Snap Bushing	

Rotation Sensor, Vibration Switch and Temperature Probe

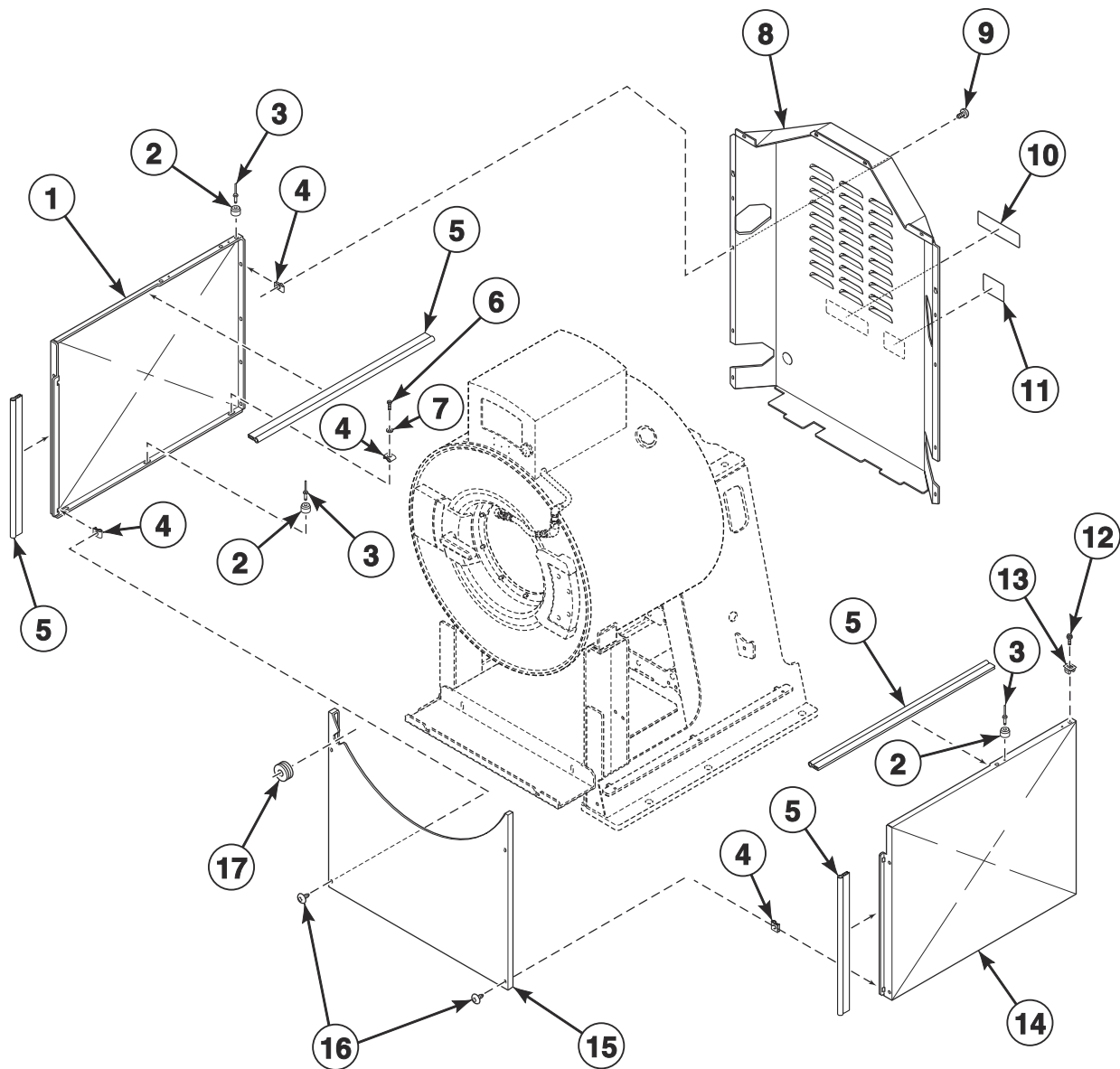


PHM3325P_F8570001

Rotation Sensor, Vibration Switch and Temperature Probe

REF	PART NO.	DESCRIPTION	COMMENTS
1	M401938	Screw	
2	F8204001	Vibration Switch	
3	F8337301	Vibration Switch Shield	
4	F431125	Washer	
5	F430225	Nut	
6	F8066401	Rotation Sensor Harness	
7	F8474901	Rotation Sensor Plate	
8	F8066201	Rotation Sensor	
9	F8463301	Screw	
10	44239501	Bushing	
11	F370609	Thermistor Sensor	
	F8028221P	Temperature Harness	Electric heat
	F8028223	Temperature Harness	Standard; Models with a T in the 7th position
	F8028224	Temperature Wiring Harness	Standard; Models with a K in the 7th position

Panels

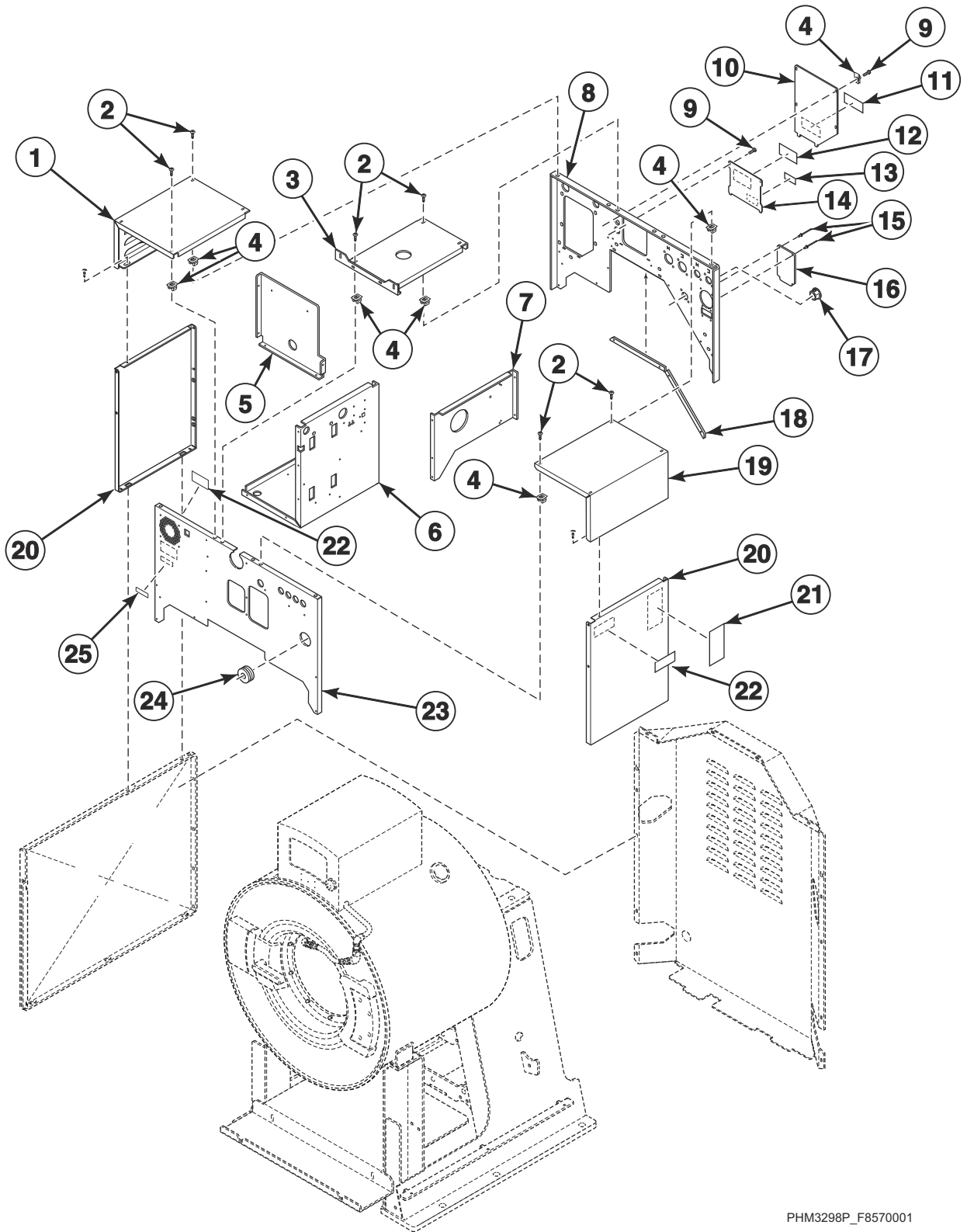


PHM3259P_F8570001

Panels

REF	PART NO.	DESCRIPTION	COMMENTS
1	F8480902	Left Side Panel	85 pound models
	F8480904	Left Side Panel	105 pound models
2	56079	Panel Locator	
3	M412763	Rivet	
4	70030401	Nut	
5	F8412802	Trim	
6	20253	Screw	
7	M405535	Washer	
8	F8481701	Belt Guard Assembly	Models with a K in the 7th position
	F8481702	Belt Guard Assembly	Models with a T in the 7th position
9	F8117601	Screw	
10	F8211201	Electrical Shock Label	UWU models
	F8615701	Pinch Warning Label	UWU models
	44324001	Warning Label	Shock/pinch; All other models
11	F8246401	Mount on Concrete Warning Label	
12	20253	Screw	
13	70030501	Expansion Clip	
14	F8480901	Right Side Panel	85 pound models
	F8480903	Right Side Panel	105 pound models
15	F8481301	Front Panel	
16	70182601	Screw	
17	F170604	Grommet	

Drive Box and Water Supply Box



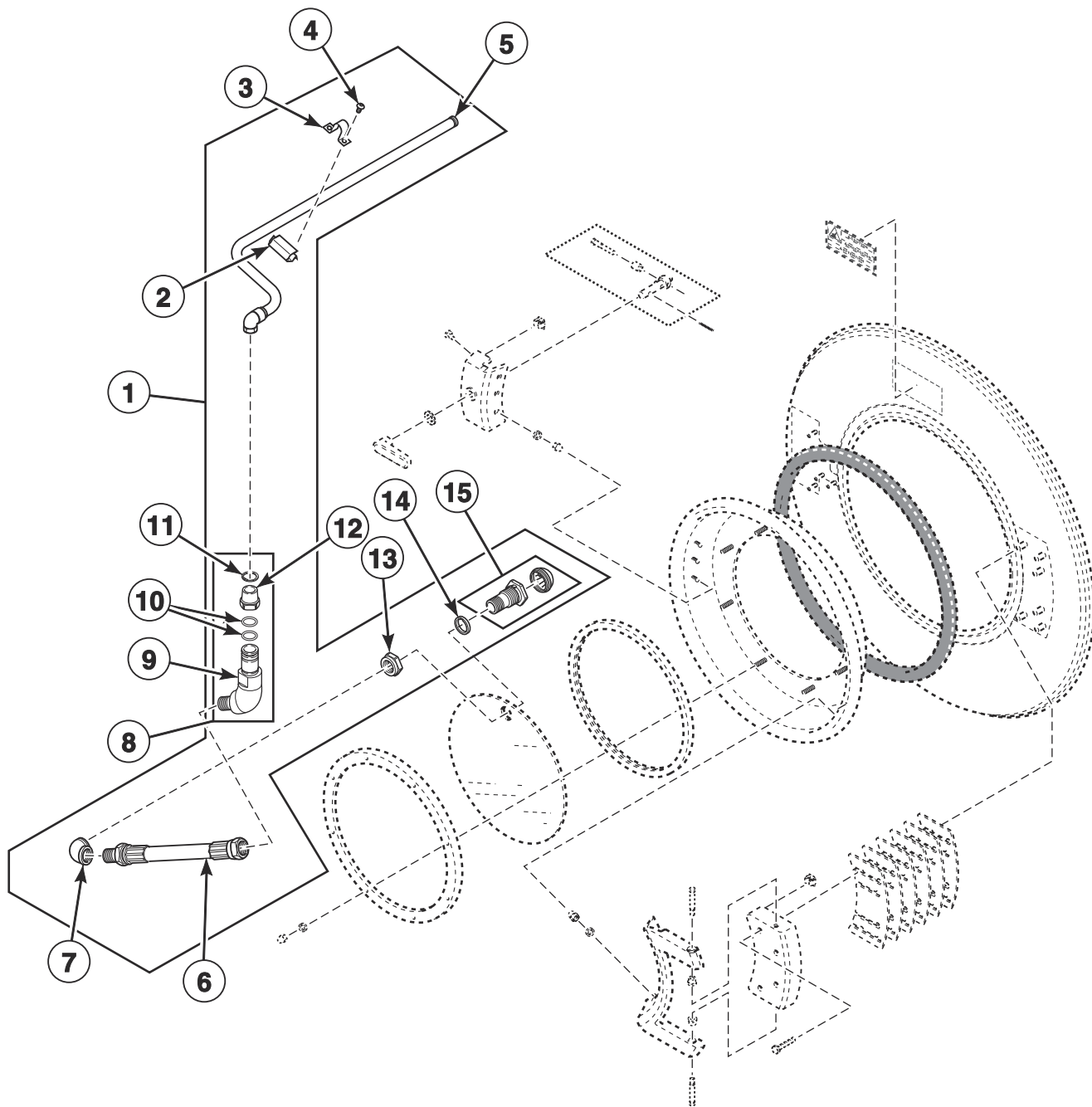
PHM3298P_F8570001

Drive Box and Water Supply Box

REF	PART NO.	DESCRIPTION	COMMENTS
1	F8480502	Top Left Cover	
2	F8206901	Screw	
3	F8482801	Top Center Cover	85 pound models
	F8482901	Top Center Cover	105 pound models
4	70030501	Expansion Clip	
5	F8375902	Drive Box Partition Panel	
6	F8483201	Drive Mounting Panel	
7	F8483301	Bulkhead Brace	
8	F8481901	Rear Bulkhead Panel	
9	F8117601	Screw	
10	F8323801	Electrical Access Cover	
11	F8448801	Conversion Label	200-208 VAC
	F8099801	Conversion Label	380-415 VAC
12	F8211201	Electrical Shock Label	UWU models
	F8233501	Warning Label	Shock; All other models
13	F8150201	External Supply Connection Decal	
14	F8447901	Chemical Connection Cover	
15	70058501	Pop Rivet	
16	F8338601	Dispenser Cover	
17	70180001	Plug	Without steam heat
18	F8484001	Rear Bulkhead Edging	
19	F8480501	Top Right Cover	
20	F8482301	Bulkhead Panel	Right/left
21	F8428501	Warning Label	
22	F8211201	Electrical Shock Label	UWU models
	F8615701	Pinch Warning Label	UWU models
	44324001	Warning Label	Shock/pinch; All other models
23	F8482101	Front Bulkhead Panel	Models with a 2 or 4 in the 8th position
	F8482102	Front Bulkhead Panel	Models with a 1 or 3 in the 8th position
	F8482103	Front Bulkhead Panel	Models with a 2 or 4 in the 8th position; Models with a DH switch
	F8482104	Front Bulkhead Panel	Models with a 1 or 3 in the 8th position; Models with a DH switch
24	F8528401	Grommet	
25	F200061000	Clean Filter Daily Decal	

Spray Tube Assembly

Models with a 3 or 4 in the 8th position of the Model Number

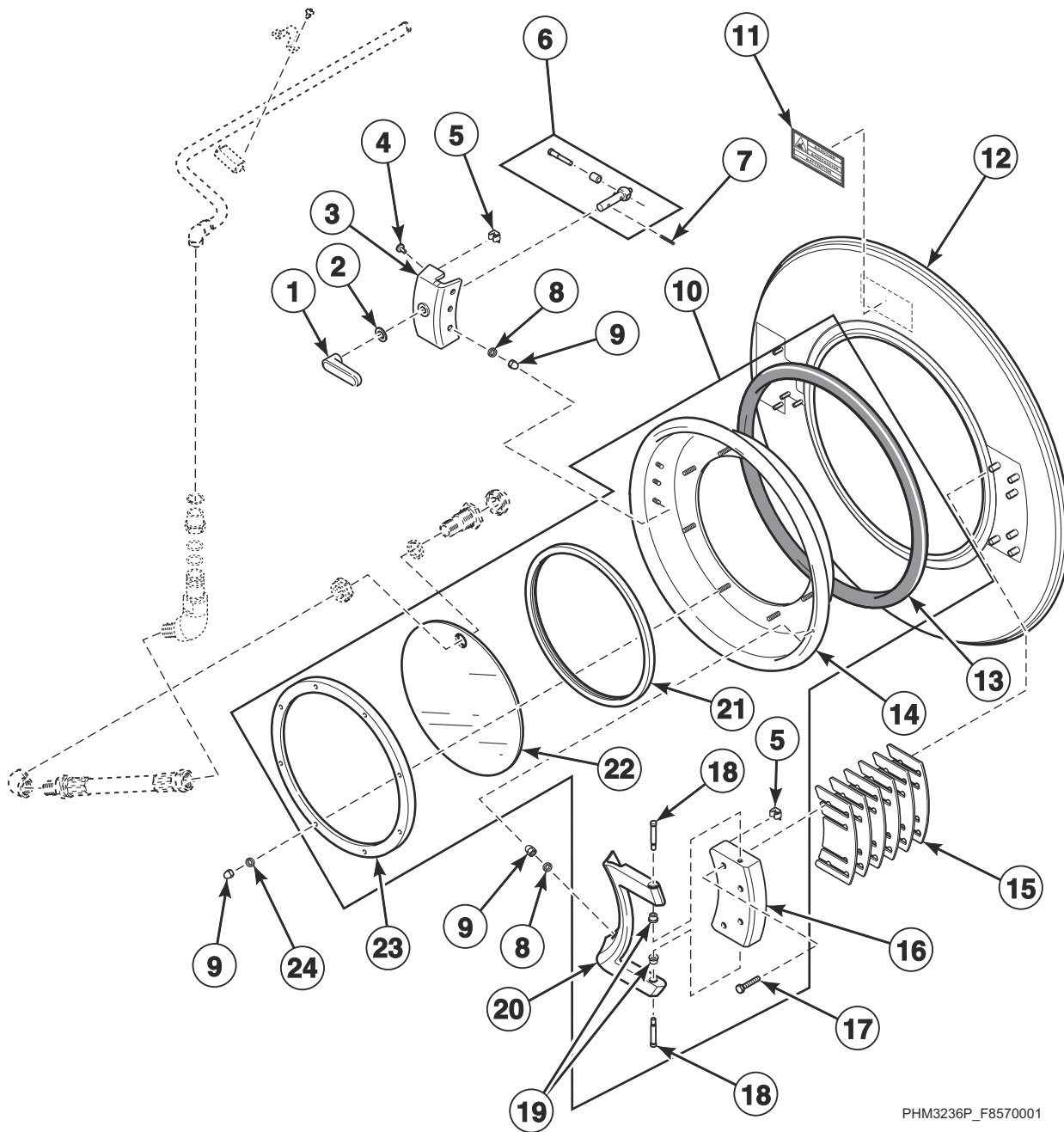


PHM3236PA_F8570001

Spray Tube Assembly

REF	PART NO.	DESCRIPTION	COMMENTS
1	F8574901	Spray Rinse Kit	85 pound models; Includes items 2-8, 13 and 15
	F8575001	Spray Rinse Kit	105 pound models; Includes items 2-8, 13 and 15
2	F8451101	Spray Rinse Bracket	
3	F8451701	Spray Rinse Strap	
4	431287	Screw	
5	F8332304	Spray Rinse Tube Assembly	85 pound models
	F8332303	Spray Pipe Assembly	105 pound models
6	F8508202	Spray Rinse Hose	
7	F8453701	Elbow	
8	F8504001	Swivel Coupling Assembly	Includes items 10-12
9	F8503901	Swivel Coupling Body	
10	F170200	O-Ring	
11	F310206	Ring Retainer	
12	F8453801	Swivel Coupling Bushing	
13	F8322601	Nut	
14	F8322701	Spray Nozzle Gasket	
15	F8356301	Door Spray Nozzle Assembly	

Door

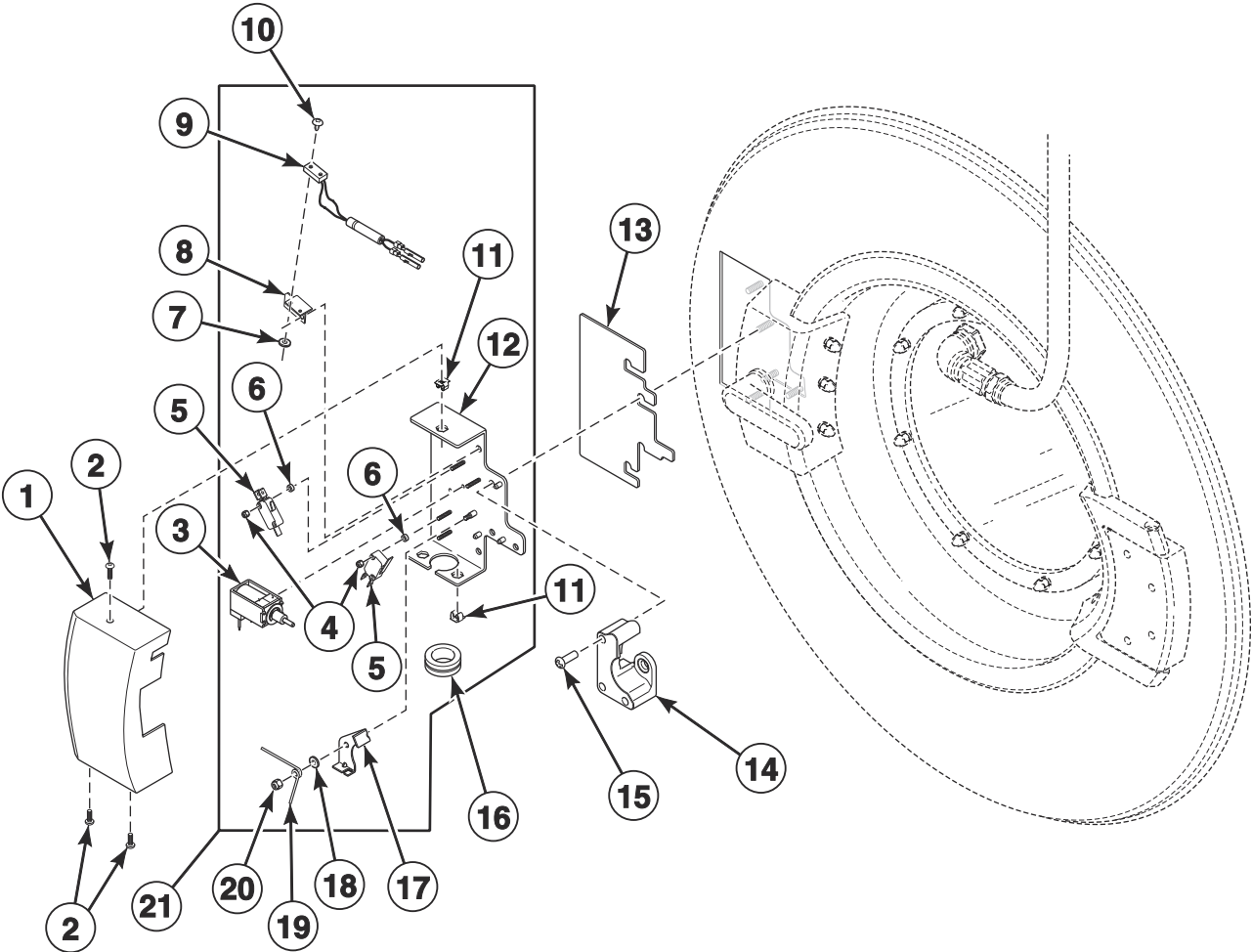


PHM3236P_F8570001

Door

REF	PART NO.	DESCRIPTION	COMMENTS
	F8576301	Door Assembly Kit	Models with a 3 or 4 in the 8th position; Includes items 5, 10, 17, 26, F8322601 Nut, F8322701 Spray Nozzle Gasket, F8479501 Door Hinge Shim, F8398401 Door Lock Plate Shim, F8435801 Door Lock Cover and F8117601 Screw
	F8576401	Door Assembly Kit	Models with a 1 or 2 in the 8th position; Includes items 5, 10, 17, 26, F8322601 Nut, F8322701 Spray Nozzle Gasket, F8479501 Door Hinge Shim, F8398401 Door Lock Plate Shim, F8435801 Door Lock Cover and F8117601 Screw
1	F8435501	Door Handle	
2	F431916	Washer	
3	F8468501	Handle Mount	
4	F8406201	Magnet	
5	70030501	Expansion Clip	
6	F8221401	Door Latch Arm Assembly	
7	F431222	Spring Pin	
8	F431147	Washer	
9	F8549401	Nut	
10	F8479902	Door Assembly	Models with a 3 or 4 in the 8th position; Includes items 1-4, 6, 7, 13, 14, 16, 18, 20-24
	F8479901	Door Assembly	Models with a 1 or 2 in the 8th position; Includes items 1-4, 6, 7, 13, 14, 16, 18, 20-24
11	F8609001	Hot Surface Warning Label	UWU models
	F200085000	Hot Surface Warning Decal	All other models
12	F8479301	Shell Front Assembly	Includes F8233201 Stud, F8467601 Shell Front and F8442001 Pin
13	F8508502	Door Gasket	
14	F8479701	Door Weldment	Studded
15	F8479501	Door Hinge Shim	
16	F8468301	Lug Hinge	
17	F8270701	Bolt	
18	F8549301	Bolt	
19	F8378701	Bushing	
20	F8468101	Door Hinge	
21	F8499902	Door Glass Gasket	
22	F8469001	Door Glass	Models with a 3 or 4 in the 8th position
	F8468901	Door Glass	Models with a 1 or 2 in the 8th position
23	F8475201	Door Glass Retainer	
24	F431100	Washer	

Door Lock

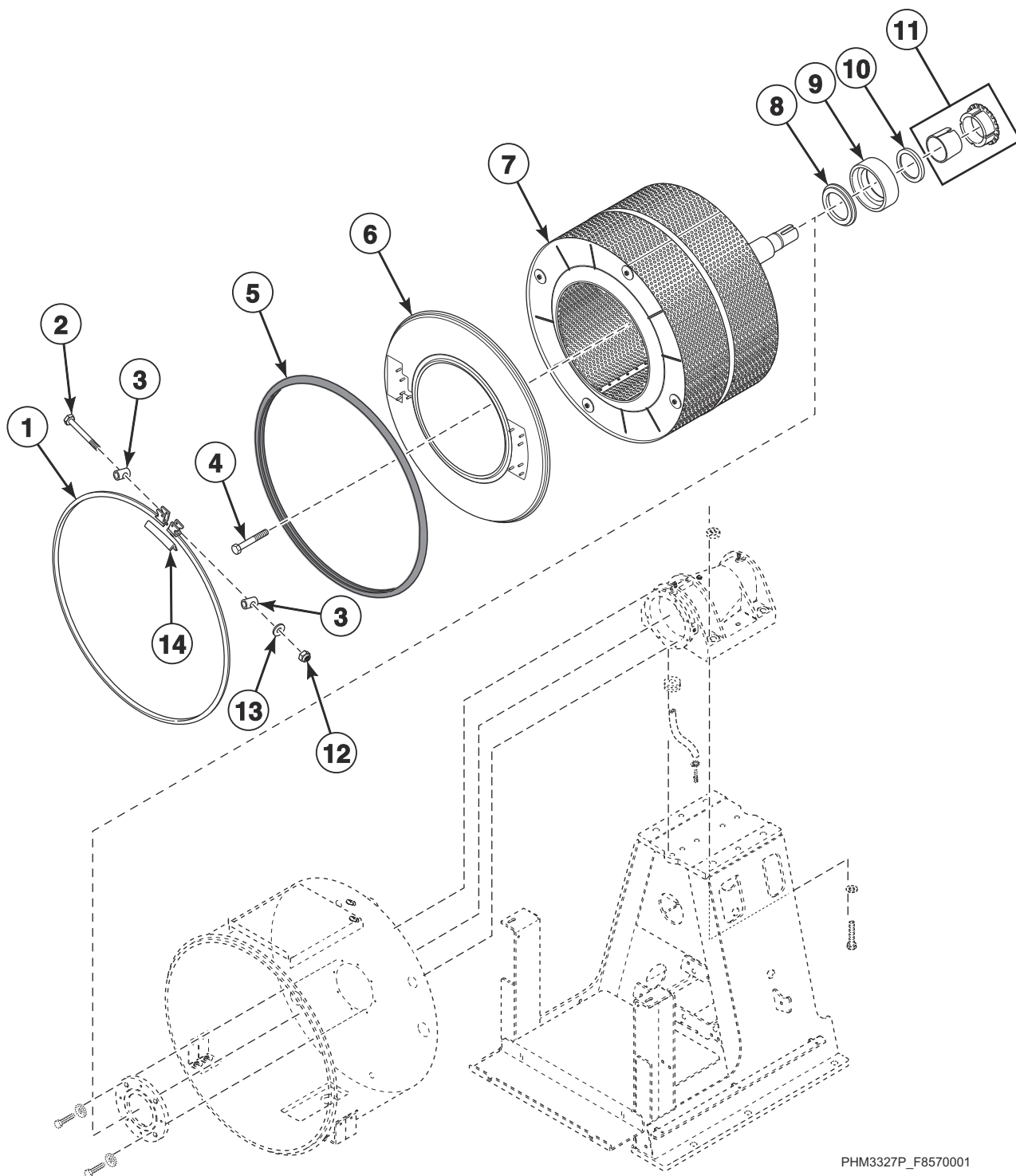


PHM3261P_F8570001

Door Lock

REF	PART NO.	DESCRIPTION	COMMENTS
	F8436101	Door Lock Harness	
1	F8435801	Door Lock Cover	
2	F8270701	Bolt	
3	F8630601	Solenoid	
4	F430225	Nut	
5	F200203200	Door Lock Microswitch	
6	F431901	Spacer	
7	F431125	Washer	
8	F8402601	Reed Switch Bracket	
9	F8066801P	Reed Switch Assembly	
10	F8245101	Blind Rivet	
11	70030501	Expansion Clip	
12	F8320401	Door Lock Plate Assembly	
13	F8398401	Door Lock Plate Shim	
14	F8344501	Door Lock Catch	
15	F8117601	Screw	
16	F8457801	Grommet	
17	F8223401	Door Lock Switch Lever	
18	F8193101	Washer	
19	F8070301	Torsion/Door Lock Spring	
20	F430232	Nut	
21	F8320501	Door Lock Assembly	Includes items 3-12 and 16-20

Basket

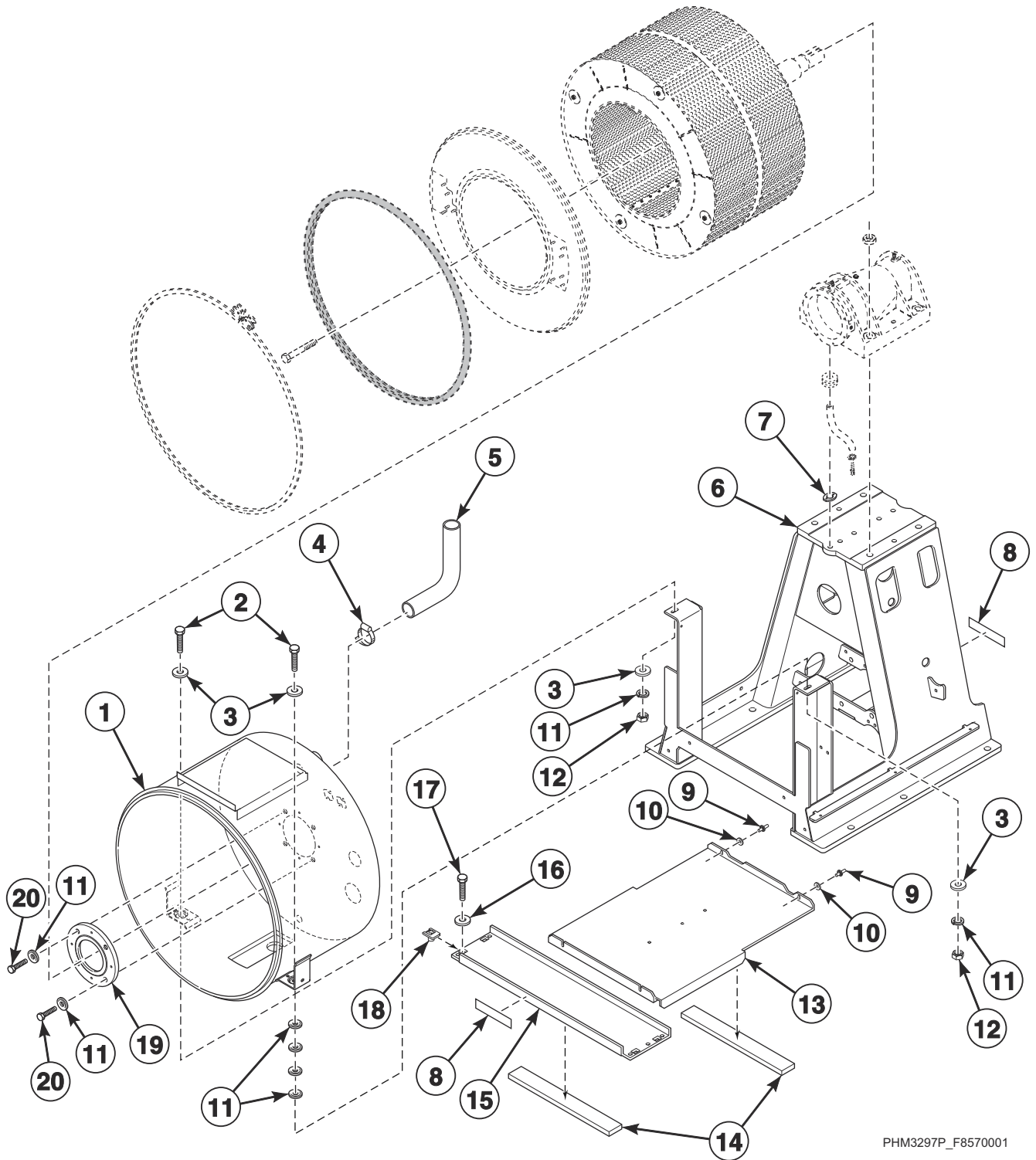


PHM3327P_F8570001

Basket

REF	PART NO.	DESCRIPTION	COMMENTS
	F8537806	Shell Front Gasket Kit	Includes items 1-3, 5, and 13
1	F8388006	Ring Clamp Weldment	
2	800462	Screw	
3	F8302701	Pin	
4	70391101	Screw	
5	F8502306	Shell Band Gasket	
6	F8479301	Shell Front Assembly	
7	F8575901	Basket Assembly Kit	85 pound models; Standard; Includes item 11 and F8465301 Bearing
	F8576001	Basket Assembly Kit	105 pound models; Standard; Includes item 11 and F8465301 Bearing
	F8516202	Basket Assembly	85 pound models; Viton
	F8516302	Basket Assembly	105 pound models; Viton
8	F8527702	Excluder Seal	
9	F8522602	Shaft Sleeve	
10	F8464902	Insertion Sleeve	
11	F8382502	Adapter Sleeve	
12	F430218	Nut	
13	M400080	Washer	
14	F8510501	Shell Extension Band	

Shell and Frame



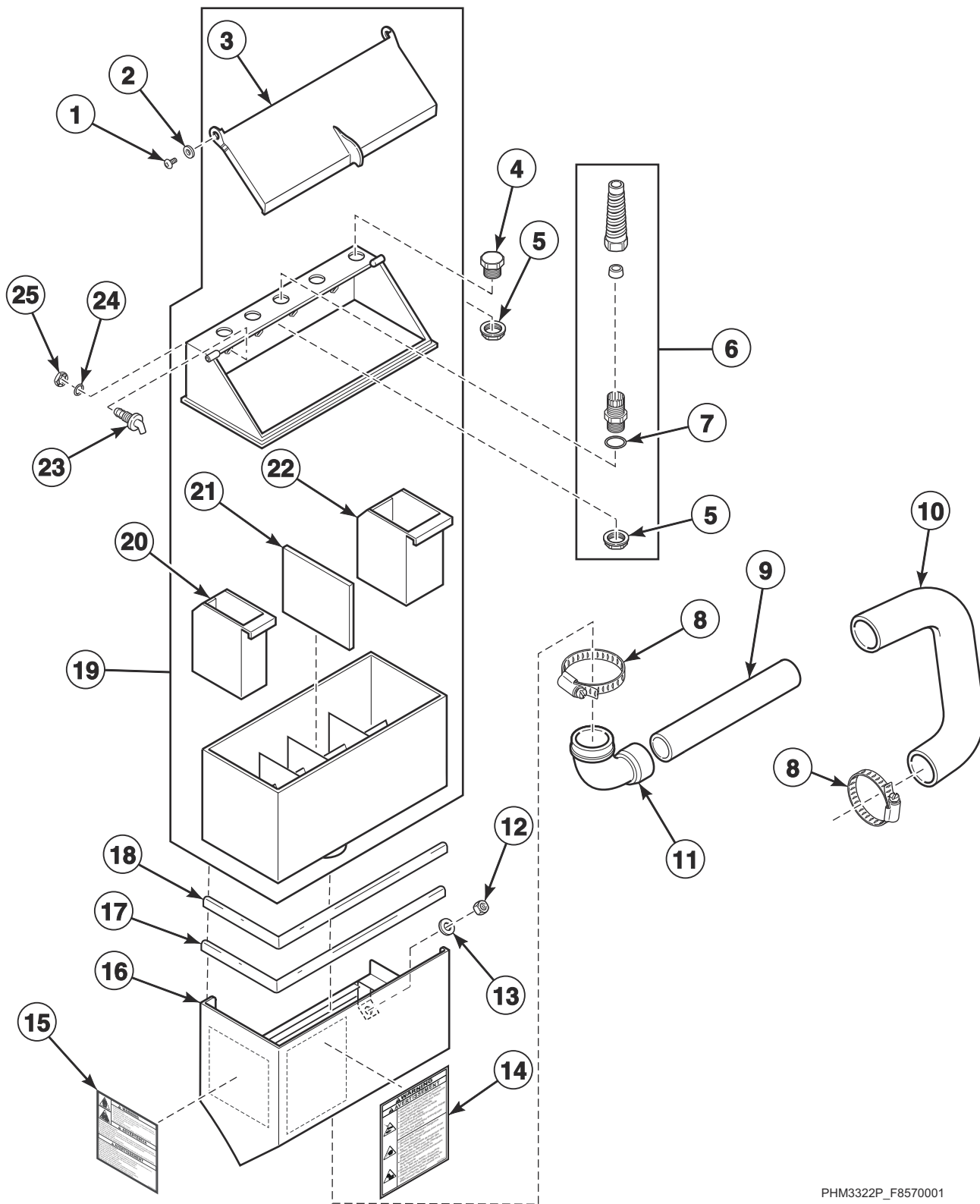
PHM3297P_F8570001

Shell and Frame

REF	PART NO.	DESCRIPTION	COMMENTS
1	F8478401	Shell Assembly	85 pound models with a 2 or 4 in the 8th position; Hot and cold water fill
	F8478402	Shell Assembly	85 pound models with a 2 or 4 in the 8th position; Steam and electric heat
	F8478403	Shell Assembly	85 pound models with a 1 or 3 in the 8th position; Hot and cold water fill
	F8478404	Shell Assembly	85 pound models with a 1 or 3 in the 8th position; Steam and electric heat
	F8478501	Shell Assembly	105 pound models with a 2 or 4 in the 8th position; Hot and cold water fill
	F8478502	Shell Assembly	105 pound models with a 2 or 4 in the 8th position; Steam and electric heat
	F8478503	Shell Assembly	105 pound models with a 1 or 3 in the 8th position; Hot and cold water fill and steam heat
	F8478504	Shell Assembly	105 pound models with a 1 or 3 in the 8th position; Steam and electric heat
2	H88213996	Screw	
3	M400081	Washer	
4	F200215	Hose Clamp	
5	F8363601	Vent Hose	
6	F8472002	Frame	
7	F8452701	Seal Scupper Pad	
8	F8211201	Electrical Shock Label	UWU models
	F8615701	Pinch Warning Label	UWU models
	44324001	Warning Label	Shock/pinch; All other models
9	70334702	Stud	
10	M400080	Washer	105 pound models
11	F8402701	Washer	
12	44087301	Nut	
13	F8480201	Frame Shield	
14	70414101	Foam Gasket	
15	F8480402	Frame Shield Extension	105 pound models
16	M405535	Washer	105 pound models
17	20253	Screw	105 pound models
18	70030401	Nut	105 pound models
19	F8550102	Seal Wear Plate	
20	F8442802	Screw	

Supply Dispenser

Models with a 1 or 3 in the 8th Position of the Model Number



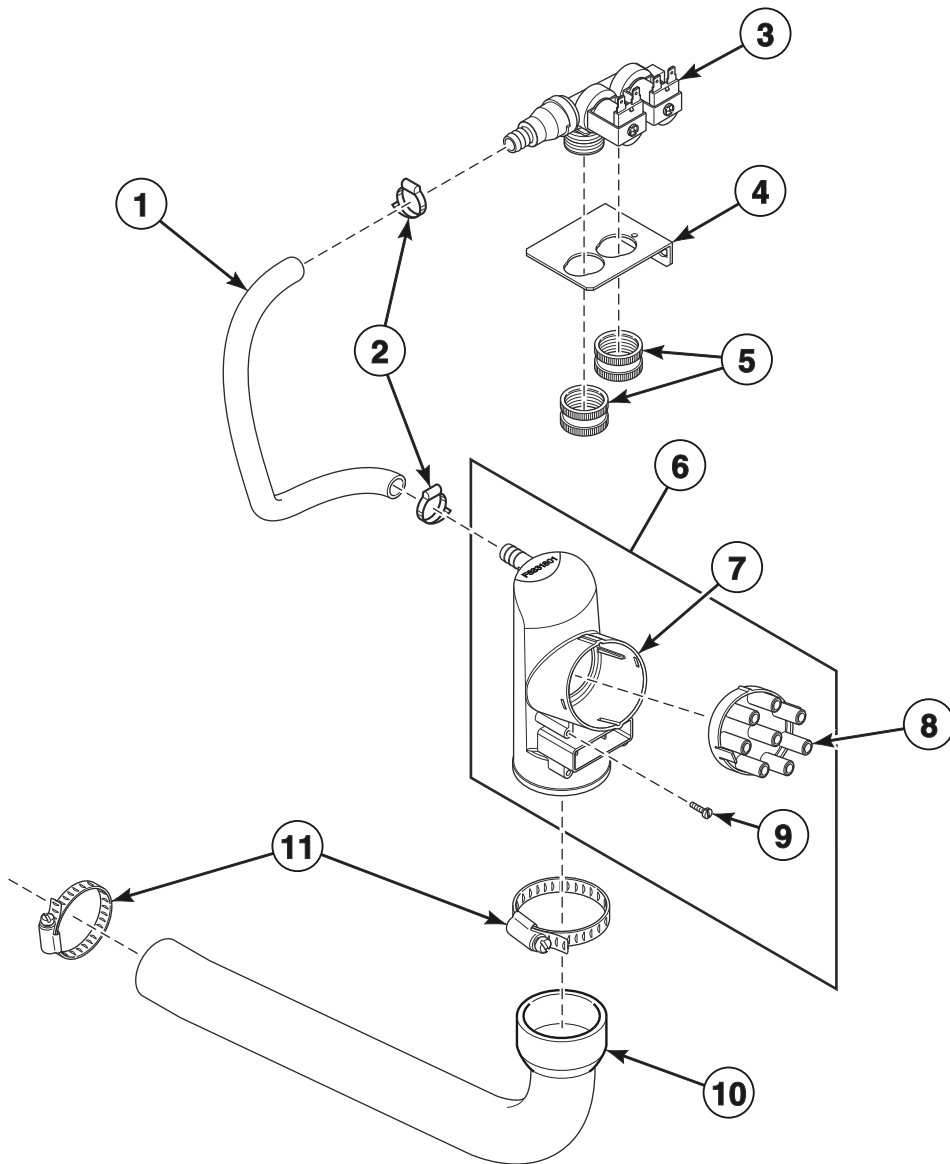
PHM3322P_F8570001

Supply Dispenser

REF	PART NO.	DESCRIPTION	COMMENTS
	F8029503	External Supply Harness	Models with a T in the 7th position
	F8191202	External Supply Harness	Models with a K in the 7th position
1	F430956	Screw	
2	F8195301	Washer	
3	F0150514-00	Dispenser Lid	
4	F190304	Plug Cap	
5	F140340P	Strain Relief Connector	
6	F749802	Strain Relief Adapter Kit	Includes items 5 and 7
7	F170215	O-Ring	
8	F200213	Hose Clamp	No. 40
9	F8551902	Chemical Supply Hose	85 pound models
	F8551903	Chemical Supply Hose	105 pound models
10	F8510601	Chemical Supply Drain Hose	
11	F8514301	Elbow	
12	F431005	Nut	Loctite 262 required
13	F431147	Washer	
14	F8428501	Warning Label	
15	F8428701	Warning Label	
16	F8549702	Supply Weldment	
17	F170400RP	Trim	
18	F170158P	Gasket	
19	F0150512-00P	Dispenser Assembly	Includes items 3 and 20-22
20	F150385	Chemical Supply Cup	3 used; 20 ounce supply cup (12 ounce when tilted)
21	F0150525-00	Supply Dispenser Spacer	
22	F150386	Chemical Supply Cup	2 used; 30 ounce supply cup (22 ounce when tilted)
23	F8322001	Injection Nozzle	
24	F170215	O-Ring	
25	802292	Nut	

Chemical Injection

Models with a 2 or 4 in the 8th Position of the Model Number



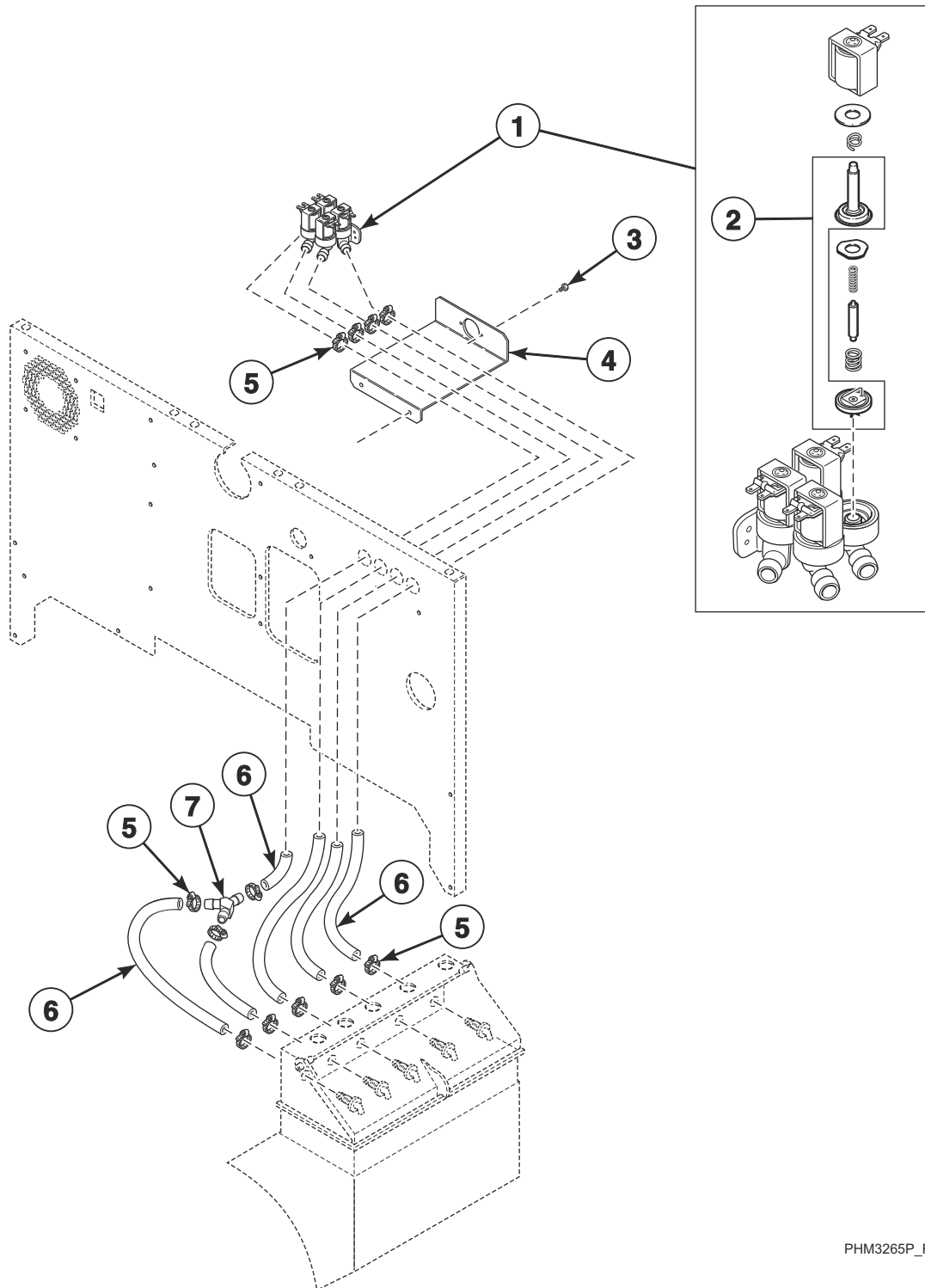
PHM3185P_F8570001

Chemical Injection

REF	PART NO.	DESCRIPTION	COMMENTS
	F8029503	External Supply Harness	Models with a T in the 7th position
	F8191202	External Supply Harness	Models with a K in the 7th position
1	F8536202	Tubing	
2	36801	Hose Clamp	No. 6
3	202396P	Mixing Valve	
4	F8428901	Water Valve Bracket	
5	24145	Cap	
6	F8331801P	Chemical Injection Kit	Includes items 7-9
7	F8331801	Dispenser	
8	F8325102	Dispenser Cap	
9	800548	Screw	
10	F8548802	Hose	
11	F200213	Hose Clamp	No. 40

Water Supply Valve and Hoses to Supply Dispenser

Models with a 1 or 3 in the 8th Position of the Model Number

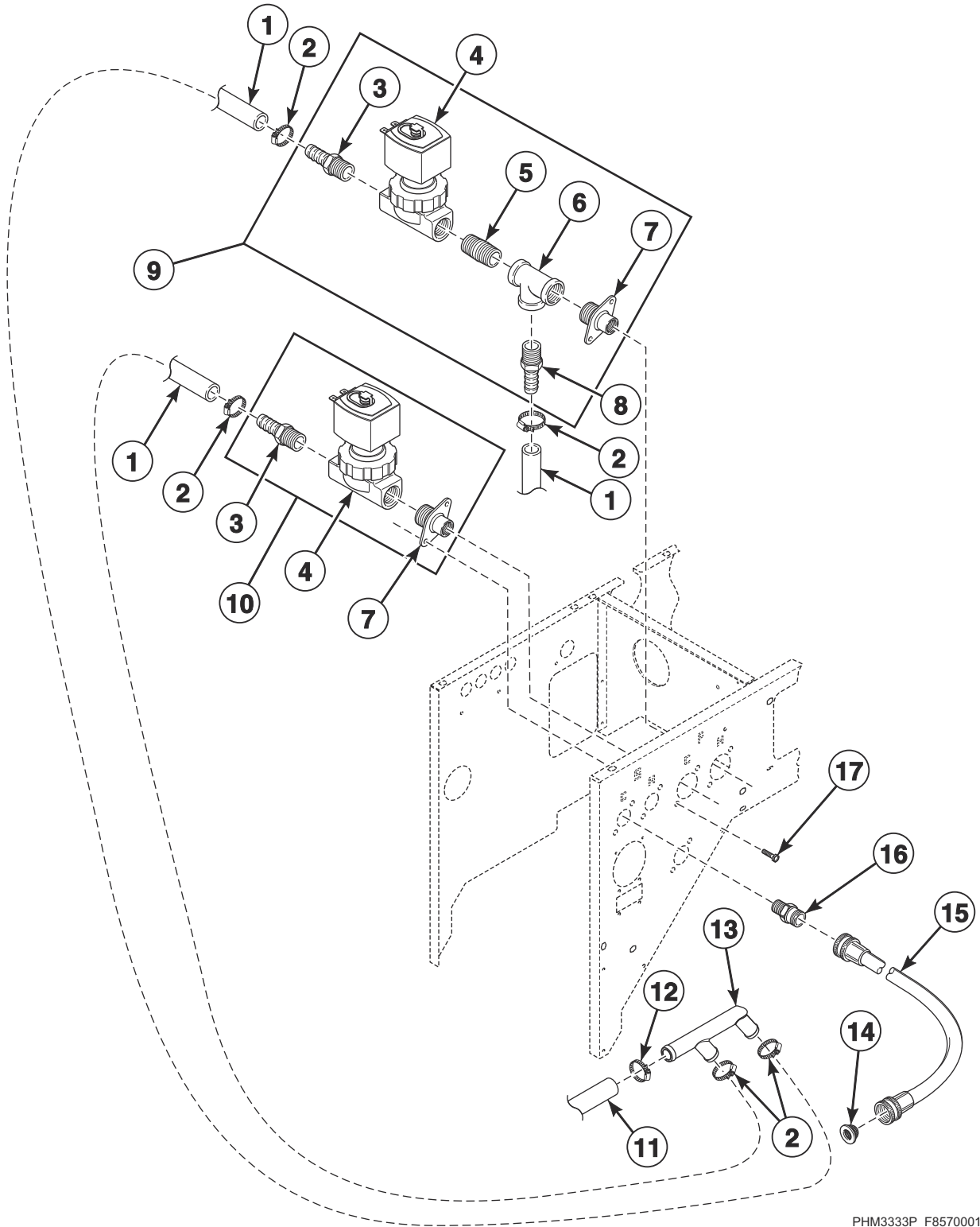


PHM3265P_F8570001

Water Supply Valve and Hoses to Supply Dispenser

REF	PART NO.	DESCRIPTION	COMMENTS
1	F8336601	4-Way Valve	240 Volt; Includes regulator
	F8347302	Dispenser Valve Harness	
2	G582P3	Diaphragm and Guide Kit	
3	F430948	Screw	
4	F8331902	Valve Mounting Bracket	
5	36801	Hose Clamp	No. 6
6	F200110P	Water Hose	
7	F422816	Y Connector	

Fill Plumbing Assembly



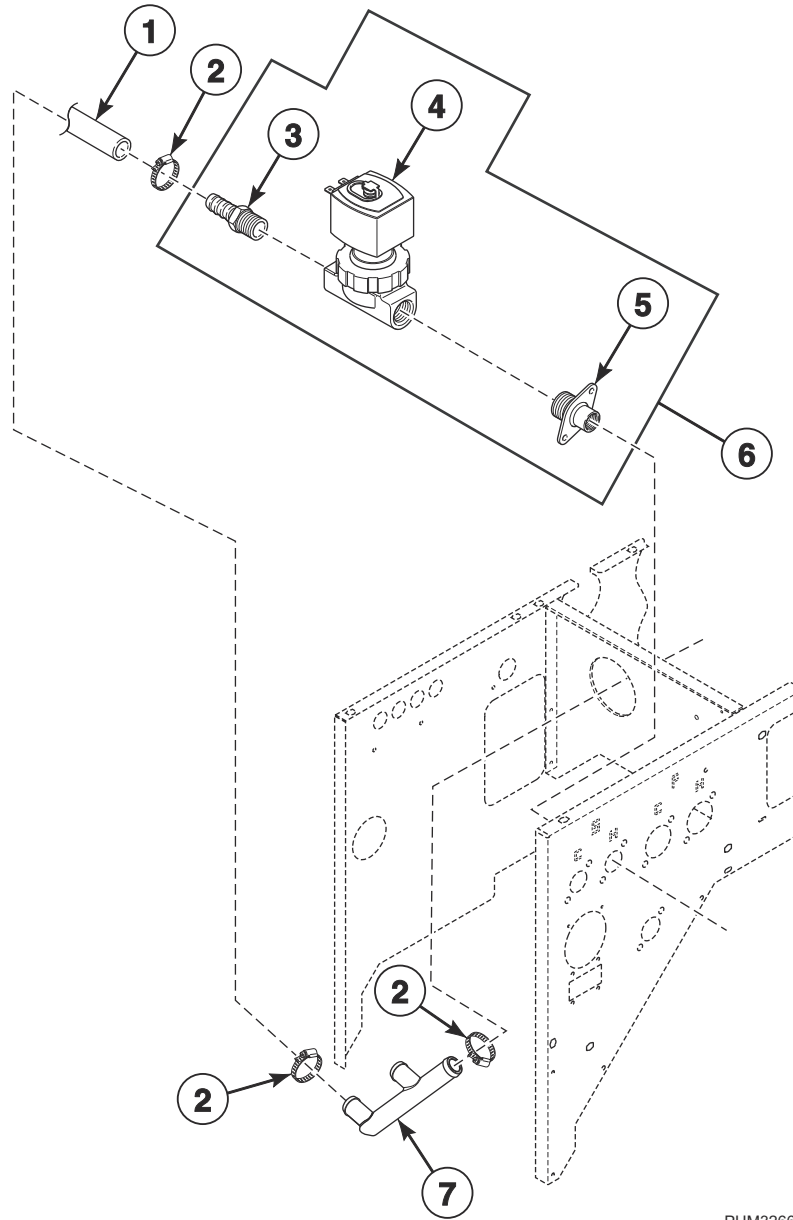
PHM3333P_F8570001

Fill Plumbing Assembly

REF	PART NO.	DESCRIPTION	COMMENTS
	F8347103	Fill/Supply Harness	
	F8347501	Fill/Supply Harness	
1	F8232006	Hose	
2	36801	Hose Clamp	No. 8
3	F421951	Hose Barb	
4	F8322905P	Valve	3/4 inch; Brass; Use F8379502 Valve Transition Kit to repair
5	C000417	Nipple	3/4 inch; Brass
6	F422206	Tee	
7	F8362702	Coupling	3/4 inch
8	F421964	Hose Barb	
9	F8288302	Valve Assembly	Includes items 3-8
10	F8288301	Fill Plumbing Assembly	Includes items 3, 4 and 7
11	F0634705-00	Hose	
12	F200222	Hose Clamp	No. 12
13	F8333201	Manifold	
14	803615	Washer	Filter; 3/4 inch
	F8126601	Strainer	1 inch
15	F200164	Water Hose	Standard thread; 3/4 inch
	F200166	Water Hose	Metric thread; 3/4 inch
	F200185	Water Hose	Standard thread; 1 inch
	F200193	Water Hose	Metric thread; 1 inch
16	F421909	Hose Adapter	Standard thread; 3/4 x 3/4 inch
	F8265701	Adapter	Metric thread; 3/4 x 3/4 inch
	F421968	Hose Adapter	Standard thread; 1 x 1 inch
	F8265801	Chemical Supply Hose	Metric thread; 1 x 1 inch
17	20253	Screw	

Spray Plumbing Assembly

Models with a 3 or 4 in the 8th Position of the Model Number



PHM3266P_F8570001

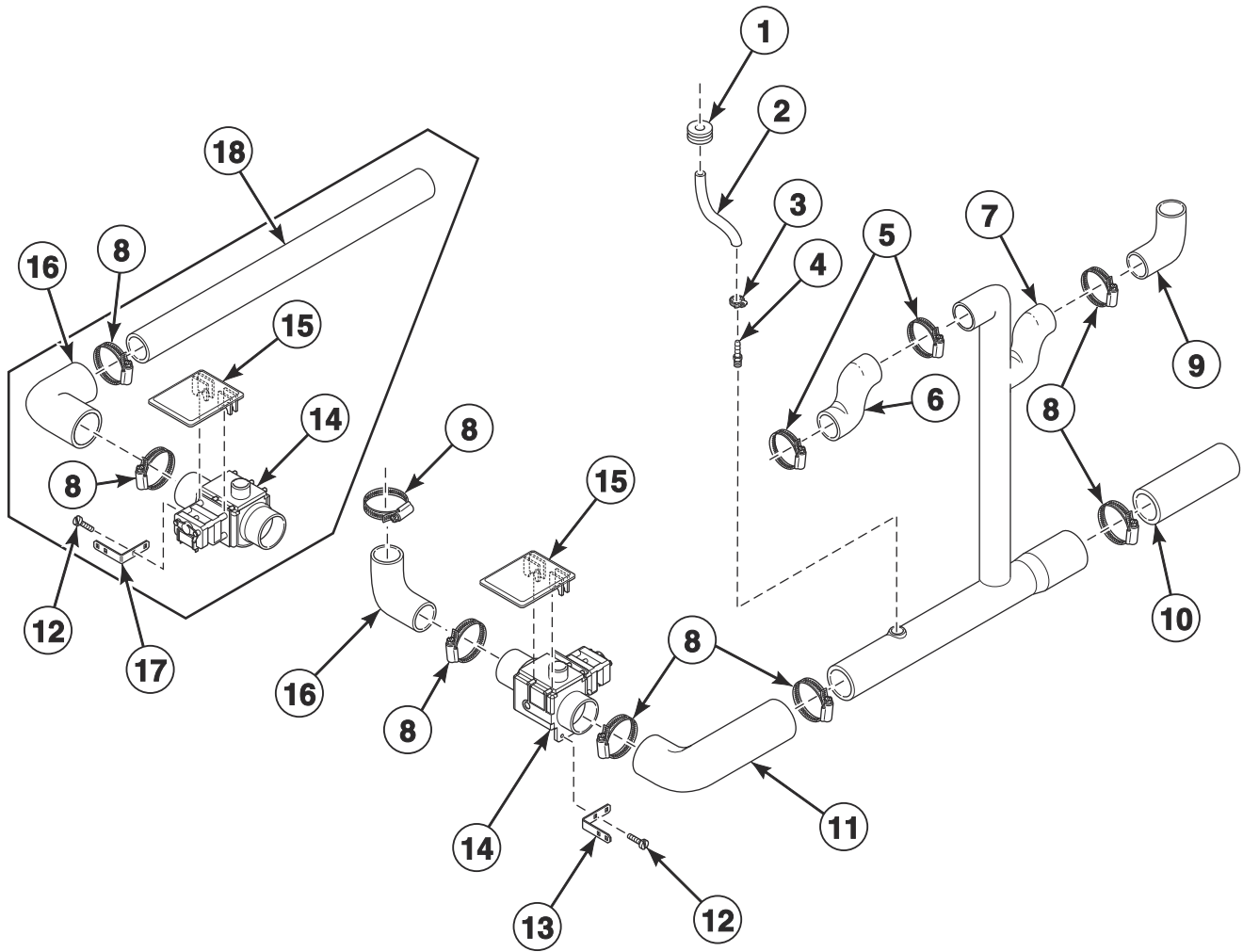
Spray Plumbing Assembly

REF	PART NO.	DESCRIPTION	COMMENTS
	F8347401	Fill/Supply Harness	
	F8347103	Fill/Supply Harness	
1	F8232006	Hose	
2	36801	Hose Clamp	No. 8
3	F421930	Hose Barb	
4	F8322803P	Valve	1/2 inch; Brass; Use F8456201 Valve Transition Kit to repair
5	F8362702	Coupling	3/4 inch
6	F8288401	Fill Plumbing Assembly	Includes items 3-5
7	F8333201	Manifold	

Drain Plumbing - Single Drain

Standard or Steam Heat

Models with a K in the 7th Position of the Model Number



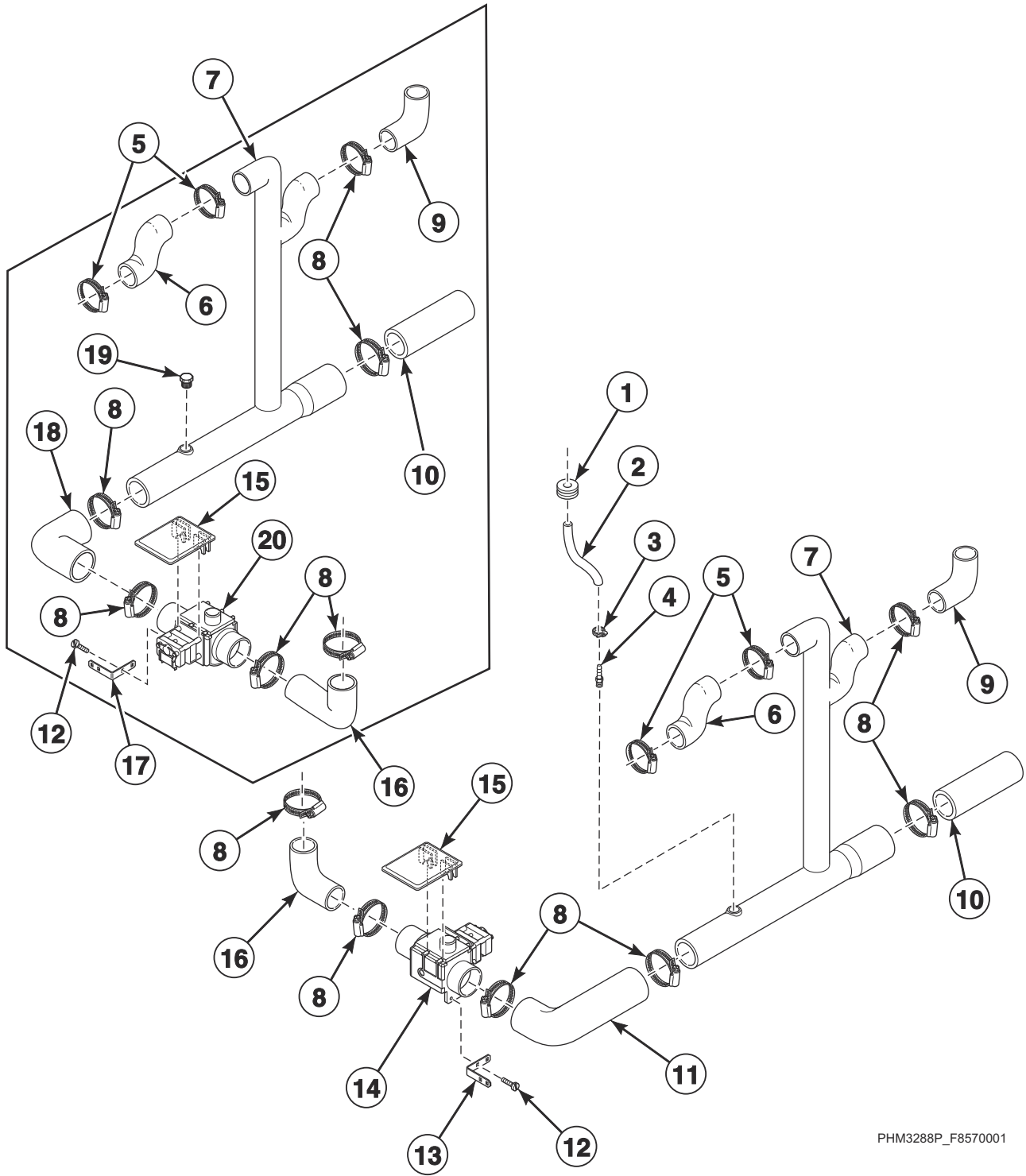
PHM3267P_F8570001

Drain Plumbing - Single Drain

REF	PART NO.	DESCRIPTION	COMMENTS
	F8257001P	Drain Valve Harness	Standard
	F8257002	Drain Valve Harness	Steam heat
1	F8410501	Grommet	Through serial no. 1707000065
2	F8578002	Tubing	Through serial no. 1707000065
3	36801	Hose Clamp	No. 6; Through serial no. 1707000065
4	F8402301	Hose Barb	Through serial no. 1707000065
	F8531401	Plug	Starting serial no. 1707000066
5	F200215	Hose Clamp	No. 28
6	F0150488-00	Overflow Hose	
7	F8386806	Molded Drain	
8	F200201	Hose Clamp	No. 56
9	F8261303	Drain Hose	
10	F200165100	Drain Hose	
11	F8486701	Drain Elbow Hose	85 pound models
	F8487001	Drain Elbow Hose	105 pound models
12	202175	Screw	
13	F8312902	Drain Valve Bracket	Right; Standard
	F8487201	Drain Valve Bracket	Steam heat; Right
14	F8577201	Drain Valve Kit	Includes item 15
15	F200133600	Drain Valve Cover	
16	F8340801	Drain Elbow Hose	
17	F8312903	Drain Valve Bracket	Left; Standard
	F8487202	Drain Valve Bracket	Steam heat; Left
18	F0602365-27	Pipe	Water re-use option

Drain Plumbing - Dual Drain

Electric Heat Models with a K in the 7th Position of the Model Number
Models with a T in the 7th Position of the Model Number

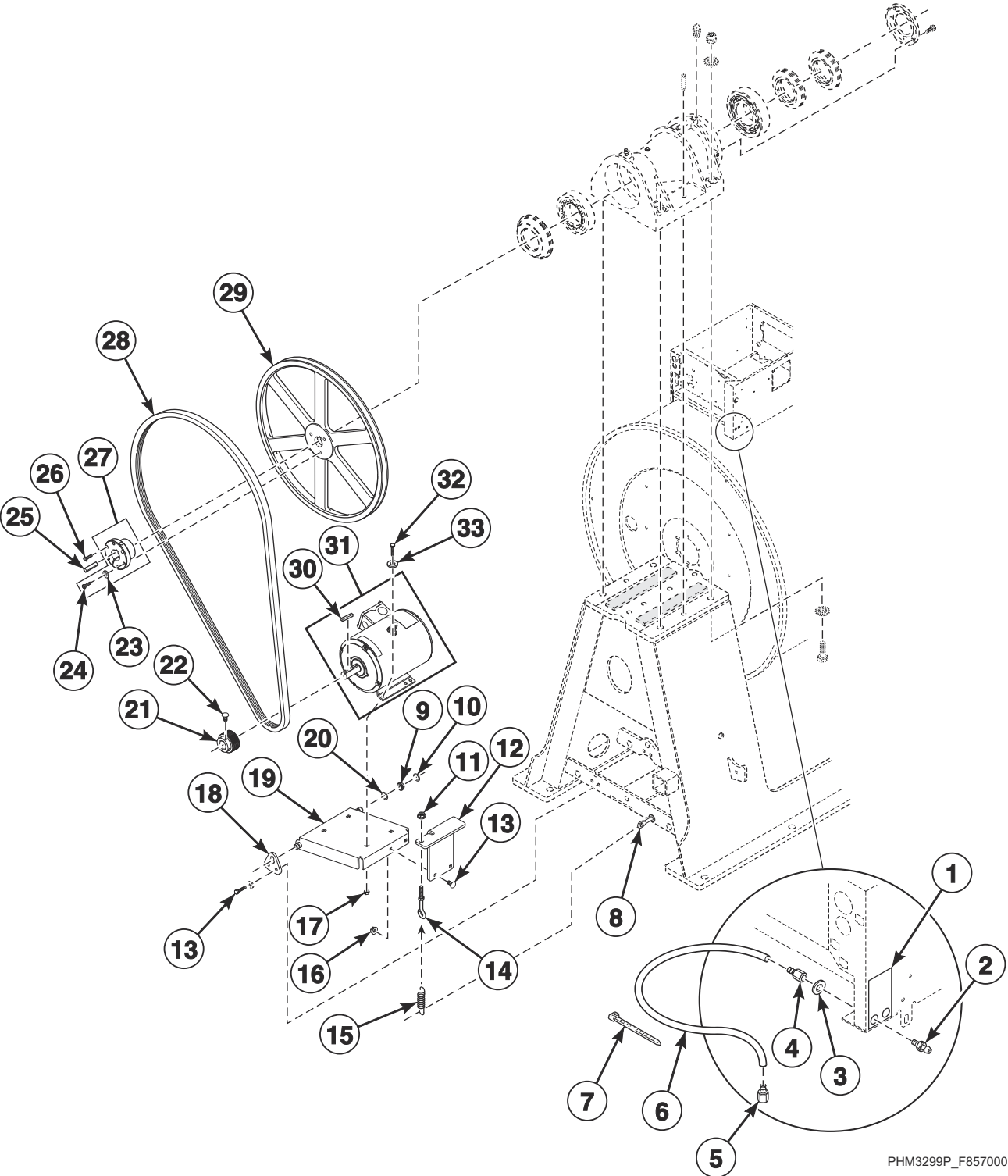


PHM3288P_F8570001

Drain Plumbing - Dual Drain

REF	PART NO.	DESCRIPTION	COMMENTS
	F8257001P	Drain Valve Harness	Standard and electric heat
	F8257002	Drain Valve Harness	Steam heat
	F8257101	Dual Drain Harness	
1	F8410501	Grommet	Through serial no. 1707000065
2	F8578002	Tubing	Through serial no. 1707000065
3	36801	Hose Clamp	No. 6; Through serial no. 1707000065
4	F8402301	Hose Barb	Through serial no. 1707000065
	F8531401	Plug	Starting serial no. 1707000066
5	F200215	Hose Clamp	No. 28
6	F0150488-00	Overflow Hose	
7	F8386806	Molded Drain	
8	F200201	Hose Clamp	No. 56
9	F8261303	Drain Hose	
10	F200165100	Drain Hose	
11	F8486701	Drain Elbow Hose	85 pound models
	F8487001	Drain Elbow Hose	105 pound models
12	202175	Screw	
13	F8312902	Drain Valve Bracket	Right
	F8487201	Drain Valve Bracket	Steam and electric heat; Right
14	F8577201	Drain Valve Kit	
15	F200133600	Drain Valve Cover	
16	F8340801	Drain Elbow Hose	
17	F8312903	Drain Valve Bracket	Left
	F8487202	Drain Valve Bracket	Steam and electric heat; Left
18	F8486801	Drain Elbow Hose	
19	F8531401	Plug	
20	F200166402	Drain Valve Kit	Includes item 15

Motor and Pulley

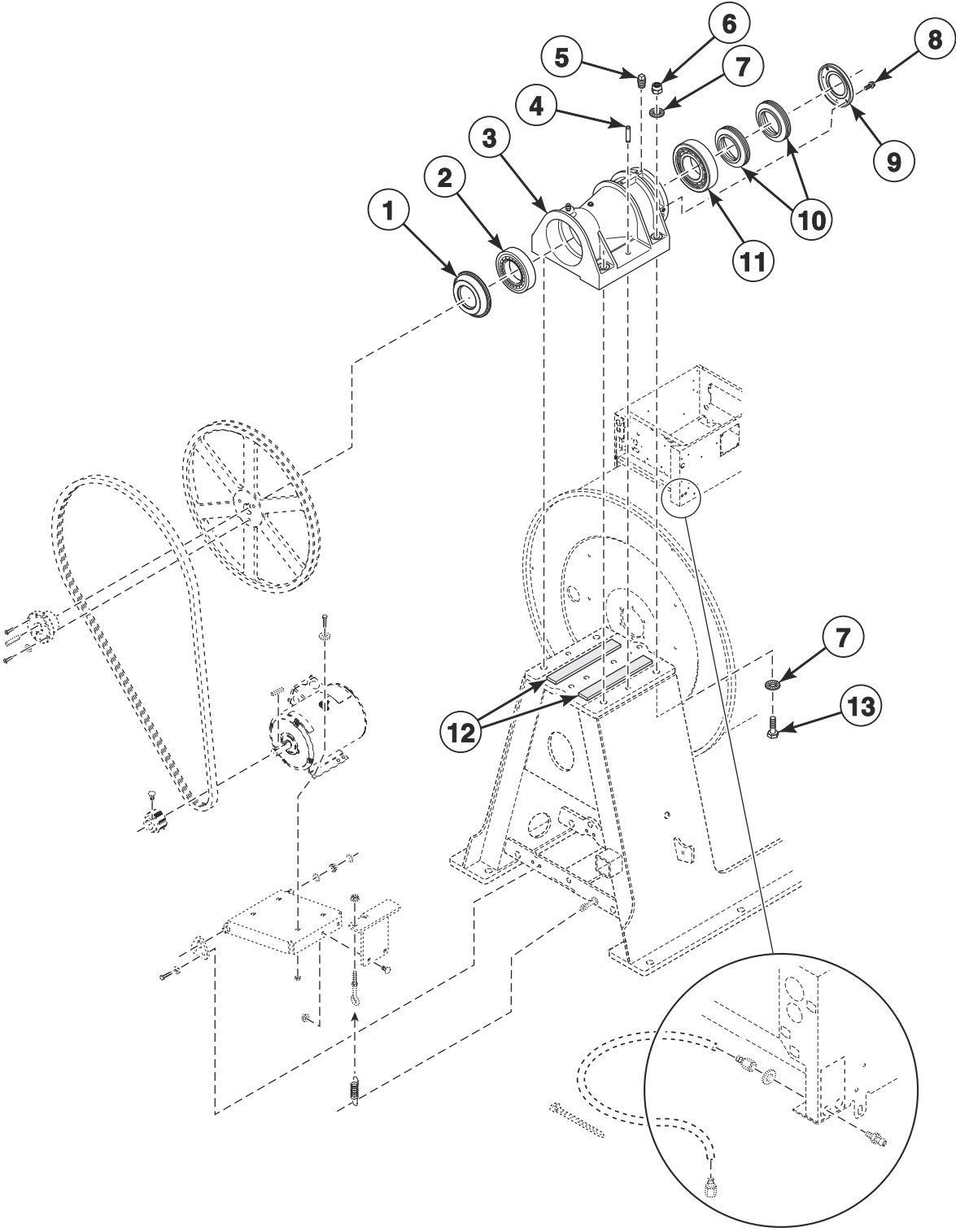


PHM3299P_F8570001

Motor and Pulley

REF	PART NO.	DESCRIPTION	COMMENTS
	F824P3	Motor Plate and Spring Assembly Kit	Includes items 8, 10, 17, 19, 20, 32 and 29
1	F8422801	Grease Instruction Label	Lubrication
2	F190701	Grease Fitting	
3	70292801	Washer	
4	F422114	Air Coupling	
5	J1408004	Connector	
6	F8245714	Hose	40 inches used on UW85 models
7	F140605	Cable Tie	6 inch
8	F8351902	Eye Bolt	
9	F8333303	Flanged Bushing	
10	F8451601	Spacer	
11	44087201	Nut	
12	F8342202	Motor Spring Bracket	
13	F8402801	Bolt	
14	F8319503	Eye Bolt	
15	F310148	Tension Spring	
16	44087301	Nut	
17	F8387601	Nut	
18	F8441101	Motor Rod Plate	
19	F8441802	Motor Bracket Weldment	
20	F8441901	O-Ring	
21	F8466901	Motor Pulley	
22	F8484702	Screw	
23	M400014	Washer	
24	44079204	Screw	
25	44049001	Key	
26	M400077	Screw	
27	F280294P	Basket Pulley Bushing	Includes items 23 and 24
28	F8382809	Belt	
29	F8522201	Basket Pulley	
30	F8487101	Key	
31	F8334701P	Motor	Includes item 30
32	800461	Screw	
33	F8366601	Washer	

Bearing Housing

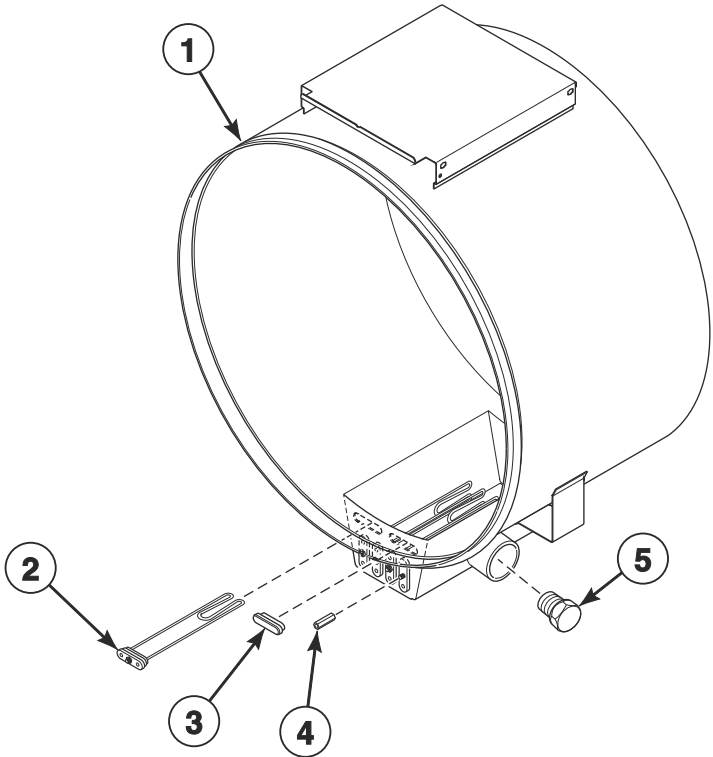


PHM3299PA_F8570001

Bearing Housing

REF	PART NO.	DESCRIPTION	COMMENTS
	F8575301	Bearing Housing Kit	Viton; Includes items 1, 2, 5, 7-11, 14, F8313701 Screw, F410102 Sealant and F8382502 Adapter Sleeve
	F8579501	Bearings and Seals Kit	Viton; Includes items 5, 7-10, 13, 14, F8313701 Screw, F8382502 Adapter Sleeve, F8465301 Bearing, F8465603 Bearing and F410102 Sealant
	F8474702	Bearing Housing Assembly	Viton; Includes items 2, 3, 5, 10 and 11
1	F8528502	Radial Lip Seal	
2	F8465603	Bearing	Spherical
3	F8465101	Bearing Housing	
4	F8406502	Dowel Pin	
5	J1408004	Connector	
6	F430248	Nut	
7	F8171201	Washer	
8	F8442802	Screw	
9	F8550102	Seal Wear Plate	
10	F8203810	Radial Seal	Triple Lip
11	F8465301	Bearing	Cylindrical; Includes basket sleeve and bearing
12	F8502306	Shell Band Gasket	
13	F8313702	Screw	

Electric Heat Option

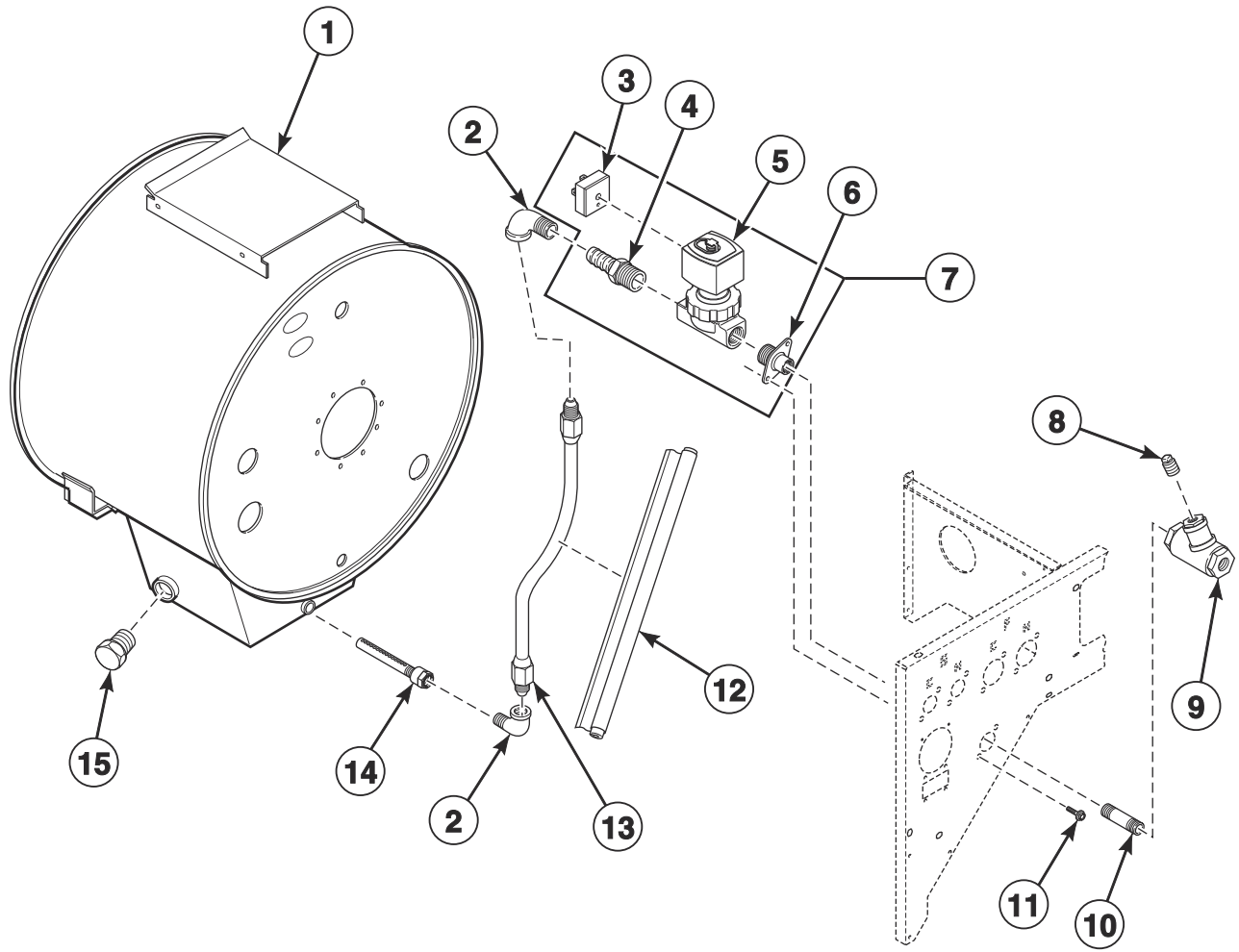


PHM3314P_F8570001

Electric Heat Option

REF	PART NO.	DESCRIPTION	COMMENTS
	F8054704P	Electric Heat Harness	N and P-voltage
	F8054705	Electric Heat Harness	Q-voltage
	F8487201	Drain Valve Bracket	Steam and electric heat; Right
	F8487202	Drain Valve Bracket	Steam and electric heat; Left
1	F8478402	Shell Assembly	85 pound models with a 1 or 3 in the 8th position
	F8478404	Shell Assembly	85 pound models with a 2 or 4 in the 8th position
	F8478504	Shell Assembly	105 pound models with a 1 or 3 in the 8th position
	F8478502	Shell Assembly	105 pound models with a 2 or 4 in the 8th position
2	F360203P	Heating Element	6 required
	F8056701	Electric Heat Harness	6 required; Element to ground
3	F360202	Heating Element Plug	
4	F8515401	Standoff	

Steam Heat Option

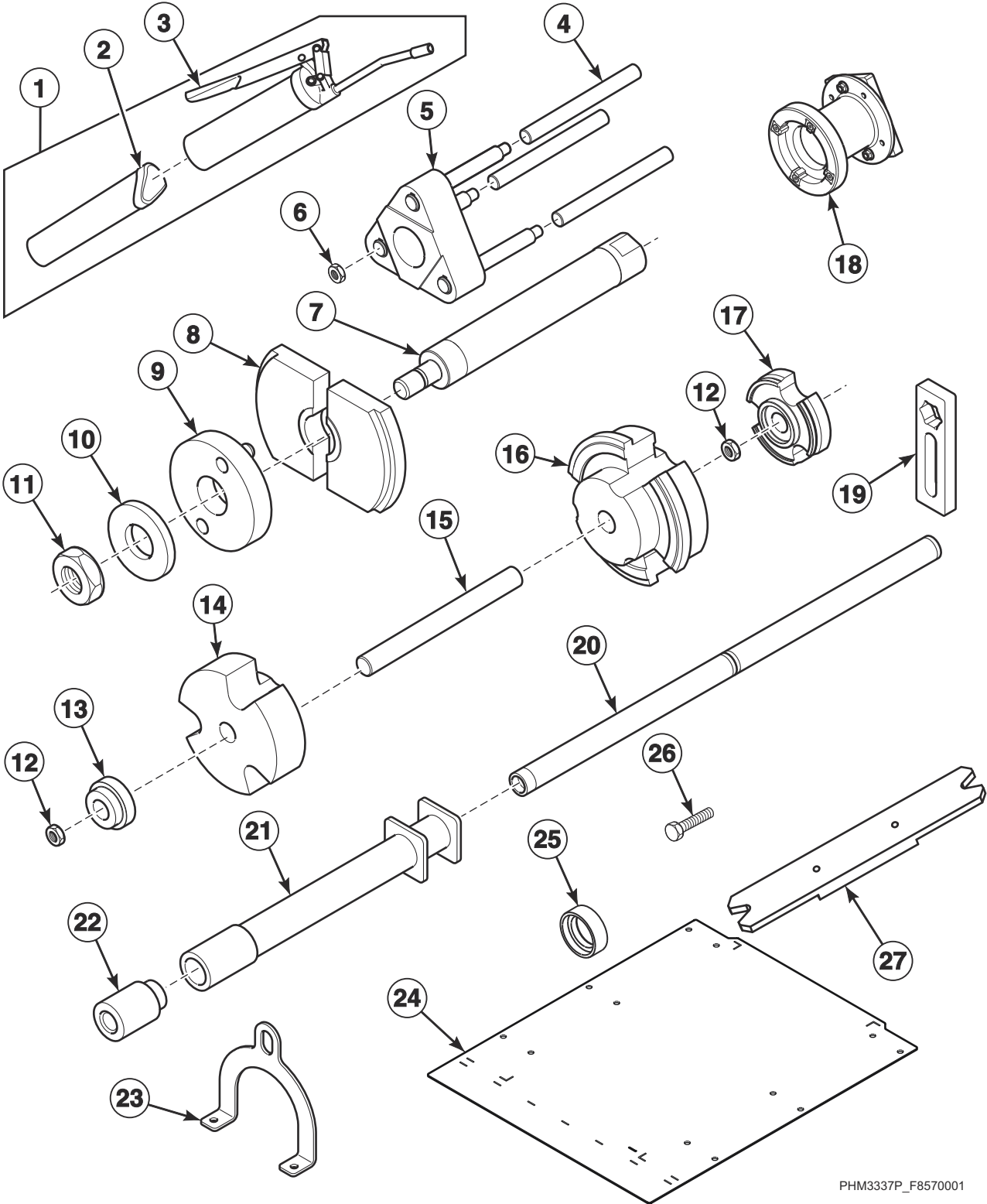


PHM3313P_F8570001

Steam Heat Option

REF	PART NO.	DESCRIPTION	COMMENTS
	F8394501	Steam Assembly	Includes items 2, 3, 5, 6, 13, 14, F603134 Plug and F8368101 Steam Injection Tube
	F943P3	Steam Heat Kit	Includes F8394501 Steam Assembly, F8257002 Drain Valve Harness, F410300 Pipe Insulation and hardware; Models with P in the 13th position
	F8487201	Drain Valve Bracket	Steam and electric heat; Right
	F8487202	Drain Valve Bracket	Steam and electric heat; Left
	F8379501P	Valve Kit	
1	F8478402	Shell Assembly	85 pound models with a 1 or 3 in the 8th position
	F8478404	Shell Assembly	85 pound models with a 2 or 4 in the 8th position
	F8478504	Shell Assembly	105 pound models with a 1 or 3 in the 8th position
	F8478502	Shell Assembly	105 pound models with a 2 or 4 in the 8th position
2	F421703	Street Elbow	
3	F8382301	DIN Valve Adapter Kit	
4	F421930	Hose Barb	
5	F8322801P	Valve	1/2 inch; 220 Volt
6	F8362701	Coupling	
7	F8288403	Steam Valve Assembly	Includes items 2-5
8	F420409	Plug	
9	F270307	Steam Filter	
10	901403	Pipe Nipple	
11	70321501	Screw	
12	F410300	Pipe Insulation	
13	F200197	Steam Hose	
14	F8368201	Steam Injector Tube Assembly	
15	F421507	Plug	

Special Tools



PHM3337P_F8570001

Special Tools

REF	PART NO.	DESCRIPTION	COMMENTS
	203346	USB IR Interface Kit	
	1112P	Concrete Hardware Kit	
	F924P3	Reuse Kit	
	F923P3	Wet-Clean Kit	
	F8133701	UniLinc PC and PDA Software CD	Models with a T in the 7th position; Programmer's version
	F8133301	UniLinc PC and PDA Software CD	Models with a T in the 7th position
	F8599402	Bearing Seal Insertion and Removal Kit	Purchase; Includes items 4-21, 23, 25, 27, 70350503 Wing Nut and F8313702 Screw
	F8599402-1	Bearing Seal Insertion and Removal Kit	Rental; Includes items 4-21, 23, 25, 27, 70350503 Wing Nut and F8313702 Screw
1	F798700	Grease Gun Kit	Includes items 2 and 3
2	F210206P	Bearing Grease	
3	F210207P	Grease Gun	
4	F8599301	Rod	
5	F8560502	Shaft Support Assembly	
6	F8459101	Nut	
7	F8450401	Bearing Removal Shaft Assembly	
8	F8450602	Bearing Removal Plate	
9	F8455602	Bearing Removal Washer Assembly	
10	F8456101	Washer	
11	F8455801	Nut	
12	F8457701	Nut	
13	F8455702	Bearing Removal Plug	
14	F8515102	Front Bearing Fixture Assembly	
15	F8452101	Threaded Rod	
16	F8515302	Seal Press Fixture	
17	F8515202	Rear Bearing Seal Fixture	
18	F8530202	Bearing Sleeve Assembly	
19	F8562801	One Sided Disassembly Fixture	
20	F8534102	Guide Rod Assembly	
21	F8490701	Hammer	
22	F8514401	Hammer Tool Adapter	
23	F8451502	Lifting Fixture	
24	F8471801	Frame Template	
25	F8537502	Excluder Seal Fixture	
26	M400063	Screw	
27	F8634802	Clamp	

Parts Index

A

Adapter	
F8265701	37
Adapter Sleeve	
F8382502	27
Air Coupling	
F422114	45
Auxiliary Control Assembly	
F8189401P	9

B

Basket Assembly	
F8516202	27
F8516302	27
Basket Assembly Kit	
F8575901	27
F8576001	27
Basket Pulley	
F8522201	45
Basket Pulley Bushing	
F280294P	45
Bearing	
F8465301	47
F8465603	47
Bearing Grease	
F210206P	53
Bearing Housing	
F8465101	47
Bearing Housing Assembly	
F8474702	47
Bearing Housing Kit	
F8575301	47
Bearing Removal Plate	
F8450602	53
Bearing Removal Plug	
F8455702	53
Bearing Removal Shaft Assembly	
F8450401	53
Bearing Removal Washer Assembly	
F8455602	53
Bearing Seal Insertion and Removal Kit	
F8599402	53
F8599402-1	53
Bearing Sleeve Assembly	
F8530202	53
Bearings and Seals Kit	
F8579501	47
Belt	
F8382809	45
Belt Guard Assembly	
F8481701	17
F8481702	17
Blind Rivet	
F8245101	25
Bolt	
F8270701	23, 25
F8402801	45

F8549301	23
Bulkhead Brace	
F8483301	19
Bulkhead Panel	
F8482301	19
Bushing	
F8378701	23
44239501	15
70346501	9

C

Cable Tie	
F140605	45
Cap	
24145	33
CFG Harness	
F8028109	9
Chemical Connection Cover	
F8447901	19
Chemical Injection Kit	
F8331801P	33
Chemical Supply Cup	
F150385	31
F150386	31
Chemical Supply Drain Hose	
F8510601	31
Chemical Supply Hose	
F8265801	37
F8551902	31
F8551903	31
Circuit Breaker	
F8303001P	13
70256901P	13
Clamp	
F8634802	53
Clean Filter Daily Decal	
F200061000	7, 19
Clip	
M400984	9
Communication Board	
210095P	7
Communication Cable	
F8385103	9, 11
Concrete Hardware Kit	
1112P	53
Connector	
F422500	9
J1408004	45, 47
Contact Base	
F8538101	7
Contact Switch	
F8069501	7
Contacto	
F330188P	13
Control Assembly	
F8499101P	7
F8499401P	7
Control Assembly Kit	
F980P3	9

N/A items do not appear in index.

Control Module Decal	
F8237101	7
F8383101	7
Control Panel Assembly	
F8408601	7
Control Power Harness	
F8389801	11
Conversion Label	
F8099801	19
F8448801	19
Coupling	
F8362701	51
F8362702	37, 39

D

Diaphragm and Guide Kit	
G582P3	35
DIN Rail	
F8434101	13
DIN Valve Adapter Kit	
F8382301	51
Dispenser	
F8331801	33
Dispenser Assembly	
F0150512-00P	31
Dispenser Cap	
F8325102	33
Dispenser Cover	
F8338601	19
Dispenser Lid	
F0150514-00	31
Dispenser Valve Harness	
F8347302	35
Door Assembly	
F8479901	23
F8479902	23
Door Assembly Kit	
F8576301	23
F8576401	23
Door Gasket	
F8508502	23
Door Glass	
F8468901	23
F8469001	23
Door Glass Gasket	
F8499902	23
Door Glass Retainer	
F8475201	23
Door Handle	
F8435501	23
Door Hinge	
F8468101	23
Door Hinge Shim	
F8479501	23
Door Latch Arm Assembly	
F8221401	23
Door Lock Assembly	
F8320501	25
Door Lock Catch	
F8344501	25
Door Lock Cover	
F8435801	25

N/A items do not appear in index.

Door Lock Harness	
F8436101	25
Door Lock Microswitch	
F200203200	25
Door Lock Plate Assembly	
F8320401	25
Door Lock Plate Shim	
F8398401	25
Door Lock Switch Lever	
F8223401	25
Door Spray Nozzle Assembly	
F8356301	21
Door Weldment	
F8479701	23
Dowel Pin	
F8406502	47
Drain Elbow Hose	
F8340801	41, 43
F8486701	41, 43
F8486801	43
F8487001	41, 43
Drain Hose	
F200165100	41, 43
F8261303	41, 43
Drain Valve Bracket	
F8312902	41, 43
F8312903	41, 43
F8487201	41, 43, 49, 51
F8487202	41, 43, 49, 51
Drain Valve Cover	
F200133600	41, 43
Drain Valve Harness	
F8257001P	41, 43
F8257002	41, 43
Drain Valve Kit	
F200166402	43
F8577201	41, 43
Drive Box Partition Panel	
F8375902	19
Drive Bracket	
F8322402	11
Drive Control Harness	
F8030101P	9
F8030201P	11
Drive Fan Harness	
F8113901	13
Drive Mounting Bracket	
F8386902	11
Drive Mounting Panel	
F8483201	19
Drive Power Harness	
F8027804	11
Dual Drain Harness	
F8257101	43

E

Earth Terminal Sticker	
M412096	13
Elbow	
F8453701	21
F8514301	31

Electric Heat Coils Harness	
F8054901	11
F8054903	11
Electric Heat Harness	
F8054601	11
F8054602	11
F8054603	11
F8054704P	49
F8054705	49
F8056701	49
Electric Shock Danger Label	
F8115501	11
Electrical Access Cover	
F8323801	19
Electrical Shock Label	
F8211201	7, 11, 17, 19, 29
Emergency Stop Harness	
F8060501	7
Emergency Stop Pushbutton	
F200233500	7
EMI Filter	
F8053901P	11
F8053902	11
F8054001	11
Ethernet Gateway Kit	
NK320	7
Excluder Seal	
F8527702	27
Excluder Seal Fixture	
F8537502	53
Expansion Clip	
70030501	9, 17, 19, 23, 25
External Supply Connection Decal	
F8059801	7
F8150201	7, 19
External Supply Harness	
F8029503	31, 33
F8191202	31, 33
External Supply Label	
F8161701	7
Eye Bolt	
F8319503	45
F8351902	45

F

Female Pin Terminal	
00117	9
Fill Plumbing Assembly	
F8288301	37
F8288401	39
Fill/Supply Harness	
F8347103	37, 39
F8347401	39
F8347501	37
Filter	
F200318900P	9, 13
F8454401	11
Filter Retainer Guard	
F220900	9, 13
Flanged Bushing	
F8333303	45

Foam Gasket	
70414101	29
Frame	
F8472002	29
Frame Shield	
F8480201	29
Frame Shield Extension	
F8480402	29
Frame Template	
F8471801	53
Front Bearing Fixture Assembly	
F8515102	53
Front Bulkhead Panel	
F8482101	19
F8482102	19
F8482103	19
F8482104	19
Front Panel	
F8481301	17
Fuse	
802492	9
802493	9

G

Gasket	
F170158P	31
Grease Fitting	
F190701	45
Grease Gun	
F210207P	53
Grease Gun Kit	
F798700	53
Grease Instruction Label	
F8422801	7, 45
Grommet	
F170604	17
F8410501	41, 43
F8433001	9
F8457801	25
F8528401	19
Ground Decal	
F230630	11
F230739	11
Ground Lug Connector	
M411283	13
Guide Rod Assembly	
F8534102	53

H

Hammer	
F8490701	53
Hammer Tool Adapter	
F8514401	53
Handle Mount	
F8468501	23
Harness	
F8454601	11
Heating Element	
F360203P	49

N/A items do not appear in index.

Heating Element Plug F360202	49
Hose	
F0634705-00	37
F8232006	37, 39
F8245714	45
F8548802	33
Hose Adapter	
F421909	37
F421968	37
Hose Barb	
F421930	39, 51
F421951	37
F421964	37
F8402301	41, 43
Hose Clamp	
F200201	41, 43
F200213	31, 33
F200215	29, 41, 43
F200222	37
36801	33, 35, 37, 39, 41, 43
Hot Surface Warning Decal F200085000	23
Hot Surface Warning Label F8609001	23

I

Injection Nozzle F8322001	31
Insertion Sleeve F8464902	27
Insulator M413862	11
Interlock Switch Harness	
F8030501P	9
F8158801P	9
Inverter Drive	
F8169690	11
F8169691	11
F8169692	11
F8169693	11

J

Jumper Configuration Assembly M413507	9
Jumper Harness Assembly M413506	9

K

Key	
F8487101	45
44049001	45

L

Left Side Panel F8480902	17
-----------------------------------	----

F8480904	17
Lifting Fixture F8451502	53
Logo F8443101	7
Lug Hinge F8468301	23

M

Magnet F8406201	23
Male Tab Terminal 00177	13
Manifold F8333201	37, 39
Mixing Valve 202396P	33
Module Box Assembly	
F8410411	9
F8410412	9
Module Box Panel	
F8408901	7
F8410302	7
Module Box Panel Kit	
F8412502P	7
F8575501	7
Molded Drain F8386806	41, 43
Motor F8334701P	45
Motor Bracket Weldment F8441802	45
Motor Plate and Spring Assembly Kit F824P3	45
Motor Pulley F8466901	45
Motor Rod Plate F8441101	45
Motor Spring Bracket F8342202	45
Mount on Concrete Warning Label F8246401	17
Muffin Fan F110110	9, 13

N

Network Board Assembly 203028	9
Network Board Bracket F8079401	9
Network Controller Kit NK220	7
Network Retrofit Kit NK205	7
Network Wire Harness Assembly 44088501P	9
Nipple C000417	37

N/A items do not appear in index.

Nut	
F430218	27
F430225	15, 25
F430231	9, 13
F430232	9, 25
F430248	47
F431005	31
F8322601	21
F8387601	45
F8455801	53
F8457701	53
F8459101	53
F8549401	23
M400977	7
44087201	45
44087301	29, 45
70030401	17, 29
802292	31

O

One Sided Disassembly Fixture	
F8562801	53
O-Ring	
F170200	21
F170215	31
F8441901	45
Output Assembly	
F8108501P	9
Output/Logic Harness	
F8028701	7
Overflow Hose	
F0150488-00	41, 43
Overlay	
F8551301	7

P

Panel Locator	
56079	17
PC Board Standoff	
210098	7
Pin	
F8302701	27
Pinch Warning Label	
F8615701	7, 11, 17, 19, 29
Pipe	
F0602365-27	41
Pipe Insulation	
F410300	51
Pipe Nipple	
901403	51
Plug	
F420409	51
F421507	51
F8223901	9, 13
F8531401	41, 43
M400985	9
70180001	19
Plug Cap	
F190304	31
Pop Rivet	
F431210	9

70058501	11, 13, 19
Power Distribution Block	
M413865	11
Power Distribution Block Cover	
44014901P	11
Power Harness	
F8433102	9
F8508301	9, 11
Pressure Bulb	
30907	9

R

Radial Lip Seal	
F8528502	47
Radial Seal	
F8203810	47
Rear Bearing Seal Fixture	
F8515202	53
Rear Bulkhead Edging	
F8484001	19
Rear Bulkhead Panel	
F8481901	19
Reed Switch Assembly	
F8066801P	25
Reed Switch Bracket	
F8402601	25
Reuse Kit	
F924P3	53
Right Side Panel	
F8480901	17
F8480903	17
Ring Clamp Weldment	
F8388006	27
Ring Retainer	
F310206	21
Rivet	
M412763	17
Rocker Switch	
F8367701	7
Rod	
F8599301	53
Rotation Sensor	
F8066201	15
Rotation Sensor Harness	
F8066401	15
Rotation Sensor Plate	
F8474901	15

S

Screw	
F430903	9, 13
F430948	35
F430956	31
F8117601	7, 9, 17, 19, 25
F8151201	9, 13
F8206901	7, 13, 19
F8313702	47
F8442802	29, 47
F8463301	15
F8484702	45

N/A items do not appear in index.

Threaded Rod	
F8452101	53
Top Center Cover	
F8482801	19
F8482901	19
Top Left Cover	
F8480502	19
Top Right Cover	
F8480501	19
Torsion/Door Lock Spring	
F8070301	25
Transformer	
201616P	9, 13
803527P	9
Tray Harness Cover	
F8482501	9
Trim	
F170400RP	31
F8412802	17
F8412810	9
Tubing	
F8339601	9
F8536202	33
F8578002	41, 43

U

UniLinc PC and PDA Software CD	
F8133301	53
F8133701	53
USB Gateway Kit	
NK320	7
USB IR Interface Kit	
203346	53
Use Copper Conductors Only Caution Label	
F8242201	11

V

Valve	
F8322801P	51
F8322803P	39
F8322905P	37
Valve Assembly	
F8288302	37
Valve Kit	
F8379501P	51
Valve Mounting Bracket	
F8331902	35
Valve, 4-Way	
F8336601	35
Vent Hose	
F8363601	29
Vibration Switch	
F8204001	15
Vibration Switch Shield	
F8337301	15

W

Warning Label	
F8233501	7, 19
F8428501	19, 31
F8428701	7, 31
44324001	7, 11, 17, 19, 29
Washer	
F431100	23
F431125	15, 25
F431147	23, 31
F431916	23
F8171201	47
F8193101	25
F8195301	31
F8366601	45
F8402701	29
F8456101	53
M400014	45
M400080	27, 29
M400081	29
M405535	17, 29
70292801	45
803615	37
Water Hose	
F200110P	35
F200164	37
F200166	37
F200185	37
F200193	37
Water Valve Bracket	
F8428901	33
Wet-Clean Kit	
F923P3	53
Wire Label	
70218701	11
Wireless Network Kit	
NK301	7

Y

Y Connector	
F422816	35

N/A items do not appear in index.

