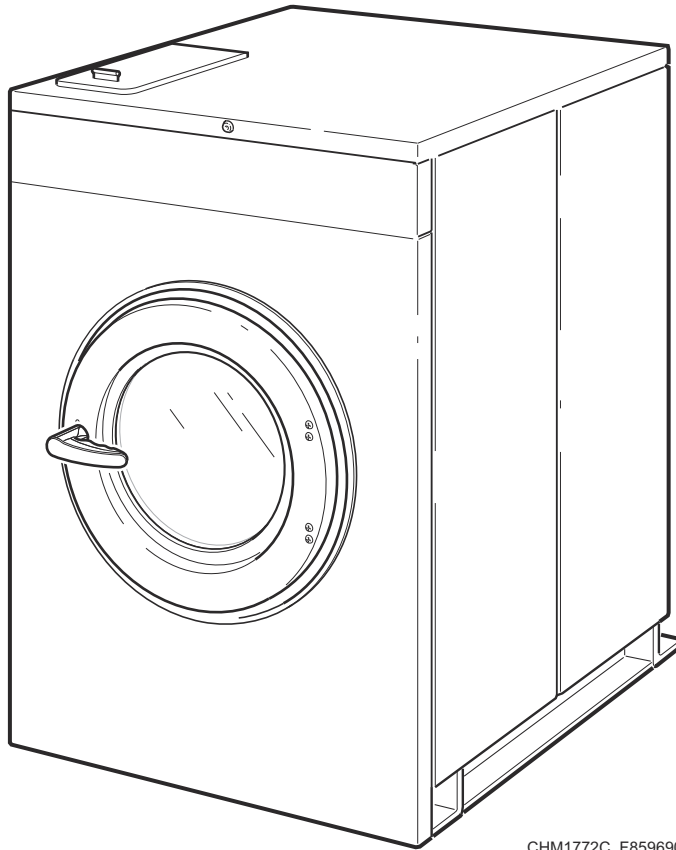


# Washer-Extractor

Cabinet Hardmount  
Design 1

Refer to Page 3 for Model Numbers



CHM1772C\_F8596901



# Table of Contents

Title	Page
Parts Ordering Information.....	2
Serial Plate Location .....	2
Model Identification .....	3
Product Overview - M9, M30, Galaxy 400, Galaxy 600, Quantum Silver and Quantum Gold .....	4
Product Overview - M4, Galaxy 200 and Quantum Standard .....	6
Decals .....	8
Control Module - 2 Speed OPL Models .....	10
Control Module - F-Speed OPL Models .....	12
Control Module - 2 Speed Vend Models .....	14
Control Module - F-Speed Vend Models.....	16
Flush Mount Coin Meter Assembly - Single Drop .....	18
Flush Mount Coin Meter Assembly - Dual Drop.....	20
Electronic Coin Meter Assembly .....	22
Card Reader .....	24
Optional Coin Box.....	26
Rocker Switch and Temperature Knob .....	28
Front Panel and Control Panel - Vend Models .....	30
Front Panel and Control Panel - Card Reader and OPL Models .....	32
Control Panel Overlays .....	34
Panels .....	36
Door - 20 Pound Models .....	38
Door - 30 Pound Models .....	40
Door - 40 and 60 Pound Models .....	42
Door Lock.....	44
Shell Front and Basket.....	46
Trunnion.....	48
Shell and Frame.....	50
Drain Plumbing .....	52
Drain Valve Assembly - 20 and 30 Pound Models.....	54
Drain Valve Assembly - 40 and 60 Pound Models.....	56
Steam Filter (Optional) and Water Supply Hose .....	58
Fill Plumbing Assembly (Drawing 1 of 2) .....	60
Fill Plumbing Assembly (Drawing 2 of 2) .....	62
Motor Mount, Pulley and Belt.....	64
Motor - 20 and 30 Pound Models.....	66
Motor - 40 and 60 Pound Models.....	68
Electric Heat Option .....	70
Steam Heat Option .....	72
Parts Index.....	75

© Copyright 2020, Alliance Laundry Systems LLC

All rights reserved. No part of the contents of this book may be reproduced or transmitted in any form or by any means without the expressed written consent of the publisher.

# Parts Ordering Information

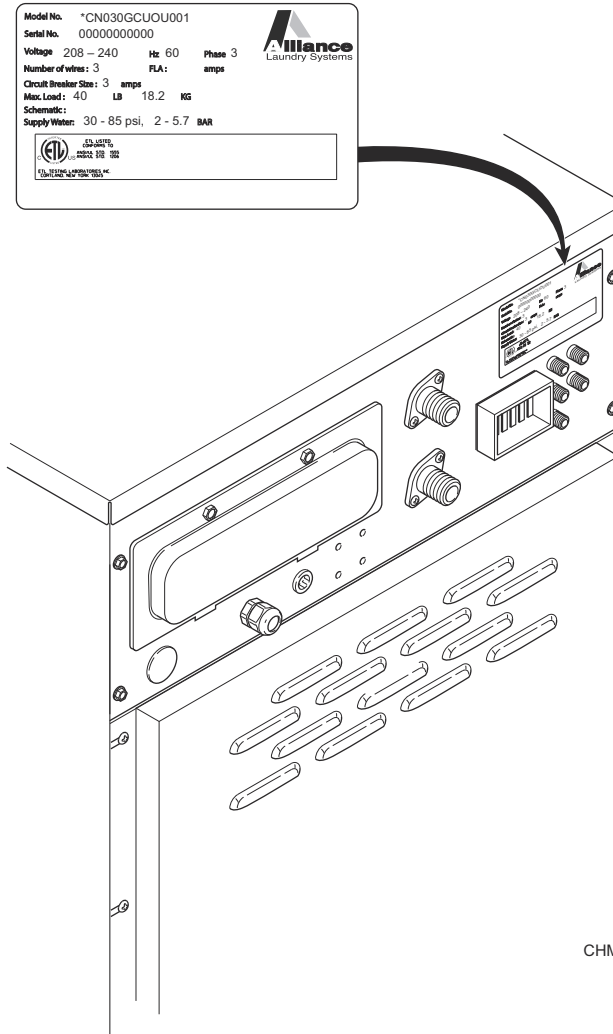
If literature or replacement parts are required, contact the source from whom the machine was purchased or contact Alliance Laundry Systems at (920) 748-3950 for the name and address of the nearest authorized parts distributor.

For technical assistance, call the number listed below:

(920) 748-3121 Ripon, Wisconsin

# Serial Plate Location

When calling or writing about your product, be sure to mention model and serial numbers. Model and serial numbers are located on serial plate(s) as shown.



CHM3025P\_F8596901

## Model Identification

Information in this manual is applicable to these washer-extractor models:

HCD020GD2	HCU020GC2	SCL040GC2	SCU020GC2	UCL020GN2
HCL020GC2	HCU020GD2	SCL040GCF	SCU020GD2	UCL020GNF
HCL020GD2	HCU020GE2	SCL040GN2	SCU020GE2	UCL030GN2
HCL020GN2	HCU020GL2	SCL040GNF	SCU020GL2	UCL030GNF
HCL020GNF	HCU020GN2	SCL060GC2	SCU020GN2	UCL040GN2
HCL030GN2	HCU020GX2	SCL060GN2	SCU020GX2	UCL040GNF
HCL030GNF	HCU020GY2	SCL060GNF	SCU020GY2	UCL060GN2
HCL040GN2	HCU030GC2	SCN020GC2	SCU030GC2	UCL060GNF
HCL040GNF	HCU030GD2	SCN020GD2	SCU030GD2	UCN020GN2
HCL060GN2	HCU030GE2	SCN020GE2	SCU030GE2	UCN020GNF
HCL060GNF	HCU030GL2	SCN020GN2	SCU030GL2	UCN030GN2
HCN020GC2	HCU030GN2	SCN020GNF	SCU030GN2	UCN030GNF
HCN020GD2	HCU030GX2	SCN020GX2	SCU030GX2	UCN040GN2
HCN020GE2	HCU030GY2	SCN020GY2	SCU030GY2	UCN040GNF
HCN020GN2	HCU040GC2	SCN030GC2	SCU040GC2	UCN060GN2
HCN020GNF	HCU040GD2	SCN030GD2	SCU040GD2	UCN060GNF
HCN020GX2	HCU040GE2	SCN030GE2	SCU040GE2	UCU020GN2
HCN020GY2	HCU040GL2	SCN030GN2	SCU040GL2	UCU030GN2
HCN030GC2	HCU040GN2	SCN030GNF	SCU040GN2	UCU040GN2
HCN030GD2	HCU040GX2	SCN030GX2	SCU040GX2	UCU060GN2
HCN030GE2	HCU040GY2	SCN030GY2	SCU040GY2	UCZ020GN2
HCN030GN2	HCU060GC2	SCN040GC2	SCU060GC2	UCZ030GN2
HCN030GNF	HCU060GD2	SCN040GD2	SCU060GD2	VCU030GN2
HCN030GX2	HCU060GE2	SCN040GE2	SCU060GE2	VCU040GN2
HCN030GY2	HCU060GL2	SCN040GN2	SCU060GL2	VCU060GN2
HCN040GC2	HCU060GN2	SCN040GNF	SCU060GN2	
HCN040GD2	HCU060GX2	SCN040GX2	SCU060GX2	
HCN040GE2	HCU060GY2	SCN040GY2	SCU060GY2	
HCN040GN2	HCZ020GN2	SCN060GC2	SCZ020GN2	
HCN040GNF	HCZ030GN2	SCN060GCF	SCZ030GN2	
HCN040GX2	SCD030GD2	SCN060GD2		
HCN040GY2	SCD040GD2	SCN060GDF		
HCN060GC2	SCD060GD2	SCN060GE2		
HCN060GCF	SCL020GC2	SCN060GN2		
HCN060GD2	SCL020GN2	SCN060GNF		
HCN060GE2	SCL020GNF	SCN060GX2		
HCN060GN2	SCL030GC2	SCN060GY2		
HCN060GNF	SCL030GCF			
HCN060GX2	SCL030GN2			
HCN060GY2	SCL030GNF			

# Product Overview - M9, M30, Galaxy 400, Galaxy 600, Quantum Silver and Quantum Gold

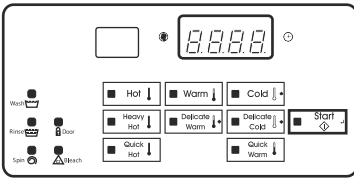
Model No. \*CIN030GC2UOU001  
 Serial No. 00000000000

Voltage 208 – 240 Hz 60 Phase 3  
 Number of wires : 3 FLA: amps  
 Circuit Breaker Size : 3 amps  
 Max. Load : 40 LB 18.2 KG  
 Schematic :  
 Supply Water: 30 - 85 psi, 2 - 5.7 BAR

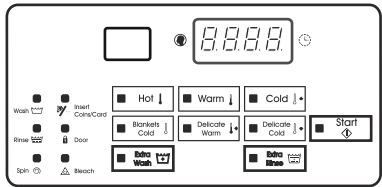
**Alliance**  
 Laundry Systems

ETL LISTED  
 CONFORMS TO  
 ANSUL STD. 1552  
 US ANSUL STD. 1506

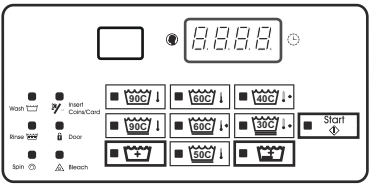
ETL TESTING LABORATORIES INC.  
 CORTLAND, NEW YORK 13045



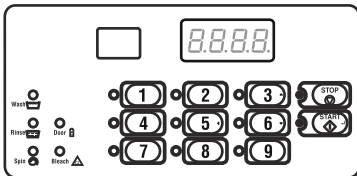
Galaxy 400 Coin



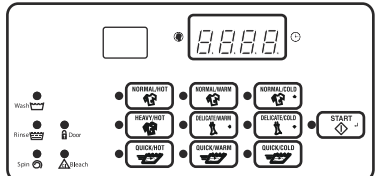
Galaxy 600 Coin (Domestic)



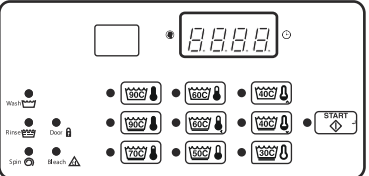
Galaxy 600 Coin (International)



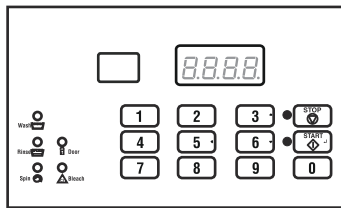
M9/Galaxy 400 OPL/Quantum Silver OPL



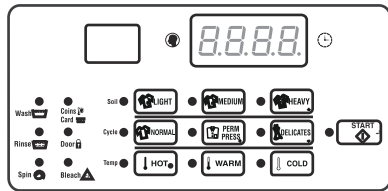
Quantum Silver Coin (Domestic)



Quantum Silver Coin (International)



M30/Quantum Gold OPL



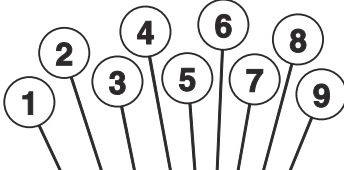
Quantum Gold

CHM3217P\_F8596901


# Product Overview - M9, M30, Galaxy 400, Galaxy 600, Quantum Silver and Quantum Gold


REF	PART NO.	DESCRIPTION	COMMENTS
1	-	Product Family	CC HC IC NC SC UC YC
2	-	Market	B (Brazil CE) D (Daiwa) L (International ETL9c) N (Domestic ETL(c)) U (International CE) W (WRAS CE) Y (Australia) Z (No Agency International)
3	-	Capacity (Pounds)	020 030 040 060 080 100 125
4	-	Control	G H J K L W
5	-	Actuation	C (Drop Coin Meter) D (Digital Coin Meter) E (Electronic World Drop) L (Prep for Remote/Central Pay) N (Non-Coin OPL) X (Prep for Coin Meter) Y (Prep for Card Reader)
6	-	Speed	2 (2 Speed) F (F-Speed) V (V-Speed)
7	-	Voltage	B (120/60/1/2) C (380-415/50/3/4) F (440-480/60/3/3) J (200/50/3/3) N (440-480/50/60/3) O (208/220-240/60/3/3) P (380-415/50/60/3) Q (200-208/220-240/50/60/3) R (380-415/440-480/50/60/3) X (200-208/220-240/50/60/1/3) Y (208/220-240/60/1/2)
8	-	Side Panel	U (Standard) 1 (Stainless Steel)
9	-	Design	1 2 3

# Product Overview - M4, Galaxy 200 and Quantum Standard

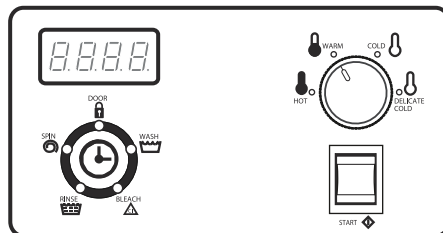


Model No. \*CIN030GC2UOU001  
 Serial No. 0000000000  
 Voltage 208 – 240 Hz 60 Phase 3  
 Number of wires : 3 FLA : amps  
 Circuit Breaker Size : 3 amps  
 Max. Load : 40 LB 18.2 KG  
 Schematic :  
 Supply Water: 30 - 85 psi, 2 - 5.7 BAR





ETL LISTED  
 CONFORMS TO  
 ANSI/UL STD. 1955  
 US ANSUL STD. 1202  
 ETL TESTING LABORATORIES, INC.  
 CORTLAND, NEW YORK 13045



M4/Galaxy 200/Quantum Standard

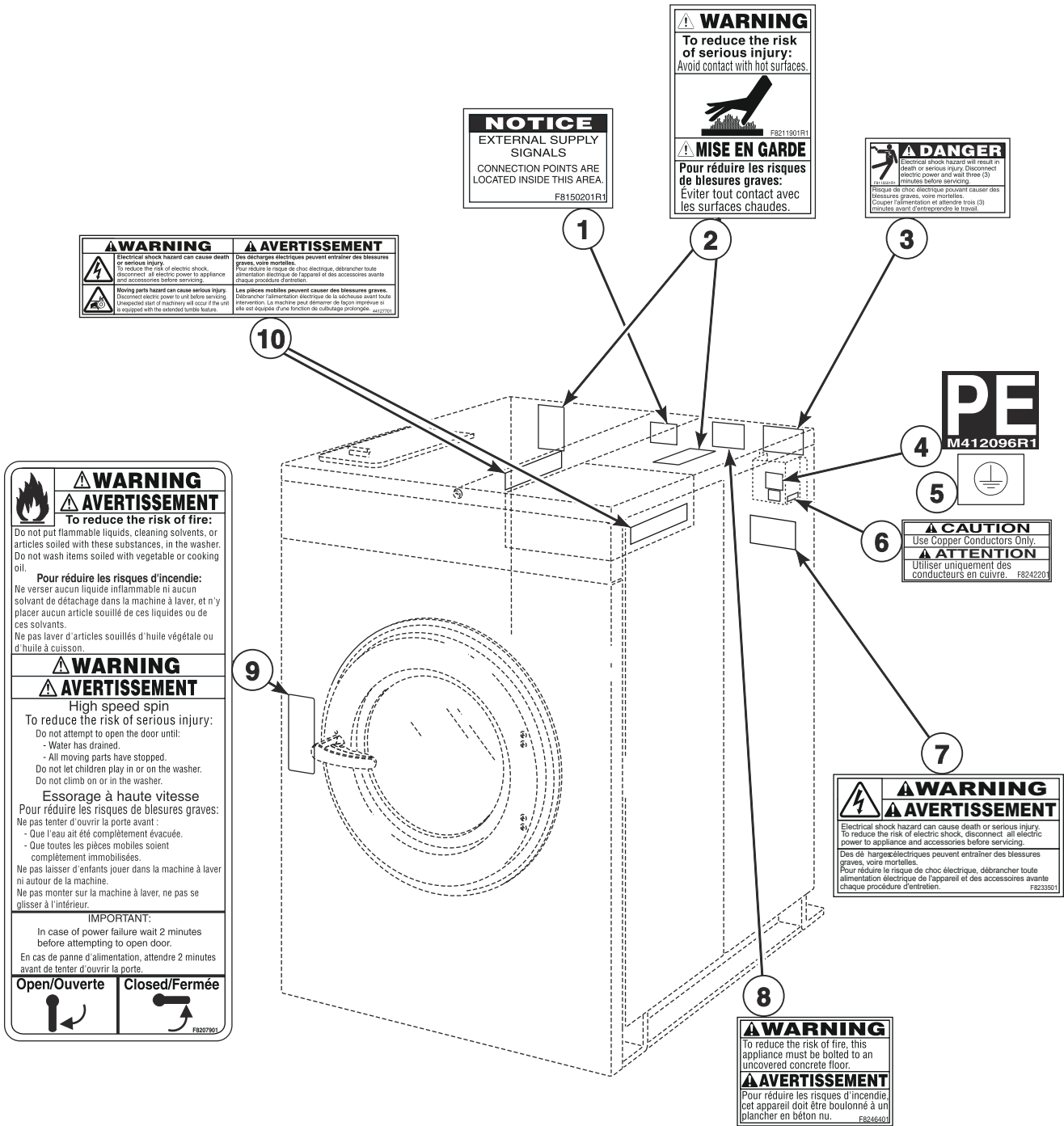
CHM3218P\_F8596901



# Product Overview - M4, Galaxy 200 and Quantum Standard

REF	PART NO.	DESCRIPTION	COMMENTS
1	-	Product Family	CC HC IC NC SC UC YC
2	-	Market	B (Brazil CE) D (Daiwa) L (International ETL9c) N (Domestic ETL(c)) U (International CE) W (WRAS CE) Y (Australia) Z (No Agency International)
3	-	Capacity (Pounds)	020 030 040 060 080 100 125
4	-	Control	G H J K L W
5	-	Actuation	C (Drop Coin Meter) D (Digital Coin Meter) E (Electronic World Drop) L (Prep for Remote/Central Pay) N (Non-Coin OPL) X (Prep for Coin Meter) Y (Prep for Card Reader)
6	-	Speed	2 (2 Speed) F (F-Speed) V (V-Speed)
7	-	Voltage	B (120/60/1/2) C (380-415/50/3/4) F (440-480/60/3/3) J (200/50/3/3) N (440-480/50/60/3) O (208/220-240/60/3/3) P (380-415/50/60/3) Q (200-208/220-240/50/60/3) R (380-415/440-480/50/60/3) X (200-208/220-240/50/60/1/3) Y (208/220-240/60/1/2)
8	-	Side Panel	U (Standard) 1 (Stainless Steel)
9	-	Design	1 2 3

# Decals

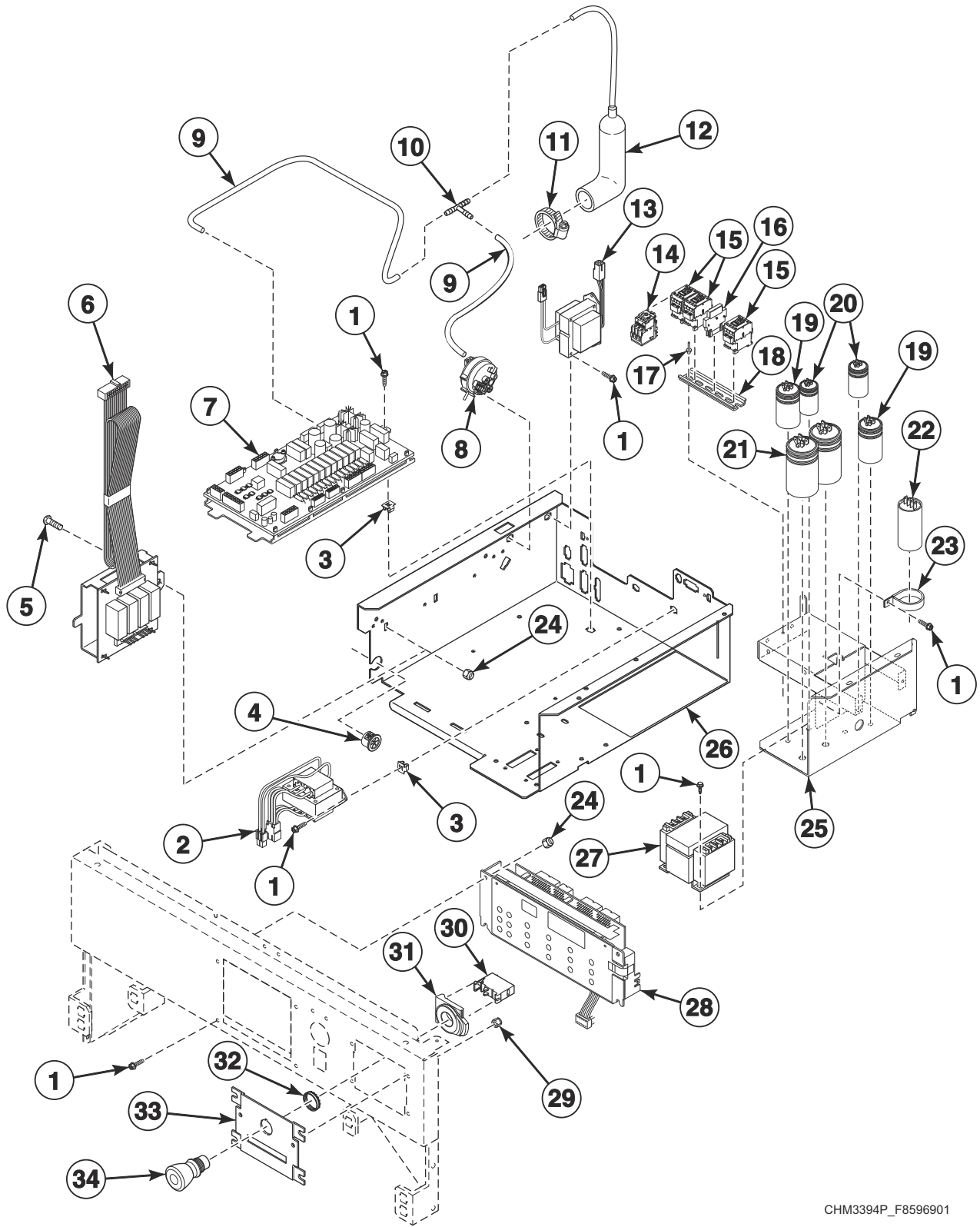


CHM3027P\_F8596901

# Decals

REF	PART NO.	DESCRIPTION	COMMENTS
1	F8150201	External Supply Connection Decal	
2	F8614301	Hot Surface Warning Label	
3	F8115501	Electric Shock Danger Label	
4	M412096	Earth Terminal Sticker	
5	F230739	Ground Decal	
6	F8242201	Use Copper Conductors Only Caution Label	
7	F8233501	Warning Label	
8	F8246401	Mount on Concrete Warning Label	
9	F8207901	Warning Label	
10	44324001	Warning Label	

# Control Module - 2 Speed OPL Models

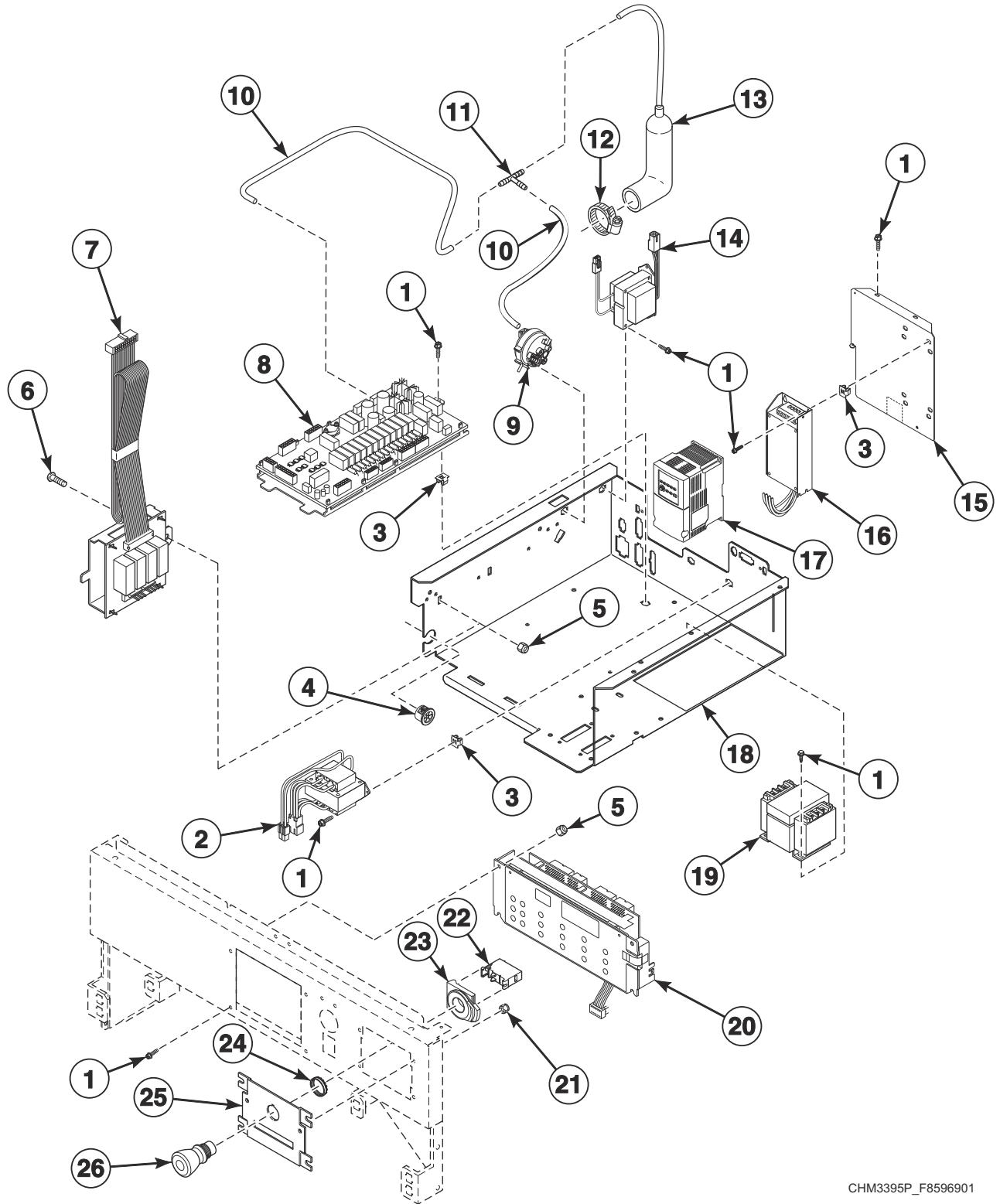


CHM3394P\_F8596901

## Control Module - 2 Speed OPL Models

REF	PART NO.	DESCRIPTION	COMMENTS
	F8028701	Output/Logic Harness	
	203346	USB IR Interface Kit	
	F8191201P	External Supply Harness	
	F937P3	External Supply Kit	Includes items 1, 2, 6, F8191201P External Supply Harness and screws
	F8028101P	Machine Size Configuration Harness	20 pound models
	F8028103P	Machine Size Configuration Harness	30 pound models
	F8028104P	Machine Size Configuration Harness	40 pound models
	F8028105P	Machine Size Configuration Harness	60 pound models
	F8261501P	Control Tray Harness	
	M413506	Jumper Harness Assembly	208 Volt
	M413507	Jumper Configuration Assembly	240 Volt
	F8028219P	Temperature Configuration Harness	
	F8028240P	Temperature Configuration Harness	Prep for steam
	F8028242P	Temperature Configuration Harness	Electric and steam heat
<b>1</b>	F8206901	Screw	
<b>2</b>	803527P	Transformer	
<b>3</b>	70030501	Expansion Clip	
<b>4</b>	44071501	Snap Bushing	
<b>5</b>	F430903	Screw	
<b>6</b>	F8189401P	Auxiliary Control Assembly	
<b>7</b>	F980P3	Control Assembly Kit	Includes item 10 and F8108001 Output Assembly
	802493	Fuse	2.5 Amp
<b>8</b>	F8223001P	Water Pressure Switch	
<b>9</b>	F8153901	Tubing	
<b>10</b>	F8246601	Tee	
<b>11</b>	F200222	Hose Clamp	No. 12
<b>12</b>	F020014200	Air Trap Hose	
<b>13</b>	201616P	Transformer	External supply
<b>14</b>	F8176101P	Overload Contactor	Y-voltage
<b>15</b>	F330177P	Contactor	
<b>16</b>	F330186P	Interlock Contactor	
<b>17</b>	70058501	Pop Rivet	
<b>18</b>	F8200101	DIN Rail	
<b>19</b>	F8411901	Capacitor	50 MFD; 20 pound models Y-voltage, 1 used; 40 pound models Y-voltage, 2 used
	F370221	Capacitor	100 MFD; 20 pound models; B-voltage, 1 used
<b>20</b>	F8411701	Capacitor	20 MFD; 30 pound models Y-voltage, 4 used; 40 pound models Y-voltage, 2 used
	F8411801	Capacitor	25 MFD; 20 pound models; Y-voltage, 2 used
<b>21</b>	F370220	Capacitor	130 MFD; 20 pound models B-voltage, 2 used; 30 pound models Y-voltage, 1 used
	F370218P	Capacitor	160 MFD; 40 pound models; Y-voltage, 2 used
<b>22</b>	F340002	Motor Switch	50 Amp
<b>23</b>	F0340722-00	Switch Clamp	
<b>24</b>	F430232	Nut	
<b>25</b>	F8199601	Capacitor Tray Assembly	20 pound models; B and Y-voltage
	F8199901	Capacitor Tray Assembly	All other models; B and Y-voltage
	F8343401	Contactor Tray Assembly	C, F, J and O-voltage
<b>26</b>	F8205901	Control Tray Assembly	
<b>27</b>	F360157P	Transformer	B-voltage
<b>28</b>	F999P3	Control Kit	Includes F8028701 Output/Logic Harness
<b>29</b>	F431017	Nut	
<b>30</b>	F8069501	Contact Switch	
<b>31</b>	F200233401P	Contact Block Switch	Includes item 30 and F8538101 Contact Base
	F8538101	Contact Base	
<b>32</b>	24205	Nut	
<b>33</b>	F8201301	Emergency Stop Plate	
<b>34</b>	F200233500	Emergency Stop Pushbutton	

# Control Module - F-Speed OPL Models

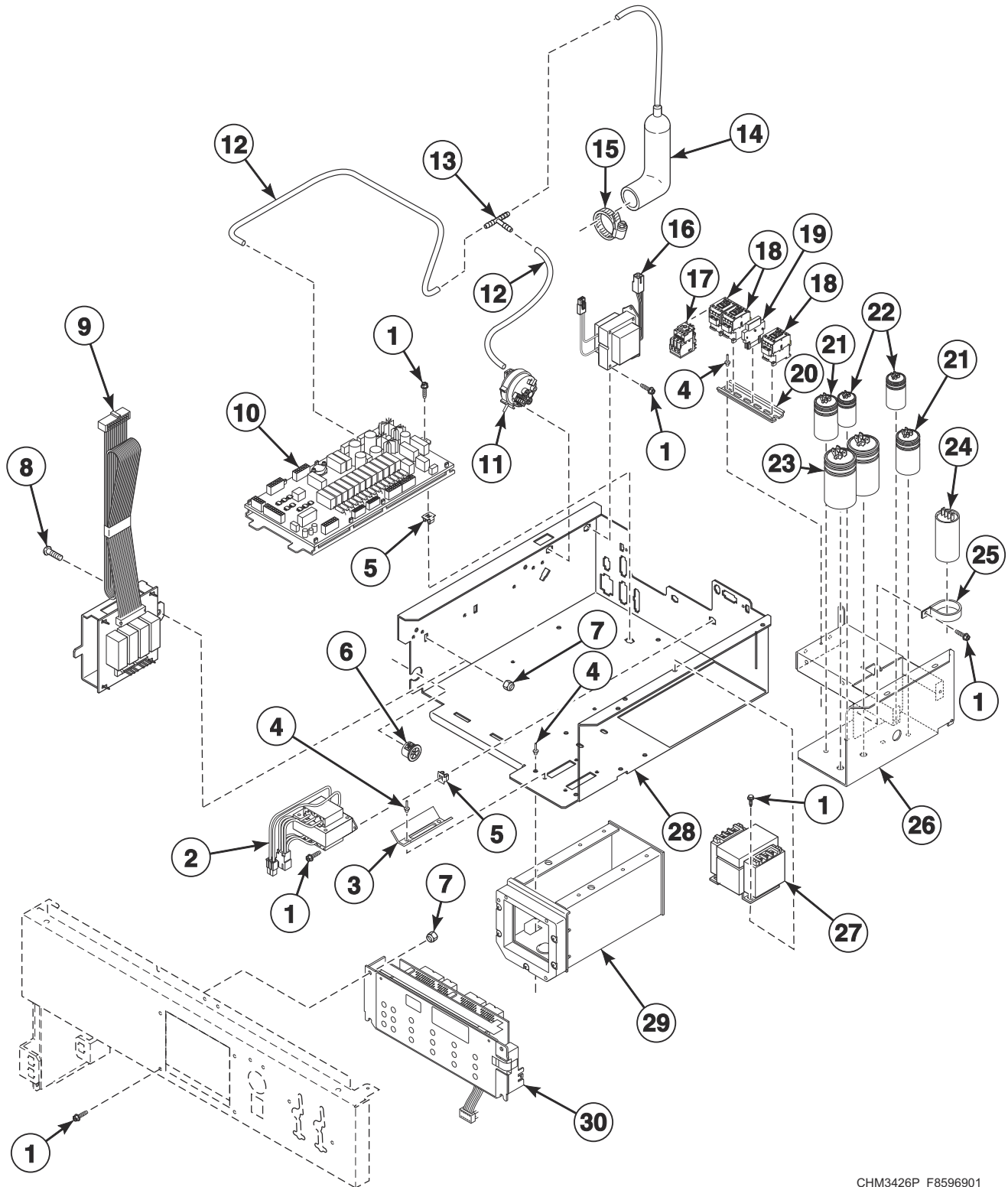


CHM3395P\_F8596901

## Control Module - F-Speed OPL Models

REF	PART NO.	DESCRIPTION	COMMENTS
	F8028701	Output/Logic Harness	
	F8060501	Emergency Stop Harness	
	203346	USB IR Interface Kit	
	F8191201P	External Supply Harness	
	F937P3	External Supply Kit	Includes items 1, 2, 7, F8191201P External Supply Harness and screws
	F8028101P	Machine Size Configuration Harness	20 pound models
	F8028103P	Machine Size Configuration Harness	30 pound models
	F8028104P	Machine Size Configuration Harness	40 pound models
	F8028105P	Machine Size Configuration Harness	60 pound models
	F8261501P	Control Tray Harness	
	M413506	Jumper Harness Assembly	208 Volt
	M413507	Jumper Configuration Assembly	240 Volt
<b>1</b>	F8206901	Screw	
<b>2</b>	803527P	Transformer	
<b>3</b>	70030501	Expansion Clip	
<b>4</b>	44071501	Snap Bushing	
<b>5</b>	F430232	Nut	
<b>6</b>	F430903	Screw	
<b>7</b>	F8189401P	Auxiliary Control Assembly	
<b>8</b>	F980P3	Control Assembly Kit	Includes item 11 and F8108001 Output Assembly
	802493	Fuse	2.5 Amp
<b>9</b>	F8223001P	Water Pressure Switch	
<b>10</b>	F8153901	Tubing	
<b>11</b>	F8246601	Tee	
<b>12</b>	F200222	Hose Clamp	No. 12
<b>13</b>	F020014200	Air Trap Hose	
<b>14</b>	201616P	Transformer	External supply
<b>15</b>	F8195803	Support Bracket	
<b>16</b>	F8053901P	EMI Filter	Q and X-voltage; International models only
	F8053902	EMI Filter	N, P and R-voltage; International models only
<b>17</b>	F8169407	PowerFlex 40 Drive	Models through 3/8/10; Q and X-voltage; Models with an Elmo motor
	F8169408	PowerFlex 40 Drive	Models through 3/8/10; R-voltage; Models with an Elmo motor
	F8169440	PowerFlex 40 Drive	Models starting 3/9/10; Q and X-voltage; Models with a Hanning motor
	F8169441	PowerFlex 40 Drive	Models starting 3/9/10; N, P and R-voltage; Models with a Hanning motor
<b>18</b>	F8205901	Control Tray Assembly	20 and 30 pound models
	F8205903	Control Tray Assembly	40 and 60 pound models
<b>19</b>	F360157P	Transformer	C, F, N and P-voltage
<b>20</b>	F999P3	Control Kit	Includes F8028701 Output/Logic Harness
<b>21</b>	F431017	Nut	
<b>22</b>	F8069501	Contact Switch	
<b>23</b>	F200233401P	Contact Block Switch	Includes item 22 and F8538101 Contact Base
	F8538101	Contact Base	
<b>24</b>	24205	Nut	
<b>25</b>	F8201301	Emergency Stop Plate	
<b>26</b>	F200233500	Emergency Stop Pushbutton	

# Control Module - 2 Speed Vend Models



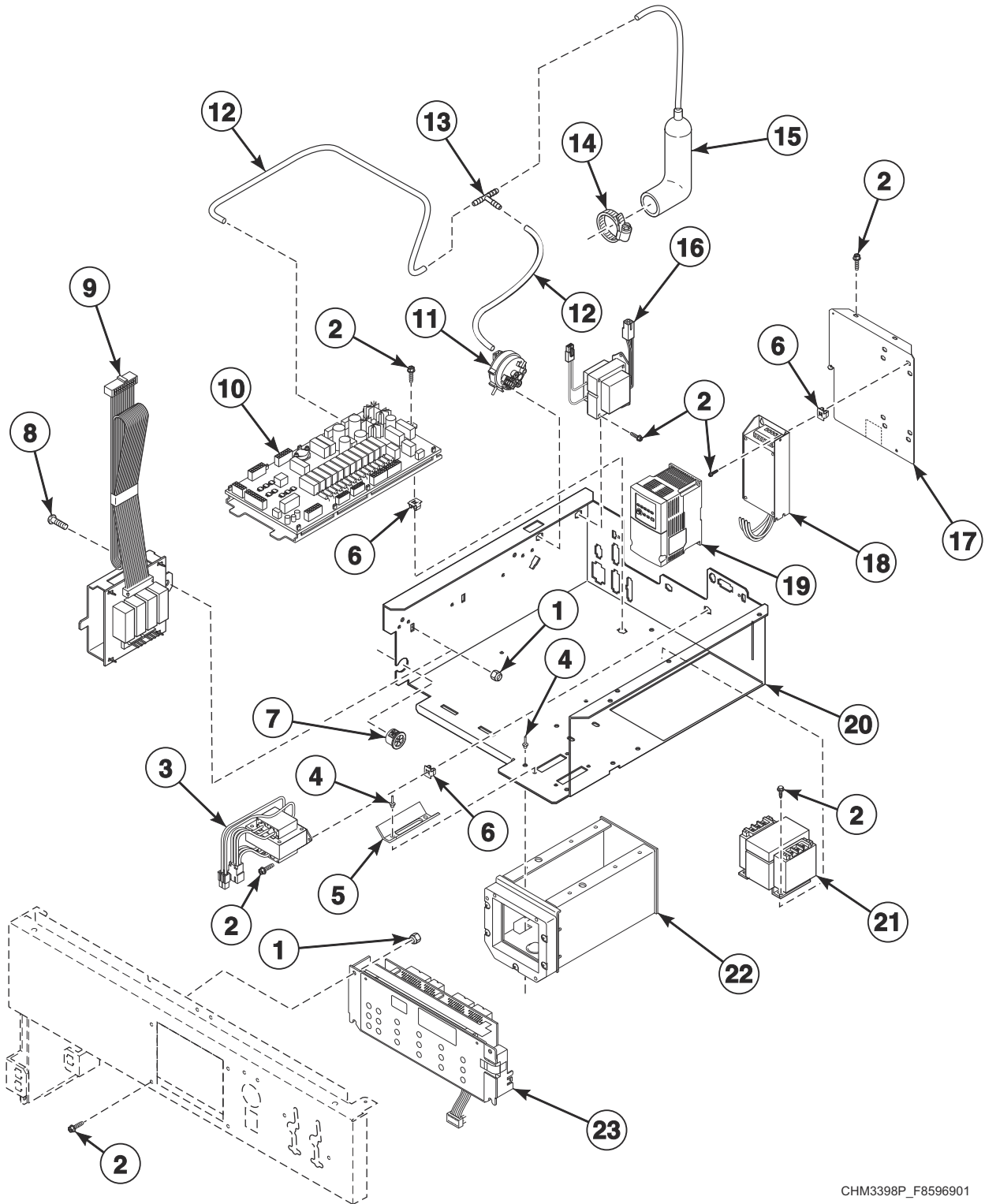
CHM3426P\_F8596901



## Control Module - 2 Speed Vend Models

REF	PART NO.	DESCRIPTION	COMMENTS
	F8028701	Output/Logic Harness	
	203346	USB IR Interface Kit	
	F937P3	External Supply Kit	Includes items 1, 2, 9, F8191201P External Supply Harness and screws
	F8028101P	Machine Size Configuration Harness	20 pound models
	F8028103P	Machine Size Configuration Harness	30 pound models
	F8028104P	Machine Size Configuration Harness	40 pound models
	F8028105P	Machine Size Configuration Harness	60 pound models
	F8261501P	Control Tray Harness	
	M413506	Jumper Harness Assembly	208 Volt
	M413507	Jumper Configuration Assembly	240 Volt
	F8028219P	Temperature Configuration Harness	
<b>1</b>	F8206901	Screw	
<b>2</b>	803527P	Transformer	
<b>3</b>	F8170801	Coin Chute	
<b>4</b>	70058501	Pop Rivet	
<b>5</b>	70030501	Expansion Clip	
<b>6</b>	44071501	Snap Bushing	
<b>7</b>	F430232	Nut	
<b>8</b>	F430903	Screw	
<b>9</b>	F8189401P	Auxiliary Control Assembly	
<b>10</b>	F980P3	Control Assembly Kit	Includes item 13 and F8108001 Output Assembly
	802493	Fuse	2.5 Amp
<b>11</b>	F8223001P	Water Pressure Switch	
<b>12</b>	F8153901	Tubing	
<b>13</b>	F8246601	Tee	
<b>14</b>	F020014200	Air Trap Hose	
<b>15</b>	F200222	Hose Clamp	No. 12
<b>16</b>	201616P	Transformer	External supply
<b>17</b>	F8176101P	Overload Contactor	
<b>18</b>	F330177P	Contactor	
<b>19</b>	F330186P	Interlock Contactor	
<b>20</b>	F8200101	DIN Rail	
<b>21</b>	F8411901	Capacitor	50 MFD; 20 pound models Y-voltage, 1 used; 40 pound models Y-voltage, 2 used
	F370221	Capacitor	100 MFD; 20 pound models; B-voltage, 1 used
<b>22</b>	F8411701	Capacitor	20 MFD; 30 pound models Y-voltage, 4 used; 40 pound models Y-voltage, 2 used
	F8411801	Capacitor	25 MFD; 20 pound models; Y-voltage, 2 used
<b>23</b>	F370220	Capacitor	130 MFD; 20 pound models B-voltage, 2 used; 30 pound models Y-voltage, 1 used
	F370218P	Capacitor	160 MFD; 40 pound models; Y-voltage, 2 used
<b>24</b>	F340002	Motor Switch	50 Amp
<b>25</b>	F0340722-00	Switch Clamp	
<b>26</b>	F8199601	Capacitor Tray Assembly	20 pound models; B and Y-voltage
	F8199901	Capacitor Tray Assembly	All other models; B and Y-voltage
	F8343401	Contactor Tray Assembly	C, F, J and O-voltage
<b>27</b>	F360157P	Transformer	B, C and F-voltage
<b>28</b>	F8205902	Control Tray Assembly	20 and 30 pound models; Includes items 3 and 26
	F8205903	Control Tray Assembly	40 and 60 pound models; Includes items 3 and 26
<b>29</b>	F8182501	Coin Vault Assembly	20 and 30 pound models
	F8182601	Coin Vault Assembly	40 and 60 pound models
<b>30</b>	F999P3	Control Kit	

# Control Module - F-Speed Vend Models

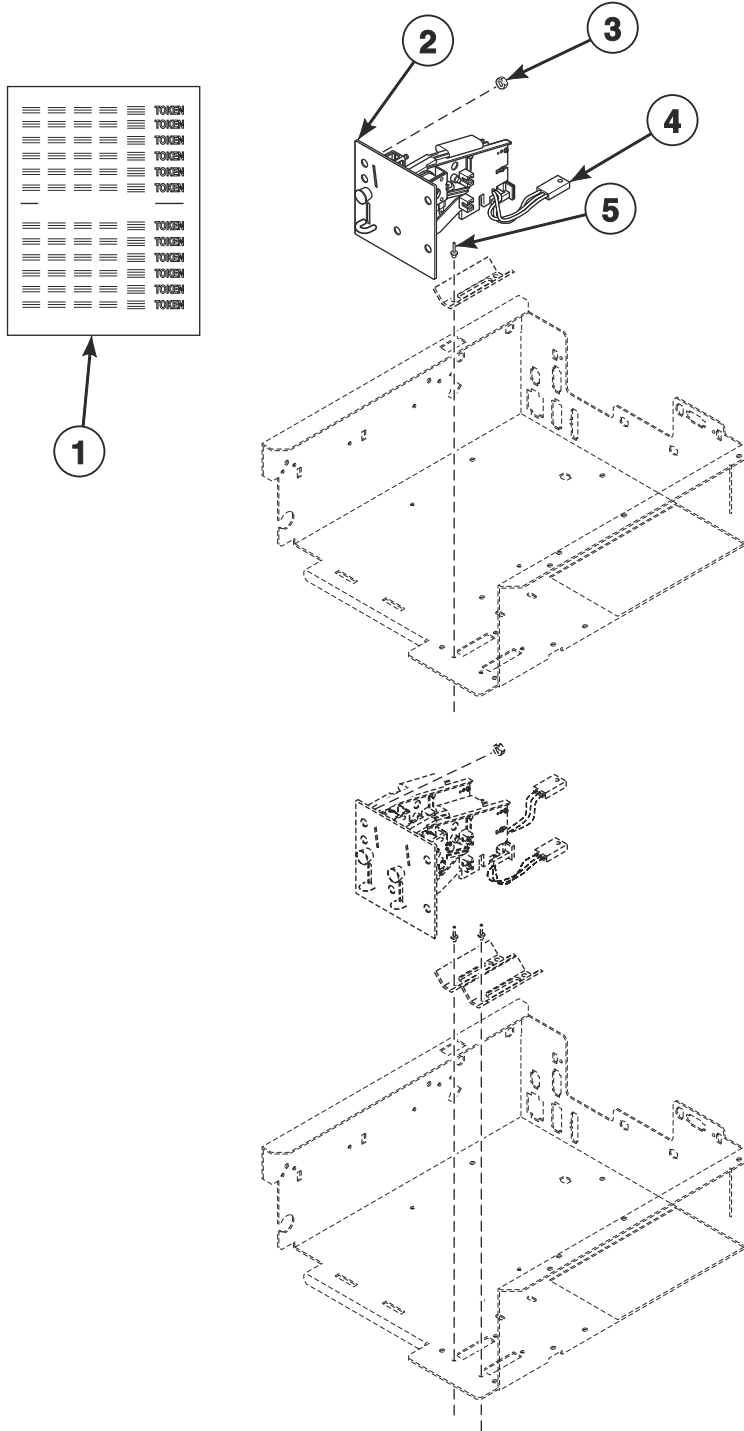


CHM3398P\_F8596901

## Control Module - F-Speed Vend Models

REF	PART NO.	DESCRIPTION	COMMENTS
	F8028701	Output/Logic Harness	
	203346	USB IR Interface Kit	
	F8028103P	Machine Size Configuration Harness	Model SCL030GCF
	F8028104P	Machine Size Configuration Harness	Model SCL040GCF
	F8028105P	Machine Size Configuration Harness	Models HCN060GCF, SCN060GCF and SCN060GDF
	F8261501P	Control Tray Harness	
	M413506	Jumper Harness Assembly	208 Volt
	M413507	Jumper Configuration Assembly	240 Volt
	F8191201P	External Supply Harness	
	F937P3	External Supply Kit	Includes items 2, 3, 9, F8191201P External Supply Harness and screws
<b>1</b>	F430232	Nut	
<b>2</b>	F8206901	Screw	
<b>3</b>	803527P	Transformer	
<b>4</b>	70058501	Pop Rivet	
<b>5</b>	F8170801	Coin Chute	
<b>6</b>	70030501	Expansion Clip	
<b>7</b>	44071501	Snap Bushing	
<b>8</b>	F430903	Screw	
<b>9</b>	F8189401P	Auxiliary Control Assembly	
<b>10</b>	F980P3	Control Assembly Kit	Includes item 13 and F8108001 Output Assembly
	802493	Fuse	2.5 Amp
<b>11</b>	F8223001P	Water Pressure Switch	
<b>12</b>	F8153901	Tubing	
<b>13</b>	F8246601	Tee	
<b>14</b>	F200222	Hose Clamp	No. 12
<b>15</b>	F020014200	Air Trap Hose	
<b>16</b>	201616P	Transformer	External supply
<b>17</b>	F8195803	Support Bracket	
<b>18</b>	F8053901P	EMI Filter	240 Volt; International models only
	F8053902	EMI Filter	480 Volt; International models only
<b>19</b>	F8169403	PowerFlex 40 Drive	Model SCL030GCF; Models through 2/28/10; Q and X-voltage
	F8169404	PowerFlex 40 Drive	Model SCL030GCF; Models through 2/28/10; N, P and R-voltage
	F8169405	PowerFlex 40 Drive	Model SCL040GCF; Models through 3/8/10; Q and X-voltage
	F8169406	PowerFlex 40 Drive	Model SCL040GCF; Models through 3/8/10; N, P and R-voltage
	F8169407	PowerFlex 40 Drive	60 pound models; Models through 3/8/10; Q and X-voltage with an Elmo motor
	F8169408	PowerFlex 40 Drive	60 pound models; Models through 3/8/10; N, P and R-voltage with an Elmo motor
	F8169436	PowerFlex 40 Drive	Model SCL030GCF; Models starting 3/1/10; Q and X-voltage
	F8169437	PowerFlex 40 Drive	Model SCL030GCF; Models starting 3/1/10; N, P and R-voltage
	F8169438	PowerFlex 40 Drive	Model SCL040GCF; Models starting 3/9/10; Q and X-voltage
	F8169439	PowerFlex 40 Drive	Model SCL040GCF; Models starting 3/9/10; N, P and R-voltage
	F8169440	PowerFlex 40 Drive	60 pound models; Models starting 3/9/10; Q and X-voltage with a Hanning motor
	F8169441	PowerFlex 40 Drive	60 pound models; Models starting 3/9/10; N, P and R-voltage with a Hanning motor
<b>20</b>	F8205902	Control Tray Assembly	Model SCL030GCF; Includes items 5 and 21
	F8205903	Control Tray Assembly	All other models; Includes items 5 and 21
<b>21</b>	F360157P	Transformer	N, P and R-voltage
<b>22</b>	F8182601	Coin Vault Assembly	
<b>23</b>	F999P3	Control Kit	Includes F8028701 Output/Logic Harness

# Flush Mount Coin Meter Assembly - Single Drop



CHM3088P\_F8596901

## Flush Mount Coin Meter Assembly - Single Drop

REF	PART NO.	DESCRIPTION	COMMENTS
	F200010000P	Coin Meter Assembly	U.S. \$.25; Includes items 2 and 3
	F200010006	Coin Meter Assembly	.800 token; Includes items 2 and 3
	F200010007	Coin Meter Assembly	.880 token; Includes items 2 and 3
	F200010009	Coin Meter Assembly	.990 token; Includes items 2 and 3
	F200010011	Coin Meter Assembly	Jeton WH121 token; Includes items 2 and 3
	F200010012	Coin Meter Assembly	Jeton .08 token; Includes items 2 and 3
<b>1</b>	38725	Coin Identification Paper	
<b>2</b>	38464P	Coin Drop Assembly	Canada .25
	N/A	Coin Drop Assembly	Australia .20
	N/A	Coin Drop Assembly	Belgium 5 franc
	N/A	Coin Drop Assembly	Denmark 2 krone
	N/A	Coin Drop Assembly	United Kingdom 20 pence
	N/A	Coin Drop Assembly	France 2 franc
	N/A	Coin Drop Assembly	Hong Kong 5 dollar
	N/A	Coin Drop Assembly	Italy 500 lira
	N/A	Coin Drop Assembly	Japan 100 yen
	N/A	Coin Drop Assembly	Korea 500 won
	N/A	Coin Drop Assembly	South Africa 2 rand
	N/A	Coin Drop Assembly	Spain 100 peseta
	N/A	Coin Drop Assembly	Thailand 10 baht
	N/A	Coin Drop Assembly	.886 token
	N/A	Coin Drop Assembly	1.000 token
	N/A	Coin Drop Assembly	Jeton 08 token
	70441601P	Coin Drop	U.S. \$.25
	N/A	Coin Drop Assembly	.800 token
	38462P	Coin Drop Assembly	Token; 118-1; .880 diameter x .079 thick; Brass
	38463	Coin Drop Assembly	Token; 118-5; .990 diameter x .081 thick; Silver
	N/A	Coin Drop Assembly	Jeton WH121 token
	N/A	Coin Meter	Jeton .08 token
<b>3</b>	685846	Nut	
<b>4</b>	200674P	Opto Coupler	
<b>5</b>	70058501	Pop Rivet	

**N/A = Part no longer available**

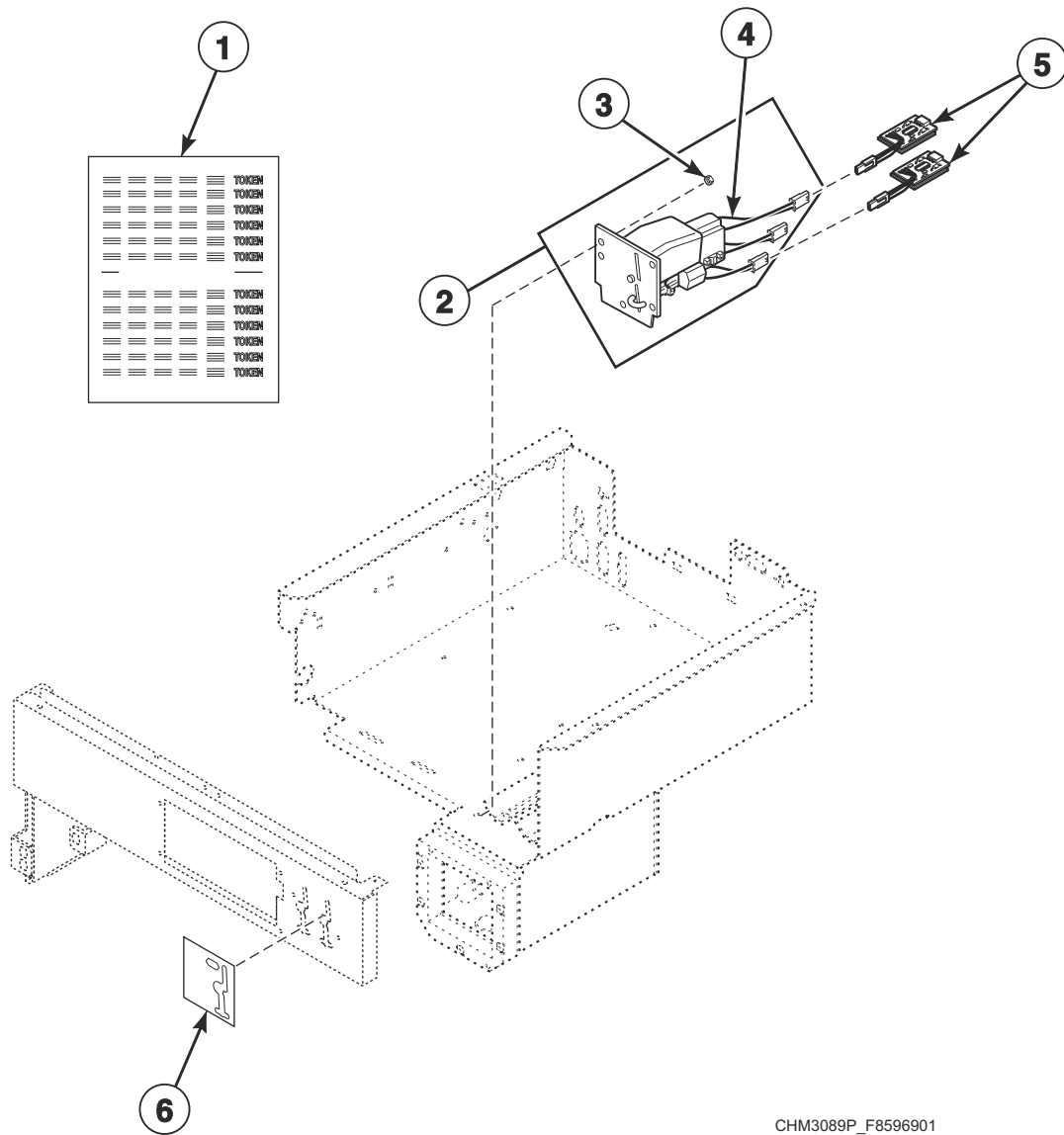


## Flush Mount Coin Meter Assembly - Dual Drop

REF	PART NO.	DESCRIPTION	COMMENTS
	F200010001	Coin Meter Assembly	Australia .20 and 1; Includes items 2 and 3
	F200010002	Coin Meter Assembly	100 and 500 yen; Includes items 2 and 3
	F200010003	Coin Meter Assembly	Canada 1.00 and .25; Includes items 2 and 3
	F200010004	Coin Meter Assembly	New Zealand .20 and 1; Includes items 2 and 3
	F200010005P	Coin Meter Assembly	U.S. \$1.00 and \$.25; Includes items 2 and 3
	F200010008	Coin Meter Assembly	.50 and 2.00 euro; Includes items 2 and 3
	F200010010	Coin Meter Assembly	10 and 50 Taiwan; Includes items 2 and 3
<b>1</b>	38725	Coin Identification Paper	
<b>2</b>	N/A	Coin Meter	10 and 50 Taiwan
	N/A	Coin Meter	Belgium 5 and 20 franc
	N/A	Coin Meter	Denmark 1 and 5 krone
	N/A	Coin Meter	Denmark 5 and 10 krone
	38472	Coin Drop Assembly	United Kingdom 20 pence and 1 pound
	N/A	Coin Meter	.20 and .50 euro
	210195	Coin Drop Assembly	.20 and 1.00 euro
	210196	Coin Drop Assembly	.50 and 1.00 euro
	N/A	Coin Meter	2 and 5 franc
	N/A	Coin Meter	2 and 10 franc
	39157	Coin Drop Assembly	Israel 1 and 5 shekel
	38521	Coin Drop Assembly	Korea 100 and 500 won
	N/A	Coin Meter	Spain 100 and 500 peseta
	N/A	Coin Drop Assembly	Australia .20 and 1
	N/A	Coin Drop Assembly	Japan 100 and 500 yen
	N/A	Coin Drop Assembly	Canada 1.00 and .25
	N/A	Coin Drop Assembly	New Zealand .20 and 1
	70256402P	Coin Drop	U.S. \$1.00 and \$.25
	F0160737-00	Coin Meter	.50 and 2.00 euro
	70281102	Coin Drop Assembly	10 and 50 Taiwan dollar
	N/A	Coin Meter	Taiwan 5 and 10 dollar
<b>3</b>	685846	Nut	
<b>4</b>	200674P	Opto Coupler	
<b>5</b>	70058501	Pop Rivet	

**N/A = Part no longer available**

# Electronic Coin Meter Assembly



CHM3089P\_F8596901

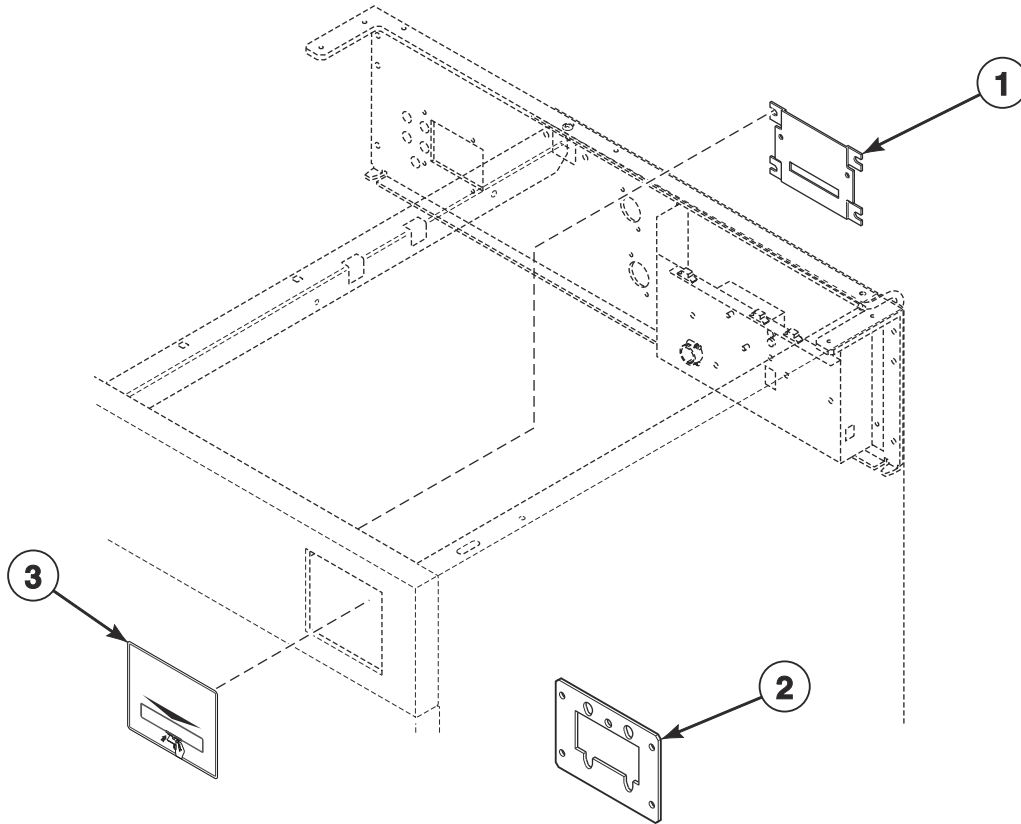


# Electronic Coin Meter Assembly

REF	PART NO.	DESCRIPTION	COMMENTS
	CK500	Electronic Coin Drop Kit	Includes item 2
<b>1</b>	38725	Coin Identification Paper	
<b>2</b>	F200021600P	Coin Meter Assembly	U.S., Canada, Japan and Taiwan; Includes items 3 and 4; Requires CK500 Electronic Coin Drop Kit for installation
<b>3</b>	685846	Nut	
<b>4</b>	70294101P	Electronic Coin Drop Assembly	U.S., Canada, Japan and Taiwan
	70513311	Electronic Coin Drop Assembly	China, Russia and Malaysia; Includes items 3 and 4; Requires CK500 Electronic Coin Drop Kit for installation
	CK095	Electronic Coin Drop Kit	U.S., Canada, Japan and Taiwan; Includes item 1; Requires CK500 Electronic Coin Drop Kit for installation
	CK115	Electronic Coin Drop Kit	U.S. and Canada; Includes item 1; Requires CK500 Electronic Coin Drop Kit for installation
	CK113	Electronic Coin Drop Kit	Japan and Taiwan; Includes item 1; Requires CK500 Electronic Coin Drop Kit for installation
	CK099	Electronic Coin Drop Kit	Australia, New Zealand, Hong Kong, South Korea and Malaysia, United Kingdom and Euro; Includes item 1; Requires CK500 Electronic Coin Drop Kit for installation
	70294103P	Electronic Coin Drop Assembly	United Kingdom and Euro
	CK100	Electronic Coin Drop Kit	United Kingdom and Euro; Includes item 1; Requires CK500 Electronic Coin Drop Kit for installation
	70294104	Electronic Coin Drop Assembly	Denmark, Norway and Euro
	CK101	Electronic Coin Drop Kit	Denmark, Norway and Euro; Includes item 1; Requires CK500 Electronic Coin Drop Kit for installation
	70294106	Electronic Coin Drop Assembly	U.S., Mexico and Ecuador
	CK110	Electronic Coin Drop Kit	U.S., Mexico and Ecuador; Includes item 1; Requires CK500 Electronic Coin Drop Kit for installation
	70294107	Electronic Coin Drop Assembly	Euro, Latvia and Lithuania
	CK103	Electronic Coin Drop Kit	Euro, Latvia and Lithuania; Includes item 1; Requires CK500 Electronic Coin Drop Kit for installation
	70294109	Electronic Coin Drop Assembly	Singapore, China, Russia and Malaysia
	CK106	Electronic Coin Drop Kit	Singapore, China, Russia and Malaysia; Includes item 1; Requires CK500 Electronic Coin Drop Kit for installation
	70294111	Electronic Coin Drop Assembly	Euro
	CK109	Electronic Coin Drop Kit	Euro; Includes item 1; Requires CK500 Electronic Coin Drop Kit for installation
	70294119	Electronic Coin Drop Assembly	Thailand
	CK119	Electronic Coin Drop Kit	Thailand; Includes item 1; Requires CK500 Electronic Coin Drop Kit for installation
<b>5</b>	F8034701P	Pulse Expander Assembly	
<b>6</b>	70295101	Overlay	Black
	70295301	Overlay	Gray

# Card Reader

GY Models

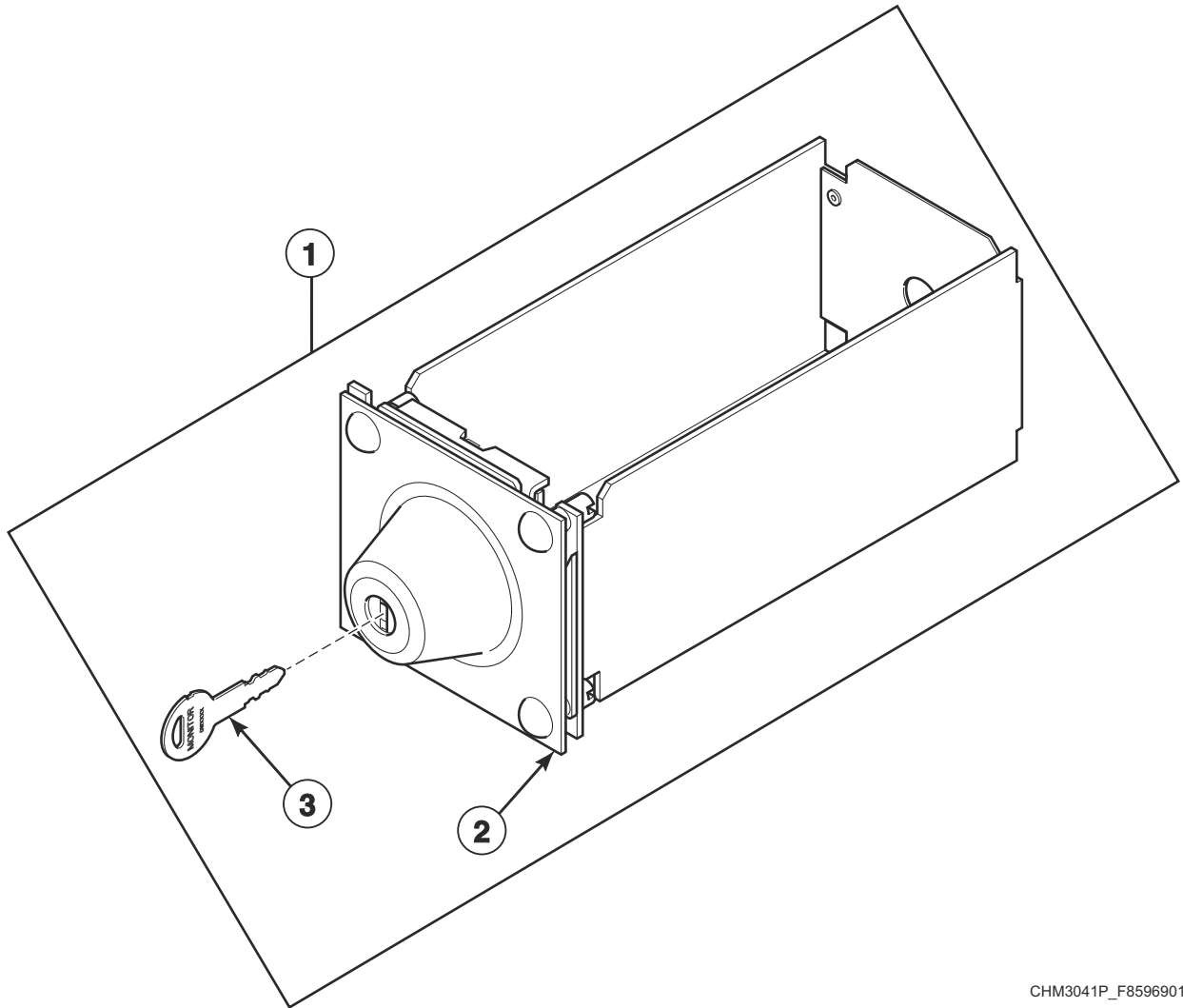


CHM3434P\_F8596901

# Card Reader

REF	PART NO.	DESCRIPTION	COMMENTS
1	F8201501	Card Plate Assembly	
2	70208801	Mounting Plate	
3	70334201	Card Reader Overlay	SC models
	70334301	Card Reader Overlay	HC models

# Optional Coin Box

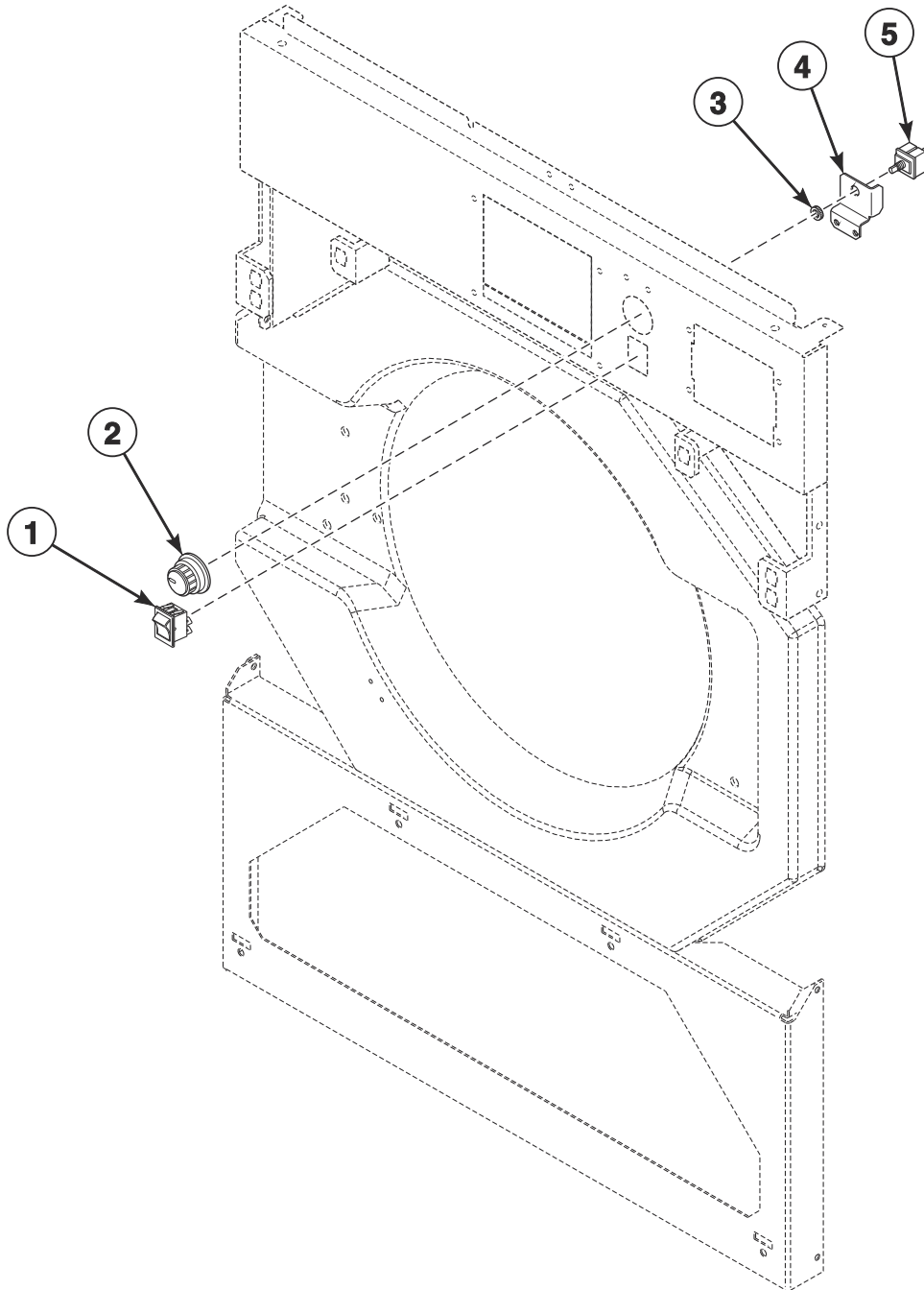


CHM3041P\_F8596901

## Optional Coin Box

REF	PART NO.	DESCRIPTION	COMMENTS
1	F8182001	Coin Drawer Assembly	40 and 60 pound models
2	F160672	Coin Box	20 and 30 pound models; GW0023
3	F160420	Key	GW0023

# Rocker Switch and Temperature Knob

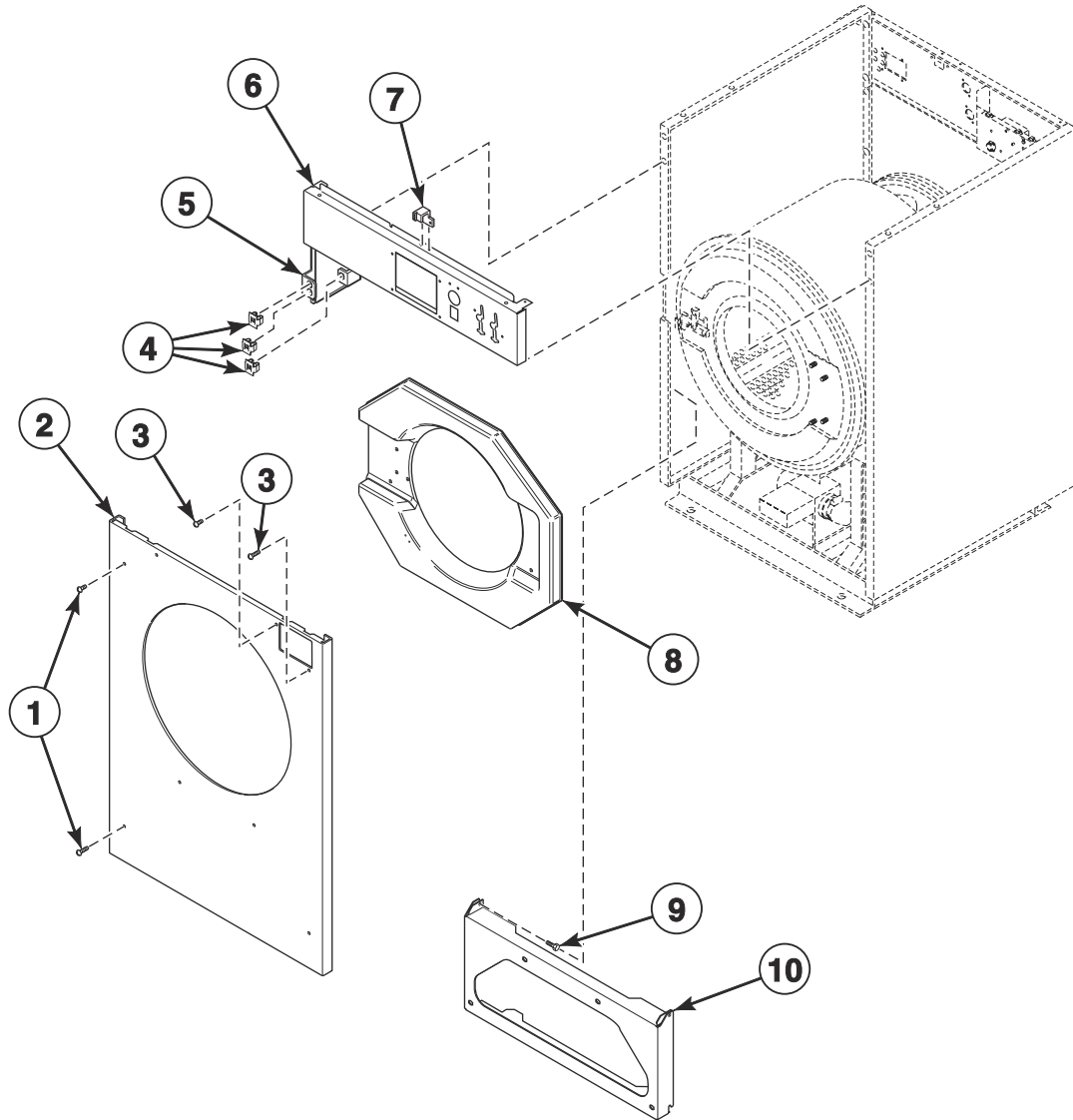


CHM3399P\_F8596901

## Rocker Switch and Temperature Knob

REF	PART NO.	DESCRIPTION	COMMENTS
1	70455101	Rocker Switch	
2	44104601	Temperature Knob	
3	F431017	Nut	
4	70391701	Temperature Selector Switch Bracket	
5	D511711	Temperature Selector Switch	

# Front Panel and Control Panel - Vend Models



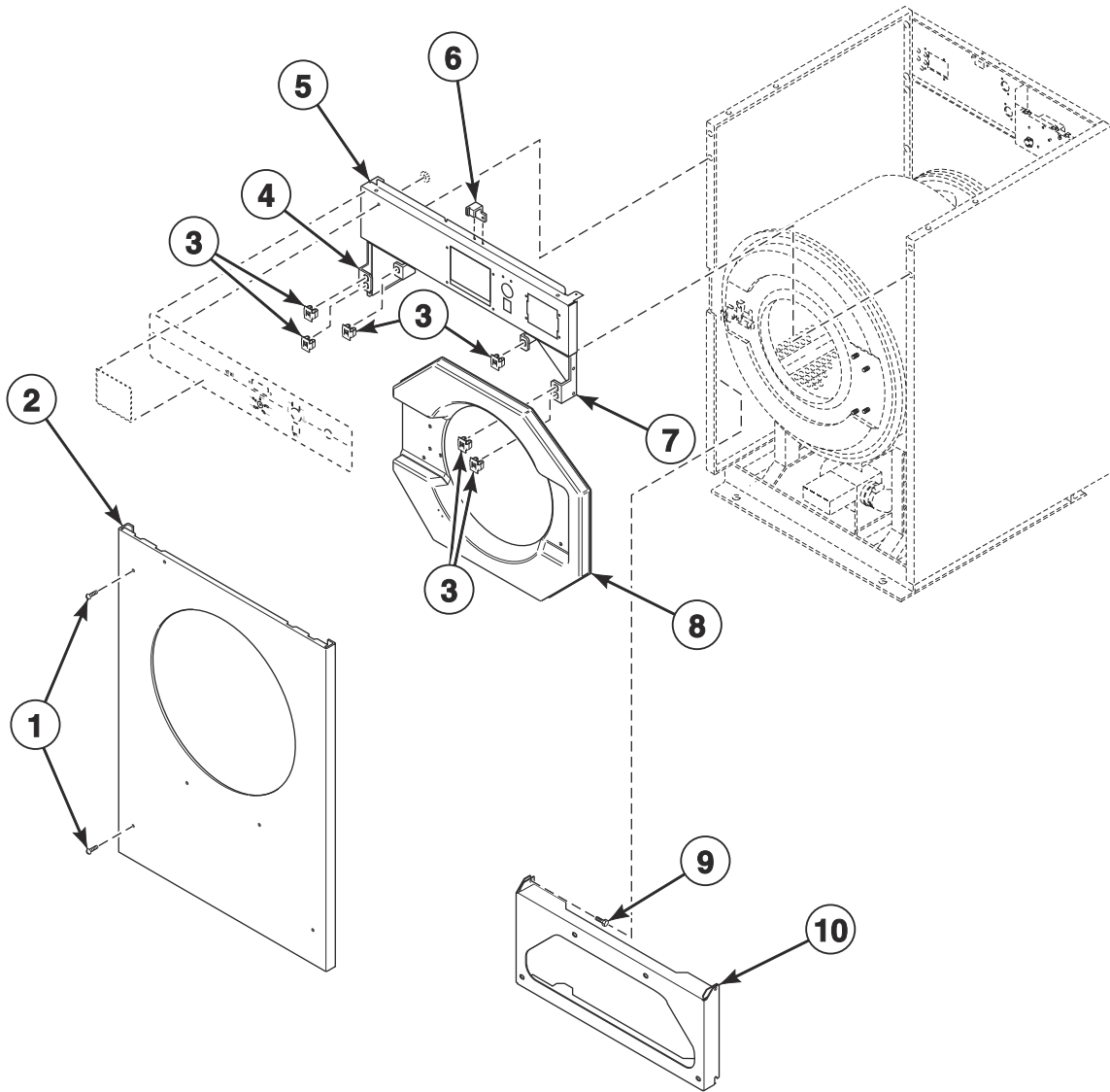
CHM3400P\_F8596901



## Front Panel and Control Panel - Vend Models

REF	PART NO.	DESCRIPTION	COMMENTS
1	F8117601	Screw	
2	F8171301	Front Panel	Stainless steel; 20 pound models
	F8173001	Front Panel	Stainless steel; 30 pound models
	F8173101P	Front Panel	Stainless steel; 40 pound models
	F8173201P	Front Panel	Stainless steel; 60 pound models
3	801019	Screw	
4	70030501	Expansion Clip	
5	F8186702	Gusset Plate	
6	F8038501	Control Panel Assembly	20 pound models
	F8038601	Control Panel Assembly	30 pound models
	F8038701	Control Panel Assembly	40 pound models
	F8038801	Control Panel Assembly	60 pound models
7	F8201001	Top Cover Latch	
8	F8658701	Door Bezel	Black; 20 pound SC models
	F170416-2	Door Bezel	Pantone 403; 20 pound HC models; Models through 1/10/10
	F170416-3	Door Bezel	Gray; 20 pound HC models; Models starting 1/11/10
	F170417-1	Door Bezel	Black; 30 pound SC models
	F170417-2	Door Bezel	Pantone 403; 30 pound HC models; Models through 1/10/10
	F170417-3	Door Bezel	Gray; 30 pound HC models; Models starting 1/11/10
	F0170426-00	Door Bezel	Black; 40 and 60 pound SC models
	F0170426-30	Door Bezel	Gray; 40 and 60 pound HC models
9	F430174	Screw	
10	F8173801	Front Cabinet Brace	20 pound models
	F8173901	Front Cabinet Brace	30 pound models
	F8174001	Front Cabinet Brace	40 pound models
	F8174101	Lower Cabinet Brace	60 pound models

# Front Panel and Control Panel - Card Reader and OPL Models

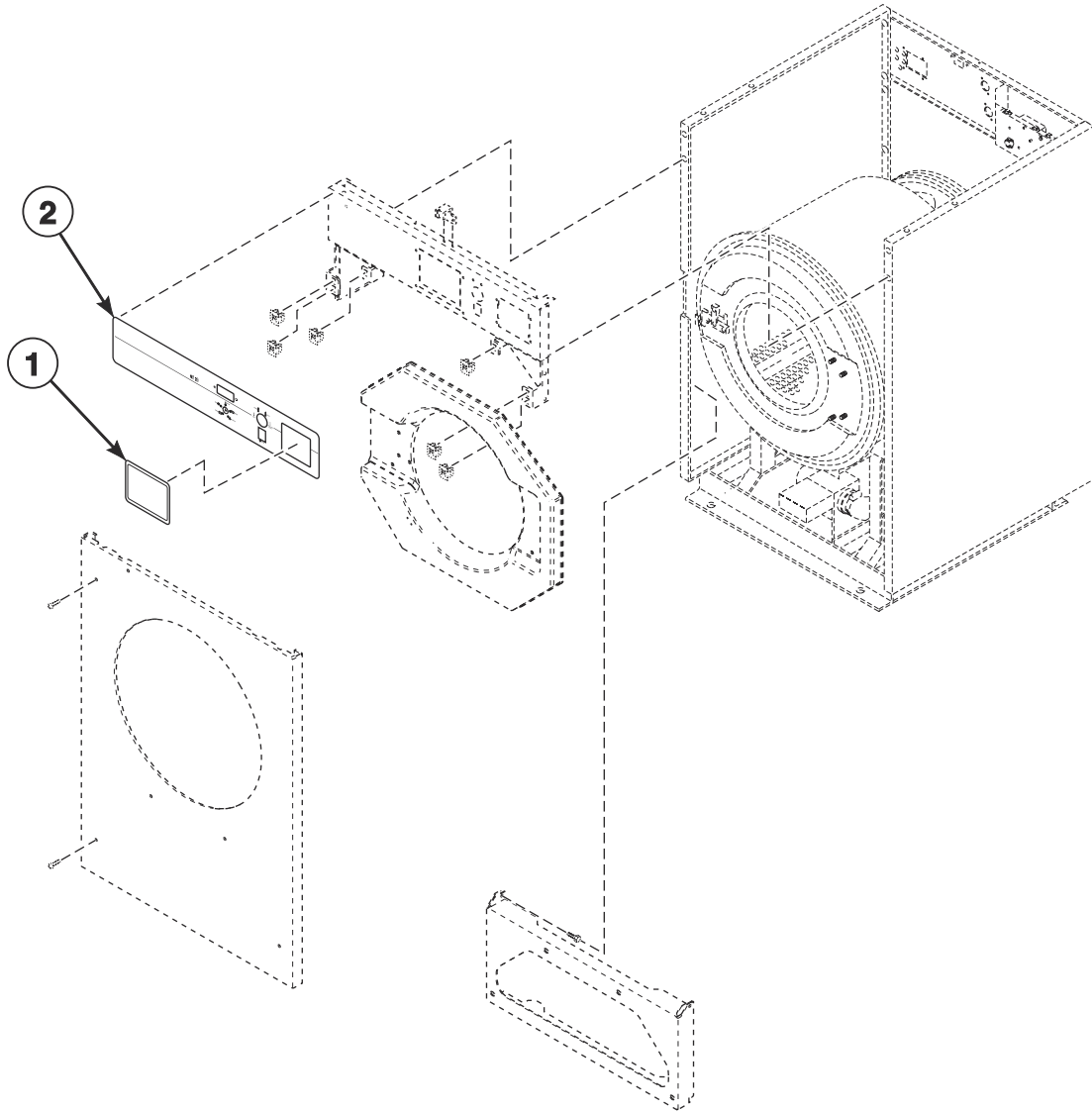


CHM3401P\_F8596901

## Front Panel and Control Panel - Card Reader and OPL Models

REF	PART NO.	DESCRIPTION	COMMENTS
1	F8117601	Screw	
2	F8171302P	Front Panel	20 pound models; Stainless steel
	F8173002P	Front Panel	30 pound models; Stainless steel
	F8173102P	Front Panel	40 pound models; Stainless steel
	F8173202P	Front Panel	60 pound models; Stainless steel
3	70030501	Expansion Clip	
4	F8186702	Gusset Plate	
5	F8038503	Control Panel Assembly	20 pound models
	F8038603	Control Panel Assembly	30 pound models
	F8038703	Control Panel Assembly	40 pound models
	F8038803	Control Panel Assembly	60 pound models
6	F8201001	Top Cover Latch	
7	F8186701	Gusset Plate	
8	F8658701	Door Bezel	Black; 20 pound SC and UC models
	F170416-2	Door Bezel	Pantone 403; 20 pound HC models; Models through 1/10/10
	F170416-3	Door Bezel	Gray; 20 pound HC models; Models starting 1/11/10
	F170417-1	Door Bezel	Black; 30 pound SC and UC models
	F170417-2	Door Bezel	Pantone 403; 30 pound HC models; Models through 1/10/10
	F170417-3	Door Bezel	Gray; 30 pound HC models; Models starting 1/11/10
	F0170426-00	Door Bezel	Black; 40 and 60 pound SC and UC models
	F0170426-30	Door Bezel	Gray; 40 and 60 pound HC models
9	F430174	Screw	
10	F8173801	Front Cabinet Brace	20 pound models
	F8173901	Front Cabinet Brace	30 pound models
	F8174001	Front Cabinet Brace	40 pound models
	F8174101	Lower Cabinet Brace	60 pound models

# Control Panel Overlays

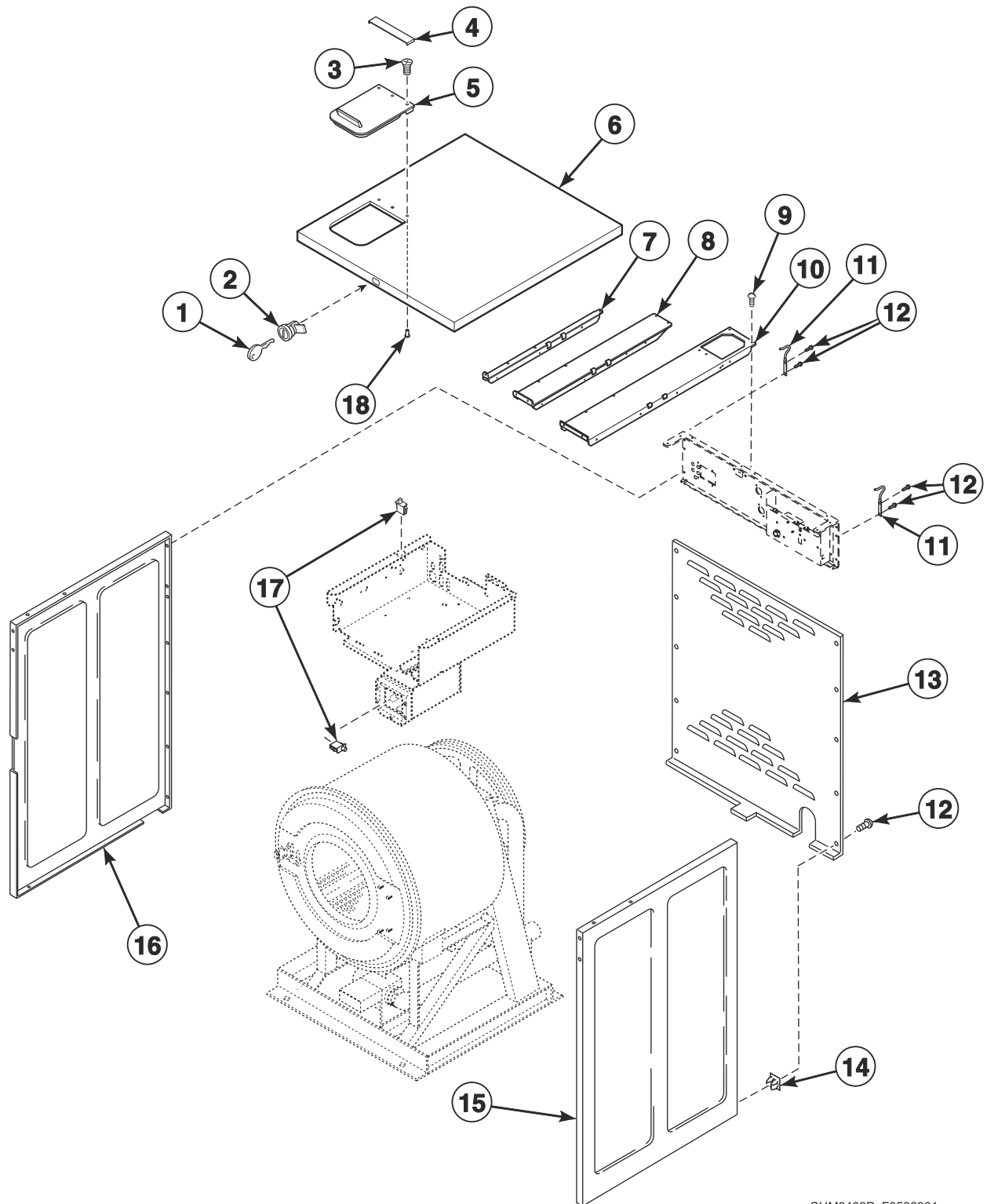


CHM3435P\_F8596901

## Control Panel Overlays

REF	PART NO.	DESCRIPTION	COMMENTS
1	39564	Nameplate	Models SCU020GL2, SCU030GL2, SCU040GL2 and SCU060GL2
	70275402	Cover Overlay	Models HCU020GL2, HCU030GL2, HCU040GL2 and HCU060GL2
2	F8293001	Overlay	Single coin drop; 20 pound SC vend models
	F8293002	Overlay	Dual coin drop; 20 pound SC vend models
	F8293101	Overlay	Single coin drop; 30 pound SC vend models
	F8293102	Overlay	Dual coin drop; 30 pound SC vend models
	F8293201	Overlay	Single coin drop; 40 pound SC vend models
	F8293202	Overlay	Dual coin drop; 40 pound SC vend models
	F8293301	Overlay	Single coin drop; 60 pound SC vend models
	F8293302	Overlay	Dual coin drop; 60 pound SC vend models
	F8218701	Overlay	Single coin drop; 20 pound HC vend models
	F8218702	Overlay	Dual coin drop; 20 pound HC vend models
	F8218801	Overlay	Single coin drop; 30 pound HC vend models
	F8218802	Overlay	Dual coin drop; 30 pound HC vend models
	F8218901	Overlay	Single coin drop; 40 pound HC vend models
	F8218902	Overlay	Dual coin drop; 40 pound HC vend models
	F8219001	Overlay	Single coin drop; 60 pound HC vend models
	F8219002	Overlay	Dual coin drop; 60 pound HC vend models
	F8219201	Overlay	Models HCL020GN2, HCN020GN2, HCU020GN2 and HCZ020GN2
	F8219301	Overlay	Models HCL030GN2, HCN030GN2, HCU030GN2 and HCZ030GN2
	F8219401	Overlay	Models HCL040GN2, HCN040GN2 and HCU040GN2
	F8219501	Overlay	Models HCL020GNF, HCL030GNF, HCL040GNF, HCL060GN2, HCL060GNF, HCN020GNF, HCN030GNF, HCN040GNF, HCN060GCF, HCN060GN2, HCN060GNF and HCU060GN2
	F8293501	Overlay	20 pound SC OPL models
	F8293601	Overlay	30 pound SC OPL models
	F8293701	Overlay	40 pound SC OPL models
	F8293801	Overlay	60 pound SC OPL models
	F8219701	Overlay	20 pound UC models
	F8219801	Overlay	30 pound UC models
	F8219901	Overlay	40 pound UC models
F8220001	Overlay	60 pound UC models	
F8236801	Control Panel Overlay	Models VCU030GN2, VCU040GN2 and VCU060GN2	

# Panels

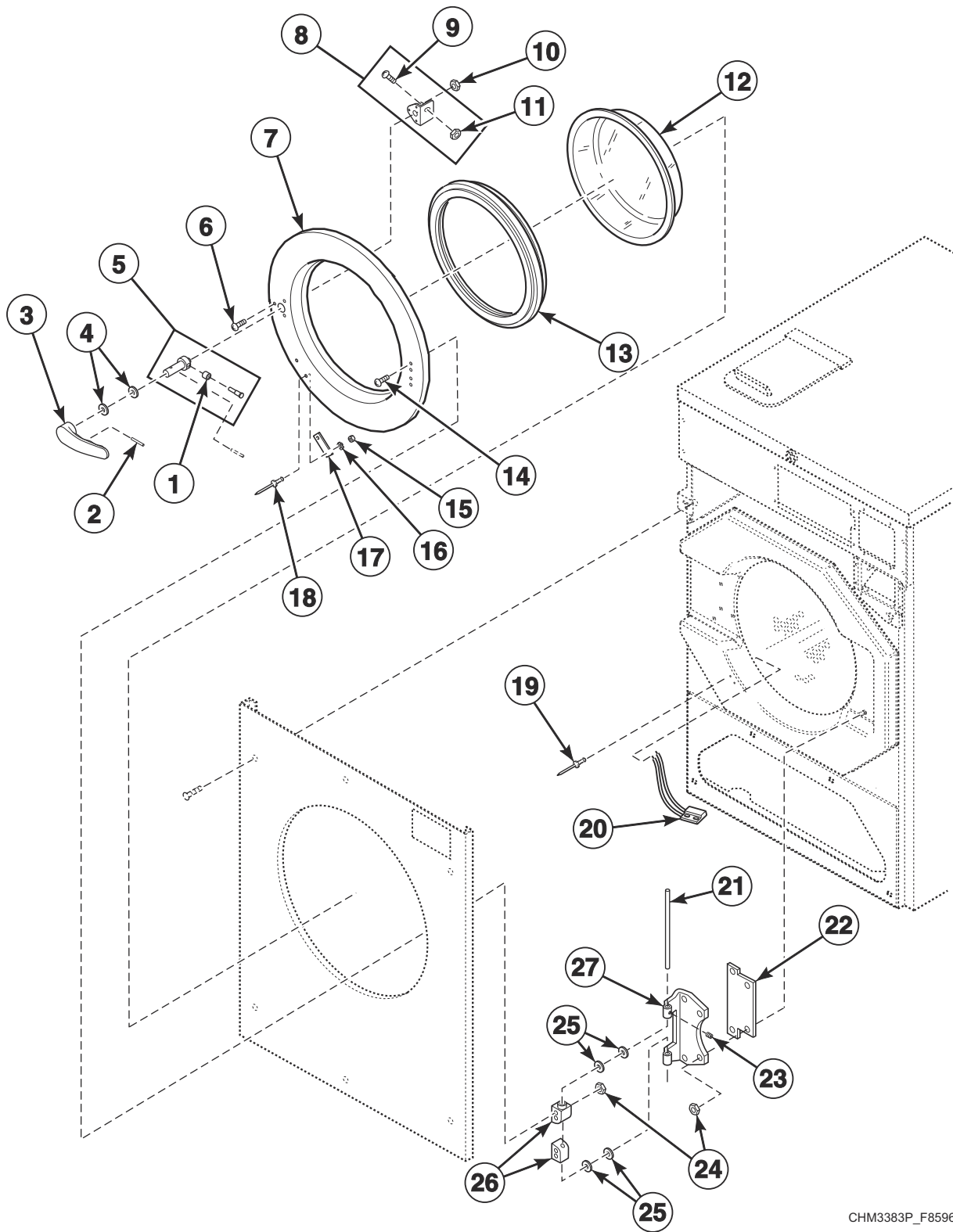


CHM3409P\_F8596901

# Panels

REF	PART NO.	DESCRIPTION	COMMENTS
1	70155603	Key	RL003
2	44089303P	Panel Lock	
3	F8230601	Screw	
4	F8091701	Lid Clamp	
5	F8048101	Dispenser Lid	Gray
6	F8040201	Top Cover	20 pound models
	F8017401	Top Cover	30 pound models
	F8040301	Top Cover	40 pound models
	F8040401P	Top Cover	60 pound models
7	F8043501	Top Cabinet Brace	20 pound models
8	F8043701	Top Cabinet Brace	30 pound models
9	F430174	Screw	
10	F8043801	Top Cabinet Brace	40 pound models
	F8043901	Top Cabinet Brace	60 pound models
11	F8258601	Top Cover Hinge	
12	F8206901	Screw	
13	F8176201P	Rear Panel	20 pound models
	F8176301	Rear Panel	30 pound models
	F8177701P	Rear Panel	40 pound models
	F8177501P	Rear Panel	60 pound models
14	70030501	Expansion Clip	
15	F8042901P	Right Side Panel	20 pound models; Vinyl
	F8043101P	Right Side Panel	30 pound models; Vinyl
	F8043201P	Right Side Panel	40 pound models; Vinyl
	F8043301P	Right Side Panel	60 pound models; Vinyl
16	F8042902P	Left Side Panel	20 pound models; Vinyl
	F8043102P	Left Side Panel	30 pound models; Vinyl
	F8043202P	Left Side Panel	40 pound models; Vinyl
	F8043302P	Left Side Panel	60 pound models; Vinyl
17	70413301	Pushbutton Switch	
18	F8230501	Bolt	

# Door - 20 Pound Models



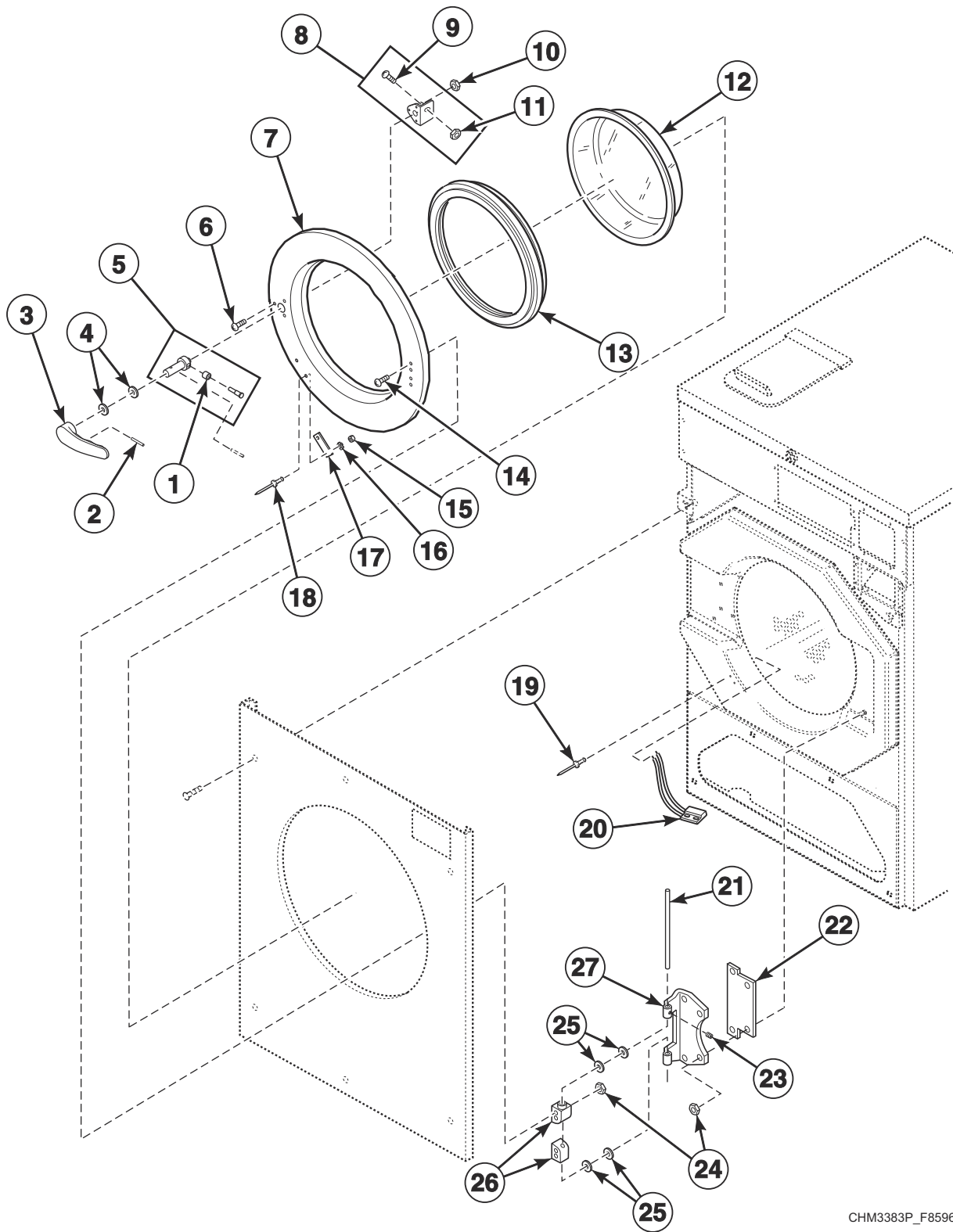
CHM3383P\_F8596901



## Door - 20 Pound Models

REF	PART NO.	DESCRIPTION	COMMENTS
	F8187202	Door Assembly	SC and UC models; Includes items 1-14, 17, 18, 21 and 23-27
	F8187203	Door Assembly	HC models; Includes items 1-14, 17, 18, 21 and 23-27
1	F8221701	Bearing Sleeve	
2	F431222	Spring Pin	
3	F8199501	Door Handle	HCL, HCN, HCU and HCZ models; Gray
	F8199401P	Door Handle	All other models; Black
4	F431916	Washer	
5	F8221403	Door Latch Arm Assembly	
6	F8535501	Screw	
7	F0602431-02	Door	
8	F8567501	Door Handle Spacer Kit	Includes items 9 and 11
9	F430532	Screw	
10	F430232	Nut	
11	F431041	Nut	
12	F290205P	Door Glass Kit	SC and UC models
	F8675701	Door Glass	HC models
13	F200000202	Door Gasket	SC and UC models; Black
	F200000200	Door Gasket	HC models; Gray
14	F430974	Bolt	
15	F431022	Nut	
16	F431113	Washer	
17	F8390801	Magnet	
18	F431223	Pop Rivet	
19	F8245101	Blind Rivet	
20	F8066802	Reed Switch Assembly	
21	F602813-2	Rod	
22	F200131000P	Door Hinge Shim Kit	
23	F430536	Screw	
24	F430215	Nut	
25	F431929	Washer	
26	F150271	Door Mount	
27	F190216P	Door Hinge	

# Door - 30 Pound Models

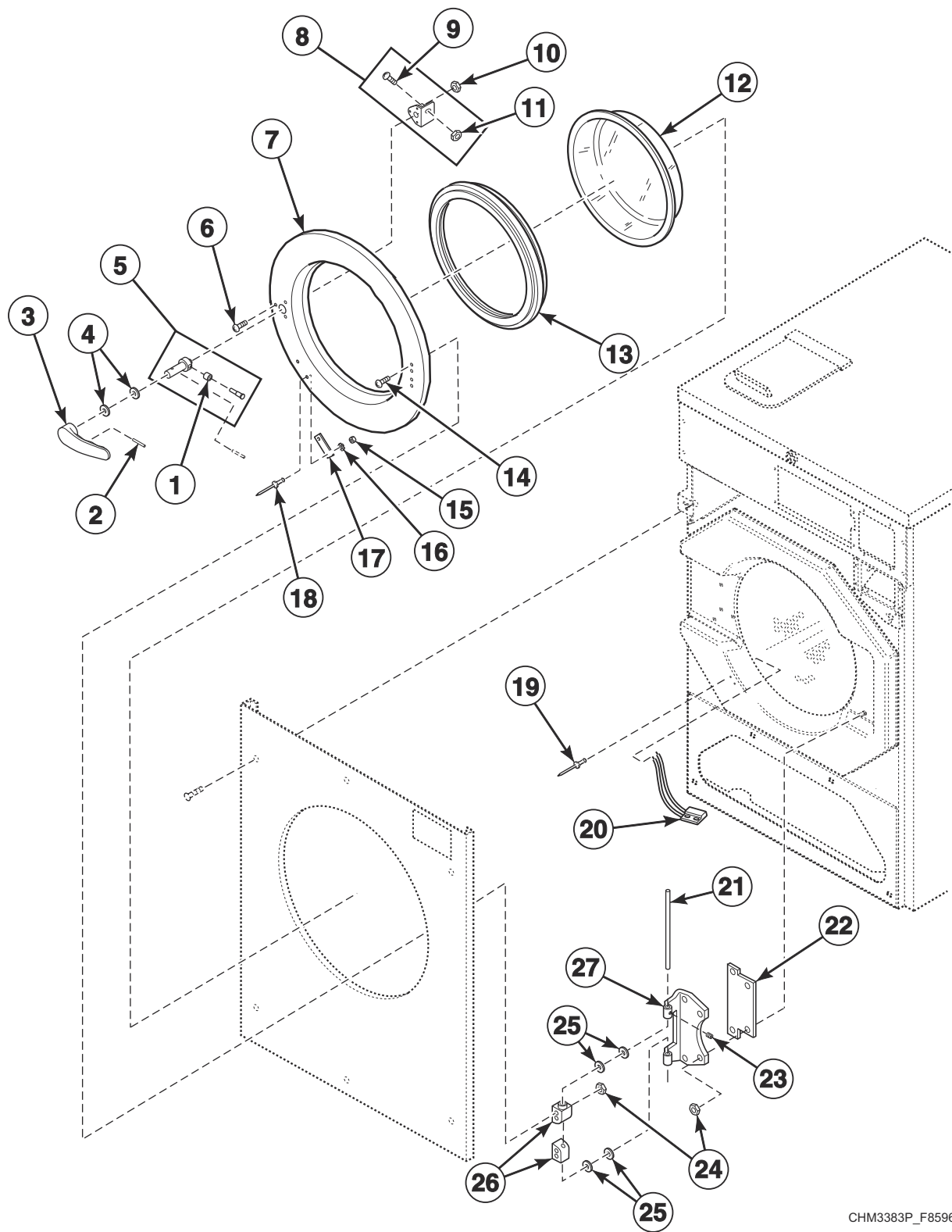


CHM3383P\_F8596901

## Door - 30 Pound Models

REF	PART NO.	DESCRIPTION	COMMENTS
	F8187302	Door Assembly	SC and UC models; Includes items 1-14, 17, 18, 21 and 23-27; Black
	F8187303	Door Assembly	HC models; Includes items 1-14, 17, 18, 21 and 23-27
1	F8221701	Bearing Sleeve	
2	F431222	Spring Pin	
3	F8199501	Door Handle	HC models; Gray
	F8199401P	Door Handle	All other models; Black
4	F431916	Washer	
5	F8221403	Door Latch Arm Assembly	
6	F8535501	Screw	
7	F0602837-02	Door	
8	F8567501	Door Handle Spacer Kit	Includes items 9 and 11
9	F430533	Screw	
10	F430232	Nut	
11	F431041	Nut	
12	F8485301P	Door Glass	SC and UC models; HC models through 1/10/2010
	F8485305	Door Glass	HC models; Models starting 1/11/2010
13	F8111601	Door Gasket	HC models; Gray
	F8111602	Door Gasket	All other models; Black
14	F430974	Bolt	
15	F431022	Nut	
16	F431113	Washer	
17	F8390801	Magnet	
18	F431223	Pop Rivet	
19	F8245101	Blind Rivet	
20	F8066802	Reed Switch Assembly	
21	F602813-2	Rod	
22	F200131000P	Door Hinge Shim Kit	
23	F430536	Screw	
24	F430215	Nut	
25	F431929	Washer	
26	F150271	Door Mount	
27	F190216P	Door Hinge	

# Door - 40 and 60 Pound Models

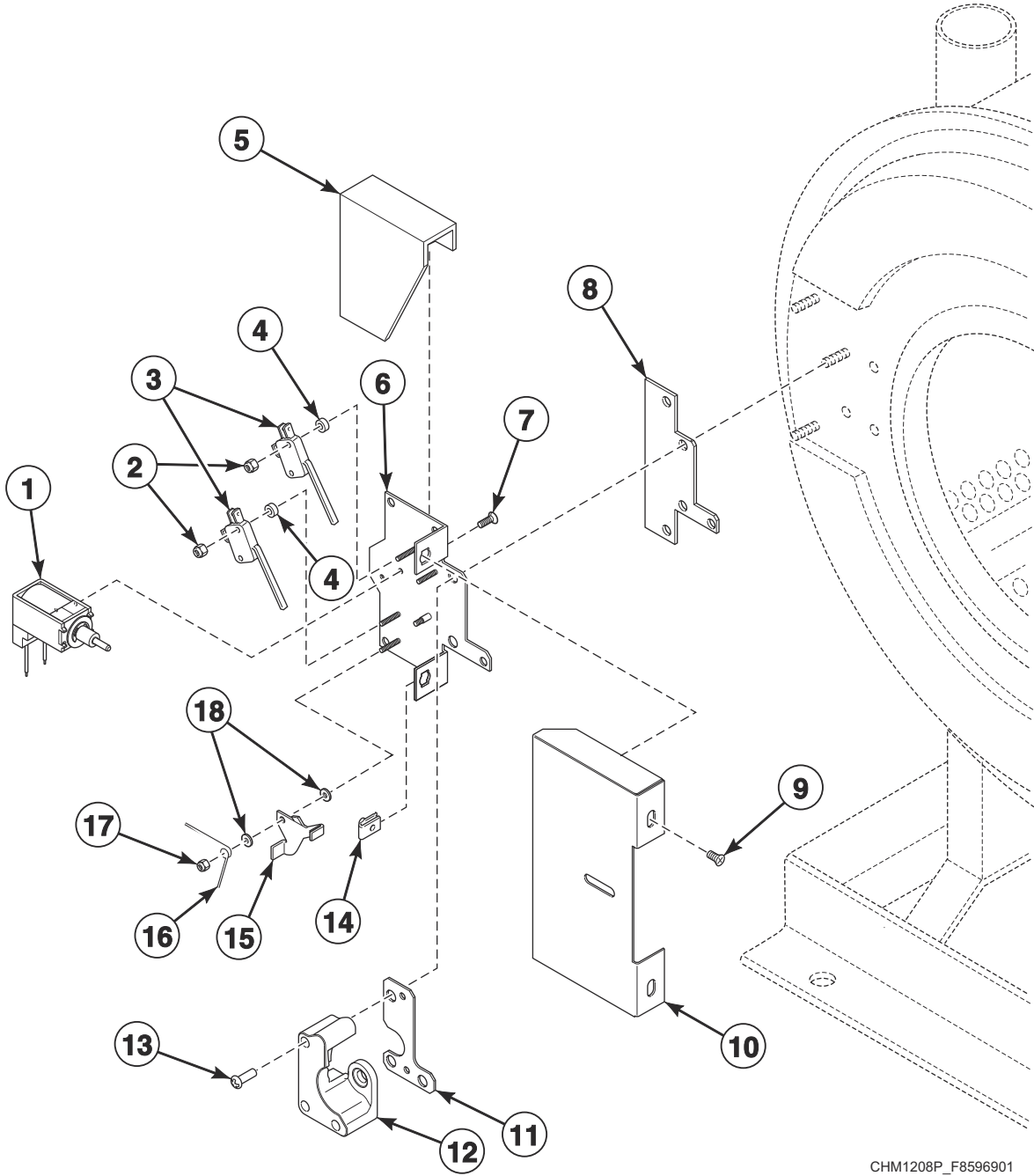


CHM3383P\_F8596901

## Door - 40 and 60 Pound Models

REF	PART NO.	DESCRIPTION	COMMENTS
	F8187402	Door Assembly	SC and UC models; Includes items 1-14, 17, 18, 21 and 23-27; Black
	F8187403	Door Assembly	HC models; Includes items 1-14, 17, 18, 21 and 23-27
1	F8221701	Bearing Sleeve	
2	F431222	Spring Pin	
3	F8199501	Door Handle	HC models; Gray
	F8199401P	Door Handle	All other models; Black
4	F431916	Washer	
5	F8221403	Door Latch Arm Assembly	
6	F8535501	Screw	
7	F602842-2	Door	
8	F8567501	Door Handle Spacer Kit	Includes items 9 and 11
9	F430533	Screw	
10	F430232	Nut	
11	F431041	Nut	
12	F8485401P	Door Glass	SC and UC models; HC models through 1/10/2010
	F8485405	Door Glass	HC models; Models starting 1/11/2010
13	F170124	Door Gasket	HC models; Gray
	F8111502	Door Gasket	SC and UC models; Black
14	F430974	Bolt	
15	F431022	Nut	
16	F431113	Washer	
17	F8390801	Magnet	
18	F431223	Pop Rivet	
19	F8245101	Blind Rivet	
20	F8066802	Reed Switch Assembly	
21	F602813-3	Rod	
22	F200131000P	Door Hinge Shim Kit	
23	F430536	Screw	
24	F430215	Nut	
25	F431929	Washer	
26	F150271	Door Mount	
27	F190216P	Door Hinge	

# Door Lock

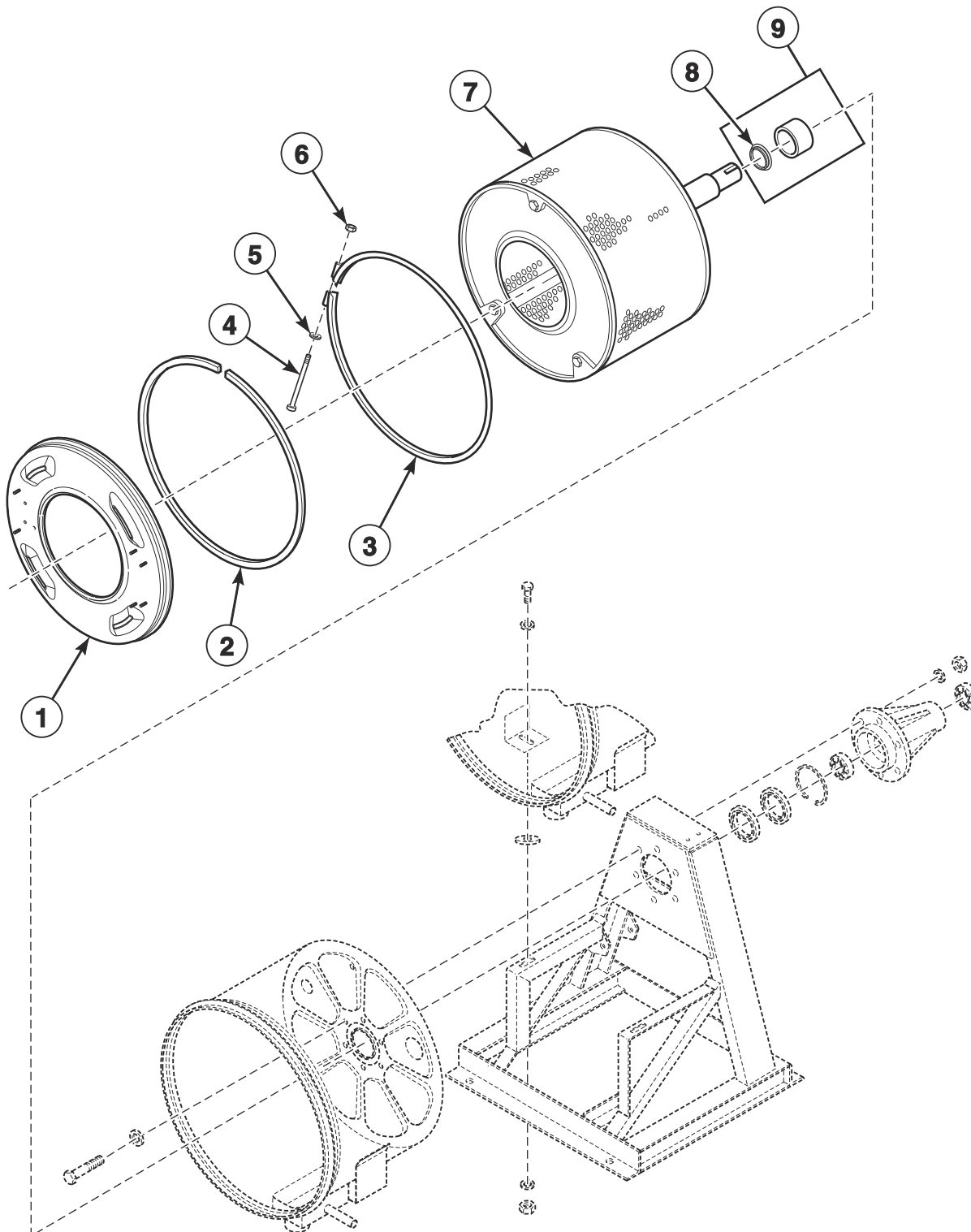


CHM1208P\_F8596901

# Door Lock

REF	PART NO.	DESCRIPTION	COMMENTS
	F8626501	Door Lock Assembly Kit	Includes F8339902 External Door Lock Harness; Models through 10/31/2010
	F8340501	Door Lock Assembly	Includes F8340001 External Door Lock Harness; Models starting 11/1/2010
	F977P3	Door Lock Solenoid Replacement Kit	Includes item 1
	F8340001	External Door Lock Harness	Models starting 11/1/2010
1	F8630601	Solenoid	Includes F8224201 Solenoid; Models through 10/31/2010 order F977P3 Door Lock Solenoid Replacement Kit
2	F430225	Nut	
3	F200203200	Door Lock Microswitch	
4	F320200	Door Lock Splash Shield	
5	F431901	Spacer	
6	F8223202	Door Lock Plate Assembly	
7	F430977	Screw	
8	F8059701	Door Lock Plate Shim	Models through 9/25/2009
	F8344401	Door Lock Plate Shim	Models starting 9/26/2009
9	F430956	Screw	
10	F8245001	Door Lock Cover	
11	F8484401	Shim	Models with F8567501 Door Handle Spacer Kit
12	F8223601	Door Lock Catch	Models through 10/31/2010
	F8344501	Door Lock Catch	Models starting 11/1/2010
13	F8270701	Bolt	
14	F430264	Nut	
15	F8223401	Door Lock Switch Lever	
16	F8070301	Torsion/Door Lock Spring	
17	F430232	Nut	
18	F431902	Washer	

# Shell Front and Basket



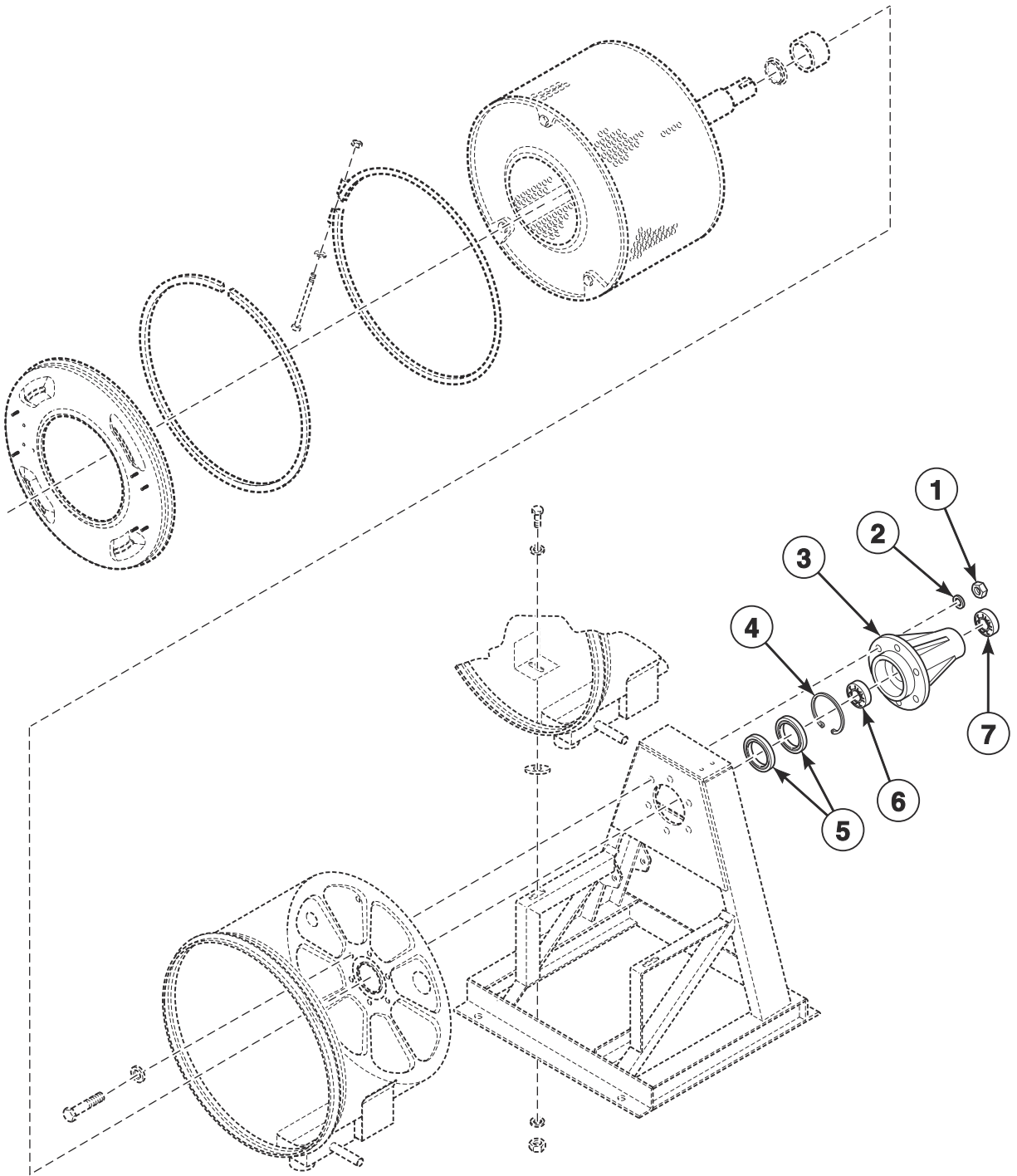
CHM3153P\_F8596901



# Shell Front and Basket

REF	PART NO.	DESCRIPTION	COMMENTS
	389P4	Basket Tool Kit	Purchase; Requires F460129P Bearing Puller Tool
	390P4-1	Basket Rental Tool Kit	Requires F460129P Bearing Puller Tool
	F460129P	Basket Puller Tool	
<b>1</b>	F8229401	Shell Front Assembly	20 pound models
	F8229501	Shell Front Assembly	30 pound models
	F8229601	Shell Front Assembly	40 pound models
	F8229701	Shell Front Assembly	60 pound models
<b>2</b>	F8513501	Shell Front Gasket Kit	
<b>3</b>	F8537801	Shell Band Kit	20 pound models
	F8388002	Clamp Ring Assembly	30 pound models
	F8537803	Shell Band Kit	40 pound models
	F8537804	Shell Band Kit	60 pound models
<b>4</b>	F430518	Screw	
<b>5</b>	F430317	Washer	
<b>6</b>	F430215	Nut	
<b>7</b>	F935P3	Pressfit Upgrade Kit	20 pound models; Includes items 8 and 9, F8347801 Basket Assembly and F747001 Trunnion Kit; Models through 3/31/10
	F8391301P	Basket Assembly	20 pound models; Includes items 8 and 9; Models that have been upgraded with F935P3 Pressfit Upgrade Kit or models starting 4/1/10
	F936P3	Pressfit Upgrade Kit	30 pound models; Includes items 8 and 9, F8347901 Basket Assembly and F747002 Trunnion Kit; Models through 3/31/10
	F8347901P	Basket Assembly	30 pound models; Includes items 8 and 9; Models that have been upgraded with F936P3 Pressfit Upgrade Kit or models starting 4/1/10
	F938P3	Pressfit Upgrade Kit	40 pound models; Includes items 8 and 9, F8336301 Basket Assembly and F747003 Trunnion Kit; Models through 3/31/10
	F8391701P	Basket Assembly	40 pound models; Includes items 8 and 9; Models that have been upgraded with F938P3 Pressfit Upgrade Kit or models starting 4/1/10
	F939P3	Pressfit Upgrade Kit	60 pound models; Includes items 8 and 9, F8336501 Basket Assembly and F747005 Trunnion Kit; Models through 3/31/10
	F8502801P	Basket Assembly	60 pound models; Includes items 8 and 9; Models that have been upgraded with F939P3 Pressfit Upgrade Kit or models starting 4/1/10
<b>8</b>	F8336801	Excluder Seal	20 pound models; Models that have been upgraded with F935P3 Pressfit Upgrade Kit or models starting 4/1/10
	F8336901	Excluder Seal	30 pound models; Models that have been upgraded with F936P3 Pressfit Upgrade Kit or models starting 4/1/10
	F8337001	Excluder Seal	40 pound models; Models that have been upgraded with F938P3 Pressfit Upgrade Kit or models starting 4/1/10
	F8337101	Excluder Seal	60 pound models; Models that have been upgraded with F939P3 Pressfit Upgrade Kit or models starting 4/1/10
<b>9</b>	F8312001P	Shaft Seal Sleeve	20 pound models; Models through 3/31/10
	F8343901P	Shaft Seal Sleeve Kit	20 pound models; Models that have been upgraded with F935P3 Pressfit Upgrade Kit or models starting 4/1/10; Includes item 8
	F8312004P	Shaft Seal Sleeve	30 pound models; Models through 3/31/10
	F8343904P	Shaft Seal Sleeve Kit	30 pound models; Models that have been upgraded with F936P3 Pressfit Upgrade Kit or models starting 4/1/10; Includes item 8
	F8312006P	Shaft Seal Sleeve	40 pound models; Models through 3/31/10
	F8343906P	Shaft Seal Sleeve Kit	40 pound models; Models that have been upgraded with F938P3 Pressfit Upgrade Kit or models starting 4/1/10; Includes item 8
	F8343909P	Shaft Seal Sleeve Kit	60 pound models; Includes item 8

# Trunnion

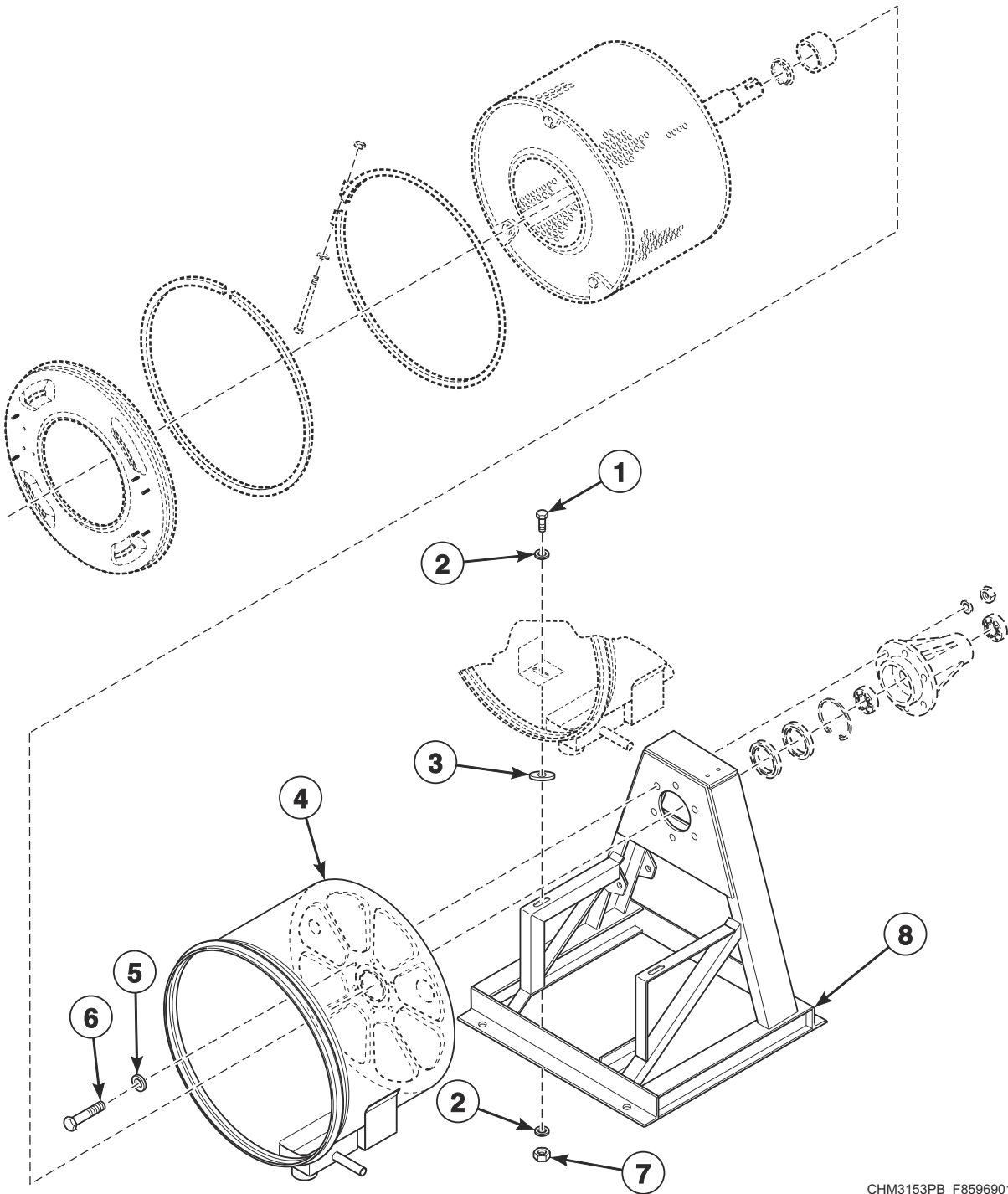


CHM3153PA\_F8596901

# Trunnion

REF	PART NO.	DESCRIPTION	COMMENTS
1	F430239	Nut	20 pound models
	F430240	Nut	All other models
2	F431128	Washer	20 pound models
	F431131	Washer	All other models
3	F747001	Trunnion Kit	20 pound models; Includes items 1, 2, 4-7, F430949 Screw, F792000 Shell Front Gasket Kit, F812P3 Hardware Kit, F8283401 Adhesive and F8345201 Bearing Housing
	F747002	Trunnion Kit	30 pound models; Includes items 1, 2, 4-7, F430949 Screw, F792000 Shell Front Gasket Kit, F812P3 Hardware Kit, F8283401 Adhesive and F8345101 Bearing Housing
	F747003	Trunnion Kit	40 pound models; Includes items 1, 2, 4-7, F430949 Screw, F792000 Shell Front Gasket Kit, F812P3 Hardware Kit, F8283401 Adhesive and F8335801 Bearing Housing
	F747005	Trunnion Kit	60 pound models; Includes items 1, 2, 4-7, F430949 Screw, F792000 Shell Front Gasket Kit, F812P3 Hardware Kit, F8283401 Adhesive and F8337901 Bearing Housing
4	F8344901	Retaining Ring	20 pound models; Models that have been upgraded with F935P3 Pressfit Upgrade Kit or models starting 4/1/10
	F8345001	Retaining Ring	30 pound models; Models that have been upgraded with F936P3 Pressfit Upgrade Kit or models starting 4/1/10
	F8337801	Retaining Ring	40 pound models; Models that have been upgraded with F938P3 Pressfit Upgrade Kit or models starting 4/1/10
	F8337901	Retaining Ring	60 pound models; Models that have been upgraded with F939P3 Pressfit Upgrade Kit or models starting 4/1/10
5	F8203801	Triple Lip Seal	20 pound models
	F8203802	Triple Lip Seal	30 pound models
	F8203803	Triple Lip Seal	40 pound models
	F8203806	Triple Lip Seal	60 pound models
6	F100137P	Bearing	6308 2RS C3; Front; 20 and 40 pound models
	F100123P	Bearing	6309 2RS C3; Front; 30 pound models
	F100135	Bearing	6313 2RS C3; Front; 60 pound models
7	F100136P	Bearing	6307 2RS C3; Rear; 20 pound models
	F100108	Bearing	6208 2RS C3 Rear; 30 pound models
	F100134	Bearing	6310 2RS C3; Rear; 40 and 60 pound models

# Shell and Frame

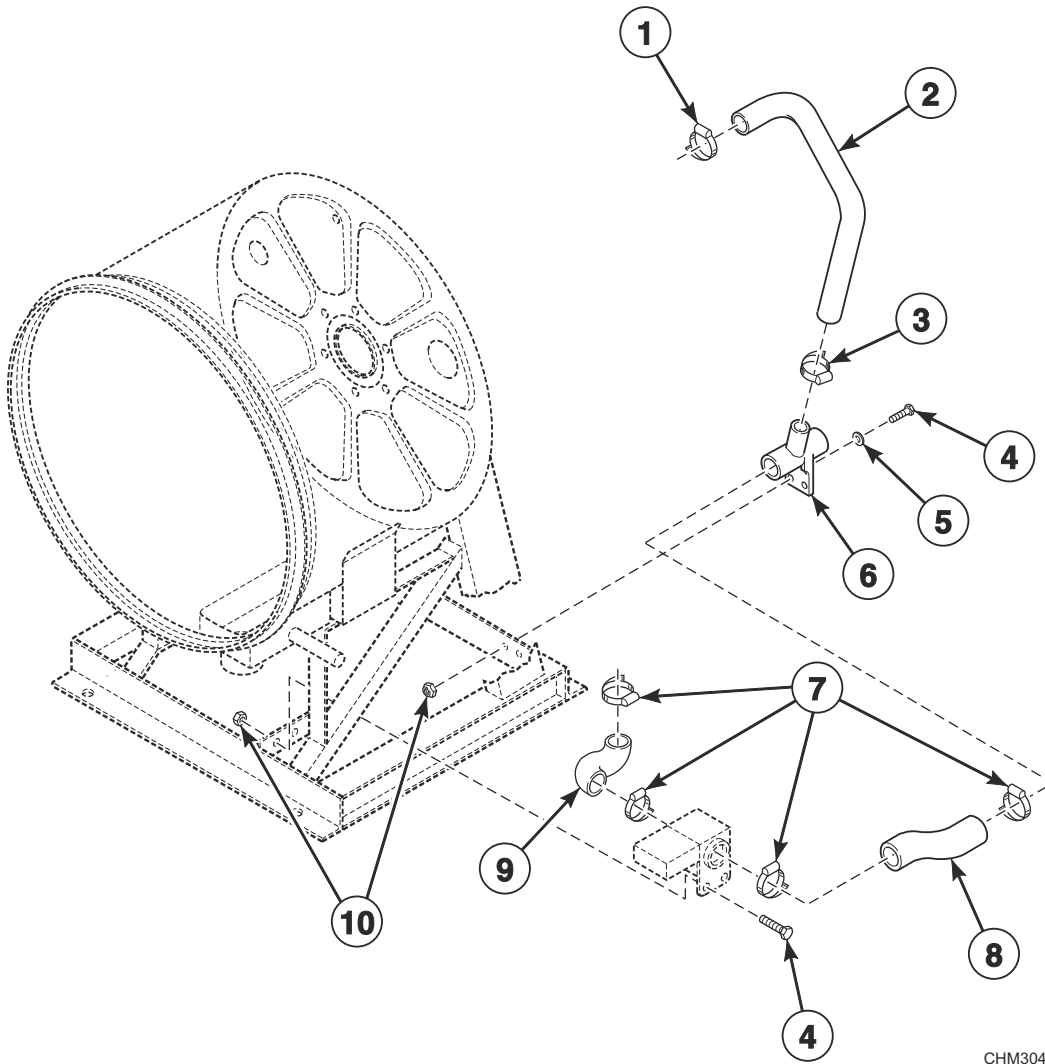


CHM3153PB\_F8596901

## Shell and Frame

REF	PART NO.	DESCRIPTION	COMMENTS
	1111P	Concrete Kit	5/8 inch
1	F430942	Screw	
2	M400081	Washer	
3	F430303	Washer	
4	F8179201	Shell Weldment	20 pound vend models; Standard
	F8179202	Shell Weldment	20 pound OPL models; Electric and steam heat
	F8179203	Shell Weldment	20 pound OPL models; Standard
	F8179301	Shell Weldment	30 pound vend models; Standard
	F8179302	Shell Weldment	30 pound OPL models; Electric and steam heat
	F8179303	Shell Weldment	30 pound OPL models; Standard
	F8179401	Shell Weldment	40 pound vend models; Standard
	F8179402	Shell Weldment	40 pound OPL models; Electric and steam heat
	F8179403	Shell Weldment	40 pound OPL models; Standard
	F8179501	Shell Weldment	60 pound vend models; Standard
	F8179502	Shell Weldment	60 pound OPL models; Electric and steam heat
	F8179503	Shell Weldment	60 pound OPL models; Standard
5	F431128	Washer	20 pound models
	F431131	Washer	All other models
6	F430949	Screw	20 pound models
	F8442702	Screw	All other models
7	F430218	Nut	
8	F8195901	Frame Weldment	20 pound models
	F8196001	Frame Weldment	30 pound models
	F8196101	Frame Weldment	40 pound models
	F8199101	Frame Weldment	60 pound models

# Drain Plumbing

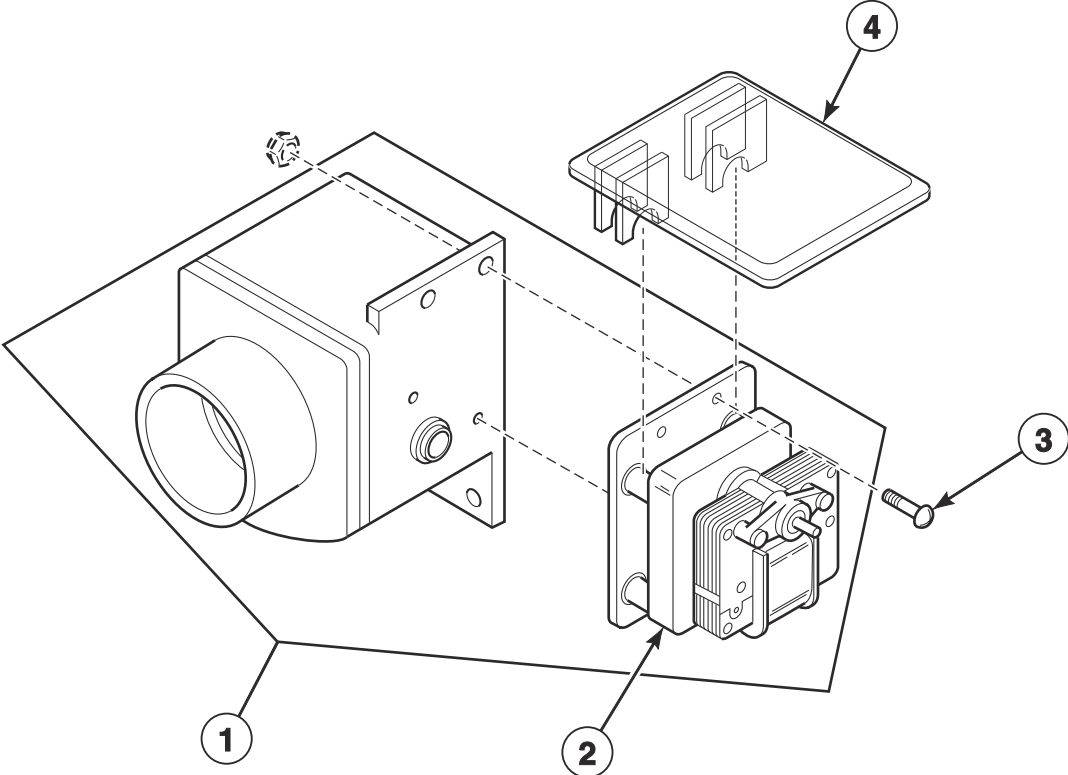


CHM3046P\_F8596901

## Drain Plumbing

REF	PART NO.	DESCRIPTION	COMMENTS
1	F200213	Hose Clamp	No. 40
2	F150308	Overflow Hose	20 and 30 pound models
	F0200238-00	Overflow Hose	40 pound models
	F8337701	Overflow Hose	40 pound models; Electric heat
	F150417	Overflow Hose	60 pound models
3	F200215	Hose Clamp	40 pound models; No. 28
	F200213	Hose Clamp	All other models; No. 40
4	F430107	Screw	
5	F430317	Washer	
6	F150318	Drain Connect Tee	20 and 30 pound models
	F150398	Drain Tee	40 and 60 pound models
7	F200213	Hose Clamp	20 and 30 pound models; No. 40
	F200201	Hose Clamp	40 and 60 pound models; No. 56
8	F8233101	Drain Hose	Rear; 20 pound models
	F8233102	Drain Hose	Rear; 30 pound models
	F8231901	Drain Hose	Rear; 40 pound models
	F8231902	Drain Hose	Rear; 60 pound models
9	F8233001	Drain Hose	Front; 20 and 30 pound models
	F8232901	Drain Hose	Front; 40 and 60 pound models
10	F430215	Nut	

# Drain Valve Assembly - 20 and 30 Pound Models



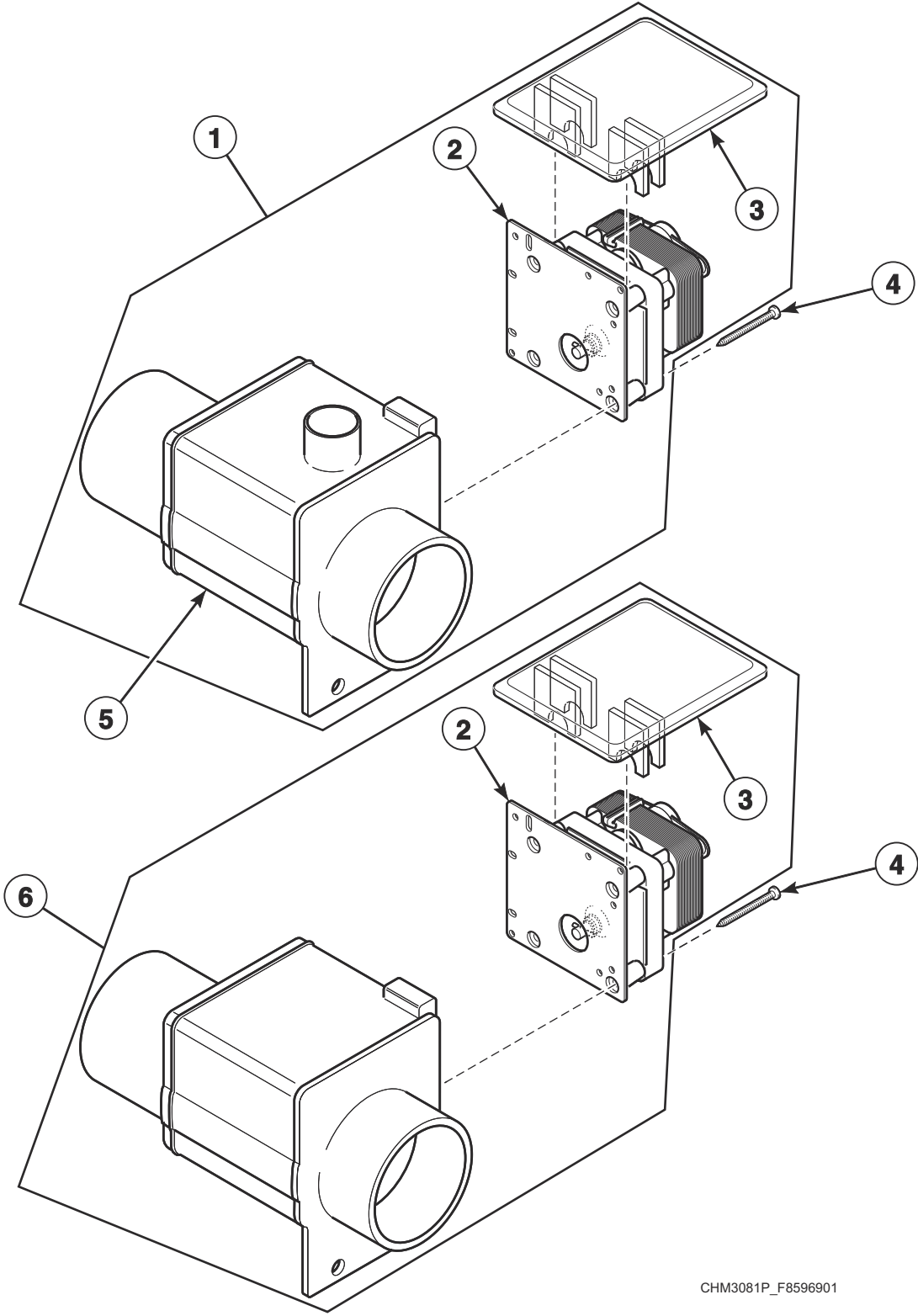
CHM2450P\_F8596901



## Drain Valve Assembly - 20 and 30 Pound Models

REF	PART NO.	DESCRIPTION	COMMENTS
	F8504601	Spring	Use with item 1
1	803292	Gravity Drain Valve	220 Volt
2	F380933P	Drain Valve Motor	Round shaft; 220 Volt
	F8577201	Drain Valve Kit	Keyed shaft; 220 Volt
3	F200182700	Bolt	
4	F200133600	Drain Valve Cover	

# Drain Valve Assembly - 40 and 60 Pound Models

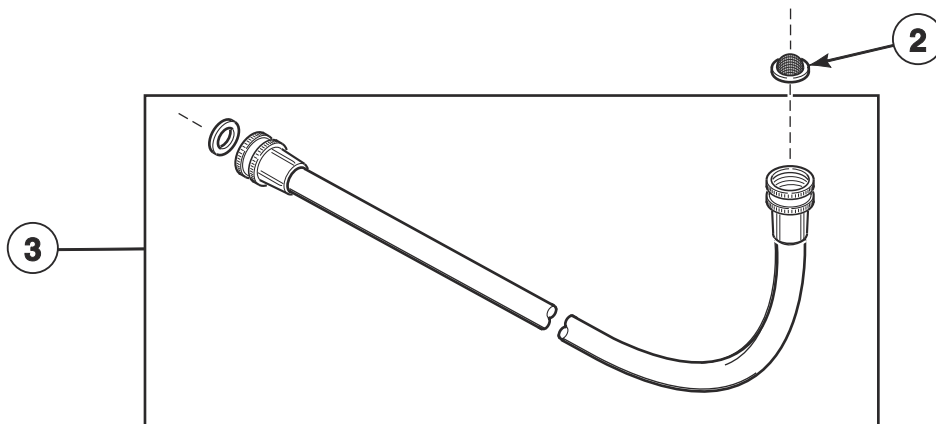
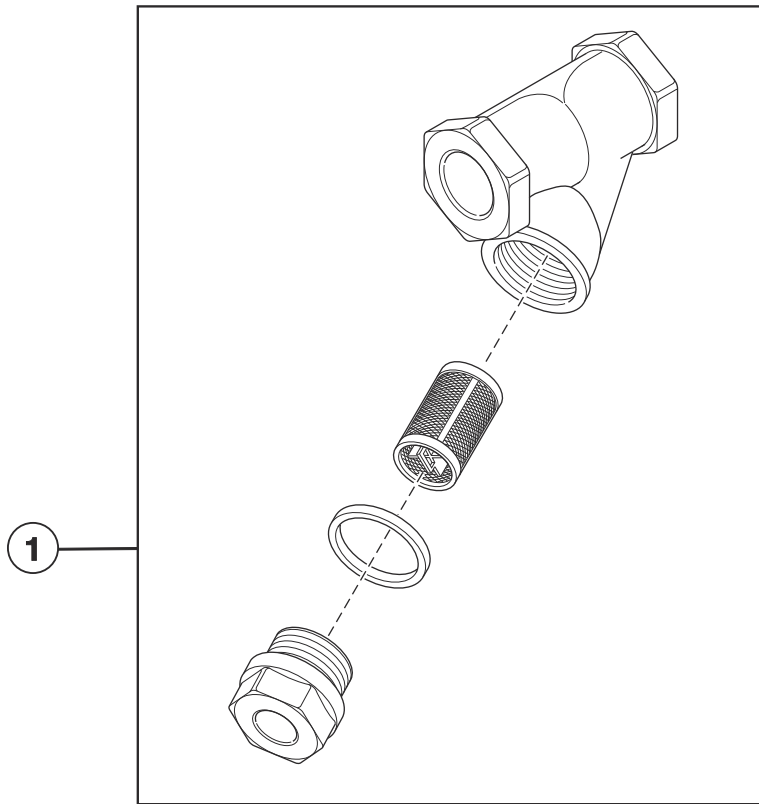


CHM3081P\_F8596901

## Drain Valve Assembly - 40 and 60 Pound Models

REF	PART NO.	DESCRIPTION	COMMENTS
	F200215	Hose Clamp	No. 28
	F150352	Overflow Plug	
<b>1</b>	F200166400	Drain Valve Kit	220 Volt; Electric and steam heat
<b>2</b>	F380933P	Drain Valve Motor	Round shaft; 220 Volt
	F8577201	Drain Valve Kit	Keyed shaft; 220 Volt
<b>3</b>	F200133600	Drain Valve Cover	
<b>4</b>	F200182700	Bolt	
<b>5</b>	F8406303	Drain Valve	240 Volt; Electric and steam heat
<b>6</b>	F200166402	Drain Valve Kit	240 Volt

# Steam Filter (Optional) and Water Supply Hose

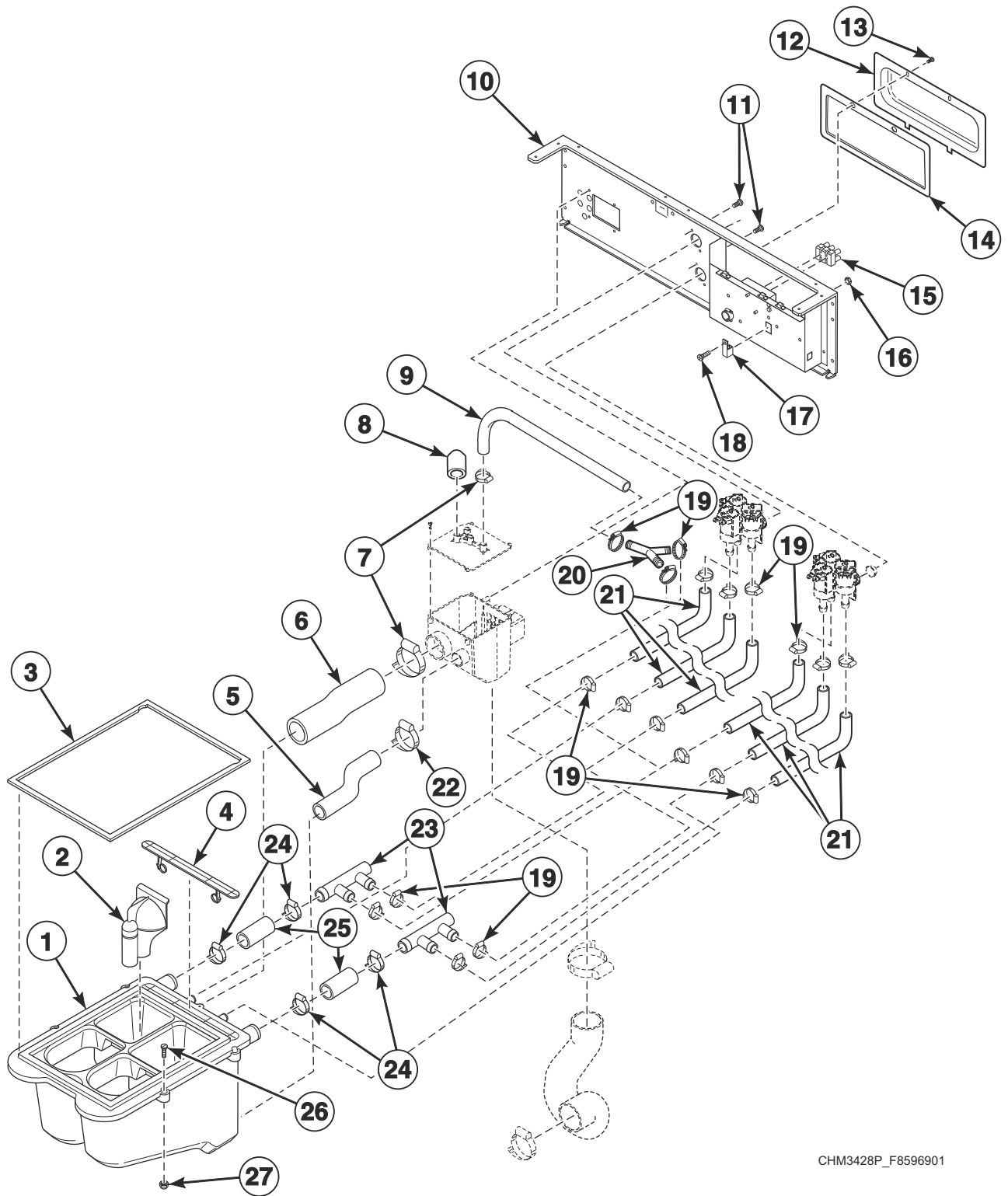


CHM3049P\_F8596901

## Steam Filter (Optional) and Water Supply Hose

REF	PART NO.	DESCRIPTION	COMMENTS
1	F270307	Steam Filter	1/2 inch
	F270308	Steam Filter	3/4 inch
2	803615	Washer	Filter
3	F200116	Water Hose	3/8 inch; Standard thread
	F200108P	Water Hose	1/2 inch; Standard or metric thread
	F8544601	Fill Hose Kit	Metric thread

# Fill Plumbing Assembly (Drawing 1 of 2)

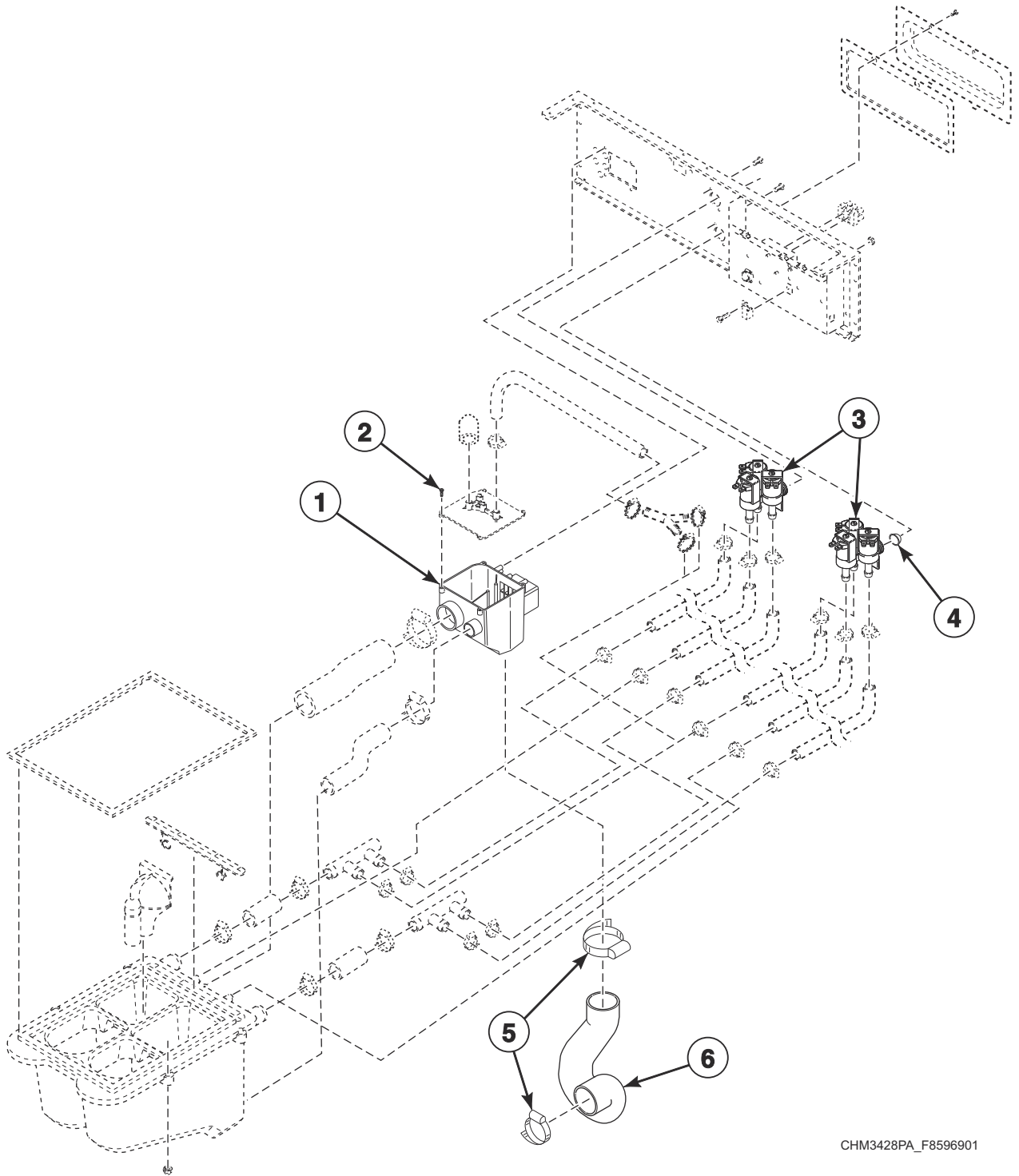


CHM3428P\_F8596901

## Fill Plumbing Assembly (Drawing 1 of 2)

REF	PART NO.	DESCRIPTION	COMMENTS
1	F8047401	Dispenser Assembly	Includes items 2 and 4; Models through 10/15/2012
	F8047402	Dispenser Assembly	Includes items 2 and 4; Models starting 10/16/2012
2	F8047901	Siphon Cover	
3	F8308301	Dispenser Gasket	
4	F8047801	Access Cover	
5	F8043401	Dispenser Overflow Hose	20 pound models
	F8043403	Dispenser Overflow Hose	30 pound models
	F8043404	Dispenser Overflow Hose	40 pound models
	F8043405	Supply Overflow Hose	60 pound models
6	F8042801	Vacuum Supply Hose	20 pound models
	F8042803	Vacuum Supply Hose	30 pound models
	F8042804	Vacuum Supply Hose	40 pound models
	F8042805	Vacuum Supply Hose	60 pound models
7	F200213	Hose Clamp	No. 40
8	F8197701	Cap	Vinyl
9	F0200244-01	Vacuum Breaker Hose	60 pound models
	F0200244-02	Vacuum Breaker Hose	All other models
10	F8039901	Valve Panel	20 pound models
	F8017501	Valve Panel	30 pound models
	F8039601	Valve Panel	40 pound models
	F8039801	Valve Panel	60 pound models
11	F8230301	Screw	
12	F8177001	Terminal Tray Cover	
13	F8206901	Screw	
14	F8230001	Terminal Tray Cover Gasket	
15	430642	Terminal Block	Includes screws
16	F430232	Nut	
17	M411283	Ground Lug Connector	
18	F430909	Screw	
19	36801	Hose Clamp	No. 8
20	F422816	Y Connector	
21	F8232004	Hose	20 pound models
	F8232001	Hose	30 pound models
	F8232002	Hose	40 and 60 pound models
22	20211	Hose Clamp	No. 17
23	F8333201	Manifold	
24	F200222	Hose Clamp	No. 12
25	F606816-1	Hose	
26	F8535601	Screw	
27	F0431807-00	Nut	

# Fill Plumbing Assembly (Drawing 2 of 2)



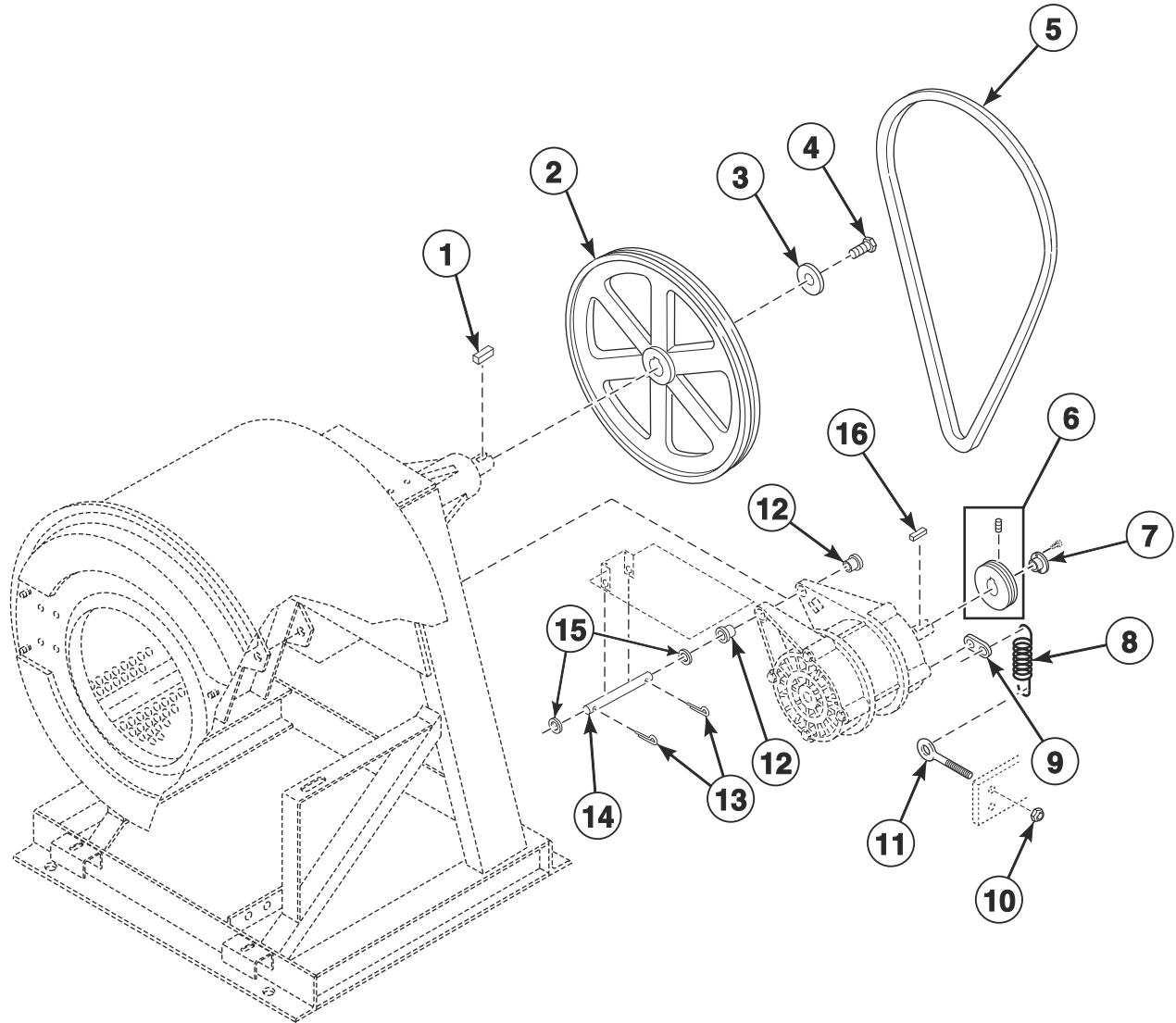
CHM3428PA\_F8596901



## Fill Plumbing Assembly (Drawing 2 of 2)

REF	PART NO.	DESCRIPTION	COMMENTS
	G582P3	Diaphragm and Guide Kit	Use with F8286401P 3-Way Valve and F8286402P 3-Way Valve
	F8402201	Regulator	Use with F8286401P 3-Way Valve
<b>1</b>	F8048601	Vacuum Breaker Assembly	Includes item 2
<b>2</b>	800548	Screw	
<b>3</b>	F8286401P	3-Way Valve	240 Volt/50 or 60 Hertz; U.S.
	F8286402P	3-Way Valve	240 Volt/50 or 60 Hertz; Metric
	395P4	Water Valve Tool	Elbi valves
<b>4</b>	803615	Washer	Filter
<b>5</b>	F200213	Hose Clamp	No. 40
<b>6</b>	F8042201	P-Trap Hose	20 pound models
	F8042202	P-Trap Hose	30 and 40 pound models
	F8042301	P-Trap Hose	60 pound models

# Motor Mount, Pulley and Belt

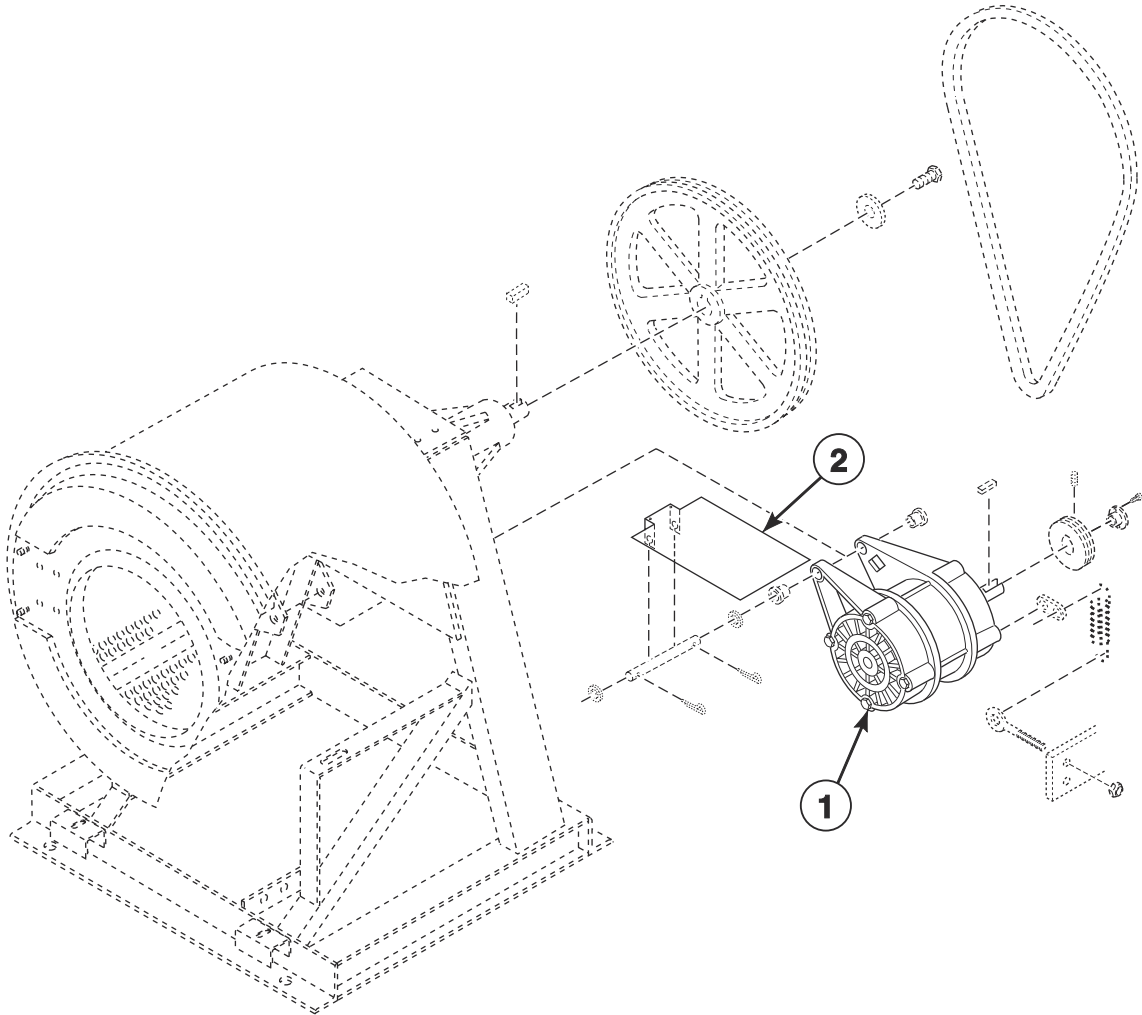


CHM3050P\_F8596901

## Motor Mount, Pulley and Belt

REF	PART NO.	DESCRIPTION	COMMENTS
1	F430801	Key	
2	F280168	Pulley	20 pound models; 13V1800
	F150269	Basket Pulley	30 and 40 pound F- speed models
	F280172	Sheave Pulley	30 pound 2 speed models; 13V2200
	F280197	Pulley	40 pound 2 speed models; 23V2200
	F200299700	Basket Pulley	60 pound F-speed models
	F280173	Pulley	60 pound 2 speed models; 23V2400
3	F431115	Washer	
4	F8574001	Screw	
5	F280343	Belt	20 pound 2 speed models; C and F-voltage; 3V730
	F280337	Belt	20 pound 2 speed models; B, F, O and Y-voltage; 3V710
	F8382801	Belt	20 pound F-speed models; X-voltage; 690J4
	F280321	Belt	30 pound 2 speed models; C, F, O and Y-voltage; 3V800
	F280368P	Belt	30 pound F-speed models; X-voltage; 785J4
	F280341	Belt	40 pound 2 speed models; C-voltage; 3V850
	F280342	Belt	40 pound 2 speed models; F, O and Y-voltage; 3V830
	F280369P	Belt	40 pound F-speed models; X-voltage; 820J6
	F280373	Belt	60 pound 2 speed models; C-voltage; 3V90.65
	F280304	Belt	60 pound 2 speed models; F and O-voltage; 3V900
	F280366P	Belt	60 pound F-speed models; X-voltage; V870J6
	6	F280170	Sheave Pulley
F280427P		Pulley	20 pound models; C and J-voltage; 1GR3V3.15JA; Requires item 7
F280284		Pulley	30 pound models; F and O-voltage; 1GR3V2.9
F280281		Motor Pulley	30 pound models; Y-voltage; 1GR3V3.0
F280105P		Pulley	40 pound models; C-voltage; 2GR3V3.35SH; Requires item 7
F0280385-00		Sheave	40 and 60 pound models; F, O and Y-voltage; 2GR3V3.00
F280422P		Pulley	60 pound models; C and J-voltage; 2GR3V3.365SH; Requires item 7
F280287P		Sheave Kit	X-voltage
7	H87529111P	Bushing	20 and 30 pound models; C and J-voltage; JA 5/8
	M412995P	Bushing	40 and 60 pound models; C and J-voltage; SH 7/8
8	F310124	Extension Spring	
9	F633374	Spring Clip	
10	F430218	Nut	
11	F430537	Screw	
12	F200186100	Motor Support Bushing	
13	F430401	Cotter Pin	
14	F602844	Motor Support Rod	20 pound models; 30 pound models except X-voltage
	F603059	Motor Support Rod	40 pound models; 30 pound models X-voltage
	F603897	Motor Support Rod	60 pound models
15	901690	Washer	
16	F430801	Key	30 pound models
	F430802	Key	All other models

# Motor - 20 and 30 Pound Models



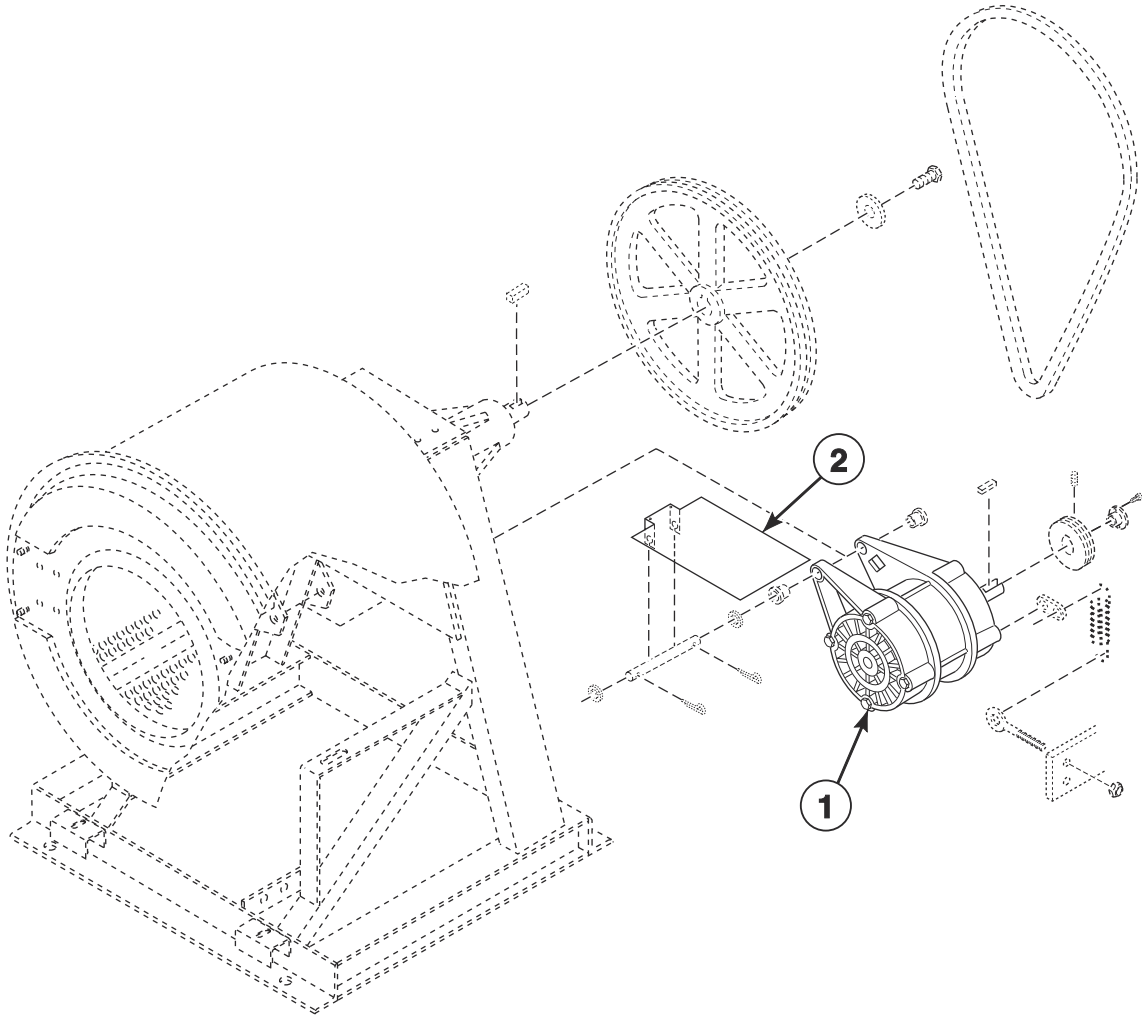
CHM3050PA\_F8596901

## Motor - 20 and 30 Pound Models

REF	PART NO.	DESCRIPTION	COMMENTS
1	F8597402P	Motor	20 pound 2 speed models; Replaces F220110 Motor on models through 3/1/10; B-voltage; Includes motor support bushing; Replaces F8329601P Motor
	F8329401P	Motor	20 pound 2 speed models; Models starting 5/2009; Models converted with F8411501 Motor Conversion Kit; Replaces F022032500P, F220325-H and F8329501P Motors; C, F and Y-voltage; Includes motor support bushing
	F8329301P	Motor	20 pound 2 speed models; Replaces F022039600 and F220396-H Motors on models through 7/25/10; All other models starting 7/26/10; J, K and O-voltage; Includes motor support bushing
	F8328901P	Motor Conversion Kit	20 pound F-speed models; Replaces F220393 Motor; X-voltage; Includes motor support bushing; **
	F022012800P	Motor	20 pound 2 speed models; Use with F220128-H Motor; Y-voltage; Includes F200186100 Motor Support Bushing
	F8411501	Motor Conversion Kit	20 pound 2 speed models; Models through 6/2009; Y-voltage; Replaces F022012800P Motor
	F8597401P	Motor	20 pound 2 speed models; Models starting 5/2009; Models converted with F8411501 Motor Conversion Kit; Y-voltage
	F8597104P	Motor	30 pound 2 speed models; Replaces F022038800P and F220388-H Motors; C and F-voltage; Includes motor support bushing
	F8597103P	Motor	30 pound 2 speed models; Replaces F022038700 and F220387-H Motors; J, K and O-voltage; Includes motor support bushing
	F8329001P	Motor Conversion Kit	30 pound F-speed models; Replaces F220395 Motor on models through 3/2/10; X-voltage; Includes F8329001 Motor and motor support bushing; **
	F8597501P	Motor	30 pound 2 speed models; Replaces F022012400 and F220124-H Motor; Y-voltage; Includes motor support bushing
2	F200216900	Motor Drip Shield	2 speed models

**\*\* NOTE: AC drive parameters must be compatible with the motor and motor pulley. Please request the AC drive parameter illustration for parameter verification when ordering a motor.**

# Motor - 40 and 60 Pound Models



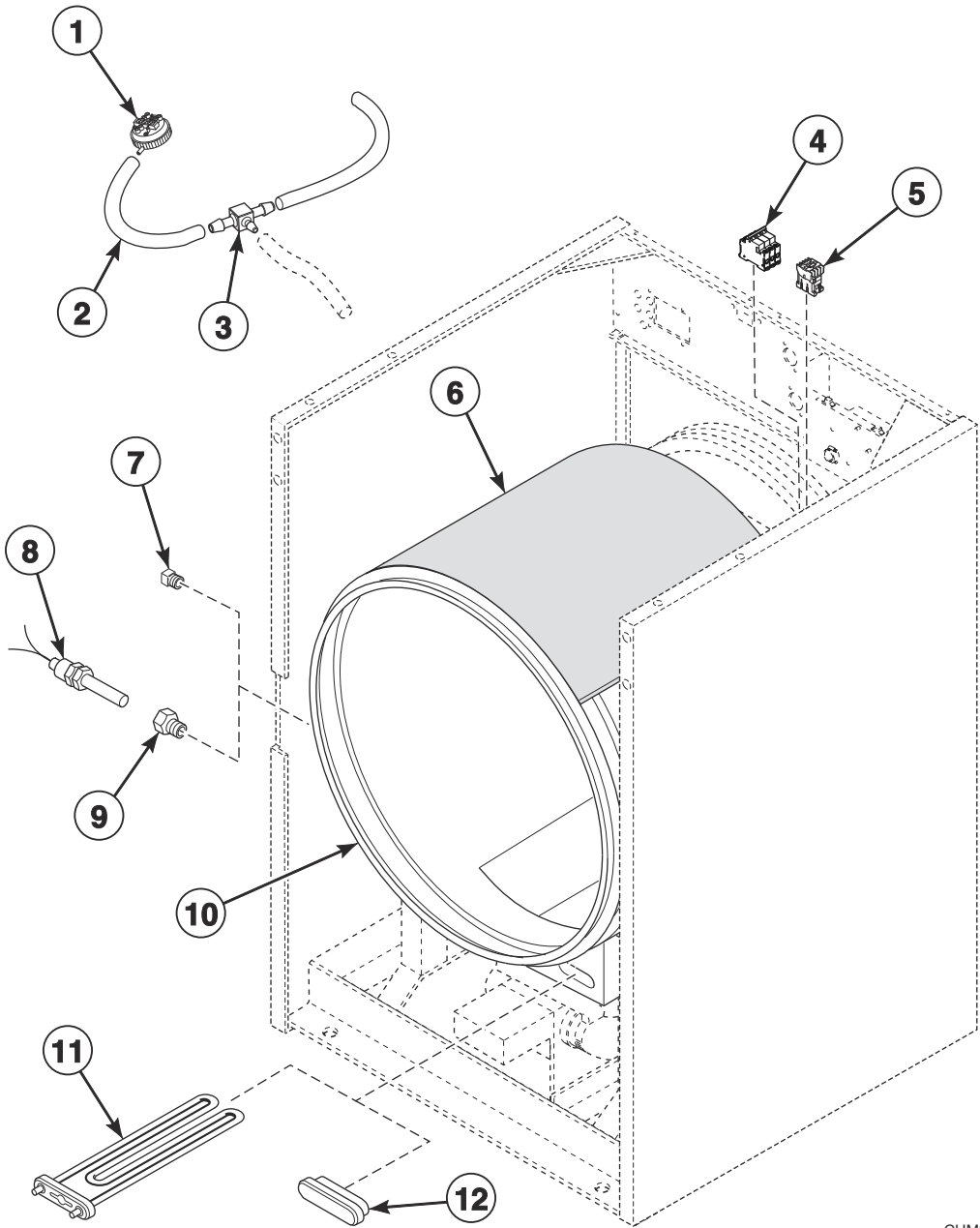
CHM3050PA\_F8596901

## Motor - 40 and 60 Pound Models

REF	PART NO.	DESCRIPTION	COMMENTS
1	F8597802P	Motor	40 pound 2 speed models; Replaces F022032600 and F220326-H Motors; C and F-voltage; Includes motor support bushing
	F8597801P	Motor	40 pound 2 speed models; Replaces F0220321-00 Motor on models through 7/25/10; All other models starting 7/26/10; O-voltage; Includes motor support bushing
	F8597502P	Motor	40 pound 2 speed models; Replaces F0220120-01P Motor on models through 12/31/10; All other models starting 1/1/11; Y-voltage; Includes motor support bushing; Replaces F8330201P Motor
	F8329101P	Motor Conversion Kit	40 pound F-speed models; Replaces F220394 Motor on models through 6/20/10; X-voltage; Includes F8329101 Motor and motor support bushing**
	F8597804P	Motor	60 pound 2 speed models; Replaces F220327P Motor on models through 4/27/10; All other models starting 4/28/10; C and F-voltage; Includes motor support bushing; Replaces F8330401P Motor
	F8597803P	Motor	60 pound 2 speed models; Replaces F022032200 Motor on models through 10/31/10; All other models starting 11/1/10; J and O-voltage; Includes motor support bushing; Replaces F8330301P Motor
	F8329201P	Motor Conversion Kit	60 pound F-speed models; Replaces F220234P Motor on models through 9/15/10; X-voltage; Includes motor support bushing**
2	F200216900	Motor Drip Shield	40 pound 2 speed models except Y-voltage; 60 pound F-speed models
	F200280700	Motor Drip Shield	40 pound models Y-voltage; 60 pound 2 speed models

**\*\* NOTE: AC drive parameters must be compatible with the motor and motor pulley. Please request the AC drive parameter illustration for parameter verification when ordering a motor.**

# Electric Heat Option



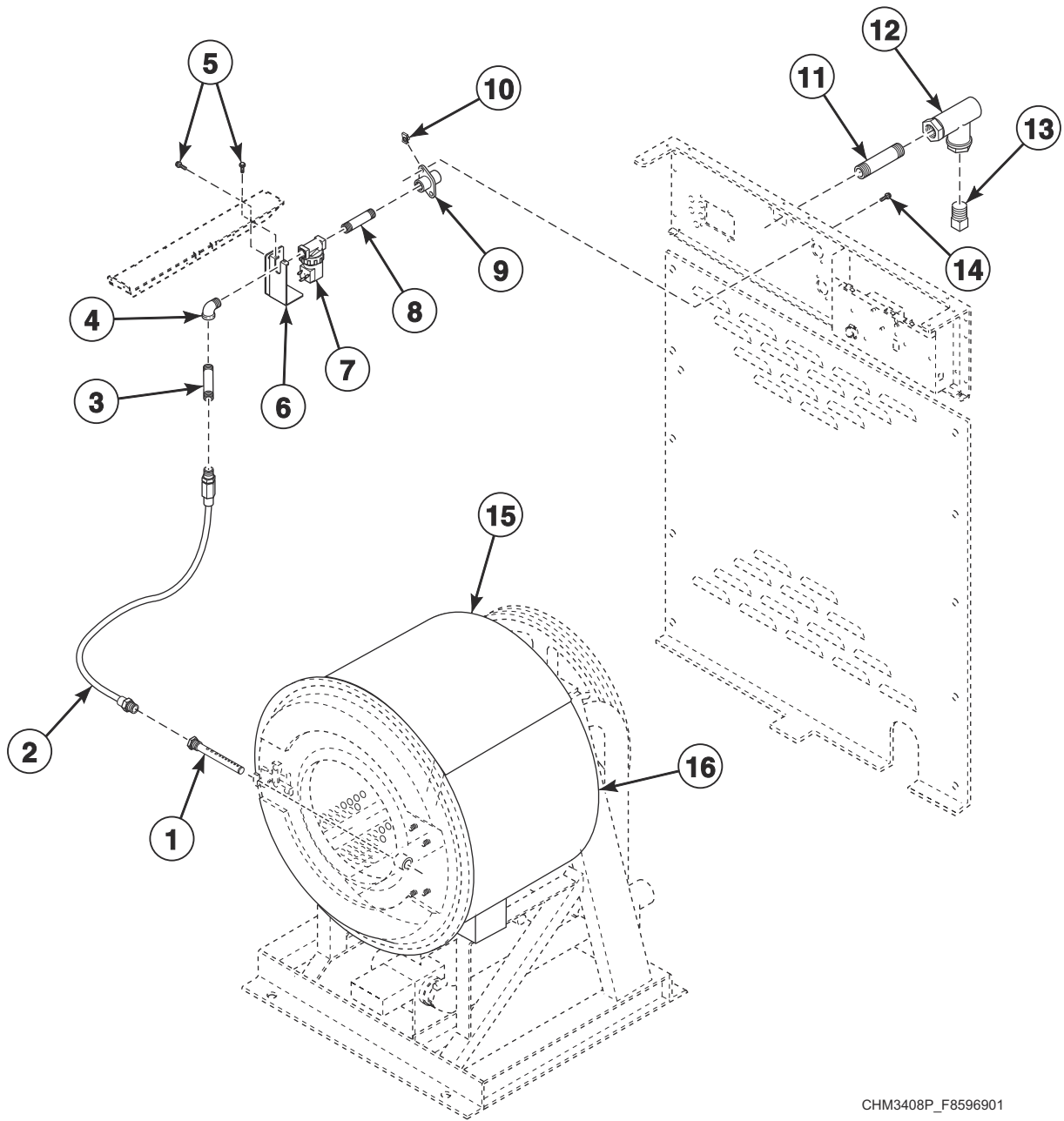
CHM3406P\_F8596901



## Electric Heat Option

REF	PART NO.	DESCRIPTION	COMMENTS
	F8056001	Jumper Wire	P-voltage requires 5; N-voltage requires 3
1	F8223001P	Water Pressure Switch	Heat Safety
2	F8153901	Tubing	
3	F8246601	Tee	
4	70256901P	Circuit Breaker	
5	F330188P	Contactora	
6	F410300	Pipe Insulation	
7	F421507	Plug	
8	F370609	Thermistor Sensor	
9	F421936	Reducer Bushing	
10	F8179202	Shell Weldment	20 pound OPL models
	F8179302	Shell Weldment	30 pound OPL models
	F8179402	Shell Weldment	40 pound OPL models
	F8179502	Shell Weldment	60 pound OPL models
11	F360205P	Element	2.6 kW; 3 used in 20 and 30 pound models; 6 used in 40 and 60 pound models
12	F360202	Heating Element Plug	

# Steam Heat Option



CHM3408P\_F8596901

## Steam Heat Option

REF	PART NO.	DESCRIPTION	COMMENTS
	F953P3	Steam Heat Kit	Includes items 1, 2, 4, 6-9, 11-15, F8116301 Coupling, F8362701 Coupling, 70139601 Pipe Nipple, F421703 Street Elbow, F8115601 Cord Din Set Assembly, hardware and labels
	F380984P	Steam Valve Repair Kit	Use with item 7
	F8514601P	Coil	Use with F8322801 Valve
	F8379501P	Valve Kit	Use with F8322801 Valve
	F8382301	DIN Valve Adapter Kit	Use with F8322801 Valve
<b>1</b>	F8368201	Steam Injector Tube Assembly	
<b>2</b>	F200197	Steam Hose	60 pound models
<b>3</b>	F8110601	Nipple	60 pound models
<b>4</b>	H86070034	Street Elbow	
<b>5</b>	430497	Screw	
<b>6</b>	F8490301	Steam Bracket	
<b>7</b>	F8521501	DIN Valve Kit	220 Volt; Use with F380787P Steam Valve
	F8322801P	Valve	Replaces F380787P Steam Valve; Includes F8514601 Coil; For models that have been upgraded with F8521801 DIN Valve Kit
	F8521501	DIN Valve Kit	Replaces F380787P Steam Valve; Includes F8322801 Valve, F8382301 DIN Valve Adapter Kit and F8514601 Coil
<b>8</b>	70263801	Pipe Nipple	
<b>9</b>	F8154501	Coupling	
<b>10</b>	70030401	Nut	
<b>11</b>	431486	Pipe Nipple	
<b>12</b>	F270307	Steam Filter	
<b>13</b>	F420409	Plug	
<b>14</b>	20253	Screw	
<b>15</b>	F410300	Pipe Insulation	
<b>16</b>	F8360602	Shell Weldment	20 pound models
	F8360702	Shell Weldment	30 pound models
	F8360802	Shell Weldment	40 pound models
	F8360902	Shell Weldment	60 pound models



# Parts Index

## A

Access Cover	
F8047801 .....	61
Air Trap Hose	
F020014200 .....	11, 13, 15, 17
Auxiliary Control Assembly	
F8189401P .....	11, 13, 15, 17

## B

Basket Assembly	
F8347901P .....	47
F8391301P .....	47
F8391701P .....	47
F8502801P .....	47
Basket Puller Tool	
F460129P .....	47
Basket Pulley	
F150269 .....	65
F200299700 .....	65
Basket Rental Tool Kit	
390P4-1 .....	47
Basket Tool Kit	
389P4 .....	47
Bearing	
F100108 .....	49
F100123P .....	49
F100134 .....	49
F100135 .....	49
F100136P .....	49
F100137P .....	49
Bearing Sleeve	
F8221701 .....	39, 41, 43
Belt	
F280304 .....	65
F280321 .....	65
F280337 .....	65
F280341 .....	65
F280342 .....	65
F280343 .....	65
F280366P .....	65
F280368P .....	65
F280369P .....	65
F280373 .....	65
F8382801 .....	65
Blind Rivet	
F8245101 .....	39, 41, 43
Bolt	
F200182700 .....	55, 57
F430974 .....	39, 41, 43
F8230501 .....	37
F8270701 .....	45
Bushing	
H87529111P .....	65
M412995P .....	65

## C

Cap	
F8197701 .....	61
Capacitor	
F370218P .....	11, 15
F370220 .....	11, 15
F370221 .....	11, 15
F8411701 .....	11, 15
F8411801 .....	11, 15
F8411901 .....	11, 15
Capacitor Tray Assembly	
F8199601 .....	11, 15
F8199901 .....	11, 15
Card Plate Assembly	
F8201501 .....	25
Card Reader Overlay	
70334201 .....	25
70334301 .....	25
Circuit Breaker	
70256901P .....	71
Clamp Ring Assembly	
F8388002 .....	47
Coil	
F8514601P .....	73
Coin Box	
F160672 .....	27
Coin Chute	
F8170801 .....	15, 17
Coin Drawer Assembly	
F8182001 .....	27
Coin Drop	
70256402P .....	21
70441601P .....	19
Coin Drop Assembly	
210195 .....	21
210196 .....	21
38462P .....	19
38463 .....	19
38464P .....	19
38472 .....	21
38521 .....	21
39157 .....	21
70281102 .....	21
Coin Identification Paper	
38725 .....	19, 21, 23
Coin Meter	
F0160737-00 .....	21
Coin Meter Assembly	
F200010000P .....	19
F200010001 .....	21
F200010002 .....	21
F200010003 .....	21
F200010004 .....	21
F200010005P .....	21
F200010006 .....	19
F200010007 .....	19
F200010008 .....	21
F200010009 .....	19
F200010010 .....	21
F200010011 .....	19
F200010012 .....	19

N/A items do not appear in index.

F200021600P .....	23
Coin Vault Assembly	
F8182501 .....	15
F8182601 .....	15, 17
Concrete Kit	
1111P .....	51
Contact Base	
F8538101 .....	11, 13
Contact Block Switch	
F200233401P .....	11, 13
Contact Switch	
F8069501 .....	11, 13
Contacto	
F330177P .....	11, 15
F330188P .....	71
Contacto Tray Assembly	
F8343401 .....	11, 15
Control Assembly Kit	
F980P3 .....	11, 13, 15, 17
Control Kit	
F999P3 .....	11, 13, 15, 17
Control Panel Assembly	
F8038501 .....	31
F8038503 .....	33
F8038601 .....	31
F8038603 .....	33
F8038701 .....	31
F8038703 .....	33
F8038801 .....	31
F8038803 .....	33
Control Panel Overlay	
F8236801 .....	35
Control Tray Assembly	
F8205901 .....	11, 13
F8205902 .....	15, 17
F8205903 .....	13, 15, 17
Control Tray Harness	
F8261501P .....	11, 13, 15, 17
Cotter Pin	
F430401 .....	65
Coupling	
F8154501 .....	73
Cover Overlay	
70275402 .....	35

## D

Diaphragm and Guide Kit	
G582P3 .....	63
DIN Rail	
F8200101 .....	11, 15
DIN Valve Adapter Kit	
F8382301 .....	73
DIN Valve Kit	
F8521501 .....	73
Dispenser Assembly	
F8047401 .....	61
F8047402 .....	61
Dispenser Gasket	
F8308301 .....	61
Dispenser Lid	
F8048101 .....	37

Dispenser Overflow Hose	
F8043401 .....	61
F8043403 .....	61
F8043404 .....	61
Door	
F0602431-02 .....	39
F0602837-02 .....	41
F602842-2 .....	43
Door Assembly	
F8187202 .....	39
F8187203 .....	39
F8187302 .....	41
F8187303 .....	41
F8187402 .....	43
F8187403 .....	43
Door Bezel	
F0170426-00 .....	31, 33
F0170426-30 .....	31, 33
F170416-2 .....	31, 33
F170416-3 .....	31, 33
F170417-1 .....	31, 33
F170417-2 .....	31, 33
F170417-3 .....	31, 33
F8658701 .....	31, 33
Door Gasket	
F170124 .....	43
F200000200 .....	39
F200000202 .....	39
F8111502 .....	43
F8111601 .....	41
F8111602 .....	41
Door Glass	
F8485301P .....	41
F8485305 .....	41
F8485401P .....	43
F8485405 .....	43
F8675701 .....	39
Door Glass Kit	
F290205P .....	39
Door Handle	
F8199401P .....	39, 41, 43
F8199501 .....	39, 41, 43
Door Handle Spacer Kit	
F8567501 .....	39, 41, 43
Door Hinge	
F190216P .....	39, 41, 43
Door Hinge Shim Kit	
F200131000P .....	39, 41, 43
Door Latch Arm Assembly	
F8221403 .....	39, 41, 43
Door Lock Assembly	
F8340501 .....	45
Door Lock Assembly Kit	
F8626501 .....	45
Door Lock Catch	
F8223601 .....	45
F8344501 .....	45
Door Lock Cover	
F8245001 .....	45
Door Lock Microswitch	
F200203200 .....	45
Door Lock Plate Assembly	
F8223202 .....	45
Door Lock Plate Shim	
F8059701 .....	45
F8344401 .....	45

N/A items do not appear in index.

Door Lock Solenoid Replacement Kit F977P3 .....	45
Door Lock Splash Shield F320200 .....	45
Door Lock Switch Lever F8223401 .....	45
Door Mount F150271 .....	39, 41, 43
Drain Connect Tee F150318 .....	53
Drain Hose	
F8231901 .....	53
F8231902 .....	53
F8232901 .....	53
F8233001 .....	53
F8233101 .....	53
F8233102 .....	53
Drain Tee F150398 .....	53
Drain Valve F8406303 .....	57
Drain Valve Cover F200133600 .....	55, 57
Drain Valve Kit	
F200166400 .....	57
F200166402 .....	57
F8577201 .....	55, 57
Drain Valve Motor F380933P .....	55, 57

## E

Earth Terminal Sticker M412096 .....	9
Electric Shock Danger Label F8115501 .....	9
Electronic Coin Drop Assembly	
70294101P .....	23
70294103P .....	23
70294104 .....	23
70294106 .....	23
70294107 .....	23
70294109 .....	23
70294111 .....	23
70294119 .....	23
70513311 .....	23
Electronic Coin Drop Kit	
CK095 .....	23
CK099 .....	23
CK100 .....	23
CK101 .....	23
CK103 .....	23
CK106 .....	23
CK109 .....	23
CK110 .....	23
CK113 .....	23
CK115 .....	23
CK119 .....	23
CK500 .....	23
Element F360205P .....	71
Emergency Stop Harness F8060501 .....	13

Emergency Stop Plate F8201301 .....	11, 13
Emergency Stop Pushbutton F200233500 .....	11, 13
EMI Filter	
F8053901P .....	13, 17
F8053902 .....	13, 17
Excluder Seal	
F8336801 .....	47
F8336901 .....	47
F8337001 .....	47
F8337101 .....	47
Expansion Clip 70030501 .....	11, 13, 15, 17, 31, 33, 37
Extension Spring F310124 .....	65
External Door Lock Harness F8340001 .....	45
External Supply Connection Decal F8150201 .....	9
External Supply Harness F8191201P .....	11, 13, 17
External Supply Kit F937P3 .....	11, 13, 15, 17

## F

Fill Hose Kit F8544601 .....	59
Frame Weldment	
F8195901 .....	51
F8196001 .....	51
F8196101 .....	51
F8199101 .....	51
Front Cabinet Brace	
F8173801 .....	31, 33
F8173901 .....	31, 33
F8174001 .....	31, 33
Front Panel	
F8171301 .....	31
F8171302P .....	33
F8173001 .....	31
F8173002P .....	33
F8173101P .....	31
F8173102P .....	33
F8173201P .....	31
F8173202P .....	33
Fuse 802493 .....	11, 13, 15, 17

## G

Gravity Drain Valve 803292 .....	55
Ground Decal F230739 .....	9
Ground Lug Connector M411283 .....	61
Gusset Plate	
F8186701 .....	33
F8186702 .....	31, 33

N/A items do not appear in index.

---

## H

Heating Element Plug	
F360202 .....	71
Hose	
F606816-1 .....	61
F8232001 .....	61
F8232002 .....	61
F8232004 .....	61
Hose Clamp	
F200201 .....	53
F200213 .....	53, 61, 63
F200215 .....	53, 57
F200222 .....	11, 13, 15, 17, 61
20211 .....	61
36801 .....	61
Hot Surface Warning Label	
F8614301 .....	9

---

## I

Interlock Contactor	
F330186P .....	11, 15

---

## J

Jumper Configuration Assembly	
M413507 .....	11, 13, 15, 17
Jumper Harness Assembly	
M413506 .....	11, 13, 15, 17
Jumper Wire	
F8056001 .....	71

---

## K

Key	
F160420 .....	27
F430801 .....	65
F430802 .....	65
70155603 .....	37

---

## L

Left Side Panel	
F8042902P .....	37
F8043102P .....	37
F8043202P .....	37
F8043302P .....	37
Lid Clamp	
F8091701 .....	37
Lower Cabinet Brace	
F8174101 .....	31, 33

---

## M

Machine Size Configuration Harness	
F8028101P .....	11, 13, 15
F8028103P .....	11, 13, 15, 17

F8028104P .....	11, 13, 15, 17
F8028105P .....	11, 13, 15, 17

Magnet	
F8390801 .....	39, 41, 43
Manifold	
F8333201 .....	61
Motor	
F022012800P .....	67
F8329301P .....	67
F8329401P .....	67
F8597103P .....	67
F8597104P .....	67
F8597401P .....	67
F8597402P .....	67
F8597501P .....	67
F8597502P .....	69
F8597801P .....	69
F8597802P .....	69
F8597803P .....	69
F8597804P .....	69
Motor Conversion Kit	
F8328901P .....	67
F8329001P .....	67
F8329101P .....	69
F8329201P .....	69
F8411501 .....	67
Motor Drip Shield	
F200216900 .....	67, 69
F200280700 .....	69
Motor Pulley	
F280281 .....	65
Motor Support Bushing	
F200186100 .....	65
Motor Support Rod	
F602844 .....	65
F603059 .....	65
F603897 .....	65
Motor Switch	
F340002 .....	11, 15
Mount on Concrete Warning Label	
F8246401 .....	9
Mounting Plate	
70208801 .....	25

---

## N

Nameplate	
39564 .....	35
Nipple	
F8110601 .....	73
Nut	
F0431807-00 .....	61
F430215 .....	39, 41, 43, 47, 53
F430218 .....	51, 65
F430225 .....	45
F430232 .....	11, 13, 15, 17, 39, 41, 43, 45, 61
F430239 .....	49
F430240 .....	49
F430264 .....	45
F431017 .....	11, 13, 29
F431022 .....	39, 41, 43
F431041 .....	39, 41, 43
24205 .....	11, 13
685846 .....	19, 21, 23
70030401 .....	73

N/A items do not appear in index.



---

**O**

Opto Coupler	
200674P.....	19, 21
Output/Logic Harness	
F8028701.....	11, 13, 15, 17
Overflow Hose	
F0200238-00.....	53
F150308.....	53
F150417.....	53
F8337701.....	53
Overflow Plug	
F150352.....	57
Overlay	
F8218701.....	35
F8218702.....	35
F8218801.....	35
F8218802.....	35
F8218901.....	35
F8218902.....	35
F8219001.....	35
F8219002.....	35
F8219201.....	35
F8219301.....	35
F8219401.....	35
F8219501.....	35
F8219701.....	35
F8219801.....	35
F8219901.....	35
F8220001.....	35
F8293001.....	35
F8293002.....	35
F8293101.....	35
F8293102.....	35
F8293201.....	35
F8293202.....	35
F8293301.....	35
F8293302.....	35
F8293501.....	35
F8293601.....	35
F8293701.....	35
F8293801.....	35
70295101.....	23
70295301.....	23
Overload Contactor	
F8176101P.....	11, 15

---

**P**

Panel Lock	
44089303P.....	37
Pipe Insulation	
F410300.....	71, 73
Pipe Nipple	
431486.....	73
70263801.....	73
Plug	
F420409.....	73
F421507.....	71
Pop Rivet	
F431223.....	39, 41, 43
70058501.....	11, 15, 17, 19, 21
PowerFlex 40 Drive	
F8169403.....	17

F8169404.....	17
F8169405.....	17
F8169406.....	17
F8169407.....	13, 17
F8169408.....	13, 17
F8169436.....	17
F8169437.....	17
F8169438.....	17
F8169439.....	17
F8169440.....	13, 17
F8169441.....	13, 17

## Pressfit Upgrade Kit

F935P3.....	47
F936P3.....	47
F938P3.....	47
F939P3.....	47

## P-Trap Hose

F8042201.....	63
F8042202.....	63
F8042301.....	63

## Pulley

F280105P.....	65
F280168.....	65
F280173.....	65
F280197.....	65
F280284.....	65
F280422P.....	65
F280427P.....	65

## Pulse Expander Assembly

F8034701P.....	23
----------------	----

## Pushbutton Switch

70413301.....	37
---------------	----

---

**R**

## Rear Panel

F8176201P.....	37
F8176301.....	37
F8177501P.....	37
F8177701P.....	37

## Reducer Bushing

F421936.....	71
--------------	----

## Reed Switch Assembly

F8066802.....	39, 41, 43
---------------	------------

## Regulator

F8402201.....	63
---------------	----

## Retaining Ring

F8337801.....	49
F8337901.....	49
F8344901.....	49
F8345001.....	49

## Right Side Panel

F8042901P.....	37
F8043101P.....	37
F8043201P.....	37
F8043301P.....	37

## Rocker Switch

70455101.....	29
---------------	----

## Rod

F602813-2.....	39, 41
F602813-3.....	43

N/A items do not appear in index.

---

## S

### Screw

F430107	53
F430174	31, 33, 37
F430518	47
F430532	39
F430533	41, 43
F430536	39, 41, 43
F430537	65
F430903	11, 13, 15, 17
F430909	61
F430942	51
F430949	51
F430956	45
F430977	45
F8117601	31, 33
F8206901	11, 13, 15, 17, 37, 61
F8230301	61
F8230601	37
F8442702	51
F8535501	39, 41, 43
F8535601	61
F8574001	65
20253	73
430497	73
800548	63
801019	31
Shaft Seal Sleeve	
F8312001P	47
F8312004P	47
F8312006P	47
Shaft Seal Sleeve Kit	
F8343901P	47
F8343904P	47
F8343906P	47
F8343909P	47
Sheave	
F0280385-00	65
Sheave Kit	
F280287P	65
Sheave Pulley	
F280170	65
F280172	65
Shell Band Kit	
F8537801	47
F8537803	47
F8537804	47
Shell Front Assembly	
F8229401	47
F8229501	47
F8229601	47
F8229701	47
Shell Front Gasket Kit	
F8513501	47
Shell Weldment	
F8179201	51
F8179202	51, 71
F8179203	51
F8179301	51
F8179302	51, 71
F8179401	51
F8179402	51, 71
F8179403	51
F8179501	51
F8179502	51, 71

F8179503	51
F8360602	73
F8360702	73
F8360802	73
F8360902	73
Shim	
F8484401	45
Siphon Cover	
F8047901	61
Snap Bushing	
44071501	11, 13, 15, 17
Solenoid	
F8630601	45
Spacer	
F431901	45
Spring	
F8504601	55
Spring Clip	
F633374	65
Spring Pin	
F431222	39, 41, 43
Steam Bracket	
F8490301	73
Steam Filter	
F270307	59, 73
F270308	59
Steam Heat Kit	
F953P3	73
Steam Hose	
F200197	73
Steam Injector Tube Assembly	
F8368201	73
Steam Valve Repair Kit	
F380984P	73
Street Elbow	
H86070034	73
Supply Overflow Hose	
F8043405	61
Support Bracket	
F8195803	13, 17
Switch Clamp	
F0340722-00	11, 15

---

## T

Tee	
F8246601	11, 13, 15, 17, 71
Temperature Configuration Harness	
F8028219P	11, 15
F8028240P	11
F8028242P	11
Temperature Knob	
44104601	29
Temperature Selector Switch	
D511711	29
Temperature Selector Switch Bracket	
70391701	29
Terminal Block	
430642	61
Terminal Tray Cover	
F8177001	61
Terminal Tray Cover Gasket	
F8230001	61

N/A items do not appear in index.

Thermistor Sensor	
F370609	71
Top Cabinet Brace	
F8043501	37
F8043701	37
F8043801	37
F8043901	37
Top Cover	
F8017401	37
F8040201	37
F8040301	37
F8040401P	37
Top Cover Hinge	
F8258601	37
Top Cover Latch	
F8201001	31, 33
Torsion/Door Lock Spring	
F8070301	45
Transformer	
F360157P	11, 13, 15, 17
201616P	11, 13, 15, 17
803527P	11, 13, 15, 17
Triple Lip Seal	
F8203801	49
F8203802	49
F8203803	49
F8203806	49
Trunnion Kit	
F747001	49
F747002	49
F747003	49
F747005	49
Tubing	
F8153901	11, 13, 15, 17, 71

---

## U

USB IR Interface Kit	
203346	11, 13, 15, 17
Use Copper Conductors Only Caution Label	
F8242201	9

---

## V

Vacuum Breaker Assembly	
F8048601	63
Vacuum Breaker Hose	
F0200244-01	61
F0200244-02	61
Vacuum Supply Hose	
F8042801	61
F8042803	61
F8042804	61
F8042805	61
Valve	
F8322801P	73
Valve Kit	
F8379501P	73
Valve Panel	
F8017501	61
F8039601	61
F8039801	61
F8039901	61

Valve, 3-Way	
F8286401P	63
F8286402P	63

---

## W

Warning Label	
F8207901	9
F8233501	9
44324001	9
Washer	
F430303	51
F430317	47, 53
F431113	39, 41, 43
F431115	65
F431128	49, 51
F431131	49, 51
F431902	45
F431916	39, 41, 43
F431929	39, 41, 43
M400081	51
803615	59, 63
901690	65
Water Hose	
F200108P	59
F200116	59
Water Pressure Switch	
F8223001P	11, 13, 15, 17, 71
Water Valve Tool	
395P4	63

---

## Y

Y Connector	
F422816	61

---

N/A items do not appear in index.

