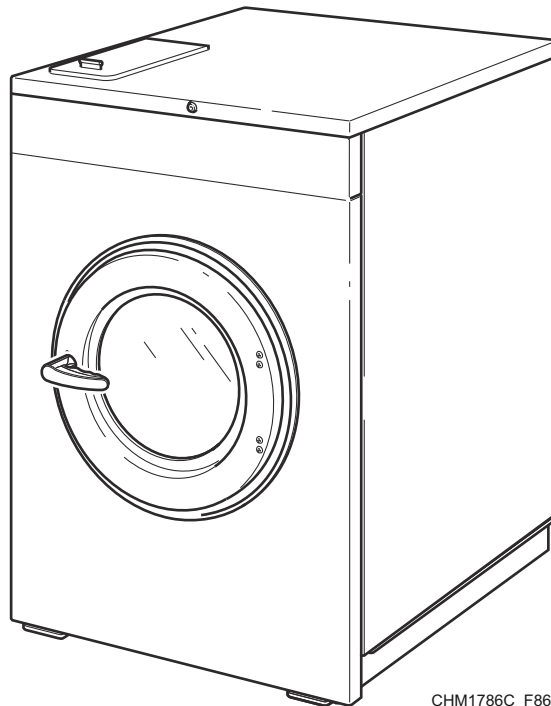


Washer-Extractor

Cabinet Hardmount

Design 2 and 3

Refer to Page 3 for Model Numbers



CHM1786C_F8639601

Table of Contents

Title	Page
Parts Ordering Information.....	2
Serial Plate Location	2
Model Identification	3
Product Overview - Galaxy 600 and MaestroV	4
Decals	6
Control Module (Drawing 1 of 2)	8
Control Module (Drawing 2 of 2)	10
Flush Mount Coin Meter Assembly - Single Drop	12
Flush Mount Coin Meter Assembly - Dual Drop.....	14
Electronic Coin Meter Assembly	16
Card Reader	18
Optional Coin Box.....	20
Front Panels and Control Panel - Coin and Remote/Central Pay Models	22
Control Panel Overlays - Coin and Remote/Central Pay Models.....	24
Front Panel, Control Panel and Control Panel Overlays - Card Ready Models.....	26
Panels	28
Door - 20 Pound Models	30
Door - 30 Pound Models	32
Door - 40 and 60 Pound Models	34
Door Lock.....	36
Shell Front and Basket.....	38
Bearing Housing	40
Shell and Frame.....	42
Drain Plumbing	44
Drain Valve Assembly - 20 and 30 Pound Models.....	46
Drain Valve Assembly - 40 and 60 Pound Models.....	48
Steam Filter (Optional) and Water Supply Hose	50
Fill Plumbing Assembly	52
Double Check Valve	54
Motor, Pulley and Belt (Drawing 1 of 3)	56
Motor, Pulley and Belt (Drawing 2 of 3)	58
Motor, Pulley and Belt (Drawing 3 of 3)	60
Electric Heat Option	62
Steam Heat Option	64
Parts Index.....	67

© Copyright 2023, Alliance Laundry Systems LLC

All rights reserved. No part of the contents of this book may be reproduced or transmitted in any form or by any means without the expressed written consent of the publisher.

Parts Ordering Information

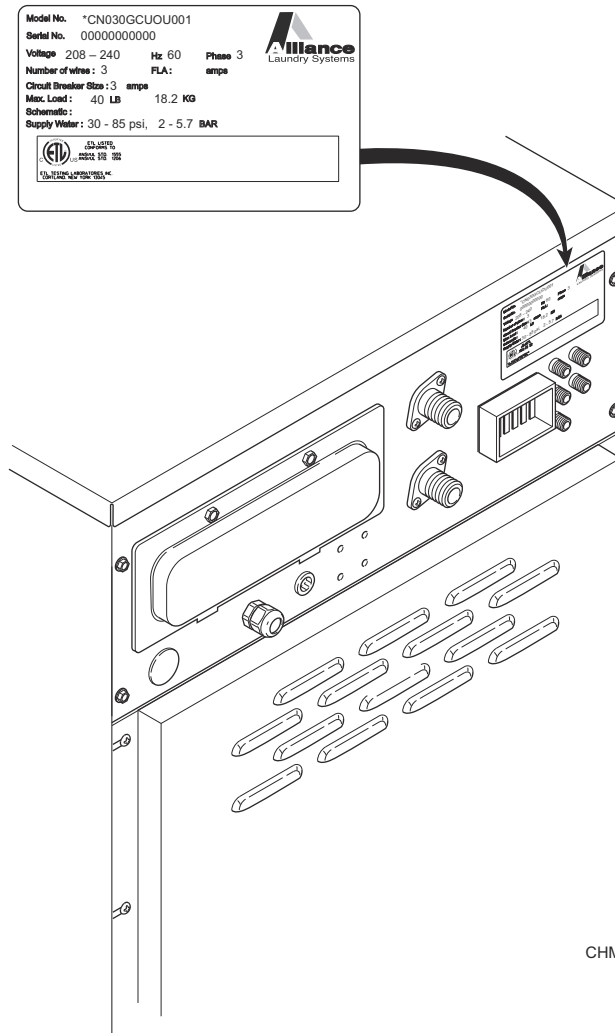
If literature or replacement parts are required, contact the source from whom the machine was purchased or contact Alliance Laundry Systems at (920) 748-3950 for the name and address of the nearest authorized parts distributor.

For technical assistance, call the number listed below:

(920) 748-3121 Ripon, Wisconsin

Serial Plate Location

When calling or writing about your product, be sure to mention model and serial numbers. Model and serial numbers are located on serial plate(s) as shown.



CHM3025P_F8639601

Model Identification

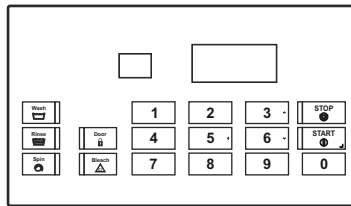
Information in this manual is applicable to these washer-extractor models:

HCB040KCF	HCL020KCF	HCN020KCF	HCU020KCF	ICN020KCF
HCB040KCV	HCL020KCV	HCN020KCV	HCU020KCV	ICN020KCV
HCB040KEV	HCL020KDF	HCN020KDF	HCU020KEV	ICN020KDF
HCB040KLV	HCL020KDV	HCN020KDV	HCU020KLF	ICN020KDV
HCB040KXF	HCL020KEF	HCN020KEF	HCU020KLV	ICN020KEF
HCB040KYF	HCL020KEV	HCN020KEV	HCU020KXV	ICN020KEV
HCB040KYV	HCL020KXV	HCN020KXF	HCU020KYF	ICN020KXF
HCH020KCF	HCL030KCF	HCN020KYF	HCU020KYV	ICN020KXV
HCH020KCV	HCL030KCV	HCN020KYV	HCU030KCF	ICN020KYF
HCH020KDF	HCL030KDF	HCN030KCF	HCU030KCV	ICN020KYV
HCH020KDV	HCL030KDV	HCN030KCV	HCU030KEV	ICN030KCF
HCH020KEF	HCL030KEF	HCN030KDF	HCU030KLV	ICN030KCV
HCH020KEV	HCL030KEV	HCN030KDV	HCU030KXV	ICN030KDF
HCH020KXV	HCL030KXV	HCN030KEF	HCU030KYF	ICN030KDV
HCH030KCF	HCL030KYF	HCN030KEV	HCU030KYV	ICN030KEF
HCH030KCV	HCL040KCF	HCN030KXF	HCU040KCF	ICN030KEV
HCH030KDF	HCL040KCV	HCN030KYF	HCU040KCV	ICN030KXF
HCH030KDV	HCL040KDF	HCN030KYV	HCU040KEV	ICN030KXV
HCH030KEF	HCL040KDV	HCN040KCF	HCU040KLF	ICN030KYF
HCH030KEV	HCL040KEF	HCN040KCV	HCU040KLV	ICN030KYV
HCH030KXV	HCL040KEV	HCN040KDF	HCU040KXF	ICN040KCF
HCH030KYF	HCL040KXV	HCN040KDV	HCU040KXV	ICN040KCV
HCH040KCF	HCL060KCF	HCN040KEF	HCU040KYF	ICN040KDF
HCH040KCV	HCL060KCV	HCN040KEV	HCU040KYV	ICN040KDV
HCH040KDF	HCL060KDF	HCN040KXF	HCU060KCF	ICN040KEF
HCH040KDV	HCL060KDV	HCN040KXV	HCU060KCV	ICN040KEV
HCH040KEF	HCL060KEF	HCN040KYF	HCU060KEV	ICN040KXF
HCH040KEV	HCL060KEV	HCN040KYV	HCU060KLF	ICN040KXV
HCH040KXV	HCL060KXV	HCN060KCF	HCU060KLV	ICN040KYF
HCH060KCF		HCN060KCV	HCU060KYF	ICN040KYV
HCH060KCV		HCN060KDF	HCU060KYV	ICN060KCF
HCH060KDF		HCN060KDV		ICN060KCV
HCH060KDV		HCN060KEF		ICN060KDF
HCH060KEF		HCN060KEV		ICN060KDV
HCH060KEV		HCN060KXF		ICN060KEF
HCH060KXV		HCN060KYF		ICN060KEV
		HCN060KYV		ICN060KXF
				ICN060KXV
				ICN060KYF
				ICN060KYV

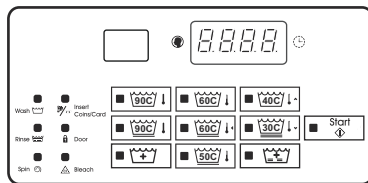
Product Overview - Galaxy 600 and MaestroV

Model No. *CNO30GC3UOU001
 Serial No. 0000000000
 Voltage 208 – 240 Hz 60 Phase 3
 Number of wires :3 FLA: amps
 Circuit Breaker Size 3 amps
 Max. Load : 40 LB 18.2 KG
 Schematic :
 Supply Water: 30 - 85 psi, 2 - 5.7 BAR

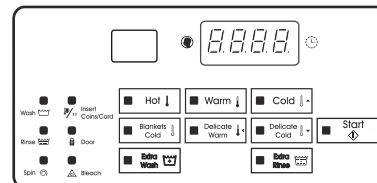
ETL LISTED
 CONFORMS TO
 ANS/UL STD. 1555
 US ANS/UL STD. 1206
 ETL TESTING LABORATORIES, INC.
 CORTLAND, NEW YORK 13045



MaestroV



Galaxy 600 Coin (International)



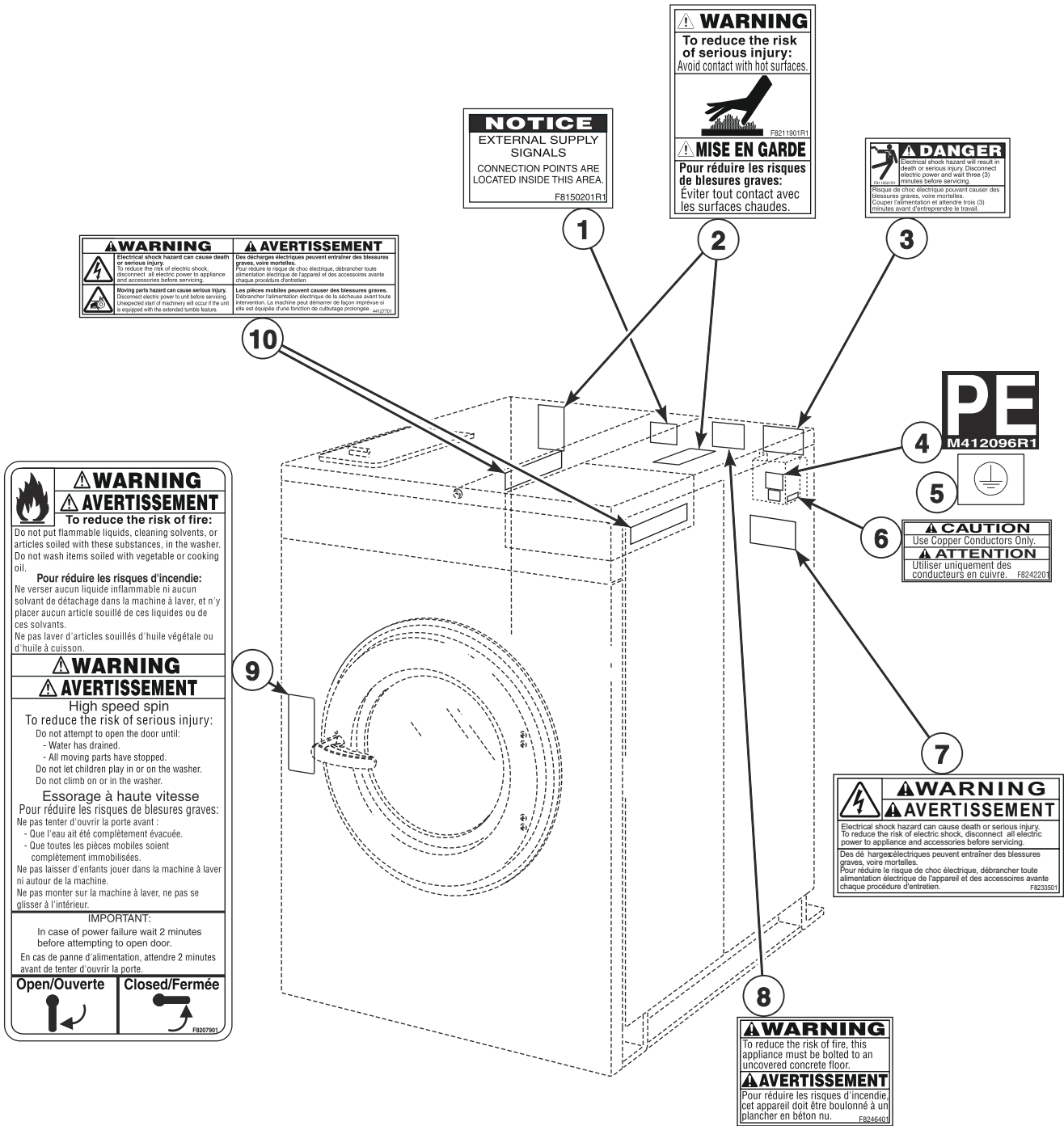
Galaxy 600 Coin (Domestic)

CHM3480P_F8639601

Product Overview - Galaxy 600 and MaestroV

REF	PART NO.	DESCRIPTION	COMMENTS
1	-	Product Family	CC HC IC SC UC YC
2	-	Market	B (Brazil CE) D (Daiwa) H (China-ROHS ETL) L (International ETL(c)) N (Domestic ETL(c)) U (International CE/EAC) W (CE WRAS) Y (Australia) Z (No Agency International)
3	-	Capacity (Pounds)	020 030 040 060 080 100
4	-	Control	G J L H K W Z
5	-	Actuation	C (Drop Coin Meter) D (Digital Coin Meter) E (Electronic World Drop) L (Prep for Remote/Central Pay) N (Non-Coin OPL) X (Prep for Coin Meter) Y (Prep for Card Reader)
6	-	Speed	F (F-Speed) V (V-Speed)
7	-	Voltage	B (120/60/1) N (440-480/50/60/3) P (380-415/50/60/3) Q (200-208/220-240/50/60/3) X (200-208/220-240/50/60/1/3)
8	-	Panel	B (Chrome Door, Stainless Steel Side) C (Chrome Door) U (Standard) 1 (Stainless Steel)
9	-	Design	2 3

Decals

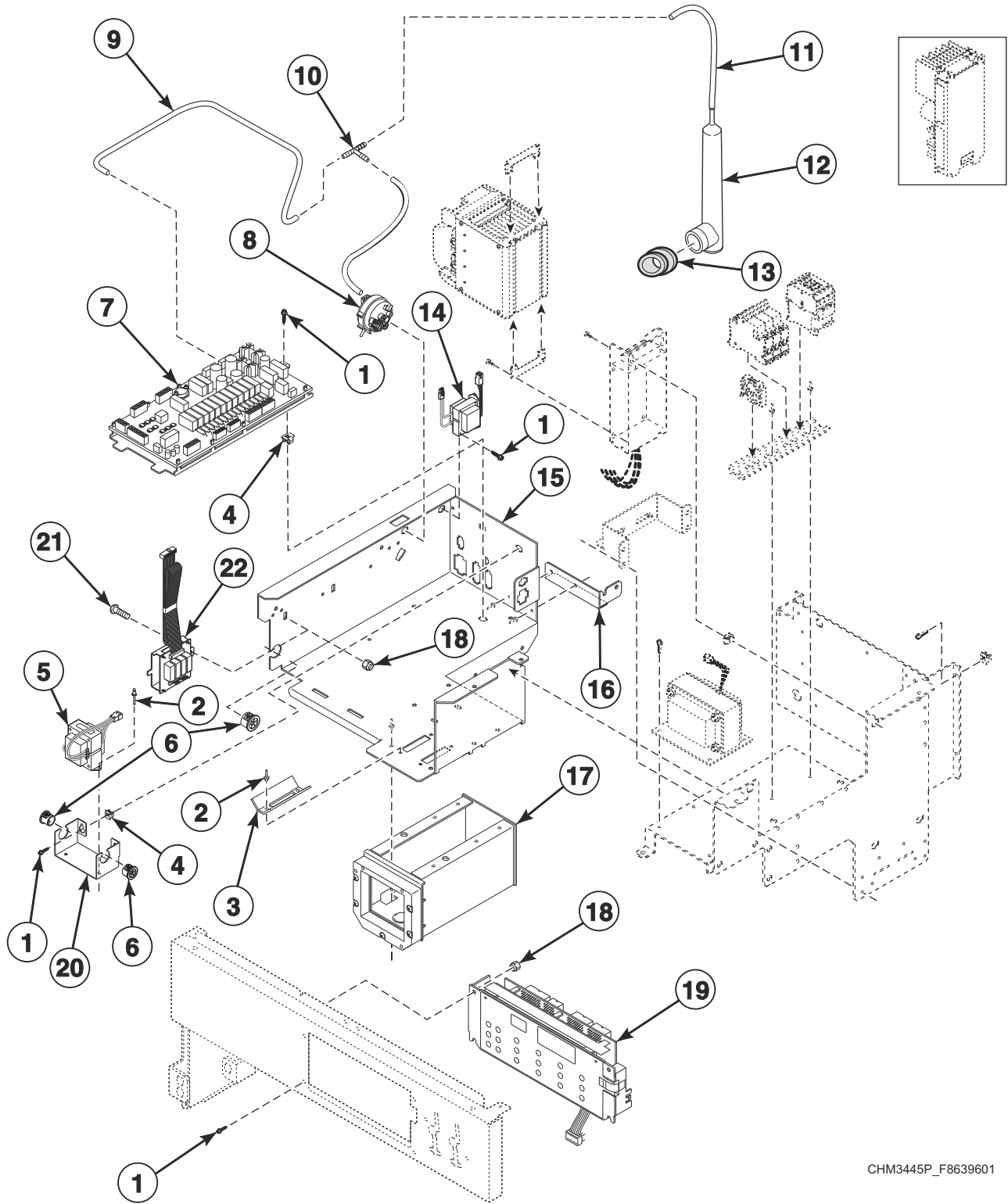


CHM3027P_F8639601

Decals

REF	PART NO.	DESCRIPTION	COMMENTS
1	F8150201	External Supply Connection Decal	
2	F8614301	Hot Surface Warning Label	
3	F8115501	Electric Shock Danger Label	
4	M412096	Earth Terminal Sticker	
5	F230739	Ground Decal	
6	F8242201	Use Copper Conductors Only Caution Label	
7	F8233501	Warning Label	
8	F8246401	Mount on Concrete Warning Label	
9	F8207901	Warning Label	
10	44324001	Warning Label	

Control Module (Drawing 1 of 2)

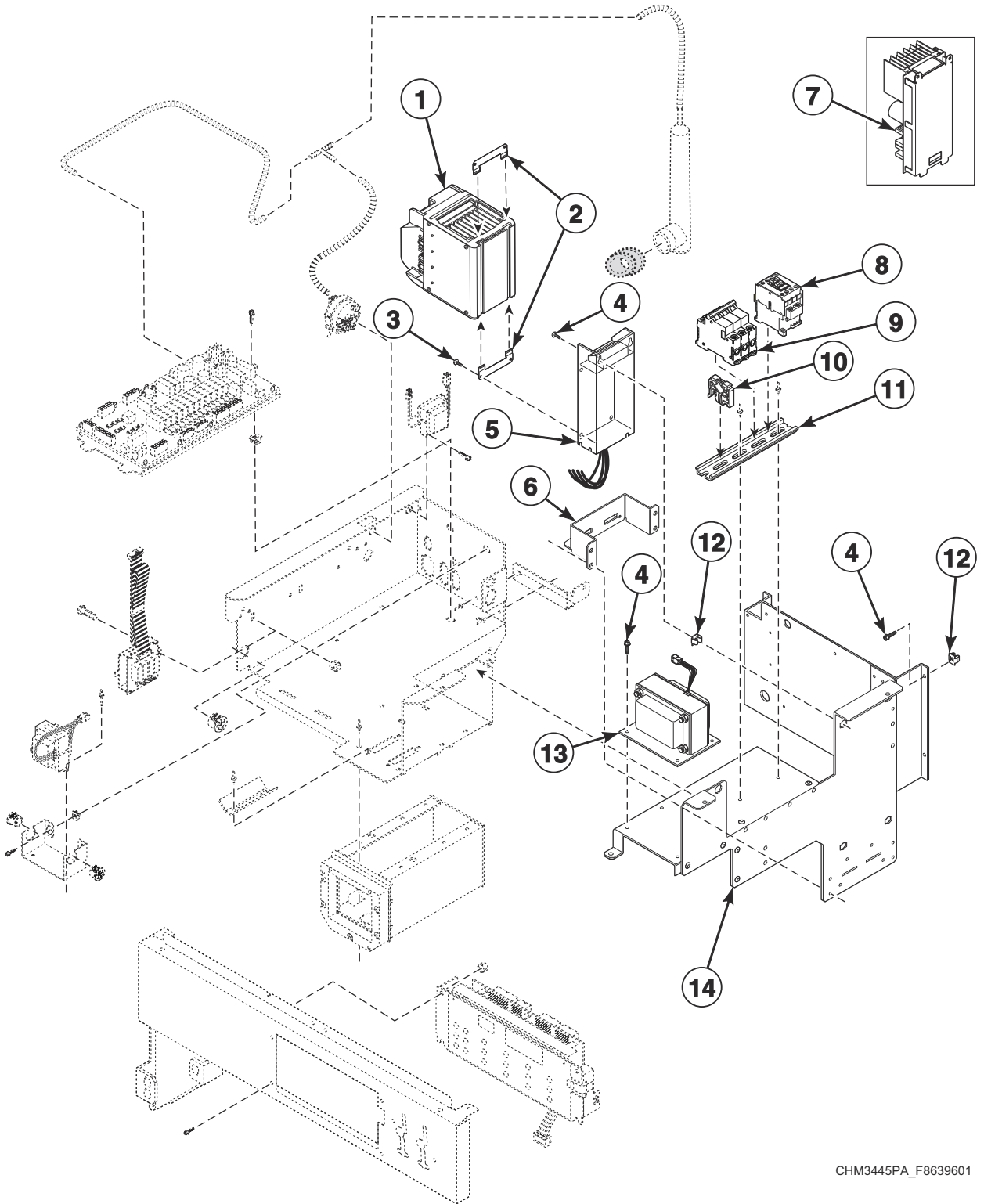


CHM3445P_F8639601

Control Module (Drawing 1 of 2)

REF	PART NO.	DESCRIPTION	COMMENTS
	F8433201	Control Tray Harness	
	F8028701	Output/Logic Harness	
	F8261501P	Control Tray Harness	40 and 60 pound models
	F8028101P	Machine Size Configuration Harness	20 pound models
	F8028103P	Machine Size Configuration Harness	30 pound models
	F8028104P	Machine Size Configuration Harness	40 pound models
	F8028105P	Machine Size Configuration Harness	60 pound models
	203346	USB IR Interface Kit	
	M413506	Jumper Harness Assembly	208 Volt
	M413507	Jumper Configuration Assembly	240 Volt
	F8191203P	External Supply Harness	20 and 30 pound models
	F8191201P	External Supply Harness	40 and 60 pound models
	F937P3	External Supply Kit	Includes items 1, 14, 430497 Screw, F8136601 Screw, F816179 Label, F8189401 Control Assembly and F8191201P External Supply Harness
1	F8206901	Screw	
2	70058501	Pop Rivet	
3	F8170801	Coin Chute	
4	70030501	Expansion Clip	
5	803527P	Transformer	
6	44071501	Snap Bushing	
7	F980P3	Control Assembly Kit	Includes item 10, F8028701 Output/Logic Harness and F8108001 Output Assembly
	802493	Fuse	2.5 Amp
	802492	Fuse	5 Amp
8	F8404401	Water Pressure Switch	Electric heat
9	F8153901	Tubing	
10	F8246601	Tee	Electric and steam heat
	F8431001	Hose Barb Connector	Standard
11	F8405301	Hose	
12	205241	Pressure Bulb	
13	F8433001	Grommet	
14	201616P	Transformer	External supply
15	F8359602P	Control Tray Assembly	20 and 30 pound models; Design 2; Includes items 5 and 17
	F8359707	Control Tray Assembly	20 and 30 pound models; Design 3; Includes items 5 and 17
	F8359604	Control Tray Assembly	40 and 60 pound models; Includes items 5 and 17
16	F8375201	Tray Support Bracket	
17	F8182501	Coin Vault Assembly	20 and 30 pound models; Design 2
	F8182601	Coin Vault Assembly	20 and 30 pound models Design 3; 40 and 60 pound models
18	F430232	Nut	
19	F8549012	Front End Control	IC F-speed models
	F8549002	Front End Control	IC V-speed models
	F108P3	Front End Control Kit	HCN F-speed models; Includes F8028701 Output/Logic Harness
	F104P3	Front End Control Kit	HCN V-speed models; Includes F8028701 Output/Logic Harness
	F109P3	Front End Control Kit	HCB, HCH, HCL and HCU F-speed models; Includes F8028701 Output/Logic Harness
	F105P3	Front End Control Kit	HCB, HCH, HCL and HCU V-speed models; Includes F8028701 Output/Logic Harness
20	F8599801	Bracket	
21	F430903	Screw	
22	F8189401P	Auxiliary Control Assembly	

Control Module (Drawing 2 of 2)

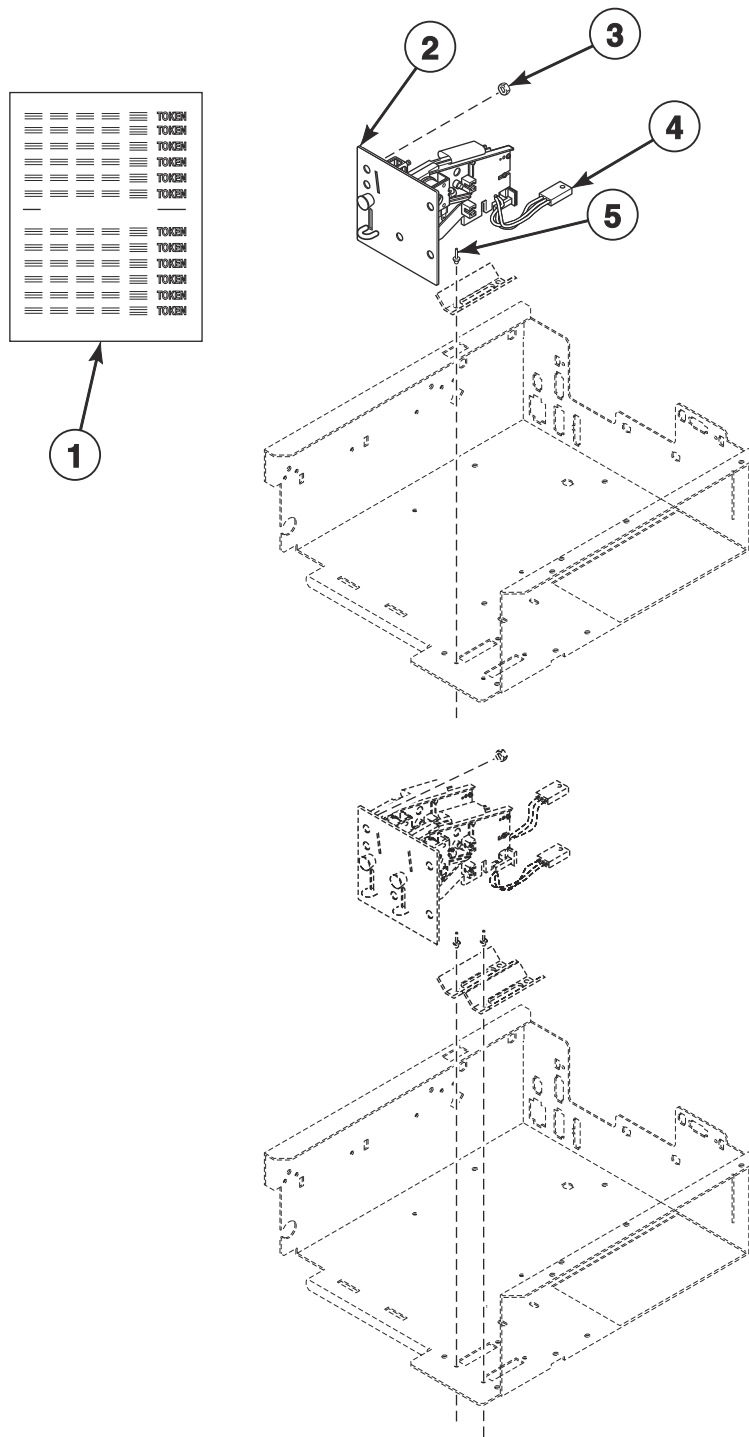


CHM3445PA_F8639601

Control Module (Drawing 2 of 2)

REF	PART NO.	DESCRIPTION	COMMENTS
	F8028701	Output/Logic Harness	
	F8261501P	Control Tray Harness	40 and 60 pound models
	F8028101P	Machine Size Configuration Harness	20 pound models
	F8028103P	Machine Size Configuration Harness	30 pound models
	F8028104P	Machine Size Configuration Harness	40 pound models
	F8028105P	Machine Size Configuration Harness	60 pound models
	203346	USB IR Interface Kit	
	M413506	Jumper Harness Assembly	208 Volt
	M413507	Jumper Configuration Assembly	240 Volt
	F8385102	Communication Harness	
	F8191203P	External Supply Harness	20 and 30 pound models
	F8191201P	External Supply Harness	40 and 60 pound models
	F937P3	External Supply Kit	Includes items 1, 14, 430497 Screw, F8136601 Screw, F816179 Label, F8189401 Control Assembly and F8191201P External Supply Harness
1	F8303601P	Drive Assembly	N and P-voltage; 5 hp
	F8204701P	Drive Assembly	60 pound models; Q and X-voltage; 3 hp
2	F8322401	Drive Mounting Bracket	Use with item 1
3	D503688	Screw	
4	F8206901	Screw	
5	F8053901P	EMI Filter	240 Volt; International models
	F8053902	EMI Filter	480 Volt; International models
6	F8310101	Lower Drive Mounting Bracket	Use with item 7
7	F8327301P	Drive Assembly	20, 30 and 40 pound models; B, Q and X-voltage; 2 hp
8	F330177P	Contactora	
9	70256901P	Circuit Breaker	Electric and steam heat
10	F8449801	End Stop	
11	F8385301	DIN Rail	
12	70030501	Expansion Clip	
13	F8401301	Transformer	
14	F8359801	Drive Tray Assembly	20 pound models
	F8359802	Drive Tray Assembly	30 pound models
	F8359803	Drive Tray Assembly	40 and 60 pound models

Flush Mount Coin Meter Assembly - Single Drop



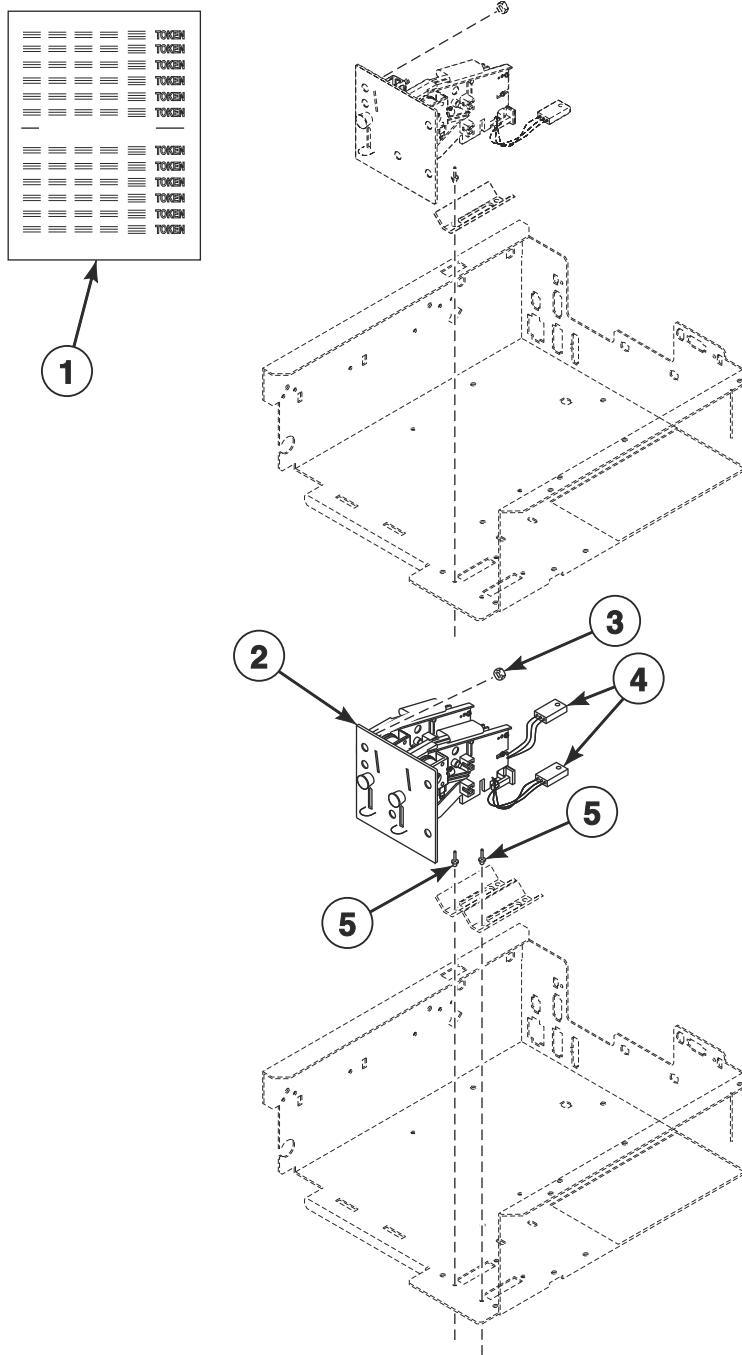
CHM3088P_F8639601

Flush Mount Coin Meter Assembly - Single Drop

REF	PART NO.	DESCRIPTION	COMMENTS
	F200010000P	Coin Meter Assembly	U.S. \$.25; Includes items 2 and 3
	F200010006	Coin Meter Assembly	.800 token; Includes items 2 and 3
	F200010007	Coin Meter Assembly	.880 token; Includes items 2 and 3
	F200010009	Coin Meter Assembly	.990 token; Includes items 2 and 3
	F200010011	Coin Meter Assembly	Jeton WH121 token; Includes items 2 and 3
	F200010012	Coin Meter Assembly	Jeton .08 token; Includes items 2 and 3
1	38725	Coin Identification Paper	
2	38464P	Coin Drop Assembly	Canada .25
	N/A	Coin Drop Assembly	Australia .20
	N/A	Coin Drop Assembly	Belgium 5 franc
	N/A	Coin Drop Assembly	Denmark 2 krone
	N/A	Coin Drop Assembly	United Kingdom 20 pence
	N/A	Coin Drop Assembly	France 2 franc
	N/A	Coin Drop Assembly	Hong Kong 5 dollar
	N/A	Coin Drop Assembly	Italy 500 lirrighet
	N/A	Coin Drop Assembly	Japan 100 yen
	N/A	Coin Drop Assembly	Korea 500 won
	N/A	Coin Drop Assembly	South Africa 2 rand
	N/A	Coin Drop Assembly	Spain 100 peseta
	N/A	Coin Drop Assembly	Thailand 10 baht
	N/A	Coin Drop Assembly	.886 token
	N/A	Coin Drop Assembly	1.000 token
	N/A	Coin Drop Assembly	Jeton 08 token
	70441601P	Coin Drop	U.S. \$.25
	N/A	Coin Drop Assembly	.800 token
	38462P	Coin Drop Assembly	Token; 118-1; .880 diameter x .079 thick; Brass
	38463	Coin Drop Assembly	Token; 118-5; .990 diameter x .081 thick; Silver
	N/A	Coin Drop Assembly	Jeton WH121 token
	N/A	Coin Meter	Jeton .08 token
3	685846	Nut	
4	200674P	Opto Coupler	
5	70058501	Pop Rivet	

N/A = Part no longer available

Flush Mount Coin Meter Assembly - Dual Drop



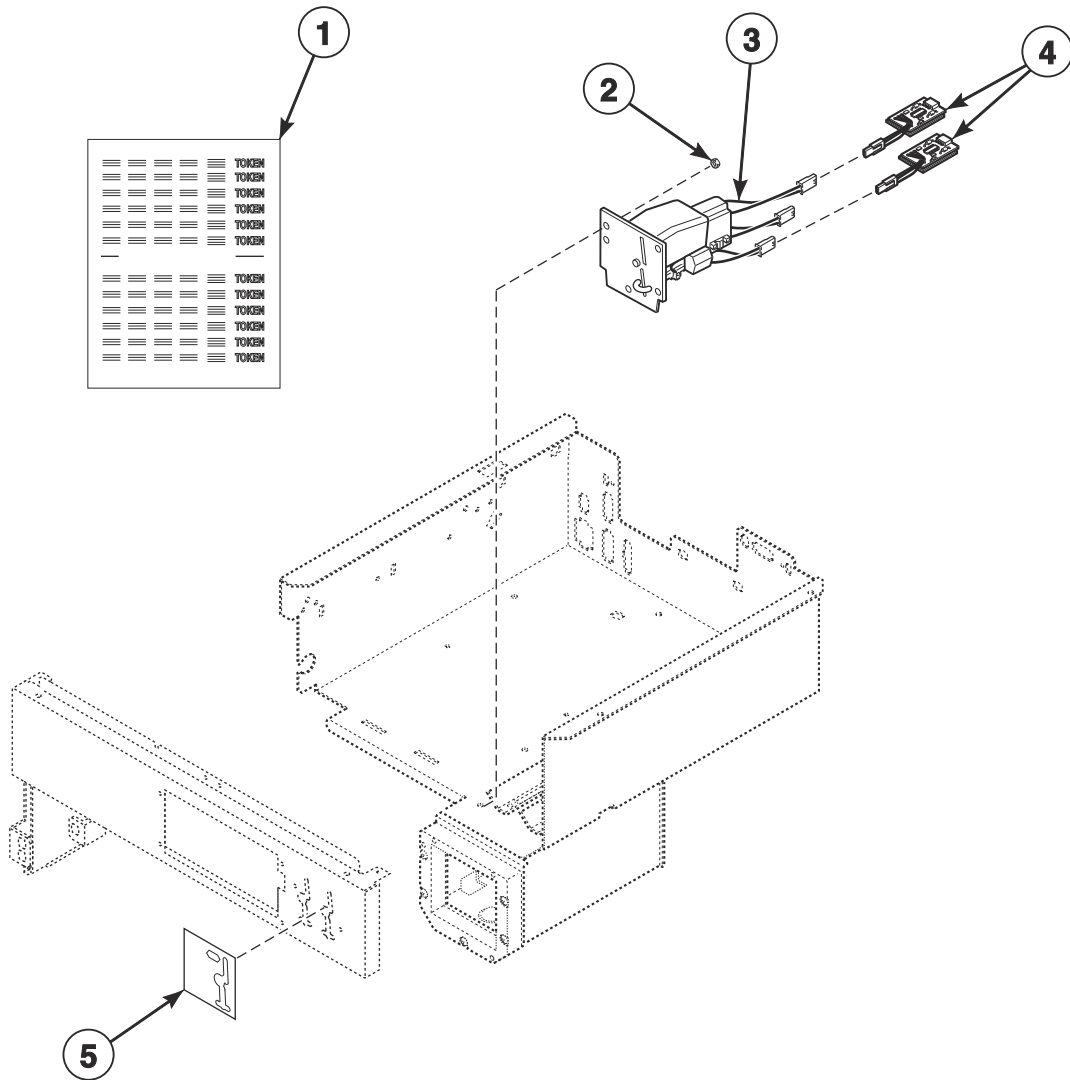
CHM3088PA_F8639601

Flush Mount Coin Meter Assembly - Dual Drop

REF	PART NO.	DESCRIPTION	COMMENTS
	F200010001	Coin Meter Assembly	Australia .20 and 1.00; Includes items 2 and 3
	F200010002	Coin Meter Assembly	100 and 500 yen; Includes items 2 and 3
	F200010003	Coin Meter Assembly	Canada .25 and 1.00; Includes items 2 and 3
	F200010004	Coin Meter Assembly	New Zealand .20 and 1.00; Includes items 2 and 3
	F200010005P	Coin Meter Assembly	U.S. \$.25 and \$1.00; Includes items 2 and 3
	F200010008	Coin Meter Assembly	.50 and 2.00 euro; Includes items 2 and 3
	F200010010	Coin Meter Assembly	10 and 50 Taiwan; Includes items 2 and 3
1	38725	Coin Identification Paper	
2	N/A	Coin Meter	10 and 50 Taiwan
	N/A	Coin Meter	Belgium 5 and 20 franc
	N/A	Coin Meter	Denmark 1 and 5 krone
	N/A	Coin Meter	Denmark 5 and 10 krone
	38472	Coin Drop Assembly	United Kingdom 20 pence and 1 pound
	N/A	Coin Meter	.20 and .50 euro
	210195	Coin Drop Assembly	.20 and 1.00 euro
	210196	Coin Drop Assembly	.50 and 1.00 euro
	N/A	Coin Meter	2 and 5 franc
	N/A	Coin Meter	2 and 10 franc
	39157	Coin Drop Assembly	Israel 1 and 5 shekel
	38521	Coin Drop Assembly	Korea 100 and 500 won
	N/A	Coin Meter	Spain 100 and 500 peseta
	N/A	Coin Drop Assembly	Australia .20 and 1.00
	N/A	Coin Drop Assembly	Japan 100 and 500 yen
	N/A	Coin Drop Assembly	Canada .25 and 1.00
	N/A	Coin Drop Assembly	New Zealand .20 and 1.00
	70256402P	Coin Drop	U.S. \$.25 and \$1.00
	F0160737-00	Coin Meter	.50 and 2.00 euro
	70281102	Coin Drop Assembly	Taiwan 10 and 50 dollar
	N/A	Coin Meter	Taiwan 5 and 10 dollar
3	685846	Nut	
4	200674P	Opto Coupler	
5	70058501	Pop Rivet	

N/A = Part no longer available

Electronic Coin Meter Assembly



CHM3089P_F8639601

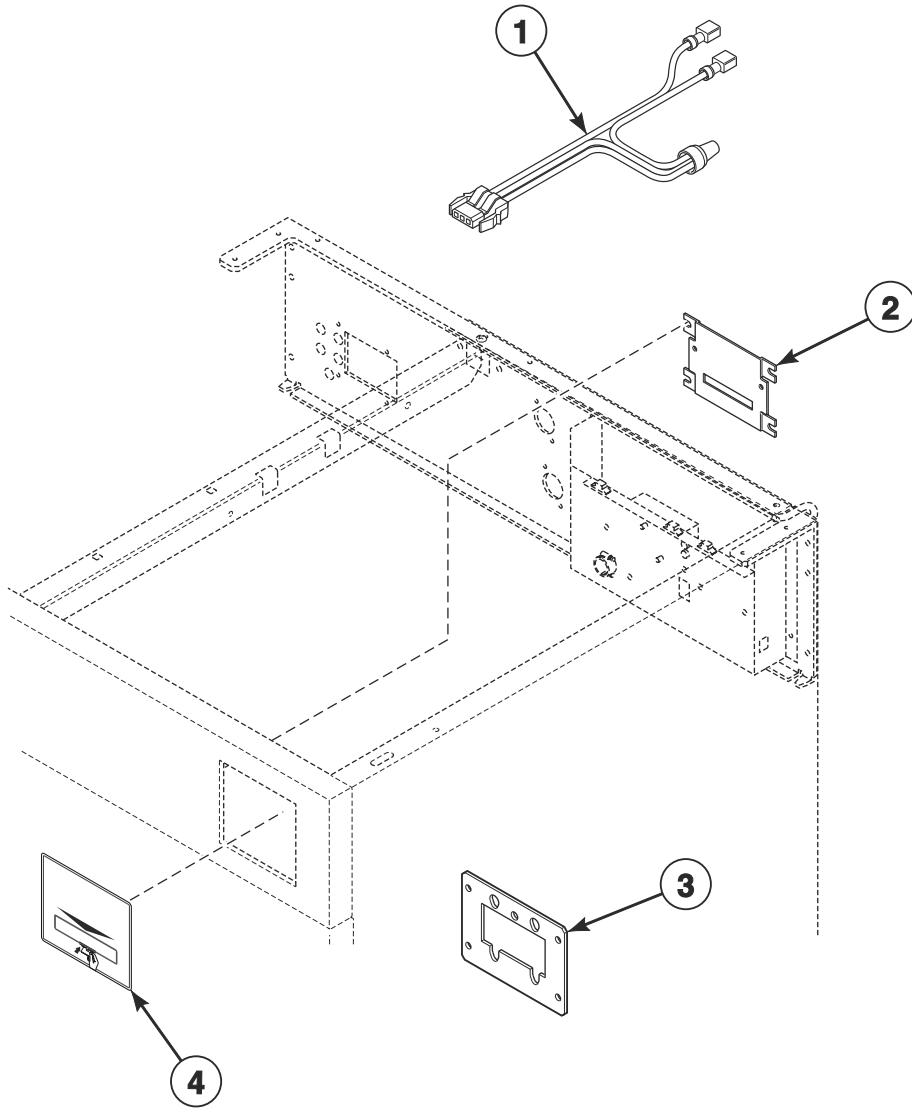
Electronic Coin Meter Assembly

REF	PART NO.	DESCRIPTION	COMMENTS
1	38725	Coin Identification Paper	
2	685846	Nut	
3	CK115	Electronic Coin Drop Kit	U.S. and Canada; Includes item 1*
	70513310	Electronic Coin Drop Assembly	Japan and Taiwan
	CK113	Electronic Coin Drop Kit	Japan and Taiwan; Includes item 1*
	CK099	Electronic Coin Drop Kit	Australia, Hong Kong, South Korea and New Zealand; Includes item 1*
	70294103P	Electronic Coin Drop Assembly	United Kingdom and Euro
	CK100	Electronic Coin Drop Kit	United Kingdom and Euro; Includes item 1*
	70294104	Electronic Coin Drop Assembly	Denmark, Norway and Euro
	CK101	Electronic Coin Drop Kit	Denmark, Norway and Euro; Includes item 1*
	70513306	Electronic Coin Drop Assembly	U.S., Mexico and Ecuador
	CK110	Electronic Coin Drop Kit	U.S., Mexico and Ecuador; Includes item 1*
	70294111	Electronic Coin Drop Assembly	Euro
	CK109	Electronic Coin Drop Kit	Euro; Includes item 1*
	70294119	Electronic Coin Drop Assembly	Thailand
	CK119	Electronic Coin Drop Kit	Thailand; Includes item 1*
	70294120	Electronic Coin Drop Assembly	Chile
	CK120	Electronic Coin Drop Kit	Chile; Includes item 1*
	70294121	Electronic Coin Drop Assembly	Singapore
	CK121	Electronic Coin Drop Kit	Singapore; Includes item 1*
	70482401	Coin Drop Assembly	New Zealand
	CK122	Coin Drop Kit	New Zealand; Includes item 1*
	70281102	Coin Drop Assembly	Taiwan
	CK107	Coin Drop Kit	Taiwan; Includes item 1*
	70513308	Electronic Coin Drop Assembly	South Africa
	CK108	Electronic Coin Drop Kit	South Africa; Includes item 1*
	70447301	Coin Drop Assembly	Australia \$1.00, \$2.00
	CK111	Coin Drop Kit	Australia \$1.00, \$2.00; Includes item 1*
	70513311	Electronic Coin Drop Assembly	China and Malaysia; Includes item 1*
	CK116	Electronic Coin Drop Kit	China and Malaysia; Includes item 1*
	70513312	Electronic Coin Drop Assembly	Russian
	CK117	Electronic Coin Drop Kit	Russian; Includes item 1*
	70513313	Electronic Coin Drop Assembly	Philippine
	CK118	Electronic Coin Drop Kit	Philippine; Includes item 1*
	70506901	Coin Drop Assembly	Singapore \$1.00SGD
	CK123	Coin Drop Kit	Singapore \$1.00SGD; Includes item 1*
4	F8034701P	Pulse Expander Assembly	
5	70295101	Overlay	Black
	70295301	Overlay	Gray

* NOTE: Requires CK500 Electronic Coin Drop Kit for installation.

Card Reader

KY Models

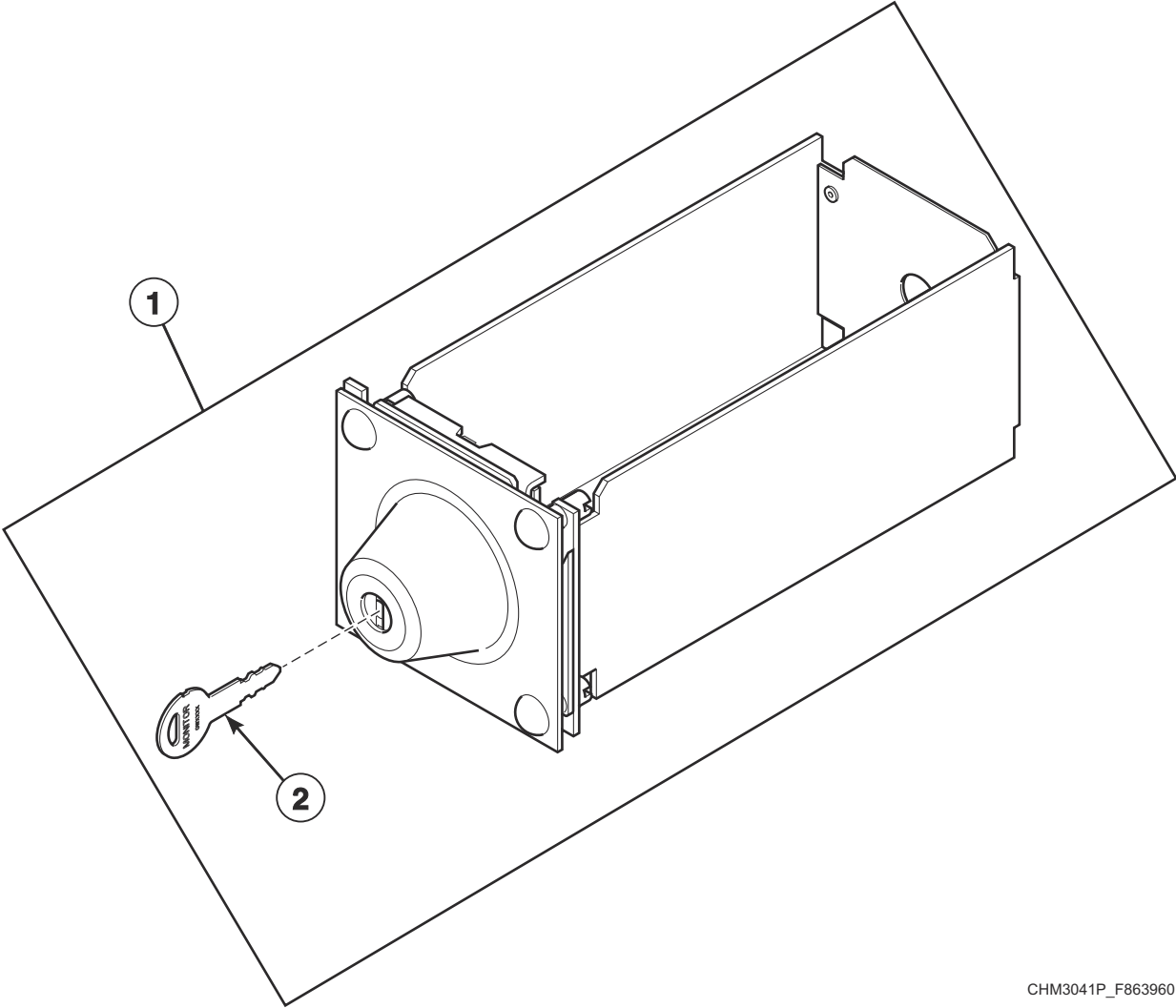


CHM3216P_F8639601

Card Reader

REF	PART NO.	DESCRIPTION	COMMENTS
	D511476	Jumper Harness	
1	F8191402	Vault/FBS Jumper Harness	Access
2	F8201501	Card Plate Assembly	
3	70208801	Mounting Plate	
4	70334201	Card Reader Overlay	Black
	70438201	Card Reader Overlay	Gray

Optional Coin Box

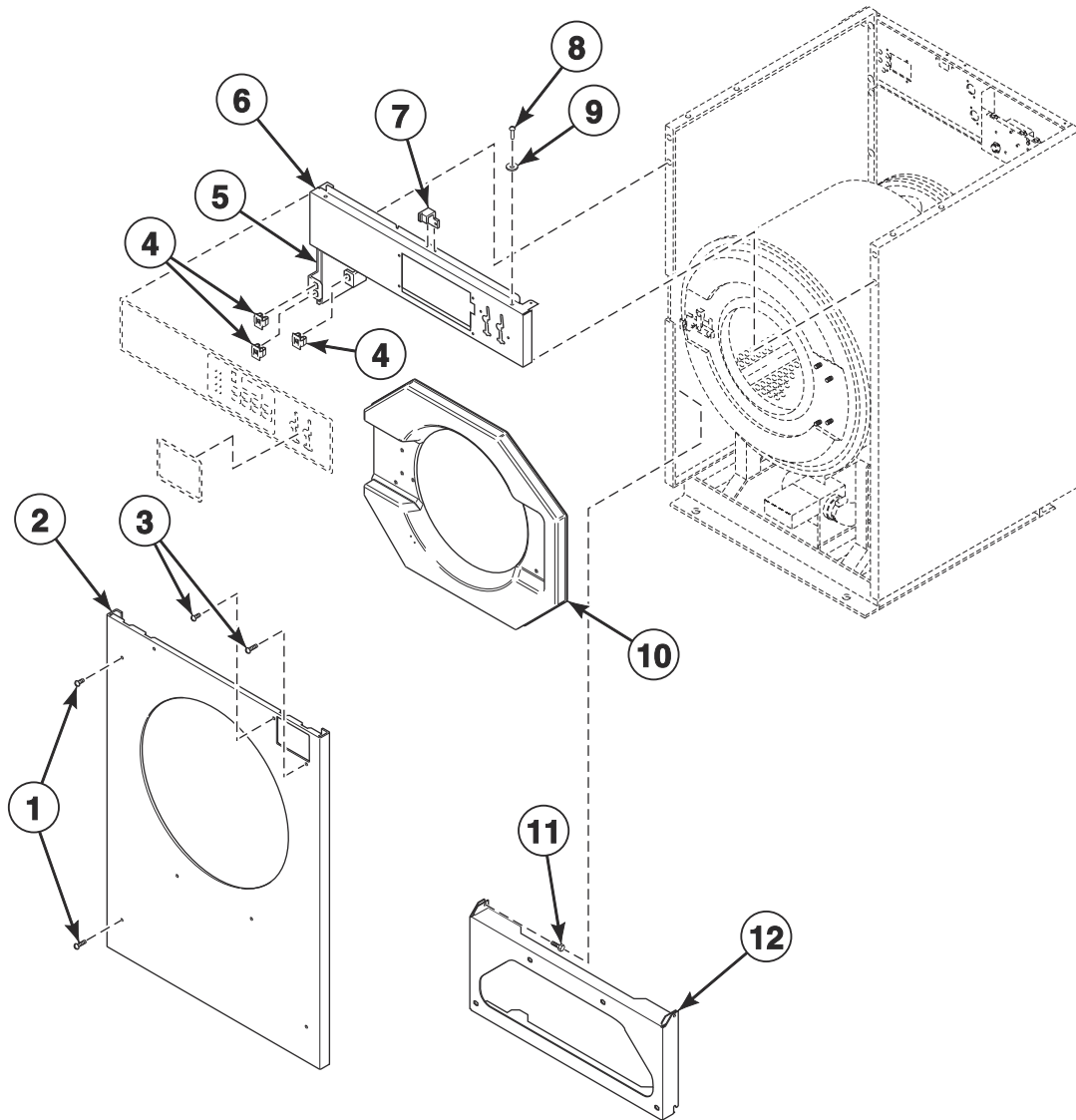


CHM3041P_F8639601

Optional Coin Box

REF	PART NO.	DESCRIPTION	COMMENTS
1	F160672	Coin Box	UG21; Design 2; 20 and 30 pound models
	F8182001	Coin Drawer Assembly	Design 3 20 and 30 pound models; 40 and 60 pound models
2	F160420	Key	GW0023

Front Panels and Control Panel - Coin and Remote/Central Pay Models

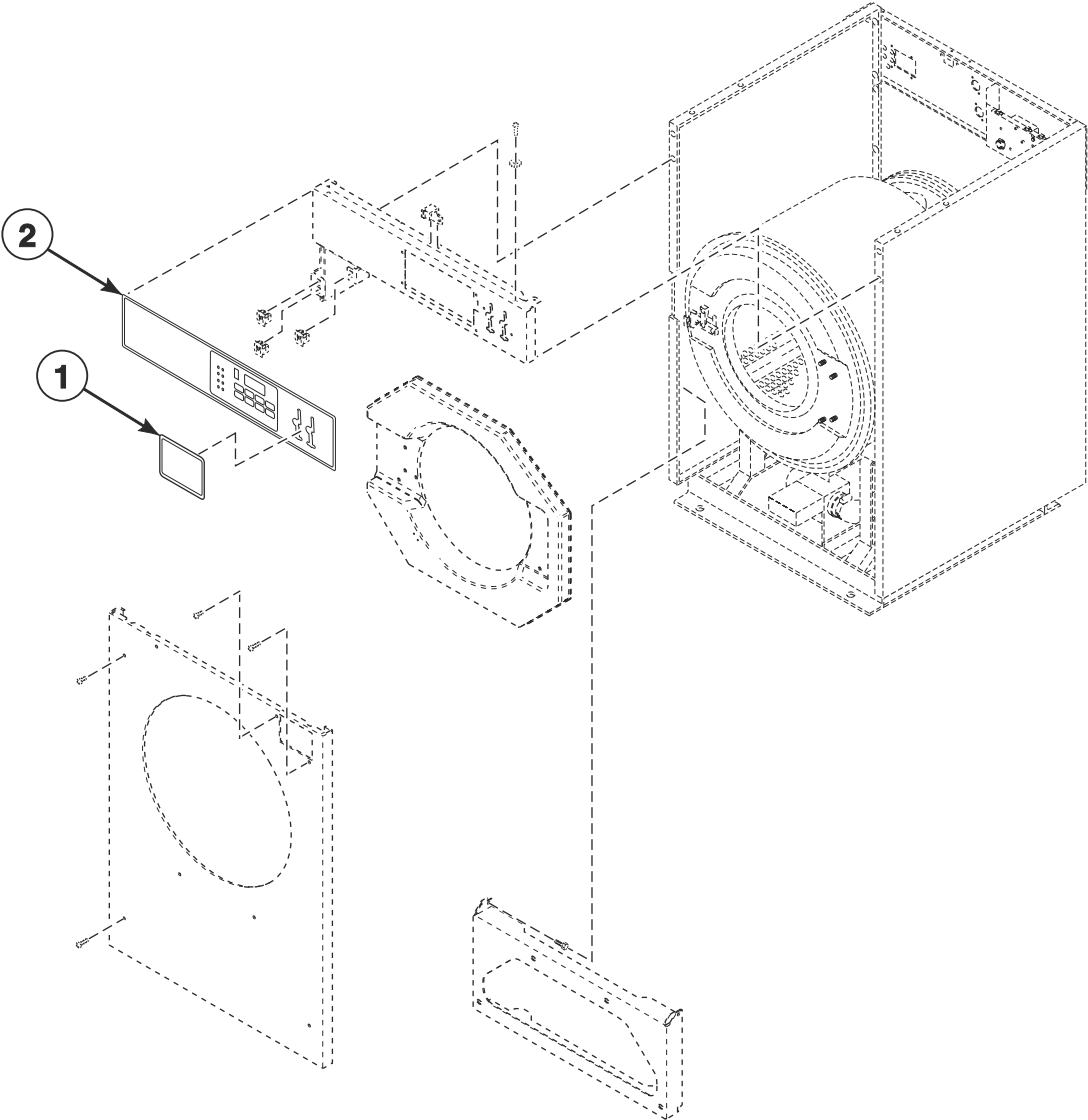


CHM3455P_F8639601

Front Panels and Control Panel - Coin and Remote/Central Pay Models

REF	PART NO.	DESCRIPTION	COMMENTS
1	F8117601	Screw	
2	F8171301	Front Panel	20 pound HC models; Design 2; Stainless steel; Vertical brush
	F8492301	Front Panel	20 pound HC models; Design 3; Stainless steel; Vertical brush
	F8492307	Front Panel	20 pound HC models; Design 3; Stainless steel; Horizontal brush
	F8492303	Front Panel	20 pound IC models; Stainless steel
	F8173001	Front Panel	30 pound HC models; Design 2; Stainless steel; Vertical brush
	F8173003	Front Panel	30 pound HC models; Design 3; Stainless steel; Vertical brush
	F8173009	Front Panel	30 pound HC models; Design 3; Stainless steel; Horizontal brush
	F8173004	Front Panel	30 pound IC models; Stainless steel
	F8173101P	Front Panel	40 pound HC models; Stainless steel; Vertical brush
	F8173107	Front Panel	40 pound HC models; Stainless steel; Horizontal brush
	F8173103	Front Panel	40 pound IC models; Stainless steel
	F8173201P	Front Panel	60 pound HC models; Stainless steel; Vertical brush
	F8173207	Front Panel	60 pound HC models; Stainless steel; Horizontal brush
	F8173203	Front Panel	60 pound IC models; Stainless steel
3	801019	Screw	
4	70030501	Expansion Clip	
5	F8186702	Gusset Plate	Left
6	F8038502	Control Panel Assembly	20 pound models
	F8038602	Control Panel Assembly	30 pound models
	F8038702	Control Panel Assembly	40 pound models
	F8038802	Control Panel Assembly	60 pound models
7	F8201001	Top Cover Latch	
8	70412601	Pop Rivet	
9	F8201101	Washer	
10	F8658701	Door Bezel	20 pound models; Black
	F8658801	Door Bezel	20 pound models; Gray
	F8658901	Door Bezel	30 pound models; Black
	F8659101	Door Bezel	40 and 60 pound models; Black
	F0170426-30	Door Bezel	40 and 60 pound models; Pantone 424
11	F430174	Screw	
12	F8173801	Front Cabinet Brace	20 pound models
	F8173901	Front Cabinet Brace	30 pound models
	F8174001	Front Cabinet Brace	40 pound models
	F8174101	Lower Cabinet Brace	60 pound models

Control Panel Overlays - Coin and Remote/Central Pay Models

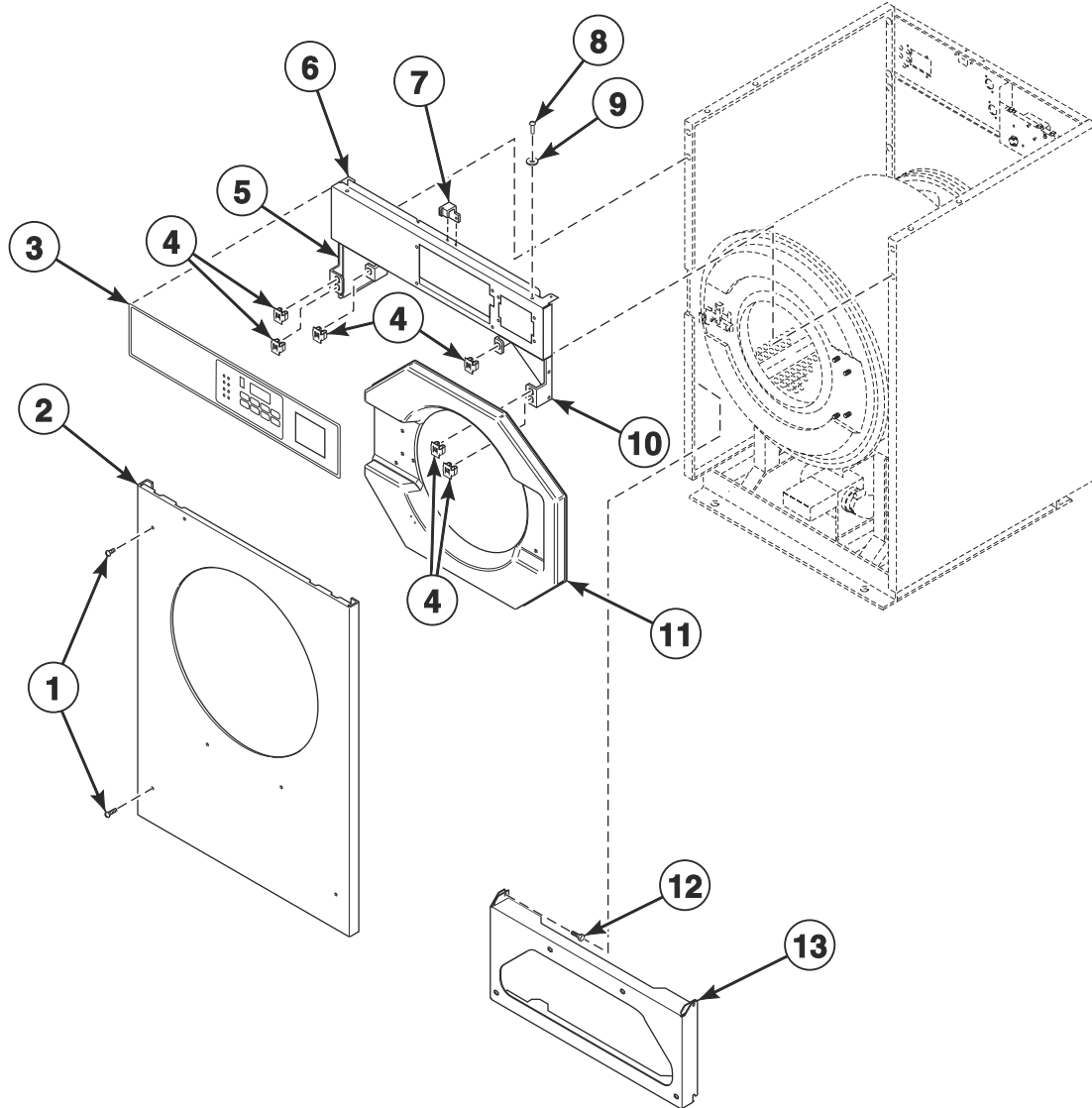


CHM3455PA_F8639601

Control Panel Overlays - Coin and Remote/Central Pay Models

REF	PART NO.	DESCRIPTION	COMMENTS
1	70275402	Cover Overlay	LF and LV models; Gray
2	F8559701	Control Panel Overlay	20 pound IC models; Single coin drop
	F8559702	Control Panel Overlay	20 pound IC models; Dual coin drop
	F8559801	Control Panel Overlay	30 pound IC models; Single coin drop
	F8559802	Control Panel Overlay	30 pound IC models; Dual coin drop
	F8559901	Control Panel Overlay	40 pound IC models; Single coin drop
	F8559902	Control Panel Overlay	40 pound IC models; Dual coin drop
	F8560001	Control Panel Overlay	60 pound IC models; Single coin drop
	F8560002	Control Panel Overlay	60 pound IC models; Dual coin drop
	F8443801	Control Panel Overlay	HCB, HCH, HCL and HCU models; Single coin drop
	F8443802	Control Panel Overlay	HCB, HCH, HCL and HCU models; Dual coin drop
	F8444401	Control Panel Overlay	20 pound HCN models; Gray; Single coin drop
	F8557601	Control Panel Overlay	20 pound HCN models; Gray/green; Single coin drop
	F8557501	Control Panel Overlay	20 pound HCN models; Green; Single coin drop
	F8444402	Control Panel Overlay	20 pound HCN models; Gray; Dual coin drop
	F8557602	Control Panel Overlay	20 pound HCN models; Gray/green; Dual coin drop
	F8557502	Control Panel Overlay	20 pound HCN models; Green; Dual coin drop
	F8444501	Control Panel Overlay	30 pound HCN models; Gray; Single coin drop
	F8557801	Control Panel Overlay	30 pound HCN models; Gray/green; Single coin drop
	F8557701	Control Panel Overlay	30 pound HCN models; Green; Single coin drop
	F8444502	Control Panel Overlay	30 pound HCN models; Gray; Dual coin drop
	F8557802	Control Panel Overlay	30 pound HCN models; Gray/green; Dual coin drop
	F8557702	Control Panel Overlay	30 pound HCN models; Green; Dual coin drop
	F8444601	Control Panel Overlay	40 pound HCN models; Gray; Single coin drop
	F8558001	Control Panel Overlay	40 pound HCN models; Gray/green; Single coin drop
	F8557901	Control Panel Overlay	40 pound HCN models; Green; Single coin drop
	F8444602	Control Panel Overlay	40 pound HCN models; Gray; Dual coin drop
	F8558002	Control Panel Overlay	40 pound HCN models; Gray/green; Dual coin drop
	F8557902	Control Panel Overlay	40 pound HCN models; Green; Dual coin drop
	F8444701	Control Panel Overlay	60 pound HCN models; Gray; Single coin drop
	F8558201	Control Panel Overlay	60 pound HCN models; Gray/green; Single coin drop
	F8558101	Control Panel Overlay	60 pound HCN models; Green; Single coin drop
	F8444702	Control Panel Overlay	60 pound HCN models; Gray; Dual coin drop
	F8558202	Control Panel Overlay	60 pound HCN models; Gray/green; Dual coin drop
	F8558102	Control Panel Overlay	60 pound HCN models; Green; Dual coin drop

Front Panel, Control Panel and Control Panel Overlays - Card Ready Models

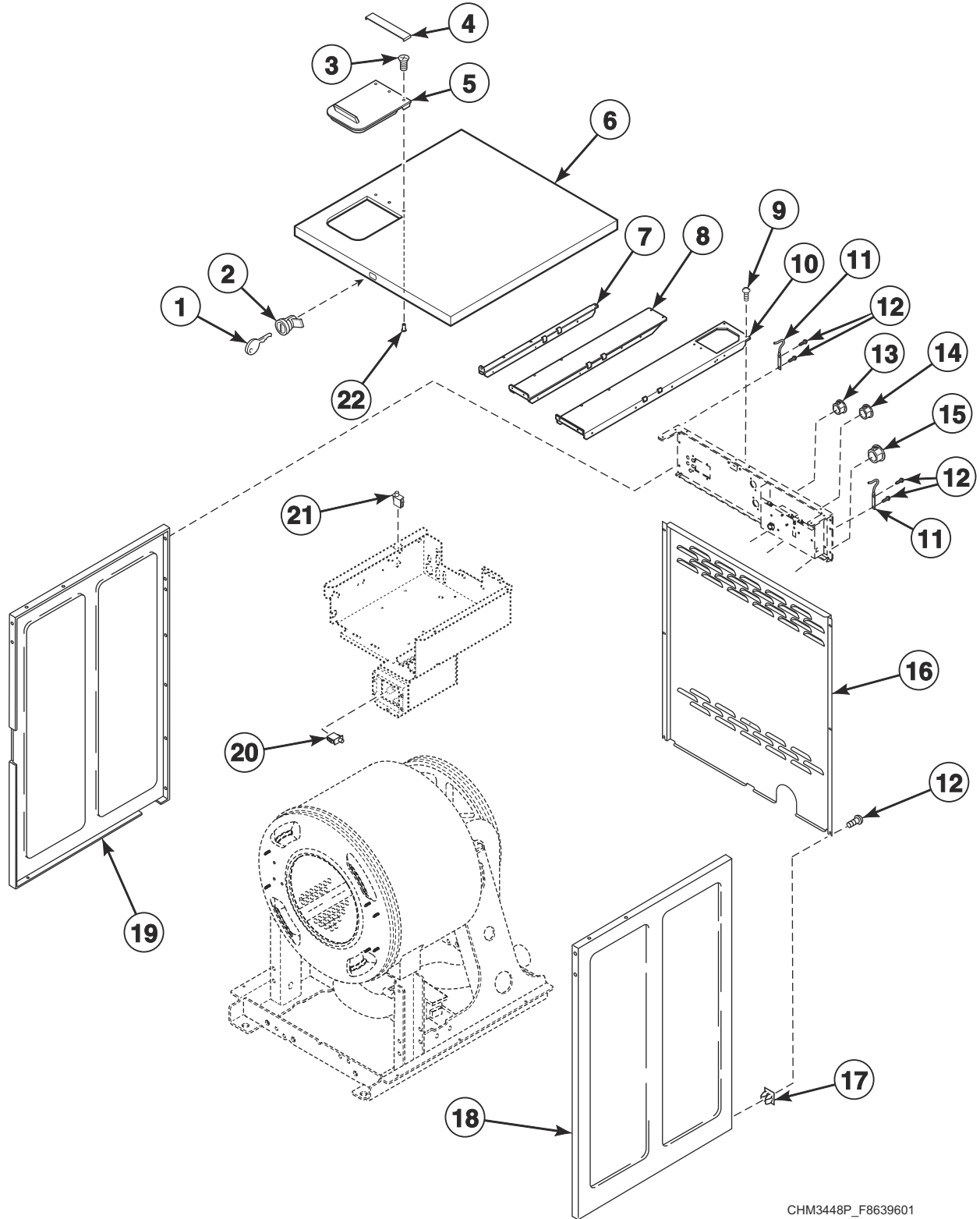


CHM3456P_F8639601

Front Panel, Control Panel and Control Panel Overlays - Card Ready Models

REF	PART NO.	DESCRIPTION	COMMENTS
1	F8117601	Screw	
2	F8492306	Front Panel	20 pound IC models; Stainless steel
	F8171301	Front Panel	20 pound HC models; Design 2; Stainless steel
	F8492302	Front Panel	20 pound HC models; Design 3; Stainless steel; Vertical brush
	F8492308	Front Panel	20 pound models; Design 3; Stainless steel; Horizontal brush
	F8173005	Front Panel	30 pound IC models; Stainless steel
	F8173002P	Front Panel	30 pound HC models; Stainless steel; Vertical brush
	F8173008	Front Panel	30 pound HC models; Stainless steel; Horizontal brush
	F8173104	Front Panel	40 pound IC models; Stainless steel
	F8173102P	Front Panel	40 pound HC models; Stainless steel; Vertical brush
	F8173108	Front Panel	40 pound HC models; Stainless steel; Horizontal brush
	F8173204	Front Panel	60 pound IC models; Stainless steel
	F8173202P	Front Panel	60 pound HC models; Stainless steel; Vertical brush
	F8173208	Front Panel	60 pound HC models; Stainless steel; Horizontal brush
	3	F8559703	Overlay
F8559803		Overlay	30 pound IC models
F8559903		Overlay	40 pound IC models
F8560003		Overlay	60 pound IC models
F8443803		Overlay	HCB, HCH, HCL and HCU models
F8444403		Overlay	20 pound HCN models; Gray
F8557603		Overlay	20 pound HCN models; Gray/green
F8557503		Overlay	20 pound HCN models; Green
F8444503		Overlay	30 pound HCN models; Gray
F8557803		Overlay	30 pound HCN models; Gray/green
F8557703		Overlay	30 pound HCN models; Green
F8444603		Overlay	40 pound HCN models; Gray
F8558003		Overlay	40 pound HCN models; Gray/green
F8557903		Overlay	40 pound HCN models; Green
F8444703		Overlay	60 pound HCN models; Gray
F8558203		Overlay	60 pound HCN models; Gray/green
F8558103		Overlay	60 pound HCN models; Green
4	70030501	Expansion Clip	
5	F8186702	Gusset Plate	Left
6	F8038504	Control Panel Assembly	20 pound models
	F8038604	Control Panel Assembly	30 pound models
	F8038704	Control Panel Assembly	40 pound models
	F8038804	Control Panel Assembly	60 pound models
7	F8201001	Top Cover Latch	
8	70412601	Pop Rivet	
9	F8201101	Washer	
10	F8186701	Gusset Plate	Right
11	F8658701	Door Bezel	20 pound IC models; Black
	F8658801	Door Bezel	20 pound HC models; Gray
	F8658901	Door Bezel	30 pound IC models; Black
	F8659101	Door Bezel	40 and 60 pound IC models; Black
	F0170426-30	Door Bezel	40 and 60 pound HC models; Gray
12	F430174	Screw	
13	F8173801	Front Cabinet Brace	20 pound models
	F8173901	Front Cabinet Brace	30 pound models
	F8174001	Front Cabinet Brace	40 pound models
	F8174101	Lower Cabinet Brace	60 pound models

Panels

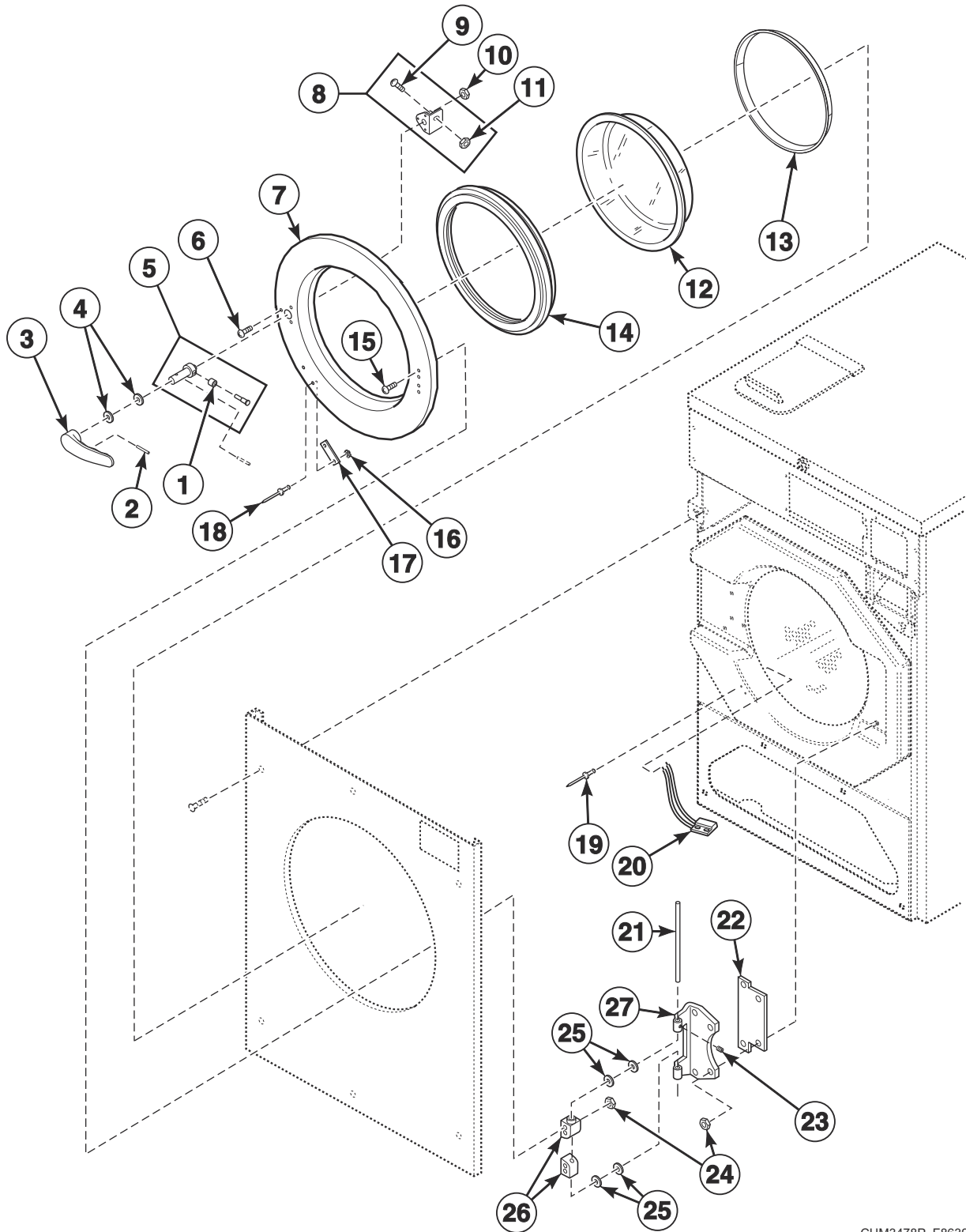


CHM3448P_F8639601

Panels

REF	PART NO.	DESCRIPTION	COMMENTS
1	70155603	Key	RL003
2	44089303P	Panel Lock	Use 44088801 Nut to secure lock to panel
3	F8230601	Screw	
4	F8091701	Lid Clamp	
5	F8048101	Dispenser Lid	Gray
6	F8040201	Top Cover	20 pound models
	F8017401	Top Cover	30 pound models
	F8040301	Top Cover	40 pound models
	F8040401P	Top Cover	60 pound models
7	F8043501	Top Cabinet Brace	20 pound models
8	F8043701	Top Cabinet Brace	30 pound models
9	431287	Screw	
10	F8043801	Top Cabinet Brace	40 pound models
	F8043901	Top Cabinet Brace	60 pound models
11	F8258601	Top Cover Hinge	
12	F8206901	Screw	
13	M400985	Plug	
14	F8223901	Plug	
15	F8223801	Hole Plug	
16	F8362401	Rear Panel	20 pound models; Design 2
	F8492501	Rear Panel	20 pound models; Design 3
	F8352801	Rear Panel	30 pound models
	F8365201	Rear Panel	40 pound models
	F8367101	Rear Panel	60 pound models
17	70030501	Expansion Clip	
18	F8399201	Right Side Panel	20 pound models; Design 2; Vinyl
	F8399203	Right Side Panel	20 pound models; Design 2; Stainless steel
	F8492401	Right Side Panel	20 pound models; Design 3; Vinyl
	F8492403	Right Side Panel	20 pound models; Design 3; Stainless steel
	F8399301	Right Side Panel	30 pound models; Vinyl
	F8399303	Right Side Panel	30 pound models; Stainless steel
	F8399401	Right Side Panel	40 pound models; Vinyl
	F8399403	Right Side Panel	40 pound models; Stainless steel
	F8399501	Right Side Panel	60 pound models; Vinyl
	F8399503	Right Side Panel	60 pound models; Stainless steel
19	F8399202	Left Side Panel	20 pound models; Design 2; Vinyl
	F8399204	Left Side Panel	20 pound models; Design 2; Stainless steel
	F8492402	Left Side Panel	20 pound models; Design 3; Vinyl
	F8492404	Left Side Panel	20 pound models; Design 3; Stainless steel
	F8399302	Left Side Panel	30 pound models; Vinyl
	F8399304	Left Side Panel	30 pound models; Stainless steel
	F8399402	Left Side Panel	40 pound models; Vinyl
	F8399404	Left Side Panel	40 pound models; Stainless steel
	F8399502P	Left Side Panel	60 pound models; Vinyl
	F8399504	Left Side Panel	60 pound models; Stainless steel
20	70413301	Pushbutton Switch	
21	70413301	Pushbutton Switch	
22	F8230501	Bolt	

Door - 20 Pound Models

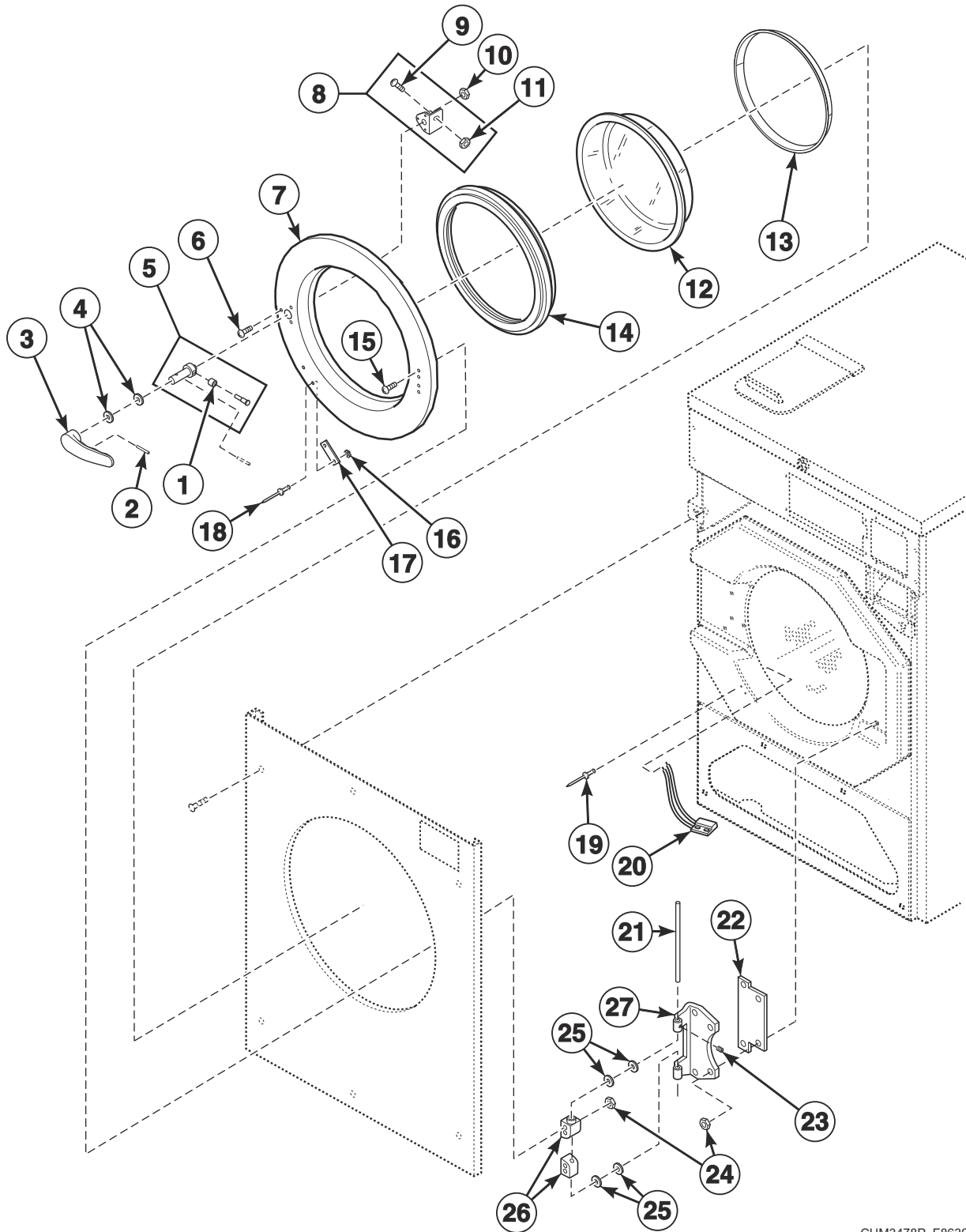


CHM3478P_F8639601

Door - 20 Pound Models

REF	PART NO.	DESCRIPTION	COMMENTS
	F8187202	Door Assembly	IC models; Includes items 1-18 and 21-27
	F8187205	Door Assembly	IC models; Includes items 1-18 and 21-27; Chrome
	F8187203	Door Assembly	HC models; Includes items 1-18 and 21-27
	F8187206	Door Assembly	HC models; Includes items 1-18 and 21-27; Chrome
1	F8221701	Bearing Sleeve	
2	F431222	Spring Pin	
3	F8199502	Door Handle	IC models; Black
	F8199501	Door Handle	HC models; Gray
	F8544701	Door Handle	HC models; Chrome
4	F431916	Washer	
5	F8221403	Door Latch Arm Assembly	
6	F8535501	Screw	
	F8508101	Bolt	Chrome
7	F0602431-02	Door	
	F8507501P	Door	Chrome
8	F8567501	Door Handle Spacer Kit	Includes items 9 and 11
9	F430532	Screw	
10	F430232	Nut	
11	F431041	Nut	
12	F290205P	Door Glass Kit	IC models
	F8675701	Door Glass	HC models
13	F8583201	Door Glass Trim	Black
	F8583204	Door Glass Trim	Green
14	F200000202	Door Gasket	IC models; HC models starting 10/13/14; Black
	F200000200	Door Gasket	HC models; Models through 10/12/14; Gray
15	F430974	Bolt	
	F8508101	Bolt	Polished
16	F431113	Washer	
17	F8390801	Magnet	
18	F431223	Pop Rivet	
19	F8245101	Blind Rivet	
20	F8066802	Reed Switch Assembly	
21	F602813-2	Rod	
22	F200131000P	Door Hinge Shim Kit	
23	F430536	Screw	
24	F430215	Nut	
25	F431929	Washer	
26	F150271	Door Mount	
27	F190216P	Door Hinge	

Door - 30 Pound Models

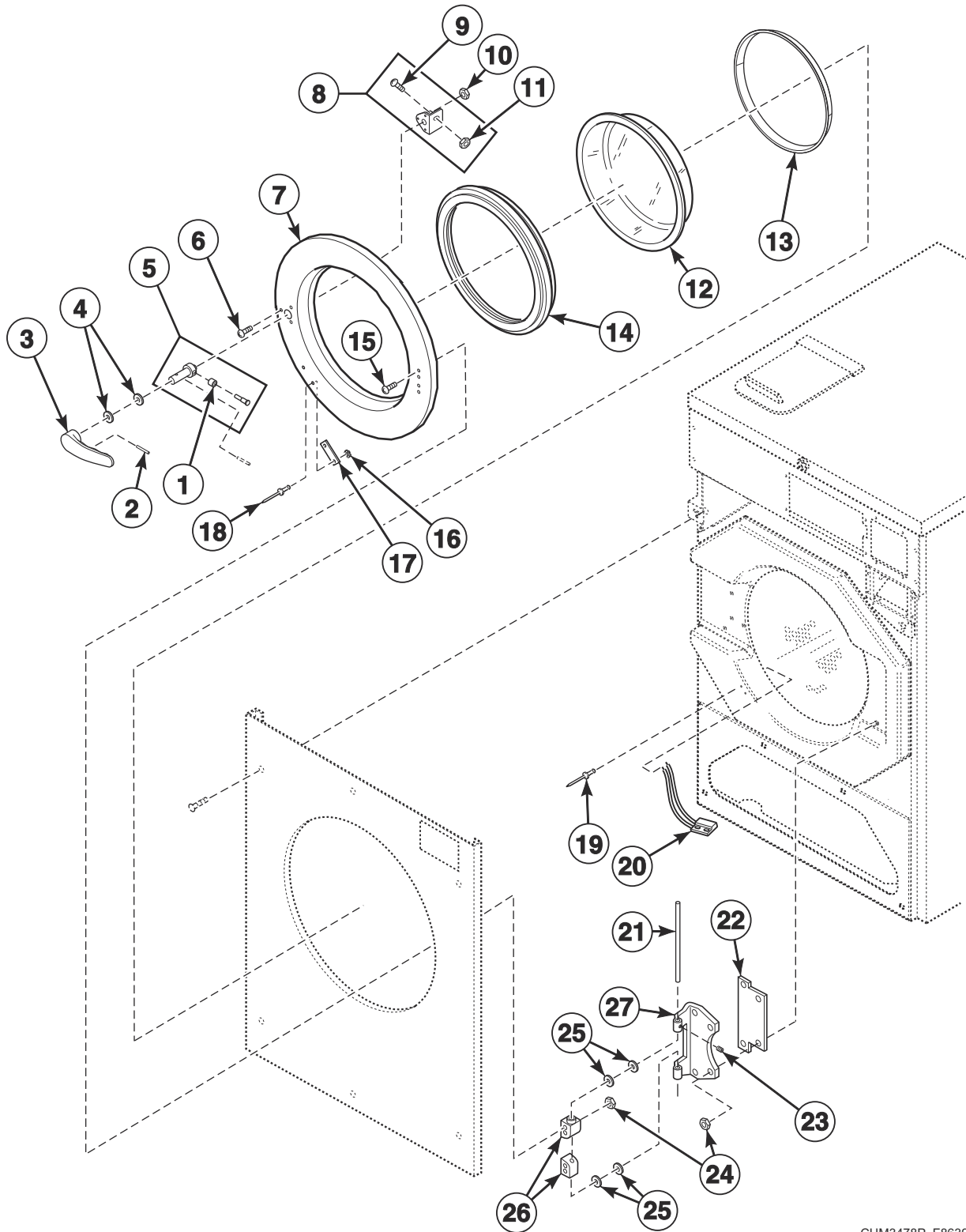


CHM3478P_F8639601

Door - 30 Pound Models

REF	PART NO.	DESCRIPTION	COMMENTS
	F8187302	Door Assembly	IC models; Includes items 1-18 and 21-27
	F8187305	Door Assembly	IC models; Includes items 1-18 and 21-27; Chrome
	F8187303	Door Assembly	HC models; Includes items 1-18 and 21-27
	F8187306	Door Assembly	HC models; Includes items 1-18 and 21-27; Chrome
1	F8221701	Bearing Sleeve	
2	F431222	Spring Pin	
3	F8199502	Door Handle	IC models; Black
	F8199501	Door Handle	HC models; Gray
	F8544701	Door Handle	HC models; Chrome
4	F431916	Washer	
5	F8221403	Door Latch Arm Assembly	
6	F8535501	Screw	
	F8508101	Bolt	Chrome
7	F0602837-02	Door	
	F8752601	Door	Chrome
8	F8567501	Door Handle Spacer Kit	Includes items 9 and 11
9	F430533	Screw	
10	F430232	Nut	
11	F431041	Nut	
12	F8485301P	Door Glass	IC models
	F8485305	Door Glass	HC models
13	F8583202	Door Glass Trim	Black
	F8583205	Door Glass Trim	Green
14	F8111601	Door Gasket	HC models; Models through 10/12/14; Gray
	F8111602	Door Gasket	IC models; HC models starting 10/13/14; Black
15	F430974	Bolt	
	F8508101	Bolt	Polished
16	F431113	Washer	
17	F8390801	Magnet	
18	F431223	Pop Rivet	
19	F8245101	Blind Rivet	
20	F8066802	Reed Switch Assembly	
21	F602813-2	Rod	
22	F200131000P	Door Hinge Shim Kit	
23	F430536	Screw	
24	F430215	Nut	
25	F431929	Washer	
26	F150271	Door Mount	
27	F190216P	Door Hinge	

Door - 40 and 60 Pound Models

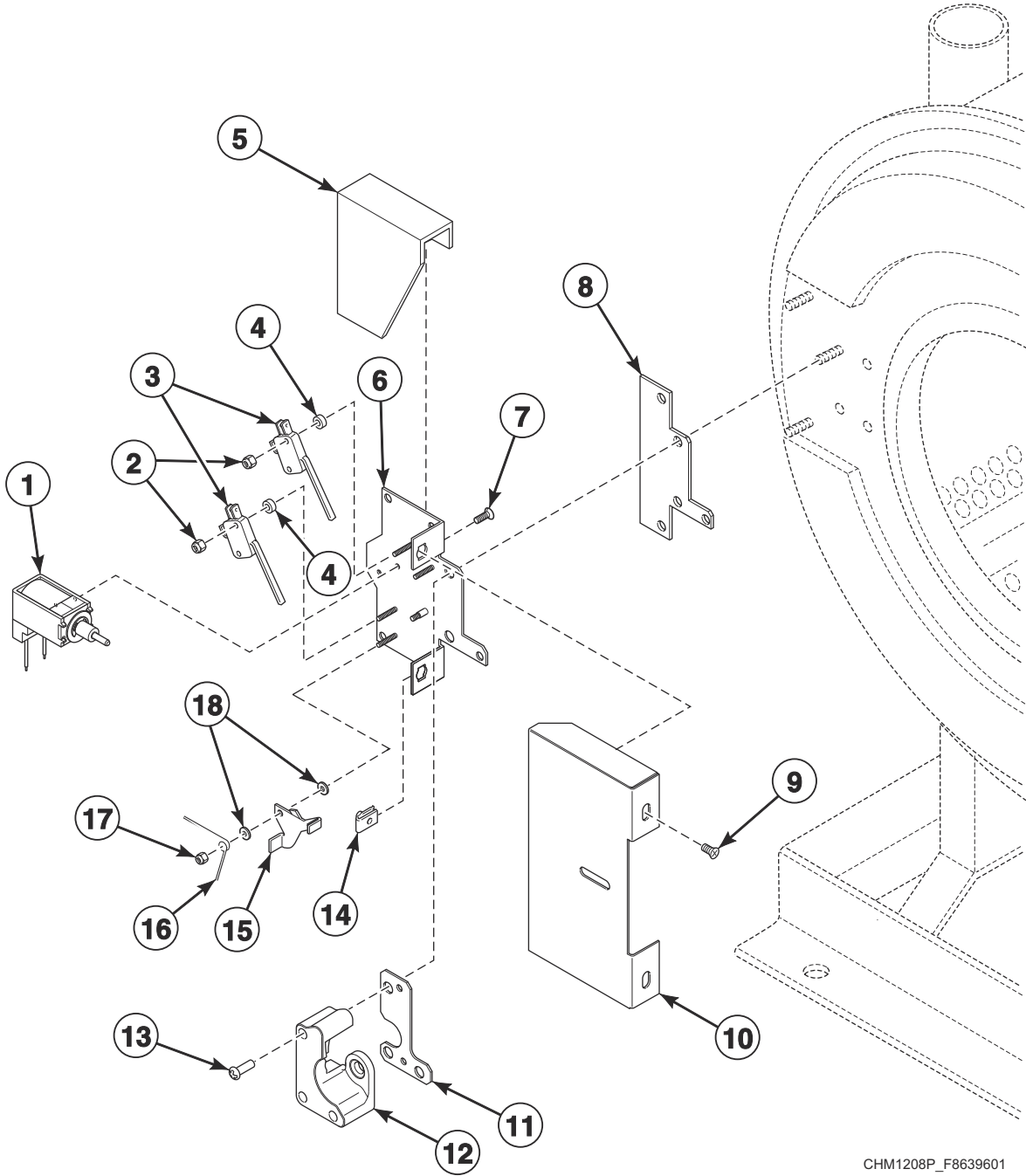


CHM3478P_F8639601

Door - 40 and 60 Pound Models

REF	PART NO.	DESCRIPTION	COMMENTS
	F8187402	Door Assembly	IC models; Includes items 1-18 and 21-27
	F8187411P	Door Assembly	IC models; Includes items 1-18 and 21-27; Chrome
	F8187403	Door Assembly	HC models; Includes items 1-18 and 21-27
	F8187406	Door Assembly	HC models; Includes items 1-18 and 21-27; Chrome
1	F8221701	Bearing Sleeve	
2	F431222	Spring Pin	
3	F8199502	Door Handle	IC models; Black
	F8199501	Door Handle	HC models; Gray
	F8544701	Door Handle	HC models; Chrome
4	F431916	Washer	
5	F8221403	Door Latch Arm Assembly	
6	F8535501	Screw	
	F8508101	Bolt	Chrome
7	F602842-2	Door	Vertical brush
	F8507701	Door	Chrome
	F8507702	Door	Horizontal brush
8	F8567501	Door Handle Spacer Kit	Includes items 9 and 11
9	F430533	Screw	
10	F430232	Nut	
11	F431041	Nut	
12	F8485401P	Door Glass	IC models
	F8485405	Door Glass	HC models
13	F8583203	Door Glass Trim	Black
	F8583206	Door Glass Trim	Green
14	F170124	Door Gasket	HC models; Models through 10/12/14; Gray
	F8111502	Door Gasket	IC models; HC models starting 10/13/14; Black
15	F430974	Bolt	
	F8508101	Bolt	Polished
16	F431113	Washer	
17	F8390801	Magnet	
18	F431223	Pop Rivet	
19	F8245101	Blind Rivet	
20	F8066802	Reed Switch Assembly	
21	F602813-3	Rod	
22	F200131000P	Door Hinge Shim Kit	
23	F430536	Screw	
24	F430215	Nut	
25	F431929	Washer	
26	F150271	Door Mount	
27	F190216P	Door Hinge	

Door Lock

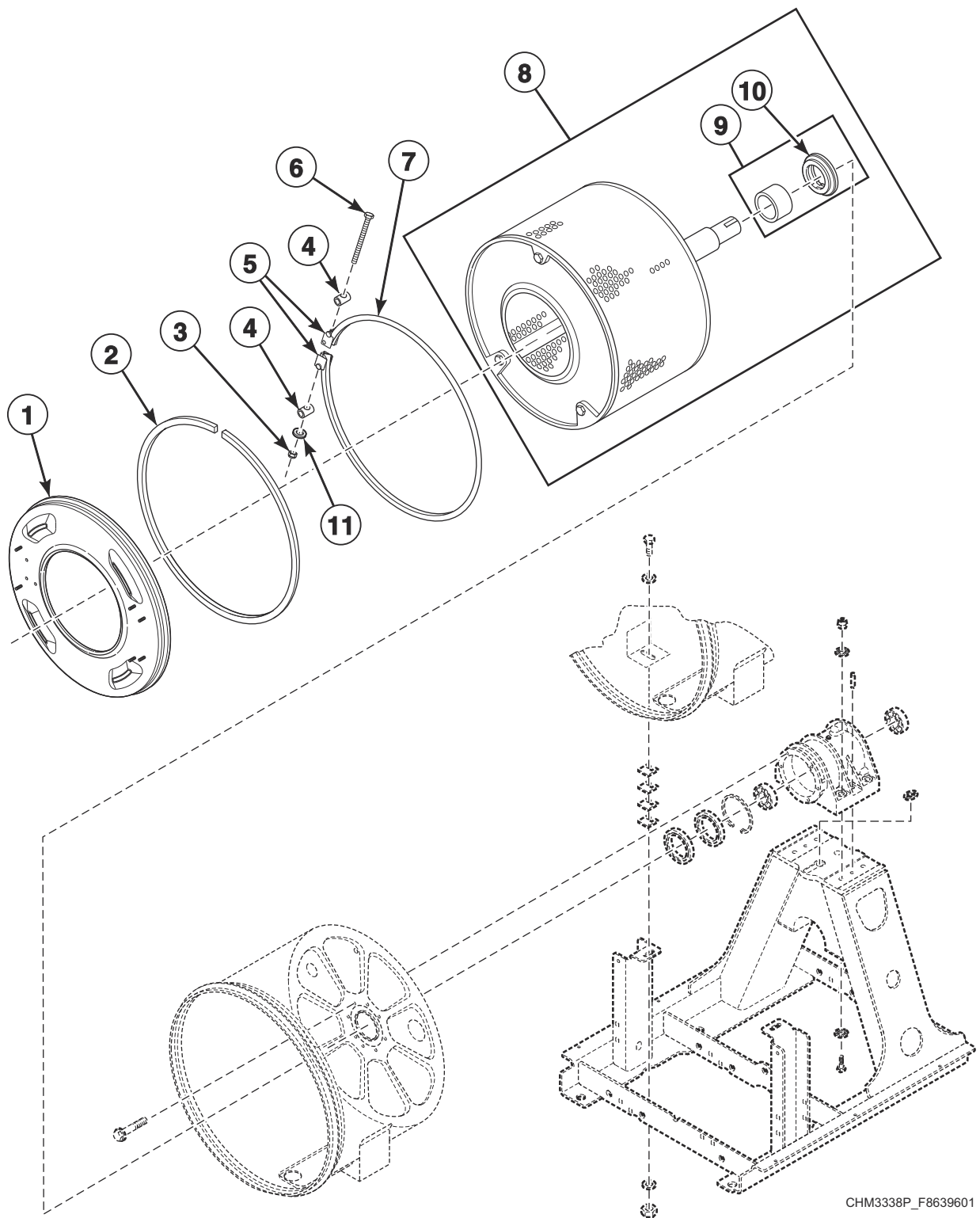


CHM1208P_F8639601

Door Lock

REF	PART NO.	DESCRIPTION	COMMENTS
	F8632401	Door Lock Assembly	
	F8340001	External Door Lock Harness	
1	F977P3	Door Lock Solenoid Replacement Kit	Includes F8340101 Solenoid
2	F430225	Nut	
3	F200203200	Door Lock Microswitch	
4	F431901	Spacer	
5	F320200	Door Lock Splash Shield	
6	F8223202	Door Lock Plate Assembly	
7	F430977	Screw	
8	F8344401	Door Lock Plate Shim	
9	F430956	Screw	
10	F8245001	Door Lock Cover	
11	F8484401	Shim	Models through 9/9/14 with F8567501 Door Handle Spacer
12	F8344501	Door Lock Catch	
13	F8270701	Bolt	
14	F430264	Nut	
15	F8223401	Door Lock Switch Lever	
16	F8070301	Torsion/Door Lock Spring	
17	F430232	Nut	
18	F431902	Washer	

Shell Front and Basket

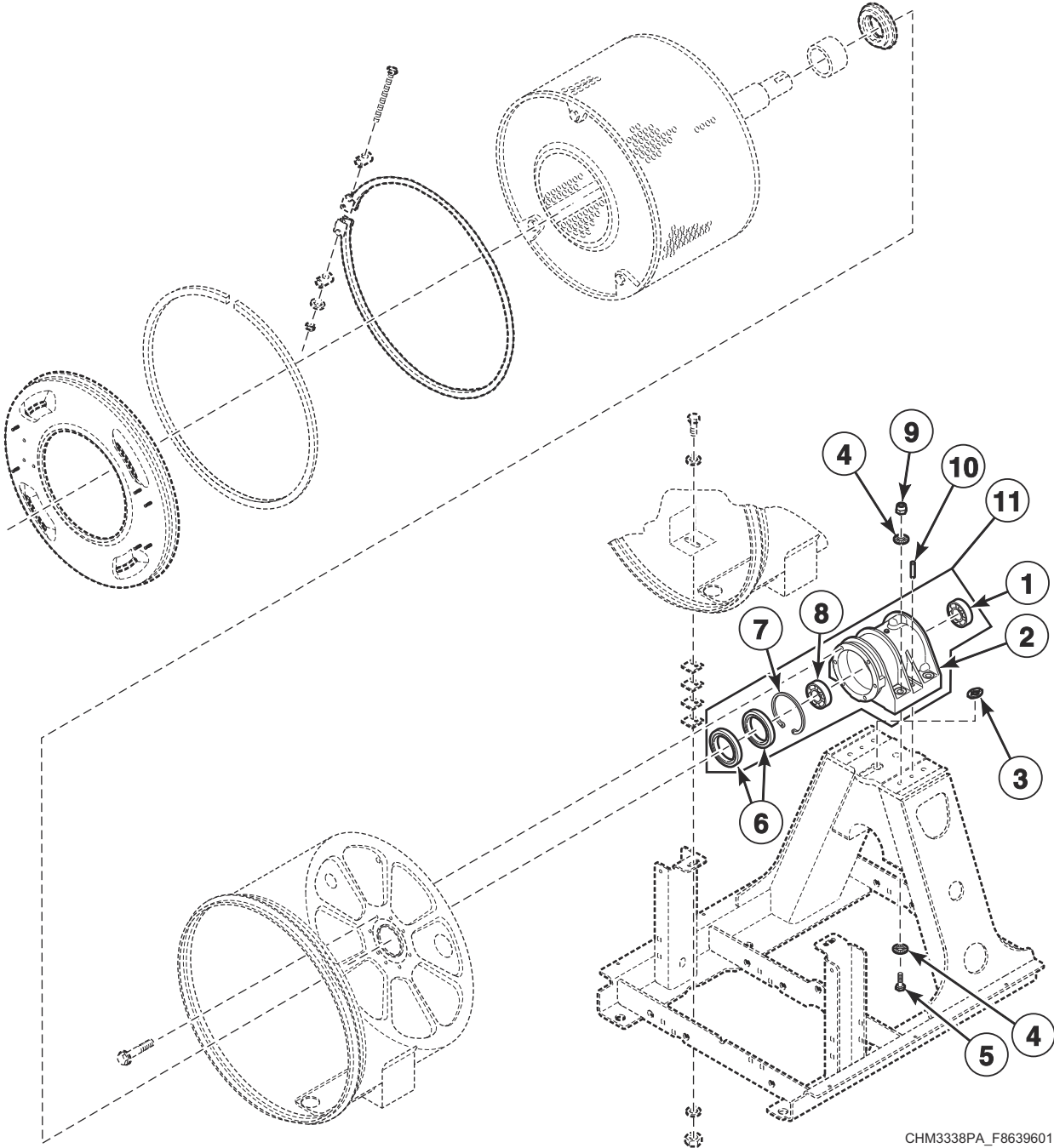


CHM3338P_F8639601

Shell Front and Basket

REF	PART NO.	DESCRIPTION	COMMENTS
	389P4	Basket Tool Kit	Purchase; Requires F460129P Basket Puller Tool
	390P4-1	Basket Rental Tool Kit	Requires F460126P Bearing Puller Tool
	F460129P	Basket Puller Tool	
	F8608502P	Basket Pulley Puller Tool	Use with F460129P Basket Puller Tool
	F980204341	Basket and Bearing Assembly	20 pound models; Viton; Includes item 8 and F8271602 Bearing House Assembly
	F980204342	Basket and Bearing Assembly	30 pound models; Viton; Includes item 8 and F8271702 Bearing House Assembly
	F980204343	Basket and Bearing Assembly	40 pound models; Viton; Includes item 8 and F8271802 Bearing House Assembly
	F980204344	Basket and Bearing Assembly	60 pound models; Viton; Includes item 8 and F8271902 Bearing House Assembly
	F8388001	Clamp Ring Assembly	20 pound models; Includes items 5 and F602297 Outer Shell Band
	F8388002	Clamp Ring Assembly	30 pound models; Includes items 5 and F631838 Outer Shell Band
	F8388003	Clamp Ring Assembly	40 pound models; Includes items 5 and F603108 Outer Shell Band
	F8388004	Clamp Ring Assembly	60 pound models; Includes items 5 and F603207 Outer Shell Band
1	F8229401	Shell Front Assembly	20 pound models
	F8229501	Shell Front Assembly	30 pound models
	F8229601	Shell Front Assembly	40 pound models
	F8229701	Shell Front Assembly	60 pound models
2	F8513501	Shell Front Gasket Kit	
3	F430218	Nut	
4	F8302701	Pin	
5	F8302402	Clamp Ring Bracket	
6	800462	Screw	
7	F8537801	Shell Band Kit	20 pound models
	F8537802	Shell Band Kit	30 pound models
	F8537803	Shell Band Kit	40 pound models
	F8537804	Shell Band Kit	60 pound models
8	F8391301P	Basket Assembly	20 pound models; Includes items 9 and 10; Standard
	F8391303	Basket Assembly	20 pound models; Viton
	F8391501P	Basket Assembly	30 pound models; Includes items 9 and 10; Standard
	F8391503	Basket Assembly	30 pound models; Viton
	F8391701P	Basket Assembly	40 pound models; Includes items 9 and 10; Standard
	F8391703	Basket Assembly	40 pound models; Viton
	F8502801P	Basket Assembly	60 pound models; Replaces F8391901P Basket Assembly; Includes items 9 and 10; Standard
	F8502804	Basket Assembly	60 pound models; Viton
9	F8343901P	Shaft Seal Sleeve Kit	20 pound models; Includes item 10
	F8343904P	Shaft Seal Sleeve Kit	30 pound models; Includes item 10
	F8343906P	Shaft Seal Sleeve Kit	40 pound models; Includes item 10
	F8343909P	Shaft Seal Sleeve Kit	60 pound models; Includes item 10; Use with F8391901P Basket Assembly
	F8343914	Shaft Seal Sleeve	60 pound models; Use with F8502801P Basket Assembly
10	F8336801	Excluder Seal	20 pound models
	F8336802	Excluder Seal	20 pound models; Viton
	F8336901	Excluder Seal	30 pound models
	F8336902	Excluder Seal	30 pound models; Viton
	F8337001	Excluder Seal	40 pound models
	F8337002	Excluder Seal	40 pound models; Viton
	F8337101	Excluder Seal	60 pound models
	F8527701	Excluder Seal	60 pound models; Viton
11	M400081	Washer	

Bearing Housing

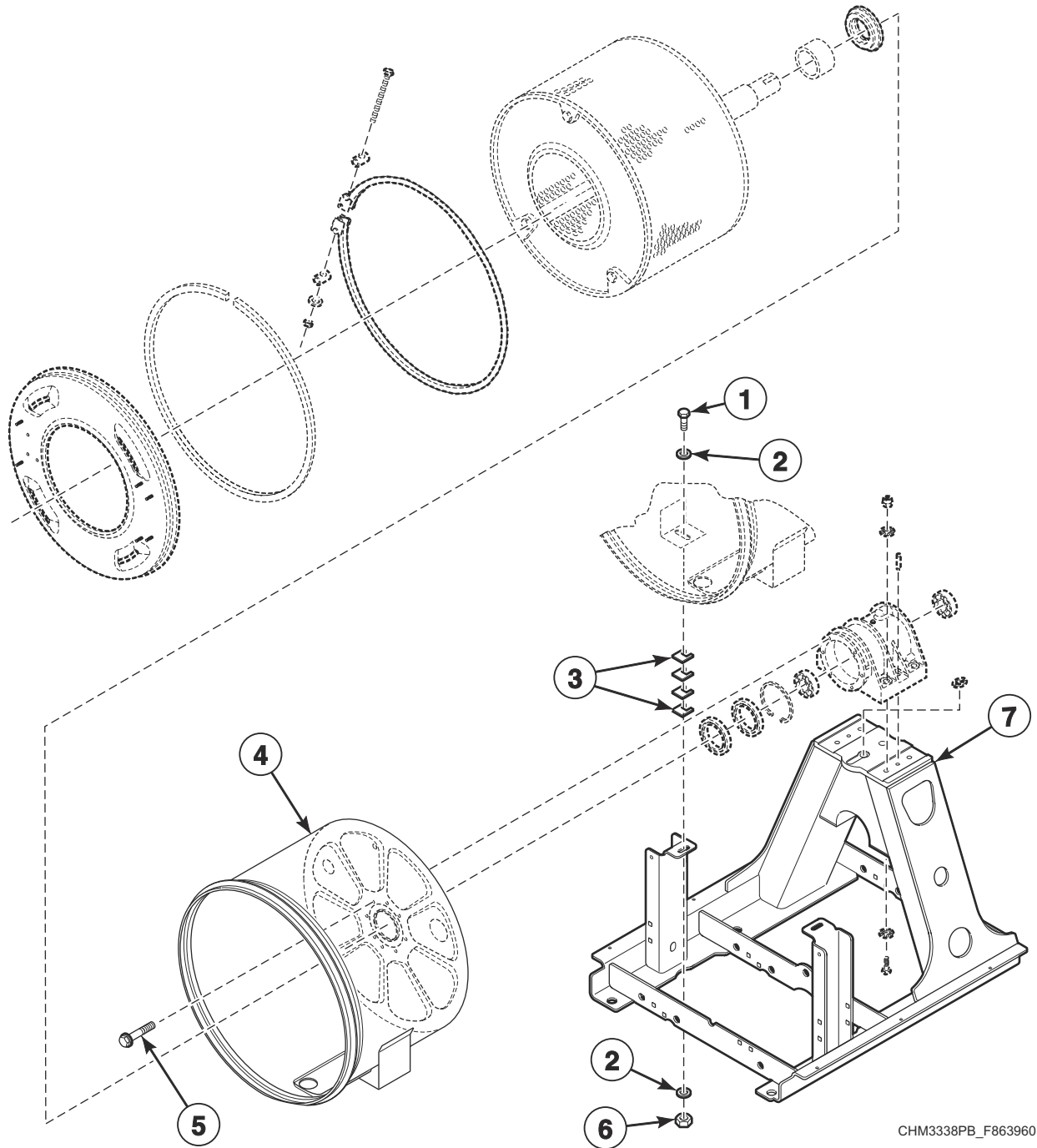


CHM3338PA_F8639601

Bearing Housing

REF	PART NO.	DESCRIPTION	COMMENTS
	389P4	Basket Tool Kit	Purchase; Requires F460129P Basket Puller Tool
	390P4-1	Basket Rental Tool Kit	Requires F460126P Bearing Puller Tool
	F460129P	Basket Puller Tool	
	F8608502P	Basket Pulley Puller Tool	Use with F460129P Basket Puller Tool
	F980204341	Basket and Bearing Assembly	20 pound models; Viton; Includes item 11 and F8391303 Basket Assembly
	F980204342	Basket and Bearing Assembly	30 pound models; Viton; Includes item 11 and F8391503 Basket Assembly
	F980204343	Basket and Bearing Assembly	40 pound models; Viton; Includes item 11 and F8391703 Basket Assembly
	F980204344	Basket and Bearing Assembly	60 pound models; Viton; Includes item 11 and F8502804 Basket Assembly
1	F100137P	Bearing	20 and 40 pound models; 6308 2RS C3; Front
	F100123P	Bearing	30 pound models; 6309 2RS C3; Front
	F100135	Bearing	60 pound models; 6313 2RS C3; Front
2	F8247902	Bearing Housing	20 pound models
	F8246802	Bearing Housing	30 pound models
	F8249902	Bearing Housing	40 pound models
	F8250902	Bearing Housing	60 pound models
3	F8350301	Seal Scupper Pad	20 and 30 pound models
	F8350302	Seal Scupper Pad	40 pound models
	F8350303	Seal Scupper Pad	60 pound models
4	F8366601	Washer	20 pound models
	F430339	Washer	All other models
5	F8368701	Screw	20 pound models
	F8368801	Screw	All other models
6	F8203801	Triple Lip Seal	20 pound models; Standard
	F8203813	Triple Lip Seal	20 pound models; Viton
	F8203802	Triple Lip Seal	30 pound models; Standard
	F8203814	Triple Lip Seal	30 pound models; Viton
	F8203803	Triple Lip Seal	40 pound models; Standard
	F8203815	Triple Lip Seal	40 pound models; Viton
	F8203806	Triple Lip Seal	60 pound models; Standard
	F8203808	Radial Seal	60 pound models; Viton
7	F8344901	Retaining Ring	20 pound models
	F8345001	Retaining Ring	30 pound models
	F8337801	Retaining Ring	40 pound models
	F8337901	Retaining Ring	60 pound models
8	F100136P	Bearing	20 pound models; 6307 2RS C3; Rear
	F100108	Bearing	30 pound models; 6208 2RS C3; Rear
	F100134	Bearing	40 and 60 pound models; 6310 2RS C3; Rear
9	F8387601	Nut	20 pound models
	F8387701	Nut	All other models
10	F8388101	Dowel Pin	20 pound models
	F8388201	Dowel Pin	All other models
11	F8271601P	Bearing Housing Assembly	20 pound models; Standard
	F8271602	Bearing Housing Assembly	20 pound models; Viton
	F8271701P	Bearing Housing Assembly	30 pound models; Standard
	F8271702	Bearing Housing Assembly	30 pound models; Viton
	F8271801P	Bearing Housing Assembly	40 pound models; Standard
	F8271802	Bearing Housing Assembly	40 pound models; Viton
	F8271901P	Bearing Housing Assembly	60 pound models; Standard
	F8271902	Bearing Housing Assembly	60 pound models; Viton

Shell and Frame

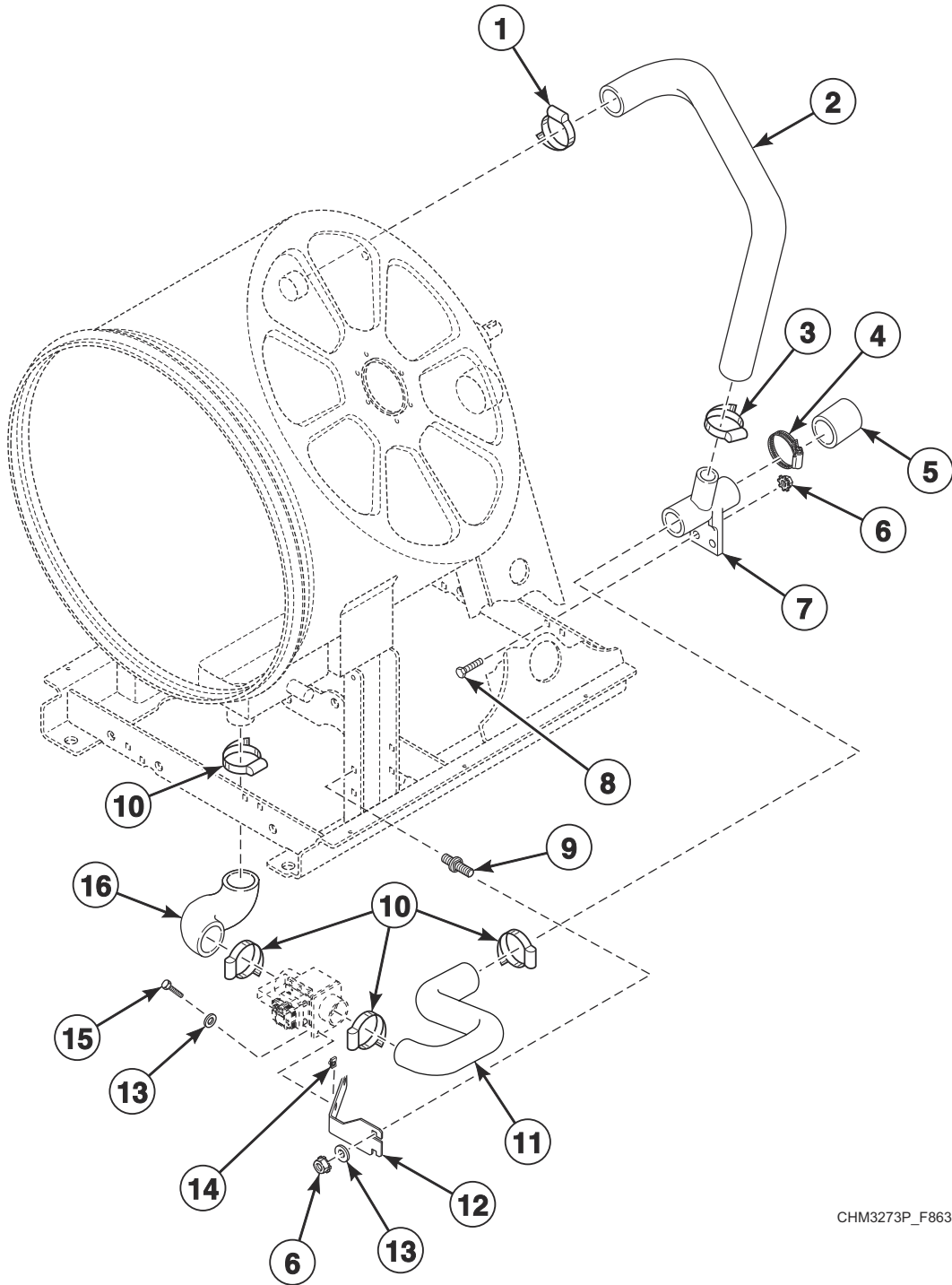


CHM3338PB_F8639601

Shell and Frame

REF	PART NO.	DESCRIPTION	COMMENTS
	F8433301	Frame Template	20 pound models
	F8433401	Frame Template	30 pound models
	F8433501	Frame Template	40 pound models
	F8433601	Frame Template	60 pound models
	1111P	Concrete Kit	5/8 inch
1	F8621601	Screw	
2	M400081	Washer	
3	F8402701	Washer	
4	F8360601	Shell Weldment	20 pound models; Standard
	F8360701	Shell Weldment	30 pound models; Standard
	F8360801	Shell Weldment	40 pound models; Standard
	F8360901	Shell Weldment	60 pound models; Standard
5	F8442702	Screw	
6	44087301	Nut	
7	F8247002	Frame Weldment	20 pound models
	F8248002	Frame Weldment	30 pound models
	F8249001	Frame Weldment	40 pound models
	F8250002	Frame Weldment	60 pound models

Drain Plumbing

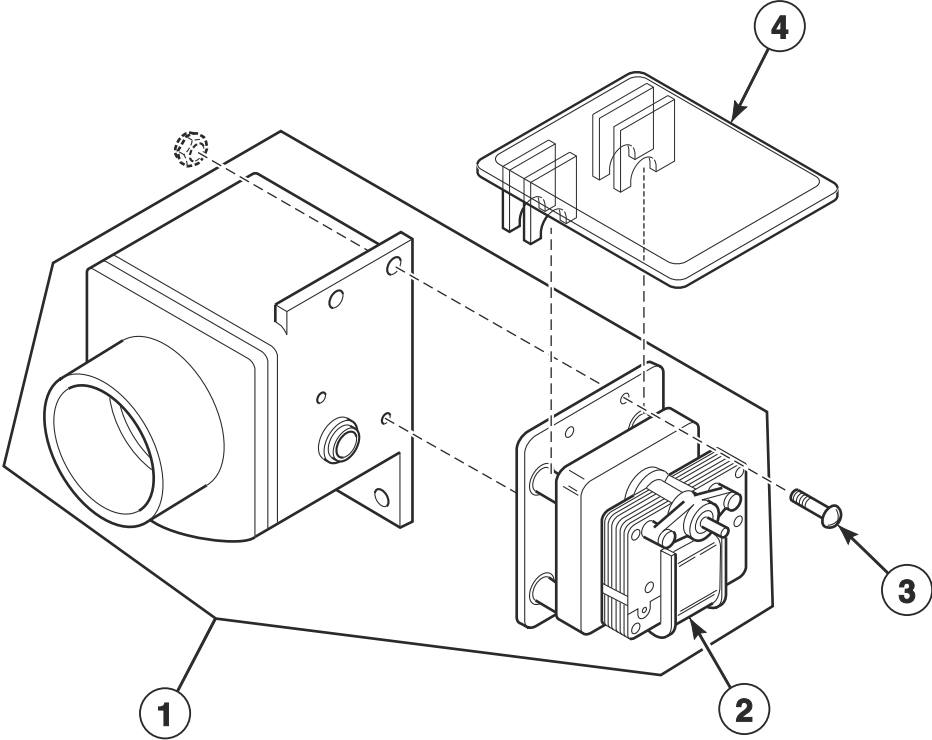


CHM3273P_F8639601

Drain Plumbing

REF	PART NO.	DESCRIPTION	COMMENTS
1	F200213	Hose Clamp	No. 40
2	F8367901	Overflow Hose	20 pound models
	F8368001	Overflow Hose	30 pound models
	F8367201	Overflow Hose	40 and 60 pound models
3	F200215	Hose Clamp	No. 28; 20 and 30 pound models
	F200213	Hose Clamp	No. 40; 40 and 60 pound models
4	F200201	Hose Clamp	No. 56; 40 and 60 pound models
5	F200165100	Drain Hose	40 and 60 pound models
6	44087201	Nut	
7	F150318	Drain Connect Tee	20 and 30 pound models
	F8752101	Drain Tee	40 and 60 pound models
8	F430522	Bolt	20 and 30 pound models
	F8402801	Bolt	40 and 60 pound models
9	70334702	Stud	
10	F200213	Hose Clamp	No. 40; 20 and 30 pound models
	F200201	Hose Clamp	No. 56; 40 and 60 pound models
11	F8365601	Rear Drain Hose	20 pound models
	F8365602	Rear Drain Hose	30 pound models
	F8231904	Rear Drain Hose	40 pound models
	F8231905	Rear Drain Hose	60 pound models
12	F8365401	Bracket	20 pound models
	F8365402	Bracket	30 pound models
	F8434601	Bracket	40 pound models
	F8434701	Bracket	60 pound models
13	M405535	Washer	
14	70030401	Nut	
15	202175	Screw	
16	F8261302	Drain Hose	20 and 30 pound models
	F8261303	Drain Hose	20 and 30 pound models; Electric heat
	F8232901	Drain Hose	40 and 60 pound models
	F8464701	Drain Hose	40 and 60 pound models; Electric heat

Drain Valve Assembly - 20 and 30 Pound Models

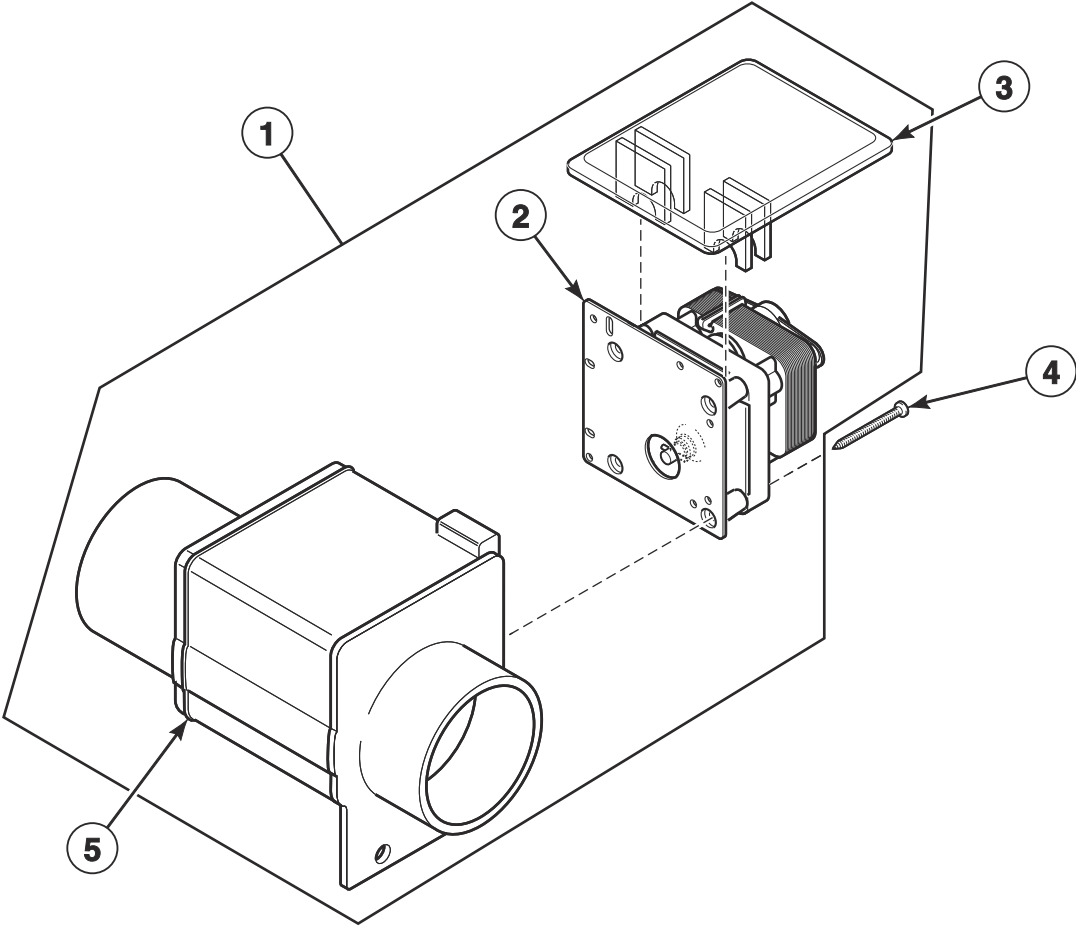


CHM2450P_F8639601

Drain Valve Assembly - 20 and 30 Pound Models

REF	PART NO.	DESCRIPTION	COMMENTS
	F8504601	Spring	Use with item 1
1	803292P	Gravity Drain Valve	220 Volt
2	F8577201	Drain Valve Kit	Keyed shaft; 220 Volt
3	F200182700	Bolt	
4	F200133600	Drain Valve Cover	

Drain Valve Assembly - 40 and 60 Pound Models

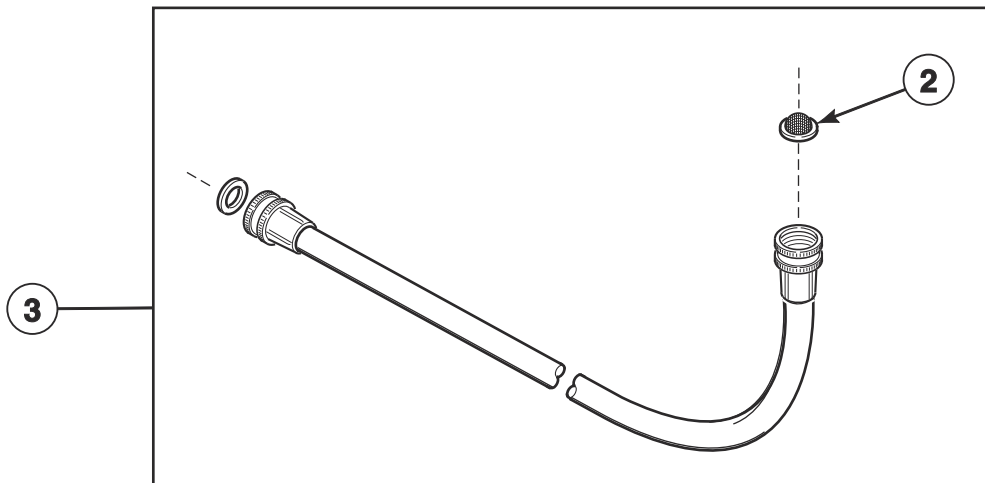
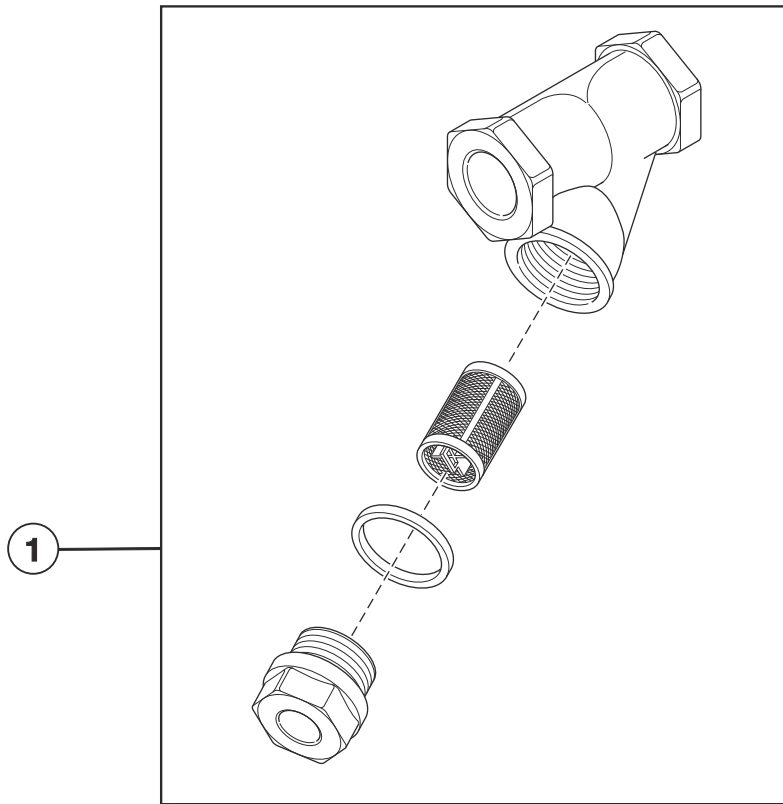


CHM3380P_F8639601

Drain Valve Assembly - 40 and 60 Pound Models

REF	PART NO.	DESCRIPTION	COMMENTS
	F8562001	Drain Seal Kit	Use with F8406307 Drain Valve
1	F8577201	Drain Valve Kit	240 Volt; Both RH and LH valves are compatible
2	803292P	GravityDrain Valve	Round shaft; 220 Volt
3	F200133600	Drain Valve Cover	
4	F200182700	Bolt	
5	F8602602	Drain Valve	240 Volt

Steam Filter (Optional) and Water Supply Hose

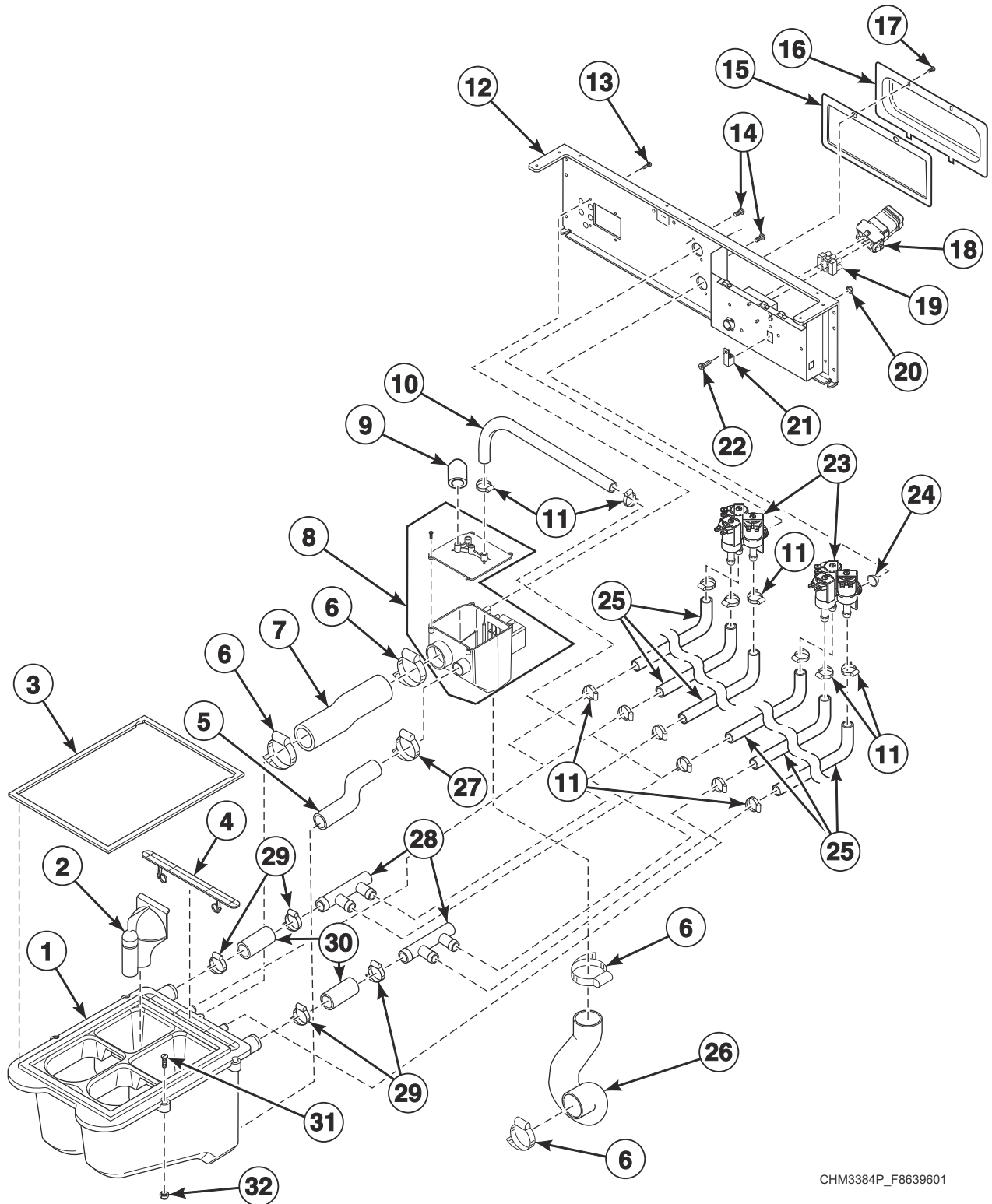


CHM3049P_F8639601

Steam Filter (Optional) and Water Supply Hose

REF	PART NO.	DESCRIPTION	COMMENTS
1	F270307	Steam Filter	1/2 inch
	F270308	Steam Filter	3/4 inch
2	803615	Washer	Filter
3	F8665601	Water Hose Kit	Includes item 2; 3/8 inch; Standard thread; Red (hot)
	F8665603	Water Hose Kit	Includes item 2; 3/8 inch; Standard thread; Blue (cold)
	F8665602	Water Hose Kit	Includes item 2; 3/8 inch; Metric thread; Red (hot)
	F8665604	Water Hose Kit	Includes item 2; 3/8 inch; Metric thread; Blue (cold)
	F8544601	Fill Hose Kit	WRSAs models; Includes F8301201 Double Check Valve and F8665602 Water Hose Kit

Fill Plumbing Assembly



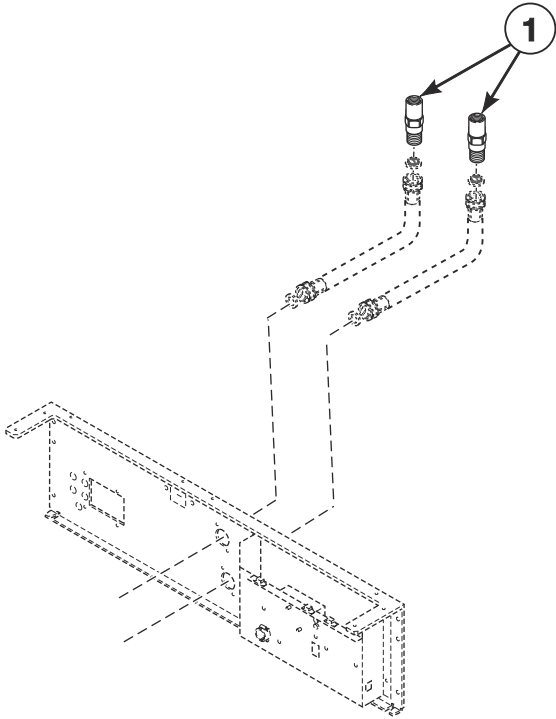
CHM3384P_F8639601

Fill Plumbing Assembly

REF	PART NO.	DESCRIPTION	COMMENTS
	G582P3	Diaphragm and Guide Kit	Use with F8286401P 3-Way Valve and F8286402P 3-Way Valve
1	F8047401	Dispenser Assembly	Models through 10/15/12; Includes item 3
	F8047402	Dispenser Assembly	Includes items 2-4; Models starting 10/16/12
2	F8047901	Siphon Cover	
3	F8308301	Dispenser Gasket	
4	F8047801	Access Cover	
5	F8043401	Dispenser Overflow Hose	20 pound models
	F8043403	Dispenser Overflow Hose	30 pound models
	F8043404	Dispenser Overflow Hose	40 pound models
	F8043405	Supply Overflow Hose	60 pound models
6	F200213	Hose Clamp	No. 40
7	F8042801	Vacuum Supply Hose	20 pound models
	F8042803	Vacuum Supply Hose	30 pound models
	F8042804	Vacuum Supply Hose	40 pound models
	F8042805	Vacuum Supply Hose	60 pound models
8	F8048601	Vacuum Breaker Assembly	
9	F8197701	Cap	
10	F0200244-01	Vacuum Breaker Hose	60 pound models
	F0200244-02	Vacuum Breaker Hose	All other models
11	36811	Hose Clamp	No. 8
12	F8398701	Valve Panel	20 pound models
	F8398801	Valve Panel	30 pound models
	F8398901	Valve Panel	40 pound models
	F8399001	Valve Panel	60 pound models
13	800548	Screw	
14	F8230301	Screw	
15	F8230001	Terminal Tray Cover Gasket	
16	F8177001	Terminal Tray Cover	
17	F8206901	Screw	
18	F8454401	Filter	
	F8454601	Harness	
19	430642	Terminal Block	Includes screws
20	F430232	Nut	
21	M411283	Ground Lug Connector	
22	F430909	Screw	
23	F8286401P	3-Way Valve	240 Volt/50 or 60 Hertz; U.S.
	F8286402P	3-Way Valve	240 Volt/50 or 60 Hertz; Metric
	F8402201	Regulator	Use with F8286401P 3-Way Valve
24	803615	Washer	Filter
25	F8232004	Hose	20 pound models
	F8232001	Hose	30 pound models
	F8232002	Hose	40 and 60 pound models
26	F8042201	P-Trap Hose	20 pound models
	F8042204	P-Trap Hose	30 and 40 pound models
	F8042301	P-Trap Hose	60 pound models
27	20211	Hose Clamp	No. 17
28	F8333201	Manifold	
29	F200222	Hose Clamp	No. 12
30	F606816-1	Hose	
31	F8535601	Screw	
32	F0431807-00	Nut	

Double Check Valve

WRAS Compliant Models



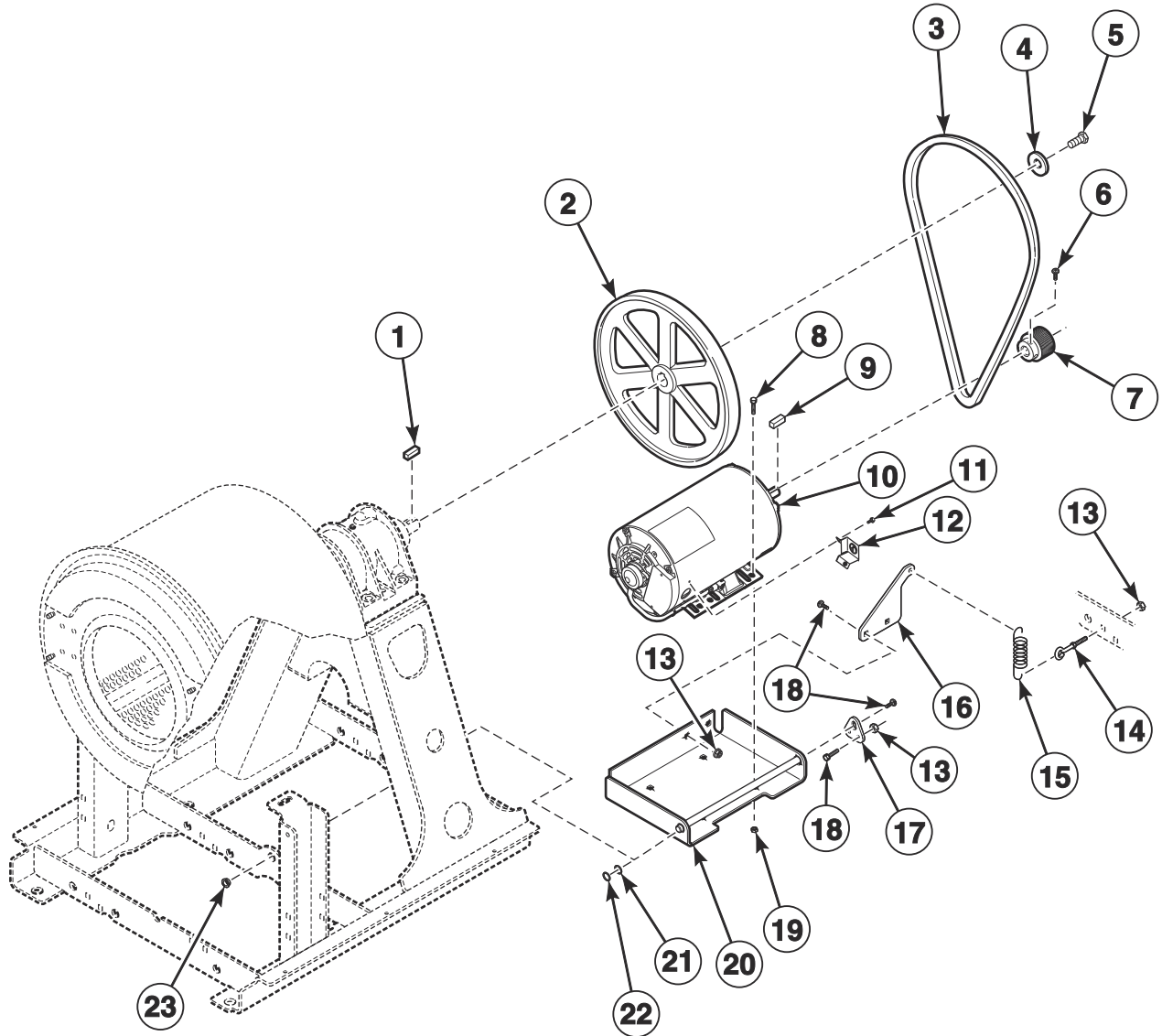
CHM3393P_F8639601

Double Check Valve

REF	PART NO.	DESCRIPTION	COMMENTS
1	F8301201	Double Check Valve	

Motor, Pulley and Belt (Drawing 1 of 3)

20 Pound Models with N and P-Voltage
30, 40 and 60 Pound Models Through September 30, 2014



CHM3385P_F8639601

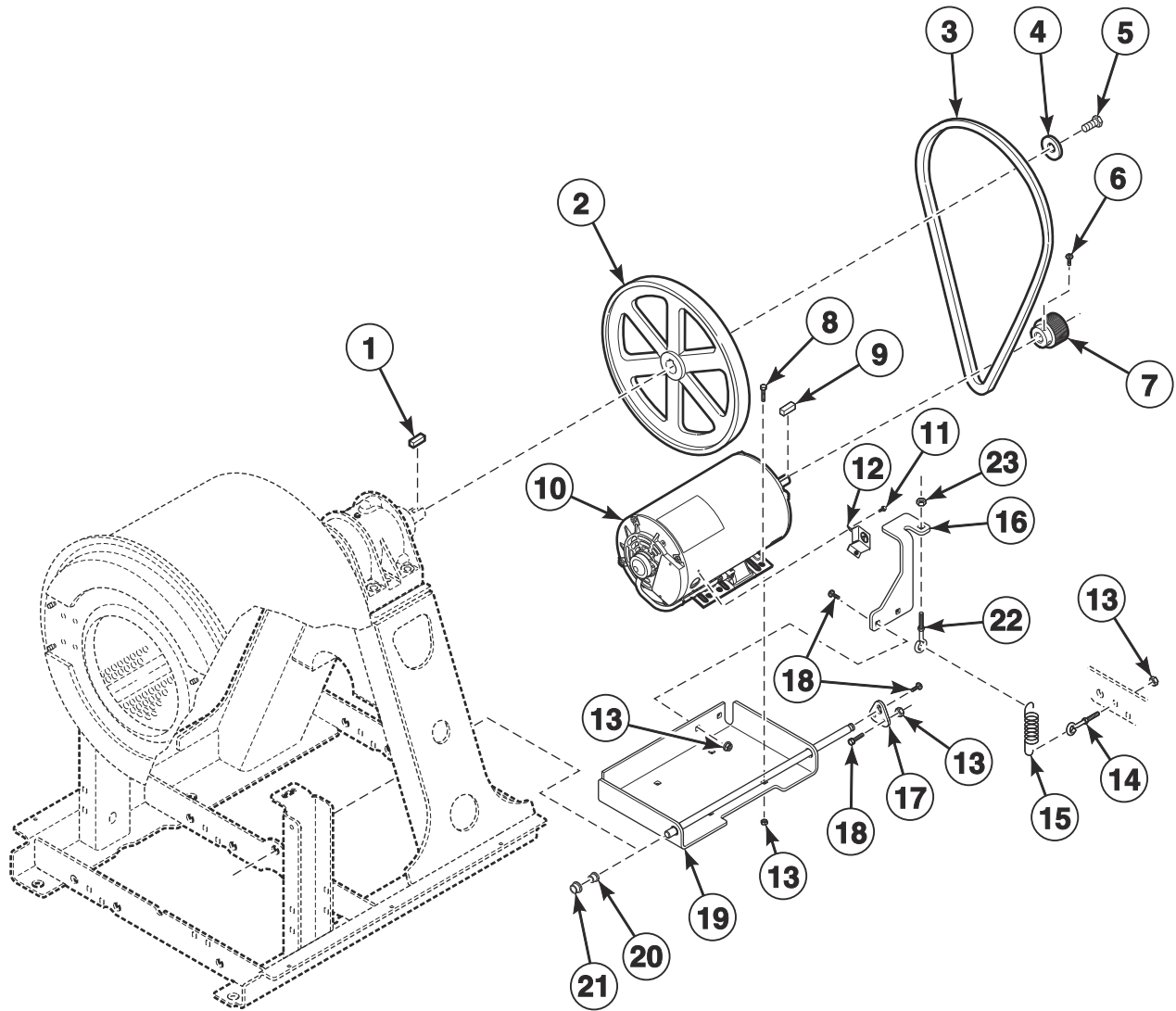
Motor, Pulley and Belt (Drawing 1 of 3)

REF	PART NO.	DESCRIPTION	COMMENTS
	F8396601	Motor Harness	30 and 40 pound models N and P-voltage; 20 and 60 pound models
	F8384901	Motor Harness	30 and 40 pound models; B, X and Q-voltage
	F8562501	Motor Isolation Kit	20 and 30 pound models; Includes F8535001 Motor Plate and F8535201 Isolator; Use with 2 hp motors
1	F430801	Key	
2	F150270	Basket Pulley	20 pound models
	F150269	Basket Pulley	30 and 40 pound models
	F200299700	Basket Pulley	60 pound models
3	F200201700P	Belt	20 pound models
	F8382803	Belt	30 pound models
	F8382804	Belt	40 pound models
	F8382805	Belt	60 pound models
4	F431115	Washer	
5	F8574001	Screw	
6	M400077	Screw	
7	F8362501	Motor Pulley	
8	800461	Screw	
9	H8752006H	Key	
10	F8335001P	Motor	20, 30 and 40 pound models
	F8335101P	Motor	60 pound models
11	23222	Screw	
12	70321701	Motor Conduit Mounting Bracket	
13	44087201	Nut	
14	F8748601	Spring Stud Kit	
15	F310124	Extension Spring	
16	F8363901	Spring Plate	
17	F8441101	Motor Rod Plate	
18	F8402801	Bolt	
19	F8387601	Nut	
20	F8441601	Motor Bracket Weldment	20 and 30 pound models
	F8562502	Motor Isolation Kit	40 and 60 pound models; Includes F8535002 Motor Plate and F8535201 Isolator; Use with 2 and 3 hp motors
21	F8441901	O-Ring	
22	F8333301	Flanged Bushing	
23	F8451601	Spacer	

**** NOTE: AC drive parameters must be compatible with the motor and motor pulley. Please request the AC drive parameter illustration for parameter verification when ordering a motor.**

Motor, Pulley and Belt (Drawing 2 of 3)

20 Pound Models with N and P-Voltage
30, 40 and 60 Pound Models Starting October 1, 2014



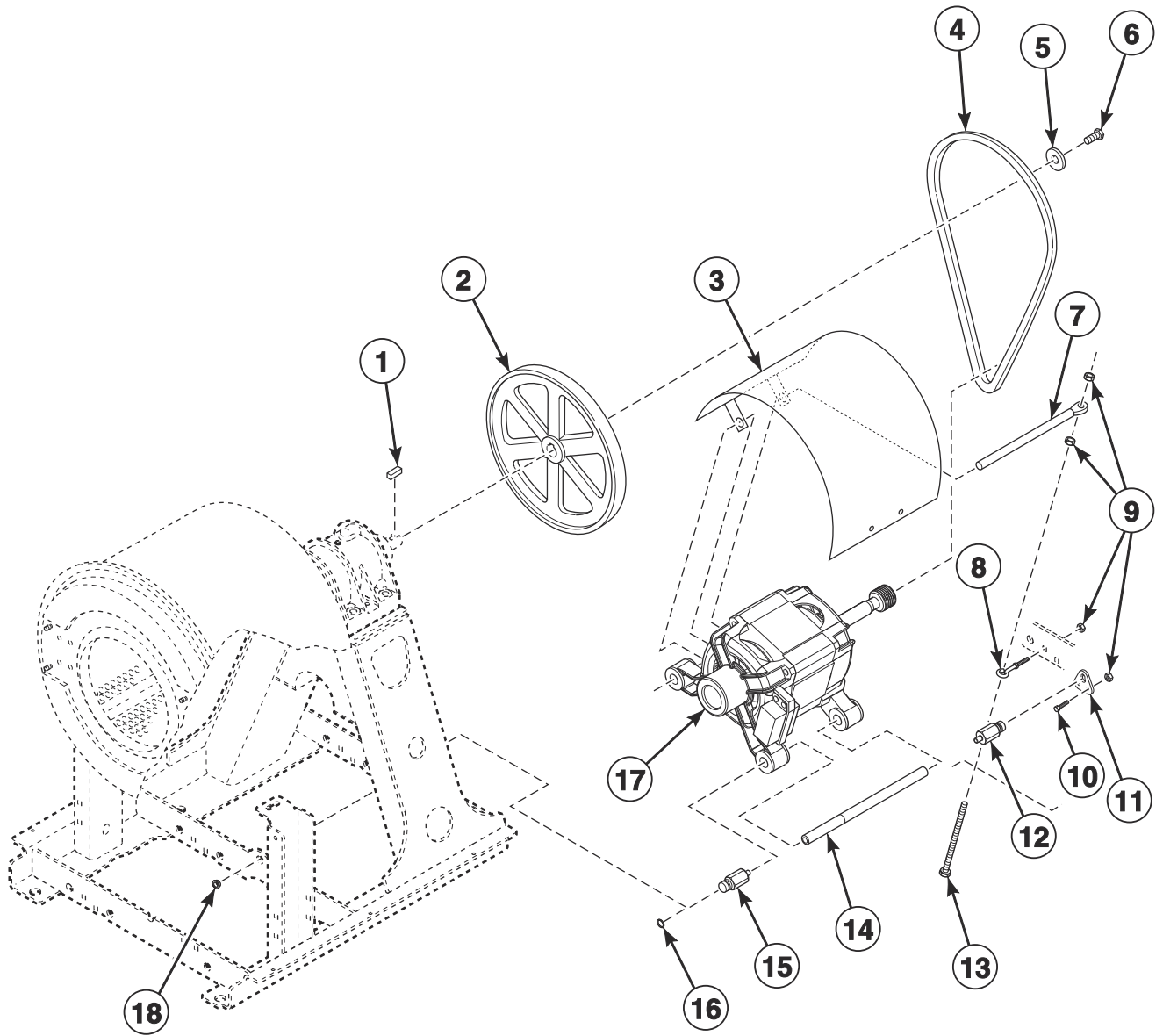
CHM3446P_F8639601

Motor, Pulley and Belt (Drawing 2 of 3)

REF	PART NO.	DESCRIPTION	COMMENTS
	F8562501	Motor Isolation Kit	20 and 30 pound models; Includes F8535001 Motor Plate and F8535201 Isolator; Use with 2 hp motor
	F8562502	Motor Isolation Kit	40 and 60 pound models; Includes F8535002 Motor Plate and F8535201 Isolator; Use with 2 hp motor
	F8396601	Motor Harness	30 and 40 pound models N and P-voltage; 20 and 60 pound models
	F8384901	Motor Harness	30 and 40 pound models; Q and X-voltage
1	F430801	Key	
2	F150270	Basket Pulley	20 pound models
	F150269	Basket Pulley	30 and 40 pound models
	F200299700	Basket Pulley	60 pound models
3	F200201700P	Belt	20 pound models
	F8382803	Belt	30 pound models
	F8382804	Belt	40 pound models
	F8382805	Belt	60 pound models
4	F431115	Washer	
5	F8574001	Screw	
6	M400077	Screw	
7	F8362501	Motor Pulley	
8	F8402801	Bolt	
9	H8752006H	Key	
10	F8335001P	Motor	20, 30 and 40 pound models
	F8335101P	Motor	60 pound models
11	23222	Screw	
12	70321701	Motor Conduit Mounting Bracket	
13	44087201	Nut	
14	F8748601	Spring Stud Kit	
15	F310124	Extension Spring	
16	F8525801	Spring Plate	
17	F8441101	Motor Rod Plate	
18	F8402801	Bolt	
19	F8441603	Motor Bracket Weldment	20 and 30 pound models
	F8589002	Motor Bracket Weldment	40 and 60 pound models
20	F8535202	Flanged Isolator	
21	F8333302	Flanged Bushing	
22	F8319503	Eye Bolt	
23	44087301	Nut	

Motor, Pulley and Belt (Drawing 3 of 3)

20 Pound Models with B, Q and X-Voltage



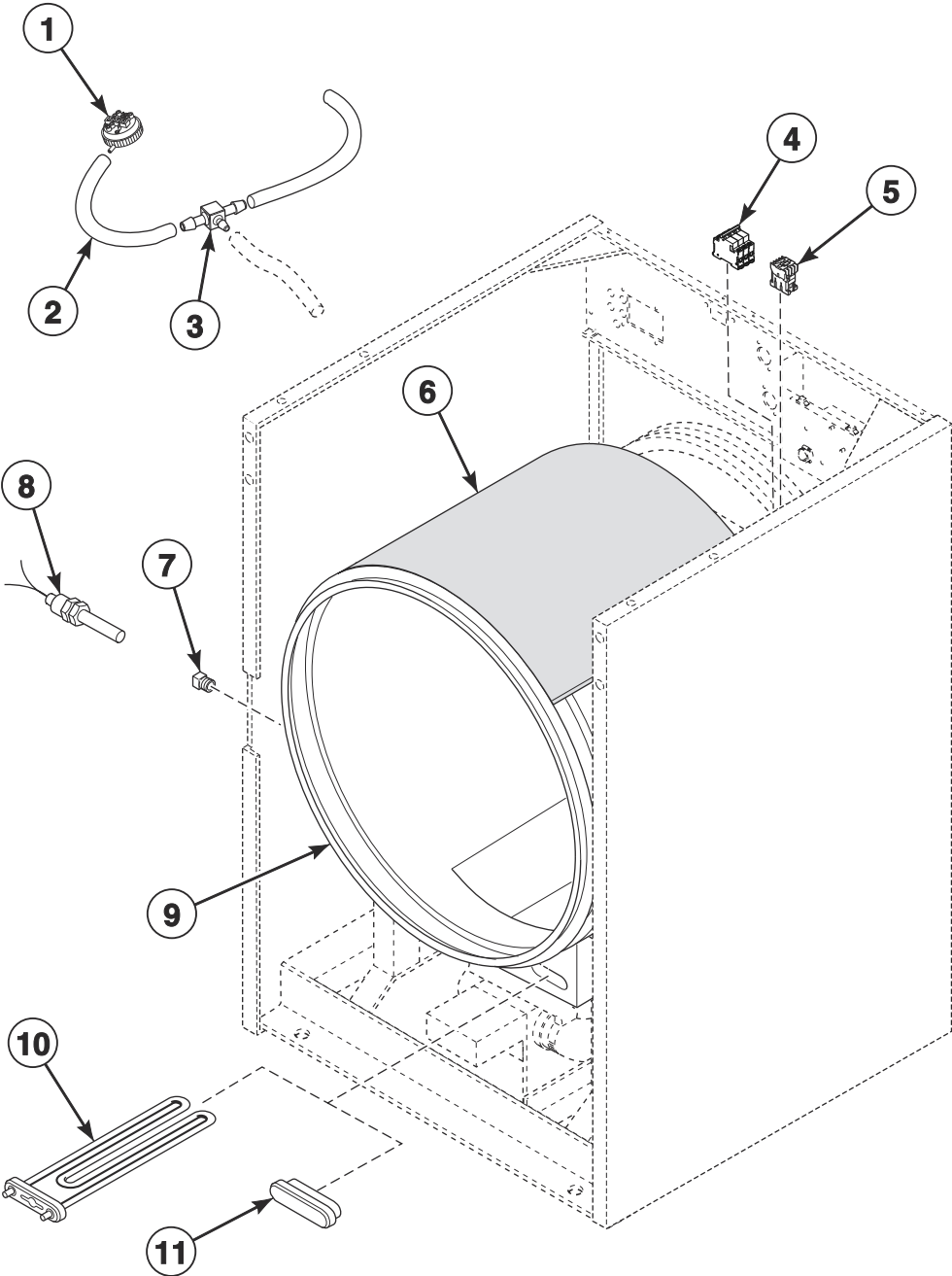
CHM3450P_F8639601

Motor, Pulley and Belt (Drawing 3 of 3)

REF	PART NO.	DESCRIPTION	COMMENTS
	F8384801	Motor Harness	
1	F430801	Key	
2	F150270	Basket Pulley	
3	F200216900	Motor Drip Shield	
4	F8382801	Belt	
5	F431115	Washer	
6	F8574001	Screw	
7	F8361301	Spring Mount Rod	
8	F8404501	Eye Bolt	
9	44087201	Nut	
10	F8402801	Bolt	
11	F8441101	Motor Rod Plate	
12	F8387101	Motor Rod Extension	
13	F8406601	Screw	
14	801062	Motor Mount Rod	
15	F8562504	Motor Isolation Kit	Includes F8387104 Motor Rod Adapter and F8535201 Isolator
16	F8333302	Flanged Bushing	
17	801194P	Induction Motor	Includes pulley
18	F8451601	Spacer	

**** NOTE: AC drive parameters must be compatible with the motor and motor pulley. Please request the AC drive parameter illustration for parameter verification when ordering a motor.**

Electric Heat Option

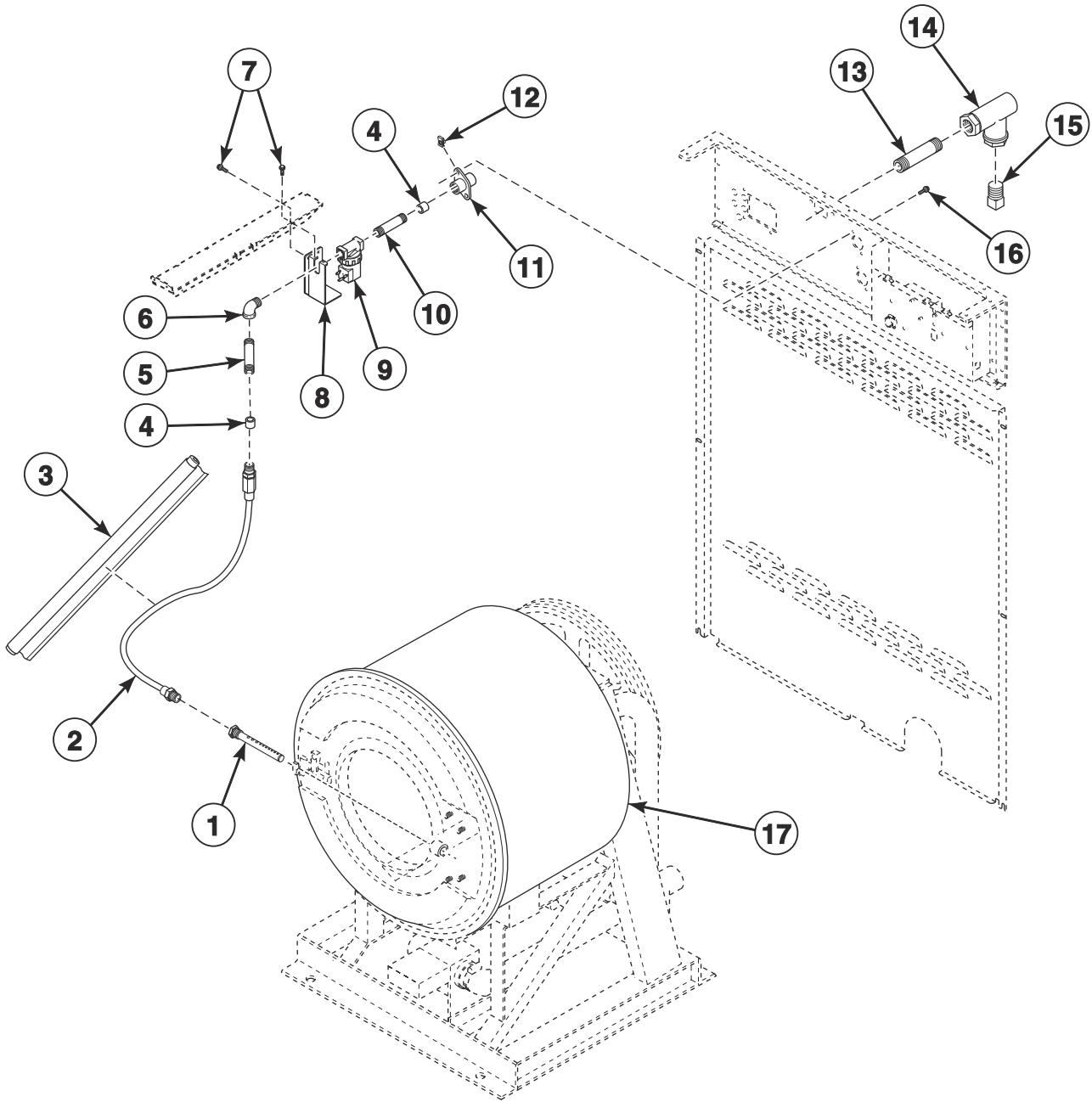


CHM3429P_F8639601

Electric Heat Option

REF	PART NO.	DESCRIPTION	COMMENTS
	F8056001	Jumper Wire	P-voltage models require 5; N-voltage models require 3
1	F8404401	Water Pressure Switch	
2	F8153901	Tubing	
3	F8246601	Tee	
4	70256901P	Circuit Breaker	
5	F330188P	Contactator	
6	F410300	Pipe Insulation	
7	F200202600	Plug	
8	F370609	Thermistor Sensor	
9	F8360602	Shell Weldment	20 pound models
	F8360702	Shell Weldment	30 pound models
	F8360802	Shell Weldment	40 pound models
	F8360902	Shell Weldment	60 pound models
10	F360205P	Element	2.6 kW; 3 used in 20 and 30 pound models; 6 used in 40 and 60 pound models
11	F360202	Heating Element Plug	

Steam Heat Option



CHM3404P_F8639601

Steam Heat Option

REF	PART NO.	DESCRIPTION	COMMENTS
	F953P3	Steam Heat Kit	Includes items 1-11, 13-16, F421703 Elbow, hardware, labels and harness
	F380984P	Steam Valve Repair Kit	Use with item 9
	F8514601P	Coil	Use with F8322801 Valve
	F8382301	DIN Valve Adapter Kit	Use with F8322802 Valve
	F8379501P	Valve Kit	Use with F8322801 Valve
1	F8368201	Steam Injector Tube Assembly	
2	F200197	Steam Hose	
3	F410300	Pipe Insulation	36 inches
	F8233703	Insulation	9 inches
	F8233705	Pipe Insulation	18 inches
4	F8116301	Coupling	60 pound models; 2 required
5	70139601	Pipe Nipple	60 pound models
6	H86070034	Street Elbow	
7	430497	Screw	
8	F8490301	Steam Bracket	
9	F8322801P	Valve	Includes F8514601 Coil; For models that have been upgraded with F8521601 Din Valve Kit
	F8521501	DIN Valve Kit	Includes F8322801 Valve, F8382301 DIN Valve Adapter Kit and F8514601 Coil
10	70263801	Pipe Nipple	
11	F8362701	Coupling	
12	70030401	Nut	
13	431486	Pipe Nipple	
14	F270307	Steam Filter	
15	F420409	Plug	
16	20253	Screw	
17	F8360602	Shell Weldment	20 pound models
	F8360702	Shell Weldment	30 pound models
	F8360802	Shell Weldment	40 pound models
	F8360902	Shell Weldment	60 pound models

Parts Index

A

Access Cover	
F8047801	53
Auxiliary Control Assembly	
F8189401P	9

B

Basket and Bearing Assembly	
F980204341	39, 41
F980204342	39, 41
F980204343	39, 41
F980204344	39, 41
Basket Assembly	
F8391301P	39
F8391303	39
F8391501P	39
F8391503	39
F8391701P	39
F8391703	39
F8502801P	39
F8502804	39
Basket Puller Tool	
F460129P	39, 41
Basket Pulley	
F150269	57, 59
F150270	57, 59, 61
F200299700	57, 59
Basket Pulley Puller Tool	
F8608502P	39, 41
Basket Rental Tool Kit	
390P4-1	39, 41
Basket Tool Kit	
389P4	39, 41
Bearing	
F100108	41
F100123P	41
F100134	41
F100135	41
F100136P	41
F100137P	41
Bearing Housing	
F8246802	41
F8247902	41
F8249902	41
F8250902	41
Bearing Housing Assembly	
F8271601P	41
F8271602	41
F8271701P	41
F8271702	41
F8271801P	41
F8271802	41
F8271901P	41
F8271902	41
Bearing Sleeve	
F8221701	31, 33, 35
Belt	
F200201700P	57, 59
F8382801	61

F8382803	57, 59
F8382804	57, 59
F8382805	57, 59
Blind Rivet	
F8245101	31, 33, 35
Bolt	
F200182700	47, 49
F430522	45
F430974	31, 33, 35
F8230501	29
F8270701	37
F8402801	45, 57, 59, 61
F8508101	31, 33, 35
Bracket	
F8365401	45
F8365402	45
F8434601	45
F8434701	45
F8599801	9

C

Cap	
F8197701	53
Card Plate Assembly	
F8201501	19
Card Reader Overlay	
70334201	19
70438201	19
Circuit Breaker	
70256901P	11, 63
Clamp Ring Assembly	
F8388001	39
F8388002	39
F8388003	39
F8388004	39
Clamp Ring Bracket	
F8302402	39
Coil	
F8514601P	65
Coin Box	
F160672	21
Coin Chute	
F8170801	9
Coin Drawer Assembly	
F8182001	21
Coin Drop	
70256402P	15
70441601P	13
Coin Drop Assembly	
210195	15
210196	15
38462P	13
38463	13
38464P	13
38472	15
38521	15
39157	15
70281102	15, 17
70447301	17
70482401	17

N/A items do not appear in index.

70506901	17
Coin Drop Kit	
CK107	17
CK111	17
CK122	17
CK123	17
Coin Identification Paper	
38725	13, 15, 17
Coin Meter	
F0160737-00	15
Coin Meter Assembly	
F200010000P	13
F200010001	15
F200010002	15
F200010003	15
F200010004	15
F200010005P	15
F200010006	13
F200010007	13
F200010008	15
F200010009	13
F200010010	15
F200010011	13
F200010012	13
Coin Vault Assembly	
F8182501	9
F8182601	9
Communication Harness	
F8385102	11
Concrete Kit	
1111P	43
Control Tray Harness	
F8261501P	9, 11
Contactors	
F330177P	11
F330188P	63
Control Assembly Kit	
F980P3	9
Control Panel Assembly	
F8038502	23
F8038504	27
F8038602	23
F8038604	27
F8038702	23
F8038704	27
F8038802	23
F8038804	27
Control Panel Overlay	
F8443801	25
F8443802	25
F8444401	25
F8444402	25
F8444501	25
F8444502	25
F8444601	25
F8444602	25
F8444701	25
F8444702	25
F8557501	25
F8557502	25
F8557601	25
F8557602	25
F8557701	25
F8557702	25
F8557801	25
F8557802	25
F8557901	25

F8557902	25
F8558001	25
F8558002	25
F8558101	25
F8558102	25
F8558201	25
F8558202	25
F8559701	25
F8559702	25
F8559801	25
F8559901	25
F8559902	25
F8560001	25
F8560002	25
Control Tray Assembly	
F8359602P	9
F8359604	9
F8359707	9
Control Tray Harness	
F8433201	9
Coupling	
F8116301	65
F8362701	65
Cover Overlay	
70275402	25

D

Diaphragm and Guide Kit	
G582P3	53
DIN Rail	
F8385301	11
DIN Valve Adapter Kit	
F8382301	65
DIN Valve Kit	
F8521501	65
Dispenser Assembly	
F8047401	53
F8047402	53
Dispenser Gasket	
F8308301	53
Dispenser Lid	
F8048101	29
Dispenser Overflow Hose	
F8043401	53
F8043403	53
F8043404	53
Door	
F0602431-02	31
F0602837-02	33
F602842-2	35
F8507501P	31
F8507701	35
F8507702	35
F8752601	33
Door Assembly	
F8187202	31
F8187203	31
F8187205	31
F8187206	31
F8187302	33
F8187303	33
F8187305	33
F8187306	33
F8187402	35

N/A items do not appear in index.

F8187403	35
F8187406	35
F8187411P	35
Door Bezel	
F0170426-30	23, 27
F8658701	23, 27
F8658801	23, 27
F8658901	23, 27
F8659101	23, 27
Door Gasket	
F170124	35
F200000200	31
F200000202	31
F8111502	35
F8111601	33
F8111602	33
Door Glass	
F8485301P	33
F8485305	33
F8485401P	35
F8485405	35
F8675701	31
Door Glass Kit	
F290205P	31
Door Glass Trim	
F8583201	31
F8583202	33
F8583203	35
F8583204	31
F8583205	33
F8583206	35
Door Handle	
F8199501	31, 33, 35
F8199502	31, 33, 35
F8544701	31, 33, 35
Door Handle Spacer Kit	
F8567501	31, 33, 35
Door Hinge	
F190216P	31, 33, 35
Door Hinge Shim Kit	
F200131000P	31, 33, 35
Door Latch Arm Assembly	
F8221403	31, 33, 35
Door Lock Assembly	
F8632401	37
Door Lock Catch	
F8344501	37
Door Lock Cover	
F8245001	37
Door Lock Microswitch	
F200203200	37
Door Lock Plate Assembly	
F8223202	37
Door Lock Plate Shim	
F8344401	37
Door Lock Solenoid Replacement Kit	
F977P3	37
Door Lock Splash Shield	
F320200	37
Door Lock Switch Lever	
F8223401	37
Door Mount	
F150271	31, 33, 35
Double Check Valve	
F8301201	55

Dowel Pin	
F8388101	41
F8388201	41
Drain Connect Tee	
F150318	45
Drain Hose	
F200165100	45
F8232901	45
F8261302	45
F8261303	45
F8464701	45
Drain Seal Kit	
F8562001	49
Drain Tee	
F8752101	45
Drain Valve	
F8602602	49
Drain Valve Cover	
F200133600	47, 49
Drain Valve Kit	
F8577201	47, 49
Drive Assembly	
F8204701P	11
F8303601P	11
F8327301P	11
Drive Mounting Bracket	
F8322401	11
Drive Tray Assembly	
F8359801	11
F8359802	11
F8359803	11

E

Earth Terminal Sticker	
M412096	7
Electric Shock Danger Label	
F8115501	7
Electronic Coin Drop Assembly	
70294103P	17
70294104	17
70294111	17
70294119	17
70294120	17
70294121	17
70513306	17
70513308	17
70513310	17
70513311	17
70513312	17
70513313	17
Electronic Coin Drop Kit	
CK099	17
CK100	17
CK101	17
CK108	17
CK109	17
CK110	17
CK113	17
CK115	17
CK116	17
CK117	17
CK118	17
CK119	17
CK120	17

N/A items do not appear in index.

CK121	17
Element	
F360205P	63
EMI Filter	
F8053901P	11
F8053902	11
End Stop	
F8449801	11
Excluder Seal	
F8336801	39
F8336802	39
F8336901	39
F8336902	39
F8337001	39
F8337002	39
F8337101	39
F8527701	39
Expansion Clip	
70030501	9, 11, 23, 27, 29
Extension Spring	
F310124	57, 59
External Door Lock Harness	
F8340001	37
External Supply Connection Decal	
F8150201	7
External Supply Harness	
F8191201P	9, 11
F8191203P	9, 11
External Supply Kit	
F937P3	9, 11
Eye Bolt	
F8319503	59
F8404501	61

F

Fill Hose Kit	
F8544601	51
Filter	
F8454401	53
Flanged Bushing	
F8333301	57
F8333302	59, 61
Flanged Isolator	
F8535202	59
Frame Template	
F8433301	43
F8433401	43
F8433501	43
F8433601	43
Frame Weldment	
F8247002	43
F8248002	43
F8249001	43
F8250002	43
Front Cabinet Brace	
F8173801	23, 27
F8173901	23, 27
F8174001	23, 27
Front End Control	
F8549002	9
F8549012	9
Front End Control Kit	
F104P3	9

F105P3	9
F108P3	9
F109P3	9

Front Panel

F8171301	23, 27
F8173001	23
F8173002P	27
F8173003	23
F8173004	23
F8173005	27
F8173008	27
F8173009	23
F8173101P	23
F8173102P	27
F8173103	23
F8173104	27
F8173107	23
F8173108	27
F8173201P	23
F8173202P	27
F8173203	23
F8173204	27
F8173207	23
F8173208	27
F8492301	23
F8492302	27
F8492303	23
F8492306	27
F8492307	23
F8492308	27

Fuse

802492	9
802493	9

G

Gravity Drain Valve	
803292P	47
Gravity Drain Valve	
803292P	49
Grommet	
F8433001	9
Ground Decal	
F230739	7
Ground Lug Connector	
M411283	53
Gusset Plate	
F8186701	27
F8186702	23, 27

H

Harness	
F8454601	53
Heating Element Plug	
F360202	63
Hole Plug	
F8223801	29
Hose	
F606816-1	53
F8232001	53
F8232002	53
F8232004	53
F8405301	9

N/A items do not appear in index.

Hose Barb Connector	
F8431001	9
Hose Clamp	
F200201	45
F200213	45, 53
F200215	45
F200222	53
20211	53
36801	53
Hot Surface Warning Label	
F8614301	7

I

Induction Motor	
801194P	61
Insulation	
F8233703	65

J

Jumper Configuration Assembly	
M413507	9, 11
Jumper Harness	
D511476	19
Jumper Harness Assembly	
M413506	9, 11
Jumper Wire	
F8056001	63

K

Key	
F160420	21
F430801	57, 59, 61
H8752006H	57, 59
70155603	29

L

Left Side Panel	
F8399202	29
F8399204	29
F8399302	29
F8399304	29
F8399402	29
F8399404	29
F8399502P	29
F8399504	29
F8492402	29
F8492404	29
Lid Clamp	
F8091701	29
Lower Cabinet Brace	
F8174101	23, 27
Lower Drive Mounting Bracket	
F8310101	11

M

Machine Size Configuration Harness	
F8028101P	9, 11
F8028103P	9, 11
F8028104P	9, 11
F8028105P	9, 11
Magnet	
F8390801	31, 33, 35
Manifold	
F8333201	53
Motor	
F8335001P	57, 59
F8335101P	57, 59
Motor Bracket Weldment	
F8441601	57
F8441603	59
F8589002	59
Motor Conduit Mounting Bracket	
70321701	57, 59
Motor Drip Shield	
F200216900	61
Motor Harness	
F8384801	61
F8384901	57, 59
F8396601	57, 59
Motor Isolation Kit	
F8562501	59
F8562502	57, 59
F8562504	61
Motor Mount Rod	
801062	61
Motor Pulley	
F8362501	57, 59
Motor Rod Extension	
F8387101	61
Motor Rod Plate	
F8441101	57, 59, 61
Mount on Concrete Warning Label	
F8246401	7
Mounting Plate	
70208801	19

N

Nut	
F0431807-00	53
F430215	31, 33, 35
F430218	39
F430225	37
F430232	9, 31, 33, 35, 37, 53
F430264	37
F431041	31, 33, 35
F8387601	41, 57
F8387701	41
44087201	45, 57, 59, 61
44087301	43, 59
685846	13, 15, 17
70030401	45, 65

N/A items do not appear in index.

O

Opto Coupler	
200674P	13, 15
O-Ring	
F8441901	57
Output/Logic Harness	
F8028701	9, 11
Overflow Hose	
F8367201	45
F8367901	45
F8368001	45
Overlay	
F8443803	27
F8444403	27
F8444503	27
F8444603	27
F8444703	27
F8557503	27
F8557603	27
F8557703	27
F8557803	27
F8557903	27
F8558003	27
F8558103	27
F8558203	27
F8559703	27
F8559803	27
F8559903	27
F8560003	27
70295101	17
70295301	17

P

Panel Lock	
44089303P	29
Pin	
F8302701	39
Pipe Insulation	
F410300	63, 65
F8233705	65
Pipe Nipple	
431486	65
70139601	65
70263801	65
Plug	
F200202600	63
F420409	65
F8223901	29
M400985	29
Pop Rivet	
F431223	31, 33, 35
70058501	9, 13, 15
70412601	23, 27
Pressure Bulb	
205241	9
P-Trap Hose	
F8042201	53
F8042204	53
F8042301	53
Pulse Expander Assembly	
F8034701P	17

Pushbutton Switch	
70413301	29

R

Radial Seal	
F8203808	41
Rear Drain Hose	
F8231904	45
F8231905	45
F8365601	45
F8365602	45
Rear Panel	
F8352801	29
F8362401	29
F8365201	29
F8367101	29
F8492501	29
Reed Switch Assembly	
F8066802	31, 33, 35
Regulator	
F8402201	53
Retaining Ring	
F8337801	41
F8337901	41
F8344901	41
F8345001	41
Right Side Panel	
F8399201	29
F8399203	29
F8399301	29
F8399303	29
F8399401	29
F8399403	29
F8399501	29
F8399503P	29
F8492401	29
F8492403	29
Rod	
F602813-2	31, 33
F602813-3	35

S

Screw	
D503688	11
F430174	23, 27
F430532	31
F430533	33, 35
F430536	31, 33, 35
F430903	9
F430909	53
F430956	37
F430977	37
F8117601	23, 27
F8206901	9, 11, 29, 53
F8230301	53
F8230601	29
F8368701	41
F8368801	41
F8406601	61
F8442702	43
F8535501	31, 33, 35
F8535601	53
F8574001	57, 59, 61

N/A items do not appear in index.

F8621601	43
M400077	57, 59
202175	45
20253	65
23222	57, 59
430497	65
431287	29
800461	57
800462	39
800548	53
801019	23
Seal Scupper Pad	
F8350301	41
F8350302	41
F8350303	41
Shaft Seal Sleeve	
F8343914	39
Shaft Seal Sleeve Kit	
F8343901P	39
F8343904P	39
F8343906P	39
F8343909P	39
Shell Band Kit	
F8537801	39
F8537802	39
F8537803	39
F8537804	39
Shell Front Assembly	
F8229401	39
F8229501	39
F8229601	39
F8229701	39
Shell Front Gasket Kit	
F8513501	39
Shell Weldment	
F8360601	43
F8360602	63, 65
F8360701	43
F8360702	63, 65
F8360801	43
F8360802	63, 65
F8360901	43
F8360902	63, 65
Shim	
F8484401	37
Siphon Cover	
F8047901	53
Snap Bushing	
44071501	9
Spacer	
F431901	37
F8451601	57, 61
Spring	
F8504601	47
Spring Mount Rod	
F8361301	61
Spring Pin	
F431222	31, 33, 35
Spring Plate	
F8363901	57
F8525801	59
Spring Stud Kit	
F8748601	57, 59
Steam Bracket	
F8490301	65

Steam Filter	
F270307	51, 65
F270308	51
Steam Heat Kit	
F953P3	65
Steam Hose	
F200197	65
Steam Injector Tube Assembly	
F8368201	65
Steam Valve Repair Kit	
F380984P	65
Street Elbow	
H86070034	65
Stud	
70334702	45
Supply Overflow Hose	
F8043405	53

T

Tee	
F8246601	9, 63
Terminal Block	
430642	53
Terminal Tray Cover	
F8177001	53
Terminal Tray Cover Gasket	
F8230001	53
Thermistor Sensor	
F370609	63
Top Cabinet Brace	
F8043501	29
F8043701	29
F8043801	29
F8043901	29
Top Cover	
F8017401	29
F8040201	29
F8040301	29
F8040401P	29
Top Cover Hinge	
F8258601	29
Top Cover Latch	
F8201001	23, 27
Torsion/Door Lock Spring	
F8070301	37
Transformer	
F8401301	11
201616P	9
803527P	9
Tray Support Bracket	
F8375201	9
Triple Lip Seal	
F8203801	41
F8203802	41
F8203803	41
F8203806	41
F8203813	41
F8203814	41
F8203815	41
Tubing	
F8153901	9, 63

N/A items do not appear in index.

U

USB IR Interface Kit	
203346	9, 11
Use Copper Conductors Only Caution Label	
F8242201	7

V

Vacuum Breaker Assembly	
F8048601	53
Vacuum Breaker Hose	
F0200244-01	53
F0200244-02	53
Vacuum Supply Hose	
F8042801	53
F8042803	53
F8042804	53
F8042805	53
Valve	
F8322801P	65
Valve Kit	
F8379501P	65
Valve Panel	
F8398701	53
F8398801	53
F8398901	53
F8399001	53
Valve, 3-Way	
F8286401P	53
F8286402P	53
Vault/FBS Jumper Harness	
F8191402	19

W

Warning Label	
F8207901	7
F8233501	7
44324001	7
Washer	
F430339	41
F431113	31, 33, 35
F431115	57, 59, 61
F431902	37
F431916	31, 33, 35
F431929	31, 33, 35
F8201101	23, 27
F8366601	41
F8402701	43
M400081	39, 43
M405535	45
803615	51, 53
Water Hose Kit	
F8665601	51
F8665602	51
F8665603	51
F8665604	51
Water Pressure Switch	
F8404401	9, 63

N/A items do not appear in index.