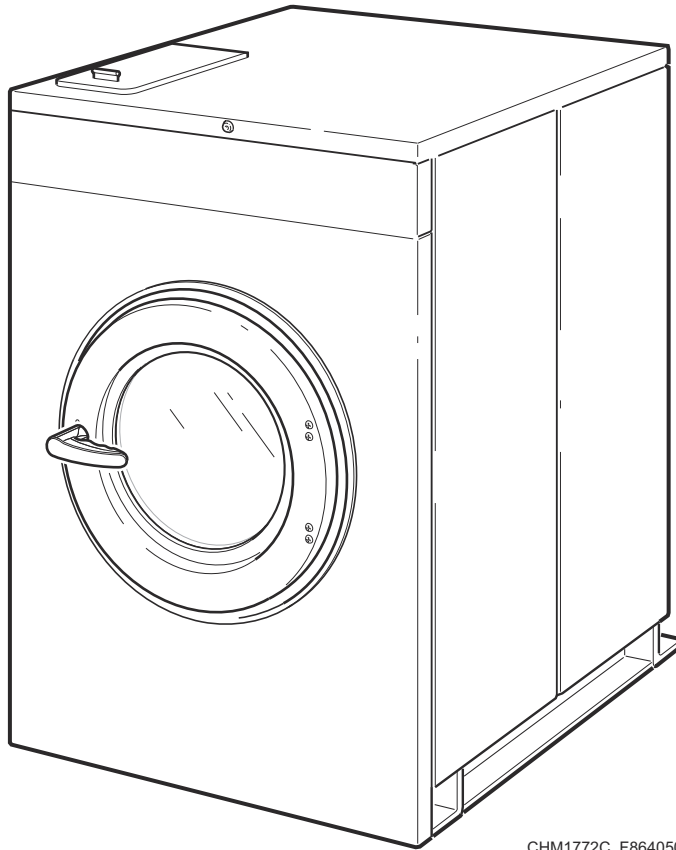


Washer-Extractor

Cabinet Hardmount
80 and 100 Pound Models
Refer to Page 5 for Model Numbers



CHM1772C_F8640501

Table of Contents

Title	Page
Parts Ordering Information.....	3
Serial Plate Location	3
Model Identification	5
Product Overview for M9, M30, Galaxy 400, Galaxy 600, Quantum Silver and Quantum Gold	6
Product Overview for M4, Galaxy 200 and Quantum Standard	8
Decals	10
Control Module - Design 1 Models.....	12
Control Module - Design 2 Models (Drawing 1 of 2)	14
Control Module - Design 2 Models (Drawing 2 of 2)	16
Network Controls - WC, WD, WE, WX, WY, ZC, ZD, ZE, ZX and ZY Models	18
Flush Mount Coin Meter Assembly - Single Drop	20
Flush Mount Coin Meter Assembly - Dual Drop.....	22
Electronic Coin Meter Assembly (Drawing 1 of 2).....	24
Electronic Coin Meter Assembly (Drawing 2 of 2).....	26
Optional Coin Box	28
Card Reader	30
Front Panels and Control Panels - All Coin Models Except GC, GD, GE, GL, and GX Models	32
Front Panels and Control Panels - All Prep for Card Reader Models Except GY Models	34
Front Panels and Control Panels - GC, GD, GE, GL and GX Models	36
Front Panels and Control Panels - GY Models	38
Control Panel Overlays - Prep for Card Models.....	40
Control Panel Overlays - Single Drop Coin Models	42
Control Panel Overlays - Dual Drop Coin Models	44
Cover Panels and Frame - Design 1 Models	46
Cover Panels and Frame - Design 2 Models	48
Door	50
Door Lock.....	52
Fill Plumbing and External Supply - Design 1 Models	54
Fill Plumbing, Mixing Valve and External Supply - Design 2.....	56
Fill Plumbing and External Supply - Design 2.....	58
Double Check Valve	60
Steam Filter (Optional) and Water Supply Hose.....	62
Basket, Shell and Frame - Design 1 Models.....	64
Basket - Design 2 Models	66
Shell and Frame - Design 2 - 80 Pound Models	68
Shell and Frame - Design 2 - 100 Pound Models	70
Drain - Design 1 Models	72
Drain - Design 2 Models	74
Motor, Pulley, Belts and Bearings - Design 1 Models.....	76
Bearing Housing - Design 2 Models	78
Motor, Pulley and Belts - Design 2 Models	80

© Copyright 2018, Alliance Laundry Systems LLC

All rights reserved. No part of the contents of this book may be reproduced or transmitted in any form or by any means without the expressed written consent of the publisher.

Electric Heat Option - Design 1 Models	82
Electric Heat Option - Design 2 Models	84
Steam Heat Option - Design 1 Models	86
Steam Heat Option - Design 2 Models	88
Special Tools - Design 2 Models	90
Parts Index.....	93

Parts Ordering Information

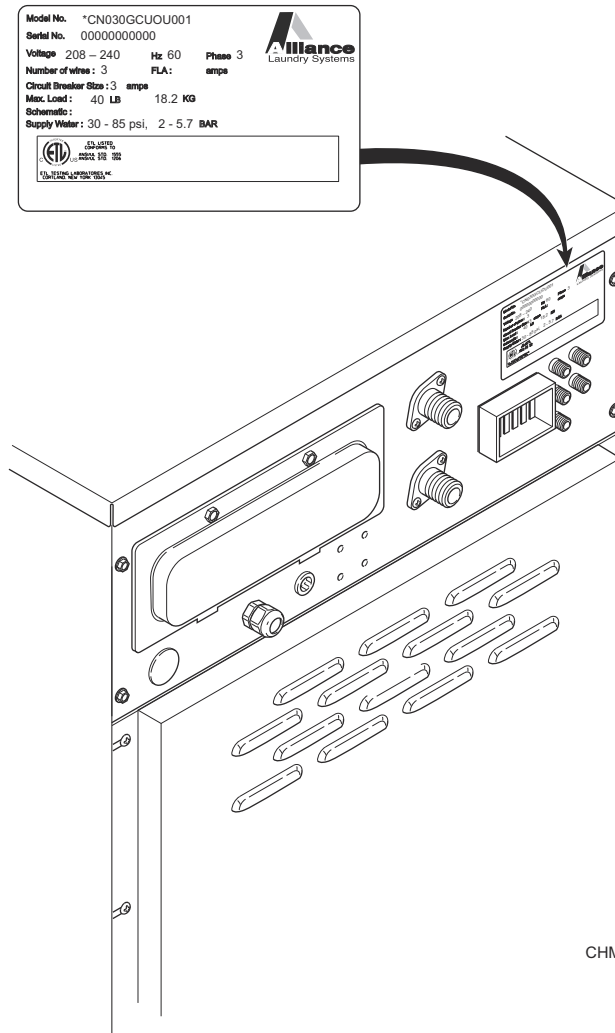
If literature or replacement parts are required, contact the source from whom the machine was purchased or contact Alliance Laundry Systems at (920) 748-3950 for the name and address of the nearest authorized parts distributor.

For technical assistance, call the number listed below:

(920) 748-3121 Ripon, Wisconsin

Serial Plate Location

When calling or writing about your product, be sure to mention model and serial numbers. Model and serial numbers are located on serial plate(s) as shown.



CHM3025P_F8640501

Model Identification

Information in this manual is applicable to these washer-extractor models:

HCD080LDF	HCN100HCF	ICN080KCF	SCN080WCF	SCU080GCF
HCD080LDV	HCN100KCF	ICN080KCV	SCN080WCV	SCU080GDF
HCH080KDF	HCN100KCV	ICN080KDF	SCN080WDF	SCU080GEF
HCH080KDV	HCN100KDF	ICN080KDV	SCN080WDV	SCU080GLF
HCH080ZDF	HCN100KDV	ICN080KEF	SCN080WEV	SCU080GXF
HCH080ZDV	HCN100KEF	ICN080KEV	SCN080WYF	SCU080GYF
HCH100KDF	HCN100KEV	ICN080KYF	SCN080WYV	SCU080JCF
HCH100KDV	HCN100KXF	ICN080KYV	SCN100JCF	SCU080JCV
HCH100ZDF	HCN100KXV	ICN100KCF	SCN100LCF	SCU080JDF
HCH100ZDV	HCN100KYF	ICN100KCV	SCN100LCV	SCU080JDF
HCL080KDF	HCN100KYV	ICN100KDV	SCN100LDF	SCU080JDF
HCL080KDV	HCN100ZCF	ICN100KEV	SCN100LDV	SCU080JDF
HCL080ZDF	HCN100ZCV	ICN100KXV	SCN100LEF	SCU080JDF
HCL080ZDV	HCN100ZDF	ICN100KYV	SCN100LEV	SCU080JDF
HCL100KDF	HCN100ZDV	SCD080LDF	SCN100LXF	SCU080JDF
HCL100KDV	HCN100ZEF	SCD080LDV	SCN100LXV	SCU080JDF
HCL100ZDF	HCN100ZEV	SCH080LCF	SCN100LYF	SCU080JDF
HCL100ZDV	HCN100ZXF	SCL080LCF	SCN100LYV	SCU080JDF
HCN080GCF	HCN100ZXV	SCN080GCF	SCN100WCF	SCU080JDF
HCN080GDF	HCN100ZYF	SCN080GDF	SCN100WCV	SCU080JDF
HCN080GEF	HCN100ZYV	SCN080GEF	SCN100WDF	SCU080JDF
HCN080GXF	HCU080GCF	SCN080GXF	SCN100WDV	SCU080JDF
HCN080GYF	HCU080GDF	SCN080GYF	SCN100WEF	SCU080JDF
HCN080HCF	HCU080GEF	SCN080JCF	SCN100WEV	SCU080JDF
HCN080HCV	HCU080GLF	SCN080JCV	SCN100WXF	SCU080JDF
HCN080HDF	HCU080GXF	SCN080JDF	SCN100WXV	SCU080JDF
HCN080HYF	HCU080GYF	SCN080JYF	SCN100WYF	SCU080JDF
HCN080HYV	HCU080HCF	SCN080JYV	SCN100WYV	SCU080JDF
HCN080KCF	HCU080HXF	SCN080LCF		
HCN080KCV	HCU080KCF	SCN080LCV		
HCN080KDF	HCU080KCV	SCN080LDF		
HCN080KDV	HCU080KYF	SCN080LDV		
HCN080KEF	HCU080KYV	SCN080LEF		
HCN080KEV	HCU080ZCF	SCN080LXF		
HCN080KXF	HCU080ZCV	SCN080LYF		
HCN080KYF	HCU080ZYF	SCN080LYV		
HCN080KYV	HCU080ZYV			
HCN080ZCF				
HCN080ZCV				
HCN080ZDF				
HCN080ZDV				
HCN080ZEF				
HCN080ZEV				
HCN080ZXF				
HCN080ZYF				
HCN080ZYV				

Product Overview for M9, M30, Galaxy 400, Galaxy 600, Quantum Silver and Quantum Gold

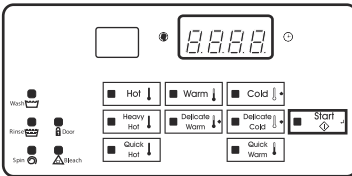
Model No. *CN030GC2U0U001
 Serial No. 0000000000

Voltage 208 – 240 Hz 60 Phase 3
 Number of wires : 3 FLA: amps
 Circuit Breaker Size : 3 amps
 Max. Load : 40 LB 18.2 KG
 Schematic :
 Supply Water : 30 - 85 psi, 2 - 5.7 BAR

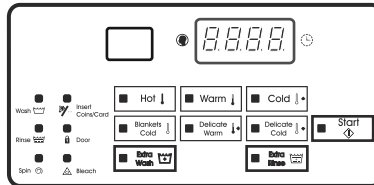
Alliance
 Laundry Systems

ETL LISTED
 CONFORMS TO
 ANSUL STD. 1552
 US ANSUL STD. 1506

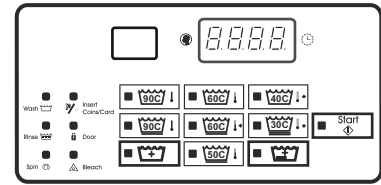
ETL TESTING LABORATORIES INC.
 CORTLAND, NEW YORK 13045



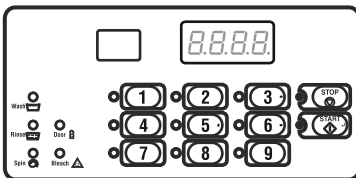
Galaxy 400 Coin



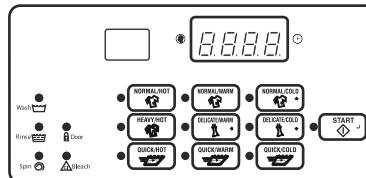
Galaxy 600 Coin (Domestic)



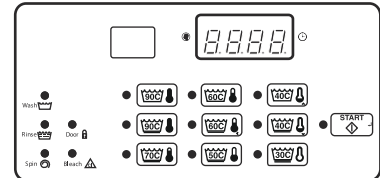
Galaxy 600 Coin (International)



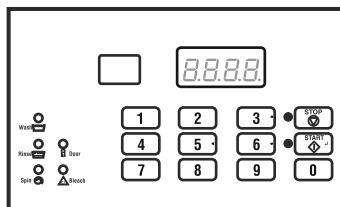
M9/Galaxy 400 OPL/Quantum Silver OPL



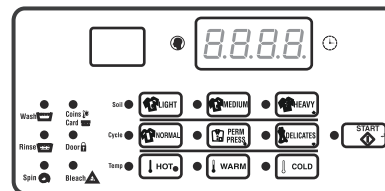
Quantum Silver Coin (Domestic)



Quantum Silver Coin (International)



M30/Quantum Gold OPL



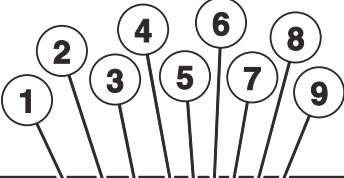
Quantum Gold


CHM3217P_F8640501


Product Overview for M9, M30, Galaxy 400, Galaxy 600, Quantum Silver and Quantum Gold

REF	PART NO.	DESCRIPTION	COMMENTS
1	-	Product Family	CC HC IC NC SC UC YC
2	-	Market	B (Brazil CE) D (Daiwa) H (China-ROHS ETL) L (International ETL(c)) N (Domestic ETL(c)) U (International CE/EAC) W (WRAS CE) Y (Australia) Z (No Agency International)
3	-	Capacity (Pounds)	020 030 040 060 080 100
4	-	Control	G H J K L W Z
5	-	Actuation	C (Drop Coin Meter) D (Digital Coin Meter) E (Electronic World Drop) L (Prep for Remote/Central Pay) N (Non-Coin OPL) X (Prep for Coin Meter) Y (Prep for Card Reader)
6	-	Speed	F (F Speed) V (Variable Speed)
7	-	Voltage	B (120/60/1/2) C (380-415/50/3/4) F (440-480/60/3/3) J (200/50/3/3) N (440-480/50/60/3) O (208/220-240/60/3/3) P (380-415/50/60/3) Q (200-208/220-240/50/60/3) R (380-415/440-480/50/60/3) X (200-208/220-240/50/60/1/3) Y (208/220-240/60/1/2)
8	-	Side Panel	U (Standard) 1 (Stainless Steel)
9	-	Design	1 2

Product Overview for M4, Galaxy 200 and Quantum Standard

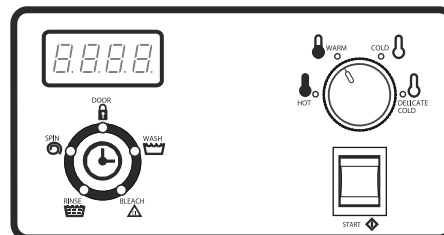


Model No.	*CN030GC2U0U001			
Serial No.	00000000000			
Voltage	208 – 240	Hz 60	Phase 3	
Number of wires :	3	FLA :	amps	
Circuit Breaker Size :	3 amps			
Max. Load :	40 LB	18.2 KG		
Schematic :				
Supply Water :	30 - 85 psi, 2 - 5.7 BAR			



ETL LISTED
CONFORMS TO
ANSI/UL STD. 1995
US ANSI/UL STD. 1906

ETL TESTING LABORATORIES, INC.
CORTLAND, NEW YORK 13045



M4/Galaxy 200/Quantum Standard

CHM3218P_F8640501

Product Overview for M4, Galaxy 200 and Quantum Standard

REF	PART NO.	DESCRIPTION	COMMENTS
1	-	Product Family	CC HC IC NC SC UC YC
2	-	Market	B (Brazil CE) D (Daiwa) H (China-ROHS ETL) L (International ETL(c)) N (Domestic ETL(c)) U (International CE/EAC) W (WRAS CE) Y (Australia) Z (No Agency International)
3	-	Capacity (Pounds)	020 030 040 060 080 100
4	-	Control	G H J K L W Z
5	-	Actuation	C (Drop Coin Meter) D (Digital Coin Meter) E (Electronic World Drop) L (Prep for Remote/Central Pay) N (Non-Coin OPL) X (Prep for Coin Meter) Y (Prep for Card Reader)
6	-	Speed	F (F Speed) V (Variable Speed)
7	-	Voltage	B (120/60/1/2) C (380-415/50/3/4) F (440-480/60/3/3) J (200/50/3/3) N (440-480/50/60/3) O (208/220-240/60/3/3) P (380-415/50/60/3) Q (200-208/220-240/50/60/3) R (380-415/440-480/50/60/3) X (200-208/220-240/50/60/1/3) Y (208/220-240/60/1/2)
8	-	Side Panel	U (Standard) 1 (Stainless Steel)
9	-	Design	1 2

Decals

WARNING
To reduce the risk of serious injury:
Avoid contact with hot surfaces.

MISE EN GARDE
Pour réduire les risques de blessures graves:
Éviter tout contact avec les surfaces chaudes.

F8211001R1

NOTICE
EXTERNAL SUPPLY SIGNALS
CONNECTION POINTS ARE LOCATED INSIDE THIS AREA.

F8150201R1

WARNING
AVERTISSEMENT
Electrical shock hazard can cause death or serious injury. To reduce the risk of electric shock, disconnect all electric power to appliance and accessories before servicing.

Des décharges électriques peuvent entraîner des blessures graves, voire mortelles. Pour réduire le risque de choc électrique, débrancher toute alimentation électrique de l'appareil et des accessoires avant chaque proc. dure d'entretien.

F823201

<p>WARNING Electrical shock hazard can cause death or serious injury. To reduce the risk of electric shock, disconnect all electric power to appliance and accessories before servicing.</p> <p>AVERTISSEMENT Des décharges électriques peuvent entraîner des blessures graves, voire mortelles. Pour réduire le risque de choc électrique, débrancher toute alimentation électrique de l'appareil et des accessoires avant chaque procédure d'entretien.</p>	<p>WARNING Moving parts hazard can cause serious injury. Disconnect electric power to unit before servicing. Uninspected agitator mechanism will occur if the unit is equipped with the extended tumble feature.</p> <p>AVERTISSEMENT Les pièces mobiles peuvent causer des blessures graves. Débrancher l'alimentation électrique de la sécheuse avant toute inspection. La machine peut démanter de façon imprévue si elle est équipée d'une fonction de coulissage prolongée.</p>
---	--

WARNING
AVERTISSEMENT
To reduce the risk of fire:

Do not put flammable liquids, cleaning solvents, or articles soiled with these substances, in the washer. Do not wash items soiled with vegetable or cooking oil.

Pour réduire les risques d'incendie:
Ne verser aucun liquide inflammable ni aucun solvant de détachage dans la machine à laver, et n'y placer aucun article souillé de ces liquides ou de ces solvants.
Ne pas laver d'articles souillés d'huile végétale ou d'huile à cuisson.

WARNING
AVERTISSEMENT
High speed spin
To reduce the risk of serious injury:
Do not attempt to open the door until:
- Water has drained.
- All moving parts have stopped.
Do not let children play in or on the washer.
Do not climb on or in the washer.

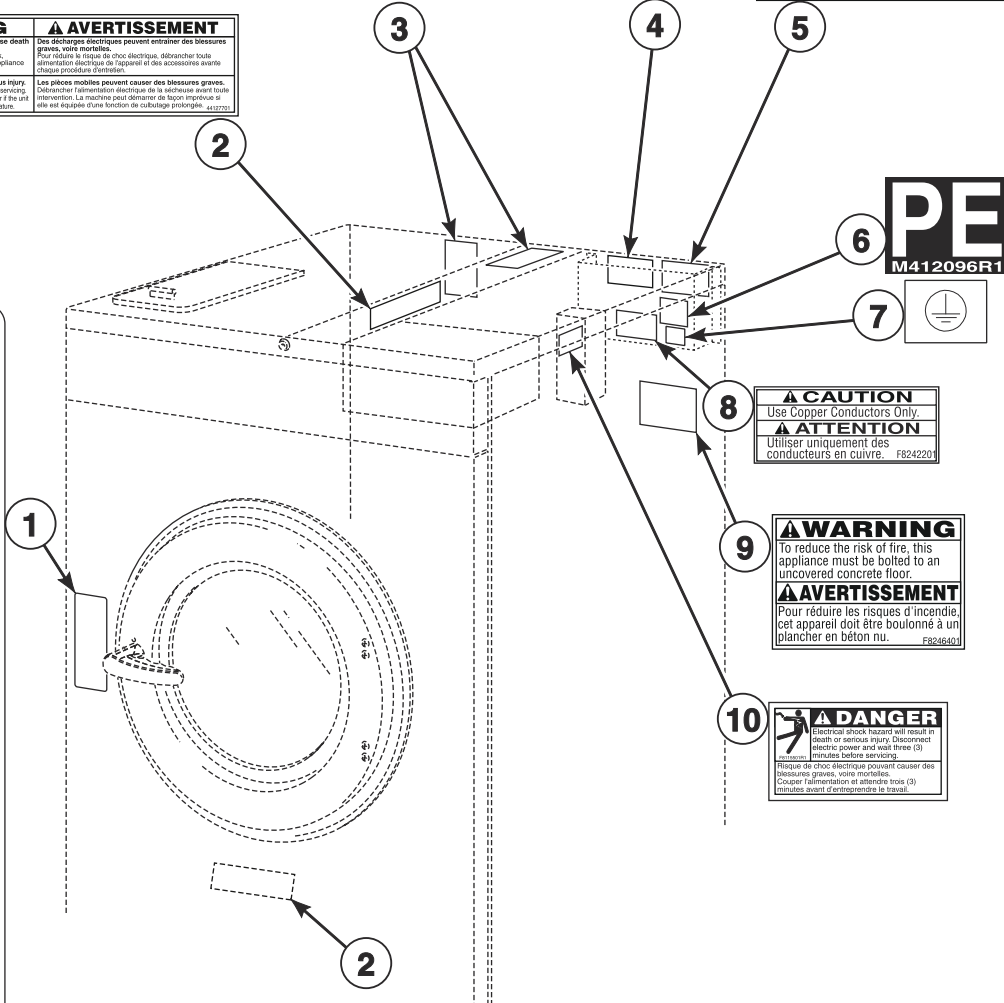
Essorage à haute vitesse
Pour réduire les risques de blessures graves:
Ne pas tenter d'ouvrir la porte avant :
- Que l'eau ait été complètement évacuée.
- Que toutes les pièces mobiles soient complètement immobilisées.

Ne pas laisser d'enfants jouer dans la machine à laver ni autour de la machine.
Ne pas monter sur la machine à laver, ne pas se glisser à l'intérieur.

IMPORTANT:
In case of power failure wait 2 minutes before attempting to open door.
En cas de panne d'alimentation, attendre 2 minutes avant de tenter d'ouvrir la porte.

Open/Ouverte	Closed/Fermée

F8207901



CAUTION
Use Copper Conductors Only.
ATTENTION
Utiliser uniquement des conducteurs en cuivre.

F824220

WARNING
To reduce the risk of fire, this appliance must be bolted to an uncovered concrete floor.
AVERTISSEMENT
Pour réduire les risques d'incendie, cet appareil doit être boulonné à un plancher en béton nu.

F8248401

DANGER
Electrical shock hazard will result in death or serious injury. Disconnect electric power and wait three (3) minutes before servicing.
Risque de choc électrique pouvant causer des blessures graves, voire mortelles. Couper l'alimentation et attendre trois (3) minutes avant d'entreprendre le travail.

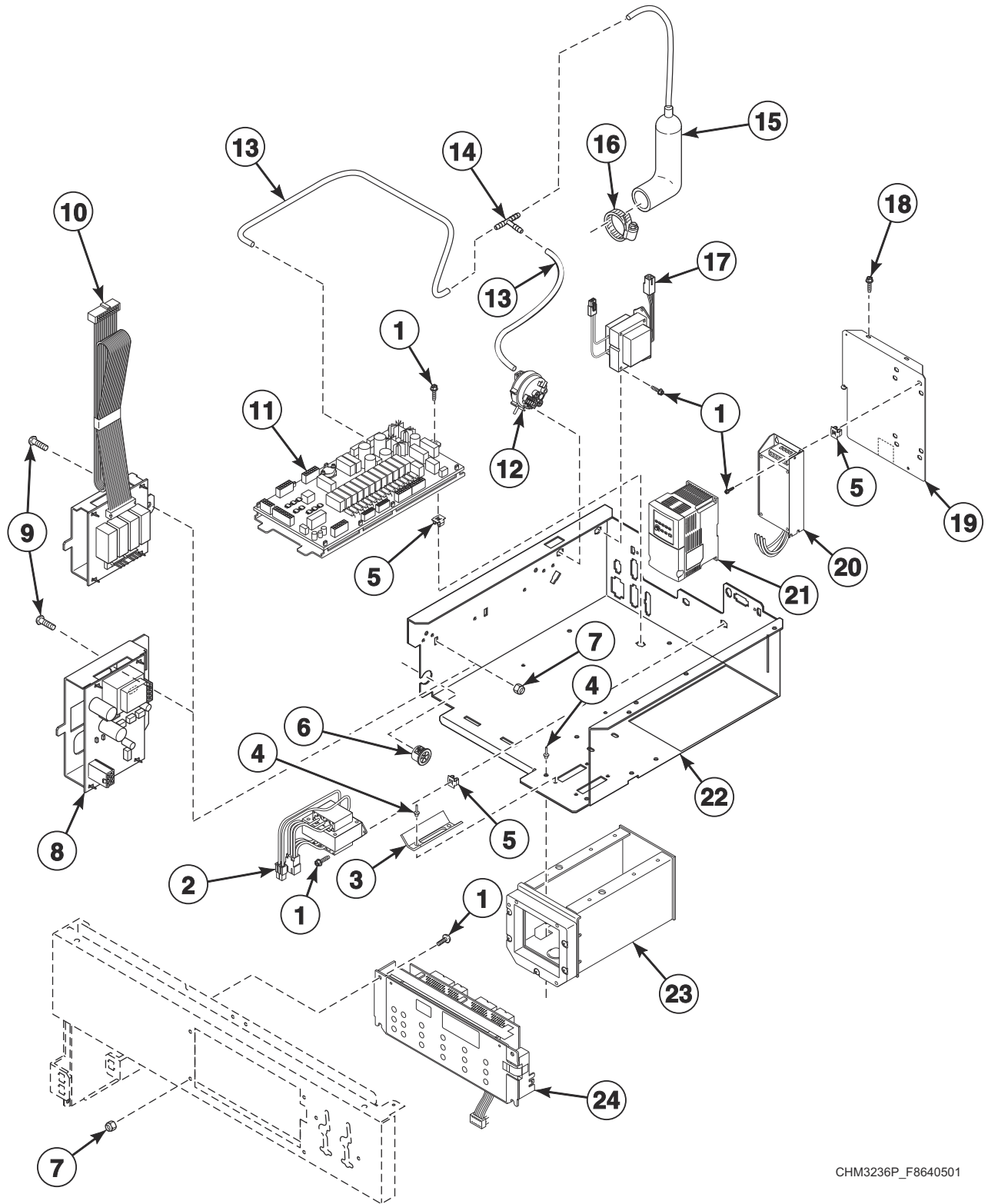
PE
M412096R1

CHM3259P_F8640501

Decals

REF	PART NO.	DESCRIPTION	COMMENTS
1	F8207901	Warning Label	
2	44324001	Warning Label	
3	F8614301	Hot Surface Warning Label	
4	F8150201	External Supply Connection Decal	
5	F8233501	Warning Label	
6	M412096	Earth Terminal Sticker	
7	F230739	Ground Decal	
8	F8242201	Use Copper Conductors Only Caution Label	
9	F8246401	Mount on Concrete Warning Label	
10	F8115501	Electric Shock Danger Label	

Control Module - Design 1 Models



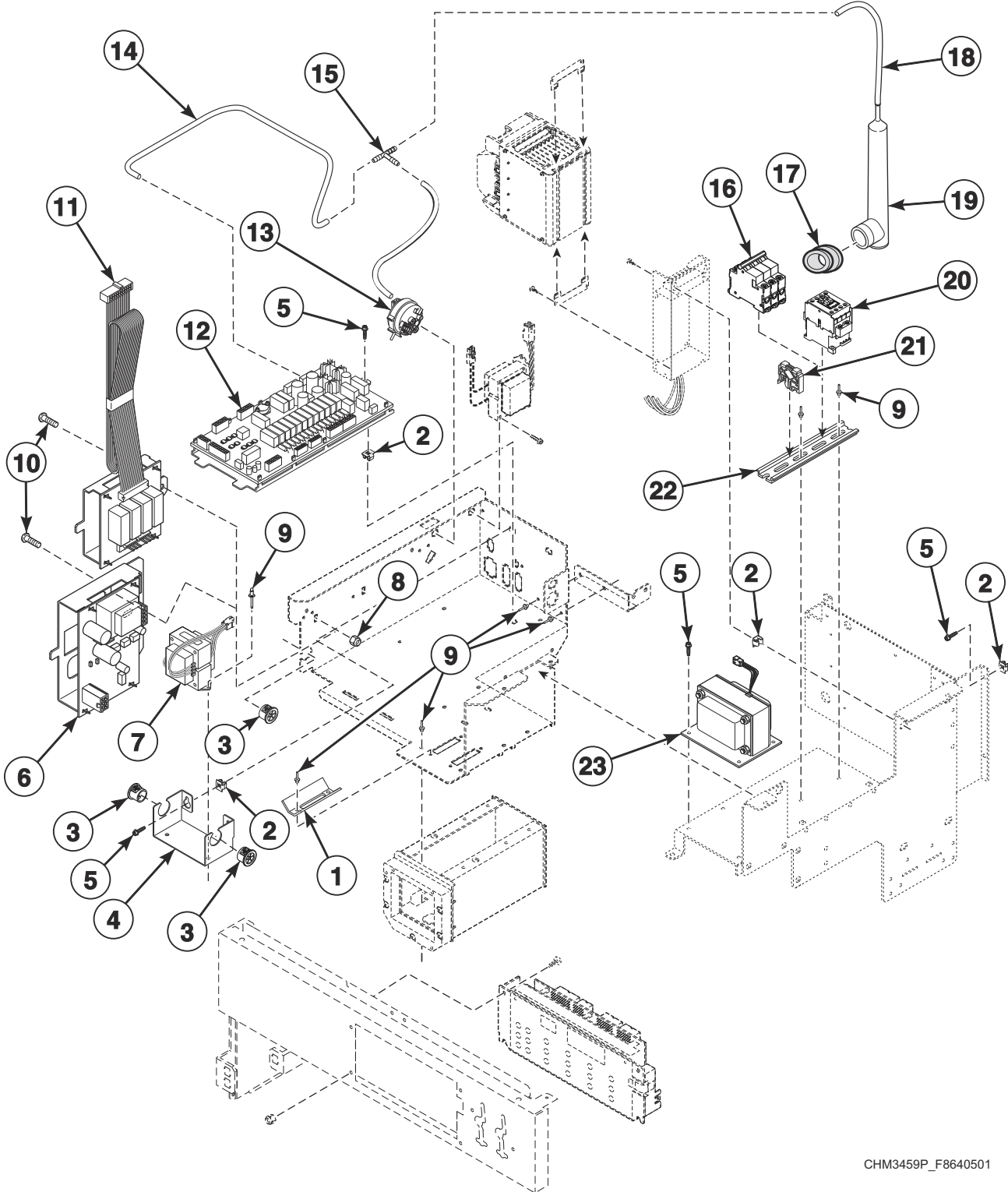
CHM3236P_F8640501

Control Module - Design 1 Models

REF	PART NO.	DESCRIPTION	COMMENTS
	F8028701	Output/Logic Harness	
	203346	USB IR Interface Kit	
	F8191201P	External Supply Harness	
	F937P3	External Supply Kit	Includes items 1, 10, 17, F8191201P External Supply Harness and screws
	M413506	Jumper Harness Assembly	208 Volt
	M413507	Jumper Configuration Assembly	240 Volt
	F8028106P	Machine Size Configuration Harness	
1	F8206901	Screw	
2	803527P	Transformer	
3	F8170801	Coin Chute	
4	70058501	Pop Rivet	
5	70030501	Expansion Clip	
6	44071501	Snap Bushing	
7	F430232	Nut	
8	203028	Network Board Assembly	Models with W in the 7th position of the model number
9	F430903	Screw	
10	F8189401P	Auxiliary Control Assembly	
11	F980P3	Control Assembly Kit	Includes item 14 and F8108001 Output Assembly
	802493	Fuse	2.5 Amp
12	F8223001P	Water Pressure Switch	
13	F8153901	Tubing	
14	F8246601	Tee	
15	F020014200	Air Trap Hose	
16	F200222	Hose Clamp	No. 12
17	201616P	Transformer	External supply
18	430497	Screw	
19	F8195803	Support Bracket	
20	F8053901P	EMI Filter	200 Volt
	F8053902	EMI Filter	400 Volt
21	F8169432	PowerFlex 40 Drive	Q and X-voltage; Use with F8334601 Marathon Motor
	F8169410	PowerFlex 40 Drive	R-voltage; Use with F8054101 Reliance Motor
	F8169409	PowerFlex 40 Drive	Q and X-voltage; Use with F8054101 Reliance Motor
	F8169433	PowerFlex 40 Drive	R-voltage; Use with F8334601 Marathon Motor
22	F8205903	Control Tray Assembly	Includes items 3 and 23
23	F8182601	Coin Vault Assembly	Coin models
24	F8099101P	Control Assembly	Models with L or W in the 7th position of the model number
	F984P3	Front End Control Kit	Models SCN080LCV, SCN080LDV, SCN080LYV, SCN080WCV, SCN080WDV and SCN080WYV; See ** Note
	F985P3	Front End Control Kit	Models SCN080LCF, SCN080LDF, SCN080LEF and SCN080LYF; See ** Note
	F986P3	Front End Control Kit	Models HCN080KCV, HCN080KDV, HCN080KEV and HCN080KYV; See ** Note
	F987P3	Control Kit	Models HCL080KDV, HCU080KCV and HCU080KYV; See ** Note
	F992P3	Control Kit	Models SCN080JCV and SCN080JYV; See ** Note
	F993P3	Control Kit	Models SCU080JCV, SCU080JDV, SCU080JEV, SCU080JLV, SCU080JXV and SCU080JYV; See ** Note
	F996P3	Control Kit	Models HCN080HCF, HCN080HDF, HCN080HYF, HCU080HCF and HCU080HXF; See ** Note
	F990P3	Control Kit	Models HCN080KCF, HCN080KDF, HCN080KEF and HCN080KYF; See ** Note
	F991P3	Control Kit	Models HCL080KDF, HCU080KCF and HCU080KYF; See ** Note
	F994P3	Control Kit	Models SCN080JCF, SCN080JDF and SCN080JYF; See ** Note
	F995P3	Control Kit	Models SCU080JCF, SCU080JDF, SCU080JEF, SCU080JLF, SCU080JXF and SCU080JYF; See ** Note
	F999P3	Control Kit	Models with G in the 7th position of the model number; See ** Note

**** NOTE: Control Kit includes F8028701 Output/Logic Harness**

Control Module - Design 2 Models (Drawing 1 of 2)

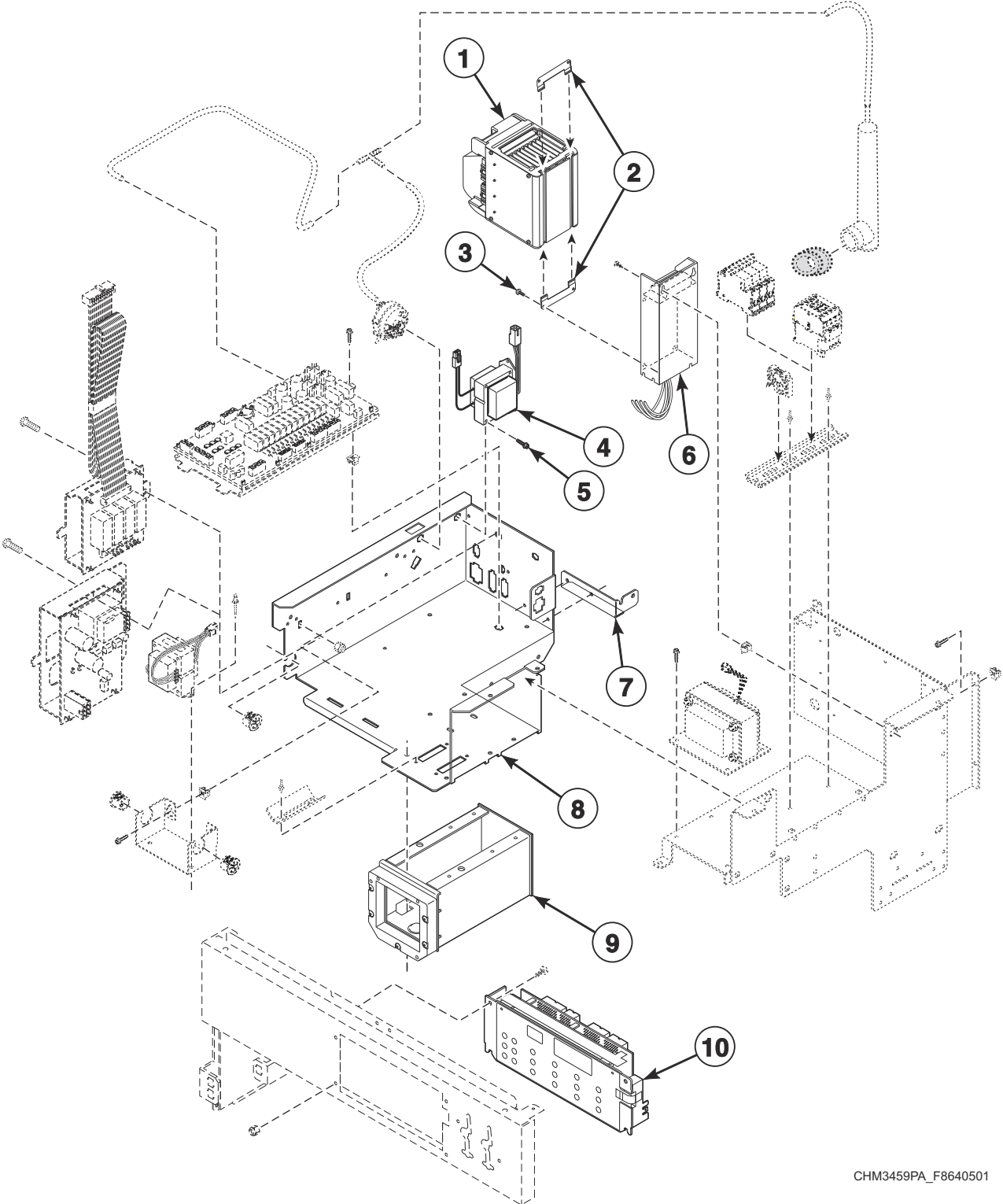


CHM3459P_F8640501

Control Module - Design 2 Models (Drawing 1 of 2)

REF	PART NO.	DESCRIPTION	COMMENTS
	F8028701	Output/Logic Harness	
	203346	USB IR Interface Kit	
	F8182403	Fill Harness	
	M413506	Jumper Harness Assembly	208 Volt
	M413507	Jumper Configuration Assembly	240 Volt
	F8191201P	External Supply Harness	
	F937P3	External Supply Kit	Includes items 6, 10, F8191201P External Supply Harness and screws
	F8028106P	Machine Size Configuration Harness	80 pound models
	F8028116	Machine Size Configuration Harness	100 pound models
1	F8170801	Coin Chute	
2	70030501	Expansion Clip	
3	44071501	Snap Bushing	
4	F8599801	Bracket	
5	F8206901	Screw	
6	203028	Network Board Assembly	Models SCN080WCF, SCN080WCV, SCN080WDV, SCN080WYF and SCN080WYV
7	803527P	Transformer	
8	F430232	Nut	
9	70058501	Pop Rivet	
10	F430903	Screw	
11	F8189401P	Auxiliary Control Assembly	
12	F980P3	Control Assembly Kit	Includes item 14 and F8108001 Output Assembly
	802493	Fuse	2.5 Amp
13	F8404401	Water Pressure Switch	Electric heat
14	F8153901	Tubing	
15	F8246601	Tee	Electric heat
16	F330177P	Contacto	
	F330188P	Contacto	Electric and steam heat
17	F8433001	Grommet	
18	F8405301	Hose	No. 12
19	30907	Pressure Bulb	
20	70256901P	Circuit Breaker	Electric and steam heat
21	F8449801	End Stop	
22	F8385301	DIN Rail	
23	F8401301	Transformer	

Control Module - Design 2 Models (Drawing 2 of 2)

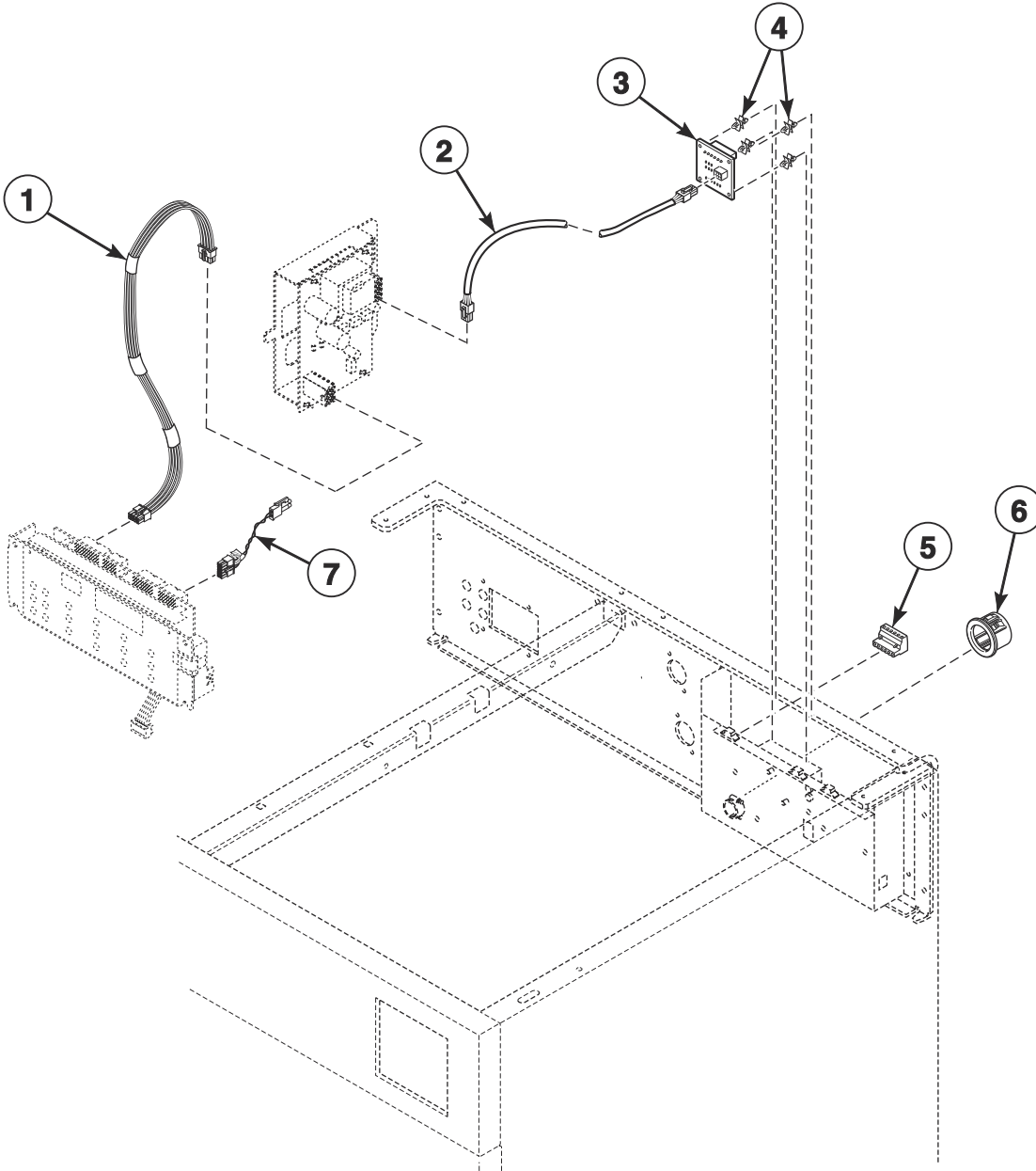


CHM3459PA_F8640501

Control Module - Design 2 Models (Drawing 2 of 2)

REF	PART NO.	DESCRIPTION	COMMENTS
	F8028701	Output/Logic Harness	
	203346	USB IR Interface Kit	
	F8182403	Fill Harness	
	M413506	Jumper Harness Assembly	208 Volt
	M413507	Jumper Configuration Assembly	240 Volt
	F8191201P	External Supply Harness	
	F937P3	External Supply Kit	Includes items 4, 5, F8191201P External Supply Harness and screws
	F8028106P	Machine Size Configuration Harness	80 pound models
	F8028116	Machine Size Configuration Harness	100 pound models
1	F8204801P	Drive Assembly	Q and X-voltage
	F8303601P	Drive Assembly	N and P-voltage
2	F8322401	Drive Mounting Bracket	
3	D503688	Screw	
4	201616P	Transformer	External supply
5	F8206901	Screw	
6	F8053901P	EMI Filter	200 Volt
	F8053902	EMI Filter	400 Volt
7	F8375201	Tray Support Bracket	80 pound models
	F8375202	Bracket	100 pound models
8	F8359704	Control Tray Assembly	Includes item10
9	F8182601	Coin Vault Assembly	Coin models
10	F102P3	Front End Control Kit	V-speed L or W control models; Includes F8028701 Output/Logic Harness
	F103P3	Front End Control Kit	F-speed L or W control models; Includes F8028701 Output/Logic Harness
	F985P3	Front End Control Kit	Models SCH080LCF and SCN080LXF; Includes F8028701 Output/Logic Harness
	F104P3	Front End Control Kit	Models HCN080KCV, HCN080KDV, HCN080KEV, HCN080KYV, HCN080ZCV, HCN080ZDV, HCN080ZEV, HCN080ZYV, HCN100KCV, HCN100KDV, HCN100KEV, HCN100KXV, HCN100KYV, HCN100ZCV, HCN100ZDV, HCN100ZEV, HCN100ZXV and HCN100ZYV; Includes F8028701 Output/Logic Harness
	F105P3	Front End Control Kit	Models HCH080KDV, HCH080ZDV, HCH100KDV, HCH100ZDV, HCL080KDV, HCL080ZDV, HCL100KDV, HCL100ZDV, HCU080KCV, HCU080KYV, HCU080ZCV and HCU080ZYV; Includes F8028701 Output/Logic Harness
	F108P3	Front End Control Kit	Models HCN080KCF, HCN080KDF, HCN080KXF, HCN080KYF, HCN080ZCF, HCN080ZDF, HCN080ZXF, HCN080ZYF, HCN100KCF, HCN100KDF, HCN100KEF, HCN100KXF, HCN100KYF, HCN100ZCF, HCN100ZDF, HCN100ZEF, HCN100ZXF and HCN100ZYF; Includes F8028701 Output/Logic Harness
	F109P3	Front End Control Kit	Models HCH080KDF, HCH080ZDF, HCH100KDF, HCH100ZDF, HCL080KDF, HCL080ZDF, HCL100KDF, HCL100ZDF, HCN080KEF, HCN080ZEF, HCU080KCF, HCU080KYF, HCU080ZCF and HCU080ZYF; Includes F8028701 Output/Logic Harness
	F110P3	Front End Control Kit	Models SCN080JCV and SCN080JYV; Includes F8028701 Output/Logic Harness
	F111P3	Front End Control Kit	Models SCU080JCV, SCU080JDV, SCU080JEV, SCU080JXV and SCU080JYV; Includes F8028701 Output/Logic Harness
	F112P3	Front End Control Kit	Models SCN080JCF, SCN080JDF, SCN080JYF and SCN100JCF; Includes F8028701 Output/Logic Harness
	F113P3	Front End Control Kit	Models SCU080JCF, SCU080JDF, SCU080JEF, SCU080JXF and SCU080JYF; Includes F8028701 Output/Logic Harness
	F114P3	Front End Control Kit	Models HCN080HCV and HCN080HYV; Includes F8028701 Output/Logic Harness
	F118P3	Front End Control Kit	Models HCN080HCF, HCN080HDF, HCN080HYF, HCN100HCF, HCU080HCF and HCU080HXF; Includes F8028701 Output/Logic Harness
	F8549002	Front End Control	IC V-speed models;
	F8549012	Front End Control	IC F-speed models

Network Controls - WC, WD, WE, WX, WY, ZC, ZD, ZE, ZX and ZY Models

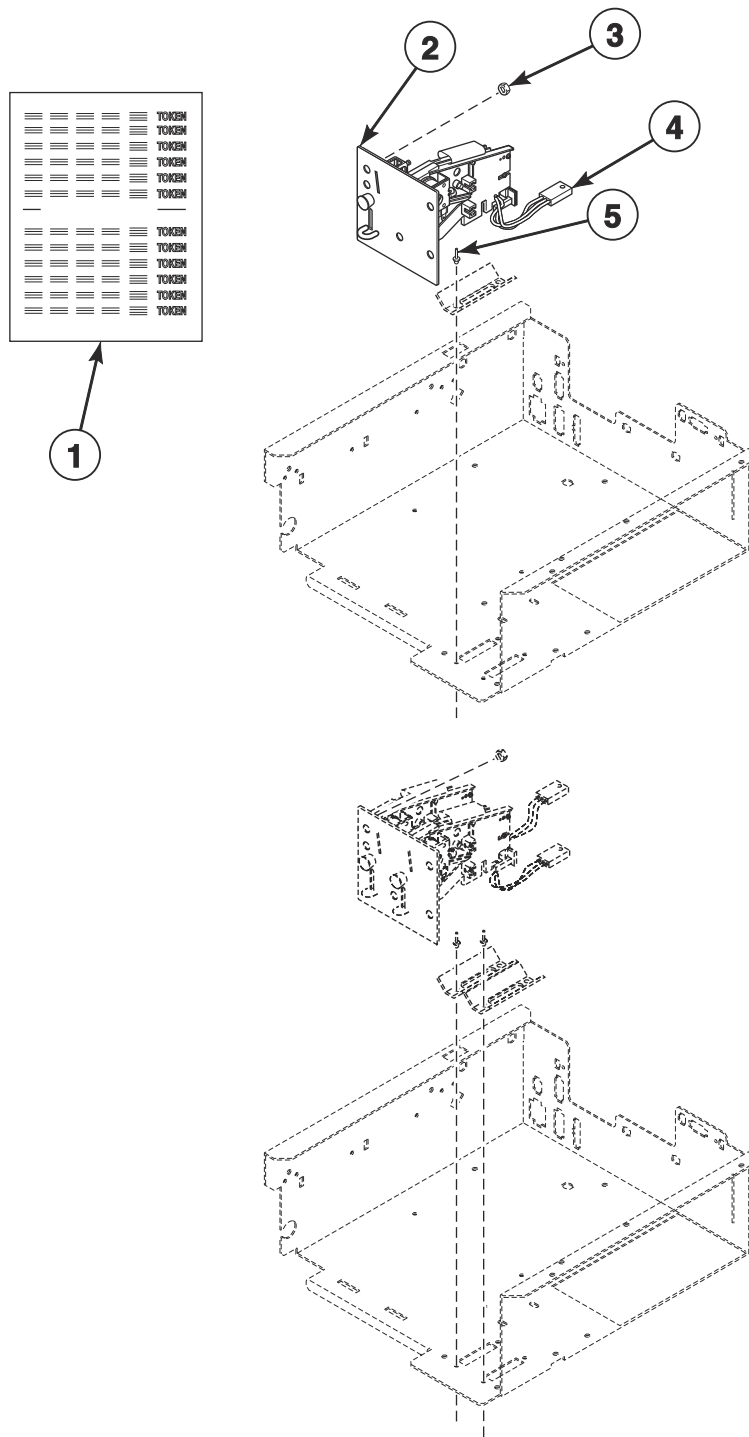


CHM3247P_F8640501

Network Controls - WC, WD, WE, WX, WY, ZC, ZD, ZE, ZX and ZY Models

REF	PART NO.	DESCRIPTION	COMMENTS
	NK204	Network Retrofit Kit	Wired; Includes items 1, 3-4, 7, 203028 Network Board Assembly, 430497 Screw and 51780 Screw
	NK220	Network Controller Kit	Wired; Includes 210162 Terminating Resistor, D511949 Network Controller Assembly, D512161 Network Controller Power Supply and D513375 Ethernet Cable
	NK301	Wireless Network Kit	WC, WD, WE, WX and WY models
	203889	Wireless Network Kit	ZC, ZD, ZE, ZX and ZY models
	NK320	Ethernet Gateway Kit	Wireless
	NK330	USB Gateway Kit	Wireless
1	44088501P	Network Wire Harness Assembly	
2	44141801P	Network Harness	
3	210095P	Communication Board	
4	210098	PC Board Standoff	
5	210099	Communication Connector	
6	M400770	Snap Bushing	
7	70338301P	Communication Harness	

Flush Mount Coin Meter Assembly - Single Drop



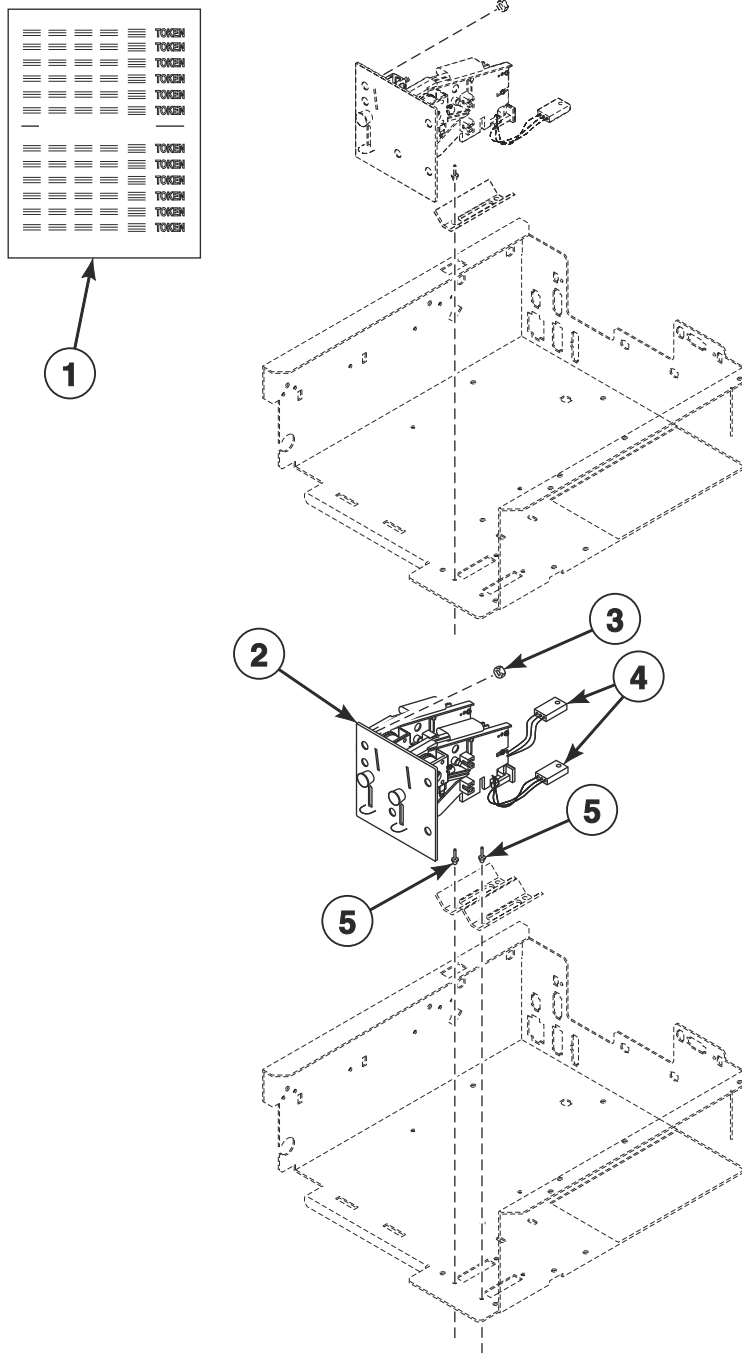
CHM3088P_F8640501

Flush Mount Coin Meter Assembly - Single Drop

REF	PART NO.	DESCRIPTION	COMMENTS
	F200010000P	Coin Meter Assembly	U.S. \$.25; Includes items 2 and 3
	F200010006	Coin Meter Assembly	.800 token; Includes items 2 and 3
	F200010007	Coin Meter Assembly	.880 token; Includes items 2 and 3
	F200010009	Coin Meter Assembly	.990 token; Includes items 2 and 3
	F200010011	Coin Meter Assembly	Jeton WH121 token; Includes items 2 and 3
	F200010012	Coin Meter Assembly	Jeton .08 token; Includes items 2 and 3
1	38725	Coin Identification Paper	
2	38464P	Coin Drop Assembly	Canada .25
	N/A	Coin Drop Assembly	Australia .20
	N/A	Coin Drop Assembly	Belgium 5 franc
	N/A	Coin Drop Assembly	Denmark 2 krone
	N/A	Coin Drop Assembly	United Kingdom 20 pence
	N/A	Coin Drop Assembly	France 2 franc
	N/A	Coin Drop Assembly	Hong Kong 5 dollar
	N/A	Coin Drop Assembly	Italy 500 lira
	N/A	Coin Drop Assembly	Japan 100 yen
	N/A	Coin Drop Assembly	Korea 500 won
	N/A	Coin Drop Assembly	South Africa 2 rand
	N/A	Coin Drop Assembly	Spain 100 peseta
	N/A	Coin Drop Assembly	Thailand 10 baht
	N/A	Coin Drop Assembly	.886 token
	N/A	Coin Drop Assembly	1.000 token
	N/A	Coin Drop Assembly	Jeton .08 token
	70441601P	Coin Drop	U.S. \$.25
	N/A	Coin Drop Assembly	.800 token
	38462P	Coin Drop Assembly	Token; .880 diameter x .079 thick; Brass
	38463	Coin Drop Assembly	Token; .990 diameter x .081 thick; Silver
	N/A	Coin Drop Assembly	Jeton WH121 token
	N/A	Coin Meter	Jeton .08 token
3	685846	Nut	
4	200674P	Opto Coupler	
5	70058501	Pop Rivet	

N/A = Part no longer available

Flush Mount Coin Meter Assembly - Dual Drop



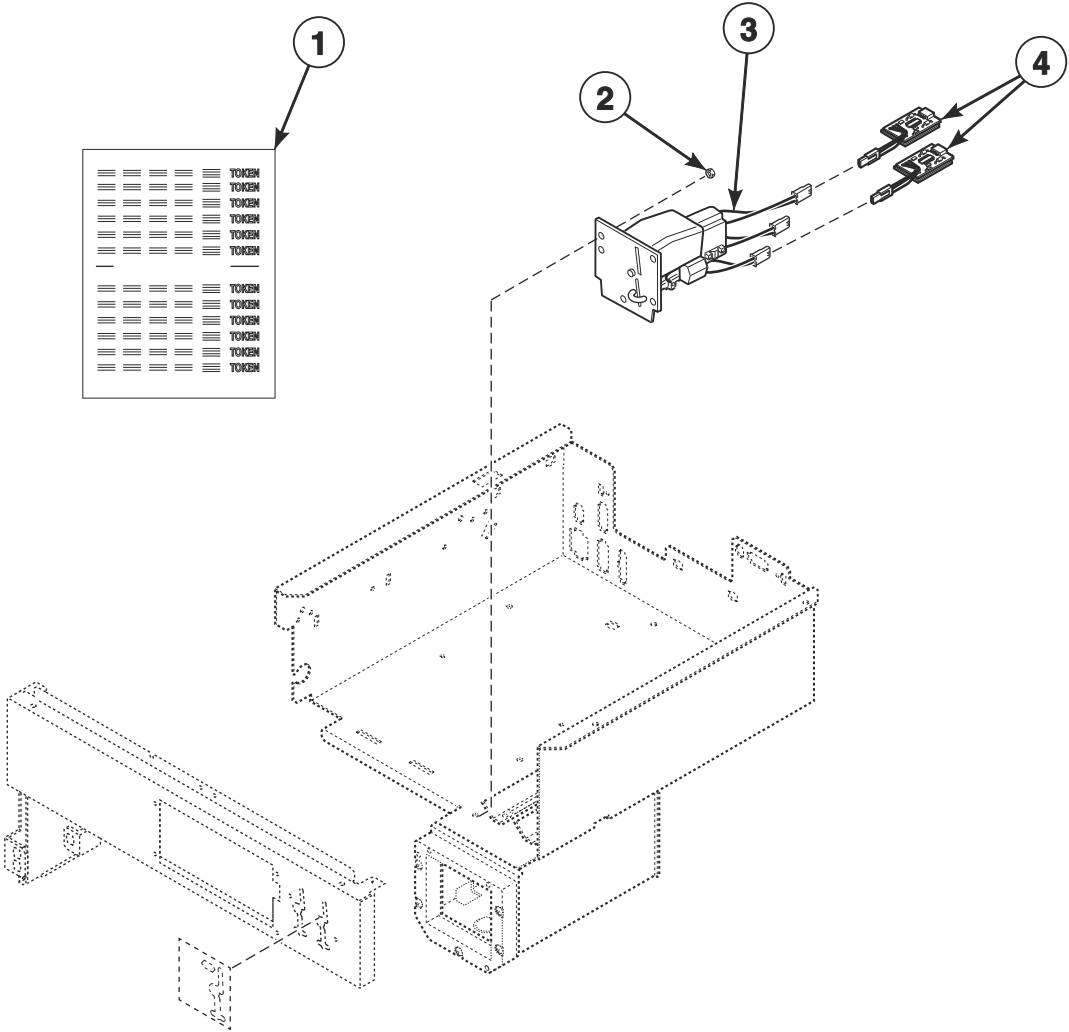
CHM3088PA_F8640501

Flush Mount Coin Meter Assembly - Dual Drop

REF	PART NO.	DESCRIPTION	COMMENTS
	F200010001	Coin Meter Assembly	Australia .20 and 1; Includes items 2 and 3
	F200010002	Coin Meter Assembly	100 and 500 yen; Includes items 2 and 3
	F200010003	Coin Meter Assembly	Canada 1.00 and .25; Includes items 2 and 3
	F200010004	Coin Meter Assembly	New Zealand .20 and 1; Includes items 2 and 3
	F200010005	Coin Meter Assembly	U.S. \$1.00 and \$.25; Includes items 2 and 3
	F200010008	Coin Meter Assembly	.50 and 2.00 euro; Includes items 2 and 3
	F200010010	Coin Meter Assembly	10 and 50 Taiwan; Includes items 2 and 3
1	38725	Coin Identification Paper	
2	N/A	Coin Meter	10 and 50 Taiwan
	N/A	Coin Meter	Belgium 5 and 20 franc
	N/A	Coin Meter	Denmark 1 and 5 krone
	N/A	Coin Meter	Denmark 5 and 10 krone
	38472	Coin Drop Assembly	United Kingdom 20 pence and 1 pound
	N/A	Coin Meter	.20 and .50 euro
	210195	Coin Drop Assembly	.20 and 1.00 euro
	210196	Coin Drop Assembly	.50 and 1.00 euro
	N/A	Coin Meter	2 and 5 franc
	N/A	Coin Meter	2 and 10 franc
	39157	Coin Drop Assembly	Israel 1 and 5 shekel
	38521	Coin Drop Assembly	Korea 100 and 500 won
	N/A	Coin Meter	Spain 100 and 500 peseta
	N/A	Coin Drop Assembly	Australia .20 and 1
	N/A	Coin Drop Assembly	Japan 100 and 500 yen
	N/A	Coin Drop Assembly	Canada 1.00 and .25
	N/A	Coin Drop Assembly	New Zealand .20 and 1
	70256402P	Coin Drop	U.S. \$1.00 and \$.25
	F0160737-00	Coin Meter	.50 and 2.00 euro
	70281102	Coin Drop Assembly	10 and 50 Taiwan dollar
	N/A	Coin Meter	Taiwan 5 and 10 dollar
3	685846	Nut	
4	200674P	Opto Coupler	
5	70058501	Pop Rivet	

N/A = Part no longer available

Electronic Coin Meter Assembly (Drawing 1 of 2)



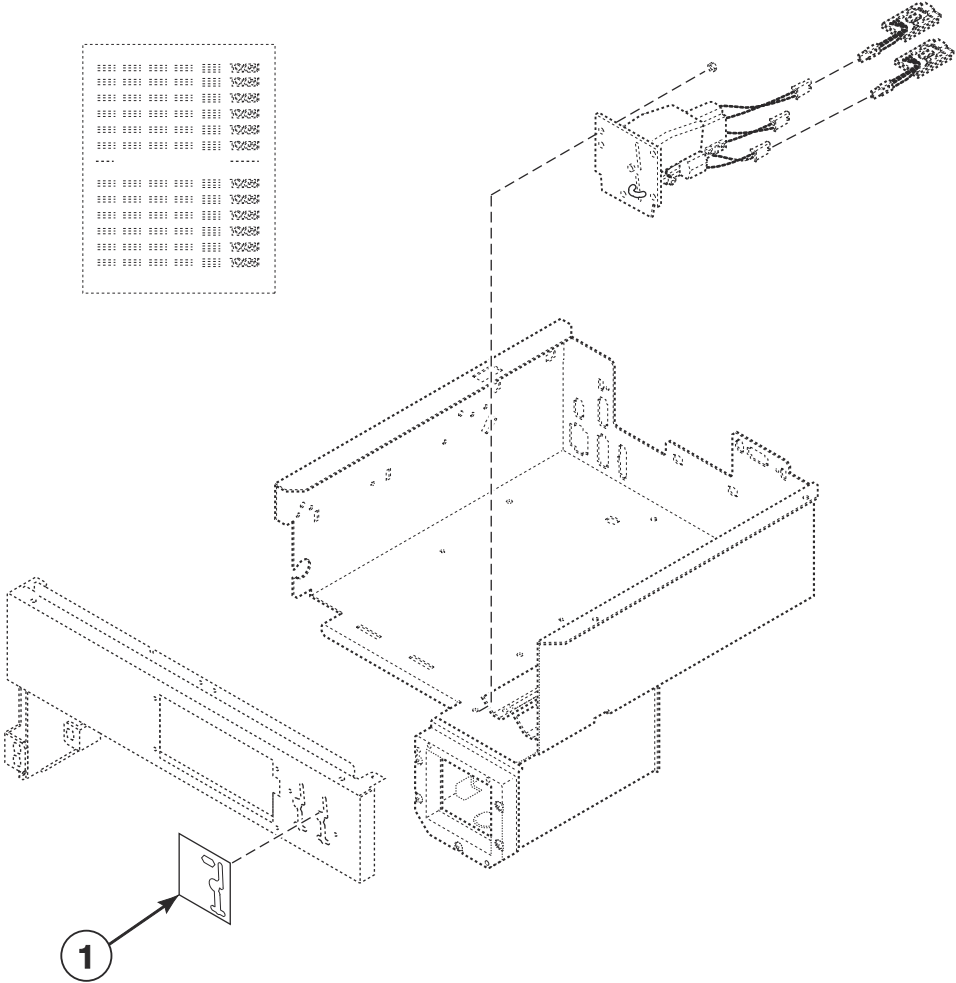
CHM3089P_F8640501

Electronic Coin Meter Assembly (Drawing 1 of 2)

REF	PART NO.	DESCRIPTION	COMMENTS
1	38725	Coin Identification Paper	
2	685846	Nut	
3	70294101P	Electronic Coin Drop Assembly	U.S., Canada, Japan and Taiwan; Includes 201216 Nut
	CK115	Electronic Coin Drop Kit	U.S and Canada; Includes item 1; *
	CK107	Coin Drop Kit	Taiwan; Includes item 1; *
	CK113	Electronic Coin Drop Kit	Japan and Taiwan; Includes item 1; *
	70513310	Electronic Coin Drop Assembly	Japan and Taiwan
	70447301	Coin Drop Assembly	Australia\$1.00, \$2.00
	CK111	Coin Drop Kit	Australia\$1.00, \$2.00; Includes item 1; *
	70294105P	Electronic Coin Drop Assembly	Australia, Hong Kong, South Korea and Malaysia
	CK099	Electronic Coin Drop Kit	Australia, Hong Kong, South Korea and New Zealand; Includes item 1; *
	70294103P	Electronic Coin Drop Assembly	United Kingdom and Euro; Includes 201216 Nut
	CK100	Electronic Coin Drop Kit	United Kingdom and Euro; Includes item 1; *
	70294104	Electronic Coin Drop Assembly	Denmark, Norway and Euro
	CK101	Electronic Coin Drop Kit	Denmark, Norway and Euro; Includes item 1; *
	70294106	Electronic Coin Drop Assembly	U.S., Mexico and Ecuador
	CK110	Electronic Coin Drop Kit	U.S., Mexico and Ecuador; Includes item 1; *
	70294107	Electronic Coin Drop Assembly	Euro, Latvia and Lithuania
	CK109	Electronic Coin Drop Kit	Euro; Includes item 1; *
	70294119	Electronic Coin Drop Assembly	Thailand
	CK119	Electronic Coin Drop Kit	Thailand; Includes item 1; *
	70513315	Electronic Coin Drop Assembly	Chile
	CK120	Electronic Coin Drop Kit	Chile; Includes item 1; *
	70513316	Electronic Coin Drop Assembly	Singapore; .10, .20, .50, 1.00
	CK121	Electronic Coin Drop Kit	Singapore; .10, .20, .50, 1.00; Includes item 1; *
	70506901	Coin Drop Assembly	Singapore; 1.00SGD
	CK123	Coin Drop Kit	Singapore; 1.00SGD; Includes item 1; *
	70482401	Coin Drop Assembly	New Zealand
	CK122	Coin Drop Kit	New Zealand; 1.00 and 2.00; Includes item 1; *
	70513308	Electronic Coin Drop Assembly	South Africa
	CK108	Electronic Coin Drop Kit	South Africa; Includes item 1; *
	70513311	Electronic Coin Drop Assembly	China and Malaysia
	CK116	Electronic Coin Drop Kit	China and Malaysia; Includes item 1; *
	70513312	Electronic Coin Drop Assembly	Russian
	CK117	Electronic Coin Drop Kit	Russian; Includes item 1; *
	70513313	Electronic Coin Drop Assembly	Philippine
	CK118	Electronic Coin Drop Kit	Philippine; Includes item 1; *
4	F8034701P	Pulse Expander Assembly	Design 1 models

* NOTE: CK500 Electronic Coin Drop Kit required for installation

Electronic Coin Meter Assembly (Drawing 2 of 2)

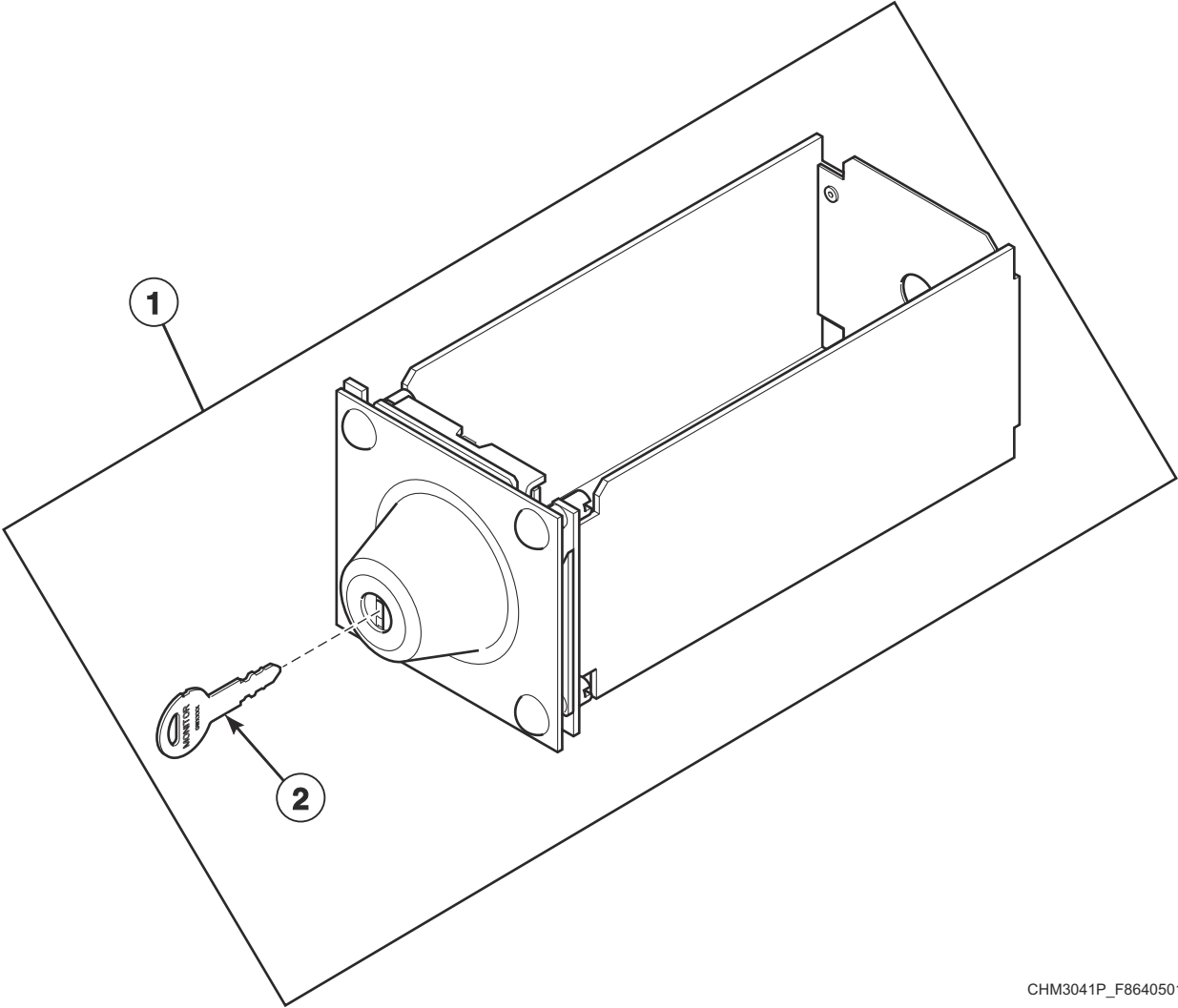


CHM3089PA_F8640501

Electronic Coin Meter Assembly (Drawing 2 of 2)

REF	PART NO.	DESCRIPTION	COMMENTS
1	F8205101	Overlay	Models SCN080GXF, SCN100JCF, SCU080GXF, SCU080JXF and SCU080JXV; Black
	F8205201	Overlay	Models HCN080GXF, HCU080GXF and HCU080HXF; Gray
	F8562101	Overlay	Models HCN080GXF, HCU080GXF and HCU080HXF; Green
	F8560101	Control Panel Overlay	Models ICN080KCF, ICN080KCV, ICN080KDF, ICN080KDV, ICN080KEF and ICN080KEV; Single drop
	F8560201	Control Panel Overlay	Models ICN100KCV, ICN100KDV, ICN100KEV and ICN100KXV; Single drop
	F8560102	Control Panel Overlay	Models ICN080KCF, ICN080KCV, ICN080KDF, ICN080KDV, ICN080KEF and ICN080KEV; Dual drop
	F8560202	Control Panel Overlay	Models ICN100KCV, ICN100KDV, ICN100KEV and ICN100KXV; Dual drop

Optional Coin Box



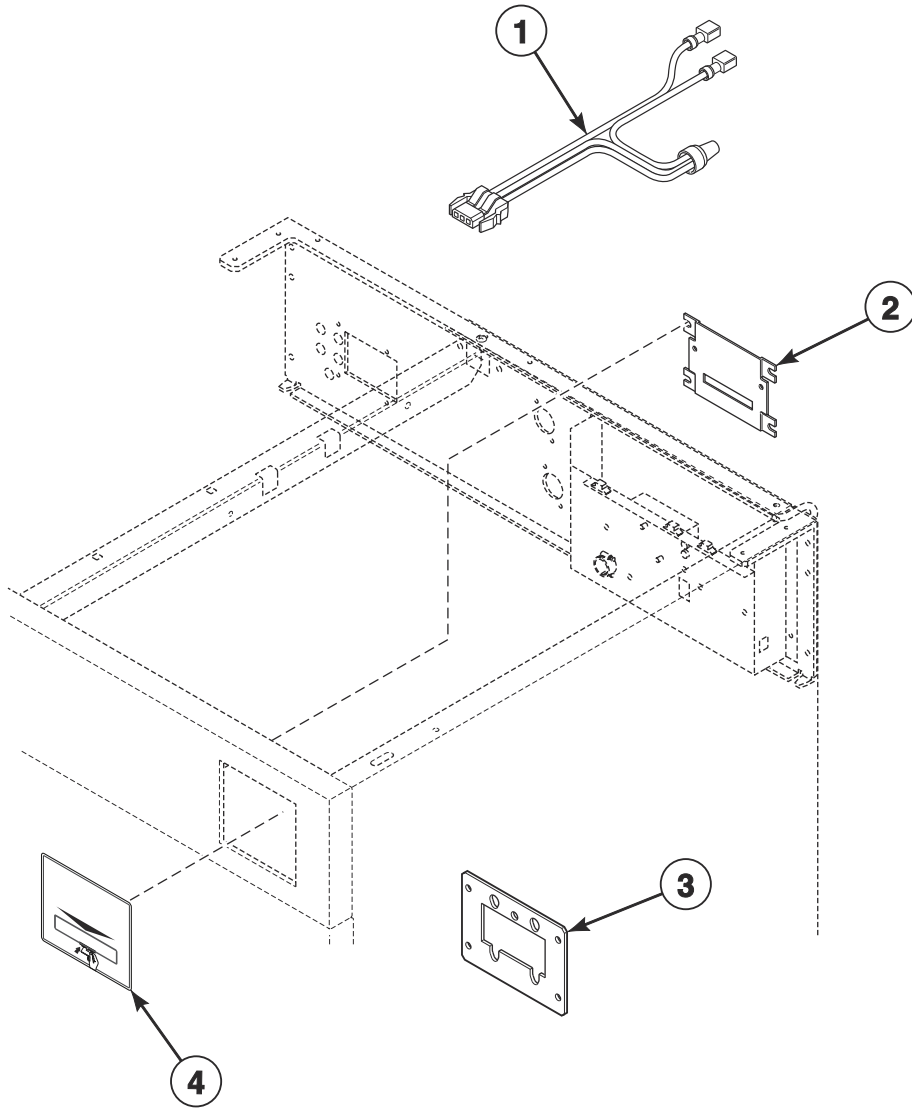
CHM3041P_F8640501

Optional Coin Box

REF	PART NO.	DESCRIPTION	COMMENTS
1	F8182001	Coin Drawer Assembly	
2	F160420	Key	GW0023

Card Reader

GY, HY, JY, KY, LY and WY Models

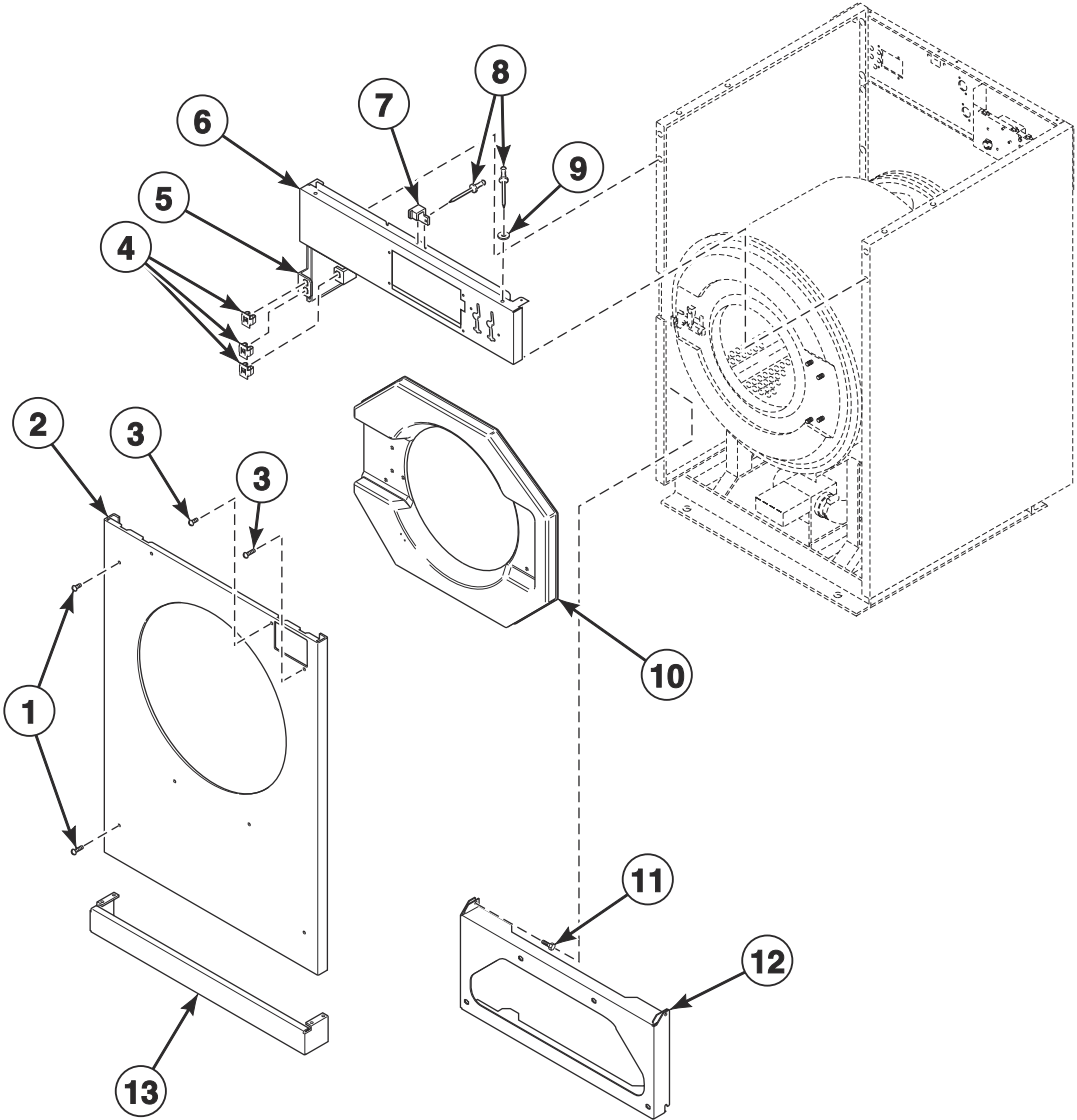


CHM3216P_F8640501

Card Reader

REF	PART NO.	DESCRIPTION	COMMENTS
	D511476	Jumper Harness	
1	F8191401P	Vault/FBS Bypass Harness	Design 1
	F8191402	Vault/FBS Jumper Harness	Design 2
2	F8201501	Card Plate Assembly	
3	70208801	Mounting Plate	
4	70334201	Card Reader Overlay	Models SCN080GYF, SCN080JYF, SCN080JYV, SCN080LYF, SCN080LYV, SCN080WYF, SCN080WYV, SCN100LYF, SCN100LYV, SCN100WYF, SCN100WYV, SCU080GYF, SCU080JYF, SCU080JYV, SCU080LYV and SCU080WYV; Black
	70438201	Card Reader Overlay	Models HCN080GYF, HCN080HYF, HCN080HYV, HCN080KYF, HCN080KYV, HCN100KYF, HCN100KYV, HCU080GYF, HCU080KYF and HCU080KYV; Gray
	70507401	Card Reader Overlay	Models HCN080GYF, HCN080HYF, HCN080HYV, HCN080KYF, HCN080KYV, HCN100KYF, HCN100KYV, HCU080GYF, HCU080KYF and HCU080KYV; Green
	F8560103	Control Panel Overlay	Models ICN080KYF and ICN080KYV
	F8560203	Control Panel Overlay	Model ICN100KYV

Front Panels and Control Panels - All Coin Models Except GC, GD, GE, GL, and GX Models

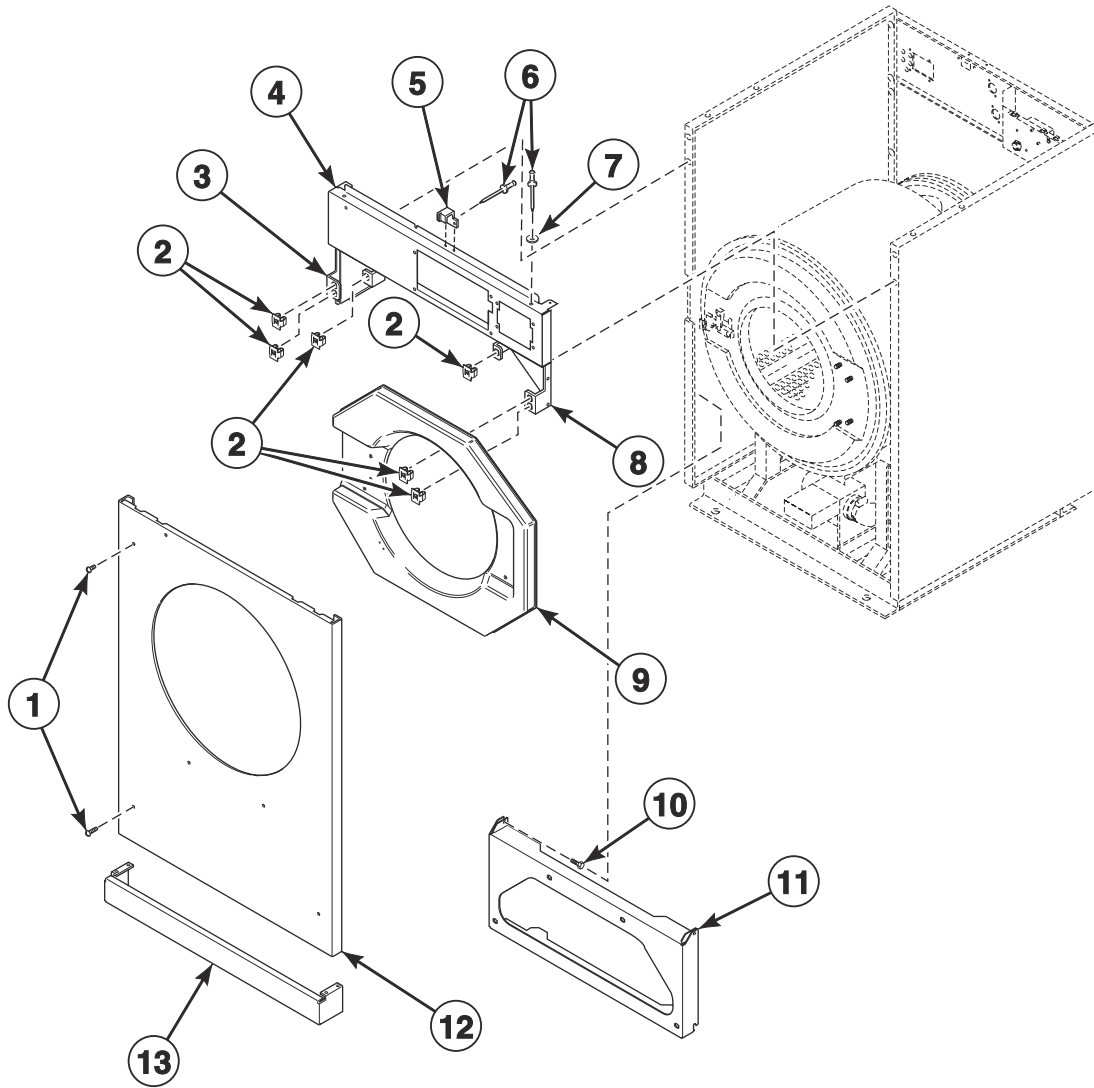


CHM3462P_F8640501

Front Panels and Control Panels - All Coin Models Except GC, GD, GE, GL, and GX Models

REF	PART NO.	DESCRIPTION	COMMENTS
1	F8117601	Screw	
2	F8173301P	Front Panel	Design 1; HC and SC models
	F8388401P	Front Panel	Design 2; Vertical brush; HC and SC models
	F8388407	Front Panel	Design 2; Horizontal brush; HC and SC models
	F8388403	Front Panel	Stainless steel; Vertical brush; IC models
	F8388409	Front Panel	Stainless steel; Horizontal brush; IC models
3	801019	Screw	
4	70030501	Expansion Clip	
5	F8186702	Gusset Plate	Left
6	F8041802	Control Panel Assembly	Horizontal brush
7	F8201001	Top Cover Latch	
8	70412601	Pop Rivet	
9	F8201101	Washer	
10	F170419-1	Door Bezel	Black; IC and SC models
	F170419-2	Door Bezel	Gray; HC models; Models through 1/10/2010
	F170419-3	Door Bezel	Gray; HC models; Models starting 1/11/2010
11	F430174	Screw	
12	F8174201	Lower Cabinet Brace	Design 1
	F8442301	Lower Cabinet Brace	Design 2; 80 pound models
	F8442401	Lower Cabinet Brace	Design 2; 100 pound models
13	F8486903	Bottom False Panel	80 pound models
	F8486902	Bottom False Panel	100 pound models

Front Panels and Control Panels - All Prep for Card Reader Models Except GY Models

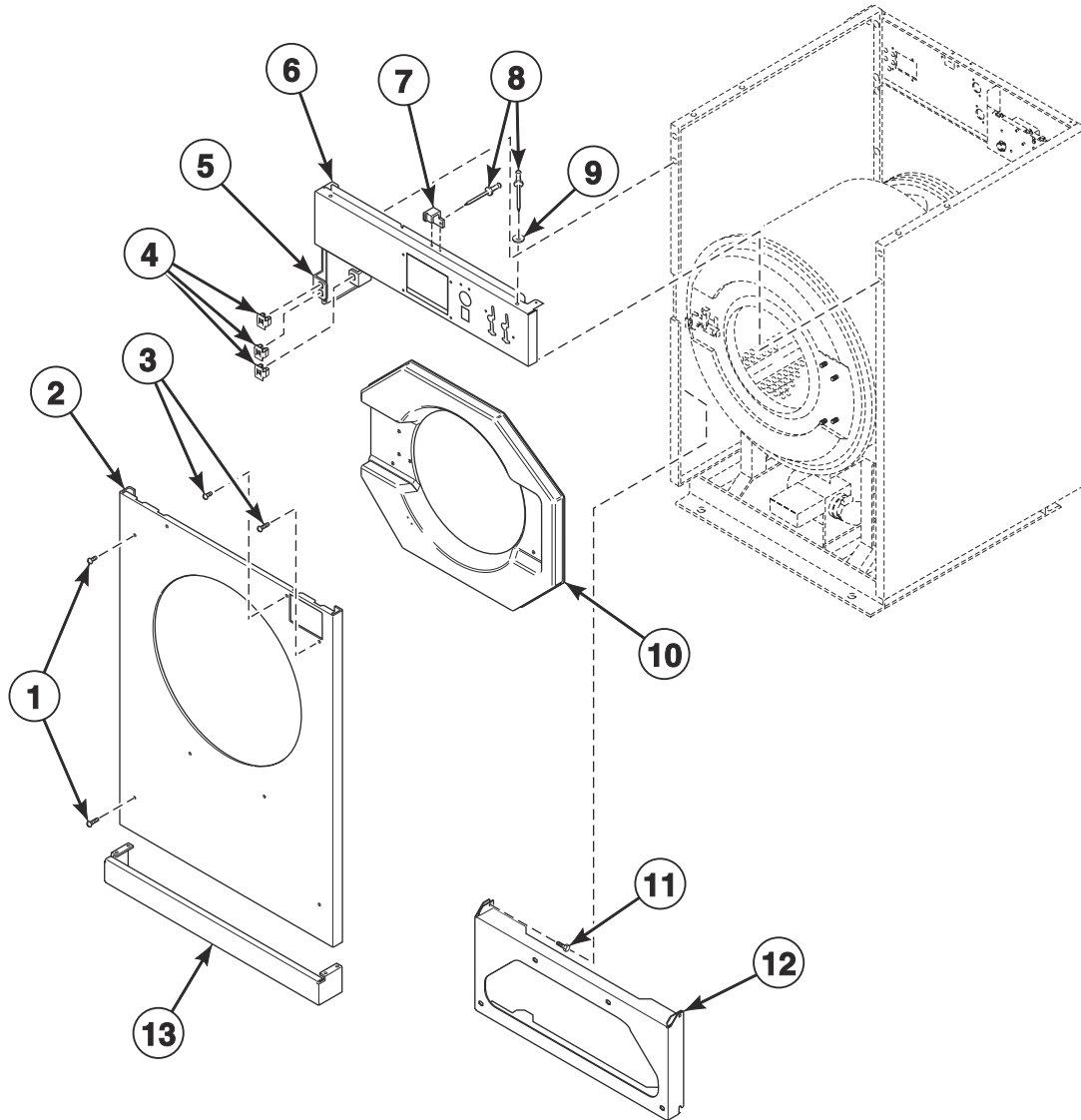


CHM3463P_F8640501

Front Panels and Control Panels - All Prep for Card Reader Models Except GY Models

REF	PART NO.	DESCRIPTION	COMMENTS
1	F8117601	Screw	
2	70030501	Expansion Clip	
3	F8186702	Gusset Plate	Left
4	F8041804	Control Panel Assembly	Horizontal brush
5	F8201001	Top Cover Latch	
6	70412601	Pop Rivet	
7	F8201101	Washer	
8	F8186701	Gusset Plate	Right
9	F170419-1	Door Bezel	Black; IC and SC models
	F170419-2	Door Bezel	Gray; HC models; Models through 1/10/10
	F170419-3	Door Bezel	Gray; HC models; Models starting 1/11/10
10	F430174	Screw	
11	F8174201	Lower Cabinet Brace	Design 1
	F8442301	Lower Cabinet Brace	Design 2; 80 pound models
	F8442401	Lower Cabinet Brace	Design 2; 100 pound models
12	F8173302	Front Panel	Design 1; HC and SC models
	F8388402	Front Panel	Design 2; Vertical brush; HC and SC models
	F8388408	Front Panel	Design 2; Horizontal brush; HC and SC models
	F8388404	Front Panel	Stainless steel; Vertical brush; IC models
	F8388410	Front Panel	Stainless steel; Horizontal brush; IC models
13	F8486903	Bottom False Panel	Horizontal brush; 80 pound models
	F8486902	Bottom False Panel	Vertical brush; 100 pound models
	F8486904	Bottom False Panel	Horizontal brush; 100 pound models

Front Panels and Control Panels - GC, GD, GE, GL and GX Models

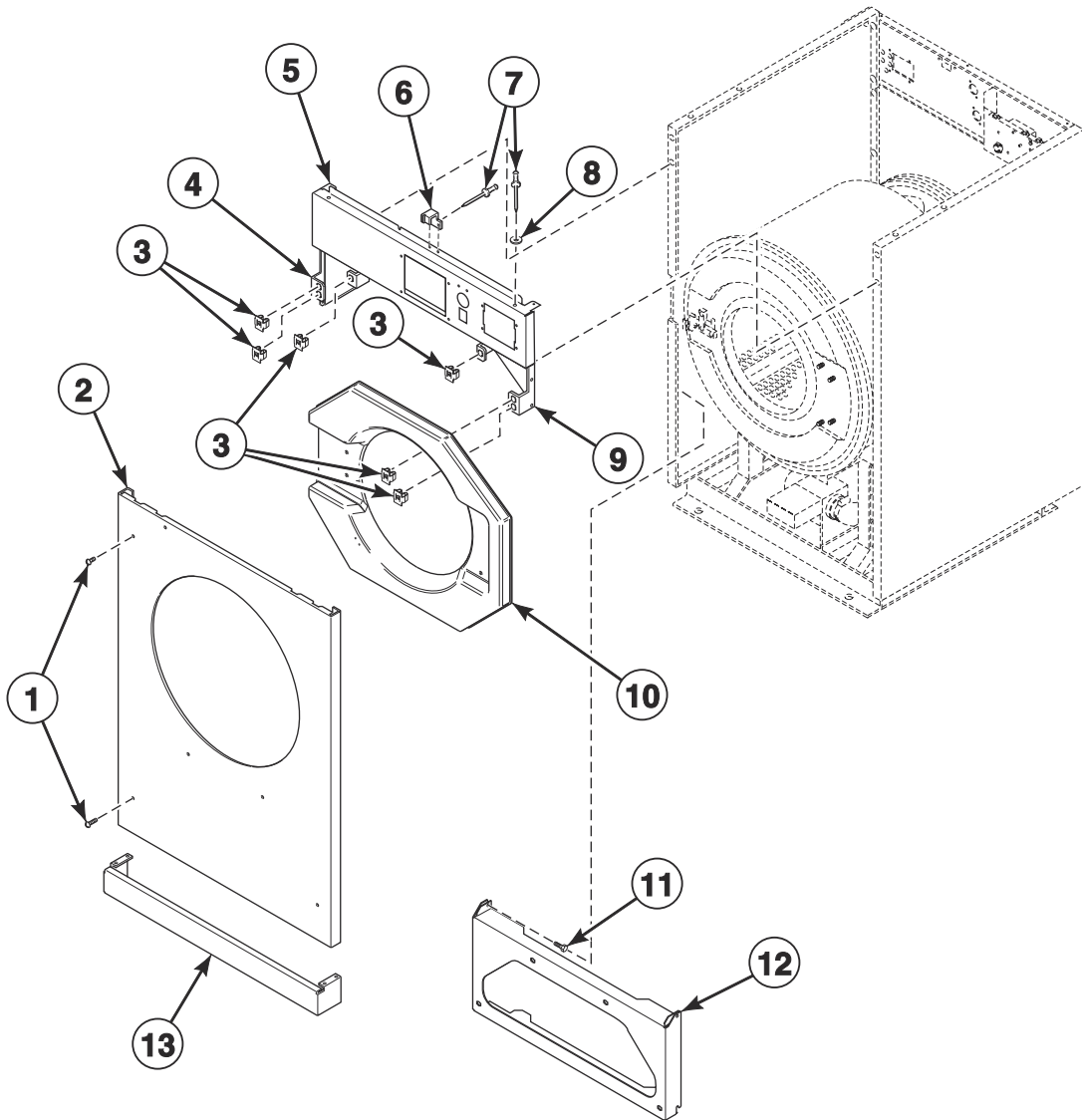


CHM3464P_F8640501

Front Panels and Control Panels - GC, GD, GE, GL and GX Models

REF	PART NO.	DESCRIPTION	COMMENTS
1	F430956	Screw	
2	F8173301P	Front Panel	
3	801019	Screw	
4	70030501	Expansion Clip	
5	F8186702	Gusset Plate	Left
6	F8041801	Control Panel Assembly	
7	F8201001	Top Cover Latch	
8	70412601	Pop Rivet	
9	F8201101	Washer	
10	F170419-1	Door Bezel	Black; SC models
	F170419-2	Door Bezel	Gray; HC models; Models through 1/10/2010
	F170419-3	Door Bezel	Gray; HC models; Models starting 1/11/2010
11	F430174	Screw	
12	F8174201	Lower Cabinet Brace	
13	F8486903	Bottom False Panel	

Front Panels and Control Panels - GY Models

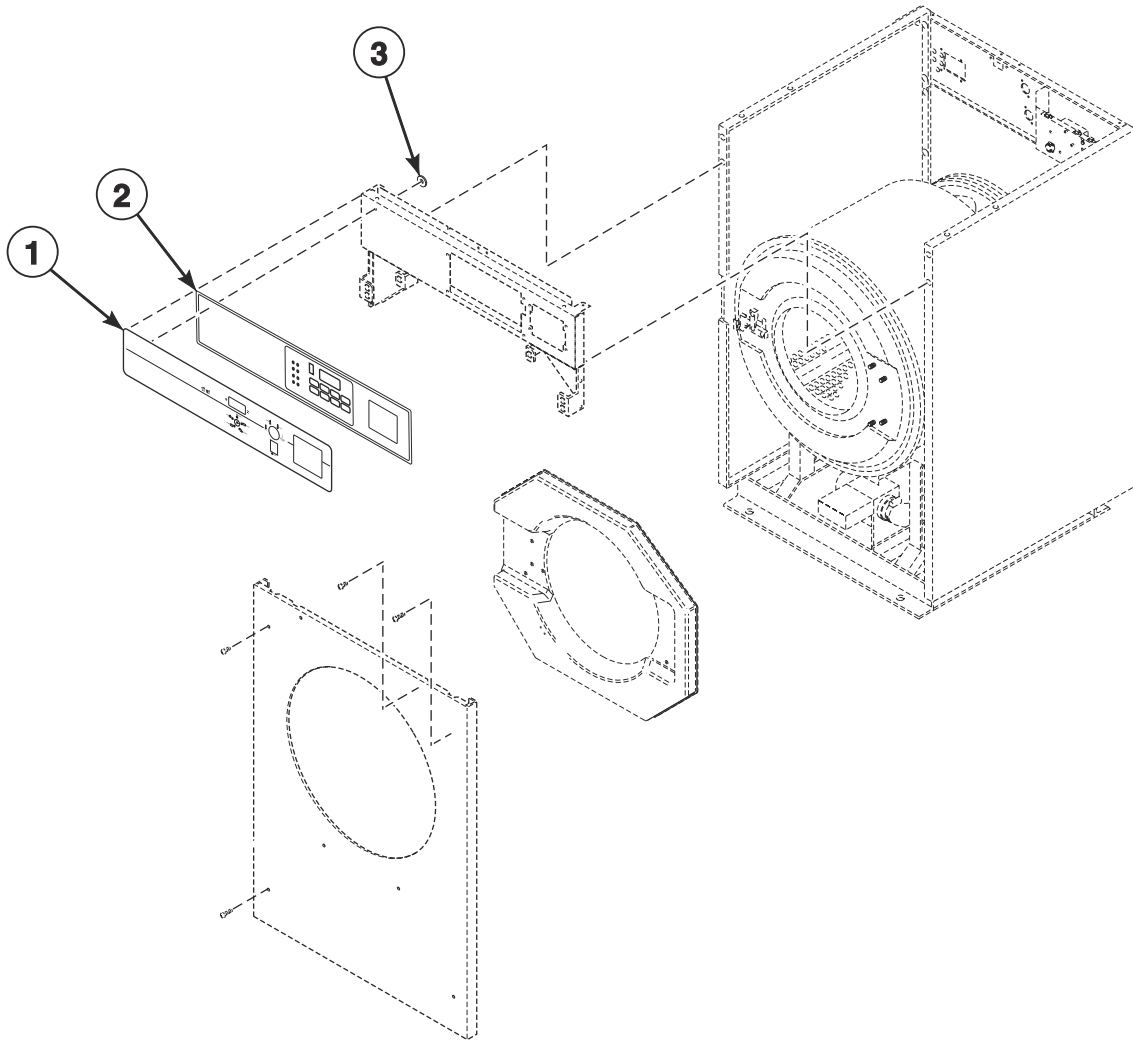


CHM3465P_F8640501

Front Panels and Control Panels - GY Models

REF	PART NO.	DESCRIPTION	COMMENTS
1	F8117601	Screw	
2	F8173302	Front Panel	Design 1
	F8388402	Front Panel	Design 2
3	70030501	Expansion Clip	
4	F8186702	Gusset Plate	Left
5	F8041803	Control Panel Assembly	Horizontal brush
6	F8201001	Top Cover Latch	
7	70412601	Pop Rivet	
8	F8201101	Washer	
9	F8186701	Gusset Plate	Right
10	F170419-1	Door Bezel	Black; SC models
	F170419-2	Door Bezel	Gray; HC models; Models through 1/10/2010
	F170419-3	Door Bezel	Gray; HC models; Models starting 1/11/2010
11	F430174	Screw	
12	F8174201	Lower Cabinet Brace	Design 1
	F8442301	Lower Cabinet Brace	Design 2
13	F8486903	Bottom False Panel	

Control Panel Overlays - Prep for Card Models

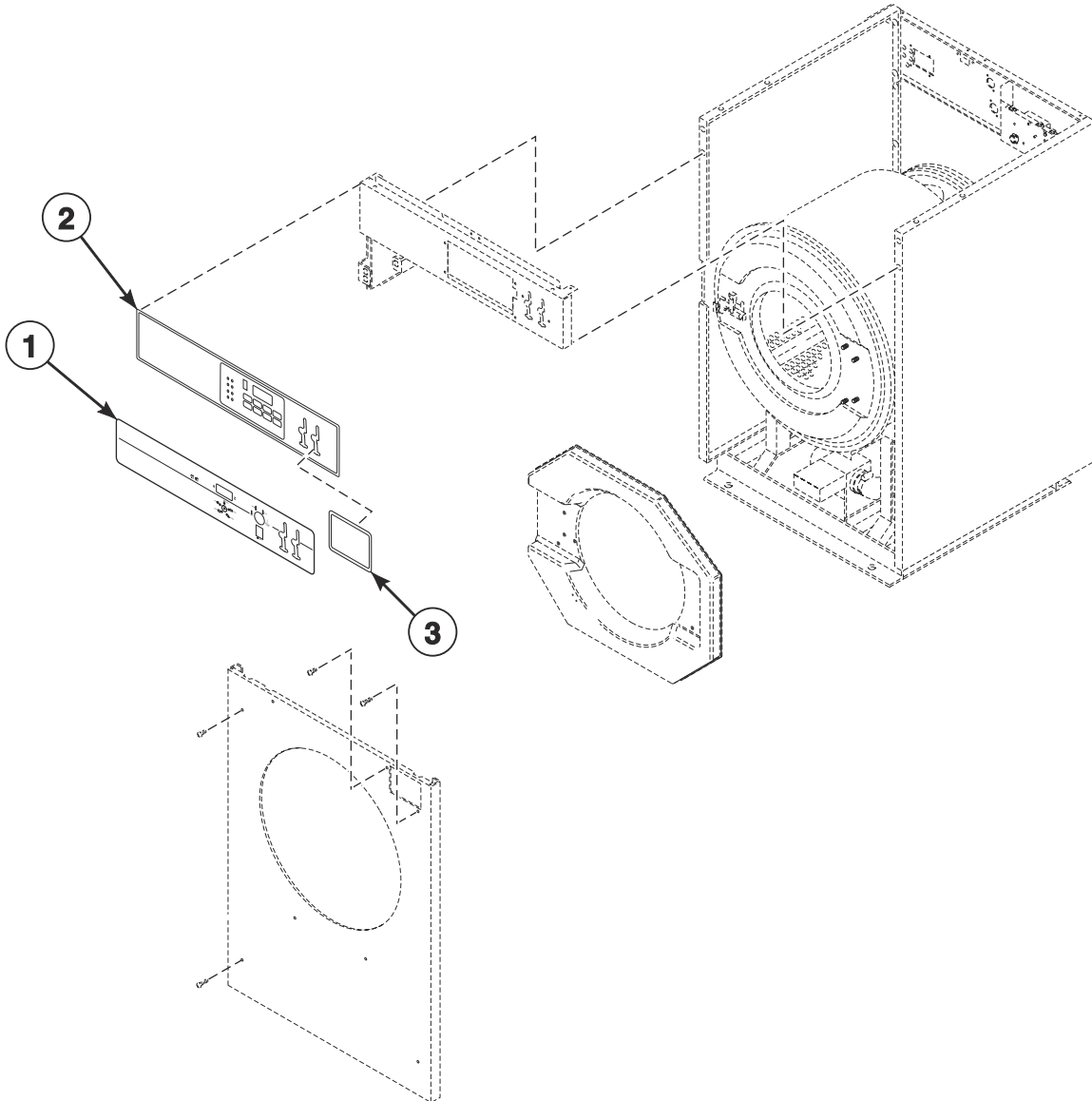


CHM3414P_F8640501

Control Panel Overlays - Prep for Card Models

REF	PART NO.	DESCRIPTION	COMMENTS
1	F8293403	Control Panel Overlay	Models SCN080GYF and SCU080GYF
	F8219103	Control Panel Overlay	Models HCN080GYF and HCU080GYF
2	F8225703	Control Panel Overlay	Models SCU080JYF and SCU080JYV
	F8443803	Overlay	Design 1; Models HCU080KYF and HCU080KYV
	F8294403	Control Panel Overlay	Design 1; Model HCN080HYF
	F8295403	Control Panel Overlay	Design 1; Models SCN080JYF and SCN080JYV
	F8295903	Control Panel Overlay	Design 1; Models HCN080KYF and HCN080KYV
	F8297003	Overlay	Design 1; Models SCN080LYF, SCN080WYF, SCN080WYV and SCU080WYV
	F8443803	Overlay	Design 2; Models HCU080KYF and HCU080KYV
	F8444303	Control Panel Overlay	Design 2; Model HCN080HYF
	F8444803	Control Panel Overlay	Design 2; Models HCN080KYF and HCN080KYV; Gray
	F8445303	Control Panel Overlay	Design 2; Models SCN080JYF and SCN080JYV
	F8446203	Control Panel Overlay	Design 2; Models SCN080LYF, SCN080LYV, SCN080WYF and SCN080WYV
	F8446303	Control Panel Overlay	Models SCN100LYF, SCN100LYV, SCN100WYF and SCN100WYV
	F8446403	Control Panel Overlay	Models HCN100KYF and HCN100KYV; Gray
	F8560103	Control Panel Overlay	Models ICN080KYF and ICN080KYV
	F8560203	Control Panel Overlay	Model ICN100KYV
	F8558403	Control Panel Overlay	Design 2; Models HCN080KYF and HCN080KYV; Gray/green
	F8558303	Control Panel Overlay	Design 2; Models HCN080KYF and HCN080KYV; Green
	F8558603	Control Panel Overlay	Models HCN100KYF and HCN100KYV; Gray/green
	F8558503	Control Panel Overlay	Models HCN100KYF and HCN100KYV; Green
	3	M400977	Nut

Control Panel Overlays - Single Drop Coin Models

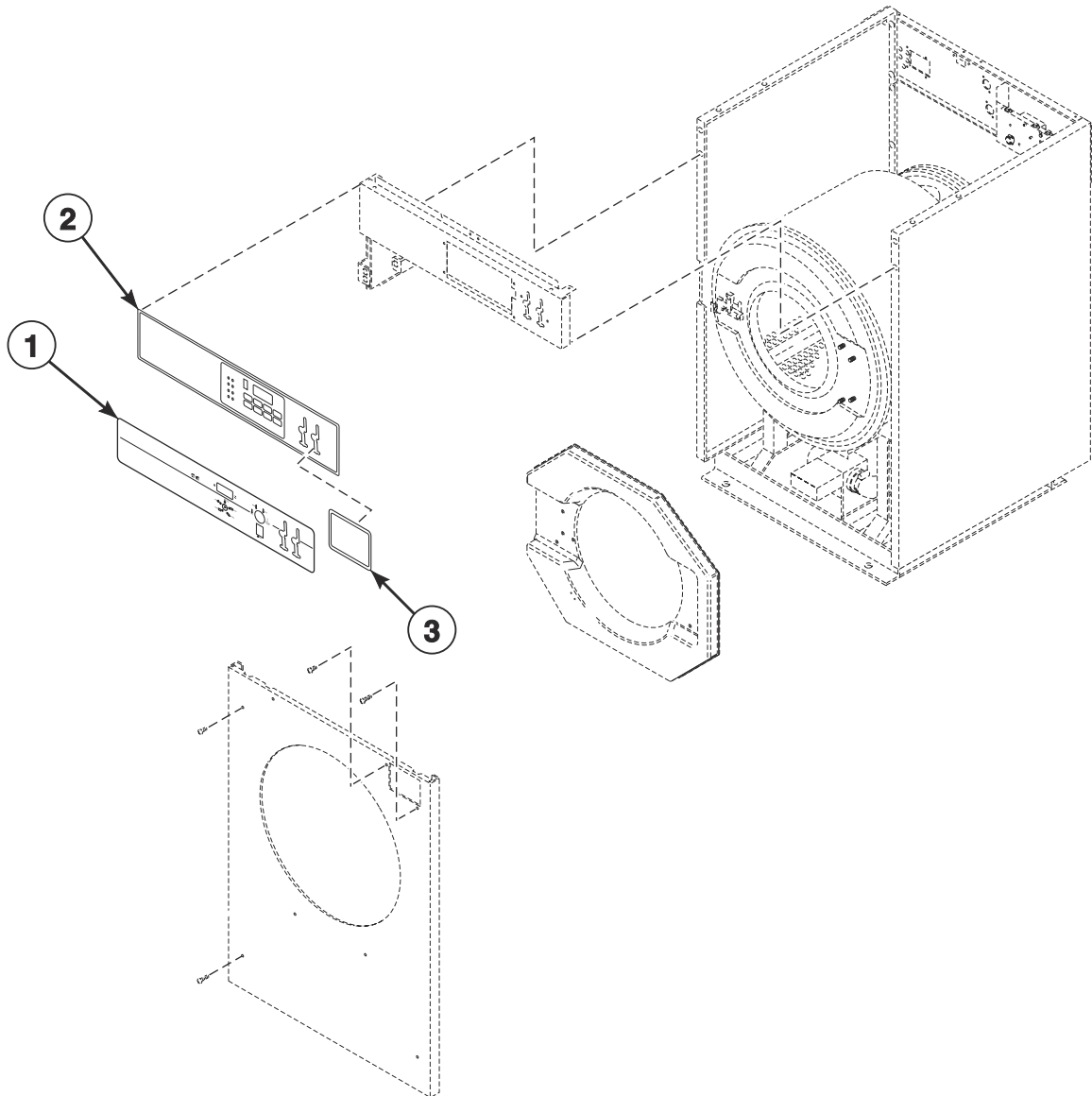


CHM3415P_F8640501

Control Panel Overlays - Single Drop Coin Models

REF	PART NO.	DESCRIPTION	COMMENTS
1	F8293401	Control Panel Overlay	Models SCN080GCF, SCU080GCF and SCU080GLF
	F8219101	Control Panel Overlay	Models HCN080GCF, HCU080GCF and HCU080GLF
2	F8225701	Control Panel Overlay	Models SCU080JCF, SCU080JCV, SCU080JLF and SCU080JLV
	F8226201	Control Panel Overlay	Design 1; Models HCU080KCF and HCU080KCV
	F8294401	Control Panel Overlay	Design 1; Models HCN080HCF and HCU080HCF
	F8295401	Control Panel Overlay	Design 1; Models SCN080JCF and SCN080JCV
	F8295901	Control Panel Overlay	Design 1; Models HCN080KCF and HCN080KCV
	F8297001	Control Panel Overlay	Design 1; Models SCN080LCF, SCN080LCV, SCN080WCF, SCN080WCV, SCU080LCV and SCU080WCV
	F8226201	Control Panel Overlay	Design 2; Models HCU080KCF and HCU080KCV
	F8444301	Control Panel Overlay	Design 2; Models HCN080HCF and HCU080HCF
	F8444801	Control Panel Overlay	Design 2; Models HCN080KCF and HCN080KCV; Gray
	F8558401	Control Panel Overlay	Design 2; Models HCN080KCF and HCN080KCV; Gray/green
	F8558301	Control Panel Overlay	Design 2; Models HCN080KCF and HCN080KCV; Green
	F8445301	Control Panel Overlay	Design 2; Models SCN080JCF, SCN080JCV and SCN100JCF
	F8446201	Control Panel Overlay	Design 2; Models SCL080LCF, SCN080LCF, SCN080LCV, SCN080WCF and SCN080WCV
	F8446301	Control Panel Overlay	Models SCN100LCF, SCN100LCV, SCN100WCF and SCN100WCV
	F8446401	Control Panel Overlay	Models HCN100KCF and HCN100KCV; Gray
	F8558601	Control Panel Overlay	Models HCN100KCF and HCN100KCV; Gray/green
	F8558501	Control Panel Overlay	Models HCN100KCF and HCN100KCV; Green
	F8560101	Control Panel Overlay	Models ICN080KCF and ICN080KCV
	F8560201	Control Panel Overlay	Models ICN100KCF and ICN100KCV
	3	70275402	Cover Overlay
70507301		Cover Overlay	Model HCU080GLF; Green
39564		Coin Drop Overlay	Models SCU080GLF, SCU080JLF and SCU080JLV

Control Panel Overlays - Dual Drop Coin Models

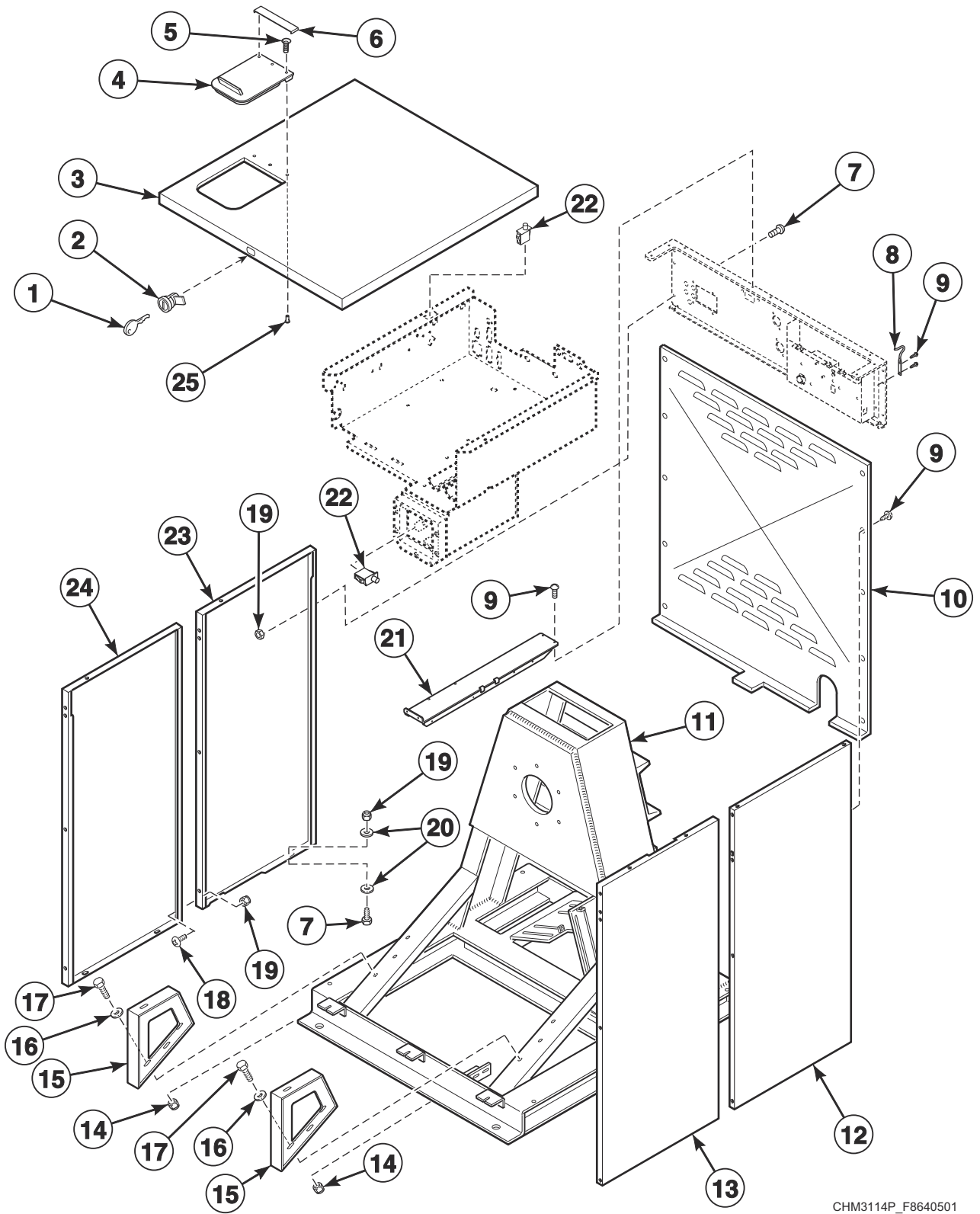


CHM3415P_F8640501

Control Panel Overlays - Dual Drop Coin Models

REF	PART NO.	DESCRIPTION	COMMENTS
1	F8293402	Control Panel Overlay	Models SCN080GDF, SCN080GEF, SCN080GXF, SCU080GDF, SCU080GEF and SCU080GXF
	F8219102	Control Panel Overlay	Models HCN080GDF, HCN080GEF, HCN080GXF, HCU080GDF, HCU080GEF and HCU080GXF
2	F8225702	Control Panel Overlay	Models SCU080JDF, SCU080JDV, SCU080JEF, SCU080JEV, SCU080JXF and SCU080JXV
	F8443802	Control Panel Overlay	Design 1; Models HCL080KDF and HCL080KDV
	F8227302	Control Panel Overlay	Models HCD080LDF and HCD080LDV
	F8294402	Control Panel Overlay	Design 1; Models HCN080HDF and HCU080HXF
	F8295402	Control Panel Overlay	Design 1; Model SCN080JDF
	F8295902	Control Panel Overlay	Design 1; Models HCN080KDF, HCN080KDV and HCN080KEV
	F8296802	Overlay	Models SCU080LEV and SCU080WEV
	F8297002	Control Panel Overlay	Design 1; Models SCN080LDV, SCN080WDV, SCU080LDV and SCU080WDV
	F8443802	Control Panel Overlay	Design 2; Models HCL080KDF, HCL080KDV, HCL100KDF and HCL100KDV
	F8444302	Control Panel Overlay	Design 2; Models HCN080HDF and HCU080HXF
	F8444802	Control Panel Overlay	Design 2; Models HCN080KDF, HCN080KDV, HCN080KEV and HCN080KXF; Gray
	F8558402	Control Panel Overlay	Design 2; Models HCN080KDF, HCN080KDV and HCN080KEV; Gray/green
	F8558302	Control Panel Overlay	Design 2; Models HCN080KDF, HCN080KDV and HCN080KEV; Green
	F8445302	Control Panel Overlay	Design 2; Model SCN080JDF
	F8446202	Control Panel Overlay	Design 2; Models SCN080LDF, SCN080LDV, SCN080LEF, SCN080LXF and SCN080WDV
	F8446302	Control Panel Overlay	Models SCN100LDF, SCN100LDV, SCN100LEF, SCN100LEV, SCN100LXF, SCN100LXV, SCN100WDF, SCN100WDV, SCN100WEF, SCN100WEV, SCN100WXF and SCN100WXV
	F8446402	Control Panel Overlay	Models HCN100KDF, HCN100KDV, HCN100KEF, HCN100KEV, HCN100KXF and HCN100KXV; Gray
	F8558602	Control Panel Overlay	Models HCN100KDF, HCN100KDV, HCN100KEF, HCN100KEV, HCN100KXF and HCN100KXV; Gray/green
	F8558502	Control Panel Overlay	Models HCN100KDF, HCN100KDV, HCN100KEF, HCN100KEV, HCN100KXF and HCN100KXV; Green
	F8560102	Control Panel Overlay	Models ICN080KDF, ICN080KDV, ICN080KEF and ICN080KEV
	F8560202	Control Panel Overlay	Models ICN100KDV, ICN100KEV and ICN100KXV
F8446202	Control Panel Overlay	Model SCN080WEV	
F8577101	Control Panel Overlay	Models SCD080LDF and SCD080LDV	
3	70438101	Cover Overlay	Model HCN080KEF; Gray
	70507601	Cover Overlay	Model HCN080KEF; Green

Cover Panels and Frame - Design 1 Models

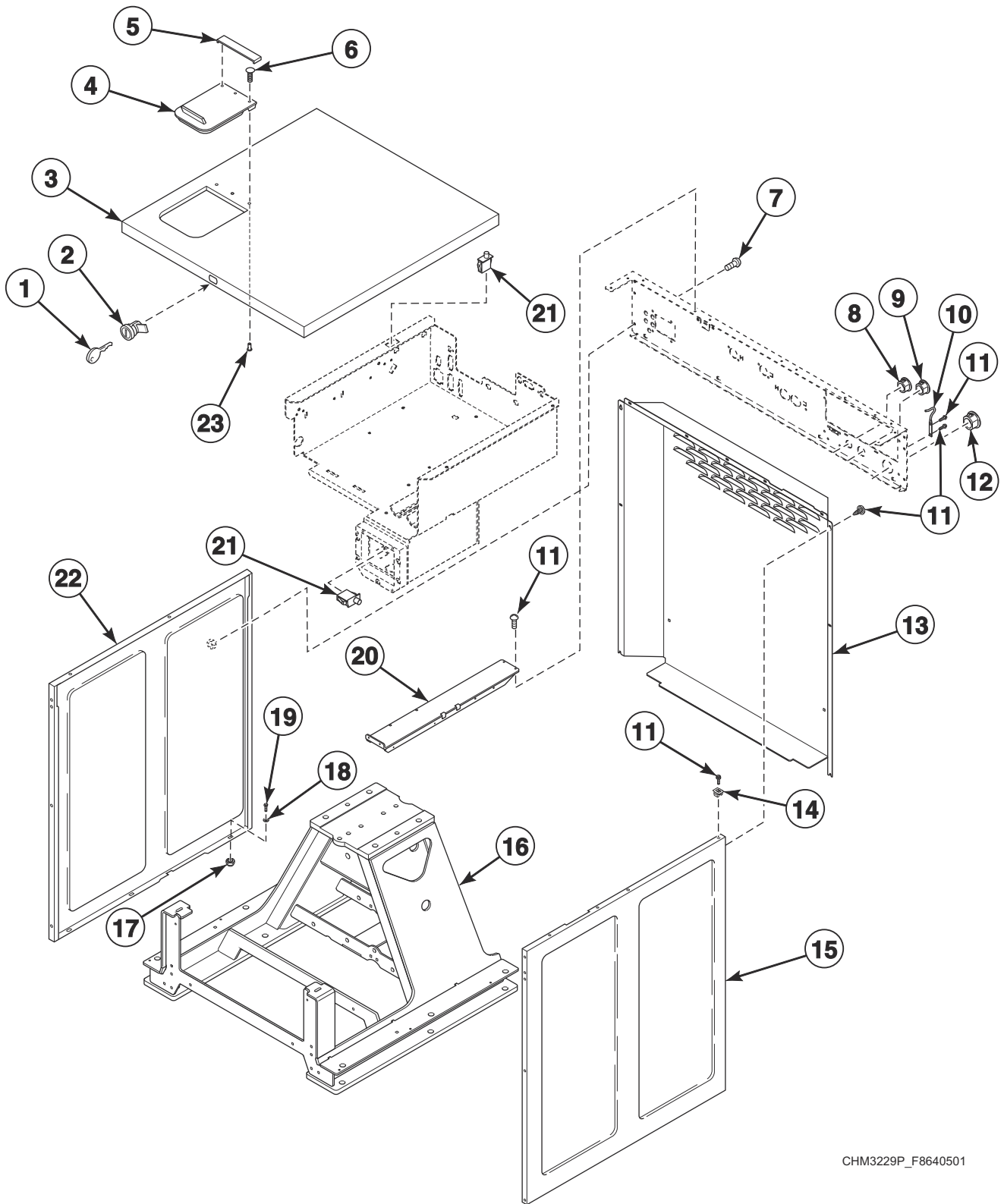


CHM3114P_F8640501

Cover Panels and Frame - Design 1 Models

REF	PART NO.	DESCRIPTION	COMMENTS
1	70155603	Key	RL003
2	44089303P	Panel Lock	
3	F8040501	Top Cover	
4	F8048101	Dispenser Lid	Gray
5	F8230601	Screw	
6	F8091701	Lid Clamp	
7	F430108	Screw	
8	F8258601	Top Cover Hinge	
9	F8206901	Screw	
10	F8177601	Rear Panel	
11	F8208101	Frame Weldment	
12	F8047103	Right Side Panel	Rear
13	F8047203	Right Side Panel	Front
14	20274	Nut	
15	F603947	Support	
16	M400081	Washer	
17	800461	Screw	
18	F430925	Screw	
19	F430215	Nut	
20	F430317	Washer	
21	F0636549-00	Cabinet Top Brace	
22	70413301	Pushbutton Switch	Pushbutton switch located inside coin vault; Coin models
23	F8047104P	Left Side Panel	Rear
24	F8047204P	Left Side Panel	Front
25	F8230501	Bolt	

Cover Panels and Frame - Design 2 Models

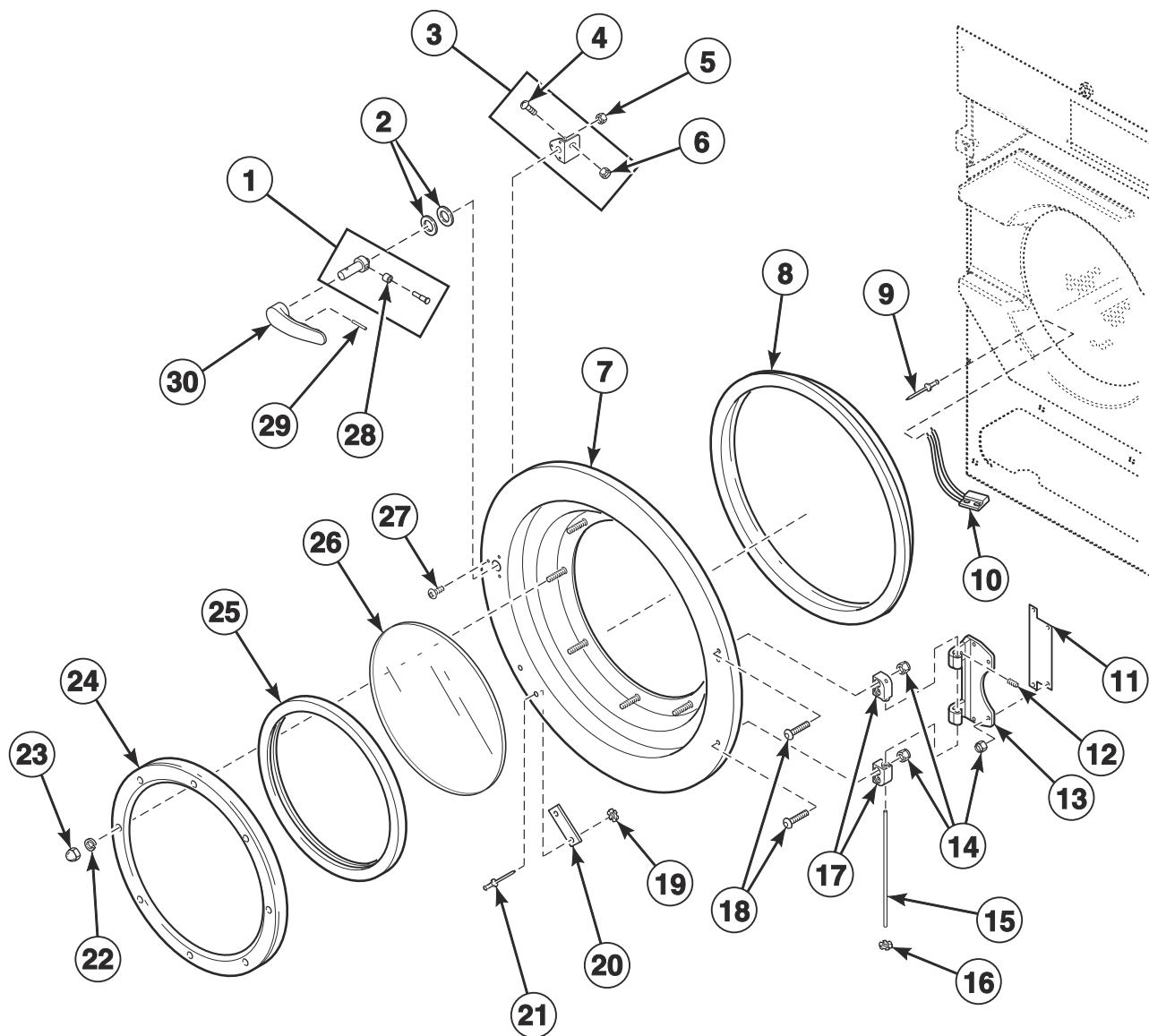


CHM3229P_F8640501

Cover Panels and Frame - Design 2 Models

REF	PART NO.	DESCRIPTION	COMMENTS
1	70155603	Key	RL003
2	44089303P	Panel Lock	
3	F8383401P	Top Cover	80 pound models
	F8427701	Top Cover	100 pound models
4	F8048101	Dispenser Lid	Gray; HC and SC models
	F8048102	Dispenser Lid	Black; IC models
5	F8091701	Lid Clamp	
6	F8230601	Screw	
7	F430108	Screw	
8	M400985	Plug	
9	F8223901	Plug	
10	F8258601	Top Cover Hinge	
11	F8206901	Screw	
12	F8223801	Hole Plug	
13	F8455001	Rear Panel	80 pound models
	F8455302	Rear Panel Assembly	100 pound models; Includes F8428201 Rear Panel Top Cover
14	70030501	Expansion Clip	
15	F8383203	Right Side Panel	80 pound models
	F8427603	Right Side Panel	100 pound models
16	F8251001	Frame Weldment	Models through 3/31/2015
	F8251002	Frame Weldment	Models starting 4/1/2015
17	44087101	Nut	
18	M405535	Washer	
19	202175	Screw	Models through 10/31/2013
20	F8383301	Cabinet Top Brace	80 pound models
	F8383302	Cabinet Top Brace	100 pound models
21	70413301	Pushbutton Switch	Pushbutton switch located inside coin vault; Coin models
22	F8383204	Left Side Panel	80 pound models
	F8427604	Left Side Panel	100 pound models
23	F8230501	Bolt	

Door

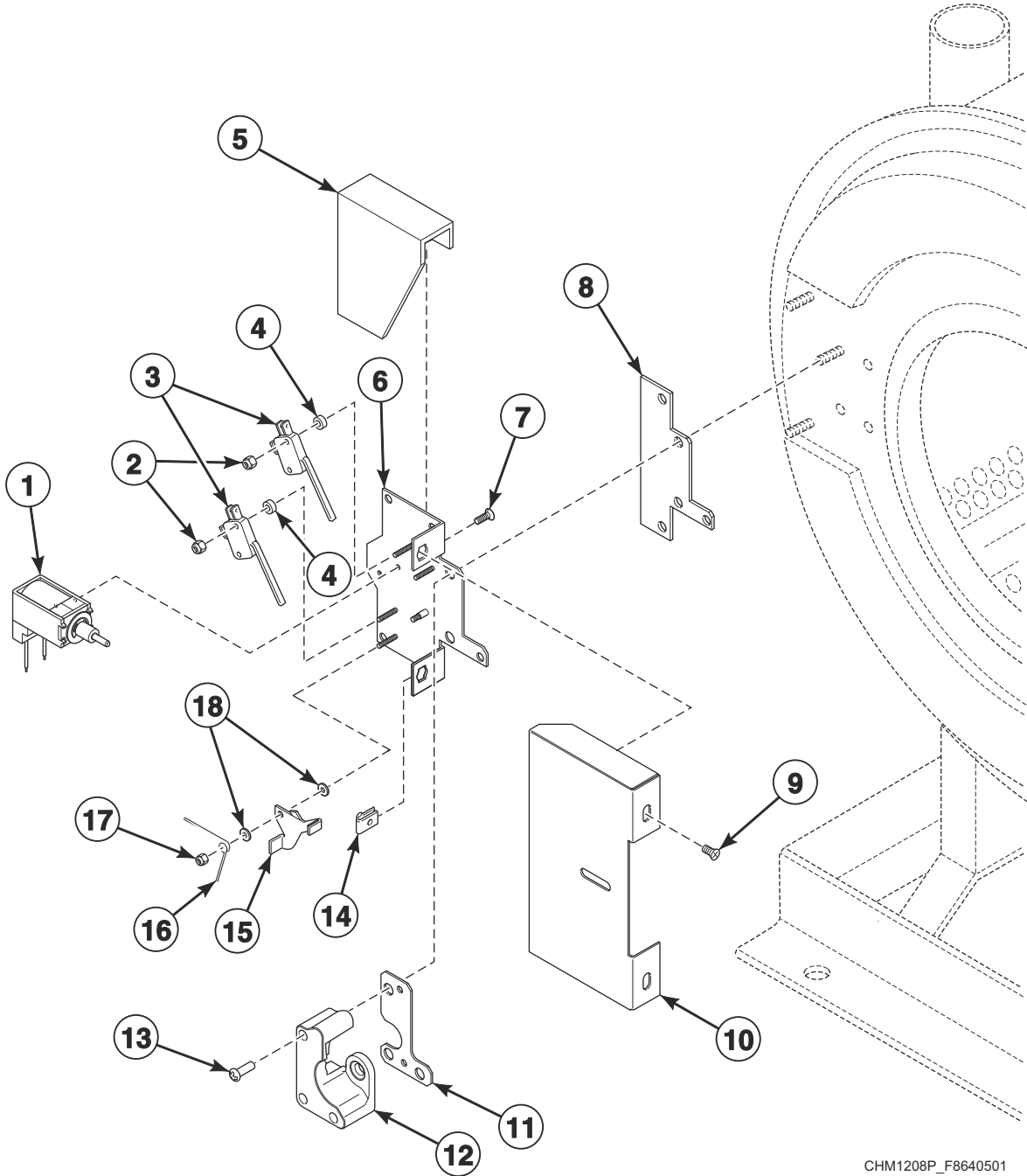


CHM3468P_F8640501

Door

REF	PART NO.	DESCRIPTION	COMMENTS
	F8505109	Door Assembly	IC models; Includes items 1-8, 10-25, 27 and 28
	F8505110	Door Assembly	IC models; Includes items 1-8, 10-25, 27 and 28
	F8505102	Door Assembly	HC models; Includes items 1-8, 10-25, 27 and 28
	F8505103	Door Assembly	HC models; Includes items 1-5, 7, 10-19, 24, 27 and 28; Black
	F8505105	Door Assembly	HC models; Includes items 1-8, 10-25, 27 and 28
	F8505106	Door Assembly	HC models; Includes items 1-8, 10-25, 27 and 28
	F8505104	Door Assembly	SC models; Includes items 1-8, 10-25, 27 and 28
	F8505101	Door Assembly	SC models; Includes items 1-8, 10-25, 27 and 28
1	F8221401	Door Latch Arm Assembly	
2	F431916	Washer	
3	F8567501	Door Handle Spacer Kit	Includes items 4 and 6
4	F430532	Screw	
5	F430232	Nut	
6	F431041	Nut	
7	F608782-2	Door Weldment	HC and SC models
	F8508801	Door	HC and SC models; Chrome
	F8505001	Door	IC models
	F8505002	Door	IC models; Chrome
8	F8440801P	Door Gasket	Black
9	F8245101	Blind Rivet	
10	F8066802	Reed Switch Assembly	
11	F200131000P	Door Hinge Shim Kit	
12	F430536	Screw	
13	F190216P	Door Hinge	
14	F430215	Nut	
15	F602813-3	Rod	
16	F431929	Washer	
17	F150271	Door Mount	
18	F430974	Bolt	
	F8508101	Bolt	Polished
19	F431133	Washer	
20	F8390801	Magnet	
21	F431223	Pop Rivet	
22	F431100	Washer	
23	F8549401	Nut	
	F8508001	Nut	Polished
24	F8504901	Door Glass Retainer	Vertical brush
	F8504902	Door Glass Retainer	Chrome
	F8504903	Door Glass Retainer	Horizontal brush
25	F8499904	Door Glass Gasket	
26	F290210P	Glass	IC and SC models; HC Design 1 models through 1/10/2010
	F8342001	Door Glass	HC models; Starting 1/11/2010
27	F8535501	Screw	
28	F8221701	Bearing Sleeve	
29	F431222	Spring Pin	
30	F8199501	Door Handle	HC models; Gray
	F8544701	Door Handle	HC models; Chrome
	F8199502	Door Handle	IC models; Black
	F8199401P	Door Handle	SC models

Door Lock



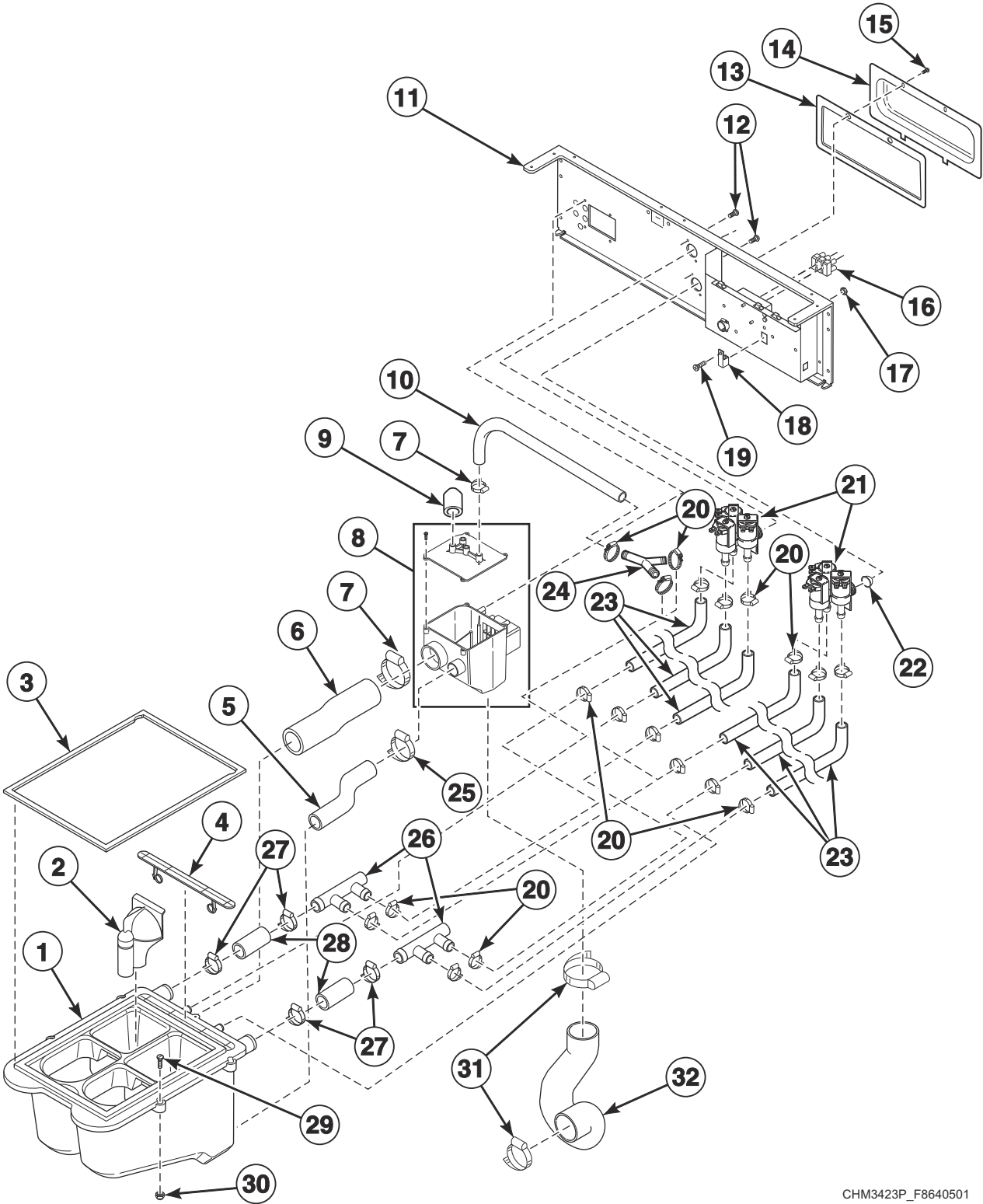
CHM1208P_F8640501

Door Lock

REF	PART NO.	DESCRIPTION	COMMENTS
	F8626501	Door Lock Assembly Kit	80 pound models; Models through 10/31/2010; Includes F8339902 External Door Lock Harness
	F8340501	Door Lock Assembly	Includes F8340001 External Door Lock Harness; Models starting 11/1/2010
	N/A	External Door Lock Harness	80 pound models; Models through 10/31/2010; Includes F8224201 Solenoid; Order F977P3 Door Lock Solenoid Replacement Kit
	F8340001	External Door Lock Harness	Models starting 11/1/2010
1	F977P3	Door Lock Solenoid Replacement Kit	Includes F8340101 Solenoid
2	F430225	Nut	Nylon
3	F200203200	Door Lock Microswitch	
4	F431901	Spacer	Nylon
5	F320200	Door Lock Splash Shield	
6	F8223202	Door Lock Plate Assembly	
7	F430977	Screw	
8	F8059701	Door Lock Plate Shim	Models through 9/25/2009
	F8344401	Door Lock Plate Shim	Models starting 9/26/2009
9	F430956	Screw	
10	F8245001	Door Lock Cover	
11	F8484401	Shim	Models through 9/9/2014 with F8567501 Door Handle Spacer
12	F8223601	Door Lock Catch	80 pound models; Models through 10/31/2010
	F8344501	Door Lock Catch	Models starting 11/1/2010
13	F8270701	Bolt	
14	70030501	Expansion Clip	
15	F8223401	Door Lock Switch Lever	
16	F8070301	Torsion/Door Lock Spring	
17	F430232	Nut	Nylon
18	F431902	Washer	

N/A = Part no longer available

Fill Plumbing and External Supply - Design 1 Models



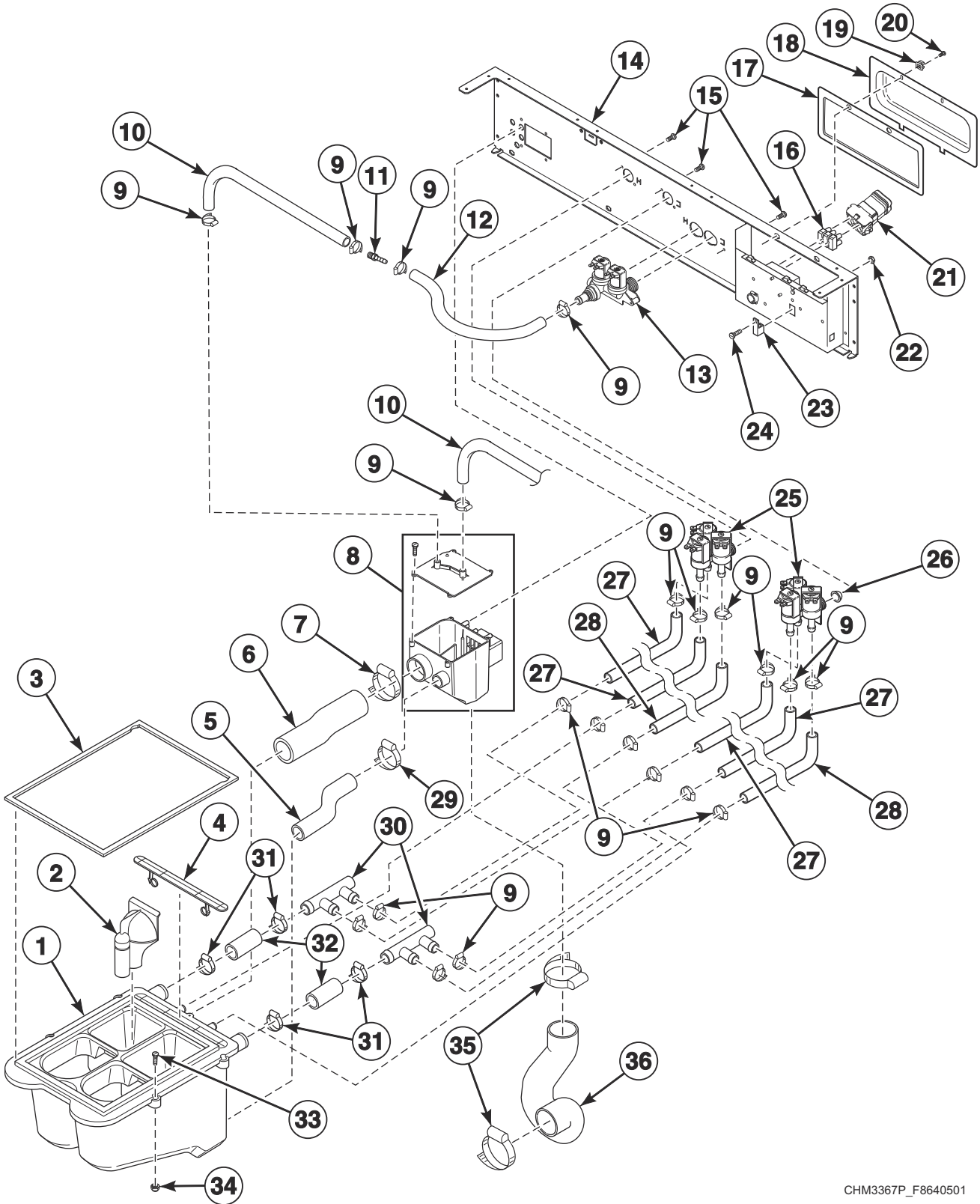
CHM3423P_F8640501

Fill Plumbing and External Supply - Design 1 Models

REF	PART NO.	DESCRIPTION	COMMENTS
1	F8047401	Dispenser Assembly	
2	F8047901	Siphon Cover	
3	F8308301	Dispenser Gasket	
4	F8047801	Access Cover	3 Amp
5	F8043406	Dispenser Overflow Hose	
6	F8042806	Vacuum Supply Hose	
7	F200213	Hose Clamp	No. 40
8	F8048601	Vacuum Breaker Assembly	
9	F8197701	Cap	
10	F0200244-00	Vacuum Breaker Hose	
11	F8039701	Valve Panel	
12	F8230301	Screw	
13	F8230001	Terminal Tray Cover Gasket	
14	F8177001	Terminal Tray Cover	
15	F8206901	Screw	
16	430642	Terminal Block	Includes screws
17	F430232	Nut	
18	M411283	Ground Lug Connector	
19	F430909	Screw	
20	36801	Hose Clamp	No. 6
21	F0381737-00P	3-Way Valve	240 Volt; 50 or 60 Hertz; U.S.
	F0381750-00P	3-Way Valve	240 Volt; 50 or 60 Hertz; Metric
	G582P3	Diaphragm and Guide Kit	
22	803615	Washer	Filter
23	F8232003	Water Hose	
24	F422816	Y Connector	
25	20211	Hose Clamp	
26	F8333201	Manifold	
27	F200222	Hose Clamp	No. 12
28	F8137504	Hose	
29	F8535601	Screw	
30	F0431807-00	Nut	
31	F200213	Hose Clamp	No. 40
32	F8042701	P-Trap Hose	

Fill Plumbing, Mixing Valve and External Supply - Design 2

Non-WRAS Compliant Models



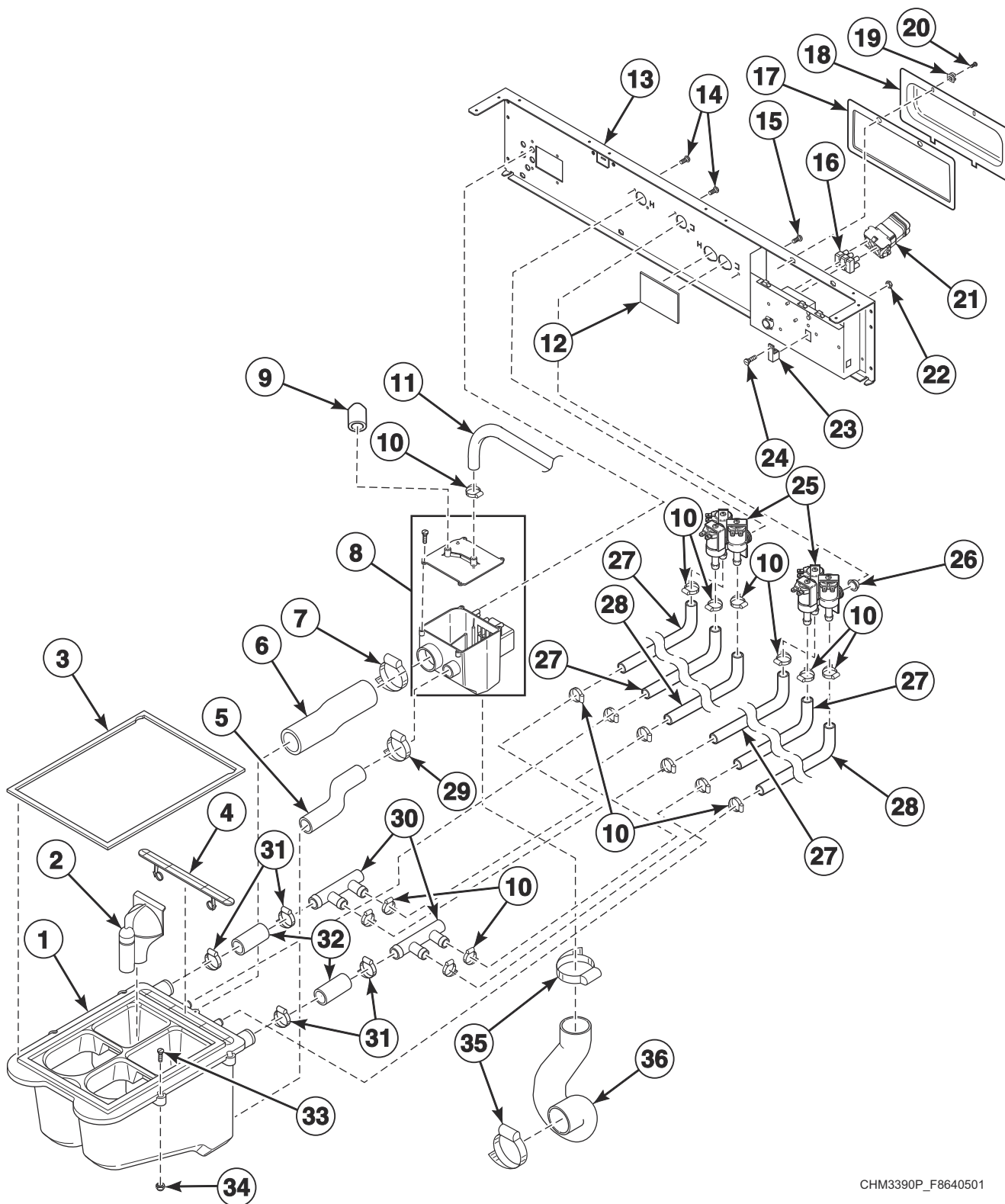
CHM3367P_F8640501

Fill Plumbing, Mixing Valve and External Supply - Design 2

REF	PART NO.	DESCRIPTION	COMMENTS
1	F8047401	Dispenser Assembly	
2	F8047901	Siphon Cover	
3	F8308301	Dispenser Gasket	
4	F8047801	Access Cover	3 Amp
5	F8043406	Dispenser Overflow Hose	80 pound models
	F8043409	Dispenser Overflow Hose	100 pound models
6	F8042806	Vacuum Supply Hose	80 pound models
	F8042809	Vacuum Supply Hose	100 pound models
7	F200213	Hose Clamp	No. 40
8	F8048601	Vacuum Breaker Assembly	
9	36801	Hose Clamp	No. 8
10	F0200244-00	Vacuum Breaker Hose	
11	F8429401	Hose Barb Connector	
12	F8440401	Vacuum Breaker Hose	
13	F8434001	Mixing Valve	Standard
	F8434002	Mixing Valve	With heat
14	F8399101	Valve Panel	
15	F8230301	Screw	
16	430642	Terminal Block	Includes screws
17	F8230001	Terminal Tray Cover Gasket	
18	F8177001	Terminal Tray Cover	
19	70030501	Expansion Clip	
20	F8206901	Screw	
21	F8454401	Filter	B, N and P-voltage
	F8454601	Harness	B, N and P-voltage
22	F430232	Nut	
23	M411283	Ground Lug Connector	
24	F430909	Screw	
25	F8286401P	3-Way Valve	240 Volt; 50 or 60 Hertz; U.S.
	F8286402P	3-Way Valve	240 Volt; 50 or 60 Hertz; Metric
	G582P3	Diaphragm and Guide Kit	
	F8402201	Regulator	Use with F8286401P 3-Way Valve
26	803615	Washer	Filter
27	F8459401	Hose	80 pound models
	F8232003	Water Hose	100 pound models
28	F602586-36	Hose	
29	20211	Hose Clamp	
30	F8333201	Manifold	
31	F200222	Hose Clamp	No. 12
32	F8137504	Hose	
33	F8535601	Screw	
34	F0431807-00	Nut	
35	F8405001	P-Trap Hose	80 pound models
	F8405003	P-Trap Hose	100 pound models
36	F200213	Hose Clamp	No. 40

Fill Plumbing and External Supply - Design 2

WRAS Compliant Models



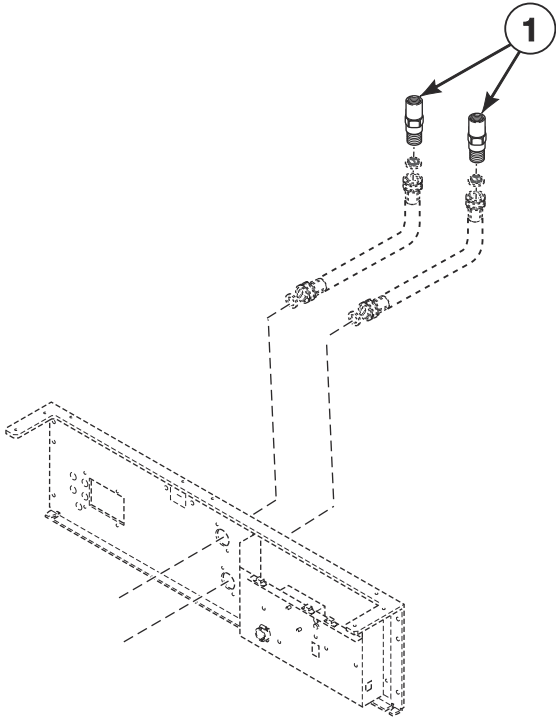
CHM3390P_F8640501

Fill Plumbing and External Supply - Design 2

REF	PART NO.	DESCRIPTION	COMMENTS
1	F8047401	Dispenser Assembly	
2	F8047901	Siphon Cover	
3	F8308301	Dispenser Gasket	
4	F8047801	Access Cover	3 Amp
5	F8043406	Dispenser Overflow Hose	80 pound models
	F8043409	Dispenser Overflow Hose	100 pound models
6	F8042806	Vacuum Supply Hose	80 pound models
	F8042809	Vacuum Supply Hose	100 pound models
7	F200213	Hose Clamp	No. 40
8	F8048601	Vacuum Breaker Assembly	Includes items 9 and 10
9	F8197701	Cap	
10	36801	Hose Clamp	No. 8
11	F0200244-00	Vacuum Breaker Hose	
12	F8586301	Fill Cover	
13	F8399101	Valve Panel	
14	F8230301	Screw	
15	685847	Pop Rivet	
16	430642	Terminal Block	Includes screws
17	F8230001	Terminal Tray Cover Gasket	
18	F8177001	Terminal Tray Cover	
19	70030501	Expansion Clip	
20	F8206901	Screw	
21	F8454401	Filter	B, N and P-voltage
	F8454601	Harness	B, N and P-voltage
22	F430232	Nut	
23	M411283	Ground Lug Connector	
24	F430909	Screw	
25	F8286402P	3-Way Valve	240 Volt; 50 or 60 Hertz; Metric
	G582P3	Diaphragm and Guide Kit	
26	803615	Washer	Filter
27	F8459401	Hose	80 pound models
	F8232003	Water Hose	100 pound models
28	F602586-36	Hose	
29	20211	Hose Clamp	
30	F8333201	Manifold	
31	F200222	Hose Clamp	No. 12
32	F8137504	Hose	
33	F8535601	Screw	
34	F0431807-00	Nut	
35	F8405001	P-Trap Hose	80 pound models
	F8405003	P-Trap Hose	100 pound models
36	F200213	Hose Clamp	No. 40

Double Check Valve

WRAS Compliant Models

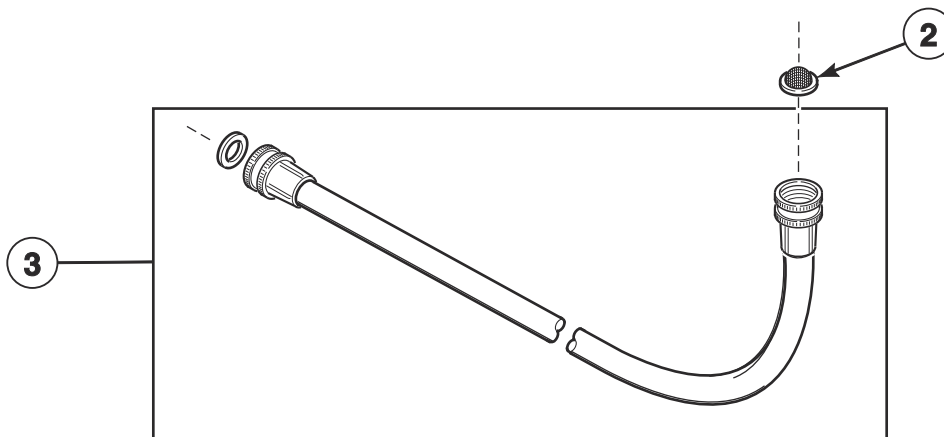
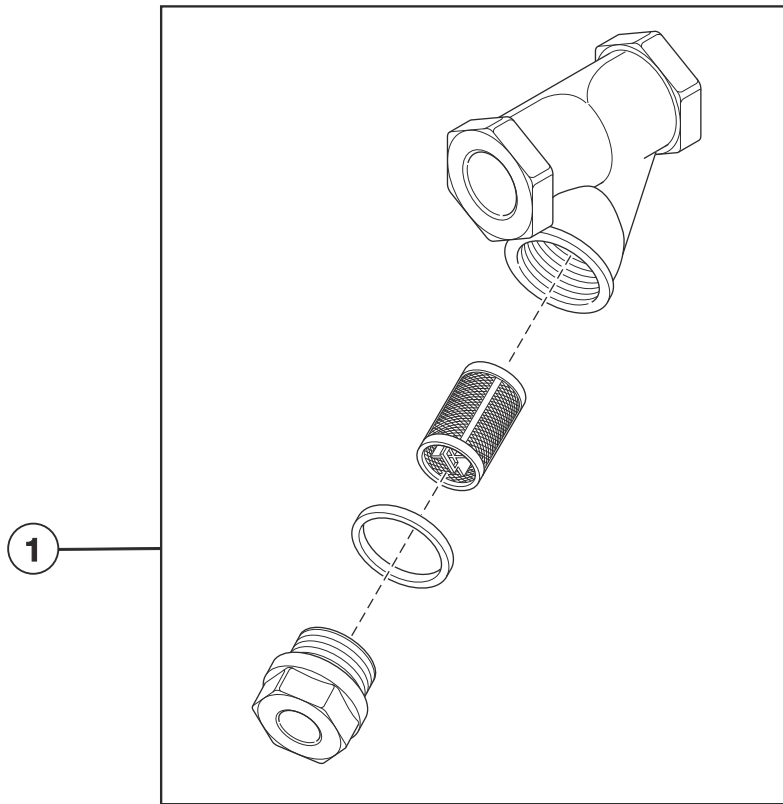


CHM3393P_F8640501

Double Check Valve

REF	PART NO.	DESCRIPTION	COMMENTS
1	F8301201	Double Check Valve	

Steam Filter (Optional) and Water Supply Hose



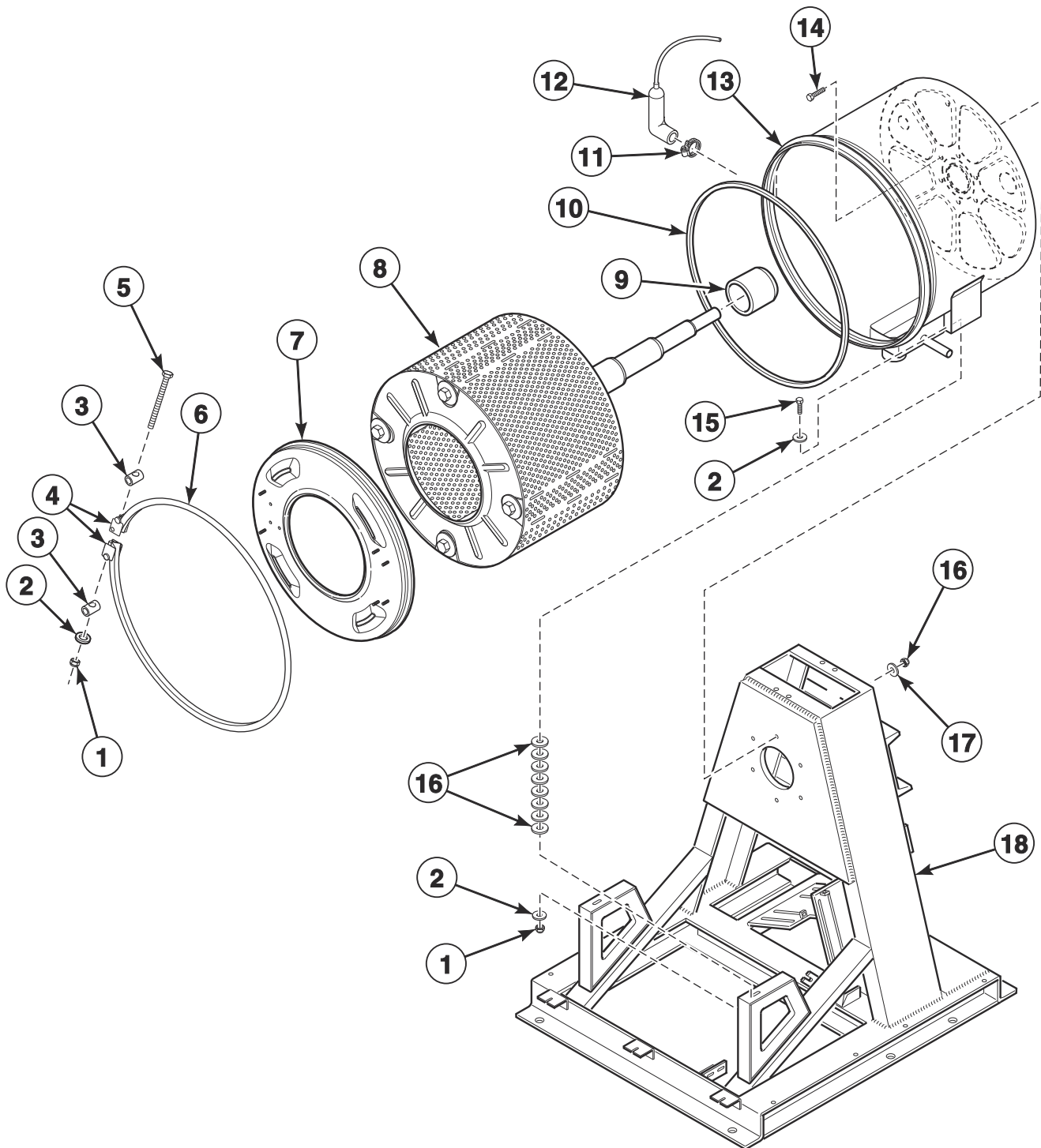
CHM3049P_F8640501

Steam Filter (Optional) and Water Supply Hose

REF	PART NO.	DESCRIPTION	COMMENTS
	44069101	Hose Fitting	Y fitting; 2 required
1	F270307	Steam Filter	1/2 inch
	F270308	Steam Filter	3/4 inch
2	803615	Washer	Filter
3	F200164	Water Hose	3/4 inch; Standard
	F200165	Water Hose	Metric thread
	F8544601	Fill Hose Kit	Metric thread; CE

Basket, Shell and Frame - Design 1 Models

Models with Serial No. 1110* Must Be Upgraded with F8605201 C80 Kit



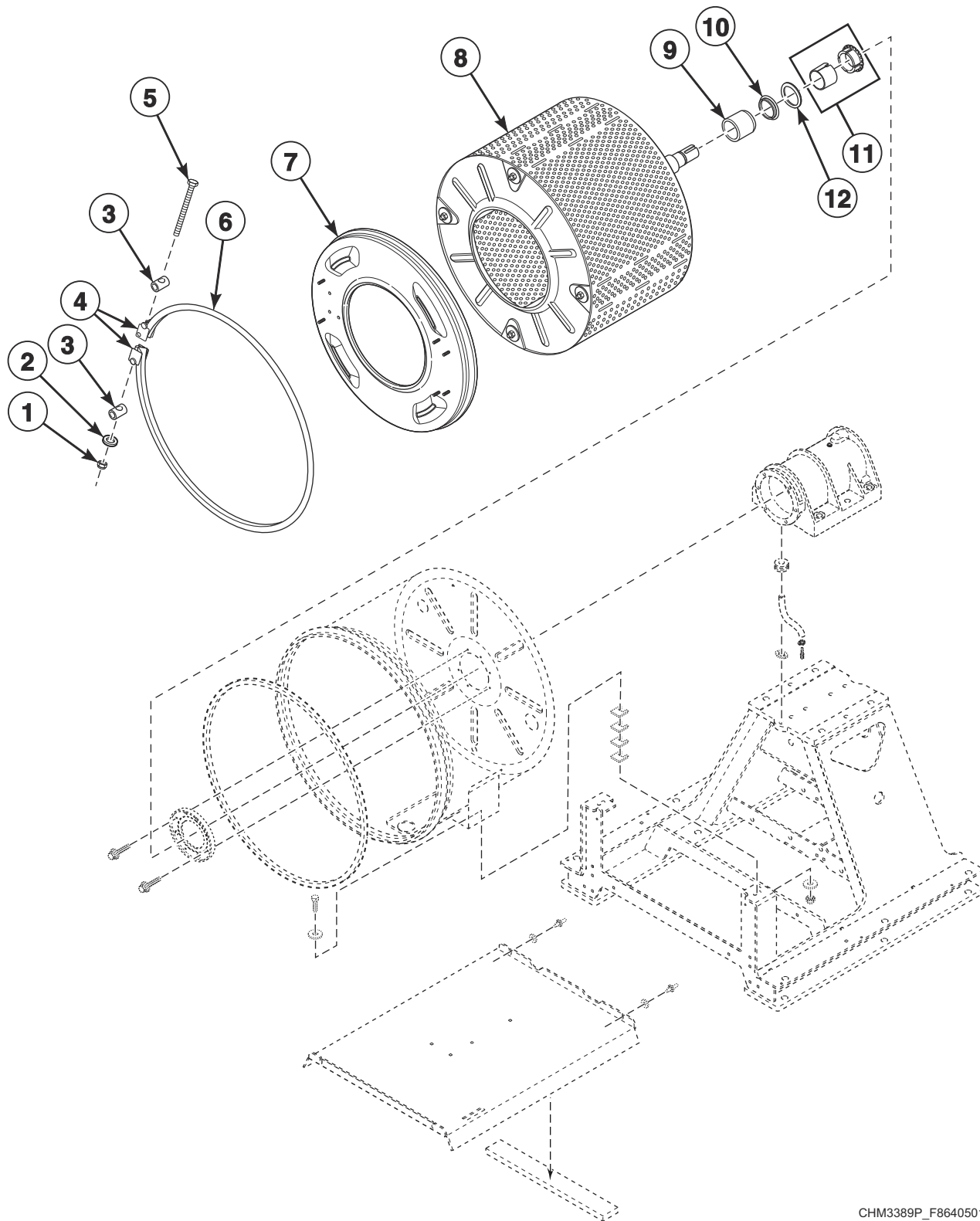
CHM3424P_F8640501

Basket, Shell and Frame - Design 1 Models

REF	PART NO.	DESCRIPTION	COMMENTS
	1112P	Concrete Hardware Kit	3/4 inch
	F8451501	Bearing Housing Lifting Fixture	
	F8413101	Frame Template	
	F8605201	C80 Kit	Upgrade required for models with Serial No. 1110*; Includes items 1, 3, 5, 15, F8251002 Frame Weldment, F8474601 Bearing House Assembly, F8171201 Washer, F430248 Nut, F8313701 Screw, F8406502 Dowel Pin, F8452701 Seal Scupper Pad, F8578002 Tubing, F8410501 Grommet, F8550101 Seal Wear Plate, 44087302 Nut, F8402701 Washer, H88213996 Screw, M400081 Washer, F8502306 Gasket, F8388008 Clamp Ring, F8442802 Screw, F8382501 Sleeve Adapter, F8516901 Basket Assembly, F8528501 Radial Lip Seal, F8366601 Washer, F8387601 Nut, F8441803 Motor Bracket, F8333302 Flanged Bushing, F8535202 Bushing, 44087201 Nut, F8402801 Bolt, F8441101 Motor Rod Plate and F8351902 Eye Bolt
1	F430218	Nut	
2	M400080	Washer	
3	F8302701	Pin	
4	F8302401	Clamp Ring Bracket	
5	800462	Screw	
6	F8537808	Shell Band Kit	
7	F8229801	Shell Front Assembly	
8	F8407401	Basket Assembly	Includes item 9
9	F8312007P	Shaft Seal Sleeve	
10	F8513501	Shell Front Gasket Kit	
11	F200222	Hose Clamp	No. 12
12	F020014200	Air Trap Hose	
13	F8179601	Shell Weldment	Standard models
	F8179602	Shell Weldment	Heat models
14	F430947	Screw	
15	800461	Screw	
16	F430201	Nut	
17	901690	Washer	
18	F8208101	Frame Weldment	

Basket - Design 2 Models

Models with Serial No. 1110* Must Be Upgraded with F8605201 C80 Kit



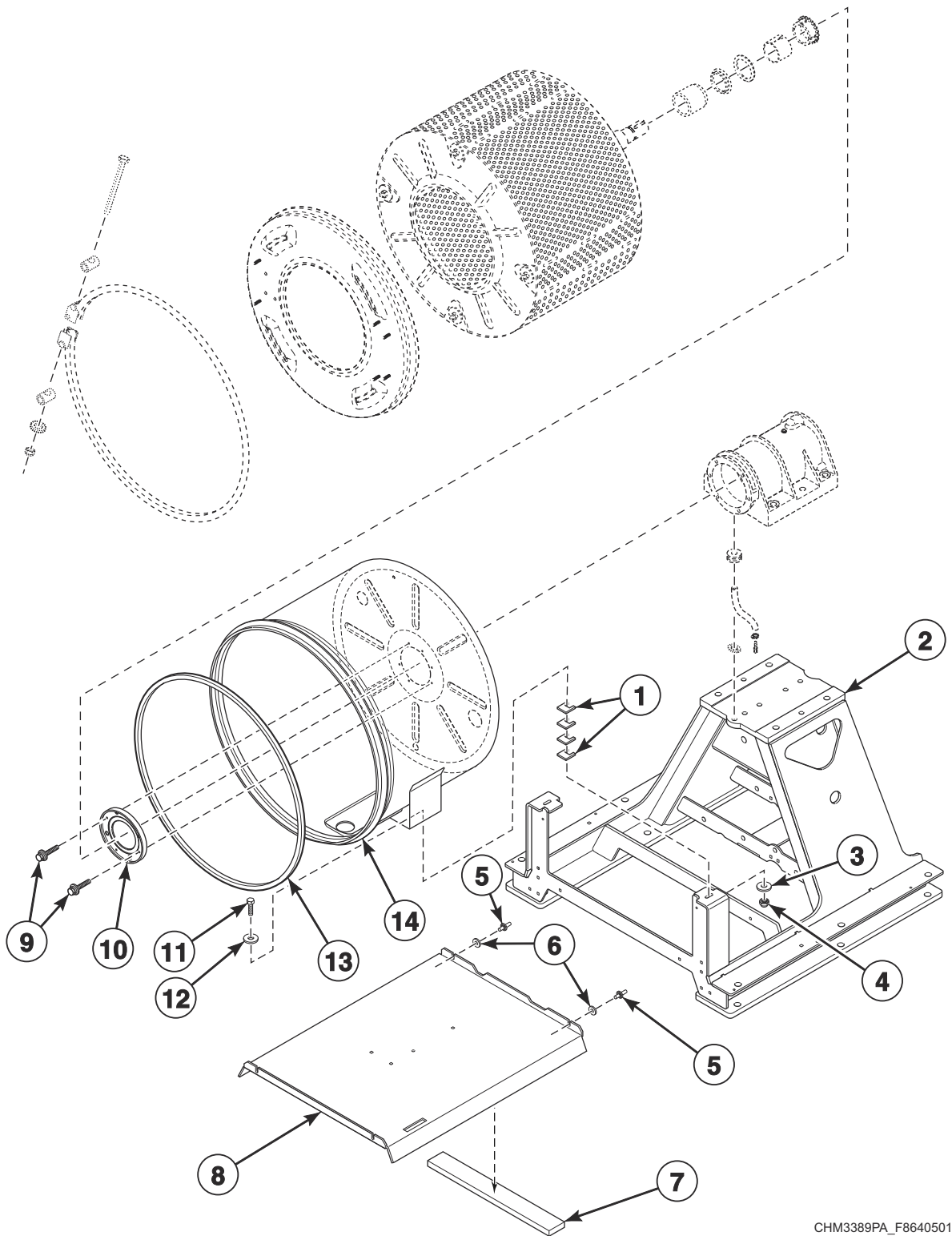
CHM3389P_F8640501

Basket - Design 2 Models

REF	PART NO.	DESCRIPTION	COMMENTS
	F8397301	Clamp Ring Assembly	Includes items 4 and 6
	1112P	Concrete Hardware Kit	3/4 inch
	F980204345	Basket and Bearing Assembly	80 pound models; Viton; Includes item 8 and F8474602 Bearing Assembly
	F980204346	Basket and Bearing Assembly	100 pound models; Viton; Includes item 8 and F8474602 Bearing Assembly
	F8493401	Basket Assembly Kit	80 pound models; Viton; Includes items 8, 11 and F8280504 Bearing
	F8493301	Basket Assembly Kit	100 pound models; Viton; Includes items 8, 11 and F8280504 Bearing
	F8605201	C80 Kit	80 pound models; Upgrade required for models with Serial No. 1110*; Includes items 1, 3, 5, 8, 9, 800461 Screw, F8251002 Frame Weldment, F8474601 Bearing House Assembly, F8171201 Washer, F430248 Nut, F8313701 Screw, F8406502 Dowel Pin, F8452701 Seal Scupper Pad, F8578002 Tubing, F8410501 Grommet, F8550101 Seal Wear Plate, 44087302 Nut, F8402701 Washer, H88213996 Screw, M400081 Washer, F8502306 Gasket, F8388008 Clamp Ring, F8442802 Screw, F8528501 Radial Lip Seal, F8366601 Washer, F8387601 Nut, F8441803 Motor Bracket, F8333302 Flanged Bushing, F8535202 Bushing, 44087201 Nut, F8402801 Bolt, F8441101 Motor Rod Plate and F8351902 Eye Bolt
1	F430218	Nut	
2	M400080	Washer	
3	F8302701	Pin	
4	F8302401	Clamp Ring Bracket	
5	800462	Screw	
6	F8537808	Shell Band Kit	
7	F8229801	Shell Front Assembly	
8	F8516903	Basket Assembly	80 pound models; Includes item 9; Viton
	F8516901	Basket Assembly	80 pound models; Standard
	F8517003	Basket Assembly	100 pound models; Includes item 9; Viton
	F8517001	Basket Assembly	100 pound models; Standard
9	F8343911	Seal Sleeve	
10	F8464901	Insertion Sleeve	
11	F8382501	Sleeve Adapter	
12	F8337101	Excluder Seal	Standard
	F8527701	Excluder Seal	Viton

Shell and Frame - Design 2 - 80 Pound Models

Models with Serial No. 1110* Must Be Upgraded with F8605201 C80 Kit

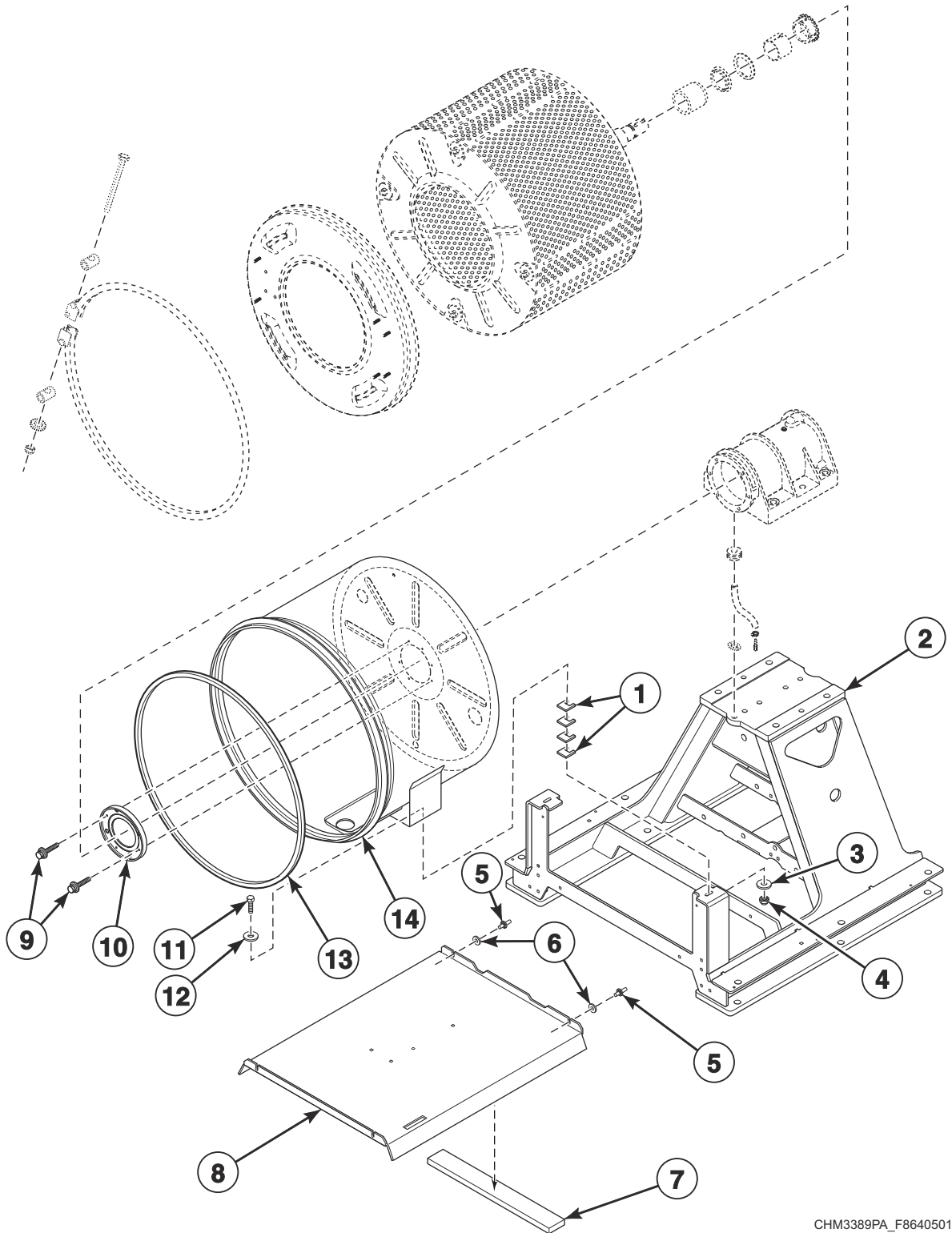


CHM3389PA_F8640501

Shell and Frame - Design 2 - 80 Pound Models

REF	PART NO.	DESCRIPTION	COMMENTS
	1112P	Concrete Hardware Kit	3/4 inch
	F8500001	Shell Assembly Kit	Standard models made between 7/1/2012 and 11/1/2013; Includes item 6, F8399901 Drain Elbow Hose, F8386807 Molded Drain, F0150502-00 Plug, F200165100 Drain Hose, F200201 Clamp
	F8500101	Shell Assembly Kit	Heat models made between 7/1/2012 and 11/1/2013; Includes item 6, F8399901 Drain Elbow Hose, F8386807 Molded Drain, F0150502-00 Plug, F200165100 Drain Hose, F200201 Clamp
	F8605201	C80 Kit	Upgrade required for models with Serial No. 1110*; Includes items 1-3, 10, 11, F8343911 Seal Sleeve, F8516901 Basket Assembly, 800462 Screw, F8302701 Pin, F430218 Nut, 800461 Screw, F8474601 Bearing House Assembly, F8171201 Washer, F430248 Nut, F8313701 Screw, F8406502 Dowel Pin, F8452701 Seal Scupper Pad, F8578002 Tubing, F8410501 Grommet, 44087302 Nut, F8502306 Gasket, F8388008 Clamp Ring, F8442802 Screw, F8528501 Radial Lip Seal, F8366601 Washer, F8387601 Nut, F8441803 Motor Bracket, F8333302 Flanged Bushing, F8535202 Bushing, 44087201 Nut, F8402801 Bolt, F8441101 Motor Rod Plate and F8351902 Eye Bolt
1	F8402701	Washer	
2	F8251002	Frame Weldment	
3	M400081	Washer	
4	44087301	Nut	
5	70334702	Stud	Models starting 11/1/2013
6	M400080	Washer	Models starting 11/1/2013
7	70414101	Foam Gasket	Models starting 11/1/2013
8	F8509501	Frame Shield	Models starting 11/1/2013
9	F8442702	Screw	
10	F8550101	Seal Wear Plate	
11	H88213996	Screw	
12	F8402701	Washer	
13	F8513501	Shell Front Gasket Kit	
14	F8361001	Shell Weldment	Standard models made after 11/1/2013 or models that have been upgraded with F8500001 Shell Assembly Kit
	F8361002	Shell Weldment	Heat models made after 11/1/2013 or models that have been upgraded with F8500101 Shell Assembly Kit

Shell and Frame - Design 2 - 100 Pound Models

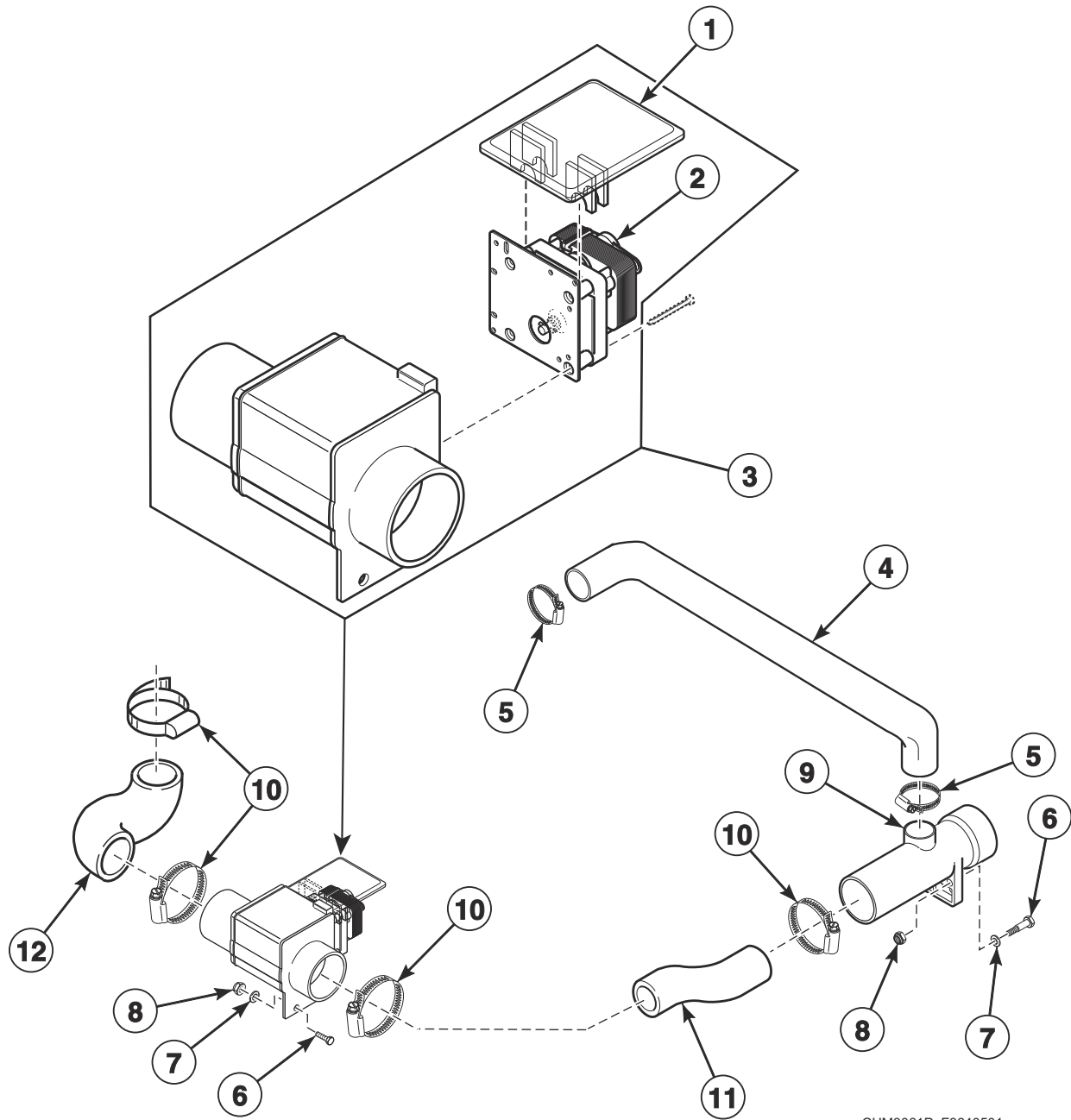


CHM3389PA_F8640501

Shell and Frame - Design 2 - 100 Pound Models

REF	PART NO.	DESCRIPTION	COMMENTS
	1112P	Concrete Hardware Kit	3/4 inch
	F8500301	Shell Assembly Kit	Standard models made between 7/1/2012 and 11/1/2013; Includes item 6, F8399901 Drain Elbow Hose, F8386807 Molded Drain, F0150502-00 Plug, F200165100 Drain Hose, F200201 Clamp
	F8500401	Shell Assembly Kit	Heat models made between 7/1/2012 and 11/1/2013; Includes item 6, F8399901 Drain Elbow Hose, F8386807 Molded Drain, F0150502-00 Plug, F200165100 Drain Hose, F200201 Clamp
1	F8402701	Washer	
2	F8251002	Frame Weldment	
3	M400081	Washer	
4	44087301	Nut	
5	70334702	Stud	Models starting 11/1/2013
6	M400080	Washer	Models starting 11/1/2013
7	70414101	Foam Gasket	Models starting 11/1/2013
8	F8509501	Frame Shield	Models starting 11/1/2013
9	F8442702	Screw	
10	F8550101	Seal Wear Plate	
11	H88213996	Screw	
12	F8402701	Washer	
13	F8513501	Shell Front Gasket Kit	
14	F8427401	Shell Weldment	Standard models made after 11/1/2013 or models that have been upgraded with F8500301 Shell Assembly Kit
	F8427402	Shell Weldment	Heat models made after 11/1/2013 or models that have been upgraded with F8500401 Shell Assembly Kit

Drain - Design 1 Models

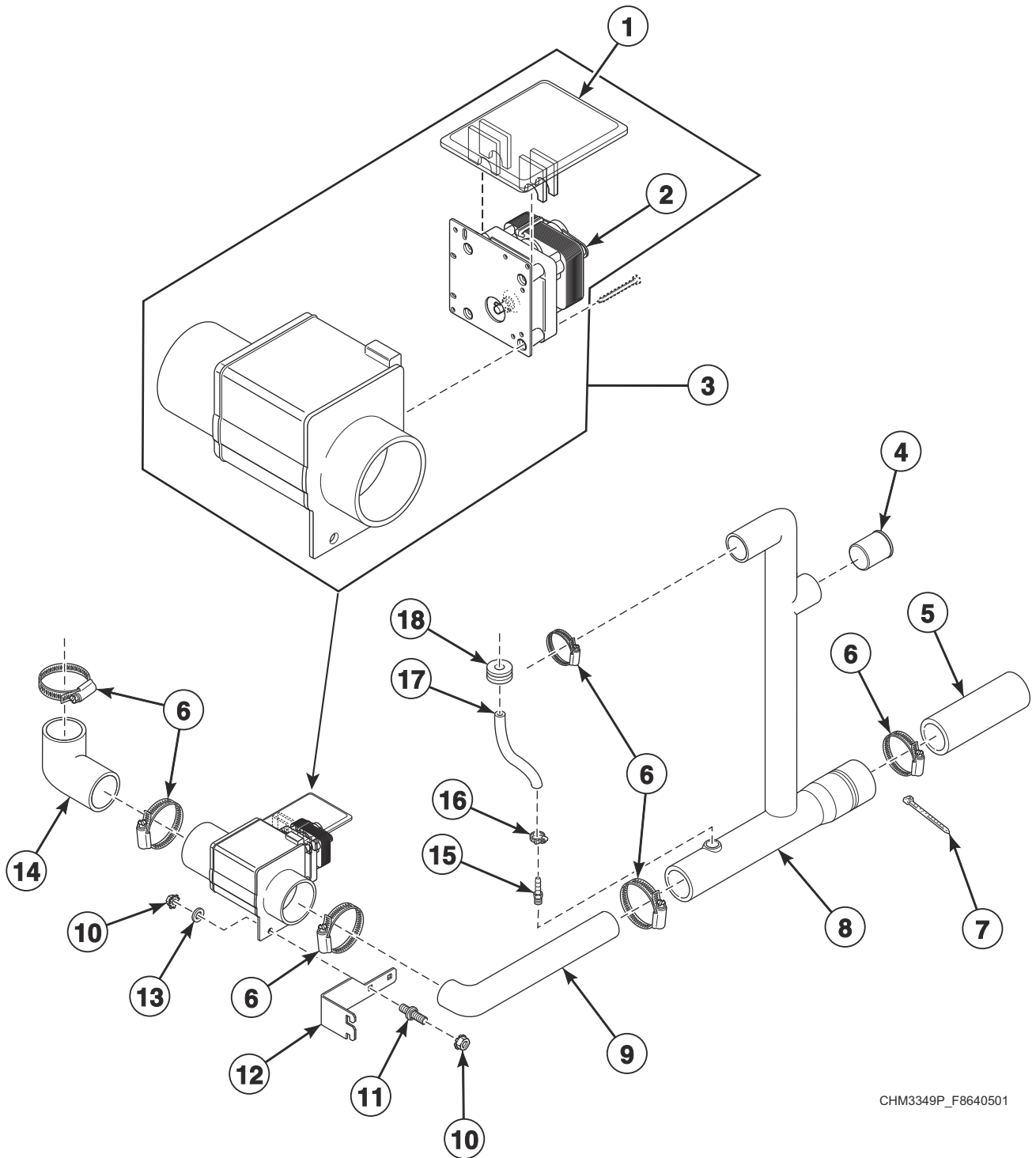


CHM3061P_F8640501

Drain - Design 1 Models

REF	PART NO.	DESCRIPTION	COMMENTS
1	F200133600	Drain Valve Cover	
2	F8618901P	Drain Valve Motor	220 Volt; Keyed shaft
3	F200166402	Drain Valve Kit	220 Volt; Includes F8406301 Valve
	F200166400	Drain Valve Kit	240 Volt; Includes F8406303 Valve; Electric heat
4	F150401	Overflow Hose	
5	F200213	Hose Clamp	No. 40
6	F430913	Screw	
7	F431147	Washer	
8	F430215	Nut	
9	F150398	Drain Tee	
10	F200201	Hose Clamp	No. 56
11	F8231903	Drain Hose	Rear
12	F8232901	Drain Hose	Front

Drain - Design 2 Models

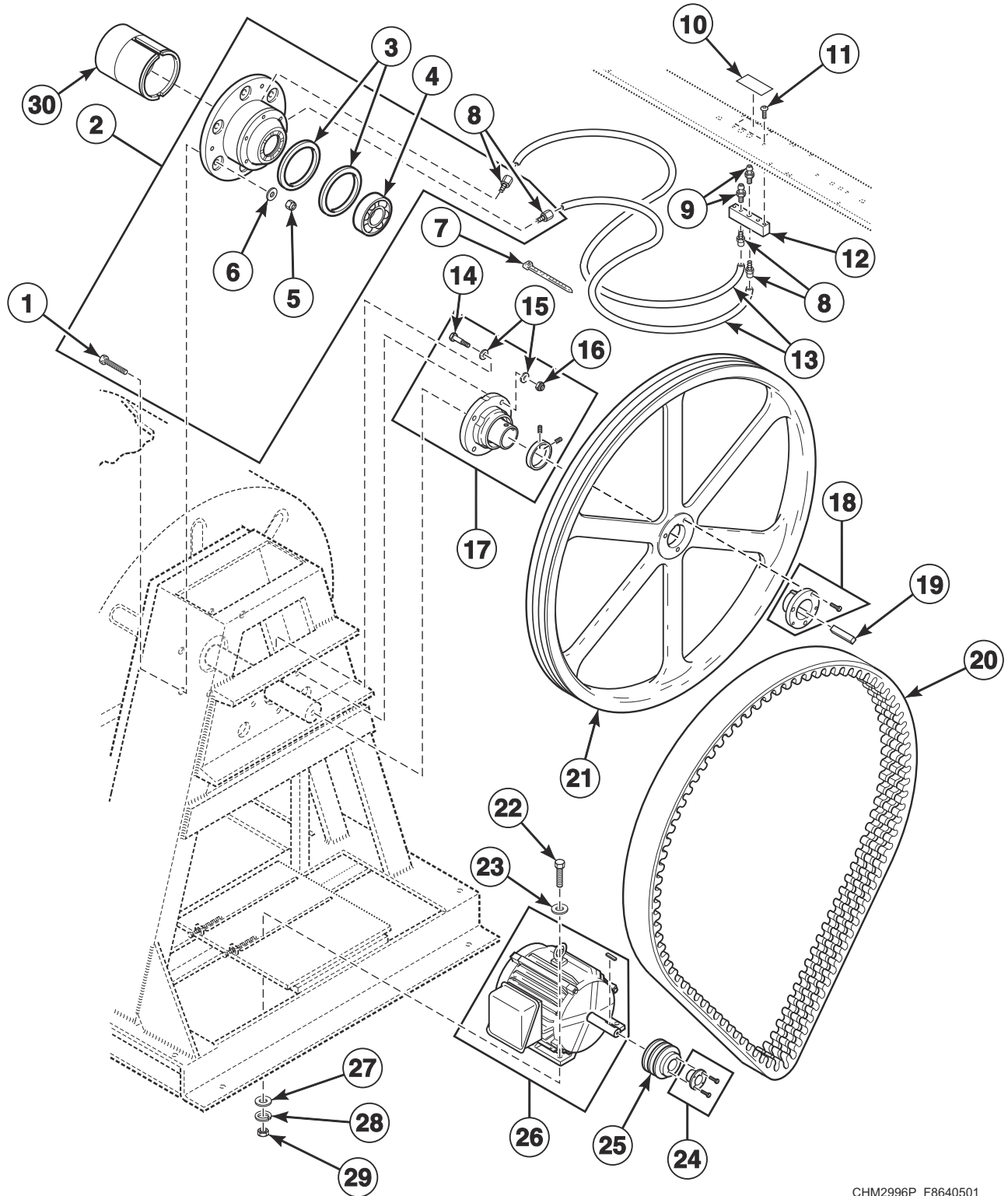


CHM3349P_F8640501

Drain - Design 2 Models

REF	PART NO.	DESCRIPTION	COMMENTS
	F8562001	Drain Seal Kit	Use with F8406307 Drain Valve
1	F200133600	Drain Valve Cover	
2	F8618901P	Drain Valve Motor	220 Volt; Keyed shaft
3	F8577201	Drain Valve Kit	240 Volt; Includes F8406307 Valve
4	F0150502-00	Plug	
5	F200165100	Drain Hose	
6	F200201	Hose Clamp	No. 56
7	F140606	Cable Tie	
8	F8386807	Molded Drain	
9	F8404701	Rear Drain Hose	
10	44087201	Nut	
11	70334702	Stud	
12	F8387401	Bracket	
13	M405535	Washer	
14	C000412	Water Reuse Hose	Standard
	F8395801	Drain Hose	Electric heat
15	F8402301	Hose Barb	
16	36801	Hose Clamp	
17	F8578002	Tubing	
18	F8410501	Grommet	

Motor, Pulley, Belts and Bearings - Design 1 Models



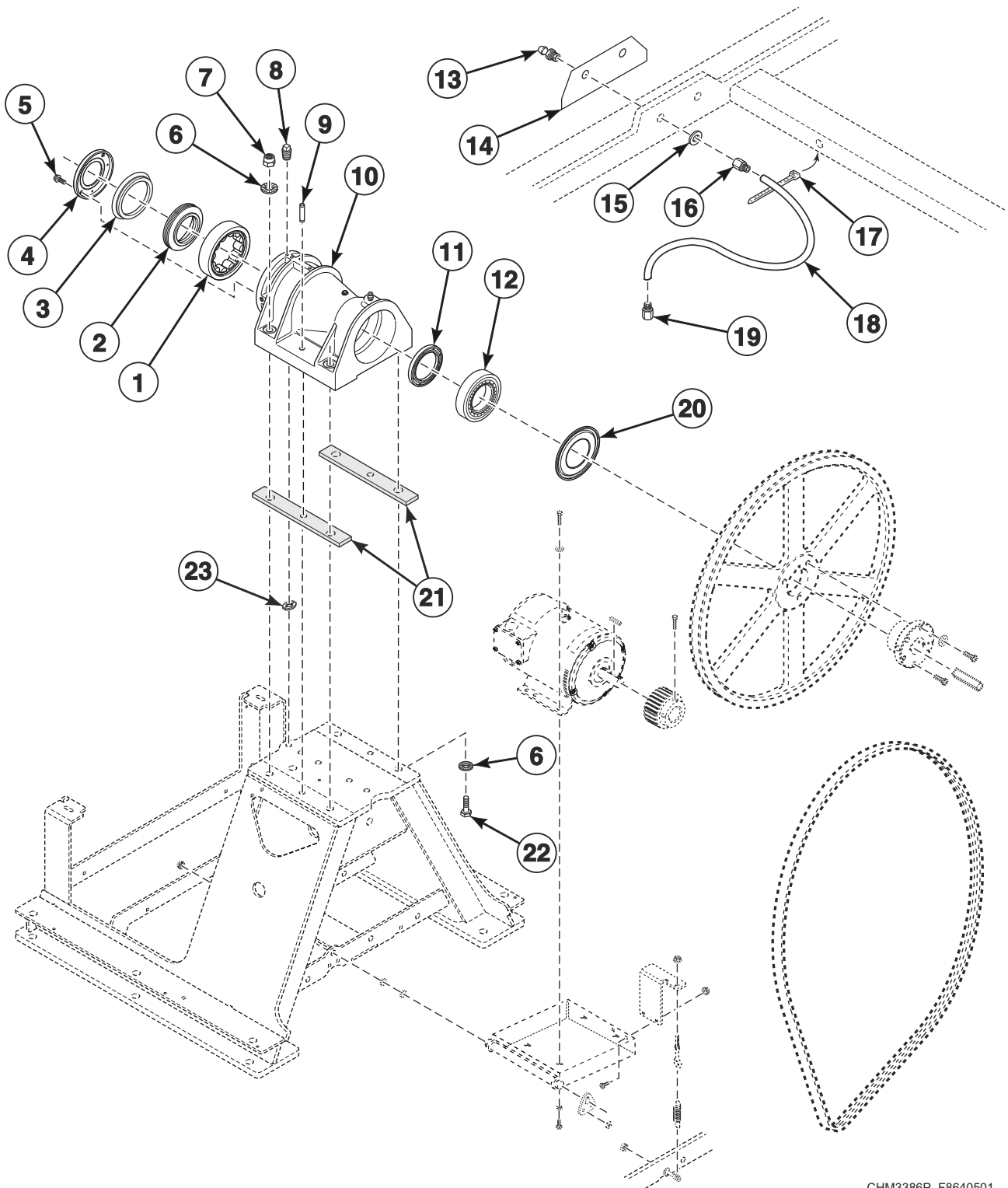
CHM2996P_F8640501

Motor, Pulley, Belts and Bearings - Design 1 Models

REF	PART NO.	DESCRIPTION	COMMENTS
1	F430942	Screw	
2	F745015-1	Front Bearing Kit	Includes items 1, 3-6 and 8
3	F8203804	Triple Lip Seal	
4	F100155	Bearing	
5	F430201	Nut	
6	F431134	Washer	
7	F140606	Cable Tie	
8	J1408004	Connector	
9	F190701	Grease Fitting	
10	F8229901	Grease Instruction Label	
11	F430925	Screw	
12	F320326	Grease Manifold	
13	C000628P	Tubing	
14	F430185	Screw	
15	F430339	Washer	
16	F430239	Nut	
17	F745016-1	Rear Bearing Kit	
18	F280290	Basket Pulley Bushing	Includes screws
19	F608824-1	Key	
20	F200140300P	Belt	
21	F150268	Basket Pulley	
22	800461	Screw	
23	M400081	Washer	
24	F280211P	Motor Pulley Bushing	Includes screws
25	F280289P	Drive Motor Pulley	3GRV-3V-3.15
26	F8356401	Motor Kit	Use with machines manufactured through 9/13/2009 with F8054101P Reliance Electric or Allen-Bradley Motor; Includes key; AC drive parameters must be compatible with the motor being used. When replacing the motor, please request an AC drive parameter illustration for the motor to verify that the drive parameters are set correctly.
	F8334601P	Motor	Models that have been retrofitted with F8356401 Motor Kit or models starting 9/14/2009
27	F430300	Washer	
28	M400014	Washer	
29	F430205	Nut	
30	F100307	Bearing Adapter Sleeve	

Bearing Housing - Design 2 Models

Models with Serial No. 1110* Must Be Upgraded with F8605201 C80 Kit

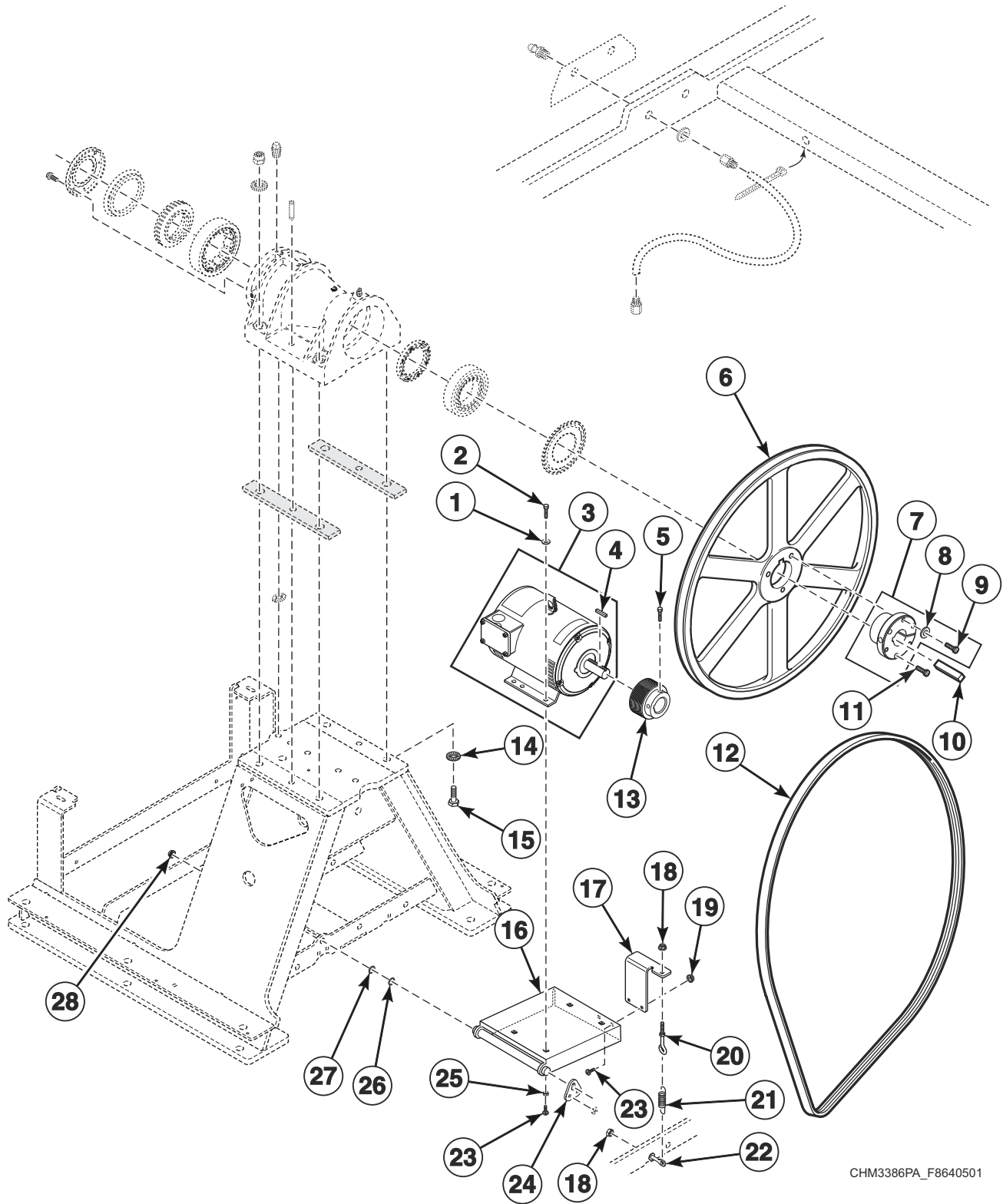


CHM3386P_F8640501

Bearing Housing - Design 2 Models

REF	PART NO.	DESCRIPTION	COMMENTS
	F8474601	Bearing Housing Assembly	Standard; Includes items 1, 2, 10, 12 and 20
	F8474602	Bearing Housing Assembly	Viton; Includes items 1, 2, 10, 12 and 19
	F822P3	Bearing Housing Kit	Viton; Includes items 1, 3, 5-7, 9, 11, 12, 21, 22, F8337101 Excluder Seal, F410102 Sealant, F8442802 Screw and F8382501 Sleeve Adapter; Use with F410P4 Bearing Housing Assembly Removal Kit; Models after 8/20/2014
	F8503801	Bearings and Seals Kit	Standard NBR; Includes items 1-3, 6, 7, 9, 11, 12, 22, F8502305 Shell Band Gasket and F410102 Sealant
	F8503701	Bearings and Seals Kit	Viton; Includes items 1-3, 6, 7, 9, 11, 12, 22, F8502305 Shell Band Gasket, F8527701 Washer and F410102 Sealant
	F8605201	C80 Kit	80 pound models; Upgrade required for models with Serial No. 1110*; Includes items 6, 7, 9, 22, 23, F8402701 Washer, F8251002 Frame Weldment, M400081 Washer, F8550101 Seal Wear Plate, H88213996 Screw, F8343911 Seal Sleeve, F8516901 Basket Assembly, 800462 Screw, F8302701 Pin, F430218 Nut, 800461 Screw, F8474601 Bearing House Assembly, F8578002 Tubing, F8410501 Grommet, 44087302 Nut, F8502306 Gasket, F8388008 Clamp Ring, F8442802 Screw, F8528501 Radial Lip Seal, F8366601 Washer, F8387601 Nut, F8441803 Motor Bracket, F8333302 Flanged Bushing, F8535202 Bushing, 44087201 Nut, F8402801 Bolt, F8441101 Motor Rod Plate and F8351902 Eye Bolt
1	F8280504	Bearing	Front; Cylindrical; Includes basket sleeve and bearing
2	F8203807	Radial Seal	Standard; Triple Lip
	F8203808	Radial Seal	Viton; Triple Lip
3	F8337101	Excluder Seal	Standard; Models through 8/20/2014
	F8527701	Excluder Seal	Viton
4	F8550101	Seal Wear Plate	
5	F8442802	Screw	
6	F8171201	Washer	
7	F430248	Nut	
8	J1408004	Connector	
9	F8406502	Dowel Pin	
10	F8465001	Bearing Housing	
11	F8440001	Radial Lip Seal	Double Lip; Models through 8/20/2014
	F8528501	Radial Lip Seal	Models starting 8/21/2014
12	F8375401	Bearing	Rear; Spherical
13	F190701	Grease Fitting	
14	F8229901	Grease Instruction Label	
15	70292801	Washer	
16	F422114	Air Coupling	
17	F140605	Cable Tie	
18	C000628P	Tubing	
19	J1408004	Connector	
20	F8379301	Seal	
21	F8207001	Gasket	
22	F8313701	Screw	
23	F8452701	Seal Scupper Pad	

Motor, Pulley and Belts - Design 2 Models

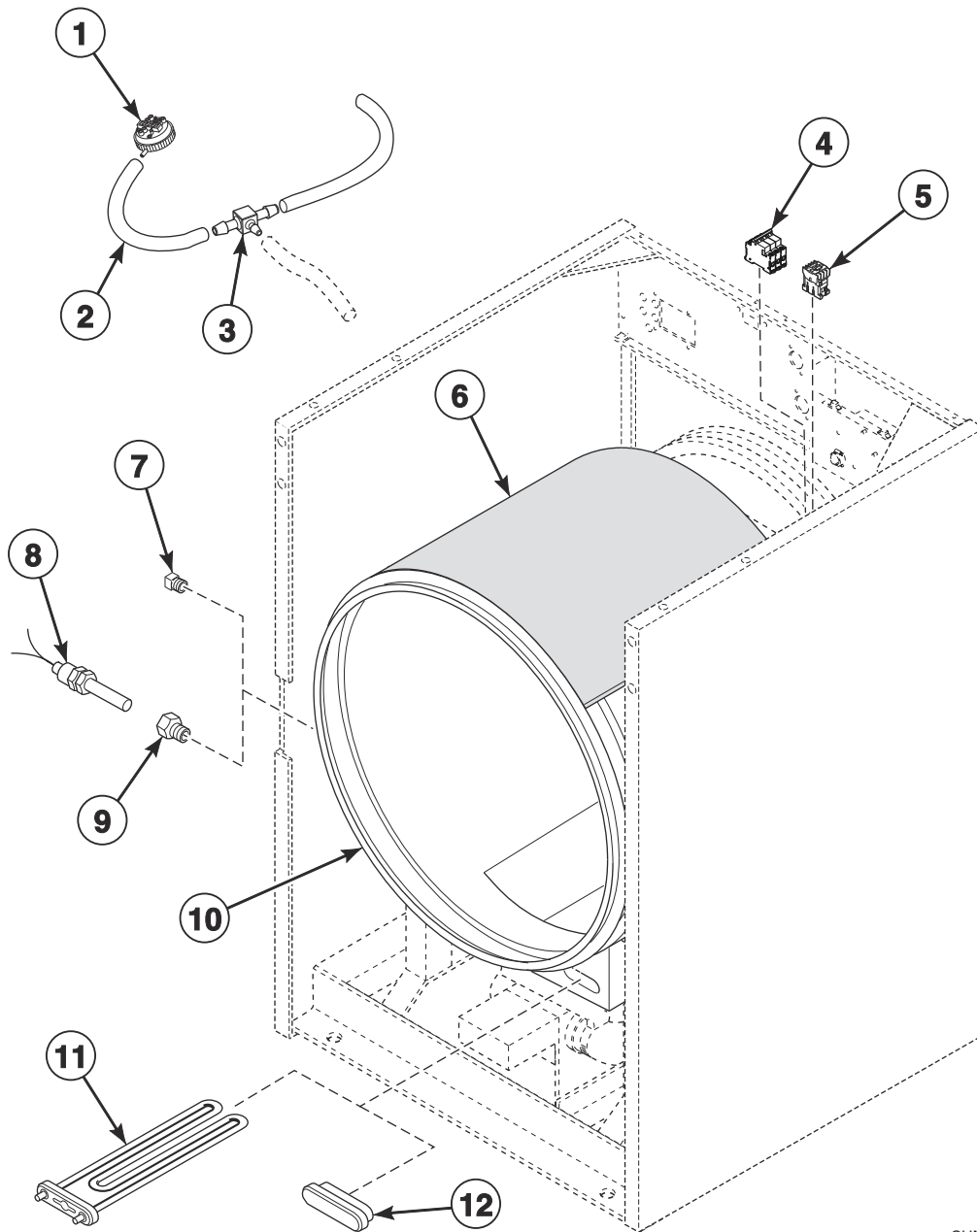


CHM3386PA_F8640501

Motor, Pulley and Belts - Design 2 Models

REF	PART NO.	DESCRIPTION	COMMENTS
	F824P3	Motor Plate and Spring Assembly Kit	Includes items 1-3, 16, 22 and 25-27
1	F8366601	Washer	
2	800461	Screw	
3	F8335201P	Motor	Includes item 8
4	F8487102	Key	
5	M400077	Screw	
6	F8423201	Pulley	HC and SC 100 pound models; Models through 11/13/2013; Order F8533801 Pulley Conversion Kit
	F8533801	Pulley Conversion Kit	HC and SC 100 pound models; Models starting 11/14/2013; Includes items 9, 10 and F8381801 Sheave Pulley
	F8381801	Sheave Pulley	80 pound models; 100 pound models starting 11/14/2013; 100 pound models through 11/13/2013 that have been converted with F8533801 Pulley Conversion Kit
7	F8649401	Flanged Bushing	Includes items 9 and 10
8	M400013	Washer	
9	44079203	Screw	
10	F8649101	Key	
11	44048902	Screw	
12	F8382808	Belt	100 pound models; Models through 11/14/2013
	F8382807	Belt	80 pound models through 3/31/2015; 100 pound models starting 11/15/2013 through 3/31/15
	F8382815	Belt	80 pound models; 100 pound models starting 11/14/2013; 100 pound models through 11/13/2013 that have been converted with F8533801 Pulley Conversion Kit; Models starting 4/1/2015
	F8382817	Belt	100 pound models; Models starting 4/1/2015
13	F8362601	Motor Pulley	3GRV-3V-3.15; 80 pound models; HC and SC 100 pound models through 11/13/2013
	F8362602	Motor Pulley	12GRV-J-2.194; HC and SC 100 pound models through 11/13/2013 that have been converted with F8533801 Pulley Conversion Kit; 100 pound models starting 11/14/2013
16	F8562503	Motor Isolation Kit	Includes F8535103 Motor Plate and F8535201 Isolator
17	F8342201	Motor Spring Bracket	
18	44087201	Nut	
19	44087301	Nut	
20	F8319503	Eye Bolt	
21	F8440701	Extension Spring	
22	F8351902	Eye Bolt	
23	F8402801	Bolt	
24	F8441101	Motor Rod Plate	
25	F8387601	Nut	
26	F8441901	O-Ring	
27	F8451601	Spacer	
28	F8333301	Flanged Bushing	Includes screws; Models through 3/31/2015
	F8333302	Flanged Bushing	Models starting 4/1/2015

Electric Heat Option - Design 1 Models

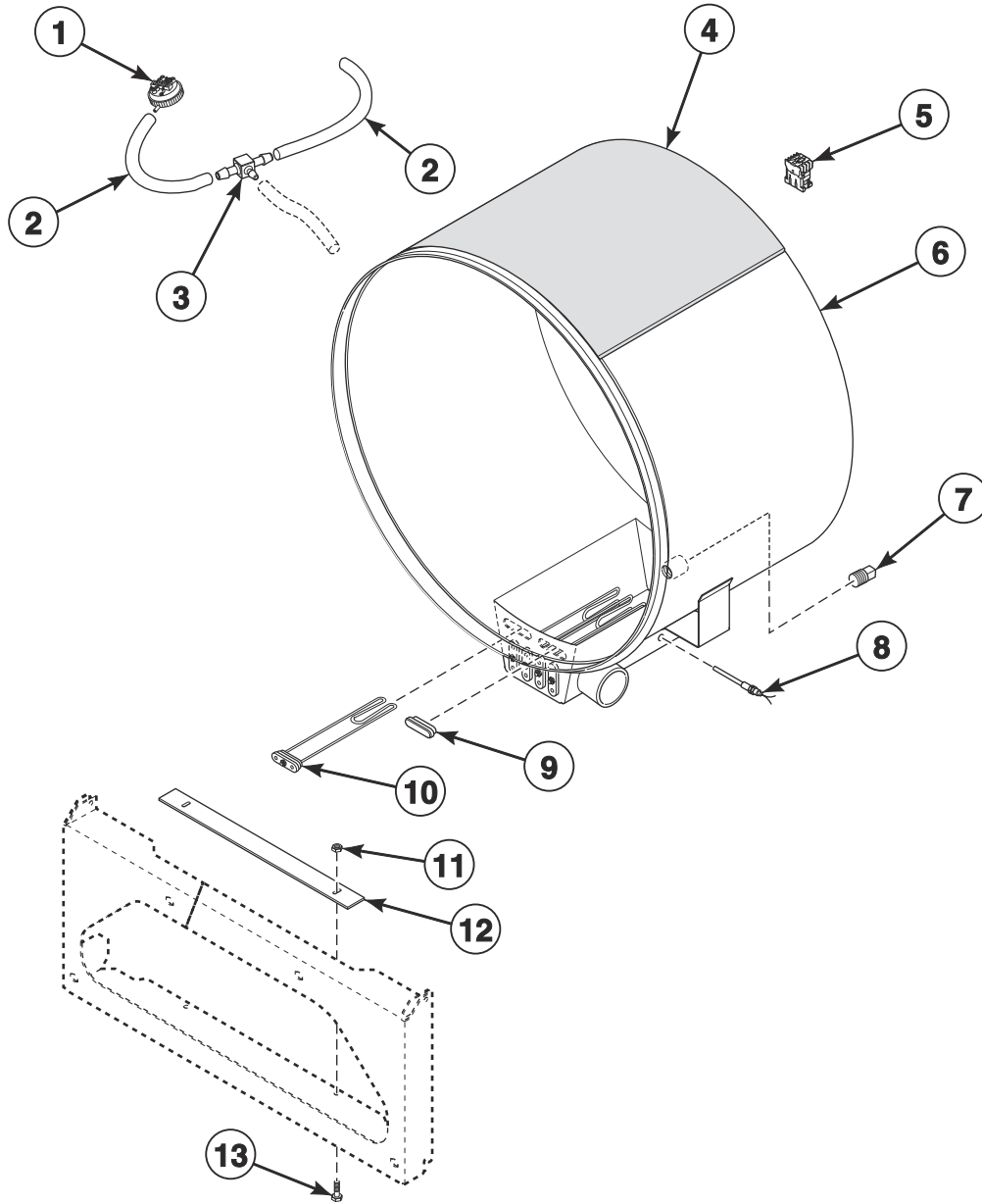


CHM3406P_F8640501

Electric Heat Option - Design 1 Models

REF	PART NO.	DESCRIPTION	COMMENTS
1	F8223001P	Water Pressure Switch	Heat safety
2	F8153901	Tubing	
3	F8246601	Tee	
4	70256901P	Circuit Breaker	
5	F330188P	Contactora	
6	F410300	Pipe Insulation	
7	F421507	Plug	
8	F370609	Thermistor Sensor	
9	F421936	Reducer Bushing	
10	F8179602	Shell Weldment	
11	F360203P	Heating Element	4.2 kW; 12 used
12	F360202	Heating Element Plug	

Electric Heat Option - Design 2 Models

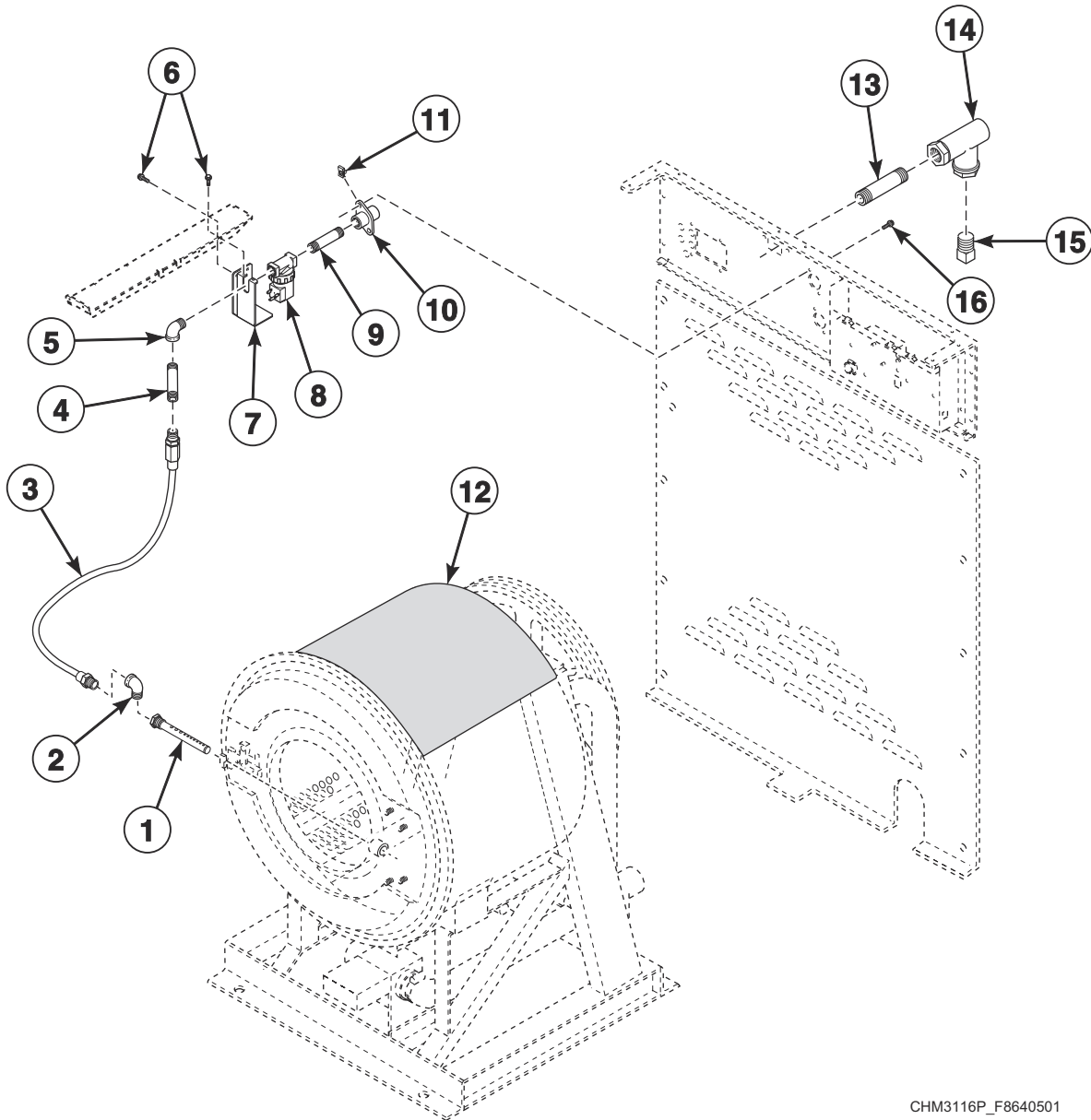


CHM3425P_F8640501

Electric Heat Option - Design 2 Models

REF	PART NO.	DESCRIPTION	COMMENTS
1	F8404401	Water Pressure Switch	
2	F8153901	Tubing	
3	F8246601	Tee	
4	F8209105	Shell Insulation	
5	F330188P	Contactors	2 required; Q-voltage
6	F8361002	Shell Weldment	80 pound models
	F8427401	Shell Weldment	100 pound models
7	F200202600	Plug	
8	F370609	Thermistor Sensor	
9	F360202	Heating Element Plug	
10	F360203P	Heating Element	
	F8056701	Electric Heat Harness	
11	23951	Nut	
12	F8404601	Lower Cabinet Brace	
13	28448	Screw	

Steam Heat Option - Design 1 Models

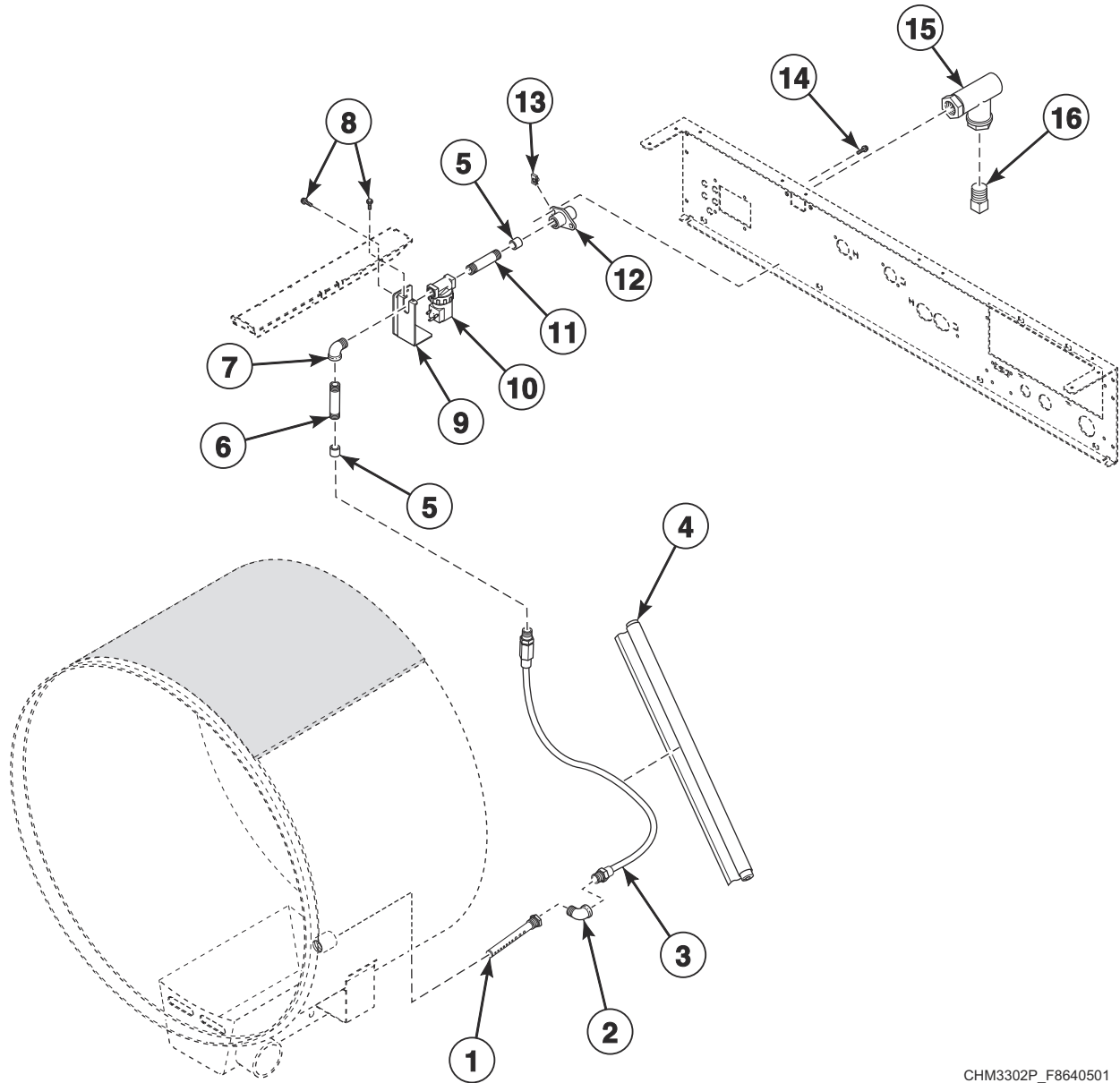


CHM3116P_F8640501

Steam Heat Option - Design 1 Models

REF	PART NO.	DESCRIPTION	COMMENTS
	F953P3	Steam Heat Kit	Includes items 1-9, 13-16 and harness
	F380984P	Steam Valve Repair Kit	Use with item 8
	F8514601P	Coil	Use with F8322801 Valve
	F8382301	DIN Valve Adapter Kit	Use with F8322801 Valve
	F8379501P	Valve Kit	Use with F8322801 Valve
1	F8368201	Steam Injector Tube Assembly	
2	F421703	Street Elbow	Stainless steel
3	F200197	Steam Hose	
4	70263801	Pipe Nipple	
5	H86070034	Street Elbow	
6	430497	Screw	
7	F8490301	Steam Bracket	
8	F8521501	DIN Valve Kit	220 Volt; Replaced by F8322801 Valve after being upgraded with F8521801 DIN Valve Kit
	F8322801P	Valve	Replaces F380787P Steam Valve; Includes F8514601 Coil, For models that have been upgraded with F8521601 DIN Valve Kit
	F8521801	DIN Valve Kit	Replaces F380787P Steam Valve; Includes F8322801 Valve, F8382301 DIN Valve Adapter Kit and F8514601 Coil
9	70139601	Pipe Nipple	
10	F8154501	Coupling	
11	70030401	Nut	
12	F410300	Pipe Insulation	
13	431486	Pipe Nipple	
14	F270307	Steam Filter	
15	F420409	Plug	
16	20253	Screw	

Steam Heat Option - Design 2 Models

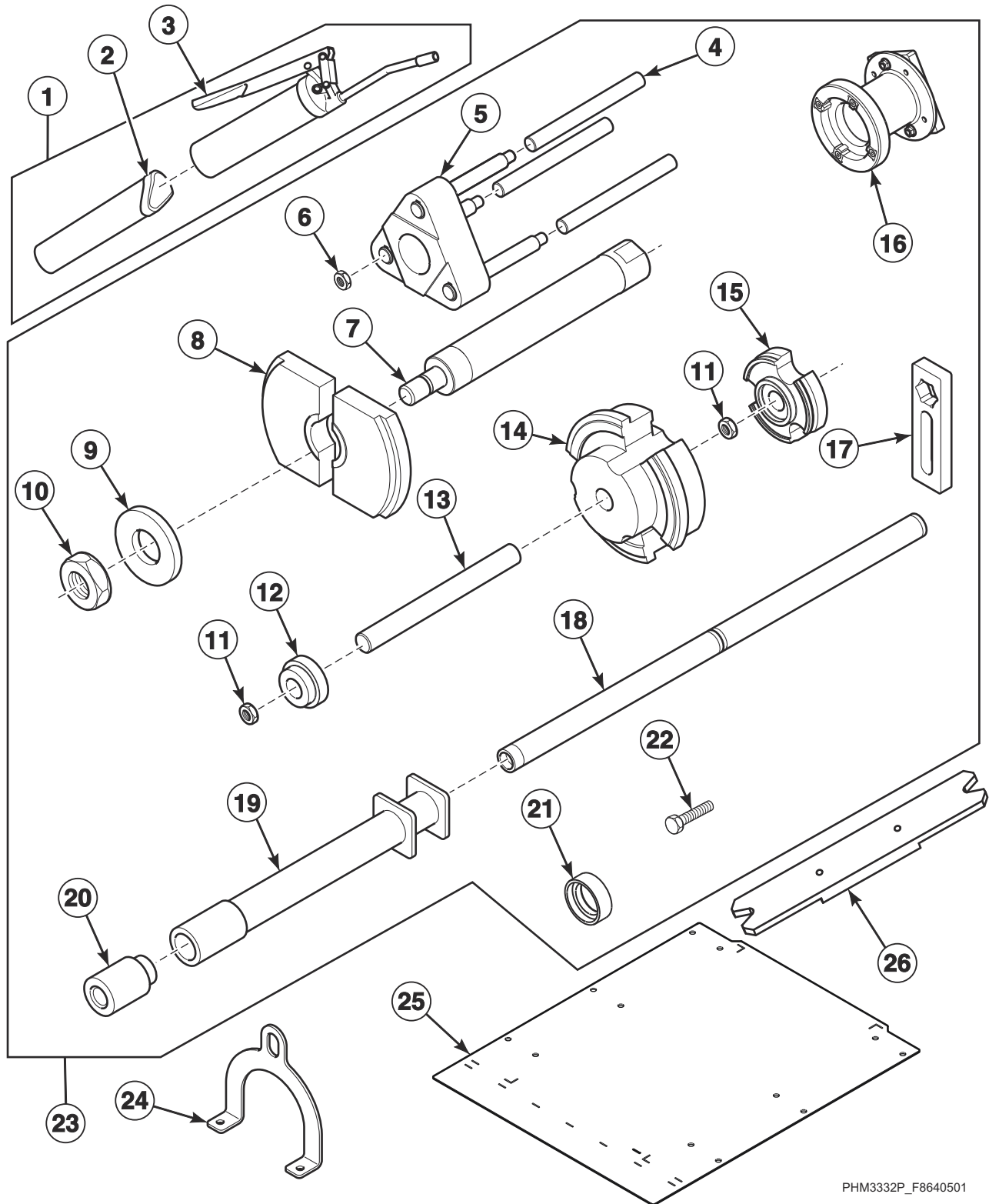


CHM3302P_F8640501

Steam Heat Option - Design 2 Models

REF	PART NO.	DESCRIPTION	COMMENTS
	F953P3	Steam Heat Kit	Includes items 1-12, 14-16
1	F8368201	Steam Injector Tube Assembly	
2	F421703	Street Elbow	
3	F200197	Steam Hose	
4	F8233708	Pipe Insulation	
5	F8116301	Coupling	
6	70263801	Pipe Nipple	
7	H86070034	Street Elbow	
8	430497	Screw	
9	F8490301	Steam Bracket	
10	F8322801P	Valve	
	F8382301	DIN Valve Adapter Kit	
11	70139601	Pipe Nipple	
12	F8362701	Coupling	
13	70030401	Nut	
14	20253	Screw	
15	F270307	Steam Filter	
16	F420409	Plug	

Special Tools - Design 2 Models



PHM3332P_F8640501

Special Tools - Design 2 Models

REF	PART NO.	DESCRIPTION	COMMENTS
	203346	USB IR Interface Kit	
	F460129P	Basket Puller Tool	
1	F798700	Grease Gun Kit	Includes items 2 and 3
2	F210206P	Bearing Grease	
3	F210207P	Grease Gun	
4	F8599201	Rod	
5	F8560501	Shaft Support Assembly	
6	F8459101	Nut	
7	F8450401	Bearing Removal Shaft Assembly	
8	F8450601	Bearing Removal Plate	
9	F8456101	Washer	
10	F8455801	Nut	
11	F8457701	Nut	
12	F8455701	Bearing Removal Plug	
13	F8452101	Threaded Rod	
14	F8515301	Seal Press Fixture	
15	F8515201	Bearing Seal Fixture	
16	F8530201	Bearing Sleeve Assembly	
17	F8562801	One Sided Disassembly Fixture	
18	F8534101	Guide Rod Assembly	
19	F8490701	Hammer	
20	F8514401	Hammer Tool Adapter	
21	F8537501	Seal Excluder Fixture	
22	M400063	Screw	
23	F8599401	Bearing Seal Insertion and Removal Kit	Purchase; Includes items 4-24, 26, 70350503 Wing Nut and F8313702 Screw
	F8599401-1	Bearing Seal Insertion and Removal Kit	Rental; Includes items 4-24, 26, 70350503 Wing Nut and F8313702 Screw
24	F8451501	Bearing Housing Lifting Fixture	
25	F8413101	Frame Template	
26	F8634802	Clamp	

Parts Index

A

Access Cover F8047801	55, 57, 59
Air Coupling F422114	79
Air Trap Hose F020014200	13, 65
Auxiliary Control Assembly F8189401P	13, 15

B

Basket and Bearing Assembly F980204345	67
F980204346	67
Basket Assembly F8407401	65
F8516901	67
F8516903	67
F8517003	67
Basket Assembly Kit F8493301	67
F8493401	67
Basket Puller Tool F460129P	91
Basket Pulley F150268	77
Basket Pulley Bushing F280290	77
Bearing F100155	77
F8280504	79
F8375401	79
Bearing Adapter Sleeve F100307	77
Bearing Grease F210206P	91
Bearing Housing F8465001	79
Bearing Housing Assembly F8474601	79
F8474602	79
Bearing Housing Kit F822P3	79
Bearing Housing Lifting Fixture F8451501	65, 91
Bearing Removal Plate F8450601	91
Bearing Removal Plug F8455701	91
Bearing Removal Shaft Assembly F8450401	91
Bearing Seal Fixture F8515201	91
Bearing Seal Insertion and Removal Kit F8599401	91
F8599401-1	91

Bearing Sleeve F8221701	51
Bearing Sleeve Assembly F8530201	91
Bearings and Seals Kit F8503701	79
F8503801	79
Belt F200140300P	77
F8382807	81
F8382808	81
F8382815	81
F8382817	81
Blind Rivet F8245101	51
Bolt F430974	51
F8230501	47, 49
F8270701	53
F8402801	81
F8508101	51
Bottom False Panel F8486902	33, 35
F8486903	33, 35, 37, 39
F8486904	35
Bracket F8375202	17
F8387401	75
F8599801	15

C

Cabinet Top Brace F0636549-00	47
F8383301	49
F8383302	49
Cable Tie F140605	79
F140606	75, 77
Cap F8197701	55, 59
Card Plate Assembly F8201501	31
Card Reader Overlay 70334201	31
70438201	31
70507401	31
Circuit Breaker 70256901P	15, 83
Clamp F8634802	91
Clamp Ring Assembly F8397301	67
Clamp Ring Bracket F8302401	65, 67
Coil F8514601P	87
Coin Chute F8170801	13, 15
Coin Drawer Assembly F8182001	29

N/A items do not appear in index.

Coin Drop		F994P3	13
70256402P	23	F995P3	13
70441601P	21	F996P3	13
Coin Drop Assembly		F999P3	13
210195	23	Control Panel Assembly	
210196	23	F8041801	37
38462P	21	F8041802	33
38463	21	F8041803	39
38464P	21	F8041804	35
38472	23	Control Panel Overlay	
38521	23	F8219101	43
39157	23	F8219102	45
70281102	23	F8219103	41
70447301	25	F8225701	43
70482401	25	F8225702	45
70506901	25	F8225703	41
Coin Drop Kit		F8226201	43
CK107	25	F8227302	45
CK111	25	F8293401	43
CK122	25	F8293402	45
CK123	25	F8293403	41
Coin Drop Overlay		F8294401	43
39564	43	F8294402	45
Coin Identification Paper		F8294403	41
38725	21, 23, 25	F8295401	43
Coin Meter		F8295402	45
F0160737-00	23	F8295403	41
Coin Meter Assembly		F8295901	43
F200010000P	21	F8295902	45
F200010001	23	F8295903	41
F200010002	23	F8297001	43
F200010003	23	F8297002	45
F200010004	23	F8443802	45
F200010005	23	F8444301	43
F200010006	21	F8444302	45
F200010007	21	F8444303	41
F200010008	23	F8444801	43
F200010009	21	F8444802	45
F200010010	23	F8444803	41
F200010011	21	F8445301	43
F200010012	21	F8445302	45
Coin Vault Assembly		F8445303	41
F8182601	13, 17	F8446201	43
Communication Board		F8446202	45
210095P	19	F8446203	41
Communication Connector		F8446301	43
210099	19	F8446302	45
Communication Harness		F8446303	41
70338301P	19	F8446401	43
Concrete Hardward Kit		F8446402	45
1112P	65, 67, 69, 71	F8446403	41
Connector		F8558301	43
J1408004	77, 79	F8558302	45
Contactactor		F8558303	41
F330177P	15	F8558401	43
F330188P	15, 83, 85	F8558402	45
Control Assembly		F8558403	41
F8099101P	13	F8558501	43
Control Assembly Kit		F8558502	45
F980P3	13, 15	F8558503	41
Control Kit		F8558601	43
F987P3	13	F8558602	45
F990P3	13	F8558603	41
F991P3	13	F8560101	27, 43
F992P3	13	F8560102	45
F993P3	13	F8560103	31, 41
		F8560201	43
		F8560202	45
		F8560203	31, 41

N/A items do not appear in index.

F8577101	45
F860102	27
F860201	27
F860202	27
Control Tray Assembly	
F8205903	13
F8359704	17
Coupling	
F8116301	89
F8154501	87
F8362701	89
Cover Overlay	
70275402	43
70438101	45
70507301	43
70507601	45
C80 Kit	
F8605201	65, 67, 69, 79

D

Diaphragm and Guide Kit	
G582P3	55, 57, 59
DIN Rail	
F8385301	15
DIN Valve Adapter Kit	
F8382301	87, 89
DIN Valve Kit	
F8521801	87
Dispenser Assembly	
F8047401	55, 57, 59
Dispenser Gasket	
F8308301	55, 57, 59
Dispenser Lid	
F8048101	47, 49
F8048102	49
Dispenser Overflow Hose	
F8043406	55, 57, 59
F8043409	57, 59
Door	
F8505001	51
F8505002	51
F8508801	51
Door Assembly	
F8505101	51
F8505102	51
F8505103	51
F8505104	51
F8505105	51
F8505106	51
F8505109	51
F8505110	51
Door Bezel	
F170419-1	33, 35, 37, 39
F170419-2	33, 35, 37, 39
F170419-3	33, 35, 37, 39
Door Gasket	
F8440801P	51
Door Glass	
F8342001	51
Door Glass Gasket	
F8499904	51
Door Glass Retainer	
F8504901	51

F8504902	51
F8504903	51
Door Handle	
F8199401P	51
F8199501	51
F8199502	51
F8544701	51
Door Handle Spacer Kit	
F8567501	51
Door Hinge	
F190216P	51
Door Hinge Shim Kit	
F200131000P	51
Door Latch Arm Assembly	
F8221401	51
Door Lock Assembly	
F8340501	53
Door Lock Assembly Kit	
F8626501	53
Door Lock Catch	
F8223601	53
F8344501	53
Door Lock Cover	
F8245001	53
Door Lock Microswitch	
F200203200	53
Door Lock Plate Assembly	
F8223202	53
Door Lock Plate Shim	
F8059701	53
F8344401	53
Door Lock Solenoid Replacement Kit	
F977P3	53
Door Lock Splash Shield	
F320200	53
Door Lock Switch Lever	
F8223401	53
Door Mount	
F150271	51
Door Weldment	
F608782-2	51
Double Check Valve	
F8301201	61
Dowel Pin	
F8406502	79
Drain Hose	
F200165100	75
F8231903	73
F8232901	73
F8395801	75
Drain Seal Kit	
F8562001	75
Drain Tee	
F150398	73
Drain Valve Cover	
F200133600	73, 75
Drain Valve Kit	
F200166400	73
F200166402	73
F8577201	75
Drain Valve Motor	
F8618901P	73, 75
Drive Assembly	
F8204801P	17

N/A items do not appear in index.

F8303601P	17
Drive Motor Pulley F280289P	77
Drive Mounting Bracket F8322401	17

E

Earth Terminal Sticker M412096	11
Electric Heat Harness F8056701	85
Electric Shock Danger Label F8115501	11
Electronic Coin Drop Assembly	
70294101P	25
70294103P	25
70294104	25
70294105P	25
70294106	25
70294107	25
70294119	25
70513308	25
70513310	25
70513311	25
70513312	25
70513313	25
70513315	25
70513316	25
Electronic Coin Drop Kit	
CK099	25
CK100	25
CK101	25
CK108	25
CK109	25
CK110	25
CK113	25
CK115	25
CK116	25
CK117	25
CK118	25
CK119	25
CK120	25
CK121	25
EMI Filter	
F8053901P	13, 17
F8053902	13, 17
End Stop F8449801	15
Ethernet Gateway Kit NK320	19
Excluder Seal	
F8337101	67, 79
F8527701	67, 79
Expansion Clip 70030501	13, 15, 33, 35, 37, 39, 49, 53, 57, 59
Extension Spring F8440701	81
External Door Lock Harness F8340001	53
External Supply Connection Decal F8150201	11
External Supply Harness F8191201P	13, 15, 17

External Supply Kit F937P3	13, 15, 17
Eye Bolt	
F8319503	81
F8351902	81

F

Fill Cover F8586301	59
Fill Harness F8182403	15, 17
Fill Hose Kit F8544601	63
Filter F8454401	57, 59
Flanged Bushing	
F8333301	81
F8333302	81
F8649401	81
Foam Gasket 70414101	69, 71
Frame Shield F8509501	69, 71
Frame Template F8413101	65, 91
Frame Weldment	
F8208101	47, 65
F8251001	49
F8251002	49, 69, 71
Front Bearing Kit F745015-1	77
Front End Control F8549002	17
F8549012	17
Front End Control Kit	
F102P3	17
F103P3	17
F104P3	17
F105P3	17
F108P3	17
F109P3	17
F110P3	17
F111P3	17
F112P3	17
F113P3	17
F114P3	17
F118P3	17
F984P3	13
F985P3	13, 17
F986P3	13
Front Panel	
F8173301P	33, 37
F8173302	35, 39
F8388401P	33
F8388402	35, 39
F8388403	33
F8388404	35
F8388407	33
F8388408	35
F8388409	33
F8388410	35
Fuse 802493	13, 15

N/A items do not appear in index.

G

Gasket	
F8207001	79
Glass	
F290210P	51
Grease Fitting	
F190701	77, 79
Grease Gun	
F210207P	91
Grease Gun Kit	
F798700	91
Grease Instruction Label	
F8229901	77, 79
Grease Manifold	
F320326	77
Grommet	
F8410501	75
F8433001	15
Ground Decal	
F230739	11
Ground Lug Connector	
M411283	55, 57, 59
Guide Rod Assembly	
F8534101	91
Gusset Plate	
F8186701	35, 39
F8186702	33, 35, 37, 39

H

Hammer	
F8490701	91
Hammer Tool Adapter	
F8514401	91
Harness	
F8454601	57, 59
Heating Element	
F360203P	83, 85
Heating Element Plug	
F360202	83, 85
Hole Plug	
F8223801	49
Hose	
F602586-36	57, 59
F8137504	55, 57, 59
F8405301	15
F8459401	57, 59
Hose Barb	
F8402301	75
Hose Barb Connector	
F8429401	57
Hose Clamp	
F200201	73, 75
F200213	55, 57, 59, 73
F200222	13, 55, 57, 59, 65
20211	55, 57, 59
36801	55, 57, 59, 75
Hose Fitting	
44069101	63
Hot Surface Warning Label	
F8614301	11

I

Insertion Sleeve	
F8464901	67

J

Jumper Configuration Assembly	
M413507	13, 15, 17
Jumper Harness	
D511476	31
Jumper Harness Assembly	
M413506	13, 15, 17

K

Key	
F160420	29
F608824-1	77
F8487102	81
F8649101	81
70155603	47, 49

L

Left Side Panel	
F8047104P	47
F8047204P	47
F8383204	49
F8427604	49
Lid Clamp	
F8091701	47, 49
Lower Cabinet Brace	
FF8442301	35
F8174201	33, 35, 37, 39
F8404601	85
F8442301	33, 39
F8442401	33, 35

M

Machine Size Configuration Harness	
F8028106P	13, 15, 17
F8028116	15, 17
Magnet	
F8390801	51
Manifold	
F8333201	55, 57, 59
Mixing Valve	
F8434001	57
F8434002	57
Molded Drain	
F8386807	75
Motor	
F8334601P	77
F8335201P	81
Motor Isolation Kit	
F8562503	81

N/A items do not appear in index.

Motor Kit	
F8356401	77
Motor Plate and Spring Assembly Kit	
F824P3	81
Motor Pulley	
F8362601	81
F8362602	81
Motor Pulley Bushing	
F280211P	77
Motor Rod Plate	
F8441101	81
Motor Spring Bracket	
F8342201	81
Mount on Concrete Warning Label	
F8246401	11
Mounting Plate	
70208801	31

N

Network Board Assembly	
203028	13, 15
Network Controller Kit	
NK220	19
Network Harness	
44141801P	19
Network Retrofit Kit	
NK204	19
Network Wire Harness Assembly	
44088501P	19
Nut	
F0431807-00	55, 57, 59
F430201	65, 77
F430205	77
F430215	47, 51, 73
F430218	65, 67
F430225	53
F430232	13, 15, 51, 53, 55, 57, 59
F430239	77
F430248	79
F431041	51
F8387601	81
F8455801	91
F8457701	91
F8459101	91
F8508001	51
F8549401	51
M400977	41
20274	47
23951	85
44087101	49
44087201	75, 81
44087301	69, 71, 81
685846	21, 23, 25
70030401	87, 89

O

One Sided Disassembly Fixture	
F8562801	91
Opto Coupler	
200674P	21, 23

O-Ring	
F8441901	81
Output/Logic Harness	
F8028701	13, 15, 17
Overflow Hose	
F150401	73
Overlay	
F8205101	27
F8205201	27
F8296802	45
F8297003	41
F8443803	41
F8562101	27

P

Panel Lock	
44089303P	47, 49
PC Board Standoff	
210098	19
Pin	
F8302701	65, 67
Pipe Insulation	
F410300	83, 87
F8233708	89
Pipe Nipple	
431486	87
70139601	87, 89
70263801	87, 89
Plug	
F0150502-00	75
F200202600	85
F420409	87, 89
F421507	83
F8223901	49
M400985	49
Pop Rivet	
F431223	51
685847	59
70058501	13, 15, 21, 23
70412601	33, 35, 37, 39
PowerFlex 40 Drive	
F8169409	13
F8169410	13
F8169432	13
F8169433	13
Pressure Bulb	
30907	15
P-Trap Hose	
F8042701	55
F8405001	57, 59
F8405003	57, 59
Pulley	
F8423201	81
Pulley Conversion Kit	
F8533801	81
Pulse Expander Assembly	
F8034701P	25
Pushbutton Switch	
70413301	47, 49

N/A items do not appear in index.

R

Radial Lip Seal	
F8440001	79
F8528501	79
Radial Seal	
F8203807	79
F8203808	79
Rear Bearing Kit	
F745016-1	77
Rear Drain Hose	
F8404701	75
Rear Panel	
F8177601	47
F8455001	49
Rear Panel Assembly	
F8455302	49
Reducer Bushing	
F421936	83
Reed Switch Assembly	
F8066802	51
Regulator	
F8402201	57
Right Side Panel	
F8047103	47
F8047203	47
F8383203	49
F8427603	49
Rod	
F602813-3	51
F8599201	91

S

Screw	
D503688	17
F430108	47, 49
F430174	33, 35, 37, 39
F430185	77
F430532	51
F430536	51
F430903	13, 15
F430909	55, 57, 59
F430913	73
F430925	47, 77
F430942	77
F430947	65
F430956	37, 53
F430977	53
F8117601	33, 35, 39
F8206901	13, 15, 17, 47, 49, 55, 57, 59
F8230301	55, 57, 59
F8230601	47, 49
F8313701	79
F8442702	69, 71
F8442802	79
F8535501	51
F8535601	55, 57, 59
H88213996	69, 71
M400063	91
M400077	81
202175	49
20253	87, 89
28448	85

430497	13, 87, 89
44048902	81
44079203	81
800461	47, 65, 77, 81
800462	65, 67
801019	33, 37
Seal	
F8379301	79
Seal Excluder Fixture	
F8537501	91
Seal Press Fixture	
F8515301	91
Seal Scupper Pad	
F8452701	79
Seal Sleeve	
F8343911	67
Seal Wear Plate	
F8550101	69, 71, 79
Shaft Seal Sleeve	
F8312007P	65
Shaft Support Assembly	
F8560501	91
Sheave Pulley	
F8381801	81
Shell Assembly Kit	
F8500001	69
F8500101	69
F8500301	71
F8500401	71
Shell Band Kit	
F8537808	65, 67
Shell Front Assembly	
F8229801	65, 67
Shell Front Gasket Kit	
F8513501	65, 69, 71
Shell Insulation	
F8209105	85
Shell Weldment	
F8179601	65
F8179602	65, 83
F8361001	69
F8361002	69, 85
F8427401	71, 85
F8427402	71
Shim	
F8484401	53
Siphon Cover	
F8047901	55, 57, 59
Sleeve Adapter	
F8382501	67
Snap Bushing	
M400770	19
44071501	13, 15
Spacer	
F431901	53
F8451601	81
Spring Pin	
F431222	51
Steam Bracket	
F8490301	87, 89
Steam Filter	
F270307	63, 87, 89
F270308	63

N/A items do not appear in index.

Steam Heat Kit	
F953P3	87, 89
Steam Hose	
F200197	87, 89
Steam Injector Tube Assembly	
F8368201	87, 89
Steam Valve	
F8521501	87
Steam Valve Repair Kit	
F380984P	87
Street Elbow	
F421703	87, 89
H86070034	87, 89
Stud	
70334702	69, 71, 75
Support	
F603947	47
Support Bracket	
F8195803	13

T

Tee	
F8246601	13, 15, 83, 85
Terminal Block	
430642	55, 57, 59
Terminal Tray Cover	
F8177001	55, 57, 59
Terminal Tray Cover Gasket	
F8230001	55, 57, 59
Thermistor Sensor	
F370609	83, 85
Threaded Rod	
F8452101	91
Top Cover	
F8040501	47
F8383401P	49
F8427701	49
Top Cover Hinge	
F8258601	47, 49
Top Cover Latch	
F8201001	33, 35, 37, 39
Torsion/Door Lock Spring	
F8070301	53
Transformer	
F8401301	15
201616P	13, 17
803527P	13, 15
Tray Support Bracket	
F8375201	17
Triple Lip Seal	
F8203804	77
Tubing	
C000628P	77, 79
F8153901	13, 15, 83, 85
F8578002	75

U

USB Gateway Kit	
NK320	19

USB IR Interface Kit	
203346	13, 15, 17, 91
Use Copper Conductors Only Caution Label	
F8242201	11

V

Vacuum Breaker Assembly	
F8048601	55, 57, 59
Vacuum Breaker Hose	
F0200244-00	55, 57, 59
F8440401	57
Vacuum Supply Hose	
F8042806	55, 57, 59
F8042809	57, 59
Valve	
F8322801P	87, 89
Valve Kit	
F8379501P	87
Valve Panel	
F8039701	55
F8399101	57, 59
Valve, 3-Way	
F0381737-00P	55
F0381750-00P	55
F8286401P	57
F8286402P	57, 59
Vault/FBS Bypass Harness	
F8191401P	31
Vault/FBS Jumper Harness	
F8191402	31

W

Warning Label	
F8207901	11
F8233501	11
44324001	11
Washer	
F430300	77
F430317	47
F430339	77
F431100	51
F431133	51
F431134	77
F431147	73
F431902	53
F431916	51
F431929	51
F8171201	79
F8201101	33, 35, 37, 39
F8366601	81
F8402701	69, 71
F8456101	91
M400013	81
M400014	77
M400080	65, 67, 69, 71
M400081	47, 69, 71, 77
M405535	49, 75
70292801	79
803615	55, 57, 59, 63
901690	65
Water Hose	
F200164	63

N/A items do not appear in index.

F200165.....	63
F8232003.....	55, 57, 59
Water Pressure Switch	
F8223001P	13, 83
F8404401	15, 85
Water Reuse Hose	
C000412	75
Wireless Network Kit	
NK301	19
203889	19

Y

Y Connector	
F422816.....	55
