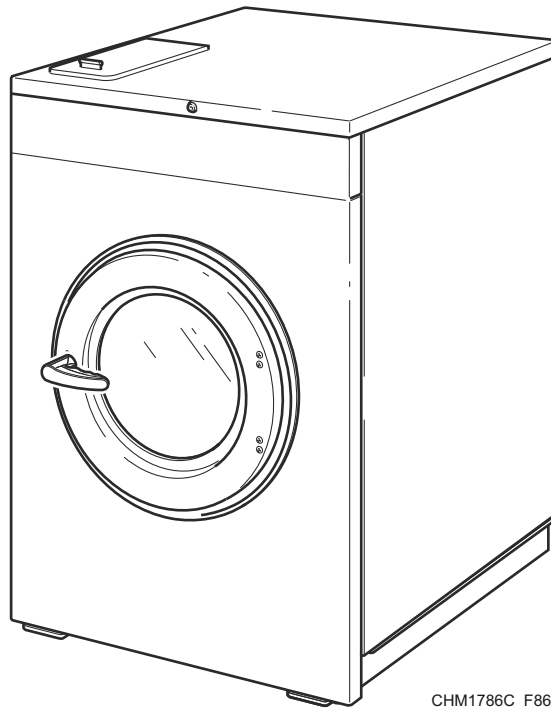


Washer-Extractor

Cabinet Hardmount

Design 2 and 3

Refer to Page 3 for Model Numbers



CHM1786C_F8641801

Table of Contents

Title	Page
Parts Ordering Information.....	2
Serial Plate Location	2
Model Identification	3
Product Overview - Galaxy 600 Network	4
Decals	6
Control Module (Drawing 1 of 2)	8
Control Module (Drawing 2 of 2)	10
Network Controls	12
Flush Mount Coin Meter Assembly - Single Drop	14
Flush Mount Coin Meter Assembly - Dual Drop.....	16
Electronic Coin Meter Assembly	18
Card Reader	20
Optional Coin Box	22
Front Panels and Control Panel - Coin and Remote/Central Pay Models	24
Control Panel Overlays - Coin and Remote/Central Pay Models.....	26
Front Panel, Control Panel and Control Panel Overlays - Card Ready Models.....	28
Panels	30
Door - 20 and 30 Pound Models	32
Door - 40 and 60 Pound Models	34
Door Lock.....	36
Shell Front and Basket.....	38
Bearing Housing	40
Shell and Frame.....	42
Drain Plumbing	44
Drain Valve Assembly - 20 and 30 Pound Models.....	46
Drain Valve Assembly - 40 and 60 Pound Models.....	48
Steam Filter (Optional) and Water Supply Hose.....	50
Fill Plumbing Assembly	52
Double Check Valve	54
Motor, Pulley and Belt (Drawing 1 of 3)	56
Motor, Pulley and Belt (Drawing 2 of 3)	58
Motor, Pulley and Belt (Drawing 3 of 3)	60
Electric Heat Option	62
Steam Heat Option	64
Parts Index.....	67

© Copyright 2018, Alliance Laundry Systems LLC

All rights reserved. No part of the contents of this book may be reproduced or transmitted in any form or by any means without the expressed written consent of the publisher.

Parts Ordering Information

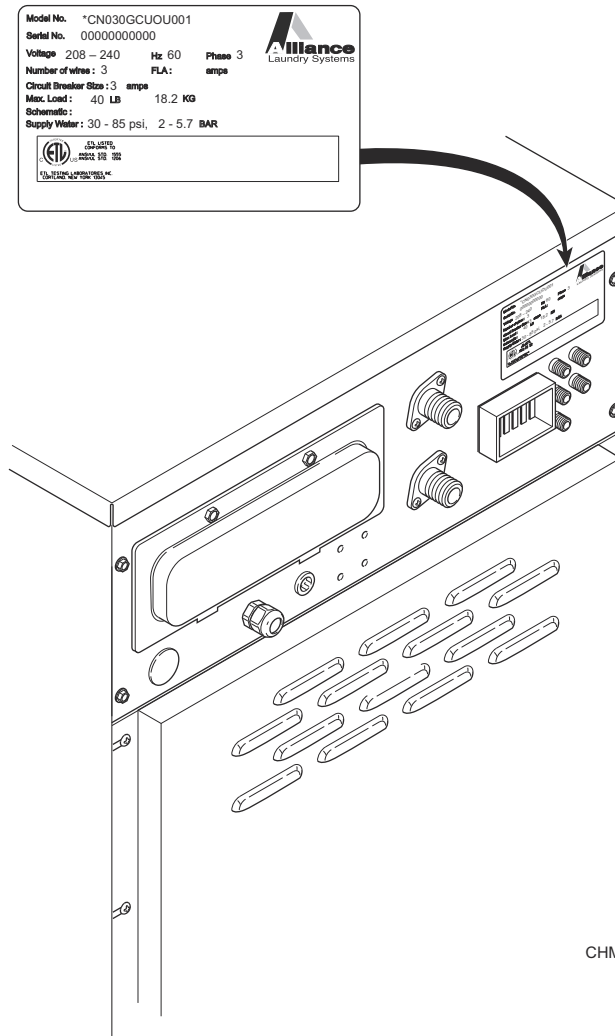
If literature or replacement parts are required, contact the source from whom the machine was purchased or contact Alliance Laundry Systems at (920) 748-3950 for the name and address of the nearest authorized parts distributor.

For technical assistance, call the number listed below:

(920) 748-3121 Ripon, Wisconsin

Serial Plate Location

When calling or writing about your product, be sure to mention model and serial numbers. Model and serial numbers are located on serial plate(s) as shown.



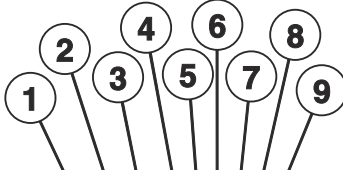
CHM3025P_F8641801

Model Identification


Information in this manual is applicable to these washer-extractor models:


HCH020ZCF	HCL020ZCF	HCN020ZCF	HCU020ZCV
HCH020ZCV	HCL020ZCV	HCN020ZCV	HCU020ZEV
HCH020ZDF	HCL020ZDF	HCN020ZDF	HCU020ZLF
HCH020ZDV	HCL020ZDV	HCN020ZDV	HCU020ZLV
HCH020ZEF	HCL020ZEF	HCN020ZEF	HCU020ZXV
HCH020ZEV	HCL020ZEV	HCN020ZEV	HCU020ZYF
HCH020ZXV	HCL020ZXV	HCN020ZXF	HCU030ZCF
HCH030ZCF	HCL030ZCF	HCN020ZYF	HCU030ZCV
HCH030ZCV	HCL030ZCV	HCN020ZYV	HCU030ZEV
HCH030ZDF	HCL030ZDF	HCN030ZCF	HCU030ZLV
HCH030ZDV	HCL030ZDV	HCN030ZCV	HCU030ZXV
HCH030ZEF	HCL030ZEF	HCN030ZDF	HCU030ZYF
HCH030ZEV	HCL030ZEV	HCN030ZDV	HCU030ZYV
HCH030ZXV	HCL030ZXV	HCN030ZEF	HCU040ZCF
HCH030ZYF	HCL030ZYF	HCN030ZEV	HCU040ZCV
HCH040ZCF	HCL040ZCF	HCN030ZXF	HCU040ZEV
HCH040ZCV	HCL040ZCV	HCN030ZYF	HCU040ZLF
HCH040ZDF	HCL040ZDF	HCN030ZYV	HCU040ZLV
HCH040ZDV	HCL040ZDV	HCN040ZCF	HCU040ZXF
HCH040ZEF	HCL040ZEF	HCN040ZCV	HCU040ZXV
HCH040ZEV	HCL040ZEV	HCN040ZDF	HCU040ZYF
HCH040ZXV	HCL040ZXV	HCN040ZDV	HCU040ZYV
HCH060ZCF	HCL060ZCF	HCN040ZEF	HCU060ZCF
HCH060ZCV	HCL060ZCV	HCN040ZEV	HCU060ZCV
HCH060ZDF	HCL060ZDF	HCN040ZXF	HCU060ZEV
HCH060ZDV	HCL060ZDV	HCN040ZXV	HCU060ZLF
HCH060ZEF	HCL060ZEF	HCN040ZYF	HCU060ZLV
HCH060ZEV	HCL060ZEV	HCN040ZYV	HCU060ZYF
HCH060ZXV	HCL060ZXV	HCN060ZCF	HCU060ZYV
		HCN060ZCV	
		HCN060ZDF	
		HCN060ZDV	
		HCN060ZEF	
		HCN060ZEV	
		HCN060ZXF	
		HCN060ZYF	
		HCN060ZYV	

Product Overview - Galaxy 600 Network

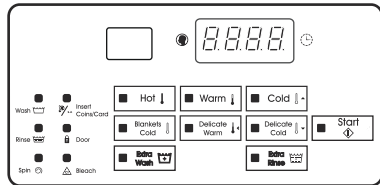


Model No. *CN030GC3U0U001
Serial No. 00000000000
Voltage 208 – 240 **Hz** 60 **Phase** 3
Number of wires :3 **FLA:** **amps**
Circuit Breaker Size 3 **amps**
Max. Load : 40 **LB** 18.2 **KG**
Schematic :
Supply Water: 30 - 85 psi, 2 - 5.7 BAR

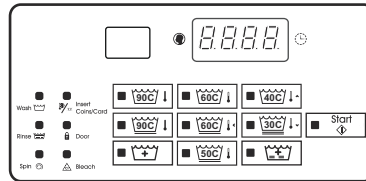




ETL LISTED
 CONFORMS TO
 ANS/UL STD. 1555
 US ANS/UL STD. 1206
 ETL TESTING LABORATORIES, INC.
 CORTLAND, NEW YORK 13045



Galaxy 600 Coin (Domestic)



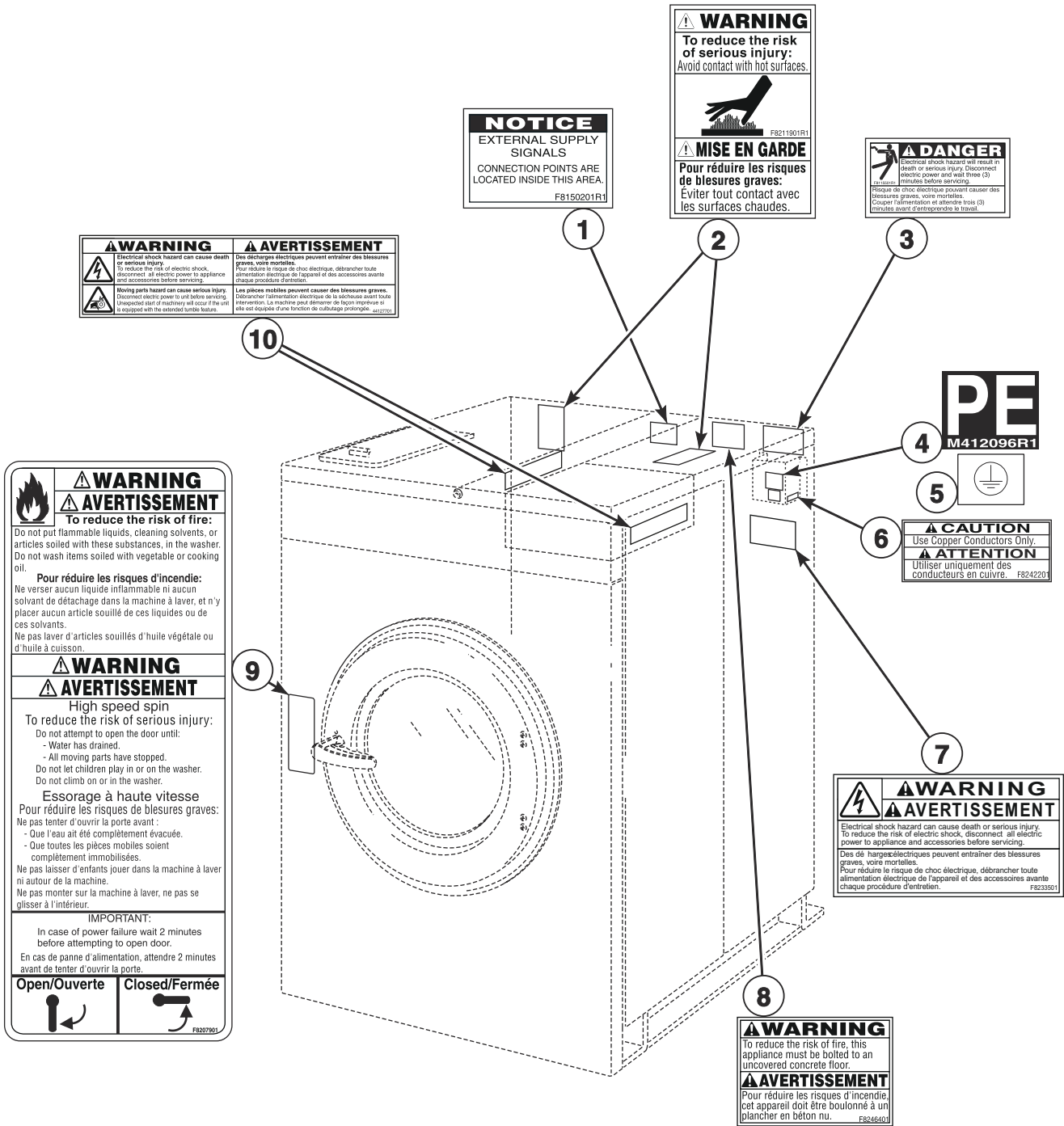
Galaxy 600 Coin (International)

CHM3483P_F8641801

Product Overview - Galaxy 600 Network

REF	PART NO.	DESCRIPTION	COMMENTS
1	-	Product Family	CC HC IC SC UC YC
2	-	Market	B (Brazil CE) D (Daiwa) H (China-ROHS ETL) L (International ETL(c)) N (Domestic ETL(c)) U (International CE/EAC) W (CE WRAS) Y (Australia) Z (No Agency International)
3	-	Capacity (Pounds)	020 030 040 060 080 100
4	-	Control	G J L H K W Z
5	-	Actuation	C (Drop Coin Meter) D (Digital Coin Meter) E (Electronic World Drop) L (Prep for Remote/Central Pay) N (Non-Coin OPL) X (Prep for Coin Meter) Y (Prep for Card Reader)
6	-	Speed	F (F-Speed) V (V-Speed)
7	-	Voltage	B (120/60/1) N (440-480/50/60/3) P (380-415/50/60/3) Q (200-208/220-240/50/60/3) X (200-208/220-240/50/60/1/3)
8	-	Panel	B (Chrome Door, Stainless Steel Side) C (Chrome Door) U (Standard) 1 (Stainless Steel)
9	-	Design	2 3

Decals

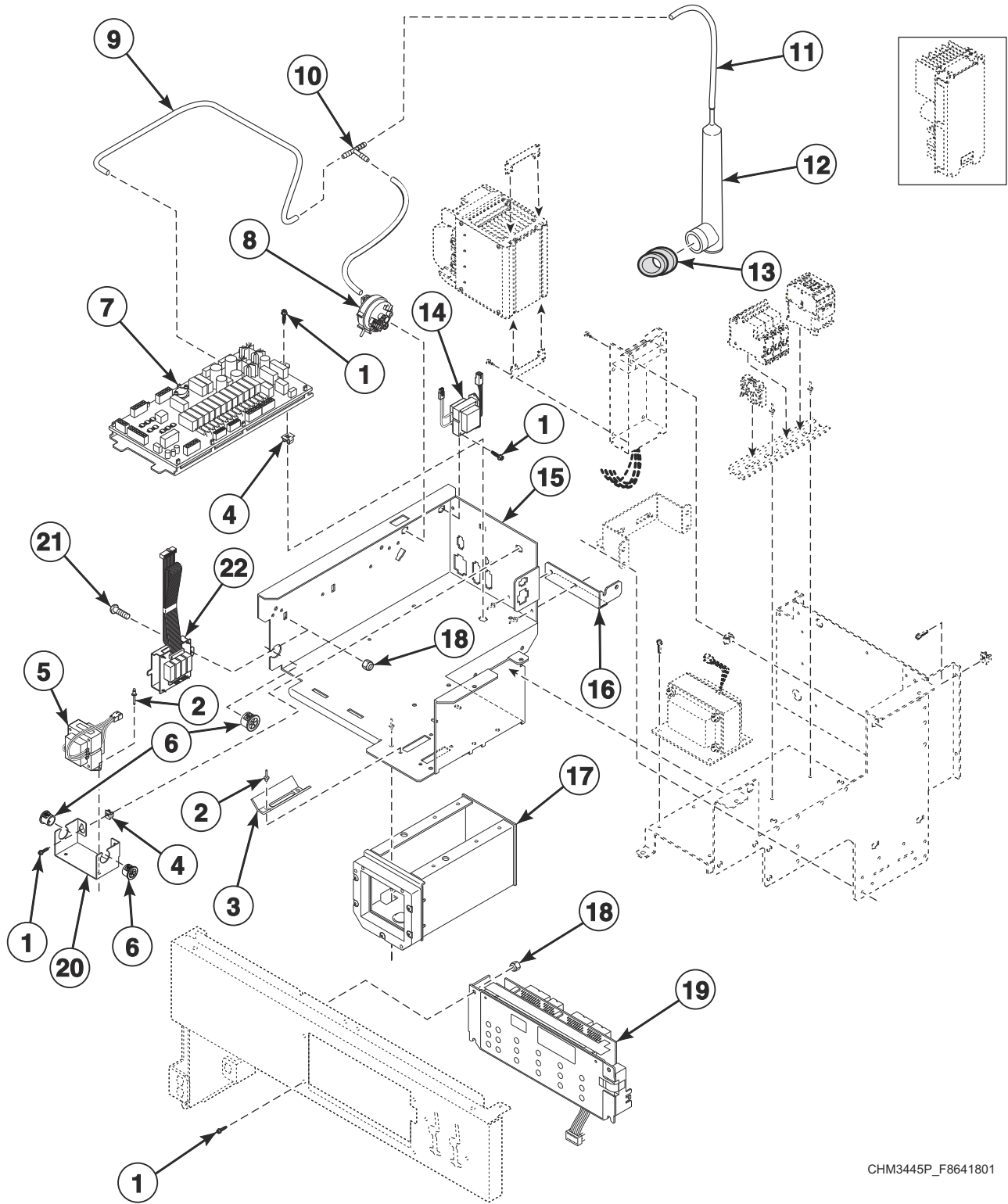


CHM3027P_F8641801

Decals

REF	PART NO.	DESCRIPTION	COMMENTS
1	F8150201	External Supply Connection Decal	
2	F8614301	Hot Surface Warning Label	
3	F8115501	Electric Shock Danger Label	
4	M412096	Earth Terminal Sticker	
5	F230739	Ground Decal	
6	F8242201	Use Copper Conductors Only Caution Label	
7	F8233501	Warning Label	
8	F8246401	Mount on Concrete Warning Label	
9	F8207901	Warning Label	
10	44324001	Warning Label	

Control Module (Drawing 1 of 2)

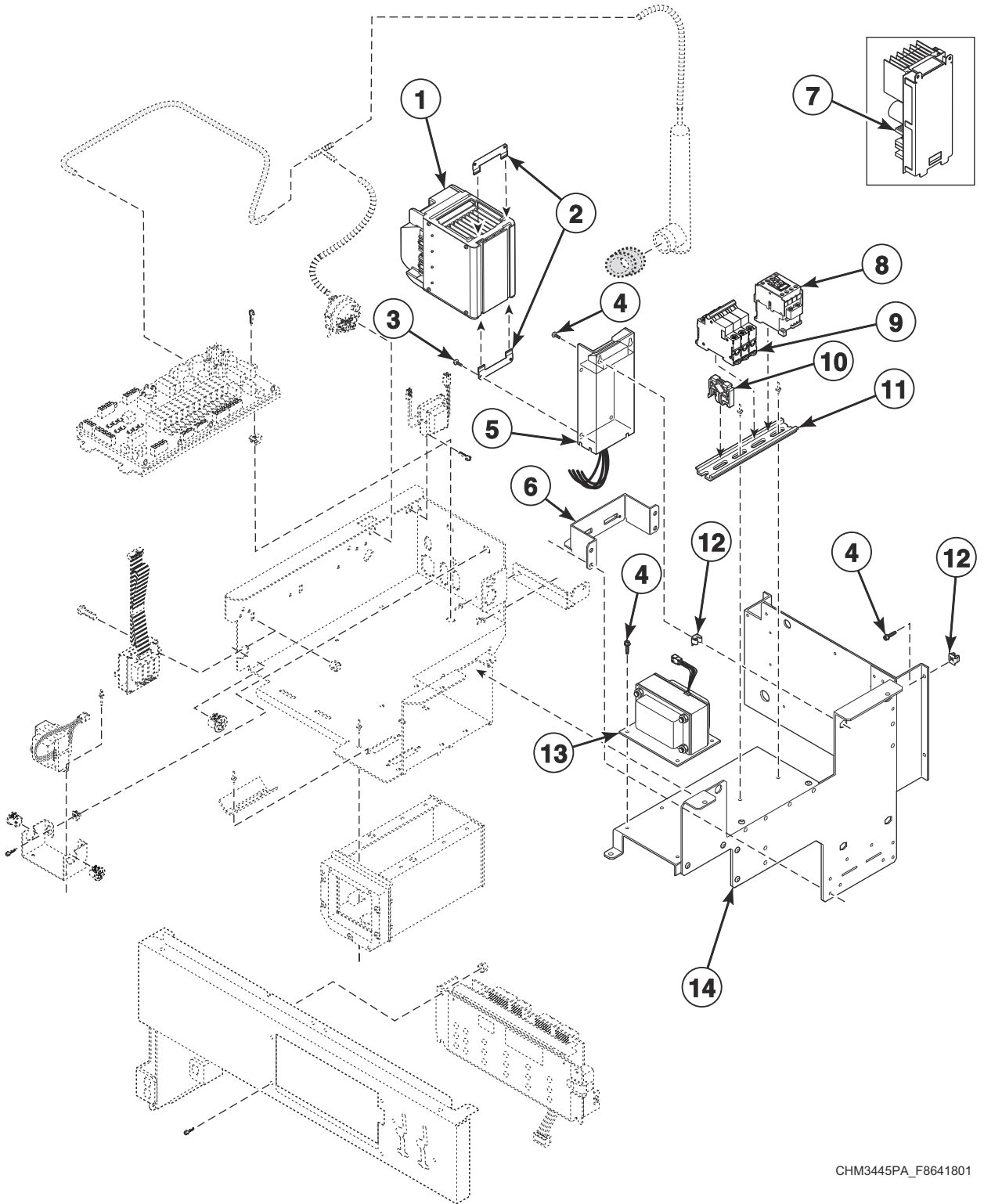


CHM3445P_F8641801

Control Module (Drawing 1 of 2)

REF	PART NO.	DESCRIPTION	COMMENTS
	F8433201	Control Tray Harness	
	F8028701	Output/Logic Harness	
	F8261501P	Control Tray Harness	40 and 60 pound models
	F8028101P	Machine Size Configuration Harness	20 pound models
	F8028103P	Machine Size Configuration Harness	30 pound models
	F8028104P	Machine Size Configuration Harness	40 pound models
	F8028105P	Machine Size Configuration Harness	60 pound models
	203346	USB IR Interface Kit	
	M413506	Jumper Harness Assembly	208 Volt
	M413507	Jumper Configuration Assembly	240 Volt
	F8191203P	External Supply Harness	20 and 30 pound models
	F8191201P	External Supply Harness	40 and 60 pound models
	F937P3	External Supply Kit	Includes items 1, 14, 430497 Screw, F8136601 Screw, F816179 Label, F8189401 Control Assembly and F8191201P External Supply Harness
	203889	Wireless Network Kit	
	NK320	Ethernet Gateway Kit	Wireless
1	F8206901	Screw	
2	70058501	Pop Rivet	
3	F8170801	Coin Chute	
4	70030501	Expansion Clip	
5	803527P	Transformer	
6	44071501	Snap Bushing	
7	F980P3	Control Assembly Kit	Includes item 10, F8028701 Output/Logic Harness and F8108001 Output Assembly
	802493	Fuse	2.5 Amp
	802492	Fuse	5 Amp
8	F8404401	Water Pressure Switch	Electric heat
9	F8153901	Tubing	
10	F8246601	Tee	Electric and steam heat
	F8431001	Hose Barb Connector	Standard
11	F8405301	Hose	
12	30907	Pressure Bulb	
13	F8433001	Grommet	
14	201616P	Transformer	External supply
15	F8359602P	Control Tray Assembly	20 and 30 pound models; Design 2; Includes items 5 and 17
	F8359707	Control Tray Assembly	20 and 30 pound models; Design 3; Includes items 5 and 17
	F8359604	Control Tray Assembly	40 and 60 pound models; Includes items 5 and 17
16	F8375201	Tray Support Bracket	
17	F8182501	Coin Vault Assembly	20 and 30 pound models; Design 2
	F8182601	Coin Vault Assembly	20 and 30 pound models Design 3; 40 and 60 pound models
18	F430232	Nut	
19	F108P3	Front End Control Kit	HCN F-speed models; Includes F8028701 Output/Logic Harness
	F104P3	Front End Control Kit	HCN V-speed models; Includes F8028701 Output/Logic Harness
	F109P3	Front End Control Kit	HCH, HCL and HCU F-speed models; Includes F8028701 Output/Logic Harness
	F105P3	Front End Control Kit	HCH, HCL and HCU V-speed models; Includes F8028701 Output/Logic Harness
20	F8599801	Bracket	
21	F430903	Screw	
22	F8189401P	Auxiliary Control Assembly	

Control Module (Drawing 2 of 2)

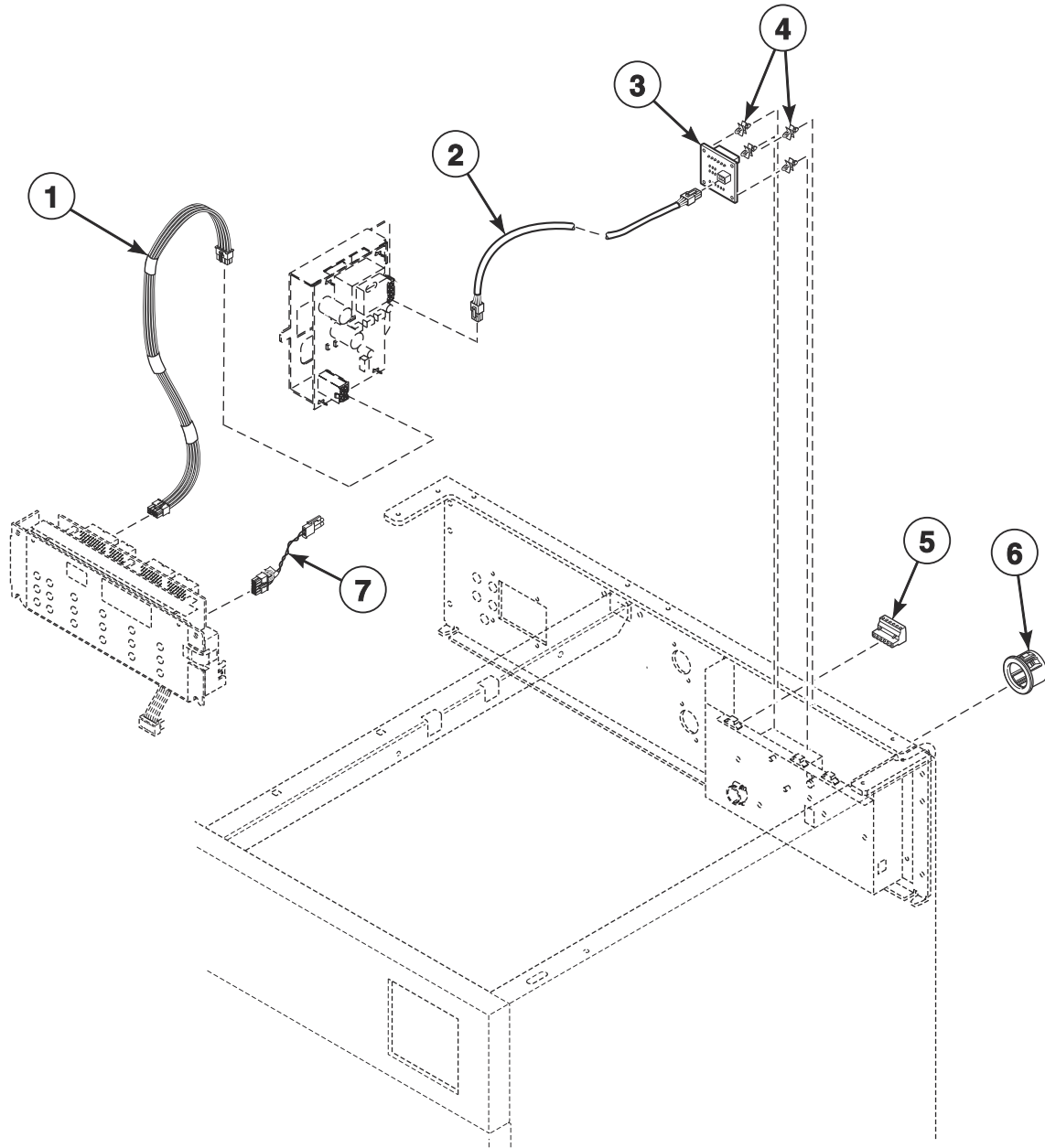


CHM3445PA_F8641801

Control Module (Drawing 2 of 2)

REF	PART NO.	DESCRIPTION	COMMENTS
	F8028701	Output/Logic Harness	
	F8261501P	Control Tray Harness	40 and 60 pound models
	F8028101P	Machine Size Configuration Harness	20 pound models
	F8028103P	Machine Size Configuration Harness	30 pound models
	F8028104P	Machine Size Configuration Harness	40 pound models
	F8028105P	Machine Size Configuration Harness	60 pound models
	203346	USB IR Interface Kit	
	M413506	Jumper Harness Assembly	208 Volt
	M413507	Jumper Configuration Assembly	240 Volt
	F8385102	Communication Harness	
	F8191203P	External Supply Harness	20 and 30 pound models
	F8191201P	External Supply Harness	40 and 60 pound models
	F937P3	External Supply Kit	Includes items 1, 14, 430497 Screw, F8136601 Screw, F816179 Label, F8189401 Control Assembly and F8191201P External Supply Harness
	203889	Wireless Network Kit	
	NK320	Ethernet Gateway Kit	Wireless
1	F8303601P	Drive Assembly	N and P-voltage; 5 hp
	F8204701P	Drive Assembly	60 pound models; Q and X-voltage; 3 hp
2	F8322401	Drive Mounting Bracket	Use with item 1
3	D503688	Screw	
4	F8206901	Screw	
5	F8053901P	EMI Filter	240 Volt; International models
	F8053902	EMI Filter	480 Volt; International models
6	F8310101	Lower Drive Mounting Bracket	Use with item 7
7	F8327301P	Drive Assembly	20, 30 and 40 pound models; B, Q and X-voltage; 2 hp
8	F330177P	Contactora	
9	70256901P	Circuit Breaker	Electric and steam heat
10	F8449801	End Stop	
11	F8385301	DIN Rail	
12	70030501	Expansion Clip	
13	F8401301	Transformer	
14	F8359801	Drive Tray Assembly	20 pound models
	F8359802	Drive Tray Assembly	30 pound models
	F8359803	Drive Tray Assembly	40 and 60 pound models

Network Controls

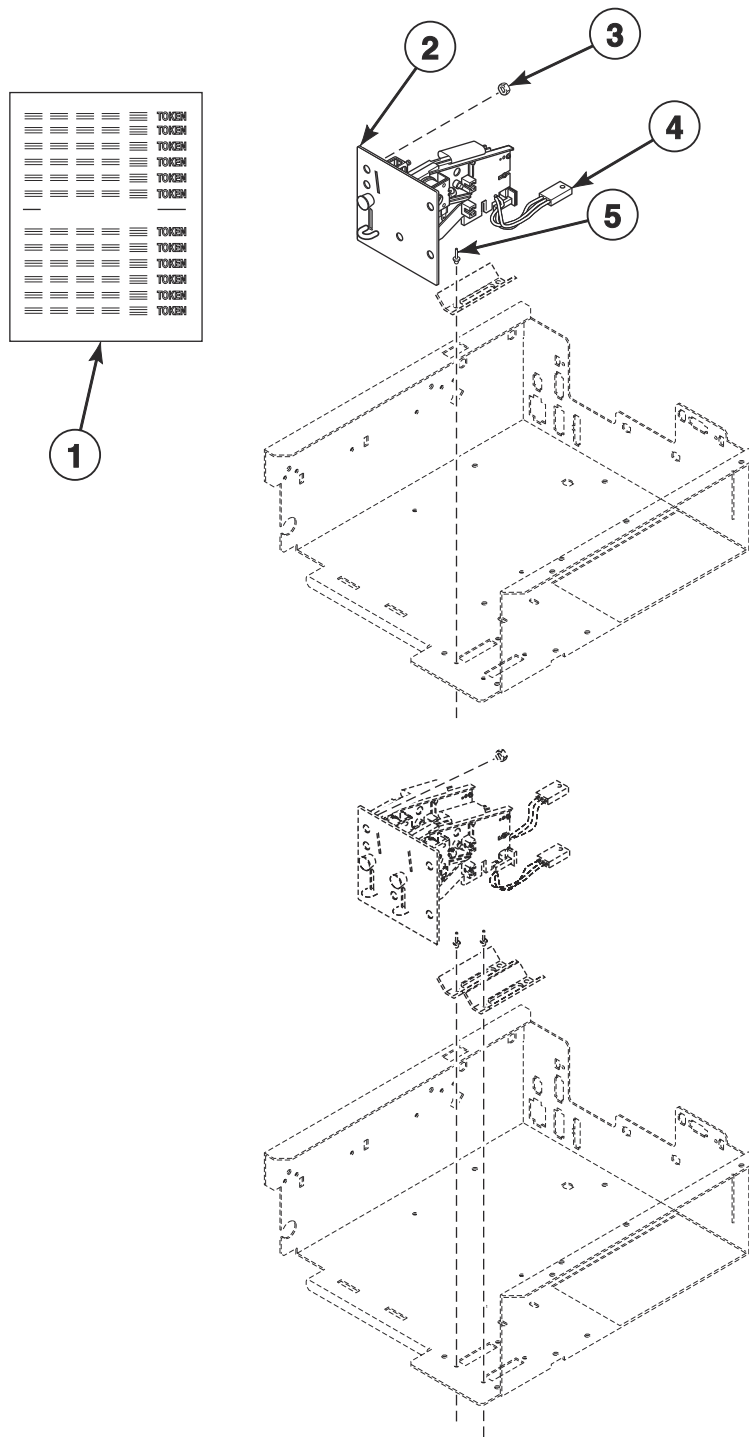


CHM3214P_F8641801

Network Controls

REF	PART NO.	DESCRIPTION	COMMENTS
	NK204	Network Retrofit Kit	Wired; Includes items 1, 3, 4, 7, 201341 Network Board Assembly, 430497 Screw and 51780 Screw
	NK220	Network Controller Kit	Wired; Includes 210162 Terminating Resistor, D511949 Network Controller Assembly, D512161 Network Controller Power Supply and D513375 Ethernet Cable
	NK320	Ethernet Gateway Kit	Wireless
	NK330	USB Gateway Kit	Wireless
	203889	Wireless Network Kit	
1	44088501P	Network Wire Harness Assembly	
2	44141801P	Network Harness	
3	210095P	Communication Board	
4	210098	PC Board Standoff	
5	210099	Communication Connector	
6	M400770	Snap Bushing	
7	70338301P	Communication Harness	

Flush Mount Coin Meter Assembly - Single Drop



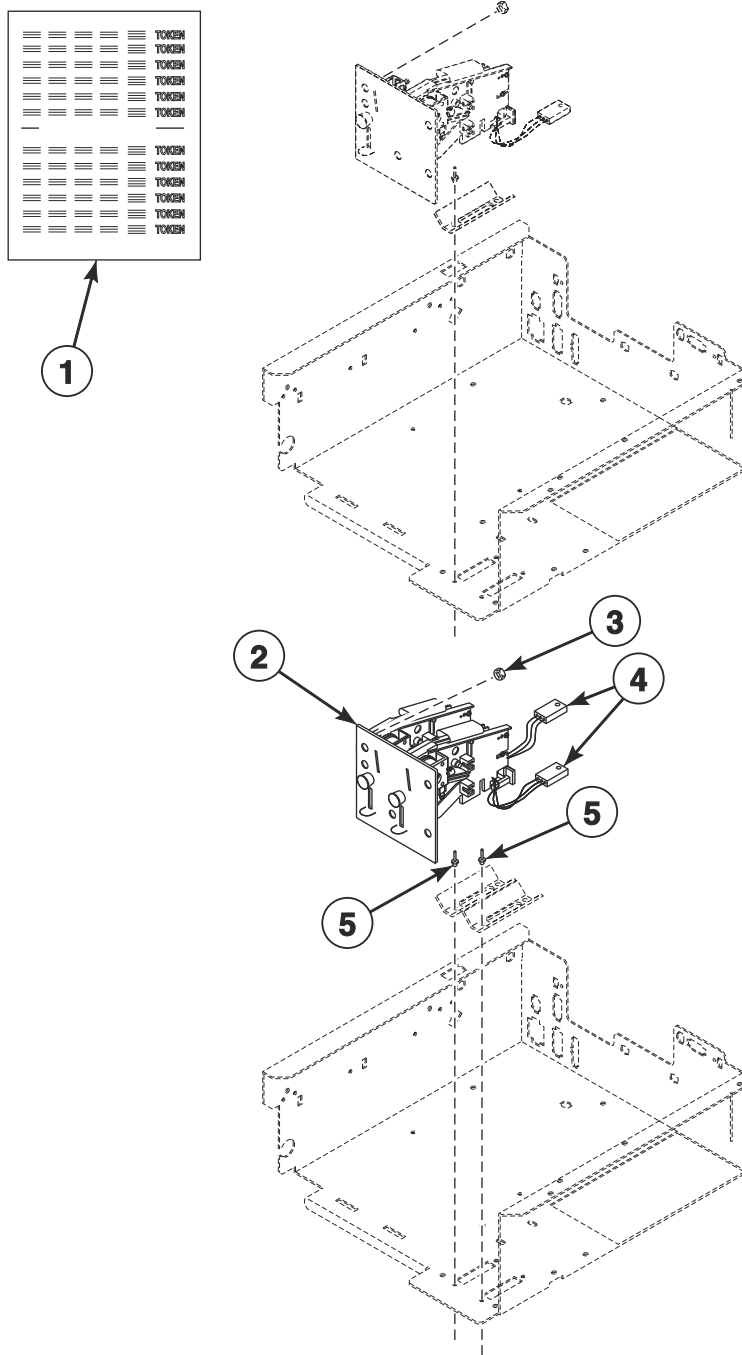
CHM3088P_F8641801

Flush Mount Coin Meter Assembly - Single Drop

REF	PART NO.	DESCRIPTION	COMMENTS
	F200010000P	Coin Meter Assembly	U.S. \$.25; Includes items 2 and 3
	F200010006	Coin Meter Assembly	.800 token; Includes items 2 and 3
	F200010007	Coin Meter Assembly	.880 token; Includes items 2 and 3
	F200010009	Coin Meter Assembly	.990 token; Includes items 2 and 3
	F200010011	Coin Meter Assembly	Jeton WH121 token; Includes items 2 and 3
	F200010012	Coin Meter Assembly	Jeton .08 token; Includes items 2 and 3
1	38725	Coin Identification Paper	
2	38464P	Coin Drop Assembly	Canada .25
	N/A	Coin Drop Assembly	Australia .20
	N/A	Coin Drop Assembly	Belgium 5 franc
	N/A	Coin Drop Assembly	Denmark 2 krone
	N/A	Coin Drop Assembly	United Kingdom 20 pence
	N/A	Coin Drop Assembly	France 2 franc
	N/A	Coin Drop Assembly	Hong Kong 5 dollar
	N/A	Coin Drop Assembly	Italy 500 lirrighet
	N/A	Coin Drop Assembly	Japan 100 yen
	N/A	Coin Drop Assembly	Korea 500 won
	N/A	Coin Drop Assembly	South Africa 2 rand
	N/A	Coin Drop Assembly	Spain 100 peseta
	N/A	Coin Drop Assembly	Thailand 10 baht
	N/A	Coin Drop Assembly	.886 token
	N/A	Coin Drop Assembly	1.000 token
	N/A	Coin Drop Assembly	Jeton 08 token
	70441601P	Coin Drop	U.S. \$.25
	N/A	Coin Drop Assembly	.800 token
	38462P	Coin Drop Assembly	Token; 118-1; .880 diameter x .079 thick; Brass
	38463	Coin Drop Assembly	Token; 118-5; .990 diameter x .081 thick; Silver
	N/A	Coin Drop Assembly	Jeton WH121 token
	N/A	Coin Meter	Jeton .08 token
3	685846	Nut	
4	200674P	Opto Coupler	
5	70058501	Pop Rivet	

N/A = Part no longer available

Flush Mount Coin Meter Assembly - Dual Drop



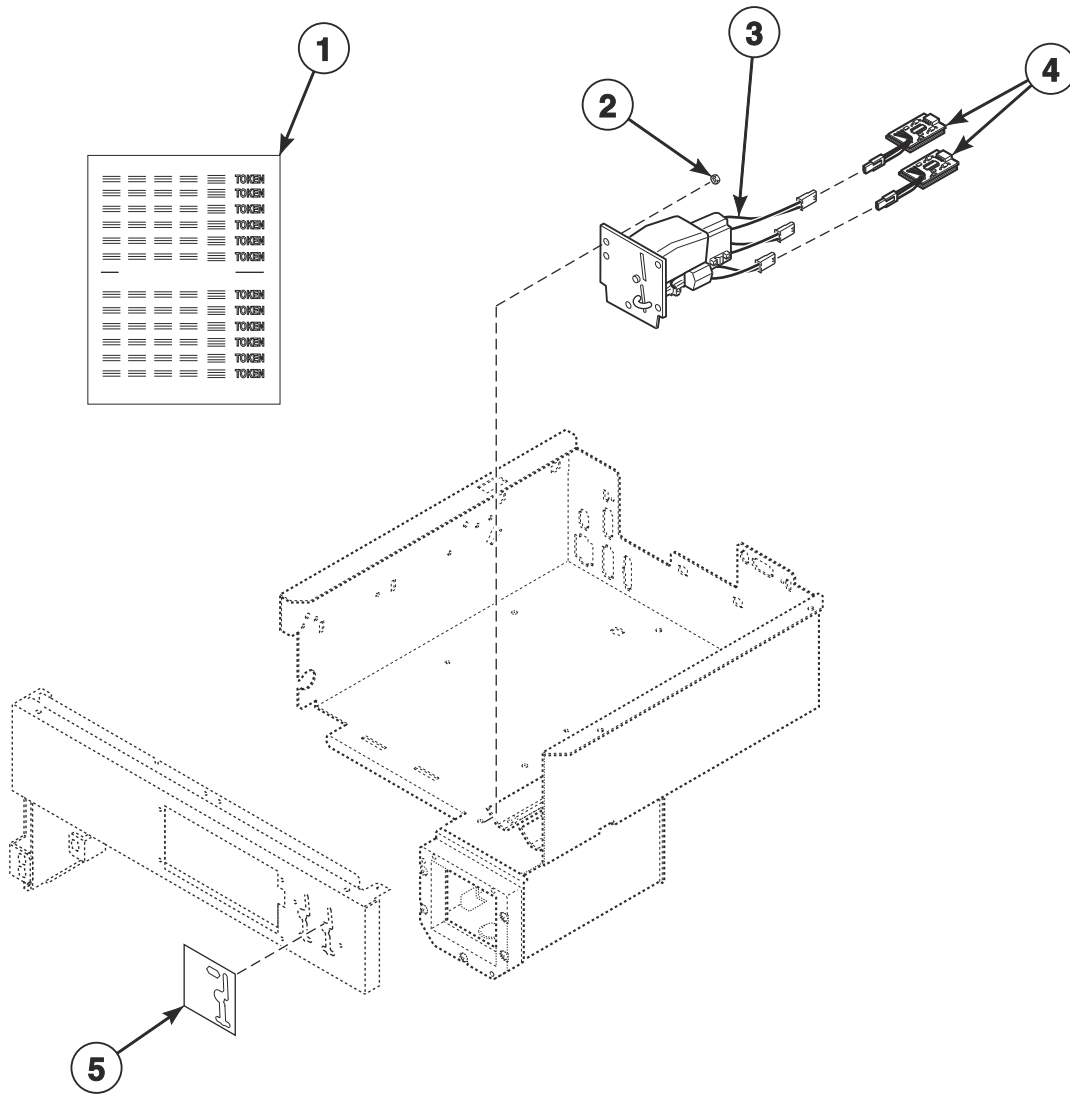
CHM3088PA_F8641801

Flush Mount Coin Meter Assembly - Dual Drop

REF	PART NO.	DESCRIPTION	COMMENTS
	F200010001	Coin Meter Assembly	Australia .20 and 1.00; Includes items 2 and 3
	F200010002	Coin Meter Assembly	100 and 500 yen; Includes items 2 and 3
	F200010003	Coin Meter Assembly	Canada .25 and 1.00; Includes items 2 and 3
	F200010004	Coin Meter Assembly	New Zealand .20 and 1.00; Includes items 2 and 3
	F200010005	Coin Meter Assembly	U.S. \$.25 and \$1.00; Includes items 2 and 3
	F200010008	Coin Meter Assembly	.50 and 2.00 euro; Includes items 2 and 3
	F200010010	Coin Meter Assembly	10 and 50 Taiwan; Includes items 2 and 3
1	38725	Coin Identification Paper	
2	N/A	Coin Meter	10 and 50 Taiwan
	N/A	Coin Meter	Belgium 5 and 20 franc
	N/A	Coin Meter	Denmark 1 and 5 krone
	N/A	Coin Meter	Denmark 5 and 10 krone
	38472	Coin Drop Assembly	United Kingdom 20 pence and 1 pound
	N/A	Coin Meter	.20 and .50 euro
	210195	Coin Drop Assembly	.20 and 1.00 euro
	210196	Coin Drop Assembly	.50 and 1.00 euro
	N/A	Coin Meter	2 and 5 franc
	N/A	Coin Meter	2 and 10 franc
	39157	Coin Drop Assembly	Israel 1 and 5 shekel
	38521	Coin Drop Assembly	Korea 100 and 500 won
	N/A	Coin Meter	Spain 100 and 500 peseta
	N/A	Coin Drop Assembly	Australia .20 and 1.00
	N/A	Coin Drop Assembly	Japan 100 and 500 yen
	N/A	Coin Drop Assembly	Canada .25 and 1.00
	N/A	Coin Drop Assembly	New Zealand .20 and 1.00
	70256402P	Coin Drop	U.S. \$.25 and \$1.00
	F0160737-00	Coin Meter	.50 and 2.00 euro
	70281102	Coin Drop Assembly	Taiwan 10 and 50 dollar
	N/A	Coin Meter	Taiwan 5 and 10 dollar
3	685846	Nut	
4	200674P	Opto Coupler	
5	70058501	Pop Rivet	

N/A = Part no longer available

Electronic Coin Meter Assembly



CHM3089P_F8641801

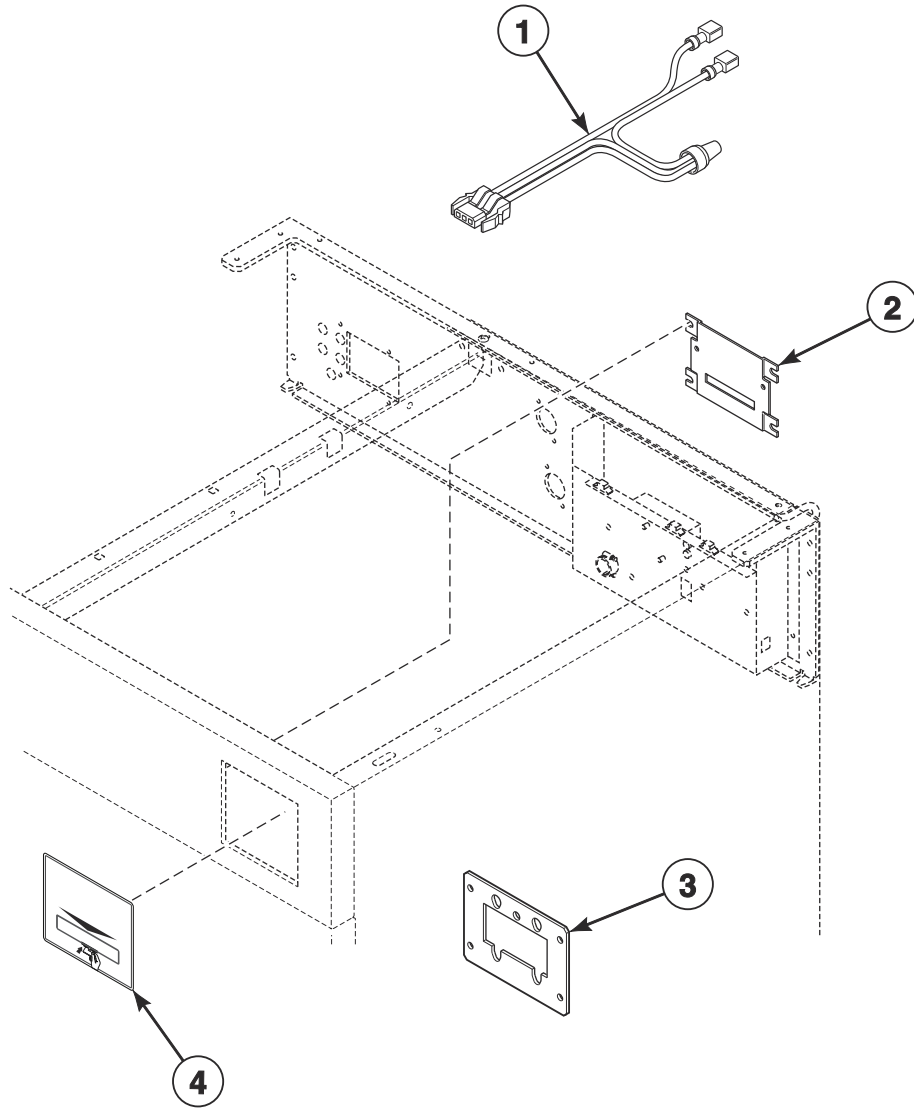
Electronic Coin Meter Assembly

REF	PART NO.	DESCRIPTION	COMMENTS
	CK500	Electronic Coin Drop Kit	
1	38725	Coin Identification Paper	
2	685846	Nut	
3	70513311	Electronic Coin Drop Assembly	China and Malaysia
	CK115	Electronic Coin Drop Kit	U.S. and Canada; Includes item 1*
	CK113	Electronic Coin Drop Kit	Japan and Taiwan; Includes item 1*
	70294105P	Electronic Coin Drop Assembly	Australia, Hong Kong and South Korea
	CK099	Electronic Coin Drop Kit	Australia, Hong Kong and South Korea; Includes item 1*
	70294103P	Electronic Coin Drop Assembly	United Kingdom and Euro
	CK100	Electronic Coin Drop Kit	United Kingdom and Euro; Includes item 1*
	70294104	Electronic Coin Drop Assembly	Denmark, Norway and Euro
	CK101	Electronic Coin Drop Kit	Denmark, Norway and Euro; Includes item 1*
	70294106	Electronic Coin Drop Assembly	U.S., Mexico and Ecuador
	CK110	Electronic Coin Drop Kit	U.S., Mexico and Ecuador; Includes item 1*
	70294111	Electronic Coin Drop Assembly	Euro
	CK109	Electronic Coin Drop Kit	Euro; Includes item 1*
	70294119	Electronic Coin Drop Assembly	Thailand
	CK119	Electronic Coin Drop Kit	Thailand; Includes item 1*
	70294120	Electronic Coin Drop Assembly	Chile
	CK120	Electronic Coin Drop Kit	Chile; Includes item 1*
	70294121	Electronic Coin Drop Assembly	Singapore 0.10, 0.20, 0.50 and 1.00
	CK121	Electronic Coin Drop Kit	Singapore 0.10, 0.20, 0.50 and 1.00; Includes item 1*
	70482401	Coin Drop Assembly	New Zealand
	CK122	Coin Drop Kit	New Zealand; Includes item 1*
	70513304	Electronic Coin Drop Assembly	Australia, New Zealand, Hong Kong and South Korea
	70513302	Electronic Coin Drop Assembly	United Kingdom and Euro
	70513303	Electronic Coin Drop Assembly	Denmark, Norway and Euro
	70281102	Coin Drop Assembly	Taiwan
	CK107	Coin Drop Kit	Taiwan; Includes item 1*
	70513308	Electronic Coin Drop Assembly	South Africa
	CK108	Electronic Coin Drop Kit	South Africa; Includes item 1*
	70513309	Electronic Coin Drop Assembly	Euro
	70447301	Coin Drop Assembly	Australia \$1.00, \$2.00
	CK111	Coin Drop Kit	Australia \$1.00, \$2.00; Includes item 1*
	70513310	Electronic Coin Drop Assembly	Japan and Taiwan
	CK116	Electronic Coin Drop Kit	China and Malaysia; Includes item 1*
	70513312	Electronic Coin Drop Assembly	Russian
	CK117	Electronic Coin Drop Kit	Russian; Includes item 1*
	70513313	Electronic Coin Drop Assembly	Philippine
	CK118	Electronic Coin Drop Kit	Philippine; Includes item 1*
	70513314	Electronic Coin Drop Assembly	Thailand
	70513315	Electronic Coin Drop Assembly	Chile
	70513316	Electronic Coin Drop Assembly	Singapore 0.10, 0.20, 0.50, 1.00
	70506901	Coin Drop Assembly	Singapore \$1.00SGD
	CK123	Coin Drop Kit	Singapore \$1.00SGD; Includes item 1*
4	F8034701P	Pulse Expander Assembly	
5	70295101	Overlay	Black
	70295301	Overlay	Gray

* NOTE: Requires CK500 Electronic Coin Drop Kit for installation.

Card Reader

ZY Models

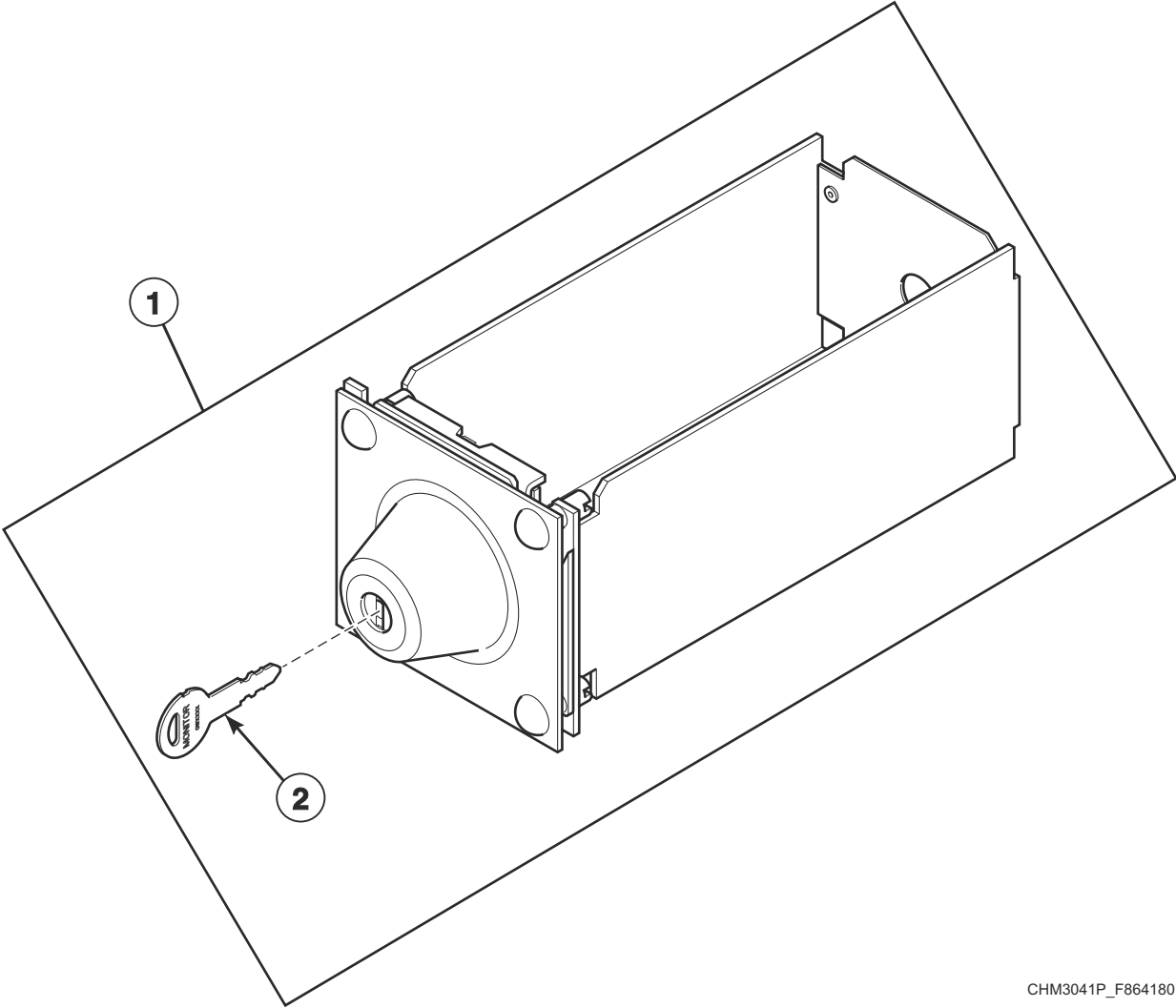


CHM3216P_F8641801

Card Reader

REF	PART NO.	DESCRIPTION	COMMENTS
	D511476	Jumper Harness	
1	F8191402	Vault/FBS Jumper Harness	Access
2	F8201501	Card Plate Assembly	
3	70208801	Mounting Plate	
4	70334201	Card Reader Overlay	Black
	70438201	Card Reader Overlay	Gray

Optional Coin Box

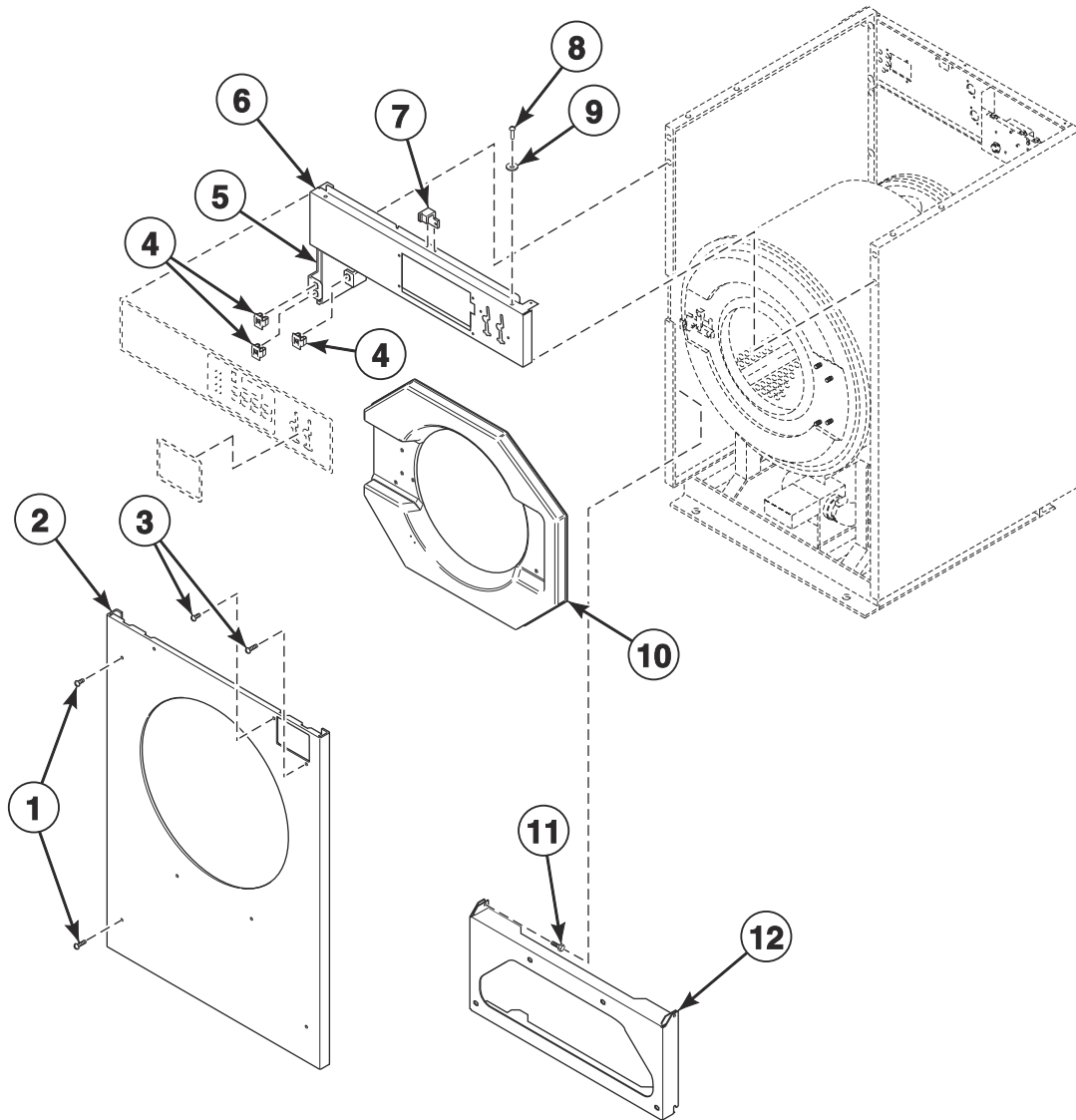


CHM3041P_F8641801

Optional Coin Box

REF	PART NO.	DESCRIPTION	COMMENTS
1	F160672	Coin Box	UG21; Design 2; 20 and 30 pound models
	F8182001	Coin Drawer Assembly	Design 3 20 and 30 pound models; 40 and 60 pound models
2	F160420	Key	GW0023

Front Panels and Control Panel - Coin and Remote/Central Pay Models

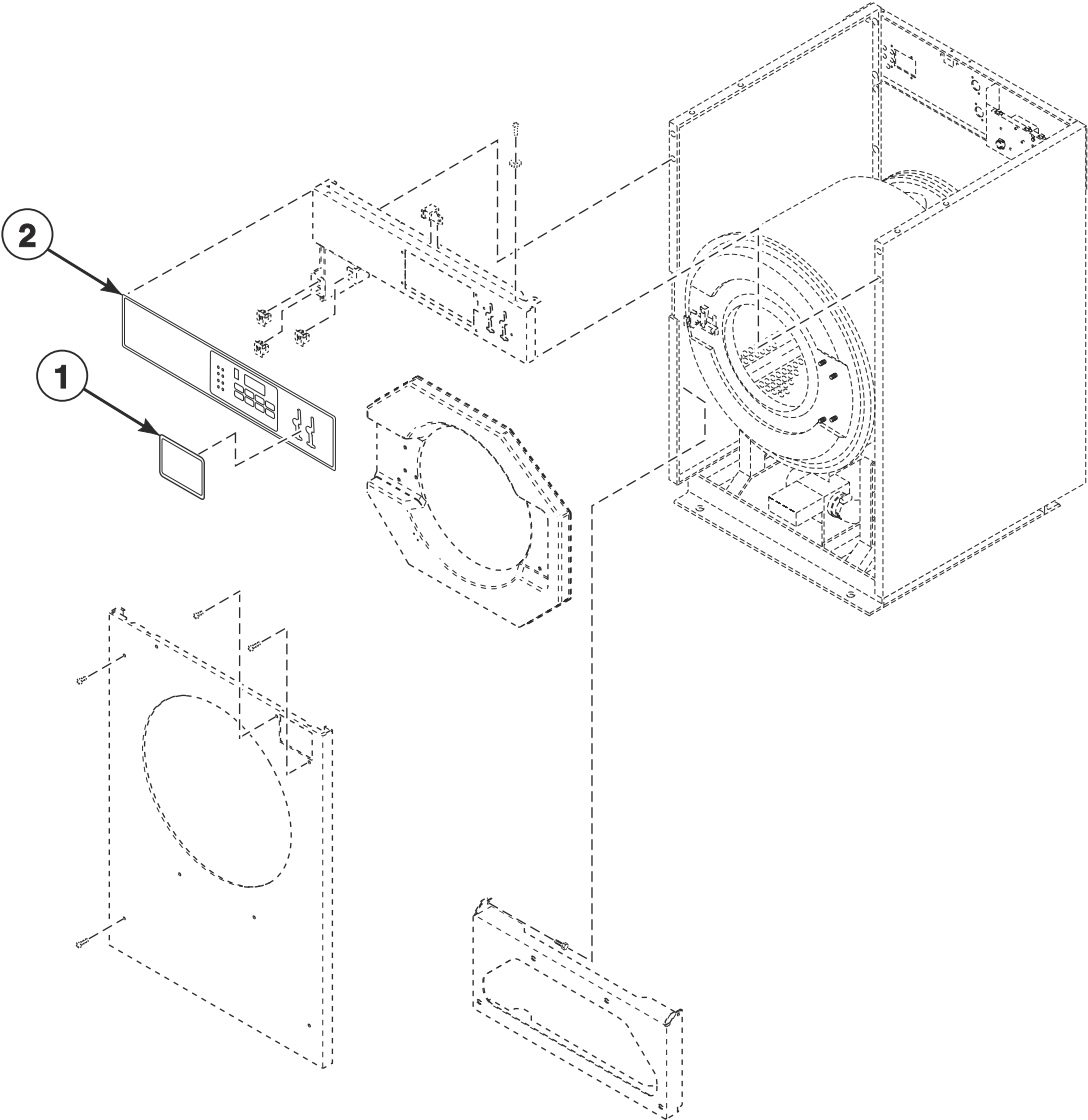


CHM3455P_F8641801

Front Panels and Control Panel - Coin and Remote/Central Pay Models

REF	PART NO.	DESCRIPTION	COMMENTS
1	F8117601	Screw	
2	F8171301	Front Panel	20 pound models; Design 2; Stainless steel; Vertical brush
	F8492301	Front Panel	20 pound models; Design 3; Stainless steel; Vertical brush
	F8492307	Front Panel	20 pound models; Design 3; Stainless steel; Horizontal brush
	F8173001	Front Panel	30 pound models; Design 2; Stainless steel; Vertical brush
	F8173003	Front Panel	30 pound models; Design 3; Stainless steel; Vertical brush
	F8173009	Front Panel	30 pound models; Design 3; Stainless steel; Horizontal brush
	F8173101P	Front Panel	40 pound models; Stainless steel; Vertical brush
	F8173107	Front Panel	40 pound models; Stainless steel; Horizontal brush
	F8173201P	Front Panel	60 pound models; Stainless steel; Vertical brush
	F8173207	Front Panel	60 pound models; Stainless steel; Horizontal brush
3	801019	Screw	
4	70030501	Expansion Clip	
5	F8186702	Gusset Plate	Left
6	F8038502	Control Panel Assembly	20 pound models
	F8038602	Control Panel Assembly	30 pound models
	F8038702	Control Panel Assembly	40 pound models
	F8038802	Control Panel Assembly	60 pound models
7	F8201001	Top Cover Latch	
8	70412601	Pop Rivet	
9	F8201101	Washer	
10	F170416-1	Door Bezel	20 pound models; Black
	F170416-3	Door Bezel	20 pound models; Pantone 424
	F170417-1	Door Bezel	30 pound models; Black
	F170417-3	Door Bezel	30 pound models; Pantone 424
	F0170426-00	Door Bezel	40 and 60 pound models; Black
	F0170426-30	Door Bezel	40 and 60 pound models; Pantone 424
11	F430174	Screw	
12	F8173801	Front Cabinet Brace	20 pound models
	F8173901	Front Cabinet Brace	30 pound models
	F8174001	Front Cabinet Brace	40 pound models
	F8174101	Lower Cabinet Brace	60 pound models

Control Panel Overlays - Coin and Remote/Central Pay Models

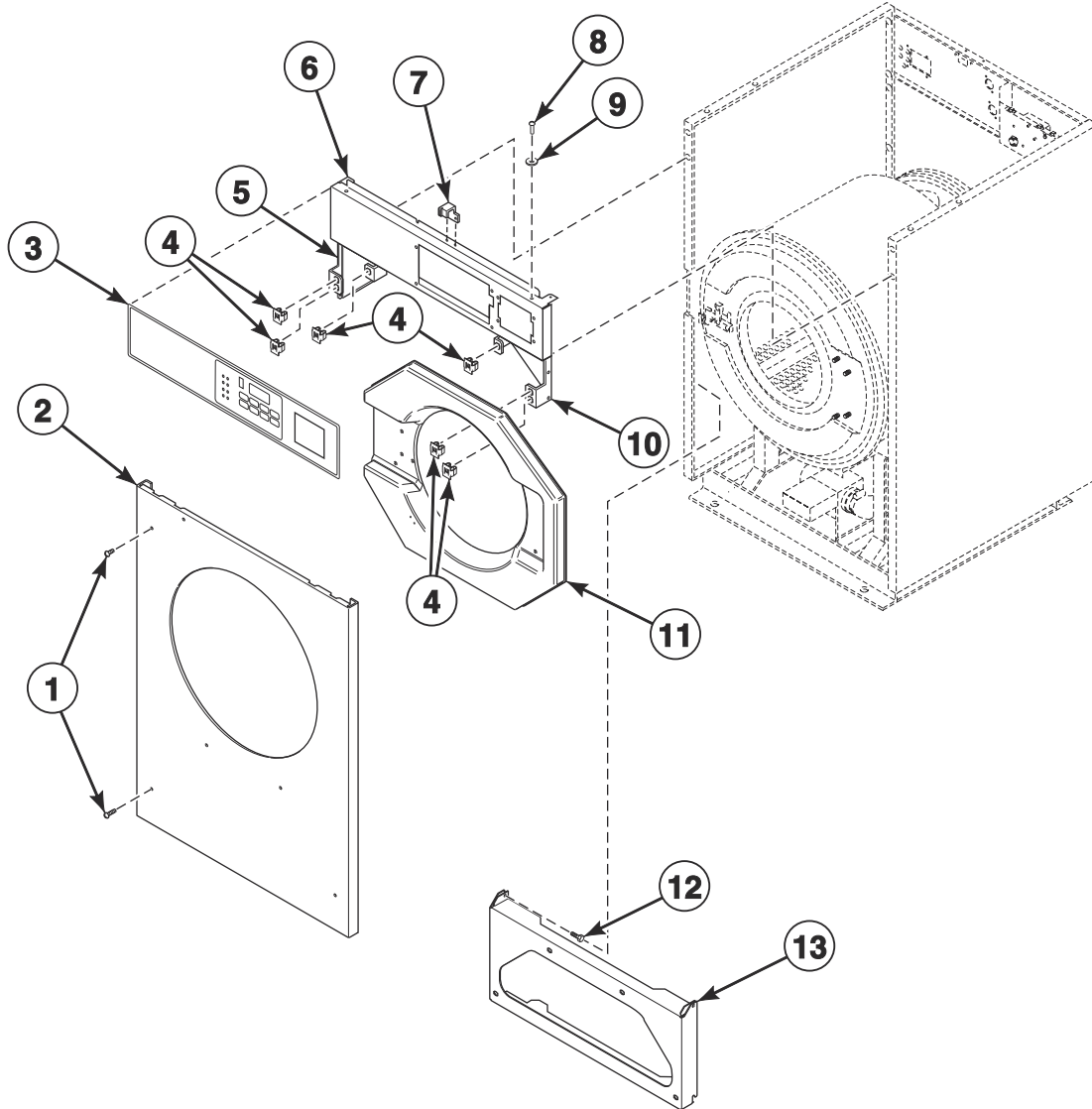


CHM3455PA_F8641801

Control Panel Overlays - Coin and Remote/Central Pay Models

REF	PART NO.	DESCRIPTION	COMMENTS
1	70275402	Cover Overlay	LF and LV models; Gray
2	F8443801	Control Panel Overlay	HCH, HCL and HCU models; Single coin drop
	F8443802	Control Panel Overlay	HCH, HCL and HCU models; Dual coin drop
	F8444401	Control Panel Overlay	HCN 20 pound models; Gray; Single coin drop
	F8557601	Control Panel Overlay	HCN 20 pound models; Gray/green; Single coin drop
	F8557501	Control Panel Overlay	HCN 20 pound models; Green; Single coin drop
	F8444402	Control Panel Overlay	HCN 20 pound models; Gray; Dual coin drop
	F8557602	Control Panel Overlay	HCN 20 pound models; Gray/green; Dual coin drop
	F8557502	Control Panel Overlay	HCN 20 pound models; Green; Dual coin drop
	F8444501	Control Panel Overlay	HCN 30 pound models; Gray; Single coin drop
	F8557801	Control Panel Overlay	HCN 30 pound models; Gray/green; Single coin drop
	F8557701	Control Panel Overlay	HCN 30 pound models; Green; Single coin drop
	F8444502	Control Panel Overlay	HCN 30 pound models; Gray; Dual coin drop
	F8557802	Control Panel Overlay	HCN 30 pound models; Gray/green; Dual coin drop
	F8557702	Control Panel Overlay	HCN 30 pound models; Green; Dual coin drop
	F8444601	Control Panel Overlay	HCN 40 pound models; Gray; Single coin drop
	F8558001	Control Panel Overlay	HCN 40 pound models; Gray/green; Single coin drop
	F8557901	Control Panel Overlay	HCN 40 pound models; Green; Single coin drop
	F8444602	Control Panel Overlay	HCN 40 pound models; Gray; Dual coin drop
	F8558002	Control Panel Overlay	HCN 40 pound models; Gray/green; Dual coin drop
	F8557902	Control Panel Overlay	HCN 40 pound models; Green; Dual coin drop
	F8444701	Control Panel Overlay	HCN 60 pound models; Gray; Single coin drop
	F8558201	Control Panel Overlay	HCN 60 pound models; Gray/green; Single coin drop
	F8558101	Control Panel Overlay	HCN 60 pound models; Green; Single coin drop
	F8444702	Control Panel Overlay	HCN 60 pound models; Gray; Dual coin drop
	F8558202	Control Panel Overlay	HCN 60 pound models; Gray/green; Dual coin drop
	F8558102	Control Panel Overlay	HCN 60 pound models; Green; Dual coin drop

Front Panel, Control Panel and Control Panel Overlays - Card Ready Models

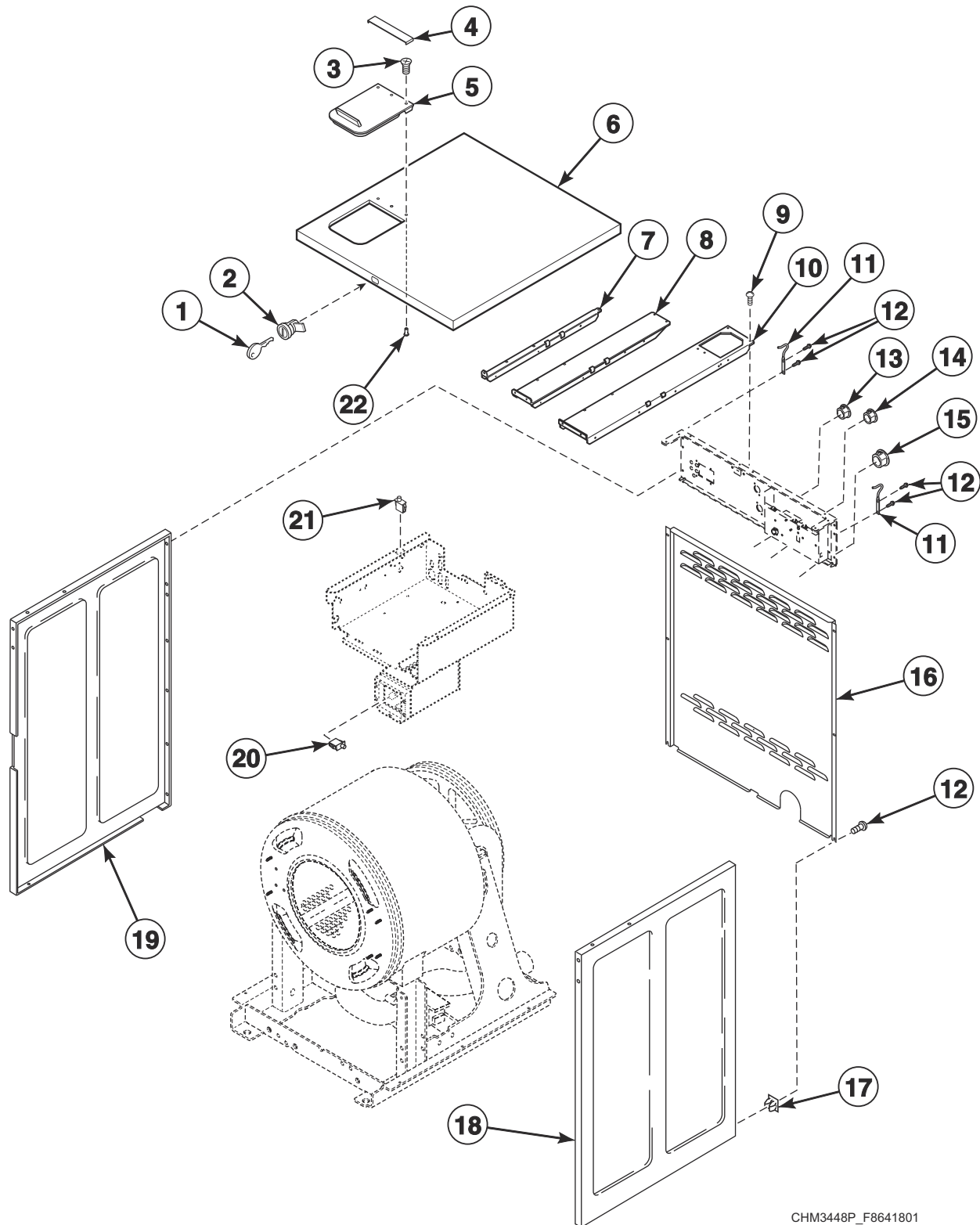


CHM3456P_F8641801

Front Panel, Control Panel and Control Panel Overlays - Card Ready Models

REF	PART NO.	DESCRIPTION	COMMENTS
1	F8117601	Screw	
2	F8171301	Front Panel	20 pound models; Design 2; Stainless steel
	F8492302	Front Panel	20 pound models; Design 3; Stainless steel; Vertical brush
	F8492308	Front Panel	20 pound models; Design 3; Stainless steel; Horizontal brush
	F8173002P	Front Panel	30 pound models; Stainless steel; Vertical brush
	F8173008	Front Panel	30 pound models; Stainless steel; Horizontal brush
	F8173102P	Front Panel	40 pound models; Stainless steel; Vertical brush
	F8173108	Front Panel	40 pound models; Stainless steel; Horizontal brush
	F8173202P	Front Panel	60 pound models; Stainless steel; Vertical brush
	F8173208	Front Panel	60 pound models; Stainless steel; Horizontal brush
3	F8443803	Overlay	HCH, HCL and HCU models
	F8444403	Overlay	20 pound HCN models; Gray
	F8557603	Overlay	20 pound HCN models; Gray/green
	F8557503	Overlay	20 pound HCN models; Green
	F8444503	Overlay	30 pound HCN models; Gray
	F8557803	Overlay	30 pound HCN models; Gray/green
	F8557703	Overlay	30 pound HCN models; Green
	F8444603	Overlay	40 pound HCN models; Gray
	F8558003	Overlay	40 pound HCN models; Gray/green
	F8557903	Overlay	40 pound HCN models; Green
	F8444703	Overlay	60 pound HCN models; Gray
	F8558203	Overlay	60 pound HCN models; Gray/green
	F8558103	Overlay	60 pound HCN models; Green
4	70030501	Expansion Clip	
5	F8186702	Gusset Plate	Left
6	F8038504	Control Panel Assembly	20 pound models
	F8038604	Control Panel Assembly	30 pound models
	F8038704	Control Panel Assembly	40 pound models
	F8038804	Control Panel Assembly	60 pound models
7	F8201001	Top Cover Latch	
8	70412601	Pop Rivet	
9	F8201101	Washer	
10	F8186701	Gusset Plate	Right
	F170416-3	Door Bezel	20 pound models; Gray
	F170417-3	Door Bezel	30 pound models; Gray
	F0170426-30	Door Bezel	40 and 60 pound models; Gray
12	F430174	Screw	
13	F8173801	Front Cabinet Brace	20 pound models
	F8173901	Front Cabinet Brace	30 pound models
	F8174001	Front Cabinet Brace	40 pound models
	F8174101	Lower Cabinet Brace	60 pound models

Panels

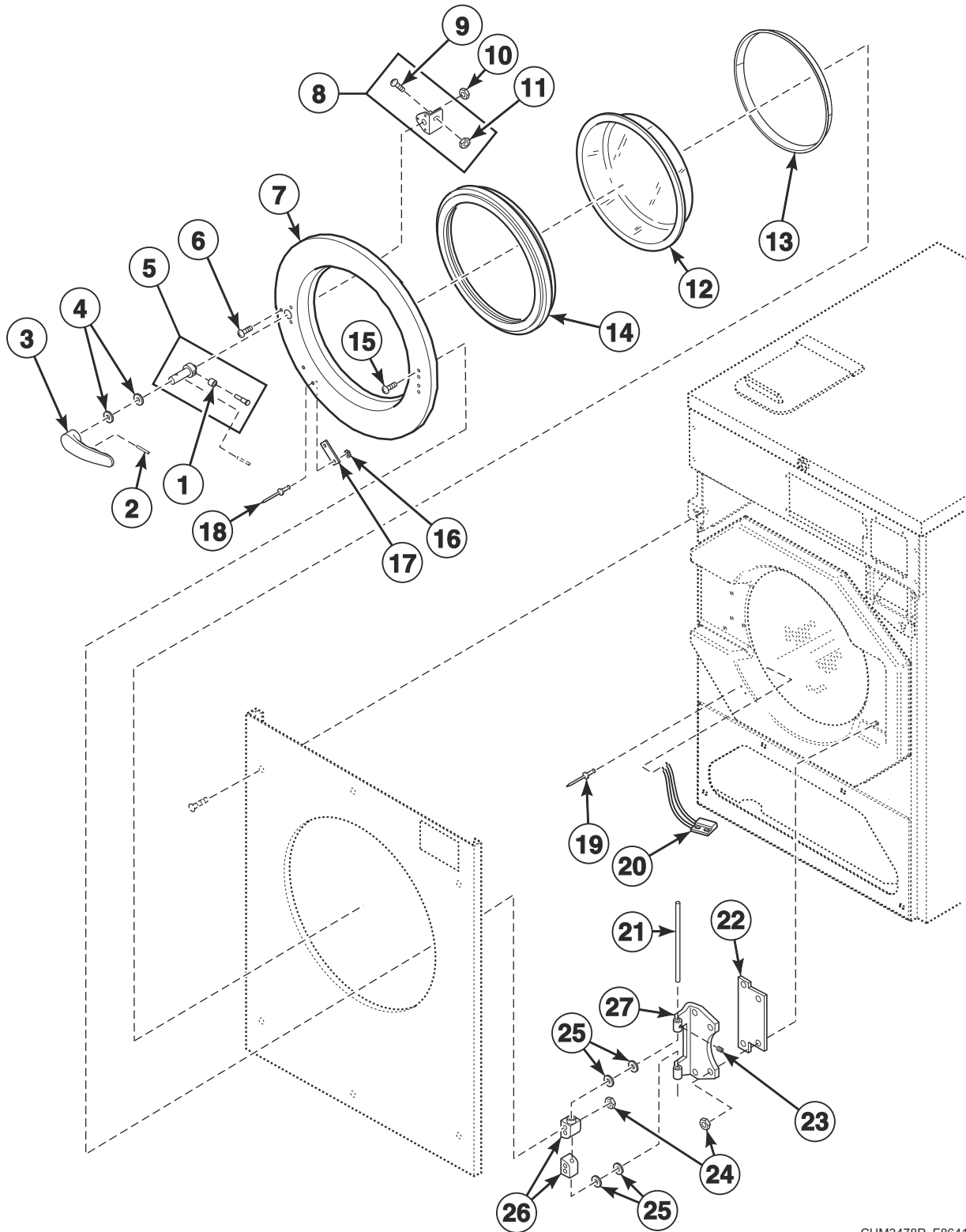


CHM3448P_F8641801

Panels

REF	PART NO.	DESCRIPTION	COMMENTS
1	70155603	Key	RL003
2	44089303P	Panel Lock	
3	F8230601	Screw	
4	F8091701	Lid Clamp	
5	F8048101	Dispenser Lid	Gray
6	F8040201	Top Cover	20 pound models
	F8017401	Top Cover	30 pound models
	F8040301	Top Cover	40 pound models
	F8040401P	Top Cover	60 pound models
7	F8043501	Top Cabinet Brace	20 pound models
8	F8043701	Top Cabinet Brace	30 pound models
9	431287	Screw	
10	F8043801	Top Cabinet Brace	40 pound models
	F8043901	Top Cabinet Brace	60 pound models
11	F8258601	Top Cover Hinge	
12	F8206901	Screw	
13	M400985	Plug	
14	F8223901	Plug	
15	F8223801	Hole Plug	
16	F8362401	Rear Panel	20 pound models; Design 2
	F8492501	Rear Panel	20 pound models; Design 3
	F8352801	Rear Panel	30 pound models
	F8365201	Rear Panel	40 pound models
	F8367101	Rear Panel	60 pound models
17	70030501	Expansion Clip	
18	F8399201	Right Side Panel	20 pound models; Design 2; Vinyl
	F8399203	Right Side Panel	20 pound models; Design 2; Stainless steel
	F8492401	Right Side Panel	20 pound models; Design 3; Vinyl
	F8492403	Right Side Panel	20 pound models; Design 3; Stainless steel
	F8399301	Right Side Panel	30 pound models; Vinyl
	F8399303	Right Side Panel	30 pound models; Stainless steel
	F8399401	Right Side Panel	40 pound models; Vinyl
	F8399403	Right Side Panel	40 pound models; Stainless steel
	F8399501	Right Side Panel	60 pound models; Vinyl
	F8399503	Right Side Panel	60 pound models; Stainless steel
19	F8399202	Left Side Panel	20 pound models; Design 2; Vinyl
	F8399204	Left Side Panel	20 pound models; Design 2; Stainless steel
	F8492402	Left Side Panel	20 pound models; Design 3; Vinyl
	F8492404	Left Side Panel	20 pound models; Design 3; Stainless steel
	F8399302	Left Side Panel	30 pound models; Vinyl
	F8399304	Left Side Panel	30 pound models; Stainless steel
	F8399402	Left Side Panel	40 pound models; Vinyl
	F8399404	Left Side Panel	40 pound models; Stainless steel
	F8399502P	Left Side Panel	60 pound models; Vinyl
	F8399504	Left Side Panel	60 pound models; Stainless steel
20	70413301	Pushbutton Switch	
21	70413301	Pushbutton Switch	
22	F8230501	Bolt	

Door - 20 and 30 Pound Models

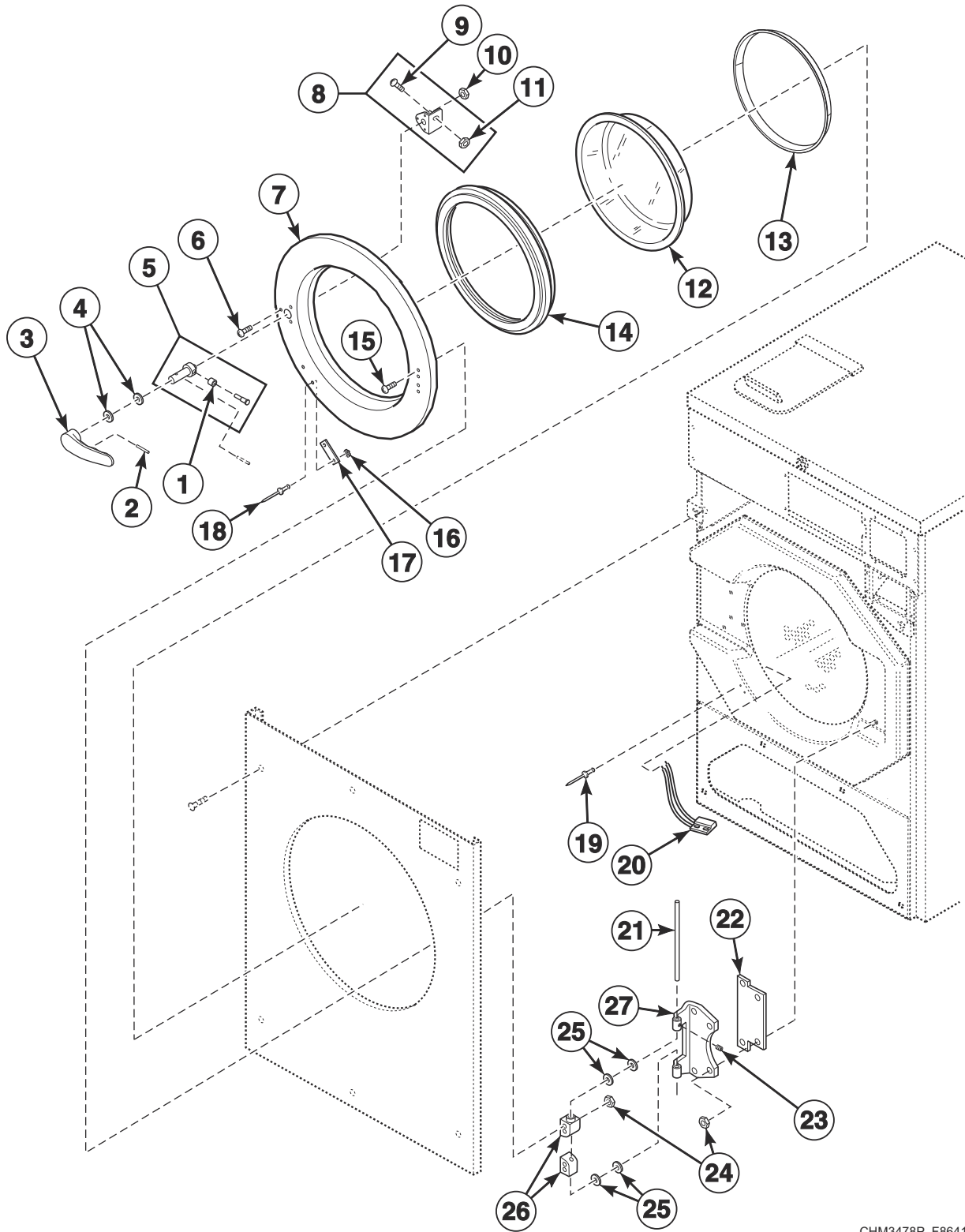


CHM3478P_F8641801

Door - 20 and 30 Pound Models

REF	PART NO.	DESCRIPTION	COMMENTS
	F8187203	Door Assembly	20 pound models; Includes items 1-18 and 21-27
	F8187206	Door Assembly	20 pound models; Includes items 1-18 and 21-27; Chrome
	F8187303	Door Assembly	30 pound models; Includes items 1-18 and 21-27
	F8187306	Door Assembly	30 pound models; Includes items 1-18 and 21-27; Chrome
1	F8221701	Bearing Sleeve	
2	F431222	Spring Pin	
3	F8199501	Door Handle	Gray
	F8544701	Door Handle	Chrome
4	F431916	Washer	
5	F8221401	Door Latch Arm Assembly	
6	F8535501	Screw	
	F8508101	Bolt	Chrome
7	F0602431-02	Door	20 pound models
	F8507501P	Door	20 pound models; Chrome
	F0602837-02	Door	30 pound models
	F8507601	Door	30 pound models; Chrome
8	F8567501	Door Handle Spacer Kit	Includes items 9 and 11
9	F430532	Screw	20 pound models
	F430533	Screw	30 pound models
10	F430232	Nut	
11	F431041	Nut	
12	F8341701	Door Glass	20 pound models
	F8485302	Door Glass	30 pound models
13	F8583201	Door Glass Trim	20 pound models; Black
	F8583204	Door Glass Trim	20 pound models; Green
	F8583202	Door Glass Trim	30 pound models; Black
	F8583205	Door Glass Trim	30 pound models; Green
14	F200000200	Door Gasket	20 pound models; Models through 10/12/14; Gray
	F200000202	Door Gasket	20 pound models; Models starting 10/13/14; Black
	F8111601	Door Gasket	30 pound models; Models through 10/12/14; Gray
	F8111602	Door Gasket	30 pound models; Models starting 10/13/14; Black
15	F430974	Bolt	
	F8508101	Bolt	Polished
16	F431113	Washer	
17	F8390801	Magnet	
18	F431223	Pop Rivet	
19	F8245101	Blind Rivet	
20	F8066802	Reed Switch Assembly	
21	F602813-2	Rod	
22	F200131000P	Door Hinge Shim Kit	
23	F430536	Screw	
24	F430215	Nut	
25	F431929	Washer	
26	F150271	Door Mount	
27	F190216P	Door Hinge	

Door - 40 and 60 Pound Models

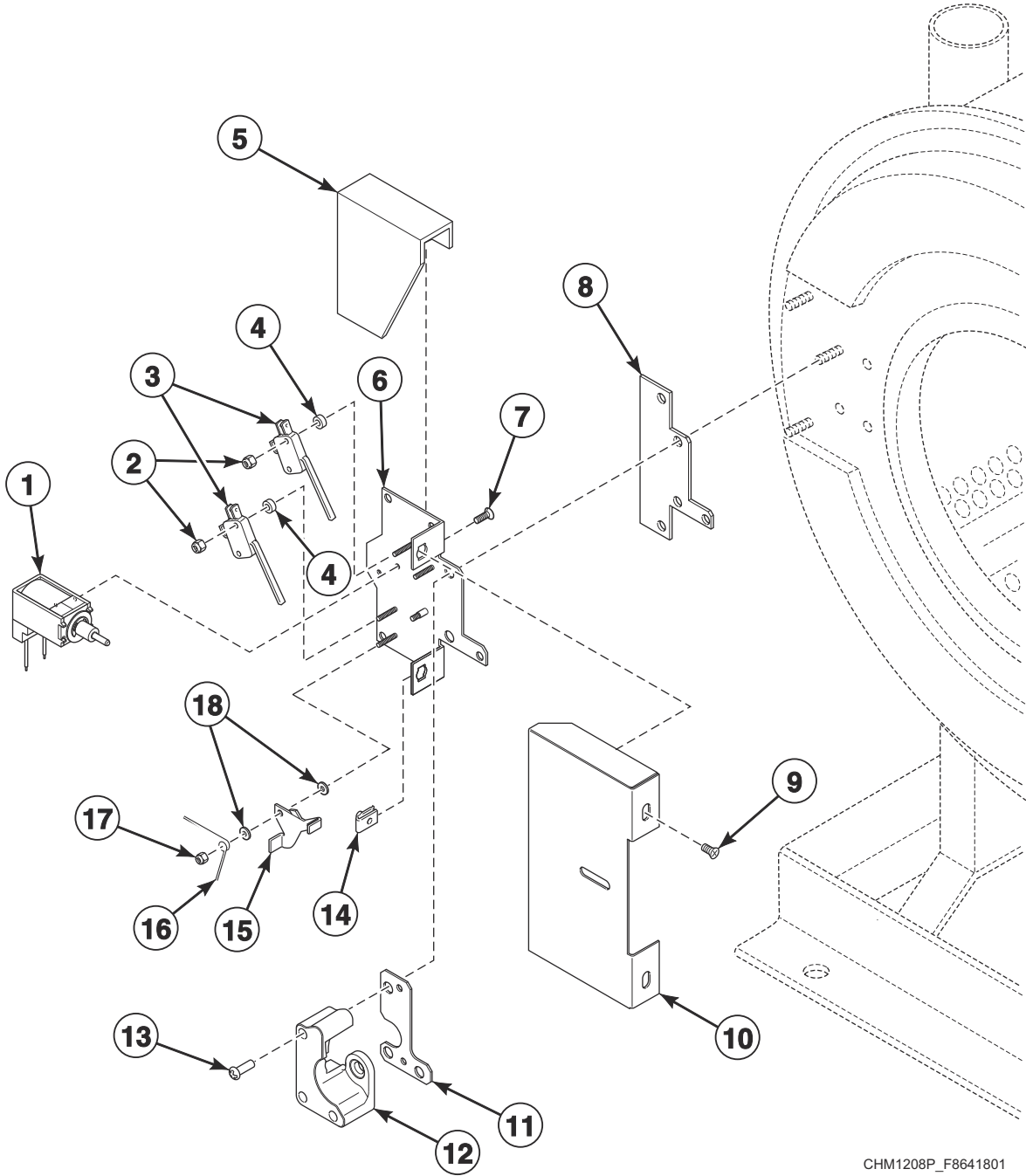


CHM3478P_F8641801

Door - 40 and 60 Pound Models

REF	PART NO.	DESCRIPTION	COMMENTS
	F8187403	Door Assembly	Includes items 1-18 and 21-27
	F8187406	Door Assembly	Includes items 1-18 and 21-27; Chrome
1	F8221701	Bearing Sleeve	
2	F431222	Spring Pin	
3	F8199501	Door Handle	Gray
	F8544701	Door Handle	Chrome
4	F431916	Washer	
5	F8221401	Door Latch Arm Assembly	
6	F8535501	Screw	
	F8508101	Bolt	Chrome
7	F602842-2	Door	Vertical brush
	F8507701	Door	Chrome
	F8507702	Door	Horizontal brush
8	F8567501	Door Handle Spacer Kit	Includes items 9 and 11
9	F430533	Screw	
10	F430232	Nut	
11	F431041	Nut	
12	F8485402	Door Glass	
13	F8583203	Door Glass Trim	Black
	F8583206	Door Glass Trim	Green
14	F170124	Door Gasket	Models through 10/12/14; Gray
	F8111502	Door Gasket	Models starting 10/13/14; Black
15	F430974	Bolt	
	F8508101	Bolt	Polished
16	F431113	Washer	
17	F8390801	Magnet	
18	F431223	Pop Rivet	
19	F8245101	Blind Rivet	
20	F8066802	Reed Switch Assembly	
21	F602813-3	Rod	
22	F200131000P	Door Hinge Shim Kit	
23	F430536	Screw	
24	F430215	Nut	
25	F431929	Washer	
26	F150271	Door Mount	
27	F190216P	Door Hinge	

Door Lock

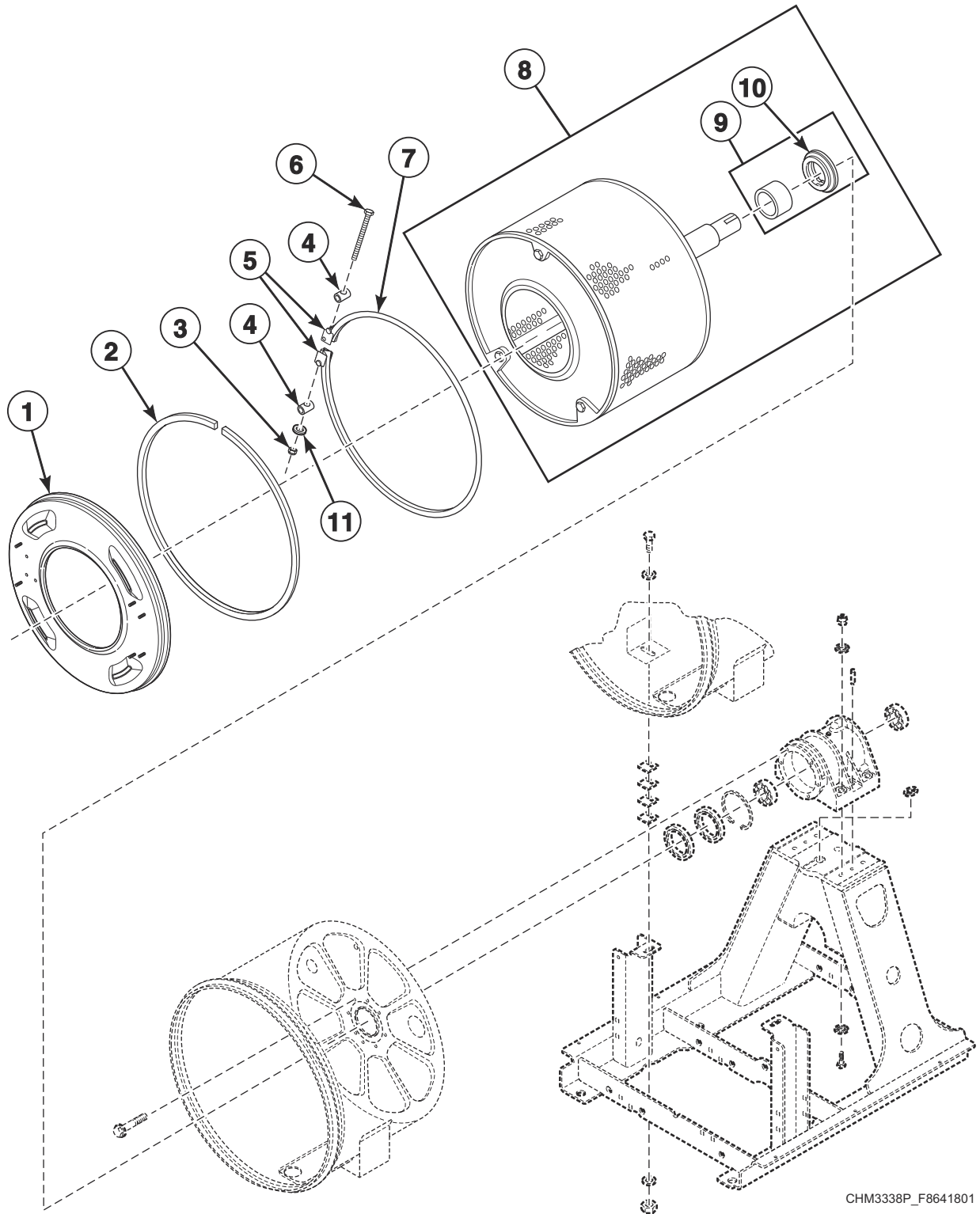


CHM1208P_F8641801

Door Lock

REF	PART NO.	DESCRIPTION	COMMENTS
	F8340501	Door Lock Assembly	
	F8340001	External Door Lock Harness	
1	F977P3	Door Lock Solenoid Replacement Kit	Includes F8340101 Solenoid
2	F430225	Nut	
3	F200203200	Door Lock Microswitch	
4	F431901	Spacer	
5	F320200	Door Lock Splash Shield	
6	F8223202	Door Lock Plate Assembly	
7	F430977	Screw	
8	F8344401	Door Lock Plate Shim	
9	F430956	Screw	
10	F8245001	Door Lock Cover	
11	F8484401	Shim	Models through 9/9/14 with F8567501 Door Handle Spacer
12	F8344501	Door Lock Catch	
13	F8270701	Bolt	
14	F430264	Nut	
15	F8223401	Door Lock Switch Lever	
16	F8070301	Torsion/Door Lock Spring	
17	F430232	Nut	
18	F431902	Washer	

Shell Front and Basket

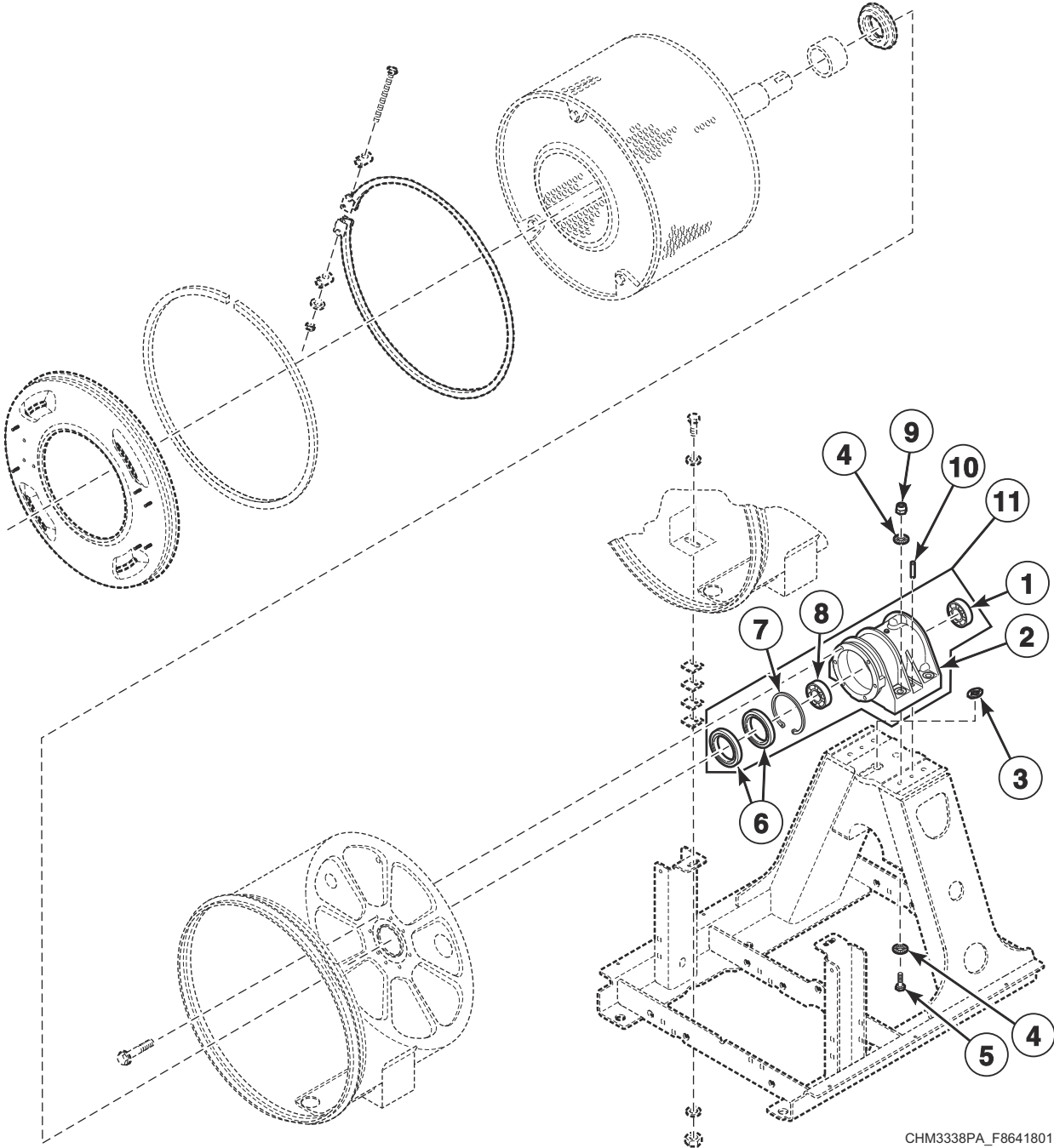


CHM3338P_F8641801

Shell Front and Basket

REF	PART NO.	DESCRIPTION	COMMENTS
	389P4	Basket Tool Kit	Purchase; Requires F460129P Basket Puller Tool
	390P4-1	Basket Rental Tool Kit	Requires F460126P Bearing Puller Tool
	F460129P	Basket Puller Tool	
	F8608502P	Basket Pulley Puller Tool	Use with F460129P Basket Puller Tool
	F980204341	Basket and Bearing Assembly	20 pound models; Viton; Includes item 8 and F8271602 Bearing House Assembly
	F980204342	Basket and Bearing Assembly	30 pound models; Viton; Includes item 8 and F8271702 Bearing House Assembly
	F980204343	Basket and Bearing Assembly	40 pound models; Viton; Includes item 8 and F8271802 Bearing House Assembly
	F980204344	Basket and Bearing Assembly	60 pound models; Viton; Includes item 8 and F8271902 Bearing House Assembly
	F8388001	Clamp Ring Assembly	20 pound models; Includes items 5 and F602297 Outer Shell Band
	F8388002	Clamp Ring Assembly	30 pound models; Includes items 5 and F631838 Outer Shell Band
	F8388003	Clamp Ring Assembly	40 pound models; Includes items 5 and F603108 Outer Shell Band
	F8388004	Clamp Ring Assembly	60 pound models; Includes items 5 and F603207 Outer Shell Band
1	F8229401	Shell Front Assembly	20 pound models
	F8229501	Shell Front Assembly	30 pound models
	F8229601	Shell Front Assembly	40 pound models
	F8229701	Shell Front Assembly	60 pound models
2	F8513501	Shell Front Gasket Kit	
3	F430218	Nut	
4	F8302701	Pin	
5	F8302401	Clamp Ring Bracket	
6	800462	Screw	
7	F8537801	Shell Band Kit	20 pound models
	F8537802	Shell Band Kit	30 pound models
	F8537803	Shell Band Kit	40 pound models
	F8537804	Shell Band Kit	60 pound models
8	F8391301P	Basket Assembly	20 pound models; Includes items 9 and 10; Standard
	F8391303	Basket Assembly	20 pound models; Viton
	F8391501P	Basket Assembly	30 pound models; Includes items 9 and 10; Standard
	F8391503	Basket Assembly	30 pound models; Viton
	F8391701P	Basket Assembly	40 pound models; Includes items 9 and 10; Standard
	F8391703	Basket Assembly	40 pound models; Viton
	F8502801	Basket Assembly	60 pound models; Replaces F8391901P Basket Assembly; Includes items 9 and 10; Standard
	F8502804	Basket Assembly	60 pound models; Viton
9	F8343901P	Shaft Seal Sleeve Kit	20 pound models; Includes item 10
	F8343904P	Shaft Seal Sleeve Kit	30 pound models; Includes item 10
	F8343906P	Shaft Seal Sleeve Kit	40 pound models; Includes item 10
	F8343909P	Shaft Seal Sleeve Kit	60 pound models; Includes item 10; Use with F8391901P Basket Assembly
	F8343914	Shaft Seal Sleeve	60 pound models; Use with F8502801 Basket Assembly
10	F8336801	Excluder Seal	20 pound models
	F8336802	Excluder Seal	20 pound models; Viton
	F8336901	Excluder Seal	30 pound models
	F8336902	Excluder Seal	30 pound models; Viton
	F8337001	Excluder Seal	40 pound models
	F8337002	Excluder Seal	40 pound models; Viton
	F8337101	Excluder Seal	60 pound models
	F8527701	Excluder Seal	60 pound models; Viton
11	M400081	Washer	

Bearing Housing

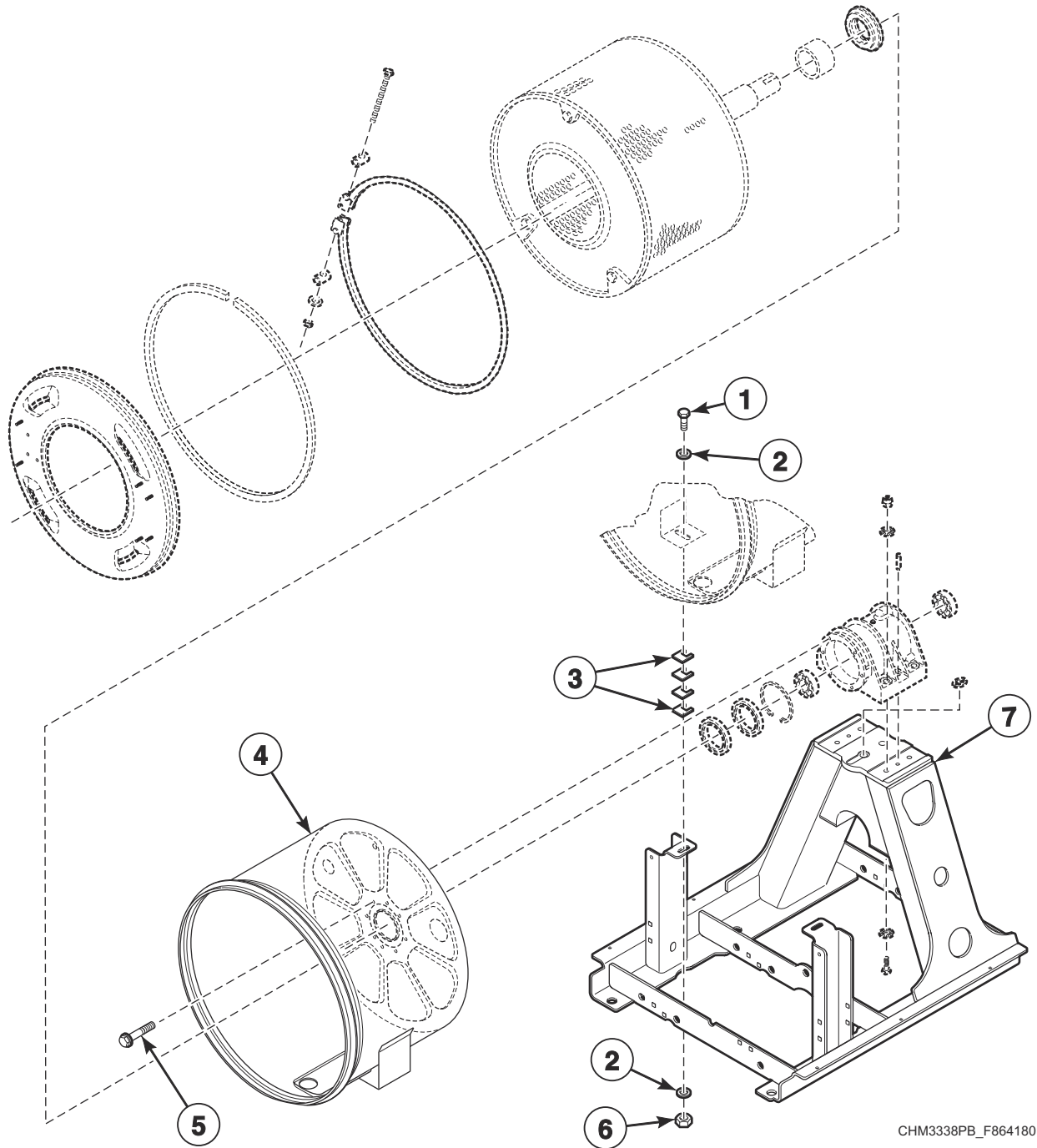


CHM3338PA_F8641801

Bearing Housing

REF	PART NO.	DESCRIPTION	COMMENTS
	389P4	Basket Tool Kit	Purchase; Requires F460129P Basket Puller Tool
	390P4-1	Basket Rental Tool Kit	Requires F460126P Bearing Puller Tool
	F460129P	Basket Puller Tool	
	F8608502P	Basket Pulley Puller Tool	Use with F460129P Basket Puller Tool
	F980204341	Basket and Bearing Assembly	20 pound models; Viton; Includes item 11 and F8391303 Basket Assembly
	F980204342	Basket and Bearing Assembly	30 pound models; Viton; Includes item 11 and F8391503 Basket Assembly
	F980204343	Basket and Bearing Assembly	40 pound models; Viton; Includes item 11 and F8391703 Basket Assembly
	F980204344	Basket and Bearing Assembly	60 pound models; Viton; Includes item 11 and F8502804 Basket Assembly
1	F100137P	Bearing	20 and 40 pound models; 6308 2RS C3; Front
	F100123P	Bearing	30 pound models; 6309 2RS C3; Front
	F100135	Bearing	60 pound models; 6313 2RS C3; Front
2	F8247902	Bearing Housing	20 pound models
	F8246802	Bearing Housing	30 pound models
	F8249902	Bearing Housing	40 pound models
	F8250902	Bearing Housing	60 pound models
3	F8350301	Seal Scupper Pad	20 and 30 pound models
	F8350302	Seal Scupper Pad	40 pound models
	F8350303	Seal Scupper Pad	60 pound models
4	F8366601	Washer	20 pound models
	F430339	Washer	All other models
5	F8368701	Screw	20 pound models
	F8368801	Screw	All other models
6	F8203801	Triple Lip Seal	20 pound models; Standard
	F8203813	Triple Lip Seal	20 pound models; Viton
	F8203802	Triple Lip Seal	30 pound models; Standard
	F8203814	Triple Lip Seal	30 pound models; Viton
	F8203803	Triple Lip Seal	40 pound models; Standard
	F8203815	Triple Lip Seal	40 pound models; Viton
	F8203806	Triple Lip Seal	60 pound models; Standard
	F8203808	Radial Seal	60 pound models; Viton
7	F8344901	Retaining Ring	20 pound models
	F8345001	Retaining Ring	30 pound models
	F8337801	Retaining Ring	40 pound models
	F8337901	Retaining Ring	60 pound models
8	F100136P	Bearing	20 pound models; 6307 2RS C3; Rear
	F100108	Bearing	30 pound models; 6208 2RS C3; Rear
	F100134	Bearing	40 and 60 pound models; 6310 2RS C3; Rear
9	F8387601	Nut	20 pound models
	F8387701	Nut	All other models
10	F8388101	Dowel Pin	20 pound models
	F8388201	Dowel Pin	All other models
11	F8271601P	Bearing Housing Assembly	20 pound models; Standard
	F8271602	Bearing Housing Assembly	20 pound models; Viton
	F8271701P	Bearing Housing Assembly	30 pound models; Standard
	F8271702	Bearing Housing Assembly	30 pound models; Viton
	F8271801P	Bearing Housing Assembly	40 pound models; Standard
	F8271802	Bearing Housing Assembly	40 pound models; Viton
	F8271901P	Bearing Housing Assembly	60 pound models; Standard
	F8271902	Bearing Housing Assembly	60 pound models; Viton

Shell and Frame

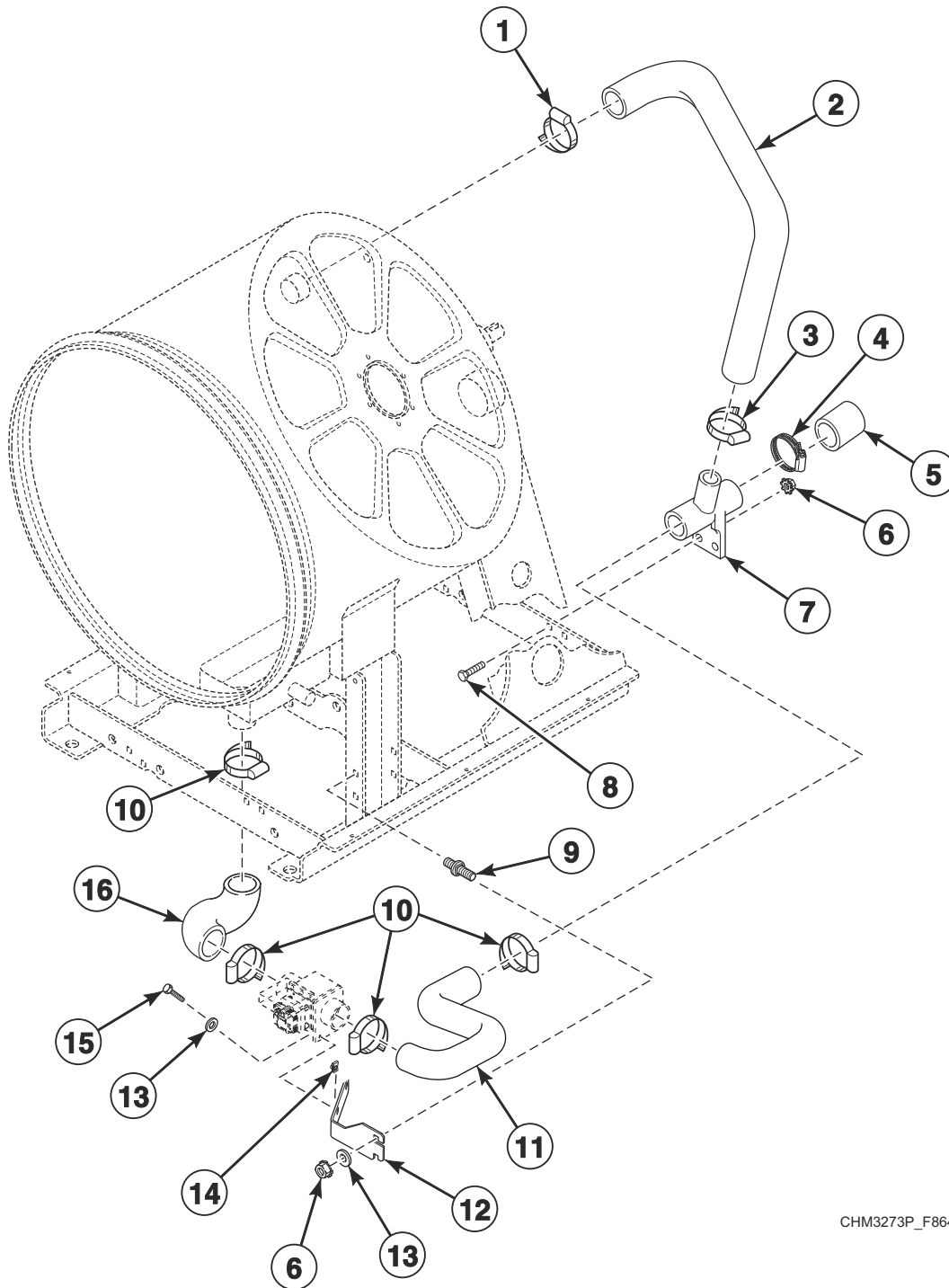


CHM3338PB_F8641801

Shell and Frame

REF	PART NO.	DESCRIPTION	COMMENTS
	F8433301	Frame Template	20 pound models
	F8433401	Frame Template	30 pound models
	F8433501	Frame Template	40 pound models
	F8433601	Frame Template	60 pound models
	1111P	Concrete Kit	5/8 inch
1	F8621601	Screw	
2	M400081	Washer	
3	F8402701	Washer	
4	F8360601	Shell Weldment	20 pound models; Standard
	F8360701	Shell Weldment	30 pound models; Standard
	F8360801	Shell Weldment	40 pound models; Standard
	F8360901	Shell Weldment	60 pound models; Standard
5	F8442702	Screw	
6	44087301	Nut	
7	F8247002	Frame Weldment	20 pound models
	F8248002	Frame Weldment	30 pound models
	F8249001	Frame Weldment	40 pound models
	F8250002	Frame Weldment	60 pound models

Drain Plumbing

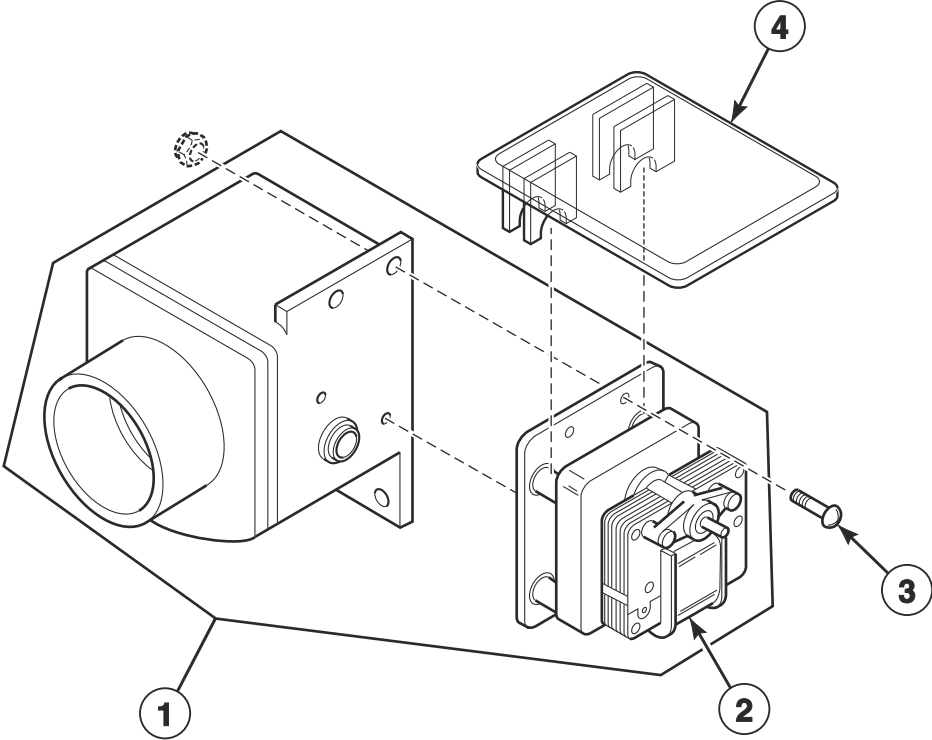


CHM3273P_F8641801

Drain Plumbing

REF	PART NO.	DESCRIPTION	COMMENTS
1	F200213	Hose Clamp	No. 40
2	F8367901	Overflow Hose	20 pound models
	F8368001	Overflow Hose	30 pound models
	F8367201	Overflow Hose	40 and 60 pound models
3	F200215	Hose Clamp	No. 28; 20 and 30 pound models
	F200213	Hose Clamp	No. 40; 40 and 60 pound models
4	F200201	Hose Clamp	No. 56; 40 and 60 pound models
5	F200165100	Drain Hose	40 and 60 pound models
6	44087201	Nut	
7	F150318	Drain Connect Tee	20 and 30 pound models
	F150398	Drain Tee	40 and 60 pound models
8	F430522	Bolt	20 and 30 pound models
	F8402801	Bolt	40 and 60 pound models
9	70334702	Stud	
10	F200213	Hose Clamp	No. 40; 20 and 30 pound models
	F200201	Hose Clamp	No. 56; 40 and 60 pound models
11	F8365601	Rear Drain Hose	20 pound models
	F8365602	Rear Drain Hose	30 pound models
	F8231904	Rear Drain Hose	40 pound models
	F8231905	Rear Drain Hose	60 pound models
12	F8365401	Bracket	20 pound models
	F8365402	Bracket	30 pound models
	F8434601	Bracket	40 pound models
	F8434701	Bracket	60 pound models
13	M405535	Washer	
14	70030401	Nut	
15	202175	Screw	
16	F8261302	Drain Hose	20 and 30 pound models
	F8261303	Drain Hose	20 and 30 pound models; Electric heat
	F8232901	Drain Hose	40 and 60 pound models
	F8464701	Drain Hose	40 and 60 pound models; Electric heat

Drain Valve Assembly - 20 and 30 Pound Models

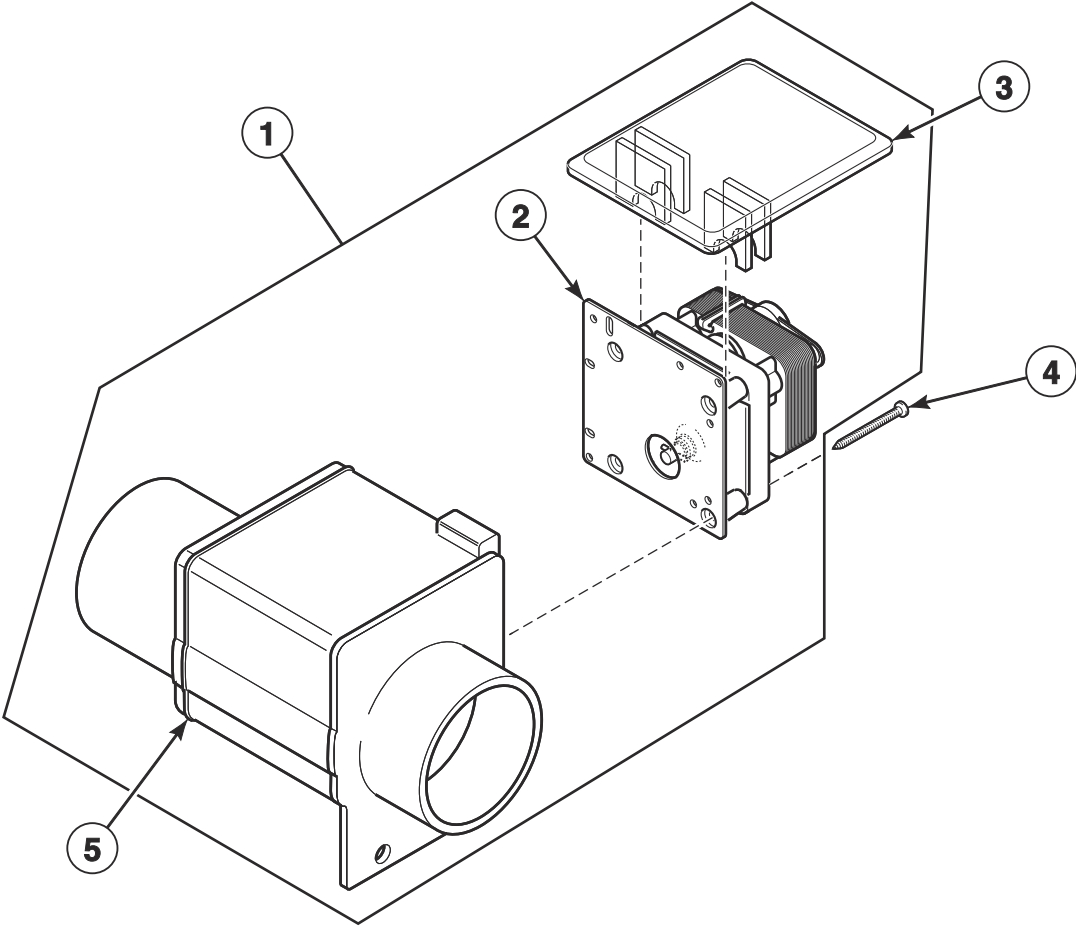


CHM2450P_F8641801

Drain Valve Assembly - 20 and 30 Pound Models

REF	PART NO.	DESCRIPTION	COMMENTS
	F8504601	Spring	Use with item 1
1	803292	Gravity Drain Valve	220 Volt
2	F380933P	Drain Valve Motor	Round shaft; 220 Volt
	F8618901P	Drain Valve Motor	Keyed shaft; 220 Volt
3	F200182700	Bolt	
4	F200133600	Drain Valve Cover	

Drain Valve Assembly - 40 and 60 Pound Models

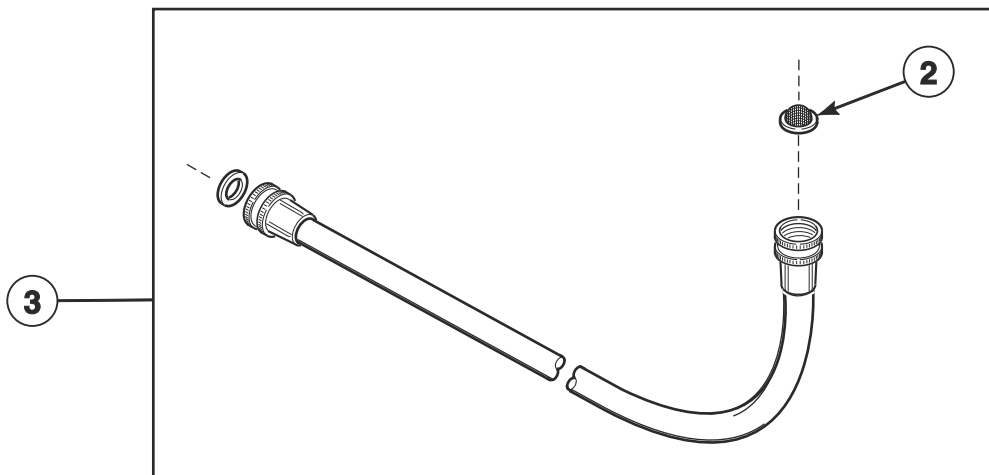
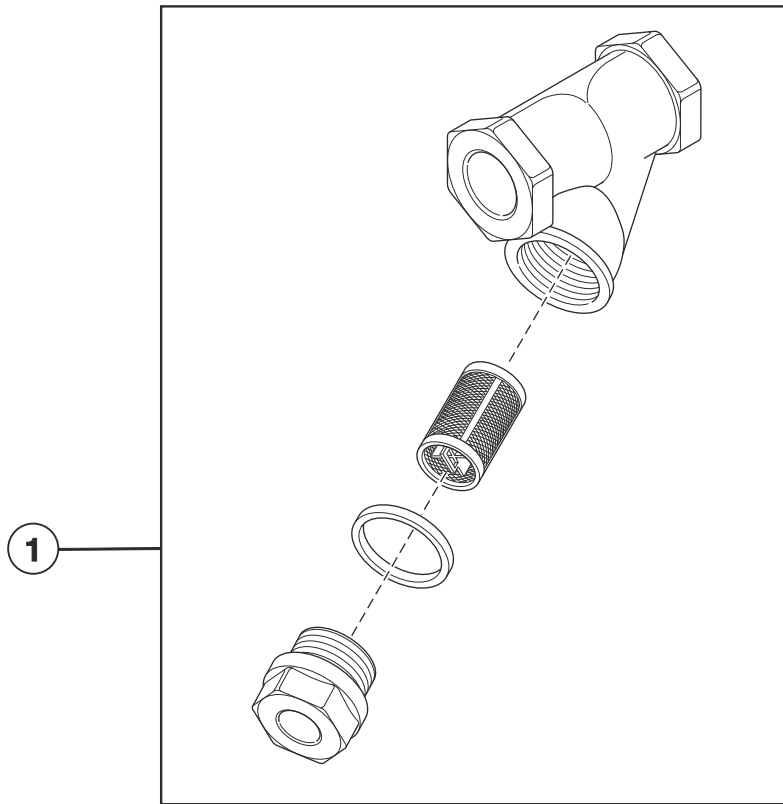


CHM3380P_F8641801

Drain Valve Assembly - 40 and 60 Pound Models

REF	PART NO.	DESCRIPTION	COMMENTS
	F8562001	Drain Seal Kit	Use with F8406307 Drain Valve
1	F8577201	Drain Valve Kit	240 Volt; Both RH and LH valves are compatible
2	F380933P	Drain Valve Motor	Round shaft; 220 Volt
	F8618901P	Drain Valve Motor	Keyed shaft; 220 Volt
3	F200133600	Drain Valve Cover	
4	F200182700	Bolt	
5	F8602602	Drain Valve	240 Volt

Steam Filter (Optional) and Water Supply Hose

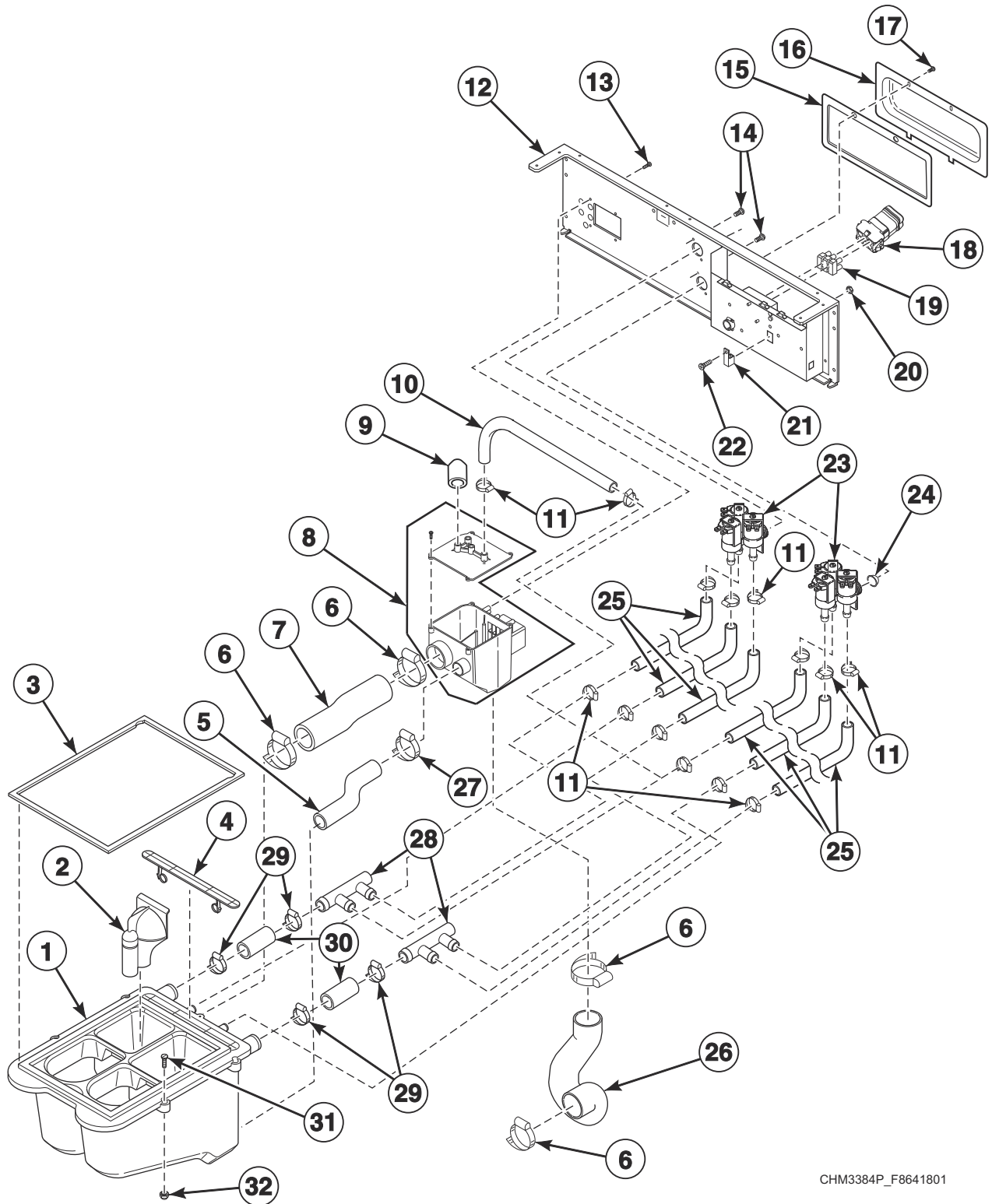


CHM3049P_F8641801

Steam Filter (Optional) and Water Supply Hose

REF	PART NO.	DESCRIPTION	COMMENTS
1	F270307	Steam Filter	1/2 inch
	F270308	Steam Filter	3/4 inch
2	803615	Washer	Filter
3	F8665601	Water Hose Kit	Includes item 2; 3/8 inch; Standard thread; Red (hot)
	F8665603	Water Hose Kit	Includes item 2; 3/8 inch; Standard thread; Blue (cold)
	F8665602	Water Hose Kit	Includes item 2; 3/8 inch; Metric thread; Red (hot)
	F8665604	Water Hose Kit	Includes item 2; 3/8 inch; Metric thread; Blue (cold)
	F8544601	Fill Hose Kit	WRAS models; Includes F8301201 Double Check Valve and F8665602 Water Hose Kit

Fill Plumbing Assembly



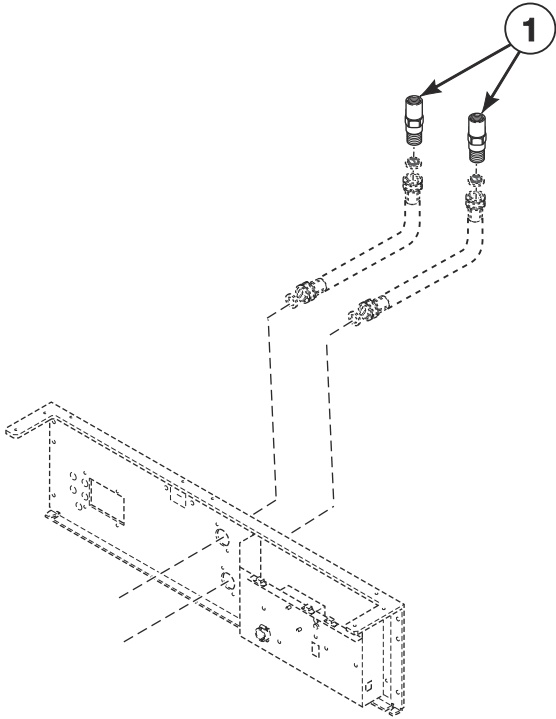
CHM3384P_F8641801

Fill Plumbing Assembly

REF	PART NO.	DESCRIPTION	COMMENTS
	G582P3	Diaphragm and Guide Kit	Use with F8286401P 3-Way Valve and F8286402P 3-Way Valve
1	F8047401	Dispenser Assembly	Models through 10/15/12
	F8047402	Dispenser Assembly	Includes items 2 and 4; Models starting 10/16/12
2	F8047901	Siphon Cover	
3	F8308301	Dispenser Gasket	
4	F8047801	Access Cover	
5	F8043401	Dispenser Overflow Hose	20 pound models
	F8043403	Dispenser Overflow Hose	30 pound models
	F8043404	Dispenser Overflow Hose	40 pound models
	F8043405	Supply Overflow Hose	60 pound models
6	F200213	Hose Clamp	No. 40
7	F8042801	Vacuum Supply Hose	20 pound models
	F8042803	Vacuum Supply Hose	30 pound models
	F8042804	Vacuum Supply Hose	40 pound models
	F8042805	Vacuum Supply Hose	60 pound models
8	F8048601	Vacuum Breaker Assembly	
9	F8197701	Cap	
10	F0200244-01	Vacuum Breaker Hose	60 pound models
	F0200244-02	Vacuum Breaker Hose	All other models
11	36811	Hose Clamp	No. 8
12	F8398701	Valve Panel	20 pound models
	F8398801	Valve Panel	30 pound models
	F8398901	Valve Panel	40 pound models
	F8399001	Valve Panel	60 pound models
13	800548	Screw	
14	F8230301	Screw	
15	F8230001	Terminal Tray Cover Gasket	
16	F8177001	Terminal Tray Cover	
17	F8206901	Screw	
18	F8454401	Filter	
	F8454601	Harness	
19	430642	Terminal Block	Includes screws
20	F430232	Nut	
21	M411283	Ground Lug Connector	
22	F430909	Screw	
23	F8286401P	3-Way Valve	240 Volt/50 or 60 Hertz; U.S.
	F8286402P	3-Way Valve	240 Volt/50 or 60 Hertz; Metric
	F8402201	Regulator	Use with F8286401P 3-Way Valve
24	803615	Washer	Filter
25	F8232004	Hose	20 pound models
	F8232001	Hose	30 pound models
	F8232002	Hose	40 and 60 pound models
26	F8042201	P-Trap Hose	20 pound models
	F8042204	P-Trap Hose	30 and 40 pound models
	F8042301	P-Trap Hose	60 pound models
27	20211	Hose Clamp	No. 17
28	F8333201	Manifold	
29	F200222	Hose Clamp	No. 12
30	F606816-1	Hose	
31	F8535601	Screw	
32	F0431807-00	Nut	

Double Check Valve

WRAS Compliant Models



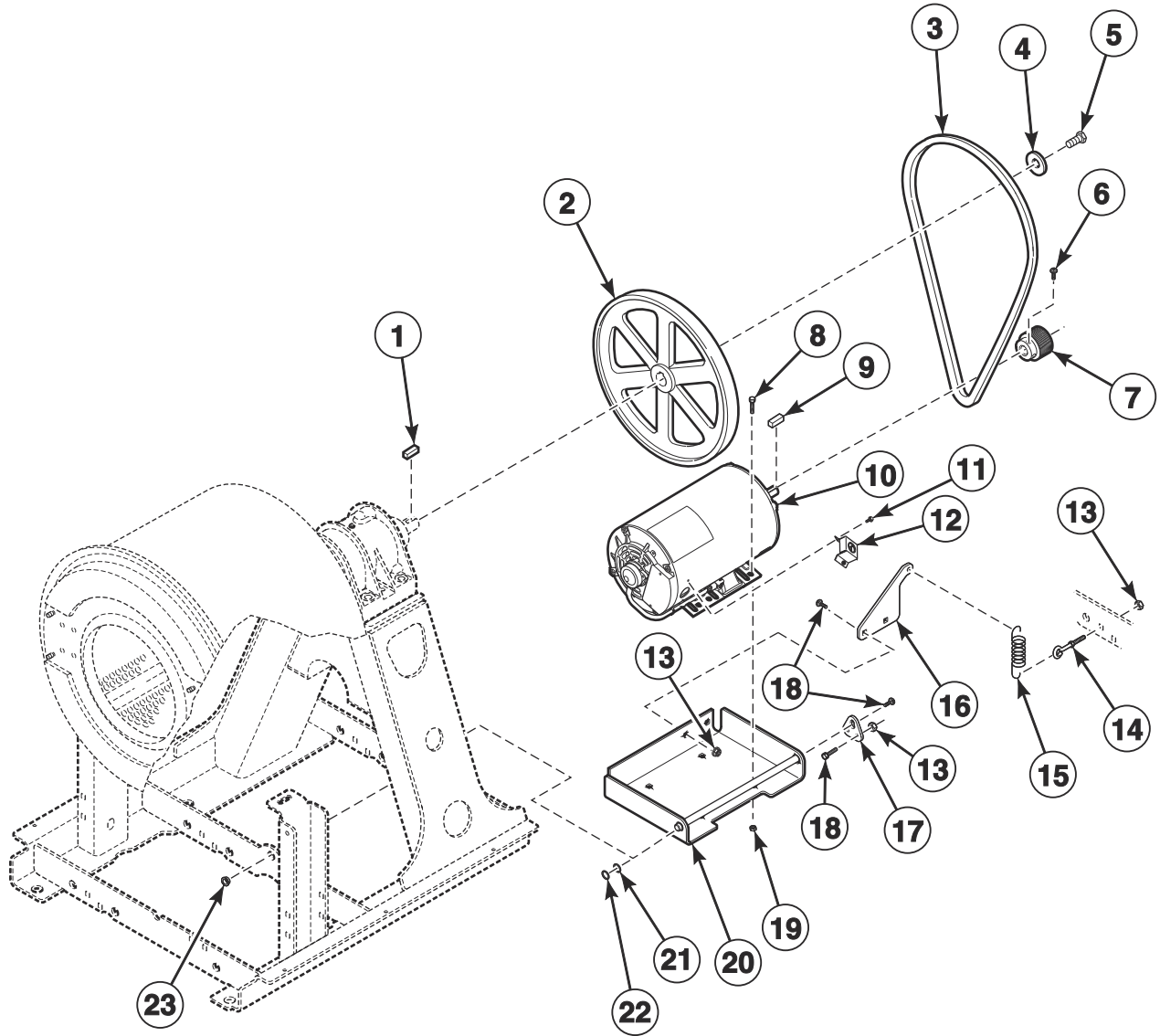
CHM3393P_F8641801

Double Check Valve

REF	PART NO.	DESCRIPTION	COMMENTS
1	F8301201	Double Check Valve	

Motor, Pulley and Belt (Drawing 1 of 3)

20 Pound Models with N and P-Voltage
30, 40 and 60 Pound Models Through September 30, 2014



CHM3385P_F8641801

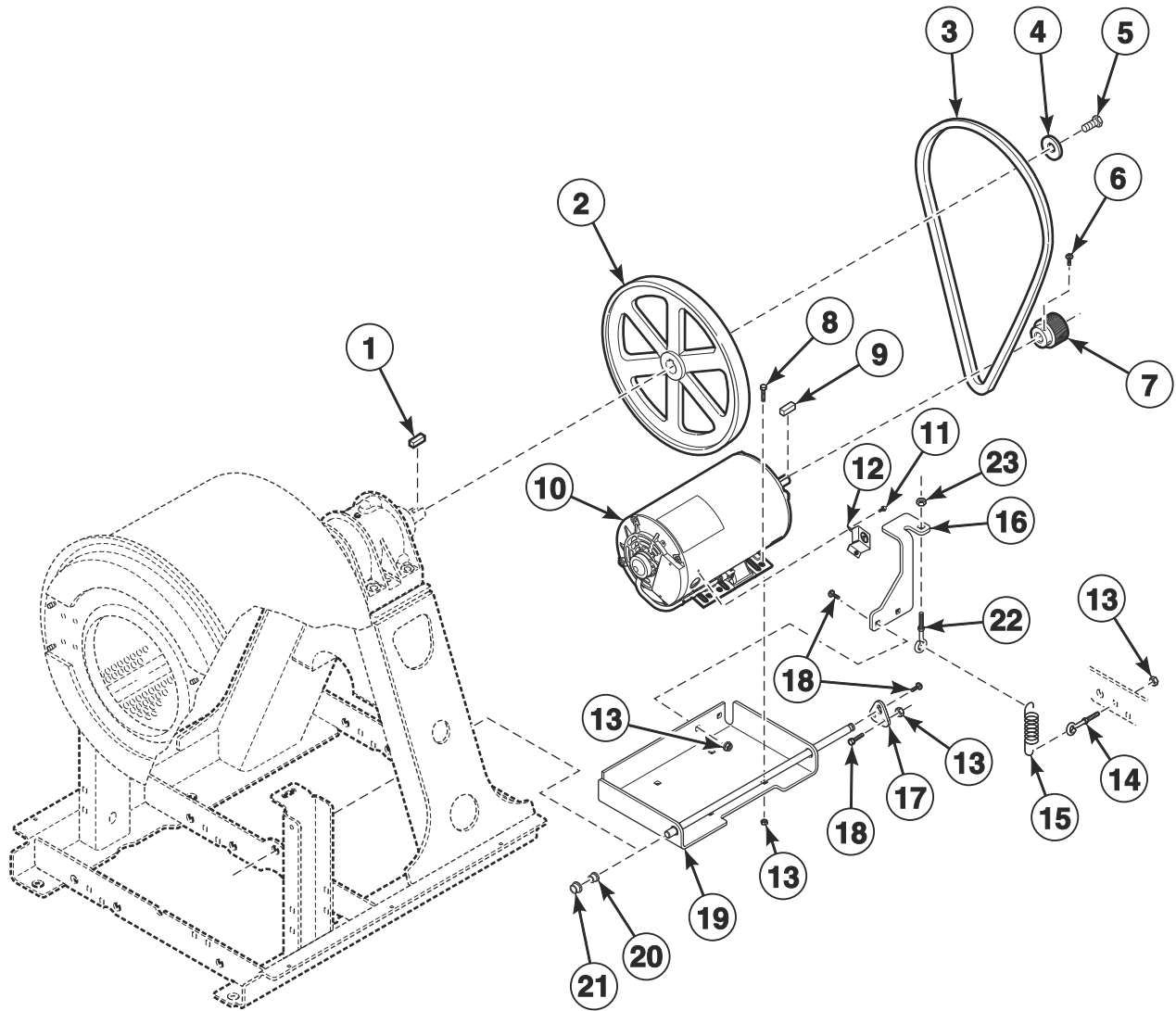
Motor, Pulley and Belt (Drawing 1 of 3)

REF	PART NO.	DESCRIPTION	COMMENTS
	F8396601	Motor Harness	30 and 40 pound models N and P-voltage; 20 and 60 pound models
	F8384901	Motor Harness	30 and 40 pound models; B, X and Q-voltage
	F8562501	Motor Isolation Kit	20 and 30 pound models; Includes F8535001 Motor Plate and F8535201 Isolator; Use with 2 hp motors
1	F430801	Key	
2	F150270	Basket Pulley	20 pound models
	F150269	Basket Pulley	30 and 40 pound models
	F200299700	Basket Pulley	60 pound models
3	F200201700P	Belt	20 pound models
	F8382803	Belt	30 pound models
	F8382804	Belt	40 pound models
	F8382805	Belt	60 pound models
4	F431115	Washer	
5	F8574001	Screw	
6	M400077	Screw	
7	F8362501	Motor Pulley	
8	800461	Screw	
9	H8752006H	Key	
10	F8335001P	Motor	20, 30 and 40 pound models
	F8335101P	Motor	60 pound models
11	23222	Screw	
12	70321701	Motor Conduit Mounting Bracket	
13	44087201	Nut	
14	F8351901	Eye Bolt	
15	F310124	Extension Spring	
16	F8363901	Spring Plate	
17	F8441101	Motor Rod Plate	
18	F8402801	Bolt	
19	F8387601	Nut	
20	F8441601	Motor Bracket Weldment	20 and 30 pound models
	F8562502	Motor Isolation Kit	40 and 60 pound models; Includes F8535002 Motor Plate and F8535201 Isolator; Use with 2 and 3 hp motors
21	F8441901	O-Ring	
22	F8333301	Flanged Bushing	
23	F8451601	Spacer	

**** NOTE: AC drive parameters must be compatible with the motor and motor pulley. Please request the AC drive parameter illustration for parameter verification when ordering a motor.**

Motor, Pulley and Belt (Drawing 2 of 3)

20 Pound Models with N and P-Voltage
30, 40 and 60 Pound Models Starting October 1, 2014



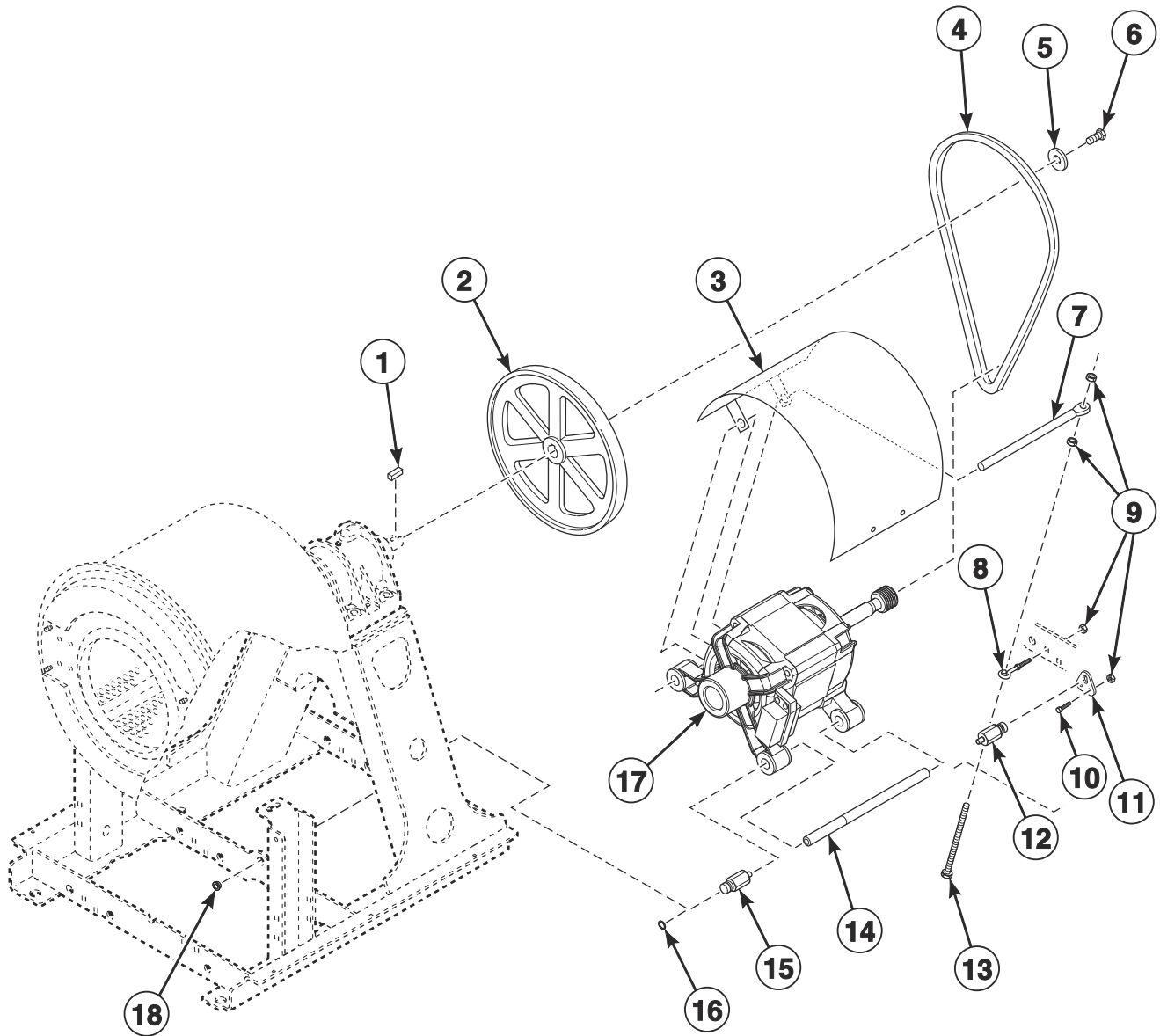
CHM3446P_F8641801

Motor, Pulley and Belt (Drawing 2 of 3)

REF	PART NO.	DESCRIPTION	COMMENTS
	F8562501	Motor Isolation Kit	20 and 30 pound models; Includes F8535001 Motor Plate and F8535201 Isolator; Use with 2 hp motor
	F8562502	Motor Isolation Kit	40 and 60 pound models; Includes F8535002 Motor Plate and F8535201 Isolator; Use with 2 hp motor
	F8396601	Motor Harness	30 and 40 pound models N and P-voltage; 20 and 60 pound models
	F8384901	Motor Harness	30 and 40 pound models; Q and X-voltage
1	F430801	Key	
2	F150270	Basket Pulley	20 pound models
	F150269	Basket Pulley	30 and 40 pound models
	F200299700	Basket Pulley	60 pound models
3	F200201700P	Belt	20 pound models
	F8382803	Belt	30 pound models
	F8382804	Belt	40 pound models
	F8382805	Belt	60 pound models
4	F431115	Washer	
5	F8574001	Screw	
6	M400077	Screw	
7	F8362501	Motor Pulley	
8	F8402801	Bolt	
9	H8752006H	Key	
10	F8335001P	Motor	20, 30 and 40 pound models
	F8335101P	Motor	60 pound models
11	23222	Screw	
12	70321701	Motor Conduit Mounting Bracket	
13	44087201	Nut	
14	F8351902	Eye Bolt	
15	F310124	Extension Spring	
16	F8525801	Spring Plate	
17	F8441101	Motor Rod Plate	
18	F8402801	Bolt	
19	F8441603	Motor Bracket Weldment	20 and 30 pound models
	F8441604	Motor Bracket Weldment	40 and 60 pound models
20	F8535202	Flanged Isolator	
21	F8333302	Flanged Bushing	
22	F8319503	Eye Bolt	
23	44087301	Nut	

Motor, Pulley and Belt (Drawing 3 of 3)

20 Pound Models with B, Q and X-Voltage



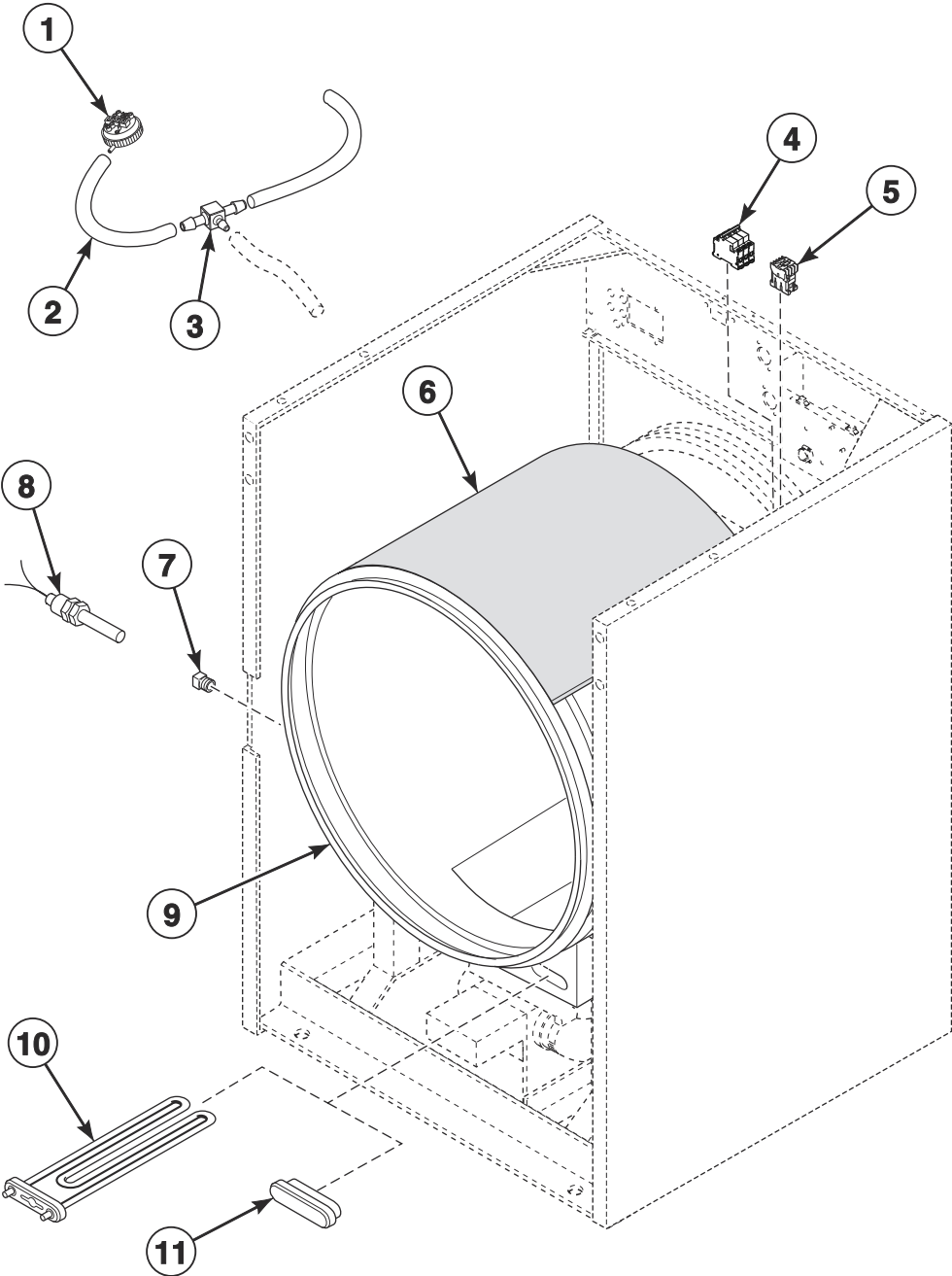
CHM3450P_F8641801

Motor, Pulley and Belt (Drawing 3 of 3)

REF	PART NO.	DESCRIPTION	COMMENTS
	F8384801	Motor Harness	
1	F430801	Key	
2	F150270	Basket Pulley	
3	F200216900	Motor Drip Shield	
4	F8382801	Belt	
5	F431115	Washer	
6	F8574001	Screw	
7	F8361301	Spring Mount Rod	
8	F8404501	Eye Bolt	
9	44087201	Nut	
10	F8402801	Bolt	
11	F8441101	Motor Rod Plate	
12	F8387101	Motor Rod Extension	
13	F8406601	Screw	
14	801062	Motor Mount Rod	
15	F8562504	Motor Isolation Kit	Includes F8387104 Motor Rod Adapter and F8535201 Isolator
16	F8333302	Flanged Bushing	
17	801194P	Induction Motor	Includes pulley
18	F8451601	Spacer	

**** NOTE: AC drive parameters must be compatible with the motor and motor pulley. Please request the AC drive parameter illustration for parameter verification when ordering a motor.**

Electric Heat Option

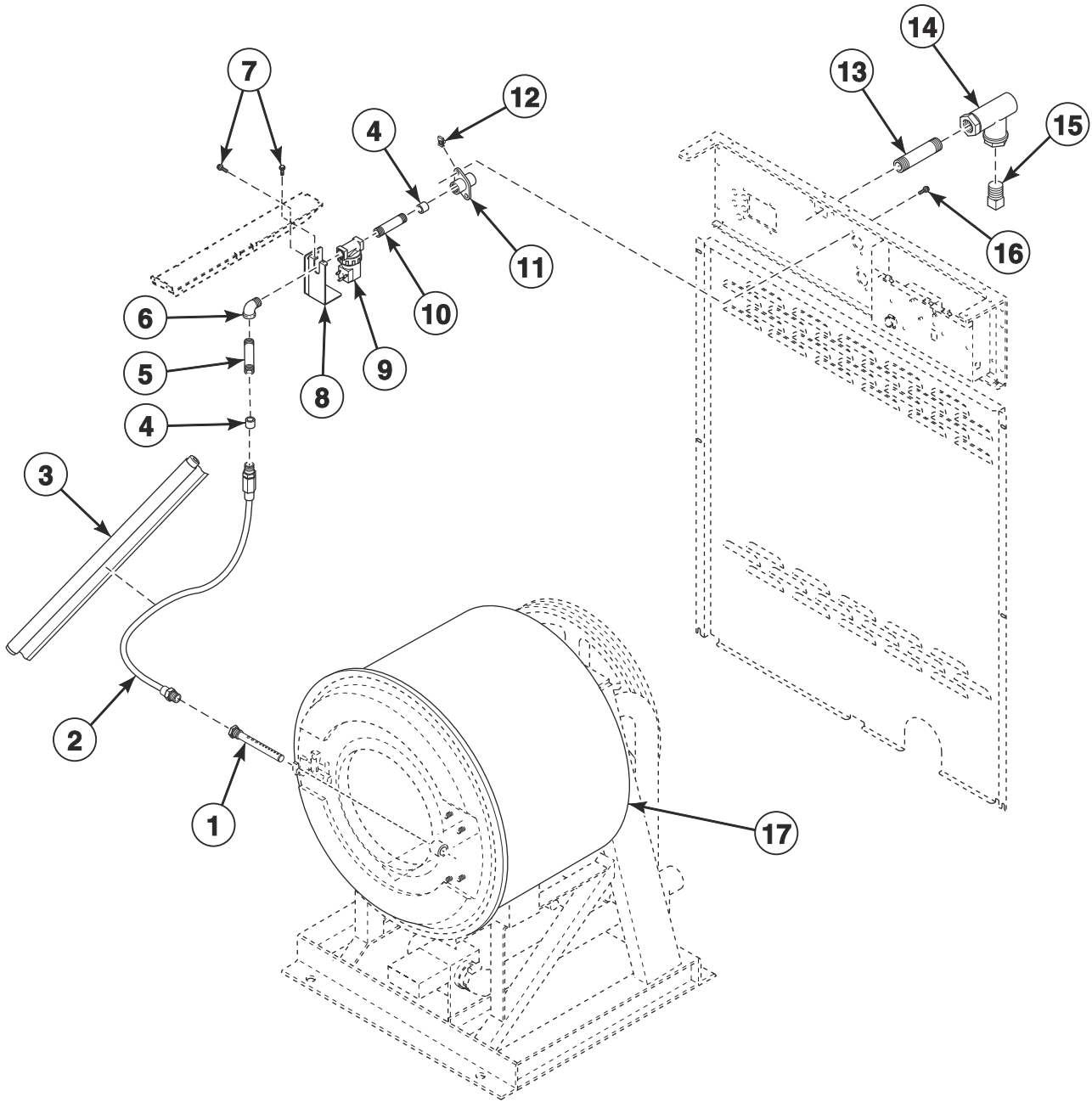


CHM3429P_F8641801

Electric Heat Option

REF	PART NO.	DESCRIPTION	COMMENTS
	F8056001	Jumper Wire	P-voltage models require 5; N-voltage models require 3
1	F8404401	Water Pressure Switch	
2	F8153901	Tubing	
3	F8246601	Tee	
4	70256901P	Circuit Breaker	
5	F330188P	Contactator	
6	F410300	Pipe Insulation	
7	F200202600	Plug	
8	F370609	Thermistor Sensor	
9	F8360602	Shell Weldment	20 pound models
	F8360702	Shell Weldment	30 pound models
	F8360802	Shell Weldment	40 pound models
	F8360902	Shell Weldment	60 pound models
10	F360205P	Element	2.6 kW; 3 used in 20 and 30 pound models; 6 used in 40 and 60 pound models
11	F360202	Heating Element Plug	

Steam Heat Option



CHM3404P_F8641801

Steam Heat Option

REF	PART NO.	DESCRIPTION	COMMENTS
	F953P3	Steam Heat Kit	Includes items 1-11, 13-16, labels and harness
	F380984P	Steam Valve Repair Kit	Use with item 9
	F8514601P	Coil	Use with F8322801 Valve
	F8382301	DIN Valve Adapter Kit	Use with F8322802 Valve
	F8379501P	Valve Kit	Use with F8322801 Valve
1	F8368201	Steam Injector Tube Assembly	
2	F200197	Steam Hose	60 pound models
3	F8233700	Pipe Insulation	36 inches
	F8233703	Insulation	9 inches
	F8233705	Pipe Insulation	18 inches
4	F8116301	Coupling	60 pound models; 2 required
5	70263801	Pipe Nipple	
6	H86070034	Street Elbow	
7	430497	Screw	
8	F8490301	Steam Bracket	
9	F8322801P	Valve	Includes F8514601 Coil; For models that have been upgraded with F8521601 Din Valve Kit
	F8521501	DIN Valve Kit	Includes F8322801 Valve, F8382301 DIN Valve Adapter Kit and F8514601 Coil
10	70139601	Pipe Nipple	60 pound models
11	F8362701	Coupling	
12	70030401	Nut	
13	431486	Pipe Nipple	
14	F270307	Steam Filter	
15	F420409	Plug	
16	20253	Screw	
17	F8360602	Shell Weldment	20 pound models
	F8360702	Shell Weldment	30 pound models
	F8360802	Shell Weldment	40 pound models
	F8360902	Shell Weldment	60 pound models

Parts Index

A

Access Cover	
F8047801	53
Auxiliary Control Assembly	
F8189401P	9

B

Basket and Bearing Assembly	
F980204341	39, 41
F980204342	39, 41
F980204343	39, 41
F980204344	39, 41
Basket Assembly	
F8391301P	39
F8391303	39
F8391501P	39
F8391503	39
F8391701P	39
F8391703	39
F8502801	39
F8502804	39
Basket Puller Tool	
F460129P	39, 41
Basket Pulley	
F150269	57, 59
F150270	57, 59, 61
F200299700	57, 59
Basket Pulley Puller Tool	
F8608502P	39, 41
Basket Rental Tool Kit	
390P4-1	39, 41
Basket Tool Kit	
389P4	39, 41
Bearing	
F100108	41
F100123P	41
F100134	41
F100135	41
F100136P	41
F100137P	41
Bearing Housing	
F8246802	41
F8247902	41
F8249902	41
F8250902	41
Bearing Housing Assembly	
F8271601P	41
F8271602	41
F8271701P	41
F8271702	41
F8271801P	41
F8271802	41
F8271901P	41
F8271902	41
Bearing Sleeve	
F8221701	33, 35
Belt	
F200201700P	57, 59
F8382801	61

F8382803	57, 59
F8382804	57, 59
F8382805	57, 59
Blind Rivet	
F8245101	33, 35
Bolt	
F200182700	47, 49
F430522	45
F430974	33, 35
F8230501	31
F8270701	37
F8402801	45, 57, 59, 61
F8508101	33, 35
Bracket	
F8365401	45
F8365402	45
F8434601	45
F8434701	45
F8599801	9

C

Cap	
F8197701	53
Card Plate Assembly	
F8201501	21
Card Reader Overlay	
70334201	21
70438201	21
Circuit Breaker	
70256901P	11, 63
Clamp Ring Assembly	
F8388001	39
F8388002	39
F8388003	39
F8388004	39
Clamp Ring Bracket	
F8302401	39
Coil	
F8514601P	65
Coin Box	
F160672	23
Coin Chute	
F8170801	9
Coin Drawer Assembly	
F8182001	23
Coin Drop	
70256402P	17
70441601P	15
Coin Drop Assembly	
210195	17
210196	17
38462P	15
38463	15
38464P	15
38472	17
38521	17
39157	17
70281102	17, 19
70447301	19
70482401	19

N/A items do not appear in index.

70506901	19
Coin Drop Kit	
CK107	19
CK111	19
CK122	19
CK123	19
Coin Identification Paper	
38725	15, 17, 19
Coin Meter	
F0160737-00	17
Coin Meter Assembly	
F200010000P	15
F200010001	17
F200010002	17
F200010003	17
F200010004	17
F200010005	17
F200010006	15
F200010007	15
F200010008	17
F200010009	15
F200010010	17
F200010011	15
F200010012	15
Coin Vault Assembly	
F8182501	9
F8182601	9
Communication Board	
210095P	13
Communication Connector	
210099	13
Communication Harness	
F8385102	11
70338301P	13
Concrete Kit	
1111P	43
Control Tray Harness	
F8261501P	9, 11
Contactora	
F330177P	11
F330188P	63
Control Assembly Kit	
F980P3	9
Control Panel Assembly	
F8038502	25
F8038504	29
F8038602	25
F8038604	29
F8038702	25
F8038704	29
F8038802	25
F8038804	29
Control Panel Overlay	
F8443801	27
F8443802	27
F8444401	27
F8444402	27
F8444501	27
F8444502	27
F8444601	27
F8444602	27
F8444701	27
F8444702	27
F8557501	27
F8557502	27
F8557601	27

F8557602	27
F8557701	27
F8557702	27
F8557801	27
F8557802	27
F8557901	27
F8557902	27
F8558001	27
F8558002	27
F8558101	27
F8558102	27
F8558201	27
F8558202	27
Control Tray Assembly	
F8359602P	9
F8359604	9
F8359707	9
Control Tray Harness	
F8433201	9
Coupling	
F8116301	65
F8362701	65
Cover Overlay	
70275402	27

D

Diaphragm and Guide Kit	
G582P3	53
DIN Rail	
F8385301	11
DIN Valve Adapter Kit	
F8382301	65
DIN Valve Kit	
F8521501	65
Dispenser Assembly	
F8047401	53
F8047402	53
Dispenser Gasket	
F8308301	53
Dispenser Lid	
F8048101	31
Dispenser Overflow Hose	
F8043401	53
F8043403	53
F8043404	53
Door	
F0602431-02	33
F0602837-02	33
F602842-2	35
F8507501P	33
F8507601	33
F8507701	35
F8507702	35
Door Assembly	
F8187203	33
F8187206	33
F8187303	33
F8187306	33
F8187403	35
F8187406	35
Door Bezel	
F0170426-00	25
F0170426-30	25, 29
F170416-1	25

N/A items do not appear in index.

F170416-3.....	25, 29
F170417-1.....	25
F170417-3.....	25, 29
Door Gasket	
F170124.....	35
F200000200.....	33
F200000202.....	33
F8111502.....	35
F8111601.....	33
F8111602.....	33
Door Glass	
F8341701.....	33
F8485302.....	33
F8485402.....	35
Door Glass Trim	
F8583201.....	33
F8583202.....	33
F8583203.....	35
F8583204.....	33
F8583205.....	33
F8583206.....	35
Door Handle	
F8199501.....	33, 35
F8544701.....	33, 35
Door Handle Spacer Kit	
F8567501.....	33, 35
Door Hinge	
F190216P.....	33, 35
Door Hinge Shim Kit	
F200131000P.....	33, 35
Door Latch Arm Assembly	
F8221401.....	33, 35
Door Lock Assembly	
F8340501.....	37
Door Lock Catch	
F8344501.....	37
Door Lock Cover	
F8245001.....	37
Door Lock Microswitch	
F200203200.....	37
Door Lock Plate Assembly	
F8223202.....	37
Door Lock Plate Shim	
F8344401.....	37
Door Lock Solenoid Replacement Kit	
F977P3.....	37
Door Lock Splash Shield	
F320200.....	37
Door Lock Switch Lever	
F8223401.....	37
Door Mount	
F150271.....	33, 35
Double Check Valve	
F8301201.....	55
Dowel Pin	
F8388101.....	41
F8388201.....	41
Drain Connect Tee	
F150318.....	45
Drain Hose	
F200165100.....	45
F8232901.....	45
F8261302.....	45
F8261303.....	45
F8464701.....	45

Drain Seal Kit	
F8562001.....	49
Drain Tee	
F150398.....	45
Drain Valve	
F8602602.....	49
Drain Valve Cover	
F200133600.....	47, 49
Drain Valve Kit	
F8577201.....	49
Drain Valve Motor	
F380933P.....	47, 49
F8618901P.....	47, 49
Drive Assembly	
F8204701P.....	11
F8303601P.....	11
F8327301P.....	11
Drive Mounting Bracket	
F8322401.....	11
Drive Tray Assembly	
F8359801.....	11
F8359802.....	11
F8359803.....	11

E

Earth Terminal Sticker	
M412096.....	7
Electric Shock Danger Label	
F8115501.....	7
Electronic Coin Drop Assembly	
70294103P.....	19
70294104.....	19
70294105P.....	19
70294106.....	19
70294111.....	19
70294119.....	19
70294120.....	19
70294121.....	19
70513301.....	19
70513302.....	19
70513303.....	19
70513304.....	19
70513308.....	19
70513309.....	19
70513310.....	19
70513311.....	19
70513312.....	19
70513313.....	19
70513314.....	19
70513315.....	19
70513316.....	19
Electronic Coin Drop Kit	
CK099.....	19
CK100.....	19
CK101.....	19
CK108.....	19
CK109.....	19
CK110.....	19
CK113.....	19
CK115.....	19
CK116.....	19
CK117.....	19
CK118.....	19
CK119.....	19

N/A items do not appear in index.

CK120	19
CK121	19
CK500	19
Element	
F360205P	63
EMI Filter	
F8053901P	11
F8053902	11
End Stop	
F8449801	11
Ethernet Gateway Kit	
NK320	9, 11, 13
Excluder Seal	
F8336801	39
F8336802	39
F8336901	39
F8336902	39
F8337001	39
F8337002	39
F8337101	39
F8527701	39
Expansion Clip	
70030501	9, 11, 25, 29, 31
Extension Spring	
F310124	57, 59
External Door Lock Harness	
F8340001	37
External Supply Connection Decal	
F8150201	7
External Supply Harness	
F8191201P	9, 11
F8191203P	9, 11
External Supply Kit	
F937P3	9, 11
Eye Bolt	
F8319503	59
F8351901	57
F8351902	59
F8404501	61

F

Fill Hose Kit	
F8544601	51
Filter	
F8454401	53
Flanged Bushing	
F8333301	57
F8333302	59, 61
Flanged Isolator	
F8535202	59
Frame Template	
F8433301	43
F8433401	43
F8433501	43
F8433601	43
Frame Weldment	
F8247002	43
F8248002	43
F8249001	43
F8250002	43
Front Cabinet Brace	
F8173801	25, 29
F8173901	25, 29

F8174001	25, 29
Front End Control Kit	
F104P3	9
F105P3	9
F108P3	9
F109P3	9
Front Panel	
F8171301	25, 29
F8173001	25
F8173002P	29
F8173003	25
F8173008	29
F8173009	25
F8173101P	25
F8173102P	29
F8173107	25
F8173108	29
F8173201P	25
F8173202P	29
F8173207	25
F8173208	29
F8492301	25
F8492302	29
F8492307	25
F8492308	29
Fuse	
802492	9
802493	9

G

Gravity Drain Valve	
803292	47
Grommet	
F8433001	9
Ground Decal	
F230739	7
Ground Lug Connector	
M411283	53
Gusset Plate	
F8186701	29
F8186702	25, 29

H

Harness	
F8454601	53
Heating Element Plug	
F360202	63
Hole Plug	
F8223801	31
Hose	
F606816-1	53
F8232001	53
F8232002	53
F8232004	53
F8405301	9
Hose Barb Connector	
F8431001	9
Hose Clamp	
F200201	45
F200213	45, 53
F200215	45

N/A items do not appear in index.

F200222	53
20211	53
36801	53
Hot Surface Warning Label	
F8614301	7

I

Induction Motor	
801194P	61
Insulation	
F8233703	65

J

Jumper Configuration Assembly	
M413507	9, 11
Jumper Harness	
D511476	21
Jumper Harness Assembly	
M413506	9, 11
Jumper Wire	
F8056001	63

K

Key	
F160420	23
F430801	57, 59, 61
H8752006H	57, 59
70155603	31

L

Left Side Panel	
F8399202	31
F8399204	31
F8399302	31
F8399304	31
F8399402	31
F8399404	31
F8399502P	31
F8399504	31
F8492402	31
F8492404	31
Lid Clamp	
F8091701	31
Lower Cabinet Brace	
F8174101	25, 29
Lower Drive Mounting Bracket	
F8310101	11

M

Machine Size Configuration Harness	
F8028101P	9, 11
F8028103P	9, 11
F8028104P	9, 11
F8028105P	9, 11

Magnet	
F8390801	33, 35
Manifold	
F8333201	53
Motor	
F8335001P	57, 59
F8335101P	57, 59
Motor Bracket Weldment	
F8441601	57
F8441603	59
F8441604	59
Motor Conduit Mounting Bracket	
70321701	57, 59
Motor Drip Shield	
F200216900	61
Motor Harness	
F8384801	61
F8384901	57, 59
F8396601	57, 59
Motor Isolation Kit	
F8562501	59
F8562502	57, 59
F8562504	61
Motor Mount Rod	
801062	61
Motor Pulley	
F8362501	57, 59
Motor Rod Extension	
F8387101	61
Motor Rod Plate	
F8441101	57, 59, 61
Mount on Concrete Warning Label	
F8246401	7
Mounting Plate	
70208801	21

N

Network Controller Kit	
NK220	13
Network Harness	
44141801P	13
Network Retrofit Kit	
NK204	13
Network Wire Harness Assembly	
44088501P	13
Nut	
F0431807-00	53
F430215	33, 35
F430218	39
F430225	37
F430232	9, 33, 35, 37, 53
F430264	37
F431041	33, 35
F8387601	41, 57
F8387701	41
44087201	45, 57, 59, 61
44087301	43, 59
685846	15, 17, 19
70030401	45, 65

N/A items do not appear in index.

O

Opto Coupler	
200674P	15, 17
O-Ring	
F8441901	57
Output/Logic Harness	
F8028701	9, 11
Overflow Hose	
F8367201	45
F8367901	45
F8368001	45
Overlay	
F8443803	29
F8444403	29
F8444503	29
F8444603	29
F8444703	29
F8557503	29
F8557603	29
F8557703	29
F8557803	29
F8557903	29
F8558003	29
F8558103	29
F8558203	29
70295101	19
70295301	19

P

Panel Lock	
44089303P	31
PC Board Standoff	
210098	13
Pin	
F8302701	39
Pipe Insulation	
F410300	63
F8233700	65
F8233705	65
Pipe Nipple	
431486	65
70139601	65
70263801	65
Plug	
F200202600	63
F420409	65
F8223901	31
M400985	31
Pop Rivet	
F431223	33, 35
70058501	9, 15, 17
70412601	25, 29
Pressure Bulb	
30907	9
P-Trap Hose	
F8042201	53
F8042204	53
F8042301	53
Pulse Expander Assembly	
F8034701P	19

Pushbutton Switch	
70413301	31

R

Radial Seal	
F8203808	41
Rear Drain Hose	
F8231904	45
F8231905	45
F8365601	45
F8365602	45
Rear Panel	
F8352801	31
F8362401	31
F8365201	31
F8367101	31
F8492501	31
Reed Switch Assembly	
F8066802	33, 35
Regulator	
F8402201	53
Retaining Ring	
F8337801	41
F8337901	41
F8344901	41
F8345001	41
Right Side Panel	
F8399201	31
F8399203	31
F8399301	31
F8399303	31
F8399401	31
F8399403	31
F8399501	31
F8399503P	31
F8492401	31
F8492403	31
Rod	
F602813-2	33
F602813-3	35

S

Screw	
D503688	11
F430174	25, 29
F430532	33
F430533	33, 35
F430536	33, 35
F430903	9
F430909	53
F430956	37
F430977	37
F8117601	25, 29
F8206901	9, 11, 31, 53
F8230301	53
F8230601	31
F8368701	41
F8368801	41
F8406601	61
F8442702	43
F8535501	33, 35
F8535601	53
F8574001	57, 59, 61

N/A items do not appear in index.

F8621601	43	F270308	51
M400077	57, 59	Steam Heat Kit	
202175	45	F953P3	65
20253	65	Steam Hose	
23222	57, 59	F200197	65
430497	65	Steam Injector Tube Assembly	
431287	31	F8368201	65
800461	57	Steam Valve Repair Kit	
800462	39	F380984P	65
800548	53	Street Elbow	
801019	25	H86070034	65
Seal Scupper Pad		Stud	
F8350301	41	70334702	45
F8350302	41	Supply Overflow Hose	
F8350303	41	F8043405	53
Shaft Seal Sleeve			
F8343914	39		
Shaft Seal Sleeve Kit			
F8343901P	39		
F8343904P	39		
F8343906P	39		
F8343909P	39		
Shell Band Kit			
F8537801	39		
F8537802	39		
F8537803	39		
F8537804	39		
Shell Front Assembly			
F8229401	39		
F8229501	39		
F8229601	39		
F8229701	39		
Shell Front Gasket Kit			
F8513501	39		
Shell Weldment			
F8360601	43		
F8360602	63, 65		
F8360701	43		
F8360702	63, 65		
F8360801	43		
F8360802	63, 65		
F8360901	43		
F8360902	63, 65		
Shim			
F8484401	37		
Siphon Cover			
F8047901	53		
Snap Bushing			
M400770	13		
44071501	9		
Spacer			
F431901	37		
F8451601	57, 61		
Spring			
F8504601	47		
Spring Mount Rod			
F8361301	61		
Spring Pin			
F431222	33, 35		
Spring Plate			
F8363901	57		
F8525801	59		
Steam Bracket			
F8490301	65		
Steam Filter			
F270307	51, 65		

T			
Tee			
F8246601	9, 63		
Terminal Block			
430642	53		
Terminal Tray Cover			
F8177001	53		
Terminal Tray Cover Gasket			
F8230001	53		
Thermistor Sensor			
F370609	63		
Top Cabinet Brace			
F8043501	31		
F8043701	31		
F8043801	31		
F8043901	31		
Top Cover			
F8017401	31		
F8040201	31		
F8040301	31		
F8040401P	31		
Top Cover Hinge			
F8258601	31		
Top Cover Latch			
F8201001	25, 29		
Torsion/Door Lock Spring			
F8070301	37		
Transformer			
F8401301	11		
201616P	9		
803527P	9		
Tray Support Bracket			
F8375201	9		
Triple Lip Seal			
F8203801	41		
F8203802	41		
F8203803	41		
F8203806	41		
F8203813	41		
F8203814	41		
F8203815	41		
Tubing			
F8153901	9, 63		

N/A items do not appear in index.

U

USB Gateway Kit
NK330 13

USB IR Interface Kit
203346 9, 11

Use Copper Conductors Only Caution Label
F8242201 7

V

Vacuum Breaker Assembly
F8048601 53

Vacuum Breaker Hose
F0200244-01 53
F0200244-02 53

Vacuum Supply Hose
F8042801 53
F8042803 53
F8042804 53
F8042805 53

Valve
F8322801P 65

Valve Kit
F8379501P 65

Valve Panel
F8398701 53
F8398801 53
F8398901 53
F8399001 53

Valve, 3-Way
F8286401P 53
F8286402P 53

Vault/FBS Jumper Harness
F8191402 21

W

Warning Label
F8207901 7
F8233501 7
44324001 7

Washer
F430339 41
F431113 33, 35
F431115 57, 59, 61
F431902 37
F431916 33, 35
F431929 33, 35
F8201101 25, 29
F8366601 41
F8402701 43
M400081 39, 43
M405535 45
803615 51, 53

Water Hose Kit
F8665601 51
F8665602 51
F8665603 51
F8665604 51

Water Pressure Switch
F8404401 9, 63

N/A items do not appear in index.