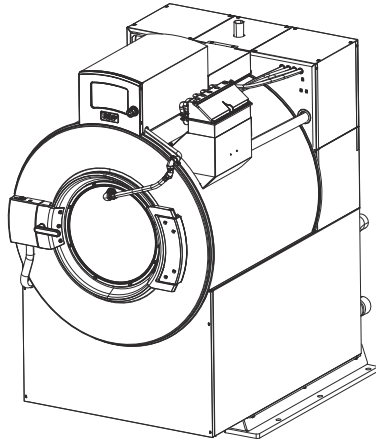


# Washer-Extractor

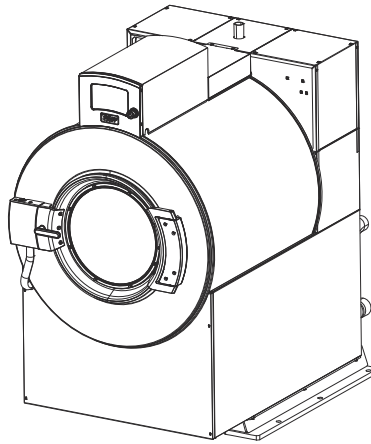
Pocket Hardmount

Refer to Page 3 for Model Numbers



C-PHM2P18

**UniLinc Models**



C-PHM2P19

**M30 Models**

PHM1432C\_F8668101



# Table of Contents

Title	Page
Parts Ordering Information.....	2
Serial Plate Location .....	2
Model Identification .....	3
Pocket Hardmount Washer-Extractor Product Overview .....	4
Labels .....	6
Control Module (Models ending in D3, D4, N1, and N2).....	8
Control Module (Models ending in V3 and V4) .....	10
Inverter Drive Box (Drawing 1 of 2).....	12
Inverter Drive Box (Drawing 2 of 2).....	14
Vibration Switch and Temperature Probe .....	16
Panels .....	18
Front Bulkhead, Drive Box and Water Supply Box Panels .....	20
Front Bulkhead, Drive Box and Water Supply Box Trim .....	22
Rear Bulkhead .....	24
Spray Tube Assembly .....	26
Door .....	28
Door Lock - 130 Pound Models .....	30
Door Lock - 160 and 200 Pound Models .....	32
Shell Front and Basket.....	34
Shell Frame and Seal .....	36
Supply Dispenser.....	38
Chemical Injection.....	40
Water Supply Valve and Hoses to Supply Dispenser .....	42
Fill Plumbing Assembly .....	44
Spray Plumbing Assembly .....	46
Drain Plumbing .....	48
Motor and Pulley .....	50
Bearing Housing .....	52
Electric Heat Option .....	54
Steam Heat Option .....	56
Special Tools and Kits and Kits .....	58
Parts Index.....	61

© Copyright 2023, Alliance Laundry Systems LLC

All rights reserved. No part of the contents of this book may be reproduced or transmitted in any form or by any means without the expressed written consent of the publisher.

## Parts Ordering Information

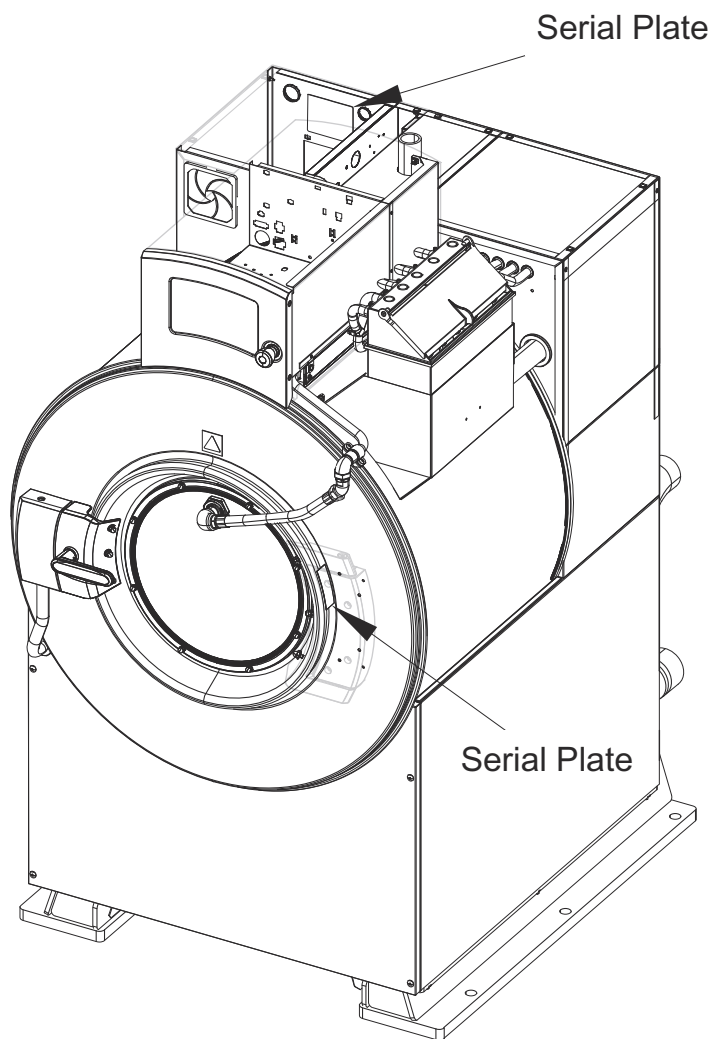
If literature or replacement parts are required, contact the source from whom the machine was purchased or contact Alliance Laundry Systems at (920) 748-3950 for the name and address of the nearest authorized parts distributor.

For technical assistance, call the number listed below:

(920) 748-3121 Ripon, Wisconsin

## Serial Plate Location

When calling or writing about your product, be sure to mention model and serial numbers. Model and serial numbers are located on serial plate(s) as shown.



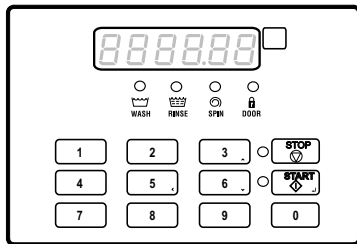
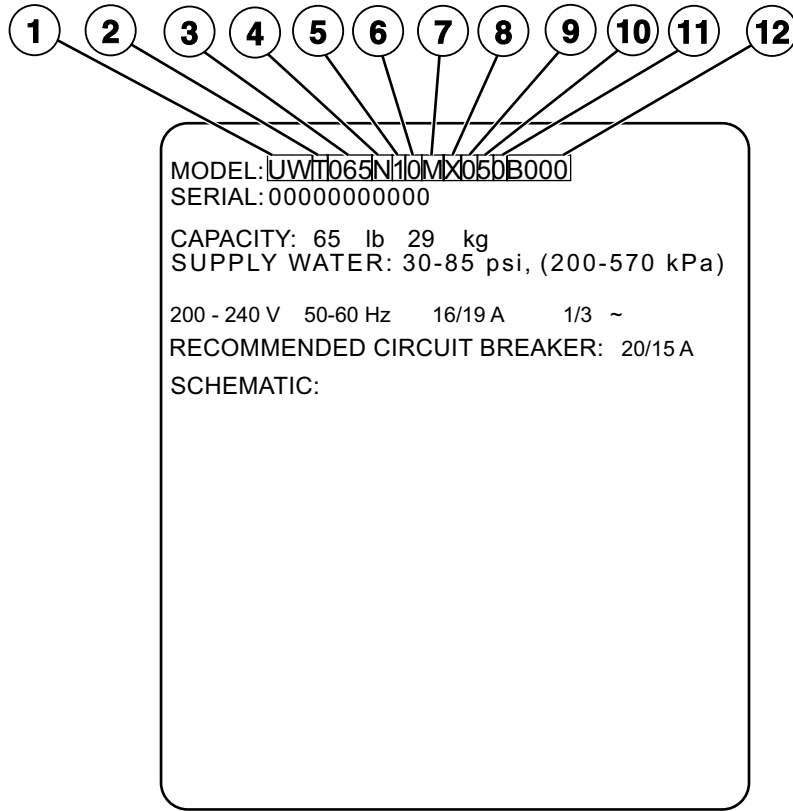
C-PHM2C2\_F8668101

## Model Identification

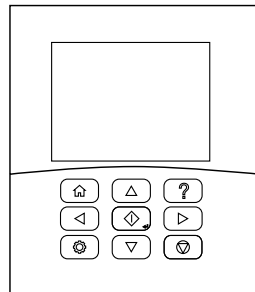
Information in this manual is applicable to these washer-extractor models:

UWG130D3	UWK130D3
UWG130D4	UWK130D4
UWG130N1	UWK130N1
UWG130N2	UWK130N2
UWG160D3	UWK130V3
UWG160D4	UWK130V4
UWG200D3	UWK160D3
UWG200D4	UWK160D4
UWH130D3	UWK160V3
UWH130D4	UWK160V4
UWH130N1	UWK200D3
UWH130N2	UWK200D4
UWH160D3	UWK200V3
UWH160D4	UWK200V4
UWH200D3	UWT130D3
UWH200D4	UWT130D4
UWJ130D3	UWT130N1
UWJ130D4	UWT130N2
UWJ130N1	UWT130V3
UWJ130N2	UWT130V4
UWJ130V3	UWT160D3
UWJ130V4	UWT160D4
UWJ160D3	UWT160V3
UWJ160D4	UWT160V4
UWJ160V3	UWT200D3
UWJ160V4	UWT200D4
UWJ200D3	UWT200V3
UWJ200D4	UWT200V4
UWJ200V3	UWU130D3
UWJ200V4	UWU130D4
	UWU130N1
	UWU130N2
	UWU130V3
	UWU130V4
	UWU160D3
	UWU160D4
	UWU160V3
	UWU160V4
	UWU200D3
	UWU200D4
	UWU200V3
	UWU200V4

# Pocket Hardmount Washer-Extractor Product Overview



**M30 Control**



**UniLinc Control**



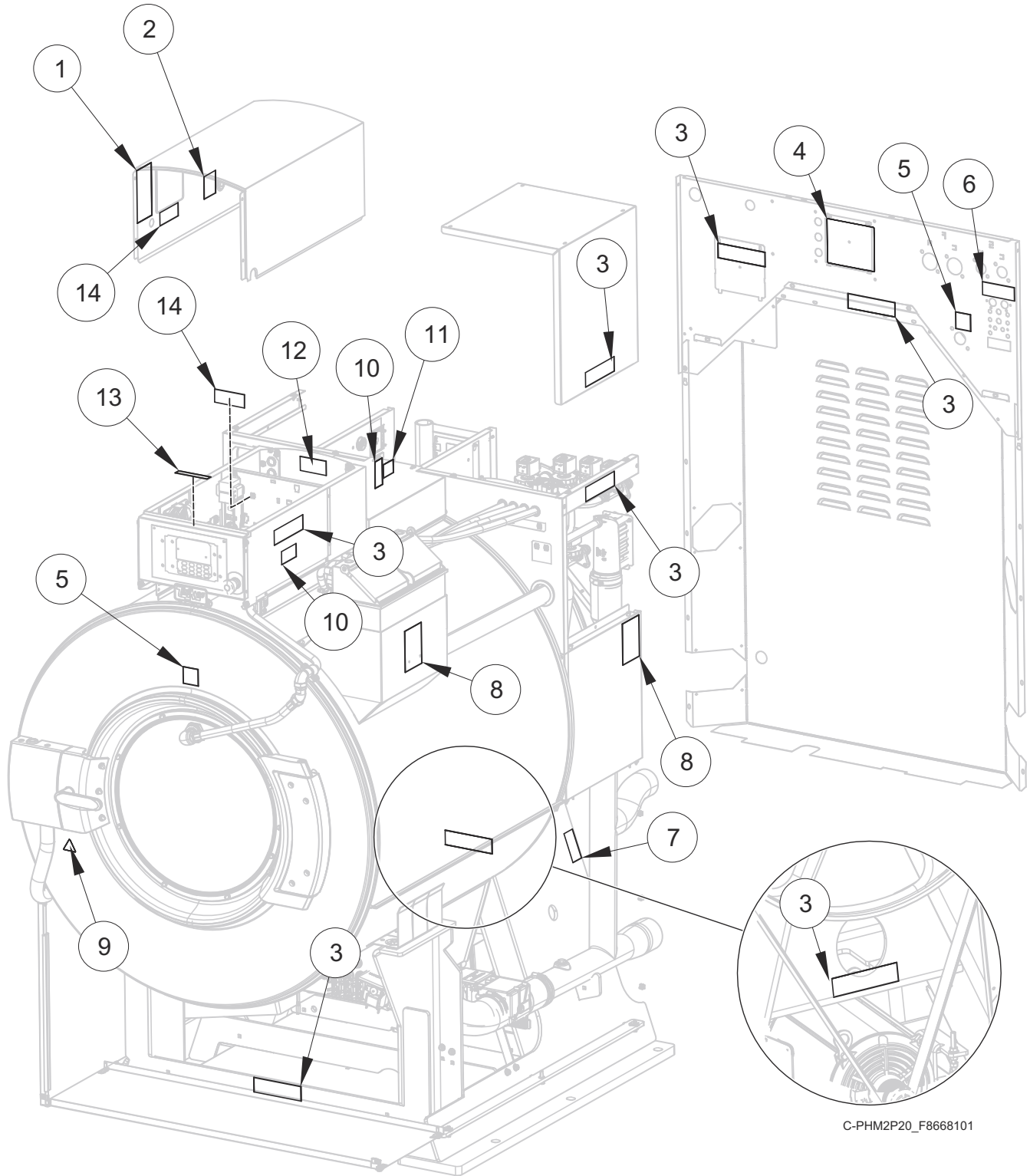
**UniLinc Touch Control**

PHM3341P

# Pocket Hardmount Washer-Extractor Product Overview

REF	PART NO.	DESCRIPTION	COMMENTS
1	-	Product Family	UW
2	-	Market Approvals	G (UL International) H (China-ROHS) J (Japan) K (Korea) T (UL North America) U (CE/EAC)
3	-	Capacity (Dry Weight in Pounds)	045 065 085 105 130 160 200
4	-	Control	N (M30 Control) D (UniLinc Control) V (UniLinc Touch Control)
5	-	Spray/Dispenser Feature	1 (No spray but with dispenser) 2 (No spray or dispenser) 3 (With spray and dispenser) 4 (With spray but no dispenser)
6	-	Open Digit	0 (Standard)
7	-	Speed	L (Low-Speed - 100G) M (Medium-Speed - 200G) V (Variable-Speed - 300G or 400G)
8	-	Voltage	X (200-240/50-60/1/3) Q (200-240/50-60/3) P (380-415/50/60/3) N (440-480/50/60/3)
9	-	Open Digit	0 (Standard)
10	-	Design Series	5
11	-	Heat Feature	0 (Standard/prep for steam heat) D (Direct steam) E (Electric heat) T (Electric and steam heat)
12	-	Features and Options	

# Labels



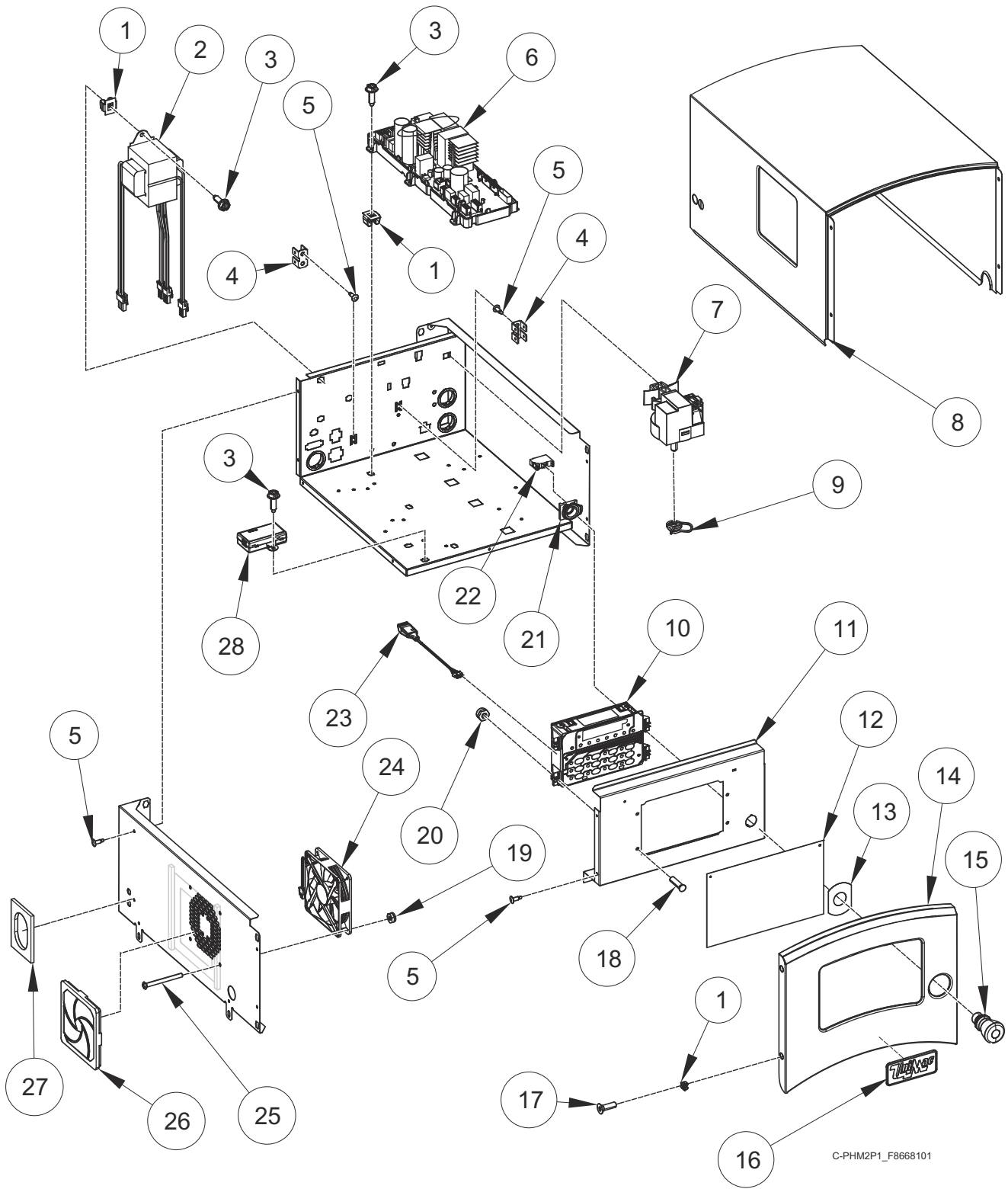
C-PHM2P20\_F8668101



# Labels

REF	PART NO.	DESCRIPTION	COMMENTS
1	F8614801	Label	Warning fire/injury; English/Quebec/French
2	F8613701	Label	Notice grease instruction; English/Quebec/French
3	44324001	Warning Label	
	F8614201	Shock Warning Label	Icon
	F8615701	Pinch Warning Label	Icon
4	F8611601	Warning Label	Warning; English/Quebec/French
5	F8614301	Hot Surface Warning Label	English/Quebec/French
	F8609001	Hot Surface Warning Label	Icon
6	F8609801	Label	Notice drill ports; English/Quebec/French
7	70538401	Pinch Warning Label	English/French
	F8615701	Pinch Warning Label	Icon
8	F8615901	Label	Warning chemical; English/Quebec/French
9	F8614201	Shock Warning Label	Icon
10	F8601301	Label	Warning underground components
11	F8620801	Label	Warning current leakage
12	F8614401	Shock Warning Label	English/French
	F8614201	Shock Warning Label	Icon
13	F8614501	Danger Label	English/Quebec/French
14	F8614601	Label	Warning; Notice clean filter; English/Quebec/French

# Control Module (Models with D3, D4, N1, and N2 in the 7th and 8th Positions)

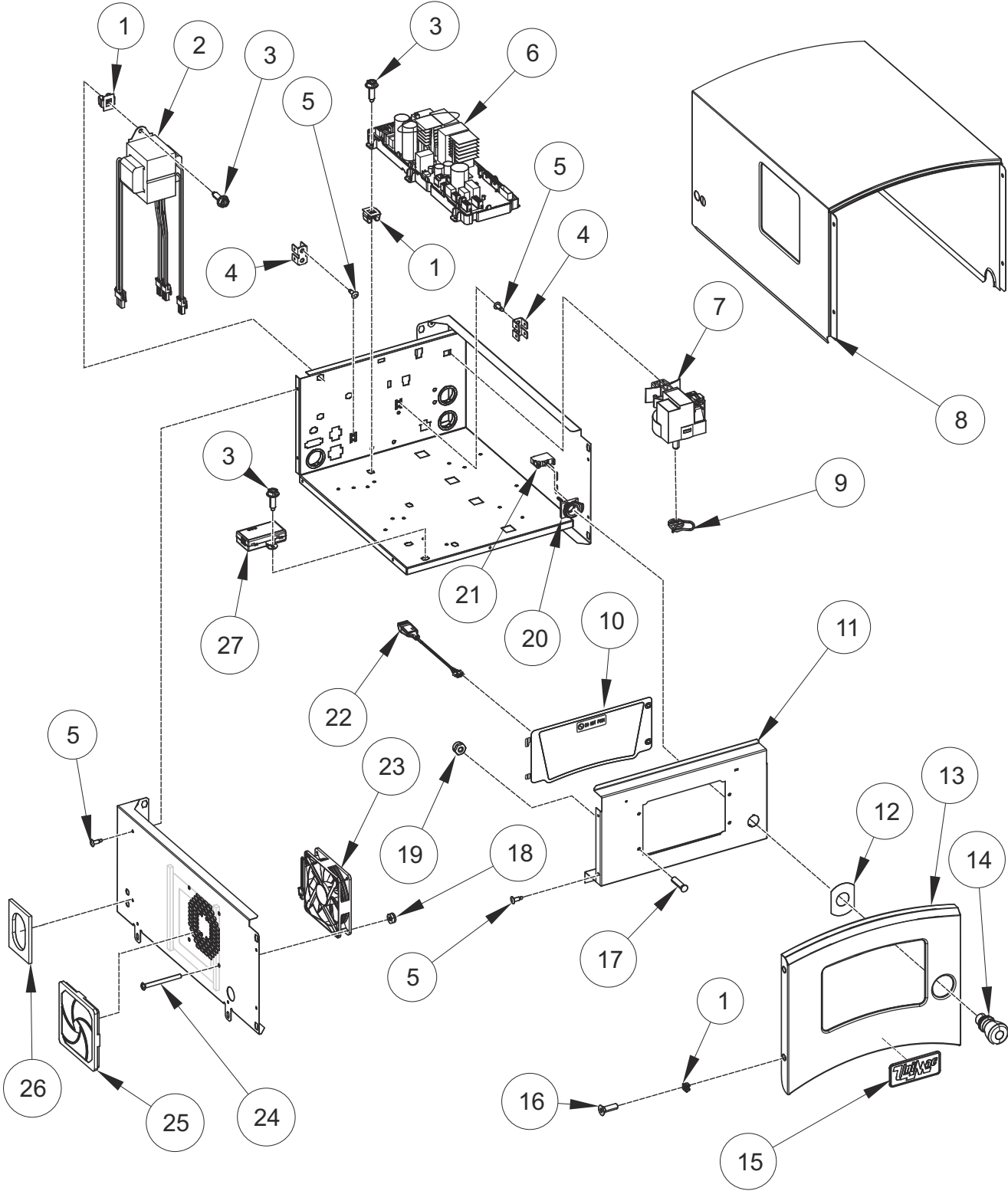


C-PHM2P1\_F8668101

## Control Module (Models with D3, D4, N1, and N2 in the 7th and 8th Positions)

REF	PART NO.	DESCRIPTION	COMMENTS
	F8519404	E-Stop Harness	
	F8585001	Ethernet Cable	
	F8566502	Module Box Fan/Jog Harness	
	F8566201	Module Box Power Harness	
	F8520407	Wireless Harness	
	F8519503	Installation/Operation Communication Harness	
	F8555505	Module Box Assembly	Models with D3 and D4 in the 7th and 8th positions; Includes items 1-7, 9-11, 13, 15, 18, 20-26, 28, F190701 Grease Fitting, F422114 Connector, box panels, hardware and harnesses
	F8555506	Module Box Assembly	Models with N1 and N2 in the 7th and 8th positions; Includes items 1-7, 9-11, 13, 15, 18, 20-26, 28, F190701 Grease Fitting, F422114 Connector, box panels, hardware and harnesses
	F8598303	Harness	Thermistor
	F8566301	Harness	24VAC; Configuration Harness
	F8617901	Harness	USB Interface
1	70030501	Expansion Clip	
2	202758	Transformer	220/24V
3	F8206901	Screw	
4	00622SG	Terminal	Male
5	M400003	Pop Rivet	
6	F8494101P	Input and Output Control Assembly	
7	F8623401	Pressure Sensor	
8	F8412504	Module Box Top	
9	39282	Hose Clamp	
10	F8493902	Control Assembly	Models with N1 and N2 in the 7th and 8th positions
	F8616203	Control Assembly	Models with D3 and D4 in the 7th and 8th positions
11	F8555703	Control Plate	Models with N1 and N2 in the 7th and 8th positions
	F8555701	Control Plate	Models with D3 and D4 in the 7th and 8th positions
12	F8665501	Control Decal	Models with D3 and D4 in the 7th and 8th positions
13	44012902	Emergency Stop Label	
14	F8410306	Module Box Front Panel	
15	F200233500	Emergency Stop Pushbutton	
16	F8443105	Nameplate	
17	F8413701	Screw	
18	F8590801	Stud	
19	F430231	Nut	
20	685846	Nut	
21	F8538101	Contact Base	
22	F8069501	Contact Switch	
23	203361P	Machine ID Control Assembly	
24	F8623601	Fan	
25	F8151201	Screw	
26	F8578501	Filter Retainer Guard	
27	F8617601	Seal Pad	
28	203440	USB-Serial Interface Assembly	

# Control Module (Models with V3 and V4 in the 7th and 8th Positions)

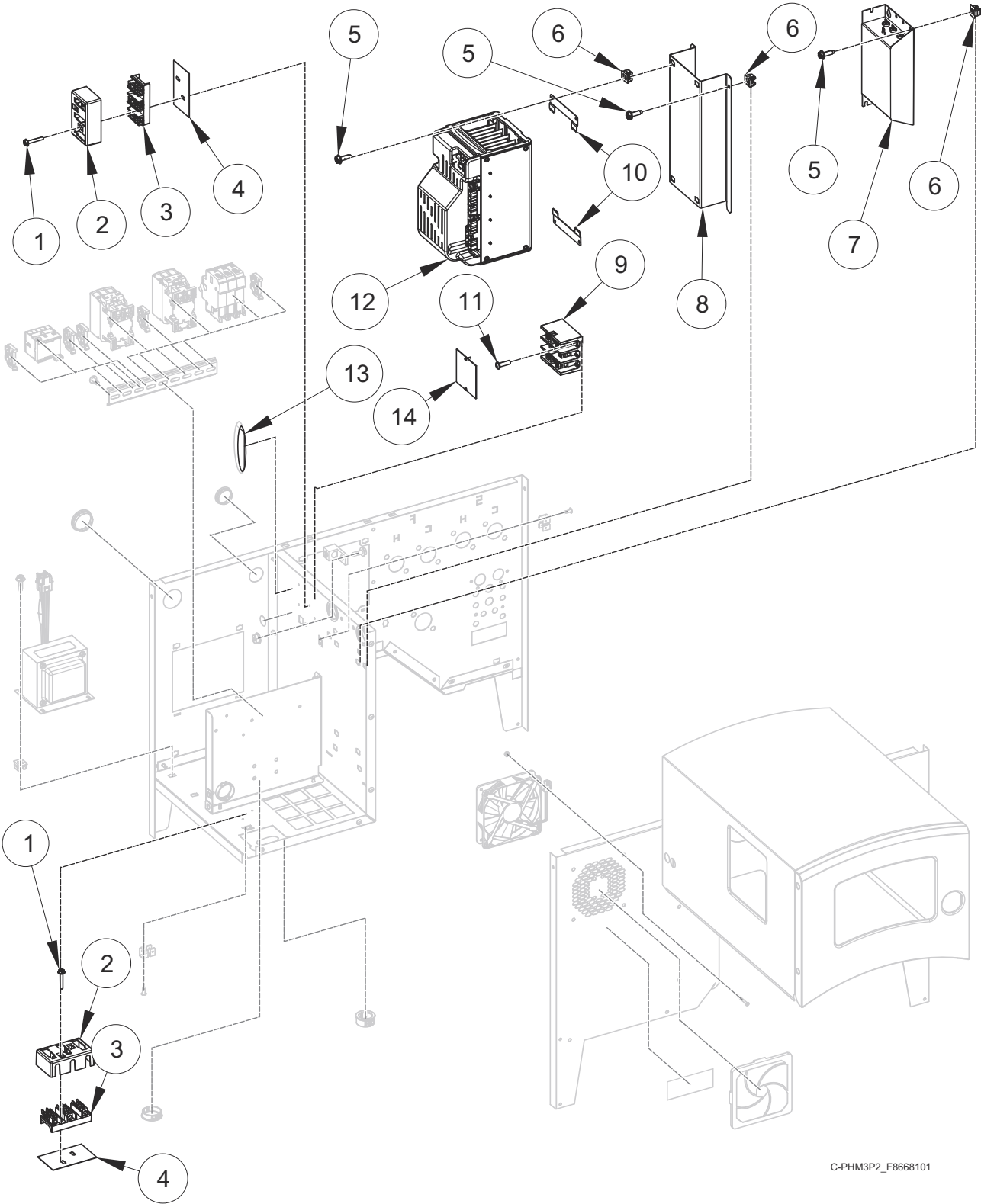


PHM3342P

## Control Module (Models with V3 and V4 in the 7th and 8th Positions)

REF	PART NO.	DESCRIPTION	COMMENTS
	F8519404	E-Stop Harness	
	F8585001	Ethernet Cable	
	F8566502	Module Box Fan/Jog Harness	
	F8566203	Module Box Power Harness	
	F8520407	Wireless Harness	
	F8519503	Installation/Operation Communication Harness	
	F8598303	Harness	Thermistor
	F8566301	Harness	24VAC; Configuration Harness
	F8617901	Harness	USB Interface
1	70030501	Expansion Clip	
2	202758	Transformer	220/24V
3	F8206901	Screw	
4	00622SG	Terminal	Male
5	M400003	Pop Rivet	
6	F8494101P	Input and Output Control Assembly	
7	F8623401	Pressure Sensor	
8	F8412504	Module Box Top	
9	39282	Hose Clamp	
10	F8746104	Control Assembly	
11	F8555704	Control Plate	
	F8555701	Control Plate	
12	44012902	Emergency Stop Label	
13	F8746003	Module Box Front Panel	
14	F200233500	Emergency Stop Pushbutton	
15	F8443105	Nameplate	
16	F8413701	Screw	
17	F8590801	Stud	
18	F430231	Nut	
19	685846	Nut	
20	F8538101	Contact Base	
21	F8069501	Contact Switch	
22	203361P	Machine ID Control Assembly	
23	F8623601	Fan	
24	F8151201	Screw	
25	F8578501	Filter Retainer Guard	
26	F8617601	Seal Pad	
27	203440	USB-Serial Interface Assembly	

# Inverter Drive Box (Drawing 1 of 2)

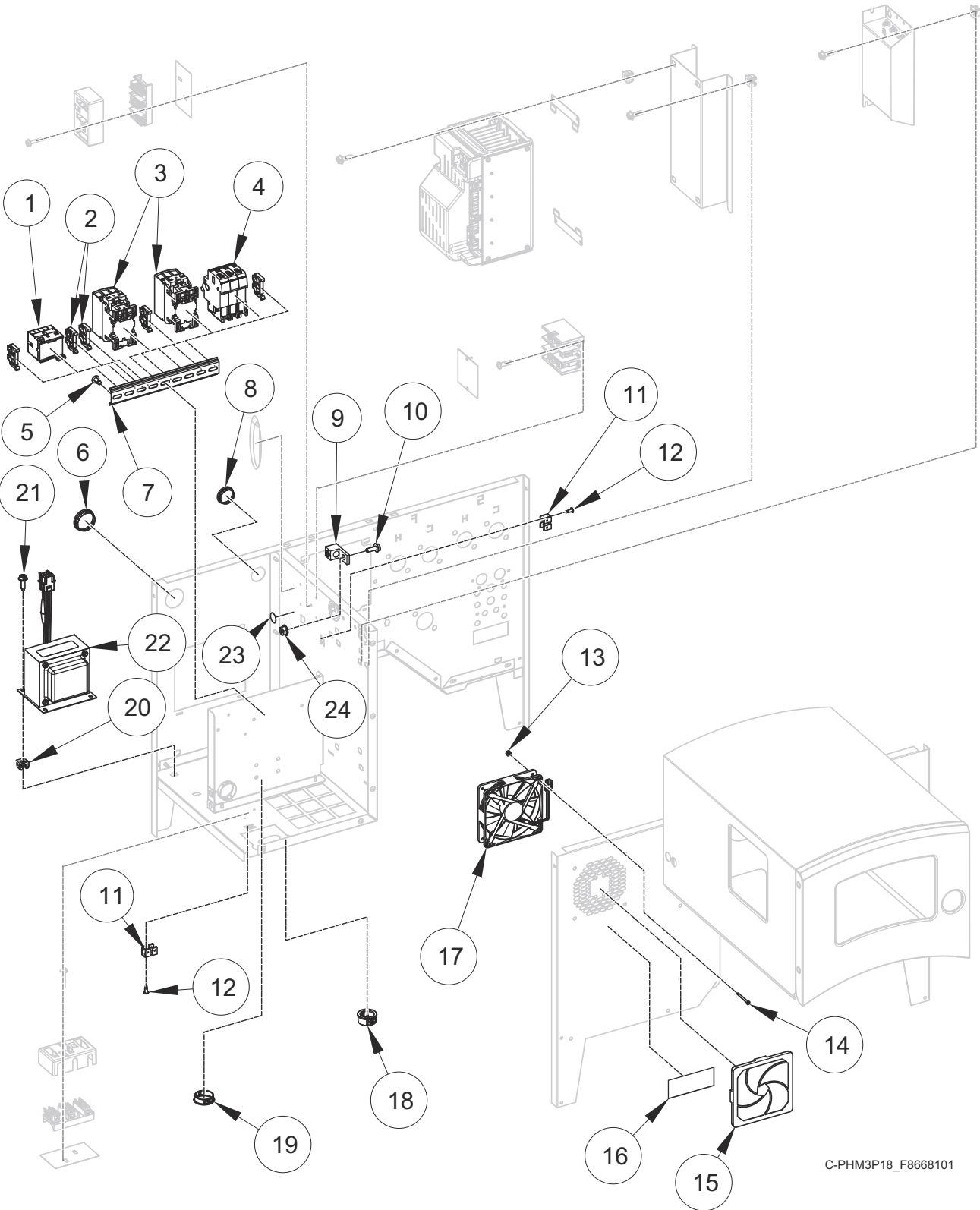


C-PHM3P2\_F8668101

## Inverter Drive Box (Drawing 1 of 2)

REF	PART NO.	DESCRIPTION	COMMENTS
	F8565401	Control Power Harness	Q voltage
	F8565601	Power Harness	N and P voltage
	F8565602	Power Harness	480V CB-XMFR
	F8565601	Power Harness	480V TB-XMFR
	F8565801	Power Harness	BOX-MOD.BOX
	F8567902	Power Harness	CB-DRV. 7.5-10 HP
	F8565502	Power Harness	CB-DRV.CONTACTOR 5 HP
	F8567904	Power Harness	CB-FLT. 7.5-10 HP
	F8582801	Power Harness	DRV.CONTACTOR-DRV5 HP
	F8567901	Power Harness	TB-DRV. 7.5-10 HP
	F8565501	Power Harness	TB-DRV.CONTACTOR 5 HP
	F8567903	Power Harness	TB-Flt. 7.5-10 HP
	F8566601	Drive Jog Harness	
	F8662109	Filter Kit	Q-voltage; Includes items 1-6, F8548204 Filter, F8322401 Drive Mounting Bracket, M411283 Ground Lug Connector, harnesses and hardware
	F8662110	Filter Kit	P and N-voltage; Includes items 1-6, F8548208 Filter, F8322401 Drive Mounting Bracket, M411283 Ground Lug Connector, harnesses and hardware
	F8662111	Filter Kit	P and N-voltage with heat; Includes item 5, 6, F8548208 Filter, F8322401 Drive Mounting Bracket, harnesses and hardware
<b>1</b>	51783	Screw	
<b>2</b>	70333001	Terminal Block Shield	
<b>3</b>	430642	Terminal Block	
<b>4</b>	M413862	Insulator	
<b>5</b>	F8206901	Screw	
<b>6</b>	70030501	Expansion Clip	
<b>7</b>	F8591801	EMI Filter	200/240; 1/3PH; 20A
	F8591701	EMI Filter	380/480; 3PH; 12A
	F8548204	Filter	EMC; 3PH; 230V; 10 HP
	F8548203	Filter	EMC; 3PH; 230V; 7.5 HP
	F8548208	Filter	EMC; 3PH; 460V; 10 HP
<b>8</b>	F8574301	Drive Mounting Bracket	7.5 HP
	F8574302	Drive Mounting Bracket	10 HP
<b>9</b>	M413865	Power Distribution Block	
<b>10</b>	F8574301	Drive Mounting Bracket	7.5 HP
	F8574302	Drive Mounting Bracket	10 HP
<b>11</b>	39733	Screw	
<b>12</b>	F8496601	Drive Assembly	5 HP; 240 Volt
	F8496901	Drive Assembly	5 HP; 480 Volt
	F8548113	Drive	7.5 HP; 230 Volt
	F8548118	Drive	7.5 HP; 230 Volt
	F8548114	Drive	10 HP; 230 Volt; PF525 Reprogrammed
	F8548119	Drive	10 HP; 460 Volt
<b>13</b>	44286803	Label	
<b>14</b>	44014901P	Power Distribution Block Cover	

# Inverter Drive Box (Drawing 2 of 2)



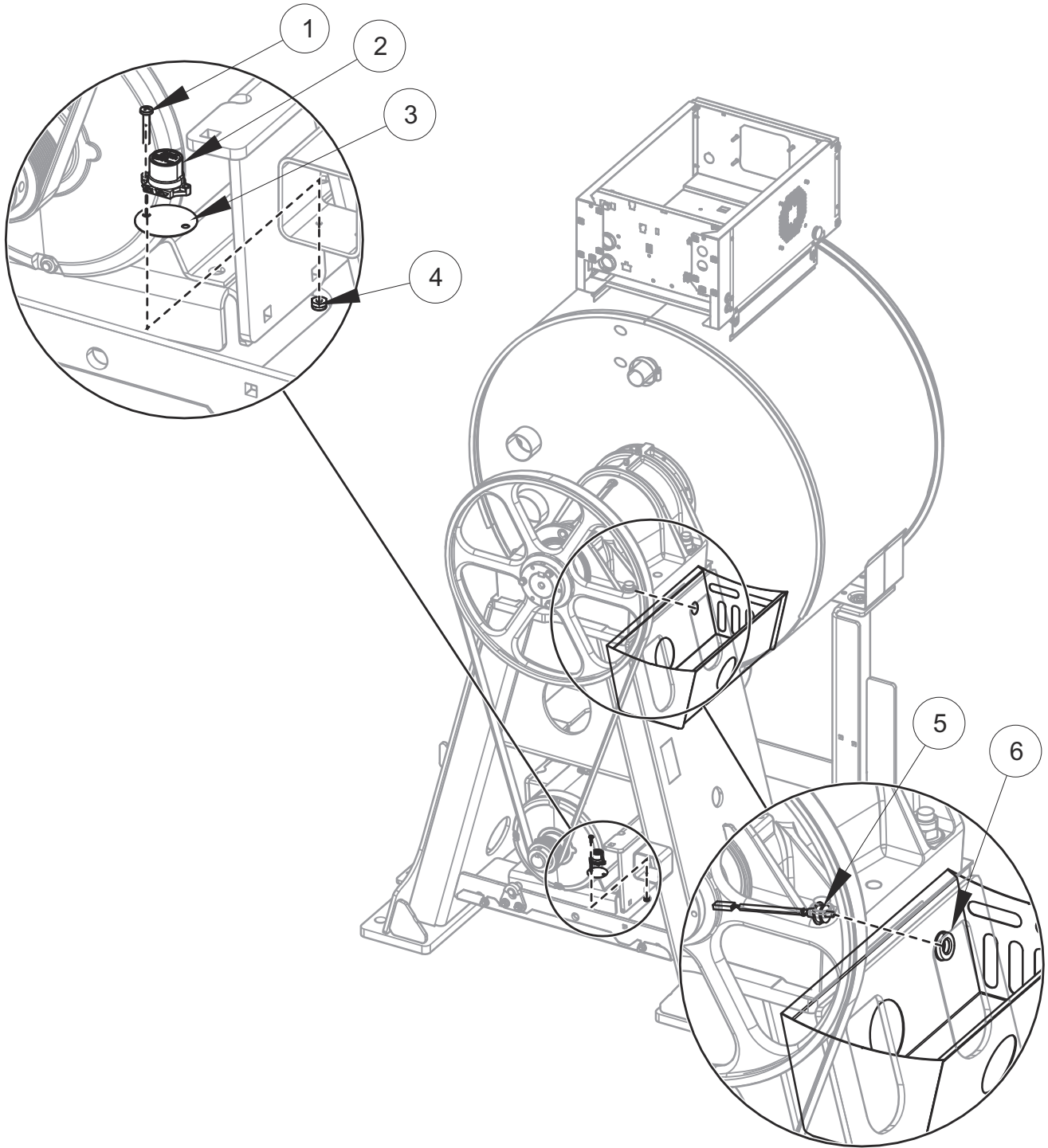
C-PHM3P18\_F8668101



## Inverter Drive Box (Drawing 2 of 2)

REF	PART NO.	DESCRIPTION	COMMENTS
1	70482601	Contactors	5.5kW; 500V: AC3; 24VDC
2	F8449801	End Stop	
3	70482701	Contactors	Electric heat; 50A; 24VDC
4	70488101	Circuit Breaker	3P; 25A
5	70058501	Pop Rivet	
6	F8223801	Hole Plug	
7	F8134101	DIN Rail	
8	F8223901	Plug	
9	M411283	Ground Lug Connector	
10	685837	Screw	
11	00622SG	Terminal	Ground
12	M400003	Pop Rivet	
13	F430231	Nut	
14	F8151201	Screw	
15	F8578501	Filter Retainer Guard	
16	F8614601	Label	Warning
17	F8623601	Fan	
18	44071501	Snap Bushing	
19	70346501	Bushing	
20	70030501	Expansion Clip	
21	F8206901	Screw	
22	F8512001	Transformer	230/400/460V
23	D516100	Label	
24	44088001	Nut	

# Vibration Switch and Temperature Probe

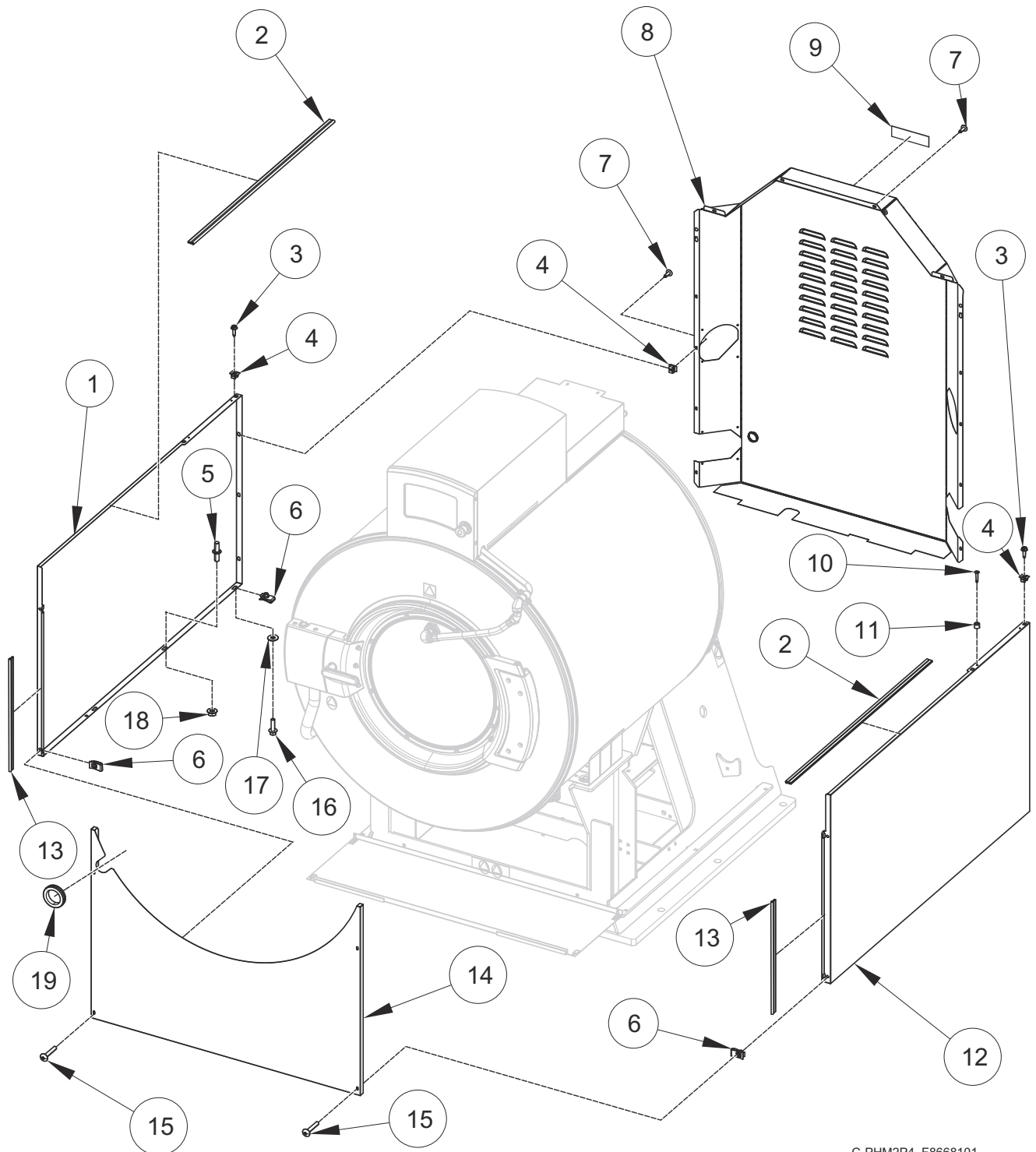


C-PHM3P25\_F8668101

## Vibration Switch and Temperature Probe

REF	PART NO.	DESCRIPTION	COMMENTS
1	M401938	Screw	
2	F8204001	Vibration Switch	
3	F8337301	Vibration Switch Shield	
4	F430225	Nut	
5	F8538801	Thermistor	
6	2251000900	Temperature Probe Grommet	

# Panels

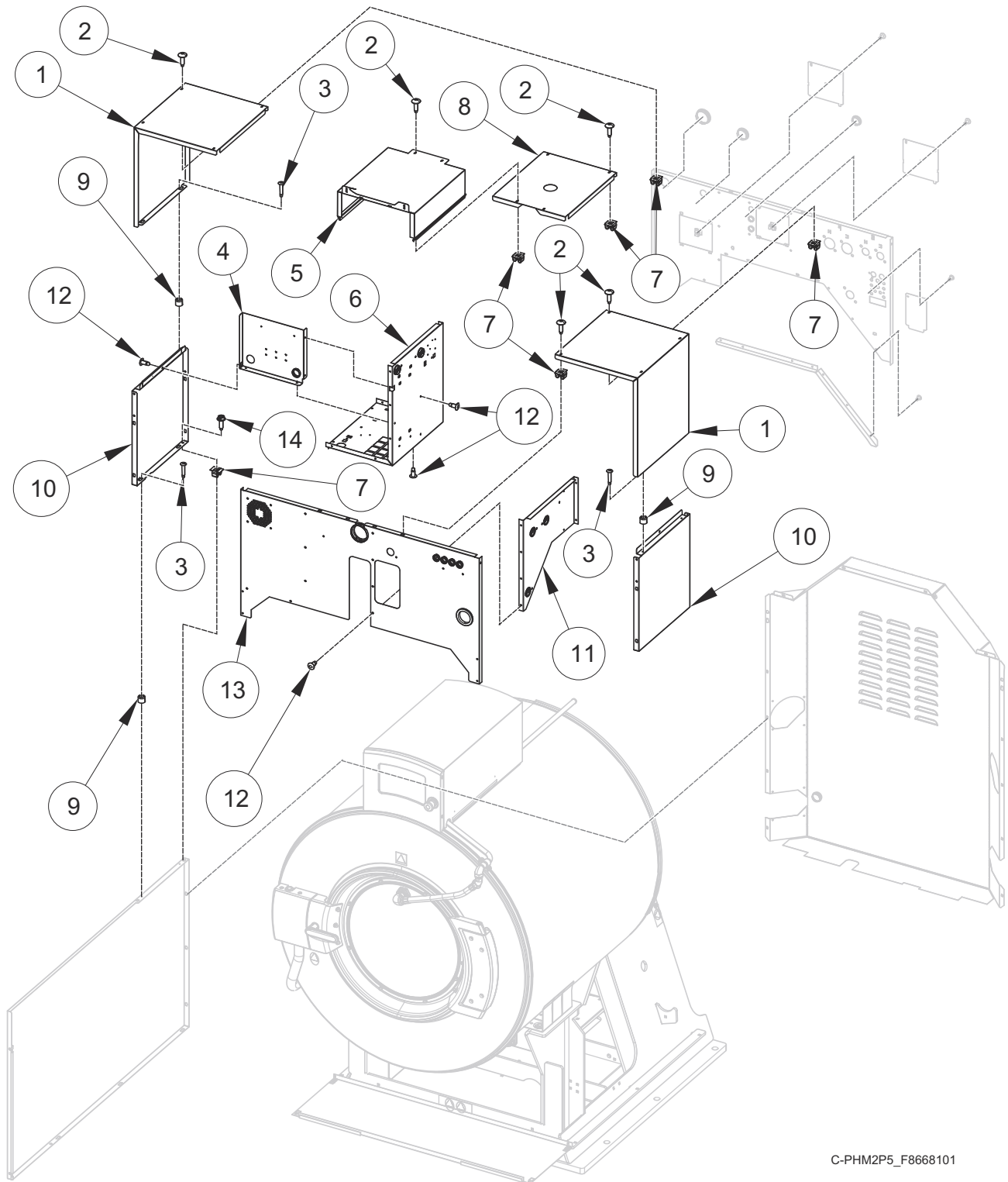


C-PHM2P4\_F8668101

# Panels

REF	PART NO.	DESCRIPTION	COMMENTS
1	F8481102	Left Side Panel	130 pound models
	F8481104	Left Side Panel	160 pound models
	F8580902	Left Side Panel	200 pound models
2	F8412811	Trim	130 pound models
	F8412813	Vinyl Trim	160 pound models
	F8412814	Vinyl Trim	200 pound models
3	F8206901	Screw	
4	70030501	Expansion Clip	
5	70334702	Stud	
6	70030401	Nut	
7	F8117601	Screw	
8	F8481802	Belt Guard Assembly	
9	44324001	Warning Label	English/French; Pinch/shock
10	M412763	Rivet	
11	56079	Panel Locator	
12	F8481101	Right Side Panel	130 pound models
	F8481103	Right Side Panel	160 pound models
	F8580901	Right Side Panel	200 pound models
13	F8412801	Trim	200 pound models
14	F8481401	Front Panel	
15	F8560601	Screw	
16	202175	Screw	
17	M405535	Washer	
18	44087201	Nut	
19	F8489401	Grommet	

# Front Bulkhead, Drive Box and Water Supply Box Panels

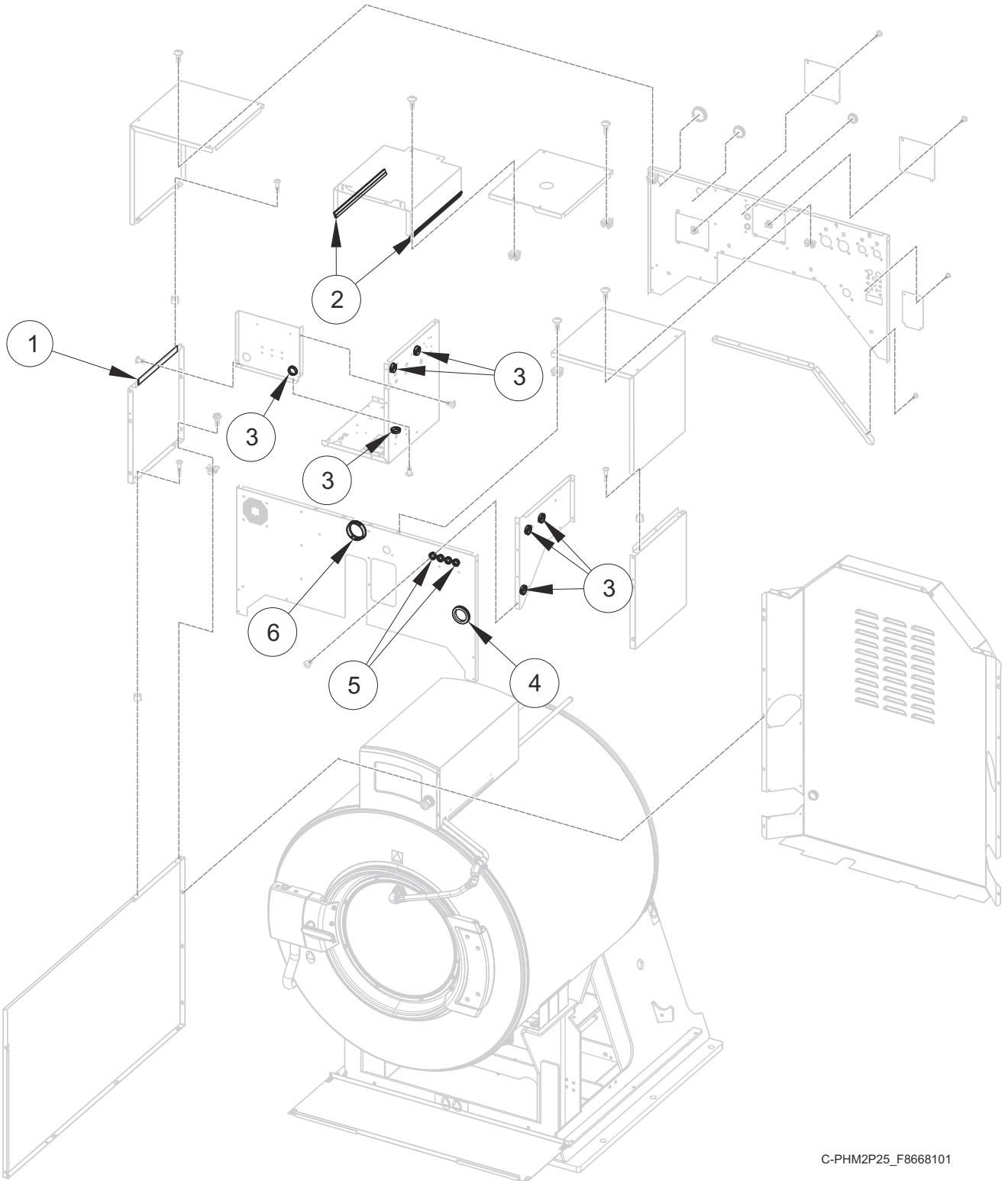


C-PHM2P5\_F8668101

## Front Bulkhead, Drive Box and Water Supply Box Panels

REF	PART NO.	DESCRIPTION	COMMENTS
1	F8596802	Top Cover	
2	F8117601	Screw	
3	M412763	Rivet	
4	F8585501	Drive Box Partition Panel	
5	F8608102	Wire Tray Cover	130 pound models
	F8608103	Wire Tray Cover	160 pound models
	F8608104	Wire Tray Cover	200 pound models
6	F8571101	Drive Box Partition Panel	
7	70030501	Expansion Clip	
8	F8608202	Top Cover	
9	56079	Panel Locator	
10	F8578402	Bulkhead Panel	
11	F8578701	Bulkhead Brace	
12	70058501	Pop Rivet	
13	F8585202	Bulkhead Panel	Models with 1 or 3 in the 8th position
	F8585201	Bulkhead Panel	Models with 2 or 4 in the 8th position
14	F8206901	Screw	

# Front Bulkhead, Drive Box and Water Supply Box Trim



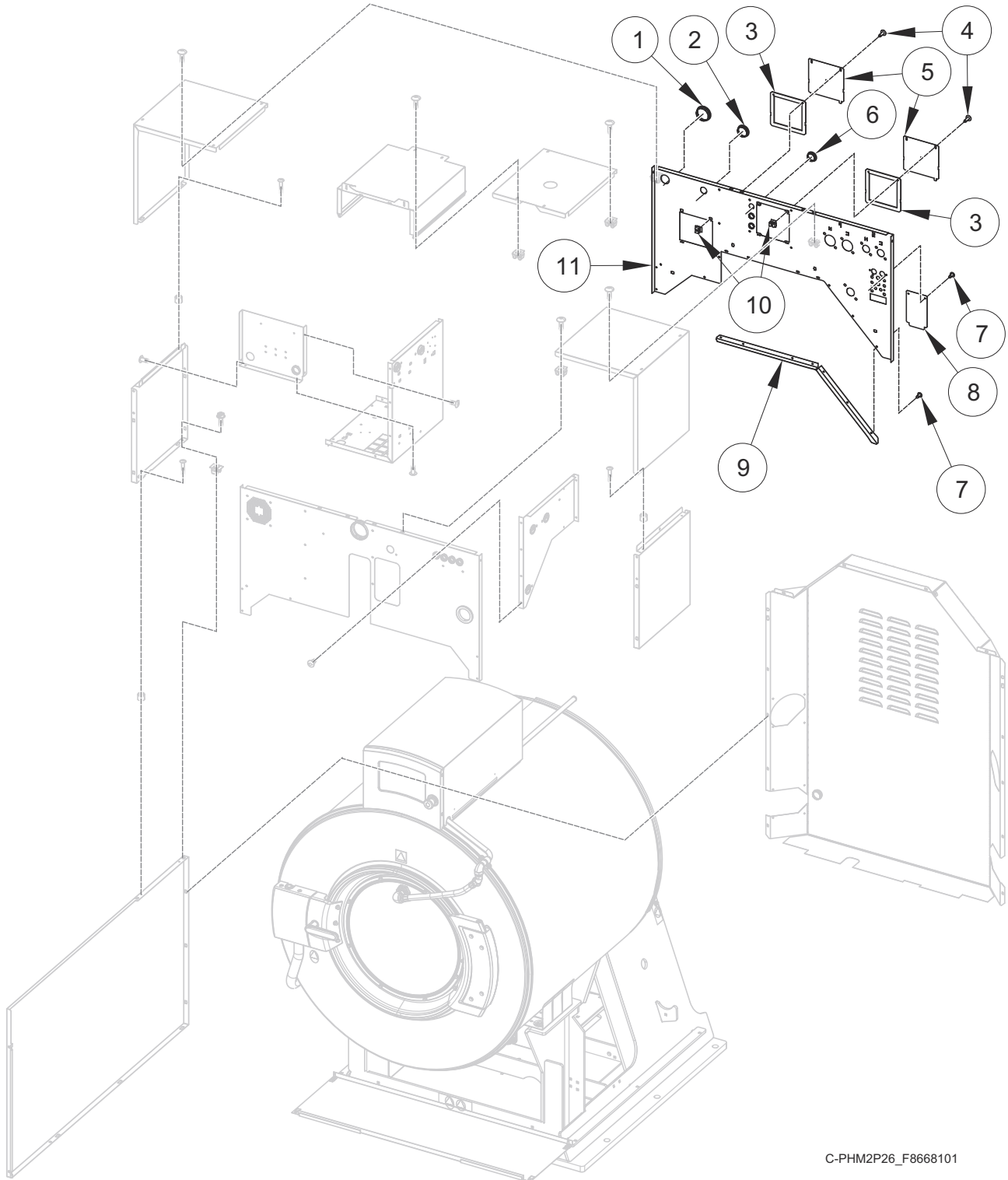
C-PHM2P25\_F8668101



## Front Bulkhead, Drive Box and Water Supply Box Trim

REF	PART NO.	DESCRIPTION	COMMENTS
1	70531801	Label	
2	F8412808	Trim	160 pound models
	F8412813	Vinyl Trim	200 pound models
3	70346501	Bushing	
4	F8528401	Grommet	
5	70178701	Snap Bushing	
6	F8332501	Snap Bushing	

# Rear Bulkhead



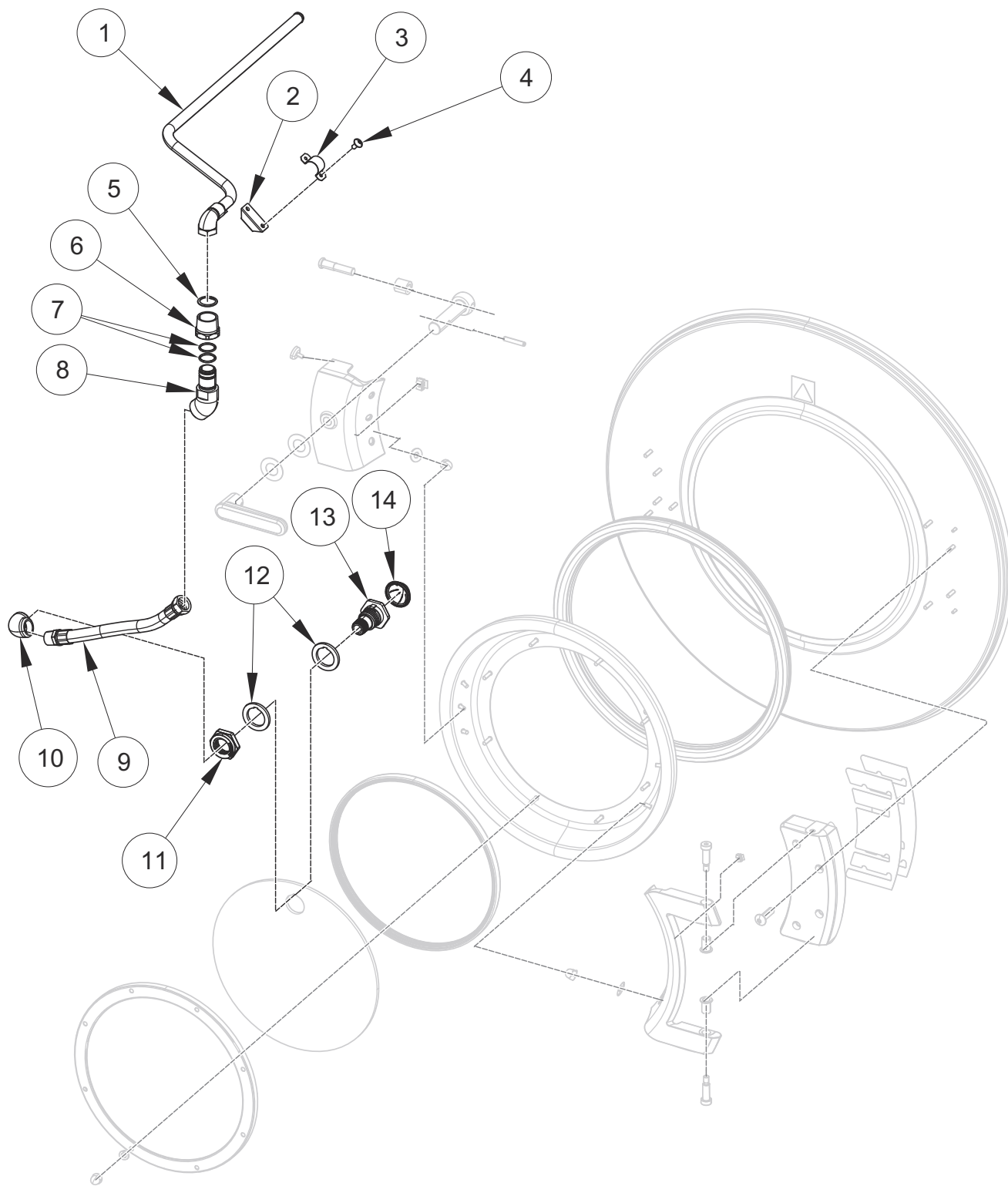
C-PHM2P26\_F8668101

## Rear Bulkhead

REF	PART NO.	DESCRIPTION	COMMENTS
1	F8223801	Hole Plug	
2	F8223901	Plug	
3	F8609301	Chemical Cover Gasket	
4	F8117601	Screw	
5	F8561601	Chemical Connection Cover	
6	M400985	Plug	
7	70058501	Pop Rivet	
8	F8338602	Dispenser Cover	
9	F8484101	Rear Bulkhead Edging	
10	70030501	Expansion Clip	
11	F8561301	Bulkhead Panel	

# Spray Tube Assembly

Models with 3 or 4 in the 8th Position

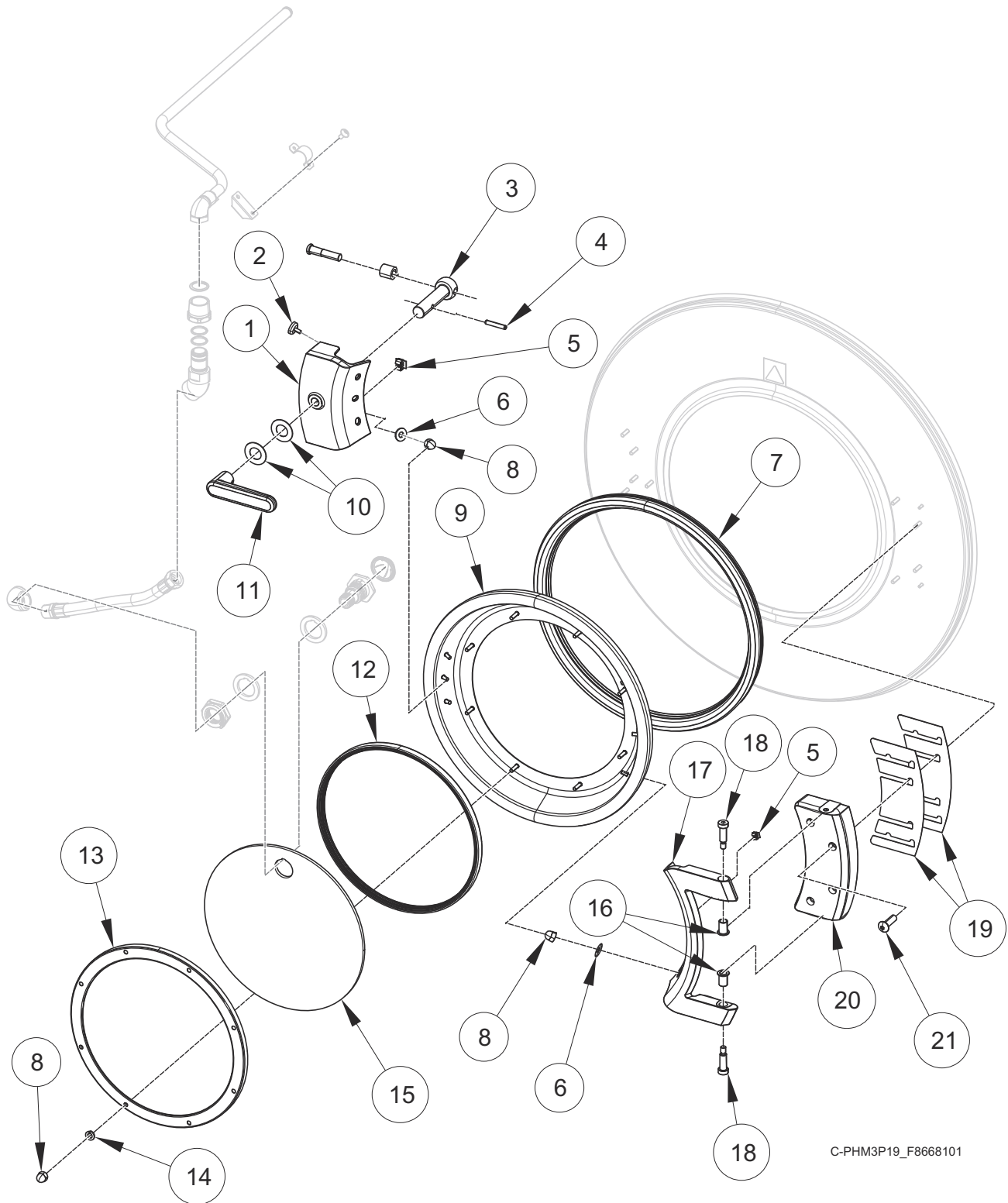


C-PHM3P6\_F8668101

# Spray Tube Assembly

REF	PART NO.	DESCRIPTION	COMMENTS
	F8504001	Swivel Coupling Assembly	Includes items 5-8
1	F8332306	Spray Rinse Tube Assembly	130 pound models
	F8332305	Spray Rinse Tube Assembly	160 pound models
	F8332307	Spray Rinse Tube Assembly	200 pound models
2	F8451101	Spray Rinse Bracket	
3	F8451701	Spray Rinse Strap	
4	431287	Screw	
5	F310206	Ring Retainer	
6	F8453801	Swivel Coupling Bushing	
7	F170200	O-Ring	
8	F8504001	Swivel Coupling Body	
9	F8508203	Spray Rinse Hose	
10	F8453701	Elbow	
11	F8322601	Nut	
12	F8322701	Spray Nozzle Gasket	
13	F8356301	Door Spray Nozzle Assembly	
14	F8356301	Door Spray Nozzle Assembly	

# Door

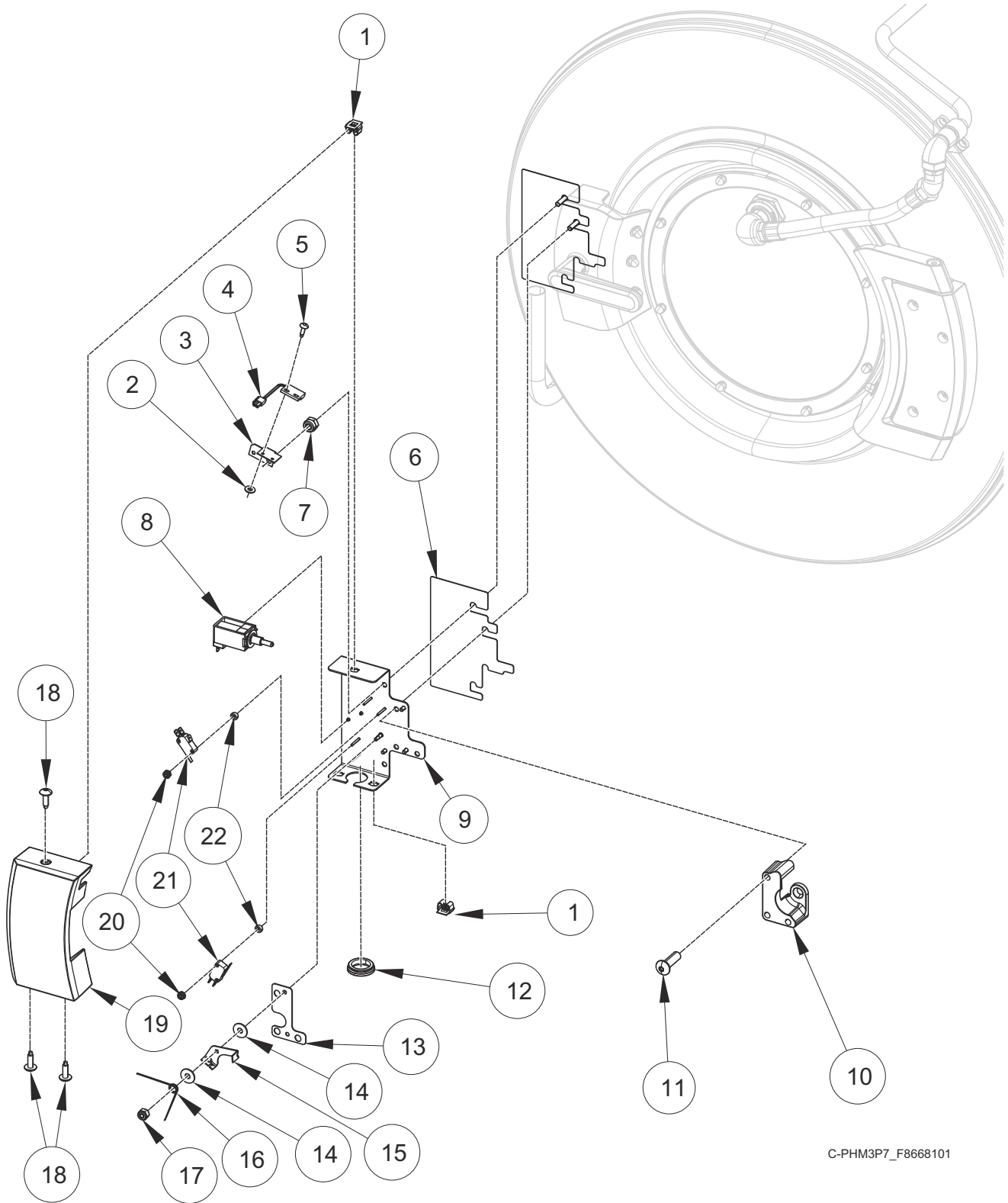


C-PHM3P19\_F8668101

# Door

REF	PART NO.	DESCRIPTION	COMMENTS
	F8480001	Door Assembly	130 pound models with 1 or 2 in the 8th position; Includes items 1-4 and 6-20
	F8480002P	Door Assembly	130 pound models with 3 or 4 in the 8th position; 160 and 200 pound models; Includes items 1-4 and 6-20
1	F8468601	Handle Mount	
2	F8406201	Magnet	
3	F8221403	Door Latch Arm Assembly	Includes latch arm support and bearing sleeve
4	F431222	Spring Pin	
5	70030501	Expansion Clip	
6	F431147	Washer	
7	F8508503	Door Gasket	
8	F8549401	Nut	
9	F8479801	Door Weldment	
10	F431916	Washer	
11	F8435501	Door Handle	
12	F8499903	Door Glass Gasket	
13	F8488201	Door Glass Retainer	
14	F431100	Washer	
15	F8469101	Door Glass	130 pound models with 1 or 2 in the 8th position
	F8469201	Door Glass	130 pound models with 3 or 4 in the 8th position; 160 and 200 pound models
16	F8378701	Bushing	
17	F8468201	Door Hinge	
18	F8549301	Bolt	
19	F8479601	Door Hinge Shim	
20	F8468401	Lug Hinge	
21	F8270701	Bolt	

# Door Lock - 130 Pound Models



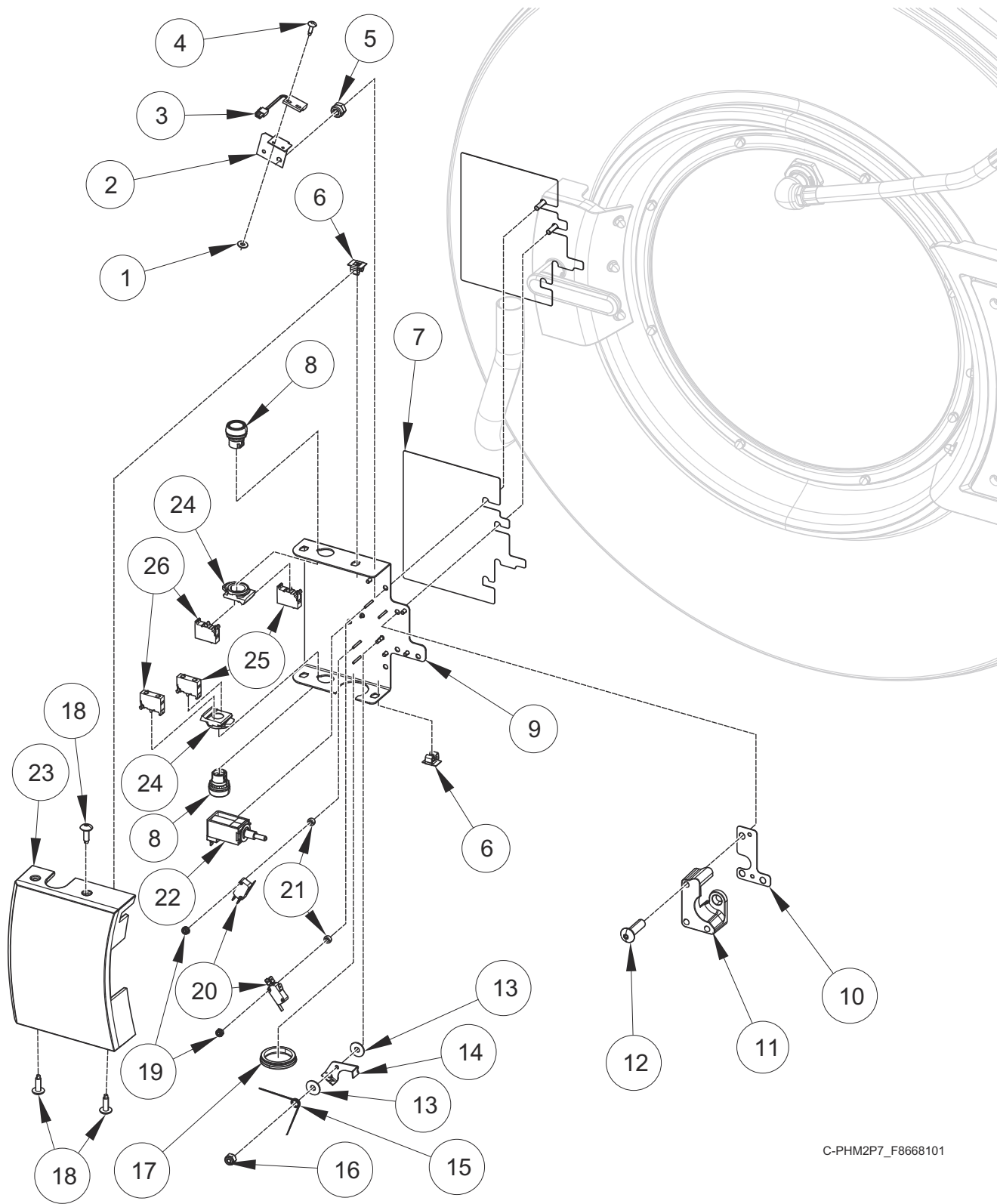
C-PHM3P7\_F8668101



## Door Lock - 130 Pound Models

REF	PART NO.	DESCRIPTION	COMMENTS
	F8565901	Door Lock Harness	
	F8571801	Door Interlock Harness	
	F8606202	Door Lock Assembly	Includes items 1-5, 8, 9, 14-17, 20-22 and F430977 Screw
1	70030501	Expansion Clip	
2	F431125	Washer	
3	F8493801	Reed Switch Bracket	
4	F8066804	Reed Switch Assembly	
5	F8245101	Blind Rivet	
6	F8489601	Door Lock Plate Shim	
7	F431024	Nut	
8	F8630601	Solenoid	
9	F8320402	Door Lock Plate Assembly	
10	F8344501	Door Lock Catch	
11	F8270701	Bolt	
12	F8457802	Grommet	
13	F8484401	Shim	
14	F8193101	Washer	
15	F8223401	Door Lock Switch Lever	
16	F8070301	Torsion/Door Lock Spring	
17	F430232	Nut	
18	F8117601	Screw	
19	F8468801	Door Lock Cover	
20	F430225	Nut	
21	F200203200	Door Lock Microswitch	
22	F431901	Spacer	

# Door Lock - 160 and 200 Pound Models

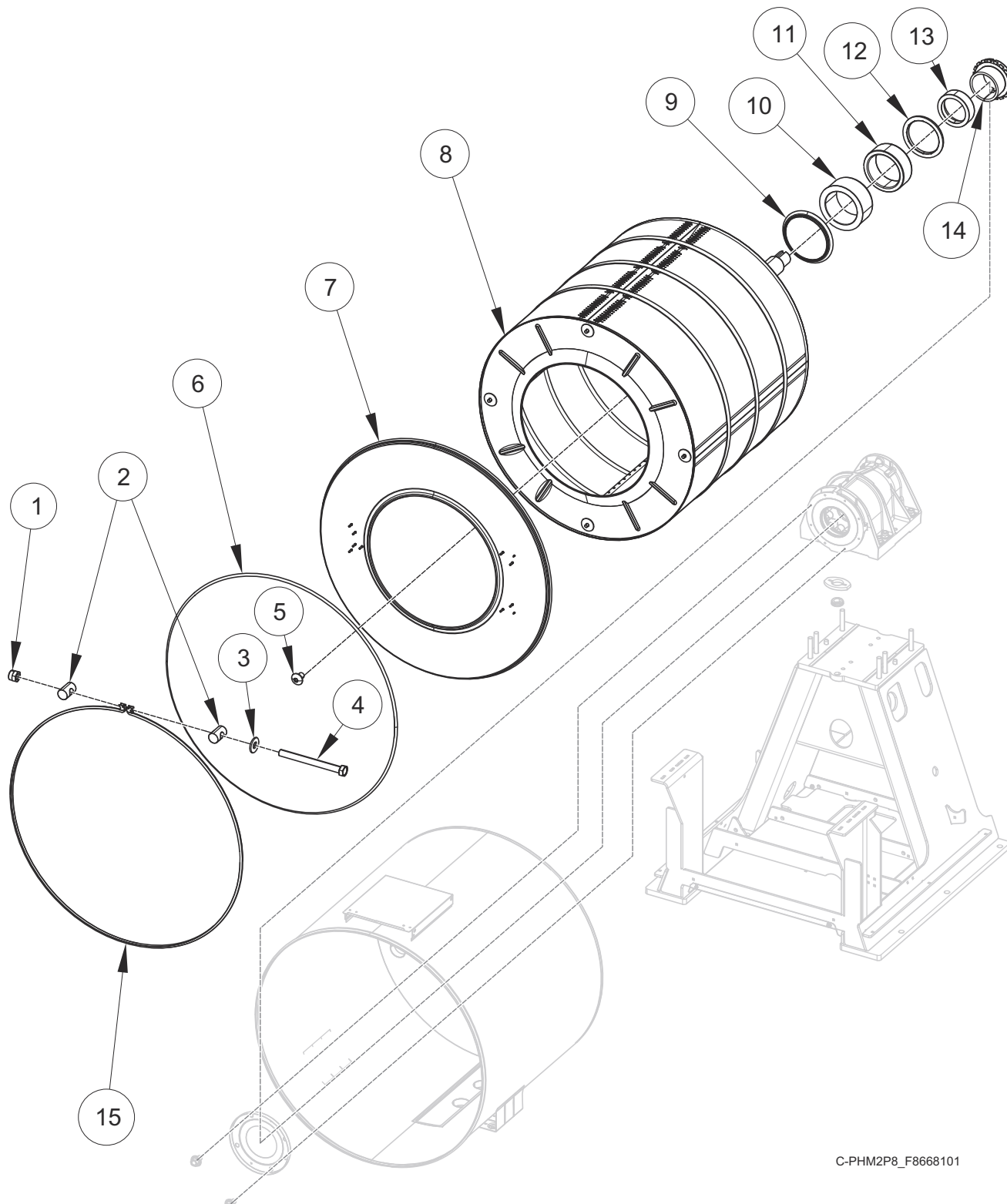


C-PHM2P7\_F8668101

## Door Lock - 160 and 200 Pound Models

REF	PART NO.	DESCRIPTION	COMMENTS
	F8565901	Door Lock Harness	
	F8571801	Door Interlock Harness	
	F8606203	Door Lock Assembly	Includes items 1-4, 6, 8, 9, 13-16, 19-21, 22, 24-26
	F8566701	Harness	Jog feature
<b>1</b>	F431125	Washer	
<b>2</b>	F8493801	Reed Switch Bracket	
<b>3</b>	F8066804	Reed Switch Assembly	
<b>4</b>	F8245101	Blind Rivet	
<b>5</b>	F431024	Nut	
<b>6</b>	70030501	Expansion Clip	
<b>7</b>	F8489601	Door Lock Plate Shim	
<b>8</b>	F8069602	Momentary Pushbutton	
<b>9</b>	F8320402	Door Lock Plate Assembly	
<b>10</b>	F8484401	Shim	
<b>11</b>	F8344501	Door Lock Catch	
<b>12</b>	F8270701	Bolt	
<b>13</b>	F8193101	Washer	
<b>14</b>	F8223401	Door Lock Switch Lever	
<b>15</b>	F8070301	Torsion/Door Lock Spring	
<b>16</b>	F430232	Nut	
<b>17</b>	F8457802	Grommet	
<b>18</b>	F8117601	Screw	
<b>19</b>	F430225	Nut	
<b>20</b>	F200203200	Door Lock Microswitch	
<b>21</b>	F431901	Spacer	
<b>22</b>	F8630601	Solenoid	
<b>23</b>	F8468802	Door Lock Cover	
<b>24</b>	F8538101	Contact Base	
<b>25</b>	F8069503	Contact Switch	
<b>26</b>	F8069502	Contact	

# Shell Front and Basket

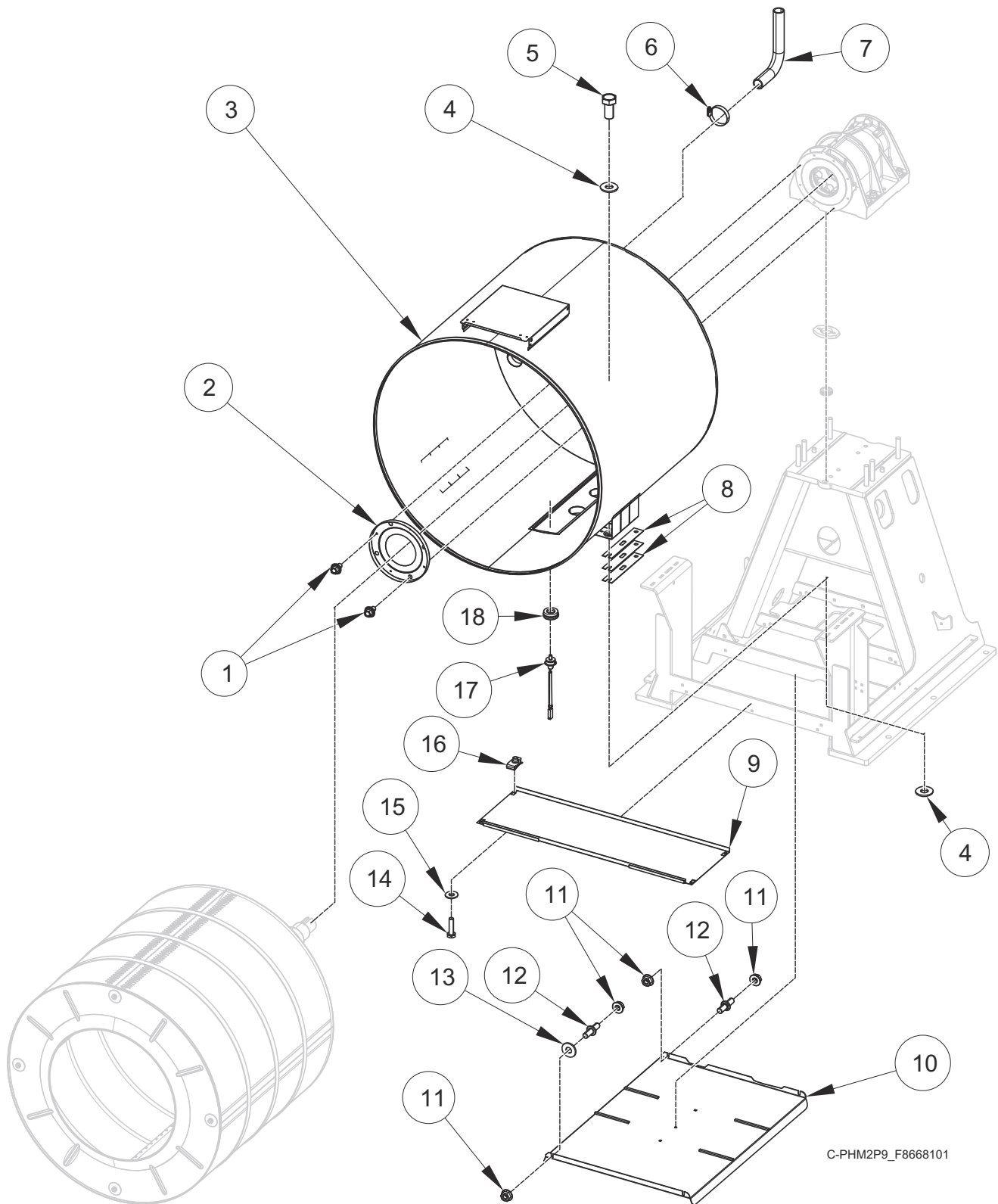


C-PHM2P8\_F8668101

## Shell Front and Basket

REF	PART NO.	DESCRIPTION	COMMENTS
	F8537807	Shell Front Gasket Kit	Includes items 1-4, 15 and F8510501 Shell Extension Band
1	F430218	Nut	
2	F8302701	Pin	
3	M400080	Washer	
4	F8673701	Screw	
5	70391101	Screw	
6	F8502307	Gasket	
7	F8479401	Shell Front Assembly	
8	F8576101	Basket Assembly	130 pound models; Includes items 9-13
	F8576201	Basket Assembly	160 pound models; Includes items 9-13
	F8573203	Basket Assembly	200 pound models; Includes items 9-13
9	F8527703	Excluder Seal	Viton
10	F8343913	Sleeve Seal	
11	F8465401	Bearing	
12	F8464903	Insertion Sleeve	
13	F8522603	Shaft Sleeve	
14	F8382503	Adapter Sleeve	
15	F8388007	Ring Clamp Weldment	

# Shell Frame and Seal

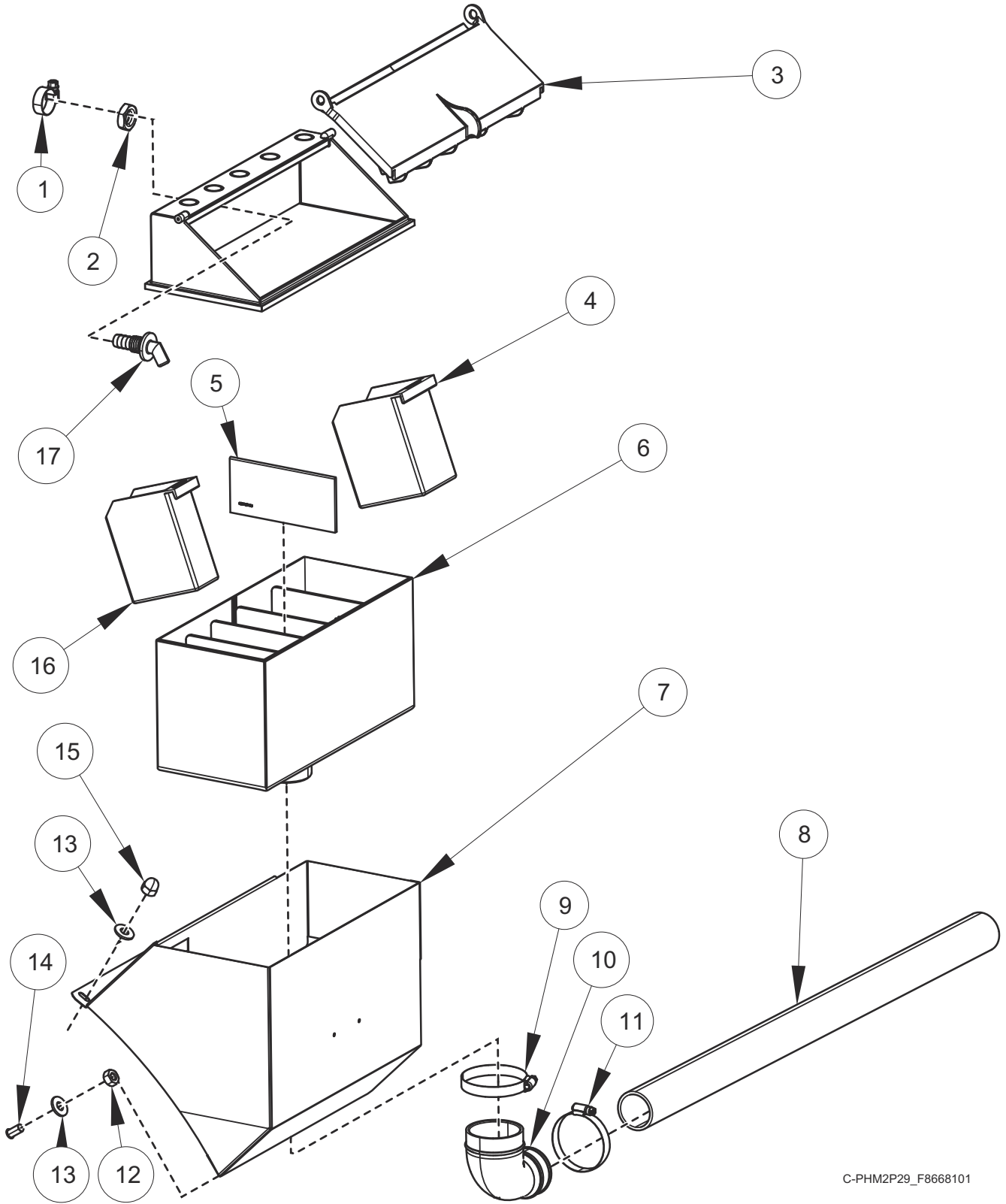


## Shell Frame and Seal

REF	PART NO.	DESCRIPTION	COMMENTS
1	F8442702	Screw	
2	F8550103	Seal Wear Plate	
3	F8544403	Shell Assembly	130 pound models with 1 or 3 in the 8th position
	F8544404	Shell Assembly	130 pound models with 1 or 3 in the 8th position with electric heat
	F8544401	Shell Assembly	130 pound models with 2 or 4 in the 8th position
	F8544402	Shell Assembly	130 pound models with 2 or 4 in the 8th position with electric heat
	F8544503	Shell Assembly	160 pound models with 1 or 3 in the 8th position
	F8544504	Shell Assembly	160 pound models with 1 or 3 in the 8th position with electric heat
	F8544501	Shell Assembly	160 pound models with 2 or 4 in the 8th position
	F8544502	Shell Assembly	160 pound models with 2 or 4 in the 8th position with electric heat
	F8579403	Shell Assembly	200 pound models with 1 or 3 in the 8th position
	F8579404	Shell Assembly	200 pound models with 1 or 3 in the 8th position with electric heat
	F8579401	Shell Assembly	200 pound models with 2 or 4 in the 8th position
	F8579402	Shell Assembly	200 pound models with 2 or 4 in the 8th position with electric heat
	4	M400081	Washer
5	F8574001	Screw	
6	F200215	Hose Clamp	
7	F8363601	Vent Hose	
8	F8630301	Shim	130 and 160 pound models
	F8618001	Shim	200 pound models
9	F8480403	Frame Shield Extension	160 pound models
	F8480404	Frame Shield Extension	200 pound models
10	F8480301	Frame Shield	
11	44087201	Nut	
12	70334702	Stud	
13	M400080	Washer	
14	20253	Screw	160 and 200 pound models
15	M405535	Washer	160 and 200 pound models
16	70030401	Nut	160 and 200 pound models
17	F8538801	Thermistor	
18	2251000400	Temperature Probe Grommet	

# Supply Dispenser

Models with 1 or 3 in the 8th Position



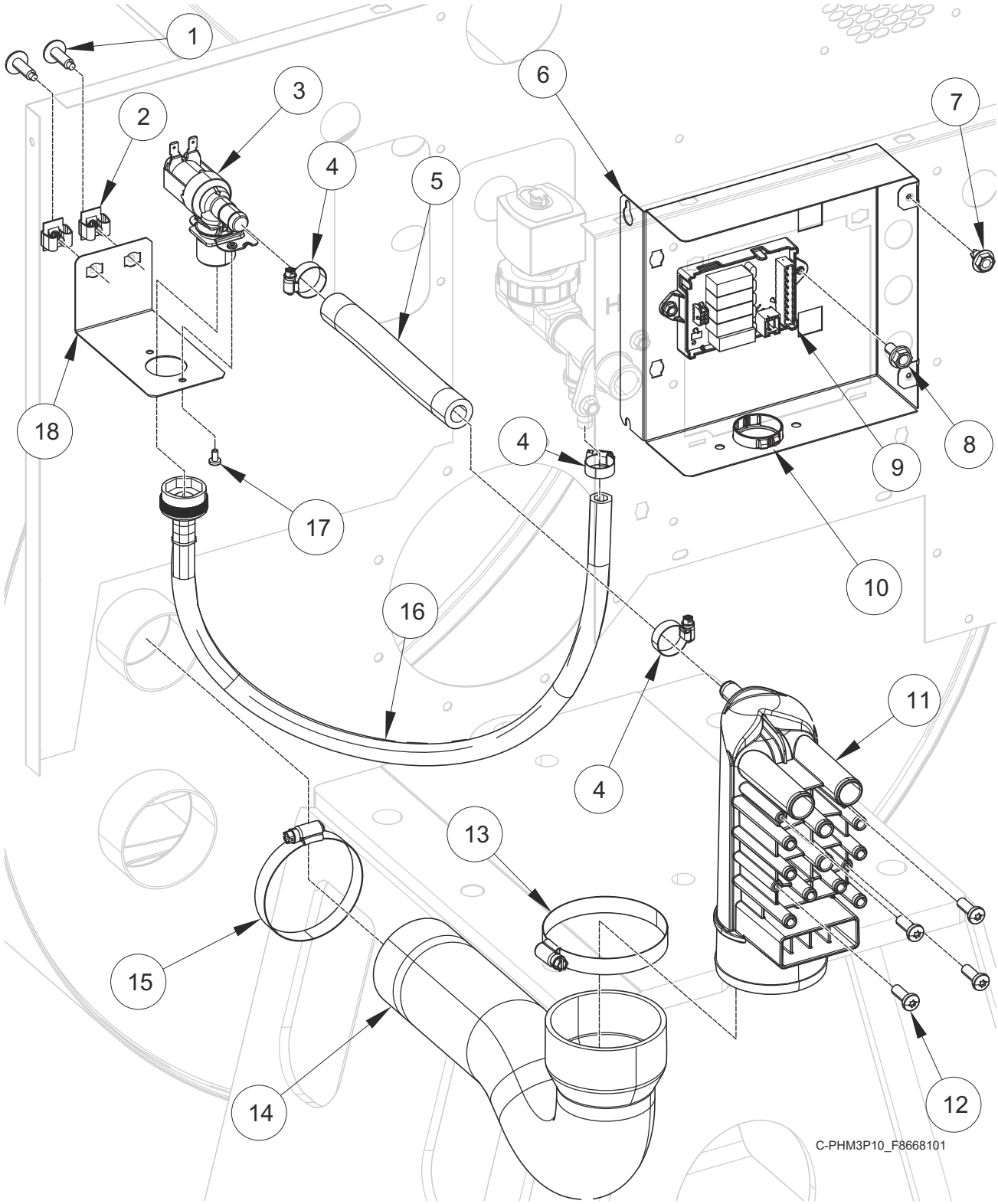
C-PHM2P29\_F8668101



# Supply Dispenser

REF	PART NO.	DESCRIPTION	COMMENTS
	F8566102	External Supply Board Communication Harness	4-output
	F8566101	External Supply Board Communication Harness	8-output
	F8566402	External Supply Board Power Harness	4-output
	F8566401	External Supply Board Power Harness	8-output
	F749802	Strain Relief Adapter Kit	
	F190304	Plug Cap	
<b>1</b>	36801	Hose Clamp	
<b>2</b>	802292	Nut	
<b>3</b>	F0150514-00	Dispenser Lid	
<b>4</b>	F150386	Chemical Supply Cup	2 used: 30 ounce supply cup (22 ounce when tilted)
<b>5</b>	F0150525-00	Supply Dispenser Spacer	
<b>6</b>	F0150512-00P	Dispenser Assembly	Includes items 3-8 and 18
<b>7</b>	F8549703	Supply Weldment	
<b>8</b>	F8551904	Supply Hose	130 pound models
	F8551905	Supply Hose	160 pound models
	F8551906	Chemical Supply Tube	200 pound models
<b>9</b>	F200213	Hose Clamp	
<b>10</b>	F8514301	Elbow	
<b>11</b>	F200415	Hose Clamp	
<b>12</b>	F431005	Nut	
<b>13</b>	F431147	Washer	
<b>14</b>	F390301	Stud	
<b>15</b>	F8549401	Nut	
<b>16</b>	F150385	Chemical Supply Cup	3 used; 20 ounce supply cup (12 ounce when tilted)
<b>17</b>	F8322001	Injection Nozzle	

# Chemical Injection



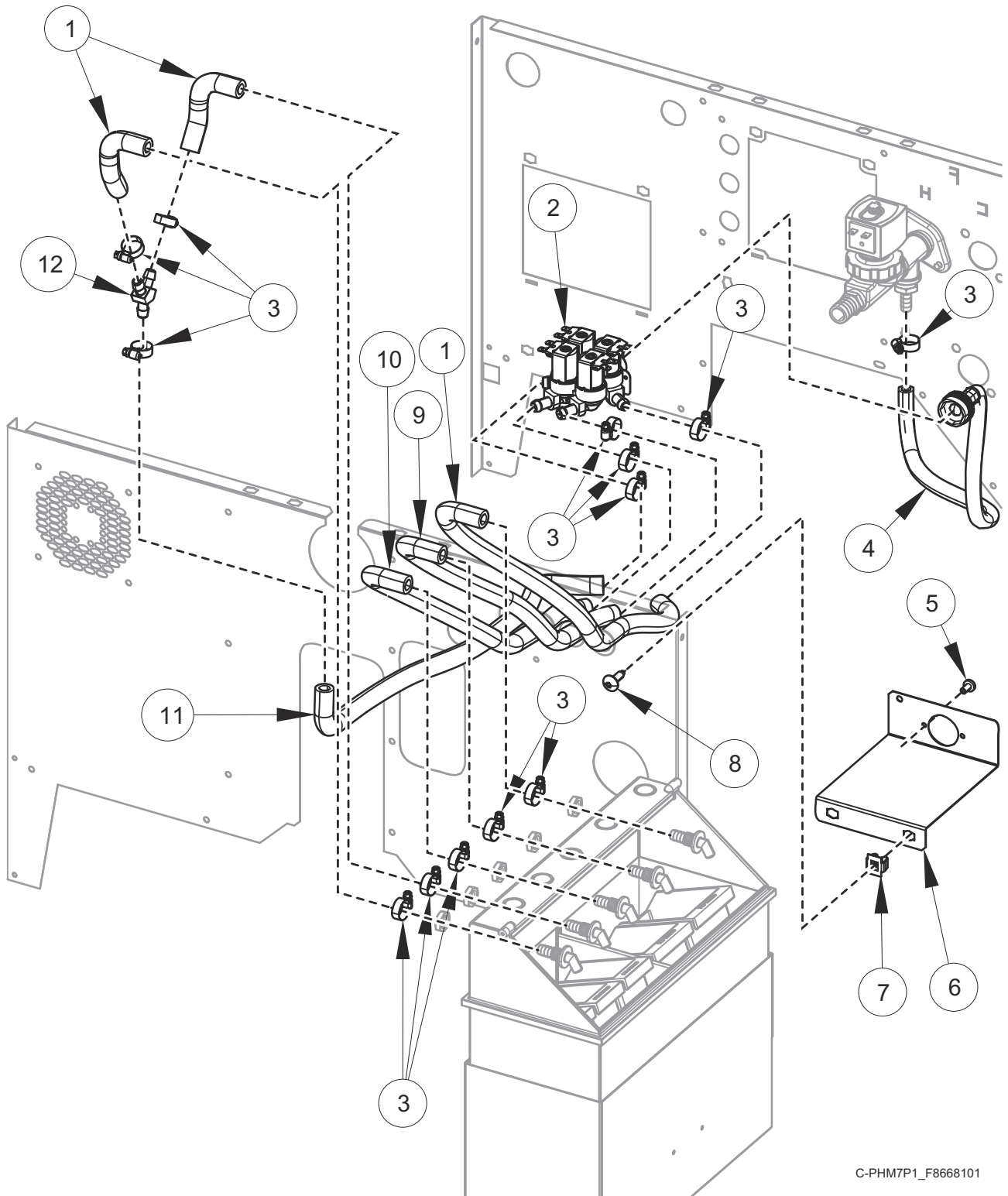
C-PHM3P10\_F8668101

# Chemical Injection

REF	PART NO.	DESCRIPTION	COMMENTS
	F8597302	Chemical Connection Assembly	5-output; Includes items 6-10
	F8597301	Chemical Connection Assembly	8-output; Includes items 6-10
<b>1</b>	F8117601	Screw	
<b>2</b>	70030501	Expansion Clip	
<b>3</b>	F8579101	Valve	
<b>4</b>	36801	Hose Clamp	
<b>5</b>	F8232007	Hose	
<b>6</b>	F8561401	Chemical Connection Bracket	
<b>7</b>	D503688	Screw	
<b>8</b>	430497	Screw	
<b>9</b>	804528	Chemical Injection Control	5-output
	F8497401	Chemical Injection Control	8-output
	F8555403	Connector	7 pin; H3
	F8555404	Connector	10 pin; H4
	F8555401	Connector	2 pin; H5
	F8555405	Connector	11 pin; H6
	F8555402	Connector	4 pin; H7
	70493102	Connector	9 pin; H2
<b>10</b>	70346501	Bushing	
<b>11</b>	F8538201	Chemical Dispenser	
<b>12</b>	800548	Screw	
<b>13</b>	F200201	Hose Clamp	
<b>14</b>	F8600903	Chemical Injection Hose	
<b>15</b>	F200213	Hose Clamp	
<b>16</b>	F8344602	Hose	
<b>17</b>	F8230301	Screw	
<b>18</b>	F8562201	Water Valve Bracket	

# Water Supply Valve and Hoses to Supply Dispenser

Models with 1 or 3 in the 8th Position

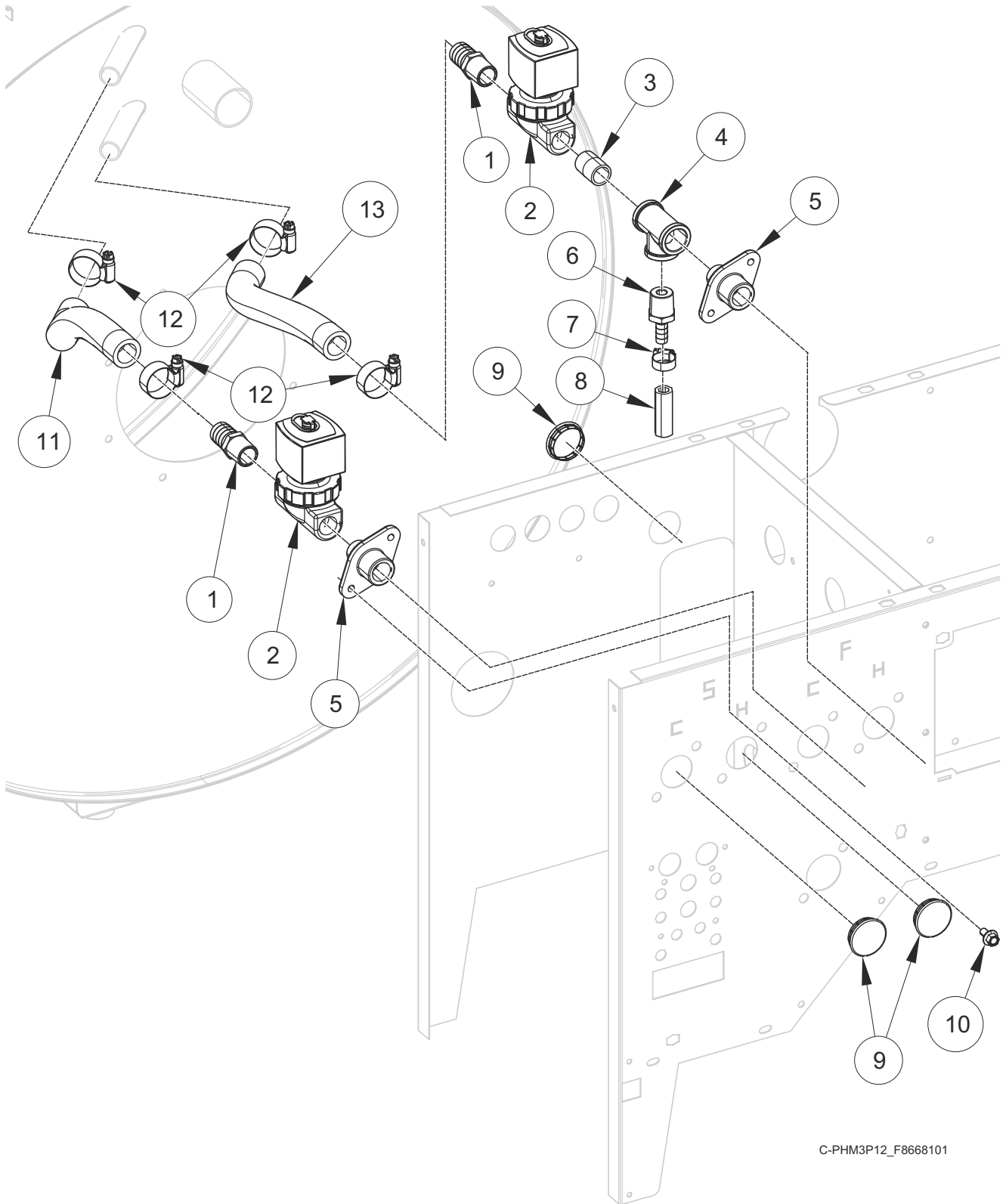


C-PHM7P1\_F8668101

## Water Supply Valve and Hoses to Supply Dispenser

REF	PART NO.	DESCRIPTION	COMMENTS
1	F8617815	Hose	
2	F8336602	Valve	4 way
3	36801	Hose Clamp	
4	F200509	Water Hose	
5	F8230301	Screw	
6	F8331902	Valve Mounting Bracket	
7	70030501	Expansion Clip	
8	F8117601	Screw	
9	F8617807	Hose	130 pound models
	F8617810	Hose	160 pound models
	F8617806	Hose	200 pound models
10	F8617809	Hose	130 pound models
	F8617811	Hose	160 pound models
	F8617807	Hose	200 pound models
11	F8617810	Hose	130 pound models
	F8617812	Hose	160 pound models
	F8617809	Hose	200 pound models
12	F422816	Y Connector	

# Fill Plumbing Assembly



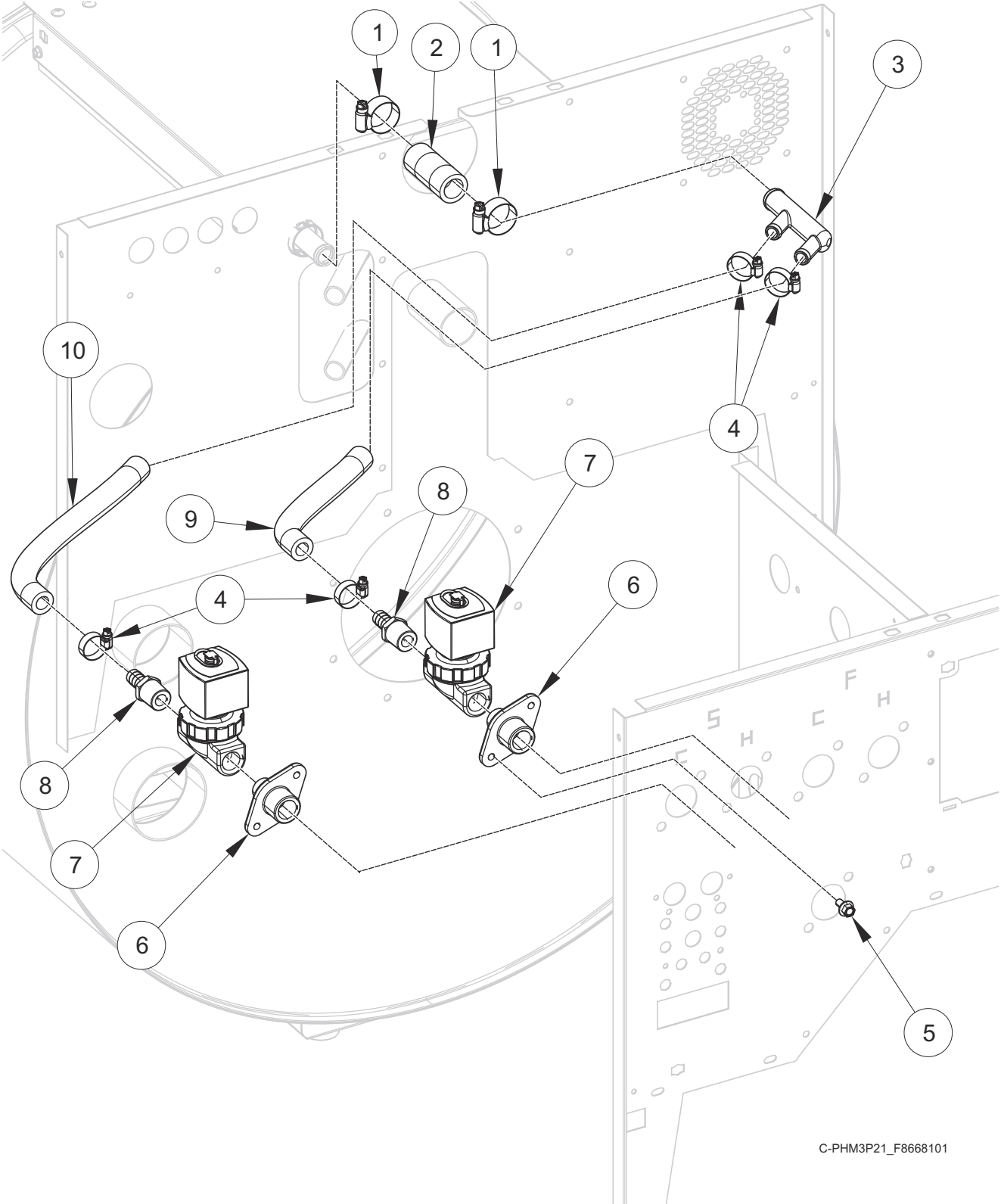
C-PHM3P12\_F8668101

## Fill Plumbing Assembly

REF	PART NO.	DESCRIPTION	COMMENTS
	F8566001	Fill Harness	Models with 1 in the 8th Position
	F8566002	Fill Harness	Models with 2 in the 8th Position
	F8566003	Fill Harness	Models with 3 in the 8th Position
	F8566004	Fill Harness	Models with 4 in the 8th Position
	F8288311	Valve Assembly	3/4 inch; 24VDC; Includes items 1, 2 and 5
	F8288312	Valve Assembly	3/4 inch; 24VDC; Includes items 1-6
	F200164	Water Hose	Standard thread; 3/4 inch
	F200166	Water Hose	Metric thread; 3/4 inch
	F200185	Water Hose	Standard thread; 1 inch
	F200193	Water Hose	Metric thread; 1 inch
	803615	Washer	Filter; 3/4 inch
	F8126601	Strainer	1 inch
	F8379508	Valve Rebuild Kit	
<b>1</b>	F421968	Hose Adapter	
<b>2</b>	F8322907	Valve	3/4 inch; 24VDC; EPDM
<b>3</b>	C00417	Nipple	
<b>4</b>	F422208	Tee	
<b>5</b>	F8362703	Coupling	
<b>6</b>	F421964	Hose Barb	
<b>7</b>	36801	Hose Clamp	
<b>8</b>	F8344602	Hose	
<b>9</b>	F8223902	Plug	
<b>10</b>	70321501	Screw	
<b>11</b>	F8394005	Hose	
<b>12</b>	F200204	Hose Clamp	
<b>13</b>	F8394004	Hose	

# Spray Plumbing Assembly

Models with 3 or 4 in the 8th Position



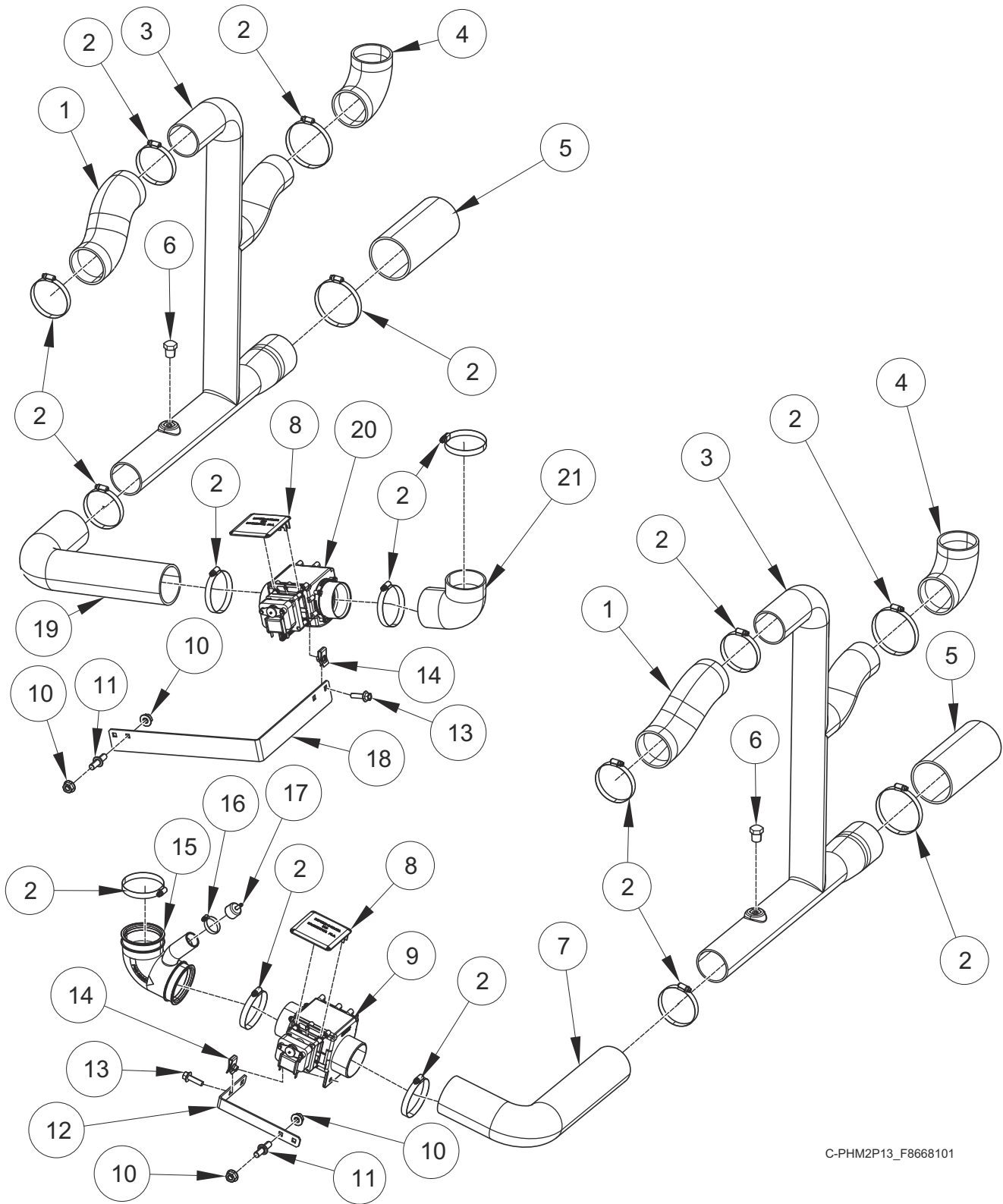
C-PHM3P21\_F8668101



## Spray Plumbing Assembly

REF	PART NO.	DESCRIPTION	COMMENTS
	F8288406	Valve Assembly	1/2 inch; 24VDC; Includes items 6-8
	F8379507	Valve Rebuild Kit	1/2 inch; 24VDC; EPDM
<b>1</b>	F200222	Hose Clamp	
<b>2</b>	F8137504	Hose	
<b>3</b>	F8333201	Manifold	
<b>4</b>	36801	Hose Clamp	
<b>5</b>	70321501	Screw	
<b>6</b>	F8362701	Coupling	
<b>7</b>	F8322804	Valve	1/2 inch; 24VDC; EPDM
	F8515001	Coil	24VDC
<b>8</b>	F421930	Hose Barb	
<b>9</b>	F8232006	Hose	
<b>10</b>	F602586-34	Hose	

# Drain Plumbing

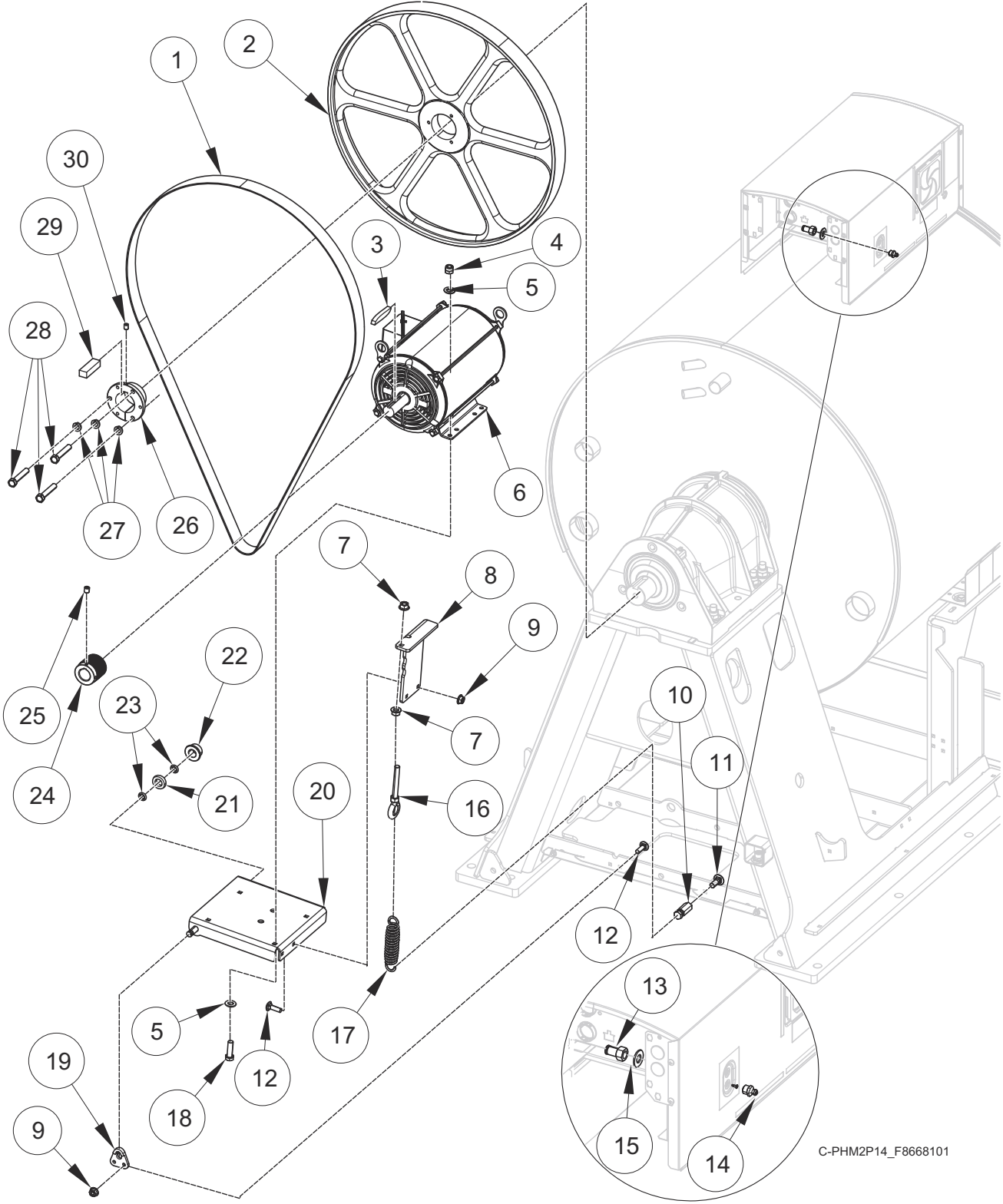


C-PHM2P13\_F8668101

# Drain Plumbing

REF	PART NO.	DESCRIPTION	COMMENTS
	F8520004	Drain Valve Harness	Single drain
	F8520003	Drain Valve Harness	Dual drain
1	F0150488-00	Overflow Hose	
2	F200201	Hose Clamp	
3	F8386805	Molded Drain	
4	F8491701	Overflow	
5	F200165100	Drain Hose	
6	F8531401	Plug	
7	F8488501	Drain Elbow Hose	
	F8395801	Drain Hose	Steam and electric heat
8	F200133600	Drain Valve Cover	
9	F8577201	Drain Valve Kit	Right
10	44087201	Nut	
11	70334702	Stud	
12	F8312903	Drain Valve Bracket	Right
	F8489101	Drain Valve Bracket	Electric and dual heat; Right
13	202175	Screw	
14	70030401	Nut	
15	F8542301	Drain Hose	
	F8542501	Drain Hose	Electric heat
16	36802	Hose Clamp	
17	F8579301	Pressure Cap	
18	F8312905	Drain Valve Bracket	Left; Dual drain
	F8489102	Drain Valve Bracket	Electric and dual heat; Left; Dual drain
19	F8488601	Drain Elbow Hose	Dual drain
	F8395801	Drain Hose	Steam and electric heat; Dual drain
20	F200166402	Drain Valve Kit	Left; Dual drain
21	F8340801	Drain Elbow Hose	Dual drain
	F8487001	Drain Elbow Hose	Steam and electric heat; Dual drain

# Motor and Pulley

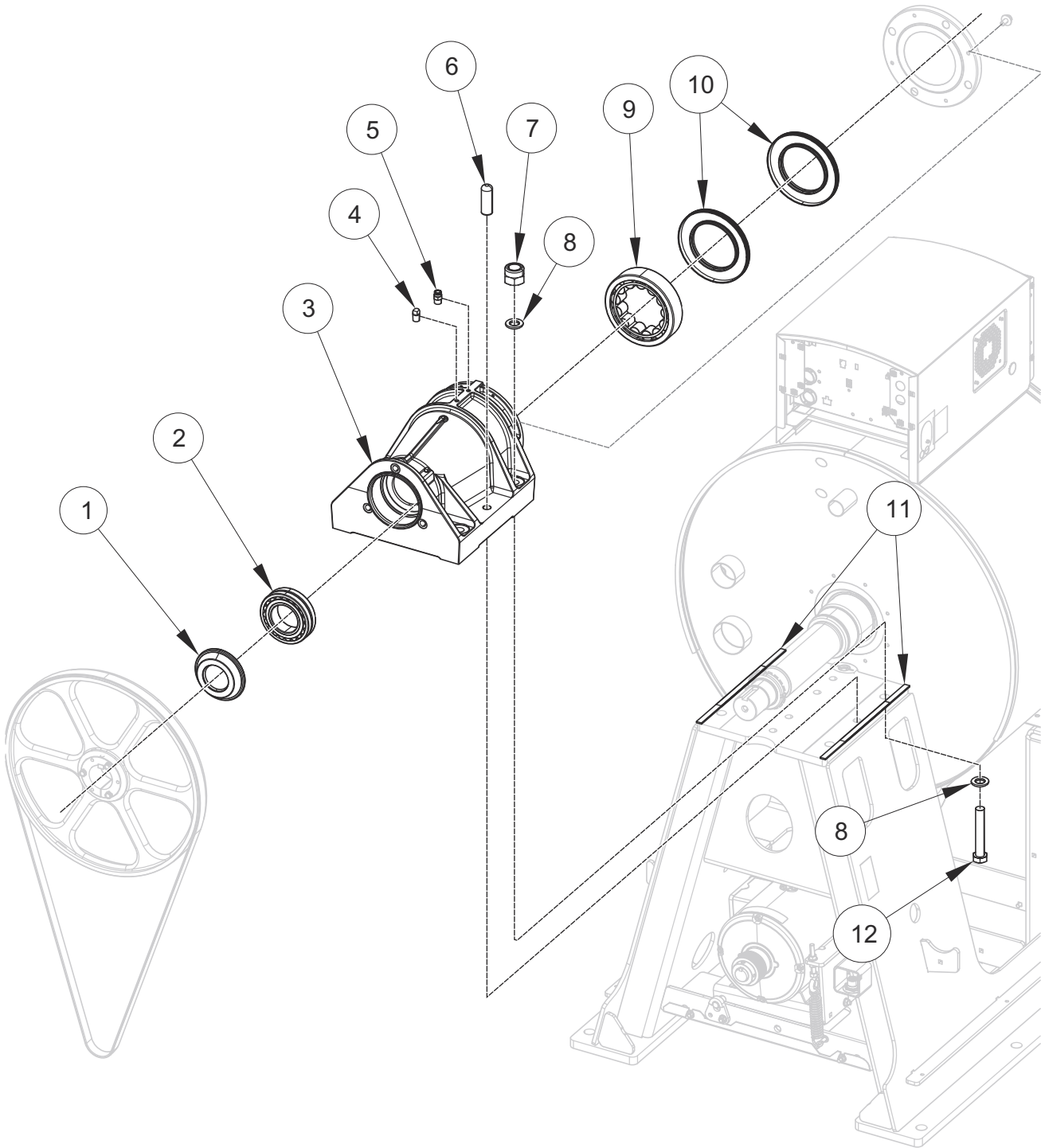


C-PHM2P14\_F8668101

# Motor and Pulley

REF	PART NO.	DESCRIPTION	COMMENTS
	F8579201	Motor Harness	
1	F8382810	Belt	
2	F8522301	Basket Pulley	
3	F8487101	Key	
4	F8387601	Nut	
5	F8366601	Washer	
6	F8564402	Motor	200/240 volt; 10 hp
7	44087301	Nut	
8	F8342203	Spring Bracket	
9	44087201	Nut	
10	F8634701	Stud	
11	M405503	Bolt	
12	F8402801	Bolt	
13	F422114	Air Coupling	
14	F190701	Grease Fitting	
15	70292801	Washer	
16	F8319503	Eye Bolt	
17	F8632601	Extension Spring	
18	800461	Screw	
19	F8441101	Motor Rod Plate	
20	F8441802	Motor Bracket Weldment	
21	F8451601	Spacer	
22	F8333303	Flanged Bushing	
23	F8441901	O-Ring	
24	F8466901	Motor Pulley	130 and 160 pound models
	F8466903	Motor Pulley	200 pound models
25	F8484702	Screw	
26	F280294P	Basket Pulley Bushing	
27	M400014	Washer	
28	44079204	Screw	
29	44049001	Key	
30	M400077	Screw	

# Bearing Housing

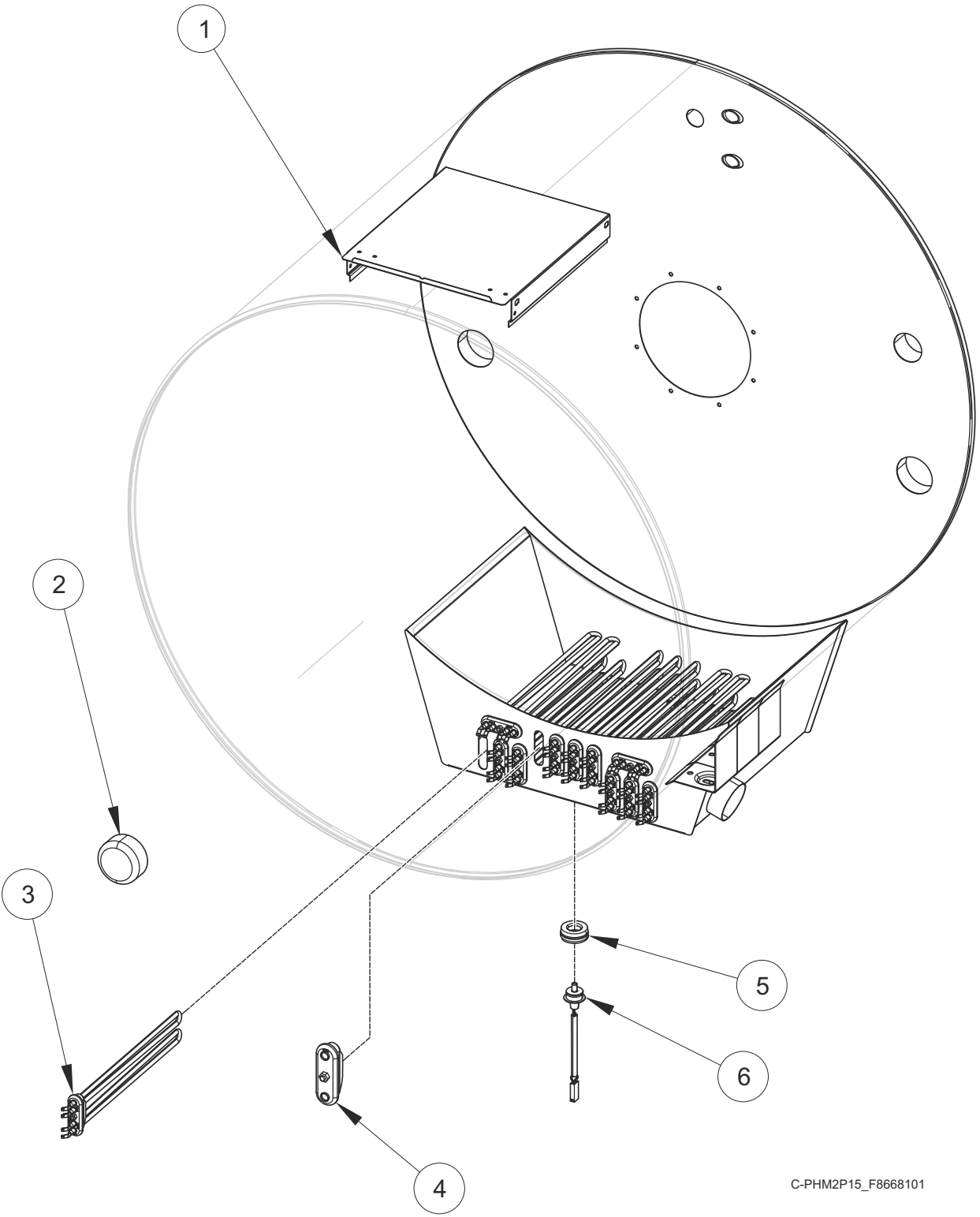


C-PHM3P17\_F8668101

# Bearing Housing

REF	PART NO.	DESCRIPTION	COMMENTS
	F8575401	Bearing Housing Kit	Includes items 1-3, 5-11, F8313701 Screw, F8527703 Excluder Seal, F8382503 Adapter Sleeve, F8442802 Screw and F8550103 Seal Wear Plate
	F8474802P	Bearing Housing Assembly	Includes items 2, 3, 5, 9 and 10
	F8579601	Bearings and Seals Kit	Viton; Includes items 1, 2, 6-10, 12, F8527703 Excluder Seal and F410102 Sealant
<b>1</b>	F8528503	Radial Seal	
<b>2</b>	F8465703	Bearing	
<b>3</b>	F8465201	Bearing Housing	
<b>4</b>	M403052	Plug	
<b>5</b>	J1408004	Connector	
<b>6</b>	F8406502	Dowel Pin	
<b>7</b>	F430248	Nut	
<b>8</b>	F8171201	Washer	
<b>9</b>	F8465401	Bearing	
<b>10</b>	F8203812	Radial Seal	
<b>11</b>	F8207001	Gasket	
<b>12</b>	F8313702	Screw	

# Electric Heat Option



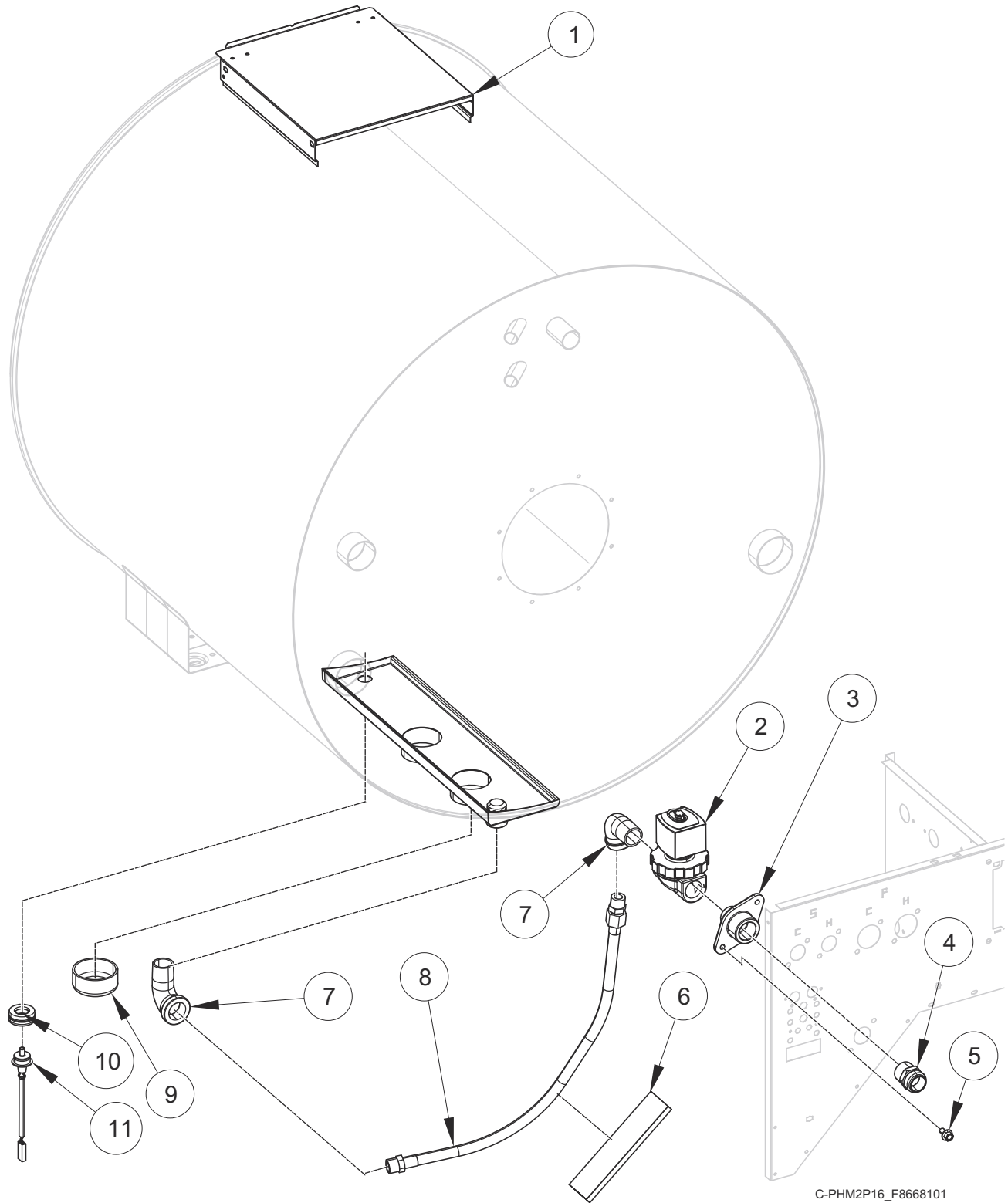
C-PHM2P15\_F8668101



## Electric Heat Option

REF	PART NO.	DESCRIPTION	COMMENTS
	F8489101	Drain Valve Bracket	Right
	F8489102	Drain Valve Bracket	Left; Dual drain
	F8564004	Harness	130 pound models
	F8568901	Jumper	Electric and dual heat
	F8584804	Electric Heat Harness	12 element
	F8568002	Electric Heat Harness Coils	130 pound models
<b>1</b>	F8544404	Shell Assembly	130 pound models with 1 or 3 in the 8th position
	F8544402	Shell Assembly	130 pound models with 2 or 4 in the 8th position
	F8544504	Shell Assembly	160 pound models with 1 or 3 in the 8th position
	F8544502	Shell Assembly	160 pound models with 2 or 4 in the 8th position
	F8579404	Shell Assembly	200 pound models with 1 or 3 in the 8th position
	F8579402	Shell Assembly	200 pound models with 2 or 4 in the 8th position
<b>2</b>	F0150502-00	Plug	
<b>3</b>	F8568301	Heating Element	4200 W; 230 Volt
<b>4</b>	F360202	Heating Element Plug	
<b>5</b>	2251000400	Temperature Probe Grommet	
<b>6</b>	F8538801	Thermistor	

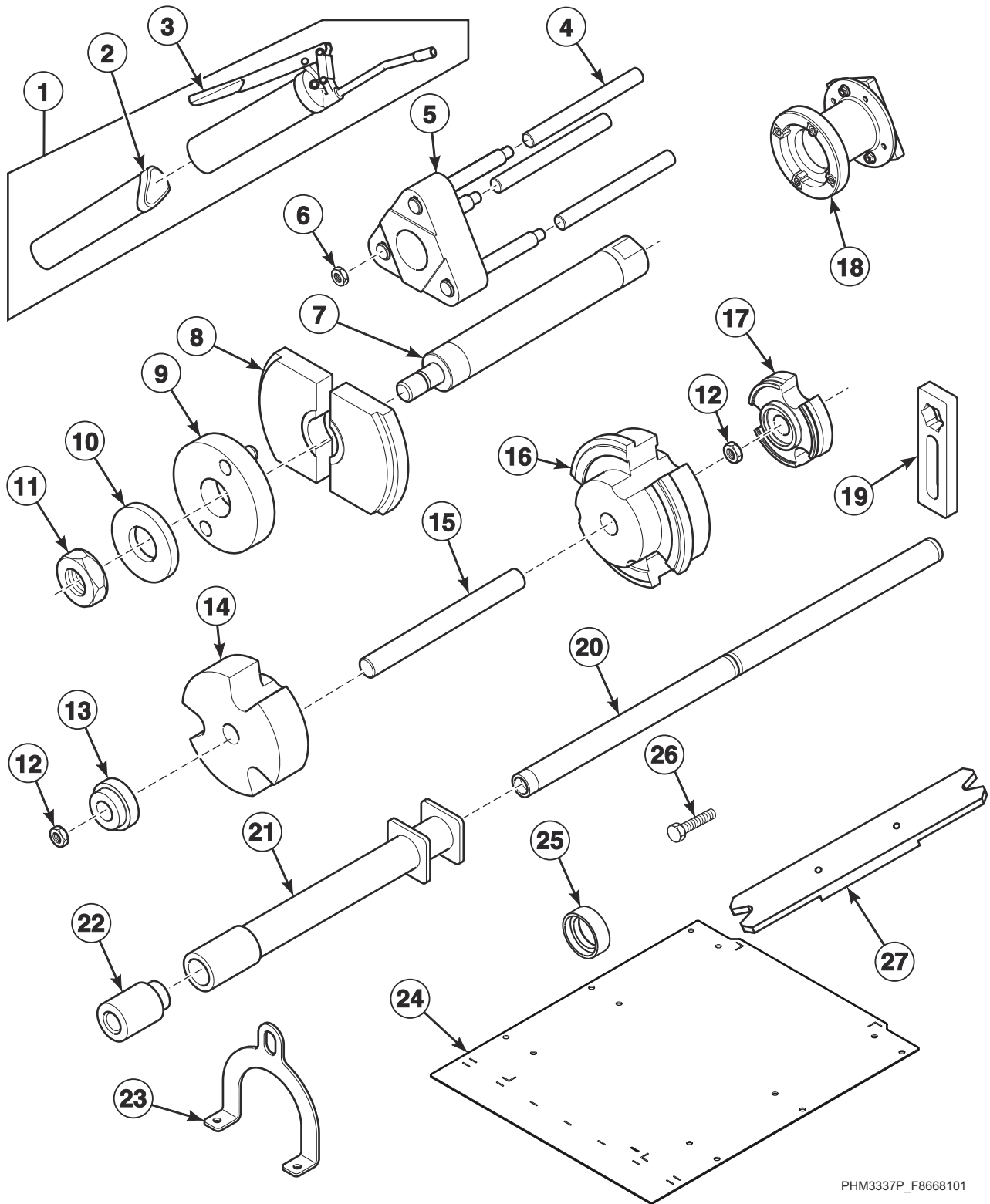
# Steam Heat Option



# Steam Heat Option

REF	PART NO.	DESCRIPTION	COMMENTS
	F8520704	Harness	
	F8662302	Steam Kit	Includes items 2, 5, 6, 8, F8609101 Water Level Pressure Switch, 203464 Barbed Tee, F8520705 Drain Valve Harness, F8362702 Coupling, F421703 Street Elbow, F421510 Plug, F270308 Steam Filter, F150494 Steam Hose, 44246601 Nipple, tubing, insulation and labels
	F270308	Steam Filter	3/4 inch
	F8489101	Drain Valve Bracket	Right; Dual heat
	F8489102	Drain Valve Bracket	Left; Dual drain; Dual heat
	F8312903	Drain Valve Bracket	Right
	F8312905	Drain Valve Bracket	Left; Dual drain
	F8621001	Steam Plumbing Assembly	3/4 inch; Includes items 3, 4, 7 and 8
	F8288313	Steam Valve Assembly	3/4 inch; 24VDC; Includes items 3, 4 and 7
	F8520705	Drain Valve Harness	
	F8379506	Valve Rebuild Kit	
<b>1</b>	F8544403	Shell Assembly	130 pound models with 1 or 3 in the 8th position
	F8544404	Shell Assembly	130 pound models with 1 or 3 in the 8th position with dual heat
	F8544401	Shell Assembly	130 pound models with 2 or 4 in the 8th position
	F8544402	Shell Assembly	130 pound models with 2 or 4 in the 8th position with dual heat
	F8544503	Shell Assembly	160 pound models with 1 or 3 in the 8th position
	F8544504	Shell Assembly	160 pound models with 1 or 3 in the 8th position with dual heat
	F8544501	Shell Assembly	160 pound models with 2 or 4 in the 8th position
	F8544502	Shell Assembly	160 pound models with 2 or 4 in the 8th position with dual heat
	F8579403	Shell Assembly	200 pound models with 1 or 3 in the 8th position
	F8579404	Shell Assembly	200 pound models with 1 or 3 in the 8th position with dual heat
	F8579401	Shell Assembly	200 pound models with 2 or 4 in the 8th position
	F8579402	Shell Assembly	200 pound models with 2 or 4 in the 8th position with dual heat
<b>2</b>	F8322908	Valve	3/4 inch: 24VDC
<b>3</b>	F8362702	Coupling	
<b>4</b>	F421909	Hose Adapter	
<b>5</b>	70321501	Screw	
<b>6</b>	F8233703	Insulation	
<b>7</b>	F421707	Street Elbow	
<b>8</b>	F200183	Steam Hose	
<b>9</b>	F0150502-00	Plug	
<b>10</b>	2251000400	Temperature Probe Grommet	
<b>11</b>	F8538801	Thermistor	

# Special Tools and Kits and Kits



PHM3337P\_F8668101

## Special Tools and Kits and Kits

REF	PART NO.	DESCRIPTION	COMMENTS
	F8662201	Wireless Network Kit	Includes 203532 Wireless Network Control Assembly, F8520407 Wireless Harness, label and hardware; Models through January 2019
	1112P	Concrete Hardware Kit	
	203346	USB IR Interface Kit	
	F8599403-1	Bearing Seal Insertion and Removal Kit	Rental; Includes items 4-21, 23, 25, 27, 70350503 Wing Nut and F8313702 Screw
	F8676201	Wireless Network Kit	Includes 807211 Wireless Network Control Assembly, F8674005 Wireless Harness, label and hardware; Models starting February 2019
	F8674005	Wireless Harness	Models starting February 2019
	F8520407	Wireless Harness	Models through February 2019
	F8599403	Bearing Seal Insertion and Removal Kit	Purchase; Includes items 4-21, 23, 25, 27, 70350503 Wing Nut and F8313702 Screw
	205391P	Gateway	
<b>1</b>	F798700	Grease Gun Kit	Includes items 2 and 3
<b>2</b>	F210206P	Bearing Grease	
<b>3</b>	F210207P	Grease Gun	
<b>4</b>	F8599301	Rod	
<b>5</b>	F8560503	Shaft Support Assembly	
<b>6</b>	F8459001	Nut	
<b>7</b>	F8450401	Bearing Removal Shaft Assembly	
<b>8</b>	F8450601	Bearing Removal Plate	
<b>9</b>	F8455603	Bearing Removal Washer Assembly	
<b>10</b>	F8456101	Washer	
<b>11</b>	F8455801	Nut	
<b>12</b>	F8457701	Nut	
<b>13</b>	F8455703	Bearing Removal Plug	
<b>14</b>	F8515103	Front Bearing Fixture Assembly	
<b>15</b>	F8452101	Threaded Rod	
<b>16</b>	F8515303	Seal Press Fixture	
<b>17</b>	F8515203	Rear Bearing Seal Fixture	
<b>18</b>	F8530203	Bearing Sleeve Assembly	
<b>19</b>	F8562801	One Sided Disassembly Fixture	
<b>20</b>	F8534103	Guide Rod Assembly	
<b>21</b>	F8490701	Hammer	
<b>22</b>	F8514401	Hammer Tool Adapter	
<b>23</b>	F8451503	Lifting Fixture	
<b>24</b>	F8471901	Frame Template	
<b>25</b>	F8537503	Excluder Seal Fixture	
<b>26</b>	M400063	Screw	
<b>27</b>	F8634803	Basket Rotation Clamp	



# Parts Index

## A

Adapter Sleeve F8382503 .....	35
Air Coupling F422114 .....	51

## B

Basket Assembly F8573203 .....	35
F8576101 .....	35
F8576201 .....	35
Basket Pulley F8522301 .....	51
Basket Pulley Bushing F280294P .....	51
Basket Rotation Clamp F8634803 .....	59
Bearing F8465401 .....	35, 53
F8465703 .....	53
Bearing Grease F210206P .....	59
Bearing Housing F8465201 .....	53
Bearing Housing Assembly F8474802P .....	53
Bearing Housing Kit F8575401 .....	53
Bearing Removal Plate F8450601 .....	59
Bearing Removal Plug F8455703 .....	59
Bearing Removal Shaft Assembly F8450401 .....	59
Bearing Removal Washer Assembly F8455603 .....	59
Bearing Seal Insertion and Removal Kit F8599403 .....	59
F8599403-1 .....	59
Bearing Sleeve Assembly F8530203 .....	59
Bearings and Seals Kit F8579601 .....	53
Belt F8382810 .....	51
Belt Guard Assembly F8481802 .....	19
Blind Rivet F8245101 .....	31, 33
Bolt F8270701 .....	29, 31, 33
F8402801 .....	51
F8549301 .....	29
M405503 .....	51
Bulkhead Brace F8578701 .....	21

Bulkhead Panel F8561301 .....	25
F8578402 .....	21
F8585201 .....	21
F8585202 .....	21
Bushing F8378701 .....	29
70346501 .....	15, 23, 41

## C

Chemical Connection Assembly F8597301 .....	41
F8597302 .....	41
Chemical Connection Bracket F8561401 .....	41
Chemical Connection Cover F8564601 .....	25
Chemical Cover Gasket F8609301 .....	25
Chemical Dispenser F8538201 .....	41
Chemical Injection Control F8497401 .....	41
804528 .....	41
Chemical Injection Hose F8600903 .....	41
Chemical Supply Cup F150385 .....	39
F150386 .....	39
Chemical Supply Tube F8551906 .....	39
Circuit Breaker 70488101 .....	15
Concrete Hardware Kit 1112P .....	59
Connector F8555401 .....	41
F8555402 .....	41
F8555403 .....	41
F8555404 .....	41
F8555405 .....	41
J1408004 .....	53
70493102 .....	41
Contact F8069502 .....	33
Contact Base F8538101 .....	9, 11, 33
Contact Switch F8069501 .....	9, 11
F8069503 .....	33
Contactoer 70482601 .....	15
70482701 .....	15
Control Assembly F8493902 .....	9
F8616203 .....	9
F8746104 .....	11
Control Decal F8665501 .....	9

N/A items do not appear in index.

Control Plate	
F8555701 .....	9, 11
F8555703 .....	9
F8555704 .....	11
Control Power Harness	
F8565401 .....	13
Coupling	
F8362701 .....	47
F8362702 .....	57
F8362703 .....	45

## D

Danger Label	
F8614501 .....	7
DIN Rail	
F8134101 .....	15
Dispenser Assembly	
F0150512-00P .....	39
Dispenser Cover	
F8338602 .....	25
Dispenser Lid	
F0150514-00 .....	39
Door Assembly	
F8480001 .....	29
F8480002P .....	29
Door Gasket	
F8508503 .....	29
Door Glass	
F8469101 .....	29
F8469201 .....	29
Door Glass Gasket	
F8499903 .....	29
Door Glass Retainer	
F8488201 .....	29
Door Handle	
F8435501 .....	29
Door Hinge	
F8468201 .....	29
Door Hinge Shim	
F8479601 .....	29
Door Interlock Harness	
F8571801 .....	31, 33
Door Latch Arm Assembly	
F8221403 .....	29
Door Lock Assembly	
F8606202 .....	31
F8606203 .....	33
Door Lock Catch	
F8344501 .....	31, 33
Door Lock Cover	
F8468801 .....	31
F8468802 .....	33
Door Lock Harness	
F8565901 .....	31, 33
Door Lock Microswitch	
F200203200 .....	31, 33
Door Lock Plate Assembly	
F8320402 .....	31, 33
Door Lock Plate Shim	
F8489601 .....	31, 33
Door Lock Switch Lever	
F8223401 .....	31, 33

N/A items do not appear in index.

Door Spray Nozzle Assembly	
F8356301 .....	27
Door Weldment	
F8479801 .....	29
Dowel Pin	
F8406502 .....	53
Drain Elbow Hose	
F8340801 .....	49
F8487001 .....	49
F8488501 .....	49
F8488601 .....	49
Drain Hose	
F200165100 .....	49
F8395801 .....	49
F8542301 .....	49
F8542501 .....	49
Drain Valve Bracket	
F8312903 .....	49, 57
F8312905 .....	49, 57
F8489101 .....	49, 55, 57
F8489102 .....	49, 55, 57
Drain Valve Cover	
F200133600 .....	49
Drain Valve Harness	
F8520003 .....	49
F8520004 .....	49
F8520705 .....	57
Drain Valve Kit	
F200166402 .....	49
F8577201 .....	49
Drive	
F8548113 .....	13
F8548114 .....	13
F8548118 .....	13
F8548119 .....	13
Drive Assembly	
F8496601 .....	13
F8496901 .....	13
Drive Box Partition Panel	
F8571101 .....	21
F8585501 .....	21
Drive Jog Harness	
F8566601 .....	13
Drive Mounting Bracket	
F8574301 .....	13
F8574302 .....	13

## E

Elbow	
F8453701 .....	27
F8514301 .....	39
Electric Heat Harness	
F8584804 .....	55
Electric Heat Harness Coils	
F8568002 .....	55
Emergency Stop Label	
44012902 .....	9, 11
Emergency Stop Pushbutton	
F200233500 .....	9, 11
EMI Filter	
F8591701 .....	13
F8591801 .....	13



End Stop	
F8449801 .....	15
E-Stop Harness	
F8519404 .....	9, 11
Ethernet Cable	
F8585001 .....	9, 11
Excluder Seal	
F8527703 .....	35
Excluder Seal Fixture	
F8537503 .....	59
Expansion Clip	
70030501 .....	9, 11, 13, 15, 19, 21, 25, 29, 31, 33, 41, 43
Extension Spring	
F8632601 .....	51
External Supply Board Communication Harness	
F8566101 .....	39
F8566102 .....	39
External Supply Board Power Harness	
F8566401 .....	39
F8566402 .....	39
Eye Bolt	
F8319503 .....	51

## F

Fan	
F8623601 .....	9, 11, 15
Fill Harness	
F8566001 .....	45
F8566002 .....	45
F8566003 .....	45
F8566004 .....	45
Filter	
F8548203 .....	13
F8548204 .....	13
F8548208 .....	13
Filter Kit	
F8662109 .....	13
F8662110 .....	13
F8662111 .....	13
Filter Retainer Guard	
F8578501 .....	9, 11, 15
Flanged Bushing	
F8333303 .....	51
Frame Shield	
F8480301 .....	37
Frame Shield Extension	
F8480403 .....	37
F8480404 .....	37
Frame Template	
F8471901 .....	59
Front Bearing Fixture Assembly	
F8515103 .....	59
Front Panel	
F8481401 .....	19

## G

Gasket	
F8207001 .....	53
F8502307 .....	35

Gateway	
205223P .....	59
205391P .....	59
Grease Fitting	
F190701 .....	51
Grease Gun	
F210207P .....	59
Grease Gun Kit	
F798700 .....	59
Grommet	
F8457802 .....	31, 33
F8489401 .....	19
F8528401 .....	23
Ground Lug Connector	
M411283 .....	15
Guide Rod Assembly	
F8534103 .....	59

## H

Hammer	
F8490701 .....	59
Hammer Tool Adapter	
F8514401 .....	59
Handle Mount	
F8468601 .....	29
Harness	
F8520704 .....	57
F8564004 .....	55
F8566301 .....	9, 11
F8566701 .....	33
F8598303 .....	9, 11
F8617901 .....	9, 11
Heating Element	
F8568301 .....	55
Heating Element Plug	
F360202 .....	55
Hole Plug	
F8223801 .....	15, 25
Hose	
F602586-34 .....	47
F8137504 .....	47
F8232006 .....	47
F8232007 .....	41
F8344602 .....	41, 45
F8394004 .....	45
F8394005 .....	45
F8617806 .....	43
F8617807 .....	43
F8617809 .....	43
F8617810 .....	43
F8617811 .....	43
F8617812 .....	43
F8617815 .....	43
Hose Adapter	
F421909 .....	57
F421968 .....	45
Hose Barb	
F421930 .....	47
F421964 .....	45
Hose Clamp	
F200201 .....	41, 49
F200204 .....	45
F200213 .....	39, 41

N/A items do not appear in index.

F200215	37
F200222	47
F200415	39
36801	39, 41, 43, 45, 47
36802	49
39282	9, 11
Hot Surface Warning Label	
F8609001	7
F8614301	7

## I

Injection Nozzle	
F8322001	39
Input and Output Control Assembly	
F8494101P	9, 11
Insertion Sleeve	
F8464903	35
Installation/Operation Communication Harness	
F8519503	9, 11
Insulation	
F8233703	57
Insulator	
M413862	13

## J

Jumper	
F8568901	55

## K

Key	
F8487101	51
44049001	51

## L

Label	
D516100	15
F8601301	7
F8609801	7
F8613701	7
F8614601	7, 15
F8614801	7
F8615901	7
F8620801	7
44286803	13
70531801	23
Left Side Panel	
F8481102	19
F8481104	19
F8580902	19
Lifting Fixture	
F8451503	59
Lug Hinge	
F8468401	29

## M

Machine ID Control Assembly	
203361P	9, 11
Magnet	
F8406201	29
Manifold	
F8333201	47
Module Box Assembly	
F8555505	9
F8555506	9
Module Box Fan/Jog Harness	
F8566502	9, 11
Module Box Front Panel	
F8578803	9
F8726003	11
Module Box Power Harness	
F8566201	9
F8566203	11
Module Box Top	
F8412504	9, 11
Molded Drain	
F8386805	49
Momentary Pushbutton	
F8069602	33
Motor	
F8564402	51
Motor Bracket Weldment	
F8441802	51
Motor Harness	
F8579201	51
Motor Pulley	
F8466901	51
F8466903	51
Motor Rod Plate	
F8441101	51

## N

Nameplate	
F8443105	9, 11
Nipple	
C00417	45
Nut	
F430218	35
F430225	17, 31, 33
F430231	9, 11, 15
F430232	31, 33
F430248	53
F431005	39
F431024	31, 33
F431026	39
F8322601	27
F8387601	51
F8455801	59
F8457701	59
F8459001	59
F8549401	29
44087201	19, 37, 49, 51
44087301	51
44088001	15
685846	9, 11
70030401	19, 37, 49

N/A items do not appear in index.

802292 ..... 39

---

## O

One Sided Disassembly Fixture  
F8562801 ..... 59

O-Ring  
F170200 ..... 27  
F8441901 ..... 51

Overflow  
F8491701 ..... 49

Overflow Hose  
F0150488-00 ..... 49

---

## P

Panel Locator  
56079 ..... 19, 21

Pin  
F8302701 ..... 35

Pinch Warning Label  
F8615701 ..... 7  
70538401 ..... 7

Plug  
F0150502-00 ..... 55, 57  
F8223901 ..... 15, 25  
F8223902 ..... 45  
F8531401 ..... 49  
M400985 ..... 25  
M403052 ..... 53

Plug Cap  
F190304 ..... 39

Pop Rivet  
M400003 ..... 9, 11, 15  
70058501 ..... 15, 21, 25

Power Distribution Block  
M413865 ..... 13

Power Distribution Block Cover  
44014901P ..... 13

Power Harness  
F8565501 ..... 13  
F8565502 ..... 13  
F8565601 ..... 13  
F8565602 ..... 13  
F8565801 ..... 13  
F8567901 ..... 13  
F8567902 ..... 13  
F8567903 ..... 13  
F8567904 ..... 13  
F8582801 ..... 13

Pressure Cap  
F8579301 ..... 49

Pressure Sensor  
F8623401 ..... 9, 11

---

## R

Radial Seal  
F8203812 ..... 53  
F8528503 ..... 53

Rear Bearing Seal Fixture  
F8515203 ..... 59

Rear Bulkhead Edging  
F8484101 ..... 25

Reed Switch Assembly  
F8066804 ..... 31, 33

Reed Switch Bracket  
F8493801 ..... 31, 33

Right Side Panel  
F8481101 ..... 19  
F8481103 ..... 19  
F8580901 ..... 19

Ring Clamp Weldment  
F8388007 ..... 35

Ring Retainer  
F310206 ..... 27

Rivet  
M412763 ..... 19, 21

Rod  
F8599301 ..... 59

---

## S

Screw  
D503688 ..... 41  
F8117601 ..... 19, 21, 25, 31, 33, 41, 43  
F8151201 ..... 9, 11, 15  
F8206901 ..... 9, 11, 13, 15, 19, 21  
F8230301 ..... 41, 43  
F8313702 ..... 53  
F8413701 ..... 9, 11  
F8442702 ..... 37  
F8484702 ..... 51  
F8560601 ..... 19  
F8574001 ..... 37  
F8673701 ..... 35  
M400063 ..... 59  
M400077 ..... 51  
M401938 ..... 17  
202175 ..... 19, 49  
20253 ..... 37  
39733 ..... 13  
430497 ..... 41  
431287 ..... 27  
44079204 ..... 51  
51783 ..... 13  
685837 ..... 15  
70321501 ..... 45, 47, 57  
70391101 ..... 35  
800461 ..... 51  
800548 ..... 41

Seal Pad  
F8617601 ..... 9, 11

Seal Press Fixture  
F8515303 ..... 59

Seal Wear Plate  
F8550103 ..... 37

Shaft Sleeve  
F8522603 ..... 35

Shaft Support Assembly  
F8560503 ..... 59

Shell Assembly  
F8544401 ..... 37  
F8544402 ..... 37, 55, 57  
F8544403 ..... 37, 57

N/A items do not appear in index.

F8544404	37, 55
F8544404F8544404	57
F8544501	37, 57
F8544502	37, 55, 57
F8544503	37, 57
F8544504	37, 55
F8579401	37, 57
F8579402	37, 55, 57
F8579403	37, 57
F8579404	37, 55, 57
Shell Front Assembly	
F8479401	35
Shell Front Gasket Kit	
F8537807	35
Shim	
F8484401	31, 33
F8618001	37
F8630301	37
Shock Warning Label	
F8614201	7
F8614401	7
Sleeve Seal	
F8343913	35
Snap Bushing	
F8332501	23
44071501	15
70178701	23
Solenoid	
F8630601	31, 33
Spacer	
F431901	31, 33
F8451601	51
Spray Nozzle Gasket	
F8322701	27
Spray Rinse Bracket	
F8451101	27
Spray Rinse Hose	
F8508203	27
Spray Rinse Strap	
F8451701	27
Spray Rinse Tube Assembly	
F8332305	27
F8332306	27
F8332307	27
Spring Bracket	
F8342203	51
Spring Pin	
F431222	29
Steam Filter	
F270308	57
Steam Hose	
F200183	57
Steam Kit	
F8662302	57
Steam Plumbing Assembly	
F8621001	57
Steam Valve Assembly	
F8288313	57
Strain Relief Adapter Kit	
F8566401	39
Strainer	
F8126601	45
Street Elbow	
F421707	57

Stud	
F390301	39
F8590801	9, 11
F8634701	51
70334702	19, 37, 49
Supply Dispenser Spacer	
F0150525-00	39
Supply Hose	
F8551904	39
F8551905	39
Supply Weldment	
F8549703	39
Swivel Coupling Assembly	
F8504001	27
Swivel Coupling Body	
F8503901	27
Swivel Coupling Bushing	
F8453801	27

---

## T

Tee	
F422208	45
Temperature Probe Grommet	
2251000400	37, 55, 57
2251000900	17
Terminal	
00622SG	9, 11, 15
Terminal Block	
430642	13
Terminal Block Shield	
70333001	13
Thermistor	
F8538801	17, 37, 55, 57
Threaded Rod	
F8452101	59
Top Cover	
F8596802	21
F8608202	21
Torsion/Door Lock Spring	
F8070301	31, 33
Transformer	
F8512001	15
202758	9, 11
Trim	
F8412801	19
F8412808	23
F8412811	19

---

## U

USB IR Interface Kit	
203346	59
USB-Serial Interface Assembly	
203440	9, 11

---

## V

Valve	
	43
F8322804	47

N/A items do not appear in index.

F8322908.....	57
F8579101.....	41
Valve Assembly	
F8288311.....	45
F8288312.....	45
F8288406.....	47
F8322907.....	45
Valve Coil	
F8515001.....	47
Valve Mounting Bracket	
F8331902.....	43
Valve Rebuild Kit	
F8379506.....	57
F8379507.....	47
F8379508.....	45
Vent Hose	
F8363601.....	37
Vibration Switch	
F8204001.....	17
Vibration Switch Shield	
F8337301.....	17
Vinyl Trim	
F8412813.....	19, 23
F8412814.....	19

---

## W

Warning Label	
F8611601.....	7
44324001.....	7, 19
Washer	
F431100.....	29
F431125.....	31, 33
F431147.....	29, 39
F431916.....	29
F8171201.....	53
F8193101.....	31, 33
F8366601.....	51
F8456101.....	59
M400014.....	51
M400080.....	35, 37
M400081.....	37
M405535.....	19, 37
70292801.....	51
803615.....	45
Water Hose	
F200164.....	45
F200166.....	45
F200185.....	45
F200509.....	43
Water Valve Bracket	
F8562201.....	41
Wire Tray Cover	
F8608102.....	21
F8608103.....	21
F8608104.....	21
Wireless Control Board Label	
F8734904.....	11
Wireless Harness	
F8520407.....	9, 11, 59
F8674005.....	59
Wireless Network Kit	
F8662201.....	59
F8676201.....	59

---

## Y

Y Connector	
F422816.....	43

---

