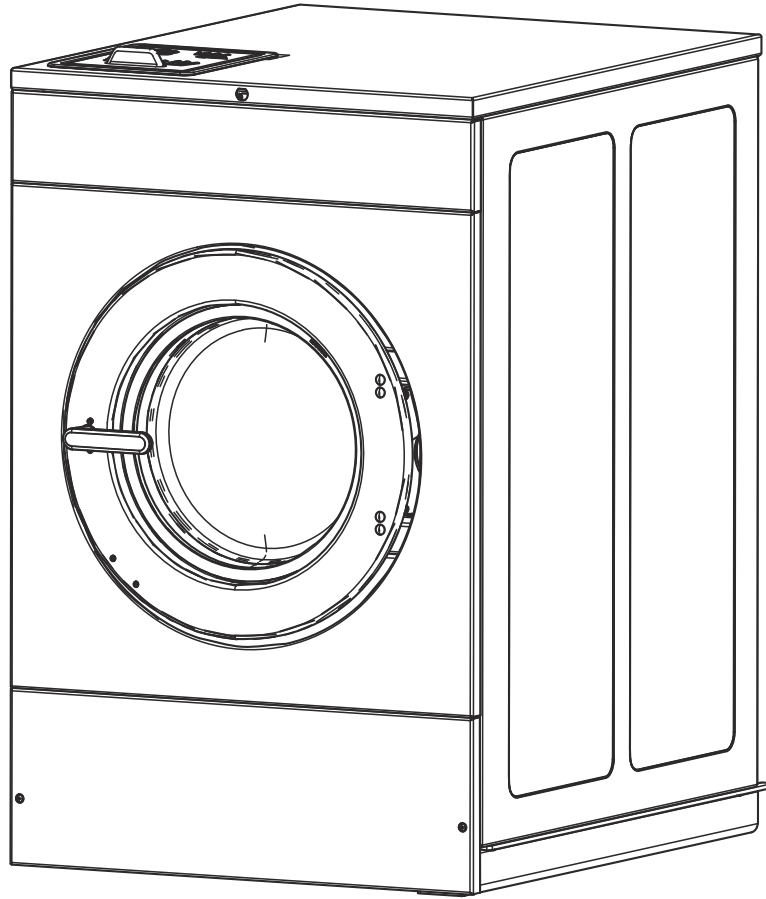


Washer-Extractor

Cabinet Hardmount

Design 4, 6, and 7

Refer to Page 3 for Model Numbers



C-CHM2C3_F8668401

Table of Contents

Title	Page
Parts Ordering Information.....	2
Serial Plate Location	2
Model Identification	3
Product Overview - M30, M9, Galaxy 400, Quantum Gold OPL and Easy Control	4
Labels	6
Control Module and Front Tray Assembly	8
Control Tray Assembly.....	10
Inverter Drive Box - 20 and 30 Pound Models	12
Inverter Drive Box - 40 Pound Models	14
Inverter Drive Box - 60 Pound Models	16
External Supply Kit.....	18
Inverter Drive	20
Front Panels and Control Panel - Design 4	22
Front Panels and Control Panel - 20 and 30 Pound Models Design 6	24
Front Panels and Control Panel - 40 and 60 Pound Models Design 6	26
Front Panels and Control Panel - 20 and 30 Pound Models Design 7	28
Front Panels and Control Panel - 40 and 60 Pound Models Design 7	30
Rear and Top Panels	32
Side Panels.....	34
Door - 20 Pound Models - Design 4.....	36
Door - 20 Pound Models - Design 6 and 7.....	38
Door - 30 Pound Models - Design 4.....	40
Door - 30 Pound Models - Design 6 and 7.....	42
Door - 40 and 60 Pound Models - Design 4.....	44
Door - 40 and 60 Pound Models - Design 6 and 7.....	46
Door Lock.....	48
Shell Front, Basket and Shell.....	50
Bearing Housing	52
Drain Plumbing	54
Pump Drain Plumbing - 20, 30 and 40 Pound Models.....	56
Fill Plumbing - 20 Pound Models	58
Fill Plumbing - 30 Pound Models	60
Fill Plumbing - 40 Pound Models	62
Fill Plumbing - 60 Pound Models	64
Motor, Pulley and Belt - 20 and 30 Pound Models.....	66
Motor, Pulley and Belt - 40 and 60 Pound Models.....	68
Electric Heating.....	70
Steam Heating - 40 and 60 Pound Models	72
Special Tools and Kits	74
Parts Index.....	77

© Copyright 2023, Alliance Laundry Systems LLC

All rights reserved. No part of the contents of this book may be reproduced or transmitted in any form or by any means without the expressed written consent of the publisher.

Parts Ordering Information

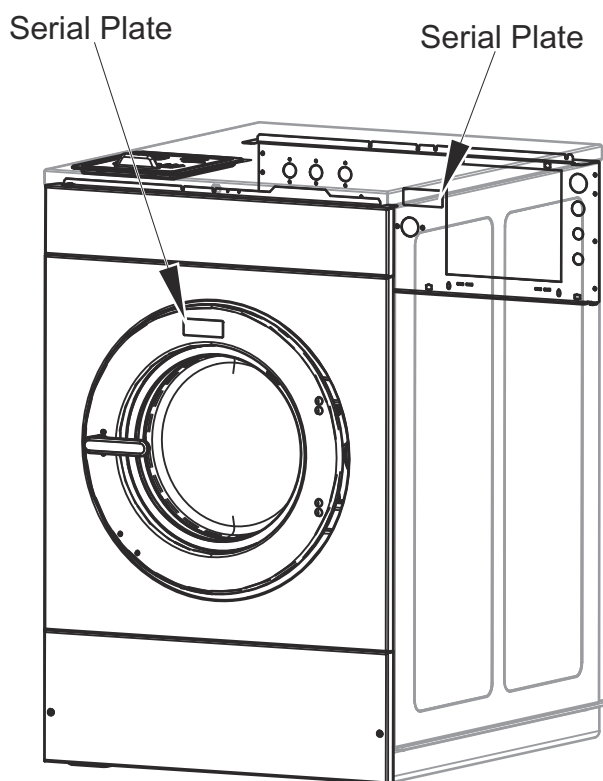
If literature or replacement parts are required, contact the source from whom the machine was purchased or contact Alliance Laundry Systems at (920) 748-3950 for the name and address of the nearest authorized parts distributor.

For technical assistance, call the number listed below:

(920) 748-3121 Ripon, Wisconsin

Serial Plate Location

When calling or writing about your product, be sure to mention model and serial numbers. Model and serial numbers are located on serial plate(s) as shown.



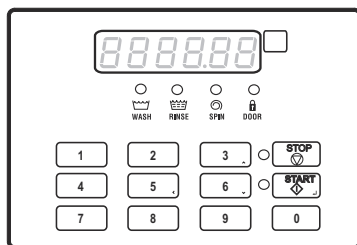
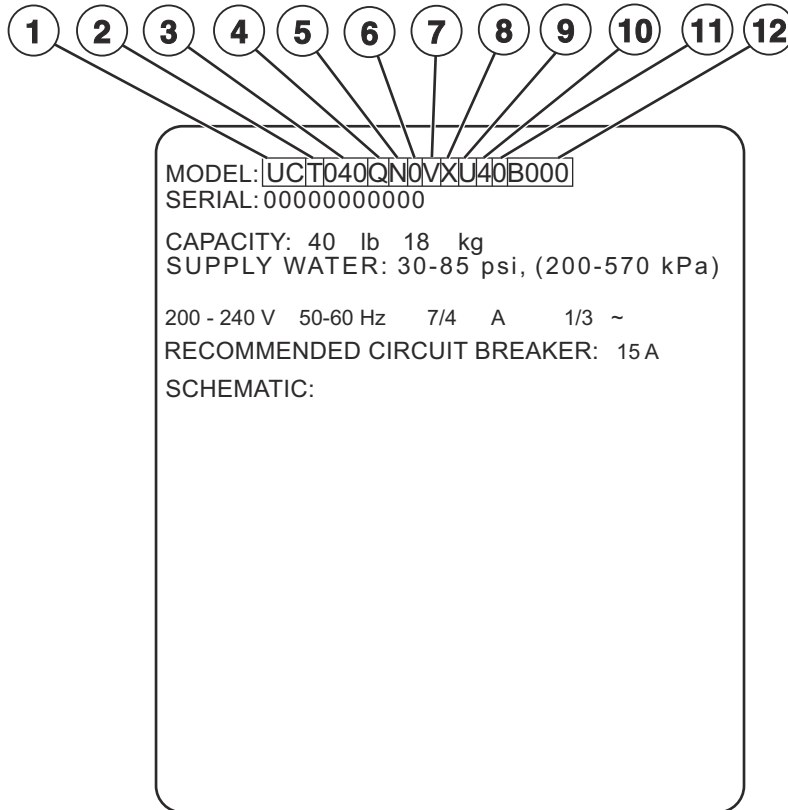
C-CHM2C2_F8668401

Model Identification

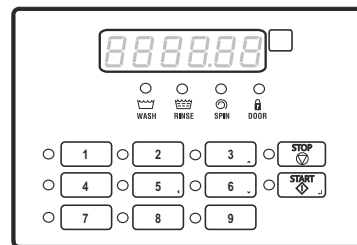
Information in this manual is applicable to these washer-extractor models:

BCA020QN	HCU060QN	SCK030NN	UCH040NN
BCA030QN	PCA020QN	SCK040NN	UCH040QN
BCA040QN	PCA030QN	SCK060NN	UCH060NN
BCA060QN	PCA040QN	SCL020NN	UCH060QN
BCG020QN	PCA060QN	SCL030NN	UCJ020NN
BCG030QN	PCG020QN	SCL040NN	UCJ020QN
BCG040QN	PCG030QN	SCL060NN	UCJ030NN
BCG060QN	PCG040QN	SCT020NN	UCJ030QN
BCK020QN	PCG060QN	SCT020QN	UCJ040NN
BCK030QN	PCK020QN	SCT030NN	UCJ040QN
BCK040QN	PCK030QN	SCT030QN	UCJ060NN
BCK060QN	PCK040QN	SCT040NN	UCJ060QN
BCL020QN	PCK060QN	SCT040QN	UCK020NN
BCL030QN	PCL020QN	SCT060NN	UCK020QN
BCL040QN	PCL030QN	SCT060QN	UCK030NN
BCL060QN	PCL040QN	SCU020NN	UCK030QN
BCT020QN	PCL060QN	SCU030NN	UCK040NN
BCT030QN	PCT020QN	SCU040NN	UCK040QN
BCT040QN	PCT030QN	SCU060NN	UCK060NN
BCT060QN	PCT040QN	UCA020NN	UCK060QN
HCA020QN	PCT060QN	UCA020QN	UCT020NN
HCA030QN	SCA020NN	UCA030NN	UCT020QN
HCA040QN	SCA020QN	UCA030QN	UCT030NN
HCA060QN	SCA030NN	UCA040NN	UCT030QN
HCD020QN	SCA030QN	UCA040QN	UCT040NN
HCD030QN	SCA040NN	UCA060NN	UCT040QN
HCD040QN	SCA040QN	UCA060QN	UCT060NN
HCG020QN	SCA060NN	UCD020NN	UCT060QN
HCG030QN	SCA060QN	UCD020QN	UCU020NN
HCG040QN	SCD020NN	UCD030NN	UCU020QN
HCG060QN	SCD030NN	UCD030QN	UCU030NN
HCH020QN	SCD040NN	UCD040NN	UCU030QN
HCH030QN	SCG020NN	UCD040QN	UCU040NN
HCH040QN	SCG020QN	UCG020NN	UCU040QN
HCH060QN	SCG030NN	UCG020QN	UCU060NN
HCJ020QN	SCG030QN	UCG030NN	UCU060QN
HCJ030QN	SCG040NN	UCG030QN	
HCJ040QN	SCG040QN	UCG040NN	
HCJ060QN	SCG060NN	UCG040QN	
HCT020NN	SCG060QN	UCG060NN	
HCT020QN	SCH020NN	UCG060QN	
HCT030QN	SCH030NN	UCH020NN	
HCT040NN	SCH040NN	UCH020QN	
HCT040QN	SCH060NN	UCH030NN	
HCT060NN	SCJ020NN	UCH030QN	
HCT060QN	SCJ030NN		
HCU020QN	SCJ040NN		
HCU030QN	SCJ060NN		
HCU040QN	SCK020NN		

Product Overview - M30, M9, Galaxy 400, Quantum Gold OPL and Easy Control



M30 and Quantum Gold OPL



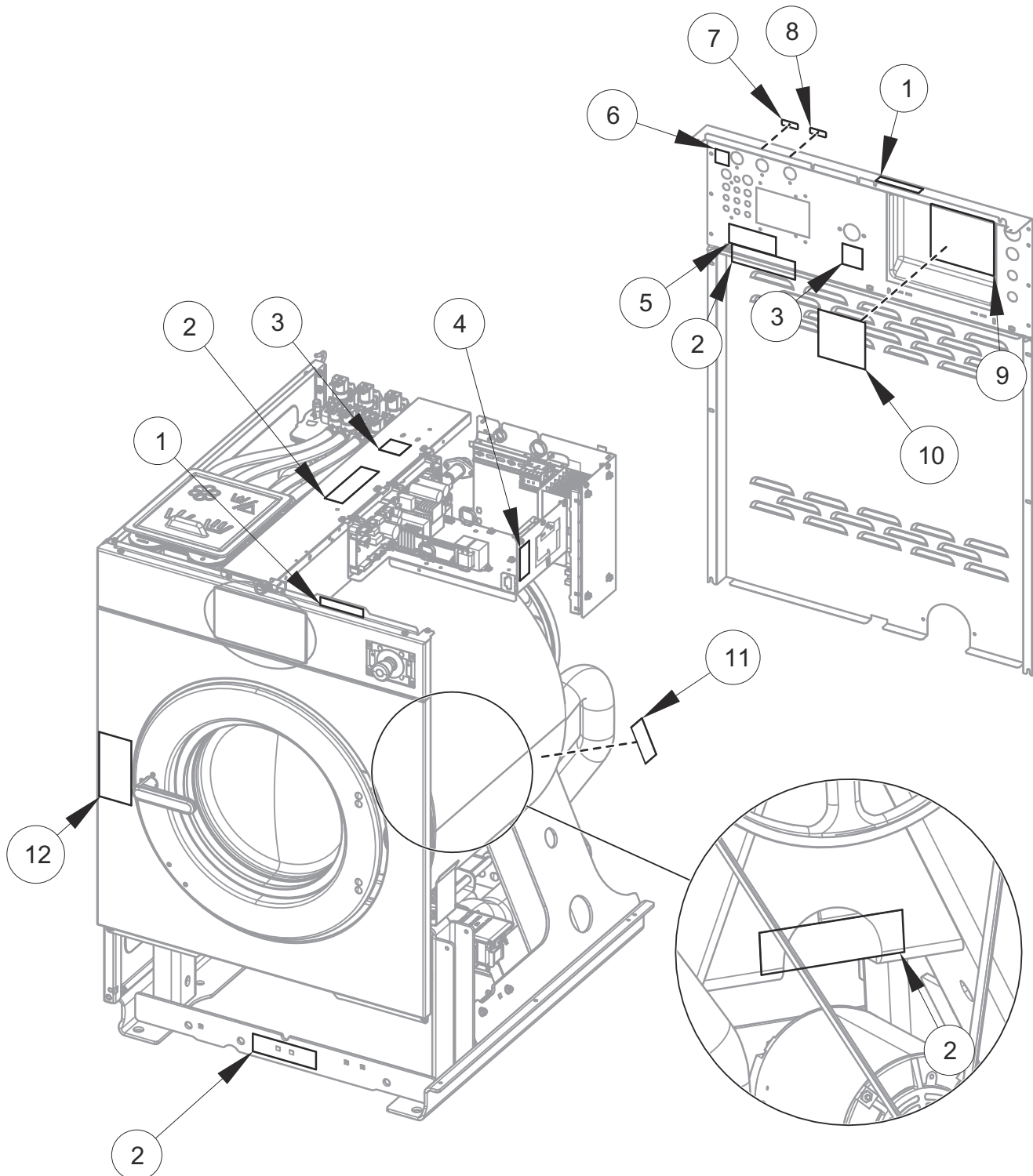
M9, Galaxy 400 OPL and Easy Control

CHM3508P_F8668401

Product Overview - M30, M9, Galaxy 400, Quantum Gold OPL and Easy Control

REF	PART NO.	DESCRIPTION	COMMENTS
1	-	Product Family	BC HC PC SC UC
2	-	Market Approvals	A (Australia ICE) D (Brazil IEC) G (International) H (China-ROHS IEC) J (Japan-PSE IEC) K (Korea IEC) L (Thailand-TISI IEC) T (North America) U (International CE/EAC)
3	-	Capacity (Dry Weight in Pounds)	020 030 040 060
4	-	Control	N Q
5	-	Actuation	N (Non-Coin OPL)
6	-	Coin Meter	0 (Standard)
7	-	Speed	F (F-Speed) V (V-Speed)
8	-	Voltage	B (120/60/1) N (440-480/50-60/3)) P (380-415/50-60/3) Q (200-240/50-60/3) W (200-240/50/1/3) X (200-240/50-60/1/3) Y (200-240/60/1/3)
9	-	Panel	B (Chrome Door) C (Chrome Door) U (Vinyl) 1 (Stainless Steel Side)
10	-	Design	4 6 7
11	-	Heat	0 (Standard) D (Steam) E (Electric Heat) P (Prep for Steam)
12	-	Features and Options	

Labels

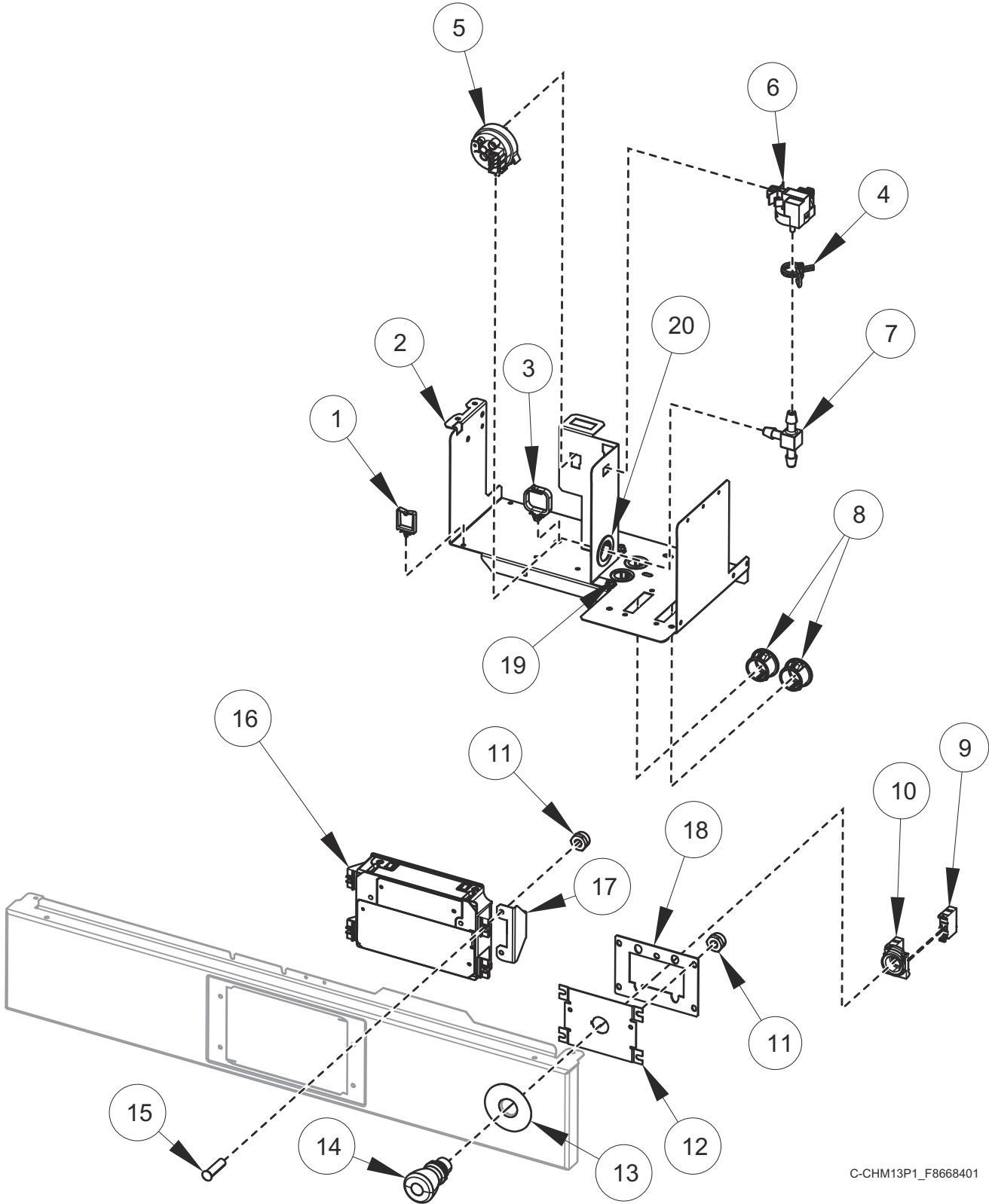


C-CHM2P20_F8668401

Labels

REF	PART NO.	DESCRIPTION	COMMENTS
1	F8614501	Danger Label	English/Quebec/French
2	44324001	Warning Label	Pinch/Shock; English/French
	F8614201	Shock Warning Label	Icon
	F8615701	Pinch Warning Label	Icon
3	F8614301	Hot Surface Warning Label	English/Quebec/French
	F8609001	Hot Surface Warning Label	Icon
4	F8601301	Label	Warning; Underground components
5	F8609401	Label	Notice; Chemical connection
6	203853	Label	ROHS (China)
7	F8611301	Label	Hot water; Icon
8	F8611401	Label	Cold water; Icon
9	F8611601	Warning Label	Warning; English/Quebec/French
10	F8602401	Label	Notice; Large expansion board
11	70538401	Pinch Warning Label	English/French
	F8615701	Pinch Warning Label	Icon
12	F8614801	Label	Warning fire/injury; English/Quebec/French

Control Module and Front Tray Assembly

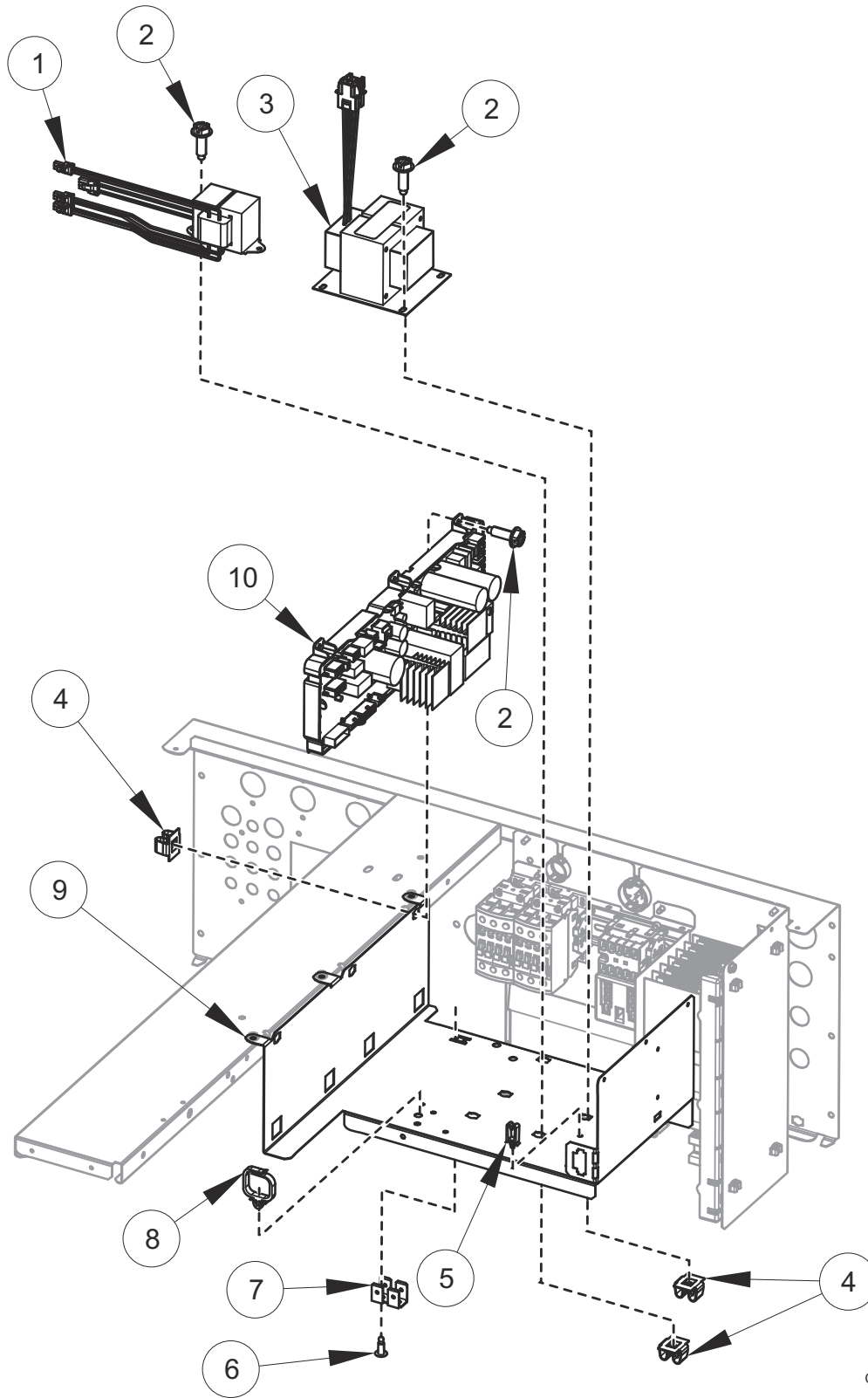


C-CHM13P1_F8668401

Control Module and Front Tray Assembly

REF	PART NO.	DESCRIPTION	COMMENTS
	44374701	App Pay Overlay Kit	
	203361P	Machine ID Control Assembly	
	F8567307	Front Tray Assembly	20 pound models; Includes items 1-3, 6, 8, 19, 20 and 70413301 Pushbutton Switch
	F8567310	Front Tray Assembly	20 pound models; Steam or electric heat; Includes items 1-8, 19, 20 and 70413301 Pushbutton Switch
	F8567308	Front Tray Assembly	30 pound models; Includes items 1-3, 6, 8, 19, 20 and 70413301 Pushbutton Switch
	F8567311	Front Tray Assembly	30 pound models; Steam or electric heat; Includes items 1-8, 19, 20 and 70413301 Pushbutton Switch
	F8567309	Front Tray Assembly	40 and 60 pound models; Includes items 1-3, 6, 8, 19, 20 and 70413301 Pushbutton Switch
	F8567312	Front Tray Assembly	40 and 60 pound models; Steam or electric heat; Includes items 1-8, 19, 20 and 70413301 Pushbutton Switch
	F8519301	Harness	Tray power harness
	F8519501	Harness	Communication; 20 and 30 pound models
	F8519502	Harness	Communication; 40 and 60 pound models
	F8519602	Harness	Access; Center control
	F8519603	Harness	Access; Right control
	F8519402	Emergency Stop Harness	
1	70366201	Wire Clip	
2	F8531002	Front Tray Assembly	
3	F8449501	Wire Clip	
4	39282	Hose Clamp	
5	F8609101	Water Level Pressure Switch	
	F8405302	Tubing	
6	F8623401	Pressure Sensor	
	F8405303	Tubing	
7	203464	Barbed Tee	
8	M411826	Snap Bushing	
9	F8069501	Contact Switch	
10	F200233401P	Contact Block Switch	
11	685846	Nut	
12	F8201301	Emergency Stop Plate	
13	44012901	Emergency Stop Label	
14	F200233500	Emergency Stop Pushbutton	
15	F8590801	Stud	
16	F8493902	Control Assembly	
17	F8590701	Bracket	
18	70208801	Mounting Plate	
19	F140938	Snap Bushing	
20	M402542	Snap Bushing	

Control Tray Assembly

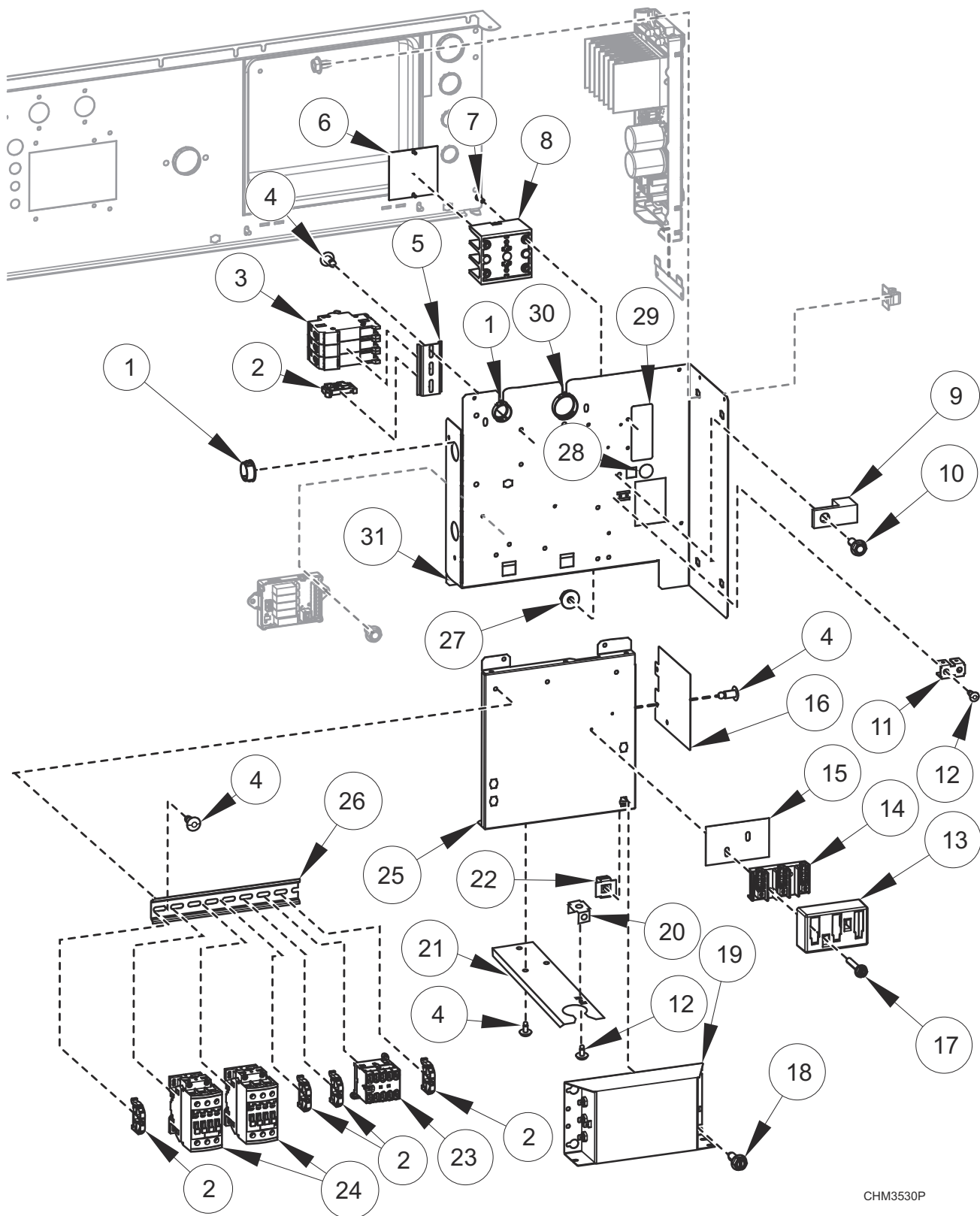


C-CHM5P5_F8668401

Control Tray Assembly

REF	PART NO.	DESCRIPTION	COMMENTS
	205391P	Gateway	
	802492	Fuse	
	F8662403	Wireless Kit	HC and UC 20 and 30 pound models through January 2019; SC 20 and 30 pound models through April 2019
	F8676001	Wireless Kit	HC and UC 20 and 30 pound models starting February 2019; SC 20 and 30 pound models starting May 2019
	F8676101	Wireless Kit	HC and UC 40 and 60 pound models starting February 2019; SC 40 and 60 pound models starting May 2019
1	202757	Transformer	B voltage with external supply
	202758	Transformer	N, P, Q, W, X and Y voltage with external supply
2	F8206901	Screw	
3	F8491101	Transformer	N and P voltage
4	70030501	Expansion Clip	
5	70347601	Wire Clip	External supply
6	M400003	Pop Rivet	
7	00622SG	Terminal	
8	F8449501	Wire Clip	
9	F8530701	Control Tray	
10	F8494101P	Input and Output Control Assembly	

Inverter Drive Box - 20 and 30 Pound Models

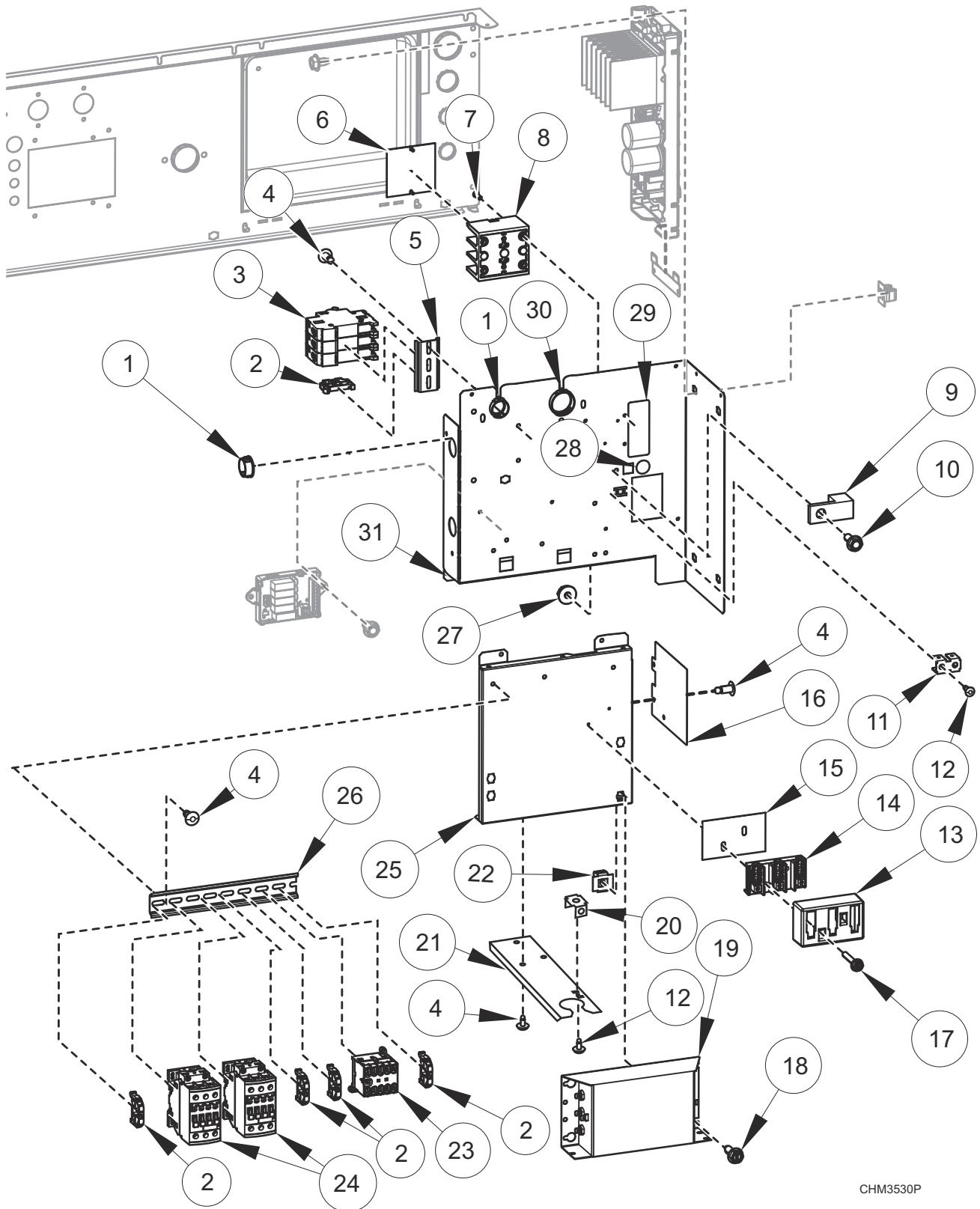


CHM3530P

Inverter Drive Box - 20 and 30 Pound Models

REF	PART NO.	DESCRIPTION	COMMENTS
	F8567001	Drive Panel Base Assembly	Includes items 4, 5, 12, 13, 17, 24, 30 and 430497 screw
	F8518401	Harness	W, X and Y voltage
	F8518405	Harness	B voltage
	F8518501	Harness	N and P voltage
	F8520603	Harness	Expansion board 4 out; Center control
	F8518502	Harness	N and P voltage; Electric heat
	F8518402	Harness	Q voltage; Electric heat
	F8662809	Filter Kit	Includes items 2, 13-20, F8518404 Harness, F8518605 Harness, F8528002 Harness, F8619102 Harness, F8528005 Harness, F8519006 Harness and labels; Q voltage; Electric heat
	F8662810	Filter Kit	Includes items 2, 13-20, F8518504 Harness, F8518606 Harness, F8528002 Harness, F8619102 Harness, F8528005 Harness, F8519007 Harness and labels; N and P voltage; Electric heat
	F8662801	Filter Kit	Includes items 2, 13-20, F8518404 Harness, F8518604 Harness, F8528004 Harness, F8528006 Harness, F8519006 Harness and labels; B voltage
	F8662803	Filter Kit	Includes items 2, 13-20, F8518404 Harness, F8518605 Harness, F8528001 Harness, F8528005 Harness, F8519006 Harness and labels; W, X and Y voltage
	F8662805	Filter Kit	Includes items 2, 13-20, F8518504 Harness, F8518606 Harness, F8528001 Harness, F8528005 Harness, F8519007 Harness and labels; N and P voltage
1	F140938	Snap Bushing	
2	F8449801	End Stop	
3	70488101	Circuit Breaker	3P; 25A
4	70058501	Pop Rivet	
5	B12315401	DIN Rail	7.5 mm x 35 mm x 72 mm
6	44014901P	Power Distribution Block Cover	Electric heat
7	39733	Screw	Electric heat
8	M413865	Power Distribution Block	Electric heat
9	M411283	Ground Lug Connector	
10	685837	Screw	
11	00622SG	Terminal	
12	M400003	Pop Rivet	
13	70333001	Terminal Block Shield	
14	430642	Terminal Block	
15	M413862	Insulator	
16	F8616901	Drive Shield	
17	51783	Screw	
18	F8206901	Screw	
19	F8591801	EMI Filter	200/240 Volt; 1/3 Phase; 20 Amp
	F8637501	EMI Filter	380/480 Volt; 3 Phase; 12 Amp
	F8591601	EMI Filter	120/240 Volt; 1 phase; 20 amp
20	00621SG	Male Tab Terminal	IEC models
21	F8744301	Harness Support Bracket	IEC models
22	70030501	Expansion Clip	
23	70482601	Contactator	5.5kW/500V; 24VDC
24	70482701	Contactator	50A; 24VDC
25	F8530901	Contactator Tray	
26	M412689	DIN Rail	7.5 mm x 35 mm x 8.364 inch
27	44088001	Nut	
28	D516100	Label	
29	44286803	Label	Power input; L1, L2, L3
	44286801	Label	Power input; L1, N
30	70346501	Bushing	
31	F8530801	Drive Terminal Tray	

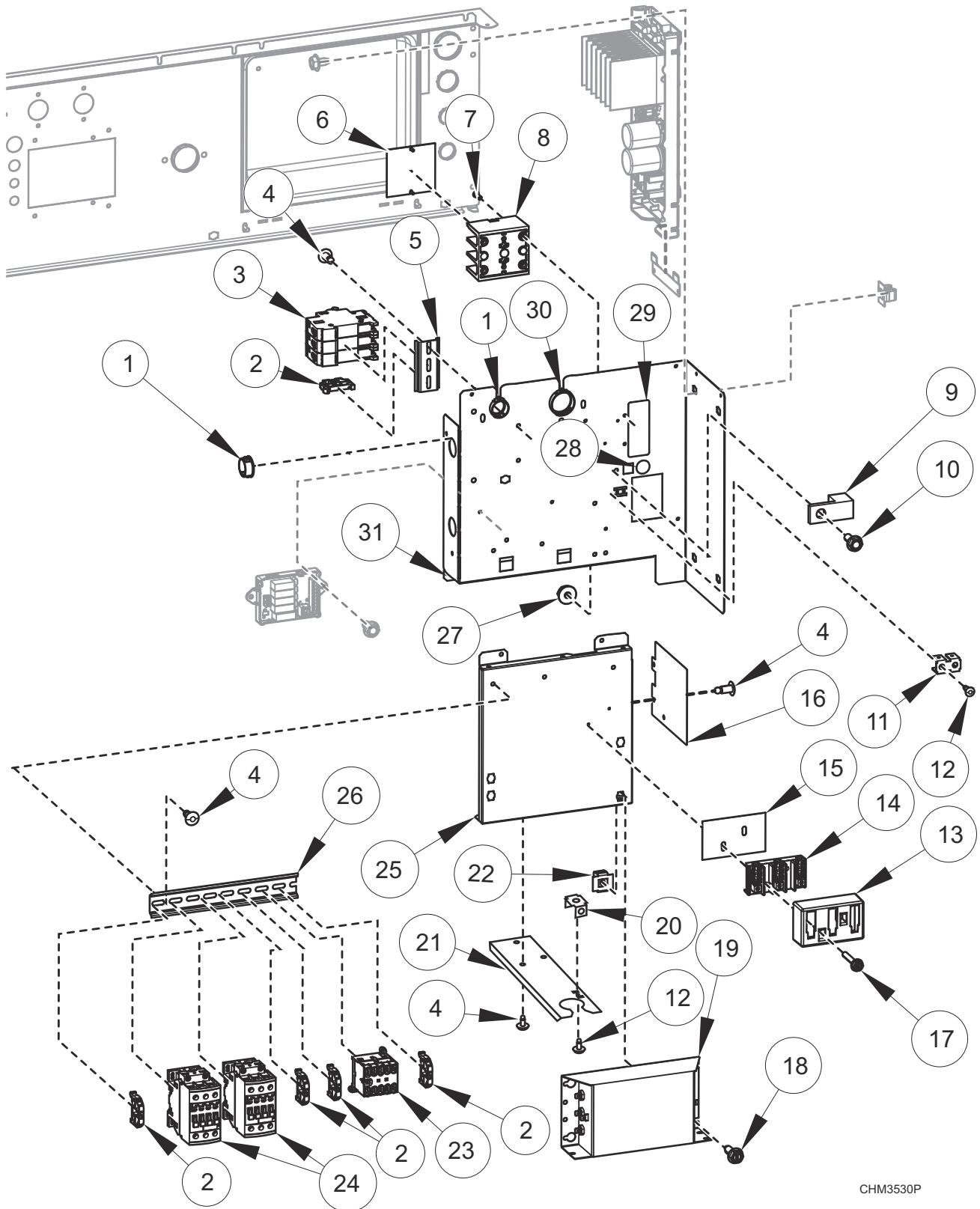
Inverter Drive Box - 40 Pound Models



Inverter Drive Box - 40 Pound Models

REF	PART NO.	DESCRIPTION	COMMENTS
	F8567001	Drive Panel Base Assembly	Includes items 4, 11, 12, 16, 23, 24 and 29
	F8567002	Drive Panel Base Assembly	Electric heat; Includes items 4, 5, 11, 12, 16, 23, 24 and 29
	F8518401	Harness	W, X and Y voltage
	F8518501	Harness	N and P voltage
	F8518403	Harness	Electric heat
	F8518405	Harness	B voltage
	F8518503	Harness	N and P voltage; Electric heat
	F8518403	Harness	Q voltage; Electric heat
	F8662811	Filter Kit	Includes items 1, 13-20, F8518404 Harness, F8518605 Harness, F8528003 Harness, F8528005 Harness, F8519008 Harness and labels; Q voltage; Electric heat
	F8662812	Filter Kit	Includes items 1, 13-20, F8518504 Harness, F8518606 Harness, F8528003 Harness, F8528005 Harness, F8519009 Harness and labels; N and P voltage; Electric heat
	F8662802	Filter Kit	Includes items 1, 13-20, F8518404 Harness, F8518604 Harness, F8528004 Harness, F8528006 Harness, F8519008 Harness and labels; B voltage
	F8662804	Filter Kit	Includes items 1, 13-20, F8518404 Harness, F8518606 Harness, F8528001 Harness, F8528005 Harness, F8519008 Harness and labels; W, X and Y voltage
	F8662806	Filter Kit	Includes items 1, 13-20, F8518504 Harness, F8518606 Harness, F8528001 Harness, F8528005 Harness, F8519009 Harness and labels; N and P voltage
1	F140938	Snap Bushing	
2	F8449801	End Stop	
3	70488101	Circuit Breaker	3P; 25A
4	70058501	Pop Rivet	
5	B12315401	DIN Rail	7.5 mm x 35 mm x 72 mm
6	44014901P	Power Distribution Block Cover	Electric heat
7	39733	Screw	Electric heat
8	M413865	Power Distribution Block	Electric heat
9	M411283	Ground Lug Connector	
10	685837	Screw	
11	00622SG	Terminal	
12	M400003	Pop Rivet	
13	70333001	Terminal Block Shield	
14	430642	Terminal Block	
15	M413862	Insulator	
16	F8616901	Drive Shield	
17	51783	Screw	
18	F8206901	Screw	
19	F8591801	EMI Filter	200/240 Volt; 1/3 Phase; 20 Amp
	F8637501	EMI Filter	380/480 Volt; 3 Phase; 12 Amp
	F8591601	EMI Filter	120/240 Volt; 1 phase; 20 amp
20	00621SG	Male Tab Terminal	IEC models
21	F8744301	Harness Support Bracket	IEC models
22	70030501	Expansion Clip	
23	70482601	Contacto	5.5kW/500V; 24VDC
24	70482701	Contacto	50A; 24VDC
25	F8530901	Contacto Tray	
26	M412689	DIN Rail	7.5 mm x 35 mm x 8.364 inch
27	44088001	Nut	
28	D516100	Label	
29	44286803	Label	Power input; L1, L2, L3
	44286801	Label	Power input; L1, N
30	70346501	Bushing	
31	F8530801	Drive Terminal Tray	

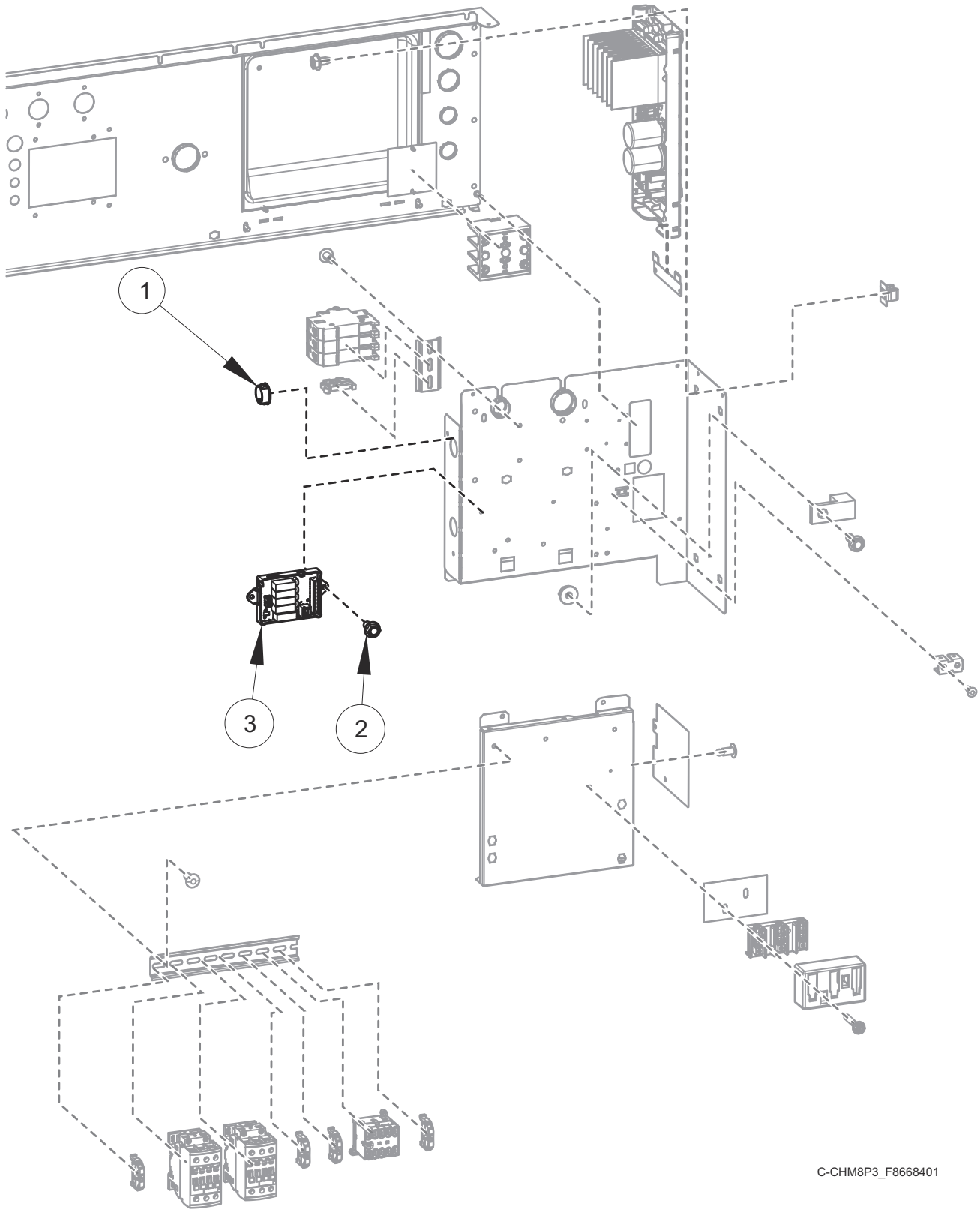
Inverter Drive Box - 60 Pound Models



Inverter Drive Box - 60 Pound Models

REF	PART NO.	DESCRIPTION	COMMENTS
	F8567003	Drive Panel Base Assembly	Includes items 4, 11, 12, 16, 23, 24 and 29
	F8567003	Drive Panel Base Assembly	Electric heat; Includes items 4, 5, 11, 12, 16, 23, 24 and 29
	F8518401	Harness	X voltage
	F8518501	Harness	N and P voltage
	F8518403	Harness	Electric heat
	F8518503	Harness	N and P voltage; Electric heat
	F8518403	Harness	Q voltage; Electric heat
	F8662811	Filter Kit	Includes items 1, 13-20, F8518404 Harness, F8518605 Harness, F8528003 Harness, F8528005 Harness, F8519008 Harness and labels; Q voltage; Electric heat
	F8662812	Filter Kit	Includes items 1, 13-20, F8518504 Harness, F8518606 Harness, F8528003 Harness, F8528005 Harness, F8519009 Harness and labels; N and P voltage; Electric heat
	F8662804	Filter Kit	Includes items 1, 13-20, F8518404 Harness, F8518605 Harness, F8528001 Harness, F8528005 Harness, F8519008 Harness and labels; X voltage
	F8662806	Filter Kit	Includes items 1, 13-20, F8518504 Harness, F8518606 Harness, F8528001 Harness, F8528005 Harness, F8519009 Harness and labels; N and P voltage
1	F140938	Snap Bushing	
2	F8449801	End Stop	
3	70488101	Circuit Breaker	3P; 25A
4	70058501	Pop Rivet	
5	B12315401	DIN Rail	7.5 mm x 35 mm x 72 mm
6	44014901P	Power Distribution Block Cover	Electric heat
7	39733	Screw	Electric heat
8	M413865	Power Distribution Block	Electric heat
9	M411283	Ground Lug Connector	
10	685837	Screw	
11	00622SG	Terminal	
12	M400003	Pop Rivet	
13	70333001	Terminal Block Shield	
14	430642	Terminal Block	
15	M413862	Insulator	
16	F8616901	Drive Shield	
17	51783	Screw	
18	F8206901	Screw	
19	F8591801	EMI Filter	200/240 Volt; 1/3 Phase; 20 Amp
	F8637501	EMI Filter	380/480 Volt; 3 Phase; 12 Amp
	F8591601	EMI Filter	120/240 Volt; 1 phase; 20 amp
20	00621SG	Male Tab Terminal	IEC models
21	F8744301	Harness Support Bracket	IEC models
22	70030501	Expansion Clip	
23	70482601	Contactora	5.5kW/500V; 24VDC
24	70482701	Contactora	50A; 24VDC
25	F8530901	Contactora Tray	
26	M412689	DIN Rail	7.5 mm x 35 mm x 8.364 inch
27	44088001	Nut	
28	D516100	Label	
29	44286803	Label	Power input; L1, L2, L3
	44286801	Label	Power input; L1, N
30	70346501	Bushing	
31	F8530803	Drive Terminal Tray	

External Supply Kit

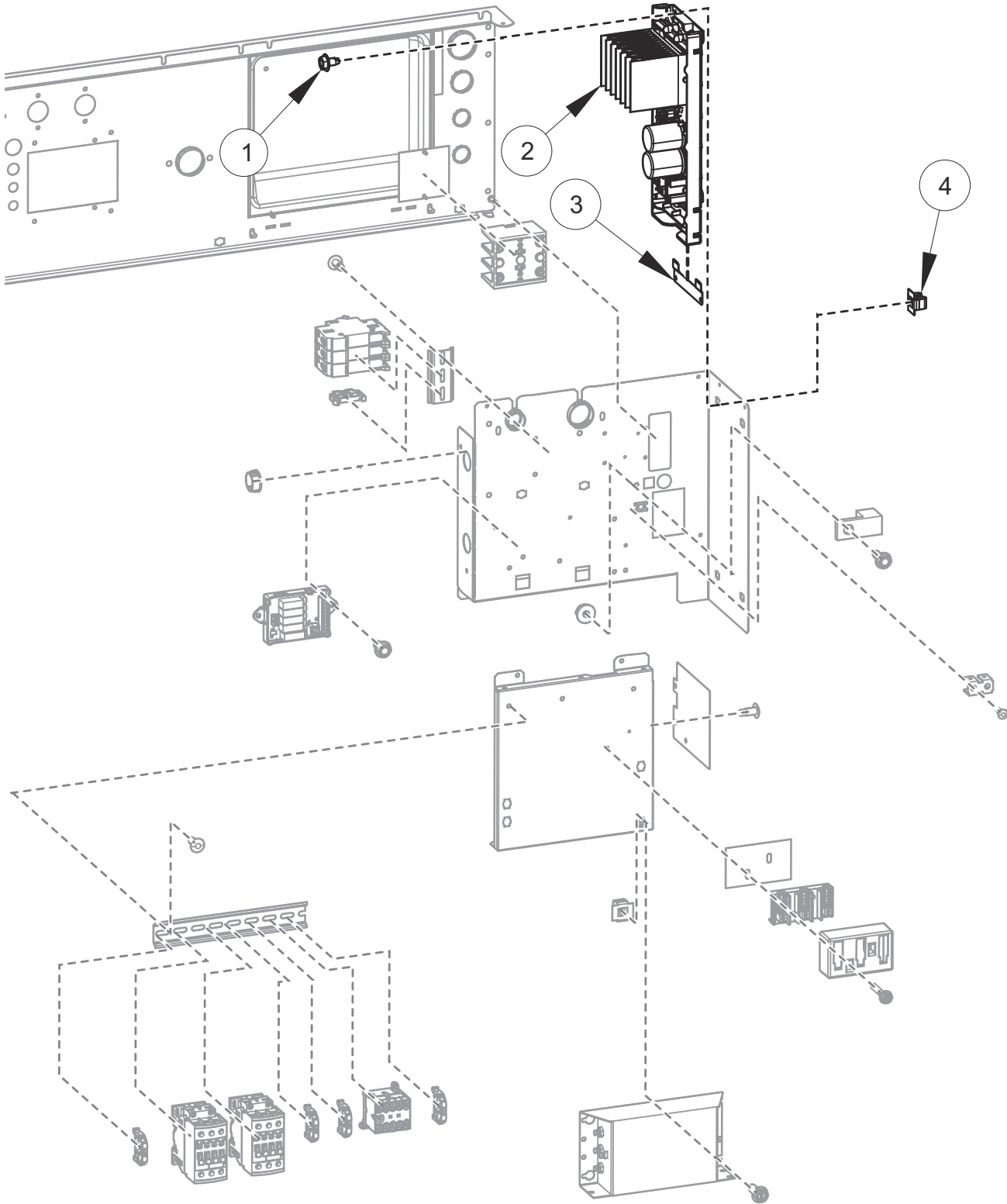


C-CHM8P3_F8668401

External Supply Kit

REF	PART NO.	DESCRIPTION	COMMENTS
	F8662505	External Supply Kit	20 and 30 pound models with B voltage; Includes items 1-3, F8520601 Harness, F8528203 Harness, 202758 Transformer and labels; 4 out
	F8662506	External Supply Kit	40 pound models with B voltage; Includes items 1-3, F8520602 Harness, F8528203 Harness, 202758 Transformer and labels; 4 out
	F8662507	External Supply Kit	20 and 30 pound models with N, P, Q and X voltage; Includes items 1-3, F8520601 Harness, F8528204 Harness, 202758 Transformer and labels; 4 out
	F8662508	External Supply Kit	40 and 60 pound models with N, P, Q and X voltage; Includes items 1-3, F8520602 Harness, F8528204 Harness, 202758 Transformer and labels; 4 out
	F8520601	Harness	Communication; 20 and 30 pound models
	F8520602	Harness	Communication; 40 and 60 pound models
	F8528203	Harness	Power; B voltage
	F8528204	Harness	Power; N, P, Q, W, X and Y voltage
1	F140938	Snap Bushing	
2	430497	Screw	
3	804528	Chemical Injection Control	5 output
	70493102	Connector	9 pin; H2

Inverter Drive

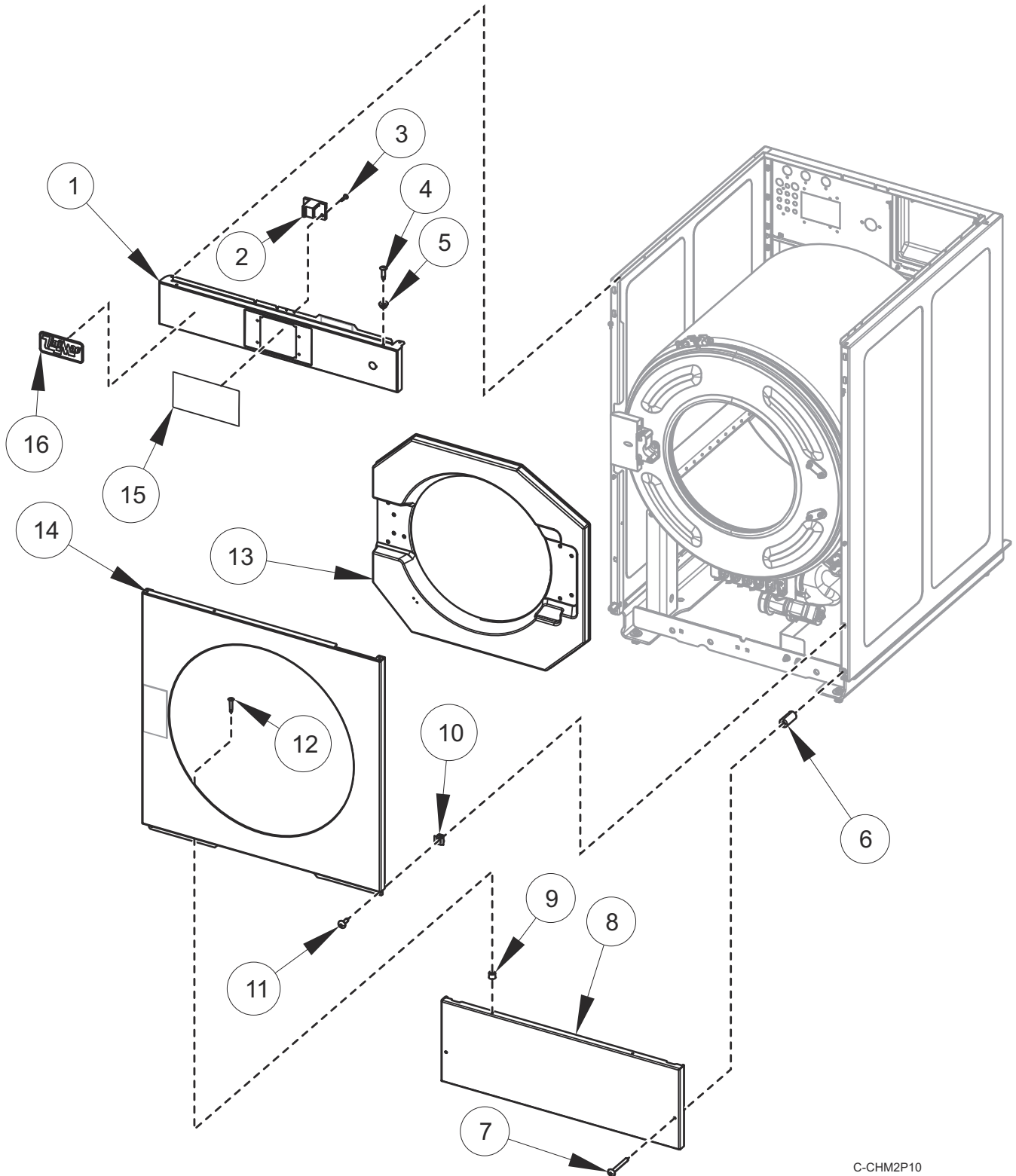


C-CHM2P22_F8668401

Inverter Drive

REF	PART NO.	DESCRIPTION	COMMENTS
	F8519202	Drive Communication Harness	20 and 30 pound models; Electric heat
	F8519203	Drive Communication Harness	40 and 60 pound models; Electric heat
	F8519201	Drive Communication Harness	Standard
	F8519204	Drive Communication Harness	Steam heat
	F8518602	Drive Power Harness	2/3/5 hp; 240 Volt
	F8518603	Drive Power Harness	2/3/5 hp; 480 Volt
	F8518601	Drive Power Harness	2 hp; 120 Volt
1	D503688	Screw	
2	F8496001	Drive Assembly	20, 30 and 40 pound models; N and P-voltage; 2 hp; 480 Volt
	F8495401P	Drive Assembly	20, 30 and 40 pound models; B, Q, W X and Y-voltage; 2 hp; 120/240 Volt
	F8496301P	Drive Assembly	60 pound models; Q and X-voltage; 3 hp; 240 Volt
	F8496901	Drive Assembly	60 pound models; N and P-voltage; 5 hp; 480 Volt
3	F8322401	Drive Mounting Bracket	
4	70030501	Expansion Clip	

Front Panels and Control Panel - Design 4

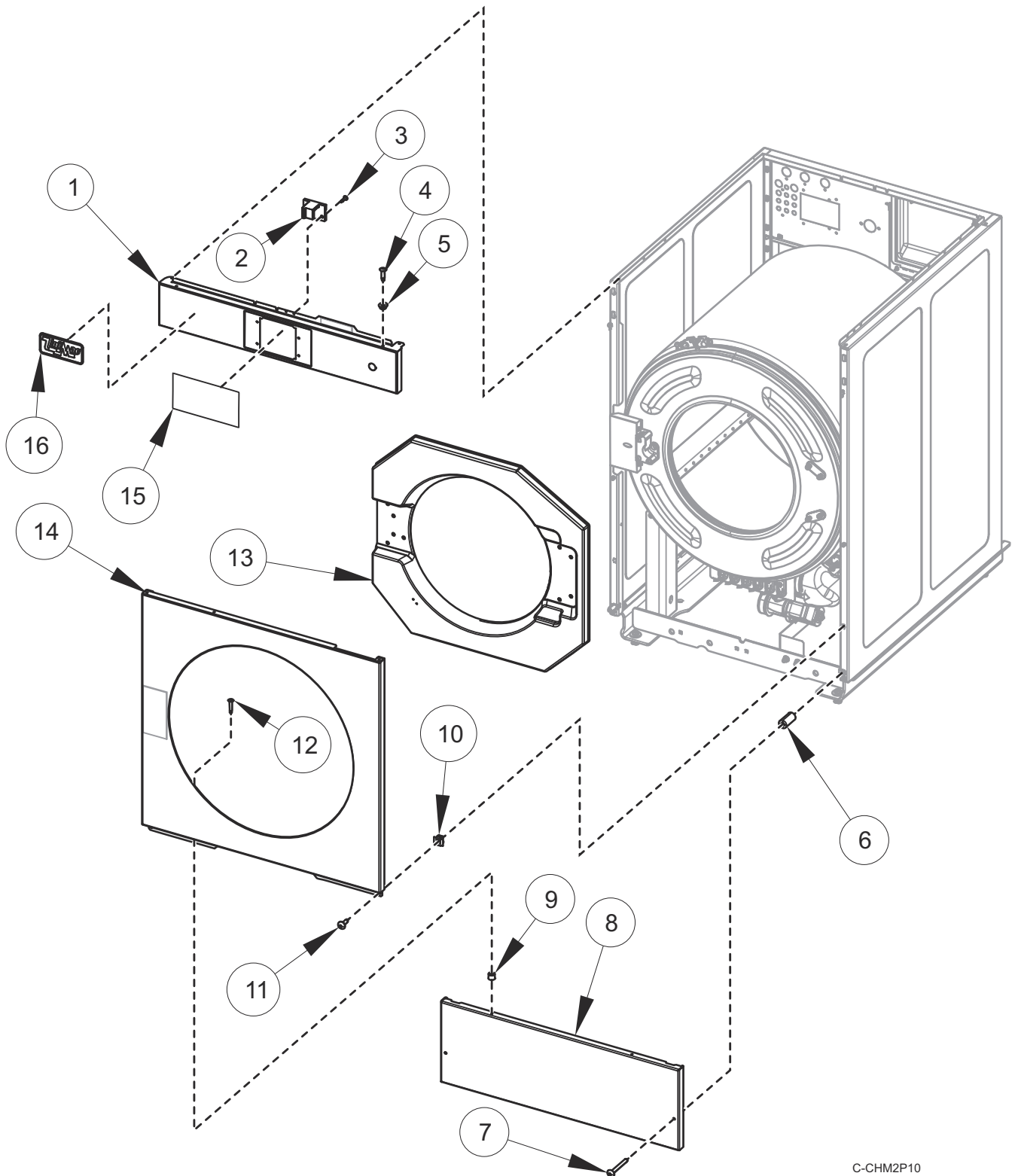


C-CHM2P10

Front Panels and Control Panel - Design 4

REF	PART NO.	DESCRIPTION	COMMENTS
1	F8523706	Control Panel Assembly	UC 20 pound models; Includes F8590801 Stud
	F8523806	Control Panel Assembly	UC 30 pound models; Includes F8590801 Stud
	F8523906	Control Panel Assembly	UC 40 pound models; Includes F8590801 Stud
	F8553706	Control Panel Assembly	UC 60 pound models; Includes F8590801 Stud
	F8523702	Control Panel Assembly	BC, HC, PC and SC 20 pound models; Includes F8590801 Stud
	F8523802	Control Panel Assembly	BC, HC, PC and SC 30 pound models; Includes F8590801 Stud
	F8523902	Control Panel Assembly	BC, HC, PC and SC 40 pound models; Includes F8590801 Stud
	F8553702	Control Panel Assembly	BC, HC, PC and SC 60 pound models; Includes F8590801 Stud
2	F8201001	Top Cover Latch	
3	F431215	Pop Rivet	
4	70412601	Pop Rivet	
5	F8201101	Washer	
6	F8609701	Access Panel Retaining Spacer	
7	F8589501	Screw	
8	F8524001	Access Panel	20 pound models
	F8524101	Access Panel	30 pound models
	F8524201	Access Panel	40 pound models
	F8553901	Access Panel	60 pound models
9	56079	Panel Locator	
10	70030501	Expansion Clip	
11	F8117601	Screw	
12	M412763	Rivet	
13	F8658801	Door Bezel	HC and UC 20 pound models
	F8659801	Door Bezel	HC and UC 30 pound models
	F0170426-30	Door Bezel	HC and UC 40 and 60 pound models
	F8658701	Door Bezel	BC, PC and SC 20 pound models
	F8658901	Door Bezel	BC, PC and SC 30 pound models
	F8659101	Door Bezel	BC, PC and SC 40 and 60 pound models
14	F8524302	Front Panel	20 pound models
	F8524402	Front Panel	30 pound models
	F8524502	Front Panel	40 pound models
	F8554002	Front Panel	60 pound models
15	F8612701	Overlay	UC models with Q control
	F8612801	Overlay	UC models with N control
	F8595101	Overlay	SC models
	F8611501	Overlay	HC models with Q control
	F8709701	Overlay	HC 20 pound models with N control
	F8711901	Overlay	HC 40 pound models with N control
	F8712001	Overlay	HC 60 pound models with N control
	F8704601	Overlay	PC models with Q control
F8704701	Overlay	BC models with Q control	
16	F8443105	Nameplate	UC 20 and 30 pound models
	F8443106	Nameplate	UC 40 and 60 pound models

Front Panels and Control Panel - 20 and 30 Pound Models Design 6

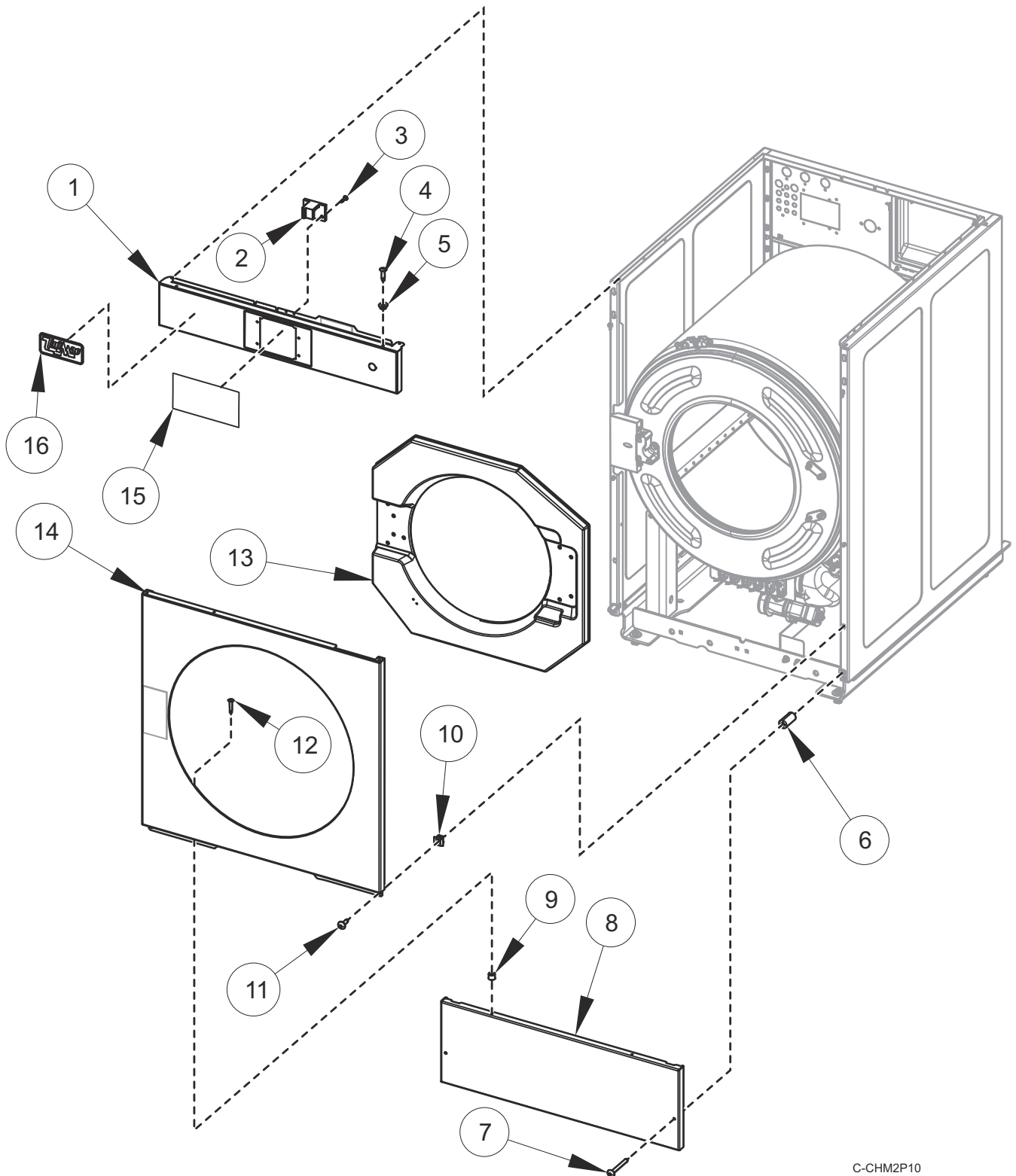


C-CHM2P10

Front Panels and Control Panel - 20 and 30 Pound Models Design 6

REF	PART NO.	DESCRIPTION	COMMENTS
	F8698801	Instruction Label	SC models; English/Spanish
	F8698901	Instruction Label	SC models; Icon
	F8699702	Basket Capacity Label	SC 20 pound models
	F8699703	Basket Capacity Label	SC 30 pound models
1	F8523706	Control Panel Assembly	UC 20 pound models; Includes F8590801 Stud
	F8523806	Control Panel Assembly	UC 30 pound models; Includes F8590801 Stud
	F8697102	Control Panel Assembly	BC, HC, PC and SC 20 pound models; Includes F8590801 Stud
	F8697202	Control Panel Assembly	BC, HC, PC and SC 30 pound models; Includes F8590801 Stud
2	F8201001	Top Cover Latch	
3	F431215	Pop Rivet	
4	70412601	Pop Rivet	
5	F8201101	Washer	
6	F8609701	Access Panel Retaining Spacer	
7	F8589501	Screw	
8	F8524001	Access Panel	20 pound models
	F8524101	Access Panel	30 pound models
9	56079	Panel Locator	
10	70030501	Expansion Clip	
11	F8117601	Screw	
12	M412763	Rivet	
13	F8658801	Door Bezel	HC and UC 20 pound models
	F8658901	Door Bezel	HC and UC 30 pound models
	F8658701	Door Bezel	BC, PC and SC 20 pound models
	F8658901	Door Bezel	BC, PC and SC 30 pound models
14	F8686002	Front Panel	20 pound models
	F8686102	Front Panel	30 pound models
15	F8696601	Overlay	UC models with Q control
	F8696701	Overlay	UC models with N control
	F8713201	Overlay	SC models with Q control
	F8695701	Overlay	SC models with N control
	F8694701	Overlay	HC 20 pound models
	F8694801	Overlay	HC 30 pound models with Q control
	F8704601	Overlay	PC models with Q control
	F8704701	Overlay	BC models with Q control
16	F8443105	Nameplate	UC models
	F8688801	Nameplate	SC models

Front Panels and Control Panel - 40 and 60 Pound Models Design 6

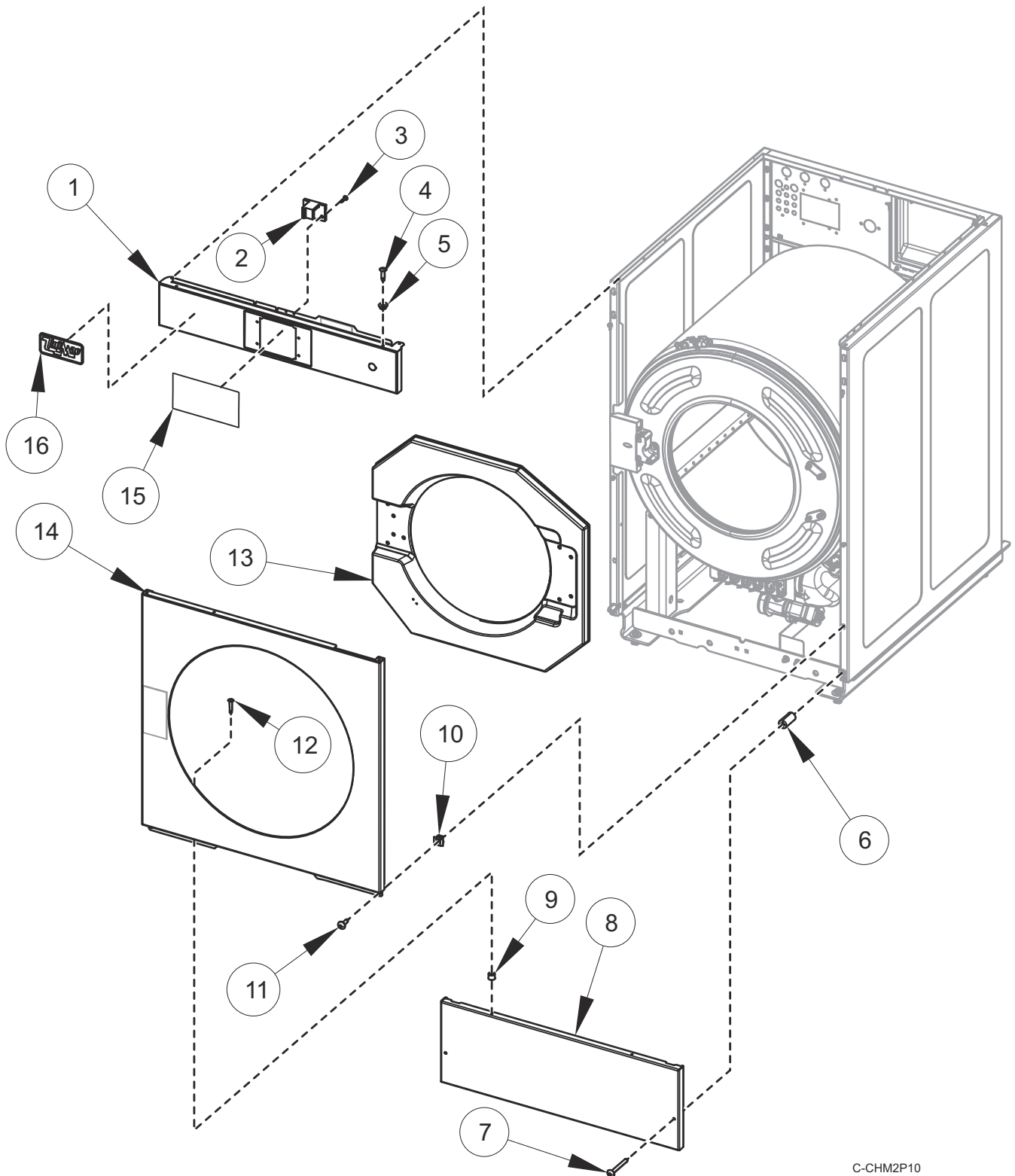


C-CHM2P10

Front Panels and Control Panel - 40 and 60 Pound Models Design 6

REF	PART NO.	DESCRIPTION	COMMENTS
	F8698801	Instruction Label	SC models; English/Spanish
	F8698901	Instruction Label	SC models; Icon
	F8699704	Basket Capacity Label	SC 40 pound models
	F8699706	Basket Capacity Label	SC 60 pound models
1	F8523906	Control Panel Assembly	UC 40 pound models; Includes F8590801 Stud
	F8553706	Control Panel Assembly	UC 60 pound models; Includes F8590801 Stud
	F8697302	Control Panel Assembly	BC, HC, PC and SC 40 pound models; Includes F8590801 Stud
	F8697402	Control Panel Assembly	BC, HC, PC and SC 60 pound models; Includes F8590801 Stud
2	F8201001	Top Cover Latch	
3	F431215	Pop Rivet	
4	70412601	Pop Rivet	
5	F8201101	Washer	
6	F8609701	Access Panel Retaining Spacer	
7	F8589501	Screw	
8	F8524201	Access Panel	40 pound models
	F8553901	Access Panel	60 pound models
9	56079	Panel Locator	
10	70030501	Expansion Clip	
11	F8117601	Screw	
12	M412763	Rivet	
13	F0170426-30	Door Bezel	HC and UC models
	F8659101	Door Bezel	BC, PC and SC models
14	F8685302	Front Panel	40 pound models
	F8686202	Front Panel	60 pound models
15	F8696601	Overlay	UC models with Q control
	F8696701	Overlay	UC models with N control
	F8713201	Overlay	SC 40 pound models with Q control
	F8695701	Overlay	SC 40 pound models with N control
	F8713301	Overlay	SC 60 pound models with Q control
	F8695801	Overlay	SC 60 pound models with N control
	F8694901	Overlay	HC 40 pound models with Q control
	F8695001	Overlay	HC 60 pound models with Q control
	F8711901	Overlay	HC 40 pound models with N control
	F8712001	Overlay	HC 60 pound models with N control
	F8704601	Overlay	PC models with Q control
	F8704701	Overlay	BC models with Q control
16	F8443106	Nameplate	UC models
	F8688801	Nameplate	SC models

Front Panels and Control Panel - 20 and 30 Pound Models Design 7

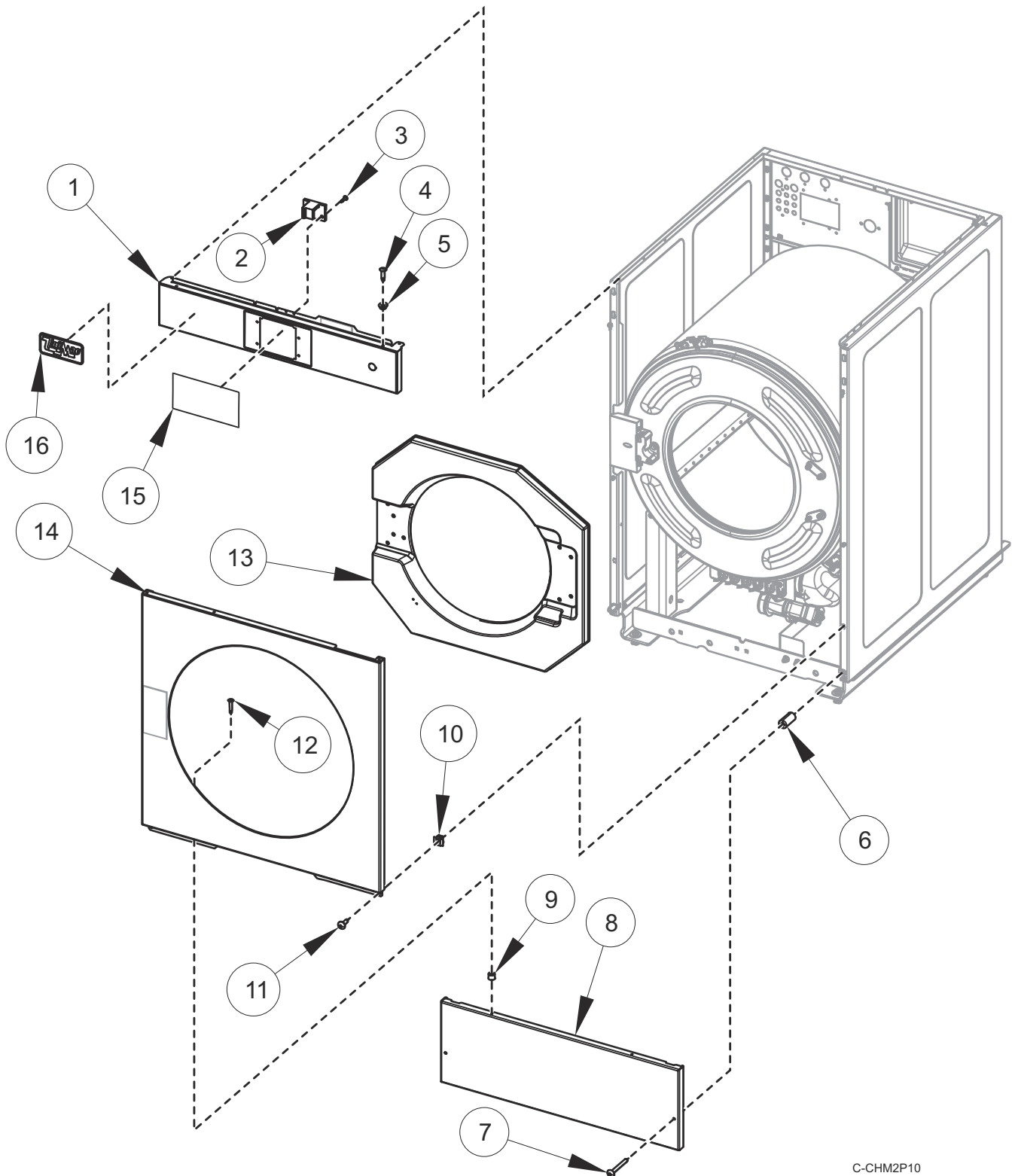


C-CHM2P10

Front Panels and Control Panel - 20 and 30 Pound Models Design 7

REF	PART NO.	DESCRIPTION	COMMENTS
	F8698801	Instruction Label	SC models; English/Spanish
	F8698901	Instruction Label	SC models; Icon
	F8699702	Basket Capacity Label	SC 20 pound models
	F8699703	Basket Capacity Label	SC 30 pound models
1	F8523706	Control Panel Assembly	UC 20 pound models; Includes F8590801 Stud
	F8523806	Control Panel Assembly	UC 30 pound models; Includes F8590801 Stud
	F8523702	Control Panel Assembly	BC, HC, PC and SC 20 pound models; Includes F8590801 Stud
	F8523802	Control Panel Assembly	BC, HC, PC and SC 30 pound models; Includes F8590801 Stud
2	F8201001	Top Cover Latch	
3	F431215	Pop Rivet	
4	70412601	Pop Rivet	
5	F8201101	Washer	
6	F8609701	Access Panel Retaining Spacer	
7	F8589501	Screw	
8	F8524001	Access Panel	20 pound models
	F8524101	Access Panel	30 pound models
9	56079	Panel Locator	
10	70030501	Expansion Clip	
11	F8117601	Screw	
12	M412763	Rivet	
13	F8658801	Door Bezel	HC and UC 20 pound models
	F8658901	Door Bezel	HC and UC 30 pound models
	F8658701	Door Bezel	BC, PC and SC 20 pound models
	F8658901	Door Bezel	BC, PC and SC 30 pound models
14	F8686002	Front Panel	20 pound T market models
	F8524304	Front Panel	20 pound models; all markets except T
	F8686102	Front Panel	30 pound T market models
	F8524404	Front Panel	30 pound models; all markets except T
15	F8729801	Overlay	SC models with Q control
	F8611501	Overlay	HC models
	F8612701	Overlay	UC models with Q control
	F8612801	Overlay	UC models with N control
	F8704601	Overlay	PC models with Q control
	F8704701	Overlay	BC models with Q control
16	F8443105	Nameplate	UC models
	F8688801	Nameplate	SC models

Front Panels and Control Panel - 40 and 60 Pound Models Design 7

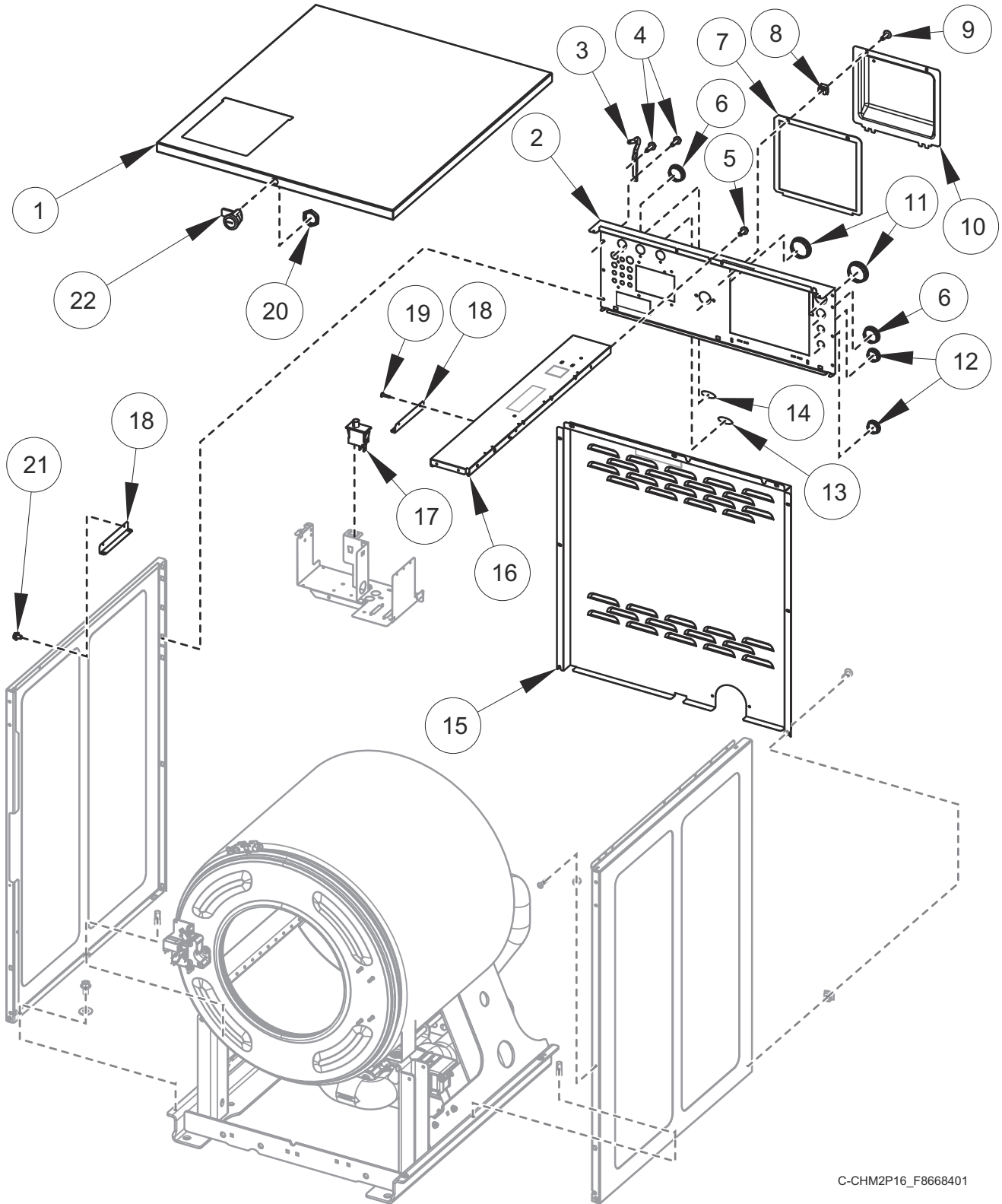


C-CHM2P10

Front Panels and Control Panel - 40 and 60 Pound Models Design 7

REF	PART NO.	DESCRIPTION	COMMENTS
	F8698801	Instruction Label	SC models; English/Spanish
	F8698901	Instruction Label	SC models; Icon
	F8699704	Basket Capacity Label	SC 40 pound models
	F8699706	Basket Capacity Label	SC 60 pound models
1	F8523906	Control Panel Assembly	UC 40 pound models; Includes F8590801 Stud
	F8553706	Control Panel Assembly	UC 60 pound models; Includes F8590801 Stud
	F8523902	Control Panel Assembly	BC, HC, PC and SC 40 pound models; Includes F8590801 Stud
	F8553702	Control Panel Assembly	BC, HC, PC and SC 60 pound models; Includes F8590801 Stud
2	F8201001	Top Cover Latch	
3	F431215	Pop Rivet	
4	70412601	Pop Rivet	
5	F8201101	Washer	
6	F8609701	Access Panel Retaining Spacer	
7	F8589501	Screw	
8	F8524201	Access Panel	40 pound models
	F8553901	Access Panel	60 pound models
9	56079	Panel Locator	
10	70030501	Expansion Clip	
11	F8117601	Screw	
12	M412763	Rivet	
13	F0170426-30	Door Bezel	HC and UC models
	F8659101	Door Bezel	BC, PC and SC models
14	F8685302	Front Panel	40 pound T market models
	F8524504	Front Panel	40 pound models; all markets except T
	F8686202	Front Panel	60 pound T market models
	F8554004	Front Panel	60 pound models; all markets except T
15	F8729801	Overlay	SC models with Q control
	F8611501	Overlay	HC models with Q control
	F8612701	Overlay	UC models with Q control
	F8612801	Overlay	UC models with N control
	F8729801	Overlay	SC 40 pound models with Q control
	F8730001	Overlay	SC 60 pound models with Q control
	F8704601	Overlay	PC models with Q control
	F8704701	Overlay	BC models with Q control
16	F8443106	Nameplate	UC models
	F8688801	Nameplate	SC models

Rear and Top Panels

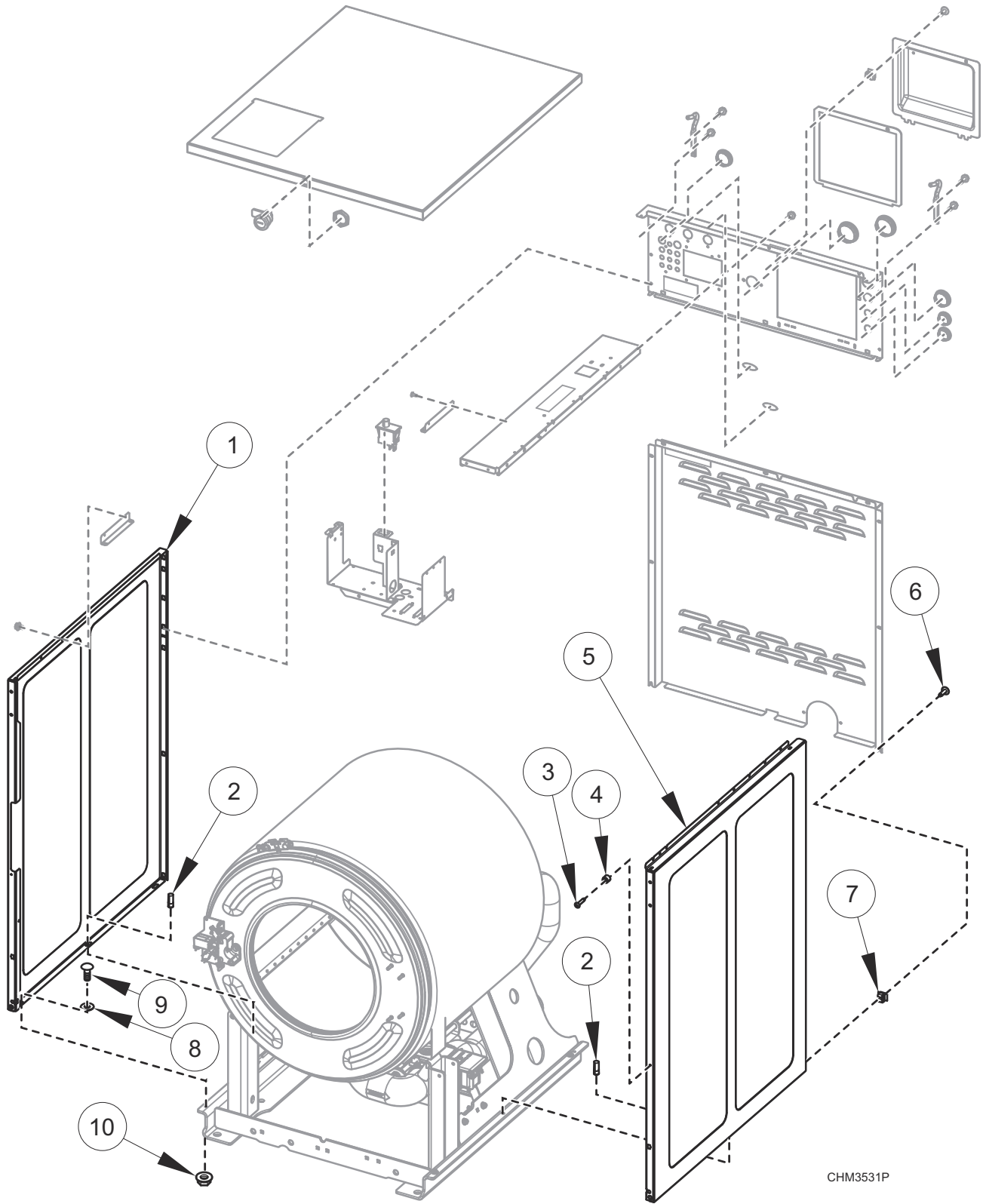


C-CHM2P16_F8668401

Rear and Top Panels

REF	PART NO.	DESCRIPTION	COMMENTS
1	F8525401	Top Cover	20 pound models
	F8525501	Top Cover	30 pound models
	F8525601	Top Cover	40 pound models
	F8554301	Top Cover	60 pound models
2	F8513101	Valve Panel	20 pound models
	F8513201	Valve Panel	30 pound models
	F8513301	Valve Panel	40 pound models
	F8554401	Valve Panel	60 pound models
3	F8258601	Top Cover Hinge	
4	F8206901	Screw	
5	33562	Screw	
6	F8223901	Plug	
7	F8542601	Gasket	
8	70030501	Expansion Clip	
9	F8117601	Screw	
10	F8518301	Terminal Tray Cover	
11	F8223801	Hole Plug	
12	M400985	Plug	
13	F8611301	Label	Hot water
14	F8611401	Label	Cold water
15	F8527001	Rear Panel	20 pound models
	F8527101	Rear Panel	30 pound models
	F8527201	Rear Panel	40 pound models
	F8554501	Rear Panel	60 pound models
16	F8527301	Cabinet Brace	20 pound models
	F8527401	Cabinet Brace	30 pound models
	F8527501	Cabinet Brace	40 pound models
	F8553201	Cabinet Brace	60 pound models
17	70413301	Pushbutton Switch	
18	F8525701	Dispenser Bracket	
19	F431215	Pop Rivet	
20	44088801	Nut	
21	51780	Screw	
22	44089303P	Panel Lock	
	70155603	Key	

Side Panels

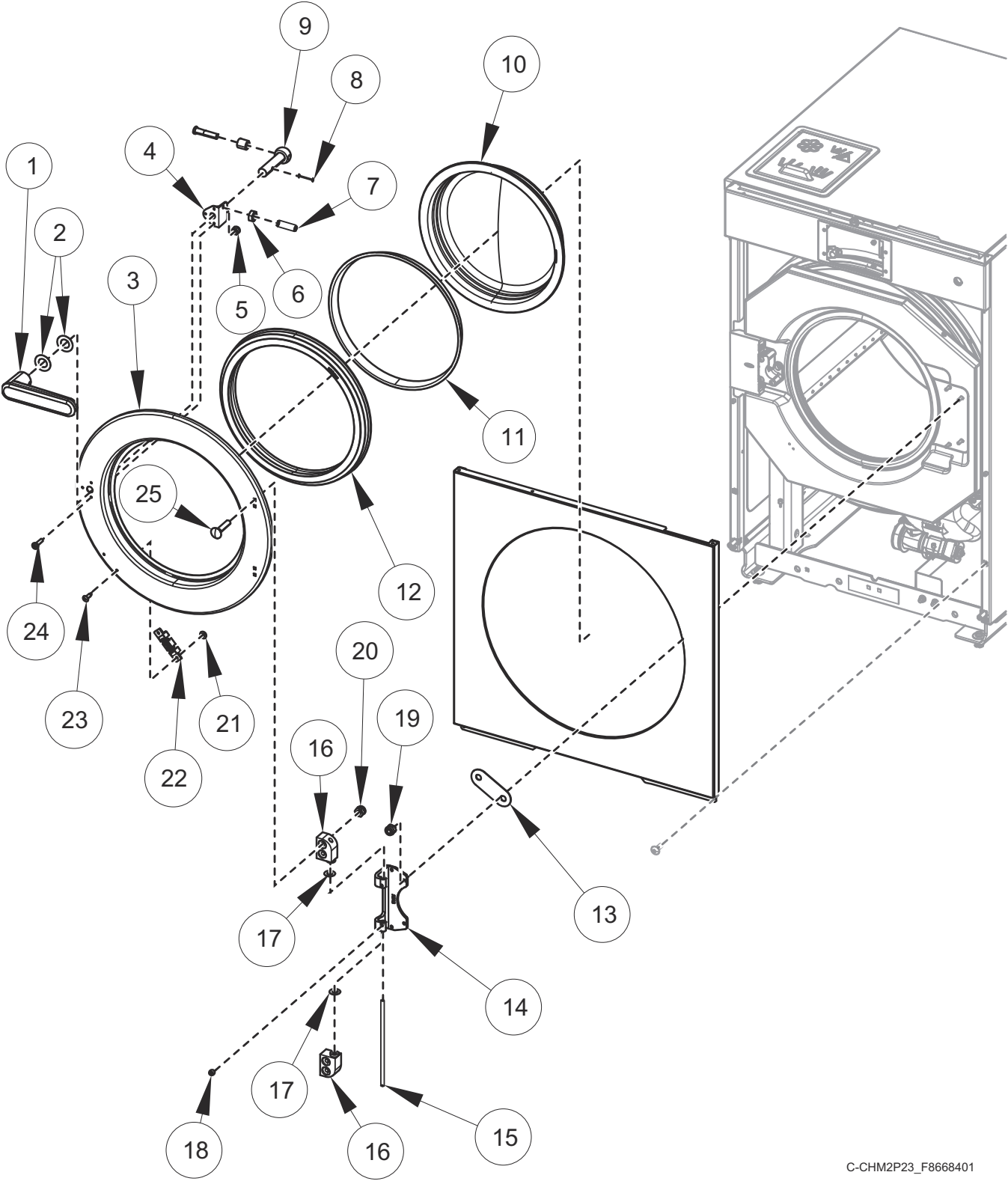


CHM3531P

Side Panels

REF	PART NO.	DESCRIPTION	COMMENTS
1	F8524602	Side Panel	20 pound models; Left
	F8524604	Side Panel	20 pound models; Left; Stainless steel; all markets through December 7, 2021; T market models starting December 8, 2021; models with 0 in 5th position of serial number starting December 8, 2021
	F8525606	Side Panel	20 pound models; Left; Painted; All markets except T with 6 in 5th position of serial number starting December 8, 2021
	F8524702	Side Panel	30 pound models; Left
	F8524704	Side Panel	30 pound models; Left; Stainless steel; all markets through December 7, 2021; T market models starting December 8, 2021; models with 0 in 5th position of serial number starting December 8, 2021
	F8524706	Side Panel	30 pound models; Left; Painted; All markets except T with 6 in 5th position of serial number starting December 8, 2021
	F8524802	Side Panel	40 pound models; Left
	F8524804	Side Panel	40 pound models; Left; Stainless steel; all markets through December 7, 2021; T market models starting December 8, 2021; models with 0 in 5th position of serial number starting December 8, 2021
	F8524806	Side Panel	40 pound models; Left; Painted; All markets except T with 6 in 5th position of serial number starting December 8, 2021
	F8554204	Side Panel	60 pound models; Left
	F8554202	Side Panel	60 pound models; Left; Stainless steel; all markets through December 7, 2021; T market models starting December 8, 2021; models with 0 in 5th position of serial number starting December 8, 2021
	F8554206	Side Panel	60 pound models; Left; Painted; All markets except T with 6 in 5th position of serial number starting December 8, 2021
	2	F8502101	Pin
3	M412763	Rivet	
4	56079	Panel Locator	
5	F8524601	Side Panel	20 pound models; Right
	F8524603	Side Panel	20 pound models; Right; Stainless steel; all markets through December 7, 2021; T market models starting December 8, 2021; models with 0 in 5th position of serial number starting December 8, 2021
	F8525605	Side Panel	20 pound models; Right; Painted; All markets except T with 6 in 5th position of serial number starting December 8, 2021
	F8524701	Side Panel	30 pound models; Right
	F8524703	Side Panel	30 pound models; Right; Stainless steel; all markets through December 7, 2021; T market models starting December 8, 2021; models with 0 in 5th position of serial number starting December 8, 2021
	F8524705	Side Panel	30 pound models; Right; Painted; All markets except T with 6 in 5th position of serial number starting December 8, 2021
	F8524801	Side Panel	40 pound models; Right
	F8524803	Side Panel	40 pound models; Right; Stainless steel; all markets through December 7, 2021; T market models starting December 8, 2021; models with 0 in 5th position of serial number starting December 8, 2021
	F8524805	Side Panel	40 pound models; Right; Painted; All markets except T with 6 in 5th position of serial number starting December 8, 2021
	F8554203	Side Panel	60 pound models; Right
	F8554201	Side Panel	60 pound models; Right; Stainless steel; all markets through December 7, 2021; T market models starting December 8, 2021; models with 0 in 5th position of serial number starting December 8, 2021
	F8554205	Side Panel	60 pound models; Right; Painted; All markets except T with 6 in 5th position of serial number starting December 8, 2021
6	F8117601	Screw	
7	70030501	Expansion Clip	
8	M405535	Washer	
9	F8402801	Bolt	
10	44087201	Nut	

Door - 20 Pound Models - Design 4

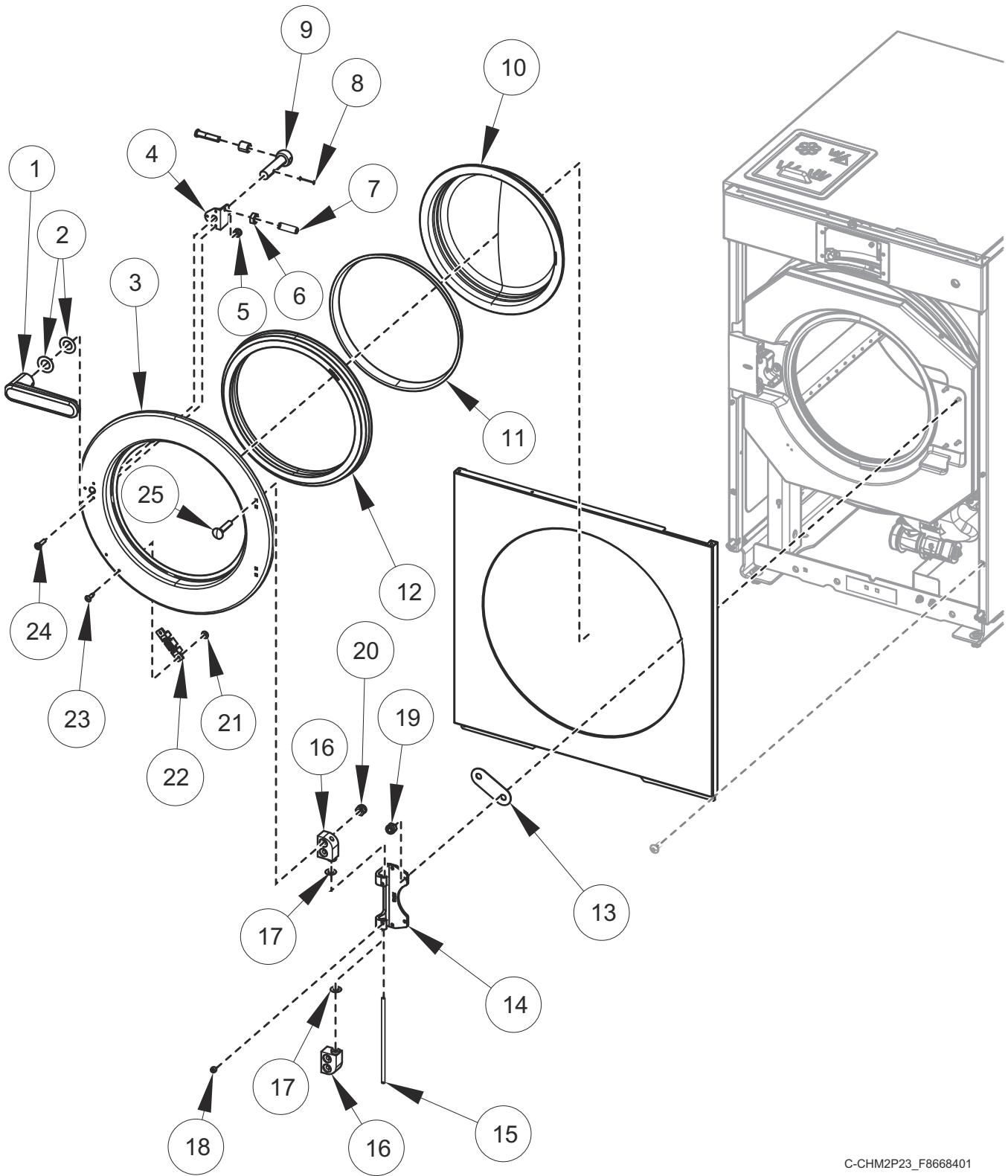


C-CHM2P23_F8668401

Door - 20 Pound Models - Design 4

REF	PART NO.	DESCRIPTION	COMMENTS
	F8617203	Door Assembly	HC models; Includes items 1-12, 14-18 and 20-25
	F8617204	Door Assembly	HC models; Chrome; Includes items 1-12, 14-18 and 20-25
	F8617206	Door Assembly	HC models; Chrome and green; Includes items 1-12, 14-18 and 20-25
	F8617205	Door Assembly	HC models; Green; Includes items 1-12, 14-18 and 20-25
	F8617201	Door Assembly	BC, PC and SC models; Includes items 1-12, 14-18 and 20-25
	F8617202	Door Assembly	BC, PC and SC models; Chrome; Includes items 1-12, 14-18 and 20-25
	F8617207	Door Assembly	UC models; Includes items 1-12, 14-18 and 20-25
	F8617208	Door Assembly	UC models; Chrome; Includes items 1-12, 14-18 and 20-25
1	F8544701	Door Handle	HC models
	F8199401P	Door Handle	BC, PC and SC models; Black
	F8435501	Door Handle	UC models
2	F431916	Washer	
3	F8507502	Door	
	F8507501P	Door	Chrome
4	F8567501	Door Handle Spacer Kit	Includes items 6 and 7
5	F430232	Nut	
6	F431041	Nut	
7	F430532	Screw	
8	F431222	Spring Pin	
9	F8221403	Door Latch Arm Assembly	Includes latch arm shaft, latch arm support and sleeve
10	F8675701P	Door Glass	HC models
	F290205P	Door Glass Kit	BC, PC, SC and UC models
11	F8583201	Door Glass Trim	Black
	F8583204	Door Glass Trim	Green; HC models
12	F200000202	Door Gasket	
13	F200131000P	Door Hinge Shim Kit	
14	F190216P	Door Hinge	
15	F602813-2	Rod	
16	F150271	Door Mount	
17	F431929	Washer	Non-ferrous
	F431147	Washer	
18	F430536	Screw	
19	C001236	Nut	
20	F430215	Nut	
21	F431133	Washer	
22	F8390801	Magnet	
23	F431223	Pop Rivet	
24	F8535501	Screw	
25	F430974	Bolt	
	F8508101	Bolt	Chrome

Door - 20 Pound Models - Design 6 and 7

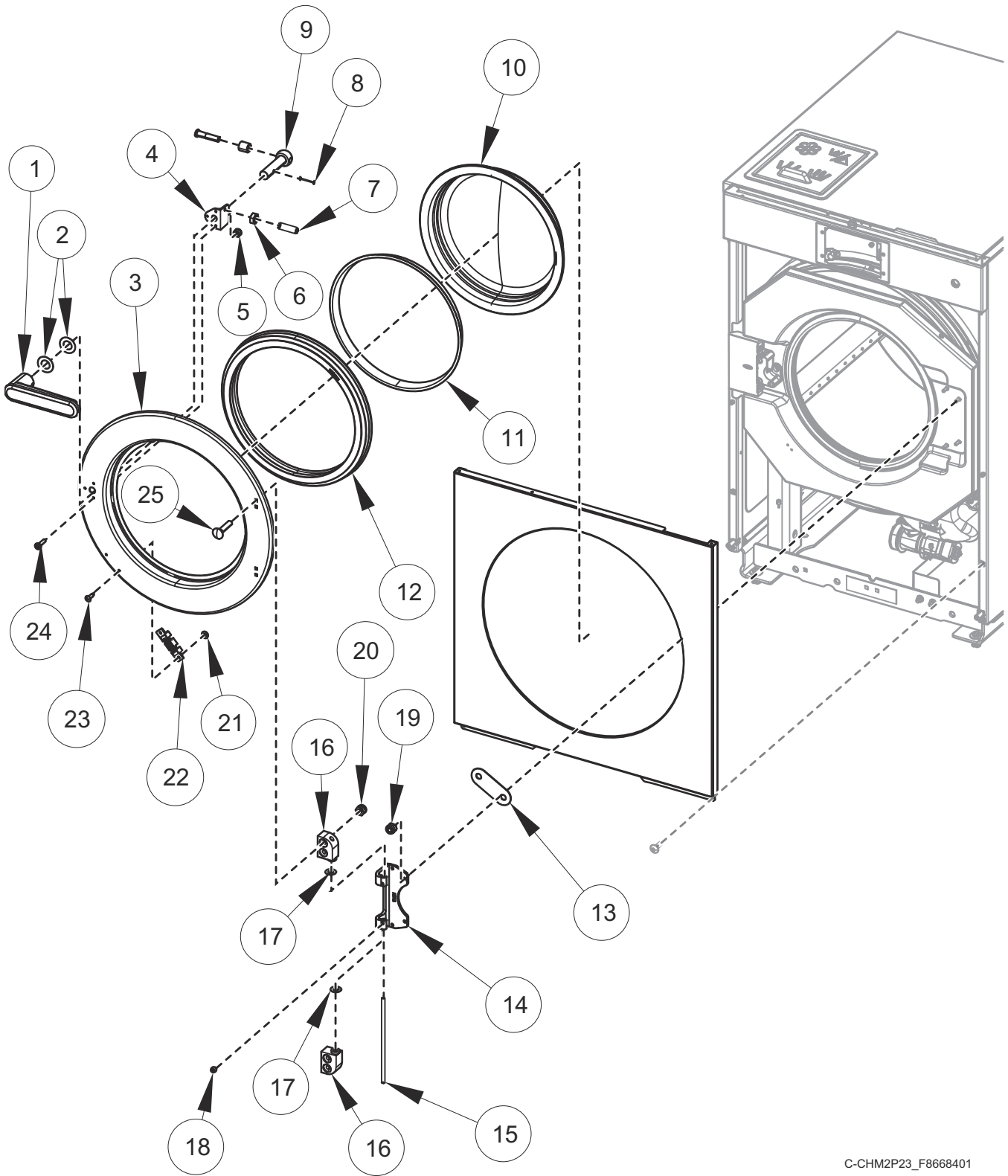


C-CHM2P23_F8668401

Door - 20 Pound Models - Design 6 and 7

REF	PART NO.	DESCRIPTION	COMMENTS
	F8617213	Door Assembly	HC models; Includes items 1-12, 14-18 and 20-25
	F8617214	Door Assembly	HC models; Chrome; Includes items 1-12, 14-18 and 20-25
	F8617216	Door Assembly	HC models; Chrome and green; Includes items 1-12, 14-18 and 20-25
	F8617215	Door Assembly	HC models; Green; Includes items 1-12, 14-18 and 20-25
	F8617211	Door Assembly	BC, PC and SC models; Includes items 1-12, 14-18 and 20-25
	F8617212	Door Assembly	BC, PC and SC models; Chrome; Includes items 1-12, 14-18 and 20-25
	F8617207	Door Assembly	UC models; Includes items 1-12, 14-18 and 20-25
	F8617208	Door Assembly	UC models; Chrome; Includes items 1-12, 14-18 and 20-25
1	F8544701	Door Handle	HC models
	F8624603	Door Handle	BC, PC and SC models; Black
	F8435501	Door Handle	UC models
2	F431916	Washer	
3	F8507502	Door	
	F8507501P	Door	Chrome
4	F8567501	Door Handle Spacer Kit	Includes items 6 and 7
5	F430232	Nut	
6	F431041	Nut	
7	F430532	Screw	
8	F431222	Spring Pin	
9	F8221403	Door Latch Arm Assembly	Includes latch arm shaft, latch arm support and sleeve
10	70650401	Door Glass Label	HC models
	F290205P	Door Glass Kit	
11	F8583201	Door Glass Trim	Black
	F8583204	Door Glass Trim	Green; HC models
12	F200000202	Door Gasket	
13	F200131000P	Door Hinge Shim Kit	
14	F190216P	Door Hinge	
15	F602813-2	Rod	
16	F150271	Door Mount	
17	F431929	Washer	Non-ferrous
	F431147	Washer	
18	F430536	Screw	
19	C001236	Nut	
20	F430215	Nut	
21	F431133	Washer	
22	F8390801	Magnet	
23	F431223	Pop Rivet	
24	F8535501	Screw	
25	F430974	Bolt	
	F8508101	Bolt	Chrome

Door - 30 Pound Models - Design 4

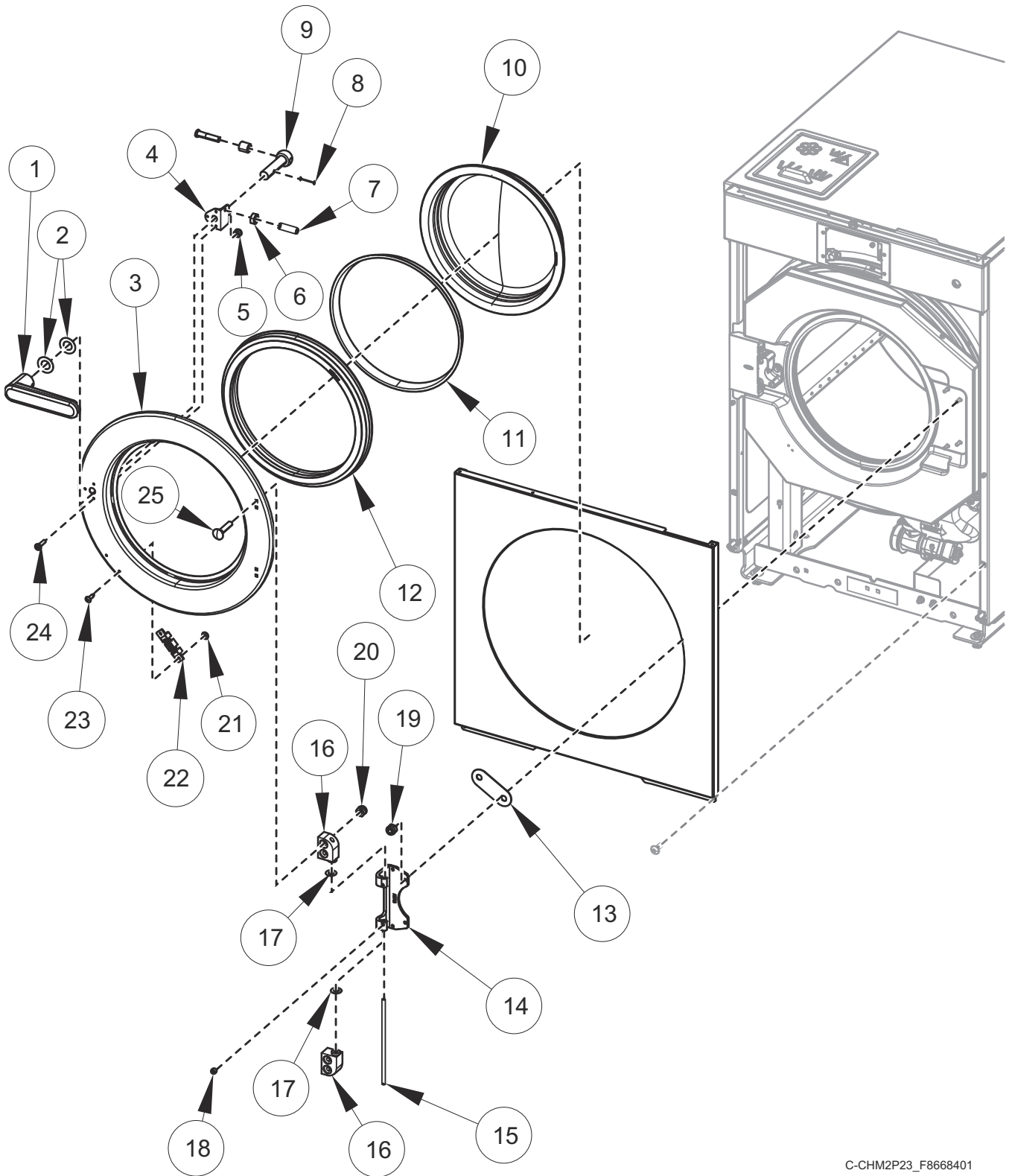


C-CHM2P23_F8668401

Door - 30 Pound Models - Design 4

REF	PART NO.	DESCRIPTION	COMMENTS
	F8617303	Door Assembly	HC models; Includes items 1-12, 14-18 and 20-25
	F8617304	Door Assembly	HC models; Chrome; Includes items 1-12, 14-18 and 20-25
	F8617306	Door Assembly	HC models; Chrome and green; Includes items 1-12, 14-18 and 20-25
	F8617305	Door Assembly	HC models; Green; Includes items 1-12, 14-18 and 20-25
	F8617301	Door Assembly	BC, PC and SC models; Includes items 1-12, 14-18 and 20-25
	F8617302	Door Assembly	BC, PC and SC models; Chrome; Includes items 1-12, 14-18 and 20-25
	F8617307	Door Assembly	UC models; Includes items 1-12, 14-18 and 20-25
	F8617308	Door Assembly	UC models; Chrome; Includes items 1-12, 14-18 and 20-25
1	F8544701	Door Handle	HC models
	F8199401P	Door Handle	BC, PC and SC models; Black
	F8435501	Door Handle	UC models
2	F431916	Washer	
3	F8507602	Door	
	F8752601	Door	Chrome
4	F8567501	Door Handle Spacer Kit	
5	F430232	Nut	
6	F431041	Nut	
7	F430533	Screw	
8	F431222	Spring Pin	
9	F8221403	Door Latch Arm Assembly	Includes latch arm shaft, latch arm support and sleeve
10	F8485305	Door Glass	HC models
	F8485301P	Door Glass	BC, PC, SC and UC models
11	F8583202	Door Glass Trim	Black
	F8583205	Door Glass Trim	Green; HC models
12	F8111602	Door Gasket	
13	F200131000P	Door Hinge Shim Kit	
14	F190216P	Door Hinge	
15	F602813-2	Rod	
16	F150271	Door Mount	
17	F431929	Washer	Non-ferrous
	F431147	Washer	
18	F430536	Screw	
19	C001236	Nut	
20	F430215	Nut	
21	F431133	Washer	
22	F8390801	Magnet	
23	F431223	Pop Rivet	
24	F8535501	Screw	
25	F430974	Bolt	
	F8508101	Bolt	Chrome

Door - 30 Pound Models - Design 6 and 7

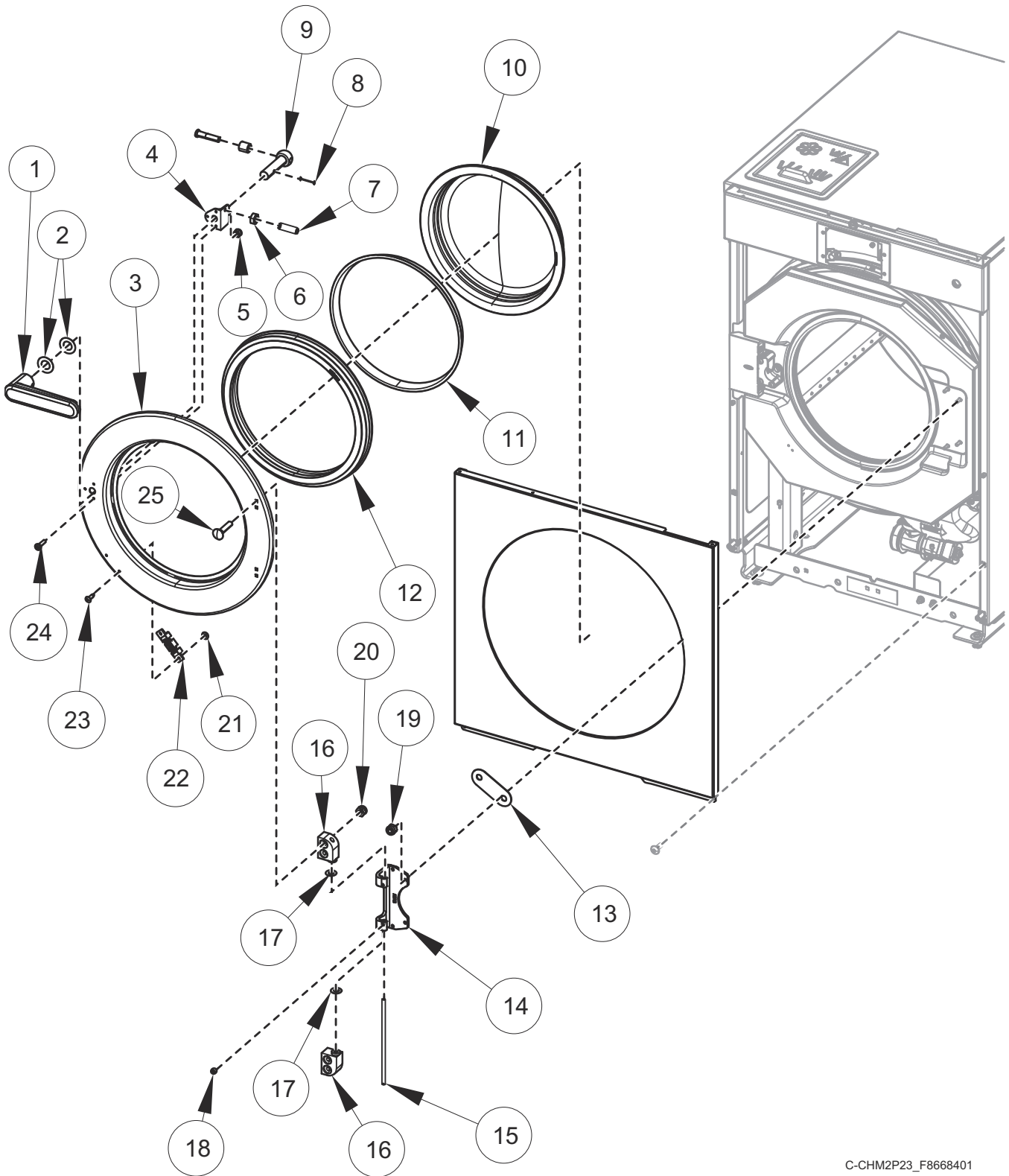


C-CHM2P23_F8668401

Door - 30 Pound Models - Design 6 and 7

REF	PART NO.	DESCRIPTION	COMMENTS
	F8617313	Door Assembly	HC models; Includes items 1-12, 14-18 and 20-25
	F8617314	Door Assembly	HC models; Chrome; Includes items 1-12, 14-18 and 20-25
	F8617316	Door Assembly	HC models; Chrome and green; Includes items 1-12, 14-18 and 20-25
	F8617315	Door Assembly	HC models; Green; Includes items 1-12, 14-18 and 20-25
	F8617311	Door Assembly	BC, PC and SC models; Includes items 1-12, 14-18 and 20-25
	F8617312	Door Assembly	BC, PC and SC models; Chrome; Includes items 1-12, 14-18 and 20-25
	F8617307	Door Assembly	UC models; Includes items 1-12, 14-18 and 20-25
	F8617308	Door Assembly	UC models; Chrome; Includes items 1-12, 14-18 and 20-25
1	F8544701	Door Handle	HC models
	F8624603	Door Handle	BC, PC and SC models; Black
	F8435501	Door Handle	UC models
2	F431916	Washer	
3	F8507602	Door	
	F8752601	Door	Chrome
4	F8567501	Door Handle Spacer Kit	
5	F430232	Nut	
6	F431041	Nut	
7	F430533	Screw	
8	F431222	Spring Pin	
9	F8221403	Door Latch Arm Assembly	Includes latch arm shaft, latch arm support and sleeve
10	70650401	Door Glass Label	HC models
	F8485301P	Door Glass	
11	F8583202	Door Glass Trim	Black
	F8583205	Door Glass Trim	Green; HC models
12	F8111602	Door Gasket	
13	F200131000P	Door Hinge Shim Kit	
14	F190216P	Door Hinge	
15	F602813-2	Rod	
16	F150271	Door Mount	
17	F431929	Washer	Non-ferrous
	F431147	Washer	
18	F430536	Screw	
19	C001236	Nut	
20	F430215	Nut	
21	F431133	Washer	
22	F8390801	Magnet	
23	F431223	Pop Rivet	
24	F8535501	Screw	
25	F430974	Bolt	
	F8508101	Bolt	Chrome

Door - 40 and 60 Pound Models - Design 4

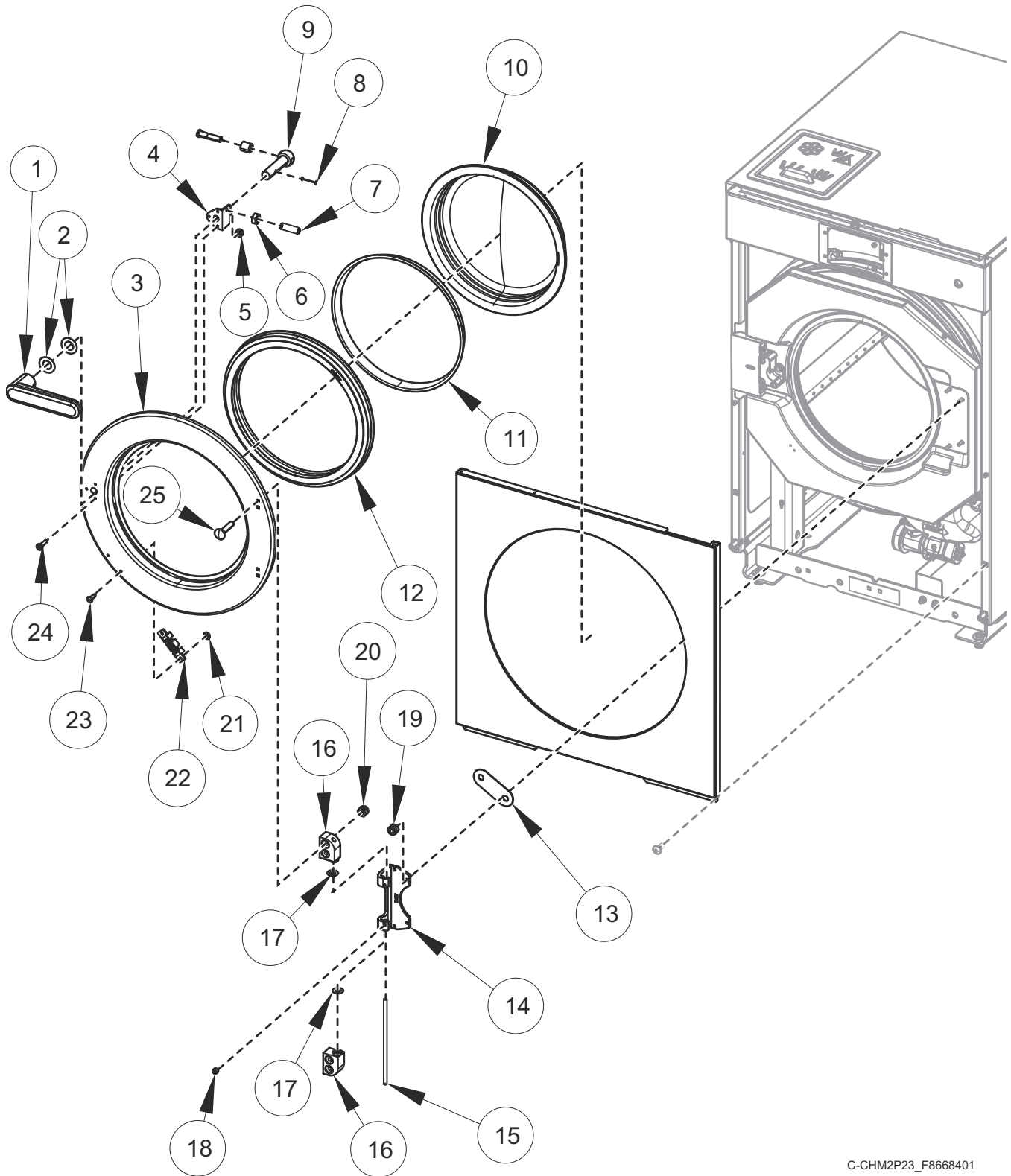


C-CHM2P23_F8668401

Door - 40 and 60 Pound Models - Design 4

REF	PART NO.	DESCRIPTION	COMMENTS
	F8617403	Door Assembly	HC models; Includes items 1-12, 14-18 and 20-25
	F8617404	Door Assembly	HC models; Chrome; Includes items 1-12, 14-18 and 20-25
	F8617406	Door Assembly	HC models; Chrome and green; Includes items 1-12, 14-18 and 20-25
	F8617405	Door Assembly	HC models; Green; Includes items 1-12, 14-18 and 20-25
	F8617401	Door Assembly	HCT040NN, HCT060NN, BC, PC and SC models; Includes items 1-12, 14-18 and 20-25
	F8617402	Door Assembly	HCT040NN, HCT060NN, BC, PC and SC models; Chrome; Includes items 1-12, 14-18 and 20-25
	F8617407	Door Assembly	UC models; Includes items 1-12, 14-18 and 20-25
	F8617408	Door Assembly	UC models; Chrome; Includes items 1-12, 14-18 and 20-25
1	F8544701	Door Handle	HC models
	F8199401P	Door Handle	HCT040NN, HCT060NN, BC, PC and SC models; Black
	F8435501	Door Handle	UC models
2	F431916	Washer	
3	F8507702	Door	
	F8507701	Door	Chrome
4	F8567501	Door Handle Spacer Kit	
5	F430232	Nut	
6	F431041	Nut	
7	F430533	Screw	
8	F431222	Spring Pin	
9	F8221403	Door Latch Arm Assembly	Includes latch arm shaft, latch arm support and sleeve
10	F8485405	Door Glass	HC models except HCT040NN and HCT060NN
	F8485401P	Door Glass	HCT040NN, HCT060NN, BC, PC and SC models
11	F8583203	Door Glass Trim	Black
	F8583206	Door Glass Trim	Green; HC models
12	F8111502	Door Gasket	
13	F200131000P	Door Hinge Shim Kit	
14	F190216P	Door Hinge	
15	F602813-3	Rod	
16	F150271	Door Mount	
17	F431929	Washer	Non-ferrous
	F431147	Washer	
18	F430536	Screw	
19	C001236	Nut	
20	F430215	Nut	
21	F431133	Washer	
22	F8390801	Magnet	
23	F431223	Pop Rivet	
24	F8535501	Screw	
25	F430974	Bolt	
	F8508101	Bolt	Chrome

Door - 40 and 60 Pound Models - Design 6 and 7

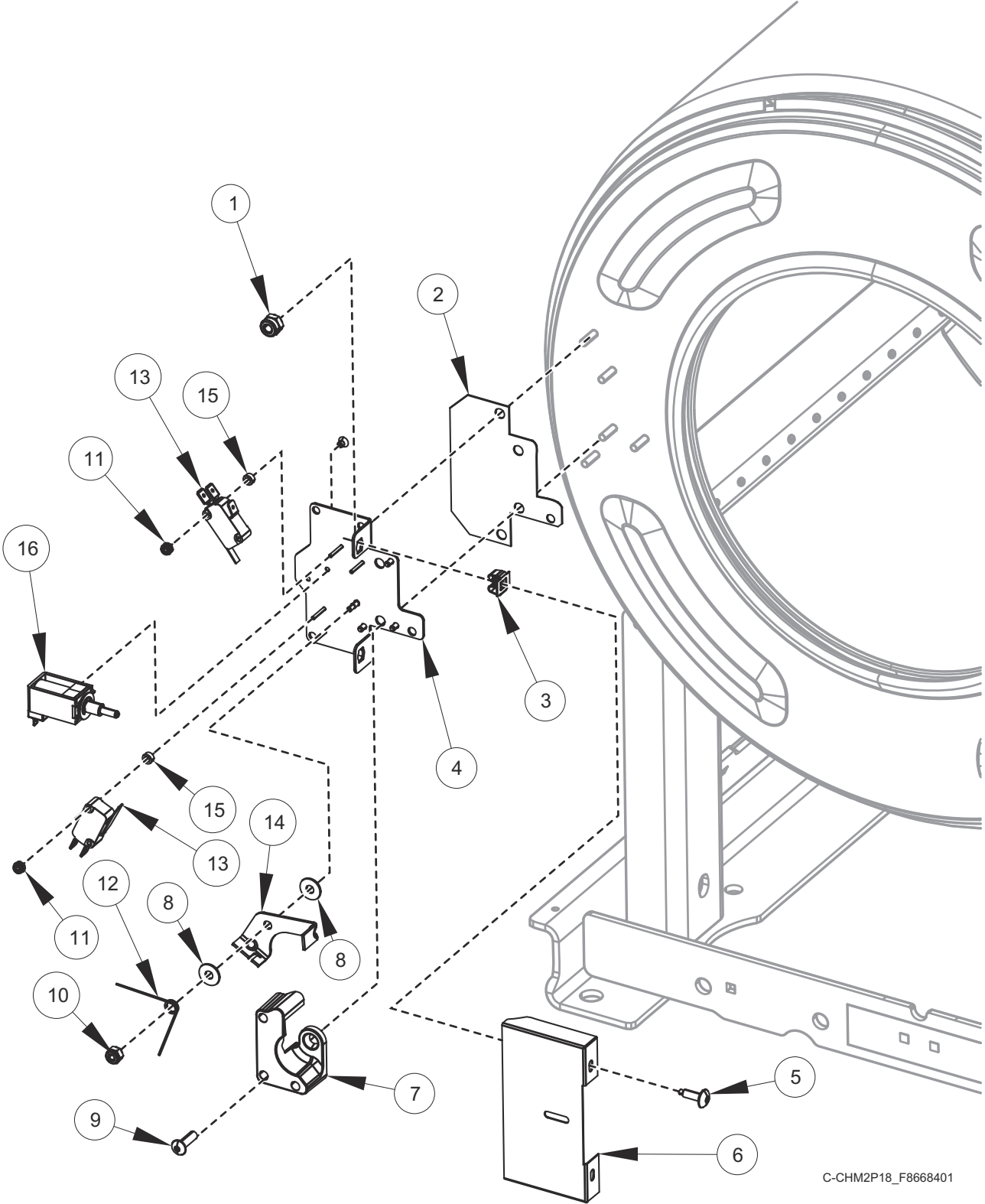


C-CHM2P23_F8668401

Door - 40 and 60 Pound Models - Design 6 and 7

REF	PART NO.	DESCRIPTION	COMMENTS
	F8617413	Door Assembly	HC models; Includes items 1-12, 14-18 and 20-25
	F8617414	Door Assembly	HC models; Chrome; Includes items 1-12, 14-18 and 20-25
	F8617416	Door Assembly	HC models; Chrome and green; Includes items 1-12, 14-18 and 20-25
	F8617415	Door Assembly	HC models; Green; Includes items 1-12, 14-18 and 20-25
	F8617411	Door Assembly	HCT040NN, HCT060NN, BC, PC and SC models; Includes items 1-12, 14-18 and 20-25
	F8617412	Door Assembly	HCT040NN, HCT060NN, BC, PC and SC models; Chrome; Includes items 1-12, 14-18 and 20-25
	F8617407	Door Assembly	UC models; Includes items 1-12, 14-18 and 20-25
	F8617408	Door Assembly	UC models; Chrome; Includes items 1-12, 14-18 and 20-25
1	F8544701	Door Handle	HC models
	F8624603	Door Handle	HCT040NN, HCT060NN, BC, PC and SC models; Black
	F8435501	Door Handle	UC models
2	F431916	Washer	
3	F8507702	Door	
	F8507701	Door	Chrome
4	F8567501	Door Handle Spacer Kit	
5	F430232	Nut	
6	F431041	Nut	
7	F430533	Screw	
8	F431222	Spring Pin	
9	F8221403	Door Latch Arm Assembly	Includes latch arm shaft, latch arm support and sleeve
10	70650401	Door Glass Label	HC models
	F8485401P	Door Glass	
11	F8583203	Door Glass Trim	Black
	F8583206	Door Glass Trim	Green; HC models
12	F8111502	Door Gasket	
13	F200131000P	Door Hinge Shim Kit	
14	F190216P	Door Hinge	
15	F602813-3	Rod	
16	F150271	Door Mount	
17	F431929	Washer	Non-ferrous
	F431147	Washer	
18	F430536	Screw	
19	C001236	Nut	
20	F430215	Nut	
21	F431133	Washer	
22	F8390801	Magnet	
23	F431223	Pop Rivet	
24	F8535501	Screw	
25	F430974	Bolt	
	F8508101	Bolt	Chrome

Door Lock

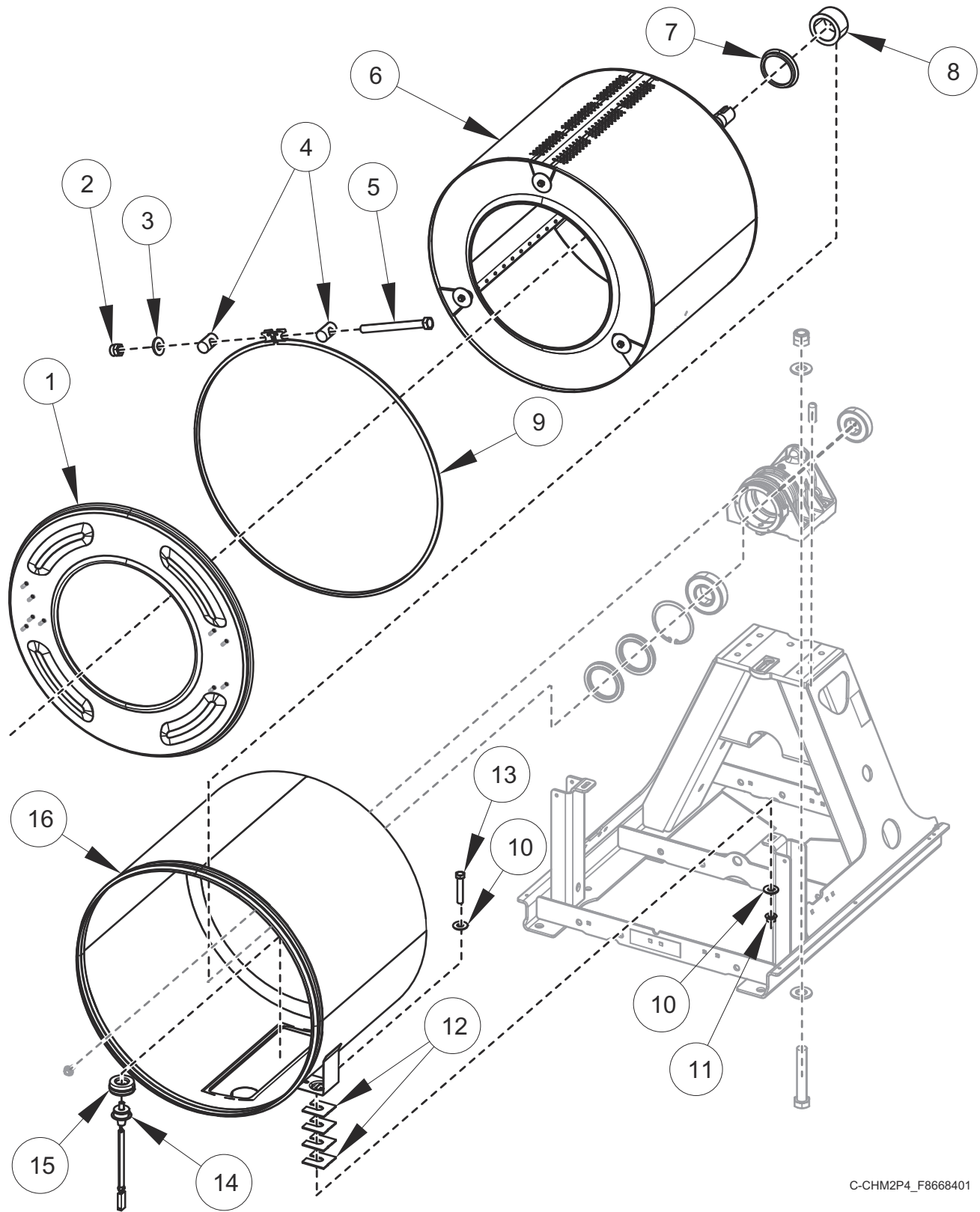


C-CHM2P18_F8668401

Door Lock

REF	PART NO.	DESCRIPTION	COMMENTS
	F8632401	Door Lock Assembly	Includes items 1-16 and F320200 Door Lock Splash
	F8520201	Door Lock Harness	20 and 30 pound models
	F8520202	Door Lock Harness	40 and 60 pound models
	F8066804	Reed Switch Assembly	
1	F431024	Nut	
2	F8344401	Door Lock Plate Shim	
3	70030501	Expansion Clip	
4	F8223202	Door Lock Plate Assembly	
5	F8117601	Screw	
6	F8245001	Door Lock Cover	
7	F8344501	Door Lock Catch	
8	F8193101	Washer	
9	F8270701	Bolt	
10	F430232	Nut	
12	F8070301	Torsion/Door Lock Spring	
13	F200203200	Door Lock Microswitch	
14	F8223401	Door Lock Switch Lever	
15	F431901	Spacer	
16	F977P3	Door Lock Solenoid Replacement Kit	

Shell Front, Basket and Shell

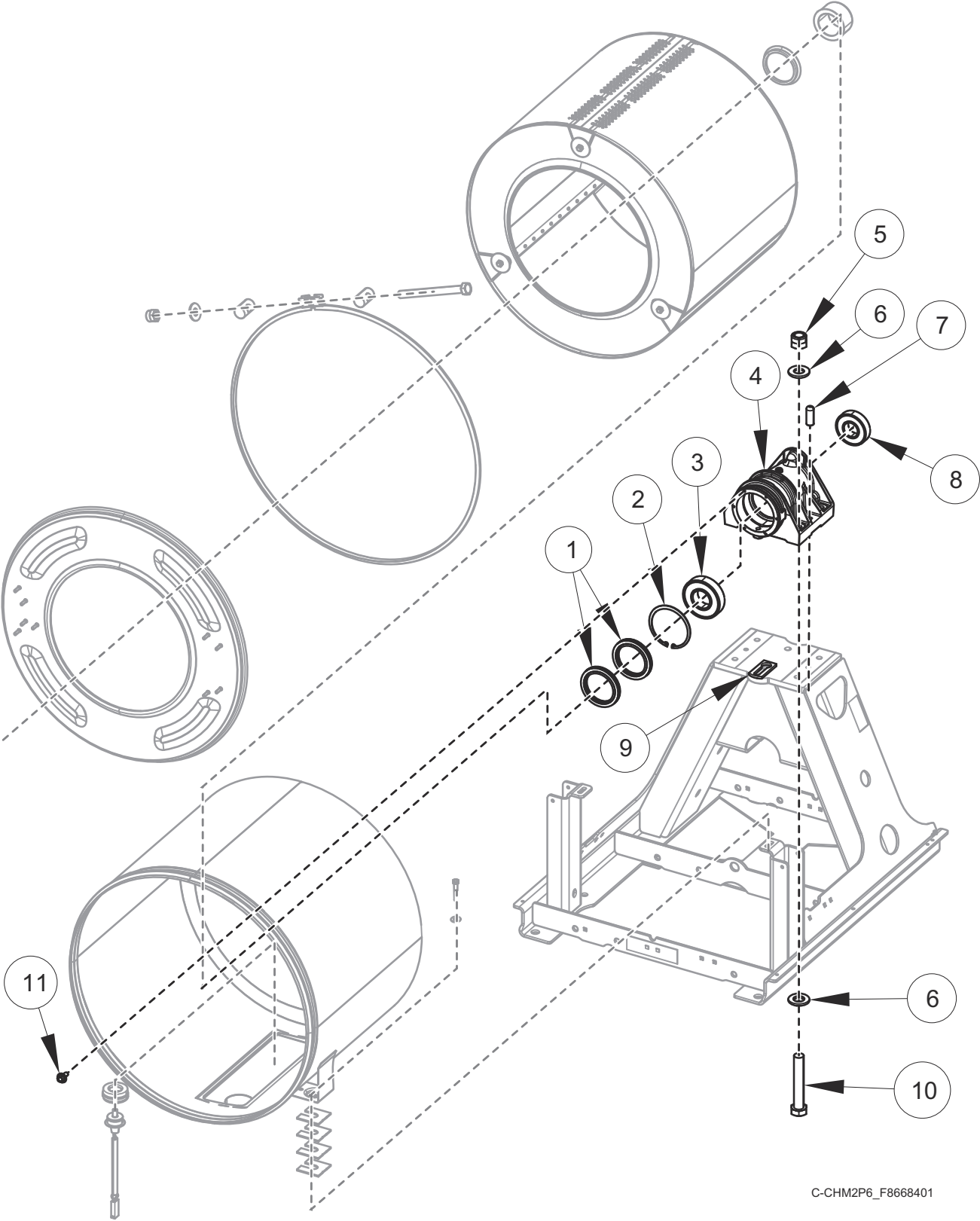


C-CHM2P4_F8668401

Shell Front, Basket and Shell

REF	PART NO.	DESCRIPTION	COMMENTS
	F8513501	Shell Front Gasket Kit	
1	F8222301	Shell Front	20 pound models
	F8222401	Shell Front	30 pound models
	F8222501	Shell Front	40 pound models
	F8222601	Shell Front	60 pound models
2	F430218	Nut	
3	M400080	Washer	
4	F8302701	Pin	
5	F8673701	Screw	
6	F8391304	Basket	20 pound models; Viton
	F8391302	Basket	20 pound models; Rain
	F8391504	Basket	30 pound models; Viton
	F8391502	Basket	30 pound models; Rain
	F8391704	Basket	40 pound models; Viton
	F8391702	Basket	40 pound models; Rain
	F8502805	Basket	60 pound models; Viton
	F8502802	Basket	60 pound models; Rain
7	F8337002	Excluder Seal	
8	F8343906P	Shaft Seal Sleeve Kit	
9	F8537801	Shell Band Kit	20 pound models; Includes items 2-5
	F8537802	Shell Band Kit	30 pound models; Includes items 2-5
	F8537803	Shell Band Kit	40 pound models; Includes items 2-5
	F8537804	Shell Band Kit	60 pound models; Includes items 2-5
10	M400081	Washer	
11	44087301	Nut	
12	F8402701	Washer	
13	F8621601	Screw	
14	F8538801	Thermistor	
15	2251000400	Temperature Probe Grommet	
16	F8512102	Shell	20 pound models; Electric and dual heat
	F8514002	Shell	30 pound models; Electric and dual heat
	F8512202	Shell	40 pound models; Electric and dual heat
	F8543702	Shell	60 pound models; Electric and dual heat
	F8512202	Shell	40 pound models; Steam Heat
	F8543702	Shell	60 pound models; Steam Heat
	F8512103	Shell	20 pound models; Standard
	F8514003	Shell	30 pound models; Standard
	F8512203	Shell	40 pound models; Standard
	F8543703	Shell	60 pound models; Standard

Bearing Housing

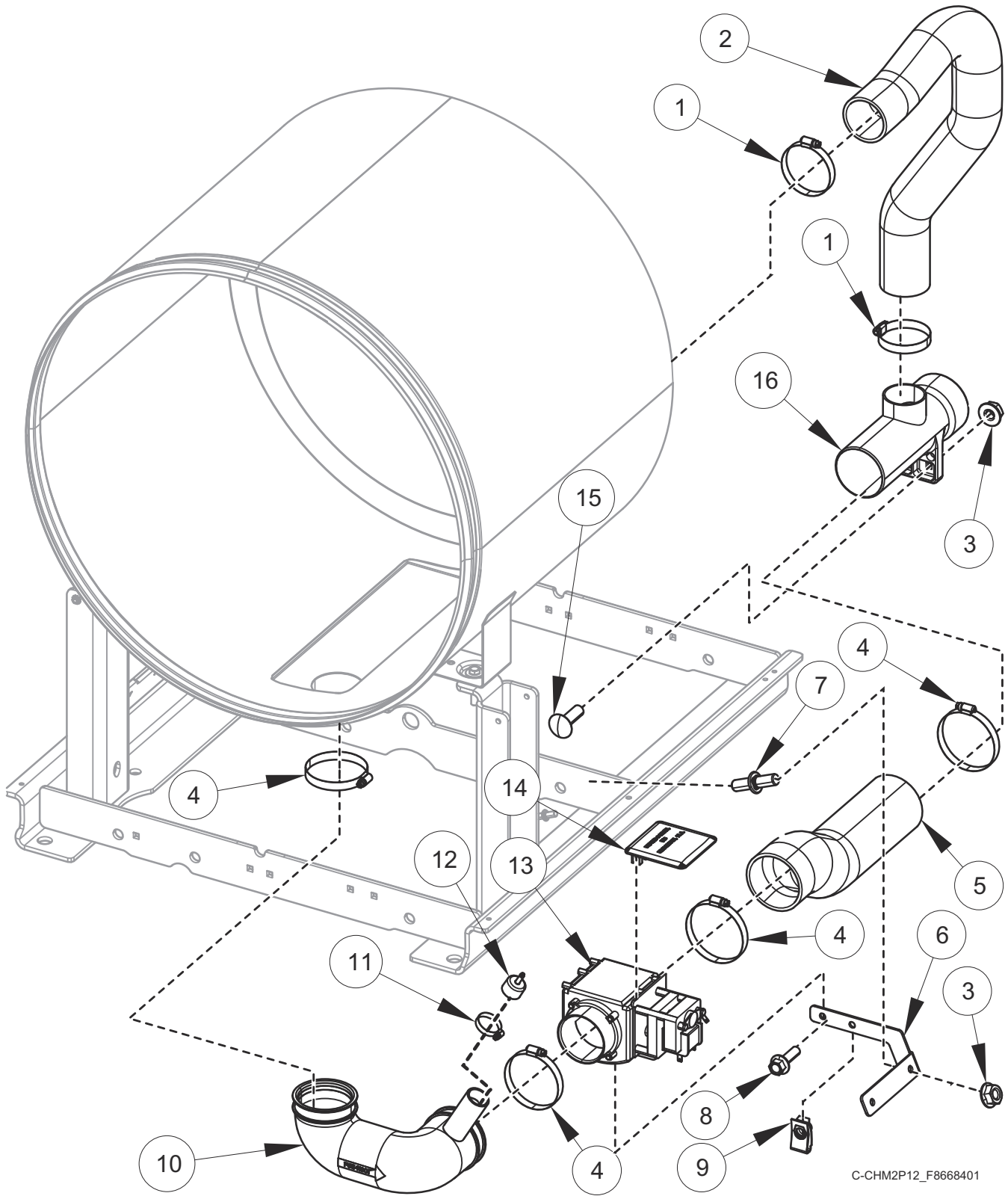


C-CHM2P6_F8668401

Bearing Housing

REF	PART NO.	DESCRIPTION	COMMENTS
	F8271601P	Bearing Housing Assembly	20 pound models; Includes items 1-4 and 8; Standard
	F8271602	Bearing Housing Assembly	20 pound models; Includes items 1-4 and 8; Viton
	F8271701P	Bearing Housing Assembly	30 pound models; Includes items 1-4 and 8; Standard
	F8271702	Bearing Housing Assembly	30 pound models; Includes items 1-4 and 8; Viton
	F8271801P	Bearing Housing Assembly	40 pound models; Includes items 1-4 and 8; Standard
	F8271802	Bearing Housing Assembly	40 pound models; Includes items 1-4 and 8; Viton
	F8271901P	Bearing Housing Assembly	60 pound models; Includes items 1-4 and 8; Standard
	F8271902	Bearing Housing Assembly	60 pound models; Includes items 1-4 and 8; Viton
1	F8203801	Triple Lip Seal	20 pound models; Standard
	F8203813	Triple Lip Seal	20 pound models; Viton
	F8203802	Triple Lip Seal	30 pound models; Standard
	F8203814	Triple Lip Seal	30 pound models; Viton
	F8203803	Triple Lip Seal	40 pound models; Standard
	F8203815	Triple Lip Seal	40 pound models; Viton
	F8203806	Triple Lip Seal	60 pound models; Standard
	F8203816	Radial Lip Seal	60 pound models; Viton
2	F8344901	Retaining Ring	20 pound models
	F8345001	Retaining Ring	30 pound models
	F8337801	Retaining Ring	40 pound models
	F8337901	Retaining Ring	60 pound models
3	F100137P	Bearing	20 and 40 pound models
	F100123P	Bearing	30 pound models
	F100135	Bearing	60 pound models
4	F8247902	Bearing Housing	20 pound models
	F8246802	Bearing Housing	30 pound models
	F8249902	Bearing Housing	40 pound models
	F8250902	Bearing Housing	60 pound models
5	F8387701	Nut	
6	F430339	Washer	
7	F8388201	Dowel Pin	
8	F100136P	Bearing	20 pound models
	F100108	Bearing	30 pound models
	F100134	Bearing	40 and 60 pound models
9	F8350302	Seal Scupper Pad	
10	F8368801	Screw	
11	F8442702	Screw	

Drain Plumbing

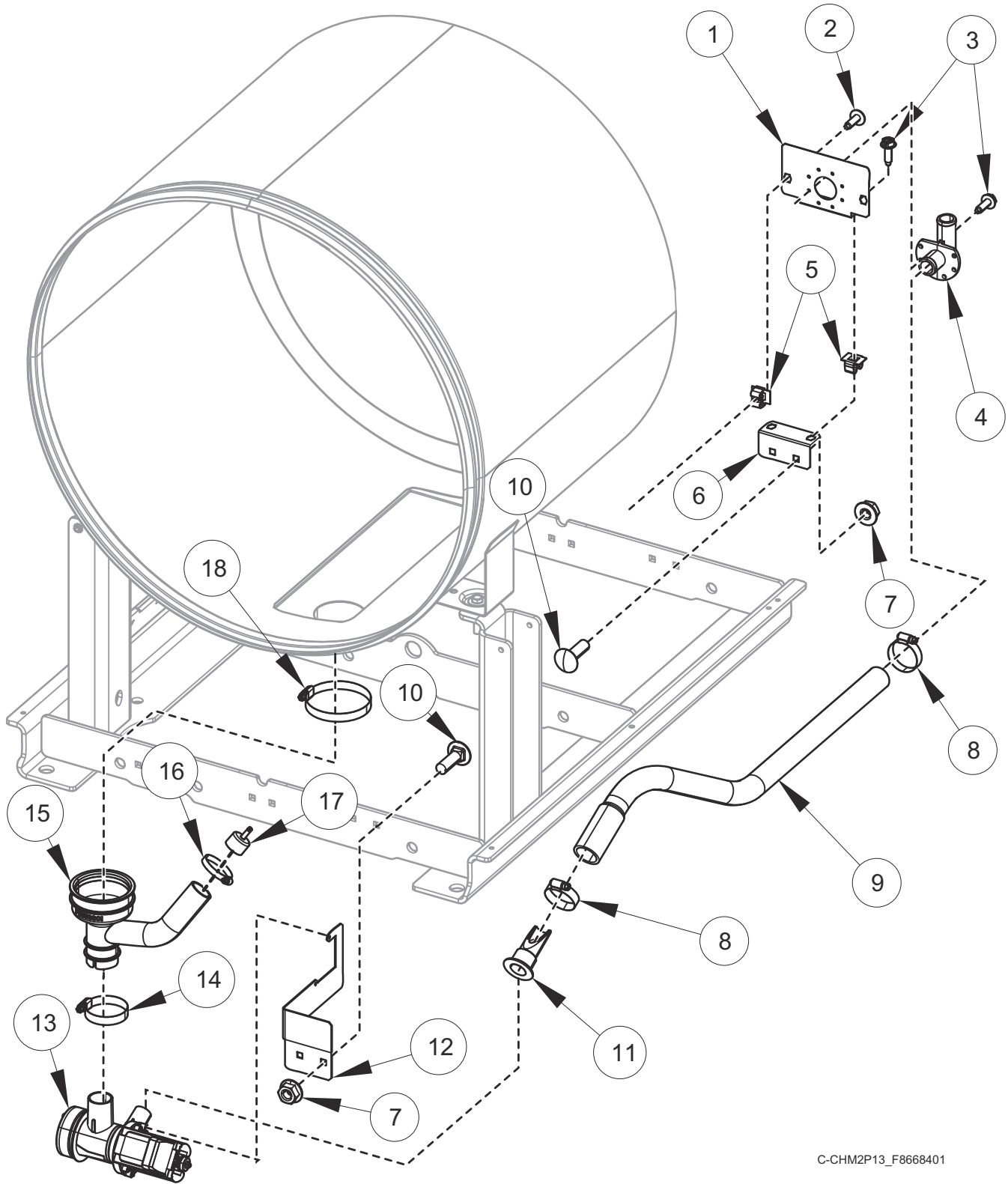


C-CHM2P12_F8668401

Drain Plumbing

REF	PART NO.	DESCRIPTION	COMMENTS
	F200165100	Drain Hose	3-1/2 inch ID X 8; Attaches to output of Ref 16
	F8520001	Drain Valve Harness	20 and 30 pound models
	F8520002	Drain Valve Harness	40 and 60 pound models
1	F200213	Hose Clamp	
2	F8522401	Overflow Hose	20 pound models
	F8521201	Overflow Hose	30 pound models
	F8522501	Overflow Hose	40 and 60 pound models
3	44087201	Nut	
4	F200201	Hose Clamp	
5	F8587301	Rear Drain Hose	20 pound models
	F8543001	Rear Drain Hose	30 pound models
	F8543201	Rear Drain Hose	40 pound models
	F8543501	Rear Drain Hose	60 pound models
6	F8587701	Drain Valve Bracket	20 pound models
	F8543101	Drain Valve Bracket	30 pound models
	F8543301	Drain Valve Bracket	40 pound models
	F8543401	Drain Valve Bracket	60 pound models
7	70334702	Stud	
8	202175	Screw	
9	70030401	Nut	
10	F8542002	Drain Hose	20 pound models
	F8541901	Drain Hose	30, 40 and 60 pound models
	F8542001	Drain Hose	40 and 60 pound models; Steam and electric heat
11	36802	Hose Clamp	
12	F8579301	Pressure Cap	
13	F200166302	Drain Valve Kit	3 inch; 120 Volt; Left; NO; Includes item 14
	F8406308	Drain Valve	3 inch; 120 Volt; Right; NO
	F200166402	Drain Valve Kit	3 inch; 230 Volt; Left; NO; Includes item 14
	F8577201	Drain Valve Kit	3 inch; 230 Volt; Right; NO; Includes item 14
14	F200133600	Drain Valve Cover	
15	F8402801	Bolt	
16	F8752101	Drain Tee	

Pump Drain Plumbing - 20, 30 and 40 Pound Models

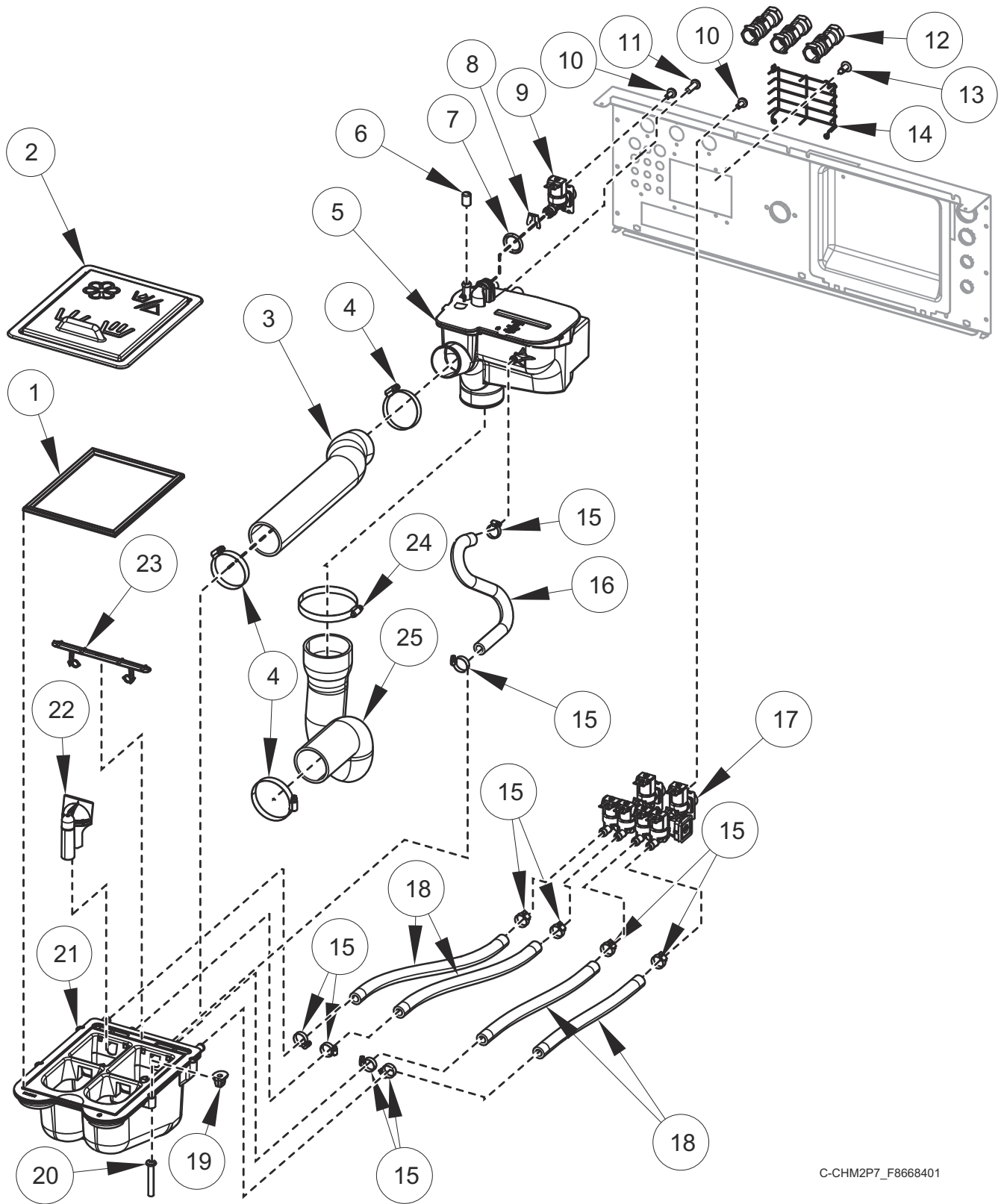


C-CHM2P13_F8668401

Pump Drain Plumbing - 20, 30 and 40 Pound Models

REF	PART NO.	DESCRIPTION	COMMENTS
	27154	Drain Hose	Hose to standpipe
	F150352	Overflow Plug	20 pound models
	F8749401	Pump Drain Conversion Kit	H, S, U models; 20 pound T market models with N control; B voltage
	F8749403	Pump Drain Conversion Kit	H, S, U models; 20 pound T market models with N control; Y voltage
	F8749404	Pump Drain Conversion Kit	H, S, U models; 30 pound T market models with N control; B voltage
	F8749406	Pump Drain Conversion Kit	H, S, U models; 30 pound T market models with N control; Y voltage
	F8749407	Pump Drain Conversion Kit	H, S, U models; 40 pound T market models with N control; B voltage
	F8749409	Pump Drain Conversion Kit	H, S, U models; 40 pound T market models with N control; Y voltage
1	F8571301	Bracket	Upper; Elbow mount
2	F8117601	Screw	
3	F8206901	Screw	
4	35766	Drain Hose Elbow	
5	70030501	Expansion Clip	
6	F8571401	Bracket	Lower; Elbow mount
7	44087201	Nut	
8	F200204	Hose Clamp	
9	F8537001	Pump Drain Rear Hose	20 pound models
	F8557001	Pump Drain Rear Hose	30 pound models
	F8557201	Pump Drain Rear Hose	40 pound models
10	F8402801	Bolt	
11	800310	Backflow Preventer	
12	F8536901	Pump Drain Bracket	20 pound models
	F8557101	Pump Drain Bracket	30 pound models
	F8557301	Pump Drain Bracket	40 pound models
13	805723	Pump Drain and Bracket Assembly	120 Volt/60 Hertz; Green
	805613	Pump Drain and Bracket Assembly	208-240 Volt/60 Hertz; Red
	804038	Pump Drain and Bracket Assembly	220-240 Volt/50 Hertz; Blue
14	F200215	Hose Clamp	
15	F8556601	Pump Drain Hose	
16	36802	Hose Clamp	
17	F8579301	Pressure Cap	
18	F200219	Hose Clamp	

Fill Plumbing - 20 Pound Models

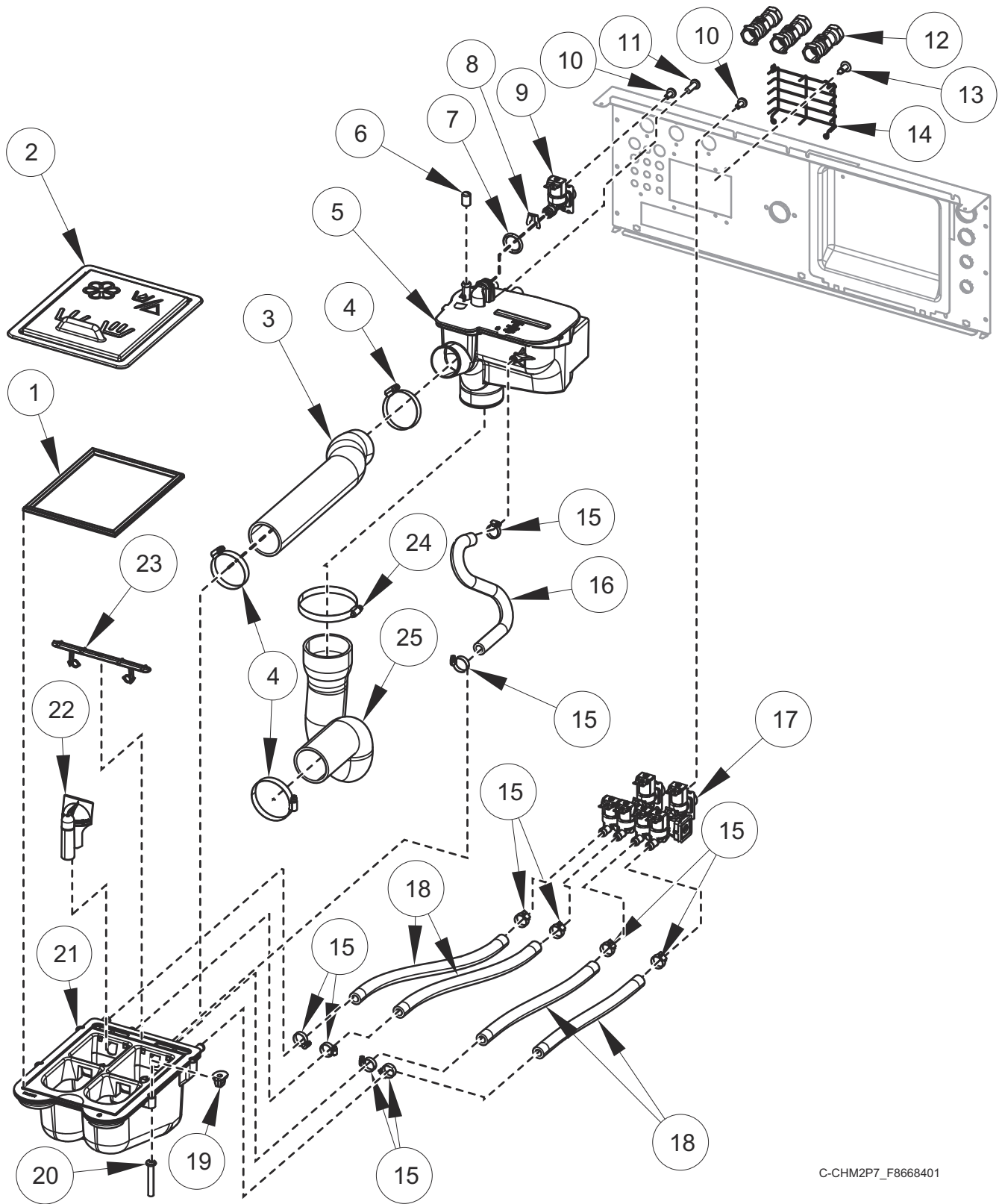


C-CHM2P7_F8668401

Fill Plumbing - 20 Pound Models

REF	PART NO.	DESCRIPTION	COMMENTS
	F8047403	Dispenser	Includes Items 21-23
	F8520101	Fill Valve Harness	
	F8665601	Water Hose Kit	Standard thread; Red (hot); Includes 20290 Washer and 803615 Washer Filter
	F8665603	Water Hose Kit	Standard thread; Blue (cold); Includes 20290 Washer and 803615 Washer Filter
	F8665602	Water Hose Kit	Metric thread; Red (hot); Includes 20290 Washer and 803615 Washer Filter
	F8665604	Water Hose Kit	Metric thread; Blue (cold); Includes 20290 Washer and 803615 Washer Filter
	F8671201	Fill Hose Kit	WRAS; Includes item 12 and F8665602 Water Hose Kit
	F8671202	Fill Hose Kit	WRAS; Includes item 12 and F8665604 Water Hose Kit
	F8671101	Fill Hose Kit	Australian watermark; Includes F8665602 Water Hose Kit and B12543901 Check Valve
	F8671102	Fill Hose Kit	Australian watermark; Includes F8665604 Water Hose Kit and B12543901 Check Valve
1	B12568601	Dispenser Gasket	
2	F8563204	Dispenser Cover	Black; Icons and text
	F8563203	Dispenser Cover	Gray; Icons and text
	F8563202	Dispenser Cover	Black; Icons
	F8563201	Dispenser Cover	Gray; Icons
3	F8529401	Supply Vacuum Hose	
4	F200213	Hose Clamp	
5	F8517503	Vacuum Breaker Assembly	With inlet and fill
	F8517502	Vacuum Breaker Assembly	With inlet
	F8517501	Vacuum Breaker Assembly	With fill
	F8517504	Vacuum Breaker Assembly	
6	F8197701	Cap	WRAS
7	F8569101	O-Ring	
8	F8566801	Clip	
9	F8565201	Valve	Standard
	F8565202	Valve	Metric
10	F8230301	Screw	
11	800548	Screw	
12	F8301201	Double Check Valve	WRAS
13	70058501	Pop Rivet	
14	F8589601	Vacuum Breaker Guard	
15	36801	Hose Clamp	
16	F8616401	Rear Vent Hose	
17	F8529701	Manifold Valve	Standard
	F8529702P	Manifold Valve	Metric
18	F8232007	Hose	
19	F0431807-00	Nut	
20	F8535601	Screw	
21	F8437902	Dispenser Weldment	
22	F8047901	Siphon Cover	
23	F8047801	Access Cover	
24	F200201	Hose Clamp	
25	F8529601	P-Trap Hose	

Fill Plumbing - 30 Pound Models

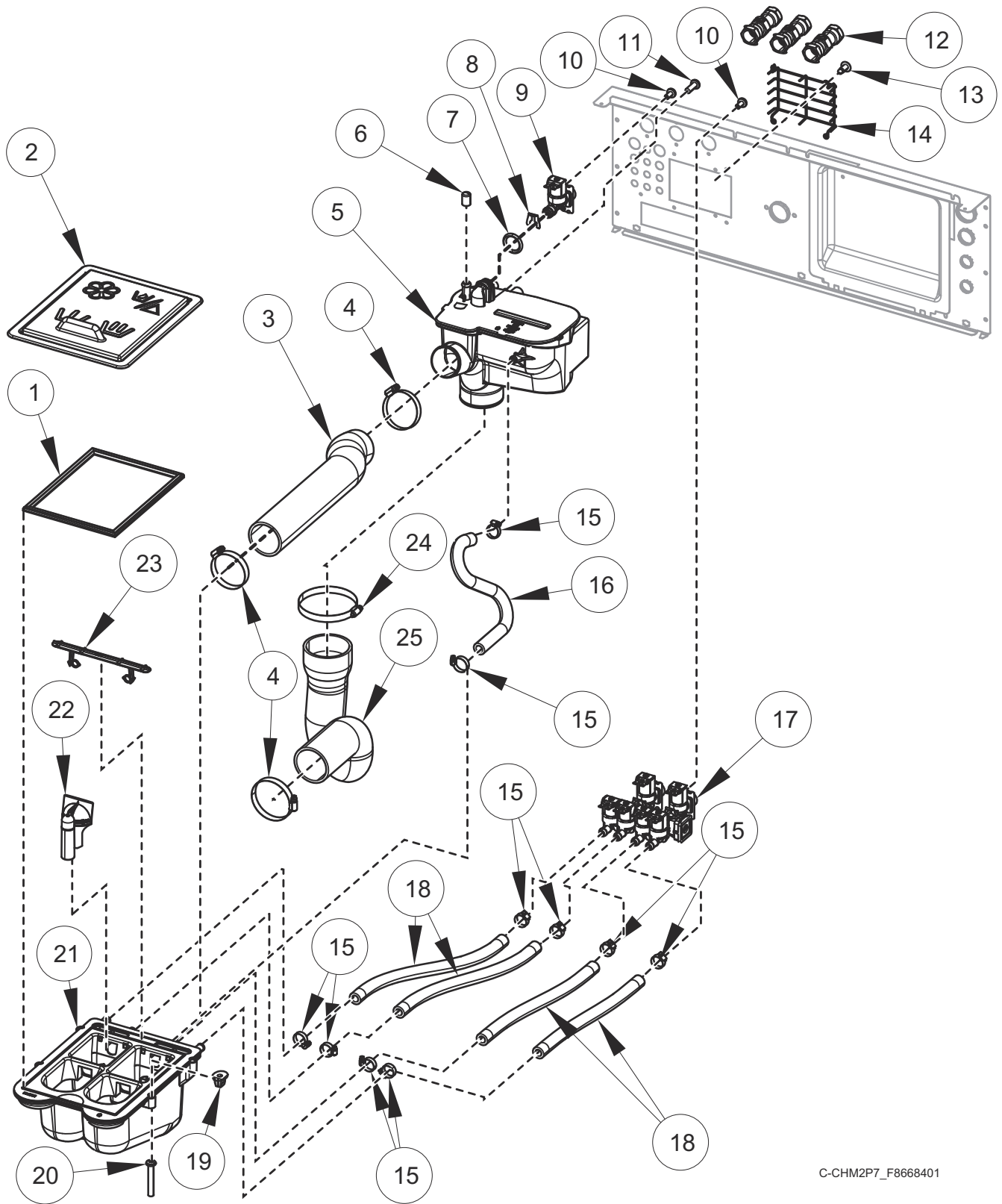


C-CHM2P7_F8668401

Fill Plumbing - 30 Pound Models

REF	PART NO.	DESCRIPTION	COMMENTS
	F8047403	Dispenser	Includes Items 21-23
	F8520101	Fill Valve Harness	
	F8665601	Water Hose Kit	Standard thread; Red (hot); Includes 20290 Washer and 803615 Washer Filter
	F8665603	Water Hose Kit	Standard thread; Blue (cold); Includes 20290 Washer and 803615 Washer Filter
	F8665602	Water Hose Kit	Metric thread; Red (hot); Includes 20290 Washer and 803615 Washer Filter
	F8665604	Water Hose Kit	Metric thread; Blue (cold); Includes 20290 Washer and 803615 Washer Filter
	F8671201	Fill Hose Kit	WRAS; Includes item 12 and F8665602 Water Hose Kit
	F8671202	Fill Hose Kit	WRAS; Includes item 12 and F8665604 Water Hose Kit
	F8671101	Fill Hose Kit	Australian watermark; Includes F8665602 Water Hose Kit and B12543901 Check Valve
	F8671102	Fill Hose Kit	Australian watermark; Includes F8665604 Water Hose Kit and B12543901 Check Valve
1	B12568601	Dispenser Gasket	
2	F8563204	Dispenser Cover	Black; Icons and text
	F8563203	Dispenser Cover	Gray; Icons and text
	F8563202	Dispenser Cover	Black; Icons
	F8563201	Dispenser Cover	Gray; Icons
3	F8529402	Supply Vacuum Hose	
4	F200213	Hose Clamp	
5	F8517503	Vacuum Breaker Assembly	With inlet and fill
	F8517502	Vacuum Breaker Assembly	With inlet
	F8517501	Vacuum Breaker Assembly	With fill
	F8517504	Vacuum Breaker Assembly	
6	F8197701	Cap	WRAS
7	F8569101	O-Ring	
8	F8566801	Clip	
9	F8565201	Valve	Standard
	F8565202	Valve	Metric
10	F8230301	Screw	
11	800548	Screw	
12	F8301201	Double Check Valve	WRAS
13	70058501	Pop Rivet	
14	F8589601	Vacuum Breaker Guard	
15	36801	Hose Clamp	
16	F8616402	Rear Vent Hose	
17	F8529701	Manifold Valve	Standard
	F8529702P	Manifold Valve	Metric
18	F8232011	Hose	
19	F0431807-00	Nut	
20	F8535601	Screw	
21	F8437902	Dispenser Weldment	
22	F8047901	Siphon Cover	
23	F8047801	Access Cover	
24	F200201	Hose Clamp	
25	F8529602	P-Trap Hose	

Fill Plumbing - 40 Pound Models

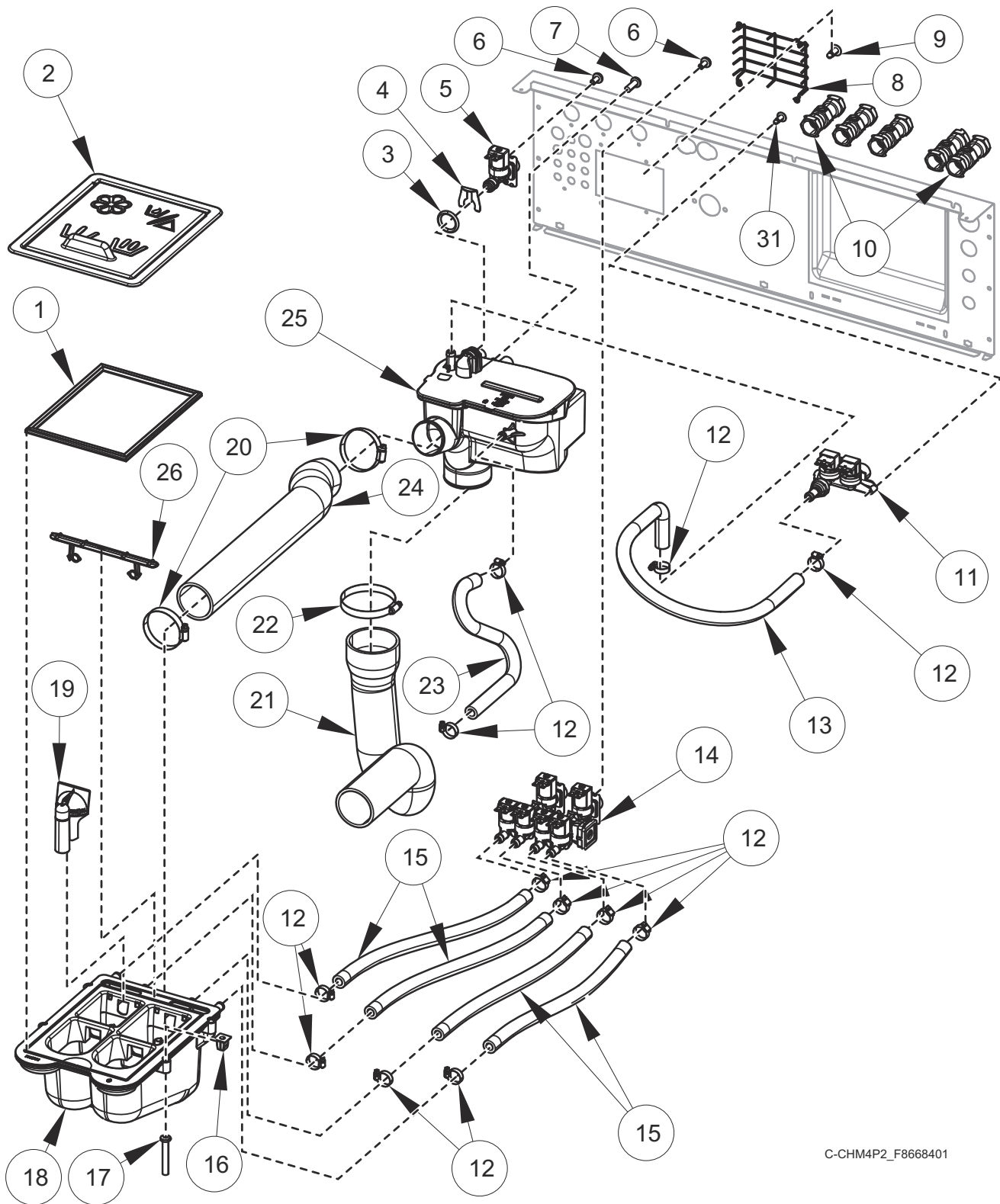


C-CHM2P7_F8668401

Fill Plumbing - 40 Pound Models

REF	PART NO.	DESCRIPTION	COMMENTS
	F8047403	Dispenser	Includes Items 21-23
	F8520101	Fill Valve Harness	
	F8665601	Water Hose Kit	Standard thread; Red (hot); Includes 20290 Washer and 803615 Washer Filter
	F8665603	Water Hose Kit	Standard thread; Blue (cold); Includes 20290 Washer and 803615 Washer Filter
	F8665602	Water Hose Kit	Metric thread; Red (hot); Includes 20290 Washer and 803615 Washer Filter
	F8665604	Water Hose Kit	Metric thread; Blue (cold); Includes 20290 Washer and 803615 Washer Filter
	F8671201	Fill Hose Kit	WRAS; Includes item 12 and F8665602 Water Hose Kit
	F8671202	Fill Hose Kit	WRAS; Includes item 12 and F8665604 Water Hose Kit
	F8671101	Fill Hose Kit	Australian watermark; Includes F8665602 Water Hose Kit and B12543901 Check Valve
	F8671102	Fill Hose Kit	Australian watermark; Includes F8665604 Water Hose Kit and B12543901 Check Valve
1	B12568601	Dispenser Gasket	
2	F8563204	Dispenser Cover	Black; Icons and text
	F8563203	Dispenser Cover	Gray; Icons and text
	F8563202	Dispenser Cover	Black; Icons
	F8563201	Dispenser Cover	Gray; Icons
3	F8529403	Supply Vacuum Hose	
4	F200213	Hose Clamp	
5	F8517503	Vacuum Breaker Assembly	With inlet and fill
	F8517502	Vacuum Breaker Assembly	With inlet
	F8517501	Vacuum Breaker Assembly	With fill
	F8517504	Vacuum Breaker Assembly	
6	F8197701	Cap	WRAS
7	F8569101	O-Ring	
8	F8566801	Clip	
9	F8565201	Valve	Standard
	F8565202	Valve	Metric
10	F8230301	Screw	
11	800548	Screw	
12	F8301201	Double Check Valve	WRAS
13	70058501	Pop Rivet	
14	F8589601	Vacuum Breaker Guard	
15	36801	Hose Clamp	
16	F8616402	Rear Vent Hose	
17	F8529701	Manifold Valve	Standard
	F8529702P	Manifold Valve	Metric
18	F8232010	Hose	
19	F0431807-00	Nut	
20	F8535601	Screw	
21	F8437902	Dispenser Weldment	
22	F8047901	Siphon Cover	
23	F8047801	Access Cover	
24	F200201	Hose Clamp	
25	F8529603	P-Trap Hose	

Fill Plumbing - 60 Pound Models

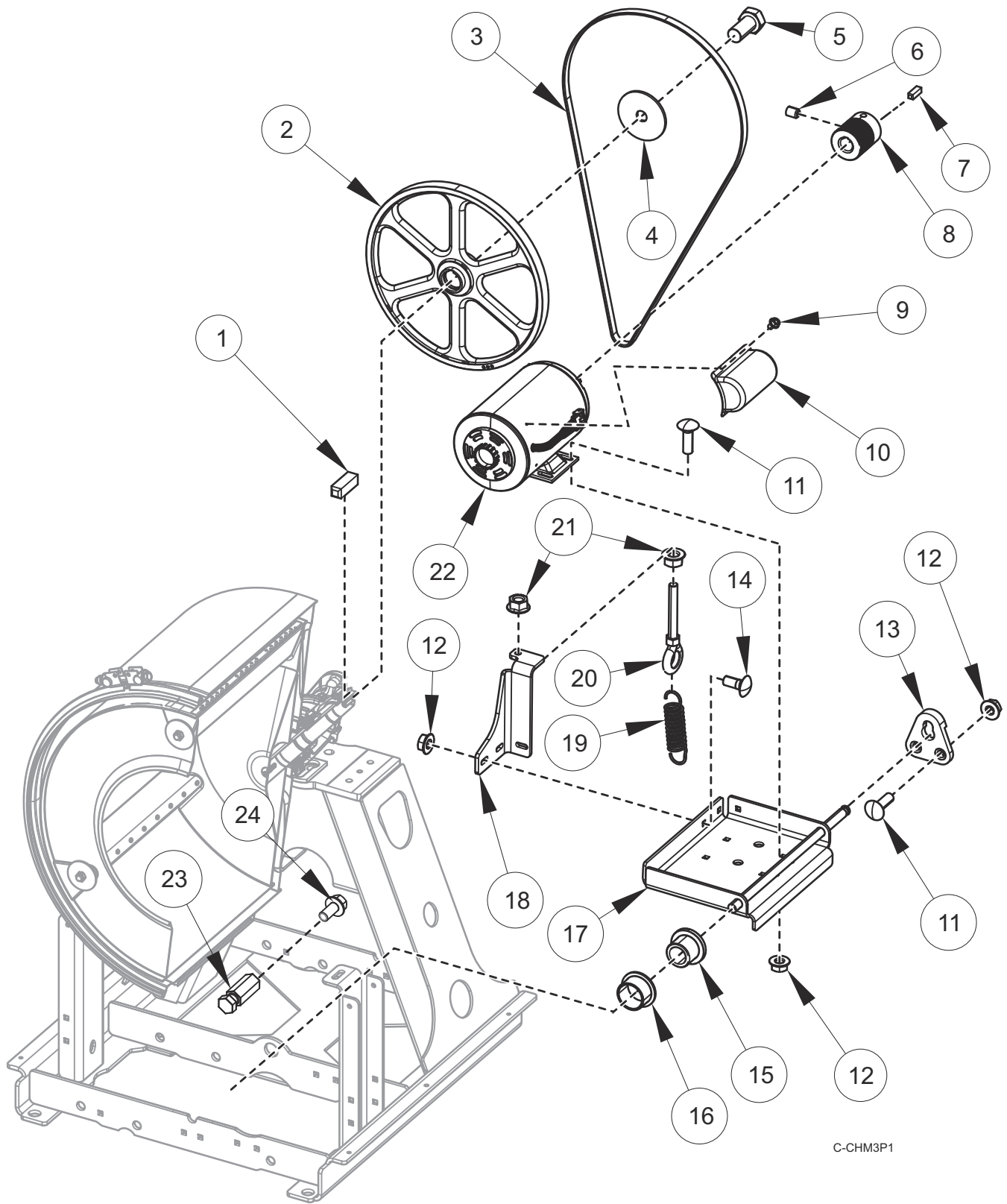


C-CHM4P2_F8668401

Fill Plumbing - 60 Pound Models

REF	PART NO.	DESCRIPTION	COMMENTS
	F8047403	Dispenser	Includes Items 18, 19 and 26
	F8520102	Fill Valve Harness	
	223/00243/00	Y-Connector	
	F8665601	Water Hose Kit	Standard thread; Red (hot); Includes 20290 Washer and 803615 Washer Filter
	F8665603	Water Hose Kit	Standard thread; Blue (cold); Includes 20290 Washer and 803615 Washer Filter
	F8665602	Water Hose Kit	Metric thread; Red (hot); Includes 20290 Washer and 803615 Washer Filter
	F8665604	Water Hose Kit	Metric thread; Blue (cold); Includes 20290 Washer and 803615 Washer Filter
	F8671201	Fill Hose Kit	WRAS; Includes item 11 and F8665602 Water Hose Kit
	F8671202	Fill Hose Kit	WRAS; Includes item 11 and F8665604 Water Hose Kit
	F8671101	Fill Hose Kit	Australian watermark; Includes F8665602 Water Hose Kit and B12543901 Check Valve
	F8671102	Fill Hose Kit	Australian watermark; Includes F8665604 Water Hose Kit and B12543901 Check Valve
	F8161201	Mixing Valve Screen	Plastic
	24122	Mixing Valve Screen	Steel mesh
1	B12568601	Dispenser Gasket	
2	F8563204	Dispenser Cover	Black; Icons and text
	F8563203	Dispenser Cover	Gray; Icons and text
	F8563202	Dispenser Cover	Black; Icons
	F8563201	Dispenser Cover	Gray; Icons
3	F8569101	O-Ring	
4	F8566801	Clip	
5	F8565201	Valve	3/4 inch; Standard
	F8565202	Valve	3/4 inch; Metric
6	F8230301	Screw	
7	800548	Screw	
8	F8589601	Vacuum Breaker Guard	
9	70058501	Pop Rivet	
10	F8301201	Double Check Valve	WRAS
11	F8434003	Mixing Valve	Standard
	F8434004	Mixing Valve	Metric
12	36801	Hose Clamp	
13	F8598501	Auxiliary Fill Hose	
14	F8529701	Manifold Valve	Standard
	F8529702P	Manifold Valve	Metric
15	F8232012	Hose	
16	F0431807-00	Nut	
17	F8535601	Screw	
18	F8437902	Dispenser Weldment	
19	F8047901	Siphon Cover	
20	F200213	Hose Clamp	
21	F8529604	P-Trap Hose	
22	F200201	Hose Clamp	
23	F8616404	Rear Vent Hose	
24	F8529404	Supply Vacuum Hose	
25	F8517503	Vacuum Breaker Assembly	With inlet and fill
	F8517502	Vacuum Breaker Assembly	With inlet; WRAS
	F8517501	Vacuum Breaker Assembly	With fill; WRAS
	F8517504	Vacuum Breaker Assembly	
26	F8047801	Access Cover	

Motor, Pulley and Belt - 20 and 30 Pound Models

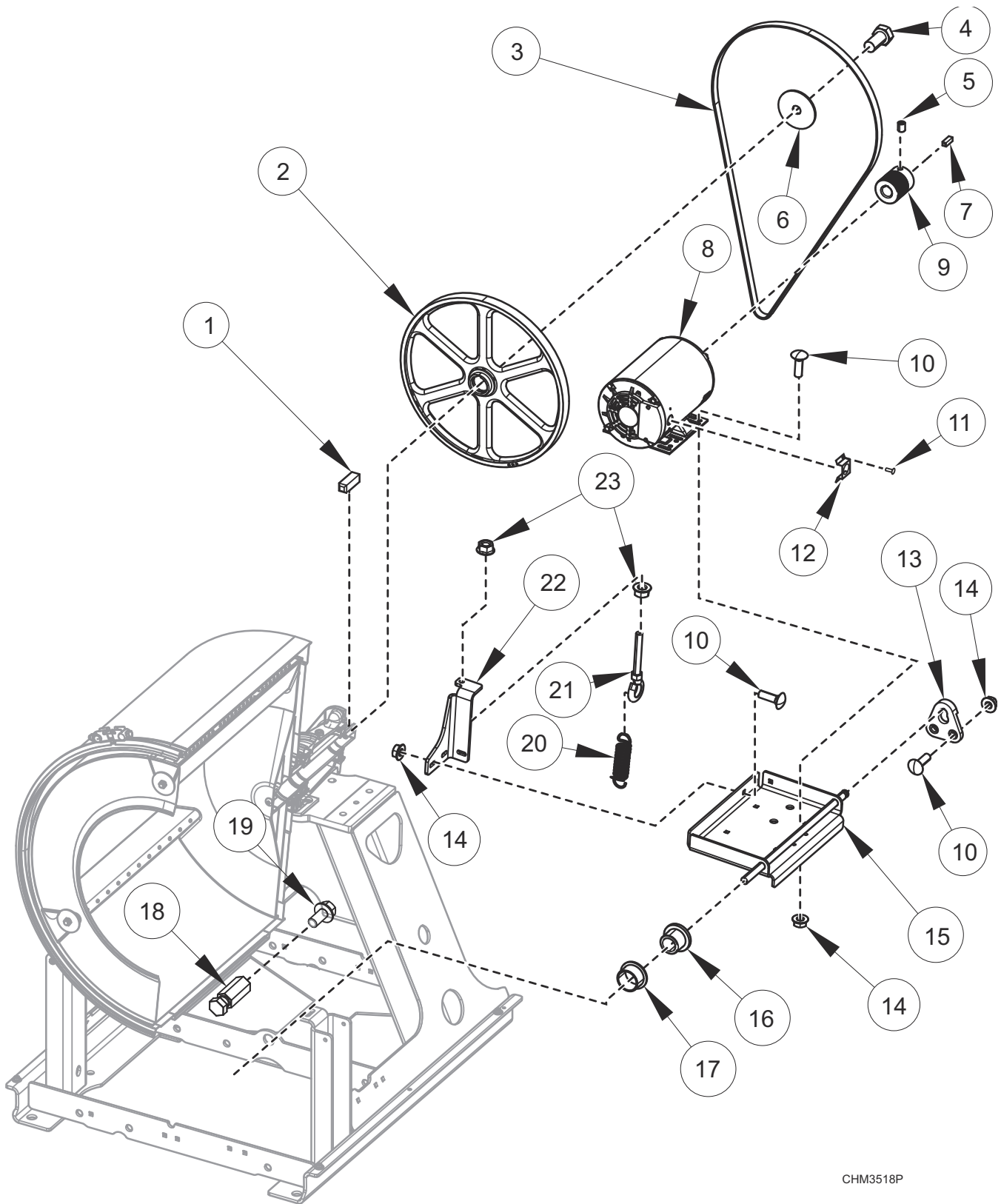


C-CHM3P1

Motor, Pulley and Belt - 20 and 30 Pound Models

REF	PART NO.	DESCRIPTION	COMMENTS
	F8733806	Gasket	EMI 17.8 inch
	F8733801	Gasket	EMI 21 inch
	F8733802	Gasket	EMI 24 inch
	F8519001	Motor Harness	1 hp; 120-240 Volt
	F8519002	Motor Harness	1 hp; 380-480 Volt
	F8748601	Spring Stud Kit	Contains F8634701 Stud and 70126104 Screw. Used to replace F8351902 Eye Bolt and 44087201 Nut
1	F430801	Key	
2	F8511601	Basket Pulley	20 pound models
	F8511701	Basket Pulley	30 pound models
3	F8382811	Belt	20 pound models; Poly-V; 560J6
	F8382812	Belt	30 pound models; Poly-V; 690J6
4	F431115	Washer	
5	F8574001	Screw	
6	M400077	Screw	
7	H8752006H	Key	
8	F8525301	Motor Pulley	
9	23222	Screw	
10	70521901	Motor Conduit Mounting Bracket	Models through August 2021
	F8732401	Motor Conduit Mounting Bracket	Models starting September 2021
11	F8402801	Bolt	
12	44087201	Nut	
13	F8441101	Motor Rod Plate	
14	70062401	Bolt	
15	F8535202	Flanged Isolator	
16	F8333302	Flanged Bushing	
17	F8589001	Motor Bracket Weldment	
18	F8581201	Spring Bracket	
19	F310124	Extension Spring	
20	F8319503	Eye Bolt	
21	44087301	Nut	
22	F8509601P	Motor	1 hp; 230 Volt
	F8509701	Motor	1 hp; 460 Volt
23	F8634701	Stud	
24	70126104	Screw	

Motor, Pulley and Belt - 40 and 60 Pound Models

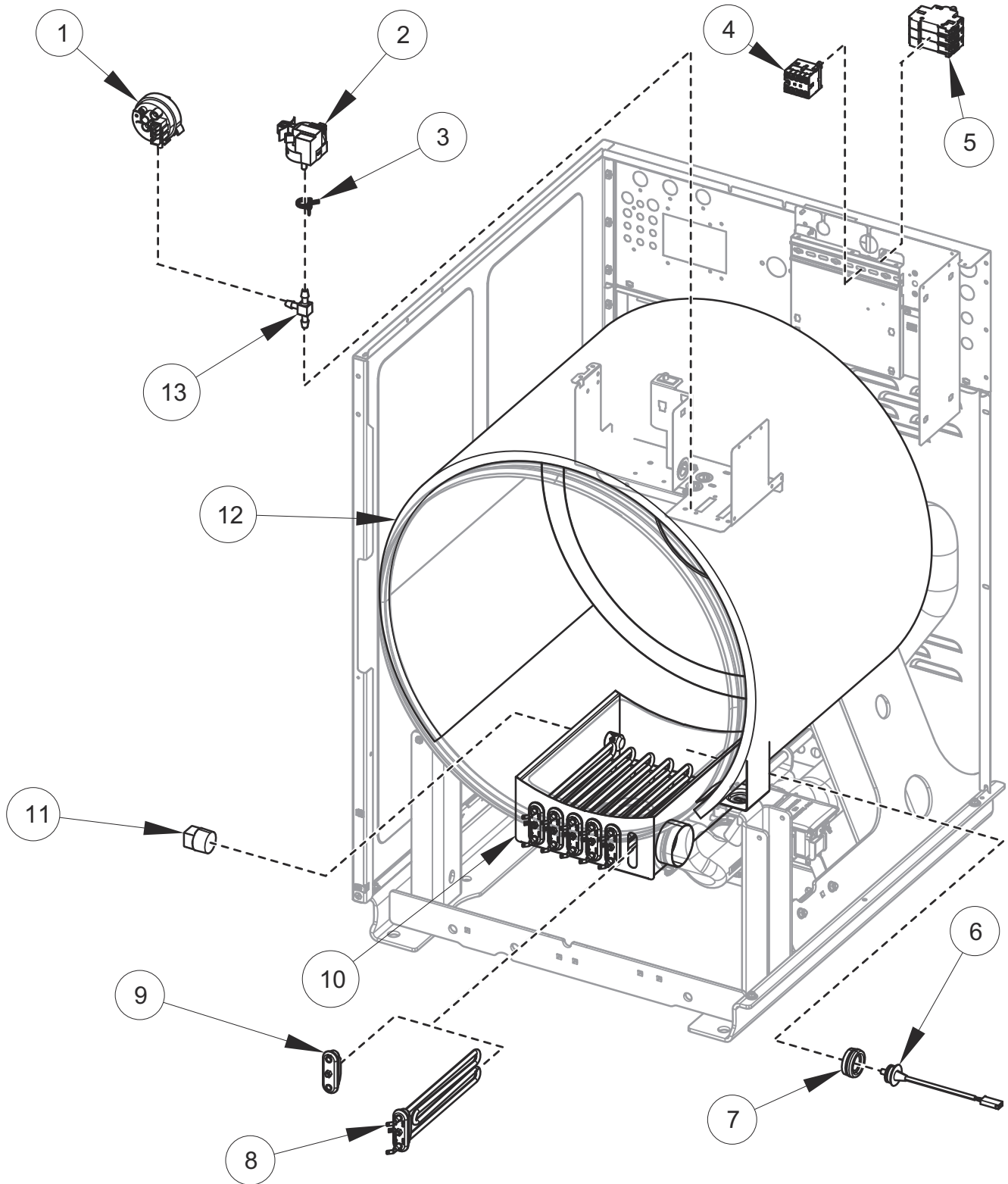


CHM3518P

Motor, Pulley and Belt - 40 and 60 Pound Models

REF	PART NO.	DESCRIPTION	COMMENTS
	F8733806	Gasket	EMI 17.8 inch
	F8733803	Gasket	EMI 25.6 inch
	F8733804	Gasket	EMI 29 inch
	F8519003	Motor Harness	2-3 hp; 240 Volt
	F8519004	Motor Harness	2-3 hp; 480 Volt
	F8519005	Motor Harness	5 hp
	F8748601	Spring Stud Kit	Contains F8634701 Stud and 70126104 Screw. Used to replace F8351902 Eye Bolt and 44087201 Nut
1	F430801	Key	
2	F8511701	Basket Pulley	40 pound models
	F8511801	Basket Pulley	60 pound models
3	F8382813	Belt	40 pound models; Poly-V; 717J8
	F8382818	Belt	60 pound models; Poly-V; 765J10
4	F8574001	Screw	
5	M400077	Screw	
6	F431115	Washer	
7	H8752006H	Key	
8	F8564101P	Motor	40 pound models; 2 hp; 230/460 Volt
	F8564102P	Motor	60 pound models; 3 hp; 230 Volt
	F8510001	Motor	5 hp; 460 Volt
9	F8525301	Motor Pulley	40 pound models
	F8525302	Motor Pulley	60 pound models
10	F8402801	Bolt	
11	23222	Screw	
12	F8732801	Bracket	
13	F8441101	Motor Rod Plate	
14	44087201	Nut	
15	F8589002	Motor Bracket Weldment	
16	F8535202	Flanged Isolator	
17	F8333302	Flanged Bushing	
18	F8634701	Stud	Volt
19	70126104	Screw	
20	F310124	Extension Spring	40 pound models
	F8440701	Extension Spring	60 pound models
21	F8319503	Eye Bolt	
22	F8581201	Spring Bracket	
23	44087301	Nut	

Electric Heating

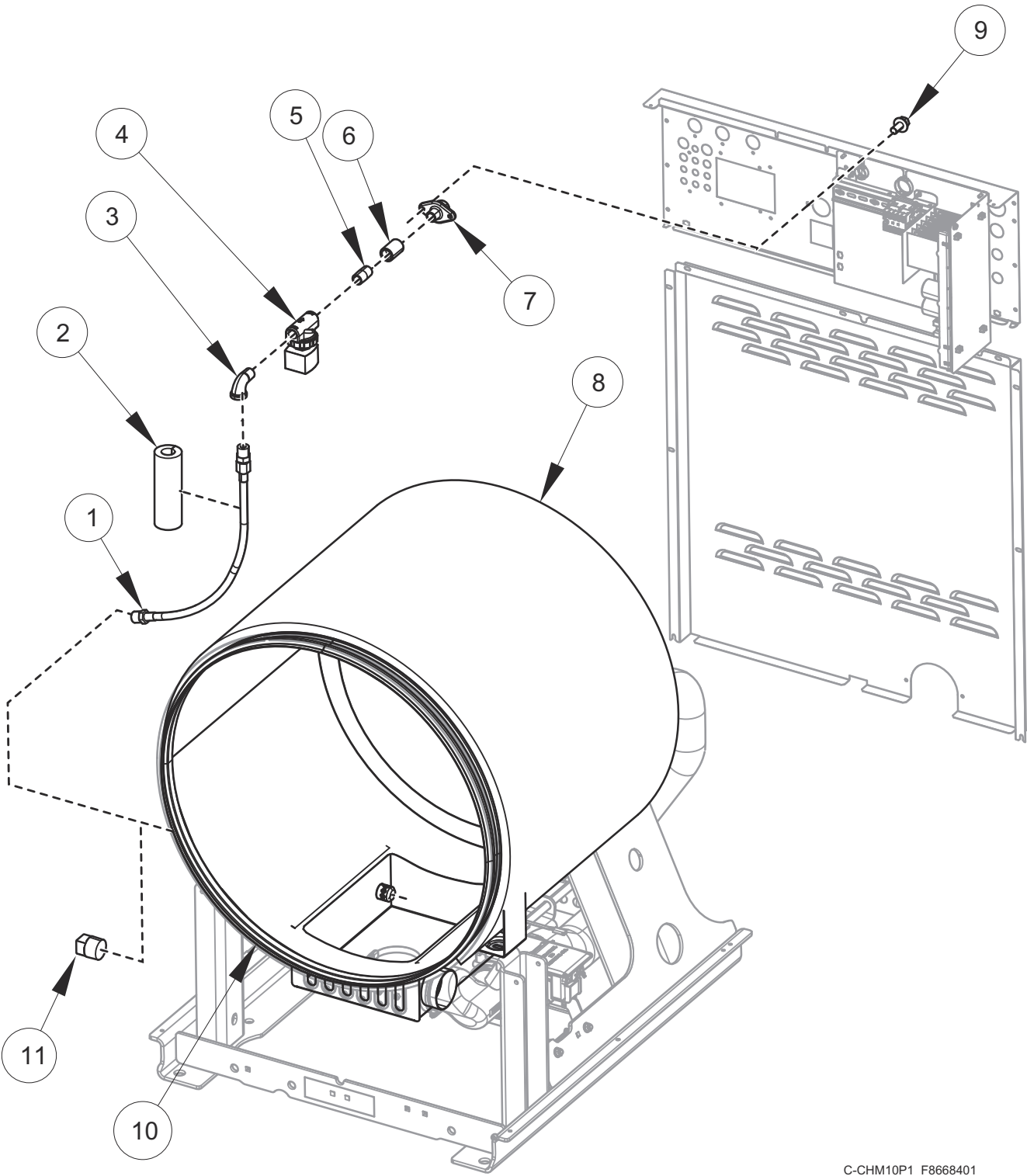


C-CHM8P6_F8668401

Electric Heating

REF	PART NO.	DESCRIPTION	COMMENTS
	F8584801	Electric Heat Element Harness	3 element and ground
	F8584802	Electric Heat Element Harness	6 element and ground
	F8619101	Power Harness	
	F8528002	Harness	20 and 30 pound models
	F8528003	Harness	40 and 60 pound models
	F8564001	Harness	20 and 30 pound models; N and P Voltage
	F8564002	Harness	20 and 30 pound models; Q Voltage
	F8564003	Harness	40 and 60 pound models; N, P and Q Voltage
	F8598301	Harness	20 and 30 pound models
	F8598302	Harness	40 and 60 pound models
	F8568901	Jumper	40 and 60 pound models with N Voltage
	F8569001	Jumper	40 and 60 pound models with P Voltage; 20 and 30 pound models with N and P Voltage
	F8583501	Jumper	40 and 60 pound models with N, P and Q Voltage
1	F8609101	Water Level Pressure Switch	
2	F8623401	Pressure Sensor	
3	39282	Hose Clamp	
4	70482601	Contactora	
5	70488101	Circuit Breaker	
6	F8538801	Thermistor	
7	2251000400	Temperature Probe Grommet	
8	F8568401	Heating Element	2600W; 240 Volt
	F8568402	Heating Element	3400W; 277 Volt
	F8568301	Heating Element	4200W; 230 Volt
9	F360202	Heating Element Plug	
10	F8512102	Shell	20 pound models
	F8514002	Shell	30 pound models
	F8512202	Shell	40 pound models
	F8543702	Shell	60 pound models
11	F420408	Plug	20, 30 and 40 pound models
	F420408	Plug	60 pound models
12	F8209101	Insulation	20 pound models
	F8209102	Insulation	30 pound models
	F8209103	Insulation	40 pound models
	F8209104	Insulation	60 pound models
13	203464	Barbed Tee	

Steam Heating - 40 and 60 Pound Models

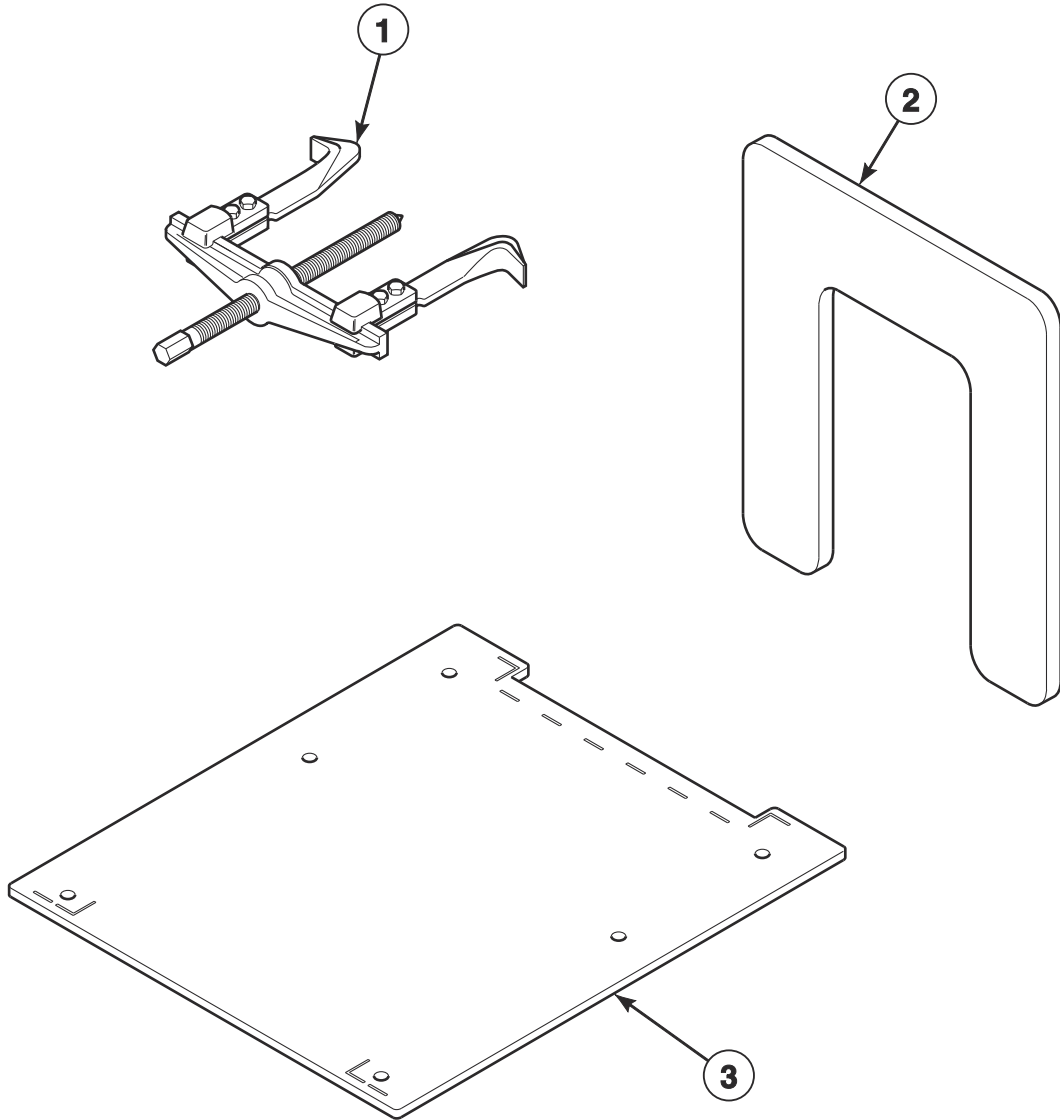


C-CHM10P1_F8668401

Steam Heating - 40 and 60 Pound Models

REF	PART NO.	DESCRIPTION	COMMENTS
	F8662602	Steam Kit	40 pound models; Includes Items 1-7, 9, 11, 901403 Nipple, F270307 Steam Filter, F8520704 Harness, insulation and labels
	F8662601	Steam Kit	60 pound models; Includes Items 1-7, 9, 11, 901403 Nipple, 70214101 Pipe Nipple, F270307 Steam Filter, F8520704 Harness, insulation and labels
	F270307	Steam Filter	1/2 inch
	F270308	Steam Filter	3/4 inch
	F8520704	Harness	Steam Valve
	F8233704	Insulation	Steam pipe; 12 inches
	F8233708	Pipe Insulation	Steam pipe; 20 inches
	F410300	Pipe Insulation	Steam pipe; 36 inches
1	F200153P	Steam Hose	40 pound models
	F200197	Steam Hose	60 pound models
2	F8233702	Insulation	Steam pipe; 6 inches
3	H86070034	Street Elbow	
4	F8322805	Valve	
	F8515001	Coil	
5	70435601	Pipe Nipple	
6	F8116301	Coupling	
7	F8362701	Coupling	
8	F8209103	Insulation	40 pound models
	F8209104	Insulation	60 pound models
9	70321501	Screw	
10	F8512202	Shell	40 pound models
	F8543702	Shell	60 pound models
11	F420408	Plug	

Special Tools and Kits



CHM3486P_F8668401

Special Tools and Kits

REF	PART NO.	DESCRIPTION	COMMENTS
	1111P	Concrete Kit	5/8 inch
	389P4	Basket Tool Kit	Purchase; Requires item 1
	390P4-1	Basket Rental Tool Kit	Purchase; Requires item 1
	204454	Ferrite	SCK and UCK models
1	F460129P	Basket Puller Tool	
2	F8608502P	Basket Pulley Puller Tool	Use with item 1
3	F8433301	Frame Template	20 pound models
	F8433401	Frame Template	30 pound models
	F8433501	Frame Template	40 pound models
	F8433601	Frame Template	60 pound models

Parts Index

A

Access Cover	
F8047801	59, 61, 63, 65
Access Panel	
F8524001	23, 25, 29
F8524101	23, 25, 29
F8524201	23, 27, 31
F8553901	23, 27, 31
Access Panel Retaining Spacer	
F8609701	23, 25, 27, 29, 31
App Pay Overlay Kit	
44374701	9
Auxiliary Fill Hose	
F8598501	65

B

Backflow Preventer	
800310	57
Barbed Tee	
203464	9, 71
Basket	
F8391302	51
F8391304	51
F8391502	51
F8391504	51
F8391702	51
F8391704	51
F8502802	51
F8502805	51
Basket Capacity Label	
F8699702	25, 29
F8699703	25, 29
F8699704	27, 31
F8699706	27, 31
Basket Puller Tool	
F460129P	75
Basket Pulley	
F8511601	67
F8511701	67, 69
F8511801	69
Basket Pulley Puller Tool	
F8608502P	75
Basket Rental Tool Kit	
390P4-1	75
Basket Tool Kit	
389P4	75
Bearing	
F100108	53
F100123P	53
F100134	53
F100135	53
F100136P	53
F100137P	53
Bearing Housing	
F8246802	53
F8247902	53
F8249902	53
F8250902	53

Bearing Housing Assembly	
F8271601P	53
F8271602	53
F8271701P	53
F8271702	53
F8271801P	53
F8271802	53
F8271901P	53
F8271902	53
Belt	
F8382811	67
F8382812	67
F8382813	69
F8382818	69
Bolt	
F430974	37, 39, 41, 43, 45, 47
F8270701	49
F8402801	35, 55, 57, 67, 69
F8508101	37, 39, 41, 43, 45, 47
70062401	67
Bracket	
F8571301	57
F8571401	57
F8590701	9
F8732801	69

C

Cabinet Brace	
F8527301	33
F8527401	33
F8527501	33
F8553201	33
Cap	
F8197701	59, 61, 63
Chemical Injection Control	
804528	19
Circuit Breaker	
70488101	13, 15, 17, 71
Clip	
F8566801	59, 61, 63, 65
Coil	
F8515001	73
Concrete Kit	
1111P	75
Connector	
70493102	19
Contact Block Switch	
F200233401	9
Contact Switch	
F8069501	9
Contacto	
F330188P	71
70482601	13, 15, 17
70482701	13, 15, 17
Contacto	
F8530901	13, 15, 17
Control Assembly	
F8493902	9
Control Panel Assembly	
F8523702	23, 29

N/A items do not appear in index.

F8523706	23, 25, 29
F8523802	23, 29
F8523806	23, 25, 29
F8523902	23, 31
F8523906	23, 27, 31
F8553702	23, 31
F8553706	23, 27, 31
F8697102	25
F8697202	25
F8697302	27
F8697402	27
Control Tray	
F8530701	11
Coupling	
F8116301	73
F8362701	73

D

Danger Label	
F8614501	7
DIN Rail	
B12315401	13, 15, 17
M412689	13, 15, 17
Dispenser	
F8047403	59, 61, 63, 65
Dispenser Bracket	
F8525701	33
Dispenser Cover	
F8563201	59, 61, 63, 65
F8563202	59, 61, 63, 65
F8563203	59, 61, 63, 65
F8563204	59, 61, 63, 65
Dispenser Gasket	
B12568601	59, 61, 63, 65
Dispenser Weldment	
F8437902	59, 61, 63, 65
Door	
F8507501P	37, 39
F8507502	37, 39
F8507602	41, 43
F8507701	45, 47
F8507702	45, 47
F8752601	41, 43
Door Assembly	
F8617201	37
F8617202	37
F8617203	37
F8617204	37
F8617205	37
F8617206	37
F8617207	37, 39
F8617208	37, 39
F8617211	39
F8617212	39
F8617213	39
F8617214	39
F8617215	39
F8617216	39
F8617301	41
F8617302	41
F8617303	41
F8617304	41
F8617305	41
F8617306	41
F8617307	41, 43

F8617308	41, 43
F8617311	43
F8617312	43
F8617313	43
F8617314	43
F8617315	43
F8617316	43
F8617401	45
F8617402	45
F8617403	45
F8617404	45
F8617405	45
F8617406	45
F8617407	45, 47
F8617408	45, 47
F8617411	47
F8617412	47
F8617413	47
F8617414	47
F8617415	47
F8617416	47

Door Bezel	
F0170426-30	23, 27, 31
F8658701	23, 25, 29
F8658801	23, 25, 29
F8658901	23, 25, 29
F8659101	23, 27, 31
Door Gasket	
F20000202	37, 39
F8111502	45, 47
F8111602	41, 43
Door Glass	
F8485301P	41, 43
F8485305	41
F8485401P	45, 47
F8485405	45
F8675701P	37
Door Glass Kit	
F290205P	37, 39
Door Glass Label	
70650401	39, 43, 47
Door Glass Trim	
F8583201	37, 39
F8583202	41, 43
F8583203	45, 47
F8583204	37, 39
F8583205	41, 43
F8583206	45, 47
Door Handle	
F8199401P	37, 41, 45
F8435501	37, 39, 41, 43, 45, 47
F8544701	37, 39, 41, 43, 45, 47
F8624603	39, 43, 47
Door Handle Spacer Kit	
F8567501	37, 39, 41, 43, 45, 47
Door Hinge	
F190216P	37, 39, 41, 43, 45, 47
Door Hinge Shim Kit	
F200131000P	37, 39, 41, 43, 45, 47
Door Latch Arm Assembly	
F8221403	37, 39, 41, 43, 45, 47
Door Lock Assembly	
F8632401	49
Door Lock Catch	
F8344501	49

N/A items do not appear in index.

Door Lock Cover	
F8245001	49
Door Lock Harness	
F8520201	49
F8520202	49
Door Lock Microswitch	
F200203200	49
Door Lock Plate Assembly	
F8223202	49
Door Lock Plate Shim	
F83344401	49
Door Lock Solenoid Replacement Kit	
F977P3	49
Door Lock Switch Lever	
F8223401	49
Door Mount	
F150271	37, 39, 41, 43, 45, 47
Double Check Valve	
F8301201	59, 61, 63, 65
Dowel Pin	
F8388201	53
Drain Hose	
F200165100	55
F8541901	55
F8542001	55
F8542002	55
27154	57
Drain Hose Elbow	
35766	57
Drain Tee	
F8752101	55
Drain Valve	
F8406308	55
F8577201	55
Drain Valve Bracket	
F8543101	55
F8543301	55
F8543401	55
F8587701	55
Drain Valve Cover	
F200133600	55
Drain Valve Harness	
F8520001	55
F8520002	55
Drain Valve Kit	
F200166302	55
F200166402	55
Drive Assembly	
F8495401P	21
F8496001	21
F8496301P	21
F8496901	21
Drive Communication Harness	
F8519201	21
F8519202	21
F8519203	21
F8519204	21
Drive Mounting Bracket	
F8322401	21
Drive Panel Base Assembly	
F8567001	13, 15, 17
F8567002	15
Drive Power Harness	
F8518601	21
F8518602	21

F8518603	21
Drive Shield	
F8616901	13, 15, 17
Drive Terminal Tray	
F8530801	13, 15
F8530803	17

E

Electric Heat Element Harness	
F8584801	71
F8584802	71
Emergency Stop Harness	
F8549402	9
Emergency Stop Label	
44012901	9
Emergency Stop Plate	
F8201301	9
Emergency Stop Pushbutton	
F200233500	9
EMI Filter	
F8591601	13, 15, 17
F8591801	13, 15, 17
F8637501	13, 15, 17
End Stop	
F8449801	13, 15, 17
Excluder Seal	
F8337002	51
Expansion Clip	
70030501	11, 13, 15, 17, 21, 23, 25, 27, 29, 31, 33, 35, 49, 57
Extension Spring	
F310124	67, 69
F8440701	69
External Supply Kit	
F8662505	19
F8662506	19
F8662507	19
F8662508	19
Eye Bolt	
F8319503	67, 69

F

Ferrite	
204454	75
Fill Hose Kit	
F8671101	59, 61, 63, 65
F8671102	59, 61, 63, 65
F8671201	59, 61, 63, 65
F8671202	59, 61, 63, 65
Fill Valve Harness	
F8520101	59, 61, 63
F8520102	65
Filter Kit	
F8662801	13
F8662802	15
F8662803	13
F8662804	15, 17
F8662805	13
F8662806	15, 17
F8662809	13
F8662810	13

N/A items do not appear in index.

F8662811	15, 17
F8662812	15, 17
Flanged Bushing	
F8333302	67, 69
Flanged Isolator	
F8535202	67, 69
Frame Template	
F8433301	75
F8433401	75
F8433501	75
F8433601	75
Front Panel	
F8524302	23
F8524304	29
F8524402	23
F8524404	29
F8524502	23
F8524504	31
F8554002	23
F8554004	31
F8685302	27, 31
F8686002	25, 29
F8686102	25, 29
F8686202	27, 31
Front Tray Assembly	
F8531002	9
F8567307	9
F8567308	9
F8567309	9
F8567310	9
F8567311	9
F8567312	9
Fuse	
802492	11

G

Gasket	
F8542601	33
F8733801	67
F8733802	67
F8733803	69
F8733804	69
F8733806	67, 69
Gateway	
205391P	11
Ground Lug Connector	
M411283	13, 15, 17

H

Harness	
F8518401	13, 15, 17
F8518402	13, 17
F8518403	15, 17
F8518405	13, 15
F8518501	13, 15, 17
F8518502	13
F8518503	15, 17
F8519301	9
F8519501	9
F8519502	9
F8519602	9
F8519603	9

F8520601	19
F8520602	19
F8520603	13
F8520704	73
F8528002	71
F8528203	19
F8528204	19
F8564001	71
F8564002	71
F8564003	71
F8598301	71
F8598302	71
Harness Support Bracket	
F8744301	13, 15, 17
Heating Element	
F8568301	71
F8568401	71
F8568402	71
Heating Element Plug	
F360202	71
Hole Plug	
F8223801	33
Hose	
F8232007	59
F8232010	63
F8232011	61
F8232012	65
Hose Clamp	
F200201	55, 59, 61, 63, 65
F200204	57
F200213	55, 59, 61, 63, 65
F200215	57
F200219	57
36801	59, 61, 63, 65
36802	55, 57
39282	9, 71
Hot Surface Warning Label	
F8609001	7
F8614301	7

I

Input and Output Control Assembly	
F8494101P	11
Instruction Label	
F8698801	25, 27, 29, 31
F8698901	25, 27, 29, 31
Insulation	
F8209101	71
F8209102	71
F8209103	71, 73
F8209104	71, 73
F8233702	73
F8233704	73
Insulator	
M413862	13, 15, 17

J

Jumper	
F8568901	71
F8569001	71
F8583501	71

N/A items do not appear in index.

K

Key	
F430801.....	67, 69
H8752006H.....	67, 69
70155603.....	33

L

Label	
D516100.....	13, 15, 17
F8601301.....	7
F8602401.....	7
F8609401.....	7
F8611301.....	7, 33
F8611401.....	7, 33
F8614801.....	7
203853.....	7
44286801.....	13, 15, 17
44286803.....	13, 15, 17

M

Machine ID Control Assembly	
203361P.....	9
Magnet	
F8390801.....	37, 39, 41, 43, 45, 47
Manifold Valve	
F8529701.....	59, 61, 63, 65
F8529702P.....	59, 61, 63, 65
Mixing Valve	
F8434003.....	65
F8434004.....	65
Mixing Valve Screen	
F8161201.....	65
24122.....	65
Motor	
F8509601P.....	67
F8509701.....	67
F8510001.....	69
F8564101P.....	69
F8564102P.....	69
Motor Bracket Weldment	
F8589001.....	67
F8589002.....	69
Motor Conduit Mounting Bracket	
F8732401.....	67
70521901.....	67
Motor Harness	
F8519001.....	67
F8519002.....	67
F8519003.....	69
F8519004.....	69
F8519005.....	69
Motor Pulley	
F8525301.....	67, 69
F8525302.....	69
Motor Rod Plate	
F8441101.....	67, 69
Mounting Plate	
70208801.....	9

N

Nameplate	
F8443105.....	23, 25, 29
F8443106.....	23, 27, 31
F8688801.....	25, 27, 29, 31
Nut	
C001236.....	37, 39, 41, 43, 45, 47
F0431807-00.....	59, 61, 63, 65
F430215.....	37, 39, 41, 43, 45, 47
F430218.....	51
F430232.....	37, 39, 41, 43, 45, 47, 49
F431024.....	49
F431041.....	37, 39, 41, 43, 45, 47
F8387701.....	53
44087201.....	35, 55, 57, 67, 69
44087301.....	51, 67, 69
44088001.....	13, 15, 17
44088801.....	33
685846.....	9
70030401.....	55

O

O-Ring	
F8569101.....	59, 61, 63, 65
Overflow Hose	
F8521201.....	55
F8522401.....	55
F8522501.....	55
Overflow Plug	
F150352.....	57
Overlay	
F8595101.....	23
F8611501.....	23, 29, 31
F8612701.....	23, 29, 31
F8612801.....	23, 29, 31
F8694701.....	25
F8694801.....	25
F8694901.....	27
F8695001.....	27
F8695701.....	25, 27
F8695801.....	27
F8696601.....	25, 27
F8696701.....	25, 27
F8704601.....	23, 25, 27, 29, 31
F8704701.....	23, 25, 27, 29, 31
F8709701.....	23
F8711901.....	23, 27
F8712001.....	23, 27
F8713201.....	25, 27
F8713301.....	27
F8729801.....	29, 31
F8730001.....	31

P

Panel Locator	
56079.....	23, 25, 27, 29, 31, 35
Panel Lock	
44089303P.....	33
Pin	
F8302701.....	51

N/A items do not appear in index.

F8502101	35
Pinch Warning Label	
F8615701	7
70538401	7
Pipe Insulation	
F410300	73
F8233708	73
Pipe Nipple	
70435601	73
Plug	
F420408	71, 73
F8223901	33
M400985	33
Pop Rivet	
F431215	23, 25, 27, 29, 31, 33
F431223	37, 39, 41, 43, 45, 47
M400003	11, 13, 15, 17
70058501	13, 15, 17, 59, 61, 63, 65
70412601	23, 25, 27, 29, 31
Power Distribution Block	
M413865	13, 15, 17
Power Distribution Block Cover	
44014901P	13, 15, 17
Power Harness	
F8619101	71
Pressure Cap	
F8579301	55, 57
Pressure Sensor	
F8623401	9, 71
P-Trap Hose	
F8529601	59
F8529602	61
F8529603	63
F8529604	65
Pump Drain and Bracket Assembly	
804038	57
805613	57
805723	57
Pump Drain Bracket	
F8536901	57
F8557101	57
F8557301	57
Pump Drain Conversion Kit	
F8749401	57
F8749403	57
F8749404	57
F8749406	57
F8749407	57
F8749409	57
Pump Drain Hose	
F8556601	57
Pump Drain Rear Hose	
F8537001	57
F8557001	57
F8557201	57
Pushbutton Switch	
70413301	33

R

Radial Lip Seal	
F8203816	53
Rear Drain Hose	
F8543001	55

F8543201	55
F8543501	55
F8587301	55
Rear Panel	
F8527001	33
F8527101	33
F8527201	33
F8554501	33
Rear Vent Hose	
F8616401	59
F8616402	61, 63
F8616404	65
Reed Switch Assembly	
F8066804	49
Retaining Ring	
F8337801	53
F8337901	53
F8344901	53
F8345001	53
Rivet	
M412763	23, 25, 27, 29, 31, 35
Rod	
F602813-2	37, 39, 41, 43, 45, 47

S

Screw	
D503688	21
F430532	37, 39
F430533	41, 43, 45, 47
F430536	37, 39, 41, 43, 45, 47
F8117601	23, 25, 27, 29, 31, 33, 35, 49, 57
F8206901	11, 13, 15, 17, 33, 57
F8230301	59, 61, 63, 65
F8368801	53
F8442702	53
F8535501	37, 39, 41, 43, 45, 47
F8535601	59, 61, 63, 65
F8574001	67, 69
F8589501	23, 25, 27, 29, 31
F8621601	51
F8673701	51
M400077	67, 69
202175	55
23222	67, 69
33562	33
39733	13, 15, 17
403497	19
51780	33
51783	13, 15, 17
685837	13, 15, 17
70126104	67, 69
70321501	73
800548	59, 61, 63, 65
Seal Scupper Pad	
F8350302	53
Shaft Seal Sleeve Kit	
F8343906P	51
Shell	
F8512102	51, 71
F8512103	51
F8512202	51, 71, 73
F8512203	51
F8514002	51, 71
F8514003	51
F8543702	51, 71, 73

N/A items do not appear in index.

F8543703	51
Shell Band Kit	
F8537801	51
F8537802	51
F8537803	51
F8537804	51
Shell Front	
F8222301	51
F8222401	51
F8222501	51
F8222601	51
Shell Front Gasket Kit	
F8513501	51
Shock Warning Label	
F8614201	7
Side Panel	
F8524601	35
F8524602	35
F8524603	35
F8524604	35
F8524701	35
F8524702	35
F8524703	35
F8524704	35
F8524705	35
F8524706	35
F8524801	35
F8524802	35
F8524803	35
F8524804	35
F8524805	35
F8524806	35
F8525605	35
F8525606	35
F8554201	35
F8554202	35
F8554203	35
F8554204	35
F8554205	35
F8554206	35
Siphon Cover	
F8047901	59, 61, 63, 65
Snap Bushing	
F140938	9, 13, 15, 17, 19
M402542	9
M411826	9
70346501	13, 15, 17
Spacer	
F431901	49
Spring Bracket	
F8581201	67, 69
Spring Pin	
F431222	37, 39, 41, 43, 45, 47
Spring Stud Kit	
F8748601	67, 69
Steam Filter	
F270307	73
F270308	73
Steam Hose	
F200153P	73
F200197	73
Steam Kit	
F8662601	73
F8662602	73
Street Elbow	
H86070034	73

Stud	
F8590801	9
F8634701	67, 69
70334702	55
Supply Vacuum Hose	
F8529401	59
F8529402	61
F8529403	63
F8529404	65

T

Temperature Probe Grommet	
2251000400	51, 71
Terminal	
Male Tab Terminal	13, 15, 17
00622SG	11, 13, 15, 17
Terminal Block	
430642	13, 15, 17
Terminal Block Shield	
70333001	13, 15, 17
Terminal Tray Cover	
F8518301	33
Thermistor	
F8538801	51, 71
Top Cover	
F8525401	33
F8525501	33
F8525601	33
F8554301	33
Top Cover Hinge	
F8258601	33
Top Cover Latch	
F8201001	23, 25, 27, 29, 31
Torsion/Door Lock Spring	
F8070301	49
Transformer	
F8491101	11
202757	11
202758	11
Triple Lip Seal	
F8203801	53
F8203802	53
F8203803	53
F8203806	53
F8203813	53
F8203814	53
F8203815	53
Tubing	
F8405302	9
F8405303	9

V

Vacuum Breaker Assembly	
F8517501	59, 61, 63, 65
F8517502	59, 61, 63, 65
F8517503	59, 61, 63, 65
F8517504	59, 61, 63, 65
Vacuum Breaker Guard	
F8589601	59, 61, 63, 65
Valve	
F8322805	73

N/A items do not appear in index.

F8565201	59, 61, 63, 65
F8565202	59, 61, 63, 65
Valve Panel	
F8513101	33
F8513201	33
F8513301	33
F8554401	33

W

Warning Label	
F8611601	7
44324001	7
Washer	
F430339	53
F431115	67, 69
F431133	37, 39, 41, 43, 45, 47
F431147	37, 39, 41, 43, 45, 47
F431916	37, 39, 41, 43, 45, 47
F431929	37, 39, 41, 43, 45, 47
F8193101	49
F8201101	23, 25, 27, 29, 31
F8402701	51
M400080	51
M400081	51
M405535	35
Water Hose Kit	
F8665601	59, 61, 63, 65
F8665602	59, 61, 63, 65
F8665603	59, 61, 63, 65
F8665604	59, 61, 63, 65
Water Level Pressure Switch	
F8609101	9, 71
Wire Clip	
F8449501	9, 11
70347601	11
70366201	9
Wireless Kit	
F8662403	11
F8676001	11
F8676101	11

Y

Y-Connector	
223/00243/00	65
