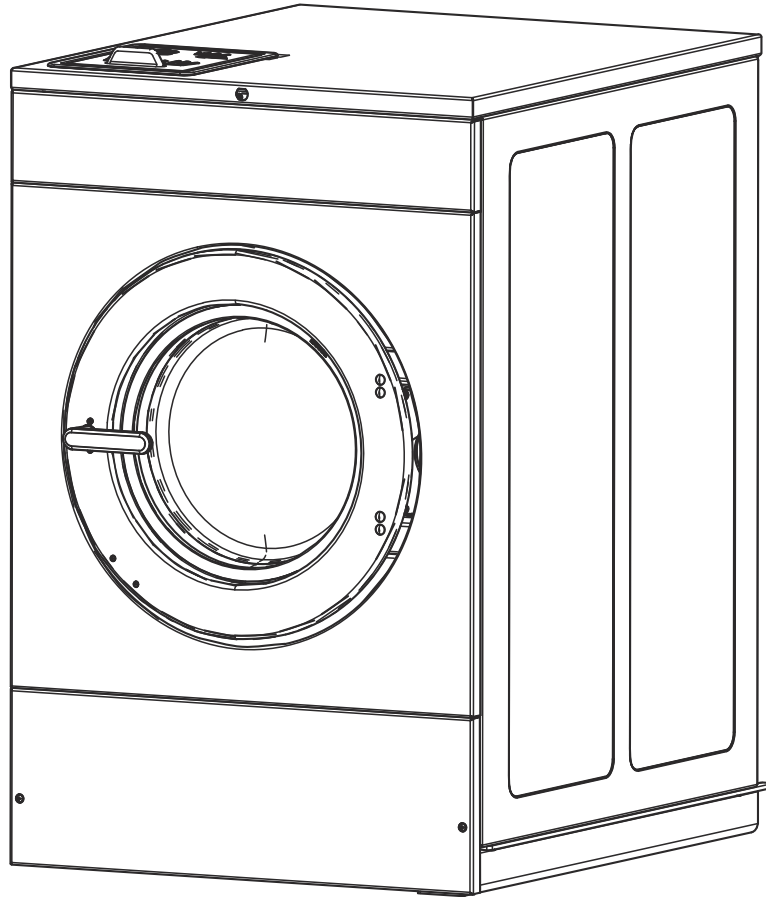


# Washer-Extractor

Cabinet Hardmount

Design 4, 6, and 7

Refer to Page 5 for Model Numbers



C-CHM2C3\_F8668501



# Table of Contents

Title	Page
Parts Ordering Information.....	3
Serial Plate Location .....	3
Model Identification .....	5
Product Overview - Galaxy 600 and Galaxy 600 Network Domestic.....	6
Labels .....	8
Control Module and Front Tray Assembly - Coin Models .....	10
Control Module and Front Tray Assembly - Card Reader and Central Pay Models .....	12
Control Module and Front Tray Assembly - FOB Models .....	14
Control Tray Assembly.....	16
Flush Mount Coin Meter Assembly - Single Drop .....	18
Flush Mount Coin Meter Assembly - Dual Drop.....	20
Electronic Coin Meter Assembly .....	22
Optional Coin Box .....	24
Inverter Drive Box - 20 and 30 Pound Models with B Voltage .....	26
Inverter Drive Box - 20 and 30 Pound Models with N, P, Q, W, X and Y Voltage.....	28
Inverter Drive Box - 40 Pound Models with B Voltage .....	30
Inverter Drive Box - 40 Pound Models with N, P, Q, W, X and Y Voltage.....	32
Inverter Drive Box - 60 Pound Models with Q and X Voltage .....	34
Inverter Drive Box - 60 Pound Models with N and P Voltage.....	36
External Supply Kit.....	38
Inverter Drive .....	40
Front Panels and Control Panel - Coin Models - Design 4 .....	42
Front Panels and Control Panel - 20 and 30 Pound Coin Models - Design 6 .....	44
Front Panels and Control Panel - 20 and 30 Pound Coin Models - Design 7 .....	46
Front Panels and Control Panel - 40 and 60 Pound Coin Models - Design 6 .....	48
Front Panels and Control Panel - 40 and 60 Pound Coin Models - Design 7 .....	50
Front Panels and Control Panel - Card Reader and Central Pay Models - Design 4 .....	52
Front Panels and Control Panel - 20 and 30 Pound Card Reader, Central Pay, and FOB Models - Design 6 and 7. 54	
Front Panels and Control Panel - 40 and 60 Pound Card Reader, Central Pay, and FOB Models - Design 6 and 7. 56	
Rear and Top Panels .....	58
Side Panels.....	60
Door - 20 Pound Models .....	62
Door - 30 Pound Models .....	64
Door - 40 and 60 Pound Models .....	66
Door Lock.....	68
Shell Front, Basket, Shell and Frame Template .....	70
Bearing Housing .....	72
Drain Plumbing .....	74
Pump Drain Plumbing - 20, 30 and 40 Pound Models.....	76

© Copyright 2023, Alliance Laundry Systems LLC

All rights reserved. No part of the contents of this book may be reproduced or transmitted in any form or by any means without the expressed written consent of the publisher.

Fill Plumbing - 20 Pound Models .....	78
Fill Plumbing - 30 Pound Models .....	80
Fill Plumbing - 40 Pound Models .....	82
Fill Plumbing - 60 Pound Models .....	84
Motor, Pulley and Belt - 20 and 30 Pound Models.....	86
Motor, Pulley and Belt - 40 and 60 Pound Models.....	88
Electric Heating .....	90
Steam Heating - 40 and 60 Pound Models .....	92
Special Tools and Kits .....	94
Parts Index.....	97

## Parts Ordering Information

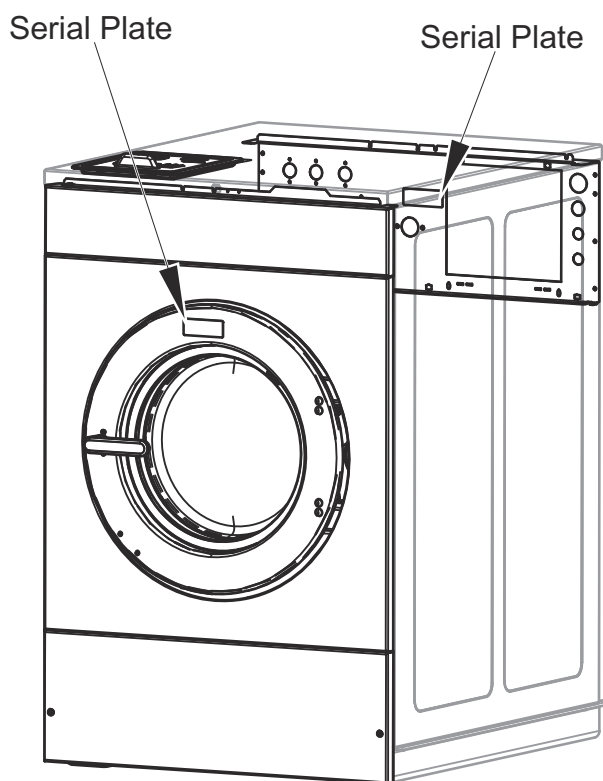
If literature or replacement parts are required, contact the source from whom the machine was purchased or contact Alliance Laundry Systems at (920) 748-3950 for the name and address of the nearest authorized parts distributor.

For technical assistance, call the number listed below:

(920) 748-3121 Ripon, Wisconsin

## Serial Plate Location

When calling or writing about your product, be sure to mention model and serial numbers. Model and serial numbers are located on serial plate(s) as shown.



C-CHM2C2\_F8668501

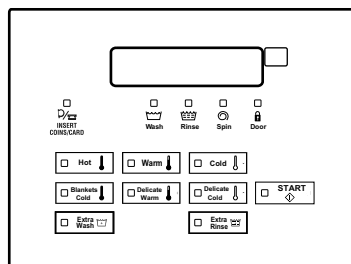
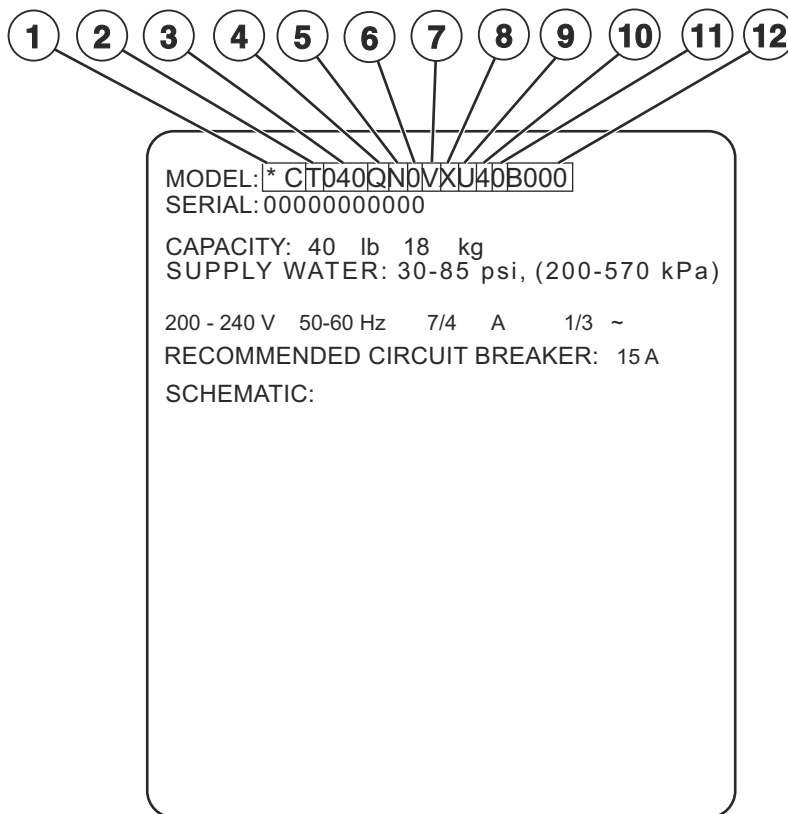


## Model Identification

Information in this manual is applicable to these washer-extractor models:

HCT020NC	HCT030NC	HCT040NC	HCT060NC
HCT020ND	HCT030ND	HCT040ND	HCT060ND
HCT020NE	HCT030NE	HCT040NE	HCT060NE
HCT020NF	HCT030NF	HCT040NF	HCT060NF
HCT020NH	HCT030NH	HCT040NH	HCT060NH
HCT020NL	HCT030NL	HCT040NL	HCT060NL
HCT020NP	HCT030NP	HCT040NP	HCT060NP
HCT020NQ	HCT030NQ	HCT040NQ	HCT060NQ
HCT020NT	HCT030NT	HCT040NT	HCT060NT
HCT020NV	HCT030NV	HCT040NV	HCT060NV
HCT020NX	HCT030NX	HCT040NX	HCT060NX
HCT020NY	HCT030NY	HCT040NY	HCT060NY
HCT020WC	HCT030WC	HCT040WC	HCT060WC
HCT020WD	HCT030WD	HCT040WD	HCT060WD
HCT020WE	HCT030WE	HCT040WE	HCT060WE
HCT020WF	HCT030WF	HCT040WF	HCT060WF
HCT020WH	HCT030WH	HCT040WH	HCT060WH
HCT020WL	HCT030WL	HCT040WL	HCT060WL
HCT020WP	HCT030WP	HCT040WP	HCT060WP
HCT020WQ	HCT030WQ	HCT040WQ	HCT060WQ
HCT020WT	HCT030WT	HCT040WT	HCT060WT
HCT020WV	HCT030WV	HCT040WV	HCT060WV
HCT020WX	HCT030WX	HCT040WX	HCT060WX
HCT020WY	HCT030WY	HCT040WY	HCT060WY

# Product Overview - Galaxy 600 and Galaxy 600 Network Domestic



Galaxy 600 and Galaxy 600 Network Domestic

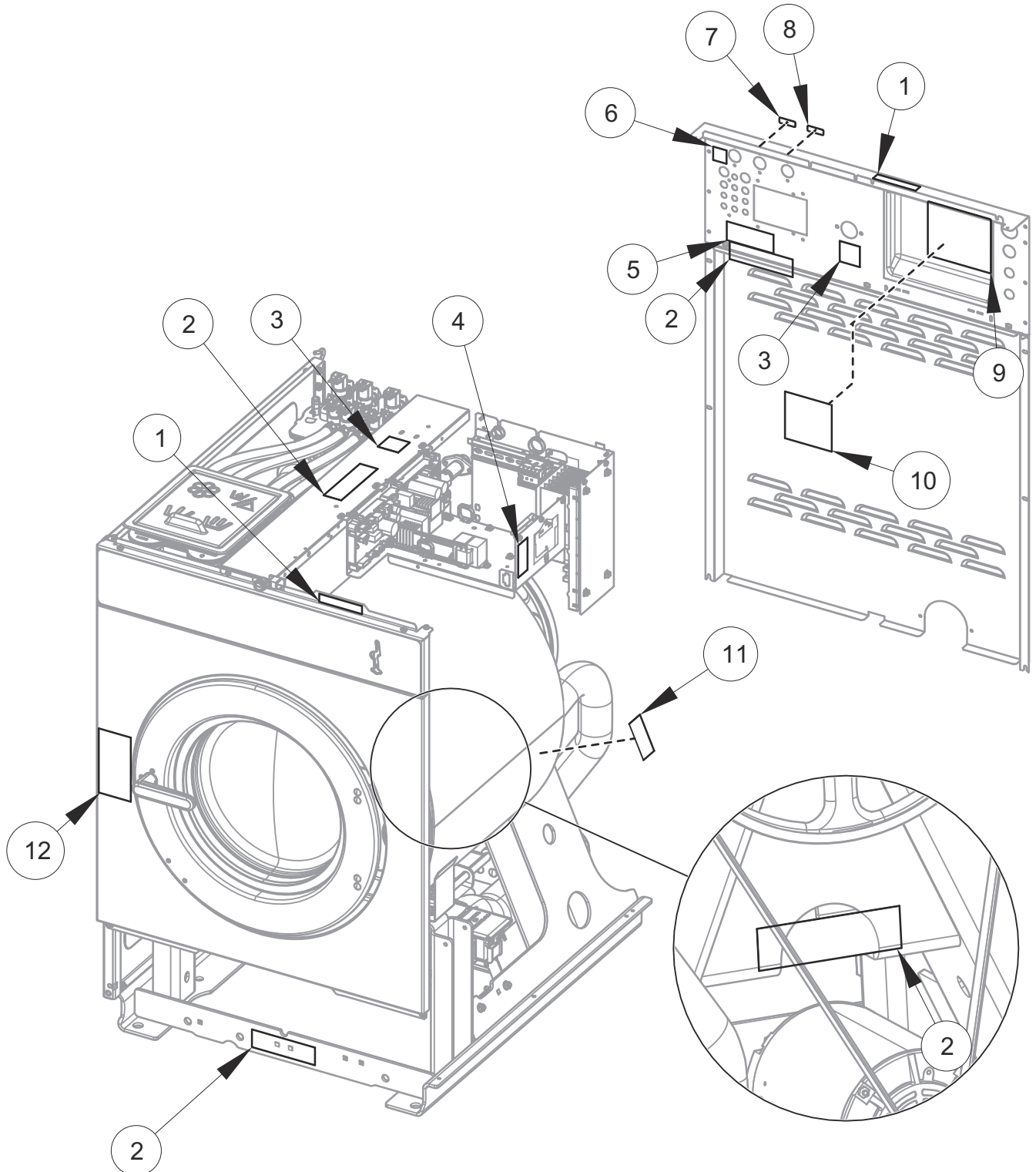
CHM3494P\_F8668501



# Product Overview - Galaxy 600 and Galaxy 600 Network Domestic

REF	PART NO.	DESCRIPTION	COMMENTS
1	-	Product Family	HC
2	-	Market Approvals	T (North America CSA)
3	-	Capacity (Dry Weight in Pounds)	020 030 040 060
4	-	Control	N W
5	-	Actuation	L (Central Pay) X (Prep for Coin) Y (Prep for Card) C (Single Coin) D (Dual Coin) E (Electronic Drop) P (FOB) T (Token) F (Single Coin + CD Lock and Key) Q (Dual Coin + CD Lock and Key) H (Electronic Drop + CD Lock and Key) V (Token + CD Lock and Key)
6	-	Coin Meter	0 (Standard) 1 (CD Lock and Key)
7	-	Speed	F (F-Speed) V (V-Speed)
8	-	Voltage	B (120/60/1) W (200-240/50/1/3) Y (200-240/60/1/3) X (200-240/50-60/1/3) Q (200-240/50-60/3) P (380-415/50-60/3) N (440-480/50-60/3)
9	-	Panel	B (Chrome Door) C (Chrome Door) U (Vinyl) 1 (Stainless Steel Side)
10	-	Design	4
11	-	Heat	0 (Standard) D (Steam) E (Electric Heat) P (Prep for Steam)
12	-	Features and Options	

# Labels

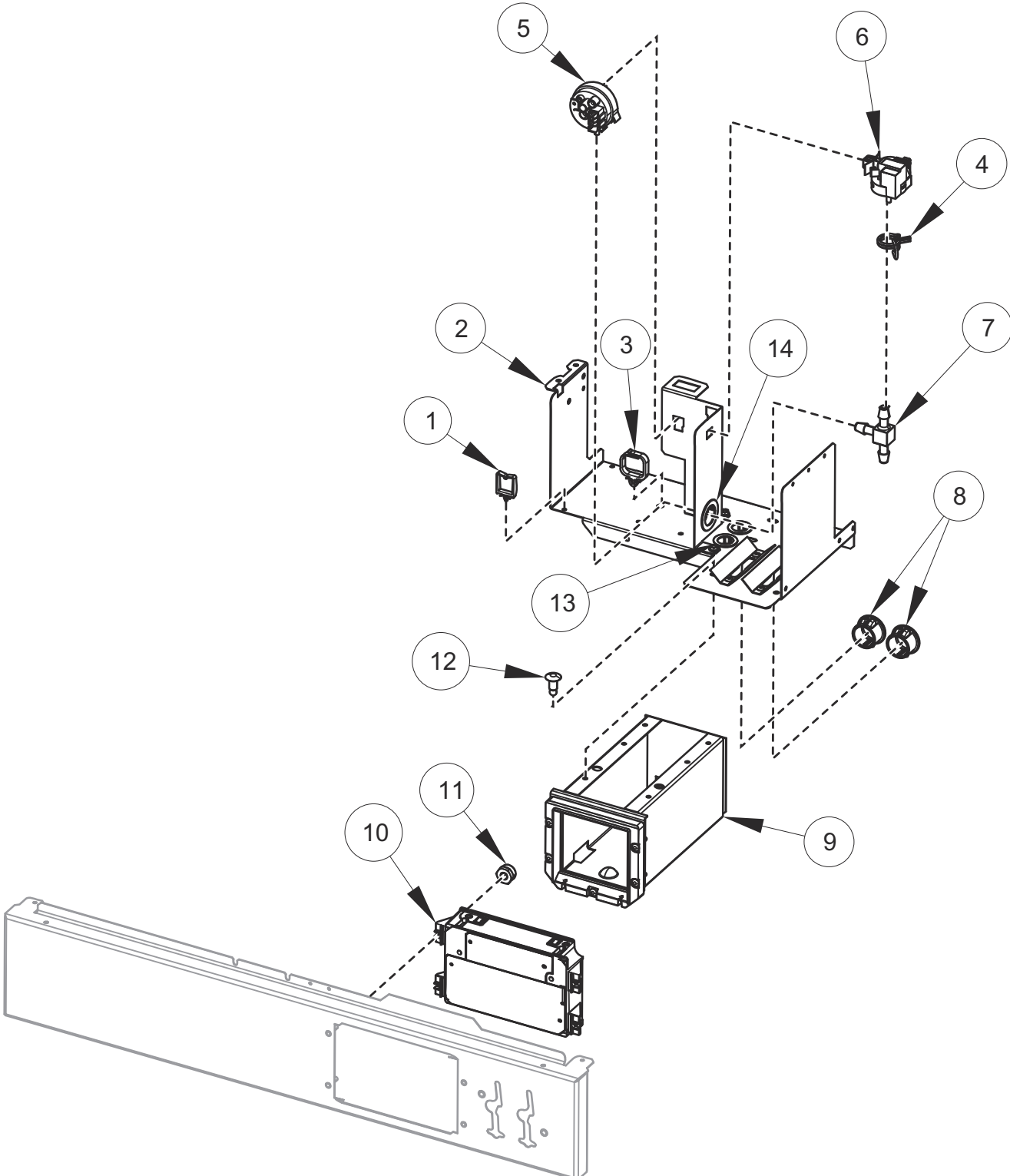


C-CHM2P27\_F8668501

# Labels

REF	PART NO.	DESCRIPTION	COMMENTS
1	F8614501	Danger Label	English/Quebec/French
2	44324001	Warning Label	Pinch/Shock; English/French
	F8614201	Shock Warning Label	Icon
	F8615701	Pinch Warning Label	Icon
3	F8614301	Hot Surface Warning Label	English/Quebec/French
	F8609001	Hot Surface Warning Label	Icon
4	F8601301	Label	Warning; Underground components
5	F8609401	Label	Notice; Chemical connection
6	203853	Label	ROHS (China)
7	F8611301	Label	Hot water; Icon
8	F8611401	Label	Cold water; Icon
9	F8611601	Warning Label	Warning; English/Quebec/French
10	F8602401	Label	Notice; Large expansion board
11	70538401	Pinch Warning Label	English/French
	F8615701	Pinch Warning Label	Icon
12	F8614801	Label	Warning fire/injury; English/Quebec/French

# Control Module and Front Tray Assembly - Coin Models

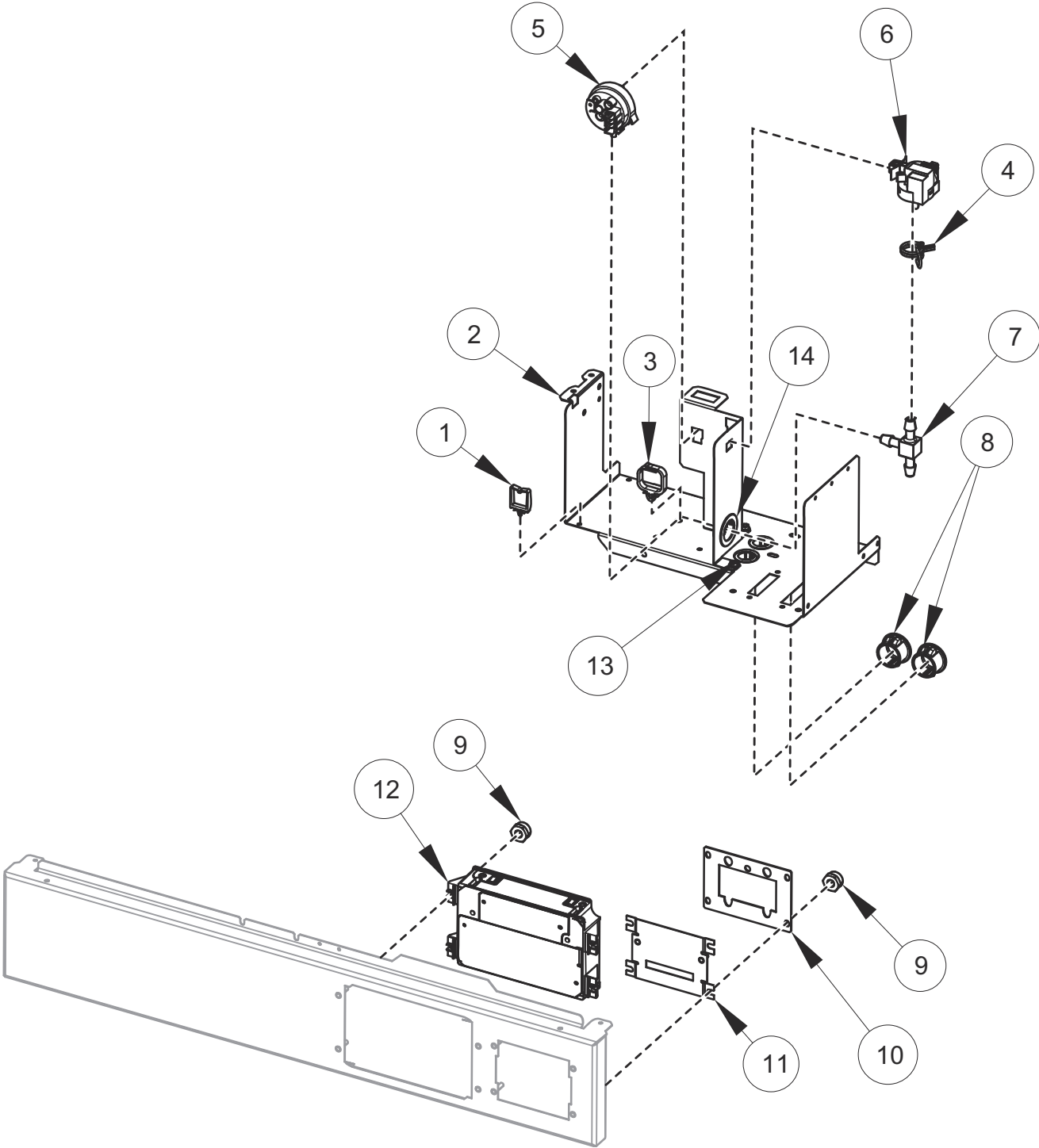


C-CHM5P1\_F8668501

## Control Module and Front Tray Assembly - Coin Models

REF	PART NO.	DESCRIPTION	COMMENTS
	44374701	App Pay Overlay Kit	
	203361P	Machine ID Control Assembly	
	F8567301	Front Tray Assembly	20 pound models; Includes items 1-3, 6, 8, 9, 12-14, 70413301 Pushbutton Switch and F8519701 Coin Vault Harness
	F8567304	Front Tray Assembly	20 pound models; Steam or electric heat; Includes items 1-9, 12-14, 70413301 Pushbutton Switch and F8519701 Coin Vault Harness
	F8567302	Front Tray Assembly	30 pound models; Includes items 1-3, 6, 8, 9, 12-14, 70413301 Pushbutton Switch and F8519701 Coin Vault Harness
	F8567305	Front Tray Assembly	30 pound models; Steam or electric heat; Includes items 1-9, 12-14, 70413301 Pushbutton Switch and F8519701 Coin Vault Harness
	F8567303	Front Tray Assembly	40 and 60 pound models; Includes items 1-3, 6, 8, 9, 12-14, 70413301 Pushbutton Switch and F8519701 Coin Vault Harness
	F8567306	Front Tray Assembly	40 and 60 pound models; Steam or electric heat; Includes items 1-9, 12-14, 70413301 Pushbutton Switch and F8519701 Coin Vault Harness
	F8519701	Coin Vault Harness	
	F8519301	Harness	Tray power harness
	F8519501	Harness	Communication; 20 and 30 pound models
	F8519502	Harness	Communication; 40 and 60 pound models
	F8519601	Harness	Coin access
	F8519403	Emergency Stop Bypass Harness	
<b>1</b>	70366201	Wire Clip	
<b>2</b>	F8531001	Front Tray Assembly	
<b>3</b>	F8449501	Wire Clip	
<b>4</b>	39282	Hose Clamp	
<b>5</b>	F8609101	Water Level Pressure Switch	Steam or electric heat
	F8405303	Tubing	Electric heat
<b>6</b>	F8623401	Pressure Sensor	
	F8405302	Tubing	Electric heat
<b>7</b>	203464	Barbed Tee	Steam or electric heat
<b>8</b>	M411826	Snap Bushing	
<b>9</b>	F8529101	Coin Vault Assembly	
<b>10</b>	F8493901P	Control Assembly	
<b>11</b>	685846	Nut	
<b>12</b>	70058501	Pop Rivet	
<b>13</b>	F140938	Snap Bushing	
<b>14</b>	M402542	Snap Bushing	

# Control Module and Front Tray Assembly - Card Reader and Central Pay Models

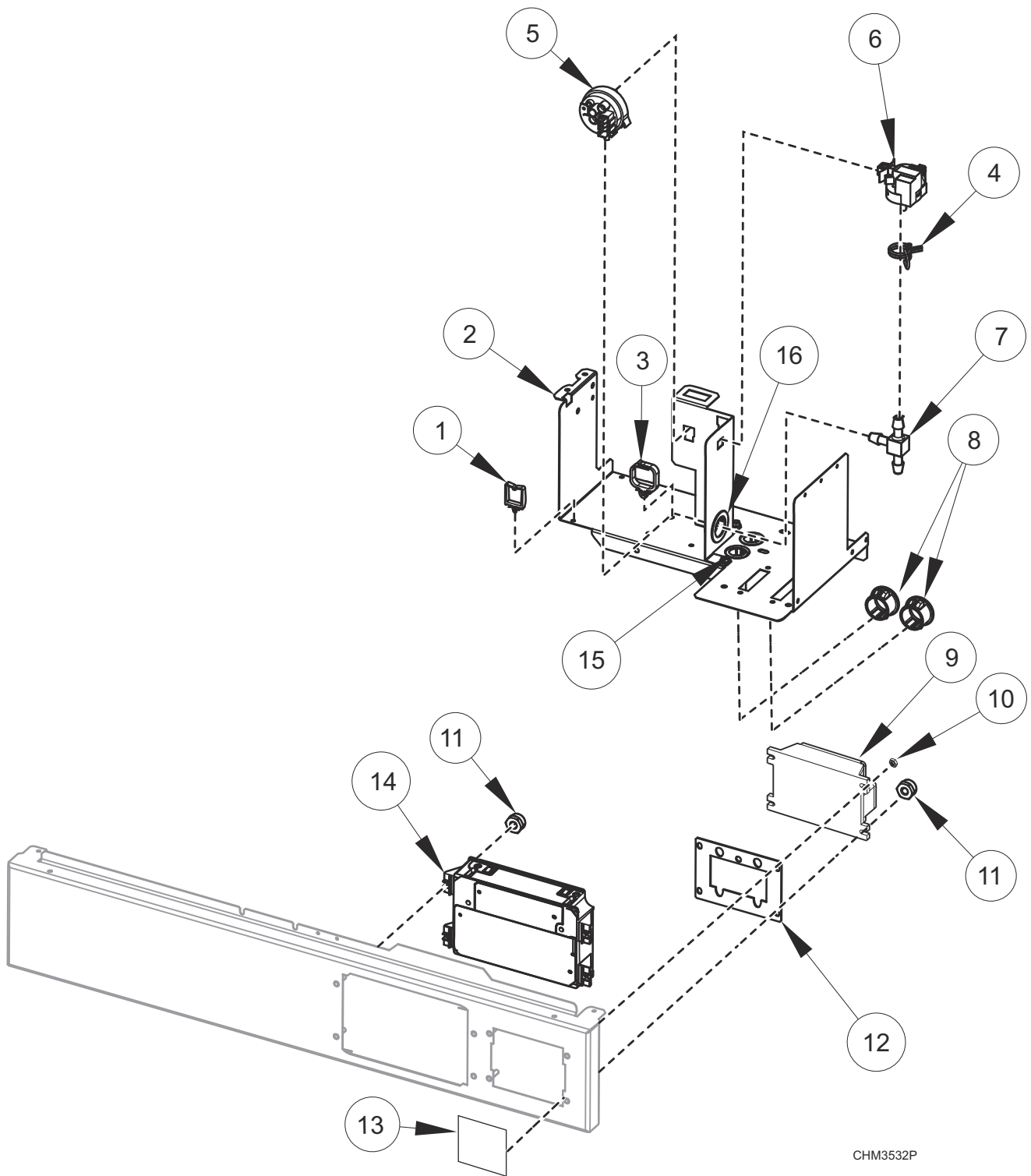


C-CHM5P3\_F8668501

## Control Module and Front Tray Assembly - Card Reader and Central Pay Models

REF	PART NO.	DESCRIPTION	COMMENTS
	44374701	App Pay Overlay Kit	
	203361P	Machine ID Control Assembly	
	F8567307	Front Tray Assembly	20 pound models; Includes items 1-3, 6, 8, 13, 14, 70413301 Pushbutton Switch
	F8567310	Front Tray Assembly	20 pound models; Steam or electric heat; Includes items 1-8, 13, 14, and 70413301 Pushbutton Switch
	F8567308	Front Tray Assembly	30 pound models; Includes items 1-3, 6, 8, 13, 14, 70413301 Pushbutton Switch
	F8567311	Front Tray Assembly	30 pound models; Steam or electric heat; Includes items 1-8, 13, 14, and 70413301 Pushbutton Switch
	F8567309	Front Tray Assembly	40 and 60 pound models; Includes items 1-3, 6, 8, 13, 14, 70413301 Pushbutton Switch
	F8567312	Front Tray Assembly	40 and 60 pound models; Steam or electric heat; Includes items 1-8, 13, 14, and 70413301 Pushbutton Switch
	44342801	Central Pay Harness	Models through December 2018
	F8519301	Harness	Tray power harness
	F8519501	Harness	Communication; 20 and 30 pound models
	F8519502	Harness	Communication; 40 and 60 pound models
	F8519702	Coin Vault Bypass Harness	
	F8519601	Harness	Coin access
	F8519403	Emergency Stop Bypass Harness	
<b>1</b>	70366201	Wire Clip	
<b>2</b>	F8531001	Front Tray Assembly	
<b>3</b>	F8449501	Wire Clip	
<b>4</b>	39282	Hose Clamp	
<b>5</b>	F8609101	Water Level Pressure Switch	Steam or electric heat
	F8405303	Tubing	Electric heat
<b>6</b>	F8623401	Pressure Sensor	
	F8405302	Tubing	Electric heat
<b>7</b>	203464	Barbed Tee	Steam or electric heat
<b>8</b>	M411826	Snap Bushing	
<b>9</b>	685846	Nut	
<b>10</b>	70208801	Mounting Plate	
<b>11</b>	F8201501	Card Plate Assembly	
<b>12</b>	F8493901P	Control Assembly	
<b>13</b>	F140938	Snap Bushing	
<b>14</b>	M402542	Snap Bushing	

# Control Module and Front Tray Assembly - FOB Models

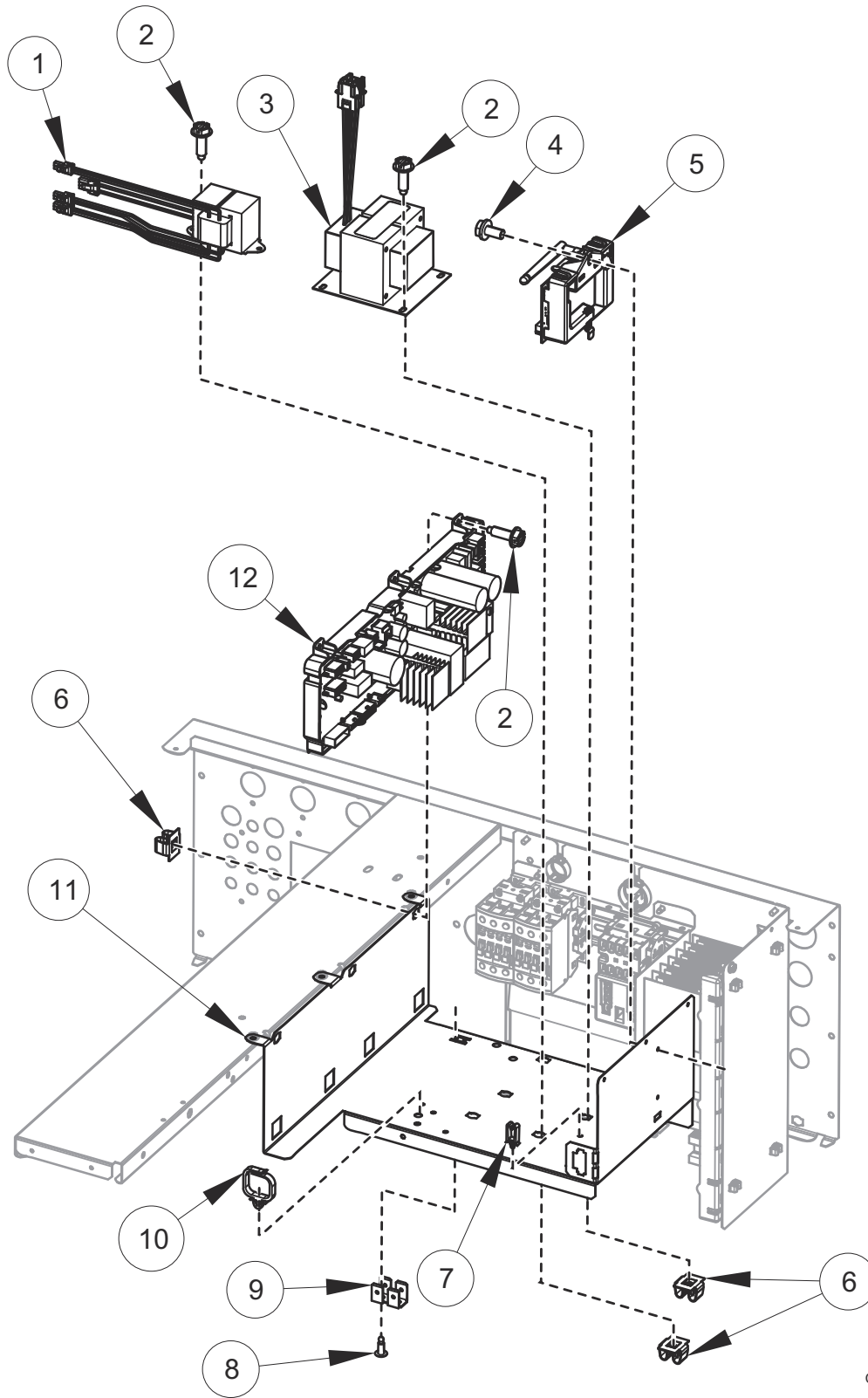




## Control Module and Front Tray Assembly - FOB Models

REF	PART NO.	DESCRIPTION	COMMENTS
	F8719301	Fob Communication Harness	
	44374701	App Pay Overlay Kit	
	203361P	Machine ID Control Assembly	
	F8567307	Front Tray Assembly	20 pound models; Includes items 1-3, 6, 8, 13, 14, 70413301 Pushbutton Switch
	F8567310	Front Tray Assembly	20 pound models; Steam or electric heat; Includes items 1-8, 13, 14, and 70413301 Pushbutton Switch
	F8567308	Front Tray Assembly	30 pound models; Includes items 1-3, 6, 8, 13, 14, 70413301 Pushbutton Switch
	F8567311	Front Tray Assembly	30 pound models; Steam or electric heat; Includes items 1-8, 13, 14, and 70413301 Pushbutton Switch
	F8567309	Front Tray Assembly	40 and 60 pound models; Includes items 1-3, 6, 8, 13, 14, 70413301 Pushbutton Switch
	F8567312	Front Tray Assembly	40 and 60 pound models; Steam or electric heat; Includes items 1-8, 13, 14, and 70413301 Pushbutton Switch
	44342801	Central Pay Harness	Models through December 2018
	F8519301	Harness	Tray power harness
	F8519501	Harness	Communication; 20 and 30 pound models
	F8519502	Harness	Communication; 40 and 60 pound models
	F8519702	Coin Vault Bypass Harness	
	F8519601	Harness	Coin access
	F8519403	Emergency Stop Bypass Harness	
<b>1</b>	70366201	Wire Clip	
<b>2</b>	F8531001	Front Tray Assembly	
<b>3</b>	F8449501	Wire Clip	
<b>4</b>	39282	Hose Clamp	
<b>5</b>	F8609101	Water Level Pressure Switch	Steam or electric heat
	F8405303	Tubing	Electric heat
<b>6</b>	F8623401	Pressure Sensor	
	F8405302	Tubing	Electric heat
<b>7</b>	203464	Barbed Tee	Steam or electric heat
<b>8</b>	M411826	Snap Bushing	
<b>9</b>	205135	Fob Reader Control Assembly	
<b>10</b>	70054	Nut	
<b>11</b>	685846	Nut	
<b>12</b>	70208801	Mounting Plate	
<b>13</b>	F8734201	Overlay	
	F8736501	Overlay	Citron
<b>14</b>	F8493901P	Control Assembly	
<b>15</b>	F140938	Snap Bushing	
<b>16</b>	M402542	Snap Bushing	

# Control Tray Assembly

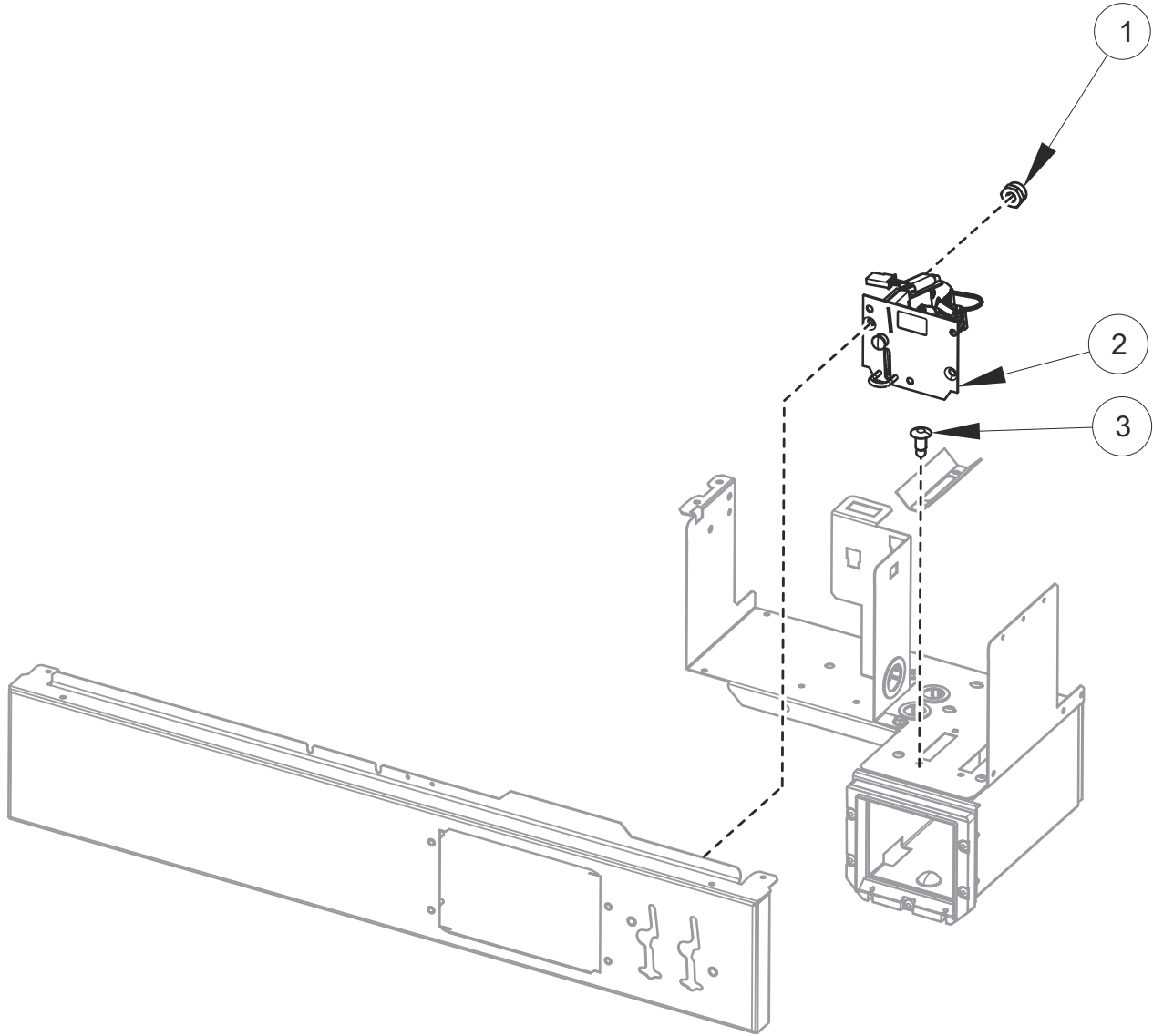


C-CHM5P2\_F8668501

## Control Tray Assembly

REF	PART NO.	DESCRIPTION	COMMENTS
	205391P	Gateway	
	F8520403	Wireless Harness	20 and 30 pound W control models through January 2019
	F8674003	Wireless Harness	20 and 30 pound W control models starting February 2019
	F8520404	Wireless Harness	40 and 60 pound W control models through January 2019
	F8674004	Wireless Harness	40 and 60 pound W control models starting February 2019
	F8662401	Wireless Kit	Includes items 4, 5, F8520403 Wireless Harness and labels
	F8676001	Wireless Kit	Includes items 4, 5, F8674003 Wireless Harness and labels
	F8662402	Wireless Kit	Includes items 4, 5, F8520404 Wireless Harness and labels
	F8676101	Wireless Kit	Includes items 4, 5, F8674004 Wireless Harness and labels
<b>1</b>	202757	Transformer	B voltage with external supply
	202758	Transformer	N, P, Q, W, X and Y voltage with external supply
<b>2</b>	F8206901	Screw	
<b>3</b>	F8491101	Transformer	N and P voltage
<b>4</b>	430497	Screw	
<b>5</b>	203532	Wireless Network Control Assembly	W control models through January 2019
	807211	Wireless Network Control Assembly	W control models starting February 2019
<b>6</b>	70030501	Expansion Clip	
<b>7</b>	70347601	Wire Clip	External supply
<b>8</b>	M400003	Pop Rivet	
<b>9</b>	00622SG	Terminal	
<b>10</b>	F8449501	Wire Clip	
<b>11</b>	F8530701	Control Tray	
<b>12</b>	F8494101P	Input and Output Control Assembly	

# Flush Mount Coin Meter Assembly - Single Drop

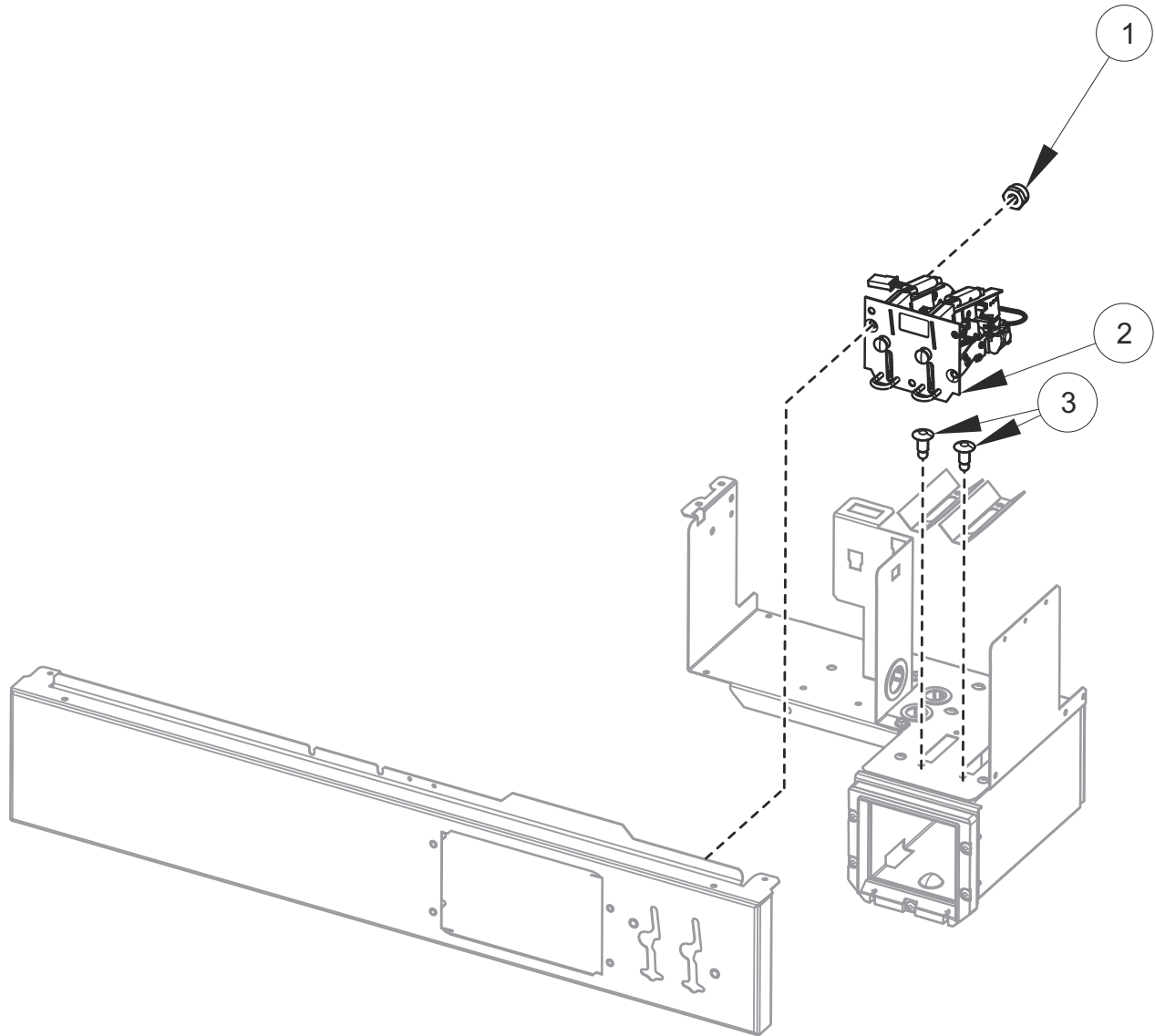


C-CHM6P7\_F8668501

## Flush Mount Coin Meter Assembly - Single Drop

REF	PART NO.	DESCRIPTION	COMMENTS
	44374701	App Pay Overlay Kit	
	38725	Coin Identification Paper	
	200674P	Opto Coupler	
<b>1</b>	685846	Nut	
<b>2</b>	70441601P	Coin Drop	U.S.A.; \$.25
	38475	Coin Drop Assembly	Japan; 100 yen
	38464P	Coin Drop Assembly	Canada; .25
	CK077	Coin Drop Kit	Taiwan; 10 NT
	70506901	Coin Drop Assembly	Singapore; \$1.00 NEW
	38462P	Coin Drop Assembly	Token; STD 118-1
	38463	Coin Drop Assembly	Token; STD 118-5
	38963P	Coin Drop	Token STD 118-16
	39748	Coin Drop	Jeton 08MS
	201141	Coin Drop Assembly	Token; Jeton wh121
	70471601	Coin Drop Assembly	Token; 7K
<b>3</b>	70058501	Pop Rivet	

# Flush Mount Coin Meter Assembly - Dual Drop

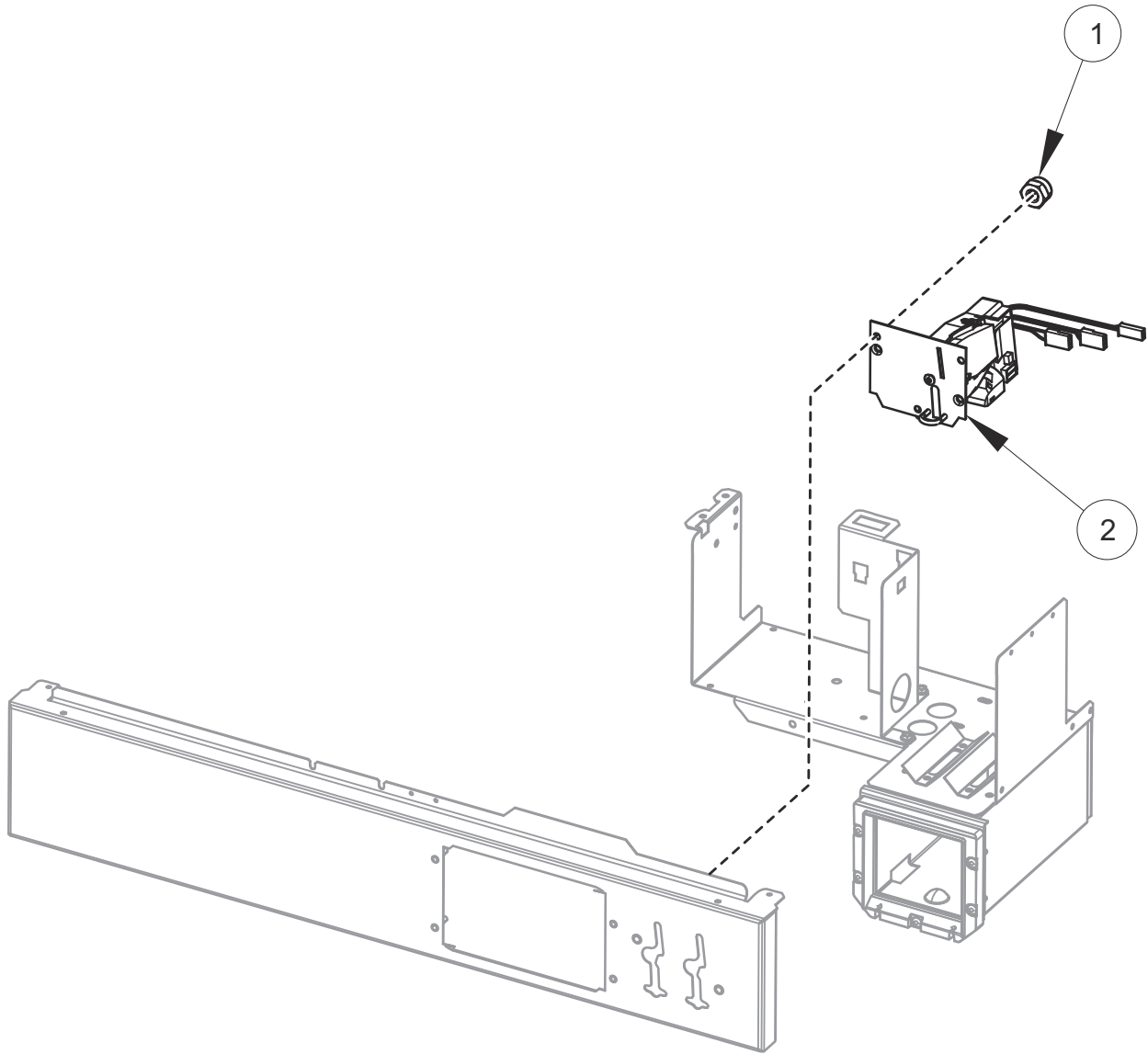


C-CHM6P8\_F8668501

## Flush Mount Coin Meter Assembly - Dual Drop

REF	PART NO.	DESCRIPTION	COMMENTS
	44374701	App Pay Overlay Kit	
	38725	Coin Identification Paper	
	200674P	Opto Coupler	
<b>1</b>	685846	Nut	
<b>2</b>	70441603	Coin Drop	U.S.A.; \$.25 and \$1.00
	38519	Coin Drop Assembly	Japan; 100 yen and 500 yen
	70441602	Coin Drop Assembly	Canada; .25 and \$1.00
	38467	Coin Drop Assembly	Australia; \$0.20 and \$1.00
	70447301	Coin Drop Assembly	Australia; \$1.00 and \$2.00
	70283102	Coin Drop Assembly	0.20 and 0.50 Euro
	210195	Coin Drop Assembly	0.20 and 1.00 Euro
	210196	Coin Drop Assembly	0.50 and 1.00 Euro
	F0160737-00	Coin Meter	0.50 and 2.00 Euro
	70281102	Coin Drop Assembly	Taiwan; 10 and 50 NT
	70482401	Coin Drop Assembly	New Zealand; \$1.00 and \$2.00
<b>3</b>	70058501	Pop Rivet	

# Electronic Coin Meter Assembly



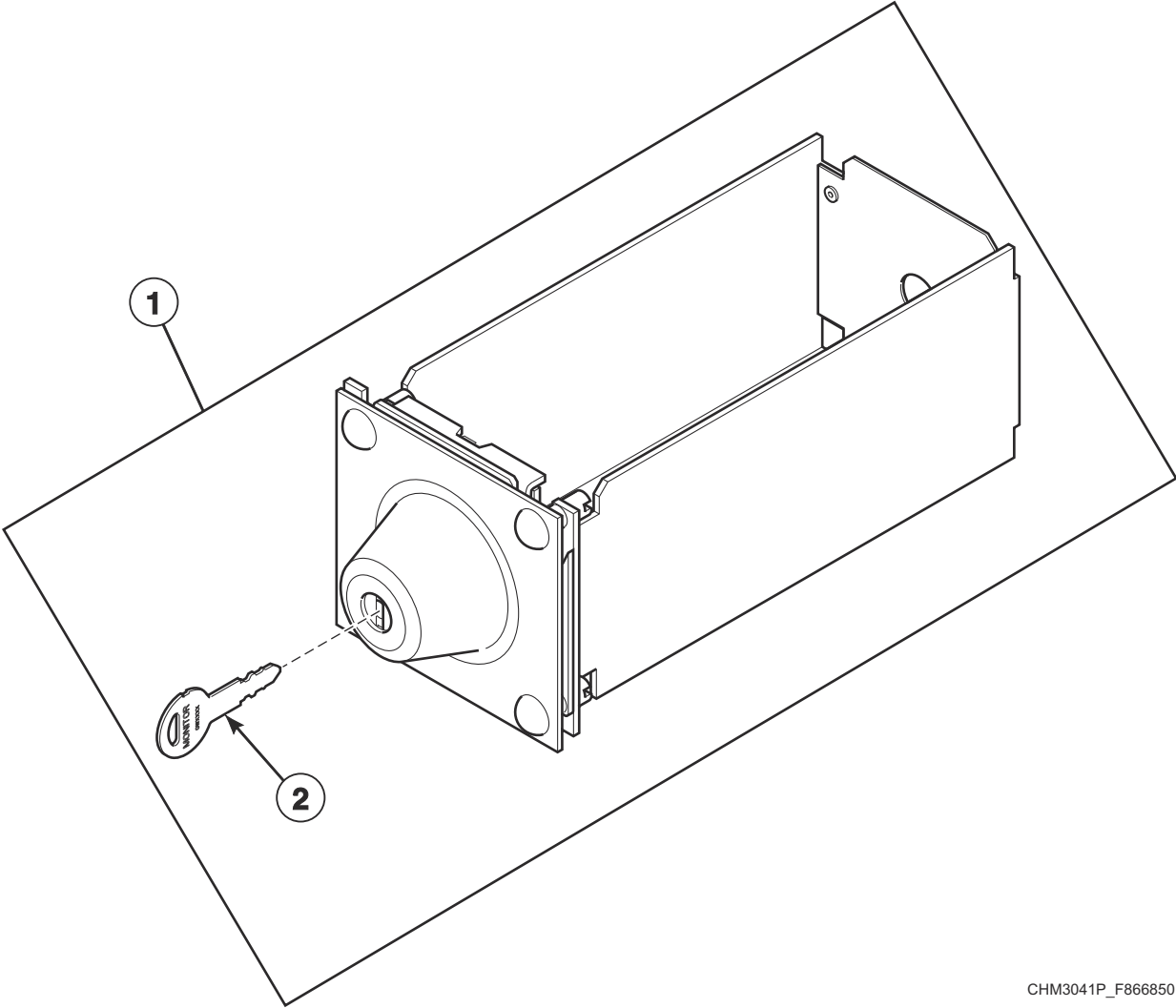
C-CHM6P6\_F8668501



# Electronic Coin Meter Assembly

REF	PART NO.	DESCRIPTION	COMMENTS
	44374701	App Pay Overlay Kit	
	38725	Coin Identification Paper	
	CK500	Electronic Coin Drop Kit	For use when installing Electronic Coin Drop Kits
	F8034701P	Pulse Expander Assembly	
<b>1</b>	F430215	Nut	
<b>2</b>	70513302	Electronic Coin Drop Assembly	Euro and Great Britain coins
	70513310	Electronic Coin Drop Assembly	Japan and Thailand coins
	70513304	Electronic Coin Drop Assembly	Australia, New Zealand, Hong Kong and South Korea coins
	70513303	Electronic Coin Drop Assembly	Denmark, Norway and Euro coins
	70513306	Electronic Coin Drop Assembly	Mexico, Ecuador and U.S.A. coins
	70294107	Electronic Coin Drop Assembly	Lithuania, Latvia and Euro coins
	70513311	Electronic Coin Drop Assembly	Chiand Malaysia coins
	70513308	Electronic Coin Drop Assembly	South African 1 and 5 rand coins
	70513309	Electronic Coin Drop Assembly	Euro coins
	70513312	Electronic Coin Drop Assembly	Russia coins
	70513313	Electronic Coin Drop Assembly	Philippines coins
	70513314	Electronic Coin Drop Assembly	Thailand coins
	70513315	Electronic Coin Drop Assembly	Chile coins
	70513316	Electronic Coin Drop Assembly	Singapore coins
	CK115	Electronic Coin Drop Kit	United States and Canada; Includes 38725 Coin Identification Paper
	CK099	Electronic Coin Drop Kit	Australia (default), New Zealand, Hong Kong, South Korea and Malaysia; Includes 38725 Coin Identification Paper
	CK100	Electronic Coin Drop Kit	United Kingdom (default) and Europe; Includes 38725 Coin Identification Paper
	CK101	Electronic Coin Drop Kit	Europe (default), Denmark and Norway; Includes 38725 Coin Identification Paper
	CK108	Electronic Coin Drop Kit	South Africa; Includes 38725 Coin Identification Paper
	CK109	Electronic Coin Drop Kit	Euro; Includes 38725 Coin Identification Paper
	CK110	Electronic Coin Drop Kit	Mexico (default), Ecuador and United States; Includes 38725 Coin Identification Paper
	CK113	Electronic Coin Drop Kit	Japan and Taiwan; Includes 38725 Coin Identification Paper
	CK116	Electronic Coin Drop Kit	Malaysia (default) and China; Includes 38725 Coin Identification Paper
	CK117	Electronic Coin Drop Kit	Russia; Includes 38725 Coin Identification Paper
	CK118	Electronic Coin Drop Kit	Philippine; Includes 38725 Coin Identification Paper
	CK119	Electronic Coin Drop Kit	Thailand; Includes 38725 Coin Identification Paper
	CK120	Electronic Coin Drop Kit	Chile; Includes 38725 Coin Identification Paper
	CK121	Electronic Coin Drop Kit	Singapore; Includes 38725 Coin Identification Paper
	CK122	Coin Drop Kit	New Zealand; 1.00 and 2.00; Includes 38725 Coin Identification Paper
	CK503	Coin Drop Kit	U.S.A. and Canada; \$0.25 and \$1.00; Models HCT020NX, HCT020WX, HCT030NX, HCT030WX, HCT040NX, HCT040WX, HCT060NX and HCT060WX

# Optional Coin Box

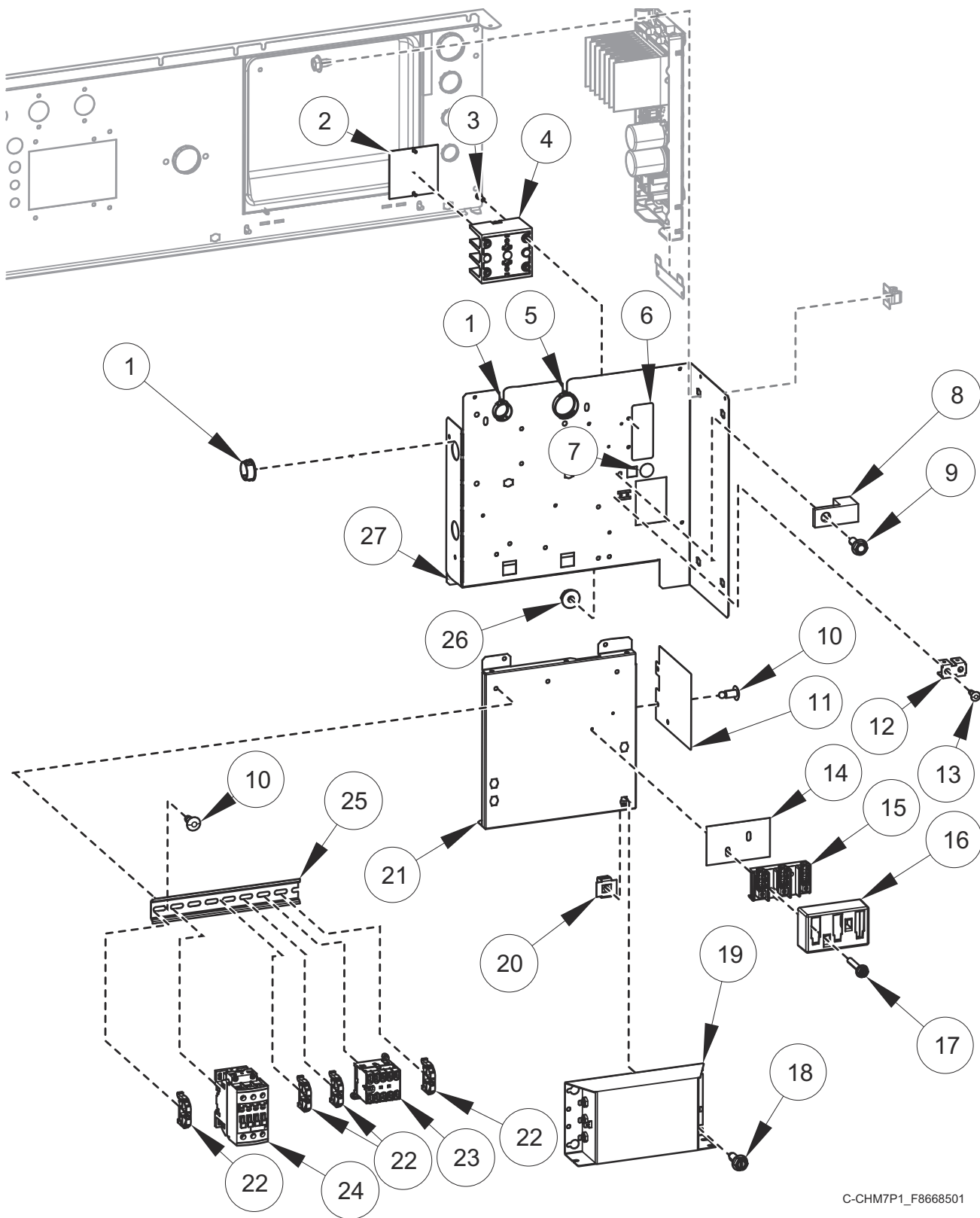


CHM3041P\_F8668501

# Optional Coin Box

REF	PART NO.	DESCRIPTION	COMMENTS
1	F8182001	Coin Drawer Assembly	
2	F160420	Key	GW0023

# Inverter Drive Box - 20 and 30 Pound Models with B Voltage

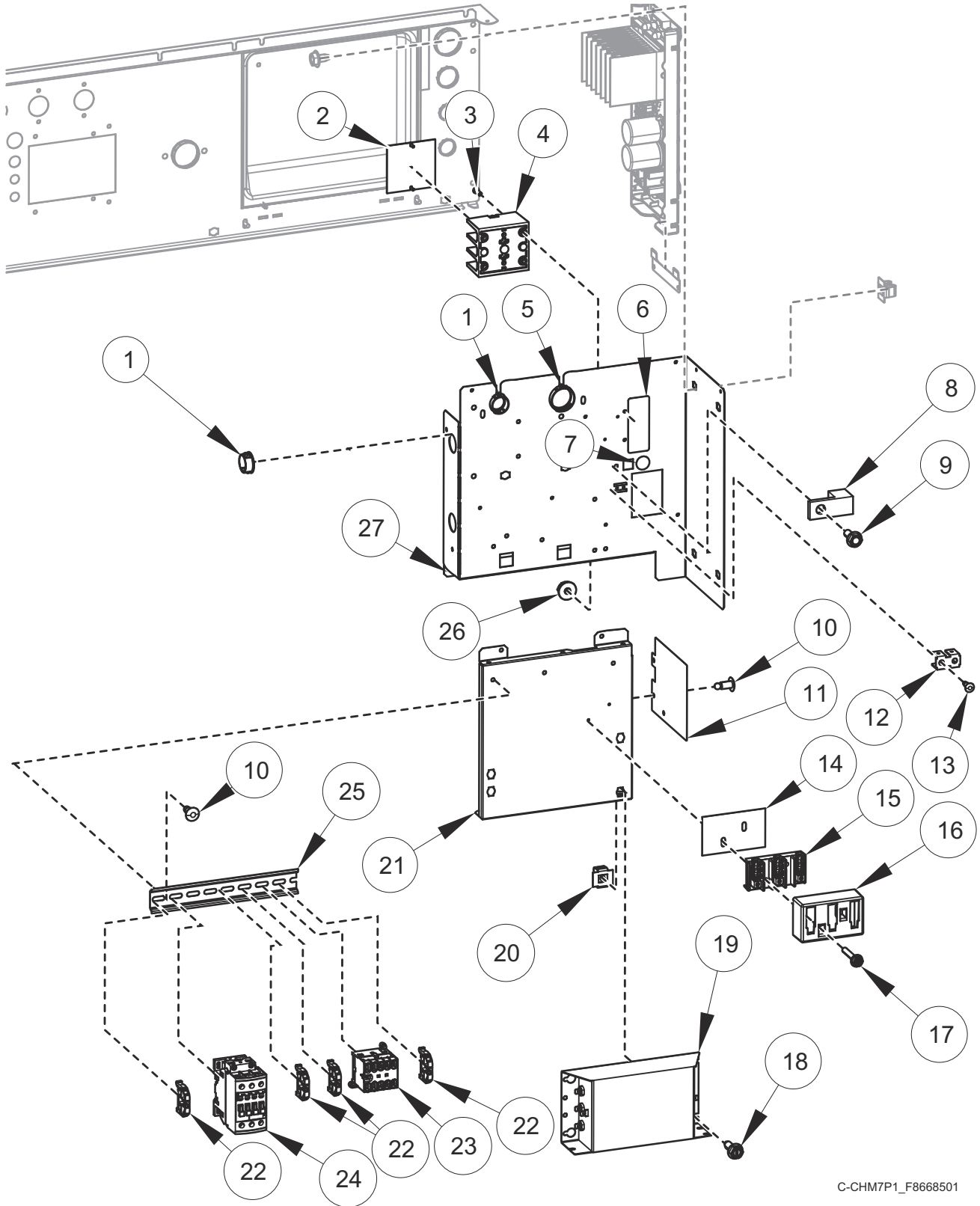


C-CHM7P1\_F8668501

## Inverter Drive Box - 20 and 30 Pound Models with B Voltage

REF	PART NO.	DESCRIPTION	COMMENTS
	F8567001	Drive Panel Base Assembly	Includes items 10-13, 21, 25 and 27
	F8662801	Filter Kit	Includes items 1, 14-20, harnesses and labels
	F8518405	Harness	Power TB1
	F8518604	Harness	Power drive
	F8528001	Harness	TB filter
	F8528002	Harness	PDB filter; Electric heat
	F8528004	Harness	TB Filter
	F8528006	Harness	TB2 Filter
	F8619101	Power Harness	Power contactor; Electric heat
	F8619102	Harness	Power contactor; Electric heat
<b>1</b>	F140938	Snap Bushing	
<b>2</b>	44014901P	Power Distribution Block Cover	Electric heat
<b>3</b>	39733	Screw	Electric heat
<b>4</b>	M413865	Power Distribution Block	Electric heat
<b>5</b>	70346501	Bushing	
<b>6</b>	44286801	Label	Power input; L1, N
<b>7</b>	D516100	Label	
<b>8</b>	M411283	Ground Lug Connector	
<b>9</b>	685837	Screw	
<b>10</b>	70058501	Pop Rivet	
<b>11</b>	F8616901	Drive Shield	
<b>12</b>	00622SG	Terminal	
<b>13</b>	M400003	Pop Rivet	
<b>14</b>	M413862	Insulator	
<b>15</b>	430642	Terminal Block	
<b>16</b>	70333001	Terminal Block Shield	
<b>17</b>	51783	Screw	
<b>18</b>	F8206901	Screw	
<b>19</b>	F8591601	EMI Filter	
<b>20</b>	70030501	Expansion Clip	
<b>21</b>	F8530901	Contactory Tray	
<b>22</b>	F8449801	End Stop	
<b>23</b>	70482601	Contactory	5.5kW/500V; 24VDC
<b>24</b>	70482701	Contactory	50A; 24VDC
<b>25</b>	M412689	DIN Rail	7.5 mm x 35 mm x 8.364 inch
<b>26</b>	44088001	Nut	
<b>27</b>	F8530801	Drive Terminal Tray	

# Inverter Drive Box - 20 and 30 Pound Models with N, P, Q, W, X and Y Voltage

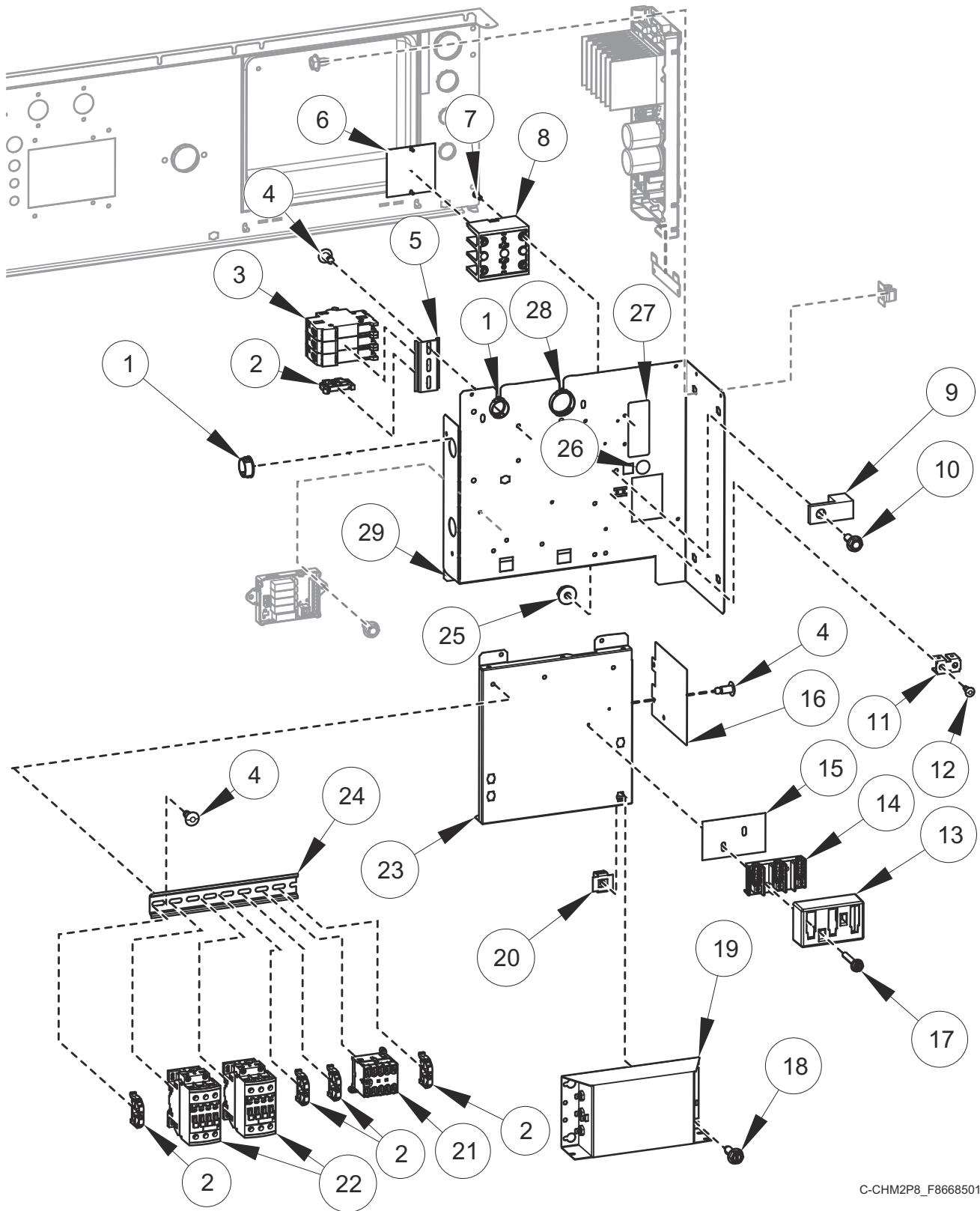


C-CHM7P1\_F8668501

## Inverter Drive Box - 20 and 30 Pound Models with N, P, Q, W, X and Y Voltage

REF	PART NO.	DESCRIPTION	COMMENTS
	F8567001	Drive Panel Base Assembly	Includes items 10-13, 21, 25 and 27
	F8518401	Harness	Power TB1; W, X and Y voltage
	F8518501	Harness	Power TB1; N and P voltage
	F8518502	Harness	Power PDB; N and P voltage; Electric heat
	F8518402	Harness	Power PDB; Q voltage; Electric heat
	F8518404	Harness	Power filter; Q, W, X, and Y voltage
	F8518504	Harness	Power filter; N and P voltage
	F8518605	Harness	Power drive; Q, W, X, and Y voltage
	F8518606	Harness	Power drive; N and P voltage
	F8528001	Harness	TB filter
	F8528002	Harness	PDB filter; Electric heat
	F8528005	Harness	TB2 Filter; N, P, Q, W, X, and Y voltage
	F8619101	Power Harness	Power contactor; Electric heat
	F8619102	Harness	Power contactor; Electric heat
	F8662809	Filter Kit	Includes items 1, 14-20, harnesses and labels; Q voltage; Electric heat
	F8662810	Filter Kit	Includes items 1, 14-20, harnesses and labels; N and P voltage; Electric heat
	F8662803	Filter Kit	Includes items 1, 14-20, harnesses and labels; W, X and Y voltage
	F8662805	Filter Kit	Includes items 1, 14-20, harnesses and labels; N and P voltage
<b>1</b>	F140938	Snap Bushing	
<b>2</b>	44014901P	Power Distribution Block Cover	Electric heat
<b>3</b>	39733	Screw	Electric heat
<b>4</b>	M413865	Power Distribution Block	Electric heat
<b>5</b>	70346501	Bushing	
<b>6</b>	44286803	Label	Power input; L1, L2, L3; N and P voltage
	44286804	Wire Label	Power input; L1, L2/N; L1, L2, L3; W, X and Y voltage
<b>7</b>	D516100	Label	
<b>8</b>	M411283	Ground Lug Connector	
<b>9</b>	685837	Screw	
<b>10</b>	70058501	Pop Rivet	
<b>11</b>	F8616901	Drive Shield	
<b>12</b>	00622SG	Terminal	
<b>13</b>	M400003	Pop Rivet	
<b>14</b>	M413862	Insulator	
<b>15</b>	430642	Terminal Block	
<b>16</b>	70333001	Terminal Block Shield	
<b>17</b>	51783	Screw	
<b>18</b>	F8206901	Screw	
<b>19</b>	F8591801	EMI Filter	
	F8637501	EMI Filter	
<b>20</b>	70030501	Expansion Clip	
<b>21</b>	F8530901	Contactory Tray	
<b>22</b>	F8449801	End Stop	
<b>23</b>	70482601	Contactory	5.5kW/500V; 24VDC
<b>24</b>	70482701	Contactory	50A; 24VDC
<b>25</b>	M412689	DIN Rail	7.5 mm x 35 mm x 8.364 inch
<b>26</b>	44088001	Nut	
<b>27</b>	F8530801	Drive Terminal Tray	

# Inverter Drive Box - 40 Pound Models with B Voltage



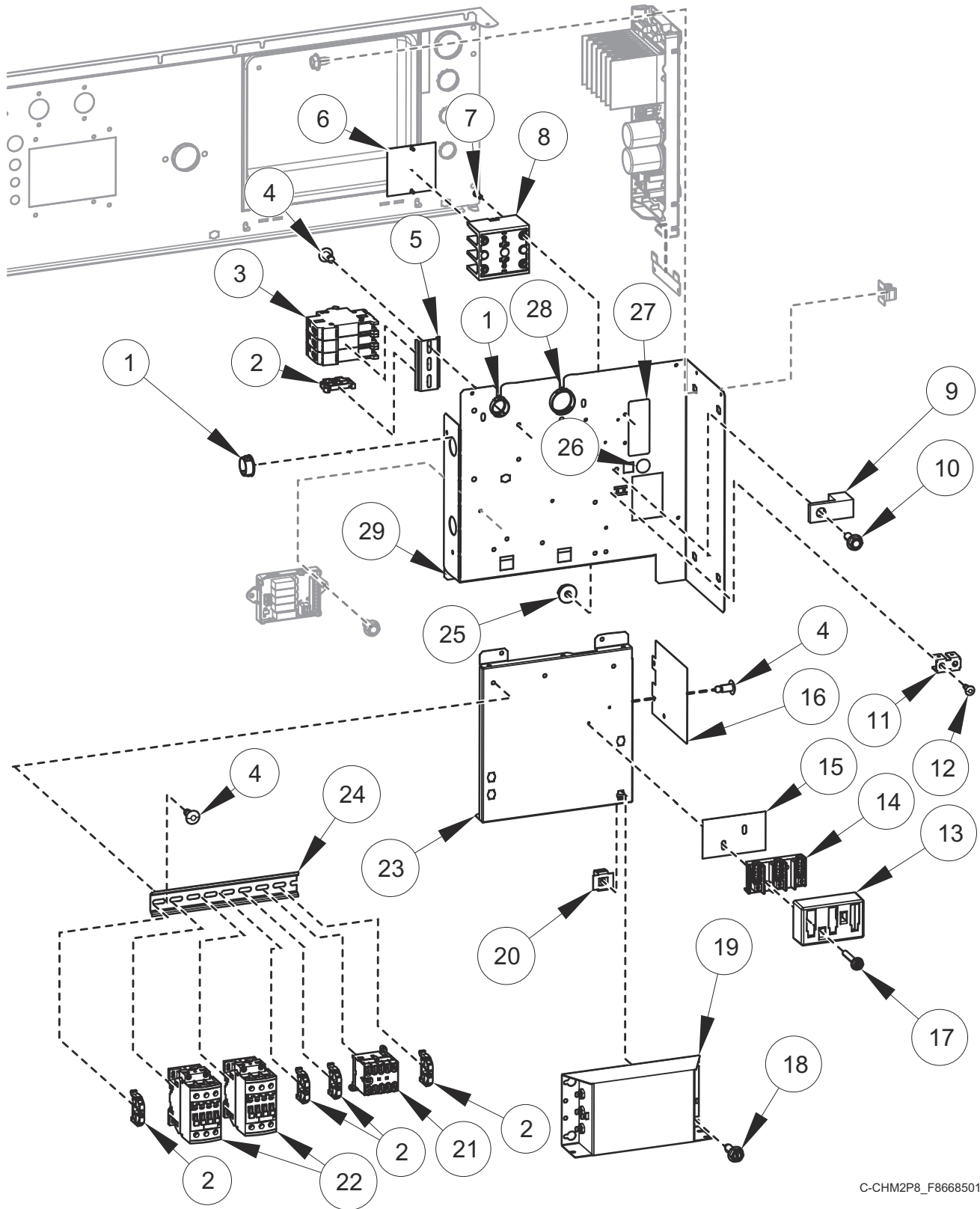
C-CHM2P8\_F8668501



## Inverter Drive Box - 40 Pound Models with B Voltage

REF	PART NO.	DESCRIPTION	COMMENTS
	F8567001	Drive Panel Base Assembly	Includes items 4, 11, 12, 16, 23, 24 and 29
	F8567002	Drive Panel Base Assembly	Electric heat; Includes items 4, 5, 11, 12, 16, 23, 24 and 29
	F8583501	Jumper	Circuit breaker jumper; Electric heat
	F8518405	Harness	Power TB1
	F8518604	Harness	Power drive
	F8528001	Harness	TB filter
	F8528003	Harness	CB filter; Electric heat
	F8528004	Harness	TB filter
	F8528006	Harness	TB2 filter
	F8619101	Power Harness	Power contactor; Electric heat
	F8619102	Harness	Power contactor; Electric heat
	F8662802	Filter Kit	Includes items 1, 14, 15, 17-20, harnesses and labels; B voltage
<b>1</b>	F140938	Snap Bushing	
<b>2</b>	F8449801	End Stop	
<b>3</b>	70488101	Circuit Breaker	3P; 25A; Electric heat
<b>4</b>	70058501	Pop Rivet	
<b>5</b>	B12315401	DIN Rail	7.5 mm x 35 mm x 72 mm; Electric heat
<b>6</b>	44014901P	Power Distribution Block Cover	Electric heat
<b>7</b>	39733	Screw	Electric heat
<b>8</b>	M413865	Power Distribution Block	Electric heat
<b>9</b>	M411283	Ground Lug Connector	
<b>10</b>	685837	Screw	
<b>11</b>	00622SG	Terminal	
<b>12</b>	M400003	Pop Rivet	
<b>13</b>	70333001	Terminal Block Shield	
<b>14</b>	430642	Terminal Block	
<b>15</b>	M413862	Insulator	
<b>16</b>	F8616901	Drive Shield	
<b>17</b>	51783	Screw	
<b>18</b>	F8206901	Screw	
<b>19</b>	F8591601	EMI Filter	
<b>20</b>	70030501	Expansion Clip	
<b>21</b>	70482601	Contactator	5.5kW/500V; 24VDC; Electric heat
<b>22</b>	70482701	Contactator	50A; 24VDC
<b>23</b>	F8530901	Contactator Tray	
<b>24</b>	M412689	DIN Rail	7.5 mm x 35 mm x 8.364 inch
<b>25</b>	44088001	Nut	
<b>26</b>	D516100	Label	
<b>27</b>	44286801	Label	Power input; L1, N
<b>28</b>	70346501	Bushing	
<b>29</b>	F8530801	Drive Terminal Tray	

# Inverter Drive Box - 40 Pound Models with N, P, Q, W, X and Y Voltage

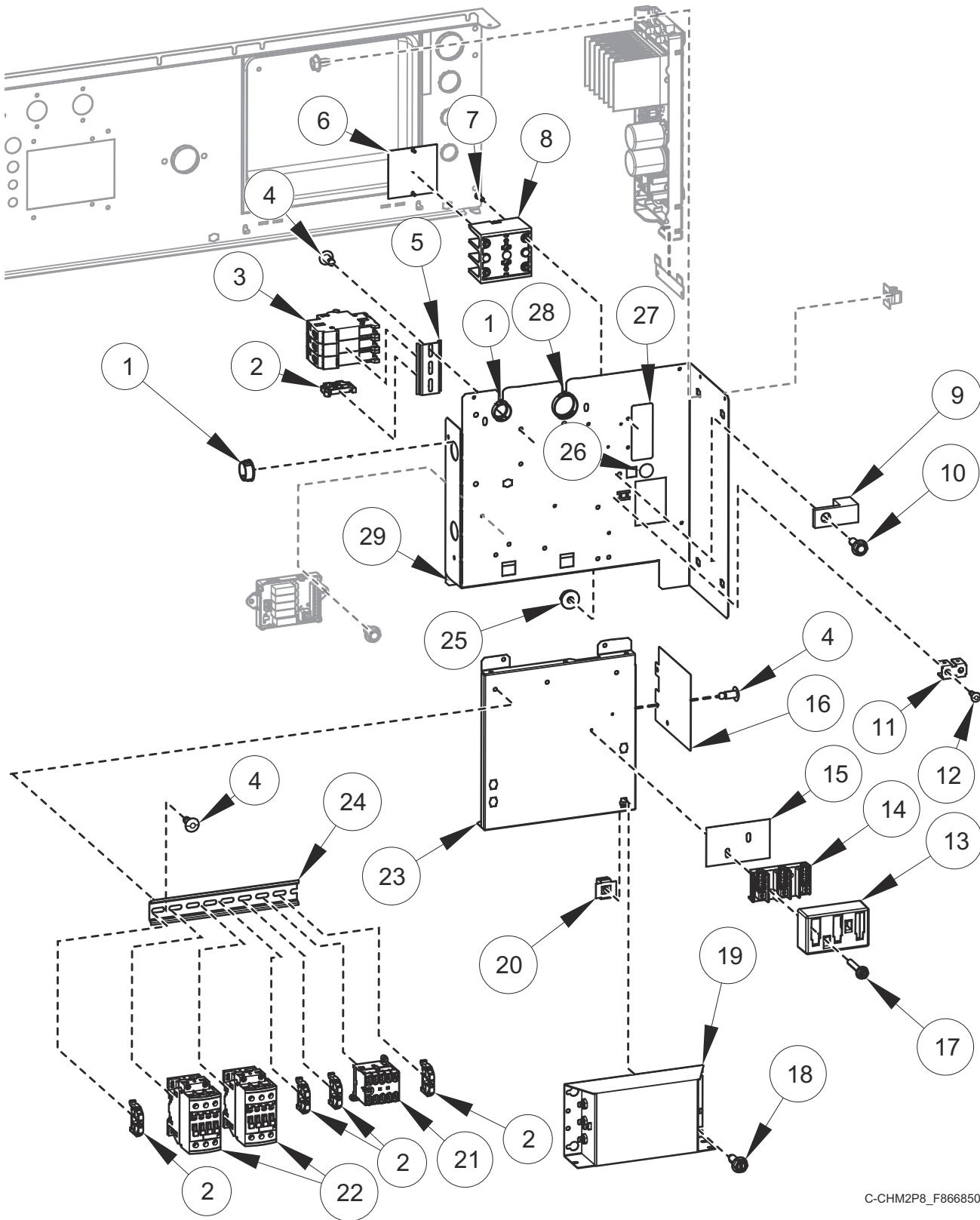


C-CHM2P8\_F8668501

## Inverter Drive Box - 40 Pound Models with N, P, Q, W, X and Y Voltage

REF	PART NO.	DESCRIPTION	COMMENTS
	F8567001	Drive Panel Base Assembly	Includes items 4, 11, 12, 16, 23, 24 and 29
	F8567002	Drive Panel Base Assembly	Electric heat; Includes items 4, 5, 11, 12, 16, 23, 24 and 29
	F8583501	Jumper	Circuit breaker jumper; Electric heat
	F8518401	Harness	Power TB1; W, X and Y voltage
	F8518501	Harness	Power TB1; N and P voltage
	F8518504	Harness	Power filter; N and P voltage
	F8518605	Harness	Power drive; Q, W, X, and Y voltage
	F8518606	Harness	Power drive; N and P voltage
	F8528001	Harness	TB filter
	F8528003	Harness	CB filter; Electric heat
	F8528005	Harness	TB2 Filter; N, P, Q, W, X, and Y voltage
	F8518503	Harness	Power CB; N and P voltage; Electric heat
	F8518403	Harness	Power CB; Q voltage; Electric heat
	F8619101	Power Harness	Power contactor; Electric heat
	F8619102	Harness	Power contactor; Electric heat
	F8662811	Filter Kit	Includes items 1, 14, 15, 17-20, harnesses and labels; Q voltage; Electric heat
	F8662812	Filter Kit	Includes items 1, 14, 15, 17-20, harnesses and labels; N and P voltage; Electric heat
	F8662804	Filter Kit	Includes items 1, 14, 15, 17-20, harnesses and labels; W, X and Y voltage
	F8662806	Filter Kit	Includes items 1, 14, 15, 17-20, harnesses and labels; N and P voltage
<b>1</b>	F140938	Snap Bushing	
<b>2</b>	F8449801	End Stop	
<b>3</b>	70488101	Circuit Breaker	3P; 25A; Electric heat
<b>4</b>	70058501	Pop Rivet	
<b>5</b>	B12315401	DIN Rail	7.5 mm x 35 mm x 72 mm; Electric heat
<b>6</b>	44014901P	Power Distribution Block Cover	Electric heat
<b>7</b>	39733	Screw	Electric heat
<b>8</b>	M413865	Power Distribution Block	Electric heat
<b>9</b>	M411283	Ground Lug Connector	
<b>10</b>	685837	Screw	
<b>11</b>	00622SG	Terminal	
<b>12</b>	M400003	Pop Rivet	
<b>13</b>	70333001	Terminal Block Shield	
<b>14</b>	430642	Terminal Block	
<b>15</b>	M413862	Insulator	
<b>16</b>	F8616901	Drive Shield	
<b>17</b>	51783	Screw	
<b>18</b>	F8206901	Screw	
<b>19</b>	F8591801	EMI Filter	Q, W, X and Y voltage
	F8637501	EMI Filter	N and P voltage
<b>20</b>	70030501	Expansion Clip	
<b>21</b>	70482601	Contactar	5.5kW/500V; 24VDC; Electric heat
<b>22</b>	70482701	Contactar	50A; 24VDC
<b>23</b>	F8530901	Contactar Tray	
<b>24</b>	M412689	DIN Rail	7.5 mm x 35 mm x 8.364 inch
<b>25</b>	44088001	Nut	
<b>26</b>	D516100	Label	
<b>27</b>	44286803	Label	Power input; L1, L2, L3; N and P voltage
	44286804	Wire Label	Power input; L1, L2/N; L1, L2, L3; W, X and Y voltage
<b>28</b>	70346501	Bushing	
<b>29</b>	F8530801	Drive Terminal Tray	

# Inverter Drive Box - 60 Pound Models with Q and X Voltage

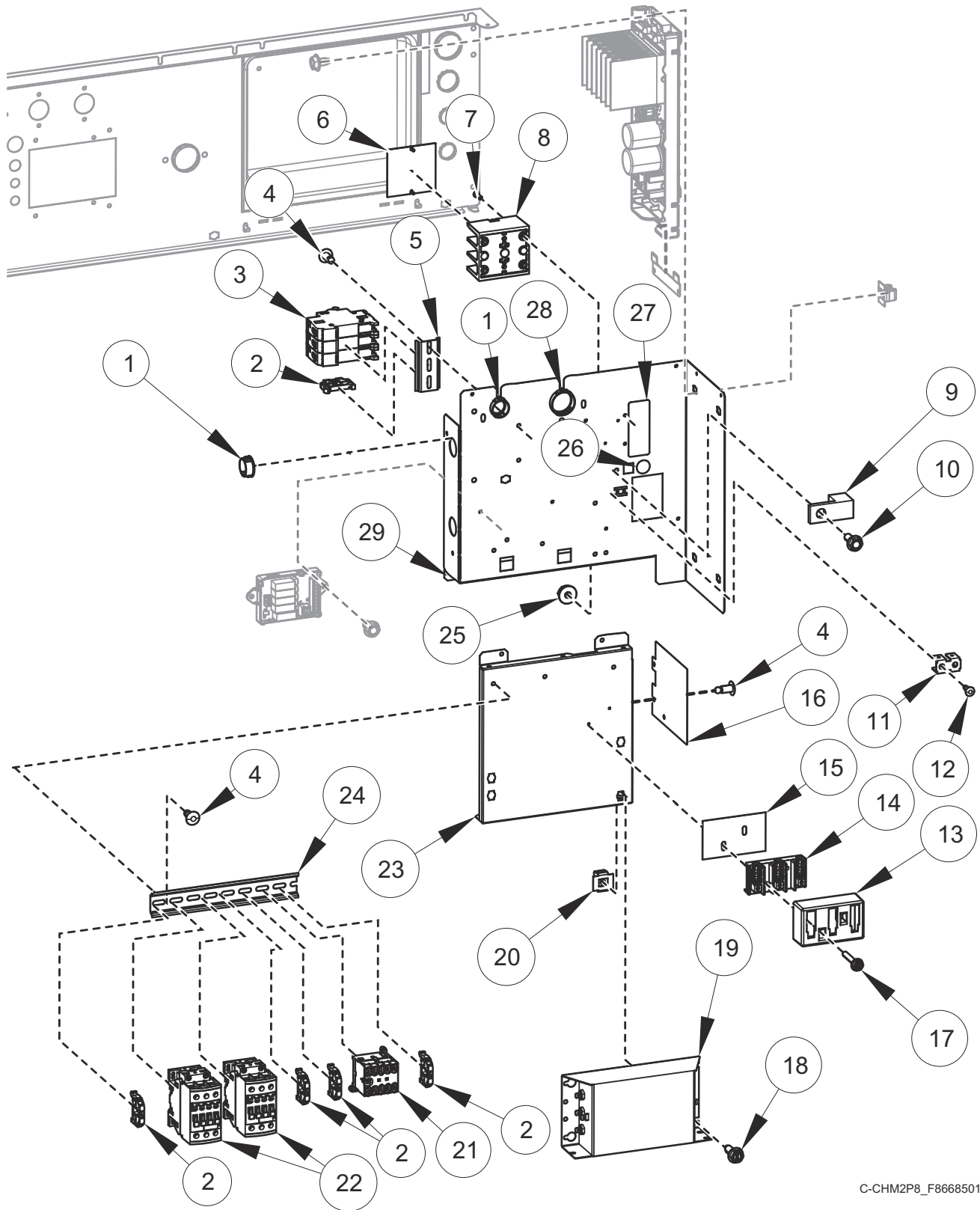


C-CHM2P8\_F8668501

## Inverter Drive Box - 60 Pound Models with Q and X Voltage

REF	PART NO.	DESCRIPTION	COMMENTS
	F8567003	Drive Panel Base Assembly	Includes items 4, 11, 12, 16, 23, 24 and 29
	F8567004	Drive Panel Base Assembly	Electric heat; Includes items 4, 5, 11, 12, 16, 23, 24 and 29
	F8583501	Jumper	Circuit breaker jumper; Electric heat
	F8518401	Harness	Power TB1; X voltage
	F8518404	Harness	Power filter
	F8518607	Harness	Power drive
	F8528001	Harness	TB filter
	F8528003	Harness	CB filter; Electric heat
	F8528005	Harness	TB2 Filter
	F8518403	Harness	Power CB; Q voltage; Electric heat
	F8619101	Power Harness	Power contactor; Electric heat
	F8619102	Harness	Power contactor; Electric heat
	F8662811	Filter Kit	Includes items 1, 14, 15, 17-20, harnesses and labels; Q voltage; Electric heat
	F8662804	Filter Kit	Includes items 1, 14, 15, 17-20, harnesses and labels; X voltage
<b>1</b>	F140938	Snap Bushing	
<b>2</b>	F8449801	End Stop	
<b>3</b>	70488101	Circuit Breaker	3P; 25A; Electric heat
<b>4</b>	70058501	Pop Rivet	
<b>5</b>	B12315401	DIN Rail	7.5 mm x 35 mm x 72 mm; Electric heat
<b>6</b>	44014901P	Power Distribution Block Cover	Electric heat
<b>7</b>	39733	Screw	Electric heat
<b>8</b>	M413865	Power Distribution Block	Electric heat
<b>9</b>	M411283	Ground Lug Connector	
<b>10</b>	685837	Screw	
<b>11</b>	00622SG	Terminal	
<b>12</b>	M400003	Pop Rivet	
<b>13</b>	70333001	Terminal Block Shield	
<b>14</b>	430642	Terminal Block	
<b>15</b>	M413862	Insulator	
<b>16</b>	F8616901	Drive Shield	
<b>17</b>	51783	Screw	
<b>18</b>	F8206901	Screw	
<b>19</b>	F8591801	EMI Filter	
<b>20</b>	70030501	Expansion Clip	
<b>21</b>	70482601	Contactator	5.5kW/500V; 24VDC
<b>22</b>	70482701	Contactator	50A; 24VDC
<b>23</b>	F8530901	Contactator Tray	
<b>24</b>	M412689	DIN Rail	7.5 mm x 35 mm x 8.364 inch
<b>25</b>	44088001	Nut	
<b>26</b>	D516100	Label	
<b>27</b>	44286804	Wire Label	Power input; L1, L2/N; L1, L2, L3; X voltage
<b>28</b>	70346501	Bushing	
<b>29</b>	F8530803	Drive Terminal Tray	

# Inverter Drive Box - 60 Pound Models with N and P Voltage

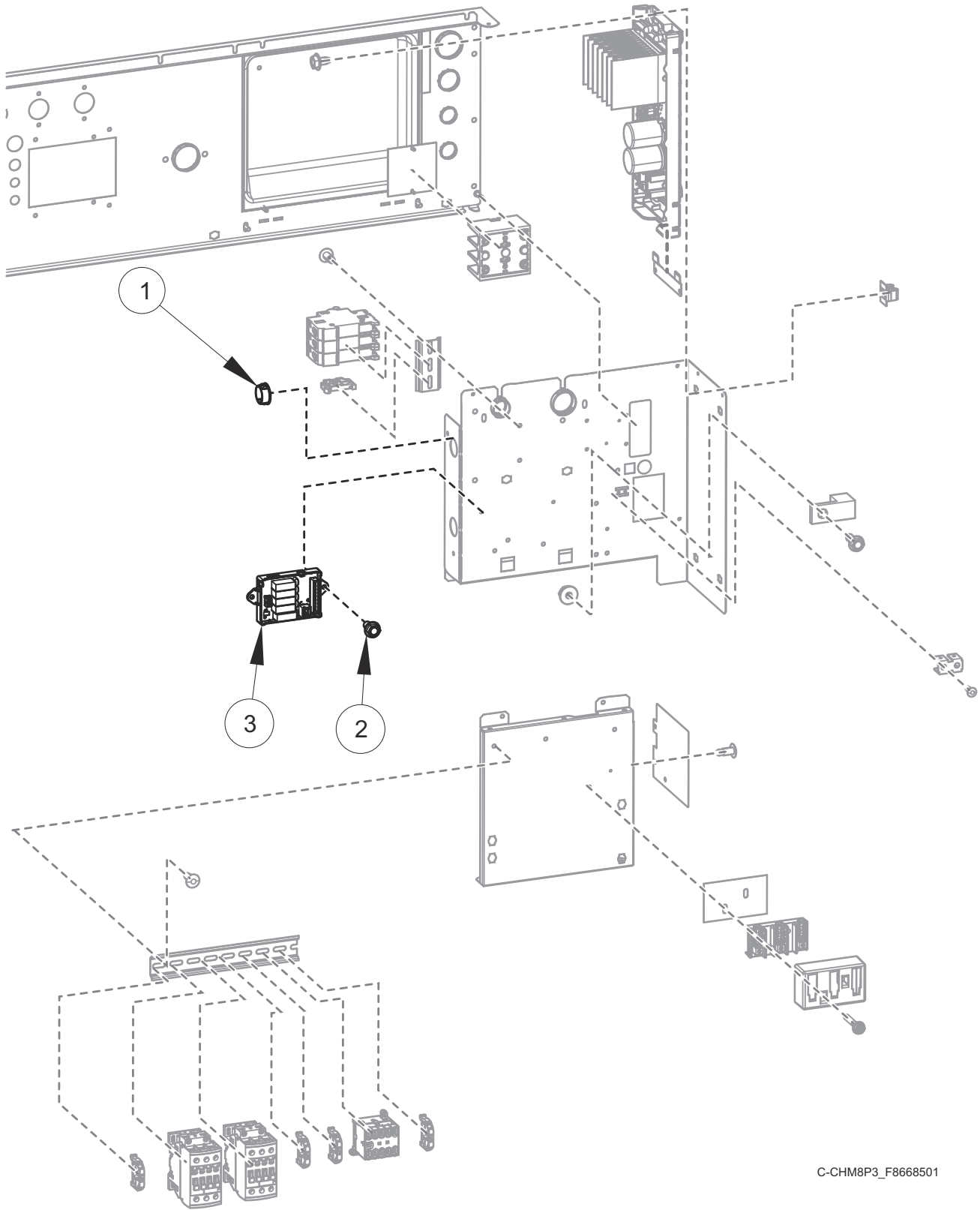


C-CHM2P8\_F8668501

## Inverter Drive Box - 60 Pound Models with N and P Voltage

REF	PART NO.	DESCRIPTION	COMMENTS
	F8567003	Drive Panel Base Assembly	Includes items 4, 11, 12, 16, 23, 24 and 29
	F8567004	Drive Panel Base Assembly	Electric heat; Includes items 4, 5, 11, 12, 16, 23, 24 and 29
	F8583501	Jumper	Circuit breaker jumper; Electric heat
	F8518501	Harness	Power TB1; N and P voltage
	F8518503	Harness	Power CB; Electric heat
	F8518504	Harness	Power filter
	F8518606	Harness	Power drive
	F8528001	Harness	TB filter
	F8528003	Harness	CB filter; Electric heat
	F8528005	Harness	TB2 Filter
	F8619101	Power Harness	Power contactor; Electric heat
	F8619102	Harness	Power contactor; Electric heat
	F8662812	Filter Kit	Includes items 1, 14, 15, 17-20, harnesses and labels; Electric heat
	F8662806	Filter Kit	Includes items 1, 14, 15, 17-20, harnesses and labels
<b>1</b>	F140938	Snap Bushing	
<b>2</b>	F8449801	End Stop	
<b>3</b>	70488101	Circuit Breaker	3P; 25A; Electric heat
<b>4</b>	70058501	Pop Rivet	
<b>5</b>	B12315401	DIN Rail	7.5 mm x 35 mm x 72 mm; Electric heat
<b>6</b>	44014901P	Power Distribution Block Cover	Electric heat
<b>7</b>	39733	Screw	Electric heat
<b>8</b>	M413865	Power Distribution Block	Electric heat
<b>9</b>	M411283	Ground Lug Connector	
<b>10</b>	685837	Screw	
<b>11</b>	00622SG	Terminal	
<b>12</b>	M400003	Pop Rivet	
<b>13</b>	70333001	Terminal Block Shield	
<b>14</b>	430642	Terminal Block	
<b>15</b>	M413862	Insulator	
<b>16</b>	F8616901	Drive Shield	
<b>17</b>	51783	Screw	
<b>18</b>	F8206901	Screw	
<b>19</b>	F8637501	EMI Filter	
<b>20</b>	70030501	Expansion Clip	
<b>21</b>	70482601	Contactors	5.5kW/500V; 24VDC
<b>22</b>	70482701	Contactors	50A; 24VDC
<b>23</b>	F8530901	Contactors Tray	
<b>24</b>	M412689	DIN Rail	7.5 mm x 35 mm x 8.364 inch
<b>25</b>	44088001	Nut	
<b>26</b>	D516100	Label	
<b>27</b>	44286803	Label	Power input; L1, L2, L3
<b>28</b>	70346501	Bushing	
<b>29</b>	F8530803	Drive Terminal Tray	

# External Supply Kit



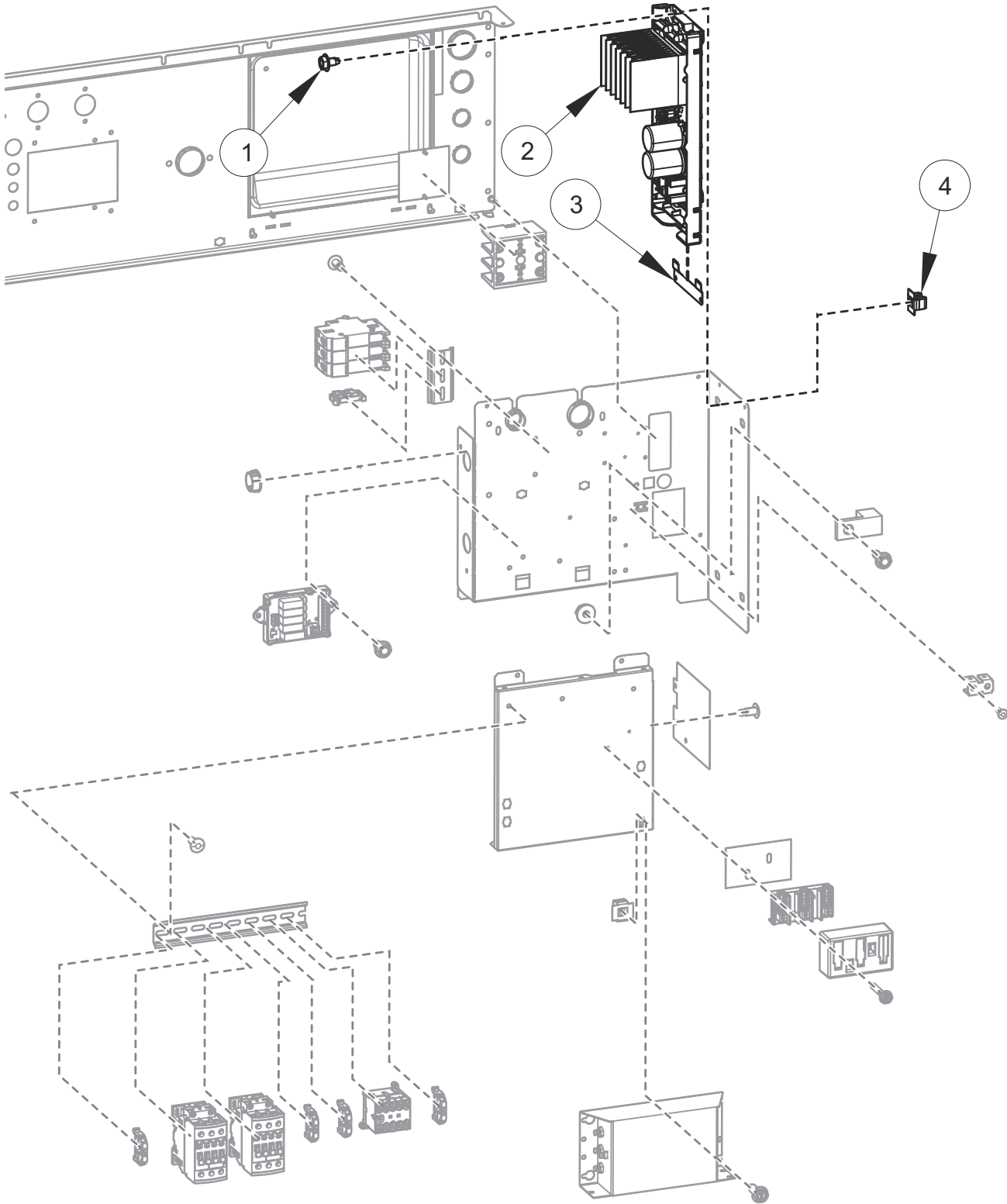
C-CHM8P3\_F8668501



## External Supply Kit

REF	PART NO.	DESCRIPTION	COMMENTS
	F8520601	Harness	Communication; 20 and 30 pound models
	F8520602	Harness	Communication; 40 and 60 pound models
	F8528203	Harness	Power; B voltage
	F8528204	Harness	Power; N, P, Q, W, X and Y voltage
	F8662501	External Supply Kit	20 and 30 pound card ready models with B voltage; Includes items 1-3, F8520601 Harness, F8528203 Harness and labels; 4 out
	F8662502	External Supply Kit	40 pound card ready models with B voltage; Includes items 1-3, F8520602 Harness, F8528203 Harness and labels; 4 out
	F8662503	External Supply Kit	20 and 30 pound card ready models with N, P, Q and X voltage; Includes items 1-3, F8520601 Harness, F8528204 Harness and labels; 4 out
	F8662504	External Supply Kit	40 and 60 pound card ready models with N, P, Q and X voltage; Includes items 1-3, F8520602 Harness, F8528204 Harness and labels; 4 out
	F8662505	External Supply Kit	20 and 30 pound coin and central pay models with B voltage; Includes items 1-3, 202757 Transformer, F8520601 Harness, F8528203 Harness, hardware and labels; 4 out
	F8662506	External Supply Kit	40 pound coin and central pay models with B voltage; Includes items 1-3, 202757 Transformer, F8520601 Harness, F8528203 Harness, hardware and labels; 4 out
	F8662507	External Supply Kit	20 and 30 pound coin and central pay models with N, P, Q and X voltage; Includes items 1-3, 202758 Transformer, F8520601 Harness, F8528204 Harness, hardware and labels; 4 out
	F8662508	External Supply Kit	40 and 60 pound coin and central pay models with N, P, Q and X voltage; Includes items 1-3, F8520602 Harness, F8528204 Harness, hardware and labels; 4 out
<b>1</b>	F140938	Snap Bushing	
<b>2</b>	430497	Screw	
<b>3</b>	804528	Chemical Injection Control	5 output
	70493102	Connector	9 pin; H2

# Inverter Drive

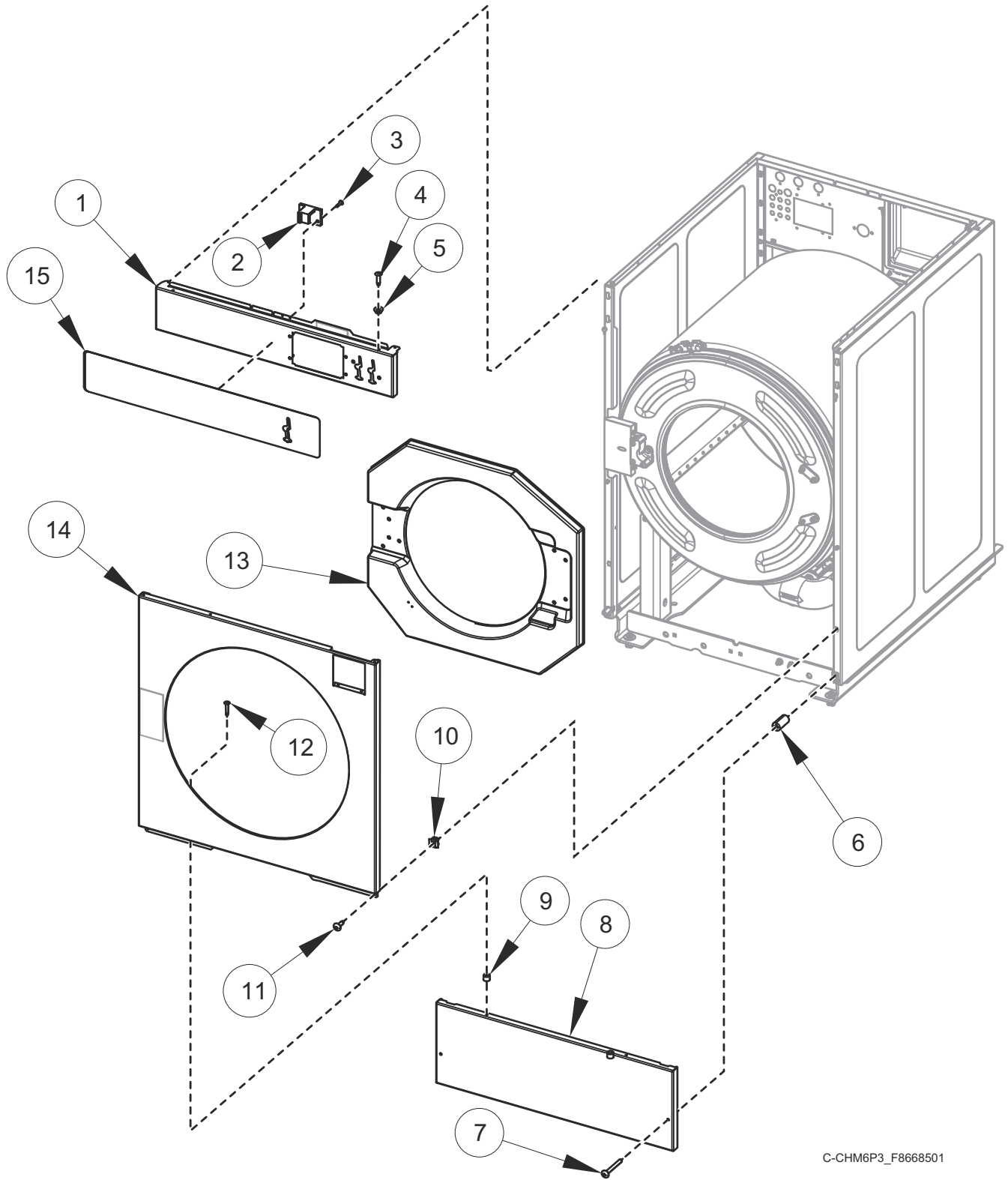


C-CHM2P22\_F8668501

## Inverter Drive

REF	PART NO.	DESCRIPTION	COMMENTS
	F8519202	Drive Communication Harness	20 and 30 pound models; 40 and 60 pound models with N and P voltage; Electric heat
	F8519203	Drive Communication Harness	40 and 60 pound models with Q voltage; Electric heat
	F8519201	Drive Communication Harness	Standard
	F8519204	Drive Communication Harness	Steam heat
	F8518605	Harness	Power drive; 20, 30 and 40 pound models with Q, W, X and Y voltage; EMI filter
	F8518607	Harness	60 pound models with Q and X voltage; EMI filter
	F8518606	Harness	Power drive; N and P voltage; EMI filter
	F8518602	Drive Power Harness	Q, W, X and Y voltage
	F8518603	Drive Power Harness	N and P voltage
	F8518601	Drive Power Harness	B voltage
<b>1</b>	D503688	Screw	
<b>2</b>	F8496001	Drive Assembly	20, 30 and 40 pound models; N and P-voltage; 2 hp; 480 Volt
	F8495401P	Drive Assembly	20, 30 and 40 pound models; B, Q, W X and Y-voltage; 2 hp; 120/240 Volt
	F8496301P	Drive Assembly	60 pound models; Q and X-voltage; 3 hp; 240 Volt
	F8496901P	Drive Assembly	60 pound models; N and P-voltage; 5 hp; 480 Volt
<b>3</b>	F8322401	Drive Mounting Bracket	2 included with N and P voltage
<b>4</b>	70030501	Expansion Clip	

# Front Panels and Control Panel - Coin Models - Design 4

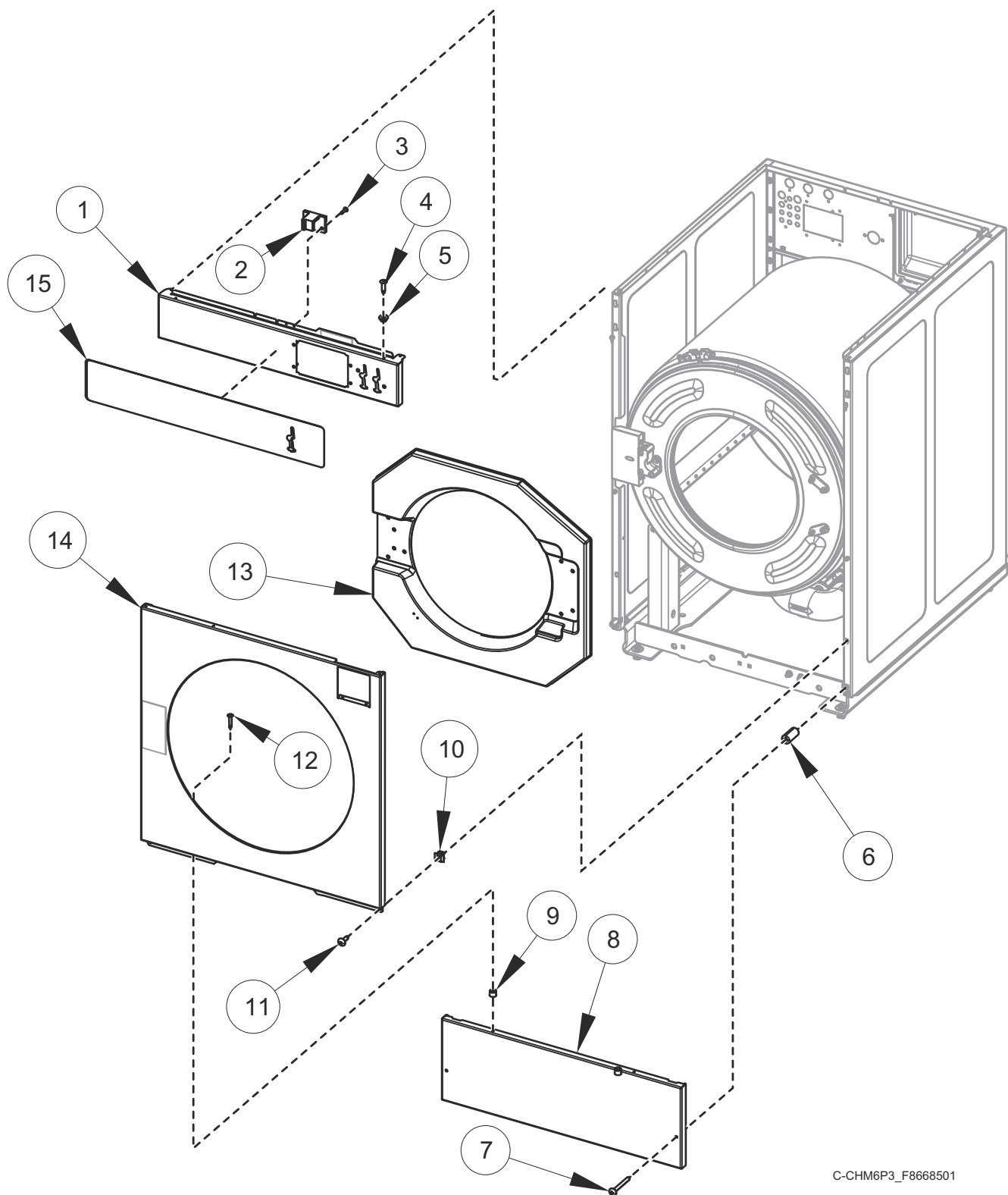


C-CHM6P3\_F8668501

## Front Panels and Control Panel - Coin Models - Design 4

REF	PART NO.	DESCRIPTION	COMMENTS
	F8535502	Screw	
1	F8523701	Control Panel Assembly	20 pound models
	F8523801	Control Panel Assembly	30 pound models
	F8523901	Control Panel Assembly	40 pound models
	F8553701	Control Panel Assembly	60 pound models
2	F8201001	Top Cover Latch	
3	F431215	Pop Rivet	
4	70412601	Pop Rivet	
5	F8201101	Washer	
6	F8609701	Access Panel Retaining Spacer	
7	F8589501	Screw	
8	F8524001	Access Panel	20 pound models
	F8524101	Access Panel	30 pound models
	F8524201	Access Panel	40 pound models
	F8553901	Access Panel	60 pound models
9	56079	Panel Locator	
10	70030501	Expansion Clip	
11	F8117601	Screw	
12	M412763	Rivet	
13	F8658801	Door Bezel	20 pound models
	F8658901	Door Bezel	30 pound models
	F0170426-30	Door Bezel	40 and 60 pound models
14	F8524301	Front Panel	20 pound models
	F8524401	Front Panel	30 pound models
	F8524501	Front Panel	40 pound models
	F8554001	Front Panel	60 pound models
15	F8591001	Overlay	20 pound models; Single coin
	F8594501	Overlay	20 pound models; Single coin; Cityscape
	F8594502	Overlay	20 pound models; Dual coin; Cityscape
	F8591101	Overlay	30 pound models; Single coin
	F8594601	Overlay	30 pound models; Single coin; Cityscape
	F8594602	Overlay	30 pound models; Dual coin; Cityscape
	F8591201	Overlay	40 pound models; Single coin
	F8594701	Overlay	40 pound models; Single coin; Cityscape
	F8594702	Overlay	40 pound models; Dual coin; Cityscape
	F8594801	Overlay	60 pound models; Single coin; Cityscape
	F8594802	Overlay	60 pound models; Dual coin; Cityscape
	F8593901	Overlay	20 pound models; Single coin; Citron
	F8593902	Overlay	20 pound models; Dual coin; Citron
	F8593901	Overlay	30 pound models; Single coin; Citron
	F8593902	Overlay	30 pound models; Dual coin; Citron
	F8594101	Overlay	40 pound models; Single coin; Citron
	F8594102	Overlay	40 pound models; Dual coin; Citron
	F8594201	Overlay	60 pound models; Single coin; Citron
	F8594202	Overlay	60 pound models; Dual coin; Citron

# Front Panels and Control Panel - 20 and 30 Pound Coin Models - Design 6

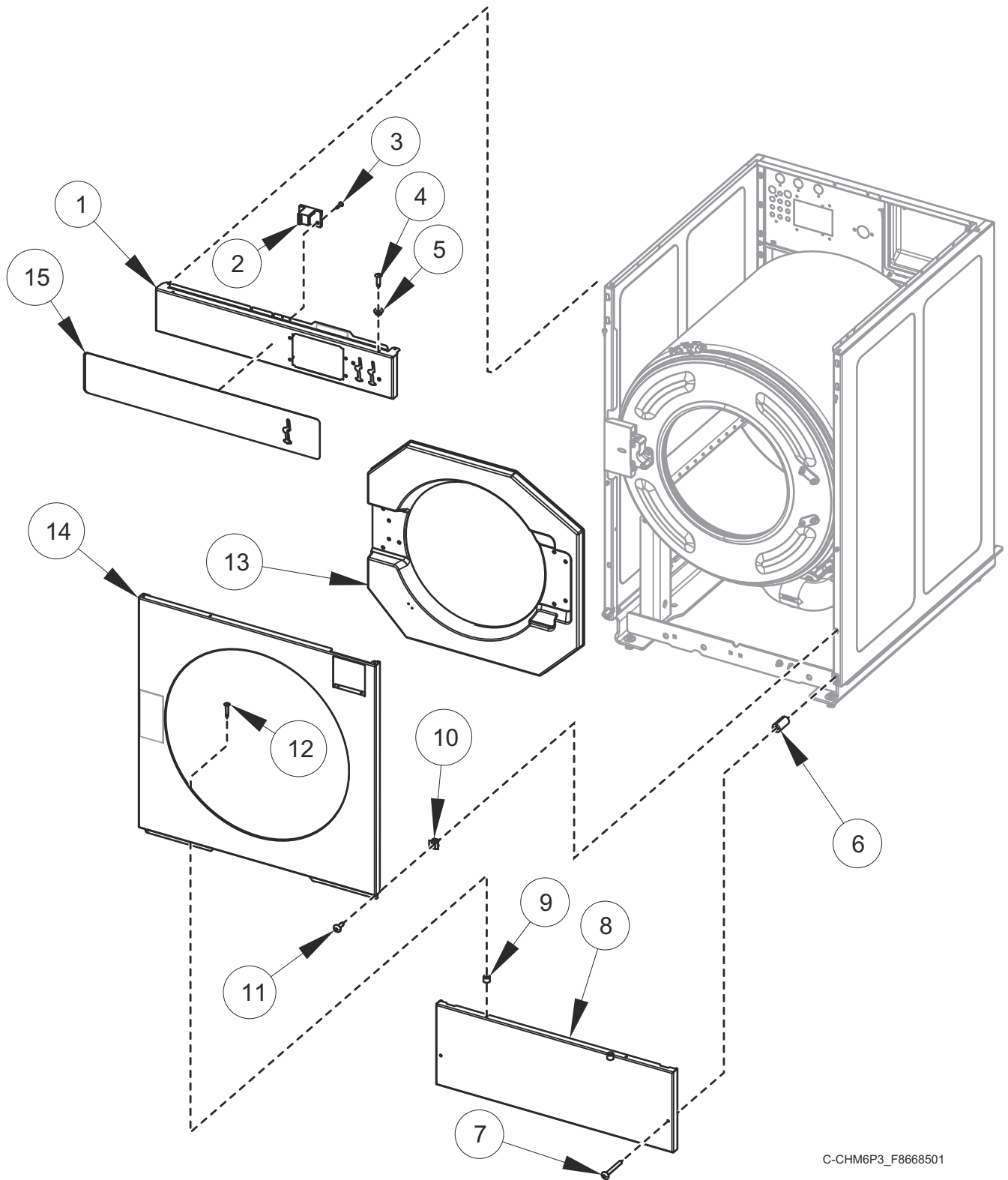


C-CHM6P3\_F8668501

## Front Panels and Control Panel - 20 and 30 Pound Coin Models - Design 6

REF	PART NO.	DESCRIPTION	COMMENTS
	F8698801	Instruction Label	English/Spanish
	F8698901	Instruction Label	Icon
	F8699702	Basket Capacity Label	20 pound models
	F8699703	Basket Capacity Label	30 pound models
	F8535502	Screw	
	70645601	Overlay	Secondary single drop
<b>1</b>	F8686601	Control Panel Assembly	20 pound models
	F8686701	Control Panel Assembly	30 pound models
<b>2</b>	F8201001	Top Cover Latch	
<b>3</b>	F431215	Pop Rivet	
<b>4</b>	70412601	Pop Rivet	
<b>5</b>	F8201101	Washer	
<b>6</b>	F8609701	Access Panel Retaining Spacer	
<b>7</b>	F8589501	Screw	
<b>8</b>	F8524001	Access Panel	20 pound models
	F8524101	Access Panel	30 pound models
<b>9</b>	56079	Panel Locator	
<b>10</b>	70030501	Expansion Clip	
<b>11</b>	F8117601	Screw	
<b>12</b>	M412763	Rivet	
<b>13</b>	F8658801	Door Bezel	20 pound models
	F8658901	Door Bezel	30 pound models
<b>14</b>	F8686001	Front Panel	20 pound models
	F8686101	Front Panel	30 pound models
<b>15</b>	F8692201	Overlay	20 pound models; Single coin
	F8692202	Overlay	20 pound models; Dual coin
	F8692301	Overlay	30 pound models; Single coin
	F8692302	Overlay	30 pound models; Dual coin
	F8692701	Overlay	20 pound models; Single coin; Cityscape
	F8692702	Overlay	20 pound models; Dual coin; Cityscape
	F8692801	Overlay	30 pound models; Single coin; Cityscape
	F8692802	Overlay	30 pound models; Dual coin; Cityscape
	F8693201	Overlay	20 pound models; Single coin; Citron
	F8693202	Overlay	20 pound models; Dual coin; Citron
	F8693301	Overlay	30 pound models; Single coin; Citron
	F8693302	Overlay	30 pound models; Dual coin; Citron
	F8693701	Overlay	20 pound models; Single coin; International
	F8693702	Overlay	20 pound models; Dual coin; International
	F8693705	Overlay	20 pound models; World drop; International
	F8693801	Overlay	30 pound models; Single coin; International
	F8693802	Overlay	30 pound models; Dual coin; International
	F8693805	Overlay	30 pound models; World drop; International

# Front Panels and Control Panel - 20 and 30 Pound Coin Models - Design 7



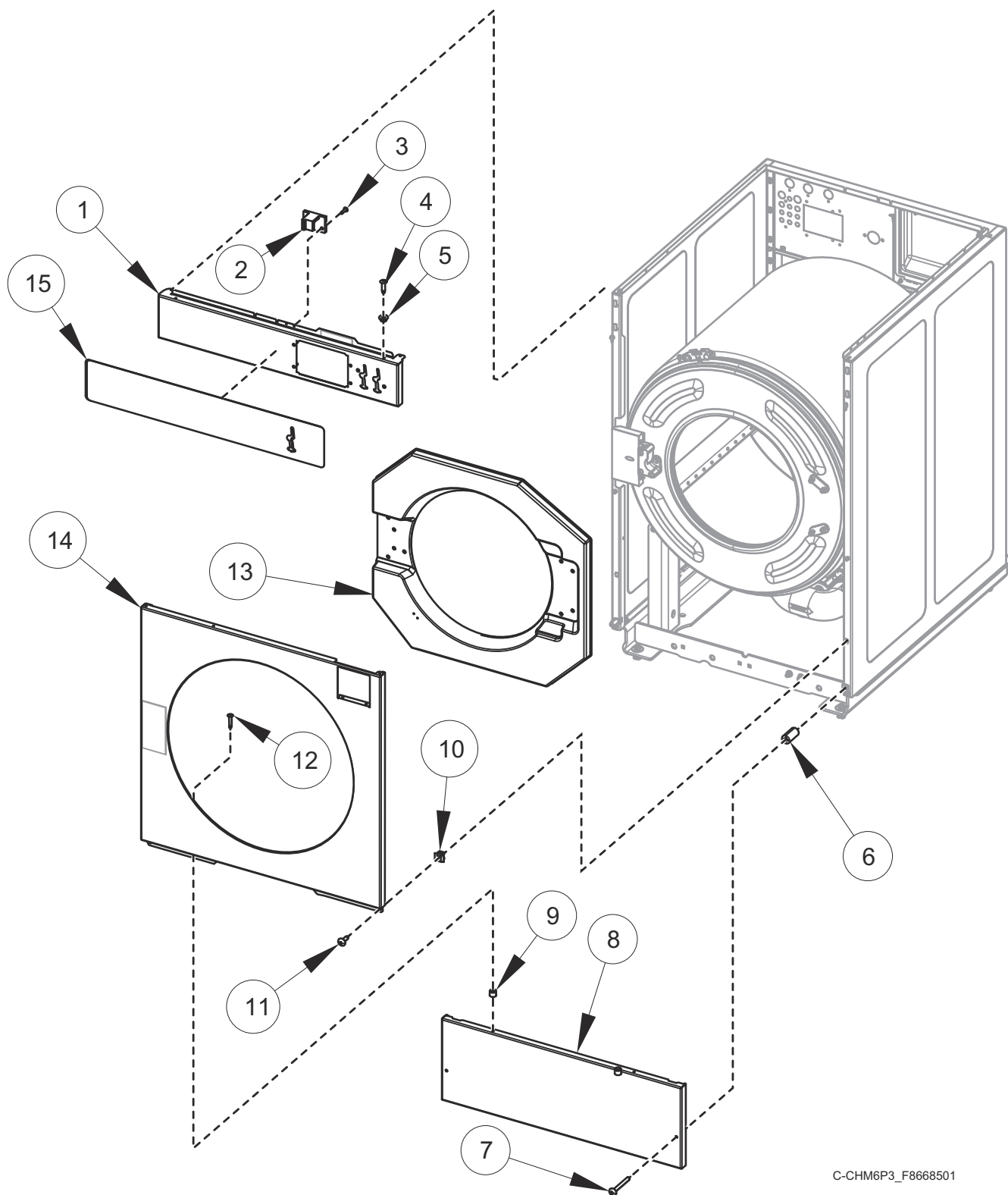
C-CHM6P3\_F8668501



## Front Panels and Control Panel - 20 and 30 Pound Coin Models - Design 7

REF	PART NO.	DESCRIPTION	COMMENTS
	F8698801	Instruction Label	English/Spanish
	F8698901	Instruction Label	Icon
	F8699702	Basket Capacity Label	20 pound models
	F8699703	Basket Capacity Label	30 pound models
	F8535502	Screw	
	70645601	Overlay	Secondary single drop
<b>1</b>	F8686601	Control Panel Assembly	20 pound models
	F8686701	Control Panel Assembly	30 pound models
<b>2</b>	F8201001	Top Cover Latch	
<b>3</b>	F431215	Pop Rivet	
<b>4</b>	70412601	Pop Rivet	
<b>5</b>	F8201101	Washer	
<b>6</b>	F8609701	Access Panel Retaining Spacer	
<b>7</b>	F8589501	Screw	
<b>8</b>	F8524001	Access Panel	20 pound models
	F8524101	Access Panel	30 pound models
<b>9</b>	56079	Panel Locator	
<b>10</b>	70030501	Expansion Clip	
<b>11</b>	F8117601	Screw	
<b>12</b>	M412763	Rivet	
<b>13</b>	F8658801	Door Bezel	20 pound models
	F8658901	Door Bezel	30 pound models
<b>14</b>	F8686001	Front Panel	20 pound models
	F8686101	Front Panel	30 pound models
<b>15</b>	F8591001	Overlay	20 pound models; Single coin
	F8591002	Overlay	20 pound models; Dual coin
	F8591101	Overlay	30 pound models; Single coin
	F8591102	Overlay	30 pound models; Dual coin
	F8594501	Overlay	20 pound models; Single coin; Cityscape
	F8594502	Overlay	20 pound models; Dual coin; Cityscape
	F8594601	Overlay	30 pound models; Single coin; Cityscape
	F8594602	Overlay	30 pound models; Dual coin; Cityscape
	F8593901	Overlay	20 pound models; Single coin; Citron
	F8593902	Overlay	20 pound models; Dual coin; Citron
	F8594001	Overlay	30 pound models; Single coin; Citron
	F8594002	Overlay	30 pound models; Dual coin; Citron
	F8727501	Overlay	20 pound models; Single coin; International
	F8727502	Overlay	20 pound models; Dual coin; International
	F8727601	Overlay	30 pound models; Single coin; International
	F8727602	Overlay	30 pound models; Dual coin; International

# Front Panels and Control Panel - 40 and 60 Pound Coin Models - Design 6

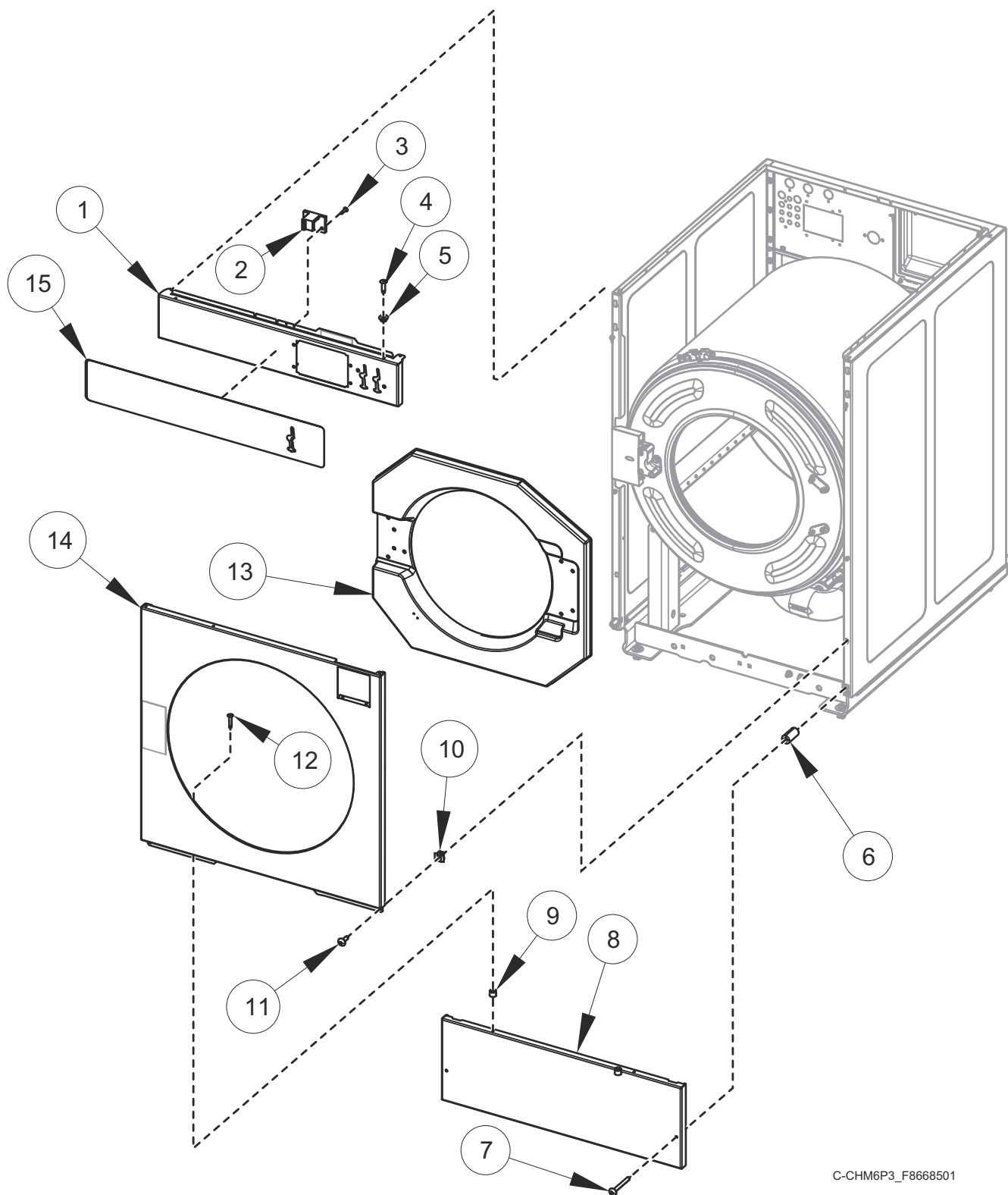


C-CHM6P3\_F8668501

## Front Panels and Control Panel - 40 and 60 Pound Coin Models - Design 6

REF	PART NO.	DESCRIPTION	COMMENTS
	F8698801	Instruction Label	English/Spanish
	F8698901	Instruction Label	Icon
	F8699704	Basket Capacity Label	40 pound models
	F8699706	Basket Capacity Label	60 pound models
	F8535502	Screw	
<b>1</b>	F8686801	Control Panel Assembly	40 pound models
	F8686901	Control Panel Assembly	60 pound models
<b>2</b>	F8201001	Top Cover Latch	
<b>3</b>	F431215	Pop Rivet	
<b>4</b>	70412601	Pop Rivet	
<b>5</b>	F8201101	Washer	
<b>6</b>	F8609701	Access Panel Retaining Spacer	
<b>7</b>	F8589501	Screw	
<b>8</b>	F8524201	Access Panel	40 pound models
	F8553901	Access Panel	60 pound models
<b>9</b>	56079	Panel Locator	
<b>10</b>	70030501	Expansion Clip	
<b>11</b>	F8117601	Screw	
<b>12</b>	M412763	Rivet	
<b>13</b>	F0170426-30	Door Bezel	
<b>14</b>	F8686301	Front Panel	40 pound models
	F8686201	Front Panel	60 pound models
<b>15</b>	F8692401	Overlay	40 pound models; Single coin
	F8692402	Overlay	40 pound models; Dual coin
	F8692501	Overlay	60 pound models; Single coin
	F8692502	Overlay	60 pound models; Dual coin
	F8692901	Overlay	40 pound models; Single coin; Cityscape
	F8692902	Overlay	40 pound models; Dual coin; Cityscape
	F8693001	Overlay	60 pound models; Single coin; Cityscape
	F8693002	Overlay	60 pound models; Dual coin; Cityscape
	F8693401	Overlay	40 pound models; Single coin; Citron
	F8693402	Overlay	40 pound models; Dual coin; Citron
	F8693501	Overlay	60 pound models; Single coin; Citron
	F8693502	Overlay	60 pound models; Dual coin; Citron
	F9693901	Overlay	40 pound models; Single coin; International
	F9693902	Overlay	40 pound models; Dual coin; International
	F9693905	Overlay	40 pound models; World drop; International
	F8694001	Overlay	60 pound models; Single coin; International
	F8694002	Overlay	60 pound models; Dual coin; International
	F8694005	Overlay	60 pound models; World drop; International

# Front Panels and Control Panel - 40 and 60 Pound Coin Models - Design 7

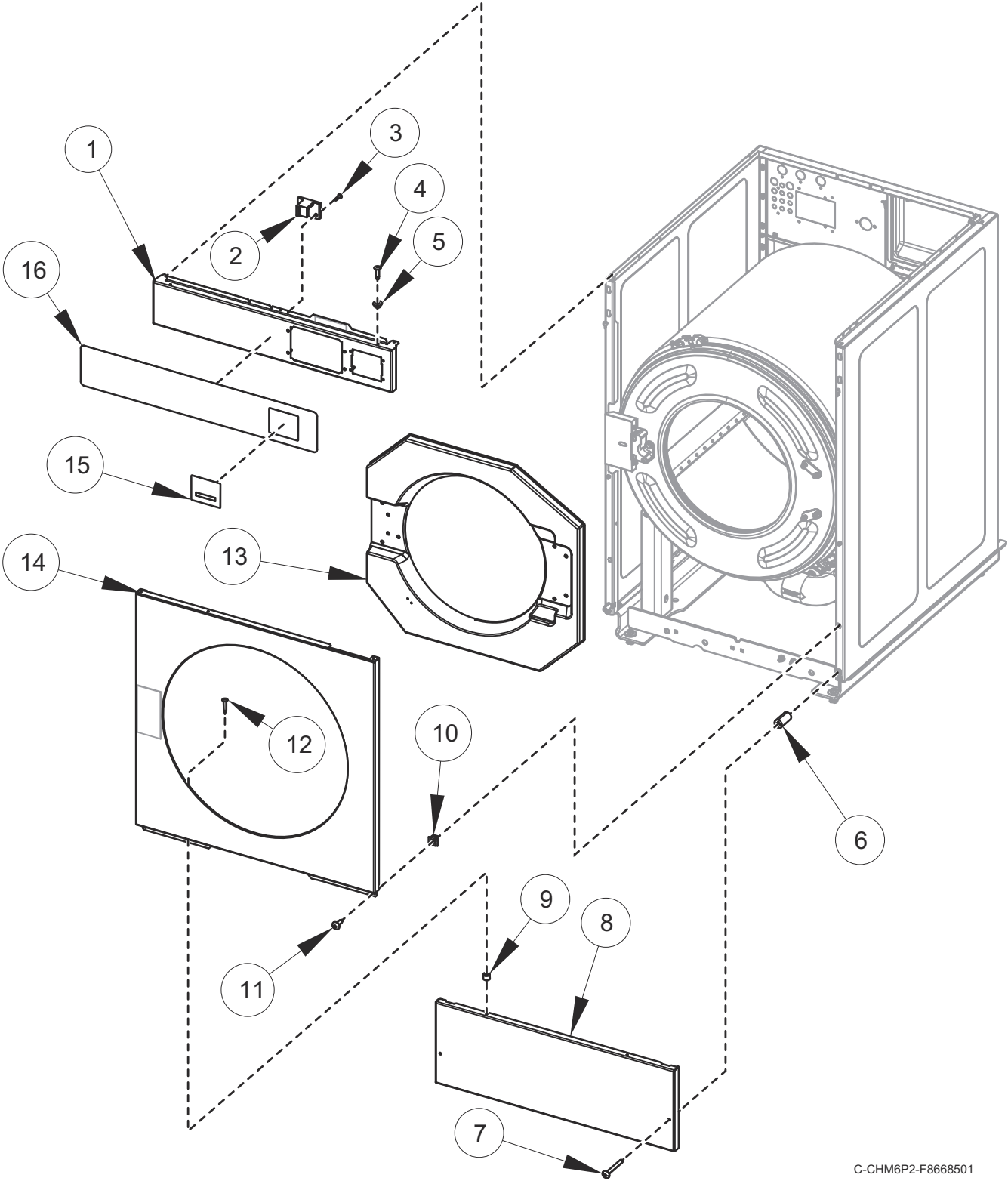


C-CHM6P3\_F8668501

# Front Panels and Control Panel - 40 and 60 Pound Coin Models - Design 7

REF	PART NO.	DESCRIPTION	COMMENTS
	F8698801	Instruction Label	English/Spanish
	F8698901	Instruction Label	Icon
	F8699704	Basket Capacity Label	40 pound models
	F8699706	Basket Capacity Label	60 pound models
	F8535502	Screw	
<b>1</b>	F8686801	Control Panel Assembly	40 pound models
	F8686901	Control Panel Assembly	60 pound models
<b>2</b>	F8201001	Top Cover Latch	
<b>3</b>	F431215	Pop Rivet	
<b>4</b>	70412601	Pop Rivet	
<b>5</b>	F8201101	Washer	
<b>6</b>	F8609701	Access Panel Retaining Spacer	
<b>7</b>	F8589501	Screw	
<b>8</b>	F8524201	Access Panel	40 pound models
	F8553901	Access Panel	60 pound models
<b>9</b>	56079	Panel Locator	
<b>10</b>	70030501	Expansion Clip	
<b>11</b>	F8117601	Screw	
<b>12</b>	M412763	Rivet	
<b>13</b>	F0170426-30	Door Bezel	
<b>14</b>	F8686301	Front Panel	40 pound models
	F8686201	Front Panel	60 pound models
<b>15</b>	F8591201	Overlay	40 pound models; Single coin
	F8591202	Overlay	40 pound models; Dual coin
	F8591301	Overlay	60 pound models; Single coin
	F8591302	Overlay	60 pound models; Dual coin
	F8594701	Overlay	40 pound models; Single coin; Cityscape
	F8594702	Overlay	40 pound models; Dual coin; Cityscape
	F8594801	Overlay	60 pound models; Single coin; Cityscape
	F8594802	Overlay	60 pound models; Dual coin; Cityscape
	F8594101	Overlay	40 pound models; Single coin; Citron
	F8594102	Overlay	40 pound models; Dual coin; Citron
	F8594201	Overlay	60 pound models; Single coin; Citron
	F8594202	Overlay	60 pound models; Dual coin; Citron
	F8727701	Overlay	40 pound models; Single coin; International
	F8727702	Overlay	40 pound models; Dual coin; International
	F8727801	Overlay	60 pound models; Single coin; International
	F8727802	Overlay	60 pound models; Dual coin; International

# Front Panels and Control Panel - Card Reader and Central Pay Models - Design 4

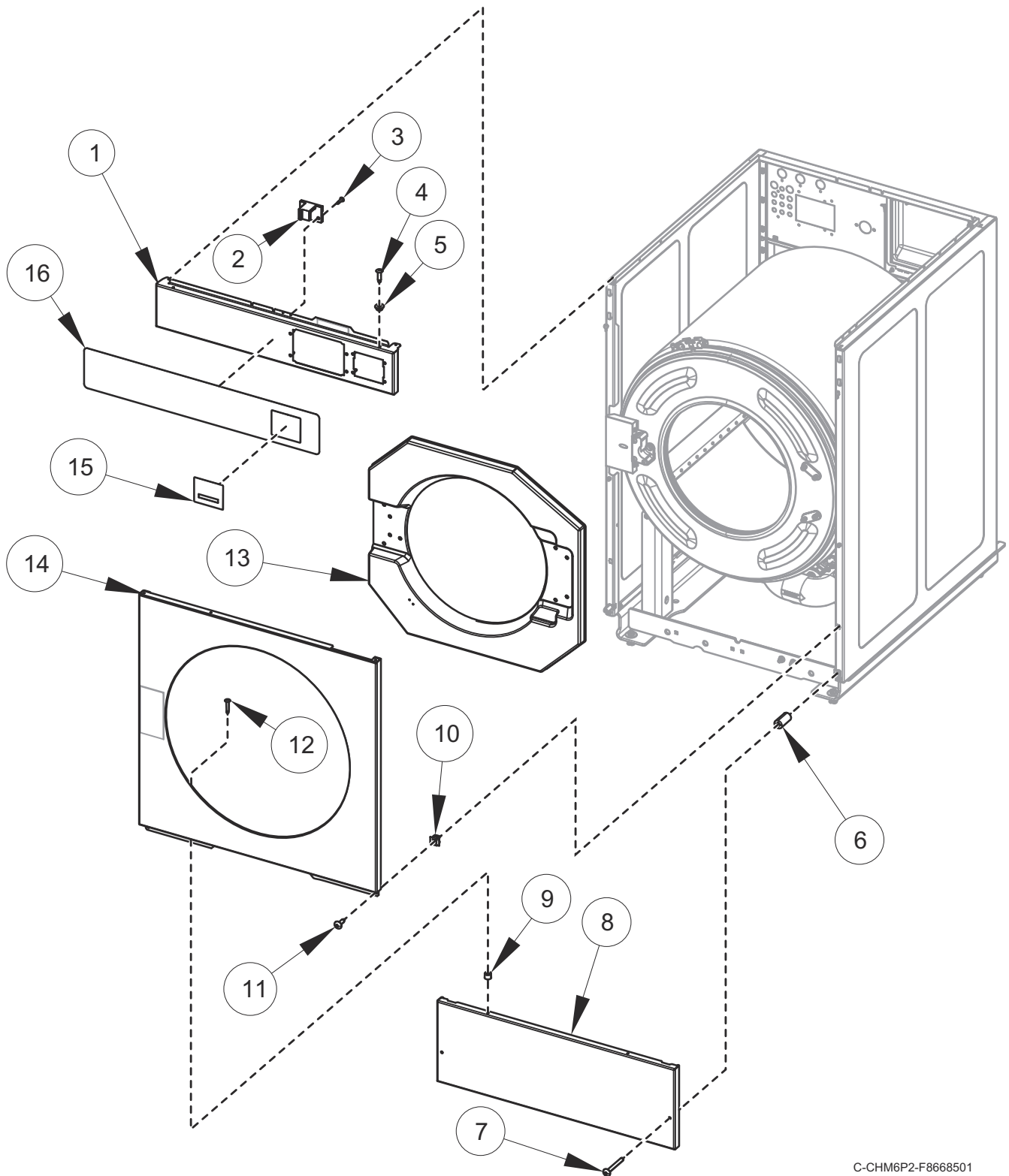


C-CHM6P2-F8668501

## Front Panels and Control Panel - Card Reader and Central Pay Models - Design 4

REF	PART NO.	DESCRIPTION	COMMENTS
1	F8523704	Control Panel Assembly	20 pound models
	F8523802	Control Panel Assembly	30 pound models
	F8523904	Control Panel Assembly	40 pound models
	F8553704	Control Panel Assembly	60 pound models
2	F8201001	Top Cover Latch	
3	F431215	Pop Rivet	
4	70412601	Pop Rivet	
5	F8201101	Washer	
6	F8609701	Access Panel Retaining Spacer	
7	F8589501	Screw	
8	F8524001	Access Panel	20 pound models
	F8524101	Access Panel	30 pound models
	F8524201	Access Panel	40 pound models
	F8553901	Access Panel	60 pound models
9	56079	Panel Locator	
10	70030501	Expansion Clip	
11	F8117601	Screw	
12	M412763	Rivet	
13	F8658801	Door Bezel	20 pound models
	F8658901	Door Bezel	30 pound models
	F0170426-30	Door Bezel	40 and 60 pound models
14	F8524302	Front Panel	20 pound models
	F8524402	Front Panel	30 pound models
	F8524502	Front Panel	40 pound models
	F8554002	Front Panel	60 pound models
15	70556501	Overlay	Card reader models
	70556502	Overlay	Central pay models
16	F8594503	Overlay	20 pound models; Cityscape
	F8594603	Overlay	30 pound models; Cityscape
	F8594703	Overlay	40 pound models; Cityscape
	F8594803	Overlay	60 pound models; Cityscape
	F8593903	Overlay	20 pound models; Citron
	F8594003	Overlay	30 pound models; Citron
	F8594103	Overlay	40 pound models; Citron
F8594203	Overlay	60 pound models; Citron	

# Front Panels and Control Panel - 20 and 30 Pound Card Reader, Central Pay, and FOB Models - Design 6 and 7



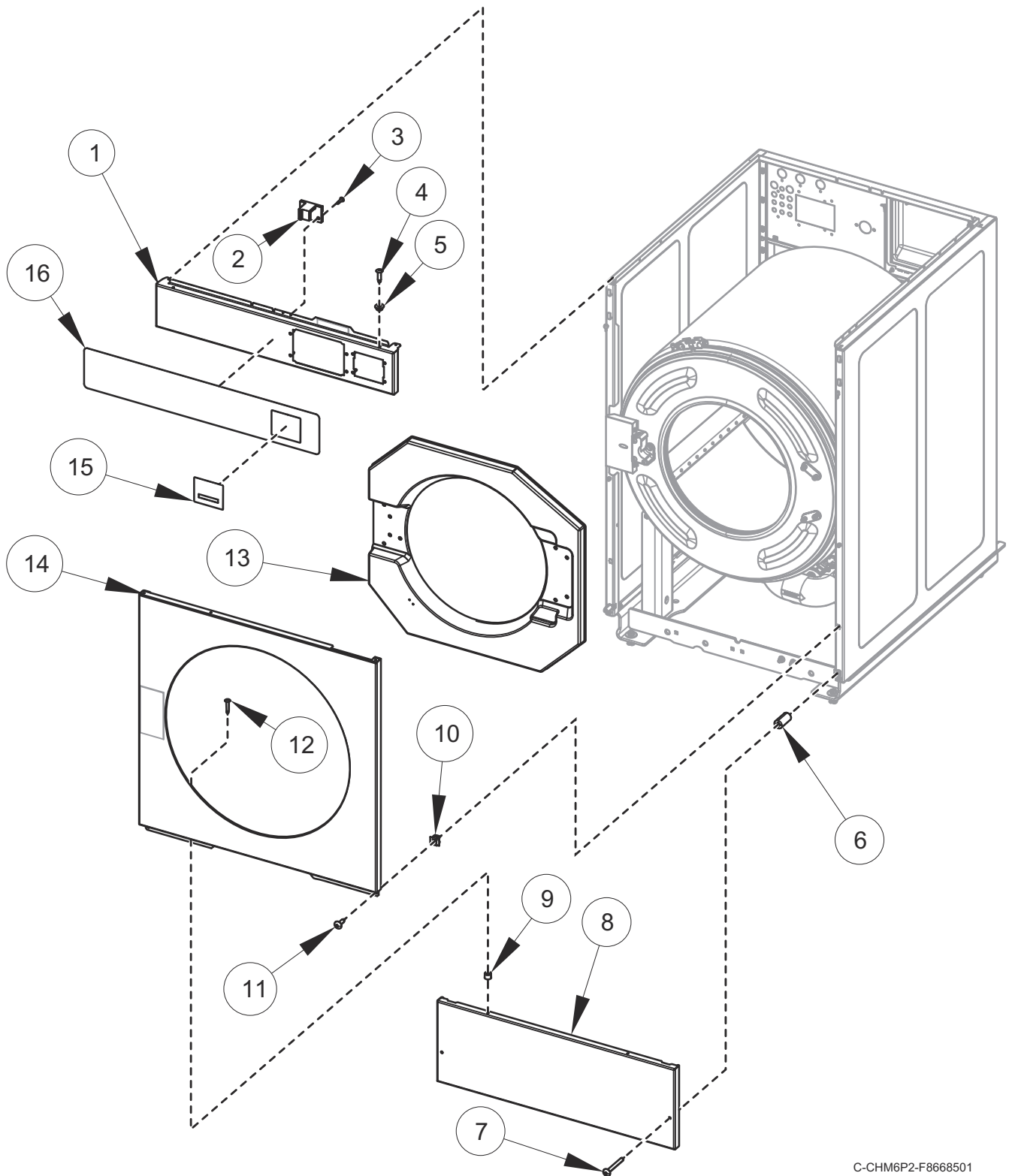
C-CHM6P2-F8668501



## Front Panels and Control Panel - 20 and 30 Pound Card Reader, Central Pay, and FOB Models - Design 6 and 7

REF	PART NO.	DESCRIPTION	COMMENTS
	F8698801	Instruction Label	English/Spanish
	F8698901	Instruction Label	Icon
	F8699702	Basket Capacity Label	20 pound models
	F8699703	Basket Capacity Label	30 pound models
<b>1</b>	F8697102	Control Panel Assembly	20 pound Card and Central Pay models
	F8697102	Control Panel Assembly	20 pound FOB models
	F8697202	Control Panel Assembly	30 pound Card and Central Pay models
	F8697202	Control Panel Assembly	30 pound FOB models
<b>2</b>	F8201001	Top Cover Latch	
<b>3</b>	F431215	Pop Rivet	
<b>4</b>	70412601	Pop Rivet	
<b>5</b>	F8201101	Washer	
<b>6</b>	F8609701	Access Panel Retaining Spacer	
<b>7</b>	F8589501	Screw	
<b>8</b>	F8524001	Access Panel	20 pound models
	F8524101	Access Panel	30 pound models
<b>9</b>	56079	Panel Locator	
<b>10</b>	70030501	Expansion Clip	
<b>11</b>	F8117601	Screw	
<b>12</b>	M412763	Rivet	
<b>13</b>	F8658801	Door Bezel	20 pound models
	F8658901	Door Bezel	30 pound models
<b>14</b>	F8524302	Front Panel	20 pound models
	F8524402	Front Panel	30 pound models
<b>15</b>	70556501	Overlay	Card reader models
	70556502	Overlay	Central pay models
<b>16</b>	F8691703	Overlay	20 pound models; Card ready
	F8691803	Overlay	30 pound models; Card ready
	F8692203	Overlay	20 pound models; Card
	F8692303	Overlay	30 pound models; Card
	F8692703	Overlay	20 pound models; Card; Cityscape
	F8692803	Overlay	30 pound models; Card; Cityscape
	F8693203	Overlay	20 pound models; Card ready; Citron
	F8693303	Overlay	30 pound models; Card ready; Citron
	F8693703	Overlay	20 pound models; Card ready; International
	F8693704	Overlay	20 pound models; Central Pay; International
	F8693803	Overlay	30 pound models; Card ready; International
	F8693804	Overlay	30 pound models; Central Pay; International
	F8734201	Overlay	FOB models

# Front Panels and Control Panel - 40 and 60 Pound Card Reader, Central Pay, and FOB Models - Design 6 and 7

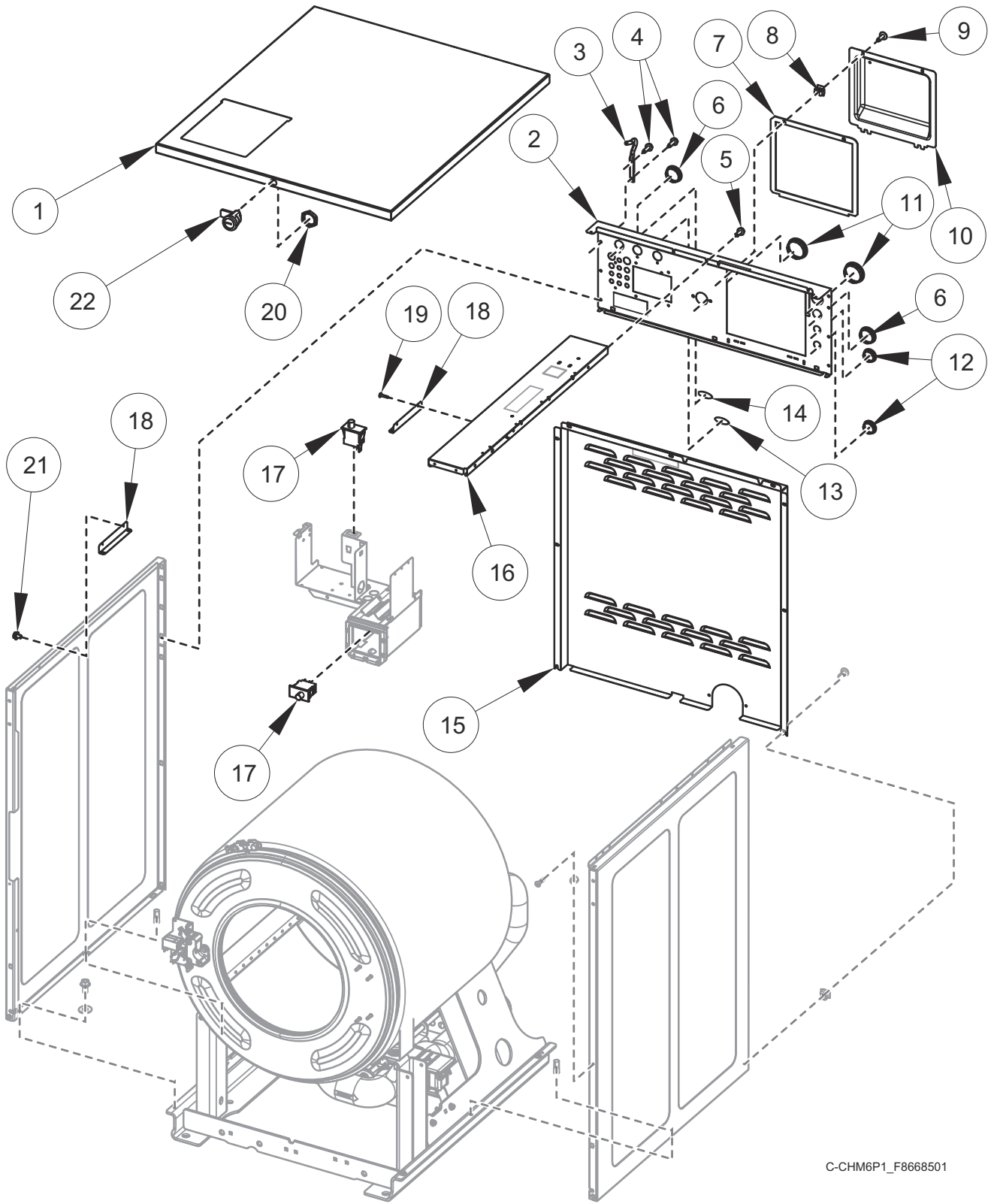


C-CHM6P2-F8668501

## Front Panels and Control Panel - 40 and 60 Pound Card Reader, Central Pay, and FOB Models - Design 6 and 7

REF	PART NO.	DESCRIPTION	COMMENTS
	F8698801	Instruction Label	English/Spanish
	F8698901	Instruction Label	Icon
	F8699704	Basket Capacity Label	40 pound models
	F8699706	Basket Capacity Label	60 pound models
<b>1</b>	F8697302	Control Panel Assembly	40 pound Card and Central Pay models
	F8697302	Control Panel Assembly	40 pound FOB models
	F8697402	Control Panel Assembly	60 pound Card and Central Pay models
	F8697402	Control Panel Assembly	60 pound FOB models
<b>2</b>	F8201001	Top Cover Latch	
<b>3</b>	F431215	Pop Rivet	
<b>4</b>	70412601	Pop Rivet	
<b>5</b>	F8201101	Washer	
<b>6</b>	F8609701	Access Panel Retaining Spacer	
<b>7</b>	F8589501	Screw	
<b>8</b>	F8524201	Access Panel	40 pound models
	F8553901	Access Panel	60 pound models
<b>9</b>	56079	Panel Locator	
<b>10</b>	70030501	Expansion Clip	
<b>11</b>	F8117601	Screw	
<b>12</b>	M412763	Rivet	
<b>13</b>	F0170426-30	Door Bezel	
<b>14</b>	F8524502	Front Panel	40 pound models
	F8554002	Front Panel	60 pound models
<b>15</b>	70556501	Overlay	Card reader models
	70556502	Overlay	Central pay models
<b>16</b>	F8691903	Overlay	40 pound models; Card ready
	F8692003	Overlay	60 pound models; Card ready
	F8692403	Overlay	40 pound models; Card
	F8692503	Overlay	60 pound models; Card
	F8692903	Overlay	40 pound models; Card; Cityscape
	F8693003	Overlay	60 pound models; Card; Cityscape
	F8693403	Overlay	40 pound models; Card ready; Citron
	F8693503	Overlay	60 pound models; Card ready; Citron
	F8693903	Overlay	40 pound models; Card ready; International
	F8693904	Overlay	40 pound models; Central Pay; International
	F8694003	Overlay	60 pound models; Card ready; International
	F8694004	Overlay	60 pound models; Central Pay; International
	F8734201	Overlay	FOB models

# Rear and Top Panels

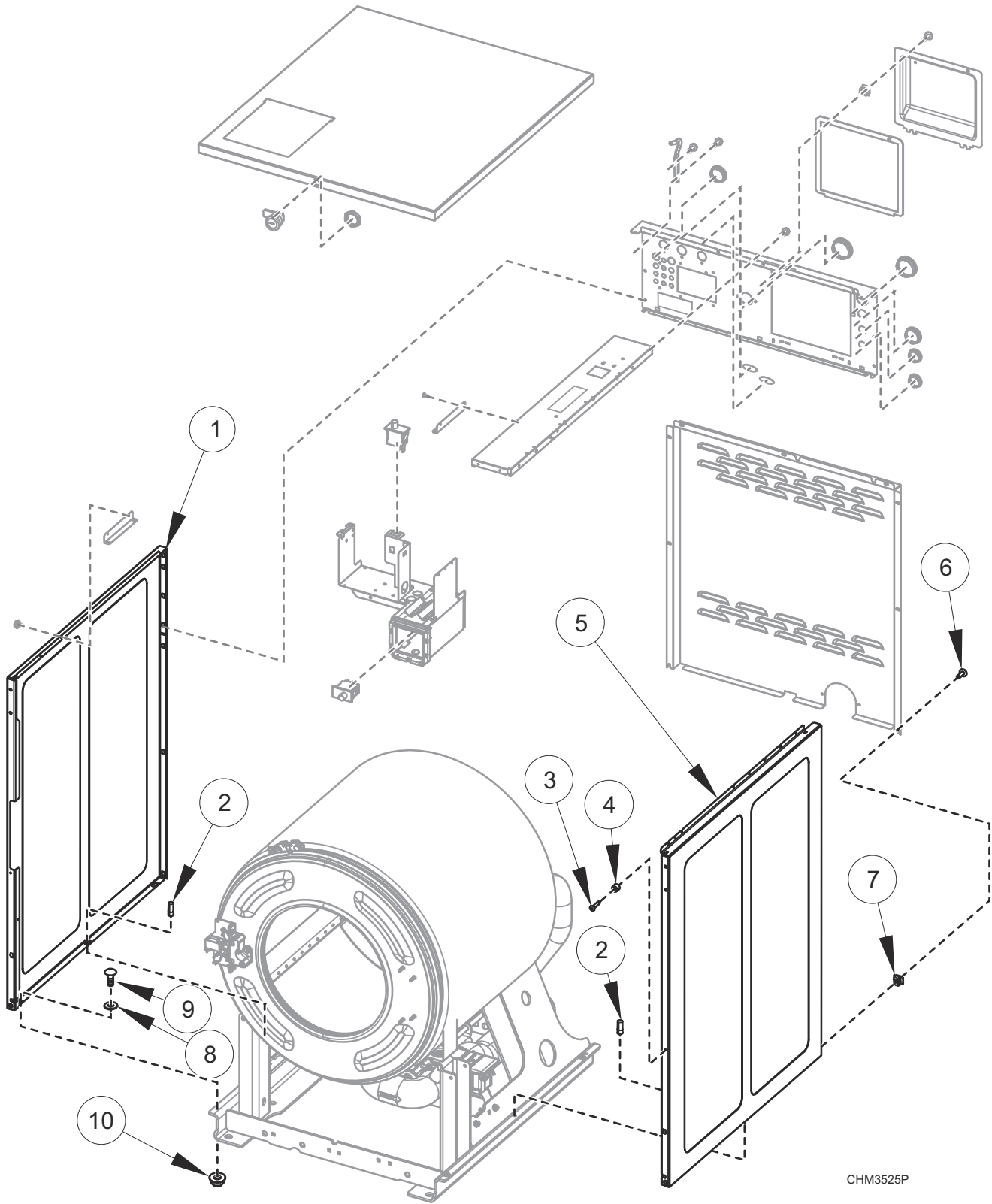


C-CHM6P1\_F8668501

## Rear and Top Panels

REF	PART NO.	DESCRIPTION	COMMENTS
1	F8525401	Top Cover	20 pound models
	F8525501	Top Cover	30 pound models
	F8525601	Top Cover	40 pound models
	F8554301	Top Cover	60 pound models
2	F8513101	Valve Panel	20 pound models
	F8513201	Valve Panel	30 pound models
	F8513301	Valve Panel	40 pound models
	F8554401	Valve Panel	60 pound models
3	F8258601	Top Cover Hinge	
4	F8206901	Screw	
5	33562	Screw	
6	F8223901	Plug	
7	F8542601	Gasket	
8	70030501	Expansion Clip	
9	F8117601	Screw	
10	F8518301	Terminal Tray Cover	
	F8521301	Cable	
11	F8223801	Hole Plug	
12	M400985	Plug	
13	F8611301	Label	Hot water
14	F8611401	Label	Cold water
15	F8527001	Rear Panel	20 pound models
	F8527101	Rear Panel	30 pound models
	F8527201	Rear Panel	40 pound models
	F8554501	Rear Panel	60 pound models
16	F8527301	Cabinet Brace	20 pound models
	F8527401	Cabinet Brace	30 pound models
	F8527501	Cabinet Brace	40 pound models
	F8553201	Cabinet Brace	60 pound models
17	70413301	Pushbutton Switch	
18	F8525701	Dispenser Bracket	
19	F431215	Pop Rivet	
20	44088801	Nut	
21	51780	Screw	
22	44089303P	Panel Lock	
	70155603	Key	

# Side Panels

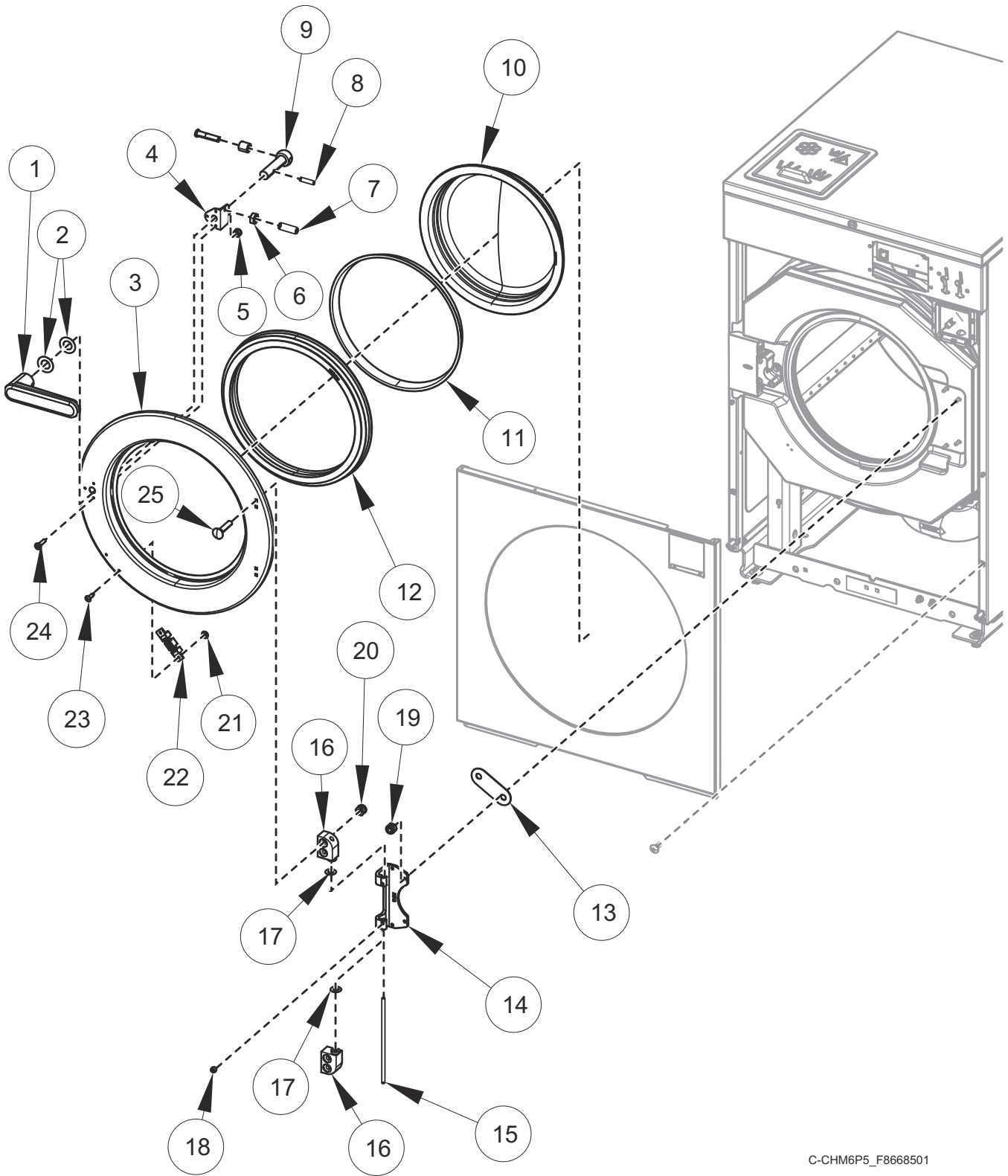


CHM3525P

## Side Panels

REF	PART NO.	DESCRIPTION	COMMENTS
1	F8524602	Side Panel	20 pound models; Left
	F8524604	Side Panel	20 pound models; Left; Stainless steel
	F8524702	Side Panel	30 pound models; Left
	F8524704	Side Panel	30 pound models; Left; Stainless steel
	F8524802	Side Panel	40 pound models; Left
	F8524804	Side Panel	40 pound models; Left; Stainless steel
	F8554204	Side Panel	60 pound models; Left
	F8554202	Side Panel	60 pound models; Left; Stainless steel
2	F8502101	Pin	
3	M412763	Rivet	
4	56079	Panel Locator	
5	F8524601	Side Panel	20 pound models; Right
	F8524603	Side Panel	20 pound models; Right; Stainless steel
	F8524701	Side Panel	30 pound models; Right
	F8524703	Side Panel	30 pound models; Right; Stainless steel
	F8524801	Side Panel	40 pound models; Right
	F8524803	Side Panel	40 pound models; Right; Stainless steel
	F8554203	Side Panel	60 pound models; Right
	F8554201	Side Panel	60 pound models; Right; Stainless steel
6	F8117601	Screw	
7	70030501	Expansion Clip	
8	M405535	Washer	
9	F8402801	Bolt	
10	44087201	Nut	

# Door - 20 Pound Models



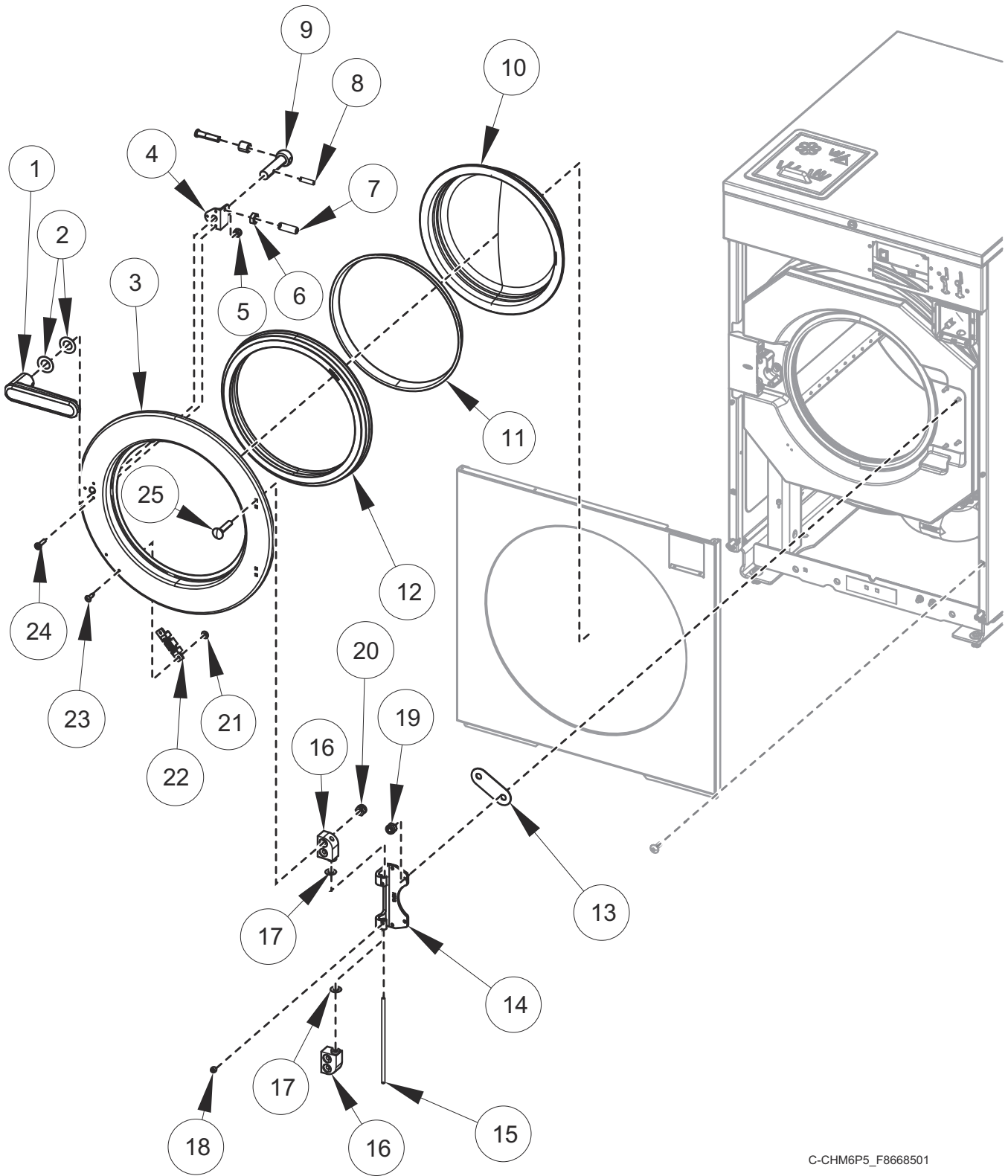
C-CHM6P5\_F8668501



## Door - 20 Pound Models

REF	PART NO.	DESCRIPTION	COMMENTS
	F8617203	Door Assembly	Includes items 1-12, 14-18 and 20-25
	F8617204	Door Assembly	Chrome; Includes items 1-12, 14-18 and 20-25
	F8617206	Door Assembly	Chrome and green; Includes items 1-12, 14-18 and 20-25
	F8617205	Door Assembly	Green; Includes items 1-12, 14-18 and 20-25
	F8632501	Vend Plate	
1	F8544701	Door Handle	
2	F431916	Washer	
3	F8507502	Door	
	F8507501P	Door	Chrome
4	F8567501	Door Handle Spacer Kit	Includes items 6 and 7
5	F430232	Nut	
6	F431041	Nut	
7	F430532	Screw	
8	F431222	Spring Pin	
9	F8221403	Door Latch Arm Assembly	Includes latch arm shaft, latch arm support and sleeve
10	F8675701P	Door Glass	Design 4
	F290205P	Door Glass Kit	Design 6 and 7
11	F8583201	Door Glass Trim	Black
	F8583204	Door Glass Trim	Green
12	F200000202	Door Gasket	
13	F200131000P	Door Hinge Shim Kit	
14	F190216P	Door Hinge	
15	F602813-2	Rod	
16	F150271	Door Mount	
17	F431929	Washer	Non-ferrous
	F431147	Washer	
18	F430536	Screw	
19	C001236	Nut	
20	F430215	Nut	
21	F431133	Washer	
22	F8390801	Magnet	
23	F431223	Pop Rivet	
24	F8535501	Screw	
25	F430974	Bolt	
	F8508101	Bolt	Chrome

# Door - 30 Pound Models

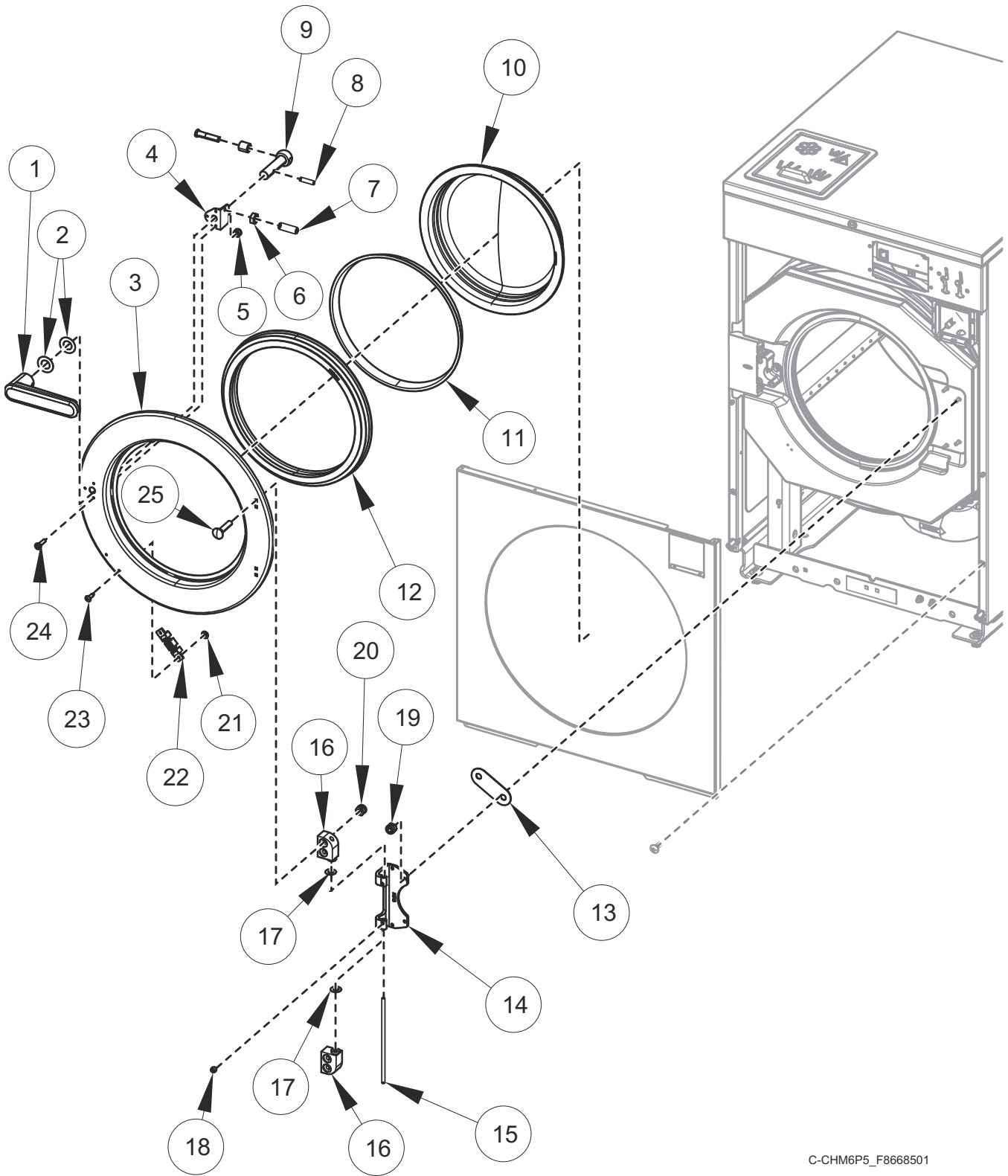


C-CHM6P5\_F8668501

## Door - 30 Pound Models

REF	PART NO.	DESCRIPTION	COMMENTS
	F8617313	Door Assembly	Design 6 and 7; Includes items 1-12, 14-18 and 20-25
	F8617314	Door Assembly	Design 6 and 7; Chrome; Includes items 1-12, 14-18 and 20-25
	F8617316	Door Assembly	Design 6 and 7; Chrome and green; Includes items 1-12, 14-18 and 20-25
	F8617315	Door Assembly	Design 6 and 7; Green; Includes items 1-12, 14-18 and 20-25
	F8617303	Door Assembly	Design 4; Includes items 1-12, 14-18 and 20-25
	F8617304	Door Assembly	Design 4; Chrome; Includes items 1-12, 14-18 and 20-25
	F8617306	Door Assembly	Design 4; Chrome and green; Includes items 1-12, 14-18 and 20-25
	F8617305	Door Assembly	Design 4; Green; Includes items 1-12, 14-18 and 20-25
	F8632501	Vend Plate	
<b>1</b>	F8544701	Door Handle	
<b>2</b>	F431916	Washer	
<b>3</b>	F8507602	Door	
	F8752601	Door	Chrome
<b>4</b>	F8567501	Door Handle Spacer Kit	
<b>5</b>	F430232	Nut	
<b>6</b>	F431041	Nut	
<b>7</b>	F430533	Screw	
<b>8</b>	F431222	Spring Pin	
<b>9</b>	F8221403	Door Latch Arm Assembly	Includes latch arm shaft, latch arm support and sleeve
<b>10</b>	F8485305	Door Glass	Design 4
	F8485301P	Door Glass	Deep; Design 6 and 7
<b>11</b>	F8583202	Door Glass Trim	Black
	F8583205	Door Glass Trim	Green
<b>12</b>	F8111602	Door Gasket	
<b>13</b>	F200131000P	Door Hinge Shim Kit	
<b>14</b>	F190216P	Door Hinge	
<b>15</b>	F602813-2	Rod	
<b>16</b>	F150271	Door Mount	
<b>17</b>	F431929	Washer	Non-ferrous
	F431147	Washer	
<b>18</b>	F430536	Screw	
<b>19</b>	C001236	Nut	
<b>20</b>	F430215	Nut	
<b>21</b>	F431133	Washer	
<b>22</b>	F8390801	Magnet	
<b>23</b>	F431223	Pop Rivet	
<b>24</b>	F8535501	Screw	
<b>25</b>	F430974	Bolt	
	F8508101	Bolt	Chrome

# Door - 40 and 60 Pound Models

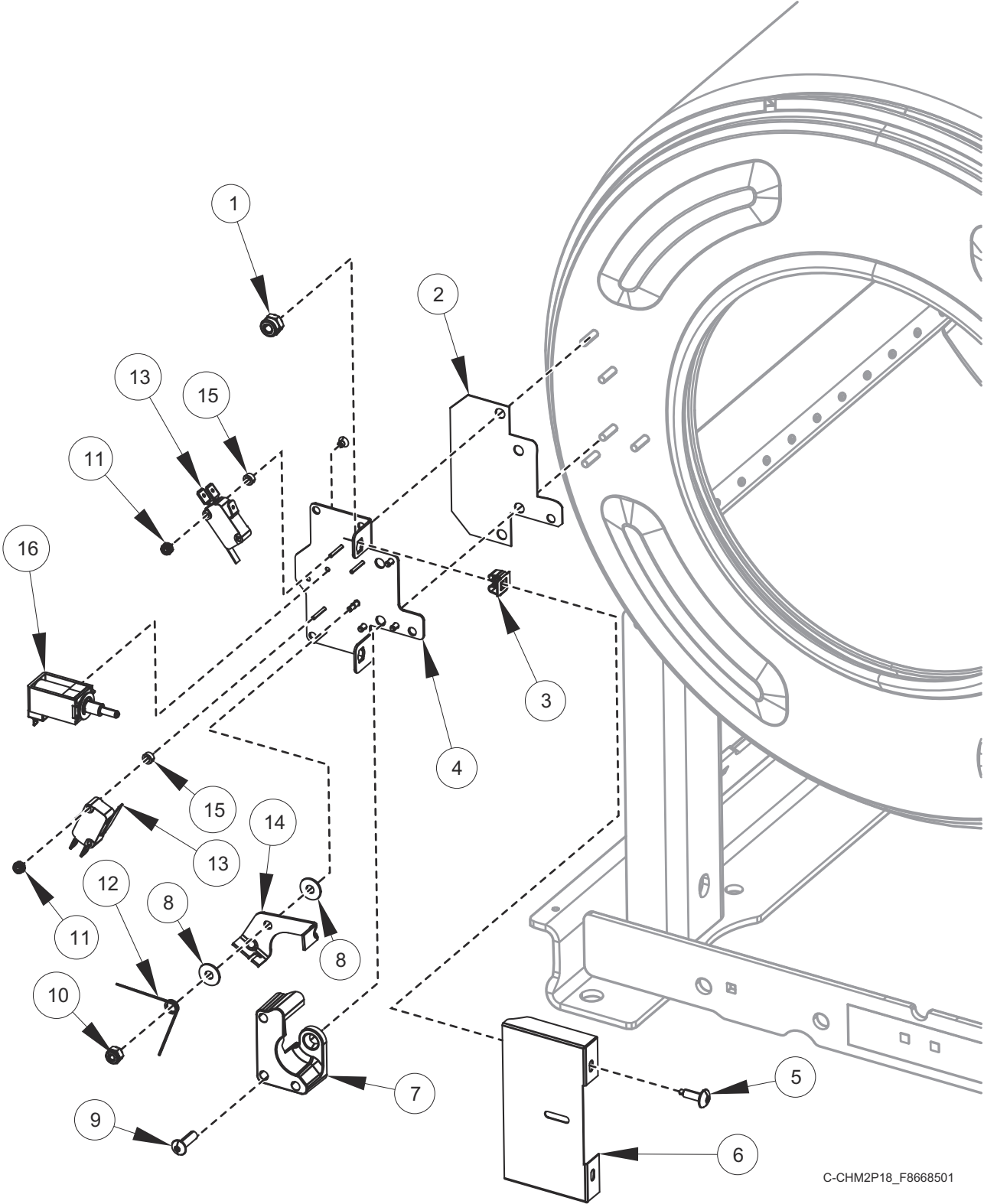


C-CHM6P5\_F8668501

## Door - 40 and 60 Pound Models

REF	PART NO.	DESCRIPTION	COMMENTS
	F8617413	Door Assembly	Design 6 and 7; Includes items 1-12, 14-18 and 20-25
	F8617414	Door Assembly	Design 6 and 7; Chrome; Includes items 1-12, 14-18 and 20-25
	F8617416	Door Assembly	Design 6 and 7; Chrome and green; Includes items 1-12, 14-18 and 20-25
	F8617415	Door Assembly	Design 6 and 7; Green; Includes items 1-12, 14-18 and 20-25
	F8617403	Door Assembly	Design 4; Includes items 1-12, 14-18 and 20-25
	F8617404	Door Assembly	Design 4; Chrome; Includes items 1-12, 14-18 and 20-25
	F8617406	Door Assembly	Design 4; Chrome and green; Includes items 1-12, 14-18 and 20-25
	F8617405	Door Assembly	Design 4; Green; Includes items 1-12, 14-18 and 20-25
	F8632501	Vend Plate	
<b>1</b>	F8544701	Door Handle	
<b>2</b>	F431916	Washer	
<b>3</b>	F8507702	Door	
	F8507701	Door	Chrome
<b>4</b>	F8567501	Door Handle Spacer Kit	
<b>5</b>	F430232	Nut	
<b>6</b>	F431041	Nut	
<b>7</b>	F430533	Screw	
<b>8</b>	F431222	Spring Pin	
<b>9</b>	F8221403	Door Latch Arm Assembly	Includes latch arm shaft, latch arm support and sleeve
<b>10</b>	F8485405	Door Glass	Design 4
	F8485401P	Door Glass	Deep; Design 6 and 7
<b>11</b>	F8583203	Door Glass Trim	Black
	F8583206	Door Glass Trim	Green
<b>12</b>	F8111502	Door Gasket	
<b>13</b>	F200131000P	Door Hinge Shim Kit	
<b>14</b>	F190216P	Door Hinge	
<b>15</b>	F602813-3	Rod	
<b>16</b>	F150271	Door Mount	
<b>17</b>	F431929	Washer	Non-ferrous
	F431147	Washer	
<b>18</b>	F430536	Screw	
<b>19</b>	C001236	Nut	
<b>20</b>	F430215	Nut	
<b>21</b>	F431133	Washer	
<b>22</b>	F8390801	Magnet	
<b>23</b>	F431223	Pop Rivet	
<b>24</b>	F8535501	Screw	
<b>25</b>	F430974	Bolt	
	F8508101	Bolt	Chrome

# Door Lock

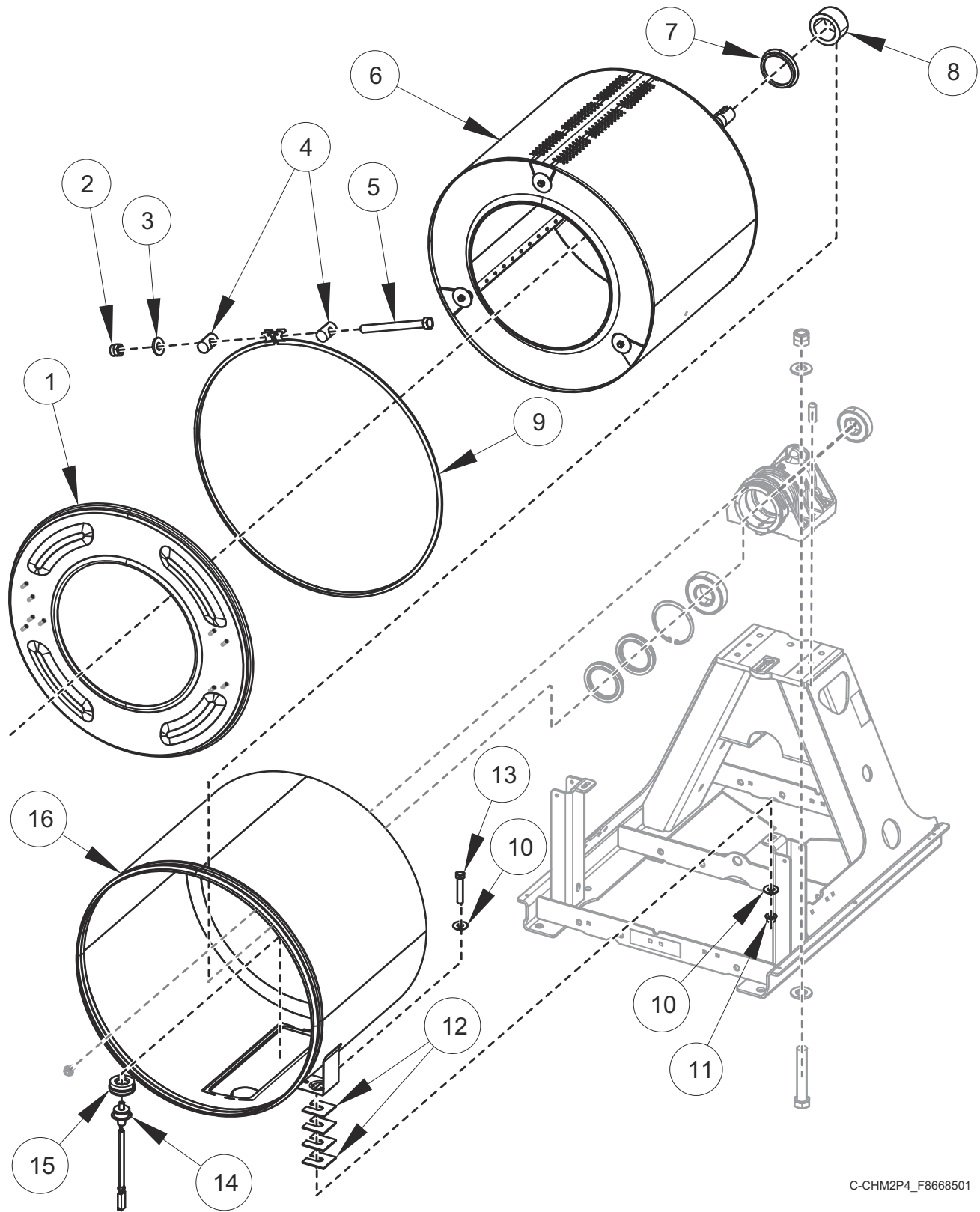


C-CHM2P18\_F8668501

# Door Lock

REF	PART NO.	DESCRIPTION	COMMENTS
	F8632401	Door Lock Assembly	Includes items 3, 4 and 10-16
	F8520201	Door Lock Harness	20 and 30 pound models
	F8520202	Door Lock Harness	40 and 60 pound models
	F8066804	Reed Switch Assembly	
<b>1</b>	F431024	Nut	
<b>2</b>	F8344401	Door Lock Plate Shim	
<b>3</b>	70030501	Expansion Clip	
<b>4</b>	F8223202	Door Lock Plate Assembly	
<b>5</b>	F8117601	Screw	
<b>6</b>	F8245001	Door Lock Cover	
<b>7</b>	F8344501	Door Lock Catch	
<b>8</b>	F8193101	Washer	
<b>9</b>	F8270701	Bolt	
<b>10</b>	F430232	Nut	
<b>11</b>	F430225	Nut	
<b>12</b>	F8070301	Torsion/Door Lock Spring	
<b>13</b>	F200203200	Door Lock Microswitch	
<b>14</b>	F8223401	Door Lock Switch Lever	
<b>15</b>	F431901	Spacer	
<b>16</b>	F977P3	Door Lock Solenoid Replacement Kit	

# Shell Front, Basket, Shell and Frame Template



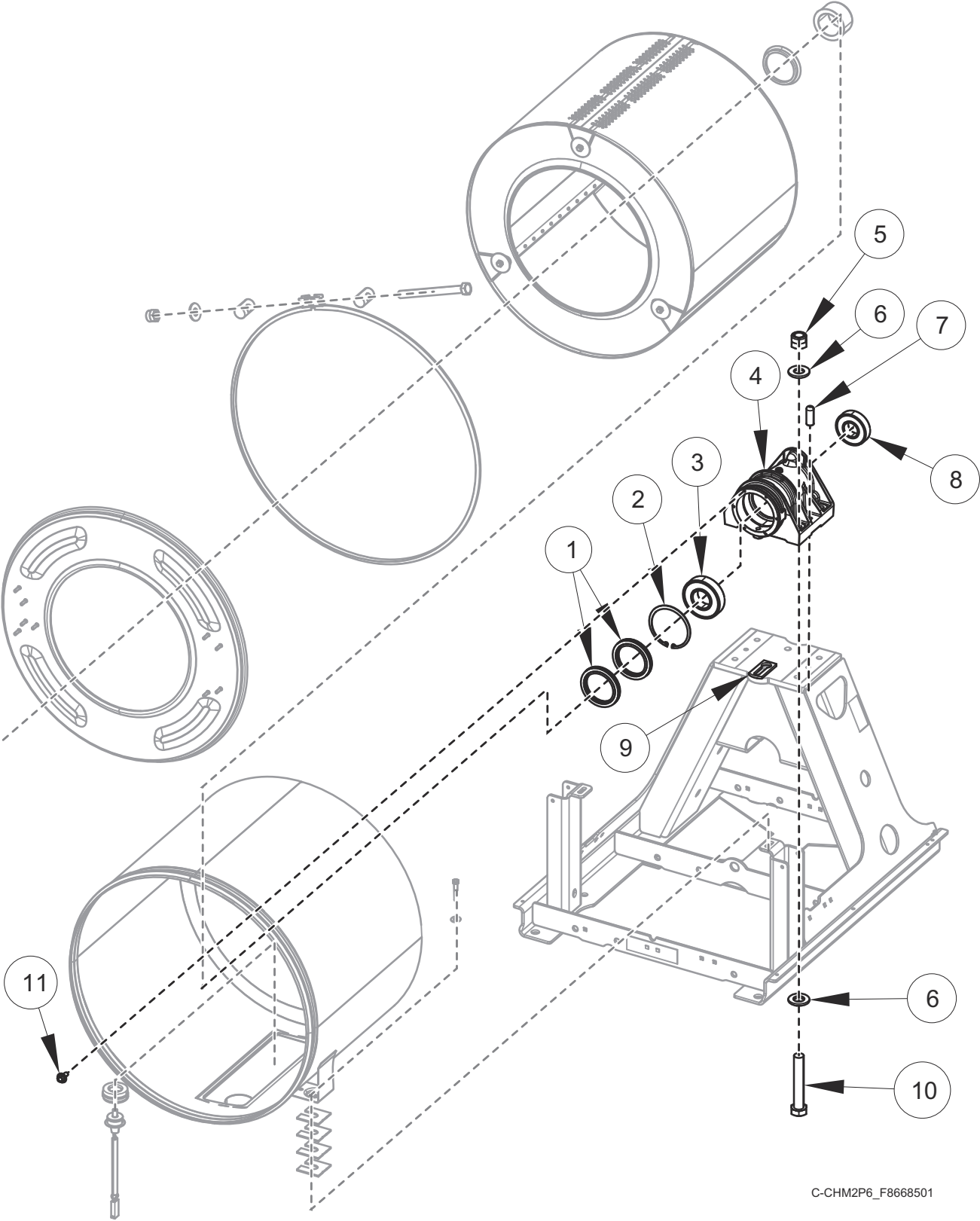
C-CHM2P4\_F8668501



## Shell Front, Basket, Shell and Frame Template

REF	PART NO.	DESCRIPTION	COMMENTS
	F8598301	Harness	Thermistor; 20 and 30 pound models
	F8598302	Harness	Thermistor; 40 and 60 pound models
<b>1</b>	F8222301	Shell Front	20 pound models
	F8222401	Shell Front	30 pound models
	F8222501	Shell Front	40 pound models
	F8222601	Shell Front	60 pound models
<b>2</b>	F430218	Nut	
<b>3</b>	M400080	Washer	
<b>4</b>	F8302701	Pin	
<b>5</b>	F8673701	Screw	
<b>6</b>	F8391304	Basket	20 pound models; Viton
	F8391302	Basket	20 pound models; Rain
	F8391504	Basket	30 pound models; Viton
	F8391502	Basket	30 pound models; Rain
	F8391704	Basket	40 pound models; Viton
	F8391702	Basket	40 pound models; Rain
	F8502805	Basket	60 pound models; Viton
	F8502802	Basket	60 pound models; Rain
<b>7</b>	F8337002	Excluder Seal	
<b>8</b>	F8343906P	Shaft Seal Sleeve Kit	
<b>9</b>	F8537801	Shell Band Kit	20 pound models; Includes item 2-5
	F8537802	Shell Band Kit	30 pound models; Includes item 2-5
	F8537803	Shell Band Kit	40 pound models; Includes item 2-5
	F8537804	Shell Band Kit	60 pound models; Includes item 2-5
<b>10</b>	M400081	Washer	
<b>11</b>	44087301	Nut	
<b>12</b>	F8402701	Washer	
<b>13</b>	F8621601	Screw	
<b>14</b>	F8538801	Thermistor	
<b>15</b>	2251000400	Temperature Probe Grommet	
<b>16</b>	F8512102	Shell	20 pound models; Electric and dual heat
	F8514002	Shell	30 pound models; Electric and dual heat
	F8512202	Shell	40 pound models; Electric and dual heat
	F8543702	Shell	60 pound models; Electric and dual heat
	F8512202	Shell	40 pound models; Steam Heat
	F8543702	Shell	60 pound models; Steam Heat
	F8512101	Shell	20 pound models; Standard
	F8514001	Shell	30 pound models; Standard
	F8512201	Shell	40 pound models; Standard
	F8543701	Shell	60 pound models; Standard

# Bearing Housing

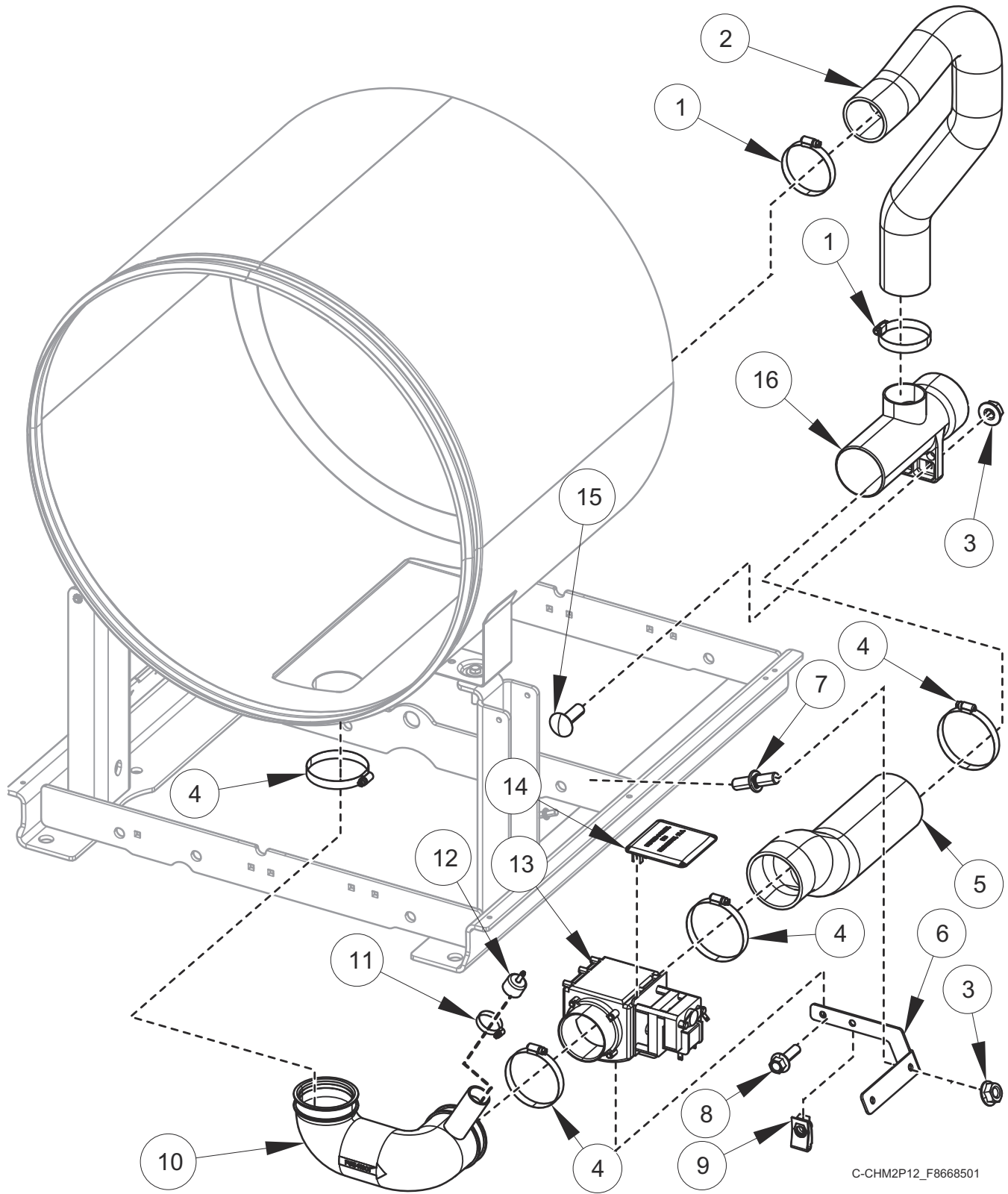


C-CHM2P6\_F8668501

# Bearing Housing

REF	PART NO.	DESCRIPTION	COMMENTS
	F8271601P	Bearing Housing Assembly	20 pound models; Includes items 1-4 and 8; Standard
	F8271602	Bearing Housing Assembly	20 pound models; Includes items 1-4 and 8; Viton
	F8271701P	Bearing Housing Assembly	30 pound models; Includes items 1-4 and 8; Standard
	F8271702	Bearing Housing Assembly	30 pound models; Includes items 1-4 and 8; Viton
	F8271801P	Bearing Housing Assembly	40 pound models; Includes items 1-4 and 8; Standard
	F8271802	Bearing Housing Assembly	40 pound models; Includes items 1-4 and 8; Viton
	F8271901P	Bearing Housing Assembly	60 pound models; Includes items 1-4 and 8; Standard
	F8271902	Bearing Housing Assembly	60 pound models; Includes items 1-4 and 8; Viton
<b>1</b>	F8203801	Triple Lip Seal	20 pound models; Standard
	F8203813	Triple Lip Seal	20 pound models; Viton
	F8203802	Triple Lip Seal	30 pound models; Standard
	F8203814	Triple Lip Seal	30 pound models; Viton
	F8203803	Triple Lip Seal	40 pound models; Standard
	F8203815	Triple Lip Seal	40 pound models; Viton
	F8203806	Triple Lip Seal	60 pound models; Standard
	F8203816	Radial Lip Seal	60 pound models; Viton
<b>2</b>	F8344901	Retaining Ring	20 pound models
	F8345001	Retaining Ring	30 pound models
	F8337801	Retaining Ring	40 pound models
	F8337901	Retaining Ring	60 pound models
<b>3</b>	F100137P	Bearing	20 and 40 pound models
	F100123P	Bearing	30 pound models
	F100135	Bearing	60 pound models
<b>4</b>	F8247902	Bearing Housing	20 pound models
	F8246802	Bearing Housing	30 pound models
	F8249902	Bearing Housing	40 pound models
	F8250902	Bearing Housing	60 pound models
<b>5</b>	F8387701	Nut	
<b>6</b>	F430339	Washer	
<b>7</b>	F8388201	Dowel Pin	
<b>8</b>	F100136P	Bearing	20 pound models
	F100108	Bearing	30 pound models
	F100134	Bearing	40 and 60 pound models
<b>9</b>	F8350302	Seal Scupper Pad	
<b>10</b>	F8368801	Screw	
<b>11</b>	F8442702	Screw	

# Drain Plumbing

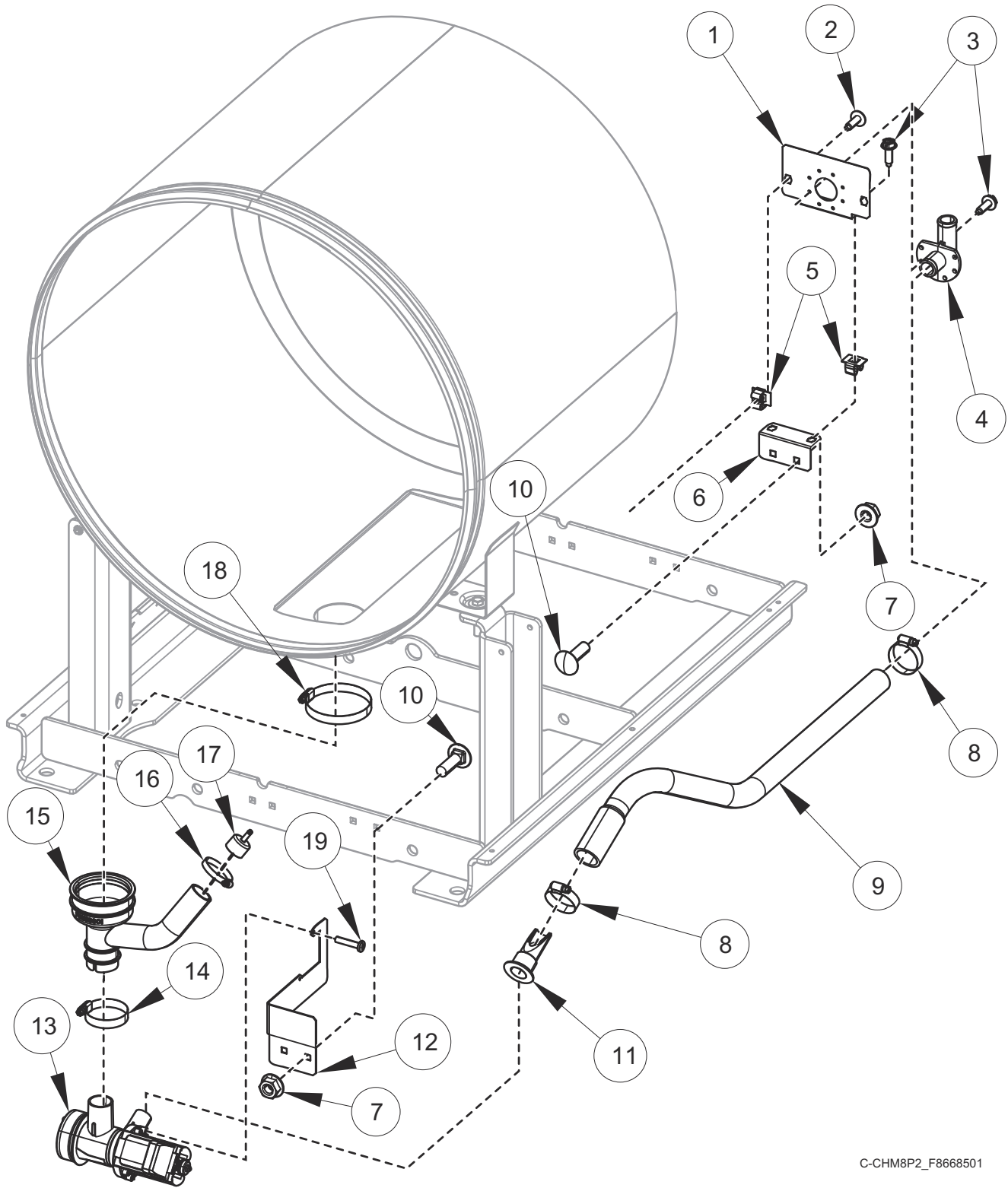


C-CHM2P12\_F8668501

## Drain Plumbing

REF	PART NO.	DESCRIPTION	COMMENTS
	F200165100	Drain Hose	
	F8520001	Drain Valve Harness	20 and 30 pound models
	F8520002	Drain Valve Harness	40 and 60 pound models
<b>1</b>	F200213	Hose Clamp	
<b>2</b>	F8522401	Overflow Hose	20 pound models
	F8521201	Overflow Hose	30 pound models
	F8522501	Overflow Hose	40 and 60 pound models
<b>3</b>	44087201	Nut	
<b>4</b>	F200201	Hose Clamp	
<b>5</b>	F8587301	Rear Drain Hose	20 pound models
	F8543001	Rear Drain Hose	30 pound models
	F8543201	Rear Drain Hose	40 pound models
	F8543501	Rear Drain Hose	60 pound models
<b>6</b>	F8587701	Drain Valve Bracket	20 pound models
	F8543101	Drain Valve Bracket	30 pound models
	F8543301	Drain Valve Bracket	40 pound models
	F8543401	Drain Valve Bracket	60 pound models
<b>7</b>	70334702	Stud	
<b>8</b>	202175	Screw	
<b>9</b>	70030401	Nut	
<b>10</b>	F8542002	Drain Hose	20 pound models
	F8541901	Drain Hose	30, 40 and 60 pound models
	F8542001	Drain Hose	40 and 60 pound models; Steam and electric heat
<b>11</b>	36802	Hose Clamp	
<b>12</b>	F8579301	Pressure Cap	
<b>13</b>	F200166302	Drain Valve Kit	3 inch; 120 Volt; Left; NO; Includes item 14; 20, 30 and 40 pound models only
	F8406308	Drain Valve	3 inch; 120 Volt; Right; NO; 20, 30 and 40 pound models only
	F200166402	Drain Valve Kit	3 inch; 220 Volt; Left; NO; Includes item 14
	F8577201	Drain Valve Kit	3 inch; 240 Volt; Right; NO; Includes item 14
<b>14</b>	F200133600	Drain Valve Cover	
<b>15</b>	F8402801	Bolt	
<b>16</b>	F8752101	Drain Tee	

# Pump Drain Plumbing - 20, 30 and 40 Pound Models

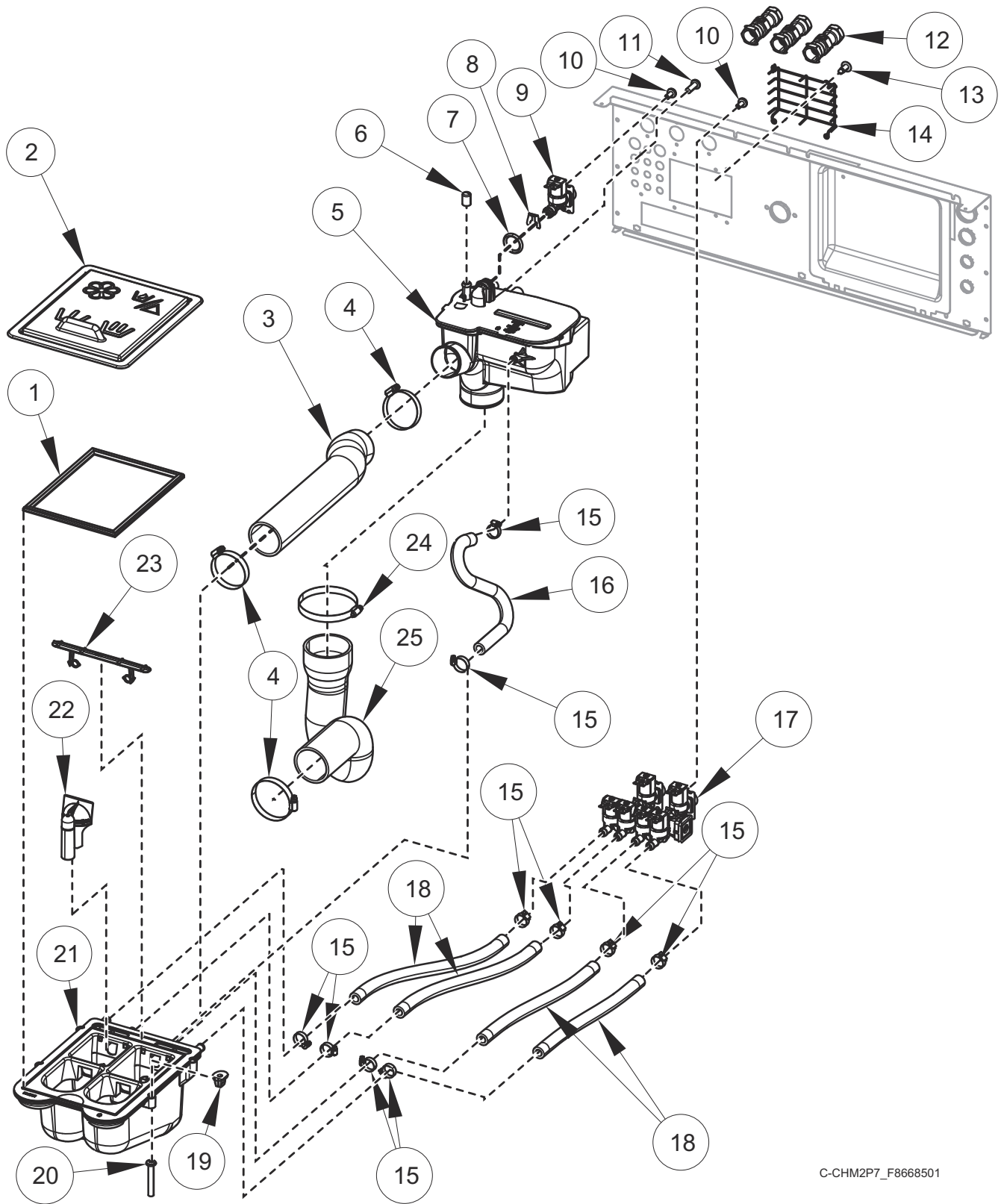


C-CHM8P2\_F8668501

## Pump Drain Plumbing - 20, 30 and 40 Pound Models

REF	PART NO.	DESCRIPTION	COMMENTS
	27154	Drain Hose	Hose to standpipe
	F150352	Overflow Plug	20 pound models
	F8520001	Drain Valve Harness	20 and 30 pound models
	F8520002	Drain Valve Harness	40 pound models
	F8749401	Pump Drain Conversion Kit	20 pound models with T in the 3rd position; B voltage
	F8749403	Pump Drain Conversion Kit	20 pound models with T in the 3rd position; Y voltage
	F8749404	Pump Drain Conversion Kit	30 pound models with T in the 3rd position; B voltage
	F8749406	Pump Drain Conversion Kit	30 pound models with T in the 3rd position; Y voltage
	F8749407	Pump Drain Conversion Kit	40 pound models with T in the 3rd position; B voltage
	F8749409	Pump Drain Conversion Kit	40 pound models with T in the 3rd position; Y voltage
<b>1</b>	F8571301	Bracket	Upper; Elbow mount
<b>2</b>	F8117601	Screw	
<b>3</b>	F8206901	Screw	
<b>4</b>	35766	Drain Hose Elbow	
<b>5</b>	70030501	Expansion Clip	
<b>6</b>	F8571401	Bracket	Lower; Elbow mount
<b>7</b>	44087201	Nut	
<b>8</b>	F200204	Hose Clamp	
<b>9</b>	F8537001	Pump Drain Rear Hose	20 pound models
	F8557001	Pump Drain Rear Hose	30 pound models
	F8557201	Pump Drain Rear Hose	40 pound models
<b>10</b>	F8402801	Bolt	
<b>11</b>	800310	Backflow Preventer	
<b>12</b>	F8536901	Pump Drain Bracket	20 pound models
	F8557101	Pump Drain Bracket	30 pound models
	F8557301	Pump Drain Bracket	40 pound models
<b>13</b>	805723	Pump Drain and Bracket Assembly	120 Volt/60 Hertz; Green
	805613	Pump Drain and Bracket Assembly	208-240 Volt/60 Hertz; Red
	804038	Pump Drain and Bracket Assembly	220-240 Volt/50 Hertz; Blue
<b>14</b>	F200215	Hose Clamp	
<b>15</b>	F8556601	Pump Drain Hose	
<b>16</b>	36802	Hose Clamp	
<b>17</b>	F8579301	Pressure Cap	
<b>18</b>	F200219	Hose Clamp	
<b>19</b>	F8658501	Screw	

# Fill Plumbing - 20 Pound Models



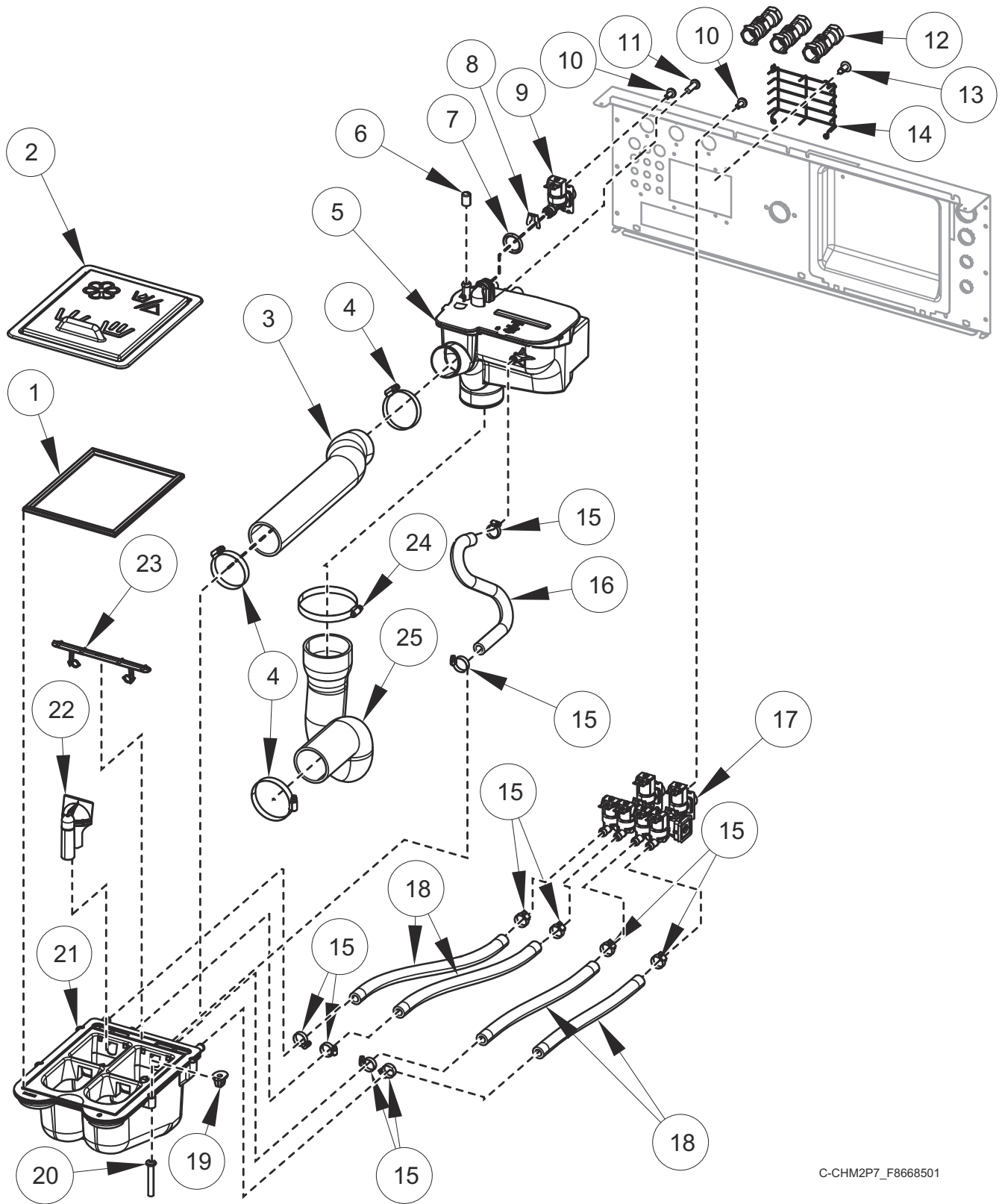
C-CHM2P7\_F8668501



## Fill Plumbing - 20 Pound Models

REF	PART NO.	DESCRIPTION	COMMENTS
	F8047403	Dispenser	Includes Items 21-23
	F8520101	Fill Valve Harness	
	F8665601	Water Hose Kit	Standard thread; Red (hot); Includes 20290 Washer and 803615 Washer Filter
	F8665603	Water Hose Kit	Standard thread; Blue (cold); Includes 20290 Washer and 803615 Washer Filter
	F8665602	Water Hose Kit	Metric thread; Red (hot); Includes 20290 Washer and 803615 Washer Filter
	F8665604	Water Hose Kit	Metric thread; Blue (cold); Includes 20290 Washer and 803615 Washer Filter
	F8671201	Fill Hose Kit	WRAS; Includes item 12 and F8665602 Water Hose Kit
	F8671202	Fill Hose Kit	WRAS; Includes item 12 and F8665604 Water Hose Kit
	F8671101	Fill Hose Kit	Australian watermark; Includes F8665602 Water Hose Kit and B12543901 Check Valve
	F8671102	Fill Hose Kit	Australian watermark; Includes F8665604 Water Hose Kit and B12543901 Check Valve
<b>1</b>	B12568601	Dispenser Gasket	
<b>2</b>	F8563204	Dispenser Cover	Black; Icons
	F8563203	Dispenser Cover	Gray; Icons
	F8563202	Dispenser Cover	Black; Icons and text
	F8563201	Dispenser Cover	Gray; Icons and text
<b>3</b>	F8529401	Supply Vacuum Hose	
<b>4</b>	F200213	Hose Clamp	
<b>5</b>	F8517503	Vacuum Breaker Assembly	With inlet and fill
	F8517502	Vacuum Breaker Assembly	With inlet
	F8517501	Vacuum Breaker Assembly	With fill
	F8517504	Vacuum Breaker Assembly	
<b>6</b>	F8197701	Cap	WRAS
<b>7</b>	F8569101	O-Ring	
<b>8</b>	F8566801	Clip	
<b>9</b>	F8565201	Valve	Standard
	F8565202	Valve	Metric
<b>10</b>	F8230301	Screw	
<b>11</b>	800548	Screw	
<b>12</b>	F8301201	Double Check Valve	WRAS
<b>13</b>	70058501	Pop Rivet	
<b>14</b>	F8589601	Vacuum Breaker Guard	
<b>15</b>	36801	Hose Clamp	
<b>16</b>	F8616401	Rear Vent Hose	
<b>17</b>	F8529701	Manifold Valve	Standard
	F8529702P	Manifold Valve	Metric
<b>18</b>	F8232007	Hose	
<b>19</b>	F0431807-00	Nut	
<b>20</b>	F8535601	Screw	
<b>21</b>	F8437902	Dispenser Weldment	
<b>22</b>	F8047901	Siphon Cover	
<b>23</b>	F8047801	Access Cover	
<b>24</b>	F200201	Hose Clamp	
<b>25</b>	F8529601	P-Trap Hose	

# Fill Plumbing - 30 Pound Models

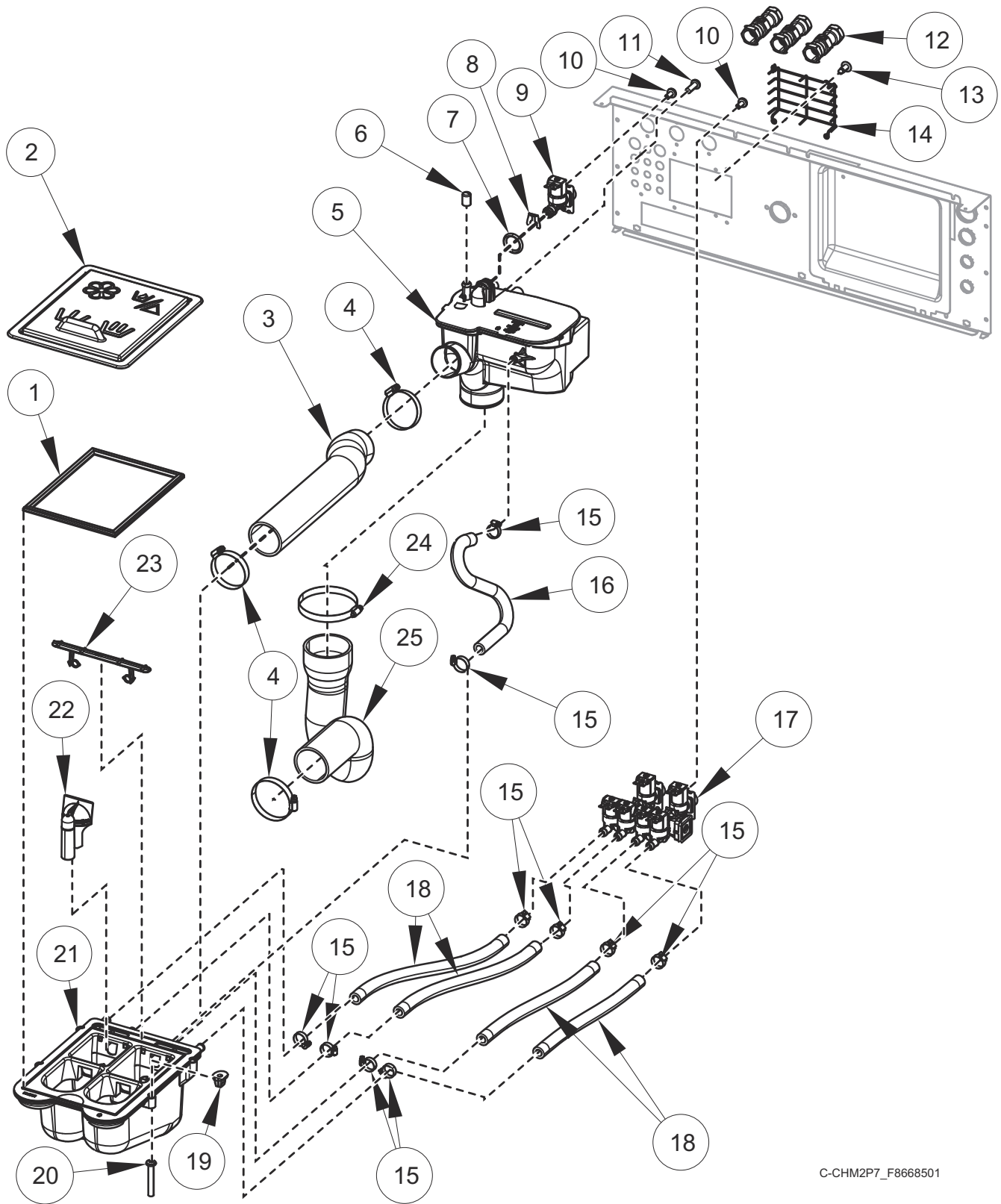


C-CHM2P7\_F8668501

## Fill Plumbing - 30 Pound Models

REF	PART NO.	DESCRIPTION	COMMENTS
	F8047403	Dispenser	Includes Items 21-23
	F8520101	Fill Valve Harness	
	F8665601	Water Hose Kit	Standard thread; Red (hot); Includes 20290 Washer and 803615 Washer Filter
	F8665603	Water Hose Kit	Standard thread; Blue (cold); Includes 20290 Washer and 803615 Washer Filter
	F8665602	Water Hose Kit	Metric thread; Red (hot); Includes 20290 Washer and 803615 Washer Filter
	F8665604	Water Hose Kit	Metric thread; Blue (cold); Includes 20290 Washer and 803615 Washer Filter
	F8671201	Fill Hose Kit	WRAS; Includes item 12 and F8665602 Water Hose Kit
	F8671202	Fill Hose Kit	WRAS; Includes item 12 and F8665604 Water Hose Kit
	F8671101	Fill Hose Kit	Australian watermark; Includes F8665602 Water Hose Kit and B12543901 Check Valve
	F8671102	Fill Hose Kit	Australian watermark; Includes F8665604 Water Hose Kit and B12543901 Check Valve
<b>1</b>	B12568601	Dispenser Gasket	
<b>2</b>	F8563204	Dispenser Cover	Black; Icons and text
	F8563203	Dispenser Cover	Gray; Icons and text
	F8563202	Dispenser Cover	Black; Icons
	F8563201	Dispenser Cover	Gray; Icons
<b>3</b>	F8529402	Supply Vacuum Hose	
<b>4</b>	F200213	Hose Clamp	
<b>5</b>	F8517503	Vacuum Breaker Assembly	With inlet and fill
	F8517502	Vacuum Breaker Assembly	With inlet
	F8517501	Vacuum Breaker Assembly	With fill
	F8517504	Vacuum Breaker Assembly	
<b>6</b>	F8197701	Cap	WRAS
<b>7</b>	F8569101	O-Ring	
<b>8</b>	F8566801	Clip	
<b>9</b>	F8565201	Valve	Standard
	F8565202	Valve	Metric
<b>10</b>	F8230301	Screw	
<b>11</b>	800548	Screw	
<b>12</b>	F8301201	Double Check Valve	WRAS
<b>13</b>	70058501	Pop Rivet	
<b>14</b>	F8589601	Vacuum Breaker Guard	
<b>15</b>	36801	Hose Clamp	
<b>16</b>	F8616402	Rear Vent Hose	
<b>17</b>	F8529701	Manifold Valve	Standard
	F8529702P	Manifold Valve	Metric
<b>18</b>	F8232011	Hose	
<b>19</b>	F0431807-00	Nut	
<b>20</b>	F8535601	Screw	
<b>21</b>	F8437902	Dispenser Weldment	
<b>22</b>	F8047901	Siphon Cover	
<b>23</b>	F8047801	Access Cover	
<b>24</b>	F200201	Hose Clamp	
<b>25</b>	F8529602	P-Trap Hose	

# Fill Plumbing - 40 Pound Models

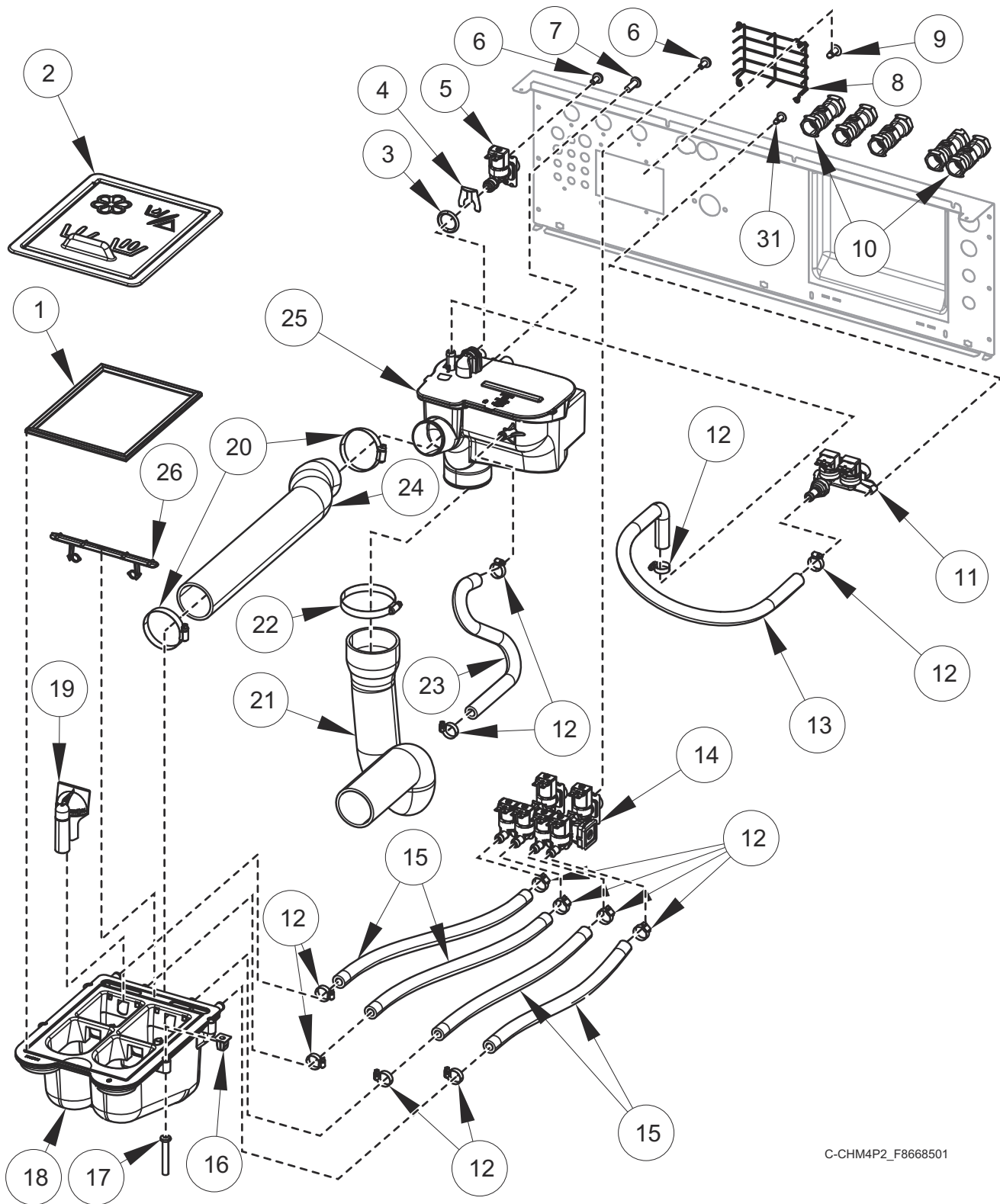


C-CHM2P7\_F8668501

## Fill Plumbing - 40 Pound Models

REF	PART NO.	DESCRIPTION	COMMENTS
	F8047403	Dispenser	Includes Items 21-23
	F8520101	Fill Valve Harness	
	F8665601	Water Hose Kit	Standard thread; Red (hot); Includes 20290 Washer and 803615 Washer Filter
	F8665603	Water Hose Kit	Standard thread; Blue (cold); Includes 20290 Washer and 803615 Washer Filter
	F8665602	Water Hose Kit	Metric thread; Red (hot); Includes 20290 Washer and 803615 Washer Filter
	F8665604	Water Hose Kit	Metric thread; Blue (cold); Includes 20290 Washer and 803615 Washer Filter
	F8671201	Fill Hose Kit	WRAS; Includes item 12 and F8665602 Water Hose Kit
	F8671202	Fill Hose Kit	WRAS; Includes item 12 and F8665604 Water Hose Kit
	F8671101	Fill Hose Kit	Australian watermark; Includes F8665602 Water Hose Kit and B12543901 Check Valve
	F8671102	Fill Hose Kit	Australian watermark; Includes F8665604 Water Hose Kit and B12543901 Check Valve
<b>1</b>	B12568601	Dispenser Gasket	
<b>2</b>	F8563204	Dispenser Cover	Black; Icons and text
	F8563203	Dispenser Cover	Gray; Icons and text
	F8563202	Dispenser Cover	Black; Icons
	F8563201	Dispenser Cover	Gray; Icons
<b>3</b>	F8529403	Supply Vacuum Hose	
<b>4</b>	F200213	Hose Clamp	
<b>5</b>	F8517503	Vacuum Breaker Assembly	With inlet and fill
	F8517502	Vacuum Breaker Assembly	With inlet
	F8517501	Vacuum Breaker Assembly	With fill
	F8517504	Vacuum Breaker Assembly	
<b>6</b>	F8197701	Cap	WRAS
<b>7</b>	F8569101	O-Ring	
<b>8</b>	F8566801	Clip	
<b>9</b>	F8565201	Valve	Standard
	F8565202	Valve	Metric
<b>10</b>	F8230301	Screw	
<b>11</b>	800548	Screw	
<b>12</b>	F8301201	Double Check Valve	WRAS
<b>13</b>	70058501	Pop Rivet	
<b>14</b>	F8589601	Vacuum Breaker Guard	
<b>15</b>	36801	Hose Clamp	
<b>16</b>	F8616402	Rear Vent Hose	
<b>17</b>	F8529701	Manifold Valve	Standard
	F8529702P	Manifold Valve	Metric
<b>18</b>	F8232010	Hose	
<b>19</b>	F0431807-00	Nut	
<b>20</b>	F8535601	Screw	
<b>21</b>	F8437902	Dispenser Weldment	
<b>22</b>	F8047901	Siphon Cover	
<b>23</b>	F8047801	Access Cover	
<b>24</b>	F200201	Hose Clamp	
<b>25</b>	F8529603	P-Trap Hose	

# Fill Plumbing - 60 Pound Models

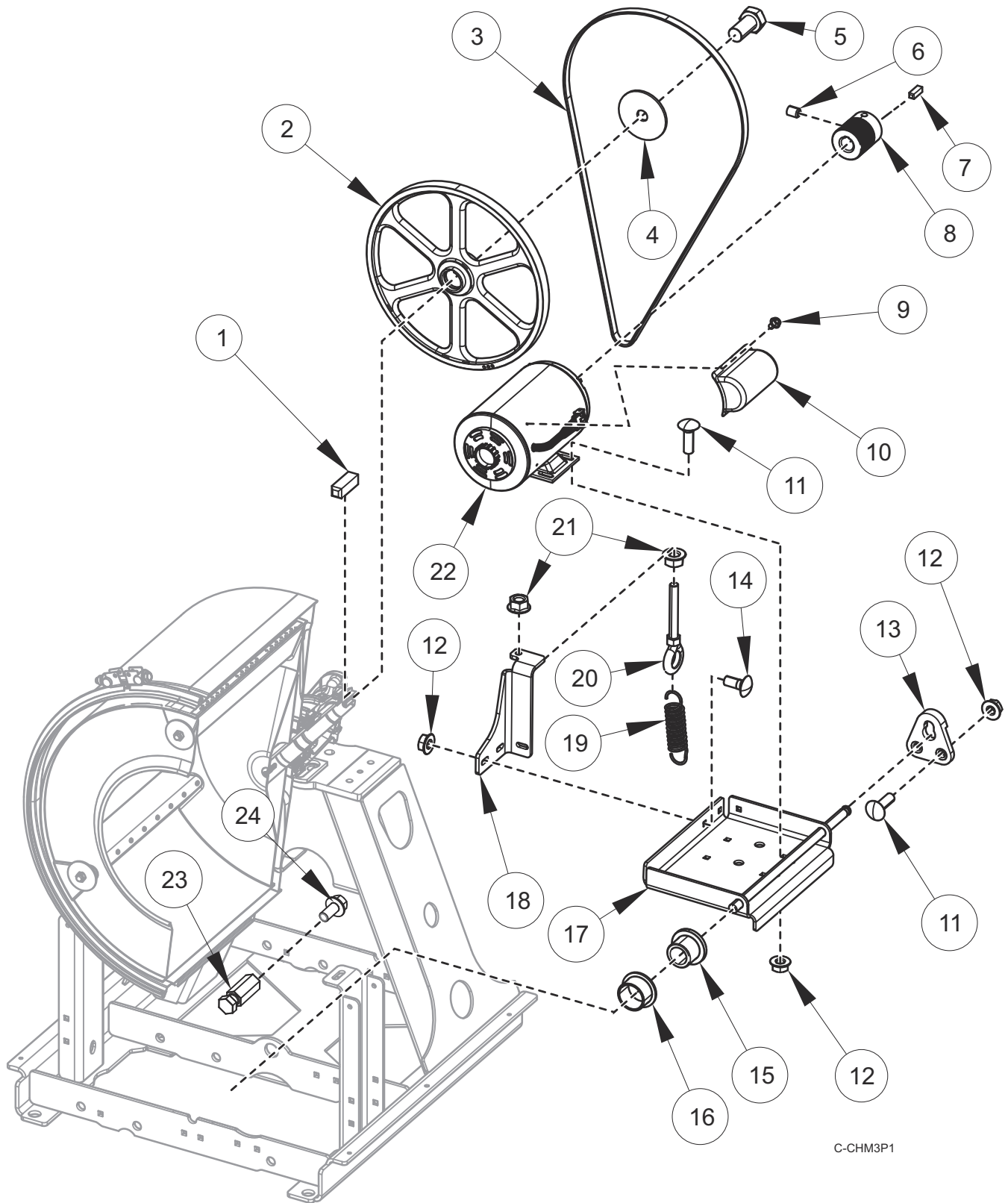


C-CHM4P2\_F8668501

## Fill Plumbing - 60 Pound Models

REF	PART NO.	DESCRIPTION	COMMENTS
	F8047403	Dispenser	Includes Items 18, 19 and 26
	24122	Mixing Valve Screen	Steel mesh
	F8161201	Mixing Valve Screen	Plastic
	F8520102	Fill Valve Harness	
	223/00243/00	Y-Connector	
	F8665601	Water Hose Kit	Standard thread; Red (hot); Includes 20290 Washer and 803615 Washer Filter
	F8665603	Water Hose Kit	Standard thread; Blue (cold); Includes 20290 Washer and 803615 Washer Filter
	F8665602	Water Hose Kit	Metric thread; Red (hot); Includes 20290 Washer and 803615 Washer Filter
	F8665604	Water Hose Kit	Metric thread; Blue (cold); Includes 20290 Washer and 803615 Washer Filter
	F8671201	Fill Hose Kit	WRAS; Includes item 11 and F8665602 Water Hose Kit
	F8671202	Fill Hose Kit	WRAS; Includes item 11 and F8665604 Water Hose Kit
	F8671101	Fill Hose Kit	Australian watermark; Includes F8665602 Water Hose Kit and B12543901 Check Valve
	F8671102	Fill Hose Kit	Australian watermark; Includes F8665604 Water Hose Kit and B12543901 Check Valve
<b>1</b>	B12568601	Dispenser Gasket	
<b>2</b>	F8563204	Dispenser Cover	Black; Icons and text
	F8563203	Dispenser Cover	Gray; Icons and text
	F8563202	Dispenser Cover	Black; Icons
	F8563201	Dispenser Cover	Gray; Icons
<b>3</b>	F8569101	O-Ring	
<b>4</b>	F8566801	Clip	
<b>5</b>	F8565201	Valve	3/4 inch; Standard
	F8565202	Valve	3/4 inch; Metric
<b>6</b>	F8230301	Screw	
<b>7</b>	800548	Screw	
<b>8</b>	F8589601	Vacuum Breaker Guard	
<b>9</b>	70058501	Pop Rivet	
<b>10</b>	F8301201	Double Check Valve	WRAS
<b>11</b>	F8434003	Mixing Valve	Standard
	F8434004	Mixing Valve	Metric
<b>12</b>	36801	Hose Clamp	
<b>13</b>	F8598501	Auxiliary Fill Hose	
<b>14</b>	F8529701	Manifold Valve	Standard
	F8529702P	Manifold Valve	Metric
<b>15</b>	F8232012	Hose	
<b>16</b>	F0431807-00	Nut	
<b>17</b>	F8535601	Screw	
<b>18</b>	F8437902	Dispenser Weldment	
<b>19</b>	F8047901	Siphon Cover	
<b>20</b>	F200213	Hose Clamp	
<b>21</b>	F8529604	P-Trap Hose	
<b>22</b>	F200201	Hose Clamp	
<b>23</b>	F8616404	Rear Vent Hose	
<b>24</b>	F8529404	Supply Vacuum Hose	
<b>25</b>	F8517503	Vacuum Breaker Assembly	With inlet and fill
	F8517502	Vacuum Breaker Assembly	With inlet; WRAS
	F8517501	Vacuum Breaker Assembly	With fill; WRAS
	F8517504	Vacuum Breaker Assembly	
<b>26</b>	F8047801	Access Cover	

# Motor, Pulley and Belt - 20 and 30 Pound Models

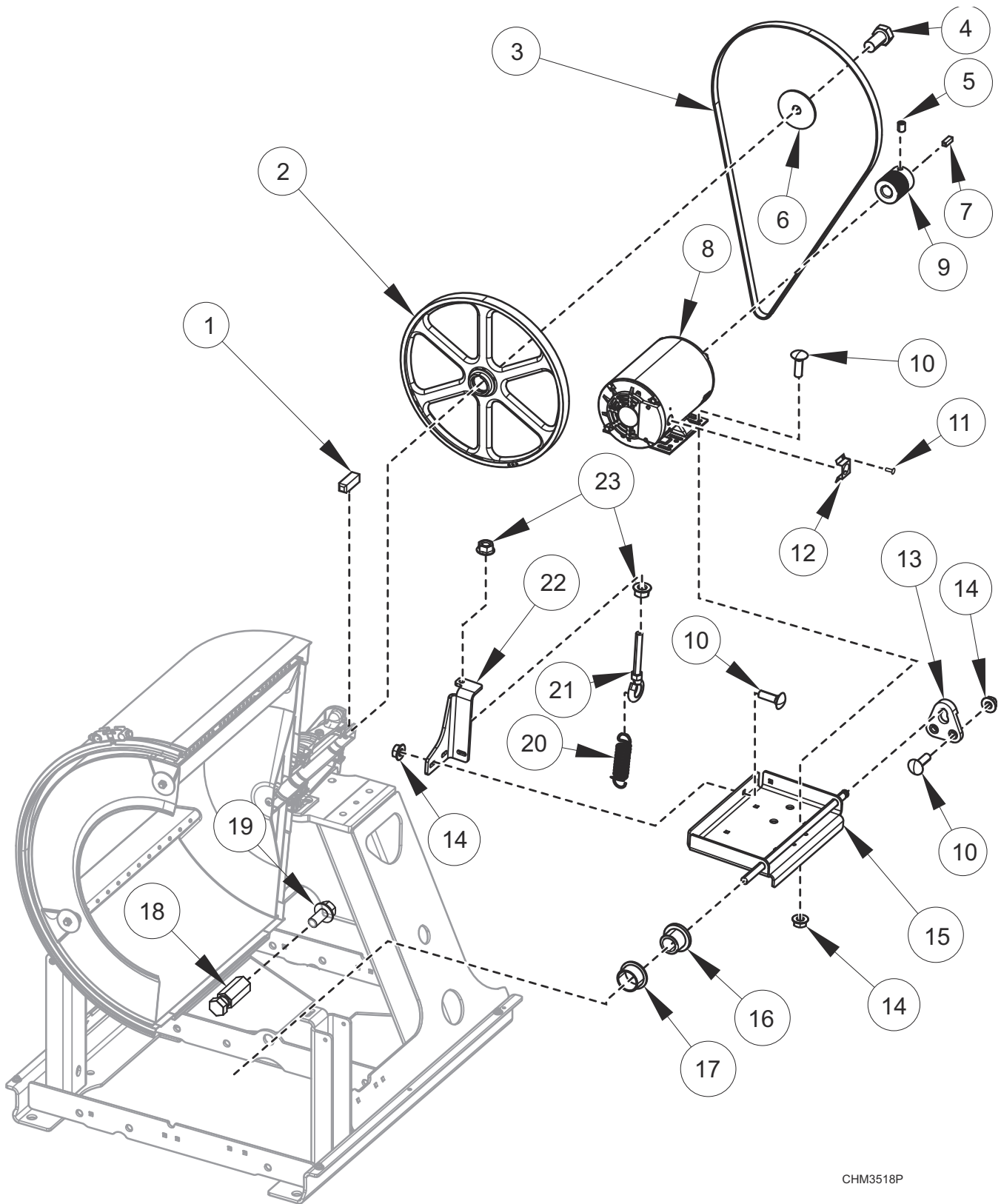




## Motor, Pulley and Belt - 20 and 30 Pound Models

REF	PART NO.	DESCRIPTION	COMMENTS
	F8733806	Gasket	EMI 17.8 inch
	F8733801	Gasket	EMI 21 inch
	F8733802	Gasket	EMI 24 inch
	F8519001	Motor Harness	1 hp; 120-240 Volt
	F8519006	Motor Harness	1 hp; 120-240 Volt; EMI filter; models through August 2021
	F8519002	Motor Harness	1 hp; 380-480 Volt
	F8519007	Motor Harness	1 hp; 380-480 Volt; EMI filter; models through August 2021
	F8748601	Spring Stud Kit	
<b>1</b>	F430801	Key	
<b>2</b>	F8511601	Basket Pulley	20 pound models
	F8511701	Basket Pulley	30 pound models
<b>3</b>	F8382811	Belt	20 pound models; Poly-V; 560J6
	F8382812	Belt	30 pound models; Poly-V; 690J6
<b>4</b>	F431115	Washer	
<b>5</b>	F8574001	Screw	
<b>6</b>	M400077	Set Screw	
<b>7</b>	H8752006H	Key	
<b>8</b>	F8525301	Motor Pulley	
<b>9</b>	23222	Screw	
<b>10</b>	70521901	Motor Conduit Mounting Bracket	Models through August 2021
	F8732401	Motor Conduit Mounting Bracket	Models starting September 2021
<b>11</b>	F8402801	Bolt	
<b>12</b>	44087201	Nut	
<b>13</b>	F8441101	Motor Rod Plate	
<b>14</b>	70062401	Bolt	
<b>15</b>	F8535202	Flanged Isolator	
<b>16</b>	F8333302	Flanged Bushing	
<b>17</b>	F8589001	Motor Bracket Weldment	
<b>18</b>	F8581201	Spring Bracket	
<b>19</b>	F310124	Extension Spring	
<b>20</b>	F8319503	Eye Bolt	
<b>21</b>	44087301	Nut	
<b>22</b>	F8509601P	Motor	1 hp; 230 Volt
	F8509701	Motor	1 hp; 460 Volt
<b>23</b>	F8634701	Stud	
<b>24</b>	70126104	Screw	

# Motor, Pulley and Belt - 40 and 60 Pound Models

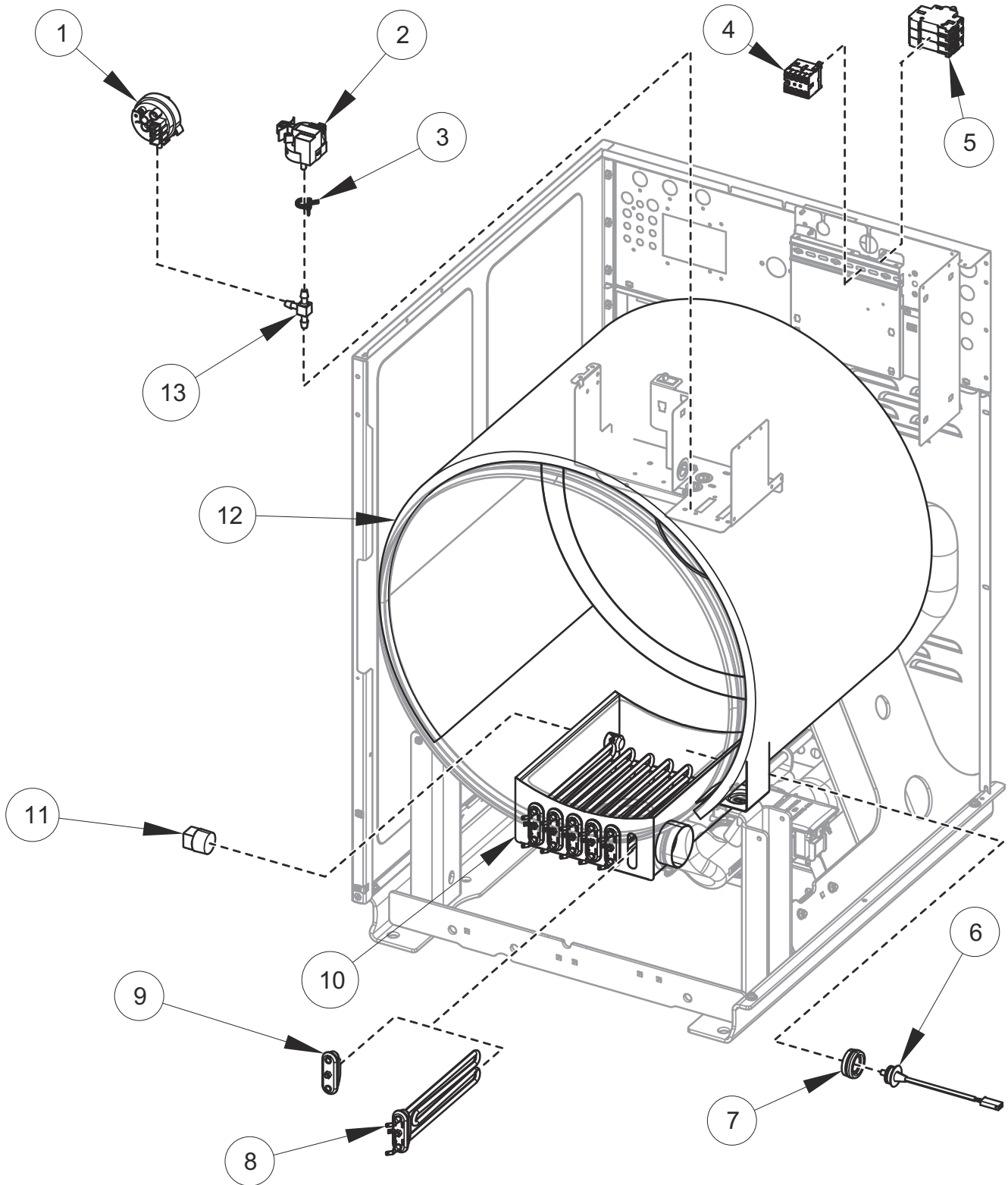


CHM3518P

## Motor, Pulley and Belt - 40 and 60 Pound Models

REF	PART NO.	DESCRIPTION	COMMENTS
	F8733806	Gasket	EMI 17.8 inch
	F8733803	Gasket	EMI 25.6 inch
	F8733804	Gasket	EMI 29 inch
	F8519003	Motor Harness	2-3 hp; 240 Volt; B, Q, W, X and Y voltage
	F8519004	Motor Harness	2-3 hp; 480 Volt; N and P voltage
	F8519008	Motor Harness	B, Q, W, X and Y voltage; EMI filter; models through August 2021
	F8519009	Motor Harness	N and P voltage; EMI filter; models through August 2021
	F8748601	Spring Stud Kit	
<b>1</b>	F430801	Key	
<b>2</b>	F8511701	Basket Pulley	40 pound models
	F8511801	Basket Pulley	60 pound models
<b>3</b>	F8382813	Belt	40 pound models; Poly-V; 717J8
	F8382818	Belt	60 pound models; Poly-V; 765J10
<b>4</b>	F8574001	Screw	
<b>5</b>	M400077	Screw	
<b>6</b>	F431115	Washer	
<b>7</b>	H8752006H	Key	
<b>8</b>	F8564101P	Motor	2 hp; 230/460 Volt; 40 pound models
	F8564102P	Motor	3 hp; 230/460 Volt; 60 pound models
<b>9</b>	F8525301	Motor Pulley	40 pound models
	F8525302	Motor Pulley	60 pound models
<b>10</b>	F8402801	Bolt	
<b>11</b>	23222	Screw	
<b>12</b>	F8732801	Bracket	
<b>13</b>	F8441101	Motor Rod Plate	
<b>14</b>	44087201	Nut	
<b>15</b>	F8589002	Motor Bracket Weldment	
<b>16</b>	F8535202	Flanged Isolator	
<b>17</b>	F8333302	Flanged Bushing	
<b>18</b>	F8634701	Stud	
<b>19</b>	70126104	Screw	
<b>20</b>	F310124	Extension Spring	40 pound models
	F8440701	Extension Spring	60 pound models
<b>21</b>	F8319503	Eye Bolt	
<b>22</b>	F8581201	Spring Bracket	
<b>23</b>	44087301	Nut	

# Electric Heating

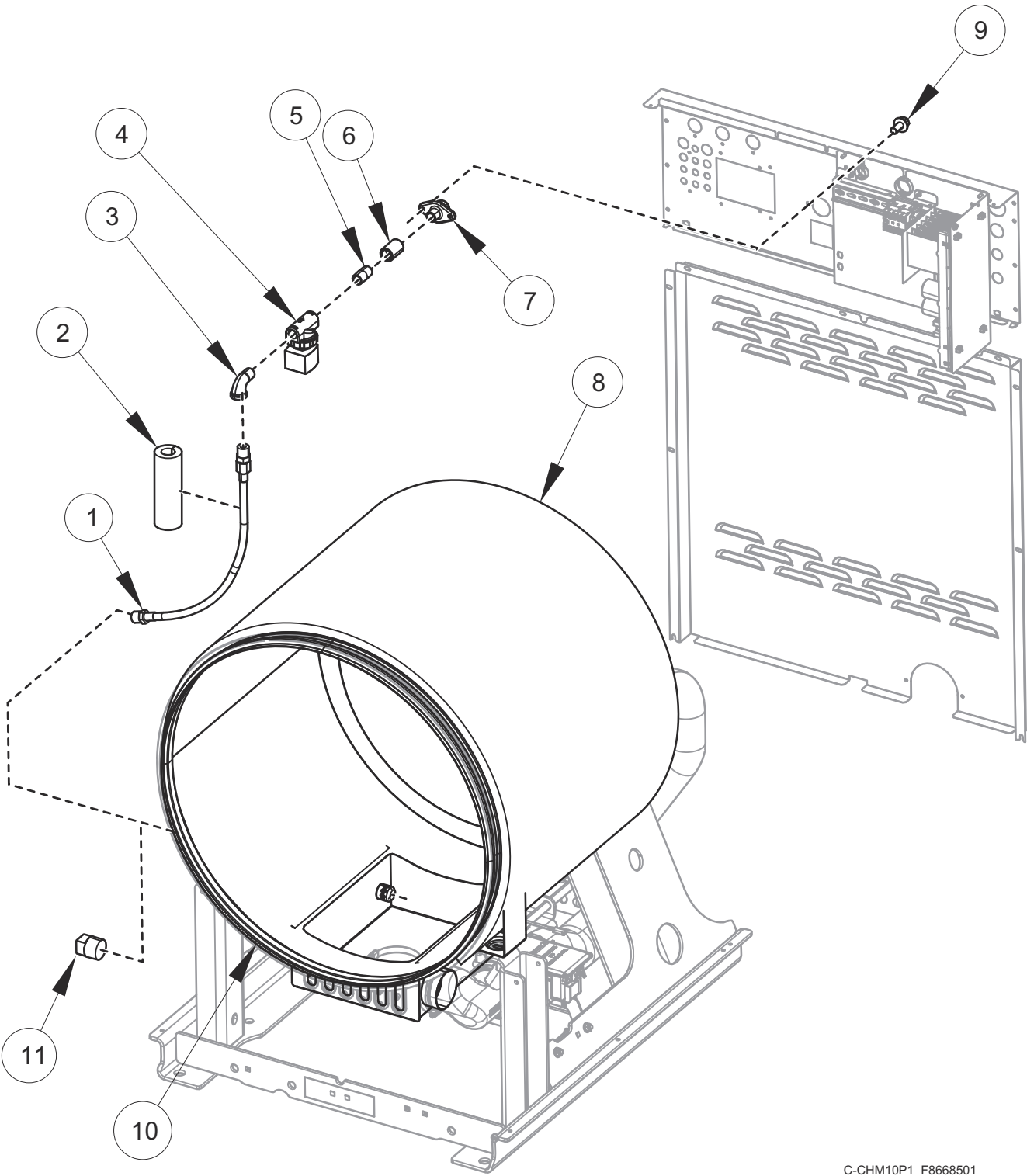


C-CHM8P6\_F8668501

# Electric Heating

REF	PART NO.	DESCRIPTION	COMMENTS
	F8584801	Electric Heat Element Harness	3 element ground
	F8584802	Electric Heat Element Harness	6 element ground
	F8619101	Power Harness	
	F8564001	Harness	Heater; 20 and 30 pound models; N and P Voltage
	F8564002	Harness	Heater; 20 and 30 pound models; Q Voltage
	F8564003	Harness	Heater; 40 and 60 pound models; N, P and Q Voltage
	F8598301	Harness	Thermistor; 20 and 30 pound models
	F8598302	Harness	Thermistor; 40 and 60 pound models
	F8568901	Jumper	40 and 60 pound models
	F8569001	Jumper	40 and 60 pound models with P voltage; 20 and 30 pound models with N and P voltage
<b>1</b>	F8609101	Water Level Pressure Switch	
<b>2</b>	F8623401	Pressure Sensor	
<b>3</b>	39282	Hose Clamp	
<b>4</b>	70482601	Contactactor	
<b>5</b>	70488101	Circuit Breaker	
<b>6</b>	F8538801	Thermistor	
<b>7</b>	2251000400	Temperature Probe Grommet	
<b>8</b>	F8568401	Heating Element	2600W; 240 Volt
	F8568402	Heating Element	3400W; 277 Volt
	F8568301	Heating Element	4200W; 230 Volt
<b>9</b>	F360202	Heating Element Plug	
<b>10</b>	F8512102	Shell	20 pound models
	F8514002	Shell	30 pound models
	F8512202	Shell	40 pound models
	F8543702	Shell	60 pound models
<b>11</b>	F420408	Plug	20, 30 and 40 pound models
	F420409	Plug	60 pound models
<b>12</b>	F8209101	Insulation	20 pound models
	F8209102	Insulation	30 pound models
	F8209103	Insulation	40 pound models
	F8209104	Insulation	60 pound models
<b>13</b>	203464	Barbed Tee	

# Steam Heating - 40 and 60 Pound Models

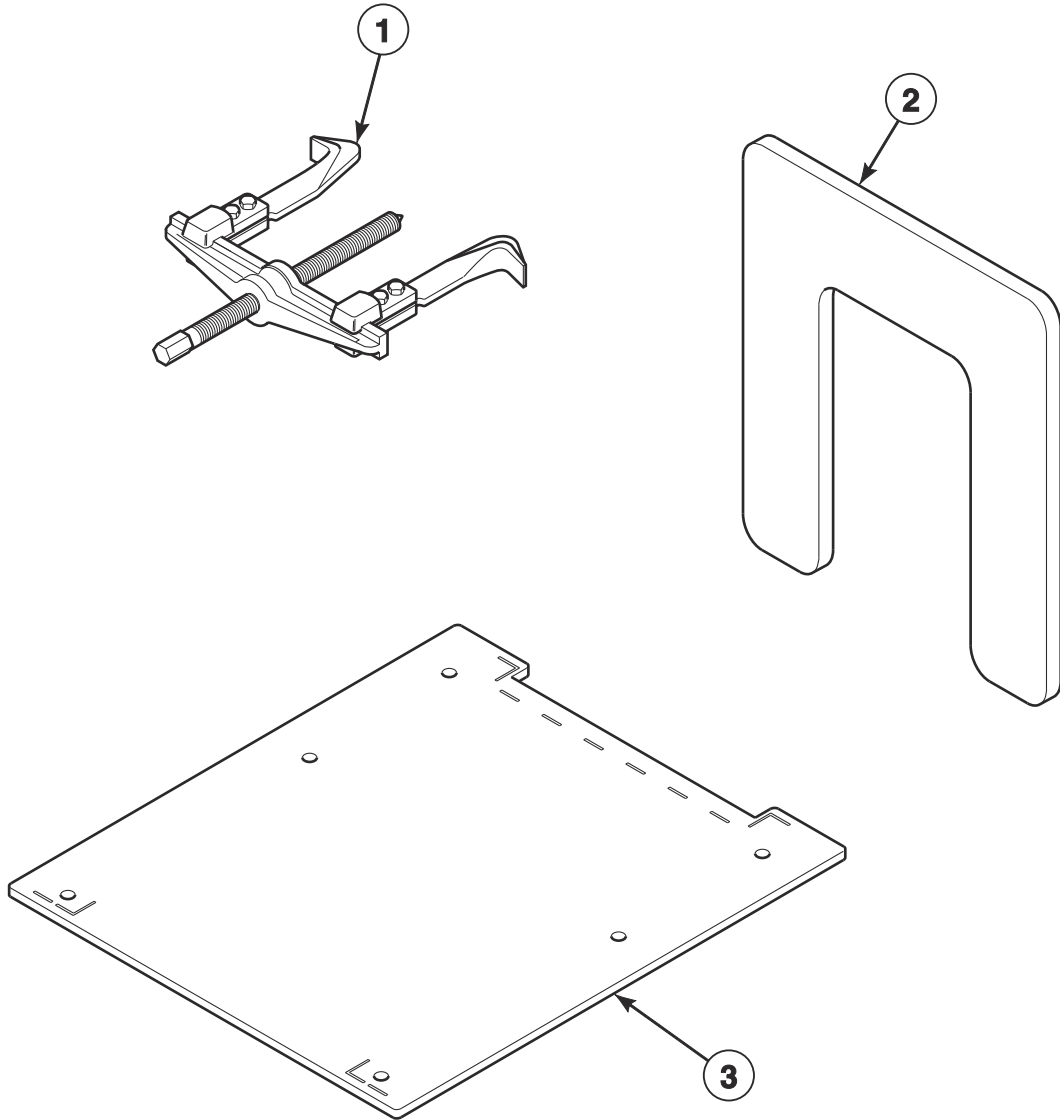


C-CHM10P1\_F8668501

## Steam Heating - 40 and 60 Pound Models

REF	PART NO.	DESCRIPTION	COMMENTS
	F8233704	Insulation	12 inches
	F8233708	Pipe Insulation	20 inches
	F410300	Pipe Insulation	36 inches
	F8662602	Steam Kit	40 pound models; Includes Items 1-7, 9, 11, 901403 Nipple, F270307 Steam Filter, F8520704 Harness, insulation and labels
	F8662601	Steam Kit	60 pound models; Includes Items 1-7, 9,11, 901403 Nipple, 70214101 Pipe Nipple, F270307 Steam Filter, F8520704 Harness, insulation and labels
	F270307	Steam Filter	1/2 inch
	F270308	Steam Filter	3/4 inch
	F8520704	Harness	Steam Valve
<b>1</b>	F200153P	Steam Hose	40 pound models
	F200197	Steam Hose	60 pound models
<b>2</b>	F8233702	Insulation	6 inches
<b>3</b>	H86070034	Street Elbow	
<b>4</b>	F8322805	Valve	
	F8515001	Coil	
<b>5</b>	70435601	Pipe Nipple	
<b>6</b>	F8116301	Coupling	
<b>7</b>	F8362701	Coupling	
<b>8</b>	F8209103	Insulation	40 pound models
	F8209104	Insulation	60 pound models
<b>9</b>	70321501	Screw	
<b>10</b>	F8512202	Shell	40 pound models
	F8543702	Shell	60 pound models
<b>11</b>	F420408	Plug	

# Special Tools and Kits



CHM3486P\_F8668501



## Special Tools and Kits

REF	PART NO.	DESCRIPTION	COMMENTS
	F8555406	Connector	8 pin: Use with 204094 Central Pay Control Assembly
	F8673205	Central Pay Kit	20, 30 and 40 pound models without external supply board; B voltage; Includes 204094 Central Pay Assembly, 202757 Transformer, F140938 Bushing, labels, hardware and harnesses
	F8673201	Central Pay Kit	20, 30 and 40 pound models without external supply board; N, P, Q, W, X and Y voltage; Includes item F140938 Snap Bushing, 204094 Central Pay Control Assembly, 202758 Transformer, hardware and harnesses
	F8673203	Central Pay Kit	20, 30 and 40 pound models with external supply board; N, P, Q, W, X and Y voltage; Includes item F140938 Snap Bushing, 204094 Central Pay Control Assembly, hardware and harnesses
	F8673202	Central Pay Kit	60 pound models without external supply board; N, P, Q, W, X and Y voltage; Includes item F140938 Snap Bushing, 204094 Central Pay Control Assembly, 202758 Transformer, hardware and harnesses
	F8673204	Central Pay Kit	60 pound models with external supply board; N, P, Q, W, X and Y voltage; Includes item F140938 Snap Bushing, 204094 Central Pay Control Assembly, hardware and harnesses
	1111P	Concrete Kit	5/8 inch
	389P4	Basket Tool Kit	Purchase; Requires item 1
	390P4-1	Basket Rental Tool Kit	Purchase; Requires item 1
	203346	USB IR Interface Kit	
<b>1</b>	F460129P	Basket Puller Tool	
<b>2</b>	F8608502P	Basket Pulley Puller Tool	Use with item 1
<b>3</b>	F8433301	Frame Template	20 pound models
	F8433401	Frame Template	30 pound models
	F8433501	Frame Template	40 pound models
	F8433601	Frame Template	60 pound models



# Parts Index

## A

Access Cover	
F8047801 .....	79, 81, 83, 85
Access Panel	
F8524001 .....	43, 45, 47, 53, 55
F8524101 .....	43, 45, 47, 53, 55
F8524201 .....	43, 49, 51, 53, 57
F8553901 .....	43, 49, 51, 53, 57
Access Panel Retaining Spacer	
F8609701 .....	43, 45, 47, 49, 51, 53, 55, 57
App Pay Overlay Kit	
44374701 .....	11, 13, 15, 19, 21, 23
Auxiliary Fill Hose	
F8598501 .....	85

## B

Backflow Preventer	
800310 .....	77
Barbed Tee	
203464 .....	11, 13, 15, 91
Basket	
F8391302 .....	71
F8391304 .....	71
F8391502 .....	71
F8391504 .....	71
F8391702 .....	71
F8391704 .....	71
F8502802 .....	71
F8502805 .....	71
Basket Capacity Label	
F8699702 .....	45, 47, 55
F8699703 .....	45, 47, 55
F8699704 .....	49, 51, 57
F8699706 .....	49, 51, 57
Basket Puller Tool	
F460129P .....	95
Basket Pulley	
F8511601 .....	87
F8511701 .....	87, 89
F8511801 .....	89
Basket Pulley Puller Tool	
F8608502P .....	95
Basket Rental Tool Kit	
390P4-1 .....	95
Basket Tool Kit	
389P4 .....	95
Bearing	
F100108 .....	73
F100123P .....	73
F100134 .....	73
F100135 .....	73
F100136P .....	73
F100137P .....	73
Bearing Housing	
F8246802 .....	73
F8247902 .....	73
F8249902 .....	73
F8250902 .....	73

Bearing Housing Assembly	
F8271601P .....	73
F8271602 .....	73
F8271701P .....	73
F8271702 .....	73
F8271801P .....	73
F8271802 .....	73
F8271901P .....	73
F8271902 .....	73
Belt	
F8382811 .....	87
F8382812 .....	87
F8382813 .....	89
F8382818 .....	89
Bolt	
F430974 .....	63, 65, 67
F8270701 .....	69
F8402801 .....	61, 75, 77, 87, 89
F8508101 .....	63, 65, 67
70062401 .....	87
Bracket	
F8571301 .....	77
F8571401 .....	77
F8732801 .....	89
Bushing	
70346501 .....	27, 29, 31, 33, 35, 37

## C

Cabinet Brace	
F8527301 .....	59
F8527401 .....	59
F8527501 .....	59
F8553201 .....	59
Cable	
F8521301 .....	59
Cap	
F8197701 .....	79, 81, 83
Card Plate Assembly	
F8201501 .....	13
Central Pay Harness	
44342801 .....	13, 15
Central Pay Kit	
F8673201 .....	95
F8673202 .....	95
F8673203 .....	95
F8673204 .....	95
F8673205 .....	95
Chemical Injection Control	
804528 .....	39
Circuit Breaker	
70488101 .....	31, 33, 35, 37, 91
Clip	
F8566801 .....	79, 81, 83, 85
Coil	
F8515001 .....	93
Coin Drawer Assembly	
F8182001 .....	25
Coin Drop	
38963P .....	19
39748 .....	19

N/A items do not appear in index.

70441601P.....	19
70441603.....	21
Coin Drop Assembly	
201141.....	19
210195.....	21
210196.....	21
38462P.....	19
38463.....	19
38464P.....	19
38467.....	21
38475.....	19
38519.....	21
70281102.....	21
70283102.....	21
70441602.....	21
70447301.....	21
70471601.....	19
70482401.....	21
70506901.....	19
Coin Drop Kit	
CK077.....	19
CK122.....	23
CK503.....	23
Coin Identification Paper	
38725.....	19, 21, 23
Coin Meter	
F0160737-00.....	21
Coin Vault Assembly	
F8529101.....	11
Coin Vault Bypass Harness	
F8519702.....	13, 15
Coin Vault Harness	
F8519701.....	11
Concrete Kit	
1111P.....	95
Connector	
F8555406.....	95
70493102.....	39
Contactora	
F330188P.....	91
70482601.....	27, 29, 31, 33, 35, 37
70482701.....	27, 29, 31, 33, 35, 37
Contactora Tray	
F8530901.....	27, 29, 31, 33, 35, 37
Control Assembly	
F8493901P.....	11, 13, 15
Control Panel Assembly	
F8523701.....	43
F8523704.....	53
F8523801.....	43
F8523802.....	53
F8523901.....	43
F8523904.....	53
F8553701.....	43
F8553704.....	53
F8686601.....	45, 47
F8686701.....	45, 47
F8686801.....	49, 51
F8686901.....	49, 51
F8697102.....	55
F8697202.....	55
F8697302.....	57
F8697402.....	57
Control Tray	
F8530701.....	17

Coupling	
F8116301.....	93
F8362701.....	93

## D

Danger Label	
F8614501.....	9
DIN Rail	
B12315401.....	31, 33, 35, 37
M412689.....	27, 29, 31, 33, 35, 37
Dispenser	
F8047403.....	79, 81, 83, 85
Dispenser Bracket	
F8525701.....	59
Dispenser Cover	
F8563201.....	79, 81, 83, 85
F8563202.....	79, 81, 83, 85
F8563203.....	79, 81, 83, 85
F8563204.....	79, 81, 83, 85
Dispenser Gasket	
B12568601.....	79, 81, 83, 85
Dispenser Weldment	
F8437902.....	79, 81, 83, 85
Door	
F8507501P.....	63
F8507502.....	63
F8507602.....	65
F8507701.....	67
F8507702.....	67
F8752601.....	65
Door Assembly	
F8617203.....	63
F8617204.....	63
F8617205.....	63
F8617206.....	63
F8617303.....	65
F8617304.....	65
F8617305.....	65
F8617306.....	65
F8617313.....	65
F8617314.....	65
F8617315.....	65
F8617316.....	65
F8617403.....	67
F8617404.....	67
F8617405.....	67
F8617406.....	67
F8617413.....	67
F8617415.....	67
F8617416.....	67
Door Bezel	
F0170426-30.....	43, 49, 51, 53, 57
F8658801.....	43, 45, 47, 53, 55
F8658901.....	43, 45, 47, 53, 55
Door Gasket	
F200000202.....	63
F8111502.....	67
F8111602.....	65
Door Glass	
F8485301P.....	65
F8485305.....	65
F8485401.....	67
F8485405.....	67
F8675701P.....	63

N/A items do not appear in index.

Door Glass Trim			Drain Valve Kit	
F8583201	63		F200166302	75
F8583202	65		F200166402	75
F8583203	67		F8577201	75
F8583204	63		Drive Assembly	
F8583205	65		F8495401P	41
F8583206	67		F8496001	41
Door Handle			F8496301P	41
F8544701	63, 65, 67		F8496901P	41
Door Handle Spacer Kit			Drive Communication Harness	
F8567501	63, 65, 67		F8519201	41
Door Hinge			F8519202	41
F190216P	63, 65, 67		F8519203	41
Door Hinge Shim Kit			F8519204	41
F200131000P	63, 65, 67		Drive Mounting Bracket	
Door Latch Arm Assembly			F8322401	41
F8221403	63, 65, 67		Drive Panel Base Assembly	
Door Lock Assembly			F8567001	27, 29, 31, 33
F8632401	69		F8567002	31, 33
Door Lock Catch			F8567003	35, 37
F8344501	69		F8567004	35, 37
Door Lock Cover			Drive Power Harness	
F8245001	69		F8518601	41
Door Lock Harness			F8518602	41
F8520201	69		F8518603	41
F8520202	69		Drive Shield	
Door Lock Microswitch			F8616901	27, 29, 31, 33, 35, 37
F200203200	69		Drive Terminal Tray	
Door Lock Plate Assembly			F8530801	27, 29, 31, 33
F8223202	69		F8530803	35, 37
Door Lock Plate Shim				
F83344401	69			
Door Lock Solenoid Replacement Kit			<b>E</b>	
F977P3	69		Electric Heat Element Harness	
Door Lock Switch Lever			F8584801	91
F8223401	69		F8584802	91
Door Mount			Electronic Coin Drop Assembly	
F150271	63, 65, 67		70294107	23
Double Check Valve			70513302	23
F8301201	79, 81, 83, 85		70513303	23
Dowel Pin			70513304	23
F8388201	73		70513306	23
Drain Hose			70513309	23
F200165100	75		70513310	23
F8541901	75		70513311	23
F8542001	75		70513312	23
F8542002	75		70513313	23
27154	77		70513314	23
Drain Hose Elbow			70513315	23
35766	77		70513316	23
Drain Tee			Electronic Coin Drop Kit	
F8752101	75		CK099	23
Drain Valve			CK100	23
F8406308	75		CK101	23
Drain Valve Bracket			CK108	23
F8543101	75		CK109	23
F8543301	75		CK110	23
F8543401	75		CK113	23
F8587701	75		CK115	23
Drain Valve Cover			CK116	23
F200133600	75		CK117	23
Drain Valve Harness			CK118	23
F8520001	75, 77		CK119	23
F8520002	75, 77		CK120	23
			CK121	23
			CK500	23

N/A items do not appear in index.

Emergency Stop Bypass Harness	
F8519403 .....	13, 15
F8549403 .....	11
EMI Filter	
F8591601 .....	27, 31
F8591801 .....	29, 33, 35
F8637501 .....	29, 33, 37
End Stop	
F8449801 .....	27, 29, 31, 33, 35, 37
Excluder Seal	
F8337002 .....	71
Expansion Clip	
70030501 .....	17, 27, 29, 31, 33, 35, 37, 41, 43, 45, 47, 49, 51, 53, 55, 57, 59, 61, 69, 77
Extension Spring	
F310124 .....	87, 89
F8440701 .....	89
External Supply Kit	
F8662501 .....	39
F8662502 .....	39
F8662503 .....	39
F8662504 .....	39
F8662505 .....	39
F8662506 .....	39
F8662507 .....	39
F8662508 .....	39
Eye Bolt	
F8319503 .....	87, 89

## F

Fill Hose Kit	
F8671101 .....	79, 81, 83, 85
F8671102 .....	79, 81, 83, 85
F8671201 .....	79, 81, 83, 85
F8671202 .....	79, 81, 83, 85
Fill Valve Harness	
F8520101 .....	79, 81, 83
F8520102 .....	85
Filter Kit	
F8662801 .....	27
F8662802 .....	31
F8662803 .....	29
F8662804 .....	33, 35
F8662805 .....	29
F8662806 .....	33, 37
F8662809 .....	29
F8662810 .....	29
F8662811 .....	33, 35
F8662812 .....	33, 37
Flanged Bushing	
F8333302 .....	87, 89
Flanged Isolator	
F8535202 .....	87, 89
Fob Communication Harness	
F8719301 .....	15
Fob Reader Control Assembly	
205135 .....	15
Frame Template	
F8433301 .....	95
F8433401 .....	95
F8433501 .....	95
F8433601 .....	95
Front Panel	
F8524301 .....	43

N/A items do not appear in index.

F8524302 .....	53, 55
F8524401 .....	43
F8524402 .....	53, 55
F8524501 .....	43
F8524502 .....	53, 57
F8554001 .....	43
F8554002 .....	53, 57
F8686001 .....	45, 47
F8686101 .....	45, 47
F8686201 .....	49, 51
F8686301 .....	49, 51
Front Tray Assembly	
F8531001 .....	11, 13, 15
F8567301 .....	11
F8567302 .....	11
F8567303 .....	11
F8567304 .....	11
F8567305 .....	11
F8567306 .....	11
F8567307 .....	13, 15
F8567308 .....	13, 15
F8567309 .....	13, 15
F8567310 .....	13, 15
F8567311 .....	13, 15
F8567312 .....	13, 15

## G

Gasket	
F8542601 .....	59
F8733801 .....	87
F8733802 .....	87
F8733803 .....	89
F8733804 .....	89
F8733806 .....	87, 89
Gateway	
205391P .....	17
Ground Lug Connector	
M411283 .....	27, 29, 31, 33, 35, 37

## H

Harness	
F8518401 .....	29, 33, 35
F8518402 .....	27, 29
F8518403 .....	33, 35
F8518404 .....	27, 29, 35
F8518405 .....	27, 31
F8518501 .....	27, 29, 33, 37
F8518502 .....	29
F8518503 .....	33, 37
F8518504 .....	29, 33
F8518604 .....	31
F8518605 .....	29, 33, 37, 41
F8518606 .....	29, 33, 37, 41
F8518607 .....	35
F8519301 .....	11, 13, 15
F8519501 .....	11, 13, 15
F8519502 .....	11, 13, 15
F8519601 .....	11, 13, 15
F8520601 .....	39
F8520602 .....	39
F8520704 .....	93
F8528001 .....	29, 31, 33, 35, 37
F8528002 .....	29

F8528003	31, 33, 35, 37
F8528004	27, 31
F8528005	29, 33, 35, 37
F8528006	27, 31
F8528203	39
F8528204	39
F8564001	91
F8564002	91
F8564003	91
F8598301	71, 91
F8598302	71, 91
F8619102	27, 29, 31, 33, 35, 37
<b>Heating Element</b>	
F8568301	91
F8568401	91
F8568402	91
<b>Heating Element Plug</b>	
F360202	91
<b>Hole Plug</b>	
F8223801	59
<b>Hose</b>	
F8232007	79
F8232010	83
F8232011	81
F8232012	85
<b>Hose Clamp</b>	
F200201	75, 79, 81, 83, 85
F200204	77
F200213	75, 79, 81, 83, 85
F200215	77
F200219	77
36801	79, 81, 83, 85
36802	75, 77
39282	11, 13, 15, 91
<b>Hot Surface Warning Label</b>	
F8609001	9
F8614301	9

## I

<b>Input and Output Control Assembly</b>	
F8494101P	17
<b>Instruction Label</b>	
F8698801	45, 47, 49, 51, 55, 57
F8698901	45, 47, 49, 51, 55, 57
<b>Insulation</b>	
F8209101	91
F8209102	91
F8209103	91, 93
F8209104	91, 93
F8233702	93
F8233704	93
<b>Insulator</b>	
M413862	27, 29, 31, 33, 35, 37

## J

<b>Jumper</b>	
F8568901	91
F8569001	91
F8583501	31, 33, 35, 37

## K

<b>Key</b>	
F160420	25
F430801	87, 89
H8752006H	87, 89
70155603	59

## L

<b>Label</b>	
D516100	27, 29, 31, 33, 35, 37
F8601301	9
F8602401	9
F8609401	9
F8611301	9, 59
F8611401	9, 59
F8614801	9
203853	9
44286801	27, 31
44286803	29, 33, 37

## M

<b>Machine ID Control Assembly</b>	
203361P	11, 13, 15
<b>Magnet</b>	
F8390801	63, 65, 67
<b>Manifold Valve</b>	
F8529701	79, 81, 83, 85
F8529702P	79, 81, 83, 85
<b>Mixing Valve</b>	
F8434003	85
F8434004	85
<b>Mixing Valve Screen</b>	
F8161201	85
24122	85
<b>Motor</b>	
F8509601P	87
F8509701	87
F8564101P	89
F8564102P	89
<b>Motor Bracket Weldment</b>	
F8589001	87
F8589002	89
<b>Motor Conduit Mounting Bracket</b>	
F8732401	87
70521901	87
<b>Motor Harness</b>	
F8519001	87
F8519002	87
F8519003	89
F8519004	89
F8519006	87
F8519007	87
F8519008	89
F8519009	89
<b>Motor Pulley</b>	
F8525301	87, 89
F8525302	89
<b>Motor Rod Plate</b>	
F8441101	87, 89

N/A items do not appear in index.

Mounting Plate	
70208801 .....	13, 15

**N**

Nut	
C001236 .....	63, 65, 67
F0431807-00.....	79, 81, 83, 85
F430215 .....	23, 63, 65, 67
F430218 .....	71
F430225 .....	69
F430232 .....	63, 65, 67, 69
F431024 .....	69
F431041 .....	63, 65, 67
F8387701 .....	73
44087201 .....	61, 75, 77, 87, 89
44087301 .....	71, 87, 89
44088001 .....	27, 29, 31, 33, 35, 37
44088801 .....	59
685846 .....	11, 13, 15, 19, 21
70030401 .....	75
70054 .....	15

**O**

Opto Coupler	
200674P.....	19, 21
O-Ring	
F8569101 .....	79, 81, 83, 85
Overflow Hose	
F8521201 .....	75
F8522401 .....	75
F8522501 .....	75
Overflow Plug	
F150352 .....	77
Overlay	
F8591001 .....	43, 47
F8591002 .....	47
F8591101 .....	43, 47
F8591102 .....	47
F8591201 .....	43, 51
F8591202 .....	51
F8591301 .....	51
F8591302 .....	51
F8593901 .....	43, 47
F8593902 .....	43, 47
F8593903 .....	53
F8594001 .....	47
F8594002 .....	47
F8594003 .....	53
F8594101 .....	43, 51
F8594102 .....	43, 51
F8594103 .....	53, 57
F8594201 .....	43, 51
F8594202 .....	43, 51
F8594203 .....	53, 57
F8594501 .....	43, 47
F8594502 .....	43, 45, 47
F8594503 .....	53, 57
F8594601 .....	43, 47
F8594602 .....	43, 47
F8594603 .....	53, 57
F8594701 .....	43, 51
F8594702 .....	43, 51
F8594703 .....	53, 57

F8594801 .....	43, 51
F8594802 .....	43, 51
F8594803 .....	53, 57
F8691703 .....	55
F8691803 .....	55
F8692201 .....	45
F8692203 .....	55
F8692301 .....	45
F8692302 .....	45
F8692303 .....	55
F8692401 .....	49
F8692402 .....	49
F8692501 .....	49
F8692502 .....	49
F8692701 .....	45
F8692702 .....	45
F8692703 .....	55
F8692801 .....	45
F8692802 .....	45
F8692803 .....	55
F8692901 .....	49
F8692902 .....	49
F8693001 .....	49
F8693002 .....	49
F8693201 .....	45
F8693202 .....	45
F8693203 .....	55
F8693301 .....	45
F8693302 .....	45
F8693303 .....	55
F8693401 .....	49
F8693402 .....	49
F8693501 .....	49
F8693502 .....	49
F8693701 .....	45
F8693702 .....	45
F8693703 .....	55, 57
F8693704 .....	55, 57
F8693705 .....	45
F8693801 .....	45
F8693802 .....	45
F8693803 .....	55, 57
F8693804 .....	55, 57
F8693805 .....	45
F8694001 .....	49
F8694002 .....	49
F8694005 .....	49
F8727501 .....	47
F8727502 .....	47
F8727601 .....	47
F8727602 .....	47
F8727701 .....	51
F8727702 .....	51
F8727801 .....	51
F8727802 .....	51
F8734201 .....	15, 55, 57
F8736501 .....	15
F9693901 .....	49
F9693902 .....	49
F9693905 .....	49
70556501 .....	53, 55, 57
70556502 .....	53, 55, 57
70645601 .....	45, 47

**P**

Panel Locator	
56079 .....	43, 45, 47, 49, 51, 53, 55, 57, 61

N/A items do not appear in index.



Panel Lock 44089303P .....	59
Pin	
F8302701 .....	71
F8502101 .....	61
Pinch Warning Label	
F8615701 .....	9
70538401 .....	9
Pipe Insulation	
F410300 .....	93
F8233708 .....	93
Pipe Nipple	
70435601 .....	93
Plug	
F420408 .....	91, 93
F420409 .....	91
F8223901 .....	59
M400985 .....	59
Pop Rivet	
F431215 .....	43, 45, 47, 49, 51, 53, 55, 57, 59
F431223 .....	63, 65, 67
M400003 .....	17, 27, 29, 31, 33, 35, 37
70058501 .....	11, 19, 21, 27, 29, 31, 33, 35, 37, 79, 81, 83, 85
70412601 .....	43, 45, 47, 49, 51, 53, 55, 57
Power Distribution Block	
M413865 .....	27, 29, 31, 33, 35, 37
Power Distribution Block Cover	
44014901P .....	27, 29, 31, 33, 35, 37
Power Harness	
F8619101 .....	27, 29, 31, 33, 35, 37, 91
Pressure Cap	
F8579301 .....	75, 77
Pressure Sensor	
F8623401 .....	11, 13, 15, 91
P-Trap Hose	
F8529601 .....	79
F8529602 .....	81
F8529603 .....	83
F8529604 .....	85
Pulse Expander Assembly	
F8034701P .....	23
Pump Drain and Bracket Assembly	
804038 .....	77
805613 .....	77
805723 .....	77
Pump Drain Bracket	
F8536901 .....	77
F8557101 .....	77
F8557301 .....	77
Pump Drain Conversion Kit	
F8749401 .....	77
F8749403 .....	77
F8749404 .....	77
F8749406 .....	77
F8749407 .....	77
F8749409 .....	77
Pump Drain Hose	
F8556601 .....	77
Pump Drain Rear Hose	
F8537001 .....	77
F8557001 .....	77
F8557201 .....	77
Pushbutton Switch	
70413301 .....	59

## R

Radial Lip Seal	
F8203816 .....	73
Rear Drain Hose	
F8543001 .....	75
F8543201 .....	75
F8543501 .....	75
F8587301 .....	75
Rear Panel	
F8527001 .....	59
F8527101 .....	59
F8527201 .....	59
F8554501 .....	59
Rear Vent Hose	
F8616401 .....	79
F8616402 .....	81, 83
F8616404 .....	85
Reed Switch Assembly	
F8066804 .....	69
Retaining Ring	
F8337801 .....	73
F8337901 .....	73
F8344901 .....	73
F8345001 .....	73
Rivet	
M412763 .....	43, 45, 47, 49, 51, 53, 55, 57, 61
Rod	
F602813-2 .....	63, 65, 67

## S

Screw	
D503688 .....	41
F430532 .....	63
F430533 .....	65, 67
F430536 .....	63, 65, 67
F8117601 .....	43, 45, 47, 49, 51, 53, 55, 57, 59, 61, 69, 77
F8206901 .....	17, 27, 29, 31, 33, 35, 37, 59, 77
F8230301 .....	79, 81, 83, 85
F8368801 .....	73
F8442702 .....	73
F8535501 .....	63, 65, 67
F8535502 .....	43, 45, 47, 49, 51
F8535601 .....	79, 81, 83, 85
F8574001 .....	87, 89
F8589501 .....	43, 45, 47, 49, 51, 53, 55, 57
F8621601 .....	71
F8658501 .....	77
F8673701 .....	71
M400077 .....	89
202175 .....	75
23222 .....	87, 89
33562 .....	59
39733 .....	27, 29, 31, 33, 35, 37
403497 .....	39
430497 .....	17
51780 .....	59
51783 .....	27, 29, 31, 33, 35, 37
685837 .....	27, 29, 31, 33, 35, 37
70126104 .....	87, 89
70321501 .....	93
800548 .....	79, 81, 83, 85

N/A items do not appear in index.

Seal Scupper Pad	
F8350302 .....	73
Set Screw	
M400077 .....	87
Shaft Seal Sleeve Kit	
F8343906P .....	71
Shell	
F8512101 .....	71
F8512102 .....	71, 91
F8512201 .....	71
F8512202 .....	71, 91, 93
F8514001 .....	71
F8514002 .....	71, 91
F8543701 .....	71
F8543702 .....	71, 91, 93
Shell Band Kit	
F8537801 .....	71
F8537802 .....	71
F8537803 .....	71
F8537804 .....	71
Shell Front	
F8222301 .....	71
F8222401 .....	71
F8222501 .....	71
F8222601 .....	71
Shock Warning Label	
F8614201 .....	9
Side Panel	
F8524601 .....	61
F8524602 .....	61
F8524603 .....	61
F8524604 .....	61
F8524701 .....	61
F8524702 .....	61
F8524703 .....	61
F8524704 .....	61
F8524801 .....	61
F8524802 .....	61
F8524803 .....	61
F8524804 .....	61
F8554201 .....	61
F8554202 .....	61
F8554203 .....	61
F8554204 .....	61
Siphon Cover	
F8047901 .....	79, 81, 83, 85
Snap Bushing	
F140938 .....	11, 13, 15, 27, 29, 31, 33, 35, 37, 39
M402542 .....	11, 13, 15
M411826 .....	11, 13, 15
Spacer	
F431901 .....	69
Spring Bracket	
F8581201 .....	87, 89
Spring Pin	
F431222 .....	63, 65, 67
Spring Stud Kit	
F8748601 .....	87, 89
Steam Filter	
F270307 .....	93
F270308 .....	93
Steam Hose	
F200153P .....	93
F200197 .....	93
Steam Kit	
F8662601 .....	93

F8662602 .....	93
Street Elbow	
H86070034 .....	93
Stud	
F8634701 .....	87, 89
70334702 .....	75
Supply Vacuum Hose	
F8529401 .....	79
F8529402 .....	81
F8529403 .....	83
F8529404 .....	85

---

## T

Temperature Probe Grommet	
2251000400 .....	71, 91
Terminal	
00622SG .....	17, 27, 29, 31, 33, 35, 37
Terminal Block	
430642 .....	27, 29, 31, 33, 35, 37
Terminal Block Shield	
70333001 .....	27, 29, 31, 33, 35, 37
Terminal Tray Cover	
F8518301 .....	59
Thermistor	
F8538801 .....	71, 91
Top Cover	
F8525401 .....	59
F8525501 .....	59
F8525601 .....	59
F8554301 .....	59
Top Cover Hinge	
F8258601 .....	59
Top Cover Latch	
F8201001 .....	43, 45, 47, 49, 51, 53, 55, 57
Torsion/Door Lock Spring	
F8070301 .....	69
Transformer	
F8491101 .....	17
202757 .....	17
202758 .....	17
Triple Lip Seal	
F8203801 .....	73
F8203802 .....	73
F8203803 .....	73
F8203806 .....	73
F8203813 .....	73
F8203814 .....	73
F8203815 .....	73
Tubing	
F8405302 .....	11, 13, 15
F8405303 .....	11, 13, 15

---

## U

USB IR Interface Kit	
203346 .....	95

N/A items do not appear in index.

**V**

Vacuum Breaker Assembly  
 F8517501..... 79, 81, 83, 85  
 F8517502..... 79, 81, 83, 85  
 F8517503..... 79, 81, 83, 85  
 F8517504..... 79, 81, 83, 85

Vacuum Breaker Guard  
 F8589601..... 79, 81, 83, 85

Valve  
 F8322805..... 93  
 F8565201..... 79, 81, 83, 85  
 F8565202..... 79, 81, 83, 85

Valve Panel  
 F8513101..... 59  
 F8513201..... 59  
 F8513301..... 59  
 F8554401..... 59

Vend Plate  
 F8632501..... 63, 65, 67

**Y**

Y-Connector  
 223/00243/00 ..... 85

**W**

Warning Label  
 F8611601..... 9  
 44324001..... 9

Washer  
 F430339..... 73  
 F431115..... 87, 89  
 F431133..... 63, 65, 67  
 F431147..... 63, 65, 67  
 F431916..... 63, 65, 67  
 F431929..... 63, 65, 67  
 F8193101..... 69  
 F8201101..... 43, 45, 47, 49, 51, 53, 55, 57  
 F8402701..... 71  
 M400080..... 71  
 M400081..... 71  
 M405535..... 61

Water Hose Kit  
 F8665601..... 79, 81, 83, 85  
 F8665602..... 79, 81, 83, 85  
 F8665603..... 79, 81, 83, 85  
 F8665604..... 79, 81, 83, 85

Water Level Pressure Switch  
 F8609101..... 11, 13, 15, 91

Wire Clip  
 F8449501..... 11, 13, 15, 17  
 70347601..... 17  
 70366201..... 11, 13, 15

Wire Label  
 44286804..... 29, 33, 35

Wireless Harness  
 F8520403..... 17  
 F8520404..... 17  
 F8674003..... 17  
 F8674004..... 17

Wireless Kit  
 F8662401..... 17  
 F8662402..... 17  
 F8676001..... 17  
 F8676101..... 17

Wireless Network Control Assembly  
 203532..... 17

N/A items do not appear in index.

